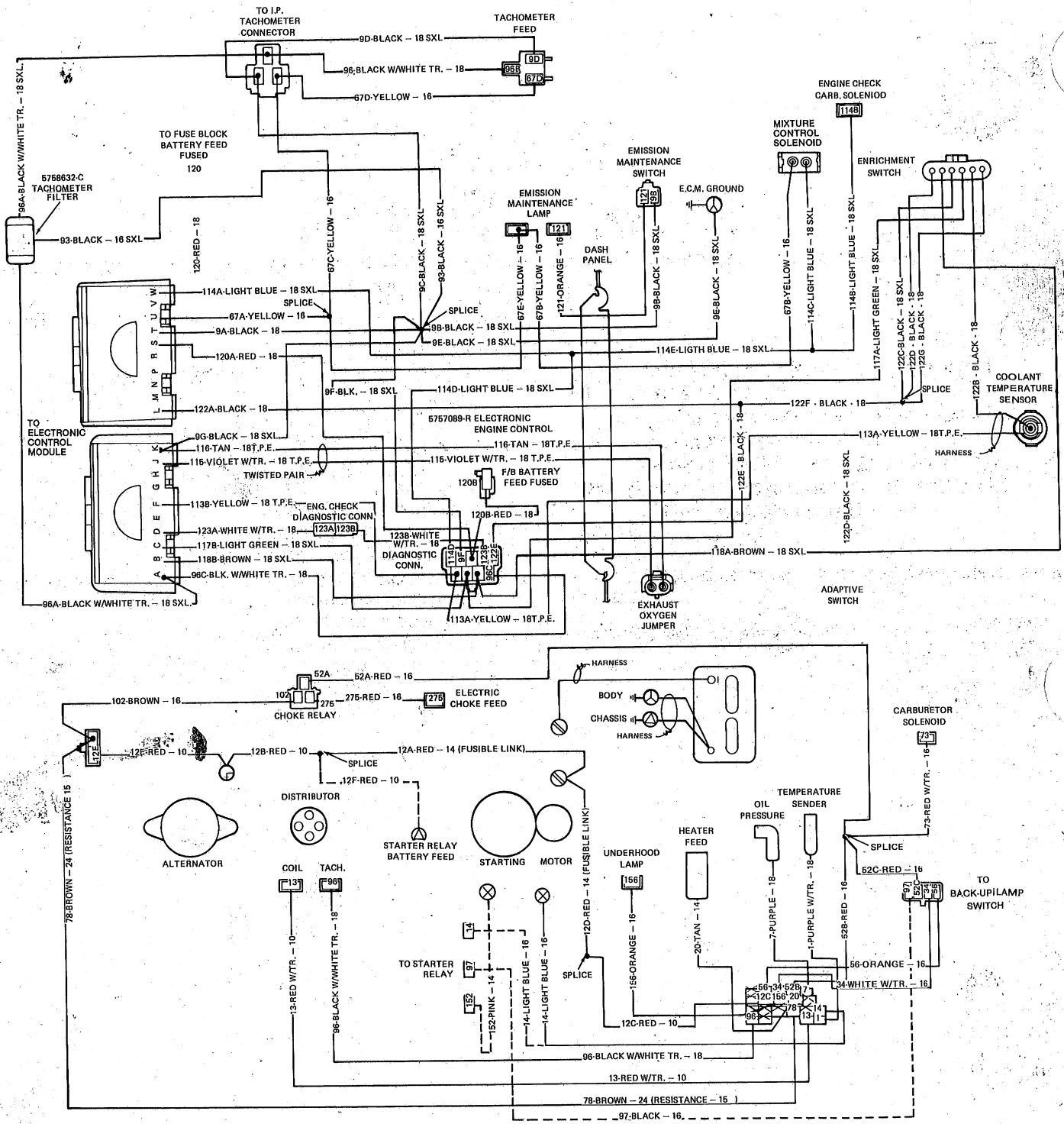


WIRING DIAGRAMS

	Page	INDEX	Page
Accessory Diagrams—CJ and Scrambler-Cherokee-Wagoneer-Truck Models	W-9	Wiring Diagram—8-Cylinder Engine—Cherokee-Wagoneer-Truck Models	W-5
Wiring Diagram—Engine Compartment—4-Cylinder Engine California—CJ and Scrambler Models	W-2	Wiring Diagram—Power Seat	W-8
Wiring Diagrams—Feedback System—6-Cylinder Engine—CJ and Scrambler-Cherokee-Wagoneer-Truck Models	W-7	Wiring Diagram—Radio Power AMP	W-4
Wiring Diagram—Six-Cylinder Engine—CJ and Scrambler	W-3	Wiring Diagram—Trailer Towing Package	W-6

NOTE: All reference to CJ vehicles also pertains to Scrambler vehicles.

W-2 WIRING DIAGRAMS



5757084-R 4 CYL. ENG. (AUTO. TRANS.)
 5768597-R 4 CYL. ENG. (MANUAL TRANS.)
 CIRCUIT SYMM. MANUAL TRANS. _____ AUTO. TRANS. - - - - -

WIRING DIAGRAM 4-CYLINDER ENGINE CALIFORNIA CJ MODELS

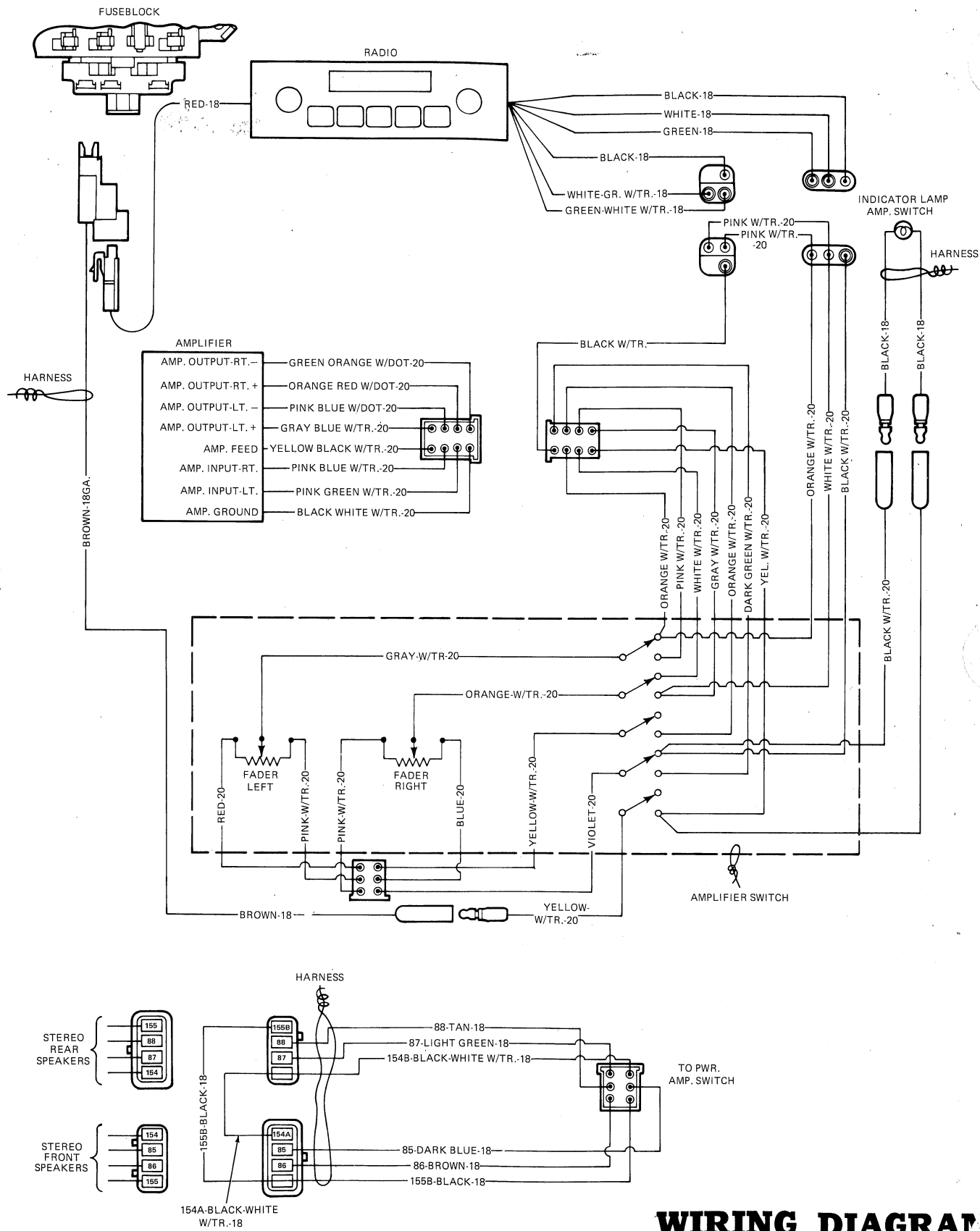
**WIRING DIAGRAM
6-CYLINDER ENGINE
CJ MODELS**

COMPONENT GRID LOCATOR 6-CYLINDER ENGINE CJ MODELS

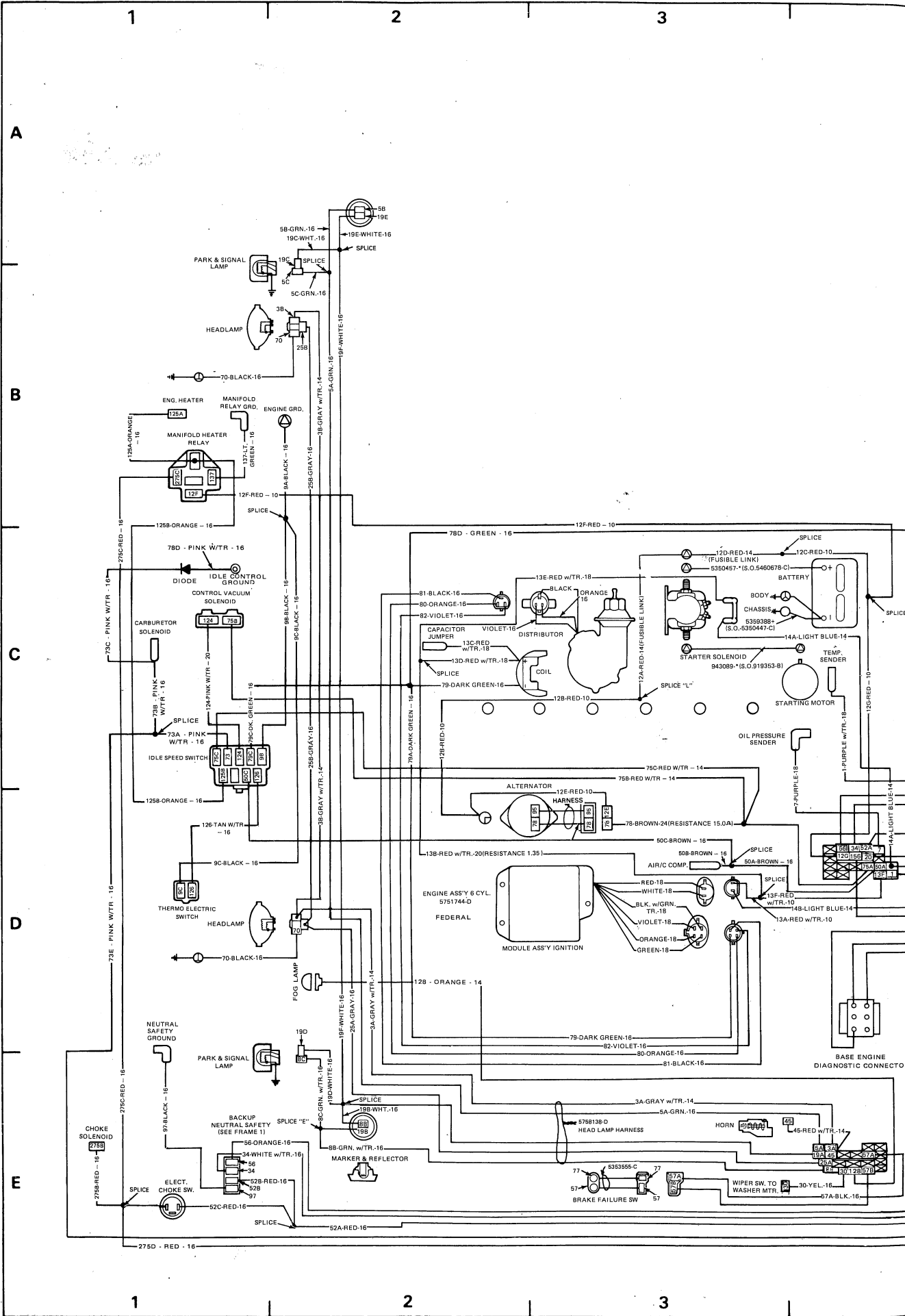
NOMENCLATURE	LOCATION
Air Conditioning Compressor	D-3
Alternator	D-3
Back-Up Lamp, Right Side	C-11
Back-Up Lamp, Left Side	D-11
Back-Up Light Switch Automatic Transmission	D-9
Back-Up Light Switch Manual Transmission	C-9,D-9
Back-Up Neutral Safety Switch	E-1
Battery	C-4
Body Ground	C-3
Brake Failure Switch	E-3
Brake Warning Lamp	C-6
Capacitor Jumper	C-2
Chassis Ground	C-3
Choke Solenoid	E-1
Cigar Lighter	B-5
Clock	B-9
Coil	C-3
Control Vacuum Solenoid	C-1
Cruise Control	D-5
Dimmer Switch	D-5
Distributor	C-3
Electric Choke Switch	E-1
Engine Heater	B-1
Fog Lamp	D-2
Fog Lamp Relay	D-7
Fog Lamp Switch	C-7
Four Wheel Drive Indicator	D-9
Four Wheel Drive Indicator Lamp	B-6
Fuel Gage	B-7
Fuel Sender	D-10
Headlamp, Left Side	D-1
Headlamp, Right Side	B-1
Heater Motor	C-4
Heater Switch	B-5
High Beam Indicator	D-5
Horn	E-3
Horn Relay	C-6
Ignition Switch	C-7
Light Switch Lamp	D-7
Low Beam L/P	D-5
Manifold Heater Relay	B-1
Marker and Reflector, Left Side, Front	E-2
Marker and Reflector, Right Side, Front	A-2
Marker and Reflector, Left Side, Rear	E-10
Marker and Reflector, Right Side, Rear	B-10
Module Assembly Ignition	D-3
Neutral Safety Ground	E-1
Neutral Safety Switch	D-9

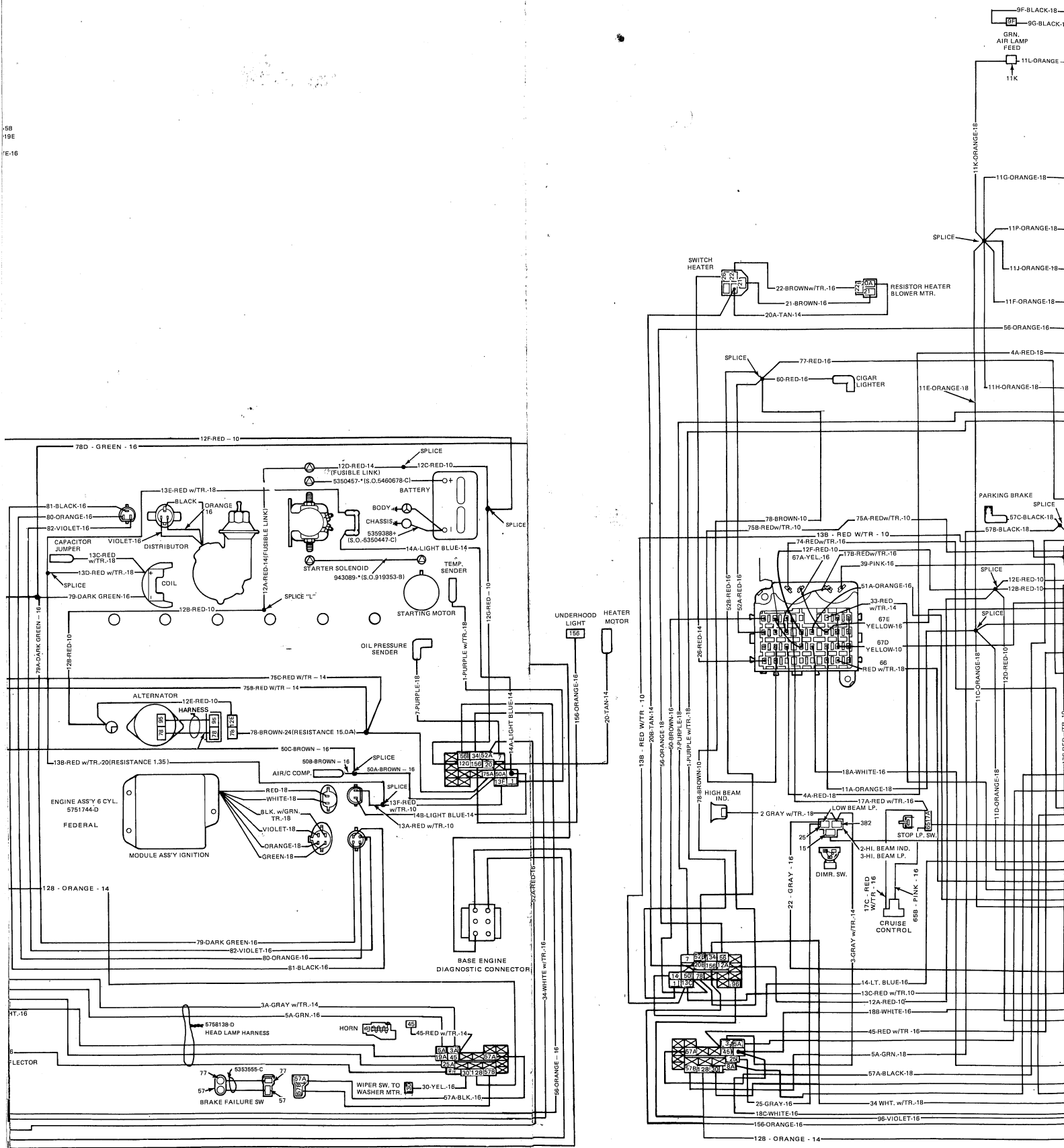
NOMENCLATURE	LOCATION
Oil Gauge	B-7
Oil Lamp Gauge	B-6
Oil Pressure Sender	D-3
Panel Lamp	B-6
Park and Signal Lamp, Left Side	D-1
Park and Signal Lamp, Right Side	A-1
Parking Brake	C-6
Resistor, Heater Blower Motor	B-5
Splice A	A-2
Splice B	B-2
Splice C	C-2
Splice D	E-2
Splice E	E-2
Splice F	E-2
Splice G	A-3
Splice H	A-3
Splice I	A-3
Splice J	B-3
Splice K	C-3
Splice L	C-3
Splice M	D-4
Splice N	B-5
Splice O	B-5
Splice P	C-5
Splice Q	B-6
Splice R	B-6
Splice S	C-6
Splice T	C-6
Splice U	C-6
Splice V	C-6
Splice W	C-6
Splice X	D-7
Splice Y	E-8
Starting Motor	C-4
Starter Solenoid	C-3
Stoplamp Switch	D-5
Tachometer	A-10
Tail and Stop Lamp, Left Side	D-11
Tail and Stop Lamp, Right Side	C-11
Temperature Gauge	B-7
Temperature Sender	C-4
Thermo Electric Switch	D-1
Turn Signal Switch	D-6
Underhood Light	C-4
Voltmeter Gauge	B-7
Voltmeter Lamp	B-6
Windshield Wiper and Washer Lamp	D-7
Windshield Wiper Motor	C-9
Windshield Wiper and Washer Switch	D-7

W-4 WIRING DIAGRAMS

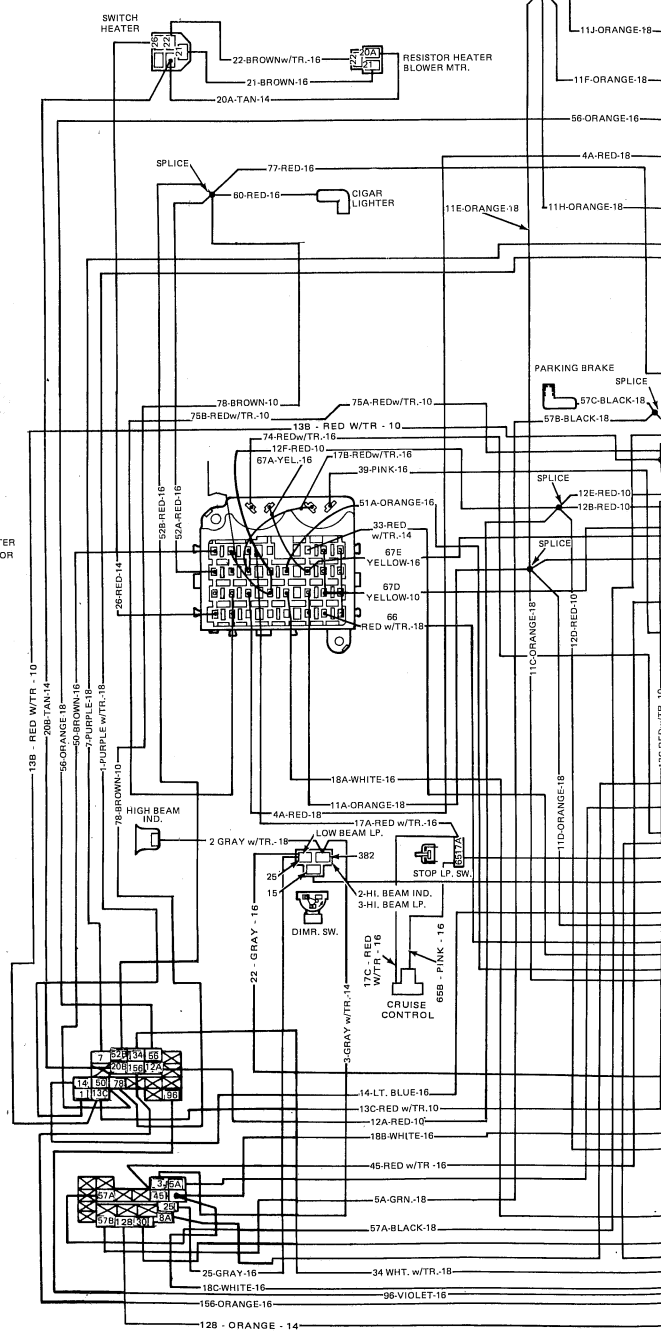
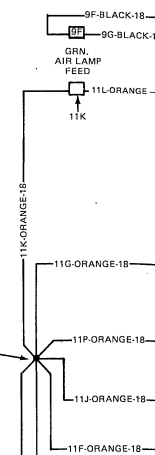


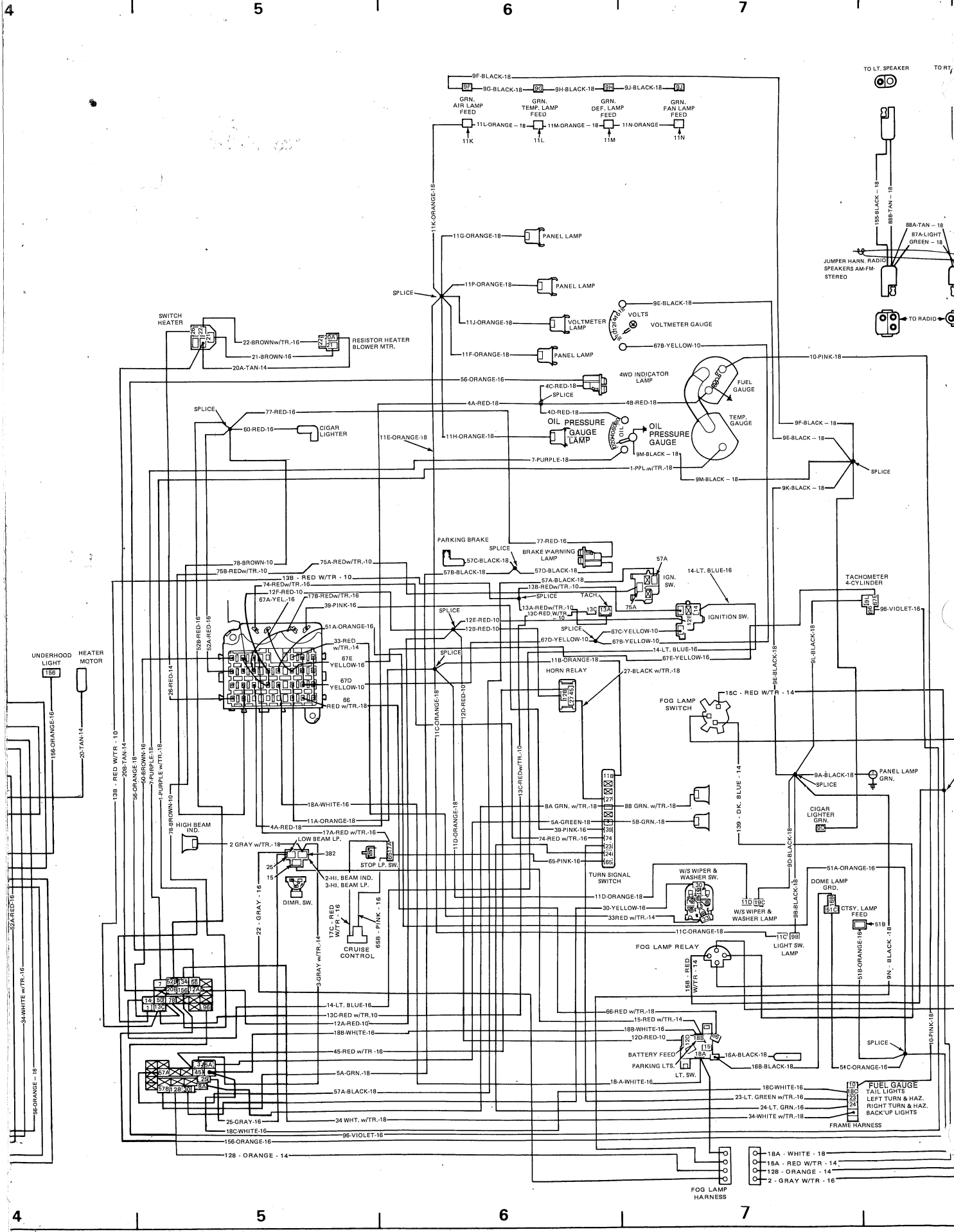
WIRING DIAGRAM RADIO POWER AMP.





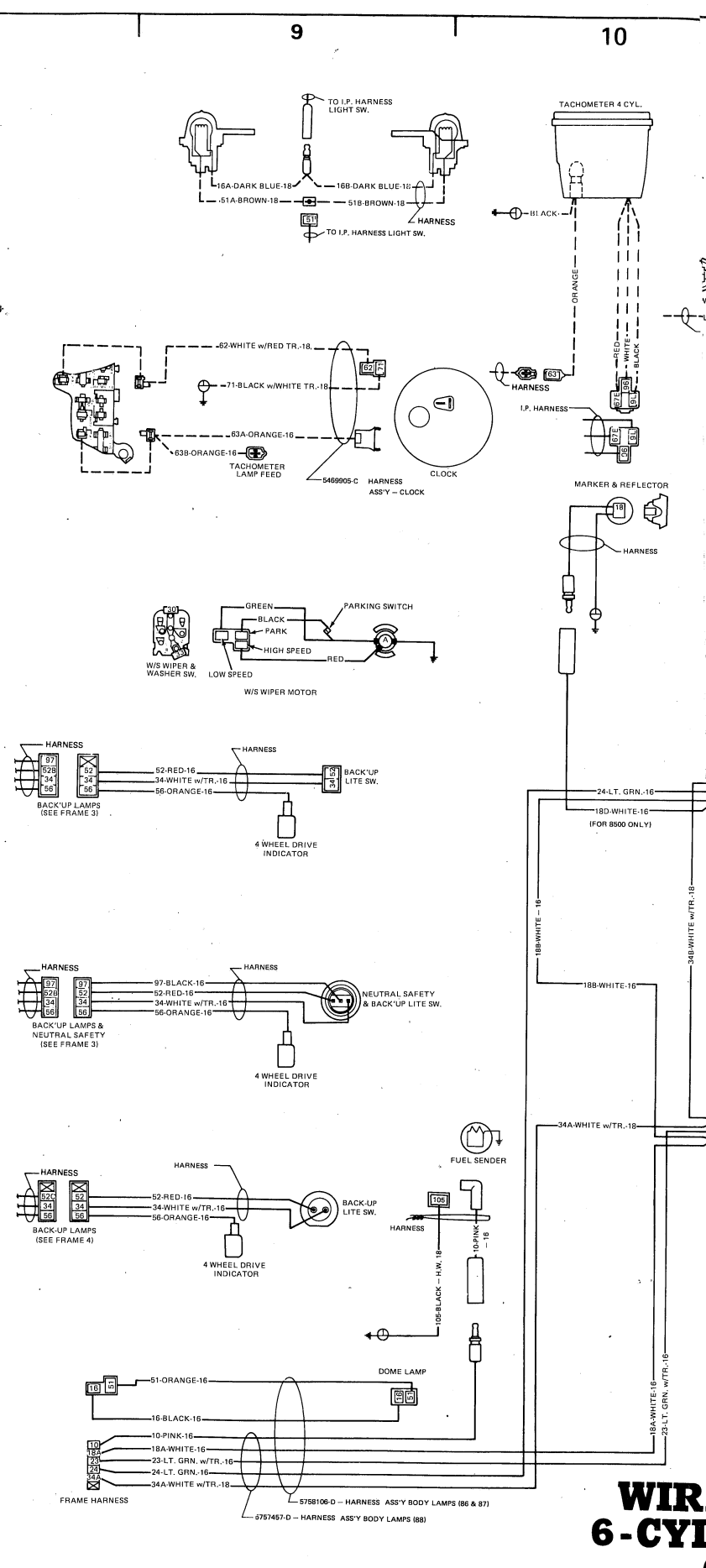
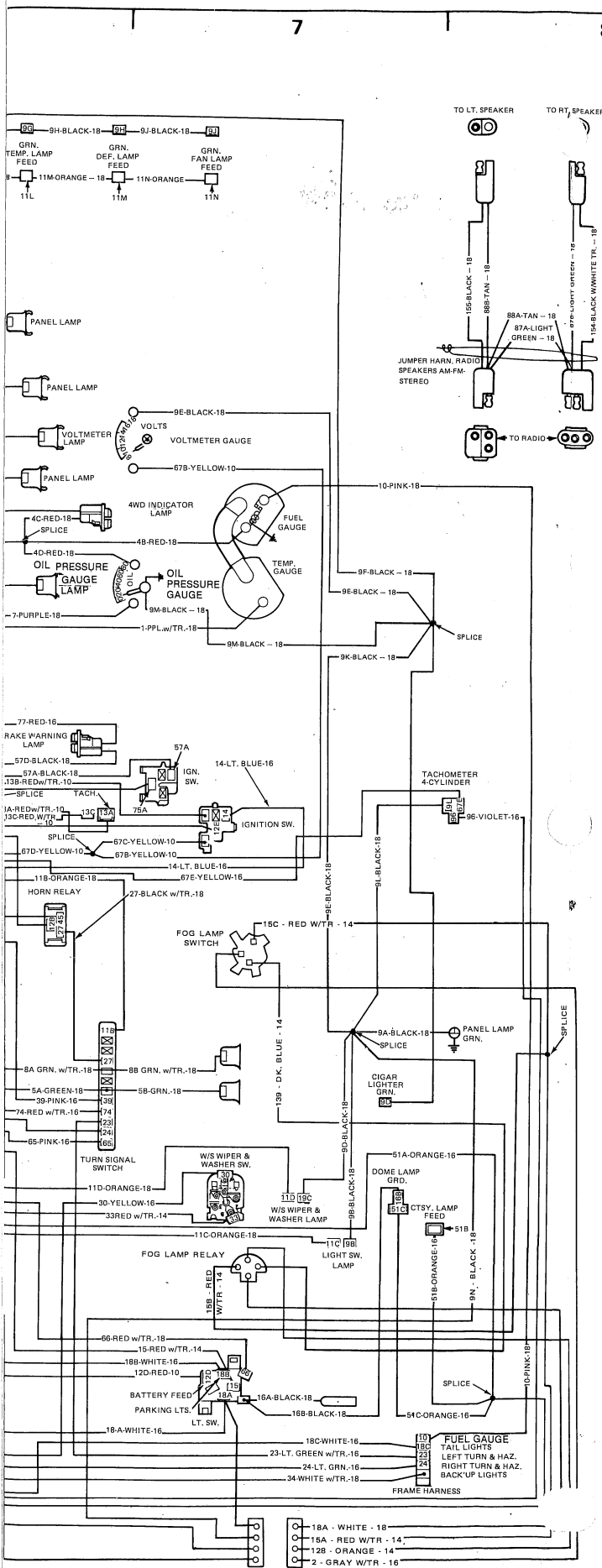
5B
19E
16:16



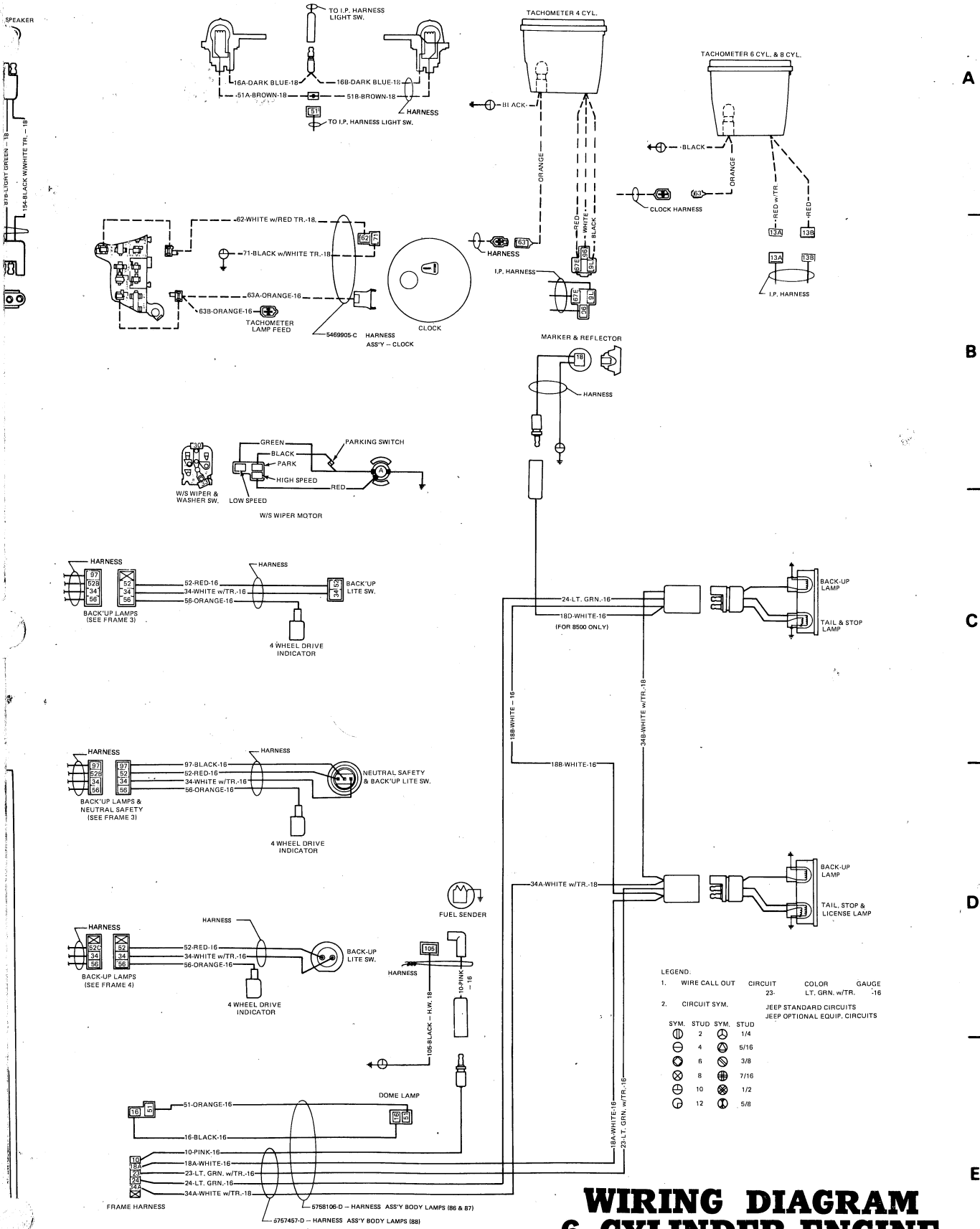


- 18A - WHITE - 18
- 15A - RED WTR - 14
- 12B - ORANGE - 14
- 2 - GRAY WTR - 16

FOG LAMP HARNESS



WIRING
6-CYL



WIRING DIAGRAM 6-CYLINDER ENGINE CJ MODELS

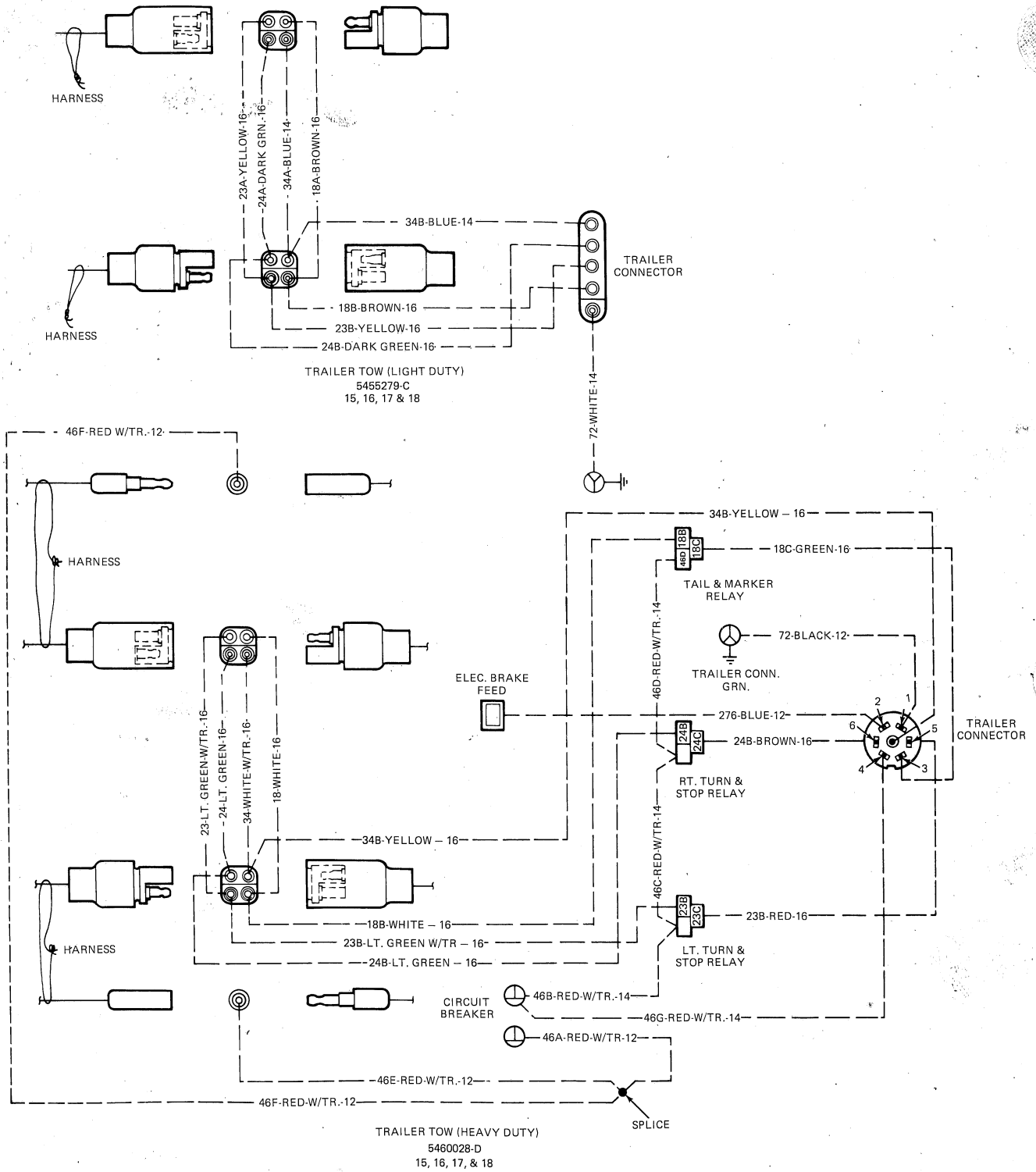
**WIRING DIAGRAM
8-CYLINDER ENGINE
CHEROKEE - WAGONEER - TRUCK**

COMPONENT GRID LOCATOR 8-CYLINDER ENGINE CHEROKEE - WAGONEER - TRUCK

NOMENCLATURE	LOCATION
Air Conditioning Compressor	C-3
Alternator	B-2
Ammeter	B-6
Backup Lamp, Left Side, Right Hand 25, 26, 27	B-10
Backup Lamp, Right Side, Left Hand 25, 26, 27	C-10
Battery	A-4
Body Ground	A-4
Brake Warning	E-8
Brake Light Feed	A-8
Capacitor Jumper	A-2
Cargo Lamp	B-9
Cargo Lamp Switch	C-9
Chassis Ground	A-4
Cigar Lighter	B-6
Cluster Connection	C-6
Coil	B-2
Cruise Control Regulator	A-12
Courtesy Lamp	B-8,D-8
Defogger — Optional	D-14
Defogger — Switch	D-7
Digital Clock	C-8
Dimmer Switch	D-6
Directional Signal, 16, 17, 18 Only	B-7
Distributor	C-2
Dome Lamp	D-8
Dome LP	C-12
Door Switch, Left and Right Hand	B-10,D-10
Electric Choke	C-2
Electric Choke Switch	C-2
Fog Lamp Relay	E-9
Four Wheel Drive Indicator Lamp	B-5
Fuel Sender	E-9
Glove Box Light	B-13
Headlamp, Left Side	D-1
Headlamp, Right Side	B-1
Heater Blower Motor	D-3
Heater Control Switch	C-8
Heater Lamps	C-6
Horns	E-3
Horn Relay	D-6
Ignition Switch, Left Side	B-6
Ignition Switch, Right Side	A-6
Light Switch	D-7
License Lamp, 25, 26, 27	C-10
License Lamp, 16, 17, 18	C-11
License Lamp	D-14
Marker and Reflector Lamp, 16, 17, 18, Right Hand	B-11
Marker and Reflector Lamp, 16, 17, 18, Left Hand	D-11
Marker and Reflector Lamp, Left Side	E-2
Marker and Reflector Lamp, Right Side	A-2

NOMENCLATURE	LOCATION
Marker and Reflector Lamp, R.H. Side, 25, 26, 27	B-10
Marker and Reflector Lamp, L.H. Side, 25, 26, 27	C-10
Module Assembly Ignition	C-2
Oil Pressure	C-4
Park and Signal Lamp, Left Side	D-1
Park and Signal Lamp, Right Side	B-1
Parking Brake Warning Switch	C-6
Relay	B-12
Seat Belt Buzzer	A-5
Seat Belt Lamp	E-7
Seat Belt Timer	D-7
Splice A	B-2
Splice B	B-2
Splice C	B-2
Splice D	D-2
Splice E	D-2
Splice F	D-2
Splice G	B-3
Splice H	C-3
Splice I	B-3
Splice K	B-5
Splice L	C-5
Splice M	B-5
Splice N	B-6
Splice O	B-6
Splice P	C-6
Splice Q	B-6
Splice R	C-7
Splice S	D-7
Splice T	C-9
Splice U	C-13
Splice Z	C-3
Starter Solenoid	B-3
Starting Motor	B-3
Stop Light Switch	A-7
Stop Light Switch and Cruise Control	B-12
Tail and Stoplamp, Right Hand Side	B-10
Tail and Stoplamp, Left Hand Side	C-10
Tailgate Switch	D-7
Tail, Stop and Backup Lamp, 16, 17, 18, Right Hand	B-11
Tail, Stop and Backup Lamp, 16, 17, 18, Left Hand	D-11
Tail and Stop Lamp, 25, 26, 27, Right Hand	B-10
Tail and Stop Lamp, 25, 26, 27, Left Hand	C-10
Temperature Sender	C-4
Timer Switch	C-14
Turn Signal Switch	A-6
Underhood Light	C-4
Washer Bottle	D-3
Windshield Wiper Motor	D-3
Windshield Wiper Switch	D-6

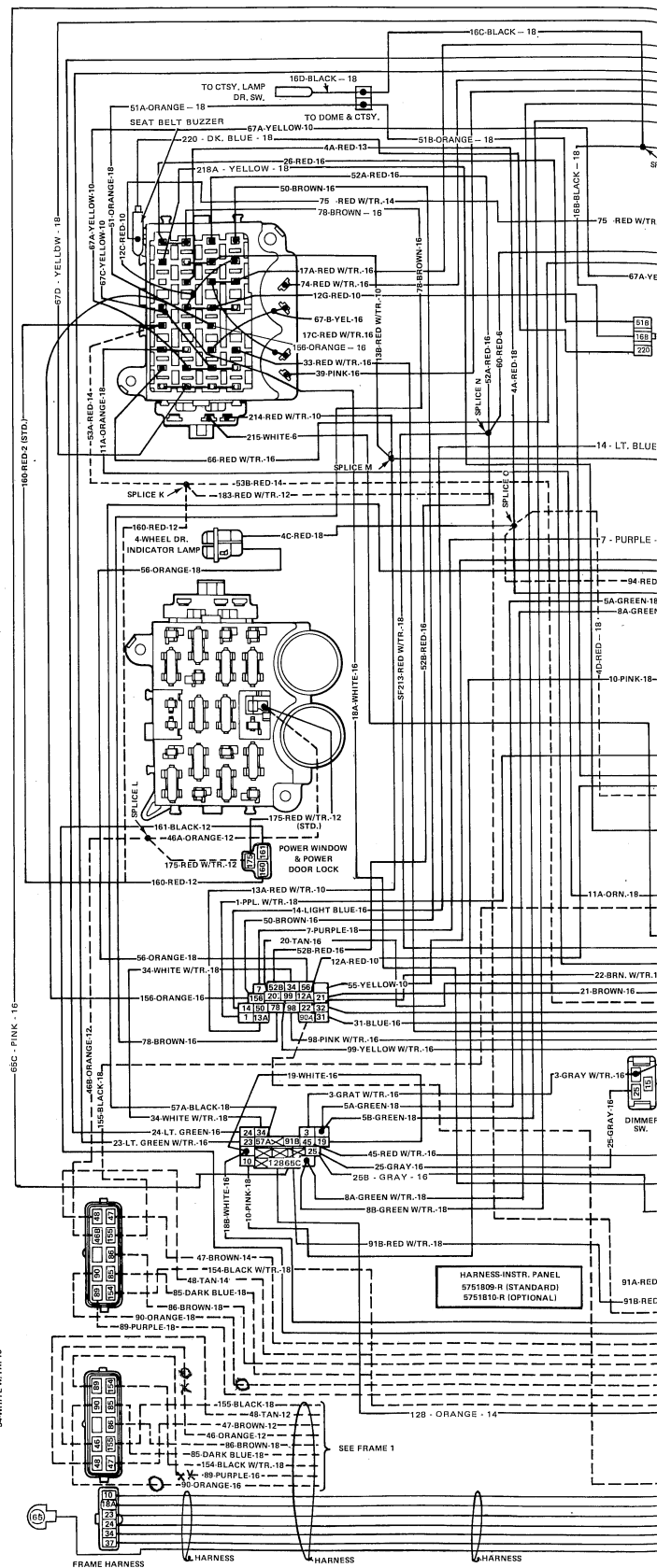
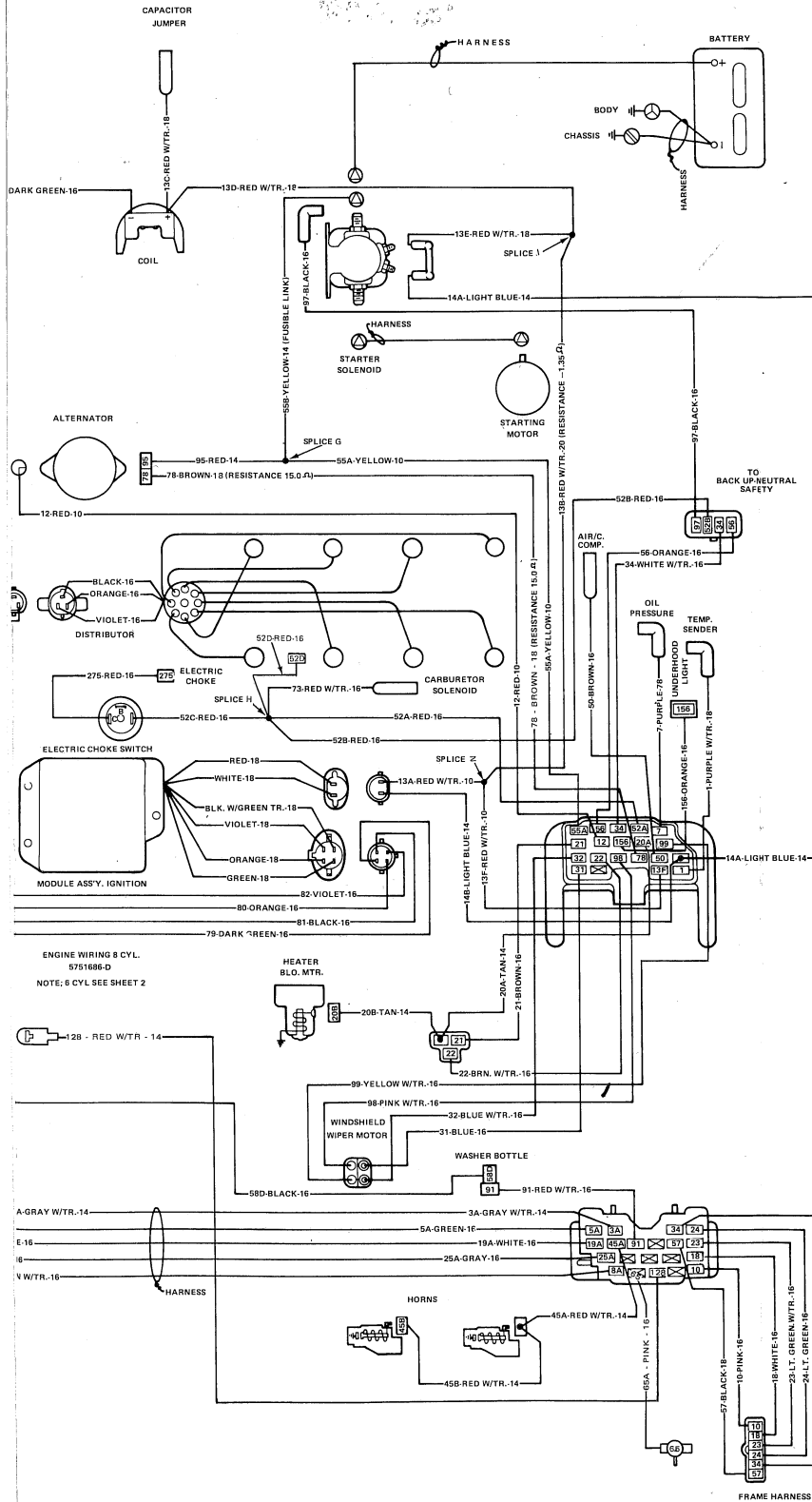
W-6 WIRING DIAGRAMS

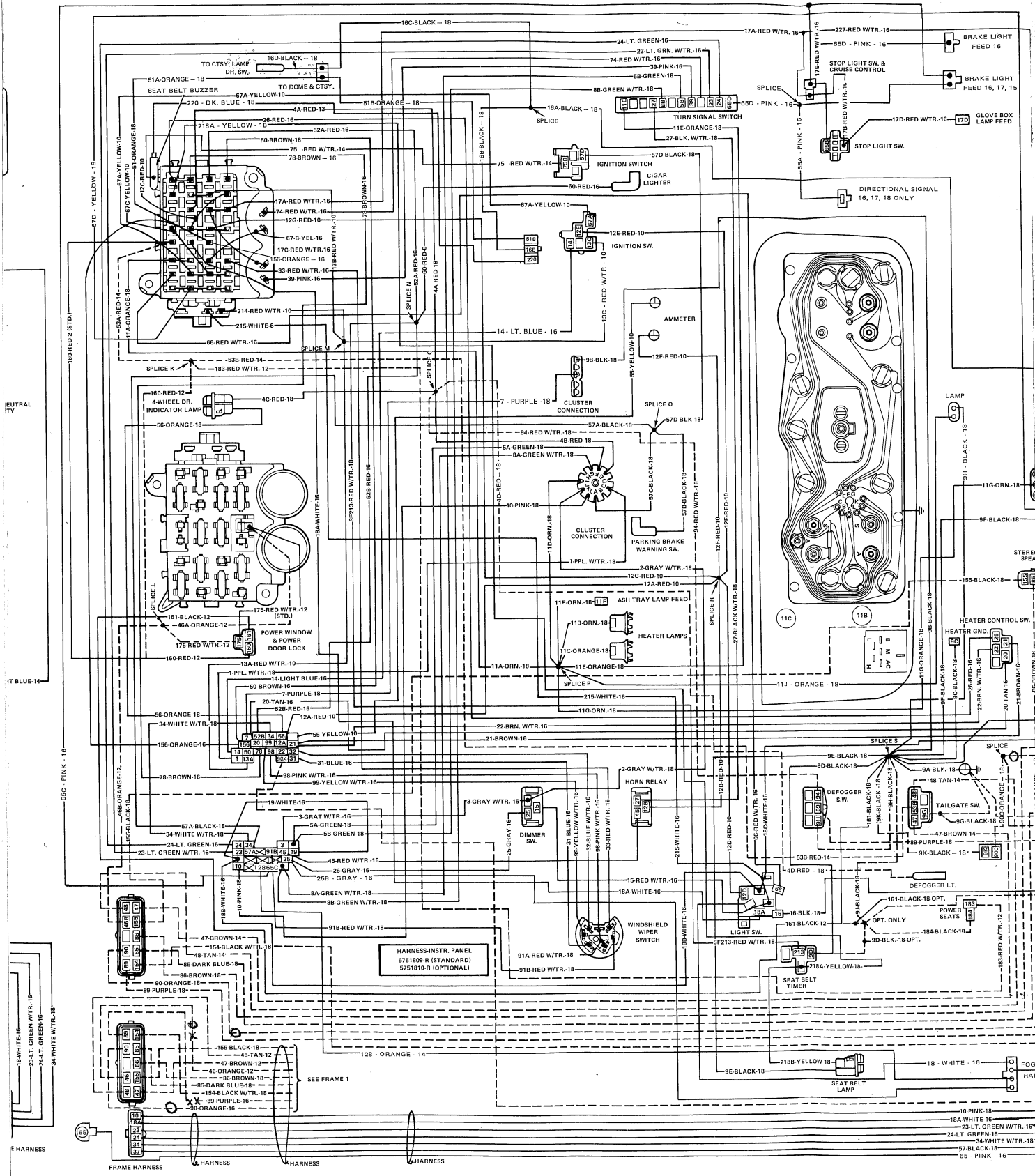


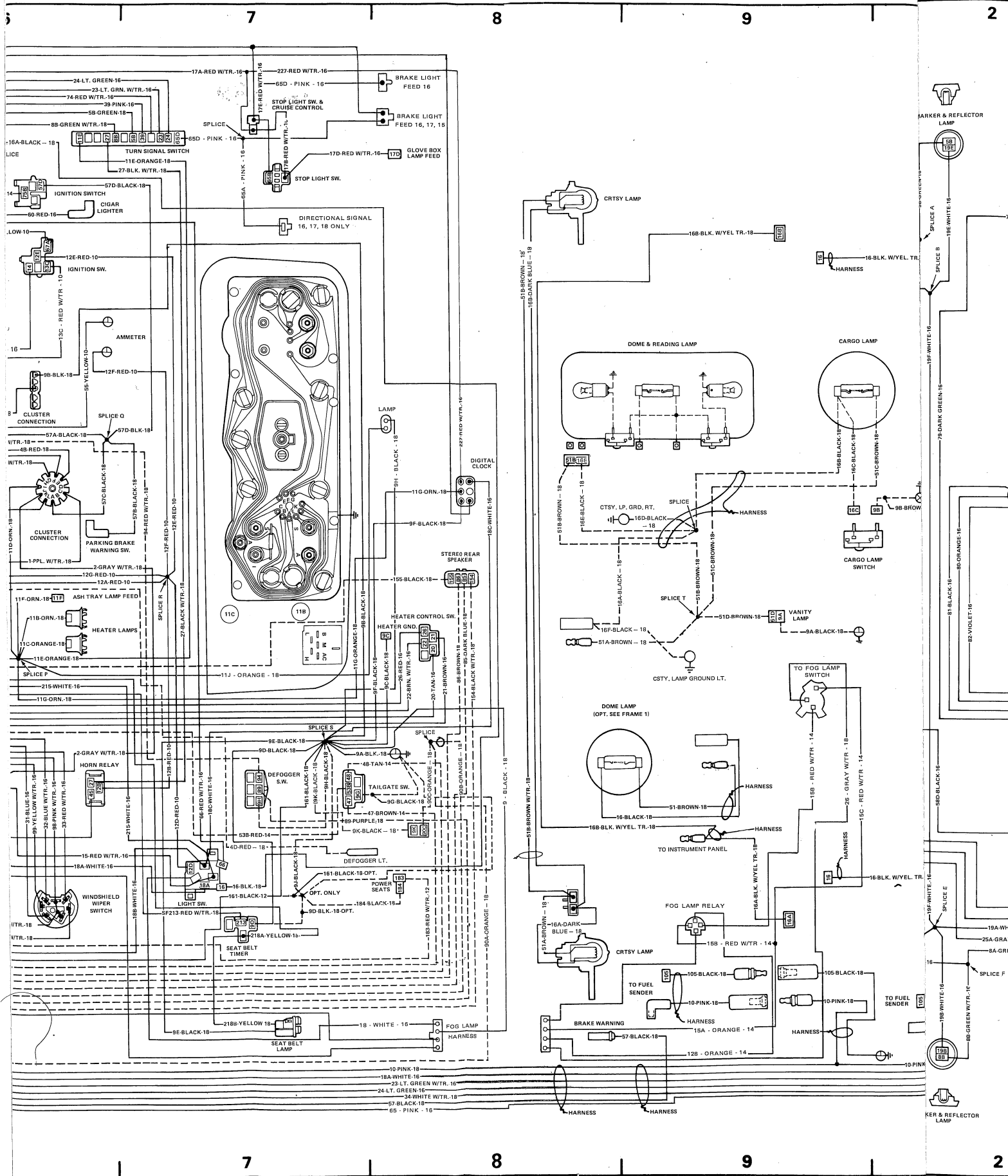
LEGEND:
 1. WIRE CALLOUT CIRCUIT COLOR GAUGE
 46A RED 12
 2. CIRCUIT SYM ——— STANDARD CIRCUITS
 - - - - - OPTIONAL EQUIP. CIRCUITS

SYM	STUD	SYM	STUD
⊕ #2	⊕ 1/4	⊗ #8	⊕ 7/16
⊕ #4	⊕ 5/16	⊕ #10	⊗ 1/2
⊕ #6	⊕ 3/8	⊕ #12	⊗ 5/8

**WIRING DIAGRAM
 TRAILER TOWING
 PACKAGE**





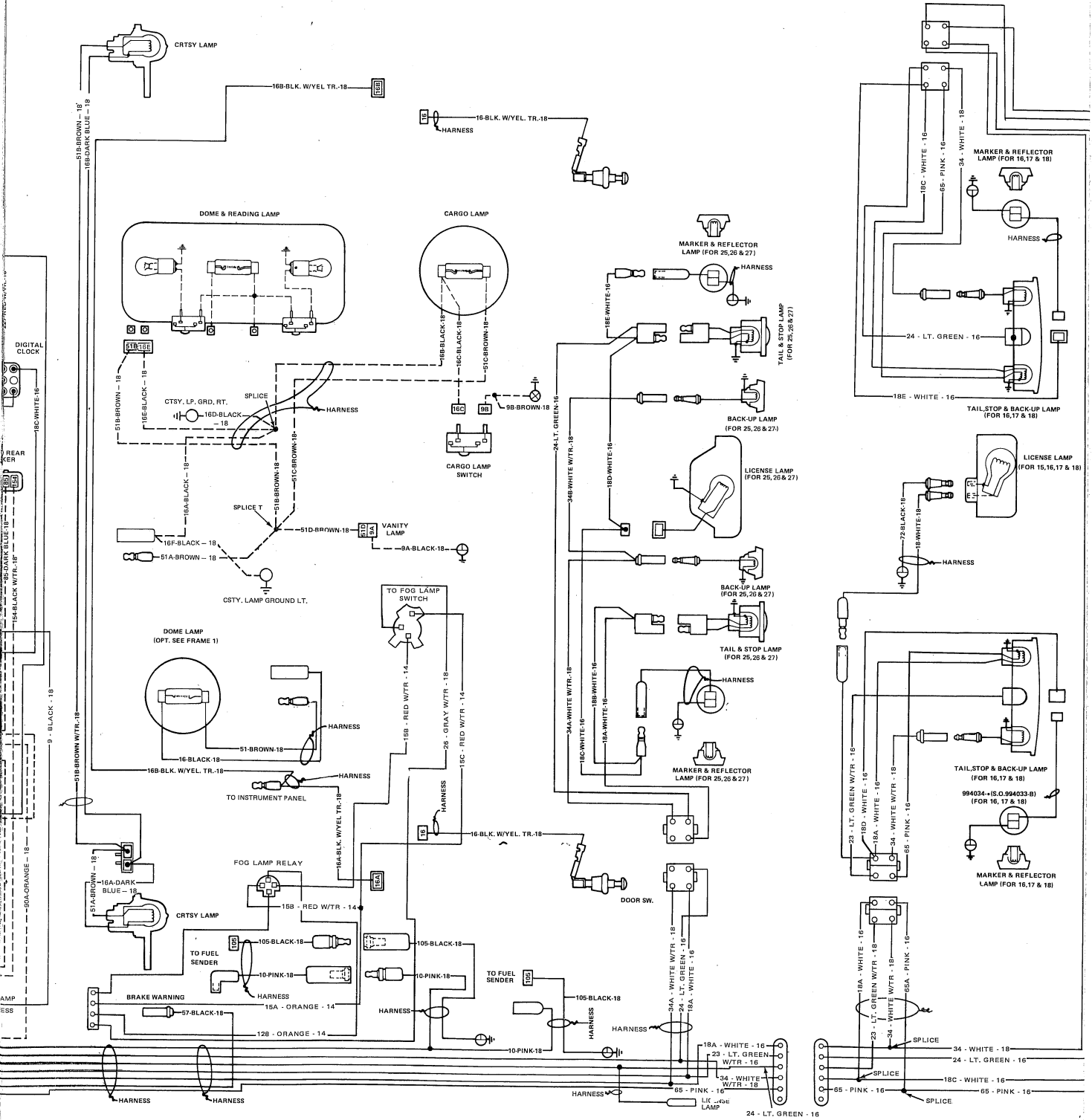


7

8

9

2

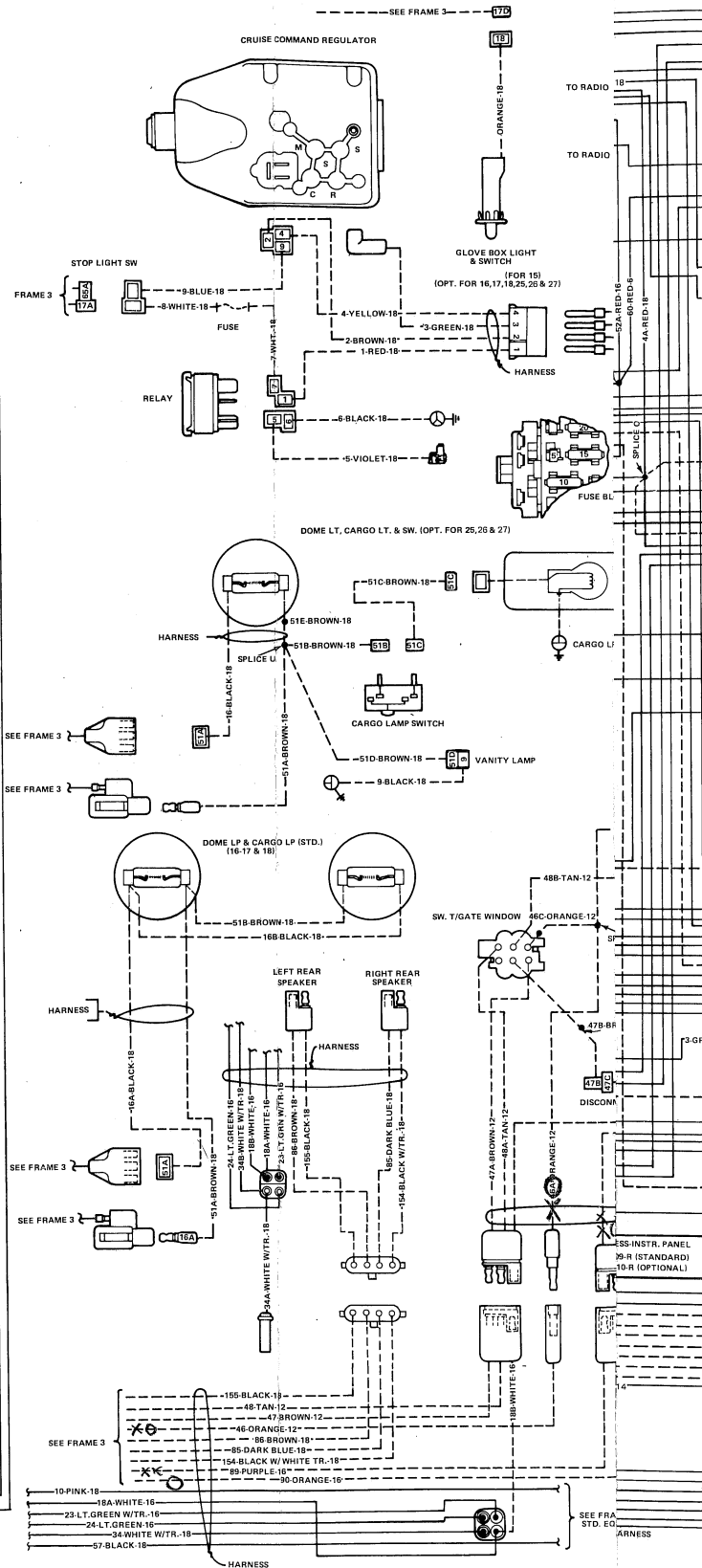
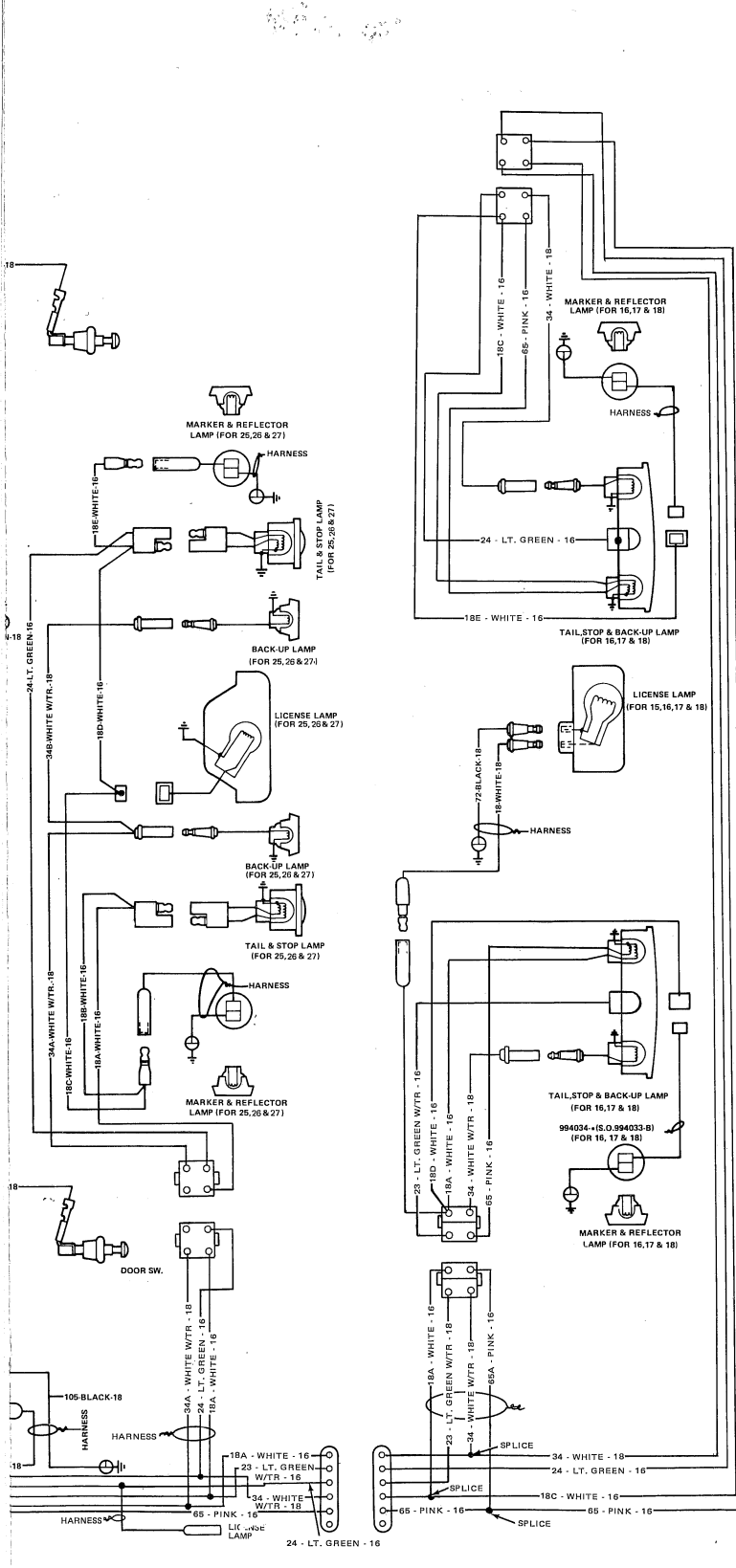


10

11

12

13

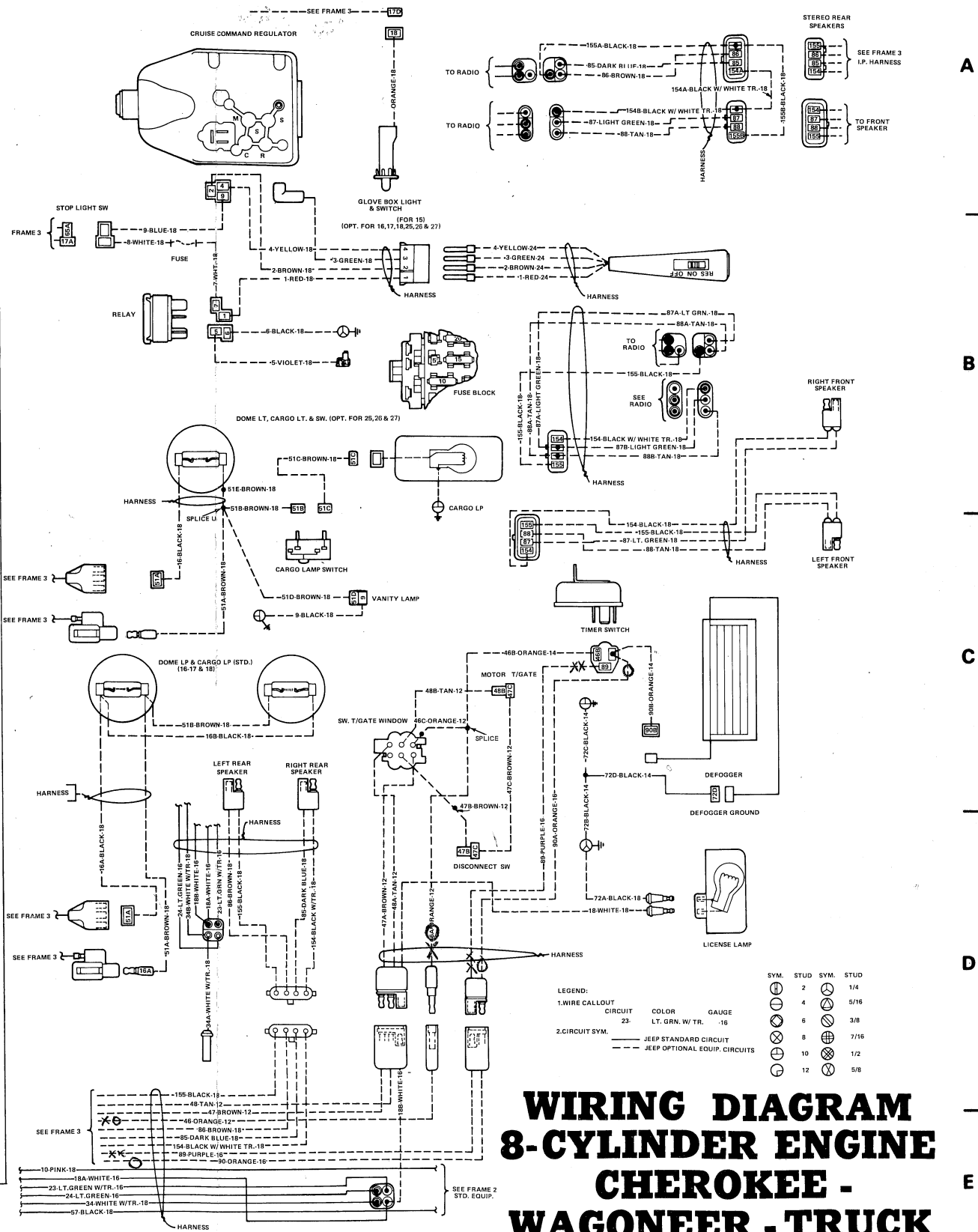


10

11

12

13



A

B

C

D

E

WIRING DIAGRAM 8-CYLINDER ENGINE CHEROKEE - WAGONEER - TRUCK

LEGEND:

1. WIRE CALLOUT

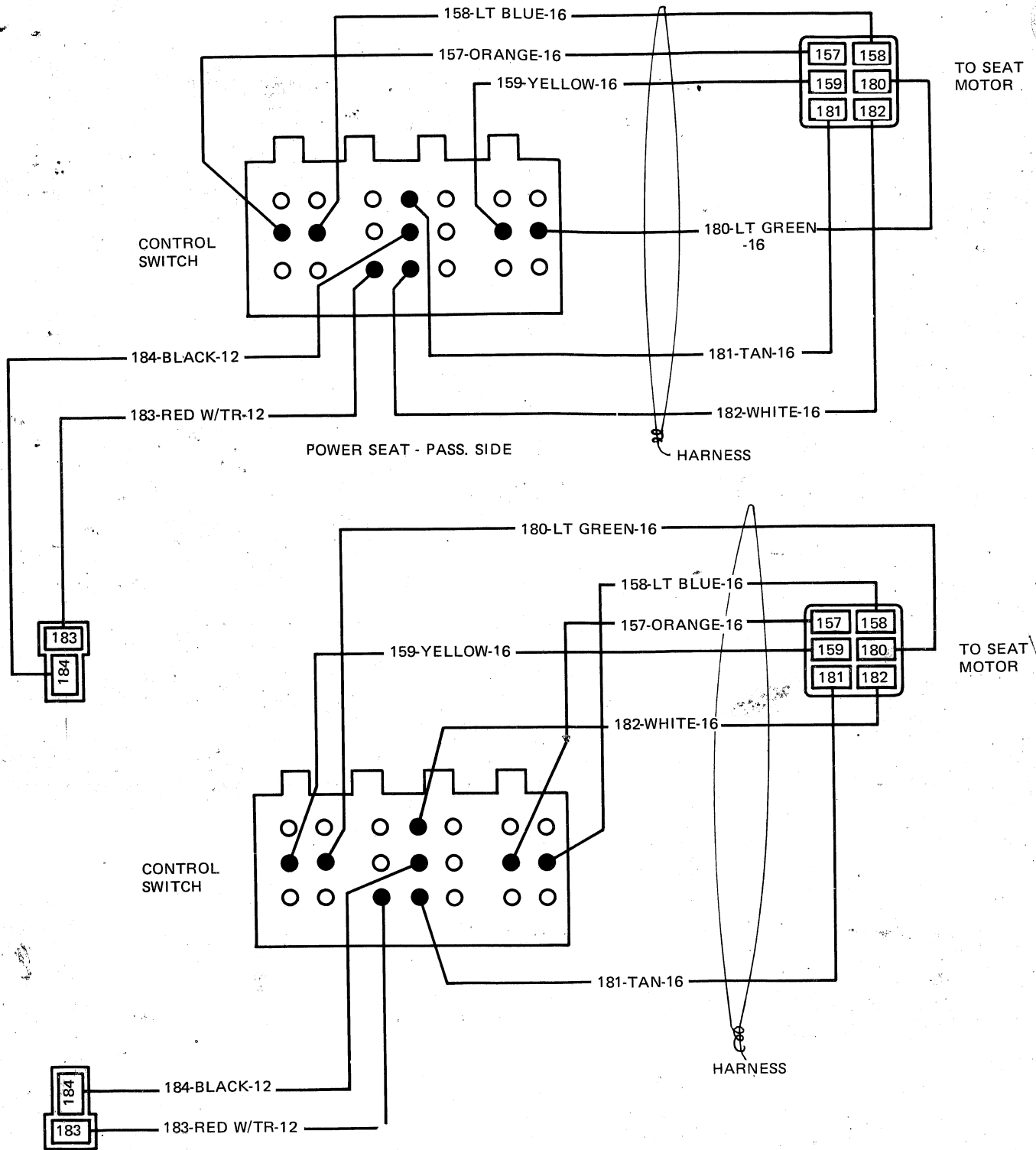
CIRCUIT	COLOR	GAUGE
23	LT. GRN. W/ TR.	16

2. CIRCUIT SYM.

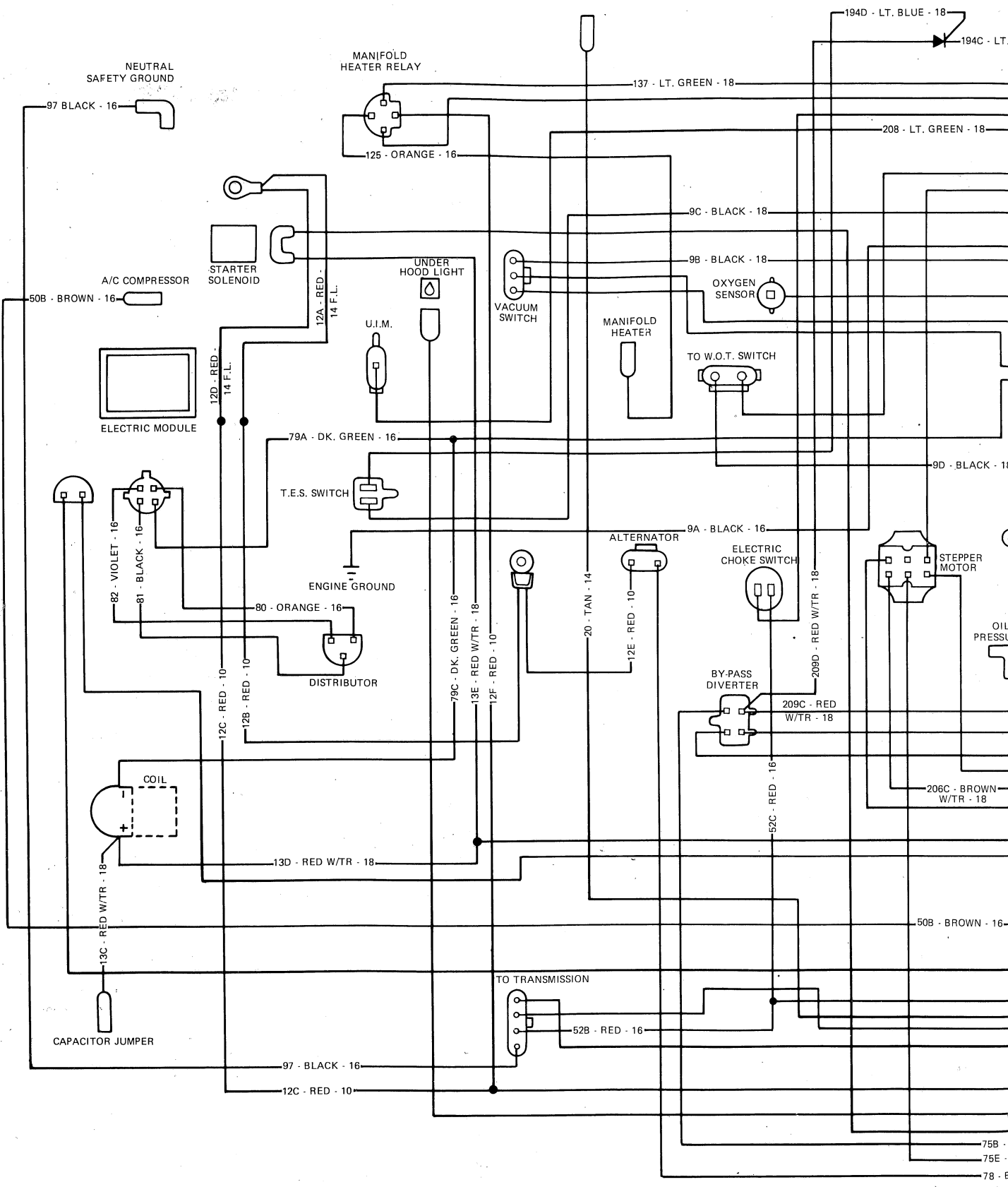
SYM.	STUD	SYM.	STUD
(Symbol)	2	(Symbol)	1/4
(Symbol)	4	(Symbol)	5/16
(Symbol)	6	(Symbol)	3/8
(Symbol)	8	(Symbol)	7/16
(Symbol)	10	(Symbol)	1/2
(Symbol)	12	(Symbol)	5/8

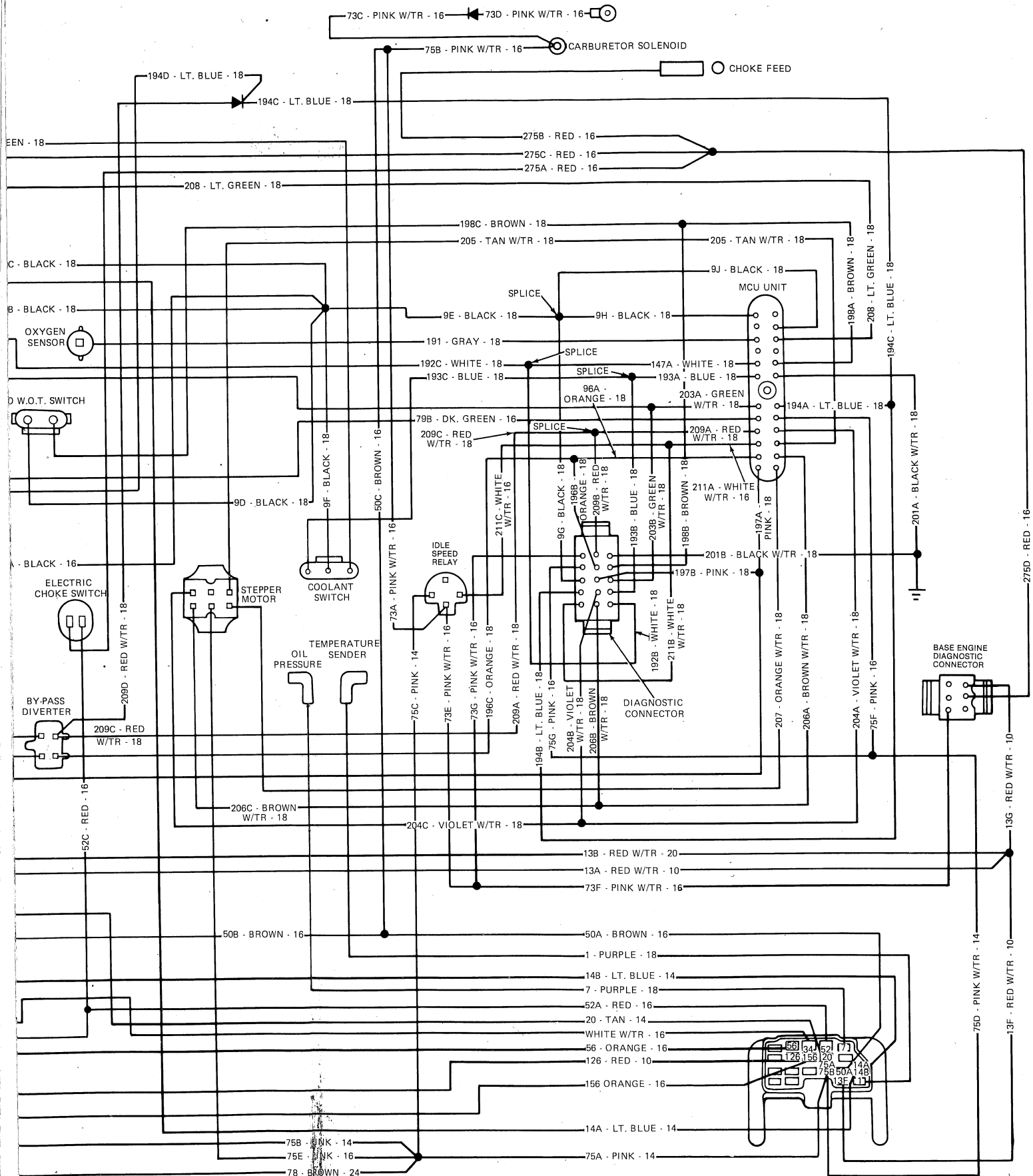
--- JEEP STANDARD CIRCUIT
- - - JEEP OPTIONAL EQUIP. CIRCUITS

**WIRING DIAGRAMS
FEEDBACK SYSTEM 6-CYLINDER
ENGINE CJ - CHEROKEE -
WAGONEER - TRUCK MODELS**

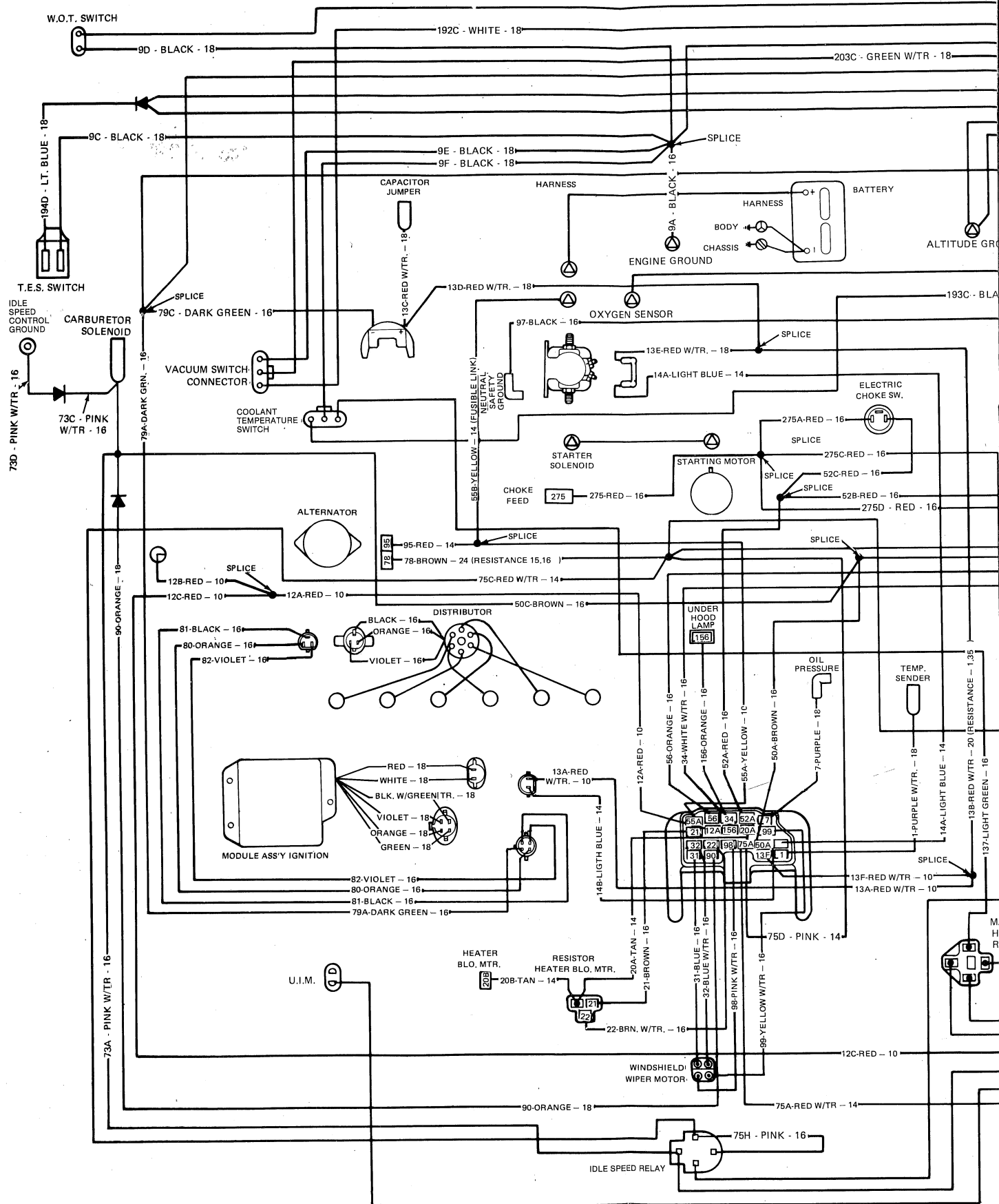


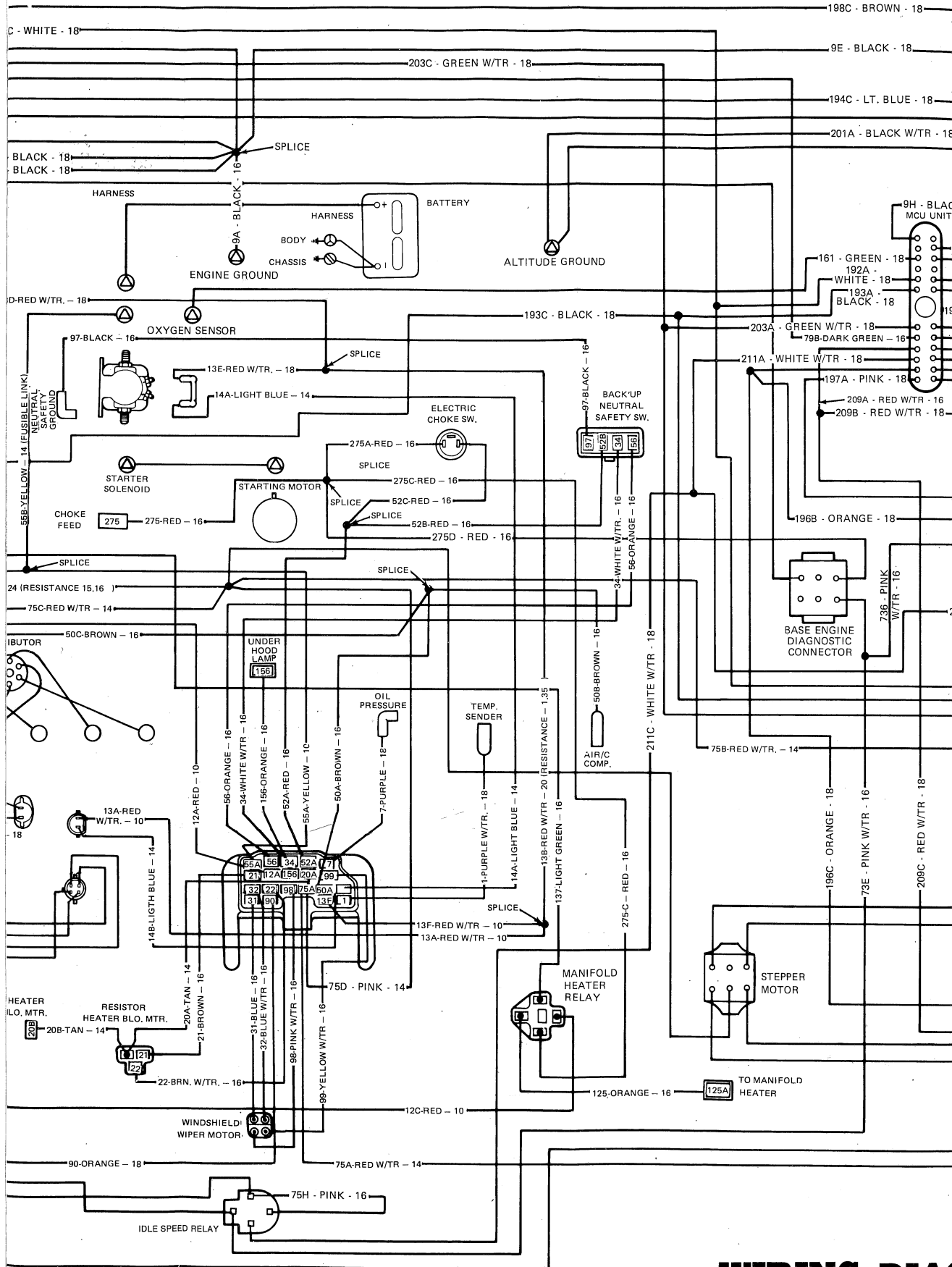
**WIRING DIAGRAM
POWER SEATS**



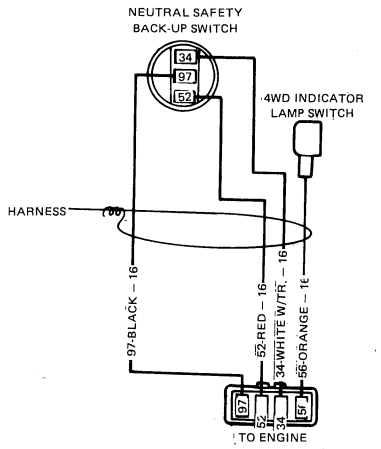
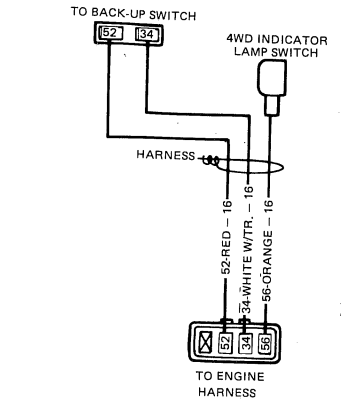
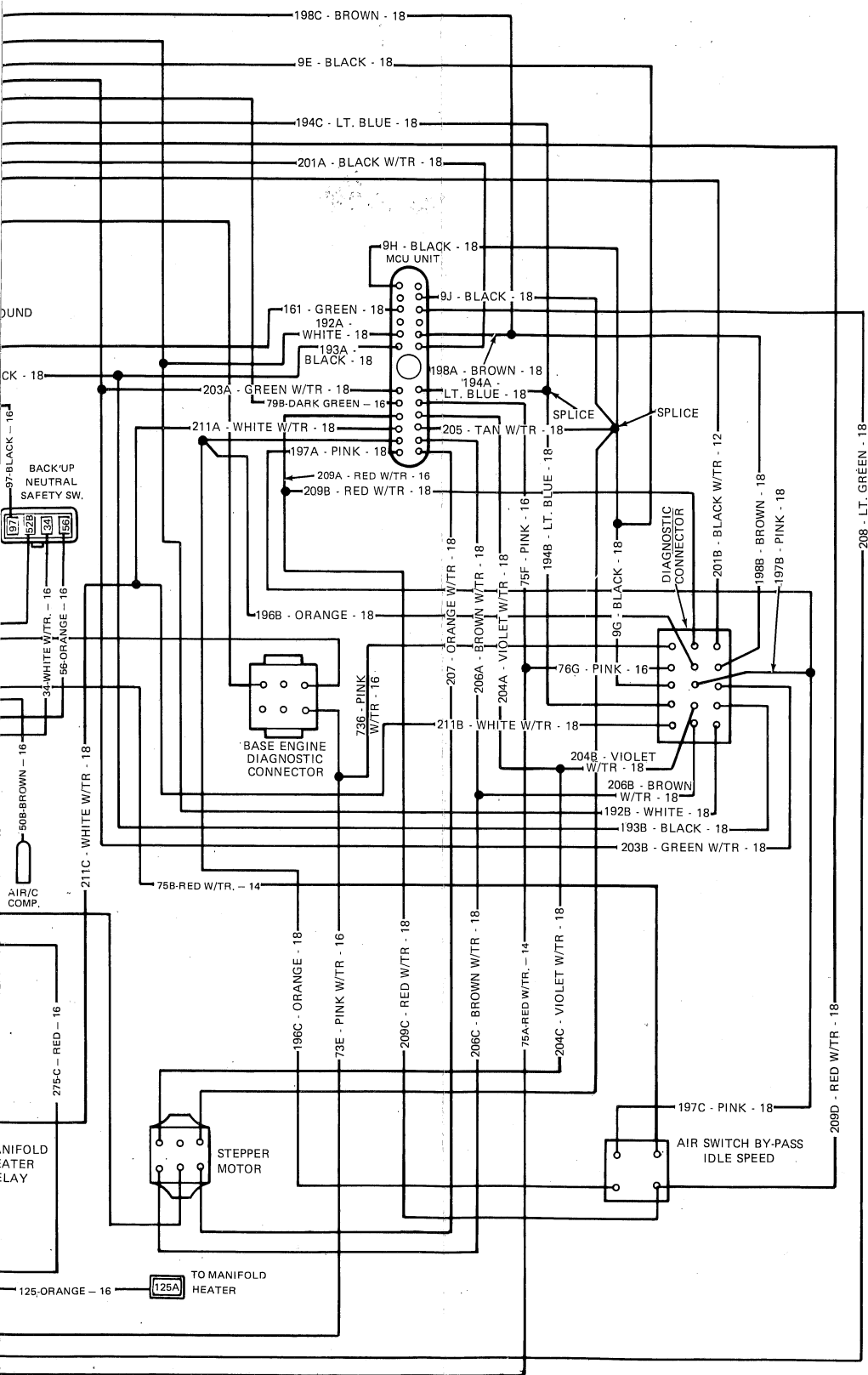


**WIRING DIAGRAM
 FEEDBACK SYSTEM
 6-CYLINDER ENGINE
 CJ MODEL**





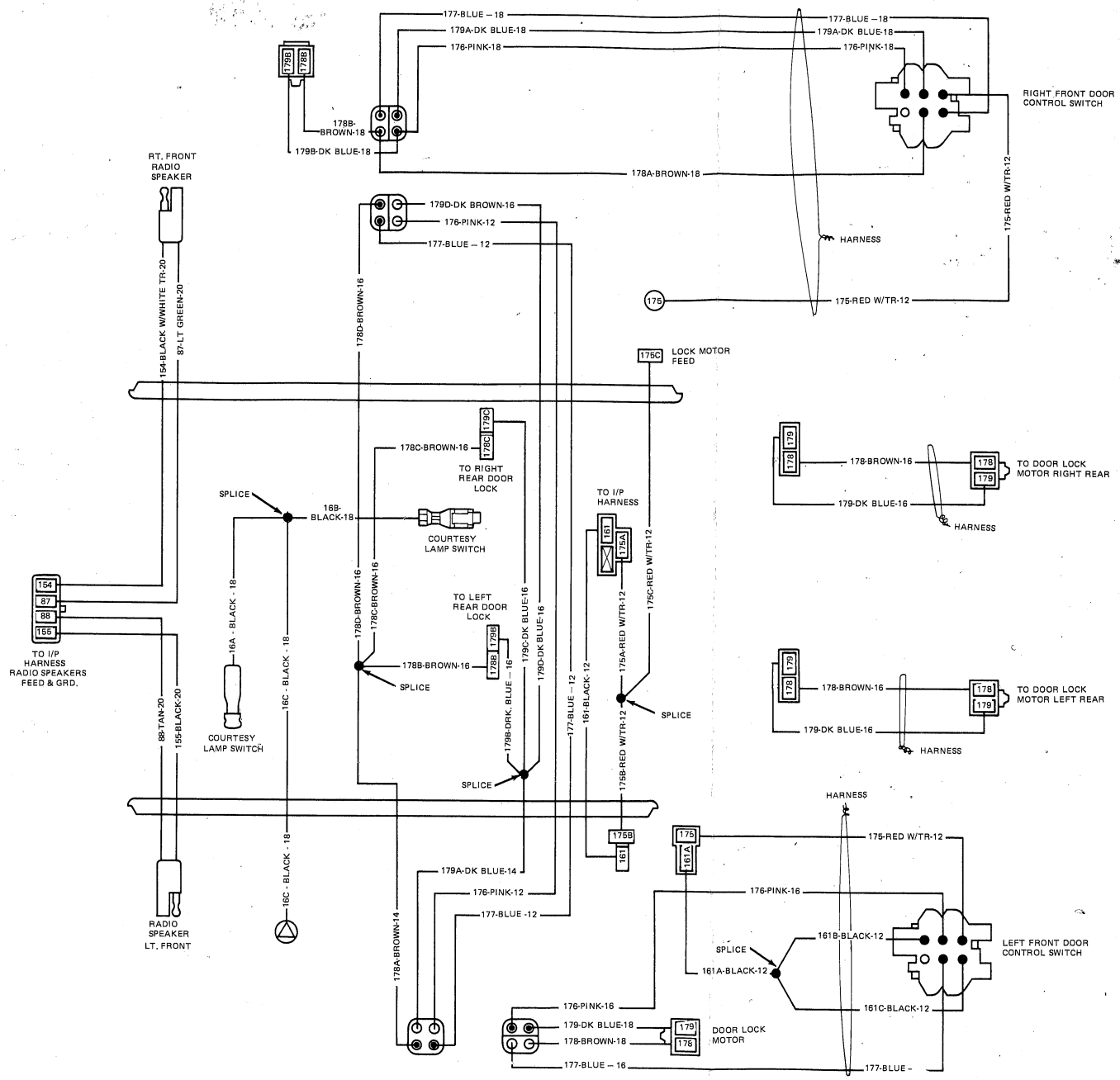
**WIRING DIAGRAM
 FEEDBACK SYSTEM
 6-CYLINDER ENGINE
 CHEROKEE - WAGON**



**WIRING DIAGRAM
 FEEDBACK SYSTEM
 6-CYLINDER ENGINE
 CHEROKEE - WAGONEER - TRUCK**

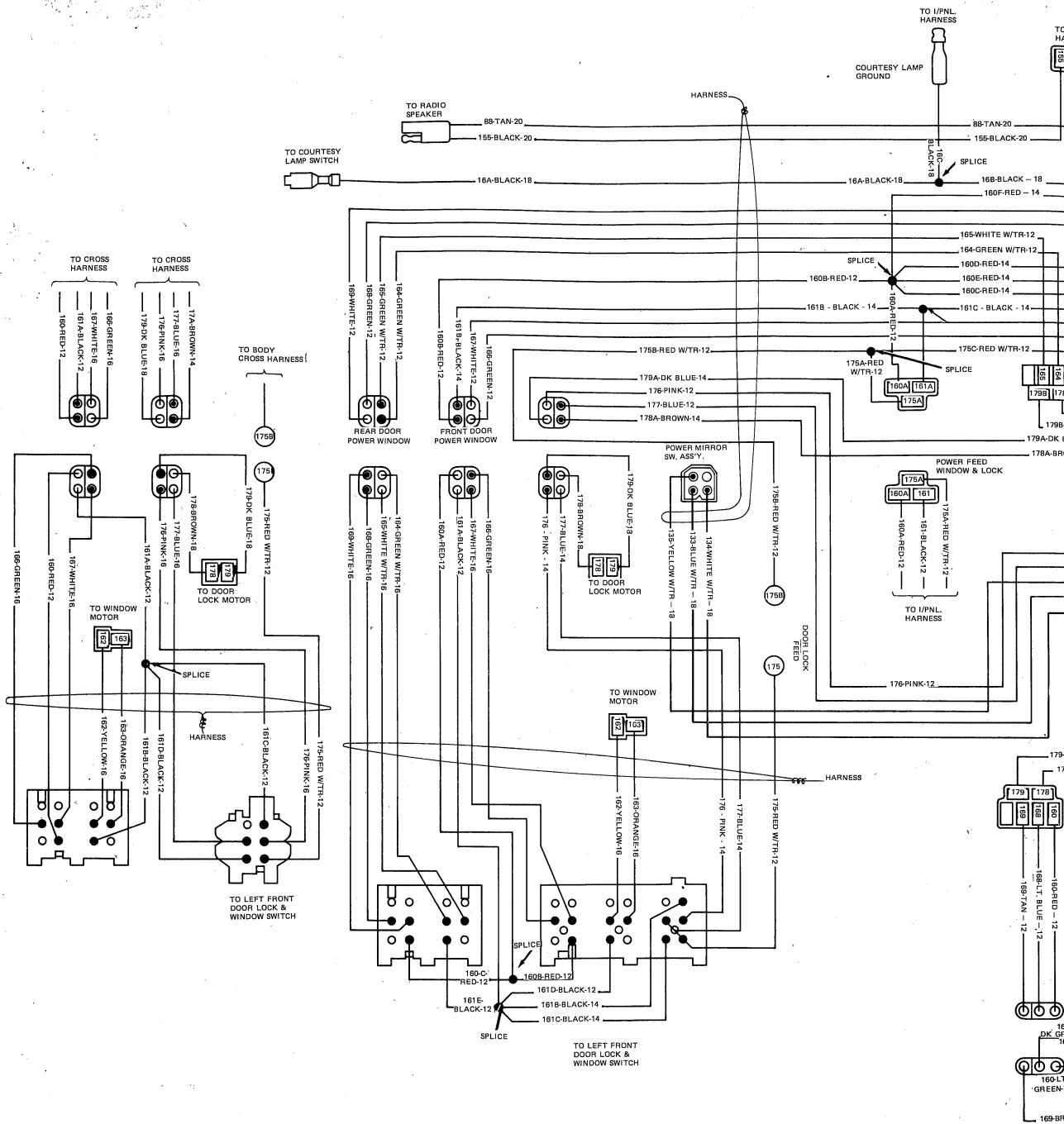
ACCESSORY DIAGRAMS
CJ - CHEROKEE - WAGONEER -
TRUCK MODELS

1/P
 2/P
 3/P
 4/P
 5/P
 6/P
 7/P
 8/P
 9/P
 10/P
 11/P
 12/P
 13/P
 14/P
 15/P
 16/P
 17/P
 18/P
 19/P
 20/P
 21/P
 22/P
 23/P
 24/P
 25/P
 26/P
 27/P
 28/P
 29/P
 30/P
 31/P
 32/P
 33/P
 34/P
 35/P
 36/P
 37/P
 38/P
 39/P
 40/P
 41/P
 42/P
 43/P
 44/P
 45/P
 46/P
 47/P
 48/P
 49/P
 50/P
 51/P
 52/P
 53/P
 54/P
 55/P
 56/P
 57/P
 58/P
 59/P
 60/P
 61/P
 62/P
 63/P
 64/P
 65/P
 66/P
 67/P
 68/P
 69/P
 70/P
 71/P
 72/P
 73/P
 74/P
 75/P
 76/P
 77/P
 78/P
 79/P
 80/P
 81/P
 82/P
 83/P
 84/P
 85/P
 86/P
 87/P
 88/P
 89/P
 90/P
 91/P
 92/P
 93/P
 94/P
 95/P
 96/P
 97/P
 98/P
 99/P
 100/P

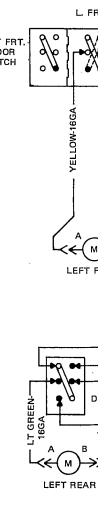
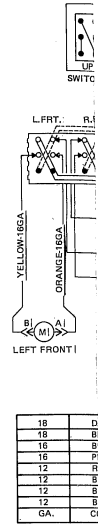
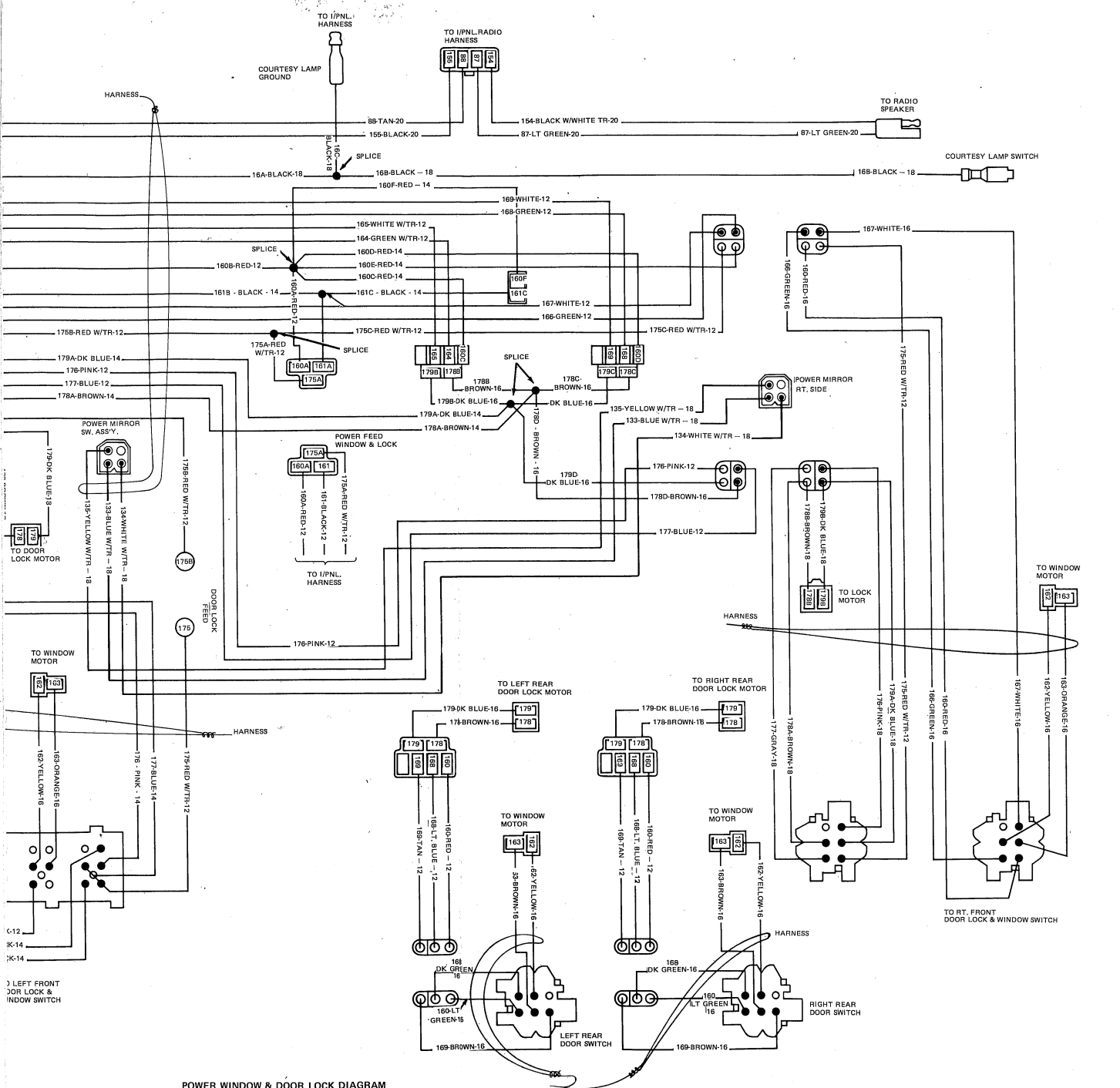


POWER DOOR LOCK DIAGRAM

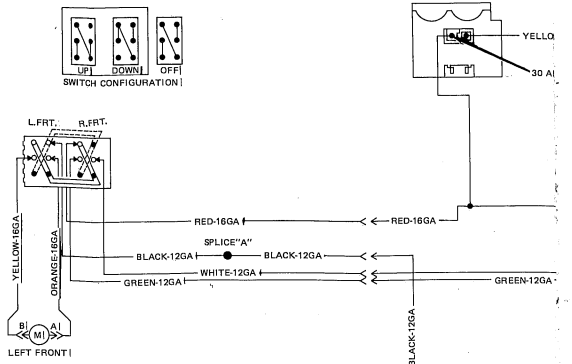
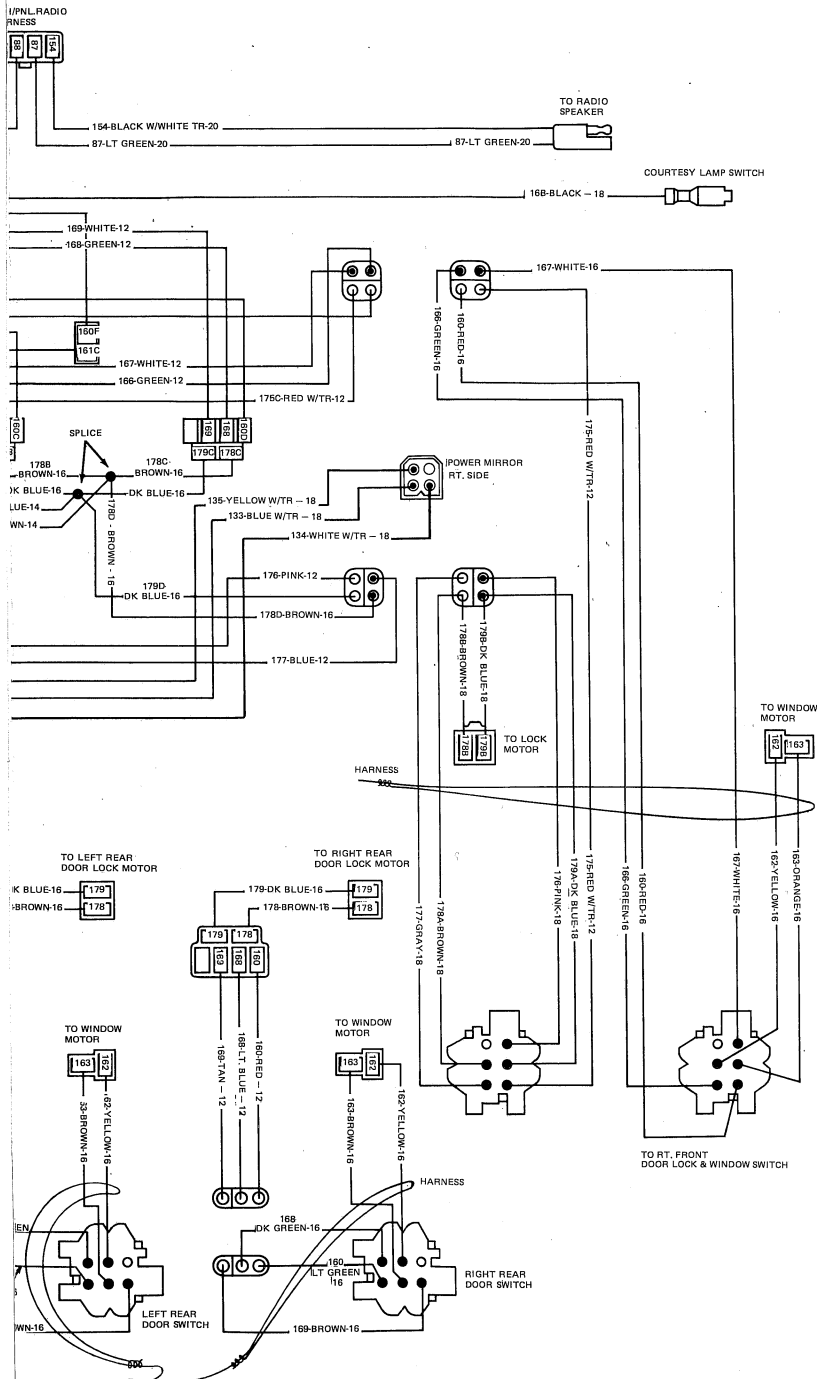
POWER DOOR LOCK DIAGRAM WITH STEREO



POWER WINDOW & DOOR LOCK DIAGRAM

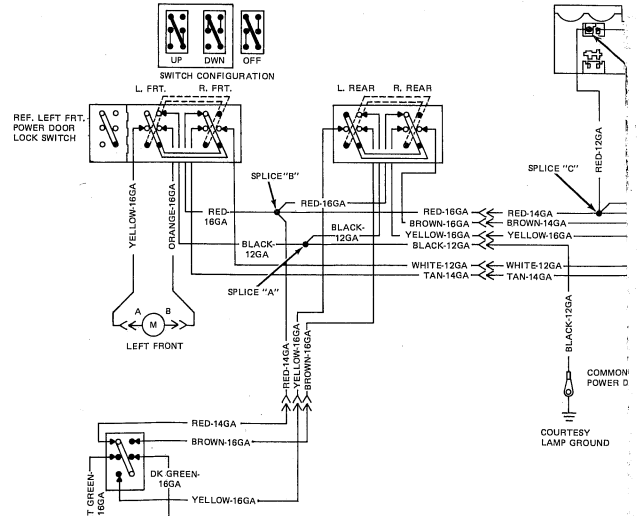


POWER WINDOW & DOOR LOCK DIAGRAM



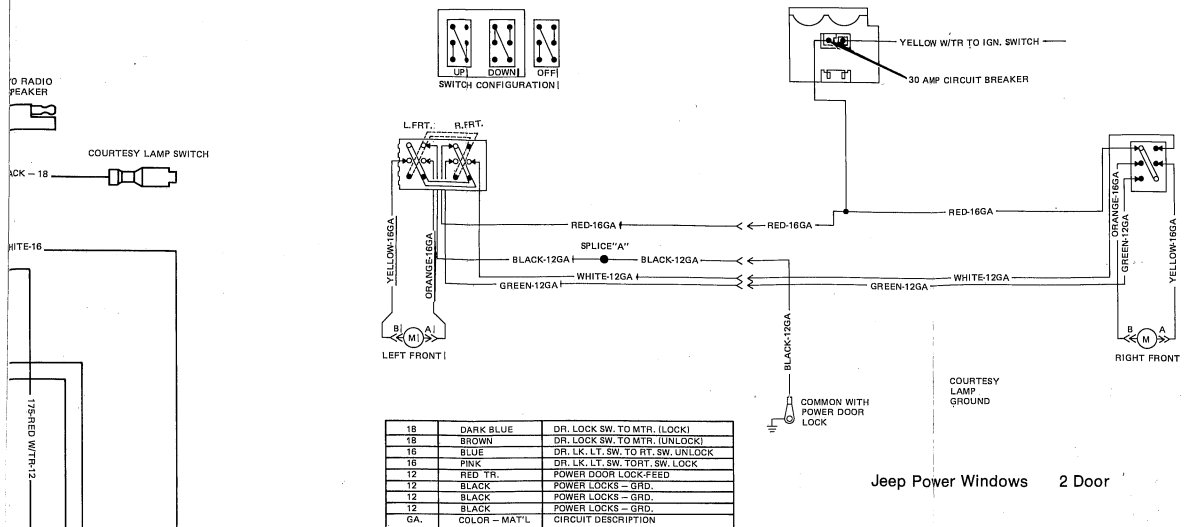
18	DARK BLUE	DR. LOCK SW. TO MTR. (LOCK)
18	BROWN	DR. LOCK SW. TO MTR. (UNLOCK)
18	BLUE	DR. LK. LT. SW. TO RT. SW. UNLOCK
18	PINK	DR. LK. LT. SW. TORT. SW. LOCK
12	RED TR.	POWER DOOR LOCK FEED
12	BLACK	POWER LOCKS - GRD.
12	BLACK	POWER LOCKS - GRD.
12	BLACK	POWER LOCKS - GRD.
GA.	COLOR - MAT'L	CIRCUIT DESCRIPTION

Jeep Poi



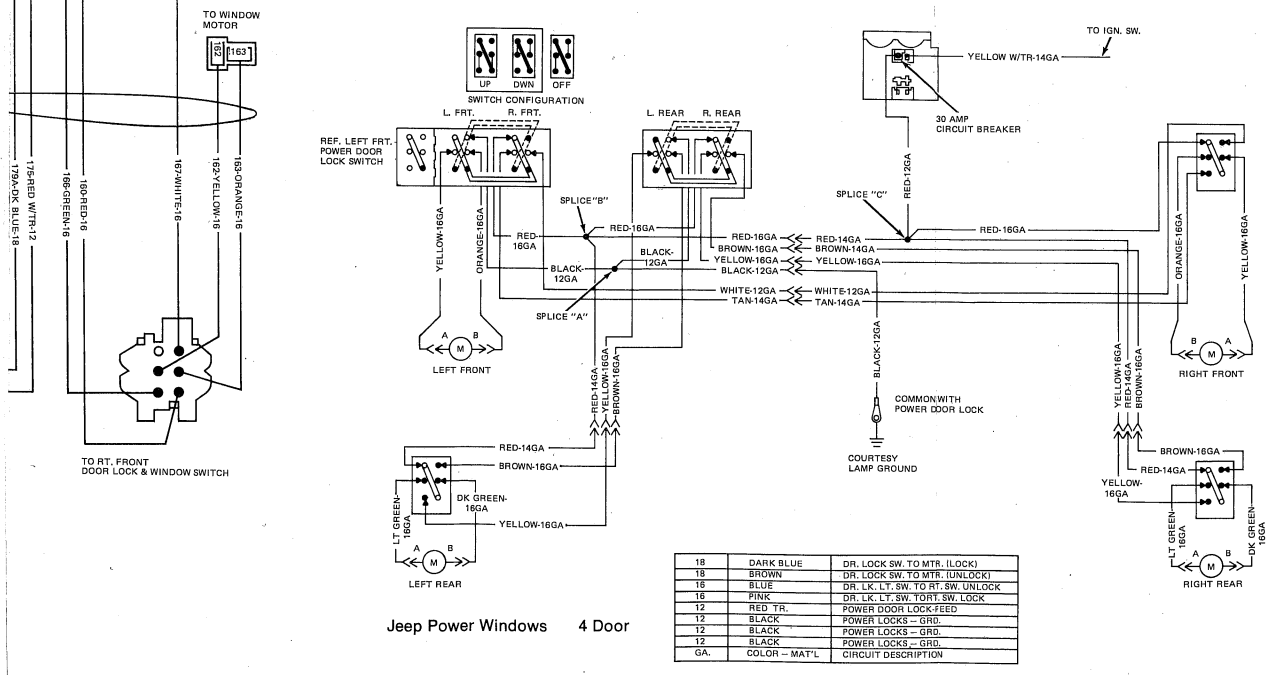
Jeep Power Windows 4 Door

18	DARK BLUE	DR. LOCK SW. TO MTR.
18	BROWN	DR. LOCK SW. TO MTR.
18	BLUE	DR. LK. LT. SW. TORT.
18	PINK	DR. LK. LT. SW. TORT.
12	RED TR.	POWER DOOR LOCK
12	BLACK	POWER LOCKS - GRD.
12	BLACK	POWER LOCKS - GRD.
12	BLACK	POWER LOCKS - GRD.
GA.	COLOR - MAT'L	CIRCUIT DESCRIPTION



Jeep Power Windows 2 Door

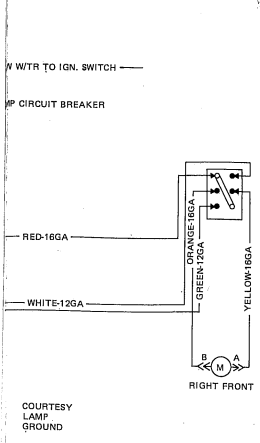
90971B



Jeep Power Windows 4 Door

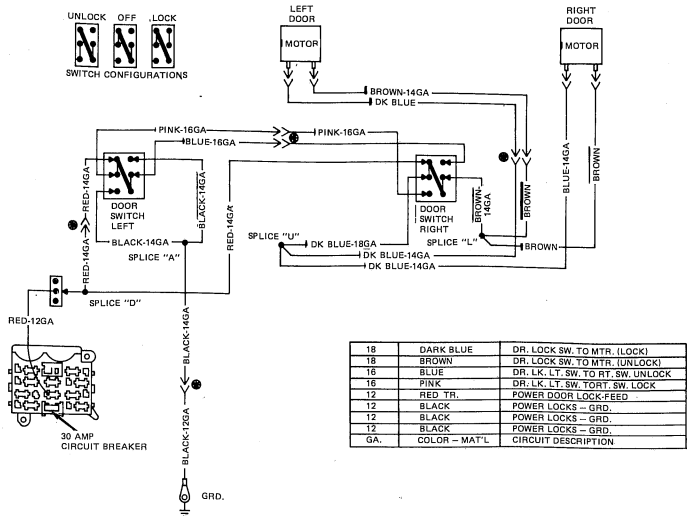
90971A





Courtesy Lamp Ground

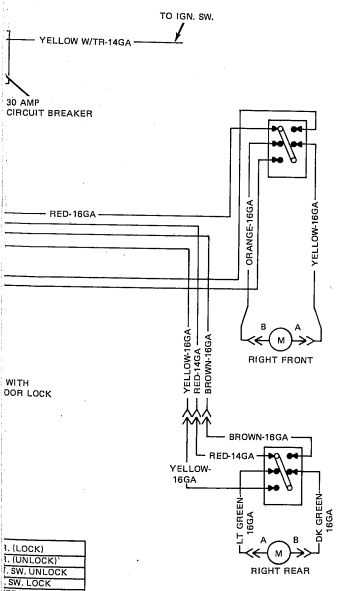
90971B



18	DARK BLUE	DR. LOCK SW. TO MTR. (LOCK)
18	BROWN	DR. LOCK SW. TO MTR. (UNLOCK)
18	BLUE	DR. LK. LT. SW. TO RT. SW. UNLOCK
16	PINK	DR. LK. LT. SW. TORT. SW. LOCK
12	RED TR.	POWER DOOR LOCK-FEED
12	BLACK	POWER LOCKS - GRD.
12	BLACK	POWER LOCKS - GRD.
12	BLACK	POWER LOCKS - GRD.
GA.	COLOR - MAT'L	CIRCUIT DESCRIPTION

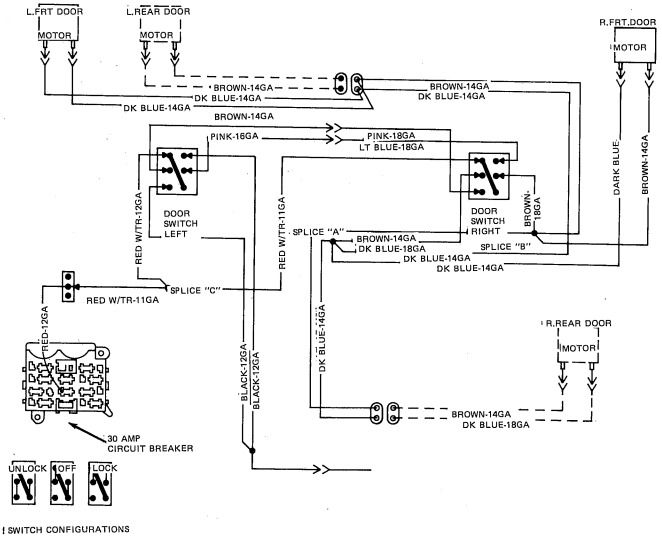
Jeep Power Door Locks 2 Door

90970C



1	(LOCK)
1	(UNLOCK)
1	SW. UNLOCK
1	SW. LOCK
1	RED
1	
1	
1	
1	

90971A



18	DARK BLUE	DR. LOCK SW. TO MTR. (LOCK)
18	BROWN	DR. LOCK SW. TO MTR. (UNLOCK)
18	BLUE	DR. LK. LT. SW. TO RT. SW. UNLOCK
16	PINK	DR. LK. LT. SW. TORT. SW. LOCK
12	RED TR.	POWER DOOR LOCK-FEED
12	BLACK	POWER LOCKS - GRD.
12	BLACK	POWER LOCKS - GRD.
12	BLACK	POWER LOCKS - GRD.
GA.	COLOR - MAT'L	CIRCUIT DESCRIPTION

Jeep Power Door Locks 4 Door

90970B

ACCESSORY DIAGRAMS POWER WINDOWS AND DOOR LOCKS