

LAMPS

CONTENTS

	page	page	
LAMP BULB SERVICE	1	BULB APPLICATION	13
LAMP SERVICE	8		

LAMP BULB SERVICE

INDEX

	page	page	
REMOVAL AND INSTALLATION			
CENTER HIGH MOUNTED STOPLIGHT BULB.....	1	HIGHBEAM / LOWBEAM HEADLAMP BULBS	2
FRONT FOG LAMP BULB	2	LICENSE PLATE LAMP BULBS	3
FRONT POSITION LAMP BULB	2	SIDE REPEATER LAMP BULB	3
FRONT TURN SIGNAL LAMP BULB	2	TAIL LAMP, REAR TURN SIGNAL, BACKUP AND REAR FOG LAMP BULBS	5

REMOVAL AND INSTALLATION

CENTER HIGH MOUNTED STOPLIGHT BULB

REMOVAL

- (1) Remove the (2) screws retaining the center high mounted stop lamp to the rear liftgate.
- (2) Pull the lamp from the rear liftgate, rotate the bulb socket 1/4 turn and pull from lamp housing (Fig. 1).

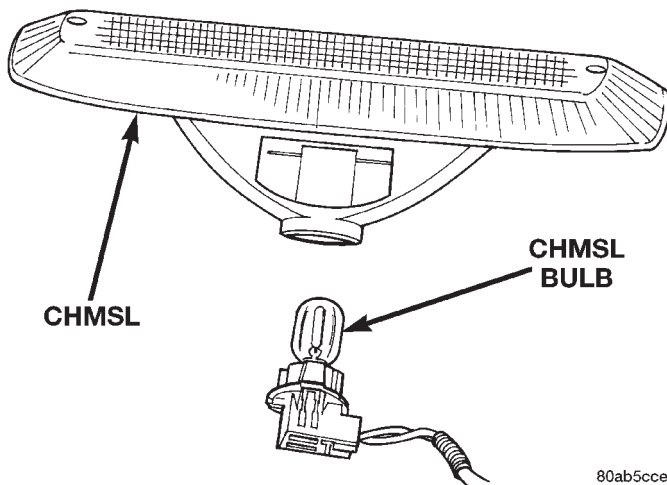


Fig. 1 Center High Mounted Stop Lamp

- (3) Pull the bulb straight from its socket.

INSTALLATION

- (1) Install the bulb in its socket.
- (2) Verify lamp operation.

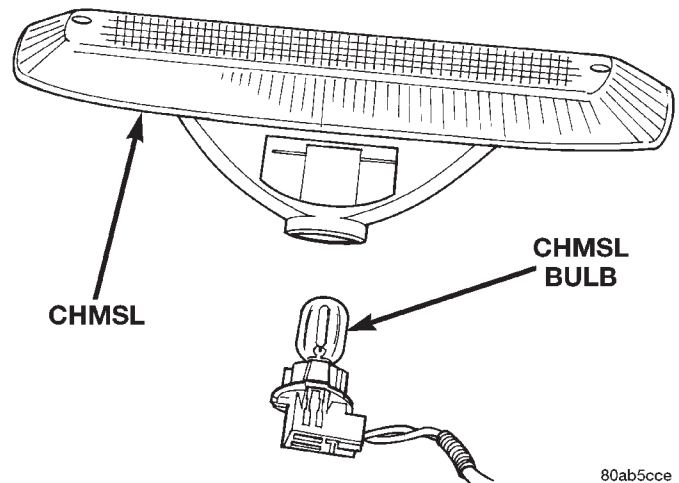


Fig. 2 Center High Mounted Stop Lamp

- (3) Install the lamp socket in the lamp housing (Fig. 2).
- (4) Install the lamp housing in the rear liftgate and install the retaining screws.

REMOVAL AND INSTALLATION (Continued)

FRONT TURN SIGNAL LAMP BULB

REMOVAL

(1) Remove the appropriate headlamp from the vehicle. Refer to the headlamp removal and installation procedure in this group.

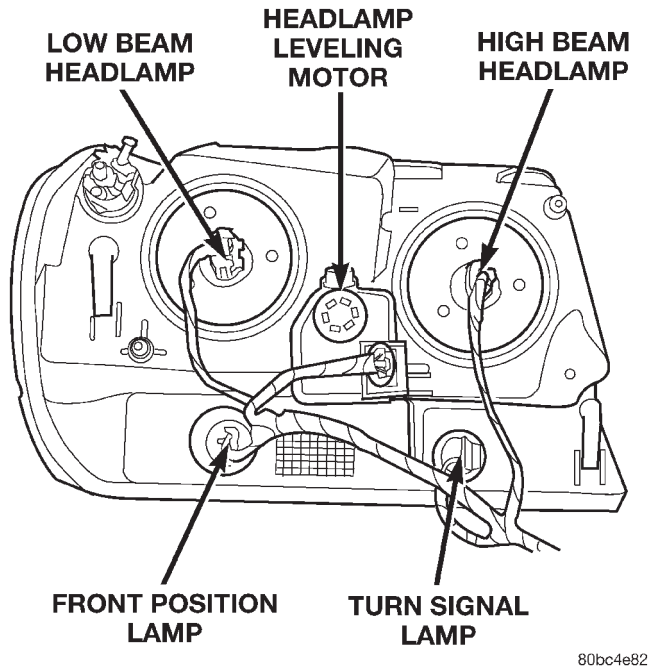


Fig. 3 Headlamp Assembly

80bc4e82

(2) Rotate the turn signal lamp socket counter-clockwise and pull straight from the headlamp assembly.

(3) Pull the front turn signal lamp bulb straight from its socket.

INSTALLATION

(1) Install the front turn signal lamp bulb in its socket.

(2) Verify lamp operation.

(3) Install the turn signal lamp socket in the headlamp.

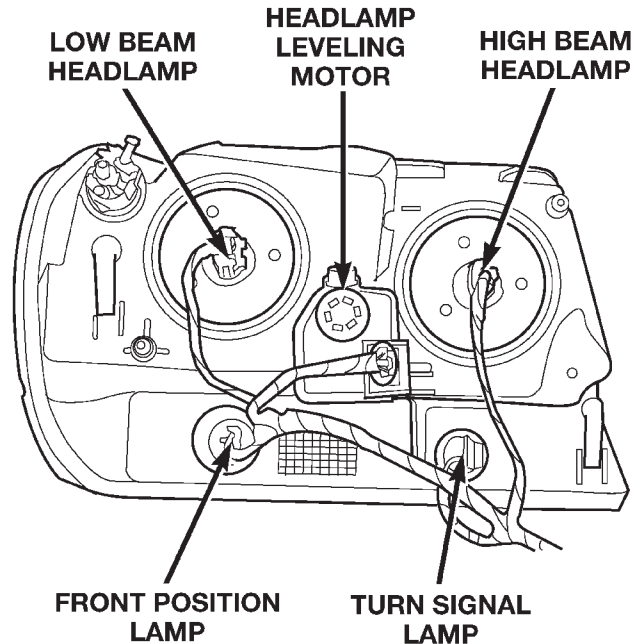
(4) Install the headlamp in the vehicle. Refer to the headlamp removal and installation procedure in this group.

FRONT POSITION LAMP BULB

REMOVAL

(1) Remove the appropriate headlamp from the vehicle. Refer to the headlamp removal and installation procedure in this group.

(2) Rotate the front position lamp socket counter-clockwise and pull straight from the headlamp assembly.



80bc4e82

Fig. 4 Headlamp Assembly

(3) Pull the front position lamp bulb straight from its socket.

INSTALLATION

(1) Install the front position lamp bulb in its socket.

(2) Verify lamp operation.

(3) Install the front position lamp socket in the headlamp.

(4) Install the headlamp in the vehicle. Refer to the headlamp removal and installation procedure in this group.

FRONT FOG LAMP BULB

The front fog lamp bulb cannot be serviced separately from the fog lamp assembly. If the fog lamp bulb is burnt out or damaged the entire fog lamp assembly must be serviced. Refer to Front Fog Lamp removal and installation under Lamp Service for the procedure.

HIGHBEAM / LOWBEAM HEADLAMP BULBS

REMOVAL

(1) Remove the appropriate headlamp from the vehicle. Refer to Headlamp removal and installation in Lamp Service for the procedure.

(2) Disconnect the electrical connector from the headlamp bulb.

(3) Rotate the bulb 1/4 turn counter-clockwise and pull straight from the headlamp assembly.

REMOVAL AND INSTALLATION (Continued)

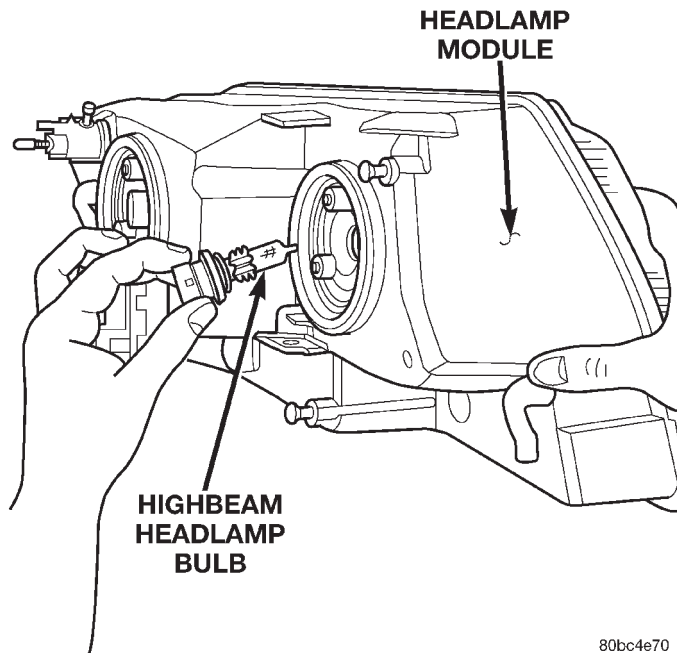


Fig. 5 Highbeam Headlamp Bulb

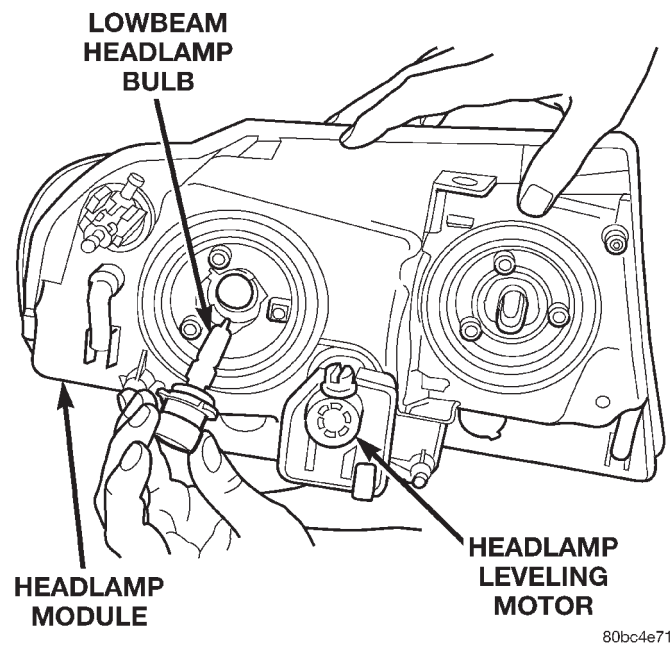


Fig. 6 Lowbeam Headlamp Bulb

INSTALLATION

CAUTION: Do not touch the bulb glass with fingers or other oily surfaces. Reduced bulb life will result.

- (1) Install the bulb in the headlamp assembly.
- (2) Connect the headlamp electrical connector.
- (3) Verify lamp operation.
- (4) Install the headlamp in the vehicle. Refer to Headlamp removal and installation in Lamp Service for the procedure.

LICENSE PLATE LAMP BULBS

REMOVAL

- (1) Remove the rear license plate lamp retaining screw (Fig. 7).

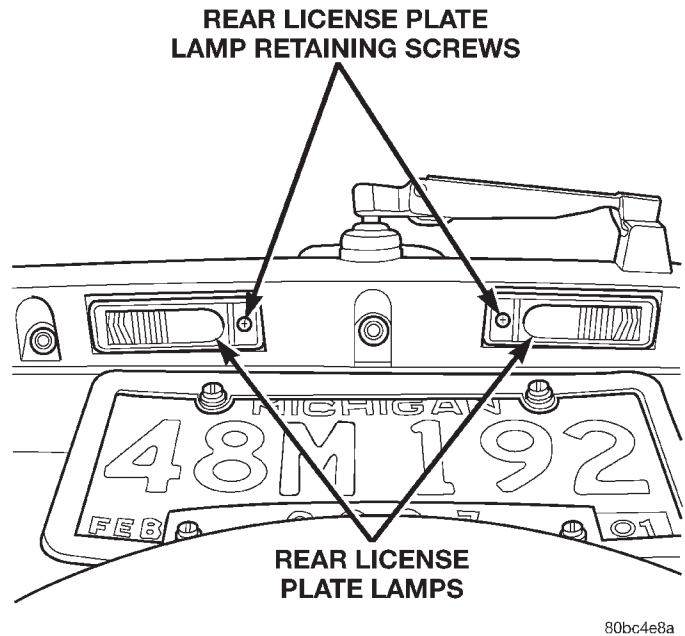


Fig. 7 Rear License Plate Lamps

- (2) Pull the lamp from the rear liftgate, rotate the lamp counter clockwise and pull straight from the lamp socket.
- (3) Pull the lamp bulb straight from its socket.

INSTALLATION

- (1) Install the bulb in its socket.
- (2) Verify lamp operation.
- (3) Install the lamp on its socket.
- (4) Position the lamp in the rear liftgate and install the retaining screw (Fig. 8).

SIDE REPEATER LAMP BULB

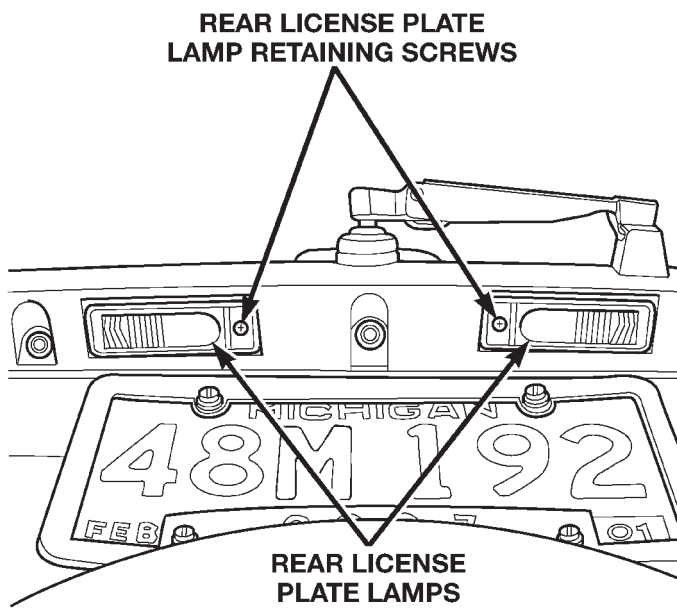
REMOVAL

- (1) Using a flat bladed pry tool, gently depress the upper plastic retaining clip (Fig. 9) and pull the side repeater lamp from the front fender.

CAUTION: Care must be taken not to damage the lamp or the vehicle's paint during service of the side repeater lamp or bulb. The lamp or bulb can also be serviced by pulling the wheel well trim back to access the rear of the lamp assembly.

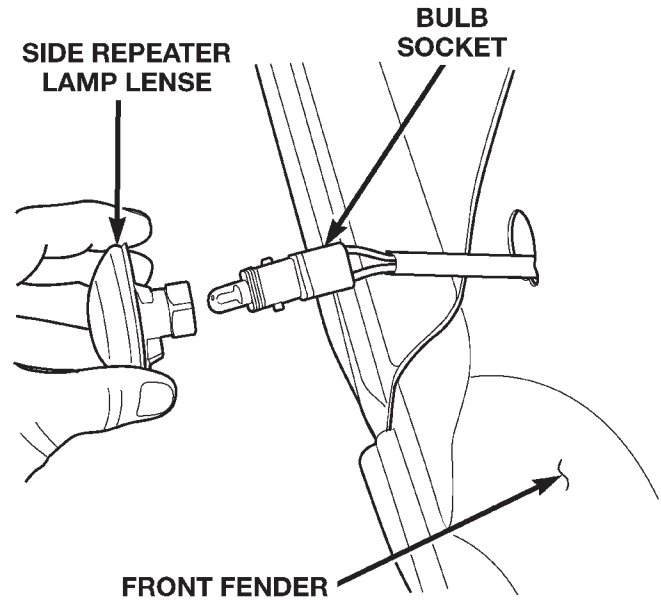
- (2) Rotate the lamp socket counter-clockwise and pull straight from the side repeater lamp (Fig. 10).

REMOVAL AND INSTALLATION (Continued)



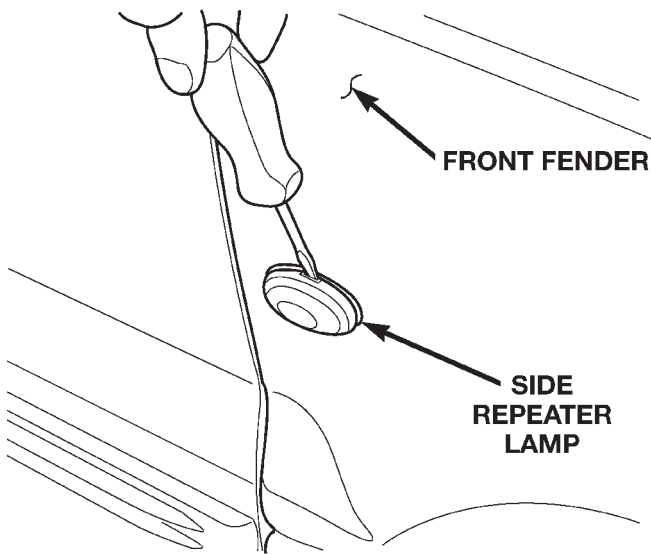
80bc4e8a

Fig. 8 Rear License Plate Lamps



80bc4e61

Fig. 10 Side Repeater Lamp



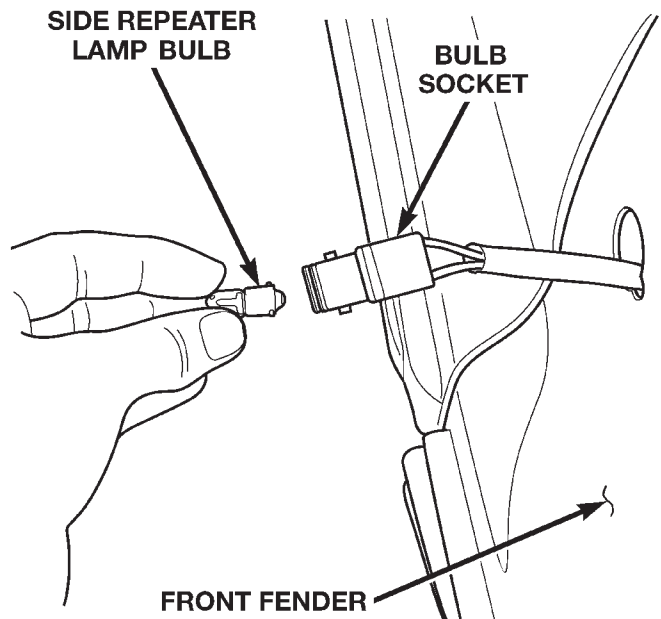
80bc4e60

Fig. 9 Removing Side Repeater Lamp

(3) Rotate the bulb counter-clockwise and pull straight from its socket (Fig. 11).

INSTALLATION

(1) Install the bulb in its socket (Fig. 12).

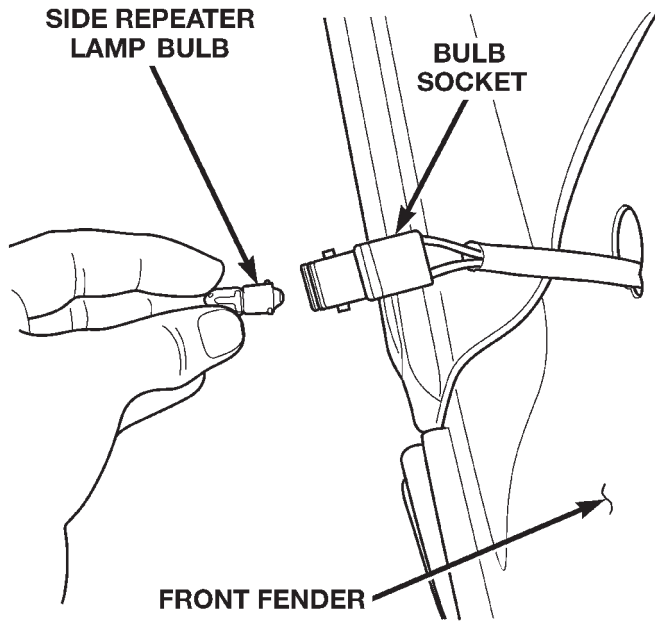


80bc4e62

Fig. 11 Side Repeater Lamp Bulb

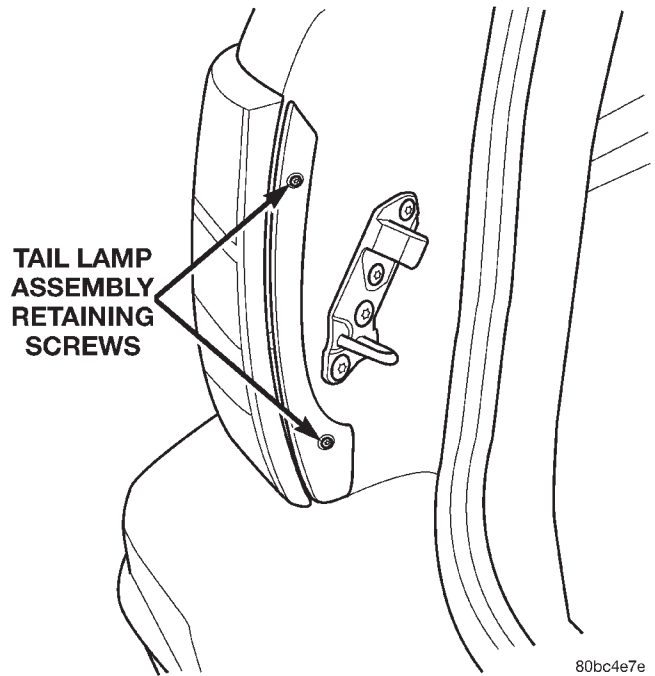
- (2) Verify lamp operation.
- (3) Install the side repeater lamp socket in the side repeater lamp (Fig. 13).
- (4) Push the side repeater lamp in the front fender until it snaps in place.

REMOVAL AND INSTALLATION (Continued)



80bc4e62

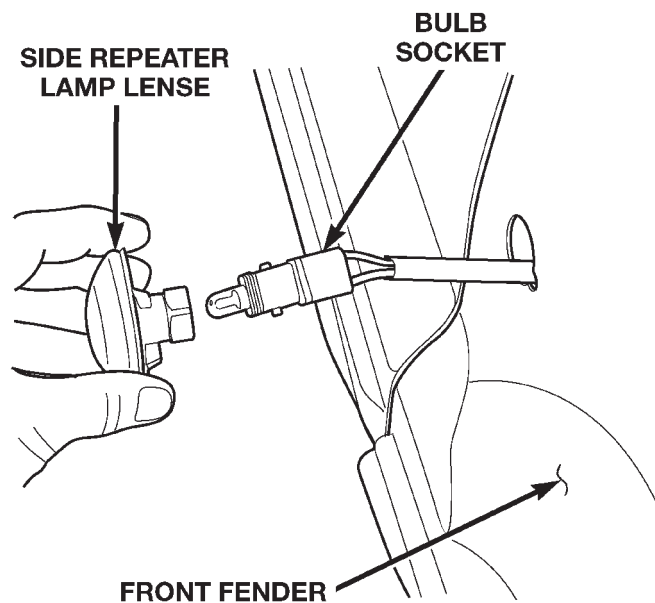
Fig. 12 Side Repeater Lamp Bulb



80bc4e7e

Fig. 14 Tail Lamp Retaining Screws

(2) Position tail lamp trim panel as shown (Fig. 15).



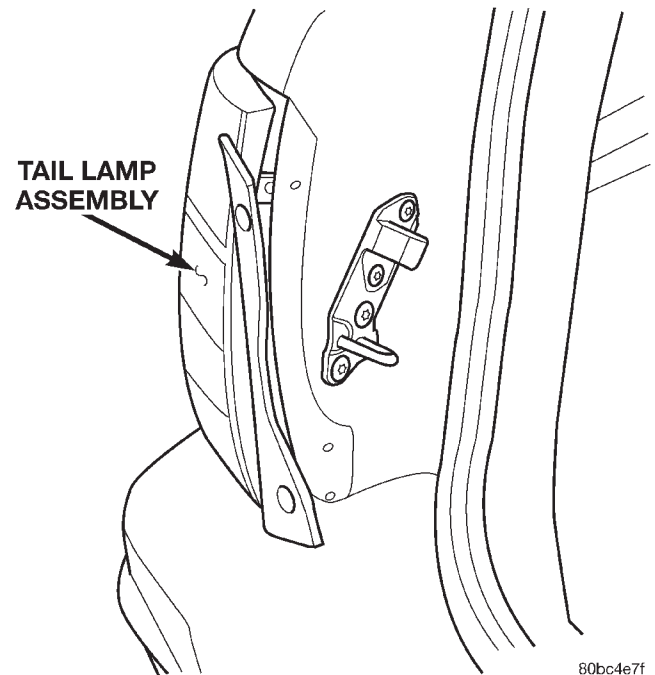
80bc4e61

Fig. 13 Side Repeater Lamp

TAIL LAMP, REAR TURN SIGNAL, BACKUP AND REAR FOG LAMP BULBS

REMOVAL

(1) Open the liftgate and remove the (2) tail lamp retaining screws (Fig. 14).



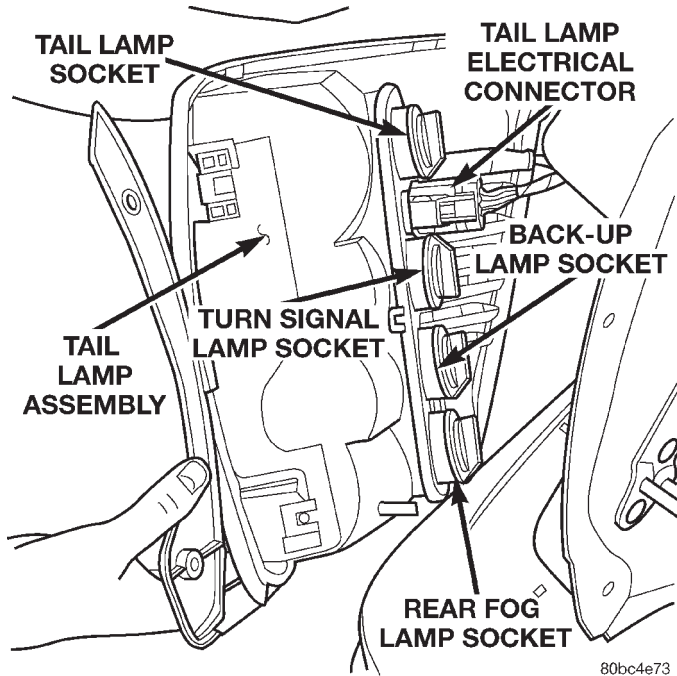
80bc4e7f

Fig. 15 Tail Lamp Trim Panel

(3) Grasp the tail lamp and pull straight from the vehicle body to unsnap the mounting studs.

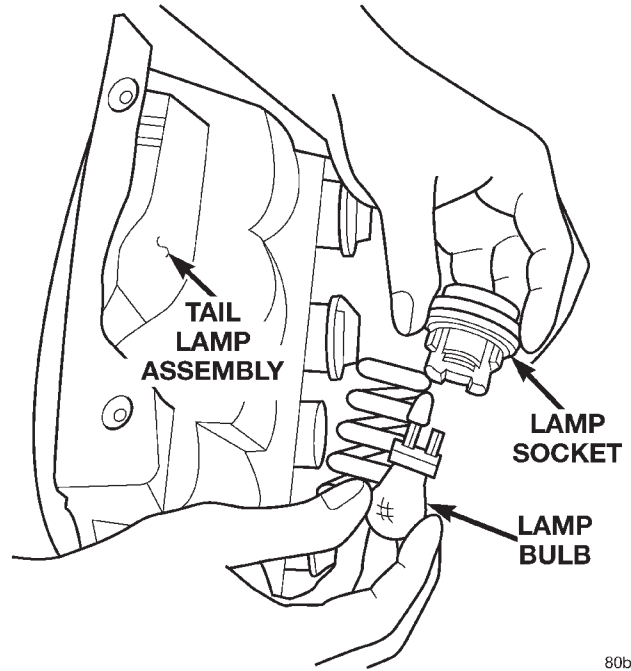
(4) Remove the appropriate lamp socket from the tail lamp assembly (Fig. 16) by rotating counter clockwise and pulling straight out (Fig. 17).

REMOVAL AND INSTALLATION (Continued)



80bc4e73

Fig. 16 Tail Lamp Bulb Locations

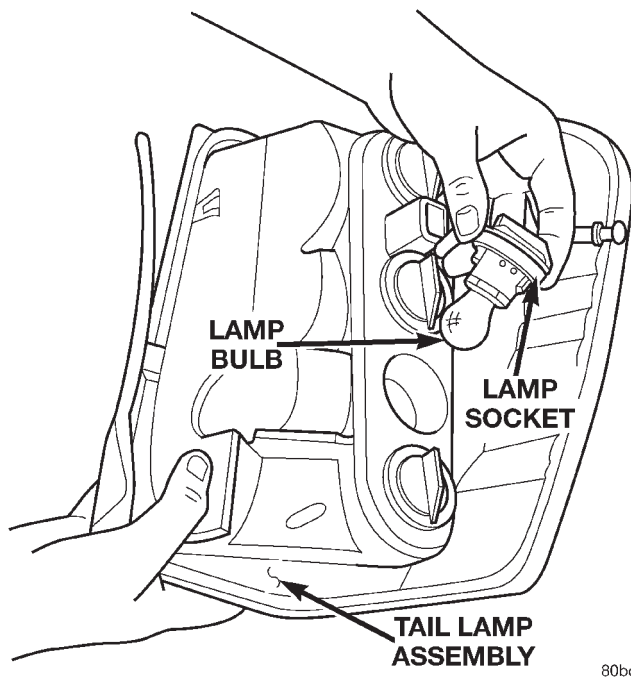


80bc4e75

Fig. 18 Tail Lamp Bulb Removal

INSTALLATION

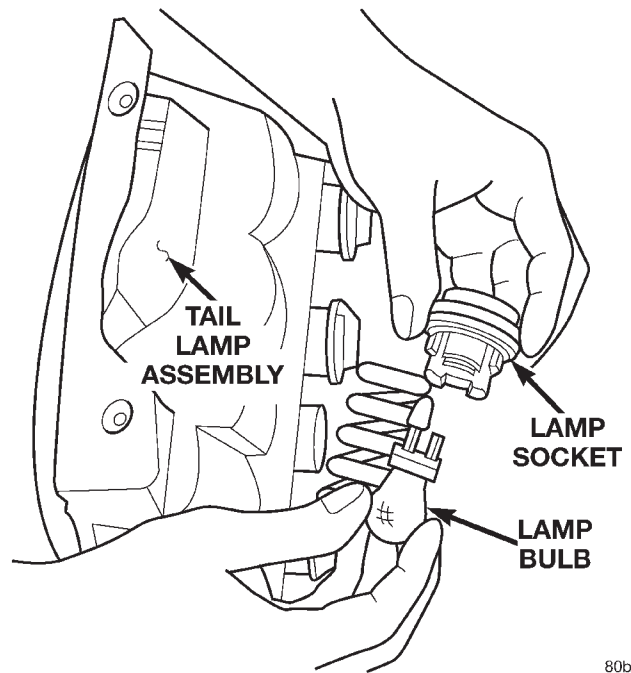
(1) Install the bulb in its socket (Fig. 19).



80bc4e74

Fig. 17 Tail Lamp Socket Removal

(5) Remove the lamp bulb from its socket by pulling straight out (Fig. 18).



80bc4e75

Fig. 19 Tail Lamp Bulb Installation

REMOVAL AND INSTALLATION (Continued)

(2) Install the lamp socket in the tail lamp assembly (Fig. 20).

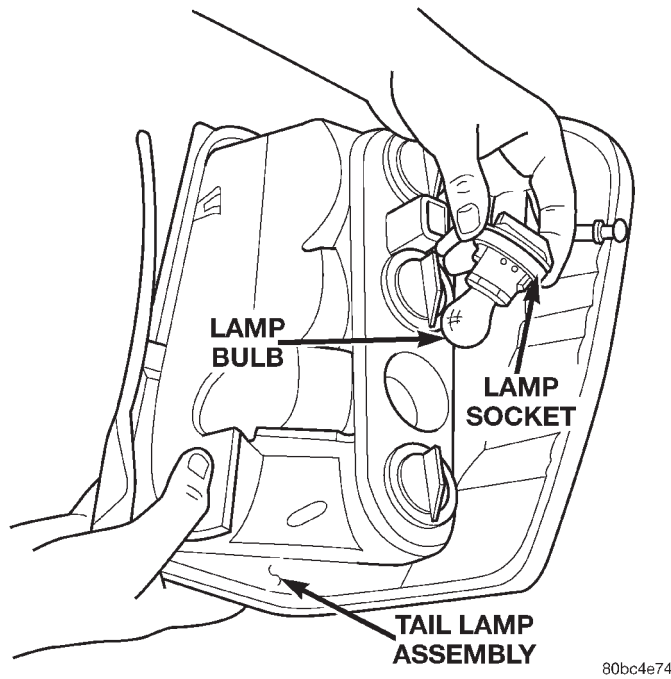


Fig. 20 Tail Lamp Socket Installation

(3) Verify lamp operation.
(4) Position the tail lamp, trim panel and install the retaining screws (Fig. 21).

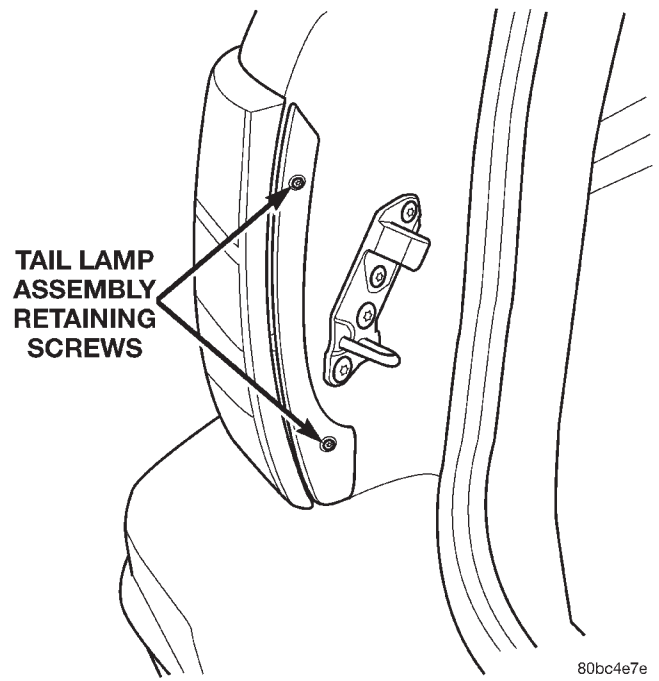


Fig. 21 Tail Lamp Retaining Screws

LAMP SERVICE

INDEX

	page		page
REMOVAL AND INSTALLATION			
CENTER HIGH MOUNTED STOPLAMP	8	HEADLAMP LEVELING MOTOR.....	9
FRONT FOG LAMP	9	REAR FOG LAMP	10
FRONT POSITION LAMP	10	SIDE REPEATER LAMP.....	10
FRONT TURN SIGNAL LAMP.....	10	TAIL LAMP, REAR TURN SIGNAL, BACKUP AND REAR FOG LAMP BULBS.....	11
HEADLAMP	8		

REMOVAL AND INSTALLATION

CENTER HIGH MOUNTED STOPLAMP

REMOVAL

- (1) Remove the (2) screws retaining the center high mounted stop lamp to the rear liftgate.
- (2) Pull the lamp from the rear liftgate, rotate the bulb socket 1/4 turn and pull from lamp housing (Fig. 1).

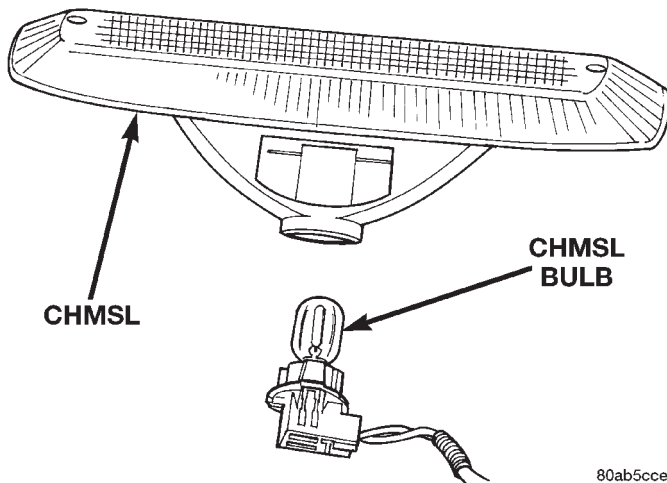


Fig. 1 Center High Mounted Stop Lamp

INSTALLATION

- (1) Install the lamp socket in the lamp housing.
- (2) Position the lamp housing in the rear liftgate and install the retaining screws.

HEADLAMP

REMOVAL

- (1) Open the hood and remove the headlamp retaining jackscrew (Fig. 2).
- (2) Grasp the corners of the headlamp and forcefully pull the headlamp outward (Fig. 3). This will

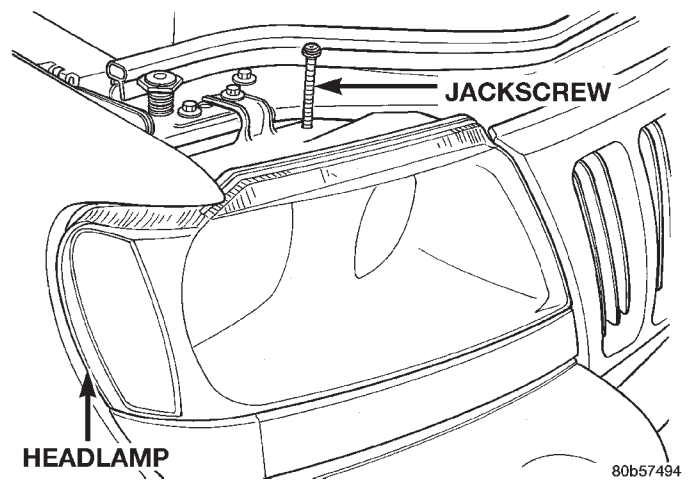


Fig. 2 Headlamp Retaining Fastener

unsnap the left and right mounting studs from the headlamp mounting module.

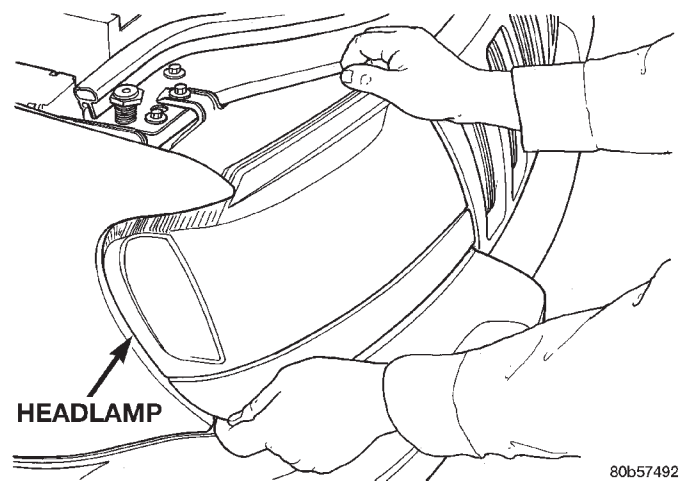


Fig. 3 Removing The Headlamp

CAUTION: Do not touch the bulb glass with fingers or other oily surfaces. Reduced bulb life will result.

- (3) Pull the headlamp assembly out far enough to access and remove the bulb sockets from the head-

REMOVAL AND INSTALLATION (Continued)

lamp. Remove the sockets by rotating counter-clockwise and pulling straight from the headlamp.

(4) Remove the headlamp from the vehicle.

INSTALLATION

(1) Position the headlamp and install the bulb and socket assemblies.

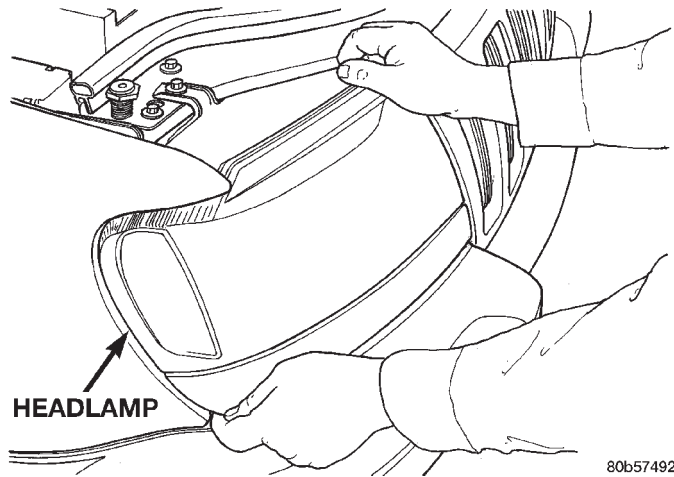


Fig. 4 Installing The Headlamp

(2) Align the headlamp mounting studs with the corresponding holes in the headlamp mounting module (HMM). Forcefully push the headlamp in to secure both of the ball and socket connections (Fig. 4).

(3) Position the headlamp and install the retaining jackscrew (Fig. 5).

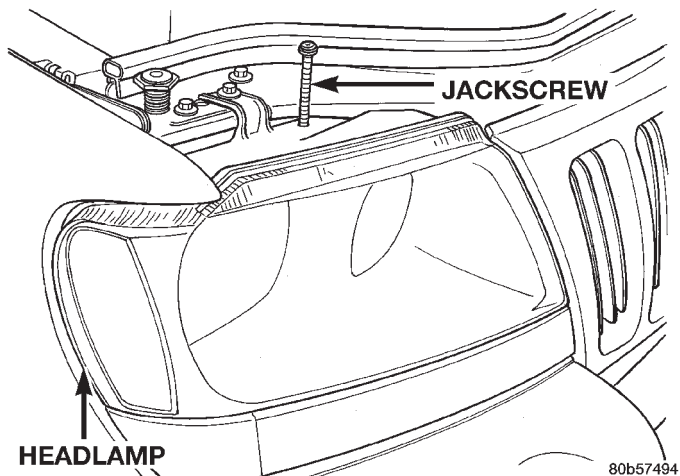


Fig. 5 Headlamp Retaining Fastener

HEADLAMP LEVELING MOTOR

The headlamp leveling motor cannot be serviced separately from the headlamp assembly. If the headlamp leveling motor is found to be defective the entire headlamp assembly must be replaced. Refer to Headlamp removal and installation in Lamp Service for the procedure.

FRONT FOG LAMP

REMOVAL

(1) Raise the vehicle on a hoist or position a creeper under the front of the vehicle.

(2) Remove the pushpin securing the wheel well trim to the front fascia.

(3) Working behind the front fascia, disconnect the fog lamp electrical connector.

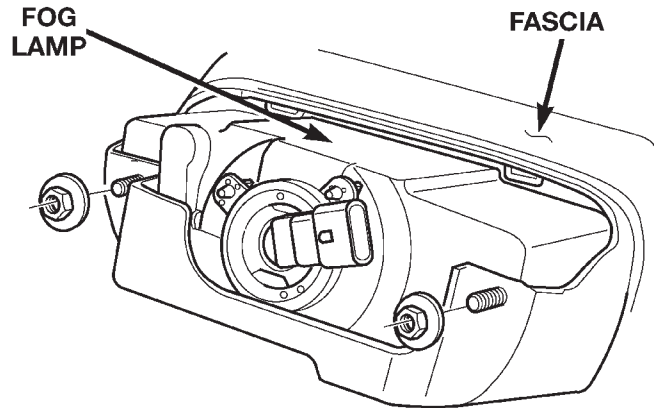


Fig. 6 Front Fog Lamp

(4) Remove the (2) fog lamp retaining nuts (Fig. 6).
 (5) Remove the fog lamp from the fascia.

INSTALLATION

(1) Position the fog lamp in the fascia and install the retaining nuts (Fig. 7).

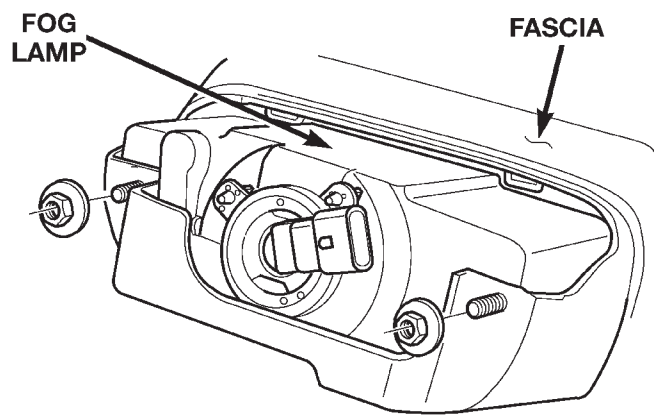


Fig. 7 Front Fog Lamp

(2) Connect the fog lamp electrical connector.
 (3) Verify lamp operation.
 (4) Install the pushpin securing the wheel well trim to the front fascia.

REMOVAL AND INSTALLATION (Continued)

(5) Adjust the front fog lamp if necessary. Refer to Fog Lamp Adjustment in this group for the procedure.

FRONT POSITION LAMP

The front position lamp is incorporated in the headlamp assembly. Refer to the Headlamp removal and installation procedure for service of the front position lamp.

FRONT TURN SIGNAL LAMP

The front turn signal lamp is incorporated in the headlamp assembly. Refer to the Headlamp removal and installation procedure for service of the front turn signal lamp.

REAR FOG LAMP

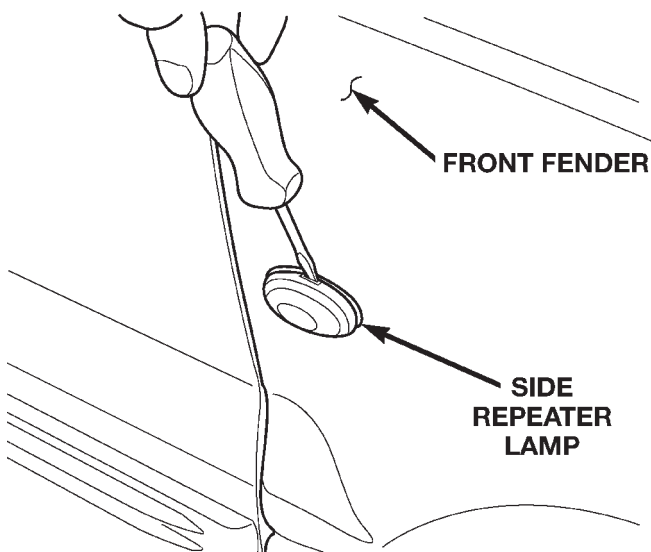
The rear fog lamp is incorporated in the tail lamp assembly. Refer to the Tail lamp removal and installation procedure for service of the rear fog lamp.

SIDE REPEATER LAMP

REMOVAL

(1) Using a flat bladed pry tool, gently depress the upper plastic retaining clip (Fig. 8) and pull the side repeater lamp from the front fender.

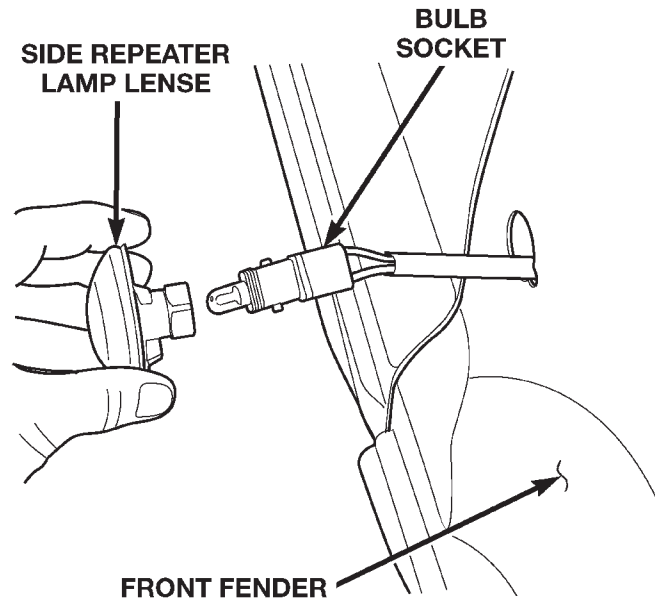
CAUTION: Care must be taken not to damage the lamp or the vehicle's paint during service of the side repeater lamp or bulb. The lamp or bulb can also be serviced by pulling the wheel well trim back to access the rear of the lamp assembly.



80bc4e60

Fig. 8 Removing Side Repeater Lamp

(2) Rotate the lamp socket counter-clockwise and pull straight from the side repeater lamp (Fig. 9).

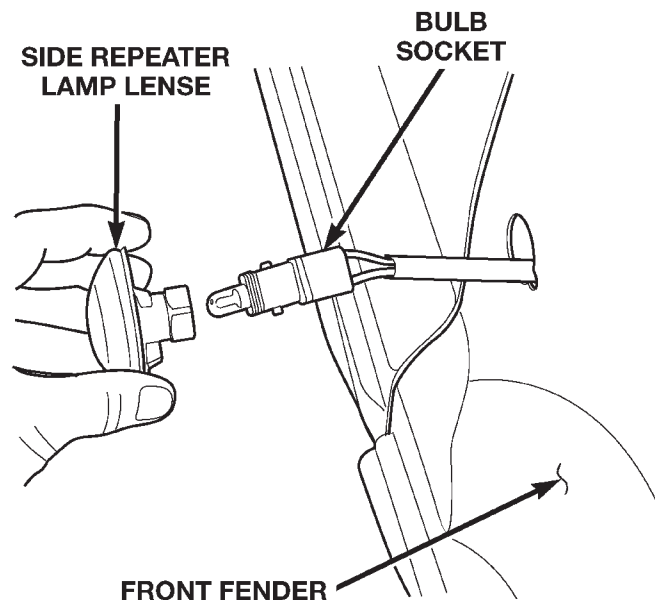


80bc4e61

Fig. 9 Side Repeater Lamp

INSTALLATION

(1) Install the side repeater lamp socket in the side repeater lamp (Fig. 10).



80bc4e61

Fig. 10 Side Repeater Lamp

(2) Push the side repeater lamp in the front fender until it snaps in place.

REMOVAL AND INSTALLATION (Continued)

TAIL LAMP, REAR TURN SIGNAL, BACKUP AND REAR FOG LAMP BULBS

REMOVAL

(1) Open the liftgate and remove the (2) tail lamp retaining screws (Fig. 11).

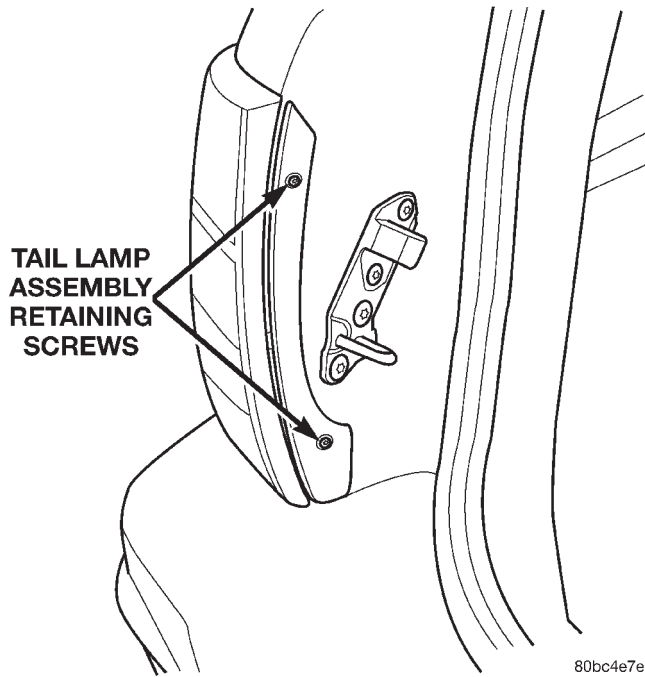


Fig. 11 Tail Lamp Retaining Screws

(2) Position tail lamp trim panel as shown (Fig. 12).

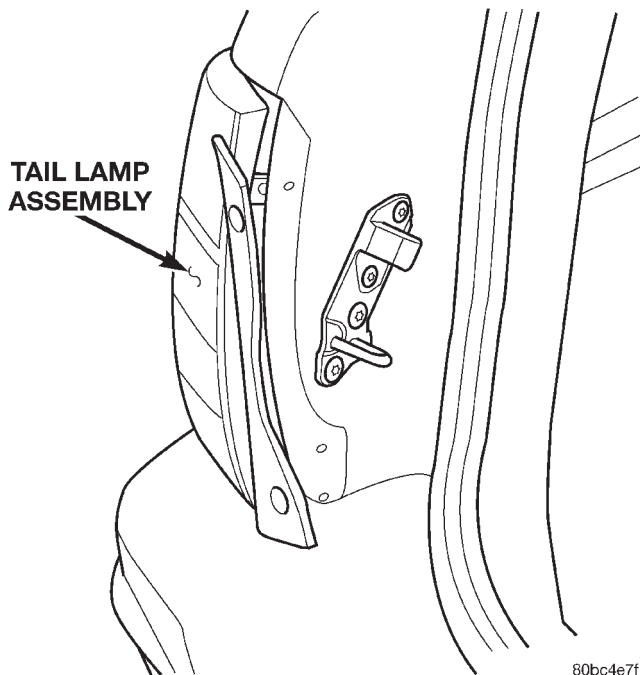


Fig. 12 Tail Lamp Trim Panel

(3) Grasp the tail lamp and pull straight from the vehicle body to unsnap the mounting studs.

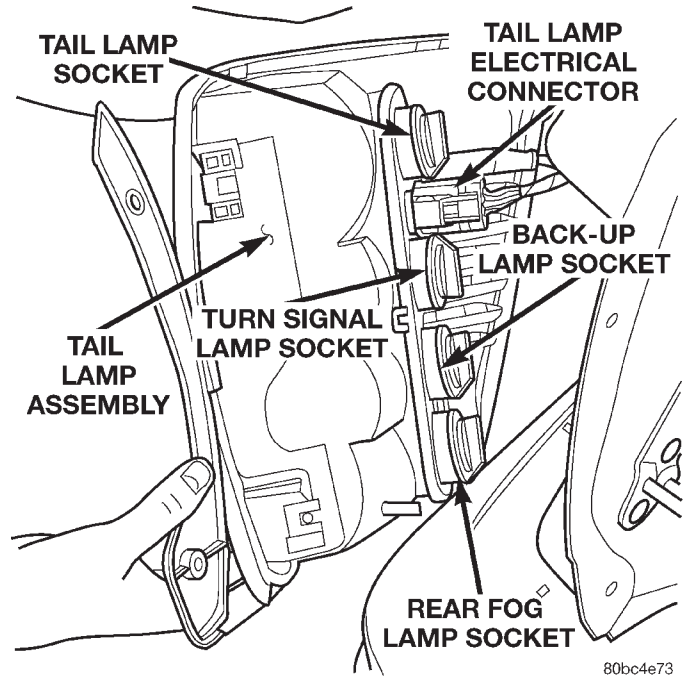


Fig. 13 Tail Lamp Bulb Locations

(4) Remove all lamp sockets from the tail lamp assembly (Fig. 13) by rotating counter clockwise and pulling straight out (Fig. 14).

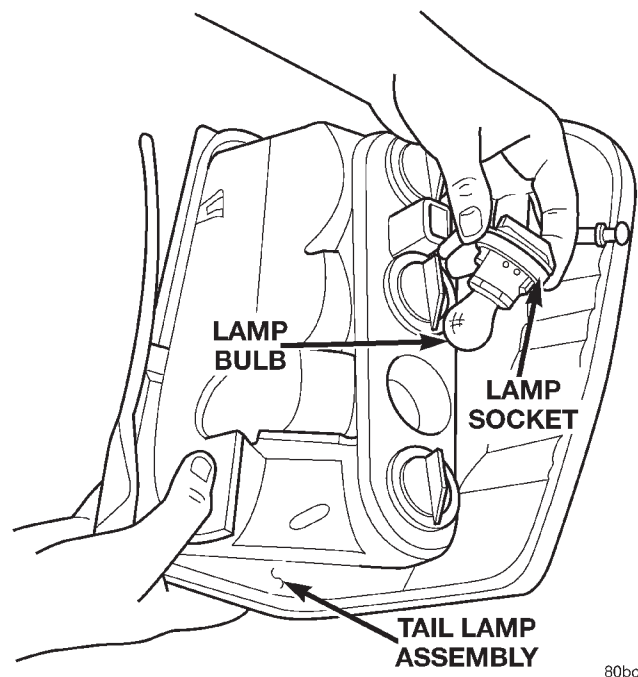


Fig. 14 Tail Lamp Socket Removal

INSTALLATION

(1) Install the lamp sockets in the tail lamp assembly (Fig. 15).

REMOVAL AND INSTALLATION (Continued)

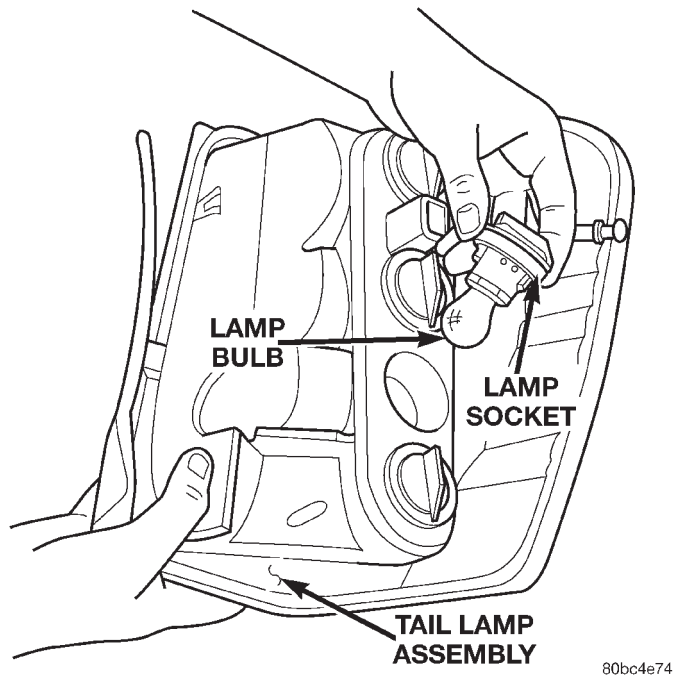


Fig. 15 Tail Lamp Socket Installation

(2) Position the tail lamp, trim panel and install the retaining screws (Fig. 16).

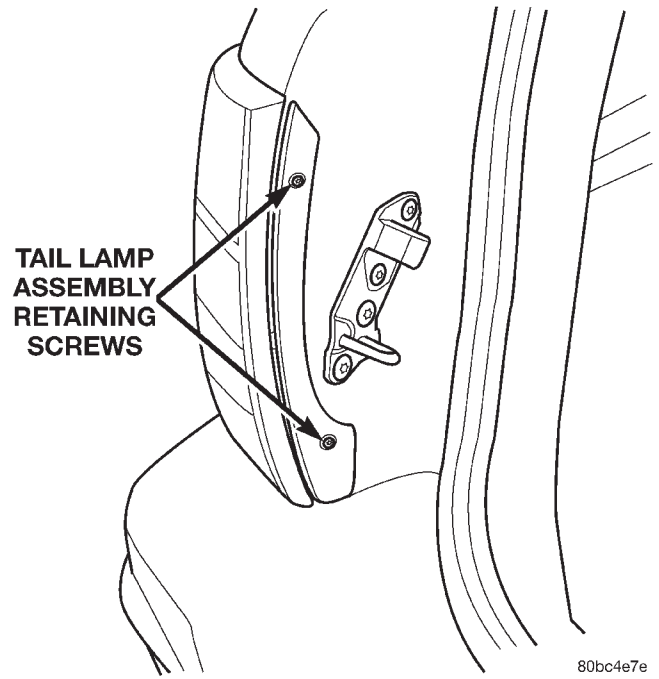


Fig. 16 Tail Lamp Retaining Screws

BULB APPLICATION

INDEX

	page		page
GENERAL INFORMATION		SPECIFICATIONS	
INTRODUCTION	13	EXTERIOR LAMPS.....	13
		INTERIOR LAMPS	13

GENERAL INFORMATION

INTRODUCTION

The following Bulb Application Tables list the lamp title on the left side of the column and trade number or part number on the right.

CAUTION: Do not use bulbs that have a higher candle power than the bulb listed in the Bulb Application Table. Damage to lamp can result.

Do not touch halogen bulbs with fingers or other possibly oily surfaces. Bulb life will be reduced.

If a halogen bulb is contaminated with oil, clean bulb with denatured alcohol or ammonia based solvent.

SPECIFICATIONS

EXTERIOR LAMPS

LAMP	BULB
Lowbeam Headlamp	9006XS
Highbeam Headlamp	9005XS
Center High Mounted Stop	W16W
Front Position	W5W
Side Repeater / Turn Signal	37R
Rear License Plate	W5W
Front Turn Signal	P214W
Tail/Stop	P27/7W
Rear Turn Signal	P27/7W
Back-up	P27/7W
Rear Fog Lamp	P27/7W

INTERIOR LAMPS

LAMP	BULB
ABS	PC194
Airbag	PC194
Ash Tray	161
Brake Warning System Indicator	PC194
Cigar Lighter	203
Climate Controls	203
Console Gear Selector	161
Dome Light	578
Glove Box	194
High Beam Indicator	PC194
Ignition Key	161
Instrument Cluster	PC194
Rear Cargo	912
Seat Belt Indicator	PC74
Service Engine Soon	PC194
Turn Signal Indicator	PC194
Underhood	105
Visor Vanity	6501966
Volts Indicator	PC74

