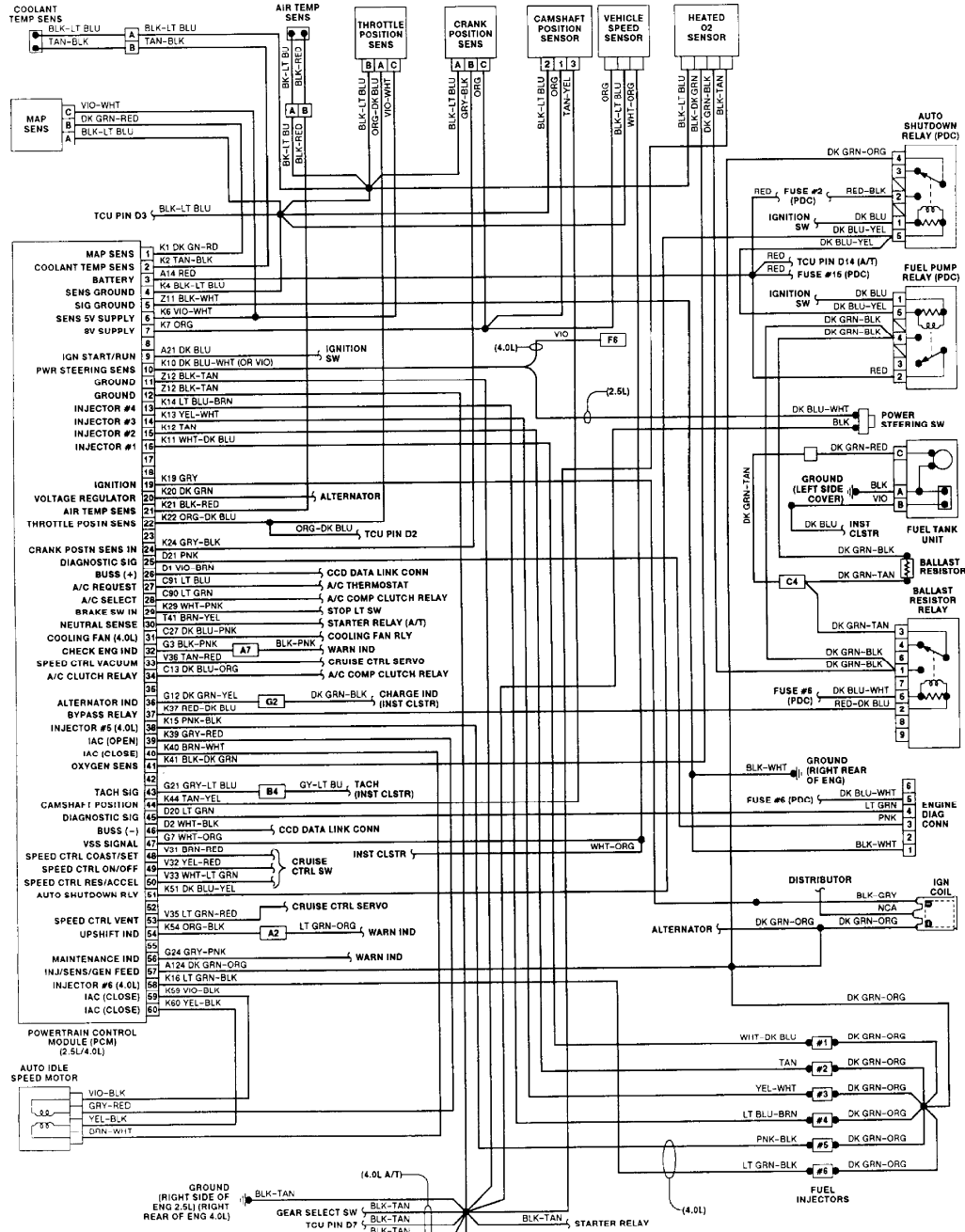


L - WIRING DIAGRAMS

1993 Jeep Cherokee

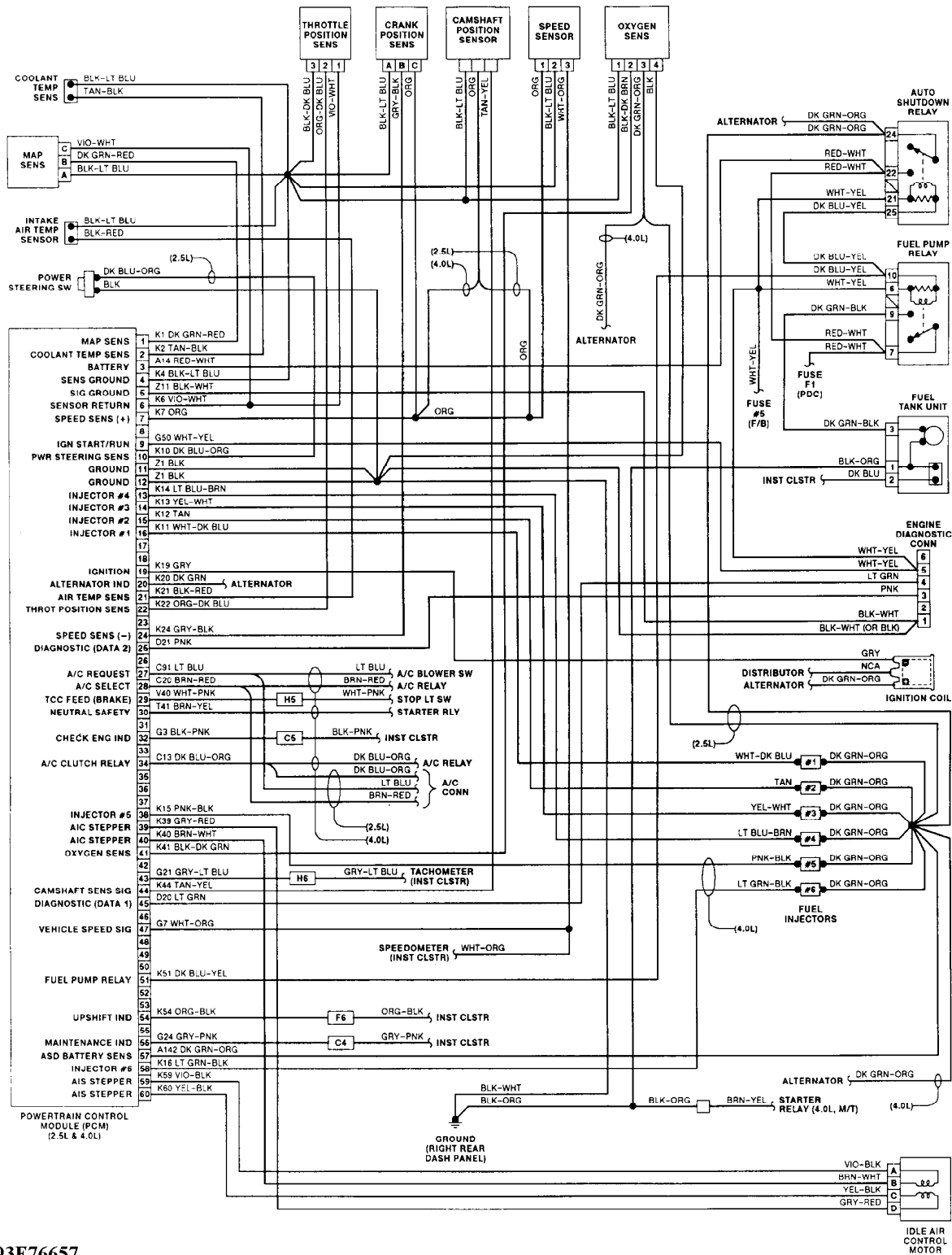
1993 ENGINE PERFORMANCE
Chrysler Corp. - Wiring Diagrams

Jeep; Cherokee, Grand Cherokee, Grand Wagoneer, Wrangler

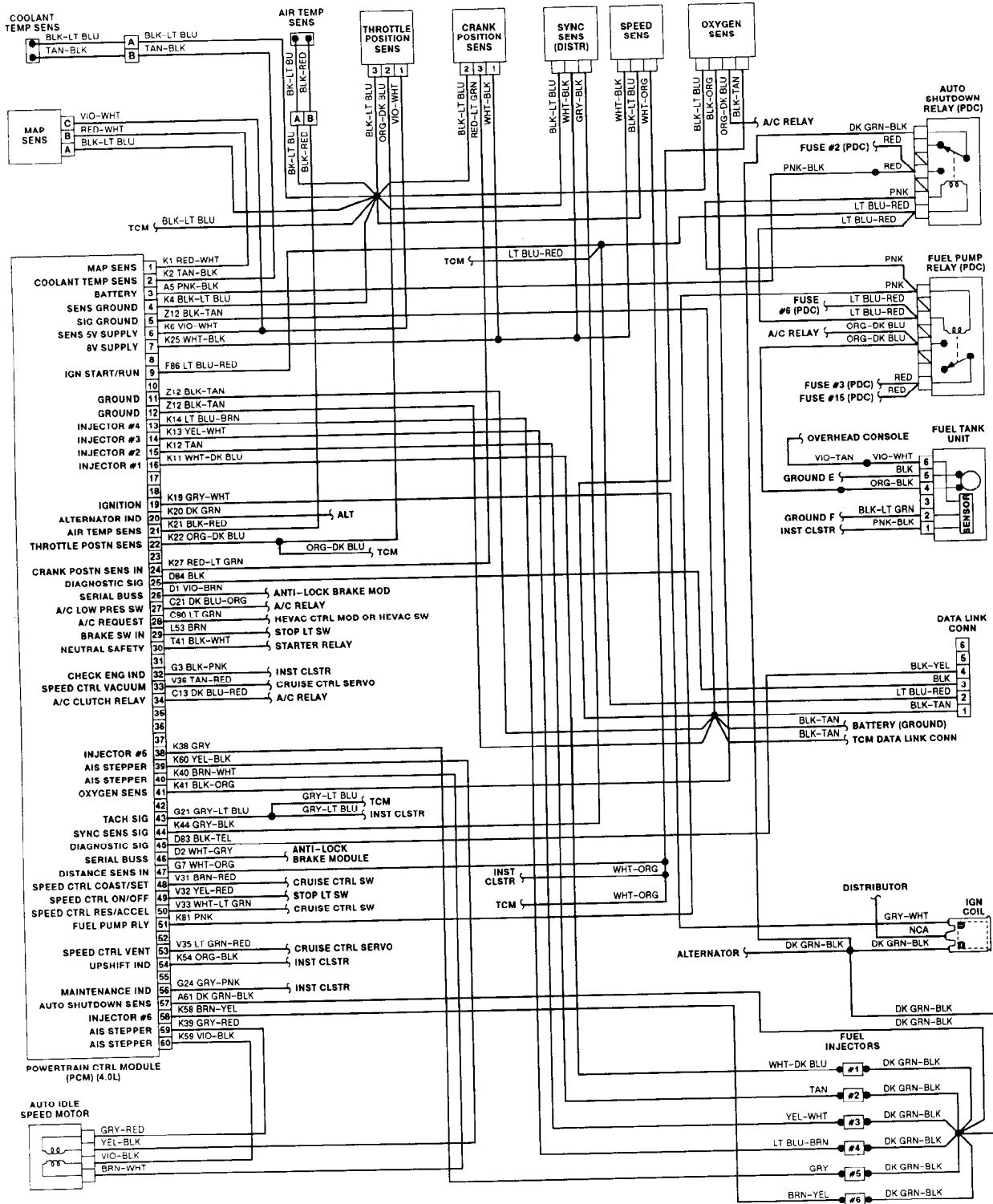


93D76656

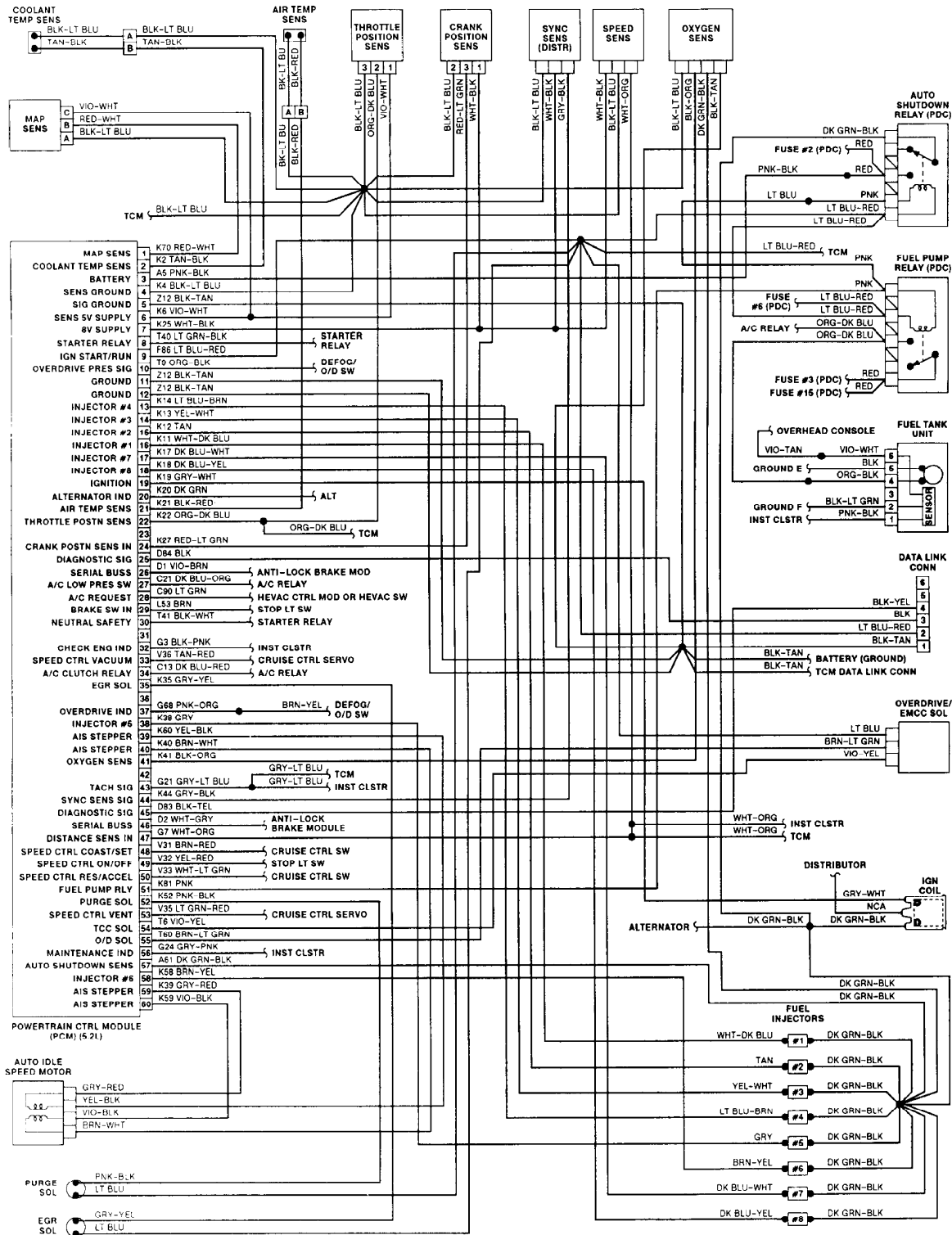
Fig. 1: Wiring Diagram (2.5L & 4.0L - Cherokee)



93E76657
 Fig. 2: Wiring Diagram (2.5L & 4.0L - Wrangler)



93F76658
 Fig. 3: Wiring Diagram (4.0L - Grand Cherokee)



93G76659
 Fig. 4: Wiring Diagram (5.2L - Grand Cherokee & Grand Wagoneer)