

# RECALL 680 - 2.5L ENG - CATALYTIC CONVERTER PACKAGE

1993 Jeep Cherokee

EMISSION RECALL BULLETIN

CALIFORNIA EMISSIONS RECALL #680 - CATALYTIC CONVERTER

Model(s): 1991-95 Jeep Cherokee (XJ)  
1991-95 Jeep Wrangler (YJ)  
1991-92 Jeep Comanche (MJ) Vehicles  
Bulletin No.: 680  
Date: March, 1996

NOTE: This is an Emission Recall bulletin.

## VEHICLES AFFECTED

Vehicles Listed Below Which Are Equipped With a 2.5L Engine and Are Currently Located in California:

- \* 1991 Through 1995 Model Year Jeep Cherokee (XJ) Vehicles Built Through February 14, 1995 (MOM 021411)
- \* 1991 Through 1995 Model Year Jeep Wrangler (YJ) Vehicles Built Through February 7, 1995 (MDH 020712)
- \* 1991 and 1992 Model Year Jeep Comanche (MJ) Vehicles

## SERVICE INFORMATION

Failure of the catalytic converter on the above listed vehicles, may cause a vehicle to be in violation of California Air Resources Board (CARB) and/or U.S. Environmental Protection Agency (EPA) Emissions Standards. To correct this condition the catalytic converter must be replaced. Vehicles which are located outside of California will be serviced under Emissions Recall #681.

IMPORTANT: This recall is subject to the State of California Registration Renewal/Emissions Recall Enforcement Program. Involved vehicles must have the recall service completed before registration renewal.

The servicing dealer must provide a Vehicle Emission Recall Proof of Correction Form (Form No. 81-016-1053) to each owner upon completion of the recall service, for use as proof in renewal of the vehicle registration.

Details of this service action are explained in the following sections.

## SERVICE PROCEDURE VIDEOTAPE

No videotape of the service procedure for this recall will be provided.

## DEALER NOTIFICATION & VEHICLE LIST

### INVOLVED DEALERS

Each dealer to whom involved vehicles were invoiced (or the current

dealer at the same street address) will receive a copy of this dealer recall notification letter and a list of the involved vehicles by first class mail.

The Vehicle List is arranged in Vehicle Identification Number (VIN) sequence. Owners known to Chrysler are also listed. The lists are for dealer reference in arranging for service of involved vehicles as necessary.

## ALL OTHER CALIFORNIA DEALERS

Each California Jeep & Eagle dealer who does not receive a Vehicle List will receive a copy of this dealer recall notification letter by first class mail.

## DIAL SYSTEM FUNCTION 70

All involved vehicles will be entered to DIAL System Function 70 at the time of recall implementation for dealer inquiry by VIN as needed.

## RECALL COMPLETION LABEL REQUIREMENT

There is a California Air Resources Board requirement to affix a label to the vehicle to certify that the emissions recall was completed. A label is included in each emissions service parts package. Refer to the Service Procedure of this letter for application instructions.

## PARTS INFORMATION

**IMPORTANT:** A quantity of parts will be distributed initially and billed to all involved dealers. This quantity will cover a portion of the total vehicles involved. Additional parts may be ordered as needed to support customer demand.

Each involved dealer, to whom vehicles in the recall were invoiced (or the current dealer at the same street address), will receive enough Catalytic Converter Packages, Recall PN CHAR6801 (for 1991 and 1992 model year vehicles), and Recall PN CHBG6802 for (1993, 1994 and 1995 model year vehicles) to service 25% of those vehicles.

Each parts package contains the following components:

### CATALYTIC CONVERTER PACKAGES

91/92 MY Vehicles (CHARS801)		93/94/95 MY Vehicles (CHBG6802)	
Qty	Description	Qty	Description
1	Catalytic Converter	1	Catalytic Converter
1	Clamp	2	Clamp
4	Bolts	1	Recall Completion Label
4	Nuts	1	Instruction Sheet
1	Gasket		
1	Recall Completion Label		
1	Instruction Sheet		

## OWNER NOTIFICATION & SERVICE SCHEDULING

All involved vehicle owners known to Chrysler are being notified of

the service requirement by first class mail. They are requested to schedule appointments for the service with their dealers at the earliest possible date. A copy of the CUSTOMER NOTIFICATION LETTER is in this bulletin.

Enclosed with each owner notification is an Owner Notification Form. The involved vehicle and recall are identified on the form for owner or dealer reference as needed.

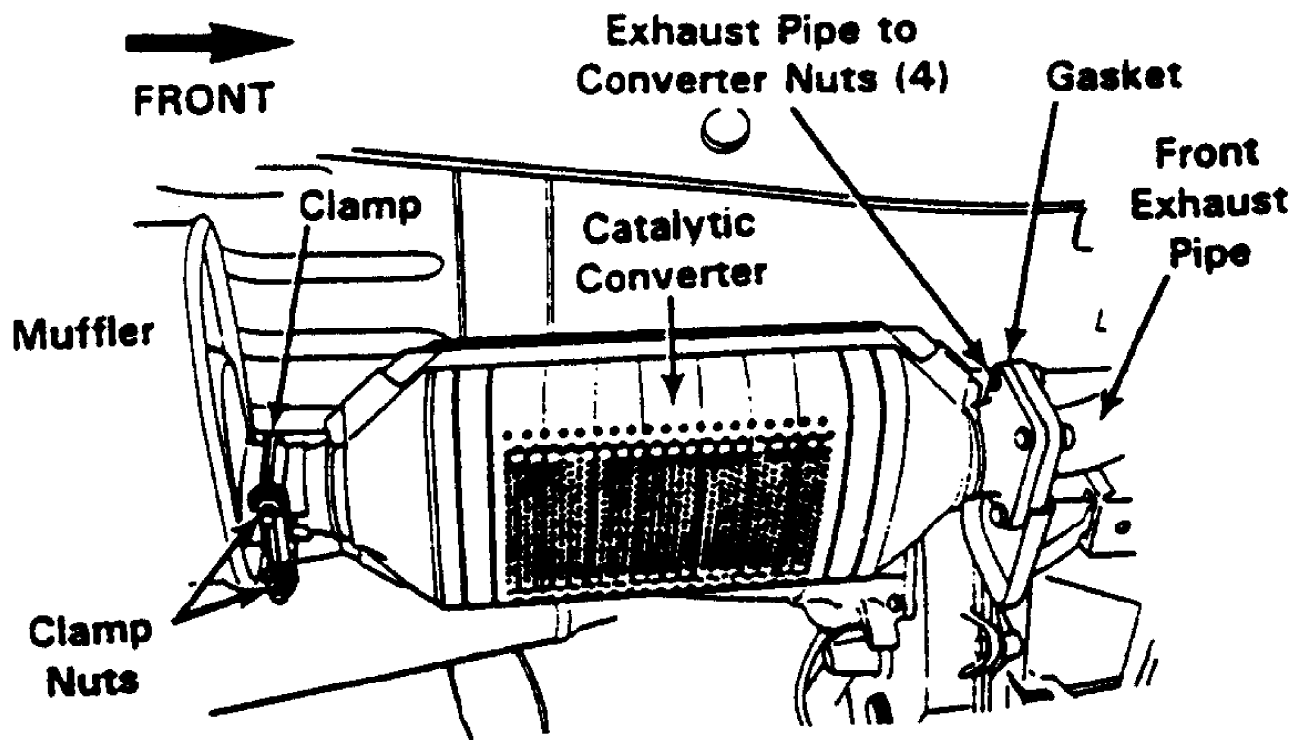
## A. REPLACE CATALYTIC CONVERTER

**WARNING:** IF TORCHES ARE USED WHEN WORKING ON THE EXHAUST SYSTEM, DO NOT ALLOW THE FLAME NEAR THE FUEL LINES.

1. Raise vehicle on an appropriate hoist.
2. On Wrangler (YJ) vehicles:  
Support the transmission and remove the skid plate.
3. Remove and discard the nuts, bolts and gasket at the front of the converter and the exhaust pipe clamp at the rear (see Fig. 1).

**NOTE:** Use penetrating oil if necessary.

4. Place a block of wood against the rear of the converter and drive the clamp converter forward to disengage the alignment tab on the converter pipe from the alignment slot on the muffler.



97F55546

Fig. 1: Removing Converter and Exhaust Pipe Clamp

**NOTE:** If the converter does not move forward, it may be necessary to heat the converter to muffler connection with an oxyacetylene torch until the metal becomes cherry red.

5. Twist the converter back and forth to separate it from the muffler.
6. Install the new converter into the muffler until the alignment tab is inserted into the alignment slot.
7. Using the provided gasket, nuts and bolts, attach the converter to the front exhaust pipe. Do not tighten the bolts.
8. Install and tighten the new exhaust pipe clamp, at the muffler to converter connection, to 40 ft-lbs (57 N-m).
9. Tighten the converter to front exhaust pipe bolts to 25 ft-lbs (34 N-m).
10. On Wrangler (YJ) vehicles:  
Install the skid plate.
11. Lower vehicle.

## **B. INSTALL RECALL COMPLETION LABEL**

1. With a ball point pen, print your dealer code (5 digits) on the supplied Recall Completion Label.
2. Peel the label from its backing and apply it near the Vehicle Emissions Control Information Label on the underside of the hood.

## **C. COMPLETE PROOF OF CORRECTION FORM**

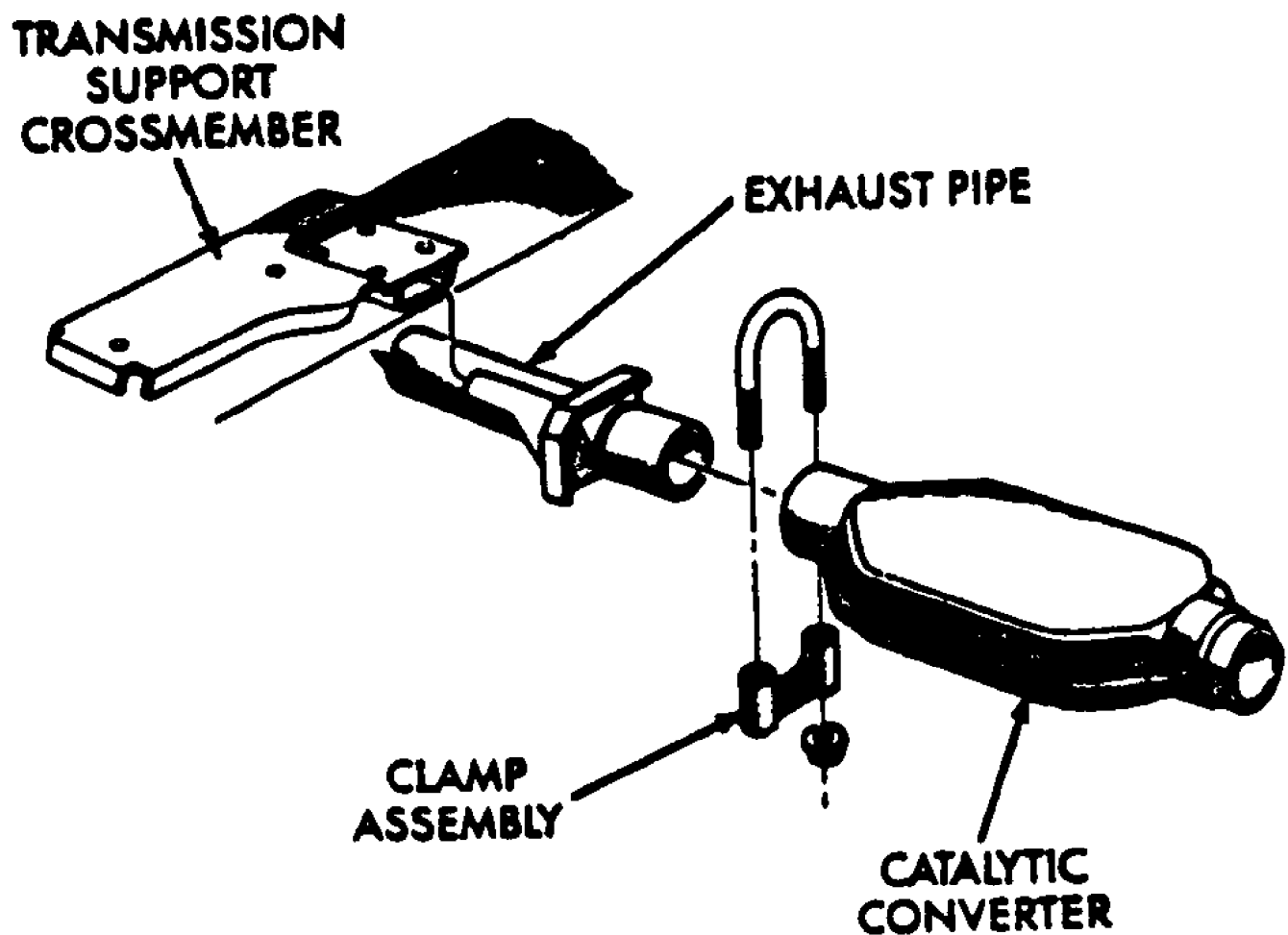
1. Complete a Vehicle Emission Recall Proof of Correction Form and supply it to the vehicle owner.

## **SERVICE PROCEDURE FOR 1993, 1994 AND 1995 MY VEHICLES**

### **A. REPLACE CATALYTIC CONVERTER**

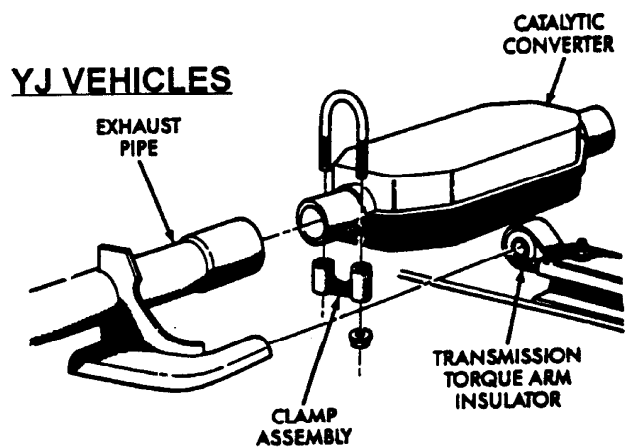
**WARNING:** IF TORCHES ARE USED WHEN WORKING ON THE EXHAUST SYSTEM, DO NOT ALLOW THE FLAME NEAR THE FUEL LINES.

1. Raise vehicle on an appropriate hoist.
2. On Wrangler (YJ) vehicles:  
Support the transmission and remove the skid plate.
3. Remove the U-bolt clamps from the exhaust pipe and muffler connections at the front (see Fig. 2 and 3) and rear (see Fig. 4) of the catalytic converter.
4. Heat the catalytic converter to muffler connection with an oxyacetylene torch until the metal becomes cherry red.



97C56921

Fig. 2: Front U-Bolt Clamps and Muffler Connections (XJ Vehicles)

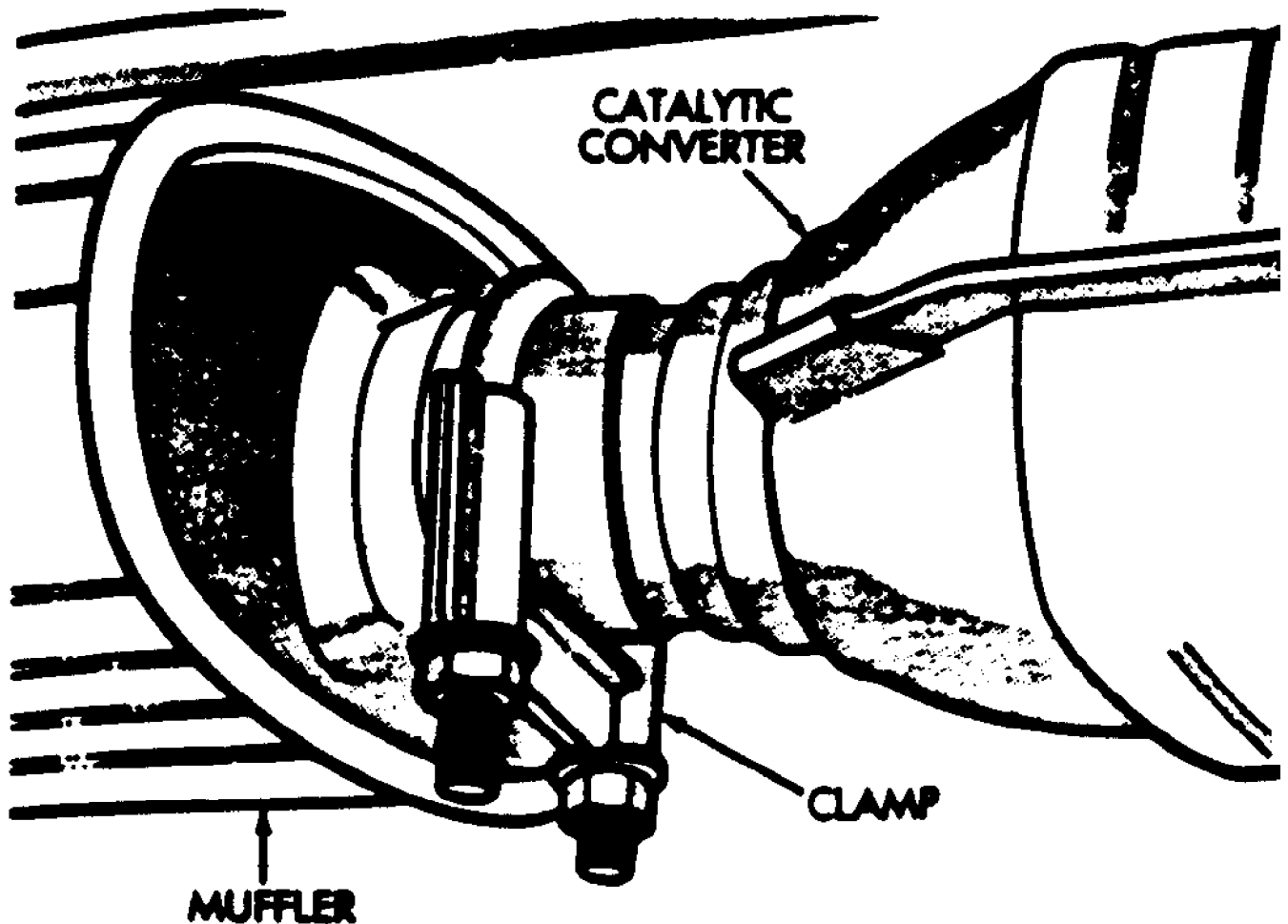


97H55548

Fig. 3: Front U-Bolt Clamps and Muffler Connections (YJ Vehicles)

5. While the metal is still cherry red, twist the muffler assembly back and forth to separate it from the converter.

6. Disconnect the front exhaust pipe from the catalytic converter. If necessary, heat the pipe connection as described above.
7. Connect the supplied catalytic converter to the front exhaust pipe. Use one of the supplied clamps and tighten the nuts to 45 ft-lbs (61 N.m).
8. Install the muffler on to the catalytic converter until the alignment tab is inserted into the alignment slot.
9. Install and tighten the new exhaust pipe clamp, at the muffler to converter connection, to 45 ft-lbs (61 Nm).



97155549

Fig. 4: Rear U-Bolt Clamps and Muffler Connections

10. On Wrangler (YJ) vehicles:  
Install the skid plate.

11. Lower the vehicle.

#### B. INSTALL RECALL COMPLETION LABEL

1. With a ball point pen, print your dealer code (5 digits) on the

supplied Recall Completion Label.

- 2. Peel the label from its backing and apply it near the Vehicle Emissions Control Information Label on the underside of the hood.

**C. COMPLETE PROOF OF CORRECTION FORM**

- 1. Complete a Vehicle Emission Recall Proof of Correction Form and supply it to the vehicle owner.

**COMPLETION REPORTING AND REIMBURSEMENT**

Claims for vehicles which have been serviced must be submitted on the DIAL System Claims submitted will be used by Chrysler to record recall service completions and provide dealer payments.

Use the following labor operation number and time allowance:

	Labor Operation Number	Time Allowance
Replace Catalytic Converter .....	11680182	0.7 Hours

Add the cost of the recall parts package plus applicable dealer allowance to your claim.

**PARTS RETURN**

Removed catalytic converters must be returned to the Warranty Material Return Center.

NOTE: See Warranty Policy and Procedure Manual, Chapter 6, Subsection H for complete recall claim processing and material return instructions.

**VEHICLE NOT AVAILABLE**

If a vehicle is not available for service for a known reason, let us know by filling out the pre-addressed Vehicle Disposition Form portion of the Owner Notification Form, or describe the reason on a postcard and mail to:

Chrysler Corporation  
CIMS 482-00-85  
800 Chrysler Drive East  
Auburn Hills, Michigan 48326-2757

Following the above procedures will expedite the processing of your claim.

If you have any questions or need assistance in completing this action, please contact your Zone Service Office.

Customer Services Field Operations  
Chrysler Corporation

**CUSTOMER NOTIFICATION LETTER**

Dear Jeep Vehicle Owner:

It has been determined that some 1991 through 1995 Jeep, Cherokee, Comanche and Wrangler vehicles equipped with a 2.5L engine, may be in violation of California Emissions Standards.

The Problem is... The catalytic converter on your Jeep vehicle (identified by the Vehicle Identification Number on the enclosed form), may be susceptible to failure. Failure of the catalytic converter could result in hydrocarbon (HC), carbon monoxide (CO) and oxides of nitrogen (NOx) emission levels above the allowable limits, which were established to protect the public health from the dangers of air pollution. HC emissions consist of unburned fuel that is released into the atmosphere. HC in combination with NOx in the presence of sunlight, can cause the formation of ozone. CO emissions are formed by the incomplete combustion of fuel. These pollutants are the primary components of smog.

What Chrysler and your dealer will do... Chrysler will repair your vehicle free of charge (parts and labor). To do this, your dealer will replace the catalytic converter. The service will take about one hour but additional time may be required depending on how service work is scheduled and processed.

What you must do... \* Simply contact your Jeep dealer to schedule a service appointment. Ask the dealer to hold parts for your vehicle or order them prior to your appointment.  
\* Bring the enclosed Owner Notification Form with you to your dealer. It tells the dealer what service is required for your vehicle.

If you don't get this done... The State of California requires the completion of emission recall repairs prior to vehicle registration renewal. In addition, the State requires that every vehicle must pass an emission test (SMOG Check) every two years and before it is sold. Without the free service we are providing, your vehicle may be more likely to fail this test and require that you make costly repairs.

Further, in order to ensure your full protection under the emission warranty provisions, it is recommended that you have your vehicle serviced as soon as possible. Failure to do so could be determined as lack of proper maintenance of your vehicle.

How the state knows that the recall has been performed... State of California regulations require Chrysler to provide the Department of Motor Vehicles with a record of all vehicles which have not had the recall service performed. If your vehicle is not on this list, the state will know that the recall has been completed.



Your dealer will provide you with a Vehicle Emission Recall Proof of Correction Form after the recall service is completed. Be sure to save this form since the California Department of Motor Vehicles may require that you supply it as proof of recall completion.

If you need help... If you have trouble getting your vehicle repaired, please call the Chrysler Customer Center, toll free, at 1-800-853-1403. A representative will assist you in getting your vehicle repaired.

We are sorry for any inconvenience, but trust you understand our interest in clean air and in your continued satisfaction with our products. Thanks for your attention to this important matter.

Customer Services Field Operations  
Chrysler Corporation