

STEERING KNUCKLES - 4WD

1993 Jeep Cherokee

1993 DRIVE AXLES
Chrysler Corp. 4WD Steering Knuckles

Jeep; Cherokee, Grand Cherokee, Grand Wagoneer, Wrangler

DESCRIPTION

Open-end steering knuckles pivot on ball joints and allow wheels to turn.

REMOVAL & INSTALLATION

Removal

1) Raise and support vehicle. Remove wheel, disc brake caliper, rotor, cotter pin, nut retainer, and axle hub nut. Remove hub-to-steering knuckle attaching bolts. Remove hub and rotor shield from steering knuckle. Remove axle shaft from axle tube. See FRONT AXLES article.

NOTE: DO NOT disconnect caliper unless service is needed. Support caliper with wire to prevent hose damage.

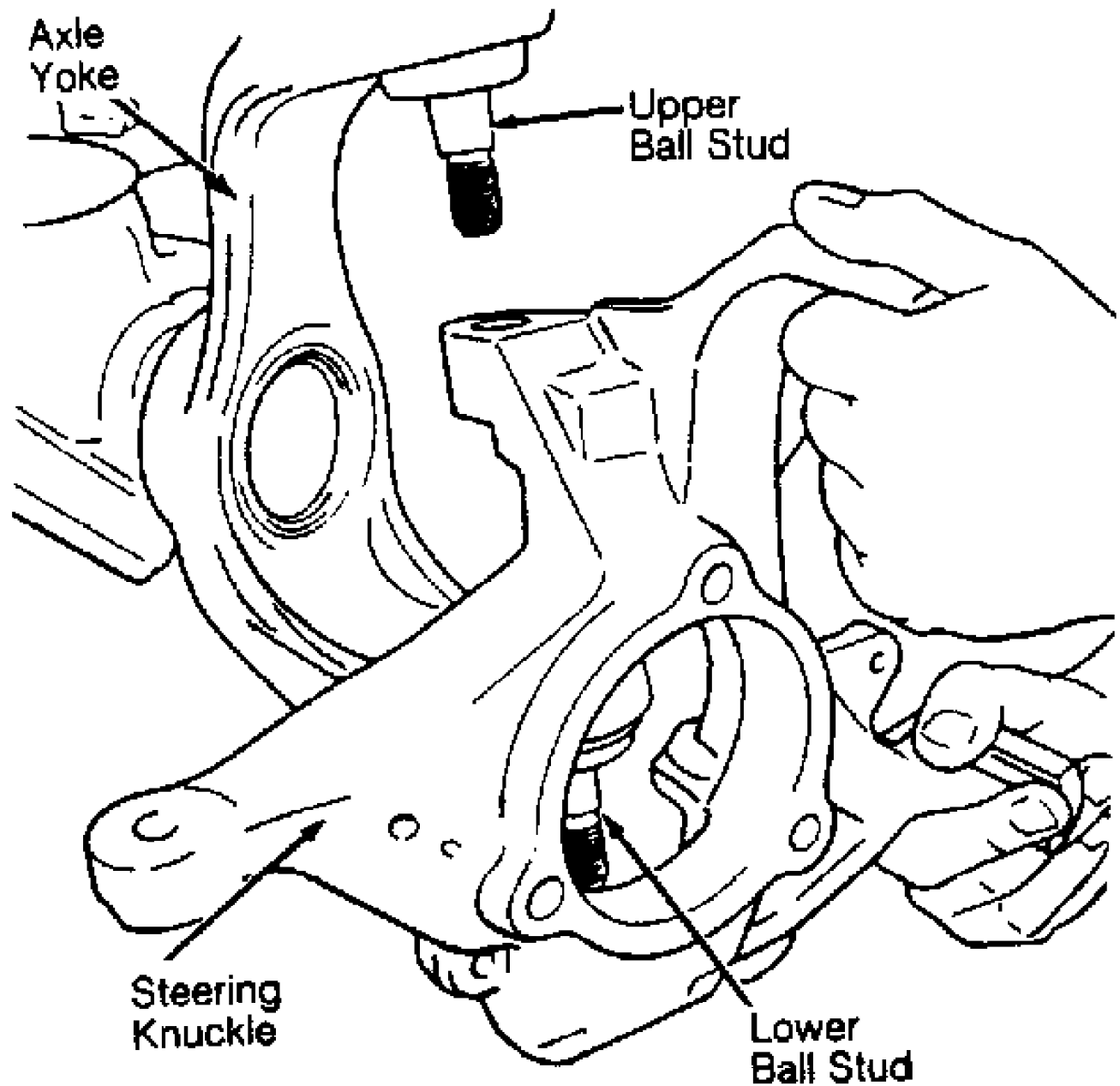
2) On models with front axle shift motor, remove outer axle shaft from right axle tube. Leave shift collar on intermediate shaft. Remove caliper anchor plate from steering knuckle. Remove steering knuckle and ball joint cotter pins. Remove ball joint nuts. Strike steering knuckle at ball joint stud boss with a brass hammer to loosen knuckle from ball joint studs. Remove steering knuckle.

Installation

1) Position steering knuckle over ball joint studs and install nuts. See Fig. 1. Install NEW cotter pins. Install caliper anchor plate and tighten bolts to specification. See TORQUE SPECIFICATIONS TABLE at the end of this article. Install axle shafts into axle tubes.

2) On vehicles with front axle shift motor, ensure shift collar is correctly positioned on intermediate axle shaft. Install axle into shift collar inside axle tube. Ensure axle shaft is completely engaged with shift collar.

3) On all models, apply bearing grease to spindle hub bore in steering knuckle and install rotor shield and hub. Tighten spindle hub bolts. Install hub washer and nut. Tighten hub nut to specification. Install hub nut retainer and NEW cotter pin. Install rotor, caliper and wheel. Lower vehicle.



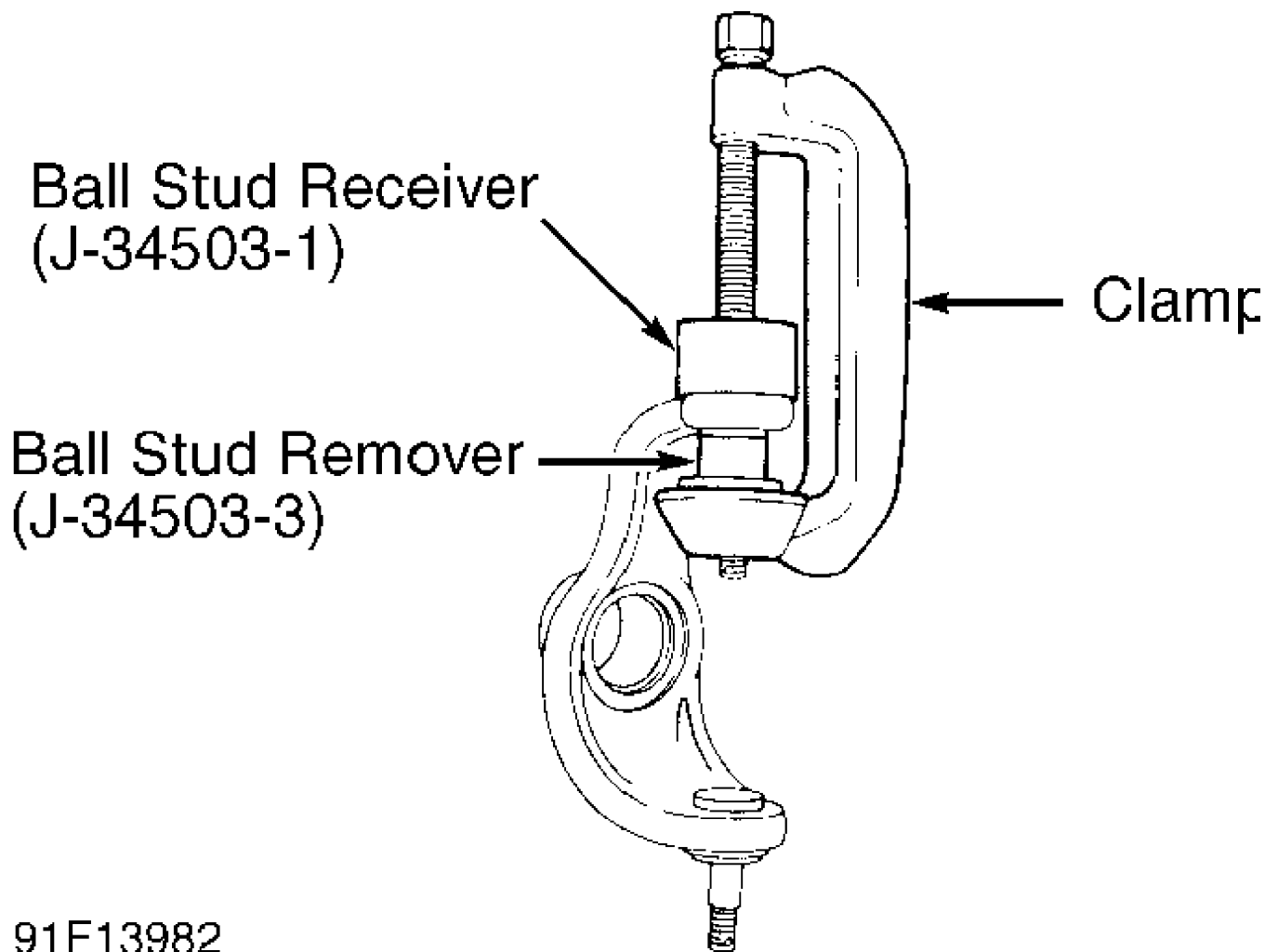
92G21838

Fig. 1: Removing & Installing Steering Knuckle Assembly
Courtesy of Chrysler Corp.

OVERHAUL

Removal (Upper Ball Joint)

Place steering knuckle in soft-jawed vise, place Receiver (J-34503-1) on top of upper ball joint. Place Ball Stud Remover (J-34503-3) in "C" clamp. Place "C" clamp and remover under upper ball joint and tighten "C" clamp screw to remove ball joint. See Fig. 2.

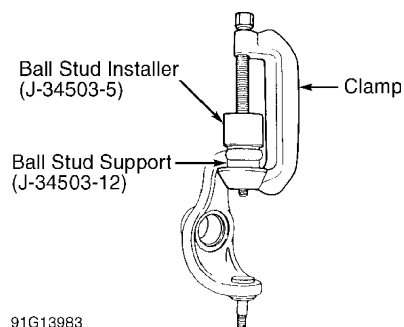


91F13982

Fig. 2: Removing Upper Ball Joint
Courtesy of Chrysler Corp.

Installation (Upper Ball Joint)

Place Ball Stud Installer (J-34503-5) on top of upper ball joint. Place Ball Stud Support (J-34503-12) between "C" clamp and yoke. Tighten "C" clamp screw and seat ball joint. See Fig. 3



91G13983

Fig. 3: Installing Upper Ball Joint
Courtesy of Chrysler Corp.

Removal (Lower Ball Joint)

Place Ball Stud Receiver (J-34503-1) on "C" clamp screw and

Ball Stud Remover (J-34503-3) between top of yoke and "C" clamp. Press lower ball joint into receiver.

Installation (Lower Ball Joint)

Place Installation Cup (J-34503-4) on "C" clamp screw and

Ball Stud Support (J-34503-12) between top of yoke and "C" clamp.

Tighten "C" clamp screw until lower ball joint is seated in yoke.

TORQUE SPECIFICATIONS

TORQUE SPECIFICATIONS TABLE

Application	Ft. Lbs. (N.m)
Ball Joint Nuts	75 (102)
Caliper Anchor Plate	77 (104)
Spindle Hub Bolts	75 (102)
Axle Hub-To-Shaft nut	175 (237)
Wheel Lug Nuts	
Except Grand Cherokee	80 (108)
Grand Cherokee	88 (120)
