

This publication contains Parts Information for all 1987-90 Jeeps.

The use of this Parts Catalog and the arrangement of information herein is explained in the General Information Section as indexed below.

### INDEX TO INFORMATION PAGES

• ABBREVIATIONS .....	A-20-24
• ALPHABETICAL INDEX .....	A-6
• BODY PLATE INTERPRETATION .....	A-11 & 12
• BODY CODE PLATE .....	A-11 & 12
• BUILD DATE MO. AND YR. ....	A-9
• CATALOG AND PARTS BULLETINS .....	A-6
• COLOR CODED OR COMBINED PART NUMBERS .....	A-7
• DATE CORRELATION TABLES .....	A-17
• ENGINE IDENTIFICATION NUMBERS .....	A-7
• GROUP CONTENTS .....	A-4
• HOW TO LOCATE PARTS .....	A-3
• ILLUSTRATION INDEX .....	A-6
• INTERIOR TRIM .....	A-7
• LABEL LOCATIONS .....	A-8, 9 & 10
• METRIC CONVERSION TABLE .....	A-19
• NEWPART INDEX .....	A-6
• NUMERICAL INDEX .....	A-6
• PAGE NUMBERING .....	A-5
• PARTS CATALOG REVISION SERVICE .....	A-6
• PARTS PACKAGES .....	A-6
• PRICE CLASS (SERIES) INFORMATION .....	A-8, 9 & 10
• RIGHT AND LEFT PART NUMBERS .....	A-5
• SALES CODES .....	A-18
• SPECIFYING INFORMATION .....	A-5
• STANDARD PARTS .....	A-6
• SYMBOLS USED IN THIS CATALOG .....	A-5
• TRANSMISSION MODEL & SERIAL NUMBER .....	A-7
• VEHICLE IDENTIFICATION NUMBER .....	A-11-16

### HOW TO USE THIS CATALOG AND LOCATE PARTS

This Catalog is divided into Part Groups in which illustrations for parts of a similar function and/or location are published. The Group Contents listing on the next page shows the type of parts contained in each group. Tabs are provided or available to separate each group.

Several methods may be used to locate a specific part:

Option 1: From the Group Contents listing, select the group which would most logically contain the part to be found. Open the catalog to the beginning of that group. The first page of the group will contain an index of illustrations. Select the illustration most likely to contain the part. Turn to the selected illustration and locate the part by reviewing the illustration item numbers and associated text information following the illustration.

Option 2: If the "noun" name of the part you seek is known, an alphabetical index of Nouns and Illustration titles is provided to assist in finding the part. Several keys may be found in this index.

<b>RESERVOIR</b> , Power Strng. Oil Pump .....	Group 19	Group Reference
<b>ALTERNATOR</b> , Cherokee .....	8-1600	Illustration Reference
<b>BELT</b> , Front Seat Cherokee .....	ITB-1000/3	Illustration/Item Reference
	<b>Group</b> _____	
	<b>Illustration No.</b> _____	
	<b>Item</b> _____	

Option 3: If the part number is known but the applications need to be determined, refer to the numerical index. This index shows the group, illustration number and item for each part listed in the catalog. Multiple references mean the part is listed more than once.

## PART GROUP—TITLES & CONTENT

GROUP	CONTENTS
INF	Information Section
AL	Alphabetical Index
NE	Newpart Index
IL	Illustration Index (All Groups)
1	Catalog Notices
2	<b>Front Suspension &amp; Drive</b> Front Suspension Components ... Steering Knuckles Front Drive Shafts, Axles, Locking Hubs ... Front Differential
3	<b>Rear Axle</b> Rear Axle and Component Parts ... Rear Axle Mountings
4	<b>Parking Brake Controls</b>
5	<b>Service Brakes</b> Brake Controls and Mechanism ... Brake Warning Switch, Parking Brake Components within the Wheel ... Wheel Hardware, Bearings and Seals
6	<b>Clutch</b> Clutch Unit and Components ... Clutch Pedal, Controls
7	<b>Cooling</b> Front Grille, Grille Support, Radiator Supports, Headlamp Supports ... Radiators, Fans and Fan Motors; Hoses, Thermostats ... Transmission Cooling ... Water Pump ... Drive Belts and Pulleys ... Turbocharger Cooling
8	<b>Electrical</b> Switches, Relays, Solenoids, Sensors, ... Battery Trays ... Engine Electrical ... Starters, Alternators, Distributors ... Front, Rear, Interior Lamp ... Body Wiring ... Horn
8A	<b>Instrument Panel and Console</b> Instrument Panel and Console Electrical Parts, Clusters, Switches, Wiring ... All Hard and Soft Trim Parts ... Radio, Speakers and Antenna
9 (A, B ...)	<b>Engine (By Engine Type)</b> Engine Components ... Engine Oil System ... Flywheels, Torque Converters ... Engine Mounting
11	<b>Exhaust</b> Exhaust System Components ... Heat Shields
13	<b>Frame, Bumper &amp; Fascia</b> Frame Components, Crossmembers ... Bumper and Fascia Components ... Snow Plow Parts
14	<b>Fuel</b> Accelerator Pedal, Linkage, Throttle Control ... Air Cleaner ... Carburetors, Throttle Body and Injection Components ... Fuel Lines, Fuel Tank ... Fuel Pump ... Turbocharger Components ... Speed Control

GROUP	CONTENTS
16	<b>Prop. Shaft and Universal Joint</b>
17	<b>Rear Suspension</b> Rear Suspension Components
18	<b>Service Bulletin Parts</b>
19	<b>Steering</b> Steering Wheels, Column ... Power Steering Pump ... Steering Gear ... Steering Linkage, Tie Rods
21M	<b>Manual Transmission and Transfer Cases</b> Manual Transmission, Transaxle and Components ... Gearshift Controls ... Transfer Case, Controls, Mountings ... Speedometer Pinion and Cable
21A	<b>Automatic Transmission</b> Automatic Transmission, Transaxle and Components ... Gearshift Controls ... Speedometer Pinion and Cable
22	<b>Wheels</b> Wheel Rims ... Wheel Covers, Hubcaps ... Jack and Spare Tire Storage
23	<b>Exterior Ornamentation</b> Exterior Ornamentation, Tape Stripes, Decals ... Exterior Moldings ... Vinyl Roof and Trim
23A	<b>Body-Sheet Metal Except Doors</b> Body Metal ... Stationary Glass ... Sunroof ... Convertible Top ... Hood and Deck Release
23C	<b>Body-Doors and Related Parts</b> Door Metal ... Door Hardware ... Door Glass ... and Regulator ... Door Mirrors ... Weatherstrips
23D	<b>Body-Miscellaneous</b> Lock Cylinders and Keys ... Windshield Washer/Wiper System
IT (A, B ...)	<b>Interior Trim (By Body Code)</b> All Interior Trim Except Dash and Console ... Seats and Seat Belts ... Seat Adjusters, Manual and Power ... Carpet ... Interior Panels and Moldings ... Security/Tonneau Covers
24	<b>Heater and Air</b> Heater, Air Conditioning System and Controls
25	<b>Emission Systems</b> Air Pump ... EGR System ... Vapor Canister
NU	<b>Numerical Index</b>

## PAGE NUMBERING

Two-part page numbers are used throughout this catalog. The first part of the page designation indicates one major group or section. The second part indicates the actual page number in the group. For example:

2-1 indicates Group 2, Front Suspension, Page 1

3-4 indicates Group 3, Axle Rear, Page 4

In the maintenance of the Loose Leaf Parts Catalog Revision Service, it may become necessary to add information beyond the capacity of the page. In this event, an "A" page will be used. For example, if it becomes necessary, because of change, to add several part numbers to page 2-1 and space does not permit the addition, you will be given Page 2-1A. Page 2-1A should be filed immediately following Page 2-1.

Figure and Item Numbers are also commonly used to identify locations in this Catalog, i.e., 14-900/8 refers to Group 14, illustration 900, Item Number 8. Illustration Numbers are always ascending sequential within the Groups.

## RIGHT AND LEFT PART NUMBERS

Right and Left part numbers are frequently combined on one line, e.g., 3514 444-5. Such numbers are interpreted as 3514 444 Right Side application and 3514 445 Left Side. Right and Left Sides are always determined by their relationship to the driver when normally seated and looking forward.

## SYMBOLS USED IN THIS PARTS CATALOG

The following symbols are commonly used with Part Number and quantity information in this Catalog:

# — Preceding a part number indicates parts which have been added and not previously published.

AR — Indicates the quantity required may vary or is to be determined by the user.

PAR — (Indicates Paint As Required).

## SPECIFYING INFORMATION

The following information is included in this Parts Catalog:

- Part Name
- Part Number
- Model Application
- Quantity used per vehicle
- Description and dimensions necessary for proper identification of parts where necessary
- Model or Engine Column:  
Engine by Displacement or Vehicle Model Code Body Style Code or Price Class.
- Effective points of model year running changes are indicated by vehicle serial number, engine number or body number where applicable. When serial number effective points are not available, production effective dates are used. (Refer to the Federal Certification Label for the build date.)
- Parts designated as CANADA or EXPORT are not available through U.S. parts outlets.

In the event replacement parts not listed herein are required due to a special service situation, Dealers should contact their factory specifier for assistance. Problems encountered with peculiar part specifications can be resolved in the same manner.

## ILLUSTRATION INDEX

This index is a compilation of catalog parts description data with reference to illustrations, figures and key numbers as shown:

ILLUSTRATION INDEX	GROUP	ILLUS. NO.
FENDER D. W. ....	.....	23A-1400

The first page of each group contains a listing of all illustrations within that group. Also refer to illustrations alphabetically listed in information section.

## ALPHABETICAL INDEX

This index is a compilation of catalog parts description data with a reference to the location of the item by group—Figure and key number as shown in the following example:

Housing, w/Pump	7 - 1500 / 18
Group	.....
Illustration No.	.....
Item	.....

The index will be expanded progressively as data is added to computer files. To locate a part by name, refer to the Alphabetical Index. This indicates the group and illustration and item number where the part is located. Alphabetical Index can be found in INF section of catalog.

## NUMERICAL INDEX

A listing of Part Numbers contained in the catalog. The numbers are in numerical sequence with reference to the group and illustration and item number where the part is located.

## PARTS PACKAGES

Service Parts Packages, containing all parts needed for specific service operation, are listed in their respective groups with related parts. The listing will show adaptability and model application.

## STANDARD PARTS

Important attaching standard parts such as bolts, nuts, etc., are generally listed in the text of the respective major parts groups.

## CATALOG AND PARTS BULLETINS

BULLETINS are issued when important changes are made in production or when corrections are to be made in the Parts Catalog between regular revisions. All catalogs should be noted and changed accordingly to remain current between revisions.

## PARTS CATALOG REVISION SERVICE

Subscribers to the Jeep/Eagle Parts Catalog Revision Service will be periodically provided with revised copy incorporating the latest information. Revisions may be provided by Group or complete book copy.

## NEWPART INDEX

A listing of new part numbers contained in the catalog. The numbers are in group sequence with reference to the illustration and item number where the part is located.

## COLOR CODED OR COMBINED PART NUMBERS

Appearing throughout this catalog are part numbers containing both letters and numbers. For example: D500 KB7. These are good serviceable part numbers. The combination of letters and numbers merely indicates the parts are keyed to the interior color of the vehicles on which they are used.

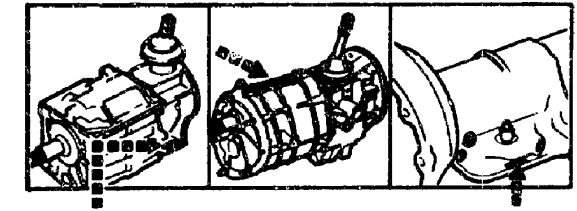
In addition, Right and Left part numbers are frequently combined on one line; e.g., D500-1 KB7. Such numbers are interpreted as D500 KB7, Right Side application, and D501 KB7 Left Side. Right and Left Sides are always determined by their relationship to the driver when normally seated and looking forward.

## INTERIOR TRIM

Refer to the Group IT, Interior Trim section of the catalog, for information relative to Interior Soft and Hard Trim, Rolled Stock, etc.

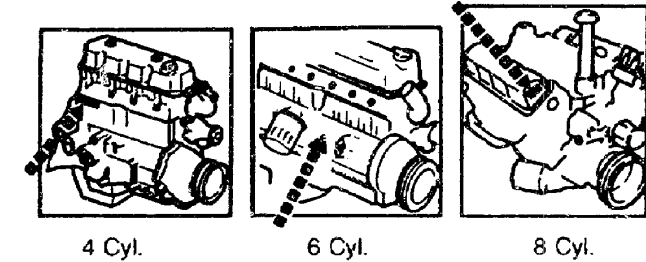
## TRANSMISSION IDENTIFICATION

The Part Number and/or Model Number of the Transmission.



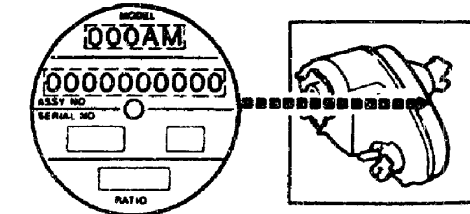
## ENGINE IDENTIFICATION

A Sequential Number Assigned by the Engine Assembly Plant.

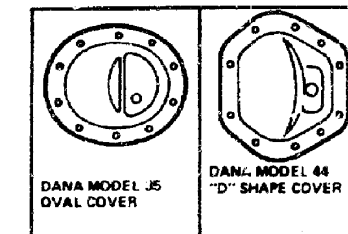


## TRANSFER CASE IDENTIFICATION

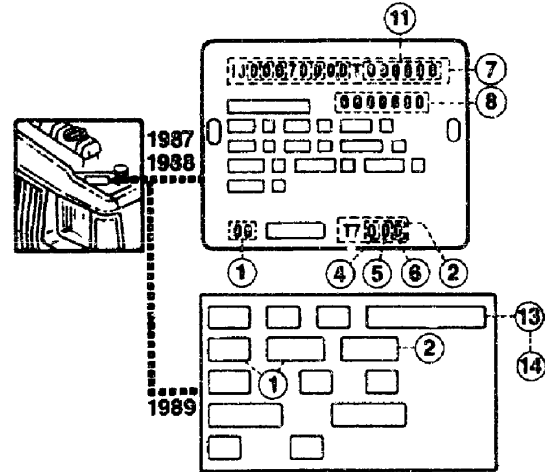
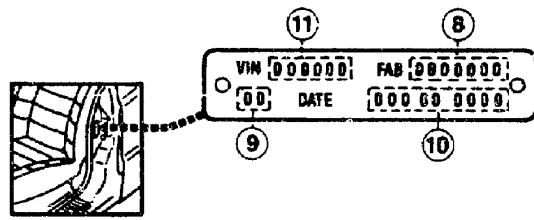
The Model Number and Part Number of the Transfer Case Assembly.



## REAR AXLE IDENTIFICATION



1987 - 1989  
BODY I.D. PLATES  
CHEROKEE, WAGONEER, COMANCHE

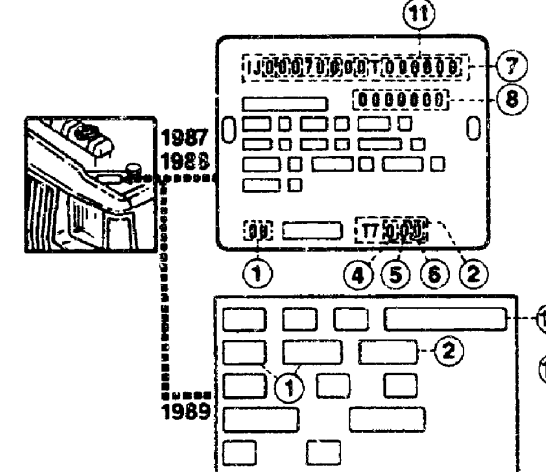
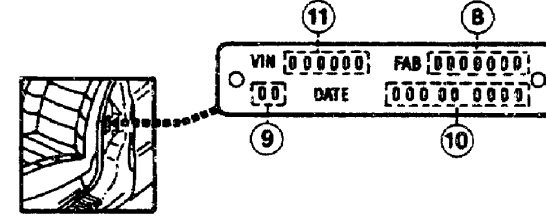


- 1 PAINT CODE**
- 3D or HA2 = Sterling Metallic Clearcoat
  - BC = Briarwood Metallic Clearcoat
  - BD = Grenadine Metallic Clearcoat
  - BE or HE4 = Colorado Red Clearcoat
  - CA or HWB = Pearl White Clearcoat
  - CB = Buff Yellow Clearcoat
  - CC or HS4 = Dover Grey Metallic Clearcoat
  - CE or HQ9 = Dark Baltic Metallic Clearcoat
  - CH or HB3 = Spinnaker Blue Metallic Clearcoat
  - CK or HE8 = Dark Vivid Red Metallic Clearcoat
  - CP = Medium Bronze Metallic Clearcoat
  - CW = Coffee Clearcoat
  - DK or HY7 = Sand Clearcoat
  - DL or HY3 = Sand Metallic Clearcoat
  - FG = Forest Green Clearcoat
  - FO = Utility Orange Clearcoat
  - FY = D.O.T. Yellow Clearcoat
  - PI or FX6 = Classic Black Clearcoat
  - 999 = Special Paint Option
  - 2D = Deep Night Blue Clearcoat
  - 3B = Sebring Red Clearcoat
  - 3C = Garnet Metallic Clearcoat
  - 4D = Champagne Metallic Clearcoat
  - 4M = Charcoal Gray Metallic Clearcoat
  - 5D = Dark Honey Metallic Clearcoat
  - 5E = Dark Brown Metallic Clearcoat
  - 9B = Olympic White Clearcoat
  - AA = Dark Petwer Metallic Clearcoat
  - AB = Beige Clearcoat
  - AJ = Medium Blue Metallic Clearcoat

- 2 INTERIOR TRIM COLOR/MATERIAL CODES (EARLIER VEHICLES):**
- 4**
- 1 = Graphite/Black
  - 2 = Charcoal
  - 3 = Blue
  - 4 = Cordovan (1987)
  - 5 = Cordovan (1988)
  - 6 = Tan
  - 9 = Honey
  - N = Bucket Seat - Reclining (Truck)
  - P = Bucket Seat - Non-Reclining (Wagon)
  - Q = Bucket Seat - Reclining (Wagon)
  - Y = Bench Seat - Notched for Shift Lever (Truck)
- 5**
- G = Vinyl Upholstery - "Deluxe Grain"
  - H = Cloth Upholstery - "Luggage"
  - L = Leather Upholstery
  - T = Vinyl Upholstery - "Premium"
  - U = Cloth Upholstery - "Mesa"
- 6**

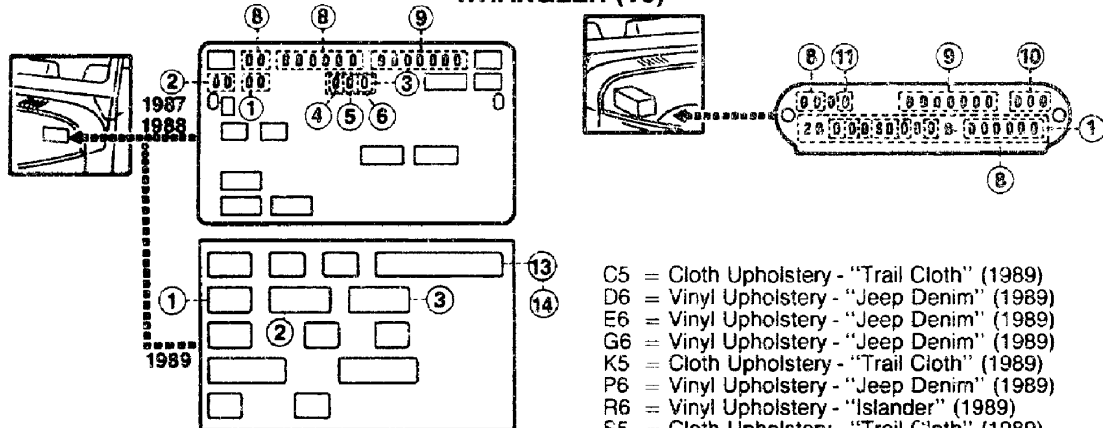
- W = Cloth Upholstery - "Hunter's Plaid"
- X = Vinyl Upholstery - "Celtic Grain"
- AL = Leather Upholstery (Grand Wagoneer)
- B1 = Cloth Upholstery - "Canyon" (Truck-Bench Seat, with Notch for Shift Lever)
- B7 = Cloth Upholstery - "Canyon" (Cherokee)
- D1 = Cloth Upholstery - "Canyon" (Truck-Bench Seat, No Notch for Shift Lever)
- E1 = Cloth Upholstery - "Canyon" (Truck-Bench Seat, No Notch for Shift Lever)
- F2 = Vinyl Upholstery - "Premium" (Truck - Bench Seat, No Notch for Shift Lever)
- F8 = Vinyl Upholstery - "Premium" (Cherokee)
- ML = Leather Upholstery (Cherokee)
- Q7 = Cloth Upholstery - "Luggage" (Truck-Bucket Seats)
- W7 = Cloth Upholstery - "Hunter's Plaid" (Cherokee)
- X1 = Cloth Upholstery - "Canyon" (Truck-Bench Seat, with Notch for Shift Lever)
- X2 = Vinyl Upholstery - "Premium" (Truck-Bench Seat, with Notch for Shift Lever)
- X7 = Cloth Upholstery - "Canyon" (Cherokee)
- X8 = Vinyl Upholstery - "Premium" (Truck-Bucket Seats)
- XL = Leather Upholstery (Cherokee)
- YL = Leather Upholstery (Wagoneer)
- H9 = Cordovan
- Q8 = Navy
- SA = Charcoal or Graphite
- YY = Sand

1987 - 1989  
BODY I.D. PLATES  
CHEROKEE, WAGONEER, COMANCHE



- 7 VEHICLE IDENTIFICATION NUMBER (VIN)**
- 8 BODY FABRICATION NUMBER**  
A sequential number assigned by the body framing plant, never returning to zero for the life of the body series, beginning with 0,000,001.
- 9 thru 10 MANUFACTURING DATE**
- 9**
- 87 = Model Year 1987
  - 88 = Model Year 1988
  - 89 = Model Year 1989
- 10** Month, Day and Year the Vehicle Was Built
- 11** = A sequential serial number assigned by the vehicle manufacturer, beginning with 000 001 each model year.

1987-1989 BODY I.D. PLATES  
WRANGLER (YJ)



**1 PAINT CODE**

- 2A = Mist Silver Metallic (1987)
- 2B = Sun Yellow (1987)
- 3P = Garnet Metallic (1987)
- 4A = Autumn Brown Metallic (1987)
- 4B = Mocha Brown Metallic (1987)
- 5H = Medium Blue Metallic (1987)
- 5J = Dark Blue Metallic (1987)
- 9B = Olympic White (1987)
- AB = Beige (1987)
- BE = Colorado Red
- BH or HA4 = Silver Metallic (1988/)
- BJ or HB4 = Spinnaker Blue Metallic (1988/)
- BK = Vivid Red Metallic (1988)
- BL or HJ5 = Khaki Metallic (1988/)
- BM = Sand Dune Yellow (1988)
- CA or HWA = Pearl White (1988/)
- CW = Coffee (1988)
- DD or HJ4 = Malibu Yellow (1989)
- DE or HO3 = Pacific Blue (1989)
- DK or HY5 = Sand (1989)
- DP or HE3 = Bright Red (1989)
- P1 or HX5 = Classic Black

**2 TOP COLOR/TYPE CODES**

- BK = Black Hard Top
- WH = White Hard Top (1987)
- HY = Honey Hard Top (1987)
- TN = Tan Hard Top (1988)
- CH = Charcoal Hard Top (1988/1989)
- KT = Sand Hard Top (1989)
- SB = Black Soft Top
- SW = White Soft Top (1987)
- SH = Honey Soft Top (1987)
- ST = Tan Soft Top (1988)
- SC = Charcoal Soft Top (1988/1989)
- SK = Khaki Soft Top (1988/1989)
- JT = Sand Soft Top (1989)

**3 INTERIOR TRIM COLOR/MATERIAL CODES (Later Vehicles):**

- A5 = Cloth Upholstery - "Trail Cloth" (1989)
- A6 = Vinyl Upholstery - "Jeep Denim" (1989)

- C5 = Cloth Upholstery - "Trail Cloth" (1989)
- D6 = Vinyl Upholstery - "Jeep Denim" (1989)
- E6 = Vinyl Upholstery - "Jeep Denim" (1989)
- G6 = Vinyl Upholstery - "Jeep Denim" (1989)
- K5 = Cloth Upholstery - "Trail Cloth" (1989)
- P6 = Vinyl Upholstery - "Jeep Denim" (1989)
- R6 = Vinyl Upholstery - "Islander" (1989)
- S5 = Cloth Upholstery - "Trail Cloth" (1989)
- T5 = Cloth Upholstery - "Trail Cloth" (1989)
- W5 = Cloth Upholstery - "Trail Cloth" (1989)
- W6 = Vinyl Upholstery - "Islander" (1989)
- X5 = Cloth Upholstery - "Trail Cloth" (1989)
- SA = Charcoal (1989)
- YY = Sand or Khaki (1989)

**3 INTERIOR TRIM COLOR/MATERIAL CODES (Earlier Vehicles):**

- 4** 1 = Black (1987)
- 9 = Honey (1987)
- B = Bucket Seat (1988)
- 5** E = Bucket Seat-High Back (1987)
- D = Vinyl Upholstery-"Jeep Denim" (1988)
- F = Cloth Upholstery-"Trail Cloth" (1988)
- 6** D = Vinyl Upholstery-"Jeep Print" (1987)
- F = Vinyl Upholstery-"Buffalo Grain" (1987)
- A = Charcoal (1988)
- E = Tan (1988)
- F = Khaki (1988)

**7 VEHICLE IDENTIFICATION NUMBER (V.I.N.)**

**8** A sequential serial number assigned by the vehicle manufacturer, beginning with 000 001 each model year.

**9 BODY FABRICATION NUMBER**

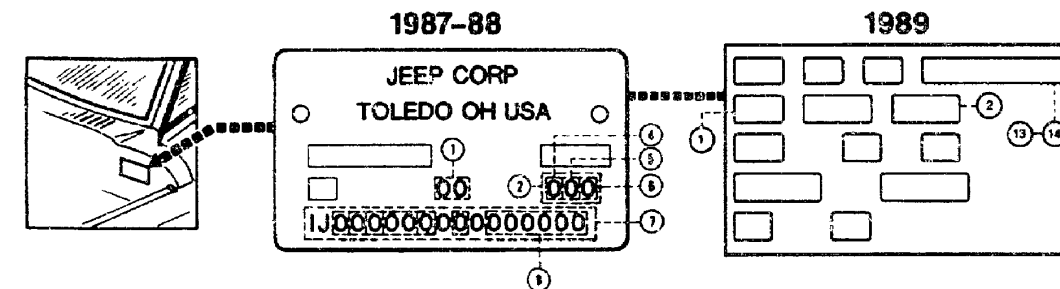
A sequential number assigned by the body framing plant, never returning to zero for the life of the body series, beginning with 0,000,001.

**10 COUNTRY EQUIPMENT CODE**

- 141 = U.S., Except California
- 142 = Canada
- 143 = U.S. - California Only

- 11** C = 4.2L Six Cylinder Gasoline Engine
- H = 2.46L Four Cylinder Gasoline Engine

1987-1989 BODY I.D. PLATES  
GRAND WAGONEER



**1 PAINT CODE**

- 2D = Deep Night Blue Clearcoat
- 3D or HA2 = Sterling Metallic Clearcoat
- 4D = Champagne Metallic Clearcoat
- 4M = Charcoal Metallic Clearcoat
- 9B = Olympic White Clearcoat
- AB = Beige Clearcoat
- BC = Briarwood Metallic Clearcoat
- BD = Grenadine Metallic Clearcoat
- BE = Colorado Red Clearcoat
- CA or HWB = Pearl White Clearcoat
- CB = Buff Yellow Clearcoat
- CC or HS4 = Dover Grey Metallic Clearcoat
- CE or HQ9 = Dark Baltic Metallic Clearcoat
- CK or HE8 = Dark Vivid Red Metallic Clearcoat
- CP = Medium Bronze Metallic Clearcoat
- CW = Coffee Clearcoat
- DK or HY7 = Sand Clearcoat
- DL or HY3 = Sand Metallic Clearcoat
- FF = Prime Paint Only
- FG = Forest Green Clearcoat
- FO = Utility Orange Clearcoat
- FY = D.O.T Yellow Clearcoat
- P1 or FX6 = Classic Black Clearcoat
- HM9 = Black Cherry Pearlcoat
- HS3 = Dover Gray Metallic
- HW7 = Bright White
- HX8 = Black
- 999 = Special Paint Option

**2 INTERIOR TRIM COLOR/MATERIAL CODES**

- 4** 4 = Cordovan (1987)
- 5 = Cordovan (1988)
- 6 = Tan (1987-88)
- A = Bench Seat
- C = Bucket Seat
- AL = Leather Upholstery - Grand Wagoneer w/Bucket Seats
- EZ = Vinyl Upholstery - Celtic Grain - Grand Wagoneer w/Bench Seat
- EB = Vinyl Upholstery - Celtic Grain - Grand Wagoneer w/Bucket Seats
- H9 = Cordovan
- YY = Sand

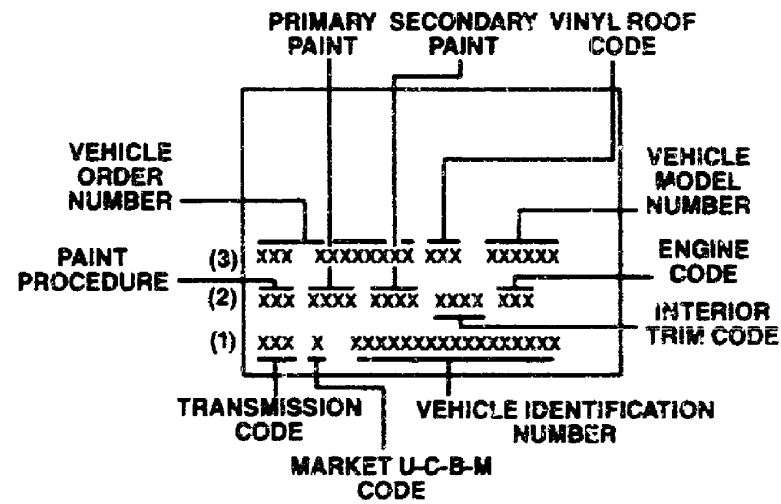
- 5** A = Bench Seat
- B = Bucket Seat
- L = Leather Upholstery
- N = Vinyl - Celtic Grain
- T = Vinyl - Tooled Grain

- 6** G = Cloth Upholstery - "Luggage"
- L = Leather Upholstery
- N = Vinyl Upholstery - "Celtic Grain"
- T = Vinyl Upholstery - "Tooled Grain"
- E = Tan

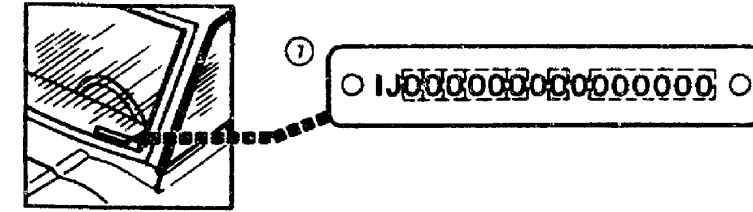
**7 VEHICLE IDENTIFICATION NUMBER (V.I.N.)**

**8** A sequential serial number assigned by the vehicle manufacturer, beginning with 000 001 each model year.

**1990  
I.D. PLATES**



**VEHICLE IDENTIFICATION NUMBER**



**Vehicle Identification Number**

The vehicle identification number consists of a combination of seventeen letters and numbers. The first six elements identify the model, body type, GVW class, engine, model year and assembly plant.

The last element indicates the plant building sequence. All models will begin with 100001. The Vehicle Identification Number is located on the Vehicle Identification Plate, Equipment Identification Plate, and the applicable U.S. Federal Motor Vehicle Safety Standards "Certification Label" and Frame Rail. Refer to V.I.N. Chart for code and sample V.I.N.

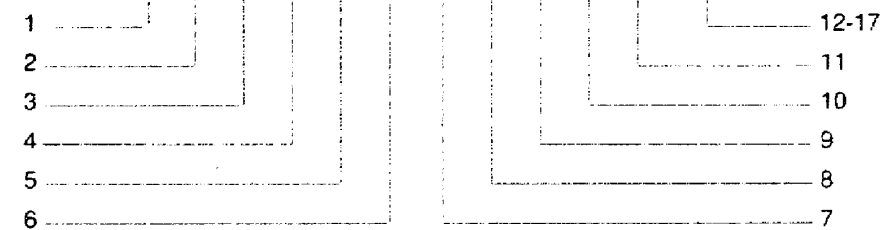
**1990 JEEP EXTERIOR PAINT CODES**

- AA9 = Charcoal Gray
- AC8 = Navy Blue
- DX8 = Black C/C
- FM9 = Black Cherry P/C
- GW6 = Bright White
- GW7 = Bright White C/C
- HA2 = Sterling Silver
- HB3 = Spinnaker Blue Poly
- HB8 = Midnight Blue C/C
- HE4 = Colorado Red C/C
- HJ4 = Malibu Yellow
- HJ5 = Khaki Poly
- HQ3 = Pacific Blue
- HQ9 = Dark Baltic Blue Poly
- HS3 = Dover Gray Poly
- HY3 = Sand Poly
- HY5 = Sand
- TR4 = Graphic Red

**1990 JEEP INTERIOR PAINT**

- A8 = Dark Charcoal
- C5 = Twilight Blue
- H9 = Cordovan
- R8 = Bordeaux
- S1 = Charcoal
- S8 = Charcoal
- T7 = Tundra
- X7 = Black
- Y1 = Sand
- Y6 = Dark Sand

1	B	7	F	D	2	5	P	0	B	G	100001
---	---	---	---	---	---	---	---	---	---	---	--------



**VEHICLE IDENTIFICATION  
1987-1988 JEEP VEHICLES**

Beginning with 1981 model vehicles, the Vehicle Identification Number (VIN) was revised to conform with U.S. Government regulations. The number can be found on an embossed plate mounted on the left-hand side of the instrument panel.

- 1 COUNTRY**  
1 = U.S.  
2 = Canada
- 2 BUILT BY**  
J = Jeep Corp  
B = American Motors (Canada) Inc. Jeep
- 3 TYPE**  
C = MPV  
T = Truck  
D = Incomplete Vehicle  
E = Export, LHD  
F = Export, RHD
- 4 ENGINES**  
B = 2.1L, Four, Turbo Diesel  
E = 2.46L, Four, 1-B Carb.  
Y = 2.46L, Four, 1-B Carb.  
C = 4.2L, Six, 2-B Carb.  
N = 5.9L, V-8, 2-B Carb.  
M = 4.0L, I-6, MPI  
H = 2.46L, Four, TBI
- 5 POWERTRAIN**
- | Transmission                    | Transfer Case    |
|---------------------------------|------------------|
| M = 4-Spd. Man. - Floor Shift   | Part Time/4-WD   |
| X/Y = 4-Spd. Man. - Floor Shift | Part Time/4-WD   |
| S = 4-Spd. Man. - Floor Shift   | None/2-WD        |
| F = 5-Spd. Man. - Floor Shift   | Part Time/4-WD   |
| L = 5-Spd. Man. - Floor Shift   | Part Time/4-WD   |
| V = 5-Spd. Man. - Floor Shift   | Part Time/4-WD   |
| W = 5-Spd. Man. - Floor Shift   | None/2-WD        |
| E/Z = 3-Auto. - Column Shift    | Part Time/4-WD   |
| J = 3-Auto. - Column Shift      | Select-Trac/4-WD |
| G = 4-Auto. - Column Shift      | None/2-WD        |
| P = 4-Auto. - Column Shift      | Part Time/4-WD   |
| R = 4-Auto. - Floor Shift       | Part Time/4-WD   |
| T = 4-Auto. - Floor Shift       | Select-Trac/4-WD |
| U = 4-Auto. - Floor Shift       | None/2-WD        |

- 6-7 BODY TYPE**
- 15 = Jeep Grand Wagoneer (4-Dr. Wagon) - 109 W.B.
  - 25 = Jeep Truck - J-10 (Pickup-6.5') - 119 W.B.
  - 26 = Jeep Truck - J-10 (Pickup-8.0') - 131 W.B.
  - 27 = Jeep Truck - J-20 (Pickup-8.0') - 131 W.B.
  - 63 = Jeep Comanche - 4-WD (Pickup-6') - 113 W.B.
  - 64 = Jeep Comanche - 2-WD (Pickup-6') - 113 W.B.
  - 65 = Jeep Comanche - 4-WD (Pickup-7') - 120 W.B.
  - 66 = Jeep Comanche - 2-WD (Pickup-7') - 120 W.B.
  - 73 = Jeep Cherokee - 2-WD (2-Dr. Wagon) - 101 W.B.
  - 74 = Jeep Cherokee - 2-WD (4-Dr. Wagon) - 101 W.B.
  - 75 = Jeep Wagoneer - 4-WD (4-Dr. Wagon) - 101 W.B.
  - 77 = Jeep Cherokee - 4-WD (2-Dr. Wagon) - 101 W.B.
  - 78 = Jeep Cherokee - 4-WD (4-Dr. Wagon) - 101 W.B.
  - 79 = Jeep Cherokee - 4-WD (4-Dr. Wagon) - 101 W.B.
  - 81 = Jeep Wrangler - (2-Dr. Open Body) - 93.5 W.B.
  - 82 = Jeep Wrangler - (2-Dr. Open Body) - 103.5 W.B.

**VEHICLE IDENTIFICATION  
1987-1988 JEEP VEHICLES**

Beginning with 1981 model vehicles, the Vehicle Identification Number (VIN) was revised to conform with U.S. Government regulations. The number can be found on an embossed plate mounted on the left-hand side of the instrument panel.

- 8 GVWR 3001-4000**  
J = Wrangler Base  
J = Cherokee Base  
K = Wrangler Sport  
K = Cherokee Pioneer  
L = Wrangler Laredo  
L = Cherokee Laredo  
M = Wrangler Sahara
- 4001-5000**  
1 = Wrangler Base  
1 = Cherokee Base  
1 = Comanche Base  
1 = Wagoneer Base  
2 = Wrangler Sahara  
2 = Cherokee Pioneer  
3 = Wrangler Sport  
3 = Cherokee Chief  
4 = Wrangler Laredo
- 4 = Cherokee Laredo  
4 = Wagoneer Limited  
5 = Cherokee E.C.E.  
5 = Comanche Eliminator  
9 = Cherokee Limited  
P = Comanche Pioneer  
S = Comanche Chief  
T = Comanche Laredo
- 5001-6000**  
F = Comanche Base (MT/BT)  
F = Comanche - Custom (MT)  
N = Grand Wagoneer/J-10  
R = Comanche Pioneer (MT/BT)  
U = Comanche Laredo (MT/BT)
- 6001-7000**  
U = Grand Wagoneer  
U = J-10 Truck  
P = J-20 Truck
- 7001-8000**  
S = J-20 Truck
- 8001-9000**  
Y = J-20 Truck  
(MT) = Metric Ton  
(BT) = Big Ton
- 9 CHECK DIGIT**  
Number or Letter
- 10 MODEL YEAR**  
H = 1987  
J = 1988
- 11 PLANT LOCATION**  
T = Toledo  
B = Brampton
- 12 thru 17**  
Sequential Serial Number  
Six Digit Number

**VIN PLATE IDENTIFICATION  
1989-90 JEEP VEHICLES**

<b>1</b>	<b>2</b>	<b>3</b>	<b>4</b>	<b>5 &amp; 6</b>	<b>7</b>	<b>8</b>	<b>9</b>	<b>10</b>	<b>11</b>	<b>12 thru 17</b>
Country	Make	Vehicle Type	Other	Line and Series	Body Type	Engine	Check Point	Model Year	Model Year	Sequence No.

Beginning with 1981 model vehicles, the Vehicle Identification Number (VIN) was revised to conform with U.S. Government regulations. The number can be found on an embossed plate mounted on the left-hand side of the instrument panel.

**1 COUNTRY**

- 1 = U.S.
- 2 = Canada

**2 BUILT BY**

- J = Jeep U.S.A.
- B = Jeep Canada

**3 TYPE**

- 4 = MPV
- 7 = Truck
- 6 = Incomplete Vehicle

**4 GVWR**

- E = 3001-4000 GVW
- F = 4001-5000 GVW
- G = 5001-6000 GVW
- H = 6001-7000 GVW

**5 & 6**

**LINE AND SERIES**

- J = Cherokee or Comanche - 4 WD
- N = Wagoneer - 4 W.D.
- T = Cherokee or Comanche - 2 W.D.
- 2 = Base
- 3 = Pioneer
- 5 = Laredo
- 6 = Eliminator
- 6 = Cherokee Sport
- 7 = Limited
- Y = Wrangler
  - 1 = Standard
  - 2 = Base
  - 3 = Islander
  - 4 = Sahara
  - 5 = Laredo
- S5 = Grand Wagoneer

**7 BODY STYLE**

- 6 = Truck
- 7 = 2-Door Sport Utility
- 8 = 4-Door Sport Utility
- 9 = Open Body

**8 ENGINE**

- D = 2.46L Four Cylinder Engine - Leaded Fuel
- E = 2.46L Four Cylinder Engine - Unleaded Fuel
- L = 4.0L Six Cylinder Engine - Unleaded Fuel
- M = 4.2L Six Cylinder Engine - Unleaded Fuel
- T = 4.2L Six Cylinder Engine - Unleaded Fuel
- U = 4.0L Six Cylinder Engine - Leaded Fuel
- 7 = 5.9L Eight Cylinder Engine - Unleaded Fuel

**9 CHECK DIGIT**

- Number or Letter

**10 MODEL YEAR**

- K = 1989
- L = 1990

**11 PLANT LOCATION**

- T = Toledo
- B = Brampton

**12 thru 17**

- SEQUENTIAL SERIAL NUMBER
- Six Digit Number

**IMPORTANT: FULL 17 DIGIT NUMBER MUST BE USED WHEN REGISTERING VEHICLES.**

Identification Number is visible through the windshield on the driver side of the instrument panel.

For further vehicle identification, refer to the applicable Warranty and Maintenance Guide/Owner's Manual.

**DATE CODE CORRELATION TABLE**

**1989 DAY NUMBER**

DATE	JAN.	FEB.	MAR.	APR.	MAY	JUNE	JULY	AUG.	SEPT.	OCT.	NOV.	DEC.
1	10019	10050	10078	10109	10139	10170	10200	10231	10262	10292	10322	10352
2	10020	10051	10079	10110	10140	10171	10201	10232	10263	10293	10323	10353
3	10021	10052	10080	10111	10141	10172	10202	10233	10264	10294	10324	10354
4	10022	10053	10081	10112	10142	10173	10203	10234	10265	10295	10325	10355
5	10023	10054	10082	10113	10143	10174	10204	10235	10266	10296	10326	10356
6	10024	10055	10083	10114	10144	10175	10205	10236	10267	10297	10327	10357
7	10025	10056	10084	10115	10145	10176	10206	10237	10268	10298	10328	10358
8	10026	10057	10085	10116	10146	10177	10207	10238	10269	10299	10329	10359
9	10027	10058	10086	10117	10147	10178	10208	10239	10270	10300	10330	10360
10	10028	10059	10087	10118	10148	10179	10209	10240	10271	10301	10331	10361
11	10029	10060	10088	10119	10149	10180	10210	10241	10272	10302	10332	10362
12	10030	10061	10089	10120	10150	10181	10211	10242	10273	10303	10333	10363
13	10031	10062	10090	10121	10151	10182	10212	10243	10274	10304	10334	10364
14	10032	10063	10091	10122	10152	10183	10213	10244	10275	10305	10335	10365
15	10033	10064	10092	10123	10153	10184	10214	10245	10276	10306	10336	10366
16	10034	10065	10093	10124	10154	10185	10215	10246	10277	10307	10337	10367
17	10035	10066	10094	10125	10155	10186	10216	10247	10278	10308	10338	10368
18	10036	10067	10095	10126	10156	10187	10217	10248	10279	10309	10339	10369
19	10037	10068	10096	10127	10157	10188	10218	10249	10280	10310	10340	10370
20	10038	10069	10097	10128	10158	10189	10219	10250	10281	10311	10341	10371
21	10039	10070	10098	10129	10159	10190	10220	10251	10282	10312	10342	10372
22	10040	10071	10099	10130	10160	10191	10221	10252	10283	10313	10343	10373
23	10041	10072	10100	10131	10161	10192	10222	10253	10284	10314	10344	10374
24	10042	10073	10101	10132	10162	10193	10223	10254	10285	10315	10345	10375
25	10043	10074	10102	10133	10163	10194	10224	10255	10286	10316	10346	10376
26	10044	10075	10103	10134	10164	10195	10225	10256	10287	10317	10347	10377
27	10045	10076	10104	10135	10165	10196	10226	10257	10288	10318	10348	10378
28	10046	10077	10105	10136	10166	10197	10227	10258	10289	10319	10349	10379
29	10047	10078	10106	10137	10167	10198	10228	10259	10290	10320	10350	10380
30	10048	10079	10107	10138	10168	10199	10229	10260	10291	10321	10351	10381
31	10049	10080	10108	10139	10169	10200	10230	10261	10292	10322	10352	10382

**DATE CODE CORRELATION TABLE**

**1990 DAY NUMBER**

DATE	JAN.	FEB.	MAR.	APR.	MAY	JUNE	JULY	AUG.	SEPT.	OCT.	NOV.	DEC.
1	10384	10415	10443	10474	10504	10535	10565	10596	10627	10657	10688	10718
2	10385	10416	10444	10475	10505	10536	10566	10597	10628	10658	10689	10719
3	10386	10417	10445	10476	10506	10537	10567	10598	10629	10659	10690	10720
4	10387	10418	10446	10477	10507	10538	10568	10599	10630	10660	10691	10721
5	10388	10419	10447	10478	10508	10539	10569	10600	10631	10661	10692	10722
6	10389	10420	10448	10479	10509	10540	10570	10601	10632	10662	10693	10723
7	10390	10421	10449	10480	10510	10541	10571	10602	10633	10663	10694	10724
8	10391	10422	10450	10481	10511	10542	10572	10603	10634	10664	10695	10725
9	10392	10423	10451	10482	10512	10543	10573	10604	10635	10665	10696	10726
10	10393	10424	10452	10483	10513	10544	10574	10605	10636	10666	10697	10727
11	10394	10425	10453	10484	10514	10545	10575	10606	10637	10667	10698	10728
12	10395	10426	10454	10485	10515	10546	10576	10607	10638	10668	10699	10729
13	10396	10427	10455	10486	10516	10547	10577	10608	10639	10669	10700	10730
14	10397	10428	10456	10487	10517	10548	10578	10609	10640	10670	10701	10731
15	10398	10429	10457	10488	10518	10549	10579	10610	10641	10671	10702	10732
16	10399	10430	10458	10489	10519	10550	10580	10611	10642	10672	10703	10733
17	10400	10431	10459	10490	10520	10551	10581	10612	10643	10673	10704	10734
18	10401	10432	10460	10491	10521	10552	10582	10613	10644	10674	10705	10735
19	10402	10433	10461	10492	10522	10553	10583	10614	10645	10675	10706	10736
20	10403	10434	10462	10493	10523	10554	10584	10615	10646	10676	10707	10737
21	10404	10435	10463	10494	10524	10555	10585	10616	10647	10677	10708	10738
22	10405	10436	10464	10495	10525	10556	10586	10617	10648	10678	10709	10739
23	10406	10437	10465	10496	10526	10557	10587	10618	10649	10679	10710	10740
24	10407	10438	10466	10497	10527	10558	10588	10619	10650	10680	10711	10741
25	10408	10439	10467	10498	10528	10559	10589	10620	10651	10681	10712	10742
26	10409	10440	10468	10499	10529	10560	10590	10621	10652	10682	10713	10743
27	10410	10441	10469	10500	10530	10561	10591	10622	10653	10683	10714	10744
28	10411	10442	10470	10501	10531	10562	10592	10623	10654	10684	10715	10745
29	10412	10443	10471	10502	10532	10563	10593	10624	10655	10685	10716	10746
30	10413	10444	10472	10503	10533	10564	10594	10625	10656	10686	10717	10747
31	10414	10445	10473	10504	10534	10565	10595	10626	10657	10687	10718	10748



## SALES CODES

Due to the increase complexity of qualifications required to describe the application of some replacement parts; particularly those related to the Emission Control System, Sales Codes are used on a selected basis in some areas of this publication.

Normally, Sales Codes will be employed as secondary qualifiers and are for the express purpose of providing positive identification of parts applicable to vehicle components or systems so complex in nature that normal methods of written qualification are either inadequate or confusing.

The Sales code will always appear after the written description of the part; will be enclosed in parenthesis; will be prefixed S/C, and will follow a hyphen appended to the S/C, e.g.: (S/C-HAO).

To determine whether or not the vehicle for which the part is being specified was built with a particular Sales Code it will be necessary to refer to the Body Code Plate depicted on page INF-10. Sales Codes are also listed on vehicle invoices and on the Maroney label which is affixed to the side glass on new units.

## METRIC CONVERSION TABLE

### LINEAR MEASUREMENT

1 foot (ft.)	= 12 inches (in.)
1 yard (yd.)	= 3 ft. = 36 in.
1 mile (statute)	= 5,280 ft.

To convert	Into	Multiply by
inches	centimeters	2.5400
inches	millimeters	25.4000
feet	meters	0.3048
feet	millimeters	304.8000
yards	meters	0.9144
miles	kilometers	1.6093

### AREA MEASUREMENT

1 square foot (sq.ft.)	= 144 square inches (sq.in.)
1 square yard (sq.yd.)	= 9 square feet
1 acre	= 4,840 sq. ft.
1 square mile	= 640 acres

To convert	Into	Multiply by
square inches	sq. centimeters	6.4516
square feet	sq. meters	0.0929
square yards	sq. meters	0.8361
acres	sq. meters	4.047.0
square miles	sq. kilometers	2.5900

### CUBIC MEASUREMENT (VOLUME)

1 cubic foot (cu. ft.)	= 1,728 cubic inches (cu. in.)
1 cubic yard (cu. yd.)	= 27 cubic feet

To convert	Into	Multiply by
cubic inches	cu. centimeters	16.3872
cubic feet	cubic meters	0.0283
cubic yards	cubic meters	0.7646

### LIQUID MEASUREMENT (CAPACITY)

1 pint (pt.)	= 28.875 cubic inches
1 quart (qt.)	= 2 pints = 57.75 cu. in.
1 gallon (gal.)	= 4 qts. = 231 cu. in.

To convert	Into	Multiply by
cubic inches	liters	0.0164
pints	liters	2.1132
quarts	liters	0.9463
gallons	liters	3.7853
cubic feet	liters	28.3162

### WEIGHT MEASUREMENT

1 ounce (oz.)	= 16 drams
1 pound (lb.)	= 16 ounces
1 short ton	= 2000 pounds
1 long ton	= 2240 pounds

To convert	Into	Multiply by
drams	grams	1.7718
ounces	drams	28.3495
pounds	kilograms	0.4536
tons (short)	tons (metric)	0.9072

### POWER MEASUREMENT

1 horsepower (hp)	= 746 watts	745.7 kilowatts (kw)
-------------------	-------------	----------------------

To convert	Into	Multiply by
horsepower (U.S.)	horsepower (met.)	1.0139
horsepower (U.S.)	kilowatts	0.7457
kilowatts	horsepower (U.S.)	1.3405

1 centimeter (cm)	= 10 millimeters (mm)
1 meter (m)	= 100 cm = 1000 mm
1 kilometer (km)	= 1000 meters

To convert	Into	Multiply by
centimeters	inches	0.3937
millimeters	inches	0.0394
meters	feet	3.2808
millimeters	feet	0.0033
meters	yards	1.0936
kilometers	miles	0.6214

1 sq. centimeter (cm <sup>2</sup> )	= 100 sq. millimeters (mm <sup>2</sup> )
1 sq. meter (m <sup>2</sup> )	= 10,000 cm <sup>2</sup>
1 are (a)	= 100 m <sup>2</sup>
1 sq. kilometer (km <sup>2</sup> )	= 1,000,000 m <sup>2</sup>

To convert	Into	Multiply by
sq. centimeters	sq. inches	0.1550
sq. meters	sq. feet	10.7639
sq. meters	sq. yards	1.1960
sq. meters	acres	0.0002
sq. kilometers	sq. miles	0.3861

1 cu. centimeter (cm <sup>3</sup> )	= 1000 cu. millimeters (mm <sup>3</sup> )
1 cubic meter (m <sup>3</sup> )	= 1,000,000 cm <sup>3</sup>

To convert	Into	Multiply by
cu. centimeters	cubic inches	0.0610
cubic meters	cubic feet	35.3145
cubic meters	cubic yards	1.3079

1 centimeter (cl.)	= 10 milliliters (ml.)
1 liter (l.)	= 100 cl. = 1000 ml.
1 kiloliter (kl.)	= 1000 liters

To convert	Into	Multiply by
liters	cubic inches	61.0250
liters	pints	0.4732
liters	quarts	1.0566
liters	gallons	0.2642
liters	cubic feet	0.0353

1 centigram (cg.)	= 10 milligrams (mg.)
1 gram (g.)	= 100 cg. = 1000 mg.
1 kilogram (kg.)	= 1000 grams
1 metric ton (t.)	= 1000 kg.

To convert	Into	Multiply by
grams	drams	0.5844
grams	ounces	0.0353
kilograms	pounds	2.2046
tons (metric)	tons (short)	1.1023

1 horsepower (ps)	= 736 watts	735.5 kw
-------------------	-------------	----------

To convert	Into	Multiply by
horsepower (met.)	horsepower (U.S.)	0.9863
kilowatts	horsepower (met.)	0.7355
horsepower (met.)	kilowatts	1.2596

## ABBREVIATIONS

Abbreviations as used throughout this catalog are interpreted as follows:

AAV	AMERICAN ARAB VEHICLE	CARB	CARBURETOR
ABS	ABSORBER	CATA	CATALYTIC
ACC	ACCESSORY	C/BAR	CROSS BAR
ACCEL	ACCELERATOR	CBL	CABLE
A/CLNR	AIR CLEANER	C/BRD	CIRCUIT BOARD
A/COND	AIR CONDITIONING	C.BKFR	CIRCUIT BREAKER
ACTG	ACTUATING	CCW	COUNTERCLOCKWISE
ACTR	ACTUATOR	CDN	CANADA
ADAPT	ADAPTER-ADAPTATION	C/E	COMMUTATOR END
ADJ	ADJUSTING-ADJUSTOR- ADJUSTABLE-ADJUSTMENT	CH	SWITZERLAND
ADR	AUSTRALIAN DESIGN RULE	CHAM	CHAMFRED
A/INL	AIR INLET	CHMBR	CHAMBER
ALT	U.S.A. HIGH ALTITUDE AREAS	CHR	CHROMIUM
ALTR	ALTERNATOR	C.I.	CUBIC INCH
ALUM	ALUMINUM	C/IRON	CAST IRON
AMP	AMPERE	C/CASE	CRANKCASE
AMPL	AMPLIFIER	CK/CHFT	CRANKSHAFT
AMTR	AMMETER	CKD	COMPLETE KNOCK-DOWN (KDX)
ANCH	ANCHOR	CL	CLEANER
&	AND	CL/NUT	CLINCH NUT
A/OUT	AIR OUTLET	C/LP	COURTESY LAMP
APPROX	APPROXIMATE, APPROXIMATELY	CLSR	CLOSURE
AR	AS REQUIRED	C/LTR	CIGAR OR CIGARETTE LIGHTER
A/RATLR	ANTI RATTLER	C/MBR	CROSSMEMBER
A REST	ARM REST	COE	CAB OVER ENGINE
ARM	ARMATURE	COL	COLUMN
A/SQK	ANTISQUEAK	COMB	COMBINATION
ASSY	ASSEMBLY	COMBN	COMBUSTION
A/SUSP	AIR SUSPENSION	COMP	COMPLETE, COMPONENT
A.T.C.	AUTOMATIC TEMPERATURE CONTROL	COMPN	COMPRESSION
ATT	ATTACHING	COMPR	COMPRESSOR
A/TRANS	AUTOMATIC TRANSMISSION	COMPT	COMPARTMENT
AUTO	AUTOMATIC	COMTR	COMMUTATOR
AUX	AUXILIARY	COND	CONDENSER
B	BELGIUM	CONDT	CONDUIT
BAL	BALANCE	CONDTG	CONDITIONING
BATT	BATTERY	CONN	CONNECTING-CONNECTION- CONNECTOR
BBL	BARREL	CONT	CONTINUED-CONTROL
B/BRK	BOOSTER BRAKE	CONT'D	CONTINUED
B/CRK	BELL CRANK	CONV	CONVERTER
B.E.	BLACK ENAMEL	COP	COPPER
B/JNT	BALL JOINT	CO/SHFT	COUNTERSHAFT
BLK	BLOCK	CO/WT	COUNTERWEIGHT
BLT	BUILT	CP	CANDLEPOWER
BLWR	BLOWER	C/PILLAR	CENTER PILLAR
BMPR	BUMPER	CPLG	COUPLING
BOLT / RET	BOLT / RETAINER	C/SHFT	CROSS SHAFT
BOLT / WA.	BOLT / WASHER	CSTG	CASTING
BR	BRASS	CTR	CENTER
BRD	BOARD	CU	CUBIC
BRG	BEARING	CUSH	CUSHION
BRK	BRAKE	CUST	CUSTOM
BRKT	BRACKET	CV	CONVERTIBLE
BRKR	BREAKER	C/VAL	CONTROL VALVE
BRT	BRIGHT	CVR	COVER
BRZ	BRONZE	C/WT	COUNTERWEIGHT
BSTR	BOOSTER	CYL	CYLINDER
B/STUD	BALL STUD	DBL	DOUBLE
BTM	BOTTOM	D/CVR	DUST COVER
BTN	BUTTON	D/E	DRIVE END
B/UP	BACK UP	DECAL	DECALCOMANIA
BUSH	BUSHING	DEFL	DEFLECTOR
CAD	CADIUM	DEFGR	DEFOGGER
CAN	CANADA-CANADIAN	DEFR	DEFROSTER
CAP	CAPACITY	DEG (°)	DEGREE
C.A.S.	CLEANER AIR SYSTEM	D/EXH	DUAL EXHAUST

## ABBREVIATIONS (Cont'd)

DIA	DIAMETER	FLR	FLOOR
DIAG	DIAGONAL	F/MLDG	FINISH MOULDING
DIAPH	DIAPHRAGM	FNDR	FENDER
DIFF	DIFFERENTIAL	F/PAN	FLOOR PAN
DIM	DIMENSION	F/PUMP	FUEL PUMP
DIR	DIRECT-DIRECTIONAL	FREQ	FREQUENCY
Dir CL	DIRECT CLUTCH	FRT	FRONT
DIST	DISTRIBUTOR-DISTRIBUTING	FT	FOOT-FEET
DIV	DIVISION-DIVISIONAL	F/TANK	FUEL TANK
D/LINK	DRAG LINK	FTG	FITTING
D/LP	DOVE LAMP	F/TOP	FOLDING TOP
DMPR	DAMPER	GA	GAUGE-GAGE
DOM	DOMESTIC	GALV	GALVANIZED
D/PINION	DRIVE PINION	GARN	GARNISH
DR	DOOR	GCC	GULF COAST COUNTRIES
D/R SHAFT	DOUBLE ROCKER SHAFT	G/BOX	GLOVE BOX
DRIV	DRIVE	GEN	GENERATOR
DRVN	DRIVEN	GLA	GLASS
D/SEAL	DUST SEAL	G/MLDG	GARNISH-MOULDING
D/SHLD	DUST SHIELD	GND	GROUND
D/SW	DIMMER SWITCH	GOV	GOVERNOR
EBL	ELECTRIC HEATED BACK LIGHT	GR	GEAR
ECE	ECONOMIC COMMISSION OF EUROPE	G/REG	GENERATOR-REGULATOR
ECC	ECCENTRIC	GRL	GRILLE
ECS	EVAPORATE EMISSION CONTROL SYSTEM	GRMT	GROMMET
EDR	ENGLAND DESIGN RULE	G/SHIFT	GEARSHIFT
EEC	EUROPEAN ECONOMIC COMMUNITY	GSKT	GASKET
E.F.I. (M)	ELECTRONIC FUEL INJECTION (METERING)	GVW	GROSS VEHICLE WEIGHT
E.G.R.	EXHAUST GAS RECIRCULATION	H/BRK	HAND BRAKE
ELECT	ELECTRIC	H/C	HIGH COMPRESSION
ELIM	ELIMINATOR	HD	HEAD
EMR	ENGINE MAINTENANCE REMINDER	H/D	HEAVY DUTY
ENG	ENGINE	HDL	HANDLE
EQ	EQUIPMENT	H/LIN	HEAD LINING
ESC	ESCUTCHEON	HDLS	HEADLESS
ET	EGYPT	HDR	HEADER
ETC	ET CETERA	HEMI	HEMISPHERICAL
EVAP	EVAPORATION-EVAPORATOR	HEX	HEXAGON
EX	EXTRA	HGE	HINGE
EXC	EXCLUDE	H/GUIDE	HYDRAGUIDE
EXH	EXHAUST	H/LP	HEADLAMP
EXP	EXPORT	H/PERF	HIGH PERFORMANCE
EXPN	EXPANSION	H/REST	HEAD REST
EXT	EXTENSION	HSG	HOUSING
EXTL	EXTERNAL	H/SNK	HEAT SINK
EXTR	EXTRUDED	H/SHLD	HEAT SHIELD
F	FRANCE	HT	HEATER
F	FAHRENHEIT	HVY	HEAVY
FACT	FACTORY	HYD	HYDRAULIC
F/AIR	FRESH AIR	I/ARM	IDLER ARM
FAST	FASTENING-FASTENER	I.D.	INSIDE DIAMETER
F/AXLE	FRONT AXLE	IDENT	IDENTIFICATION
F/BRD	FLOOR BOARD	IGN	IGNITION
F/CPLG	FLUID COUPLING	IN	INCH
F/DR	FRONT DOOR	INCL	INCLUSIVE-INCLUDES
F/FILT	FUEL FILTER	IND	INDUSTRIAL
F/GA	FUEL GAGE	INDIC	INDICATOR
F/IDLE	FAST IDLE	INL	INLET
FIL HD	FILLISTER HEAD	INR	INNER
FIN	FINISH	INS	INSULATING-INSULATION- INSULATOR
F/INJ	FUEL INJECTION	INST	INSTRUMENT-INSTRUCTION
FLD	FIELD	INT	INTAKE
FLEX	FLEXIBLE	INTER	INTERMITTENTLY- INTERMEDIATE
FLG	FLANGE	INTL	INTERNAL
FL HD	FLAT HEAD	INTLK	INTERLOCK

**ABBREVIATIONS (Cont'd)**

I/PNL	INSTRUMENT PANEL	NUT / WA	NUT AND WASHER
I/PULLEY	IDLER PULLEY	O/CTR	OVER CENTER
I/S	INSIDE	O.D.	OUTSIDE DIAMETER
J	JAPAN	O/DRV	OVER DRIVE
J/BLK	JUNCTION BLOCK	O/GA	OIL GAUGE
JNT	JOINT	OPER	OPERATING
K/DN	KICKDOWN	OPNG	OPENING
KDX	KNOCK DOWN EXPORT	OPP	OPPOSITE
KILO	KILOMETER	OPT	OPTIONAL
KNU	KNUCKLE	O/PUMP	OIL PUMP
K/UP	KICKUP	ORN	ORNAMENT
LBS	POUNDS	O/RUNN	OVERRUNNING
L/C	LOW COMPRESSION	O/S	OUTSIDE
LCF	LOW CAB FORWARD	O/SIZE	OVERSIZE
L/COMPT	LUGGAGE COMPARTMENT	OTR	OUTER
LEA	LEATHER	OUTL	OUTLET
LED	LIGHT EMITTING DIODE	OV	OVAL
LGH	LENGTH	O/W	OPTIONAL WITH
LHD	LEFT HAND DRIVE	O/WRAP	OVERWRAP
L.H. THD	LEFT HAND THREAD	OZ	OUNCE
LIC	LICENSE	P	PITCH
LIN	LINING-LINER	PACK	PACKING
LK	LOCK	PARK	PARKING
LKG	LOCKING	PART	PARTIAL PARTITION
LK/NUT	LOCK NUT	PASS	PASSENGER
LK/WA	LOCK WASHER	P/BRK	POWER BRAKE
LOC	LOCATING	P/BTN	PUSH BUTTON
LP	LAMP	PC/BRD	PRINTED CIRCUIT BOARD
LPG	LIQUID PROPANE GAS	PED	PEDAL
L.S.H.	LOW SECTION HEIGHT	PERF	PERFORMANCE
LT	LEFT	PIST	PISTON
LUB	LUBRICANT-LUBRICATING	PIV	PIVOT
LUGG	LUGGAGE	PKG	PACKAGE
LVR	LEVER	PL	PLAIN
LWR	LOWER	P/LAMP	PARKING LAMP
M / I	MARINE / INDUSTRIAL	PLR	PILLAR
M/ADJ	MANUAL ADJUSTING	PLT	PLATE-PLATED
MAN	MANUAL	PLUNG	PLUNGER
MANF	MANIFOLD	PL/WA	PLAIN WASHER
MAR	MARINE	P/MTR	POTENTIOMETER
MAX	MAXIMUM	PNL	PANEL
MAX PERF	MAXIMUM PERFORMANCE	PNTD	PAINTED
M/BRK	MANUAL BRAKE	POS	POSITIVE
MBR	MEMBER	POLY	POLYESTER
M/CYL	MASTER CYLINDER	P/PNL	POCKET PANEL
MECH	MECHANISM	PRESS	PRESSURE
MED	MEDIUM	PRI	PRIMARY
MEDAL	MEDALLION	PROD	PRODUCTION
MIL	MILITARY	P/ROD	PUSH ROD
MIN	MINIMUM	PROP	PROPELLER
MDLG	MOULDING	PRPG	PROPORTIONING
MOD	MODEL	PSF	POUNDS PER SQUARE FOOT
M/MTRG	MAIN METERING	PSI	POUNDS PER SQUARE INCH
M.F.H.	MILES PER HOUR	P/STRG	POWER STEERING
MT	MOUNT	PT	POINT
MTG	MOUNTING	PTO	POWER TAKE OFF
MTR	MOTOR	PWR	POWER
M/TRANS	MANUAL TRANSMISSION	Q/PNL	QUARTER PANEL
MTRG	METERING	QTR	QUARTER
NEG	NEGATIVE	Q/WDO	QUARTER WINDOW
NEUT	NEUTRAL	R	RADIUS
NI	NICKEL	R/A	REAR AXLE
NO. OR #	NUMBER	R/AXLE	REAR AXLE
NOM	NOMINAL	RAD	RADIATOR
NO	NITROGEN OXIDE EMISSION CONTROL	RC	CHINA
N/PLT	NAME PLATE	R/CONT	REMOTE CONTROL
NRM	NON-REGULATED MARKETS	RC/SHIFT	ROCKER SHAFT

**ABBREVIATIONS (Cont'd)**

RD	ROUND	STAB	STABILIZER
R/DR	REAR DOOR	STD	STANDARD
REC	RECEIVER	STGHT	STRAIGHT
RECIR	RECIRCULATING	STL	STEEL
RECT	RECTANGULAR	STRG	STEERING
RECTR	RECTIFIER	STRKR	STRIKER
RED	REDUCTION	STRNR	STRAINER
REFL	REFLECTOR	STRTR	STARTER
REG	REGULATOR	SUCT	SUCTION
REINF	REINFORCEMENT	SUPT	SUPPORT
REL	RELEASE	SUSP	SUSPENSION
REM	REMOTE	SW	SWITCH
REQ	REQUIRED	SYNCH	SYNCHRONIZER
RES	RESISTOR	T	TEETH
RET	RETAINER	TAP	TAPPING
RETG	RETAINING	TBI	THROTTLE BODY INJECTION
REV	REVERSE	T/BKL	TURN BUCKLE
REVERB	REVERBERATOR	T/BLK	TERMINAL BLOCK
R/FLR	REAR FLOOR	T/COMP	TRIMMED COMPLETE
RHD	RIGHT HAND DRIVE	T/CONT	THROTTLE CONTROL
RHEO	RHEOSTAT	T/CONV	TORQUE CONVERTER
R.H. THD	RIGHT HAND THREAD	TEMP	TEMPERATURE
R/L	RIGHT AND LEFT	TERM	TERMINAL
RPM	REVOLUTIONS PER MINUTE	T/GA	TEMPERATURE GAUGE
R/QTR	REAR QUARTER	T-GATE	TAILGATE
RR	REAR	THD	THREAD
RSVR	RESERVOIR	THK	THICK
RT	RIGHT	THERMO	THERMOSTAT
R/WDO	REAR WINDOW	3RD	THIRD
S	SWEDEN	THR	THRUST
S/ABS	SHOCK ABSORBER	THROT	THROTTLE
S/C	SALES CODE	T.I.C.	THERMOSTATIC IGNITION CONTROL
S/COMPT	SIDE COMPARTMENT	T/LP	TAIL LAMP
S/DEFL	STONE DEFLECTOR	TORQ	TORQUE
SECT	SECTION	TORS	TORSION
SER	SERIAL-SERVICE	TPI	THREADS PER INCH
S/EXH	SINGLE EXHAUST	T/PIPE	TAIL PIPE
S-FIN	SEMI-FINISHED	T/PLT	TAPPING PLATE
S/GR	STEERING GEAR	T/PNL	TRIM PANEL
SHFT	SHIFT	TPR	TAPER
SHLD	SHIELD	TRANS	TRANSMISSION
SIG	SIGNAL	TRANSF	TRANSFER
S/KNU	STEERING KNUCKLE	TRIMD	TRIMMED
SLD	SLIDE	T/SIG	TURN SIGNAL
SLDG	SLIDING	TRUN	TRUNNION
S/LP	STOP LAMP	TST	TAIL STOP / TURNING
SLTD	SLOTTED	TR	TURKEY
SLV	SLEEVE	T/STRIP	TACKING STRIP
S/MBR	SIDE MARKER	TUB	TUBULAR
SOC	SOCKET	U/BODY	UNDERBODY
SOL	SOLENOID	U/DRV	UNDERDRIVE
SPD	SPEED	U/JNT	UNIVERSAL JOINT
SPEEDO	SPEEDOMETER	UNIV	UNIVERSAL
SPKR	SPEAKER	UPR	UPPER
SPL	SPECIAL	US	UNITED STATES (ALL 50 STATES)
SPL EQUIP	SPECIAL EQUIPMENT	US-49	UNITED STATES (49 STATES, NOT CALIFORNIA)
SPRG	SPRING	US-CA	UNITED STATES (CALIFORNIA ONLY)
S/PNL	SIDE PANEL	U/S	UNDERSIZE
SP/SHLD	SPLASH SHIELD	U/SEAT	UNDERSEAT
SQ	SQUARE	U/W	USED WITH
S/R SHAFT	SINGLE ROCKER SHAFT	V	VENTUR (QTY OF CARB BBL)
S/RAIL	SIDE RAIL	VAC	VACUUM
S/RING	SNAP RING	VAL	VALVE
S/SHLD	SIDE SHIELD	V/DMPR	VIBRATION DAMPER
S/SILL	SIDE SILL	VENT	VENTILATOR-VENTILATING
S/SPD	SINGLE SPEED	VERT	VERTICAL
STA	STATION-STATIONARY		

---

**ABBREVIATIONS (Cont'd)**

VOL CONT ...	VOLUME CONTROL	W/HSE .....	WHEELHOUSE
V/REG .....	VOLTAGE REGULATOR	W/LIFT .....	WINDOW LIFT
V/SPD .....	VARIABLE SPEED	W/O .....	WITHOUT
V/WING .....	VENT WING	W/PUMP .....	WATER PUMP
W .....	WATT	W/REG .....	WINDOW REGULATOR
WA .....	WASHER	W/SHLD .....	WINDSHIELD
WAG .....	WAGON	W/STRIP .....	WEATHERSTRIP
WB .....	WHEELBASE	WT .....	WEIGHT
W/BRG .....	WHEEL BEARING	W/WASHER .....	WINDSHIELD WASHER
W/CORD .....	WEATHERCORD	W/WPR .....	WINDSHIELD WIPER
WDO .....	WINDOW	X/MBR .....	X MEMBER
WHL .....	WHEEL	YV .....	VENEZUELA

**GROUP 2 - FRONT SUSPENSION & DRIVE**

**ILLUSTRATION TITLE** **GROUP-FIG. NO.**

**FRONT SUSPENSION**

BAR, FRONT STABILIZER WRANGLER, YJ ..... Fig. 2-100  
 BAR, FRONT STABILIZER CHEROKEE, WAGONEER, COMANCHE ..... Fig. 2-200  
 BAR, FRONT STABILIZER GRAND WAGONEER, J10, J20 ..... Fig. 2-300  
 FRONT SPRING AND SHOCK ABSORBER WRANGLER, YJ ..... Fig. 2-400  
 FRONT SPRING AND SHOCK ABSORBER CHEROKEE, WAGONEER, COMANCHE ..... Fig. 2-500  
 SUSPENSION ARMS, FRONT CHEROKEE, WAGONEER, COMANCHE ..... Fig. 2-600  
 FRONT SPRING AND SHOCK ABSORBER GRAND WAGONEER, J10, J20 ..... Fig. 2-700

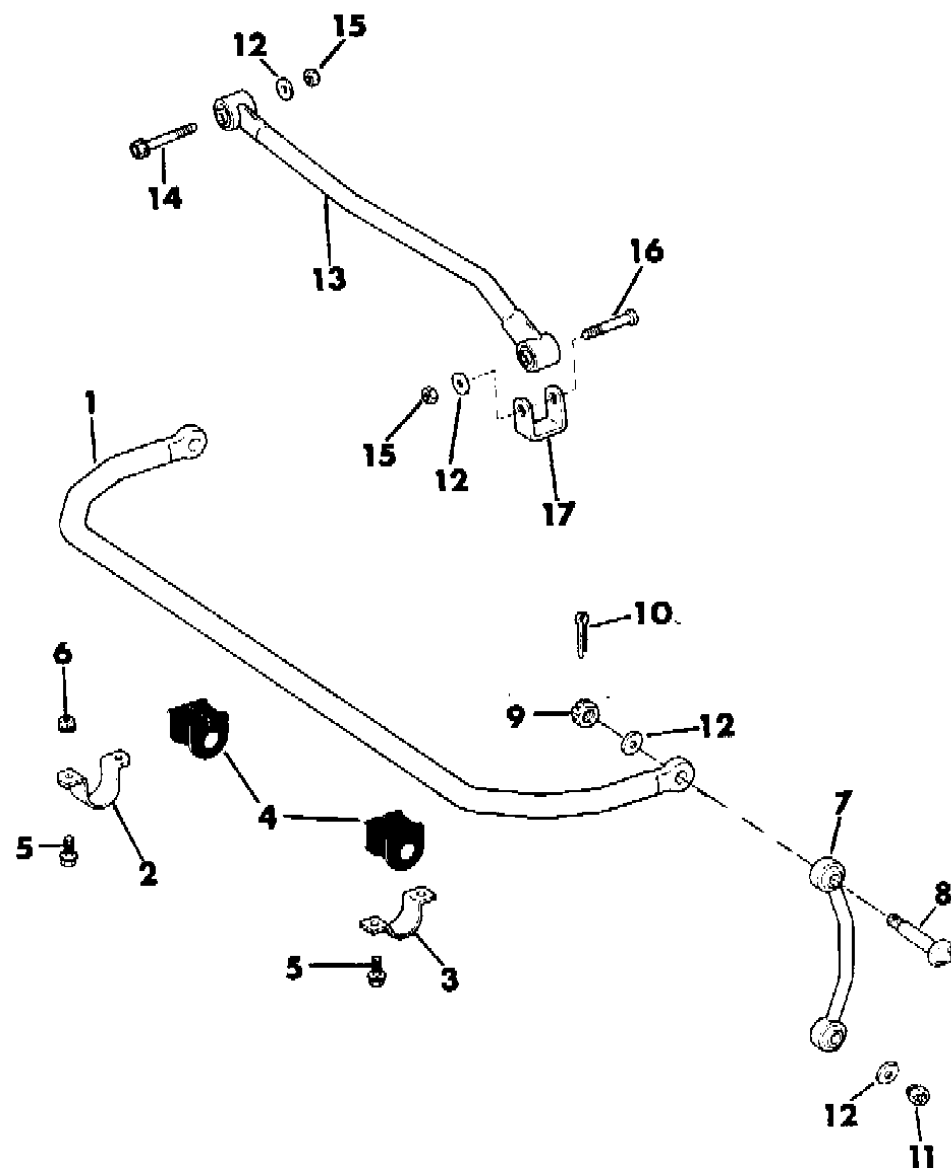
**FRONT AXLES**

AXLE ASSEMBLY, FRONT WRANGLER, YJ ..... Fig. 2-800  
 HOUSING, FRONT AXLE - 1988 KDX W/O DISCONNECT WRANGLER, YJ ..... Fig. 2-900  
 HOUSING, FRONT AXLE W/DISCONNECT WRANGLER, YJ ..... Fig. 2-1000  
 DIFFERENTIAL, FRONT AXLE WRANGLER, YJ ..... Fig. 2-1100  
 SHAFTS, FRONT AXLE - 1987-89 KDX W/O DISCONNECT WRANGLER, YJ ..... Fig. 2-1200  
 SHAFTS, FRONT AXLE W/DISCONNECT WRANGLER, YJ ..... Fig. 2-1300  
 AXLE ASSEMBLY, FRONT 4 WHEEL DRIVE CHEROKEE, WAGONEER, COMANCHE ..... Fig. 2-1400  
 HOUSING, FRONT AXLE 4 WHEEL DRIVE W/O DISCONNECT CHEROKEE, WAGONEER, COMANCHE .. Fig. 2-1500  
 HOUSING, FRONT AXLE 4 WHEEL DRIVE W/DISCONNECT CHEROKEE, WAGONEER, COMANCHE .... Fig. 2-1600  
 HOUSING, FRONT AXLE 2 WHEEL DRIVE CHEROKEE, WAGONEER, COMANCHE ..... Fig. 2-1700  
 DIFFERENTIAL, FRONT AXLE CHEROKEE, WAGONEER, COMANCHE ..... Fig. 2-1800  
 SHAFTS, FRONT AXLE W/O DISCONNECT 1988-90 CHEROKEE, WAGONEER, COMANCHE ..... Fig. 2-1900  
 SHAFTS, FRONT AXLE W/O DISCONNECT - 1987 CHEROKEE, WAGONEER, COMANCHE ..... Fig. 2-1950  
 SHAFTS, FRONT AXLE W/DISCONNECT CHEROKEE, WAGONEER, COMANCHE ..... Fig. 2-2000  
 AXLE ASSEMBLY, FRONT GRAND WAGONEER, J10, J20 ..... Fig. 2-2100  
 HOUSING, FRONT AXLE GRAND WAGONEER, J10, J20 ..... Fig. 2-2200  
 DIFFERENTIAL, FRONT AXLE GRAND WAGONEER, J10, J20 ..... Fig. 2-2300  
 SHAFTS, FRONT AXLE GRAND WAGONEER, J10, J20 ..... Fig. 2-2400  
 LOCKING HUBS, SELECTIVE DRIVE W/ 208 TRANSFER CASE J20 ..... Fig. 2-2500

**ILLUSTRATION NOT AVAILABLE AT TIME OF PUBLICATION**

**BAR, FRONT STABILIZER WRANGLER, YJ**  
**Figure 2-100**

8J02 100



ITEM	PART NUMBER	QTY	BODY	MODEL	DESCRIPTION
1	5200 3142	1			BAR, Stabilizer ***
2	5200 1085	1			CLAMP
3	5204 0047	1			CLAMP
4	5200 3143	2			CUSHION
5	J812 4191	4			BOLT
6	J400 5142	2			NUT
7	5200 2609	2			LINK
8	J535 2787	2			PIN
9	J027 4428	2			NUT
10	J010 3374	2			PIN, Cotter
11	J400 4311	2			NUT
12	J448 8495	10			WASHER
13	5204 0403	1			BAR, Track
14	3420 2415	1			BOLT
15	1150 2723	4			NUT
16					BOLT
	3420 1465	3			1987-89
	6502 248	3			1990
17	5200 1989	2			SPACER

**MODEL CODES:**

15 = Grand Wagoneer 4 Dr.	65 = Comanche 4WD-7 Ft. Box	77 = Cherokee 4WD-2 Dr.
25 = J-10 Pickup-119" W.B.	66 = Comanche 2WD-7 Ft. Box	78 = Cherokee 4WD-4 Dr.
26 = J-10 Pickup-131" W.B.	73 = Cherokee 2WD-2 Dr.	79 = Cherokee 4WD-4 Dr.-Com
27 = J-20 Pickup-131" W.B.	74 = Cherokee 2WD-4 Dr.	81 = Wrangler-93" W.B.
63 = Comanche 4WD-6 Ft. Box	75 = Wagoneer 4WD-4 Dr.	82 = Wrangler-103" W.B.-Exp.
64 = Comanche 2WD-6 Ft. Box		

**BODY STYLES:**

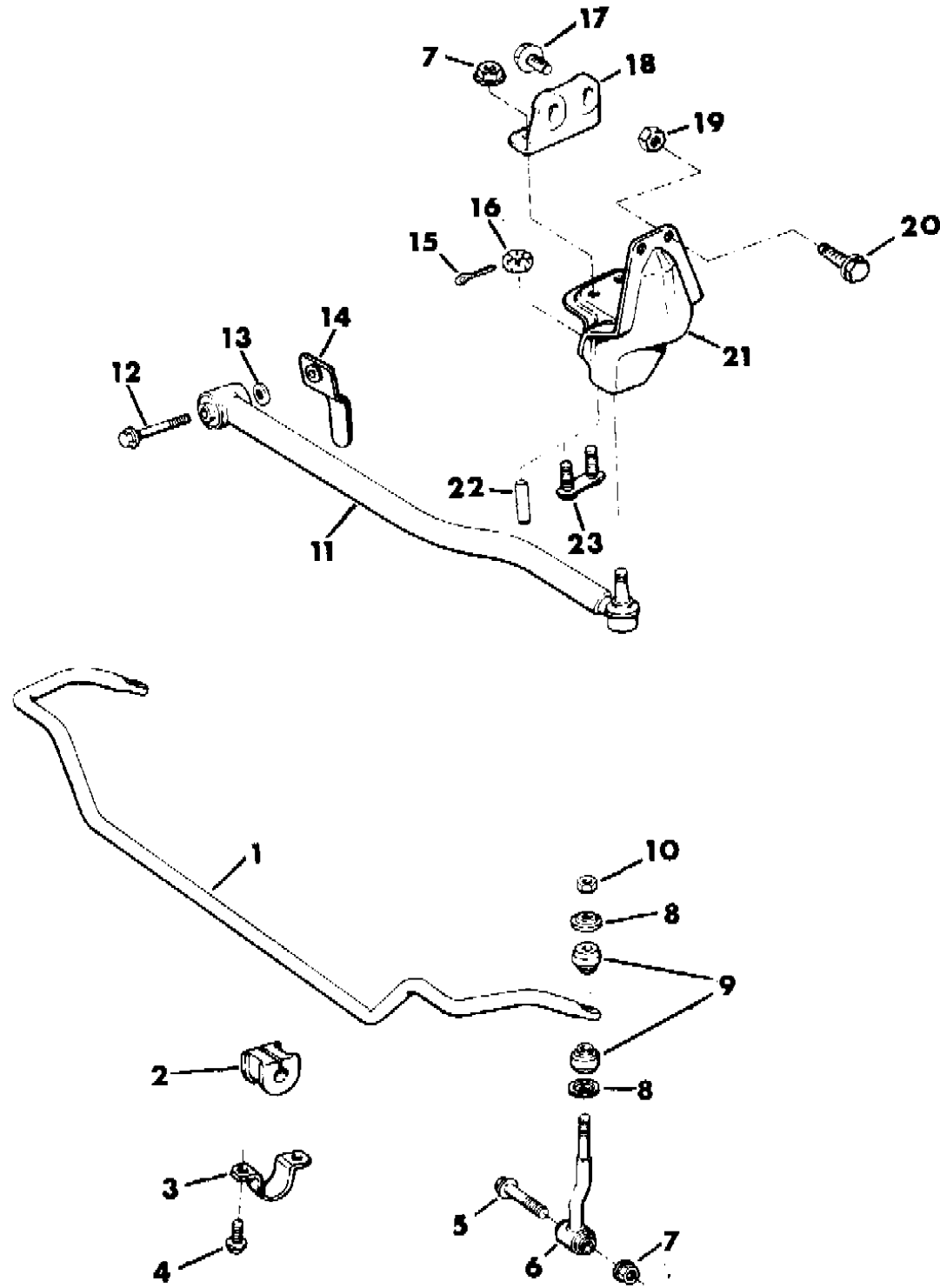
MJ = Comanche Pickup  
 SJ = Grand Wagoneer Wgn., J-10 & J-20 Pickups  
 XJ = Cherokee, Wagoneer Limited  
 YJ = Wrangler

AR = Use as Required - = Non Illustrated Part P.A.R. = Paint as Required

BAR, FRONT STABILIZER CHEROKEE, WAGONEER, COMANCHE

Figure 2-200

8 J 02 200



ITEM	PART NUMBER	QTY	BODY	MODEL	DESCRIPTION
1					BAR, Stabilizer
	5200 1143	1			Diameter = 24mm
	5200 3151	1			Diameter = 28mm
2	J536 5098	2			CUSHION, Stabilizer Yellow, 24mm
	5200 1144	2			Orange, 28mm 1987-89
	5200 6495	2			1990
	5200 3232	2			Brown H.D., 28mm
3	5200 1085	2			CLAMP
4	3420 1321	4			BOLT
5	3420 1949	2			BOLT
6	5200 3360	2			LINK
7	1150 2813	AR			NUT
8	5200 3361	4			RETAINER
9	5200 1132	4			GROMMET
10	1150 0424	2			NUT
11					BAR, Track
	5200 0970	1			w/KDX Venezuela
	5200 3918	1			
12	3420 1927	1			BOLT
13	S243 6163	1			WASHER
14	3420 2463	1			RETAINER
15	1101 0069	1			PIN
16	J027 4428	1			NUT
17	3420 2037	2			BOLT, Diesel Engine ***
18	5200 1275	1			REINFORCEMENT, Diesel Engine ***
19	1150 1033	2			NUT, M10
	1150 2813	2			M12
20	1150 2606	2			BOLT, M10x1.5
	3420 2472	2			M12x1.75
21	5200 4346	1			BRACKET, Track Bar
22	3420 2742	2			STUD, w/o 2.5L Eng.
23	5200 1493	1			PLATE, Track Bar, w/2.5L Eng.

MODEL CODES:

15 = Grand Wagoneer 4 Dr.	65 = Comanche 4WD-7 Ft. Box	77 = Cherokee 4WD-2 Dr.
25 = J-10 Pickup-119" W.B.	66 = Comanche 2WD-7 Ft. Box	78 = Cherokee 4WD-4 Dr.
26 = J-10 Pickup-131" W.B.	73 = Cherokee 2WD-2 Dr.	79 = Cherokee 4WD-4 Dr.-Com
27 = J-20 Pickup-131" W.B.	74 = Cherokee 2WD-4 Dr.	81 = Wrangler-93" W.B.
63 = Comanche 4WD-6 Ft. Box	75 = Wagoneer 4WD-4 Dr.	82 = Wrangler-103" W.B.-Exp.
64 = Comanche 2WD-6 Ft. Box		

BODY STYLES:

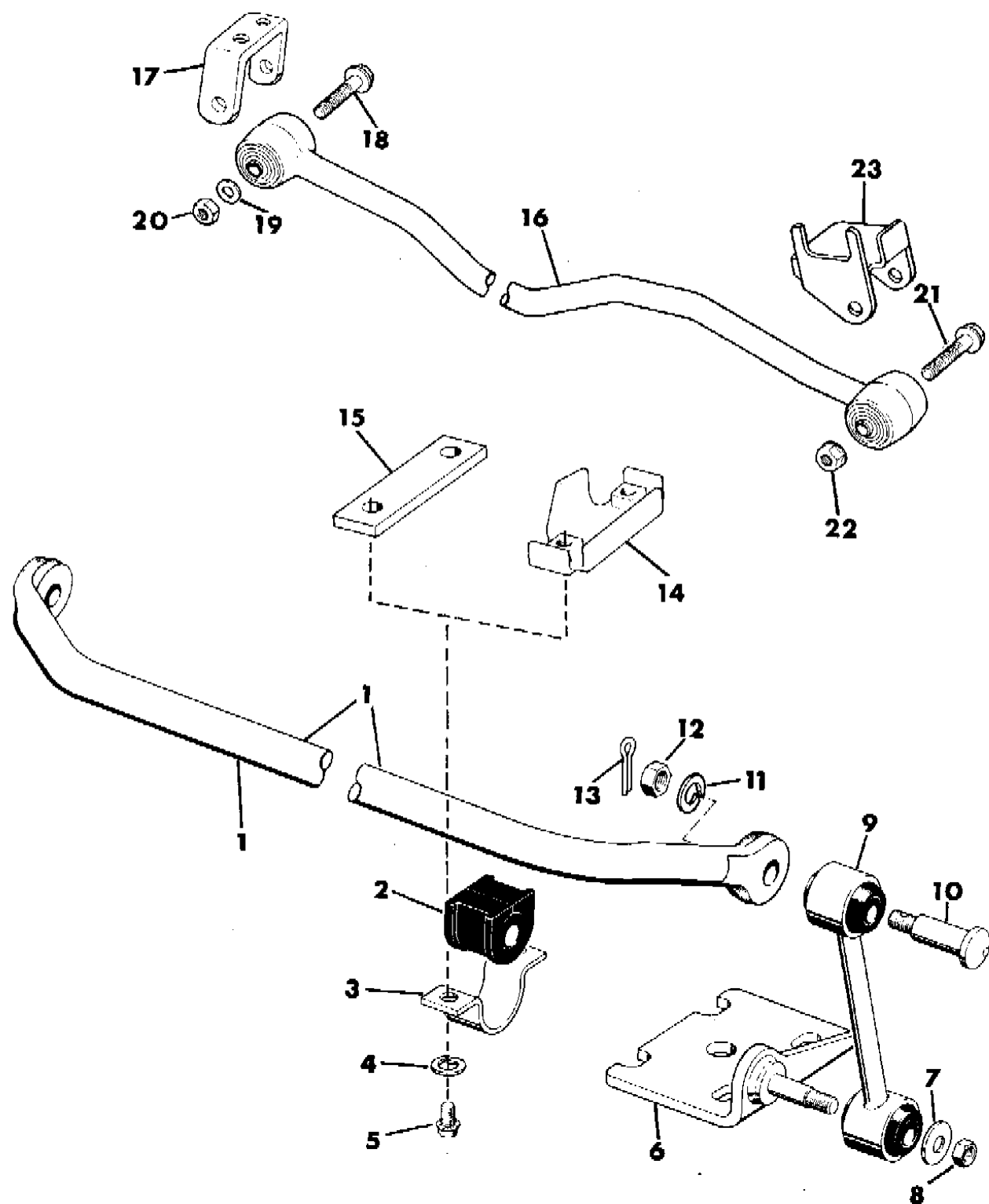
MJ = Comanche Pickup  
 SJ = Grand Wagoneer Wgn., J-10 & J-20 Pickups  
 XJ = Cherokee, Wagoneer Limited  
 YJ = Wrangler

AR = Use as Required - = Non Illustrated Part P.A.R. = Paint as Required

BAR, FRONT STABILIZER GRAND WAGONEER, J10, J20

Figure 2-300

8J02 300A



ITEM	PART NUMBER	QTY	BODY	MODEL	DESCRIPTION
1	5200 1995	1		15, 26	BAR, Stabilizer
	J535 2705	1		27	
2	5200 1996	2		15, 26	CUSHION, Stabilizer
	J535 2702	2		27	
3	J535 2703	2			CLAMP
4	J012 0383	4			WASHER
5	J027 4902	4			SCREW, Length = .75"
	J400 5824	4			BOLT, Length = 2.00"
6					BRACKET
	J535 9584	1			Rt.
	J535 9585	1			Lt.
7	J012 0389	2			WASHER
8	J027 4655	2			NUT
9	J535 5594	2		15, 26	LINK
	J535 2788	2		27	
10	J535 2787	2			PIN
11	J535 0644	2			WASHER
12	J942 1085	2			NUT
13	J013 7190	2			PIN
14					BRACKET
	J535 5597	1		15, 26	Rt.
	J535 5596	1		15, 26	Lt.
15	J099 4880	2		27	SPACER
16	5200 1985	1		15	BAR, Track
17	5200 1989	1		15	SPACER
18	3420 1465	1		15	BOLT
19	J448 8495	1		15	WASHER
20	1150 2723	1		15	NUT
21	T057 1572	1		15	BOLT
22	1150 2812	1		15	NUT
23	5200 2084	1		15	BRACKET, Track Bar

MODEL CODES:

15 = Grand Wagoneer 4 Dr.	65 = Comanche 4WD-7 Ft. Box	77 = Cherokee 4WD-2 Dr.
25 = J-10 Pickup-119" W.B.	66 = Comanche 2WD-7 Ft. Box	78 = Cherokee 4WD-4 Dr.
26 = J-10 Pickup-131" W.B.	73 = Cherokee 2WD-2 Dr.	79 = Cherokee 4WD-4 Dr.-Com
27 = J-20 Pickup-131" W.B.	74 = Cherokee 2WD-4 Dr.	81 = Wrangler-93" W.B.
63 = Comanche 4WD-6 Ft. Box	75 = Wagoneer 4WD-4 Dr.	82 = Wrangler-103" W.B.-Exp.
64 = Comanche 2WD-6 Ft. Box		

BODY STYLES:

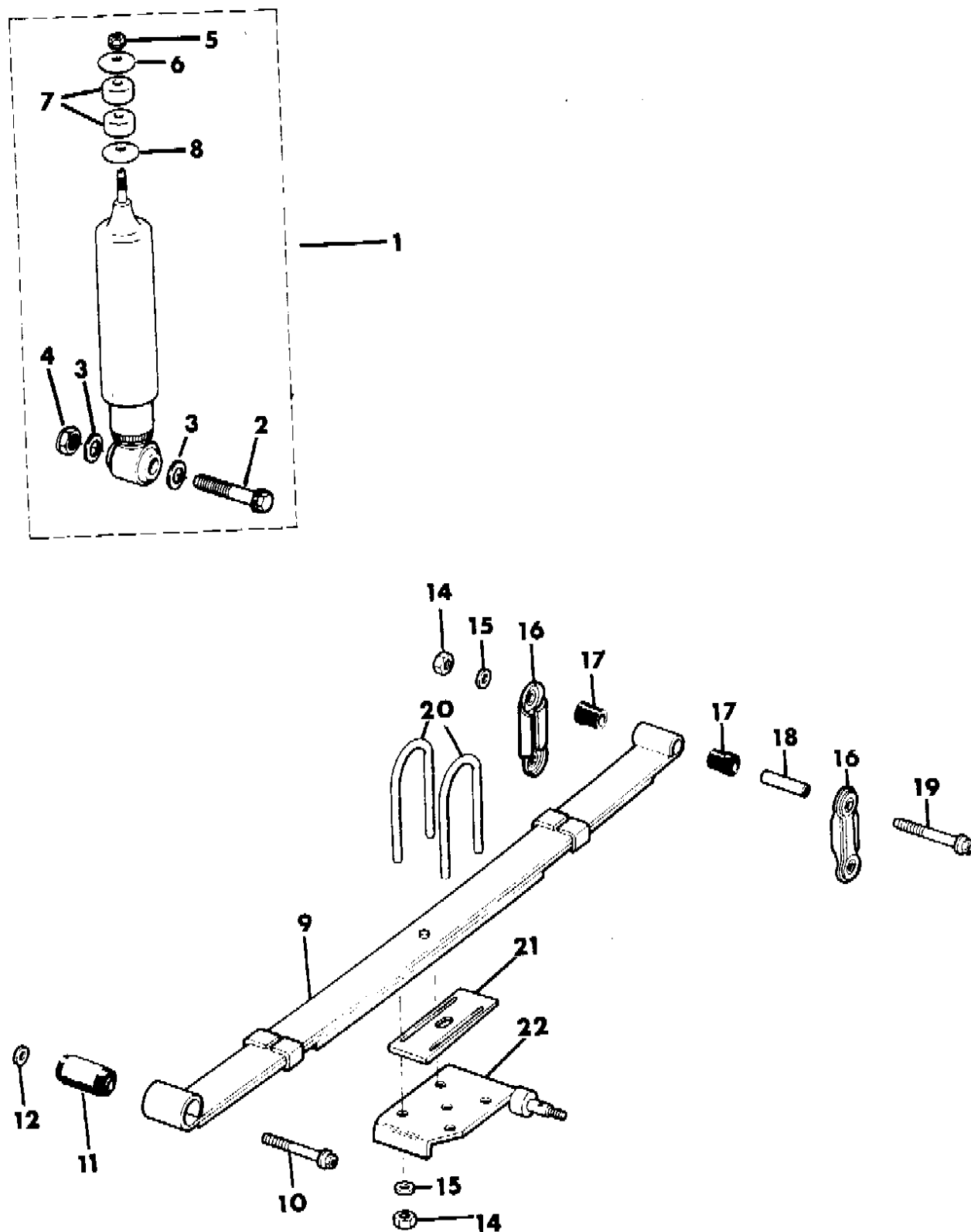
MJ = Comanche Pickup
SJ = Grand Wagoneer Wgn., J-10 & J-20 Pickups
XJ = Cherokee, Wagoneer Limited
YJ = Wrangler

AR = Use as Required - = Non Illustrated Part P.A.R. = Paint as Required



**FRONT SPRING AND SHOCK ABSORBER WRANGLER, YJ**  
**Figure 2-400**

8J02 400



ITEM	PART NUMBER	QTY	BODY	MODEL	DESCRIPTION
1					SHOCK ABSORBER
	8350 2866	2			Standard Duty, Coded 89 52 040 034
	8350 2836	2			Heavy Duty, Coded 89 52 002 610 or 89 52 002 752
2	J018 1709	2			BOLT
3	0120 390	4			WASHER
4	J400 4311	2			NUT
5	J012 0369	2			NUT
6	J316 5076	2			RETAINER
7	J321 6638	4			GROMMET
8	J314 6809	2			RETAINER
9					SPRING, Front
	5200 3207	2			w/2.5L Eng. Standard Duty (4 Leaf)
	5200 3206	2			w/4.2L Eng. Standard Duty
	5200 3448	2			Heavy Duty
10	J400 7547	2			BOLT
11	5200 2551	2			BUSHING
12	J400 6884	2			WASHER
13	J400 3979	2			NUT
14	J400 4311	12			NUT
15	J448 8495	12			WASHER
16	5204 0415	4			PLATE
17	5200 2552	8			BUSHING
18	5200 2553	4			SPACER
19	J400 7393	4			BOLT
20					U-BOLT ***
	J813 0369	4			Width = 3.06"
	J813 0370	4			Width = 3.75"
21	5200 3408	2			SHIM
22					PLATE ***
	5204 0407	1			Lt.
	5204 0348	1			Rt., Except Egypt And Venezuela
	5204 0408	1			Rt., Egypt And Venezuela

**MODEL CODES:**

15 = Grand Wagoneer 4 Dr.	65 = Comanche 4WD-7 Ft. Box	77 = Cherokee 4WD-2 Dr.
25 = J-10 Pickup-119" W.B.	66 = Comanche 2WD-7 Ft. Box	78 = Cherokee 4WD-4 Dr.
26 = J-10 Pickup-131" W.B.	73 = Cherokee 2WD-2 Dr.	79 = Cherokee 4WD-4 Dr.-Com
27 = J-20 Pickup-131" W.B.	74 = Cherokee 2WD-4 Dr.	81 = Wrangler-93" W.B.
63 = Comanche 4WD-6 Ft. Box	75 = Wagoneer 4WD-4 Dr.	82 = Wrangler-103" W.B.-Exp.
64 = Comanche 2WD-6 Ft. Box		

**BODY STYLES:**

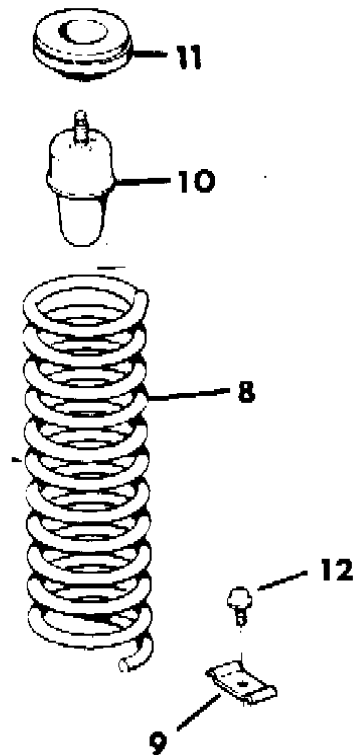
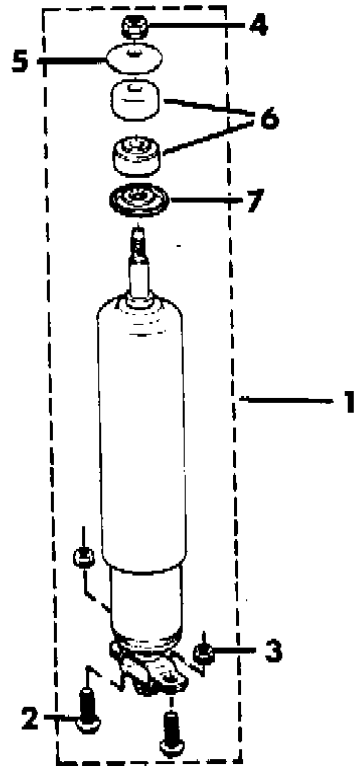
MJ = Comanche Pickup  
 SJ = Grand Wagoneer Wgn., J-10 & J-20 Pickups  
 XJ = Cherokee, Wagoneer Limited  
 YJ = Wrangler

AR = Use as Required - = Non Illustrated Part P.A.R. = Paint as Required

FRONT SPRING AND SHOCK ABSORBER CHEROKEE, WAGONEER, COMANCHE

Figure 2-500

8J02 500



ITEM	PART NUMBER	QTY	BODY	MODEL	DESCRIPTION
1					SHOCK ABSORBER
	8350 0313	2	XJ		Light Duty, Coded 89 52 001 209, 89 52 004 524
	8350 0312	2	XJ		Standard Duty, Coded 89 52 001 207
	8350 0314	2	XJ		Heavy Duty, Coded 89 52 001 208
	8350 2509	2	MJ		Standard Duty, Coded 89 52 000 949
	8350 2510	2	MJ		Heavy Duty, Coded 89 52 000 814
	8350 4211	2			Heavy Duty, Off Road Package, Coded 89 52 003 288
	8350 2511	2			Heavy Duty, Off Road Package, Coded 89 52 002 388
2	J420 0402	4			SCREW
3	1150 2811	4			NUT
4	J012 0369	2			NUT
5	J316 5076	2			RETAINER
6	J321 6638	4			GROMMET
7	J314 6809	2			RETAINER
8					SPRING, Front
	5200 1107	2			Light Duty, Coded EF
	5200 1108	2			Light Duty, Coded EG
	5200 1109	2			Light Duty, Coded EH
	5200 1110	2			Light Duty, Coded EJ
	5200 1111	2			Light Duty, Coded EK
	5200 1784	2			Light Duty, Coded EL
	5200 1785	2			Light Duty, Coded EM
	5200 1786	2			Light Duty, Coded EN
	5200 1787	2			Light Duty, Coded EP
	5200 1788	2			Light Duty, Coded ER
	5200 1789	2			Standard Duty, Coded FL
	5200 1114	2			Standard Duty, Coded FE
	5200 1115	2			Standard Duty, Coded FF
	5200 1116	2			Standard Duty, Coded FG
	5200 1117	2			Standard Duty, Coded FH
	5200 1118	2			Standard Duty, Coded FJ
	5200 1119	2			Standard Duty, Coded FK
	5200 1789	2			Standard Duty, Coded FL
	5200 1790	2			Standard Duty, Coded FM
	5200 1791	2			Standard Duty, Coded FN
	5200 1792	2			Standard Duty, Coded FP
	5200 1122	2			Heavy Duty, Coded GF

MODEL CODES:

15 = Grand Wagoneer 4 Dr.	65 = Comanche 4WD-7 Ft. Box	77 = Cherokee 4WD-2 Dr.
25 = J-10 Pickup-119" W.B.	66 = Comanche 2WD-7 Ft. Box	78 = Cherokee 4WD-4 Dr.
26 = J-10 Pickup-131" W.B.	73 = Cherokee 2WD-2 Dr.	79 = Cherokee 4WD-4 Dr.-Com
27 = J-20 Pickup-131" W.B.	74 = Cherokee 2WD-4 Dr.	81 = Wrangler-93" W.B.
63 = Comanche 4WD-6 Ft. Box	75 = Wagoneer 4WD-4 Dr.	82 = Wrangler-103" W.B.-Exp.
64 = Comanche 2WD-6 Ft. Box		

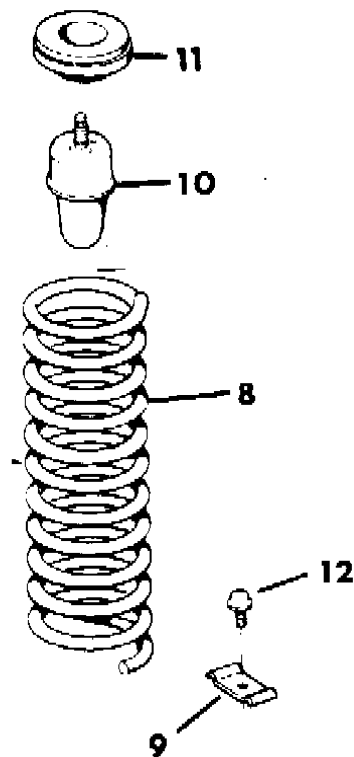
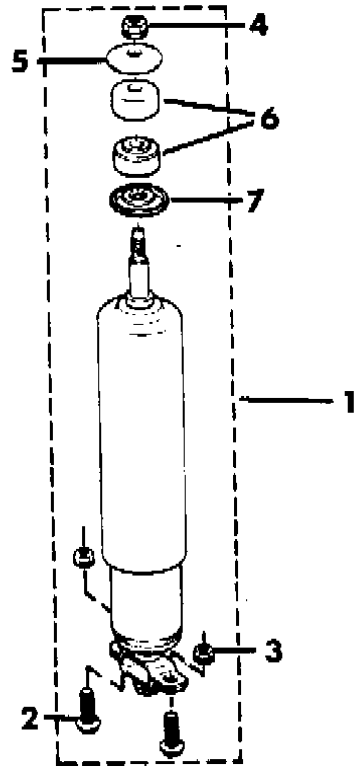
BODY STYLES:

MJ = Comanche Pickup
SJ = Grand Wagoneer Wgn., J-10 & J-20 Pickups
XJ = Cherokee, Wagoneer Limited
YJ = Wrangler

AR = Use as Required - = Non Illustrated Part P.A.R. = Paint as Required

**FRONT SPRING AND SHOCK ABSORBER CHEROKEE, WAGONEER, COMANCHE**  
**Figure 2-500**

8J02 500



ITEM	PART NUMBER	QTY	BODY	MODEL	DESCRIPTION
	5200 1123	2			Heavy Duty, Coded GG
	5200 1124	2			Heavy Duty, Coded GH
	5200 1125	2			Heavy Duty, Coded GJ
	5200 1793	2			Heavy Duty, Coded GK
	5200 1794	2			Heavy Duty, Coded GL
	5200 1795	2			Heavy Duty, Coded GM
	5200 1796	2			Heavy Duty, Coded GN
9	5300 0899	2			BRACKET
10	5200 4749	2			CUSHION
11	5200 0229	2			ISOLATOR
12	S150 0086	2			SCREW

**MODEL CODES:**

15 = Grand Wagoneer 4 Dr.	65 = Comanche 4WD-7 Ft. Box	77 = Cherokee 4WD-2 Dr.
25 = J-10 Pickup-119" W.B.	66 = Comanche 2WD-7 Ft. Box	78 = Cherokee 4WD-4 Dr.
26 = J-10 Pickup-131" W.B.	73 = Cherokee 2WD-2 Dr.	79 = Cherokee 4WD-4 Dr.-Com
27 = J-20 Pickup-131" W.B.	74 = Cherokee 2WD-4 Dr.	81 = Wrangler-93" W.B.
63 = Comanche 4WD-6 Ft. Box	75 = Wagoneer 4WD-4 Dr.	82 = Wrangler-103" W.B.-Exp.
64 = Comanche 2WD-6 Ft. Box		

**BODY STYLES:**

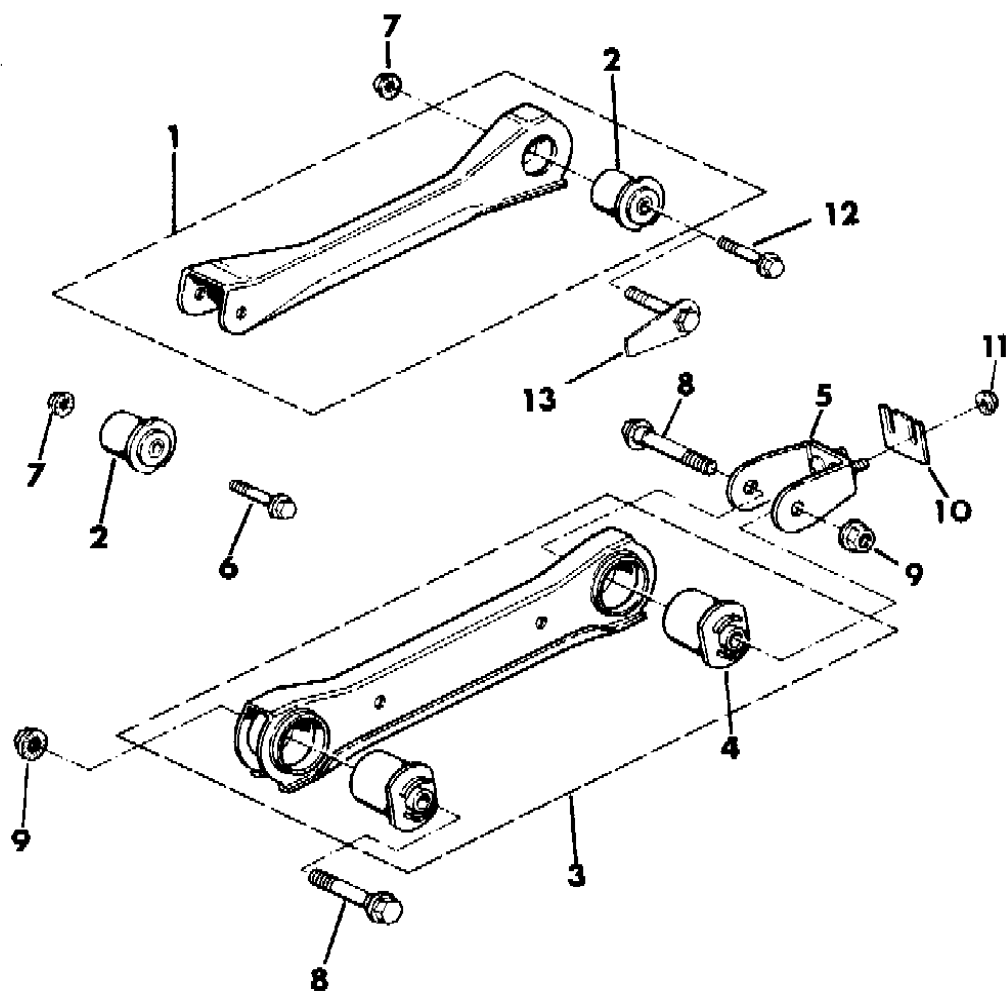
MJ = Comanche Pickup  
 SJ = Grand Wagoneer Wgn., J-10 & J-20 Pickups  
 XJ = Cherokee, Wagoneer Limited  
 YJ = Wrangler

AR = Use as Required - = Non Illustrated Part P.A.R. = Paint as Required

SUSPENSION ARMS, FRONT CHEROKEE, WAGONEER, COMANCHE

Figure 2-600

8J02 600



ITEM	PART NUMBER	QTY	BODY	MODEL	DESCRIPTION
1					ARM, Suspension Upper
	5200 0213	2			w/o ECE
	5200 2535	2			w/ECE
2					BUSHING
	5200 3636	4			w/o ECE
	5200 3637	4			w/ECE
3					ARM, Suspension Lower
	5200 1162	2			w/o ECE
	5200 2538	2			w/ECE
4					BUSHING
	5200 1161	4			w/o ECE
	5200 2539	4			w/ECE
5	5200 0532	2			CLEVIS, Suspension ***
6	3420 2640	2			BOLT
7	1150 6007	4			NUT
8	3420 1392	4			BOLT
9	1150 2814	4			NUT
10					SHIM
	5200 0234	AR			Thickness = .95mm
	5200 3976	AR			Thickness = 4.00mm
11	1150 2811	4			NUT
12	3420 2641	2			BOLT
13	3420 3013	2			BOLT

MODEL CODES:

15 = Grand Wagoneer 4 Dr.	65 = Comanche 4WD-7 Ft. Box	77 = Cherokee 4WD-2 Dr.
25 = J-10 Pickup-119" W.B.	66 = Comanche 2WD-7 Ft. Box	78 = Cherokee 4WD-4 Dr.
26 = J-10 Pickup-131" W.B.	73 = Cherokee 2WD-2 Dr.	79 = Cherokee 4WD-4 Dr.-Com
27 = J-20 Pickup-131" W.B.	74 = Cherokee 2WD-4 Dr.	81 = Wrangler-93" W.B.
63 = Comanche 4WD-6 Ft. Box	75 = Wagoneer 4WD-4 Dr.	82 = Wrangler-103" W.B.-Exp.
64 = Comanche 2WD-6 Ft. Box		

BODY STYLES:

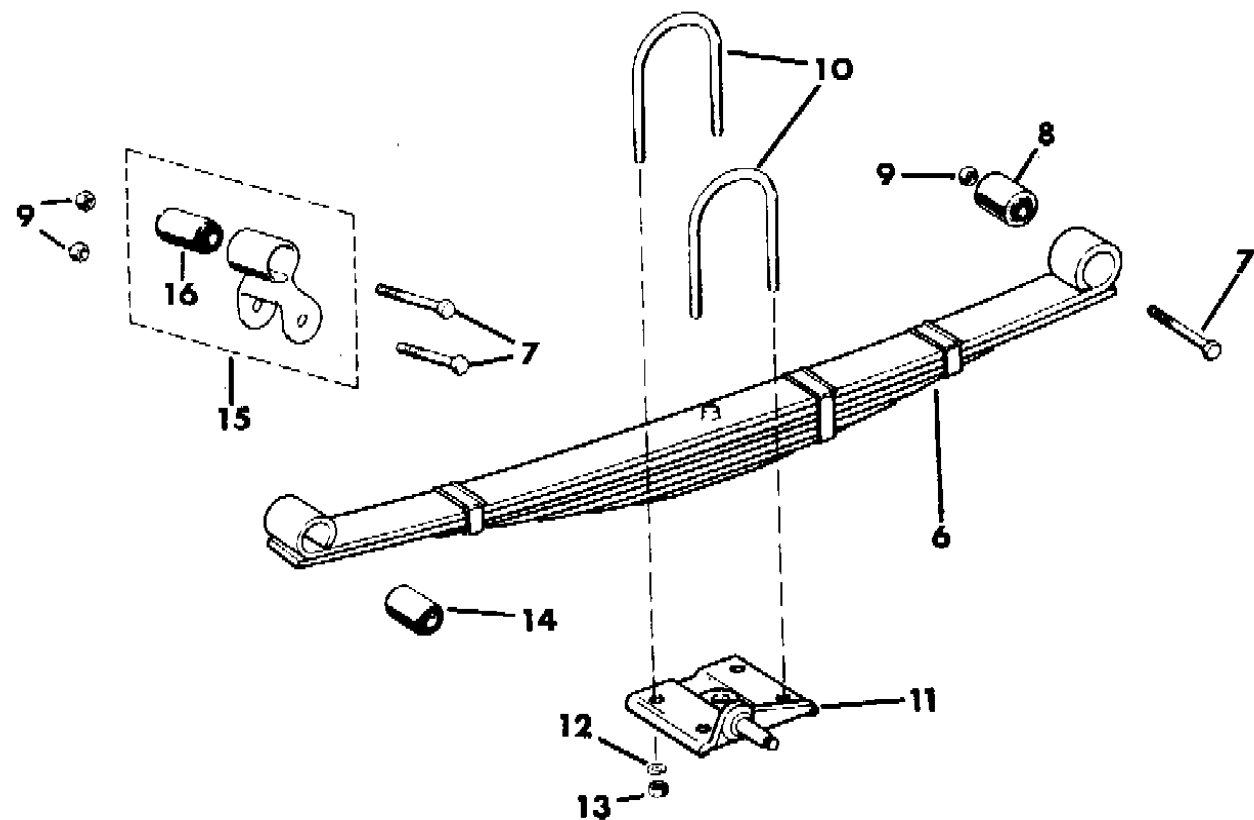
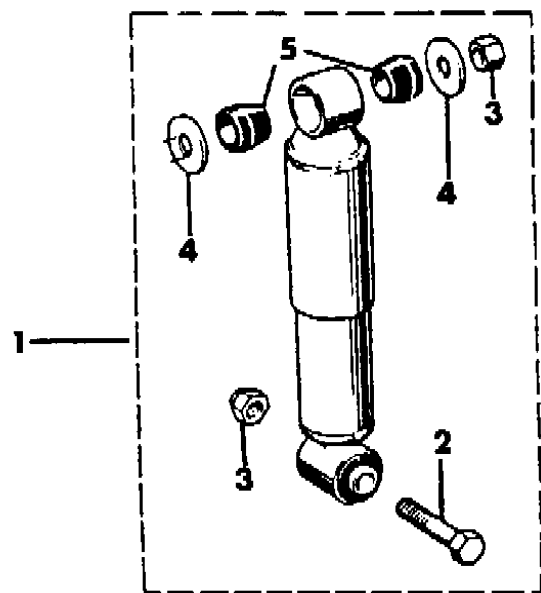
MJ = Comanche Pickup  
 SJ = Grand Wagoneer Wgn., J-10 & J-20 Pickups  
 XJ = Cherokee, Wagoneer Limited  
 YJ = Wrangler

AR = Use as Required - = Non Illustrated Part P.A.R. = Paint as Required

FRONT SPRING AND SHOCK ABSORBER GRAND WAGONEER, J10, J20

Figure 2-700

8J02 700



ITEM	PART NUMBER	QTY	BODY	MODEL	DESCRIPTION
1					SHOCK ABSORBER
	8350 1877	2		15	Standard
	8350 3694	2		15	Heavy Duty
	J812 9467	2		26,27	Heavy Duty
2	J018 1709	2			BOLT
3	J400 4311	4			NUT
4	J448 8495	4			WASHER
5	J063 7936	4			BUSHING
6					SPRING, Front
	J536 2950	2			5 Leaf
	J536 2949	2			6 Leaf
	J536 2954	2		15	7 Leaf, w/4.2L Eng.
	J536 2953	2		15	7 Leaf, w/5.9L Eng.
	J536 2951	2		26,27	7 Leaf, Standard Duty
	J536 2952	2		27	7 Leaf, Heavy Duty
7	J400 4120	6			BOLT
8	J535 8985	2		15,26	BUSHING
	J535 5369	2		27	
9	J400 3979	6			NUT
10	J812 9474	4			U-BOLT ***
11					BRACKET
	J535 9585	1			Rt.
	J535 9584	1			Lt.
12	J400 4806	8			WASHER
13	J942 0350	8			NUT
14	J094 4870	2			BUSHING
15	J535 2863	2		15,26	SHACKLE
	J535 2251	2		27	
16	J535 2079	2			BUSHING

MODEL CODES:

15 = Grand Wagoneer 4 Dr.	65 = Comanche 4WD-7 Ft. Box	77 = Cherokee 4WD-2 Dr.
25 = J-10 Pickup-119" W.B.	66 = Comanche 2WD-7 Ft. Box	78 = Cherokee 4WD-4 Dr.
26 = J-10 Pickup-131" W.B.	73 = Cherokee 2WD-2 Dr.	79 = Cherokee 4WD-4 Dr.-Com
27 = J-20 Pickup-131" W.B.	74 = Cherokee 2WD-4 Dr.	81 = Wrangler-93" W.B.
63 = Comanche 4WD-6 Ft. Box	75 = Wagoneer 4WD-4 Dr.	82 = Wrangler-103" W.B.-Exp.
64 = Comanche 2WD-6 Ft. Box		

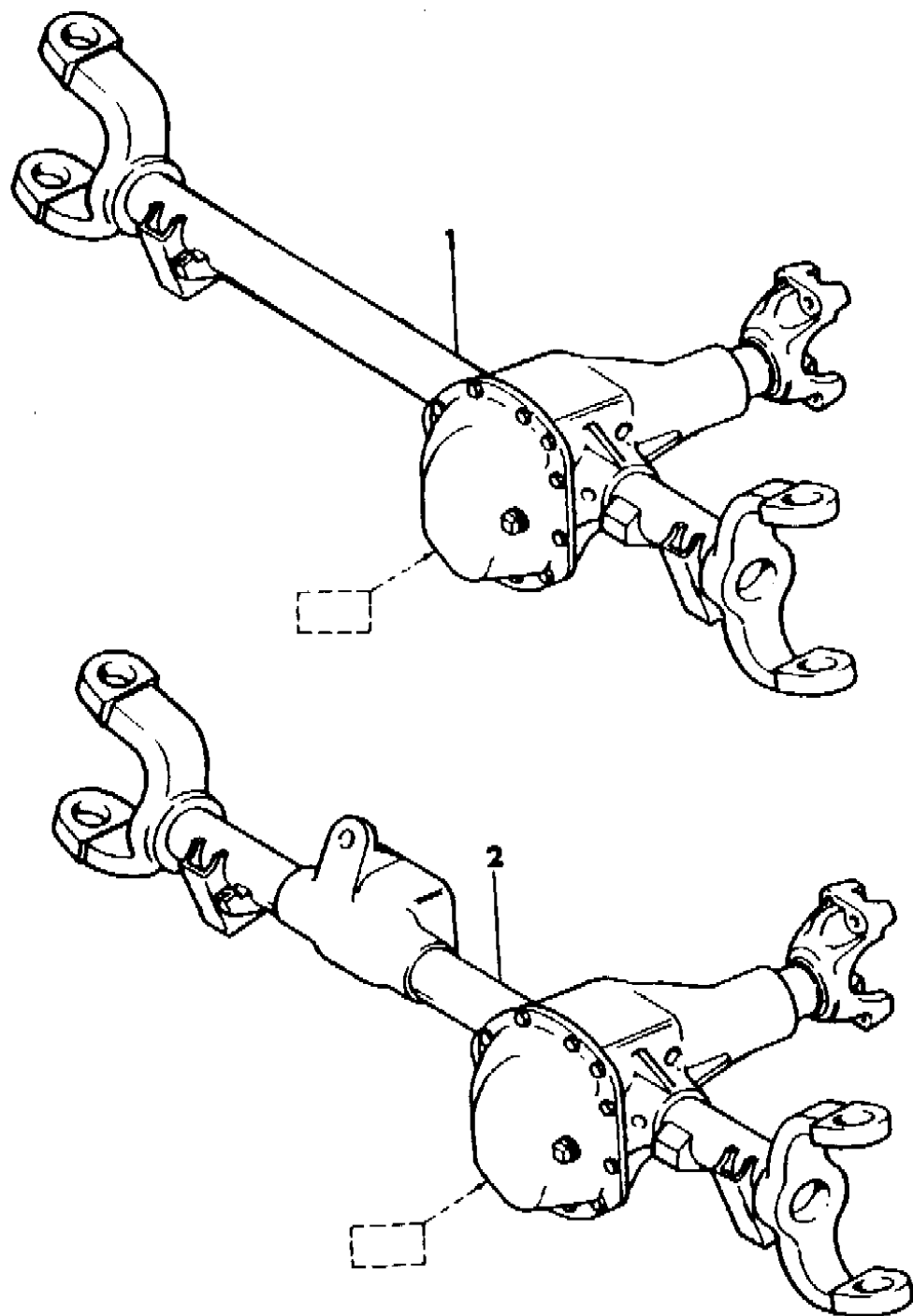
BODY STYLES:

MJ = Comanche Pickup  
 SJ = Grand Wagoneer Wgn., J-10 & J-20 Pickups  
 XJ = Cherokee, Wagoneer Limited  
 YJ = Wrangler

AR = Use as Required - = Non Illustrated Part P.A.R. = Paint as Required

AXLE ASSEMBLY, FRONT WRANGLER, YJ  
Figure 2-800

8J02 800



ITEM	PART NUMBER	QTY	BODY	MODEL	DESCRIPTION
1					AXLE ASSEMBLY, w/o Disconnect, KDX ***
	8350 5401	1			3.07 Ratio, Tagged 89 53 003 861
	8350 5523	1			3.55 Ratio, Tagged 89 53 005 048
2					AXLE ASSEMBLY, w/Disconnect ***
					1987-89
	8350 3046	1			3.07 Ratio, Tagged 89 53 003 709
	8350 4908	1			3.54 Ratio, Tagged 89 53 003 710
	8350 5513	1			3.55 Ratio, Tagged 89 53 005 044
	8350 5297	1			4.10 Ratio, Tagged 89 53 003 711
					1990
	5252 962	1			3.07 Ratio, Tagged 53 005 565
	5252 964	1			3.55 Ratio, Tagged 53 005 566
	4637 925	1			4.10 Ratio, Tagged 53 005 567

MODEL CODES:

15 = Grand Wagoneer 4 Dr.	65 = Comanche 4WD-7 Ft. Box	77 = Cherokee 4WD-2 Dr.
25 = J-10 Pickup-119" W.B.	66 = Comanche 2WD-7 Ft. Box	78 = Cherokee 4WD-4 Dr.
26 = J-10 Pickup-131" W.B.	73 = Cherokee 2WD-2 Dr.	79 = Cherokee 4WD-4 Dr.-Com
27 = J-20 Pickup-131" W.B.	74 = Cherokee 2WD-4 Dr.	81 = Wrangler-93" W.B.
63 = Comanche 4WD-6 Ft. Box	75 = Wagoneer 4WD-4 Dr.	82 = Wrangler-103" W.B.-Exp.
64 = Comanche 2WD-6 Ft. Box		

BODY STYLES:

MJ = Comanche Pickup  
 SJ = Grand Wagoneer Wgn., J-10 & J-20 Pickups  
 XJ = Cherokee, Wagoneer Limited  
 YJ = Wrangler

AR = Use as Required - = Non Illustrated Part P.A.R. = Paint as Required

HOUSING, FRONT AXLE - 1988 KDX W/O DISCONNECT WRANGLER, YJ  
Figure 2-900

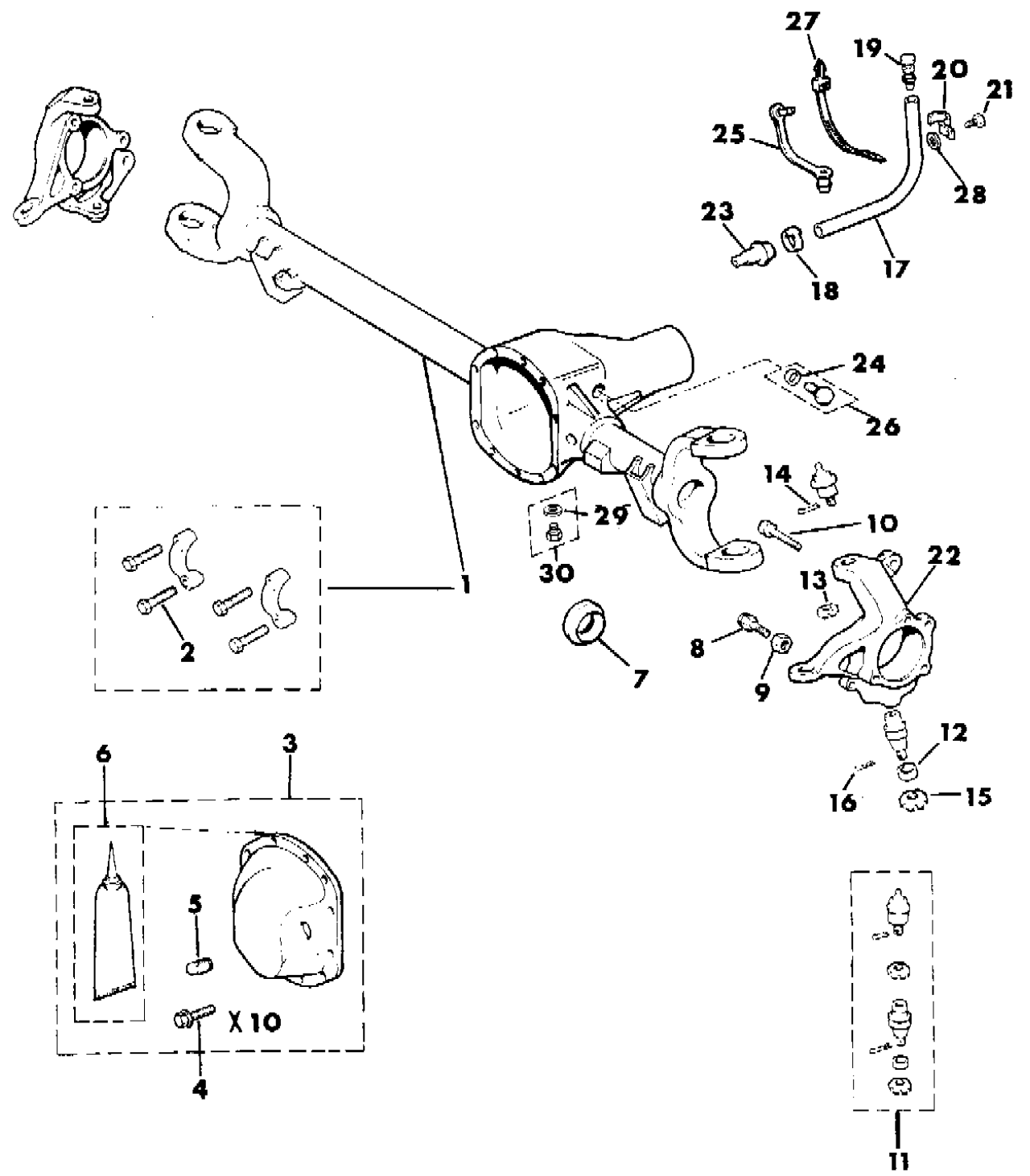
8J02 900

ITEM	PART NUMBER	QTY	BODY	MODEL	DESCRIPTION
1	8350 5403	1			HOUSING, Front Axle
2	S017 9890	4			BOLT
3	8350 0194	1			COVER PACKAGE
4	J027 3573	10			BOLT
5					PLUG
	S010 3869	1			3/4"-14
	J400 4751	1			1/2"-14
6	J899 3317	1			SEALER, Gasket in a Tube ***
7	J812 1781	2			SEAL
8	1791 701	1			BOLT, Jam
9	S011 4494	1			NUT, Jam
10	3420 1535	6			BOLT
11	8350 0202	1			SOCKET PACKAGE ***
12	8350 0203	1			RING, Split
13	J999 8578	1			NUT
14	J812 1392	1			PIN, Cotter
15	J812 3318	1			NUT
16	1101 0069	1			PIN, Cotter
17	J812 5823	1			HOSE, Vent (Bulk)
18	J322 7851	1			CLAMP
19	J535 2955	1			BREATHER ***
20	J014 0780	1			CLIP
21	1150 1608	1			SCREW
22					KNUCKLE, Steering
	5300 0626	1			Rt.
	5300 0625	1			Lt.
23	8350 4653	1			VENT
24	3300 0322	1			GASKET, Sensor
25	J400 1712	1			STRAP
26	8350 1425	1			PLUG PACKAGE ***
27	3420 1788	2			STRAP
28	J400 3084	1			NUT, Push
29	J317 0271	1			GASKET
30	J812 1449	1			PLUG PACKAGE ***

MODEL CODES:  
 15 = Grand Wagoneer 4 Dr.      65 = Comanche 4WD-7 Ft. Box      77 = Cherokee 4WD-2 Dr.  
 25 = J-10 Pickup-119" W.B.      66 = Comanche 2WD-7 Ft. Box      78 = Cherokee 4WD-4 Dr.  
 26 = J-10 Pickup-131" W.B.      73 = Cherokee 2WD-2 Dr.      79 = Cherokee 4WD-4 Dr.-Com  
 27 = J-20 Pickup-131" W.B.      74 = Cherokee 2WD-4 Dr.      81 = Wrangler-93" W.B.  
 63 = Comanche 4WD-6 Ft. Box      75 = Wagoneer 4WD-4 Dr.      82 = Wrangler-103" W.B.-Exp.  
 64 = Comanche 2WD-6 Ft. Box

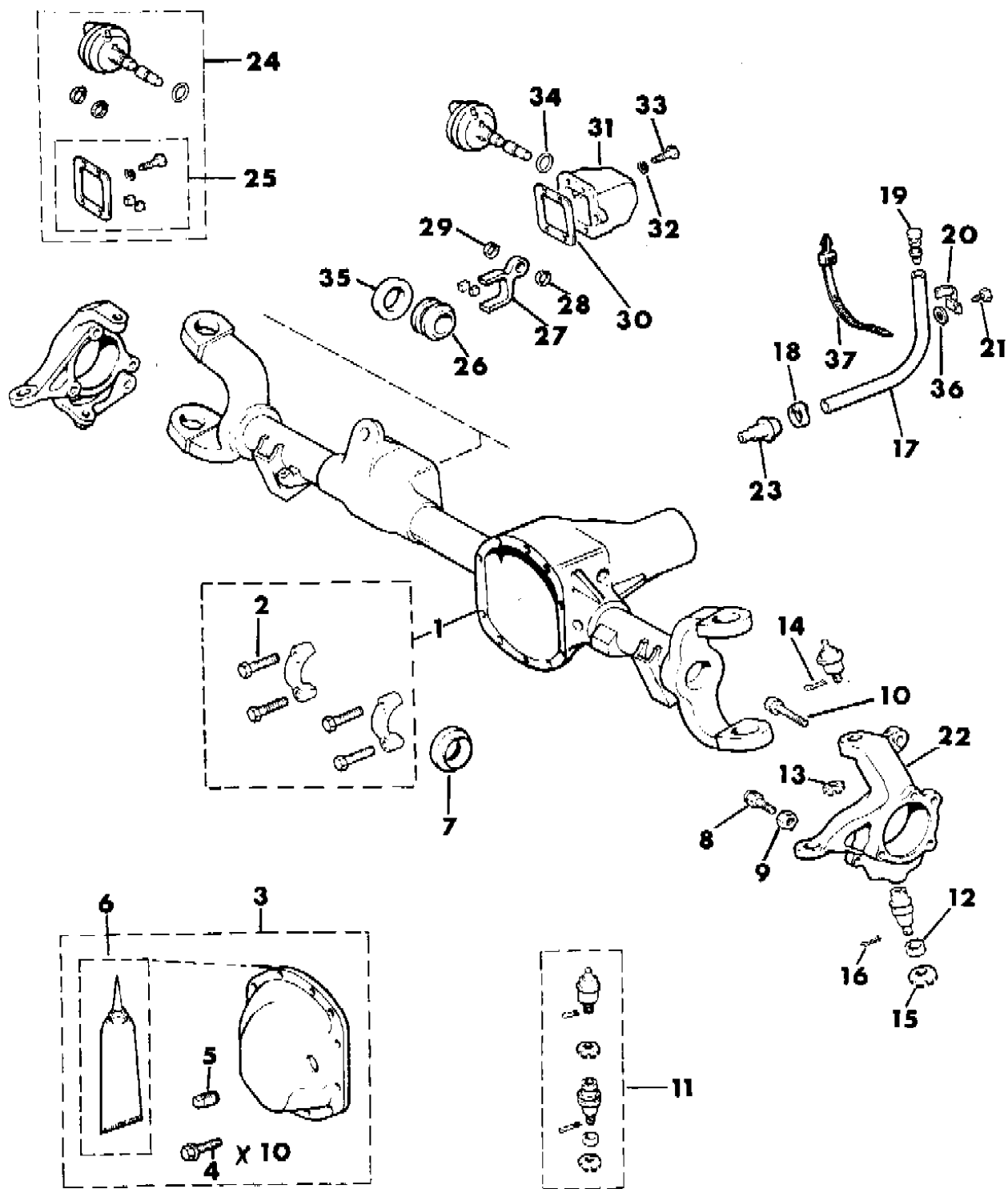
BODY STYLES:  
 MJ = Comanche Pickup  
 SJ = Grand Wagoneer Wgn., J-10 & J-20 Pickups  
 XJ = Cherokee, Wagoneer Limited  
 YJ = Wrangler

AR = Use as Required - = Non Illustrated Part P.A.R. = Paint as Required



HOUSING, FRONT AXLE W/DISCONNECT WRANGLER, YJ  
Figure 2-1000

8J02 1000



ITEM	PART NUMBER	QTY	BODY	MODEL	DESCRIPTION
1					HOUSING, Front Axle
	8350 4479	1			1987-89
	5252 605	1			1990
2	S017 9890	4			BOLT
3	8350 0194	1			COVER PACKAGE
4	J027 3573	10			BOLT
5					PLUG
	S010 3869	1			3/4"-14
	J400 4751	1			1/2"-14
6	J899 3317	1			SEALER, Gasket in a Tube ***
7	J812 1781	1			SEAL, Left
8	JA00 0821	1			BOLT, Jam
9	S011 4494	1			NUT, Jam
10	3420 1535	6			BOLT
11	8350 0202	1			SOCKET PACKAGE ***
12	8350 0203	1			RING, Split
13	J012 5258	1			NUT
14	J812 1392	1			PIN, Cotter
15	J812 3318	1			NUT
16	1101 0069	1			PIN, Cotter
17	J812 5823	1			HOSE, Vent (Bulk)
18	J322 7851	1			CLAMP
19	J535 2955	1			BREATHER ***
20	J014 0780	1			CLIP
21	J018 0121	1			SCREW
22					KNUCKLE, Steering
					1987-89
	5300 0626	1			Rt.
	5300 0625	1			Lt.
	5300 5602-3	1			1990
23	8350 4653	1			VENT
24	8350 3113	1			MOTOR PACKAGE, Front Axle Vacuum ***
25	J813 3708	1			CLIP PACKAGE ***
26	8350 4813	1			COLLAR, Axle Shaft Shifter
27	8350 3695	1			FORK, Axle Shift
28	J813 3618	1			RING, Snap
29	J813 3619	1			RING, Snap

MODEL CODES:

15 = Grand Wagoneer 4 Dr.	65 = Comanche 4WD-7 Ft. Box	77 = Cherokee 4WD-2 Dr.
25 = J-10 Pickup-119" W.B.	66 = Comanche 2WD-7 Ft. Box	78 = Cherokee 4WD-4 Dr.
26 = J-10 Pickup-131" W.B.	73 = Cherokee 2WD-2 Dr.	79 = Cherokee 4WD-4 Dr.-Com
27 = J-20 Pickup-131" W.B.	74 = Cherokee 2WD-4 Dr.	81 = Wrangler-93" W.B.
63 = Comanche 4WD-6 Ft. Box	75 = Wagoneer 4WD-4 Dr.	82 = Wrangler-103" W.B.-Exp.
64 = Comanche 2WD-6 Ft. Box		

BODY STYLES:

MJ = Comanche Pickup  
 SJ = Grand Wagoneer Wgn., J-10 & J-20 Pickups  
 XJ = Cherokee, Wagoneer Limited  
 YJ = Wrangler

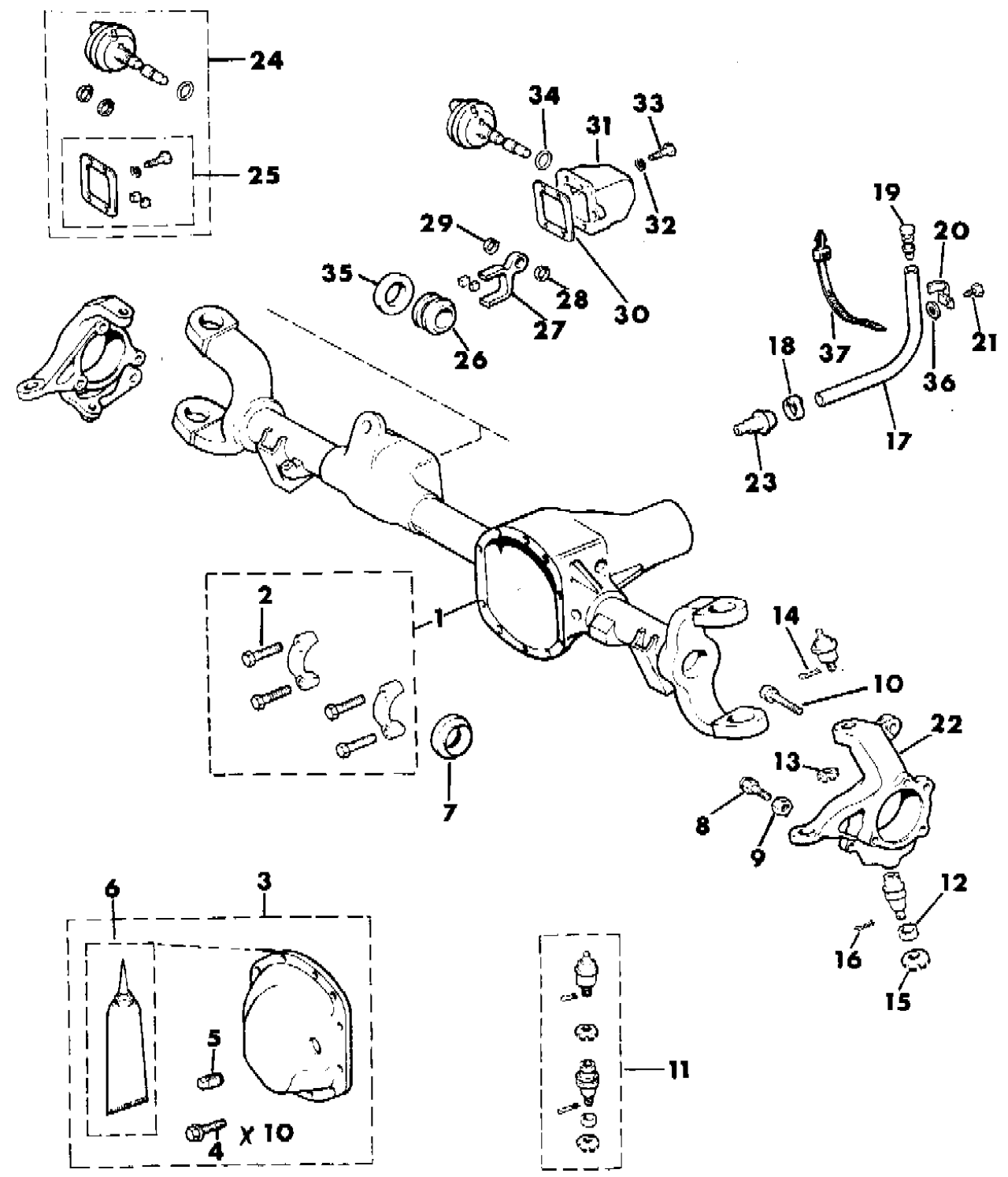
AR = Use as Required - = Non Illustrated Part P.A.R. = Paint as Required



HOUSING, FRONT AXLE W/DISCONNECT WRANGLER, YJ  
Figure 2-1000

8J02 1000

ITEM	PART NUMBER	QTY	BODY	MODEL	DESCRIPTION
30	J813 3709	1			GASKET, Cover
31	8350 0195	1			COVER, Axle Shift
32	J813 3624	4			WASHER
33	J813 3623	4			BOLT
34	J813 3620	1			O-RING
35					SEAL, Rt.
	8350 0199	1			2.290"
	8350 3504	1			2.125"
36	J400 3084	1			NUT, Push
37	3420 1788	2			STRAP



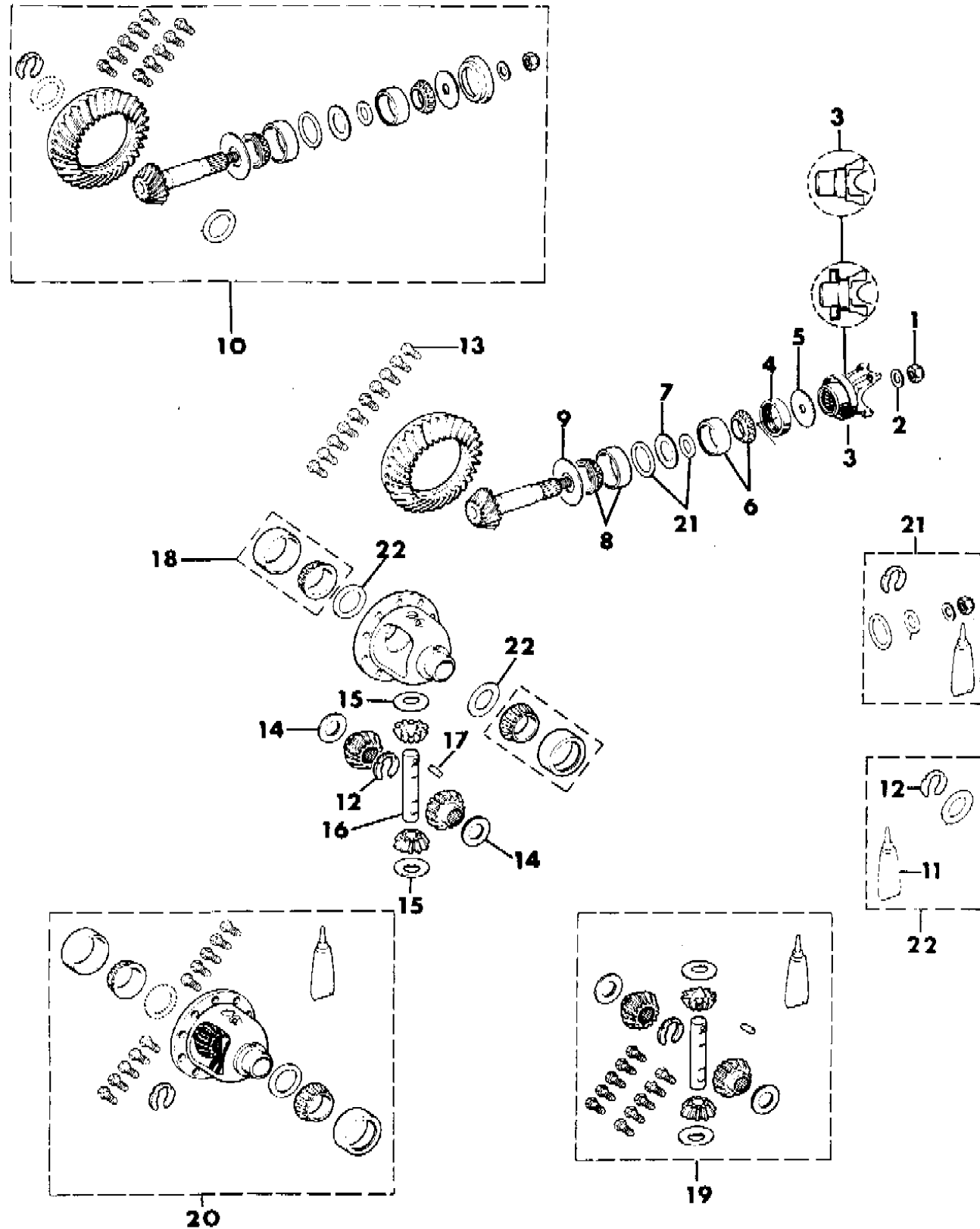
MODEL CODES:  
 15 = Grand Wagoneer 4 Dr.      65 = Comanche 4WD-7 Ft. Box      77 = Cherokee 4WD-2 Dr.  
 25 = J-10 Pickup-119" W.B.      66 = Comanche 2WD-7 Ft. Box      78 = Cherokee 4WD-4 Dr.  
 26 = J-10 Pickup-131" W.B.      73 = Cherokee 2WD-2 Dr.      79 = Cherokee 4WD-4 Dr.-Com  
 27 = J-20 Pickup-131" W.B.      74 = Cherokee 2WD-4 Dr.      81 = Wrangler-93" W.B.  
 63 = Comanche 4WD-6 Ft. Box      75 = Wagoneer 4WD-4 Dr.      82 = Wrangler-103" W.B.-Exp.  
 64 = Comanche 2WD-6 Ft. Box

BODY STYLES:  
 MJ = Comanche Pickup  
 SJ = Grand Wagoneer Wgn., J-10 & J-20 Pickups  
 XJ = Cherokee, Wagoneer Limited  
 YJ = Wrangler

AR = Use as Required - = Non Illustrated Part P.A.R. = Paint as Required

**DIFFERENTIAL, FRONT AXLE WRANGLER, YJ**  
**Figure 2-1100**

8J02 1100



ITEM	PART NUMBER	QTY	BODY	MODEL	DESCRIPTION
1	J080 1367	1			NUT, Pinion
2	J063 6570	1			WASHER, Pinion
3	J813 3241	1			YOKE, Pinion w/Slinger
4	8350 3388	1			w/o Slinger
4	J099 8092	1			SEAL, Pinion w/Slinger
	8350 3390	1			w/o Slinger
5	J063 6566	1			SLINGER, Dust
6	J812 4052	1			BEARING PACKAGE
7	J093 4937	1			BAFFLE
8	J812 6499	1			BEARING PACKAGE
9	J091 6372	1			SLINGER, Oil
10					GEAR SET, Front Axle Ring And Pinion
	8350 0187	1			3.07 Ratio
	8350 2355	1			3.54 Ratio
	8350 5480	1			3.55 Ratio
	8350 2353	1			4.10 Ratio
11	J899 3317	1			SEALER, RTV
12	J813 0763	1			SNAP RING
13	J064 9454	10			BOLT
14	J813 3724	2			WASHER
15	J812 0831	2			WASHER
16	J094 6384	1			SHAFT, Differential
17	J063 6360	1			PIN
18	J812 6500	2			BEARING PACKAGE
19					GEAR SET, Front Axle Differential
	8350 0190	1			1987-89
	5252 591	1			1990
20					CASE, Front Axle Differential
					1987-89
	8350 0168	1			3.07, 3.54 & 3.55 Ratios
	8350 0169	1			4.10 Ratio
					1990
	5252 582	1			3.07 & 3.55 Ratios
	5252 590	1			4.10 Ratio
21	8350 0192	1			SHIM PACKAGE
22	8350 0191	1			SHIM PACKAGE

**MODEL CODES:**

15 = Grand Wagoneer 4 Dr.	65 = Comanche 4WD-7 Ft. Box	77 = Cherokee 4WD-2 Dr.
25 = J-10 Pickup-119" W.B.	66 = Comanche 2WD-7 Ft. Box	78 = Cherokee 4WD-4 Dr.
26 = J-10 Pickup-131" W.B.	73 = Cherokee 2WD-2 Dr.	79 = Cherokee 4WD-4 Dr.-Com
27 = J-20 Pickup-131" W.B.	74 = Cherokee 2WD-4 Dr.	81 = Wrangler-93" W.B.
63 = Comanche 4WD-6 Ft. Box	75 = Wagoneer 4WD-4 Dr.	82 = Wrangler-103" W.B.-Exp.
64 = Comanche 2WD-6 Ft. Box		

**BODY STYLES:**

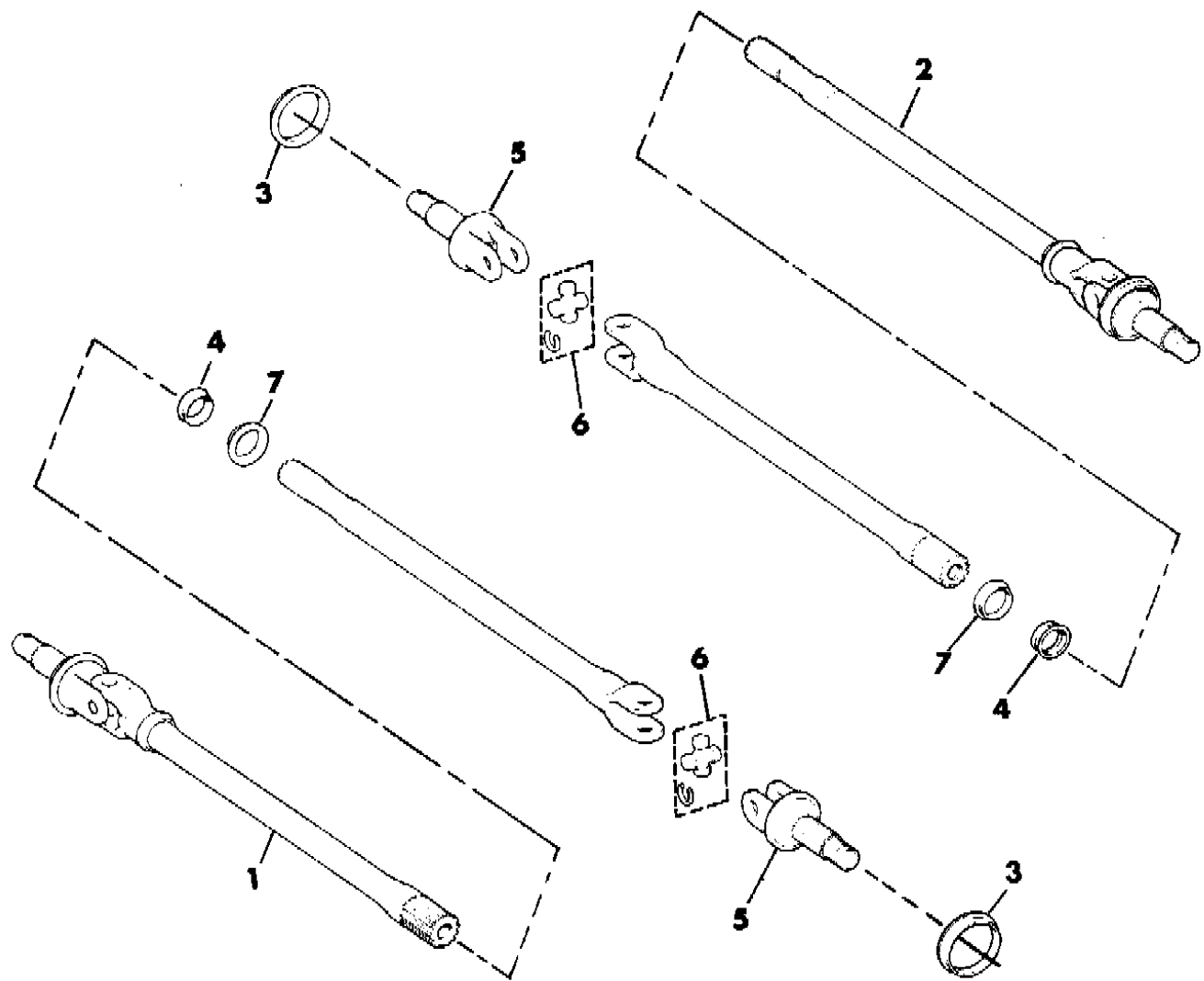
MJ = Comanche Pickup  
 SJ = Grand Wagoneer Wgn., J-10 & J-20 Pickups  
 XJ = Cherokee, Wagoneer Limited  
 YJ = Wrangler

AR = Use as Required - = Non Illustrated Part P.A.R. = Paint as Required

SHAFTS, FRONT AXLE - 1987-89 KDX W/O DISCONNECT WRANGLER, YJ  
Figure 2-1200

8J02 1200

ITEM	PART NUMBER	QTY	BODY	MODEL	DESCRIPTION
1	5300 2134	1			SHAFT, Axle Rt.
2	5300 0684	1			SHAFT, Axle Lt.
3	8350 0201	AR			SLINGER, Dust
4	J812 1781	2			SEAL
5	8350 0184	2			SHAFT, Outer
6	J812 6637	2			JOINT, Universal
7	J812 6232	2			SLINGER, Oil



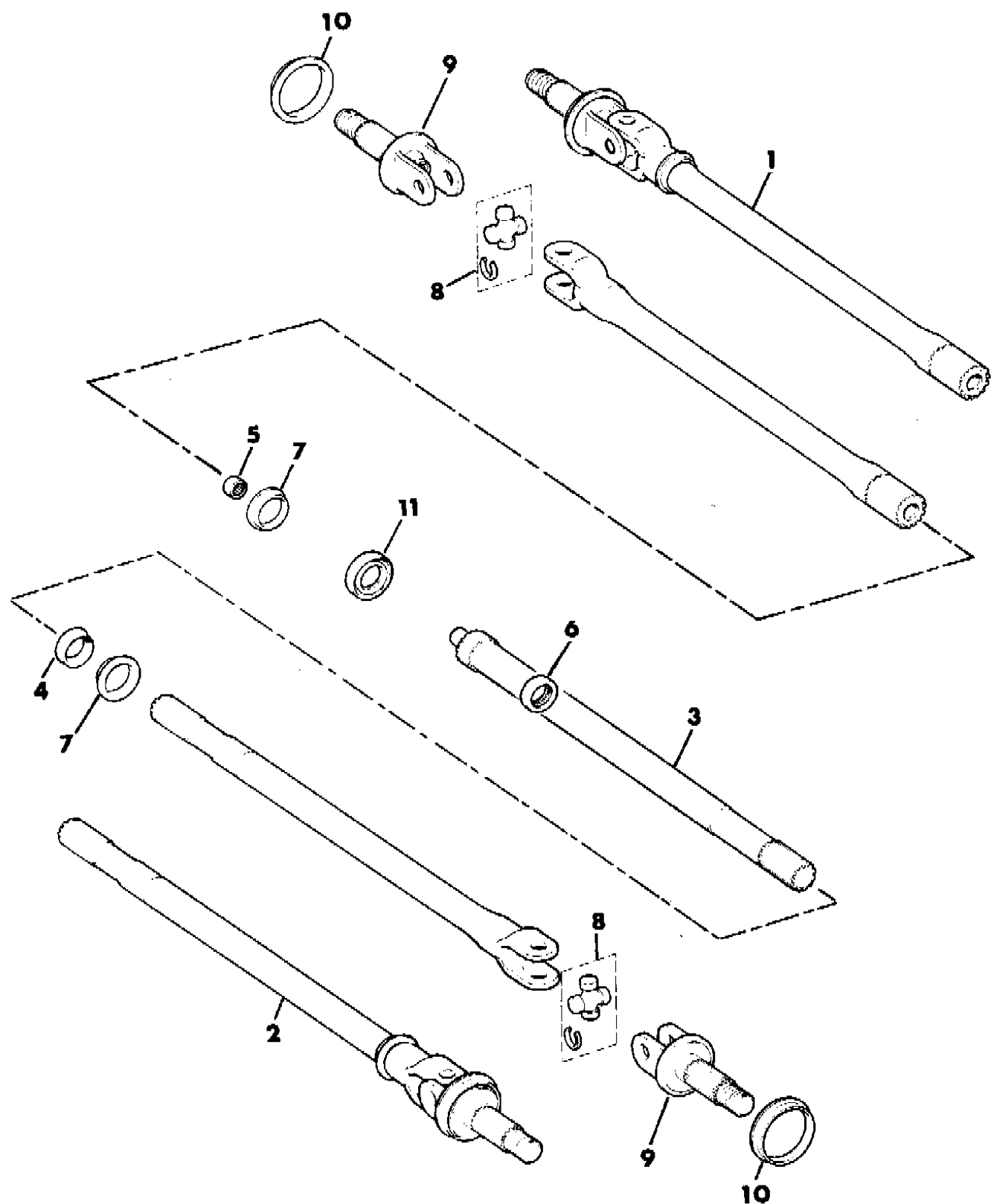
MODEL CODES:  
 15 = Grand Wagoneer 4 Dr.      65 = Comanche 4WD-7 Ft. Box      77 = Cherokee 4WD-2 Dr.  
 25 = J-10 Pickup-119" W.B.      66 = Comanche 2WD-7 Ft. Box      78 = Cherokee 4WD-4 Dr.  
 26 = J-10 Pickup-131" W.B.      73 = Cherokee 2WD-2 Dr.      79 = Cherokee 4WD-4 Dr.-Com  
 27 = J-20 Pickup-131" W.B.      74 = Cherokee 2WD-4 Dr.      81 = Wrangler-93" W.B.  
 63 = Comanche 4WD-6 Ft. Box      75 = Wagoneer 4WD-4 Dr.      82 = Wrangler-103" W.B.-Exp.  
 64 = Comanche 2WD-6 Ft. Box

BODY STYLES:  
 MJ = Comanche Pickup  
 SJ = Grand Wagoneer Wgn., J-10 & J-20 Pickups  
 XJ = Cherokee, Wagoneer Limited  
 YJ = Wrangler

AR = Use as Required - = Non Illustrated Part P.A.R. = Paint as Required

SHAFTS, FRONT AXLE W/DISCONNECT WRANGLER, YJ  
Figure 2-1300

8J02 1300



ITEM	PART NUMBER	QTY	BODY	MODEL	DESCRIPTION
1					SHAFT ASSEMBLY, Axle Rt.
	5300 0224	1			1987-89
	5252 972	1			1990
2					SHAFT ASSEMBLY, Axle Lt.
	5300 0684	1			1987/89
	5252 585	1			1990
3					SHAFT, Intermediate
	8350 0198	1			1987-89
	5252 594	1			1990
4	J812 1781	1			SEAL
5	4137 737	1			BEARING, 1987-89
	5252 686	1			1990
6	J813 3622	1			BEARING, 1987-89
	5252 687	1			BUSHING, 1990
7					SLINGER, Oil
	J812 6232	2			1987-89
	8350 7105	2			1990
8	J812 6637	2			JOINT, Universal
9	8350 0184	2			SHAFT, Outer
10	8350 0201	2			SLINGER, Dust 1987-89, (N/A w/1990)
11					SEAL
	8350 0199	1			O.D. = 2.29"
	8350 3504	1			O.D. = 2.12"

MODEL CODES:

15 = Grand Wagoneer 4 Dr.	65 = Comanche 4WD-7 Ft. Box	77 = Cherokee 4WD-2 Dr.
25 = J-10 Pickup-119" W.B.	66 = Comanche 2WD-7 Ft. Box	78 = Cherokee 4WD-4 Dr.
26 = J-10 Pickup-131" W.B.	73 = Cherokee 2WD-2 Dr.	79 = Cherokee 4WD-4 Dr.-Com
27 = J-20 Pickup-131" W.B.	74 = Cherokee 2WD-4 Dr.	81 = Wrangler-93" W.B.
63 = Comanche 4WD-6 Ft. Box	75 = Wagoneer 4WD-4 Dr.	82 = Wrangler-103" W.B.-Exp.
64 = Comanche 2WD-6 Ft. Box		

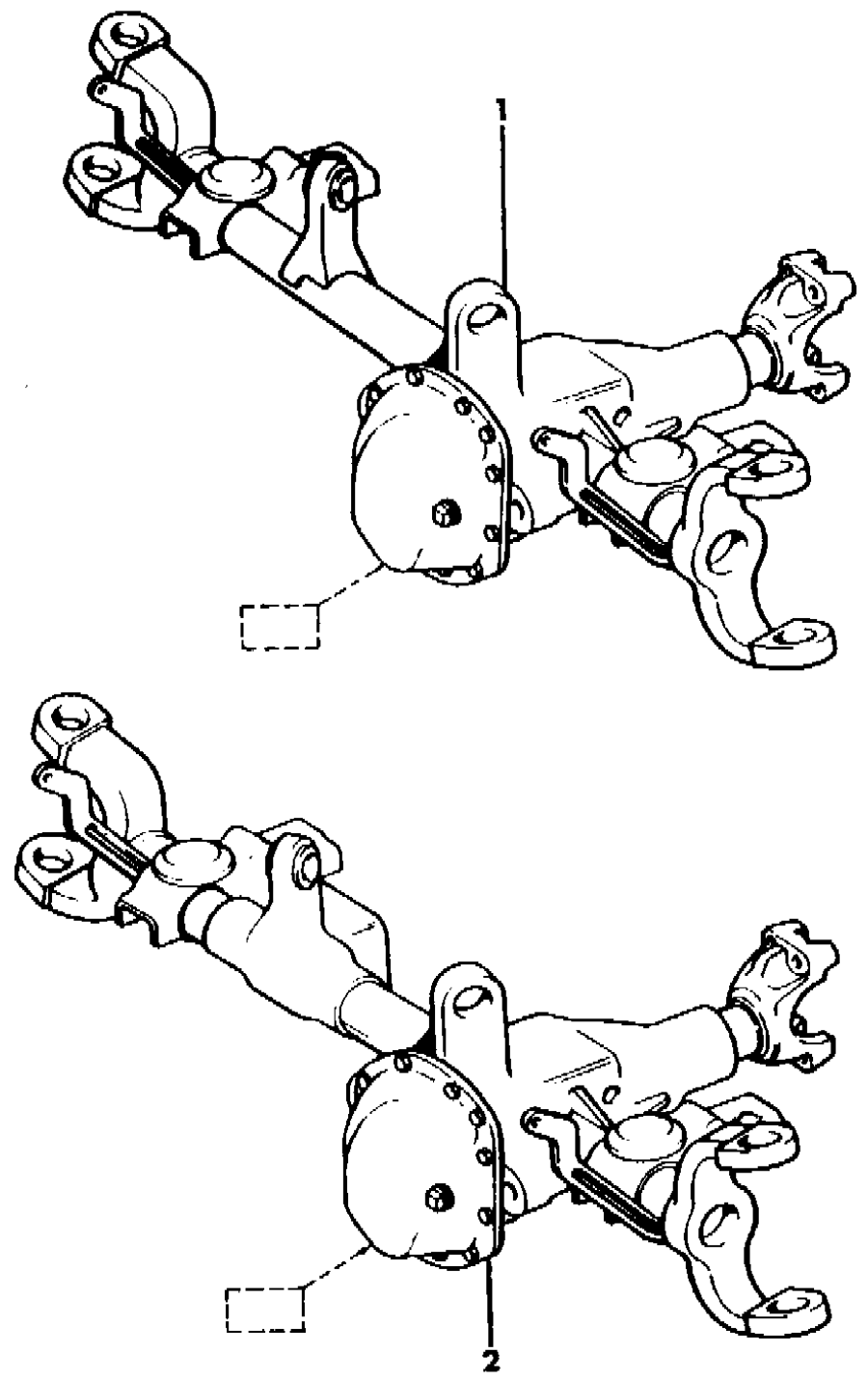
BODY STYLES:

MJ = Comanche Pickup  
 SJ = Grand Wagoneer Wgn., J-10 & J-20 Pickups  
 XJ = Cherokee, Wagoneer Limited  
 YJ = Wrangler

AR = Use as Required - = Non Illustrated Part P.A.R. = Paint as Required

**AXLE ASSEMBLY, FRONT 4 WHEEL DRIVE CHEROKEE, WAGONEER, COMANCHE**  
**Figure 2-1400**

8J02 1400



ITEM	PART NUMBER	QTY	BODY	MODEL	DESCRIPTION
1					AXLE ASSEMBLY, Front - w/Disconnect Front Axle ***
					1987-89
	8350 5504	1			3.07 Ratio, Tagged 89 53 000 930 or 89 53 005 413
	8350 5506	1			3.55 Ratio, Tagged 89 53 005 043
	8350 3566	1			4.10 Ratio, Tagged 89 53 000 394 or 89 53 004 244
	8350 3567	1			4.56 Ratio, Tagged 89 53 003 497
					1990
	5252 965	1			3.07 Ratio, Tagged 53 005 574
	5252 970	1			3.07 Ratio, ECE, Tagged 53 005 575
	5252 966	1			3.55 Ratio, Tagged 53 005 576
	5252 967	1			4.10 Ratio, Tagged 53 005 577
	5252 969	1			4.10 Ratio, ECE, Tagged 53 005 578
	5252 968	1			4.56 Ratio, Tagged 53 005 579
2					AXLE ASSEMBLY, Front - w/o Disconnect Front Axle ***
					1987-89
	8350 5509	1			3.55 Ratio, Tagged 89 53 005 045 or 89 53 005 412
	8350 5509	1			3.55 Ratio, w/Anti-Lock Brakes, Tagged 89 53 005 190
	8350 5508	1			4.10 Ratio, KDX, Tagged 89 53 004 458
	8350 5509	1			3.55 Ratio, w/Anti-Lock Brakes, Tagged 89 53 006 199
					1990
	5252 958	1			3.55 Ratio, Tagged 53 005 581
	5252 958	1			3.55 Ratio, w/Anti-Lock Brakes, Tagged 53 005 582
	5252 959	1			3.55 Ratio, ECE, Tagged 53 005 580

MODEL CODES:  
 15 = Grand Wagoneer 4 Dr.      65 = Comanche 4WD-7 Ft. Box      77 = Cherokee 4WD-2 Dr.  
 25 = J-10 Pickup-119" W.B.      66 = Comanche 2WD-7 Ft. Box      78 = Cherokee 4WD-4 Dr.  
 26 = J-10 Pickup-131" W.B.      73 = Cherokee 2WD-2 Dr.      79 = Cherokee 4WD-4 Dr.-Com  
 27 = J-20 Pickup-131" W.B.      74 = Cherokee 2WD-4 Dr.      81 = Wrangler-93" W.B.  
 63 = Comanche 4WD-6 Ft. Box      75 = Wagoneer 4WD-4 Dr.      82 = Wrangler-103" W.B.-Exp.  
 64 = Comanche 2WD-6 Ft. Box

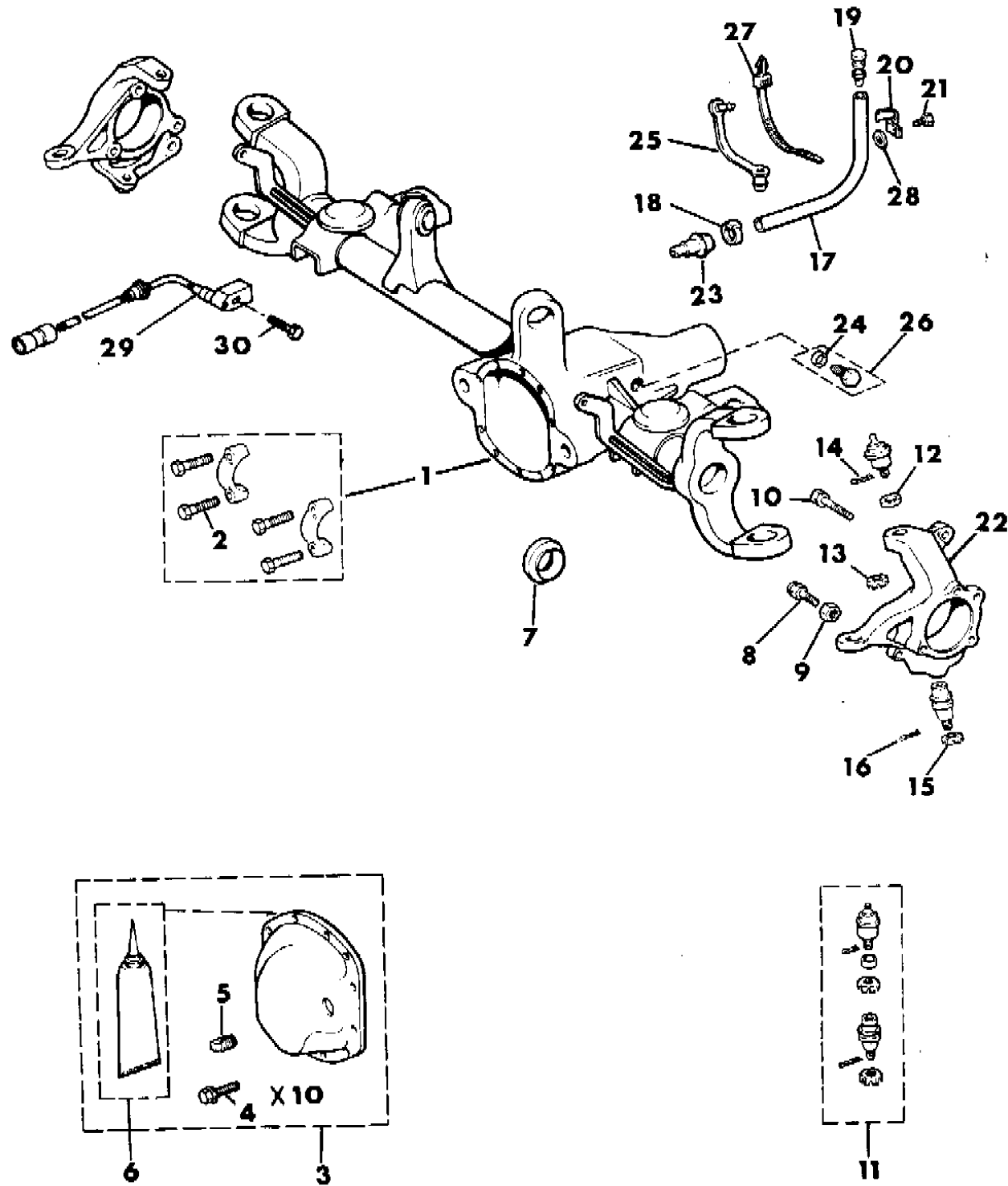
BODY STYLES:  
 MJ = Comanche Pickup  
 SJ = Grand Wagoneer Wgn., J-10 & J-20 Pickups  
 XJ = Cherokee, Wagoneer Limited  
 YJ = Wrangler

AR = Use as Required - = Non Illustrated Part P.A.R. = Paint as Required

HOUSING, FRONT AXLE 4 WHEEL DRIVE W/O DISCONNECT CHEROKEE, WAGONEER, COMANCHE

Figure 2-1500

8J02 1500



ITEM	PART NUMBER	QTY	BODY	MODEL	DESCRIPTION
1					HOUSING, Front Axle
	8350 5517	1			1987-89
	5252 579	1			1990
	5252 580	1			1990, ECE
2	S017 9890	4			BOLT
3	8350 0194	1			COVER PACKAGE
4	J027 3573	10			BOLT
5					PLUG
	S010 3869	1			3/4"-14
	J400 4751	1			1/2"-14
6	J899 3317	1			SEALER, Gasket in a Tube ***
7	J812 1781	2			SEAL
8	JA00 0821	1			BOLT, Jam
9	S011 4494	1			NUT, Jam
10	3420 1535	6			BOLT
11	8350 0202	1			SOCKET PACKAGE ***
12	8350 0203	1			RING, Split
13	J012 5258	1			NUT
14	J812 1392	1			PIN, Cotter
15	J812 3318	1			NUT
16	1101 0069	1			PIN, Cotter
17	J812 5823	1			HOSE, Vent (Bulk)
18	J322 7851	1			CLAMP
19	J535 2955	1			BREATHER ***
20	J014 0780	1			CLIP
21	1150 1608	1			SCREW
22					KNUCKLE, Steering
					Right w/o Anti-Lock Braking System
	5300 0626	1			1987-89
	5300 5602	1			1990
					Right w/Anti-Lock Braking System
	8350 4922	1			1987-89
	5300 5974	1			1990
					Left w/o Anti-Lock Braking System
	5300 0625	1			1987-89
	5300 5603	1			1990
					Lt. w/Anti-Lock Braking System

MODEL CODES:

15 = Grand Wagoneer 4 Dr.	65 = Comanche 4WD-7 Ft. Box	77 = Cherokee 4WD-2 Dr.
25 = J-10 Pickup-119" W.B.	66 = Comanche 2WD-7 Ft. Box	78 = Cherokee 4WD-4 Dr.
26 = J-10 Pickup-131" W.B.	73 = Cherokee 2WD-2 Dr.	79 = Cherokee 4WD-4 Dr.-Com
27 = J-20 Pickup-131" W.B.	74 = Cherokee 2WD-4 Dr.	81 = Wrangler-93" W.B.
63 = Comanche 4WD-6 Ft. Box	75 = Wagoneer 4WD-4 Dr.	82 = Wrangler-103" W.B.-Exp.
64 = Comanche 2WD-6 Ft. Box		

BODY STYLES:

MJ = Comanche Pickup  
 SJ = Grand Wagoneer Wgn., J-10 & J-20 Pickups  
 XJ = Cherokee, Wagoneer Limited  
 YJ = Wrangler

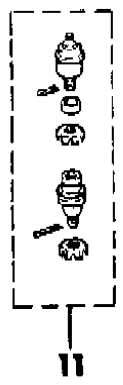
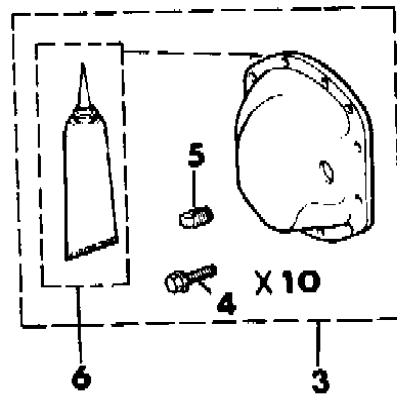
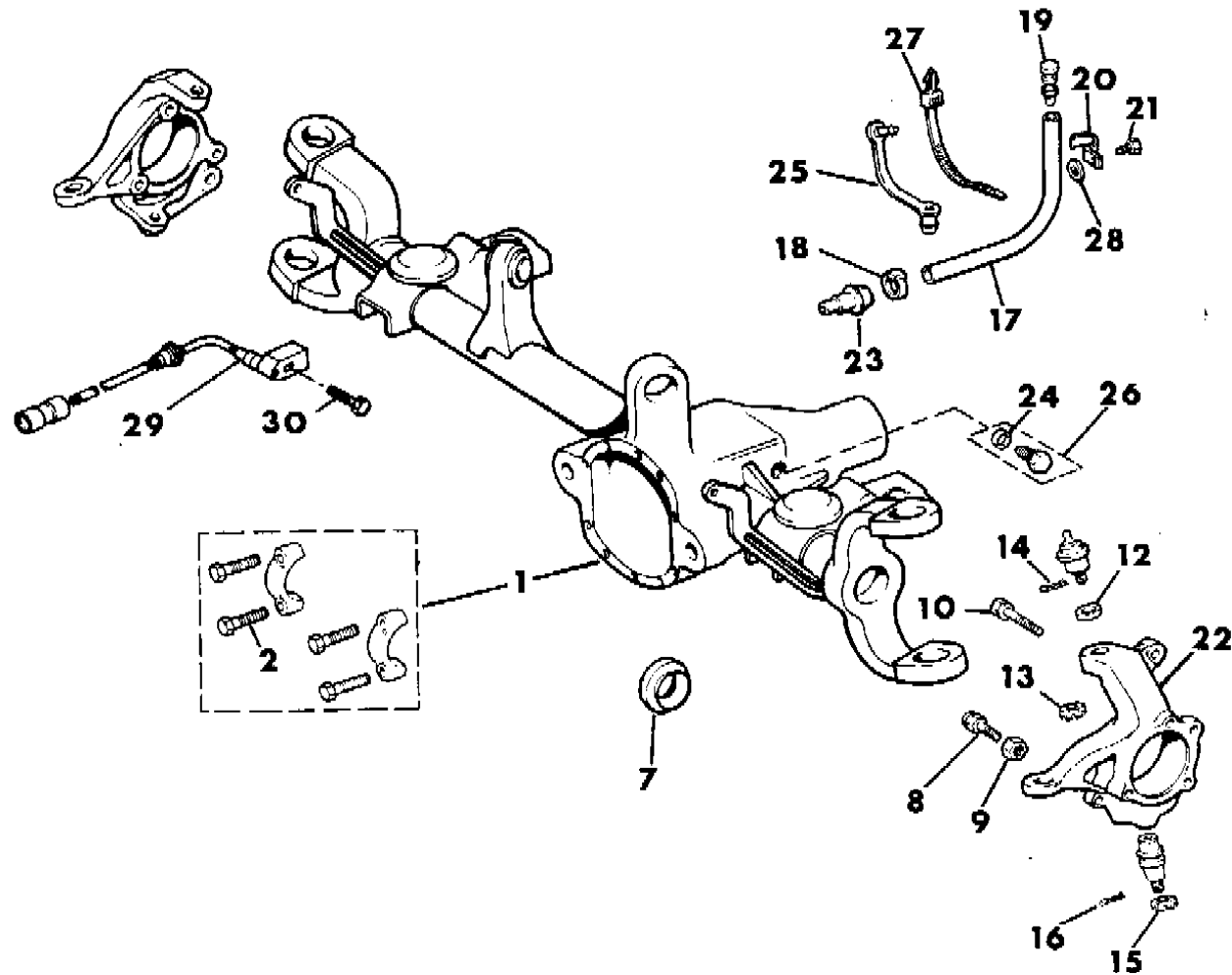
AR = Use as Required - = Non Illustrated Part P.A.R. = Paint as Required

HOUSING, FRONT AXLE 4 WHEEL DRIVE W/O DISCONNECT CHEROKEE, WAGONEER, COMANCHE

Figure 2-1500

8J02 1500

ITEM	PART NUMBER	QTY	BODY	MODEL	DESCRIPTION
	8350 4923	1			1987-89
	5300 5975	1			1990
23	8350 4653	1			VENT
24	3300 0322	1			GASKET
25	J400 1712	1			STRAP
26	8350 1425	1			PLUG PACKAGE ***
27	3420 1788	2			STRAP
28	J400 3084	1			NUT, Push
29	5600 3678	2			SENSOR w/Anti-Lock Braking System
30	8350 4920	2			BOLT w/Anti-Lock Braking System



MODEL CODES:

15 = Grand Wagoneer 4 Dr.	65 = Comanche 4WD-7 Ft. Box	77 = Cherokee 4WD-2 Dr.
25 = J-10 Pickup-119" W.B.	66 = Comanche 2WD-7 Ft. Box	78 = Cherokee 4WD-4 Dr.
26 = J-10 Pickup-131" W.B.	73 = Cherokee 2WD-2 Dr.	79 = Cherokee 4WD-4 Dr.-Com
27 = J-20 Pickup-131" W.B.	74 = Cherokee 2WD-4 Dr.	81 = Wrangler-93" W.B.
63 = Comanche 4WD-6 Ft. Box	75 = Wagoneer 4WD-4 Dr.	82 = Wrangler-103" W.B.-Exp.
64 = Comanche 2WD-6 Ft. Box		

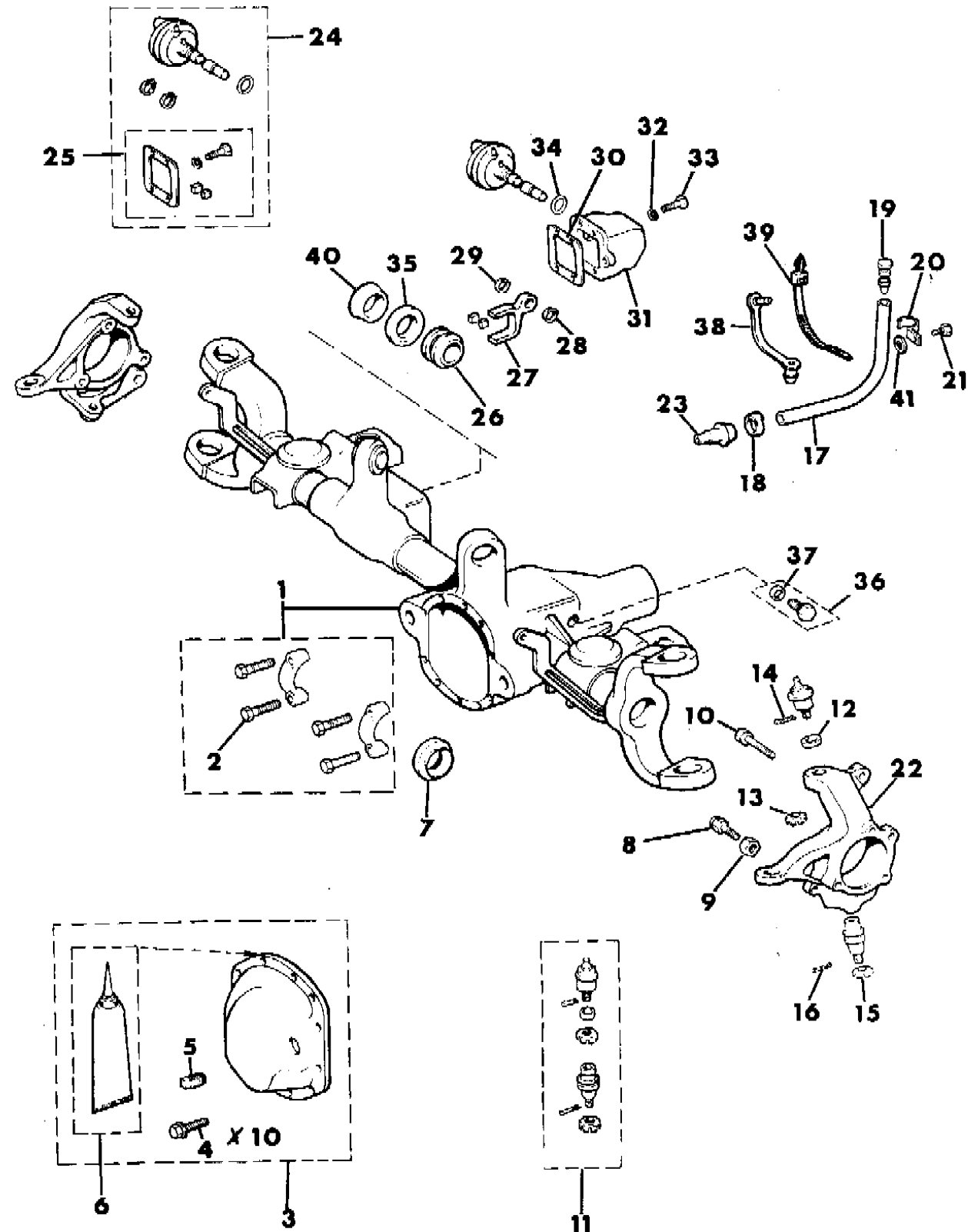
BODY STYLES:

MJ = Comanche Pickup  
 SJ = Grand Wagoneer Wgn., J-10 & J-20 Pickups  
 XJ = Cherokee, Wagoneer Limited  
 YJ = Wrangler

AR = Use as Required - = Non Illustrated Part P.A.R. = Paint as Required

HOUSING, FRONT AXLE 4 WHEEL DRIVE W/DISCONNECT CHEROKEE, WAGONEER, COMANCHE  
Figure 2-1600

8J02 1600



ITEM	PART NUMBER	QTY	BODY	MODEL	DESCRIPTION
1					HOUSING, Front Axle
	8350 5518	1			1987-89
	5252 588	1			1990
	5252 589	1			1990 w/ECE
2	S017 9890	4			BOLT
3	8350 0194	1			COVER PACKAGE
4	J027 3573	10			BOLT
5					PLUG
	S010 3869	1			3/4"-14
	J400 4751	1			1/2"-14
6	J899 3317	1			SEALER, Gasket in a Tube ***
7	J812 1781	1			SEAL, Lt.
8	JA00 0821	1			BOLT, Jam
9	S011 4494	1			NUT, JAM
10	3420 1535	6			BOLT
11	8350 0202	1			SOCKET PACKAGE ***
12	8350 0203	1			RING, Split
13	J012 5258	1			NUT
14	J812 1392	1			PIN, Cotter
15	J812 3318	1			NUT
16	1101 0069	1			PIN, Cotter
17	J812 5823	1			HOSE, Vent, Bulk
18	J322 7851	1			CLAMP
19	J535 2955	1			BREATHER ***
20	J014 0780	1			CLIP
21	J018 0121	1			SCREW
22					KNUCKLE, Steering
	5300 0626	1			Rt. 1987-89
	5300 5602	1			Rt. 1990
	5300 0625	1			Lt. 1987-89
	5300 5603	1			Lt. 1990
23	8350 4653	1			VENT
24	8350 3113	1			MOTOR PACKAGE, Front Axle Vacuum ***
25	J813 3708	1			CLIP PACKAGE ***
26	8350 4813	1			COLLAR, Axle Shaft
27	8350 3695	1			FORK, Axle Shift
28	J813 3618	1			RING, Snap

MODEL CODES:

15 = Grand Wagoneer 4 Dr.	65 = Comanche 4WD-7 Ft. Box	77 = Cherokee 4WD-2 Dr.
25 = J-10 Pickup-119" W.B.	66 = Comanche 2WD-7 Ft. Box	78 = Cherokee 4WD-4 Dr.
26 = J-10 Pickup-131" W.B.	73 = Cherokee 2WD-2 Dr.	79 = Cherokee 4WD-4 Dr.-Com
27 = J-20 Pickup-131" W.B.	74 = Cherokee 2WD-4 Dr.	81 = Wrangler-93" W.B.
63 = Comanche 4WD-6 Ft. Box	75 = Wagoneer 4WD-4 Dr.	82 = Wrangler-103" W.B.-Exp.
64 = Comanche 2WD-6 Ft. Box		

BODY STYLES:

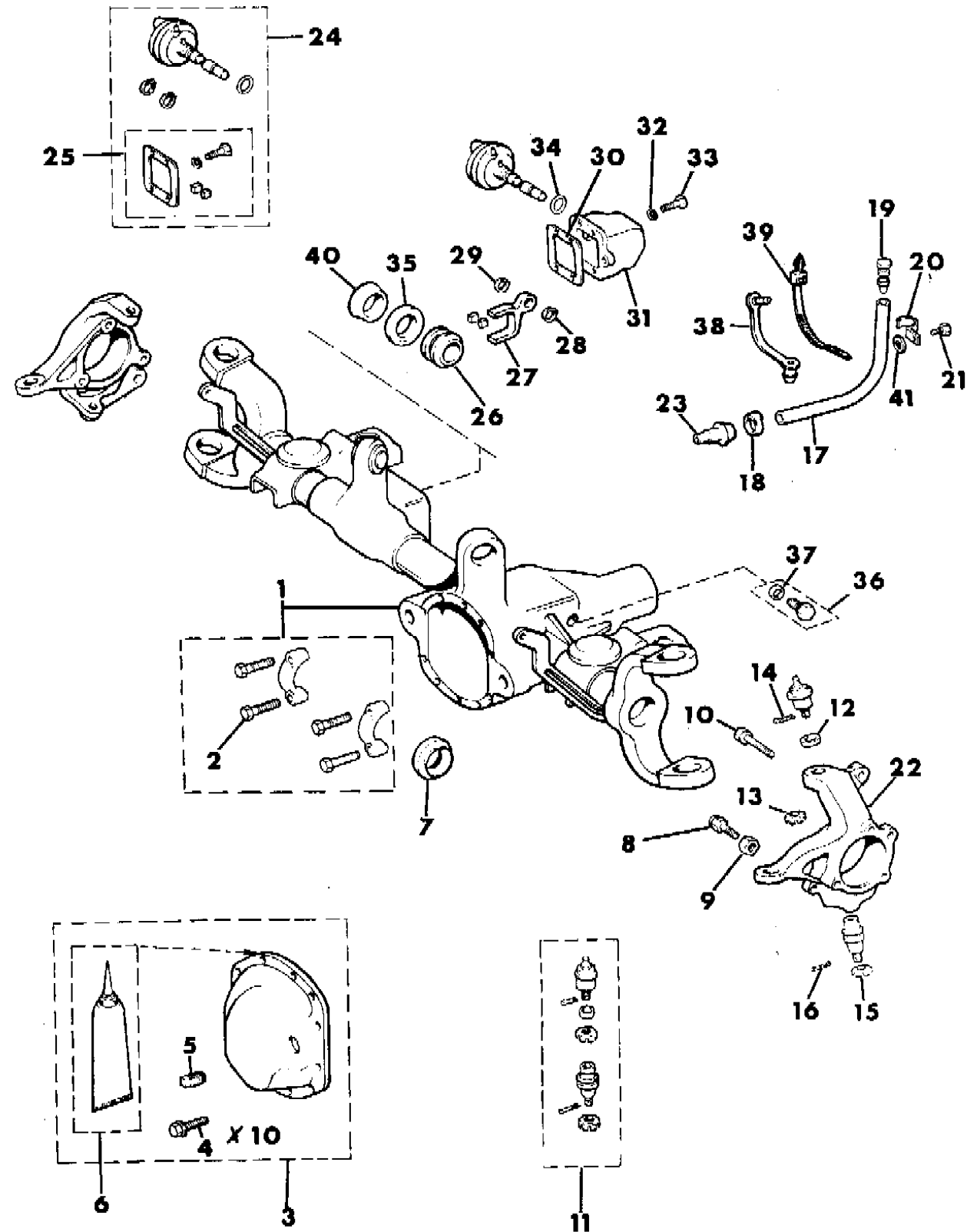
MJ = Comanche Pickup  
SJ = Grand Wagoneer Wgn., J-10 & J-20 Pickups  
XJ = Cherokee, Wagoneer Limited  
YJ = Wrangler

AR = Use as Required - = Non Illustrated Part P.A.R. = Paint as Required



HOUSING, FRONT AXLE 4 WHEEL DRIVE W/DISCONNECT CHEROKEE, WAGONEER, COMANCHE  
Figure 2-1600

8J02 1600



ITEM	PART NUMBER	QTY	BODY	MODEL	DESCRIPTION
29	J813 3619	1			RING, Snap
30	J813 3709	1			GASKET, Cover
31	8350 0195	1			COVER, Axle Shift
32	J813 3624	4			WASHER
33	J813 3623	4			BOLT
34	J813 3620	1			O-RING
35	8350 3504	1			SEAL, O.D.= 2.12" (Vendor #42500)
	8350 0199	1			O.D.= 2.29" (Vendor #40570)
36	8350 1425	1			PLUG PACKAGE ***
37	3300 0322	1			GASKET
38	J400 1712	1			STRAP
39	3420 1788	2			STRAP
40	8350 4375	1			GUIDE, Axle Shaft
41	J400 3084	1			NUT, Push

MODEL CODES:

15 = Grand Wagoneer 4 Dr.	65 = Comanche 4WD-7 Ft. Box	77 = Cherokee 4WD-2 Dr.
25 = J-10 Pickup-119" W.B.	66 = Comanche 2WD-7 Ft. Box	78 = Cherokee 4WD-4 Dr.
26 = J-10 Pickup-131" W.B.	73 = Cherokee 2WD-2 Dr.	79 = Cherokee 4WD-4 Dr.-Com
27 = J-20 Pickup-131" W.B.	74 = Cherokee 2WD-4 Dr.	81 = Wrangler-93" W.B.
63 = Comanche 4WD-6 Ft. Box	75 = Wagoneer 4WD-4 Dr.	82 = Wrangler-103" W.B.-Exp.
64 = Comanche 2WD-6 Ft. Box		

BODY STYLES:

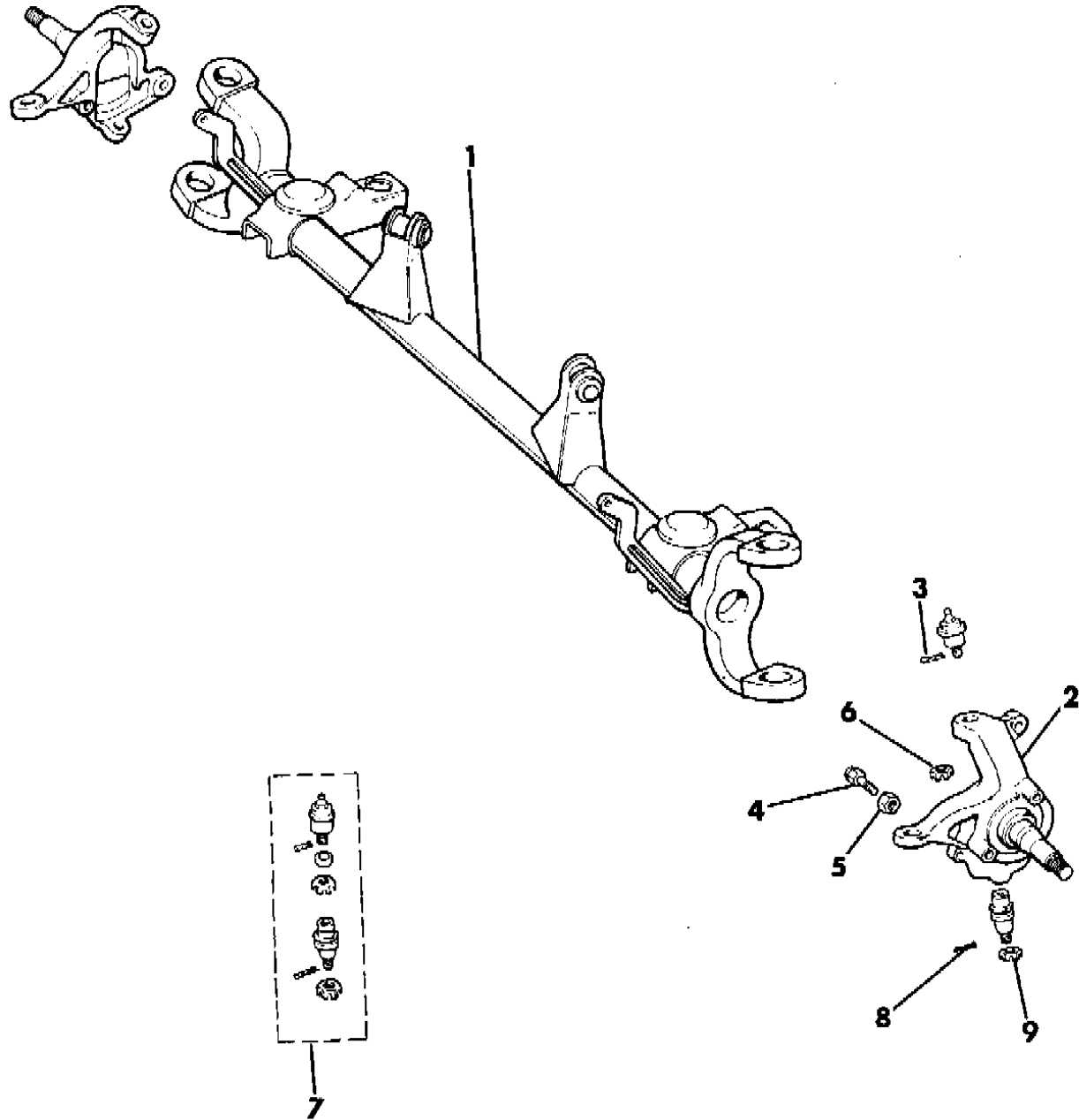
MJ = Comanche Pickup  
SJ = Grand Wagoneer Wgn., J-10 & J-20 Pickups  
XJ = Cherokee, Wagoneer Limited  
YJ = Wrangler

AR = Use as Required - = Non Illustrated Part P.A.R. = Paint as Required

**HOUSING, FRONT AXLE 2 WHEEL DRIVE CHEROKEE, WAGONEER, COMANCHE**  
**Figure 2-1700**

8J02 1700B

ITEM	PART NUMBER	QTY	BODY	MODEL	DESCRIPTION
1					HOUSING, Front Axle
	8350 2081	1			1987-89
	5252 685	1			1990
2					KNUCKLE, Steering
	5300 2932	1			Rt.
	5300 2931	1			Lt.
3	J812 1392	1			PIN, Cotter
4	JA00 0821	1			BOLT, Jam
5	S011 4494	1			NUT, Jam
6	J012 5258	1			NUT
7	8350 0202	1			SOCKET PACKAGE ***
8	1101 0069	1			PIN, Cotter
9	J812 3318	1			NUT



**MODEL CODES:**

15 = Grand Wagoneer 4 Dr.	65 = Comanche 4WD-7 Ft. Box	77 = Cherokee 4WD-2 Dr.
25 = J-10 Pickup-119" W.B.	66 = Comanche 2WD-7 Ft. Box	78 = Cherokee 4WD-4 Dr.
26 = J-10 Pickup-131" W.B.	73 = Cherokee 2WD-2 Dr.	79 = Cherokee 4WD-4 Dr.-Com
27 = J-20 Pickup-131" W.B.	74 = Cherokee 2WD-4 Dr.	81 = Wrangler-93" W.B.
63 = Comanche 4WD-6 Ft. Box	75 = Wagoneer 4WD-4 Dr.	82 = Wrangler-103" W.B.-Exp.
64 = Comanche 2WD-6 Ft. Box		

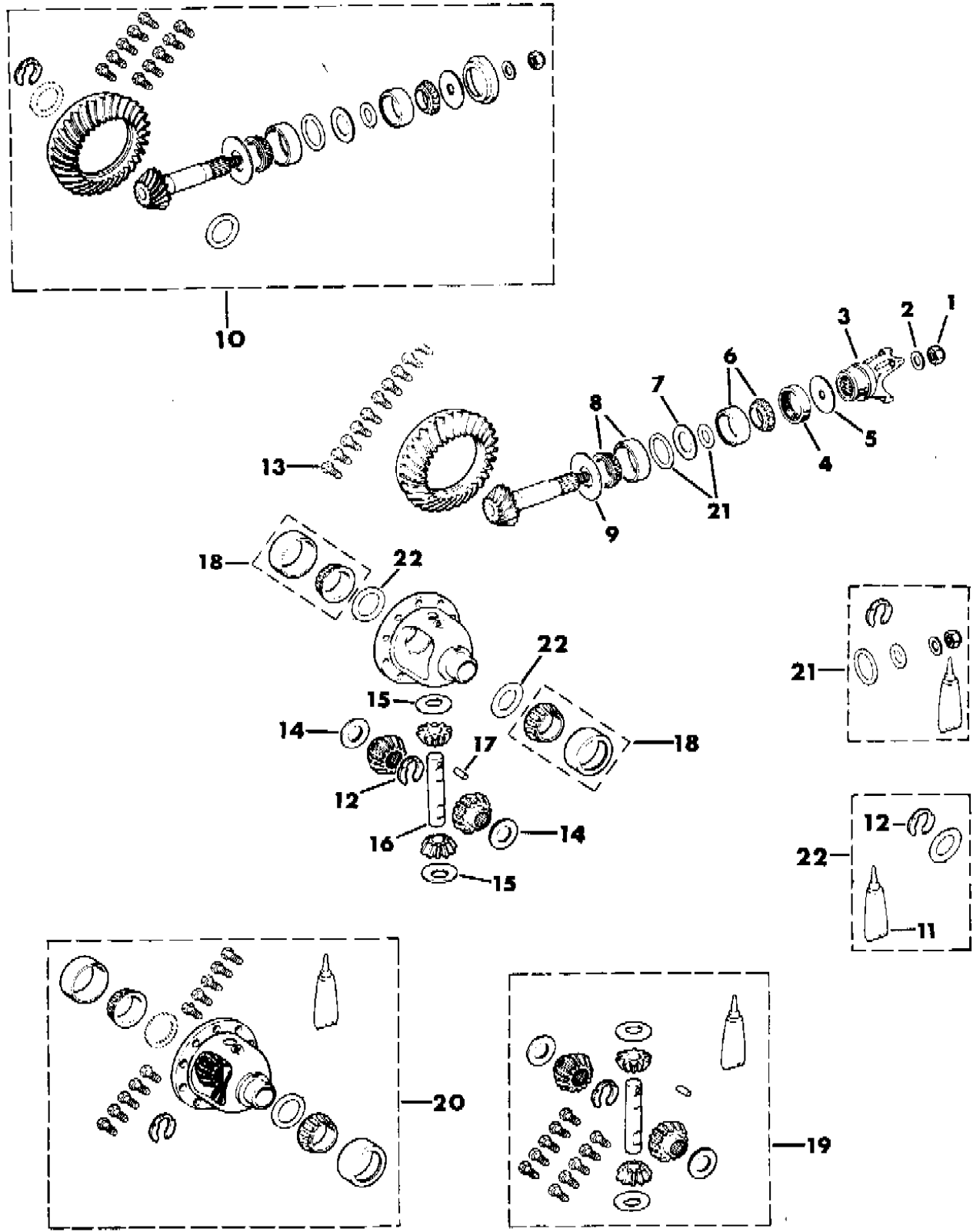
**BODY STYLES:**

MJ = Comanche Pickup  
 SJ = Grand Wagoneer Wgn., J-10 & J-20 Pickups  
 XJ = Cherokee, Wagoneer Limited  
 YJ = Wrangler

AR = Use as Required - = Non Illustrated Part P.A.R. = Paint as Required

**DIFFERENTIAL, FRONT AXLE CHEROKEE, WAGONEER, COMANCHE**  
**Figure 2-1800**

8 J 02 1800



ITEM	PART NUMBER	QTY	BODY	MODEL	DESCRIPTION
1	J080 1367	1			NUT, Pinion
2	J063 6570	1			WASHER, Pinion
3	8350 3388	1			YOKE, Pinion
4	8350 3390	1			SEAL, Pinion
5	J063 6566	1			SLINGER, Dust
6	J812 4052	1			BEARING PACKAGE
7	J093 4937	1			BAFFLE
8	J812 6499	1			BEARING PACKAGE
9	J091 6372	1			SLINGER, Oil
10					GEAR SET, Front Axle Ring And Pinion
	8350 0187	1			3.07 Ratio
	8350 2355	1			3.54 Ratio
	8350 5480	1			3.55 Ratio
	8350 2353	1			4.10 Ratio
	8350 3424	1			4.56 Ratio
11	J899 3317	1			SEALER, RTV
12	J813 0763	1			SNAP RING
13	J064 9454	10			BOLT
14	J813 3724	2			WASHER
15	J812 0831	2			WASHER
16	J094 6384	1			SHAFT, Differential
17	J063 6360	1			PIN
18	J812 6500	2			BEARING PACKAGE
19					GEAR SET, Front Axle Differential
	8350 0190	1			1987-89
	5252 591	1			1990
20		1			CASE, Front Axle Differential
	8350 0168	1			3.07 or 3.55 Ratio
	5252 582	1			1987-89
					1990
	8350 0169	1			4.10 or 4.56 Ratio
	5252 590	1			1987-89
					1990
21	8350 0192	1			SHIM PACKAGE
22	8350 0191	1			SHIM PACKAGE

**MODEL CODES:**

15 = Grand Wagoneer 4 Dr.	65 = Comanche 4WD-7 Ft. Box	77 = Cherokee 4WD-2 Dr.
25 = J-10 Pickup-119" W.B.	66 = Comanche 2WD-7 Ft. Box	78 = Cherokee 4WD-4 Dr.
26 = J-10 Pickup-131" W.B.	73 = Cherokee 2WD-2 Dr.	79 = Cherokee 4WD-4 Dr.-Com
27 = J-20 Pickup-131" W.B.	74 = Cherokee 2WD-4 Dr.	81 = Wrangler-93" W.B.
63 = Comanche 4WD-6 Ft. Box	75 = Wagoneer 4WD-4 Dr.	82 = Wrangler-103" W.B.-Exp.
64 = Comanche 2WD-6 Ft. Box		

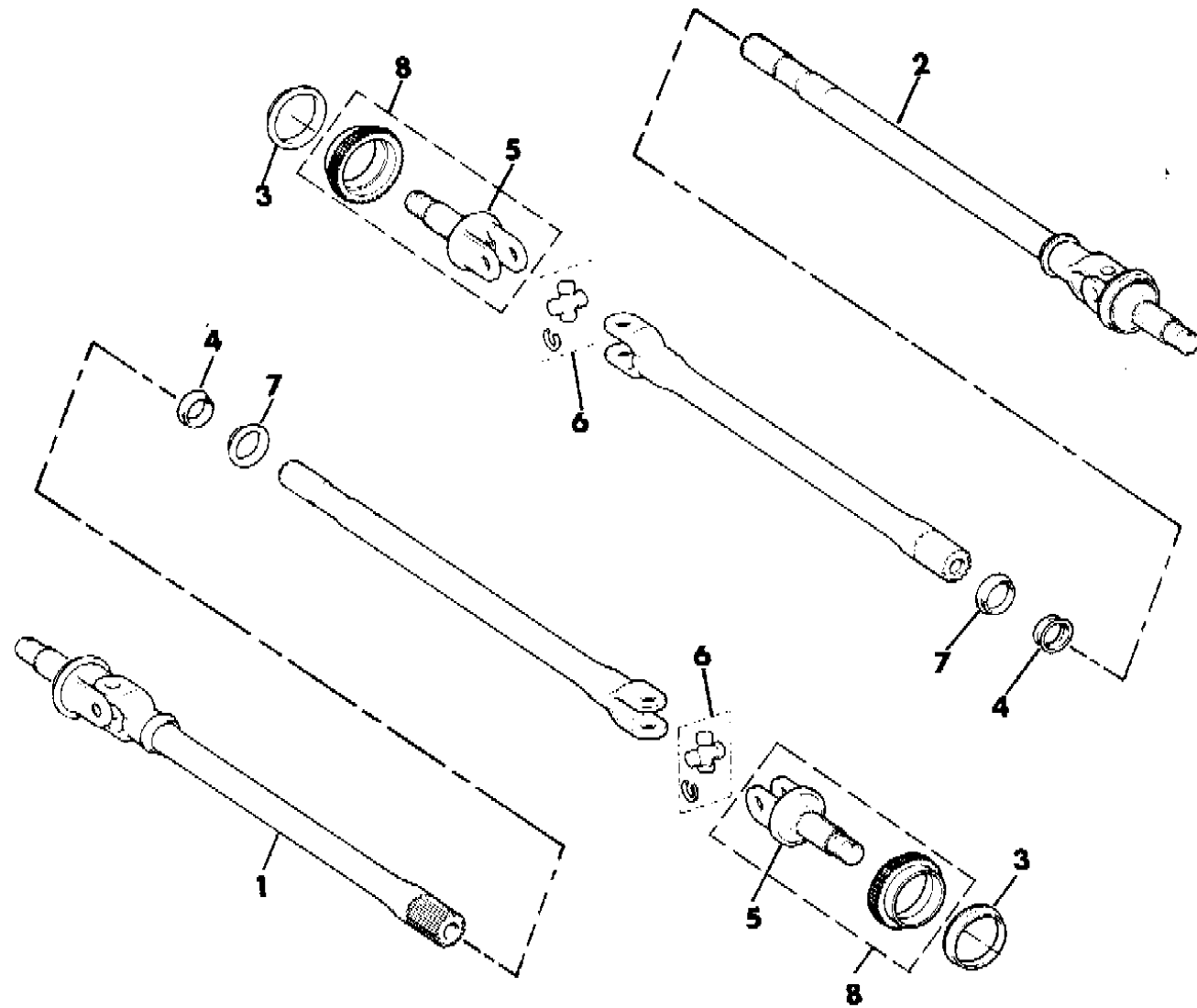
**BODY STYLES:**

MJ = Comanche Pickup  
 SJ = Grand Wagoneer Wgn., J-10 & J-20 Pickups  
 XJ = Cherokee, Wagoneer Limited  
 YJ = Wrangler

AR = Use as Required - = Non Illustrated Part P.A.R. = Paint as Required

SHAFTS, FRONT AXLE W/O DISCONNECT 1988-90 CHEROKEE, WAGONEER, COMANCHE  
Figure 2-1900

8J02 1900



ITEM	PART NUMBER	QTY	BODY	MODEL	DESCRIPTION
1					SHAFT, Axle
					Right, w/o Anti-Lock Braking System
	5300 2134	1			1988-90 (Up To 4-1-90)
	5252 584	1			1990 (After 4-1-90)
					Rt., w/Anti-Lock Braking System
	8350 6005	1			1989-90 (Up To 4-1-90)
	5252 586	1			1990 (After 4-1-90)
2					SHAFT, Axle
					Lt., w/o Anti-Lock Braking System
	5300 0684	1			1988-90 (Up To 4-1-90)
	5252 585	1			1990 (After 4-1-90)
					Lt., w/Anti-Lock Braking system
	8350 6006	1			1989-90 (Up To 4-1-90)
	5252 587	1			1990 (After 4-1-90)
3	8350 0201	2			SLINGER, Dust
4	J812 1781	2			SEAL
5	8350 0184	2			SHAFT, Outer w/o Anti-Lock Braking System
6					JOINT, Universal
	J812 6637	2			w/o Anti-Lock Braking System, 1988-89
	J812 6638	2			w/Anti-Lock Braking system, 1989
	J812 6637	2			All, 1990
7					SLINGER, Oil
	J812 6232	2			1988-89
	8350 7105	2			1990
8	8350 5572	2			SHAFT, Outer Anti-Lock Braking System

MODEL CODES:

15 = Grand Wagoneer 4 Dr.	65 = Comanche 4WD-7 Ft. Box	77 = Cherokee 4WD-2 Dr.
25 = J-10 Pickup-119" W.B.	66 = Comanche 2WD-7 Ft. Box	78 = Cherokee 4WD-4 Dr.
26 = J-10 Pickup-131" W.B.	73 = Cherokee 2WD-2 Dr.	79 = Cherokee 4WD-4 Dr.-Com
27 = J-20 Pickup-131" W.B.	74 = Cherokee 2WD-4 Dr.	81 = Wrangler-93" W.B.
63 = Comanche 4WD-6 Ft. Box	75 = Wagoneer 4WD-4 Dr.	82 = Wrangler-103" W.B.-Exp.
64 = Comanche 2WD-6 Ft. Box		

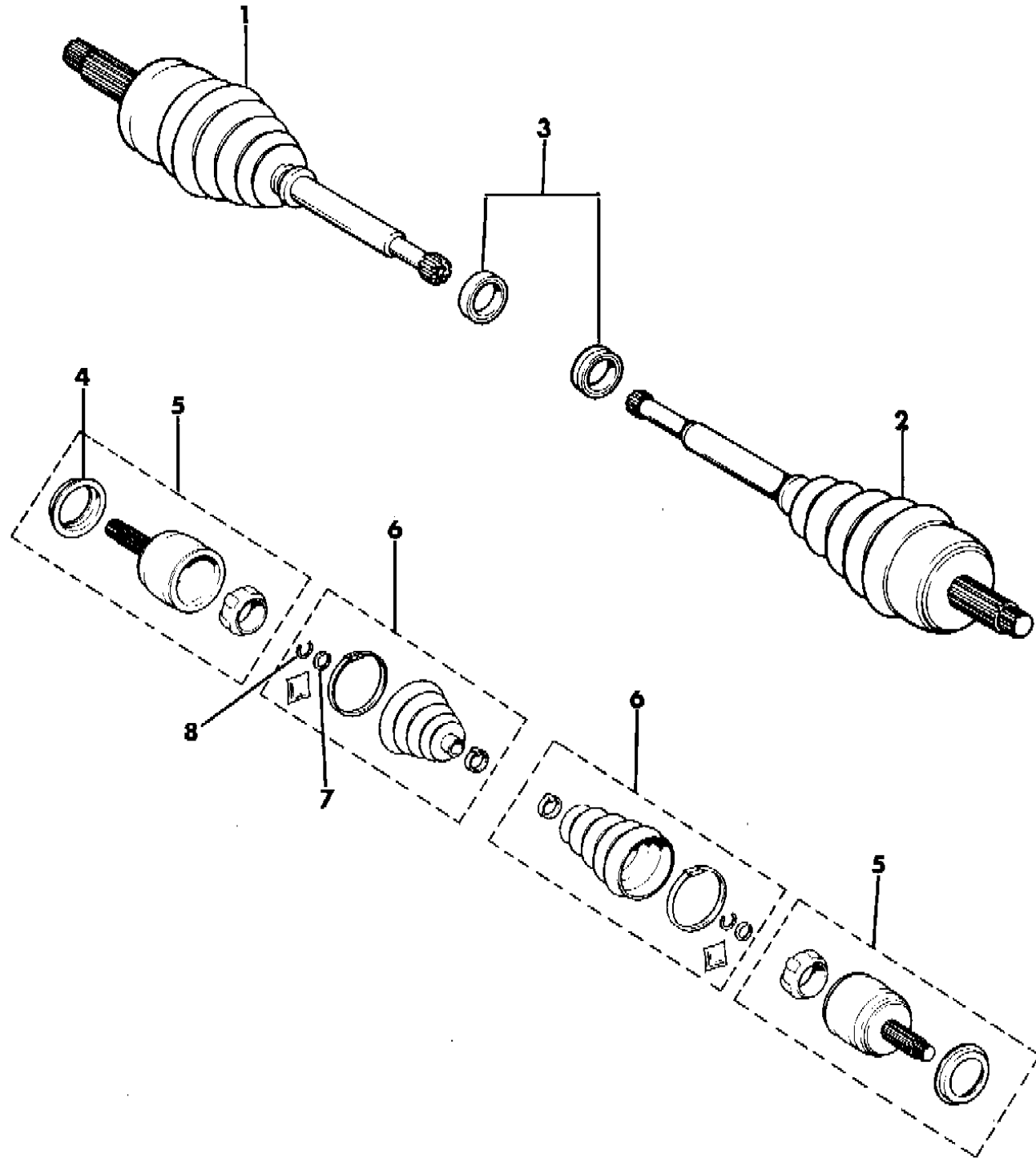
BODY STYLES:

MJ = Comanche Pickup  
SJ = Grand Wagoneer Wgn., J-10 & J-20 Pickups  
XJ = Cherokee, Wagoneer Limited  
YJ = Wrangler

AR = Use as Required - = Non Illustrated Part P.A.R. = Paint as Required

SHAFTS, FRONT AXLE W/O DISCONNECT - 1987 CHEROKEE, WAGONEER, COMANCHE  
Figure 2-1950

8J02 1950



ITEM	PART NUMBER	QTY	BODY	MODEL	DESCRIPTION
1	5300 2128	1			SHAFT, Axle Rt.
2	5300 0227	1			SHAFT, Axle Lt.
3	J812 1781	2			SEAL
4	8350 0201	2			SLINGER, Dust
5	8350 0696	2			JOINT, Assy.
6	8350 0698	2			BOOT PACKAGE
7	8350 0699	2			RING, Spacer
8	8350 0697	2			RING, Retaining

MODEL CODES:

15 = Grand Wagoneer 4 Dr.	65 = Comanche 4WD-7 Ft. Box	77 = Cherokee 4WD-2 Dr.
25 = J-10 Pickup-119" W.B.	66 = Comanche 2WD-7 Ft. Box	78 = Cherokee 4WD-4 Dr.
26 = J-10 Pickup-131" W.B.	73 = Cherokee 2WD-2 Dr.	79 = Cherokee 4WD-4 Dr.-Com
27 = J-20 Pickup-131" W.B.	74 = Cherokee 2WD-4 Dr.	81 = Wrangler-93" W.B.
63 = Comanche 4WD-6 Ft. Box	75 = Wagoneer 4WD-4 Dr.	82 = Wrangler-103" W.B.-Exp.
64 = Comanche 2WD-6 Ft. Box		

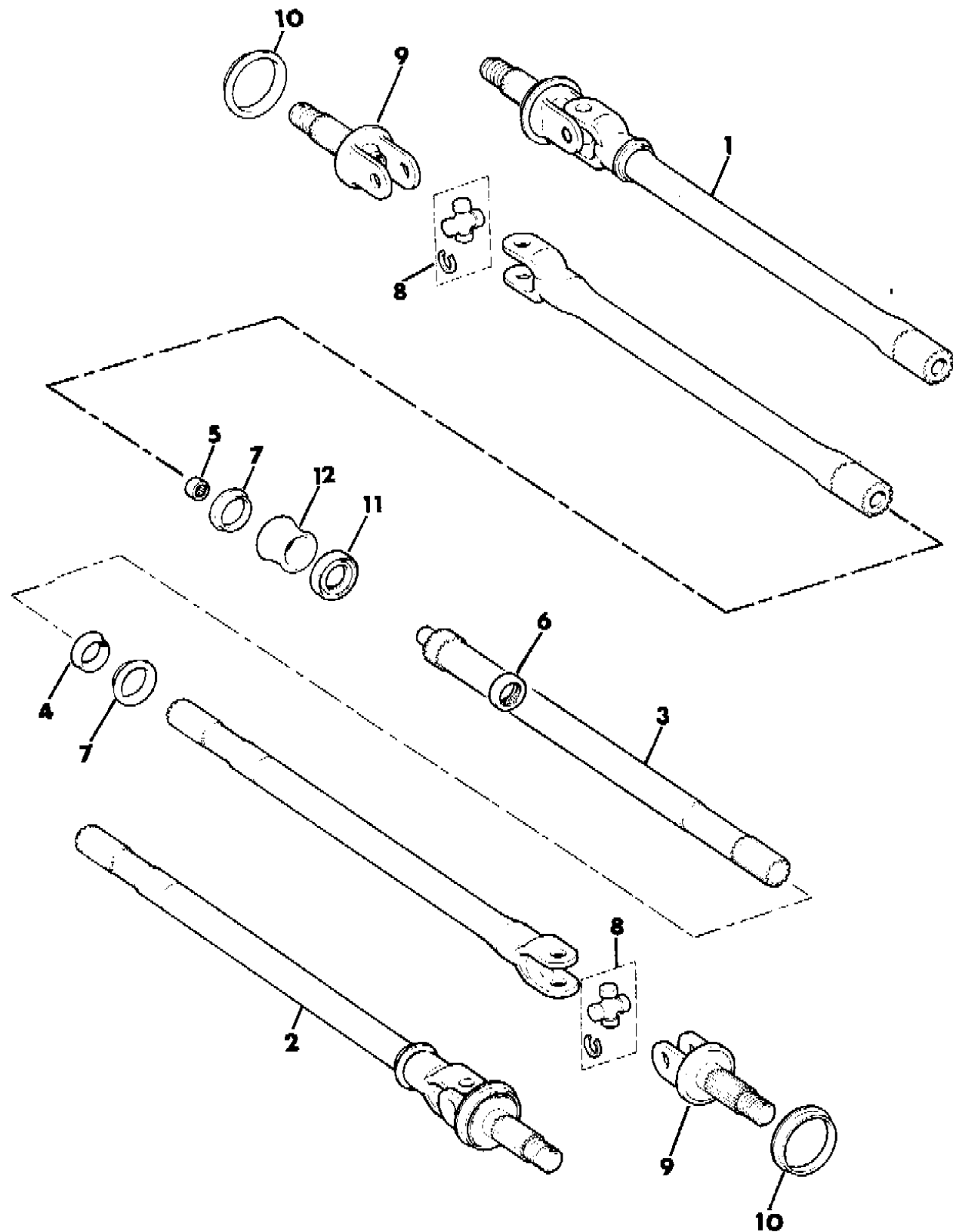
BODY STYLES:

MJ = Comanche Pickup  
SJ = Grand Wagoneer Wgn., J-10 & J-20 Pickups  
XJ = Cherokee, Wagoneer Limited  
YJ = Wrangler

AR = Use as Required - = Non Illustrated Part P.A.R. = Paint as Required

SHAFTS, FRONT AXLE W/DISCONNECT CHEROKEE, WAGONEER, COMANCHE  
Figure 2-2000

8J02 2000



ITEM	PART NUMBER	QTY	BODY	MODEL	DESCRIPTION
1					SHAFT ASSEMBLY, Axle Rt.
	5300 0224	1			1987-89
	5252 972	1			1990
2					SHAFT ASSEMBLY, Axle Lt.
	5300 0684	1			1987-89
	5252 585	1			1990
3					SHAFT, Intermediate
	8350 0198	1			1987/89
	5252 594	1			1990
4	J812 1781	1			SEAL
5	J813 4213	1			BEARING, 1987-89
	5252 686	1			BUSHING, 1990
6	J813 3622	1			BEARING, 1987-89
	5252 687	1			1990
7					SLINGER, Oil
	J812 6232	2			1987-89
	8350 7105	2			1990
8	J812 6637	2			JOINT, Universal
9	8350 0184	2			SHAFT, Outer
10	8350 0201	2			SLINGER, Dust 1987-89, (N/A 1990)
11					SEAL
	8350 0199	1			O.D. = 2.29"
	8350 3504	1			O.D. = 2.12
12	8350 4375	1			GUIDE

MODEL CODES:

15 = Grand Wagoneer 4 Dr.	65 = Comanche 4WD-7 Ft. Box	77 = Cherokee 4WD-2 Dr.
25 = J-10 Pickup-119" W.B.	66 = Comanche 2WD-7 Ft. Box	78 = Cherokee 4WD-4 Dr.
26 = J-10 Pickup-131" W.B.	73 = Cherokee 2WD-2 Dr.	79 = Cherokee 4WD-4 Dr.-Com
27 = J-20 Pickup-131" W.B.	74 = Cherokee 2WD-4 Dr.	81 = Wrangler-93" W.B.
63 = Comanche 4WD-6 Ft. Box	75 = Wagoneer 4WD-4 Dr.	82 = Wrangler-103" W.B.-Exp.
64 = Comanche 2WD-6 Ft. Box		

BODY STYLES:

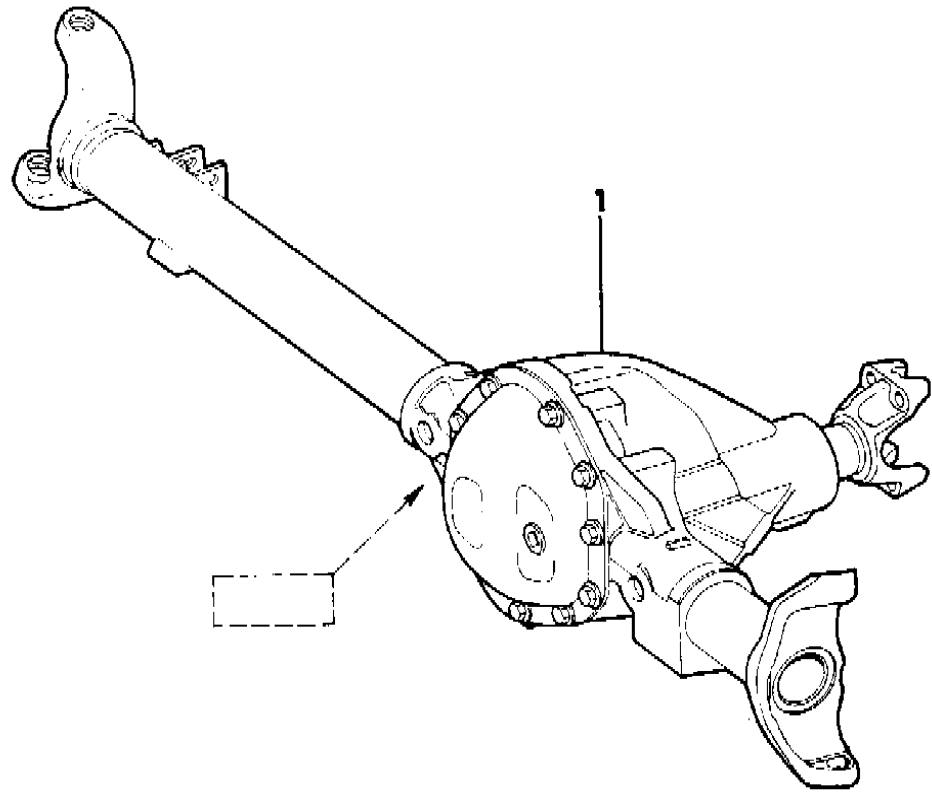
MJ = Comanche Pickup  
 SJ = Grand Wagoneer Wgn., J-10 & J-20 Pickups  
 XJ = Cherokee, Wagoneer Limited  
 YJ = Wrangler

AR = Use as Required - = Non Illustrated Part P.A.R. = Paint as Required

**AXLE ASSEMBLY, FRONT GRAND WAGONEER, J10, J20**  
**Figure 2-2100**

8J02 2100

ITEM	PART NUMBER	QTY	BODY	MODEL	DESCRIPTION
1					AXLE ASSEMBLY, Front ***
	8350 1399	1	SJ		2.72 Ratio, Tagged 89 53 004 206 or 89 53 004 003
	8350 5525	1	SJ		3.31 Ratio, Tagged 89 53 004 208 or 89 53 004 004
	J813 3596	1	J10		2.72 Ratio, Tagged 89 53 004 207 or 89 53 004 006
	J813 3597	1	J10		3.31 Ratio, Tagged 89 53 004 209 or 89 53 004 007
	J813 3600	1	J20		3.73 Ratio, Tagged 89 53 004 211 or 89 53 004 010



**MODEL CODES:**

15 = Grand Wagoneer 4 Dr.	65 = Comanche 4WD-7 Ft. Box	77 = Cherokee 4WD-2 Dr.
25 = J-10 Pickup-119" W.B.	66 = Comanche 2WD-7 Ft. Box	78 = Cherokee 4WD-4 Dr.
26 = J-10 Pickup-131" W.B.	73 = Cherokee 2WD-2 Dr.	79 = Cherokee 4WD-4 Dr.-Com
27 = J-20 Pickup-131" W.B.	74 = Cherokee 2WD-4 Dr.	81 = Wrangler-93" W.B.
63 = Comanche 4WD-6 Ft. Box	75 = Wagoneer 4WD-4 Dr.	82 = Wrangler-103" W.B.-Exp.
64 = Comanche 2WD-6 Ft. Box		

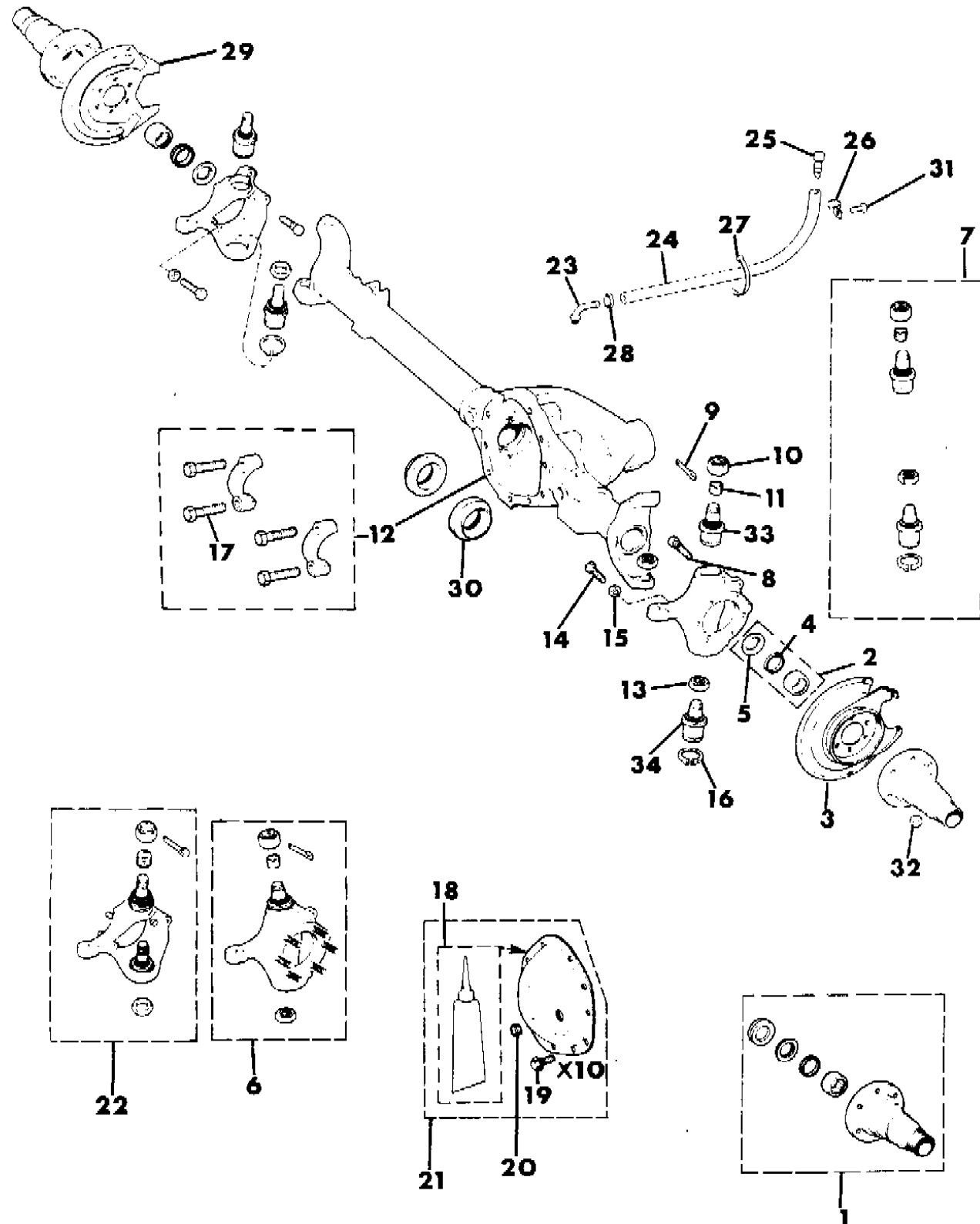
**BODY STYLES:**

MJ = Comanche Pickup  
 SJ = Grand Wagoneer Wgn., J-10 & J-20 Pickups  
 XJ = Cherokee, Wagoneer Limited  
 YJ = Wrangler

AR = Use as Required - = Non Illustrated Part P.A.R. = Paint as Required

HOUSING, FRONT AXLE GRAND WAGONEER, J10, J20  
Figure 2-2200

8J02 2200



ITEM	PART NUMBER	QTY	BODY	MODEL	DESCRIPTION
1	J812 8767	2			SPINDLE ASSEMBLY ***
2	J812 7356	2			BEARING PACKAGE
3					SHIELD, Splash Lt.
	8350 1982	1		15, 26	
	J537 0115	1		27	
4	J812 1397	2			SEAL
5	8350 1113	2			SPACER
6	J812 8611	1			KNUCKLE, Steering Lt.
7	J812 4333	2			SOCKET PACKAGE ***
8	J812 4847	12			STUD
9	J812 1392	2			PIN, Cotter
10	J812 1364	2			NUT
11	J812 1365	2			Ring, Split ***
12					HOUSING, Front Axle
	8350 5499	1		15	
	J813 2706	1		26, 27	
13	J812 1391	2			NUT, Jam
14	JA00 0821	2			BOLT
15	S011 4494	2			NUT
16	J812 4362	2			RING, Snap
17	S017 9890	4			BOLT
18	J899 3317	1			SEALER, Gasket in a Tube ***
19	J027 3573	10			BOLT
20	S010 3869	1			PLUG
21	J812 4352	1			COVER PACKAGE
22	J812 8610	1			KNUCKLE, Steering RIGHT
23	J535 3495	1			VENT
24	J812 5823	1			HOSE, Vent, Bulk 1 Foot
25	J535 2955	1			BREATHER ***
26	J014 0780	1			CLIP
27	J322 3227	1			STRAP
28	J322 7851	1			CLAMP
29					SHIELD, Splash Rt.
	8350 1982	1		15, 26	
	J537 0116	1		27	
30	8350 1009	2			SEAL
31	J400 3556	1			SCREW

MODEL CODES:

15 = Grand Wagoneer 4 Dr.	65 = Comanche 4WD-7 Ft. Box	77 = Cherokee 4WD-2 Dr.
25 = J-10 Pickup-119" W.B.	66 = Comanche 2WD-7 Ft. Box	78 = Cherokee 4WD-4 Dr.
26 = J-10 Pickup-131" W.B.	73 = Cherokee 2WD-2 Dr.	79 = Cherokee 4WD-4 Dr.-Com
27 = J-20 Pickup-131" W.B.	74 = Cherokee 2WD-4 Dr.	81 = Wrangler-93" W.B.
63 = Comanche 4WD-6 Ft. Box	75 = Wagoneer 4WD-4 Dr.	82 = Wrangler-103" W.B.-Exp.
64 = Comanche 2WD-6 Ft. Box		

BODY STYLES:

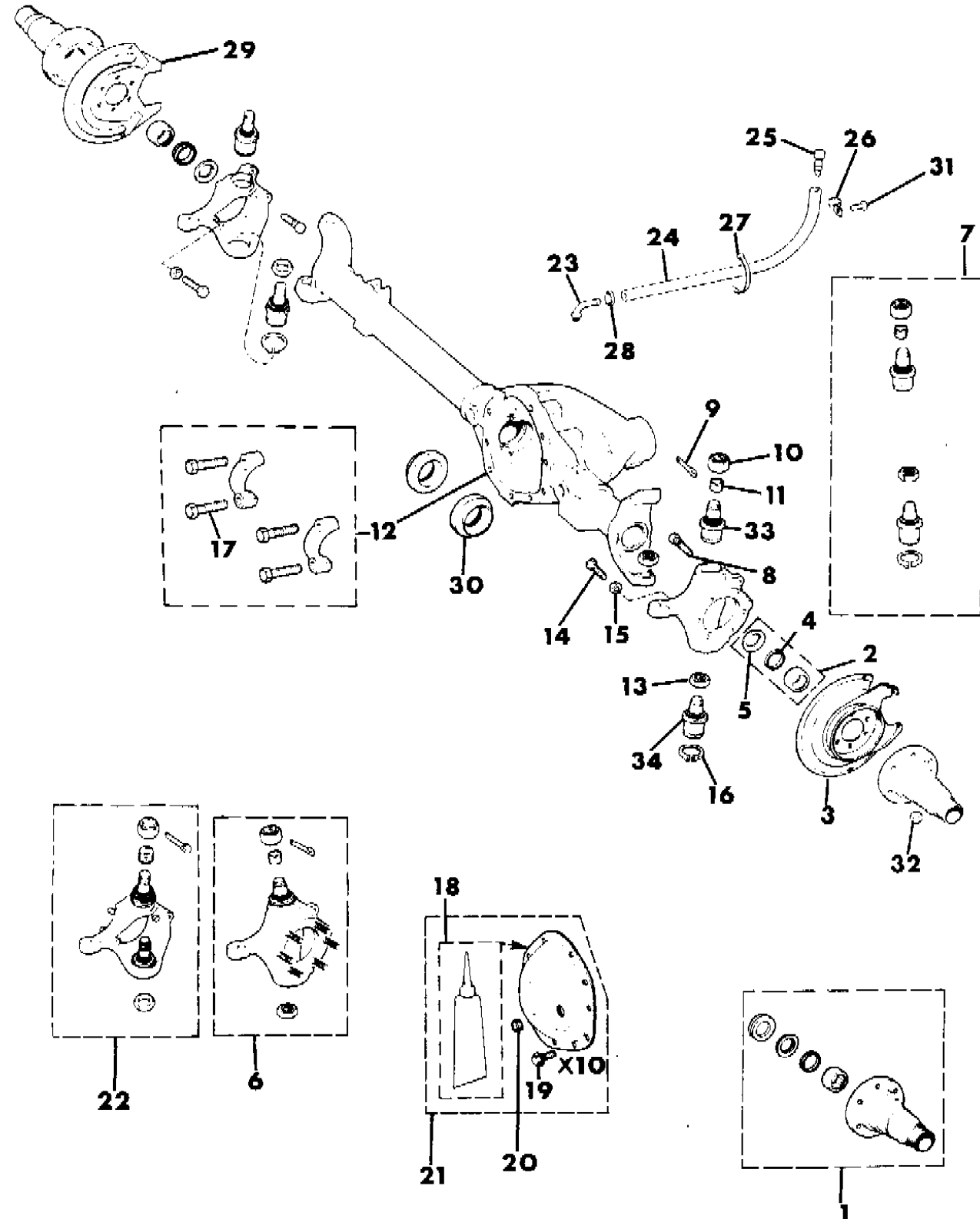
MJ = Comanche Pickup  
SJ = Grand Wagoneer Wgn., J-10 & J-20 Pickups  
XJ = Cherokee, Wagoneer Limited  
YJ = Wrangler

AR = Use as Required - = Non Illustrated Part P.A.R. = Paint as Required



HOUSING, FRONT AXLE WAGONEER, J10, J20  
Figure 2-2200

8J02 2200



ITEM	PART NUMBER	QTY	BODY	MODEL	DESCRIPTION
32	J941 1783	12			NUT
33	J812 2495	1			SOCKET
34	J812 2496	1			SOCKET

MODEL CODES:

15 = Grand Wagoneer 4 Dr.	65 = Comanche 4WD-7 Ft. Box	77 = Cherokee 4WD-2 Dr.
25 = J-10 Pickup-119" W.B.	66 = Comanche 2WD-7 Ft. Box	78 = Cherokee 4WD-4 Dr.
26 = J-10 Pickup-131" W.B.	73 = Cherokee 2WD-2 Dr.	79 = Cherokee 4WD-4 Dr.-Com
27 = J-20 Pickup-131" W.B.	74 = Cherokee 2WD-4 Dr.	81 = Wrangler-93" W.B.
63 = Comanche 4WD-6 Ft. Box	75 = Wagoneer 4WD-4 Dr.	82 = Wrangler-103" W.B.-Exp.
64 = Comanche 2WD-6 Ft. Box		

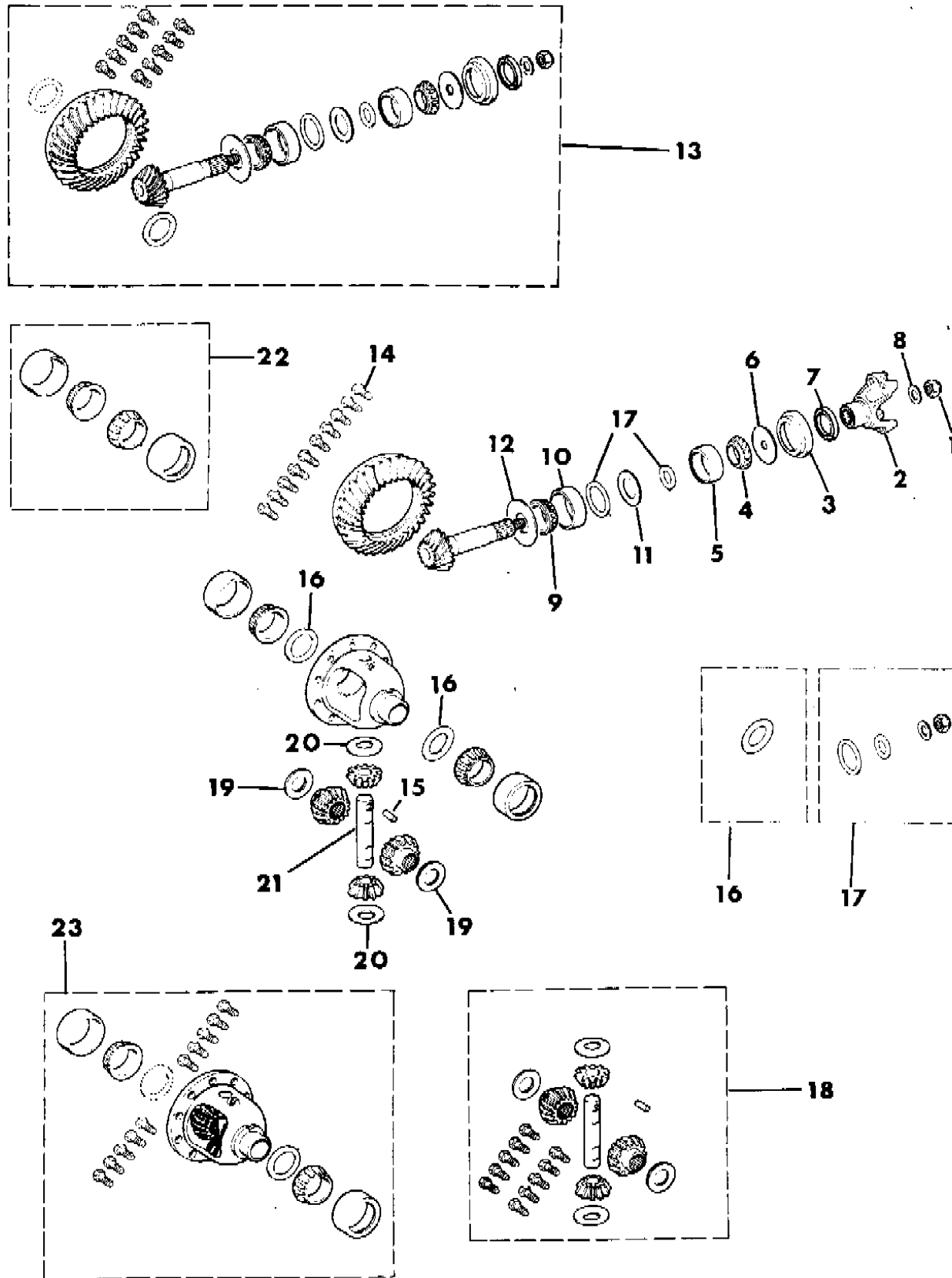
BODY STYLES:

MJ = Comanche Pickup  
 SJ = Grand Wagoneer Wgn., J-10 & J-20 Pickups  
 XJ = Cherokee, Wagoneer Limited  
 YJ = Wrangler

AR = Use as Required - = Non Illustrated Part P.A.R. = Paint as Required

**DIFFERENTIAL, FRONT AXLE GRAND WAGONEER, J10, J20**  
**Figure 2-2300**

8 J02 2300



ITEM	PART NUMBER	QTY	BODY	MODEL	DESCRIPTION
1	J080 1367	1			NUT, Pinion
2	8350 3388	1			YOKE, Pinion
3	8350 3390	1			SEAL, Pinion
4	J005 2878	1			BEARING
5	J005 2879	1			CUP, Bearing
6	J063 6566	1			SLINGER, Dust
7	J063 6568	1			SHEILD, Dust
8	J063 6570	1			WASHER, Pinion
9	J080 7266	1			BEARING
10	0698 413	1			CUP, Bearing
11	J091 6373	1			BAFFLE
12	J091 6372	1			SLINGER, Oil
13					GEAR SET, Front Axle Ring And Pinion
	J813 4222	1			2.73 Ratio
	J813 4219	1			3.31 Ratio
	J812 4777	1			3.73 Ratio
14	J064 9454	10			BOLT
15	J063 6360	1			PIN
16	J812 9222	1			SHIM PACKAGE
17	J812 9221	1			SHIM PACKAGE
18	J812 9228	1			GEAR SET, Front Axle Differential
19	J064 5789	2			WASHER
20	J064 5790	2			WASHER
21	J080 5327	1			SHAFT, Differential
22	J812 4071	1			BEARING PACKAGE
23	J812 9226	1			CASE, Front Axle Differential

**MODEL CODES:**

15 = Grand Wagoneer 4 Dr.	65 = Comanche 4WD-7 Ft. Box	77 = Cherokee 4WD-2 Dr.
25 = J-10 Pickup-119" W.B.	66 = Comanche 2WD-7 Ft. Box	78 = Cherokee 4WD-4 Dr.
26 = J-10 Pickup-131" W.B.	73 = Cherokee 2WD-2 Dr.	79 = Cherokee 4WD-4 Dr.-Com
27 = J-20 Pickup-131" W.B.	74 = Cherokee 2WD-4 Dr.	81 = Wrangler-93" W.B.
63 = Comanche 4WD-6 Ft. Box	75 = Wagoneer 4WD-4 Dr.	82 = Wrangler-103" W.B.-Exp.
64 = Comanche 2WD-6 Ft. Box		

**BODY STYLES:**

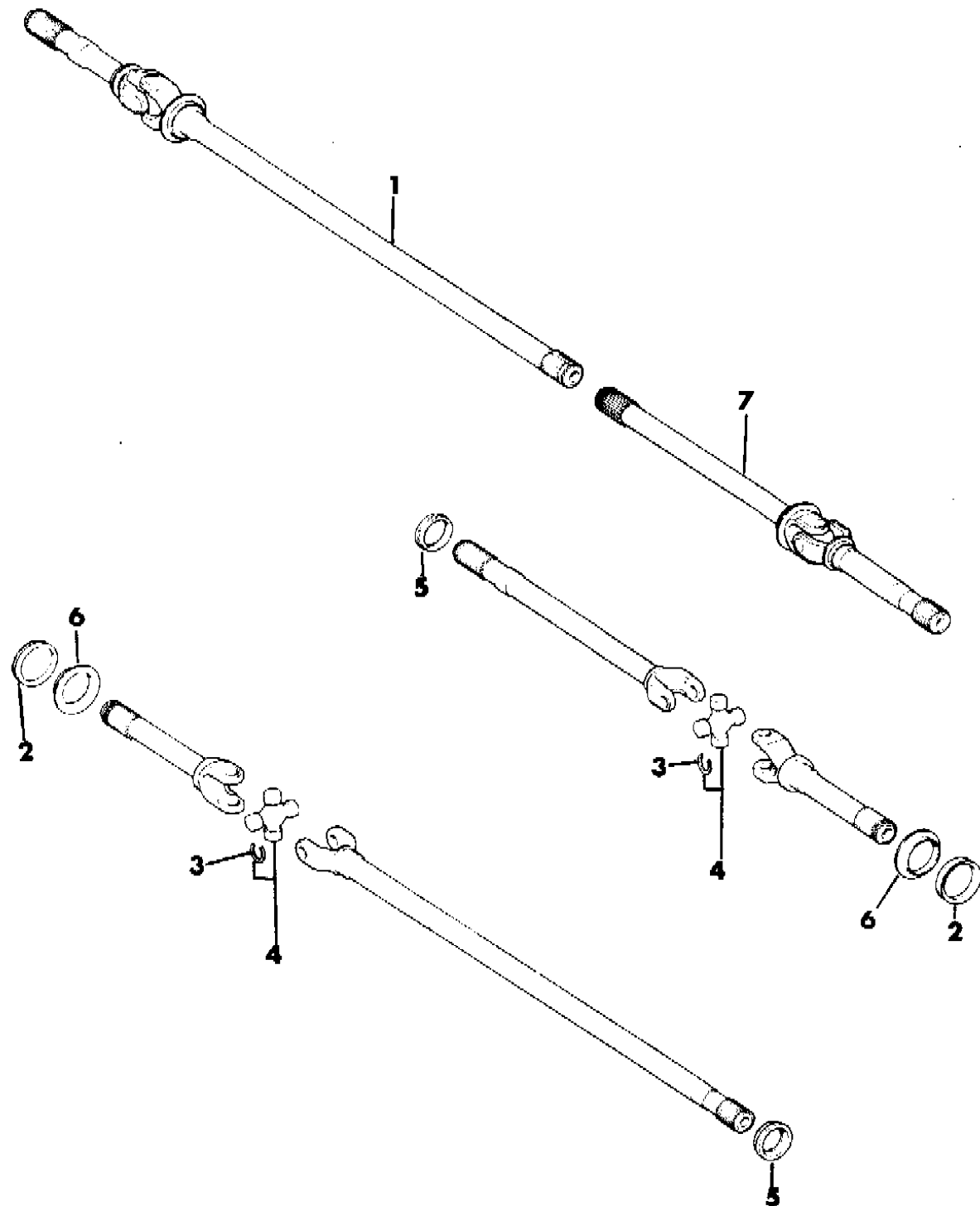
MJ = Comanche Pickup  
 SJ = Grand Wagoneer Wgn., J-10 & J-20 Pickups  
 XJ = Cherokee, Wagoneer Limited  
 YJ = Wrangler

AR = Use as Required - = Non Illustrated Part P.A.R. = Paint as Required

SHAFTS, FRONT AXLE GRAND WAGONEER, J10, J20

Figure 2-2400

8J02 2400



ITEM	PART NUMBER	QTY	BODY	MODEL	DESCRIPTION
1					SHAFT, Axle Rt.
	J813 2912	1		15	
	J813 2915	1		26, 27	
2	J812 7350	2			SEAL
3	J090 9453	8			RING, Snap
4	J812 6638	2			SPIDER ***
5	J812 9096	2			SEAL
6	J812 8285	2			RETAINER
7					SHAFT, Axle Lt.
	J813 2913	1		15	
	J813 2916	1		26, 27	

MODEL CODES:

15 = Grand Wagoneer 4 Dr.	65 = Comanche 4WD-7 Ft. Box	77 = Cherokee 4WD-2 Dr.
25 = J-10 Pickup-119" W.B.	66 = Comanche 2WD-7 Ft. Box	78 = Cherokee 4WD-4 Dr.
26 = J-10 Pickup-131" W.B.	73 = Cherokee 2WD-2 Dr.	79 = Cherokee 4WD-4 Dr.-Com
27 = J-20 Pickup-131" W.B.	74 = Cherokee 2WD-4 Dr.	81 = Wrangler-93" W.B.
63 = Comanche 4WD-6 Ft. Box	75 = Wagoneer 4WD-4 Dr.	82 = Wrangler-103" W.B.-Exp.
64 = Comanche 2WD-6 Ft. Box		

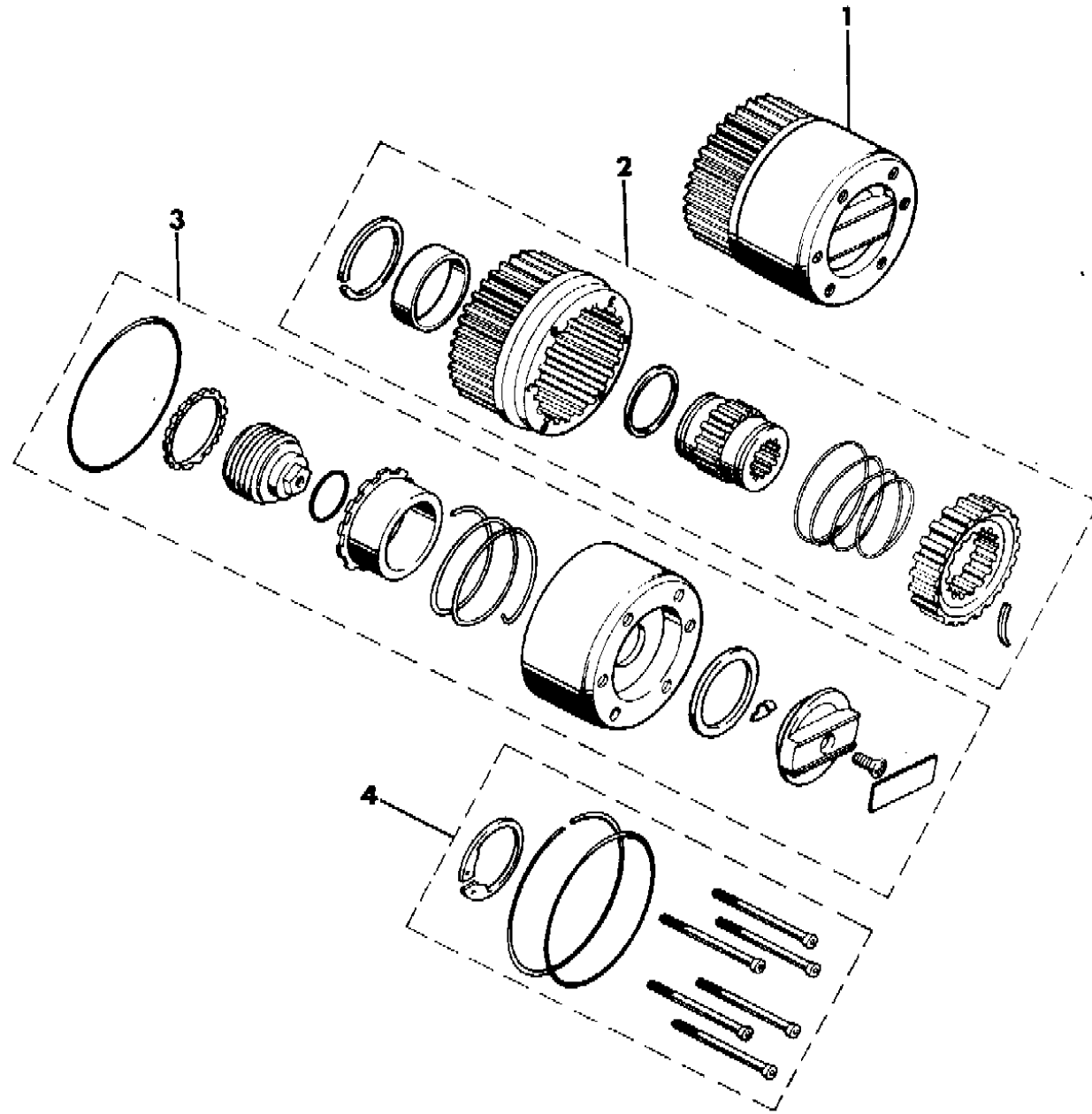
BODY STYLES:

MJ = Comanche Pickup  
 SJ = Grand Wagoneer Wgn., J-10 & J-20 Pickups  
 XJ = Cherokee, Wagoneer Limited  
 YJ = Wrangler

AR = Use as Required - = Non Illustrated Part P.A.R. = Paint as Required

LOCKING HUBS, SELECTIVE DRIVE W/ 208 TRANSFER CASE J20  
Figure 2-2500

8J02 2500



ITEM	PART NUMBER	QTY	BODY	MODEL	DESCRIPTION
1	5300 4806	2			HUB, Assy. Locking
2	J813 1252	2			BODY PACKAGE
3	8350 3639	2			CAP PACKAGE
4	J813 1251	2			SERVICE PACKAGE

MODEL CODES:

15 = Grand Wagoneer 4 Dr.	65 = Comanche 4WD-7 Ft. Box	77 = Cherokee 4WD-2 Dr.
25 = J-10 Pickup-119" W.B.	66 = Comanche 2WD-7 Ft. Box	78 = Cherokee 4WD-4 Dr.
26 = J-10 Pickup-131" W.B.	73 = Cherokee 2WD-2 Dr.	79 = Cherokee 4WD-4 Dr.-Com
27 = J-20 Pickup-131" W.B.	74 = Cherokee 2WD-4 Dr.	81 = Wrangler-93" W.B.
63 = Comanche 4WD-6 Ft. Box	75 = Wagoneer 4WD-4 Dr.	82 = Wrangler-103" W.B.-Exp.
64 = Comanche 2WD-6 Ft. Box		

BODY STYLES:

MJ = Comanche Pickup  
 SJ = Grand Wagoneer Wgn., J-10 & J-20 Pickups  
 XJ = Cherokee, Wagoneer Limited  
 YJ = Wrangler

AR = Use as Required - = Non Illustrated Part P.A.R. = Paint as Required

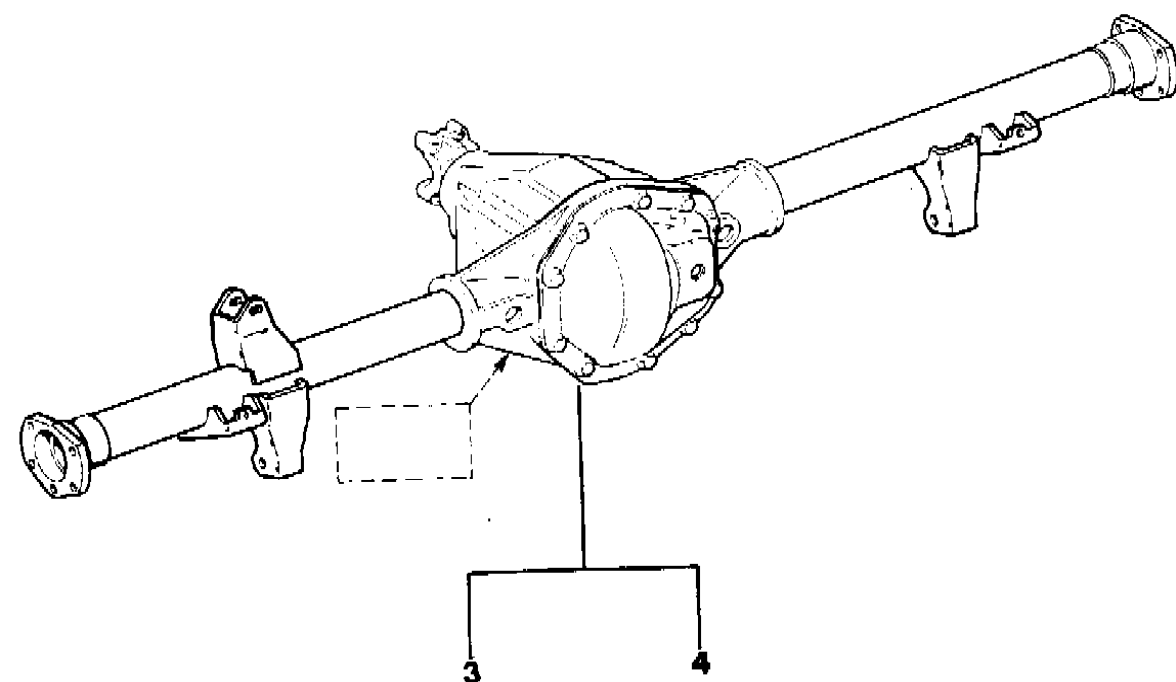
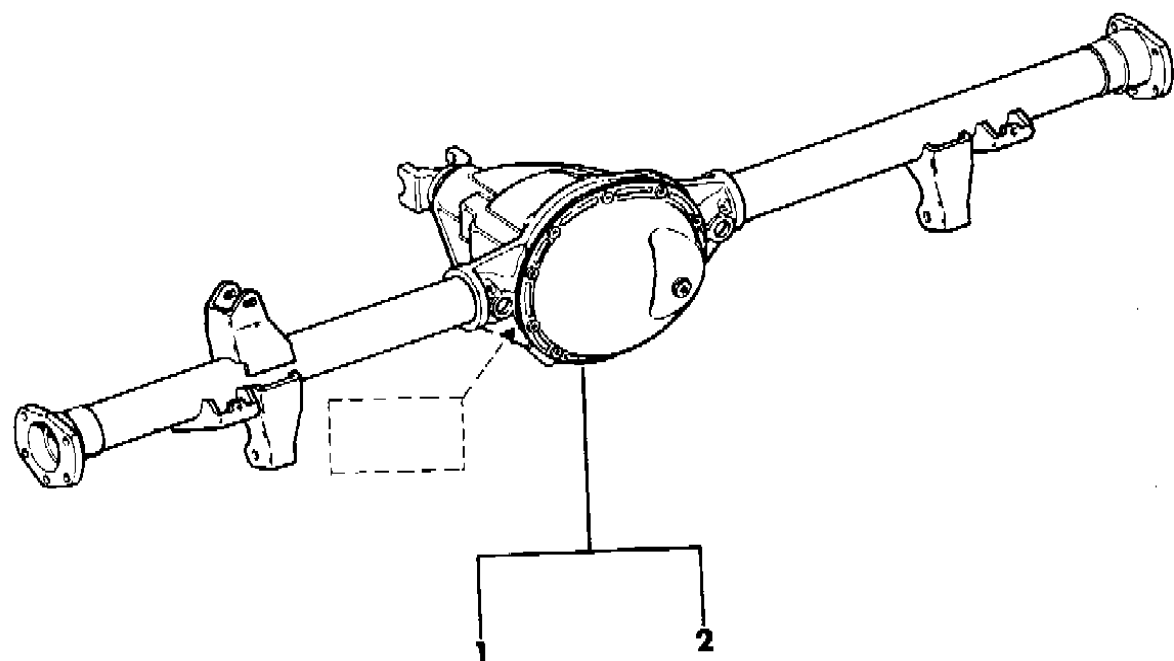
**GROUP 3 - REAR AXLE**

ILLUSTRATION TITLE	GROUP-FIG. NO.
<b>WRANGLER, YJ</b>	
AXLE ASSEMBLY, REAR DANA MODEL 35, DANA MODEL 44 KDX WRANGLER, YJ .....	Fig. 3-50
HOUSING AND DIFFERENTIAL, REAR AXLE DANA MODEL 35 W/O LOCKING DIFFERENTIAL WRANGLER, YJ .....	Fig. 3-100
HOUSING AND DIFFERENTIAL, REAR AXLE DANA MODEL 35 W/LOCKING DIFFERENTIAL WRANGLER, YJ .....	Fig. 3-200
SHAFT, REAR AXLE DANA MODEL 35 WRANGLER, YJ .....	Fig. 3-210
HOUSING AND DIFFERENTIAL, REAR AXLE DANA MODEL 44 KDX W/O LOCKING DIFFERENTIAL WRANGLER, YJ .....	Fig. 3-225
HOUSING AND DIFFERENTIAL, REAR AXLE DANA MODEL 44 KDX W/LOCKING DIFFERENTIAL WRANGLER, YJ .....	Fig. 3-250
SHAFT, REAR AXLE DANA MODEL 44 KDX WRANGLER, YJ .....	Fig. 3-350
<b>CHEROKEE, WAGONEER, COMANCHE</b>	
AXLE ASSEMBLY, REAR DANA MODEL 35 CHEROKEE, WAGONEER, COMANCHE .....	Fig. 3-375
HOUSING, REAR AXLE DANA MODEL 35 CHEROKEE, WAGONEER, COMANCHE .....	Fig. 3-400
DIFFERENTIAL, NON-LOCKING DANA MODEL 35 CHEROKEE, WAGONEER, COMANCHE .....	Fig. 3-500
DIFFERENTIAL, LOCKING DANA MODEL 35 CHEROKEE, WAGONEER, COMANCHE .....	Fig. 3-600
SHAFT, REAR AXLE DANA MODEL 35 CHEROKEE, WAGONEER, COMANCHE .....	Fig. 3-700
AXLE ASSEMBLY, REAR DANA MODEL 44 CHEROKEE, WAGONEER, COMANCHE .....	Fig. 3-750
HOUSING AND DIFFERENTIAL, REAR AXLE DANA MODEL 44 W/O LOCKING DIFFERENTIAL CHEROKEE, WAGONEER, COMANCHE .....	Fig. 3-800
HOUSING AND DIFFERENTIAL, REAR AXLE DANA MODEL 44 W/LOCKING DIFFERENTIAL CHEROKEE, WAGONEER, COMANCHE .....	Fig. 3-900
SHAFT, REAR AXLE DANA MODEL 44 CHEROKEE, WAGONEER, COMANCHE .....	Fig. 3-1000
<b>GRAND WAGONEER, J10, J20</b>	
REAR AXLE ASSEMBLY DANA MODEL 44, DANA MODEL 60 GRAND WAGONEER, J-10, J-20 .....	Fig. 3-1100
HOUSING AND DIFFERENTIAL, REAR AXLE DANA MODEL 44 W/O LOCKING DIFFERENTIAL GRAND WAGONEER, J-10 .....	Fig. 3-1200
HOUSING AND DIFFERENTIAL, REAR AXLE DANA MODEL 44 W/LOCKING DIFFERENTIAL GRAND WAGONEER, J-10 .....	Fig. 3-1300
SHAFT, REAR AXLE DANA MODEL 44 GRAND WAGONEER, J-10 .....	Fig. 3-1400
HOUSING AND DIFFERENTIAL, REAR AXLE DANA MODEL 60 W/O LOCKING DIFFERENTIAL J-20 .....	Fig. 3-1500
HOUSING AND DIFFERENTIAL, REAR AXLE DANA MODEL 60 W/LOCKING DIFFERENTIAL J-20 .....	Fig. 3-1600
SHAFT, REAR AXLE DANA MODEL 60 J-20 .....	Fig. 3-1700

**ILLUSTRATION NOT AVAILABLE AT TIME OF PUBLICATION**

**AXLE ASSEMBLY, REAR DANA MODEL 35, DANA MODEL 44 KDX WRANGLER, YJ**  
**Figure 3-50**

**8 J03 050**



ITEM	PART NUMBER	QTY	BODY	MODEL	DESCRIPTION
1					DANA MODEL 35 - w/o LOCKING DIFFERENTIAL
					1987/89
	8350 2874	1			3.07 Ratio, Tagged 89 53 003 871
	8350 3195	1			3.55 Ratio, Tagged 89 53 004 684
	8350 2876	1			4.11 Ratio, Tagged 89 53 003 873
					1990
	5252 933	1			3.07 Ratio, Tagged 53 008 518
	5252 934	1			3.55 Ratio, Tagged 53 008 519
	5252 935	1			4.11 Ratio, Tagged 53 008 521
2					DANA MODEL 35 - w/LOCKING DIFFERENTIAL ***
					1987/89
	8350 3196	1			3.55 Ratio, Tagged 89 53 004 685
	8350 2877	1			4.11 Ratio, Tagged 89 53 003 868
					1990
	5252 936	1			3.55 Ratio, Tagged 53 008 520
	5252 937	1			4.11 Ratio, Tagged 53 008 522
3					DANA MODEL 44 KDX - w/o LOCKING DIFFERENTIAL ***
	8350 5406	1			3.54 Ratio (89 53 005 124)
4					DANA MODEL 44 KDX - w/LOCKING DIFFERENTIAL ***
	8350 5441	1			3.07 Ratio (89 53 005 123)
	8350 5442	1			3.54 Ratio (89 53 005 125)
	8350 5441	1			3.07 Ratio (89 53 005 414)
	8350 5442	1			3.54 Ratio (89 53 005 415)

**MODEL CODES:**

15 = Grand Wagoneer 4 Dr.	65 = Comanche 4WD-7 Ft. Box	77 = Cherokee 4WD-2 Dr.
25 = J-10 Pickup-119" W.B.	66 = Comanche 2WD-7 Ft. Box	78 = Cherokee 4WD-4 Dr.
26 = J-10 Pickup-131" W.B.	73 = Cherokee 2WD-2 Dr.	79 = Cherokee 4WD-4 Dr.-Com
27 = J-20 Pickup-131" W.B.	74 = Cherokee 2WD-4 Dr.	81 = Wrangler-93" W.B.
63 = Comanche 4WD-6 Ft. Box	75 = Wagoneer 4WD-4 Dr.	82 = Wrangler-103" W.B.-Exp.
64 = Comanche 2WD-6 Ft. Box		

**BODY STYLES:**

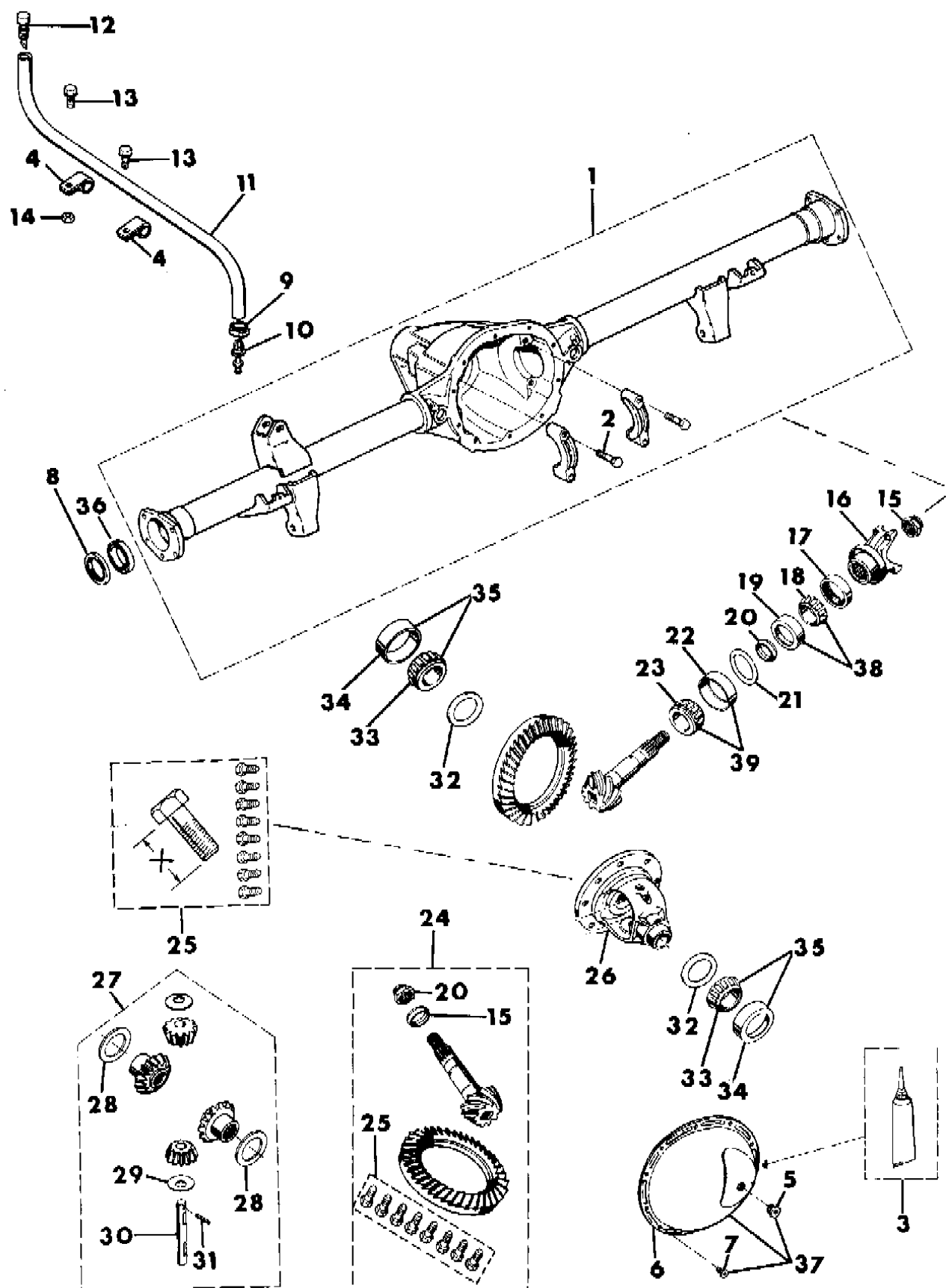
MJ = Comanche Pickup  
 SJ = Grand Wagoneer Wgn., J-10 & J-20 Pickups  
 XJ = Cherokee, Wagoneer Limited  
 YJ = Wrangler

AR = Use as Required - = Non Illustrated Part P.A.R. = Paint as Required

HOUSING AND DIFFERENTIAL, REAR AXLE DANA MODEL 35 W/O LOCKING DIFFERENTIAL WRANGLER, YJ

Figure 3-100

8J03 100A



ITEM	PART NUMBER	QTY	BODY	MODEL	DESCRIPTION
1					HOUSING, Axle
	8350 2878	1			1987/89
	5252 519	1			1990
2	J400 6553	4			BOLT
3	J899 3317	1			SEALER, Gasket-in-a-Tube
4	J014 0780	2			CLIP
5					PLUG
	J400 7344	1			1/2"-14
	5252 504	1			Rubber
6	8350 5125	1			COVER, w/Threaded Plug Hole
7	J400 6708	10			BOLT
8					SEAL
	8350 3010	2			1987/89
	5252 499	2			1990
9	J322 7851	1			CLAMP
10	J318 7999	1			VENT
11	J812 5823	1			HOSE (1')
12	J535 2955	1			BREATHER
13	J400 5063	2			SCREW
14	J012 0361	1			NUT
15	J318 2601	1			NUT, Pinion
16	8350 3318	1			YOKE, Pinion
17	8350 4946	1			SEAL, Pinion
18	J315 6063	1			CONE, Bearing
19	J315 6062	1			CUP, Bearing
20	J317 5779	1			SPACER, Pinion
21	8350 3003	1			SHIM KIT, (8)
22	J315 6065	1			CUP, Bearing
23	J317 0947	1			CONE, Bearing
24					GEAR SET, Ring and Pinion
	8350 3021	1			3.07 Ratio, .66" Bolt Length Tagged 89 53 003 871 (Vendor #42128)
	8350 5472	1			3.07 Ratio, .81" Bolt Length Tagged 89 53 003 871 or 53 008 518 (Vendor #42828)
	8350 4376	1			3.55 Ratio, Tagged 89 53 004 684 or 53 008 519
	8350 4938	1			4.11 Ratio, Tagged 89 53 003 873or 53 008 521
25					BOLT PACKAGE

MODEL CODES:

15 = Grand Wagoneer 4 Dr.	65 = Comanche 4WD-7 Ft. Box	77 = Cherokee 4WD-2 Dr.
25 = J-10 Pickup-119" W.B.	66 = Comanche 2WD-7 Ft. Box	78 = Cherokee 4WD-4 Dr.
26 = J-10 Pickup-131" W.B.	73 = Cherokee 2WD-2 Dr.	79 = Cherokee 4WD-4 Dr.-Com
27 = J-20 Pickup-131" W.B.	74 = Cherokee 2WD-4 Dr.	81 = Wrangler-93" W.B.
63 = Comanche 4WD-6 Ft. Box	75 = Wagoneer 4WD-4 Dr.	82 = Wrangler-103" W.B.-Exp.
64 = Comanche 2WD-6 Ft. Box		

BODY STYLES:

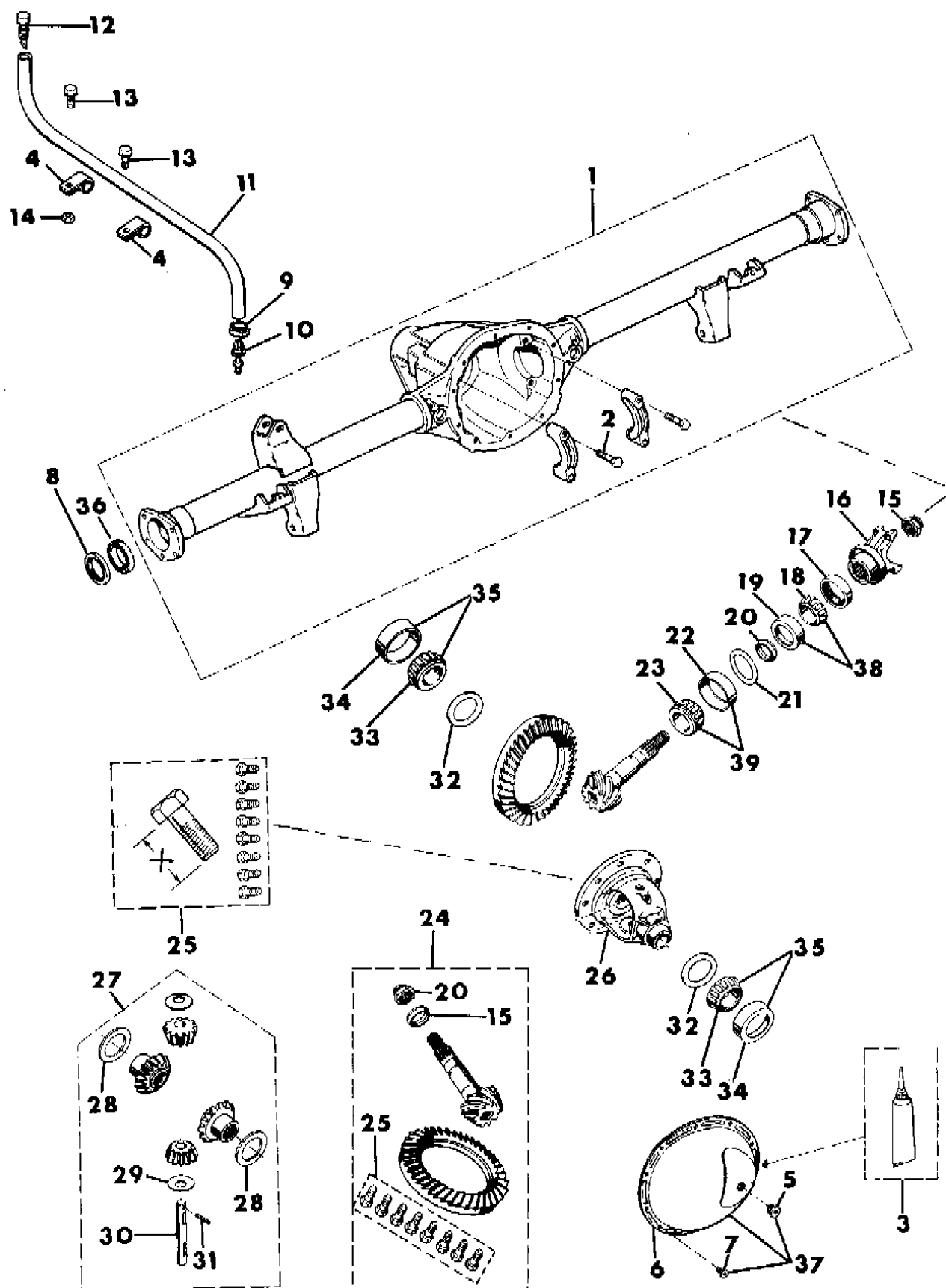
MJ = Comanche Pickup  
 SJ = Grand Wagoneer Wgn., J-10 & J-20 Pickups  
 XJ = Cherokee, Wagoneer Limited  
 YJ = Wrangler

AR = Use as Required - = Non Illustrated Part P.A.R. = Paint as Required

# HOUSING AND DIFFERENTIAL, REAR AXLE DANA MODEL 35 W/O LOCKING DIFFERENTIAL WRANGLER, YJ

Figure 3-100

8J03 100A



ITEM	PART NUMBER	QTY	BODY	MODEL	DESCRIPTION
	J320 2890	1			.66" Length
	8350 4374	1			.81" Length
26					CASE, Differential 1987/89
	5300 0561	1			3.07 Ratio, .66" Bolt Length Tagged 89 53 003 871
	8350 2880	1			3.07 Ratio, .81" Bolt Length Tagged 89 53 003 871
	5300 0561	1			3.55 Ratio, Tagged 89 53 004 684
	5300 0561	1			4.11 Ratio, Tagged 89 53 003 873 1990
	5252 510	1			3.07 Ratio, Tagged 53 008 518
	5252 517	1			3.55 Ratio, Tagged 53 008 519
	5252 517	1			4.11 Ratio, Tagged 53 008 521
27					GEAR SET, Differential
	8350 3002	1			1987/89
	5252 495	1			1990
28	J323 7817	2			WASHER, Side
29	J323 7818	1			WASHER, Pinion
30	J322 4231	1			SHAFT, Differential (1987/89)
31					PIN, Retaining
	S045 5313	1			1987/89
	5252 502	1			1990
32	8350 3004	1			SHIM PACKAGE (16)
33	1937 771	2			CONE, Bearing
34	J317 1166	2			CUP, Bearing
35	J812 6500	1			BEARING PACKAGE, Differential Side ***
36	J813 4586	2			BEARING ASSEMBLY, Axle Shaft (1990)
37	5252 493	1			COVER ASSEMBLY PACKAGE ***
38	5252 508	1			BEARING PACKAGE, Pinion Outer ***
39	5252 507	1			BEARING PACKAGE, Pinion Inner ***

MODEL CODES:

15 = Grand Wagoneer 4 Dr.	65 = Comanche 4WD-7 Ft. Box	77 = Cherokee 4WD-2 Dr.
25 = J-10 Pickup-119" W.B.	66 = Comanche 2WD-7 Ft. Box	78 = Cherokee 4WD-4 Dr.
26 = J-10 Pickup-131" W.B.	73 = Cherokee 2WD-2 Dr.	79 = Cherokee 4WD-4 Dr.-Com
27 = J-20 Pickup-131" W.B.	74 = Cherokee 2WD-4 Dr.	81 = Wrangler-93" W.B.
63 = Comanche 4WD-6 Ft. Box	75 = Wagoneer 4WD-4 Dr.	82 = Wrangler-103" W.B.-Exp.
64 = Comanche 2WD-6 Ft. Box		

BODY STYLES:

MJ = Comanche Pickup  
 SJ = Grand Wagoneer Wgn., J-10 & J-20 Pickups  
 XJ = Cherokee, Wagoneer Limited  
 YJ = Wrangler

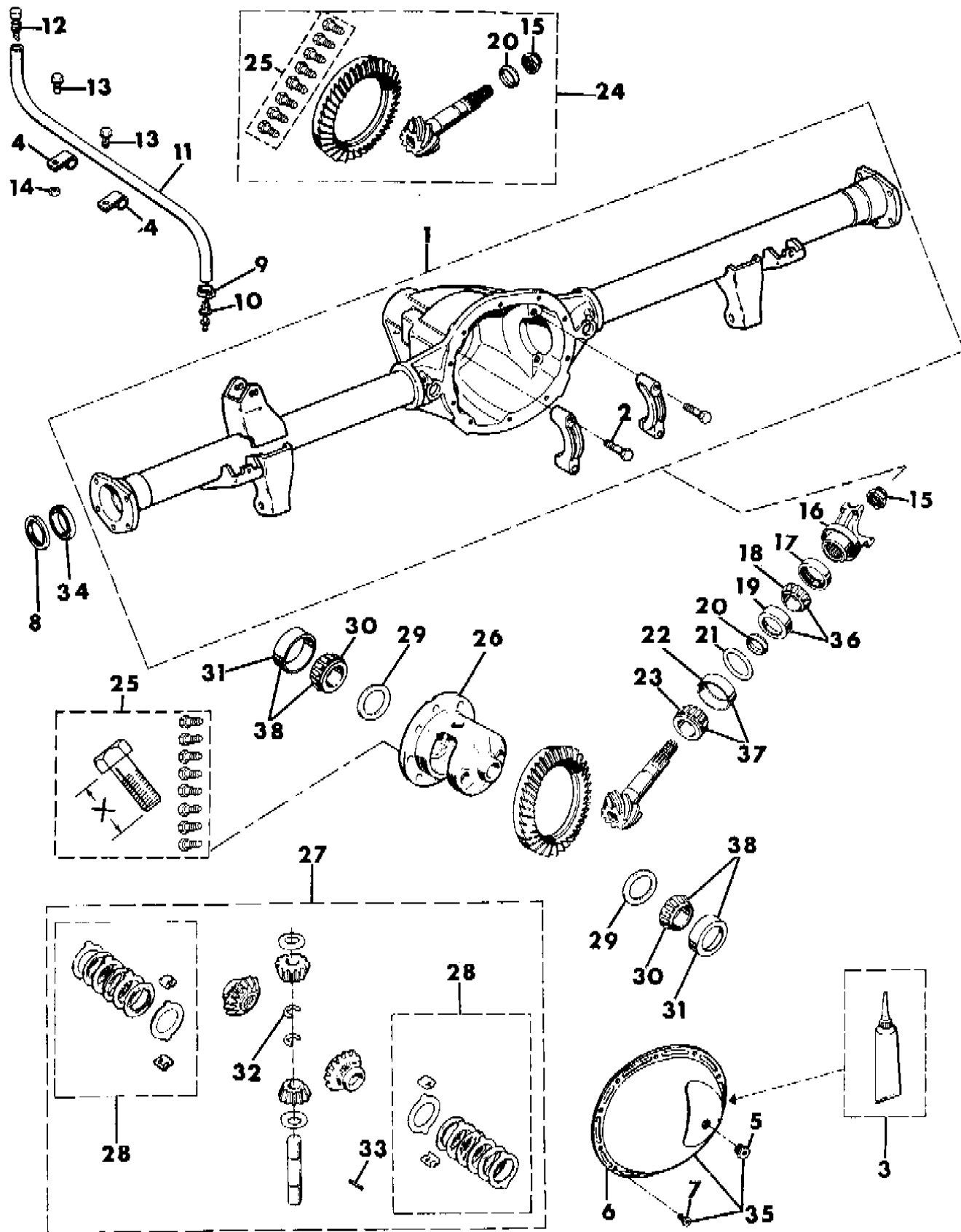
AR = Use as Required - = Non Illustrated Part P.A.R. = Paint as Required



# HOUSING AND DIFFERENTIAL, REAR AXLE DANA MODEL 35 W/LOCKING DIFFERENTIAL WRANGLER, YJ

Figure 3-200

8J03 200A



ITEM	PART NUMBER	QTY	BODY	MODEL	DESCRIPTION
1					HOUSING, Axle
	8350 2878	1			1987/89
	5252 519	1			1990
2	J400 6553	4			BOLT
3	J899 3317	1			SEALER, Gasket-in-a-Tube
4	J014 0780	2			CLIP
5					PLUG
	J400 7344	1			1/2"-14
	5252 504	1			Rubber
6	8350 5125	1			COVER, w/Threaded Plug Hole
7	J400 6708	10			BOLT
8					SEAL
	8350 3010	2			1987/89
	5252 499	2			1990
9	J322 7851	1			CLAMP
10	J318 7999	1			VENT
11	J812 5823	1			HOSE (1')
12	J535 2955	1			BREATHER
13	J400 5063	2			SCREW
14	J012 0361	1			NUT
15	J318 2601	1			NUT, Pinion
16	8350 3318	1			YOKE, Pinion
17	8350 4946	1			SEAL, Pinion
18	J315 6063	1			CONE, Bearing
19	J315 6062	1			CUP, Bearing
20	J317 5779	1			SPACER, Pinion
21	8350 3003	1			SHIM PACKAGE
22	J315 6065	1			CUP, Bearing
23	J317 0947	1			CONE, Bearing
24					GEAR SET
	8350 4376	1			3.55 Ratio, Tagged 89 53 004 685 or 53 008 520
	8350 4938	1			4.11 Ratio, Tagged 89 53 003 868 or 53 008 522
25					BOLT PACKAGE
	J320 2890	1			66mm
	8350 4374	1			81mm
26					CASE, Differential
	5300 0986	1			1987

**MODEL CODES:**

15 = Grand Wagoneer 4 Dr.	65 = Comanche 4WD-7 Ft. Box	77 = Cherokee 4WD-2 Dr.
25 = J-10 Pickup-119" W.B.	66 = Comanche 2WD-7 Ft. Box	78 = Cherokee 4WD-4 Dr.
26 = J-10 Pickup-131" W.B.	73 = Cherokee 2WD-2 Dr.	79 = Cherokee 4WD-4 Dr.-Com
27 = J-20 Pickup-131" W.B.	74 = Cherokee 2WD-4 Dr.	81 = Wrangler-93" W.B.
63 = Comanche 4WD-6 Ft. Box	75 = Wagoneer 4WD-4 Dr.	82 = Wrangler-103" W.B.-Exp.
64 = Comanche 2WD-6 Ft. Box		

**BODY STYLES:**

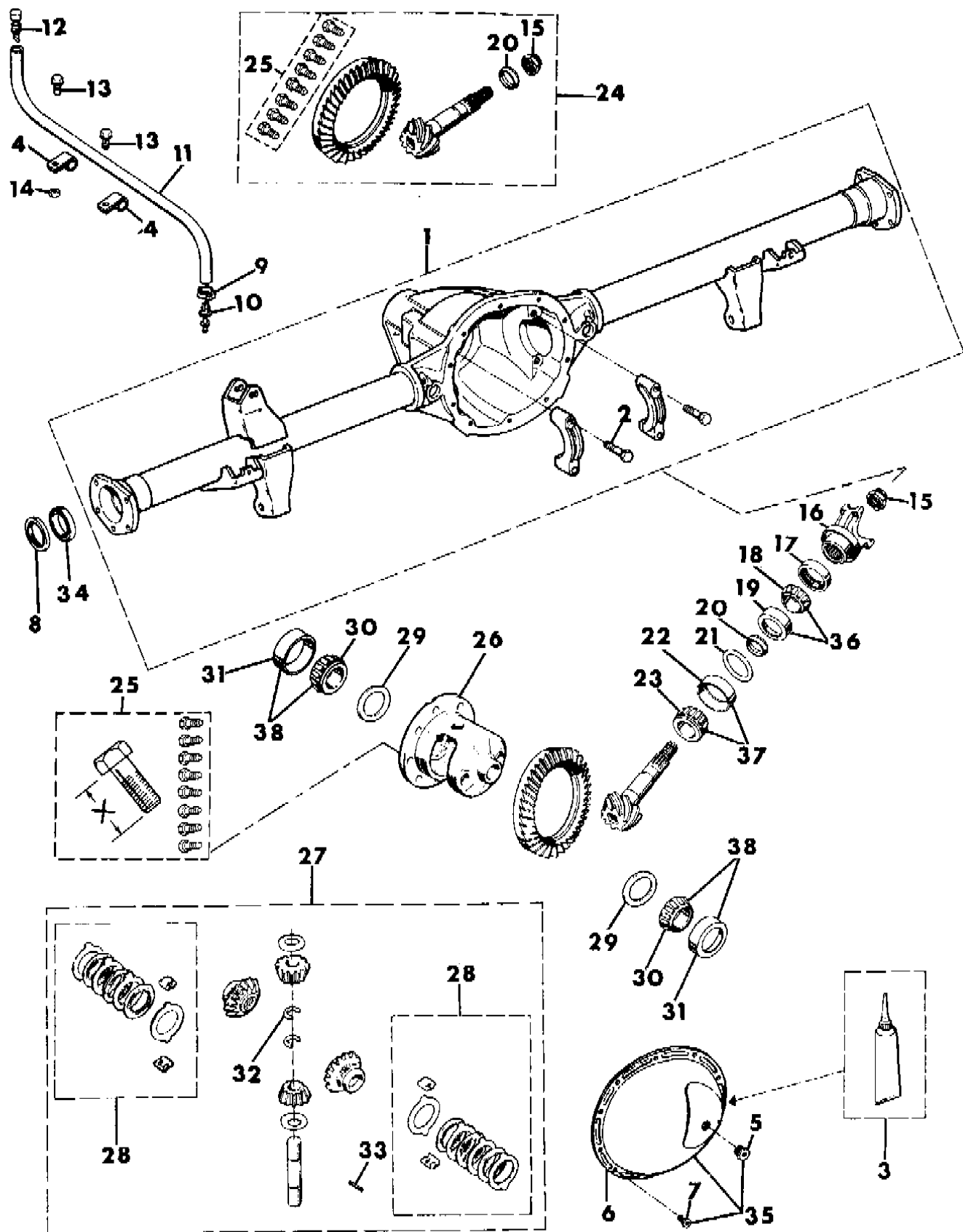
MJ = Comanche Pickup
SJ = Grand Wagoneer Wgn., J-10 & J-20 Pickups
XJ = Cherokee, Wagoneer Limited
YJ = Wrangler

AR = Use as Required - = Non Illustrated Part P.A.R. = Paint as Required

# HOUSING AND DIFFERENTIAL, REAR AXLE DANA MODEL 35 W/LOCKING DIFFERENTIAL WRANGLER, YJ

Figure 3-200

8J03 200A



ITEM	PART NUMBER	QTY	BODY	MODEL	DESCRIPTION
	8350 5021	1			1988/1989
	5252 496	1			1990
27	8350 0262	1			1987
	8350 5022	1			1988/1989
	5252 497	1			1990
28					DISC PACKAGE, Differential ***
	8350 0263	1			1987/89
	5252 506	1			1990
29	8350 3004	1			SHIM PACKAGE (16) ***
30	1937 771	2			CONE, Bearing
31	J317 1166	2			CUP, Bearing
32	8350 1445	1			RING, Snap
33					PIN, Retaining
	8350 5019	1			1987/89
	5252 502	1			1990
34	J813 4586	2			BEARING ASSEMBLY, Axle Shaft (1990)
35	5252 493	1			COVER ASSEMBLY PACKAGE ***
36	5252 508	1			BEARING PACKAGE, Pinion Outer ***
37	5252 507	1			BEARING PACKAGE, Pinion Inner ***
38	J812 6500	1			BEARING PACKAGE, Differential Side ***

MODEL CODES:

15 = Grand Wagoneer 4 Dr.	65 = Comanche 4WD-7 Ft. Box	77 = Cherokee 4WD-2 Dr.
25 = J-10 Pickup-119" W.B.	66 = Comanche 2WD-7 Ft. Box	78 = Cherokee 4WD-4 Dr.
26 = J-10 Pickup-131" W.B.	73 = Cherokee 2WD-2 Dr.	79 = Cherokee 4WD-4 Dr.-Com
27 = J-20 Pickup-131" W.B.	74 = Cherokee 2WD-4 Dr.	81 = Wrangler-93" W.B.
63 = Comanche 4WD-6 Ft. Box	75 = Wagoneer 4WD-4 Dr.	82 = Wrangler-103" W.B.-Exp.
64 = Comanche 2WD-6 Ft. Box		

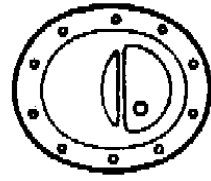
BODY STYLES:

MJ = Comanche Pickup  
 SJ = Grand Wagoneer Wgn., J-10 & J-20 Pickups  
 XJ = Cherokee, Wagoneer Limited  
 YJ = Wrangler

AR = Use as Required - = Non Illustrated Part P.A.R. = Paint as Required

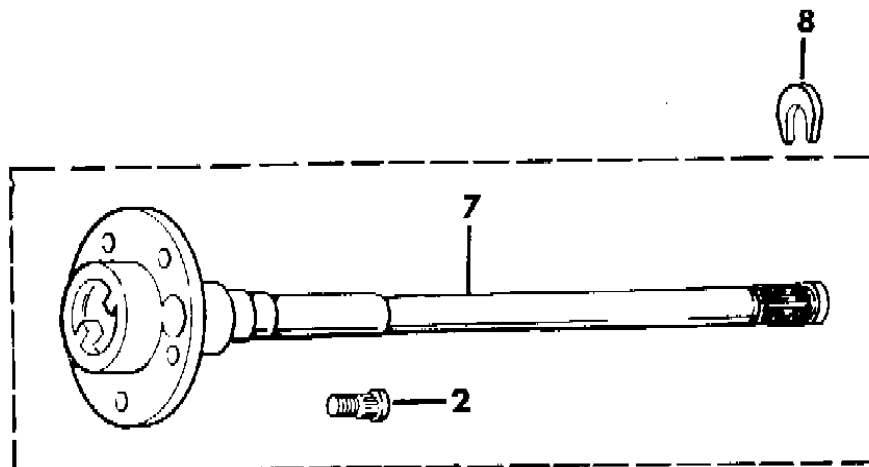
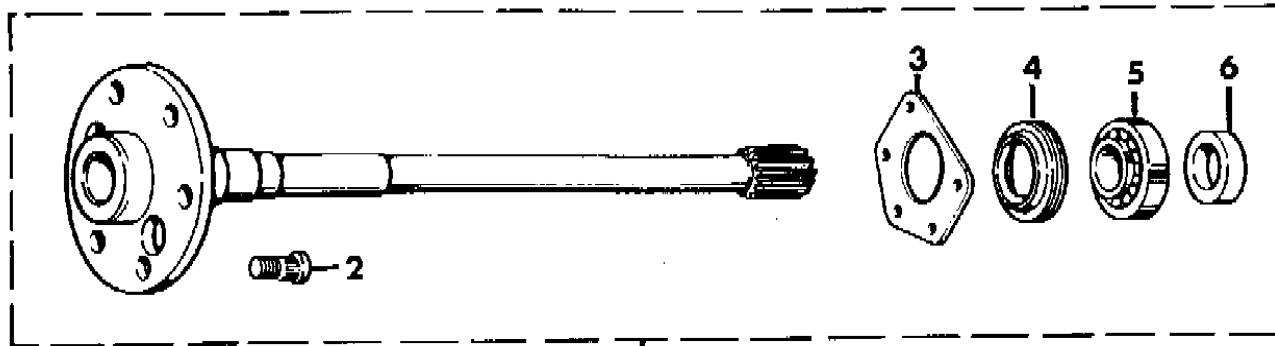
SHAFT, REAR AXLE DANA MODEL 35 WRANGLER, YJ  
Figure 3-210

8J03 210 B



DANA MODEL 35 AXLE (REF.)

ITEM	PART NUMBER	QTY	BODY	MODEL	DESCRIPTION
1	8350 2882-3	1			SHAFT, Axle
2	8350 3053	10			STUD, Wheel
3	8350 3022	2			RETAINER, Seal
4	5300 0477	2			SEAL
5	5300 0475	2			BEARING
6	8350 3054	2			RING, Retainer
7	5252 948-9	1			SHAFT, Axle (1990)
8	5252 505	2			RETAINER, Axle Shaft (1990)



MODEL CODES:

15 = Grand Wagoneer 4 Dr.	65 = Comanche 4WD-7 Ft. Box	77 = Cherokee 4WD-2 Dr.
25 = J-10 Pickup-119" W.B.	66 = Comanche 2WD-7 Ft. Box	78 = Cherokee 4WD-4 Dr.
26 = J-10 Pickup-131" W.B.	73 = Cherokee 2WD-2 Dr.	79 = Cherokee 4WD-4 Dr.-Com
27 = J-20 Pickup-131" W.B.	74 = Cherokee 2WD-4 Dr.	81 = Wrangler-93" W.B.
63 = Comanche 4WD-6 Ft. Box	75 = Wagoneer 4WD-4 Dr.	82 = Wrangler-103" W.B.-Exp.
64 = Comanche 2WD-6 Ft. Box		

BODY STYLES:

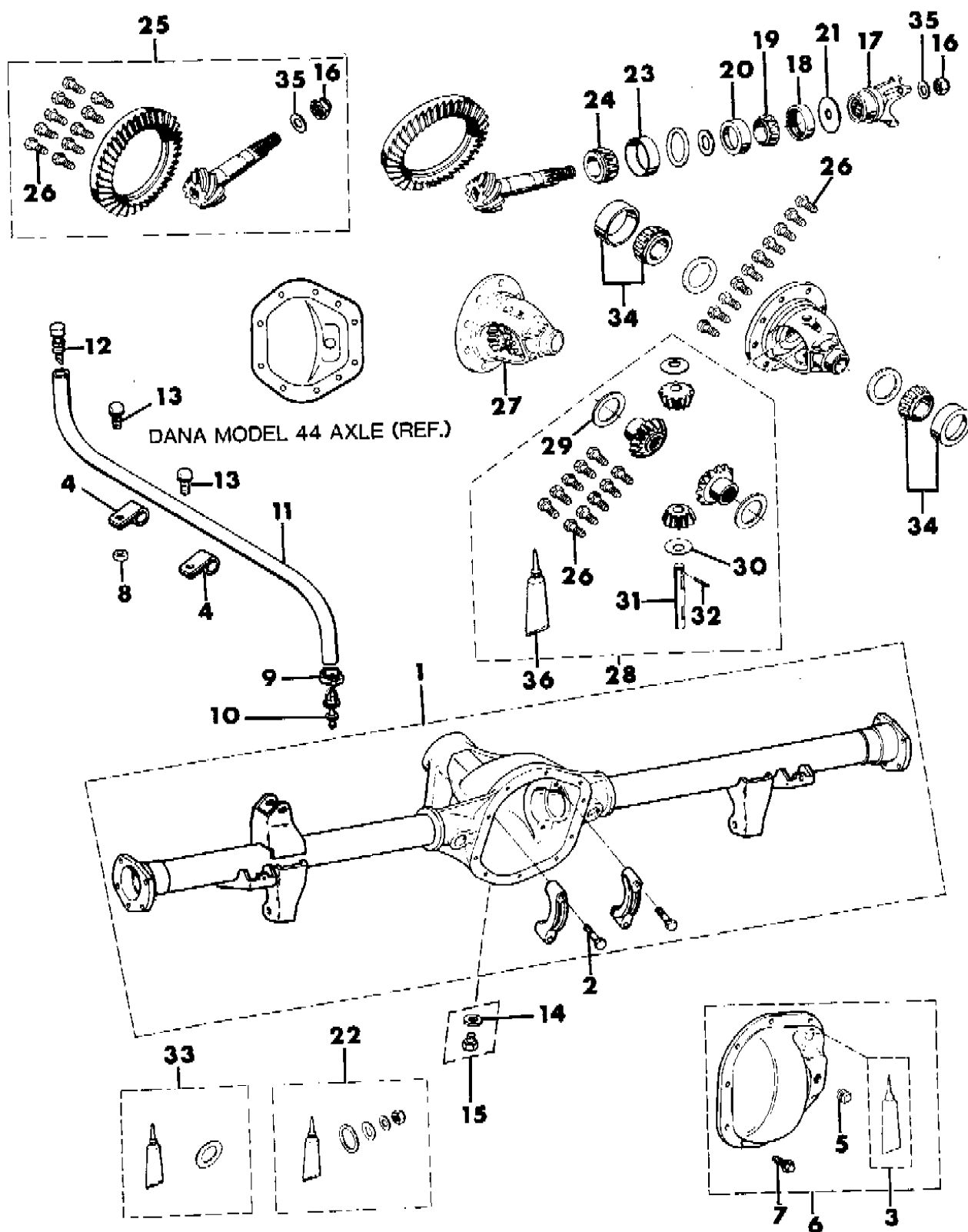
MJ = Comanche Pickup  
SJ = Grand Wagoneer Wgn., J-10 & J-20 Pickups  
XJ = Cherokee, Wagoneer Limited  
YJ = Wrangler

AR = Use as Required - = Non Illustrated Part P.A.R. = Paint as Required

HOUSING AND DIFFERENTIAL, REAR AXLE DANA MODEL 44 KDX W/O LOCKING DIFFERENTIAL WRANGLER, YJ

Figure 3-225

8J03 225



ITEM	PART NUMBER	QTY	BODY	MODEL	DESCRIPTION
1	8350 5407	1			HOUSING, Axle
2	8350 1515	4			BOLT
3	J899 3317	1			SEALER, Gasket-in-a-Tube
4	J014 0780	2			CLIP
5	8350 1571	1			PLUG
6	8350 3058	1			COVER
7	J099 1546	10			BOLT
8	J012 0361	1			NUT
9	J322 7851	1			CLAMP
10	J318 7999	1			VENT
11	J812 5823	1			HOSE (1')
12	J535 2955	1			BREATHER
13	J400 5063	1			SCREW
14	J317 0271	1			GASKET
15	J812 1449	1			PLUG PACKAGE
16	J080 1367	1			NUT, Pinion
17	8350 3388	1			YOKE, Pinion
18	8350 3390	1			SEAL, Pinion
19	J005 2878	1			CONE, Bearing
20	J005 2879	1			CUP, Bearing
21	J063 6566	1			SLINGER
22	J812 9221	1			SHIM PACKAGE
23	J005 2877	1			CUP, Bearing
24	J080 7266	1			CONE, Bearing
25	8350 3437	1			GEAR SET, Rear Axle Ring and Pinion w/3.54 Ratio
26	J064 9454	10			BOLT
27	8350 3073	1			CASE, Rear Axle Differential
28	8350 3068	1			GEAR SET, Rear Axle Differential
29	J080 5325	2			WASHER, Side
30	J064 5790	2			WASHER, Pinion
31	8350 3069	1			SHAFT, Differential
32	J063 6360	1			PIN
33	J812 9222	1			SHIM PACKAGE
34	J812 4071	1			BEARING PACKAGE
35	J063 6570	1			WASHER
36	J899 3317	1			SEALER, Gasket-in-a-Tube

MODEL CODES:

15 = Grand Wagoneer 4 Dr.	65 = Comanche 4WD-7 Ft. Box	77 = Cherokee 4WD-2 Dr.
25 = J-10 Pickup-119" W.B.	66 = Comanche 2WD-7 Ft. Box	78 = Cherokee 4WD-4 Dr.
26 = J-10 Pickup-131" W.B.	73 = Cherokee 2WD-2 Dr.	79 = Cherokee 4WD-4 Dr.-Com
27 = J-20 Pickup-131" W.B.	74 = Cherokee 2WD-4 Dr.	81 = Wrangler-93" W.B.
63 = Comanche 4WD-6 Ft. Box	75 = Wagoneer 4WD-4 Dr.	82 = Wrangler-103" W.B.-Exp.
64 = Comanche 2WD-6 Ft. Box		

BODY STYLES:

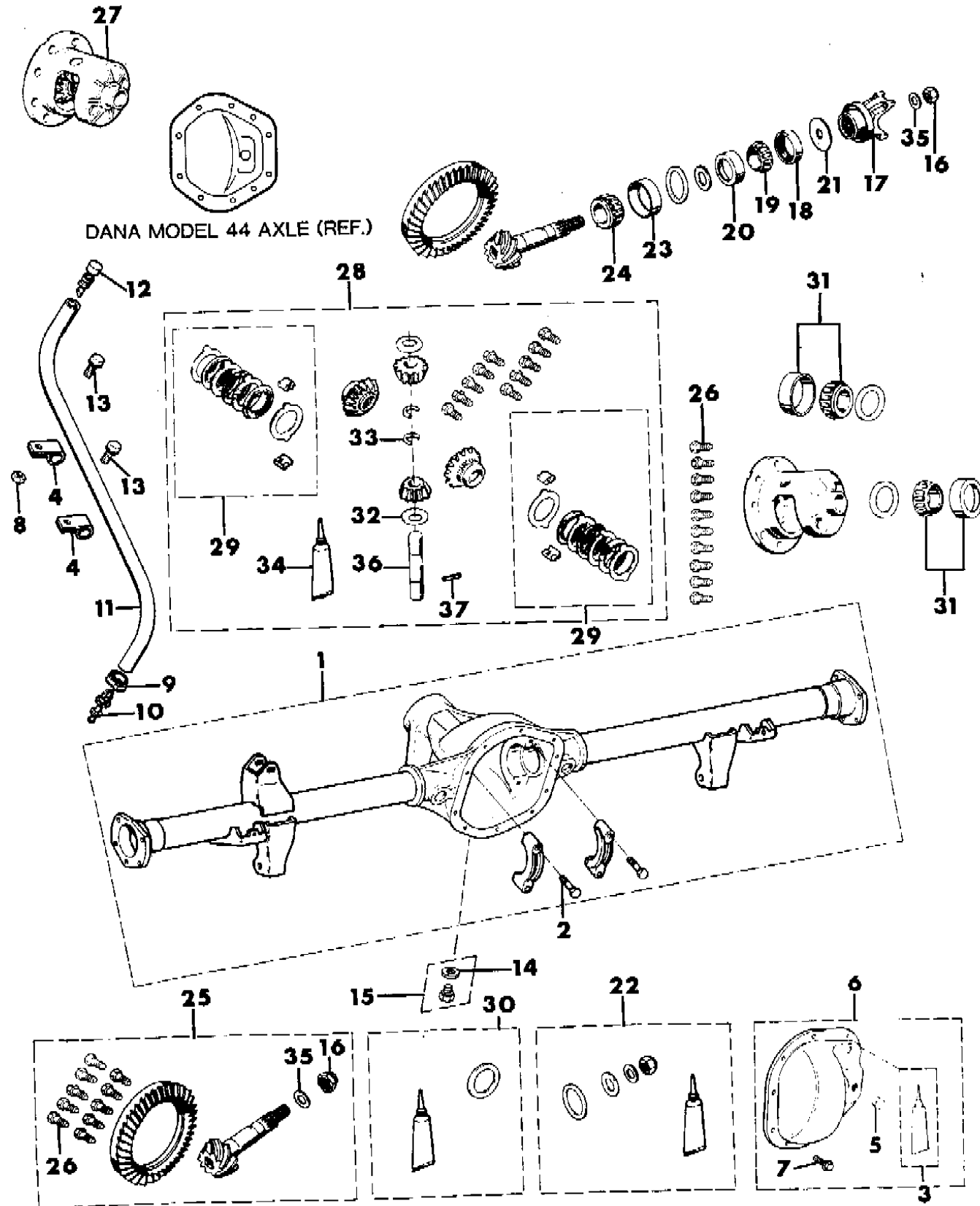
MJ = Comanche Pickup  
 SJ = Grand Wagoneer Wgn., J-10 & J-20 Pickups  
 XJ = Cherokee, Wagoneer Limited  
 YJ = Wrangler

AR = Use as Required - = Non Illustrated Part P.A.R. = Paint as Required

HOUSING AND DIFFERENTIAL, REAR AXLE DANA MODEL 44 KDX W/LOCKING DIFFERENTIAL WRANGLER, YJ

Figure 3-250

8J03 250



ITEM	PART NUMBER	QTY	BODY	MODEL	DESCRIPTION
1	8350 5407	1			HOUSING, Axle
2	8350 1515	4			BOLT
3	J899 3317	1			SEALER, Gasket-in-a-Tube
4	J014 0780	2			CLIP
5	8350 1571	1			PLUG
6	8350 3058	1			COVER
7	J099 1546	10			BOLT
8	J012 0361	1			NUT
9	J322 7851	1			CLAMP
10	J318 7999	1			VENT
11	J812 5823	1			HOSE, (1')
12	J535 2955	1			BREATHER
13	J400 5063	1			SCREW
14	J317 0271	1			GASKET
15	J812 1449	1			PLUG PACKAGE
16	J080 1367	1			NUT, Pinion
17	8350 3388	1			YOKE, Pinion
18	8350 3390	1			SEAL, Pinion
19	J005 2878	1			CONE, Bearing
20	J005 2879	1			CUP, Bearing
21	J063 6566	1			SLINGER
22	J812 9221	1			SHIM PACKAGE
23	J005 2877	1			CUP, Bearing
24	J080 7266	1			CONE, Bearing
25					GEAR SET, Rear Axle Differential
	8350 4197	1			3.07 Ratio
	8350 3437	1			3.54 Ratio
26	J064 9454	10			BOLT
27	J812 9218	1			CASE, Rear Axle Differential
28					GEAR SET, Rear Axle Differential
	J812 9220	1			Cross Shaft secured by two retaining rings
	8350 5432	1			Cross Shaft secured by a roll pin
29	J099 4345	1			DISC PACKAGE
30	J812 9222	1			SHIM PACKAGE
31	J812 4071	1			BEARING PACKAGE
32	J064 5790	2			WASHER, Pinion
33	8350 3070	2			RING, Snap

MODEL CODES:

15 = Grand Wagoneer 4 Dr.	65 = Comanche 4WD-7 Ft. Box	77 = Cherokee 4WD-2 Dr.
25 = J-10 Pickup-119" W.B.	66 = Comanche 2WD-7 Ft. Box	78 = Cherokee 4WD-4 Dr.
26 = J-10 Pickup-131" W.B.	73 = Cherokee 2WD-2 Dr.	79 = Cherokee 4WD-4 Dr.-Com
27 = J-20 Pickup-131" W.B.	74 = Cherokee 2WD-4 Dr.	81 = Wrangler-93" W.B.
63 = Comanche 4WD-6 Ft. Box	75 = Wagoneer 4WD-4 Dr.	82 = Wrangler-103" W.B.-Exp.
64 = Comanche 2WD-6 Ft. Box		

BODY STYLES:

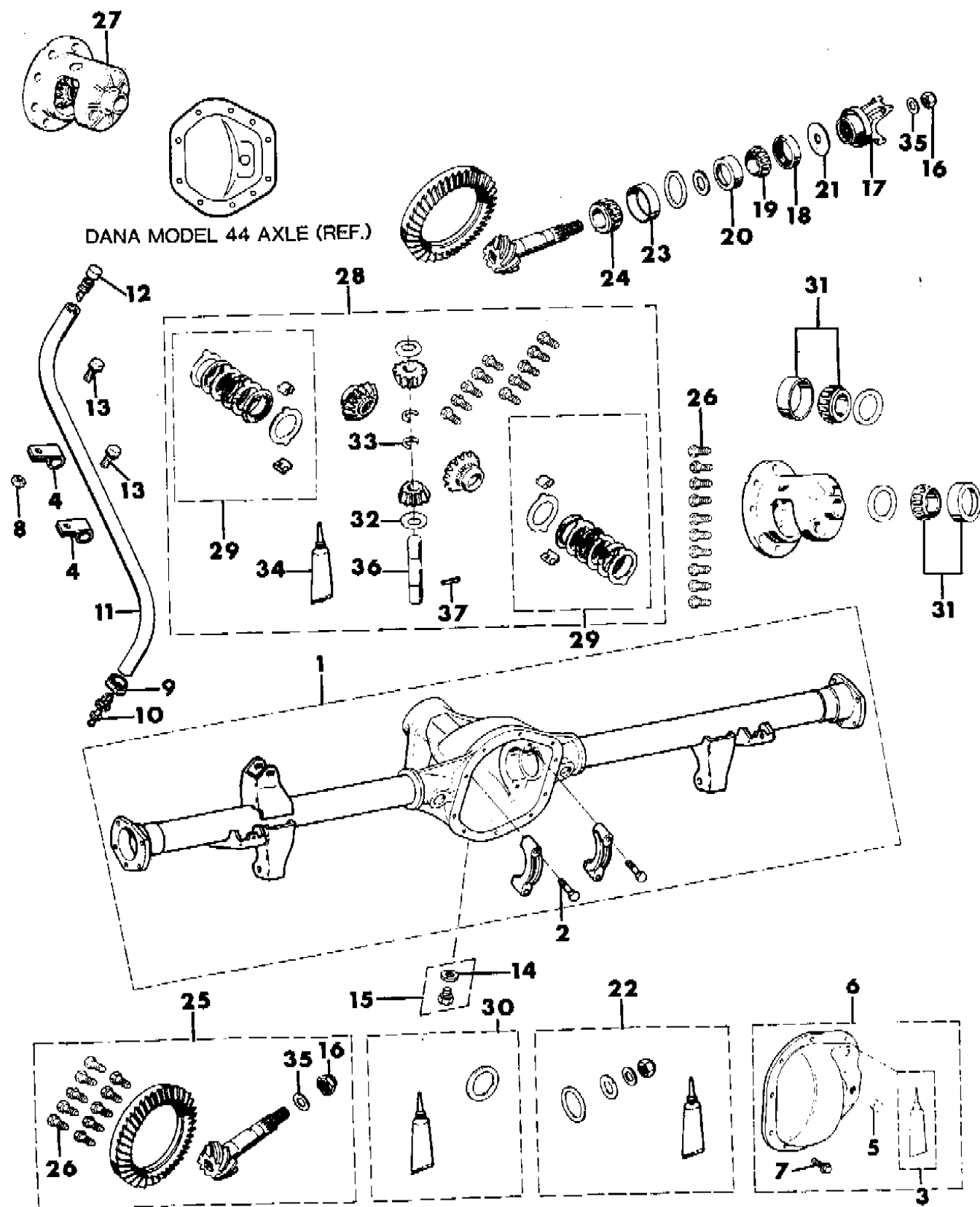
MJ = Comanche Pickup  
 SJ = Grand Wagoneer Wgn., J-10 & J-20 Pickups  
 XJ = Cherokee, Wagoneer Limited  
 YJ = Wrangler

AR = Use as Required - = Non Illustrated Part P.A.R. = Paint as Required

HOUSING AND DIFFERENTIAL, REAR AXLE DANA MODEL 44 KDX W/LOCKING DIFFERENTIAL WRANGLER, YJ

Figure 3-250

8 J03 250



ITEM	PART NUMBER	QTY	BODY	MODEL	DESCRIPTION
34	J899 3317	1			SEALER, Gasket-in-a-Tube
35	J063 6570	1			WASHER
36	8350 3069	1			SHAFT, Secured by roll pin
37	J063 6360	1			PIN, Cross Shaft Securing

MODEL CODES:

- |                             |                             |                              |
|-----------------------------|-----------------------------|------------------------------|
| 15 = Grand Wagoneer 4 Dr.   | 65 = Comanche 4WD-7 Ft. Box | 77 = Cherokee 4WD-2 Dr.      |
| 25 = J-10 Pickup-119" W.B.  | 66 = Comanche 2WD-7 Ft. Box | 78 = Cherokee 4WD-4 Dr.      |
| 26 = J-10 Pickup-131" W.B.  | 73 = Cherokee 2WD-2 Dr.     | 79 = Cherokee 4WD-4 Dr.-Com  |
| 27 = J-20 Pickup-131" W.B.  | 74 = Cherokee 2WD-4 Dr.     | 81 = Wrangler-93" W.B.       |
| 63 = Comanche 4WD-6 Ft. Box | 75 = Wagoneer 4WD-4 Dr.     | 82 = Wrangler-103" W.B.-Exp. |
| 64 = Comanche 2WD-6 Ft. Box |                             |                              |

BODY STYLES:

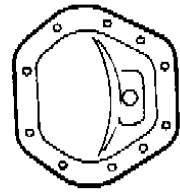
- MJ = Comanche Pickup
- SJ = Grand Wagoneer Wgn., J-10 & J-20 Pickups
- XJ = Cherokee, Wagoneer Limited
- YJ = Wrangler

AR = Use as Required - = Non Illustrated Part P.A.R. = Paint as Required

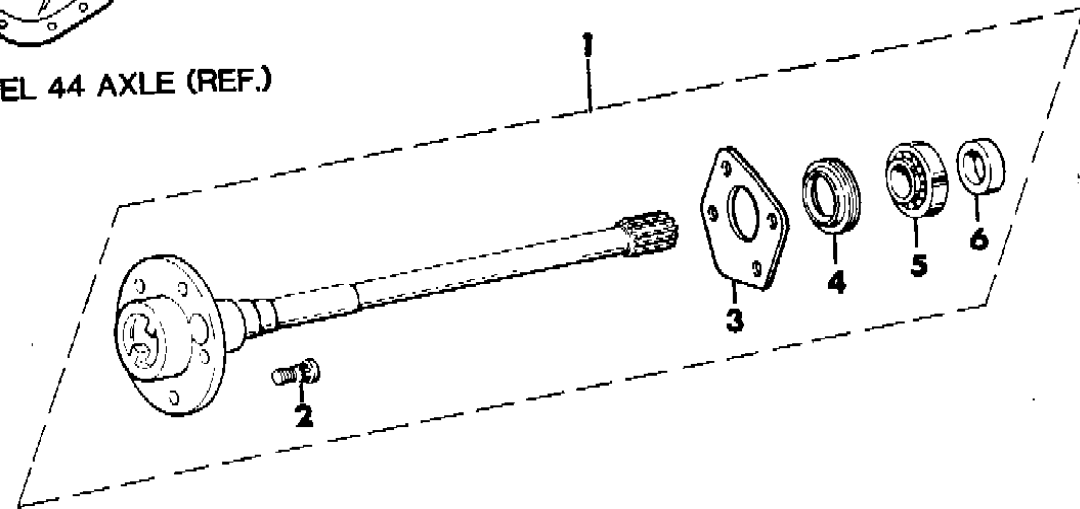
SHAFT, REAR AXLE DANA MODEL 44 KDX WRANGLER, YJ

Figure 3-350

8J03 350



DANA MODEL 44 AXLE (REF.)



ITEM	PART NUMBER	QTY	BODY	MODEL	DESCRIPTION
1					SHAFT, Axle
	8350 4960	1			Right
	8350 4961	1			Left
2	8350 3053	10			STUD, Wheel
3	8350 4190	2			RETAINER
4	8350 3063	2			SEAL
5	8350 3064	2			BEARING
6	8350 3077	2			RING, Retaining

MODEL CODES:

15 = Grand Wagoneer 4 Dr.	65 = Comanche 4WD-7 Ft. Box	77 = Cherokee 4WD-2 Dr.
25 = J-10 Pickup-119" W.B.	66 = Comanche 2WD-7 Ft. Box	78 = Cherokee 4WD-4 Dr.
26 = J-10 Pickup-131" W.B.	73 = Cherokee 2WD-2 Dr.	79 = Cherokee 4WD-4 Dr.-Com
27 = J-20 Pickup-131" W.B.	74 = Cherokee 2WD-4 Dr.	81 = Wrangler-93" W.B.
63 = Comanche 4WD-6 Ft. Box	75 = Wagoneer 4WD-4 Dr.	82 = Wrangler-103" W.B.-Exp.
64 = Comanche 2WD-6 Ft. Box		

BODY STYLES:

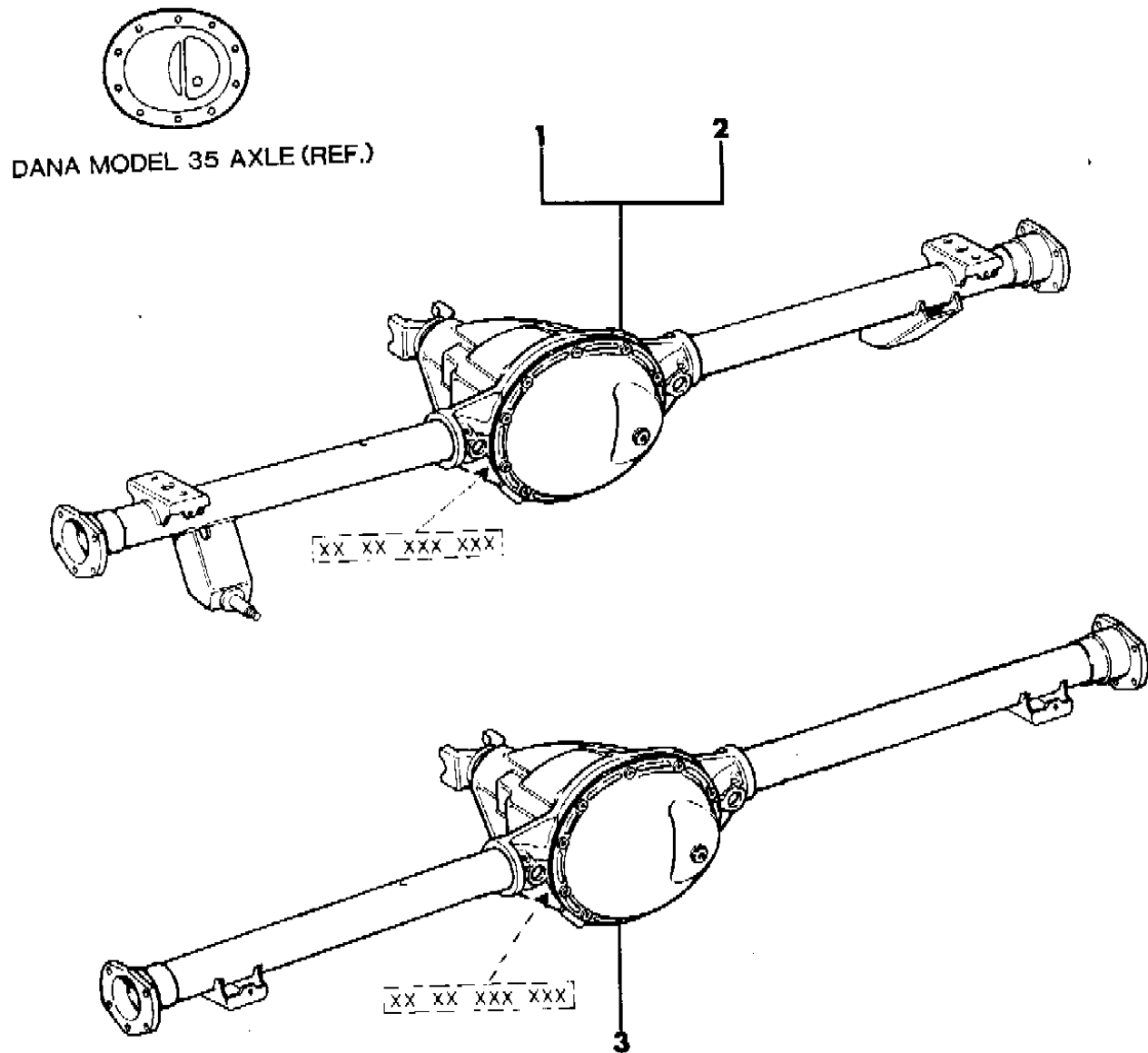
MJ = Comanche Pickup  
 SJ = Grand Wagoneer Wgn., J-10 & J-20 Pickups  
 XJ = Cherokee, Wagoneer Limited  
 YJ = Wrangler

AR = Use as Required - = Non Illustrated Part P.A.R. = Paint as Required

AXLE ASSEMBLY, REAR DANA MODEL 35 CHEROKEE, WAGONEER, COMANCHE

Figure 3-375

8J03 375



ITEM	PART NUMBER	QTY	BODY	MODEL	DESCRIPTION
1			XJ		AXLE ASSEMBLY w/o LOCKING DIFFERENTIAL
					1987/89
	8350 4941	1			3.07 Ratio, Tagged 89 53 003 516
	8350 4493	1			3.55 Ratio, Tagged 89 53 004 680
	8350 4493	1			3.55 Ratio, Tagged 89 53 005 193
	8350 4493	1			3.55 Ratio, w/Anti-Lock Brakes, Tagged 89 53 005 215
	8350 5126	1			3.55 Ratio, Tagged 89 53 005 172
	8350 4939	1			4.11 Ratio, Tagged 89 53 003 695
	8350 4939	1			4.11 Ratio, Tagged 89 53 005 336
	8350 4492	1			4.56 Ratio, Tagged 89 53 004 772
	8350 4492	1			4.56 Ratio, Tagged 89 53 005 338
					1990
	5252 927	1			3.07 Ratio, Tagged 53 005 584
	5252 929	1			3.55 Ratio, Tagged 53 005 585
	5252 929	1			3.55 Ratio, Tagged 53 005 589
	5252 951	1			3.55 Ratio, w/Anti-Lock Brakes, Tagged 53 005 587
	5252 930	1			4.11 Ratio, Tagged 53 005 590
	5252 932	1			4.56 Ratio, Tagged 53 005 592
2			XJ		AXLE ASSEMBLY w/LOCKING DIFFERENTIAL
					1987/89
	8350 5002	1			3.07 Ratio, Tagged 89 53 003 514
	8350 5127	1			3.55 Ratio, Tagged 89 53 005 173
	8350 5127	1			3.55 Ratio, w/Anti-Lock Brakes, Tagged 89 53 005 216
	8350 4940	1			4.11 Ratio, Tagged 89 53 005 337
	8350 4940	1			4.11 Ratio, Tagged 89 53 003 693
					1990
	5252 928	1			3.07 Ratio, Tagged 53 005 982
	5252 928	1			3.07 Ratio, ECE, Tagged 53 008 658
	5252 953	1			3.55 Ratio, Tagged 53 005 586
	5252 953	1			3.55 Ratio, ECE, Tagged 53 008 659
	5252 950	1			3.55 Ratio, w/Anti-Lock Brakes, Tagged 53 005 588
	5252 931	1			4.11 Ratio, Tagged 53 005 591
	5252 931	1			4.11 Ratio, ECE, Tagged 53 008 657
3			MJ		AXLE ASSEMBLY w/o LOCKING DIFFERENTIAL
					1987/89
	8350 4936	1			3.07 Ratio, Tagged 89 53 004 770
	8350 4496	1			3.55 Ratio, Tagged 89 53 004 682

MODEL CODES:

15 = Grand Wagoneer 4 Dr.	65 = Comanche 4WD-7 Ft. Box	77 = Cherokee 4WD-2 Dr.
25 = J-10 Pickup-119" W.B.	66 = Comanche 2WD-7 Ft. Box	78 = Cherokee 4WD-4 Dr.
26 = J-10 Pickup-131" W.B.	73 = Cherokee 2WD-2 Dr.	79 = Cherokee 4WD-4 Dr.-Com
27 = J-20 Pickup-131" W.B.	74 = Cherokee 2WD-4 Dr.	81 = Wrangler-93" W.B.
63 = Comanche 4WD-6 Ft. Box	75 = Wagoneer 4WD-4 Dr.	82 = Wrangler-103" W.B.-Exp.
64 = Comanche 2WD-6 Ft. Box		

BODY STYLES:

MJ = Comanche Pickup
SJ = Grand Wagoneer Wgn., J-10 & J-20 Pickups
XJ = Cherokee, Wagoneer Limited
YJ = Wrangler

AR = Use as Required - = Non Illustrated Part P.A.R. = Paint as Required

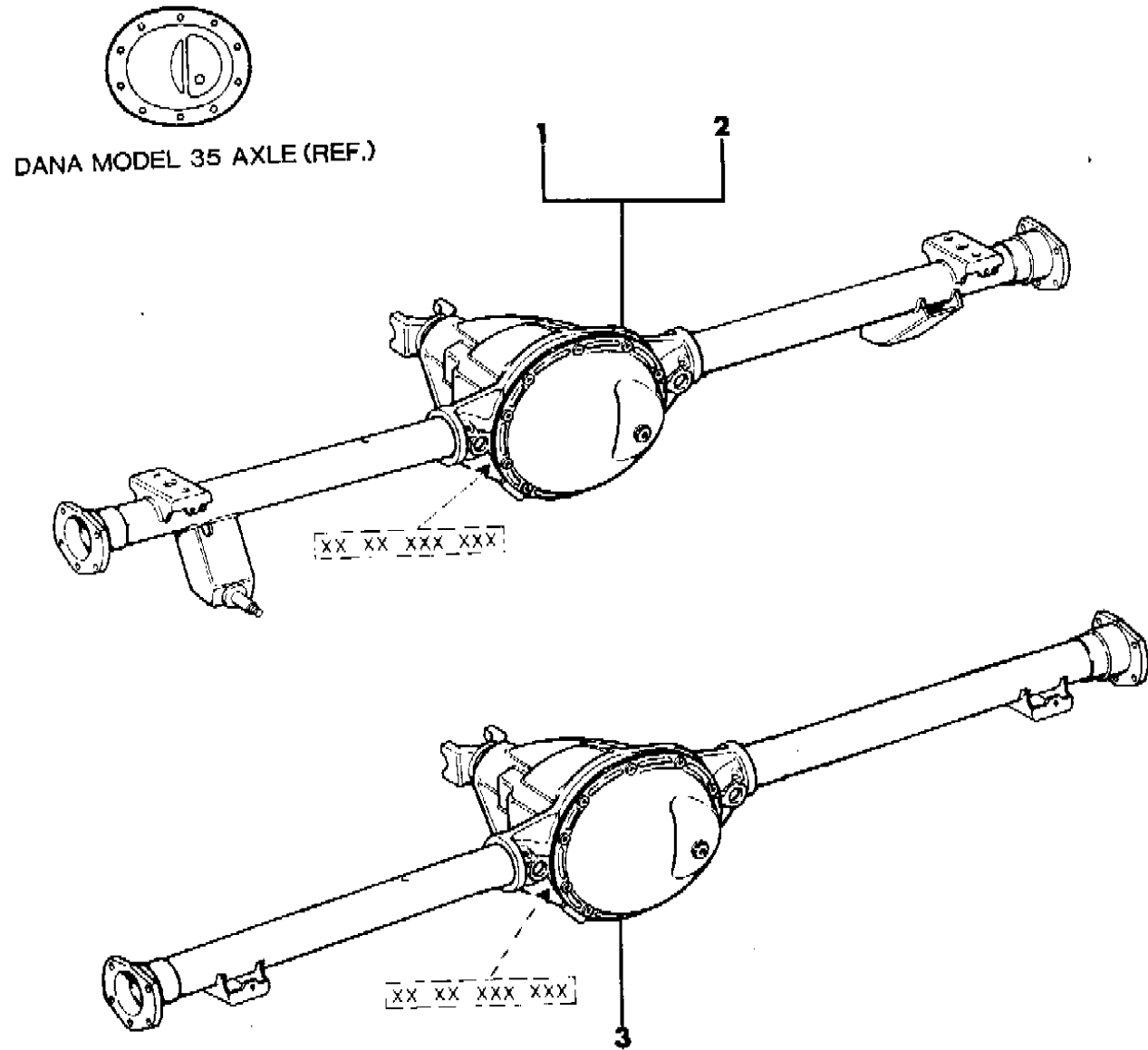


AXLE ASSEMBLY, REAR DANA MODEL 35 CHEROKEE, WAGONEER, COMANCHE

Figure 3-375

8J03 375

ITEM	PART NUMBER	QTY	BODY	MODEL	DESCRIPTION
	8350 4937	1			4.11 Ratio, Tagged 89 53 004 769
	8350 4495	1			4.56 Ratio, Tagged 89 53 004 773 1990
	5252 941	1			3.07 Ratio, Tagged 53 008 596 or 53 005 593
	5252 942	1			3.55 Ratio, Tagged 53 008 597 or 53 005 594
	5252 943	1			4.11 Ratio, Tagged 53 008 598 or 53 005 983
	5252 946	1			4.56 Ratio, Tagged 53 008 599 or 53 005 595



MODEL CODES:

15 = Grand Wagoneer 4 Dr.	65 = Comanche 4WD-7 Ft. Box	77 = Cherokee 4WD-2 Dr.
25 = J-10 Pickup-119" W.B.	66 = Comanche 2WD-7 Ft. Box	78 = Cherokee 4WD-4 Dr.
26 = J-10 Pickup-131" W.B.	73 = Cherokee 2WD-2 Dr.	79 = Cherokee 4WD-4 Dr.-Com
27 = J-20 Pickup-131" W.B.	74 = Cherokee 2WD-4 Dr.	81 = Wrangler-93" W.B.
63 = Comanche 4WD-6 Ft. Box	75 = Wagoneer 4WD-4 Dr.	82 = Wrangler-103" W.B.-Exp.
64 = Comanche 2WD-6 Ft. Box		

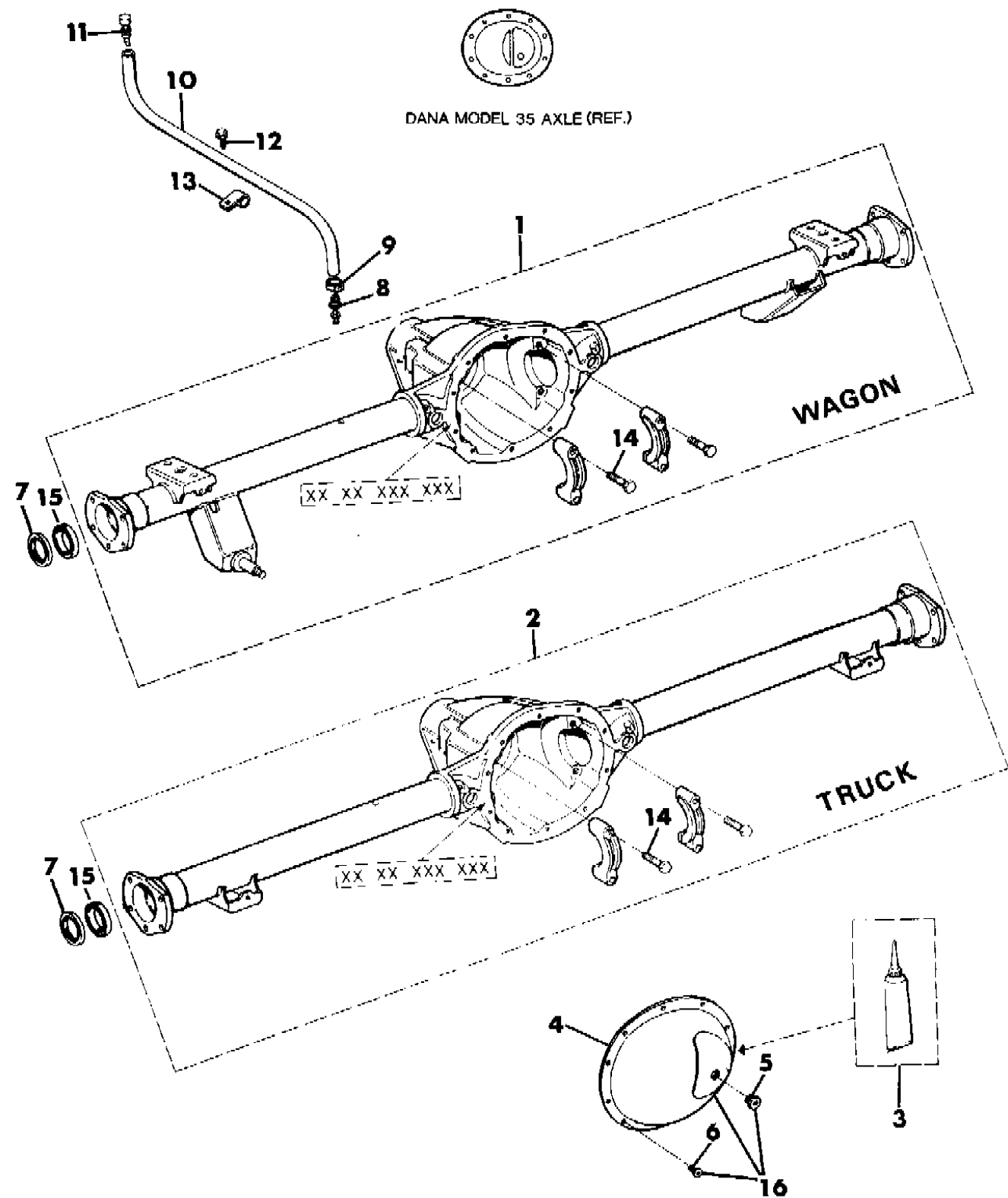
BODY STYLES:

MJ = Comanche Pickup  
 SJ = Grand Wagoneer Wgn., J-10 & J-20 Pickups  
 XJ = Cherokee, Wagoneer Limited  
 YJ = Wrangler

AR = Use as Required - = Non Illustrated Part P.A.R. = Paint as Required

**HOUSING, REAR AXLE DANA MODEL 35 CHEROKEE, WAGONEER, COMANCHE**  
**Figure 3-400**

**8J03 400A**



ITEM	PART NUMBER	QTY	BODY	MODEL	DESCRIPTION
1			XJ		HOUSING, Axle
	8350 3008	1			1987/89
	5252 511	1			1990
	5252 516	1			Tagged 53 005 584, 53 005 587, 53 005 588, 53 005 982 or 53 008 658
	5252 516	1			Tagged 53 005 585, 53 005 586, 53 005 589, 53 005 590, 53 005 591, 53 005 592, 53 008 657 or 53 008 659
2			MJ		HOUSING, Axle
	8350 3014	1			1987/89
	5252 632	1			1990
3	J899 3317	1			SEALER, Gasket-in-a-Tube
4	8350 5125	1			COVER
5					PLUG
	J400 4751	1			1/2"-14
	5252 504	1			Rubber
6	J400 6708	10			BOLT
7					SEAL
	8350 3010	2			1987/89
	5252 499	2			1990 (Stamped 42914)
8	J318 7999	1			VENT
9	J322 7851	1			CLAMP
10	J318 7627	1			HOSE, Vent
11	J535 2955	1			BREATHER
12	J942 6241	1			SCREW
13	J012 0526	1			CLIP
14	J400 6553	4			BOLT
15	J813 4586	2			BEARING ASSEMBLY, Axle Shaft (1990)
16	5252 493	1			COVER ASSEMBLY PACKAGE ***

**MODEL CODES:**

15 = Grand Wagoneer 4 Dr.	65 = Comanche 4WD-7 Ft. Box	77 = Cherokee 4WD-2 Dr.
25 = J-10 Pickup-119" W.B.	66 = Comanche 2WD-7 Ft. Box	78 = Cherokee 4WD-4 Dr.
26 = J-10 Pickup-131" W.B.	73 = Cherokee 2WD-2 Dr.	79 = Cherokee 4WD-4 Dr.-Com
27 = J-20 Pickup-131" W.B.	74 = Cherokee 2WD-4 Dr.	81 = Wrangler-93" W.B.
63 = Comanche 4WD-6 Ft. Box	75 = Wagoneer 4WD-4 Dr.	82 = Wrangler-103" W.B.-Exp.
64 = Comanche 2WD-6 Ft. Box		

**BODY STYLES:**

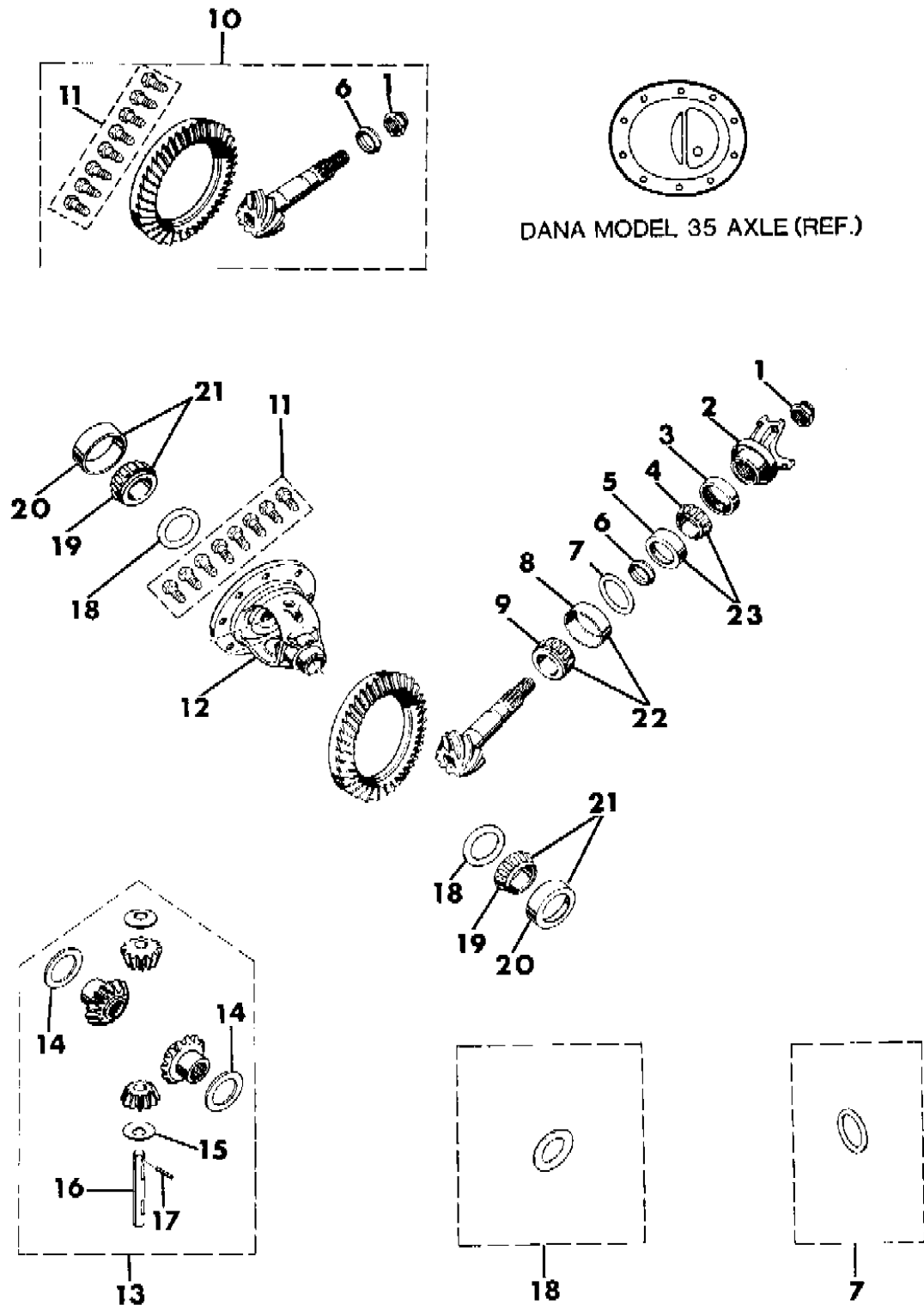
MJ = Comanche Pickup  
 SJ = Grand Wagoneer Wgn., J-10 & J-20 Pickups  
 XJ = Cherokee, Wagoneer Limited  
 YJ = Wrangler

AR = Use as Required - = Non Illustrated Part P.A.R. = Paint as Required

DIFFERENTIAL, NON-LOCKING DANA MODEL 35 CHEROKEE, WAGONEER, COMANCHE

Figure 3-500

8 J03 500 A



ITEM	PART NUMBER	QTY	BODY	MODEL	DESCRIPTION
1	J318 2601	1			NUT, Pinion
2	8350 3318	1			YOKE, Pinion
3	8350 4946	1			SEAL, Pinion
4	J315 6063	1			CONE, Bearing
5	J315 6062	1			CUP, Bearing
6	J317 5779	1			SPACER, Pinion
7	8350 3003	1			SHIM KIT (8)
8	J315 6065	1			CUP, Bearing
9	J317 0947	1			RACE, Bearing
10					GEAR SET
	8350 4934	1			3.07 Ratio (40-13)
	8350 5472	1			3.07 Ratio (43-14)
	8350 3000	1			3.31 Ratio
	8350 4376	1			3.55 Ratio
	8350 4938	1			4.11 Ratio
	8350 4377	1			4.56 Ratio
11	8350 4374	1			BOLT KIT
12					CASE, Differential
					1987/89
	8350 2880	1			3.07, 3.31 Ratio
	8350 3001	1			3.55, 4.11, 4.56 Ratio
					1990
	5252 510	1			3.07 Ratio
	5252 494	1			3.55, 4.11, 4.56 Ratios
13					GEAR SET, Differential
	8350 3002	1			1987/89
	5252 495	1			1990
14	J323 7817	2			WASHER, Side
15	J323 7818	2			WASHER, Pinion
16	J322 4231	1			SHAFT, Differential (1987/89)
17					PIN, Retaining
	S045 5313	1			1987/89
	5252 502	1			1990
18	8350 3004	1			SHIM KIT (16)
19	1937 771	2			CONE, Bearing
20	J317 1166	2			CUP, Bearing
21	J812 6500	1			BEARING PACKAGE, Differential Side ***

MODEL CODES:

15 = Grand Wagoneer 4 Dr.	65 = Comanche 4WD-7 Ft. Box	77 = Cherokee 4WD-2 Dr.
25 = J-10 Pickup-119" W.B.	66 = Comanche 2WD-7 Ft. Box	78 = Cherokee 4WD-4 Dr.
26 = J-10 Pickup-131" W.B.	73 = Cherokee 2WD-2 Dr.	79 = Cherokee 4WD-4 Dr.-Com
27 = J-20 Pickup-131" W.B.	74 = Cherokee 2WD-4 Dr.	81 = Wrangler-93" W.B.
63 = Comanche 4WD-6 Ft. Box	75 = Wagoneer 4WD-4 Dr.	82 = Wrangler-103" W.B.-Exp.
64 = Comanche 2WD-6 Ft. Box		

BODY STYLES:

MJ = Comanche Pickup
SJ = Grand Wagoneer Wgn., J-10 & J-20 Pickups
XJ = Cherokee, Wagoneer Limited
YJ = Wrangler

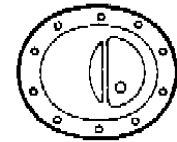
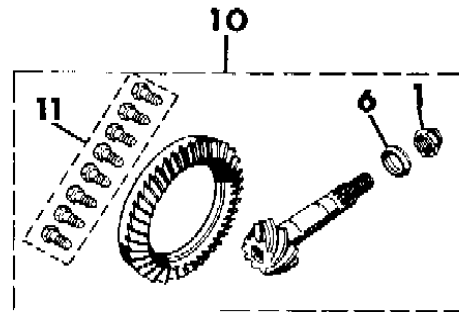
AR = Use as Required - = Non Illustrated Part P.A.R. = Paint as Required

DIFFERENTIAL, NON-LOCKING DANA MODEL 35 CHEROKEE, WAGONEER, COMANCHE

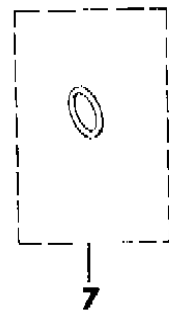
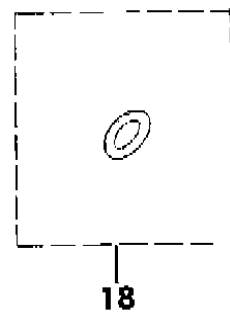
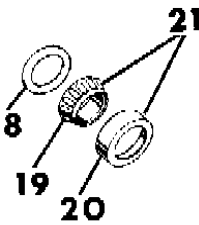
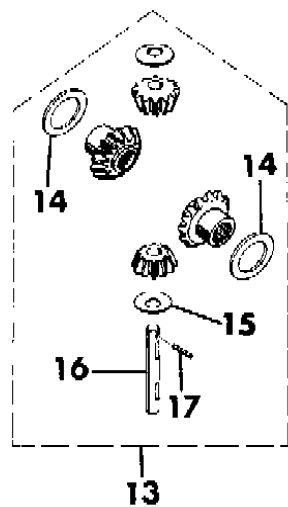
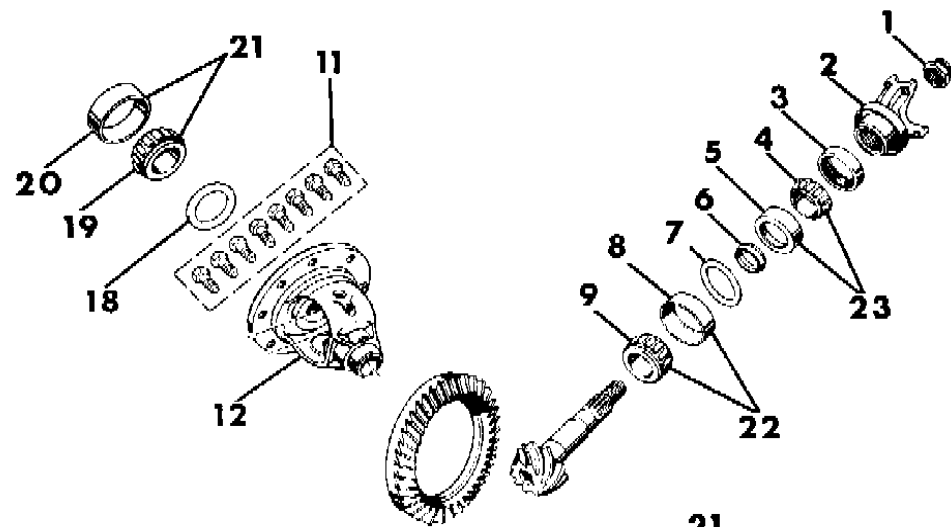
Figure 3-500

8 J03 500 A

ITEM	PART NUMBER	QTY	BODY	MODEL	DESCRIPTION
22	5252 507	1			BEARING PACKAGE, Pinion Inner ***
23	5252 508	1			BEARING PACKAGE, Pinion Outer ***



DANA MODEL 35 AXLE (REF.)



MODEL CODES:

15 = Grand Wagoneer 4 Dr.	65 = Comanche 4WD-7 Ft. Box	77 = Cherokee 4WD-2 Dr.
25 = J-10 Pickup-119" W.B.	66 = Comanche 2WD-7 Ft. Box	78 = Cherokee 4WD-4 Dr.
26 = J-10 Pickup-131" W.B.	73 = Cherokee 2WD-2 Dr.	79 = Cherokee 4WD-4 Dr.-Com
27 = J-20 Pickup-131" W.B.	74 = Cherokee 2WD-4 Dr.	81 = Wrangler-93" W.B.
63 = Comanche 4WD-6 Ft. Box	75 = Wagoneer 4WD-4 Dr.	82 = Wrangler-103" W.B.-Exp.
64 = Comanche 2WD-6 Ft. Box		

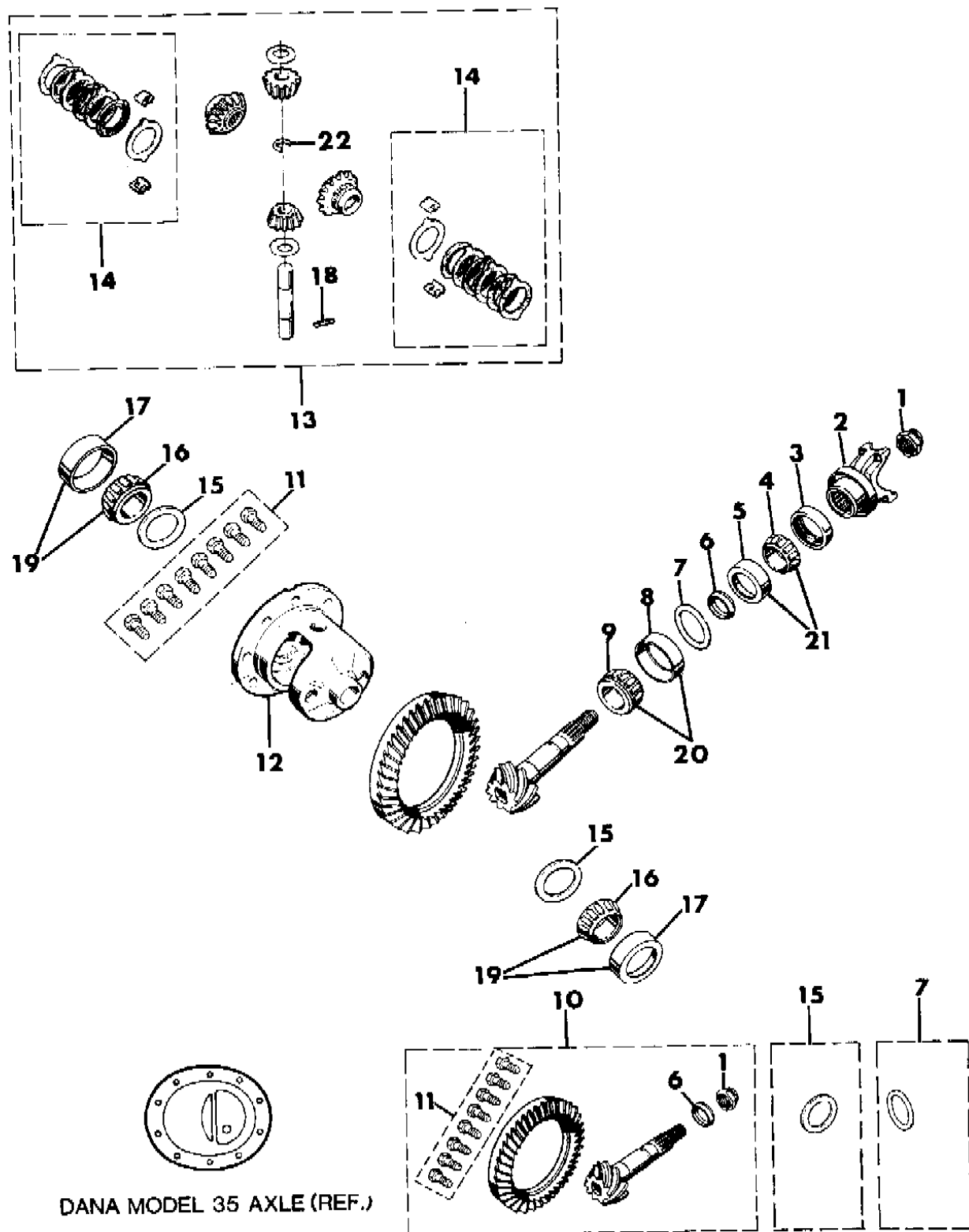
BODY STYLES:

MJ = Comanche Pickup  
 SJ = Grand Wagoneer Wgn., J-10 & J-20 Pickups  
 XJ = Cherokee, Wagoneer Limited  
 YJ = Wrangler

AR = Use as Required - = Non Illustrated Part P.A.R. = Paint as Required

**DIFFERENTIAL, LOCKING DANA MODEL 35 CHEROKEE, WAGONEER, COMANCHE**  
**Figure 3-600**

**8J03 600B**



ITEM	PART NUMBER	QTY	BODY	MODEL	DESCRIPTION
1	J318 2601	1			NUT, Pinion
2	8350 3318	1			YOKE, Pinion
3	8350 4946	1			SEAL, Pinion
4	J315 6063	1			CONE, Bearing
5	J315 6062	1			CUP, Bearing
6	J317 5779	1			SPACER, Pinion
7	8350 3003	1			SHIM KIT
8	J315 6065	1			CUP, Bearing
9	J317 0947	1			CONE, Bearing
10					GEAR SET, Ring and Pinion
	8350 4934	1			3.07 Ratio (40-13)
	8350 5472	1			3.07 Ratio (43-14)
	8350 4376	1			3.55 Ratio
	8350 4938	1			4.11 Ratio
11	8350 4374	1			BOLT KIT
12					CASE, Differential
					1987/89
	8350 5020	1			3.07 Ratio
	8350 5021	1			3.55, 4.11 Ratio
					1990
	5252 512	1			3.07 Ratio
	5252 496	1			3.55, 4.11 Ratio
13					GEAR SET, Differential
	8350 0262	1			1987
	8350 5022	1			1988/89
	5252 497	1			1990
14					DISC KIT, Differential ***
	8350 0263	1			1987/89
	5252 506	1			1990
15	8350 3004	1			SHIM KIT
16	J315 6052	2			CONE, Bearing
17	J317 1166	2			CUP, Bearing
18					PIN, Retaining
	8350 5019	1			1987/89
	5252 502	1			1990
19	J812 6500	1			BEARING PACKAGE, Differential Side ***
20	5252 507	1			BEARING PACKAGE, Pinion Inner ***

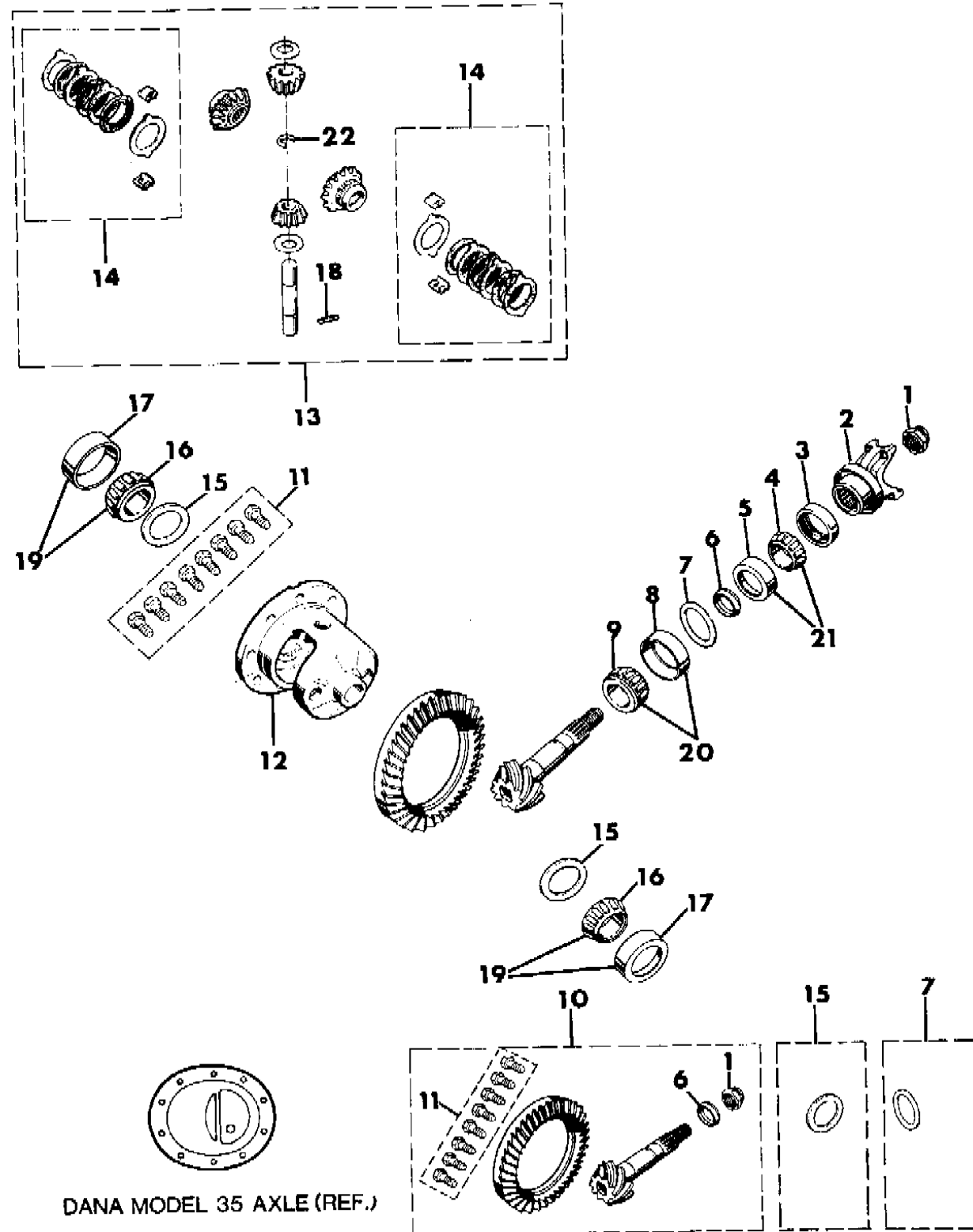
**MODEL CODES:**  
 15 = Grand Wagoneer 4 Dr.      65 = Comanche 4WD-7 Ft. Box      77 = Cherokee 4WD-2 Dr.  
 25 = J-10 Pickup-119" W.B.      66 = Comanche 2WD-7 Ft. Box      78 = Cherokee 4WD-4 Dr.  
 26 = J-10 Pickup-131" W.B.      73 = Cherokee 2WD-2 Dr.      79 = Cherokee 4WD-4 Dr.-Com  
 27 = J-20 Pickup-131" W.B.      74 = Cherokee 2WD-4 Dr.      81 = Wrangler-93" W.B.  
 63 = Comanche 4WD-6 Ft. Box      75 = Wagoneer 4WD-4 Dr.      82 = Wrangler-103" W.B.-Exp.  
 64 = Comanche 2WD-6 Ft. Box

**BODY STYLES:**  
 MJ = Comanche Pickup  
 SJ = Grand Wagoneer Wgn., J-10 & J-20 Pickups  
 XJ = Cherokee, Wagoneer Limited  
 YJ = Wrangler

AR = Use as Required - = Non Illustrated Part P.A.R. = Paint as Required

**DIFFERENTIAL, LOCKING DANA MODEL 35 CHEROKEE, WAGONEER, COMANCHE**  
**Figure 3-600**

**8J03 600B**



ITEM	PART NUMBER	QTY	BODY	MODEL	DESCRIPTION
21	5252 508	1			BEARING PACKAGE, Pinion Outer ***
22	8350 1445	1			RING, Snap (1987/89)

- MODEL CODES:**
- |                             |                             |                              |
|-----------------------------|-----------------------------|------------------------------|
| 15 = Grand Wagoneer 4 Dr.   | 65 = Comanche 4WD-7 Ft. Box | 77 = Cherokee 4WD-2 Dr.      |
| 25 = J-10 Pickup-119" W.B.  | 66 = Comanche 2WD-7 Ft. Box | 78 = Cherokee 4WD-4 Dr.      |
| 26 = J-10 Pickup-131" W.B.  | 73 = Cherokee 2WD-2 Dr.     | 79 = Cherokee 4WD-4 Dr.-Com  |
| 27 = J-20 Pickup-131" W.B.  | 74 = Cherokee 2WD-4 Dr.     | 81 = Wrangler-93" W.B.       |
| 63 = Comanche 4WD-6 Ft. Box | 75 = Wagoneer 4WD-4 Dr.     | 82 = Wrangler-103" W.B.-Exp. |
| 64 = Comanche 2WD-6 Ft. Box |                             |                              |

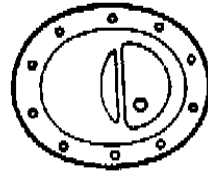
- BODY STYLES:**
- MJ = Comanche Pickup
  - SJ = Grand Wagoneer Wgn., J-10 & J-20 Pickups
  - XJ = Cherokee, Wagoneer Limited
  - YJ = Wrangler

AR = Use as Required - = Non Illustrated Part P.A.R. = Paint as Required

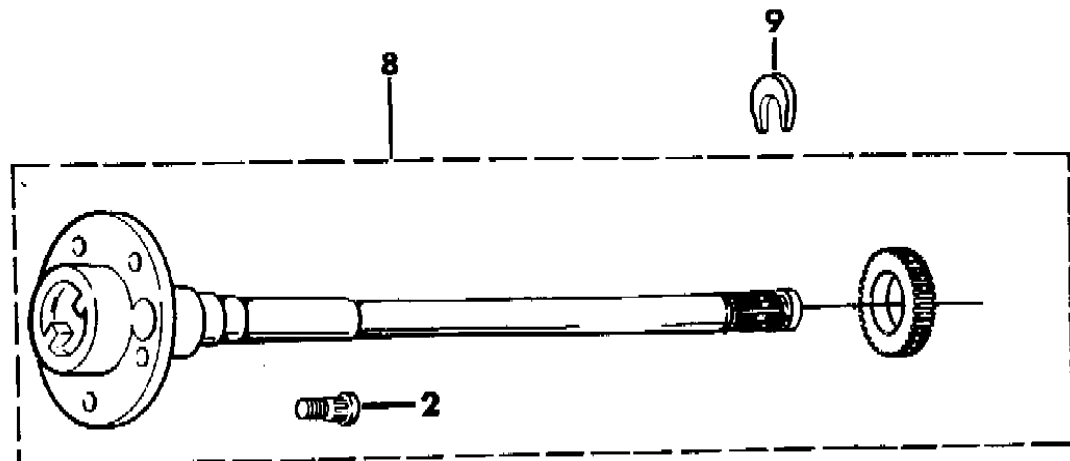
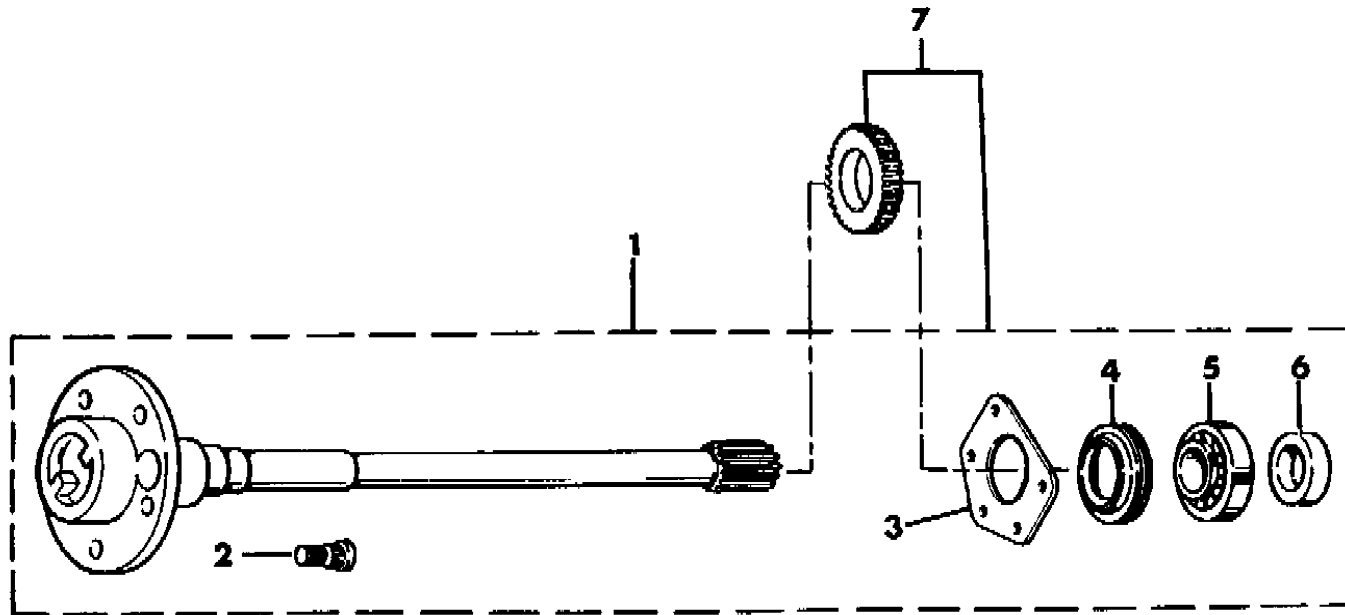
SHAFT, REAR AXLE DANA MODEL 35 CHEROKEE, WAGONEER, COMANCHE

Figure 3-700

8J03700C



DANA MODEL 35 AXLE (REF.)



ITEM	PART NUMBER	QTY	BODY	MODEL	DESCRIPTION
1	8350 2882-3	1			SHAFT, Axle (w/o Anti-Lock Brakes) (1987-89)
2	8350 3053	10			STUD, Wheel
3	8350 3022	2			RETAINER, Seal
4	5300 0477	2			SEAL,(1987-1989)
	5252 499	2			SEAL,(1990)
5	5300 0475	2			BEARING
6	8350 3054	2			RING, Retaining
7	8350 4962-3	1			SHAFT, Axle w/Anti-Lock Brakes (1987-89)
8	5252 948-9	1			SHAFTS, Axle w/ or w/o Anti-Lock Brakes (1990) ***
9	5252 505	2			RETAINER, Axle Shaft (1990)

MODEL CODES:

15 = Grand Wagoneer 4 Dr.	65 = Comanche 4WD-7 Ft. Box	77 = Cherokee 4WD-2 Dr.
25 = J-10 Pickup-119" W.B.	66 = Comanche 2WD-7 Ft. Box	78 = Cherokee 4WD-4 Dr.
26 = J-10 Pickup-131" W.B.	73 = Cherokee 2WD-2 Dr.	79 = Cherokee 4WD-4 Dr.-Com
27 = J-20 Pickup-131" W.B.	74 = Cherokee 2WD-4 Dr.	81 = Wrangler-93" W.B.
63 = Comanche 4WD-6 Ft. Box	75 = Wagoneer 4WD-4 Dr.	82 = Wrangler-103" W.B.-Exp.
64 = Comanche 2WD-6 Ft. Box		

BODY STYLES:

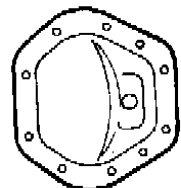
MJ = Comanche Pickup  
 SJ = Grand Wagoneer Wgn., J-10 & J-20 Pickups  
 XJ = Cherokee, Wagoneer Limited  
 YJ = Wrangler

AR = Use as Required - = Non Illustrated Part P.A.R. = Paint as Required

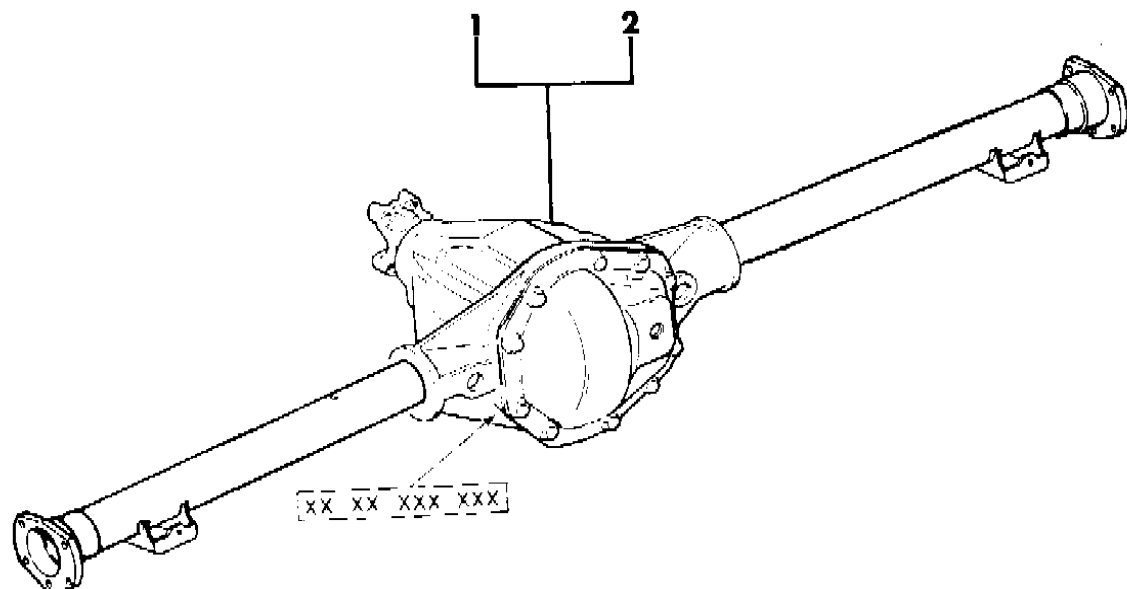
AXLE ASSEMBLY, REAR DANA MODEL 44 CHEROKEE, WAGONEER, COMANCHE

Figure 3-750

8J03 750



DANA MODEL 44 AXLE (REF.)



ITEM	PART NUMBER	QTY	BODY	MODEL	DESCRIPTION
1					AXLE ASSEMBLY w/o LOCKING DIFFERENTIAL
	8350 4198	1	XJ		3.07 Ratio, Tagged 89 53 005 001, 1987 Only
	8350 4207	1	XJ		3.54 Ratio, Tagged 89 53 005 003 or 89 53 005 191 , 1987 Only
	8350 4200	1	MJ		3.07 Ratio, Tagged 89 53 005 005
	8350 3436	1	MJ		3.54 Ratio, Tagged 89 53 004 694
	8350 3056	1	MJ		4.09 Ratio, Tagged 89 53 003 071 or 89 53 004 695
2					AXLE ASSEMBLY w/LOCKING DIFFERENTIAL
	8350 4199	1	XJ		3.07 Ratio, Tagged 89 53 005 002, 1987 Only
	8350 4208	1	XJ		3.54 Ratio, Tagged 89 53 005 004 or 89 53 005 192 , 1987 Only
	8350 4201	1	MJ		3.07 Ratio, Tagged 89 53 005 006
	8350 5433	1	MJ		3.07 Ratio, Tagged 89 53 005 416
	8350 4202	1	MJ		3.54 Ratio, Tagged 89 53 005 007
	8350 5434	1	MJ		3.54 Ratio, Tagged 89 53 005 417

MODEL CODES:

15 = Grand Wagoneer 4 Dr.	65 = Comanche 4WD-7 Ft. Box	77 = Cherokee 4WD-2 Dr.
25 = J-10 Pickup-119" W.B.	66 = Comanche 2WD-7 Ft. Box	78 = Cherokee 4WD-4 Dr.
26 = J-10 Pickup-131" W.B.	73 = Cherokee 2WD-2 Dr.	79 = Cherokee 4WD-4 Dr.-Com
27 = J-20 Pickup-131" W.B.	74 = Cherokee 2WD-4 Dr.	81 = Wrangler-93" W.B.
63 = Comanche 4WD-6 Ft. Box	75 = Wagoneer 4WD-4 Dr.	82 = Wrangler-103" W.B.-Exp.
64 = Comanche 2WD-6 Ft. Box		

BODY STYLES:

MJ = Comanche Pickup  
 SJ = Grand Wagoneer Wgn., J-10 & J-20 Pickups  
 XJ = Cherokee, Wagoneer Limited  
 YJ = Wrangler

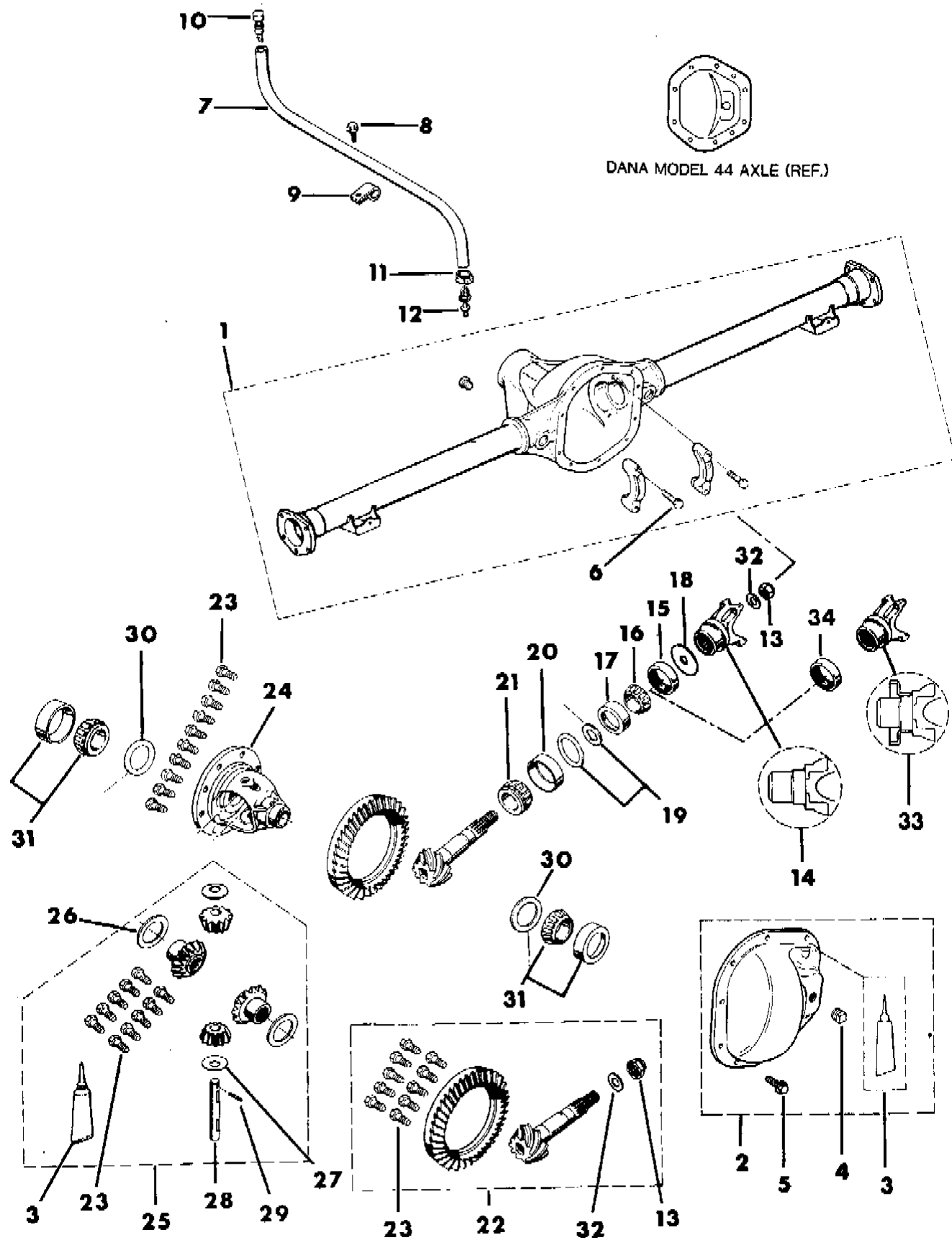
AR = Use as Required - = Non Illustrated Part P.A.R. = Paint as Required



HOUSING AND DIFFERENTIAL, REAR AXLE DANA MODEL 44 W/O LOCKING DIFFERENTIAL CHEROKEE, WAGONEER, COMANCHE

Figure 3-800

8J03 800 A



ITEM	PART NUMBER	QTY	BODY	MODEL	DESCRIPTION
1					HOUSING, Axle
	8350 4196	1	XJ		1987 Only
	8350 3055	1	MJ		1987/90
2	8350 5549	1			COVER
3	J899 3317	1			SEALER, Gasket-in-a-Tube
4	3640 792	1			PLUG (3/4")
	S044 4588	1			PLUG (1/2")
5	J027 3573	10			BOLT
6	8350 1515	4			BOLT
7	J318 7627	1			HOSE, Vent
8	J942 6241	1			SCREW
9	J012 0526	1			CLIP
10	J535 2955	1			BREATHER
11	J322 7851	1			CLAMP
12	J318 7999	1			VENT
13	J080 1367	1			NUT, Pinion
14	J813 3241	1			YOKE, Pinion
15	J099 8092	1			SEAL, Pinion
16	1793 513	1			CONE, Bearing
17	J005 2879	1			CUP, Bearing
18	J063 6566	1			SLINGER
19	J812 9221	1			SHIM KIT
20	0698 413	1			CUP, Bearing
21	J080 7266	1			CONE, Bearing
22					GEAR SET, Ring and Pinion
	8350 4197	1			3.07 Ratio
	4137 749	1			3.54 Ratio
	8350 3059	1			4.09 Ratio
23	J064 9454	10			BOLT
24					CASE, Differential
	8350 3073	1			3.07, 3.54 Ratio
	8350 3067	1			4.09 Ratio
25	8350 3068	1			GEAR SET, Differential
26	J080 5325	2			WASHER, Side
27	J064 5790	2			WASHER, Pinion
28	8350 3069	1			SHAFT, Differential
29	J063 6360	1			PIN

MODEL CODES:

15 = Grand Wagoneer 4 Dr.	65 = Comanche 4WD-7 Ft. Box	77 = Cherokee 4WD-2 Dr.
25 = J-10 Pickup-119" W.B.	66 = Comanche 2WD-7 Ft. Box	78 = Cherokee 4WD-4 Dr.
26 = J-10 Pickup-131" W.B.	73 = Cherokee 2WD-2 Dr.	79 = Cherokee 4WD-4 Dr.-Com
27 = J-20 Pickup-131" W.B.	74 = Cherokee 2WD-4 Dr.	81 = Wrangler-93" W.B.
63 = Comanche 4WD-6 Ft. Box	75 = Wagoneer 4WD-4 Dr.	82 = Wrangler-103" W.B.-Exp.
64 = Comanche 2WD-6 Ft. Box		

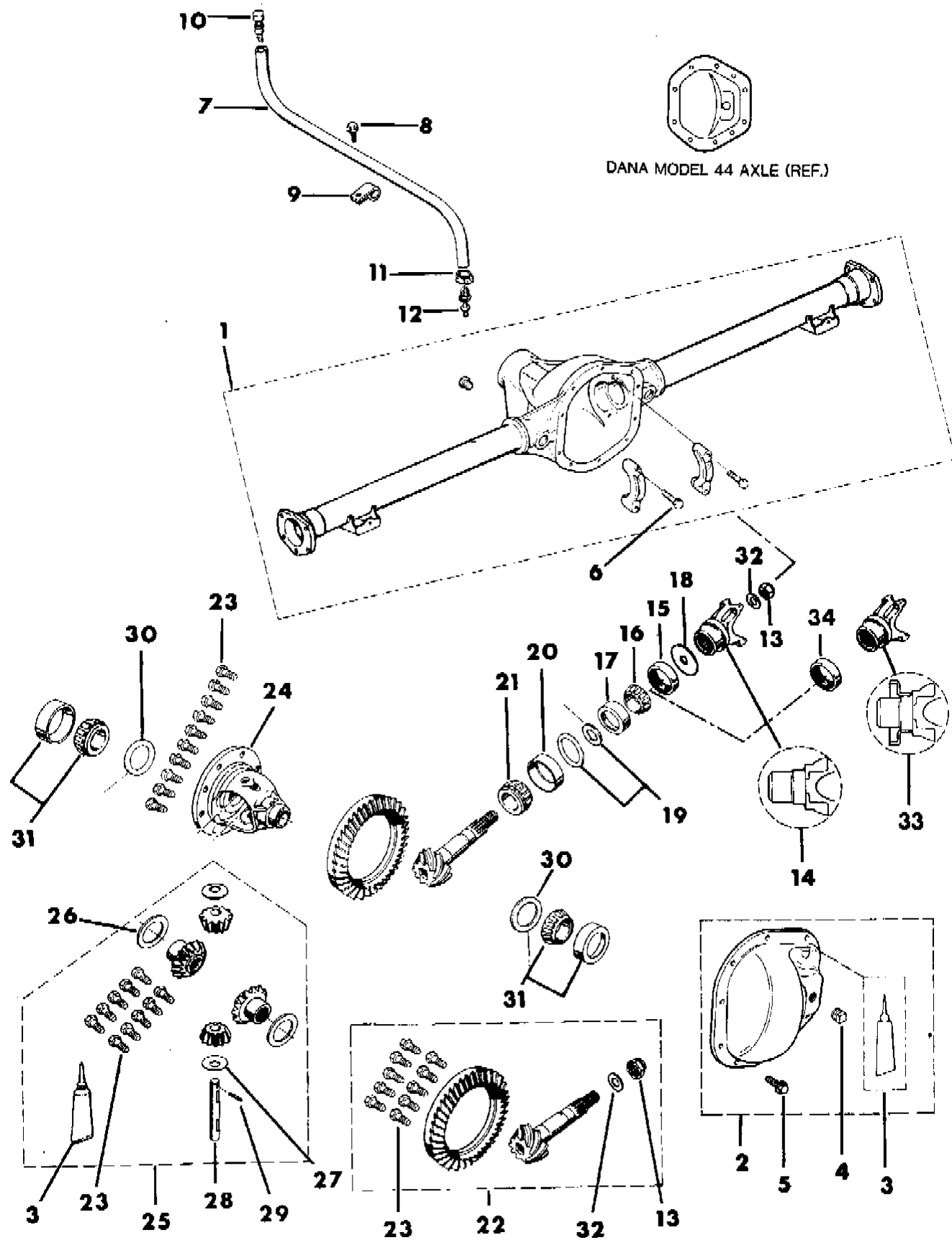
BODY STYLES:

MJ = Comanche Pickup
SJ = Grand Wagoneer Wgn., J-10 & J-20 Pickups
XJ = Cherokee, Wagoneer Limited
YJ = Wrangler

AR = Use as Required - = Non Illustrated Part P.A.R. = Paint as Required

**HOUSING AND DIFFERENTIAL, REAR AXLE DANA MODEL 44 W/O LOCKING DIFFERENTIAL CHEROKEE, WAGONEER, COMANCHE**  
**Figure 3-800**

**8J03 800 A**



ITEM	PART NUMBER	QTY	BODY	MODEL	DESCRIPTION
30	J812 9222	1			SHIM KIT
31	J812 4071	1			BEARING KIT
32	J063 6570	1			WASHER
33	J813 3241	1			YOKE, Pinion
34	J099 8092	1			SEAL, Pinion

**MODEL CODES:**

15 = Grand Wagoneer 4 Dr.	65 = Comanche 4WD-7 Ft. Box	77 = Cherokee 4WD-2 Dr.
25 = J-10 Pickup-119" W.B.	66 = Comanche 2WD-7 Ft. Box	78 = Cherokee 4WD-4 Dr.
26 = J-10 Pickup-131" W.B.	73 = Cherokee 2WD-2 Dr.	79 = Cherokee 4WD-4 Dr.-Com
27 = J-20 Pickup-131" W.B.	74 = Cherokee 2WD-4 Dr.	81 = Wrangler-93" W.B.
63 = Comanche 4WD-6 Ft. Box	75 = Wagoneer 4WD-4 Dr.	82 = Wrangler-103" W.B.-Exp.
64 = Comanche 2WD-6 Ft. Box		

**BODY STYLES:**

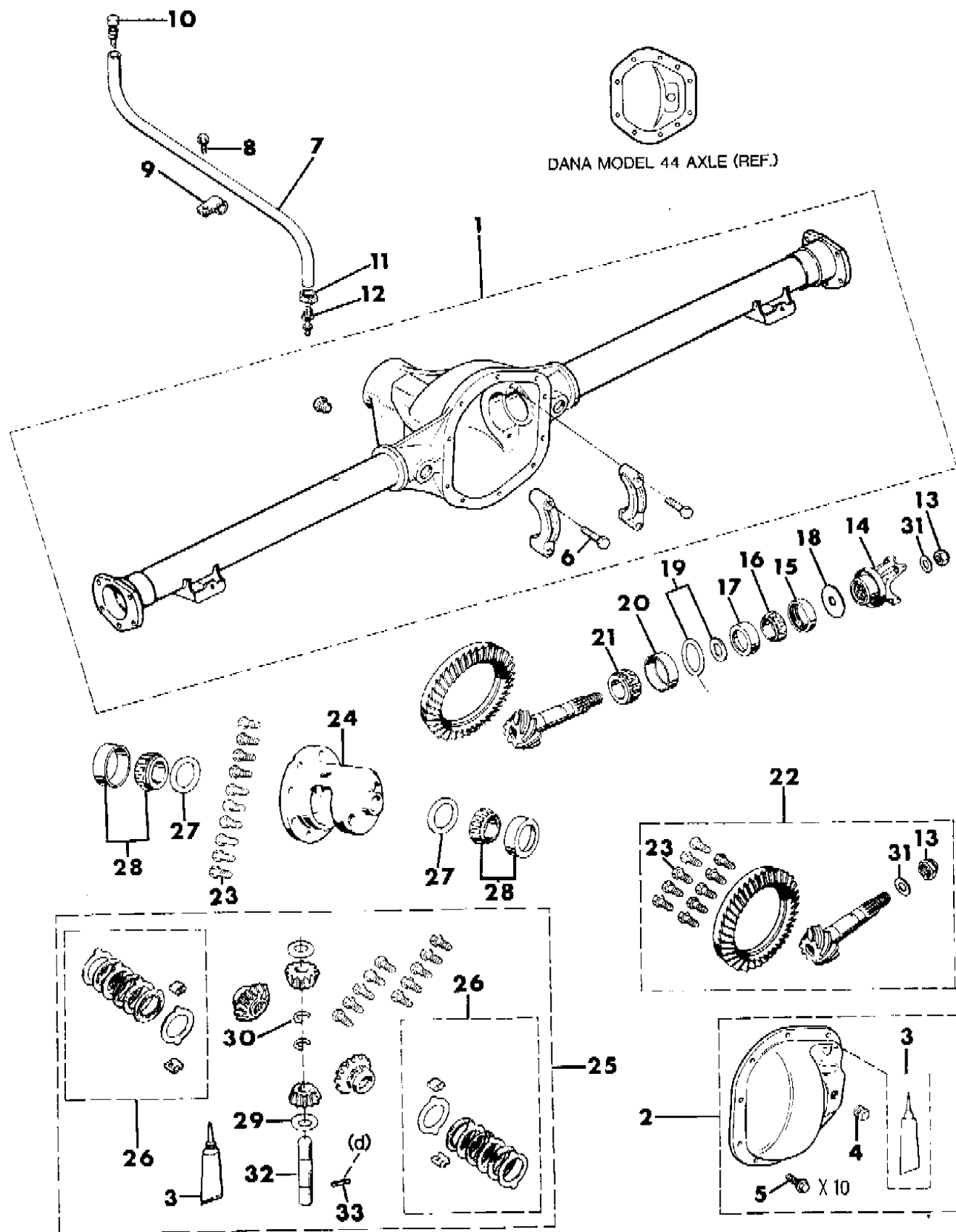
MJ = Comanche Pickup  
 SJ = Grand Wagoneer Wgn., J-10 & J-20 Pickups  
 XJ = Cherokee, Wagoneer Limited  
 YJ = Wrangler

AR = Use as Required - = Non Illustrated Part P.A.R. = Paint as Required

HOUSING AND DIFFERENTIAL, REAR AXLE DANA MODEL 44 W/LOCKING DIFFERENTIAL CHEROKEE, WAGONEER, COMANCHE

Figure 3-900

8J03 900 A



ITEM	PART NUMBER	QTY	BODY	MODEL	DESCRIPTION
1					HOUSING, Axle
	8350 4196	1	XJ		1987 Only
	8350 3055	1	MJ		1987/90
2	8350 5549	1			COVER
3	J899 3317	1			SEALER, Gasket-in-a-Tube
4	3640 792	1			PLUG (3/4")
	S044 4588	1			PLUG (1/2")
5	J027 3573	10			BOLT
6	8350 1515	4			BOLT
7	J318 7627	1			HOSE, Vent
8	J942 6241	1			SCREW
9	J012 0526	1			CUP
10	J535 2955	1			BREATHER
11	J322 7851	1			CLAMP
12	J318 7999	1			VENT
13	J080 1367	1			NUT, Pinion
14	J813 3241	1			YOKE, Pinion
15	J099 8092	1			SEAL, Pinion
16	1793 513	1			CONE, Bearing
17	J005 2879	1			CUP, Bearing
18	J063 6566	1			SLINGER
19	J812 9221	1			SHIM KIT
20	0698 413	1			CUP, Bearing
21	J080 7266	1			CONE, Bearing
22					GEAR SET, Ring and Pinion
	8350 4197	1			3.07 Ratio
	4137 749	1			3.54 Ratio
23	J064 9454	10			BOLT
24	8350 5431	1			CASE, Differential
25					GEAR SET, Rear Axle Differential
	J812 9220	1			Cross Shaft(#32) secured by two retaining rings #30. (1987/89)
	8350 5432	1			Cross Shaft(#32) secured by a roll pin #33.
26	J099 4345	1			DISC KIT, Differential
27	J812 9222	1			SHIM KIT
28	J812 4071	1			BEARING KIT
29	J064 5790	2			WASHER, Pinion
30	8350 3070	2			RING, Snap (1987/89)

MODEL CODES:

15 = Grand Wagoneer 4 Dr.	65 = Comanche 4WD-7 Ft. Box	77 = Cherokee 4WD-2 Dr.
25 = J-10 Pickup-119" W.B.	66 = Comanche 2WD-7 Ft. Box	78 = Cherokee 4WD-4 Dr.
26 = J-10 Pickup-131" W.B.	73 = Cherokee 2WD-2 Dr.	79 = Cherokee 4WD-4 Dr.-Com
27 = J-20 Pickup-131" W.B.	74 = Cherokee 2WD-4 Dr.	81 = Wrangler-93" W.B.
63 = Comanche 4WD-6 Ft. Box	75 = Wagoneer 4WD-4 Dr.	82 = Wrangler-103" W.B.-Exp.
64 = Comanche 2WD-6 Ft. Box		

BODY STYLES:

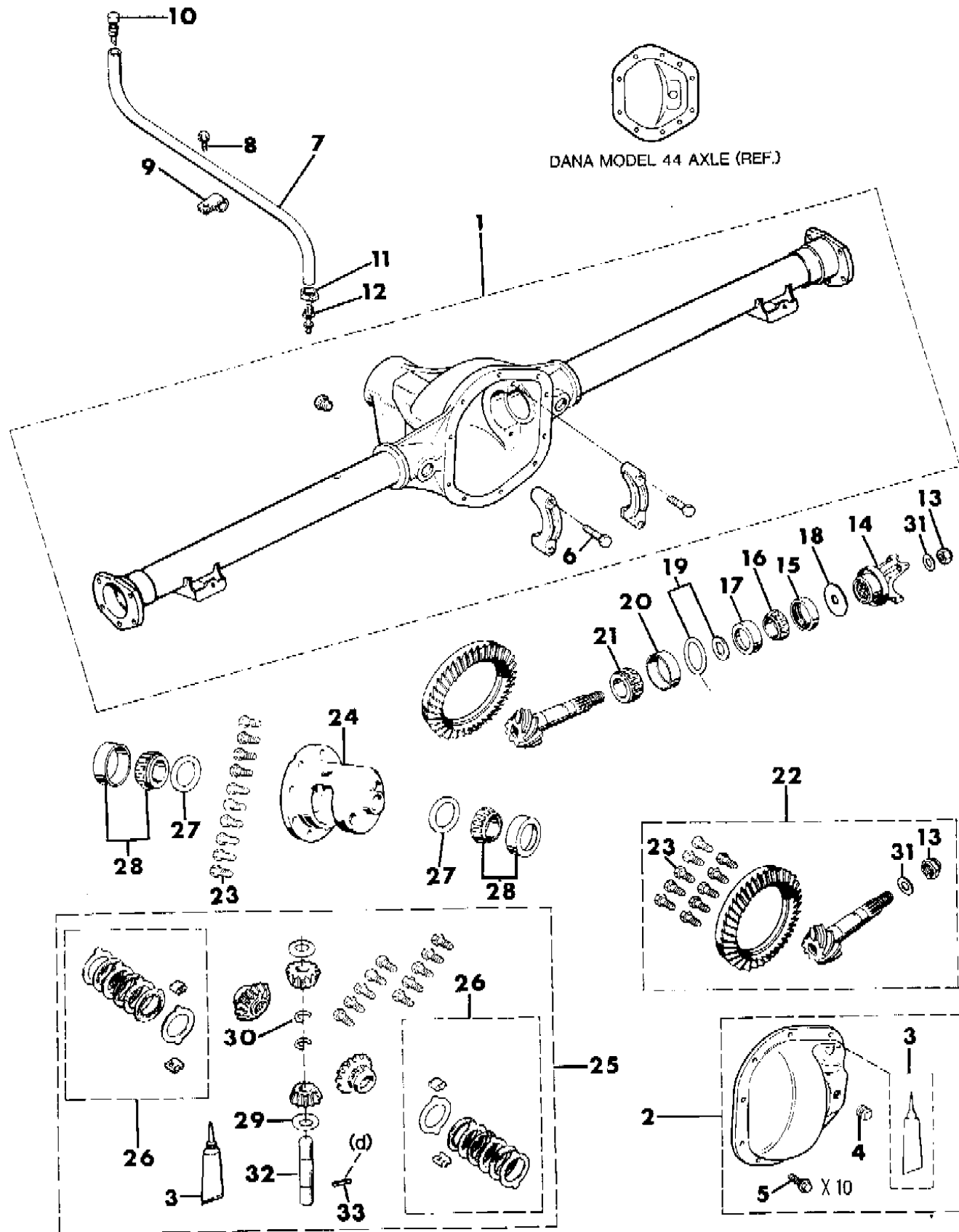
MJ = Comanche Pickup  
 SJ = Grand Wagoneer Wgn., J-10 & J-20 Pickups  
 XJ = Cherokee, Wagoneer Limited  
 YJ = Wrangler

AR = Use as Required - = Non Illustrated Part P.A.R. = Paint as Required

HOUSING AND DIFFERENTIAL, REAR AXLE DANA MODEL 44 W/LOCKING DIFFERENTIAL CHEROKEE, WAGONEER, COMANCHE

Figure 3-900

8J03 900 A



ITEM	PART NUMBER	QTY	BODY	MODEL	DESCRIPTION
------	-------------	-----	------	-------	-------------

31	J063 6570	1			WASHER
32	8350 3069	1			SHAFT
33	J063 6360	1			PIN, Roll

MODEL CODES:

15 = Grand Wagoneer 4 Dr.	65 = Comanche 4WD-7 Ft. Box	77 = Cherokee 4WD-2 Dr.
25 = J-10 Pickup-119" W.B.	66 = Comanche 2WD-7 Ft. Box	78 = Cherokee 4WD-4 Dr.
26 = J-10 Pickup-131" W.B.	73 = Cherokee 2WD-2 Dr.	79 = Cherokee 4WD-4 Dr.-Com
27 = J-20 Pickup-131" W.B.	74 = Cherokee 2WD-4 Dr.	81 = Wrangler-93" W.B.
63 = Comanche 4WD-6 Ft. Box	75 = Wagoneer 4WD-4 Dr.	82 = Wrangler-103" W.B.-Exp.
64 = Comanche 2WD-6 Ft. Box		

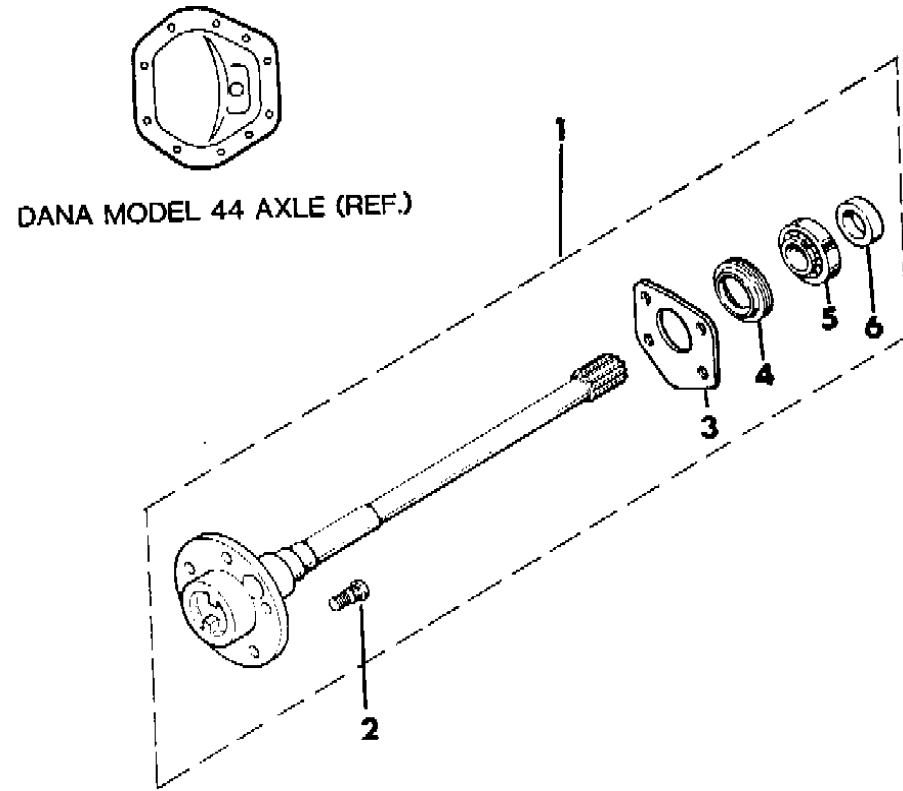
BODY STYLES:

MJ = Comanche Pickup  
 SJ = Grand Wagoneer Wgn., J-10 & J-20 Pickups  
 XJ = Cherokee, Wagoneer Limited  
 YJ = Wrangler

AR = Use as Required - = Non Illustrated Part P.A.R. = Paint as Required

**SHAFT, REAR AXLE DANA MODEL 44 CHEROKEE, WAGONEER, COMANCHE**  
**Figure 3-1000**

**8J03 1000**



ITEM	PART NUMBER	QTY	BODY	MODEL	DESCRIPTION
1					SHAFT, Axle
	8350 4960	1			Right
	8350 4961	1			Left
2					STUD, Wheel
	J322 0275	10			1987
	8350 3053	10			1988/90
3	8350 4190	2			RETAINER
4	8350 3063	2			SEAL
5	J323 0115	2			BEARING
6	8350 3077	2			RING, Retaining

**MODEL CODES:**

15 = Grand Wagoneer 4 Dr.	65 = Comanche 4WD-7 Ft. Box	77 = Cherokee 4WD-2 Dr.
25 = J-10 Pickup-119" W.B.	66 = Comanche 2WD-7 Ft. Box	78 = Cherokee 4WD-4 Dr.
26 = J-10 Pickup-131" W.B.	73 = Cherokee 2WD-2 Dr.	79 = Cherokee 4WD-4 Dr.-Com
27 = J-20 Pickup-131" W.B.	74 = Cherokee 2WD-4 Dr.	81 = Wrangler-93" W.B.
63 = Comanche 4WD-6 Ft. Box	75 = Wagoneer 4WD-4 Dr.	82 = Wrangler-103" W.B.-Exp.
64 = Comanche 2WD-6 Ft. Box		

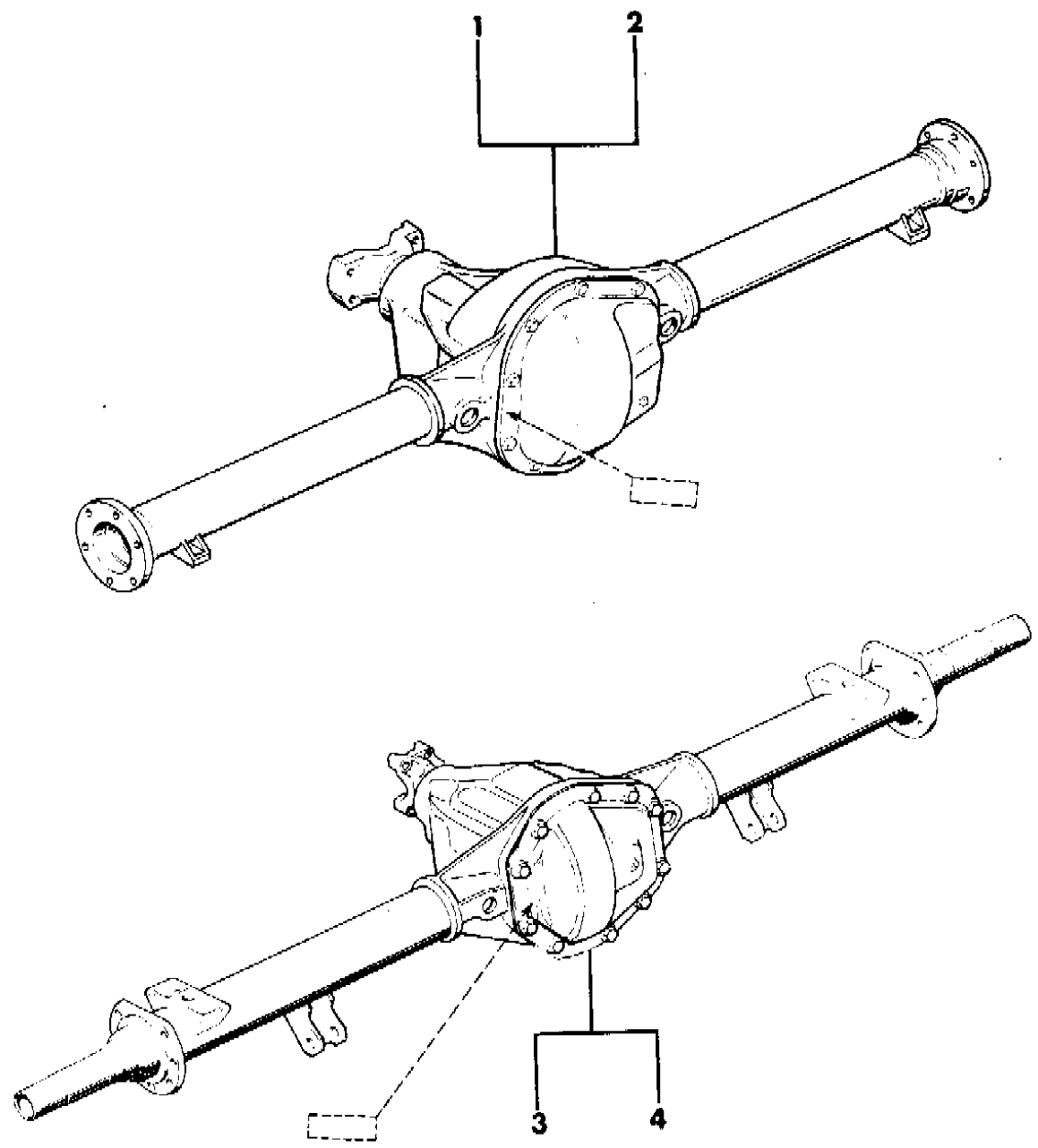
**BODY STYLES:**

MJ = Comanche Pickup  
 SJ = Grand Wagoneer Wgn., J-10 & J-20 Pickups  
 XJ = Cherokee, Wagoneer Limited  
 YJ = Wrangler

AR = Use as Required - = Non Illustrated Part P.A.R. = Paint as Required

REAR AXLE ASSEMBLY DANA MODEL 44, DANA MODEL 60 GRAND WAGONEER, J-10, J-20  
Figure 3-1100

8J03 1100



ITEM	PART NUMBER	QTY	BODY	MODEL	DESCRIPTION
DANA MODEL 44					
1					w/o Locking Differential
	8350 3092	1	15		2.73 Ratio (89 53 004 028)
	8350 3089	1	15		3.31 Ratio (89 53 004 030)
	8350 3098	1	26		2.73 Ratio (89 53 004 032)
	8350 3096	1	26		3.31 Ratio (89 53 004 034)
2					w/Locking Differential
	8350 3093	1	15		3.31 Ratio (89 53 004 031)
	8350 5438	1	15		3.31 Ratio (89 53 005 418)
	8350 3099	1	26		3.31 Ratio (89 53 004 035)
DANA MODEL 60					
3					w/o Locking Differential
	J813 1928	1	27		3.73 Ratio (89 53 004 087)
4					w/Locking Differential
	J813 1927	1	27		3.73 Ratio (89 53 004 086)

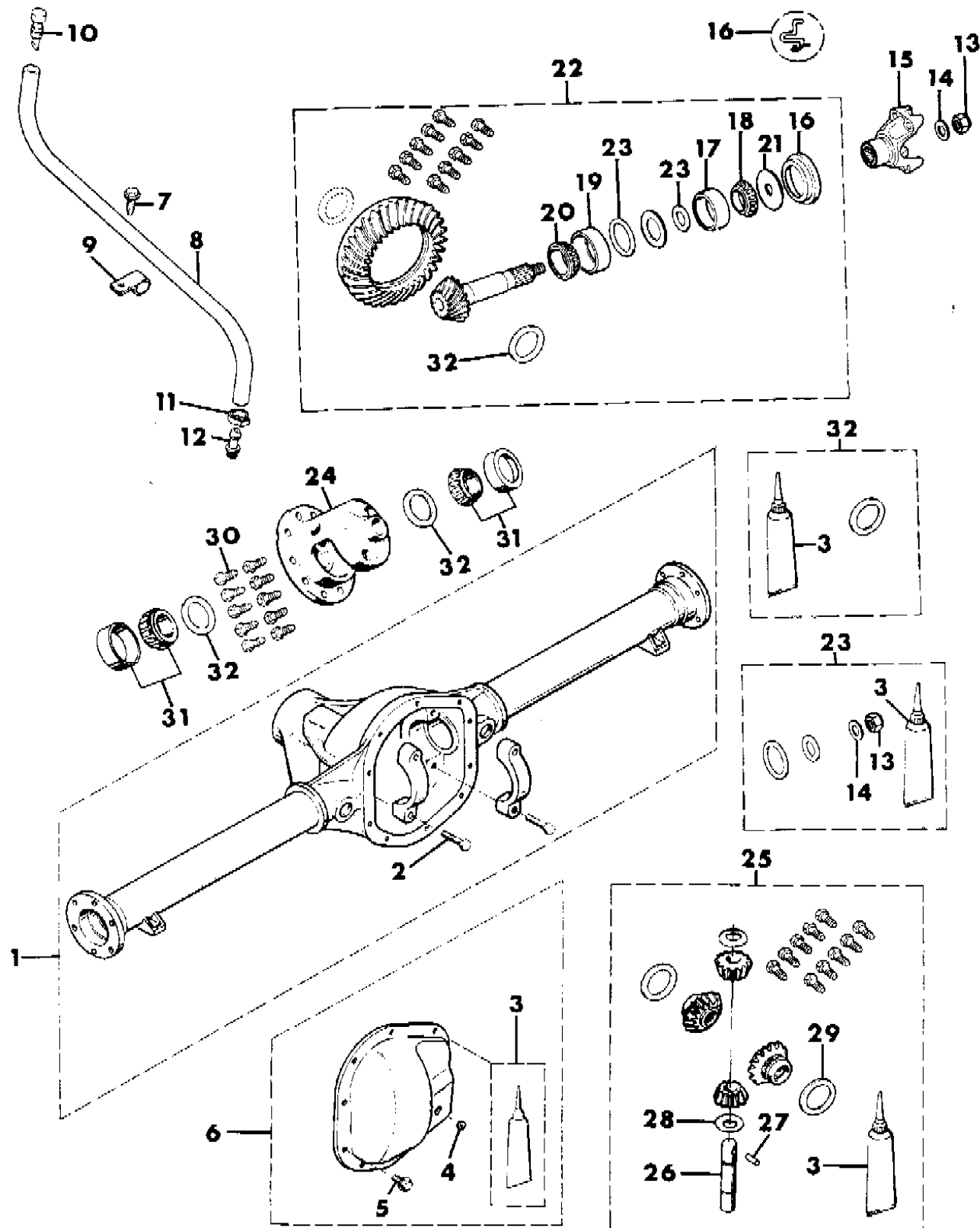
MODEL CODES:  
 15 = Grand Wagoneer 4 Dr.      65 = Comanche 4WD-7 Ft. Box      77 = Cherokee 4WD-2 Dr.  
 25 = J-10 Pickup-119" W.B.      66 = Comanche 2WD-7 Ft. Box      78 = Cherokee 4WD-4 Dr.  
 26 = J-10 Pickup-131" W.B.      73 = Cherokee 2WD-2 Dr.      79 = Cherokee 4WD-4 Dr.-Com  
 27 = J-20 Pickup-131" W.B.      74 = Cherokee 2WD-4 Dr.      81 = Wrangler-93" W.B.  
 63 = Comanche 4WD-6 Ft. Box      75 = Wagoneer 4WD-4 Dr.      82 = Wrangler-103" W.B.-Exp.  
 64 = Comanche 2WD-6 Ft. Box

BODY STYLES:  
 MJ = Comanche Pickup  
 SJ = Grand Wagoneer Wgn., J-10 & J-20 Pickups  
 XJ = Cherokee, Wagoneer Limited  
 YJ = Wrangler

AR = Use as Required - = Non Illustrated Part P.A.R. = Paint as Required

**HOUSING AND DIFFERENTIAL, REAR AXLE DANA MODEL 44 W/O LOCKING DIFFERENTIAL GRAND WAGONEER, J-10**  
**Figure 3-1200**

8 J03 1200



ITEM	PART NUMBER	QTY	BODY	MODEL	DESCRIPTION
1					HOUSING, Axle
	8350 3088	1	15		Wagon
	8350 3097	1	26		J-10
2	8350 1515	4			BOLT
3	J899 3317	1			SEALER, Gasket-in-a-Tube
4	3640 792	1			PLUG (3/4")
	S044 4588	1			PLUG (1/2")
5	J027 3573	10			BOLT
6	8350 5549	1			COVER KIT ***
7	J942 6241	1			SCREW
8	J812 5823	AR			HOSE, Vent (1')
9	J012 0525	1			CUP
10	J535 2955	1			BREATHER
11	J322 7851	1			CLAMP
12	J318 7999	1			VENT
13	J080 1367	1			NUT, Pinion
14	J063 6570	1			WASHER, Pinion
15	8350 3388	1			YOKE, Pinion
16	8350 3390	1			SEAL, Pinion
17	J005 2879	1			CUP, Bearing
18	1793 513	1			CONE, Bearing
19	0698 413	1			CUP, Bearing
20	J080 7266	1			CONE, Bearing
21	J063 6566	1			SLINGER
22					GEAR SET, Ring and Pinion
	J813 4222	1			2.73 Ratio
	J813 4219	1			3.31 Ratio
23	J812 9221	1			SHIM KIT
24	8350 3073	1			CASE, Differential
25	8350 3068	1			GEAR SET, Differential
26	8350 3069	1			SHAFT, Differential
27	J063 6360	1			PIN
28	J064 5790	2			WASHER
29	J080 5325	2			WASHER
30	J064 9454	10			BOLT
31	J812 4071	1			BEARING KIT
32	J812 9222	1			SHIM KIT

**MODEL CODES:**

15 = Grand Wagoneer 4 Dr.	65 = Comanche 4WD-7 Ft. Box	77 = Cherokee 4WD-2 Dr.
25 = J-10 Pickup-119" W.B.	66 = Comanche 2WD-7 Ft. Box	78 = Cherokee 4WD-4 Dr.
26 = J-10 Pickup-131" W.B.	73 = Cherokee 2WD-2 Dr.	79 = Cherokee 4WD-4 Dr.-Com
27 = J-20 Pickup-131" W.B.	74 = Cherokee 2WD-4 Dr.	81 = Wrangler-93" W.B.
63 = Comanche 4WD-6 Ft. Box	75 = Wagoneer 4WD-4 Dr.	82 = Wrangler-103" W.B.-Exp.
64 = Comanche 2WD-6 Ft. Box		

**BODY STYLES:**

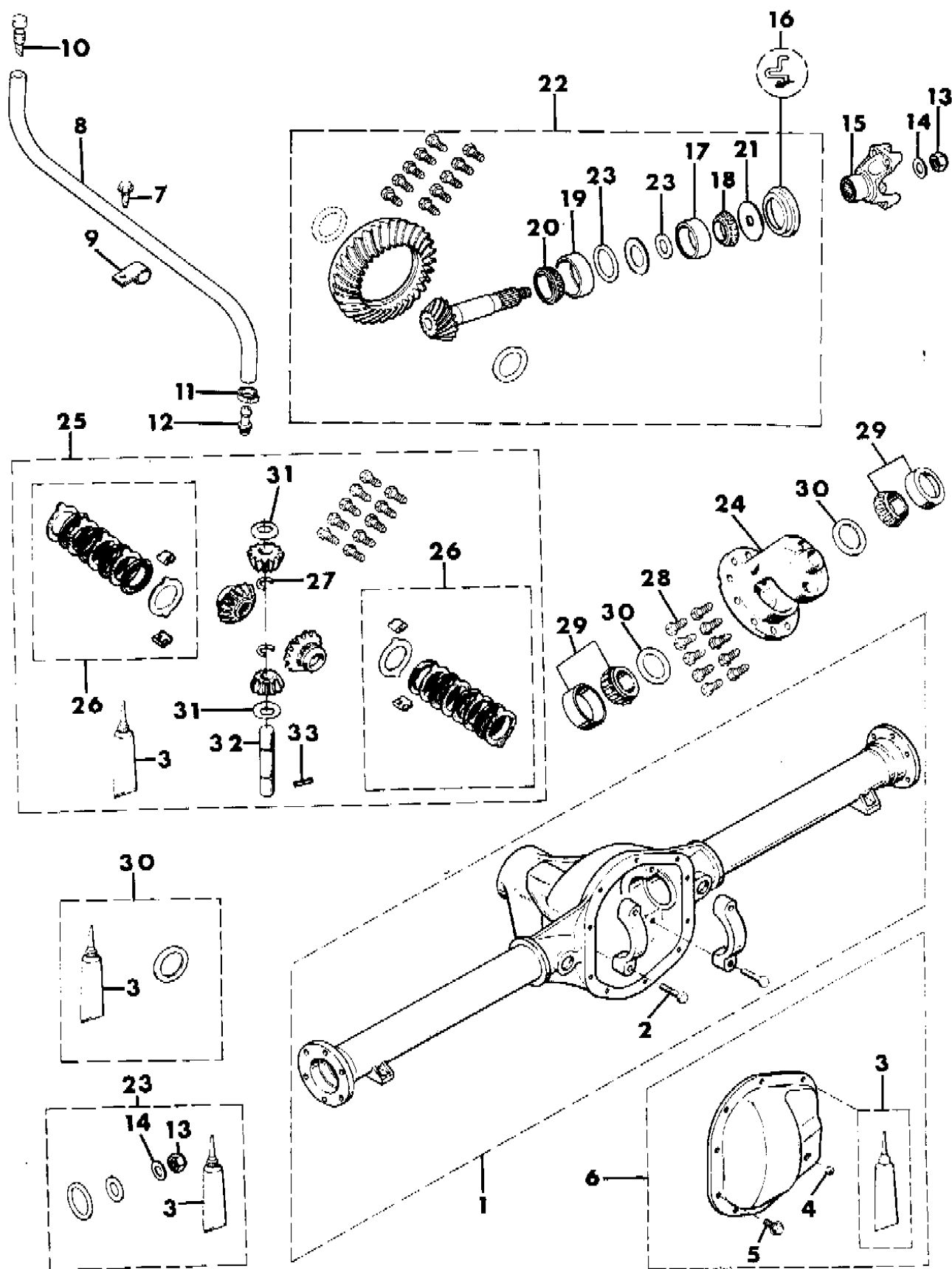
MJ = Comanche Pickup  
 SJ = Grand Wagoneer Wgn., J-10 & J-20 Pickups  
 XJ = Cherokee, Wagoneer Limited  
 YJ = Wrangler

AR = Use as Required - = Non Illustrated Part P.A.R. = Paint as Required

# HOUSING AND DIFFERENTIAL, REAR AXLE DANA MODEL 44 W/LOCKING DIFFERENTIAL GRAND WAGONEER, J-10

Figure 3-1300

8 J031300



ITEM	PART NUMBER	QTY	BODY	MODEL	DESCRIPTION
1					HOUSING, Axle
	8350 3088	1	15		Wagon
	8350 3097	1	26		J-10
2	8350 1515	4			BOLT
3	J899 3317	1			SEALER, Gasket-in-a-Tube
4	3640 792	1			PLUG (3/4")
	S044 4588	1			PLUG (1/2")
5	J027 3573	10			BOLT
6	8350 5549	1			COVER KIT ***
7	J942 6241	1			SCREW
8	J812 5823	AR			HOSE, Vent (1')
9	J012 0525	1			CLIP
10	J535 2955	1			BREATHER
11	J322 7851	1			CLAMP
12	J318 7999	1			VENT
13	J080 1367	1			NUT, Pinion
14	J063 6570	1			WASHER, Pinion
15	8350 3388	1			YOKE, Pinion
16	8350 3390	1			SEAL, Pinion
17	J005 2879	1			CUP, Bearing
18	1793 513	1			CONE, Bearing
19	0698 413	1			CUP, Bearing
20	J080 7266	1			CONE, Bearing
21	J063 6566	1			SLINGER
22	J813 4219	1			GEAR SET, Ring and Pinion, 3.31 Ratio
23	J812 9221	1			SHIM KIT
24	8350 5431	1			CASE, Differential
25	J812 9220	1			GEAR SET, Differential
	8350 5432	1			w/Snap Ring Retainer (1987/89)
	8350 5432	1			w/Roll Pin Retainer (1990)
26	J099 4345	1			DISC KIT, Differential
27	8350 3070	2			RING, Snap (Cross Shaft Secured by two Retaining Rings) (1987/89)
28	J064 9454	10			BOLT
29	J812 4071	1			BEARING KIT
30	J812 9222	1			SHIM KIT
31	J064 5790	2			WASHER, Pinion

MODEL CODES:

15 = Grand Wagoneer 4 Dr.	65 = Comanche 4WD-7 Ft. Box	77 = Cherokee 4WD-2 Dr.
25 = J-10 Pickup-119" W.B.	66 = Comanche 2WD-7 Ft. Box	78 = Cherokee 4WD-4 Dr.
26 = J-10 Pickup-131" W.B.	73 = Cherokee 2WD-2 Dr.	79 = Cherokee 4WD-4 Dr.-Com
27 = J-20 Pickup-131" W.B.	74 = Cherokee 2WD-4 Dr.	81 = Wrangler-93" W.B.
63 = Comanche 4WD-6 Ft. Box	75 = Wagoneer 4WD-4 Dr.	82 = Wrangler-103" W.B.-Exp.
64 = Comanche 2WD-6 Ft. Box		

BODY STYLES:

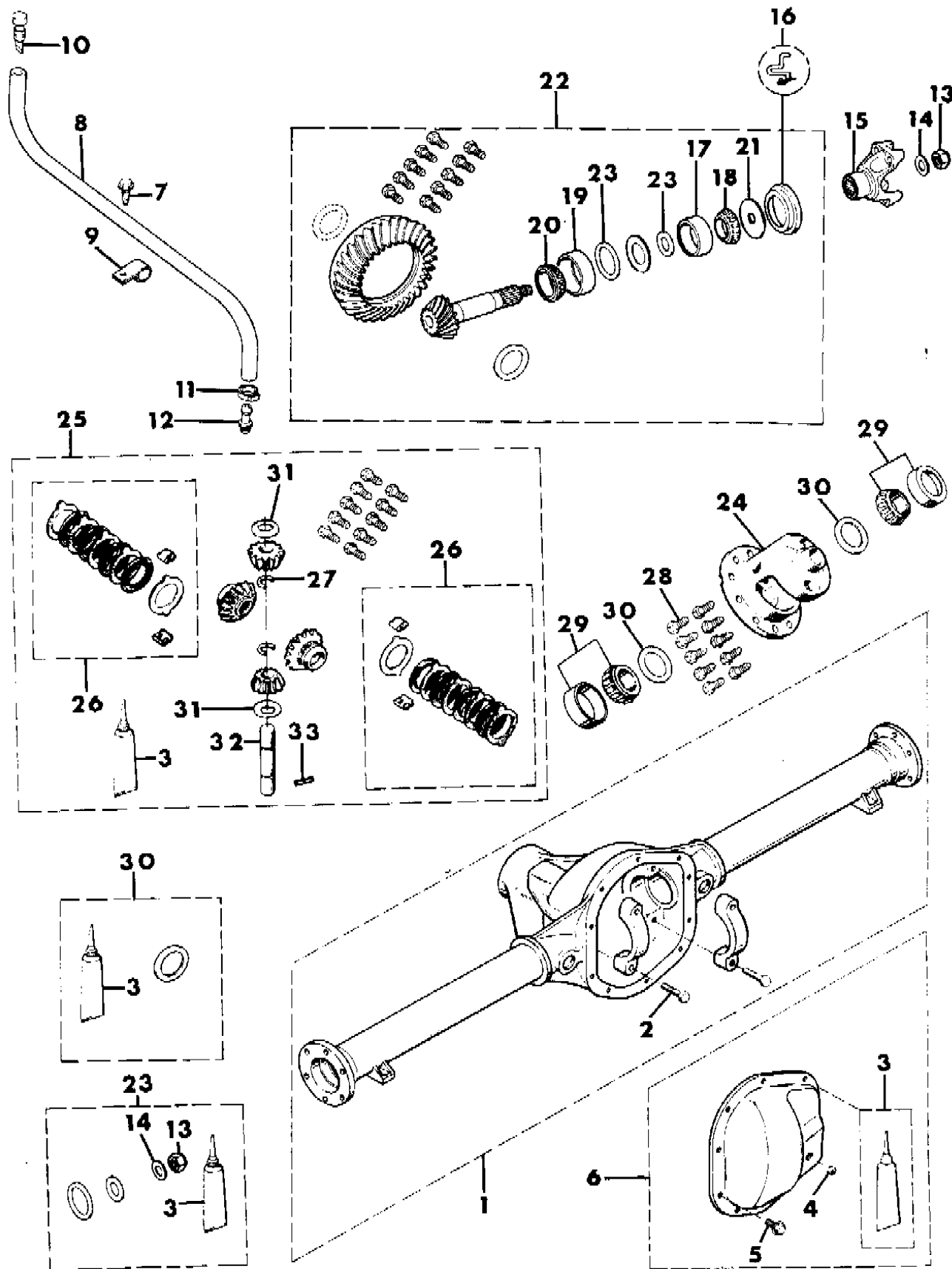
MJ = Comanche Pickup
SJ = Grand Wagoneer Wgn., J-10 & J-20 Pickups
XJ = Cherokee, Wagoneer Limited
YJ = Wrangler

AR = Use as Required - = Non Illustrated Part P.A.R. = Paint as Required



**HOUSING AND DIFFERENTIAL, REAR AXLE DANA MODEL 44 W/LOCKING DIFFERENTIAL GRAND WAGONEER, J-10**  
**Figure 3-1300**

8 J031300



ITEM	PART NUMBER	QTY	BODY	MODEL	DESCRIPTION
32	8350 3069	1			SHAFT (Cross Shaft Secured by Roll Pin)
33	J063 6360	1			PIN, Roll (Cross Shaft Secured by Roll Pin)

**MODEL CODES:**

15 = Grand Wagoneer 4 Dr.	65 = Comanche 4WD-7 Ft. Box	77 = Cherokee 4WD-2 Dr.
25 = J-10 Pickup-119" W.B.	66 = Comanche 2WD-7 Ft. Box	78 = Cherokee 4WD-4 Dr.
26 = J-10 Pickup-131" W.B.	73 = Cherokee 2WD-2 Dr.	79 = Cherokee 4WD-4 Dr.-Com
27 = J-20 Pickup-131" W.B.	74 = Cherokee 2WD-4 Dr.	81 = Wrangler-93" W.B.
63 = Comanche 4WD-6 Ft. Box	75 = Wagoneer 4WD-4 Dr.	82 = Wrangler-103" W.B.-Exp.
64 = Comanche 2WD-6 Ft. Box		

**BODY STYLES:**

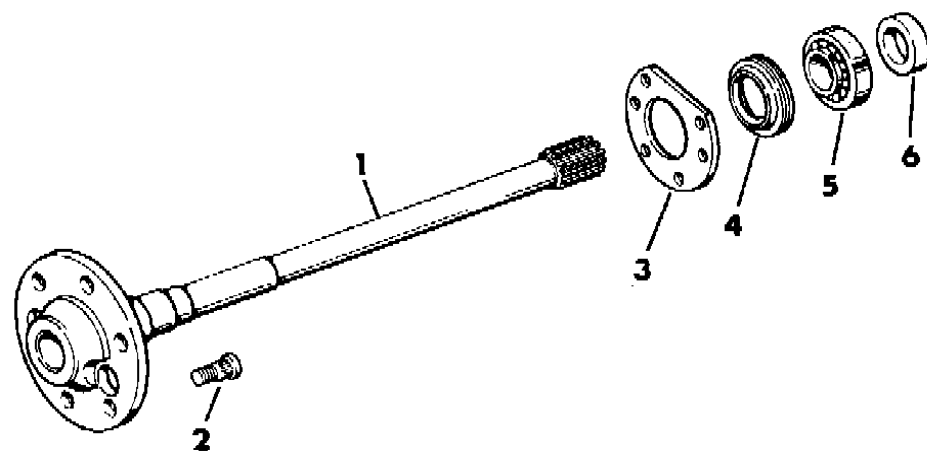
MJ = Comanche Pickup  
 SJ = Grand Wagoneer Wgn., J-10 & J-20 Pickups  
 XJ = Cherokee, Wagoneer Limited  
 YJ = Wrangler

AR = Use as Required - = Non Illustrated Part P.A.R. = Paint as Required

SHAFT, REAR AXLE DANA MODEL 44 GRAND WAGONEER, J-10  
Figure 3-1400

8J03 1400

ITEM	PART NUMBER	QTY	BODY	MODEL	DESCRIPTION
1					SHAFT, Axle
	8350 3090	1		15	Right
	8350 3094	1		26	Right
	8350 3091	1		15	Left
	8350 3095	1		26	Left
2	J323 0413	12			STUD, Wheel
3	J323 9073	2			RETAINER
4	J324 0086	2			SEAL,Outer
	J323 5929	2			SEAL,Inner
5	J323 0115	2			BEARING
6	8350 3077	2			RING, Retaining



MODEL CODES:

15 = Grand Wagoneer 4 Dr.	65 = Comanche 4WD-7 Ft. Box	77 = Cherokee 4WD-2 Dr.
25 = J-10 Pickup-119" W.B.	66 = Comanche 2WD-7 Ft. Box	78 = Cherokee 4WD-4 Dr.
26 = J-10 Pickup-131" W.B.	73 = Cherokee 2WD-2 Dr.	79 = Cherokee 4WD-4 Dr.-Com
27 = J-20 Pickup-131" W.B.	74 = Cherokee 2WD-4 Dr.	81 = Wrangler-93" W.B.
63 = Comanche 4WD-6 Ft. Box	75 = Wagoneer 4WD-4 Dr.	82 = Wrangler-103" W.B.-Exp.
64 = Comanche 2WD-6 Ft. Box		

BODY STYLES:

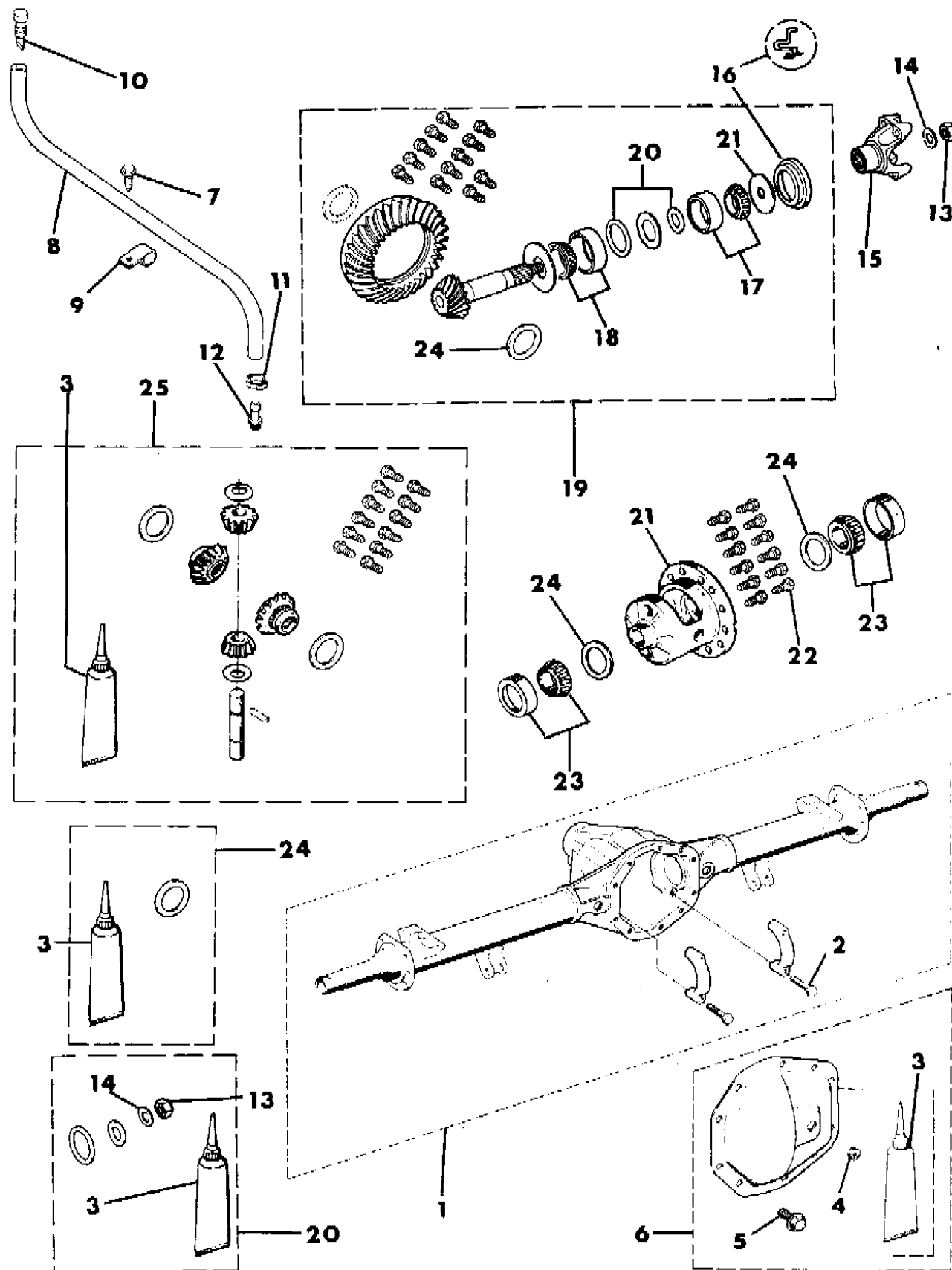
MJ = Comanche Pickup  
 SJ = Grand Wagoneer Wgn., J-10 & J-20 Pickups  
 XJ = Cherokee, Wagoneer Limited  
 YJ = Wrangler

AR = Use as Required - = Non Illustrated Part P.A.R. = Paint as Required

# HOUSING AND DIFFERENTIAL, REAR AXLE DANA MODEL 60 W/O LOCKING DIFFERENTIAL J-20

Figure 3-1500

8J03 1500



ITEM	PART NUMBER	QTY	BODY	MODEL	DESCRIPTION
1	8350 0147	1			HOUSING
2	8350 1515	4			BOLT
3	J899 3317	1			SEALER, Gasket-in-a-Tube
4	J812 7358	1			PLUG
5	J099 1106	10			BOLT
6	J812 9200	1			COVER KIT
7	J942 6241	1			SCREW
8	J812 5823	AR			HOSE, Vent (1')
9	J012 0526	1			CLIP
10	J535 2955	1			BREATHER
11	J322 7851	1			CLAMP
12	J535 3494	1			VENT
13	J091 9585	1			NUT, Pinion
14	J091 9612	1			WASHER, Pinion
15	J813 4809	1			YOKE, Pinion
16	J813 4810	1			SEAL, Pinion
17	J812 4027	1			BEARING KIT
18	J812 4026	1			BEARING KIT
19	J812 9234	1			GEAR SET, Ring and Pinion, 3.73 Ratio
20	J812 9246	1			SHIM KIT
21	J812 9230	1			CASE, Differential
22	J091 9586	12			BOLT
23	J812 4028	1			BEARING KIT
24	J812 9242	1			SHIM KIT
25	J812 9241	1			GEAR SET, Differential

**MODEL CODES:**

15 = Grand Wagoneer 4 Dr.	65 = Comanche 4WD-7 Ft. Box	77 = Cherokee 4WD-2 Dr.
25 = J-10 Pickup-119" W.B.	66 = Comanche 2WD-7 Ft. Box	78 = Cherokee 4WD-4 Dr.
26 = J-10 Pickup-131" W.B.	73 = Cherokee 2WD-2 Dr.	79 = Cherokee 4WD-4 Dr.-Com
27 = J-20 Pickup-131" W.B.	74 = Cherokee 2WD-4 Dr.	81 = Wrangler-93" W.B.
63 = Comanche 4WD-6 Ft. Box	75 = Wagoneer 4WD-4 Dr.	82 = Wrangler-103" W.B.-Exp.
64 = Comanche 2WD-6 Ft. Box		

**BODY STYLES:**

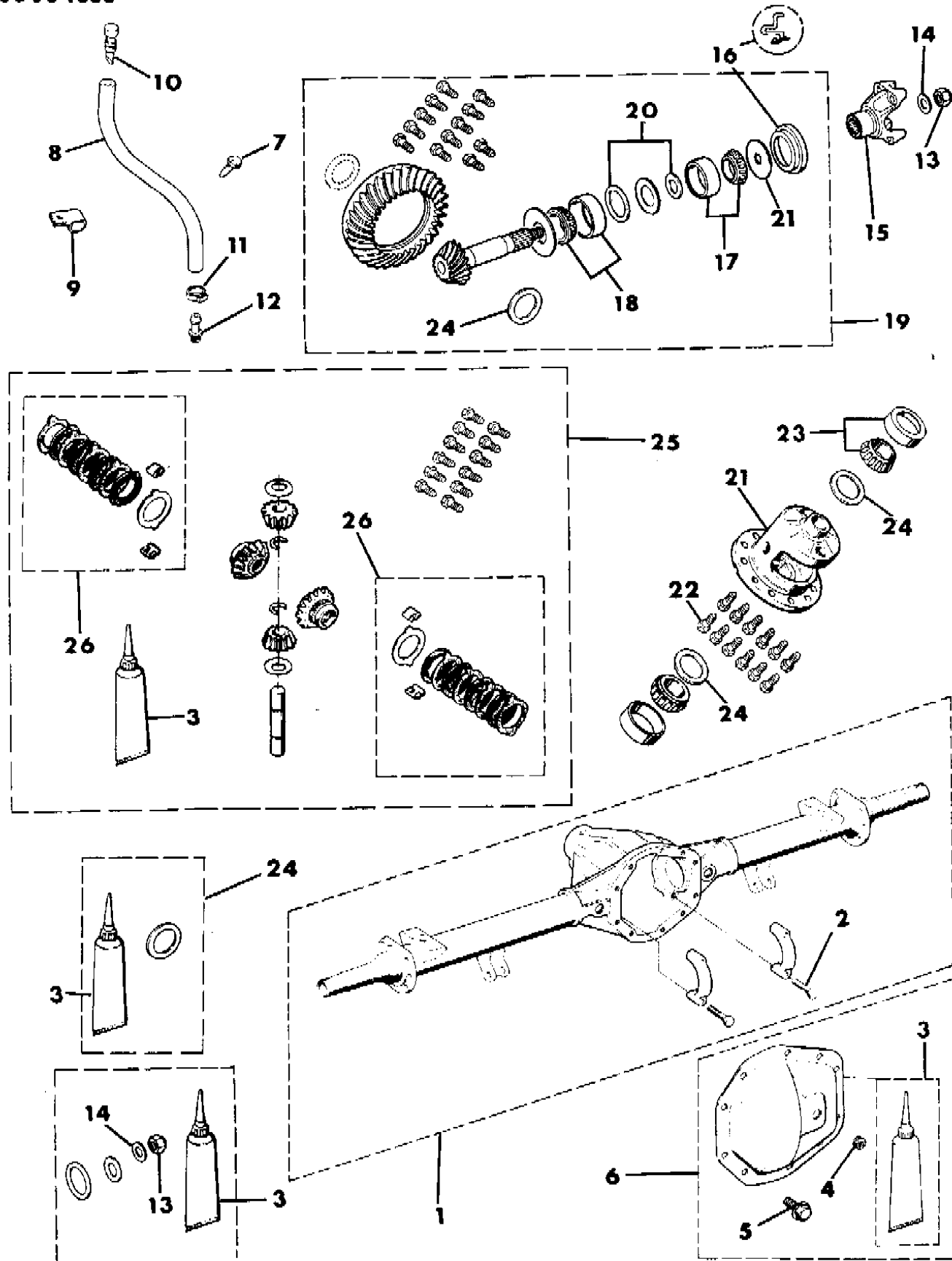
MJ = Comanche Pickup  
 SJ = Grand Wagoneer Wgn., J-10 & J-20 Pickups  
 XJ = Cherokee, Wagoneer Limited  
 YJ = Wrangler

AR = Use as Required - = Non Illustrated Part P.A.R. = Paint as Required

# HOUSING AND DIFFERENTIAL, REAR AXLE DANA MODEL 60 W/LOCKING DIFFERENTIAL J-20

Figure 3-1600

8J031600



ITEM	PART NUMBER	QTY	BODY	MODEL	DESCRIPTION
1	8350 0147	1			HOUSING
2	8350 1515	4			BOLT
3	J899 3317	1			SEALER, Gasket-in-a-Tube
4	J812 7358	1			PLUG
5	J099 1106	10			BOLT
6	J812 9200	1			COVER KIT
7	J942 6241	1			SCREW
8	J812 5823	AR			HOSE, Vent (1')
9	J012 0526	1			CLIP
10	J535 2955	1			BREATHER
11	J322 7851	1			CLAMP
12	J535 3494	1			VENT
13	J091 9585	1			NUT, Pinion
14	J091 9612	1			WASHER, Pinion
15	J813 4809	1			YOKE, Pinion
16	J813 4810	1			SEAL, Pinion
17	J812 4027	1			BEARING KIT
18	J812 4026	1			BEARING KIT
19	J812 9234	1			GEAR SET, Ring and Pinion, 3.73 Ratio
20	J812 9246	1			SHIM KIT
21	J812 9229	1			CASE, Differential
22	J091 9586	12			BOLT
23	J812 4028	1			BEARING KIT
24	J812 9242	1			SHIM KIT
25	J812 9240	1			GEAR SET, Differential
26	J812 2379	1			DISC KIT, Differential

MODEL CODES:

15 = Grand Wagoneer 4 Dr.	65 = Comanche 4WD-7 Ft. Box	77 = Cherokee 4WD-2 Dr.
25 = J-10 Pickup-119" W.B.	66 = Comanche 2WD-7 Ft. Box	78 = Cherokee 4WD-4 Dr.
26 = J-10 Pickup-131" W.B.	73 = Cherokee 2WD-2 Dr.	79 = Cherokee 4WD-4 Dr.-Com
27 = J-20 Pickup-131" W.B.	74 = Cherokee 2WD-4 Dr.	81 = Wrangler-93" W.B.
63 = Comanche 4WD-6 Ft. Box	75 = Wagoneer 4WD-4 Dr.	82 = Wrangler-103" W.B.-Exp.
64 = Comanche 2WD-6 Ft. Box		

BODY STYLES:

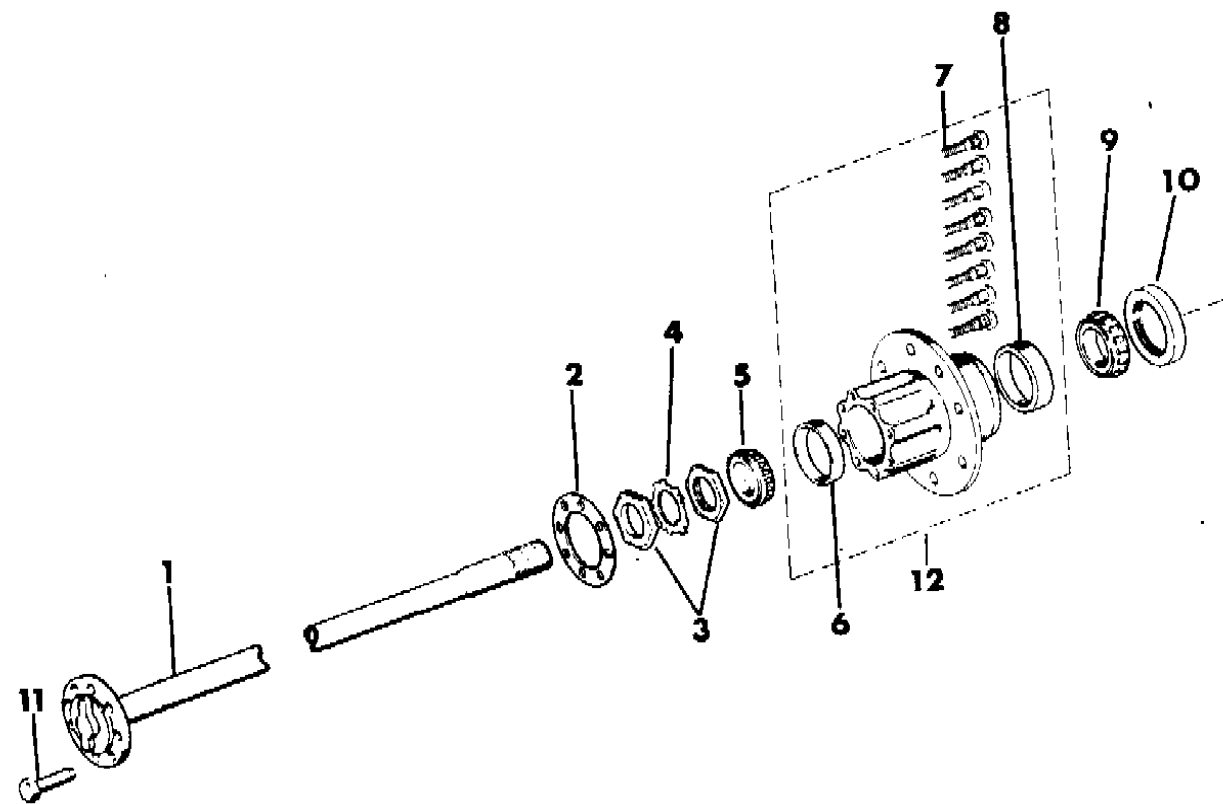
MJ = Comanche Pickup  
 SJ = Grand Wagoneer Wgn., J-10 & J-20 Pickups  
 XJ = Cherokee, Wagoneer Limited  
 YJ = Wrangler

AR = Use as Required - = Non Illustrated Part P.A.R. = Paint as Required

SHAFT, REAR AXLE DANA MODEL 60 J-20

Figure 3-1700

8J03 1700



ITEM	PART NUMBER	QTY	BODY	MODEL	DESCRIPTION
1	J813 1932	2			SHAFT, Axle
2	J535 2662	2			GASKET
3	J099 2300	4			NUT
4	J400 4829	2			WASHER
5	J099 2276	2			BEARING
6	J099 2336	2			CUP, Bearing
7	J812 4958	16			STUD, Wheel
8	J812 4840	2			CUP, Bearing
9	J535 2661	2			BEARING
10	J535 2786	2			SEAL
11	J400 6129	16			BOLT
12	J812 4956	2			HUB

MODEL CODES:

- |                             |                             |                              |
|-----------------------------|-----------------------------|------------------------------|
| 15 = Grand Wagoneer 4 Dr.   | 65 = Comanche 4WD-7 Ft. Box | 77 = Cherokee 4WD-2 Dr.      |
| 25 = J-10 Pickup-119" W.B.  | 66 = Comanche 2WD-7 Ft. Box | 78 = Cherokee 4WD-4 Dr.      |
| 26 = J-10 Pickup-131" W.B.  | 73 = Cherokee 2WD-2 Dr.     | 79 = Cherokee 4WD-4 Dr.-Com  |
| 27 = J-20 Pickup-131" W.B.  | 74 = Cherokee 2WD-4 Dr.     | 81 = Wrangler-93" W.B.       |
| 63 = Comanche 4WD-6 Ft. Box | 75 = Wagoneer 4WD-4 Dr.     | 82 = Wrangler-103" W.B.-Exp. |
| 64 = Comanche 2WD-6 Ft. Box |                             |                              |

BODY STYLES:

- MJ = Comanche Pickup
- SJ = Grand Wagoneer Wgn., J-10 & J-20 Pickups
- XJ = Cherokee, Wagoneer Limited
- YJ = Wrangler

AR = Use as Required - = Non Illustrated Part P.A.R. = Paint as Required

---

**GROUP 4 - BRAKES, PARKING**

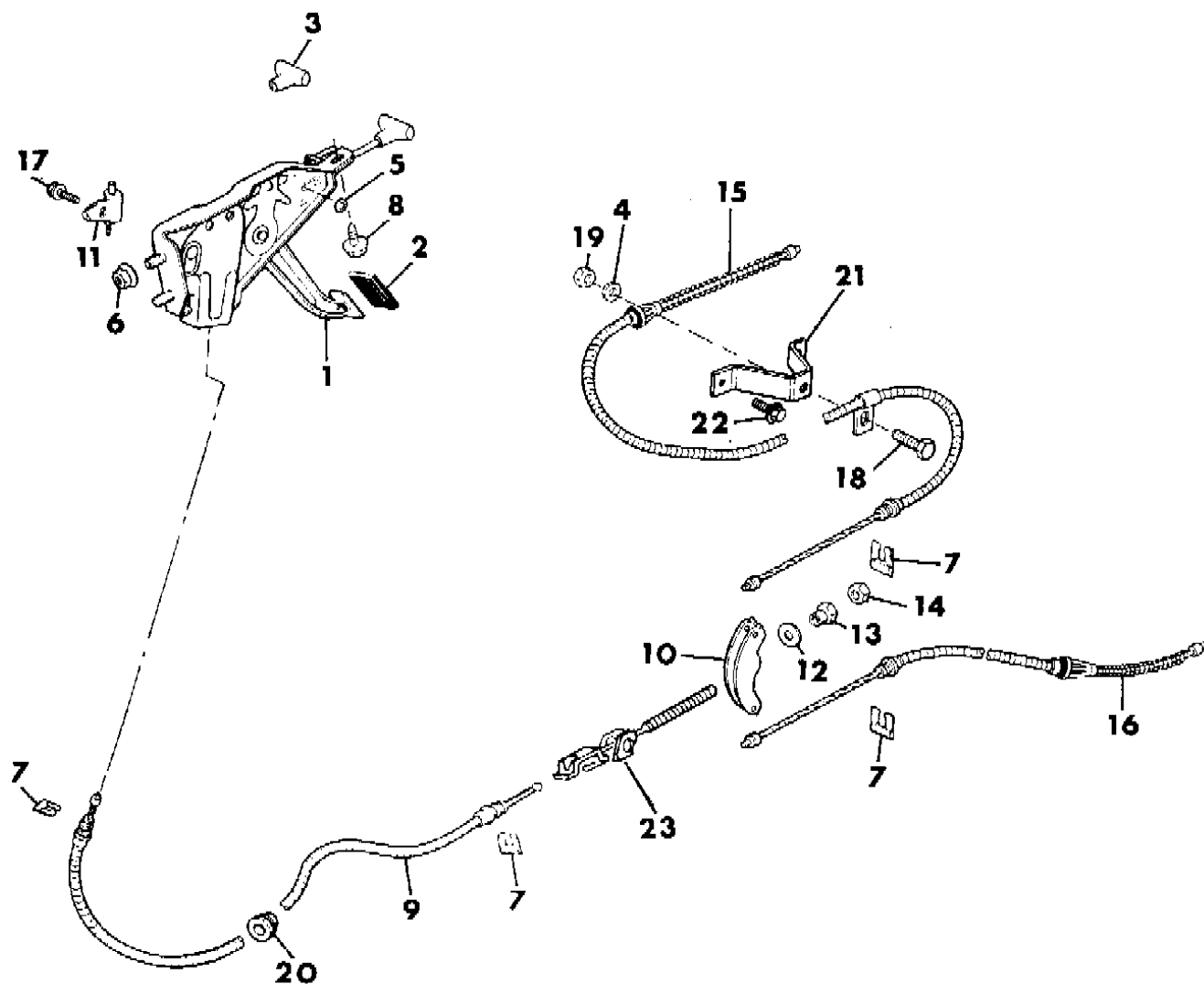
<b>ILLUSTRATION TITLE</b>	<b>GROUP-FIG. NO.</b>
LEVER ASSEMBLY AND CABLES PARKING BRAKE WRANGLER, YJ .....	Fig. 4-100
LEVER ASSEMBLY AND CABLES PARKING BRAKE CHEROKEE, WAGONEER .....	Fig. 4-200
LEVER ASSEMBLY AND CABLES PARKING BRAKE COMANCHE .....	Fig. 4-300
LEVER ASSEMBLY AND CABLES PARKING BRAKE WAGONEER, J10, J20 .....	Fig. 4-400

**ILLUSTRATION NOT AVAILABLE AT TIME OF PUBLICATION**

---

**LEVER ASSEMBLY AND CABLES PARKING BRAKE WRANGLER, YJ**  
**Figure 4-100**

8J04100A



ITEM	PART NUMBER	QTY	BODY	MODEL	DESCRIPTION
1	5200 3176	1			LEVER ASSEMBLY, Brake ***
2	J322 0433	1			PAD, Pedal
3	J448 7994	1			HANDLE
4	J012 0393	1			WASHER
5	J320 8306	1			CLIP
6	J400 5704	1			NUT
7	J321 7581	4			CLIP
8	J098 7145	1			SCREW
9					CABLE, Brake
	5200 3181	1		81	
	5200 2815	1		82	
10	5200 1154	1			EQUALIZER
11	J323 2194	1			SWITCH, Brake Warning Lamp
12	J400 3807	1			WASHER
13	5200 1157	1			NUT
14	1150 0749	1			NUT
15					CABLE, Brake, Right
	5200 3182	1			1987/89
	5200 4706	1			1990
	5200 3182	1			1990, KDX
16					CABLE, Brake, Left
	5200 3183	1			1987/89
	5200 4707	1			1990
	5200 3183	1			1990, KDX
17	J942 1073	1			SCREW
18	J027 3573	1			BOLT
19	J941 3447	1			NUT
20	J535 1742	1			GROMMET
21	J536 3211	1		82	BRACKET, KDX
22	S942 3777	2		82	BOLT, KDX
23	J545 9676	1			BRACKET ASSEMBLY, Hand Brake Stabilizer ***

**MODEL CODES:**

15 = Grand Wagoneer 4 Dr.	65 = Comanche 4WD-7 Ft. Box	77 = Cherokee 4WD-2 Dr.
25 = J-10 Pickup-119" W.B.	66 = Comanche 2WD-7 Ft. Box	78 = Cherokee 4WD-4 Dr.
26 = J-10 Pickup-131" W.B.	73 = Cherokee 2WD-2 Dr.	79 = Cherokee 4WD-4 Dr.-Com
27 = J-20 Pickup-131" W.B.	74 = Cherokee 2WD-4 Dr.	81 = Wrangler-93" W.B.
63 = Comanche 4WD-6 Ft. Box	75 = Wagoneer 4WD-4 Dr.	82 = Wrangler-103" W.B.-Exp.
64 = Comanche 2WD-6 Ft. Box		

**BODY STYLES:**

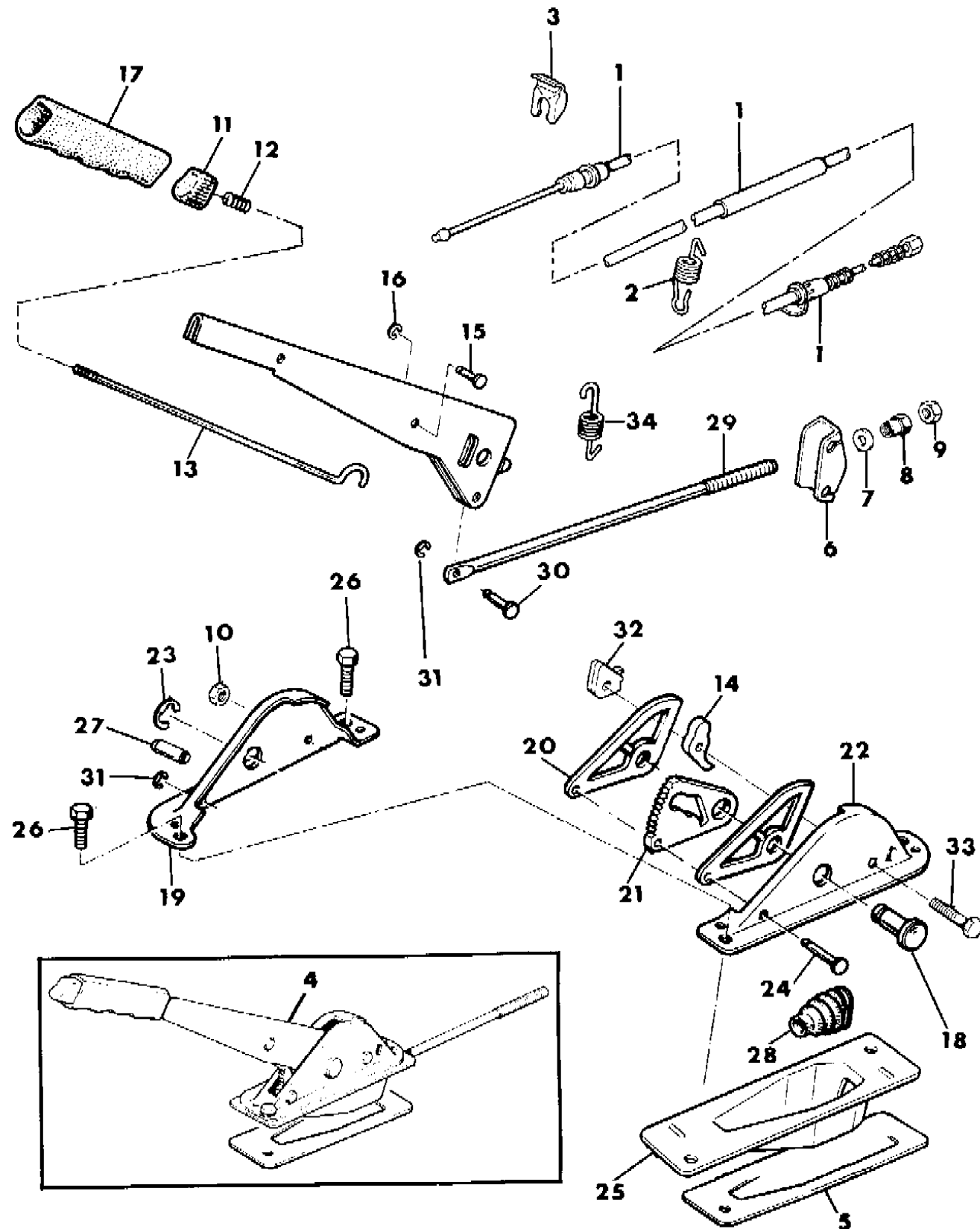
MJ = Comanche Pickup  
 SJ = Grand Wagoneer Wgn., J-10 & J-20 Pickups  
 XJ = Cherokee, Wagoneer Limited  
 YJ = Wrangler

AR = Use as Required - = Non Illustrated Part P.A.R. = Paint as Required

LEVER ASSEMBLY AND CABLES PARKING BRAKE CHEROKEE, WAGONEER

Figure 4-200

8 J04 200 A



ITEM	PART NUMBER	QTY	BODY	MODEL	DESCRIPTION
1					CABLE, Brake
	5200 3256	2			1987/89
	5200 4709	2			1990
2	5200 1156	2			SPRING, Cable to U/B Seat Belt Plate
3	J321 7581	2			CLIP, Spring
4	J067 8723	1			LEVER ASSEMBLY, Brake ***
5	3200 0744	1			SEAL
6	5200 1154	1			LINK, Cable
7	J400 3807	1			WASHER
8	5200 1157	1			NUT
9	1150 0749	1			NUT
10	T303 3005	1			NUT
11	J066 2741	1			BUTTON, Brake Release
12	J066 2781	1			SPRING, Release
13	J066 2784	1			ROD, Release
14	J066 2770	1			PAWL, Locking
15	J305 0033	1			PIN
16	J306 6150	1			CLIP, Retaining
17	J066 2742	1			HANDLE, Lever
18	J305 0070	1			SHAFT, Housing
19	J066 2783	1			HOUSING, Lever
20	J069 9064	2			WASHER
21	J066 2771	1			SECTOR, Locking
22	J066 2782	1			HOUSING, Lever
23	J306 6162	1			RING, Retaining
24	J305 0094	1			PIN
25	5200 1155	1			COVER, Housing
26	3420 1756	2			BOLT
27	J503 5073	1			PIN
28	J059 1208	1			BOOT
29	J059 1241	1			ROD, Adjusting
30	J305 0069	1			PIN
31	J306 6151	2			CLIP
32	J065 2153	1			SWITCH, Brake Warning Lamp
33	T300 1658	1			SCREW
34	5200 6657	2			SPRING, Cable to Frame Rail

MODEL CODES:

15 = Grand Wagoneer 4 Dr.	65 = Comanche 4WD-7 Ft. Box	77 = Cherokee 4WD-2 Dr.
25 = J-10 Pickup-119" W.B.	66 = Comanche 2WD-7 Ft. Box	78 = Cherokee 4WD-4 Dr.
26 = J-10 Pickup-131" W.B.	73 = Cherokee 2WD-2 Dr.	79 = Cherokee 4WD-4 Dr.-Com
27 = J-20 Pickup-131" W.B.	74 = Cherokee 2WD-4 Dr.	81 = Wrangler-93" W.B.
63 = Comanche 4WD-6 Ft. Box	75 = Wagoneer 4WD-4 Dr.	82 = Wrangler-103" W.B.-Exp.
64 = Comanche 2WD-6 Ft. Box		

BODY STYLES:

MJ = Comanche Pickup  
 SJ = Grand Wagoneer Wgn., J-10 & J-20 Pickups  
 XJ = Cherokee, Wagoneer Limited  
 YJ = Wrangler

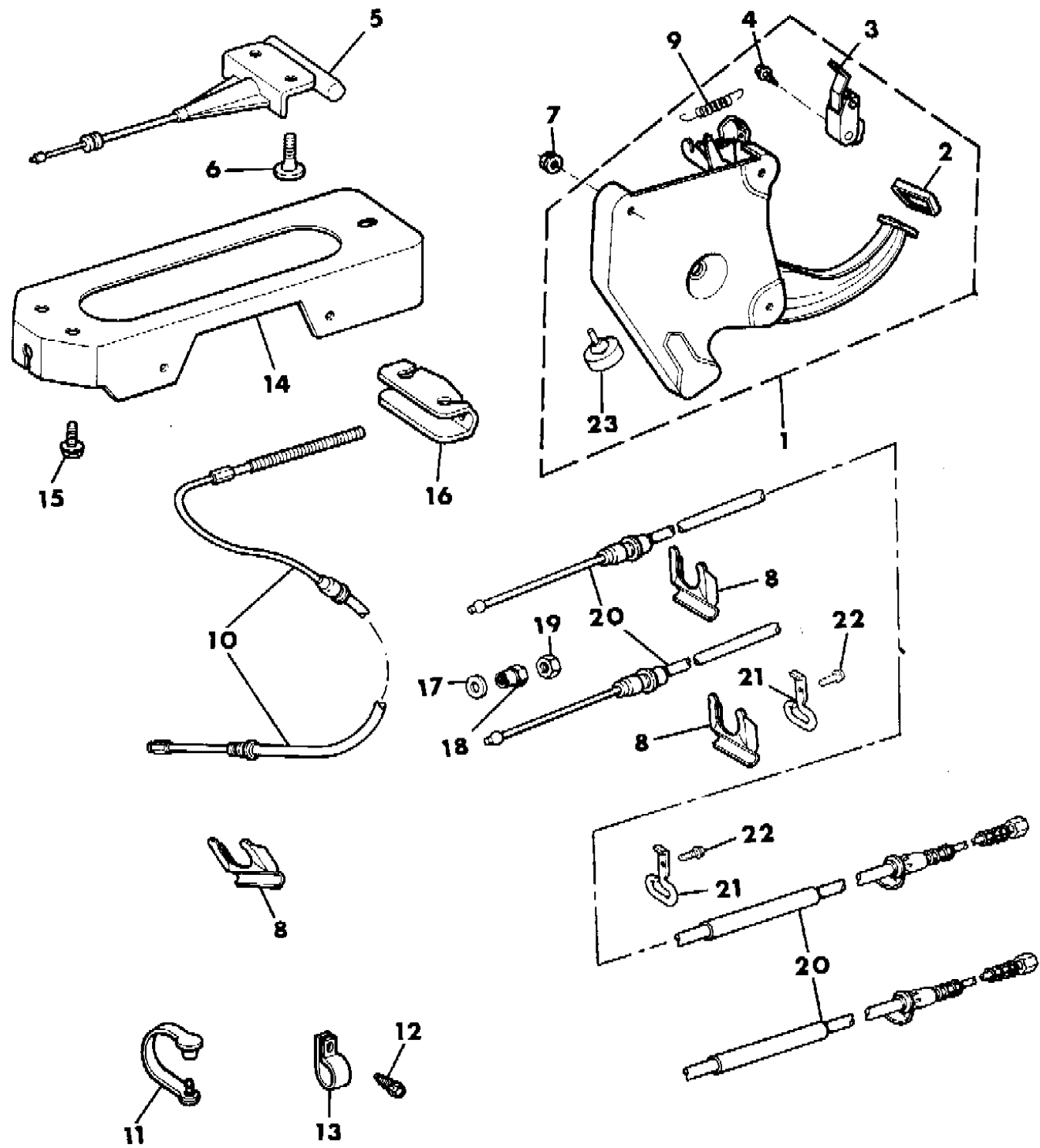
AR = Use as Required - = Non Illustrated Part P.A.R. = Paint as Required



LEVER ASSEMBLY AND CABLES PARKING BRAKE COMANCHE

Figure 4-300

8 J04 300



ITEM	PART NUMBER	QTY	BODY	MODEL	DESCRIPTION
1	5200 0803	1			LEVER ASSEMBLY, Brake ***
2	8350 2639	1			PAD, Pedal
3	5600 1966	1			SWITCH, Brake Warning Lamp
4	J941 6223	1			SCREW
5	5200 0861	1			CABLE, Release
6	3420 1473	2			SCREW
7	1150 2811	2			NUT
8	J321 7581	4			CLIP
9	8350 4860	1			SPRING
10					CABLE, Brake
	5200 3192	1			6 Foot Box ***
	5200 3190	1			7 Foot Box
11	J400 0306	1			STRAP
12	J400 1701	2			SCREW
	1150 0100	2			SCREW, KDX
13	J012 0524	2			CLIP
14					BRACKET
	5200 2997	1			6 Foot Box
	5200 0863	1			7 Foot Box
15	3420 1991	1			BOLT
16	5200 1154	1			EQUALIZER
17	J400 3807	1			WASHER
18	5200 1157	1			NUT
19	1150 0749	1			NUT
20					CABLE, Brake
	5200 3188	2			1987/89
	5200 6380	2			1990
21	5200 3547	2			CLIP
22	3420 1193	2			BOLT
23	8350 5579	1			BUMPER

MODEL CODES:

15 = Grand Wagoneer 4 Dr.	65 = Comanche 4WD-7 Ft. Box	77 = Cherokee 4WD-2 Dr.
25 = J-10 Pickup-119" W.B.	66 = Comanche 2WD-7 Ft. Box	78 = Cherokee 4WD-4 Dr.
26 = J-10 Pickup-131" W.B.	73 = Cherokee 2WD-2 Dr.	79 = Cherokee 4WD-4 Dr.-Com
27 = J-20 Pickup-131" W.B.	74 = Cherokee 2WD-4 Dr.	81 = Wrangler-93" W.B.
63 = Comanche 4WD-6 Ft. Box	75 = Wagoneer 4WD-4 Dr.	82 = Wrangler-103" W.B.-Exp.
64 = Comanche 2WD-6 Ft. Box		

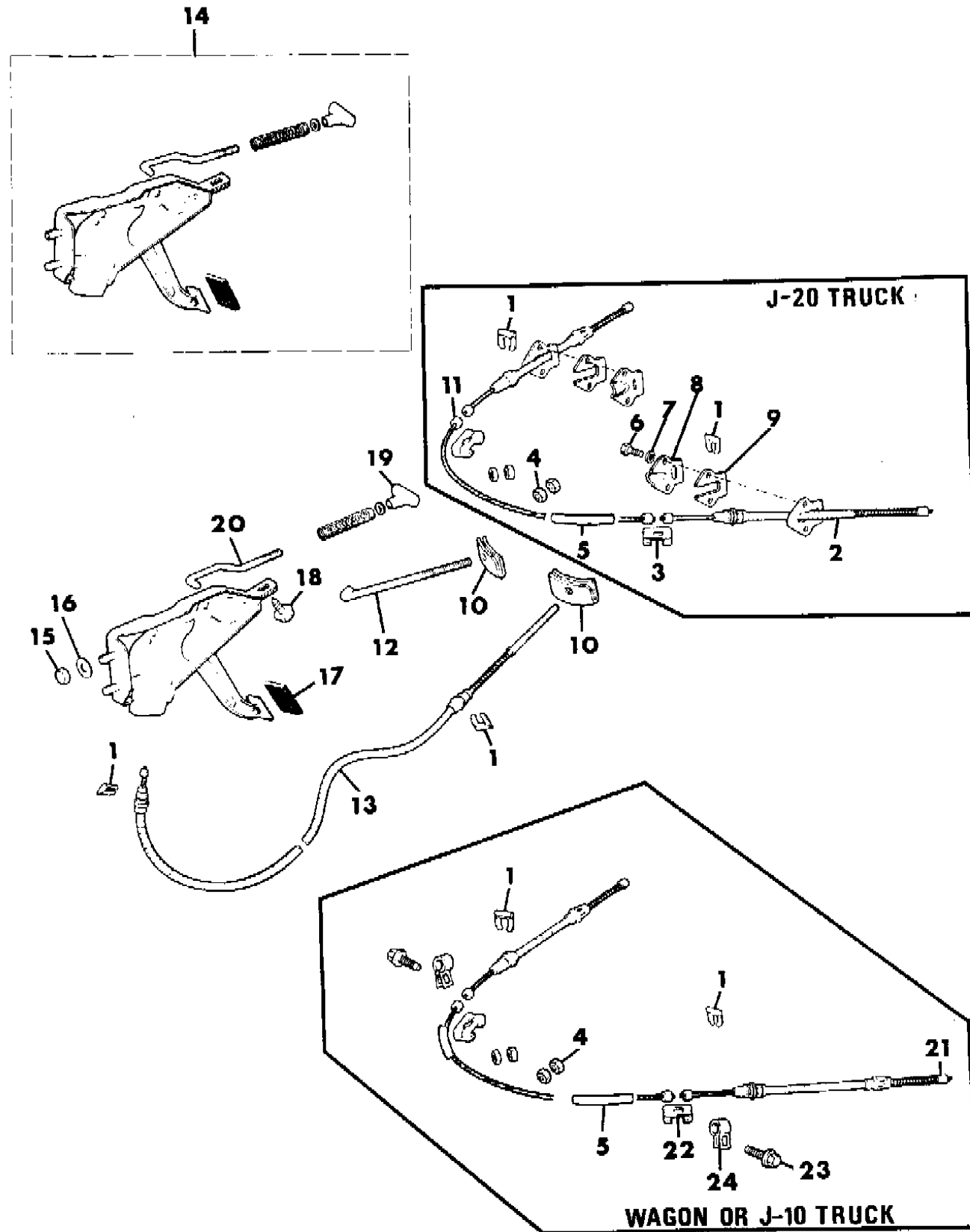
BODY STYLES:

MJ = Comanche Pickup  
 SJ = Grand Wagoneer Wgn., J-10 & J-20 Pickups  
 XJ = Cherokee, Wagoneer Limited  
 YJ = Wrangler

AR = Use as Required - = Non Illustrated Part P.A.R. = Paint as Required

LEVER ASSEMBLY AND CABLES PARKING BRAKE WAGONEER, J10, J20  
Figure 4-400

8J04 400



ITEM	PART NUMBER	QTY	BODY	MODEL	DESCRIPTION
1	J321 7581	4			CLIP, Retaining
2	J536 2136	2		27	CABLE, Brake
3	J535 1675	2			CLIP
4	J012 0368	4			NUT
5	J536 1320	2			SLEEVE
6	J018 0077	4		27	BOLT
7	J012 0214	4		27	WASHER
8	J535 2785	2		27	CLAMP
9	J535 2784	2		27	GASKET
10	J535 1663	2			EQUALIZER
11					CABLE, Brake
	J536 2868	1		27	w/Manual Transmission
	J536 1279	1		27	w/Automatic Transmission
	J536 1279	1		15, 26	w/Manual Transmission
	J536 1280	1		15, 26	w/Automatic Transmission, 4.2L Engine
	J536 1279	1		15, 26	w/Automatic Transmission, 5.9L Engine
12	J536 1278	1			ROD
13					CABLE, Brake
	J536 1029	1		27	w/Manual Transmission
	J536 1026	1		27	w/Automatic Transmission
	J536 1026	1			w/Manual Transmission
	J536 1029	1			w/Automatic Transmission, 4.2L Engine
	J536 1026	1			w/Automatic Transmission, 5.9L Engine
14	J536 2139	1			LEVER ASSEMBLY, Brake ***
15	J027 1184	2			NUT
16	J012 0393	2			WASHER
17	J322 0433	1			PAD, Pedal
18	J098 7145	1			BOLT
19	J448 7994	1			HANDLE
20	J448 7993	1			ROD
21					CABLE, Brake
	J536 2132	2		15	
	J536 2130	2		26	
22	J535 1675	2			CLIP
23	J400 4626	2			BOLT
24	J012 7879	2			CLIP

MODEL CODES:

15 = Grand Wagoneer 4 Dr.	65 = Comanche 4WD-7 Ft. Box	77 = Cherokee 4WD-2 Dr.
25 = J-10 Pickup-119" W.B.	66 = Comanche 2WD-7 Ft. Box	78 = Cherokee 4WD-4 Dr.
26 = J-10 Pickup-131" W.B.	73 = Cherokee 2WD-2 Dr.	79 = Cherokee 4WD-4 Dr.-Com
27 = J-20 Pickup-131" W.B.	74 = Cherokee 2WD-4 Dr.	81 = Wrangler-93" W.B.
63 = Comanche 4WD-6 Ft. Box	75 = Wagoneer 4WD-4 Dr.	82 = Wrangler-103" W.B.-Exp.
64 = Comanche 2WD-6 Ft. Box		

BODY STYLES:

MJ = Comanche Pickup  
 SJ = Grand Wagoneer Wgn., J-10 & J-20 Pickups  
 XJ = Cherokee, Wagoneer Limited  
 YJ = Wrangler

AR = Use as Required - = Non Illustrated Part P.A.R. = Paint as Required

**GROUP 5 - BRAKES, SERVICE**

**ILLUSTRATION TITLE** **GROUP-FIG. NO.**

**WRANGLER, YJ**

PEDAL, BRAKE WRANGLER, YJ ..... Fig. 5-100

BOOSTER AND MASTER CYLINDER WRANGLER, YJ ..... Fig. 5-200

LINES AND HOSES, BRAKE WRANGLER, YJ ..... Fig. 5-300

BRAKES, FRONT WRANGLER, YJ ..... Fig. 5-325

BRAKES, REAR - W/DANA MODEL 35 AXLE WRANGLER, YJ 1987/89 ..... Fig. 5-350

BRAKES, REAR - W/DANA MODEL 35 AXLE WRANGLER, YJ 1990 ..... Fig. 5-355

BRAKES, REAR - W/DANA MODEL 44 AXLE...EXPORT(KDX) WRANGLER ..... Fig. 5-375

**CHEROKEE, WAGONEER, COMANCHE**

PEDAL, BRAKE CHEROKEE, WAGONEER, COMANCHE ..... Fig. 5-400

VACUUM PUMP, BRAKES DIESEL ..... Fig. 5-450

BOOSTER AND MASTER CYLINDER U.S. AND CANADA CHEROKEE, WAGONEER, COMANCHE ..... Fig. 5-500

BOOSTER AND MASTER CYLINDER EXPORT CHEROKEE, WAGONEER, COMANCHE ..... Fig. 5-600

CYLINDER, BRAKE MASTER W/ANTI-LOCK BRAKING SYSTEM CHEROKEE, WAGONEER ..... Fig. 5-650

LINES AND HOSES, BRAKE U.S. AND CANADA CHEROKEE, WAGONEER, COMANCHE ..... Fig. 5-700

HEIGHT SENSING VALVE COMANCHE ..... Fig. 5-725

LINES AND HOSES, BRAKE W/ANTI-LOCK BRAKING SYSTEM ..... Fig. 5-750

LINES AND HOSES, BRAKE EXPORT CHEROKEE, WAGONEER ..... Fig. 5-800

BRAKES, FRONT CHEROKEE, WAGONEER, COMANCHE ..... Fig. 5-825

BRAKES, REAR DRUM - W/DANA MODEL 35 CHEROKEE, WAGONEER, COMANCHE 1987/89 ..... Fig. 5-900

BRAKES, REAR DRUM - W/DANA MODEL 35 CHEROKEE, WAGONEER, COMANCHE 1990 ..... Fig. 5-950

BRAKES, REAR DRUM - W/DANA MODEL 44 CHEROKEE, WAGONEER, COMANCHE ..... Fig. 5-975

**GRAND WAGONEER, J-10, J-20**

PEDAL, BRAKES GRAND WAGONEER, J-10, J-20 ..... Fig. 5-1000

BOOSTER AND MASTER CYLINDER GRAND WAGONEER, J-10, J-20 ..... Fig. 5-1100

LINES AND HOSES, BRAKE GRAND WAGONEER, J-10, J-20 ..... Fig. 5-1200

BRAKES, FRONT DISC GRAND WAGONEER, J-10, J-20 ..... Fig. 5-1300

BRAKES, REAR DRUM DANA MODEL 44 AXLE GRAND WAGONEER, J-10 ..... Fig. 5-1350

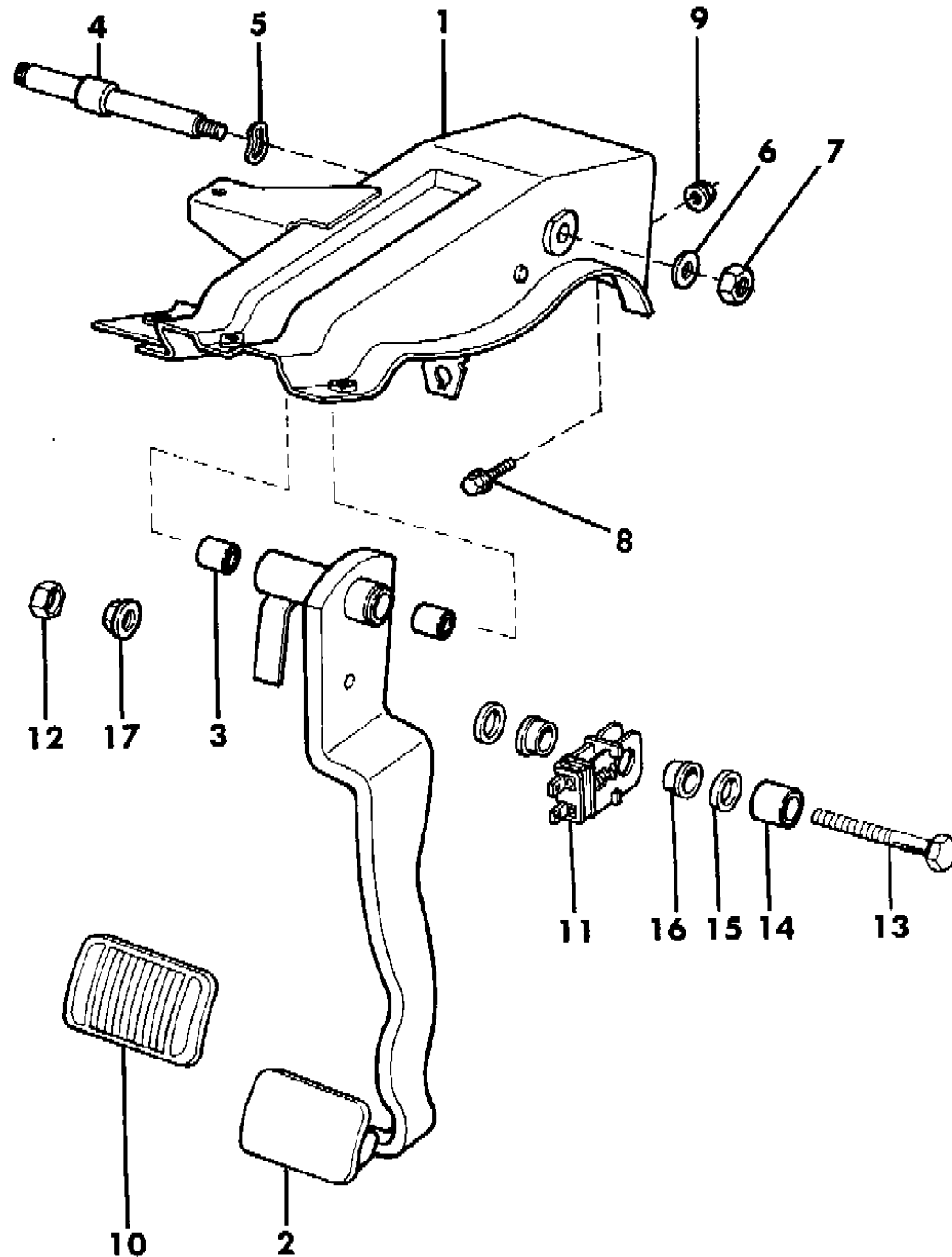
BRAKES, REAR DRUM DANA MODEL 60 AXLE J-20 ..... Fig. 5-1400

DRUMS AND BEARINGS, REAR BRAKE DANA MODEL 60 AXLE J-20 ..... Fig. 5-1500

**ILLUSTRATION NOT AVAILABLE AT TIME OF PUBLICATION**

PEDAL, BRAKE WRANGLER, YJ  
Figure 5-100

8J05 100



ITEM	PART NUMBER	QTY	BODY	MODEL	DESCRIPTION
1					BRACKET, Pedal
	5200 2325	1			w/Manual Transmission
	5200 3047	1			w/Automatic Transmission
2					PEDAL, Brake
	5200 3051	1			w/Manual Transmission
	5200 3052	1			w/Auto. Trans.
3	J094 6177	2			BUSHING
4					SHAFT
	J535 9834	1			w/Manual Transmission
	J535 1803	1			w/Automatic Transmission
5	J535 1844	1			WASHER
6	J012 0396	1			WASHER
7	J400 4311	1			NUT
8	J018 0123	1			BOLT
9	J400 3909	4			NUT
10					PAD, Pedal
	5200 2750	1			w/Manual Transmission
	5200 2749	1			w/Automatic Transmission
11					SWITCH, Brake Lamp
	J322 5787	1			w/Cruise Control
	J321 5938	1			w/o Cruise Control
12	J942 0166	1			NUT
13	J400 4486	1			BOLT
14	J321 5928	1			SLEEVE
15	J321 5924	2			SPACER
16	J321 5922	2			BUSHING
17	J400 5311	1			NUT

MODEL CODES:

15 = Grand Wagoneer 4 Dr.	65 = Comanche 4WD-7 Ft. Box	77 = Cherokee 4WD-2 Dr.
25 = J-10 Pickup-119" W.B.	66 = Comanche 2WD-7 Ft. Box	78 = Cherokee 4WD-4 Dr.
26 = J-10 Pickup-131" W.B.	73 = Cherokee 2WD-2 Dr.	79 = Cherokee 4WD-4 Dr.-Com
27 = J-20 Pickup-131" W.B.	74 = Cherokee 2WD-4 Dr.	81 = Wrangler-93" W.B.
63 = Comanche 4WD-6 Ft. Box	75 = Wagoneer 4WD-4 Dr.	82 = Wrangler-103" W.B.-Exp.
64 = Comanche 2WD-6 Ft. Box		

BODY STYLES:

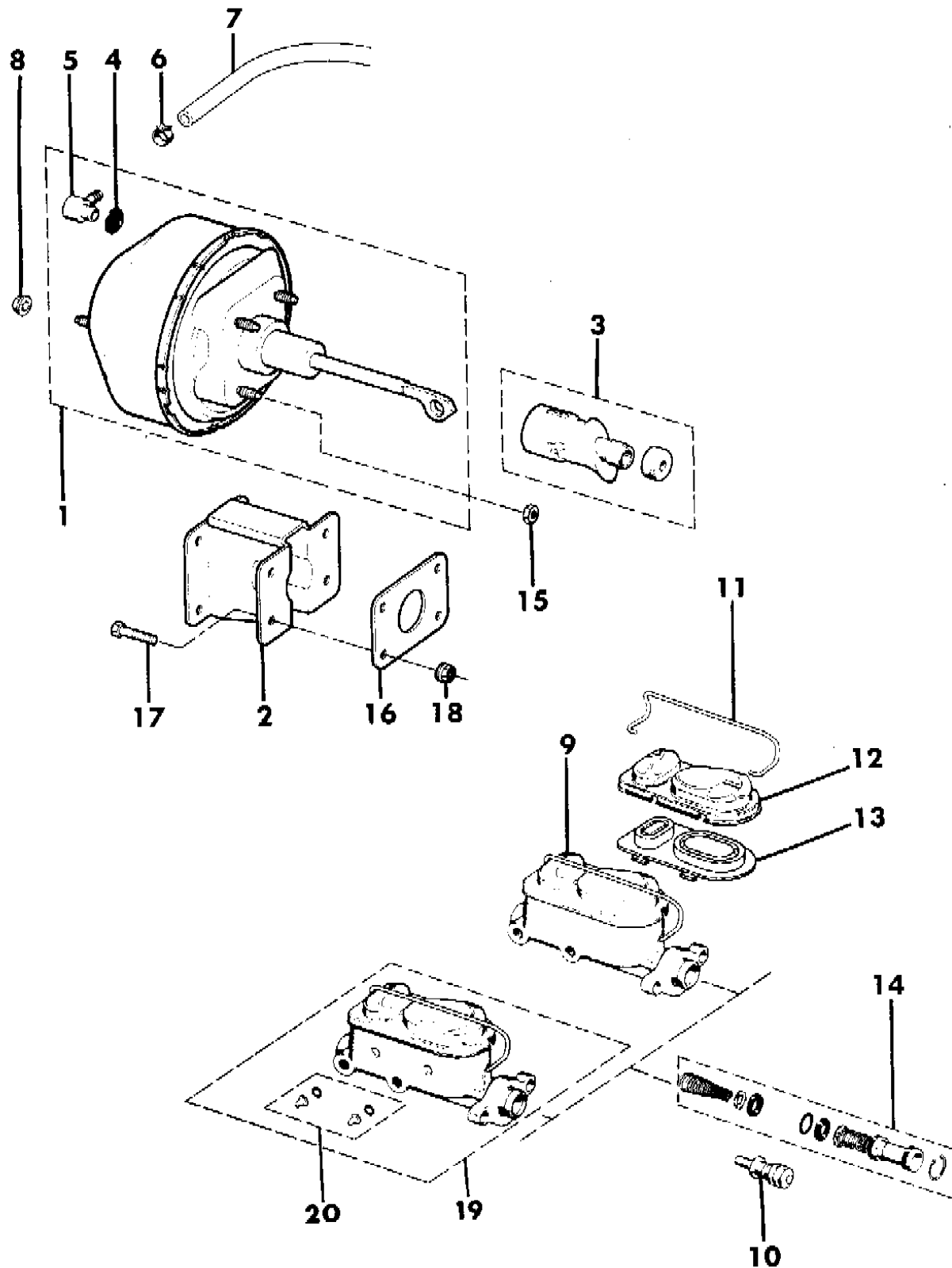
MJ = Comanche Pickup  
 SJ = Grand Wagoneer Wgn., J-10 & J-20 Pickups  
 XJ = Cherokee, Wagoneer Limited  
 YJ = Wrangler

AR = Use as Required - = Non Illustrated Part P.A.R. = Paint as Required

# BOOSTER AND MASTER CYLINDER WRANGLER, YJ

Figure 5-200

8 J05 200



ITEM	PART NUMBER	QTY	BODY	MODEL	DESCRIPTION
1					BOOSTER, Brake
	8350 2846	1		1987/89	
	5252 628	1		1990	
2	8350 2847	1			BRACKET ASSEMBLY, Booster
3	8350 2848	1			GUARD KIT, Booster
4	J320 8510	1			GROMMET, Valve
5	8350 3496	1			VALVE, Check
6	J317 8454	1			CLAMP
7	J812 5883	1			HOSE, Vacuum (Bulk)
8	J400 3909	2			NUT
9					CYLINDER, Brake Master w/o ECE
	J324 1807	1		1987/89	
	5252 626	1		1990	
10	J813 3915	1			PISTON, Master Cylinder (1988/89)
11	J813 3910	1			RETAINER
12	8350 4454	1			COVER, Master Cylinder
13	8350 4455	1			GASKET
14					REPAIR KIT, Master Cylinder
	J813 3913	1		1987/89	
	5252 629	1		1990	
15	8350 0105	4			NUT
16	5200 1844	1			SEAL
17	J018 0123	4			BOLT
18	J400 3909	1			NUT
19					CYLINDER, Brake Master w/ECE
	J324 1805	1		1987/89	
	5252 627	1		1990	
20	8350 0142	1			GLASS, Sight w/ECE

MODEL CODES:

15 = Grand Wagoneer 4 Dr.	65 = Comanche 4WD-7 Ft. Box	77 = Cherokee 4WD-2 Dr.
25 = J-10 Pickup-119" W.B.	66 = Comanche 2WD-7 Ft. Box	78 = Cherokee 4WD-4 Dr.
26 = J-10 Pickup-131" W.B.	73 = Cherokee 2WD-2 Dr.	79 = Cherokee 4WD-4 Dr.-Com
27 = J-20 Pickup-131" W.B.	74 = Cherokee 2WD-4 Dr.	81 = Wrangler-93" W.B.
63 = Comanche 4WD-6 Ft. Box	75 = Wagoneer 4WD-4 Dr.	82 = Wrangler-103" W.B.-Exp.
64 = Comanche 2WD-6 Ft. Box		

BODY STYLES:

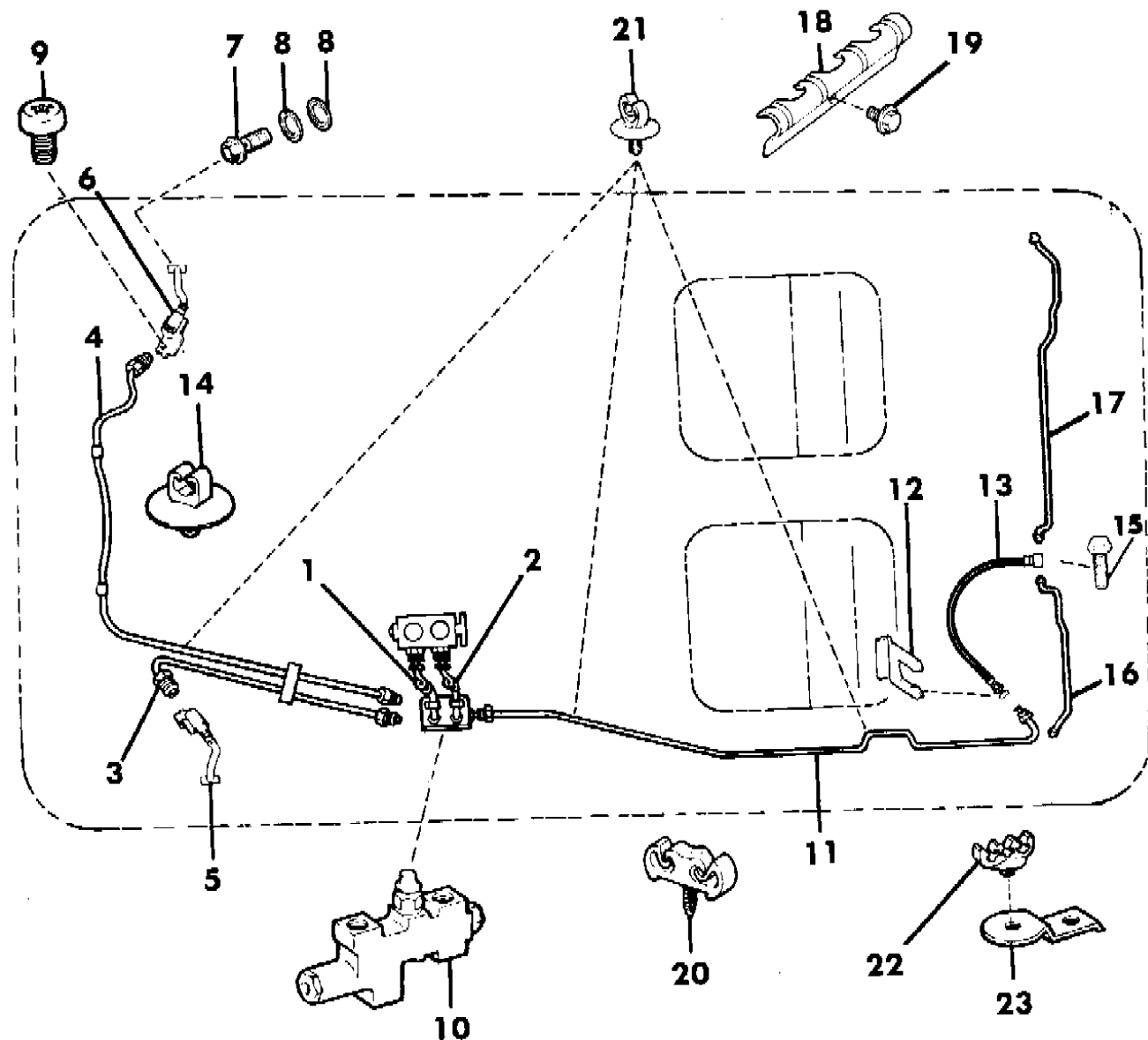
MJ = Comanche Pickup  
 SJ = Grand Wagoneer Wgn., J-10 & J-20 Pickups  
 XJ = Cherokee, Wagoneer Limited  
 YJ = Wrangler

AR = Use as Required - = Non Illustrated Part P.A.R. = Paint as Required

LINES AND HOSES, BRAKE WRANGLER, YJ

Figure 5-300

8J05 300



ITEM	PART NUMBER	QTY	BODY	MODEL	DESCRIPTION
1	5204 0163	1			LINE, Brake
2	5204 0159	1			LINE, Brake
3	5204 0169	1			LINE, Brake
4	5204 0168	1			LINE, Brake
5					HOSE, Brake
6	5200 2849	1		1987/89	
	5200 6473	1		1990	
6	5200 2848	1		1987/89	HOSE, Brake
	5200 6472	1		1990	
7	J400 6700	2			BOLT
8	J323 6434	4			GASKET
9	3420 1670	2			SCREW
10	5200 3118	1		1987/89	VALVE, Proportioning
	5200 6324	1		1990	
	5200 3118	1		1990, KDX	
11	5204 0172	1			LINE, Brake
	5204 0172	1	81		w/o KDX
	5200 2814	1	82		w/KDX
12	J004 7774	1			CLIP
13	5200 1917	1		1987/89	HOSE, Brake
	5200 4153	1		1990	
14	J400 7396	2			CLIP
15	3420 1610	1			SCREW
16	5204 0173	1		1987/89	LINE, Brake
	5200 4151	1		1990	
	5204 0173	1		KDX	
17	5204 0174	1		1987/89	LINE, Brake
	5200 4150	1		1990	
	5200 3750	1		KDX	
18	J323 4854	1			CLIP
19	3420 1912	2			SCREW

MODEL CODES:

15 = Grand Wagoneer 4 Dr.	65 = Comanche 4WD-7 Ft. Box	77 = Cherokee 4WD-2 Dr.
25 = J-10 Pickup-119" W.B.	66 = Comanche 2WD-7 Ft. Box	78 = Cherokee 4WD-4 Dr.
26 = J-10 Pickup-131" W.B.	73 = Cherokee 2WD-2 Dr.	79 = Cherokee 4WD-4 Dr.-Com
27 = J-20 Pickup-131" W.B.	74 = Cherokee 2WD-4 Dr.	81 = Wrangler-93" W.B.
63 = Comanche 4WD-6 Ft. Box	75 = Wagoneer 4WD-4 Dr.	82 = Wrangler-103" W.B.-Exp.
64 = Comanche 2WD-6 Ft. Box		

BODY STYLES:

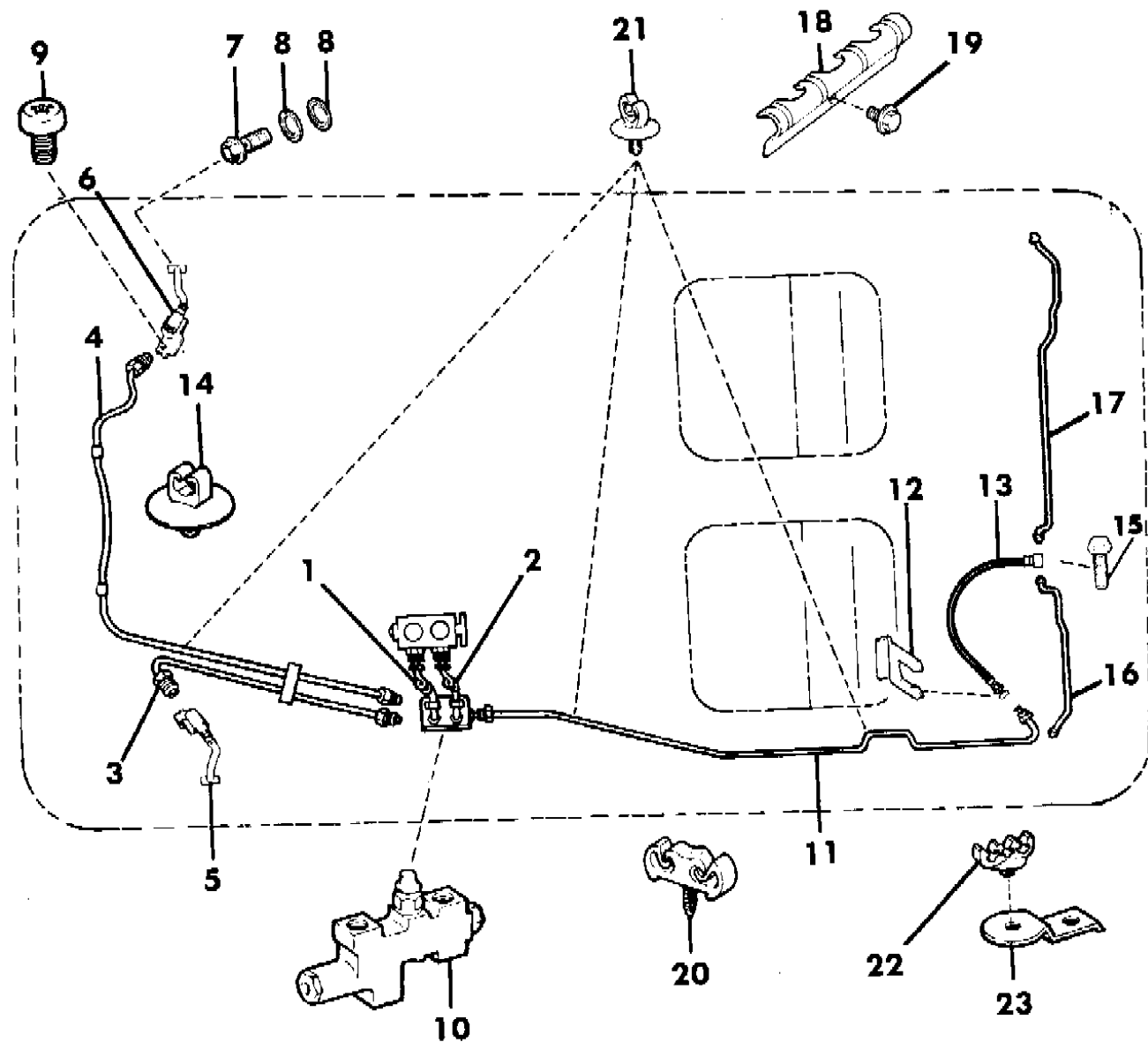
MJ = Comanche Pickup  
 SJ = Grand Wagoneer Wgn., J-10 & J-20 Pickups  
 XJ = Cherokee, Wagoneer Limited  
 YJ = Wrangler

AR = Use as Required - = Non Illustrated Part P.A.R. = Paint as Required

LINES AND HOSES, BRAKE WRANGLER, YJ

Figure 5-300

8J05 300



ITEM	PART NUMBER	QTY	BODY	MODEL	DESCRIPTION
20	5200 2044	1			CLIP
21	3200 0404	3			CLIP
22	5300 1242	1			CLIP
23	5200 2757	1			BRACKET

MODEL CODES:

15 = Grand Wagoneer 4 Dr.	65 = Comanche 4WD-7 Ft. Box	77 = Cherokee 4WD-2 Dr.
25 = J-10 Pickup-119" W.B.	66 = Comanche 2WD-7 Ft. Box	78 = Cherokee 4WD-4 Dr.
26 = J-10 Pickup-131" W.B.	73 = Cherokee 2WD-2 Dr.	79 = Cherokee 4WD-4 Dr.-Com
27 = J-20 Pickup-131" W.B.	74 = Cherokee 2WD-4 Dr.	81 = Wrangler-93" W.B.
63 = Comanche 4WD-6 Ft. Box	75 = Wagoneer 4WD-4 Dr.	82 = Wrangler-103" W.B.-Exp.
64 = Comanche 2WD-6 Ft. Box		

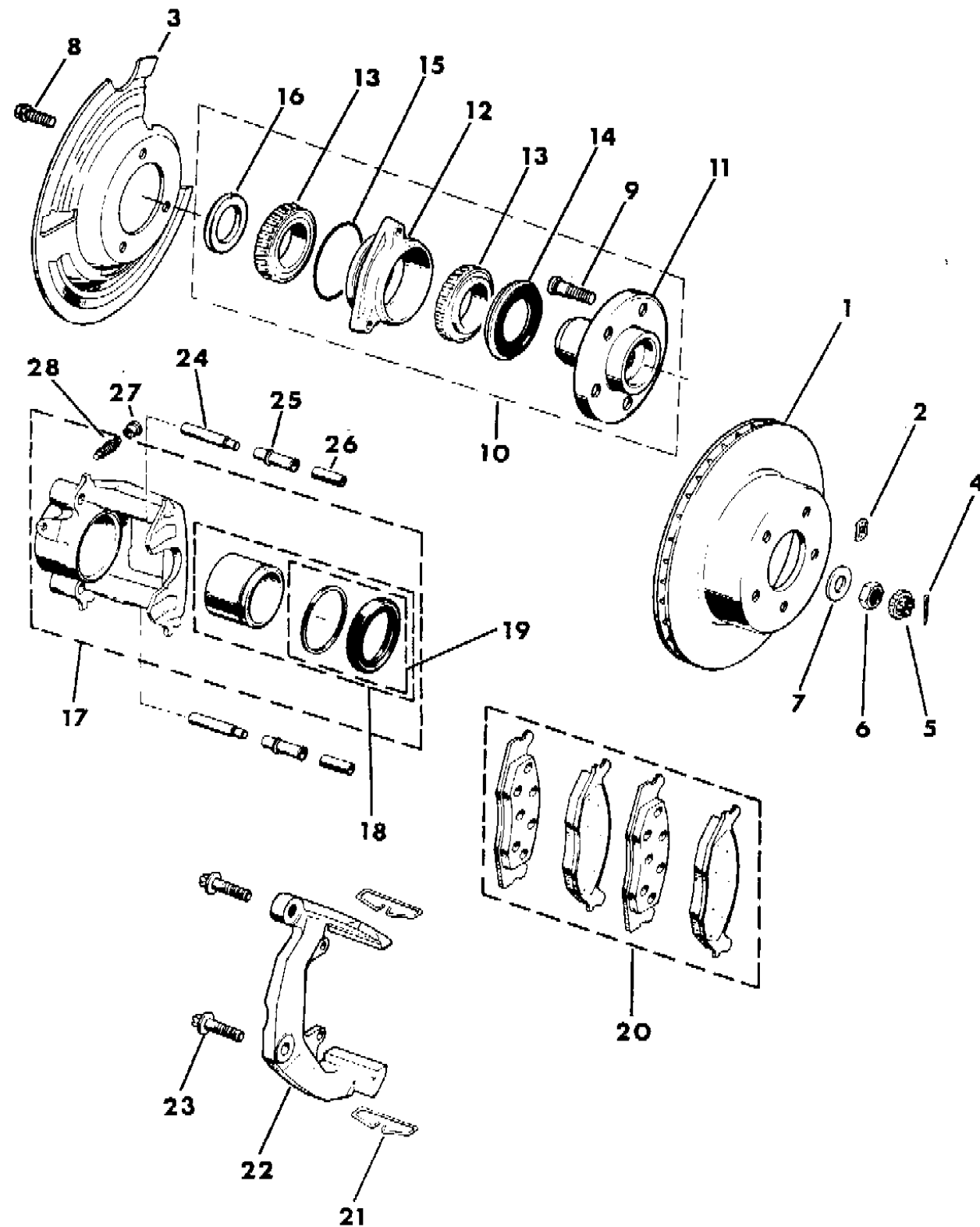
BODY STYLES:

MJ = Comanche Pickup  
 SJ = Grand Wagoneer Wgn., J-10 & J-20 Pickups  
 XJ = Cherokee, Wagoneer Limited  
 YJ = Wrangler

AR = Use as Required - = Non Illustrated Part P.A.R. = Paint as Required

BRAKES, FRONT WRANGLER, YJ  
Figure 5-325

8J05 325



ITEM	PART NUMBER	QTY	BODY	MODEL	DESCRIPTION
1					ROTOR, Brake
	J325 1156	2			1987/89
	5200 5000	2			1990
2	J400 6185	6			NUT
3					SHIELD, Splash
					Right
	5200 0114	1			1987/89
	5252 982	1			1990
					Left
	5200 0115	1			1987/89
	5252 983	1			1990
4	1101 0069	2			PIN
5	J420 0097	2			RETAINER
6	J420 0095	2			NUT
7	J420 0096	2			WASHER
8	3420 1535	6			BOLT
9					BOLT
	J323 8138	10			1987/89
	5300 7463	10			1990
10					HUB and BEARING ASSEMBLY, Front Brake ***
	5300 0228	2			1987/89
					1990
	5300 5604	2			Roller Bearing (Kelsey Hayes)
	5300 7449	2			Ball Bearing (Fag)
11	5300 0234	2			HUB, 1987/89
12	5300 0230	2			CARRIER, Hub and Bearing (1987/89) ***
13	5300 0238	4			BEARING (1987/89) ***
14	J323 8137	2			SEAL (1987/89) ***
15	5300 0237	2			SEAL (1987/89) ***
16	5300 0239	2			SEAL (1987/89) ***
17					CALIPER, Brake
					Right
	J813 3846	1			1987/89
	5252 984	1			1990
					Left
	J813 3847	1			1987/89
	5252 985	1			1990

MODEL CODES:

15 = Grand Wagoneer 4 Dr.	65 = Comanche 4WD-7 Ft. Box	77 = Cherokee 4WD-2 Dr.
25 = J-10 Pickup-119" W.B.	66 = Comanche 2WD-7 Ft. Box	78 = Cherokee 4WD-4 Dr.
26 = J-10 Pickup-131" W.B.	73 = Cherokee 2WD-2 Dr.	79 = Cherokee 4WD-4 Dr.-Com
27 = J-20 Pickup-131" W.B.	74 = Cherokee 2WD-4 Dr.	81 = Wrangler-93" W.B.
63 = Comanche 4WD-6 Ft. Box	75 = Wagoneer 4WD-4 Dr.	82 = Wrangler-103" W.B.-Exp.
64 = Comanche 2WD-6 Ft. Box		

BODY STYLES:

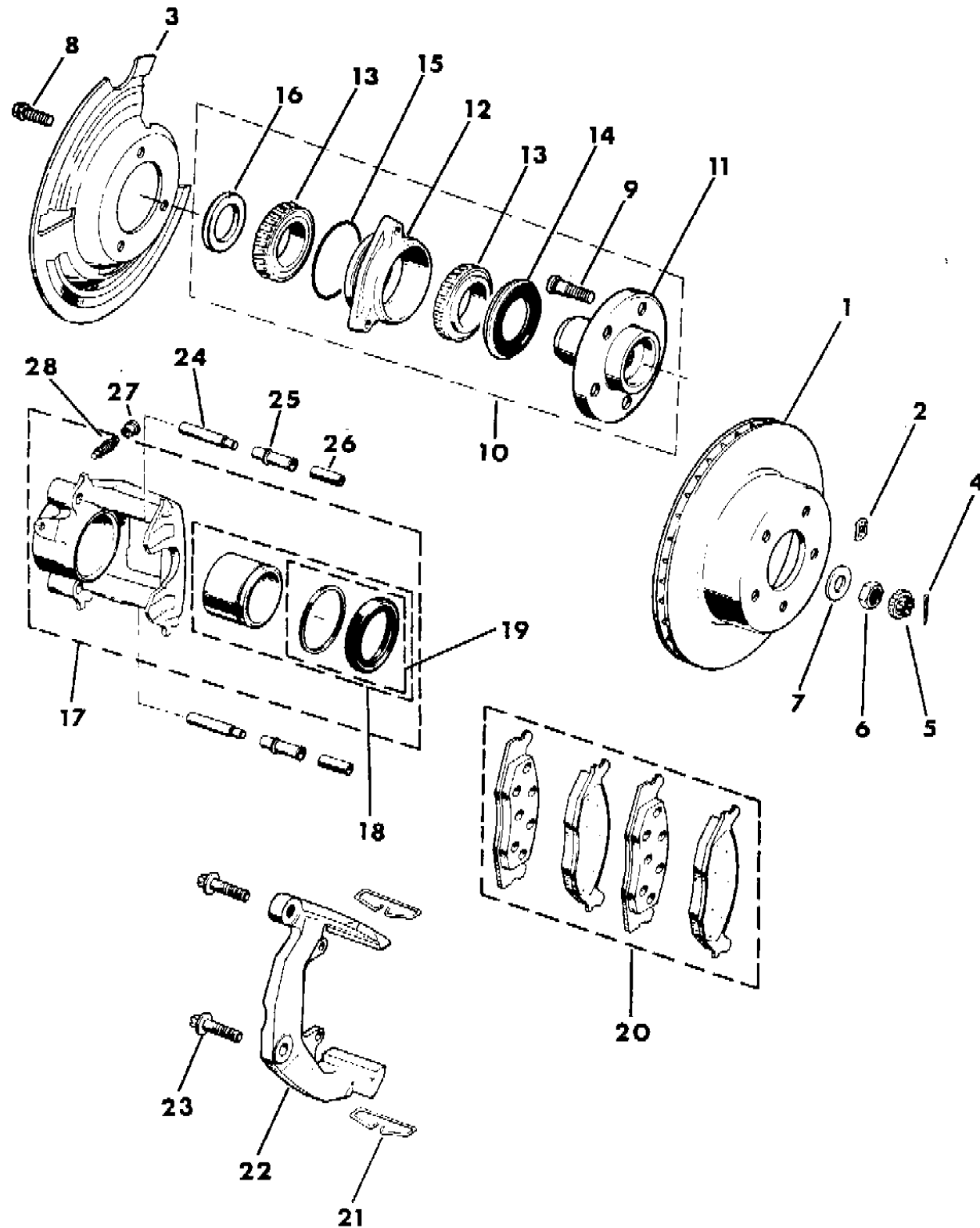
MJ = Comanche Pickup  
 SJ = Grand Wagoneer Wgn., J-10 & J-20 Pickups  
 XJ = Cherokee, Wagoneer Limited  
 YJ = Wrangler

AR = Use as Required - = Non Illustrated Part P.A.R. = Paint as Required



BRAKES, FRONT WRANGLER, YJ  
Figure 5-325

8J05 325



ITEM	PART NUMBER	QTY	BODY	MODEL	DESCRIPTION
18					PISTON PACKAGE, Front Brake Caliper ***
	J813 3845	2			1987/89
	5252 614	2			1990
19	J813 3852	2			SEAL PACKAGE, Front Brake Caliper
20					PAD PACKAGE, FRONT BRAKE CALIPERS
					1987/89
	8350 1167	1			U.S., Canada
	8350 2200	1			ECE, Export
	5252 531	1			1990
21	J323 9865	4			CLIP, Anti-Rattle
22	5200 0490	2			BRACKET, Caliper Mounting (1987/89)
		2			(1990) Service on Knuckle (D)
23	3420 1506	4			BOLT
24					PIN, Caliper
	8350 4655	4			1987/89
	5253 000	4			1990
25					BUSHING
	5200 1700	4			1987/89
	4383 471	4			1990
26					SLEEVE
	5200 1701	4			1987/89
	4636 017	4			1990
27					CAP
	J324 0871	2			1987/89
	4238 717	2			1990
28	J320 3313	2			SCREW, Bleeder

MODEL CODES:

15 = Grand Wagoneer 4 Dr.	65 = Comanche 4WD-7 Ft. Box	77 = Cherokee 4WD-2 Dr.
25 = J-10 Pickup-119" W.B.	66 = Comanche 2WD-7 Ft. Box	78 = Cherokee 4WD-4 Dr.
26 = J-10 Pickup-131" W.B.	73 = Cherokee 2WD-2 Dr.	79 = Cherokee 4WD-4 Dr.-Com
27 = J-20 Pickup-131" W.B.	74 = Cherokee 2WD-4 Dr.	81 = Wrangler-93" W.B.
63 = Comanche 4WD-6 Ft. Box	75 = Wagoneer 4WD-4 Dr.	82 = Wrangler-103" W.B.-Exp.
64 = Comanche 2WD-6 Ft. Box		

BODY STYLES:

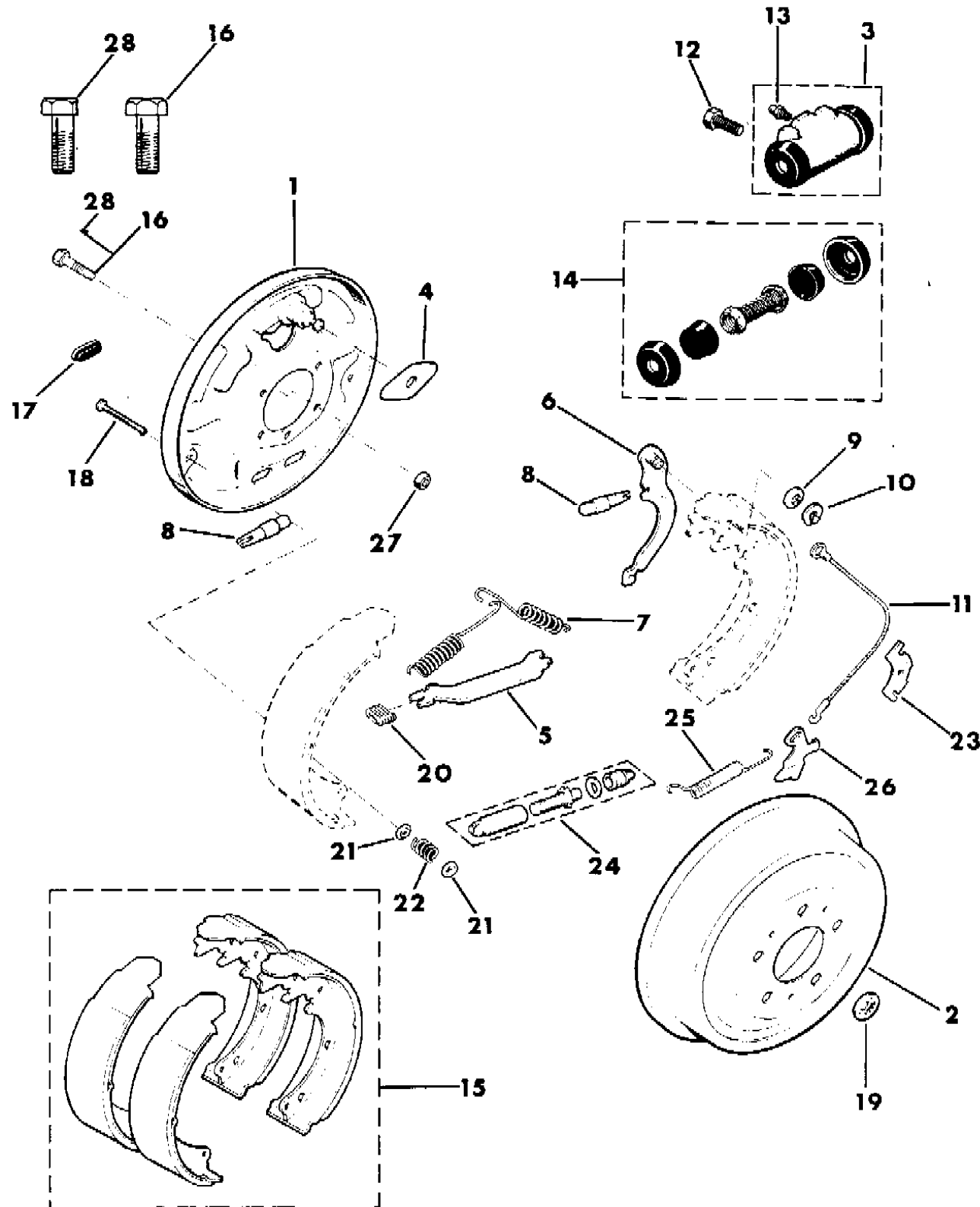
MJ = Comanche Pickup  
 SJ = Grand Wagoneer Wgn., J-10 & J-20 Pickups  
 XJ = Cherokee, Wagoneer Limited  
 YJ = Wrangler

AR = Use as Required - = Non Illustrated Part P.A.R. = Paint as Required

BRAKES, REAR - W/DANA MODEL 35 AXLE WRANGLER, YJ 1987/89

Figure 5-350

8J05 350



ITEM	PART NUMBER	QTY	BODY	MODEL	DESCRIPTION
1					PLATE, Backing
	8350 0988	1			Right
	8350 0989	1			Left
2	5200 1151	2			DRUM, Brake (Cast#82663-4) (D)
3					CYLINDER, Wheel
	5200 0848	1			Right
	5200 0849	1			Left
4	J320 1032	2			PLATE, Guide
5	J311 2778	2			STRUT, Parking
6					LEVER, Cable
	J320 1034	1			Right
	J320 1033	1			Left
7	J311 2780	4			SPRING, Return
8	J004 8331	4			LINK, Cylinder
9	J310 8203	2			WASHER
10	J310 8202	2			RETAINER, Lever
11	J320 1027	2			CABLE, Adjuster
12	J448 6551	4			BOLT
13	J320 3313	2			SCREW, Bleeder
14	8350 0987	2			REPAIR PACKAGE, Wheel Cylinder
15	J813 3818	1			SHOE PACKAGE, Brake
	4762 542	1			EUROPE
	JR77 5075	1			SHOE PACKAGE, Brake, Remanufactured
16	J314 3794	8			BOLT
17	J320 1957	4			PLUG, Adjusting
18	J314 3612	4			PIN
19	J400 6185	2			NUT, Push
20	J311 2779	2			SPRING
21	J008 9259	8			CUP
22	J320 5979	4			SPRING
23	J320 1947	2			GUIDE, Cable
24					ADJUSTER
	5200 1216	1			Right
	5200 1215	1			Left
25	J320 1937	2			SPRING, Adjuster
26					LEVER, Adjuster
	J320 1030	1			Right

MODEL CODES:

15 = Grand Wagoneer 4 Dr.	65 = Comanche 4WD-7 Ft. Box	77 = Cherokee 4WD-2 Dr.
25 = J-10 Pickup-119" W.B.	66 = Comanche 2WD-7 Ft. Box	78 = Cherokee 4WD-4 Dr.
26 = J-10 Pickup-131" W.B.	73 = Cherokee 2WD-2 Dr.	79 = Cherokee 4WD-4 Dr.-Com
27 = J-20 Pickup-131" W.B.	74 = Cherokee 2WD-4 Dr.	81 = Wrangler-93" W.B.
63 = Comanche 4WD-6 Ft. Box	75 = Wagoneer 4WD-4 Dr.	82 = Wrangler-103" W.B.-Exp.
64 = Comanche 2WD-6 Ft. Box		

BODY STYLES:

MJ = Comanche Pickup  
 SJ = Grand Wagoneer Wgn., J-10 & J-20 Pickups  
 XJ = Cherokee, Wagoneer Limited  
 YJ = Wrangler

AR = Use as Required - = Non Illustrated Part P.A.R. = Paint as Required

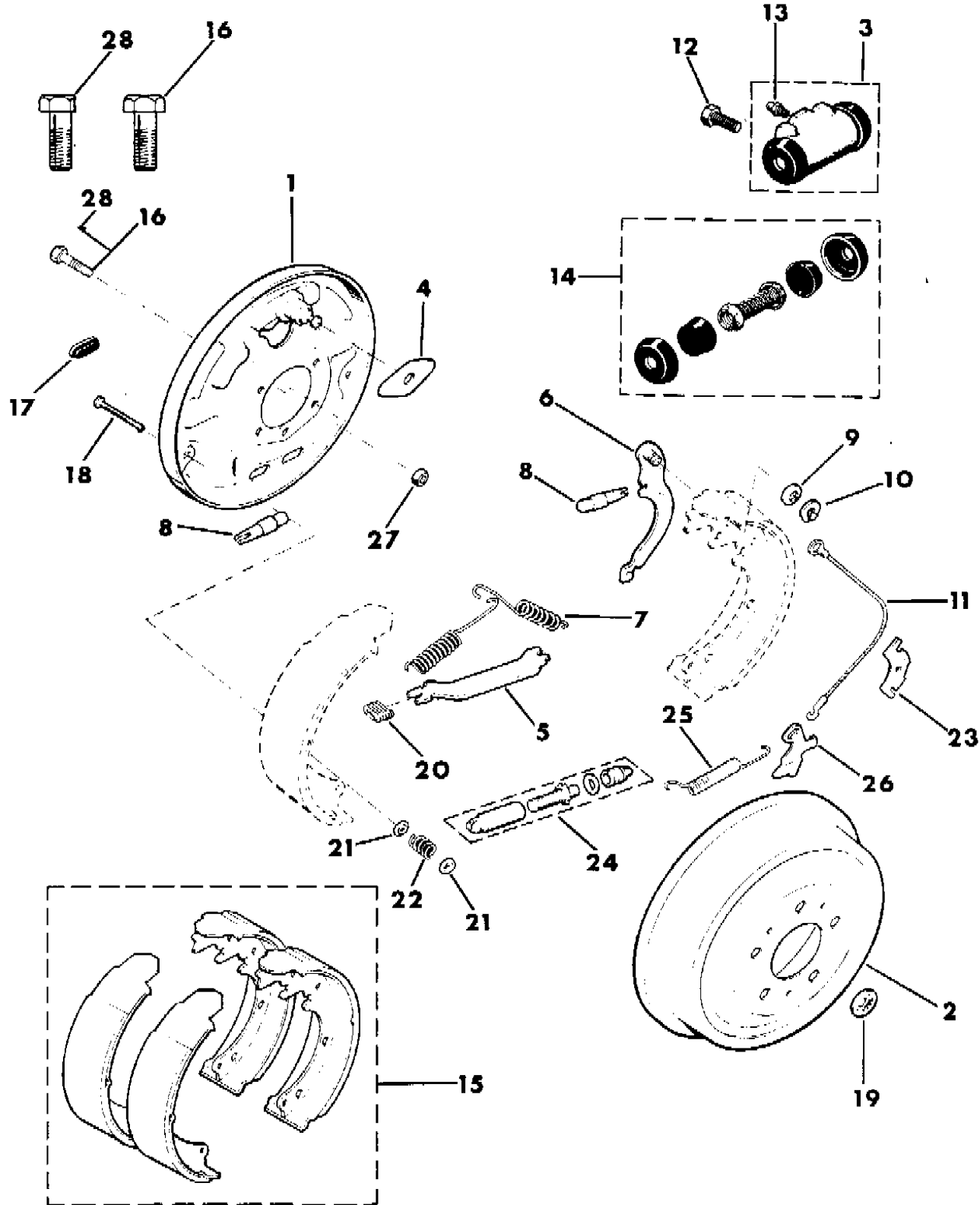
BRAKES, REAR - W/DANA MODEL 35 AXLE WRANGLER, YJ 1987/89

Figure 5-350

8J05 350

ITEM	PART NUMBER	QTY	BODY	MODEL	DESCRIPTION
------	-------------	-----	------	-------	-------------

	J320 1029	1			Left
27	J941 1783	8			NUT
28	J099 4313	8			BOLT



MODEL CODES:

15 = Grand Wagoneer 4 Dr.	65 = Comanche 4WD-7 Ft. Box	77 = Cherokee 4WD-2 Dr.
25 = J-10 Pickup-119" W.B.	66 = Comanche 2WD-7 Ft. Box	78 = Cherokee 4WD-4 Dr.
26 = J-10 Pickup-131" W.B.	73 = Cherokee 2WD-2 Dr.	79 = Cherokee 4WD-4 Dr.-Com
27 = J-20 Pickup-131" W.B.	74 = Cherokee 2WD-4 Dr.	81 = Wrangler-93" W.B.
63 = Comanche 4WD-6 Ft. Box	75 = Wagoneer 4WD-4 Dr.	82 = Wrangler-103" W.B.-Exp.
64 = Comanche 2WD-6 Ft. Box		

BODY STYLES:

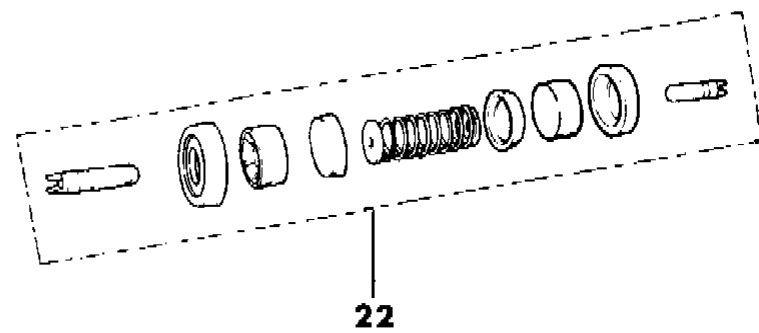
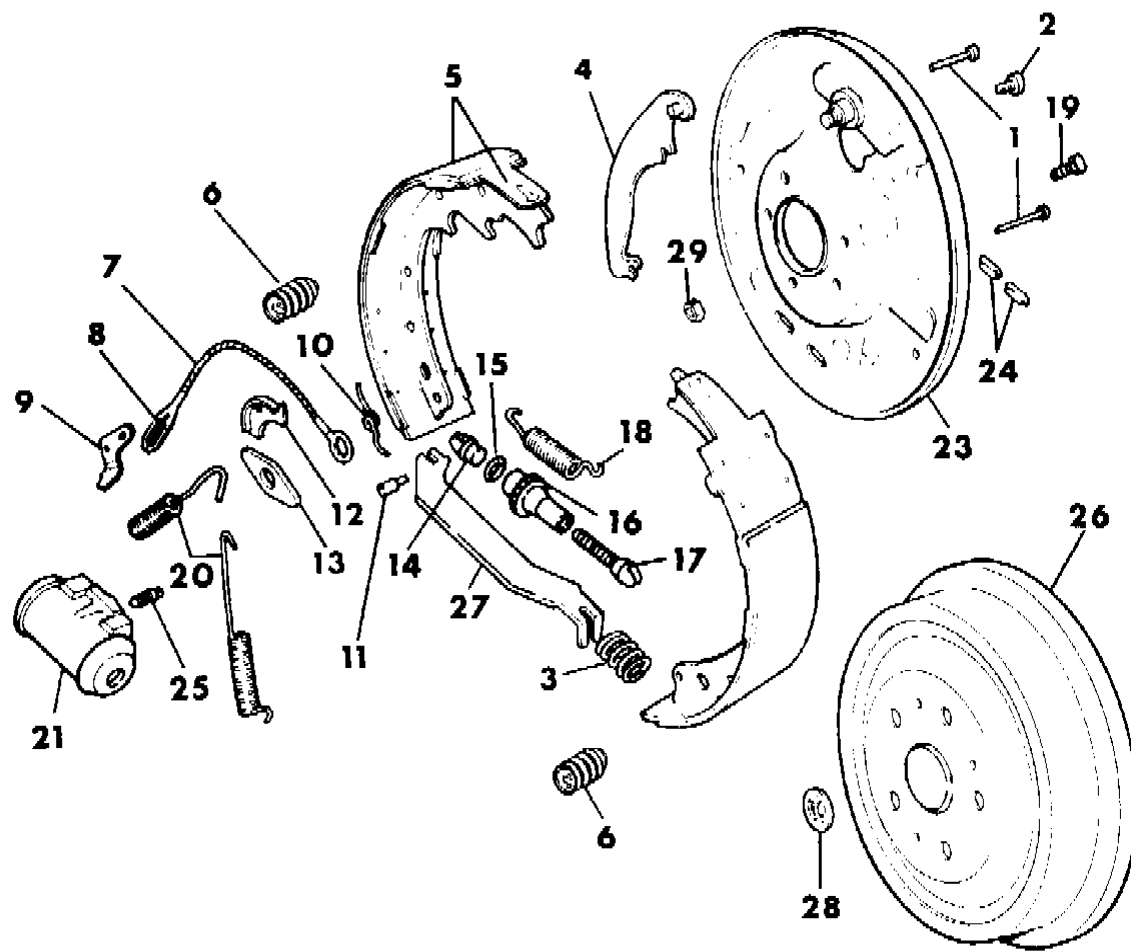
MJ = Comanche Pickup  
 SJ = Grand Wagoneer Wgn., J-10 & J-20 Pickups  
 XJ = Cherokee, Wagoneer Limited  
 YJ = Wrangler

AR = Use as Required - = Non Illustrated Part P.A.R. = Paint as Required

BRAKES, REAR - W/DANA MODEL 35 AXLE WRANGLER, YJ 1990

Figure 5-355

8J05 355 B



ITEM	PART NUMBER	QTY	BODY	MODEL	DESCRIPTION
1	2260 548	4			PIN, Brake Shoe Hold Down
2	6028 921	4			SCREW, Cylinder Mounting
3	4313 079	2			SPRING, Parking Brake Strut
4	4313 810-1	1			LEVER, Parking Brake
5	4423 606	1			SHOE and LINING PACKAGE
6	4313 062	4			SPRING ASSEMBLY, Hold Down ***
7	3461 662	2			CABLE, Automatic Adjuster
8	3461 660	2			SPRING, Automatic Adjuster Cable
9	3461 665	2			LEVER, Automatic Adjuster
10	2944 580-1	1			SPRING, Automatic Adjuster Lever
11	2880 528	1			PIN PACKAGE, Autommatic Adjuster Lever
12	2260 793	2			GUIDE, Automatic Adjuster Cable
13	4313 075	2			PLATE, Guide
14	2944 586	2			BUTTON, Automatic Adjuster
15	6027 559	2			WASHER, Automatic Adjuster Button
16	2944 692-3	1			NUT, Automatic Adjuster Pivot Screw
17	2881 686-7	1			SCREW, Automatic Adjuster Pivot
18	4423 085	2			SPRING, Shoe to Shoe
19	J099 4313	8			BOLT, Rear Wheel Brake Mounting
20	2881 676	4			SPRING, Brake Shoe Return
21	5252 617	2			CYLINDER, Wheel
22	5252 630	2			REPAIR PACKAGE, Wheel Cylinder
23	5252 720-1	1			PLATE, Backing
24	4238 721	4			PLUG, Brake Adjuster Hole
25	3766 674	2			SCREW, Bleeder
26	5200 5350	2			DRUM, Rear Brake
27	4313 078	2			STRUT, Parking Brake Lever
28	6026 430	4			RETAINER, Brake Drum
29	J941 1783	8			NUT
	4636 779	1			BRAKE PACKAGE, Hardware ***

MODEL CODES:

15 = Grand Wagoneer 4 Dr.	65 = Comanche 4WD-7 Ft. Box	77 = Cherokee 4WD-2 Dr.
25 = J-10 Pickup-119" W.B.	66 = Comanche 2WD-7 Ft. Box	78 = Cherokee 4WD-4 Dr.
26 = J-10 Pickup-131" W.B.	73 = Cherokee 2WD-2 Dr.	79 = Cherokee 4WD-4 Dr.-Com
27 = J-20 Pickup-131" W.B.	74 = Cherokee 2WD-4 Dr.	81 = Wrangler-93" W.B.
63 = Comanche 4WD-6 Ft. Box	75 = Wagoneer 4WD-4 Dr.	82 = Wrangler-103" W.B.-Exp.
64 = Comanche 2WD-6 Ft. Box		

BODY STYLES:

MJ = Comanche Pickup  
 SJ = Grand Wagoneer Wgn., J-10 & J-20 Pickups  
 XJ = Cherokee, Wagoneer Limited  
 YJ = Wrangler

AR = Use as Required - = Non Illustrated Part P.A.R. = Paint as Required

BRAKES, REAR - W/DANA MODEL 44 AXLE...EXPORT(KDX) WRANGLER

Figure 5-375

8J05 375

ITEM	PART NUMBER	QTY	BODY	MODEL	DESCRIPTION
1					PLATE, BACKING
	8350 2386	1			Right
	8350 2387	1			Left
2	5200 1915	2			DRUM, Brake (Stamped 87087-7)
3					CYLINDER, WHEEL
	5200 0848	1			Right
	5200 0849	1			Left
4	J320 1032	2			PLATE, Guide
5					STRUT, PARKING
	8350 4372	1			Right
	8350 4373	1			Left
6					LEVER, CABLE
	8350 4306	1			Right
	8350 4307	1			Left
7	J311 2780	4			SPRING, Return
8	J004 8331	4			LINK, Cylinder
9	8350 2900	2			WASHER
10	J310 8202	2			RETAINER, Lever
11	J320 1027	2			CABLE, Adjuster
12	J448 6551	4			BOLT
13	J320 3313	2			SCREW, Bleeder
14	8350 0987	2			REPAIR PACKAGE, Wheel Cylinder
15	8350 2385	1			SHOE PACKAGE, Brake
16	J099 4313	8			BOLT
17	J320 1957	4			PLUG, Adjusting
18	J321 0994	4			PIN
19	J400 6185	2			NUT, Push
20	8350 4310	2			SPRING
21	J008 9259	8			CUP
22	J320 1956	4			SPRING
23	J320 1947	2			GUIDE, Cable
24					ADJUSTER
	8350 4308	1			Right
	8350 4309	1			Left
25	J320 1937	2			SPRING, Adjuster
26					LEVER, ADJUSTER
	J320 1030	1			Right

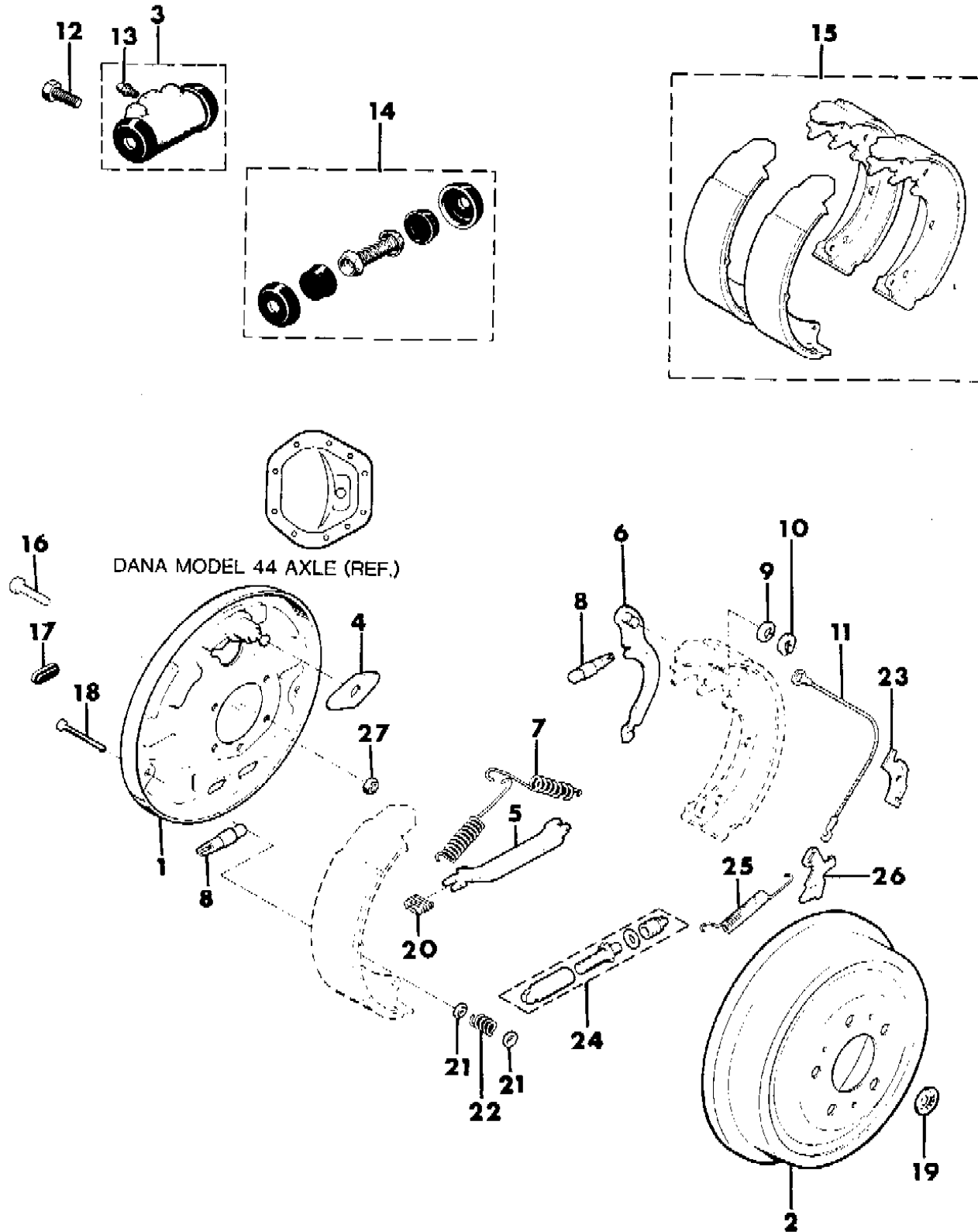
MODEL CODES:

15 = Grand Wagoneer 4 Dr.	65 = Comanche 4WD-7 Ft. Box	77 = Cherokee 4WD-2 Dr.
25 = J-10 Pickup-119" W.B.	66 = Comanche 2WD-7 Ft. Box	78 = Cherokee 4WD-4 Dr.
26 = J-10 Pickup-131" W.B.	73 = Cherokee 2WD-2 Dr.	79 = Cherokee 4WD-4 Dr.-Com
27 = J-20 Pickup-131" W.B.	74 = Cherokee 2WD-4 Dr.	81 = Wrangler-93" W.B.
63 = Comanche 4WD-6 Ft. Box	75 = Wagoneer 4WD-4 Dr.	82 = Wrangler-103" W.B.-Exp.
64 = Comanche 2WD-6 Ft. Box		

BODY STYLES:

MJ = Comanche Pickup
SJ = Grand Wagoneer Wgn., J-10 & J-20 Pickups
XJ = Cherokee, Wagoneer Limited
YJ = Wrangler

AR = Use as Required - = Non Illustrated Part P.A.R. = Paint as Required



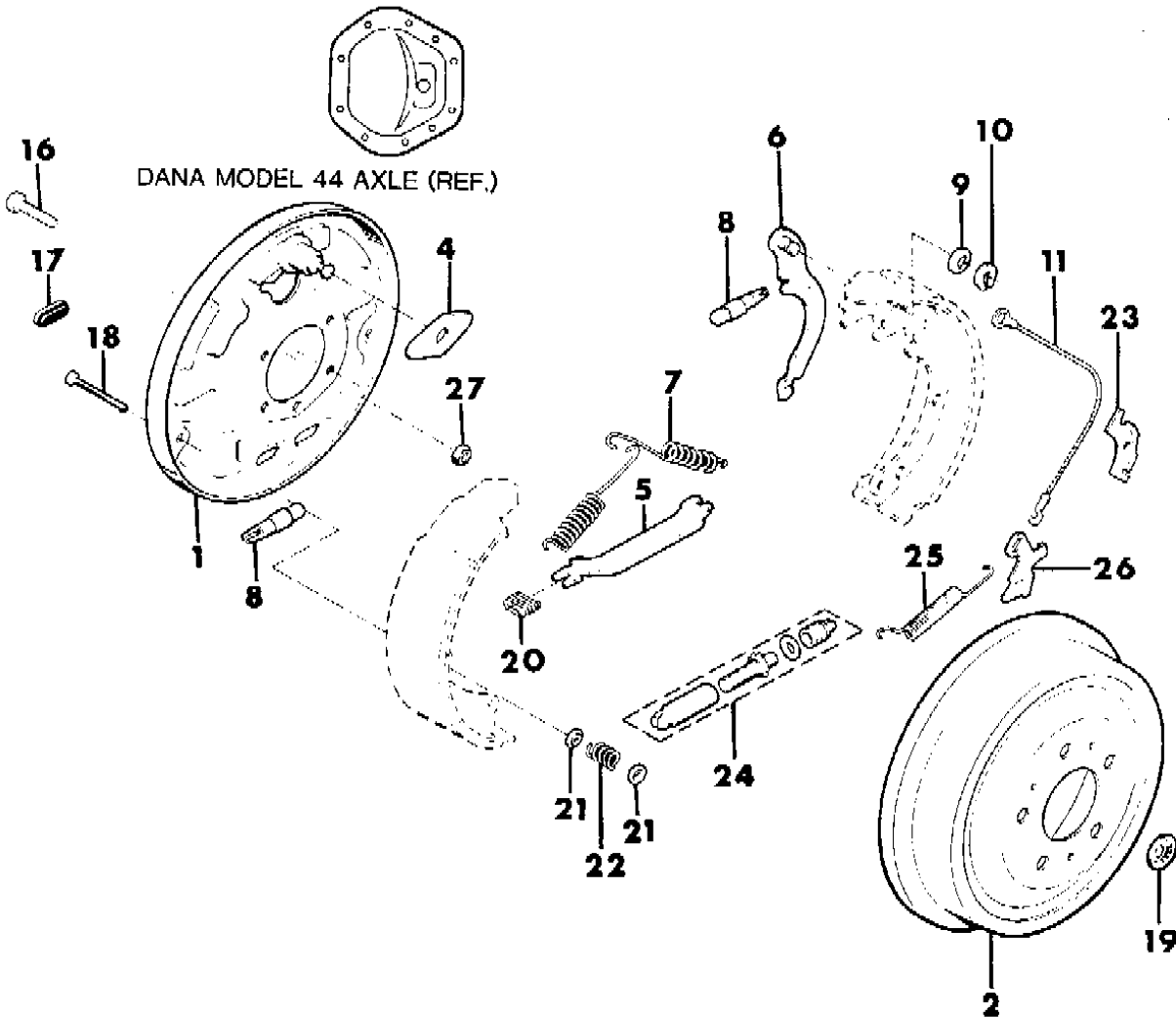
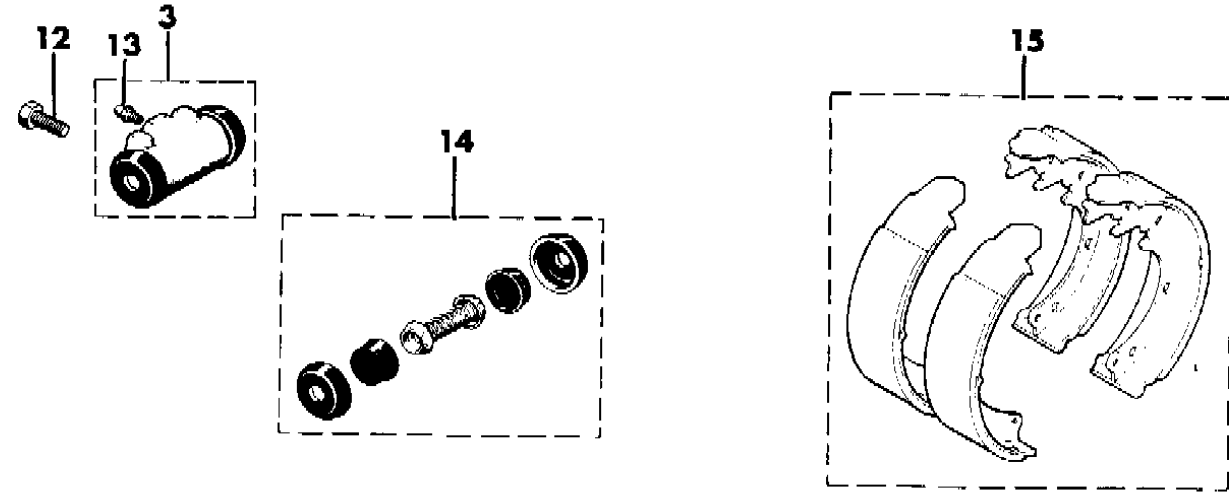
BRAKES, REAR - W/DANA MODEL 44 AXLE...EXPORT(KDX) WRANGLER

Figure 5-375

8J05 375

ITEM	PART NUMBER	QTY	BODY	MODEL	DESCRIPTION
------	-------------	-----	------	-------	-------------

	J320 1029	1			Left
27	J941 1783	8			NUT
	4636 778	1			BRAKE PACKAGE, Hardware ***



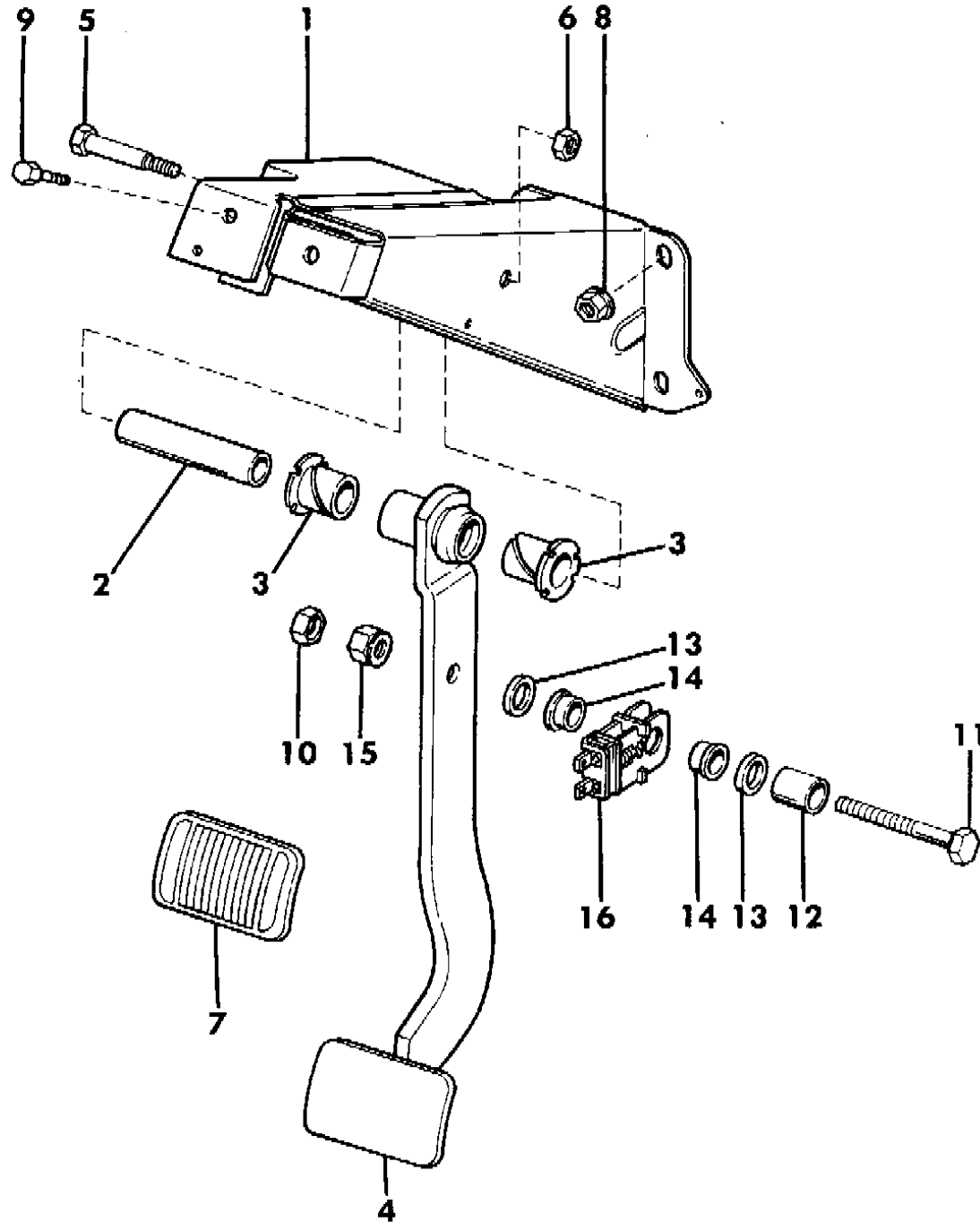
- MODEL CODES:
- |                             |                             |                              |
|-----------------------------|-----------------------------|------------------------------|
| 15 = Grand Wagoneer 4 Dr.   | 65 = Comanche 4WD-7 Ft. Box | 77 = Cherokee 4WD-2 Dr.      |
| 25 = J-10 Pickup-119" W.B.  | 66 = Comanche 2WD-7 Ft. Box | 78 = Cherokee 4WD-4 Dr.      |
| 26 = J-10 Pickup-131" W.B.  | 73 = Cherokee 2WD-2 Dr.     | 79 = Cherokee 4WD-4 Dr.-Com  |
| 27 = J-20 Pickup-131" W.B.  | 74 = Cherokee 2WD-4 Dr.     | 81 = Wrangler-93" W.B.       |
| 63 = Comanche 4WD-6 Ft. Box | 75 = Wagoneer 4WD-4 Dr.     | 82 = Wrangler-103" W.B.-Exp. |
| 64 = Comanche 2WD-6 Ft. Box |                             |                              |

- BODY STYLES:
- MJ = Comanche Pickup
  - SJ = Grand Wagoneer Wgn., J-10 & J-20 Pickups
  - XJ = Cherokee, Wagoneer Limited
  - YJ = Wrangler

AR = Use as Required - = Non Illustrated Part P.A.R. = Paint as Required

**PEDAL, BRAKE CHEROKEE, WAGONEER, COMANCHE**  
**Figure 5-400**

8J05 400



ITEM	PART NUMBER	QTY	BODY	MODEL	DESCRIPTION
1					BRACKET, Pedal
	5200 2629	1			w/Column Mounted Gear Shift
	5200 0394	1			w/Floor Mounted Gear Shift
2	5300 0637	1			SLEEVE
3	J322 5981	2			BUSHING
4					PEDAL, Brake
					w/Manual Transmission
	5200 2615	1			1987 U.S., Canada
	5200 2619	1			1987 Export
	5200 2615	1			1988/89 All
	5200 2615	1			1990 All Except E.C.E.
	5200 2619	1			1990 E.C.E.
	5200 0091	1			w/Automatic Transmission - w/o Anti-Lock Brakes
	5200 3331	1			w/Automatic Transmission - w/Anti-Lock Brakes
5					BOLT
	3420 1515	1			w/Manual Transmission
	1150 0847	1			w/Automatic Transmission
6	1150 1039	1			NUT
7					PAD, Pedal
	5200 2750	1			w/Manual Transmission
	5200 2749	1			w/Automatic Transmission
8	J400 3909	4			NUT
9	1150 2685	2			BOLT
10	J942 0166	1			NUT
11	J400 4486	1			BOLT
12	J321 5928	1			SLEEVE
13	J321 5924	2			SPACER
14	J321 5922	2			BUSHING
15	J400 5311	1			NUT
16					SWITCH, Brake Lamp
	J322 5787	1			w/Cruise Control
	J321 5938	1			w/o Cruise Control
	5600 2281	1			W/Cruise Control (Plunger Type w/Vac. & Elect. Conn.)

Stamp#25509432 (D) \*\*\*

**MODEL CODES:**

15 = Grand Wagoneer 4 Dr.	65 = Comanche 4WD-7 Ft. Box	77 = Cherokee 4WD-2 Dr.
25 = J-10 Pickup-119" W.B.	66 = Comanche 2WD-7 Ft. Box	78 = Cherokee 4WD-4 Dr.
26 = J-10 Pickup-131" W.B.	73 = Cherokee 2WD-2 Dr.	79 = Cherokee 4WD-4 Dr.-Com
27 = J-20 Pickup-131" W.B.	74 = Cherokee 2WD-4 Dr.	81 = Wrangler-93" W.B.
63 = Comanche 4WD-6 Ft. Box	75 = Wagoneer 4WD-4 Dr.	82 = Wrangler-103" W.B.-Exp.
64 = Comanche 2WD-6 Ft. Box		

**BODY STYLES:**

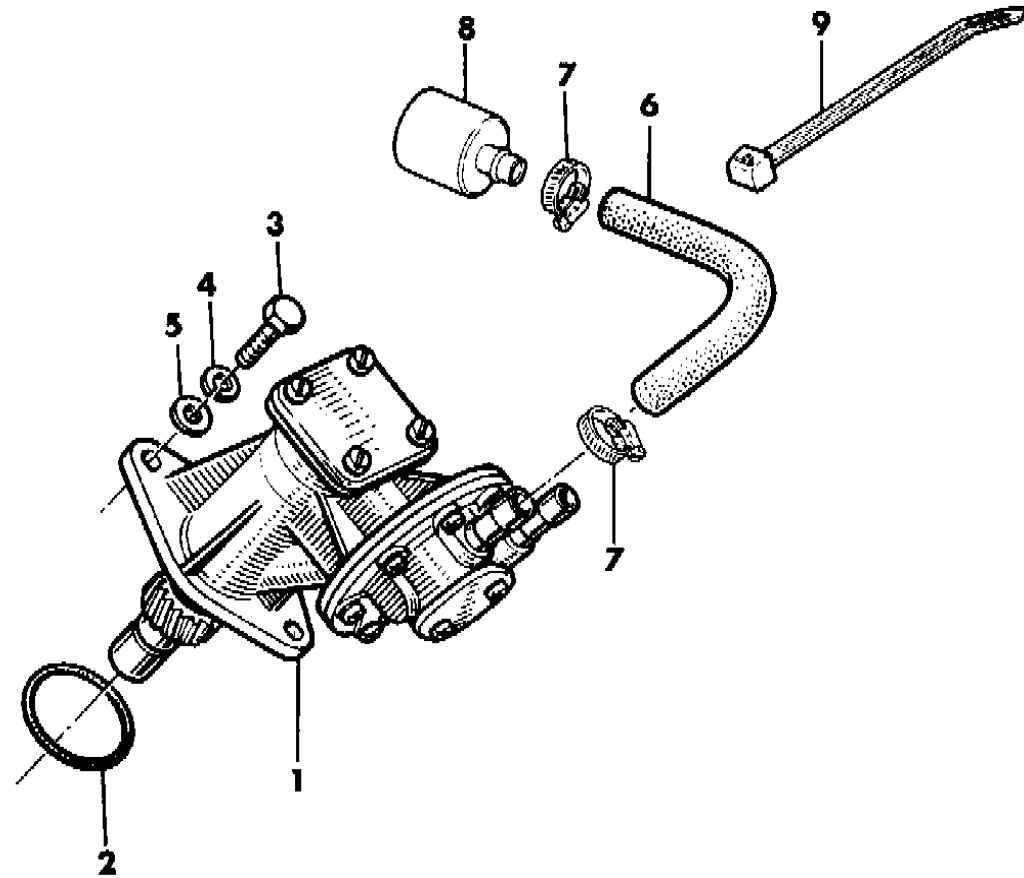
MJ = Comanche Pickup
SJ = Grand Wagoneer Wgn., J-10 & J-20 Pickups
XJ = Cherokee, Wagoneer Limited
YJ = Wrangler

AR = Use as Required - = Non Illustrated Part P.A.R. = Paint as Required

VACUUM PUMP, BRAKES DIESEL  
Figure 5-450

8J05 450

ITEM	PART NUMBER	QTY	BODY	MODEL	DESCRIPTION
1	T067 9259	1			PUMP, Vacuum
2	T306 5067	1			SEAL
3	T300 1142	2			BOLT
4	T305 5031	2			WASHER, Lock
5	T305 3074	2			WASHER, Flat
6	5300 2575	1			HOSE
7	J320 3076	2			CLAMP
8	5300 2574	1			SILENCER, Vacuum Pump
9	J322 3227	1			STRAP



MODEL CODES:

15 = Grand Wagoneer 4 Dr.	65 = Comanche 4WD-7 Ft. Box	77 = Cherokee 4WD-2 Dr.
25 = J-10 Pickup-119" W.B.	66 = Comanche 2WD-7 Ft. Box	78 = Cherokee 4WD-4 Dr.
26 = J-10 Pickup-131" W.B.	73 = Cherokee 2WD-2 Dr.	79 = Cherokee 4WD-4 Dr.-Com
27 = J-20 Pickup-131" W.B.	74 = Cherokee 2WD-4 Dr.	81 = Wrangler-93" W.B.
63 = Comanche 4WD-6 Ft. Box	75 = Wagoneer 4WD-4 Dr.	82 = Wrangler-103" W.B.-Exp.
64 = Comanche 2WD-6 Ft. Box		

BODY STYLES:

MJ = Comanche Pickup  
SJ = Grand Wagoneer Wgn., J-10 & J-20 Pickups  
XJ = Cherokee, Wagoneer Limited  
YJ = Wrangler

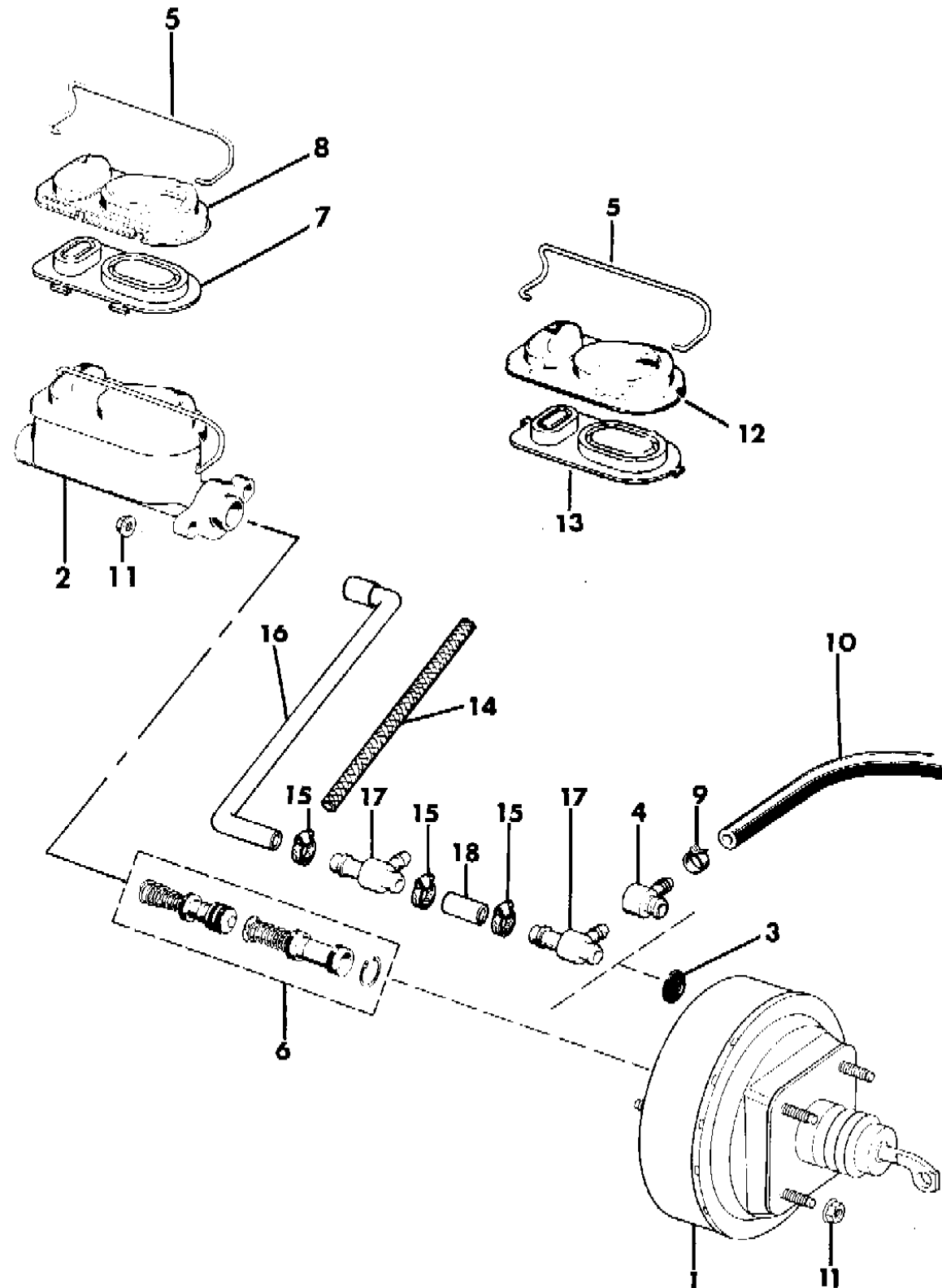
AR = Use as Required - = Non Illustrated Part P.A.R. = Paint as Required



BOOSTER AND MASTER CYLINDER U.S. AND CANADA CHEROKEE, WAGONEER, COMANCHE

Figure 5-500

8 J05 500 A



ITEM	PART NUMBER	QTY	BODY	MODEL	DESCRIPTION
1					BOOSTER, Brake
	8350 1533	1			Gas Engine
	8350 1534	1			Diesel Engine
2					CYLINDER, Brake Master
	J324 1807	1			1987/89
	5252 622	1			1990
3	J320 8510	1			GROMMET, Valve
4	J448 7455	1			VALVE, Check
5	J813 3910	1			RETAINER
6					REPAIR PACKAGE, Master Cylinder
	8351 0015	1			1987/89
	5252 625	1			1990
7	8350 4455	1			GASKET
8	8350 4454	1			COVER
9					CLAMP, Hose
	J320 3076	1			Gas Engine
	J321 9466	1			Diesel Engine
10					HOSE, Vacuum
	5200 2715	1			4 Cylinder Gas Engine
	5200 3141	1			6 Cylinder Engine
	J812 5883	1			Diesel Engine
11	J400 3909	6			NUT
12	J813 3911	1			COVER
13	J813 3912	1			GASKET
14	3200 1056	1			SLEEVE
15	3300 0784	3			CLAMP, Hose
16	5200 1783	1			HOSE, Vacuum
17	8350 1532	2			VALVE, Check
18	5200 2458	1			CONNECTOR

MODEL CODES:

15 = Grand Wagoneer 4 Dr.	65 = Comanche 4WD-7 Ft. Box	77 = Cherokee 4WD-2 Dr.
25 = J-10 Pickup-119" W.B.	66 = Comanche 2WD-7 Ft. Box	78 = Cherokee 4WD-4 Dr.
26 = J-10 Pickup-131" W.B.	73 = Cherokee 2WD-2 Dr.	79 = Cherokee 4WD-4 Dr.-Com
27 = J-20 Pickup-131" W.B.	74 = Cherokee 2WD-4 Dr.	81 = Wrangler-93" W.B.
63 = Comanche 4WD-6 Ft. Box	75 = Wagoneer 4WD-4 Dr.	82 = Wrangler-103" W.B.-Exp.
64 = Comanche 2WD-6 Ft. Box		

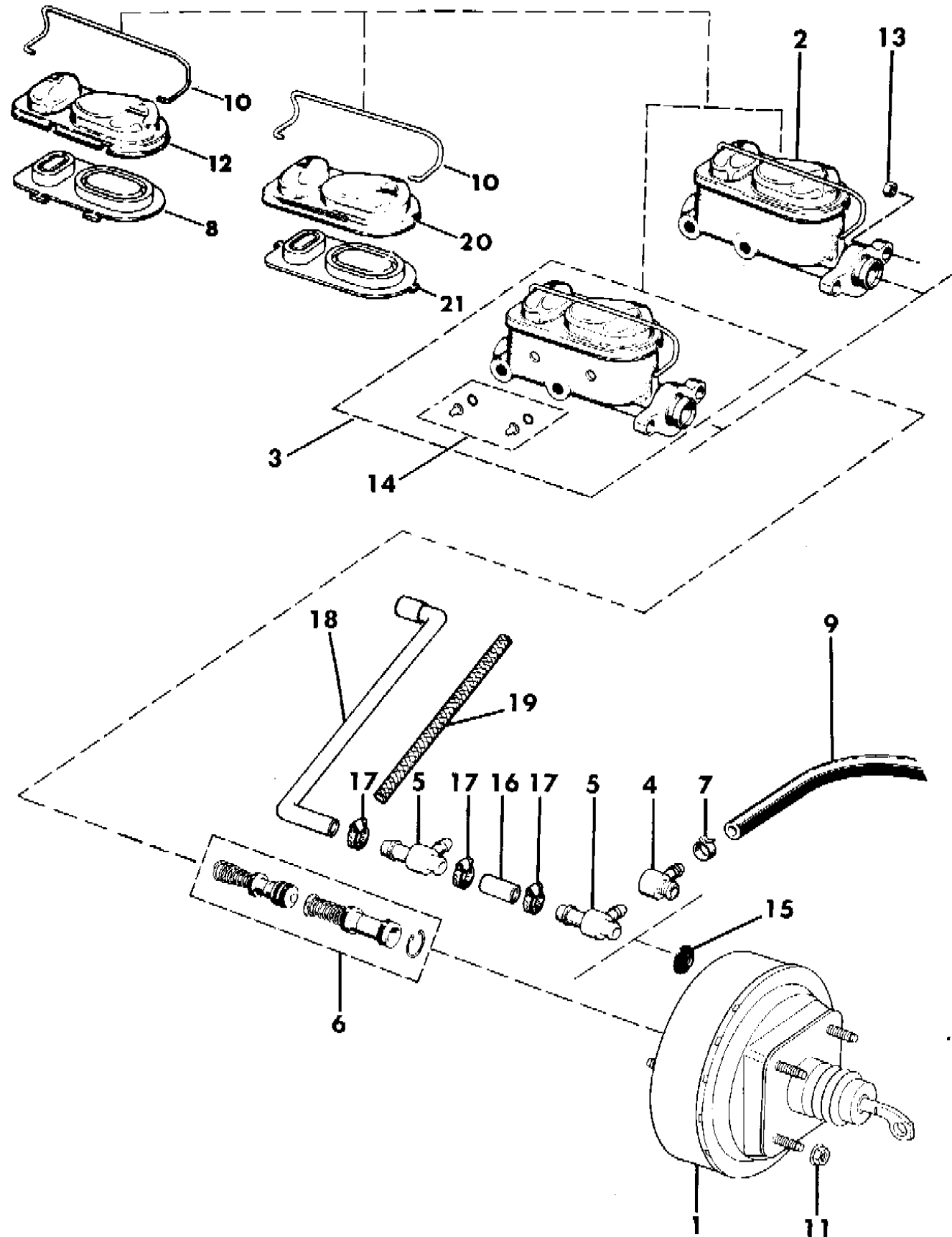
BODY STYLES:

MJ = Comanche Pickup  
 SJ = Grand Wagoneer Wgn., J-10 & J-20 Pickups  
 XJ = Cherokee, Wagoneer Limited  
 YJ = Wrangler

AR = Use as Required - = Non Illustrated Part P.A.R. = Paint as Required

**BOOSTER AND MASTER CYLINDER EXPORT CHEROKEE, WAGONEER, COMANCHE**  
**Figure 5-600**

8J05 600 A



ITEM	PART NUMBER	QTY	BODY	MODEL	DESCRIPTION
1	8350 1533	1			BOOSTER, BRAKE Gas, ECE
	8350 1535	1			Diesel, ECE
	8350 1534	1			Diesel, Non-Regulated Markets, KDX, KDX-CHINA
2	J324 1807	1			CYLINDER, Brake Master, Diesel, KDX, KDX-CHINA, Non-Regulated Markets 1987/89
	5252 622	1			1990
3	J324 1805	1			CYLINDER, BRAKE MASTER Gas, ECE 1987/89
	5252 623	1			1990
	5200 0973	1			1987/89
	5252 624	1			1990
					Diesel, Non-Regulated Markets 1987/89
4	J448 7455	1			VALVE, Check, Gas
	8350 1532	1			VALVE, Check, Diesel
6	8351 0015	1			REPAIR KIT, Master Cylinder 1987/89
	5252 625	1			1990
7	J320 3076	1			CLAMP, HOSE Gas
	J321 9466	1			Diesel
8	8350 4455	1			GASKET
	J324 2729	1			HOSE, VACUUM Gas, Non-Regulated Markets, 4 Cylinder Engine
	5200 2715	1			Gas, ECE, 4 Cylinder Engine
	5200 3141	1			6 Cylinder Engine
9	J812 5883	1			Diesel Engine
	J813 3910	1			
10	J400 3909	4			RETAINER
	8350 4454	1			COVER
	J400 3909	2			NUT
	8350 0142	1			GLASS, Sight - ECE

**MODEL CODES:**

15 = Grand Wagoneer 4 Dr.	65 = Comanche 4WD-7 Ft. Box	77 = Cherokee 4WD-2 Dr.
25 = J-10 Pickup-119" W.B.	66 = Comanche 2WD-7 Ft. Box	78 = Cherokee 4WD-4 Dr.
26 = J-10 Pickup-131" W.B.	73 = Cherokee 2WD-2 Dr.	79 = Cherokee 4WD-4 Dr.-Com
27 = J-20 Pickup-131" W.B.	74 = Cherokee 2WD-4 Dr.	81 = Wrangler-93" W.B.
63 = Comanche 4WD-6 Ft. Box	75 = Wagoneer 4WD-4 Dr.	82 = Wrangler-103" W.B.-Exp.
64 = Comanche 2WD-6 Ft. Box		

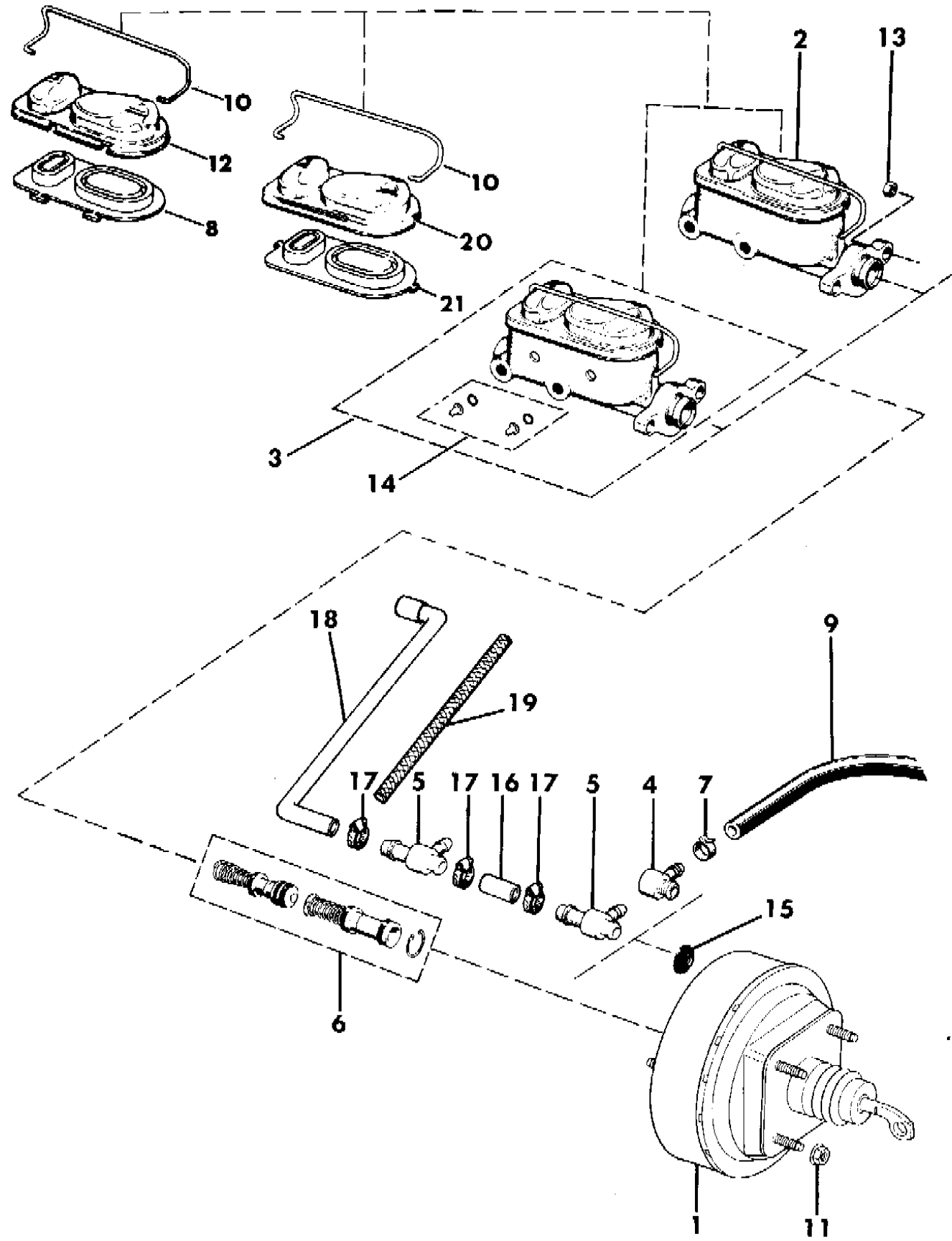
**BODY STYLES:**

MJ = Comanche Pickup
SJ = Grand Wagoneer Wgn., J-10 & J-20 Pickups
XJ = Cherokee, Wagoneer Limited
YJ = Wrangler

AR = Use as Required - = Non Illustrated Part P.A.R. = Paint as Required

**BOOSTER AND MASTER CYLINDER EXPORT CHEROKEE, WAGONEER, COMANCHE**  
**Figure 5-600**

8J05 600 A



ITEM	PART NUMBER	QTY	BODY	MODEL	DESCRIPTION
15	J320 8510	1			GROMMET, Valve
16	5200 2458	1			CONNECTOR, Diesel
17	3300 0784	3			CLAMP, Hose, Diesel
18	5200 1783	1			HOSE, Vacuum, Diesel
19	3200 1056	1			SLEEVE, Diesel
20	J813 3911	1			COVER
21	J813 3912	1			GASKET

MODEL CODES:  
 15 = Grand Wagoneer 4 Dr.      65 = Comanche 4WD-7 Ft. Box      77 = Cherokee 4WD-2 Dr.  
 25 = J-10 Pickup-119" W.B.      66 = Comanche 2WD-7 Ft. Box      78 = Cherokee 4WD-4 Dr.  
 26 = J-10 Pickup-131" W.B.      73 = Cherokee 2WD-2 Dr.      79 = Cherokee 4WD-4 Dr.-Com  
 27 = J-20 Pickup-131" W.B.      74 = Cherokee 2WD-4 Dr.      81 = Wrangler-93" W.B.  
 63 = Comanche 4WD-6 Ft. Box      75 = Wagoneer 4WD-4 Dr.      82 = Wrangler-103" W.B.-Exp.  
 64 = Comanche 2WD-6 Ft. Box

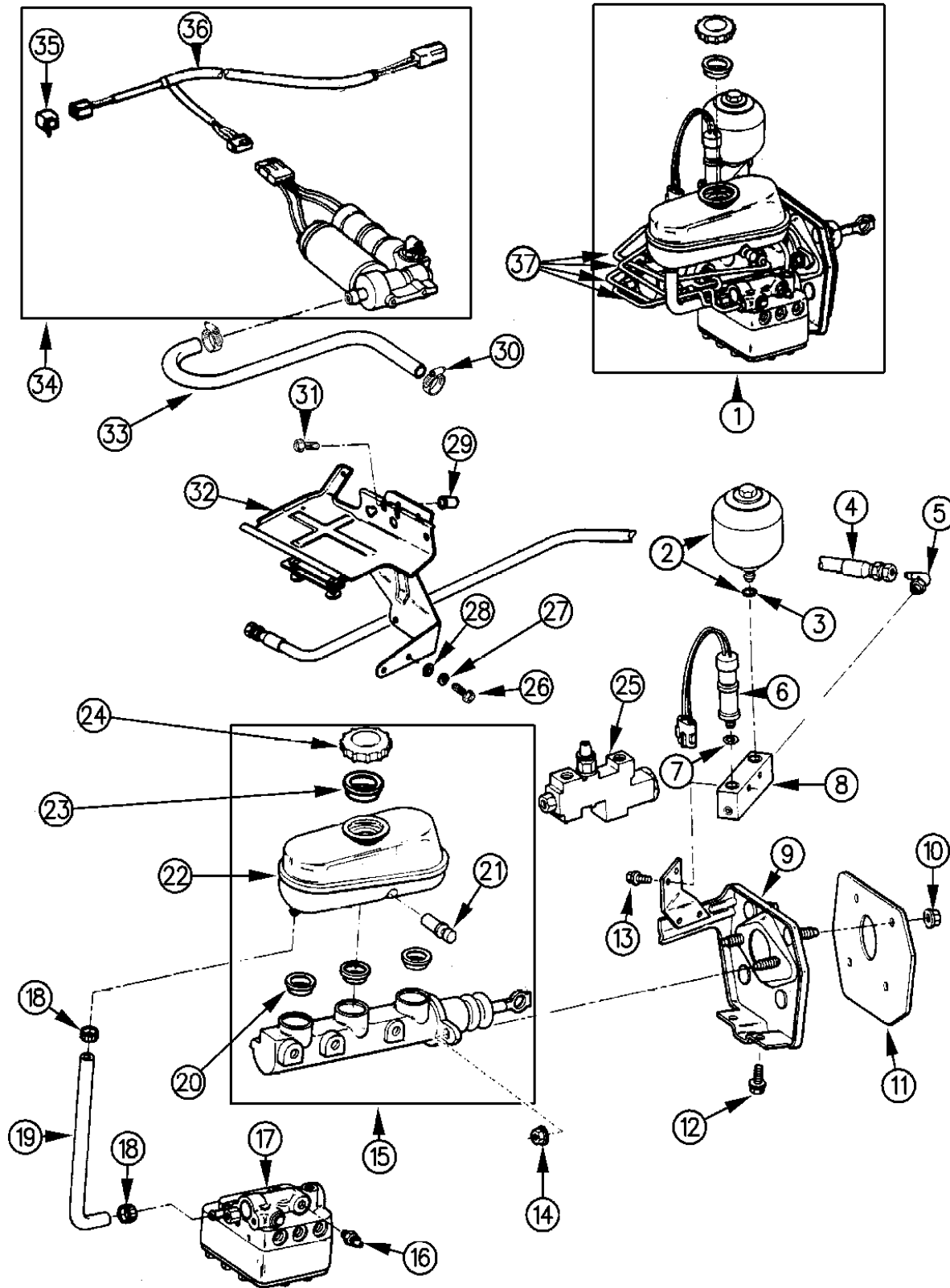
BODY STYLES:  
 MJ = Comanche Pickup  
 SJ = Grand Wagoneer Wgn., J-10 & J-20 Pickups  
 XJ = Cherokee, Wagoneer Limited  
 YJ = Wrangler

AR = Use as Required - = Non Illustrated Part P.A.R. = Paint as Required

CYLINDER, BRAKE MASTER W/ANTI-LOCK BRAKING SYSTEM CHEROKEE, WAGONEER

Figure 5-650

8J05 650A



ITEM	PART NUMBER	QTY	BODY	MODEL	DESCRIPTION
1					HYDRAULIC ASSEMBLY, Complete as Purchased ***
	8350 7055	1			For Vehicles Built up to 01-29-89
	5200 4738	1			For Vehicles Built 01-29-89 and Later
	4638 065	1			1990
2	4637 632	1			ACCUMULATOR, ABS Brakes ***
	4637 635	1			SWITCH PKG., Accumulator Consists of (Switch, Modulator and Harness-Jumper, Modulator Diff. Switch) ***
3	4637 629	1			O-RING
4	5200 7844	1			HOSE, High Pressure (D)
5	4637 633	1			FITTING
-	4637 630	1			O-RING, Fitting
6	4637 654	1			SWITCH, Accumulator (Delta Pressure A) Includes #7
7	4637 652	1			O-RING, Switch
8	4637 642	1			BLOCK, Accumulator ***
9	4637 627	1			BRACKET ASSEMBLY, Mounting ***
10	J400 3909	4			NUT, Mounting
11	4637 641	1			GASKET, Mounting
12	4637 644	2			SCREW, Modulator Mounting
13	4637 648	1			BOLT, Accumulator Block Mounting
14	J400 3909	2			NUT, Accumulator to Bracket
15	4637 620	1			ACTUATOR & RESERVOIR ASSEMBLY ***
	4746 509	1			ACTUATOR PACKAGE, Japan 1989-90
	4773 175	1			ACTUATOR REPAIR KIT
16	4637 628	1			SWITCH, Modulator (Delta Pressure B)
17	4637 626	1			MODULATOR
18	J400 6502	2			CLAMP
19	4637 646	1			HOSE, Low Pressure Feed
20	4637 623	3			GROMMET, Reservoir to Actuator
21	4637 625	1			SWITCH, Fluid Level
22	4637 622	1			RESERVOIR ASSEMBLY, Also Includes Items #21,23 &24 ***
23					FILTER, Reservoir Cap
	8350 5101	1			1989
	4637 624	1			1990
24					CAP, Reservoir
	8350 5097	1			1989
	4637 650	1			1990
	J318 7999	1			BREATHER, Axle Vent 1989 (D) ***

MODEL CODES:

15 = Grand Wagoneer 4 Dr.	65 = Comanche 4WD-7 Ft. Box	77 = Cherokee 4WD-2 Dr.
25 = J-10 Pickup-119" W.B.	66 = Comanche 2WD-7 Ft. Box	78 = Cherokee 4WD-4 Dr.
26 = J-10 Pickup-131" W.B.	73 = Cherokee 2WD-2 Dr.	79 = Cherokee 4WD-4 Dr.-Com
27 = J-20 Pickup-131" W.B.	74 = Cherokee 2WD-4 Dr.	81 = Wrangler-93" W.B.
63 = Comanche 4WD-6 Ft. Box	75 = Wagoneer 4WD-4 Dr.	82 = Wrangler-103" W.B.-Exp.
64 = Comanche 2WD-6 Ft. Box		

BODY STYLES:

MJ = Comanche Pickup
SJ = Grand Wagoneer Wgn., J-10 & J-20 Pickups
XJ = Cherokee, Wagoneer Limited
YJ = Wrangler

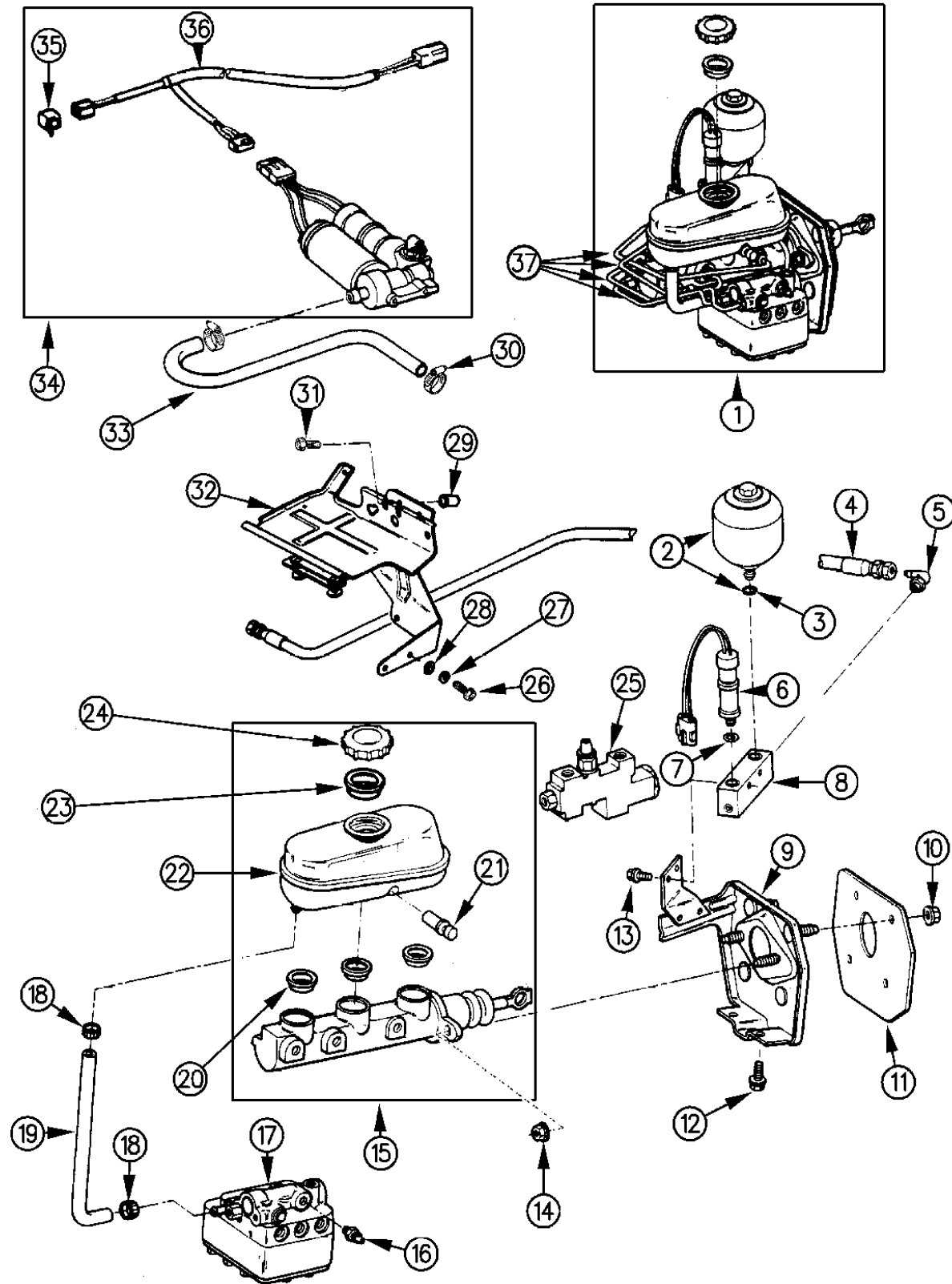
AR = Use as Required - = Non Illustrated Part P.A.R. = Paint as Required

CYLINDER, BRAKE MASTER W/ANTI-LOCK BRAKING SYSTEM CHEROKEE, WAGONEER

Figure 5-650

8J05 650A

ITEM	PART NUMBER	QTY	BODY	MODEL	DESCRIPTION
25	5200 6221	1			VALVE, Proportioning
26	J018 0016	3			BOLT, Bracket Mounting
27	J012 0380	3			WASHER, Bracket Mounting
28	5200 6803	3			ISOLATOR, Bracket ***
29	3420 1595	2			NUTSERT ***
30	J400 6661	2			CLAMP, Low Pressure Hose
31	3420 1808	2			SCREW & WASHER, Bracket Mounting ***
32	5200 3298	1			BRACKET ASSEMBLY, ABS Pump Mounting ***
33	4746 511	1			HOSE, Low Pressure
34	5200 3297	1			PUMP ASSEMBLY-Also includes the pump motor pressure switch ***
-	4637 657	1			SNAP RING, Pump Inlet Nipple Retaining
-	4637 655	1			NIPPLE, Low Pressure Hose (Straight)
-	4637 656	1			NIPPLE, Low Pressure Hose (120 Degrees)
35	5200 4461	1			RELAY, Pump ***
36	5200 4460	1			HARNESS, Relay ***
37	4637 634	1			TUBE ASSEMBLY PACKAGE, Also Includes Clip ***
-	4637 631	1			CLIP, Tubes



MODEL CODES:  
 15 = Grand Wagoneer 4 Dr.      65 = Comanche 4WD-7 Ft. Box      77 = Cherokee 4WD-2 Dr.  
 25 = J-10 Pickup-119" W.B.      66 = Comanche 2WD-7 Ft. Box      78 = Cherokee 4WD-4 Dr.  
 26 = J-10 Pickup-131" W.B.      73 = Cherokee 2WD-2 Dr.      79 = Cherokee 4WD-4 Dr.-Com  
 27 = J-20 Pickup-131" W.B.      74 = Cherokee 2WD-4 Dr.      81 = Wrangler-93" W.B.  
 63 = Comanche 4WD-6 Ft. Box      75 = Wagoneer 4WD-4 Dr.      82 = Wrangler-103" W.B.-Exp.  
 64 = Comanche 2WD-6 Ft. Box

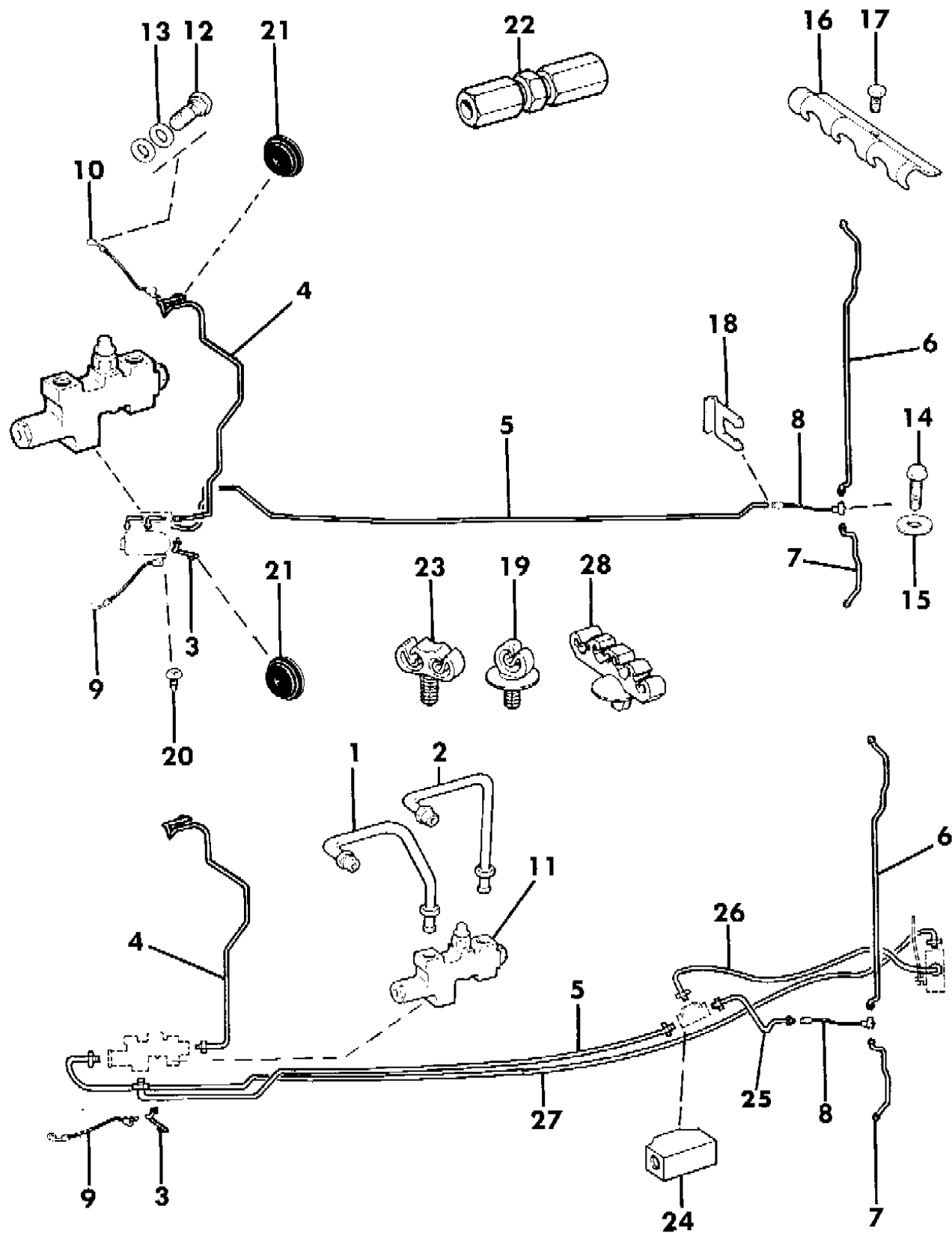
BODY STYLES:  
 MJ = Comanche Pickup  
 SJ = Grand Wagoneer Wgn., J-10 & J-20 Pickups  
 XJ = Cherokee, Wagoneer Limited  
 YJ = Wrangler

AR = Use as Required - = Non Illustrated Part P.A.R. = Paint as Required

LINES AND HOSES, BRAKE U.S. AND CANADA CHEROKEE, WAGONEER, COMANCHE

Figure 5-700

8J05 700 B



ITEM	PART NUMBER	QTY	BODY	MODEL	DESCRIPTION
1	5200 2781	1			LINE, Brake
2	5200 0172	1			LINE, Brake
3	5200 0164	1			LINE, Brake
4	5200 3024	1			LINE, Brake
5	5200 0163	1	XJ		LINE, Brake
			MJ		w/6 Foot Box
	5200 2205	1			1987/89
	5200 6225	1			1990
			MJ		w/7 Foot Box
	5200 3204	1			1987/89
	5200 6223	1			1990
6			XJ		LINE, Brake
					w/Dana Model 35
	5200 0168	1			1987/89
	5200 5058	1			1990
			XJ		w/Dana Model 44
	5200 3502	1			1987
			MJ		w/Dana Model 35 Axle
	5200 2362	1			1987/89
	5200 4330	1			1990
	5200 3088	1	MJ		w/Dana Model 44 Axle
7			XJ		LINE, Brake
	5200 0167	1			1987/89
	5200 5471	1			1990
			MJ		w/Dana Model 35 Axle
	5200 2363	1			1987/89
	5200 4331	1			1990
	5200 1918	1	MJ		w/Dana Model 44 Axle
8			XJ		HOSE, Brake
	5200 0162	1			1987/89
	5200 5045	1			1990
			MJ		W/6 Foot Box
	5200 3607	1			1987/89
	5200 4152	1			1990
			MJ		w/7 Foot Box
	5200 1917	1			1987/89
	5200 4153	1			1990

MODEL CODES:

15 = Grand Wagoneer 4 Dr.	65 = Comanche 4WD-7 Ft. Box	77 = Cherokee 4WD-2 Dr.
25 = J-10 Pickup-119" W.B.	66 = Comanche 2WD-7 Ft. Box	78 = Cherokee 4WD-4 Dr.
26 = J-10 Pickup-131" W.B.	73 = Cherokee 2WD-2 Dr.	79 = Cherokee 4WD-4 Dr.-Com
27 = J-20 Pickup-131" W.B.	74 = Cherokee 2WD-4 Dr.	81 = Wrangler-93" W.B.
63 = Comanche 4WD-6 Ft. Box	75 = Wagoneer 4WD-4 Dr.	82 = Wrangler-103" W.B.-Exp.
64 = Comanche 2WD-6 Ft. Box		

BODY STYLES:

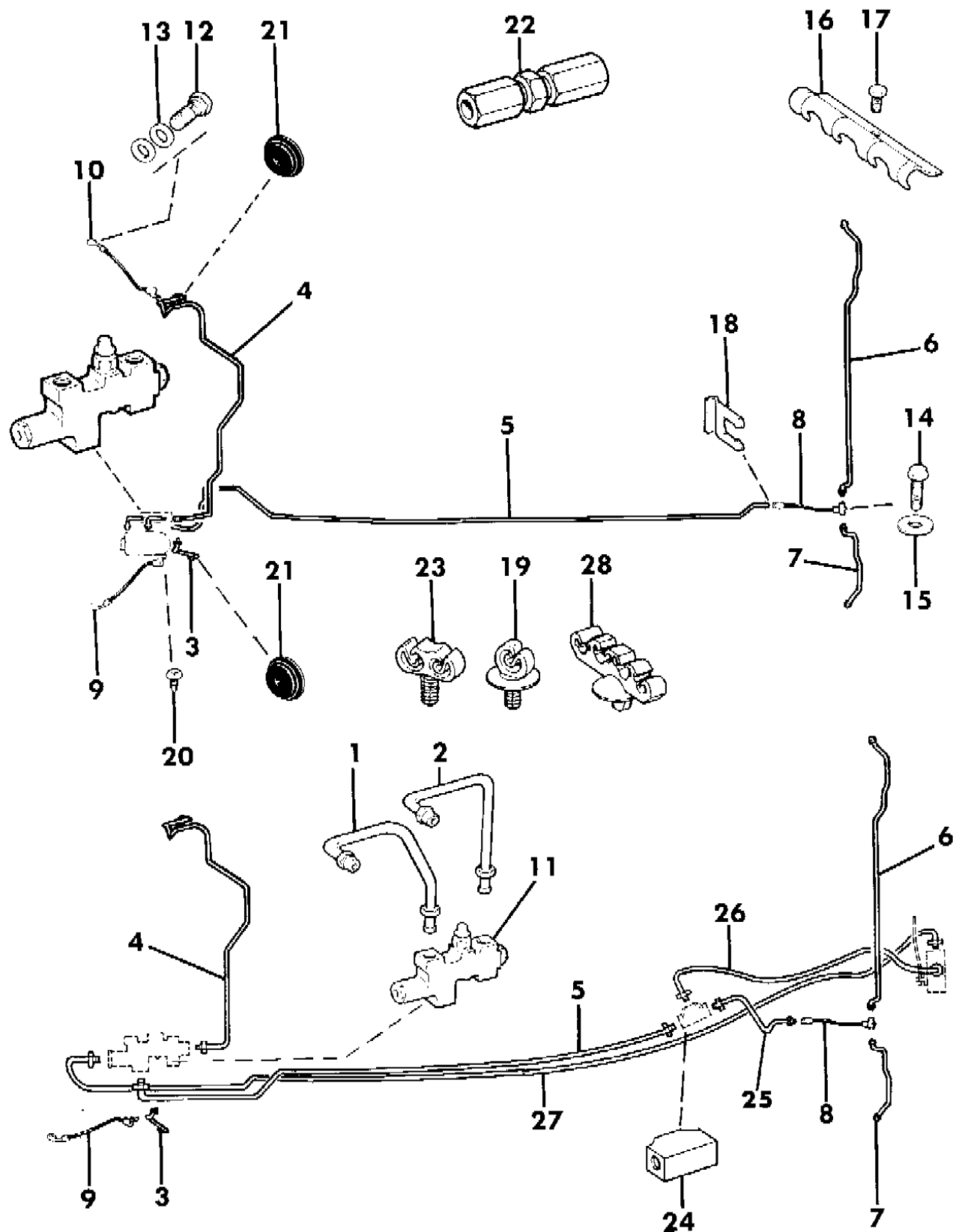
MJ = Comanche Pickup  
 SJ = Grand Wagoneer Wgn., J-10 & J-20 Pickups  
 XJ = Cherokee, Wagoneer Limited  
 YJ = Wrangler

AR = Use as Required - = Non Illustrated Part P.A.R. = Paint as Required

LINES AND HOSES, BRAKE U.S. AND CANADA CHEROKEE, WAGONEER, COMANCHE

Figure 5-700

8J05 700 B



ITEM	PART NUMBER	QTY	BODY	MODEL	DESCRIPTION
9					HOSE, Brake
	5200 1405	1			1987/89, 1990 2WD
	5200 6471	1			1990 4WD
10					HOSE, Brake
	5200 1404	1			1987/89, 1990 2WD
	5200 6470	1			1990 4WD
11			XJ		VALVE, Proportioning
	5200 0097	1			1987/89
	5200 6221	1			1990
			XJ		VALVE, Proportioning (Export)
	5200 3118	1			1987/89
	5200 6394	1			1990
	5200 2497	1	MJ		VALVE, Proportioning
12	J400 6700	2			BOLT
13	J323 6434	4			GASKET
14	3420 1610	1	XJ		SCREW
	T300 1235	1	MJ		SCREW
15	J400 1089	2			WASHER
16	J323 4854	1			CLIP
17	3420 1152	1			SCREW
18	J004 7774	1			CLIP
19	3200 0404	1			CLIP
20	1150 2764	2			SCREW
21	J312 6237	2			GROMMET
22	J812 6773	AR			UNION, Brake Line Repair
23	5200 2044	2			CLIP
24	J319 6997	1	MJ		TEE
25					LINE, Brake
	5200 2992	1	MJ		w/6 Foot Box
	5200 2368	1	MJ		w/7 Foot Box
26					LINE, Brake
	5200 2397	1	MJ		w/6 Foot Box
	5200 2960	1	MJ		w/7 Foot Box
27					LINE, Brake
			MJ		w/6 Foot Box
	5200 2398	1			1987/89
	5200 6222	1			1990

MODEL CODES:

15 = Grand Wagoneer 4 Dr.	65 = Comanche 4WD-7 Ft. Box	77 = Cherokee 4WD-2 Dr.
25 = J-10 Pickup-119" W.B.	66 = Comanche 2WD-7 Ft. Box	78 = Cherokee 4WD-4 Dr.
26 = J-10 Pickup-131" W.B.	73 = Cherokee 2WD-2 Dr.	79 = Cherokee 4WD-4 Dr.-Com
27 = J-20 Pickup-131" W.B.	74 = Cherokee 2WD-4 Dr.	81 = Wrangler-93" W.B.
63 = Comanche 4WD-6 Ft. Box	75 = Wagoneer 4WD-4 Dr.	82 = Wrangler-103" W.B.-Exp.
64 = Comanche 2WD-6 Ft. Box		

BODY STYLES:

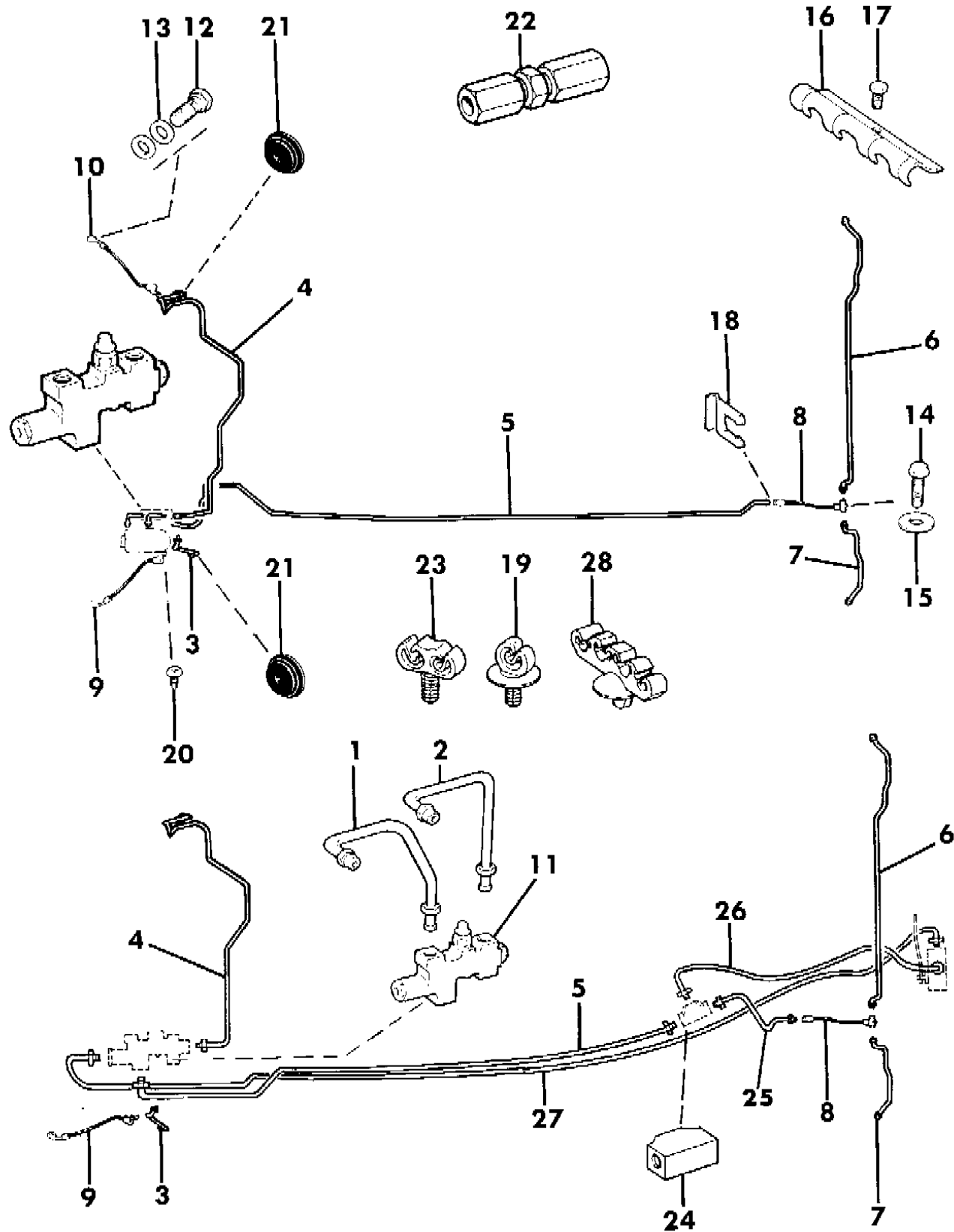
MJ = Comanche Pickup  
 SJ = Grand Wagoneer Wgn., J-10 & J-20 Pickups  
 XJ = Cherokee, Wagoneer Limited  
 YJ = Wrangler

AR = Use as Required - = Non Illustrated Part P.A.R. = Paint as Required

LINES AND HOSES, BRAKE U.S. AND CANADA CHEROKEE, WAGONEER, COMANCHE

Figure 5-700

8J05 700 B



ITEM	PART NUMBER	QTY	BODY	MODEL	DESCRIPTION
			MJ		w/7 Foot Box
	5200 3203	1			1987/89
	5200 6224	1			1990
28	5300 0585	1			CLIP

- MODEL CODES:
- |                             |                             |                              |
|-----------------------------|-----------------------------|------------------------------|
| 15 = Grand Wagoneer 4 Dr.   | 65 = Comanche 4WD-7 Ft. Box | 77 = Cherokee 4WD-2 Dr.      |
| 25 = J-10 Pickup-119" W.B.  | 66 = Comanche 2WD-7 Ft. Box | 78 = Cherokee 4WD-4 Dr.      |
| 26 = J-10 Pickup-131" W.B.  | 73 = Cherokee 2WD-2 Dr.     | 79 = Cherokee 4WD-4 Dr.-Com  |
| 27 = J-20 Pickup-131" W.B.  | 74 = Cherokee 2WD-4 Dr.     | 81 = Wrangler-93" W.B.       |
| 63 = Comanche 4WD-6 Ft. Box | 75 = Wagoneer 4WD-4 Dr.     | 82 = Wrangler-103" W.B.-Exp. |
| 64 = Comanche 2WD-6 Ft. Box |                             |                              |

- BODY STYLES:
- MJ = Comanche Pickup
  - SJ = Grand Wagoneer Wgn., J-10 & J-20 Pickups
  - XJ = Cherokee, Wagoneer Limited
  - YJ = Wrangler

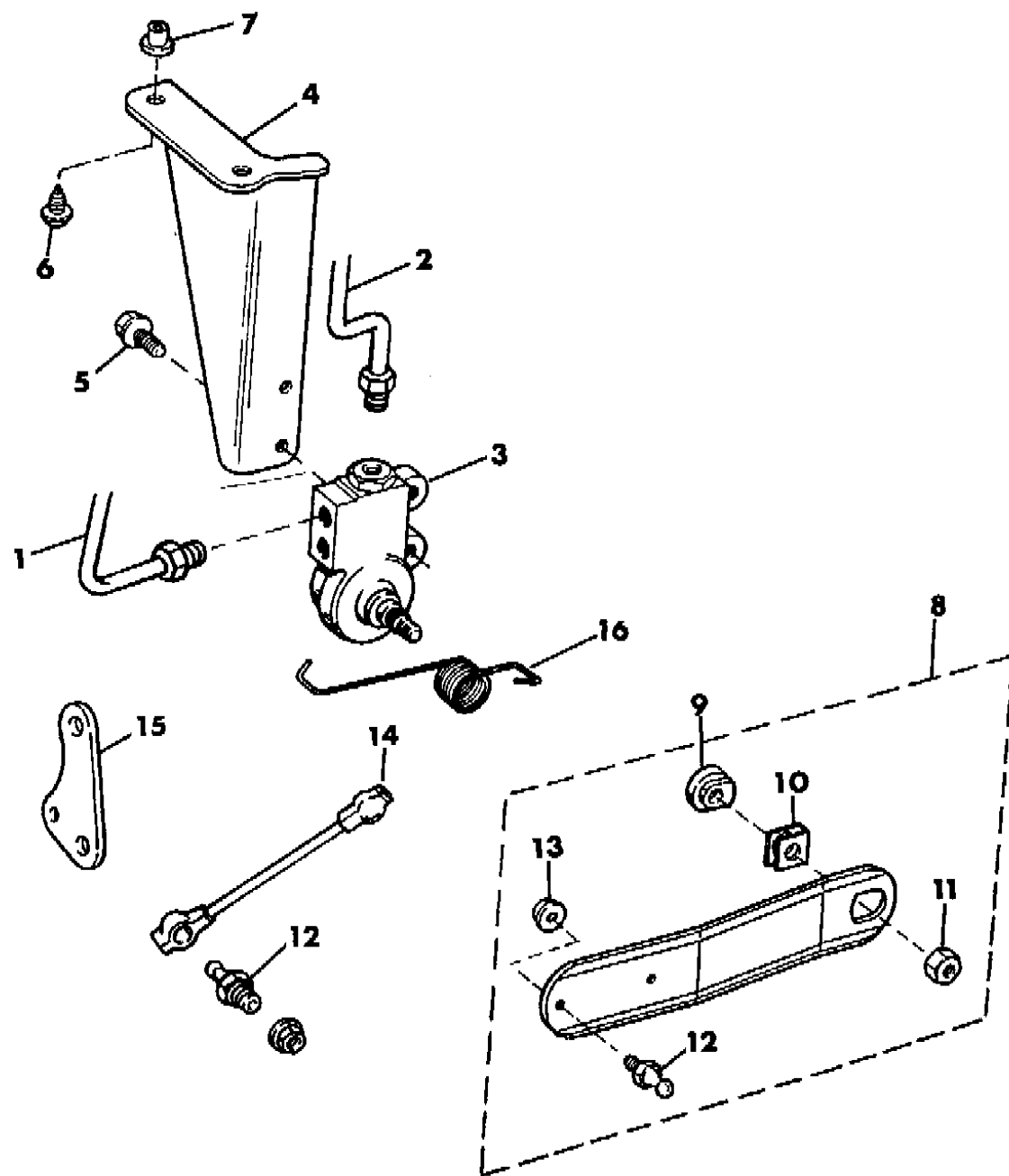
AR = Use as Required - = Non Illustrated Part P.A.R. = Paint as Required



# HEIGHT SENSING VALVE COMANCHE

Figure 5-725

8 J05 725A



ITEM	PART NUMBER	QTY	BODY	MODEL	DESCRIPTION
1					LINE, Brake
	5200 2398	1			w/6 Foot Box 1987/89
	5200 6222	1			1990 w/7 Foot Box
	5200 3203	1			1987/89 For vehicles built up to 03-01-89
	5200 4292	1			For vehicles built 03-01-89 and later
	5200 6224	1			1990
2					LINE, Brake
	5200 2397	1			w/6 Foot Box
	5200 2960	1			w/7 Foot Box
3					VALVE, Height Sensing
	5200 2369	1			1987/89
	5200 5759	1			1990
4					BRACKET, Valve
	5200 2993	1			w/6 Foot Box
	5200 2961	1			w/7 Foot Box
5	J942 3545	2			BOLT
6	3420 1756	2			BOLT
7	3420 1595	2			NUTSERT
8					LEVER, Valve
	5200 3167	1			w/Dana Model 35 Axle
	5200 3681	1			w/Dana Model 44 Axle
	5200 3167	1			KDX Built for Venezuela
	5200 3681	1			KDX Built for Turkey
9	5200 3165	1			BUSHING, Lever
10	5200 3166	1			RETAINER
11	J012 0376	1			NUT
12	J420 0415	2			STUD, Ball
13	1150 3750	2			NUT
14					LINK
	5200 2964	1			w/Dana Model 35 Axle and 2 Wheel Drive
	5200 2965	1			w/Dana Model 35 Axle and 4 Wheel Drive
	5200 3679	1			w/Dana Model 44 Axle and 7 Foot Box
	5200 2965	1			KDX Built for Venezuela
	5200 3679	1			KDX Built for Turkey

**MODEL CODES:**

15 = Grand Wagoneer 4 Dr.	65 = Comanche 4WD-7 Ft. Box	77 = Cherokee 4WD-2 Dr.
25 = J-10 Pickup-119" W.B.	66 = Comanche 2WD-7 Ft. Box	78 = Cherokee 4WD-4 Dr.
26 = J-10 Pickup-131" W.B.	73 = Cherokee 2WD-2 Dr.	79 = Cherokee 4WD-4 Dr.-Com
27 = J-20 Pickup-131" W.B.	74 = Cherokee 2WD-4 Dr.	81 = Wrangler-93" W.B.
63 = Comanche 4WD-6 Ft. Box	75 = Wagoneer 4WD-4 Dr.	82 = Wrangler-103" W.B.-Exp.
64 = Comanche 2WD-6 Ft. Box		

**BODY STYLES:**

MJ = Comanche Pickup  
 SJ = Grand Wagoneer Wgn., J-10 & J-20 Pickups  
 XJ = Cherokee, Wagoneer Limited  
 YJ = Wrangler

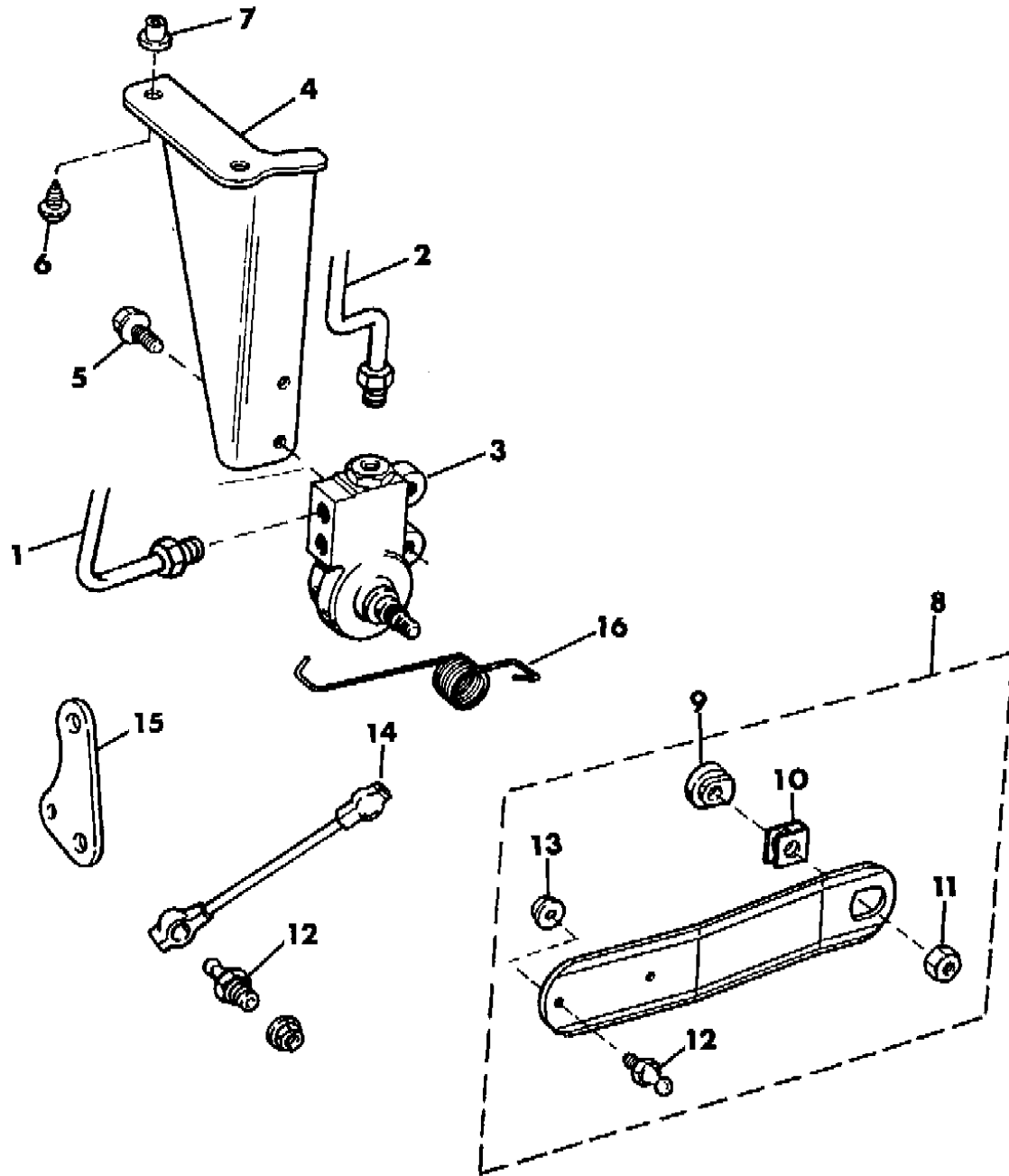
AR = Use as Required - = Non Illustrated Part P.A.R. = Paint as Required

# HEIGHT SENSING VALVE COMANCHE

Figure 5-725

8 J05 725A

ITEM	PART NUMBER	QTY	BODY	MODEL	DESCRIPTION
15					BRACKET
	5200 2968	1			w/Dana Model 35 Axle
	5200 3172	1			w/Dana Model 44 Axle
	5200 3172	1			KDX Built for Turkey
16	5200 2736	1			SPRING, 1987 Only



**MODEL CODES:**

- |                             |                             |                              |
|-----------------------------|-----------------------------|------------------------------|
| 15 = Grand Wagoneer 4 Dr.   | 65 = Comanche 4WD-7 Ft. Box | 77 = Cherokee 4WD-2 Dr.      |
| 25 = J-10 Pickup-119" W.B.  | 66 = Comanche 2WD-7 Ft. Box | 78 = Cherokee 4WD-4 Dr.      |
| 26 = J-10 Pickup-131" W.B.  | 73 = Cherokee 2WD-2 Dr.     | 79 = Cherokee 4WD-4 Dr.-Com  |
| 27 = J-20 Pickup-131" W.B.  | 74 = Cherokee 2WD-4 Dr.     | 81 = Wrangler-93" W.B.       |
| 63 = Comanche 4WD-6 Ft. Box | 75 = Wagoneer 4WD-4 Dr.     | 82 = Wrangler-103" W.B.-Exp. |
| 64 = Comanche 2WD-6 Ft. Box |                             |                              |

**BODY STYLES:**

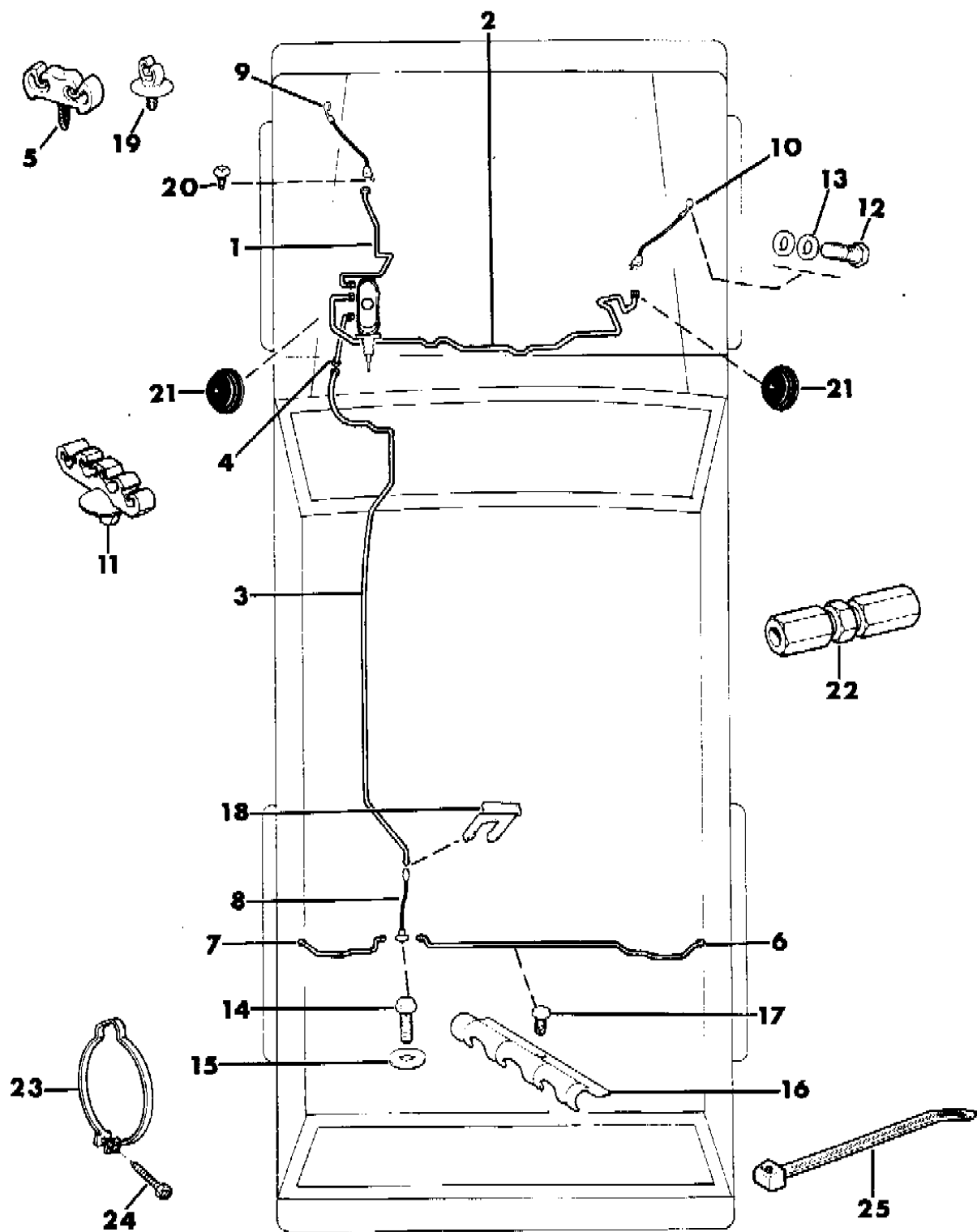
- MJ = Comanche Pickup
- SJ = Grand Wagoneer Wgn., J-10 & J-20 Pickups
- XJ = Cherokee, Wagoneer Limited
- YJ = Wrangler

AR = Use as Required - = Non Illustrated Part P.A.R. = Paint as Required

LINE AND HOSES, BRAKE W/ANTI-LOCK BRAKING SYSTEM

Figure 5-750

8 J05 750



ITEM	PART NUMBER	QTY	BODY	MODEL	DESCRIPTION
1	5200 3319	1			LINE, Brake
2	5200 3320	1			LINE, Brake 1988/89
	5200 4930	1			1990
3	5200 3739	1			LINE, Brake
4	5200 3740	1			LINE, Brake 1988/89
	5200 4931	1			1990
5	5200 2044	2			CLIP
6	5200 0168	1			LINE, Brake 1988/89
	5200 5058	1			1990
7	5200 0167	1			LINE, Brake 1988/89
	5200 5471	1			1990
8	5200 0162	1			HOSE, Brake 1988/89
	5200 5045	1			1990
9	5200 1405	1			HOSE, Brake 1988/89, 1990 2WD
	5200 6471	1			1990 4WD
10	5200 1404	1			HOSE, Brake 1988/89, 1990 2WD
	5200 6470	1			1990 4WD ***
11	5300 0585	1			CLIP
12	J400 6700	2			BOLT
13	J323 6434	4			GASKET
14	3420 1610	1			SCREW, 1988/89
	4137 696	1			1990 (D)
15	J400 1089	2			WASHER
16	J323 4854	1			CLIP
17	3420 1152	1			SCREW
18	J004 7774	1			CLIP
19	3200 0404	1			CLIP
20	1150 2764	2			SCREW
21	J312 6237	2			GROMMET
22	J812 6773	AR			UNION, Brake Line Repair

MODEL CODES:

15 = Grand Wagoneer 4 Dr.	65 = Comanche 4WD-7 Ft. Box	77 = Cherokee 4WD-2 Dr.
25 = J-10 Pickup-119" W.B.	66 = Comanche 2WD-7 Ft. Box	78 = Cherokee 4WD-4 Dr.
26 = J-10 Pickup-131" W.B.	73 = Cherokee 2WD-2 Dr.	79 = Cherokee 4WD-4 Dr.-Com
27 = J-20 Pickup-131" W.B.	74 = Cherokee 2WD-4 Dr.	81 = Wrangler-93" W.B.
63 = Comanche 4WD-6 Ft. Box	75 = Wagoneer 4WD-4 Dr.	82 = Wrangler-103" W.B.-Exp.
64 = Comanche 2WD-6 Ft. Box		

BODY STYLES:

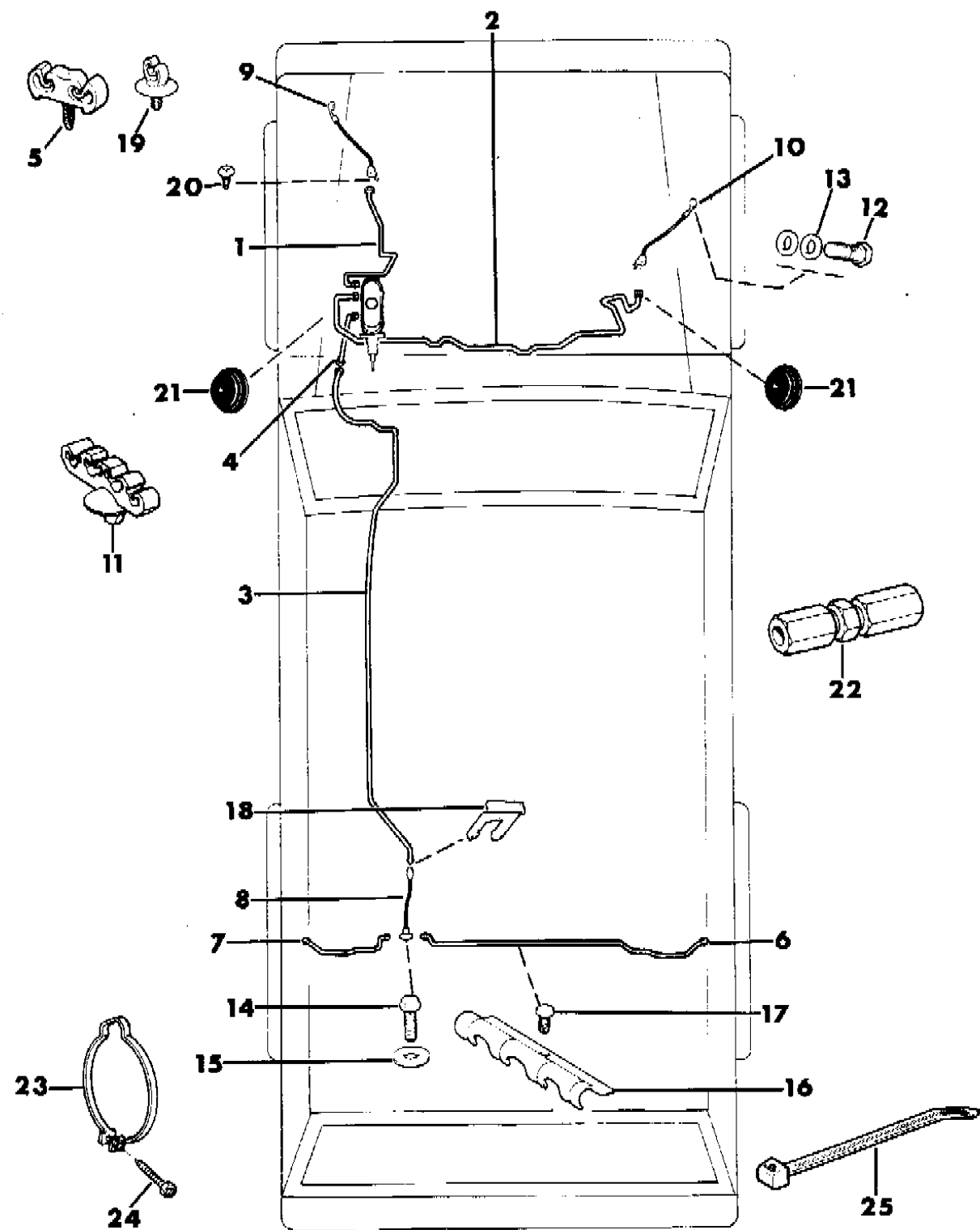
MJ = Comanche Pickup
SJ = Grand Wagoneer Wgn., J-10 & J-20 Pickups
XJ = Cherokee, Wagoneer Limited
YJ = Wrangler

AR = Use as Required - = Non Illustrated Part P.A.R. = Paint as Required

LINES AND HOSES, BRAKE W/ANTI-LOCK BRAKING SYSTEM

Figure 5-750

8 J05 750



ITEM	PART NUMBER	QTY	BODY	MODEL	DESCRIPTION
------	-------------	-----	------	-------	-------------

23	3200 3197	4			CLAMP
24	J812 4425	4			BOLT
25	J322 3227	AR			STRAP

MODEL CODES:  
 15 = Grand Wagoneer 4 Dr.      65 = Comanche 4WD-7 Ft. Box      77 = Cherokee 4WD-2 Dr.  
 25 = J-10 Pickup-119" W.B.      66 = Comanche 2WD-7 Ft. Box      78 = Cherokee 4WD-4 Dr.  
 26 = J-10 Pickup-131" W.B.      73 = Cherokee 2WD-2 Dr.      79 = Cherokee 4WD-4 Dr.-Com  
 27 = J-20 Pickup-131" W.B.      74 = Cherokee 2WD-4 Dr.      81 = Wrangler-93" W.B.  
 63 = Comanche 4WD-6 Ft. Box      75 = Wagoneer 4WD-4 Dr.      82 = Wrangler-103" W.B.-Exp.  
 64 = Comanche 2WD-6 Ft. Box

BODY STYLES:  
 MJ = Comanche Pickup  
 SJ = Grand Wagoneer Wgn., J-10 & J-20 Pickups  
 XJ = Cherokee, Wagoneer Limited  
 YJ = Wrangler

AR = Use as Required - = Non Illustrated Part P.A.R. = Paint as Required

LINES AND HOSES, BRAKE EXPORT CHEROKEE, WAGONEER

Figure 5-800

8J05 800

ITEM	PART NUMBER	QTY	BODY	MODEL	DESCRIPTION
1	5200 2781	1			LINE, Brake
2	5200 0172	1			LINE, Brake
3	5200 0164	1			LINE, Brake
4	5200 3024	1			LINE, Brake
5	5200 0328	1			LINE, Brake
6					LINE, Brake
	5200 0168	1			1987/89
	5200 5058	1			1990
7					LINE, Brake
	5200 0167	1			1987/89
	5200 5471	1			1990
8					HOSE, Brake
	5200 0162	1			1987/89
	5200 5045	1			1990
9					HOSE, Brake
	5200 1405	1			1987/89, 1990 2WD
	5200 6471	1			1990 4WD
10					HOSE, Brake
	5200 1404	1			1987/89, 1990 2WD
	5200 6470	1			1990 4WD
11					VALVE, Proportioning, ECE
	5200 1774	1			1987/88
	5200 3118	1			1989, Except France & Italy
	5200 6656	1			1989, France & Italy Only
	5200 6394	1			1990
					VALVE, Proportioning, Non-Regulated Markets
	5200 0097	1			1987/89
	5200 6221	1			1990
12	J400 6700	2			BOLT
13	J323 6434	4			GASKET
14	T300 1235	1			SCREW
15	J400 1089	2			WASHER
16	J323 4854	1			CLIP
17	3420 1152	1			SCREW
18	J004 7774	1			CLIP
19	3200 0404	1			CLIP
20	1150 2764	2			SCREW

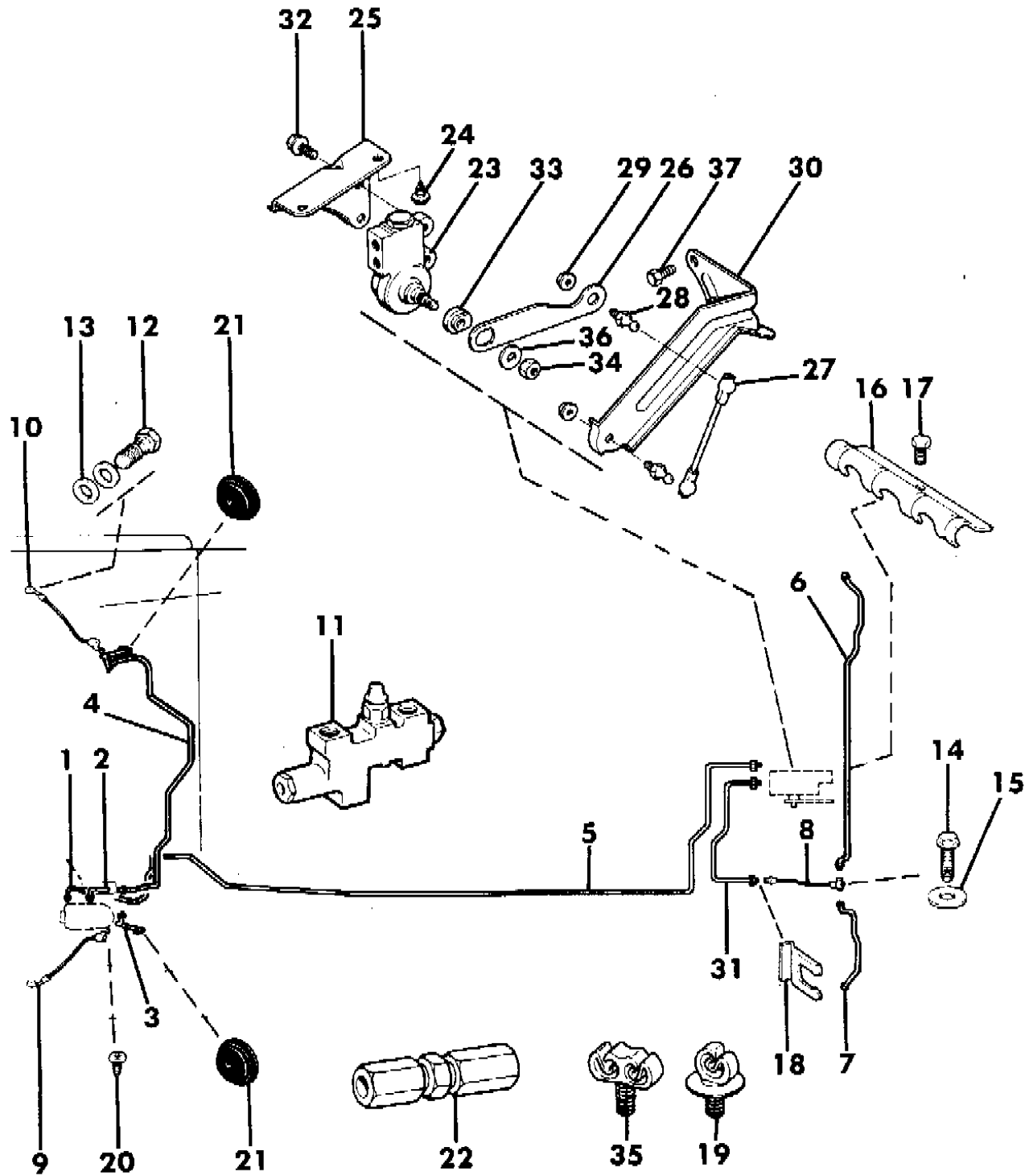
MODEL CODES:

15 = Grand Wagoneer 4 Dr.	65 = Comanche 4WD-7 Ft. Box	77 = Cherokee 4WD-2 Dr.
25 = J-10 Pickup-119" W.B.	66 = Comanche 2WD-7 Ft. Box	78 = Cherokee 4WD-4 Dr.
26 = J-10 Pickup-131" W.B.	73 = Cherokee 2WD-2 Dr.	79 = Cherokee 4WD-4 Dr.-Com
27 = J-20 Pickup-131" W.B.	74 = Cherokee 2WD-4 Dr.	81 = Wrangler-93" W.B.
63 = Comanche 4WD-6 Ft. Box	75 = Wagoneer 4WD-4 Dr.	82 = Wrangler-103" W.B.-Exp.
64 = Comanche 2WD-6 Ft. Box		

BODY STYLES:

MJ = Comanche Pickup
SJ = Grand Wagoneer Wgn., J-10 & J-20 Pickups
XJ = Cherokee, Wagoneer Limited
YJ = Wrangler

AR = Use as Required - = Non Illustrated Part P.A.R. = Paint as Required

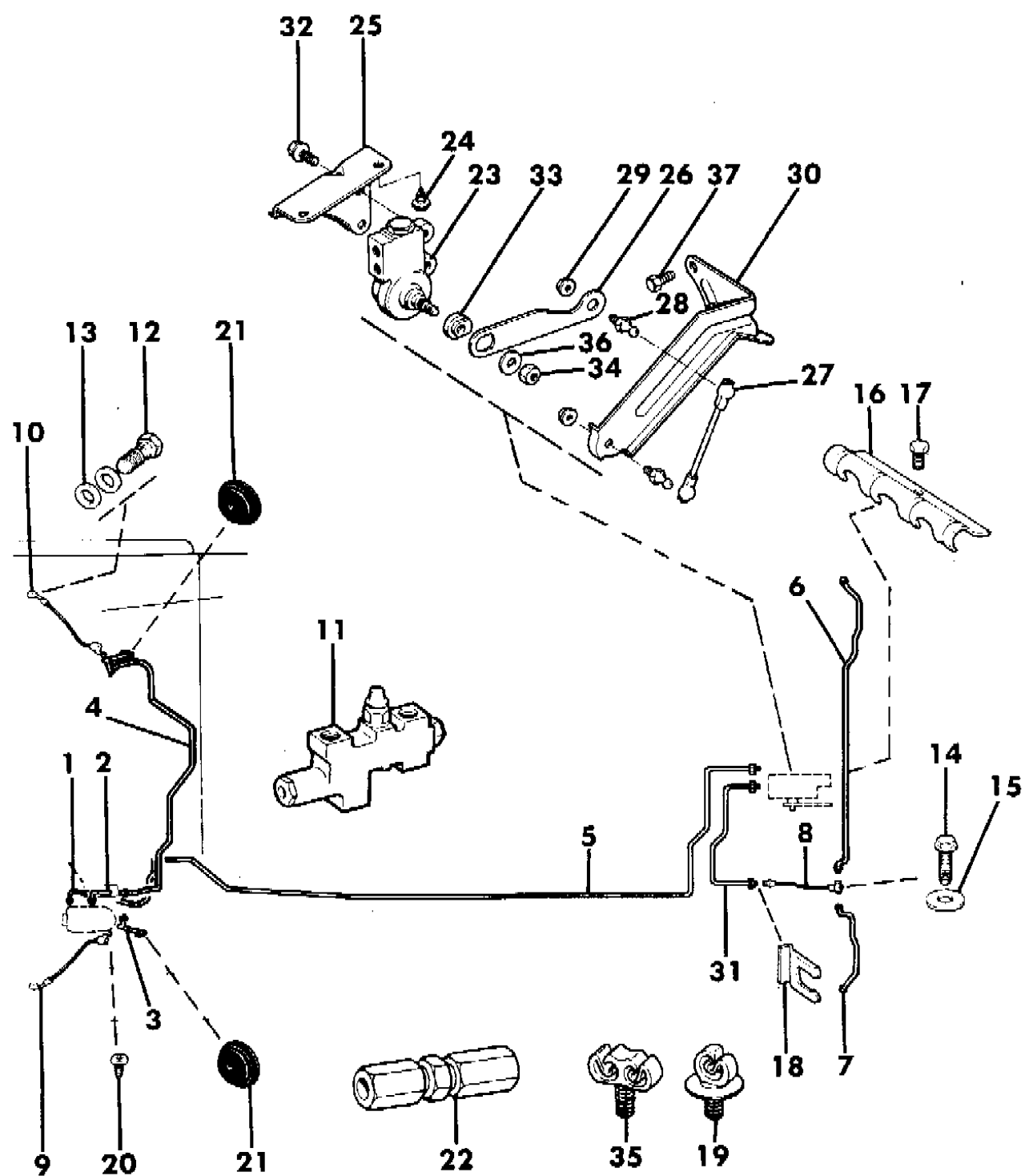


LINES AND HOSES, BRAKE EXPORT CHEROKEE, WAGONEER

Figure 5-800

8J05 800

ITEM	PART NUMBER	QTY	BODY	MODEL	DESCRIPTION
21	J312 6237	2			GROMMET
22	J812 6773	AR			UNION, Brake Line Repair
23	5200 0329	1			VALVE, Height Sensing
24	1150 0986	2			BOLT
25	5200 0330	1			BRACKET, Valve
26	5200 0332	1			LEVER, Valve
27	5200 0739	1			LINK
28	J420 0415	2			STUD, Ball
29	1150 3739	2			NUT
30	5200 0737	1			BRACKET
31	5200 0327	1			LINE, Brake
32	J942 3545	2			BOLT
33	5200 0782	1			BUSHING, Lever
34	J012 0376	1			NUT
35	5200 2044	2			CLIP
36	J012 0393	1			WASHER
37	1150 2453	3			BOLT



MODEL CODES:  
 15 = Grand Wagoneer 4 Dr.      65 = Comanche 4WD-7 Ft. Box      77 = Cherokee 4WD-2 Dr.  
 25 = J-10 Pickup-119" W.B.      66 = Comanche 2WD-7 Ft. Box      78 = Cherokee 4WD-4 Dr.  
 26 = J-10 Pickup-131" W.B.      73 = Cherokee 2WD-2 Dr.      79 = Cherokee 4WD-4 Dr.-Com  
 27 = J-20 Pickup-131" W.B.      74 = Cherokee 2WD-4 Dr.      81 = Wrangler-93" W.B.  
 63 = Comanche 4WD-6 Ft. Box      75 = Wagoneer 4WD-4 Dr.      82 = Wrangler-103" W.B.-Exp.

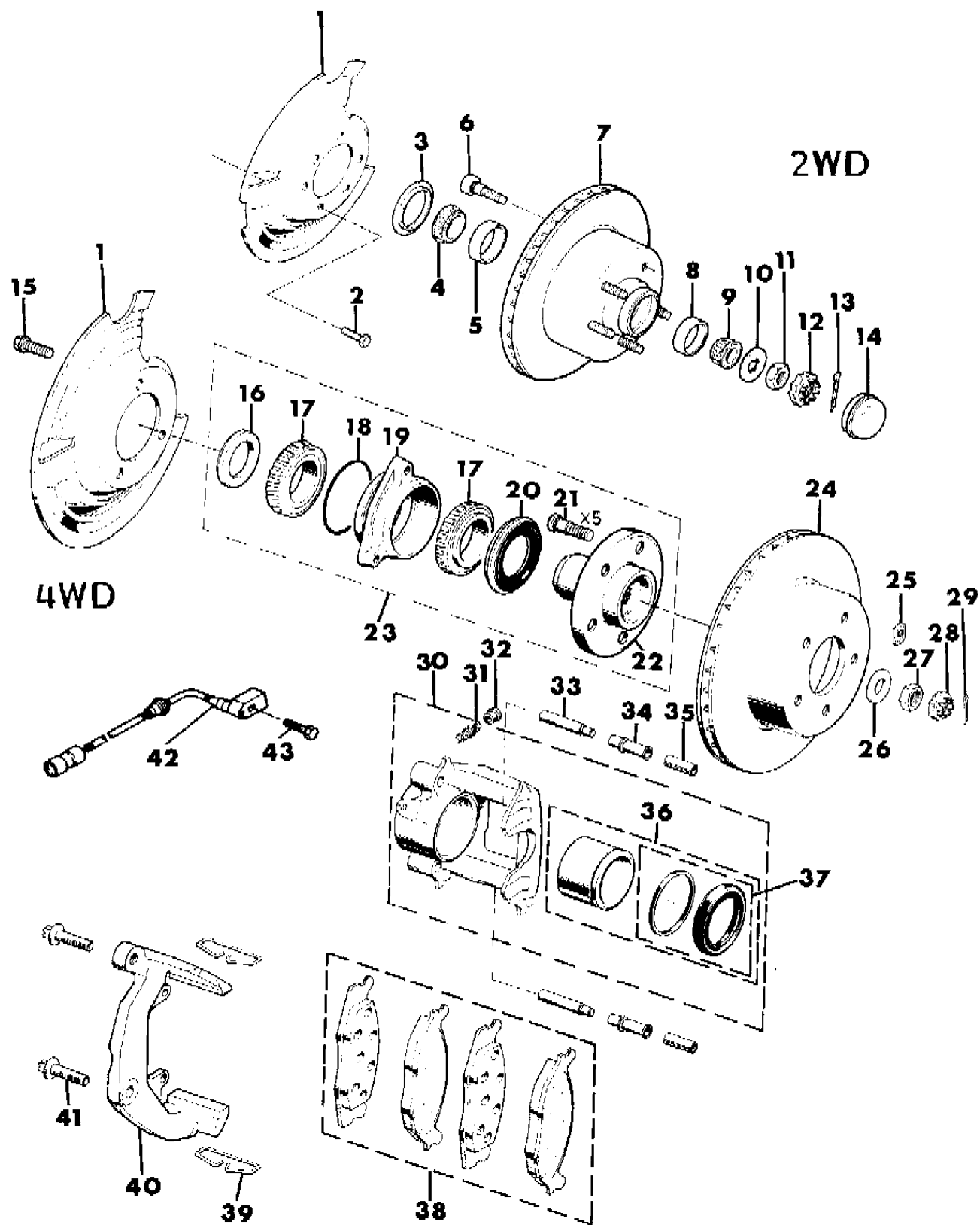
BODY STYLES:  
 MJ = Comanche Pickup  
 SJ = Grand Wagoneer Wgn., J-10 & J-20 Pickups  
 XJ = Cherokee, Wagoneer Limited  
 YJ = Wrangler

AR = Use as Required - = Non Illustrated Part P.A.R. = Paint as Required

BRAKES, FRONT CHEROKEE, WAGONEER, COMANCHE

Figure 5-825

8J05 825A



ITEM	PART NUMBER	QTY	BODY	MODEL	DESCRIPTION
1					SHIELD, Splash
					Right
	5200 0114	1			1987-89
	5200 0114	1			1990, 2WD
	5252 603	1			1990, 4WD
					Left
	5200 0115	1			1987-89
	5200 0115	1			1990, 2WD
	5252 604	1			1990, 4WD
2	1150 3451	6			BOLT
3	5300 2919	2			SEAL
4	5300 2922	2			BEARING
5	5300 2925	2			CUP, Bearing
6	8350 4792	10			BOLT
7	5300 2928	2			ROTOR, Brake
8	5300 2924	2			CUP, Bearing
9	5300 2921	2			BEARING
10	J400 7358	2			WASHER
11	J317 3399	2			NUT
12	J317 3401	2			RETAINER
13	J010 3387	2			PIN
14	J322 3364	2			CAP
15	3420 1535	6			BOLT
16	5300 0239	2			SEAL, 1987-89
17	5300 0238	4			BEARING, 1987-89
18	5300 0237	2			SEAL, 1987-89
19	5300 0230	2			CARRIER, Hub and Bearing, 1987-89 ***
20	J323 8137	2			SEAL, 1987-89
21					BOLT
	J323 8138	10			1987-89
	5300 7463	10			1990
22	5300 0234	2			HUB, 1987-89
23					HUB and BEARING ASSEMBLY, Front Brake ***
	5300 0228	2			1987-89
					1990
	5300 5604	2			Roller Bearing (Kelsey Hayes)
	5300 7449	2			Ball Bearing (Fag)

MODEL CODES:  
 15 = Grand Wagoneer 4 Dr.      65 = Comanche 4WD-7 Ft. Box      77 = Cherokee 4WD-2 Dr.  
 25 = J-10 Pickup-119" W.B.      66 = Comanche 2WD-7 Ft. Box      78 = Cherokee 4WD-4 Dr.  
 26 = J-10 Pickup-131" W.B.      73 = Cherokee 2WD-2 Dr.      79 = Cherokee 4WD-4 Dr.-Com  
 27 = J-20 Pickup-131" W.B.      74 = Cherokee 2WD-4 Dr.      81 = Wrangler-93" W.B.  
 63 = Comanche 4WD-6 Ft. Box      75 = Wagoneer 4WD-4 Dr.      82 = Wrangler-103" W.B.-Exp.  
 64 = Comanche 2WD-6 Ft. Box

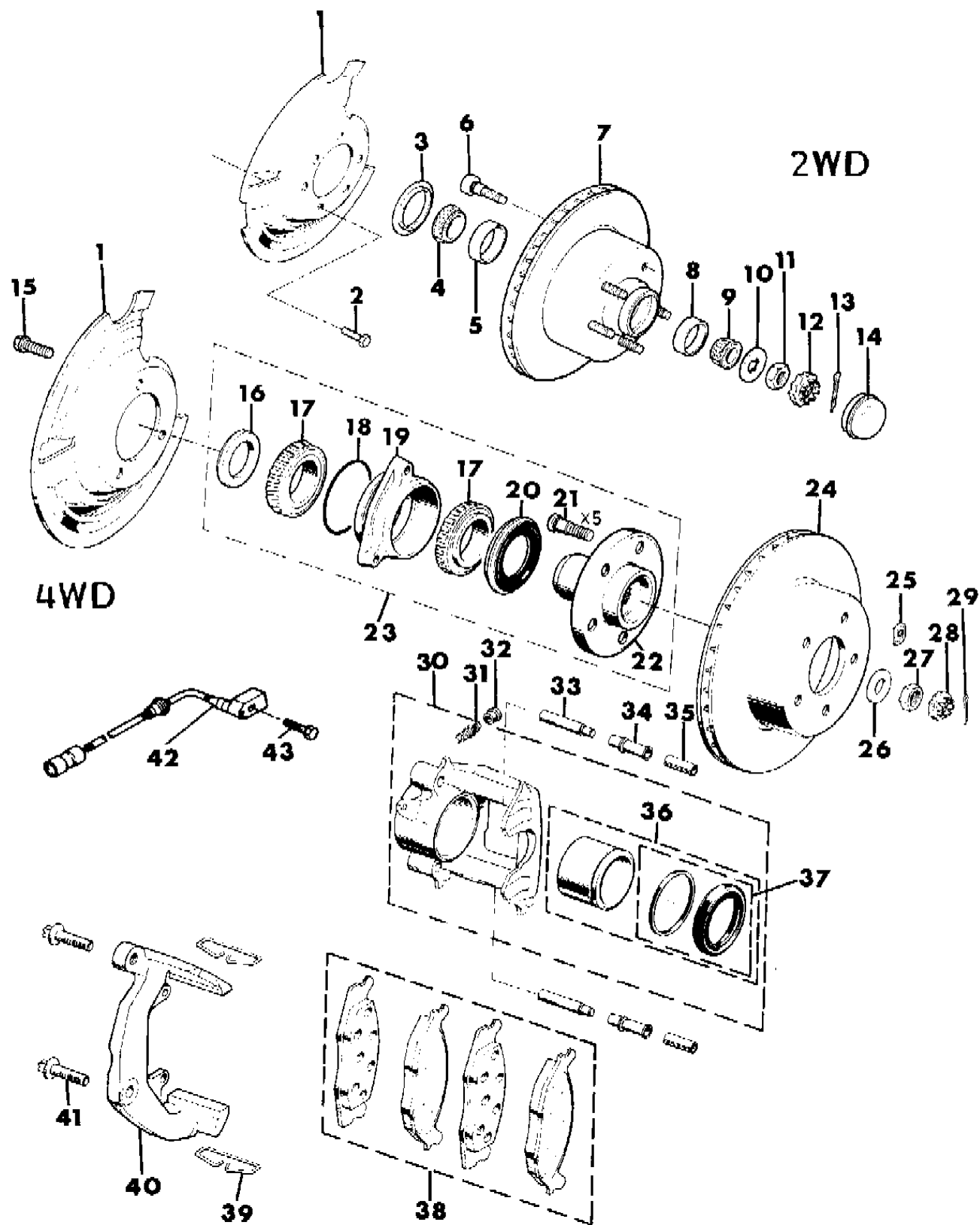
BODY STYLES:  
 MJ = Comanche Pickup  
 SJ = Grand Wagoneer Wgn., J-10 & J-20 Pickups  
 XJ = Cherokee, Wagoneer Limited  
 YJ = Wrangler

AR = Use as Required - = Non Illustrated Part P.A.R. = Paint as Required

BRAKES, FRONT CHEROKEE, WAGONEER, COMANCHE

Figure 5-825

8J05 825A



ITEM	PART NUMBER	QTY	BODY	MODEL	DESCRIPTION
24					ROTOR, Brake
	J325 1156	2			1987-89
	5200 5000	2			1990
25	J400 6185	6			NUT
26	J420 0096	2			WASHER
27	J420 0095	2			NUT
28	J420 0097	2			RETAINER
29					PIN
	1101 0069	2			1987-89
		2			1990-Do Not Service
30					CALIPER, Brake
					1987-89
	J813 3846	1			Right
	J813 3847	1			Left
					1990, 2WD
	5252 986	1			Right
	5252 987	1			Left
					1990, 4WD
	5252 984	1			Right
	5252 985	1			Left
31	J320 3313	2			SCREW, Bleeder
32					CAP
	J324 0871	2			1987-89
	4238 717	2			1990
33					PIN, Caliper
	8350 4655	4			1987-89
	8350 4655	4			1990, 2WD
	5253 000	4			1990, 4WD
34					BUSHING
	5200 1700	4			1987-89
	5200 1700	4			1990, 2WD
	4383 471	4			1990, 4WD
35					SLEEVE
	5200 1701	4			1987-89
	5200 1701	4			1990, 2WD
	4636 017	4			1990, 4WD
36					PISTON PACKAGE ***

MODEL CODES:  
 15 = Grand Wagoneer 4 Dr.      65 = Comanche 4WD-7 Ft. Box      77 = Cherokee 4WD-2 Dr.  
 25 = J-10 Pickup-119" W.B.      66 = Comanche 2WD-7 Ft. Box      78 = Cherokee 4WD-4 Dr.  
 26 = J-10 Pickup-131" W.B.      73 = Cherokee 2WD-2 Dr.      79 = Cherokee 4WD-4 Dr.-Com  
 27 = J-20 Pickup-131" W.B.      74 = Cherokee 2WD-4 Dr.      81 = Wrangler-93" W.B.  
 63 = Comanche 4WD-6 Ft. Box      75 = Wagoneer 4WD-4 Dr.      82 = Wrangler-103" W.B.-Exp.  
 64 = Comanche 2WD-6 Ft. Box

BODY STYLES:  
 MJ = Comanche Pickup  
 SJ = Grand Wagoneer Wgn., J-10 & J-20 Pickups  
 XJ = Cherokee, Wagoneer Limited  
 YJ = Wrangler

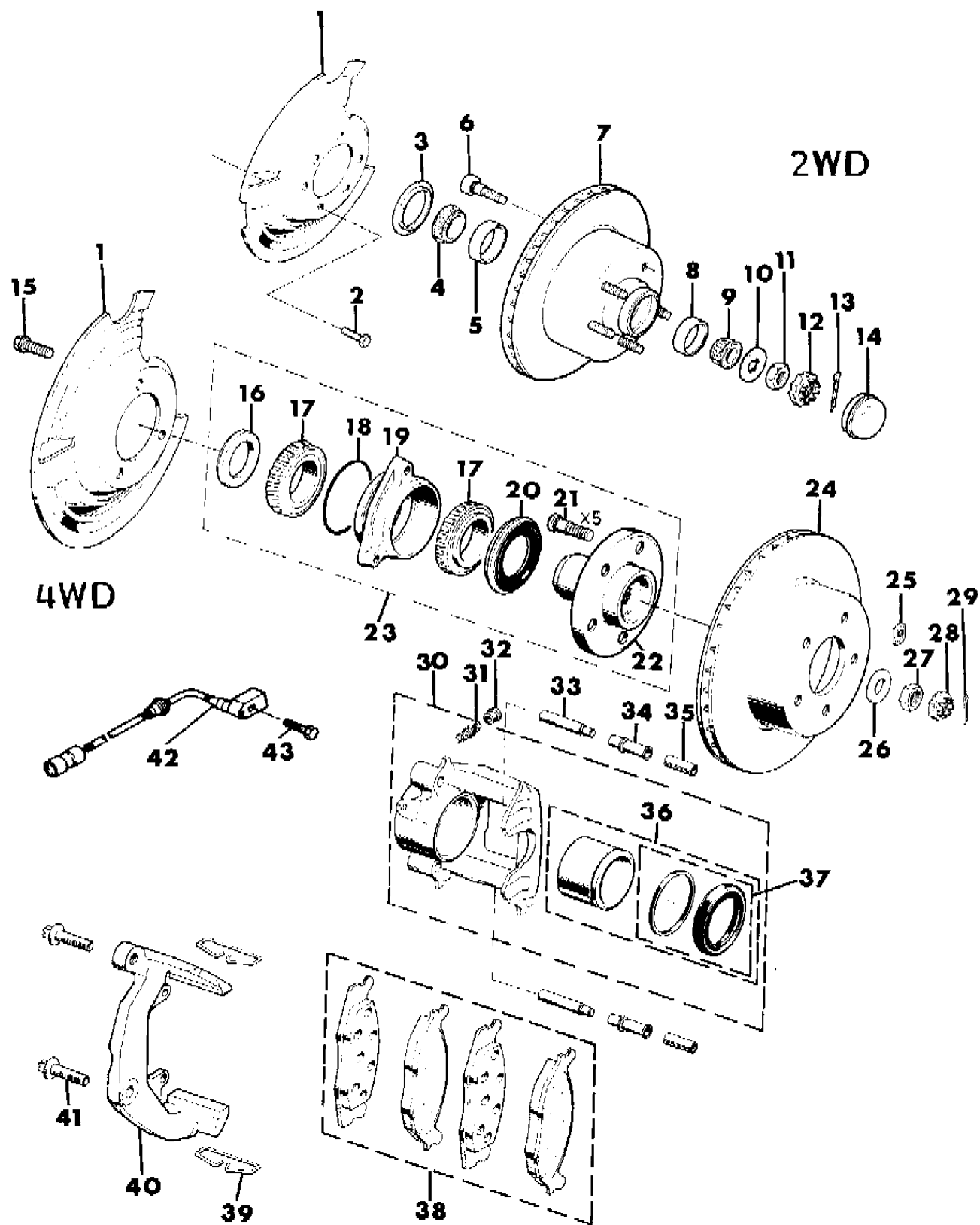
AR = Use as Required - = Non Illustrated Part P.A.R. = Paint as Required



BRAKES, FRONT CHEROKEE, WAGONEER, COMANCHE

Figure 5-825

8J05 825A



ITEM	PART NUMBER	QTY	BODY	MODEL	DESCRIPTION
	J813 3845	2			1987-89
	5252 614	2			1990
37	J813 3852	2			SEAL PACKAGE
38					PAD PACKAGE, Brake
					1987-89
	8350 1167	1			U.S. and Canada
	8350 2200	1			Export
	5252 613	1			1990, 2WD
	5252 531	1			1990, 4WD
39	J323 9865	4			CLIP, Anti-Rattle
40					BRACKET, Mounting
	5200 0490	2			1987-89
	5200 0490	2			1990, 2WD
		2			1990, 4WD (Service with Knuckle) (D)
41					BOLT
	3420 1506	4			1987-89
	3420 1506	4			1990, 2WD
42	5600 3678	2			SENSOR, Speed ABS
43	8350 4920	2			BOLT, Sensor ABS

MODEL CODES:  
 15 = Grand Wagoneer 4 Dr.      65 = Comanche 4WD-7 Ft. Box      77 = Cherokee 4WD-2 Dr.  
 25 = J-10 Pickup-119" W.B.      66 = Comanche 2WD-7 Ft. Box      78 = Cherokee 4WD-4 Dr.  
 26 = J-10 Pickup-131" W.B.      73 = Cherokee 2WD-2 Dr.      79 = Cherokee 4WD-4 Dr.-Com  
 27 = J-20 Pickup-131" W.B.      74 = Cherokee 2WD-4 Dr.      81 = Wrangler-93" W.B.  
 63 = Comanche 4WD-6 Ft. Box      75 = Wagoneer 4WD-4 Dr.      82 = Wrangler-103" W.B.-Exp.  
 64 = Comanche 2WD-6 Ft. Box

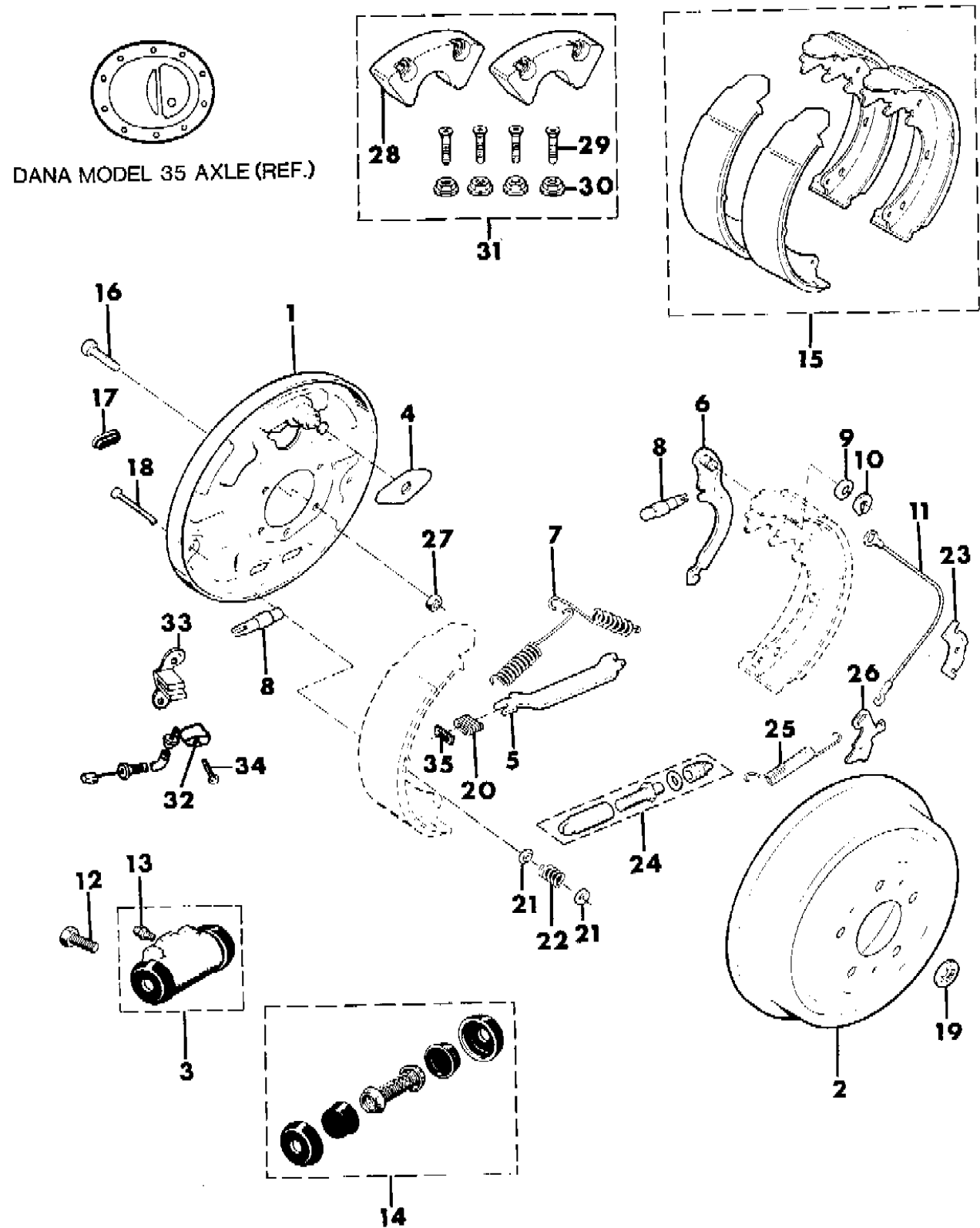
BODY STYLES:  
 MJ = Comanche Pickup  
 SJ = Grand Wagoneer Wgn., J-10 & J-20 Pickups  
 XJ = Cherokee, Wagoneer Limited  
 YJ = Wrangler

AR = Use as Required - = Non Illustrated Part P.A.R. = Paint as Required

BRAKES, REAR DRUM - W/DANA MODEL 35 CHEROKEE, WAGONEER, COMANCHE 1987/89

Figure 5-900

8J05 900B



ITEM	PART NUMBER	QTY	BODY	MODEL	DESCRIPTION
1					PLATE, Backing
	8350 0988-9	1			w/o Anti-Lock Brakes
	8350 4910-1	1			w/Anti-Lock Brakes
2	5200 1151	2			DRUM, Brake (Cast#82663-4) (D)
3	5200 0848-9	1			CYLINDER, Wheel
4	J320 1032	2			PLATE, Guide
5					STRUT, Parking
	8350 4372-3	1			w/o Anti-Lock Brakes
	8350 4916-7	1			w/Anti-Lock Brakes
6	8350 4306-7	1			LEVER, Cable
7	J311 2780	4			SPRING, Return
8	J004 8331	4			LINK, Cylinder
9					WASHER
	J310 8203	2			w/o Anti-Lock Brakes
	8350 2900	2			w/Anti-Lock Brakes
10	J310 8202	2			RETAINER, Lever
11	J320 1027	2			CABLE, Adjuster
12	J448 6551	4			BOLT
13	J320 3313	2			SCREW, Bleeder
14	8350 0987	2			REPAIR PACKAGE, Wheel Cylinder
15					SHOE PACKAGE, Brake ***
	J813 3818	1			New
	JR77 5075	1			Remanufactured
	4762 542	1	XJ,MJ		EUROPE
16	J099 4313	8			BOLT
17	J320 1957	4			PLUG, Adjusting
18	J314 3612	4			PIN
19	J400 6185	2			NUT, Push
20					SPRING
	J311 2779	2			w/o Anti-Lock Brakes
	8350 4918	2			w/Anti-Lock Brakes
21	J008 9259	8			CUP
22	J320 5979	4			SPRING
23	J320 1947	2			GUIDE, Cable
24					ADJUSTER
	5200 1216	1			Right
	5200 1215	1			Left

MODEL CODES:

15 = Grand Wagoneer 4 Dr.	65 = Comanche 4WD-7 Ft. Box	77 = Cherokee 4WD-2 Dr.
25 = J-10 Pickup-119" W.B.	66 = Comanche 2WD-7 Ft. Box	78 = Cherokee 4WD-4 Dr.
26 = J-10 Pickup-131" W.B.	73 = Cherokee 2WD-2 Dr.	79 = Cherokee 4WD-4 Dr.-Com
27 = J-20 Pickup-131" W.B.	74 = Cherokee 2WD-4 Dr.	81 = Wrangler-93" W.B.
63 = Comanche 4WD-6 Ft. Box	75 = Wagoneer 4WD-4 Dr.	82 = Wrangler-103" W.B.-Exp.
64 = Comanche 2WD-6 Ft. Box		

BODY STYLES:

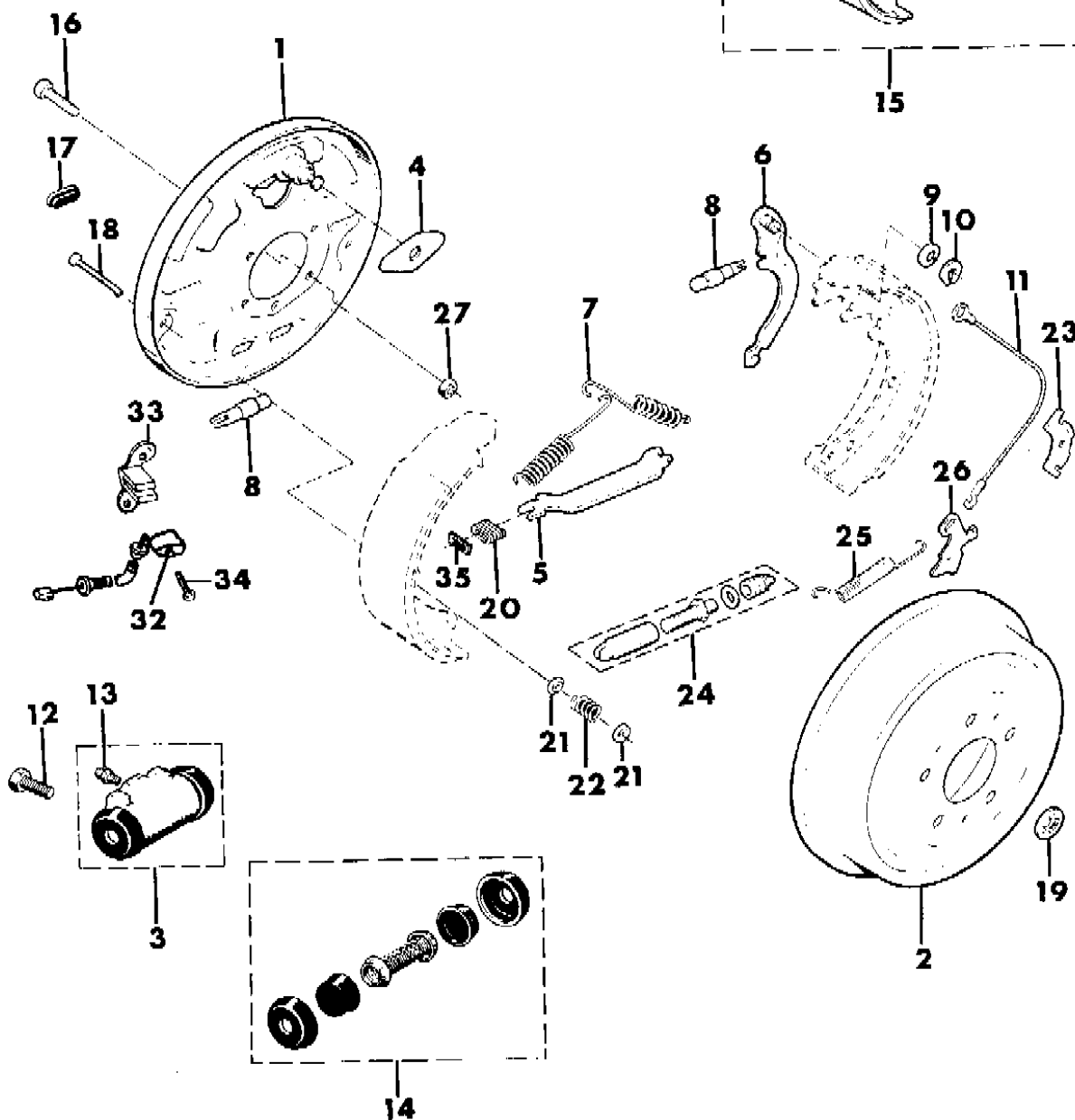
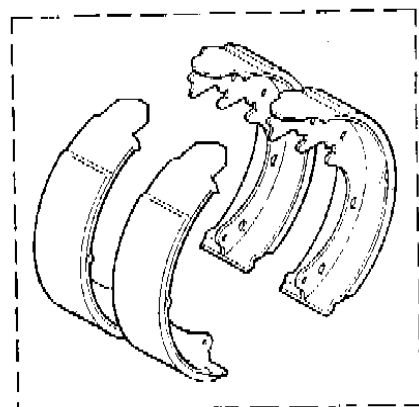
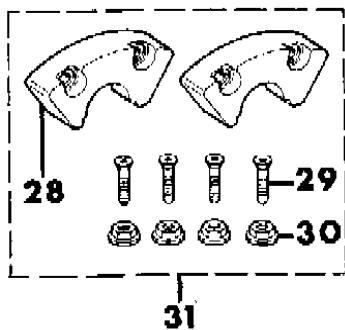
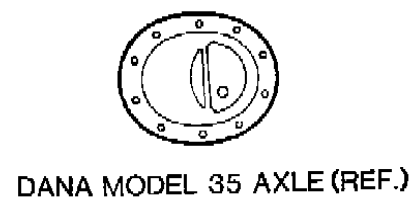
MJ = Comanche Pickup  
 SJ = Grand Wagoneer Wgn., J-10 & J-20 Pickups  
 XJ = Cherokee, Wagoneer Limited  
 YJ = Wrangler

AR = Use as Required - = Non Illustrated Part P.A.R. = Paint as Required

BRAKES, REAR DRUM - W/DANA MODEL 35 CHEROKEE, WAGONEER, COMANCHE 1987/89

Figure 5-900

8J05 900B



ITEM	PART NUMBER	QTY	BODY	MODEL	DESCRIPTION
25	J320 1937	2			SPRING, Adjuster
26	J320 1030	1			LEVER, Adjuster Right
	J320 1029	1			Left
27	J941 1783	8			NUT
28	5200 4149	2			DAMPER
29	3420 2124	4			BOLT
30	1150 3750	4			NUT
31	8310 0069	1			DAMPER PACKAGE
32		1			SENSOR, Anti-Lock Brakes
	5600 2513	1			Right
	5600 2590	1			Left
33	5200 3326	2			BRACKET, Sensor Anti-Lock Brakes
34	8350 4920	2			BOLT, Hex Head Flanged
35	8350 4919	2			WASHER, w/Anti-Lock Brakes

MODEL CODES:

15 = Grand Wagoneer 4 Dr.	65 = Comanche 4WD-7 Ft. Box	77 = Cherokee 4WD-2 Dr.
25 = J-10 Pickup-119" W.B.	66 = Comanche 2WD-7 Ft. Box	78 = Cherokee 4WD-4 Dr.
26 = J-10 Pickup-131" W.B.	73 = Cherokee 2WD-2 Dr.	79 = Cherokee 4WD-4 Dr.-Com
27 = J-20 Pickup-131" W.B.	74 = Cherokee 2WD-4 Dr.	81 = Wrangler-93" W.B.
63 = Comanche 4WD-6 Ft. Box	75 = Wagoneer 4WD-4 Dr.	82 = Wrangler-103" W.B.-Exp.
64 = Comanche 2WD-6 Ft. Box		

BODY STYLES:

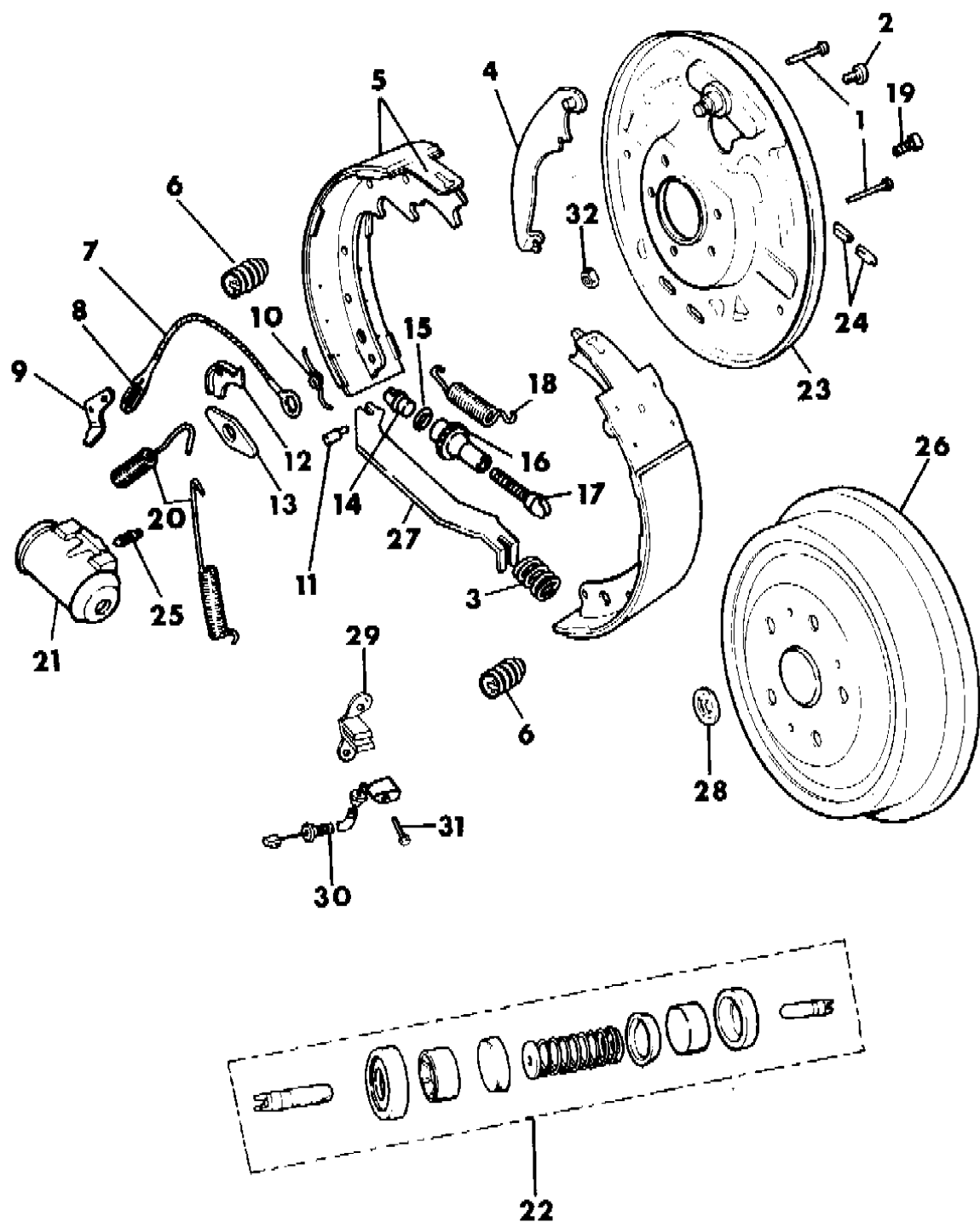
MJ = Comanche Pickup  
 SJ = Grand Wagoneer Wgn., J-10 & J-20 Pickups  
 XJ = Cherokee, Wagoneer Limited  
 YJ = Wrangler

AR = Use as Required - = Non Illustrated Part P.A.R. = Paint as Required

BRAKES, REAR DRUM - W/DANA MODEL 35 CHEROKEE, WAGONEER, COMANCHE 1990

Figure 5-950

8J05 950B



ITEM	PART NUMBER	QTY	BODY	MODEL	DESCRIPTION
1	2260 548	4			PIN, Brake Shoe Hold Down
2	6028 921	4			SCREW, Cylinder Mounting
3	4313 079	2			SPRING, Parking Brake Strut
4	4313 810-1	1			LEVER, Parking Brake
5	4423 606	1			SHOE and Lining PACKAGE ***
6	4313 062	4			SPRING ASSEMBLY, Hold Down ***
7	3461 662	2			CABLE, Automatic Adjuster
8	3461 660	2			SPRING, Automatic Adjuster
9	3461 665	2			LEVER, Automatic Adjuster
10	2944 580-1	1			SPRING, Automatic Adjuster Lever
11	2880 528	1			PIN PACKAGE, Automatic Adjuster Lever
12	2260 793	2			GUIDE, Automatic Adjuster Cable
13	4313 075	2			PLATE, Guide
14	2944 586	2			BUTTON, Automatic Adjuster
15	6027 559	2			WASHER, Automatic Adjuster Button
16	2944 692-3	1			NUT, Automatic Adjuster Pivot Screw
17	2881 686-7	1			SCREW, Automatic Adjuster Pivot
18	4423 085	2			SPRING, Shoe to Shoe
19	J099 4313	8			BOLT, Rear Wheel Brake Mounting
20	2881 676	4			SPRING, Brake Shoe Return
21					CYLINDER, Wheel
	4313 056	2			U.S., Canada
	5252 617	2			Export
22					REPAIR PACKAGE, Wheel Cylinder
	5252 631	2			U.S., Canada
	5252 630	2			Export
23					PLATE, Backing
	5252 720-1	1			w/o Anti-Lock Brakes
	5252 718-9	1			w/Anti-Lock Brakes
24	4238 721	4			PLUG, Brake Adjuster Hole
25	3766 674	2			SCREW, Bleeder
26	5200 5350	2			DRUM, Rear Brake
27	4313 078	2			STRUT, Parking Brake Lever
28	6026 430	4			RETAINER, Brake Drum
29	5200 6400-1	1			BRACKET, Sensor Anti-Lock Brakes
30					SENSOR, Anti-Lock Brakes
	5600 2513	1			Right

MODEL CODES:

15 = Grand Wagoneer 4 Dr.	65 = Comanche 4WD-7 Ft. Box	77 = Cherokee 4WD-2 Dr.
25 = J-10 Pickup-119" W.B.	66 = Comanche 2WD-7 Ft. Box	78 = Cherokee 4WD-4 Dr.
26 = J-10 Pickup-131" W.B.	73 = Cherokee 2WD-2 Dr.	79 = Cherokee 4WD-4 Dr.-Com
27 = J-20 Pickup-131" W.B.	74 = Cherokee 2WD-4 Dr.	81 = Wrangler-93" W.B.
63 = Comanche 4WD-6 Ft. Box	75 = Wagoneer 4WD-4 Dr.	82 = Wrangler-103" W.B.-Exp.
64 = Comanche 2WD-6 Ft. Box		

BODY STYLES:

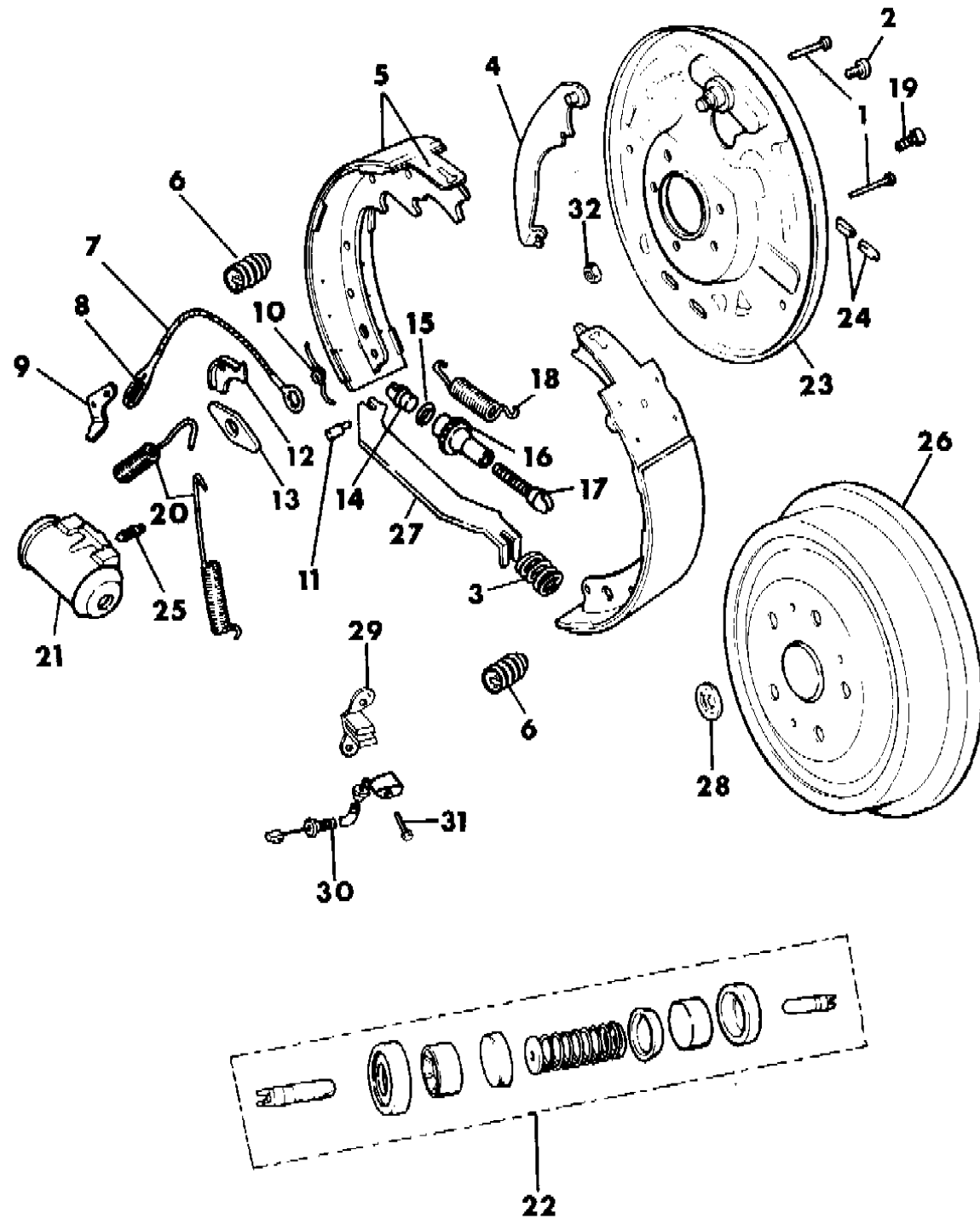
MJ = Comanche Pickup
SJ = Grand Wagoneer Wgn., J-10 & J-20 Pickups
XJ = Cherokee, Wagoneer Limited
YJ = Wrangler

AR = Use as Required - = Non Illustrated Part P.A.R. = Paint as Required

BRAKES, REAR DRUM - W/DANA MODEL 35 CHEROKEE, WAGONEER, COMANCHE 1990

Figure 5-950

8J05 950B



ITEM	PART NUMBER	QTY	BODY	MODEL	DESCRIPTION
	5600 2590	1			Left
31	8350 4920	2			BOLT, Hex Flanged Head
32	J941 1783	8			NUT
	4636 779	1			BRAKE PACKAGE, Hardware (Exc. Comanche) ***

MODEL CODES:

15 = Grand Wagoneer 4 Dr.	65 = Comanche 4WD-7 Ft. Box	77 = Cherokee 4WD-2 Dr.
25 = J-10 Pickup-119" W.B.	66 = Comanche 2WD-7 Ft. Box	78 = Cherokee 4WD-4 Dr.
26 = J-10 Pickup-131" W.B.	73 = Cherokee 2WD-2 Dr.	79 = Cherokee 4WD-4 Dr.-Com
27 = J-20 Pickup-131" W.B.	74 = Cherokee 2WD-4 Dr.	81 = Wrangler-93" W.B.
63 = Comanche 4WD-6 Ft. Box	75 = Wagoneer 4WD-4 Dr.	82 = Wrangler-103" W.B.-Exp.
64 = Comanche 2WD-6 Ft. Box		

BODY STYLES:

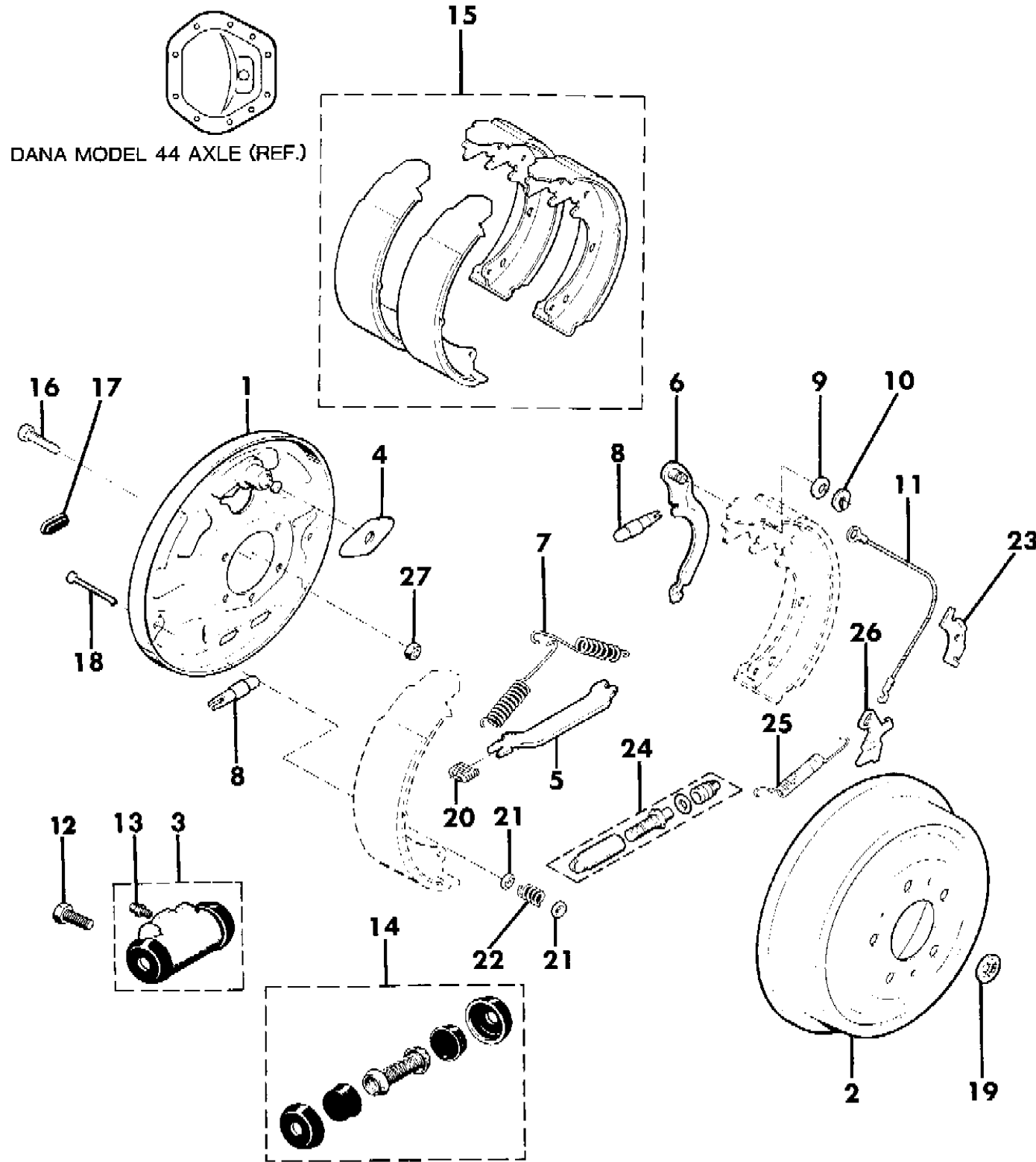
MJ = Comanche Pickup  
 SJ = Grand Wagoneer Wgn., J-10 & J-20 Pickups  
 XJ = Cherokee, Wagoneer Limited  
 YJ = Wrangler

AR = Use as Required - = Non Illustrated Part P.A.R. = Paint as Required

BRAKES, REAR DRUM - W/DANA MODEL 44 CHEROKEE, WAGONEER, COMANCHE

Figure 5-975

8J05 975B



ITEM	PART NUMBER	QTY	BODY	MODEL	DESCRIPTION
1	8350 2386-7	1			PLATE, Backing
2	5200 1915	2			DRUM, Brake (Stamped 87087-7)
3	5200 0848-9	1			CYLINDER, Wheel
4	J320 1032	2			PLATE, Guide
5	8350 4372-3	1			STRUT, Parking
6	8350 4306-7	1			LEVER, Cable
7	J311 2780	4			SPRING, Return
8	J004 8331	4			LINK, Cylinder
9	8350 2900	2			WASHER
10	J310 8202	2			RETAINER, Lever
11	J320 1027	2			CABLE, Adjuster
12	J448 6551	4			BOLT
13	J320 3313	2			SCREW, Bleeder
14	8350 0987	2			REPAIR PACKAGE, Wheel Cylinder
15	8350 2385	1			SHOE PACKAGE, Brake ***
	4762 546	1			EUROPE
16	J099 4313	8			BOLT
17	J320 1957	4			PLUG, Adjusting
18	J321 0994	4			PIN
19	J400 6185	2			NUT, Push
20	8350 4310	2			SPRING
21	J008 9259	8			CUP
22	J320 1956	4			SPRING
23	J320 1947	2			GUIDE, Cable
24	8350 4308-9	1			ADJUSTER
25	J320 1937	2			SPRING, Adjuster
26	J320 1030	1			LEVER, Adjuster
	J320 1029	1			Right
	J320 1029	1			Left
27	J941 1783	8			NUT
	4636 778	1			BRAKE PACKAGE, Hardware (Exc. Wagoneer) ***

MODEL CODES:

15 = Grand Wagoneer 4 Dr.	65 = Comanche 4WD-7 Ft. Box	77 = Cherokee 4WD-2 Dr.
25 = J-10 Pickup-119" W.B.	66 = Comanche 2WD-7 Ft. Box	78 = Cherokee 4WD-4 Dr.
26 = J-10 Pickup-131" W.B.	73 = Cherokee 2WD-2 Dr.	79 = Cherokee 4WD-4 Dr.-Com
27 = J-20 Pickup-131" W.B.	74 = Cherokee 2WD-4 Dr.	81 = Wrangler-93" W.B.
63 = Comanche 4WD-6 Ft. Box	75 = Wagoneer 4WD-4 Dr.	82 = Wrangler-103" W.B.-Exp.
64 = Comanche 2WD-6 Ft. Box		

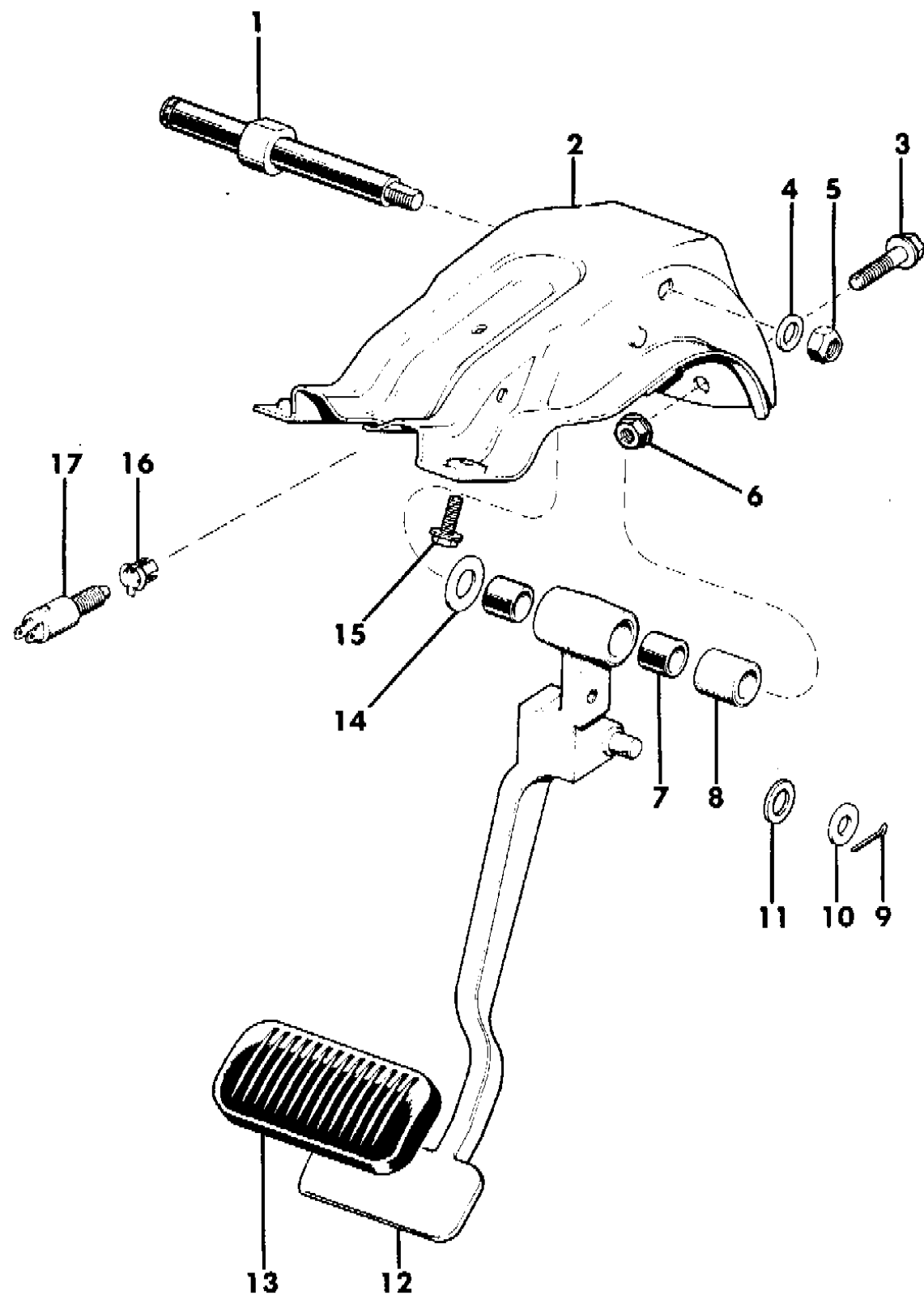
BODY STYLES:

MJ = Comanche Pickup  
 SJ = Grand Wagoneer Wgn., J-10 & J-20 Pickups  
 XJ = Cherokee, Wagoneer Limited  
 YJ = Wrangler

AR = Use as Required - = Non Illustrated Part P.A.R. = Paint as Required

PEDAL, BRAKES GRAND WAGONEER, J-10, J-20  
Figure 5-1000

8J05 1000



ITEM	PART NUMBER	QTY	BODY	MODEL	DESCRIPTION
1					SHAFT
	J535 1805	1			w/Manual Transmission
	J535 1803	1			w/Automatic Transmission
2	J536 3501	1			BRACKET, Pedal
3	J018 0125	2			BOLT
4	J012 0396	1			WASHER
5	J400 4311	1			NUT
6	J400 3909	2			NUT
7	J094 6177				BEARING
8	J535 1057	1			SPACER
9	J012 1224	1			PIN
10	J012 0395	1			WASHER, Plain
11	J095 8629	1			WASHER, Spring
12					PEDAL, Brake
	J535 7470	1			w/Manual Transmission
	J535 7471	1			w/Automatic Transmission
13					PAD, Pedal
	J536 3508	1			w/Manual Transmission
	J536 3521	1			w/Automatic Transmission
14	J535 1844	1			WASHER
15	J018 0120	2			BOLT
16	J535 2622	1			BUSHING
17	J535 2620	1			SWITCH

MODEL CODES:

15 = Grand Wagoneer 4 Dr.	65 = Comanche 4WD-7 Ft. Box	77 = Cherokee 4WD-2 Dr.
25 = J-10 Pickup-119" W.B.	66 = Comanche 2WD-7 Ft. Box	78 = Cherokee 4WD-4 Dr.
26 = J-10 Pickup-131" W.B.	73 = Cherokee 2WD-2 Dr.	79 = Cherokee 4WD-4 Dr.-Com
27 = J-20 Pickup-131" W.B.	74 = Cherokee 2WD-4 Dr.	81 = Wrangler-93" W.B.
63 = Comanche 4WD-6 Ft. Box	75 = Wagoneer 4WD-4 Dr.	82 = Wrangler-103" W.B.-Exp.
64 = Comanche 2WD-6 Ft. Box		

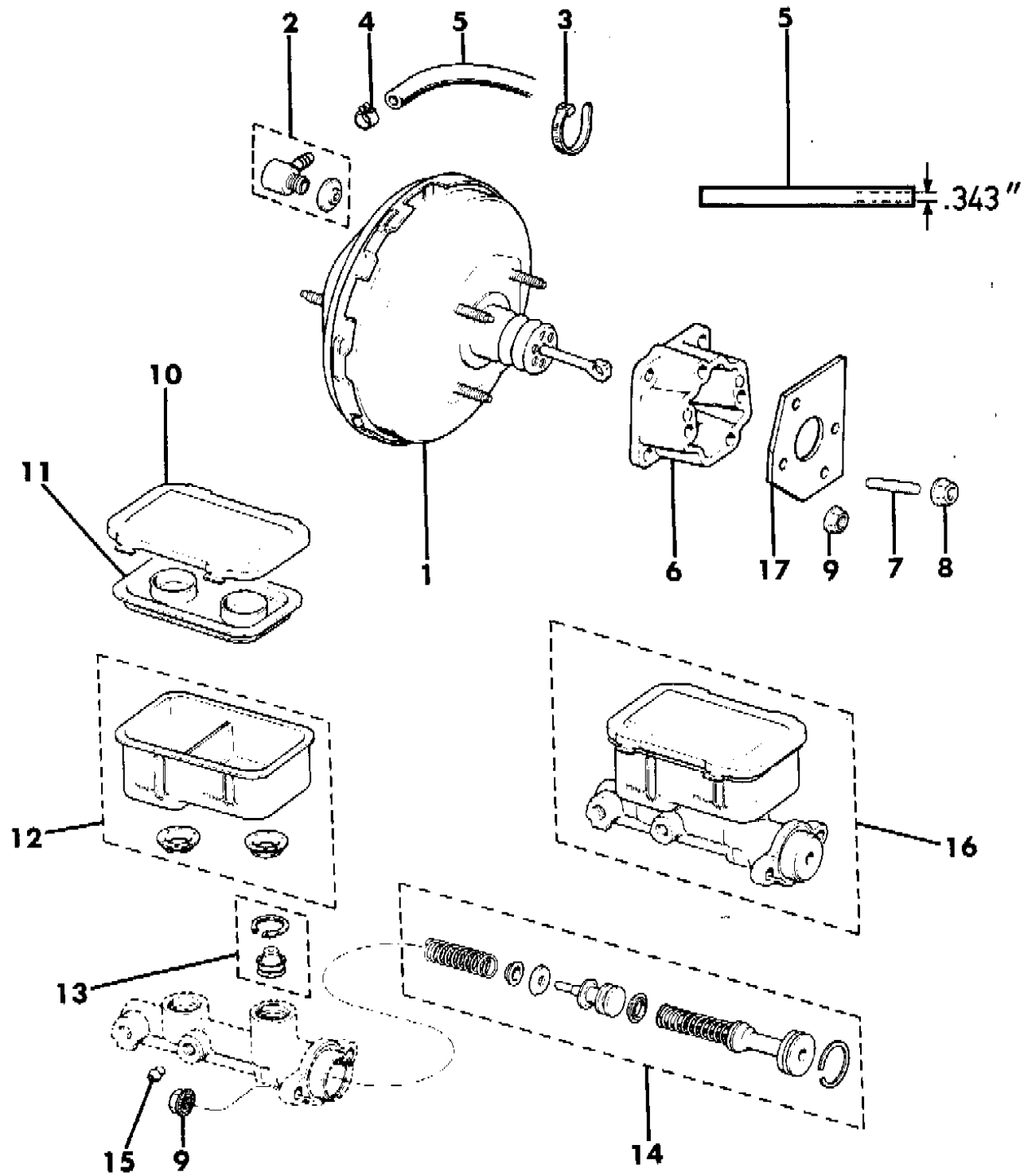
BODY STYLES:

MJ = Comanche Pickup  
 SJ = Grand Wagoneer Wgn., J-10 & J-20 Pickups  
 XJ = Cherokee, Wagoneer Limited  
 YJ = Wrangler

AR = Use as Required - = Non Illustrated Part P.A.R. = Paint as Required

**BOOSTER AND MASTER CYLINDER GRAND WAGONEER, J-10, J-20**  
**Figure 5-1100**

8J05 1100



ITEM	PART NUMBER	QTY	BODY	MODEL	DESCRIPTION
1	8350 0986	1			BOOSTER, Brake
2	J812 5991	1			VALVE, Check
3	J322 3227	1			STRAP
4	J320 3076	1			CLAMP
5	J812 5883	1			HOSE, Vacuum (Bulk)
6					SPACER
	J536 3039	1			6 Cylinder Engine
	J535 9059	1			8 Cylinder Engine
7	J400 6485	4			STUD
8	J400 6653	4			NUT
9	J420 0301	6			NUT
10	J813 3319	1			COVER
11	J813 3318	1			GASKET
12	J813 3321	1			RESERVOIR
13	J813 3322	1			VALVE, Check
14	J813 3317	1			REPAIR PACKAGE, Master Cylinder
15	J812 8300	2			SEAT
16	J813 3316	1			CYLINDER, Brake Master
17	J536 3040	1			SPACER

**MODEL CODES:**

15 = Grand Wagoneer 4 Dr.	65 = Comanche 4WD-7 Ft. Box	77 = Cherokee 4WD-2 Dr.
25 = J-10 Pickup-119" W.B.	66 = Comanche 2WD-7 Ft. Box	78 = Cherokee 4WD-4 Dr.
26 = J-10 Pickup-131" W.B.	73 = Cherokee 2WD-2 Dr.	79 = Cherokee 4WD-4 Dr.-Com
27 = J-20 Pickup-131" W.B.	74 = Cherokee 2WD-4 Dr.	81 = Wrangler-93" W.B.
63 = Comanche 4WD-6 Ft. Box	75 = Wagoneer 4WD-4 Dr.	82 = Wrangler-103" W.B.-Exp.
64 = Comanche 2WD-6 Ft. Box		

**BODY STYLES:**

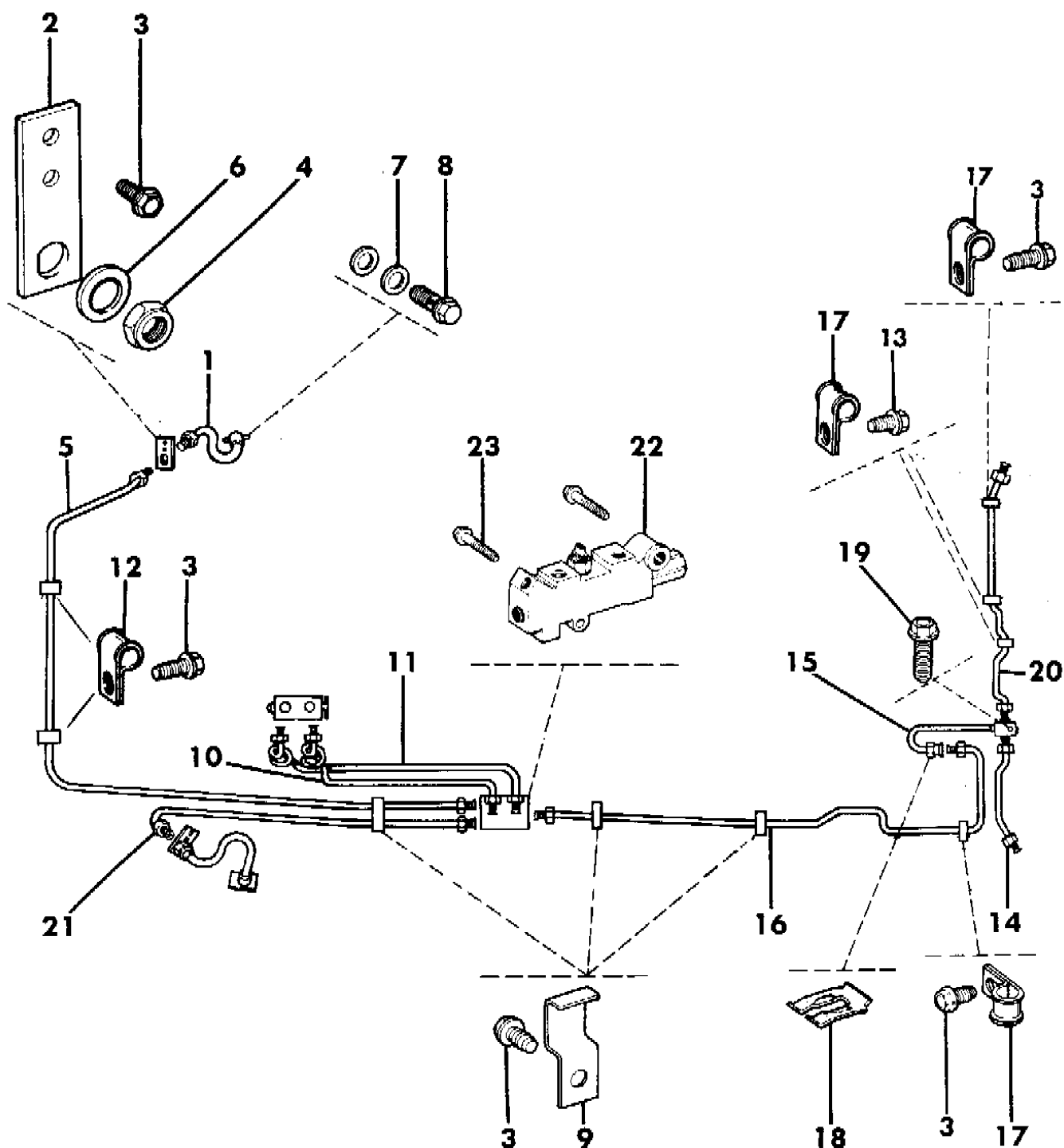
MJ = Comanche Pickup  
 SJ = Grand Wagoneer Wgn., J-10 & J-20 Pickups  
 XJ = Cherokee, Wagoneer Limited  
 YJ = Wrangler

AR = Use as Required - = Non Illustrated Part P.A.R. = Paint as Required



LINES AND HOSES, BRAKE GRAND WAGONEER, J-10, J-20  
Figure 5-1200

8J05 1200



ITEM	PART NUMBER	QTY	BODY	MODEL	DESCRIPTION
1	J535 9322	2		15	HOSE, Brake
	J535 9323	2		26, 27	HOSE, Brake
2	J535 3415	2			BRACKET
3	J400 5063	8			SCREW
4	J400 5338	2			NUT
5	J535 5441	1			LINE, Brake
6	J013 1016	2			WASHER
7	J420 0303	4			WASHER
8	J420 0304	2			BOLT
9	J400 4901	3			CLIP
10	J536 2873	1			LINE, Brake
11	J536 2875	1			LINE, Brake
12	J042 7026	2			CLIP
13	J400 4077	2			SCREW
14	5200 2090	1		15	LINE, Brake
	J536 0933	1		26	LINE, Brake
	J536 0934	1		27	LINE, Brake
15	J535 5076	1		15	HOSE, Brake
	J535 5073	1		26, 27	HOSE, Brake
16	J536 0936	1		15	LINE, Brake
	J536 2871	1		26, 27	LINE, Brake
17	J019 2107	3		15, 26	CLIP
	J017 9148	3		27	CLIP
18	J063 7427	1			CLIP
19	J400 5691	1			SCREW
20	5200 2996	1		15	LINE, Brake
	5200 3168	1		26	LINE, Brake
	J536 0935	1		27	LINE, Brake
21	J535 2184	1			LINE, Brake
22	J536 4240	1			VALVE, Proportioning
23	J400 5666	2			SCREW

MODEL CODES:

15 = Grand Wagoneer 4 Dr.	65 = Comanche 4WD-7 Ft. Box	77 = Cherokee 4WD-2 Dr.
25 = J-10 Pickup-119" W.B.	66 = Comanche 2WD-7 Ft. Box	78 = Cherokee 4WD-4 Dr.
26 = J-10 Pickup-131" W.B.	73 = Cherokee 2WD-2 Dr.	79 = Cherokee 4WD-4 Dr.-Com
27 = J-20 Pickup-131" W.B.	74 = Cherokee 2WD-4 Dr.	81 = Wrangler-93" W.B.
63 = Comanche 4WD-6 Ft. Box	75 = Wagoneer 4WD-4 Dr.	82 = Wrangler-103" W.B.-Exp.
64 = Comanche 2WD-6 Ft. Box		

BODY STYLES:

MJ = Comanche Pickup  
 SJ = Grand Wagoneer Wgn., J-10 & J-20 Pickups  
 XJ = Cherokee, Wagoneer Limited  
 YJ = Wrangler

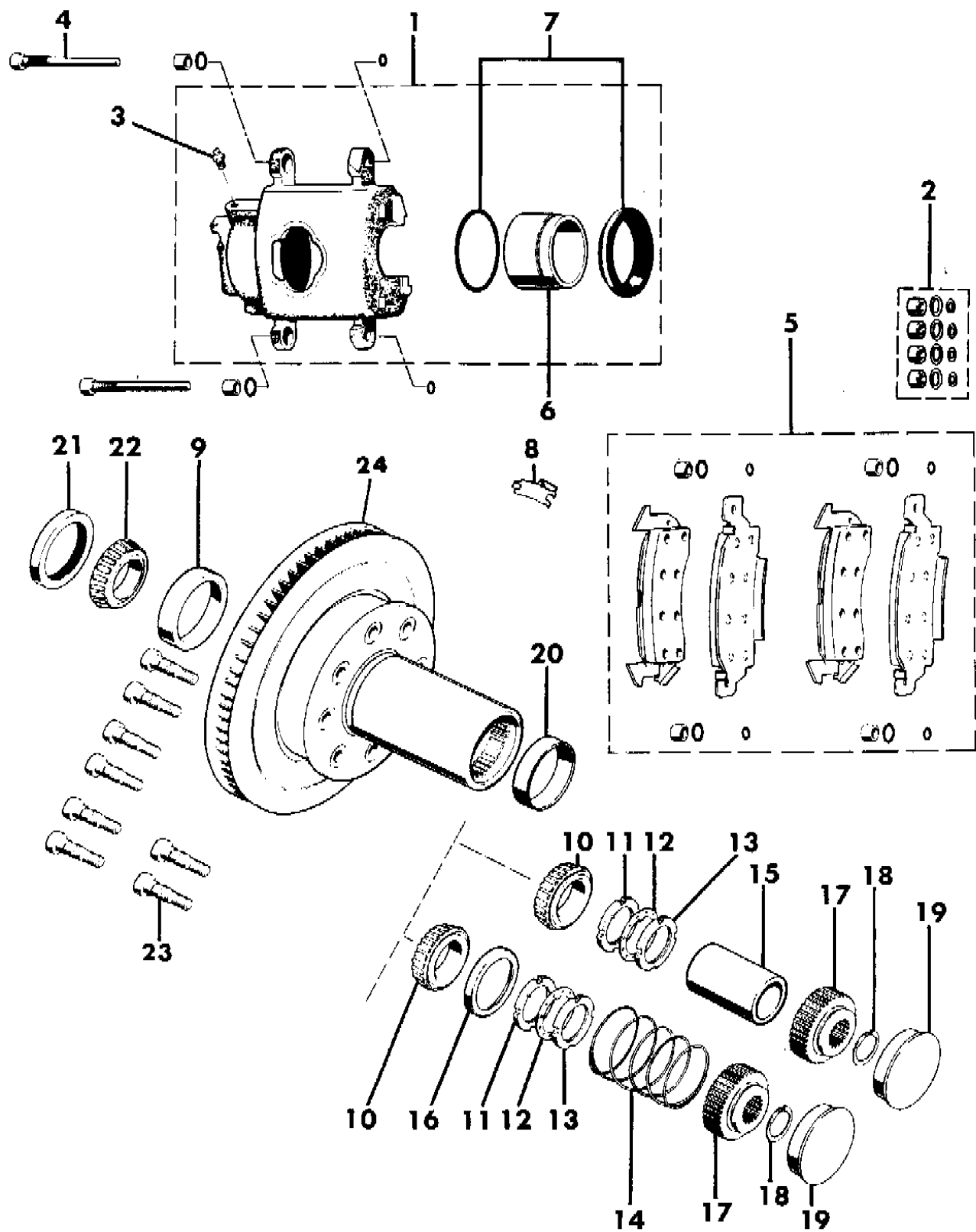
AR = Use as Required - = Non Illustrated Part P.A.R. = Paint as Required

BRAKES, FRONT DISC GRAND WAGONEER, J-10, J-20

Figure 5-1300

8J05 1300

ITEM	PART NUMBER	QTY	BODY	MODEL	DESCRIPTION
1					CALIPER, Brake
	8350 1980	1			Right
	8350 1981	1			Left
2	8350 1360	1			HARDWARE PACKAGE
3	J812 9722	2			SCREW, Bleeder
4	J812 4572	4			BOLT
5	8350 1356	1			PAD PACKAGE, Brake
6	J812 4571	2			PISTON
7	J812 4574	2			SEAL PACKAGE
8	J812 4573	2			CLIP
9	J535 7394	2			CUP, Bearing
10	J315 6052	2			BEARING
11	J400 4816	2			NUT, Inner
12	J400 4815	2			WASHER
13	J535 2169	2			NUT, Outer
14	J535 2615	2			SPRING
15	8350 4954	1			SPACER
16	J535 2650	2			CUP
17	J535 8494	2			GEAR
18	J535 2166	2			RING, Snap
19	J535 2268	2			CAP
20	J092 5447	2			CUP, Bearing
21	J535 9703	2			SEAL
22	J535 7401	2			BEARING
23	J812 4803	12		15, 26	BOLT
	J535 9276	16		27	BOLT
24	J535 7391	2		15, 26	ROTOR, Brake
	J535 9275	2		27	ROTOR, Brake



MODEL CODES:

15 = Grand Wagoneer 4 Dr.	65 = Comanche 4WD-7 Ft. Box	77 = Cherokee 4WD-2 Dr.
25 = J-10 Pickup-119" W.B.	66 = Comanche 2WD-7 Ft. Box	78 = Cherokee 4WD-4 Dr.
26 = J-10 Pickup-131" W.B.	73 = Cherokee 2WD-2 Dr.	79 = Cherokee 4WD-4 Dr.-Com
27 = J-20 Pickup-131" W.B.	74 = Cherokee 2WD-4 Dr.	81 = Wrangler-93" W.B.
63 = Comanche 4WD-6 Ft. Box	75 = Wagoneer 4WD-4 Dr.	82 = Wrangler-103" W.B.-Exp.
64 = Comanche 2WD-6 Ft. Box		

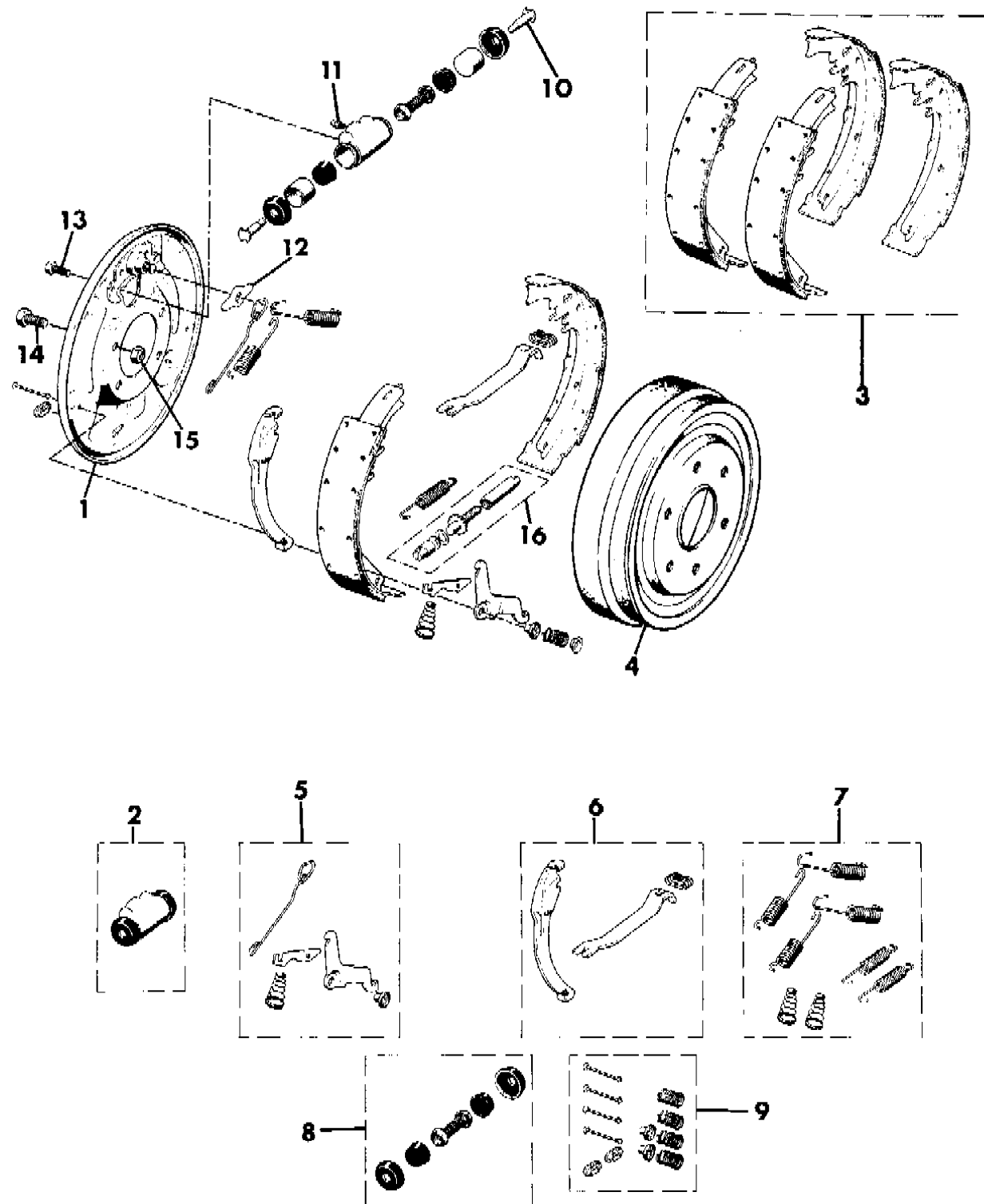
BODY STYLES:

MJ = Comanche Pickup  
 SJ = Grand Wagoneer Wgn., J-10 & J-20 Pickups  
 XJ = Cherokee, Wagoneer Limited  
 YJ = Wrangler

AR = Use as Required - = Non Illustrated Part P.A.R. = Paint as Required

BRAKES, REAR DRUM DANA MODEL 44 AXLE GRAND WAGONEER, J-10  
Figure 5-1350

8J05 1350 A



ITEM	PART NUMBER	QTY	BODY	MODEL	DESCRIPTION
1					PLATE, Backing
	J812 7779	1			Right, U.S. and Canada
	J813 0746	1			Right, Export
	J812 7778	1			Left, U.S. and Canada
2	J813 0745	1			Left, Export
					CYLINDER, Wheel
	J812 9723	2			U.S. and Canada
	J813 0747	2			Export
3					SHOE PACKAGE, Brake
	J812 7782	1			U.S. and Canada
	J813 0744	1			Export
4					DRUM, Brake
	J535 9281	2			U.S. and Canada
	J535 2266	2			Export
5					ADJUSTER PACKAGE
	J812 4514	1			Right
	J812 4513	1			Left
6					REPAIR PACKAGE
	J812 7788	1			Right
	J812 7787	1			Left
7	J812 7783	1			SPRING PACKAGE
8					REPAIR PACKAGE, Wheel Cylinder
	J812 4566	2			U.S. and Canada
	J813 0748	2			Export
9					HOLD DOWN PACKAGE
	J812 7784	1			U.S. and Canada
	J812 4515	1			Export
10	J812 7781	4			LINK, Cylinder
11	J812 9725	2			SCREW, Bleeder
12	J812 7780	2			PLATE, Guide
	J092 0307	4			BOLT
13	J092 0307	4			BOLT
14	J812 4850	8			BOLT
15	J941 3215	8			NUT
16					ADJUSTER
	J812 7786	1			Right
	J812 7785	1			Left

MODEL CODES:

15 = Grand Wagoneer 4 Dr.	65 = Comanche 4WD-7 Ft. Box	77 = Cherokee 4WD-2 Dr.
25 = J-10 Pickup-119" W.B.	66 = Comanche 2WD-7 Ft. Box	78 = Cherokee 4WD-4 Dr.
26 = J-10 Pickup-131" W.B.	73 = Cherokee 2WD-2 Dr.	79 = Cherokee 4WD-4 Dr.-Com
27 = J-20 Pickup-131" W.B.	74 = Cherokee 2WD-4 Dr.	81 = Wrangler-93" W.B.
63 = Comanche 4WD-6 Ft. Box	75 = Wagoneer 4WD-4 Dr.	82 = Wrangler-103" W.B.-Exp.
64 = Comanche 2WD-6 Ft. Box		

BODY STYLES:

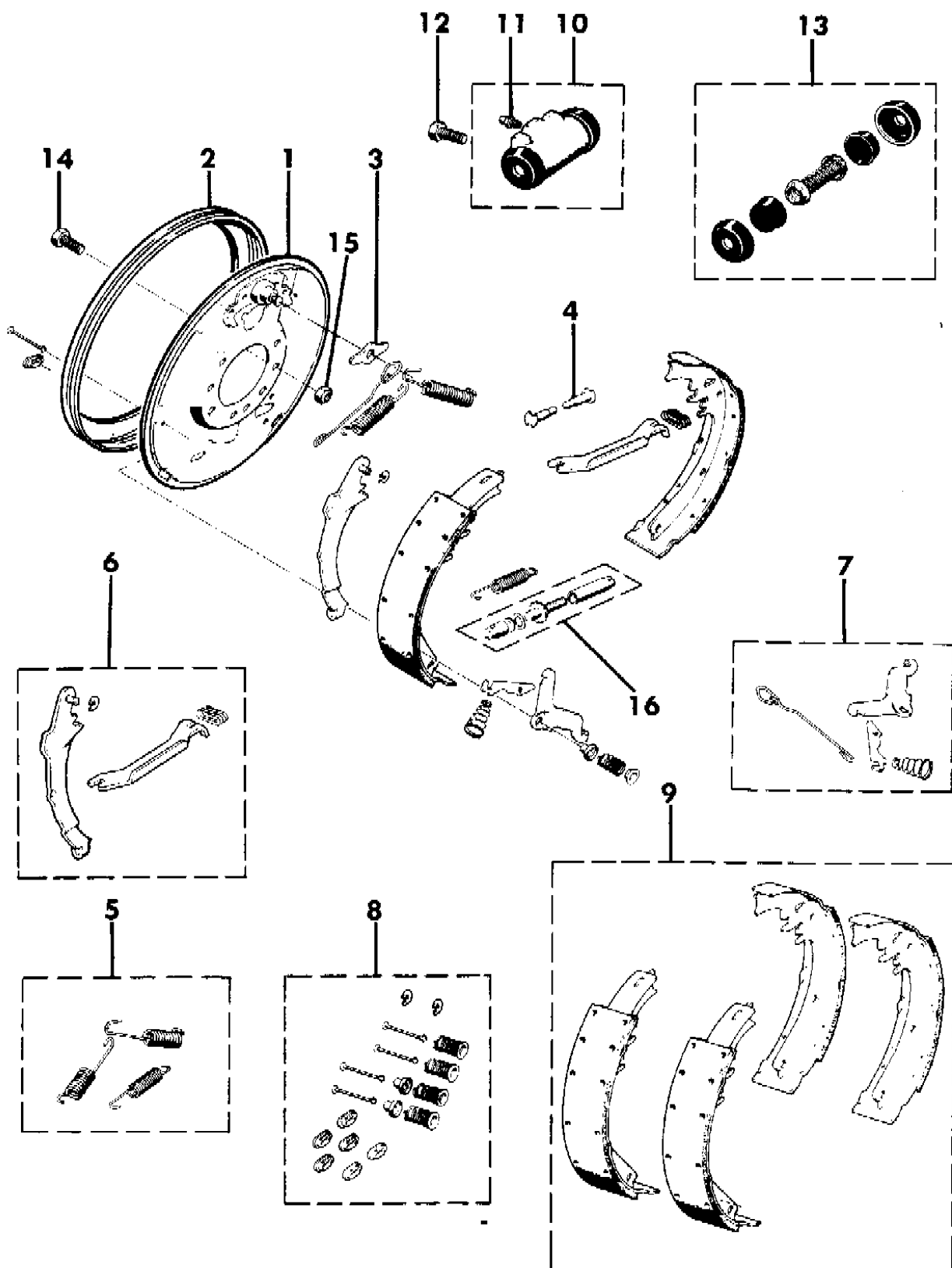
MJ = Comanche Pickup  
 SJ = Grand Wagoneer Wgn., J-10 & J-20 Pickups  
 XJ = Cherokee, Wagoneer Limited  
 YJ = Wrangler

AR = Use as Required - = Non Illustrated Part P.A.R. = Paint as Required

BRAKES, REAR DRUM DANA MODEL 60 AXLE J-20

Figure 5-1400

8J051400



ITEM	PART NUMBER	QTY	BODY	MODEL	DESCRIPTION
1					PLATE, Backing
	J812 4523	1			Right
	J812 4522	1			Left
2	J535 9032	2			SHIELD, Splash
3	J812 4504	2			PLATE, Guide
4	J812 7781	2			LINK, Cylinder
5	J812 4527	1			SPRING PACKAGE
6					REPAIR PACKAGE
	J812 4531	1			Right
	J812 4530	1			Left
7					ADJUSTER PACKAGE
	J812 4525	1			Right
	J812 4524	1			Left
8	J812 4526	1			HOLD DOWN PACKAGE
9	J813 0362	1			SHOE PACKAGE, Brake
10	J812 9724	2			CYLINDER, Wheel
11	J812 9725	2			SCREW, Bleeder
12	J092 0307	4			BOLT
13	J812 8856	2			REPAIR PACKAGE, Wheel Cylinder
14	J941 9293	14			BOLT
15	J941 3215	14			NUT
16					ADJUSTER
	J812 4529	1			Right
	J812 4528	1			Left

MODEL CODES:

15 = Grand Wagoneer 4 Dr.	65 = Comanche 4WD-7 Ft. Box	77 = Cherokee 4WD-2 Dr.
25 = J-10 Pickup-119" W.B.	66 = Comanche 2WD-7 Ft. Box	78 = Cherokee 4WD-4 Dr.
26 = J-10 Pickup-131" W.B.	73 = Cherokee 2WD-2 Dr.	79 = Cherokee 4WD-4 Dr.-Com
27 = J-20 Pickup-131" W.B.	74 = Cherokee 2WD-4 Dr.	81 = Wrangler-93" W.B.
63 = Comanche 4WD-6 Ft. Box	75 = Wagoneer 4WD-4 Dr.	82 = Wrangler-103" W.B.-Exp.
64 = Comanche 2WD-6 Ft. Box		

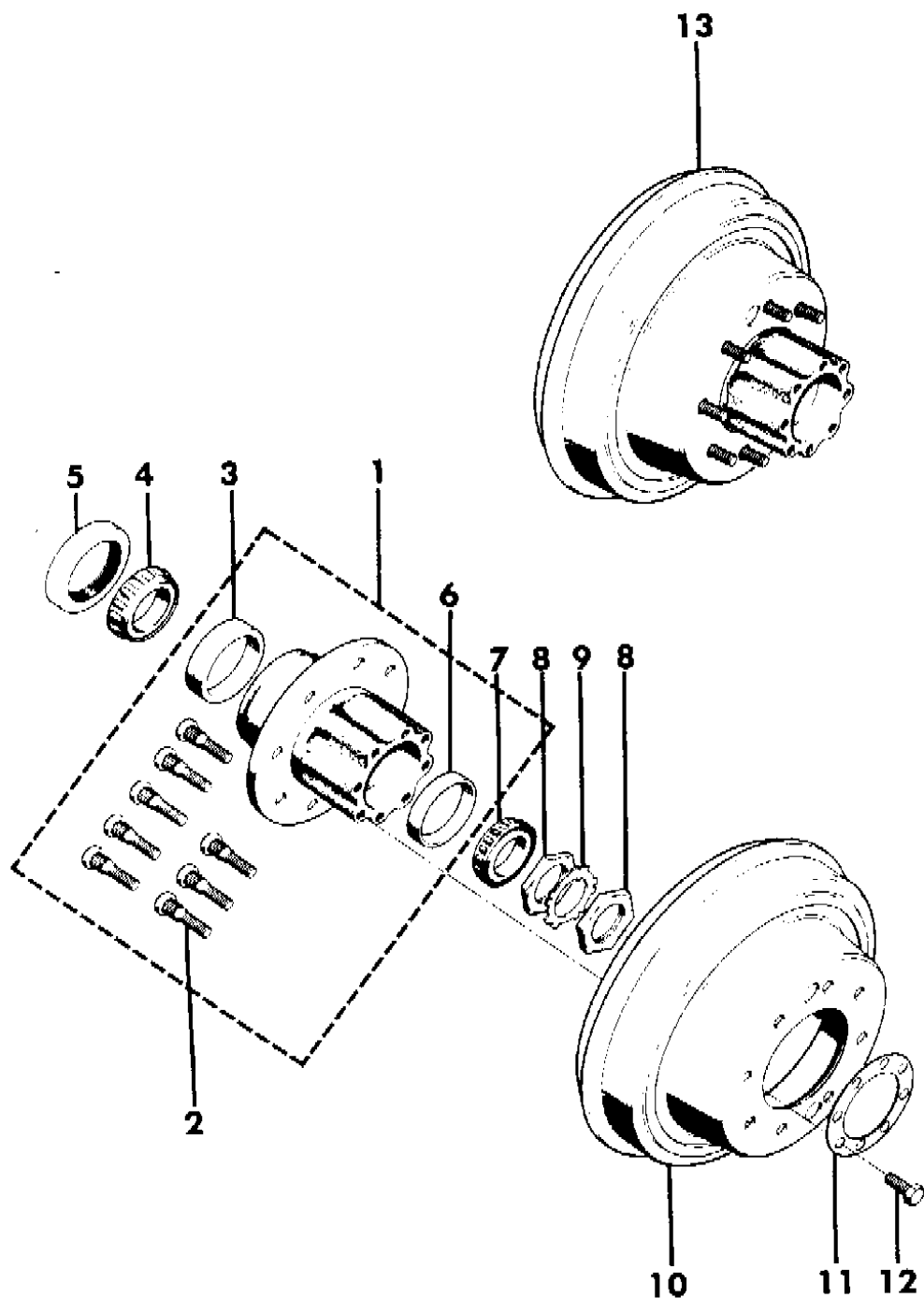
BODY STYLES:

MJ = Comanche Pickup  
 SJ = Grand Wagoneer Wgn., J-10 & J-20 Pickups  
 XJ = Cherokee, Wagoneer Limited  
 YJ = Wrangler

AR = Use as Required - = Non Illustrated Part P.A.R. = Paint as Required

DRUMS AND BEARINGS, REAR BRAKE DANA MODEL 60 AXLE J-20  
Figure 5-1500

8J05 1500



ITEM	PART NUMBER	QTY	BODY	MODEL	DESCRIPTION
1	J812 4956	2			HUB
2	J812 4958	16			STUD, Wheel
3	J812 4840	2			CUP, Bearing
4	J535 2661	2			BEARING
5	J535 2786	2			SEAL
6	J099 2336	2			CUP, Bearing
7	J099 2276	2			BEARING
8	J099 2300	2			NUT
9	J400 4829	2			WASHER
10	J812 4957	2			DRUM, Brake
11	J535 2662	2			GASKET
12	J400 6129	16			BOLT
13	J535 2286	2			HUB and DRUM

MODEL CODES:

15 = Grand Wagoneer 4 Dr.	65 = Comanche 4WD-7 Ft. Box	77 = Cherokee 4WD-2 Dr.
25 = J-10 Pickup-119" W.B.	66 = Comanche 2WD-7 Ft. Box	78 = Cherokee 4WD-4 Dr.
26 = J-10 Pickup-131" W.B.	73 = Cherokee 2WD-2 Dr.	79 = Cherokee 4WD-4 Dr.-Com
27 = J-20 Pickup-131" W.B.	74 = Cherokee 2WD-4 Dr.	81 = Wrangler-93" W.B.
63 = Comanche 4WD-6 Ft. Box	75 = Wagoneer 4WD-4 Dr.	82 = Wrangler-103" W.B.-Exp.
64 = Comanche 2WD-6 Ft. Box		

BODY STYLES:

MJ = Comanche Pickup  
 SJ = Grand Wagoneer Wgn., J-10 & J-20 Pickups  
 XJ = Cherokee, Wagoneer Limited  
 YJ = Wrangler

AR = Use as Required - = Non Illustrated Part P.A.R. = Paint as Required

---

**GROUP 6 - CLUTCH**

<b>ILLUSTRATION TITLE</b>	<b>GROUP-FIG. NO.</b>
<b>CLUTCH</b>	
CLUTCH ALL MODELS .....	Fig. 6-100
<b>HOUSING AND PAN, CLUTCH</b>	
HOUSING AND PAN, CLUTCH WRANGLER, YJ .....	Fig. 6-200
HOUSING AND PAN, CLUTCH CHEROKEE, COMANCHE .....	Fig. 6-300
HOUSING AND PAN, CLUTCH TRUCK J10, J20 .....	Fig. 6-400
<b>PEDAL CLUTCH</b>	
PEDAL, CLUTCH WRANGLER, YJ .....	Fig. 6-500
PEDAL, CLUTCH DIESEL ENGINE CHEROKEE, COMANCHE .....	Fig. 6-600
PEDAL, CLUTCH GAS ENGINE CHEROKEE, COMANCHE .....	Fig. 6-700
PEDAL, CLUTCH GRAND WAGONEER, TRUCK J10, J20 .....	Fig. 6-800

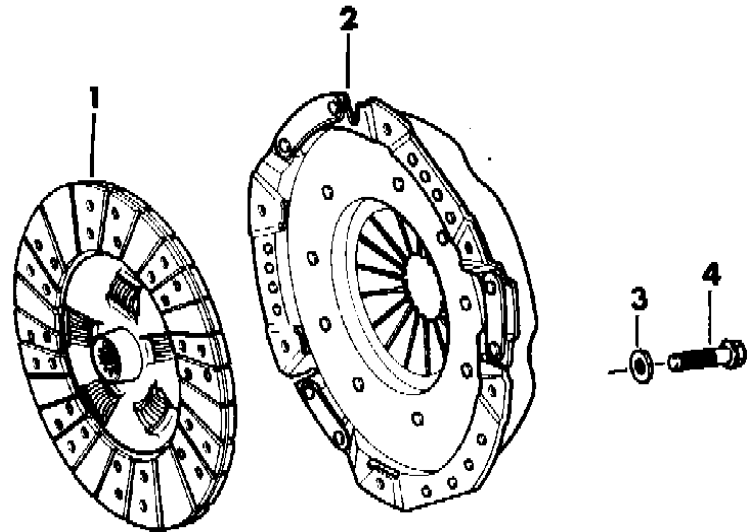
**ILLUSTRATION NOT AVAILABLE AT TIME OF PUBLICATION**

---

CLUTCH ALL MODELS

Figure 6-100

8 J 06 100



ITEM	PART NUMBER	QTY	BODY	MODEL	DESCRIPTION
1					PLATE, Driven
					WRANGLER, YJ
		5300 4538	1		4 CYL. ENG.
		5300 4679	1		6 CYL. ENG.
					CHEROKEE, COMANCHE
		5300 4538	1		4 CYL. ENG.
		5300 4679	1		6 CYL. ENG.
		J072 9376	1		DIESEL
		5300 1486	1		GRAND WAGONEER, TRUCK J10, J20
	2				
					WRANGLER, YJ
					4 CYL. ENG.
		5300 3006	1		1987/1989
		5300 7583	1		1990
		5300 8258	1		6 CYL. ENG. 1987/89
		4626 211	1		6 CYL. ENG. 1990 (D)
					CHEROKEE, COMANCHE
		5300 3006	1		4 CYL. ENG.
		5300 8258	1		6 CYL. ENG.
		J072 3977	1		DIESEL
					GRAND WAGONEER, TRUCK J10, J20
		JR77 5080	1		U.S. - Canadian
		J324 0277	1		Except U.S. - Canadian
3					WASHER
					WRANGLER, YJ
		1150 0221	6		4 CYL. ENG.
					CHEROKEE, COMANCHE
		1150 0221	6		4 CYL. ENG.
		T140 2092	6		DIESEL
4					BOLT, Clutch Cover to Block
					WRANGLER, YJ
		3420 1373	6		4 CYL. ENG. M8-1.25x22mm (Hex Hd)
		J400 4165	6		6 CYL. ENG. 3/8-16x.810 (Hx Flng Hd)
					CHEROKEE, COMANCHE
		3420 1373	6		4 CYL. ENG. M8-1.25x22mm (Hx Hd)
		J400 4165	6		6 CYL. ENG. 3/8-16x.810 (Hx Flngd Hd)
		J300 9059	6		DIESEL

MODEL CODES:

15 = Grand Wagoneer 4 Dr.	65 = Comanche 4WD-7 Ft. Box	77 = Cherokee 4WD-2 Dr.
25 = J-10 Pickup-119" W.B.	66 = Comanche 2WD-7 Ft. Box	78 = Cherokee 4WD-4 Dr.
26 = J-10 Pickup-131" W.B.	73 = Cherokee 2WD-2 Dr.	79 = Cherokee 4WD-4 Dr.-Com
27 = J-20 Pickup-131" W.B.	74 = Cherokee 2WD-4 Dr.	81 = Wrangler-93" W.B.
63 = Comanche 4WD-6 Ft. Box	75 = Wagoneer 4WD-4 Dr.	82 = Wrangler-103" W.B.-Exp.
64 = Comanche 2WD-6 Ft. Box		

BODY STYLES:

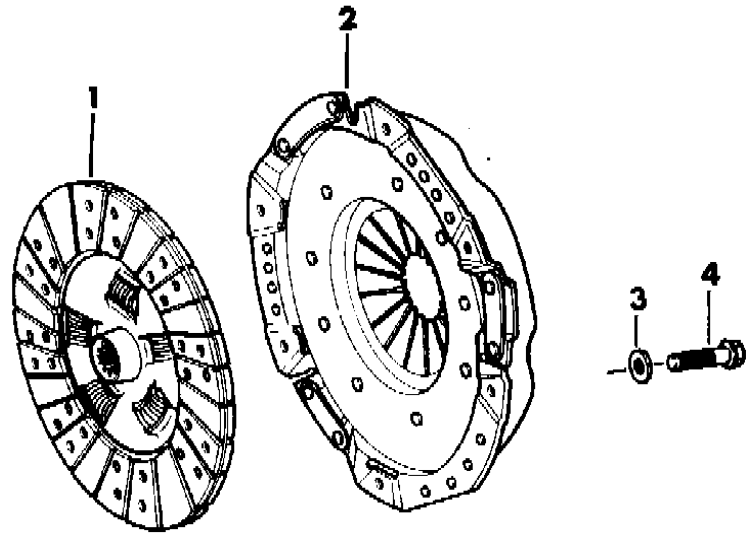
MJ = Comanche Pickup  
 SJ = Grand Wagoneer Wgn., J-10 & J-20 Pickups  
 XJ = Cherokee, Wagoneer Limited  
 YJ = Wrangler

AR = Use as Required - = Non Illustrated Part P.A.R. = Paint as Required

CLUTCH ALL MODELS  
Figure 6-100

8 J06 100

ITEM	PART NUMBER	QTY	BODY	MODEL	DESCRIPTION
	J400 4165	6			GRAND WAGONEER, TRUCK J10, J20



MODEL CODES:

15 = Grand Wagoneer 4 Dr.	65 = Comanche 4WD-7 Ft. Box	77 = Cherokee 4WD-2 Dr.
25 = J-10 Pickup-119" W.B.	66 = Comanche 2WD-7 Ft. Box	78 = Cherokee 4WD-4 Dr.
26 = J-10 Pickup-131" W.B.	73 = Cherokee 2WD-2 Dr.	79 = Cherokee 4WD-4 Dr.-Com
27 = J-20 Pickup-131" W.B.	74 = Cherokee 2WD-4 Dr.	81 = Wrangler-93" W.B.
63 = Comanche 4WD-6 Ft. Box	75 = Wagoneer 4WD-4 Dr.	82 = Wrangler-103" W.B.-Exp.
64 = Comanche 2WD-6 Ft. Box		

BODY STYLES:

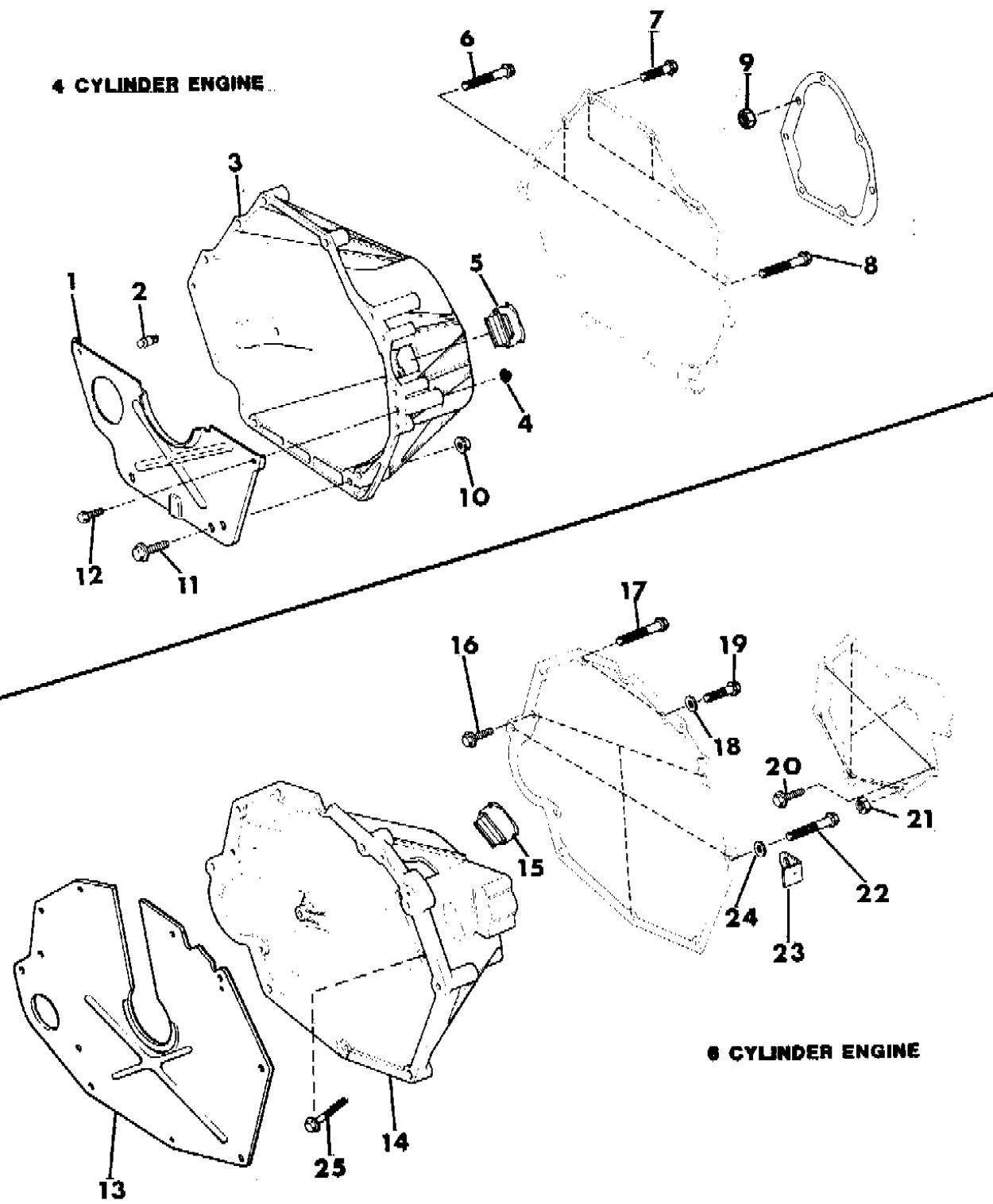
MJ = Comanche Pickup  
SJ = Grand Wagoneer Wgn., J-10 & J-20 Pickups  
XJ = Cherokee, Wagoneer Limited  
YJ = Wrangler

AR = Use as Required - = Non Illustrated Part P.A.R. = Paint as Required



**HOUSING AND PAN, CLUTCH WRANGLER, YJ**  
Figure 6-200

8 J06 200



ITEM	PART NUMBER	QTY	BODY	MODEL	DESCRIPTION
1	5300 3382	1			COVER, Dust Clutch Housing
2	5300 2386	1			PIVOT
3	5300 2096	1			HOUSING, Clutch 4 Cyl. Eng.
4	J420 0046	2			NUT, Hex Serrated Lock M8-1.25x8mm
5					GROMMET, Sensor Clutch Housing
	5300 3787	1		1987/1989	
	5300 9045	1		1990	
6					BOLT, Clutch Housing
	3420 1465	2			M12-1.75x80mm
	1150 4922	4			M12-1.75x50mm
	3420 1837	4			M12-1.75x90mm
7	1150 2628	2			BOLT, M8-1.25x30mm
8					BOLT, CLutch Housing
	3420 1914	AR			M10-1.25x45mm
	3420 1949	AR			M12-1.75x70mm
9	J420 0046	1			NUT, M8-1.25
10	1150 2723	2			NUT, M12-1.75
11	1150 5098	2			BOLT, M12-1.75x60mm
12	1150 2628	2			BOLT, M8-1.25x30mm
13	5300 4473	1			SPACER, Clutch Housing
14					HOUSING, Clutch 6 Cyl. Eng.
	5300 2112	1		1987/1988	
	5300 2112	1		1989 W/Peugeot Transmission	
	5300 7105	1		1989/1990 W/Aisin Transmission	
15		1			GROMMET, Sensor Clutch Housing
	5300 3787	1		1987/1989	
	5300 9045	1		1990	
16	S150 0086	3			SCREW, 5/16-12x.875
17	J942 8638	1			BOLT, 3/8-16x.620
18	SO44 6363	2			WASHER, 3/8x.875x.078.
19	J018 0129	2			BOLT, Hex Hd, 3/8-16x1.875
20	3420 2060	2			BOLT Hex Flanged Hd, M10-1.5x45mm ***
21	1150 6007	5			NUT, Hex Flanged, M10-1.5x10mm
22	J942 7626	2			BOLT Hex Hd, 7/16-14x3.125 ***
23	J536 4749	1			BRACKET
24	J400 5397	2			WASHER, 7/16x.875x.135
25	3420 2790	1			BOLT, Hex Flanged Head, M10x1.25x34mm

MODEL CODES:  
 15 = Grand Wagoneer 4 Dr.      65 = Comanche 4WD-7 Ft. Box      77 = Cherokee 4WD-2 Dr.  
 25 = J-10 Pickup-119" W.B.      66 = Comanche 2WD-7 Ft. Box      78 = Cherokee 4WD-4 Dr.  
 26 = J-10 Pickup-131" W.B.      73 = Cherokee 2WD-2 Dr.      79 = Cherokee 4WD-4 Dr.-Com  
 27 = J-20 Pickup-131" W.B.      74 = Cherokee 2WD-4 Dr.      81 = Wrangler-93" W.B.  
 63 = Comanche 4WD-6 Ft. Box      75 = Wagoneer 4WD-4 Dr.      82 = Wrangler-103" W.B.-Exp.  
 64 = Comanche 2WD-6 Ft. Box

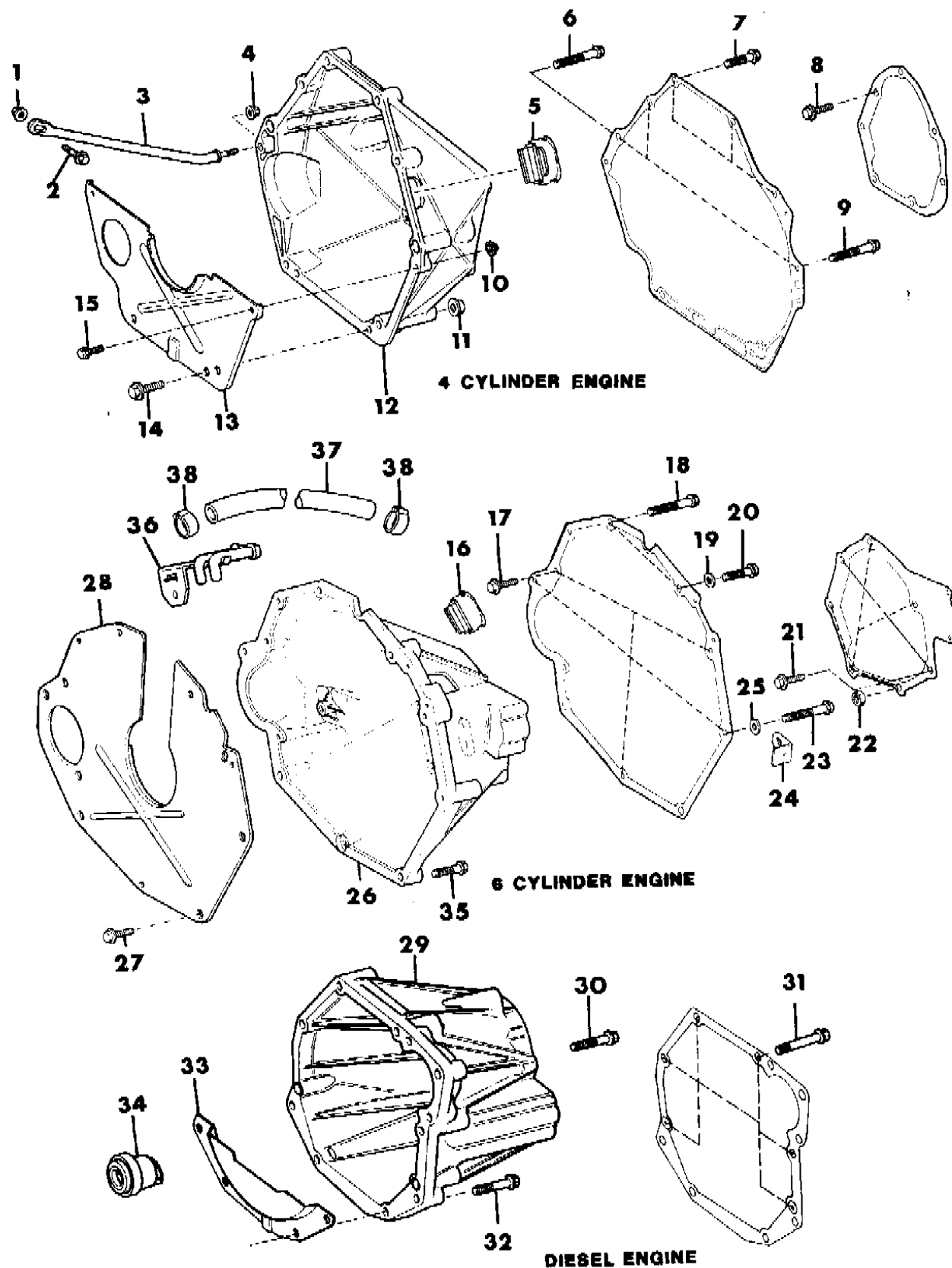
BODY STYLES:  
 MJ = Comanche Pickup  
 SJ = Grand Wagoneer Wgn., J-10 & J-20 Pickups  
 XJ = Cherokee, Wagoneer Limited  
 YJ = Wrangler

AR = Use as Required - = Non Illustrated Part P.A.R. = Paint as Required

# HOUSING AND PAN, CLUTCH CHEROKEE, COMANCHE

Figure 6-300

8J06 300



ITEM	PART NUMBER	QTY	BODY	MODEL	DESCRIPTION
1	1150 2813	1			NUT, M12-1.75x13mm
2	3420 1389	1			BOLT, Hex Flanged Hd, M12-1.75x35mm
3	5300 1595	1			ROD, Brace
4	1150 2813	2			NUT Hex Flanged, M12-1.75x13mm ***
5	5300 8017	1			GROMMET, Sensor, Clutch Housing
6	5300 8018	1			PLUG, Used Less Engine Speed Sensor
	3420 1949	1			BOLT, Hex Flanged Head M12-1.75x70mm
7	3420 1837	1			M12-1.75x90mm
	1150 4922	3			BOLT Hex Flngd Hd, M12-1.75x50mm ***
8	3420 1914	9			BOLT Hex Flngd Hd, M10-1.25x45mm ***
9	3420 1949	1			BOLT Hex Flanged Head *** M12-1.75x70mm
	3420 1837	1			M12-1.75x90mm
10	J420 0046	2			NUT, Hex Serated Lock, M8-1.25x8mm
11	1150 2813	2			NUT, Hex Lock Flanged, M12-1.75x13mm
12	5300 2096	1			HOUSING, Clutch 4 Cyl. Eng.
13	5300 3382	1			COVER, Dust
14	1150 2723	2			NUT, Hex Flanged, M12-1.75x12mm
15	1150 2628	2			BOLT Hex Head, M8-1.25x30mm ***
16	5300 8017	1			GROMMET, Sensor
17	S150 0086	3			SCREW, .88mm
18	J942 8638	1			BOLT, Hex Head, 3/8-16x.620
19	S943 9511	6			WASHER, 8mmIDx15mmODx.5mm
20	J018 0129	2			BOLT, Hex Head, 3/8-16x1.875
21	3420 2060	2			BOLT, Hex Head, M10-1.5x45mm
22	1150 6007	5			NUT, Hex Flanged, M10-1.5x10mm
23	J942 7626	2			BOLT Hex Head, 7/16-14x3.125 ***
24	J536 4749	1			BRACKET
25	J400 5397	2			WASHER, 7/16IDx.875ODx.135Thk .
26	5300 2112	1			HOUSING, Clutch 6 Cyl. Eng. Type 1: Used 1987/1989 With Peugeot BA10/5 5 SpeedTransmission.
	5300 7105	1			Type 2: Used 1989/1990 With Aisin AX15 5 Speed Transmission
27	1150 4922	AR			BOLT, Hex Flanged Head 1987/1989
	3420 2790	AR			1990: M10-1.25x34mm

MODEL CODES:

15 = Grand Wagoneer 4 Dr.	65 = Comanche 4WD-7 Ft. Box	77 = Cherokee 4WD-2 Dr.
25 = J-10 Pickup-119" W.B.	66 = Comanche 2WD-7 Ft. Box	78 = Cherokee 4WD-4 Dr.
26 = J-10 Pickup-131" W.B.	73 = Cherokee 2WD-2 Dr.	79 = Cherokee 4WD-4 Dr.-Com
27 = J-20 Pickup-131" W.B.	74 = Cherokee 2WD-4 Dr.	81 = Wrangler-93" W.B.
63 = Comanche 4WD-6 Ft. Box	75 = Wagoneer 4WD-4 Dr.	82 = Wrangler-103" W.B.-Exp.

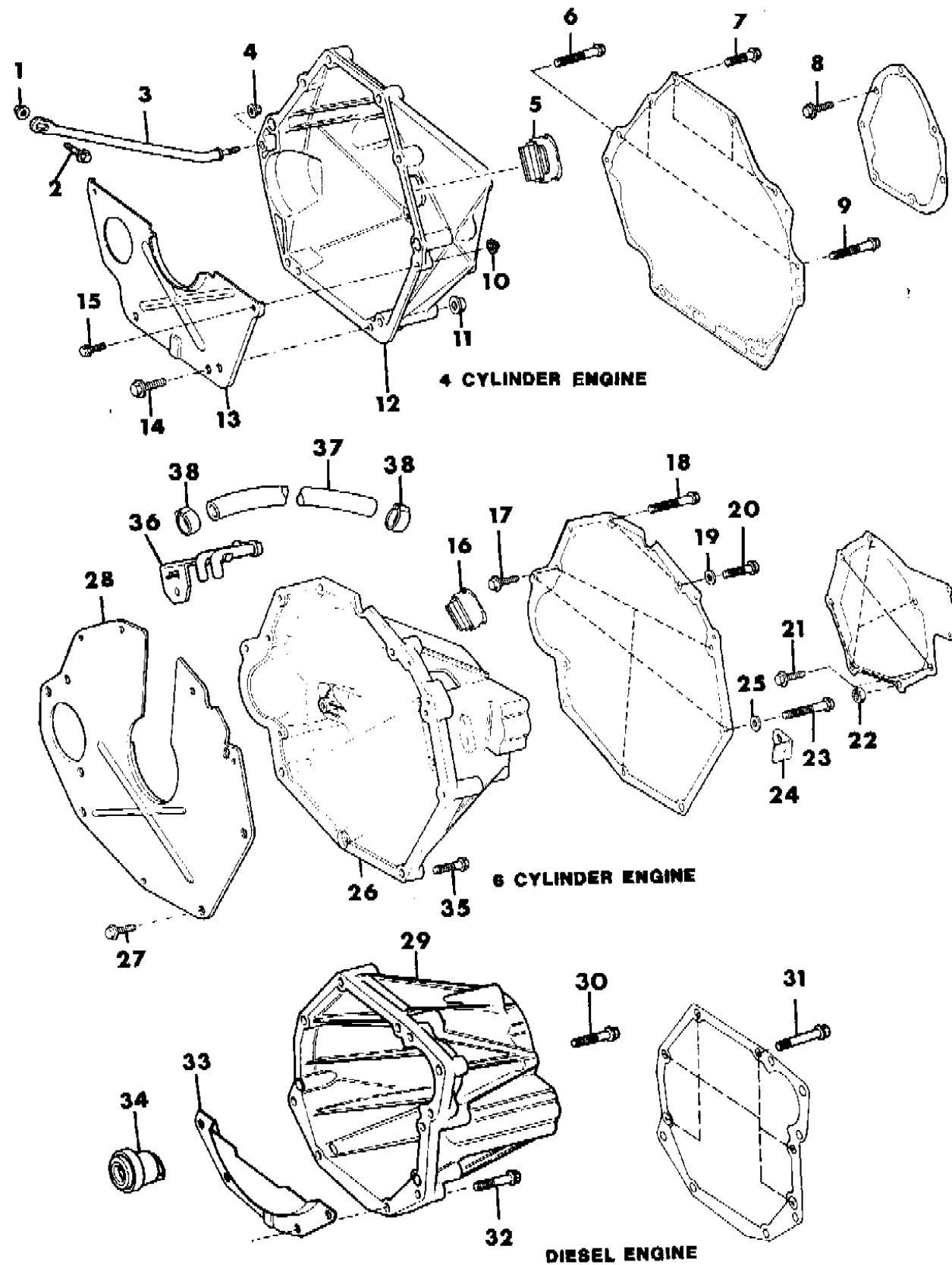
BODY STYLES:

MJ = Comanche Pickup  
 SJ = Grand Wagoneer Wgn., J-10 & J-20 Pickups  
 XJ = Cherokee, Wagoneer Limited  
 YJ = Wrangler

AR = Use as Required - = Non Illustrated Part P.A.R. = Paint as Required

**HOUSING AND PAN, CLUTCH CHEROKEE, COMANCHE**  
**Figure 6-300**

8J06 300



ITEM	PART NUMBER	QTY	BODY	MODEL	DESCRIPTION
28	5300 4473	1			SPACER, Clutch Housing
29	5300 1164	1			HOUSING, Clutch, Diesel
30	3420 2317	9			BOLT, M10 x 1.25 x 60mm
31	3420 2042	6			BOLT, M10 x 1.5 x 90mm
32	3420 2027	4			BOLT, M10 x 1.5 x 60mm
33	5300 1336	1			COVER, Dust Clutch Housing
34	5300 1162	1			SLEEVE, Clutch Throwout Bearing
35	3420 2029	2			BOLT Hex Flanged Head, M10-1.5x50mm ***
36	5300 4428	1			TUBE, CUP and BRACKET
37	J812 5810	AR			HOSE, Bulk
38	J400 6047	2			CLAMPS

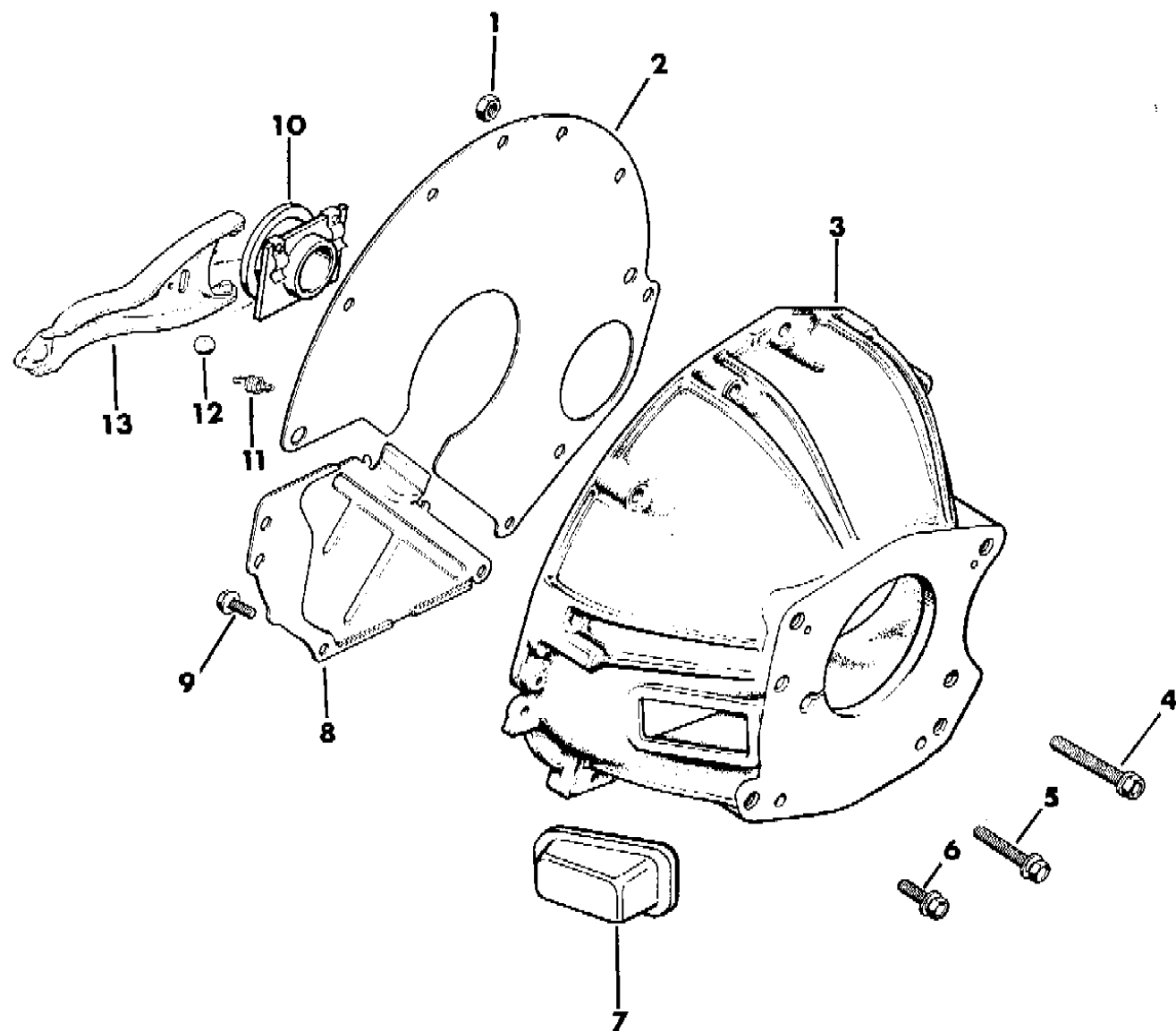
MODEL CODES:  
 15 = Grand Wagoneer 4 Dr.      65 = Comanche 4WD-7 Ft. Box      77 = Cherokee 4WD-2 Dr.  
 25 = J-10 Pickup-119" W.B.      66 = Comanche 2WD-7 Ft. Box      78 = Cherokee 4WD-4 Dr.  
 26 = J-10 Pickup-131" W.B.      73 = Cherokee 2WD-2 Dr.      79 = Cherokee 4WD-4 Dr.-Com  
 27 = J-20 Pickup-131" W.B.      74 = Cherokee 2WD-4 Dr.      81 = Wrangler-93" W.B.  
 63 = Comanche 4WD-6 Ft. Box      75 = Wagoneer 4WD-4 Dr.      82 = Wrangler-103" W.B.-Exp.  
 64 = Comanche 2WD-6 Ft. Box

BODY STYLES:  
 MJ = Comanche Pickup  
 SJ = Grand Wagoneer Wgn., J-10 & J-20 Pickups  
 XJ = Cherokee, Wagoneer Limited  
 YJ = Wrangler

AR = Use as Required - = Non Illustrated Part P.A.R. = Paint as Required

**HOUSING AND PAN, CLUTCH TRUCK J10, J20**  
**Figure 6-400**

8 J 06 400



ITEM	PART NUMBER	QTY	BODY	MODEL	DESCRIPTION
1	S941 8738	2			NUT, Hex, 3/8-16x.329
2	J321 3743	1			SPACER, Clutch Housing Truck
3	J323 8423	1			HOUSING ASSEMBLY, Truck ***
4	J400 4370	2			BOLT Hex Head, Incl Washer, 7/16-14x2.750 ***
5	J400 1885	4			BOLT Hex Head, Incl Washer, 3/8-16x2.190 ***
6	J400 1883	1			BOLT Hex Head, Incl Washer, 3/8-16x1.00 ***
7	J323 8430	1			BOOT, Clutch Housing
8	J321 3744	1			COVER
9	J400 0987	2			BOLT Hex Head w/spring lockwasher, 5/16-18x.620 ***
10	J323 6561	1			SLEEVE, With Bearing
11	J322 2799	1			SPRING, Throwout Lever
12	J016 9162	1			BALL
13	J536 1620	1			LEVER, Clutch

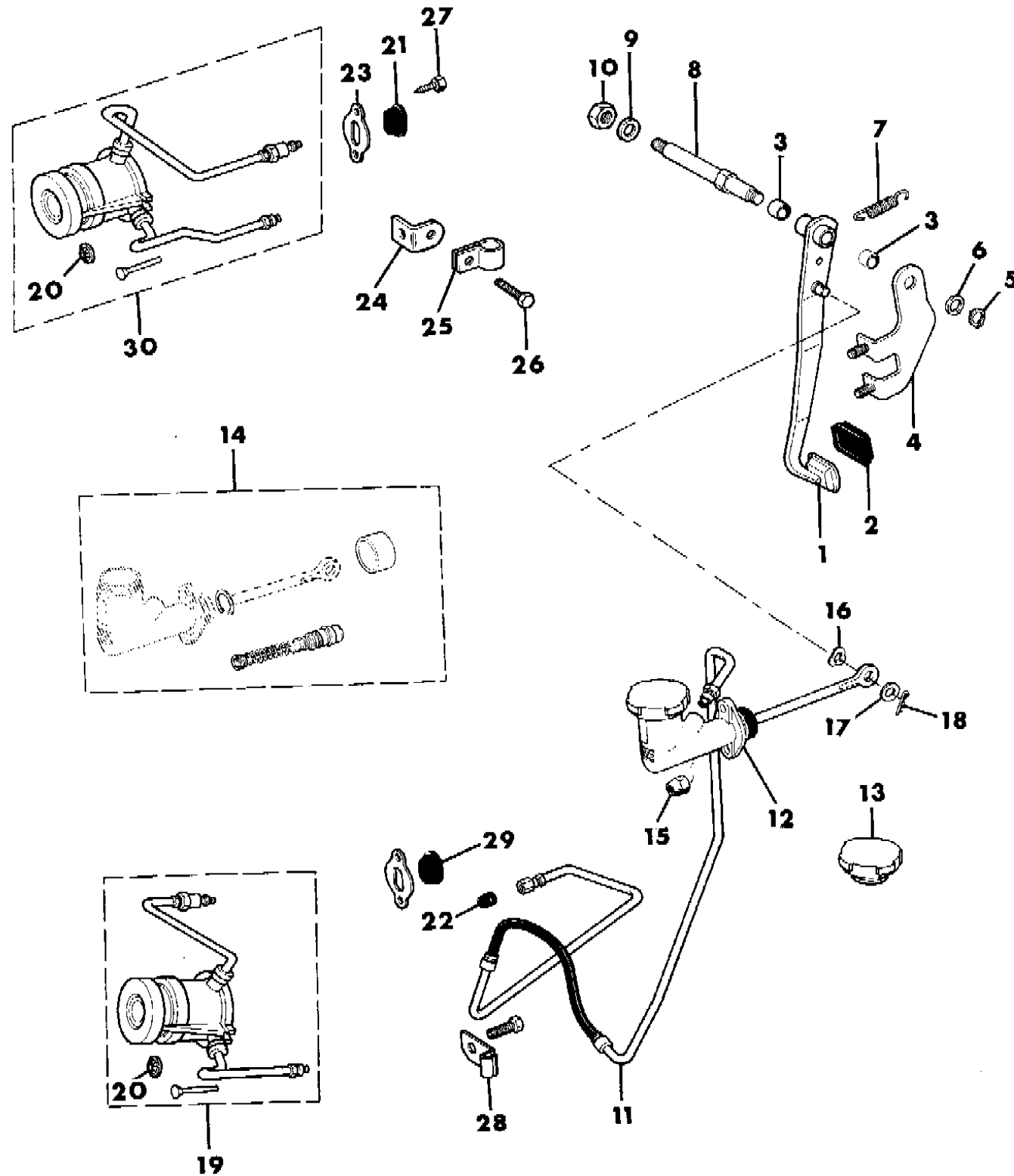
MODEL CODES:  
 15 = Grand Wagoneer 4 Dr.      65 = Comanche 4WD-7 Ft. Box      77 = Cherokee 4WD-2 Dr.  
 25 = J-10 Pickup-119" W.B.      66 = Comanche 2WD-7 Ft. Box      78 = Cherokee 4WD-4 Dr.  
 26 = J-10 Pickup-131" W.B.      73 = Cherokee 2WD-2 Dr.      79 = Cherokee 4WD-4 Dr.-Com  
 27 = J-20 Pickup-131" W.B.      74 = Cherokee 2WD-4 Dr.      81 = Wrangler-93" W.B.  
 63 = Comanche 4WD-6 Ft. Box      75 = Wagoneer 4WD-4 Dr.      82 = Wrangler-103" W.B.-Exp.  
 64 = Comanche 2WD-6 Ft. Box

BODY STYLES:  
 MJ = Comanche Pickup  
 SJ = Grand Wagoneer Wgn., J-10 & J-20 Pickups  
 XJ = Cherokee, Wagoneer Limited  
 YJ = Wrangler

AR = Use as Required - = Non Illustrated Part P.A.R. = Paint as Required

PEDAL, CLUTCH WRANGLER, YJ  
Figure 6-500

8J06 500



ITEM	PART NUMBER	QTY	BODY	MODEL	DESCRIPTION
1	5300 3897	1			PEDAL, Clutch
2	5200 2750	1			COVER, Clutch Pedal
3	J094 6177	2			BEARING, Clutch Pedal
4	J535 9817	1			BRACE, Clutch Pedal Support
5	J400 6471	1			RING, Retaining Clutch Pedal Shaft
6	J535 1844	2			WASHER 3/4IDx1.100Dx.015THK Plain
7	J535 1050	1			SPRING
8	J535 9834	1			SHAFT, Clutch Pedal
9	J012 0396	1			WASHER 1/2IDx1.063ODx.093thk
10	J400 4311	1			LOCKNUT 1/2-20x.437 ***
11	5300 4241	1			TUBE & HOSE ASSY, Hydraulic Clutch ***
	5300 4345	1			4 CYL. ENG.
	5300 5925	1			1987/1989: 6 Cyl. Eng. W/Peugeot BA 10/5 Trans
12	5300 4466	1			1989/1990: 6 Cyl. Eng., W/AisinAX15
13	8350 4098	1			CYLINDER, Clutch Master
14	8350 4097	1			CAP, Clutch Master Cylinder
15	J012 0376	2			REPAIR PACKAGE, Clutch Master Cylinder
16	J400 4616	1			NUT, Hex 5/16-18x.266
17	J012 0396	1			WASHER, Wave 1/2IDx.781ODx.014thk
18	J010 3374	1			WASHER, Flat 1/2IDx1.063ODx.093Thk.
19	8350 3384	1			PIN, Cotter
	8350 3385	1			CLUTCH CONTROL PACKAGE, 4 Cyl. Eng. ***
20	J400 6866	2			PIN, Spiral Head 1/8 x 5/8, 4 Cyl. Eng. (D)
21	5300 3807	1			NUT, Push
22	5300 4052	1			GROMMET, 6 Cyl. Eng.
23	5300 3361	1			GROMMET, 4 Cyl. Eng.
24	J536 4749	1			COVER
25	J012 0521	1			BRACKET
26	J941 5162	1			CLIP, Closed Tube 1/4ID-.5lgx5/16holex.4wd
27	1150 0821	2			SCREW, Hewx Flanged Head, #10-16x.375
29	5300 4051	1			BOLT Hex Head, M8-1.25x45mm ***
30	8350 3383	1			GROMMET, 4 Cyl Eng.
	5252 137	1			CLUTCH CONTROL PACKAGE, 6 Cyl. Eng. ***
					1987/1989: W/ Peugeot Transmission, Model BA 10/5
					1989/1990: W/ Aisin Transmission, Model AX15

MODEL CODES:

15 = Grand Wagoneer 4 Dr.	65 = Comanche 4WD-7 Ft. Box	77 = Cherokee 4WD-2 Dr.
25 = J-10 Pickup-119" W.B.	66 = Comanche 2WD-7 Ft. Box	78 = Cherokee 4WD-4 Dr.
26 = J-10 Pickup-131" W.B.	73 = Cherokee 2WD-2 Dr.	79 = Cherokee 4WD-4 Dr.-Com
27 = J-20 Pickup-131" W.B.	74 = Cherokee 2WD-4 Dr.	81 = Wrangler-93" W.B.
63 = Comanche 4WD-6 Ft. Box	75 = Wagoneer 4WD-4 Dr.	82 = Wrangler-103" W.B.-Exp.
64 = Comanche 2WD-6 Ft. Box		

BODY STYLES:

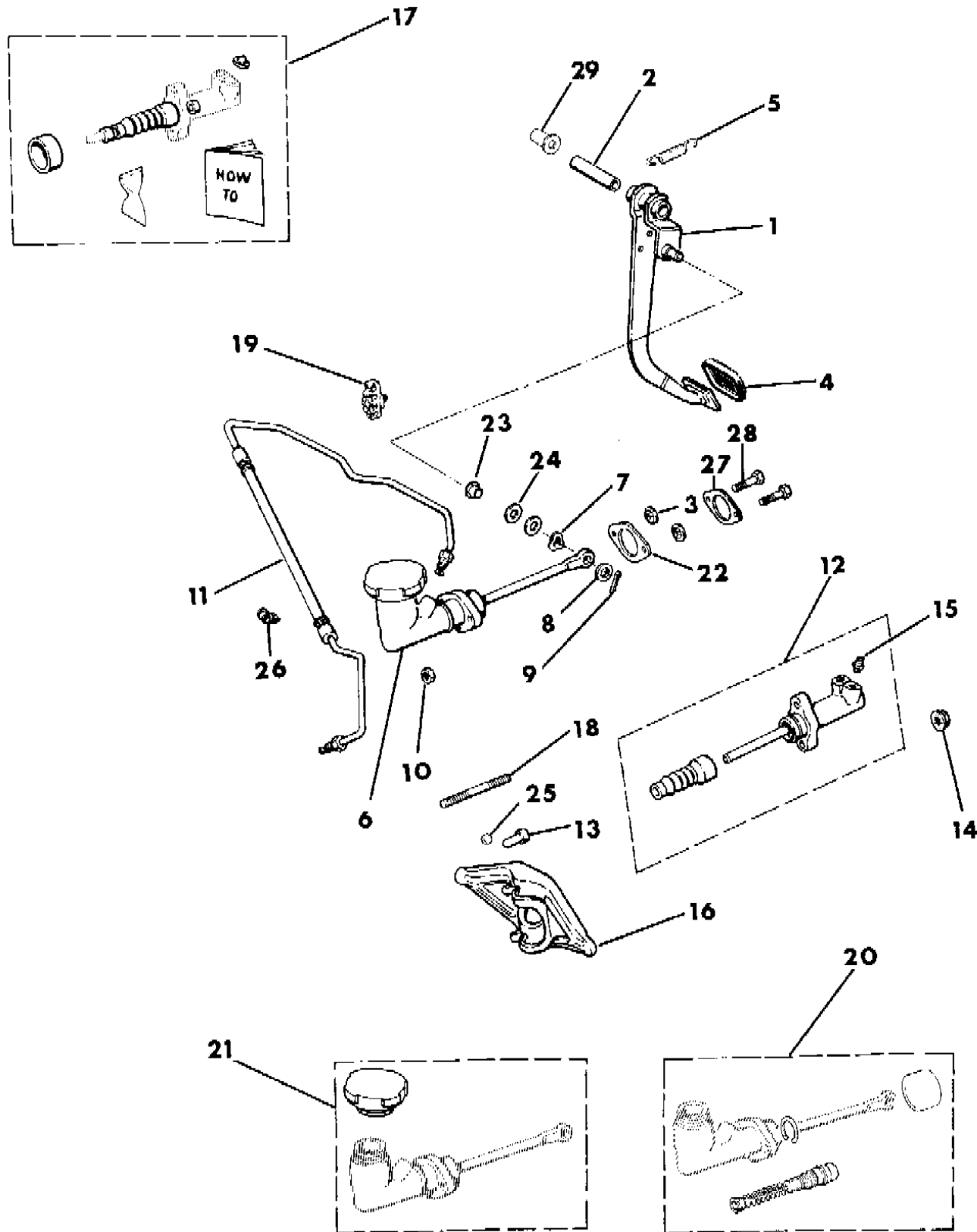
MJ = Comanche Pickup  
SJ = Grand Wagoneer Wgn., J-10 & J-20 Pickups  
XJ = Cherokee, Wagoneer Limited  
YJ = Wrangler

AR = Use as Required - = Non Illustrated Part P.A.R. = Paint as Required

PEDAL, CLUTCH DIESEL ENGINE CHEROKEE, COMANCHE

Figure 6-600

8J06 600C



ITEM	PART NUMBER	QTY	BODY	MODEL	DESCRIPTION
1	5300 4363	1			PEDAL, Clutch
2	5300 0636	1			SLEEVE
3	1150 2812	2			NUT
4	5200 2750	1			PAD, Clutch Pedal
5	5200 0402	1			SPRING, Return Clutch Pedal
6					CYLINDER, Clutch Master
	5300 4466	1			Short Shaft
	5300 4467	1			Long Shaft
7	J400 4616	1			WASHER
8	J012 0396	1			WASHER
9	S011 9120	1			PIN, Cotter
10	J941 3534	2			NUT
11					HOSE TUBE ASSEMBLY ***
	5300 4161	1			1987/1989
	5300 5923	1			1990
12	5300 1324	1			CYLINDER, Clutch Slave
13	J321 7479	1			PIVOT
14	1150 2729	2			NUT
15	J813 3629	1			SCREW, Bleeder
16	5300 0484	1			LEVER, Clutch
17	8350 0670	1			REPAIR PACKAGE, Slave Cylinder
18	3420 2043	2			STUD
19	5300 0585	1			CLIP
20	8350 4097	1			REPAIR PACKAGE, Master Cylinder
21	8350 4098	1			CAP PACKAGE, Master Cylinder ***
22	5300 5119	1			SEAL
23	J400 7472	1			BUSHING
24	J400 7070	2			WASHER, .062"
25	J016 9162	1			BALL
26	3420 1961	1			CLIP, Hose
27	J323 7235	1			PLATE> ***
28	3420 1869	1			BOLT
29	J322 5981	2			BUSHING, Brake and Clutch Shaft

MODEL CODES:

15 = Grand Wagoneer 4 Dr.	65 = Comanche 4WD-7 Ft. Box	77 = Cherokee 4WD-2 Dr.
25 = J-10 Pickup-119" W.B.	66 = Comanche 2WD-7 Ft. Box	78 = Cherokee 4WD-4 Dr.
26 = J-10 Pickup-131" W.B.	73 = Cherokee 2WD-2 Dr.	79 = Cherokee 4WD-4 Dr.-Com
27 = J-20 Pickup-131" W.B.	74 = Cherokee 2WD-4 Dr.	81 = Wrangler-93" W.B.
63 = Comanche 4WD-6 Ft. Box	75 = Wagoneer 4WD-4 Dr.	82 = Wrangler-103" W.B.-Exp.
64 = Comanche 2WD-6 Ft. Box		

BODY STYLES:

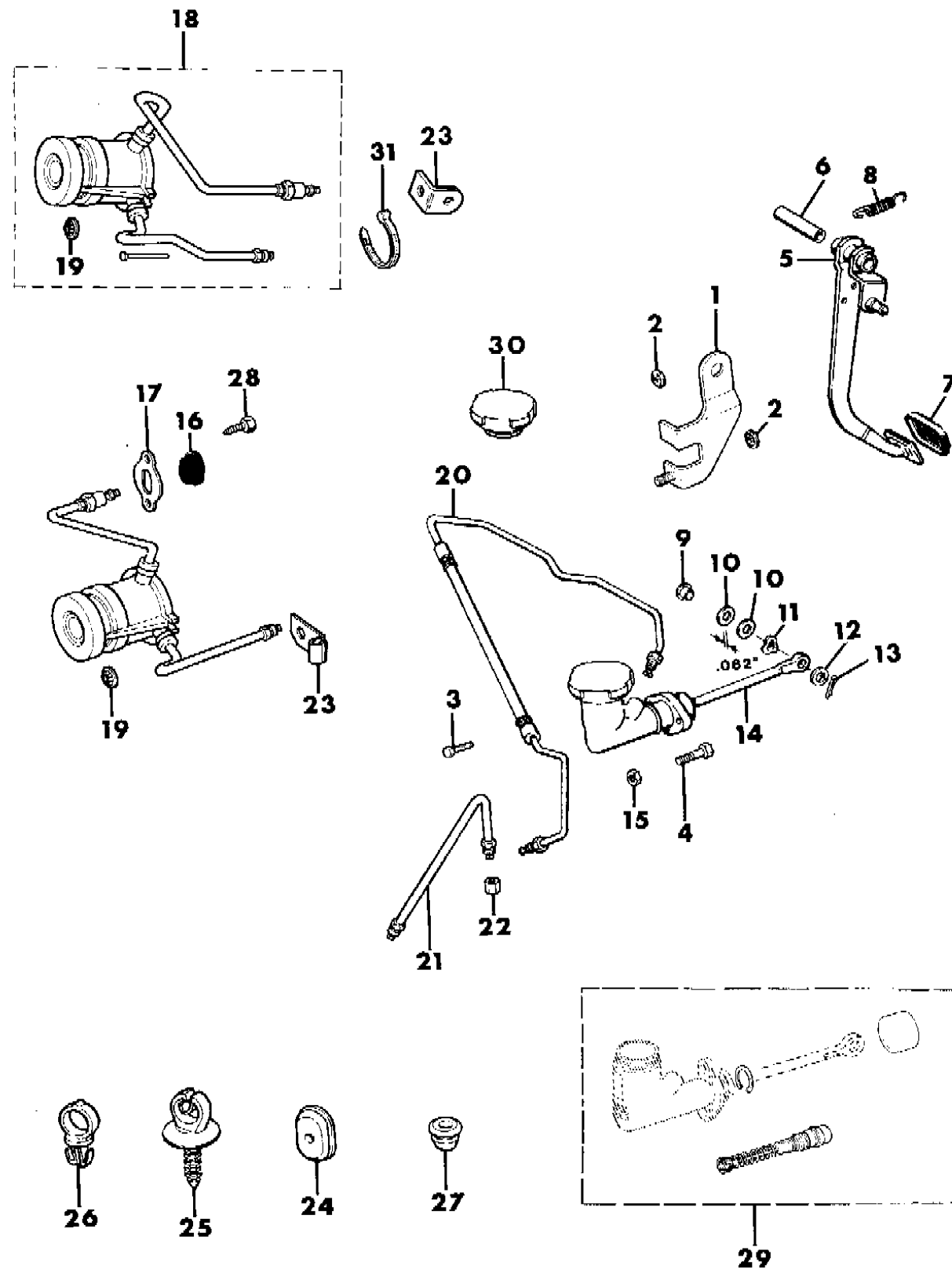
MJ = Comanche Pickup  
 SJ = Grand Wagoneer Wgn., J-10 & J-20 Pickups  
 XJ = Cherokee, Wagoneer Limited  
 YJ = Wrangler

AR = Use as Required - = Non Illustrated Part P.A.R. = Paint as Required

PEDAL, CLUTCH GAS ENGINE CHEROKEE, COMANCHE

Figure 6-700

8J0 6 700



ITEM	PART NUMBER	QTY	BODY	MODEL	DESCRIPTION
1	5300 4336	1			BRACE ASSEMBLY, Clutch Pedal ***
2	3420 1918	3			NUT
3	8350 0810	1			BOLT
4	1150 2628	1			BOLT
5	5300 4363	1			PEDAL, Clutch
6	5300 0636	1			SLEEVE, Clutch Pedal
7	5200 2750	1			COVER
8	5200 0402	1			SPRING, Clutch Return
9	J400 7472	1			BUSHING
10	J400 7070	2			WASHER
11	J400 4616	1			WASHER
12	J012 0396	1			WASHER, Flat
13	S011 9120	1			PIN
14	5300 4467	1			CYLINDER, Clutch Master
15	3420 1918	4			NUT
16	5300 3807	1			GROMMET, 6 CYL. ENG.
17	5300 3361	1			COVER
18					CLUTCH CONTROL PACKAGE, Hydraulic Sleeve ***
	8350 3384	1			4 CYL. ENG.
	8350 3383	1			1987-89: 6 CYL. ENG., W/Peugeot Tran. Model BA10/5.
	5252 137	1			1989-90: 6 CYL. ENG, W/Aisin Tran. Model AX15
19	J400 6866	1			NUT, Push-on
20					TUBE AND HOSE ASSEMBLY, Hydraulic Clutch ***
	5300 4900	1			4 CYL. ENG.
	5300 4504	1			1987-89: 6 CYL. ENG, W/Peugeot Tran Model BA10/5
	5300 5923	1			1989-90: 6 CYL. ENG. W/Aisin Tran. Model AX15
21	5300 4901	1			HOSE, Lower 4 CYL. ENG.
22	S044 2394	1			UNION
23					BRACKET, Hydraulic Tubes
	J536 4749	1			4 CYL. ENG.
	5300 4505	1			6 CYL. ENG.
24	5300 4051	1			GROMMET, Cover Hydraulic Clutch Tubes
25	3200 0404	1			CLIP
26	J400 5701	1			CLIP
27	5300 4052	1			GROMMET, 4 CYL. ENG.
28	1150 0821	1			BOLT
29	8350 4097	1			REPAIR PACKAGE, Clutch Master Cylinder

MODEL CODES:

15 = Grand Wagoneer 4 Dr.	65 = Comanche 4WD-7 Ft. Box	77 = Cherokee 4WD-2 Dr.
25 = J-10 Pickup-119" W.B.	66 = Comanche 2WD-7 Ft. Box	78 = Cherokee 4WD-4 Dr.
26 = J-10 Pickup-131" W.B.	73 = Cherokee 2WD-2 Dr.	79 = Cherokee 4WD-4 Dr.-Com
27 = J-20 Pickup-131" W.B.	74 = Cherokee 2WD-4 Dr.	81 = Wrangler-93" W.B.
63 = Comanche 4WD-6 Ft. Box	75 = Wagoneer 4WD-4 Dr.	82 = Wrangler-103" W.B.-Exp.
64 = Comanche 2WD-6 Ft. Box		

BODY STYLES:

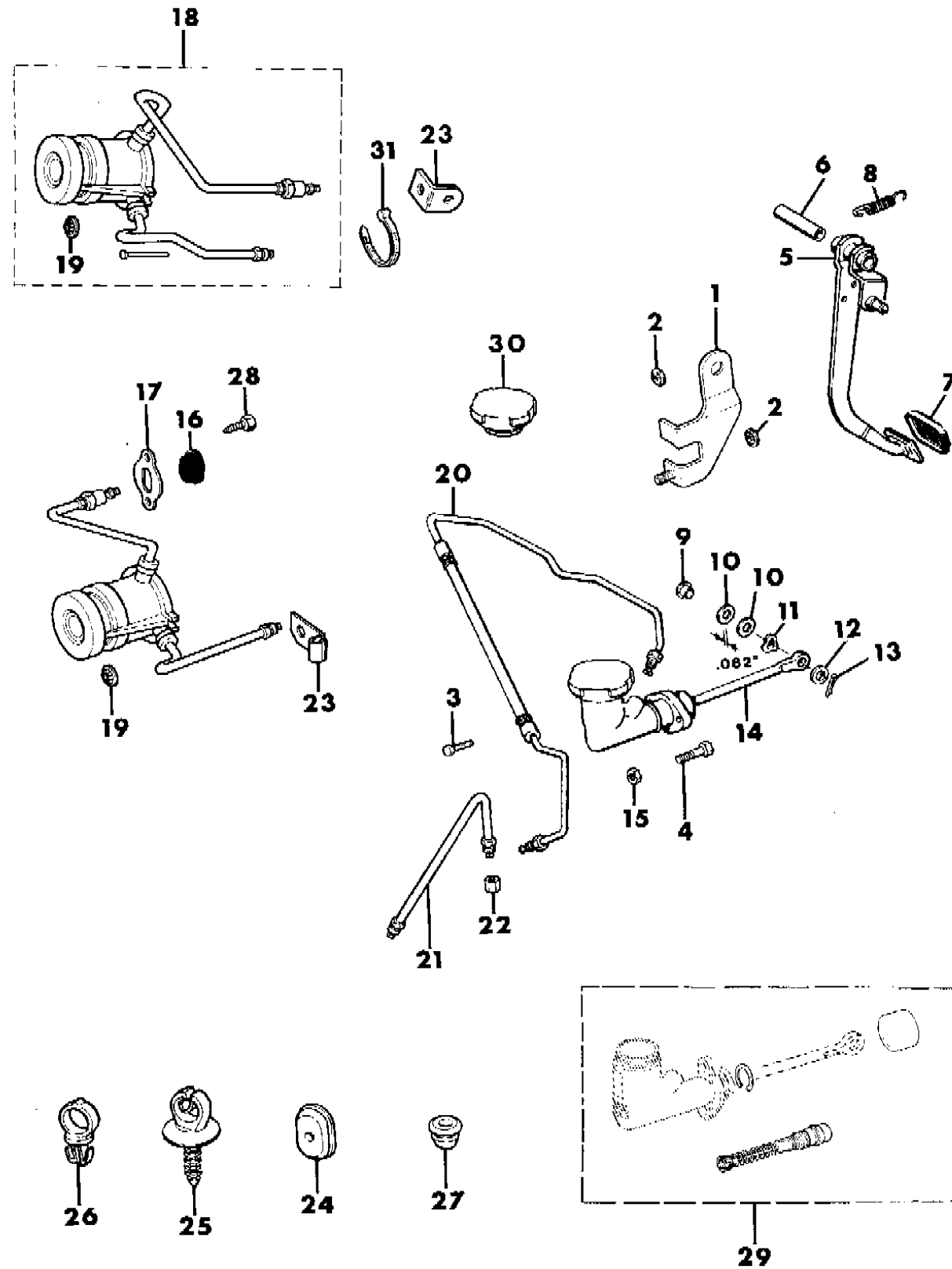
MJ = Comanche Pickup  
 SJ = Grand Wagoneer Wgn., J-10 & J-20 Pickups  
 XJ = Cherokee, Wagoneer Limited  
 YJ = Wrangler

AR = Use as Required - = Non Illustrated Part P.A.R. = Paint as Required

PEDAL, CLUTCH GAS ENGINE CHEROKEE, COMANCHE

Figure 6-700

8J0 6 700



ITEM	PART NUMBER	QTY	BODY	MODEL	DESCRIPTION
30	8350 4098	1			CAP PACKAGE, Clutch Master Cylinder ***
31	3420 1788	1			STRAP

MODEL CODES:

15 = Grand Wagoneer 4 Dr.	65 = Comanche 4WD-7 Ft. Box	77 = Cherokee 4WD-2 Dr.
25 = J-10 Pickup-119" W.B.	66 = Comanche 2WD-7 Ft. Box	78 = Cherokee 4WD-4 Dr.
26 = J-10 Pickup-131" W.B.	73 = Cherokee 2WD-2 Dr.	79 = Cherokee 4WD-4 Dr.-Com
27 = J-20 Pickup-131" W.B.	74 = Cherokee 2WD-4 Dr.	81 = Wrangler-93" W.B.
63 = Comanche 4WD-6 Ft. Box	75 = Wagoneer 4WD-4 Dr.	82 = Wrangler-103" W.B.-Exp.
64 = Comanche 2WD-6 Ft. Box		

BODY STYLES:

MJ = Comanche Pickup  
 SJ = Grand Wagoneer Wgn., J-10 & J-20 Pickups  
 XJ = Cherokee, Wagoneer Limited  
 YJ = Wrangler

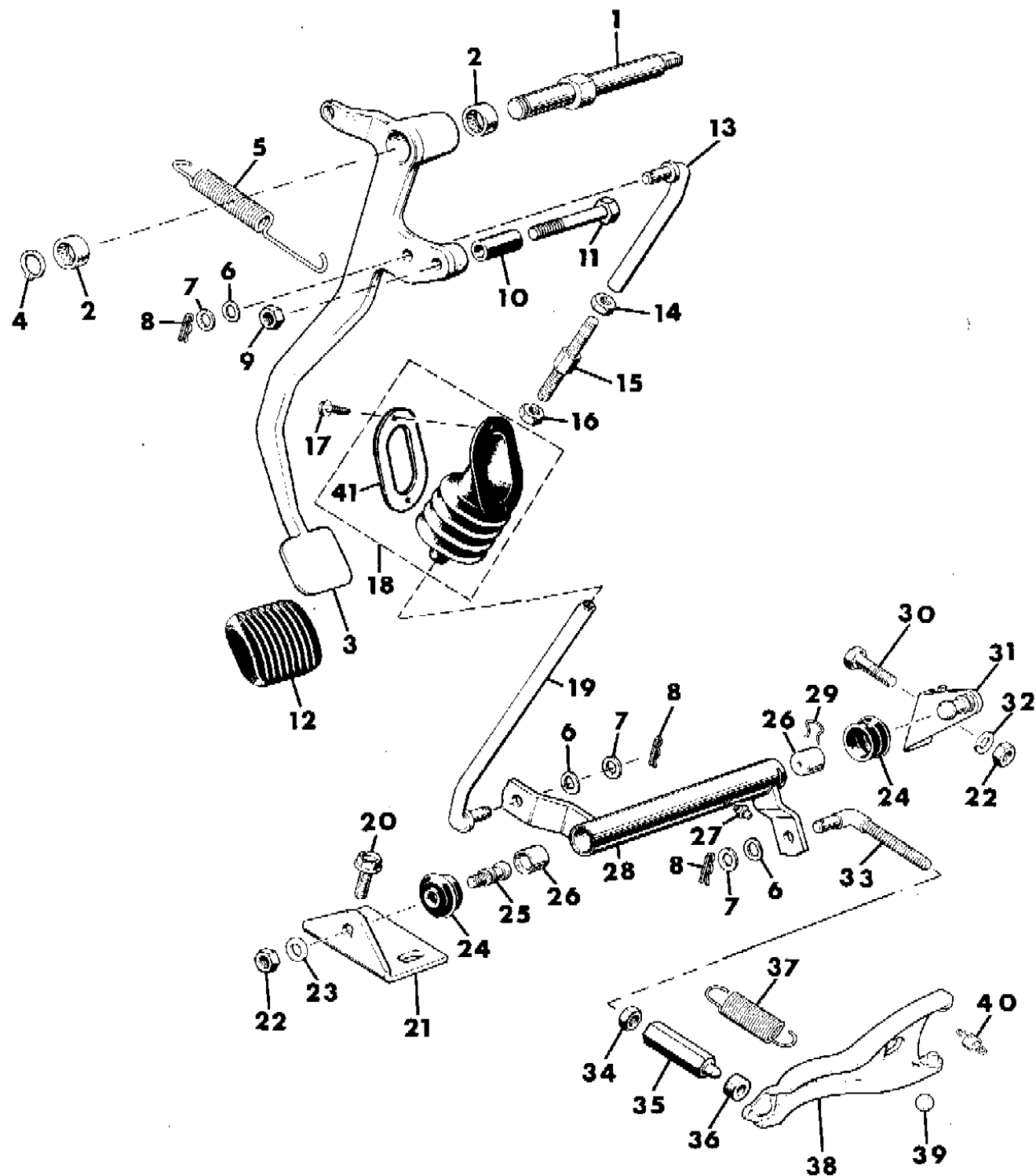
AR = Use as Required - = Non Illustrated Part P.A.R. = Paint as Required



PEDAL, CLUTCH GRAND WAGONEER, TRUCK J10, J20

Figure 6-800

8J06800



ITEM	PART NUMBER	QTY	BODY	MODEL	DESCRIPTION
1	J535 1805	1			SHAFT, Clutch Pedal
2	J094 9169	2			BEARING, Clutch Pedal Shaft
3	J535 9897	1			PEDAL, Clutch
4	J091 2640	1			RING
5	J535 1118	1			SPRING, Clutch Return
6	J321 5893	2			WASHER, Spring
7	J400 4437	3			WASHER
8	J400 4295	3			PIN
9	J027 1193	1			NUT
10	J400 4828	1			BUMPER, Clutch Pedal Return
11	J400 4826	1			BOLT
12	J536 3508	1			COVER, Clutch Pedal Pad
13	J535 9903	1			ROD, Clutch Pedal Upper
14	J012 4824	1			NUT
15	J535 5063	1			LINK, Connecting Upper - Lower
16	J400 4966	1			NUT
17	J941 7855	1			SCREW
18	J535 7674	1			BOOT PACKAGE, Clutch Rod ***
19					ROD, Lower
	J535 9934	1		15	
	J536 1741	1		26,27	
20	J400 1933	1			SCREW
21	J536 1736	1			BRACKET
22	J027 1506	1			NUT
23	J012 0383	1			WASHER
24	J316 7049	2			BOOT
25	J094 4666	1			STUD
26	J316 7067	2			BUSHING, Bellcrank
27	J099 8414	1			FITTING
28	J536 3971	1			BELLCRANK, Clutch Lower
29	J316 9769	1			RING, Retaining
30	S018 6677	1			BOLT
31	J535 9726	1			BRACKET
32	J012 0214	1			WASHER
33	J536 3460	1			ROD
34	J012 4925	1			NUT
35	J535 9735	1			ADJUSTER, Clutch Lever

MODEL CODES:

15 = Grand Wagoneer 4 Dr.	65 = Comanche 4WD-7 Ft. Box	77 = Cherokee 4WD-2 Dr.
25 = J-10 Pickup-119" W.B.	66 = Comanche 2WD-7 Ft. Box	78 = Cherokee 4WD-4 Dr.
26 = J-10 Pickup-131" W.B.	73 = Cherokee 2WD-2 Dr.	79 = Cherokee 4WD-4 Dr.-Com
27 = J-20 Pickup-131" W.B.	74 = Cherokee 2WD-4 Dr.	81 = Wrangler-93" W.B.
63 = Comanche 4WD-6 Ft. Box	75 = Wagoneer 4WD-4 Dr.	82 = Wrangler-103" W.B.-Exp.
64 = Comanche 2WD-6 Ft. Box		

BODY STYLES:

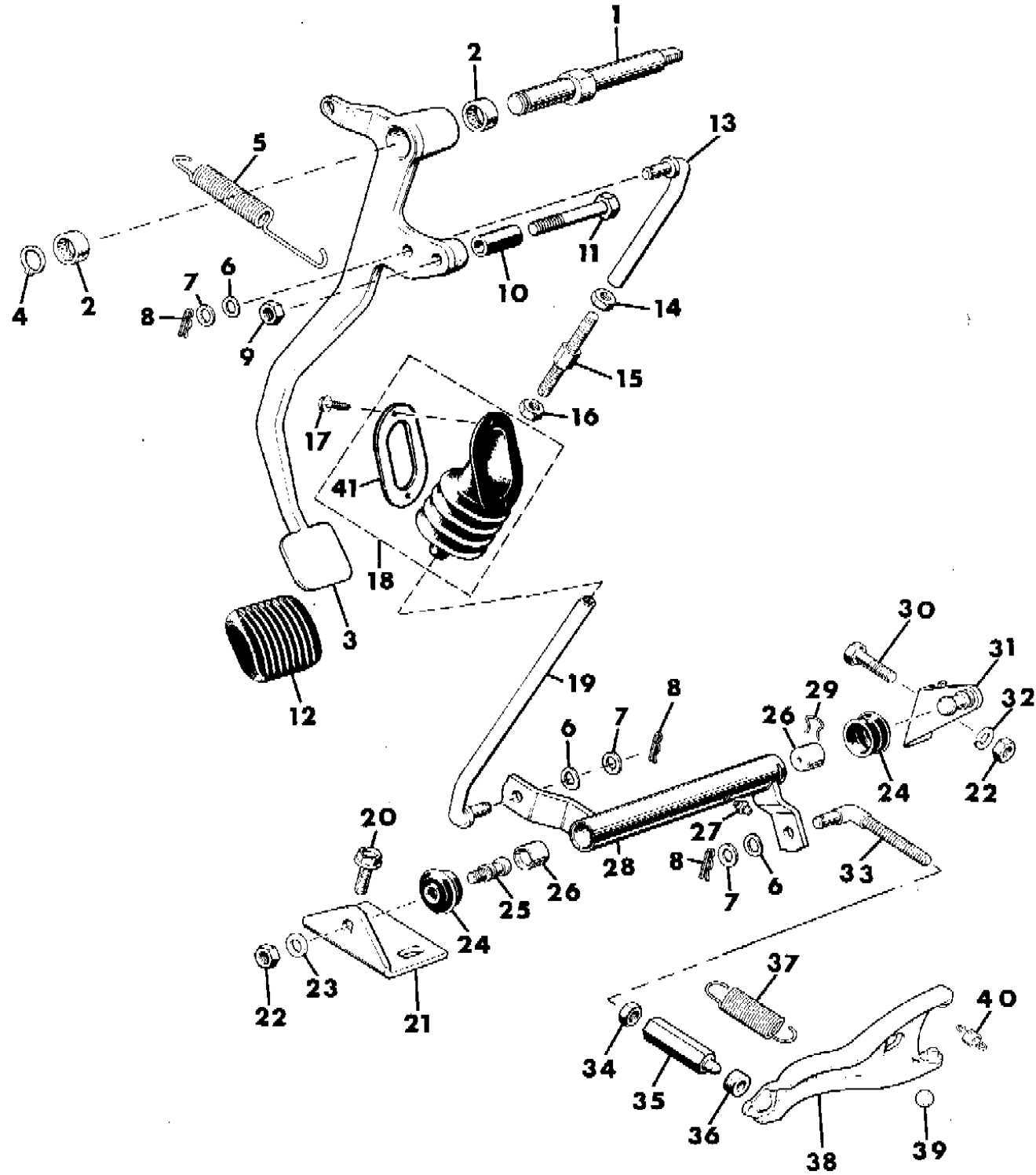
MJ = Comanche Pickup  
 SJ = Grand Wagoneer Wgn., J-10 & J-20 Pickups  
 XJ = Cherokee, Wagoneer Limited  
 YJ = Wrangler

AR = Use as Required - = Non Illustrated Part P.A.R. = Paint as Required

PEDAL, CLUTCH GRAND WAGONEER, TRUCK J10, J20

Figure 6-800

8J06800



ITEM	PART NUMBER	QTY	BODY	MODEL	DESCRIPTION
36	J313 0998	1			SEAL
37	J535 1252	1			SPRING, Clutch Lever, Large
38	J536 1620	1			LEVER
39	J016 9162	1			BALL
40	J322 2799	1			SPRING, Clutch Lever, Small
41	J535 1134	1			PLATE

MODEL CODES:

15 = Grand Wagoneer 4 Dr.	65 = Comanche 4WD-7 Ft. Box	77 = Cherokee 4WD-2 Dr.
25 = J-10 Pickup-119" W.B.	66 = Comanche 2WD-7 Ft. Box	78 = Cherokee 4WD-4 Dr.
26 = J-10 Pickup-131" W.B.	73 = Cherokee 2WD-2 Dr.	79 = Cherokee 4WD-4 Dr.-Com
27 = J-20 Pickup-131" W.B.	74 = Cherokee 2WD-4 Dr.	81 = Wrangler-93" W.B.
63 = Comanche 4WD-6 Ft. Box	75 = Wagoneer 4WD-4 Dr.	82 = Wrangler-103" W.B.-Exp.
64 = Comanche 2WD-6 Ft. Box		

BODY STYLES:

MJ = Comanche Pickup  
 SJ = Grand Wagoneer Wgn., J-10 & J-20 Pickups  
 XJ = Cherokee, Wagoneer Limited  
 YJ = Wrangler

AR = Use as Required - = Non Illustrated Part P.A.R. = Paint as Required

---

**GROUP 7 - COOLING**

<b>ILLUSTRATION TITLE</b>	<b>GROUP-FIG. NO.</b>
<b>GRILLE AND RELATED PARTS</b>	
GRILLE AND RELATED PARTS WRANGLER, YJ .....	Fig. 7-100
GRILLE AND RELATED PARTS CHEROKEE, WAGONEER, COMANCHE .....	Fig. 7-200
GRILLE AND RELATED PARTS GRAND WAGONEER, J10, J20 .....	Fig. 7-300
<b>RADIATOR AND RELATED PARTS</b>	
RADIATOR AND RELATED PARTS 4 CYLINDER ENGINE WRANGLER, YJ .....	Fig. 7-400
RADIATOR AND RELATED PARTS 6 CYLINDER ENGINE WRANGLER, YJ .....	Fig. 7-500
RADIATOR AND RELATED PARTS 4 CYLINDER ENGINE WAGONEER, CHEROKEE, COMANCHE .....	Fig. 7-600
RADIATOR AND RELATED PARTS 6 CYLINDER ENGINE WAGONEER, CHEROKEE, COMANCHE .....	Fig. 7-700
RADIATOR AND RELATED PARTS DIESEL ENGINE CHEROKEE, COMANCHE - EXPORT .....	Fig. 7-800
RADIATOR AND RELATED PARTS 6 CYLINDER ENGINE GRAND WAGONEER, J10 .....	Fig. 7-900
RADIATOR AND RELATED PARTS 8 CYLINDER ENGINE GRAND WAGONEER, J10, J20 .....	Fig. 7-1000
<b>CONDENSER TANKS</b>	
CONDENSER TANKS .....	Fig. 7-1100
<b>OIL COOLER LINES</b>	
OIL COOLER LINES AUTOMATIC TRANSMISSION WRANGLER, YJ .....	Fig. 7-1200
OIL COOLER AND LINES AUTOMATIC TRANSMISSION CHEROKEE, WAGONEER, COMANCHE .....	Fig. 7-1300
OIL COOLER AND LINES AUTOMATIC TRANSMISSION GRAND WAGONEER .....	Fig. 7-1400
<b>DRIVE BELTS</b>	
DRIVE BELTS WRANGLER, YJ .....	Fig. 7-1500
DRIVE BELTS WAGONEER, CHEROKEE, COMANCHE .....	Fig. 7-1600
DRIVE BELTS GRAND WAGONEER .....	Fig. 7-1700
<b>DRIVE PULLEYS</b>	
DRIVE PULLEYS WRANGLER, YJ .....	Fig. 7-1800
DRIVE PULLEYS 4 AND 6 CYLINDER ENGINES WAGONEER, CHEROKEE, COMANCHE .....	Fig. 7-1900
DRIVE PULLEYS DIESEL ENGINE CHEROKEE, COMANCHE .....	Fig. 7-2000
DRIVE PULLEYS GRAND WAGONEER, J10, J20 .....	Fig. 7-2100
<b>WATER PUMPS</b>	
WATER PUMP WRANGLER, YJ .....	Fig. 7-2200
WATER PUMP AND RELATED PARTS WAGONEER, CHEROKEE, COMANCHE .....	Fig. 7-2300
WATER PUMP AND RELATED PARTS GRAND WAGONEER, J10, J20 .....	Fig. 7-2400

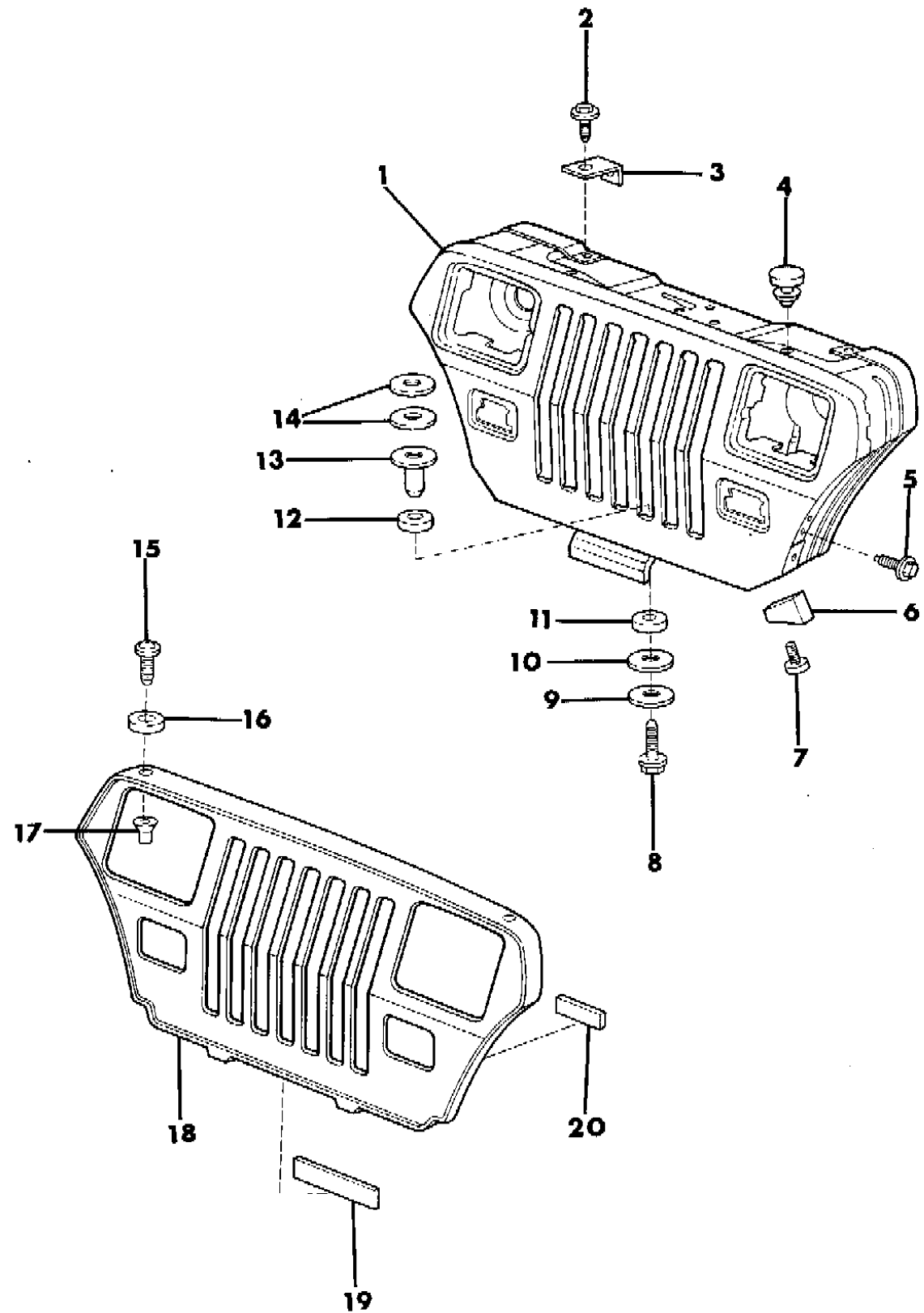
**ILLUSTRATION NOT AVAILABLE AT TIME OF PUBLICATION**

---

GRILLE AND RELATED PARTS WRANGLER, YJ

Figure 7-100

8J07 100



ITEM	PART NUMBER	QTY	BODY	MODEL	DESCRIPTION
1					GRILLE, Radiator
	5501 5847	1			1987-89
	5502 7347	1			1990
2	J400 5063	2			SCREW
3	5505 0145	2			BRACKET, Mounting
4	J400 7504	4			BUMPER, Hood, except Laredo
5	J400 4455	AR			SCREW
6	5501 0844	2			CUSHION
7	J400 7355	2			SCREW
8	J400 7412	1			SCREW
9	J400 4943	1			WASHER
10	J097 1672	1			WASHER
11	J097 1669	1			SPACER
12	J097 2278	1			WASHER
13	J097 1673	1			WASHER
14	J097 6871	2			WASHER
15	J400 6674	6			SCREW, Laredo
16	J400 7503	4			BUMPER, Hood, Laredo
17	J400 5237	6			NUT, Laredo
18	5505 0079	1			APPLIQUE, Radiator, Chrome
19	8350 4565	1			TAPE
20					TAPE (Not Serviced)

MODEL CODES:

15 = Grand Wagoneer 4 Dr.	65 = Comanche 4WD-7 Ft. Box	77 = Cherokee 4WD-2 Dr.
25 = J-10 Pickup-119" W.B.	66 = Comanche 2WD-7 Ft. Box	78 = Cherokee 4WD-4 Dr.
26 = J-10 Pickup-131" W.B.	73 = Cherokee 2WD-2 Dr.	79 = Cherokee 4WD-4 Dr.-Com
27 = J-20 Pickup-131" W.B.	74 = Cherokee 2WD-4 Dr.	81 = Wrangler-93" W.B.
63 = Comanche 4WD-6 Ft. Box	75 = Wagoneer 4WD-4 Dr.	82 = Wrangler-103" W.B.-Exp.
64 = Comanche 2WD-6 Ft. Box		

BODY STYLES:

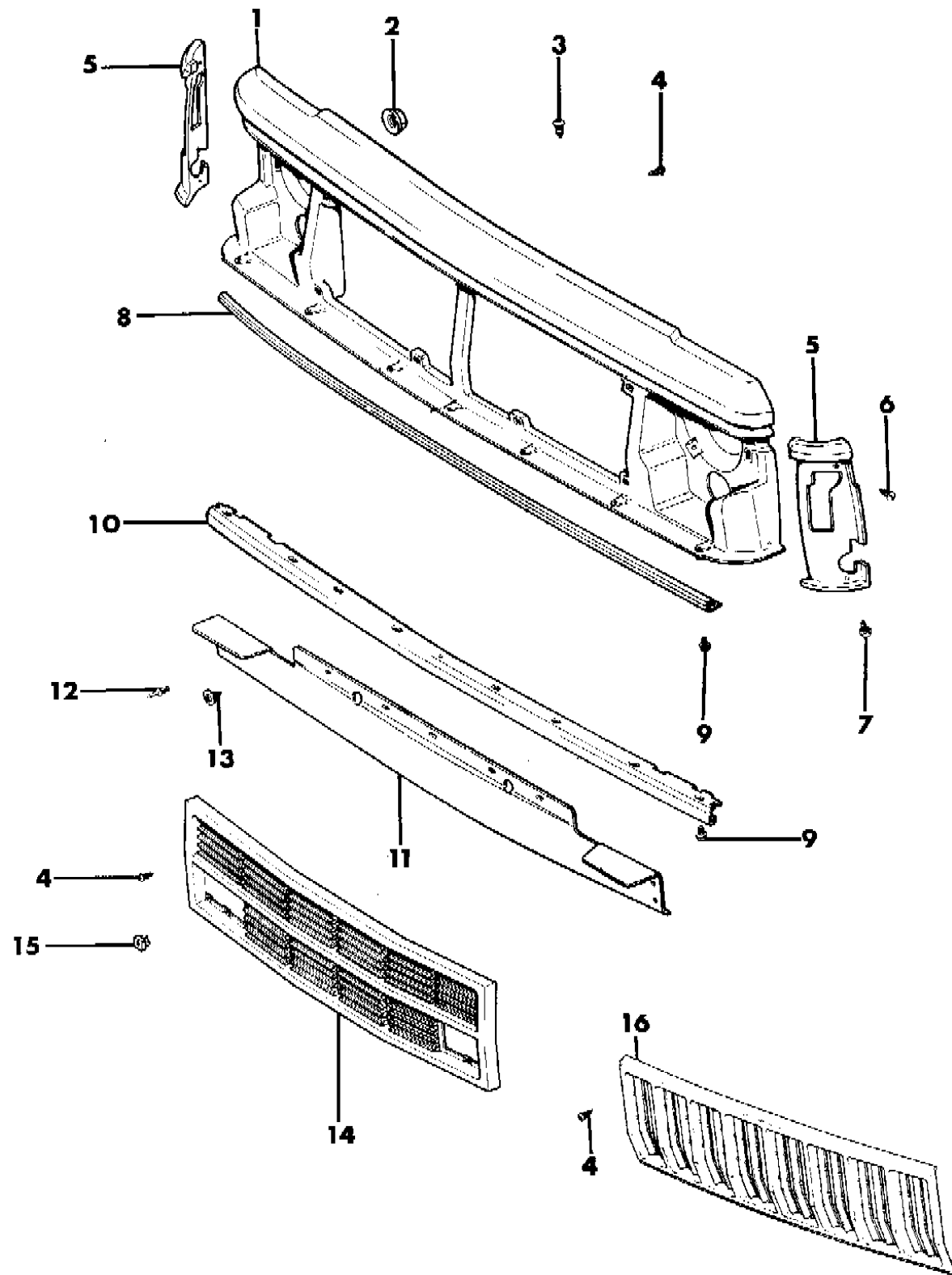
MJ = Comanche Pickup  
 SJ = Grand Wagoneer Wgn., J-10 & J-20 Pickups  
 XJ = Cherokee, Wagoneer Limited  
 YJ = Wrangler

AR = Use as Required - = Non Illustrated Part P.A.R. = Paint as Required

GRILLE AND RELATED PARTS CHEROKEE, WAGONEER, COMANCHE

Figure 7-200

8J07 200



ITEM	PART NUMBER	QTY	BODY	MODEL	DESCRIPTION
1					PANEL, Grille
	5500 1972	1			Cherokee, Comanche
	5500 8062	1			Wagoneer
2	3420 1246	8			NUT
3	1150 0994	4			SCREW
4	3420 1426	12			SCREW
5					MOLDING, Grille, Right ***
	5500 2308	1			Chrome
					Paint as required
	8350 4450	1			1987-89
	5AH1 8JX8	1			1990
					MOLDING, Grille, Left ***
	5500 2309	1			Chrome
					Paint as required
	8350 4451	1			1987-89
	5AH1 9JX8	1			1990
6	3420 1372	4			SCREW
7	1150 2843	6			SCREW
8					MOLDING, Grille ***
	5500 1480	1			Chrome
					Paint as required
	5501 8674	1			1987-89
	5AU8 1JX8	1			1990
9	3420 2323	18			SCREW
10					MOLDING, Grille, Upper ***
	5500 1477	1			Chrome, Cherokee, Comanche
	5501 8670	1			Classic Black, Cherokee, Comanche (Paint as Required), 1987-89
	5AU8 0JX8	1			Black, paint as required, 1990
	5500 9297	1			Chrome, Wagoneer
11					DEFLECTOR, Air, paint as required ***
	5502 5236	1			1987-89
	5AG0 6JX8	1			Black, 1990
	5AH0 8JX9	1			Flat Black, 1990
12					RIVET
	3420 1631	4			Black
	3420 1835	4			Silver

MODEL CODES:

15 = Grand Wagoneer 4 Dr.	65 = Comanche 4WD-7 Ft. Box	77 = Cherokee 4WD-2 Dr.
25 = J-10 Pickup-119" W.B.	66 = Comanche 2WD-7 Ft. Box	78 = Cherokee 4WD-4 Dr.
26 = J-10 Pickup-131" W.B.	73 = Cherokee 2WD-2 Dr.	79 = Cherokee 4WD-4 Dr.-Com
27 = J-20 Pickup-131" W.B.	74 = Cherokee 2WD-4 Dr.	81 = Wrangler-93" W.B.
63 = Comanche 4WD-6 Ft. Box	75 = Wagoneer 4WD-4 Dr.	82 = Wrangler-103" W.B.-Exp.
64 = Comanche 2WD-6 Ft. Box		

BODY STYLES:

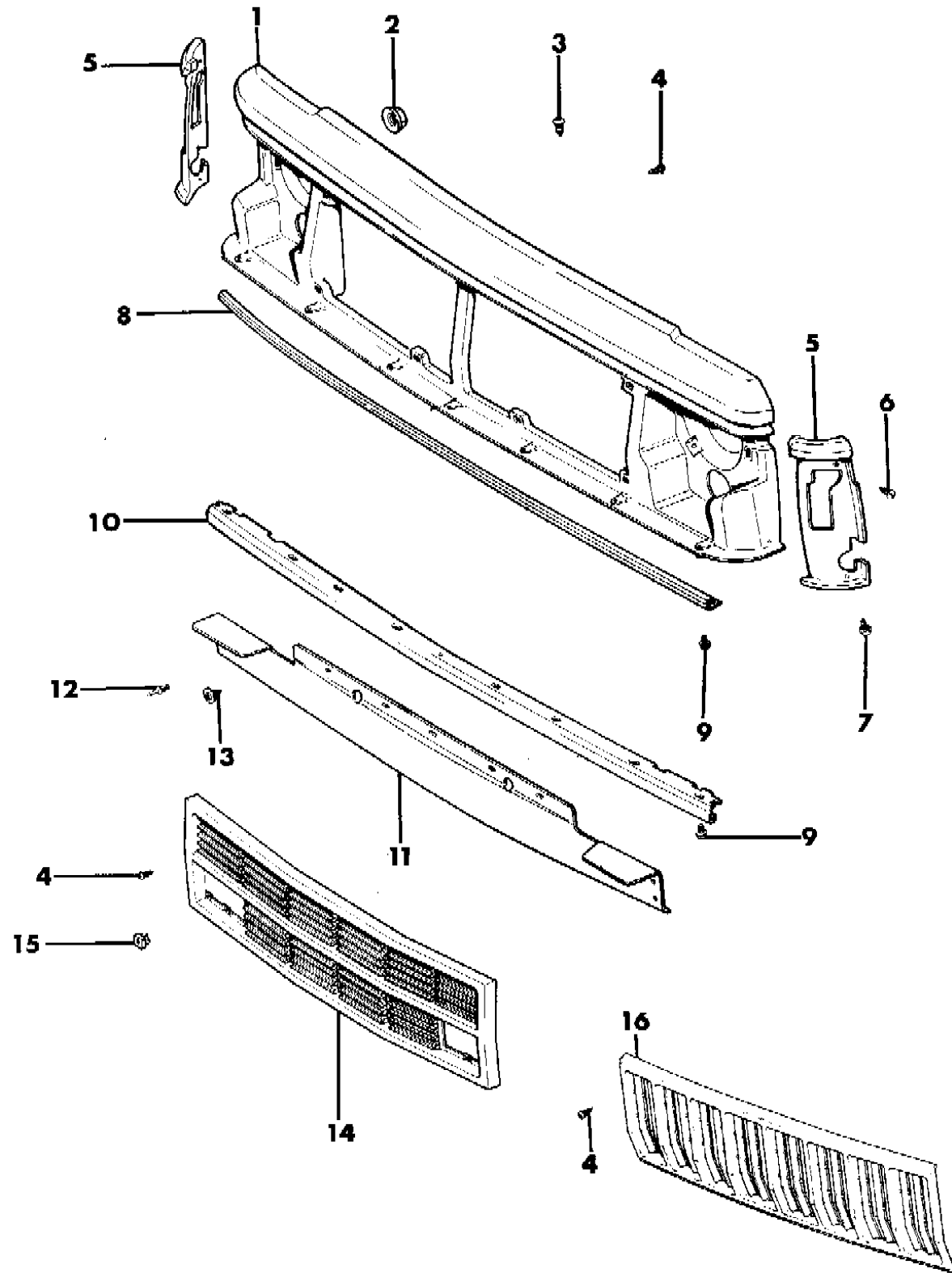
MJ = Comanche Pickup  
 SJ = Grand Wagoneer Wgn., J-10 & J-20 Pickups  
 XJ = Cherokee, Wagoneer Limited  
 YJ = Wrangler

AR = Use as Required - = Non Illustrated Part P.A.R. = Paint as Required

GRILLE AND RELATED PARTS CHEROKEE, WAGONEER, COMANCHE

Figure 7-200

8J07 200



ITEM	PART NUMBER	QTY	BODY	MODEL	DESCRIPTION
13	3420 1360	5			SCREW
14	5500 7974	1			GRILLE, Radiator, Chrome/Black, Wagoneer, 1987-90
15	J400 4689	8			NUT
16					GRILLE, Radiator
	5500 0153	1			Black, Cherokee, Comanche, 1987 (Paint as Required)
	5500 2229	1			Chrome/Black, Cherokee, Comanche, 1987
	5501 8658	1			Charcoal, Cherokee "Limited", 1987
	5501 8657	1			Classic Black, Cherokee "Limited", 1987
	5501 8656	1			Grenadine, Cherokee "Limited", 1987
	5501 9666	1			Grenadine, Cherokee "Limited" 1988
	5501 3144	1			Argent/Black, Cherokee, Comanche, 1988-90
	5502 0262	1			Black/Colorado Red, Cherokee, Comanche, 1988-89
	5501 3146	1			Chrome/Black, Cherokee, Comanche, 1988-89
	5501 3146	1			Chrome/Black, Cherokee, 1990
	5501 9667	1			Black/Classic Black, Comanche, Cherokee "Limited" 1988-89
	5501 9665	1			Black/Dover Gray, Comanche, Cherokee "Limited" 1988-89
	5502 0262	1			Red (Coded "BE"), Comanche, Cherokee "Limited" 1988-89
	5502 5215	1			Black/Dk. Vivid Red, Cherokee, 1989
	5502 2112	1			Black/Pearl White, Cherokee, 1989
	5501 3145	1			Black/Black, Cherokee, Comanche, 1989-90
	5AF9 6JX8	1			Black, Cherokee, Comanche, painted body color, 1990
	5AF9 6JW7	1			Bright White, Cherokee, Comanche, painted body color, 1990
	5AF9 6JM9	1			Dark Red, Cherokee, Comanche, painted body color, 1990
	5AF9 6JS3	1			Dover Grey, Cherokee, Comanche, painted body color, 1990
	5AF9 6JB8	1			Midnight Blue, Cherokee, Comanche, painted body color, 1990
	5AF9 6JE4	1			Colorado Red, Cherokee, Comanche, painted body color, 1990

MODEL CODES:

15 = Grand Wagoneer 4 Dr.	65 = Comanche 4WD-7 Ft. Box	77 = Cherokee 4WD-2 Dr.
25 = J-10 Pickup-119" W.B.	66 = Comanche 2WD-7 Ft. Box	78 = Cherokee 4WD-4 Dr.
26 = J-10 Pickup-131" W.B.	73 = Cherokee 2WD-2 Dr.	79 = Cherokee 4WD-4 Dr.-Com
27 = J-20 Pickup-131" W.B.	74 = Cherokee 2WD-4 Dr.	81 = Wrangler-93" W.B.
63 = Comanche 4WD-6 Ft. Box	75 = Wagoneer 4WD-4 Dr.	82 = Wrangler-103" W.B.-Exp.
64 = Comanche 2WD-6 Ft. Box		

BODY STYLES:

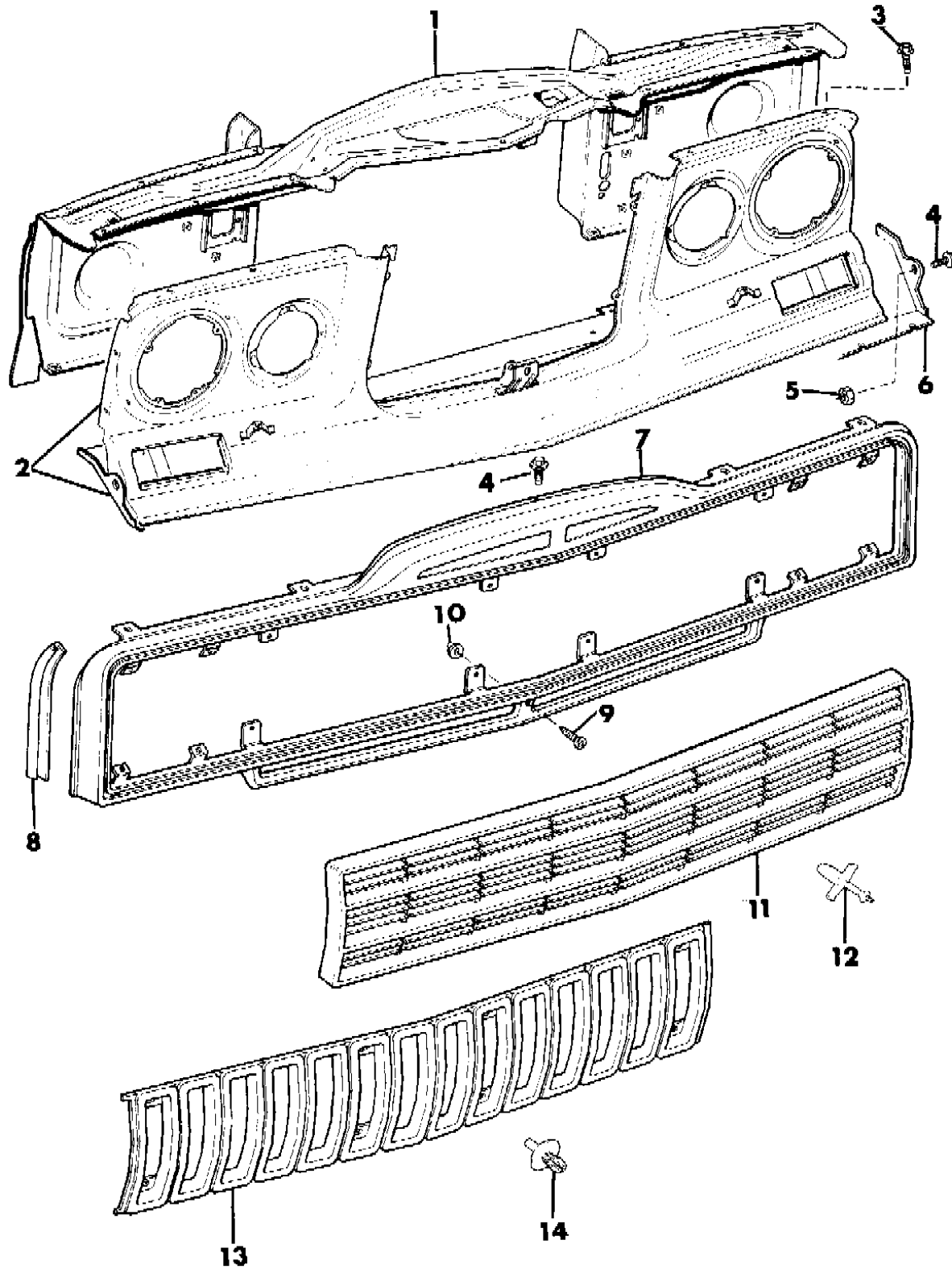
MJ = Comanche Pickup  
 SJ = Grand Wagoneer Wgn., J-10 & J-20 Pickups  
 XJ = Cherokee, Wagoneer Limited  
 YJ = Wrangler

AR = Use as Required - = Non Illustrated Part P.A.R. = Paint as Required

GRILLE AND RELATED PARTS GRAND WAGONEER, J10, J20

Figure 7-300

8J07 300



ITEM	PART NUMBER	QTY	BODY	MODEL	DESCRIPTION
1					SUPPORT, Radiator
	J575 7416	1			6 Cylinder Engine 1987
	5501 9994	1			6 Cylinder Engine 1988
	J575 7410	1			8 Cylinder Engine 1987
	5501 9996	1			8 Cylinder Engine 1988-90
2					PANEL, Grille
	J575 7418	1			6 Cylinder Engine 1987-88
	J575 7412	1			8 Cylinder Engine 1987-89
	5502 6210	1			8 Cylinder Engine 1990
3	J400 5354	6			BOLT
4	J400 4455	AR			BOLT
5	J027 1184	2			NUT
6					SHIELD
	J546 6525	1			6 Cylinder Engine 1987-88
	J546 6511	1			8 Cylinder Engine 1987-90
7	5500 7704	1			GRILLE, Radiator Surround
8	J575 8838	2			WELT
9	J400 6127	3			SCREW
10	J400 6126	3			NUT
11	5500 7703	1		15	GRILLE, Radiator
12	J400 7469	8			RIVET
13				26,27	GRILLE, Radiator
	J575 6766	1			Chrome 1987-88
	J575 8704	1			Black 1987-88
14	J400 4647	8			RIVET

MODEL CODES:

15 = Grand Wagoneer 4 Dr.	65 = Comanche 4WD-7 Ft. Box	77 = Cherokee 4WD-2 Dr.
25 = J-10 Pickup-119" W.B.	66 = Comanche 2WD-7 Ft. Box	78 = Cherokee 4WD-4 Dr.
26 = J-10 Pickup-131" W.B.	73 = Cherokee 2WD-2 Dr.	79 = Cherokee 4WD-4 Dr.-Com
27 = J-20 Pickup-131" W.B.	74 = Cherokee 2WD-4 Dr.	81 = Wrangler-93" W.B.
63 = Comanche 4WD-6 Ft. Box	75 = Wagoneer 4WD-4 Dr.	82 = Wrangler-103" W.B.-Exp.
64 = Comanche 2WD-6 Ft. Box		

BODY STYLES:

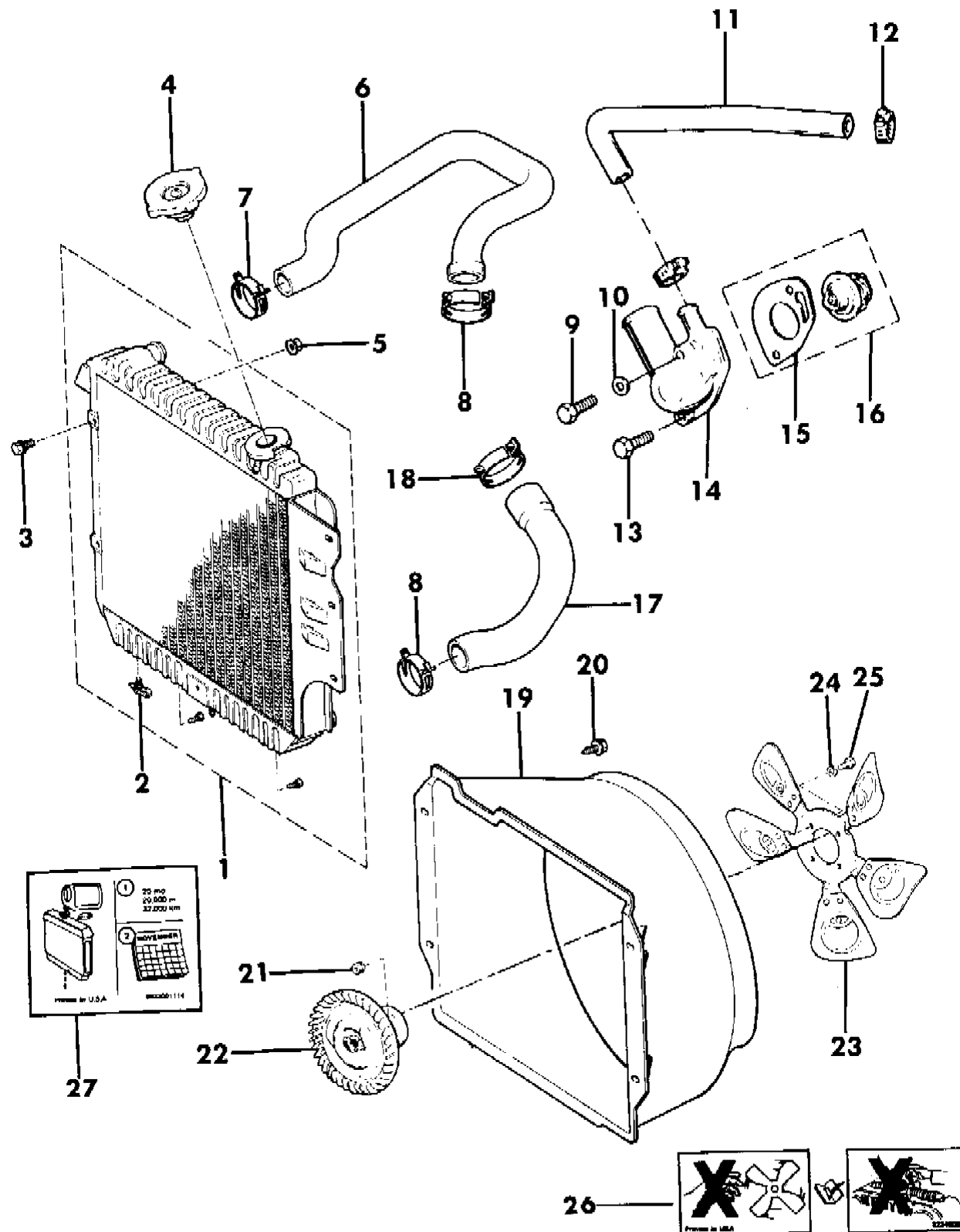
MJ = Comanche Pickup  
 SJ = Grand Wagoneer Wgn., J-10 & J-20 Pickups  
 XJ = Cherokee, Wagoneer Limited  
 YJ = Wrangler

AR = Use as Required - = Non Illustrated Part P.A.R. = Paint as Required

# RADIATOR AND RELATED PARTS 4 CYLINDER ENGINE WRANGLER, YJ

## Figure 7-400

8J 07 400 B



ITEM	PART NUMBER	QTY	BODY	MODEL	DESCRIPTION
1					RADIATOR
	5204 0286	1			Stamped 52040229 - Manual Transmission Standard Duty Cooling 1987-89
	5204 0288	1			Stamped 52040287 - Manual Transmission Heavy Duty Cooling 1987-89
	5200 6124	1			1990
2	J316 6547	1			DRAINCOCK
3	J400 6906	6			BOLT
4	J323 9375	1			CAP, Radiator
5	J400 4201	6			NUT
6	5200 3911	1			HOSE, Inlet
7	3200 2983	3			CLAMP
8	5200 5580	2			CLAMP
9	J400 6951	1			BOLT
10	J012 0393	1			WASHER
11					HOSE
	3300 3581	1			1987
	3200 2708	1			1988
	5200 3842	1			NRM
	5200 2831	1			Egypt or Venezuela KDX
12	3200 2256	2			CLAMP
13	J812 1298	1			BOLT
14					HOUSING, Thermostat
	3300 2929	1			1987
	3300 3612	1			1988
	5300 5529	1			1989-90
15	J318 9874	1			GASKET
16	8350 1426	1			THERMOSTAT PACKAGE, Engine Coolant
17	5200 3910	1			HOSE, Outlet
18	3200 2366	1			CLAMP
19	5204 0239	1			SHROUD
20	J400 3069	4			SCREW
21	J027 1184	4			NUT
22	J324 1857	1			DRIVE, Fan
23	5200 1965	1			FAN, Cooling
24	J012 0214	8			WASHER
25	S017 9814	4			BOLT

### MODEL CODES:

15 = Grand Wagoneer 4 Dr.	65 = Comanche 4WD-7 Ft. Box	77 = Cherokee 4WD-2 Dr.
25 = J-10 Pickup-119" W.B.	66 = Comanche 2WD-7 Ft. Box	78 = Cherokee 4WD-4 Dr.
26 = J-10 Pickup-131" W.B.	73 = Cherokee 2WD-2 Dr.	79 = Cherokee 4WD-4 Dr.-Com
27 = J-20 Pickup-131" W.B.	74 = Cherokee 2WD-4 Dr.	81 = Wrangler-93" W.B.
63 = Comanche 4WD-6 Ft. Box	75 = Wagoneer 4WD-4 Dr.	82 = Wrangler-103" W.B.-Exp.
64 = Comanche 2WD-6 Ft. Box		

### BODY STYLES:

MJ = Comanche Pickup  
 SJ = Grand Wagoneer Wgn., J-10 & J-20 Pickups  
 XJ = Cherokee, Wagoneer Limited  
 YJ = Wrangler

AR = Use as Required - = Non Illustrated Part P.A.R. = Paint as Required



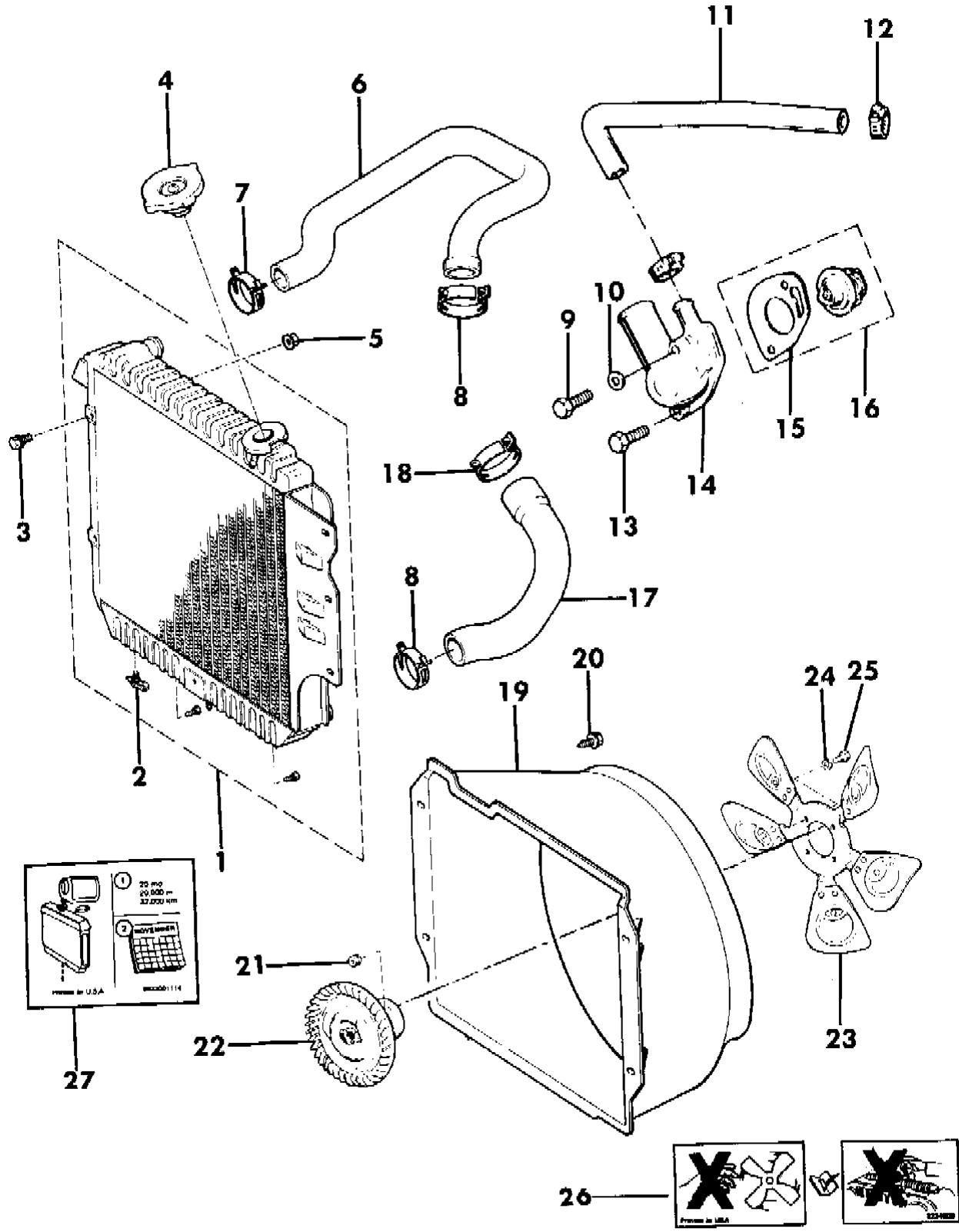
## RADIATOR AND RELATED PARTS 4 CYLINDER ENGINE WRANGLER, YJ

### Figure 7-400

8J 07 400 B

ITEM	PART NUMBER	QTY	BODY	MODEL	DESCRIPTION
------	-------------	-----	------	-------	-------------

26	J323 4806	1			LABEL, Fan
27	3300 1114	1			LABEL, Radiator



- MODEL CODES:**
- |                             |                             |                              |
|-----------------------------|-----------------------------|------------------------------|
| 15 = Grand Wagoneer 4 Dr.   | 65 = Comanche 4WD-7 Ft. Box | 77 = Cherokee 4WD-2 Dr.      |
| 25 = J-10 Pickup-119" W.B.  | 66 = Comanche 2WD-7 Ft. Box | 78 = Cherokee 4WD-4 Dr.      |
| 26 = J-10 Pickup-131" W.B.  | 73 = Cherokee 2WD-2 Dr.     | 79 = Cherokee 4WD-4 Dr.-Com  |
| 27 = J-20 Pickup-131" W.B.  | 74 = Cherokee 2WD-4 Dr.     | 81 = Wrangler-93" W.B.       |
| 63 = Comanche 4WD-6 Ft. Box | 75 = Wagoneer 4WD-4 Dr.     | 82 = Wrangler-103" W.B.-Exp. |
| 64 = Comanche 2WD-6 Ft. Box |                             |                              |

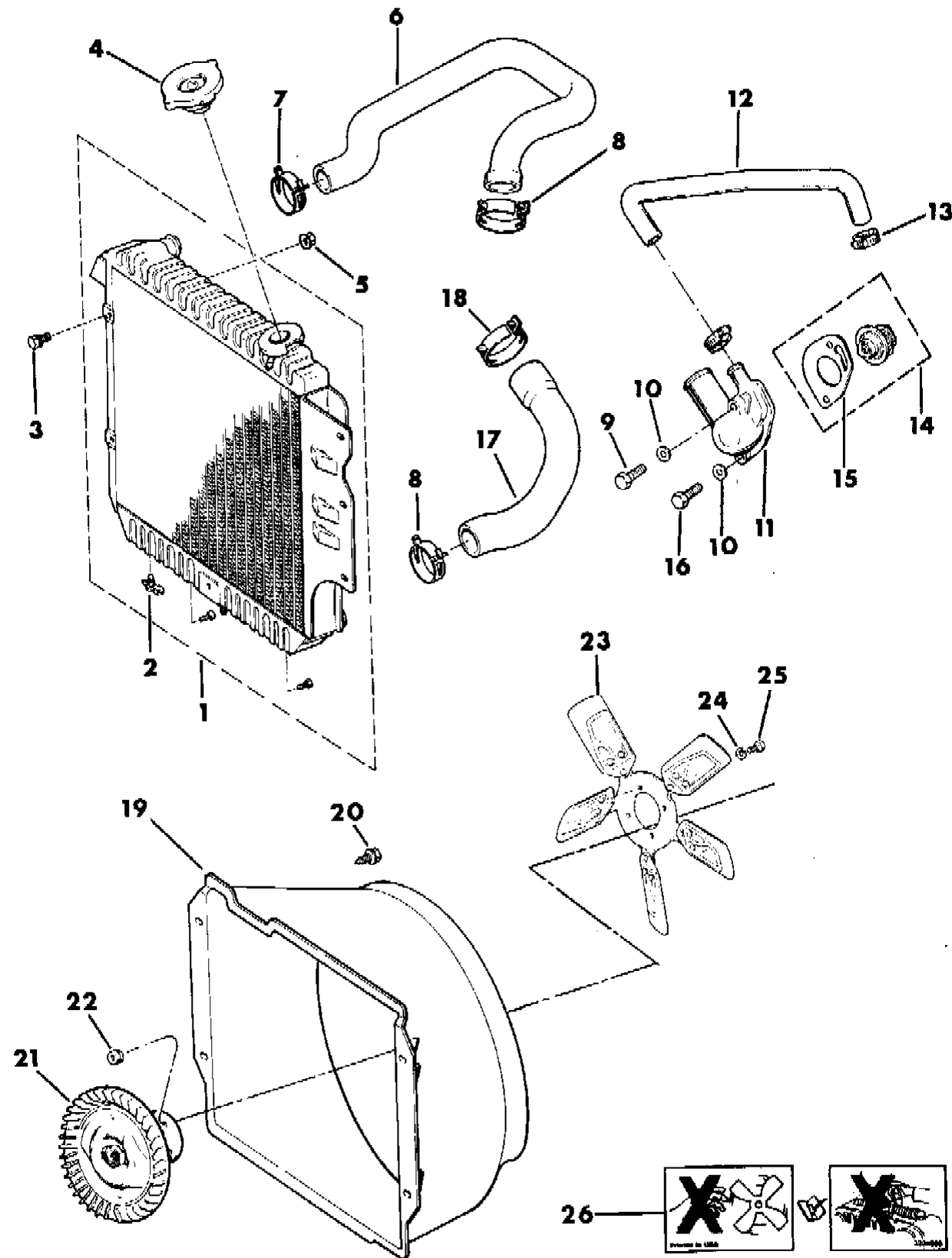
- BODY STYLES:**
- MJ = Comanche Pickup
  - SJ = Grand Wagoneer Wgn., J-10 & J-20 Pickups
  - XJ = Cherokee, Wagoneer Limited
  - YJ = Wrangler

AR = Use as Required - = Non Illustrated Part P.A.R. = Paint as Required

# RADIATOR AND RELATED PARTS 6 CYLINDER ENGINE WRANGLER, YJ

Figure 7-500

8 J 07 500 A



ITEM	PART NUMBER	QTY	BODY	MODEL	DESCRIPTION
1					RADIATOR
	5204 0286	1			Stamped 52040285, 52040286 - Standard Duty Cooling 1987-89
	5204 0288	1			Stamped 52040287, 52040288 - Heavy Duty Cooling 1987-89
	5200 6126	1			1990
2	J316 6547	1			DRAINCOCK
3	J400 6906	6			BOLT
4	J323 9375	1			CAP, Radiator
5	J400 4201	6			NUT
6	5200 3906	1			HOSE, Inlet
	5200 2702	1			Egypt KDX - 24 Volt
7	3200 2983	3			CLAMP
8	5200 5580	2			CLAMP
9	J400 6951	1			BOLT
10	3200 2256	2			WASHER
11	3300 4856	1			HOUSING, Thermostat
12					HOSE
	J372 8191	1			1987
	5200 3908	1			1988-90
13	J320 3076	2			CLAMP
14	8350 1426	1			THERMOSTAT PACKAGE, Engine Coolant
15	J318 9874	1			GASKET
16	J812 1298	1			BOLT
17	5200 3905	1			HOSE, Outlet
18	3200 2366	1			CLAMP
19	5204 0291	1			SHROUD
20	J400 3069	4			SCREW
21					DRIVE, Fan
	J324 1857	1			w/o Serpentine Belt Drive
	J324 1858	1			Serpentine Belt Drive
22	J027 1184	4			NUT
23					FAN, Cooling
	J323 7182	1			w/o Serpentine Belt Drive
	J323 9446	1			Serpentine Belt Drive
24	J012 0214	4			WASHER
25	S017 9814	4			BOLT
26	J323 4806	1			LABEL, Fan

MODEL CODES:

15 = Grand Wagoneer 4 Dr.	65 = Comanche 4WD-7 Ft. Box	77 = Cherokee 4WD-2 Dr.
25 = J-10 Pickup-119" W.B.	66 = Comanche 2WD-7 Ft. Box	78 = Cherokee 4WD-4 Dr.
26 = J-10 Pickup-131" W.B.	73 = Cherokee 2WD-2 Dr.	79 = Cherokee 4WD-4 Dr.-Com
27 = J-20 Pickup-131" W.B.	74 = Cherokee 2WD-4 Dr.	81 = Wrangler-93" W.B.
63 = Comanche 4WD-6 Ft. Box	75 = Wagoneer 4WD-4 Dr.	82 = Wrangler-103" W.B.-Exp.
64 = Comanche 2WD-6 Ft. Box		

BODY STYLES:

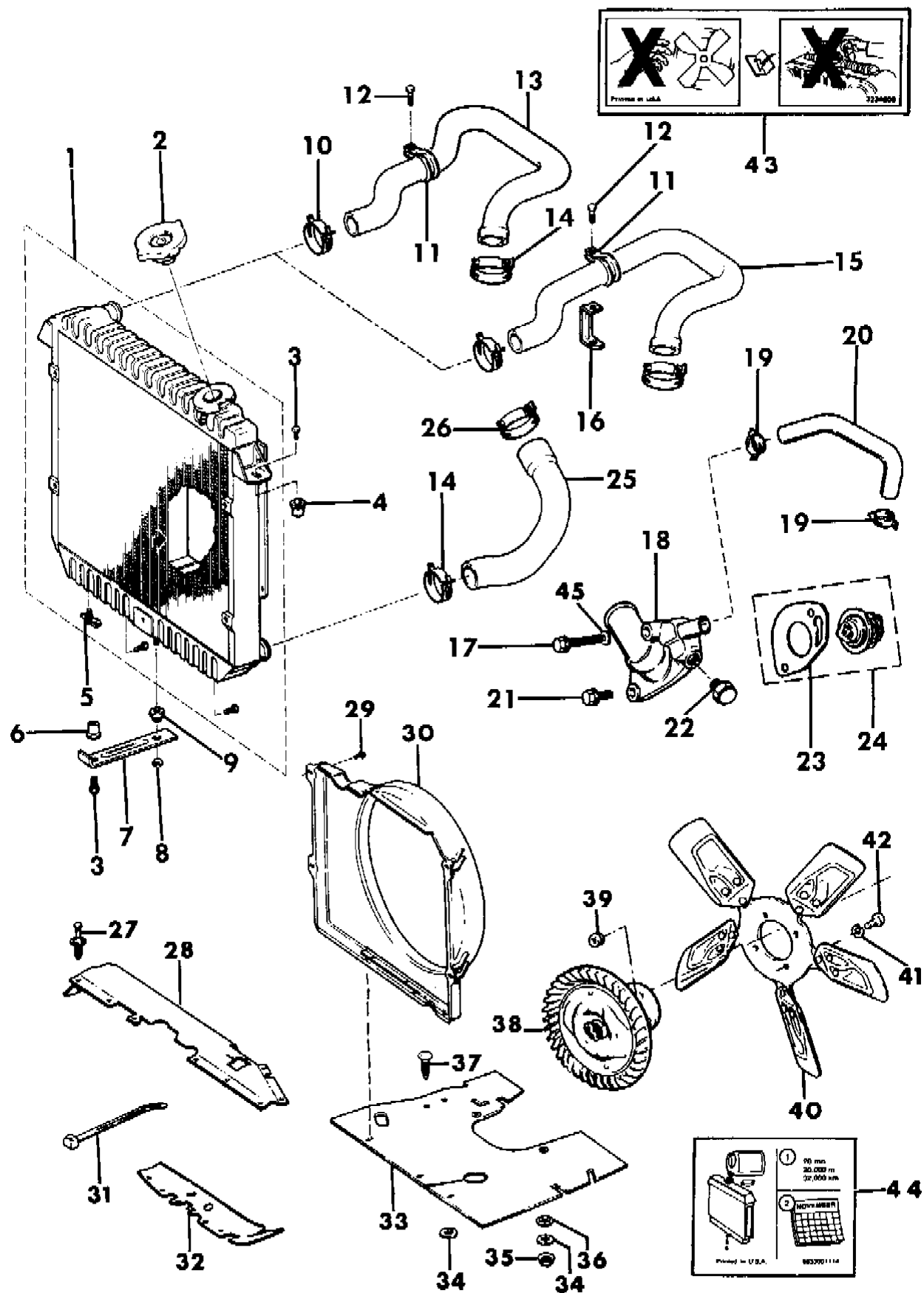
MJ = Comanche Pickup  
 SJ = Grand Wagoneer Wgn., J-10 & J-20 Pickups  
 XJ = Cherokee, Wagoneer Limited  
 YJ = Wrangler

AR = Use as Required - = Non Illustrated Part P.A.R. = Paint as Required

RADIATOR AND RELATED PARTS 4 CYLINDER ENGINE WAGONEER, CHEROKEE, COMANCHE

Figure 7-600

8J07 600 A



ITEM	PART NUMBER	QTY	BODY	MODEL	DESCRIPTION
1					RADIATOR
	5200 3544	1			Stamped 52003545 - Manual Transmission - Standard Duty Cooling
	5200 3544	1			Stamped 52003544 - Automatic Transmission - Standard Duty Cooling
	5200 3370	1			Stamped 52003255, 52003370 - Heavy Duty Cooling
	5200 3551	1			Stamped 52003551 - Manual Transmission - Maximum Duty Cooling
2	J323 9375	1			CAP, Radiator
3	1150 2628	3			BOLT
4	3420 1348	2			NUT
5	J316 6547	1			DRAINCOCK
6	3420 1493	1			NUT
7	5300 0510	1			BRACE, Radiator
8	3420 1494	1			RING
9	5300 0511	1			GROMMET
10	3200 2983	3			CLAMP
11	J012 5931	1			CLIP
12	1150 0985	1			SCREW
13					HOSE, Inlet
	5200 3789	1			w/o A/C
	5200 3791	1			Factory Installed Air Conditioning - w/24mm wide A/C Compressor Cylinder Head
	5200 3791	1			"American Air" Air Conditioning - w/24mm wide A/C Compressor Cylinder Head
14	5200 5580	2			CLAMP
15					HOSE, Inlet
	5200 3941	1			Factory Installed Air Conditioning - w/45mm wide A/C Compressor Cylinder Head
	5200 3941	1			"American Air" Air Conditioning - w/45mm wide A/C Compressor Cylinder Head
16	5200 3943	1			BRACKET
17	J400 6951	1			BOLT
18					HOUSING, Thermostat
	3300 4856	1			1987
	3300 3612	1			1988
	5300 5529	1			1989-90

MODEL CODES:

15 = Grand Wagoneer 4 Dr.	65 = Comanche 4WD-7 Ft. Box	77 = Cherokee 4WD-2 Dr.
25 = J-10 Pickup-119" W.B.	66 = Comanche 2WD-7 Ft. Box	78 = Cherokee 4WD-4 Dr.
26 = J-10 Pickup-131" W.B.	73 = Cherokee 2WD-2 Dr.	79 = Cherokee 4WD-4 Dr.-Com
27 = J-20 Pickup-131" W.B.	74 = Cherokee 2WD-4 Dr.	81 = Wrangler-93" W.B.
63 = Comanche 4WD-6 Ft. Box	75 = Wagoneer 4WD-4 Dr.	82 = Wrangler-103" W.B.-Exp.
64 = Comanche 2WD-6 Ft. Box		

BODY STYLES:

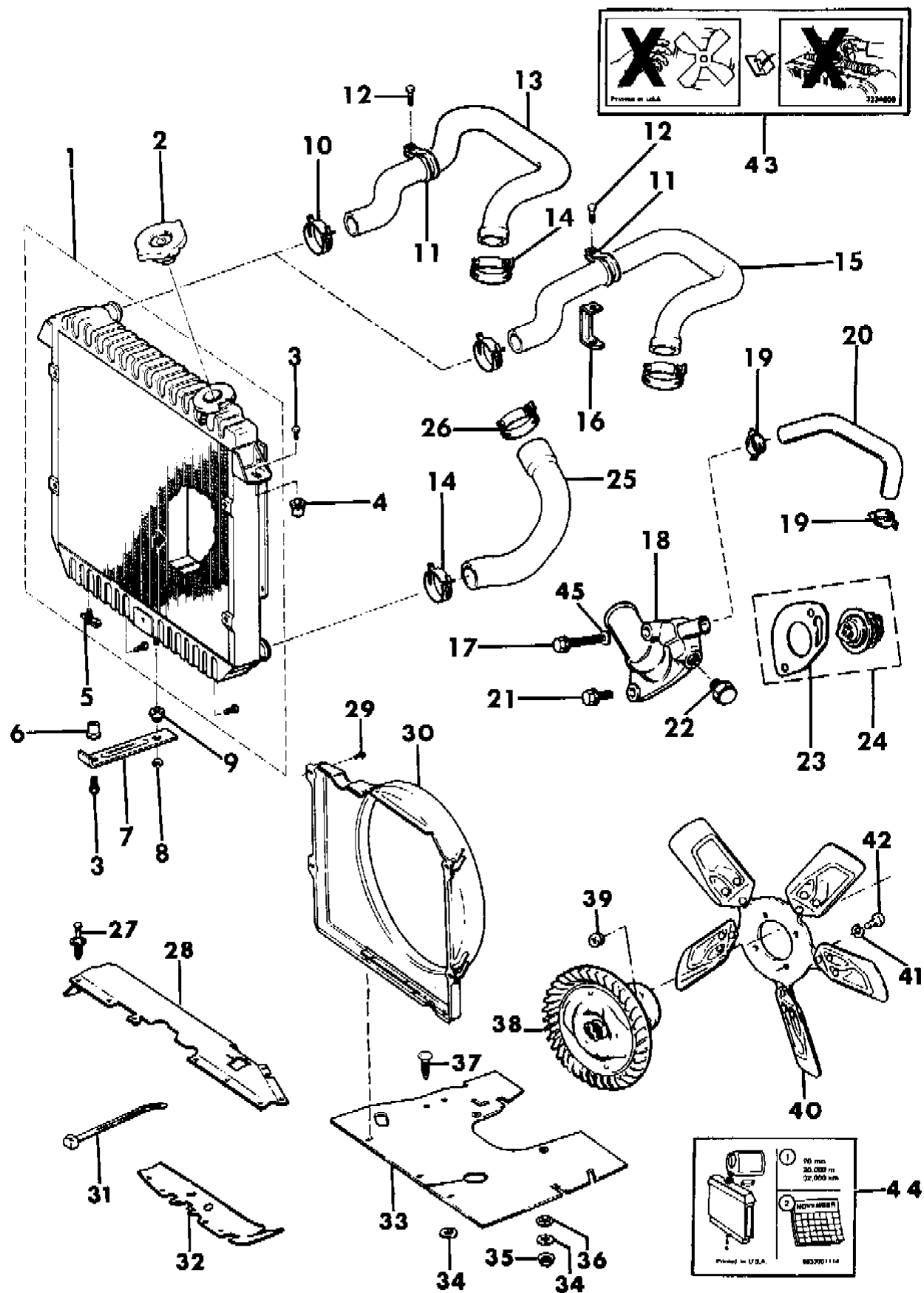
MJ = Comanche Pickup  
 SJ = Grand Wagoneer Wgn., J-10 & J-20 Pickups  
 XJ = Cherokee, Wagoneer Limited  
 YJ = Wrangler

AR = Use as Required - = Non Illustrated Part P.A.R. = Paint as Required

RADIATOR AND RELATED PARTS 4 CYLINDER ENGINE WAGONEER, CHEROKEE, COMANCHE

Figure 7-600

8J07 600 A



ITEM	PART NUMBER	QTY	BODY	MODEL	DESCRIPTION
19	J320 3076	2			CLAMP
20					HOSE
					EFI Engine
	3300 2508	1			1987
	3200 2708	1			1988-90
					Carbureted Engine - NRM
	J324 1955	1			1987
	5200 3842	1			Built up to 11-15-88
	5200 4317	1			Built 11-15-88 and later
21	J400 6985	1			BOLT
22	T307 5106	1			PLUG
23	J318 9874	1			GASKET
24					THERMOSTAT PACKAGE, Engine Coolant
	8350 1426	1			w/o ECE
	8350 4378	1			ECE
25	5200 3790	1			HOSE, Outlet
26	3200 2366	1			CLAMP
27	3420 1621	14			RIVET - Heavy Duty Cooling
28					SEAL, Radiator
	5500 3056	1			Heavy Duty Cooling
	8350 1912	1			"American Air" Air Conditioning
29	J318 9013	4			SCREW
30	5300 0015	1			SHROUD, Fan
31	J322 3227	1			STRAP
32	5500 3057	1			SEAL, Radiator - Heavy Duty Cooling
33	5200 3571	1			SHIELD, Engine Splash
34	J044 6188	2			WASHER
35	J400 4587	2			NUT
36	J400 0271	2			NUT, Push
37					FASTENER
	J400 4919	3			.80"
	3420 2787	2			1.12"
38	J324 1858	1			DRIVE, Fan
39	J027 1184	4			NUT
40	5300 0699	1			FAN, Cooling
41	J012 0214	4			WASHER
42	J018 0075	4			BOLT

MODEL CODES:

15 = Grand Wagoneer 4 Dr.	65 = Comanche 4WD-7 Ft. Box	77 = Cherokee 4WD-2 Dr.
25 = J-10 Pickup-119" W.B.	66 = Comanche 2WD-7 Ft. Box	78 = Cherokee 4WD-4 Dr.
26 = J-10 Pickup-131" W.B.	73 = Cherokee 2WD-2 Dr.	79 = Cherokee 4WD-4 Dr.-Com
27 = J-20 Pickup-131" W.B.	74 = Cherokee 2WD-4 Dr.	81 = Wrangler-93" W.B.
63 = Comanche 4WD-6 Ft. Box	75 = Wagoneer 4WD-4 Dr.	82 = Wrangler-103" W.B.-Exp.
64 = Comanche 2WD-6 Ft. Box		

BODY STYLES:

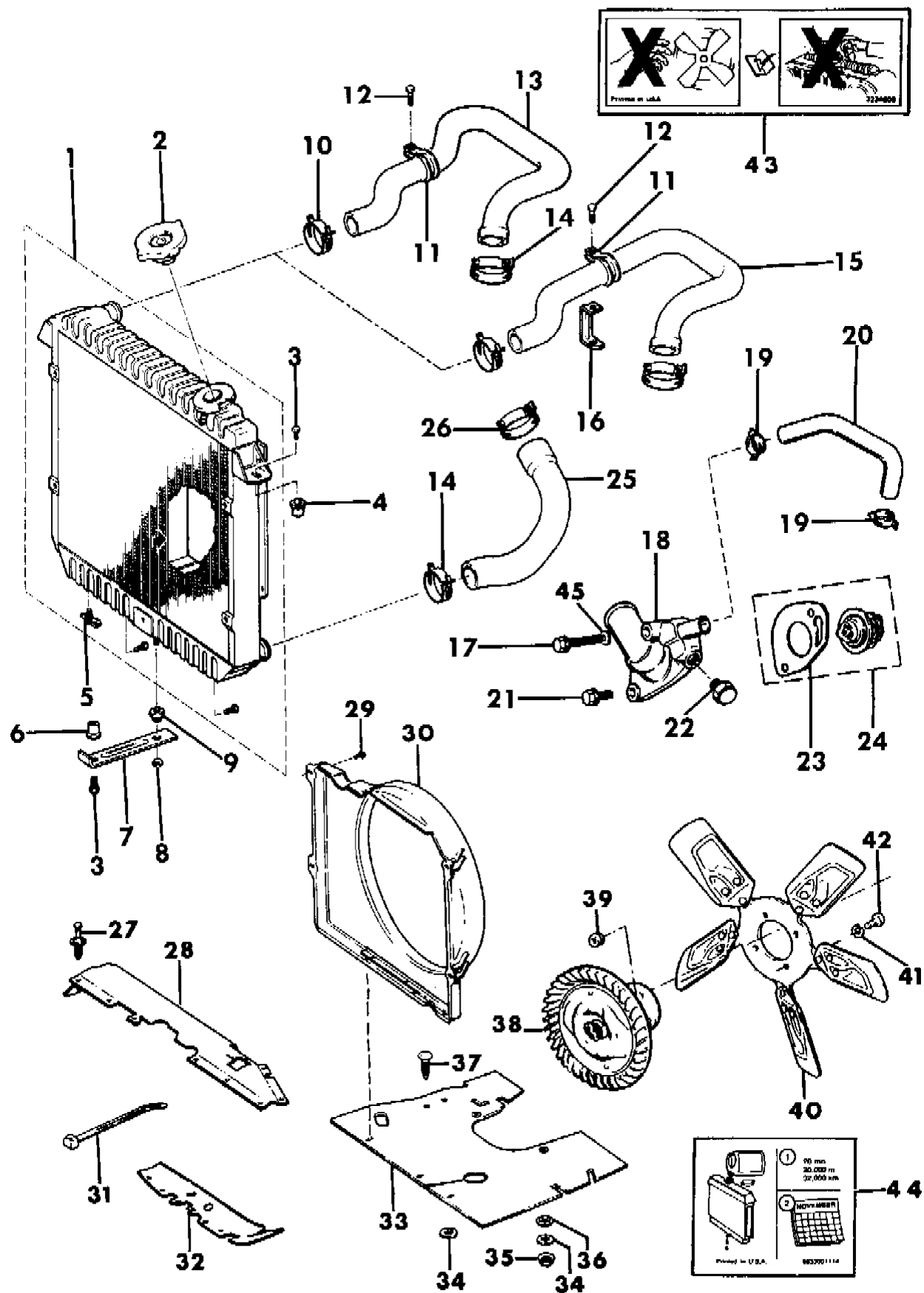
MJ = Comanche Pickup  
 SJ = Grand Wagoneer Wgn., J-10 & J-20 Pickups  
 XJ = Cherokee, Wagoneer Limited  
 YJ = Wrangler

AR = Use as Required - = Non Illustrated Part P.A.R. = Paint as Required

RADIATOR AND RELATED PARTS 4 CYLINDER ENGINE WAGONEER, CHEROKEE, COMANCHE

Figure 7-600

8J07 600 A



ITEM	PART NUMBER	QTY	BODY	MODEL	DESCRIPTION
------	-------------	-----	------	-------	-------------

43	J323 4806	1			LABEL, Fan
44	3300 1114	1			LABEL, Radiator
45	J012 0393	2			WASHER

MODEL CODES:

15 = Grand Wagoneer 4 Dr.	65 = Comanche 4WD-7 Ft. Box	77 = Cherokee 4WD-2 Dr.
25 = J-10 Pickup-119" W.B.	66 = Comanche 2WD-7 Ft. Box	78 = Cherokee 4WD-4 Dr.
26 = J-10 Pickup-131" W.B.	73 = Cherokee 2WD-2 Dr.	79 = Cherokee 4WD-4 Dr.-Com
27 = J-20 Pickup-131" W.B.	74 = Cherokee 2WD-4 Dr.	81 = Wrangler-93" W.B.
63 = Comanche 4WD-6 Ft. Box	75 = Wagoneer 4WD-4 Dr.	82 = Wrangler-103" W.B.-Exp.
64 = Comanche 2WD-6 Ft. Box		

BODY STYLES:

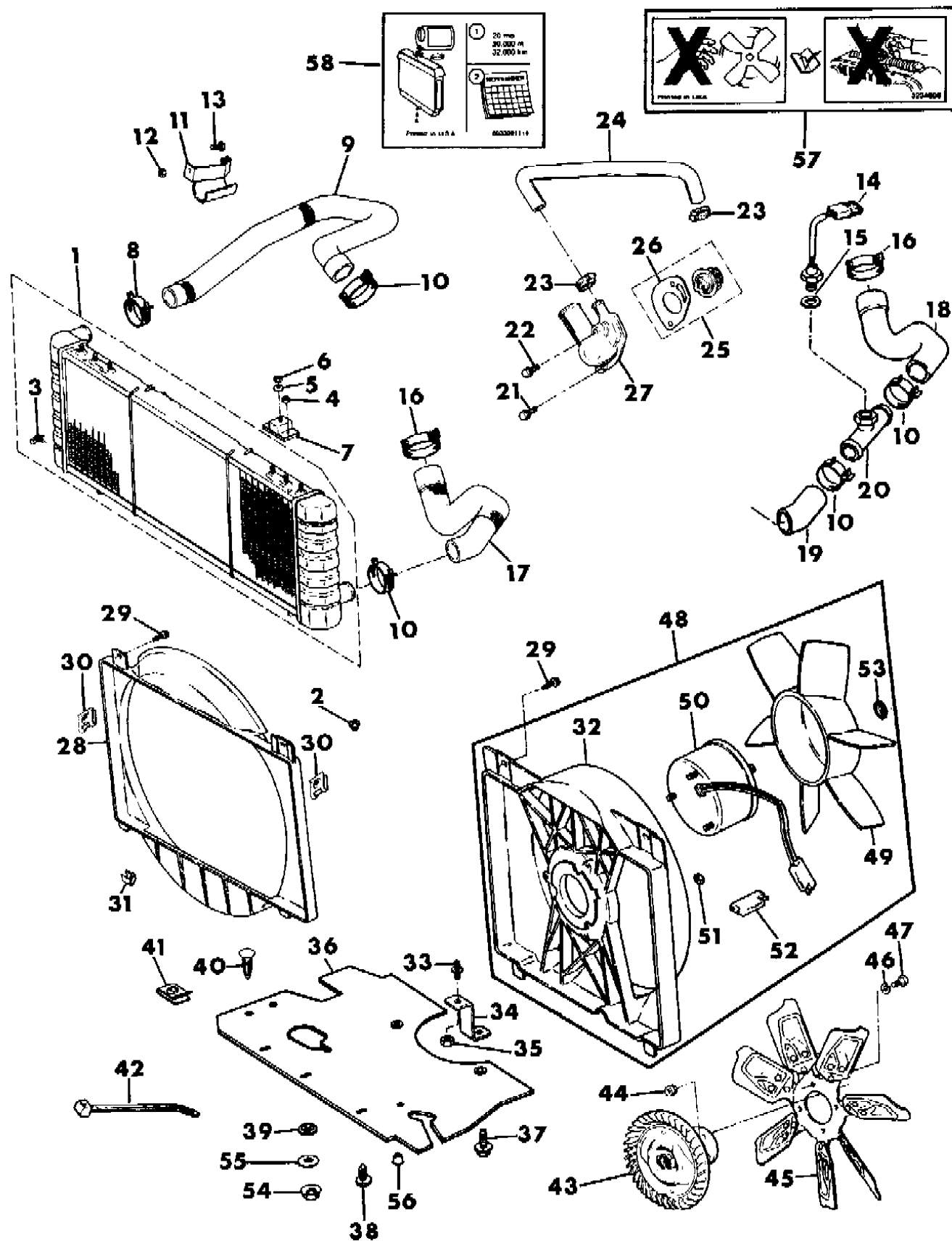
MJ = Comanche Pickup  
 SJ = Grand Wagoneer Wgn., J-10 & J-20 Pickups  
 XJ = Cherokee, Wagoneer Limited  
 YJ = Wrangler

AR = Use as Required - = Non Illustrated Part P.A.R. = Paint as Required

RADIATOR AND RELATED PARTS 6 CYLINDER ENGINE WAGONEER, CHEROKEE, COMANCHE

Figure 7-700

8J07 700 B



ITEM	PART NUMBER	QTY	BODY	MODEL	DESCRIPTION
1					RADIATOR
	5200 2094	1			Stamped 52002094, 52002584 - Standard Duty Cooling - w/o Factory Installed Air Conditioning
	5200 3685	1			Stamped 52003684, 52003685 - Standard Duty Cooling - w/o Factory Installed Air Conditioning
	5200 3695	1			Stamped 52003694, 52003695 - Standard Duty Cooling - w/o Factory Installed Air Conditioning
	5200 3696	1			Stamped 52003693, 52003696 - Standard Duty Cooling - Factory Installed Air Conditioning
	5200 3157	1			Stamped 52003156, 52003157, 52003158, 52003159, 52003683
	5200 3933	1			Stamped 52003933 - Automatic Transmission - Heavy Duty Cooling
2	J068 7550	3			GROMMET
3	J316 6547	1			DRAINCOCK Metal
	8350 5381	1			Plastic
4	1150 2722	4			NUT
5	J400 1083	2			WASHER
6	1150 3745	2			NUT
7	5200 2585	2			INSULATOR
8	3200 2983	1			CLAMP
9					HOSE, Inlet
	5200 3801	1			w/o Factory Installed Air Conditioning
	5200 3803	1			w/Factory Installed Air Conditioning
10	5200 5580	3			CLAMP
11	8350 5291	1			BRACKET - Factory Installed Air Conditioning
12	1150 2729	1			NUT - Factory Installed Air Conditioning
13	1150 2628	1			BOLT - Factory Installed Air Conditioning
14	3200 1846	1			SENSOR, Fan
15	3300 1029	1			GASKET
16	3200 2366	1			CLAMP
17	5200 3945	1			HOSE, Outlet -without "american air" air conditioning
18	8350 5115	1			HOSE, Outlet - "American Air" Air Conditioning
19	8350 5114	1			HOSE, Outlet - "American Air" Air Conditioning
20	8350 5113	1			FITTING - "American Air" Air Conditioning
21	J400 6985	1			BOLT

MODEL CODES:

15 = Grand Wagoneer 4 Dr.	65 = Comanche 4WD-7 Ft. Box	77 = Cherokee 4WD-2 Dr.
25 = J-10 Pickup-119" W.B.	66 = Comanche 2WD-7 Ft. Box	78 = Cherokee 4WD-4 Dr.
26 = J-10 Pickup-131" W.B.	73 = Cherokee 2WD-2 Dr.	79 = Cherokee 4WD-4 Dr.-Com
27 = J-20 Pickup-131" W.B.	74 = Cherokee 2WD-4 Dr.	81 = Wrangler-93" W.B.
63 = Comanche 4WD-6 Ft. Box	75 = Wagoneer 4WD-4 Dr.	82 = Wrangler-103" W.B.-Exp.
64 = Comanche 2WD-6 Ft. Box		

BODY STYLES:

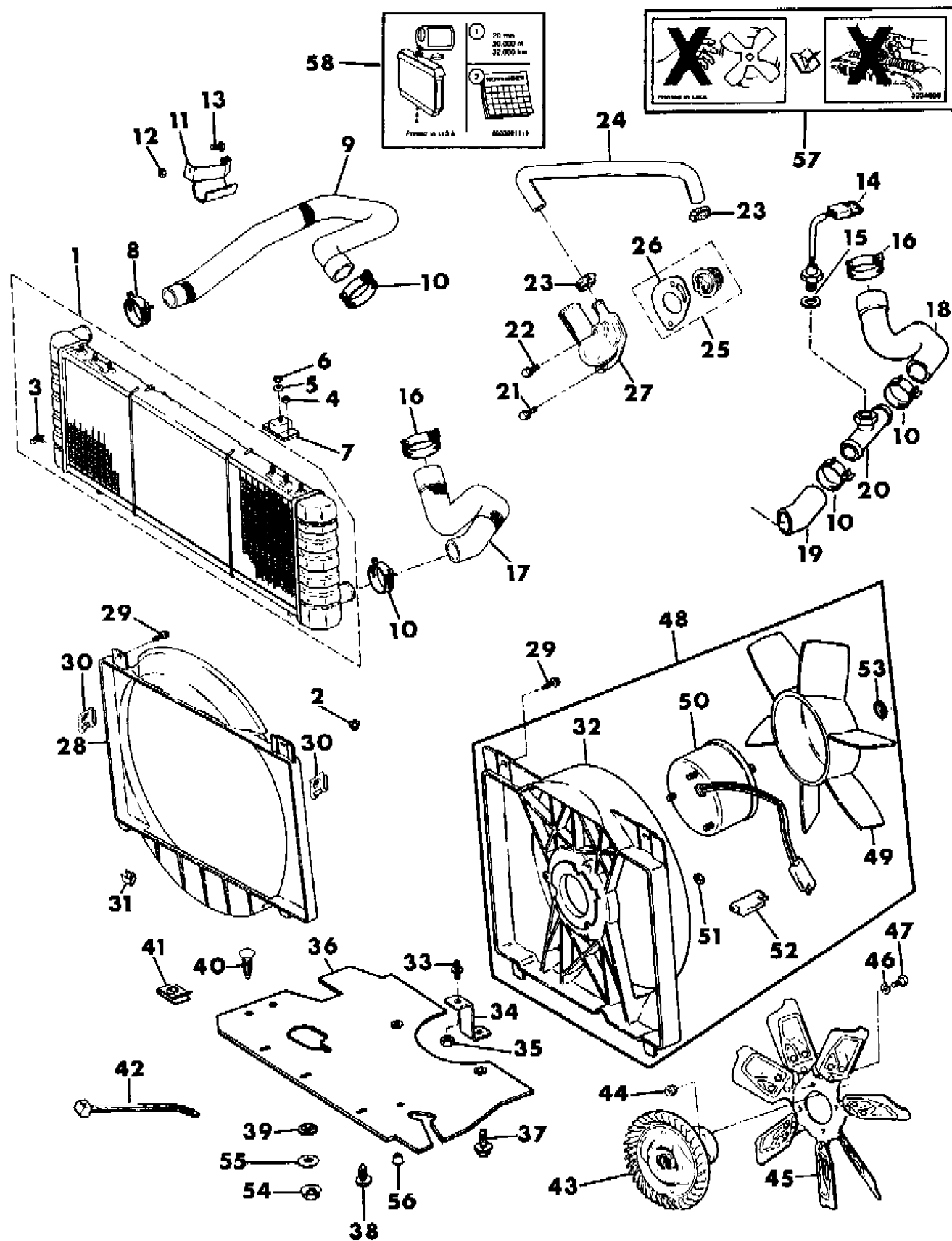
MJ = Comanche Pickup  
 SJ = Grand Wagoneer Wgn., J-10 & J-20 Pickups  
 XJ = Cherokee, Wagoneer Limited  
 YJ = Wrangler

AR = Use as Required - = Non Illustrated Part P.A.R. = Paint as Required

RADIATOR AND RELATED PARTS 6 CYLINDER ENGINE WAGONEER, CHEROKEE, COMANCHE

Figure 7-700

8J07 700B



ITEM	PART NUMBER	QTY	BODY	MODEL	DESCRIPTION
22	J400 6951	1			BOLT
23	J320 3076	2			CLAMP
24	5600 4783	1			HOSE
25	8350 1426	1			THERMOSTAT PACKAGE
26	J318 9874	1			GASKET
27					HOUSING, Thermostat
	3300 2929	1			1987-88
	3300 4856	1			1989-90
28	5200 2097	1			SHROUD, Mechanical Fan
29	3420 1195	2			SCREW
30	3420 2462	1			NUT
31	3420 2655	4			CLIP
32	8350 3412	1			SHROUD, Electric Fan
33	3420 2347	1			STUD
34	5200 3837	1			BRACKET
35					NUT
	J420 0046	3			1987
	8351 0135	1			1988-90
36	5200 3570	1			SHIELD, Engine Splash
37	3420 1540	2			SCREW
38	J400 4919	3			FASTENER .28"
39	J400 0271	3			NUT, Push .25"
	3420 2014	2			SCREW .31"
40	3420 2787	2			FASTENER .38"
41	1150 0662	1			NUT
42	J322 3227	1			STRAP
43	5200 3205	1			DRIVE, Fan
44	J027 1184	4			NUT
45	8350 4571	1			FAN, Cooling
46	J012 0214	4			WASHER
47	J018 0075	4			BOLT
48	5200 2591	1			MODULE, Fan
49	8350 3411	1			FAN, Cooling
50	8350 3582	1			MOTOR, Fan
51	8350 3415	3			NUT
52	8350 3583	3			CONNECTOR
53	8350 3417	1			RETAINER, Fan

MODEL CODES:

15 = Grand Wagoneer 4 Dr.	65 = Comanche 4WD-7 Ft. Box	77 = Cherokee 4WD-2 Dr.
25 = J-10 Pickup-119" W.B.	66 = Comanche 2WD-7 Ft. Box	78 = Cherokee 4WD-4 Dr.
26 = J-10 Pickup-131" W.B.	73 = Cherokee 2WD-2 Dr.	79 = Cherokee 4WD-4 Dr.-Com
27 = J-20 Pickup-131" W.B.	74 = Cherokee 2WD-4 Dr.	81 = Wrangler-93" W.B.
63 = Comanche 4WD-6 Ft. Box	75 = Wagoneer 4WD-4 Dr.	82 = Wrangler-103" W.B.-Exp.
64 = Comanche 2WD-6 Ft. Box		

BODY STYLES:

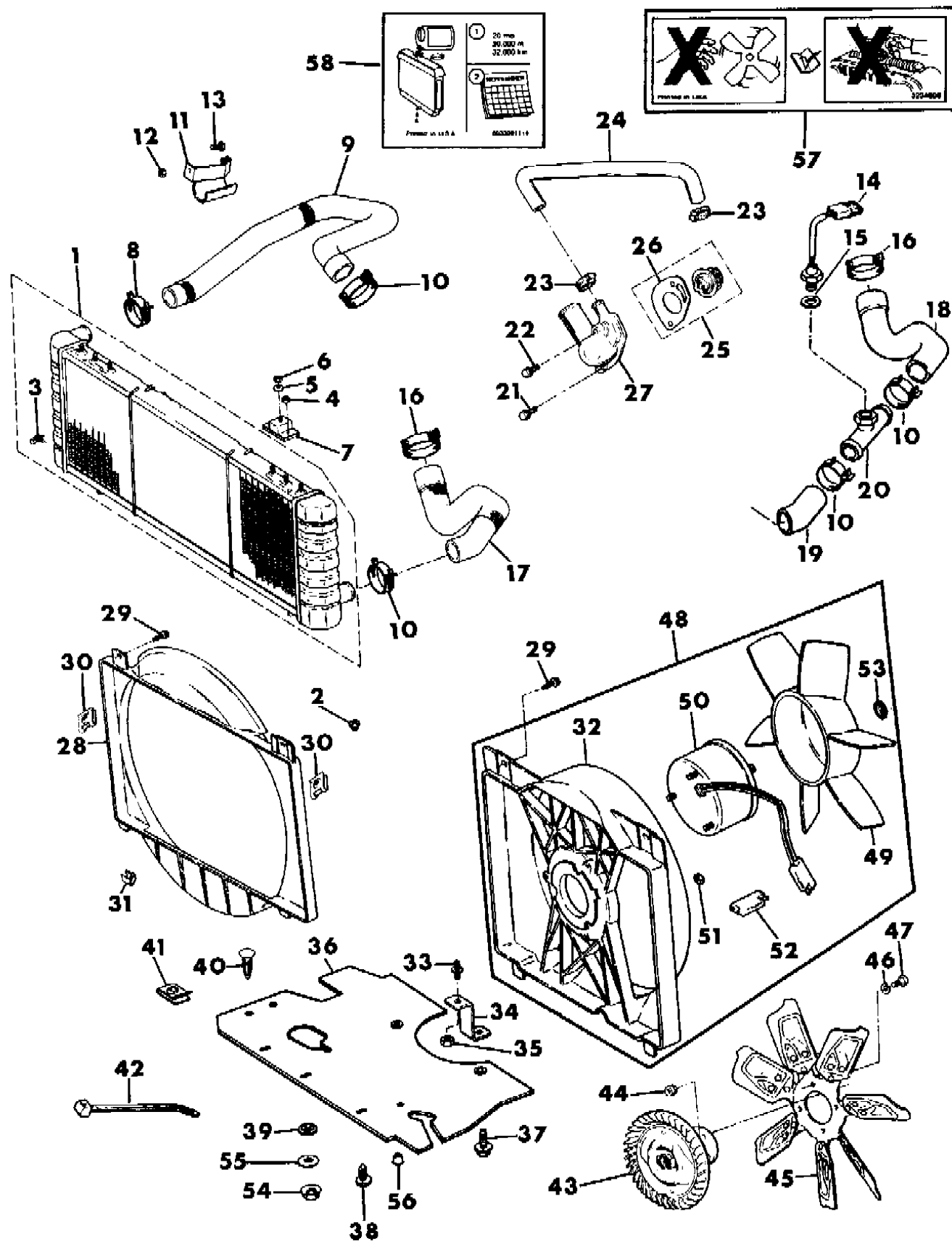
MJ = Comanche Pickup  
 SJ = Grand Wagoneer Wgn., J-10 & J-20 Pickups  
 XJ = Cherokee, Wagoneer Limited  
 YJ = Wrangler

AR = Use as Required - = Non Illustrated Part P.A.R. = Paint as Required

RADIATOR AND RELATED PARTS 6 CYLINDER ENGINE WAGONEER, CHEROKEE, COMANCHE

Figure 7-700

8J07 700 B



ITEM	PART NUMBER	QTY	BODY	MODEL	DESCRIPTION
54	J400 4587	3			NUT (1987)
55	J044 6188	AR			WASHER (1987)
56	3420 1575	3			NUT (1987)
57	J323 4806	1			LABEL, Fan
58	3300 1114	1			LABEL, Radiator

MODEL CODES:

15 = Grand Wagoneer 4 Dr.	65 = Comanche 4WD-7 Ft. Box	77 = Cherokee 4WD-2 Dr.
25 = J-10 Pickup-119" W.B.	66 = Comanche 2WD-7 Ft. Box	78 = Cherokee 4WD-4 Dr.
26 = J-10 Pickup-131" W.B.	73 = Cherokee 2WD-2 Dr.	79 = Cherokee 4WD-4 Dr.-Com
27 = J-20 Pickup-131" W.B.	74 = Cherokee 2WD-4 Dr.	81 = Wrangler-93" W.B.
63 = Comanche 4WD-6 Ft. Box	75 = Wagoneer 4WD-4 Dr.	82 = Wrangler-103" W.B.-Exp.
64 = Comanche 2WD-6 Ft. Box		

BODY STYLES:

MJ = Comanche Pickup  
 SJ = Grand Wagoneer Wgn., J-10 & J-20 Pickups  
 XJ = Cherokee, Wagoneer Limited  
 YJ = Wrangler

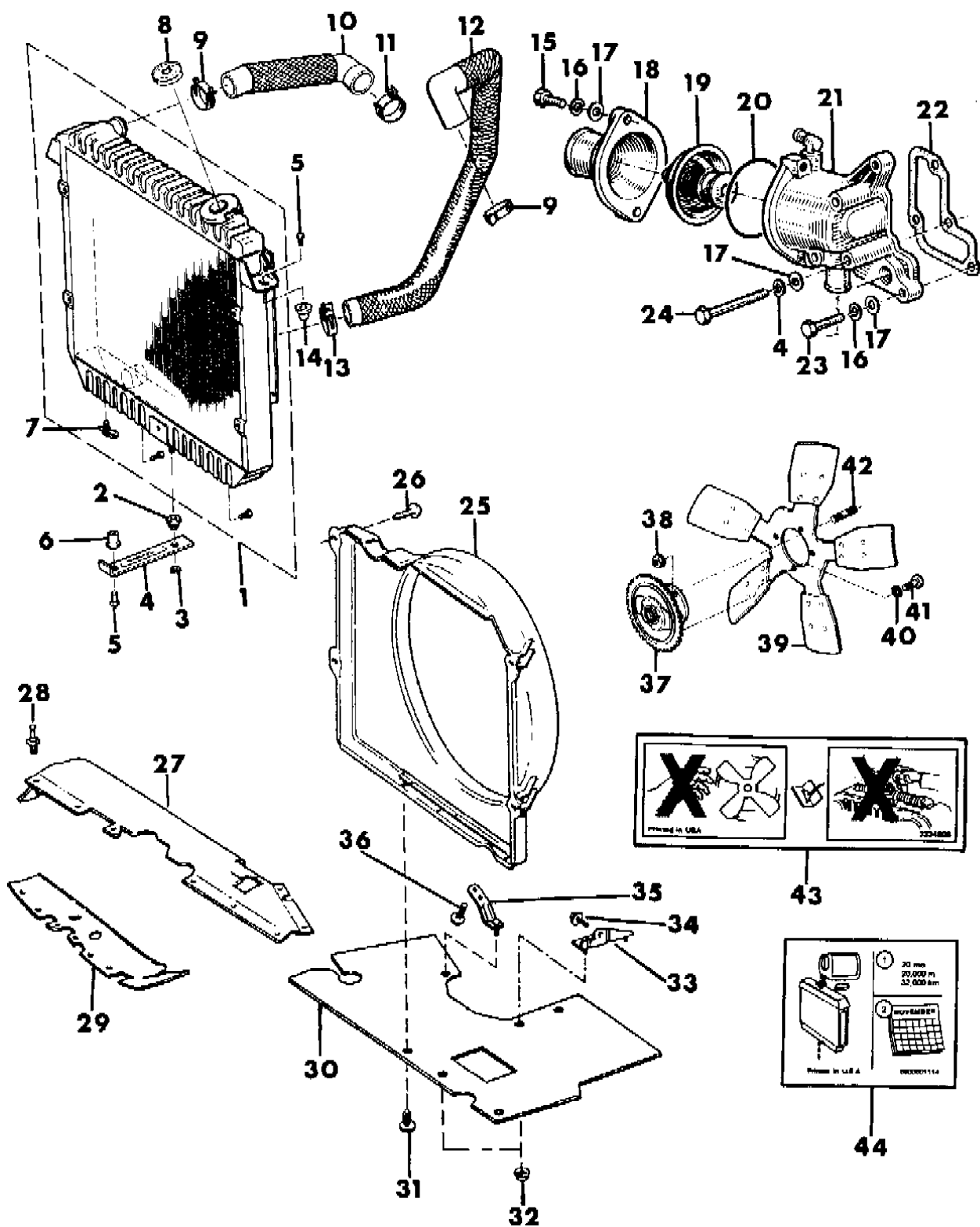
AR = Use as Required - = Non Illustrated Part P.A.R. = Paint as Required



# RADIATOR AND RELATED PARTS DIESEL ENGINE CHEROKEE, COMANCHE - EXPORT

## Figure 7-800

8 J07 800 C



ITEM	PART NUMBER	QTY	BODY	MODEL	DESCRIPTION
1	5300 1174	1			RADIATOR
2	5300 0511	1			GROMMET
3	3420 1494	1			RING, Retaining
4	5300 0510	1			BRACE, Radiator
5	1150 2628	3			BOLT
6	3420 1493	1			NUT
7	J316 6547	1			DRAINCOCK
8	J536 4692	1			CAP, Radiator
9	3200 2983	2			CLAMP
10	5200 3800	1			HOSE, Inlet
11	3200 2371	1			CLAMP
12	5200 3799	1			HOSE, Outlet
13	5200 5580	1			CLAMP
14	3420 1348	2			NUT
15	T300 1634	2			BOLT
16	T305 5031	14			WASHER, Lock
17	T305 3074	14			WASHER, Flat
18	T065 6732	1			OUTLET, Thermostat
19	T069 7157	1			THERMOSTAT, Engine Coolant
20	T024 5057	1			GASKET
21	T072 7361	1			HOUSING, Thermostat
22	T134 8932	1			GASKET
23	T300 1614	1			BOLT
24	T300 1238	3			BOLT
25	5300 1177	1			SHROUD, Fan
26	J318 9013	4			SCREW
27	5500 3056	1			SEAL
28	3420 1621	14			RIVET
29	5500 3057	1			SEAL
30	5200 1858	1			SHIELD, Engine Splash
31	J400 4919	3			NUT
32	J400 5813	3			NUT (1987)
33	J400 6220	3			NUT
34	1150 2702	5			NUT (1987)
35	5300 2543	1			BRACKET, Splash Shield - Left
36	3420 1540	2			BOLT
37	5300 2544	1			BRACKET, Splash Shield - Right

MODEL CODES:  
 15 = Grand Wagoneer 4 Dr.      65 = Comanche 4WD-7 Ft. Box      77 = Cherokee 4WD-2 Dr.  
 25 = J-10 Pickup-119" W.B.      66 = Comanche 2WD-7 Ft. Box      78 = Cherokee 4WD-4 Dr.  
 26 = J-10 Pickup-131" W.B.      73 = Cherokee 2WD-2 Dr.      79 = Cherokee 4WD-4 Dr.-Com  
 27 = J-20 Pickup-131" W.B.      74 = Cherokee 2WD-4 Dr.      81 = Wrangler-93" W.B.  
 63 = Comanche 4WD-6 Ft. Box      75 = Wagoneer 4WD-4 Dr.      82 = Wrangler-103" W.B.-Exp.  
 64 = Comanche 2WD-6 Ft. Box

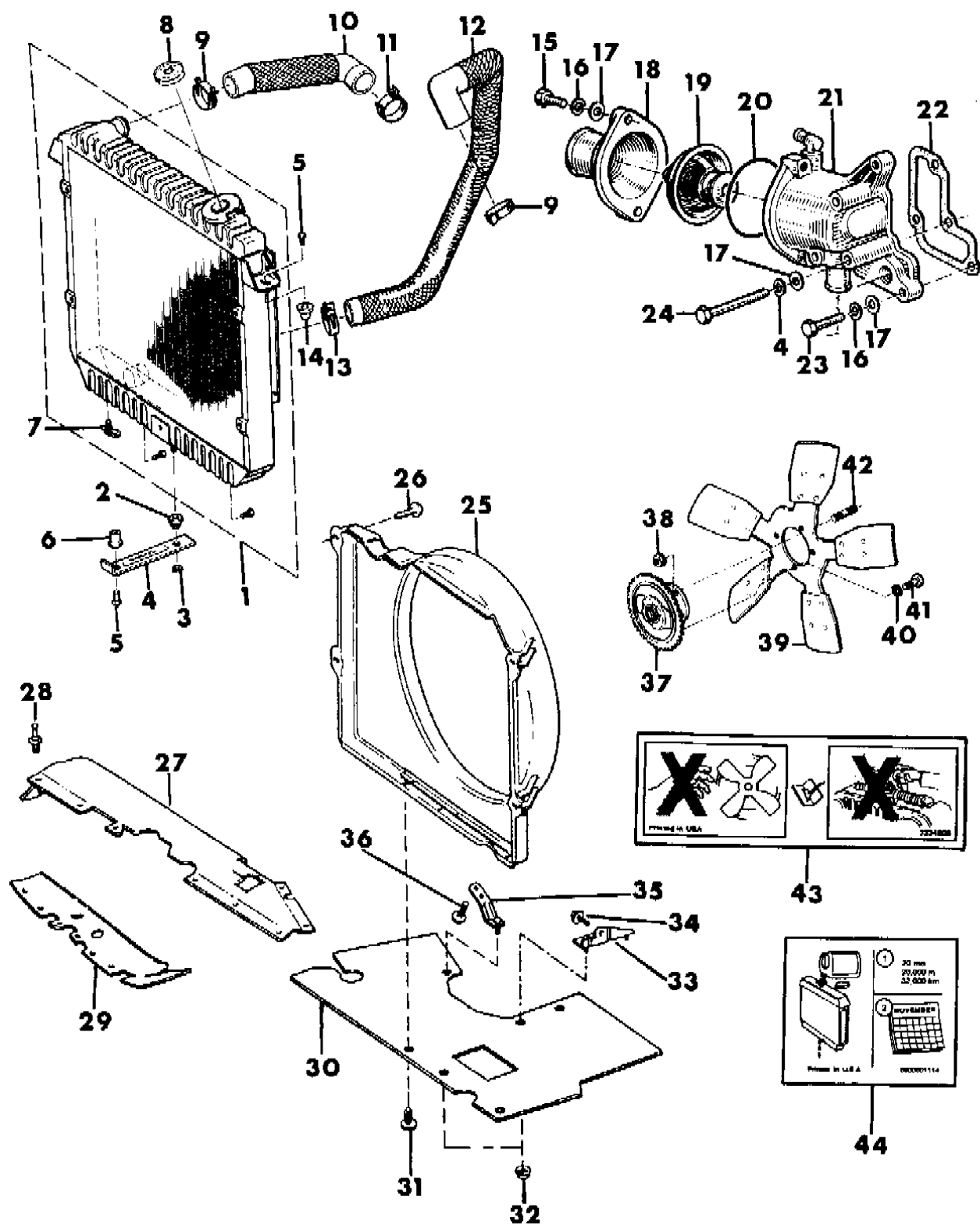
BODY STYLES:  
 MJ = Comanche Pickup  
 SJ = Grand Wagoneer Wgn., J-10 & J-20 Pickups  
 XJ = Cherokee, Wagoneer Limited  
 YJ = Wrangler

AR = Use as Required - = Non Illustrated Part P.A.R. = Paint as Required

# RADIATOR AND RELATED PARTS DIESEL ENGINE CHEROKEE, COMANCHE - EXPORT

## Figure 7-800

8 J07 800 C



ITEM	PART NUMBER	QTY	BODY	MODEL	DESCRIPTION
36	3420 1912	2			SCREW
37	5300 1168	1			DRIVE, Fan
38	3420 1658	4			NUT, Lock
39	5300 1706	1			FAN, Cooling
40	J012 0214	4			WASHER, Lock
41	J045 4895	4			BOLT
42	3420 2197	4			STUD
43	J323 4806	1			LABEL, Fan
44	3300 1114	1			LABEL, Radiator

**MODEL CODES:**

15 = Grand Wagoneer 4 Dr.	65 = Comanche 4WD-7 Ft. Box	77 = Cherokee 4WD-2 Dr.
25 = J-10 Pickup-119" W.B.	66 = Comanche 2WD-7 Ft. Box	78 = Cherokee 4WD-4 Dr.
26 = J-10 Pickup-131" W.B.	73 = Cherokee 2WD-2 Dr.	79 = Cherokee 4WD-4 Dr.-Com
27 = J-20 Pickup-131" W.B.	74 = Cherokee 2WD-4 Dr.	81 = Wrangler-93" W.B.
63 = Comanche 4WD-6 Ft. Box	75 = Wagoneer 4WD-4 Dr.	82 = Wrangler-103" W.B.-Exp.
64 = Comanche 2WD-6 Ft. Box		

**BODY STYLES:**

MJ = Comanche Pickup  
 SJ = Grand Wagoneer Wgn., J-10 & J-20 Pickups  
 XJ = Cherokee, Wagoneer Limited  
 YJ = Wrangler

AR = Use as Required - = Non Illustrated Part P.A.R. = Paint as Required

RADIATOR AND RELATED PARTS 6 CYLINDER ENGINE GRAND WAGONEER, J10

Figure 7-900

8J07 900

ITEM	PART NUMBER	QTY	BODY	MODEL	DESCRIPTION
1					RADIATOR
	J536 1456	1			Stamped 6976 - Manual Transmission - Standard Duty Cooling
	J536 1576	1			Stamped 9099 - Manual Transmission - Heavy Duty Cooling
2	J535 9274	1			DRAINCOCK
3					CAP, Radiator
	J535 2954	1			w/o Heavy Duty Cooling
	J535 8177	1			Heavy Duty Cooling
4	J320 3078	3			CLAMP
5	J536 2698	1			HOSE, Inlet
6	J012 0524	2			CLIP
7	J400 6951	1			BOLT
8	J012 0393	2			WASHER
9	J320 3739	1			HOSE, Bulk 1 foot
10	J320 3076	2			CLAMP
11	J400 6985	1			BOLT
12	J323 5347	1			HOUSING, Thermostat
13	J318 9874	1			GASKET
14	8350 1426	1			THERMOSTAT PACKAGE, Engine Coolant
15	J320 3079	1			CLAMP
16	J535 4405	1			HOSE, Outlet
17	J535 9100	1			SHROUD Heavy Duty Cooling
18	J400 3556	4			BOLT
19	J400 4208	4			NUT
20					DRIVE, Fan
	J536 2170	1			Heavy Duty Cooling - w/o Serpentine Belt Drive
	J536 2520	1			Serpentine Belt Drive
21	J027 1184	4			NUT
22	J536 2528	1			FAN, Cooling - Serpentine Belt Drive
23	J012 0214	4			WASHER
24	J018 0075	4			BOLT
25	J099 4277	1			FAN, Cooling - Heavy Duty Cooling - w/o Serpentine Belt Drive
26	5200 2171	1			FAN, Cooling - w/o Heavy Duty Cooling - w/o Serpentine Belt Drive
27	S018 1618	4			BOLT - w/o Heavy Duty Cooling - w/o Serpentine Belt Drive
28	J322 9710	1			SPACER - w/o Heavy Duty Cooling - w/o Serpentine Belt Drive

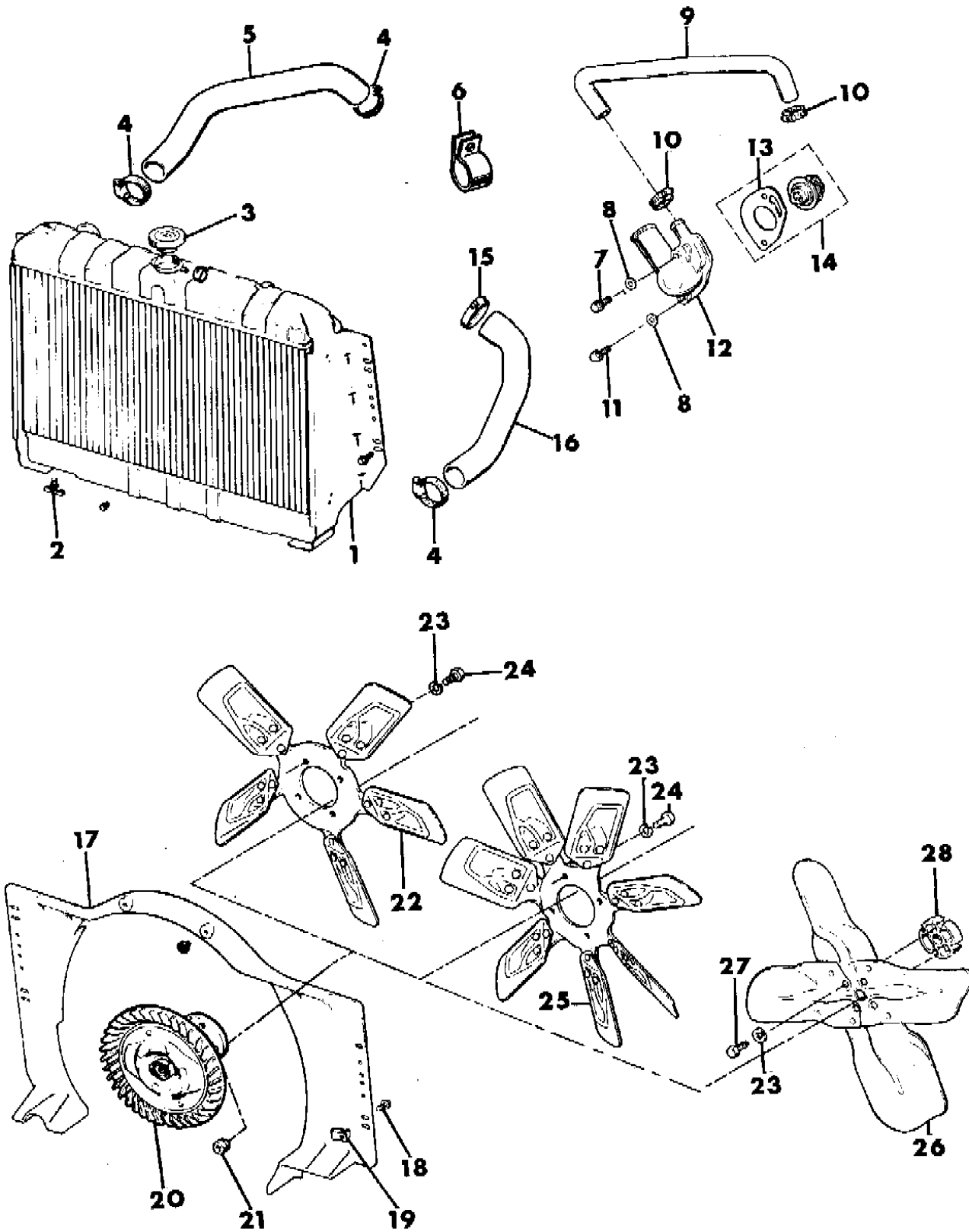
MODEL CODES:

15 = Grand Wagoneer 4 Dr.	65 = Comanche 4WD-7 Ft. Box	77 = Cherokee 4WD-2 Dr.
25 = J-10 Pickup-119" W.B.	66 = Comanche 2WD-7 Ft. Box	78 = Cherokee 4WD-4 Dr.
26 = J-10 Pickup-131" W.B.	73 = Cherokee 2WD-2 Dr.	79 = Cherokee 4WD-4 Dr.-Com
27 = J-20 Pickup-131" W.B.	74 = Cherokee 2WD-4 Dr.	81 = Wrangler-93" W.B.
63 = Comanche 4WD-6 Ft. Box	75 = Wagoneer 4WD-4 Dr.	82 = Wrangler-103" W.B.-Exp.
64 = Comanche 2WD-6 Ft. Box		

BODY STYLES:

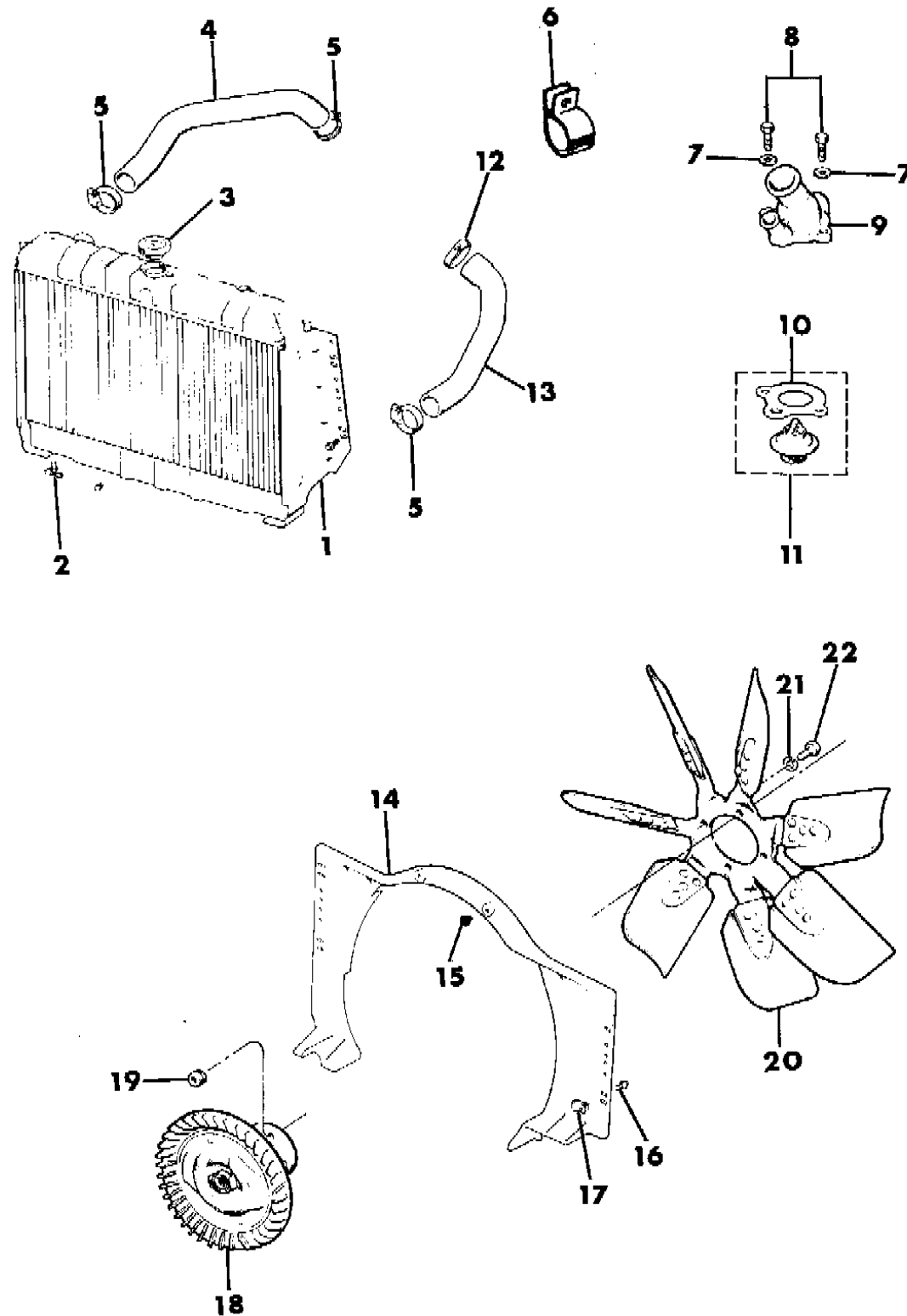
MJ = Comanche Pickup  
 SJ = Grand Wagoneer Wgn., J-10 & J-20 Pickups  
 XJ = Cherokee, Wagoneer Limited  
 YJ = Wrangler

AR = Use as Required - = Non Illustrated Part P.A.R. = Paint as Required



**RADIATOR AND RELATED PARTS 8 CYLINDER ENGINE GRAND WAGONEER, J10, J20**  
**Figure 7-1000**

8 J07 1000



ITEM	PART NUMBER	QTY	BODY	MODEL	DESCRIPTION
1					RADIATOR
	5200 3751	1			Stamped 52003751 (Max Cooling)
	J536 1575	1			Stamped 52001575 (Standard Duty)
2	J535 9274	1			DRAINCOCK
3					CAP, Radiator
	J535 2954	1			w/o Heavy Duty Cooling 1987-89
	J535 8177	1			w/Heavy Duty Cooling 1987-89
	J535 8177	1			1990
4					HOSE, Inlet
	8350 3499	1			1987-88
	8350 5532	1			1989-90
5	J320 3078	3			CLAMP
6	J012 0524	2			CLIP
7	J012 0393	2			WASHER
8	J018 0079	2			BOLT
9	J323 8509	1			HOUSING, Thermostat
10	J318 7543	1			GASKET
11	J812 7383	1			THERMOSTAT PACKAGE, Engine Coolant
12	J320 3079	1			CLAMP
13	J535 4528	1			HOSE, Outlet
14	J536 1650	1			SHROUD - Heavy Duty Cooling
15	J096 8072	2			BUMPER - Heavy Duty Cooling
16	J400 3556	4			BOLT
17	J400 4208	4			NUT
18	J536 2722	1			DRIVE, Fan
19	J027 1184	4			NUT
20	J099 4277	1			FAN, Cooling
21	J012 0214	4			WASHER, Lock
22	J018 0075	4			BOLT

**MODEL CODES:**

15 = Grand Wagoneer 4 Dr.	65 = Comanche 4WD-7 Ft. Box	77 = Cherokee 4WD-2 Dr.
25 = J-10 Pickup-119" W.B.	66 = Comanche 2WD-7 Ft. Box	78 = Cherokee 4WD-4 Dr.
26 = J-10 Pickup-131" W.B.	73 = Cherokee 2WD-2 Dr.	79 = Cherokee 4WD-4 Dr.-Com
27 = J-20 Pickup-131" W.B.	74 = Cherokee 2WD-4 Dr.	81 = Wrangler-93" W.B.
63 = Comanche 4WD-6 Ft. Box	75 = Wagoneer 4WD-4 Dr.	82 = Wrangler-103" W.B.-Exp.
64 = Comanche 2WD-6 Ft. Box		

**BODY STYLES:**

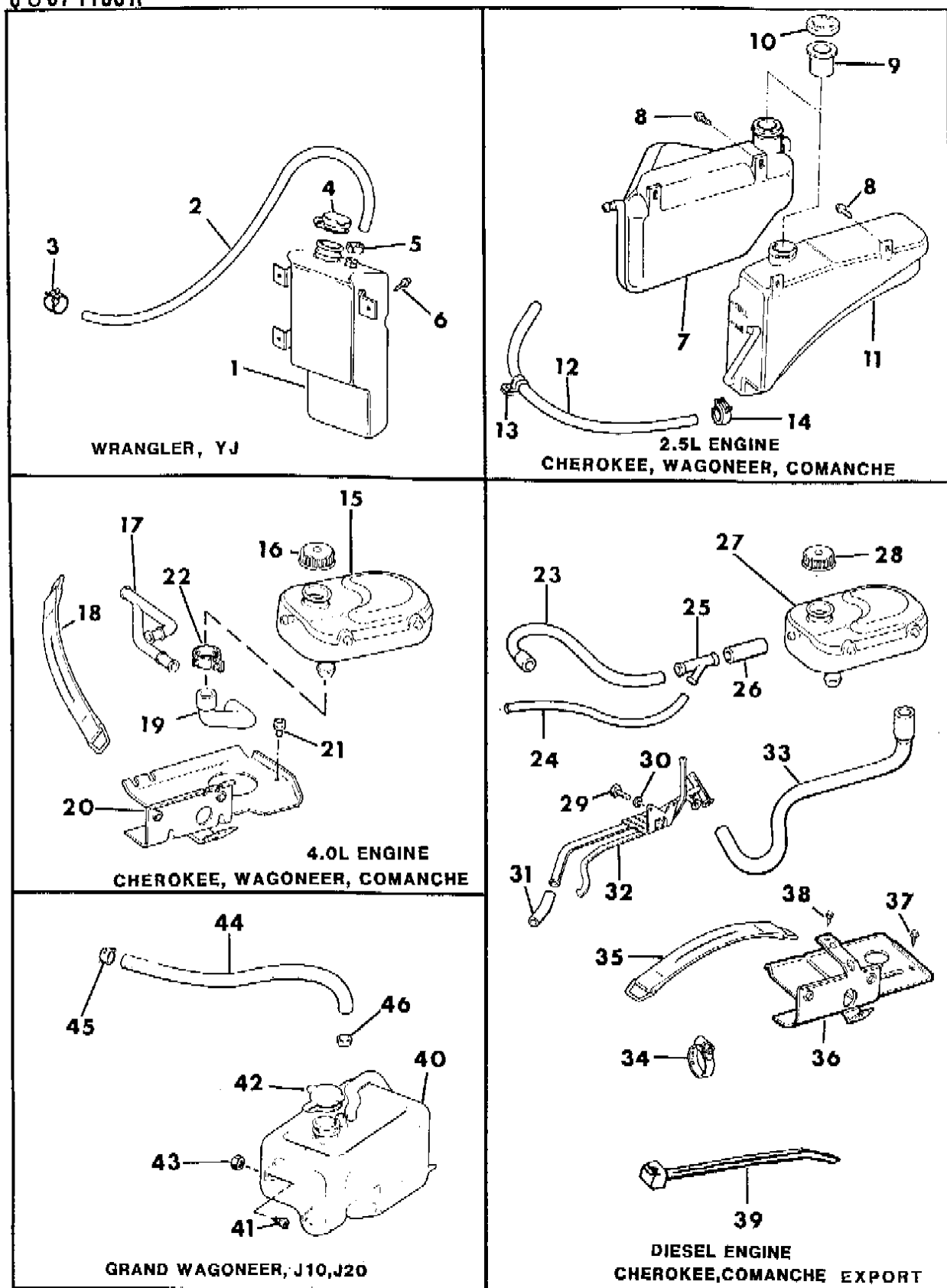
MJ = Comanche Pickup  
 SJ = Grand Wagoneer Wgn., J-10 & J-20 Pickups  
 XJ = Cherokee, Wagoneer Limited  
 YJ = Wrangler

AR = Use as Required - = Non Illustrated Part P.A.R. = Paint as Required

# CONDENSER TANKS

Figure 7-1100

8 J 07 1100A



ITEM	PART NUMBER	QTY	BODY	MODEL	DESCRIPTION
1	J536 2920	1			BOTTLE, Coolant
2	J536 3169	1			HOSE 1987-89
	J536 2888	1			1990
3	J093 4246	1			CLAMP
4	J322 3202	1			CAP, Coolant Bottle
5	J322 3128	1			CLAMP
6					BOLT
	J400 4801	3			Up to 4-24-89
	J400 6850	3			Vehicles Built 4-24-89 and later
7	5300 0018	1			BOTTLE, Coolant - Export
8	3420 1784	2			SCREW
9	3300 0576	1			BAFFLE, Coolant Bottle
10	3300 0438	1			CAP, Coolant Bottle
11	5200 3213	1			BOTTLE, Coolant - U.S. and Canada
12					HOSE
	5200 3091	1			U.S. and Canada
	5300 0020	1			Export
13	J012 0526	1			CLIP
14	J400 6047	1			CLAMP
15	J075 8977	1			BOTTLE, Coolant
16	4401 790	1			CAP, Coolant Bottle
17	5200 3248	1			TEE
18	J400 0715	1			STRAP, Coolant Bottle
19	5200 3245	1			HOSE
20	5200 2940	1			BRACKET, Coolant Bottle
21	1150 2453	3			SCREW
22	3200 2364	2			CLAMP
23	5200 2064	1			HOSE, Thermostat to Tee
24	5200 2065	1			HOSE, Radiator to Tee
25	5200 2066	1			TEE
26	5200 2070	1			HOSE, Tee to Bottle
27	J075 8977	1			BOTTLE, Coolant
28	4401 790	1			CAP, Coolant Bottle
29	T300 1120	2			BOLT
30	T305 5007	2			WASHER
31	T071 5737	1			HOSE, Tube to Water Pump
32	T072 5376	1			TUBE ASSEMBLY, Coolant

MODEL CODES:

- |                             |                             |                              |
|-----------------------------|-----------------------------|------------------------------|
| 15 = Grand Wagoneer 4 Dr.   | 65 = Comanche 4WD-7 Ft. Box | 77 = Cherokee 4WD-2 Dr.      |
| 25 = J-10 Pickup-119" W.B.  | 66 = Comanche 2WD-7 Ft. Box | 78 = Cherokee 4WD-4 Dr.      |
| 26 = J-10 Pickup-131" W.B.  | 73 = Cherokee 2WD-2 Dr.     | 79 = Cherokee 4WD-4 Dr.-Com  |
| 27 = J-20 Pickup-131" W.B.  | 74 = Cherokee 2WD-4 Dr.     | 81 = Wrangler-93" W.B.       |
| 63 = Comanche 4WD-6 Ft. Box | 75 = Wagoneer 4WD-4 Dr.     | 82 = Wrangler-103" W.B.-Exp. |
| 64 = Comanche 2WD-6 Ft. Box |                             |                              |

BODY STYLES:

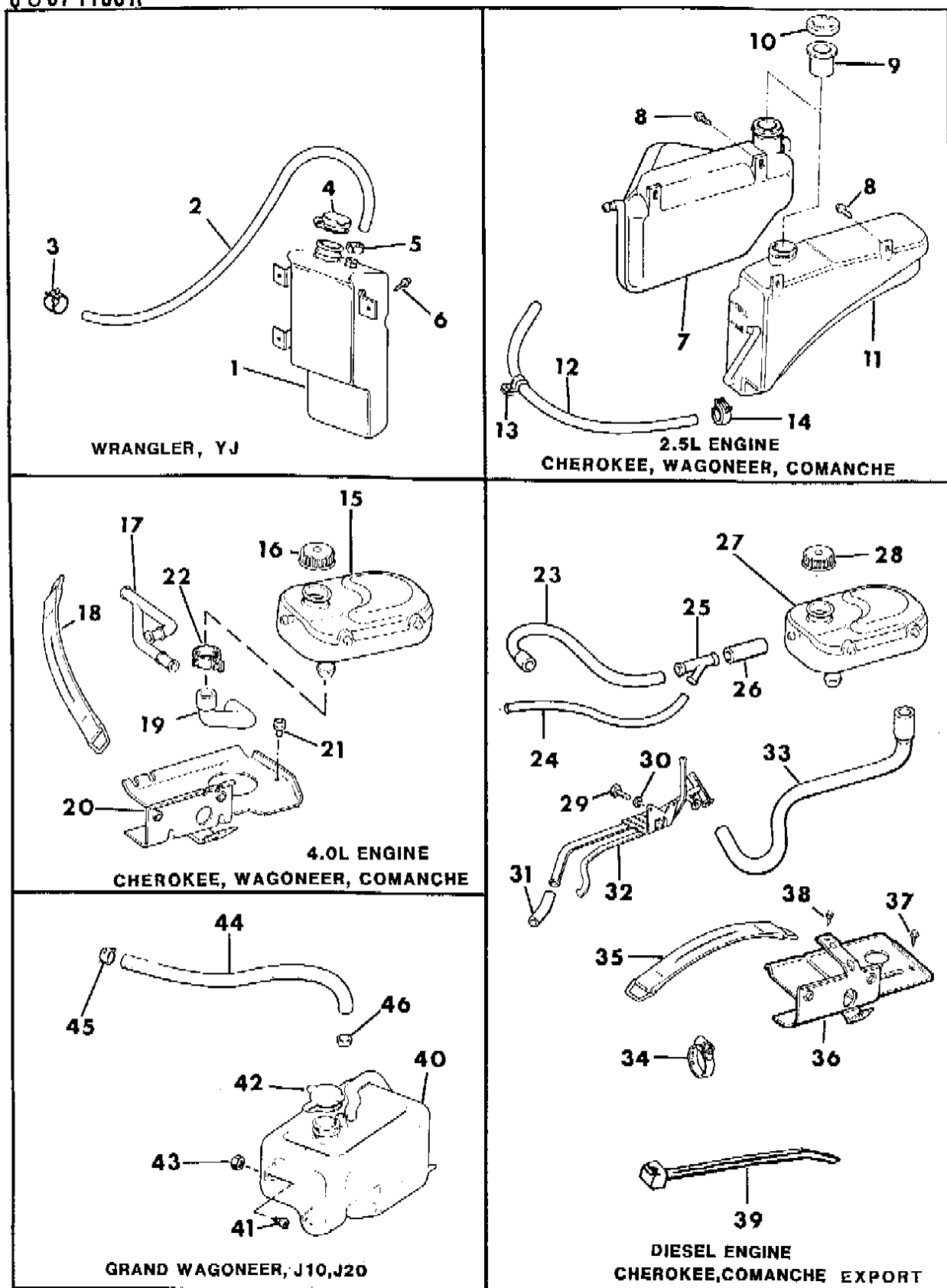
- MJ = Comanche Pickup  
 SJ = Grand Wagoneer Wgn., J-10 & J-20 Pickups  
 XJ = Cherokee, Wagoneer Limited  
 YJ = Wrangler

AR = Use as Required - = Non Illustrated Part P.A.R. = Paint as Required

# CONDENSER TANKS

Figure 7-1100

8 J 07 1100A



ITEM	PART NUMBER	QTY	BODY	MODEL	DESCRIPTION
33	5200 2063	1			HOSE, Bottle To Heater
34					CLAMP
	3300 0785	AR			12mm thru 20mm
	3300 0784	AR			17mm thru 25mm
	J320 3076	AR			14mm thru 27mm
	J320 3077	AR			21mm thru 44mm
	J320 3078	AR			33mm thru 57mm
35	J400 0715	1			STRAP, Coolant Bottle
36	5200 2067	1			BRACKET, Coolant Bottle
37	1150 2453	2			SCREW
38	3420 2399	1			BOLT
39					STRAP
	J322 3227	AR			Standard Duty Cooling - 200mm
	J369 3058	AR			Standard Duty Cooling - 300mm
	J323 0270	AR			Heavy Duty Cooling - 350mm
	J323 5187	AR			Heavy Duty Cooling - 450mm
40	J535 8026	1			BOTTLE, Coolant ***
41					SCREW
	J400 5466	1			.50"
	J018 8926	1			.62"
42	J322 3202	1			CAP
43	J012 0361	1			NUT
44	J536 3169	1			HOSE
45	J093 4246	1			CLAMP
46	J322 3128	2			CLAMP
47	J072 9451	2			HOSE, Oil Drain

MODEL CODES:

15 = Grand Wagoneer 4 Dr.	65 = Comanche 4WD-7 Ft. Box	77 = Cherokee 4WD-2 Dr.
25 = J-10 Pickup-119" W.B.	66 = Comanche 2WD-7 Ft. Box	78 = Cherokee 4WD-4 Dr.
26 = J-10 Pickup-131" W.B.	73 = Cherokee 2WD-2 Dr.	79 = Cherokee 4WD-4 Dr.-Com
27 = J-20 Pickup-131" W.B.	74 = Cherokee 2WD-4 Dr.	81 = Wrangler-93" W.B.
63 = Comanche 4WD-6 Ft. Box	75 = Wagoneer 4WD-4 Dr.	82 = Wrangler-103" W.B.-Exp.
64 = Comanche 2WD-6 Ft. Box		

BODY STYLES:

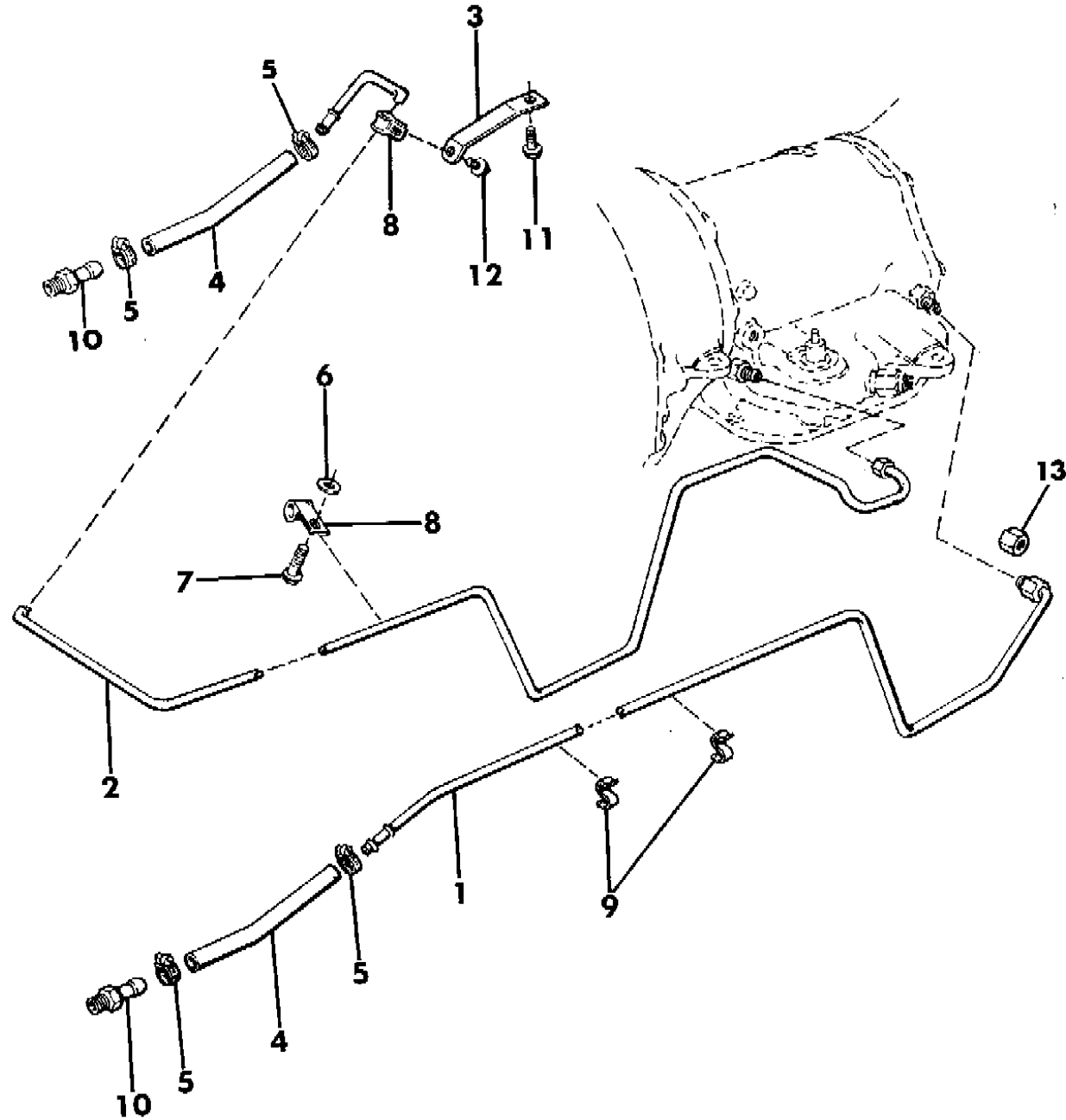
MJ = Comanche Pickup  
 SJ = Grand Wagoneer Wgn., J-10 & J-20 Pickups  
 XJ = Cherokee, Wagoneer Limited  
 YJ = Wrangler

AR = Use as Required - = Non Illustrated Part P.A.R. = Paint as Required

OIL COOLER LINES AUTOMATIC TRANSMISSION WRANGLER, YJ  
Figure 7-1200

8J07 1200

ITEM	PART NUMBER	QTY	BODY	MODEL	DESCRIPTION
1	5300 2012	1			TUBE, Oil Supply
2	5300 2013	1			TUBE, Oil Return 1987-1989
	4418 154	1			1990
3	J536 3747	1			BRACKET, Return Line
4	J812 5814	2			HOSE Bulk
5	J400 6502	4			CLAMP, Hose Oil Cooler Lines
6	J066 9842	4			SPACER
7	J400 6393	2			BOLT 1/4-20
8	J012 0522	3			CLIP, Tube #5x1
9	J400 0021	3			CLIP, Tube
10	J318 7949	2			FITTING
11	J400 6296	1			SCREW 1/4-20x.56
12	J942 6241	1			BOLT 1/4-14x.50
13	J400 4457	2			NUT 1/4-20



MODEL CODES:

15 = Grand Wagoneer 4 Dr.	65 = Comanche 4WD-7 Ft. Box	77 = Cherokee 4WD-2 Dr.
25 = J-10 Pickup-119" W.B.	66 = Comanche 2WD-7 Ft. Box	78 = Cherokee 4WD-4 Dr.
26 = J-10 Pickup-131" W.B.	73 = Cherokee 2WD-2 Dr.	79 = Cherokee 4WD-4 Dr.-Com
27 = J-20 Pickup-131" W.B.	74 = Cherokee 2WD-4 Dr.	81 = Wrangler-93" W.B.
63 = Comanche 4WD-6 Ft. Box	75 = Wagoneer 4WD-4 Dr.	82 = Wrangler-103" W.B.-Exp.
64 = Comanche 2WD-6 Ft. Box		

BODY STYLES:

MJ = Comanche Pickup  
SJ = Grand Wagoneer Wgn., J-10 & J-20 Pickups  
XJ = Cherokee, Wagoneer Limited  
YJ = Wrangler

AR = Use as Required - = Non Illustrated Part P.A.R. = Paint as Required

# OIL COOLER AND LINES AUTOMATIC TRANSMISSION CHEROKEE, WAGONEER, COMANCHE

## Figure 7-1300

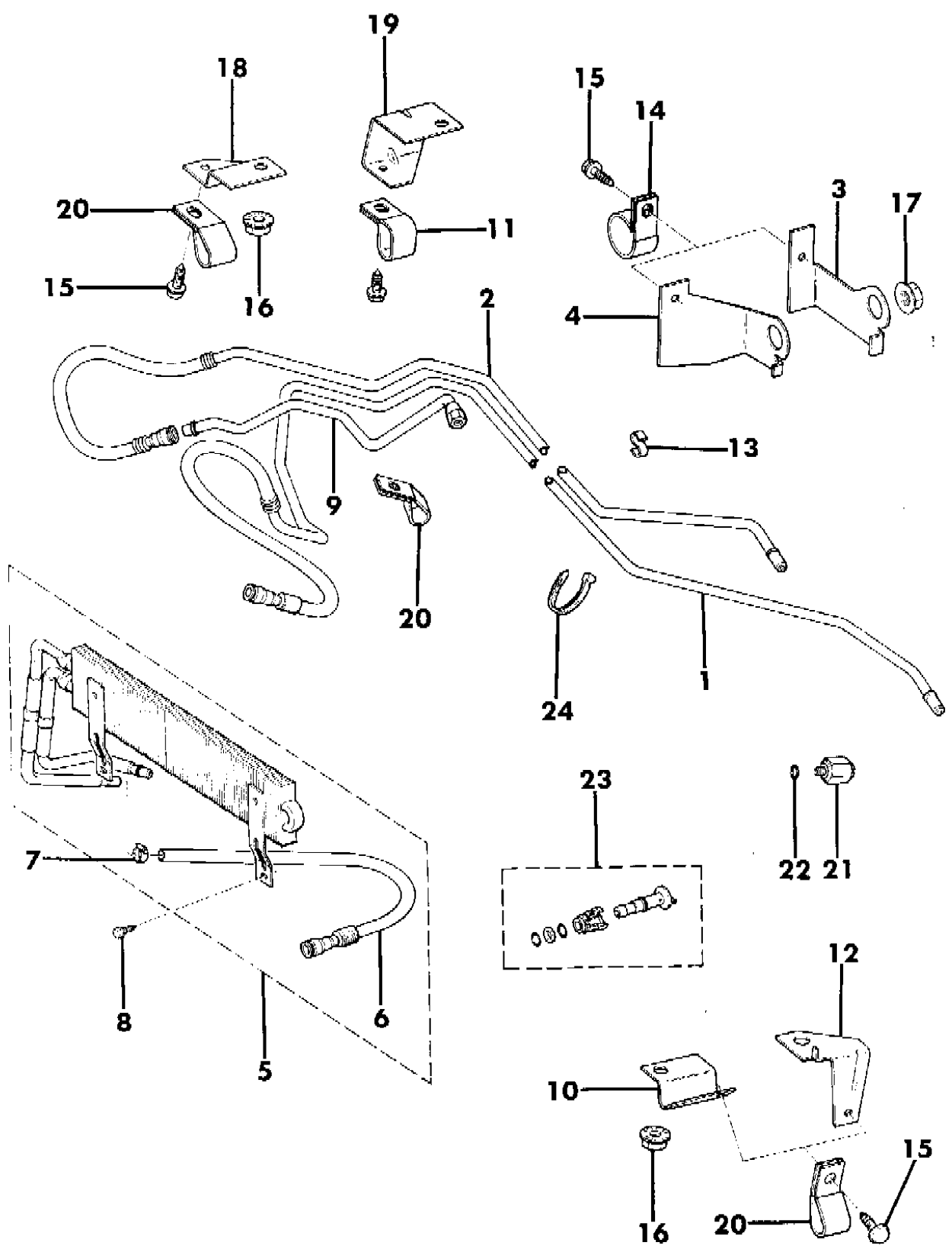
8J07 1300

ITEM	PART NUMBER	QTY	BODY	MODEL	DESCRIPTION
1	5300 2868	1			TUBE, Supply - 4 Cylinder Engine
	5300 4531	1			TUBE, Return - 6 Cylinder Engine
2	5300 2867	1			TUBE, Return - 4 Cylinder Engine
	5300 4530	1			TUBE, Supply - 6 Cylinder Engine
3	5300 4696	1			BRACKET, Tube Clip Support - 4 Cylinder Engine
4	5300 4631	1			BRACKET, Tube Clip Mounting - 6 Cylinder Engine
5	8220 0668	1			COOLER, Auxiliary Oil, Heavy Duty Cooling (stamped 52002595)
6	5200 3476	1			HOSE ASSEMBLY - 6 Cylinder Engine
7	J320 3076	1			CLAMP - 6 Cylinder Engine
8	1150 2843	2			SCREW - 6 Cylinder Engine
9	5300 5224	1			TUBE ASSEMBLY, Oil Cooler
10	5300 4992	1			BRACKET - 4 Cylinder Engine
11	3420 2698	2			CLIP - 6 Cylinder Engine
12	5300 4989	1			BRACKET - 6 Cylinder Engine
13	J400 0021	2			CLIP "S" ***
14	J400 1717	1			CLIP
15	J942 1073	AR			SCREW #10-16x.50
16	S027 3801	2			NUT
17	1150 2813	1			NUT - 6 Cylinder Engine
18	5300 4991	1			BRACKET - 4 Cylinder Engine
19	5300 4990	1			BRACKET - 6 Cylinder Engine
20	3420 2697	2			CLIP
21	8350 3728	2			UNION
22	8350 3727	2			O-RING
23	8350 4447	5			REPAIR PACKAGE, Oil Cooler Lines Connect
24	3420 1788	AR			STRAP, Wiring

MODEL CODES:  
 15 = Grand Wagoneer 4 Dr.      65 = Comanche 4WD-7 Ft. Box      77 = Cherokee 4WD-2 Dr.  
 25 = J-10 Pickup-119" W.B.      66 = Comanche 2WD-7 Ft. Box      78 = Cherokee 4WD-4 Dr.  
 26 = J-10 Pickup-131" W.B.      73 = Cherokee 2WD-2 Dr.      79 = Cherokee 4WD-4 Dr.-Com  
 27 = J-20 Pickup-131" W.B.      74 = Cherokee 2WD-4 Dr.      81 = Wrangler-93" W.B.  
 63 = Comanche 4WD-6 Ft. Box      75 = Wagoneer 4WD-4 Dr.      82 = Wrangler-103" W.B.-Exp.  
 64 = Comanche 2WD-6 Ft. Box

BODY STYLES:  
 MJ = Comanche Pickup  
 SJ = Grand Wagoneer Wgn., J-10 & J-20 Pickups  
 XJ = Cherokee, Wagoneer Limited  
 YJ = Wrangler

AR = Use as Required - = Non Illustrated Part P.A.R. = Paint as Required





OIL COOLER AND LINES AUTOMATIC TRANSMISSION GRAND WAGONEER

Figure 7-1400

8J07 1400

ITEM	PART NUMBER	QTY	BODY	MODEL	DESCRIPTION
1	J536 1659	1			COOLER, Auxiliary Oil
2	J536 1664	1			BRACKET, Auxiliary Oil Cooler, Right Hand
3					CLAMP
	J400 6502	4			.22" to .62"
	J400 6661	4			.44" to .78"
4	J536 1662	1			HOSE, Auxiliary Oil Cooler to Radiator
5	J536 1661	1			HOSE, Transmission Oil Cooler
6	J941 5803	4			SCREW
7	J536 1822	8			WASHER
8	J536 1663	1			BRACKET, Auxiliary Oil Cooler, Left Hand
9	J012 0392	4			WASHER
10	J941 6918	4			NUT
11	J400 1701	4			SCREW
12	J400 6393	1			SCREW
13	J012 0522	1			CLIP, Tube #5x1"
14	J094 1011	1			SPACER
15	J942 3545	1			BOLT
16	J321 5925	1			CLIP
17	J545 5277	1			SPACER
18	J322 3227	AR			STRAP
19	J942 6241	1			SCREW
20	J400 0021	AR			CLIP "S", Oil Cooler Tubes ***
21	J536 3746	1			BRACKET, Oil Cooler Tube Support
22					TUBE ASSEMBLY, Return *** w/o Auxiliary Cooler
	J536 3797	1			1987-89
	4418 154	AR			1990 - Bulk, 25' Roll Auxiliary Cooler
	J536 3798	1			1987-89
	4418 154	AR			1990 - Bulk, 25' Roll
23	J536 3808	1			TUBE ASSEMBLY, Oil Cooler Supply ***
24	J812 5814	1			HOSE Bulk
25	J400 6662	2			CONNECTOR, Auxiliary Oil Cooler Return Lines
26	J400 4457	2			NUT, Hex Tube 1/2-20 Return Cooling Lines
27	J012 0527	1			CLIP, Closed #10x1" Right Side

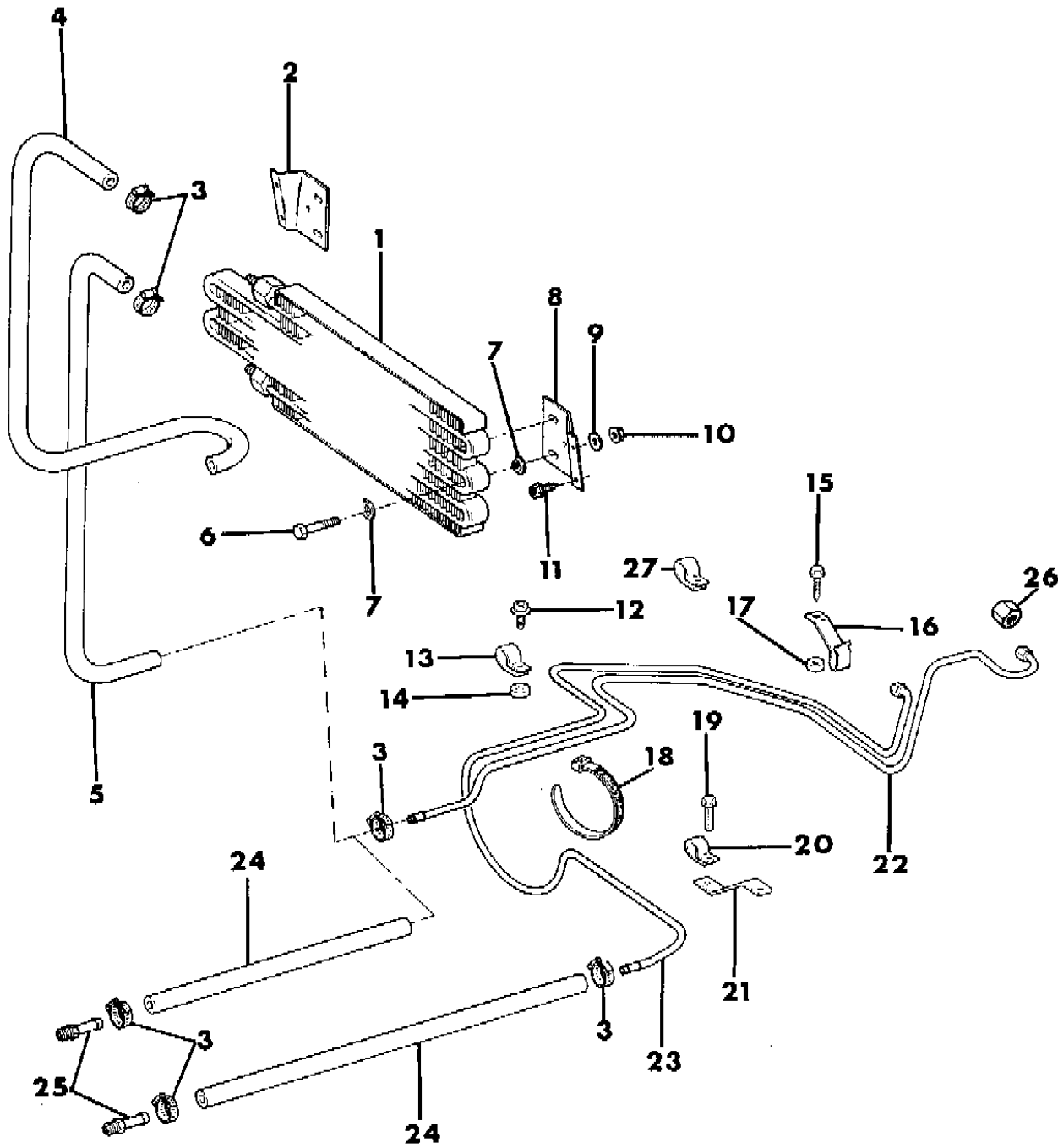
MODEL CODES:

15 = Grand Wagoneer 4 Dr.	65 = Comanche 4WD-7 Ft. Box	77 = Cherokee 4WD-2 Dr.
25 = J-10 Pickup-119" W.B.	66 = Comanche 2WD-7 Ft. Box	78 = Cherokee 4WD-4 Dr.
26 = J-10 Pickup-131" W.B.	73 = Cherokee 2WD-2 Dr.	79 = Cherokee 4WD-4 Dr.-Com
27 = J-20 Pickup-131" W.B.	74 = Cherokee 2WD-4 Dr.	81 = Wrangler-93" W.B.
63 = Comanche 4WD-6 Ft. Box	75 = Wagoneer 4WD-4 Dr.	82 = Wrangler-103" W.B.-Exp.
64 = Comanche 2WD-6 Ft. Box		

BODY STYLES:

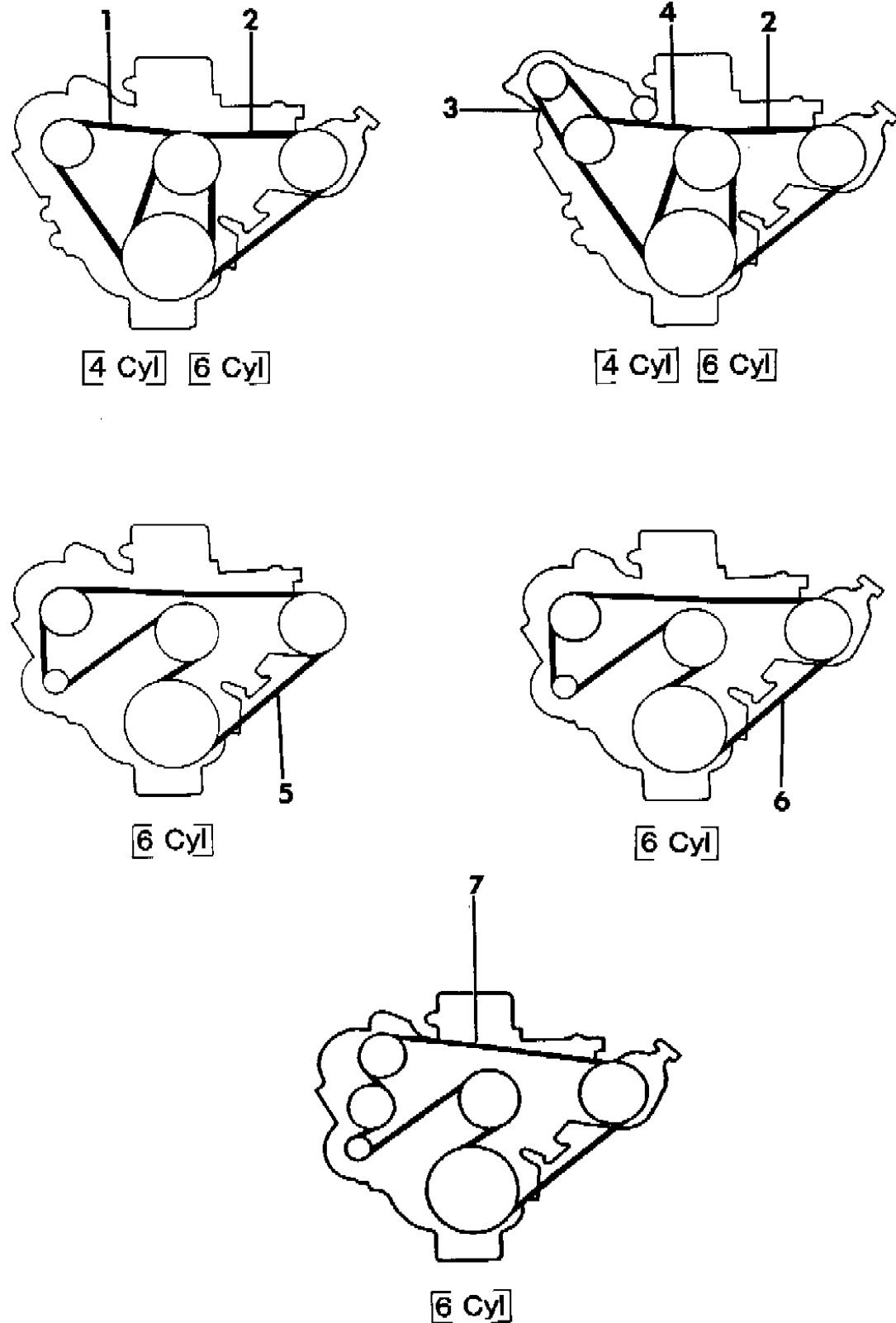
MJ = Comanche Pickup  
 SJ = Grand Wagoneer Wgn., J-10 & J-20 Pickups  
 XJ = Cherokee, Wagoneer Limited  
 YJ = Wrangler

AR = Use as Required - = Non Illustrated Part P.A.R. = Paint as Required



DRIVE BELTS WRANGLER, YJ  
Figure 7-1500

8J07 1500



ITEM	PART NUMBER	QTY	BODY	MODEL	DESCRIPTION
1					BELT, Alternator
	JY01 3432	1			1987
	J323 9615	1			1988-90
2					BELT, Power Steering
	JY01 7465	1			1987
	J322 6936	1			1988-90
3					BELT, Alternator "American Air" Air Conditioning
	JY01 3241	1			1987
	8350 1923	1			1988-90
4					BELT, Compressor - "American Air" Air Conditioning
	8350 3350	1			1987-89
	4573 334	1			1990
5					BELT, Serpentine - w/o Power Steering
	JK06 0785	1			1987
	5300 1119	1			1988-90
6					BELT, Serpentine - Power Steering
	JK06 0817	1			1987
	5300 1120	1			1988-90
7					BELT, Serpentine - Egypt KDX 24 Volt
	5300 1120	1			w/o Power Steering
					w/Power Steering
	JK06 0860	1			1987
	5300 3674	1			1988-90

MODEL CODES:  
 15 = Grand Wagoneer 4 Dr.      65 = Comanche 4WD-7 Ft. Box      77 = Cherokee 4WD-2 Dr.  
 25 = J-10 Pickup-119" W.B.      66 = Comanche 2WD-7 Ft. Box      78 = Cherokee 4WD-4 Dr.  
 26 = J-10 Pickup-131" W.B.      73 = Cherokee 2WD-2 Dr.      79 = Cherokee 4WD-4 Dr.-Com  
 27 = J-20 Pickup-131" W.B.      74 = Cherokee 2WD-4 Dr.      81 = Wrangler-93" W.B.  
 63 = Comanche 4WD-6 Ft. Box      75 = Wagoneer 4WD-4 Dr.      82 = Wrangler-103" W.B.-Exp.  
 64 = Comanche 2WD-6 Ft. Box

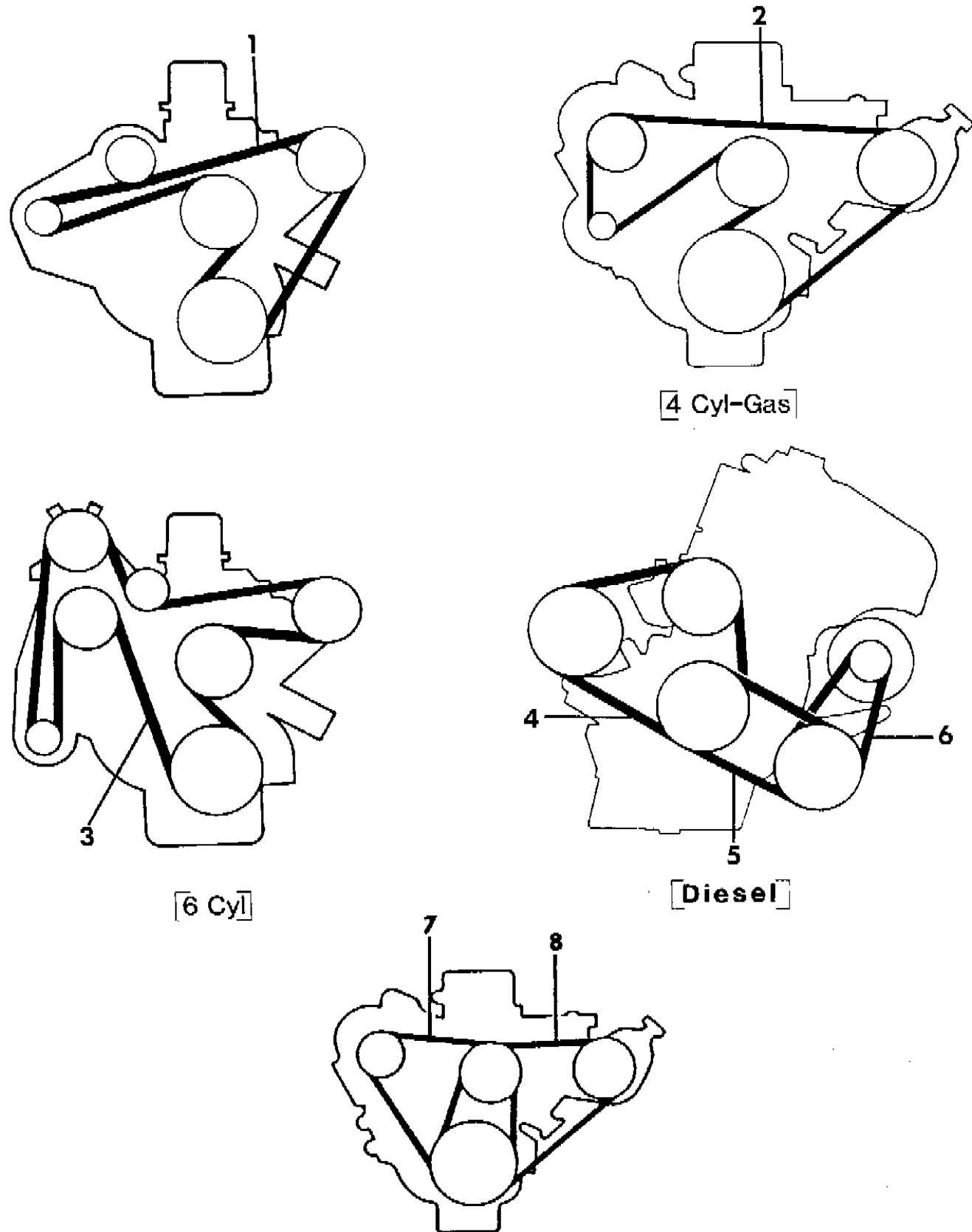
BODY STYLES:  
 MJ = Comanche Pickup  
 SJ = Grand Wagoneer Wgn., J-10 & J-20 Pickups  
 XJ = Cherokee, Wagoneer Limited  
 YJ = Wrangler

AR = Use as Required - = Non Illustrated Part P.A.R. = Paint as Required

DRIVE BELTS WAGONEER, CHEROKEE, COMANCHE

Figure 7-1600

8J07 1600A



ITEM	PART NUMBER	QTY	BODY	MODEL	DESCRIPTION
1	5300 2900	1			BELT, Serpentine - w/o Factory Installed Air Conditioning
2	5300 1120	1			BELT, Serpentine -w/Factory Installed Air Conditioning
3	5300 2899	1			BELT, Serpentine
4	5300 1772	1			BELT, Fan w/o Factory Installed Air Conditioning
	5300 2341	1			w/Factory Installed Air Conditioning
5	5300 1773	1			BELT, Power Steering
6	5300 1774	1			BELT, Alternator
7	J323 9615	1			BELT, Alternator, w/o Serpentine Belt Drive
8	J322 6936	1			BELT, Power Steering, w/o Serpentine Belt Drive

MODEL CODES:

15 = Grand Wagoneer 4 Dr.	65 = Comanche 4WD-7 Ft. Box	77 = Cherokee 4WD-2 Dr.
25 = J-10 Pickup-119" W.B.	66 = Comanche 2WD-7 Ft. Box	78 = Cherokee 4WD-4 Dr.
26 = J-10 Pickup-131" W.B.	73 = Cherokee 2WD-2 Dr.	79 = Cherokee 4WD-4 Dr.-Com
27 = J-20 Pickup-131" W.B.	74 = Cherokee 2WD-4 Dr.	81 = Wrangler-93" W.B.
63 = Comanche 4WD-6 Ft. Box	75 = Wagoneer 4WD-4 Dr.	82 = Wrangler-103" W.B.-Exp.
64 = Comanche 2WD-6 Ft. Box		

BODY STYLES:

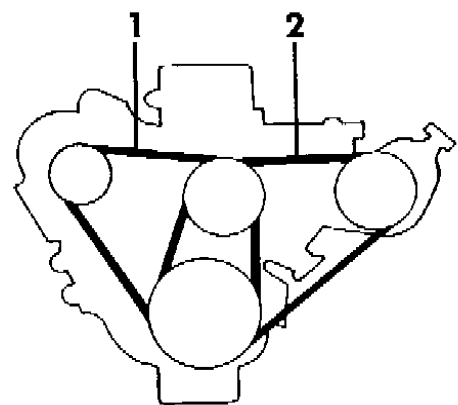
MJ = Comanche Pickup  
 SJ = Grand Wagoneer Wgn., J-10 & J-20 Pickups  
 XJ = Cherokee, Wagoneer Limited  
 YJ = Wrangler

AR = Use as Required - = Non Illustrated Part P.A.R. = Paint as Required

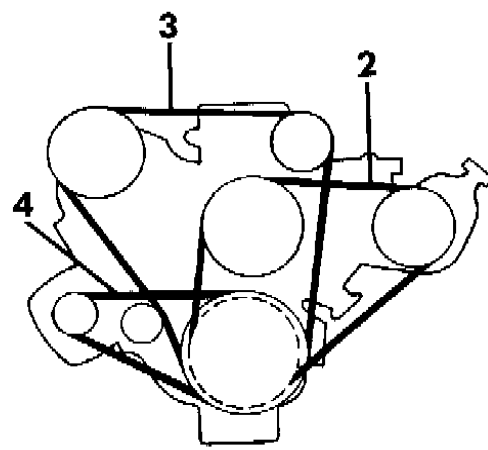
DRIVE BELTS GRAND WAGONEER

Figure 7-1700

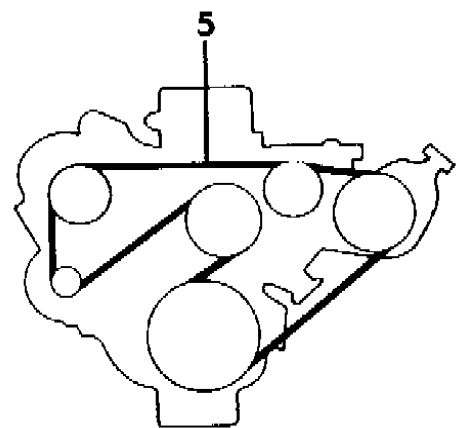
8J07 1700



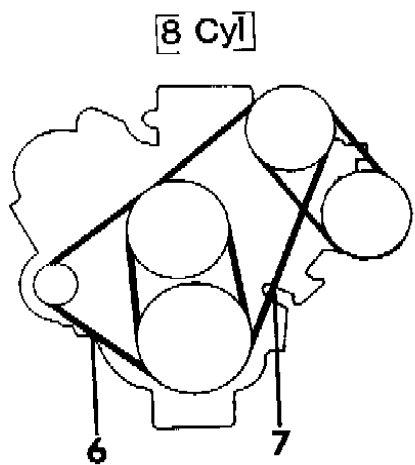
6 Cyl



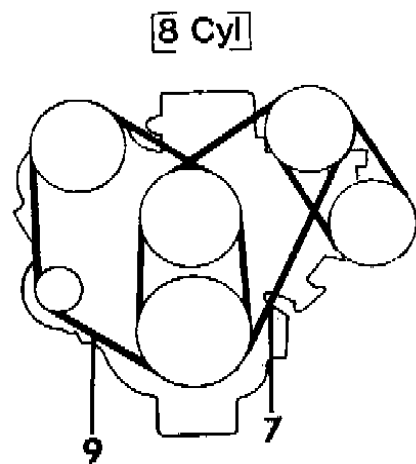
6 Cyl



6 Cyl



8 Cyl



8 Cyl

ITEM	PART NUMBER	QTY	BODY	MODEL	DESCRIPTION
1	J323 9615	1			BELT, Alternator
2	J322 6936	1			BELT, Power Steering
3	J324 1403	1			BELT, Air Conditioning
4	J323 9645	1			BELT, Alternator
5	J323 9594	1			BELT, Serpentine
6	J322 7690	1			BELT, Alternator - 56 or 78 Ampere
	J536 2181	1			BELT SET, Alternator - 85 or 94 Ampere ***
7	J322 7692	1			BELT, Power Steering
8	J322 8287	1			BELT, Air Pump
9					BELT SET, Alternator ***
	J322 7691	1			56, 78 or 94 Ampere ***
	J536 2180	1			85 Ampere

MODEL CODES:

15 = Grand Wagoneer 4 Dr.	65 = Comanche 4WD-7 Ft. Box	77 = Cherokee 4WD-2 Dr.
25 = J-10 Pickup-119" W.B.	66 = Comanche 2WD-7 Ft. Box	78 = Cherokee 4WD-4 Dr.
26 = J-10 Pickup-131" W.B.	73 = Cherokee 2WD-2 Dr.	79 = Cherokee 4WD-4 Dr.-Com
27 = J-20 Pickup-131" W.B.	74 = Cherokee 2WD-4 Dr.	81 = Wrangler-93" W.B.
63 = Comanche 4WD-6 Ft. Box	75 = Wagoneer 4WD-4 Dr.	82 = Wrangler-103" W.B.-Exp.
64 = Comanche 2WD-6 Ft. Box		

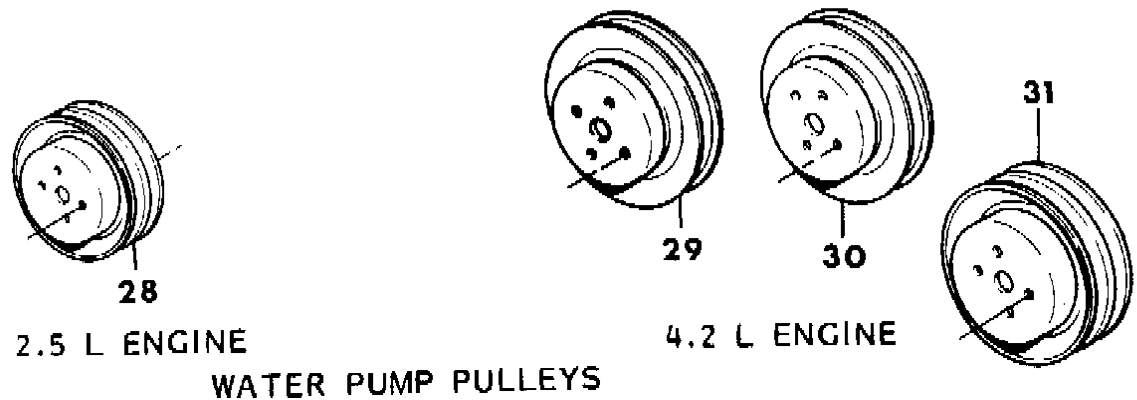
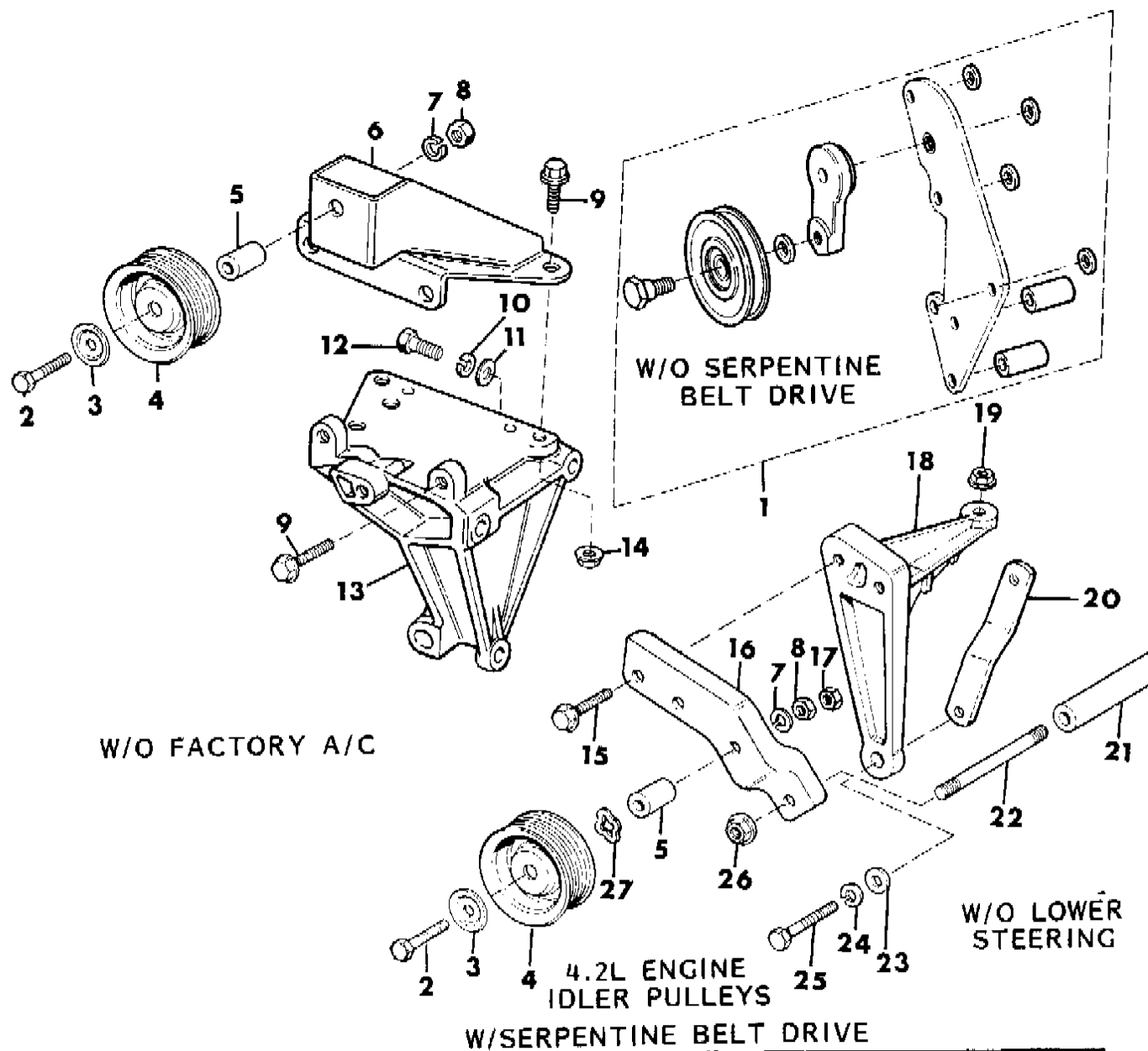
BODY STYLES:

MJ = Comanche Pickup  
 SJ = Grand Wagoneer Wgn., J-10 & J-20 Pickups  
 XJ = Cherokee, Wagoneer Limited  
 YJ = Wrangler

AR = Use as Required - = Non Illustrated Part P.A.R. = Paint as Required

DRIVE PULLEYS WRANGLER, YJ  
Figure 7-1800

8J07 1800A



ITEM	PART NUMBER	QTY	BODY	MODEL	DESCRIPTION
1	8350 3364	1			PULLEY PACKAGE, Idler - "American Air" ***
2	J042 7571	2			BOLT
3	J323 9495	2			SHIELD
4	J323 9821	2			PULLEY, Idler
	5300 2903	1			Egypt KDX - w/o Power Steering
	5300 2905	1			Egypt KDX - w/o Factory Installed Air Conditioning
5	J400 6738	2			SPACER
	5300 4302	1			Egypt KDX - w/o Power Steering
6	3300 2139	1			BRACKET, Idler
7	J012 0383	2			WASHER, Lock
8	J400 6165	2			NUT
9					BOLT
	1150 2606	1			25mm
	1150 2689	3			30mm
10	J400 3803	4			WASHER, Lock
11	J400 1102	4			WASHER
12					BOLT
	J400 6995	4			1.12"
	J018 0129	AR			1.87"
13	5300 0530	1			BRACKET, Idler
14	J400 3909	4			NUT
15	J027 3776	2			BOLT
16	3300 0542	1			BRACKET, Idler
17	J027 2122	1			NUT, Jam
18	3300 4224	1			BRACKET, Idler
19	J400 4005	2			NUT
20	3300 0715	1			BRACE
21	J400 6988	1			SPACER
22	J420 0424	1			STUD
23	J400 1104	1			WASHER
24	J012 0382	1			WASHER, Lock
25	J018 0126	1			BOLT
26	1150 6007	1			NUT
27	J400 4687	1			WASHER
28	J323 6658	1			PULLEY, Coolant Pump
29	J323 7564	1			PULLEY, Coolant Pump - Serpentine Belt Drive

MODEL CODES:

15 = Grand Wagoneer 4 Dr.	65 = Comanche 4WD-7 Ft. Box	77 = Cherokee 4WD-2 Dr.
25 = J-10 Pickup-119" W.B.	66 = Comanche 2WD-7 Ft. Box	78 = Cherokee 4WD-4 Dr.
26 = J-10 Pickup-131" W.B.	73 = Cherokee 2WD-2 Dr.	79 = Cherokee 4WD-4 Dr.-Com
27 = J-20 Pickup-131" W.B.	74 = Cherokee 2WD-4 Dr.	81 = Wrangler-93" W.B.
63 = Comanche 4WD-6 Ft. Box	75 = Wagoneer 4WD-4 Dr.	82 = Wrangler-103" W.B.-Exp.
64 = Comanche 2WD-6 Ft. Box		

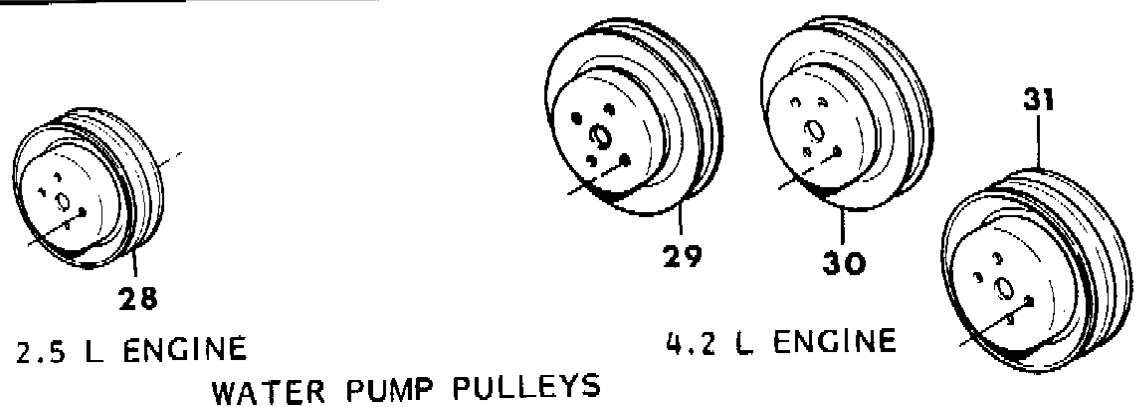
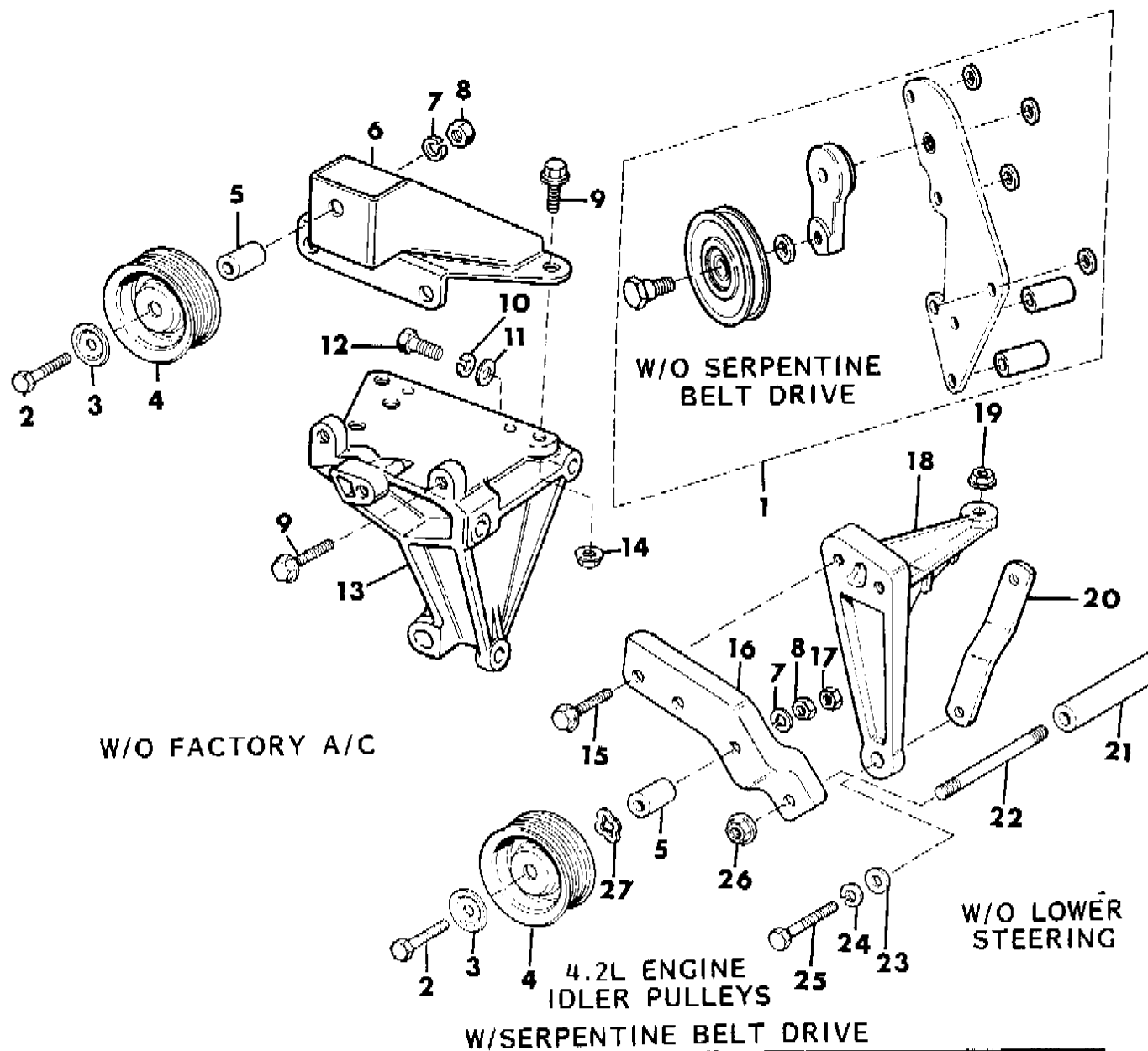
BODY STYLES:

MJ = Comanche Pickup  
SJ = Grand Wagoneer Wgn., J-10 & J-20 Pickups  
XJ = Cherokee, Wagoneer Limited  
YJ = Wrangler

AR = Use as Required - = Non Illustrated Part P.A.R. = Paint as Required

DRIVE PULLEYS WRANGLER, YJ  
Figure 7-1800

8J07 1800A



ITEM	PART NUMBER	QTY	BODY	MODEL	DESCRIPTION
30	J323 6657	1			PULLEY, Coolant Pump - Factory Installed Air Conditioning - w/o Serpentine Belt Drive
31	J323 6658	1			PULLEY, Coolant Pump - w/o Factory Installed Air Conditioning - w/o Serpentine Belt Drive
	J323 6658	1			PULLEY, Coolant Pump - "American Air" Air Conditioning - w/o Serpentine Belt Drive

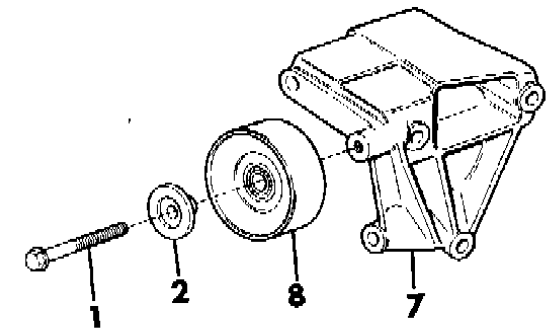
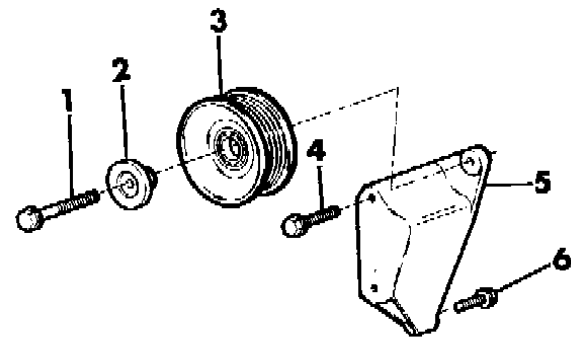
- MODEL CODES:
- |                             |                             |                              |
|-----------------------------|-----------------------------|------------------------------|
| 15 = Grand Wagoneer 4 Dr.   | 65 = Comanche 4WD-7 Ft. Box | 77 = Cherokee 4WD-2 Dr.      |
| 25 = J-10 Pickup-119" W.B.  | 66 = Comanche 2WD-7 Ft. Box | 78 = Cherokee 4WD-4 Dr.      |
| 26 = J-10 Pickup-131" W.B.  | 73 = Cherokee 2WD-2 Dr.     | 79 = Cherokee 4WD-4 Dr.-Com  |
| 27 = J-20 Pickup-131" W.B.  | 74 = Cherokee 2WD-4 Dr.     | 81 = Wrangler-93" W.B.       |
| 63 = Comanche 4WD-6 Ft. Box | 75 = Wagoneer 4WD-4 Dr.     | 82 = Wrangler-103" W.B.-Exp. |
| 64 = Comanche 2WD-6 Ft. Box |                             |                              |

- BODY STYLES:
- MJ = Comanche Pickup
  - SJ = Grand Wagoneer Wgn., J-10 & J-20 Pickups
  - XJ = Cherokee, Wagoneer Limited
  - YJ = Wrangler

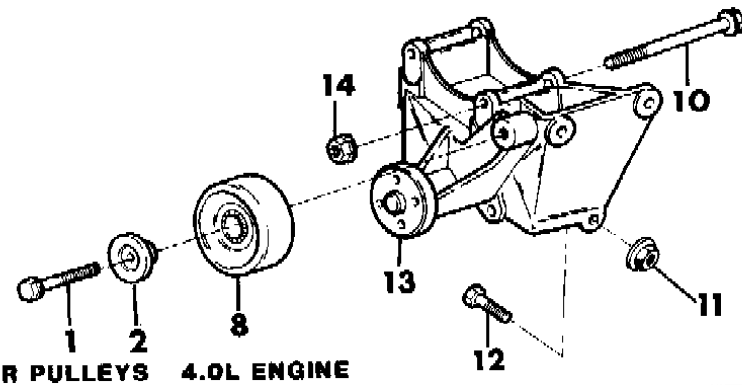
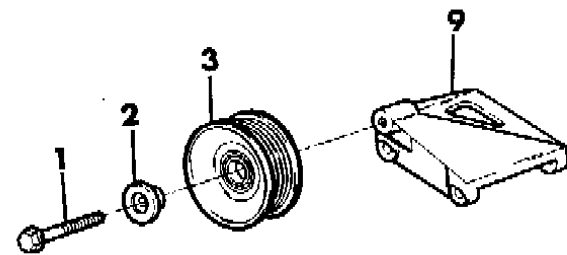
AR = Use as Required - = Non Illustrated Part P.A.R. = Paint as Required

DRIVE PULLEYS 4 AND 6 CYLINDER ENGINES WAGONEER, CHEROKEE, COMANCHE  
Figure 7-1900

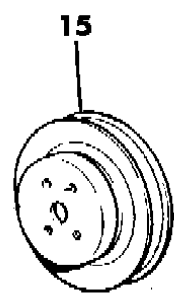
8 J 07 1900



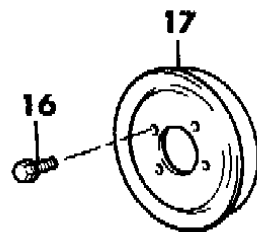
2.5L ENGINE



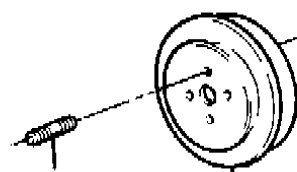
IDLER PULLEYS 4.0L ENGINE



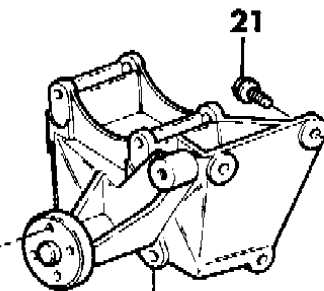
2.5L ENGINE



17



19



4.0L ENGINE

WATER PUMP PULLEYS

ITEM	PART NUMBER	QTY	BODY	MODEL	DESCRIPTION
1	3420 1869	AR			BOLT
2	3300 2201	AR			BUSHING
3	5300 2903	AR			PULLEY, Idler
4	J813 2323	2			BOLT
5	5300 3804	1			BRACKET, Idler Pulley - w/o Power Steering
6	3420 1819	2			BOLT
7	3300 2961	1			BRACKET
8	5300 2905	AR			PULLEY, Idler
9	5300 2904	1			BRACKET, Idler Pulley Mounting - w/o Air Conditioning
10	3420 2168	2			BOLT
11	J400 4747	1			NUT
12	J400 7329	3			BOLT
13					BRACKET, Idler Pulley Mounting
	5300 2901	1			Air Conditioning
	5300 5462	1			ECE
14	1150 2812	2			NUT
15	J323 7564	1			PULLEY, Water Pump
16	1150 2764	4			BOLT
17	5300 2907	1			PULLEY, Water Pump
18	J400 6714	4			STUD
19	5300 2906	1			PULLEY, Fan
20	5300 2901	1			BRACKET, Fan Mounting
21	J400 7329	3			BOLT

MODEL CODES:

15 = Grand Wagoneer 4 Dr.	65 = Comanche 4WD-7 Ft. Box	77 = Cherokee 4WD-2 Dr.
25 = J-10 Pickup-119" W.B.	66 = Comanche 2WD-7 Ft. Box	78 = Cherokee 4WD-4 Dr.
26 = J-10 Pickup-131" W.B.	73 = Cherokee 2WD-2 Dr.	79 = Cherokee 4WD-4 Dr.-Com
27 = J-20 Pickup-131" W.B.	74 = Cherokee 2WD-4 Dr.	81 = Wrangler-93" W.B.
63 = Comanche 4WD-6 Ft. Box	75 = Wagoneer 4WD-4 Dr.	82 = Wrangler-103" W.B.-Exp.
64 = Comanche 2WD-6 Ft. Box		

BODY STYLES:

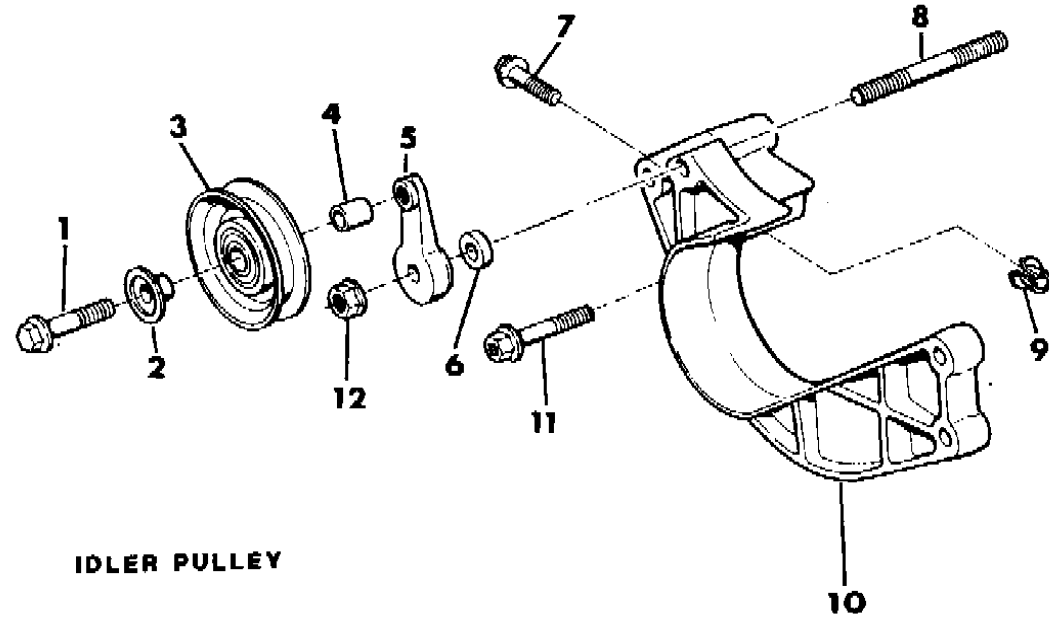
MJ = Comanche Pickup  
 SJ = Grand Wagoneer Wgn., J-10 & J-20 Pickups  
 XJ = Cherokee, Wagoneer Limited  
 YJ = Wrangler

AR = Use as Required - = Non Illustrated Part P.A.R. = Paint as Required

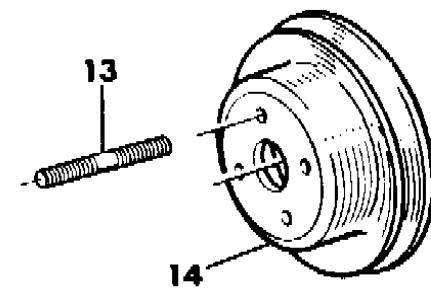
DRIVE PULLEYS DIESEL ENGINE CHEROKEE, COMANCHE

Figure 7-2000

8 J07 2000



IDLER PULLEY



WATER PUMP PULLEY

ITEM	PART NUMBER	QTY	BODY	MODEL	DESCRIPTION
1	3420 2060	1			BOLT
2	3300 2201	1			BUSHING
3	J324 0577	1			PULLEY, Idler
4	3420 2054	1			SPACER
5	J324 0576	1			ECCENTRIC, Idler
6	3420 2053	1			SPACER
7	3420 1869	1			BOLT
8	3420 1743	1			STUD
9	5300 0548	1			SPACER
10	5300 1771	1			BRACKET, Idler
11	3420 2047	1			BOLT
12	J420 0081	1			NUT
13	3420 2197	4			STUD
14	T072 5803	1			PULLEY

MODEL CODES:

15 = Grand Wagoneer 4 Dr.	65 = Comanche 4WD-7 Ft. Box	77 = Cherokee 4WD-2 Dr.
25 = J-10 Pickup-119" W.B.	66 = Comanche 2WD-7 Ft. Box	78 = Cherokee 4WD-4 Dr.
26 = J-10 Pickup-131" W.B.	73 = Cherokee 2WD-2 Dr.	79 = Cherokee 4WD-4 Dr.-Com
27 = J-20 Pickup-131" W.B.	74 = Cherokee 2WD-4 Dr.	81 = Wrangler-93" W.B.
63 = Comanche 4WD-6 Ft. Box	75 = Wagoneer 4WD-4 Dr.	82 = Wrangler-103" W.B.-Exp.
64 = Comanche 2WD-6 Ft. Box		

BODY STYLES:

MJ = Comanche Pickup  
 SJ = Grand Wagoneer Wgn., J-10 & J-20 Pickups  
 XJ = Cherokee, Wagoneer Limited  
 YJ = Wrangler

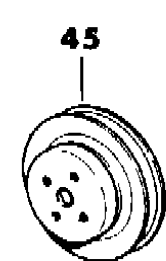
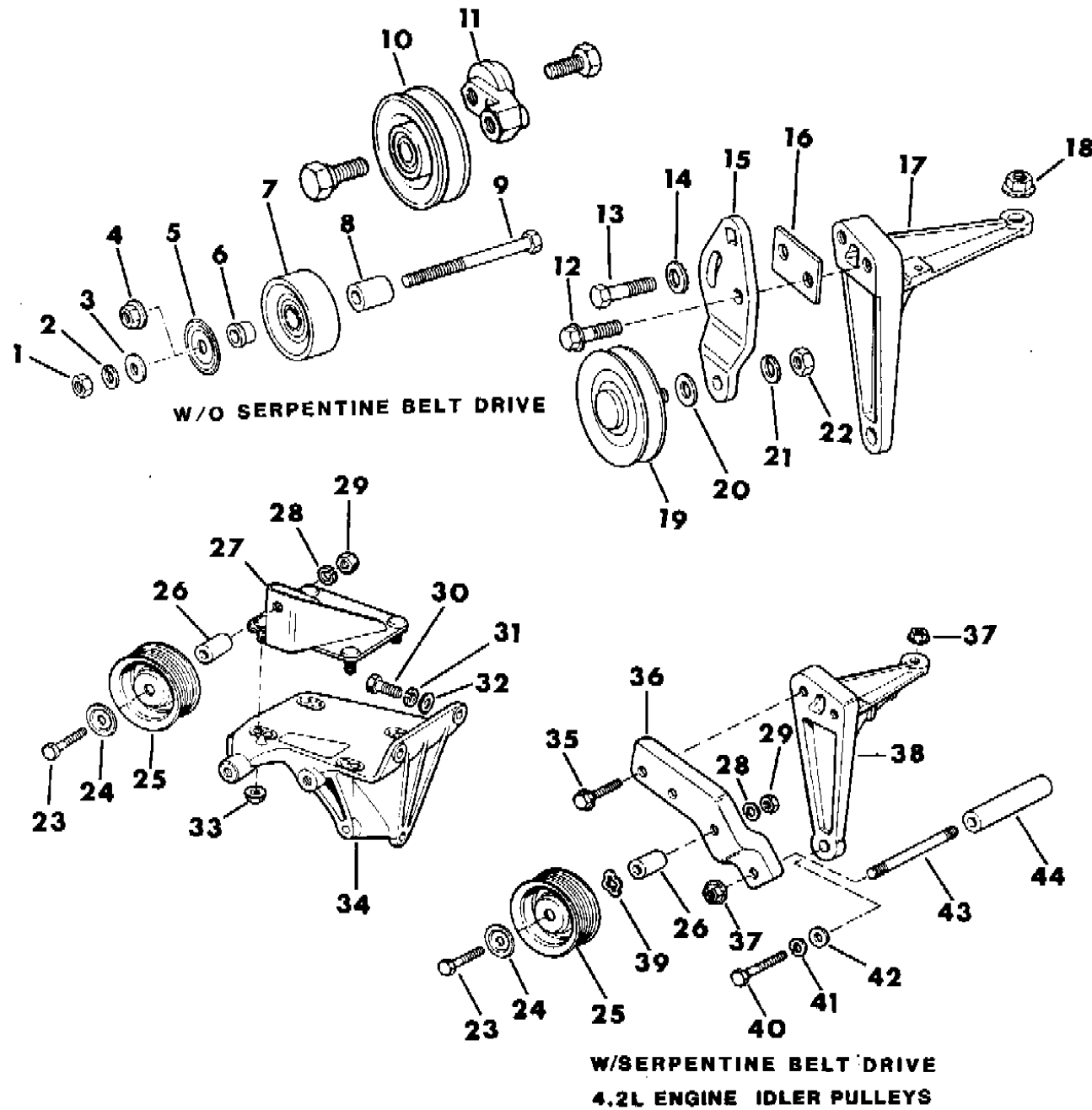
AR = Use as Required - = Non Illustrated Part P.A.R. = Paint as Required



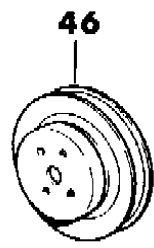
DRIVE PULLEYS GRAND WAGONEER, J10, J20

Figure 7-2100

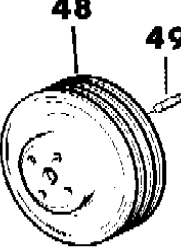
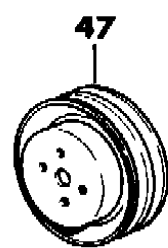
8 J 07 2100



4.2L ENGINE



WATER PUMP PULLEYS



5.9L ENGINE

ITEM	PART NUMBER	QTY	BODY	MODEL	DESCRIPTION
1	J012 0377	1			NUT, Hex - Factory Installed Air Conditioning
2	J400 3803	1			WASHER, Lock - Factory Installed Air Conditioning
3	J400 1104	1			WASHER, Flat - Factory Installed Air Conditioning
4	J400 4008	1			NUT, Flange - Factory Installed Air Conditioning
5	J324 1090	1			SHIELD - Factory Installed Air Conditioning
6	J324 1039	1			BUSHING - Factory Installed Air Conditioning
7	J324 1406	1			PULLEY, Idler - Factory Installed Air Conditioning
8	J400 6949	1			SPACER - Factory Installed Air Conditioning
9	J018 9295	1			BOLT - Factory Installed Air Conditioning
10	8350 1351	1			PULLEY, Idler - "American Air" Air Conditioning
11	J813 3940	1			ECCENTRIC, Idler - "American Air" Air Conditioning ***
12	J027 3776	1			BOLT - Factory Installed Air Conditioning
13	J400 4100	1			BOLT - Factory Installed Air Conditioning
14	J400 5390	1			WASHER - Factory Installed Air Conditioning
15	J322 4472	1			BRACKET, Idler - Factory Installed Air Conditioning
16	J322 4473	1			SPACER - Factory Installed Air Conditioning
17	3300 4224	1			BRACKET, Idler - Factory Installed Air Conditioning
18	J400 4005	1			NUT - Factory Installed Air Conditioning
19	J321 7201	1			PULLEY, Idler - Factory Installed Air Conditioning
20	J400 1289	1			SPACER - Factory Installed Air Conditioning
21	J400 1898	1			WASHER, Lock - Factory Installed Air Conditioning
22	S012 0370	1			NUT - Factory Installed Air Conditioning
23	J042 7571	1			BOLT
24	J323 9495	1			SHIELD
25	J323 9821	1			PULLEY, Idler
26	J400 6738	1			SPACER
27	3300 0450	1			BRACKET, Idler - w/o Factory Installed Air Conditioning
28	J012 0383	1			WASHER, Lock
29	J027 2122	1			NUT
30	J018 0123	4			BOLT - w/o Factory Installed Air Conditioning
31	J400 3803	4			WASHER, Lock - w/o Factory Installed Air Conditioning
32	J400 1102	4			WASHER - w/o Factory Installed Air Conditioning
33	J400 3909	4			NUT - w/o Factory Installed Air Conditioning
34	J323 7579	1			BRACKET, Idler - w/o Factory Installed Air Conditioning
35	J027 3776	2			BOLT
36	3300 0542	1			BRACKET, Idler
37	J400 4005	2			NUT

MODEL CODES:

15 = Grand Wagoneer 4 Dr.	65 = Comanche 4WD-7 Ft. Box	77 = Cherokee 4WD-2 Dr.
25 = J-10 Pickup-119" W.B.	66 = Comanche 2WD-7 Ft. Box	78 = Cherokee 4WD-4 Dr.
26 = J-10 Pickup-131" W.B.	73 = Cherokee 2WD-2 Dr.	79 = Cherokee 4WD-4 Dr.-Com
27 = J-20 Pickup-131" W.B.	74 = Cherokee 2WD-4 Dr.	81 = Wrangler-93" W.B.
63 = Comanche 4WD-6 Ft. Box	75 = Wagoneer 4WD-4 Dr.	82 = Wrangler-103" W.B.-Exp.
64 = Comanche 2WD-6 Ft. Box		

BODY STYLES:

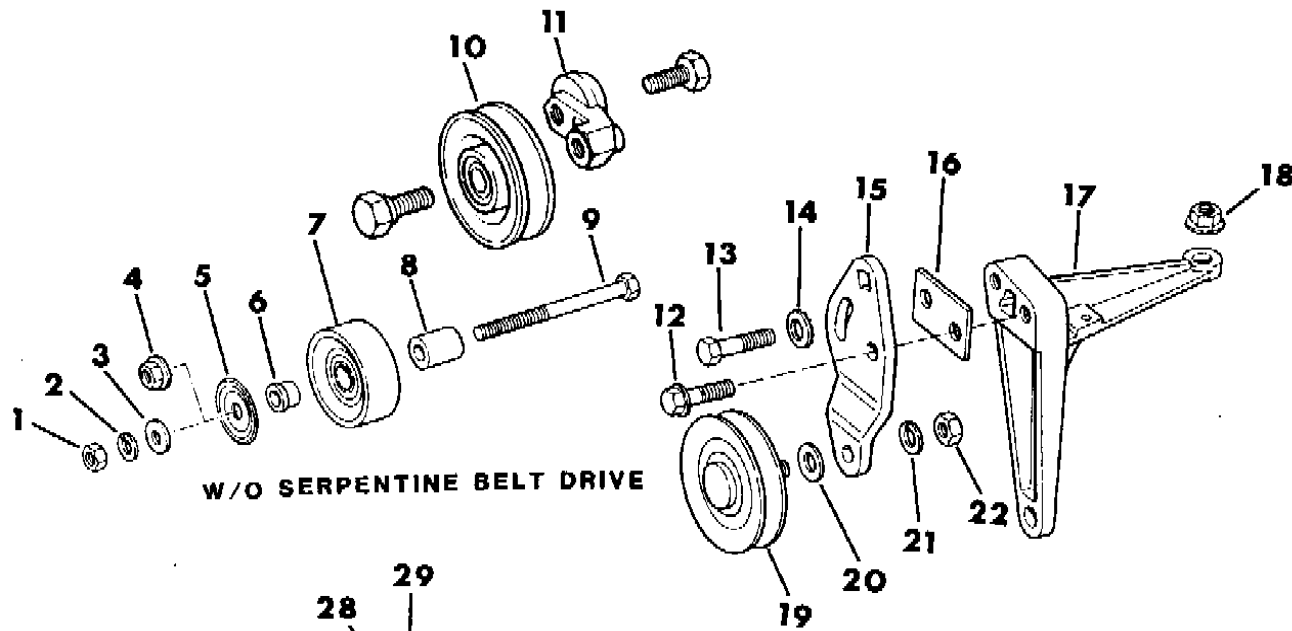
MJ = Comanche Pickup  
 SJ = Grand Wagoneer Wgn., J-10 & J-20 Pickups  
 XJ = Cherokee, Wagoneer Limited  
 YJ = Wrangler

AR = Use as Required - = Non Illustrated Part P.A.R. = Paint as Required

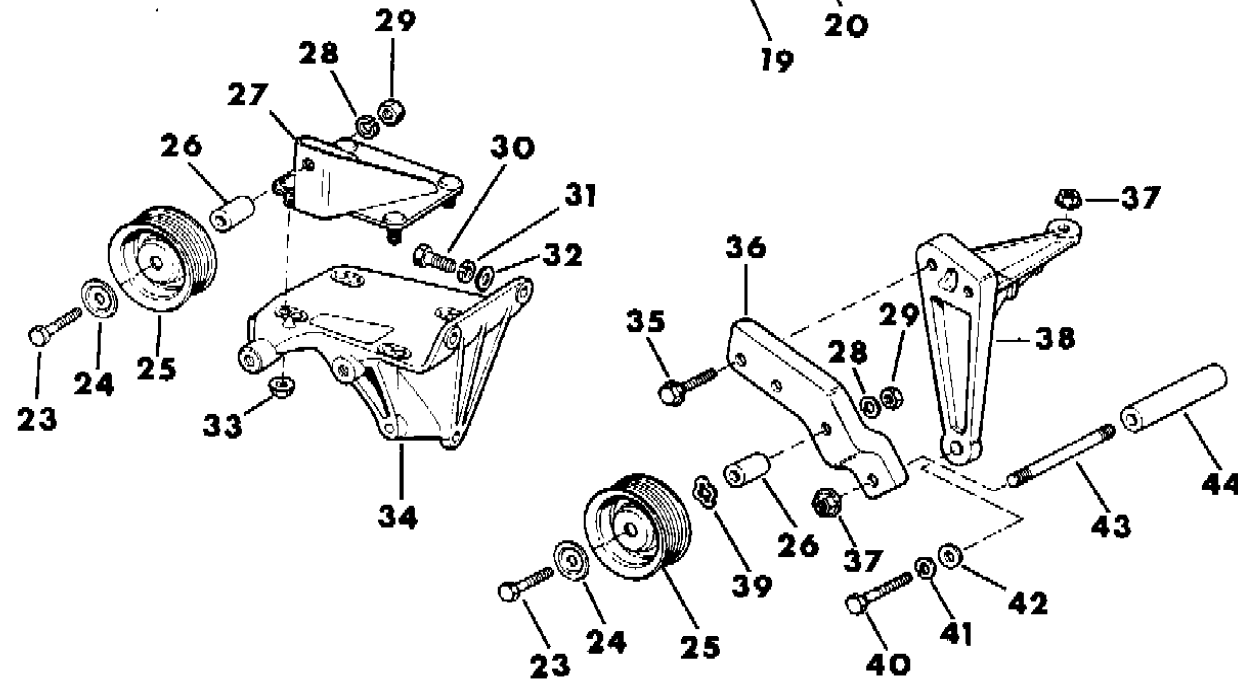
DRIVE PULLEYS GRAND WAGONEER, J10, J20  
Figure 7-2100

8 J 07 2100

ITEM	PART NUMBER	QTY	BODY	MODEL	DESCRIPTION
38	3300 4224	1			BRACKET, Idler
39	J400 4687	1			WASHER
40	J018 0126	1			BOLT
41	J012 0382	1			WASHER, Lock
42	J400 1104	1			WASHER
43	J420 0424	1			STUD
44	J400 6987	1			SPACER
45	J323 7564	1			PULLEY, Coolant Pump - Serpentine Belt Drive
46	J323 6657	1			PULLEY, Coolant Pump - Factory Installed Air Conditionig - w/o Serpentine Belt Drive
47	J323 6658	1			PULLEY, Coolant Pump w/o Factory Installed Air Conditioning - w/o Serpentine Belt Drive
48	J323 6658	1			"American Air" Air Conditioning - w/o Serpentine Belt Drive
49	J322 7673	1			PULLEY
49	J400 6714	4			STUD



W/O SERPENTINE BELT DRIVE



W/SERPENTINE BELT DRIVE  
4.2L ENGINE IDLER PULLEYS



4.2L ENGINE

WATER PUMP PULLEYS

5.9L ENGINE

MODEL CODES:

15 = Grand Wagoneer 4 Dr.	65 = Comanche 4WD-7 Ft. Box	77 = Cherokee 4WD-2 Dr.
25 = J-10 Pickup-119" W.B.	66 = Comanche 2WD-7 Ft. Box	78 = Cherokee 4WD-4 Dr.
26 = J-10 Pickup-131" W.B.	73 = Cherokee 2WD-2 Dr.	79 = Cherokee 4WD-4 Dr.-Com
27 = J-20 Pickup-131" W.B.	74 = Cherokee 2WD-4 Dr.	81 = Wrangler-93" W.B.
63 = Comanche 4WD-6 Ft. Box	75 = Wagoneer 4WD-4 Dr.	82 = Wrangler-103" W.B.-Exp.
64 = Comanche 2WD-6 Ft. Box		

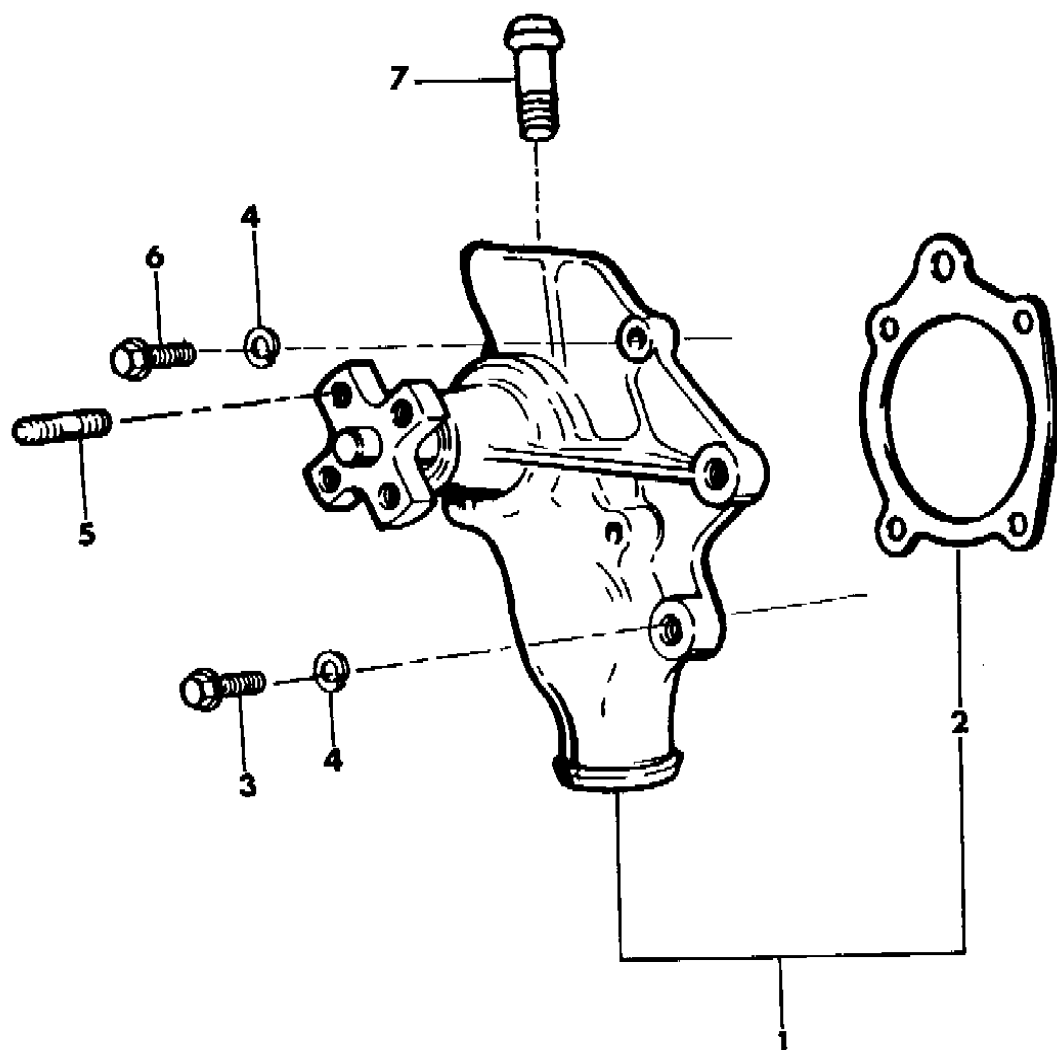
BODY STYLES:

MJ = Comanche Pickup  
SJ = Grand Wagoneer Wgn., J-10 & J-20 Pickups  
XJ = Cherokee, Wagoneer Limited  
YJ = Wrangler

AR = Use as Required - = Non Illustrated Part P.A.R. = Paint as Required

WATER PUMP WRANGLER, YJ  
Figure 7-2200

8 J072200



ITEM	PART NUMBER	QTY	BODY	MODEL	DESCRIPTION
1					PUMP PACKAGE, Coolant
	JR77 5046	1			2.5L Engine Remanufactured
	8350 2957	1			Export 4.2L Engine - w/o Serpentine Belt Drive
	JR77 5046	1			Remanufactured
	8350 2957	1			Export 4.2L Engine - Serpentine Belt Drive
	JR77 5047	1			Remanufactured
	8350 2938	1			Export
2	J317 3204	1			GASKET
3	J400 6908	2			BOLT
4	J012 0214	8			WASHER
5	J400 6714	4			STUD
6					BOLT
	J400 3872	2			2.5L Engine
	J943 1975	2			4.2L Engine
7	J314 2368	1			TUBE

MODEL CODES:

15 = Grand Wagoneer 4 Dr.	65 = Comanche 4WD-7 Ft. Box	77 = Cherokee 4WD-2 Dr.
25 = J-10 Pickup-119" W.B.	66 = Comanche 2WD-7 Ft. Box	78 = Cherokee 4WD-4 Dr.
26 = J-10 Pickup-131" W.B.	73 = Cherokee 2WD-2 Dr.	79 = Cherokee 4WD-4 Dr.-Com
27 = J-20 Pickup-131" W.B.	74 = Cherokee 2WD-4 Dr.	81 = Wrangler-93" W.B.
63 = Comanche 4WD-6 Ft. Box	75 = Wagoneer 4WD-4 Dr.	82 = Wrangler-103" W.B.-Exp.
64 = Comanche 2WD-6 Ft. Box		

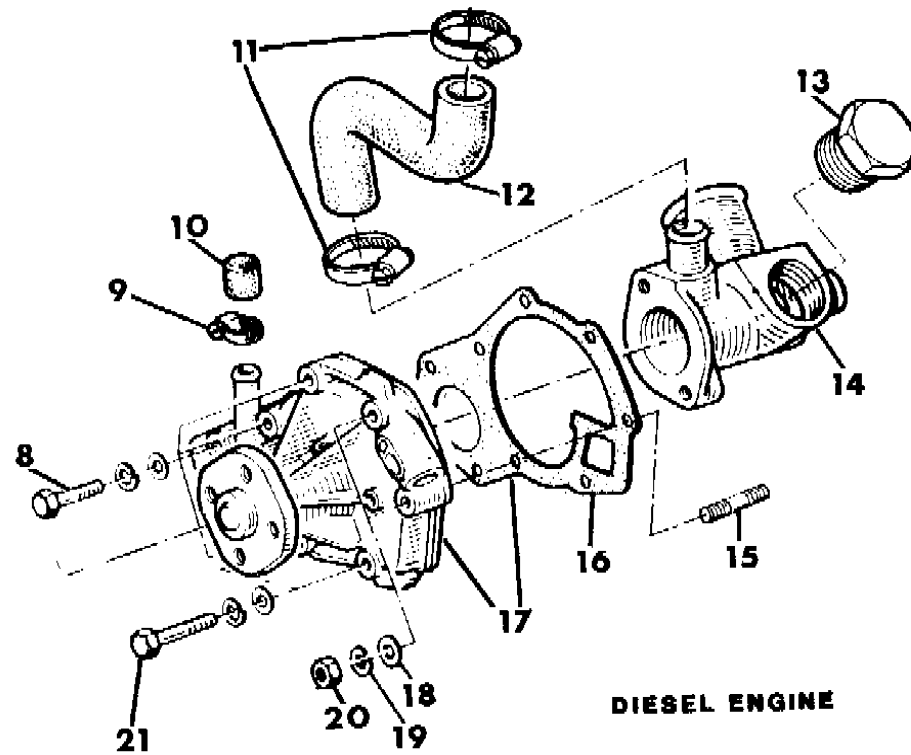
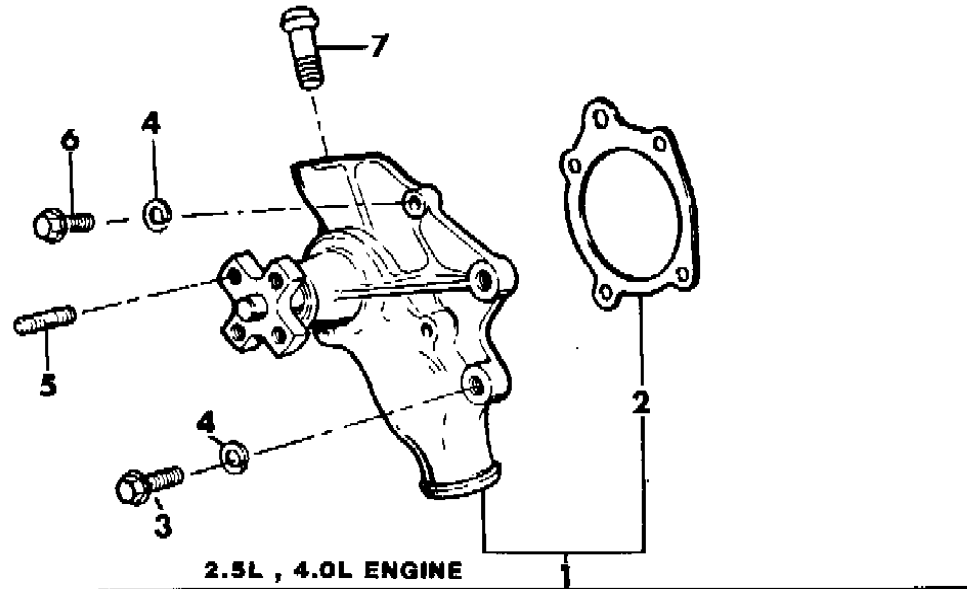
BODY STYLES:

MJ = Comanche Pickup  
 SJ = Grand Wagoneer Wgn., J-10 & J-20 Pickups  
 XJ = Cherokee, Wagoneer Limited  
 YJ = Wrangler

AR = Use as Required - = Non Illustrated Part P.A.R. = Paint as Required

**WATER PUMP AND RELATED PARTS WAGONEER, CHEROKEE, COMANCHE**  
Figure 7-2300

8J07 2300



ITEM	PART NUMBER	QTY	BODY	MODEL	DESCRIPTION
1					PUMP PACKAGE, Water
					2.5L Engine
	JR77 5046	1			Remanufactured (w/o Serpentine Belt Drive)
	JR77 5047	1			Remanufactured (with Serpentine Belt Drive)
	8350 2957	1			Export (w/o Serpentine Belt Drive)
	8350 2938	1			Export (with Serpentine Belt Drive)
					4.0L Engine
	JR77 5122	1			Remanufactured
	8350 3407	1			Export
2	J317 3204	1			GASKET
3	J400 6908	2			BOLT
4	J012 0214	4			WASHER
5	J400 6714	4			STUD 2.5L Engine
6					BOLT
	J400 3872	2			2.5L Engine
	J812 1298	3			4.0L Engine
7					TUBE
	3200 2709	1			2.5L Engine
	3300 2969	1			4.0L Engine
8	T300 1123	4			BOLT
9	3300 0784	1			CLAMP
10	T065 7697	1			CAP
11	J320 3077	2			CLAMP
12	T066 1636	1			HOSE
13	T307 5133	1			PLUG
14	T071 5330	1			OUTLET, Water Pump
15	T302 7095	2			STUD
16	T134 9446	1			GASKET
17					PUMP PACKAGE, Water
	JR77 5056	1			Remanufactured
	T146 1336	1			Export
18	T305 3074	14			WASHER, Flat
19	T305 5031	14			WASHER, Lock
20	J303 2012	2			NUT
21	J300 1607	2			BOLT

**MODEL CODES:**

15 = Grand Wagoneer 4 Dr.	65 = Comanche 4WD-7 Ft. Box	77 = Cherokee 4WD-2 Dr.
25 = J-10 Pickup-119" W.B.	66 = Comanche 2WD-7 Ft. Box	78 = Cherokee 4WD-4 Dr.
26 = J-10 Pickup-131" W.B.	73 = Cherokee 2WD-2 Dr.	79 = Cherokee 4WD-4 Dr.-Com
27 = J-20 Pickup-131" W.B.	74 = Cherokee 2WD-4 Dr.	81 = Wrangler-93" W.B.
63 = Comanche 4WD-6 Ft. Box	75 = Wagoneer 4WD-4 Dr.	82 = Wrangler-103" W.B.-Exp.
64 = Comanche 2WD-6 Ft. Box		

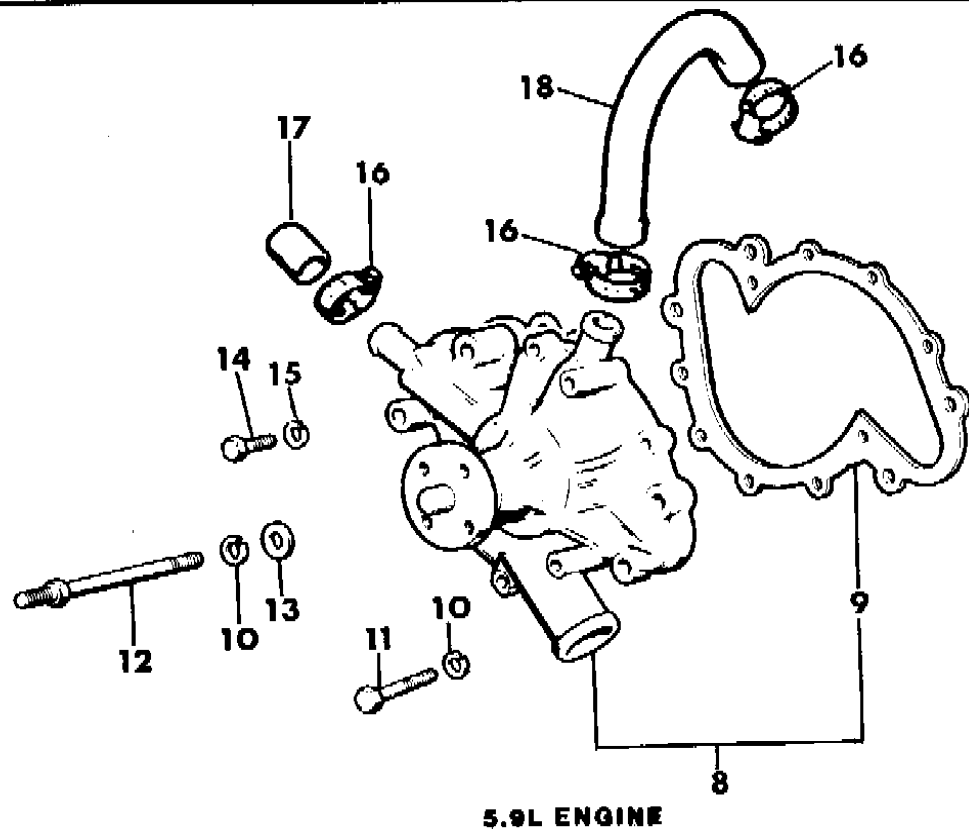
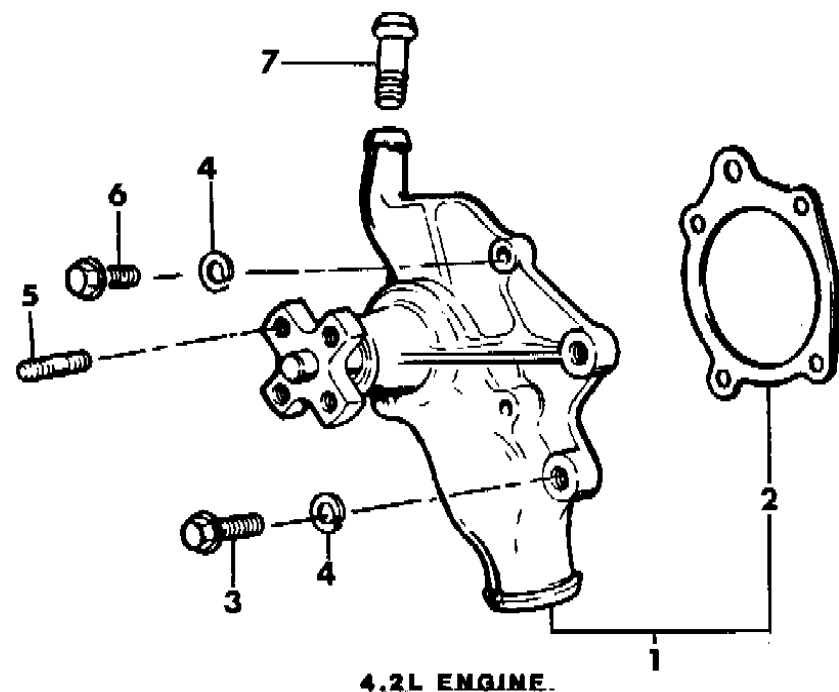
**BODY STYLES:**

MJ = Comanche Pickup
SJ = Grand Wagoneer Wgn., J-10 & J-20 Pickups
XJ = Cherokee, Wagoneer Limited
YJ = Wrangler

AR = Use as Required - = Non Illustrated Part P.A.R. = Paint as Required

**WATER PUMP AND RELATED PARTS GRAND WAGONEER, J10, J20**  
**Figure 7-2400**

8J07 2400



ITEM	PART NUMBER	QTY	BODY	MODEL	DESCRIPTION
1					PUMP PACKAGE, Coolant
	JR77 5046	1			Remanufactured - w/o Serpentine Belt Drive
	J813 4320	1			Export - w/o Serpentine Belt Drive
	JR77 5047	1			Remanufactured - Serpentine Belt Drive
	J813 4321	1			Export - Serpentine Belt Drive
2	J317 3204	1			GASKET
3	J400 6908	2			BOLT
4	J012 0214	4			WASHER
5	J400 6714	4			STUD
6	J943 1975	2			BOLT
7	3200 2591	1			NIPPLE
8					PUMP PACKAGE, Coolant
	JR77 5050	1			Remanufactured
	J323 4427	1			Export
9	J318 1899	1			GASKET
10	J400 3803	2			WASHER, Lock
11	J018 6288	1			BOLT 4.50"
12	J318 5530	1			STUD
13	J400 1829	1			WASHER
14					BOLT
	J018 0046	3			2.25"
	J017 9798	4			1.12"
15	J012 0380	7			WASHER
16	J320 3077	3			CLAMP
17	J316 0337	1			CAP
18	J318 2494	1			HOSE

**MODEL CODES:**

15 = Grand Wagoneer 4 Dr.	65 = Comanche 4WD-7 Ft. Box	77 = Cherokee 4WD-2 Dr.
25 = J-10 Pickup-119" W.B.	66 = Comanche 2WD-7 Ft. Box	78 = Cherokee 4WD-4 Dr.
26 = J-10 Pickup-131" W.B.	73 = Cherokee 2WD-2 Dr.	79 = Cherokee 4WD-4 Dr.-Com
27 = J-20 Pickup-131" W.B.	74 = Cherokee 2WD-4 Dr.	81 = Wrangler-93" W.B.
63 = Comanche 4WD-6 Ft. Box	75 = Wagoneer 4WD-4 Dr.	82 = Wrangler-103" W.B.-Exp.
64 = Comanche 2WD-6 Ft. Box		

**BODY STYLES:**

MJ = Comanche Pickup  
 SJ = Grand Wagoneer Wgn., J-10 & J-20 Pickups  
 XJ = Cherokee, Wagoneer Limited  
 YJ = Wrangler

AR = Use as Required - = Non Illustrated Part P.A.R. = Paint as Required

---

**GROUP 8 - ELECTRICAL**

<b>ILLUSTRATION TITLE</b>	<b>GROUP-FIG. NO.</b>
<b>RELAYS</b>	
RELAYS WRANGLER, YJ .....	Fig. 8-100
RELAYS CHEROKEE, WAGONEER, COMANCHE .....	Fig. 8-200
RELAYS GRAND WAGONEER, J10, J20 .....	Fig. 8-300
<b>SWITCHES AND SENDING UNITS</b>	
SWITCHES AND SENDING UNITS WRANGLER, YJ .....	Fig. 8-400
SWITCHES AND SENDING UNITS CHEROKEE, WAGONEER, COMANCHE .....	Fig. 8-500
SWITCHES AND SENDING UNITS GRAND WAGONEER, J10, J20 .....	Fig. 8-600
SWITCHES ALL MODELS .....	Fig. 8-650
<b>MICROPROCESSORS AND OXYGEN SENSORS</b>	
MICROPROCESSORS AND OXYGEN SENSORS WRANGLER, YJ, CHEROKEE, WAGONEER, COMANCHE, GRAND WAGONEER, J10, J20 .....	Fig. 8-700
<b>BATTERY TRAYS AND CABLES</b>	
BATTERY TRAYS WRANGLER, YJ, CHEROKEE, WAGONEER, COMANCHE, GRAND WAGONEER, J10, J20 .....	Fig. 8-800
BATTERY CABLES WRANGLER, YJ, CHEROKEE, WAGONEER, COMANCHE GRAND WAGONEER, J10, J20 .....	Fig. 8-900
<b>DISTRIBUTORS</b>	
DISTRIBUTOR 2.5L ENGINE ELECTRONIC FUEL INJECTION .....	Fig. 8-1000
DISTRIBUTOR 2.5L ENGINE CARBURETED .....	Fig. 8-1100
DISTRIBUTOR 4.2L ENGINE .....	Fig. 8-1200
DISTRIBUTOR 4.0L ENGINE .....	Fig. 8-1300
DISTRIBUTOR 5.9L ENGINE .....	Fig. 8-1400
<b>STARTERS</b>	
STARTER AND MOUNTING 2.5L ENGINE BOSCH .....	Fig. 8-1500
STARTER AND MOUNTING 4.2 AND 5.9 ENGINE 1987 .....	Fig. 8-1550
STARTER AND MOUNTING 4.0L ENGINE, 1987-90 4.2L, 5.9L ENGINE 1988-90 .....	Fig. 8-1600
STARTER AND MOUNTING DIESEL ENGINE .....	Fig. 8-1700
<b>ALTERNATORS</b>	
ALTERNATOR 2.5L AND 4.2L ENGINES WRANGLER, YJ .....	Fig. 8-1800
ALTERNATOR 100 AMPERE--24 VOLT WRANGLER EGYPT KDX .....	Fig. 8-1900
ALTERNATOR MOUNTING 2.5L AND 4.2L ENGINES WRANGLER, YJ .....	Fig. 8-2000
ALTERNATOR AND MOUNTING 2.5L ENGINE WAGONEER, CHEROKEE, COMANCHE .....	Fig. 8-2100

**ILLUSTRATION NOT AVAILABLE AT TIME OF PUBLICATION**

**GROUP 8 - ELECTRICAL****GROUP 8 - ELECTRICAL****ILLUSTRATION TITLE****GROUP-FIG. NO.****ILLUSTRATION TITLE****GROUP-FIG. NO.****ALTERNATORS (Continued)**

ALTERNATOR AND MOUNTING 2.5L ENGINE WAGONEER, CHEROKEE, COMANCHE .....	Fig. 8-2100
ALTERNATOR AND MOUNTING 4.0L ENGINE CHEROKEE, WAGONEER, COMANCHE .....	Fig. 8-2200
ALTERNATOR 60 AMPERE DIESEL ENGINE CHEROKEE .....	Fig. 8-2300
ALTERNATOR 70 AMPERE DIESEL ENGINE CHEROKEE .....	Fig. 8-2400
ALTERNATOR MOUNTING DIESEL ENGINE CHEROKEE .....	Fig. 8-2500
ALTERNATOR 42, 56, 78 AMPERE GRAND WAGONEER, J10, J20 .....	Fig. 8-2600
ALTERNATOR AND MOUNTING 85-94 AMPERE GRAND WAGONEER, J10, J20 .....	Fig. 8-2700
ALTERNATOR MOUNTING 4.2L ENGINE GRAND WAGONEER, J10 .....	Fig. 8-2800
ALTERNATOR MOUNTING 5.9L ENGINE GRAND WAGONEER, J10, J20 .....	Fig. 8-2900

**LAMPS**

LAMPS--FRONT WRANGLER, YJ, U.S. AND CANADA .....	Fig. 8-3000
LAMPS--FRONT WRANGLER, EXPORT, ECE .....	Fig. 8-3100
LAMPS--FRONT-BLACKOUT WRANGLER, YJ .....	Fig. 8-3200
LAMPS--FOG RECTANGULAR WRANGLER, YJ .....	Fig. 8-3300
LAMPS--FOG ROUND WRANGLER, YJ .....	Fig. 8-3400
LAMPS--REAR WRANGLER, YJ .....	Fig. 8-3500
LAMPS--REAR-FOG & BLACKOUT WRANGLER, YJ .....	Fig. 8-3600
LAMPS--FRONT WAGONEER .....	Fig. 8-3700
LAMPS--FOG CHEROKEE, WAGONEER, COMANCHE .....	Fig. 8-3800
LAMPS--FRONT U.S., CANADA, EXPORT CHEROKEE, COMANCHE .....	Fig. 8-3900
LAMPS--REAR CHEROKEE, WAGONEER, COMANCHE .....	Fig. 8-4000
LAMPS--FRONT GRAND WAGONEER, J10, J20 .....	Fig. 8-4100
LAMPS--FOG GRAND WAGONEER, J10, J20 .....	Fig. 8-4200
LAMPS--REAR GRAND WAGONEER .....	Fig. 8-4300
LAMPS--REAR 1987/88 J10, J20 .....	Fig. 8-4400
LAMPS--CARGO-DOME-COURTESY-UNDERHOOD WRANGLER, YJ .....	Fig. 8-4500
LAMPS--CARGO-DOME-COURTESY-UNDERHOOD CHEROKEE, WAGONEER, COMANCHE .....	Fig. 8-4600
LAMPS--CARGO-DOME-COURTESY-UNDERHOOD GRAND WAGONEER, J10, J20 .....	Fig. 8-4700

**HARNESS--ENGINE FRONT END AND RELATED PARTS**

HARNESS--ENGINE COMPARTMENT AND BODY WRANGLER, YJ .....	Fig. 8-4800
HARNESS--ENGINE COMPARTMENT 4 & 6 CYLINDER ENGINE CHEROKEE, WAGONEER, COMANCHE ..	Fig. 8-4900
HARNESS--ENGINE COMPARTMENT GRAND WAGONEER, J10, J20 .....	Fig. 8-5000

**COIL, SPARKPLUGS AND WIRES**

COIL--SPARKPLUGS--WIRES 2.5L ENGINE .....	Fig. 8-5100
---	-------------

**COIL, SPARKPLUGS AND WIRES (Continued)**

COIL--SPARKPLUGS--WIRES 2.5L ENGINE .....	Fig. 8-5100
COIL--SPARKPLUGS--WIRES 4.2L ENGINE .....	Fig. 8-5200
COIL--SPARKPLUGS--WIRES 4.0L ENGINE .....	Fig. 8-5300
COIL--SPARKPLUGS--WIRES 5.9L ENGINE .....	Fig. 8-5400

**HORNS**

HORNS ALL .....	Fig. 8-5500
-----------------	-------------

**HARNESS--BODY AND ACCESSORY**

HARNESS, BODY AND ACCESSORY CHEROKEE, WAGONEER .....	Fig. 8-5600
HARNESS--BODY AND ACCESSORY COMANCHE .....	Fig. 8-5700
HARNESS--BODY AND ACCESSORY GRAND WAGONEER .....	Fig. 8-5800
HARNESS--BODY AND ACCESSORY J10, J20 .....	Fig. 8-5900
MODULE ANTI LOCK BRAKE SYSTEM CHEROKEE, WAGONEER .....	Fig. 8-6000

RELAYS WRANGLER, YJ  
Figure 8-100

8 J08 100B

ITEM	PART NUMBER	QTY	BODY	MODEL	DESCRIPTION
1					RELAY, Starter
	5300 4798	1			4 Cyl. Engine
	3300 3934	1			6 Cyl. Engine, 1988-89
	5600 4667				1990 ***
2	5600 2460	1			TIMER, Emissions
3					RELAY
	3300 1777	1			Manifold Heater, 6 Cyl. Engine
	3300 1777	1			A/C Clutch, 4 Cyl. Engine, 1988-90
	3300 1777	1			Fuel Pump, 4 Cyl. Engine, 1988
	3300 1777	1			Idle Speed Control, 4 Cyl. Engine, 1988
	5600 2958	1			Fuel Pump, 4 Cyl. Engine, 1989-90 (Stamped 56002959)
	5600 2958	1			Idle Speed Control, 4 Cyl. Engine, 1989-90 (Stamped 56002959)
4					RELAY
	3300 1776	1			Fog Lamp, ASD
	3300 1776	1			Headlamp, 1989-90
	8220 1117		YJ		Power Door Locks with half doors ***
5	1150 2843	1			SCREW
6	J576 4039	1			RELAY, Horn
7	5600 2009	1			RELAY, Heated Glass
8	5600 0428	1			GOVERNOR, Intermittent Wiper
9	5600 2081	1			BRACKET
10	J942 1073	2			SCREW
11	J368 9091	1			FASTENER, Velcro Hook
12					LINK, Fusible
	J813 3785	1			14 Gauge
	J321 0989	1			18 Gauge
13	1150 2702	2			NUT
14	5300 3069	1			RELAY, A.C. Delay, 4 Cyl. Engine, Auto. Trans. w/ "American Air"
15	5600 4262	1			MODULE, Headlamp, 1990-91
16					RELAY, Starter
	J323 5898	1			6 Cyl., Manual, 1987
	J323 5897	1			6 Cyl., Auto., 1987
17	J812 0054	2			SCREW, 1987

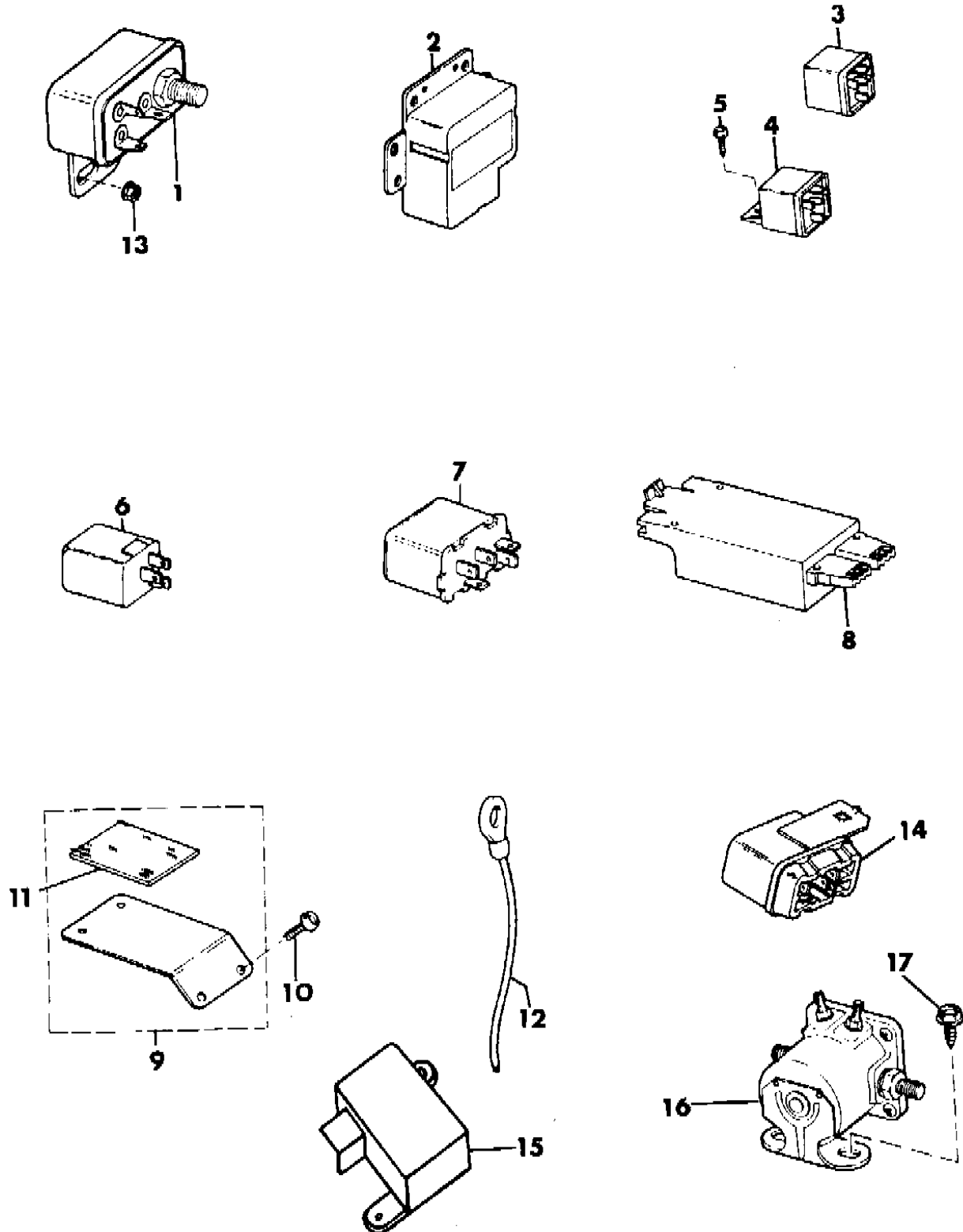
MODEL CODES:

15 = Grand Wagoneer 4 Dr.	65 = Comanche 4WD-7 Ft. Box	77 = Cherokee 4WD-2 Dr.
25 = J-10 Pickup-119" W.B.	66 = Comanche 2WD-7 Ft. Box	78 = Cherokee 4WD-4 Dr.
26 = J-10 Pickup-131" W.B.	73 = Cherokee 2WD-2 Dr.	79 = Cherokee 4WD-4 Dr.-Com
27 = J-20 Pickup-131" W.B.	74 = Cherokee 2WD-4 Dr.	81 = Wrangler-93" W.B.
63 = Comanche 4WD-6 Ft. Box	75 = Wagoneer 4WD-4 Dr.	82 = Wrangler-103" W.B.-Exp.
64 = Comanche 2WD-6 Ft. Box		

BODY STYLES:

MJ = Comanche Pickup  
 SJ = Grand Wagoneer Wgn., J-10 & J-20 Pickups  
 XJ = Cherokee, Wagoneer Limited  
 YJ = Wrangler

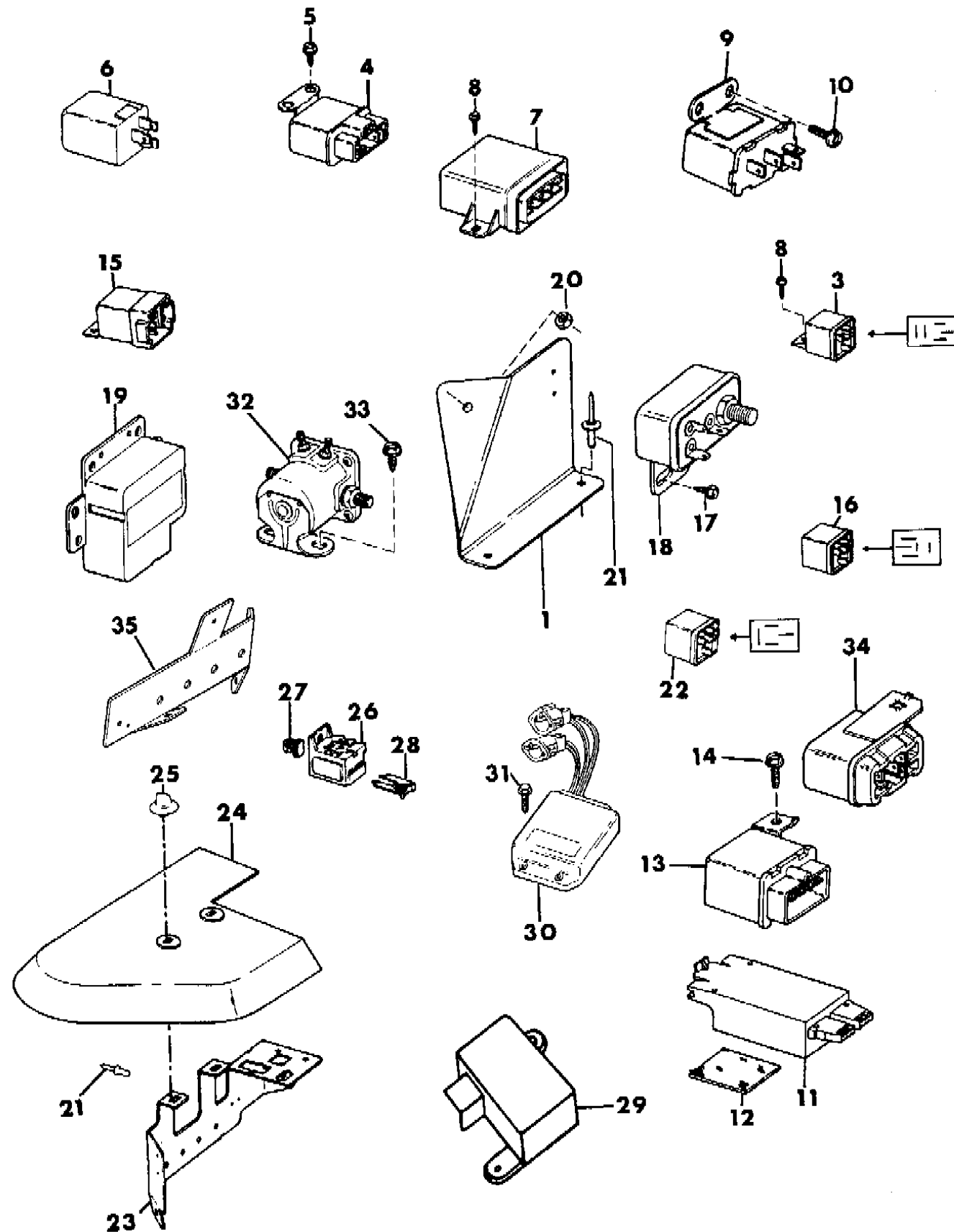
AR = Use as Required - = Non Illustrated Part P.A.R. = Paint as Required





RELAYS CHEROKEE, WAGONEER, COMANCHE  
Figure 8-200

8 J08 200C



ITEM	PART NUMBER	QTY	BODY	MODEL	DESCRIPTION
1	5300 4672	1			BRACKET, Starter Relay, w/Diesel Engine
2	1150 0079	2			SCREW
3	3300 1776	1			RELAY Manifold Heater Keyless Entry
4	5600 1186	1			RELAY, Choke Heater
5	1150 0985	2			SCREW
6	J576 4039	1			RELAY, Horn
7	3300 1301	1			TIMER, Glow Plug Control, w/Diesel Engine
8	1150 2843	AR			SCREW
9	3600 0350	1			RELAY, Heated Glass
10	3420 1489	1			SCREW
11	5600 0428	1			GOVERNOR, Intermittent Wiper
12	J368 9091	1			FASTENER, Velcro Hook
13	5600 0636	1			RELAY, Headlamp Delay
14	3420 1489	1			SCREW
15	5600 0836	1			RELAY, Power Antenna
16	3300 1777	1			RELAY Anti-Diesel Fuel Pump Air Conditioning Throttle Control Oxygen Sensor
17	3420 1996	2			SCREW Diesel Illumination, Blue w/Diesel Engine
18	1150 2843	2			w/o Diesel Engine
	5300 4798	1			RELAY, Starter 1987 4 Cyl. Injected Engine
	3300 3934	1			4 Cyl. Carberated Engine
	5300 4798	1			6 Cyl. Engine
	J323 6793	1			Diesel Engine 1988-90

MODEL CODES:

15 = Grand Wagoneer 4 Dr.	65 = Comanche 4WD-7 Ft. Box	77 = Cherokee 4WD-2 Dr.
25 = J-10 Pickup-119" W.B.	66 = Comanche 2WD-7 Ft. Box	78 = Cherokee 4WD-4 Dr.
26 = J-10 Pickup-131" W.B.	73 = Cherokee 2WD-2 Dr.	79 = Cherokee 4WD-4 Dr.-Com
27 = J-20 Pickup-131" W.B.	74 = Cherokee 2WD-4 Dr.	81 = Wrangler-93" W.B.
63 = Comanche 4WD-6 Ft. Box	75 = Wagoneer 4WD-4 Dr.	82 = Wrangler-103" W.B.-Exp.
64 = Comanche 2WD-6 Ft. Box		

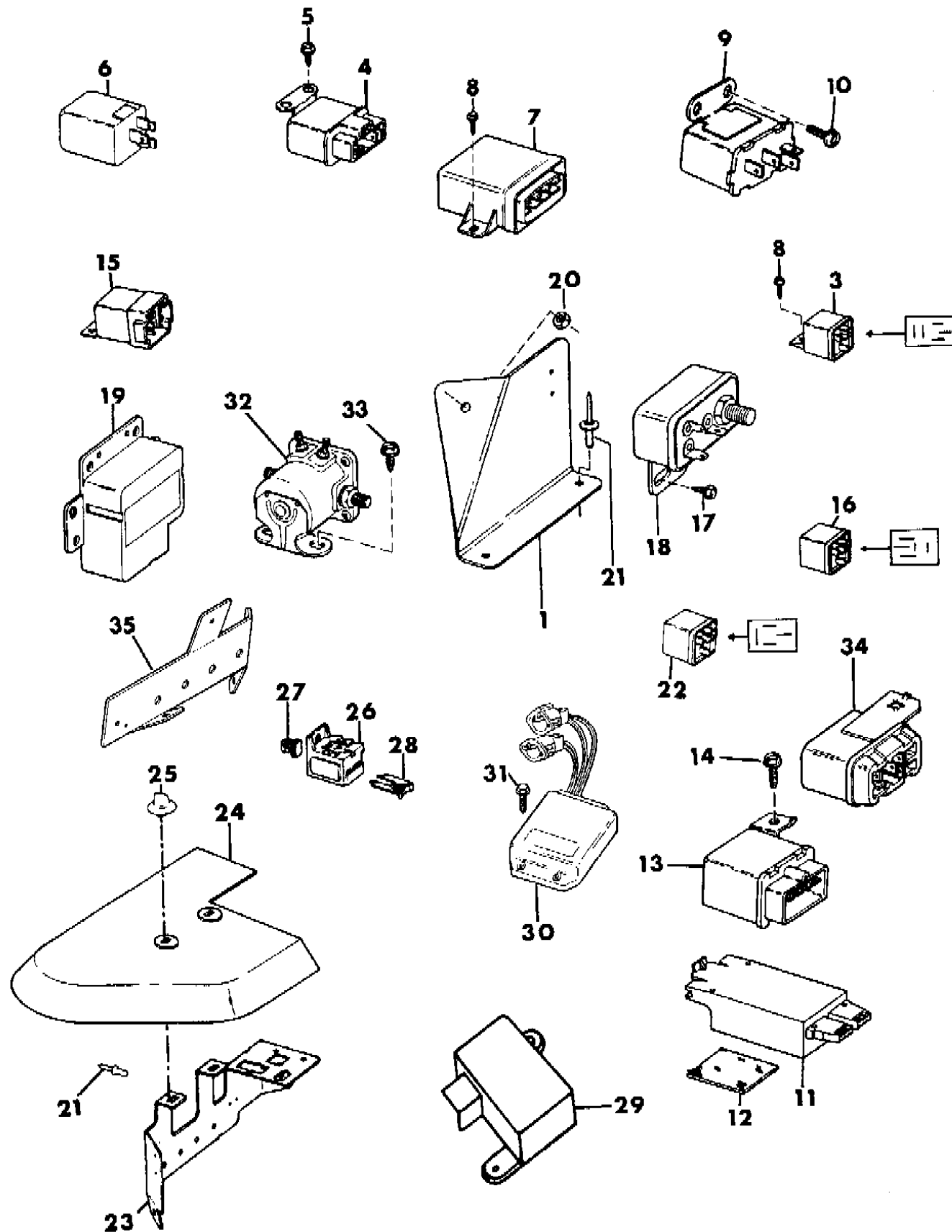
BODY STYLES:

MJ = Comanche Pickup
SJ = Grand Wagoneer Wgn., J-10 & J-20 Pickups
XJ = Cherokee, Wagoneer Limited
YJ = Wrangler

AR = Use as Required - = Non Illustrated Part P.A.R. = Paint as Required

RELAYS CHEROKEE, WAGONEER, COMANCHE  
Figure 8-200

8 J08 200C



ITEM	PART NUMBER	QTY	BODY	MODEL	DESCRIPTION
	5300 4798	1			4 Cyl. Injected Engine
	3300 3934	1			4 Cyl. Carberated Engine
	3300 3934	1			6 Cyl. Engine
	5300 4798	1			Diesel Engine
19	5600 2460	1			TIMER, Emission Maintenance
20	3420 1169	2			NUT, Hex, w/Diesel Engine
21	3420 1208	2			RIVET
22					RELAY
	3600 3046	1			Glow Plug Control, w/Diesel Engine ***
	3600 3046	1			Cooling Fan, 6 Cyl. Engine, w/Heavy Duty Cooling
	5600 2958	1			Idle Speed Control
	5600 2958	1			Fog Lamp
	5600 2958	1			TRAILER Tow 1990
23	5300 4489	1			BRACKET, Relay
24	5600 2298	1			COVER, Relay
25	3420 2329	2			NUT, Push
26	J417 9106	4			CONNECTOR
27	J417 9831	4			CLIP
28	3417 5430	4			RETAINER, Lock
29	5600 4262	1			MODULE, Headlamp, 1990-91
30	J323 0451	1			MODULE, Ignition (4Cyl. Carbureted)
31	J400 5982	3			SCREW
32	J323 5897	1			RELAY, Starter 4 Cyl. w/Auto. Trans.
	J323 5898	1			4 Cyl. w/Manual Trans.
33	1150 0079	2			SCREW
34	5300 3069	1			RELAY, Power Steering 4 Cyl. Injected
35	5300 4489	1			BRACKET, Relay

MODEL CODES:

15 = Grand Wagoneer 4 Dr.	65 = Comanche 4WD-7 Ft. Box	77 = Cherokee 4WD-2 Dr.
25 = J-10 Pickup-119" W.B.	66 = Comanche 2WD-7 Ft. Box	78 = Cherokee 4WD-4 Dr.
26 = J-10 Pickup-131" W.B.	73 = Cherokee 2WD-2 Dr.	79 = Cherokee 4WD-4 Dr.-Com
27 = J-20 Pickup-131" W.B.	74 = Cherokee 2WD-4 Dr.	81 = Wrangler-93" W.B.
63 = Comanche 4WD-6 Ft. Box	75 = Wagoneer 4WD-4 Dr.	82 = Wrangler-103" W.B.-Exp.
64 = Comanche 2WD-6 Ft. Box		

BODY STYLES:

MJ = Comanche Pickup  
 SJ = Grand Wagoneer Wgn., J-10 & J-20 Pickups  
 XJ = Cherokee, Wagoneer Limited  
 YJ = Wrangler

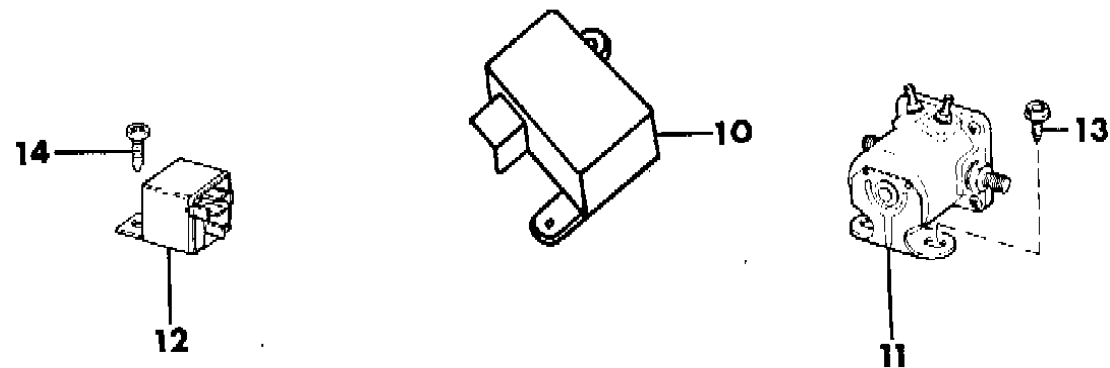
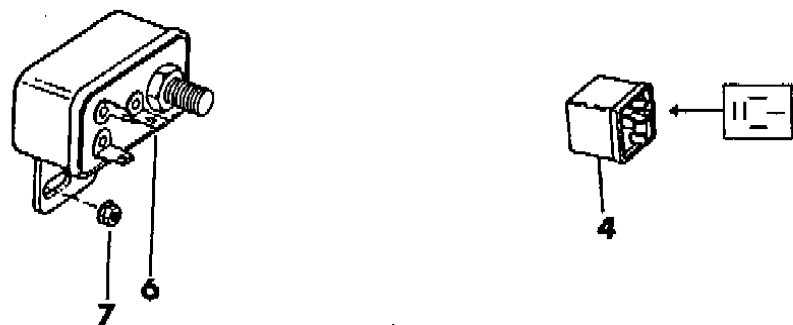
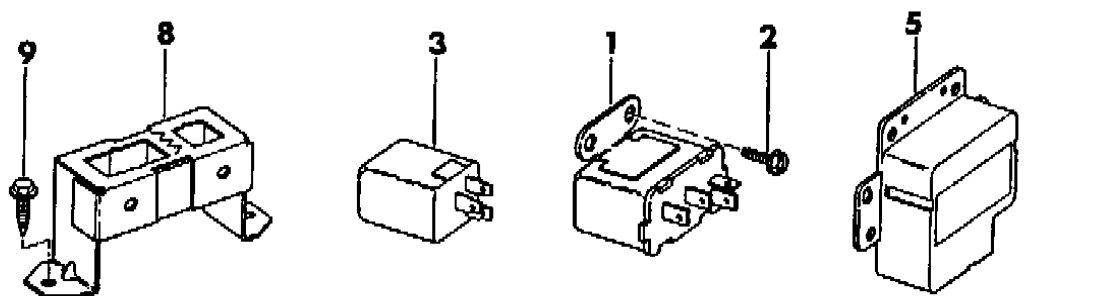
AR = Use as Required - = Non Illustrated Part P.A.R. = Paint as Required

RELAYS GRAND WAGONEER, J10, J20

Figure 8-300

8 J08 300B

ITEM	PART NUMBER	QTY	BODY	MODEL	DESCRIPTION
1	J546 1897	1			RELAY, Heated Glass
2	3420 1489	1			SCREW, 1987-89
	3420 2358	1			SCREW, 1990
3	J576 4039	1			RELAY, Horn
4					RELAY
	3300 1777	1			Fog Lamp
	3300 1777	1			Manifold Heater
	3300 1777	1			Idle Speed Control
5	5600 2460	1			TIMER, Emission Maintenance
6	3300 3934	1			RELAY, Starter
7	1150 2811	2			NUT
8	J576 1769	1			BRACKET, Diagnostic Connector
9	J400 1701	2			SCREW
10	5600 4262	1			MODULE, Headlamp, 1990-91
11					SOLENOID, Starter
	J575 2125	1			w/Auto Trans.
	J323 0406	1			w/Manual Trans.
12	3300 1776	1			RELAY, Fog Lamp
13	J400 4801	2			SCREW
14	J941 4721	1			SCREW



MODEL CODES:

15 = Grand Wagoneer 4 Dr.	65 = Comanche 4WD-7 Ft. Box	77 = Cherokee 4WD-2 Dr.
25 = J-10 Pickup-119" W.B.	66 = Comanche 2WD-7 Ft. Box	78 = Cherokee 4WD-4 Dr.
26 = J-10 Pickup-131" W.B.	73 = Cherokee 2WD-2 Dr.	79 = Cherokee 4WD-4 Dr.-Com
27 = J-20 Pickup-131" W.B.	74 = Cherokee 2WD-4 Dr.	81 = Wrangler-93" W.B.
63 = Comanche 4WD-6 Ft. Box	75 = Wagoneer 4WD-4 Dr.	82 = Wrangler-103" W.B.-Exp.
64 = Comanche 2WD-6 Ft. Box		

BODY STYLES:

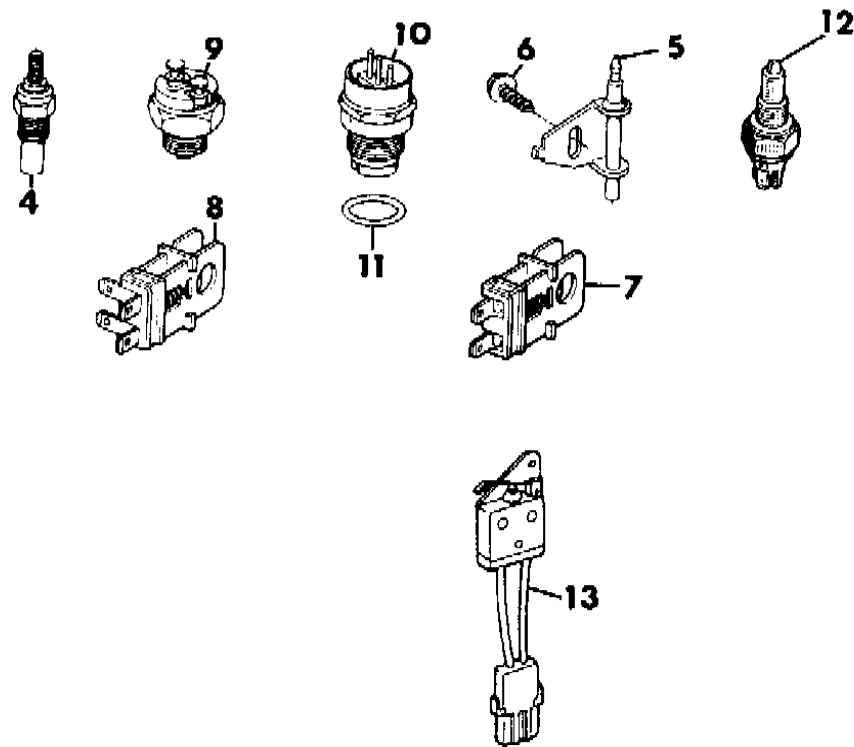
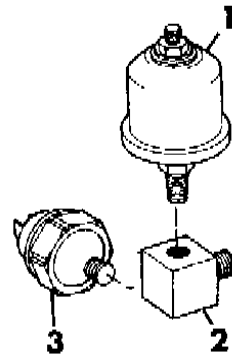
MJ = Comanche Pickup  
 SJ = Grand Wagoneer Wgn., J-10 & J-20 Pickups  
 XJ = Cherokee, Wagoneer Limited  
 YJ = Wrangler

AR = Use as Required - = Non Illustrated Part P.A.R. = Paint as Required

**SWITCHES AND SENDING UNITS WRANGLER, YJ**  
**Figure 8-400**

**8 J08 400A**

ITEM	PART NUMBER	QTY	BODY	MODEL	DESCRIPTION
1	5300 5218	1			SENDING UNIT, Oil Pressure ***
2	J400 6600	1			FITTING 6 Cyl. Engine
	J093 4001	1			4 Cyl. Engine
3	J575 8695	1			SWITCH, Oil Pressure
4	5300 5056	1			SENDING UNIT, Coolant Temp.
5	J323 2194	1			SWITCH, Parking Brake Warning Lamp
6	J942 1073	1			SCREW
7	J321 5938	1			SWITCH, Brake Lamp, w/o Cruise Control
8	J322 5787	1			SWITCH, Brake Lamp, w/Cruise Control
9	5300 4522	1			SWITCH, Back-Up Lamp, w/Man. Trans.
10	J323 2844	1			SWITCH, Neutral Safety, w/Auto. Trans.
11	J812 1142	1			GASKET
12	5300 2831	1			SWITCH, Upshift Lamp, w/4 Speed Trans.
13	#5600 6076	1			SWITCH, Rear Wiper Lockout



**MODEL CODES:**

15 = Grand Wagoneer 4 Dr.	65 = Comanche 4WD-7 Ft. Box	77 = Cherokee 4WD-2 Dr.
25 = J-10 Pickup-119" W.B.	66 = Comanche 2WD-7 Ft. Box	78 = Cherokee 4WD-4 Dr.
26 = J-10 Pickup-131" W.B.	73 = Cherokee 2WD-2 Dr.	79 = Cherokee 4WD-4 Dr.-Com
27 = J-20 Pickup-131" W.B.	74 = Cherokee 2WD-4 Dr.	81 = Wrangler-93" W.B.
63 = Comanche 4WD-6 Ft. Box	75 = Wagoneer 4WD-4 Dr.	82 = Wrangler-103" W.B.-Exp.
64 = Comanche 2WD-6 Ft. Box		

**BODY STYLES:**

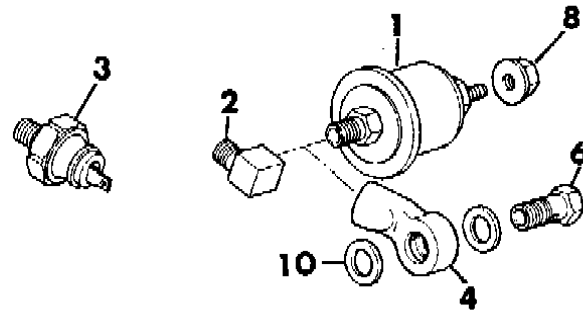
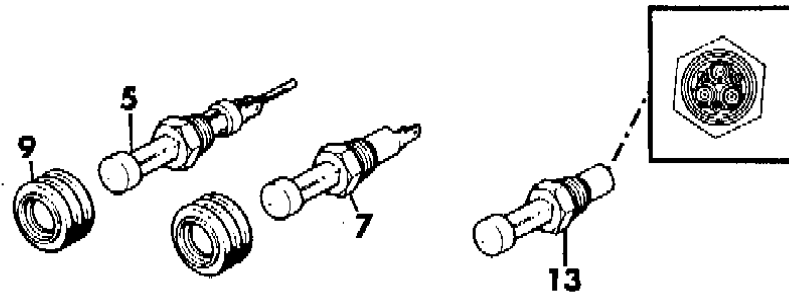
MJ = Comanche Pickup  
 SJ = Grand Wagoneer Wgn., J-10 & J-20 Pickups  
 XJ = Cherokee, Wagoneer Limited  
 YJ = Wrangler

AR = Use as Required - = Non Illustrated Part P.A.R. = Paint as Required

**SWITCHES AND SENDING UNITS CHEROKEE, WAGONEER, COMANCHE**  
**Figure 8-500**

**8 J08 500 A**

ITEM	PART NUMBER	QTY	BODY	MODEL	DESCRIPTION
1					SENDING UNIT, Oil Pressure
	5300 5218	1			Gas Engine
	3300 2472	1			Diesel Engine
2					FITTING
	J093 4001	1			4 Cyl. Gas Engine ***
	J400 6600	1			4 Cyl. Gas Engine (Export)
	J321 2002	1			6 Cyl. Engine
3					SWITCH, Oil Pressure
	J314 2826	1			Gas Engine
	J575 8695	1			4 Cyl. Gas Engine (Export)
4	3300 2464	1			ADAPTER, Diesel Engine ***
5	5600 0137	1			SWITCH, Dome Lamp/Buzzer
6	T103 0598	1			BOLT, Adapter, Diesel Engine
7	5600 0136	3			SWITCH, Dome Lamp, Also Order 1 of J4006601
8	J027 1169	1			NUT, Diesel Engine ***
9	5600 1223	4			BOOT
10	J324 3136	2			GASKET, Diesel Engine ***
11	5300 1936	1			ADAPTER, Diesel Engine ***
12	J323 0408	1			SWITCH, Coolant Temp., Gas Engine w/Coolant Temp. Warning Lamp
	5300 5309	1			SENDING UNIT, Coolant Temp., Gas Eng., w/Coolant Temp. Gauge
	5300 5056	1			SWITCH, Coolant Temp., Diesel Engine
13					SWITCH, Dome Lamp, Doors
	4373 296	2			FRONT-1990
	4373 296	2		15	REAR-1990



**MODEL CODES:**

15 = Grand Wagoneer 4 Dr.	65 = Comanche 4WD-7 Ft. Box	77 = Cherokee 4WD-2 Dr.
25 = J-10 Pickup-119" W.B.	66 = Comanche 2WD-7 Ft. Box	78 = Cherokee 4WD-4 Dr.
26 = J-10 Pickup-131" W.B.	73 = Cherokee 2WD-2 Dr.	79 = Cherokee 4WD-4 Dr.-Com
27 = J-20 Pickup-131" W.B.	74 = Cherokee 2WD-4 Dr.	81 = Wrangler-93" W.B.
63 = Comanche 4WD-6 Ft. Box	75 = Wagoneer 4WD-4 Dr.	82 = Wrangler-103" W.B.-Exp.
64 = Comanche 2WD-6 Ft. Box		

**BODY STYLES:**

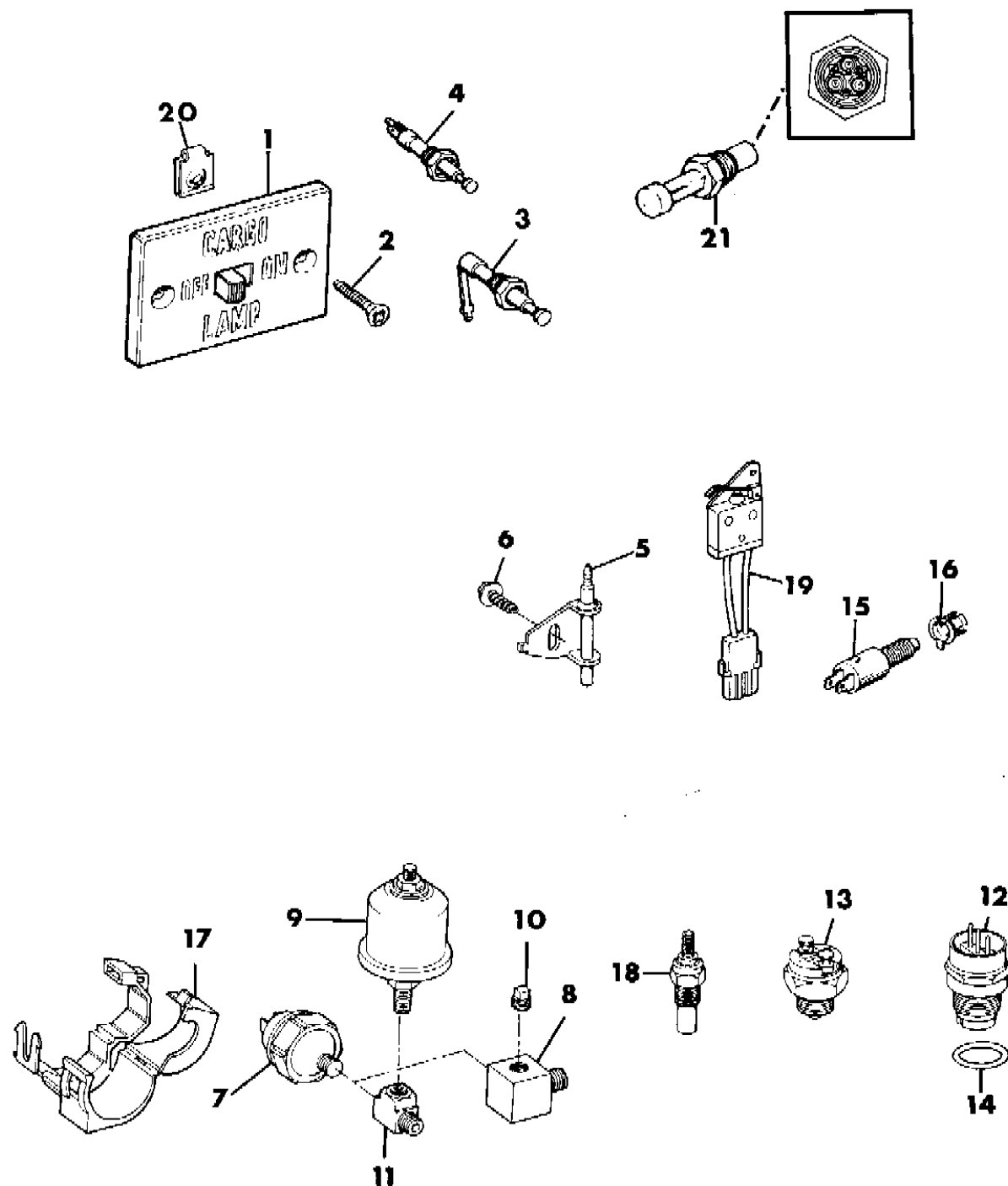
MJ = Comanche Pickup  
 SJ = Grand Wagoneer Wgn., J-10 & J-20 Pickups  
 XJ = Cherokee, Wagoneer Limited  
 YJ = Wrangler

AR = Use as Required - = Non Illustrated Part P.A.R. = Paint as Required

SWITCHES AND SENDING UNITS GRAND WAGONEER, J10, J20

Figure 8-600

8 J08 600 A



ITEM	PART NUMBER	QTY	BODY	MODEL	DESCRIPTION
1	J545 1489	1			SWITCH, Dome Lamp
2	J400 4955	2		26,27	SCREW Truck
	J400 2657	2		15	Wagon
3	J576 1248	3			SWITCH, Dome Lamp 1987-89
	4373 296	2			1990
4	J576 4249	1			SWITCH, Dome Lamp 1988-89
	4373 296	1			1990
5	J323 2194	1			SWITCH, Parking Brake Warning Lamp
6	J942 1073	1			SCREW
7	J575 8695	1			SWITCH, Oil Pressure
8	J321 2002	1			FITTING, 6 Cyl. Engine ***
9	5300 5218	1			SENDING UNIT, Oi Pressure ***
10	J010 3877	1			PLUG, 6 Cyl. Engine ***
11	J400 5879	1			TEE, 8 Cyl. Engine ***
12	J323 2844	1			SWITCH, Neutral Safety, w/Auto. Trans.
13	J575 1207	1			SWITCH, Back-Up Lamp, w/Man. Trans.
14	J812 1142	1			GASKET
15	J535 2620	1			SWITCH, Brake Lamp
16	J535 2622	1			RETAINER
17	J417 5241	1			CONNECTOR
18	5300 5056	1			SENDING UNIT, Coolant Temp. ***
19	5600 3694	1			SWITCH, Safety, w/Rear Window Wiper and Washer
20	J400 6402	1			NUT, Spring
21	4373 296	2			SWITCH, Dome Lamp 1990

MODEL CODES:

15 = Grand Wagoneer 4 Dr.	65 = Comanche 4WD-7 Ft. Box	77 = Cherokee 4WD-2 Dr.
25 = J-10 Pickup-119" W.B.	66 = Comanche 2WD-7 Ft. Box	78 = Cherokee 4WD-4 Dr.
26 = J-10 Pickup-131" W.B.	73 = Cherokee 2WD-2 Dr.	79 = Cherokee 4WD-4 Dr.-Com
27 = J-20 Pickup-131" W.B.	74 = Cherokee 2WD-4 Dr.	81 = Wrangler-93" W.B.
63 = Comanche 4WD-6 Ft. Box	75 = Wagoneer 4WD-4 Dr.	82 = Wrangler-103" W.B.-Exp.
64 = Comanche 2WD-6 Ft. Box		

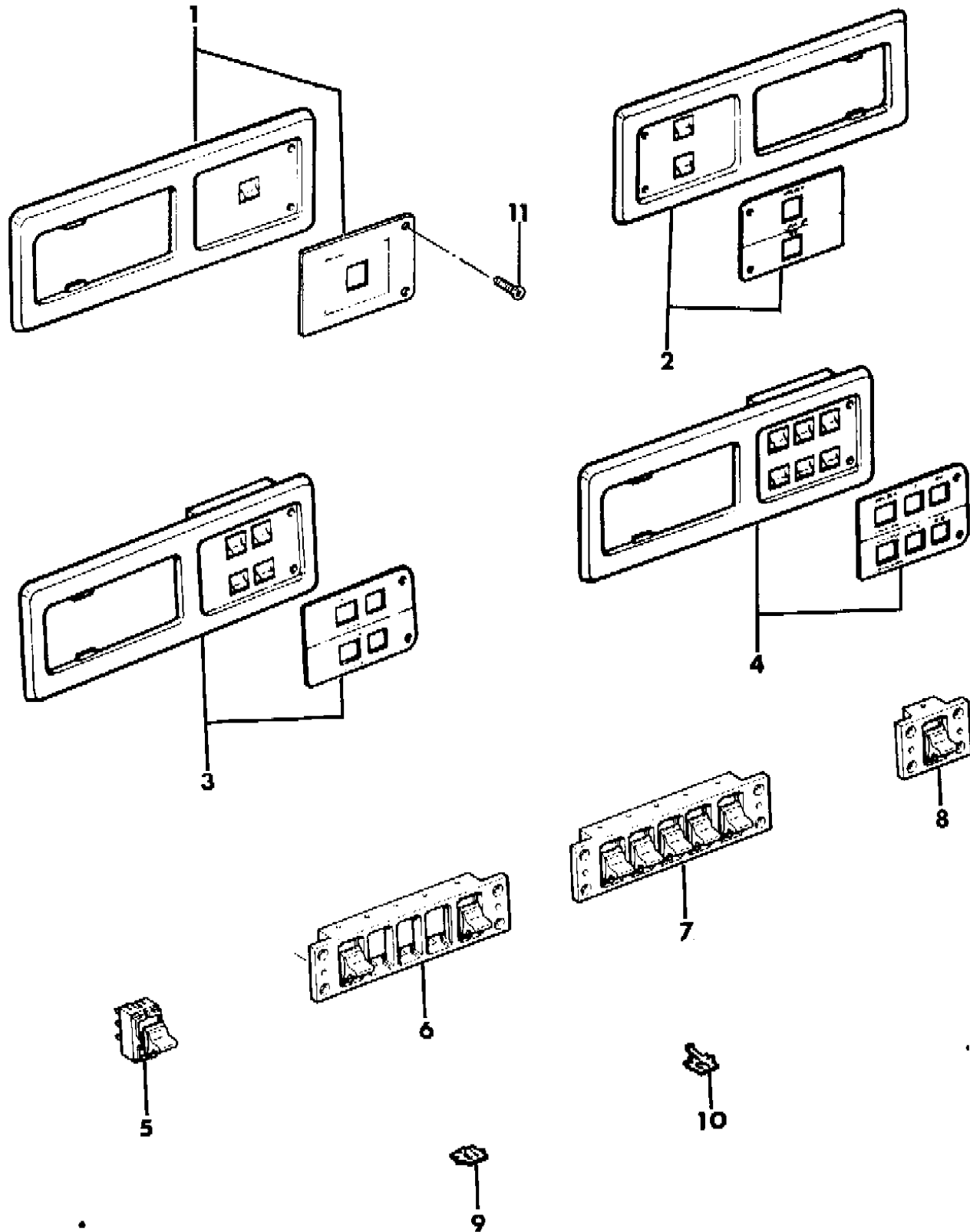
BODY STYLES:

MJ = Comanche Pickup  
 SJ = Grand Wagoneer Wgn., J-10 & J-20 Pickups  
 XJ = Cherokee, Wagoneer Limited  
 YJ = Wrangler

AR = Use as Required - = Non Illustrated Part P.A.R. = Paint as Required

**SWITCHES ALL MODELS**  
Figure 8-650

8 J08 650 A



ITEM	PART NUMBER	QTY	BODY	MODEL	DESCRIPTION
1					SWITCH, w/Pwr. Windows, Rear Door
	5500 2124	1	XJ		1987, Woodgrain
	5500 2134	1	XJ		1987, Black
	5501 9364-5	1	XJ		1988-90, Woodgrain
	5501 9366-7	1	XJ		1988-90, Black
	5500 2130	2	MJ		w/Pwr. Locks, Frt. Door
2					SWITCH, w/Pwr. Windows & Pwr. Locks, Frt. Door Rt.
	5600 0258	1	XJ,MJ		1987
	5500 2123	1	XJ,MJ		1988-91, Woodgrain
	5500 2133	1	XJ,MJ		1988-91, Black
3					SWITCH, w/Pwr. Windows & Pwr. Locks, Frt. Door Lt .
	5500 2135	1	XJ	73,77	1987-91
	5500 2135	1	MJ		1987-90
4					SWITCH, w/Pwr. Windows & Pwr. Locks Frt. Door Lt .
	5500 2122	1	XJ	74,75,78	1987-90, Woodgrain
	5500 2132	1	XJ	74,75,78	1988-91, Black
5	J372 8042	1	SJ		SWITCH, w/Pwr. Windows & Pwr. Locks
6	J372 8048	1	SJ		HOUSING, w/Pwr. Windows & Pwr. Locks, Frt. Door, Rt.
7	J372 8030	1	SJ		HOUSING, w/Pwr. Windows & Pwr. Locks, Frt. Door, Lt.
8	J371 9090	2	SJ		SWITCH, w/Pwr. Windows & Pwr. Locks, Rear Doors
9	J400 6536	AR			CLIP
10	J400 6546	AR			CLIP
11	S150 0405	AR			SCREW

MODEL CODES:

15 = Grand Wagoneer 4 Dr.	65 = Comanche 4WD-7 Ft. Box	77 = Cherokee 4WD-2 Dr.
25 = J-10 Pickup-119" W.B.	66 = Comanche 2WD-7 Ft. Box	78 = Cherokee 4WD-4 Dr.
26 = J-10 Pickup-131" W.B.	73 = Cherokee 2WD-2 Dr.	79 = Cherokee 4WD-4 Dr.-Com
27 = J-20 Pickup-131" W.B.	74 = Cherokee 2WD-4 Dr.	81 = Wrangler-93" W.B.
63 = Comanche 4WD-6 Ft. Box	75 = Wagoneer 4WD-4 Dr.	82 = Wrangler-103" W.B.-Exp.
64 = Comanche 2WD-6 Ft. Box		

BODY STYLES:

MJ = Comanche Pickup  
 SJ = Grand Wagoneer Wgn., J-10 & J-20 Pickups  
 XJ = Cherokee, Wagoneer Limited  
 YJ = Wrangler

AR = Use as Required - = Non Illustrated Part P.A.R. = Paint as Required

MICROPROCESSORS AND OXYGEN SENSORS WRANGLER, YJ, CHEROKEE, WAGONEER, COMANCHE, GRAND WAGONEER, J10, J20  
Figure 8-700

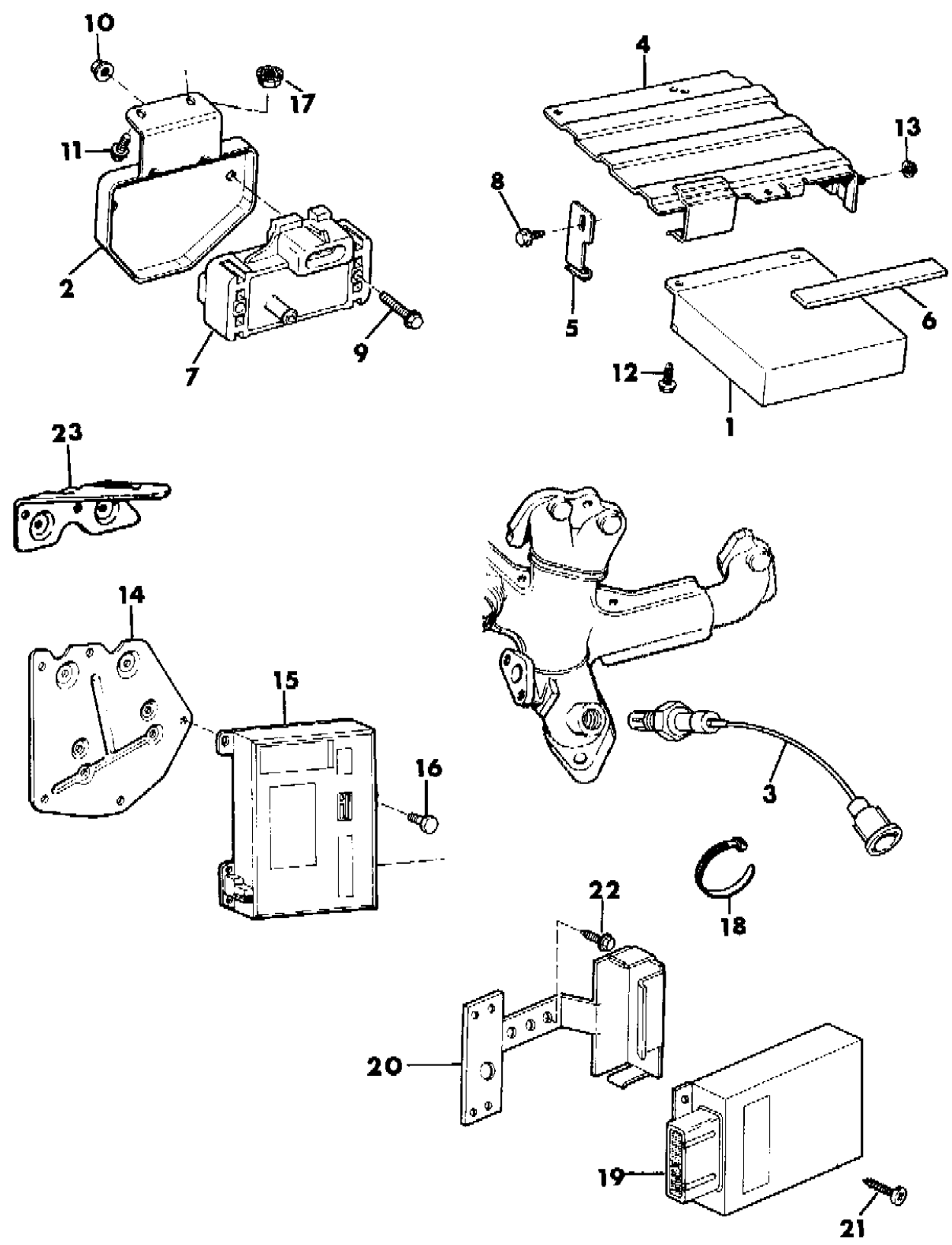
8J08 700 B

ITEM	PART NUMBER	QTY	BODY	MODEL	DESCRIPTION
1					MICROPROCESSOR *** w/ 6 Cyl. Engine, Man. Trans. 1987-90 w/ 6 Cyl. Engine, Auto. Trans. 1987-90
	5300 5522	1	YJ, SJ		
	5300 5523	1	YJ		
2	5300 5023	1	YJ		w/ 4 Cyl. Engine
3	5300 2332	1	YJ, XJ		BRACKET, M.A.P. Sensor, w/ 4 Cyl. Engine SENSOR, Oxygen
	3300 2455	1	YJ		w/6 Cyl. Engine (1987)
	3300 4243	1	YJ, SJ		w/ 6 Cyl. Engine (19988-90)
	5300 4245	1	XJ, MJ		w/ 6 Cyl. Engine
	5300 2106	1	YJXJM		w/ 4 Cyl. Engine
4	5300 4000	1	YJ		BRACKET, Microprocessor
5	5300 3421	1	YJ		BRACKET, Microprocessor
6	J323 3062	1	YJ		PAD, Microprocessor
7	3300 0153	1	YJ, XJ		SENSOR, M.A.P.
8	J400 1701	1	YJ		SCREW
9	S150 7041	2	YJ, XJ		BOLT
10	3420 1461	2	YJ, XJ		NUT
11	J942 1073	2	YJ		SCREW
12	T300 1369	3	YJ		SCREW
13	J400 5704	2	YJ		NUT
14	5300 3933	1	XJ		BRACKET
15					MICROPROCESSOR *** 6 Cyl. Engine, w/Man. Trans., 1987-88
	5300 5407	1	XJ, MJ		
	5300 5406	1	XJ, MJ		6 Cyl. Engine, Auto. Trans., 1987-88
	5300 5429	1	XJ, MJ		6 Cyl. Engine, w/Man. Trans., 1989-90
	5300 5428	1	XJ, MJ		6 Cyl. Engine, w/Auto. Trans., 1989-90
	5300 7474	1	XJ, MJ		6 Cyl. Engine, w/ Leaded Fuel (Export)
	5300 4763	1	XJ, MJ		4 Cyl. Engine, w/Man. Trans.
	5300 4764	1	XJ, MJ		4 Cyl. Engine, w/ Auto. Trans.
16	1150 3059	3	XJ, MJ		SCREW
17	3420 1358	2	XJ, MJ		NUT 1987
	3420 1461	2			NUT 1988/90
18	J322 3227	1	XJ, MJ		STRAP, Tie
19					MICROPROCESSOR *** w/Man. Trans. Calif. & Canada
	3300 1744	1	SJ		

MODEL CODES:  
 15 = Grand Wagoneer 4 Dr.      65 = Comanche 4WD-7 Ft. Box      77 = Cherokee 4WD-2 Dr.  
 25 = J-10 Pickup-119" W.B.      66 = Comanche 2WD-7 Ft. Box      78 = Cherokee 4WD-4 Dr.  
 26 = J-10 Pickup-131" W.B.      73 = Cherokee 2WD-2 Dr.      79 = Cherokee 4WD-4 Dr.-Com  
 27 = J-20 Pickup-131" W.B.      74 = Cherokee 2WD-4 Dr.      81 = Wrangler-93" W.B.  
 63 = Comanche 4WD-6 Ft. Box      75 = Wagoneer 4WD-4 Dr.      82 = Wrangler-103" W.B.-Exp.  
 64 = Comanche 2WD-6 Ft. Box

BODY STYLES:  
 MJ = Comanche Pickup  
 SJ = Grand Wagoneer Wgn., J-10 & J-20 Pickups  
 XJ = Cherokee, Wagoneer Limited  
 YJ = Wrangler

AR = Use as Required - = Non Illustrated Part P.A.R. = Paint as Required

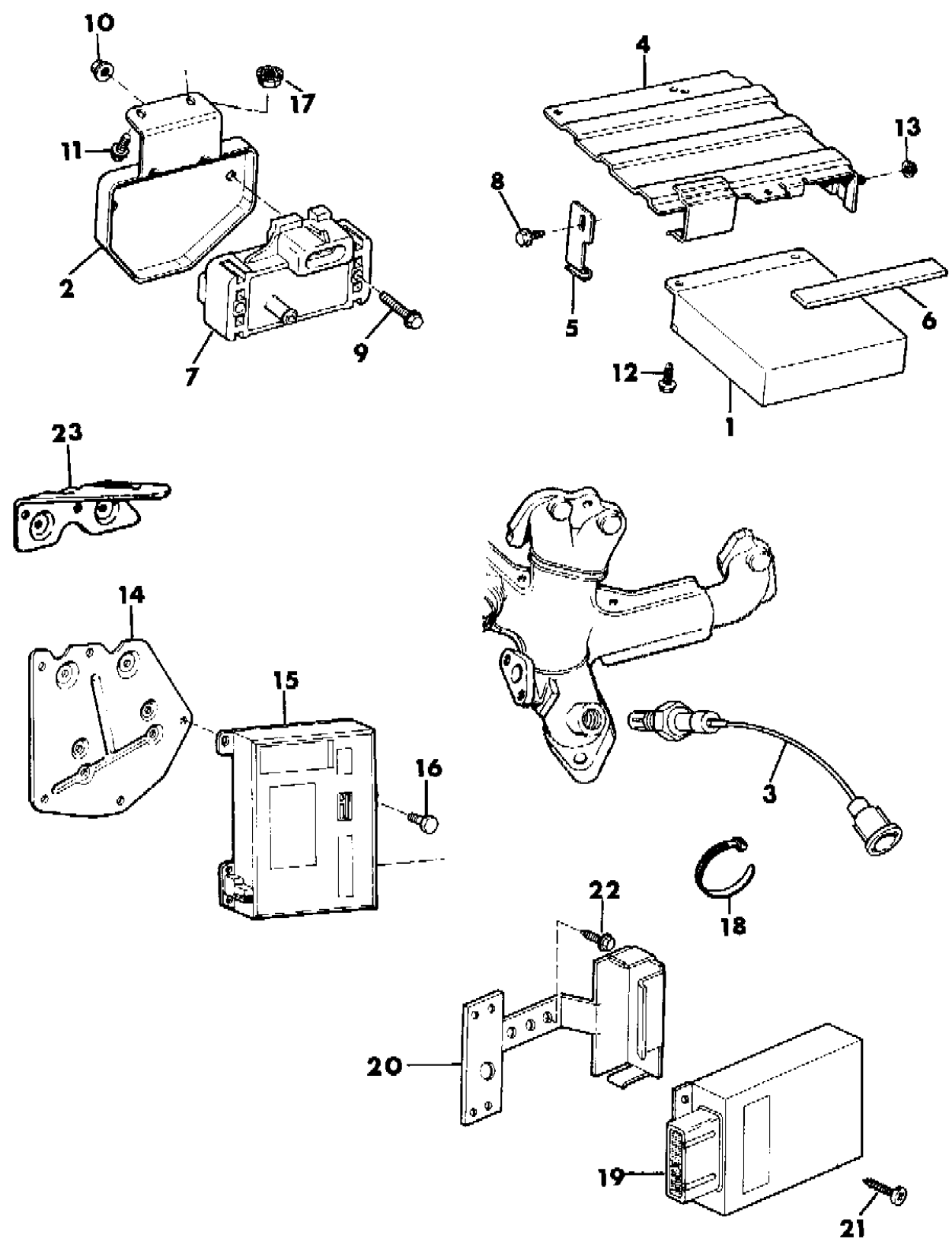




MICROPROCESSORS AND OXYGEN SENSORS WRANGLER, YJ, CHEROKEE, WAGONEER, COMANCHE, GRAND WAGONEER, J10, J20  
 Figure 8-700

8J08 700 B

ITEM	PART NUMBER	QTY	BODY	MODEL	DESCRIPTION
20	J576 2646	1	SJ		BRACKET
21	J448 9487	2	SJ		SCREW
22	J812 0052	3	SJ		SCREW
23	5501 0821	1			BRACKET, 6 Cyl. (Calif. Only)



- MODEL CODES:
- |                             |                             |                              |
|-----------------------------|-----------------------------|------------------------------|
| 15 = Grand Wagoneer 4 Dr.   | 65 = Comanche 4WD-7 Ft. Box | 77 = Cherokee 4WD-2 Dr.      |
| 25 = J-10 Pickup-119" W.B.  | 66 = Comanche 2WD-7 Ft. Box | 78 = Cherokee 4WD-4 Dr.      |
| 26 = J-10 Pickup-131" W.B.  | 73 = Cherokee 2WD-2 Dr.     | 79 = Cherokee 4WD-4 Dr.-Com  |
| 27 = J-20 Pickup-131" W.B.  | 74 = Cherokee 2WD-4 Dr.     | 81 = Wrangler-93" W.B.       |
| 63 = Comanche 4WD-6 Ft. Box | 75 = Wagoneer 4WD-4 Dr.     | 82 = Wrangler-103" W.B.-Exp. |
| 64 = Comanche 2WD-6 Ft. Box |                             |                              |

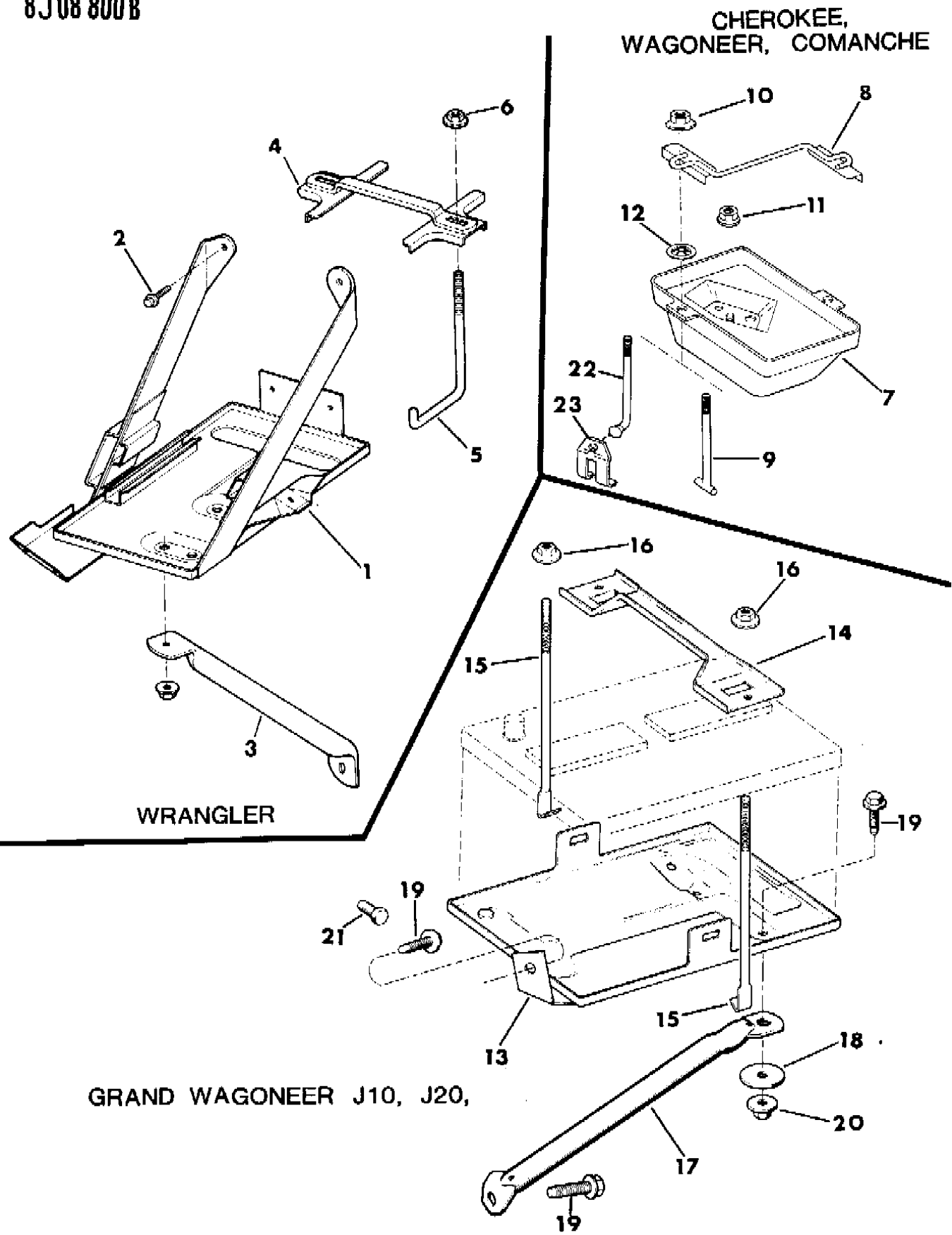
- BODY STYLES:
- MJ = Comanche Pickup
  - SJ = Grand Wagoneer Wgn., J-10 & J-20 Pickups
  - XJ = Cherokee, Wagoneer Limited
  - YJ = Wrangler

AR = Use as Required - = Non Illustrated Part P.A.R. = Paint as Required

BATTERY TRAYS WRANGLER, YJ, CHEROKEE, WAGONEER, COMANCHE, GRAND WAGONEER, J10, J20

Figure 8-800

8J08 800B



ITEM	PART NUMBER	QTY	BODY	MODEL	DESCRIPTION
1	5500 9619	1	YJ		BOX, Battery
2	J027 3573	8	YJ		BOLT
3	5501 3627	1	YJ		BRACE
4	5501 2921	1	YJ		BRACKET, Battery
5	5501 2922	2	YJ		ROD
6	J400 5937	2	YJ		NUT
7					BOX, Battery
	5200 2092	1	XJ,MJ		Gas Engine
	5501 0770	1	XJ,MJ		Diesel Engine
8					BRACKET, Battery
	5501 0722	1	XJ,MJ		Gas Engine
	5501 1012	1	XJ,MJ		Diesel Engine
9	5501 4375	2	XJ,MJ		ROD, 6 Cyl. Engine
10	3420 1918	2	XJ,MJ		NUT
11	3420 1317	3	XJ,MJ		NUT
12	3420 2014	2	XJ,MJ		NUT, Push
13	5501 4359	1	SJ		BOX, Battery, 1987
	5501 9526	1	SJ		BOX, Battery, 1988-90
14	5501 4361	1	SJ		BRACKET, Battery
15	5501 4362	2	SJ		ROD, 1987
	5501 9527	2	SJ		ROD, 1988-90
16	3420 1246	2	SJ		NUT
17	J097 7576	1	SJ		BRACE
18	J066 4607	2	SJ		WASHER
19	J400 4455	3	SJ		BOLT
20	J400 4866	3	SJ		NUT
21	J018 0120	1	SJ		BOLT
22	5501 1015	2	XJ		ROD Diesel
23	5501 0720	2	XJ		CLAMP, Battery Hold Down Diesel
24	5501 2925	1	YJ		BRACKET, Battery Tray Support
25	J546 9962	1	YJ		BRACKET, Battery Adapter
26	J400 4648	AR	YJ		SCREW, (1/4x20x.62)

MODEL CODES:

15 = Grand Wagoneer 4 Dr.	65 = Comanche 4WD-7 Ft. Box	77 = Cherokee 4WD-2 Dr.
25 = J-10 Pickup-119" W.B.	66 = Comanche 2WD-7 Ft. Box	78 = Cherokee 4WD-4 Dr.
26 = J-10 Pickup-131" W.B.	73 = Cherokee 2WD-2 Dr.	79 = Cherokee 4WD-4 Dr.-Com
27 = J-20 Pickup-131" W.B.	74 = Cherokee 2WD-4 Dr.	81 = Wrangler-93" W.B.
63 = Comanche 4WD-6 Ft. Box	75 = Wagoneer 4WD-4 Dr.	82 = Wrangler-103" W.B.-Exp.
64 = Comanche 2WD-6 Ft. Box		

BODY STYLES:

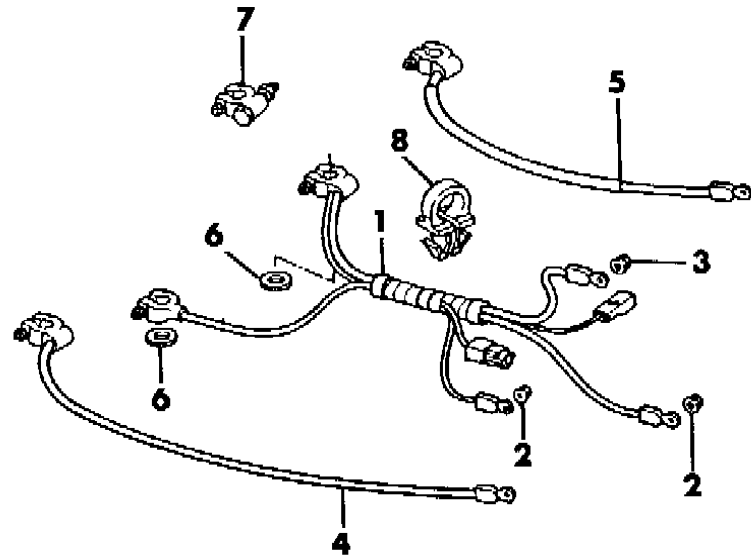
MJ = Comanche Pickup  
 SJ = Grand Wagoneer Wgn., J-10 & J-20 Pickups  
 XJ = Cherokee, Wagoneer Limited  
 YJ = Wrangler

AR = Use as Required - = Non Illustrated Part P.A.R. = Paint as Required

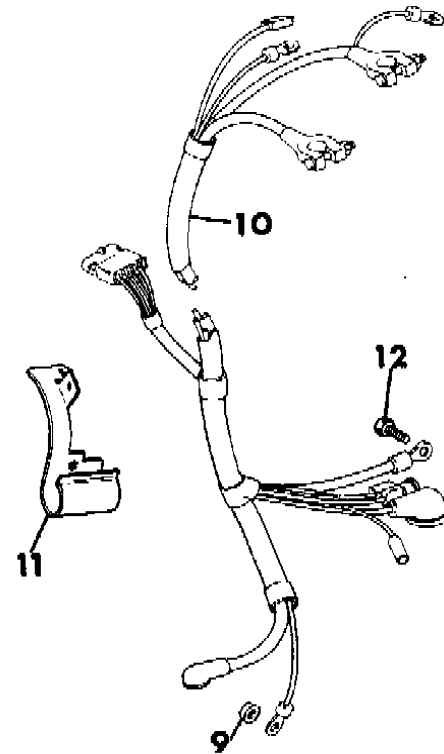
BATTERY CABLES WRANGLER, YJ, CHEROKEE, WAGONEER, COMANCHE GRAND WAGONEER, J10, J20

Figure 8-900

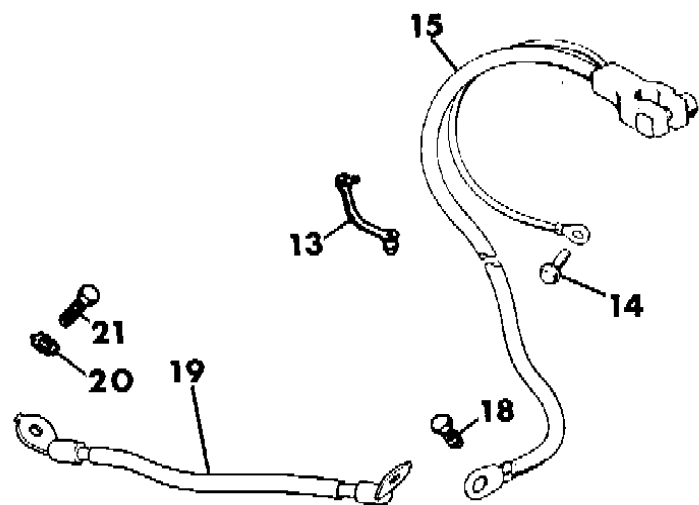
8 J08 900



WRANGLER, YJ



CHEROKEE  
WAGONEER  
COMANCHE



GRAND WAGONEER, J-10, J-20

ITEM	PART NUMBER	QTY	BODY	MODEL	DESCRIPTION
1		1			HARNESS, Battery
	5603 0060	1	YJ		6 Cyl., 1987
	5600 2066	1	YJ		4 Cyl., 1987
	5600 2566	1	YJ		2.5 Eng., Pos. & Neg., 1988-90
2	J400 6715	1	YJ		NUT, 4 Cyl. Engine
	J027 1187	2	YJ		NUT, 6 Cyl. Engine
3	3420 2346	1	YJ		NUT
4	5600 2516	1	YJ		CABLE, Negative, 6 Cyl. Engine
5					CABLE, Positive, 6 Cyl. Engine
	5600 2515	1	YJ		1987
	5600 2754	1	YJ		1988-90
6	J522 7487	2	YJ		WASHER, Terminal Anti-Corrosion
7	9600 0053	2	YJ		TERMINAL, Positive
	9600 0054	2	YJ		Negative
8	3420 1633	1	YJ		CLIP
9	J027 1187	1	XJ,MJ		NUT, 1987
	3420 1749	1	XJ,MJ		1988-90
10			XJ,MJ		HARNESS, Alternator/Battery
	5600 2286	1			6 Cyl. Engine, 1987-90
	5600 3703	1			1990
	5600 1988	1			4 Cyl. Engine, 1987-90
	5600 4817	1			1990
	5600 2499	1			Diesel Engine, 1987-90
	5600 3977	1			1990
11	5600 1344	1	XJ,MJ		BRACKET, Battery Cable, Diesel
12	J942 8638	1	XJ,MJ		BOLT
13	J400 1712	1	SJ		CLIP
14	J400 4801	1	SJ		BOLT
15	J546 5067	1	SJ		CABLE, Negative
16					CABLE, Positive
	J535 0457	1	SJ		6 Cyl. Engine, 1987
	J546 5069	1	SJ		8 Cyl. Engine, 1987
	5600 2759	1	SJ		6 Cyl. Engine, 1988
	5600 2974	1	SJ		8 Cyl. Engine, 1988
	5600 3466	1	SJ		8 Cyl. Engine, 1989-90
17					NUT
	3420 2346	2	SJ		8mm Dia.

MODEL CODES:

15 = Grand Wagoneer 4 Dr.	65 = Comanche 4WD-7 Ft. Box	77 = Cherokee 4WD-2 Dr.
25 = J-10 Pickup-119" W.B.	66 = Comanche 2WD-7 Ft. Box	78 = Cherokee 4WD-4 Dr.
26 = J-10 Pickup-131" W.B.	73 = Cherokee 2WD-2 Dr.	79 = Cherokee 4WD-4 Dr.-Com
27 = J-20 Pickup-131" W.B.	74 = Cherokee 2WD-4 Dr.	81 = Wrangler-93" W.B.
63 = Comanche 4WD-6 Ft. Box	75 = Wagoneer 4WD-4 Dr.	82 = Wrangler-103" W.B.-Exp.
64 = Comanche 2WD-6 Ft. Box		

BODY STYLES:

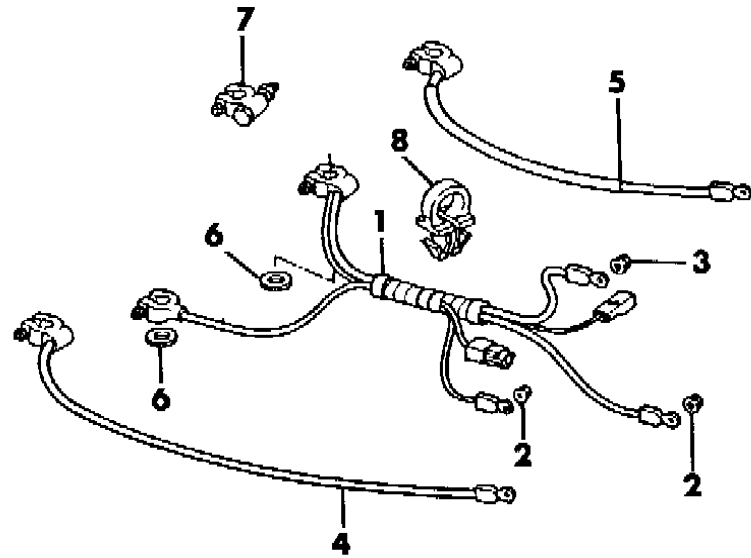
MJ = Comanche Pickup
SJ = Grand Wagoneer Wgn., J-10 & J-20 Pickups
XJ = Cherokee, Wagoneer Limited
YJ = Wrangler

AR = Use as Required - = Non Illustrated Part P.A.R. = Paint as Required

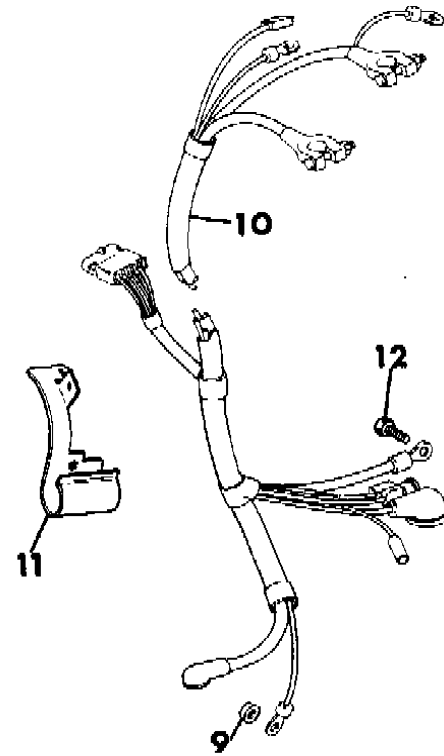
BATTERY CABLES WRANGLER, YJ, CHEROKEE, WAGONEER, COMANCHE GRAND WAGONEER, J10, J20

Figure 8-900

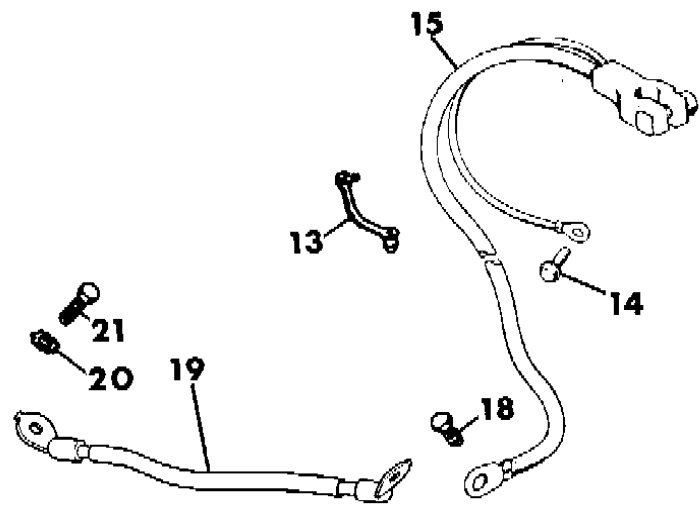
8 J08 900



WRANGLER, YJ



CHEROKEE  
WAGONEER  
COMANCHE



GRAND WAGONEER, J-10, J-20

ITEM	PART NUMBER	QTY	BODY	MODEL	DESCRIPTION
	J400 6715	2	SJ		5/16" Dia.
18	J018 0120	1	SJ		BOLT
19					CABLE, Body Ground Strap
	J093 8988	1	SJ		8 Cyl. Engine
	J576 2380	1	SJ		6 Cyl. Engine
	5603 0064	1	SJ		1987
20	J013 8489	4	SJ		WASHER
21	J018 0122	1	SJ		BOLT

MODEL CODES:

15 = Grand Wagoneer 4 Dr.	65 = Comanche 4WD-7 Ft. Box	77 = Cherokee 4WD-2 Dr.
25 = J-10 Pickup-119" W.B.	66 = Comanche 2WD-7 Ft. Box	78 = Cherokee 4WD-4 Dr.
26 = J-10 Pickup-131" W.B.	73 = Cherokee 2WD-2 Dr.	79 = Cherokee 4WD-4 Dr.-Com
27 = J-20 Pickup-131" W.B.	74 = Cherokee 2WD-4 Dr.	81 = Wrangler-93" W.B.
63 = Comanche 4WD-6 Ft. Box	75 = Wagoneer 4WD-4 Dr.	82 = Wrangler-103" W.B.-Exp.
64 = Comanche 2WD-6 Ft. Box		

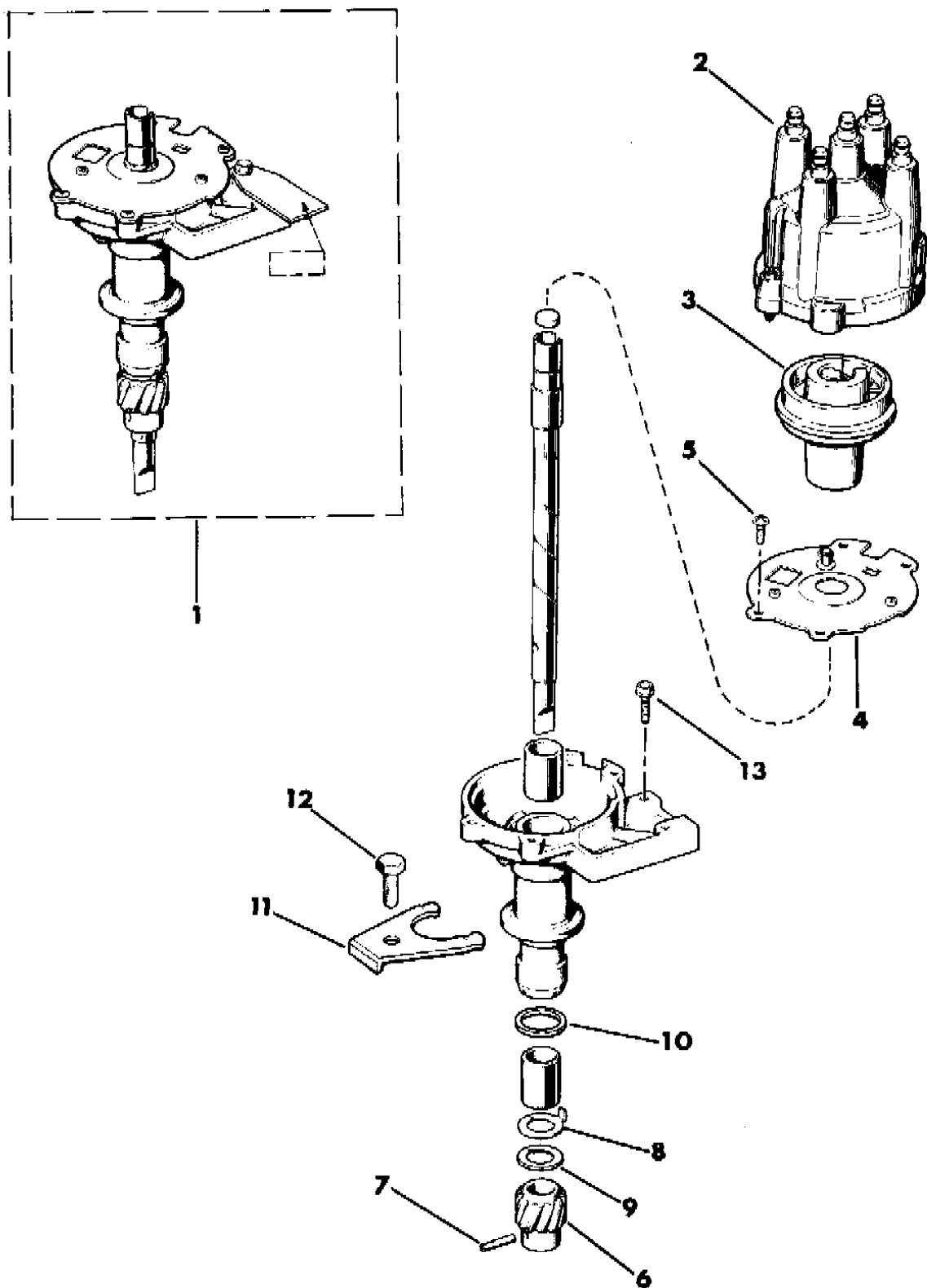
BODY STYLES:

MJ = Comanche Pickup  
 SJ = Grand Wagoneer Wgn., J-10 & J-20 Pickups  
 XJ = Cherokee, Wagoneer Limited  
 YJ = Wrangler

AR = Use as Required - = Non Illustrated Part P.A.R. = Paint as Required

**DISTRIBUTOR 2.5L ENGINE ELECTRONIC FUEL INJECTION**  
**Figure 8-1000**

**8 J08 1000**



ITEM	PART NUMBER	QTY	BODY	MODEL	DESCRIPTION
1					DISTRIBUTOR
	5300 2107	1			Tagged 89 53 002 107 or 53002 107
	3300 4461	1			Tagged 89 33 004 461 or 33004 461
2	J323 4451	1			CAP, Distributor
3	3300 4795	1			ROTOR, Distributor, 1988-90
4	J812 8460	1			BOLT
5	J812 8470	2			SCREW
6	J813 3652	1			GEAR, Distributor
7	J812 8462	1			PIN
8	J812 8465	1			WASHER
9	J323 1413	AR			SHIM
10	J318 1288	1			GASKET
11	3300 4242	1			CLAMP, Distributor
12	J018 0079	1			BOLT

**MODEL CODES:**

15 = Grand Wagoneer 4 Dr.	65 = Comanche 4WD-7 Ft. Box	77 = Cherokee 4WD-2 Dr.
25 = J-10 Pickup-119" W.B.	66 = Comanche 2WD-7 Ft. Box	78 = Cherokee 4WD-4 Dr.
26 = J-10 Pickup-131" W.B.	73 = Cherokee 2WD-2 Dr.	79 = Cherokee 4WD-4 Dr.-Com
27 = J-20 Pickup-131" W.B.	74 = Cherokee 2WD-4 Dr.	81 = Wrangler-93" W.B.
63 = Comanche 4WD-6 Ft. Box	75 = Wagoneer 4WD-4 Dr.	82 = Wrangler-103" W.B.-Exp.
64 = Comanche 2WD-6 Ft. Box		

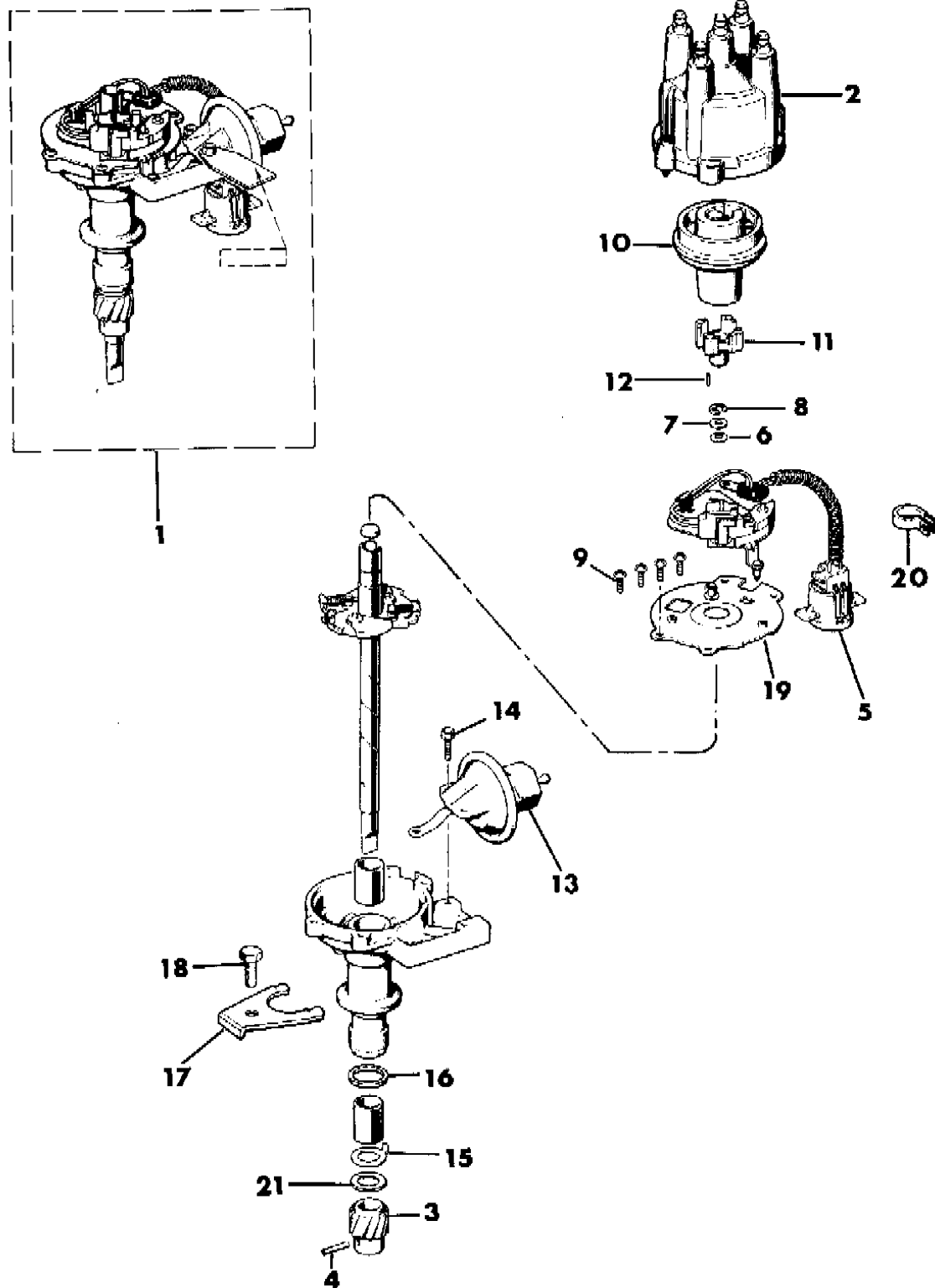
**BODY STYLES:**

MJ = Comanche Pickup  
 SJ = Grand Wagoneer Wgn., J-10 & J-20 Pickups  
 XJ = Cherokee, Wagoneer Limited  
 YJ = Wrangler

AR = Use as Required - = Non Illustrated Part P.A.R. = Paint as Required

**DISTRIBUTOR 2.5L ENGINE CARBURETED**  
**Figure 8-1100**

8J08 1100



ITEM	PART NUMBER	QTY	BODY	MODEL	DESCRIPTION
1	3300 4654	1			DISTRIBUTOR
2	J323 4451	1			CAP, Distributor
3	J813 3652	1			GEAR, Distributor
4	J812 8462	1			PIN
5	8350 0409	1			SENSOR, Distributor
6	J812 8468	1			WASHER
7	J812 8469	1			WASHER
8	J812 8464	1			RETAINER
9	J812 8470	4			SCREW
10					ROTOR, Distributor
	J323 4452	1		1987-88	
	3300 4795	1		1989-90	
11	8350 0412	1			RELUCTOR, Distributor
12	J812 8463	1			PIN
13	J813 2802	1			CONTROL, Distributor Vacuum
14	J812 8460	2			BOLT
15	J812 8465	1			WASHER
16	J318 1288	1			GASKET
17	3300 4242	1			CLAMP, Distributor
18	J018 0079	1			BOLT
19	J323 1413	AR			SHIM
20	J400 1718	1			CLIP

**MODEL CODES:**

15 = Grand Wagoneer 4 Dr.	65 = Comanche 4WD-7 Ft. Box	77 = Cherokee 4WD-2 Dr.
25 = J-10 Pickup-119" W.B.	66 = Comanche 2WD-7 Ft. Box	78 = Cherokee 4WD-4 Dr.
26 = J-10 Pickup-131" W.B.	73 = Cherokee 2WD-2 Dr.	79 = Cherokee 4WD-4 Dr.-Com
27 = J-20 Pickup-131" W.B.	74 = Cherokee 2WD-4 Dr.	81 = Wrangler-93" W.B.
63 = Comanche 4WD-6 Ft. Box	75 = Wagoneer 4WD-4 Dr.	82 = Wrangler-103" W.B.-Exp.
64 = Comanche 2WD-6 Ft. Box		

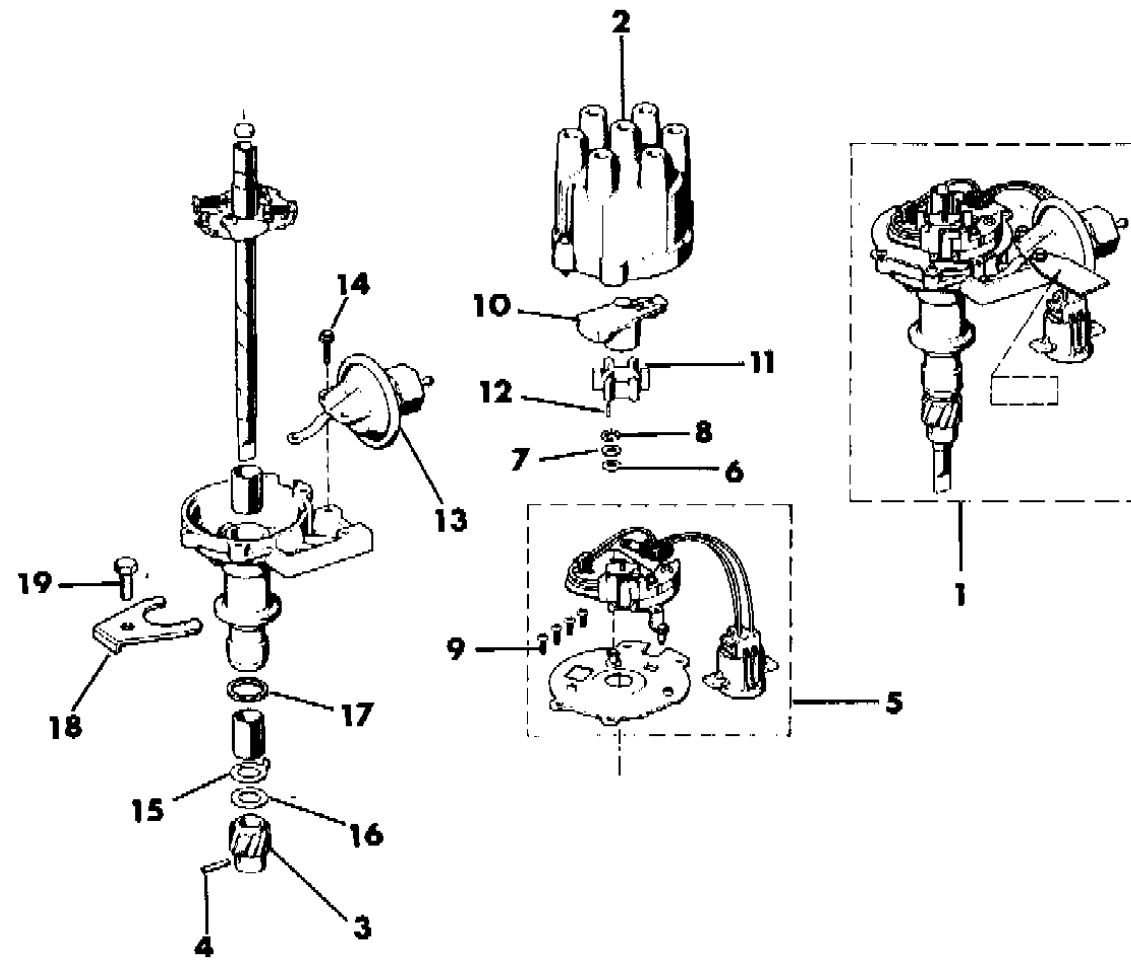
**BODY STYLES:**

MJ = Comanche Pickup  
 SJ = Grand Wagoneer Wgn., J-10 & J-20 Pickups  
 XJ = Cherokee, Wagoneer Limited  
 YJ = Wrangler

AR = Use as Required - = Non Illustrated Part P.A.R. = Paint as Required

**DISTRIBUTOR 4.2L ENGINE**  
**Figure 8-1200**

8J08 1200



ITEM	PART NUMBER	QTY	BODY	MODEL	DESCRIPTION
1	3300 4655	1			DISTRIBUTOR
2	J323 0457	1			CAP, Distributor
3	J813 3652	1			GEAR, Distributor
4	J812 8462	1			PIN
5	J812 8445	1			SENSOR, Distributor
6	J812 8468	1			WASHER
7	J812 8469	1			WASHER
8	J812 8464	1			RETAINER
9	J812 8470	2			SCREW
10	J323 0821	1			ROTOR, Distributor
11	J812 8422	1			RELUCTOR, Distributor
12	J812 8463	1			PIN
13	J813 4678	1			CONTROL, Distributor Vacuum
14	J812 8460	2			BOLT
15	J812 8465	1			WASHER
16	J323 1413	AR			SHIM
17	J318 1288	1			GASKET
18	3300 4242	1			CLAMP, Distributor
19	J018 0079	1			BOLT

**MODEL CODES:**

15 = Grand Wagoneer 4 Dr.	65 = Comanche 4WD-7 Ft. Box	77 = Cherokee 4WD-2 Dr.
25 = J-10 Pickup-119" W.B.	66 = Comanche 2WD-7 Ft. Box	78 = Cherokee 4WD-4 Dr.
26 = J-10 Pickup-131" W.B.	73 = Cherokee 2WD-2 Dr.	79 = Cherokee 4WD-4 Dr.-Com
27 = J-20 Pickup-131" W.B.	74 = Cherokee 2WD-4 Dr.	81 = Wrangler-93" W.B.
63 = Comanche 4WD-6 Ft. Box	75 = Wagoneer 4WD-4 Dr.	82 = Wrangler-103" W.B.-Exp.
64 = Comanche 2WD-6 Ft. Box		

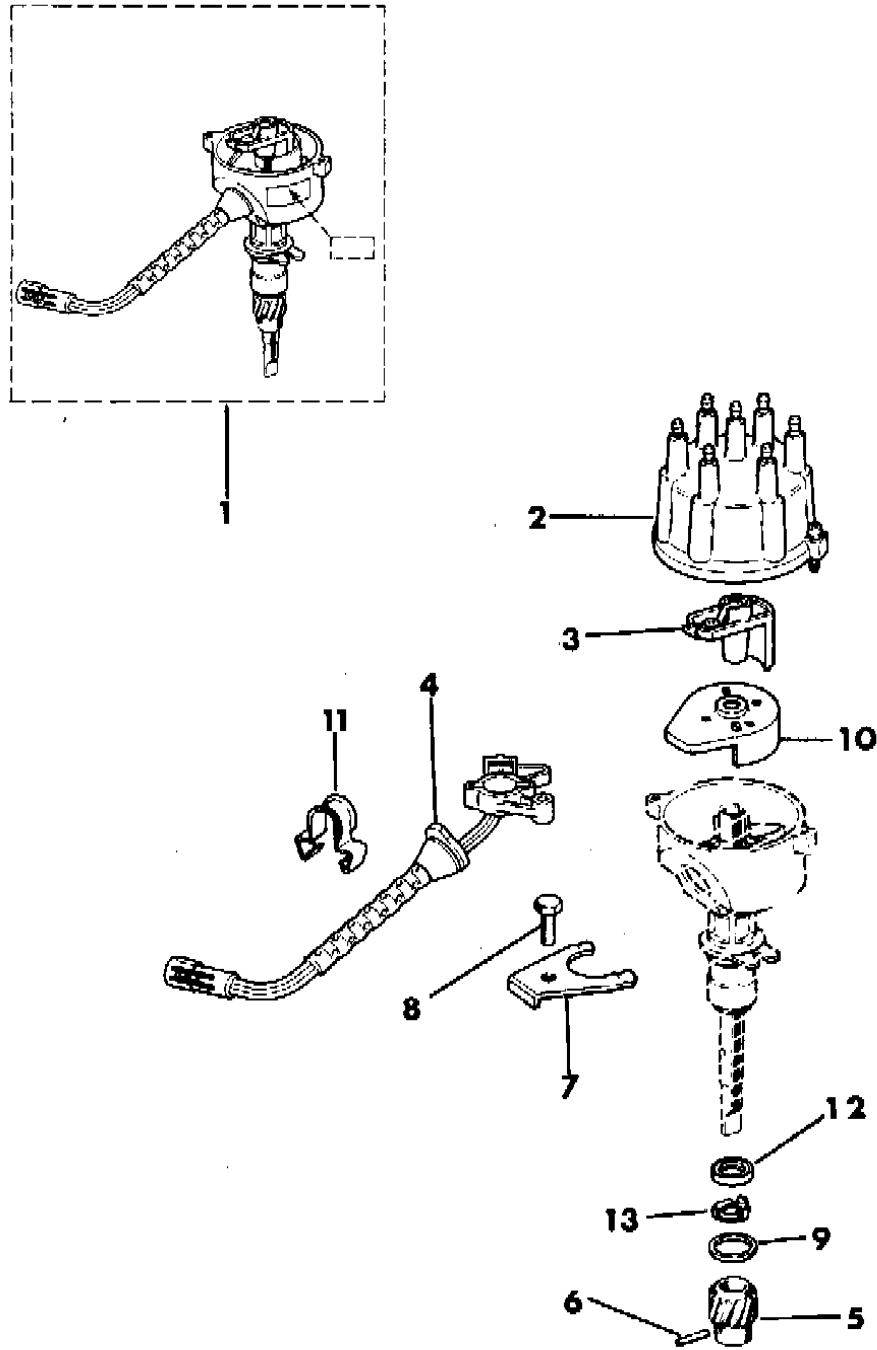
**BODY STYLES:**

MJ = Comanche Pickup  
 SJ = Grand Wagoneer Wgn., J-10 & J-20 Pickups  
 XJ = Cherokee, Wagoneer Limited  
 YJ = Wrangler

AR = Use as Required - = Non Illustrated Part P.A.R. = Paint as Required

**DISTRIBUTOR 4.0L ENGINE**  
**Figure 8-1300**

**8 J08 1300**



ITEM	PART NUMBER	QTY	BODY	MODEL	DESCRIPTION
1					DISTRIBUTOR
	5300 7190	1			Tagged 89 53 007 190 or 53007190
	3300 4589	1			Tagged 89 33 004 589 or 33004589
2	3300 4024	1			CAP, Distributor
3	3300 3389	1			ROTOR, Distributor
4	3300 4590	1			STATOR, Distributor
5	8350 4635	1			GEAR, Distributor
6	J812 8462	1			PIN
7	3300 4242	1			CLAMP
8	J018 0079	1			BOLT
9	J318 1288	1			GASKET
10	3300 4254	1			PLATE
11	5300 5253	1			CLIP
12	3300 4595	1			SEAL
13	3300 4594	1			WASHER, Thrust

**MODEL CODES:**

15 = Grand Wagoneer 4 Dr.	65 = Comanche 4WD-7 Ft. Box	77 = Cherokee 4WD-2 Dr.
25 = J-10 Pickup-119" W.B.	66 = Comanche 2WD-7 Ft. Box	78 = Cherokee 4WD-4 Dr.
26 = J-10 Pickup-131" W.B.	73 = Cherokee 2WD-2 Dr.	79 = Cherokee 4WD-4 Dr.-Com
27 = J-20 Pickup-131" W.B.	74 = Cherokee 2WD-4 Dr.	81 = Wrangler-93" W.B.
63 = Comanche 4WD-6 Ft. Box	75 = Wagoneer 4WD-4 Dr.	82 = Wrangler-103" W.B.-Exp.
64 = Comanche 2WD-6 Ft. Box		

**BODY STYLES:**

MJ = Comanche Pickup  
 SJ = Grand Wagoneer Wgn., J-10 & J-20 Pickups  
 XJ = Cherokee, Wagoneer Limited  
 YJ = Wrangler

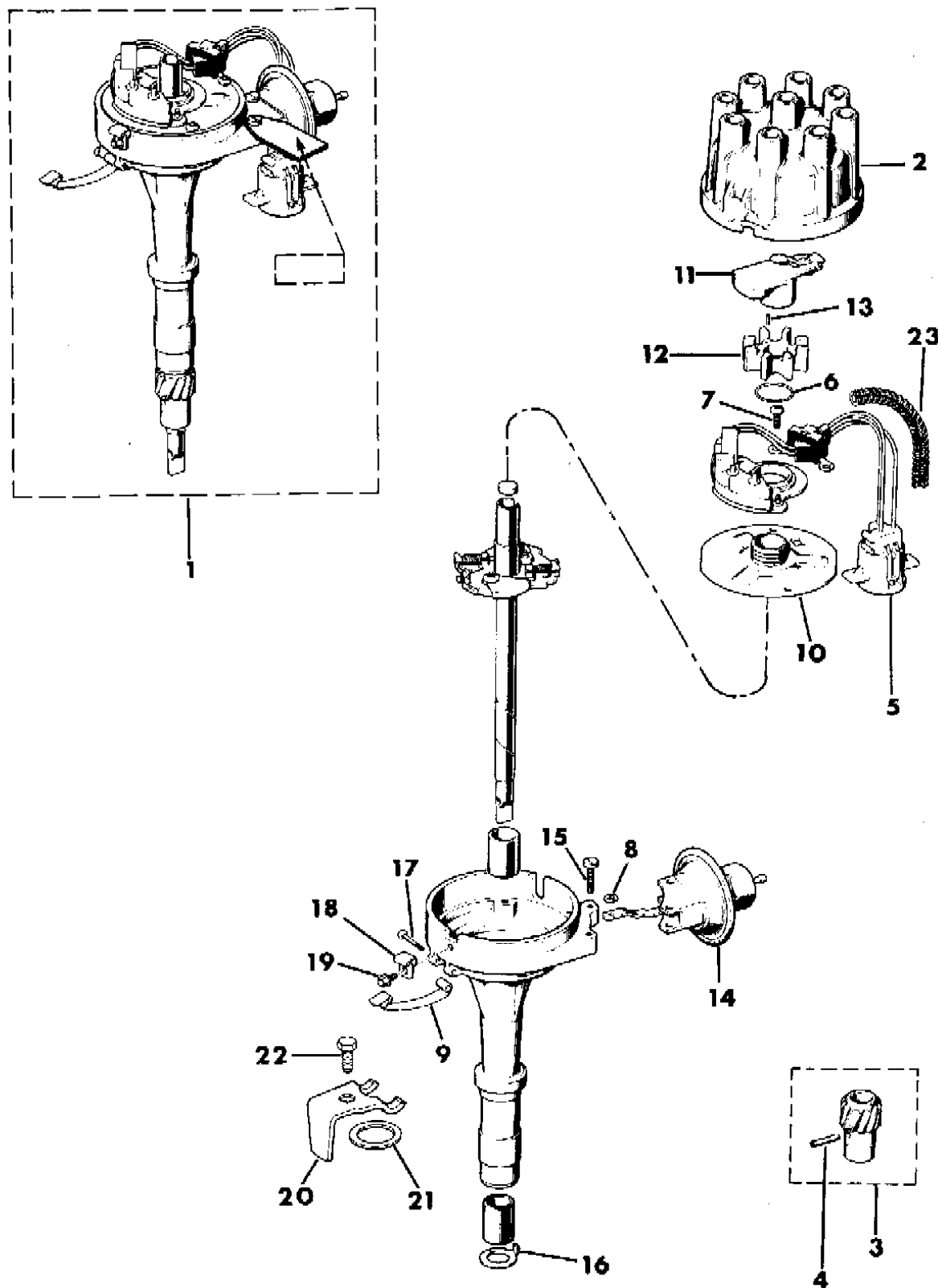
AR = Use as Required - = Non Illustrated Part P.A.R. = Paint as Required



# DISTRIBUTOR 5.9L ENGINE

Figure 8-1400

8J08 800 1400



ITEM	PART NUMBER	QTY	BODY	MODEL	DESCRIPTION
1	J323 3174	1			DISTRIBUTOR
2	J323 0757	1			CAP, Distributor
3	J320 8615	1			GEAR, Distributor
4	J812 8462	1			PIN
5	J812 8900	1			SENSOR, Distributor
6	J812 8953	1			RETAINER
7	J812 8470	1			SCREW
8	J448 8186	1			CLIP
9	J812 8955	2			CLAMP
10	J812 8957	1			PLATE, Mounting
11	J323 0765	1			ROTOR, Distributor
12	J812 8899	1			RELUCTOR, Distributor
13	J812 8463	1			PIN
14	J812 9470	1			CONTROL, Distributor Vacuum
15	J812 8958	2			SCREW
16	J812 8465	1			WASHER
17	J812 8956	1			RIVET
18	J812 8993	1			TAB
19	J812 9359	1			SCREW
20	J323 3813	1			CLAMP
21	J318 1288	1			GASKET
22	J018 0123	1			BOLT
23	3300 1774	1			SHIELD

MODEL CODES:

15 = Grand Wagoneer 4 Dr.	65 = Comanche 4WD-7 Ft. Box	77 = Cherokee 4WD-2 Dr.
25 = J-10 Pickup-119" W.B.	66 = Comanche 2WD-7 Ft. Box	78 = Cherokee 4WD-4 Dr.
26 = J-10 Pickup-131" W.B.	73 = Cherokee 2WD-2 Dr.	79 = Cherokee 4WD-4 Dr.-Com
27 = J-20 Pickup-131" W.B.	74 = Cherokee 2WD-4 Dr.	81 = Wrangler-93" W.B.
63 = Comanche 4WD-6 Ft. Box	75 = Wagoneer 4WD-4 Dr.	82 = Wrangler-103" W.B.-Exp.
64 = Comanche 2WD-6 Ft. Box		

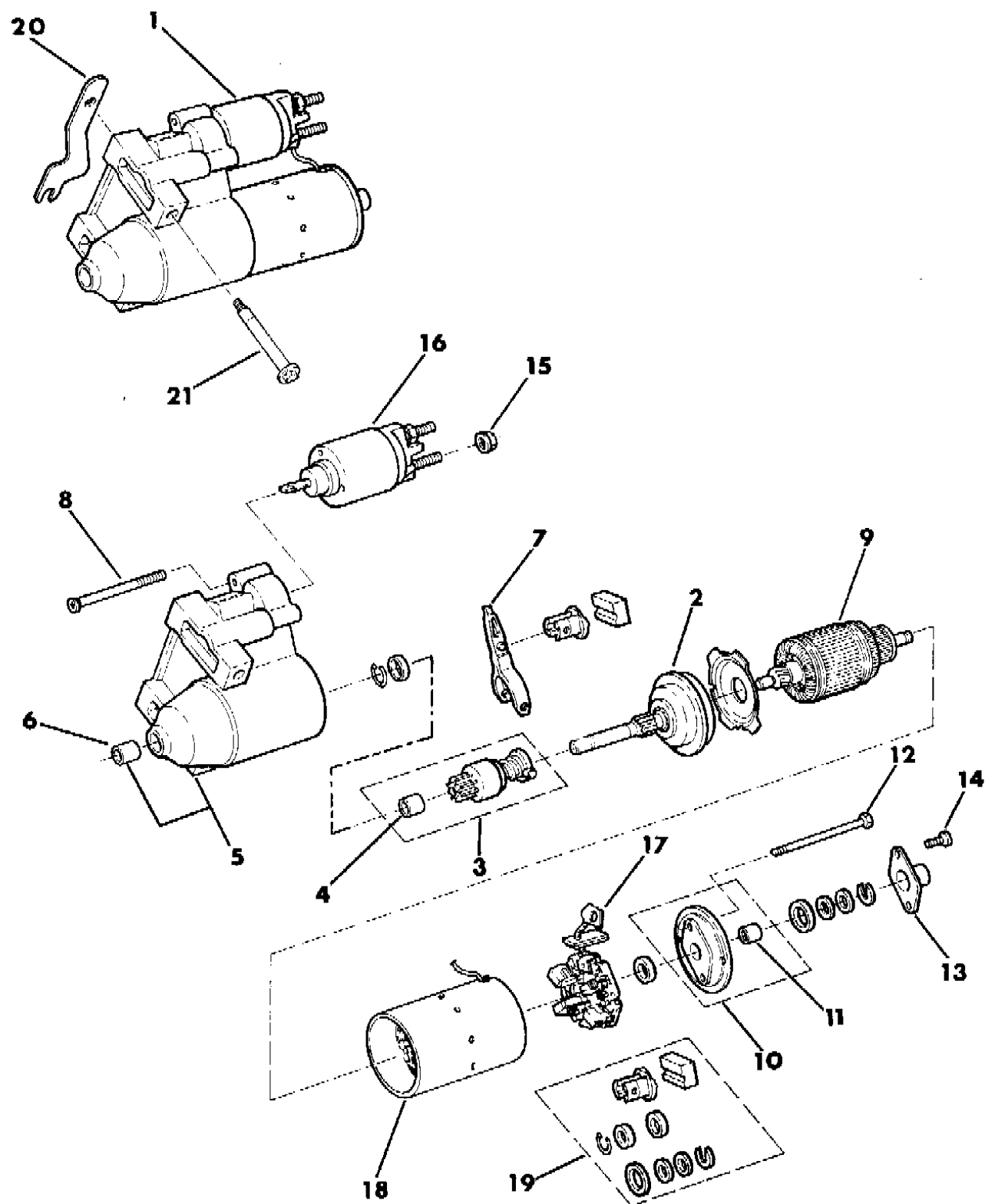
BODY STYLES:

MJ = Comanche Pickup  
 SJ = Grand Wagoneer Wgn., J-10 & J-20 Pickups  
 XJ = Cherokee, Wagoneer Limited  
 YJ = Wrangler

AR = Use as Required - = Non Illustrated Part P.A.R. = Paint as Required

**STARTER AND MOUNTING 2.5L ENGINE BOSCH**  
**Figure 8-1500**

8J08 1500



ITEM	PART NUMBER	QTY	BODY	MODEL	DESCRIPTION
1					STARTER
	JR77 5132	1			Remanufactured
	8350 3480	1			Export
2	8350 2493	1			GEAR ASSEMBLY, Reduction
3	8350 1498	1			DRIVE ASSEMBLY, Starter
4	8350 1499	2			BUSHING
5	8350 2494	1			HOUSING, Starter Drive
6	8350 1586	1			BUSHING
7	8350 1587	1			LEVER, Starter Drive
8	8350 2279	3			SCREW
9	8350 1588	1			ARMATURE, Starter
10	8350 2495	1			COVER, Starter
11	8350 1590	1			BUSHING
12	8350 2496	2			BOLT
13	8350 2214	1			COVER, Starter
14	T300 6115	2			BOLT
15	8350 2497	1			NUT
16	8350 2614	1	YJ		SOLENOID, Starter
	8350 4107	1	XJ,MJ		
17					HOLDER ASSEMBLY, Brush
	8350 2615	1	YJ		
	8350 4108	1	XJ,MJ		
18	8350 2217	1			HOUSING, Starter Field
19	8350 2218	1			HARDWARE PACKAGE
20					SHIM
	J324 1711	AR			X=.015"
	J324 1712	AR			X=.045"
21	J400 6964	2			BOLT

**MODEL CODES:**

15 = Grand Wagoneer 4 Dr.	65 = Comanche 4WD-7 Ft. Box	77 = Cherokee 4WD-2 Dr.
25 = J-10 Pickup-119" W.B.	66 = Comanche 2WD-7 Ft. Box	78 = Cherokee 4WD-4 Dr.
26 = J-10 Pickup-131" W.B.	73 = Cherokee 2WD-2 Dr.	79 = Cherokee 4WD-4 Dr.-Com
27 = J-20 Pickup-131" W.B.	74 = Cherokee 2WD-4 Dr.	81 = Wrangler-93" W.B.
63 = Comanche 4WD-6 Ft. Box	75 = Wagoneer 4WD-4 Dr.	82 = Wrangler-103" W.B.-Exp.
64 = Comanche 2WD-6 Ft. Box		

**BODY STYLES:**

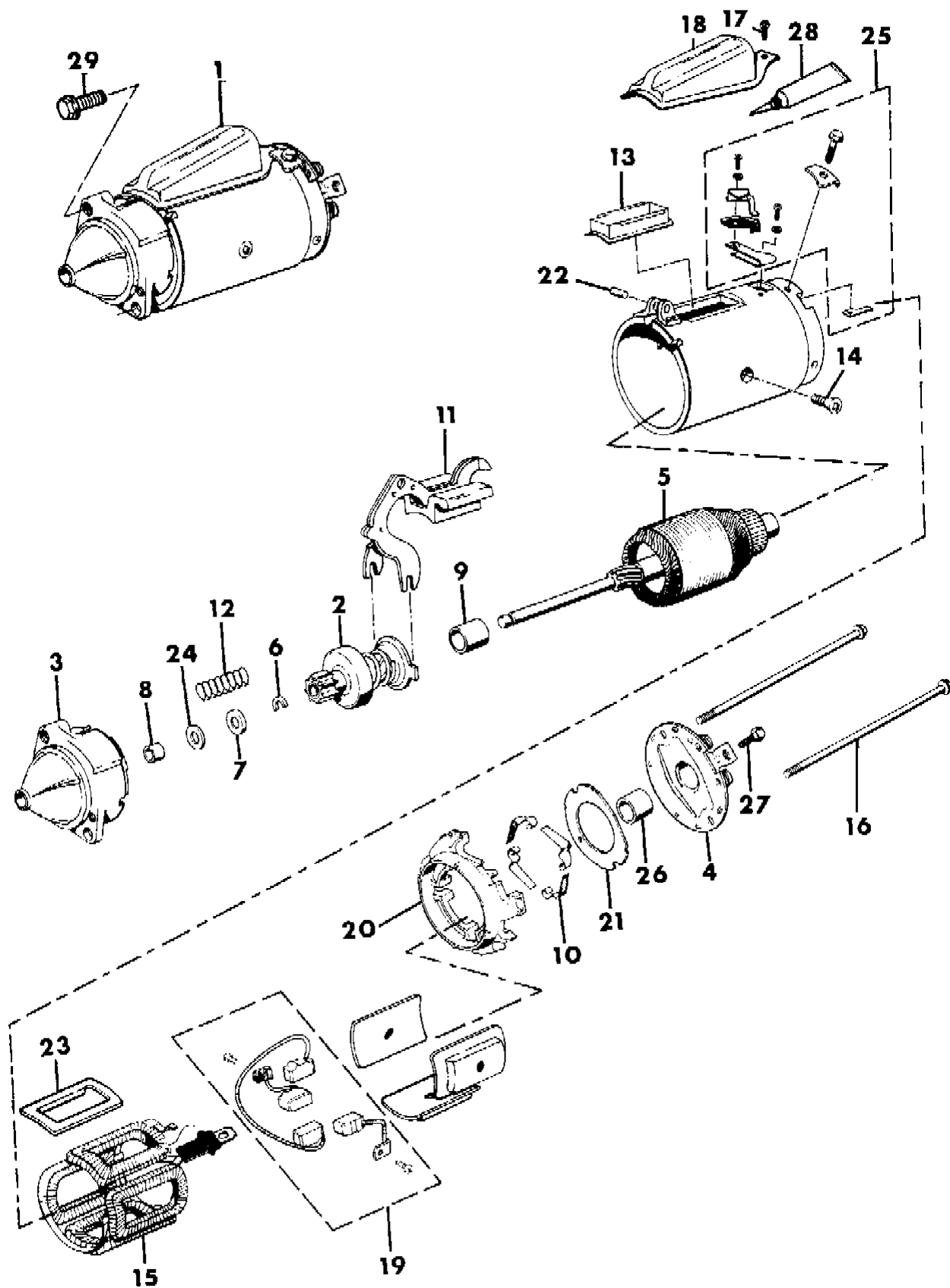
MJ = Comanche Pickup  
 SJ = Grand Wagoneer Wgn., J-10 & J-20 Pickups  
 XJ = Cherokee, Wagoneer Limited  
 YJ = Wrangler

AR = Use as Required - = Non Illustrated Part P.A.R. = Paint as Required

STARTER AND MOUNTING 4.2 AND 5.9 ENGINE 1987

Figure 8-1550

8 J 08 1550



ITEM	PART NUMBER	QTY	BODY	MODEL	DESCRIPTION
1	JR77 5001	1			STARTER, (Remanufactured)
	J575 2791	1			(Export)
2	J812 0193	1			DRIVE ASSEMBLY ***
3	J813 3036	1			HOUSING, Drive
4	J812 8440	1			COVER, Rear
5	J812 0028	1			ARMATURE
6	J320 7418	1			RING
7	J320 7419	1			RETAINER
8	J812 0030	1			BUSHING
9	J812 1196	1			BUSHING
10	J812 8441	4			SPRING
11	J813 3051	1			LEVER, Drive
12	J320 7426	1			SPRING
13	J813 3053	1			SLEEVE
14	J812 7992	3			SCREW
15	J812 8438	1			COIL
16	J320 7431	2			BOLT
17	J812 9211	1			BOLT
18	J813 3052	1			COVER, Lever ***
19	J812 8434	1			BRUSH PACKAGE ***
20	J812 8433	1			HOLDER, Brush
21	J812 8432	1			INSULATOR
22	J813 3054	1			PIN
23	J320 7427	1			FLANGE ***
24	J812 8444	1			WASHER
25	J812 8446	1			POINTER PACKAGE ***
26	J812 1196	1			BUSHING
27	J400 5982	1			BOLT
28	J899 3317	1			SEALER ***
29	J400 1884	AR			BOLT, (x=1.19")
	J400 6684	AR			(x=1.38") Man. Trans.
	J400 6192	AR			(x=.75") Auto. Trans.

MODEL CODES:

15 = Grand Wagoneer 4 Dr.	65 = Comanche 4WD-7 Ft. Box	77 = Cherokee 4WD-2 Dr.
25 = J-10 Pickup-119" W.B.	66 = Comanche 2WD-7 Ft. Box	78 = Cherokee 4WD-4 Dr.
26 = J-10 Pickup-131" W.B.	73 = Cherokee 2WD-2 Dr.	79 = Cherokee 4WD-4 Dr.-Com
27 = J-20 Pickup-131" W.B.	74 = Cherokee 2WD-4 Dr.	81 = Wrangler-93" W.B.
63 = Comanche 4WD-6 Ft. Box	75 = Wagoneer 4WD-4 Dr.	82 = Wrangler-103" W.B.-Exp.
64 = Comanche 2WD-6 Ft. Box		

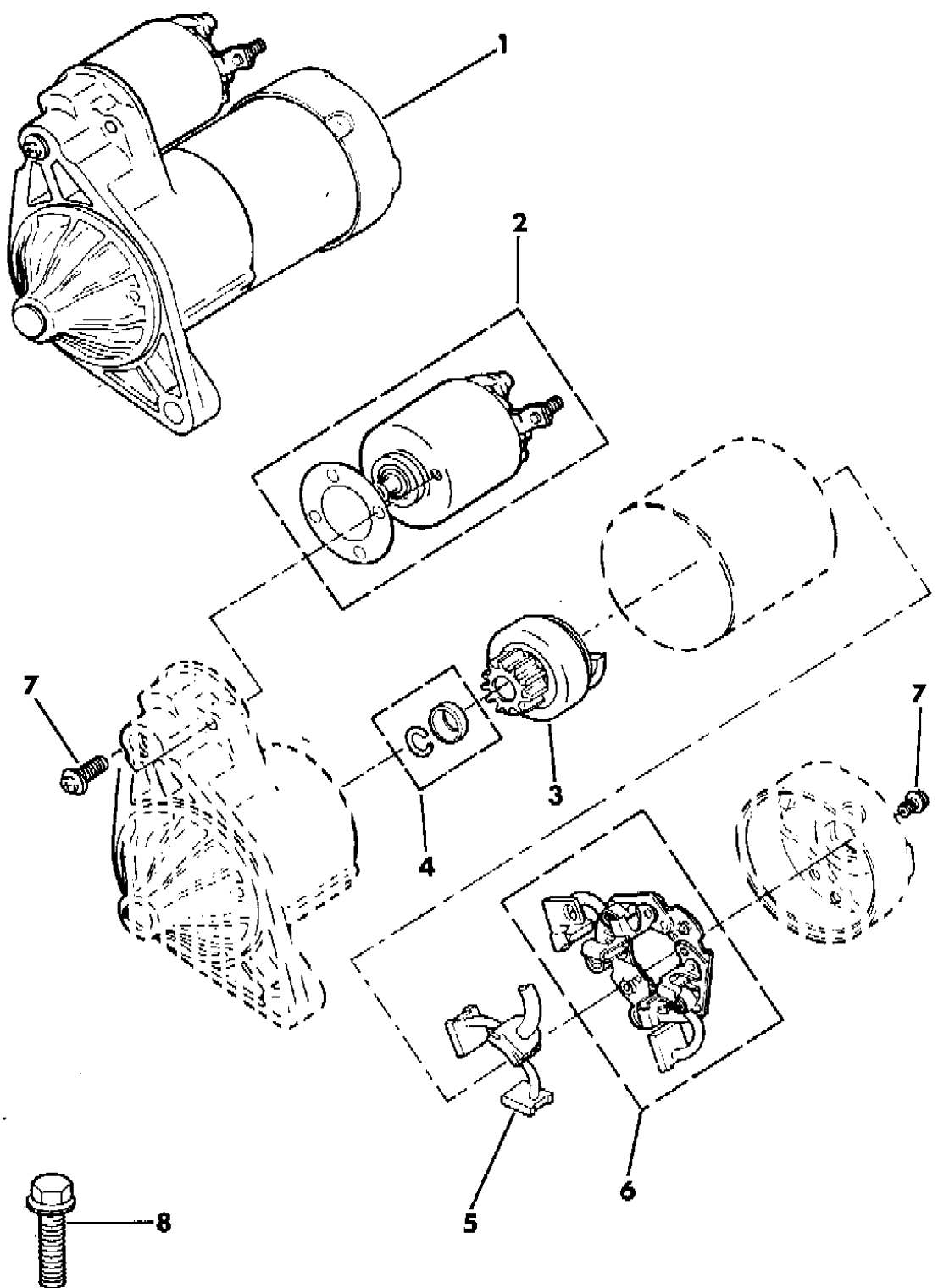
BODY STYLES:

MJ = Comanche Pickup  
 SJ = Grand Wagoneer Wgn., J-10 & J-20 Pickups  
 XJ = Cherokee, Wagoneer Limited  
 YJ = Wrangler

AR = Use as Required - = Non Illustrated Part P.A.R. = Paint as Required

STARTER AND MOUNTING 4.0L ENGINE, 1987-90 4.2L, 5.9L ENGINE 1988-90  
Figure 8-1600

8J08 1600



ITEM	PART NUMBER	QTY	BODY	MODEL	DESCRIPTION
1					STARTER
	JR77 5123	1			Remanufactured ***
	3300 2709	1			Export
2	8350 3655	1			SOLENOID
3	8350 3662	1			DRIVE ASSEMBLY, Starter
4	8350 3661	1			RETAINER
5	8350 3670	1			BRUSH
6	8350 3671	1			HOLDER, Brush
7	8350 3674	1			SCREW SET
8					BOLT
	J400 6192	1			1.75"
	1150 2689	1			1.18"
	J400 6684	1			1.37"

MODEL CODES:

15 = Grand Wagoneer 4 Dr.	65 = Comanche 4WD-7 Ft. Box	77 = Cherokee 4WD-2 Dr.
25 = J-10 Pickup-119" W.B.	66 = Comanche 2WD-7 Ft. Box	78 = Cherokee 4WD-4 Dr.
26 = J-10 Pickup-131" W.B.	73 = Cherokee 2WD-2 Dr.	79 = Cherokee 4WD-4 Dr.-Com
27 = J-20 Pickup-131" W.B.	74 = Cherokee 2WD-4 Dr.	81 = Wrangler-93" W.B.
63 = Comanche 4WD-6 Ft. Box	75 = Wagoneer 4WD-4 Dr.	82 = Wrangler-103" W.B.-Exp.
64 = Comanche 2WD-6 Ft. Box		

BODY STYLES:

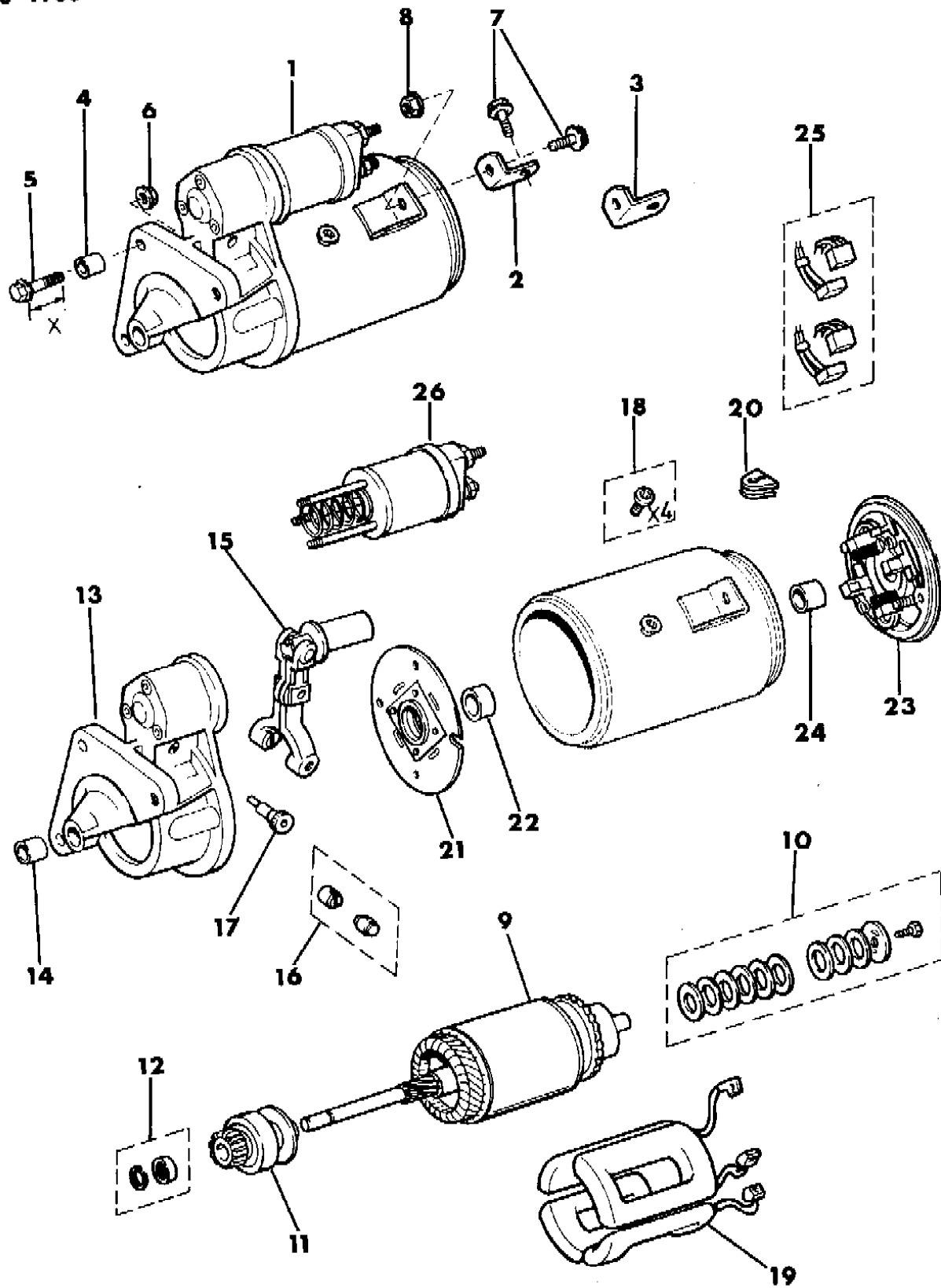
MJ = Comanche Pickup  
 SJ = Grand Wagoneer Wgn., J-10 & J-20 Pickups  
 XJ = Cherokee, Wagoneer Limited  
 YJ = Wrangler

AR = Use as Required - = Non Illustrated Part P.A.R. = Paint as Required

# STARTER AND MOUNTING DIESEL ENGINE

Figure 8-1700

8J08 1700



ITEM	PART NUMBER	QTY	BODY	MODEL	DESCRIPTION
1					STARTER
	JR77 5042	1			Remanufactured
	5300 2577	1			Export
2	J066 5022	1			BRACKET, Starter Upper
3	J072 3818	1			BRACKET, Starter Lower
4	5300 1858	1			PIN
5					BOLT, w/Manual Transmission
	3420 2029	1			X=50mm
	3420 2047	3			X=65mm
6	1150 2812	2			NUT
7	3420 1586	4			BOLT
8	3420 1918	2			NUT
9	8350 2039	1			ARMATURE, Starter
10	8350 4627	1			HARDWARE PACKAGE ***
11	8350 2041	1			DRIVE ASSEMBLY, Starter
12	8350 2042	1			STOP PACKAGE, Drive ***
13	8350 2043	1			HOUSING, Starter Drive
14	8350 2044	1			BUSHING
15	8350 4468	1			LEVER ASSEMBLY, Starter Drive ***
16	8350 2046	1			PIN SET
17	8350 2047	1			PIN
18	8350 2048	1			SCREW PACKAGE ***
19	8350 2049	1			COIL PACKAGE, Starter Field ***
20	8350 2050	1			GROMMET
21	8350 2051	1			PLATE, Starter Intermediate
22	8350 2052	1			BUSHING
23	8350 2053	1			COVER, Starter Rear
24	8350 2054	1			BUSHING
25	8350 4629	1			BRUSH PACKAGE, Starter ***
26	8350 2879	1			SOLENOID

NOTE: Items #10 thru #26 are for 1987-89 ONLY

MODEL CODES:

15 = Grand Wagoneer 4 Dr.	65 = Comanche 4WD-7 Ft. Box	77 = Cherokee 4WD-2 Dr.
25 = J-10 Pickup-119" W.B.	66 = Comanche 2WD-7 Ft. Box	78 = Cherokee 4WD-4 Dr.
26 = J-10 Pickup-131" W.B.	73 = Cherokee 2WD-2 Dr.	79 = Cherokee 4WD-4 Dr.-Com
27 = J-20 Pickup-131" W.B.	74 = Cherokee 2WD-4 Dr.	81 = Wrangler-93" W.B.
63 = Comanche 4WD-6 Ft. Box	75 = Wagoneer 4WD-4 Dr.	82 = Wrangler-103" W.B.-Exp.
64 = Comanche 2WD-6 Ft. Box		

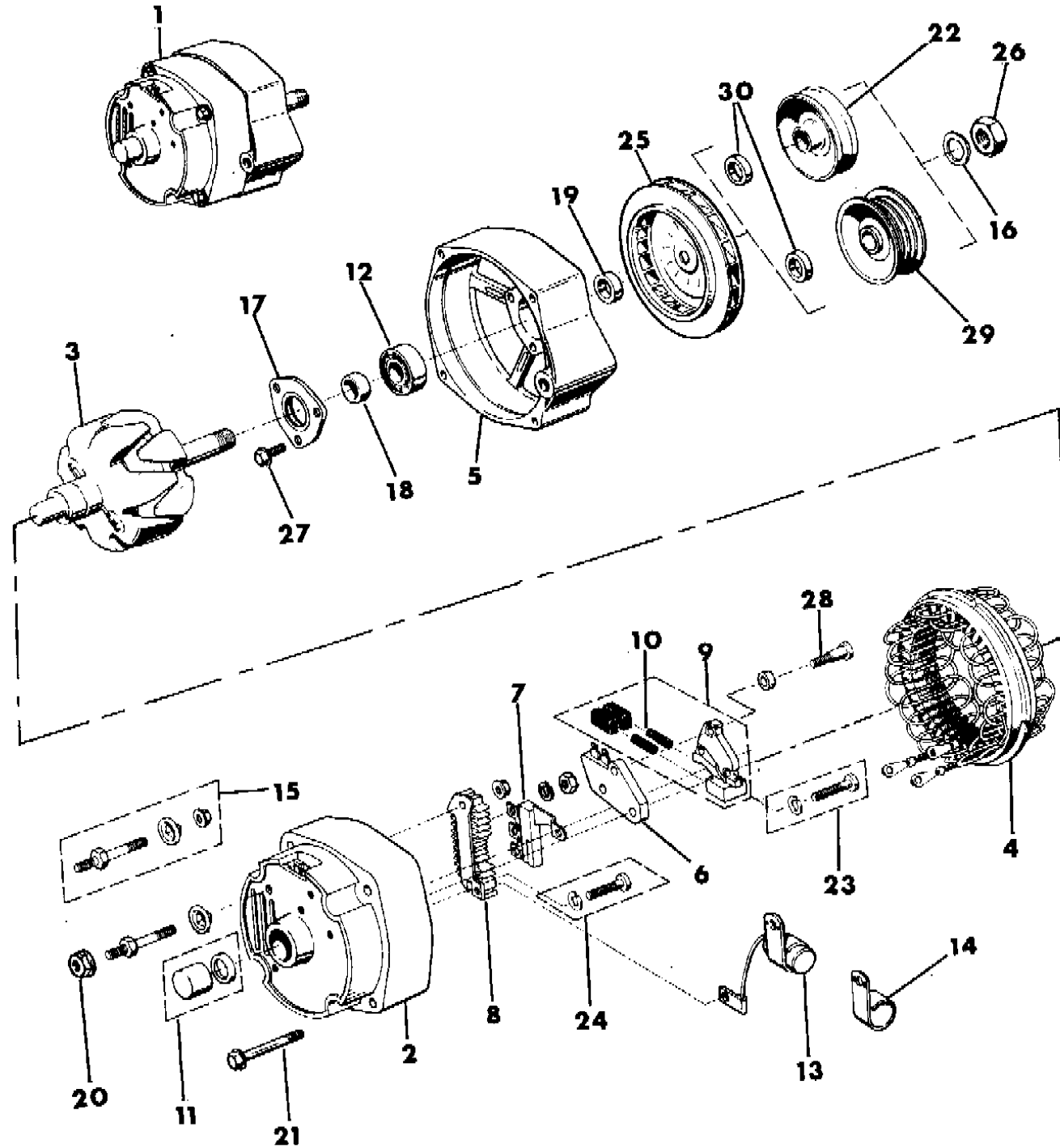
BODY STYLES:

MJ = Comanche Pickup  
 SJ = Grand Wagoneer Wgn., J-10 & J-20 Pickups  
 XJ = Cherokee, Wagoneer Limited  
 YJ = Wrangler

AR = Use as Required - = Non Illustrated Part P.A.R. = Paint as Required

ALTERNATOR 2.5L AND 4.2L ENGINES WRANGLER, YJ  
Figure 8-1800

8 J08 1800



ITEM	PART NUMBER	QTY	BODY	MODEL	DESCRIPTION
1					ALTERNATOR, 56-66-78 Ampere
	JR77 5005	1			Remanufactured
	J813 4664	1			Export
2	J813 4651	1			HOUSING, Alternator Rear
3					ROTOR, Alternator
	J813 4645	1			Tagged 110 5044, 110 5045, 110 5047 or 110 5048
	J813 4646	1			Tagged 110 5046 or 110 5049
4					STATOR, Alternator
	J813 4649	1			Tagged 110 5045, 110 5046, 110 5048 or 110 5049
	J813 4648	1			Tagged 110 5044 or 110 5047
5	J813 4655	1			HOUSING, Alternator Front
6	8330 0084	1			REGULATOR, Voltage
7	8330 0072	1			DIODE TRIO ***
8	J813 4650	1			RECTIFIER, Diode
9	J813 4652	1			HOLDER, Brush
10	J813 4653	1			SPRING
11	J812 5181	1			BEARING
12	J812 6709	1			BEARING
13	J812 5183	1			CAPACITOR, Alternator
14	J812 5184	1			CLAMP
15	J813 3274	1			TERMINAL
16	J813 3280	1			WASHER
17	J813 4658	1			RETAINER
18	J813 3279	1			COLLAR
19	J813 4659	1			COLLAR
20	J420 0453	1			NUT
21	J812 5191	4			BOLT
22	J813 2698	1			PULLEY, Alternator w/o Serpentine Belt Drive
23	J813 3273	1			SCREW
24	J813 4669	1			SCREW
25	J813 4662	1			FAN, Alternator
26	J812 5242	1			NUT
27	J813 4668	3			SCREW
28	J812 5244	2			SCREW
29	J813 4194	1			PULLEY, Alternator w/Serpentine Belt Drive
30	J813 3299	1			COLLAR

MODEL CODES:

15 = Grand Wagoneer 4 Dr.	65 = Comanche 4WD-7 Ft. Box	77 = Cherokee 4WD-2 Dr.
25 = J-10 Pickup-119" W.B.	66 = Comanche 2WD-7 Ft. Box	78 = Cherokee 4WD-4 Dr.
26 = J-10 Pickup-131" W.B.	73 = Cherokee 2WD-2 Dr.	79 = Cherokee 4WD-4 Dr.-Com
27 = J-20 Pickup-131" W.B.	74 = Cherokee 2WD-4 Dr.	81 = Wrangler-93" W.B.
63 = Comanche 4WD-6 Ft. Box	75 = Wagoneer 4WD-4 Dr.	82 = Wrangler-103" W.B.-Exp.
64 = Comanche 2WD-6 Ft. Box		

BODY STYLES:

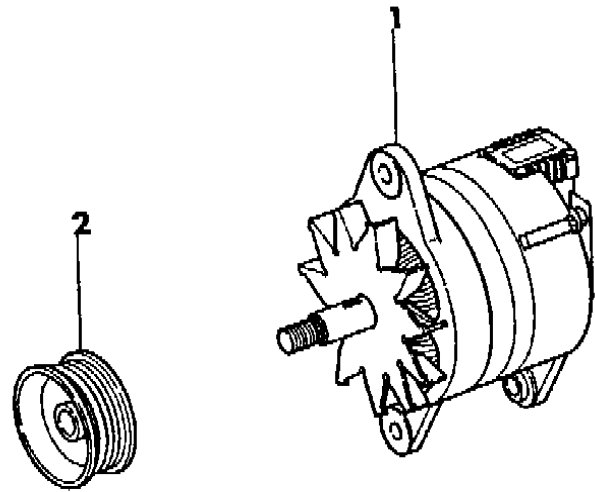
MJ = Comanche Pickup  
SJ = Grand Wagoneer Wgn., J-10 & J-20 Pickups  
XJ = Cherokee, Wagoneer Limited  
YJ = Wrangler

AR = Use as Required - = Non Illustrated Part P.A.R. = Paint as Required

ALTERNATOR 100 AMPERE--24 VOLT WRANGLER EGYPT KDX  
Figure 8-1900

8 J08 1900

ITEM	PART NUMBER	QTY	BODY	MODEL	DESCRIPTION
1	J805 1821	1			ALTERNATOR
2	5300 3686	1			PULLEY



MODEL CODES:

15 = Grand Wagoneer 4 Dr.	65 = Comanche 4WD-7 Ft. Box	77 = Cherokee 4WD-2 Dr.
25 = J-10 Pickup-119" W.B.	66 = Comanche 2WD-7 Ft. Box	78 = Cherokee 4WD-4 Dr.
26 = J-10 Pickup-131" W.B.	73 = Cherokee 2WD-2 Dr.	79 = Cherokee 4WD-4 Dr.-Com
27 = J-20 Pickup-131" W.B.	74 = Cherokee 2WD-4 Dr.	81 = Wrangler-93" W.B.
63 = Comanche 4WD-6 Ft. Box	75 = Wagoneer 4WD-4 Dr.	82 = Wrangler-103" W.B.-Exp.
64 = Comanche 2WD-6 Ft. Box		

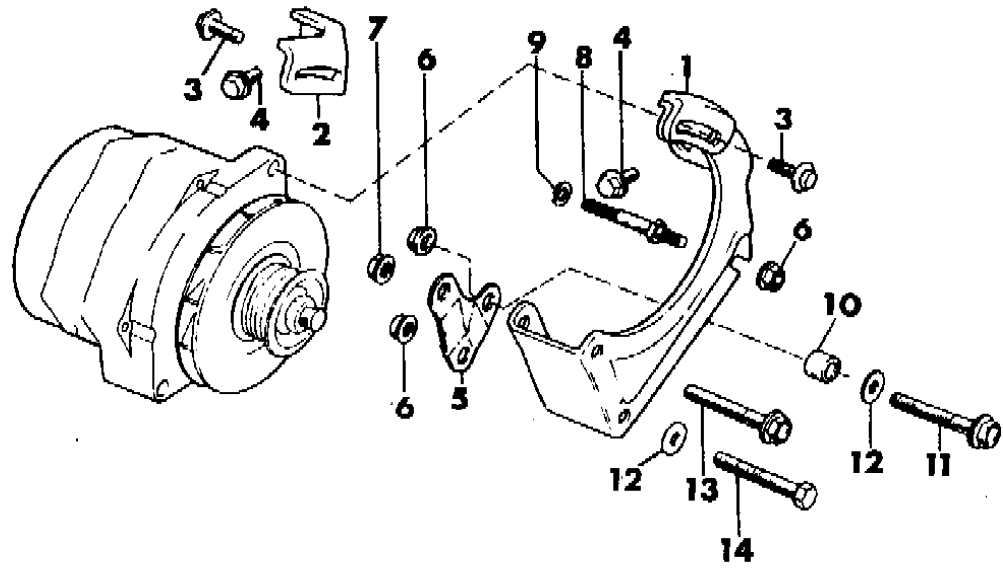
BODY STYLES:

MJ = Comanche Pickup  
 SJ = Grand Wagoneer Wgn., J-10 & J-20 Pickups  
 XJ = Cherokee, Wagoneer Limited  
 YJ = Wrangler

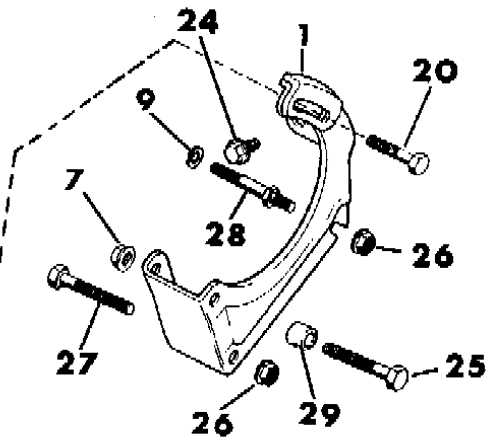
AR = Use as Required - = Non Illustrated Part P.A.R. = Paint as Required

ALTERNATOR MOUNTING 2.5L AND 4.2L ENGINES WRANGLER, YJ  
Figure 8-2000

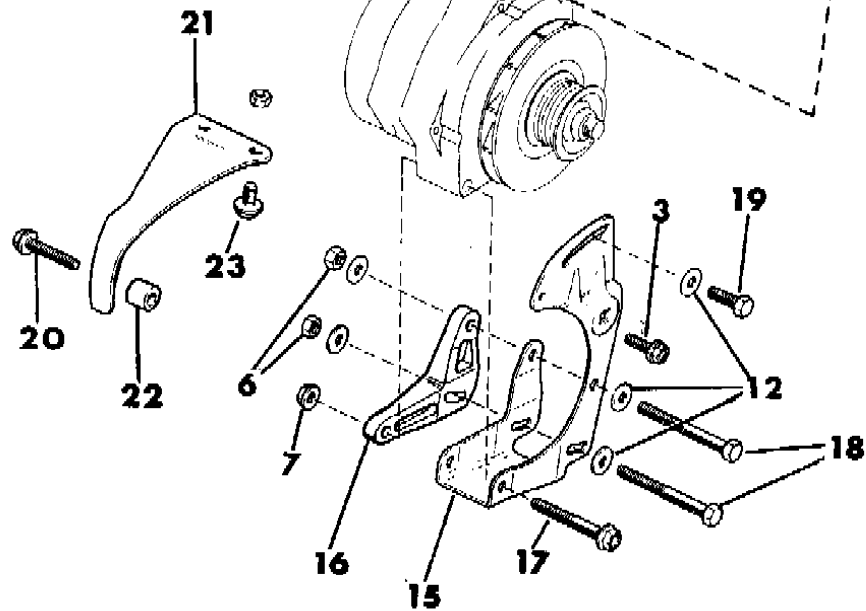
8 J08 2000



2.5L ENGINE



W/O SERPENTINE BELT



W/SERPENTINE BELT

4.2L ENGINE

ITEM	PART NUMBER	QTY	BODY	MODEL	DESCRIPTION
1	3300 1658	1			BRACKET, Alternator
2	3300 1574	1			BRACE, Alternator
3	3420 1818	AR			BOLT
4	J941 9885	2			BOLT
5	3300 1715	1			BRACKET, Alternator
6	J400 4747	AR			NUT
7	1150 6007	3			NUT
8	J400 7154	1			STUD
9	J400 3803	1			WASHER
10					SPACER
	3420 1903	1			2.0mm
	3420 2521	1			7.4mm
11	J018 9305	1			BOLT
12	J400 1104	AR			WASHER
13	1150 4745	1			BOLT
14	J018 9303	1			BOLT
15	5300 1117	1			BRACKET, Alternator
16	5300 4388	1			BRACE, Alternator
17	1150 5025	1			BOLT
18	J045 6958	2			BOLT
19	J400 6995	1			BOLT
20	J420 0406	1			BOLT
21	5300 1118	1			BRACE, Alternator
22	3420 1839	1			SPACER
23					BOLT
	3420 1868	1			16mm
	3420 1869	1			35mm
24	J027 4882	1			BOLT
25	1150 0835	1			BOLT
26	J400 3909	1			NUT
27	J018 0137	1			BOLT
28	J400 6973	1			STUD
29	3420 2521	1			SPACER

MODEL CODES:

15 = Grand Wagoneer 4 Dr.	65 = Comanche 4WD-7 Ft. Box	77 = Cherokee 4WD-2 Dr.
25 = J-10 Pickup-119" W.B.	66 = Comanche 2WD-7 Ft. Box	78 = Cherokee 4WD-4 Dr.
26 = J-10 Pickup-131" W.B.	73 = Cherokee 2WD-2 Dr.	79 = Cherokee 4WD-4 Dr.-Com
27 = J-20 Pickup-131" W.B.	74 = Cherokee 2WD-4 Dr.	81 = Wrangler-93" W.B.
63 = Comanche 4WD-6 Ft. Box	75 = Wagoneer 4WD-4 Dr.	82 = Wrangler-103" W.B.-Exp.
64 = Comanche 2WD-6 Ft. Box		

BODY STYLES:

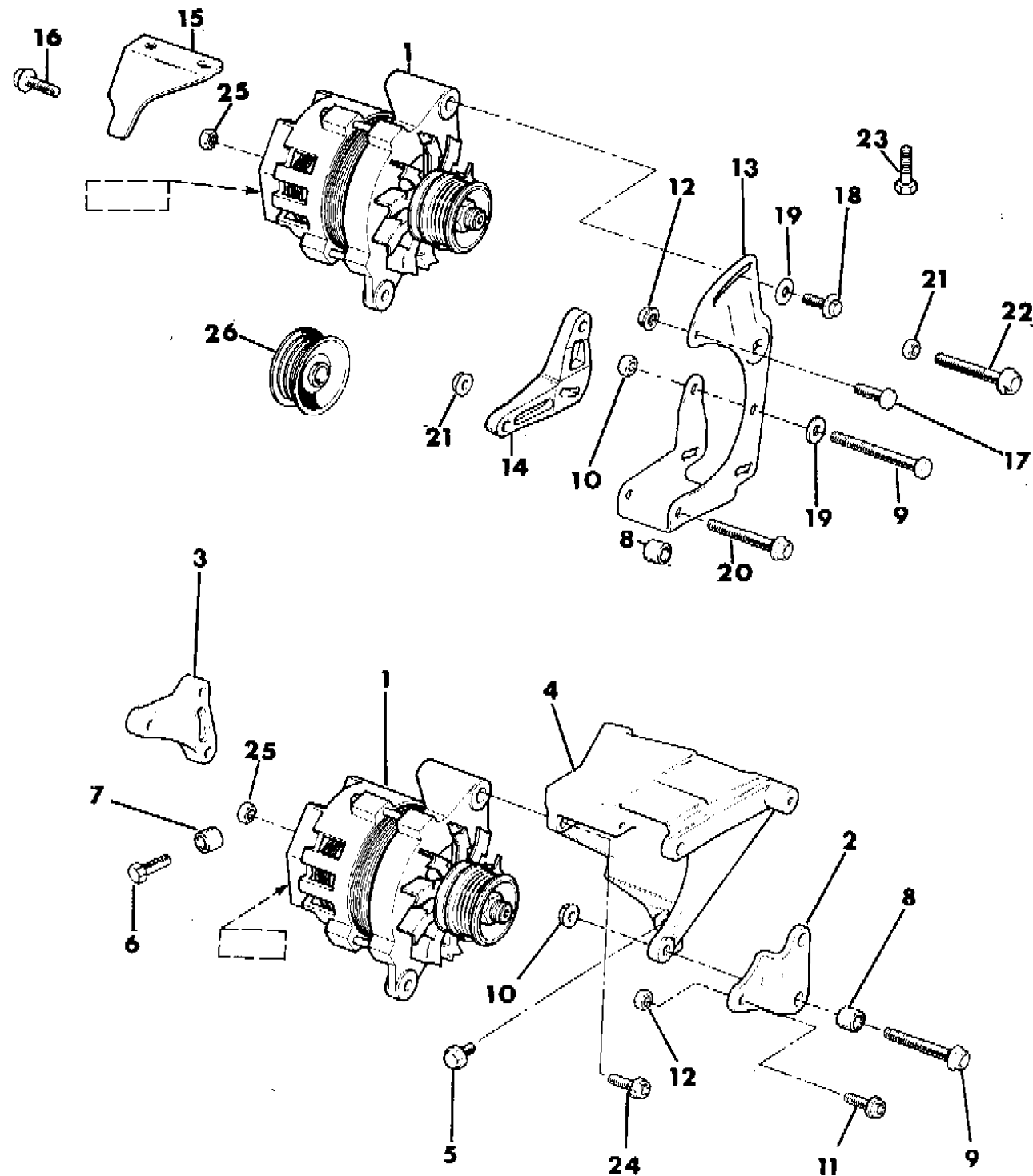
MJ = Comanche Pickup  
 SJ = Grand Wagoneer Wgn., J-10 & J-20 Pickups  
 XJ = Cherokee, Wagoneer Limited  
 YJ = Wrangler

AR = Use as Required - = Non Illustrated Part P.A.R. = Paint as Required



ALTERNATOR AND MOUNTING 2.5L ENGINE WAGONEER, CHEROKEE, COMANCHE  
Figure 8-2100

8 J08 2100



ITEM	PART NUMBER	QTY	BODY	MODEL	DESCRIPTION
1					ALTERNATOR
	JR77 5131	1			61 Ampere Tagged 110 1175 Remanufactured
	5300 3802	1			61 Ampere Tagged 110 1175 Export
	JR77 5130	1			74 Ampere Tagged 110 1176 Remanufactured
	5300 3803	1			74 Ampere Tagged 110 1176 Export
	JR77 5129	1			61 Ampere Tagged 110 1171 Remanufactured
	5300 4264	1			61 Ampere Tagged 110 1171 Export
	JR77 5128	1			74 Ampere Tagged 110 1172 Remanufactured
	5300 4265	1			74 Ampere Tagged 110 1172 Export
2	3300 2962	1			BRACKET, Alternator w/o Factory A/C
3	3300 2963	1			BRACKET, Alternator w/o Factory A/C
4	3300 2961	1			BRACKET, Alternator w/o Factory A/C
5	J400 7585	3			BOLT
6	3420 1819	1			BOLT
7	5300 0548	1			SPACER
8	3420 2521	1			SPACER
9	J045 6958	2			BOLT, 4.00"
10	J400 4747	2			NUT
11	3420 2062	1			BOLT, 50.mm
12	3420 1918	AR			NUT
13	5300 4386	1			BRACKET, Alternator w/Factory A/C
14	5300 4388	1			BRACKET, Alternator w/Factory A/C
15	5300 4387	1			BRACKET, Alternator w/Factory A/C
16	3420 1818	1			BOLT
17	J813 2323	1			BOLT
18	J400 6995	1			BOLT
19	J400 1104	AR			WASHER
20	3420 2042	1			BOLT
21	1150 6007	1			NUT
22	3420 1869	2			BOLT
23	3420 1868	2			BOLT
24	3420 2042	1			BOLT
25	1150 3748	1			NUT
26	J813 4194	1			PULLEY, w/"American Air"

MODEL CODES:

15 = Grand Wagoneer 4 Dr.	65 = Comanche 4WD-7 Ft. Box	77 = Cherokee 4WD-2 Dr.
25 = J-10 Pickup-119" W.B.	66 = Comanche 2WD-7 Ft. Box	78 = Cherokee 4WD-4 Dr.
26 = J-10 Pickup-131" W.B.	73 = Cherokee 2WD-2 Dr.	79 = Cherokee 4WD-4 Dr.-Com
27 = J-20 Pickup-131" W.B.	74 = Cherokee 2WD-4 Dr.	81 = Wrangler-93" W.B.
63 = Comanche 4WD-6 Ft. Box	75 = Wagoneer 4WD-4 Dr.	82 = Wrangler-103" W.B.-Exp.
64 = Comanche 2WD-6 Ft. Box		

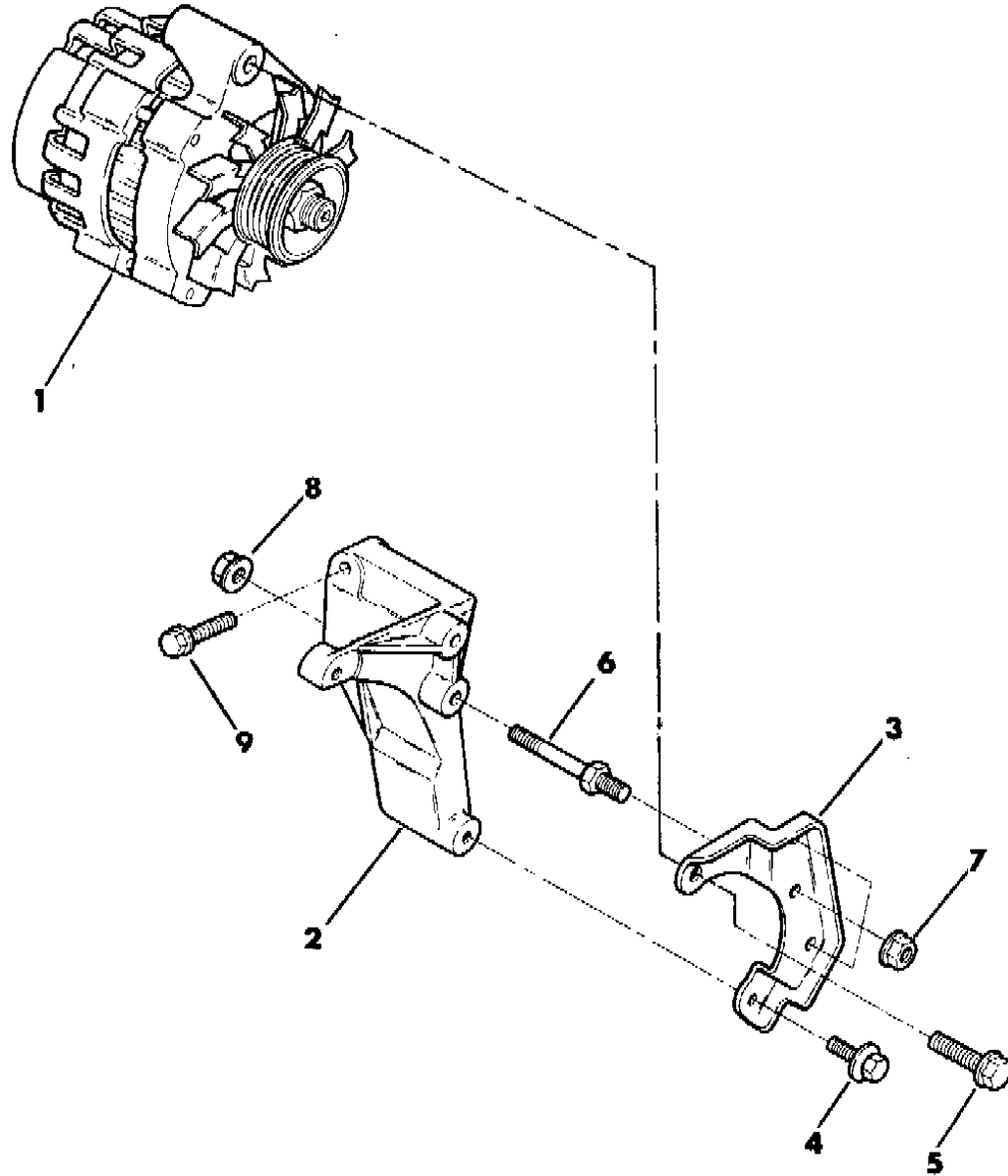
BODY STYLES:

MJ = Comanche Pickup  
 SJ = Grand Wagoneer Wgn., J-10 & J-20 Pickups  
 XJ = Cherokee, Wagoneer Limited  
 YJ = Wrangler

AR = Use as Required - = Non Illustrated Part P.A.R. = Paint as Required

ALTERNATOR AND MOUNTING 4.0L ENGINE CHEROKEE, WAGONEER, COMANCHE  
Figure 8-2200

8J08 2200



ITEM	PART NUMBER	QTY	BODY	MODEL	DESCRIPTION
1					ALTERNATOR
	JR77 5127	1			60 Ampere Tagged 110 1168 Remanufactured
		1			60 Ampere Tagged 110 1168 Export (Use 100 AMP)
	JR77 5126	1			85 Ampere Tagged 110 1170 Remanufactured
	5300 2898	1			85 Ampere Tagged 110 1170 Export
	JR77 5125	1			100 Ampere Tagged 110 1167 Remanufactured
	5300 2897	1			100 Ampere Tagged 110 1167 Export
2	5300 2894	1			BRACKET, Alternator
3	5300 2895	1			BRACKET, Alternator
4	3420 1819	1			BOLT
5	S150 5199	1			BOLT
6					BOLT
	J400 7455	2			4.12"
	J400 7154	1			2.86"
7	J400 3909	3			NUT
8	J400 6080	2			NUT
9	J400 6995	2			BOLT

MODEL CODES:

15 = Grand Wagoneer 4 Dr.	65 = Comanche 4WD-7 Ft. Box	77 = Cherokee 4WD-2 Dr.
25 = J-10 Pickup-119" W.B.	66 = Comanche 2WD-7 Ft. Box	78 = Cherokee 4WD-4 Dr.
26 = J-10 Pickup-131" W.B.	73 = Cherokee 2WD-2 Dr.	79 = Cherokee 4WD-4 Dr.-Com
27 = J-20 Pickup-131" W.B.	74 = Cherokee 2WD-4 Dr.	81 = Wrangler-93" W.B.
63 = Comanche 4WD-6 Ft. Box	75 = Wagoneer 4WD-4 Dr.	82 = Wrangler-103" W.B.-Exp.
64 = Comanche 2WD-6 Ft. Box		

BODY STYLES:

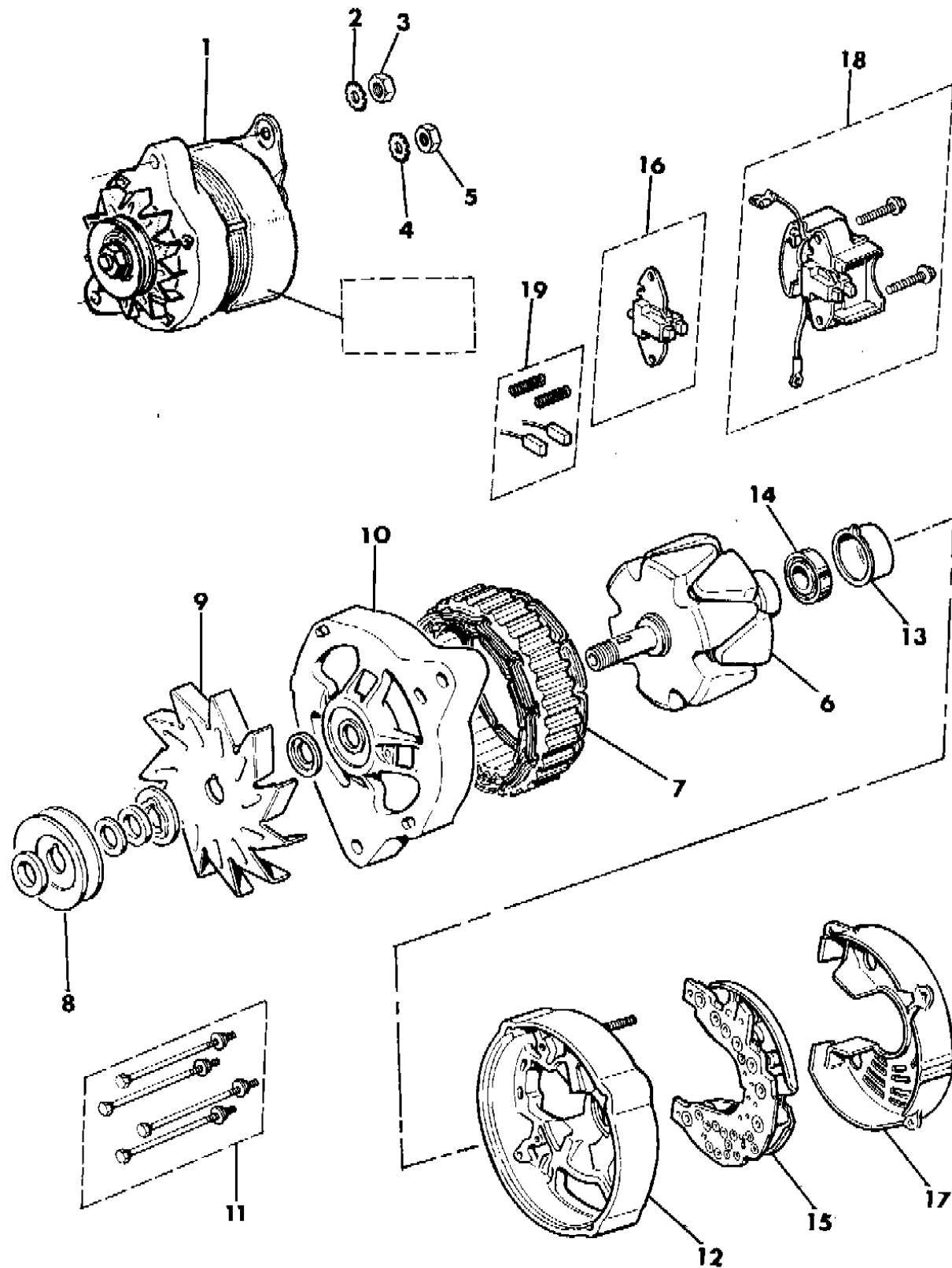
MJ = Comanche Pickup  
 SJ = Grand Wagoneer Wgn., J-10 & J-20 Pickups  
 XJ = Cherokee, Wagoneer Limited  
 YJ = Wrangler

AR = Use as Required - = Non Illustrated Part P.A.R. = Paint as Required

ALTERNATOR 60 AMPERE DIESEL ENGINE CHEROKEE

Figure 8-2300

8J08 2300



ITEM	PART NUMBER	QTY	BODY	MODEL	DESCRIPTION
1					ALTERNATOR
	JR77 5028	1			Reman
	5300 1762	1			Tagged A13N107 (Export)
	5300 2267	1			Tagged A13N117 (Export)
2	J305 6008	1			WASHER
3	3420 1169	1			NUT, 6mm
4	T140 2081	1			WASHER
5	T140 5672	1			NUT, 5mm
6	8350 2028	1			ROTOR, Alternator
7	8350 1991	1			STATOR, Alternator
8	8350 2017	1			PULLEY, Alternator
9	8350 1993	1			FAN, Alternator
10	8350 2018	1			HOUSING, Alternator Front
11	8350 1995	1			BOLT PACKAGE ***
12	8350 2019	1			HOUSING, Alternator Rear
13	T102 9372	1			CAP, Bearing
14	8350 1998	1			BEARING
15	8350 2029	1			RECTIFIER, Diode
16	8350 2030	1			HOLDER, Alternator Brush Tagged A13N117
17	8350 2002	1			COVER, Rectifier
18					REGULATOR ASSEMBLY, Voltage
	8350 2023	1			Tagged A13N107
	8350 2031	1			Tagged A13N117
19	8350 2021	1			BRUSH PACKAGE, Alternator Tagged A13N107 ***

MODEL CODES:

15 = Grand Wagoneer 4 Dr.	65 = Comanche 4WD-7 Ft. Box	77 = Cherokee 4WD-2 Dr.
25 = J-10 Pickup-119" W.B.	66 = Comanche 2WD-7 Ft. Box	78 = Cherokee 4WD-4 Dr.
26 = J-10 Pickup-131" W.B.	73 = Cherokee 2WD-2 Dr.	79 = Cherokee 4WD-4 Dr.-Com
27 = J-20 Pickup-131" W.B.	74 = Cherokee 2WD-4 Dr.	81 = Wrangler-93" W.B.
63 = Comanche 4WD-6 Ft. Box	75 = Wagoneer 4WD-4 Dr.	82 = Wrangler-103" W.B.-Exp.
64 = Comanche 2WD-6 Ft. Box		

BODY STYLES:

MJ = Comanche Pickup  
 SJ = Grand Wagoneer Wgn., J-10 & J-20 Pickups  
 XJ = Cherokee, Wagoneer Limited  
 YJ = Wrangler

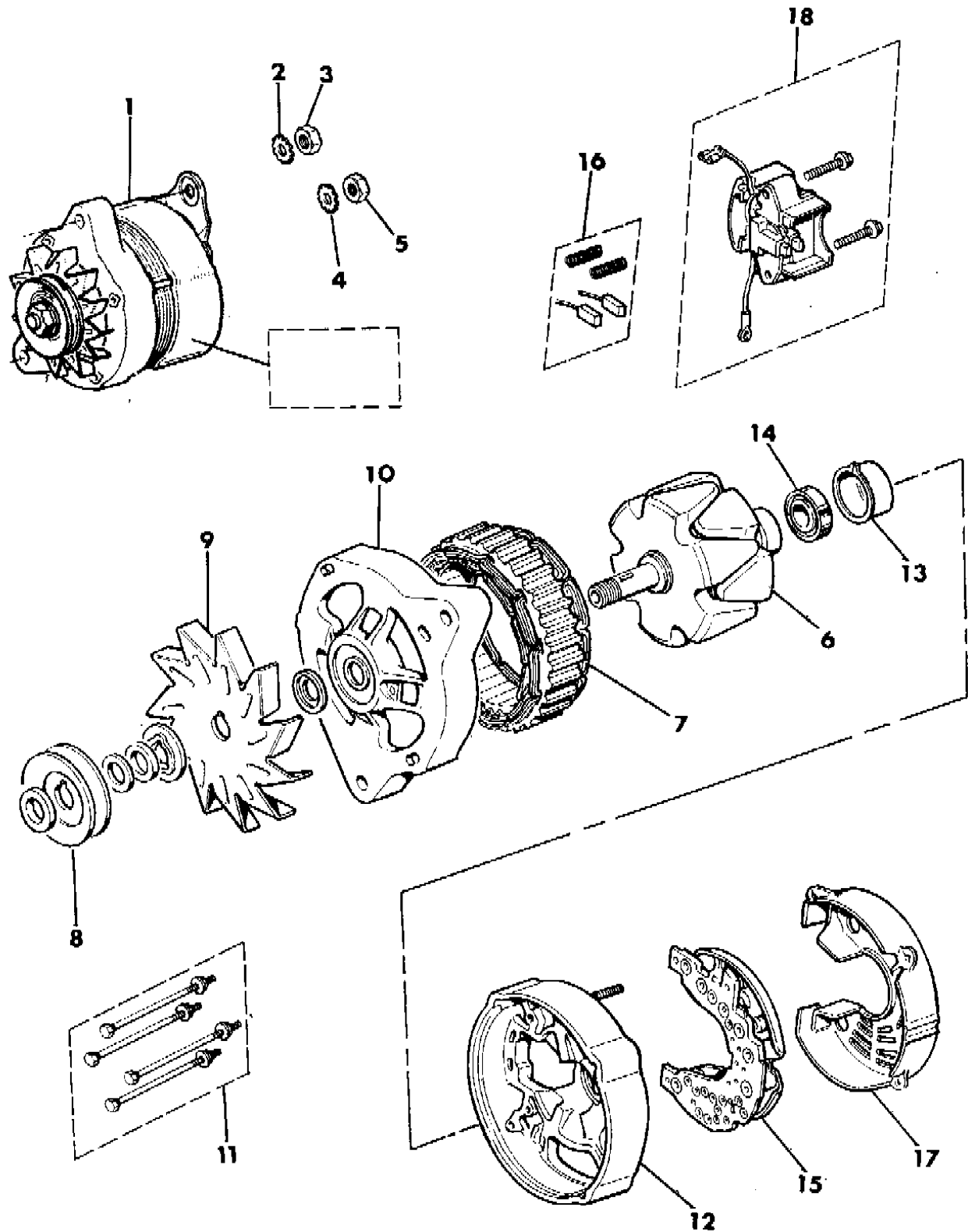
AR = Use as Required - = Non Illustrated Part P.A.R. = Paint as Required

ALTERNATOR 70 AMPERE DIESEL ENGINE CHEROKEE

Figure 8-2400

8J08 2400

ITEM	PART NUMBER	QTY	BODY	MODEL	DESCRIPTION
1	5300 1764	1			ALTERNATOR (Export) ***
	JR77 5029	1			Reman
2	J305 6008	1			WASHER
3	3420 1169	1			NUT, 6mm
4	J305 6005	1			WASHER
5	T140 5672	1			NUT, 5mm
6	8350 2015	1			ROTOR, Alternator
7	8350 2016	1			STATOR, Alternator
8	8350 2017	1			PULLEY, Alternator ***
9	8350 1993	1			FAN, Alternator
10	8350 2018	1			HOUSING, Alternator Front
11	8350 1995	1			BOLT PACKAGE ***
12	8350 2019	1			HOUSING, Alternator Rear
13	T102 9372	1			CAP, Bearing
14	8350 1998	1			BEARING
15	8350 2020	1			RECTIFIER, Diode
16	8350 2021	1			BRUSH PACKAGE, Alternator ***
17	8350 2002	1			COVER, Rectifier
18	8350 2023	1			REGULATOR ASSEMBLY, Voltage



MODEL CODES:

15 = Grand Wagoneer 4 Dr.	65 = Comanche 4WD-7 Ft. Box	77 = Cherokee 4WD-2 Dr.
25 = J-10 Pickup-119" W.B.	66 = Comanche 2WD-7 Ft. Box	78 = Cherokee 4WD-4 Dr.
26 = J-10 Pickup-131" W.B.	73 = Cherokee 2WD-2 Dr.	79 = Cherokee 4WD-4 Dr.-Com
27 = J-20 Pickup-131" W.B.	74 = Cherokee 2WD-4 Dr.	81 = Wrangler-93" W.B.
63 = Comanche 4WD-6 Ft. Box	75 = Wagoneer 4WD-4 Dr.	82 = Wrangler-103" W.B.-Exp.
64 = Comanche 2WD-6 Ft. Box		

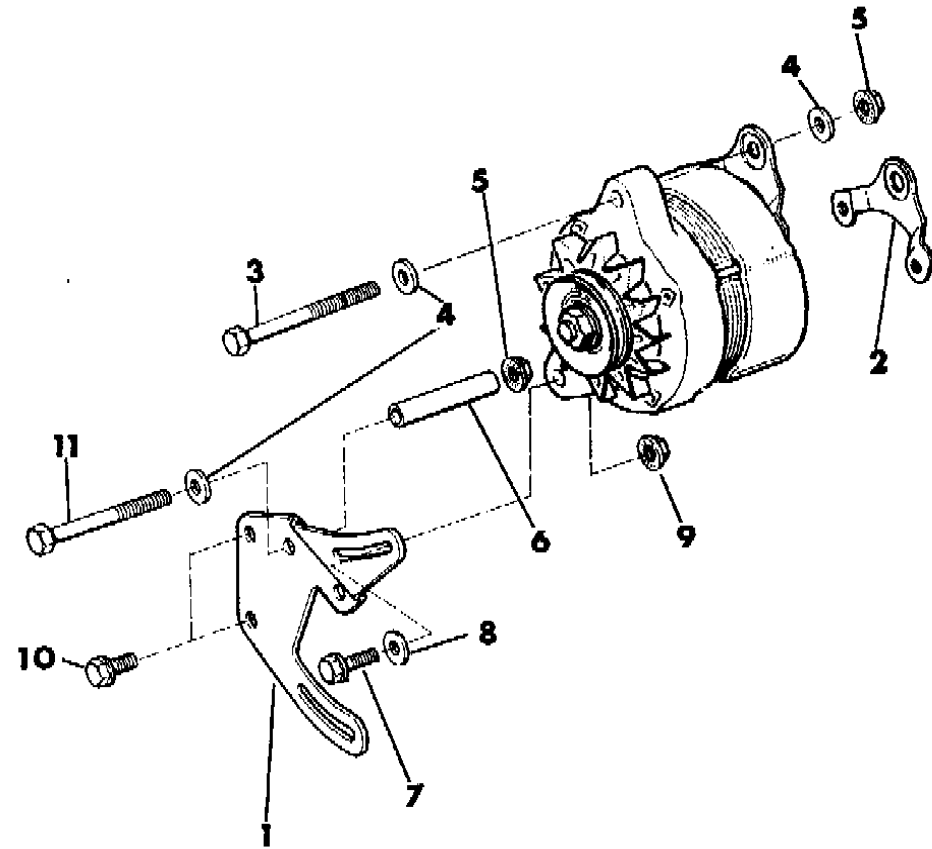
BODY STYLES:

MJ = Comanche Pickup  
 SJ = Grand Wagoneer Wgn., J-10 & J-20 Pickups  
 XJ = Cherokee, Wagoneer Limited  
 YJ = Wrangler

AR = Use as Required - = Non Illustrated Part P.A.R. = Paint as Required

**ALTERNATOR MOUNTING DIESEL ENGINE CHEROKEE**  
**Figure 8-2500**

8J08 2500



ITEM	PART NUMBER	QTY	BODY	MODEL	DESCRIPTION
1	5300 1768	1			BRACKET, Alternator Adjustment
2	8350 2003	1			BRACKET, Alternator Rear Tagged A13N107 or A13N117
	8350 2022	1			Tagged A13N108
3	T063 7598	1			BOLT, 125mm
4	J400 1104	3			WASHER
5	1150 2812	2			NUT
6	3420 2052	1			SPACER
7	3420 2062	1			BOLT, 50mm
8	1150 0255	1			WASHER
9	1150 2811	1			NUT
10	3420 2060	2			BOLT, 45mm
11	T310 1114	1			BOLT, 100mm

MODEL CODES:

15 = Grand Wagoneer 4 Dr.	65 = Comanche 4WD-7 Ft. Box	77 = Cherokee 4WD-2 Dr.
25 = J-10 Pickup-119" W.B.	66 = Comanche 2WD-7 Ft. Box	78 = Cherokee 4WD-4 Dr.
26 = J-10 Pickup-131" W.B.	73 = Cherokee 2WD-2 Dr.	79 = Cherokee 4WD-4 Dr.-Com
27 = J-20 Pickup-131" W.B.	74 = Cherokee 2WD-4 Dr.	81 = Wrangler-93" W.B.
63 = Comanche 4WD-6 Ft. Box	75 = Wagoneer 4WD-4 Dr.	82 = Wrangler-103" W.B.-Exp.
64 = Comanche 2WD-6 Ft. Box		

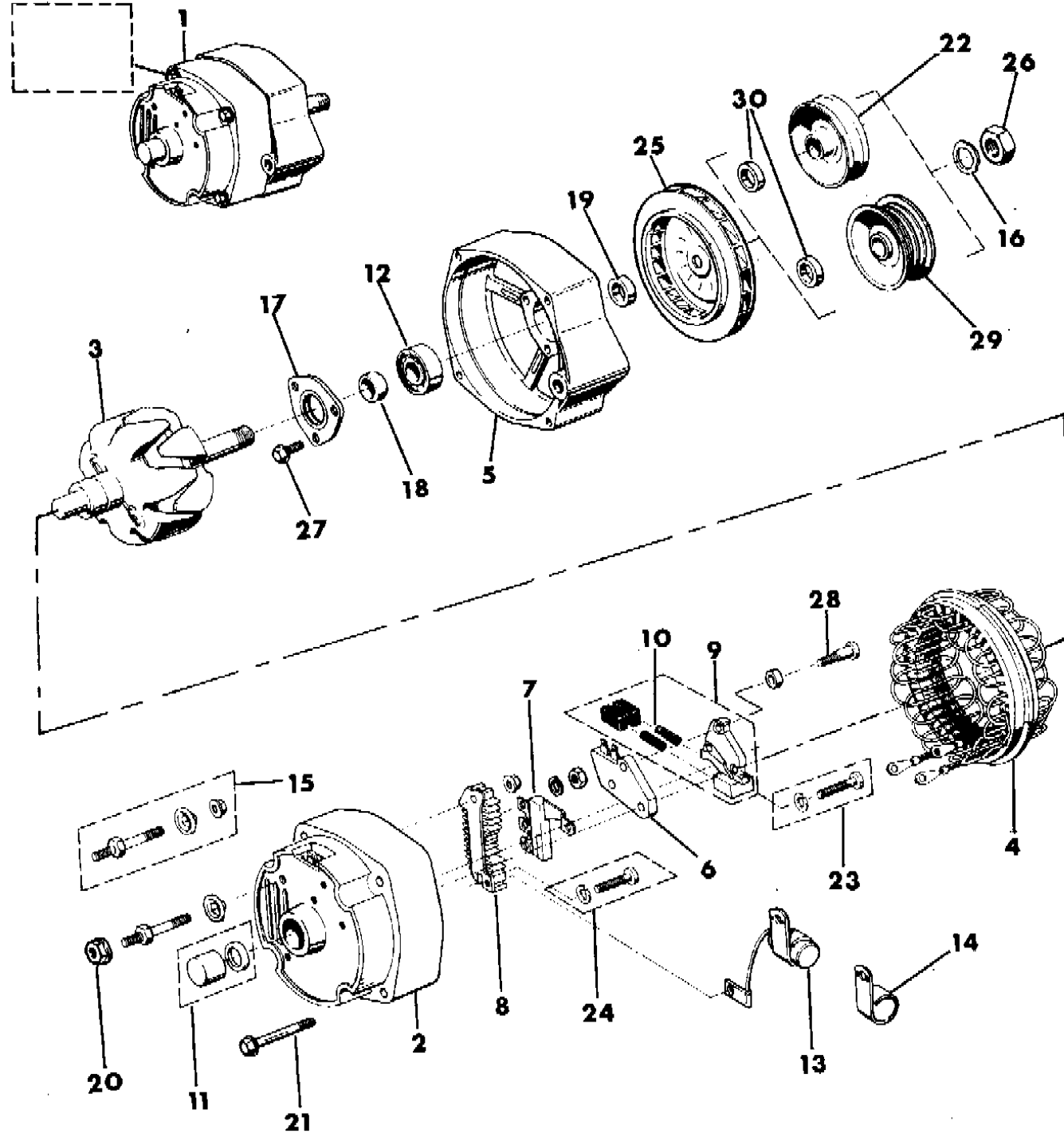
BODY STYLES:

MJ = Comanche Pickup  
 SJ = Grand Wagoneer Wgn., J-10 & J-20 Pickups  
 XJ = Cherokee, Wagoneer Limited  
 YJ = Wrangler

AR = Use as Required - = Non Illustrated Part P.A.R. = Paint as Required

ALTERNATOR 42, 56, 78 AMPERE GRAND WAGONEER, J10, J20  
Figure 8-2600

8 J08 2600



ITEM	PART NUMBER	QTY	BODY	MODEL	DESCRIPTION
1					ALTERNATOR
	JR77 5005	1			Remanufactured 56-78 Ampere
	J813 4664	1			Export 56-78 Ampere
	JR77 5004	1			Remanufactured 42 Ampere
	J813 4663	1			Export 42 Ampere
2					HOUSING, Alternator Rear
	J813 4651	1			Tagged 1105081, 1105082, 1105083 or 1105084
	J813 2555	1			Tagged 1105079 or 1105080
3					ROTOR, Alternator
	J813 4645	1			Tagged 1105081, 1105082, 1105079 or 1105080 ***
	J813 4646	1			Tagged 1105083 or 1105084
4					STATOR, Alternator
	J813 4648	1			Tagged 1105081 or 1105082
	J813 4649	1			Tagged 1105083 or 1105084
	J813 5174	1			Tagged 1105079 or 1105080
	J813 4655	1			HOUSING, Alternator Front
	J813 4655	1			Tagged 1105081, 1105082, 1105083 or 1105084
	J813 4654	1			Tagged 1105079 or 1105080
6	8330 0084	1			REGULATOR, Voltage
7	8330 0072	1			DIODE TRIO ***
8	J813 4650	1			RECTIFIER, Diode
9	J813 4652	1			HOLDER, Alternator Brush
10					SPRING ***
	J813 4653	1			Tagged 1105081, 1105082, 1105083, 1105084 or 1105079
	J813 3272	1			Tagged 1105080
11	J812 5181	1			BEARING
12	J812 6709	1			BEARING
13	J812 5183	1			CAPACITOR, Alternator
14	J812 5184	1			CLAMP
15	J813 3274	1			TERMINAL
16	J813 3280	1			WASHER
17	J813 4658	1			RETAINER
18	J813 3279	1			COLLAR
19					COLLAR
	J813 4659	1			Tagged 1105081, 1105082, 1105083, 1105084
	J813 2696	1			Tagged 1105079, 1105080
20	J420 0453	1			NUT

MODEL CODES:

15 = Grand Wagoneer 4 Dr.	65 = Comanche 4WD-7 Ft. Box	77 = Cherokee 4WD-2 Dr.
25 = J-10 Pickup-119" W.B.	66 = Comanche 2WD-7 Ft. Box	78 = Cherokee 4WD-4 Dr.
26 = J-10 Pickup-131" W.B.	73 = Cherokee 2WD-2 Dr.	79 = Cherokee 4WD-4 Dr.-Com
27 = J-20 Pickup-131" W.B.	74 = Cherokee 2WD-4 Dr.	81 = Wrangler-93" W.B.
63 = Comanche 4WD-6 Ft. Box	75 = Wagoneer 4WD-4 Dr.	82 = Wrangler-103" W.B.-Exp.
64 = Comanche 2WD-6 Ft. Box		

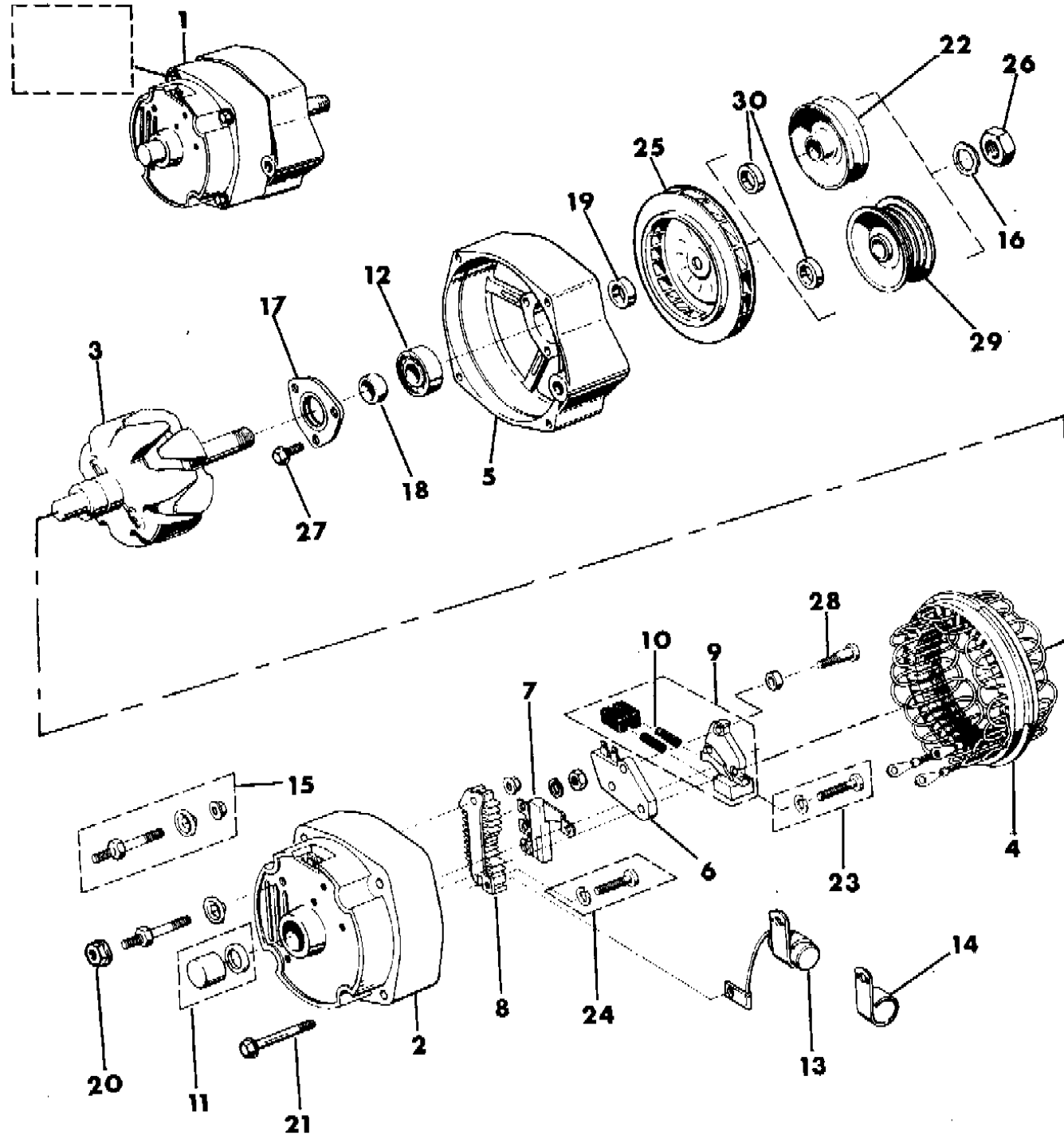
BODY STYLES:

MJ = Comanche Pickup  
SJ = Grand Wagoneer Wgn., J-10 & J-20 Pickups  
XJ = Cherokee, Wagoneer Limited  
YJ = Wrangler

AR = Use as Required - = Non Illustrated Part P.A.R. = Paint as Required

ALTERNATOR 42, 56, 78 AMPERE GRAND WAGONEER, J10, J20  
Figure 8-2600

8 J08 2600



ITEM	PART NUMBER	QTY	BODY	MODEL	DESCRIPTION
21	J812 5191	4			BOLT
22	J813 2698	1			PULLEY, Alternator w/o Serpentine Belt Drive
23	J813 3273	1			SCREW
24	J813 4669	1			SCREW
25					FAN, Alternator
	J813 4662	1			Tagged 1105081, 1105082, 1105083 or 1105084
	J813 2695	1			Tagged 1105079
	J812 5193	1			Tagged 1105080
26	J812 5242	1			NUT
27	J813 4668	3			SCREW
28	J812 5244	2			SCREW
29	J813 4194	1			PULLEY, Alternator Tagged 1105081, 1105082, 1105083 or 1105084w/Serpentine Belt Drive
	J812 8522				With Double Groove ***
30	J813 3299	1			COLLAR

MODEL CODES:

15 = Grand Wagoneer 4 Dr.	65 = Comanche 4WD-7 Ft. Box	77 = Cherokee 4WD-2 Dr.
25 = J-10 Pickup-119" W.B.	66 = Comanche 2WD-7 Ft. Box	78 = Cherokee 4WD-4 Dr.
26 = J-10 Pickup-131" W.B.	73 = Cherokee 2WD-2 Dr.	79 = Cherokee 4WD-4 Dr.-Com
27 = J-20 Pickup-131" W.B.	74 = Cherokee 2WD-4 Dr.	81 = Wrangler-93" W.B.
63 = Comanche 4WD-6 Ft. Box	75 = Wagoneer 4WD-4 Dr.	82 = Wrangler-103" W.B.-Exp.
64 = Comanche 2WD-6 Ft. Box		

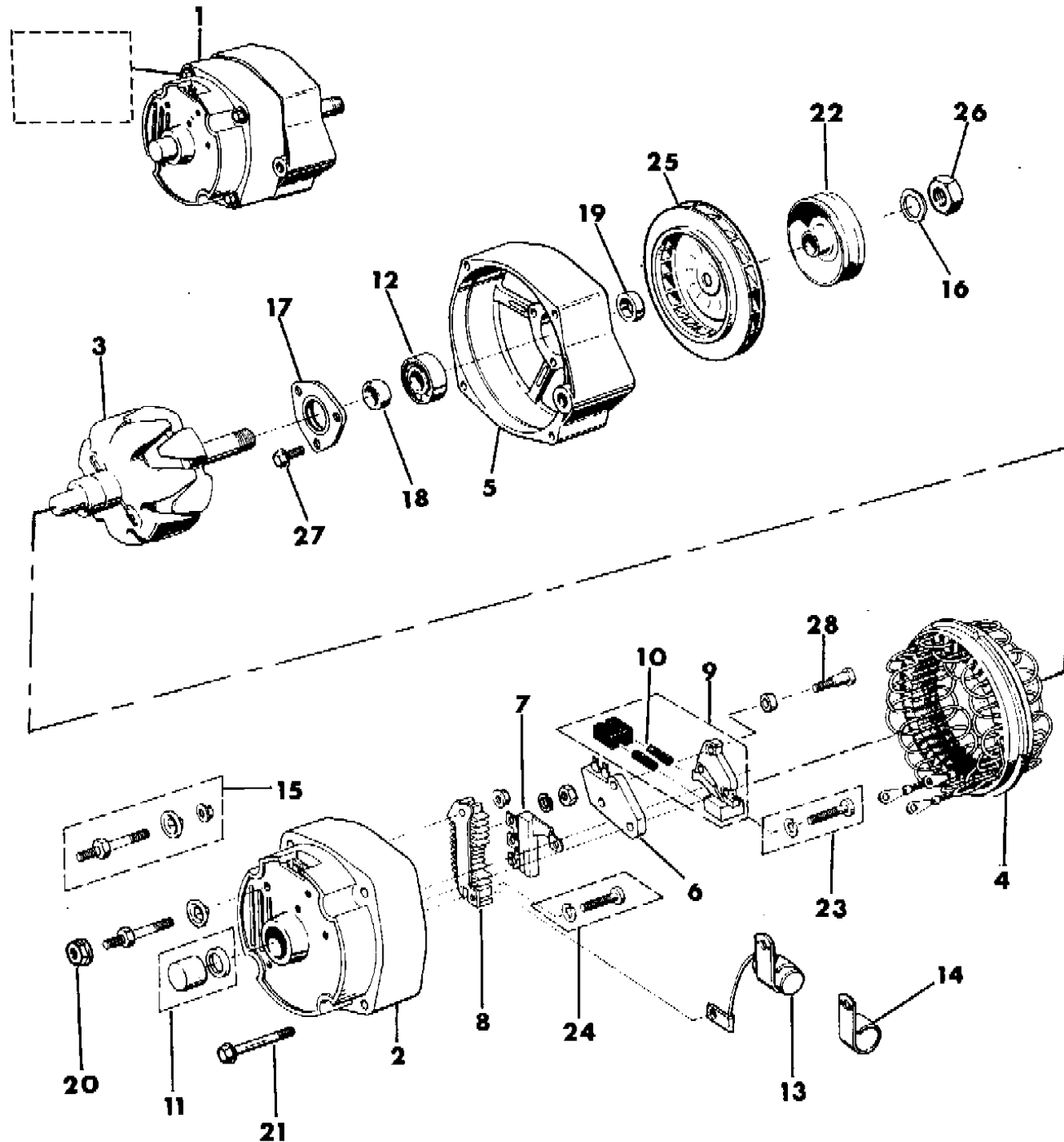
BODY STYLES:

MJ = Comanche Pickup  
 SJ = Grand Wagoneer Wgn., J-10 & J-20 Pickups  
 XJ = Cherokee, Wagoneer Limited  
 YJ = Wrangler

AR = Use as Required - = Non Illustrated Part P.A.R. = Paint as Required

ALTERNATOR AND MOUNTING 85-94 AMPERE GRAND WAGONEER, J10, J20  
Figure 8-2700

8 J08 2700



ITEM	PART NUMBER	QTY	BODY	MODEL	DESCRIPTION
1					ALTERNATOR
	J813 4666	1			85 Ampere
	8350 5104	1			94 Ampere
2					HOUSING, Rear
	J813 3266	1			Tagged 1105346
					Tagged 1101484 (Not Serv.)
3					ROTOR
	J813 4646	1			Tagged 1101484
	J813 3264	1			Tagged 1105346
4					STATOR, Alternator
	J813 3265	1			Tagged 1105346 ***
					Tagged 1101484 (Not Serv.)
5					HOUSING, Alternator Front
	J813 4656	1			Tagged 1105346
					Tagged 1101484 (Not Serv.)
6					REGULATOR, Voltage
	J812 5176	1			Tagged 1105346
	8350 5214	1			Tagged 1101484
7	8330 0072	1			DIODE TRIO ***
8					RECTIFIER, Diode
	J813 3269	1			Tagged 1105346
	8350 5216	1			Tagged 1101484
9					HOLDER, Brush
	J813 3271	1			Tagged 1105346
	J813 4652	1			Tagged 1101484
10	J813 4653	1			SPRING
11					BEARING
	J812 5181	1			Tagged 1101484
	8350 5217	1			Tagged 1101484
12					BEARING
	J812 6709	1			Tagged 1101484
	8350 5215	1			Tagged 1101484
13	J812 5183	1			CAPACITOR, Alternator
14	J812 5184	1			CLAMP
15	J813 3274	1			TERMINAL
16	J813 3280	1			WASHER
17	J813 4658	1			RETAINER

MODEL CODES:

15 = Grand Wagoneer 4 Dr.	65 = Comanche 4WD-7 Ft. Box	77 = Cherokee 4WD-2 Dr.
25 = J-10 Pickup-119" W.B.	66 = Comanche 2WD-7 Ft. Box	78 = Cherokee 4WD-4 Dr.
26 = J-10 Pickup-131" W.B.	73 = Cherokee 2WD-2 Dr.	79 = Cherokee 4WD-4 Dr.-Com
27 = J-20 Pickup-131" W.B.	74 = Cherokee 2WD-4 Dr.	81 = Wrangler-93" W.B.
63 = Comanche 4WD-6 Ft. Box	75 = Wagoneer 4WD-4 Dr.	82 = Wrangler-103" W.B.-Exp.
64 = Comanche 2WD-6 Ft. Box		

BODY STYLES:

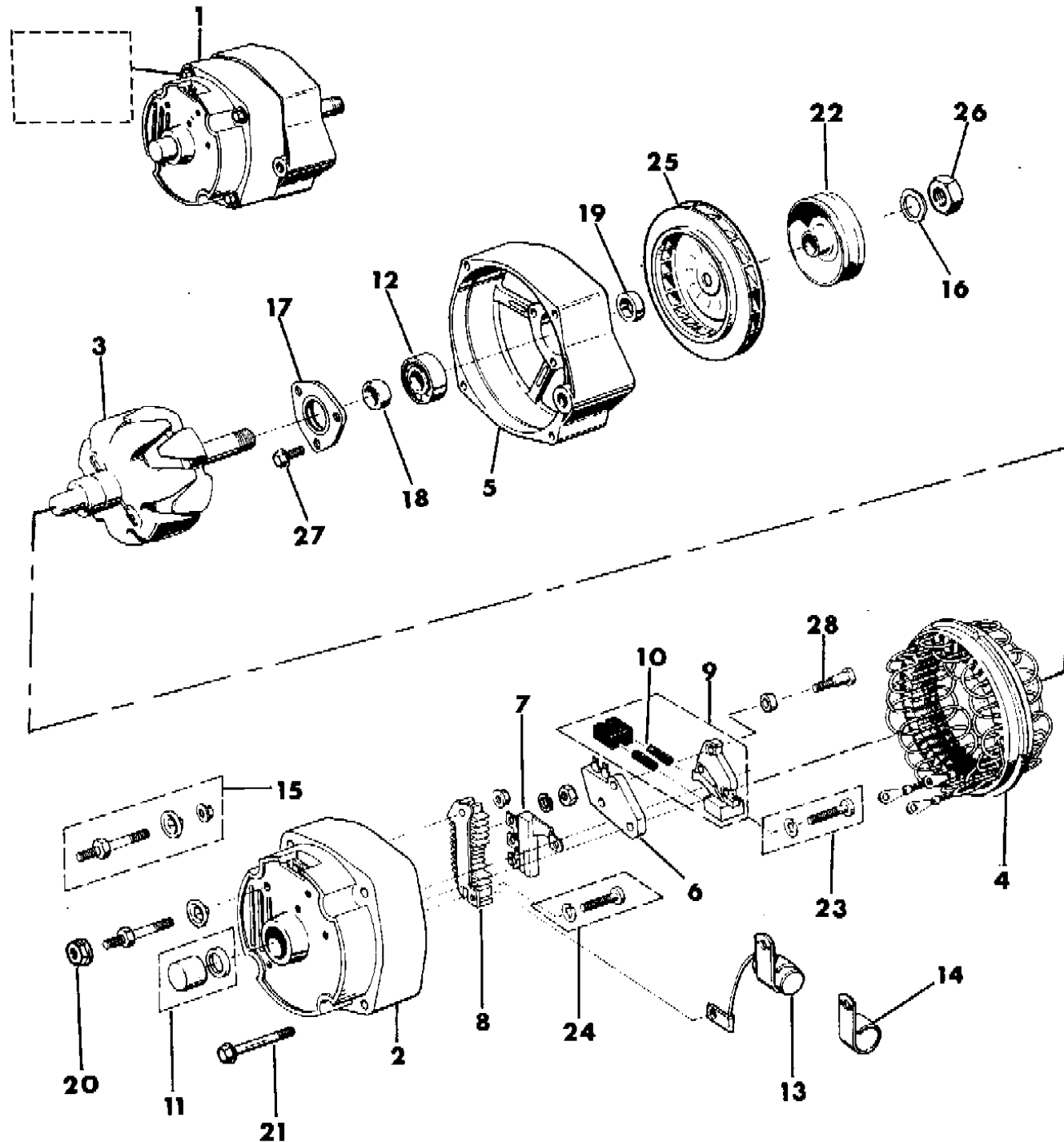
MJ = Comanche Pickup  
SJ = Grand Wagoneer Wgn., J-10 & J-20 Pickups  
XJ = Cherokee, Wagoneer Limited  
YJ = Wrangler

AR = Use as Required - = Non Illustrated Part P.A.R. = Paint as Required



ALTERNATOR AND MOUNTING 85-94 AMPERE GRAND WAGONEER, J10, J20  
Figure 8-2700

8 J08 2700



ITEM	PART NUMBER	QTY	BODY	MODEL	DESCRIPTION
18					COLLAR
	J813 4661	1			Tagged 1105346
	J813 3279	1			Tagged 1101484
19					COLLAR
	J813 4660	1			Tagged 1105346
	J813 4659	1			Tagged 1101484
20	J420 0453	1			NUT
21	J812 5191	4			BOLT
22	J812 8522	1			PULLEY, Alternator w/o Serpentine Belt
23	J813 3273	1			SCREW
24	J813 4669	1			SCREW
25					FAN, Alternator
	J813 3281	1			Tagged 1105346
	J813 4662	1			Tagged 1101484
26	J812 5242	1			NUT
27	J813 4668	3			SCREW
28	J812 5244	2			SCREW

MODEL CODES:

15 = Grand Wagoneer 4 Dr.	65 = Comanche 4WD-7 Ft. Box	77 = Cherokee 4WD-2 Dr.
25 = J-10 Pickup-119" W.B.	66 = Comanche 2WD-7 Ft. Box	78 = Cherokee 4WD-4 Dr.
26 = J-10 Pickup-131" W.B.	73 = Cherokee 2WD-2 Dr.	79 = Cherokee 4WD-4 Dr.-Com
27 = J-20 Pickup-131" W.B.	74 = Cherokee 2WD-4 Dr.	81 = Wrangler-93" W.B.
63 = Comanche 4WD-6 Ft. Box	75 = Wagoneer 4WD-4 Dr.	82 = Wrangler-103" W.B.-Exp.
64 = Comanche 2WD-6 Ft. Box		

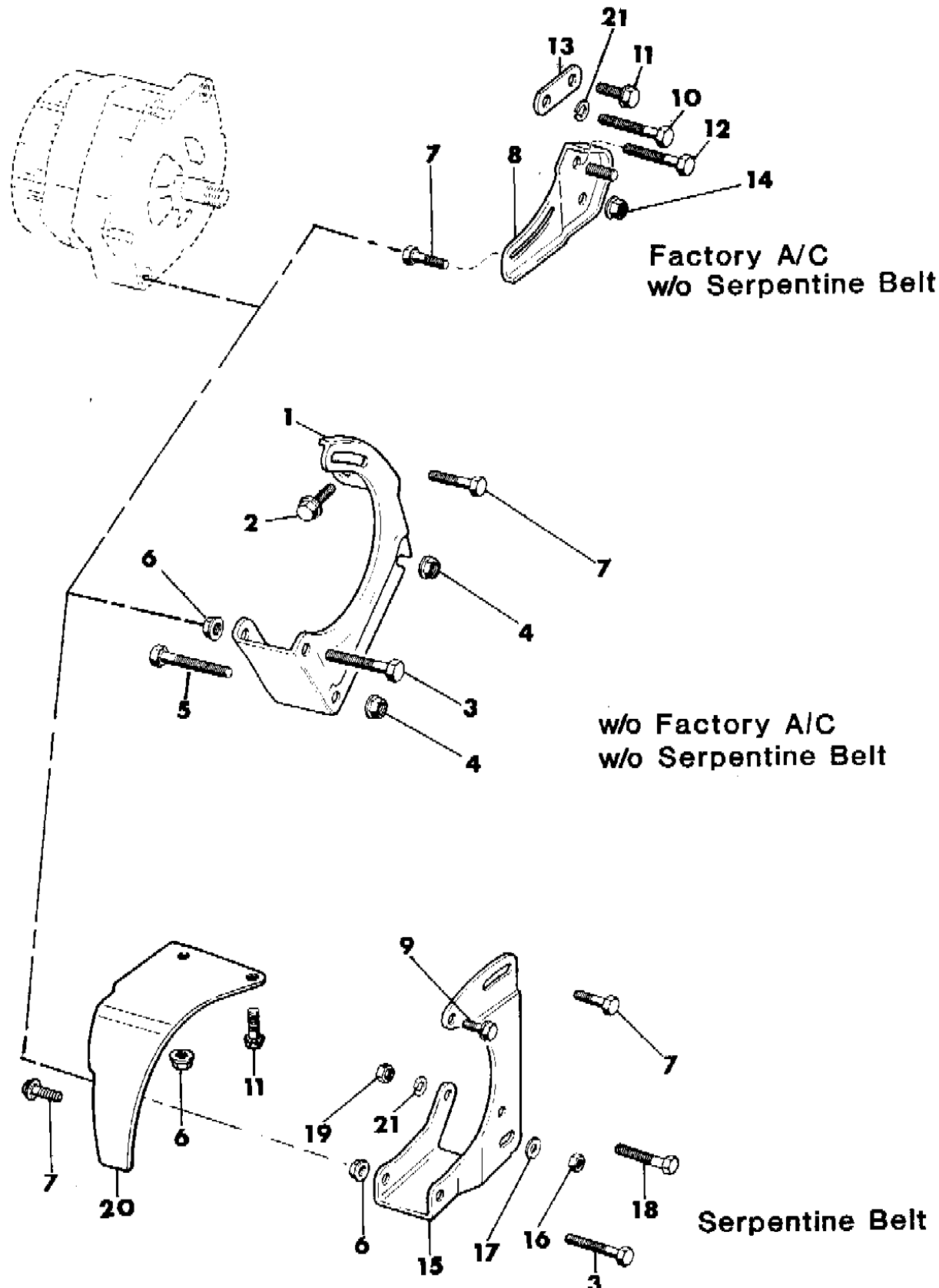
BODY STYLES:

MJ = Comanche Pickup  
SJ = Grand Wagoneer Wgn., J-10 & J-20 Pickups  
XJ = Cherokee, Wagoneer Limited  
YJ = Wrangler

AR = Use as Required - = Non Illustrated Part P.A.R. = Paint as Required

ALTERNATOR MOUNTING 4.2L ENGINE GRAND WAGONEER, J10  
Figure 8-2800

8 J08 2800



ITEM	PART NUMBER	QTY	BODY	MODEL	DESCRIPTION
1	3300 1658	1			BRACKET, Alternator
2	J027 4882	1			SCREW
3	1150 0835	1			BOLT
4	J400 3909	2			NUT
5	J018 0137	1			BOLT
6	1150 6007	1			NUT
7	3420 1818	1			BOLT
8	J323 6310	1			BRACKET, Alternator
9	J018 0123	1			BOLT
10	J018 9303	1			BOLT
11	J400 6995	1			BOLT
12	J018 0137	1			BOLT
13	J323 0381	1			STRAP
14	J400 3909	1			NUT
15	J322 4477	1			BRACKET, Alternator
16	J941 3534	1			NUT
17	J400 1104	1			WASHER
18	J018 0138	1			BOLT
19	J400 3909	1			NUT
20	J323 8456	1			BRACE, Alternator
21	J400 3803	1			WASHER

MODEL CODES:

15 = Grand Wagoneer 4 Dr.	65 = Comanche 4WD-7 Ft. Box	77 = Cherokee 4WD-2 Dr.
25 = J-10 Pickup-119" W.B.	66 = Comanche 2WD-7 Ft. Box	78 = Cherokee 4WD-4 Dr.
26 = J-10 Pickup-131" W.B.	73 = Cherokee 2WD-2 Dr.	79 = Cherokee 4WD-4 Dr.-Com
27 = J-20 Pickup-131" W.B.	74 = Cherokee 2WD-4 Dr.	81 = Wrangler-93" W.B.
63 = Comanche 4WD-6 Ft. Box	75 = Wagoneer 4WD-4 Dr.	82 = Wrangler-103" W.B.-Exp.
64 = Comanche 2WD-6 Ft. Box		

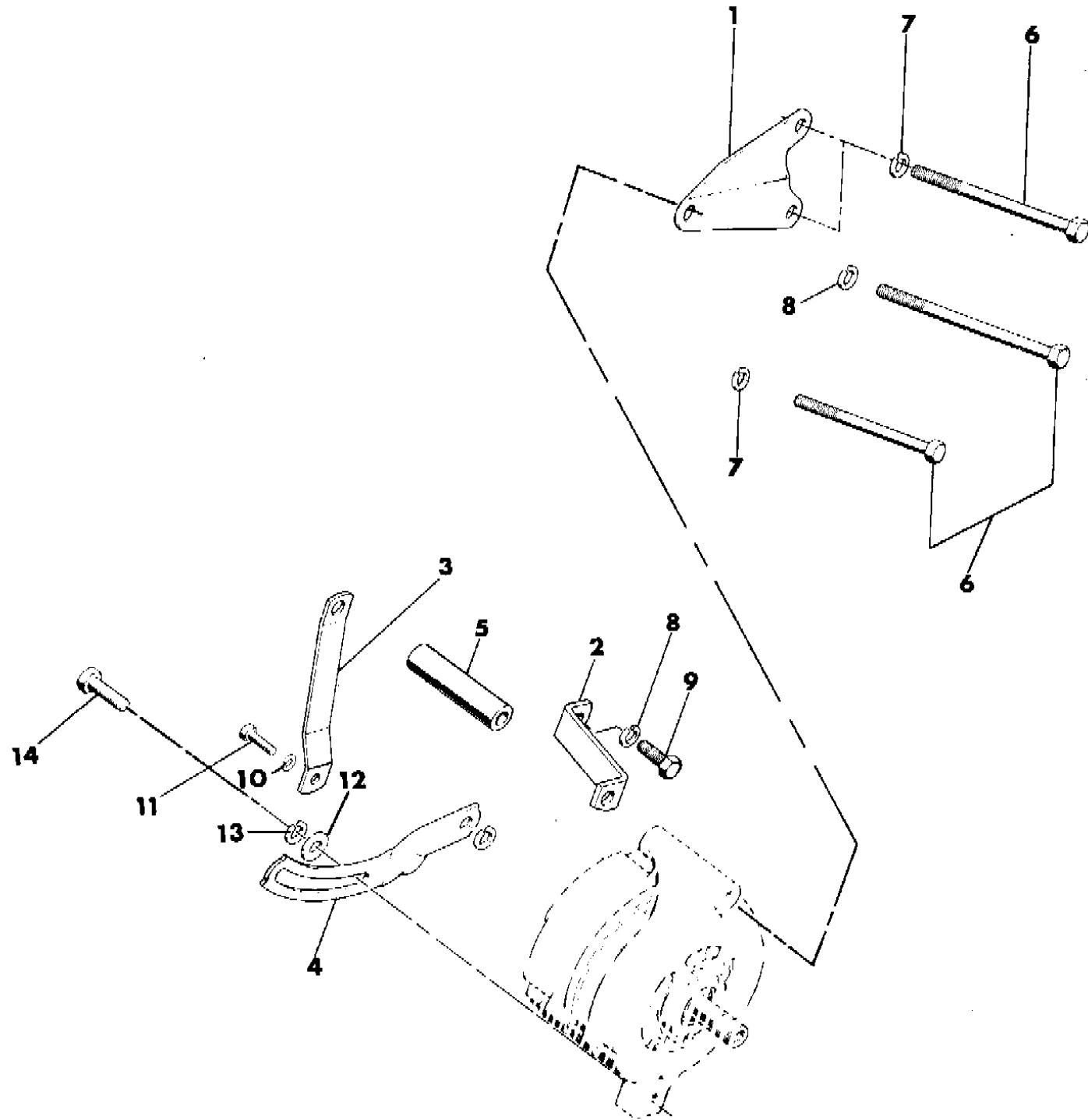
BODY STYLES:

MJ = Comanche Pickup  
SJ = Grand Wagoneer Wgn., J-10 & J-20 Pickups  
XJ = Cherokee, Wagoneer Limited  
YJ = Wrangler

AR = Use as Required - = Non Illustrated Part P.A.R. = Paint as Required

ALTERNATOR MOUNTING 5.9L ENGINE GRAND WAGONEER, J10, J20  
Figure 8-2900

8 J08 2900



ITEM	PART NUMBER	QTY	BODY	MODEL	DESCRIPTION
1					BRACKET
	J535 7907	1			w/Factory A/C
	J535 7905	1			w/o Factory A/C
2					BRACKET, Alternator
	J535 9301	1			w/Factory A/C
	J535 9302	1			w/o Factory A/C
3					SUPPORT, Alternator
	J535 9300	1			Tagged 1105080, 1105082 or 1101484
	J536 4256	1			Tagged 1105084 or 1105346
4					BRACKET, Adjusting
	J535 7906	1			Tagged 1105080, 1105082 or 1101484
	J536 2172	1			Tagged 1105084, 1105346
5					SPACER
	J400 6186	1			3.44"
	J400 6822	1			3.56"
6					BOLT
	J018 0122	1			1.00"
	S027 4101	1			4.88"
	J019 2406	AR			5.25"
	J021 5511	AR			5.75"
	J400 6031	1			6.50"
7	J400 3803	1			WASHER
8	J400 4807	1			WASHER
9	J018 0120	1			BOLT
10	1150 0221	1			WASHER
11	1150 1939	1			BOLT
12	J400 1095	1			WASHER
13	J012 0214	1			WASHER
14					BOLT
	J420 0406	1			8mm
	J420 0419	1			10mm
	J018 0079	1			.31"

MODEL CODES:

15 = Grand Wagoneer 4 Dr.	65 = Comanche 4WD-7 Ft. Box	77 = Cherokee 4WD-2 Dr.
25 = J-10 Pickup-119" W.B.	66 = Comanche 2WD-7 Ft. Box	78 = Cherokee 4WD-4 Dr.
26 = J-10 Pickup-131" W.B.	73 = Cherokee 2WD-2 Dr.	79 = Cherokee 4WD-4 Dr.-Com
27 = J-20 Pickup-131" W.B.	74 = Cherokee 2WD-4 Dr.	81 = Wrangler-93" W.B.
63 = Comanche 4WD-6 Ft. Box	75 = Wagoneer 4WD-4 Dr.	82 = Wrangler-103" W.B.-Exp.
64 = Comanche 2WD-6 Ft. Box		

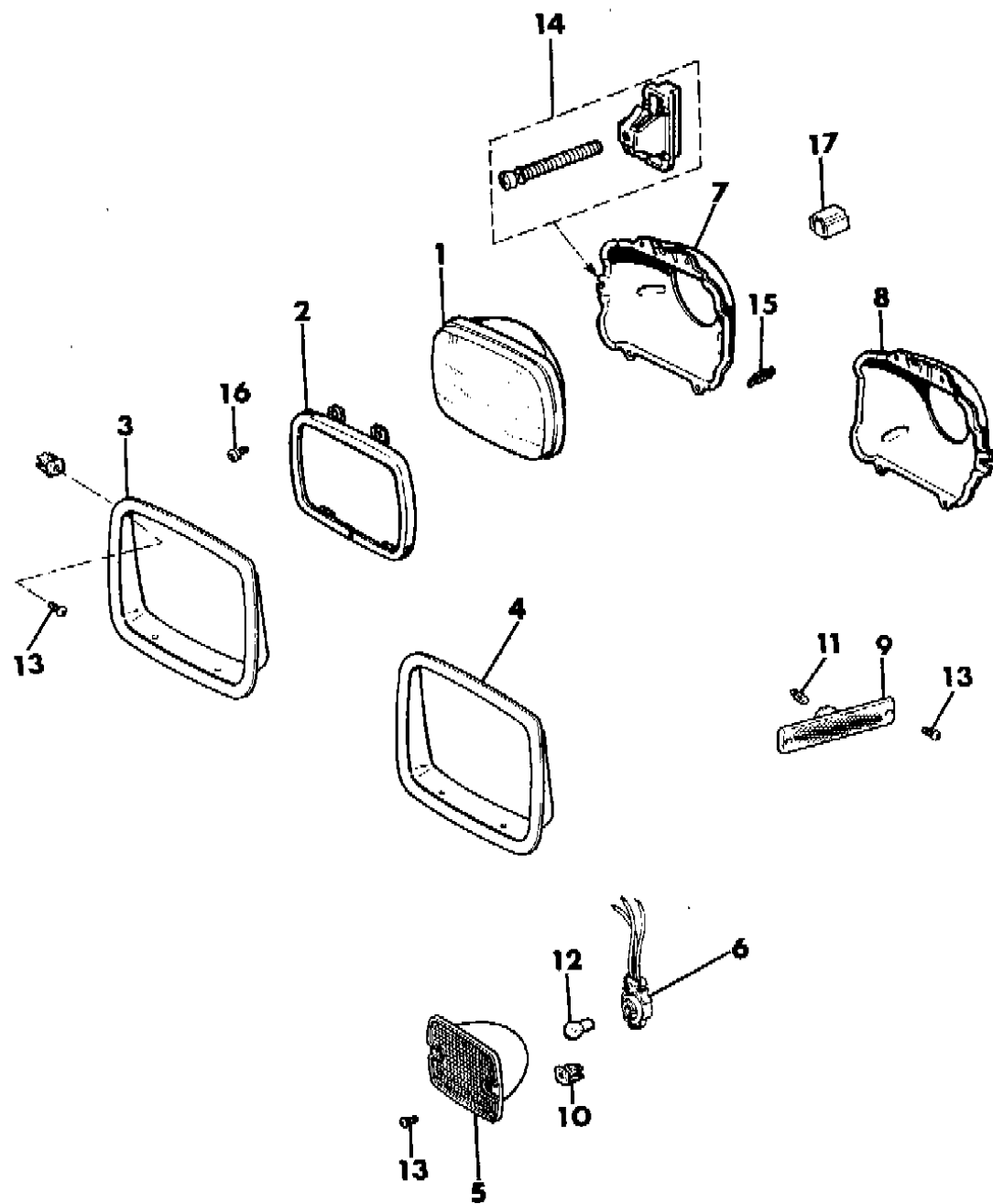
BODY STYLES:

MJ = Comanche Pickup  
SJ = Grand Wagoneer Wgn., J-10 & J-20 Pickups  
XJ = Cherokee, Wagoneer Limited  
YJ = Wrangler

AR = Use as Required - = Non Illustrated Part P.A.R. = Paint as Required

LAMPS--FRONT WRANGLER, YJ, U.S. AND CANADA  
Figure 8-3000

8J08 3000



ITEM	PART NUMBER	QTY	BODY	MODEL	DESCRIPTION
1	J813 4319	2			BULB, Seal Beam (6054)
2	5600 1260	2			RING, Headlamp
3	5600 3104	1			BEZEL, Headlamp, Right Chrome ***
	5600 1908	1			(P.A.R.)
4	5600 3105	1			BEZEL, Headlamp, Left Chrome
	5600 1909	1			(P.A.R.)
5	5600 1378	2			LAMP, Parking
6	J812 8931	2			SOCKET, Parking Lamp
7	5600 1278	1			SEAT, Headlamp, Right
8	5600 1279	1			SEAT, Headlamp, Left
9	5600 1424	2			LAMP, Marker
10	J400 0141	12			NUT, Push
11	J942 1330	1			BULB, (194)
12	J943 8848	2			BULB, (2057)
13	J400 5821	16			SCREW
14	5600 1419	4			SCREW, Headlamp Adjusting
15	3600 0885	2			SPRING
16	3420 1821	8			SCREW
17	J099 8475	2			CONNECTOR, Headlamp

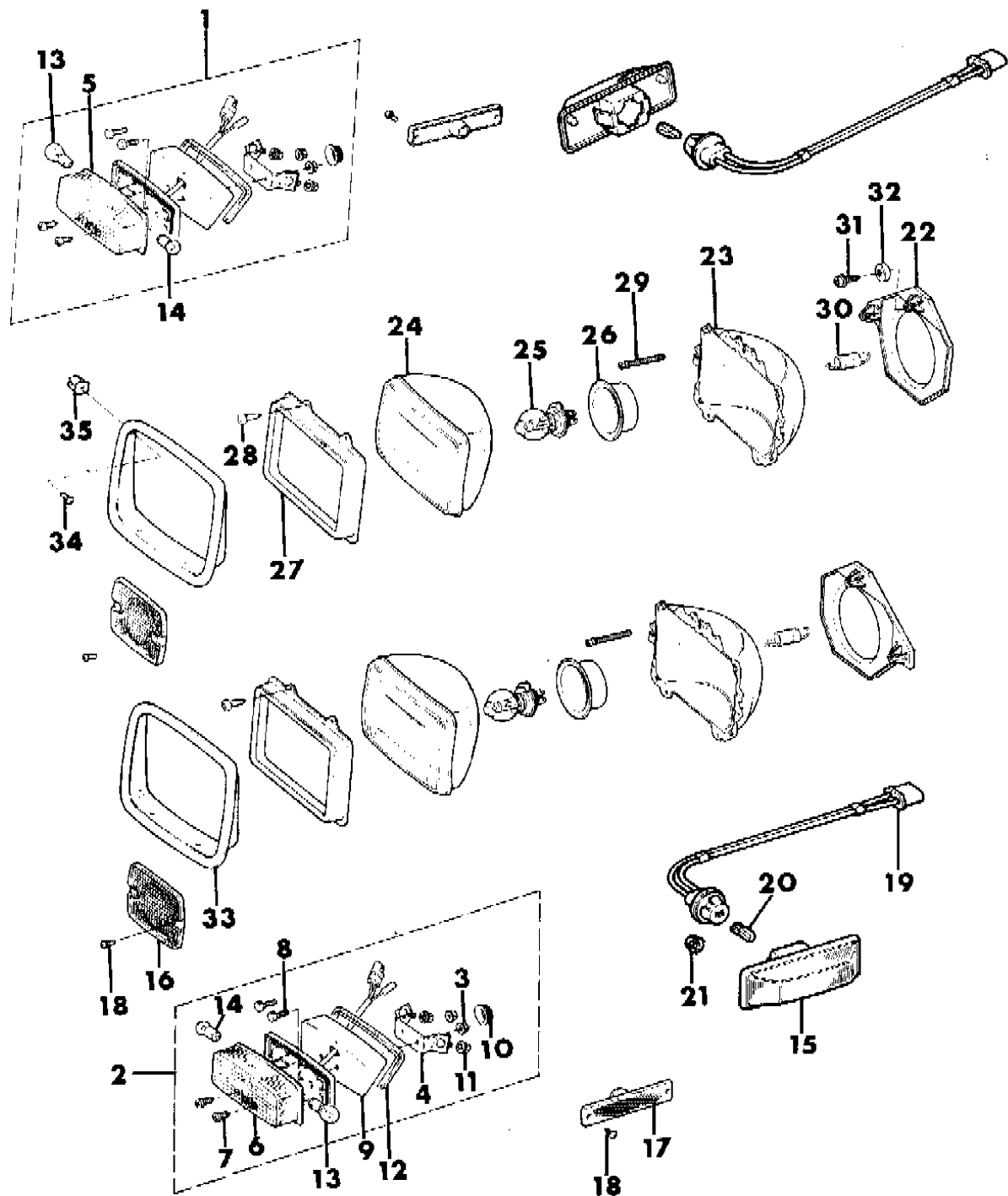
MODEL CODES:  
 15 = Grand Wagoneer 4 Dr.      65 = Comanche 4WD-7 Ft. Box      77 = Cherokee 4WD-2 Dr.  
 25 = J-10 Pickup-119" W.B.      66 = Comanche 2WD-7 Ft. Box      78 = Cherokee 4WD-4 Dr.  
 26 = J-10 Pickup-131" W.B.      73 = Cherokee 2WD-2 Dr.      79 = Cherokee 4WD-4 Dr.-Com  
 27 = J-20 Pickup-131" W.B.      74 = Cherokee 2WD-4 Dr.      81 = Wrangler-93" W.B.  
 63 = Comanche 4WD-6 Ft. Box      75 = Wagoneer 4WD-4 Dr.      82 = Wrangler-103" W.B.-Exp.  
 64 = Comanche 2WD-6 Ft. Box

BODY STYLES:  
 MJ = Comanche Pickup  
 SJ = Grand Wagoneer Wgn., J-10 & J-20 Pickups  
 XJ = Cherokee, Wagoneer Limited  
 YJ = Wrangler

AR = Use as Required - = Non Illustrated Part P.A.R. = Paint as Required

LAMPS--FRONT WRANGLER, EXPORT, ECE  
Figure 8-3100

8J08 3100



ITEM	PART NUMBER	QTY	BODY	MODEL	DESCRIPTION
1	5600 3010	1			LAMP, Parking, Right
2	5600 3011	1			LAMP, Parking, Left
3	J027 1163	4			NUT, Hex
4	5502 1203	2			BRACKET
5	J813 3788	1			LENS, Right ***
6	J813 3789	1			LENS, Left ***
7	J400 5806	4			SCREW
8	J400 3924	4			SCREW
9	5502 1205	2			BASE
10	J400 6847	2			BUSHING
11	J941 6918	4			NUT, Hex
12	J575 8112	2			SEAL
13	J575 7455	2			BULB, (P25-1)
14	J813 3773	2			BULB, (R19-10)
15	5600 1127	2			LAMP, Turn
16	5600 3098	2			LENS
17	5600 3100	2			LAMP, Side Marker
18	J400 5821	8			SCREW
19	5600 1433	2			SOCKET ASSEMBLY
20	J942 1330	2			BULB, (194)
21	S027 1482	2			NUT
22	5600 3080-1	1			ADAPTER, Headlamp Mounting
23	5600 3082-3	1			SEAT, Headlamp
24	5600 3086	2			REFLECTOR, Headlamp
25					ELEMENT, Quartz Halogen ***
	J813 3772	2			(H4-Clear)
	J813 3336	2			(H4-Amber)
26	J813 3795	2			BOOT
27	3600 2557	2			RING, Headlamp
28	3420 2563	8			SCREW
29	5600 3095	4			SCREW, Adjusting
30	3600 0885	2			SPRING
31	3420 2774	4			SCREW
32	5500 1994	4			WASHER, Clamp
33	5600 1396-7	1			BEZEL, Headlamp
34	J400 5821	8			SCREW
35	J400 0141	8			NUT

MODEL CODES:

15 = Grand Wagoneer 4 Dr.	65 = Comanche 4WD-7 Ft. Box	77 = Cherokee 4WD-2 Dr.
25 = J-10 Pickup-119" W.B.	66 = Comanche 2WD-7 Ft. Box	78 = Cherokee 4WD-4 Dr.
26 = J-10 Pickup-131" W.B.	73 = Cherokee 2WD-2 Dr.	79 = Cherokee 4WD-4 Dr.-Com
27 = J-20 Pickup-131" W.B.	74 = Cherokee 2WD-4 Dr.	81 = Wrangler-93" W.B.
63 = Comanche 4WD-6 Ft. Box	75 = Wagoneer 4WD-4 Dr.	82 = Wrangler-103" W.B.-Exp.
64 = Comanche 2WD-6 Ft. Box		

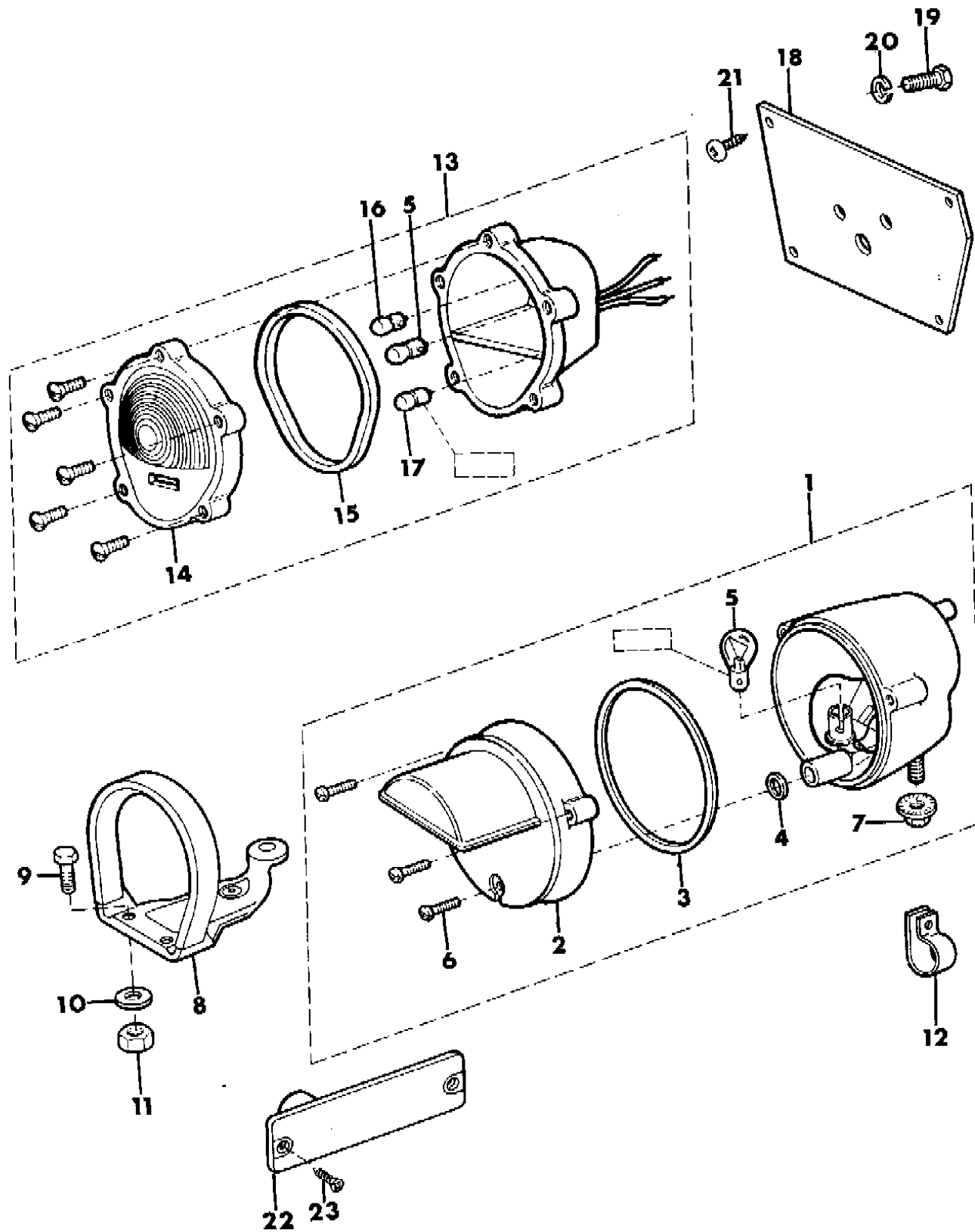
BODY STYLES:

MJ = Comanche Pickup  
SJ = Grand Wagoneer Wgn., J-10 & J-20 Pickups  
XJ = Cherokee, Wagoneer Limited  
YJ = Wrangler

AR = Use as Required - = Non Illustrated Part P.A.R. = Paint as Required

LAMPS--FRONT-BLACKOUT WRANGLER, YJ  
Figure 8-3200

8J08 3200



ITEM	PART NUMBER	QTY	BODY	MODEL	DESCRIPTION
1	J805 1525	1			LAMP, Blackout
2	J813 4592	1			DOOR, Blackout Lamp
3	J813 4593	1			GASKET
4	J813 4594	1			O-RING
5	J320 9543	3			BULB, (1156)
6	J813 4595	3			SCREW
7	J400 4747	1			NUT, Hex
8	J805 0377	1			BRACKET
9	S017 9814	3			BOLT, Hex
10	J012 0214	3			WASHER
11	J012 0376	3			NUT
12	J012 7879	1			CLIP
13	J805 1526	2			LAMP, Blackout Park/Turn
14	J813 4577	1			COVER, Blackout Turn Lamp Door
15	J813 4580	2			GASKET
16	J014 2452	2			BULB, (89)
17	S014 2450	2			BULB, (67)
18	5501 0767	2			COVER, Bracket
19	J400 5600	4			SCREW
20	J012 0382	4			WASHER
21	J941 6223	8			SCREW
22	J575 8206	2			COVER, Side Marker
23	J400 2461	4			SCREW

MODEL CODES:

15 = Grand Wagoneer 4 Dr.	65 = Comanche 4WD-7 Ft. Box	77 = Cherokee 4WD-2 Dr.
25 = J-10 Pickup-119" W.B.	66 = Comanche 2WD-7 Ft. Box	78 = Cherokee 4WD-4 Dr.
26 = J-10 Pickup-131" W.B.	73 = Cherokee 2WD-2 Dr.	79 = Cherokee 4WD-4 Dr.-Com
27 = J-20 Pickup-131" W.B.	74 = Cherokee 2WD-4 Dr.	81 = Wrangler-93" W.B.
63 = Comanche 4WD-6 Ft. Box	75 = Wagoneer 4WD-4 Dr.	82 = Wrangler-103" W.B.-Exp.
64 = Comanche 2WD-6 Ft. Box		

BODY STYLES:

MJ = Comanche Pickup  
 SJ = Grand Wagoneer Wgn., J-10 & J-20 Pickups  
 XJ = Cherokee, Wagoneer Limited  
 YJ = Wrangler

AR = Use as Required - = Non Illustrated Part P.A.R. = Paint as Required

LAMPS--FOG RECTANGULAR WRANGLER, YJ  
Figure 8-3300

8J08 3300 A

ITEM	PART NUMBER	QTY	BODY	MODEL	DESCRIPTION
1	5600 2160	2			LAMP, Fog
2	5600 2068	2			COVER, Fog Lamp
3	J813 3441	2			ELEMENT, Quartz Halogen
4	J813 3442	2			BEZEL
5	J813 3440	2			LENS
6	5600 2830	2			BRACKET 1988-90 ***
7	J018 0077	4			BOLT
8	J013 8485	4			WASHER
9	J400 6080	4			NUT
10	J813 2883	2			BASE
11	J400 3084	4			RETAINER
12	J027 1190	4			NUT
13	J400 3924	4			SCREW
14					DECAL ***
	8350 2831	2			Black
	8350 2842	2			Gold
15	5600 2588	2			LAMP, Fog
16	8350 3692	2			ELEMENT
17	5600 2584	2			COVER
18	8350 4214	2			BEZEL
19	8350 4130	2			LENS
20	8350 4131	2			BOOT
21	S150 2788	2			BOLT
22	8350 4213	2			BRACKET
23	3420 1781	4			SCREW
24	J806 0007	4			SCREW
25	1150 0207	2			WASHER, Lock
26	J420 0405	2			NUT
27	5600 2290	2			BRACKET 1987
28	8350 3696	2			HARNESS, Jumper 1987

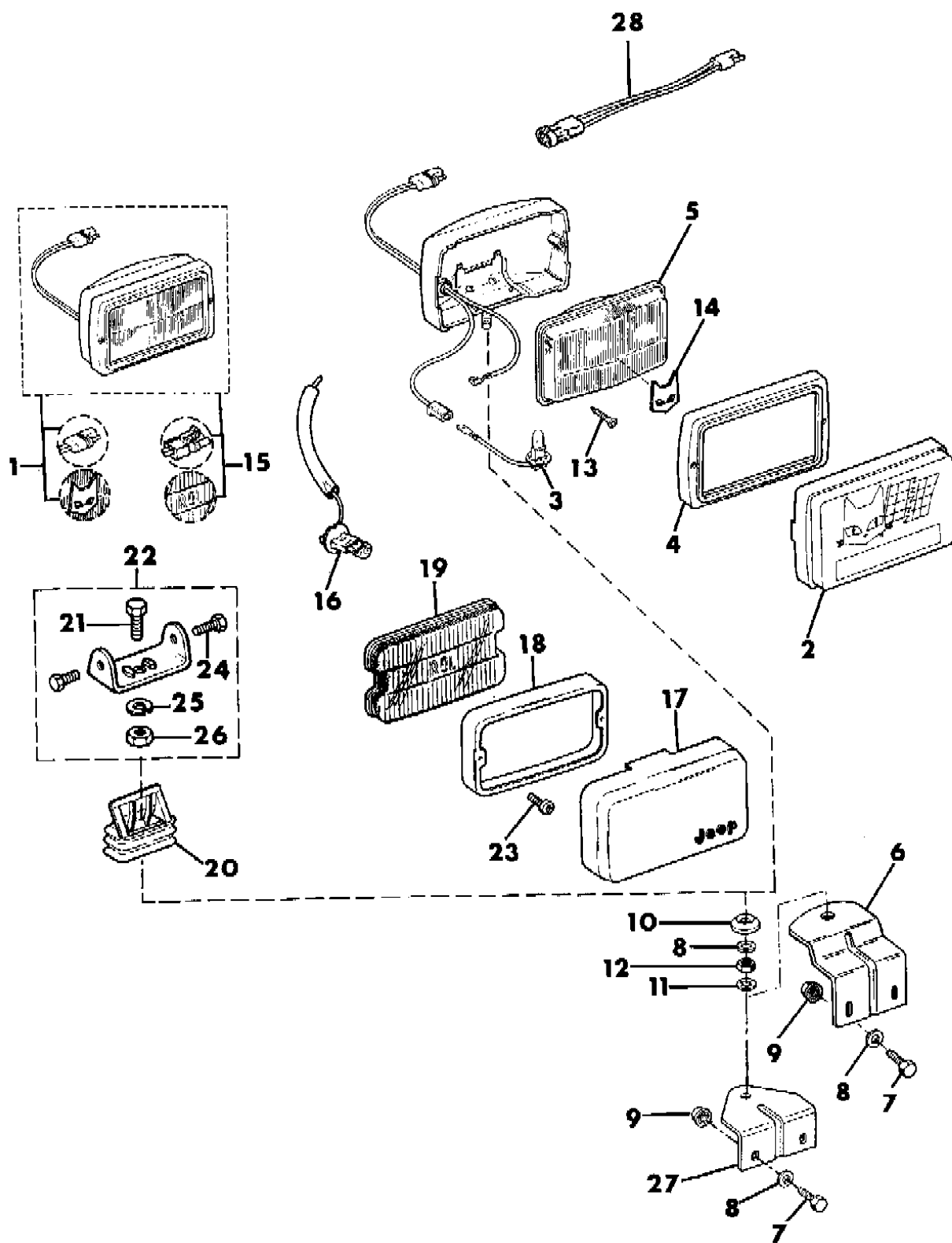
MODEL CODES:

15 = Grand Wagoneer 4 Dr.	65 = Comanche 4WD-7 Ft. Box	77 = Cherokee 4WD-2 Dr.
25 = J-10 Pickup-119" W.B.	66 = Comanche 2WD-7 Ft. Box	78 = Cherokee 4WD-4 Dr.
26 = J-10 Pickup-131" W.B.	73 = Cherokee 2WD-2 Dr.	79 = Cherokee 4WD-4 Dr.-Com
27 = J-20 Pickup-131" W.B.	74 = Cherokee 2WD-4 Dr.	81 = Wrangler-93" W.B.
63 = Comanche 4WD-6 Ft. Box	75 = Wagoneer 4WD-4 Dr.	82 = Wrangler-103" W.B.-Exp.
64 = Comanche 2WD-6 Ft. Box		

BODY STYLES:

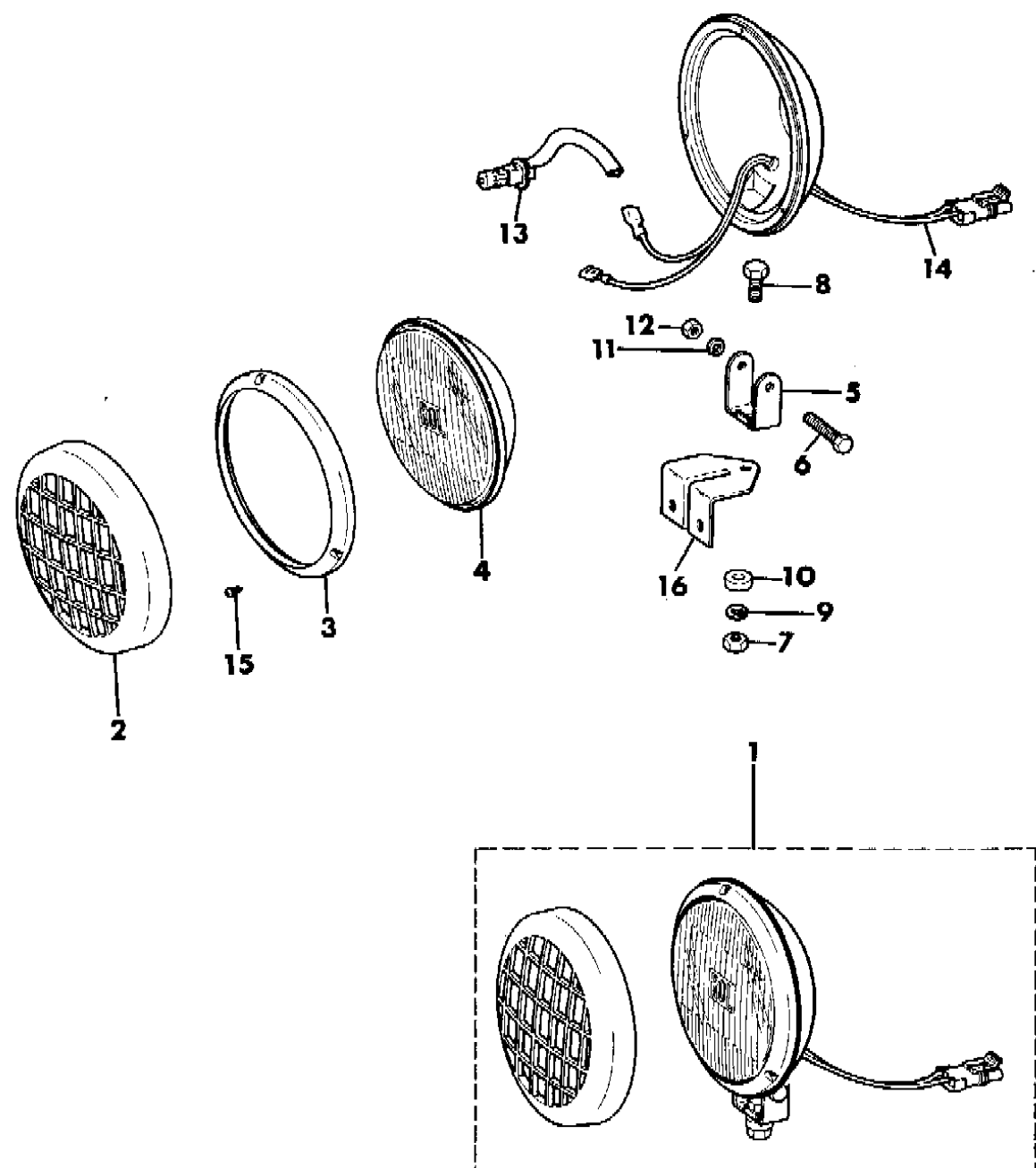
MJ = Comanche Pickup  
 SJ = Grand Wagoneer Wgn., J-10 & J-20 Pickups  
 XJ = Cherokee, Wagoneer Limited  
 YJ = Wrangler

AR = Use as Required - = Non Illustrated Part P.A.R. = Paint as Required



LAMPS--FOG ROUND WRANGLER, YJ  
Figure 8-3400

8J08 3400



ITEM	PART NUMBER	QTY	BODY	MODEL	DESCRIPTION
1	5600 2784	2			LAMP, Fog
2	8350 5390	2			SHIELD, Stone
3	8350 5391	2			BEZEL
4	8350 5392	2			REFLECTOR
5	8350 5395	2			BRACKET
6	1150 0821	2			BOLT
7	1150 0424	2			NUT, Hex
8	1150 0829	2			BOLT
9	1150 0222	2			WASHER, Lock
10	8350 5393	2			SPACER
11	1150 0221	2			WASHER, Lock
12	1150 0749	2			NUT, Hex
13	8350 3692	2			ELEMENT, (H3)
14	8350 5394	2			HARNESS
15	S942 5893	3			SCREW
16	5600 2290	2			BRACKET

MODEL CODES:

15 = Grand Wagoneer 4 Dr.	65 = Comanche 4WD-7 Ft. Box	77 = Cherokee 4WD-2 Dr.
25 = J-10 Pickup-119" W.B.	66 = Comanche 2WD-7 Ft. Box	78 = Cherokee 4WD-4 Dr.
26 = J-10 Pickup-131" W.B.	73 = Cherokee 2WD-2 Dr.	79 = Cherokee 4WD-4 Dr.-Com
27 = J-20 Pickup-131" W.B.	74 = Cherokee 2WD-4 Dr.	81 = Wrangler-93" W.B.
63 = Comanche 4WD-6 Ft. Box	75 = Wagoneer 4WD-4 Dr.	82 = Wrangler-103" W.B.-Exp.
64 = Comanche 2WD-6 Ft. Box		

BODY STYLES:

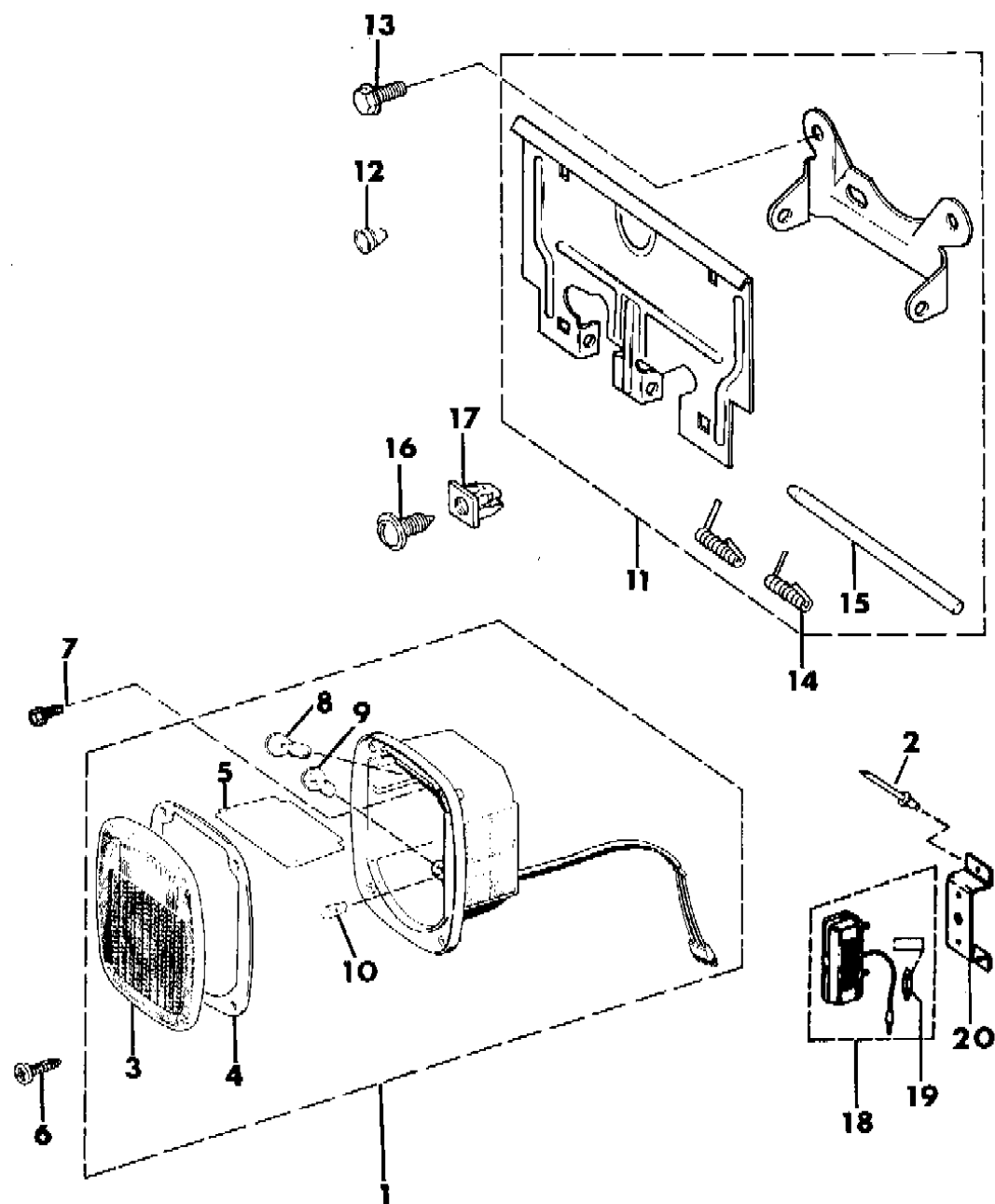
MJ = Comanche Pickup  
 SJ = Grand Wagoneer Wgn., J-10 & J-20 Pickups  
 XJ = Cherokee, Wagoneer Limited  
 YJ = Wrangler

AR = Use as Required - = Non Illustrated Part P.A.R. = Paint as Required



LAMPS--REAR WRANGLER, YJ  
Figure 8-3500

8 J08 3500



ITEM	PART NUMBER	QTY	BODY	MODEL	DESCRIPTION
1	5600 2134-5	1			TAILLAMP ***
	J576 4204	2			ECE
2	J400 5791	4			RIVET, ECE
3	J545 7724	2			LENS
	8350 1003	2			ECE
4	J813 2853	2			GASKET
5	J545 7725	2			BAFFLE
6	J812 3288	8			SCREW
7	J400 0318	6			SCREW
8					BULB
	J320 9543	2			(1156)
	J575 7455	4			(P25-1)
9					BULB
	J320 9544	2			(1157)
	J575 7450	2			(P25-2)
10	J942 1330	2			BULB, (194)
11	5500 7403	1			BRACKET, License
	J576 4216	1			ECE
12	J400 6673	2			BUMPER, License
13	J400 5817	2			SCREW
14	J324 0412-3	1			SPRING
15	J319 0716	1			PIN
16	J400 0272	2			SCREW
17	J400 0141	2			NUT
18	5600 3546	1			LAMP, License ECE
19	T309 7183	2			BULB, (C11-7W) ECE
20	J576 4664	2			BRACKET, License Lamp ECE

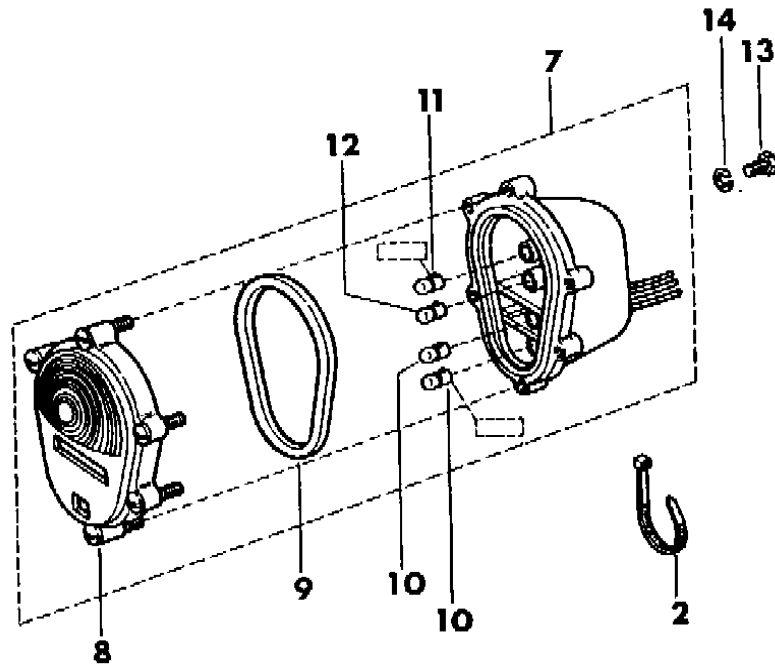
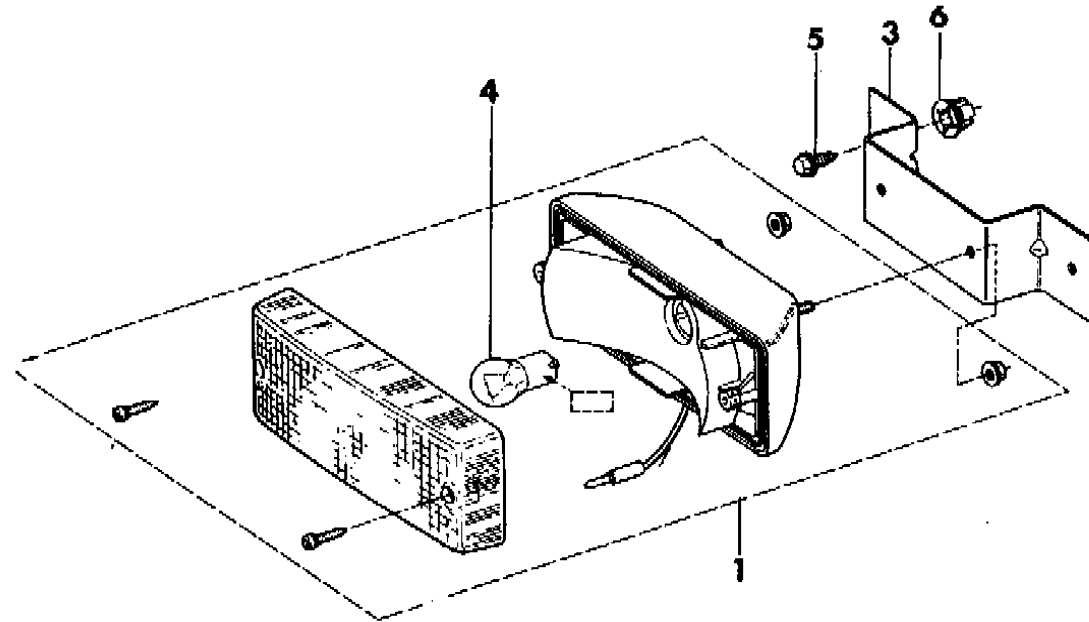
MODEL CODES:  
 15 = Grand Wagoneer 4 Dr.      65 = Comanche 4WD-7 Ft. Box      77 = Cherokee 4WD-2 Dr.  
 25 = J-10 Pickup-119" W.B.      66 = Comanche 2WD-7 Ft. Box      78 = Cherokee 4WD-4 Dr.  
 26 = J-10 Pickup-131" W.B.      73 = Cherokee 2WD-2 Dr.      79 = Cherokee 4WD-4 Dr.-Com  
 27 = J-20 Pickup-131" W.B.      74 = Cherokee 2WD-4 Dr.      81 = Wrangler-93" W.B.  
 63 = Comanche 4WD-6 Ft. Box      75 = Wagoneer 4WD-4 Dr.      82 = Wrangler-103" W.B.-Exp.  
 64 = Comanche 2WD-6 Ft. Box

BODY STYLES:  
 MJ = Comanche Pickup  
 SJ = Grand Wagoneer Wgn., J-10 & J-20 Pickups  
 XJ = Cherokee, Wagoneer Limited  
 YJ = Wrangler

AR = Use as Required - = Non Illustrated Part P.A.R. = Paint as Required

LAMPS--REAR-FOG & BLACKOUT WRANGLER, YJ  
Figure 8-3600

8J08 3600



ITEM	PART NUMBER	QTY	BODY	MODEL	DESCRIPTION
1	J576 4754	1			LAMP, Rear Fog (Export)
2	J322 3227	1			STRAP
3	5502 1488	1			BRACKET (Export) ***
4	J575 7455	1			BULB, P25-1 (Export)
5	J812 0054	2			SCREW (Export) ***
6	J322 0125	1			BUSHING (Export) ***
7	J805 1524	2			LAMP, Blackout
8	J813 4572	2			COVER, Blackout Lamp Door
9	J813 4573	2			GASKET
10	S014 2450	4			BULB, (67)
11	J014 2452	2			BULB, (89)
12	J320 9543	2			BULB, (1156)
13	J018 0120	4			SCREW
14	J012 0382	1			WASHER

MODEL CODES:

15 = Grand Wagoneer 4 Dr.	65 = Comanche 4WD-7 Ft. Box	77 = Cherokee 4WD-2 Dr.
25 = J-10 Pickup-119" W.B.	66 = Comanche 2WD-7 Ft. Box	78 = Cherokee 4WD-4 Dr.
26 = J-10 Pickup-131" W.B.	73 = Cherokee 2WD-2 Dr.	79 = Cherokee 4WD-4 Dr.-Com
27 = J-20 Pickup-131" W.B.	74 = Cherokee 2WD-4 Dr.	81 = Wrangler-93" W.B.
63 = Comanche 4WD-6 Ft. Box	75 = Wagoneer 4WD-4 Dr.	82 = Wrangler-103" W.B.-Exp.
64 = Comanche 2WD-6 Ft. Box		

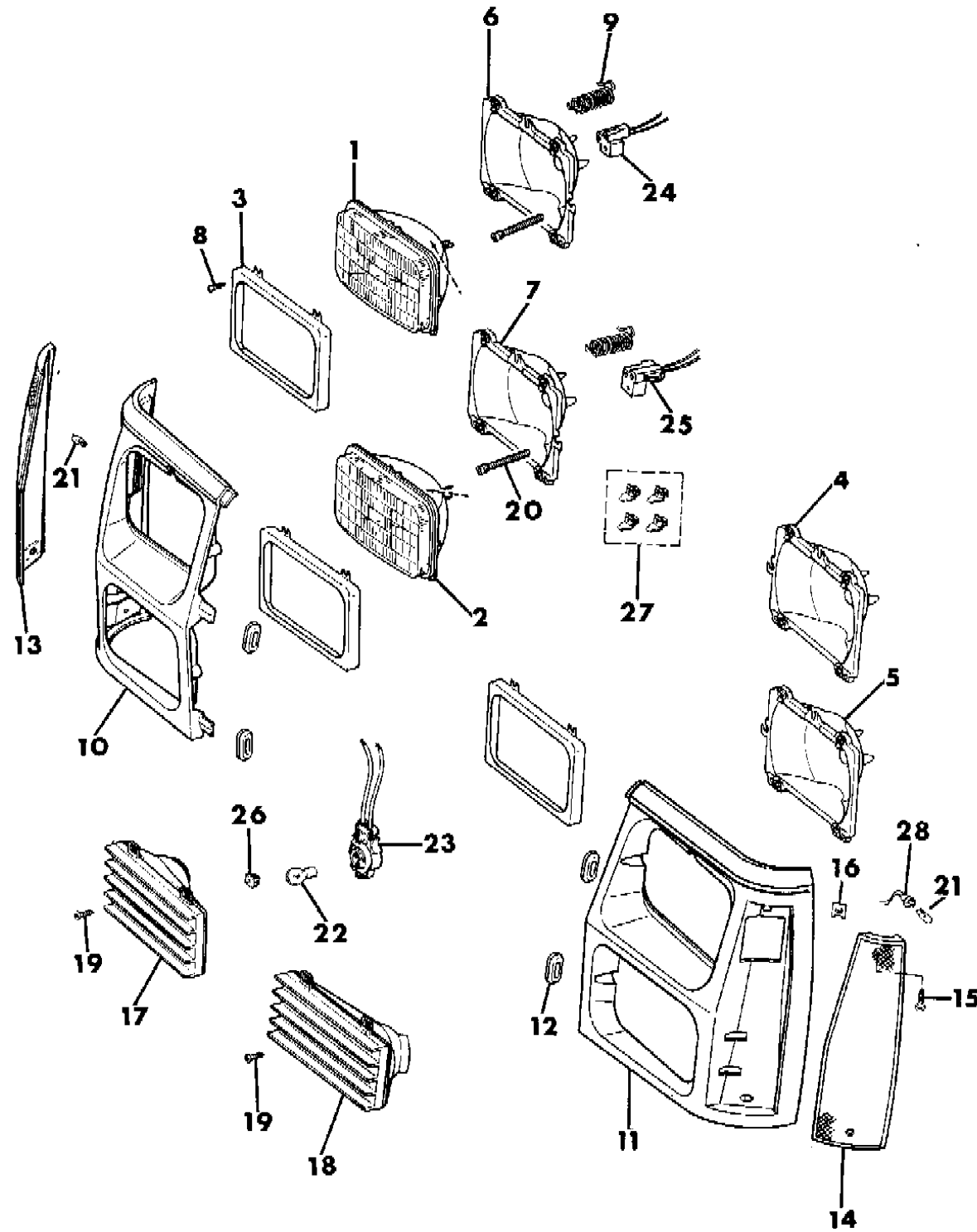
BODY STYLES:

MJ = Comanche Pickup  
 SJ = Grand Wagoneer Wgn., J-10 & J-20 Pickups  
 XJ = Cherokee, Wagoneer Limited  
 YJ = Wrangler

AR = Use as Required - = Non Illustrated Part P.A.R. = Paint as Required

LAMPS--FRONT WAGONEER  
Figure 8-3700

8J08 3700



ITEM	PART NUMBER	QTY	BODY	MODEL	DESCRIPTION
1					BULB, Seal Beam (H4703)
	3600 1059	2			1987-89
	4451 025	2			1990
2	3600 1058	2			BULB, Seal Beam (H4701)
3					RING, Headlamp
	3600 1060	4			1987-89
	4451 032	4			1990
4					SEAT, Headlamp, Right
	3600 1056	1			1987-89
	4451 342	1			1990
5	3600 1052	1			SEAT, Headlamp, Left
6					SEAT, Headlamp, Left
	3600 1057	1			1987-89
	4451 343	1			1990
7	3600 1053	1			SEAT, Headlamp, Right
8					SCREW
	S650 3553	16			1987-89
	4451 174	16			1990
9	5600 2220	4			SPRING
10	5500 8046	1			BEZEL, Headlamp, Right
11	5500 8047	1			BEZEL, Headlamp, Left
12	5500 9573	4			GROMMET
13	5600 1528	1			LAMP, Marker
14	5600 1529	1			LAMP, Marker
15	3420 1406	4			SCREW
16	3420 1265	4			NUT
17					LAMP, Park/Turn, Right
	5600 1530	1			Gray ***
	5600 3044	1			Clear
18					LAMP, Park/Turn, Left
	5600 1531	1			Gray
	5600 3045	1			Clear
19	3420 1464	6			SCREW
20	3420 1415	8			SCREW, Headlamp Adj.
21	J942 1330	2			BULB, (194)
22					BULB
	J943 8850	2			(2057NA)

MODEL CODES:

15 = Grand Wagoneer 4 Dr.	65 = Comanche 4WD-7 Ft. Box	77 = Cherokee 4WD-2 Dr.
25 = J-10 Pickup-119" W.B.	66 = Comanche 2WD-7 Ft. Box	78 = Cherokee 4WD-4 Dr.
26 = J-10 Pickup-131" W.B.	73 = Cherokee 2WD-2 Dr.	79 = Cherokee 4WD-4 Dr.-Com
27 = J-20 Pickup-131" W.B.	74 = Cherokee 2WD-4 Dr.	81 = Wrangler-93" W.B.
63 = Comanche 4WD-6 Ft. Box	75 = Wagoneer 4WD-4 Dr.	82 = Wrangler-103" W.B.-Exp.
64 = Comanche 2WD-6 Ft. Box		

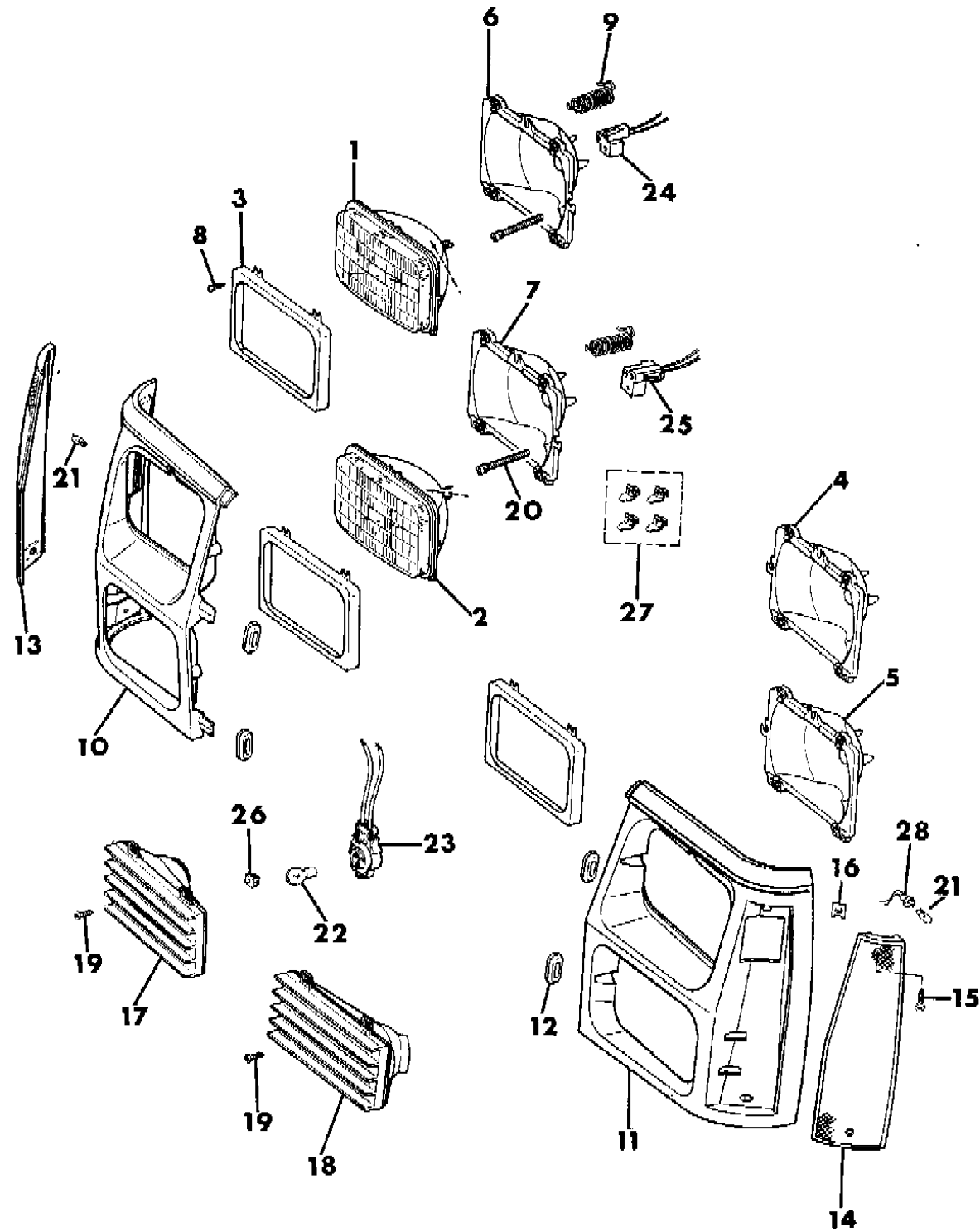
BODY STYLES:

MJ = Comanche Pickup  
SJ = Grand Wagoneer Wgn., J-10 & J-20 Pickups  
XJ = Cherokee, Wagoneer Limited  
YJ = Wrangler

AR = Use as Required - = Non Illustrated Part P.A.R. = Paint as Required

LAMPS--FRONT WAGONEER  
Figure 8-3700

8J08 3700



ITEM	PART NUMBER	QTY	BODY	MODEL	DESCRIPTION
	5600 2813	2			(2357NA)
23	J812 8931	2			SOCKET
24	8350 2841	1			CONNECTOR, Low Beam
25	8350 2840	1			CONNECTOR, High Beam
26	3420 1263	6			NUT, Push
27	S650 3548	4			NUT
28	J098 9428	2			SOCKET, Marker Lamp

MODEL CODES:

15 = Grand Wagoneer 4 Dr.	65 = Comanche 4WD-7 Ft. Box	77 = Cherokee 4WD-2 Dr.
25 = J-10 Pickup-119" W.B.	66 = Comanche 2WD-7 Ft. Box	78 = Cherokee 4WD-4 Dr.
26 = J-10 Pickup-131" W.B.	73 = Cherokee 2WD-2 Dr.	79 = Cherokee 4WD-4 Dr.-Com
27 = J-20 Pickup-131" W.B.	74 = Cherokee 2WD-4 Dr.	81 = Wrangler-93" W.B.
63 = Comanche 4WD-6 Ft. Box	75 = Wagoneer 4WD-4 Dr.	82 = Wrangler-103" W.B.-Exp.
64 = Comanche 2WD-6 Ft. Box		

BODY STYLES:

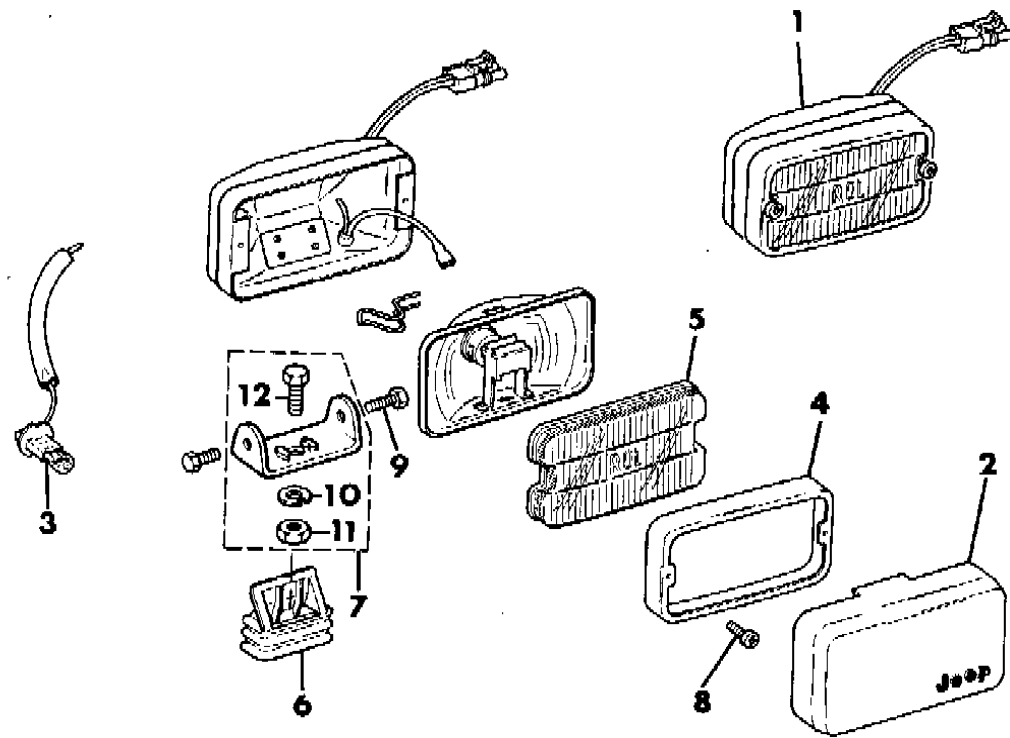
MJ = Comanche Pickup  
SJ = Grand Wagoneer Wgn., J-10 & J-20 Pickups  
XJ = Cherokee, Wagoneer Limited  
YJ = Wrangler

AR = Use as Required - = Non Illustrated Part P.A.R. = Paint as Required

LAMPS--FOG CHEROKEE, WAGONEER, COMANCHE  
Figure 8-3800

8J08 3800

ITEM	PART NUMBER	QTY	BODY	MODEL	DESCRIPTION
1	5600 2583	2			LAMP, Fog
2					COVER, Fog Lamp
	5600 2584	2			Black/Silver
	5600 2714	2			Black/Gold
3	8350 3692	2			ELEMENT, Quartz Halogen
4	8350 3699	2			BEZEL
5	8350 4130	2			LENS, Fog Lamp
6	8350 4131	2			BOOT
7	8350 4213	2			BRACKET, Fog Lamp
8	3420 1781	4			SCREW
9	J806 0007	4			SCREW
10	1150 0207	2			WASHER, Lock
11	J420 0405	2			NUT
12	S150 2788	2			BOLT



MODEL CODES:

15 = Grand Wagoneer 4 Dr.	65 = Comanche 4WD-7 Ft. Box	77 = Cherokee 4WD-2 Dr.
25 = J-10 Pickup-119" W.B.	66 = Comanche 2WD-7 Ft. Box	78 = Cherokee 4WD-4 Dr.
26 = J-10 Pickup-131" W.B.	73 = Cherokee 2WD-2 Dr.	79 = Cherokee 4WD-4 Dr.-Com
27 = J-20 Pickup-131" W.B.	74 = Cherokee 2WD-4 Dr.	81 = Wrangler-93" W.B.
63 = Comanche 4WD-6 Ft. Box	75 = Wagoneer 4WD-4 Dr.	82 = Wrangler-103" W.B.-Exp.
64 = Comanche 2WD-6 Ft. Box		

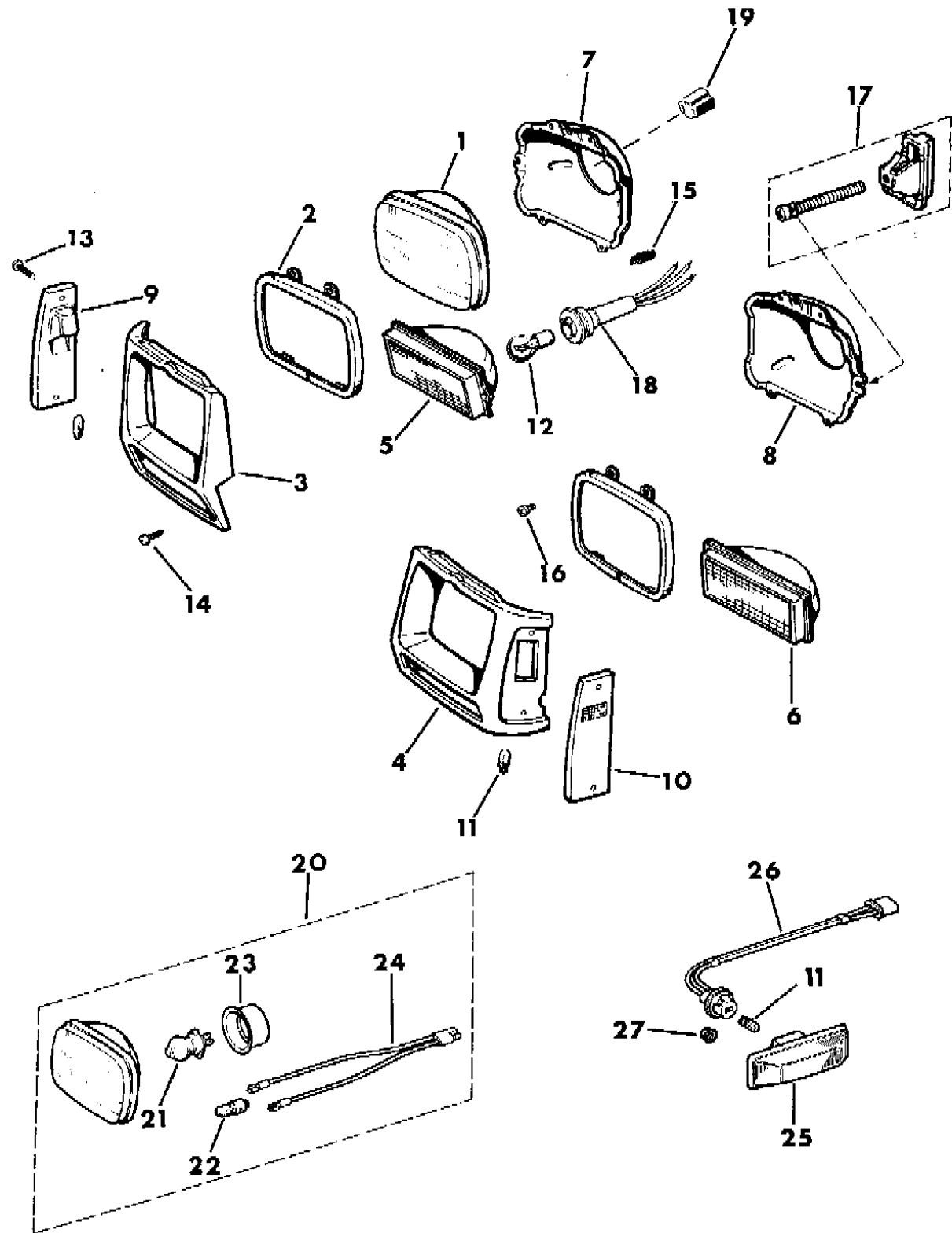
BODY STYLES:

MJ = Comanche Pickup  
SJ = Grand Wagoneer Wgn., J-10 & J-20 Pickups  
XJ = Cherokee, Wagoneer Limited  
YJ = Wrangler

AR = Use as Required - = Non Illustrated Part P.A.R. = Paint as Required

LAMPS--FRONT U.S., CANADA, EXPORT CHEROKEE, COMANCHE  
Figure 8-3900

8J08 3900



ITEM	PART NUMBER	QTY	BODY	MODEL	DESCRIPTION
1	J813 4319	2			BULB, Seal Beam (6054) U.S. & Canada
2	5600 1260	2			RING, Headlamp
3					BEZEL, Headlamp, Right ***
	5500 0682	1			Gray, (P.A.R.)
	5500 2244	1			Chrome
4					BEZEL, Headlamp, Left
	5500 0683	1			Gray, (P.A.R.)
	5500 2245	1			Chrome
5					LAMP, Parking, Right
	5600 0098	1			U.S. & Canada (clear)
	5600 0852	1			Export (amber)
6					LAMP, Parking, Left
	5600 0099	1			U.S. & Canada, (clear)
	5600 0853	1			Export (amber)
7	5600 1278	1			SEAT, Headlamp, Right
8	5600 1279	1			SEAT, Headlamp, Left
9					LAMP, Marker, Right
	5600 0110	1			U.S. & Canada
	5600 0638	1			Export
10					LAMP, Marker, Left
	5600 0111	1			U.S. & Canada
	5600 0639	1			Export
11	J942 1330	2			BULB
12					BULB
	J943 8850	2			U.S. & Canada
	J575 7450	2			Export
13	3420 1406	4			SCREW
14	3420 1721	8			SCREW
15	3600 0885	4			SPRING
16	3420 1821	4			SCREW
17	3420 1415	4			SCREW, Headlamp Adjust
18	8350 1000	2			SOCKET, Parking Lamp
19	J099 8475	2			SOCKET, U.S. & Canada
20					HEADLAMP ASSEMBLY, Export
	5600 0888	2			Amber
	5600 0887	2			Clear
21					ELEMENT, Quartz Halogen, Export ***

MODEL CODES:

15 = Grand Wagoneer 4 Dr.	65 = Comanche 4WD-7 Ft. Box	77 = Cherokee 4WD-2 Dr.
25 = J-10 Pickup-119" W.B.	66 = Comanche 2WD-7 Ft. Box	78 = Cherokee 4WD-4 Dr.
26 = J-10 Pickup-131" W.B.	73 = Cherokee 2WD-2 Dr.	79 = Cherokee 4WD-4 Dr.-Com
27 = J-20 Pickup-131" W.B.	74 = Cherokee 2WD-4 Dr.	81 = Wrangler-93" W.B.
63 = Comanche 4WD-6 Ft. Box	75 = Wagoneer 4WD-4 Dr.	82 = Wrangler-103" W.B.-Exp.
64 = Comanche 2WD-6 Ft. Box		

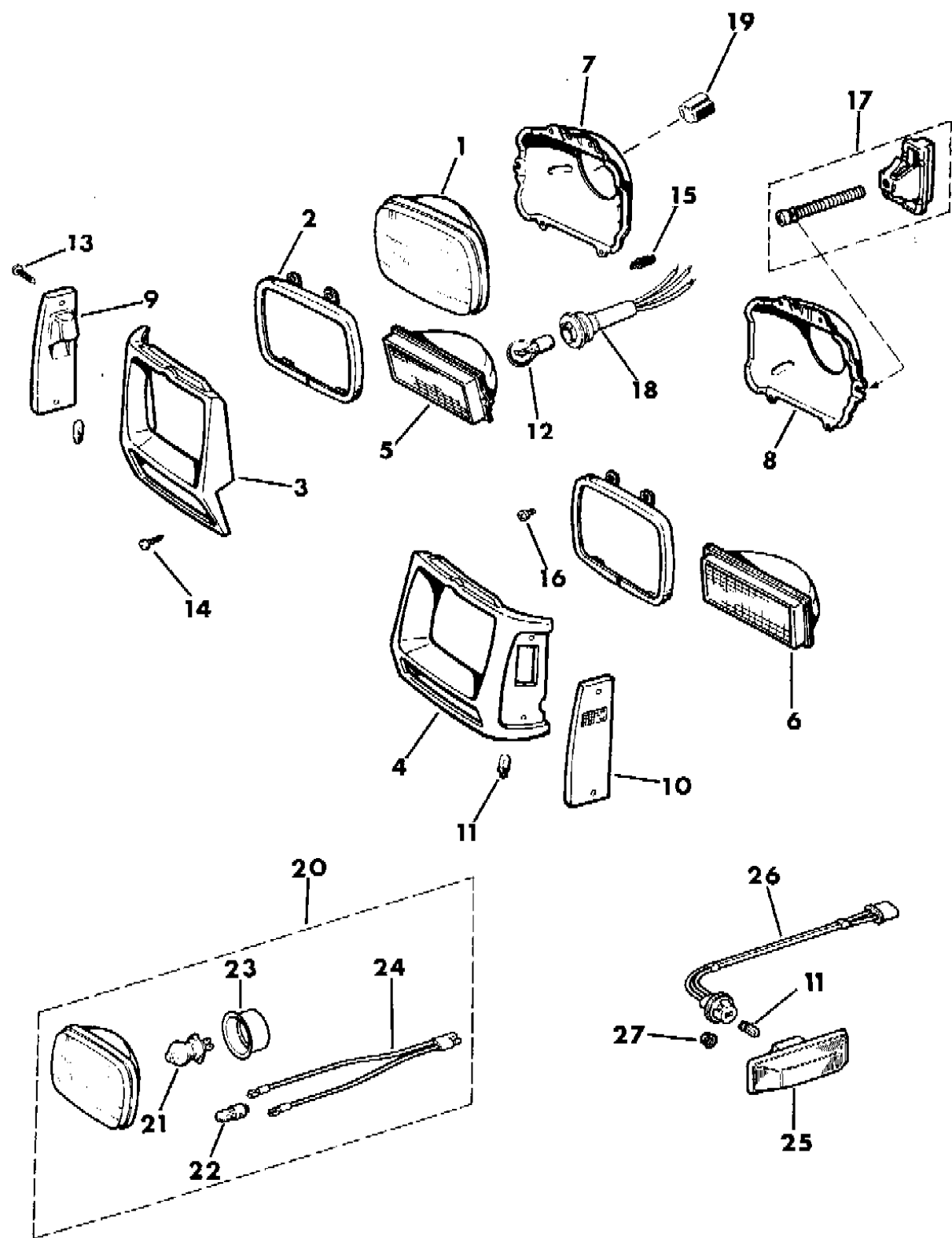
BODY STYLES:

MJ = Comanche Pickup  
SJ = Grand Wagoneer Wgn., J-10 & J-20 Pickups  
XJ = Cherokee, Wagoneer Limited  
YJ = Wrangler

AR = Use as Required - = Non Illustrated Part P.A.R. = Paint as Required

LAMPS--FRONT U.S., CANADA, EXPORT CHEROKEE, COMANCHE  
Figure 8-3900

8J08 3900



ITEM	PART NUMBER	QTY	BODY	MODEL	DESCRIPTION
	J813 3336	2			Amber (H4)
	J813 3772	2			Clear (H4)
22	J324 2539	2			BULB, Export (TB-4))
23	J813 3795	2			BOOT, Export ***
24	J324 2536	2			HARNASS, Lamp, Export
25	5600 1127	2			LAMP, Turn, Export without bezel
	5600 4464	2			LAMP, Turn, Export with bezel
26	5600 1433	2			SOCKET, Export ***
27	S027 1482	4			NUT, Export ***

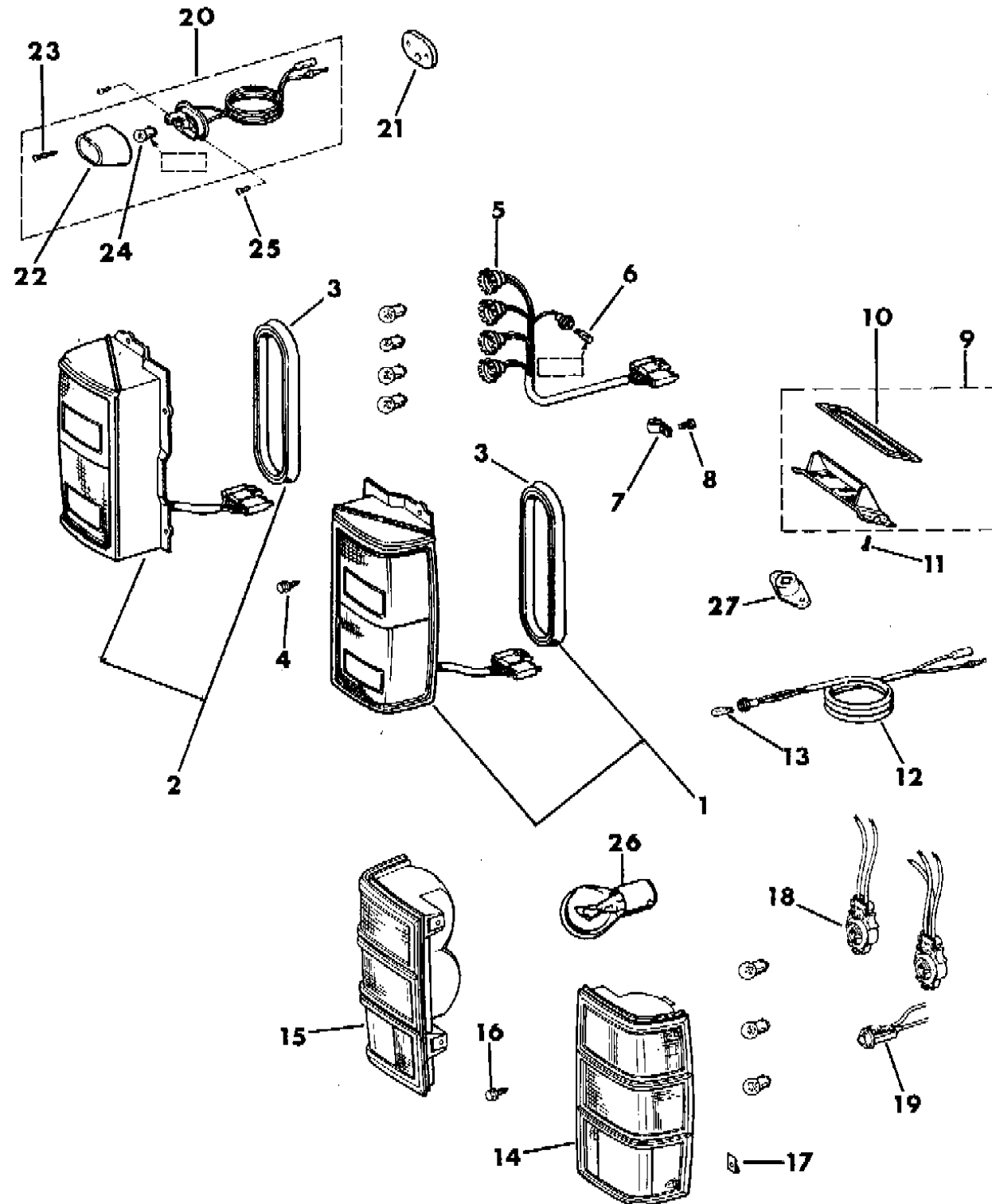
MODEL CODES:  
 15 = Grand Wagoneer 4 Dr.      65 = Comanche 4WD-7 Ft. Box      77 = Cherokee 4WD-2 Dr.  
 25 = J-10 Pickup-119" W.B.      66 = Comanche 2WD-7 Ft. Box      78 = Cherokee 4WD-4 Dr.  
 26 = J-10 Pickup-131" W.B.      73 = Cherokee 2WD-2 Dr.      79 = Cherokee 4WD-4 Dr.-Com  
 27 = J-20 Pickup-131" W.B.      74 = Cherokee 2WD-4 Dr.      81 = Wrangler-93" W.B.  
 63 = Comanche 4WD-6 Ft. Box      75 = Wagoneer 4WD-4 Dr.      82 = Wrangler-103" W.B.-Exp.  
 64 = Comanche 2WD-6 Ft. Box

BODY STYLES:  
 MJ = Comanche Pickup  
 SJ = Grand Wagoneer Wgn., J-10 & J-20 Pickups  
 XJ = Cherokee, Wagoneer Limited  
 YJ = Wrangler

AR = Use as Required - = Non Illustrated Part P.A.R. = Paint as Required

LAMPS--REAR CHEROKEE, WAGONEER, COMANCHE  
Figure 8-4000

8J08 4000



ITEM	PART NUMBER	QTY	BODY	MODEL	DESCRIPTION
1					TAILLAMP, Right ***
	8350 4316	1			Cherokee, Amber
	8350 3644	1			Cherokee, ECE
	8350 4116	1			Wagoneer, Red ***
2					TAILLAMP, Left ***
	8350 4317	1			Cherokee, Amber
	8350 3645	1			Cherokee ECE
	8350 4117	1			Wagoneer, Red
3	5600 0131	2			GASKET
4	3420 2205	8			SCREW
5					HARNESS, Taillamp
	5600 2361	2			Wagoneer
	5600 2360	2			Cherokee (3 Socket harness)
	5600 2362	2			ECE
6	J947 1777	2			BULB, (194)
7	J400 0553	2			CLIP
8	1150 2843	2			SCREW
9	5600 0409	1			LAMP, License ***
	5600 0673	1			COVER ASSEMBLY, License Lamp Hole
10	5600 0411	1			GASKET
11	3420 1502	2			SCREW
12					HARNESS, Lamp
	5600 0550	1			U.S. & Canada
	5600 1434	1			ECE
	5600 0664	1			JAPAN
13	J448 8426	1			BULB, (168)
14			MJ		TAILLAMP, Right ***
	5600 1352	1			Black 1987
	5600 1354	1			Chrome
	5600 0848	1			Red ***
15			MJ		TAILLAMP, Left ***
	5600 1353	1			Black 1987
	5600 1355	1			Chrome
	5600 0849	1			Red
16	3420 1464	8	MJ		SCREW
17	3420 1265	8	MJ		NUT
18	J812 8931	4	MJ		SOCKET, Tail/Stop/Turn

MODEL CODES:

15 = Grand Wagoneer 4 Dr.	65 = Comanche 4WD-7 Ft. Box	77 = Cherokee 4WD-2 Dr.
25 = J-10 Pickup-119" W.B.	66 = Comanche 2WD-7 Ft. Box	78 = Cherokee 4WD-4 Dr.
26 = J-10 Pickup-131" W.B.	73 = Cherokee 2WD-2 Dr.	79 = Cherokee 4WD-4 Dr.-Com
27 = J-20 Pickup-131" W.B.	74 = Cherokee 2WD-4 Dr.	81 = Wrangler-93" W.B.
63 = Comanche 4WD-6 Ft. Box	75 = Wagoneer 4WD-4 Dr.	82 = Wrangler-103" W.B.-Exp.
64 = Comanche 2WD-6 Ft. Box		

BODY STYLES:

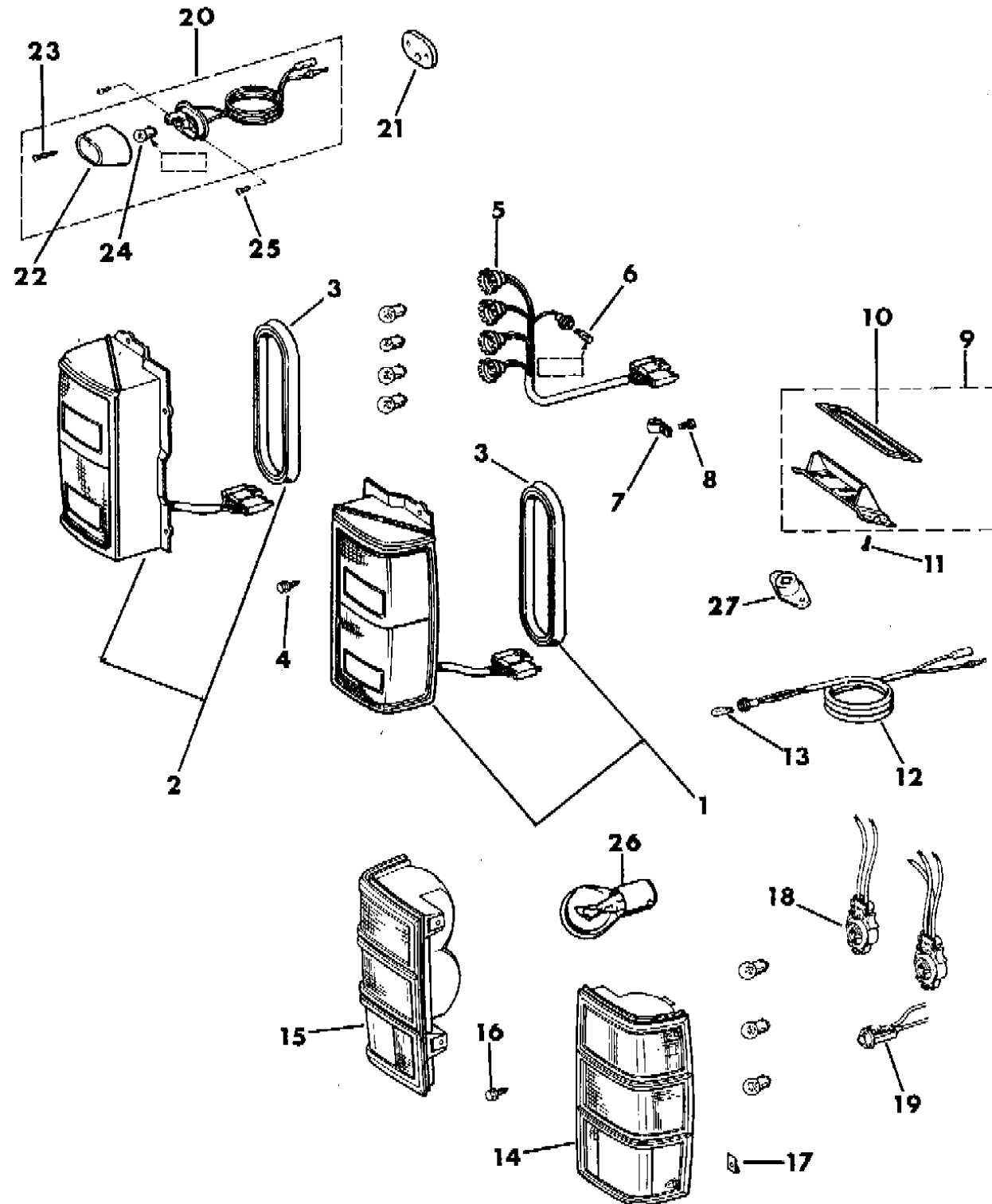
MJ = Comanche Pickup
SJ = Grand Wagoneer Wgn., J-10 & J-20 Pickups
XJ = Cherokee, Wagoneer Limited
YJ = Wrangler

AR = Use as Required - = Non Illustrated Part P.A.R. = Paint as Required



LAMPS--REAR CHEROKEE, WAGONEER, COMANCHE  
Figure 8-4000

8J08 4000



ITEM	PART NUMBER	QTY	BODY	MODEL	DESCRIPTION
19	8350 2744	2	MJ		SOCKET, Back-Up Lamp
20	5600 0674	1	XJ		LAMP, License
21	5600 0675	1	XJ		GASKET
22	8350 0452	1	XJ		COVER
23	8350 0451	2	XJ		SCREW
24	J947 1777	1			BULB, (97)
25					SCREW
	3420 1372	2			Wagon
	3420 1467	2			Truck
26					BULB
	J320 9543	AR			(1156)
	J943 8848	AR			(2057)
	J575 7455	AR			(P25-1)
	J575 7450	AR			(P25-2)
27	5600 3163	2			LAMP, ECE

MODEL CODES:

15 = Grand Wagoneer 4 Dr.	65 = Comanche 4WD-7 Ft. Box	77 = Cherokee 4WD-2 Dr.
25 = J-10 Pickup-119" W.B.	66 = Comanche 2WD-7 Ft. Box	78 = Cherokee 4WD-4 Dr.
26 = J-10 Pickup-131" W.B.	73 = Cherokee 2WD-2 Dr.	79 = Cherokee 4WD-4 Dr.-Com
27 = J-20 Pickup-131" W.B.	74 = Cherokee 2WD-4 Dr.	81 = Wrangler-93" W.B.
63 = Comanche 4WD-6 Ft. Box	75 = Wagoneer 4WD-4 Dr.	82 = Wrangler-103" W.B.-Exp.
64 = Comanche 2WD-6 Ft. Box		

BODY STYLES:

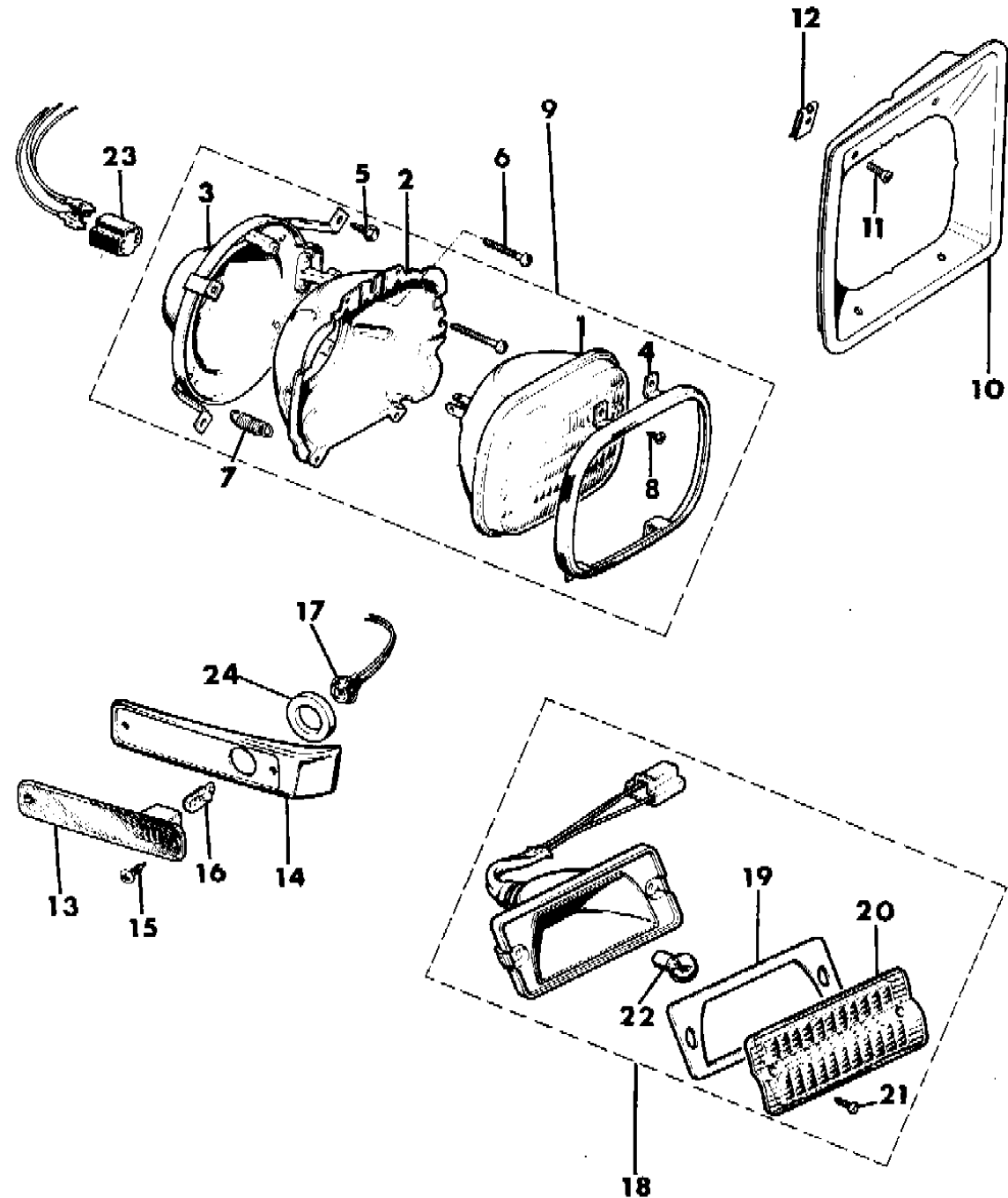
MJ = Comanche Pickup  
SJ = Grand Wagoneer Wgn., J-10 & J-20 Pickups  
XJ = Cherokee, Wagoneer Limited  
YJ = Wrangler

AR = Use as Required - = Non Illustrated Part P.A.R. = Paint as Required

LAMPS--FRONT GRAND WAGONEER, J10, J20

Figure 8-4100

8J08 4100



ITEM	PART NUMBER	QTY	BODY	MODEL	DESCRIPTION
1					BULB, Seal Beam
	J813 4319	2			(H6054)
	J812 8683	2			(6052)
2	J812 9592	2			SEAT, Headlamp
3	J813 0053	2			HOUSING, Headlamp
4	J812 9439	2			RING, Headlamp
5	J942 6241	8			SCREW
6	J812 9405	4			SCREW
7	J320 2756	2			SPRING
8	S045 0211	8			SCREW
9					HEADLAMP ASSEMBLY
	J575 2861	2			(H6054)
	J546 8563	2			(6052)
10					BEZEL, Headlamp
	J575 8702-3	1			Black
	J576 4142-3	1			Chrome
11	J400 5906	8			SCREW, .87" Long ***
12	J400 5843	8			NUT
13	J099 4020	2			LAMP, Marker
14	J546 5790-1	1			BASE
15	J400 6552	4			SCREW, 1.25" Long ***
16	J942 1330	2			BULB, (194)
17	J098 9428	2			SOCKET
18	J546 0106-7	1			LAMP, Parking
	3764 863				SOCKET, Park Lamp(for J5460106-7)
19	J546 0101	2			GASKET
20	J546 0102	2			LENS
21	S942 5249	4			SCREW
22	J320 9544	2			BULB, (1157)
23	J099 8475	2			SOCKET, Headlamp
24	5505 2547	2			SEAL

MODEL CODES:

15 = Grand Wagoneer 4 Dr.	65 = Comanche 4WD-7 Ft. Box	77 = Cherokee 4WD-2 Dr.
25 = J-10 Pickup-119" W.B.	66 = Comanche 2WD-7 Ft. Box	78 = Cherokee 4WD-4 Dr.
26 = J-10 Pickup-131" W.B.	73 = Cherokee 2WD-2 Dr.	79 = Cherokee 4WD-4 Dr.-Com
27 = J-20 Pickup-131" W.B.	74 = Cherokee 2WD-4 Dr.	81 = Wrangler-93" W.B.
63 = Comanche 4WD-6 Ft. Box	75 = Wagoneer 4WD-4 Dr.	82 = Wrangler-103" W.B.-Exp.
64 = Comanche 2WD-6 Ft. Box		

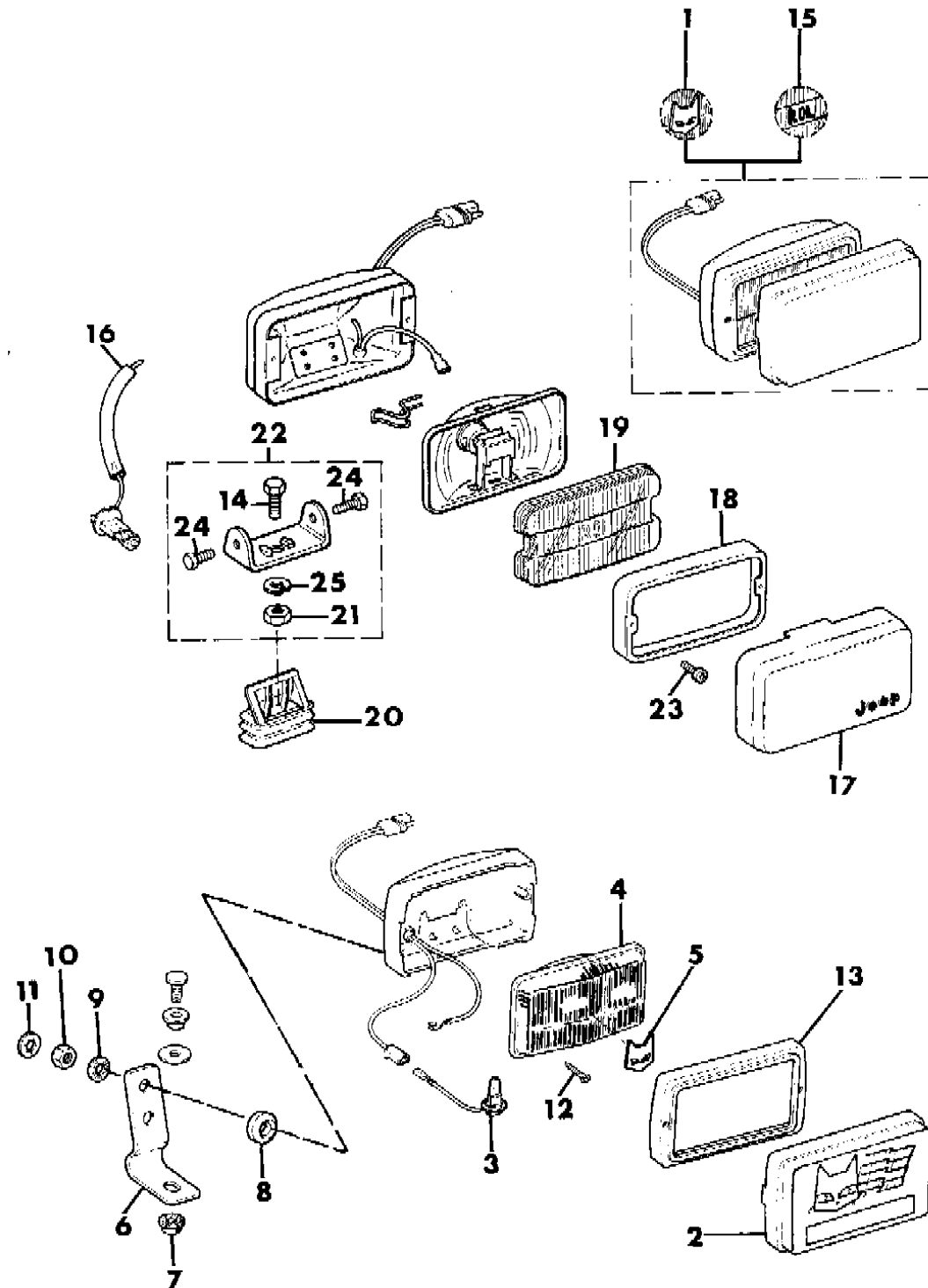
BODY STYLES:

MJ = Comanche Pickup
SJ = Grand Wagoneer Wgn., J-10 & J-20 Pickups
XJ = Cherokee, Wagoneer Limited
YJ = Wrangler

AR = Use as Required - = Non Illustrated Part P.A.R. = Paint as Required

LAMPS--FOG GRAND WAGONEER, J10, J20  
Figure 8-4200

8 J08 4200



ITEM	PART NUMBER	QTY	BODY	MODEL	DESCRIPTION
1	5600 2160	2			LAMP, Fog
2					COVER, Fog Lamp
	5600 2068	2			Black
3	J813 3441	2			ELEMENT, Quartz Halogen
4	J813 3440	2			LENS
5					MEDALLION
	8350 2831	2			Black
	8350 2842	2			Gold
6	J575 8043	2			BRACKET
7	J400 3956	2			NUT
8	J813 2883	2			BASE, Fog Lamp
9	J013 8485	4			WASHER
10	J027 1190	4			NUT
11	J400 3084	4			RETAINER
12	J400 3924	4			SCREW
13	J813 3442	2			BEZEL
14	S150 2788	2			BOLT
15	5600 3013	2			LAMP, Fog (without Cover)
16	8350 3692	2			ELEMENT
17	5600 2584	2			COVER
18	8350 4214	2			BEZEL
19	8350 4130	2			LENS
20	8350 4131	2			BOOT
21	J420 0405	2			NUT
22	8350 4213	2			BRACKET
23	3420 1781	4			SCREW
24	J806 0007	4			SCREW
25	1150 0207	2			WASHER, Lock

MODEL CODES:

15 = Grand Wagoneer 4 Dr.	65 = Comanche 4WD-7 Ft. Box	77 = Cherokee 4WD-2 Dr.
25 = J-10 Pickup-119" W.B.	66 = Comanche 2WD-7 Ft. Box	78 = Cherokee 4WD-4 Dr.
26 = J-10 Pickup-131" W.B.	73 = Cherokee 2WD-2 Dr.	79 = Cherokee 4WD-4 Dr.-Com
27 = J-20 Pickup-131" W.B.	74 = Cherokee 2WD-4 Dr.	81 = Wrangler-93" W.B.
63 = Comanche 4WD-6 Ft. Box	75 = Wagoneer 4WD-4 Dr.	82 = Wrangler-103" W.B.-Exp.
64 = Comanche 2WD-6 Ft. Box		

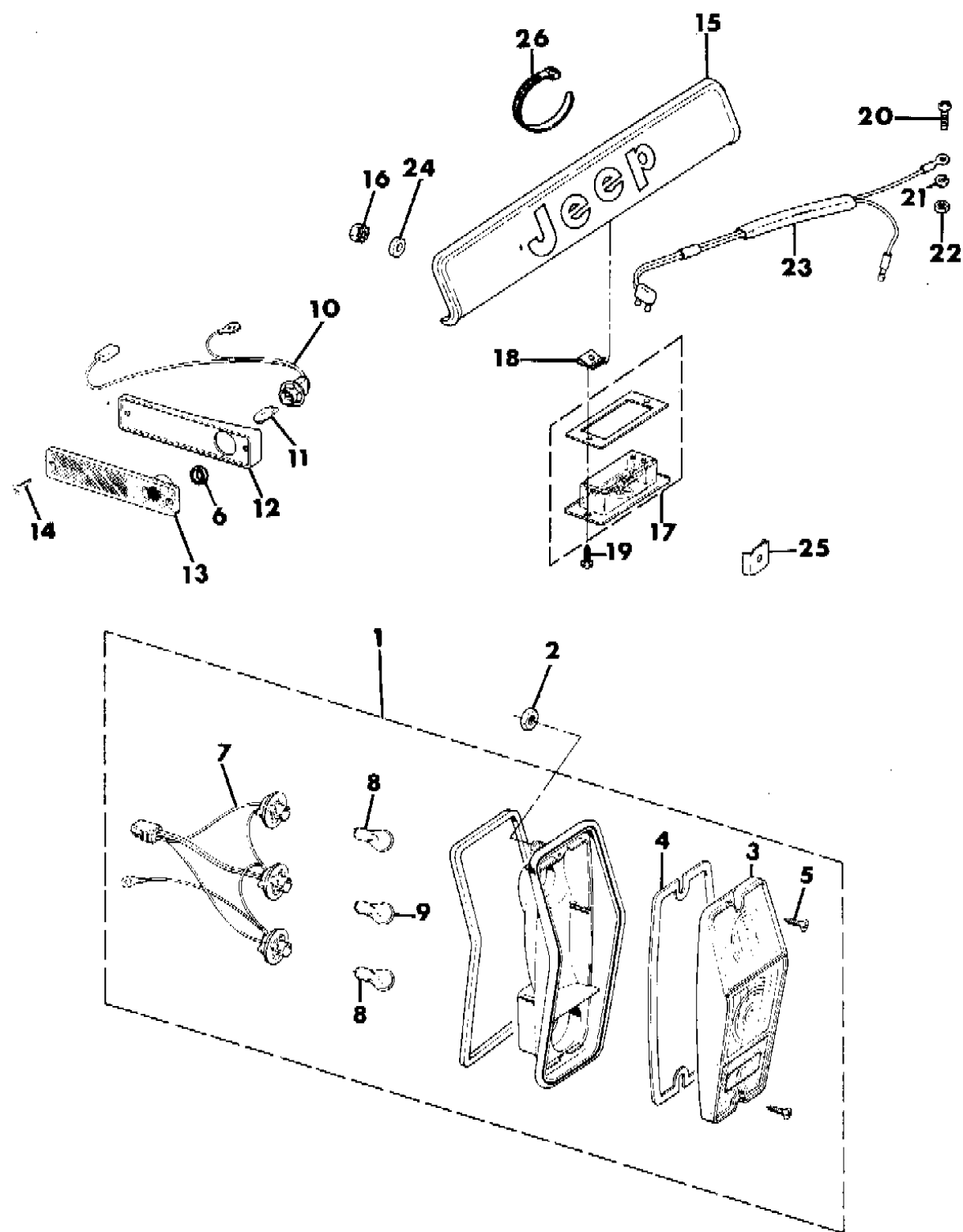
BODY STYLES:

MJ = Comanche Pickup  
SJ = Grand Wagoneer Wgn., J-10 & J-20 Pickups  
XJ = Cherokee, Wagoneer Limited  
YJ = Wrangler

AR = Use as Required - = Non Illustrated Part P.A.R. = Paint as Required

LAMPS--REAR GRAND WAGONEER  
Figure 8-4300

8J08 4300



ITEM	PART NUMBER	QTY	BODY	MODEL	DESCRIPTION
1	J576 1508	2			TAILLAMP
2	J027 1172	4			NUT
3	J813 4111	2			LENS, Taillamp
4	J812 4342	2			GASKET
5	J016 1798	4			SCREW
6	5505 2547	2			SEAL
7	J575 2600	2			HARNESS, Taillamp
8	J320 9543	4			BULB, (1156)
9	J320 9544	2			BULB, (1157)
10	J098 9428	2			HARNESS, Taillamp
11	J942 1330	2			BULB, (194)
12	J576 4646-7	1			BASE
13	J099 4021	2			LAMP, Marker
14	J812 2837	4			SCREW
15	5501 3579	1			HOUSING
16	J400 5699	2			NUT
17	J367 0544	1			LAMP, License
18	J027 1166	2			NUT
19	J016 1798	2			SCREW
20	J045 4783	1			SCREW
21	J017 8378	1			WASHER
22	J012 0361	1			NUT
23	J545 4958	1			HARNESS, Taillamp
24	J400 3089	4			SPACER
25	J097 0487	2			SPACER
26	J322 3227	5			STRAP

MODEL CODES:

15 = Grand Wagoneer 4 Dr.	65 = Comanche 4WD-7 Ft. Box	77 = Cherokee 4WD-2 Dr.
25 = J-10 Pickup-119" W.B.	66 = Comanche 2WD-7 Ft. Box	78 = Cherokee 4WD-4 Dr.
26 = J-10 Pickup-131" W.B.	73 = Cherokee 2WD-2 Dr.	79 = Cherokee 4WD-4 Dr.-Com
27 = J-20 Pickup-131" W.B.	74 = Cherokee 2WD-4 Dr.	81 = Wrangler-93" W.B.
63 = Comanche 4WD-6 Ft. Box	75 = Wagoneer 4WD-4 Dr.	82 = Wrangler-103" W.B.-Exp.
64 = Comanche 2WD-6 Ft. Box		

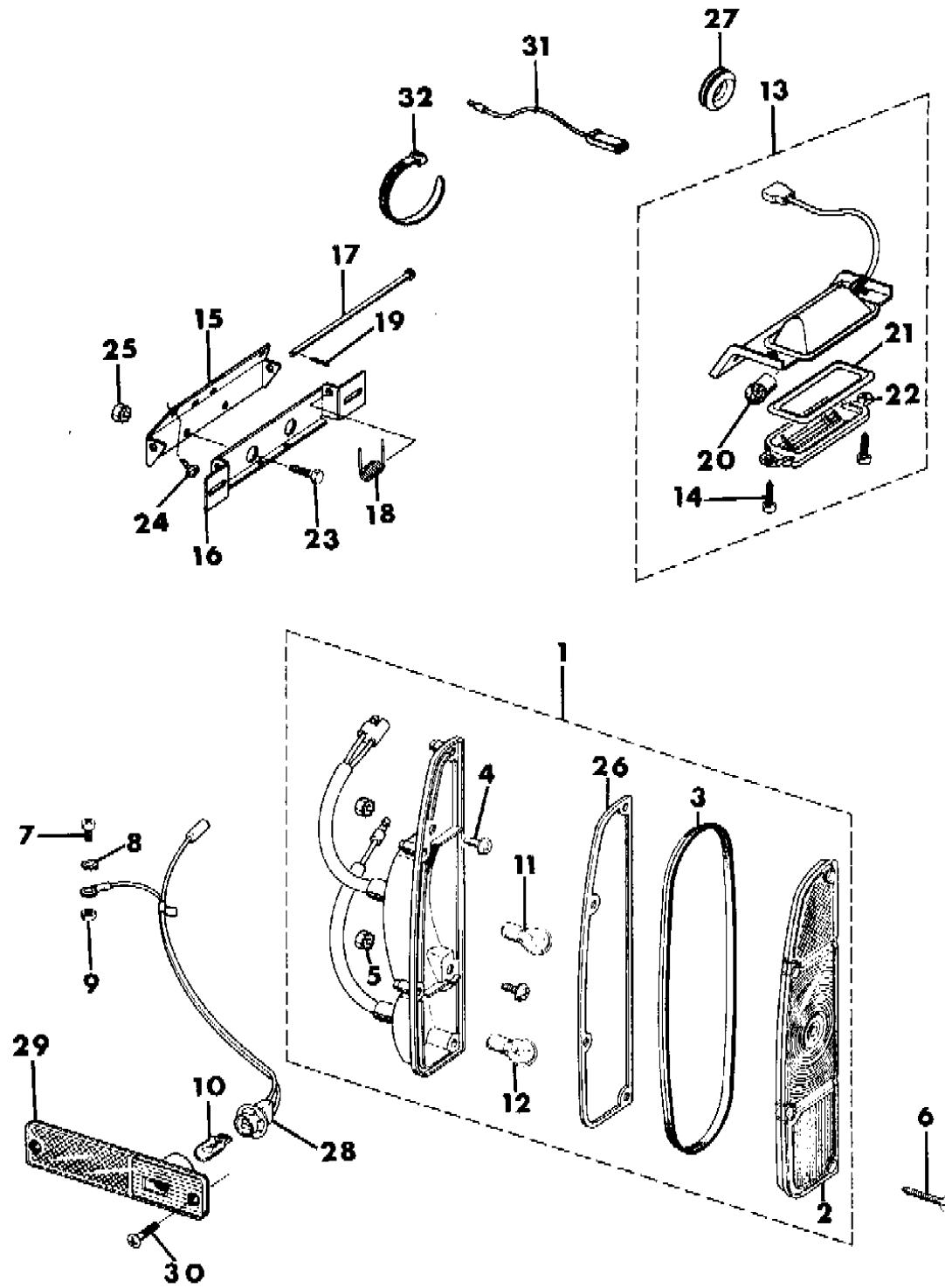
BODY STYLES:

MJ = Comanche Pickup  
SJ = Grand Wagoneer Wgn., J-10 & J-20 Pickups  
XJ = Cherokee, Wagoneer Limited  
YJ = Wrangler

AR = Use as Required - = Non Illustrated Part P.A.R. = Paint as Required

LAMPS--REAR 1987/88 J10, J20  
Figure 8-4400

8J08 4400



ITEM	PART NUMBER	QTY	BODY	MODEL	DESCRIPTION
1					LAMP, Tail
	J098 7831	1			Left
	J098 7832	1			Right
2					LENS, Taillamp
	J098 8111	1			Left ***
	J098 8112	1			Right
3	J545 0274	2			GASKET
4	J019 1985	4			SCREW
5	J027 1172	4			NUT
6	J942 5250	8			SCREW
7	J045 4783	2			SCREW
8	J017 8378	2			WASHER
9	J012 0361	2			NUT
10	J942 1330	2			BULB, (194)
11	J320 9544	2			BULB, (1157)
12	J320 9543	2			BULB, (1156)
13	J093 0887	1			LAMP, License
14	J018 7303	2			SCREW
15	J093 1389	1			BRACKET
16	J093 1390	1			HINGE
17	J093 1391	1			PIN
18	J093 1392	1			SPRING
19	J011 2726	1			PIN, Cotter
20	J093 8900	1			BULB, (1155)
21	J093 0889	1			GASKET
22	J093 0887	1			LENS
23	J400 4081	2			SCREW
24	J018 7303	2			SCREW
25	J012 0368	2			NUT
26	J812 2676	2			GASKET
27	J012 0408	1			GROMMET
28	J098 9428	1			HARNASS, Lamp
29	J099 4021	2			LAMP, Marker
30	J400 5821	4			SCREW
31	J545 0045	1			WIRE, Back Up Lamp Extension
32	J322 3227	5			STRAP

MODEL CODES:

15 = Grand Wagoneer 4 Dr.	65 = Comanche 4WD-7 Ft. Box	77 = Cherokee 4WD-2 Dr.
25 = J-10 Pickup-119" W.B.	66 = Comanche 2WD-7 Ft. Box	78 = Cherokee 4WD-4 Dr.
26 = J-10 Pickup-131" W.B.	73 = Cherokee 2WD-2 Dr.	79 = Cherokee 4WD-4 Dr.-Com
27 = J-20 Pickup-131" W.B.	74 = Cherokee 2WD-4 Dr.	81 = Wrangler-93" W.B.
63 = Comanche 4WD-6 Ft. Box	75 = Wagoneer 4WD-4 Dr.	82 = Wrangler-103" W.B.-Exp.
64 = Comanche 2WD-6 Ft. Box		

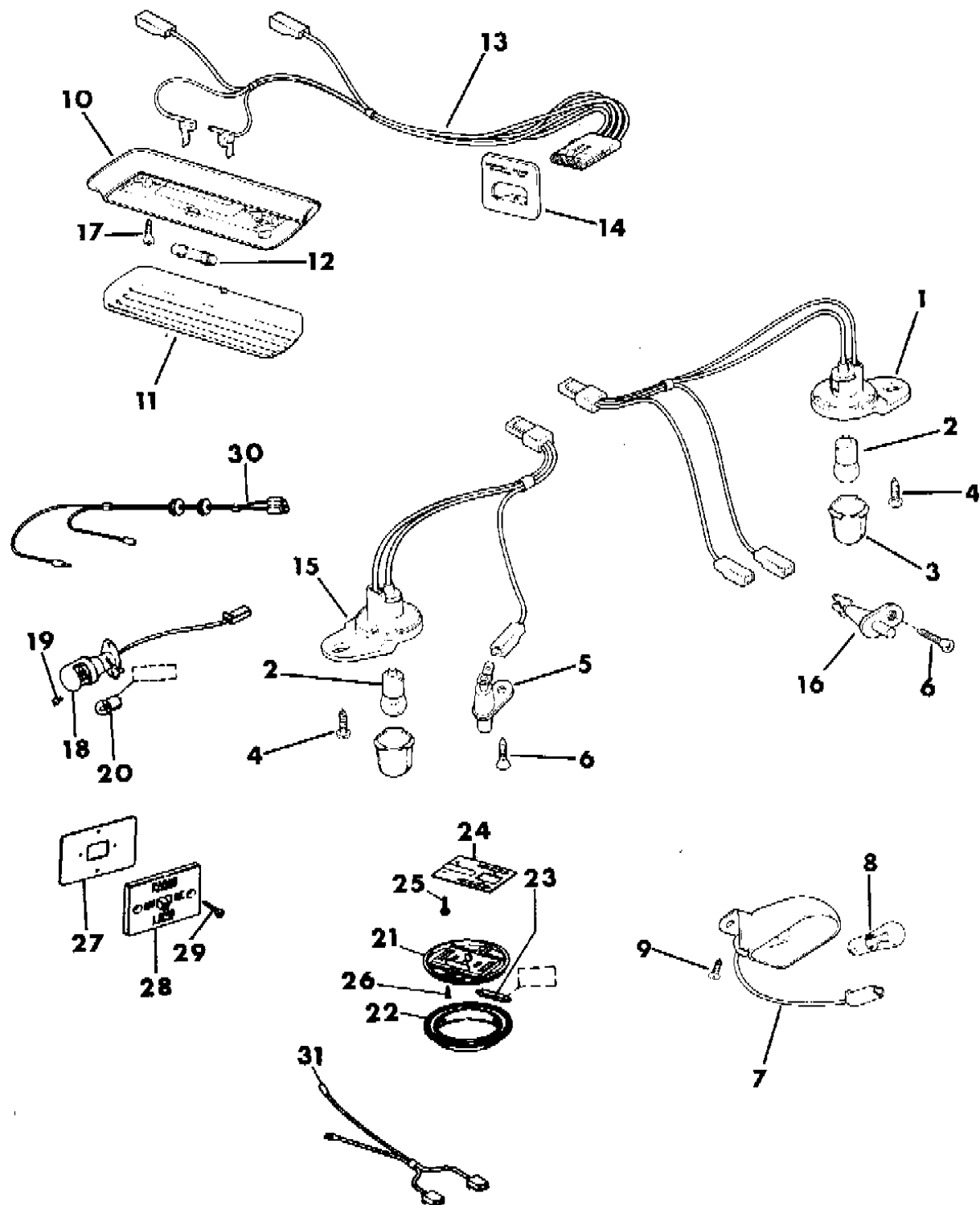
BODY STYLES:

MJ = Comanche Pickup  
 SJ = Grand Wagoneer Wgn., J-10 & J-20 Pickups  
 XJ = Cherokee, Wagoneer Limited  
 YJ = Wrangler

AR = Use as Required - = Non Illustrated Part P.A.R. = Paint as Required

LAMPS--CARGO-DOME-COURTESY-UNDERHOOD WRANGLER, YJ  
Figure 8-4500

8J08 4500



ITEM	PART NUMBER	QTY	BODY	MODEL	DESCRIPTION
1	5600 2387	1			LAMP, Courtesy Left
2	J014 2452	2			BULB, (89)
3	J545 0116	2			LENS
4	J448 9487	2			SCREW
5	5600 2221	1			SWITCH, Dome Lamp Right
6	S016 3405	2			SCREW
7	J324 0729	1			LAMP, Underhood (Plastic Lamp 56006870 & 56006766 Shield)
8	J812 5442	1			BULB, (105)
9	3420 1691	2			SCREW
10	J095 9999	1			BASE, Dome/Reading Lamp
11	J095 9978	1			LENS
12	J812 8482	1			BULB (212) ***
13					HARNESSES, Dome Lamp
	5600 1827	1			Except Export
	J805 3212	1			Front, Export w/World Cab
	J805 3213	1			Rear, Export w/World Cab
14	5600 2043	1			PLATE
15	5600 2386	1			LAMP, Courtesy Right
16	5600 2382	1			SWITCH, Dome Lamp
17	S016 1812	2			SCREW
18	J599 5493	1			LAMP, Map
19	J942 0688	2			SCREW
20	S014 2450	1			BULB, (67)
21	J575 1234	2			BASE
22	J368 9643	2			LENS
23	J400 3086	2			BULB, (56)
24	J805 2259	2			PLATE, Dome Lamp
25	J400 7487	4			SCREW
26	3420 1468	4			SCREW
27	J805 2466	1			PLATE, Switch
28	J545 1489	1			SWITCH
29	J448 9487	4			SCREW
30	J805 3211	1			HARNESSES, Dome Lamp Feed. Export w/World Cab
31	J805 3214	1			HARNESSES, Switch, Export w/World Cab

MODEL CODES:

15 = Grand Wagoneer 4 Dr.	65 = Comanche 4WD-7 Ft. Box	77 = Cherokee 4WD-2 Dr.
25 = J-10 Pickup-119" W.B.	66 = Comanche 2WD-7 Ft. Box	78 = Cherokee 4WD-4 Dr.
26 = J-10 Pickup-131" W.B.	73 = Cherokee 2WD-2 Dr.	79 = Cherokee 4WD-4 Dr.-Com
27 = J-20 Pickup-131" W.B.	74 = Cherokee 2WD-4 Dr.	81 = Wrangler-93" W.B.
63 = Comanche 4WD-6 Ft. Box	75 = Wagoneer 4WD-4 Dr.	82 = Wrangler-103" W.B.-Exp.
64 = Comanche 2WD-6 Ft. Box		

BODY STYLES:

MJ = Comanche Pickup  
 SJ = Grand Wagoneer Wgn., J-10 & J-20 Pickups  
 XJ = Cherokee, Wagoneer Limited  
 YJ = Wrangler

AR = Use as Required - = Non Illustrated Part P.A.R. = Paint as Required

LAMPS--CARGO-DOME-COURTESY-UNDERHOOD CHEROKEE, WAGONEER, COMANCHE

Figure 8-4600

8J08 4600

ITEM	PART NUMBER	QTY	BODY	MODEL	DESCRIPTION
1	5600 1224	1	XJ		LAMP, Dome (P.A.R.) 1988-89
	5BA6 8JY1	1	XJ		LAMP, Dome (P.A.R.) 1990
2	5600 2116	1	XJ		LAMP, Dome/Reading (P.A.R.) 1987-89
	5BA6 7JY1	1	XJ		LAMP, Dome/Reading (P.A.R.) Cherokee-1990 (Socket 56002358 Wiring)
3	5600 0191	1	XJ		LENS, Dome Lamp
4	J400 3086	AR			BULB, (561)
5	J943 6750	2			BULB, Reading Lamp (106)
6	3420 1533	2	XJ		STUD
7	J400 0459	2	XJ		NUT
8					LAMP, Cargo
	5600 2715	1	XJ		1988-89 P.A.R.
	5BA7 0JY1	1	XJ		1990 P.A.R.
9	5600 0678	2			LAMP, Courtesy
10	5500 7120	2			BRACKET
11	1150 2843	2			SCREW
12	J014 2453	1			BULB, (90)
13	5600 2556	1			BRACKET
14	1150 2453	2			SCREW
15	J324 0729	1			LAMP, Underhood
16	J812 5442	1			BULB, (105)
17	3420 1691	2			SCREW
18					LAMP, Underhood
	8220 0136	1			1987-89
	5600 4120	1			1990
19	8350 0907	1			LENS, Underhood Lamp
20	5500 2812	1	XJ		BRACKET, Cargo Lamp
21	J448 9487	2	XJ		SCREW
22	3420 1595	2			NUT
23	3420 1807	2			SCREW
24	T134 9760	2	MJ		LAMP, Dome, Comanche
25	T309 7183	2	MJ		BULB, Comanche
26	3420 1977	2	MJ		NUT
27	5600 1240	1	MJ		GASKET, Box Lamp
28	5600 0846	1	MJ		LAMP
29	S150 2900	2	MJ		SCREW

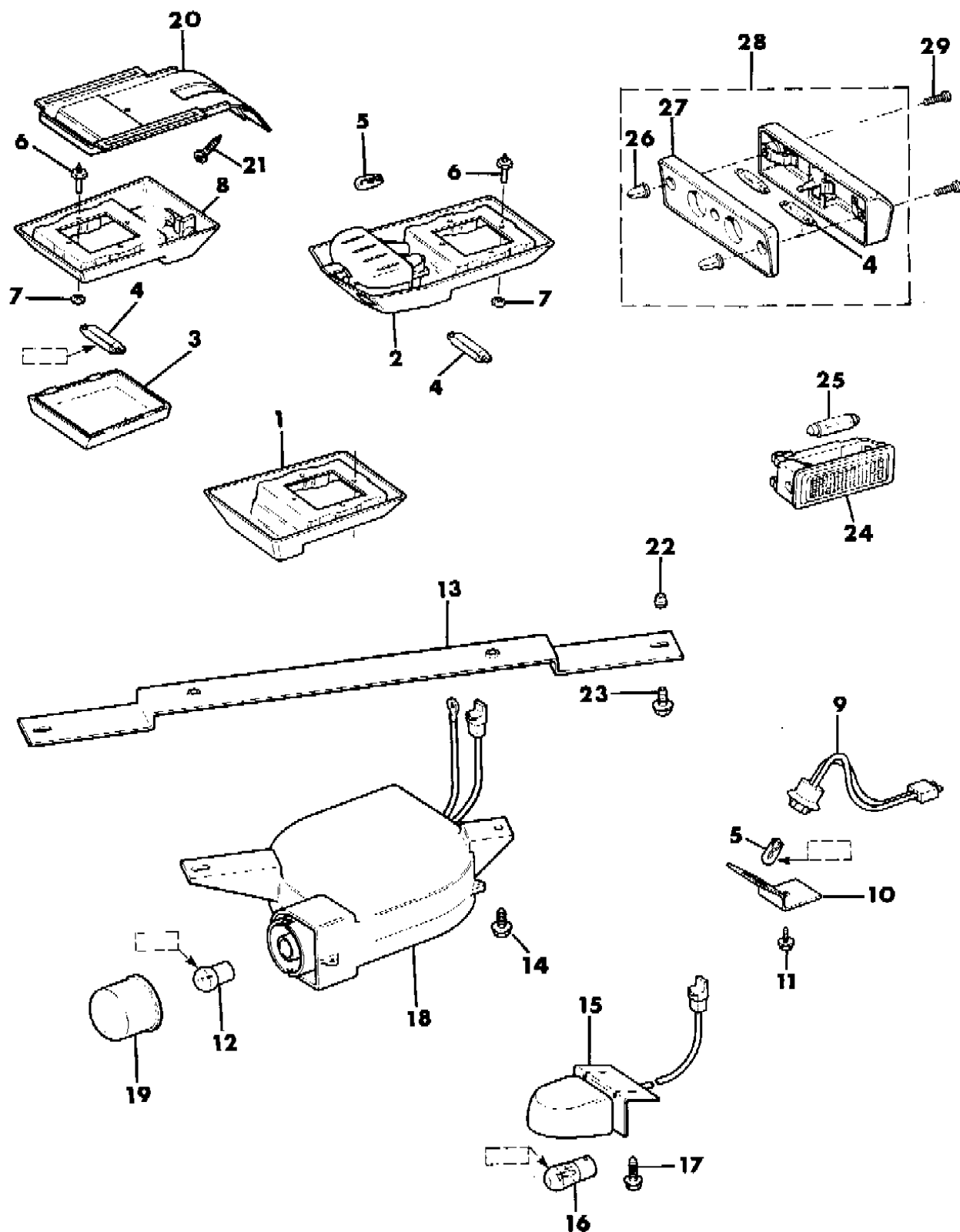
MODEL CODES:

15 = Grand Wagoneer 4 Dr.	65 = Comanche 4WD-7 Ft. Box	77 = Cherokee 4WD-2 Dr.
25 = J-10 Pickup-119" W.B.	66 = Comanche 2WD-7 Ft. Box	78 = Cherokee 4WD-4 Dr.
26 = J-10 Pickup-131" W.B.	73 = Cherokee 2WD-2 Dr.	79 = Cherokee 4WD-4 Dr.-Com
27 = J-20 Pickup-131" W.B.	74 = Cherokee 2WD-4 Dr.	81 = Wrangler-93" W.B.
63 = Comanche 4WD-6 Ft. Box	75 = Wagoneer 4WD-4 Dr.	82 = Wrangler-103" W.B.-Exp.
64 = Comanche 2WD-6 Ft. Box		

BODY STYLES:

MJ = Comanche Pickup
SJ = Grand Wagoneer Wgn., J-10 & J-20 Pickups
XJ = Cherokee, Wagoneer Limited
YJ = Wrangler

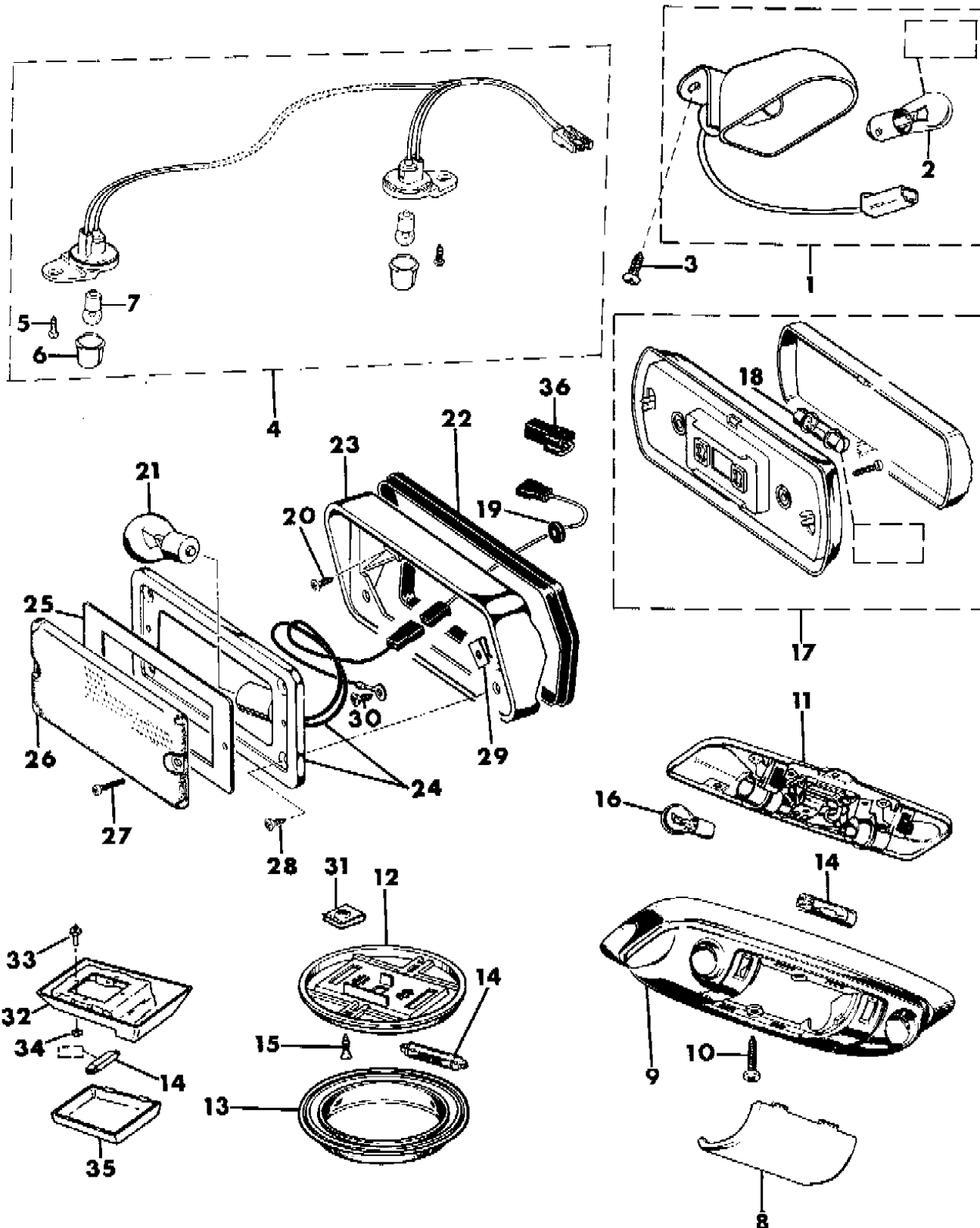
AR = Use as Required - = Non Illustrated Part P.A.R. = Paint as Required



LAMPS--CARGO-DOME-COURTESY-UNDERHOOD GRAND WAGONEER, J10, J20

Figure 8-4700

8J08 4700



ITEM	PART NUMBER	QTY	BODY	MODEL	DESCRIPTION
1	J324 0729	1			LAMP, Underhood
2	J812 5442	1			BULB, (105)
3	J942 1073	2			SCREW
4	J575 7097	1			LAMP, Courtesy
5	J941 7282	2			SCREW
6	J545 0116	2			LENS
7	J014 2452	2			BULB, (89)
8	J323 4114	1	15		LENS
9	J323 6152	1		15	HOUSING
10	J942 2397	2		15	SCREW
11	J323 6151	1		15	BASE, Dome/Reading Lamp
12	J575 1234	1		15	BASE
13	J368 9643	2		15	LENS
14	J400 3086	AR		15	BULB, (561)
15	J812 0056	4		15	SCREW
16	S045 5136	2		15	BULB, (1004)
17	J095 6436	1		26,27	LAMP, Dome
18	J096 0531	1		26,27	BULB, (212)
19	J093 3348	1		26,27	GROMMET
20	J941 4721	3		26,27	SCREW
21	J320 9543	1		26,27	BULB, (1156)
22	J545 1488	1		26,27	SEAL
23	J545 1487	1		26,27	BEZEL
24	J545 2057	1		26,27	BASE
25	J545 2305	1		26,27	GASKET
26	J545 2306	1		26,27	LENS
27	J016 4401	2		26,27	SCREW
28	J448 8697	4		26,27	SCREW
29	3420 1310	2		26,27	NUT
30	J941 4721	2		26,27	SCREW
31	J096 1852	AR		15	U-NUT
32	5600 2715	1		15	BASE, Cargo Lamp
33	3420 1533	2		15	STUD
34	J400 0459	2		15	NUT
35	5600 0191	1		15	LENS, Cargo Lamp
36	J575 0947	1		26,27	CONNECTOR

MODEL CODES:

15 = Grand Wagoneer 4 Dr.	65 = Comanche 4WD-7 Ft. Box	77 = Cherokee 4WD-2 Dr.
25 = J-10 Pickup-119" W.B.	66 = Comanche 2WD-7 Ft. Box	78 = Cherokee 4WD-4 Dr.
26 = J-10 Pickup-131" W.B.	73 = Cherokee 2WD-2 Dr.	79 = Cherokee 4WD-4 Dr.-Com
27 = J-20 Pickup-131" W.B.	74 = Cherokee 2WD-4 Dr.	81 = Wrangler-93" W.B.
63 = Comanche 4WD-6 Ft. Box	75 = Wagoneer 4WD-4 Dr.	82 = Wrangler-103" W.B.-Exp.
64 = Comanche 2WD-6 Ft. Box		

BODY STYLES:

MJ = Comanche Pickup  
 SJ = Grand Wagoneer Wgn., J-10 & J-20 Pickups  
 XJ = Cherokee, Wagoneer Limited  
 YJ = Wrangler

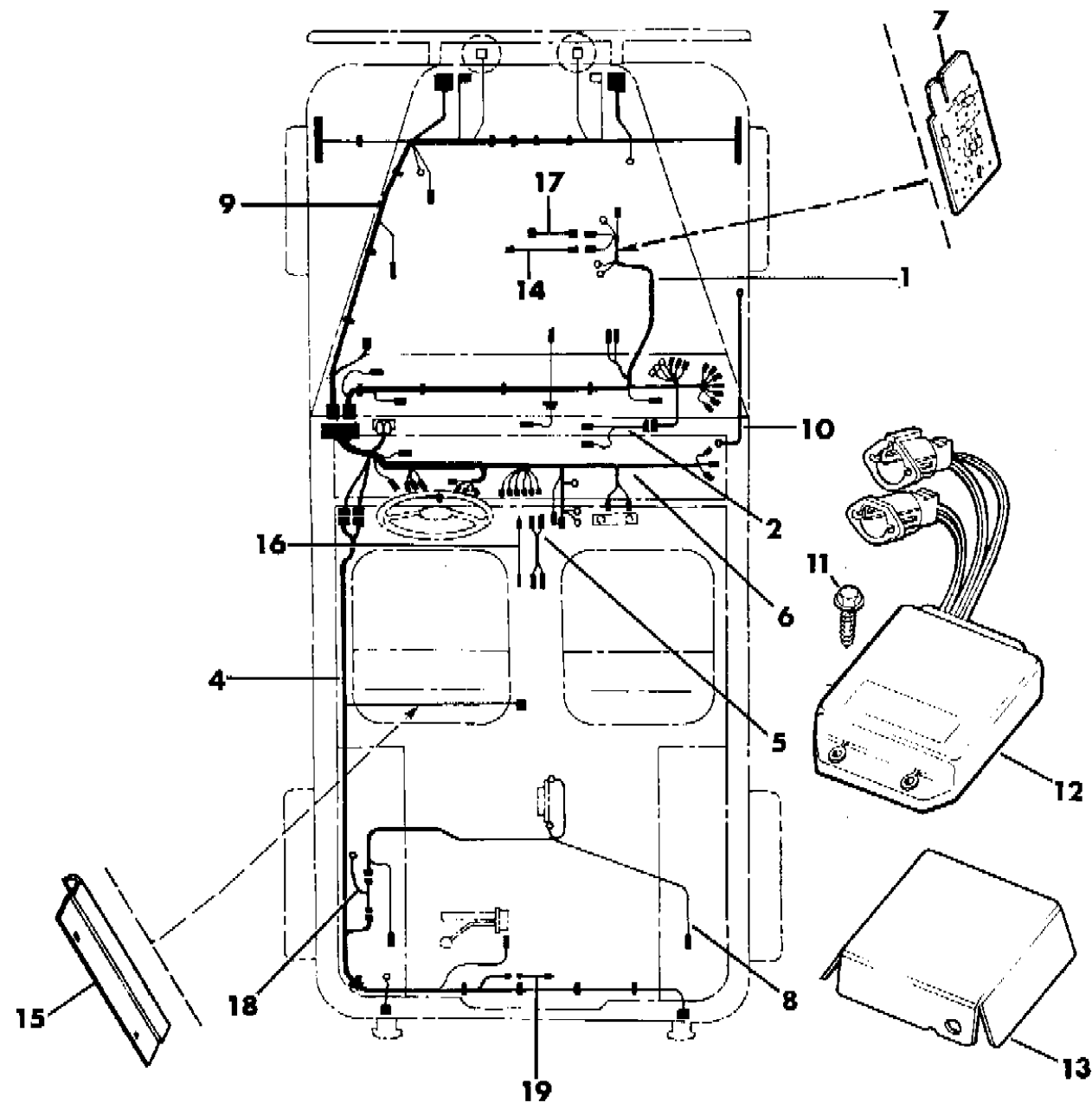
AR = Use as Required - = Non Illustrated Part P.A.R. = Paint as Required



# HARNESS--ENGINE COMPARTMENT AND BODY WRANGLER, YJ

Figure 8-4800

8J08 4800A



ITEM	PART NUMBER	QTY	BODY	MODEL	DESCRIPTION
1					HARNESS, Engine
	5600 1821	1			6 Cyl., 1987
	5603 0105	1			4 Cyl., U.S. & Canada, 1987-89
	5600 4512	1			4 Cyl., U.S. & Canada, 1990
	5600 4161	1			4 Cyl., U.S. & Canada, 1991
	5600 2976	1			4 Cyl., Non-Regulated Markets, 1988-89
	5600 4513	1			4 Cyl. Non-Regulated Markets, 1990
	5600 3184	1			6 Cyl., U.S. & Canada, 1988
	5600 4042				6 Cyl., U.S. & Canada 1989 ***
	5600 4514	1			6 Cyl., U.S. & Canada, 1990
	5600 2977	1			6 Cyl., Non-Regulated Markets, 1988-89
	5600 3184	1			6 Cyl., U.S. & Canada, 1988
	5600 4042				6 Cyl, U.S. & Canada 1989 ***
	5600 4515	1			6 Cyl., Non-Regulated Markets, 1990
2					HARNESS, Transmission
	5600 1820	1			w/ Auto. Trans., 1987-89
	5600 4517	1			w/ Auto. Trans., 1990
	5600 1819	1			4 Cyl. Engine, w/Man. Trans.
	5600 2979	1			6 Cyl. Engine, w/Man. Trans.
3					HARNESS, Alt.
	J575 8282	1			6 Cyl., 1987-90
4					HARNESS, Body
	5600 2598	1			1987
	5600 2598	1			1988
	5600 3015	1			w/o ECE, 1989
	5600 3153	1			w/ ECE, 1989
	5600 5943	1			w/ ECE, 1990 (Plastic Enclosure)
	5600 5943	1			w/ECE 1990 (Soft Top)
	5600 5944	1			w/o ECE, 1990 (Plastic Enclosure)
	5600 4527	1			w/o E.C.E. 1990 ( Soft Top)
5	5600 2161	1			HARNESS, Cigar Lighter, w/o A/C
6					HARNESS, Instrument
	5600 2596	1			1987
	5600 2893	1			1988
	5600 3004	1			w/ ECE, 1989
	5600 3117	1			w/o ECE, 1989
	5600 4818	1			w/o ECE, 1990

MODEL CODES:

15 = Grand Wagoneer 4 Dr.	65 = Comanche 4WD-7 Ft. Box	77 = Cherokee 4WD-2 Dr.
25 = J-10 Pickup-119" W.B.	66 = Comanche 2WD-7 Ft. Box	78 = Cherokee 4WD-4 Dr.
26 = J-10 Pickup-131" W.B.	73 = Cherokee 2WD-2 Dr.	79 = Cherokee 4WD-4 Dr.-Com
27 = J-20 Pickup-131" W.B.	74 = Cherokee 2WD-4 Dr.	81 = Wrangler-93" W.B.
63 = Comanche 4WD-6 Ft. Box	75 = Wagoneer 4WD-4 Dr.	82 = Wrangler-103" W.B.-Exp.
64 = Comanche 2WD-6 Ft. Box		

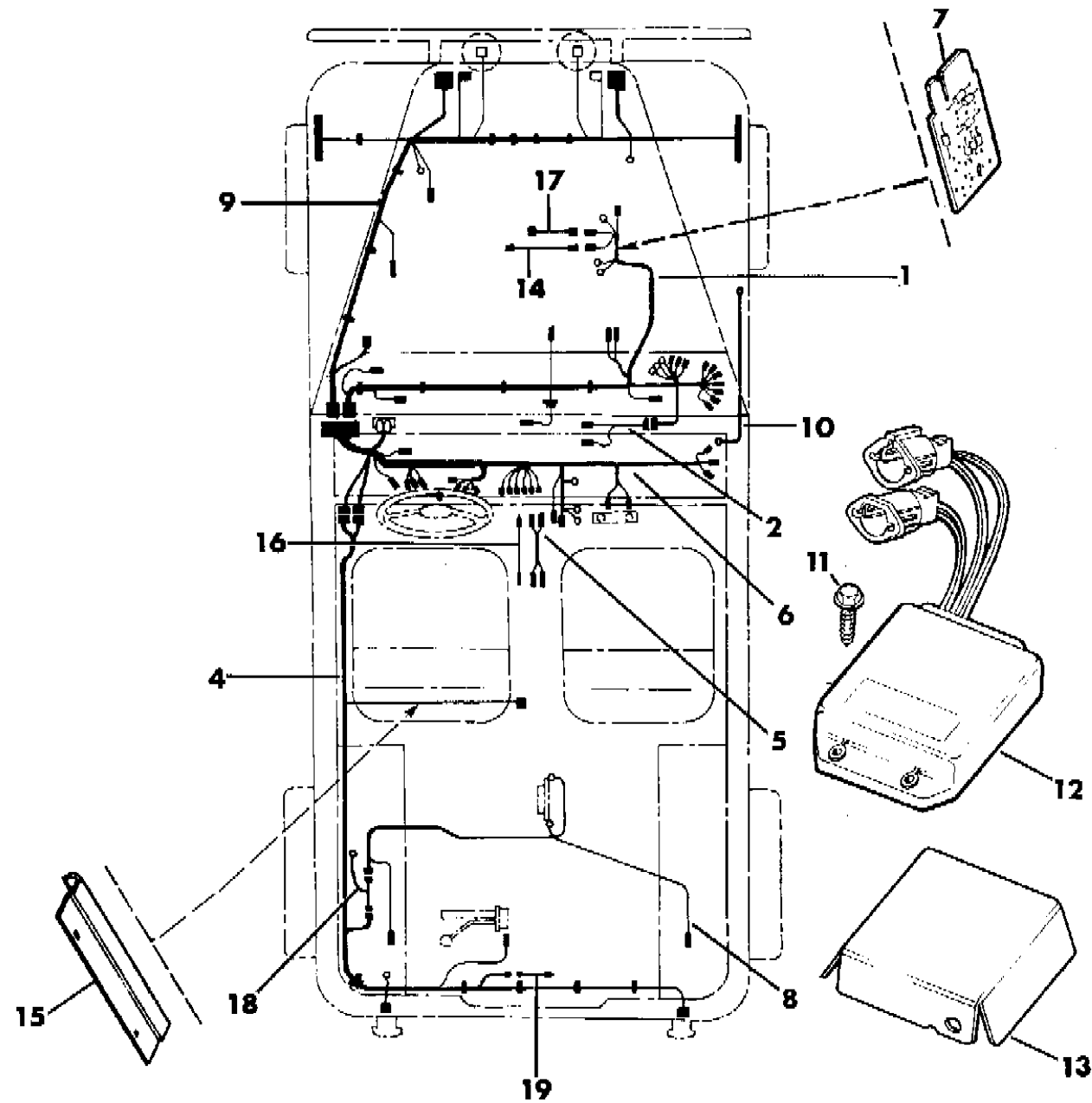
BODY STYLES:

MJ = Comanche Pickup  
 SJ = Grand Wagoneer Wgn., J-10 & J-20 Pickups  
 XJ = Cherokee, Wagoneer Limited  
 YJ = Wrangler

AR = Use as Required - = Non Illustrated Part P.A.R. = Paint as Required

**HARNES--ENGINE COMPARTMENT AND BODY WRANGLER, YJ**  
**Figure 8-4800**

**8J08 4800 A**



ITEM	PART NUMBER	QTY	BODY	MODEL	DESCRIPTION
	5600 4822	1			w/ ECE, 1990
	5600 3118	1			w/Blackout Lights
7	J324 0744	1			DIODE, 6 Cylinder Engine
8					HARNES, Plastic Enclosure
	5600 1827	1			1987-88
	5600 2668	1			1989
	5600 4399				1990 with Rear Wipers ***
9		1			HARNES, Front End Lighting
	5603 0090	1			1987
	5600 2589	1			w/o ECE, 1988-89
	5600 2589	1			w/ ECE, 1988
	5600 3007	1			w/ ECE, 1989
	5600 3817	1			w/ ECE, 1990
	5600 3060	1			w/o ECE, w/o Dayime Running Lamp, 1990
	5600 3061	1			w/o ECE, w/ Daytime Running Lamp, 1990
10	5603 0055	1			CABLE, Starter
11	J400 5982	3			SCREW
12					MODULE, Ignition
	3300 4065	1			1987
	5300 5079	1			1988-90
13	5300 2673	1			COVER
14	5600 2980	1			HARNES, A/C, Non-Regulated Markets, 1988-90
15	5600 2062	1			COVER, Harness
16	J575 2583	1			HARNES, Console Illumination
17	J575 8282	1			HARNES, Alternator, 6 Cyl., Engine, 1987-90
18	8350 6010	1			HARNES, Jumper. 1988-89
19	5600 3512	1			HARNES, Fog Lamp. 1989

**MODEL CODES:**

15 = Grand Wagoneer 4 Dr.	65 = Comanche 4WD-7 Ft. Box	77 = Cherokee 4WD-2 Dr.
25 = J-10 Pickup-119" W.B.	66 = Comanche 2WD-7 Ft. Box	78 = Cherokee 4WD-4 Dr.
26 = J-10 Pickup-131" W.B.	73 = Cherokee 2WD-2 Dr.	79 = Cherokee 4WD-4 Dr.-Com
27 = J-20 Pickup-131" W.B.	74 = Cherokee 2WD-4 Dr.	81 = Wrangler-93" W.B.
63 = Comanche 4WD-6 Ft. Box	75 = Wagoneer 4WD-4 Dr.	82 = Wrangler-103" W.B.-Exp.
64 = Comanche 2WD-6 Ft. Box		

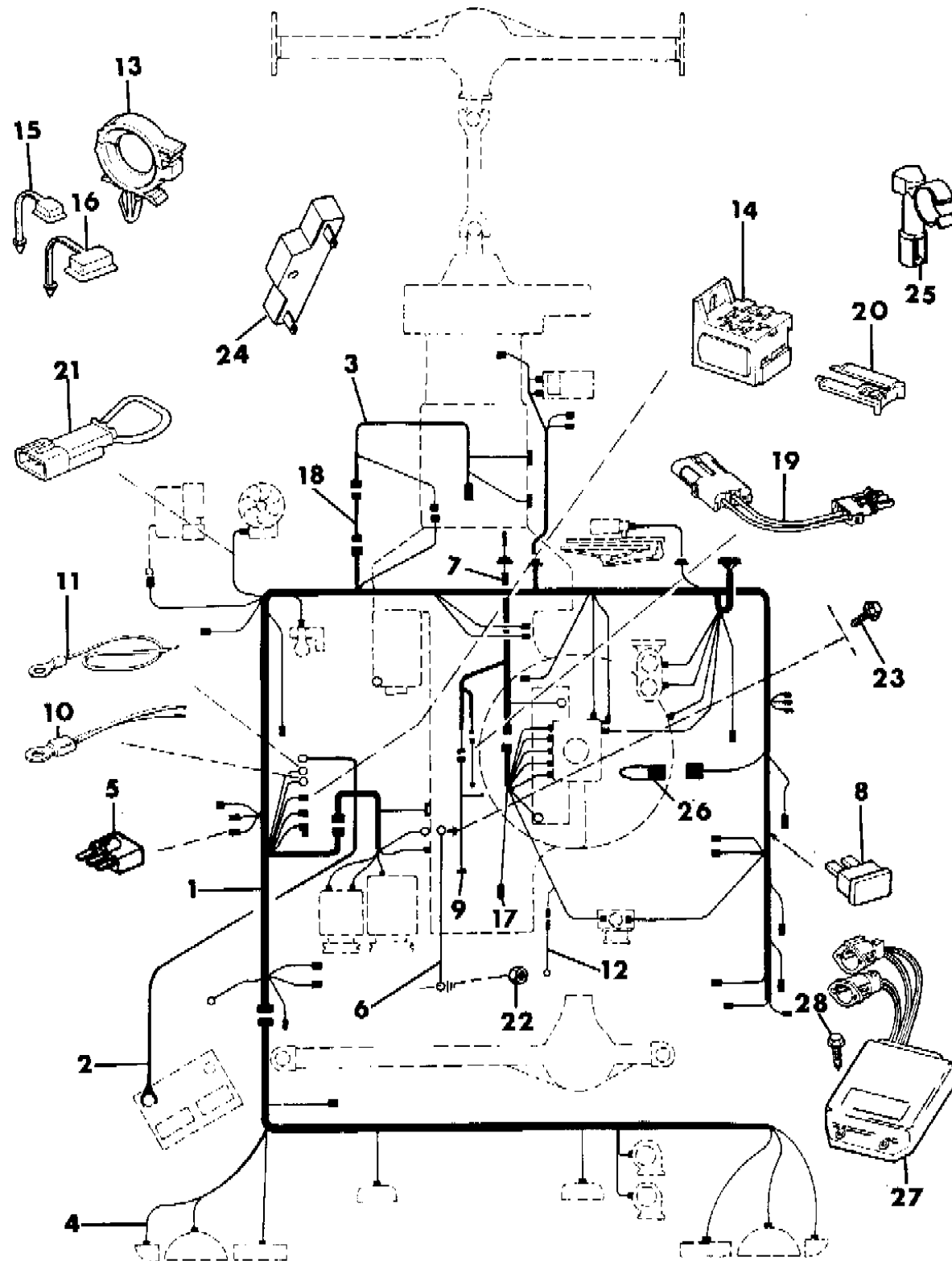
**BODY STYLES:**

MJ = Comanche Pickup  
 SJ = Grand Wagoneer Wgn., J-10 & J-20 Pickups  
 XJ = Cherokee, Wagoneer Limited  
 YJ = Wrangler

AR = Use as Required - = Non Illustrated Part P.A.R. = Paint as Required

**HARNES--ENGINE COMPARTMENT 4 & 6 CYLINDER ENGINE CHEROKEE, WAGONEER, COMANCHE**  
**Figure 8-4900**

8J08 4900 A



ITEM	PART NUMBER	QTY	BODY	MODEL	DESCRIPTION
1					HARNES, Engine Compartment
	5600 2794	1			6 Cyl. Engine, w/A.C. 1987
	5600 3622	1			1988-89
	5600 2862	1			6 Cyl. Engine, w/"American Air", w/o Heavy Duty Cooling
	5600 2795	1			6 Cyl. Engine, w/"American Air" 1987
	5600 2863	1			6 Cyl. Engine, w/"American Air", w/ Heavy Duty Cooling 1988
	5600 3621	1			6 Cyl. Engine, w/"American Air", w/Heavy Duty Cooling 1989
	5600 3787	1			6 Cyl. Engine, w/ Anti-Lock Brakes, 1989
	5600 4642	1			6 Cyl. ENGINE, w/o A.C. 1990
	5600 4643	1			6 Cyl. ENGINE, w/A.C., w/o Anti Lock Brakes 1990
	5600 4644	1			6 Cyl. Engine, w/A.C., w/Anti Lock Bakes 1990
	5600 4646	1			6-Cyl. Eng., w/Daytime Running Lamps, Disc Brakes, Canada
	5600 2608	1			4 Cyl. Engine, w/ Air Fuel Injected 1987
	5600 2609	1			4 Cyl. Engine, w/"American Air" Fuel Injected 1987
	5600 2860	1			4 Cyl. Engine, w/"American Air" Fuel Injected 1988/89
	5600 2859	1			4 Cyl. Gas Engine, w/A.C. 1988
	5600 3305	1			4 Cyl. Gas Engine, w/A.C. 1989
	5600 2860	1			4 Cyl. Engine, w/"American Air"
	5600 2295	1			4 Cyl. Engine Non Regulated Markets 1987
	5600 2864	1			4 Cyl. Engine, Non-Regulated Markets 1988/89
	5600 4639	1			4 Cyl. Engine w/o A.C. 1990
	5600 4640	1			4 Cyl. Engine w/A.C. 1990
	5600 2234	1			Diesel Engine 1987
	5600 2865	1			Diesel Engine 1988-89
	5600 4661	1			Diesel Engine 1990
2					HARNES, Alternator
	5600 2614	1			6 Cyl. 1987/89
	5600 3738	1			6 Cyl. 1990
	5600 2693	1			4 Cyl. Gas Engine, Non-Regulated Markets
	5600 1988	1			4 Cyl. Engine, U.S. & Canada
3					HARNES, Transmission
	8350 3718	1			Auto. Trans., 2WD
	8350 3843	1			6 Cyl. Engine, Auto. Trans., 4WD
	5600 1971	1			6 Cyl., w/Manual Trans. 1987
	5600 2898	1			4 Cyl. Gas Engine, w/Manual Trans.
	8350 3740	1			4 Cyl. Engine, w/Auto Trans. 4WD
	5600 1970	1			4 Cyl., w/Manual Trans. 1987

**MODEL CODES:**

15 = Grand Wagoneer 4 Dr.	65 = Comanche 4WD-7 Ft. Box	77 = Cherokee 4WD-2 Dr.
25 = J-10 Pickup-119" W.B.	66 = Comanche 2WD-7 Ft. Box	78 = Cherokee 4WD-4 Dr.
26 = J-10 Pickup-131" W.B.	73 = Cherokee 2WD-2 Dr.	79 = Cherokee 4WD-4 Dr.-Com
27 = J-20 Pickup-131" W.B.	74 = Cherokee 2WD-4 Dr.	81 = Wrangler-93" W.B.
63 = Comanche 4WD-6 Ft. Box	75 = Wagoneer 4WD-4 Dr.	82 = Wrangler-103" W.B.-Exp.
64 = Comanche 2WD-6 Ft. Box		

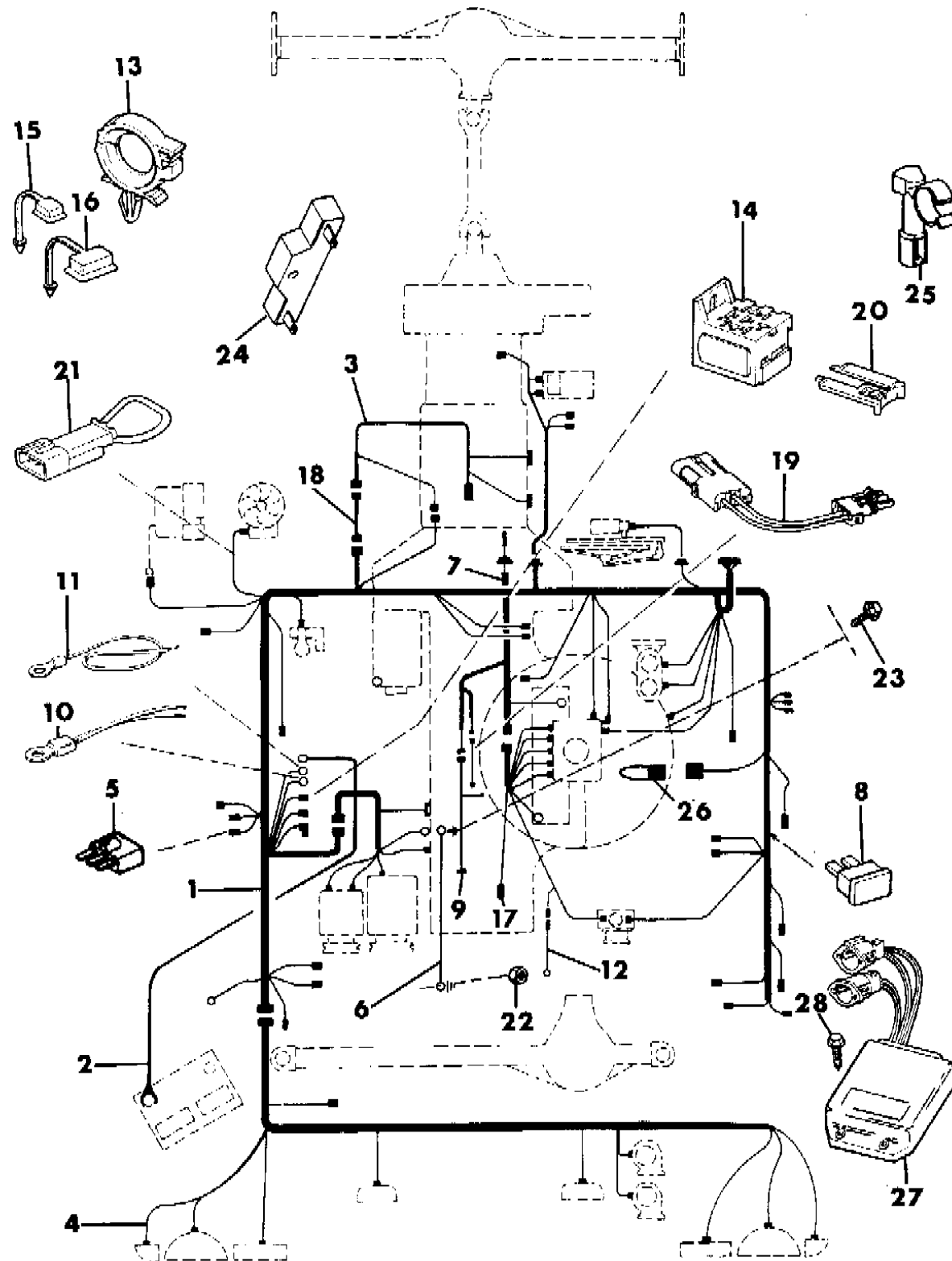
**BODY STYLES:**

MJ = Comanche Pickup  
 SJ = Grand Wagoneer Wgn., J-10 & J-20 Pickups  
 XJ = Cherokee, Wagoneer Limited  
 YJ = Wrangler

AR = Use as Required - = Non Illustrated Part P.A.R. = Paint as Required

**HARNESS--ENGINE COMPARTMENT 4 & 6 CYLINDER ENGINE CHEROKEE, WAGONEER, COMANCHE**  
**Figure 8-4900**

8J08 4900 A



ITEM	PART NUMBER	QTY	BODY	MODEL	DESCRIPTION
	5600 2898	1			4 Cyl., w/Manual Trans 1988-90
	5600 4820	1			6 Cyl., AISIN 5 Speed 1989-90
	5600 4192	1			DIESEL 1990
	5600 4192	1			4 Cyl., w/Manual Trans. (NRM) 1990
	5600 1753	1			Diesel Engine, Man. Trans. 1987-89
4					HARNESS, Front End Cherokee or Comanche
	5600 2586	1			1987-89
	5600 3751	1			1990 w/Dual Road Fog Lamp
	5600 3750	1			1990 w/o Dual Road Fog Lamp Wagoneer
	5600 2585	1			1987-89
	5600 3754	1			1990
	5600 2300	1			Emission Controlled European 1987-89
	5600 3755	1			1990
5	5600 1965	1			DIODE, Module, w/ Anti-Lock Brakes (Also Rad. Fan Diode)
6					HARNESS, Ground
	5600 0761	1			Gas Engine
	5600 0786	1			Diesel Engine
7					HARNESS, Electronic Engine Control
					4 CYLINDER GAS ENGINE
	5600 2430	1			1987 Fuel Injected w/Manual Trans.
	5600 2431	1			w/Auto. Trans.
	5600 2849	1			1988 w/Manual Trans.
	5600 2966	1			w/Auto. Trans.
	5600 3625	1			1989 w/Manual Trans.
	5600 3626	1			w/Auto. Trans.
	5600 4821	1			1990 w/Manual Trans.
	5600 4825	1			w/Auto. Trans.
					6 CYLINDER ENGINE
	5600 2434	1			1987 w/Manual Trans. (Stamped 56002851)

**MODEL CODES:**

15 = Grand Wagoneer 4 Dr.	65 = Comanche 4WD-7 Ft. Box	77 = Cherokee 4WD-2 Dr.
25 = J-10 Pickup-119" W.B.	66 = Comanche 2WD-7 Ft. Box	78 = Cherokee 4WD-4 Dr.
26 = J-10 Pickup-131" W.B.	73 = Cherokee 2WD-2 Dr.	79 = Cherokee 4WD-4 Dr.-Com
27 = J-20 Pickup-131" W.B.	74 = Cherokee 2WD-4 Dr.	81 = Wrangler-93" W.B.
63 = Comanche 4WD-6 Ft. Box	75 = Wagoneer 4WD-4 Dr.	82 = Wrangler-103" W.B.-Exp.
64 = Comanche 2WD-6 Ft. Box		

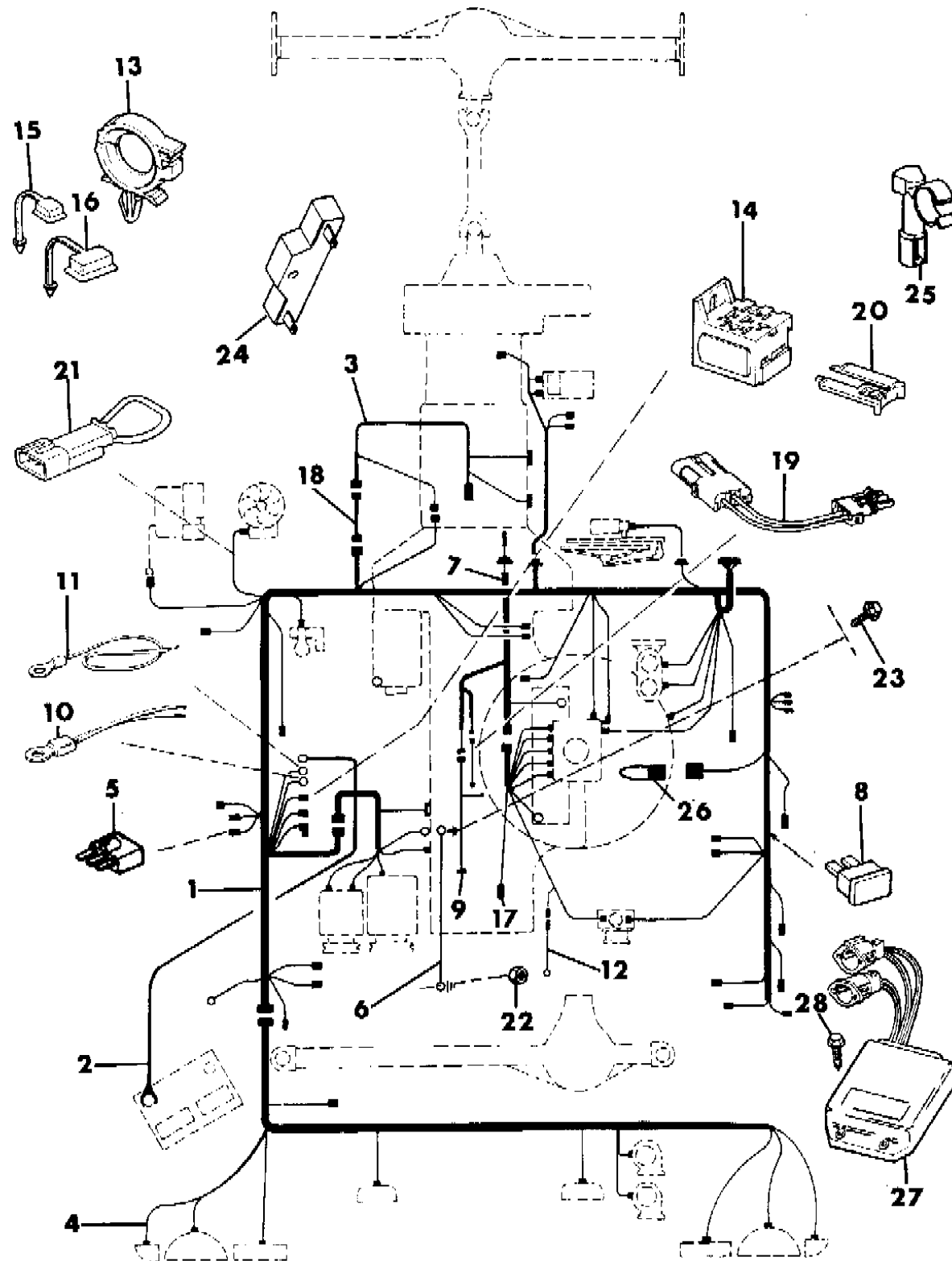
**BODY STYLES:**

MJ = Comanche Pickup  
 SJ = Grand Wagoneer Wgn., J-10 & J-20 Pickups  
 XJ = Cherokee, Wagoneer Limited  
 YJ = Wrangler

AR = Use as Required - = Non Illustrated Part P.A.R. = Paint as Required

**HARNISS--ENGINE COMPARTMENT 4 & 6 CYLINDER ENGINE CHEROKEE, WAGONEER, COMANCHE**  
**Figure 8-4900**

8J08 4900 A



ITEM	PART NUMBER	QTY	BODY	MODEL	DESCRIPTION
	5600 2435	1			w/Auto. Trans. 1988
	5600 3534	1			w/Manual Trans. (Stamped 56002851)
	5600 2967	1			w/Auto. Trans.
	5600 3627	1			1989 w/Manual Trans.
	5600 4819	1			1990 w/Manual Trans.
	5600 3626	1			6 Cylinder Engine, w/o Anti Lock Brakes w/ Auto Trans. { ***
	5600 4823	1			1989
					1990
					6 Cylinder Engine, w/Anti Lock Brakes, w/Auto Tr ans. ***
	5600 3628	1			1989
	5600 4824	1			1990
8	3600 1416	1			FUSE, 2 Ampere
9	5600 2101	1			HARNISS, Idle Speedup, 4 Cyl., Gas Engine
10	J813 4201	2			FUSIBLE LINK, 18 Gauge
11	J813 3785	1			FUSIBLE LINK, 14 Gauge
12	5600 1345	1			WIRE, Fuel Shut-Off Solenoid, Diesel Engine
13	J417 5403	AR			CLIP
14	J417 9106	3			CONNECTOR
15	J416 0718	1			COVER, 6-Hole
16	J416 0818	1			COVER, 15-Hole
17					HARNISS, Injector
	5600 2854	1			6 Cyl. Engine 1987-88
	5600 2432	1			4 Cyl. Injected Engine 1987
	5600 2853	1			4 Cyl. Gas Engine, 1988
					Injector Harness For 1989 Is Part of E.C.U. Harness, Item #7
18					HARNISS,Jumper
					With Auto. Trans.
	5600 2600	1			242. Transfer Case, 4WD Lock Light
					With Man. Trans.
	5600 2613	1			Transmission Back-up Light Switch
19	8350 4369	1			HARNISS, Ignition Sensor Jumper
20	3417 5430	1			RETAINER, Lock
21	8350 4880	1			RESISTOR, 1.2 Ohm
22	J942 2299	1			NUT
23	3420 1749	1			SCREW
24	3300 0682	1			RESISTOR, Fuel Pump

**MODEL CODES:**

15 = Grand Wagoneer 4 Dr.	65 = Comanche 4WD-7 Ft. Box	77 = Cherokee 4WD-2 Dr.
25 = J-10 Pickup-119" W.B.	66 = Comanche 2WD-7 Ft. Box	78 = Cherokee 4WD-4 Dr.
26 = J-10 Pickup-131" W.B.	73 = Cherokee 2WD-2 Dr.	79 = Cherokee 4WD-4 Dr.-Com
27 = J-20 Pickup-131" W.B.	74 = Cherokee 2WD-4 Dr.	81 = Wrangler-93" W.B.
63 = Comanche 4WD-6 Ft. Box	75 = Wagoneer 4WD-4 Dr.	82 = Wrangler-103" W.B.-Exp.
64 = Comanche 2WD-6 Ft. Box		

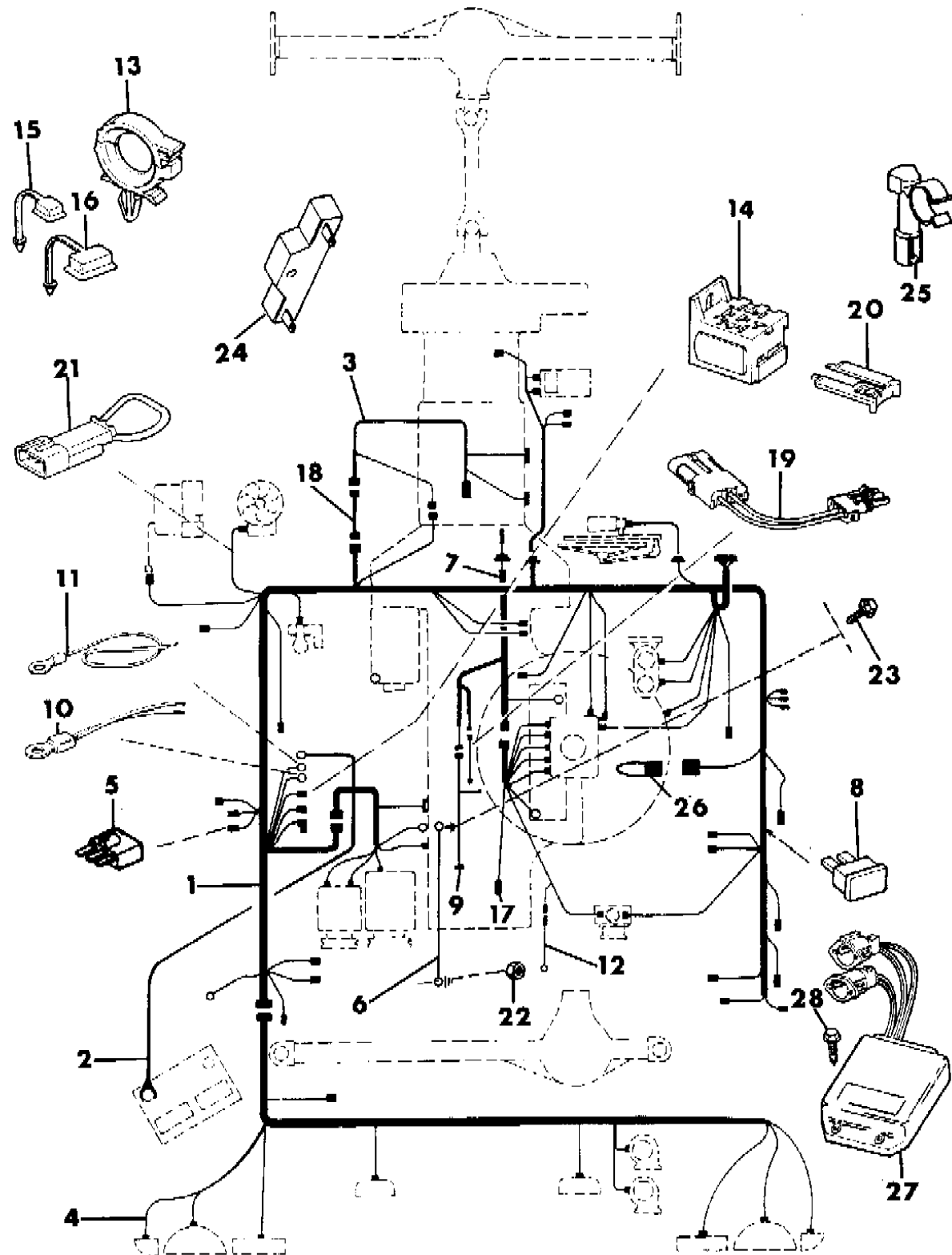
**BODY STYLES:**

MJ = Comanche Pickup  
 SJ = Grand Wagoneer Wgn., J-10 & J-20 Pickups  
 XJ = Cherokee, Wagoneer Limited  
 YJ = Wrangler

AR = Use as Required - = Non Illustrated Part P.A.R. = Paint as Required

HARNESS--ENGINE COMPARTMENT 4 & 6 CYLINDER ENGINE CHEROKEE, WAGONEER, COMANCHE  
Figure 8-4900

8J08 4900 A



ITEM	PART NUMBER	QTY	BODY	MODEL	DESCRIPTION
25	J324 2912	3			CLIP
26	5600 1586	1			JUMPER, Compressor Diesel Engine
27	5300 5079	1			MODULE, Ignition 4Cyl.(NRM)
28	J400 5982	3			SCREW 4Cyl. (NRM) ***

MODEL CODES:

15 = Grand Wagoneer 4 Dr.	65 = Comanche 4WD-7 Ft. Box	77 = Cherokee 4WD-2 Dr.
25 = J-10 Pickup-119" W.B.	66 = Comanche 2WD-7 Ft. Box	78 = Cherokee 4WD-4 Dr.
26 = J-10 Pickup-131" W.B.	73 = Cherokee 2WD-2 Dr.	79 = Cherokee 4WD-4 Dr.-Com
27 = J-20 Pickup-131" W.B.	74 = Cherokee 2WD-4 Dr.	81 = Wrangler-93" W.B.
63 = Comanche 4WD-6 Ft. Box	75 = Wagoneer 4WD-4 Dr.	82 = Wrangler-103" W.B.-Exp.
64 = Comanche 2WD-6 Ft. Box		

BODY STYLES:

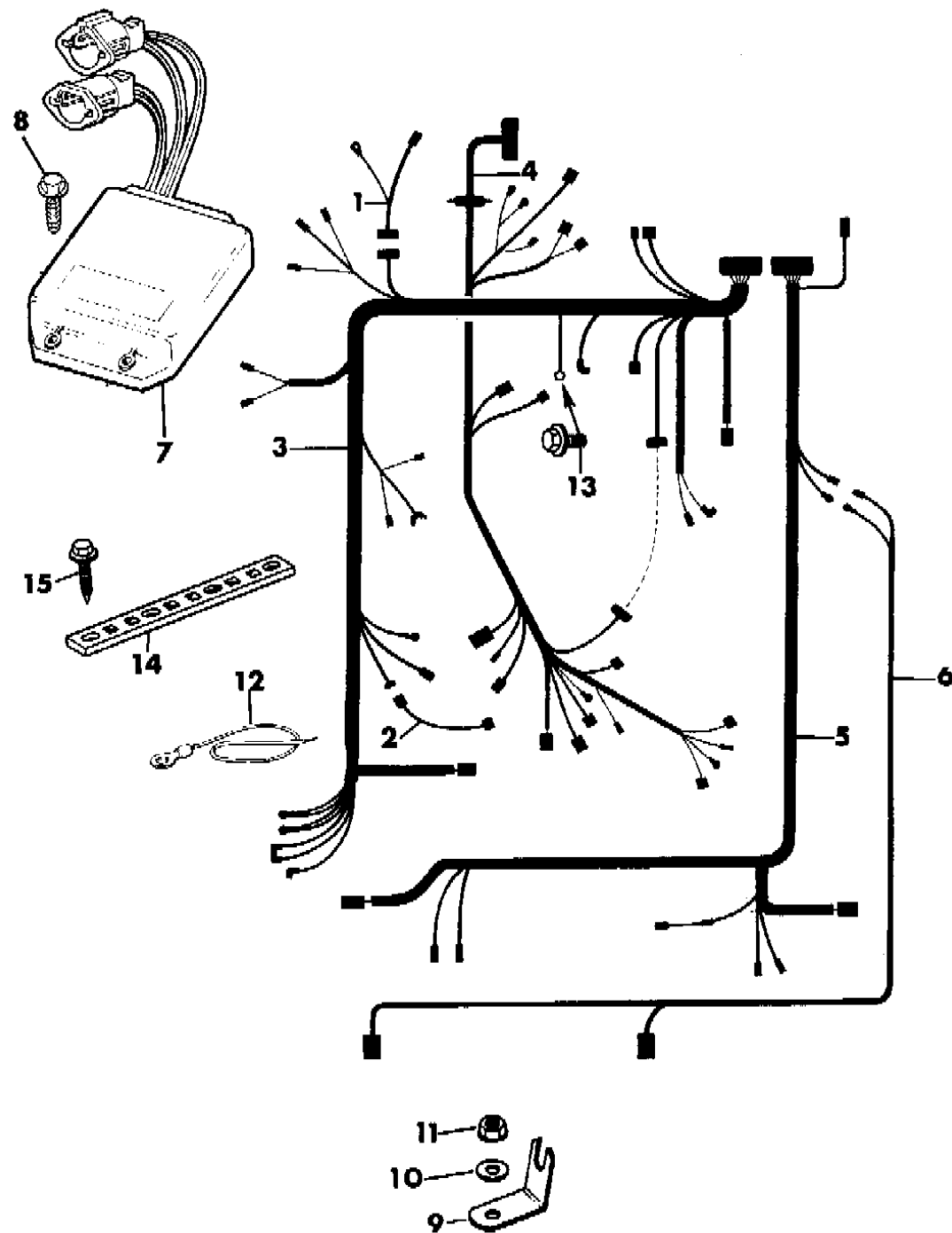
MJ = Comanche Pickup  
 SJ = Grand Wagoneer Wgn., J-10 & J-20 Pickups  
 XJ = Cherokee, Wagoneer Limited  
 YJ = Wrangler

AR = Use as Required - = Non Illustrated Part P.A.R. = Paint as Required

HARNESS--ENGINE COMPARTMENT GRAND WAGONEER, J10, J20

Figure 8-5000

8J08 5000



ITEM	PART NUMBER	QTY	BODY	MODEL	DESCRIPTION
1					HARNESS, Transmission
	5600 2030	1			w/Auto Trans, w/Transfer Case AM 229
	5600 2230	1			w/Auto Trans, w/Transfer Case AM 207
	5600 2031	1			w/Man. Transmission
2	J575 8282	1			HARNESS, Alternator 6 Cyl., Eng. (Calif.)
3					HARNESS, Engine Compartment
	5600 2406	1			6 Cyl.
	5600 2405	1			8 Cyl., 1987
	5600 3641	1			8 Cyl., 1988-89
	5600 3712	1			8 Cyl., 1990
4	J576 4233	1			HARNESS, Emission, 6 Cyl.Engine
5					HARNESS, Headlamp
	5600 2841	1			w/Rear Wiper & Washer, 1987-88
	5600 3159	1			1989
	5600 3713	1			1990 U.S.
	5600 3714	1			1990 Canada
6	J575 8253	1			HARNESS, Fog Lamp, Export
7					MODULE, Ignition
	3300 4065	1			1987
	5300 5079	1			1988-90
8	J400 5982	3			SCREW
9	J575 2416	2			SUPPORT, Harness
10	J012 0391	2			WASHER
11	J420 0325	2			NUT
12					LINK, Fusible
	J812 7340	1			14 Gauge ***
	J321 0989	1			18 Gauge
13	J400 4652	1			SCREW, Ground
14	J536 1473	2			PLATE
15	J942 1073	4			SCREW

MODEL CODES:

15 = Grand Wagoneer 4 Dr.	65 = Comanche 4WD-7 Ft. Box	77 = Cherokee 4WD-2 Dr.
25 = J-10 Pickup-119" W.B.	66 = Comanche 2WD-7 Ft. Box	78 = Cherokee 4WD-4 Dr.
26 = J-10 Pickup-131" W.B.	73 = Cherokee 2WD-2 Dr.	79 = Cherokee 4WD-4 Dr.-Com
27 = J-20 Pickup-131" W.B.	74 = Cherokee 2WD-4 Dr.	81 = Wrangler-93" W.B.
63 = Comanche 4WD-6 Ft. Box	75 = Wagoneer 4WD-4 Dr.	82 = Wrangler-103" W.B.-Exp.
64 = Comanche 2WD-6 Ft. Box		

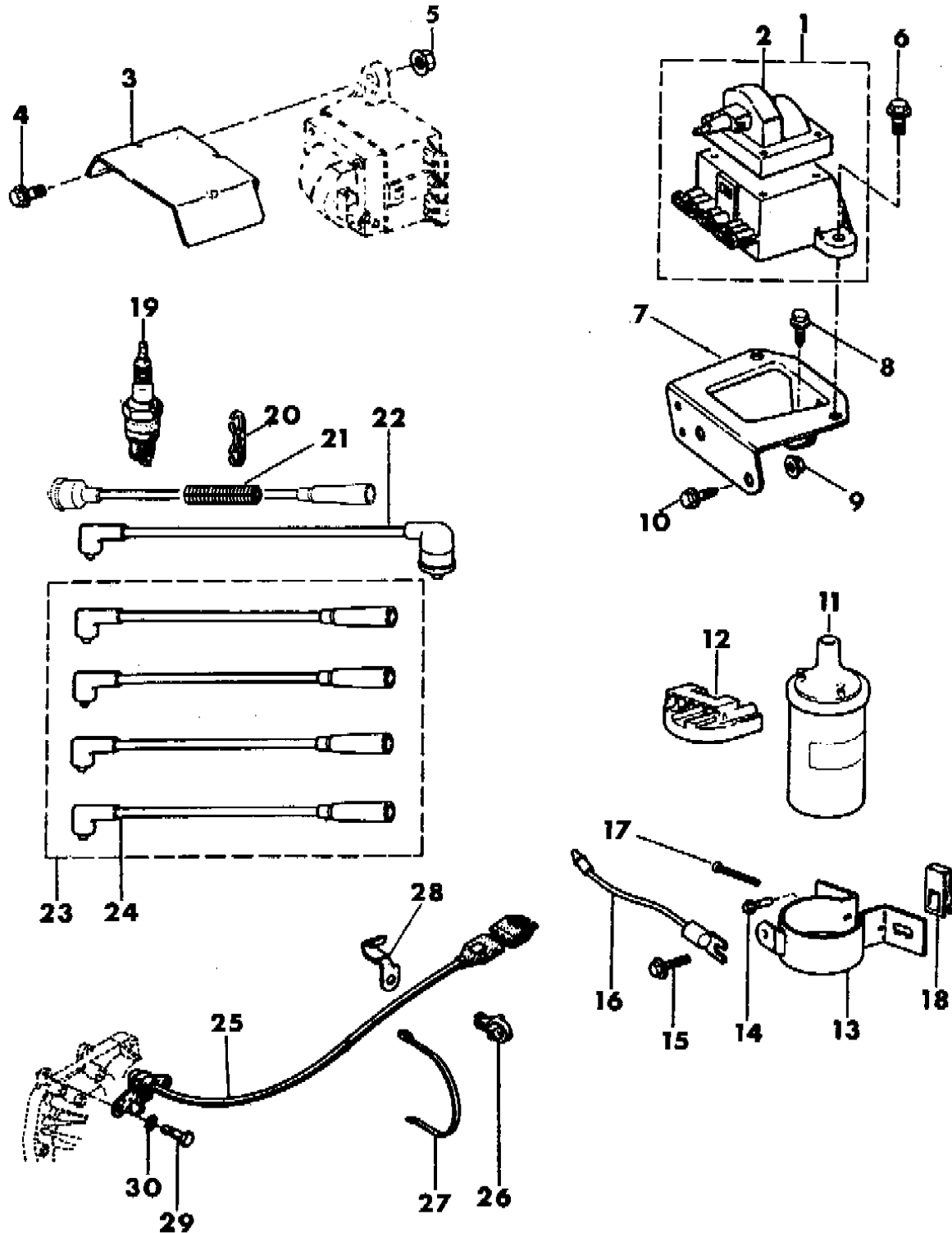
BODY STYLES:

MJ = Comanche Pickup  
 SJ = Grand Wagoneer Wgn., J-10 & J-20 Pickups  
 XJ = Cherokee, Wagoneer Limited  
 YJ = Wrangler

AR = Use as Required - = Non Illustrated Part P.A.R. = Paint as Required

**COIL--SPARKPLUGS--WIRES 2.5L ENGINE**  
**Figure 8-5100**

**8 J08 5100**



ITEM	PART NUMBER	QTY	BODY	MODEL	DESCRIPTION
1	3300 2299	1			MODULE, Ignition Coil EFI Engine
2	T103 1135	1			COIL, Ignition EFI Engine
3	5300 2673	1	YJ		COVER, EFI Engine
4	J400 6705	2	YJ		BOLT, EFI Engine
5	J400 6715	2	YJ		NUT, EFI Engine
6	J420 0406	2	XJ,MJ		BOLT, EFI Engine
7	5300 2331	1	XJ,MJ		BRACKET, Ignition Module EFI Engine
8	1150 2843	1	XJ,MJ		SCREW, EFI Engine
9	J420 0046	2	XJ,MJ		NUT, EFI Engine
10	1150 4735	2	XJ,MJ		BOLT, EFI Engine
11	3300 4522	1	XJ,MJ		COIL, Ignition Carbureted Engine
12	J323 0639	1			CONNECTOR, Carbureted Engine 1987 - 89
	J417 9510	1			1990
13	J323 0787	1			BRACKET, Coil Carbureted Engine
14	J400 6985	2			BOLT
15	J940 9106	1			BOLT
16	J322 9510	1			CAPACITOR, Ignition Carbureted Engine ***
17	J813 0952	1			BOLT, Carbureted Engine
18	J400 4208	2	XJ,MJ		NUT, Carbureted Engine
19	J323 9652	4			RFN 14LY, Carbureted Engine
	3300 2750	4			RC 12LYC, EFI Engine
20	J324 3095	1			SEPARATOR, Ignition Wire
21	3300 1774	2			SHIELD, Ignition Wire
22	5300 5093	1	YJ		WIRE, Coil Carbureted Engine, Export, Non-Regulated Markets
	5300 2177	1			EFI Engine
	J324 2842	1	XJ,MJ		Carbureted Engine ***
	5300 2157	1	XJ,MJ		EFI Engine ***
23	8350 2400	1			WIRE SET, Ignition ***
24	8330 0149	4			WIRE, Ignition
25	T073 9789	1			SENSOR, Engine Speed EFI Engine
	5300 5421	1	YJ		High Altitude
	3300 4761	1			US, Canada, Emission Controlled European (Wiring Repair 4443965)
26	3420 1633	1			CLIP, EFI Engine

**MODEL CODES:**

15 = Grand Wagoneer 4 Dr.	65 = Comanche 4WD-7 Ft. Box	77 = Cherokee 4WD-2 Dr.
25 = J-10 Pickup-119" W.B.	66 = Comanche 2WD-7 Ft. Box	78 = Cherokee 4WD-4 Dr.
26 = J-10 Pickup-131" W.B.	73 = Cherokee 2WD-2 Dr.	79 = Cherokee 4WD-4 Dr.-Com
27 = J-20 Pickup-131" W.B.	74 = Cherokee 2WD-4 Dr.	81 = Wrangler-93" W.B.
63 = Comanche 4WD-6 Ft. Box	75 = Wagoneer 4WD-4 Dr.	82 = Wrangler-103" W.B.-Exp.
64 = Comanche 2WD-6 Ft. Box		

**BODY STYLES:**

MJ = Comanche Pickup
SJ = Grand Wagoneer Wgn., J-10 & J-20 Pickups
XJ = Cherokee, Wagoneer Limited
YJ = Wrangler

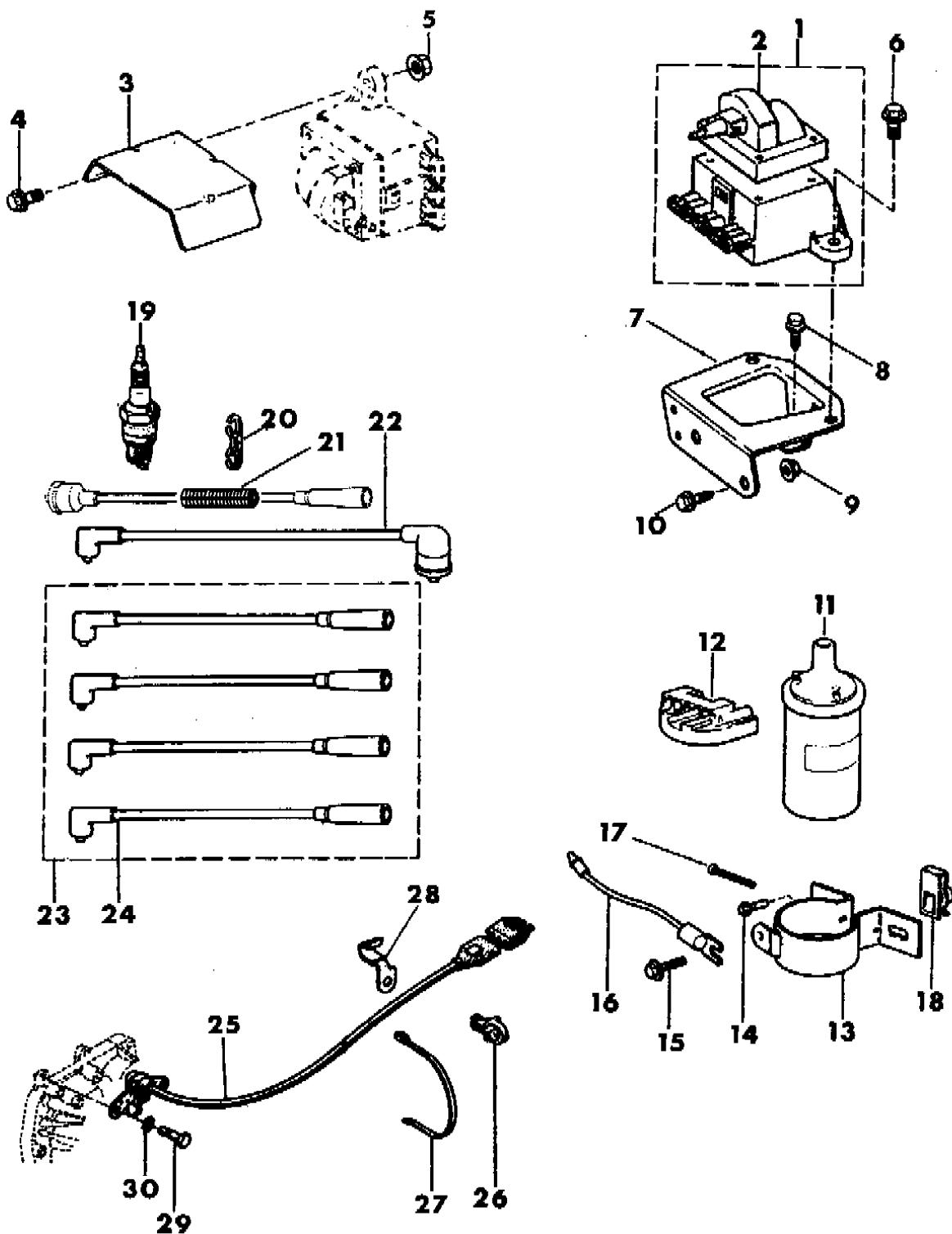
AR = Use as Required - = Non Illustrated Part P.A.R. = Paint as Required



COIL--SPARKPLUGS--WIRES 2.5L ENGINE

Figure 8-5100

8 J08 5100



ITEM	PART NUMBER	QTY	BODY	MODEL	DESCRIPTION
27	J322 3227	1			STRAP, EFI Engine
28	3420 2771	1	XJ,MJ		CLIP, EFI Engine
29	J305 0116	2			BOLT, EFI Engine
30	T140 2084	2			WASHER, EFI Engine

MODEL CODES:

15 = Grand Wagoneer 4 Dr.	65 = Comanche 4WD-7 Ft. Box	77 = Cherokee 4WD-2 Dr.
25 = J-10 Pickup-119" W.B.	66 = Comanche 2WD-7 Ft. Box	78 = Cherokee 4WD-4 Dr.
26 = J-10 Pickup-131" W.B.	73 = Cherokee 2WD-2 Dr.	79 = Cherokee 4WD-4 Dr.-Com
27 = J-20 Pickup-131" W.B.	74 = Cherokee 2WD-4 Dr.	81 = Wrangler-93" W.B.
63 = Comanche 4WD-6 Ft. Box	75 = Wagoneer 4WD-4 Dr.	82 = Wrangler-103" W.B.-Exp.
64 = Comanche 2WD-6 Ft. Box		

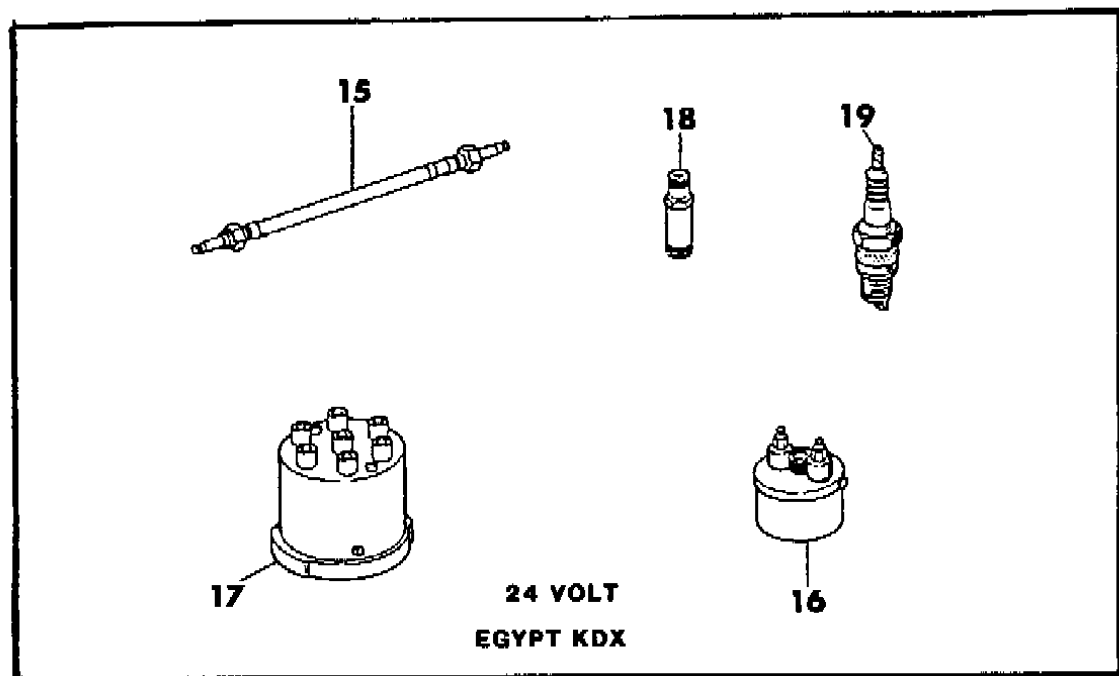
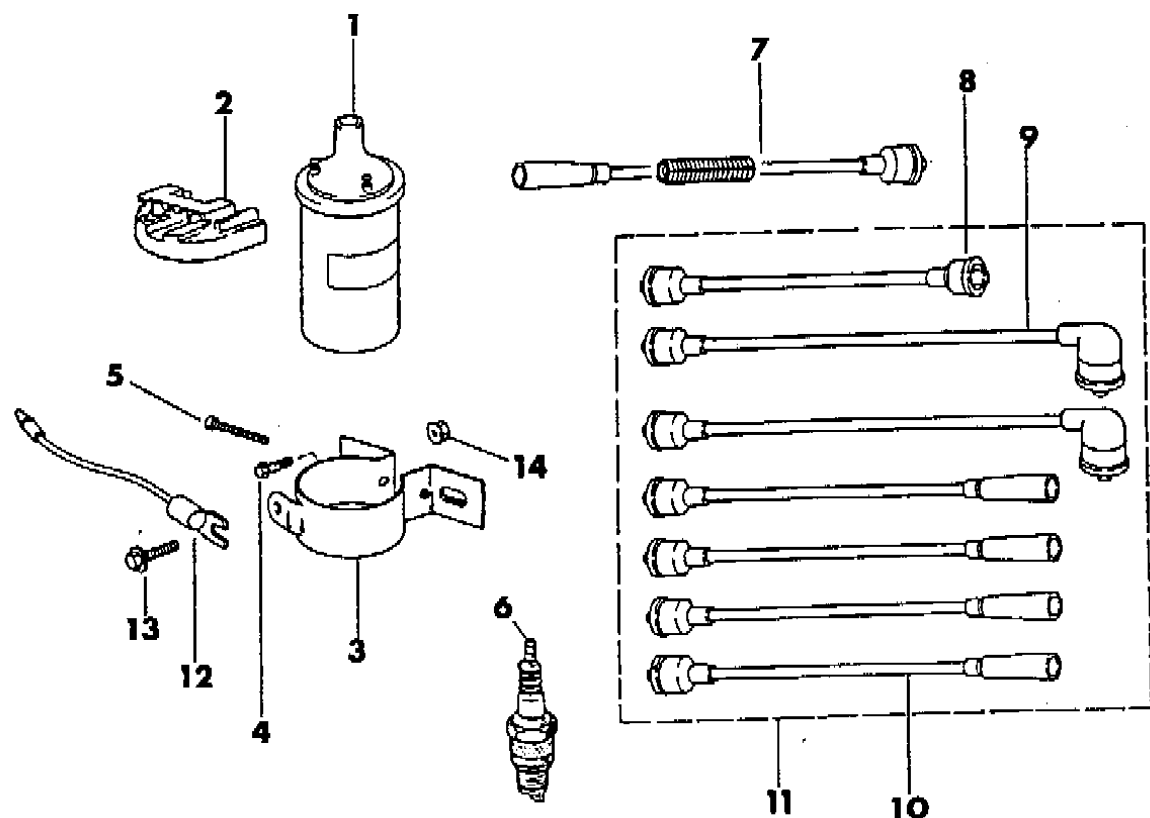
BODY STYLES:

MJ = Comanche Pickup  
 SJ = Grand Wagoneer Wgn., J-10 & J-20 Pickups  
 XJ = Cherokee, Wagoneer Limited  
 YJ = Wrangler

AR = Use as Required - = Non Illustrated Part P.A.R. = Paint as Required

**COIL--SPARKPLUGS--WIRES 4.2L ENGINE**  
**Figure 8-5200**

**8 J08 5200**



ITEM	PART NUMBER	QTY	BODY	MODEL	DESCRIPTION
1					COIL, Ignition
	3300 4522	1			1987-88-89-90
2					CONNECTOR
	J323 0639	1			1987 - 89
	J417 9510	1			1990
3	J323 0787	1			BRACKET, Coil
4	J400 6708	2			BOLT
5	J813 0952	1			SCREW
6	4318 138	6			SPARK PLUG, RFN 14LY
7	3300 1774	1			SHIELD, Ignition Wire
8	8330 0144	1			WIRE, Coil
9	J324 1151	2			WIRE, Ignition
10	J324 1154	4			WIRE, Ignition
11	8330 0088	1			WIRE SET, Ignition 1987-90 ***
12	J322 9510	1			CAPACITOR, Ignition
13	J940 9106	1			SCREW
14	J400 6715	2			NUT
The Following Parts Are For Wrangler, Egyptian KDX Vehicles w/24 Volt Ignition Systems					
15					CABLE, Ignition ***
	9600 0086	2			Cable 1 or 6 ***
	9600 0085	1			Cable 5
	9600 0084	2			Cable 3 or 4
	9600 0082	1			Cable 2
	9600 0080	1			Cable, Coil
16	9600 0079	1			SHIELD, Coil
17	9600 0078	1			SHIELD, Distributor
18	9600 0087	6			ENCLOSURE, Sparkplug ***
19	3300 3312	6			SPARK PLUG, RS 12YC

**MODEL CODES:**

15 = Grand Wagoneer 4 Dr.	65 = Comanche 4WD-7 Ft. Box	77 = Cherokee 4WD-2 Dr.
25 = J-10 Pickup-119" W.B.	66 = Comanche 2WD-7 Ft. Box	78 = Cherokee 4WD-4 Dr.
26 = J-10 Pickup-131" W.B.	73 = Cherokee 2WD-2 Dr.	79 = Cherokee 4WD-4 Dr.-Com
27 = J-20 Pickup-131" W.B.	74 = Cherokee 2WD-4 Dr.	81 = Wrangler-93" W.B.
63 = Comanche 4WD-6 Ft. Box	75 = Wagoneer 4WD-4 Dr.	82 = Wrangler-103" W.B.-Exp.
64 = Comanche 2WD-6 Ft. Box		

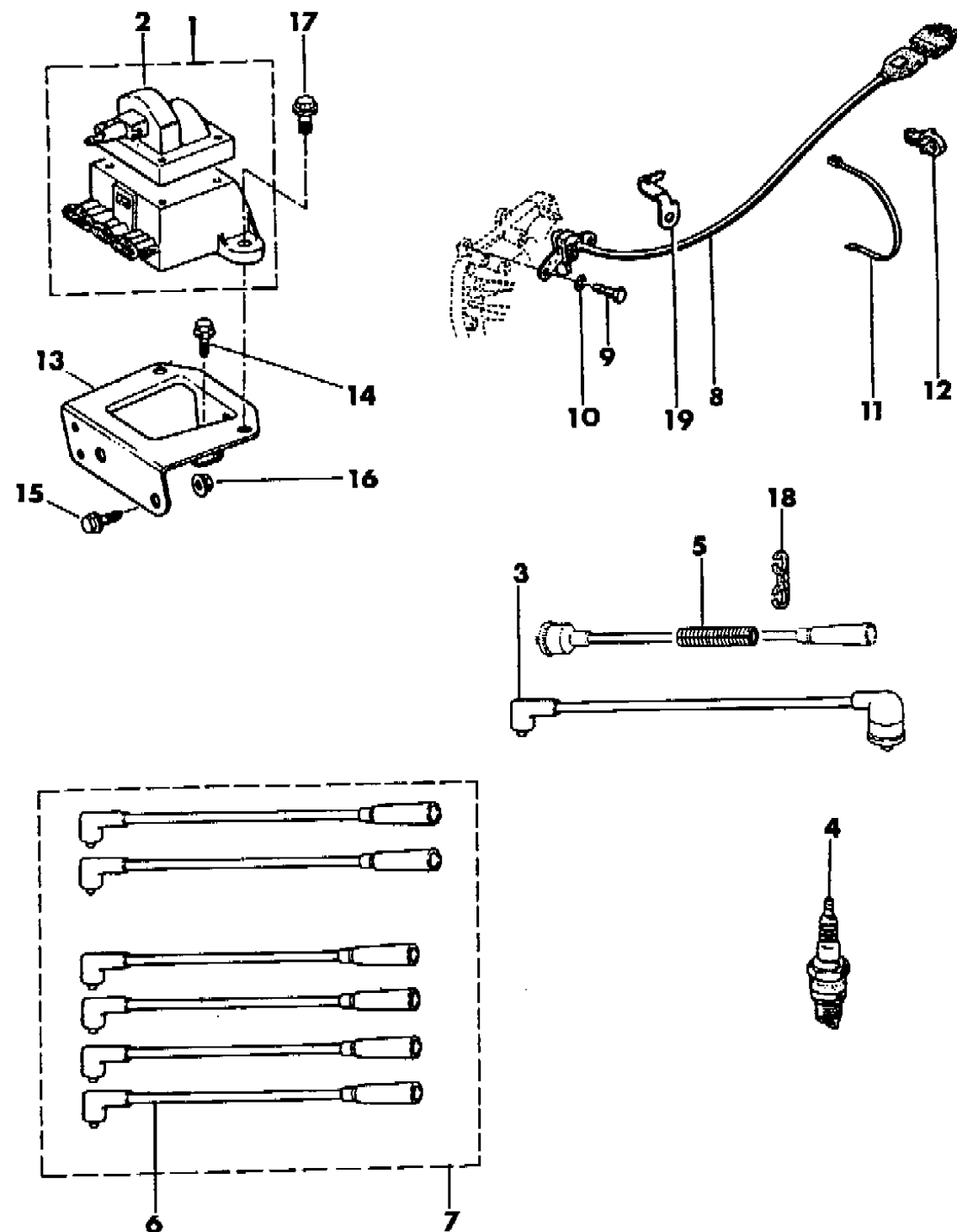
**BODY STYLES:**

MJ = Comanche Pickup  
 SJ = Grand Wagoneer Wgn., J-10 & J-20 Pickups  
 XJ = Cherokee, Wagoneer Limited  
 YJ = Wrangler

AR = Use as Required - = Non Illustrated Part P.A.R. = Paint as Required

COIL--SPARKPLUGS--WIRES 4.0L ENGINE  
Figure 8-5300

8J08 5300



ITEM	PART NUMBER	QTY	BODY	MODEL	DESCRIPTION
1	3300 2299	1			MODULE, Ignition Coil
2	T103 1135	1			COIL, Ignition
3	5300 2157	1			WIRE, Coil
4	3300 3862	6			SPARK PLUG, RC 9YC
5	3300 1774	1			SHIELD, Ignition Wire
6					WIRE, Ignition
	3300 3402	2			13.5" long ***
	3300 3404	4			11.0" long ***
7	8330 0156	1			WIRE SET, Ignition ***
8	T073 9789	1			SENSOR, Engine Speed 1987
	3300 4761	1			1988-90 (Wiring Repair Pkg. 4443965)
	5300 3659	1			High Altitude (Crank Sensor)
9	J305 0116	2			BOLT
10	T140 2084	2			WASHER
11	J322 3227	1			STRAP
12	3420 1833	1			CLIP
13	5300 2331	1			BRACKET, Ignition Module
14	1150 2843	1			SCREW
15	1150 4735	2			BOLT
16	J420 0046	2			NUT
17	J420 0406	2			BOLT
18	J324 3095	1			SEPARATOR, Ignition Wire
19	3420 2771	1			CLIP

MODEL CODES:

15 = Grand Wagoneer 4 Dr.	65 = Comanche 4WD-7 Ft. Box	77 = Cherokee 4WD-2 Dr.
25 = J-10 Pickup-119" W.B.	66 = Comanche 2WD-7 Ft. Box	78 = Cherokee 4WD-4 Dr.
26 = J-10 Pickup-131" W.B.	73 = Cherokee 2WD-2 Dr.	79 = Cherokee 4WD-4 Dr.-Com
27 = J-20 Pickup-131" W.B.	74 = Cherokee 2WD-4 Dr.	81 = Wrangler-93" W.B.
63 = Comanche 4WD-6 Ft. Box	75 = Wagoneer 4WD-4 Dr.	82 = Wrangler-103" W.B.-Exp.
64 = Comanche 2WD-6 Ft. Box		

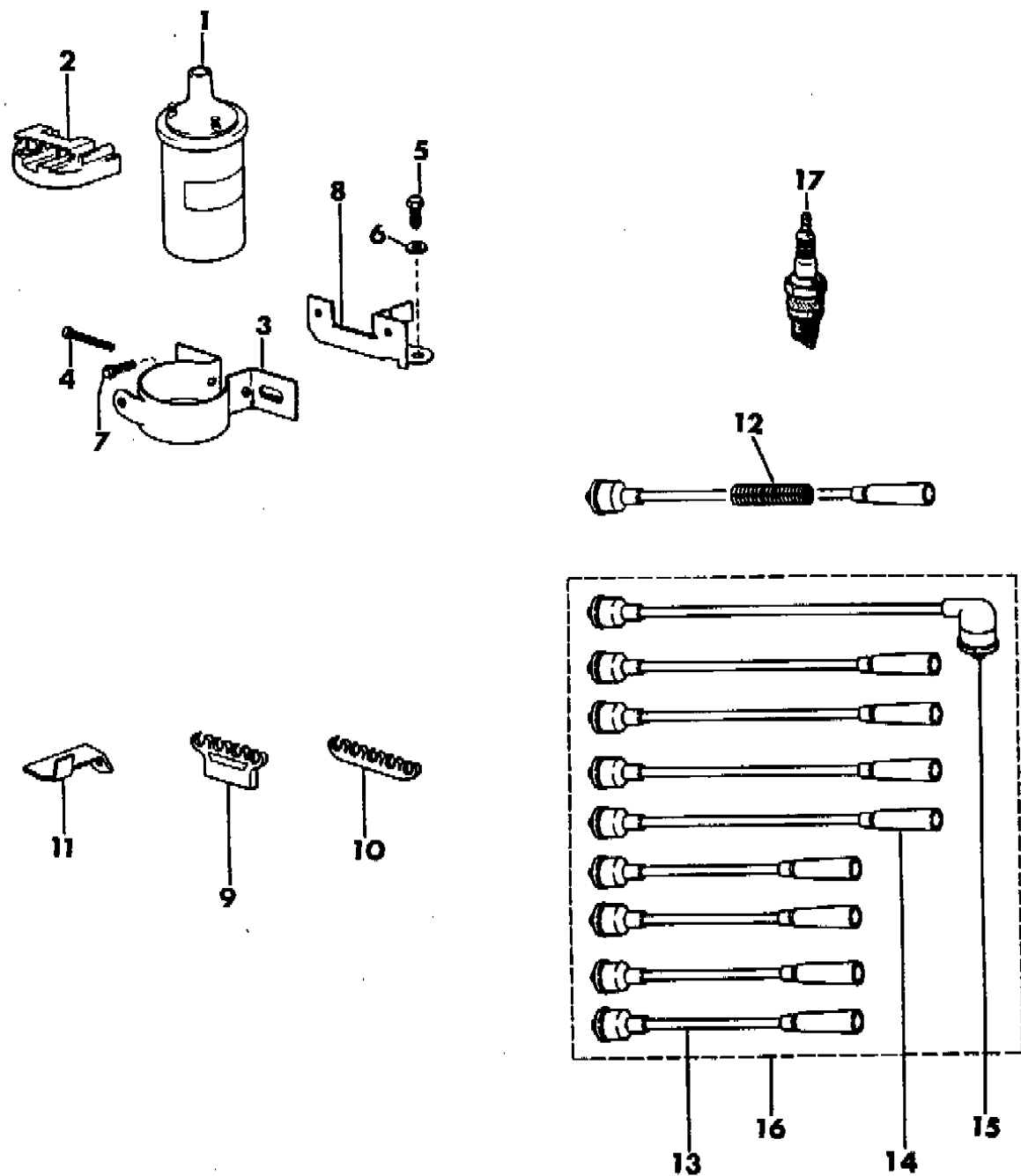
BODY STYLES:

MJ = Comanche Pickup  
SJ = Grand Wagoneer Wgn., J-10 & J-20 Pickups  
XJ = Cherokee, Wagoneer Limited  
YJ = Wrangler

AR = Use as Required - = Non Illustrated Part P.A.R. = Paint as Required

**COIL--SPARKPLUGS--WIRES 5.9L ENGINE**  
**Figure 8-5400**

**8 J08 5400**



ITEM	PART NUMBER	QTY	BODY	MODEL	DESCRIPTION
1					COIL
	3300 4522	1			1988-90
2					CONNECTOR
	J323 0639	1			1987 - 89
	J417 9510	1			1990
3	J323 0787	1			BRACKET, Coil
4	J813 0952	1			SCREW
5	J942 8638	1			BOLT
6	J400 3808	1			WASHER
7	J027 1444	2			BOLT
8	J322 8268	1			BRACKET
9	J318 0107	3			SEPARATOR
10	J318 6116	1			SEPARATOR
11	J322 6495	1			BRACKET
12	3300 1774	1			SHIELD, Ignition Wire
13	J322 5808	4			WIRE, Ignition
14	J322 5810	4			WIRE, Ignition
15	J323 1901	1			WIRE, Coil
16	8330 0090	1			WIRE SET, Ignition ***
17	J324 2841	8			SPARK PLUG, RN 12YC

**MODEL CODES:**

15 = Grand Wagoneer 4 Dr.	65 = Comanche 4WD-7 Ft. Box	77 = Cherokee 4WD-2 Dr.
25 = J-10 Pickup-119" W.B.	66 = Comanche 2WD-7 Ft. Box	78 = Cherokee 4WD-4 Dr.
26 = J-10 Pickup-131" W.B.	73 = Cherokee 2WD-2 Dr.	79 = Cherokee 4WD-4 Dr.-Com
27 = J-20 Pickup-131" W.B.	74 = Cherokee 2WD-4 Dr.	81 = Wrangler-93" W.B.
63 = Comanche 4WD-6 Ft. Box	75 = Wagoneer 4WD-4 Dr.	82 = Wrangler-103" W.B.-Exp.
64 = Comanche 2WD-6 Ft. Box		

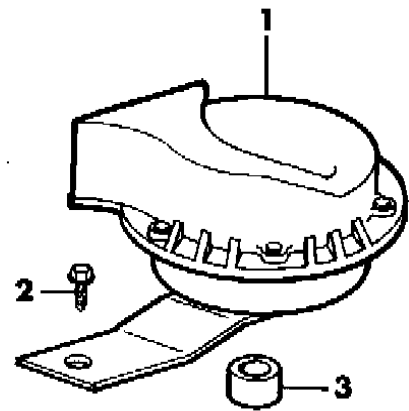
**BODY STYLES:**

MJ = Comanche Pickup  
 SJ = Grand Wagoneer Wgn., J-10 & J-20 Pickups  
 XJ = Cherokee, Wagoneer Limited  
 YJ = Wrangler

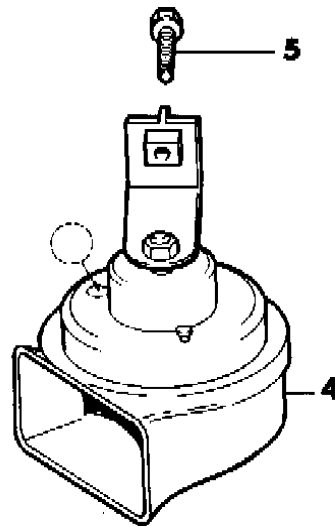
AR = Use as Required - = Non Illustrated Part P.A.R. = Paint as Required

**HORNS ALL**  
**Figure 8-5500**

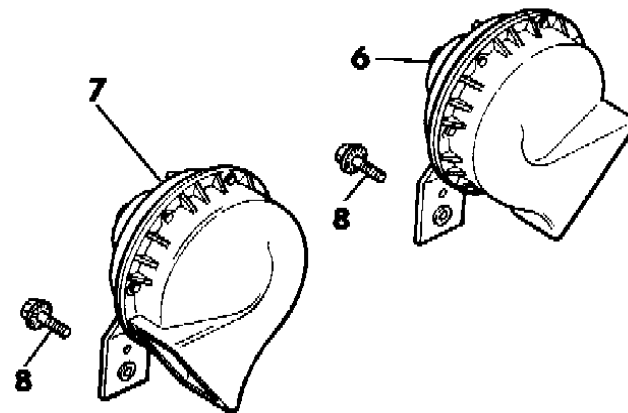
8J08 5500



**WRANGER, YJ**



**CHEROKEE, WAGONEER, COMANCHE**



**GRAND WAGONEER, J-10, J-20**

ITEM	PART NUMBER	QTY	BODY	MODEL	DESCRIPTION
1	J575 8484	1	YJ		HORN
	5600 2378	1			Diesel 1987
	5600 2953	1	YJ		ECE
2	J400 4801	1	YJ		SCREW
3	J546 1837	1	YJ		BUMPER
4					HORN ***
	5600 2302	1	XJ		U.S. & Canada Low Note
	5600 2606	1	XJ		ECE Low Note
	5600 2376	1			Diesel 1987
	5600 2303	1	XJ		U.S. & Canada High Note
	5600 2607	1	XJ		ECE High Note
5	3420 2606	2	XJ		SCREW
6	J575 8485	1	SJ		HORN, High Note
7	J575 8484	1	SJ		HORN, Low Note
8	J420 0406	2	SJ		SCREW

**MODEL CODES:**

15 = Grand Wagoneer 4 Dr.	65 = Comanche 4WD-7 Ft. Box	77 = Cherokee 4WD-2 Dr.
25 = J-10 Pickup-119" W.B.	66 = Comanche 2WD-7 Ft. Box	78 = Cherokee 4WD-4 Dr.
26 = J-10 Pickup-131" W.B.	73 = Cherokee 2WD-2 Dr.	79 = Cherokee 4WD-4 Dr.-Com
27 = J-20 Pickup-131" W.B.	74 = Cherokee 2WD-4 Dr.	81 = Wrangler-93" W.B.
63 = Comanche 4WD-6 Ft. Box	75 = Wagoneer 4WD-4 Dr.	82 = Wrangler-103" W.B.-Exp.
64 = Comanche 2WD-6 Ft. Box		

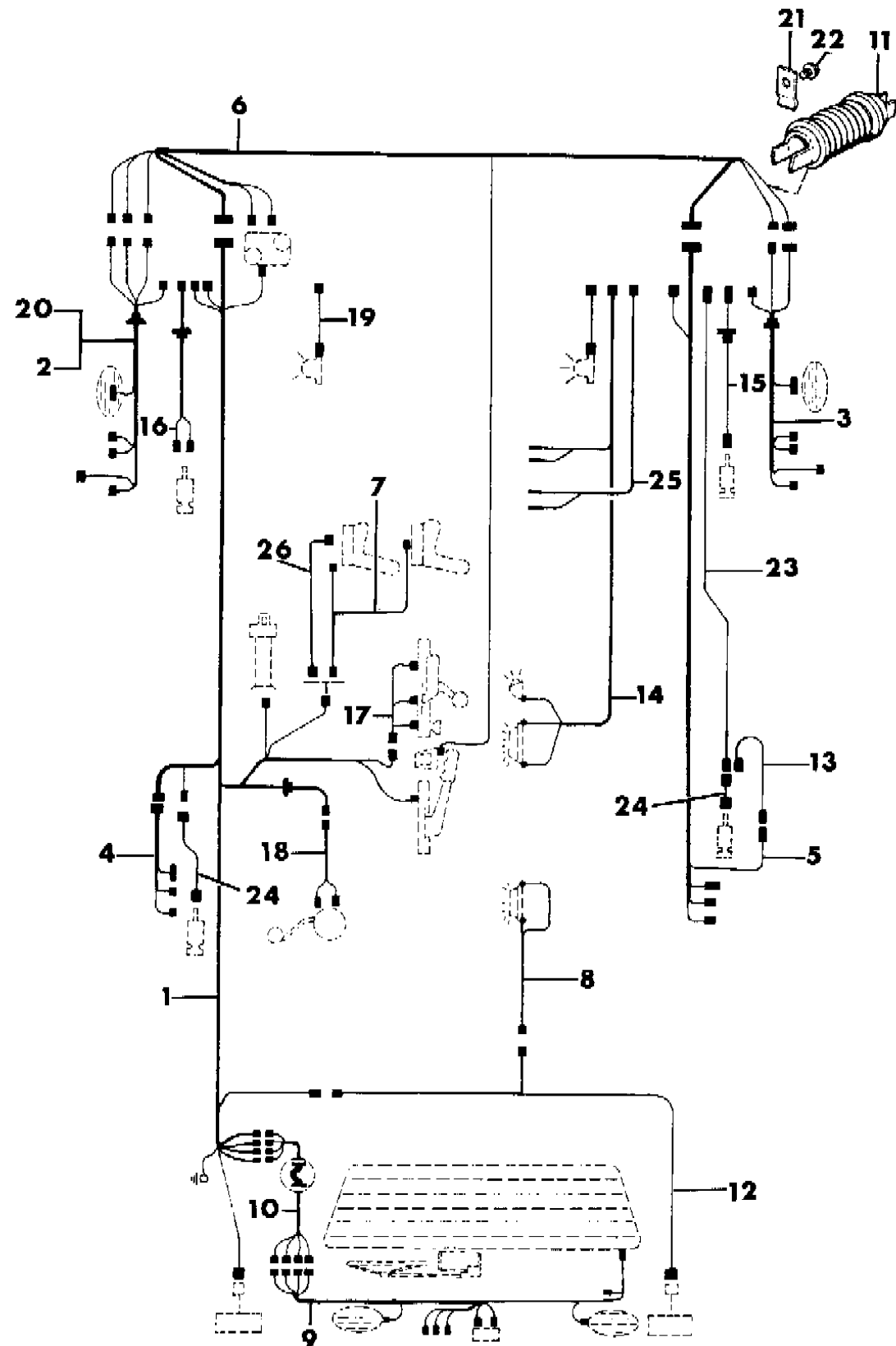
**BODY STYLES:**

MJ = Comanche Pickup  
 SJ = Grand Wagoneer Wgn., J-10 & J-20 Pickups  
 XJ = Cherokee, Wagoneer Limited  
 YJ = Wrangler

AR = Use as Required - = Non Illustrated Part P.A.R. = Paint as Required

HARNESS, BODY AND ACCESSORY CHEROKEE, WAGONEER  
Figure 8-5600

8J08 5600 C



ITEM	PART NUMBER	QTY	BODY	MODEL	DESCRIPTION
1					HARNESS, Body, w/Power Door Locks, w/ & w/o Trailer Tow
	5600 2677	1			1987
	5600 3935	1			1988-89
	5600 4573	1			1990
2					HARNESS, Door, Left, w/Power Door Locks, Power Windows, Power Mirrors
	5600 2336	1			1987
	5600 2769	1			1988-89
	5600 3747				1990 with Power Windows and Locks ***
	5600 3743	1			1990
3					HARNESS, Door, Right, w/Power Door Locks, Power Windows, Power Mirrors
	5600 2338	1			1987
	5600 2770	1			1988-89
	5600 3744	1			1990
4					HARNESS, Door, Left, w/Power Doors Locks, Power Windows
	5600 2317	1			1987
	5600 2793	1			1988-90
5					HARNESS, DOOR, w/Power Door Locks, and Manual Windows
	5600 2105	1			1987
	5600 2106	1			HARNESS, DOOR, w/Power Door Locks, and Power Windows
					1987
	5600 2792	1			HARNESS, Door, Right, w/Power Door Locks, Power Windows
					1988-90
6					HARNESS, Body, w/Power Door Locks, Power Windows, Power Mirrors
	5600 2353	1			1987
	5600 2873	1			1988-89
	5600 4475				1990
7					HARNESS, SEAT
	5600 1230	1			1987
	5600 2886	1			1988-90
8					HARNESS, Cargo Lamp, w/bulb Holder
9					HARNESS, Liftgate
	5600 2374	1			1987-89
	5600 3937	1			1990
10					HARNESS to Liftgate ***

MODEL CODES:

15 = Grand Wagoneer 4 Dr.	65 = Comanche 4WD-7 Ft. Box	77 = Cherokee 4WD-2 Dr.
25 = J-10 Pickup-119" W.B.	66 = Comanche 2WD-7 Ft. Box	78 = Cherokee 4WD-4 Dr.
26 = J-10 Pickup-131" W.B.	73 = Cherokee 2WD-2 Dr.	79 = Cherokee 4WD-4 Dr.-Com
27 = J-20 Pickup-131" W.B.	74 = Cherokee 2WD-4 Dr.	81 = Wrangler-93" W.B.
63 = Comanche 4WD-6 Ft. Box	75 = Wagoneer 4WD-4 Dr.	82 = Wrangler-103" W.B.-Exp.
64 = Comanche 2WD-6 Ft. Box		

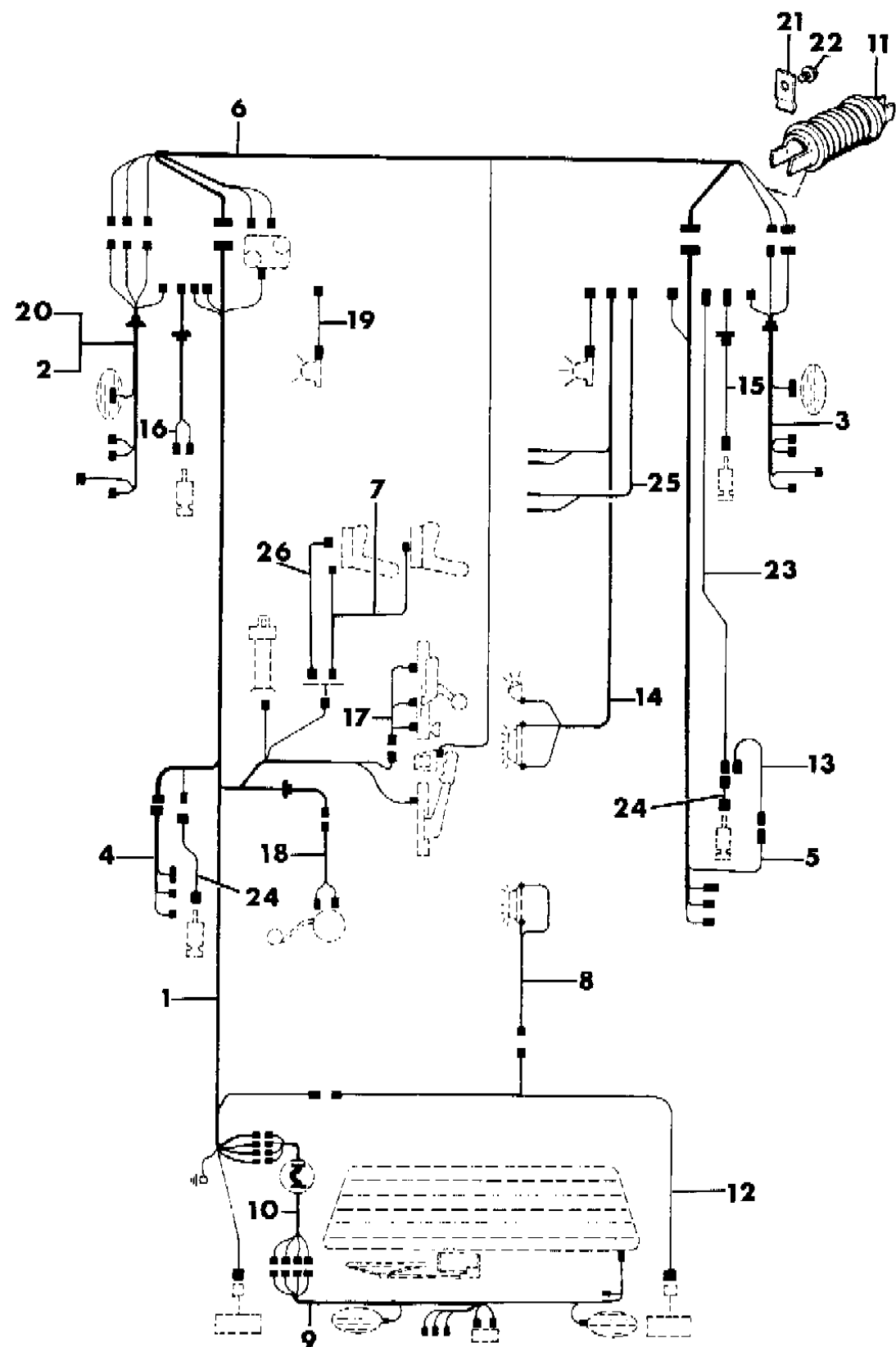
BODY STYLES:

MJ = Comanche Pickup  
SJ = Grand Wagoneer Wgn., J-10 & J-20 Pickups  
XJ = Cherokee, Wagoneer Limited  
YJ = Wrangler

AR = Use as Required - = Non Illustrated Part P.A.R. = Paint as Required

HARNESS, BODY AND ACCESSORY CHEROKEE, WAGONEER  
Figure 8-5600

8J08 5600 C



ITEM	PART NUMBER	QTY	BODY	MODEL	DESCRIPTION
	5600 2678	1			1987-89
	5600 3759	1			1990
11	5500 1138	4			TUBE, Protector
12					HARNESS, Rear Cross Body
	5600 2346	1			1987-89
	5600 4502	1			1990
13	5600 0621	2			HARNESS, Courtesy Lamp
14	5600 2094	1			HARNESS, Dome Lamp 1987
	5600 2764	1			w/Keyless Entry 1988-89
	5600 4869	1			w/Keyless Entry, w/o Overhead Console 1990
	5600 4567	1			Map/Reading Lamp 1990
	5600 4868	1			Overhead Console, 1990
15					HARNESS, Dome Lamp, Right
	5600 2364	1			1988-89
	5600 4917	1			1990
16	5600 2365	1			HARNESS, Dome Lamp, Left
	5600 2365	1			1988-89
	5600 4916	1			1990
17	5600 2396	1			HARNESS, Console Illumination
18					HARNESS, Fuel Tank
	5600 1859	1			4 Cyl. Gas Engine
	5600 1860	1			4 Cyl. Diesel Engine
	5600 1860	1			6 Cyl. Engine
19					HARNESS, Courtesy Lamp
	5600 0678	2			1987-89
	5600 4406	2			1990
20	5600 1850	2			HARNESS, Speaker
21	J090 8834	8			CLAMP
22	3420 1489	8			SCREW
23					HARNESS
	5600 2318	1			Rear Door Switch 1987-89
	5600 3764	1			Rear Door Switch 1990
24	5600 3766	2			HARNESS, Switch Adaptive 1990
25					HARNESS, Lighted Vanity, w/o Keyless Entry
	5600 2092	1			1987-89
	5600 4869	1			1990
26					HARNESS, SEAT

MODEL CODES:

15 = Grand Wagoneer 4 Dr.	65 = Comanche 4WD-7 Ft. Box	77 = Cherokee 4WD-2 Dr.
25 = J-10 Pickup-119" W.B.	66 = Comanche 2WD-7 Ft. Box	78 = Cherokee 4WD-4 Dr.
26 = J-10 Pickup-131" W.B.	73 = Cherokee 2WD-2 Dr.	79 = Cherokee 4WD-4 Dr.-Com
27 = J-20 Pickup-131" W.B.	74 = Cherokee 2WD-4 Dr.	81 = Wrangler-93" W.B.
63 = Comanche 4WD-6 Ft. Box	75 = Wagoneer 4WD-4 Dr.	82 = Wrangler-103" W.B.-Exp.
64 = Comanche 2WD-6 Ft. Box		

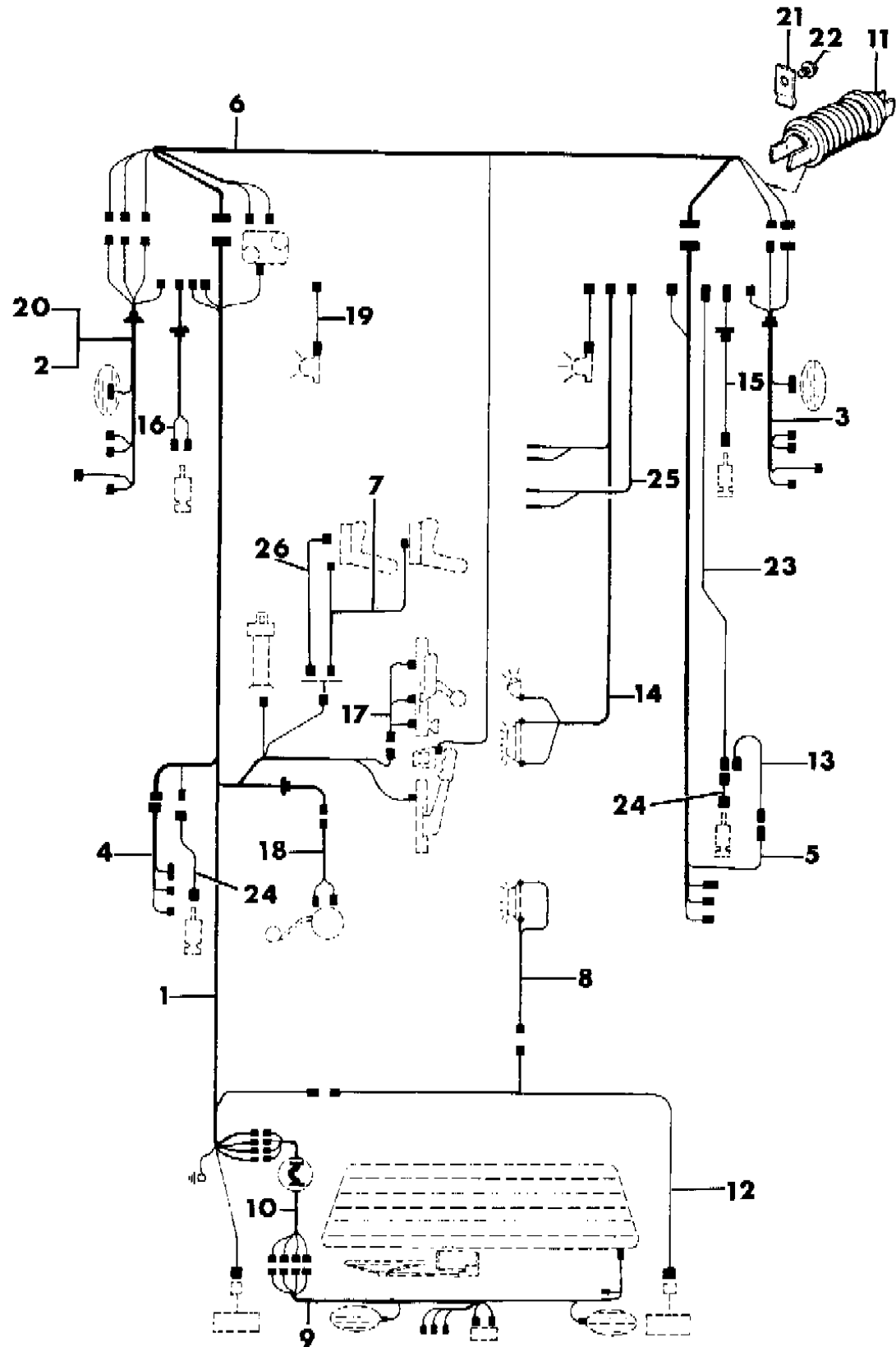
BODY STYLES:

MJ = Comanche Pickup  
SJ = Grand Wagoneer Wgn., J-10 & J-20 Pickups  
XJ = Cherokee, Wagoneer Limited  
YJ = Wrangler

AR = Use as Required - = Non Illustrated Part P.A.R. = Paint as Required

HARNESS, BODY AND ACCESSORY CHEROKEE, WAGONEER  
Figure 8-5600

8J08 5600 C



ITEM	PART NUMBER	QTY	BODY	MODEL	DESCRIPTION
------	-------------	-----	------	-------	-------------

	5600 1229	1		1987	
	5600 2886	1		1988-90	

MODEL CODES:

15 = Grand Wagoneer 4 Dr.	65 = Comanche 4WD-7 Ft. Box	77 = Cherokee 4WD-2 Dr.
25 = J-10 Pickup-119" W.B.	66 = Comanche 2WD-7 Ft. Box	78 = Cherokee 4WD-4 Dr.
26 = J-10 Pickup-131" W.B.	73 = Cherokee 2WD-2 Dr.	79 = Cherokee 4WD-4 Dr.-Com
27 = J-20 Pickup-131" W.B.	74 = Cherokee 2WD-4 Dr.	81 = Wrangler-93" W.B.
63 = Comanche 4WD-6 Ft. Box	75 = Wagoneer 4WD-4 Dr.	82 = Wrangler-103" W.B.-Exp.
64 = Comanche 2WD-6 Ft. Box		

BODY STYLES:

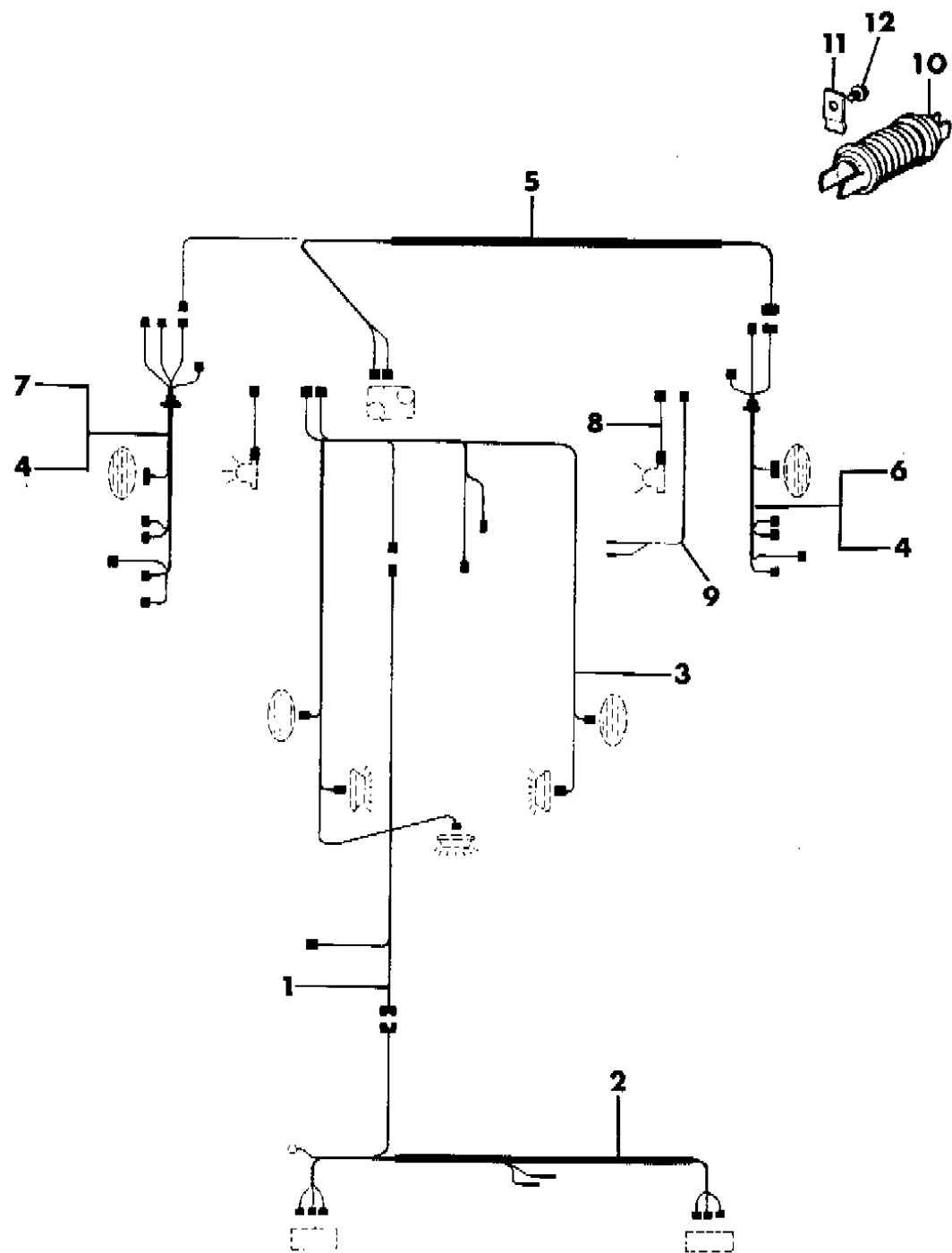
MJ = Comanche Pickup  
 SJ = Grand Wagoneer Wgn., J-10 & J-20 Pickups  
 XJ = Cherokee, Wagoneer Limited  
 YJ = Wrangler

AR = Use as Required - = Non Illustrated Part P.A.R. = Paint as Required



**HARNESS--BODY AND ACCESSORY COMANCHE**  
Figure 8-5700

8J08 5700



ITEM	PART NUMBER	QTY	BODY	MODEL	DESCRIPTION
1					HARNESS, Under Body
	5600 2528	1			1987
	5600 2884	1			1988-90
2					HARNESS, Rear Lighting
	5600 2530	1			1987-90 ***
3					HARNESS Cab ***
	5600 2313	1			1987-88
	5600 2869	1			1989
	5600 4574	1			1990
4					HARNESS, Speaker (Door),w/o Power Door Locks, w/o Power Windows
	5600 1850	2			
	5600 2336	1			HARNESS, Speaker (Door) w/Power Door Locks, w/Power Windows 1987
5					HARNESS, Body, w/Power Door Locks, w/Power Windows
	5600 1683	1			1987
	5600 2350	1			1988-89
6					HARNESS, Door, Right
7					HARNESS, Door, Left
	5600 2329	1			
	5600 2338	1			HARNESS,Door, w/Power Door Locks, w/Power Windows 1987
8					HARNESS, Courtesy Lamp
9					HARNESS, Lighted Vanity
	5600 0678	2			
	5600 2092	1			
10					TUBE, Protector
	5500 1138	2			
11					CLAMP
	J090 8834	2			
12					SCREW
	3420 1489	2			

**MODEL CODES:**

15 = Grand Wagoneer 4 Dr.	65 = Comanche 4WD-7 Ft. Box	77 = Cherokee 4WD-2 Dr.
25 = J-10 Pickup-119" W.B.	66 = Comanche 2WD-7 Ft. Box	78 = Cherokee 4WD-4 Dr.
26 = J-10 Pickup-131" W.B.	73 = Cherokee 2WD-2 Dr.	79 = Cherokee 4WD-4 Dr.-Com
27 = J-20 Pickup-131" W.B.	74 = Cherokee 2WD-4 Dr.	81 = Wrangler-93" W.B.
63 = Comanche 4WD-6 Ft. Box	75 = Wagoneer 4WD-4 Dr.	82 = Wrangler-103" W.B.-Exp.
64 = Comanche 2WD-6 Ft. Box		

**BODY STYLES:**

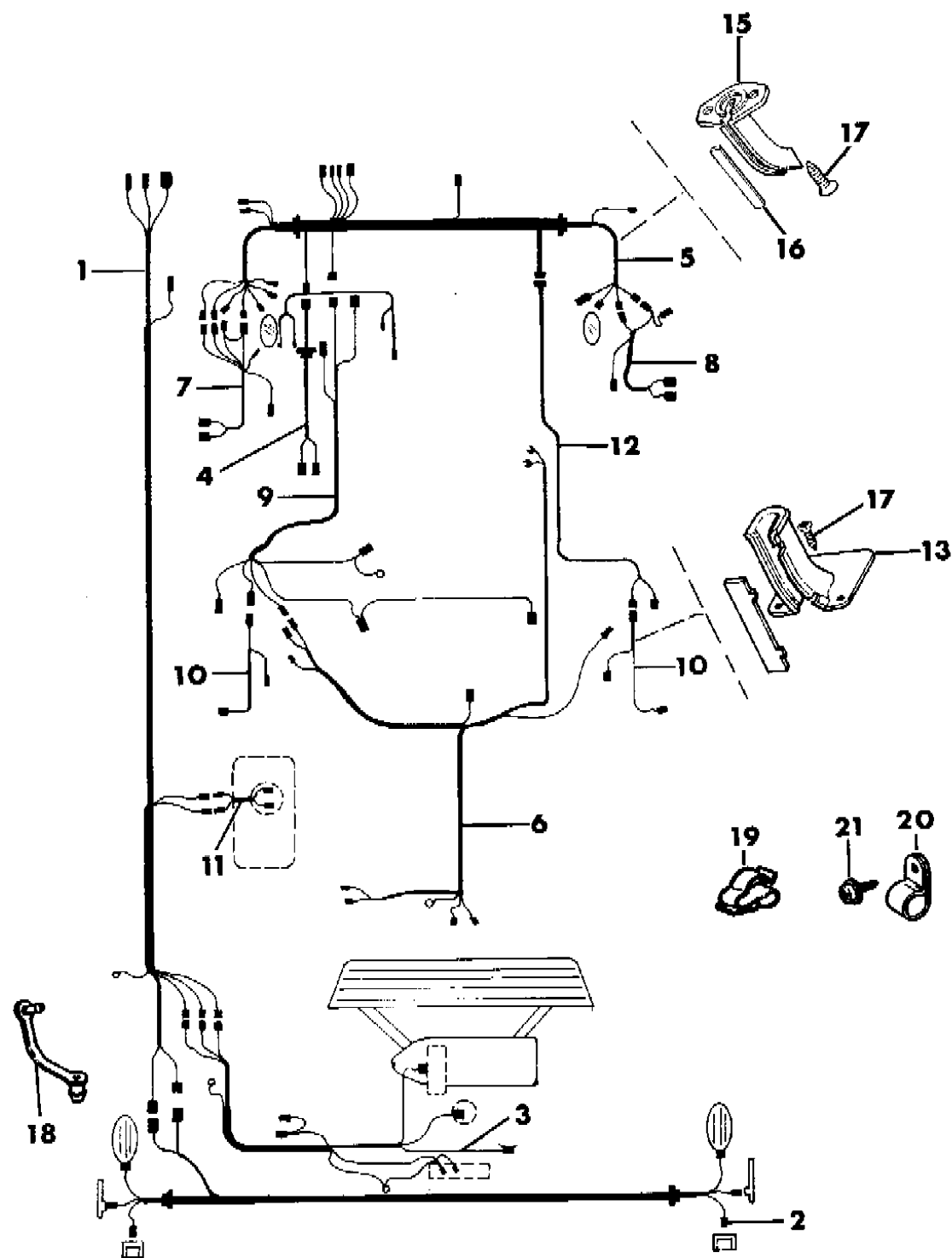
MJ = Comanche Pickup  
 SJ = Grand Wagoneer Wgn., J-10 & J-20 Pickups  
 XJ = Cherokee, Wagoneer Limited  
 YJ = Wrangler

AR = Use as Required - = Non Illustrated Part P.A.R. = Paint as Required

# HARNESS--BODY AND ACCESSORY GRAND WAGONEER

Figure 8-5800

8J08 5800 A



ITEM	PART NUMBER	QTY	BODY	MODEL	DESCRIPTION
1	5600 3219	1			HARNESS, Body
2					HARNESS, Rear Cross
	5600 3218	1			1987-89
	5600 4912	1			1990
3	5600 2656	1			HARNESS, Tailgate, 1988-90
4	5600 2029	1			HARNESS, Speaker, w/o Power Windows
5					HARNESS, Front Cross
	5600 2027	1			1987 w/Power Windows
	5600 2028	1			1987 w/o Power Windows
	5600 2711	1			1988
	5600 3640	1			1989
	5600 3954	1			1990
6					HARNESS
	J575 7098	1			Dome, Reading and Vanity Lamp
	J575 8655	1			Dome Lamp
7	5600 2400	1			HARNESS, Door, Left
8	5600 2403	1			HARNESS, Door, Right
9					HARNESS, Seat Belt
	J575 8010	1			w/o Power Seats
	5600 4903	1			w/ Power Seats
	J575 8008				1987-88
10	5600 2401	2			HARNESS, Door
11	J575 2302	1			HARNESS, Fuel Tank
12	J575 8063	1			HARNESS, Door
13	J576 2322	2			RETAINER
14	J576 2321	2			CAP
15	J575 6873	2			RETAINER
16	J575 6933	2			CAP
17	J812 0054	8			SCREW
18	J576 4658	1			HARNESS, Courtesy Lamp, w/o Power Windows or Door Locks
19	3420 2362	4			CLIP
20	3420 1904	3			CLIP
21	J097 4764	3			SCREW
22	J400 1712	3			CLIP
23	5600 2364-5	1			HARNESS, Jumper Dome Lamp Switch

MODEL CODES:

15 = Grand Wagoneer 4 Dr.	65 = Comanche 4WD-7 Ft. Box	77 = Cherokee 4WD-2 Dr.
25 = J-10 Pickup-119" W.B.	66 = Comanche 2WD-7 Ft. Box	78 = Cherokee 4WD-4 Dr.
26 = J-10 Pickup-131" W.B.	73 = Cherokee 2WD-2 Dr.	79 = Cherokee 4WD-4 Dr.-Com
27 = J-20 Pickup-131" W.B.	74 = Cherokee 2WD-4 Dr.	81 = Wrangler-93" W.B.
63 = Comanche 4WD-6 Ft. Box	75 = Wagoneer 4WD-4 Dr.	82 = Wrangler-103" W.B.-Exp.
64 = Comanche 2WD-6 Ft. Box		

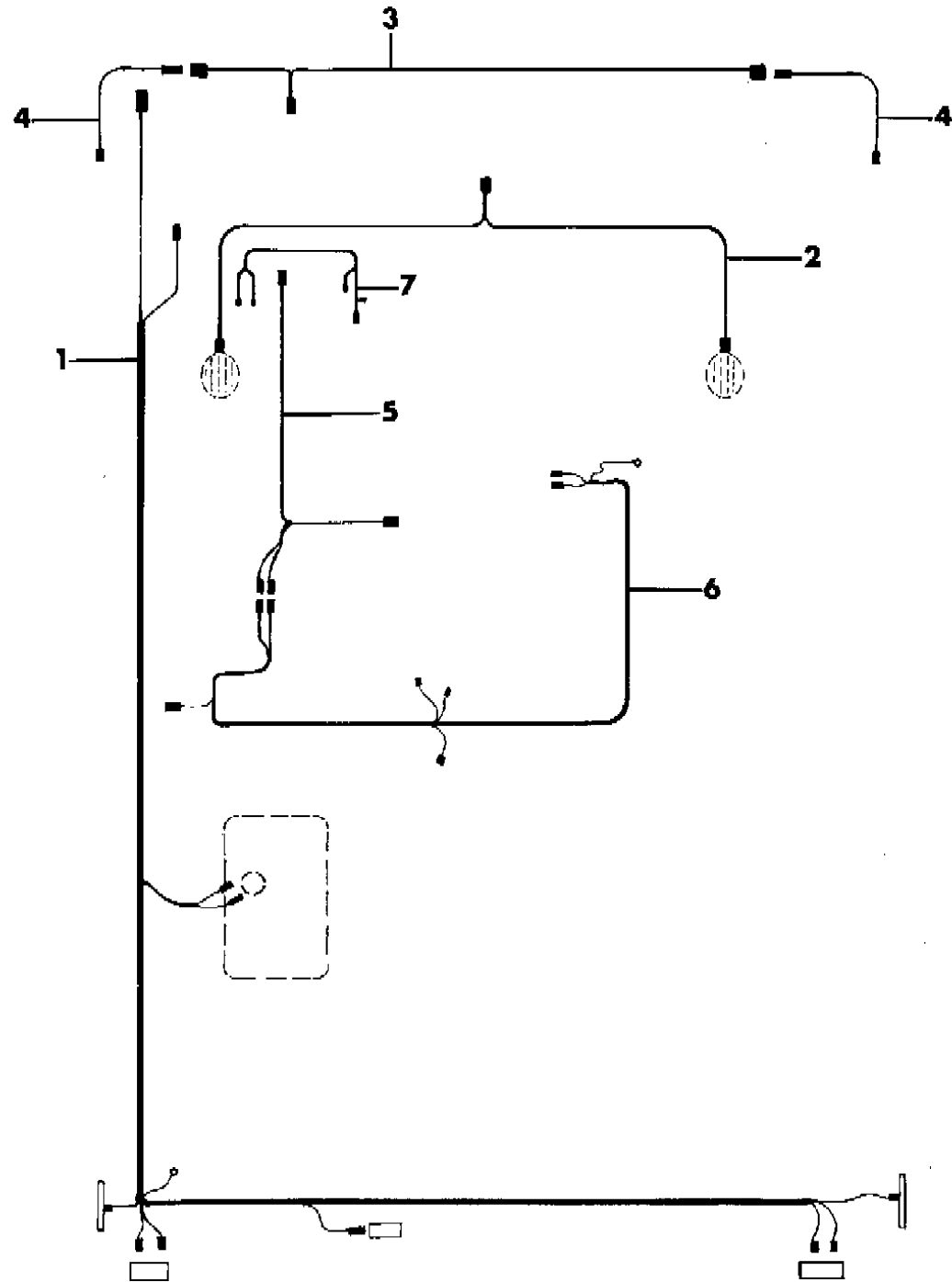
BODY STYLES:

MJ = Comanche Pickup  
 SJ = Grand Wagoneer Wgn., J-10 & J-20 Pickups  
 XJ = Cherokee, Wagoneer Limited  
 YJ = Wrangler

AR = Use as Required - = Non Illustrated Part P.A.R. = Paint as Required

HARNESS--BODY AND ACCESSORY J10, J20  
Figure 8-5900

8J08 5900



ITEM	PART NUMBER	QTY	BODY	MODEL	DESCRIPTION
1	5600 2413	1			HARNESS, Rear Cross
2	5600 2029	1			HARNESS, Speaker
3	J545 0120	1			HARNESS, Door Switch
4	J545 6013	2			HARNESS, Door Switch
5	J575 8010	1			HARNESS, Seat Belt
6	J575 7092	1			HARNESS, Dome Lamp
	J575 8227	1			Dome, Cargo and Vanity Lamp
7	J576 4658	1			HARNESS, Courtesy Lamp, w/o Power Door Locks, w/Power Windows

MODEL CODES:

15 = Grand Wagoneer 4 Dr.	65 = Comanche 4WD-7 Ft. Box	77 = Cherokee 4WD-2 Dr.
25 = J-10 Pickup-119" W.B.	66 = Comanche 2WD-7 Ft. Box	78 = Cherokee 4WD-4 Dr.
26 = J-10 Pickup-131" W.B.	73 = Cherokee 2WD-2 Dr.	79 = Cherokee 4WD-4 Dr.-Com
27 = J-20 Pickup-131" W.B.	74 = Cherokee 2WD-4 Dr.	81 = Wrangler-93" W.B.
63 = Comanche 4WD-6 Ft. Box	75 = Wagoneer 4WD-4 Dr.	82 = Wrangler-103" W.B.-Exp.
64 = Comanche 2WD-6 Ft. Box		

BODY STYLES:

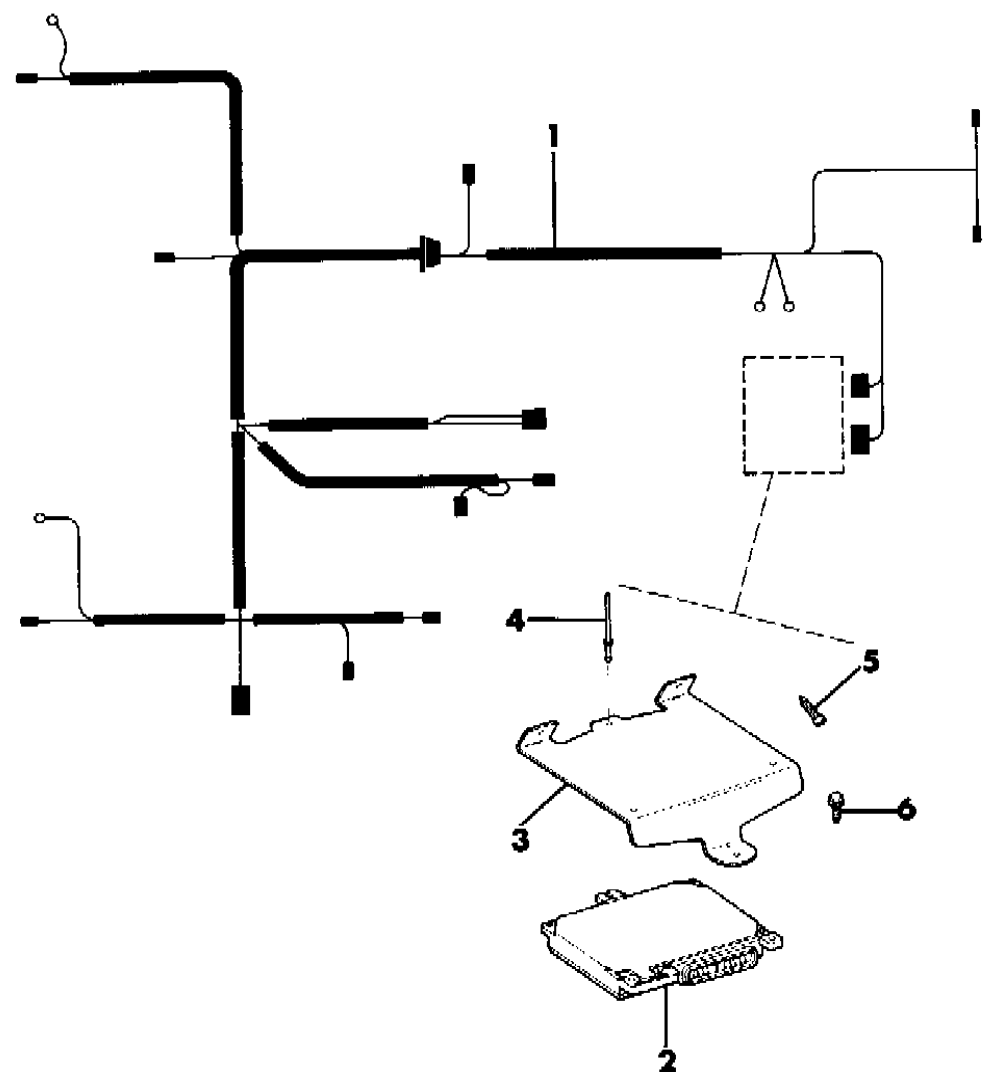
MJ = Comanche Pickup  
SJ = Grand Wagoneer Wgn., J-10 & J-20 Pickups  
XJ = Cherokee, Wagoneer Limited  
YJ = Wrangler

AR = Use as Required - = Non Illustrated Part P.A.R. = Paint as Required

**MODULE ANTI LOCK BRAKE SYSTEM CHEROKEE, WAGONEER**  
**Figure 8-6000**

**8 J08 6000 A**

ITEM	PART NUMBER	QTY	BODY	MODEL	DESCRIPTION
1					HARNESSES, Anti-Lock Brakes
	8350 6009	1			1989 (Up To 1-29-89)
	5600 3987	1			1989 (After 1-29-89)
	5600 4367	1			1990
2	5600 4028	1			MODULE, Anti-Lock Brakes
3	5600 2511	1			BRACKET
4	3420 2104	3			RIVET
5	J448 9487	2			SCREW
6	3420 1261	1			SCREW



**MODEL CODES:**

15 = Grand Wagoneer 4 Dr.	65 = Comanche 4WD-7 Ft. Box	77 = Cherokee 4WD-2 Dr.
25 = J-10 Pickup-119" W.B.	66 = Comanche 2WD-7 Ft. Box	78 = Cherokee 4WD-4 Dr.
26 = J-10 Pickup-131" W.B.	73 = Cherokee 2WD-2 Dr.	79 = Cherokee 4WD-4 Dr.-Com
27 = J-20 Pickup-131" W.B.	74 = Cherokee 2WD-4 Dr.	81 = Wrangler-93" W.B.
63 = Comanche 4WD-6 Ft. Box	75 = Wagoneer 4WD-4 Dr.	82 = Wrangler-103" W.B.-Exp.
64 = Comanche 2WD-6 Ft. Box		

**BODY STYLES:**

MJ = Comanche Pickup  
 SJ = Grand Wagoneer Wgn., J-10 & J-20 Pickups  
 XJ = Cherokee, Wagoneer Limited  
 YJ = Wrangler

AR = Use as Required - = Non Illustrated Part P.A.R. = Paint as Required

**GROUP 8A - ELECTRICAL - INSTRUMENT PANEL AND CONSOLES**

**ILLUSTRATION TITLE** **GROUP-FIG. NO.**

**WRANGLER, YJ**

INSTRUMENT PANEL PAD AND BEZELS WRANGLER, YJ ..... Fig. 8A-100

INSTRUMENT PANEL ASH RECEIVER AND SWITCHES WRANGLER, YJ ..... Fig. 8A-200

FUSE PANEL-INSTRUMENT PANEL WIRING WRANGLER, YJ ..... Fig. 8A-300

INSTRUMENT PANEL CLUSTER WRANGLER, YJ ..... Fig. 8A-400

ANTENNA--SPEAKERS--KNOBS WRANGLER, YJ ..... Fig. 8A-500

CONSOLE--FLOOR WRANGLER, YJ ..... Fig. 8A-600

CLIPS--MISCELLANEOUS WRANGLER, YJ ..... Fig. 8A-700

RELAYS--MISCELLANEOUS WRANGLER, YJ ..... Fig. 8A-800

CONNECTOR--MISCELLANEOUS WRANGLER, YJ ..... Fig. 8A-900

**CHEROKEE, WAGONEER AND COMANCHE**

INSTRUMENT PANEL PAD AND BEZELS CHEROKEE, WAGONEER, COMANCHE ..... Fig. 8A-1000

INSTRUMENT PANEL SWITCHES AND CIGAR LIGHTER CHEROKEE, WAGONEER,COMANCHE ..... Fig. 8A-1100

INSTRUMENT CLUSTER--WITH GAUGES W/O TACHOMETER (TYPE 2) 1987, 1988/ CHEROKEE,  
WAGONEER,COMANCHE ..... Fig. 8A-1200

INSTRUMENT CLUSTER--WITH GAUGES, W/O TACHOMETER (TYPE 1) 1987 ..... Fig. 8A-1250

INSTRUMENT CLUSTER--WITH GAUGES W/TACHOMETER,TYPE 2 1987 CHEROKEE, WAGONEER,  
COMANCHE ..... Fig. 8A-1300

INSTRUMENT CLUSTER--WITH CAUGES W/TACHOMETER, CHEROKEE LIMITED (1987) 1988/  
CHEROKEE, WAGONEER, COMANCHE ..... Fig. 8A-1310

INSTRUMENT CLUSTER--WITH GAUGES, W/ TACHOMETER (TYPE 1) 1987 (EXCEPT CHEROKEE  
LIMITED) ..... Fig. 8A-1350

INSTRUMENT CLUSTER--WITH WARNING LAMPS W/O TACHOMETER (TYPE 2) 1987, 1988/ CHEROKEE,  
WAGONEER, COMANCHE ..... Fig. 8A-1400

INSTRUMENT CLUSTER--WITH WARNING LAMP (TYPE 1) 1987 CHEROKEE, WAGONEER, COMANCHE . Fig. 8A-1450

FUSE PANEL--INSTRUMENT PANEL WIRING CHEROKEE, WAGONEER, COMANCHE ..... Fig. 8A-1500

SPEAKERS AND KNOBS--RADIO TWO SPEAKER SYSTEM CHEROKEE, WAGONEER, COMANCHE ..... Fig. 8A-1600

SPEAKERS AND KNOBS--RADIO FOUR AND SIX SPEAKER SYSTEM CHEROKEE, WAGONEER,  
COMANCHE ..... Fig. 8A-1700

ANTENNA CHEROKEE, WAGONEER, COMANCHE ..... Fig. 8A-1800

CONSOLE--OVERHEAD CHEROKEE, WAGONEER 1990 ..... Fig. 8A-1850

SHIFT BEZELS CHEROKEE, WAGONEER, COMANCHE ..... Fig. 8A-1900

CONSOLE CHEROKEE, WAGONEER, COMANCHE ..... Fig. 8A-2000

SWITCHES--MISCELLANEOUS CHEROKEE, WAGONEER, COMANCHE ..... Fig. 8A-2100

**ILLUSTRATION NOT AVAILABLE AT TIME OF PUBLICATION**

---

**GROUP 8A - ELECTRICAL - INSTRUMENT PANEL AND CONSOLES**

**ILLUSTRATION TITLE**

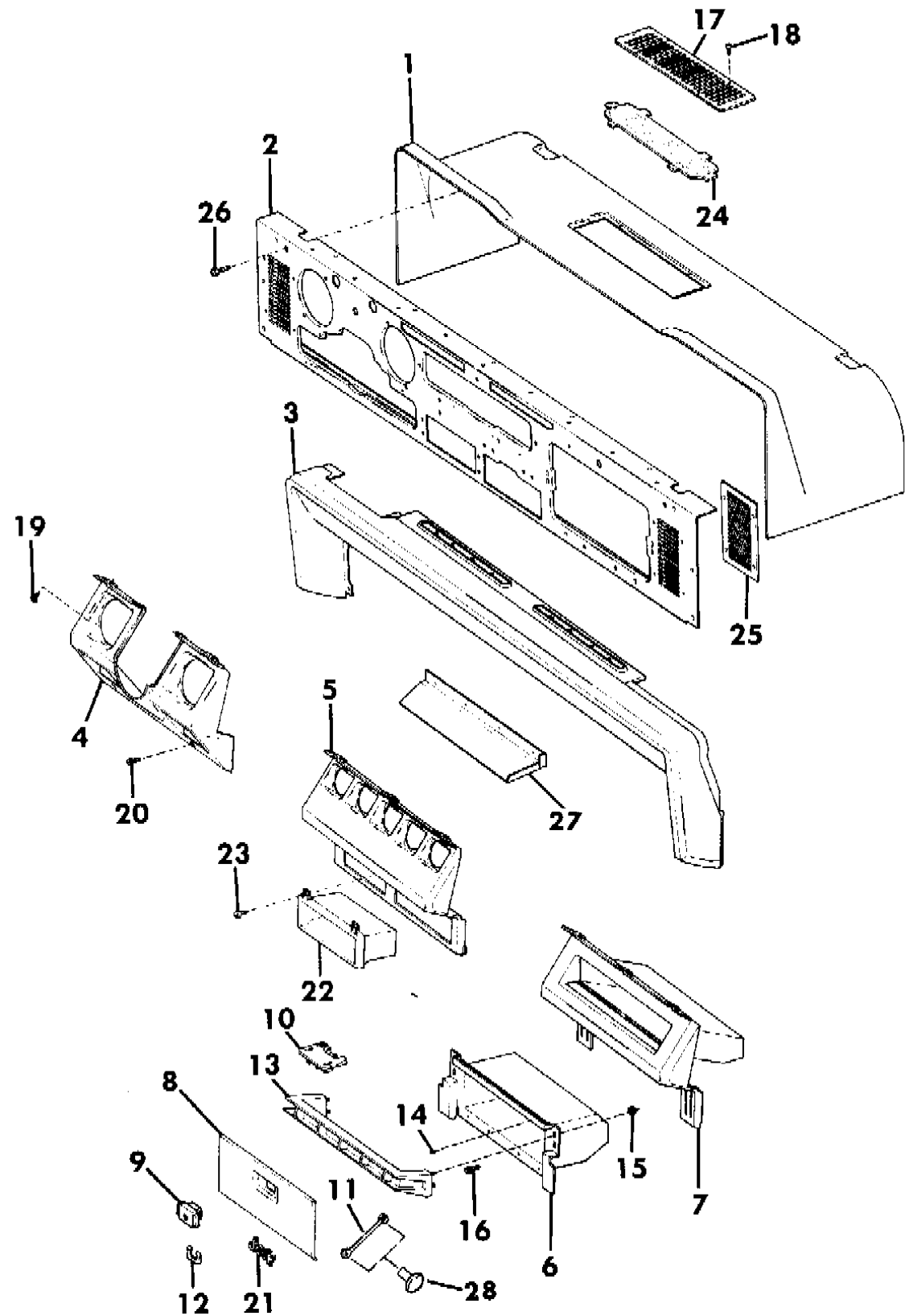
**GROUP-FIG. NO.**

**GRAND WAGONEER, J10 AND J20**

INSTRUMENT PANEL GRAND WAGONEER, J10, J20 .....	Fig. 8A-2200
INSTRUMENT CLUSTER GRAND WAGONEER, J10, J20 .....	Fig. 8A-2300
FUSE PANEL--INSTRUMENT PANEL WIRING GRAND WAGONEER, J10, J20 .....	Fig. 8A-2400
SPEAKERS AND KNOBS--RADIO TWO SPEAKER SYSTEM GRAND WAGONEER, J10, J20 .....	Fig. 8A-2500
SPEAKERS AND KNOBS--RADIO FOUR SPEAKER SYSTEM GRAND WAGONEER, J10, J20 .....	Fig. 8A-2600
ANTENNA GRAND WAGONEER, J10, J20 .....	Fig. 8A-2700
CONSOLE--OVERHEAD GRAND WAGONEER .....	Fig. 8A-2800
SWITCHES--MISCELLANEOUS GRAND WAGONEER, J10, J20 .....	Fig. 8A-2900

**INSTRUMENT PANEL PAD AND BEZELS WRANGLER, YJ**  
**Figure 8A-100**

8J82 100 A



ITEM	PART NUMBER	QTY	BODY	MODEL	DESCRIPTION
1	5500 8208	1			PANEL, Instrument, P.A.R.
2	J400 4991	11			SCREW
3	5AD8 3JY6	1			PAD, Instrument Panel
4	5500 8207	2			GRILLE, Speaker
5	J400 3671	16			SCREW
6	5500 7747	1			HOUSING, Cluster 1987-89 (P.A.R.) 1990
	5AS8 0JA8	1			Charcoal
	5AS8 0JY6	1			Sand
7	3420 1510	7			SCREW
8	5AD8 8JY6	1			HOUSING, Gauge P.A.R.
9	5501 5148	1			DEFLECTOR, Water ***
10	J448 9487	2			SCREW
11	5500 7711	1			HOUSING, Radio Opening
12	5500 0343	1			STRIKER, Glove Box
13	5500 7294	1			HANDLE, Assist
14	5500 7286	1			DOOR, Glove Box
15	5500 7800	1			LATCH, Glove Box
16	5500 6506	1			RETAINER, Lock
17	5501 0071	1			NAME PLATE, Jeep
18	5502 0572	2			STRAP, Glove Box Door
19	J400 0093	2			BUMPER, Glove Box Door
20	J941 9303	4			SCREW
21	5502 0573	2			BUTTON, Retaining
22	5500 7292	1			TOP, Glove Box Housing
23	J941 6918	4			NUT, Hex
24	5500 7813	1			HOUSING, Glove Box, P.A.R. 1987-89
	5AD8 2JY6	1			1990

**MODEL CODES:**

15 = Grand Wagoneer 4 Dr.	65 = Comanche 4WD-7 Ft. Box	77 = Cherokee 4WD-2 Dr.
25 = J-10 Pickup-119" W.B.	66 = Comanche 2WD-7 Ft. Box	78 = Cherokee 4WD-4 Dr.
26 = J-10 Pickup-131" W.B.	73 = Cherokee 2WD-2 Dr.	79 = Cherokee 4WD-4 Dr.-Com
27 = J-20 Pickup-131" W.B.	74 = Cherokee 2WD-4 Dr.	81 = Wrangler-93" W.B.
63 = Comanche 4WD-6 Ft. Box	75 = Wagoneer 4WD-4 Dr.	82 = Wrangler-103" W.B.-Exp.
64 = Comanche 2WD-6 Ft. Box		

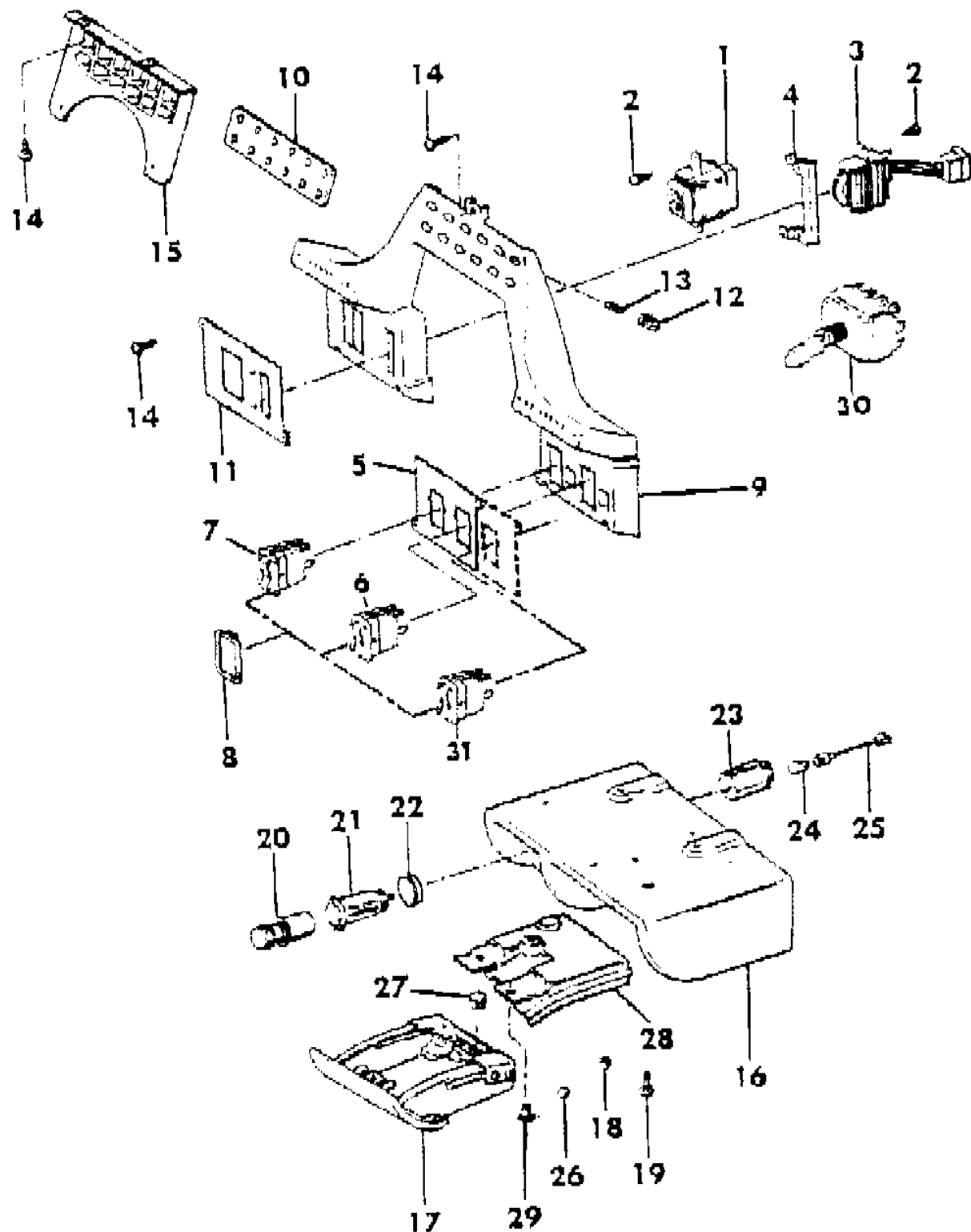
**BODY STYLES:**

MJ = Comanche Pickup  
 SJ = Grand Wagoneer Wgn., J-10 & J-20 Pickups  
 XJ = Cherokee, Wagoneer Limited  
 YJ = Wrangler

AR = Use as Required - = Non Illustrated Part P.A.R. = Paint as Required

**INSTRUMENT PANEL ASH RECEIVER AND SWITCHES WRANGLER, YJ**  
**Figure 8A-200**

8J82 200 A



ITEM	PART NUMBER	QTY	BODY	MODEL	DESCRIPTION
1	5600 3119	1			SWITCH, Headlamp
2	J448 9487	6			SCREW
3	5600 1864	1			RHEOSTAT
4	5501 3336	1			BRACKET
5					APPLIQUE
					1988-89, 2-hole
	5500 8213	1			w/o Emission Controlled European
	5500 8214	1			Emission Controlled European
	5502 4780	1			1990, 3-hole
	5502 4783	1			1990, 1 Hole
6					SWITCH, Defogger
	5600 0030	1			1987-89
	5600 3540	1			1990
7					SWITCH, Fog Lamp
	5600 0025	1			1987-89
	5600 3541	1			w/ ECE, 1990
	5600 2384	1			w/o ECE, 1990
8	5500 3005	AR			COVER, Switch
9					HOUSING, Switch (w/Circuit Board)
	5500 8917	1			1987-89
	5503 3354	1			1990
10	5500 8915	1			GASKET, Switch Housing
11					LENS
	5500 8217	1			HEADLAMP
	5500 8214	1			Fog,Defogger, 1987-89
	5500 8214	1			Fog,Defogger, ECE, 1987-89
12	3600 0091	7			SOCKET
13	J812 5723	7			BULB, (74)
14	J400 3671	6			SCREW
15					BEZEL, Warning lamps
	5AF7 4JA8	1			1998-90 (Charcoal)
	5AF7 4JY6	1			1988-90 (Sand)
					w/Emission Controlled European
	5502 1996	1			1988-89 (P.A.R.)
	5AR9 2JA8	1			1990 (Charcoal)
	5AR9 2JY6	1			1990 (Sand)
16	5500 8354	1			HOUSING, P.A.R.

**MODEL CODES:**

15 = Grand Wagoneer 4 Dr.	65 = Comanche 4WD-7 Ft. Box	77 = Cherokee 4WD-2 Dr.
25 = J-10 Pickup-119" W.B.	66 = Comanche 2WD-7 Ft. Box	78 = Cherokee 4WD-4 Dr.
26 = J-10 Pickup-131" W.B.	73 = Cherokee 2WD-2 Dr.	79 = Cherokee 4WD-4 Dr.-Com
27 = J-20 Pickup-131" W.B.	74 = Cherokee 2WD-4 Dr.	81 = Wrangler-93" W.B.
63 = Comanche 4WD-6 Ft. Box	75 = Wagoneer 4WD-4 Dr.	82 = Wrangler-103" W.B.-Exp.
64 = Comanche 2WD-6 Ft. Box		

**BODY STYLES:**

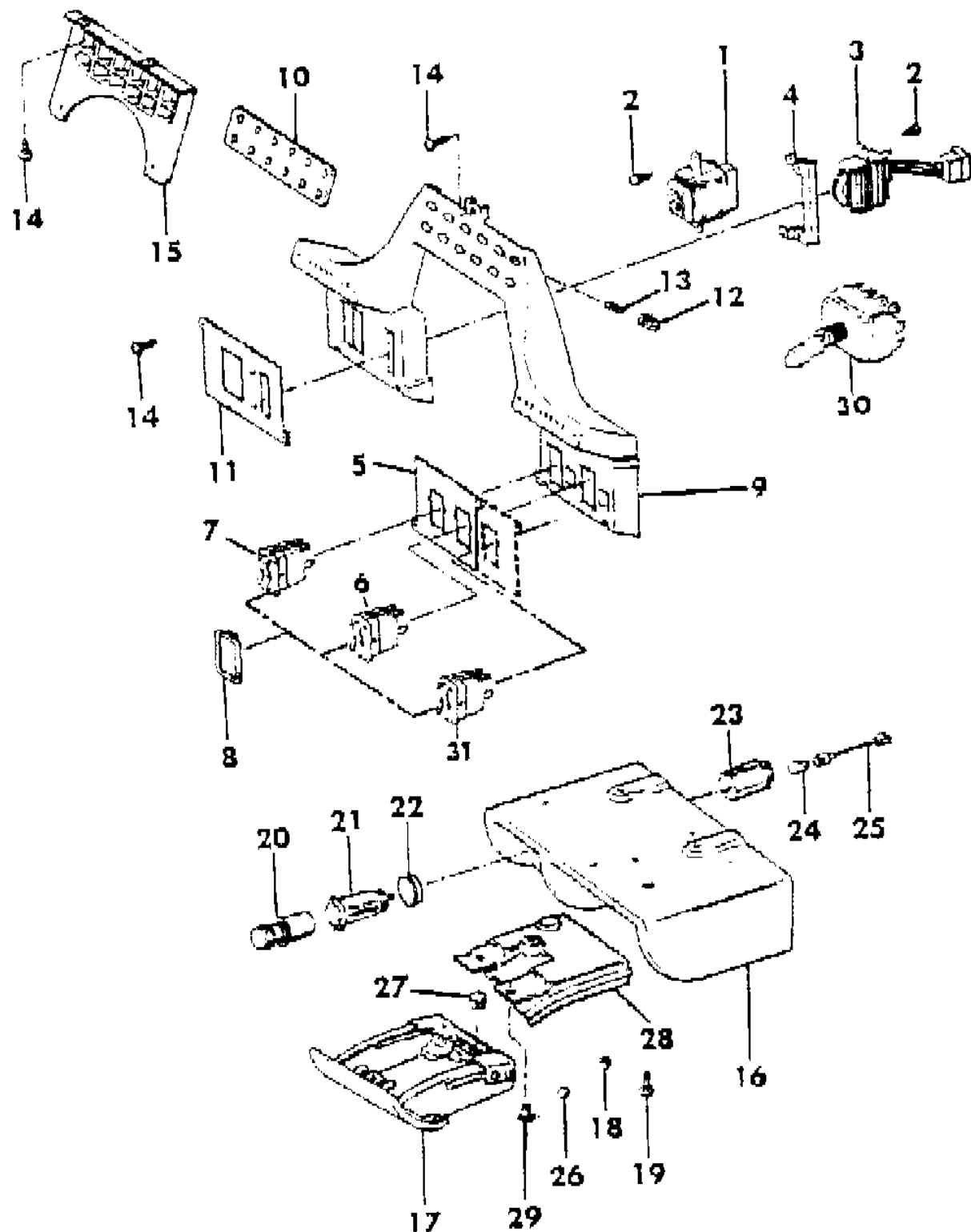
MJ = Comanche Pickup  
 SJ = Grand Wagoneer Wgn., J-10 & J-20 Pickups  
 XJ = Cherokee, Wagoneer Limited  
 YJ = Wrangler

AR = Use as Required - = Non Illustrated Part P.A.R. = Paint as Required



**INSTRUMENT PANEL ASH RECEIVER AND SWITCHES WRANGLER, YJ**  
**Figure 8A-200**

8J82 200 A



ITEM	PART NUMBER	QTY	BODY	MODEL	DESCRIPTION
17	5500 8351	1			ASHTRAY
18	J012 0361	1			NUT
19	J400 5796	3			SCREW
20	5600 0501	1			LIGHTER, Cigar
21	J345 3270	1			HOUSING, Cigar Lighter
22	3500 1906	1			RING, Illumination
23	3600 0242	1			CLAMP, Cigar Lighter
24	0131 282	AR			BULB, (53)
25	3600 0279	AR			SOCKET, Bulb
26	S014 7488	4			BALL
27	J400 0081	1			PLUG
28	5500 8352	1			RETAINER, Ashtray
29	J400 2038	2			RIVET
30	J805 1502	1			SWITCH, Blackout Lamp
31	5600 2651	1			SWITCH, Rear Wipe & Washer

**MODEL CODES:**

15 = Grand Wagoneer 4 Dr.	65 = Comanche 4WD-7 Ft. Box	77 = Cherokee 4WD-2 Dr.
25 = J-10 Pickup-119" W.B.	66 = Comanche 2WD-7 Ft. Box	78 = Cherokee 4WD-4 Dr.
26 = J-10 Pickup-131" W.B.	73 = Cherokee 2WD-2 Dr.	79 = Cherokee 4WD-4 Dr.-Com
27 = J-20 Pickup-131" W.B.	74 = Cherokee 2WD-4 Dr.	81 = Wrangler-93" W.B.
63 = Comanche 4WD-6 Ft. Box	75 = Wagoneer 4WD-4 Dr.	82 = Wrangler-103" W.B.-Exp.
64 = Comanche 2WD-6 Ft. Box		

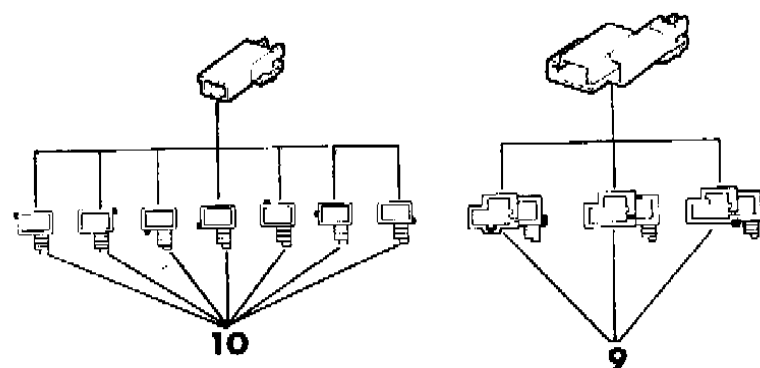
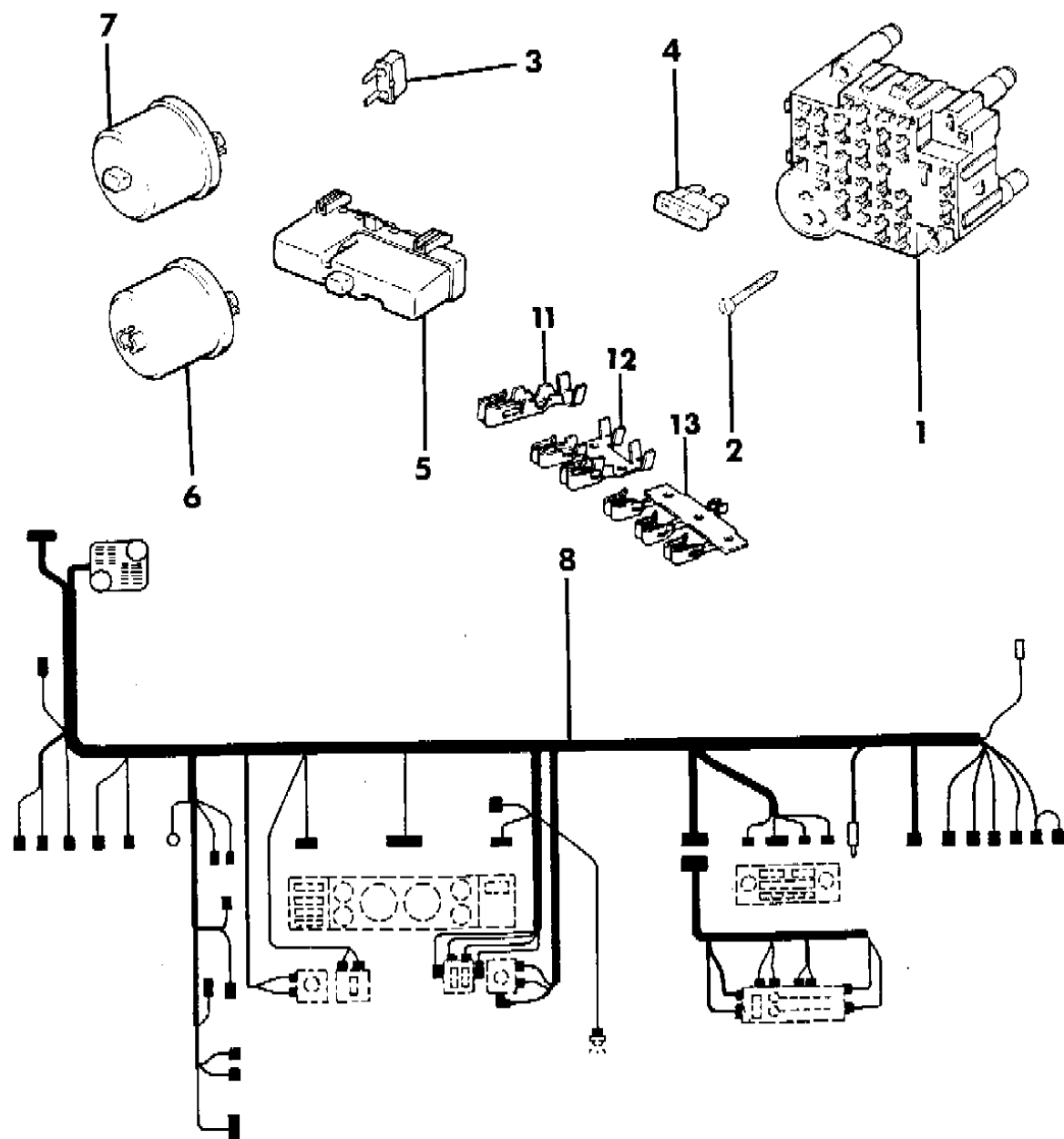
**BODY STYLES:**

MJ = Comanche Pickup  
 SJ = Grand Wagoneer Wgn., J-10 & J-20 Pickups  
 XJ = Cherokee, Wagoneer Limited  
 YJ = Wrangler

AR = Use as Required - = Non Illustrated Part P.A.R. = Paint as Required

FUSE PANEL-INSTRUMENT PANEL WIRING WRANGLER, YJ  
Figure 8A-300

8J82 300 A



ITEM	PART NUMBER	QTY	BODY	MODEL	DESCRIPTION
1	J575 0329	1			PANEL, Fuse
2	3420 1598	2			SCREW
3	5600 3116	1			BREAKER, Circuit 5.3 Ampere
	5600 2069	1			6 Ampere
4					FUSE
	J323 1213	AR			5 Ampere
	J323 1216	AR			15 Ampere
	J323 1217	AR			20 Ampere
	J323 1218	AR			25 Ampere
5	5600 1077	1			BUZZER, Headlamp/Seat Belt
6	J545 2266	1			FLASHER, Hazzard
7	3837 161	1			FLASHER, Turn Signal
8					HARNESS, Instrument Panel
	5600 2893	1			1988
	5600 3117	1			1989, w/o Emission Controlled European
	5600 3004	1			1989, w/Emission Controlled European
	5600 4822	1			1990, w/Emission Controlled European
	5600 4818	1			1990,w/o Emission Controlled European
	5600 3118	1			Export, w/Blackout Lights
	5600 2161	1			HARNESS, Cigar Lighter
9					CONNECTOR
	J417 9540	AR			Brown
	J417 9542	AR			Green
	J417 9630	AR			Black
10					CONNECTOR
	J417 9530	AR			Orange
	J417 9531	AR			Black
	J417 9532	AR			Green
	J417 9533	AR			Beige
	J417 9534	AR			Blue
	J417 9535	AR			Brown
	J417 9537	AR			Red
11	J323 1223	5			TERMINAL
12	J323 1224	3			TERMINAL
13	J323 1225	1			TERMINAL

MODEL CODES:

15 = Grand Wagoneer 4 Dr.	65 = Comanche 4WD-7 Ft. Box	77 = Cherokee 4WD-2 Dr.
25 = J-10 Pickup-119" W.B.	66 = Comanche 2WD-7 Ft. Box	78 = Cherokee 4WD-4 Dr.
26 = J-10 Pickup-131" W.B.	73 = Cherokee 2WD-2 Dr.	79 = Cherokee 4WD-4 Dr.-Com
27 = J-20 Pickup-131" W.B.	74 = Cherokee 2WD-4 Dr.	81 = Wrangler-93" W.B.
63 = Comanche 4WD-6 Ft. Box	75 = Wagoneer 4WD-4 Dr.	82 = Wrangler-103" W.B.-Exp.
64 = Comanche 2WD-6 Ft. Box		

BODY STYLES:

MJ = Comanche Pickup  
 SJ = Grand Wagoneer Wgn., J-10 & J-20 Pickups  
 XJ = Cherokee, Wagoneer Limited  
 YJ = Wrangler

AR = Use as Required - = Non Illustrated Part P.A.R. = Paint as Required

**INSTRUMENT PANEL CLUSTER WRANGLER, YJ**  
Figure 8A-400

8J82 400

ITEM	PART NUMBER	QTY	BODY	MODEL	DESCRIPTION
1					SPEEDOMETER, Miles
	5600 1594	1			1987
	5600 2918	1			1989-90
2					SPEEDOMETER, Kilo
	5600 1595	1			1987
	5600 2916	1			1988-90
3	3420 1461	4			NUT
4	5600 2289	10			FILTER
5	J400 3671	10			SCREW
6					TACHOMETER
	5600 1380	1			4 Cyl. Engine, 1987
	5600 2914	1			4 Cyl. Engine, 1988-90
	5600 1565	1			6 Cyl. Engine, 1987
	5600 2915	1			6 Cyl. Engine, 1988-90
7	9421 330	4			BULB, (194)
8	5600 1386	1			GAUGE, Fuel
9	5600 1389	1			GAUGE, Oil, U.S.
10	5600 1558	1			GAUGE, Oil, Canada
11	5600 1388	1			CLOCK
12	5600 1387	1			GAUGE, Temperature, U.S.
13	5600 1559	1			GAUGE, Temperature, Canada
14	5600 1390	1			VOLTMETER
15	8350 7109	1			HOUSING
16	8350 2949	1			BEZEL
17	8350 2948	1			LENS, (Clock Knob Included)
18	8350 7110	1			BOARD, Circuit
19	5600 1557	1			GAUGE, Fuel, Export
20	J941 7561	6			BULB, (161)
21	J369 7186	6			SOCKET
22	3420 1797	2			SCREW
23	3420 1529	3			SCREW
24	8350 2951	4			CONNECTOR

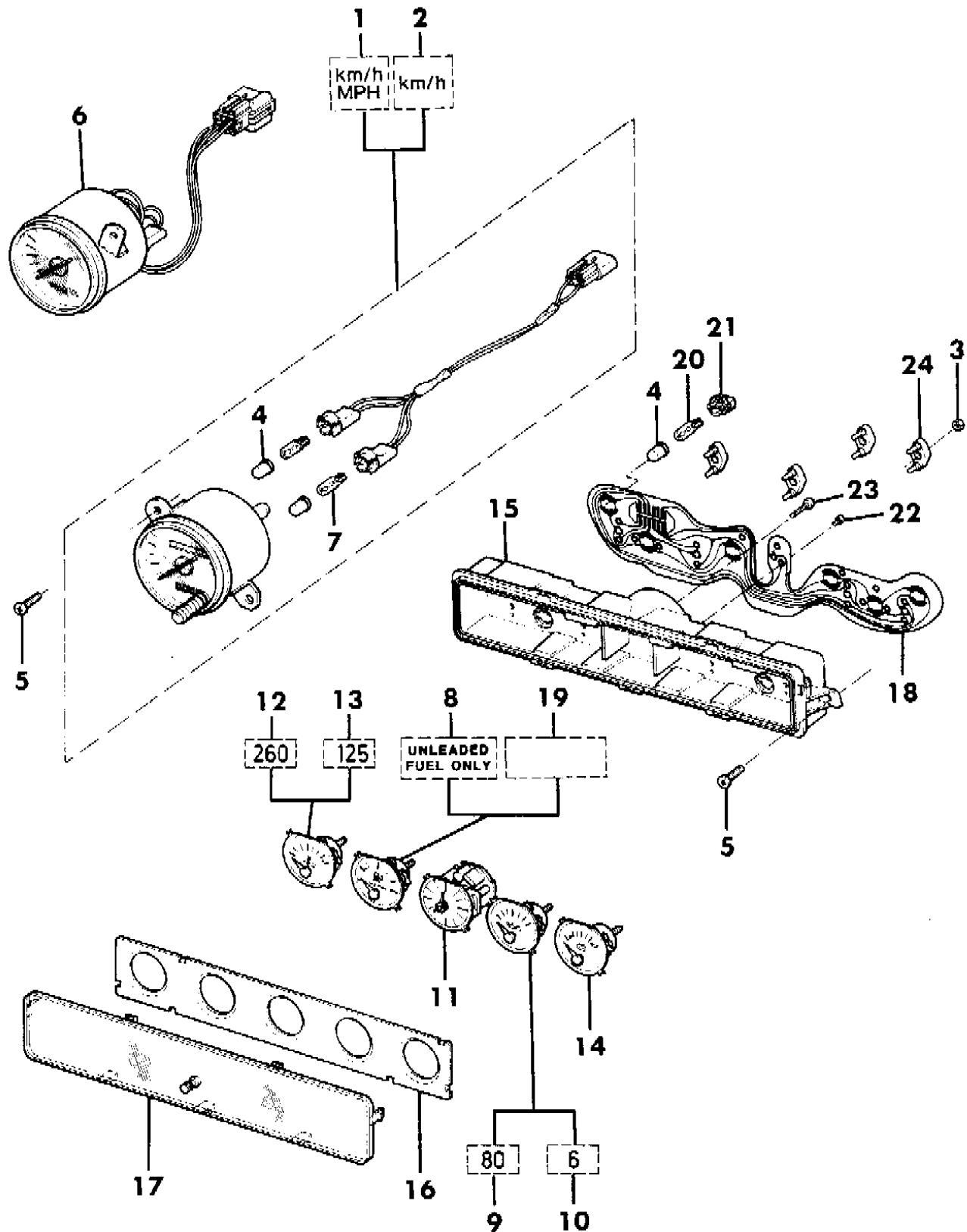
**MODEL CODES:**

15 = Grand Wagoneer 4 Dr.	65 = Comanche 4WD-7 Ft. Box	77 = Cherokee 4WD-2 Dr.
25 = J-10 Pickup-119" W.B.	66 = Comanche 2WD-7 Ft. Box	78 = Cherokee 4WD-4 Dr.
26 = J-10 Pickup-131" W.B.	73 = Cherokee 2WD-2 Dr.	79 = Cherokee 4WD-4 Dr.-Com
27 = J-20 Pickup-131" W.B.	74 = Cherokee 2WD-4 Dr.	81 = Wrangler-93" W.B.
63 = Comanche 4WD-6 Ft. Box	75 = Wagoneer 4WD-4 Dr.	82 = Wrangler-103" W.B.-Exp.
64 = Comanche 2WD-6 Ft. Box		

**BODY STYLES:**

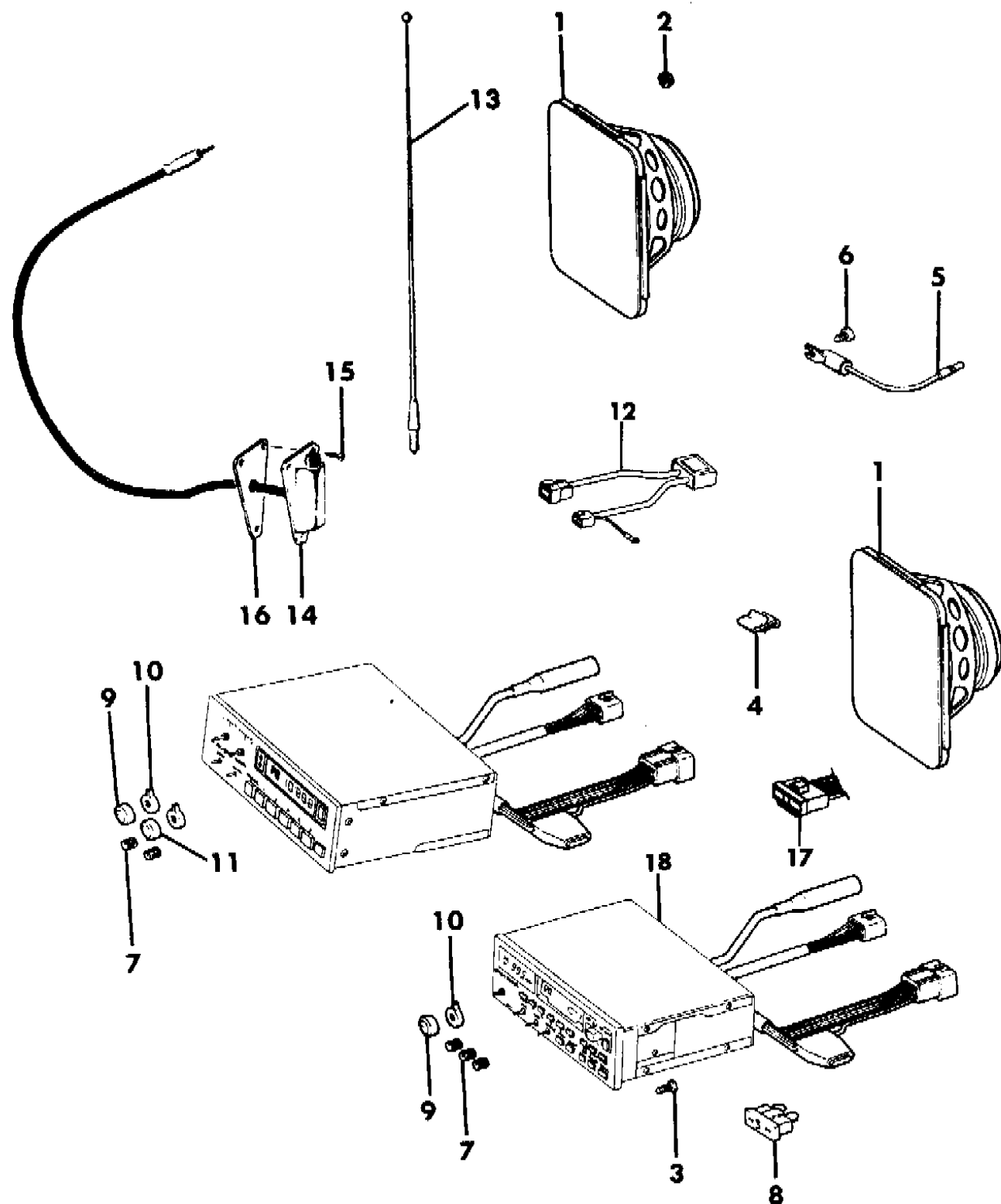
MJ = Comanche Pickup  
 SJ = Grand Wagoneer Wgn., J-10 & J-20 Pickups  
 XJ = Cherokee, Wagoneer Limited  
 YJ = Wrangler

AR = Use as Required - = Non Illustrated Part P.A.R. = Paint as Required



**ANTENNA--SPEAKERS--KNOBS WRANGLER, YJ**  
**Figure 8A-500**

8J82 500 A



ITEM	PART NUMBER	QTY	BODY	MODEL	DESCRIPTION
1	5600 2695	2			SPEAKER
2	S014 4485	8			NUT
3	J400 3671	2			SCREW
4	J400 5963	1			CLIP
5	J322 9510	1			CAPACITOR, Ignition
6	J940 9106	1			SCREW
7	8350 1415	3			KNOB, Balance
8	J323 1213	1			FUSE, 5 Ampere
9	8350 1413	1			KNOB, Volume
	8350 7040	1			Volume/Tune 1990
10	8350 1414	2			KNOB, Secondary
	8350 7041	1			Bass/Treble w/o Cass. 1990
	8350 7042	1			w/Cass. 1990
	8350 7043	1			Fader 1990
11	8350 1416	1			KNOB, Tuning
12	5600 3160	1			HARNESS, Jumper. KDX-Venezuela
13					ANTENNA
	J899 3415	1			Chrome
	8220 0684	1			Black
14					BASE, w/Cable
	J812 7842	1			Chrome
	8220 0683	1			Black
15	J400 2807	1			SCREW
16	J097 5528	3			PAD
17	#8350 6510	AR			HARNESS, Radio Repair
18					RADIO, See Accessory Catalog

**MODEL CODES:**

15 = Grand Wagoneer 4 Dr.	65 = Comanche 4WD-7 Ft. Box	77 = Cherokee 4WD-2 Dr.
25 = J-10 Pickup-119" W.B.	66 = Comanche 2WD-7 Ft. Box	78 = Cherokee 4WD-4 Dr.
26 = J-10 Pickup-131" W.B.	73 = Cherokee 2WD-2 Dr.	79 = Cherokee 4WD-4 Dr.-Com
27 = J-20 Pickup-131" W.B.	74 = Cherokee 2WD-4 Dr.	81 = Wrangler-93" W.B.
63 = Comanche 4WD-6 Ft. Box	75 = Wagoneer 4WD-4 Dr.	82 = Wrangler-103" W.B.-Exp.
64 = Comanche 2WD-6 Ft. Box		

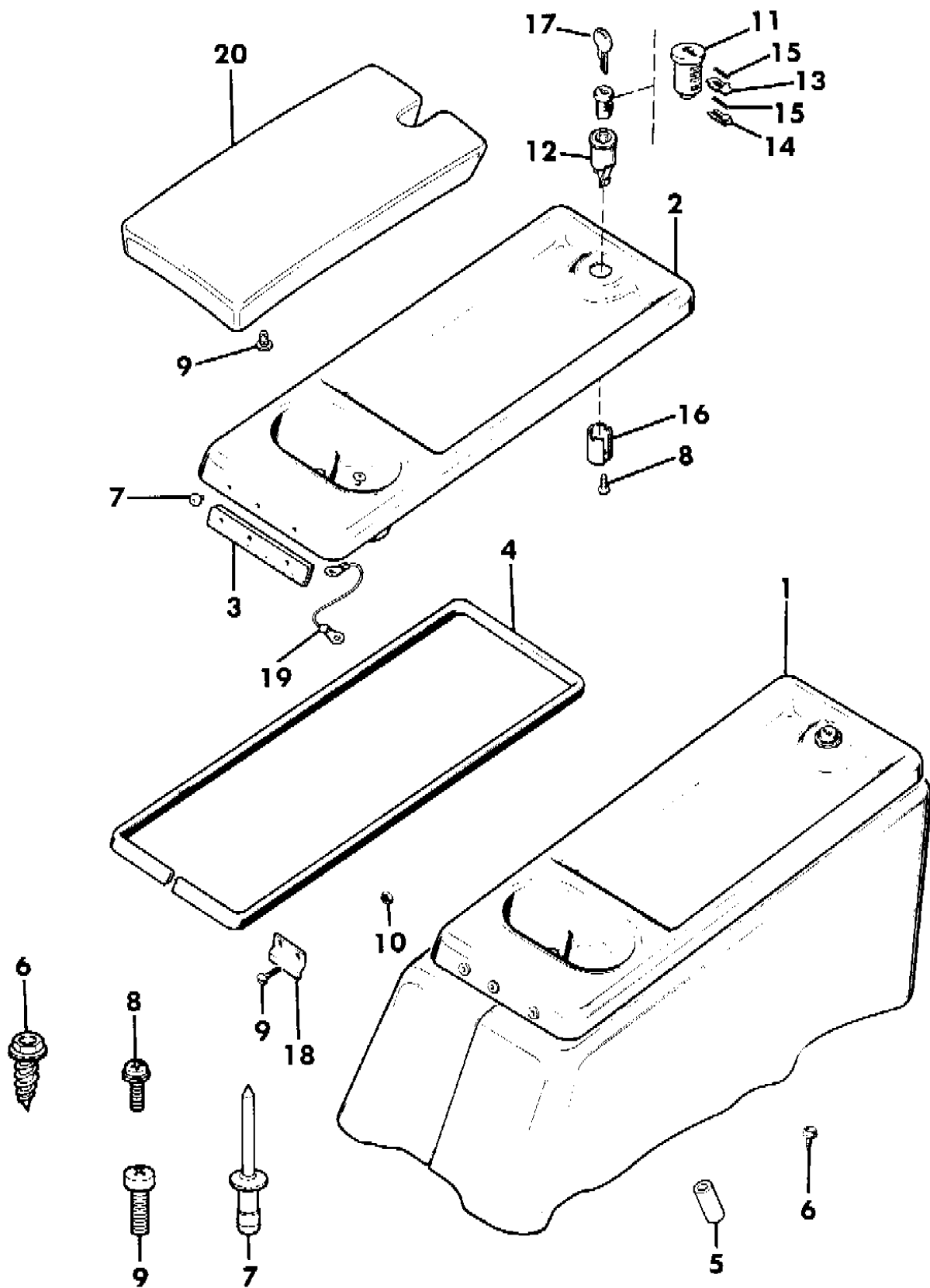
**BODY STYLES:**

MJ = Comanche Pickup  
 SJ = Grand Wagoneer Wgn., J-10 & J-20 Pickups  
 XJ = Cherokee, Wagoneer Limited  
 YJ = Wrangler

AR = Use as Required - = Non Illustrated Part P.A.R. = Paint as Required

CONSOLE--FLOOR WRANGLER, YJ  
Figure 8A-600

8J82 600



ITEM	PART NUMBER	QTY	BODY	MODEL	DESCRIPTION
1	J899 7174	1			CONSOLE, P.A.R.
2	5AG8 4JY6	1			DOOR
3	J546 1605	1			HINGE, Door
4	J546 1606	1			SEAL, Door
5	J546 1607	1			SEAL, Drain
6	J400 2359	4			SCREW
7	J400 5300	6			RIVET
8	J045 0649	1			SCREW
9	J015 9920	4			SCREW
10	J027 1166	2			NUT
11	J448 7663	1			CYLINDER, Lock
12	J448 4698	1			CASE
13					TUMBLER, Lock
	J812 2876	AR			1
	J812 2877	AR			2
	J812 2878	AR			3
	J812 2879	AR			4
	J812 2880	AR			5
14	J812 2875	1			RETAINER, Tumbler
15	J812 2881	AR			SPRING
16	J546 3621	1			RETAINER, Lock
17	5502 5852	1			KEY, Uncoded
18	J813 2541	1			STRIKER
19	J374 1968	1			CABLE, Door
20					COVER, Armrest
	5502 1223	1			Sand 1989
	5501 9301	1			Tan 1988

MODEL CODES:

15 = Grand Wagoneer 4 Dr.	65 = Comanche 4WD-7 Ft. Box	77 = Cherokee 4WD-2 Dr.
25 = J-10 Pickup-119" W.B.	66 = Comanche 2WD-7 Ft. Box	78 = Cherokee 4WD-4 Dr.
26 = J-10 Pickup-131" W.B.	73 = Cherokee 2WD-2 Dr.	79 = Cherokee 4WD-4 Dr.-Com
27 = J-20 Pickup-131" W.B.	74 = Cherokee 2WD-4 Dr.	81 = Wrangler-93" W.B.
63 = Comanche 4WD-6 Ft. Box	75 = Wagoneer 4WD-4 Dr.	82 = Wrangler-103" W.B.-Exp.
64 = Comanche 2WD-6 Ft. Box		

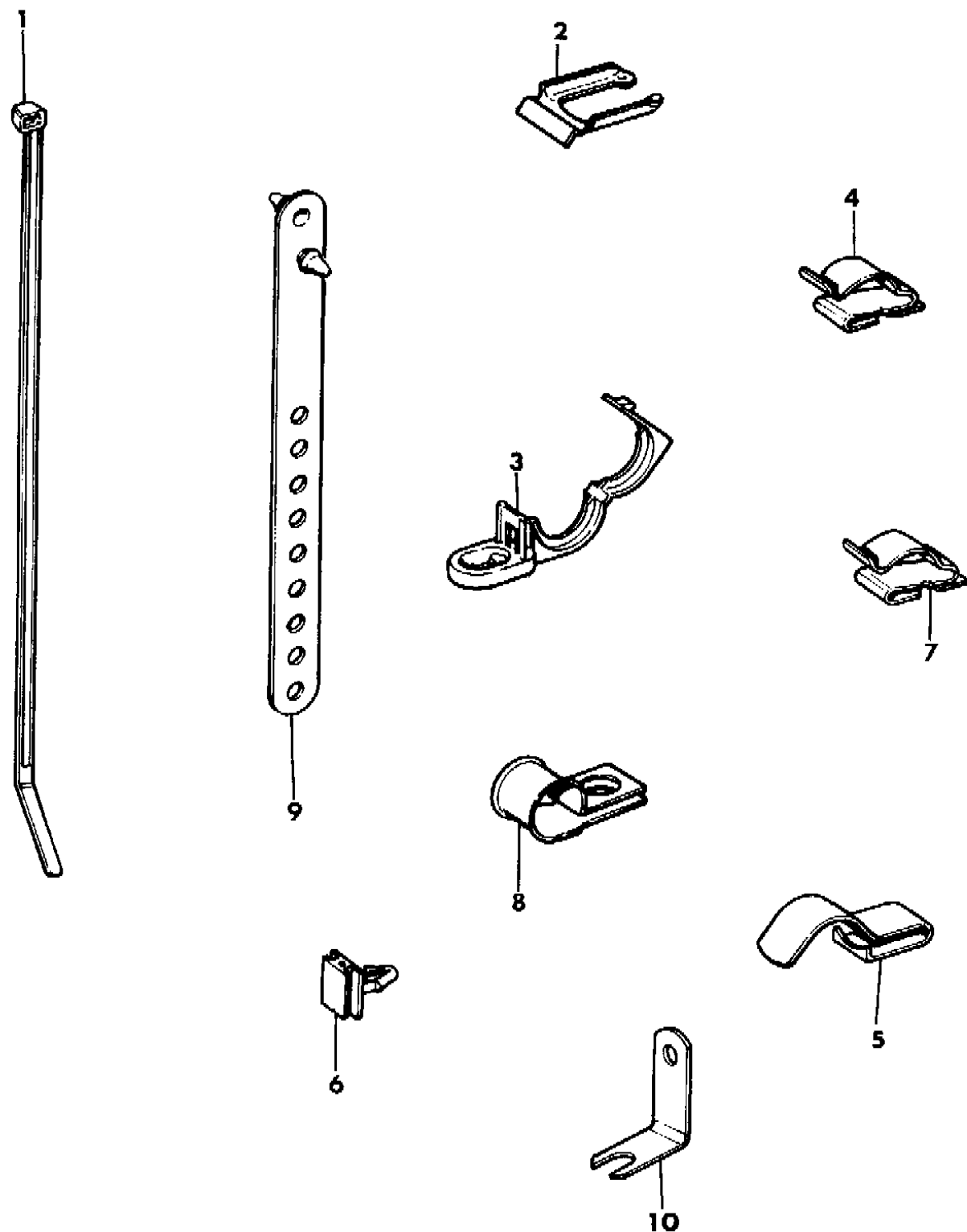
BODY STYLES:

MJ = Comanche Pickup  
SJ = Grand Wagoneer Wgn., J-10 & J-20 Pickups  
XJ = Cherokee, Wagoneer Limited  
YJ = Wrangler

AR = Use as Required - = Non Illustrated Part P.A.R. = Paint as Required

**CLIPS--MISCELLANEOUS WRANGLER, YJ**  
**Figure 8A-700**

8J82 700



ITEM	PART NUMBER	QTY	BODY	MODEL	DESCRIPTION
1	J322 3227	1			STRAP
2	J321 7581	1			CLIP
3	J545 9095	1			CLIP
4	3420 2362	1			CLIP
5	J545 4903	1			CLIP
6	J417 9831	1			CLIP, Connector
7	3420 2362	1			CLIP
8	J014 0780	1			CLIP
9	J092 6878	1			STRAP
10	J575 2416	1			SUPPORT, Harness

**MODEL CODES:**

15 = Grand Wagoneer 4 Dr.	65 = Comanche 4WD-7 Ft. Box	77 = Cherokee 4WD-2 Dr.
25 = J-10 Pickup-119" W.B.	66 = Comanche 2WD-7 Ft. Box	78 = Cherokee 4WD-4 Dr.
26 = J-10 Pickup-131" W.B.	73 = Cherokee 2WD-2 Dr.	79 = Cherokee 4WD-4 Dr.-Com
27 = J-20 Pickup-131" W.B.	74 = Cherokee 2WD-4 Dr.	81 = Wrangler-93" W.B.
63 = Comanche 4WD-6 Ft. Box	75 = Wagoneer 4WD-4 Dr.	82 = Wrangler-103" W.B.-Exp.
64 = Comanche 2WD-6 Ft. Box		

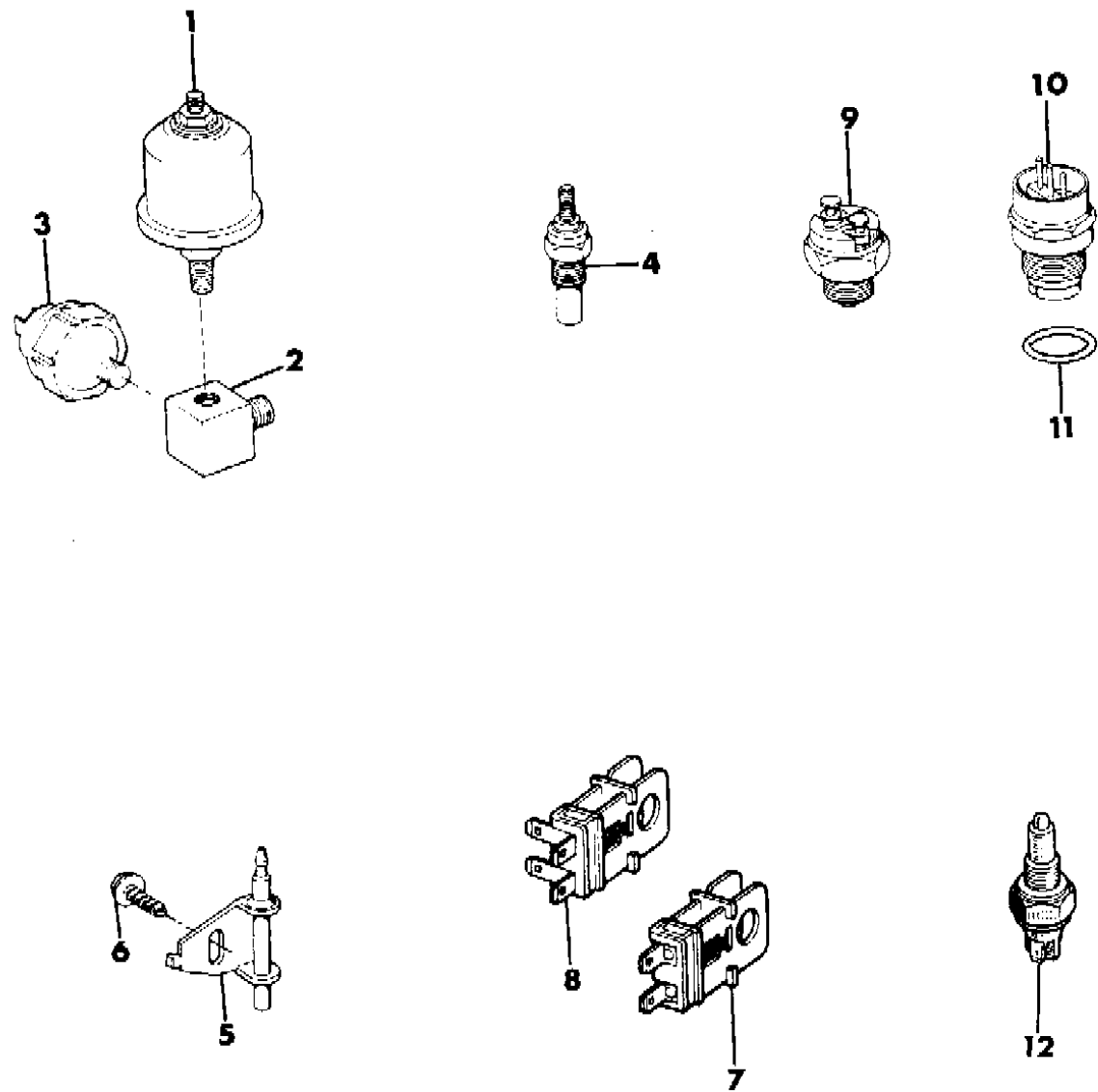
**BODY STYLES:**

MJ = Comanche Pickup  
 SJ = Grand Wagoneer Wgn., J-10 & J-20 Pickups  
 XJ = Cherokee, Wagoneer Limited  
 YJ = Wrangler

AR = Use as Required - = Non Illustrated Part P.A.R. = Paint as Required

RELAYS--MISCELLANEOUS WRANGLER, YJ  
Figure 8A-800

8J82 800



ITEM	PART NUMBER	QTY	BODY	MODEL	DESCRIPTION
1	5300 5218	1			SENDER, Oil Pressure ***
2	J093 4001	1			FITTING, 4 Cyl. Engine ***
	J400 6600	1			w/6 Cyl. Engine ***
3	J575 8695	1			SWITCH, Oil Pressure
4	5300 5056	1			SENDER, Coolant Temperature ***
5	J323 2194	1			SWITCH, Parking Brake Warning Lamp
6	J812 0054	1			SCREW
7	J321 5938	1			SWITCH, Brake Lamp w/o speed control
8	J322 5787	1			SWITCH, Brake Lamp w/speed control
9	5300 4522	1			SWITCH, Backup Lamp w/Manual Trans.
10	4057 750	1			SWITCH, Neutral Safety w/Auto. Trans.
11	J812 1142	1			GASKET
12	5300 2831	1			SWITCH, Upshift Lamp, w/ 5-Spd. Manual Trans.

MODEL CODES:

15 = Grand Wagoneer 4 Dr.	65 = Comanche 4WD-7 Ft. Box	77 = Cherokee 4WD-2 Dr.
25 = J-10 Pickup-119" W.B.	66 = Comanche 2WD-7 Ft. Box	78 = Cherokee 4WD-4 Dr.
26 = J-10 Pickup-131" W.B.	73 = Cherokee 2WD-2 Dr.	79 = Cherokee 4WD-4 Dr.-Com
27 = J-20 Pickup-131" W.B.	74 = Cherokee 2WD-4 Dr.	81 = Wrangler-93" W.B.
63 = Comanche 4WD-6 Ft. Box	75 = Wagoneer 4WD-4 Dr.	82 = Wrangler-103" W.B.-Exp.
64 = Comanche 2WD-6 Ft. Box		

BODY STYLES:

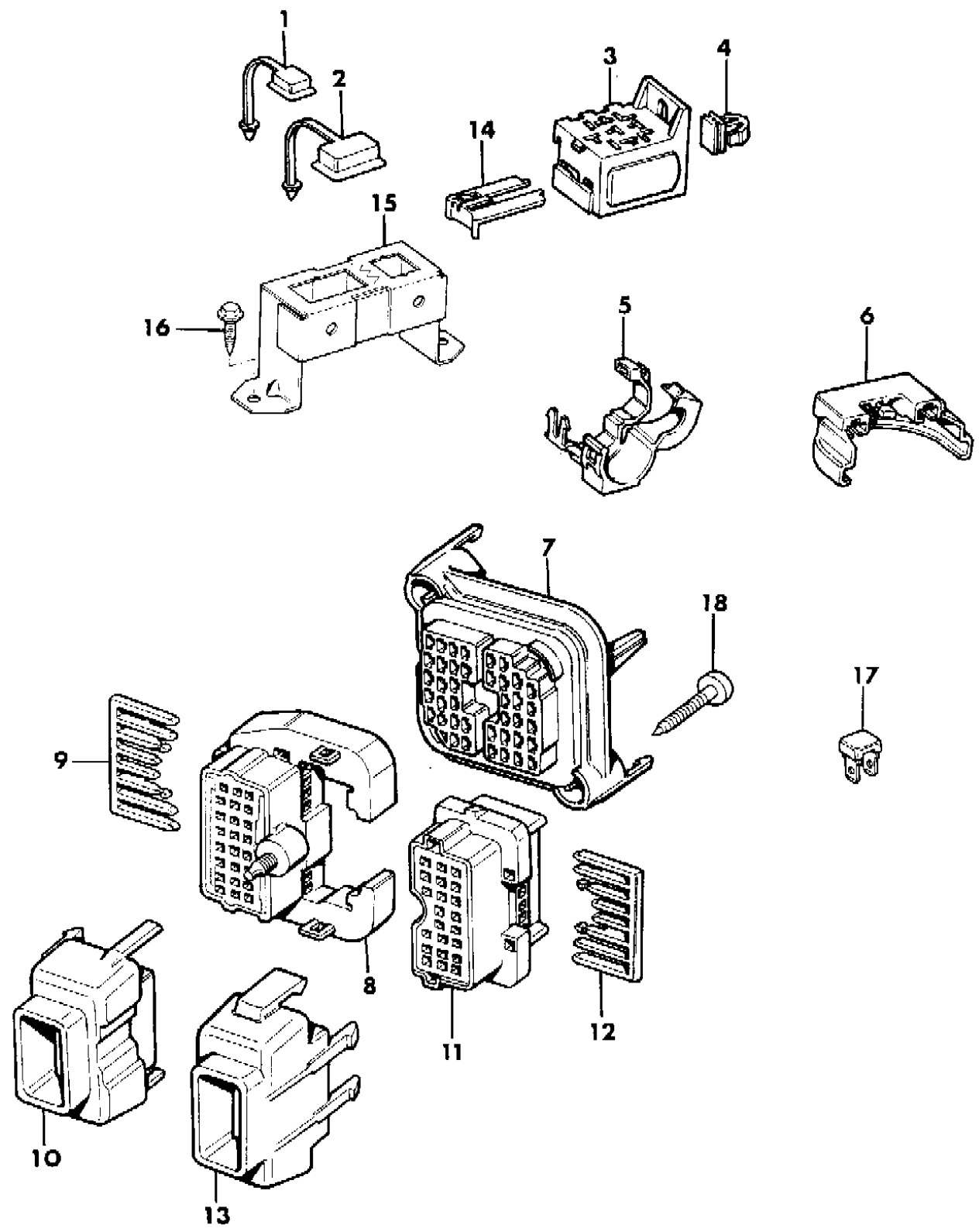
MJ = Comanche Pickup  
 SJ = Grand Wagoneer Wgn., J-10 & J-20 Pickups  
 XJ = Cherokee, Wagoneer Limited  
 YJ = Wrangler

AR = Use as Required - = Non Illustrated Part P.A.R. = Paint as Required

**CONNECTOR--MISCELLANEOUS WRANGLER, YJ**  
**Figure 8A-900**

**8J82 900**

ITEM	PART NUMBER	QTY	BODY	MODEL	DESCRIPTION
1	4450 990	1			COVER, 6 Hole
2	4450 991	1			COVER, 15 Hole
3	J417 9106	2			CONNECTOR
4	J417 9831	2			CLIP
5	J417 5241	1			RETAINER,Lock
6	J323 0639	1			CONNECTOR
7	3417 8240	1			CONNECTOR, Bulkhead
8	3417 8230	1			CONNECTOR, Bulkhead
9	3417 5323	1			RETAINER, Blue
10	3417 5325	1			COVER
11	3417 8231	1			CONNECTOR, Bulkhead
12	3417 5324	1			RETAINER, Clear
13	3417 5326	1			COVER
14	3417 5430	2			RETAINER, Lock
15	J576 1769	1			BRACKET, Diagnostic Connector
16	J812 0054	2			SCREW
17	J318 6890	1			TERMINAL, Jumper
18	3420 1256	2			SCREW



**MODEL CODES:**  
 15 = Grand Wagoneer 4 Dr.      65 = Comanche 4WD-7 Ft. Box      77 = Cherokee 4WD-2 Dr.  
 25 = J-10 Pickup-119" W.B.      66 = Comanche 2WD-7 Ft. Box      78 = Cherokee 4WD-4 Dr.  
 26 = J-10 Pickup-131" W.B.      73 = Cherokee 2WD-2 Dr.      79 = Cherokee 4WD-4 Dr.-Com  
 27 = J-20 Pickup-131" W.B.      74 = Cherokee 2WD-4 Dr.      81 = Wrangler-93" W.B.  
 63 = Comanche 4WD-6 Ft. Box      75 = Wagoneer 4WD-4 Dr.      82 = Wrangler-103" W.B.-Exp.  
 64 = Comanche 2WD-6 Ft. Box

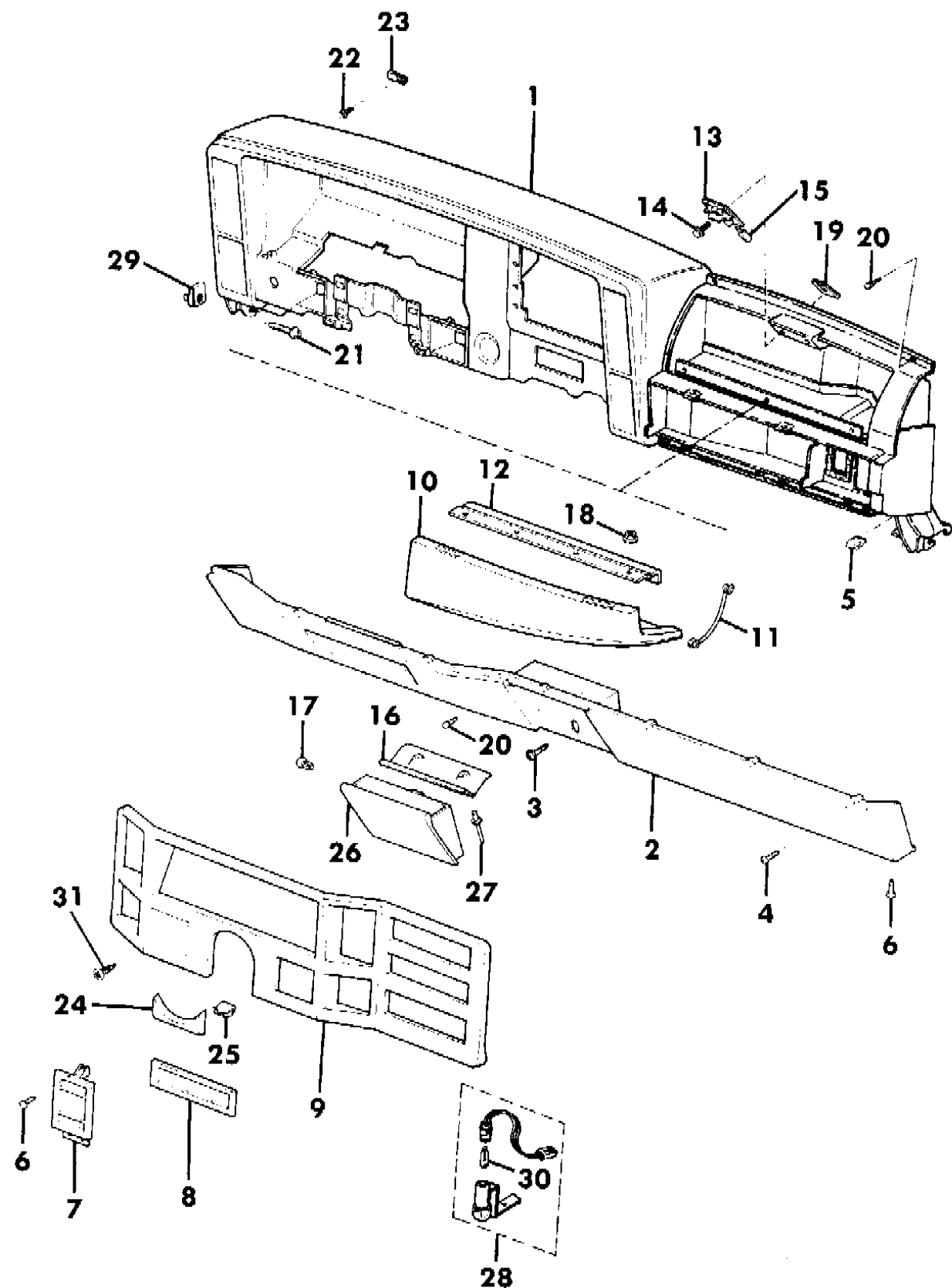
**BODY STYLES:**  
 MJ = Comanche Pickup  
 SJ = Grand Wagoneer Wgn., J-10 & J-20 Pickups  
 XJ = Cherokee, Wagoneer Limited  
 YJ = Wrangler

AR = Use as Required - = Non Illustrated Part P.A.R. = Paint as Required



**INSTRUMENT PANEL PAD AND BEZELS CHEROKEE, WAGONEER, COMANCHE**  
**Figure 8A-1000**

8J82 1000



ITEM	PART NUMBER	QTY	BODY	MODEL	DESCRIPTION
1					PANEL, Instrument
	8350 6058	1			1987-89
					1990
	8350 6058	1			P.A.R.
	5252 249	1			Cordovan
	5252 250	1			Sand, Except Export
	8350 6058	1			P.A.R.
2					PANEL, Lower, P.A.R.
	5501 1088	1			1987-89
	5AC1 7JY6	1			1990
3	3420 1314	1			SCREW
4	J400 2465	7			SCREW
5	J044 5446	2			NUT
6	J812 0615	2			SCREW
7	5500 0652	1			COVER, Clock Opening
8	5500 2063	1			COVER, Radio Opening
9					BEZEL, Cluster
	5500 5659	1			Black
	5500 5660	1			Black/Chrome
	5505 2626	1			Silver/Black
	5505 2631	1			Woodgrain
10	5502 0602	1			DOOR, Glove Box, P.A.R. 1989
	5AC1 6JY6	1			DOOR, Glove Box, P.A.R. 1990
11	5502 0572	1			CABLE, Door
12	5500 0340	1			HINGE, Glove Box
13	5500 1086	1			STRIKER, Door (Incl. Lamp)
14	J400 2461	2			SCREW
15	9421 330	1			BULB, (194)
16	5500 0359	1			RETAINER, Ashtray
17	3420 1650	2			CLIP
18	1150 2722	3			NUT
19	3420 1820	3			NUT
20	J400 0093	4			BUMPER, Glove Box Door
21	3420 1540	4			SCREW
22	1150 3059	4			SCREW
23	3420 1519	2			NUT
24					FILLER, Steering Column

**MODEL CODES:**

15 = Grand Wagoneer 4 Dr.	65 = Comanche 4WD-7 Ft. Box	77 = Cherokee 4WD-2 Dr.
25 = J-10 Pickup-119" W.B.	66 = Comanche 2WD-7 Ft. Box	78 = Cherokee 4WD-4 Dr.
26 = J-10 Pickup-131" W.B.	73 = Cherokee 2WD-2 Dr.	79 = Cherokee 4WD-4 Dr.-Com
27 = J-20 Pickup-131" W.B.	74 = Cherokee 2WD-4 Dr.	81 = Wrangler-93" W.B.
63 = Comanche 4WD-6 Ft. Box	75 = Wagoneer 4WD-4 Dr.	82 = Wrangler-103" W.B.-Exp.
64 = Comanche 2WD-6 Ft. Box		

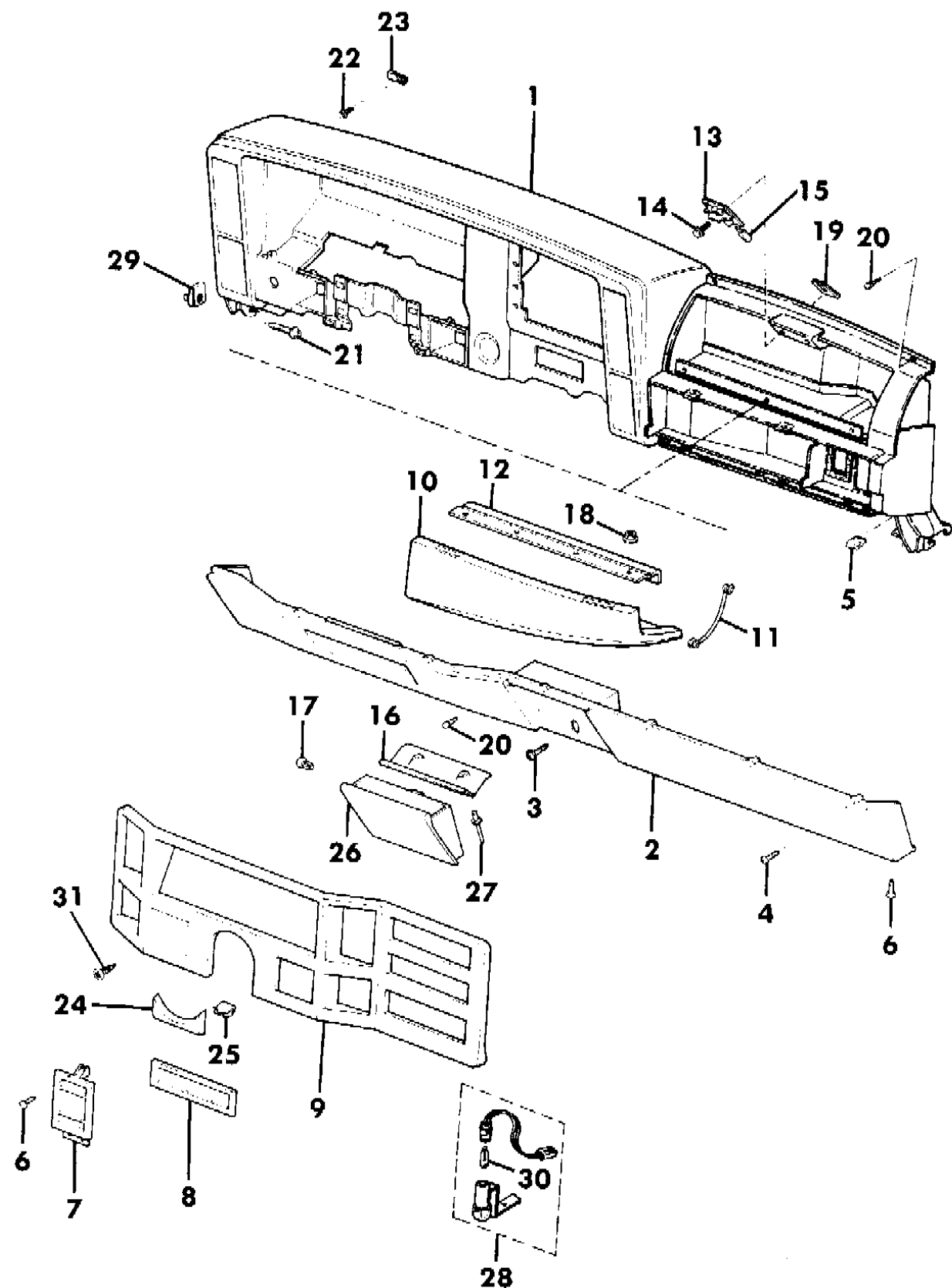
**BODY STYLES:**

MJ = Comanche Pickup  
 SJ = Grand Wagoneer Wgn., J-10 & J-20 Pickups  
 XJ = Cherokee, Wagoneer Limited  
 YJ = Wrangler

AR = Use as Required - = Non Illustrated Part P.A.R. = Paint as Required

**INSTRUMENT PANEL PAD AND BEZELS CHEROKEE, WAGONEER, COMANCHE**  
**Figure 8A-1000**

8J82 1000



ITEM	PART NUMBER	QTY	BODY	MODEL	DESCRIPTION
	5500 3101	1			Wagoneer, Woodgrain
	5500 3102	1			Laredo
	5500 3103	1			Except Wagoneer, Black
	5501 8924	1			Except Wagoneer, Silver/Chrome
25	3420 2502	8			CLIP
26	5501 1094	1			ASHTRAY, P.A.R. ***
27	3420 1197	2			RIVET
28	5600 0138	1			LAMP, Ash Receiver
29	1150 0656	4			NUT
30	J019 3065	1			BULB, (1815)
31	J448 8697	4			SCREW

**MODEL CODES:**  
 15 = Grand Wagoneer 4 Dr.      65 = Comanche 4WD-7 Ft. Box      77 = Cherokee 4WD-2 Dr.  
 25 = J-10 Pickup-119" W.B.      66 = Comanche 2WD-7 Ft. Box      78 = Cherokee 4WD-4 Dr.  
 26 = J-10 Pickup-131" W.B.      73 = Cherokee 2WD-2 Dr.      79 = Cherokee 4WD-4 Dr.-Com  
 27 = J-20 Pickup-131" W.B.      74 = Cherokee 2WD-4 Dr.      81 = Wrangler-93" W.B.  
 63 = Comanche 4WD-6 Ft. Box      75 = Wagoneer 4WD-4 Dr.      82 = Wrangler-103" W.B.-Exp.  
 64 = Comanche 2WD-6 Ft. Box

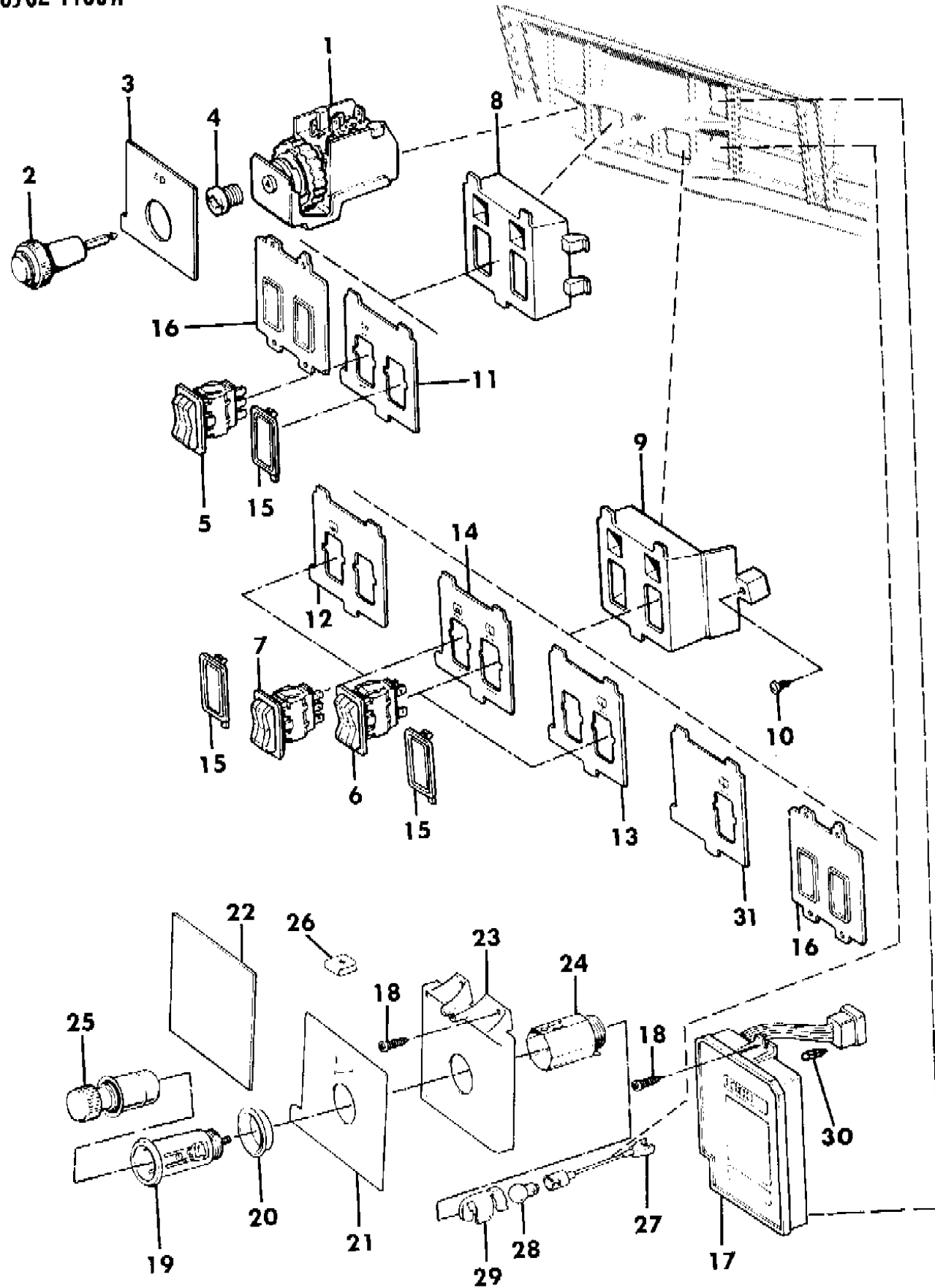
**BODY STYLES:**  
 MJ = Comanche Pickup  
 SJ = Grand Wagoneer Wgn., J-10 & J-20 Pickups  
 XJ = Cherokee, Wagoneer Limited  
 YJ = Wrangler

AR = Use as Required - = Non Illustrated Part P.A.R. = Paint as Required

INSTRUMENT PANEL SWITCHES AND CIGAR LIGHTER CHEROKEE, WAGONEER, COMANCHE

Figure 8A-1100

8J82 1100A



ITEM	PART NUMBER	QTY	BODY	MODEL	DESCRIPTION
1	5600 1197	1			SWITCH, HeadLamp
2	5600 0857	1			KNOB, Headlamp
	5600 0022	1			Export
					U.S., Canada
3					COVER, Headlamp Switch
	5500 4522	1			Export
	5600 0492	1			U.S., Canada
4	J364 6513	1			NUT
5					SWITCH
	5600 0025	1			Fog Lamp ***
	5600 0025	1			Trans. Comfort ***
	5600 0025	1	MJ		Cargo Lamp
6	5600 0029	1	XJ		SWITCH, Rear Wiper
7	5600 0030	1			SWITCH, Defogger
8	5500 1893	1			HOUSING, Switch, Left
9	5500 1892	1			HOUSING, Switch, Right
10	J400 2461	2			SCREW
11					LENS, Identification
	5500 2939	1			Fog Lamp, U.S., Canada
	5500 4221	1			Front/Rear Fog Lamp, Export
	5600 1581	1	MJ		Fog/Cargo Lamp
12					LENS, Identification
	5600 2126	1			Fog/Defogger, Export
	5600 2128	1			Fog/Defogger, U.S., Canada
13					LENS, Identification
	5500 2942	1			Wiper
	5600 2131	1			Wiper/Transmission
	5600 2132				Transmission ***
14					LENS, Identification
	5600 0499	1			Wiper/Defogger
15	5500 3005	2			PLATE, Switch
16					COVER, Switch
	5600 0493	AR			U.S., Canada
	5500 2810	AR			Export
17					CLOCK
	8220 0639	1			1987
	8220 0908	1			1988-90

MODEL CODES:

15 = Grand Wagoneer 4 Dr.	65 = Comanche 4WD-7 Ft. Box	77 = Cherokee 4WD-2 Dr.
25 = J-10 Pickup-119" W.B.	66 = Comanche 2WD-7 Ft. Box	78 = Cherokee 4WD-4 Dr.
26 = J-10 Pickup-131" W.B.	73 = Cherokee 2WD-2 Dr.	79 = Cherokee 4WD-4 Dr.-Com
27 = J-20 Pickup-131" W.B.	74 = Cherokee 2WD-4 Dr.	81 = Wrangler-93" W.B.
63 = Comanche 4WD-6 Ft. Box	75 = Wagoneer 4WD-4 Dr.	82 = Wrangler-103" W.B.-Exp.
64 = Comanche 2WD-6 Ft. Box		

BODY STYLES:

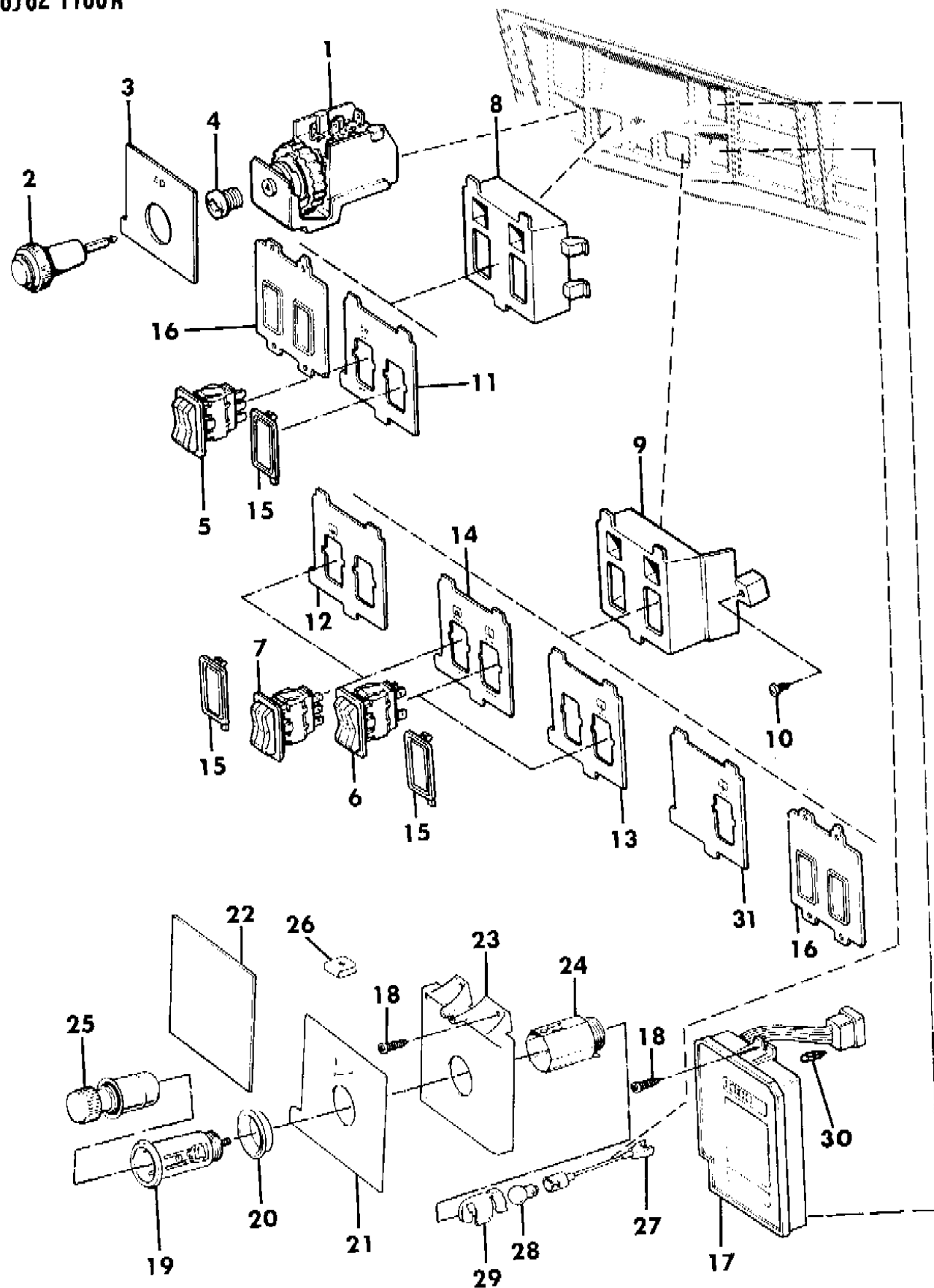
MJ = Comanche Pickup  
 SJ = Grand Wagoneer Wgn., J-10 & J-20 Pickups  
 XJ = Cherokee, Wagoneer Limited  
 YJ = Wrangler

AR = Use as Required - = Non Illustrated Part P.A.R. = Paint as Required

INSTRUMENT PANEL SWITCHES AND CIGAR LIGHTER CHEROKEE, WAGONEER, COMANCHE

Figure 8A-1100

8J82 1100A



ITEM	PART NUMBER	QTY	BODY	MODEL	DESCRIPTION
18	J400 2461	4			SCREW
19	J345 3270	1			HOUSING, Cigar Lighter
20	3500 1906	1			RING, Illumination
21	5600 0490	1			COVER
22	5600 0058	1			COVER
23	5500 2664	1			BRACKET, Cigar Lighter
24	3600 0242	1			CLAMP, Cigar Lighter
25	5600 0501	1			LIGHTER, Cigar
26	J400 4223	2			NUT
27	3600 0279	1			SOCKET
28	J013 1282	1			BULB, (53)
29	5600 1194	1			SHIELD, Bulb
30	J812 5723	1			BULB, (74)
	5600 1787				SOCKET, Clock
31	5600 0495	1			LENS, Wiper Identification, (KDX)

MODEL CODES:

15 = Grand Wagoneer 4 Dr.	65 = Comanche 4WD-7 Ft. Box	77 = Cherokee 4WD-2 Dr.
25 = J-10 Pickup-119" W.B.	66 = Comanche 2WD-7 Ft. Box	78 = Cherokee 4WD-4 Dr.
26 = J-10 Pickup-131" W.B.	73 = Cherokee 2WD-2 Dr.	79 = Cherokee 4WD-4 Dr.-Com
27 = J-20 Pickup-131" W.B.	74 = Cherokee 2WD-4 Dr.	81 = Wrangler-93" W.B.
63 = Comanche 4WD-6 Ft. Box	75 = Wagoneer 4WD-4 Dr.	82 = Wrangler-103" W.B.-Exp.
64 = Comanche 2WD-6 Ft. Box		

BODY STYLES:

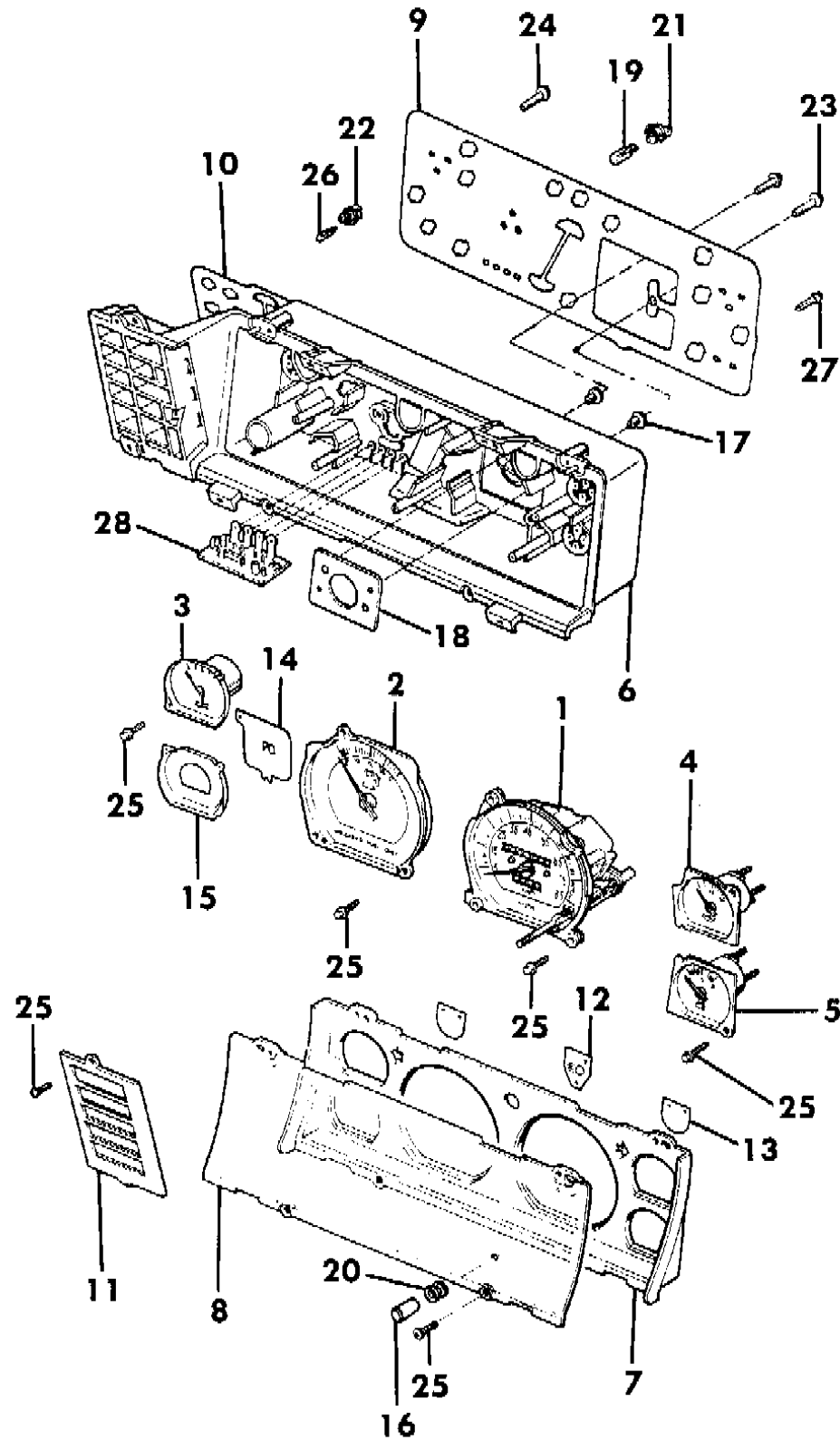
MJ = Comanche Pickup  
 SJ = Grand Wagoneer Wgn., J-10 & J-20 Pickups  
 XJ = Cherokee, Wagoneer Limited  
 YJ = Wrangler

AR = Use as Required - = Non Illustrated Part P.A.R. = Paint as Required

INSTRUMENT CLUSTER--WITH GAUGES W/O TACHOMETER (TYPE 2) 1987, 1988/ CHEROKEE, WAGONEER,COMANCHE

Figure 8A-1200

8J82 1200



ITEM	PART NUMBER	QTY	BODY	MODEL	DESCRIPTION
1					SPEEDOMETER
	8350 4224	1			Miles
	8350 4225	1			Kilo
2	8350 4234	1			GAUGE, Fuel
3					GAUGE, Temperature
	8350 4239	1			U.S.
	8350 4240	1			Canada, Export
4					GAUGE, Oil
	8350 4243	1			U.S.
	8350 4244	1			Canada, Export
5					VOLTMETER ***
	8350 4247	1			1987
	8350 5413	1			1988-90
6	8350 4251	1			HOUSING, Cluster
7	8350 4238	1			BEZEL, Cluster
8	8350 4255	1			LENS, Cluster
9	8350 4258	1			CONDUCTOR, Printed Circuit
10	8350 4262	1			CONDUCTOR, Printed Circuit
11					FILTER, Warning Lamp
	8350 4264	1			U.S. 1987
	8350 4863	1			U.S. 1988-89
	8350 4265	1			Canada, Export 1987
	8350 5256	1			Canada, Export 1988-89
12	8350 4267	1			FILTER, High Beam Lamp
13	8350 4269	2			FILTER, Turn Signal Lamp
14	8350 5408	1			FILTER, Low Fuel Warning Lamp
15	8350 4282	1			BEZEL, Low Fuel Warning
16	8350 4273	1			KNOB, Odometer
17	8350 4274	2			BUSHING, Speedometer
18	8350 4275	1			GASKET
19					BULB
	J942 1330	15			Coded (194)
	J448 8426	1			Coded (168)
	J941 7561	1			Coded (161)
20	8350 4276	1			GROMMET
21	J369 7186	15			SOCKET
22	5600 1787	10			SOCKET

MODEL CODES:

15 = Grand Wagoneer 4 Dr.	65 = Comanche 4WD-7 Ft. Box	77 = Cherokee 4WD-2 Dr.
25 = J-10 Pickup-119" W.B.	66 = Comanche 2WD-7 Ft. Box	78 = Cherokee 4WD-4 Dr.
26 = J-10 Pickup-131" W.B.	73 = Cherokee 2WD-2 Dr.	79 = Cherokee 4WD-4 Dr.-Com
27 = J-20 Pickup-131" W.B.	74 = Cherokee 2WD-4 Dr.	81 = Wrangler-93" W.B.
63 = Comanche 4WD-6 Ft. Box	75 = Wagoneer 4WD-4 Dr.	82 = Wrangler-103" W.B.-Exp.
64 = Comanche 2WD-6 Ft. Box		

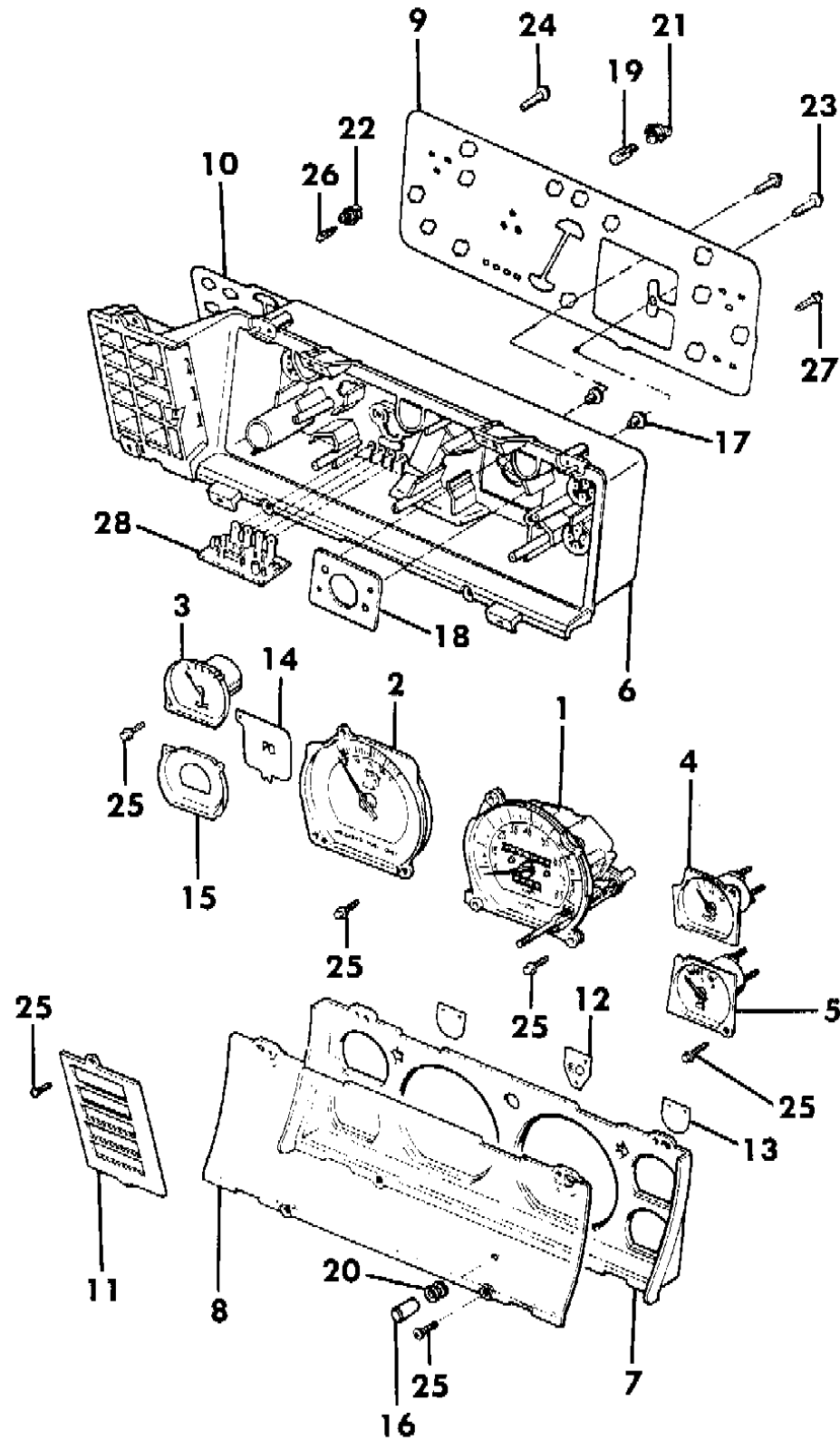
BODY STYLES:

MJ = Comanche Pickup  
 SJ = Grand Wagoneer Wgn., J-10 & J-20 Pickups  
 XJ = Cherokee, Wagoneer Limited  
 YJ = Wrangler

AR = Use as Required - = Non Illustrated Part P.A.R. = Paint as Required

**INSTRUMENT CLUSTER--WITH GAUGES W/O TACHOMETER (TYPE 2) 1987, 1988/ CHEROKEE, WAGONEER, COMANCHE**  
**Figure 8A-1200**

8J82 1200



ITEM	PART NUMBER	QTY	BODY	MODEL	DESCRIPTION
23	8350 4277	4			SCREW, 14mm Long
24	8350 4278	11			SCREW, 32mm Long
25	S016 1860	AR			SCREW
26					BULB
	J812 5723	10			Coded (74)
	J943 6789	1			Coded (37)
27	8350 4279	9			SCREW, 13mm Long
28	8350 4281	1			MODULE, Low Fuel Warning

**MODEL CODES:**  
 15 = Grand Wagoneer 4 Dr.      65 = Comanche 4WD-7 Ft. Box      77 = Cherokee 4WD-2 Dr.  
 25 = J-10 Pickup-119" W.B.      66 = Comanche 2WD-7 Ft. Box      78 = Cherokee 4WD-4 Dr.  
 26 = J-10 Pickup-131" W.B.      73 = Cherokee 2WD-2 Dr.      79 = Cherokee 4WD-4 Dr.-Com  
 27 = J-20 Pickup-131" W.B.      74 = Cherokee 2WD-4 Dr.      81 = Wrangler-93" W.B.  
 63 = Comanche 4WD-6 Ft. Box      75 = Wagoneer 4WD-4 Dr.      82 = Wrangler-103" W.B.-Exp.  
 64 = Comanche 2WD-6 Ft. Box

**BODY STYLES:**  
 MJ = Comanche Pickup  
 SJ = Grand Wagoneer Wgn., J-10 & J-20 Pickups  
 XJ = Cherokee, Wagoneer Limited  
 YJ = Wrangler

AR = Use as Required - = Non Illustrated Part P.A.R. = Paint as Required

**INSTRUMENT CLUSTER--WITH GAUGES, W/O TACHOMETER (TYPE 1) 1987**  
**Figure 8A-1250**

8J82 1250

ITEM	PART NUMBER	QTY	BODY	MODEL	DESCRIPTION
1	8350 0292	1			LENS, Cluster
2	8350 0290	1			BEZEL, Cluster
3	8350 1551	1			Diesel
	8350 3462	1			FILTER, Warning Lamps (1987)
	8350 3465	1			Canada/Export (1987)
4	8350 3464	1			Diesel (1987)
	8351 0021	1			FILTER, High Beam Lamp
5	8351 0020	1			FILTER, Turn Signal Lamp
6	8350 0281	1			HOUSING, Cluster
7	8350 1539	1			Diesel
	8351 0022	1			FILTER, Cluster
8	8350 0320	1			CONDUCTOR, Printed Circuit ***
	8350 1562	1			Diesel
9	8350 2278	1			CONDUCTOR, Printed Circuit ***
	8350 0321	1			Diesel
10	8350 0294	1			SPEEDOMETER, Miles
	8350 0297	1			Kilo
11	8350 2026	1			SCREW
12	8350 0295	1			KNOB, Trip Odometer
13	8350 0298	1			GAUGE, Fuel (U.S.A./Canada)
	8350 0305	1			Non Regulated Markets
14	8350 1563	1			Diesel
	8350 2025	1			GASKET
15	8350 0311	1			GAUGE, Temperature (260)
	8350 1560	1			Diesel (260)
16	8351 0184	1			Canada (125)
	8350 2024	1			RETAINER, Speedometer Cable
17	8351 0030	1			FILTER, Low Fuel Warning Lamp
18	8350 4463	1			GAUGE, Oil (80)
	8351 0024	1			Canada (5.4)
19	8350 1565	1			Diesel (120)
	5600 1448	1			HOSE, Turbo Boost Gauge
20	8350 0318	1			VOLTMETER ***
21	8350 1555	1			GAUGE, Turbo Boost
	8351 0025	AR			SCREW
22	J941 7561	AR			BULB (161) ***
	J448 8426	AR			(168)

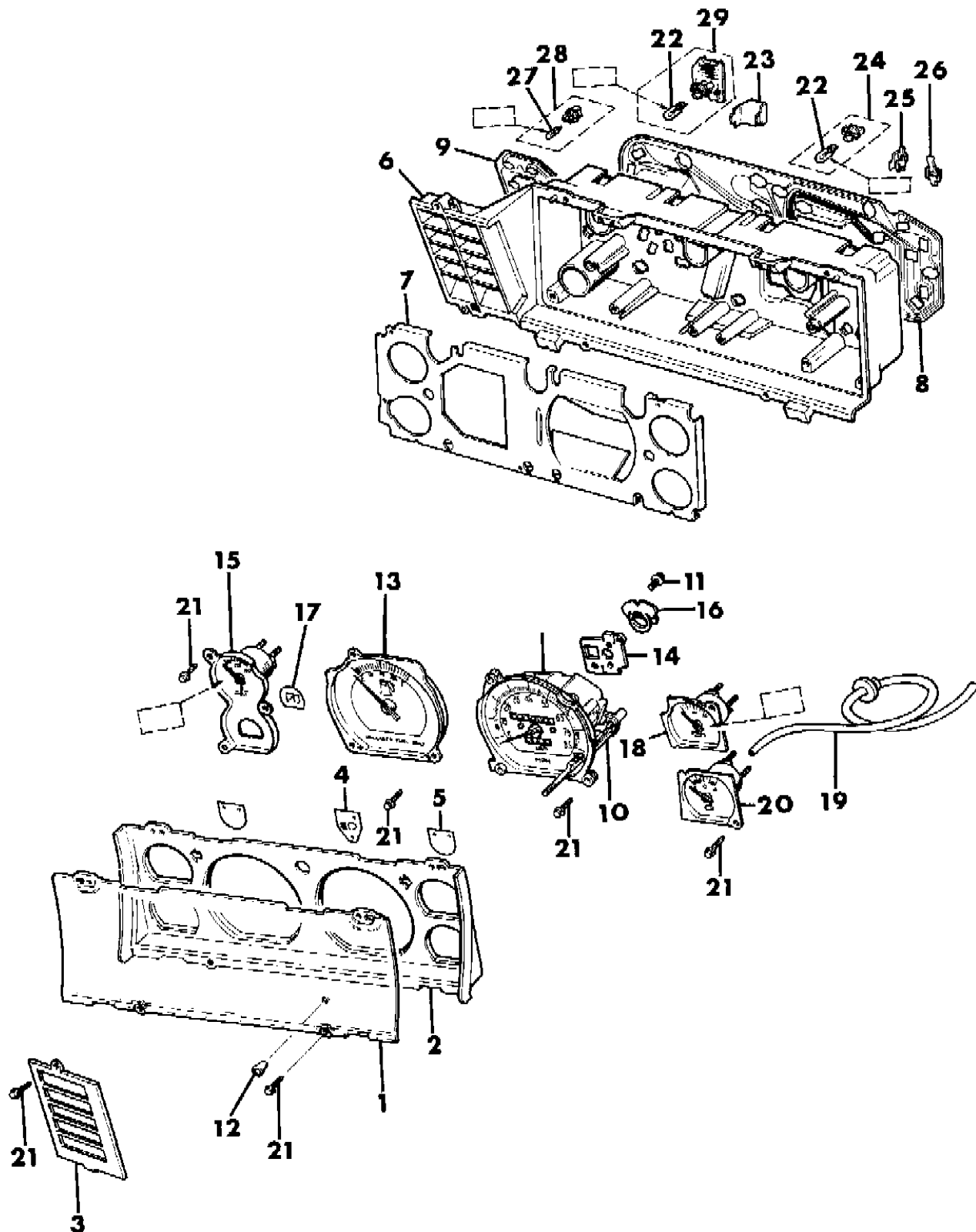
**MODEL CODES:**

15 = Grand Wagoneer 4 Dr.	65 = Comanche 4WD-7 Ft. Box	77 = Cherokee 4WD-2 Dr.
25 = J-10 Pickup-119" W.B.	66 = Comanche 2WD-7 Ft. Box	78 = Cherokee 4WD-4 Dr.
26 = J-10 Pickup-131" W.B.	73 = Cherokee 2WD-2 Dr.	79 = Cherokee 4WD-4 Dr.-Com
27 = J-20 Pickup-131" W.B.	74 = Cherokee 2WD-4 Dr.	81 = Wrangler-93" W.B.
63 = Comanche 4WD-6 Ft. Box	75 = Wagoneer 4WD-4 Dr.	82 = Wrangler-103" W.B.-Exp.
64 = Comanche 2WD-6 Ft. Box		

**BODY STYLES:**

MJ = Comanche Pickup  
 SJ = Grand Wagoneer Wgn., J-10 & J-20 Pickups  
 XJ = Cherokee, Wagoneer Limited  
 YJ = Wrangler

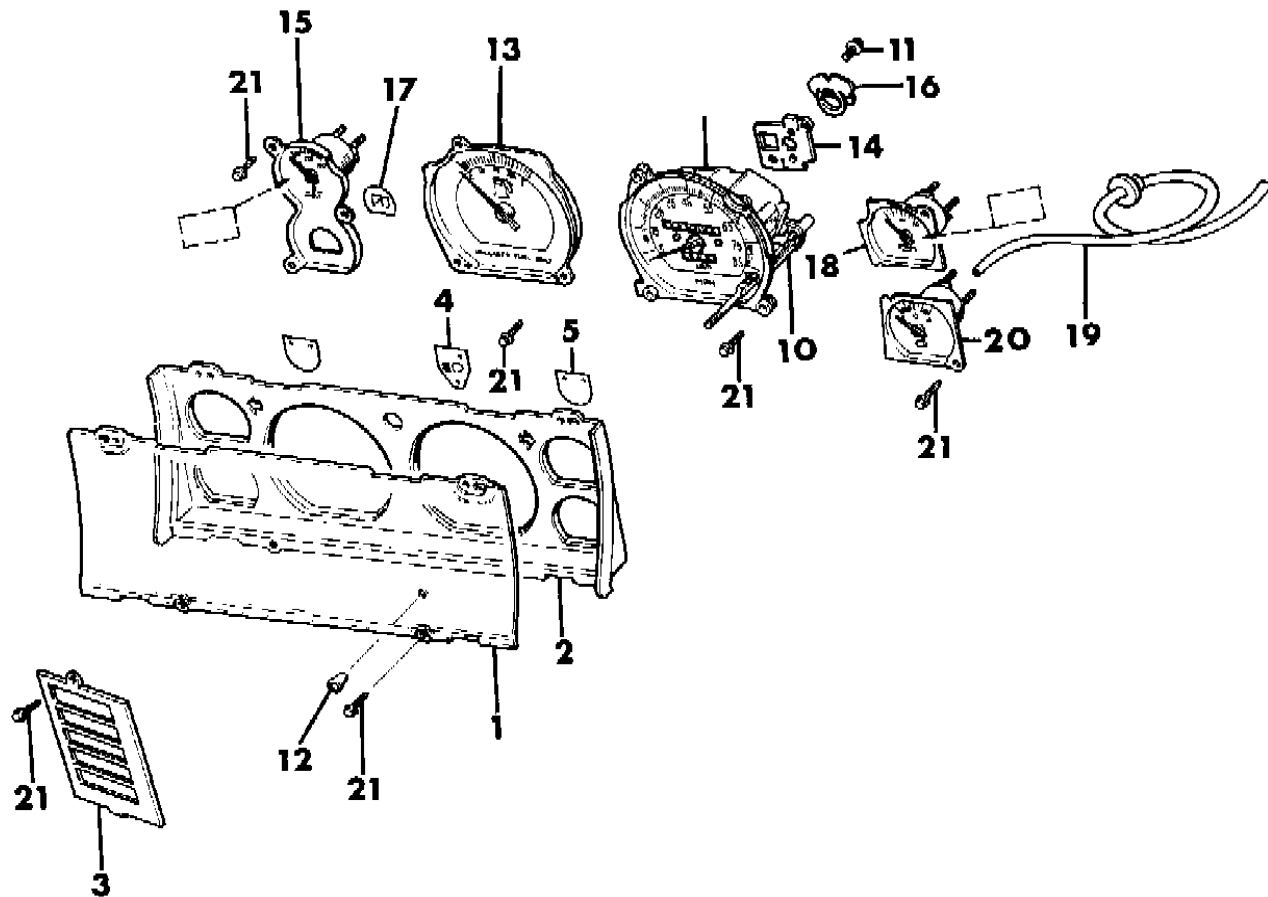
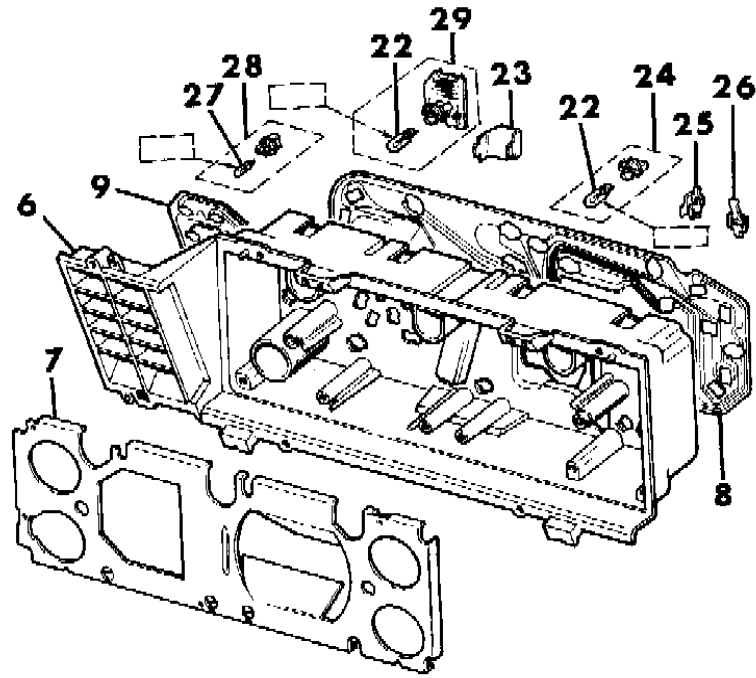
AR = Use as Required - = Non Illustrated Part P.A.R. = Paint as Required



INSTRUMENT CLUSTER--WITH GAUGES, W/O TACHOMETER (TYPE 1) 1987  
Figure 8A-1250

8J82 1250

ITEM	PART NUMBER	QTY	BODY	MODEL	DESCRIPTION
23	5600 0627	1			SHIELD
	J942 1330	AR			Bulb
24	8350 0324	AR			SOCKET ASSEMBLY (Grey) ***
	8351 0036	AR			(Blue)
	8351 0037	AR			(Black)
25	8351 0026	AR			CLIP
26	8351 0027	1			CLIP
27	J812 5723	AR			BULB (74) ***
28	5600 1787	7			SOCKET ASSEMBLY (Black) ***
29	5600 0012	1			MODULE, Low Fuel Warning Lamp



MODEL CODES:

15 = Grand Wagoneer 4 Dr.	65 = Comanche 4WD-7 Ft. Box	77 = Cherokee 4WD-2 Dr.
25 = J-10 Pickup-119" W.B.	66 = Comanche 2WD-7 Ft. Box	78 = Cherokee 4WD-4 Dr.
26 = J-10 Pickup-131" W.B.	73 = Cherokee 2WD-2 Dr.	79 = Cherokee 4WD-4 Dr.-Com
27 = J-20 Pickup-131" W.B.	74 = Cherokee 2WD-4 Dr.	81 = Wrangler-93" W.B.
63 = Comanche 4WD-6 Ft. Box	75 = Wagoneer 4WD-4 Dr.	82 = Wrangler-103" W.B.-Exp.
64 = Comanche 2WD-6 Ft. Box		

BODY STYLES:

MJ = Comanche Pickup  
SJ = Grand Wagoneer Wgn., J-10 & J-20 Pickups  
XJ = Cherokee, Wagoneer Limited  
YJ = Wrangler

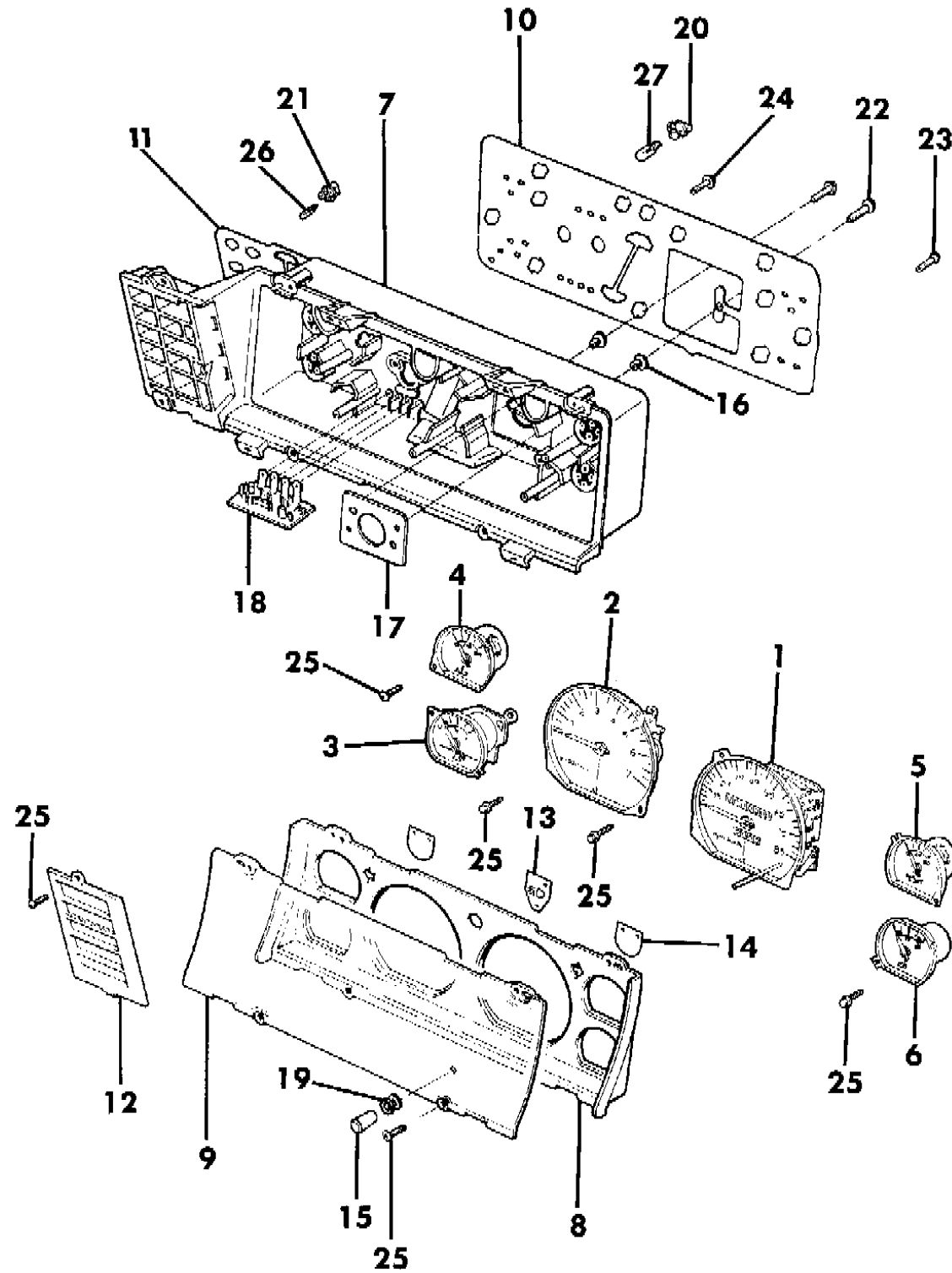
AR = Use as Required - = Non Illustrated Part P.A.R. = Paint as Required



INSTRUMENT CLUSTER--WITH GAUGES W/TACHOMETER,TYPE 2 1987 CHEROKEE, WAGONEER, COMANCHE

Figure 8A-1300

8J82 1300 B



ITEM	PART NUMBER	QTY	BODY	MODEL	DESCRIPTION
1					SPEEDOMETER
	8350 4224	1			Miles
	8350 4225	1			Kilo
2					TACHOMETER
	8350 4229	1			4 Cyl. 1987
	8350 4228	1			6 Cyl.
	8350 4230	1			Diesel 1987
3					GAUGE, Fuel
	8350 4231	1			Unleaded Fuel
	8350 4232	1			Non Regulated Markets
	8350 4233	1			Diesel 1987
4					GAUGE, Temperature
	8350 4239	1			U.S.A.
	8350 4240	1			Canada/Export
	8350 4242	1			Diesel (Canada/Export)
	8350 4241	1			Diesel 1987
5					GAUGE, Oil
	8350 4243	1			U.S.A.
	8350 4244	1			Canada/Export
	8350 4246	1			Diesel (Canada/Export)
	8350 4245	1			Diesel 1987
6					VOLTMETER ***
	8350 4247	1			1987
	8350 4248	1			Gauge, Turbo Boost (Diesel)
7					HOUSING, Cluster
	8350 4254	1			Diesel
8					BEZEL, Cluster
9					LENS, Cluster
10					CONDUCTOR, Printed Circuit
	8350 4261	1			Diesel
11					CONDUCTOR, Printed Circuit ***
	8350 4262	1			Diesel
12					FILTER, Warning Lamp
	8350 4264	1			U.S.A. 1987
	8350 4265	1			Canada/Export 1987
	8350 4268	1			Diesel (Canada/Export)
	8350 4266	1			Diesel 1987

MODEL CODES:

15 = Grand Wagoneer 4 Dr.	65 = Comanche 4WD-7 Ft. Box	77 = Cherokee 4WD-2 Dr.
25 = J-10 Pickup-119" W.B.	66 = Comanche 2WD-7 Ft. Box	78 = Cherokee 4WD-4 Dr.
26 = J-10 Pickup-131" W.B.	73 = Cherokee 2WD-2 Dr.	79 = Cherokee 4WD-4 Dr.-Com
27 = J-20 Pickup-131" W.B.	74 = Cherokee 2WD-4 Dr.	81 = Wrangler-93" W.B.
63 = Comanche 4WD-6 Ft. Box	75 = Wagoneer 4WD-4 Dr.	82 = Wrangler-103" W.B.-Exp.
64 = Comanche 2WD-6 Ft. Box		

BODY STYLES:

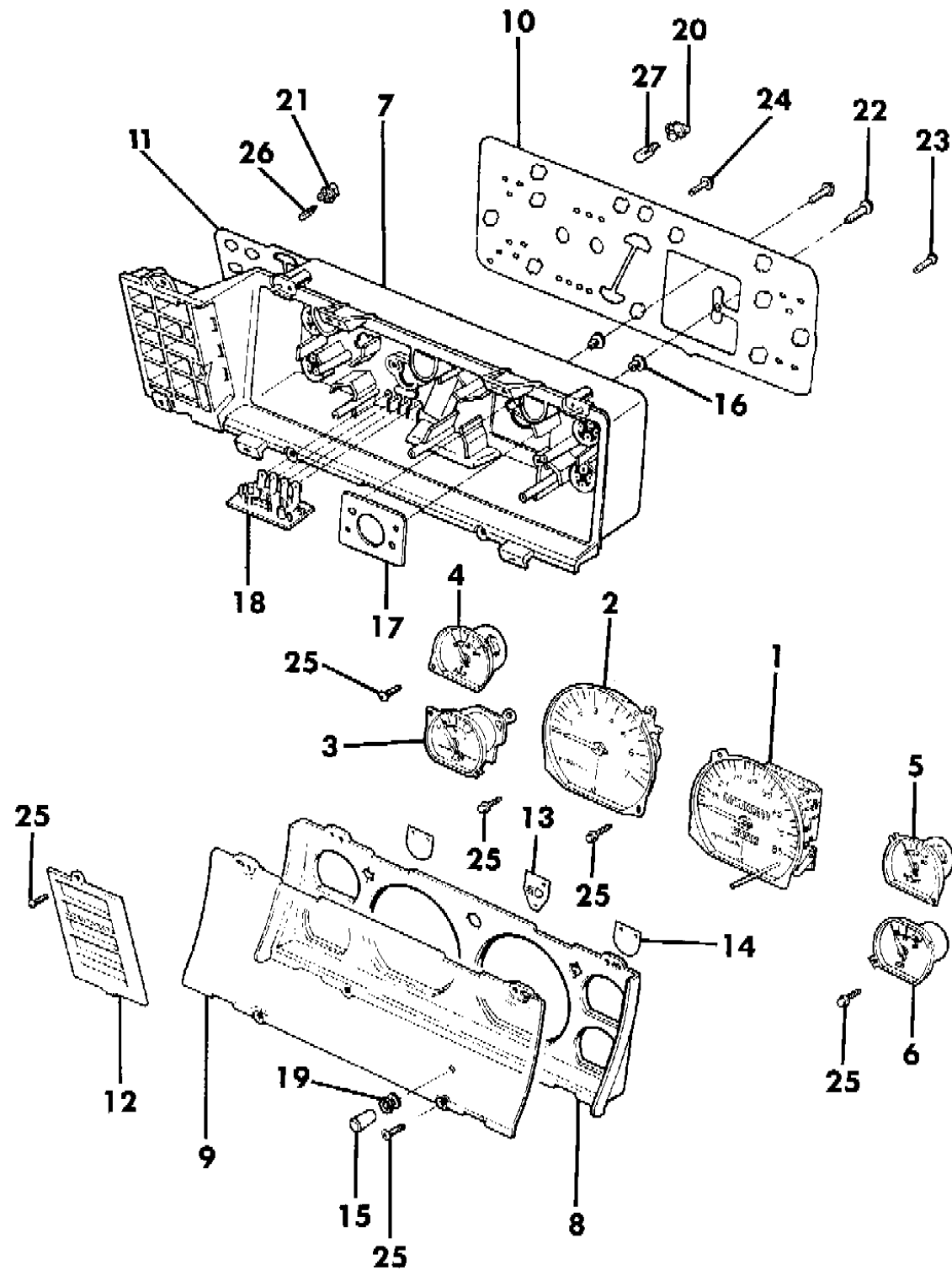
MJ = Comanche Pickup  
 SJ = Grand Wagoneer Wgn., J-10 & J-20 Pickups  
 XJ = Cherokee, Wagoneer Limited  
 YJ = Wrangler

AR = Use as Required - = Non Illustrated Part P.A.R. = Paint as Required

INSTRUMENT CLUSTER--WITH GAUGES W/TACHOMETER,TYPE 2 1987 CHEROKEE, WAGONEER, COMANCHE

Figure 8A-1300

8182 1300 B



ITEM	PART NUMBER	QTY	BODY	MODEL	DESCRIPTION
13	8350 4267	1			FILTER, High Beam
14	8350 4269	2			FILTER, Turn Signal Lamp
15	8350 4273	1			KNOB, Odometer
16	8350 4274	2			BUSHING, Speedometer
17	8350 4275	1			GASKET
18	8350 4280	1			MODULE, Low Fuel Warning
19	8350 4276	1			GROMMET
20	J369 7186	12			SOCKET
21	5600 1787	10			SOCKET, Warning Lamp
22	8350 4277	4			SCREW, 16mm Long
23	8350 4278	11			SCREW, 32mm Long
24	8350 4279	9			SCREW, 13mm Long
25	S016 1860	AR			SCREW
26	J812 5723	10			BULB Coded (74)
27	J942 1330	12			BULB Coded (194)

MODEL CODES:

15 = Grand Wagoneer 4 Dr.	65 = Comanche 4WD-7 Ft. Box	77 = Cherokee 4WD-2 Dr.
25 = J-10 Pickup-119" W.B.	66 = Comanche 2WD-7 Ft. Box	78 = Cherokee 4WD-4 Dr.
26 = J-10 Pickup-131" W.B.	73 = Cherokee 2WD-2 Dr.	79 = Cherokee 4WD-4 Dr.-Com
27 = J-20 Pickup-131" W.B.	74 = Cherokee 2WD-4 Dr.	81 = Wrangler-93" W.B.
63 = Comanche 4WD-6 Ft. Box	75 = Wagoneer 4WD-4 Dr.	82 = Wrangler-103" W.B.-Exp.
64 = Comanche 2WD-6 Ft. Box		

BODY STYLES:

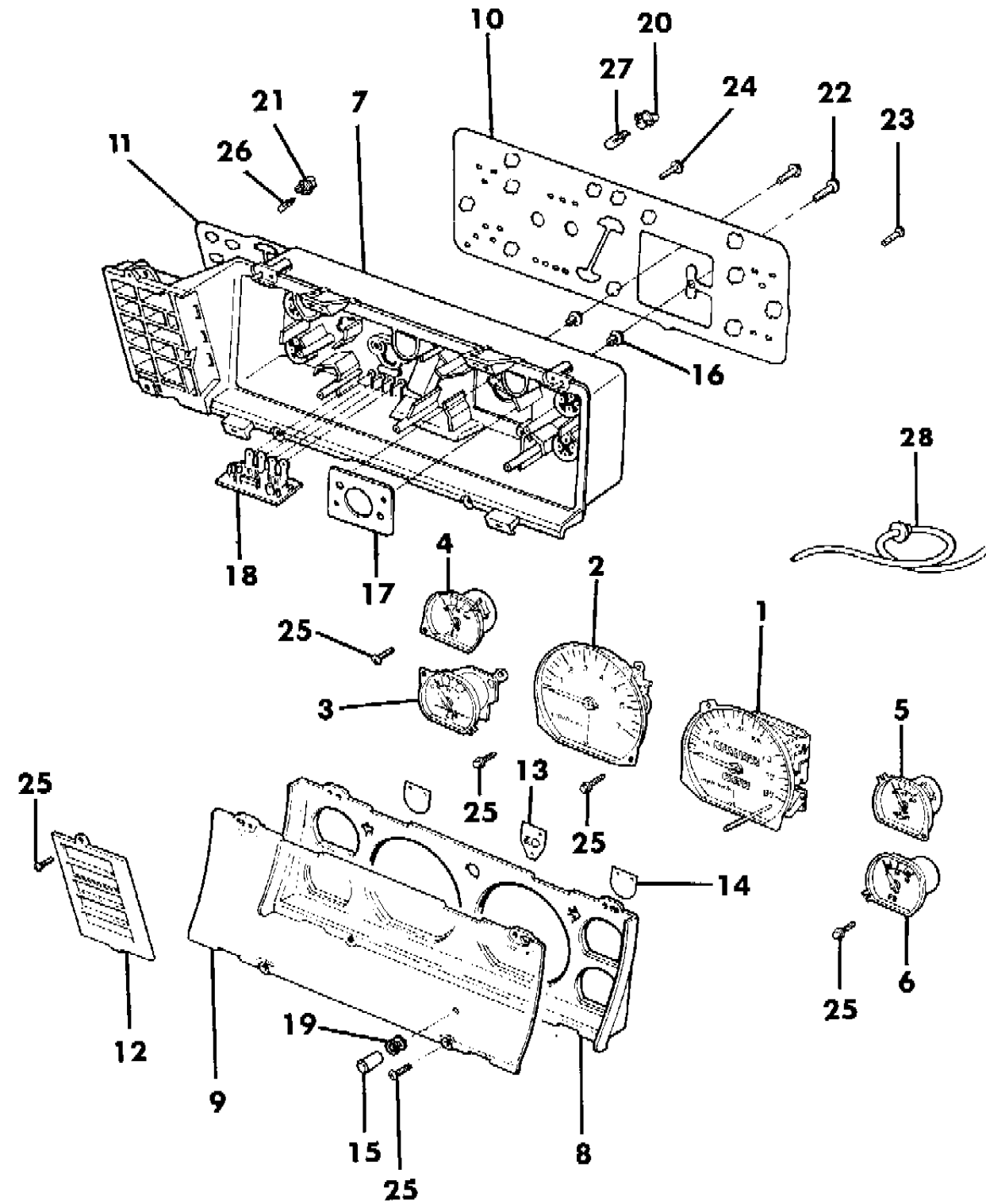
MJ = Comanche Pickup  
 SJ = Grand Wagoneer Wgn., J-10 & J-20 Pickups  
 XJ = Cherokee, Wagoneer Limited  
 YJ = Wrangler

AR = Use as Required - = Non Illustrated Part P.A.R. = Paint as Required

INSTRUMENT CLUSTER--WITH CAUGES W/TACHOMETER, CHEROKEE LIMITED (1987) 1988/ CHEROKEE, WAGONEER, COMANCHE

Figure 8A-1310

8J82 1310



ITEM	PART NUMBER	QTY	BODY	MODEL	DESCRIPTION
1	8350 4456	1			SPEEDOMETER, Miles
	8350 4457	1			Kilo
2	8350 4458	1			TACHOMETER, 6 Cyl.
	8350 4504	1			4 Cyl. 1988/89
	8350 4503	1			Diesel 1988/89
3	8350 4459	1			GAUGE, Fuel U.S.A.
	8350 4460	1			CANADA
	8350 4505	1			Diesel, 1988/89
4	8350 4461	1			GAUGE, Temperature U.S.A.
	8350 4462	1			Canada
	8350 4507	1			Diesel, 1988/89
5	8350 4463	1			GAUGE, Oil U.S.A.
	8350 4464	1			Canada
	8350 4509	1			Diesel, 1988/89
6					VOLTMETER ***
	8350 4465	1			1988/89
	8350 5414	1			1990
	8350 4510	1			Gauge, Turbo Boost Diesel
7	8350 4249	1			HOUSING, Cluster
8	8350 4466	1			BEZEL, Cluster ***
9	8350 4255	1			LENS, Cluster
10	8350 4257	1			CONDUCTOR, Printed Circuit ***
11	8350 4262	1			CONDUCTOR, Printed Circuit ***
12	8350 4264	1			FILTER , Warning Lamps U.S.A. 1987
	8350 4863	1			U.S.A. 1988/90
	8350 4265	1			Canada 1987
	8350 5256	1			Canada 1988/90
	8350 4890	1			Diesel 1988/90
13	8350 4267	1			FILTER, High Beam Lamp
14	8350 4269	2			FILTER, Turn Signal Lamp
15	8350 4273	1			KNOB, Trip Odometer
16	8350 4274	1			BUSHING, Speedometer
17	8350 4275	1			GASKET
18	8350 4280	1			MODULE, Low Fuel Warning Lamp
19	8350 4276	1			GROMMET
20	J369 7186	12			SOCKET
21	5600 1787	10			SOCKET, Warning Lamp

MODEL CODES:

15 = Grand Wagoneer 4 Dr.	65 = Comanche 4WD-7 Ft. Box	77 = Cherokee 4WD-2 Dr.
25 = J-10 Pickup-119" W.B.	66 = Comanche 2WD-7 Ft. Box	78 = Cherokee 4WD-4 Dr.
26 = J-10 Pickup-131" W.B.	73 = Cherokee 2WD-2 Dr.	79 = Cherokee 4WD-4 Dr.-Com
27 = J-20 Pickup-131" W.B.	74 = Cherokee 2WD-4 Dr.	81 = Wrangler-93" W.B.
63 = Comanche 4WD-6 Ft. Box	75 = Wagoneer 4WD-4 Dr.	82 = Wrangler-103" W.B.-Exp.
64 = Comanche 2WD-6 Ft. Box		

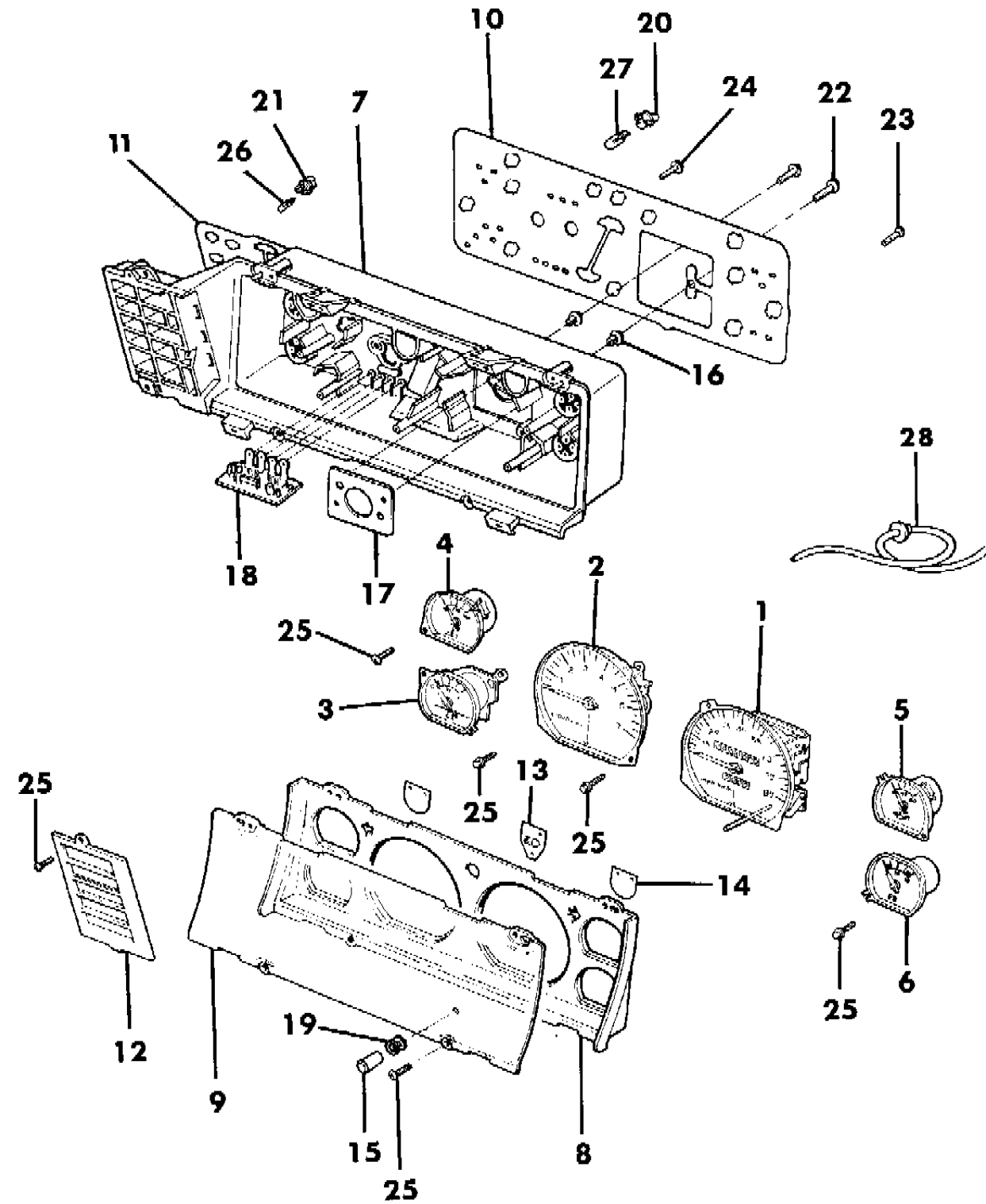
BODY STYLES:

MJ = Comanche Pickup  
 SJ = Grand Wagoneer Wgn., J-10 & J-20 Pickups  
 XJ = Cherokee, Wagoneer Limited  
 YJ = Wrangler

AR = Use as Required - = Non Illustrated Part P.A.R. = Paint as Required

INSTRUMENT CLUSTER--WITH CAUGES W/TACHOMETER, CHEROKEE LIMITED (1987) 1988/ CHEROKEE, WAGONEER, COMANCHE  
Figure 8A-1310

8J82 1310



ITEM	PART NUMBER	QTY	BODY	MODEL	DESCRIPTION
22	8350 4277	4			SCREW 13mm Long ***
23	8350 4278	11			SCREW 32mm Long ***
24	8350 4279	9			SCREW 13mm Long ***
25	S016 1860	AR			SCREW
26					BULB
	J812 5723	10			Code (74)
	J943 6789	AR			Code (37)
27					BULB
	J942 1330	12			Code (194)
	J941 7561	AR			Code (161)
	J448 8426	AR			Code (168)
28	5600 1448	1			HOSE, Turbo Boost

MODEL CODES:

15 = Grand Wagoneer 4 Dr.	65 = Comanche 4WD-7 Ft. Box	77 = Cherokee 4WD-2 Dr.
25 = J-10 Pickup-119" W.B.	66 = Comanche 2WD-7 Ft. Box	78 = Cherokee 4WD-4 Dr.
26 = J-10 Pickup-131" W.B.	73 = Cherokee 2WD-2 Dr.	79 = Cherokee 4WD-4 Dr.-Com
27 = J-20 Pickup-131" W.B.	74 = Cherokee 2WD-4 Dr.	81 = Wrangler-93" W.B.
63 = Comanche 4WD-6 Ft. Box	75 = Wagoneer 4WD-4 Dr.	82 = Wrangler-103" W.B.-Exp.
64 = Comanche 2WD-6 Ft. Box		

BODY STYLES:

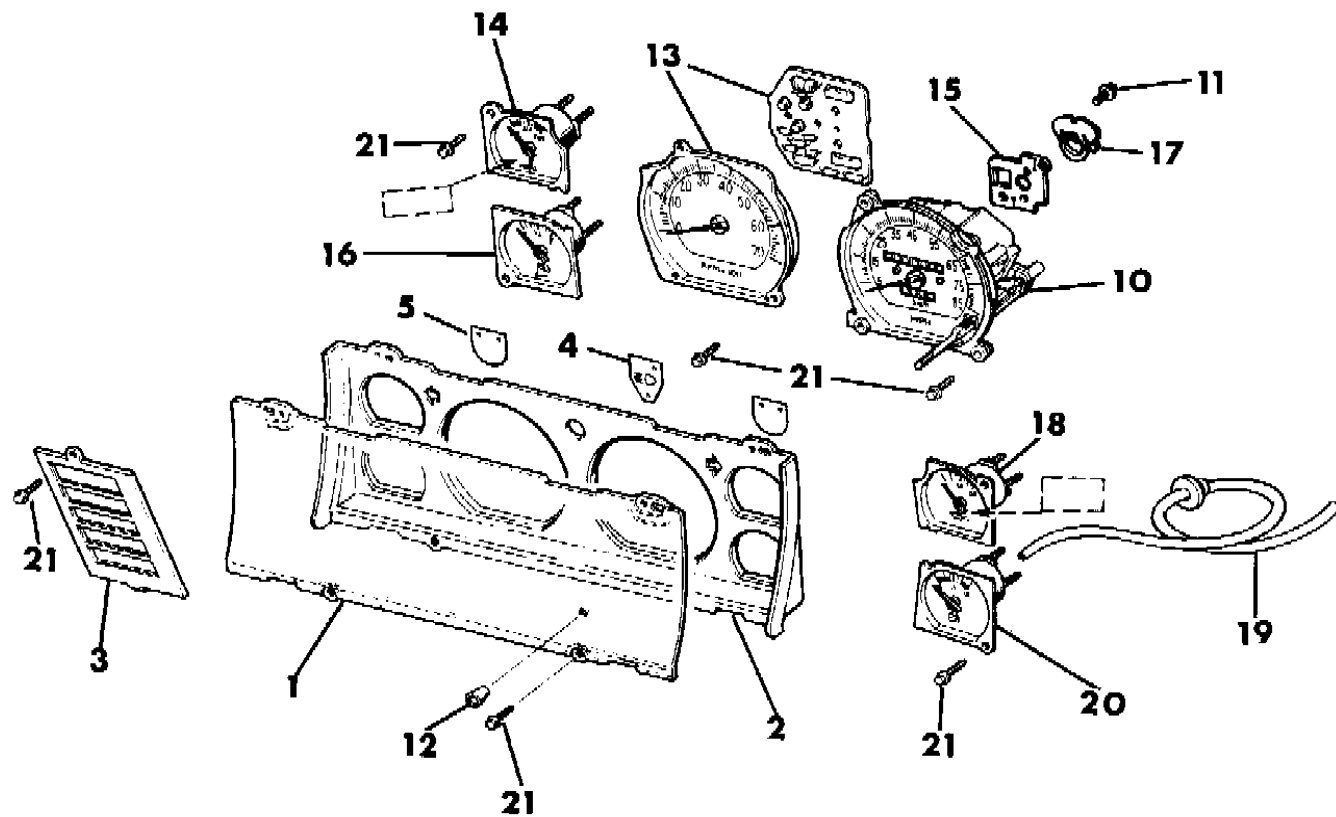
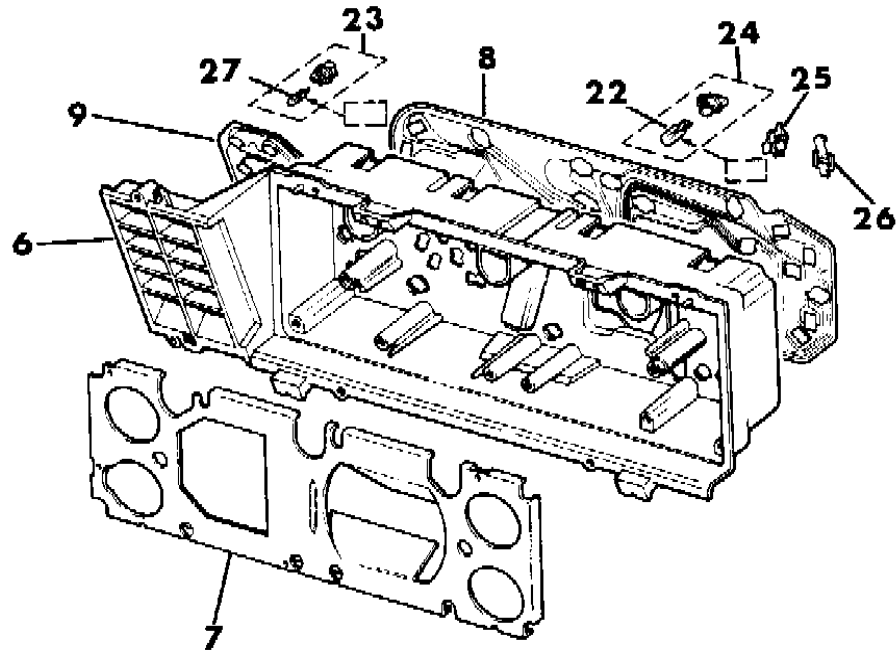
MJ = Comanche Pickup  
 SJ = Grand Wagoneer Wgn., J-10 & J-20 Pickups  
 XJ = Cherokee, Wagoneer Limited  
 YJ = Wrangler

AR = Use as Required - = Non Illustrated Part P.A.R. = Paint as Required

INSTRUMENT CLUSTER--WITH GAUGES, W/ TACHOMETER (TYPE 1) 1987 (EXCEPT CHEROKEE LIMITED)

Figure 8A-1350

8J82 1350



ITEM	PART NUMBER	QTY	BODY	MODEL	DESCRIPTION
1	8350 0292	1			LENS, Cluster
2	8350 0290	1			BEZEL, Cluster
3	8350 1551	1			Diesel
	8350 3462	1			FILTER, Warning Lamps
	8350 3465	1			Canada/Export
	8350 3464	1			Diesel
4	8350 3463	1			Diesel (Canada/Export)
	8351 0021	1			FILTER, High Beam Lamp
5	8351 0020	2			FILTER, Turn Signal Lamp
6	8350 0282	1			HOUSING, Cluster
	8350 1554	1			Diesel
7	8351 0022	1			FILTER, Cluster
8	8350 0328	1			CONDUCTOR, Printed Circuit ***
	8350 1561	1			Diesel
	8350 2278	1			CONDUCTOR, Printed Circuit ***
	8350 0321	1			Diesel
10	8350 0294	1			SPEEDOMETER, Miles
	8350 0297	1			Kilo
11	8350 2026	1			SCREW
12	8350 0295	1			KNOB, Trip Odometer
13	8350 0309	1			TACHOMETER, 6 Cyl.
	8350 0308	1			4 Cyl.
	8350 1567	1			4 Cyl. (Diesel)
14	8350 0310	1			GAUGE, Temperature (260)
	8350 1559	1			Diesel (260)
15	8351 0023	1			Canada (125)
	8350 1558	1			Diesel (Canada/Export) 125
15	8350 2025	1			GASKET
16	8350 0302	1			GAUGE, Fuel (U.S.A./Canada)
	8350 0306	1			Non-Regulated Markets
	8350 1564	1			Diesel
17	8350 2024	1			RETAINER, Speedometer Cable
18	8350 4463	1			GAUGE, Oil (80)
	8351 0024	1			Canada (5.4)
19	5600 1448	1			HOSE, Turbo Boost Gauge
	8350 1565	1			Diesel (120)
	8350 1566	1			Diesel (8.3) Canadn/Export

MODEL CODES:

15 = Grand Wagoneer 4 Dr.	65 = Comanche 4WD-7 Ft. Box	77 = Cherokee 4WD-2 Dr.
25 = J-10 Pickup-119" W.B.	66 = Comanche 2WD-7 Ft. Box	78 = Cherokee 4WD-4 Dr.
26 = J-10 Pickup-131" W.B.	73 = Cherokee 2WD-2 Dr.	79 = Cherokee 4WD-4 Dr.-Com
27 = J-20 Pickup-131" W.B.	74 = Cherokee 2WD-4 Dr.	81 = Wrangler-93" W.B.
63 = Comanche 4WD-6 Ft. Box	75 = Wagoneer 4WD-4 Dr.	82 = Wrangler-103" W.B.-Exp.
64 = Comanche 2WD-6 Ft. Box		

BODY STYLES:

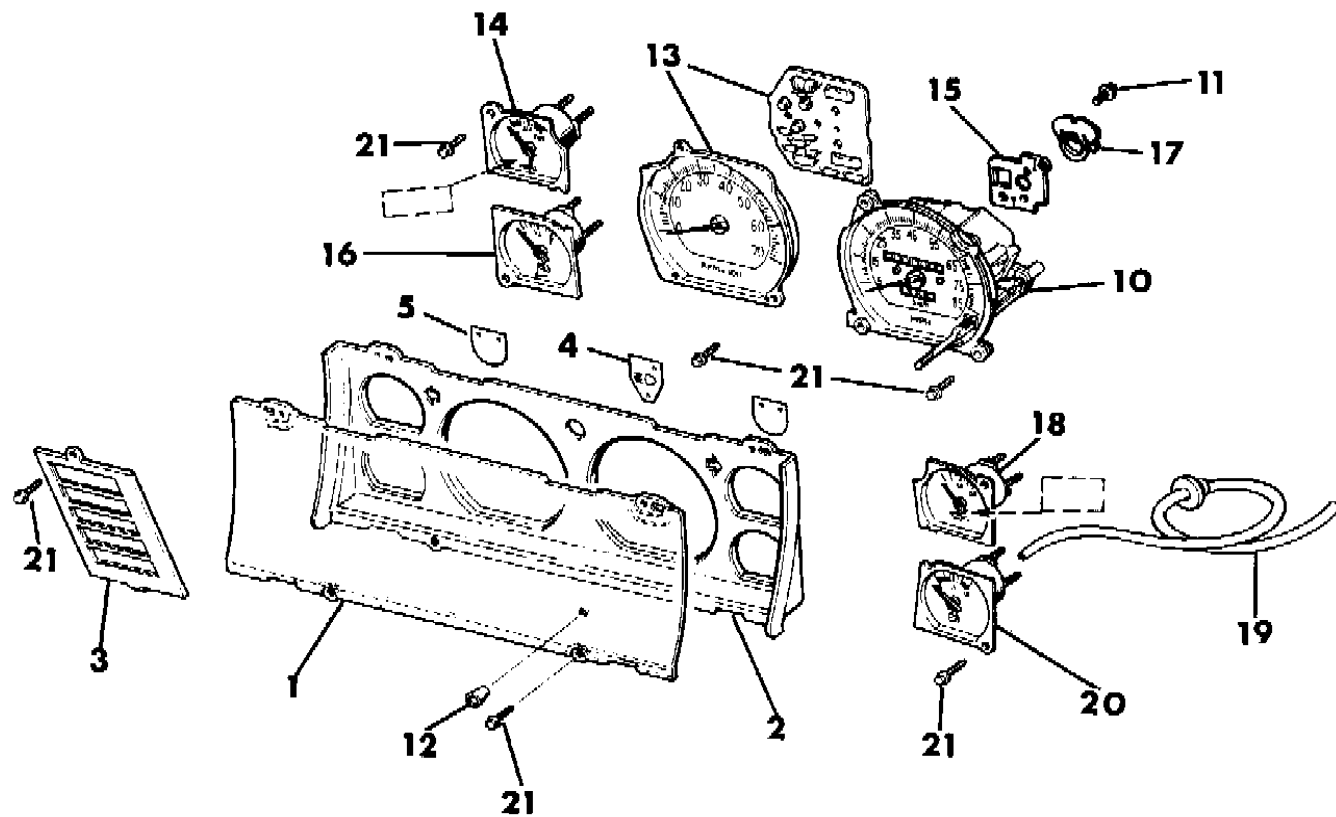
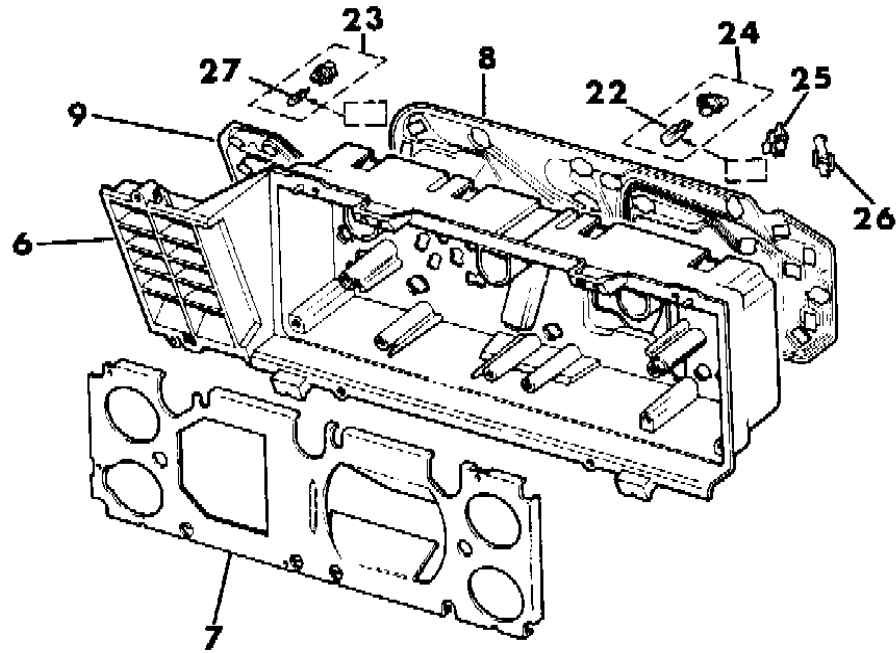
MJ = Comanche Pickup  
 SJ = Grand Wagoneer Wgn., J-10 & J-20 Pickups  
 XJ = Cherokee, Wagoneer Limited  
 YJ = Wrangler

AR = Use as Required - = Non Illustrated Part P.A.R. = Paint as Required

INSTRUMENT CLUSTER--WITH GAUGES, W/ TACHOMETER (TYPE 1) 1987 (EXCEPT CHEROKEE LIMITED)

Figure 8A-1350

8J82 1350



ITEM	PART NUMBER	QTY	BODY	MODEL	DESCRIPTION
20	8350 0318	1			VOLTMETER ***
	8350 1555	1			Diesel, Turbo Boost Gauge
21	8351 0025	AR			SCREW
22	J941 7561	AR			BULB (161) ***
	J942 1330	AR			(194)
23	5600 1787	7			SOCKET ASSEMBLY (Black) ***
	J448 8426	1			Bulb (168)
24	8350 0324	AR			SOCKET ASSEMBLY (Grey) ***
25	8351 0026	AR			CLIP
26	8351 0027	1			CLIP
27	J812 5723	AR			BULB

MODEL CODES:

15 = Grand Wagoneer 4 Dr.	65 = Comanche 4WD-7 Ft. Box	77 = Cherokee 4WD-2 Dr.
25 = J-10 Pickup-119" W.B.	66 = Comanche 2WD-7 Ft. Box	78 = Cherokee 4WD-4 Dr.
26 = J-10 Pickup-131" W.B.	73 = Cherokee 2WD-2 Dr.	79 = Cherokee 4WD-4 Dr.-Com
27 = J-20 Pickup-131" W.B.	74 = Cherokee 2WD-4 Dr.	81 = Wrangler-93" W.B.
63 = Comanche 4WD-6 Ft. Box	75 = Wagoneer 4WD-4 Dr.	82 = Wrangler-103" W.B.-Exp.
64 = Comanche 2WD-6 Ft. Box		

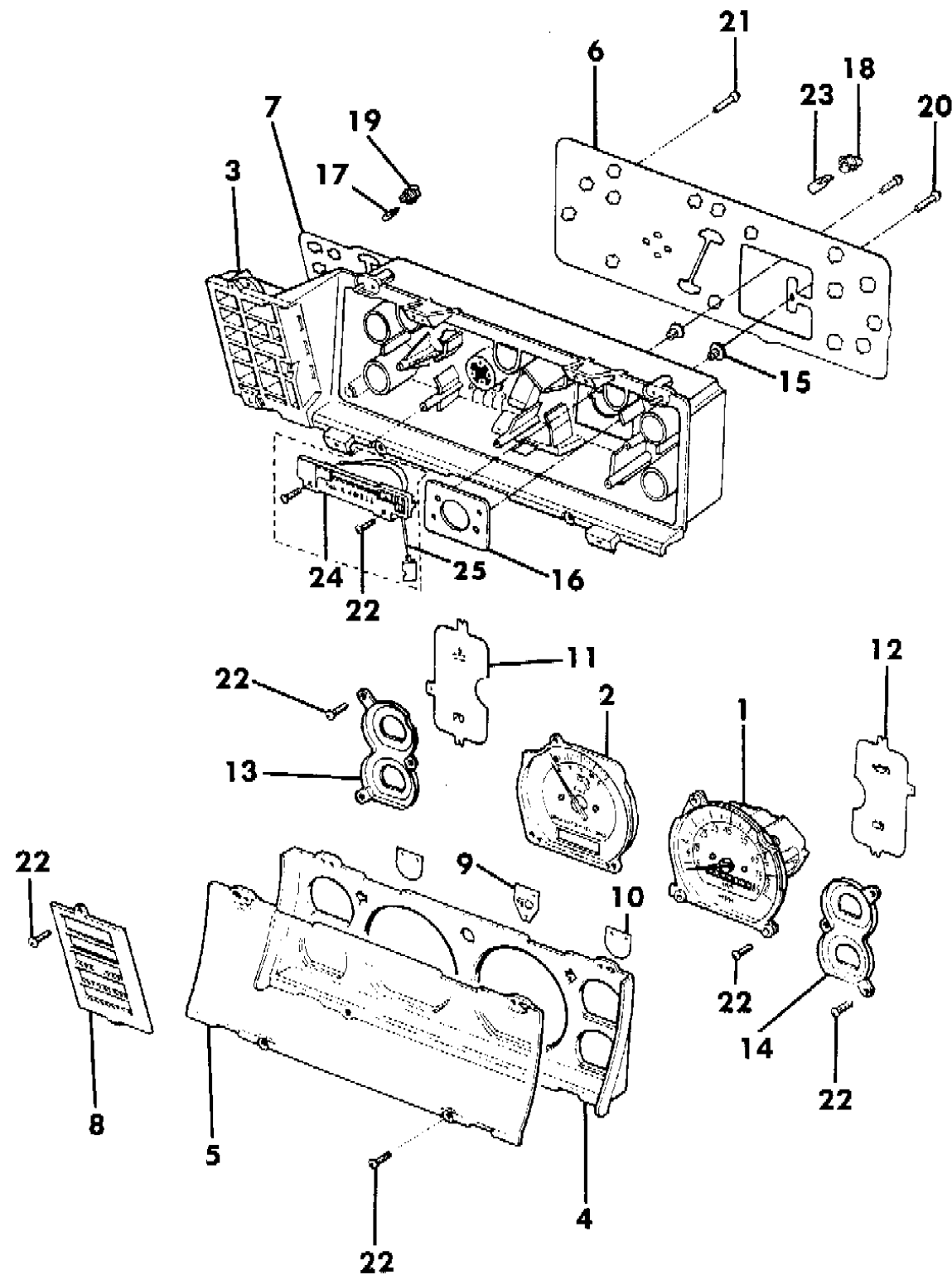
BODY STYLES:

MJ = Comanche Pickup  
 SJ = Grand Wagoneer Wgn., J-10 & J-20 Pickups  
 XJ = Cherokee, Wagoneer Limited  
 YJ = Wrangler

AR = Use as Required - = Non Illustrated Part P.A.R. = Paint as Required

**INSTRUMENT CLUSTER--WITH WARNING LAMPS W/O TACHOMETER (TYPE 2) 1987, 1988/ CHEROKEE, WAGONEER, COMANCHE**  
**Figure 8A-1400**

8J82 1400



ITEM	PART NUMBER	QTY	BODY	MODEL	DESCRIPTION
1					SPEEDOMETER
	8350 4226	1			Miles
	8350 4227	1			Kilo
2					GAUGE, Fuel
	8350 4234	1			w/Floor Shift
	8350 4236	1			w/Column Shift
	8350 4237	1			w/Column Shift,(Non-Regulated Markets)
	8350 4393	1			w/Floor Shift,(Non-Regulated Markets)
3					HOUSING, Cluster
	8350 4252	1			w/Floor Shift
	8350 4253	1			w/Column Shift
4	8350 4238	1			BEZEL, Cluster
5	8350 4256	1			LENS, Cluster
6					CONDUCTOR, Printed Circuit
	8350 4259	1			w/Floor Shift
	8350 4260	1			w/Column Shift
7	8350 4263	1			CONDUCTOR, Printed Circuit
8					FILTER, Warning Lamps
	8350 4264	1			U.S.A. (1987)
	8350 4265	1			Canada (1987)
	8350 4265	1			Non-Regulated Markets (1987)
	8350 4863	1			U.S.A. (1988/89)
	8350 5256	1			Canada (1988/89)
	8350 5256	1			Non-Regulated Markets (1988/89)
9	8350 4267	1			FILTER, H/Beam Lamp
10	8350 4269	2			FILTER, Turn Signal Lamp
11	8350 5409	1			FILTER, Cluster
12	8350 4272	1			FILTER, Cluster
13	8350 4284	1			BEZEL, Temperature
14	8350 4285	1			BEZEL, Cluster
15	8350 4274	2			BUSHING
16	8350 4275	1			GASKET
17					BULB
	J812 5723	10			Coded (74)
	J943 6789	1			Coded (37)
18	J369 7186	15			SOCKET
19	5600 1787	10			SOCKET

**MODEL CODES:**

15 = Grand Wagoneer 4 Dr.	65 = Comanche 4WD-7 Ft. Box	77 = Cherokee 4WD-2 Dr.
25 = J-10 Pickup-119" W.B.	66 = Comanche 2WD-7 Ft. Box	78 = Cherokee 4WD-4 Dr.
26 = J-10 Pickup-131" W.B.	73 = Cherokee 2WD-2 Dr.	79 = Cherokee 4WD-4 Dr.-Com
27 = J-20 Pickup-131" W.B.	74 = Cherokee 2WD-4 Dr.	81 = Wrangler-93" W.B.
63 = Comanche 4WD-6 Ft. Box	75 = Wagoneer 4WD-4 Dr.	82 = Wrangler-103" W.B.-Exp.
64 = Comanche 2WD-6 Ft. Box		

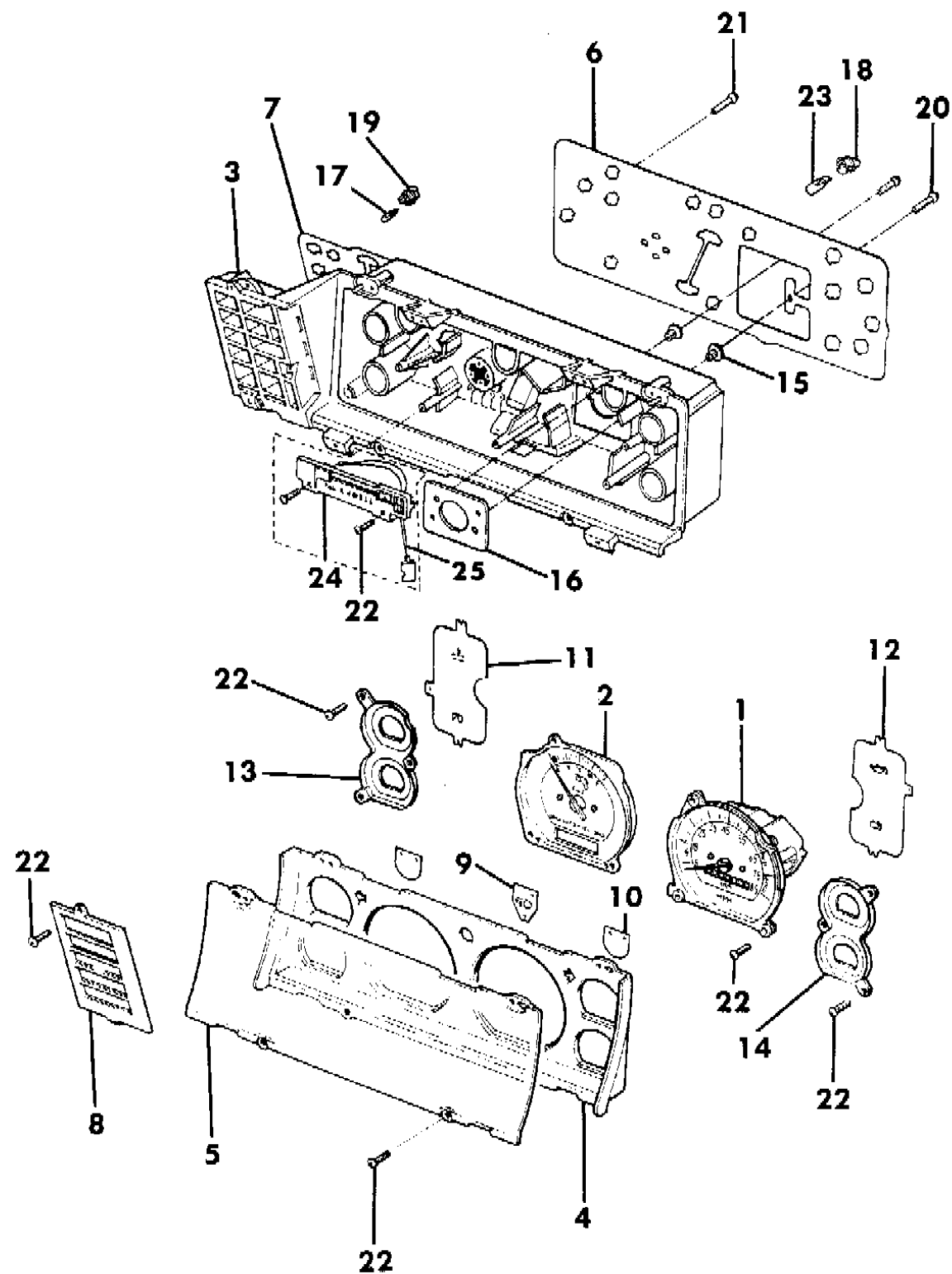
**BODY STYLES:**

MJ = Comanche Pickup  
 SJ = Grand Wagoneer Wgn., J-10 & J-20 Pickups  
 XJ = Cherokee, Wagoneer Limited  
 YJ = Wrangler

AR = Use as Required - = Non Illustrated Part P.A.R. = Paint as Required

INSTRUMENT CLUSTER--WITH WARNING LAMPS W/O TACHOMETER (TYPE 2) 1987, 1988/ CHEROKEE, WAGONEER, COMANCHE  
Figure 8A-1400

8J82 1400



ITEM	PART NUMBER	QTY	BODY	MODEL	DESCRIPTION
20	8350 4277	7			SCREW, 14mm long
21	8350 4278	11			SCREW, 32mm long
22	S016 1860	AR			SCREW
23					BULB
	J942 1330	15			Coded (194) ***
	J941 7561	1			Coded (161)
	J448 8426	1			Coded (168)
24	8350 4235	1			DIAL, Shift, w/Column Shift ***
25	8350 6061	1			CABLE, Selector, w/Column Shift

MODEL CODES:

15 = Grand Wagoneer 4 Dr.	65 = Comanche 4WD-7 Ft. Box	77 = Cherokee 4WD-2 Dr.
25 = J-10 Pickup-119" W.B.	66 = Comanche 2WD-7 Ft. Box	78 = Cherokee 4WD-4 Dr.
26 = J-10 Pickup-131" W.B.	73 = Cherokee 2WD-2 Dr.	79 = Cherokee 4WD-4 Dr.-Com
27 = J-20 Pickup-131" W.B.	74 = Cherokee 2WD-4 Dr.	81 = Wrangler-93" W.B.
63 = Comanche 4WD-6 Ft. Box	75 = Wagoneer 4WD-4 Dr.	82 = Wrangler-103" W.B.-Exp.
64 = Comanche 2WD-6 Ft. Box		

BODY STYLES:

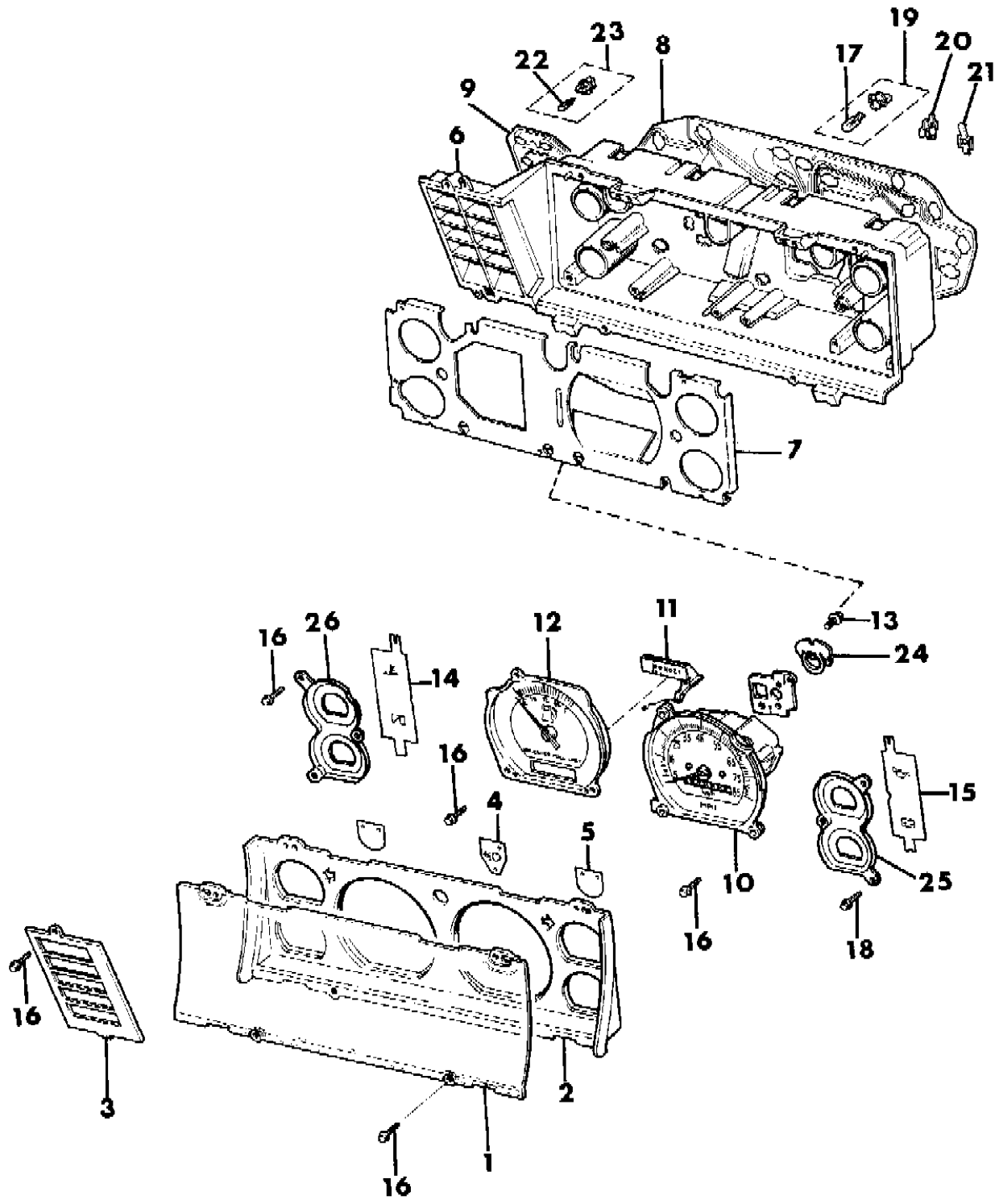
MJ = Comanche Pickup  
SJ = Grand Wagoneer Wgn., J-10 & J-20 Pickups  
XJ = Cherokee, Wagoneer Limited  
YJ = Wrangler

AR = Use as Required - = Non Illustrated Part P.A.R. = Paint as Required



**INSTRUMENT CLUSTER--WITH WARNING LAMP (TYPE 1) 1987 CHEROKEE, WAGONEER, COMANCHE**  
**Figure 8A-1450**

8J82 1450



ITEM	PART NUMBER	QTY	BODY	MODEL	DESCRIPTION
1	8350 0291	1			LENS, Cluster
2	8350 0290	1			BEZEL, Cluster
3	8350 3462	1			FILTER, Warning Lamps (1987)
4	8350 3465	1			Canada/Export (1987)
5	8351 0021	1			FILTER, High Beam LAMP
6	8351 0020	2			FILTER, Turn Signal Lamp
7	8350 0283	1			HOUSING, Floor Mounted Gear Shift
8	8350 3544	1			Column Mounted Gear Shift
9	8351 0022	1			FILTER, Cluster
10	8350 0319	1			CONDUCTOR, Printed Circuit ***
11	8350 0321	1			CONDUCTOR, Printed Circuit ***
12	8350 0293	1			SPEEDOMETER, Miles
13	8350 0296	1			Kilo
14	8350 3545	1			DIAL, Shift w/Column Mounted Gear Shift ***
15	8350 0298	1			GAUGE, Fuel (Floor Mounted Gear Shift) U.S.A./Canada
16	8350 3167	1			w/Column Mounted Gear Shift (U.S.A./Canada)
17	8350 0305	1			Non Regulated Markets (Floor Mounted Gear Shift)
18	8350 3467	1			w/Column Mounted Gear Shift (Non Regulated Markets)
19	8350 2026	1			SCREW
20	8351 0028	1			FILTER, Temp./Low Fuel Lamps
21	8351 0029	1			FILTER, Oil Voltage Lamps
22	8351 0025	AR			SCREW
23	J448 8426	AR			BULB (168) ***
24	J941 7561	AR			(161)
25	J942 1330	AR			(194)
26	8350 2025	1			GASKET
27	8350 0324	AR			SOCKET ASSEMBLY (Grey) ***
28	8351 0026	AR			CLIP
29	8351 0027	1			CLIP
30	J812 5723	AR			BULB (74) ***
31	5600 1787	7			SOCKET ASSEMBLY (Black) ***
32	8350 2024	1			RETAINER, Speedometer Cable
33	8350 1593				BEZEL, Cluster
34	8350 1592	1			BEZEL, Cluster

**MODEL CODES:**

15 = Grand Wagoneer 4 Dr.	65 = Comanche 4WD-7 Ft. Box	77 = Cherokee 4WD-2 Dr.
25 = J-10 Pickup-119" W.B.	66 = Comanche 2WD-7 Ft. Box	78 = Cherokee 4WD-4 Dr.
26 = J-10 Pickup-131" W.B.	73 = Cherokee 2WD-2 Dr.	79 = Cherokee 4WD-4 Dr.-Com
27 = J-20 Pickup-131" W.B.	74 = Cherokee 2WD-4 Dr.	81 = Wrangler-93" W.B.
63 = Comanche 4WD-6 Ft. Box	75 = Wagoneer 4WD-4 Dr.	82 = Wrangler-103" W.B.-Exp.
64 = Comanche 2WD-6 Ft. Box		

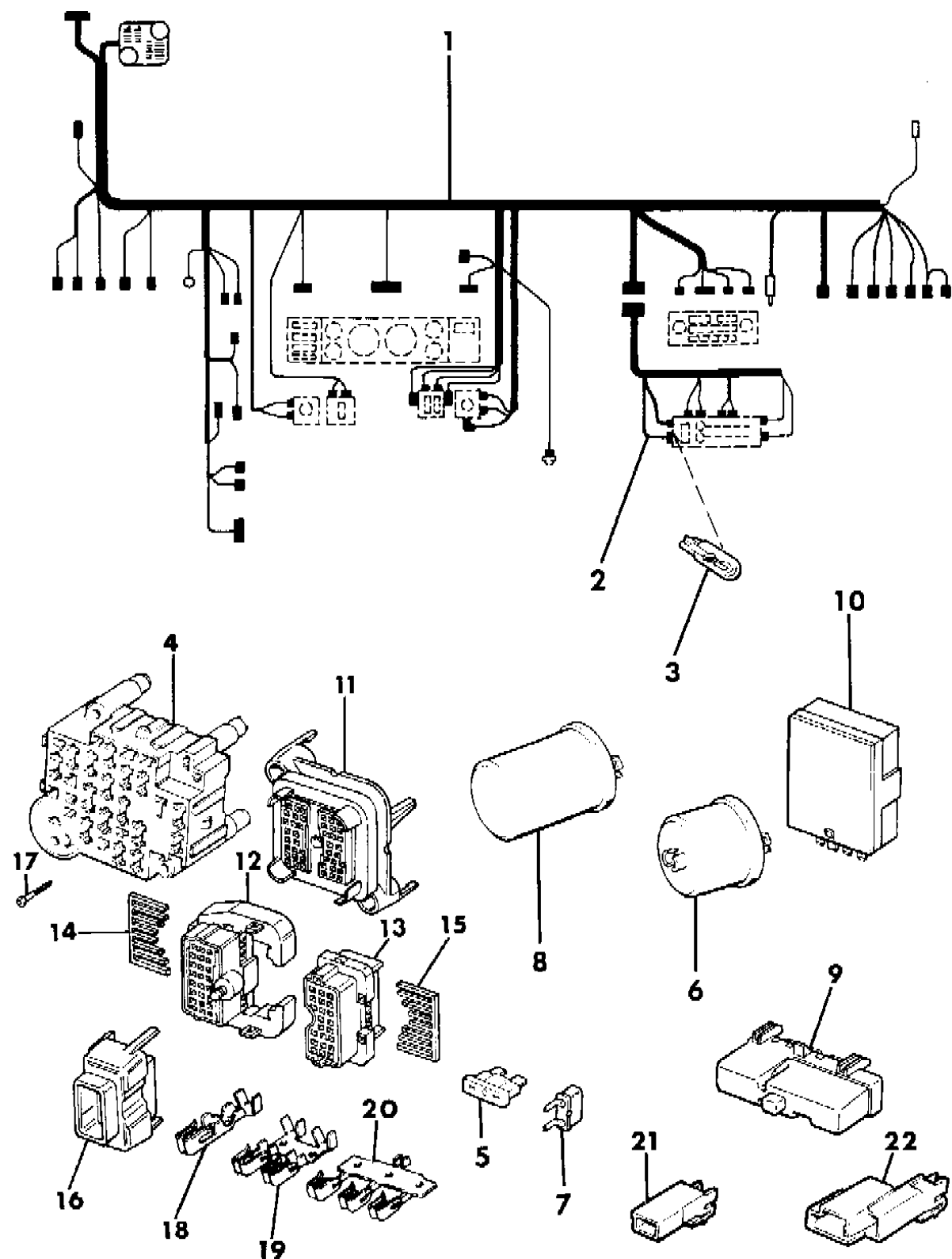
**BODY STYLES:**

MJ = Comanche Pickup
SJ = Grand Wagoneer Wgn., J-10 & J-20 Pickups
XJ = Cherokee, Wagoneer Limited
YJ = Wrangler

AR = Use as Required - = Non Illustrated Part P.A.R. = Paint as Required

FUSE PANEL--INSTRUMENT PANEL WIRING CHEROKEE, WAGONEER, COMANCHE  
Figure 8A-1500

8J82 1500 A



ITEM	PART NUMBER	QTY	BODY	MODEL	DESCRIPTION
1					WIRING HARNESS
	5600 1998	1	XJ		w/Diesel Engine 1987
	5600 2674	1	XJ		w/Gas Engine 1987
	5600 1999	1	XJ		Emission Controlled European 1987
	5600 2680	1	MJ		w/Gas Engine 1987
	5600 2001	1	MJ		w/Diesel Engine 1987
	5600 3844	1	XJ		w/Gas Engine 1988-89
	5600 2878	1	XJ		w/Diesel Engine, Non-Regulated Markets 1988-89
	5600 3963	1	XJ		w/Diesel Engine, Non-Regulated Markets 1990
	5600 3150	1	XJ		Emission Controlled European 1988-89
	5600 3962	1	XJ		Emission Controlled European 1990
	5600 2880	1	MJ		w/Gas Engine 1988
	5600 3847	1	MJ		w/Gas Engine 1989
	5600 4906	1	MJ		w/Gas Engine 1990
	5600 3960	1	XJ		w/Gas Engine w/o Anti Lock Brakes 1990
	5600 2881	1	MJ		w/Diesel Engine 1988-89
	5600 4907	1	MJ		w/Diesel Engine 1990
	5600 3961	1	XJ		w/Gas Engine, w/Anti Lock Brakes 1990
2					HARNESS, Heater
	5600 2388	1			w/Gas Engine 1987
	5600 2389	1			w/Diesel Engine, w/Factory Air Cond. 1987
	5600 1846	1			w/Gas Engine, w/o Factory A.C.
	8350 5537	1			w/"American A.C."
	5600 2874	1			w/Gas Engine, w/Factory A.C., 1988-90
	5600 1848	1			w/Diesel Engine, w/o Factory A.C.
	5600 2868	1			w/Diesel Engine, w/Factory A.C.
3	J812 5723	2			BULB, (74)
4	J417 9458	1			PANEL, Fuse
5					FUSE
	J323 1213	AR			5 Ampere
	J323 1214	AR			7.5 Ampere
	J323 1215	AR			10 Ampere
	J323 1216	AR			15 Ampere
	J323 1217	AR			20 Ampere
	J323 1218	AR			25 Ampere
6	J545 2266	1			FLASHER, Hazard
7					CIRCUIT BREAKER

MODEL CODES:

15 = Grand Wagoneer 4 Dr.	65 = Comanche 4WD-7 Ft. Box	77 = Cherokee 4WD-2 Dr.
25 = J-10 Pickup-119" W.B.	66 = Comanche 2WD-7 Ft. Box	78 = Cherokee 4WD-4 Dr.
26 = J-10 Pickup-131" W.B.	73 = Cherokee 2WD-2 Dr.	79 = Cherokee 4WD-4 Dr.-Com
27 = J-20 Pickup-131" W.B.	74 = Cherokee 2WD-4 Dr.	81 = Wrangler-93" W.B.
63 = Comanche 4WD-6 Ft. Box	75 = Wagoneer 4WD-4 Dr.	82 = Wrangler-103" W.B.-Exp.
64 = Comanche 2WD-6 Ft. Box		

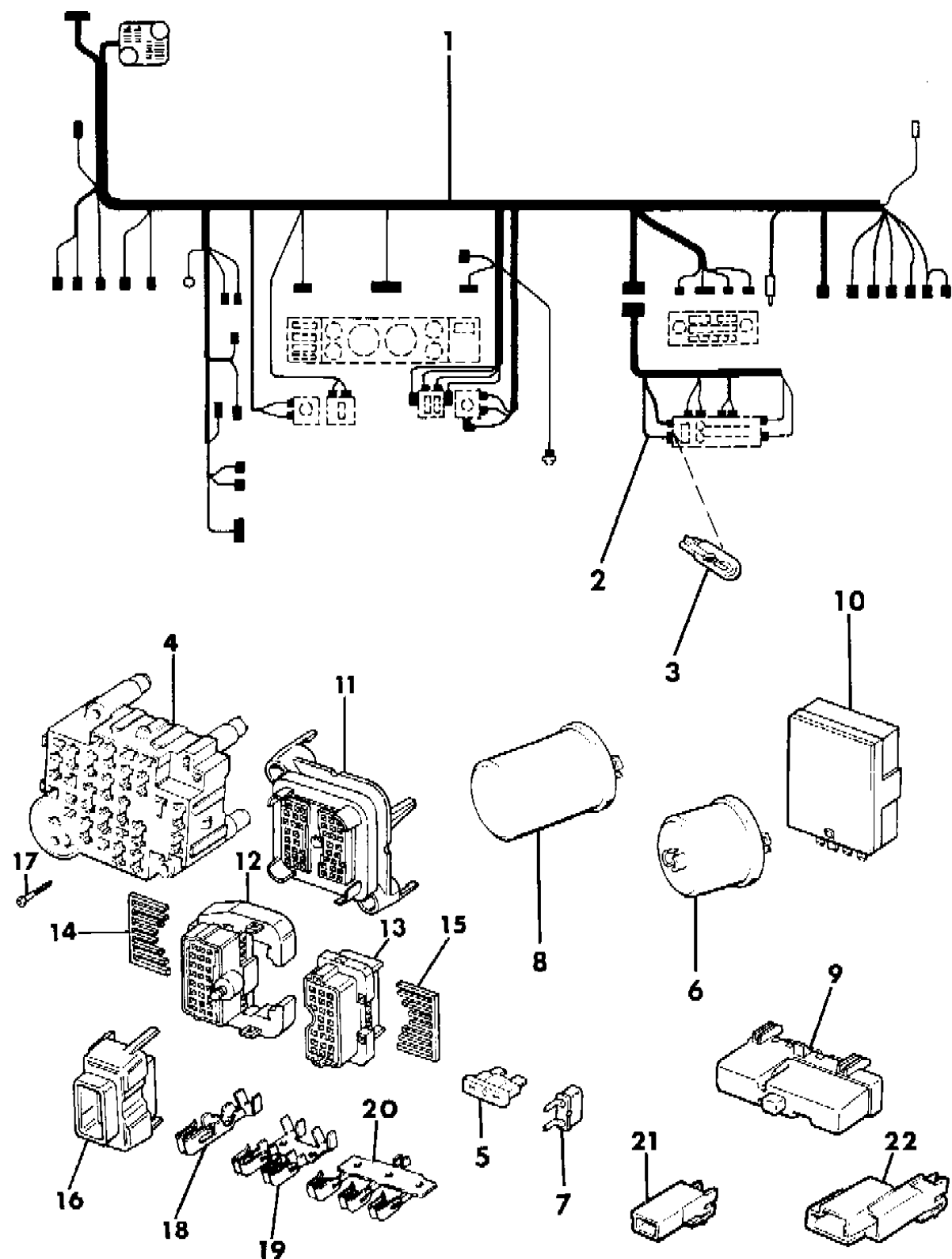
BODY STYLES:

MJ = Comanche Pickup  
SJ = Grand Wagoneer Wgn., J-10 & J-20 Pickups  
XJ = Cherokee, Wagoneer Limited  
YJ = Wrangler

AR = Use as Required - = Non Illustrated Part P.A.R. = Paint as Required

FUSE PANEL--INSTRUMENT PANEL WIRING CHEROKEE, WAGONEER, COMANCHE  
Figure 8A-1500

8J82 1500 A



ITEM	PART NUMBER	QTY	BODY	MODEL	DESCRIPTION
	5600 1110	1			4.8 Ampere
	8350 7005	1			30 Ampere
8	3837 161	1			FLASHER, Turn Signal
	J321 2067	1			Standard (224)
9	5600 0903	1			(550) 3 Bladed
	J545 2266	1			(552)
	5600 1076	1			BUZZER, Headlamp
	5600 1077	1			Blue
	J323 1209	1			Black
10	5600 1347	1			Seat Belt
11	3417 8240	1			CHIME, Warning
12	3417 8230	1			CONNECTOR, Bulkhead
13	3417 8231	1			CONNECTOR, Bulkhead
14	3417 5323	1			RETAINER, Blue
15	3417 5324	1			RETAINER, Clear
16					COVER
	3417 5325	1			Item #12
	3417 5326	1			Item #13
17	3420 1598	2			SCREW
18	J323 1223	5			TERMINAL
19	J323 1224	3			TERMINAL
20	J323 1225	1			TERMINAL
21					CONNECTOR
	J417 9537	1			Red
	J417 9530	1			ORANGE
	J417 9531	1			BLACK
	J417 9532	1			GREEN
	J417 9533	1			BEIGE
	J417 9534	1			BLUE
	J417 9535	1			BROWN
22					CONNECTOR
	J417 9540	1			BROWN
	J417 9542	1			GREEN
	J417 9630	1			BLACK

MODEL CODES:

15 = Grand Wagoneer 4 Dr.	65 = Comanche 4WD-7 Ft. Box	77 = Cherokee 4WD-2 Dr.
25 = J-10 Pickup-119" W.B.	66 = Comanche 2WD-7 Ft. Box	78 = Cherokee 4WD-4 Dr.
26 = J-10 Pickup-131" W.B.	73 = Cherokee 2WD-2 Dr.	79 = Cherokee 4WD-4 Dr.-Com
27 = J-20 Pickup-131" W.B.	74 = Cherokee 2WD-4 Dr.	81 = Wrangler-93" W.B.
63 = Comanche 4WD-6 Ft. Box	75 = Wagoneer 4WD-4 Dr.	82 = Wrangler-103" W.B.-Exp.
64 = Comanche 2WD-6 Ft. Box		

BODY STYLES:

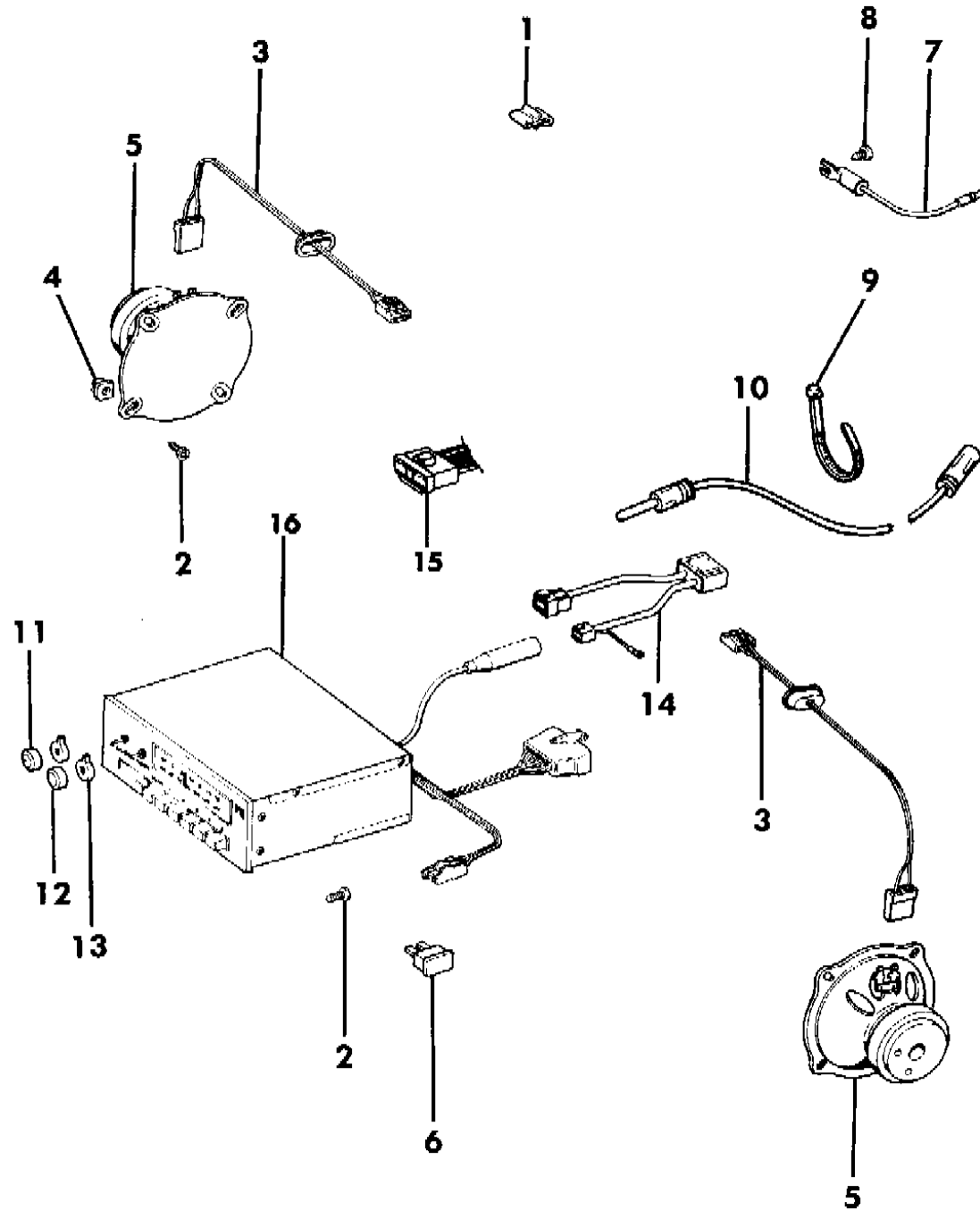
MJ = Comanche Pickup  
 SJ = Grand Wagoneer Wgn., J-10 & J-20 Pickups  
 XJ = Cherokee, Wagoneer Limited  
 YJ = Wrangler

AR = Use as Required - = Non Illustrated Part P.A.R. = Paint as Required

SPEAKERS AND KNOBS--RADIO TWO SPEAKER SYSTEM CHEROKEE, WAGONEER, COMANCHE

Figure 8A-1600

8J82 1600 A



ITEM	PART NUMBER	QTY	BODY	MODEL	DESCRIPTION
1	J400 5963	1			CLIP
2	J448 9487	10			SCREW
3	5600 1850	2			HARNES, Speaker, w/o Power Locks or Windows
4	J400 5242	8			NUT
5	3600 3461	2			SPEAKER, Door
6	J323 1213	1			FUSE, 5 Ampere
7	J322 9510	1			CAPACITOR, Ignition
8	3420 1895	1			SCREW
9	J322 3227	1			STRAP
10	5600 0527	1			CABLE, Antenna
11	8350 1413	1			KNOB, Radio Volume
	8350 7040	1			Volume/Tune 1990
12	8350 1416	1			KNOB, Radio Tuning
13	8350 1414	2			KNOB, Radio Secondary
	8350 7041	1			Bass/Treble w/o Cass. 1990
	8350 7042	1			Bass/Treble w/Cass. 1990
	8350 7043	1			Fader 1990
14	5600 3160	1			HARNES, Jumper, Export (CHINA)
15	#8350 6510	AR			HARNES, Radio Repair
16					RADIO, See Accessory Catalog

MODEL CODES:

15 = Grand Wagoneer 4 Dr.	65 = Comanche 4WD-7 Ft. Box	77 = Cherokee 4WD-2 Dr.
25 = J-10 Pickup-119" W.B.	66 = Comanche 2WD-7 Ft. Box	78 = Cherokee 4WD-4 Dr.
26 = J-10 Pickup-131" W.B.	73 = Cherokee 2WD-2 Dr.	79 = Cherokee 4WD-4 Dr.-Com
27 = J-20 Pickup-131" W.B.	74 = Cherokee 2WD-4 Dr.	81 = Wrangler-93" W.B.
63 = Comanche 4WD-6 Ft. Box	75 = Wagoneer 4WD-4 Dr.	82 = Wrangler-103" W.B.-Exp.
64 = Comanche 2WD-6 Ft. Box		

BODY STYLES:

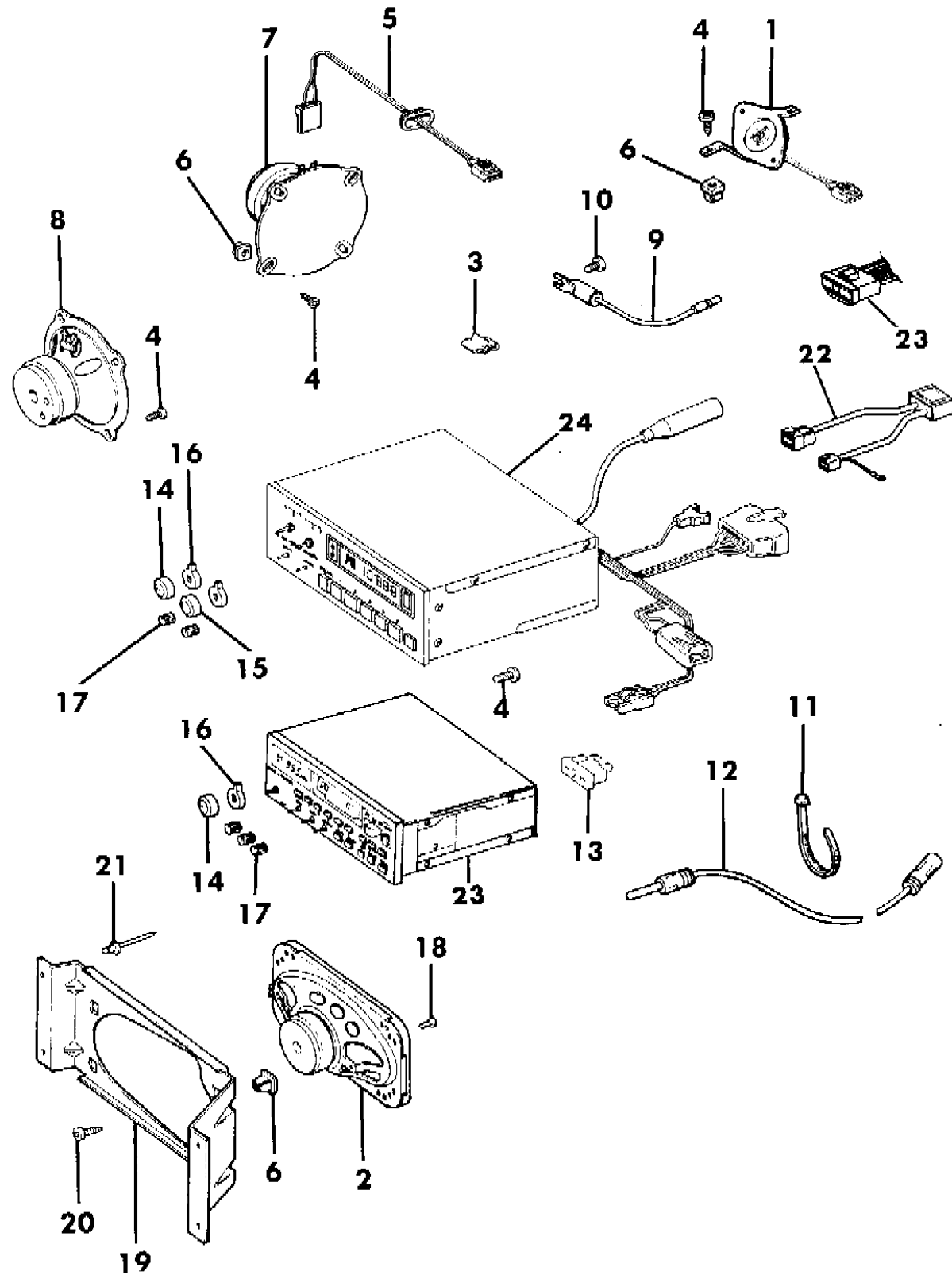
MJ = Comanche Pickup  
 SJ = Grand Wagoneer Wgn., J-10 & J-20 Pickups  
 XJ = Cherokee, Wagoneer Limited  
 YJ = Wrangler

AR = Use as Required - = Non Illustrated Part P.A.R. = Paint as Required

SPEAKERS AND KNOBS--RADIO FOUR AND SIX SPEAKER SYSTEM CHEROKEE, WAGONEER, COMANCHE

Figure 8A-1700

8J82 1700 A



ITEM	PART NUMBER	QTY	BODY	MODEL	DESCRIPTION
1			XJ		SPEAKER, Instrument Panel
	3600 1123	1			Right
	5600 2013	1			Left
2	5600 1878	2	MJ		SPEAKER, Rear
3	J400 5963	2			CLIP
4	J448 9487	18			SCREW
5	5600 1850	2			HARNESS, Speaker, w/o Power Locks or Windows
6	J400 5242	8			NUT
7					SPEAKER, Door
	5600 1880	2			w/o D.N.R.
	3600 1124	2			w/D.N.R.
8			XJ		SPEAKER, Rear
	3600 3461	2			w/o D.N.R.
	3600 1125	2			w/D.N.R.
9	J322 9510	1			CAPACITOR, Ignition
10	3420 1895	1			SCREW
11	J322 3227	1			STRAP
12	5600 0527	1			CABLE, Antenna
13					FUSE
	J323 1211	1			3 Ampere
	J323 1213	1			5 Ampere
14	8350 1413	1			KNOB, Volume
	8350 7040	1			Volume/Tune 1990
15	8350 1416	1			KNOB, Tuning
16	8350 1414	2			KNOB, Secondary
	8350 7043	1			Fader 1990
17	8350 1415	3			KNOB, Balance
	8350 7042	2			Bass/Treble w/Cass. 1990
18	J448 9487	8			SCREW
19	5500 6736	2	MJ		BRACKET, Speaker
20	J400 2461	8			SCREW
21	3420 1792	8			RIVET
22	5600 3160	1			HARNESS, Jumper KDX-China
23	8350 6510	AR			HARNESS, Radio Repair
24		1			RADIO, See Accessory Catalog

MODEL CODES:

15 = Grand Wagoneer 4 Dr.	65 = Comanche 4WD-7 Ft. Box	77 = Cherokee 4WD-2 Dr.
25 = J-10 Pickup-119" W.B.	66 = Comanche 2WD-7 Ft. Box	78 = Cherokee 4WD-4 Dr.
26 = J-10 Pickup-131" W.B.	73 = Cherokee 2WD-2 Dr.	79 = Cherokee 4WD-4 Dr.-Com
27 = J-20 Pickup-131" W.B.	74 = Cherokee 2WD-4 Dr.	81 = Wrangler-93" W.B.
63 = Comanche 4WD-6 Ft. Box	75 = Wagoneer 4WD-4 Dr.	82 = Wrangler-103" W.B.-Exp.
64 = Comanche 2WD-6 Ft. Box		

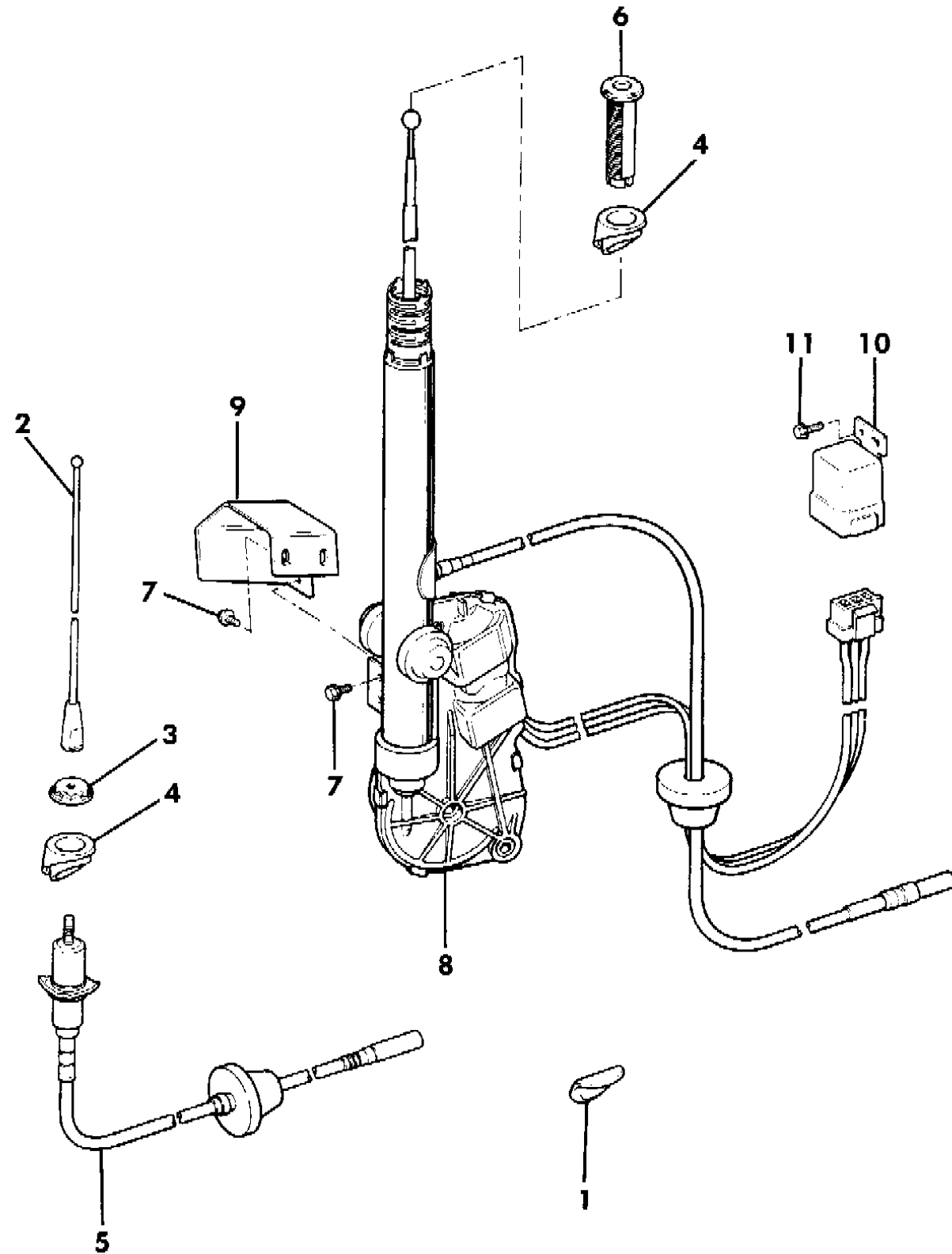
BODY STYLES:

MJ = Comanche Pickup  
 SJ = Grand Wagoneer Wgn., J-10 & J-20 Pickups  
 XJ = Cherokee, Wagoneer Limited  
 YJ = Wrangler

AR = Use as Required - = Non Illustrated Part P.A.R. = Paint as Required

**ANTENNA CHEROKEE, WAGONEER, COMANCHE**  
**Figure 8A-1800**

8J82 1800



ITEM	PART NUMBER	QTY	BODY	MODEL	DESCRIPTION
1	5600 1184	1			COVER, Hole
2	5600 0508	1			ANTENNA
3	5600 0506	1			NUT
4	5600 1183	1			PAD
5	5600 0282	1			BASE, w/Cable
6	5600 0552	1	XJ		ESCUTCHEON
7	3420 1522	4	XJ		SCREW
8	5600 3151	1	XJ		ANTENNA, Power
9	5600 0553	1	XJ		BRACKET
10	5600 0836	1	XJ		RELAY, Antenna
11	3420 1489	2	XJ		SCREW

**MODEL CODES:**

15 = Grand Wagoneer 4 Dr.	65 = Comanche 4WD-7 Ft. Box	77 = Cherokee 4WD-2 Dr.
25 = J-10 Pickup-119" W.B.	66 = Comanche 2WD-7 Ft. Box	78 = Cherokee 4WD-4 Dr.
26 = J-10 Pickup-131" W.B.	73 = Cherokee 2WD-2 Dr.	79 = Cherokee 4WD-4 Dr.-Com
27 = J-20 Pickup-131" W.B.	74 = Cherokee 2WD-4 Dr.	81 = Wrangler-93" W.B.
63 = Comanche 4WD-6 Ft. Box	75 = Wagoneer 4WD-4 Dr.	82 = Wrangler-103" W.B.-Exp.
64 = Comanche 2WD-6 Ft. Box		

**BODY STYLES:**

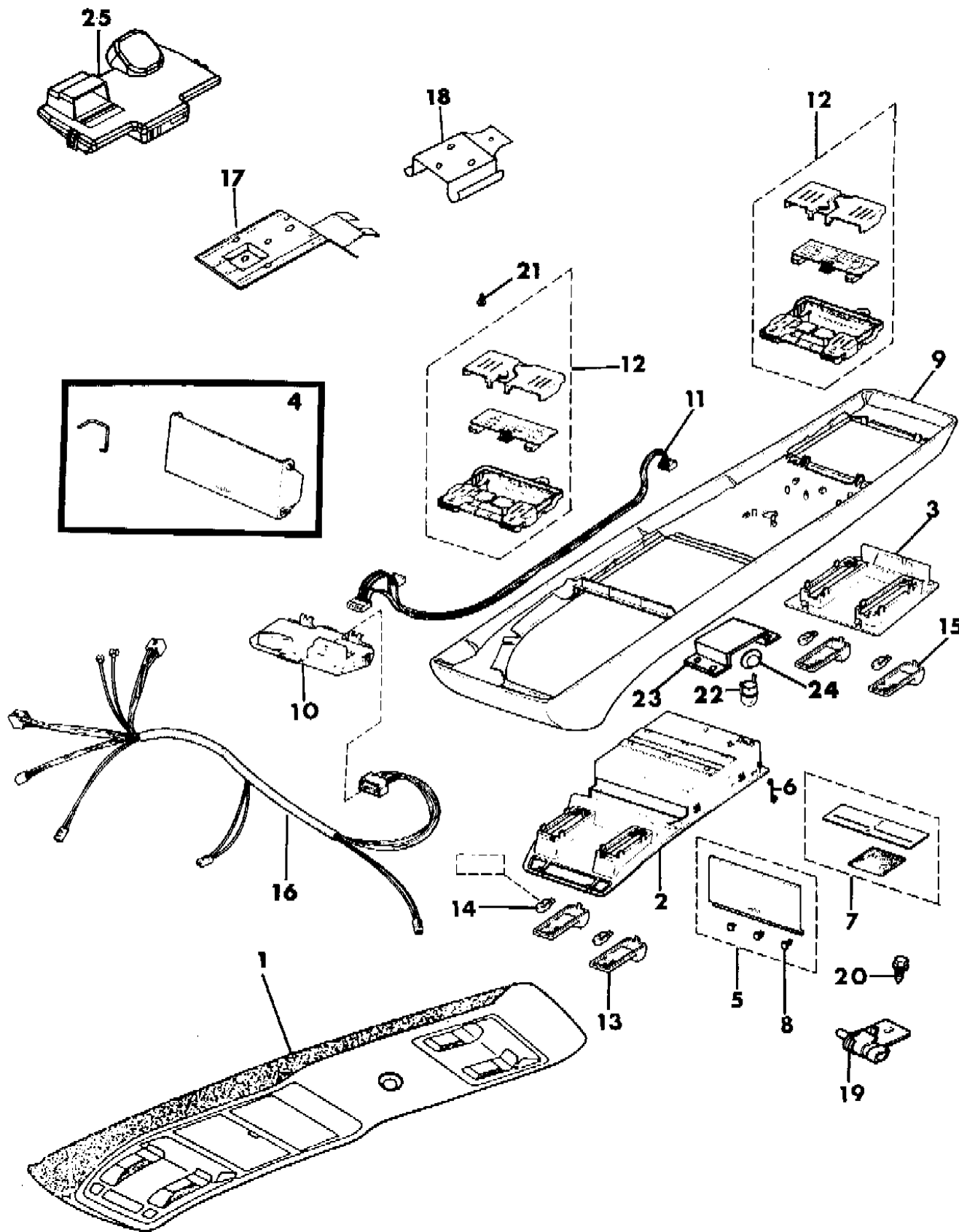
MJ = Comanche Pickup  
 SJ = Grand Wagoneer Wgn., J-10 & J-20 Pickups  
 XJ = Cherokee, Wagoneer Limited  
 YJ = Wrangler

AR = Use as Required - = Non Illustrated Part P.A.R. = Paint as Required

CONSOLE--OVERHEAD CHEROKEE, WAGONEER 1990

Figure 8A-1850

8J82 1850F



ITEM	PART NUMBER	QTY	BODY	MODEL	DESCRIPTION
1					CONSOLE, Assembly (complete)
	5AK1 9JS1	1			Charcoal
	5AK1 9JH9	1			Cordovan
	5AK1 9JY1	1			Sand
	5AK1 9KY6	1			DARK SAND ***
2	4521 399	1			HOUSING, Front
3	5502 4260	1			HOUSING, Rear
4	4309 341	1			DOOR, Sunglass Bin
	4609 340				SPRING, Sunglass Door
5	4507 567	1			DOOR, Garage Door Opener
6	4409 911	1			SPRING
7	4309 345	1			FASTENER, Velcro Hook
8	4309 344	1			ADAPTER, Garage Door Button
9					HOUSING, Console
	4626 124	1			Charcoal
	4626 125	1			Cordovan
	8350 7226	1			Sand
	8350 7227	1			DARK SAND ***
10	4437 566	1			COMPASS, Temp. Module ***
11	4450 262	1			HARNESS, LAMP/Compass
12	4638 924	2			MODULE, Dome Lamp Assembly
13	4507 896-7	1			LENS, Switch Front
14	J943 7173	4			BULB, (912)
15	4507 584-5	1			LENS, Switch, Rear
16	5600 4868	1			HARNESS, Domelamp
17	5503 3358	1			BRACKET, Front Mounting
18	5502 5816	1			BRACKET, Rear Mounting
19	4437 691	1			SENSOR, Outside Air Temp.
20	1150 2843	1			SCREW
21	6032 456	5			SCREW
22	8350 5263	1			LENS
23	5502 4275	1			COVER, Keyless Entry
24	8350 7229	1			BEZEL, Lens
25	5266 173	1			MODULE

MODEL CODES:

15 = Grand Wagoneer 4 Dr.	65 = Comanche 4WD-7 Ft. Box	77 = Cherokee 4WD-2 Dr.
25 = J-10 Pickup-119" W.B.	66 = Comanche 2WD-7 Ft. Box	78 = Cherokee 4WD-4 Dr.
26 = J-10 Pickup-131" W.B.	73 = Cherokee 2WD-2 Dr.	79 = Cherokee 4WD-4 Dr.-Com
27 = J-20 Pickup-131" W.B.	74 = Cherokee 2WD-4 Dr.	81 = Wrangler-93" W.B.
63 = Comanche 4WD-6 Ft. Box	75 = Wagoneer 4WD-4 Dr.	82 = Wrangler-103" W.B.-Exp.
64 = Comanche 2WD-6 Ft. Box		

BODY STYLES:

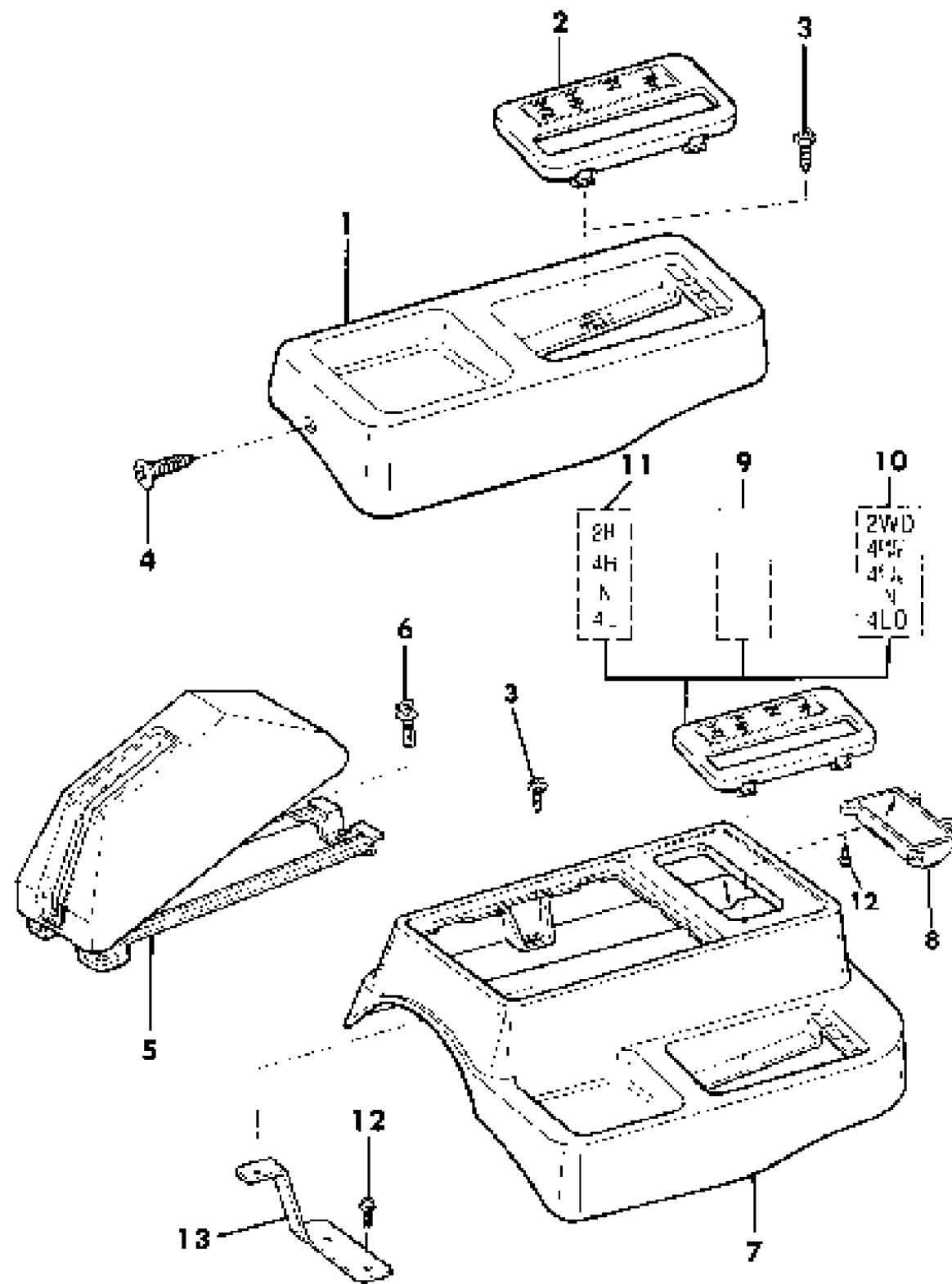
MJ = Comanche Pickup  
 SJ = Grand Wagoneer Wgn., J-10 & J-20 Pickups  
 XJ = Cherokee, Wagoneer Limited  
 YJ = Wrangler

AR = Use as Required - = Non Illustrated Part P.A.R. = Paint as Required

# SHIFT BEZELS CHEROKEE, WAGONEER, COMANCHE

## Figure 8A-1900

8J82 1900



ITEM	PART NUMBER	QTY	BODY	MODEL	DESCRIPTION
1	5500 8549	1			BEZEL, Shift, Truck
2	5500 5175	1			BEZEL, Transfer Case, Truck
3	3420 1314	AR			SCREW
4	J400 4315	1			SCREW
5	5501 2338	1	XJ		COVER, Parking Brake, P.A.R.
6	J400 6633	3			SCREW
7	5500 8149	1			BEZEL, Shift 1987-89
	5BA6 9JY6	1			1990
8	5500 3281	1			CUP, Coin Retainer
9	5501 2346	1			COVER, 2WD, P.A.R.
10	5502 0094	1			BEZEL, Transfer Case, 4WD 1988-89
	5501 5306	1			1987
11	5500 5175	1			BEZEL, Transfer Case, 4WD
12	1150 2843	4			SCREW
13	5300 0812	1			BRACKET, Manual Trans.

**MODEL CODES:**

15 = Grand Wagoneer 4 Dr.	65 = Comanche 4WD-7 Ft. Box	77 = Cherokee 4WD-2 Dr.
25 = J-10 Pickup-119" W.B.	66 = Comanche 2WD-7 Ft. Box	78 = Cherokee 4WD-4 Dr.
26 = J-10 Pickup-131" W.B.	73 = Cherokee 2WD-2 Dr.	79 = Cherokee 4WD-4 Dr.-Com
27 = J-20 Pickup-131" W.B.	74 = Cherokee 2WD-4 Dr.	81 = Wrangler-93" W.B.
63 = Comanche 4WD-6 Ft. Box	75 = Wagoneer 4WD-4 Dr.	82 = Wrangler-103" W.B.-Exp.
64 = Comanche 2WD-6 Ft. Box		

**BODY STYLES:**

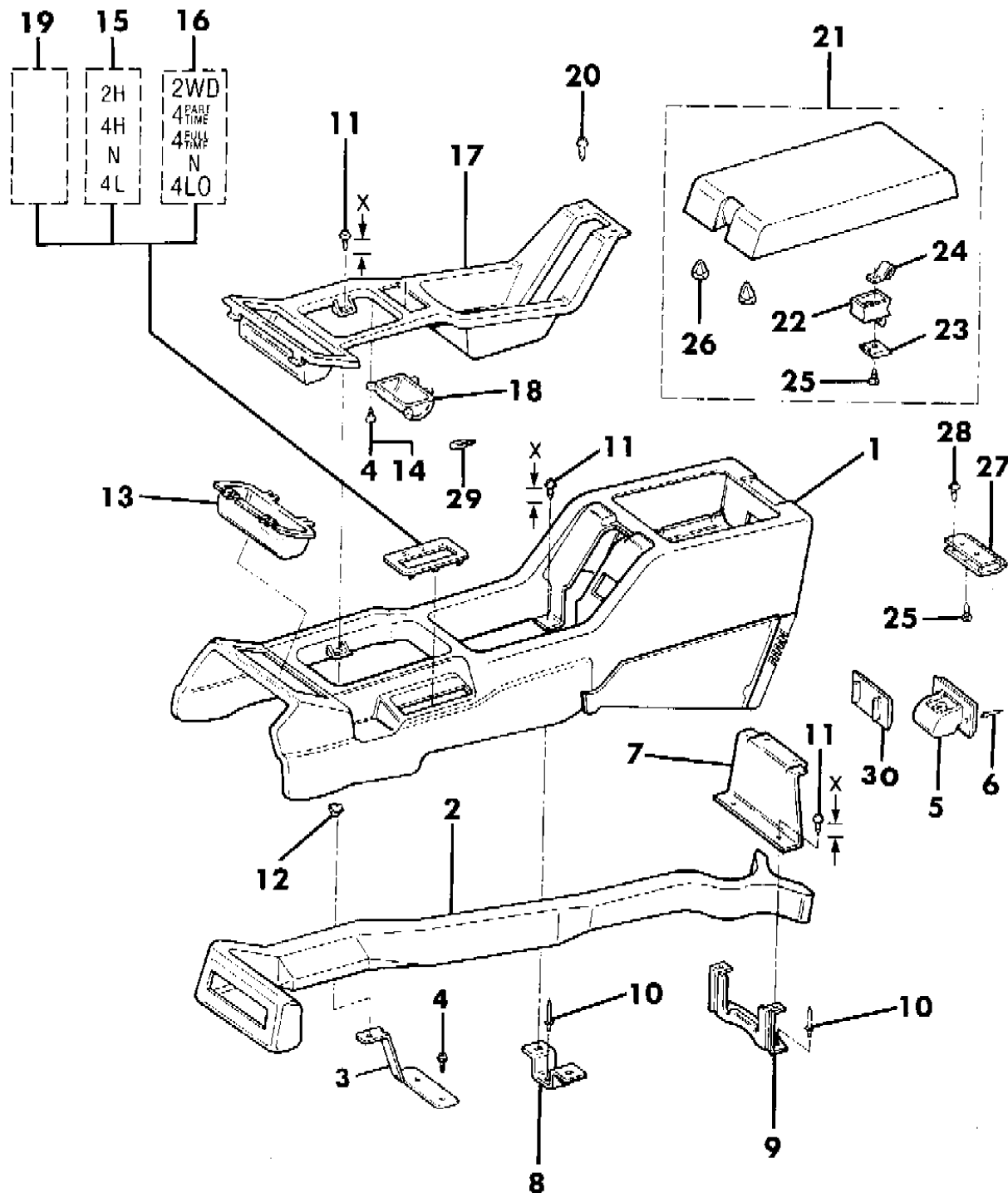
MJ = Comanche Pickup  
 SJ = Grand Wagoneer Wgn., J-10 & J-20 Pickups  
 XJ = Cherokee, Wagoneer Limited  
 YJ = Wrangler

AR = Use as Required - = Non Illustrated Part P.A.R. = Paint as Required



CONSOLE CHEROKEE, WAGONEER, COMANCHE  
Figure 8A-2000

8J82 2000B



ITEM	PART NUMBER	QTY	BODY	MODEL	DESCRIPTION
1					BASE, Console, P.A.R.
	8350 4859	1	XJ		1987-90
	8350 2357	1	MJ		1987
	8350 4859	1	MJ		1988-90
2	5500 1303	1	XJ		DUCT, Rear Heater
3	5300 0812	1			BRACKET, Manual Trans.
4	1150 2843	6	XJ		SCREW (Hex.Head) ***
5	5AC3 5JY6	1			RECEIVER, Ash, P.A.R.
6	3420 1197	2			RIVET
7	5500 1294	1			REINFORCEMENT
8	5500 1307	1			BRACKET, Center
9	5500 1308	1			BRACKET, Rear
10	3420 1197	4			RIVET
11					SCREW
	3420 1314	6	XJ		Wagon
	J400 3663	4	MJ		Truck
12	3420 1509	2			CLIP
13	5500 1391	1			BOX, Storage
14	3420 1298	4	MJ		SCREW (Pan Head) ***
15	5500 5175	1			BEZEL, Transfer Case 4WD
16	5502 0094	1			BEZEL, Transfer Case 4WD
	5501 5306	1			1987
17					COVER, Shift, P.A.R.
	5500 1319	1	XJ		
	5500 8218	1	MJ		
18	5500 3281	1			CUP, Coin Retainer
19	5501 2346	1			COVER, 2WD, P.A.R.
20	3420 1286	2			SCREW
21	5500 8162	1			COVER, Storage, P.A.R.
22	5500 1299	1			LATCH, Storage Compartment
23	5500 1300	1			RETAINER, Latch
24	5500 1301	1			SPRING, Latch
25	3420 1510	5			SCREW
26	3420 1902	2			BUMPER, Cover
27	5500 1302	1			HINGE, Cover
28	J448 9487	3			SCREW
29	S943 7448	3			BULB

MODEL CODES:

15 = Grand Wagoneer 4 Dr.	65 = Comanche 4WD-7 Ft. Box	77 = Cherokee 4WD-2 Dr.
25 = J-10 Pickup-119" W.B.	66 = Comanche 2WD-7 Ft. Box	78 = Cherokee 4WD-4 Dr.
26 = J-10 Pickup-131" W.B.	73 = Cherokee 2WD-2 Dr.	79 = Cherokee 4WD-4 Dr.-Com
27 = J-20 Pickup-131" W.B.	74 = Cherokee 2WD-4 Dr.	81 = Wrangler-93" W.B.
63 = Comanche 4WD-6 Ft. Box	75 = Wagoneer 4WD-4 Dr.	82 = Wrangler-103" W.B.-Exp.
64 = Comanche 2WD-6 Ft. Box		

BODY STYLES:

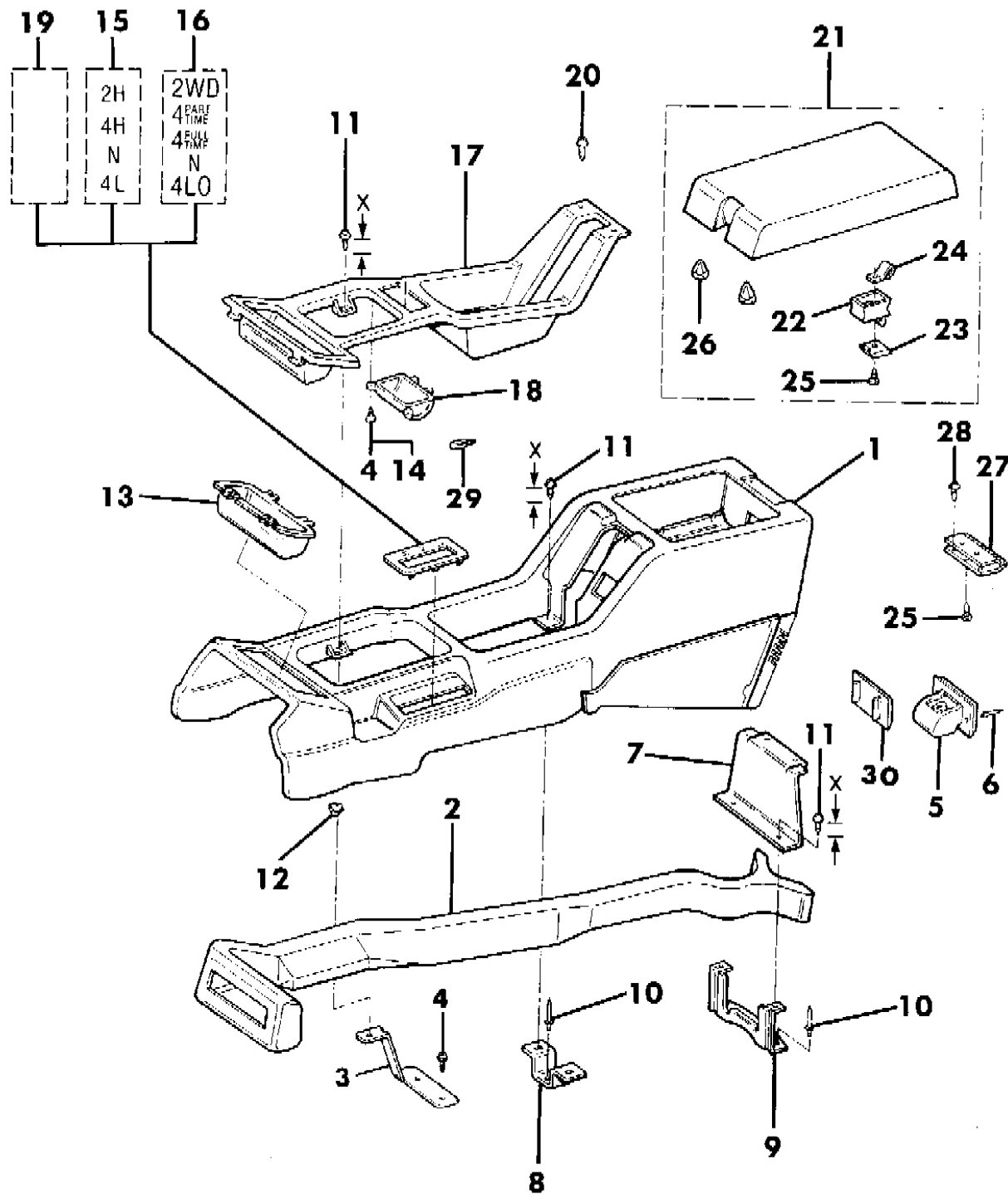
MJ = Comanche Pickup  
SJ = Grand Wagoneer Wgn., J-10 & J-20 Pickups  
XJ = Cherokee, Wagoneer Limited  
YJ = Wrangler

AR = Use as Required - = Non Illustrated Part P.A.R. = Paint as Required

CONSOLE CHEROKEE, WAGONEER, COMANCHE  
Figure 8A-2000

8J82 2000B

ITEM	PART NUMBER	QTY	BODY	MODEL	DESCRIPTION
30	5500 8220	1			COVER, P.A.R. 1987



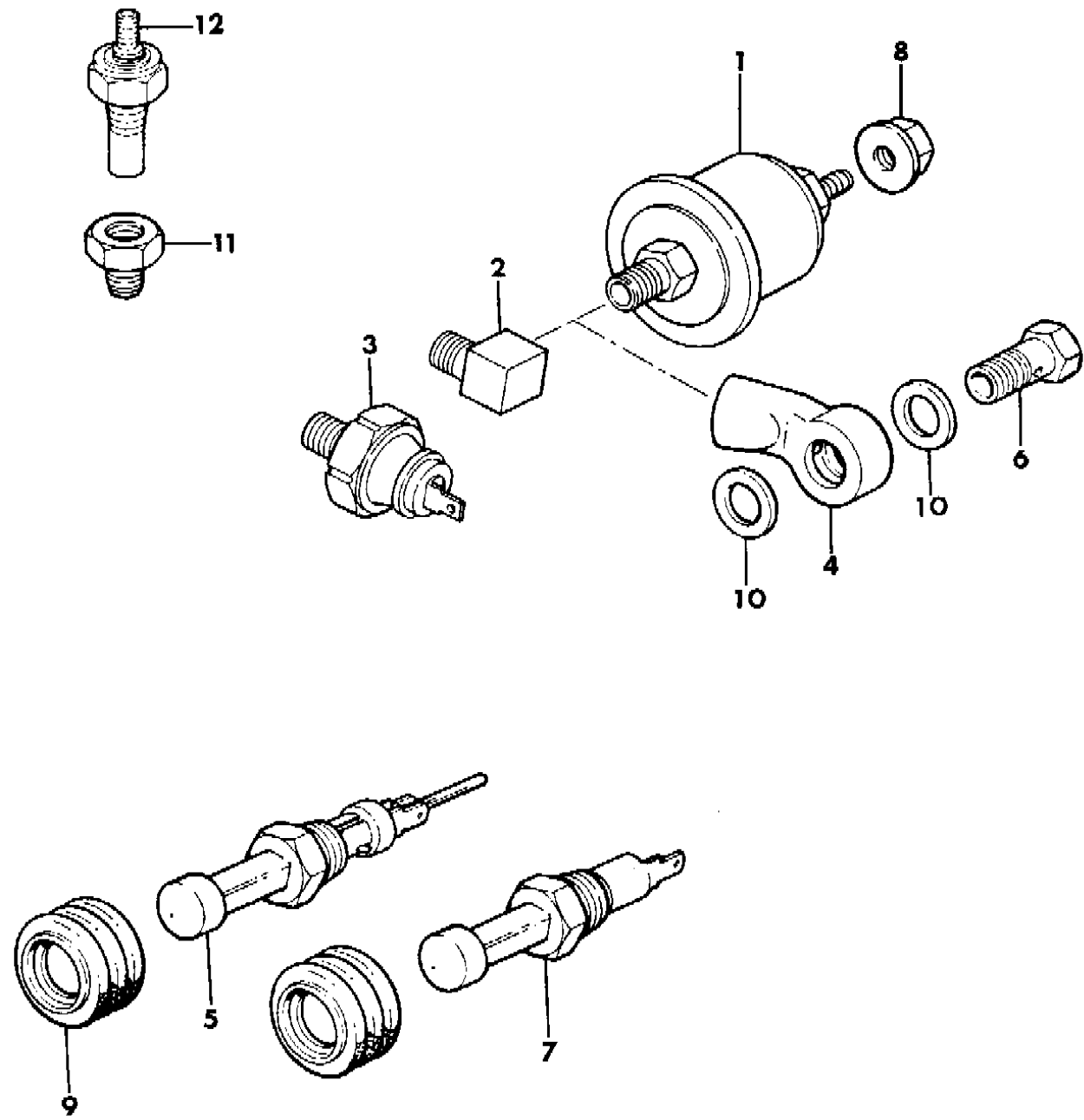
- MODEL CODES:
- |                             |                             |                              |
|-----------------------------|-----------------------------|------------------------------|
| 15 = Grand Wagoneer 4 Dr.   | 65 = Comanche 4WD-7 Ft. Box | 77 = Cherokee 4WD-2 Dr.      |
| 25 = J-10 Pickup-119" W.B.  | 66 = Comanche 2WD-7 Ft. Box | 78 = Cherokee 4WD-4 Dr.      |
| 26 = J-10 Pickup-131" W.B.  | 73 = Cherokee 2WD-2 Dr.     | 79 = Cherokee 4WD-4 Dr.-Com  |
| 27 = J-20 Pickup-131" W.B.  | 74 = Cherokee 2WD-4 Dr.     | 81 = Wrangler-93" W.B.       |
| 63 = Comanche 4WD-6 Ft. Box | 75 = Wagoneer 4WD-4 Dr.     | 82 = Wrangler-103" W.B.-Exp. |
| 64 = Comanche 2WD-6 Ft. Box |                             |                              |

- BODY STYLES:
- MJ = Comanche Pickup
  - SJ = Grand Wagoneer Wgn., J-10 & J-20 Pickups
  - XJ = Cherokee, Wagoneer Limited
  - YJ = Wrangler

AR = Use as Required - = Non Illustrated Part P.A.R. = Paint as Required

**SWITCHES--MISCELLANEOUS CHEROKEE, WAGONEER, COMANCHE**  
**Figure 8A-2100**

8J82 2100



ITEM	PART NUMBER	QTY	BODY	MODEL	DESCRIPTION
1	5300 5218	1			SENDER, Oil Pressure, w/Gas Engine, U.S. ***
	3300 2472	1			SENDER, Oil Pressure, w/ Diesel Engine ***
2	J093 4001	1			FITTING, 4 Cyl Engine, Gas, U.S. ***
	J400 6600	1			FITTING, Emission Controlled European, 4 Cyl. Engine, Gas ***
	J321 2002	1			FITTING, 6 Cyl. Engine ***
3	J314 2826	1			SWITCH, Oil Pressure, w/Gas Engine
	J575 8695	1			SWITCH, Oil Pressure, Emission Controlled European, 4 Cyl Engine, Gas
4	3300 2464	1			ADAPTER, w/Diesel Engine
5	5600 0137	1			SWITCH, Dome Lamp/Buzzer, (Order Washer J4006601)
6	T103 0598	1			BOLT, Adapter, w/Diesel Engine
7	5600 0136	3			SWITCH, Dome Lamp, (Order Washer J4006601)
8	J027 1169	1			NUT, w/Diesel Engine
9	5600 1223	4			BOOT
10	J324 3136	2			GASKET, w/Diesel Engine
11	5300 1936	1			ADAPTER, w/Diesel Engine
12	J323 0408	1			SWITCH, Coolant Temperature Warning Light, Gas Engine
	5300 5309	1			SENDER, Coolant Temperature, w/ Coolant Temperature Gauge, w/ Gas Engine ***
	5300 5056	1			SWITCH, Coolant Temperature, w/ Diesel Engine

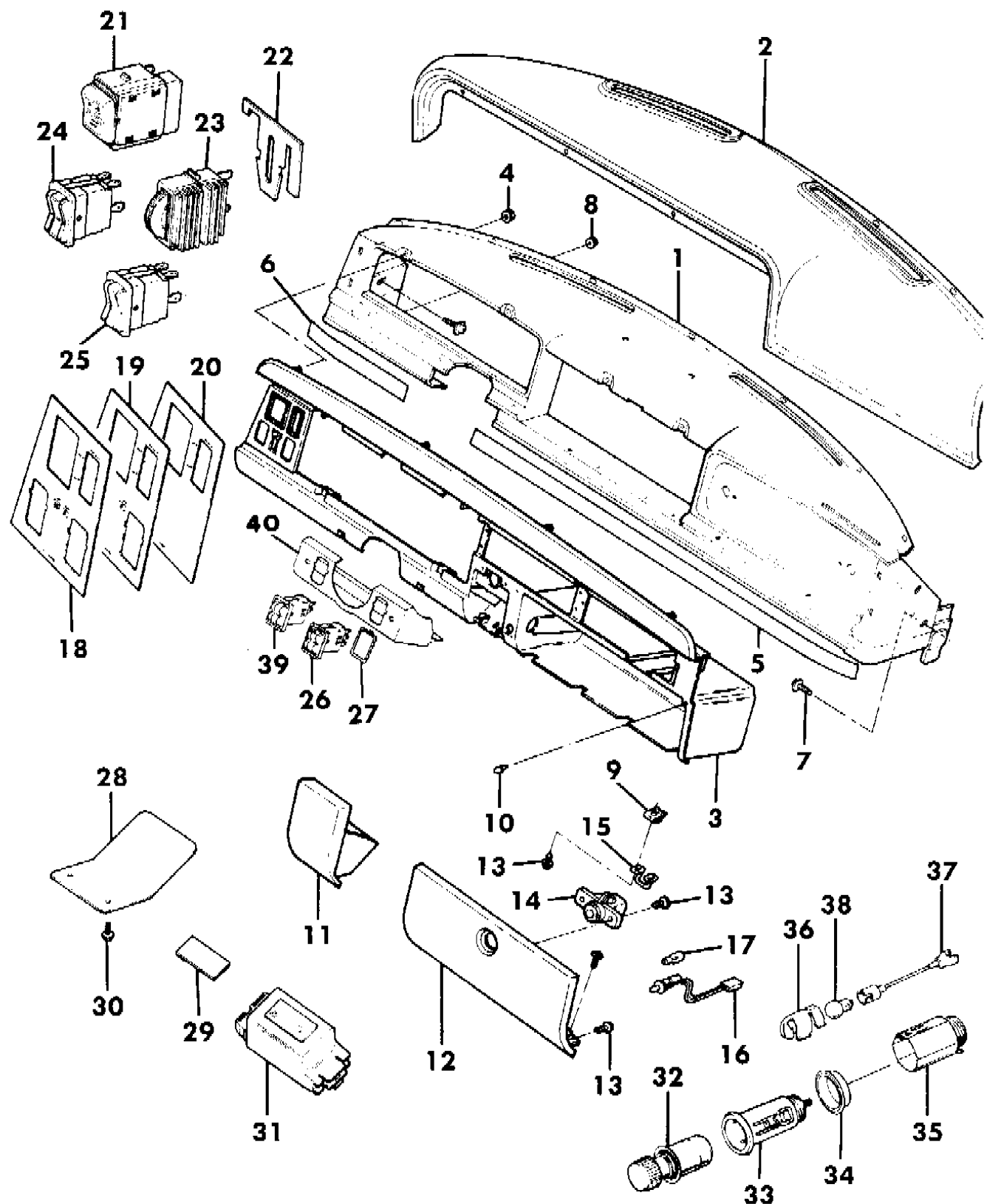
MODEL CODES:  
 15 = Grand Wagoneer 4 Dr.      65 = Comanche 4WD-7 Ft. Box      77 = Cherokee 4WD-2 Dr.  
 25 = J-10 Pickup-119" W.B.      66 = Comanche 2WD-7 Ft. Box      78 = Cherokee 4WD-4 Dr.  
 26 = J-10 Pickup-131" W.B.      73 = Cherokee 2WD-2 Dr.      79 = Cherokee 4WD-4 Dr.-Com  
 27 = J-20 Pickup-131" W.B.      74 = Cherokee 2WD-4 Dr.      81 = Wrangler-93" W.B.  
 63 = Comanche 4WD-6 Ft. Box      75 = Wagoneer 4WD-4 Dr.      82 = Wrangler-103" W.B.-Exp.  
 64 = Comanche 2WD-6 Ft. Box

BODY STYLES:  
 MJ = Comanche Pickup  
 SJ = Grand Wagoneer Wgn., J-10 & J-20 Pickups  
 XJ = Cherokee, Wagoneer Limited  
 YJ = Wrangler

AR = Use as Required - = Non Illustrated Part P.A.R. = Paint as Required

**INSTRUMENT PANEL GRAND WAGONEER, J10, J20**  
**Figure 8A-2200**

8J82 2200



ITEM	PART NUMBER	QTY	BODY	MODEL	DESCRIPTION
1	5500 9585	1			PANEL, Instrument, P.A.R.
2	5501 1222	1			PAD, Instrument Panel
	5AD9 8JH9	1			Dark Tan
	5AD9 8JY6	1			Cordovan
	5AD9 8JY6	1			Sand
3	5500 9743	1			BEZEL, Instrument Panel
4	1150 3745	4			NUT, Flange
5	5501 0052	1			APPLIQUE, Instrument Panel
	5501 3098	1			Grand Wagoneer
	5501 3098	1			Base Wagon, Truck
6	5501 0053	1			APPLIQUE, Instrument Panel
	5501 3099	1			Grand Wagoneer
	5501 3099	1			Base Wagon, Truck
7	J400 5885	2			SCREW
8	3420 1461	3			NUT
9	3420 1820	2			NUT
10	J400 0093	4			BUMPER
11	5500 7695	1			ASHTRAY
12	5500 7696	1			DOOR, Glove Box
13	J400 3671	12			SCREW
14	5501 5376	1			HOUSING, Glove Box Lock
15	J363 2496	1			STRIKER, Glove Box Lock
16	3600 1627	1			SWITCH, Glove Box Lamp
17	J345 1933	1			BULB, (1893)
18	5500 7691	1			LENS, Headlamp Identification
19	5500 9227	1			LENS, Headlamp Identification
20	5500 9108	1			LENS, Headlamp Identification
21	5600 1861	1			SWITCH, Headlamp
22	5600 2010	1			RETAINER
23	5600 1863	1			RHEOSTAT
24	5600 0030	1			SWITCH, Defogger
25	5600 1526	1			SWITCH, Window
26	5600 2384	1			SWITCH, Fog Lamp
27	5500 3005	1			COVER, Rocker Switch Opening
28	5600 2081	1			BRACKET
29	J368 9091	1			FASTENER, Velcro
30	J812 0054	2			SCREW

**MODEL CODES:**

15 = Grand Wagoneer 4 Dr.	65 = Comanche 4WD-7 Ft. Box	77 = Cherokee 4WD-2 Dr.
25 = J-10 Pickup-119" W.B.	66 = Comanche 2WD-7 Ft. Box	78 = Cherokee 4WD-4 Dr.
26 = J-10 Pickup-131" W.B.	73 = Cherokee 2WD-2 Dr.	79 = Cherokee 4WD-4 Dr.-Com
27 = J-20 Pickup-131" W.B.	74 = Cherokee 2WD-4 Dr.	81 = Wrangler-93" W.B.
63 = Comanche 4WD-6 Ft. Box	75 = Wagoneer 4WD-4 Dr.	82 = Wrangler-103" W.B.-Exp.
64 = Comanche 2WD-6 Ft. Box		

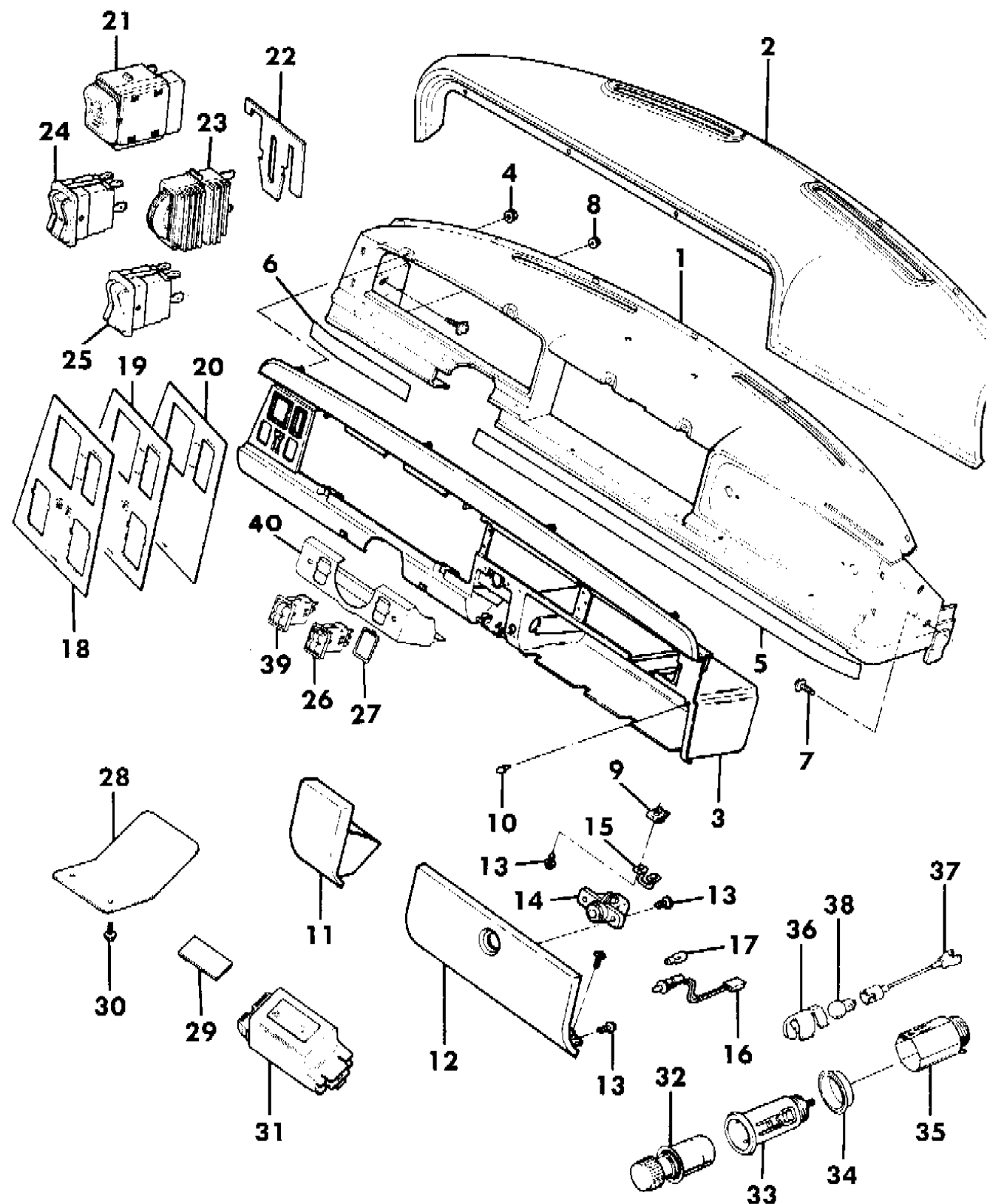
**BODY STYLES:**

MJ = Comanche Pickup  
 SJ = Grand Wagoneer Wgn., J-10 & J-20 Pickups  
 XJ = Cherokee, Wagoneer Limited  
 YJ = Wrangler

AR = Use as Required - = Non Illustrated Part P.A.R. = Paint as Required

**INSTRUMENT PANEL GRAND WAGONEER, J10, J20**  
**Figure 8A-2200**

8J82 2200



ITEM	PART NUMBER	QTY	BODY	MODEL	DESCRIPTION
31	5600 0428				GOVERNOR, Intermittent Wiper ***
32	3600 0280	1			LIGHTER, Cigar
33	J345 3270	1			HOUSING, Cigar Lighter
34	3500 1906	1			RING, Illumination
35	3600 0242	1			CLAMP, Cigar Lighter
36	3600 0268	1			SHIELD, Bulb
37	3600 0279	1			SOCKET
38	J013 1282	1			BULB, (53)
39	5600 2651	1			SWITCH, Rear Window Wiper/Washer
40					COVER, P.A.R.
	5502 1070	1			1988-89
	5AG4 8JY6	1			1990

**MODEL CODES:**

15 = Grand Wagoneer 4 Dr.	65 = Comanche 4WD-7 Ft. Box	77 = Cherokee 4WD-2 Dr.
25 = J-10 Pickup-119" W.B.	66 = Comanche 2WD-7 Ft. Box	78 = Cherokee 4WD-4 Dr.
26 = J-10 Pickup-131" W.B.	73 = Cherokee 2WD-2 Dr.	79 = Cherokee 4WD-4 Dr.-Com
27 = J-20 Pickup-131" W.B.	74 = Cherokee 2WD-4 Dr.	81 = Wrangler-93" W.B.
63 = Comanche 4WD-6 Ft. Box	75 = Wagoneer 4WD-4 Dr.	82 = Wrangler-103" W.B.-Exp.
64 = Comanche 2WD-6 Ft. Box		

**BODY STYLES:**

MJ = Comanche Pickup  
 SJ = Grand Wagoneer Wgn., J-10 & J-20 Pickups  
 XJ = Cherokee, Wagoneer Limited  
 YJ = Wrangler

AR = Use as Required - = Non Illustrated Part P.A.R. = Paint as Required

**INSTRUMENT CLUSTER GRAND WAGONEER, J10, J20**  
**Figure 8A-2300**

8J82 2300

ITEM	PART NUMBER	QTY	BODY	MODEL	DESCRIPTION
1	8350 2839	1			BEZEL, Cluster U.S.
	8350 2838	1			BEZEL, Cluster Canada
2	8350 2521	1			SPEEDOMETER, Miles
	8350 2530	1			SPEEDOMETER, Kilo
3	8350 2523	1			CLOCK, Digital
4	8350 2525	1			VOLTMETER
5	8350 2528	1			GAUGE, Oil
6	8350 2532	1			GAUGE, Oil
7					FILTER, Warning Lamps
	8350 2541	1			US 1987
	8350 5033	1			CANADA 1987
	8350 5128	1			US 1988-90
	8350 5129	1			CANADA 1988-90
8	8350 2531	1			GAUGE, Temperature
9	8350 2527	1			GAUGE, Temperature
10	8350 2536	1			COVER, Clock Opening
11	8350 2529	1			LENS, Cluster
12	8350 2537	1			COVER, Clock Opening
13	8350 2540	1			HOUSING, Cluster
14	8350 2522	1			PRINTED CIRCUIT
15	8350 2524	1			MODULE, Low Fuel Warning Lamp
16	5500 7690	1			OVERLAY
17	3420 2502	9			CLIP, Retaining
18	J812 5723	5			BULB, (74)
19	3600 0091	5			SOCKET
20	J369 7186	3			SOCKET
21	J942 1330	6			BULB, (194) ***
22	J400 2657	6			SCREW
23	J812 8911	6			SCREW
24	J080 3366	2			SCREW
25	5500 9106	2			COVER
26	8350 2526	1			GAUGE, Fuel
27	3600 3272	1			SOCKET, Blue, (Includes 73 Bulb)

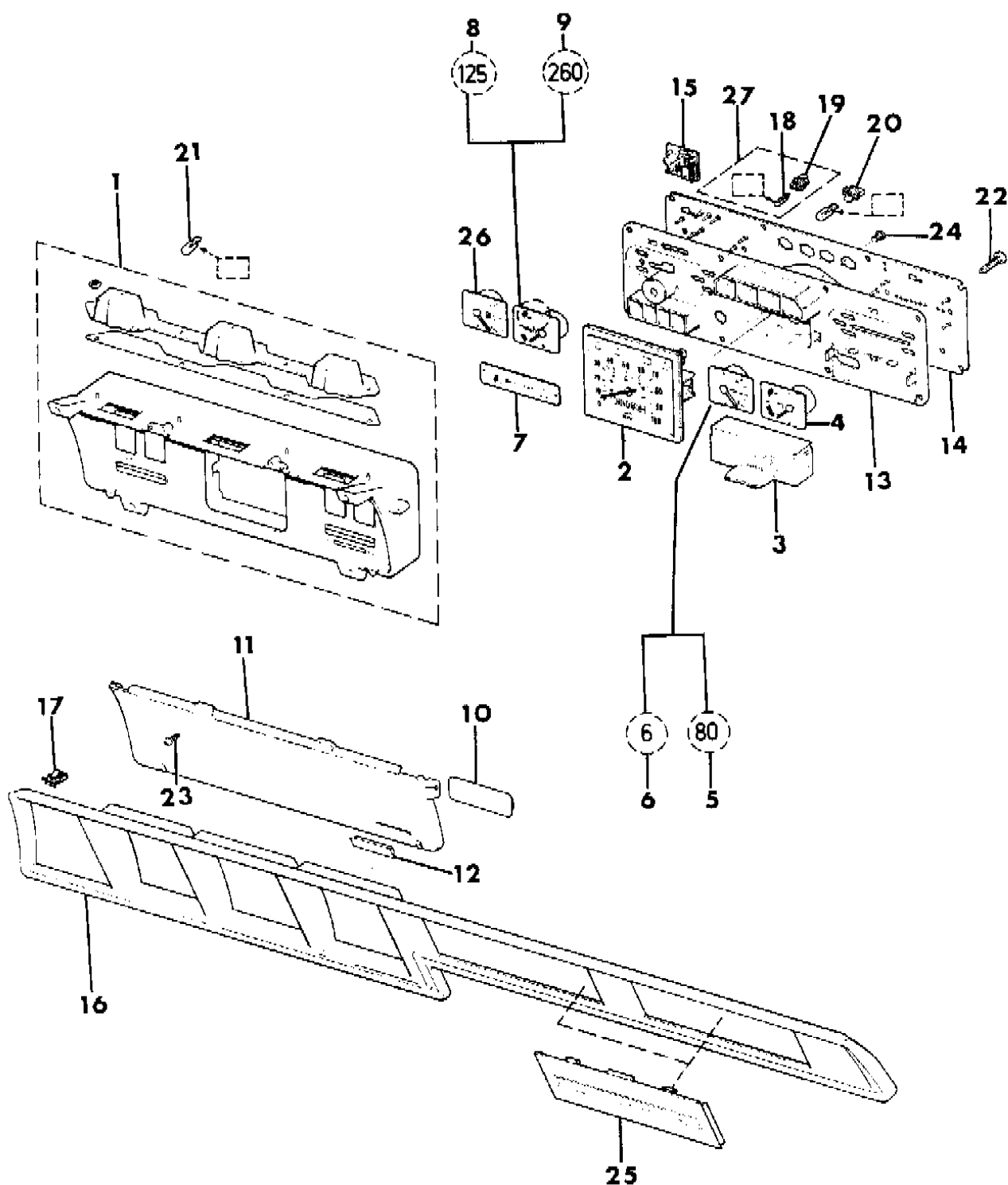
**MODEL CODES:**

15 = Grand Wagoneer 4 Dr.	65 = Comanche 4WD-7 Ft. Box	77 = Cherokee 4WD-2 Dr.
25 = J-10 Pickup-119" W.B.	66 = Comanche 2WD-7 Ft. Box	78 = Cherokee 4WD-4 Dr.
26 = J-10 Pickup-131" W.B.	73 = Cherokee 2WD-2 Dr.	79 = Cherokee 4WD-4 Dr.-Com
27 = J-20 Pickup-131" W.B.	74 = Cherokee 2WD-4 Dr.	81 = Wrangler-93" W.B.
63 = Comanche 4WD-6 Ft. Box	75 = Wagoneer 4WD-4 Dr.	82 = Wrangler-103" W.B.-Exp.
64 = Comanche 2WD-6 Ft. Box		

**BODY STYLES:**

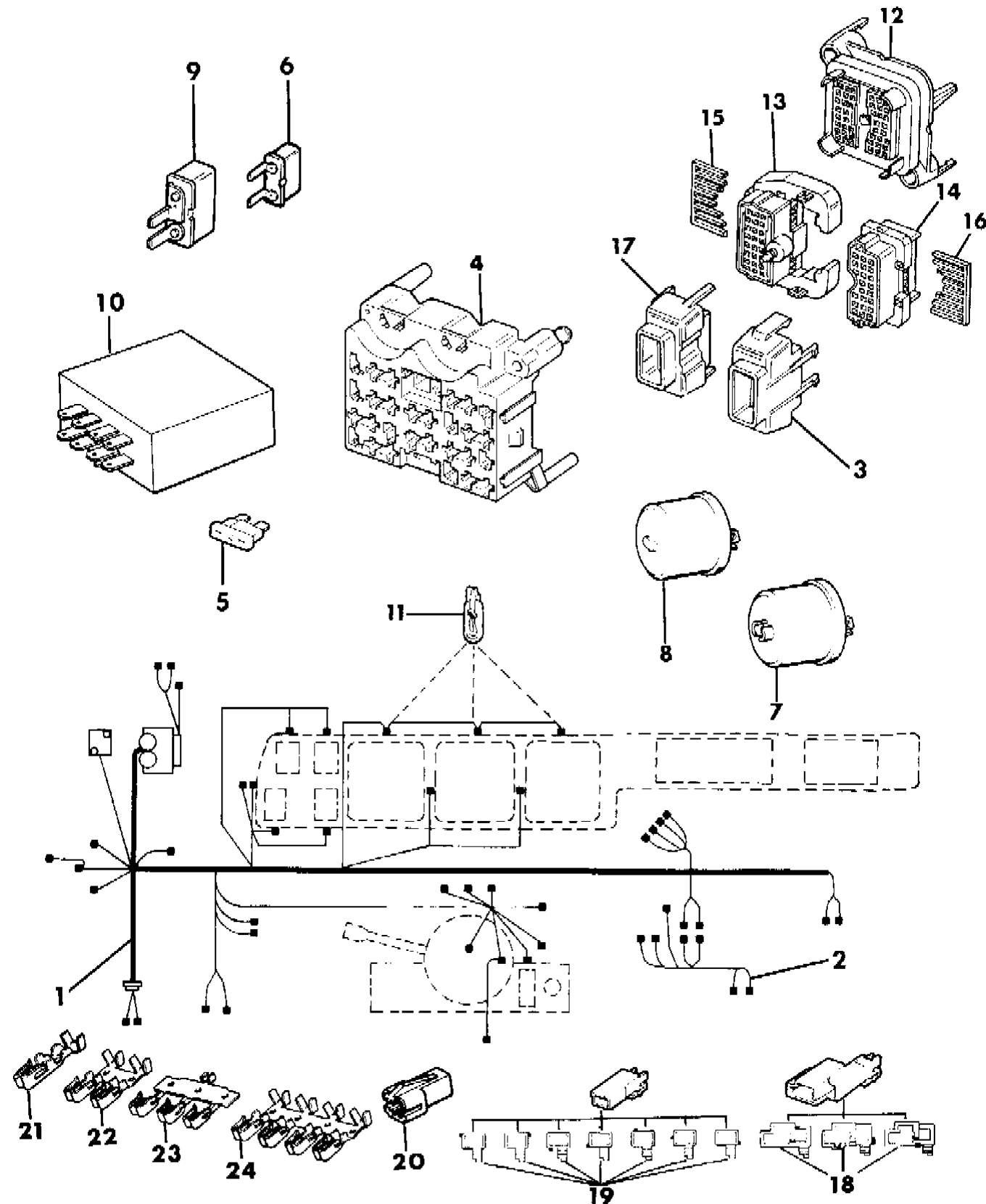
MJ = Comanche Pickup  
 SJ = Grand Wagoneer Wgn., J-10 & J-20 Pickups  
 XJ = Cherokee, Wagoneer Limited  
 YJ = Wrangler

AR = Use as Required - = Non Illustrated Part P.A.R. = Paint as Required



FUSE PANEL--INSTRUMENT PANEL WIRING GRAND WAGONEER, J10, J20  
Figure 8A-2400

8J82 2400 A



ITEM	PART NUMBER	QTY	BODY	MODEL	DESCRIPTION
1					HARNESSES, Instrument
	5600 2410	1			1987
	5600 2890	1			1988
	5600 3108	1			1989
	5600 3717	1			1990
2					HARNESSES, Heater
	5600 2023	1			w/o Factory A.C., 1987
	5600 2024	1			w/Factory A.C., 1987
	5600 2888	1			w/o Factory A.C., 1988
	5600 2889	1			w/Factory A.C., 1988-89
3	3417 5326	1			COVER
4					PANEL, Fuse
	3417 9448	1			w/o Rear Wiper
	5600 2844	1			w/Rear Wiper
5					FUSE
	J323 1211	AR			3 Ampere
	J323 1215	AR			10 Ampere
	J323 1216	AR			15 Ampere
	J323 1217	AR			20 Ampere
	J323 1218	AR			25 Ampere
6	8350 7005	1			BREAKER, Circuit, 30 Ampere
7	J545 2266	1			FLASHER, Hazzard
8	3600 1032	1			FLASHER, Turn Signal
9	5600 2056	1			BREAKER, Circuit, 7.5 Ampere
10	3600 1269	1			CHIME, Warning
11	J941 7561	3			BULB, (161)
12	3417 8240	1			CONNECTOR, Bulkhead
13	3417 8230	1			CONNECTOR, Bulkhead
14	3417 8231	1			CONNECTOR, Bulkhead
15	3417 5323	1			RETAINER, Blue
16	3417 5324	1			RETAINER, Clear
17	3417 5325	1			COVER
18					CONNECTOR
	J417 9540	AR			Brown
	J417 9542	AR			Green
	J417 9630	AR			Black
19					CONNECTOR

MODEL CODES:

15 = Grand Wagoneer 4 Dr.	65 = Comanche 4WD-7 Ft. Box	77 = Cherokee 4WD-2 Dr.
25 = J-10 Pickup-119" W.B.	66 = Comanche 2WD-7 Ft. Box	78 = Cherokee 4WD-4 Dr.
26 = J-10 Pickup-131" W.B.	73 = Cherokee 2WD-2 Dr.	79 = Cherokee 4WD-4 Dr.-Com
27 = J-20 Pickup-131" W.B.	74 = Cherokee 2WD-4 Dr.	81 = Wrangler-93" W.B.
63 = Comanche 4WD-6 Ft. Box	75 = Wagoneer 4WD-4 Dr.	82 = Wrangler-103" W.B.-Exp.
64 = Comanche 2WD-6 Ft. Box		

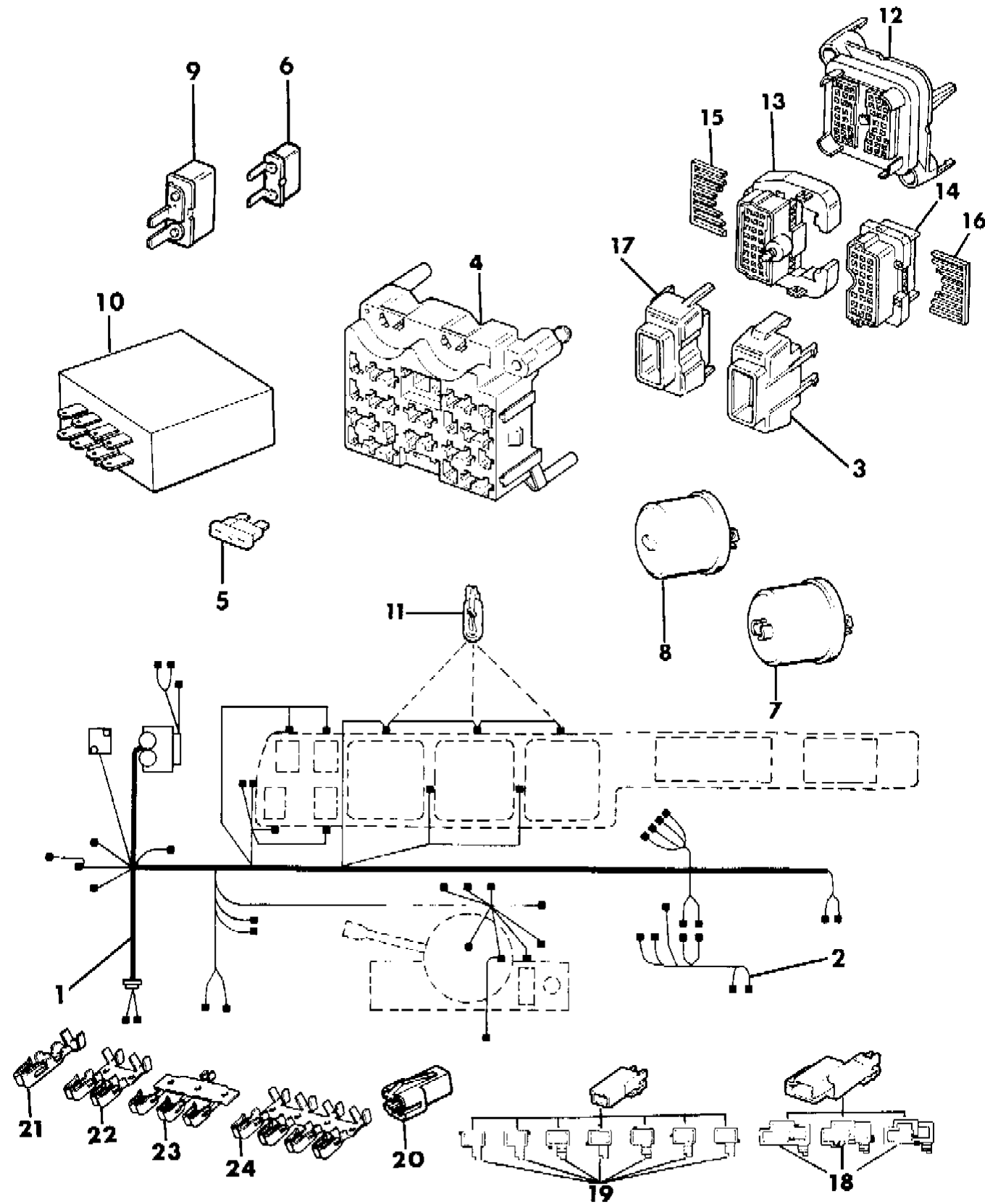
BODY STYLES:

MJ = Comanche Pickup  
 SJ = Grand Wagoneer Wgn., J-10 & J-20 Pickups  
 XJ = Cherokee, Wagoneer Limited  
 YJ = Wrangler

AR = Use as Required - = Non Illustrated Part P.A.R. = Paint as Required

FUSE PANEL--INSTRUMENT PANEL WIRING GRAND WAGONEER, J10, J20  
Figure 8A-2400

8J82 2400 A



ITEM	PART NUMBER	QTY	BODY	MODEL	DESCRIPTION
	J417 9530	AR			Orange
	J417 9531	AR			Black
	J417 9532	AR			Green
	J417 9533	AR			Beige
	J417 9534	AR			Blue
	J417 9535	AR			Brown
	J417 9537	AR			Red
20	J575 0947	AR			CONNECTOR
21	J323 1223	10			TERMINAL
22	J323 1224	4			TERMINAL
23	J323 1225	1			TERMINAL
24	J413 6912	1			TERMINAL

MODEL CODES:

15 = Grand Wagoneer 4 Dr.	65 = Comanche 4WD-7 Ft. Box	77 = Cherokee 4WD-2 Dr.
25 = J-10 Pickup-119" W.B.	66 = Comanche 2WD-7 Ft. Box	78 = Cherokee 4WD-4 Dr.
26 = J-10 Pickup-131" W.B.	73 = Cherokee 2WD-2 Dr.	79 = Cherokee 4WD-4 Dr.-Com
27 = J-20 Pickup-131" W.B.	74 = Cherokee 2WD-4 Dr.	81 = Wrangler-93" W.B.
63 = Comanche 4WD-6 Ft. Box	75 = Wagoneer 4WD-4 Dr.	82 = Wrangler-103" W.B.-Exp.
64 = Comanche 2WD-6 Ft. Box		

BODY STYLES:

MJ = Comanche Pickup  
SJ = Grand Wagoneer Wgn., J-10 & J-20 Pickups  
XJ = Cherokee, Wagoneer Limited  
YJ = Wrangler

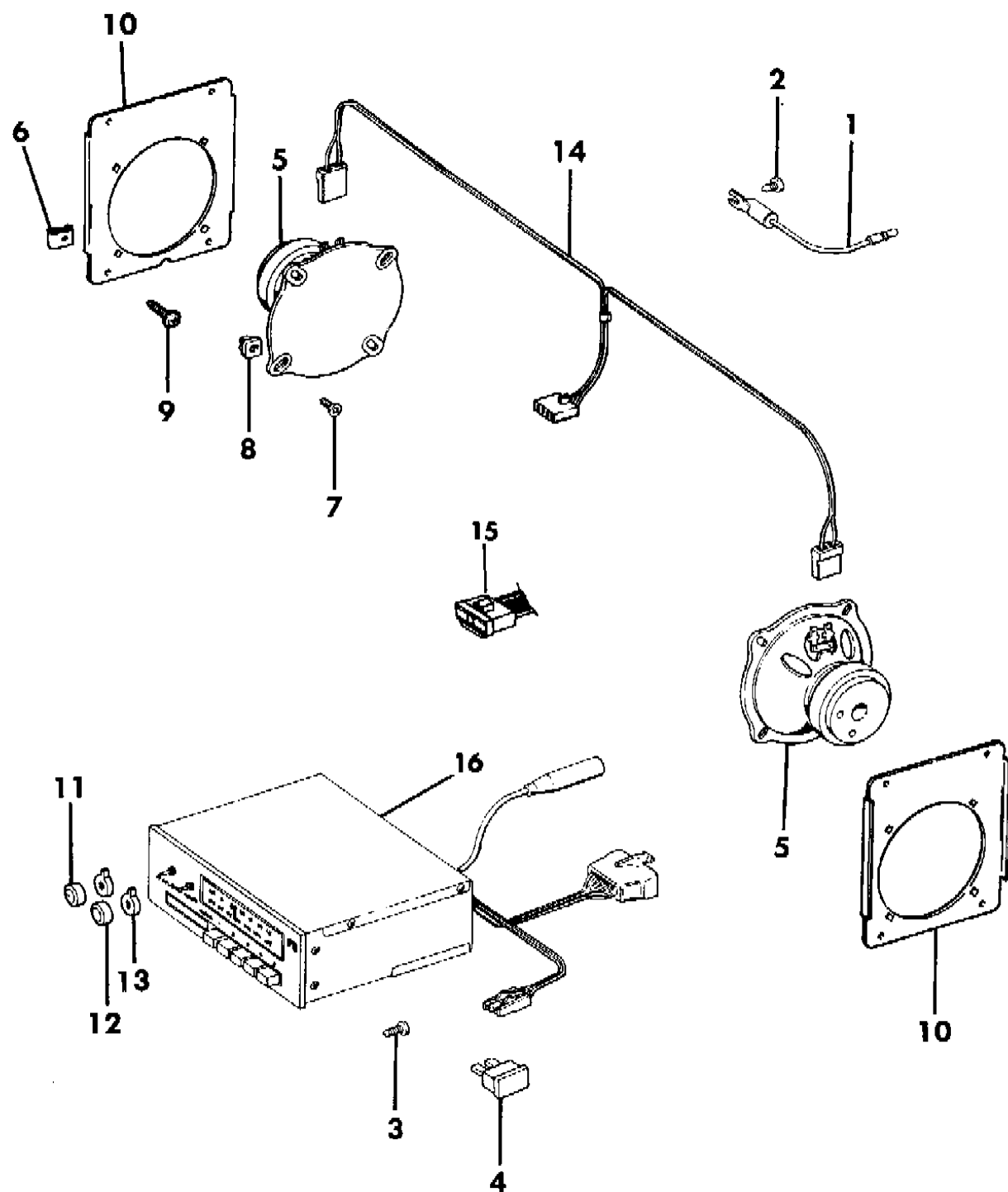
AR = Use as Required - = Non Illustrated Part P.A.R. = Paint as Required



**SPEAKERS AND KNOBS--RADIO TWO SPEAKER SYSTEM GRAND WAGONEER, J10, J20**  
**Figure 8A-2500**

**8J82 2500 A**

ITEM	PART NUMBER	QTY	BODY	MODEL	DESCRIPTION
1	J322 9510	1			CAPACITOR, Ignition
2	J940 9106	1			SCREW
3	3420 1298	2			SCREW
4	J323 1213	1			FUSE, 5 Ampere
5	3600 3461	2			SPEAKER, Monaural
6	J943 1530	8			NUT
7	J448 9487	8			SCREW
8	3420 1263	8			NUT
9	J045 7002	8			SCREW
10	J545 6511	2			BRACKET, Speaker
11	8350 1413	1			KNOB, Radio Volume
	8350 7040	1			Volume/Tune 1990
12	8350 1416	1			KNOB, Radio Tuning
	8350 7043	1			Fader 1990
13	8350 1414	2			KNOB, Radio Secondary
	8350 7041	1			Bass/Treble w/o Cass 1990
	8350 7042	1			w/Cass 1990
14	5600 2029	1			HARNESS, Speaker, w/o Power Windows or Door Locks
15	#8350 6510	AR			HARNESS, Radio Repair
16		1			RADIO, See ACCESSORY Catalog



**MODEL CODES:**

15 = Grand Wagoneer 4 Dr.	65 = Comanche 4WD-7 Ft. Box	77 = Cherokee 4WD-2 Dr.
25 = J-10 Pickup-119" W.B.	66 = Comanche 2WD-7 Ft. Box	78 = Cherokee 4WD-4 Dr.
26 = J-10 Pickup-131" W.B.	73 = Cherokee 2WD-2 Dr.	79 = Cherokee 4WD-4 Dr.-Com
27 = J-20 Pickup-131" W.B.	74 = Cherokee 2WD-4 Dr.	81 = Wrangler-93" W.B.
63 = Comanche 4WD-6 Ft. Box	75 = Wagoneer 4WD-4 Dr.	82 = Wrangler-103" W.B.-Exp.
64 = Comanche 2WD-6 Ft. Box		

**BODY STYLES:**

MJ = Comanche Pickup  
 SJ = Grand Wagoneer Wgn., J-10 & J-20 Pickups  
 XJ = Cherokee, Wagoneer Limited  
 YJ = Wrangler

AR = Use as Required - = Non Illustrated Part P.A.R. = Paint as Required

SPEAKERS AND KNOBS--RADIO FOUR SPEAKER SYSTEM GRAND WAGONEER, J10, J20

Figure 8A-2600

8J82 2600

ITEM	PART NUMBER	QTY	BODY	MODEL	DESCRIPTION
1	J940 9106	1			SCREW
2	J322 9510	1			CAPACITOR, Ignition
3	J323 1213	1			FUSE, 5 Ampere
4	3420 1298	2			SCREW
5					SPEAKER, Door
	3600 3461	2			w/o D.N.R.
	3600 1125	2			w/D.N.R.
6	3420 1263	16			NUT
7	J448 9487	16			SCREW
8	J545 6511	2			BRACKET, Door Speaker
9	J045 7002	16			SCREW
10	J943 1530	16			NUT
11					SPEAKER, Rear (Wagon)
	3600 3461	2			w/o D.N.R.
	3600 1125	2			w/D.N.R.
12					BRACKET, Speaker
	J545 6150	1			Right
	J545 6149	1			Left
13	5600 2029	1			HARNESS, Speaker, w/o Power Windows or Door Locks
14	8350 1413	1			KNOB, Radio Volume
	8350 7040	1			Volume/Tune 1990
15	8350 1416	1			KNOB, Radio Tuning
16	8350 1414	2			KNOB, Radio Secondary
	8350 7078	1			Fader 1990
17	8350 1415	3			KNOB, Radio Balance
	8350 7042	2			Bass/Treble w/Cass. 1990
18		1			RADIO, See Accessory Catalog

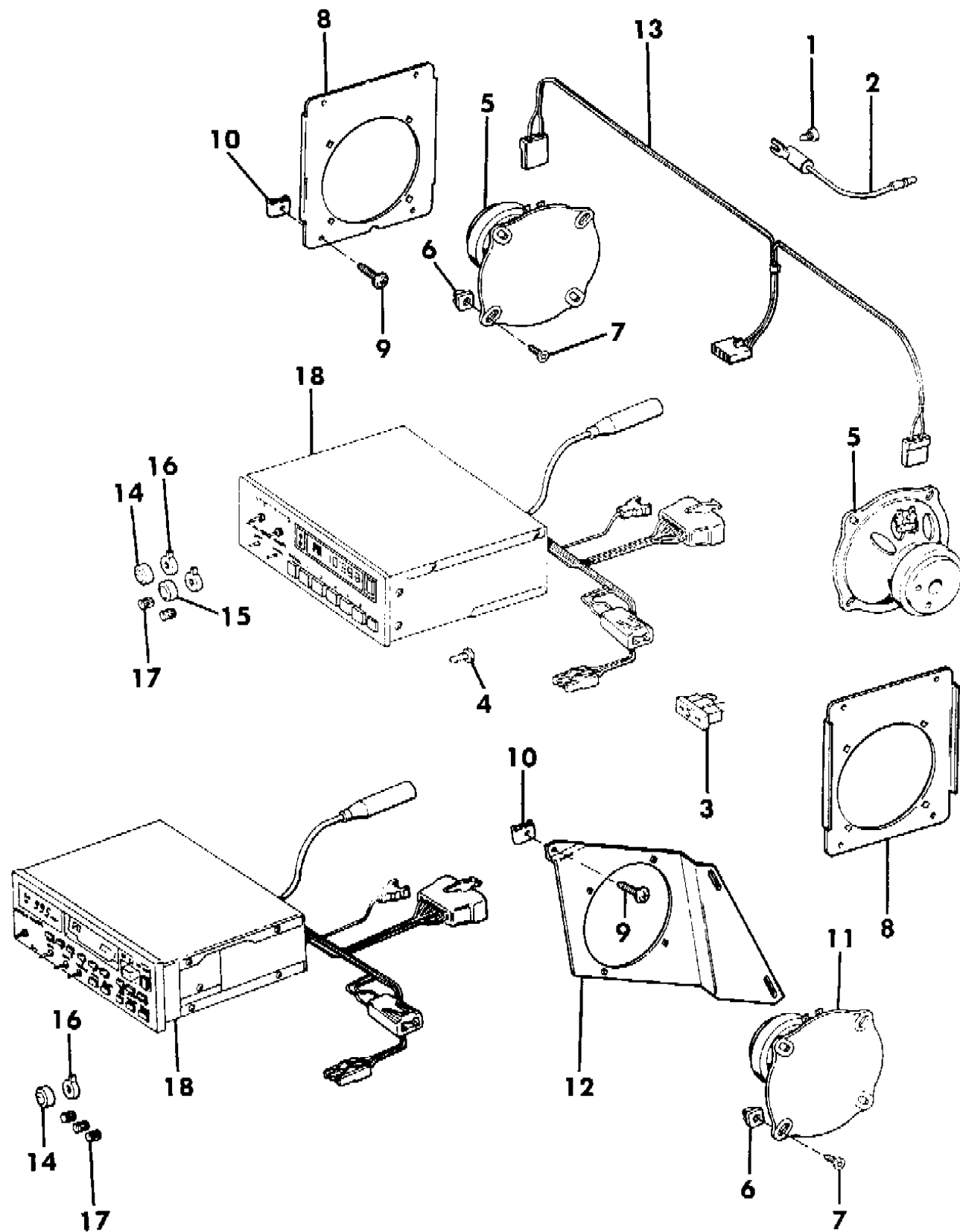
MODEL CODES:

15 = Grand Wagoneer 4 Dr.	65 = Comanche 4WD-7 Ft. Box	77 = Cherokee 4WD-2 Dr.
25 = J-10 Pickup-119" W.B.	66 = Comanche 2WD-7 Ft. Box	78 = Cherokee 4WD-4 Dr.
26 = J-10 Pickup-131" W.B.	73 = Cherokee 2WD-2 Dr.	79 = Cherokee 4WD-4 Dr.-Com
27 = J-20 Pickup-131" W.B.	74 = Cherokee 2WD-4 Dr.	81 = Wrangler-93" W.B.
63 = Comanche 4WD-6 Ft. Box	75 = Wagoneer 4WD-4 Dr.	82 = Wrangler-103" W.B.-Exp.
64 = Comanche 2WD-6 Ft. Box		

BODY STYLES:

MJ = Comanche Pickup  
 SJ = Grand Wagoneer Wgn., J-10 & J-20 Pickups  
 XJ = Cherokee, Wagoneer Limited  
 YJ = Wrangler

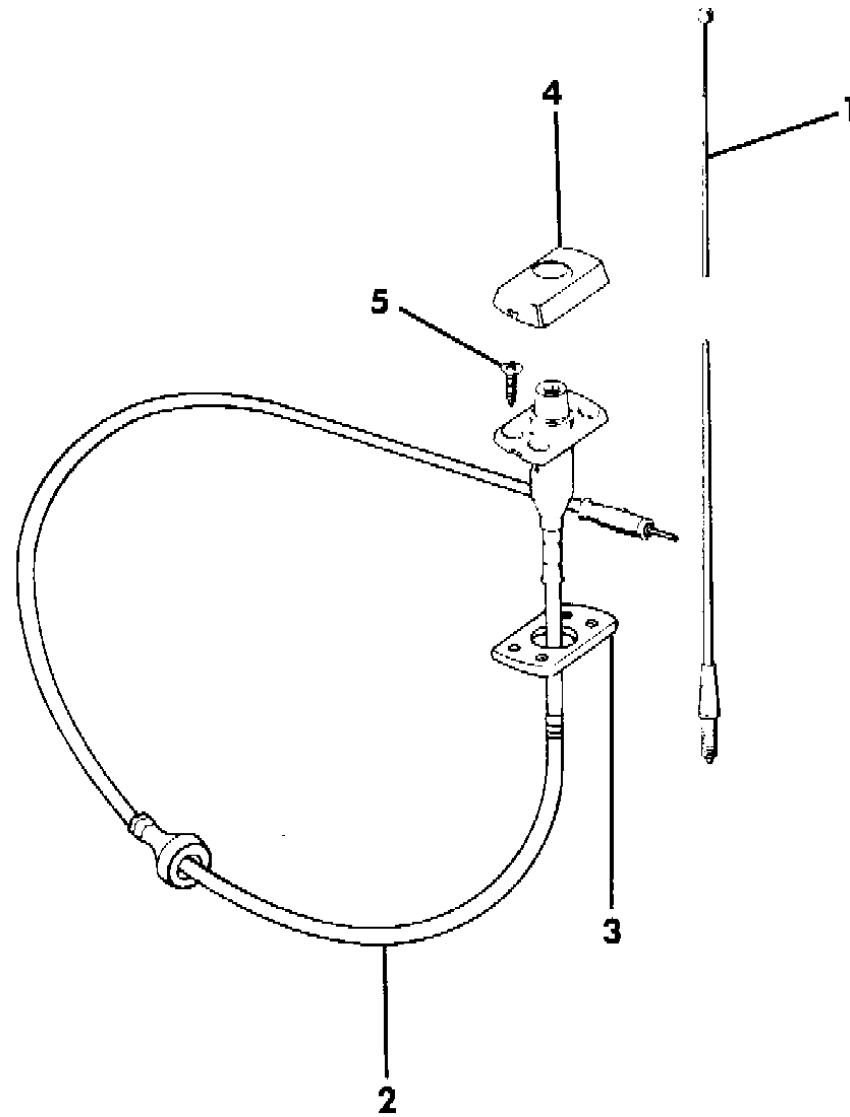
AR = Use as Required - = Non Illustrated Part P.A.R. = Paint as Required



**ANTENNA GRAND WAGONEER, J10, J20**  
**Figure 8A-2700**

8J82 2700

ITEM	PART NUMBER	QTY	BODY	MODEL	DESCRIPTION
1	J899 3415	1			ANTENNA
2	J812 5404	1			BASE, w/Cable
3	J367 8887	1			PAD
4	J367 8889	1			CAP
5	J400 1477	4			SCREW



**MODEL CODES:**

15 = Grand Wagoneer 4 Dr.	65 = Comanche 4WD-7 Ft. Box	77 = Cherokee 4WD-2 Dr.
25 = J-10 Pickup-119" W.B.	66 = Comanche 2WD-7 Ft. Box	78 = Cherokee 4WD-4 Dr.
26 = J-10 Pickup-131" W.B.	73 = Cherokee 2WD-2 Dr.	79 = Cherokee 4WD-4 Dr.-Com
27 = J-20 Pickup-131" W.B.	74 = Cherokee 2WD-4 Dr.	81 = Wrangler-93" W.B.
63 = Comanche 4WD-6 Ft. Box	75 = Wagoneer 4WD-4 Dr.	82 = Wrangler-103" W.B.-Exp.
64 = Comanche 2WD-6 Ft. Box		

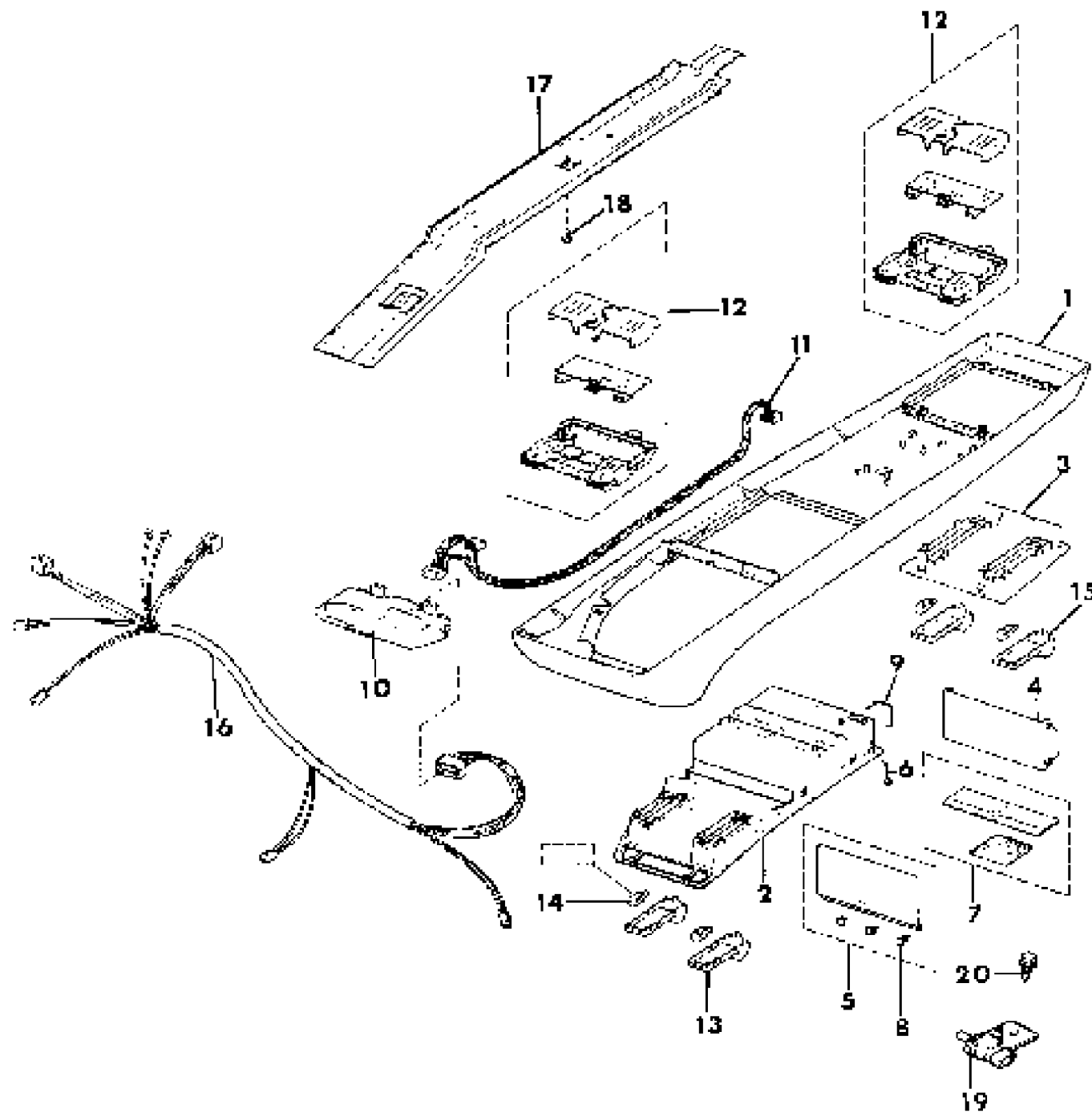
**BODY STYLES:**

MJ = Comanche Pickup  
 SJ = Grand Wagoneer Wgn., J-10 & J-20 Pickups  
 XJ = Cherokee, Wagoneer Limited  
 YJ = Wrangler

AR = Use as Required - = Non Illustrated Part P.A.R. = Paint as Required

**CONSOLE--OVERHEAD GRAND WAGONEER**  
**Figure 8A-2800**

8J62 2800



ITEM	PART NUMBER	QTY	BODY	MODEL	DESCRIPTION
1					HOUSING
	8350 6011	1			Sand
	8350 6012	1			Cordovan
2	5502 4262	1			HOUSING
3	5502 4260	1			HOUSING, Rear
4	4309 341	1			DOOR & SPRING, Sunglass Bin ***
5	4507 567	1			DOOR, Garage Door Opener
6	#4409 911	1			SPRING
7	4309 345	1			FASTENER, Velcro Hook
8	4309 344	1			ADAPTER, Garage Door Button
9	1150 2843	1			SCREW
10	4437 566	1			COMPASS, Temp. Module ***
11	4450 262	1			HARNESS, Lamp/Compass
12	4521 242	2			MODULE, Dome Lamp Assembly
13	4507 578-9	1			LENS, Front
14	J943 7173	4			BULB, (912)
15	4507 580-1	1			LENS, Rear
16	5600 3643	1			HARNESS, Dome Lamp
17	5502 1730	1			BRACKET
18	3420 1487	4			SCREW
19	4437 691	1			SENSOR, Outside Air Temp.

**MODEL CODES:**

15 = Grand Wagoneer 4 Dr.	65 = Comanche 4WD-7 Ft. Box	77 = Cherokee 4WD-2 Dr.
25 = J-10 Pickup-119" W.B.	66 = Comanche 2WD-7 Ft. Box	78 = Cherokee 4WD-4 Dr.
26 = J-10 Pickup-131" W.B.	73 = Cherokee 2WD-2 Dr.	79 = Cherokee 4WD-4 Dr.-Com
27 = J-20 Pickup-131" W.B.	74 = Cherokee 2WD-4 Dr.	81 = Wrangler-93" W.B.
63 = Comanche 4WD-6 Ft. Box	75 = Wagoneer 4WD-4 Dr.	82 = Wrangler-103" W.B.-Exp.
64 = Comanche 2WD-6 Ft. Box		

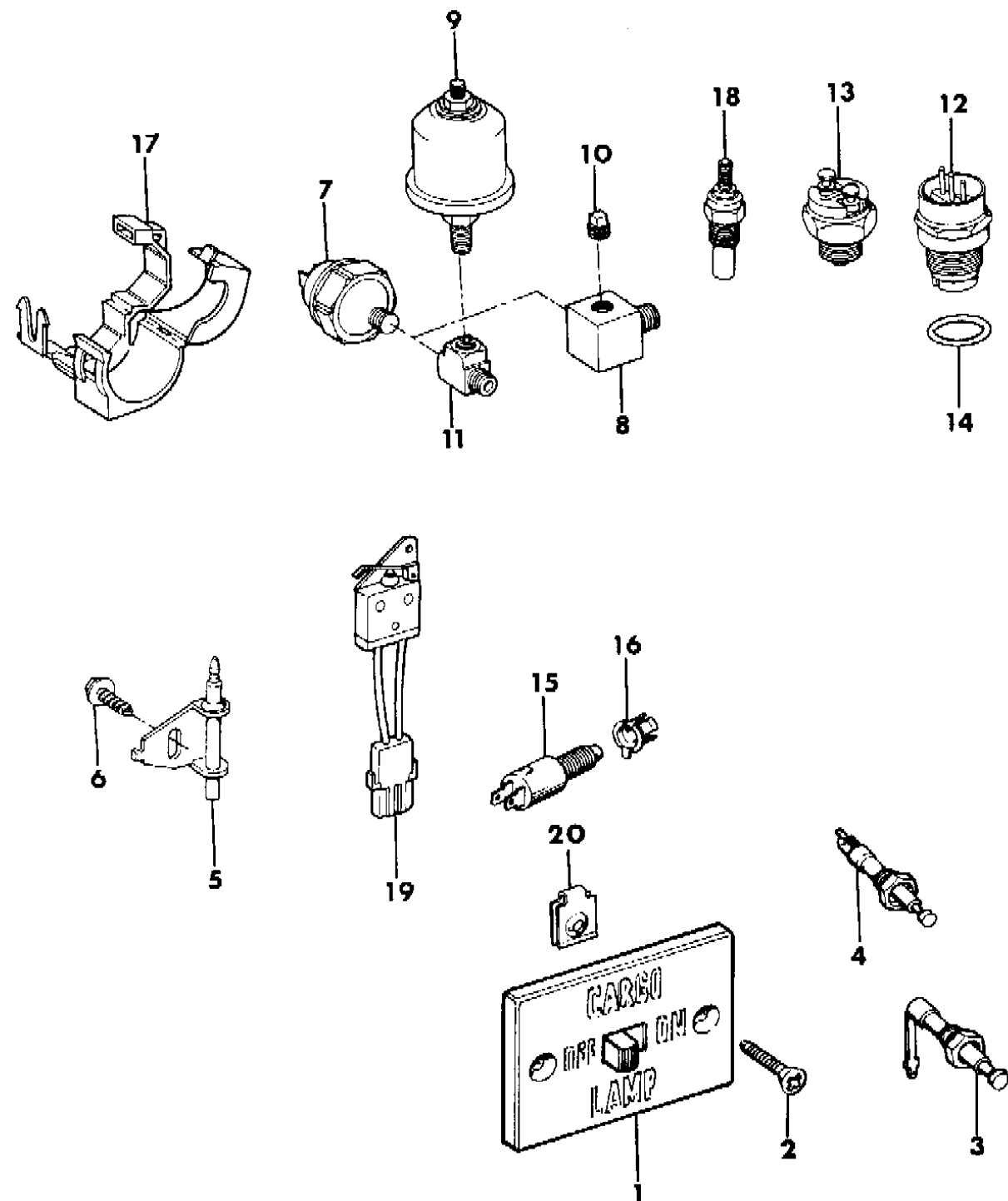
**BODY STYLES:**

MJ = Comanche Pickup  
 SJ = Grand Wagoneer Wgn., J-10 & J-20 Pickups  
 XJ = Cherokee, Wagoneer Limited  
 YJ = Wrangler

AR = Use as Required - = Non Illustrated Part P.A.R. = Paint as Required

**SWITCHES--MISCELLANEOUS GRAND WAGONEER, J10, J20**  
**Figure 8A-2900**

8 J 82 2900



ITEM	PART NUMBER	QTY	BODY	MODEL	DESCRIPTION
1	J545 1489	1			SWITCH, Dome Lamp
2	J400 4955	2		26,27	SCREW
	J400 2657	2		15	SCREW
3	J576 1248	3			SWITCH, Dome Lamp
4	J576 4249	1			SWITCH, Dome Lamp
5	J323 2194	1			SWITCH, Parking Brake Warning Lamp
6	J812 0054	1			SCREW
7	J575 8695	1			SWITCH, Oil Pressure
8	J321 2002	1			FITTING, 6 Cyl. Engine ***
9	5300 5218	1			SENDER, Oil Pressure ***
10	J010 3877	1			PLUG, 6 Cyl. Engine
11	J400 5879	1			TEE, 8 Cyl. Engine
12	4057 750	1			SWITCH, Neutral Safety, w/Auto Trans.
13	J575 1207	1			SWITCH, Back-Up Lamp, w/Manual Trans.
14	J812 1142	1			GASKET
15	J535 2620	1			SWITCH, Brake Lamp
16	J535 2622	1			RETAINER
17	J417 5241	1			CONNECTOR
18	5300 5056	1			SENDER, Coolant Temp
19	5600 3694	1			SWITCH, Safety, w/Rear Wiper
20	J400 6402	2			NUT, Spring

**MODEL CODES:**

15 = Grand Wagoneer 4 Dr.	65 = Comanche 4WD-7 Ft. Box	77 = Cherokee 4WD-2 Dr.
25 = J-10 Pickup-119" W.B.	66 = Comanche 2WD-7 Ft. Box	78 = Cherokee 4WD-4 Dr.
26 = J-10 Pickup-131" W.B.	73 = Cherokee 2WD-2 Dr.	79 = Cherokee 4WD-4 Dr.-Com
27 = J-20 Pickup-131" W.B.	74 = Cherokee 2WD-4 Dr.	81 = Wrangler-93" W.B.
63 = Comanche 4WD-6 Ft. Box	75 = Wagoneer 4WD-4 Dr.	82 = Wrangler-103" W.B.-Exp.
64 = Comanche 2WD-6 Ft. Box		

**BODY STYLES:**

MJ = Comanche Pickup  
 SJ = Grand Wagoneer Wgn., J-10 & J-20 Pickups  
 XJ = Cherokee, Wagoneer Limited  
 YJ = Wrangler

AR = Use as Required - = Non Illustrated Part P.A.R. = Paint as Required

**GROUP 9A - ENGINE, 4 CYLINDER**

**ILLUSTRATION TITLE** **GROUP-FIG. NO.**

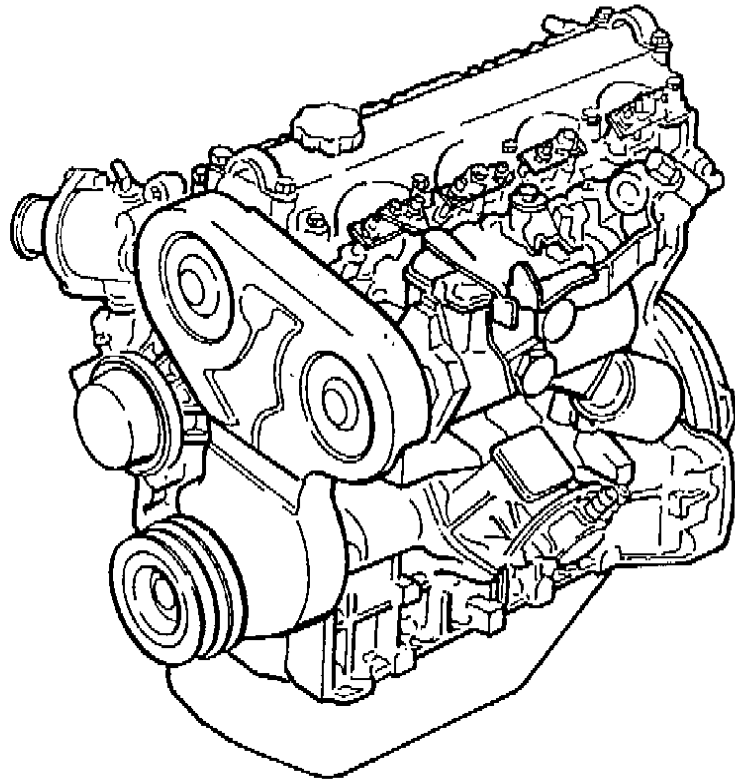
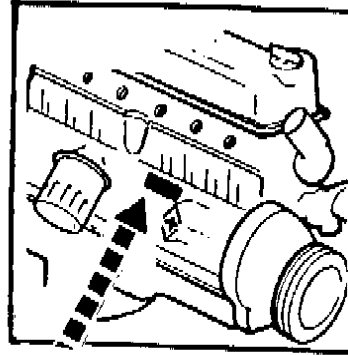
**2.1L ENGINE**

I.D. LOCATION 2.1L ENGINE DIESEL ..... Fig. 9A-100  
 ENGINE BLOCK 2.1L ENGINE DIESEL ..... Fig. 9A-200  
 GASKET SET 2.1L ENGINE DIESEL ..... Fig. 9A-300  
 CYLINDER HEAD 2.1L ENGINE DIESEL ..... Fig. 9A-400  
 CRANKSHAFT AND PISTON 2.1L ENGINE DIESEL ..... Fig. 9A-500  
 CAMSHAFT AND VALVES 2.1L ENGINE DIESEL ..... Fig. 9A-600  
 TIMING COVER AND INTERMEDIATE SHAFT 2.1L ENGINE DIESEL ..... Fig. 9A-700  
 ENGINE OILING 2.1L ENGINE DIESEL ..... Fig. 9A-800  
 OIL LINES 2.1L ENGINE DIESEL ..... Fig. 9A-900  
 MANIFOLD - INTAKE AND EXHAUST 2.1L ENGINE DIESEL ..... Fig. 9A-1000  
 SEPARATOR, OIL 2.1L ENGINE DIESEL ..... Fig. 9A-1100  
 OIL COOLER AND FILTER 2.1L ENGINE DIESEL ..... Fig. 9A-1200  
 ENGINE MOUNTING 2.1L ENGINE DIESEL ..... Fig. 9A-1300  
 I.D. LOCATION 2.5L ENGINE ..... Fig. 9A-1400  
 CYLINDER BLOCK 2.5L ENGINE ..... Fig. 9A-1500  
 GASKET SET 2.5L ENGINE ..... Fig. 9A-1600  
 GASKET, CYLINDER HEAD 2.5 ENGINE ..... Fig. 9A-1700  
 CRANKSHAFT AND PISTON 2.5L ENGINE ..... Fig. 9A-1800  
 CAMSHAFT AND VALVE 2.5L ENGINE ..... Fig. 9A-1900  
 TIMING COVER 2.5L ENGINE ..... Fig. 9A-2000  
 ENGINE OILING 2.5L ENGINE ..... Fig. 9A-2100  
 MANIFOLD - INTAKE AND EXHAUST 2.5L EFI ENGINE ..... Fig. 9A-2200  
 MANIFOLD - INTAKE AND EXHAUST 2.5L CARBURETED ENGINE ..... Fig. 9A-2300  
 ENGINE MOUNTING 2.5L ENGINE WRANGLER, YJ ..... Fig. 9A-2400  
 ENGINE MOUNTING 2.5L ENGINE CHEROKEE, WAGONEER, COMANCHE ..... Fig. 9A-2500

**ILLUSTRATION NOT AVAILABLE AT TIME OF PUBLICATION**

I.D. LOCATION 2.1L ENGINE DIESEL  
Figure 9A-100

8J58 100A



ITEM	PART NUMBER	QTY	BODY	MODEL	DESCRIPTION

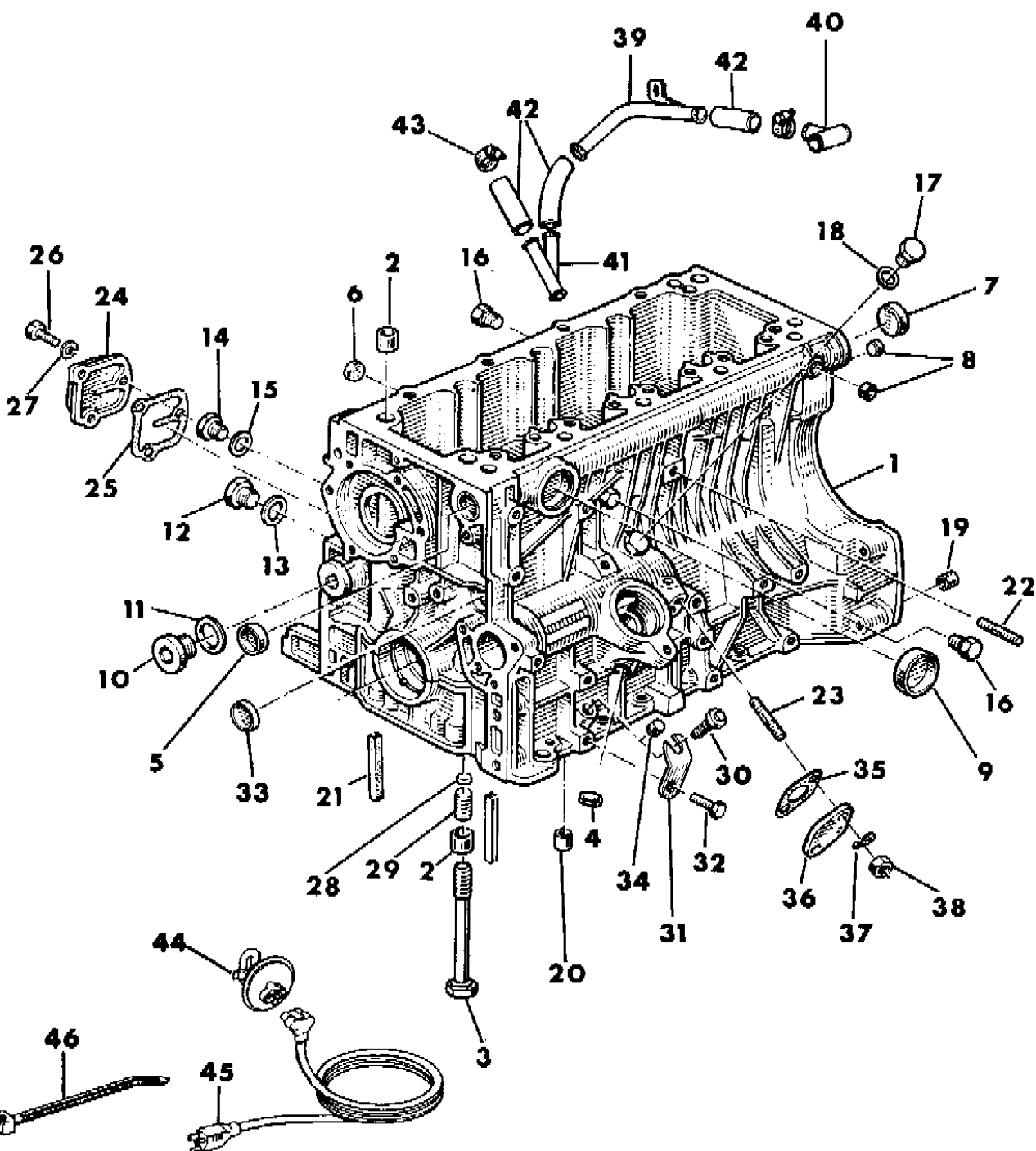
MODEL CODES:  
 15 = Grand Wagoneer 4 Dr.      65 = Comanche 4WD-7 Ft. Box      77 = Cherokee 4WD-2 Dr.  
 25 = J-10 Pickup-119" W.B.      66 = Comanche 2WD-7 Ft. Box      78 = Cherokee 4WD-4 Dr.  
 26 = J-10 Pickup-131" W.B.      73 = Cherokee 2WD-2 Dr.      79 = Cherokee 4WD-4 Dr.-Com  
 27 = J-20 Pickup-131" W.B.      74 = Cherokee 2WD-4 Dr.      81 = Wrangler-93" W.B.  
 63 = Comanche 4WD-6 Ft. Box      75 = Wagoneer 4WD-4 Dr.      82 = Wrangler-103" W.B.-Exp.  
 64 = Comanche 2WD-6 Ft. Box

BODY STYLES:  
 MJ = Comanche Pickup  
 SJ = Grand Wagoneer Wgn., J-10 & J-20 Pickups  
 XJ = Cherokee, Wagoneer Limited  
 YJ = Wrangler

AR = Use as Required - = Non Illustrated Part P.A.R. = Paint as Required

**ENGINE BLOCK 2.1L ENGINE DIESEL**  
Figure 9A-200

8J58 200 A



ITEM	PART NUMBER	QTY	BODY	MODEL	DESCRIPTION
-	T146 3606	1			ENGINE, Complete - Less Turbo
1	T146 3298	1			BLOCK, Engine Up To Engine #3799
	T146 3647	1			After Engine #3799
2	J501 0146	AR			PIN
3	T058 9081	10			BOLT
4					PLUG
	T307 5032	1			10mm
	T307 5039	1			12mm
5	J307 5143	1			PLUG
6	T307 5018	1			PLUG
7	T307 5034	1			PLUG
8	T307 5039	2			PLUG
9	T307 5144	1			PLUG
10	T307 5137	1			PLUG
11	T306 2015	1			GASKET
12	J307 5076	1			PLUG
13	T777 7650	1			GASKET
14	T307 5025	1			PLUG
15	T306 1028	1			GASKET
16	T307 5009	2			PLUG
17	T307 5029	1			PLUG
18	T306 2013	1			GASKET
19	T501 0126	AR			PIN
20	J501 0006	AR			PIN
21					SEAL
	T134 9381	AR			5.10mm
	T134 9382	AR			5.40mm
22	T302 7130	1			STUD
23	T302 7081	2			STUD
24	T067 7302	1			COVER, Engine Block Side - Right
25	J073 3513	1			GASKET
26	T149 3034	3			BOLT
27	T149 3067	3			WASHER
28	T502 7023	AR			SEAL
29	T307 5118	1			PLUG
30	T489 5580	1			PLUG

MODEL CODES:

15 = Grand Wagoneer 4 Dr.	65 = Comanche 4WD-7 Ft. Box	77 = Cherokee 4WD-2 Dr.
25 = J-10 Pickup-119" W.B.	66 = Comanche 2WD-7 Ft. Box	78 = Cherokee 4WD-4 Dr.
26 = J-10 Pickup-131" W.B.	73 = Cherokee 2WD-2 Dr.	79 = Cherokee 4WD-4 Dr.-Com
27 = J-20 Pickup-131" W.B.	74 = Cherokee 2WD-4 Dr.	81 = Wrangler-93" W.B.
63 = Comanche 4WD-6 Ft. Box	75 = Wagoneer 4WD-4 Dr.	82 = Wrangler-103" W.B.-Exp.
64 = Comanche 2WD-6 Ft. Box		

BODY STYLES:

MJ = Comanche Pickup  
 SJ = Grand Wagoneer Wgn., J-10 & J-20 Pickups  
 XJ = Cherokee, Wagoneer Limited  
 YJ = Wrangler

AR = Use as Required - = Non Illustrated Part P.A.R. = Paint as Required

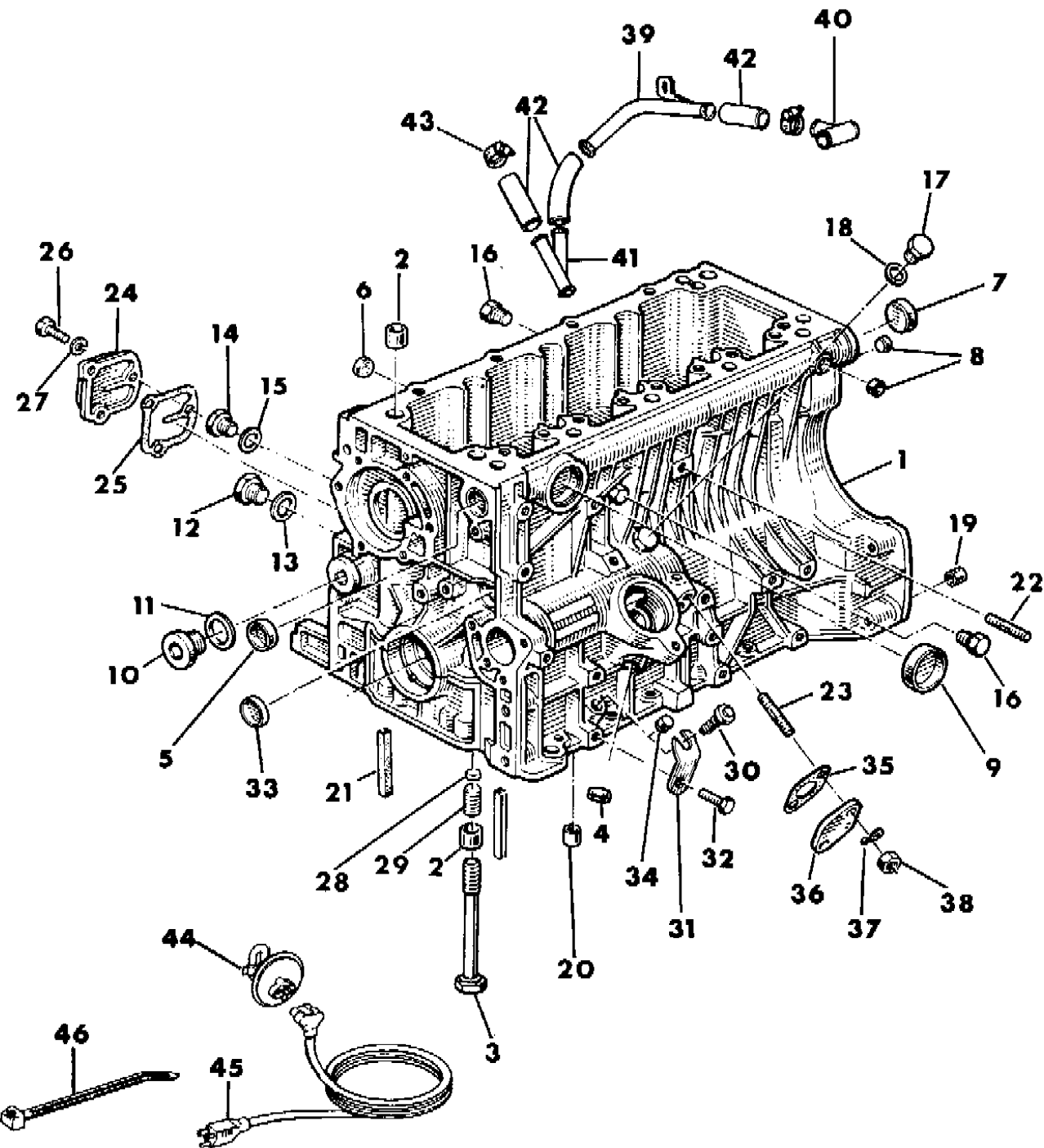


# ENGINE BLOCK 2.1L ENGINE DIESEL

Figure 9A-200

8J58 200 A

ITEM	PART NUMBER	QTY	BODY	MODEL	DESCRIPTION
31	J077 7436	1			RETAINER
32	T149 3030	1			BOLT
33	T307 5015	1			PLUG
34	T307 5067	1			PLUG
35	T306 5088	1			GASKET
36	T066 9805	1			COVER, Engine Block Side - Left
37	J305 7005	2			WASHER
38	T149 3047	2			NUT
39	5300 3925	1			TUBE, Engine Oil Drain
40	T072 7942	1			TEE, Oil Drain Upper
41	T072 7945	1			TEE, Oil Drain Lower
42	5300 3934	3			HOSE
43	J320 3076	6			CLAMP
44	3300 1361	1			HEATER, Engine Block
45	5600 0828	1			CORD, Power Supply
46					STRAP
	J322 3227	AR			200mm
	J369 3058	AR			300mm
	J323 0270	AR			350mm
	J323 5187	AR			450mm



**MODEL CODES:**

15 = Grand Wagoneer 4 Dr.	65 = Comanche 4WD-7 Ft. Box	77 = Cherokee 4WD-2 Dr.
25 = J-10 Pickup-119" W.B.	66 = Comanche 2WD-7 Ft. Box	78 = Cherokee 4WD-4 Dr.
26 = J-10 Pickup-131" W.B.	73 = Cherokee 2WD-2 Dr.	79 = Cherokee 4WD-4 Dr.-Com
27 = J-20 Pickup-131" W.B.	74 = Cherokee 2WD-4 Dr.	81 = Wrangler-93" W.B.
63 = Comanche 4WD-6 Ft. Box	75 = Wagoneer 4WD-4 Dr.	82 = Wrangler-103" W.B.-Exp.
64 = Comanche 2WD-6 Ft. Box		

**BODY STYLES:**

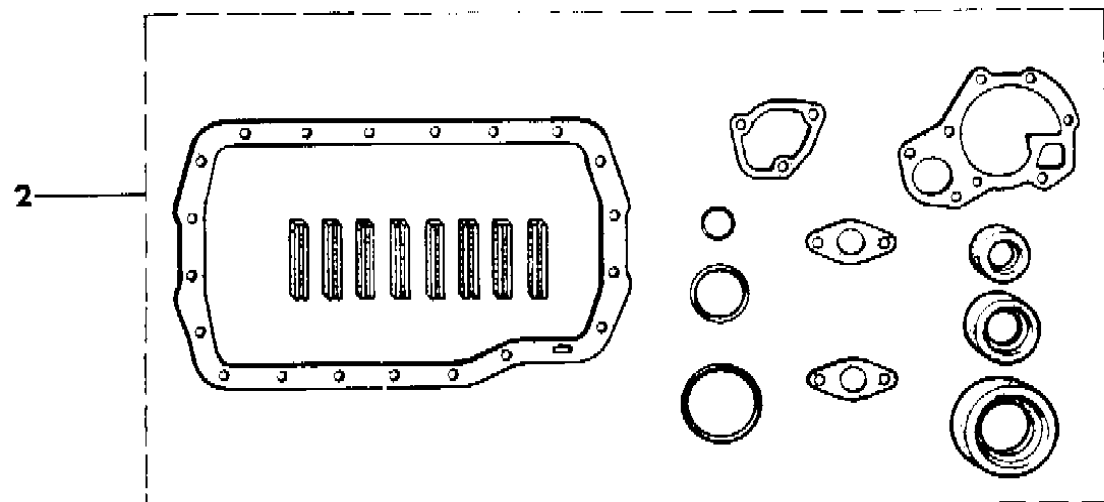
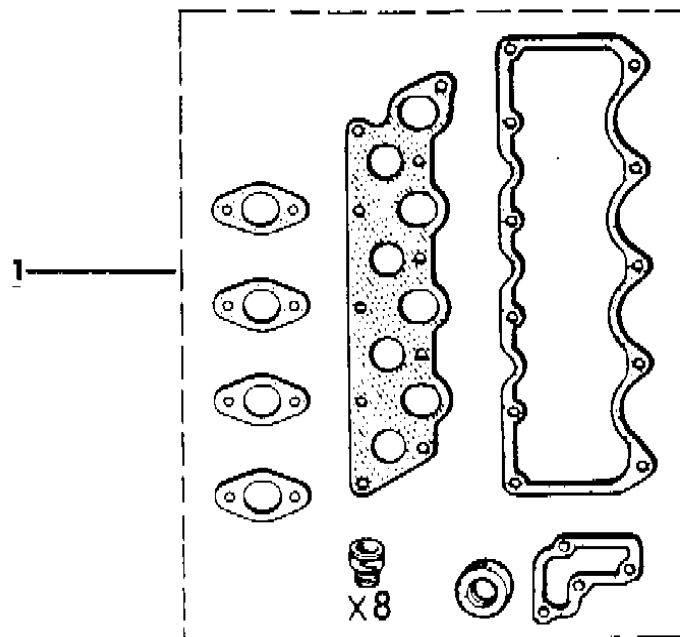
MJ = Comanche Pickup  
 SJ = Grand Wagoneer Wgn., J-10 & J-20 Pickups  
 XJ = Cherokee, Wagoneer Limited  
 YJ = Wrangler

AR = Use as Required - = Non Illustrated Part P.A.R. = Paint as Required

**GASKET SET 2.1L ENGINE DIESEL**  
**Figure 9A-300**

8J58 300

ITEM	PART NUMBER	QTY	BODY	MODEL	DESCRIPTION
1	T146 1765	1			GASKET PACKAGE, Engine Upper
2	T146 4133	1			GASKET PACKAGE, Engine Lower



**MODEL CODES:**

- |                             |                             |                              |
|-----------------------------|-----------------------------|------------------------------|
| 15 = Grand Wagoneer 4 Dr.   | 65 = Comanche 4WD-7 Ft. Box | 77 = Cherokee 4WD-2 Dr.      |
| 25 = J-10 Pickup-119" W.B.  | 66 = Comanche 2WD-7 Ft. Box | 78 = Cherokee 4WD-4 Dr.      |
| 26 = J-10 Pickup-131" W.B.  | 73 = Cherokee 2WD-2 Dr.     | 79 = Cherokee 4WD-4 Dr.-Com  |
| 27 = J-20 Pickup-131" W.B.  | 74 = Cherokee 2WD-4 Dr.     | 81 = Wrangler-93" W.B.       |
| 63 = Comanche 4WD-6 Ft. Box | 75 = Wagoneer 4WD-4 Dr.     | 82 = Wrangler-103" W.B.-Exp. |
| 64 = Comanche 2WD-6 Ft. Box |                             |                              |

**BODY STYLES:**

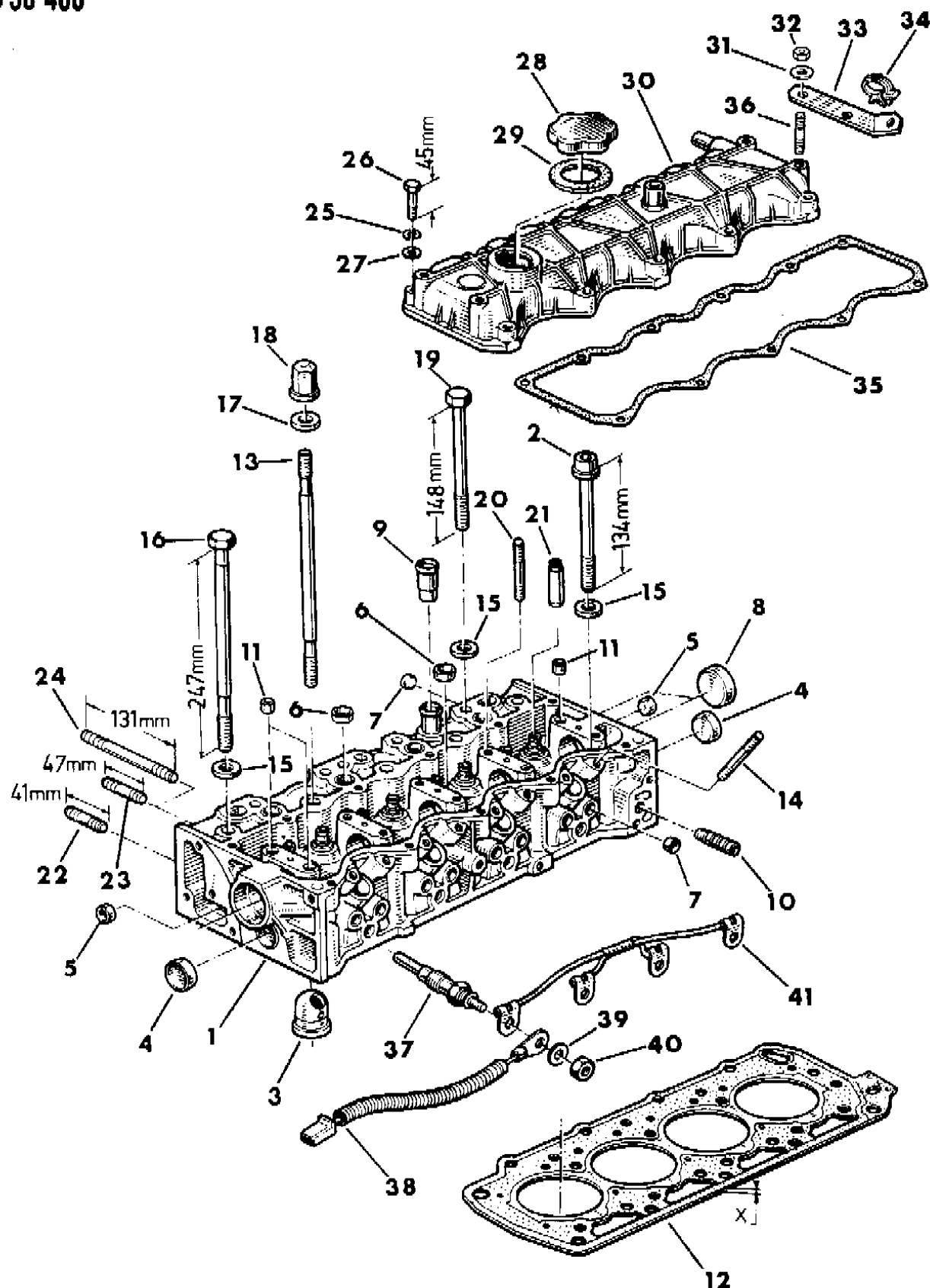
- MJ = Comanche Pickup
- SJ = Grand Wagoneer Wgn., J-10 & J-20 Pickups
- XJ = Cherokee, Wagoneer Limited
- YJ = Wrangler

AR = Use as Required - = Non Illustrated Part P.A.R. = Paint as Required

CYLINDER HEAD 2.1L ENGINE DIESEL

Figure 9A-400

8J58 400



ITEM	PART NUMBER	QTY	BODY	MODEL	DESCRIPTION
1	T146 3380	1			HEAD, Engine Cylinder
2	J066 0908	AR			BOLT
3	T146 2231	4			CHAMBER, Precombustion
4	J307 5143	2			PLUG
5	T307 5141	2			PLUG
6	T307 5142	2			PLUG
7					PLUG
	T307 5032	AR			10mm
	T307 5039	AR			12mm
8	T307 5144	2			PLUG
9					NIPPLE, Coolant
	T063 8975	1			18.0mm
	T063 9062	1			20.6mm
10	T052 1772	1			FITTING
11	J065 9822	3			SLEEVE
12					GASKET
	T102 8289	1			1.6mm
	T071 1666	1			1.7mm
	T102 8290	1			1.8mm
13	T067 5862	3			STUD
14	T302 7077	8			STUD
15	T066 2634	AR			WASHER
16	J073 0882	2			BOLT
17	T067 5868	AR			WASHER
18	T067 5866	3			NUT
19	T067 5863	8			BOLT
20	T302 7211	AR			STUD
21	T146 2486	8			GUIDE, 13.35mm
22	T302 7025	AR			STUD
23	T302 7129	AR			STUD
24	T302 7166	AR			STUD
25	T149 3067	11			WASHER, Lock
26	J300 1607	11			BOLT
27	T140 2065	11			WASHER, Flat
28	T072 1928	1			CAP
29	T071 8985	1			GASKET
30	T071 7274	1			COVER, Cylinder Head

MODEL CODES:

15 = Grand Wagoneer 4 Dr.	65 = Comanche 4WD-7 Ft. Box	77 = Cherokee 4WD-2 Dr.
25 = J-10 Pickup-119" W.B.	66 = Comanche 2WD-7 Ft. Box	78 = Cherokee 4WD-4 Dr.
26 = J-10 Pickup-131" W.B.	73 = Cherokee 2WD-2 Dr.	79 = Cherokee 4WD-4 Dr.-Com
27 = J-20 Pickup-131" W.B.	74 = Cherokee 2WD-4 Dr.	81 = Wrangler-93" W.B.
63 = Comanche 4WD-6 Ft. Box	75 = Wagoneer 4WD-4 Dr.	82 = Wrangler-103" W.B.-Exp.
64 = Comanche 2WD-6 Ft. Box		

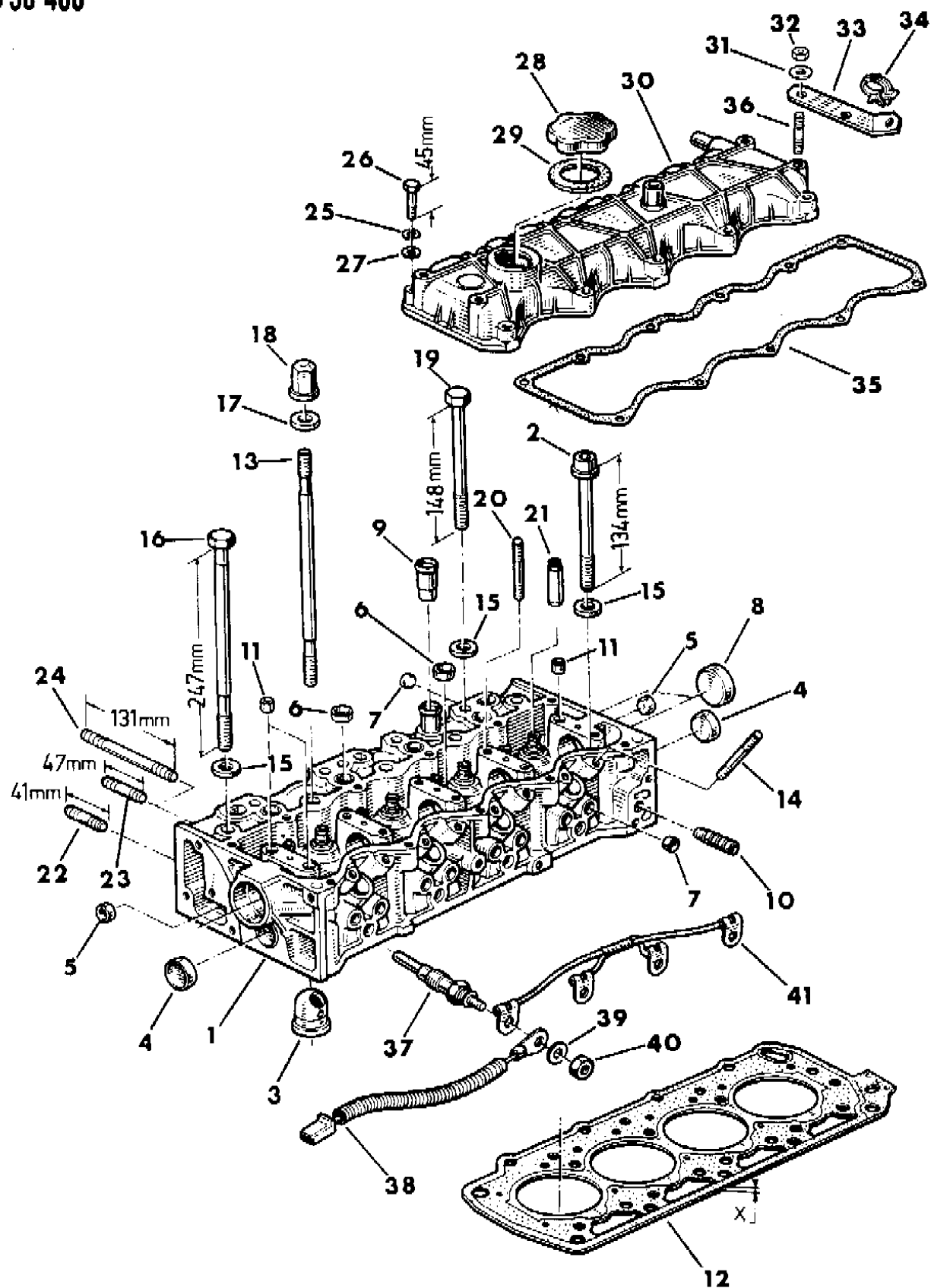
BODY STYLES:

MJ = Comanche Pickup  
 SJ = Grand Wagoneer Wgn., J-10 & J-20 Pickups  
 XJ = Cherokee, Wagoneer Limited  
 YJ = Wrangler

AR = Use as Required - = Non Illustrated Part P.A.R. = Paint as Required

**CYLINDER HEAD 2.1L ENGINE DIESEL**  
**Figure 9A-400**

8J58 400



ITEM	PART NUMBER	QTY	BODY	MODEL	DESCRIPTION
31	T149 3053	2			WASHER
32	T149 3047	2			NUT
33	T069 1636	1			BRACKET
34	T307 9103	1			CLIP
35	T066 2455	1			GASKET
36	T302 7065	2			STUD
37	T134 9475	4			PLUG, Glow
38	5603 2504	2			HARNES, Glow Plug
39	T305 7031	4			WASHER
40	T149 3070	4			NUT
41	T198 6538	1			HARNES, Glow Plug

**MODEL CODES:**

15 = Grand Wagoneer 4 Dr.	65 = Comanche 4WD-7 Ft. Box	77 = Cherokee 4WD-2 Dr.
25 = J-10 Pickup-119" W.B.	66 = Comanche 2WD-7 Ft. Box	78 = Cherokee 4WD-4 Dr.
26 = J-10 Pickup-131" W.B.	73 = Cherokee 2WD-2 Dr.	79 = Cherokee 4WD-4 Dr.-Com
27 = J-20 Pickup-131" W.B.	74 = Cherokee 2WD-4 Dr.	81 = Wrangler-93" W.B.
63 = Comanche 4WD-6 Ft. Box	75 = Wagoneer 4WD-4 Dr.	82 = Wrangler-103" W.B.-Exp.
64 = Comanche 2WD-6 Ft. Box		

**BODY STYLES:**

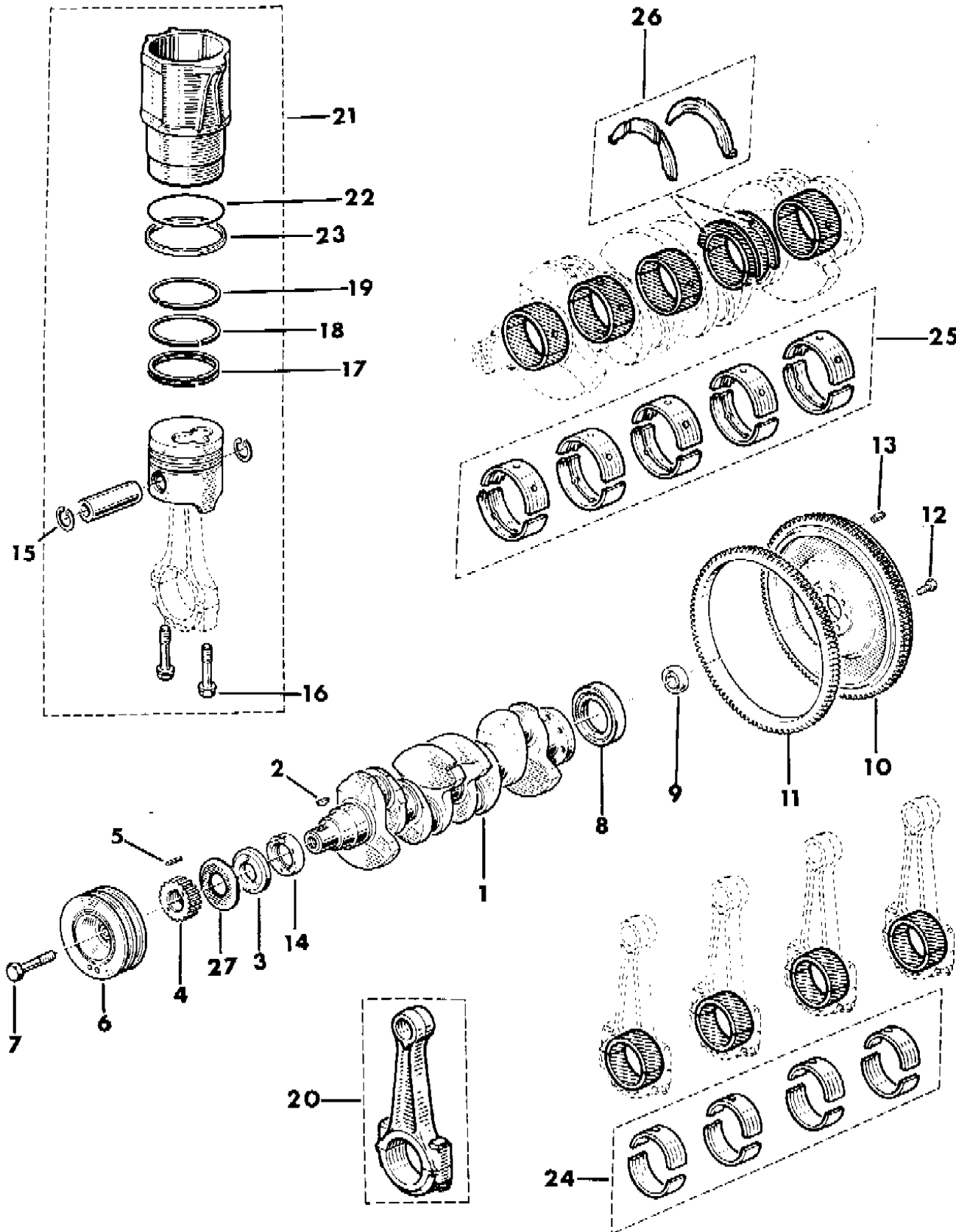
MJ = Comanche Pickup  
 SJ = Grand Wagoneer Wgn., J-10 & J-20 Pickups  
 XJ = Cherokee, Wagoneer Limited  
 YJ = Wrangler

AR = Use as Required - = Non Illustrated Part P.A.R. = Paint as Required

CRANKSHAFT AND PISTON 2.1L ENGINE DIESEL

Figure 9A-500

8J58 500 A



ITEM	PART NUMBER	QTY	BODY	MODEL	DESCRIPTION
1					CRANKSHAFT, Less Bearings
	T073 4981	1			1987-88
	J072 2325	1			1989-90
2	T307 0009	1			KEY, Shaft
3	T061 6979	1			SPACER
4	T134 9583	1			SPROCKET, Crankshaft
5	T306 7080	1			PIN
6	T072 7596	1			PULLEY, Crankshaft
7	T067 0967	1			BOLT
8	T134 9596	1			SEAL
9	T309 0310	1			BEARING, Pilot - Manual Transmission
10	T159 6861	1			FLYWHEEL Manual Transmission
11	T066 4055	1			GEAR, Ring - Manual Transmission
12	T064 7358	7			BOLT Manual Transmission
13	T306 7256	3			PIN
14	T134 9595	1			SEAL
15	T067 6497	8			RETAINER, Piston Pin
16	J065 5434	8			BOLT
17	T066 5606	4			RING, Oil Control
18	T069 6139	4			RING, Lower Compression
19	T069 6138	4			RING, Upper Compression
20	T146 2223	1			ROD SET, Connecting
21					PISTON PACKAGE, w/Sleeve ***
	T146 2222	1			Up To Engine #3799
	T146 3646	1			After Engine #3799
22	T134 8225	4			O-RING
23	T066 6025	4			GASKET
24					BEARING PACKAGE
	T146 2226	1			Standard
	T146 2227	1			-.010"
25					BEARING PACKAGE
	T134 8542	1			Standard
	T134 8543	1			-.010"
26					BEARING PACKAGE, Thrust
					Thickness
	T134 8320	1			2.80 to 2.85mm
	T134 8820	1			2.85 to 2.90mm

MODEL CODES:

15 = Grand Wagoneer 4 Dr.	65 = Comanche 4WD-7 Ft. Box	77 = Cherokee 4WD-2 Dr.
25 = J-10 Pickup-119" W.B.	66 = Comanche 2WD-7 Ft. Box	78 = Cherokee 4WD-4 Dr.
26 = J-10 Pickup-131" W.B.	73 = Cherokee 2WD-2 Dr.	79 = Cherokee 4WD-4 Dr.-Com
27 = J-20 Pickup-131" W.B.	74 = Cherokee 2WD-4 Dr.	81 = Wrangler-93" W.B.
63 = Comanche 4WD-6 Ft. Box	75 = Wagoneer 4WD-4 Dr.	82 = Wrangler-103" W.B.-Exp.
64 = Comanche 2WD-6 Ft. Box		

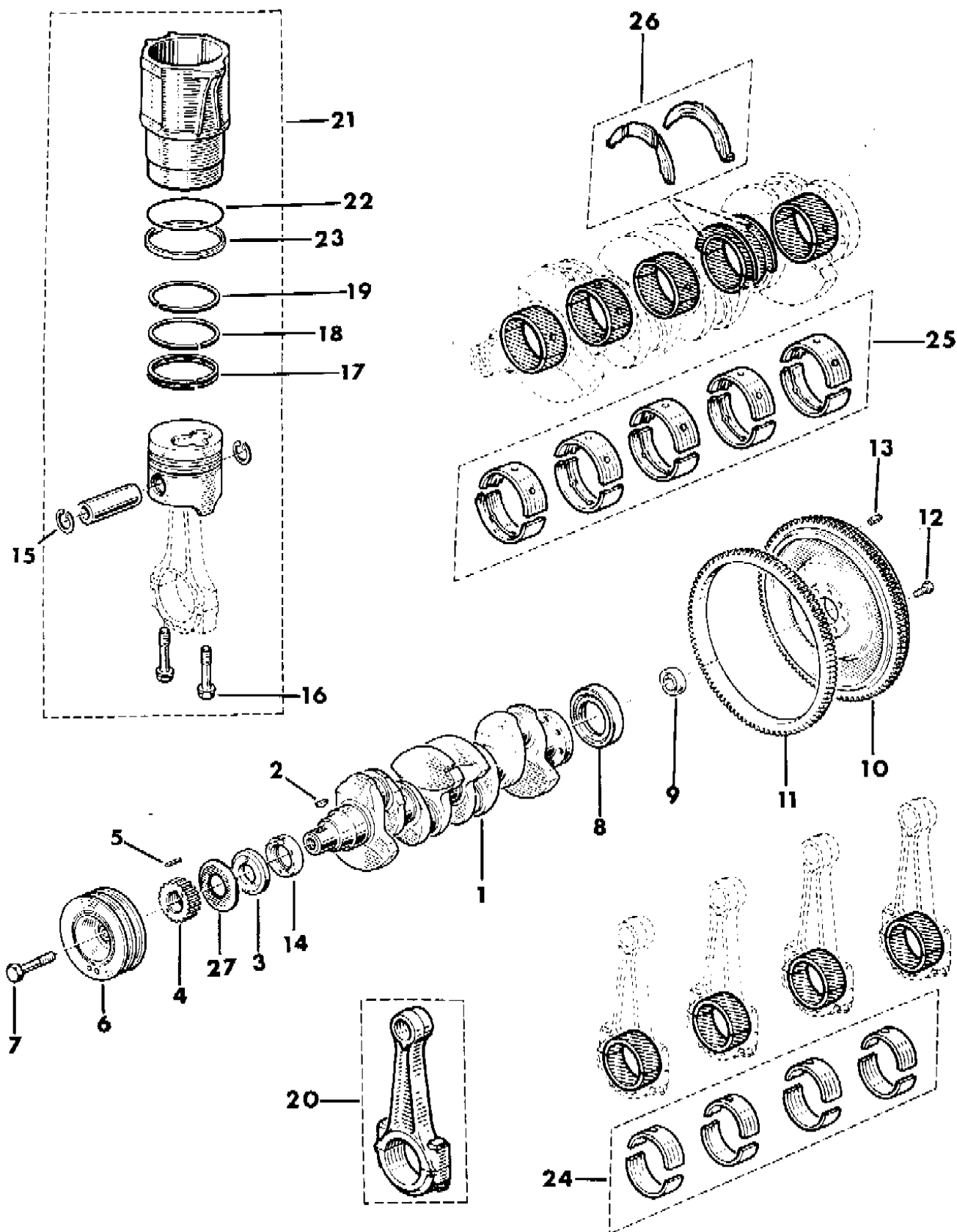
BODY STYLES:

MJ = Comanche Pickup
SJ = Grand Wagoneer Wgn., J-10 & J-20 Pickups
XJ = Cherokee, Wagoneer Limited
YJ = Wrangler

AR = Use as Required - = Non Illustrated Part P.A.R. = Paint as Required

**CRANKSHAFT AND PISTON 2.1L ENGINE DIESEL**  
Figure 9A-500

8J58 500 A



ITEM	PART NUMBER	QTY	BODY	MODEL	DESCRIPTION
------	-------------	-----	------	-------	-------------

	T134 8821	1			2.90 to 2.95mm
	T134 8822	1			2.95 to 3.00mm
27	T073 3447	1			SLINGER ***

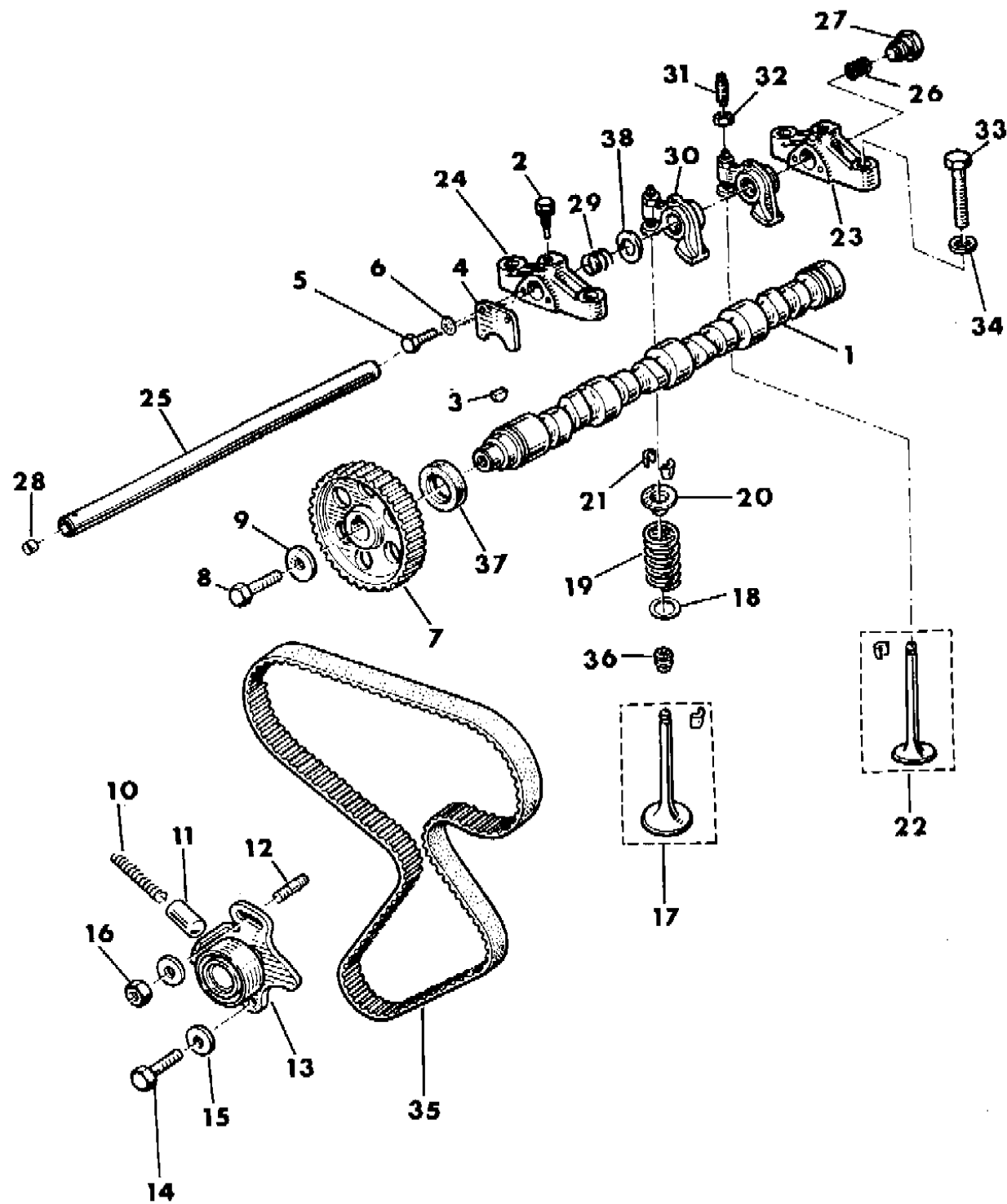
MODEL CODES:  
 15 = Grand Wagoneer 4 Dr.      65 = Comanche 4WD-7 Ft. Box      77 = Cherokee 4WD-2 Dr.  
 25 = J-10 Pickup-119" W.B.      66 = Comanche 2WD-7 Ft. Box      78 = Cherokee 4WD-4 Dr.  
 26 = J-10 Pickup-131" W.B.      73 = Cherokee 2WD-2 Dr.      79 = Cherokee 4WD-4 Dr.-Com  
 27 = J-20 Pickup-131" W.B.      74 = Cherokee 2WD-4 Dr.      81 = Wrangler-93" W.B.  
 63 = Comanche 4WD-6 Ft. Box      75 = Wagoneer 4WD-4 Dr.      82 = Wrangler-103" W.B.-Exp.  
 64 = Comanche 2WD-6 Ft. Box

BODY STYLES:  
 MJ = Comanche Pickup  
 SJ = Grand Wagoneer Wgn., J-10 & J-20 Pickups  
 XJ = Cherokee, Wagoneer Limited  
 YJ = Wrangler

AR = Use as Required - = Non Illustrated Part P.A.R. = Paint as Required

**CAMSHAFT AND VALVES 2.1L ENGINE DIESEL**  
**Figure 9A-600**

**8J58 600 A**



ITEM	PART NUMBER	QTY	BODY	MODEL	DESCRIPTION
1	T069 9231	1			CAMSHAFT
2	T024 5031	5			SCREW
3	T307 0007	1			KEY, Shaft
4	T058 7893	1			RETAINER, Camshaft Thrust
5	J300 1138	2			BOLT
6	T149 3060	2			WASHER
7	T134 9586	1			SPROCKET, Camshaft
8	T310 1091	1			BOLT
9	T065 5331	1			WASHER
10	T501 5125	1			SPRING
11	T134 8251	1			TENSIONER
12	T302 7065	1			STUD
13	T072 2452	1			IDLER, Timing Belt
14	T149 3031	1			BOLT
15	1150 0255	2			WASHER
16	J303 2018	1			NUT
17	T146 2232	1			VALVE PACKAGE, Intake
18	J305 3700	8			SEAT, Spring
19	T067 3343	8			SPRING
20	T026 8948	8			RETAINER
21	T134 9125	16			KEEPER
22	T146 1339	1			VALVE PACKAGE, Exhaust
23	T065 4085	4			BRACE
24	T065 4084	1			BRACE
25					SHAFT, Rocker Arm
	T146 3654	1			For Engine Serial Number Up to Number 19665.
	J146 4082	1			For Engine Serial Number 19666 and After.
26	T065 0095	1			FILTER, Rocker Shaft Oil
27	T307 5053	1			PLUG
28	T307 5039	1			PLUG
29	T065 9821	AR			SPRING
30					ARM, Valve Rocker
	T600 9641	8			For Engine Serial Number Up to Number 19665.
	J600 6610	8			For Engine Serial Number 19666 and After.
31					SCREW
	T065 9962	8			For Engine Serial Number Up to Number 19665.
	J073 0361	8			For Engine Serial Number 19666 and After

**MODEL CODES:**

15 = Grand Wagoneer 4 Dr.	65 = Comanche 4WD-7 Ft. Box	77 = Cherokee 4WD-2 Dr.
25 = J-10 Pickup-119" W.B.	66 = Comanche 2WD-7 Ft. Box	78 = Cherokee 4WD-4 Dr.
26 = J-10 Pickup-131" W.B.	73 = Cherokee 2WD-2 Dr.	79 = Cherokee 4WD-4 Dr.-Com
27 = J-20 Pickup-131" W.B.	74 = Cherokee 2WD-4 Dr.	81 = Wrangler-93" W.B.
63 = Comanche 4WD-6 Ft. Box	75 = Wagoneer 4WD-4 Dr.	82 = Wrangler-103" W.B.-Exp.
64 = Comanche 2WD-6 Ft. Box		

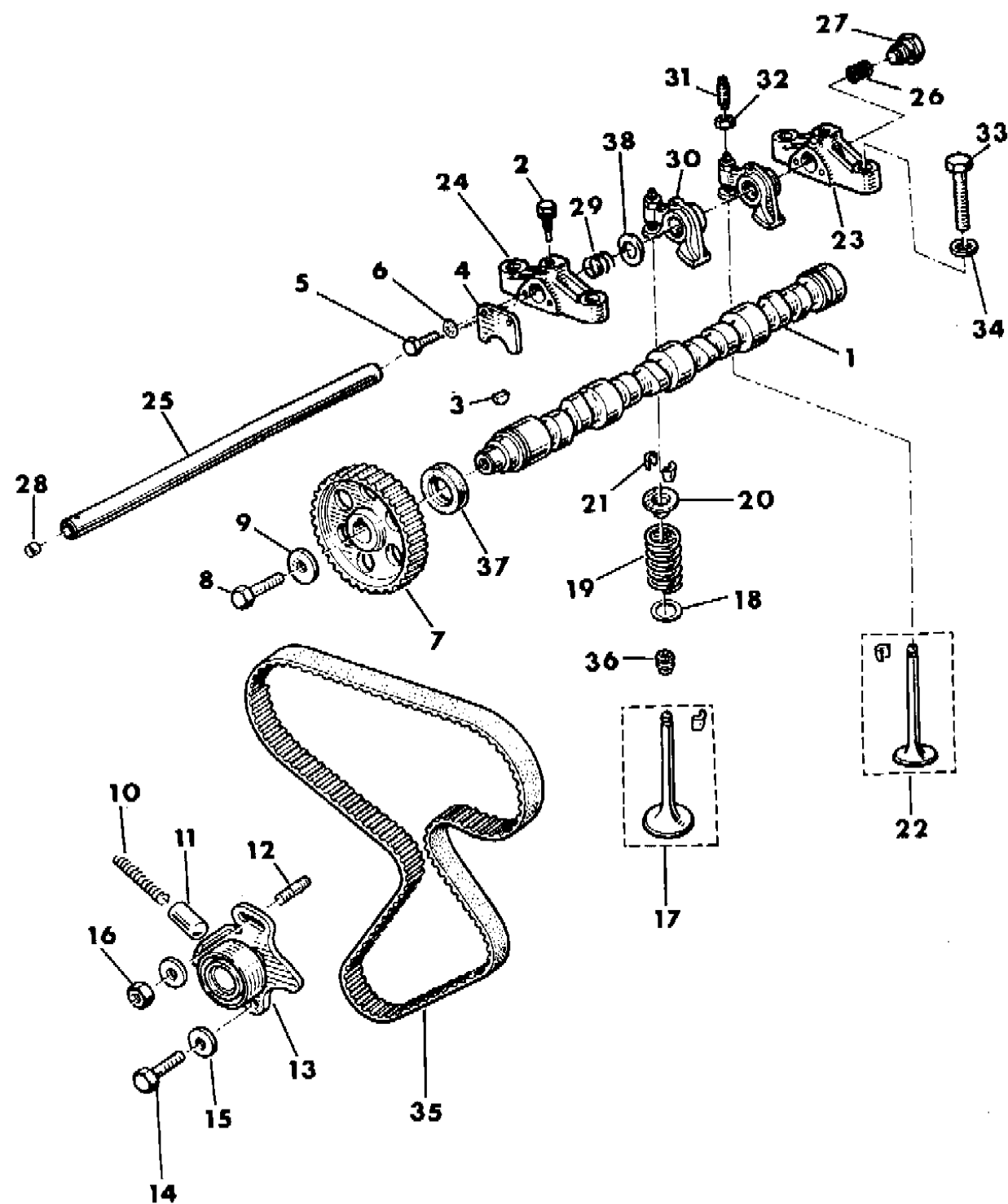
**BODY STYLES:**

MJ = Comanche Pickup  
 SJ = Grand Wagoneer Wgn., J-10 & J-20 Pickups  
 XJ = Cherokee, Wagoneer Limited  
 YJ = Wrangler

AR = Use as Required - = Non Illustrated Part P.A.R. = Paint as Required

**CAMSHAFT AND VALVES 2.1L ENGINE DIESEL**  
**Figure 9A-600**

**8J58 600 A**



ITEM	PART NUMBER	QTY	BODY	MODEL	DESCRIPTION
32					NUT
	T951 8680	8			For Engine Serial Number Up to Number 19665.
	T303 3042	8			For Engine Serial Number 19666 and After.
33	J064 5218	AR			BOLT
34	T777 7658	AR			WASHER
35	T066 3544	1			BELT, Timing
36	T073 3464	8			SEAL
37	T134 9626	1			SEAL
38	T073 3736	AR			SPACER, For Engine Serial Number 19666 and After.

**MODEL CODES:**

15 = Grand Wagoneer 4 Dr.	65 = Comanche 4WD-7 Ft. Box	77 = Cherokee 4WD-2 Dr.
25 = J-10 Pickup-119" W.B.	66 = Comanche 2WD-7 Ft. Box	78 = Cherokee 4WD-4 Dr.
26 = J-10 Pickup-131" W.B.	73 = Cherokee 2WD-2 Dr.	79 = Cherokee 4WD-4 Dr.-Com
27 = J-20 Pickup-131" W.B.	74 = Cherokee 2WD-4 Dr.	81 = Wrangler-93" W.B.
63 = Comanche 4WD-6 Ft. Box	75 = Wagoneer 4WD-4 Dr.	82 = Wrangler-103" W.B.-Exp.
64 = Comanche 2WD-6 Ft. Box		

**BODY STYLES:**

MJ = Comanche Pickup  
 SJ = Grand Wagoneer Wgn., J-10 & J-20 Pickups  
 XJ = Cherokee, Wagoneer Limited  
 YJ = Wrangler

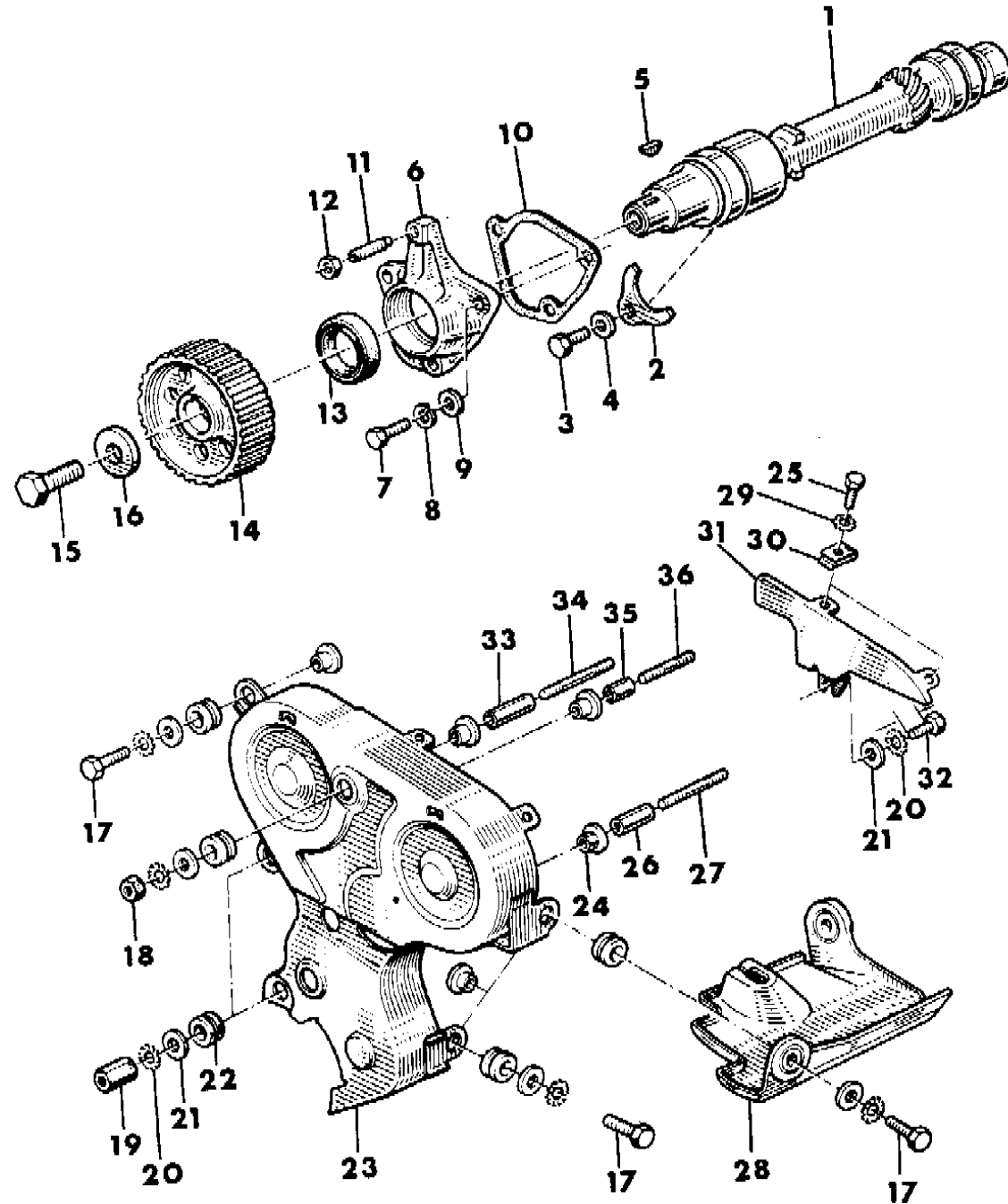
AR = Use as Required - = Non Illustrated Part P.A.R. = Paint as Required



TIMING COVER AND INTERMEDIATE SHAFT 2.1L ENGINE DIESEL

Figure 9A-700

8J58 700



ITEM	PART NUMBER	QTY	BODY	MODEL	DESCRIPTION
1	T059 0867	1			SHAFT, Engine Intermediate
2	T072 4890	1			RETAINER, Shaft Thrust
3	T149 3030	1			BOLT
4	1150 0255	1			WASHER
5	T307 0007	1			KEY, Shaft
6	T065 5189	1			COVER, Intermediate Shaft
7	T300 1142	3			BOLT
8	T149 3067	3			WASHER, Lock
9	T305 3102	3			WASHER, Flat
10	J073 7414	1			GASKET
11	T302 7117	1			SCREW, Adjusting
12	T149 3045	1			NUT
13	T134 9625	1			SEAL
14	T134 9584	1			SPROCKET, Intermediate Shaft
15	T310 1069	1			BOLT
16	T305 3189	1			WASHER
17	T300 1142	3			BOLT
18	J303 2012	1			NUT
19	T303 2079	2			NUT, Sleeve
20	T149 3060	7			WASHER, Lock
21	T149 3052	7			WASHER, Flat
22	T063 4996	6			GROMMET
23	T066 4709	1			COVER, Timing Case Front
24	T061 6373	6			BUSHING
25	T300 1118	2			BOLT
26	T500 1001	1			SLEEVE
27	T302 7095	1			STUD
28	T069 3037	1			SHIELD, Alternator
29	T140 2082	2			WASHER, 100 Cnt. Pkg.
30	T304 6048	2			NUT, Clip
31	T066 4756	1			COVER, Timing Case Rear
32	T149 3034	1			BOLT
33	T500 1002	1			SLEEVE
34	T302 7151	1			STUD
35	T500 1000	1			SLEEVE
36	T302 7113	1			STUD

MODEL CODES:

15 = Grand Wagoneer 4 Dr.	65 = Comanche 4WD-7 Ft. Box	77 = Cherokee 4WD-2 Dr.
25 = J-10 Pickup-119" W.B.	66 = Comanche 2WD-7 Ft. Box	78 = Cherokee 4WD-4 Dr.
26 = J-10 Pickup-131" W.B.	73 = Cherokee 2WD-2 Dr.	79 = Cherokee 4WD-4 Dr.-Com
27 = J-20 Pickup-131" W.B.	74 = Cherokee 2WD-4 Dr.	81 = Wrangler-93" W.B.
63 = Comanche 4WD-6 Ft. Box	75 = Wagoneer 4WD-4 Dr.	82 = Wrangler-103" W.B.-Exp.
64 = Comanche 2WD-6 Ft. Box		

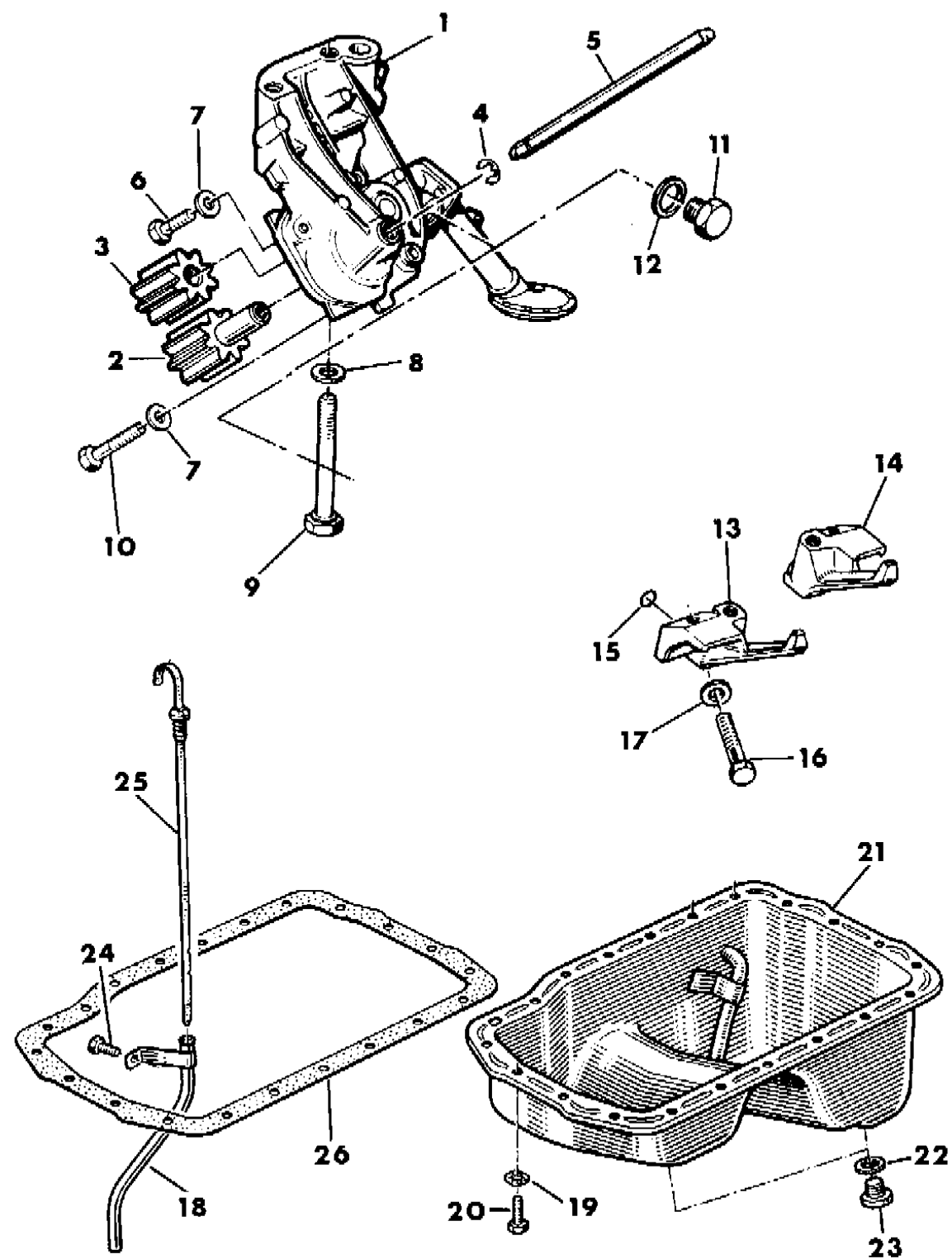
BODY STYLES:

MJ = Comanche Pickup
SJ = Grand Wagoneer Wgn., J-10 & J-20 Pickups
XJ = Cherokee, Wagoneer Limited
YJ = Wrangler

AR = Use as Required - = Non Illustrated Part P.A.R. = Paint as Required

**ENGINE OILING 2.1L ENGINE DIESEL**  
**Figure 9A-800**

8 J58 800 A



ITEM	PART NUMBER	QTY	BODY	MODEL	DESCRIPTION
1	T600 5270	1			PUMP, Engine Oil
2	T072 4210	1			GEAR, Oil Pump Drive
3	T069 0232	1			GEAR, Oil Pump Driven
4	T306 6231	1			CLIP, Oil Pump Shaft
5	T072 4211	1			SHAFT, Oil Pump Gear
6	T300 1142	AR			BOLT
7	T305 3102	AR			WASHER
8	T149 3055	2			WASHER
9	T310 1057	2			BOLT
10	T300 1123	AR			BOLT
11	T307 5025	1			PLUG
12	T306 1028	1			GASKET
13	T072 9363	2			JET, Piston Oil Cooling
14	J073 6473	2			JET, Piston Oil Cooling
15	T306 5104	4			SEAL
16	T300 1614	4			BOLT
17	T305 3666	4			WASHER
18	T072 5913	1			TUBE, Engine Oil Indicator
19	T149 3072	21			WASHER
20	T149 3034	21			BOLT
21	T146 3599	1			PAN, Engine Oil
22	T777 7649	2			GASKET
23	T307 5129	2			PLUG
24	1150 4336	1			BOLT
25	T071 3429	1			INDICATOR, Engine Oil Level
26	T069 5943	1			GASKET

**MODEL CODES:**

15 = Grand Wagoneer 4 Dr.	65 = Comanche 4WD-7 Ft. Box	77 = Cherokee 4WD-2 Dr.
25 = J-10 Pickup-119" W.B.	66 = Comanche 2WD-7 Ft. Box	78 = Cherokee 4WD-4 Dr.
26 = J-10 Pickup-131" W.B.	73 = Cherokee 2WD-2 Dr.	79 = Cherokee 4WD-4 Dr.-Com
27 = J-20 Pickup-131" W.B.	74 = Cherokee 2WD-4 Dr.	81 = Wrangler-93" W.B.
63 = Comanche 4WD-6 Ft. Box	75 = Wagoneer 4WD-4 Dr.	82 = Wrangler-103" W.B.-Exp.
64 = Comanche 2WD-6 Ft. Box		

**BODY STYLES:**

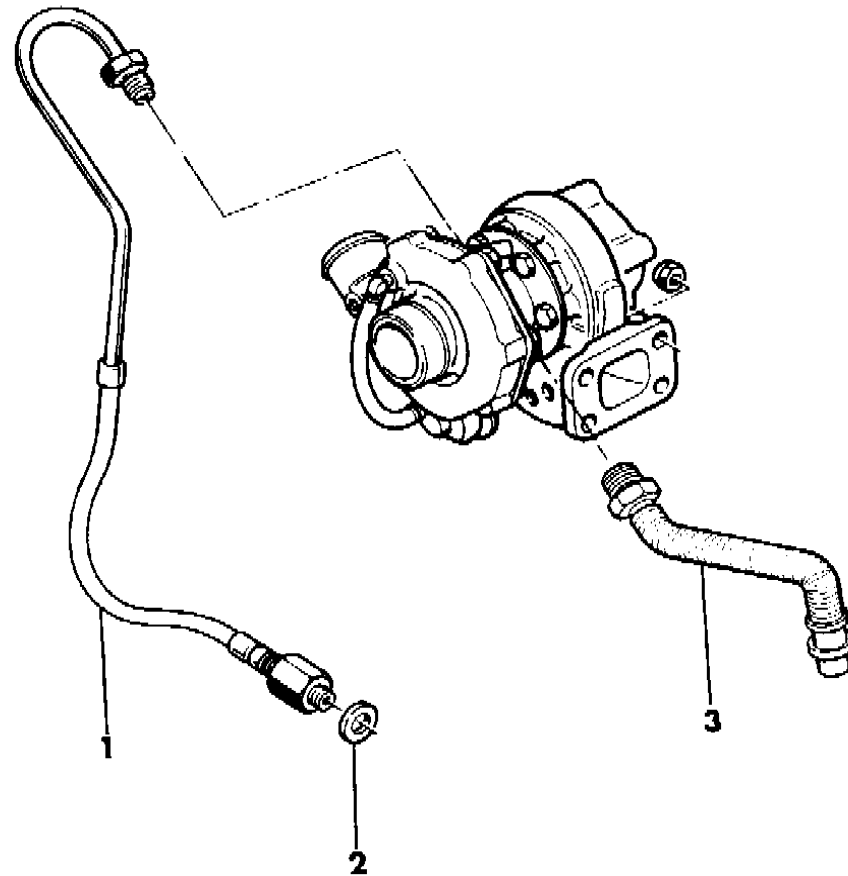
MJ = Comanche Pickup  
 SJ = Grand Wagoneer Wgn., J-10 & J-20 Pickups  
 XJ = Cherokee, Wagoneer Limited  
 YJ = Wrangler

AR = Use as Required - = Non Illustrated Part P.A.R. = Paint as Required

OIL LINES 2.1L ENGINE DIESEL  
Figure 9A-900

8J58 900

ITEM	PART NUMBER	QTY	BODY	MODEL	DESCRIPTION
1	T072 7702	1			TUBE, Oil Supply
2	T777 7650	1			GASKET
3	8350 7177	1			HOSE, Oil Return



MODEL CODES:

15 = Grand Wagoneer 4 Dr.	65 = Comanche 4WD-7 Ft. Box	77 = Cherokee 4WD-2 Dr.
25 = J-10 Pickup-119" W.B.	66 = Comanche 2WD-7 Ft. Box	78 = Cherokee 4WD-4 Dr.
26 = J-10 Pickup-131" W.B.	73 = Cherokee 2WD-2 Dr.	79 = Cherokee 4WD-4 Dr.-Com
27 = J-20 Pickup-131" W.B.	74 = Cherokee 2WD-4 Dr.	81 = Wrangler-93" W.B.
63 = Comanche 4WD-6 Ft. Box	75 = Wagoneer 4WD-4 Dr.	82 = Wrangler-103" W.B.-Exp.
64 = Comanche 2WD-6 Ft. Box		

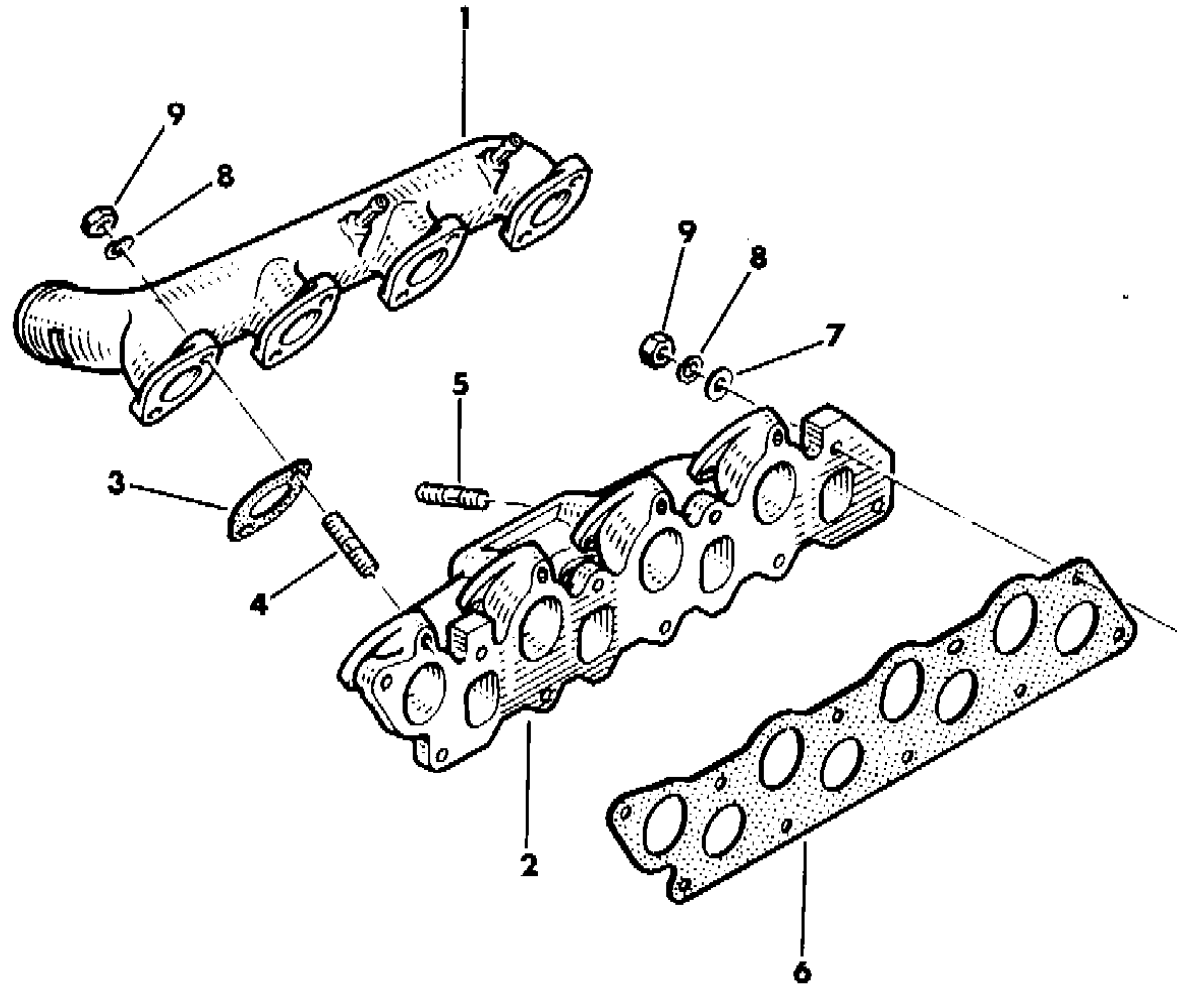
BODY STYLES:

MJ = Comanche Pickup  
SJ = Grand Wagoneer Wgn., J-10 & J-20 Pickups  
XJ = Cherokee, Wagoneer Limited  
YJ = Wrangler

AR = Use as Required - = Non Illustrated Part P.A.R. = Paint as Required

**MANIFOLD - INTAKE AND EXHAUST 2.1L ENGINE DIESEL**  
**Figure 9A-1000**

8J58 1000



ITEM	PART NUMBER	QTY	BODY	MODEL	DESCRIPTION
1	T068 8218	1			MANIFOLD, Pre-Intake
2	T072 3183	1			MANIFOLD, Intake/Exhaust
3	T069 4729	4			GASKET
4	T302 7155	8			STUD
5	T302 7156	4			STUD
6	T134 8923	1			GASKET
7	1150 0255	10			WASHER, Flat
8	T149 3041	18			WASHER, Lock
9	T149 3047	18			NUT

**MODEL CODES:**

15 = Grand Wagoneer 4 Dr.	65 = Comanche 4WD-7 Ft. Box	77 = Cherokee 4WD-2 Dr.
25 = J-10 Pickup-119" W.B.	66 = Comanche 2WD-7 Ft. Box	78 = Cherokee 4WD-4 Dr.
26 = J-10 Pickup-131" W.B.	73 = Cherokee 2WD-2 Dr.	79 = Cherokee 4WD-4 Dr.-Com
27 = J-20 Pickup-131" W.B.	74 = Cherokee 2WD-4 Dr.	81 = Wrangler-93" W.B.
63 = Comanche 4WD-6 Ft. Box	75 = Wagoneer 4WD-4 Dr.	82 = Wrangler-103" W.B.-Exp.
64 = Comanche 2WD-6 Ft. Box		

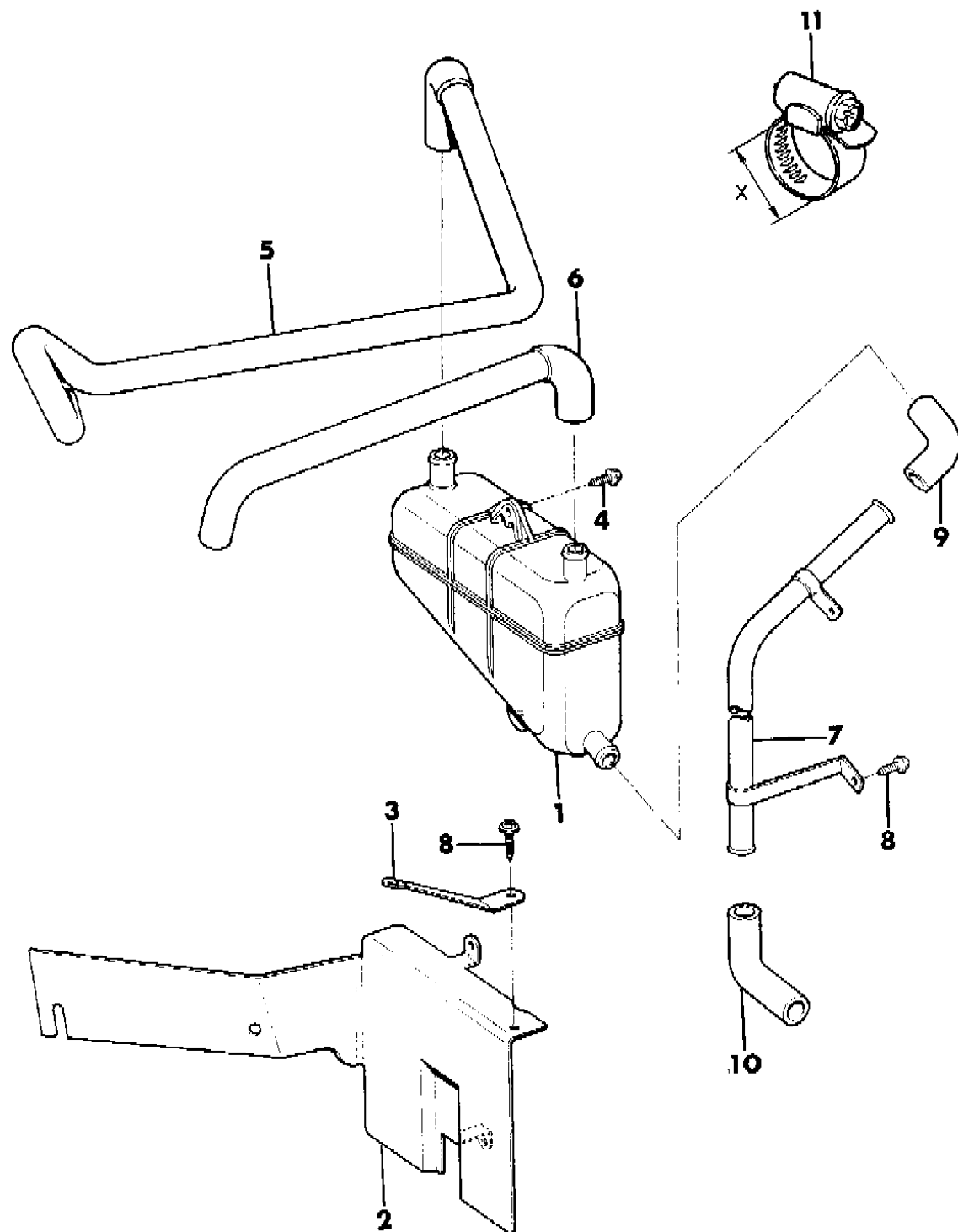
**BODY STYLES:**

MJ = Comanche Pickup  
 SJ = Grand Wagoneer Wgn., J-10 & J-20 Pickups  
 XJ = Cherokee, Wagoneer Limited  
 YJ = Wrangler

AR = Use as Required - = Non Illustrated Part P.A.R. = Paint as Required

SEPARATOR, OIL 2.1L ENGINE DIESEL  
Figure 9A-1100

8J58 1100



ITEM	PART NUMBER	QTY	BODY	MODEL	DESCRIPTION
1	J069 9090	1			TANK, Oil Separator
2	3300 2101	1			BRACKET, w/Shield
3	3300 2102	1			STRAP, Support
4	1150 0079	2			SCREW
5	5300 2320	1			HOSE, Separator to Turbo Inlet
6	5300 2321	1			HOSE, Separator to Valve Cover
7	5300 2212	1			TUBE ASSEMBLY, Separator Drain
8	1150 2453	2			SCREW
9	5300 2213	1			HOSE, Drain Tube Upper
10	5300 2214	1			HOSE, Drain Tube Lower
11					CLAMP, Hose
	3300 0784	AR			.67" Thru .98"
	J320 3076	AR			.56" Thru 1.06"
	J320 3077	AR			.81" Thru 1.75"

MODEL CODES:

15 = Grand Wagoneer 4 Dr.	65 = Comanche 4WD-7 Ft. Box	77 = Cherokee 4WD-2 Dr.
25 = J-10 Pickup-119" W.B.	66 = Comanche 2WD-7 Ft. Box	78 = Cherokee 4WD-4 Dr.
26 = J-10 Pickup-131" W.B.	73 = Cherokee 2WD-2 Dr.	79 = Cherokee 4WD-4 Dr.-Com
27 = J-20 Pickup-131" W.B.	74 = Cherokee 2WD-4 Dr.	81 = Wrangler-93" W.B.
63 = Comanche 4WD-6 Ft. Box	75 = Wagoneer 4WD-4 Dr.	82 = Wrangler-103" W.B.-Exp.
64 = Comanche 2WD-6 Ft. Box		

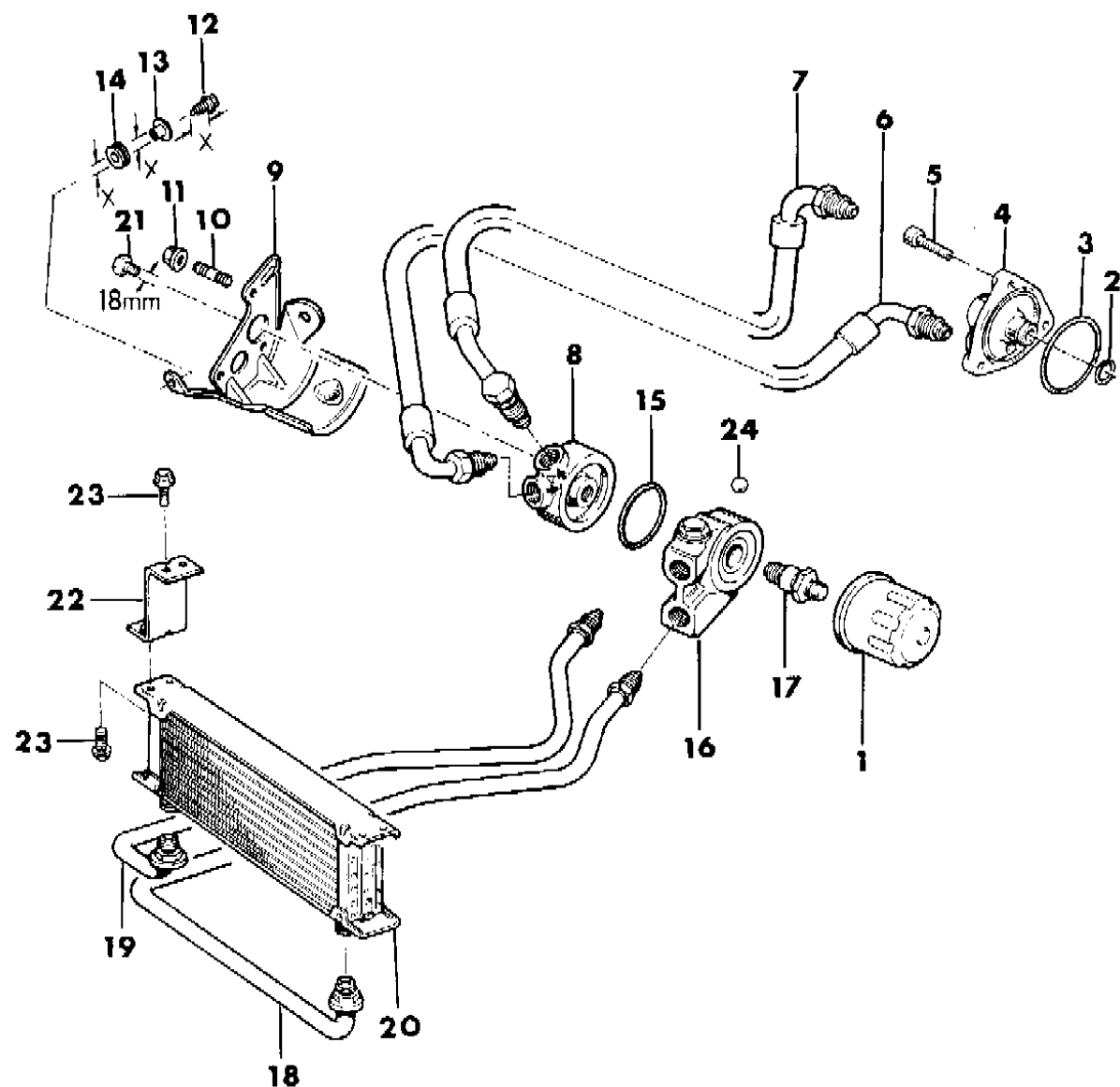
BODY STYLES:

MJ = Comanche Pickup  
SJ = Grand Wagoneer Wgn., J-10 & J-20 Pickups  
XJ = Cherokee, Wagoneer Limited  
YJ = Wrangler

AR = Use as Required - = Non Illustrated Part P.A.R. = Paint as Required

**OIL COOLER AND FILTER 2.1L ENGINE DIESEL**  
**Figure 9A-1200**

8J58 1200 A



ITEM	PART NUMBER	QTY	BODY	MODEL	DESCRIPTION
1	T073 0077	1			FILTER, Engine Oil
2	T306 5091	1			SEAL
3	T306 5090	1			GASKET
4	T070 2948	1			ADAPTER, Engine Oil Filter
5	T300 9085	3			BOLT
6	5300 1923	1			HOSE, Remote Filter Supply
7	3300 1312	1			HOSE, Remote Filter Return
8	J072 2458	1			ADAPTER, Oil Filter Engine
9	3300 1313	1			BRACKET, Remote Oil Filter
10	T302 7081	3			STUD
11	J420 0046	3			NUT
12					SCREW
	1150 2453	1			x=16mm
	3420 1691	2			x=20mm
13					BUSHING
	3300 2747	1			x=12.0mm
	3300 2748	2			x=10.6mm
14					GROMMET
	3300 2744	1			x=11.7mm
	3300 2745	1			x=10.3mm
15	3420 2316	1			O-RING
16	5200 1633	1			VALVE, Oil Cooler By-Pass
17	5200 1658	1			CONNECTOR
18	8350 4413	1			TUBE, Engine Oil Cooler - Left
19	8350 4414	1			TUBE, Engine Oil Cooler - Right
20	5200 1848	1			COOLER, Engine Oil
21	5300 3926	1			PLUG
22	5200 2830	2			BRACKET, Oil Cooler
23	1150 5117	8			BOLT
24	8350 4927	1			BALL

**MODEL CODES:**

15 = Grand Wagoneer 4 Dr.	65 = Comanche 4WD-7 Ft. Box	77 = Cherokee 4WD-2 Dr.
25 = J-10 Pickup-119" W.B.	66 = Comanche 2WD-7 Ft. Box	78 = Cherokee 4WD-4 Dr.
26 = J-10 Pickup-131" W.B.	73 = Cherokee 2WD-2 Dr.	79 = Cherokee 4WD-4 Dr.-Com
27 = J-20 Pickup-131" W.B.	74 = Cherokee 2WD-4 Dr.	81 = Wrangler-93" W.B.
63 = Comanche 4WD-6 Ft. Box	75 = Wagoneer 4WD-4 Dr.	82 = Wrangler-103" W.B.-Exp.
64 = Comanche 2WD-6 Ft. Box		

**BODY STYLES:**

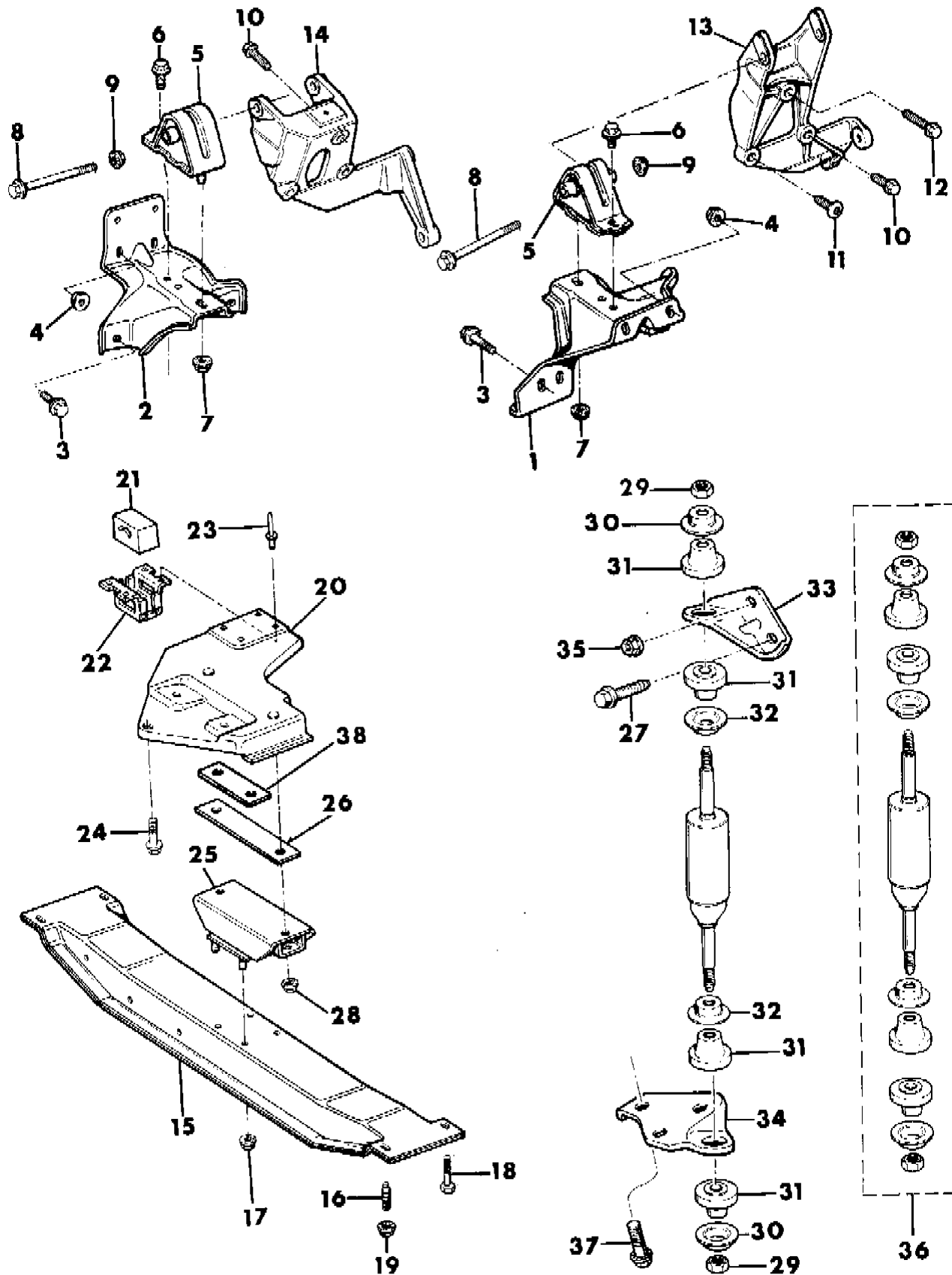
MJ = Comanche Pickup  
 SJ = Grand Wagoneer Wgn., J-10 & J-20 Pickups  
 XJ = Cherokee, Wagoneer Limited  
 YJ = Wrangler

AR = Use as Required - = Non Illustrated Part P.A.R. = Paint as Required

ENGINE MOUNTING 2.1L ENGINE DIESEL

Figure 9A-1300

8J58 1300 A



ITEM	PART NUMBER	QTY	BODY	MODEL	DESCRIPTION
1	5200 1497	1			BRACKET, Engine - Left
2	5200 1498	1			BRACKET, Engine - Right
3	1150 2685	4			BOLT
4	3420 1416	4			NUT
5	5200 0957	2			MOUNT, Engine 1987-89 ***
	5200 6726	2			1990
6	3420 2037	2			BOLT
7	1150 2812	2			NUT
8	3420 1959	2			BOLT 125mm
9	1150 2813	2			NUT
10	1150 4516	4			BOLT, Hex Flange
11	3420 2174	1			BOLT, Torx
12	1150 4038	1			BOLT
13	5200 0771	1			BRACKET, Engine - Left
14	5200 0770	1			BRACKET, Engine - Right
15	5200 2328	1			CROSSMEMBER, Transmission Support
16	3420 1710	2			STUD
17	3420 1918	4			NUT
18	3420 1540	6			BOLT 30mm
19	1150 2812	4			NUT
20	5200 3063	1			BRACKET, Transmission Support Rear
21	5300 0101	1			INSULATOR
22	5300 0104	1			BRACKET
23	3420 1980	4			RIVET
24	J400 7162	4			BOLT 1.25mm
25					CUSHION, Rear Support - Manual Transmission
	5200 1313	1			Blue, 2WD
	5200 1180	1			Yellow, 4WD
26	5200 0956	1			SPACER
27	3420 2047	1			BOLT
28	1150 2812	2			NUT Manual Transmission M10 x 1.5
29	J012 0368	2			NUT
30	5200 0819	2			RETAINER, Outer
31	5200 0619	4			BUSHING
32	5200 0820	2			RETAINER, Inner
33	5200 1070	1			BRACKET, Shock Absorber
34	5200 1071	1			BRACKET, Shock Absorber

MODEL CODES:

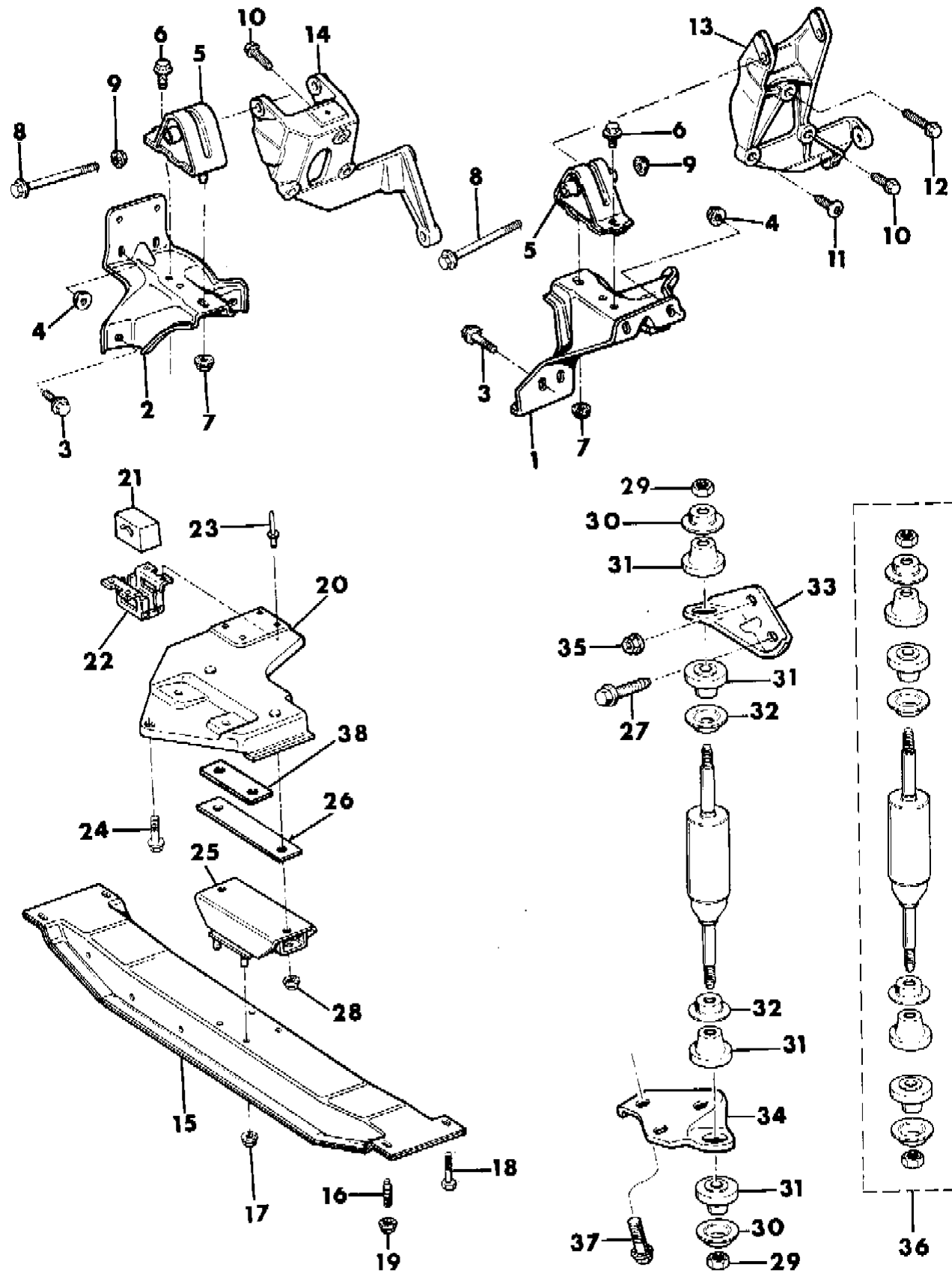
15 = Grand Wagoneer 4 Dr.	65 = Comanche 4WD-7 Ft. Box	77 = Cherokee 4WD-2 Dr.
25 = J-10 Pickup-119" W.B.	66 = Comanche 2WD-7 Ft. Box	78 = Cherokee 4WD-4 Dr.
26 = J-10 Pickup-131" W.B.	73 = Cherokee 2WD-2 Dr.	79 = Cherokee 4WD-4 Dr.-Com
27 = J-20 Pickup-131" W.B.	74 = Cherokee 2WD-4 Dr.	81 = Wrangler-93" W.B.
63 = Comanche 4WD-6 Ft. Box	75 = Wagoneer 4WD-4 Dr.	82 = Wrangler-103" W.B.-Exp.
64 = Comanche 2WD-6 Ft. Box		

BODY STYLES:

MJ = Comanche Pickup
SJ = Grand Wagoneer Wgn., J-10 & J-20 Pickups
XJ = Cherokee, Wagoneer Limited
YJ = Wrangler

AR = Use as Required - = Non Illustrated Part P.A.R. = Paint as Required

# 8J58 1300 A



35	J420 0081	1
36	8350 0358	1
37		
	3420 1321	3
	3420 2114	3
	3420 2060	3
38	5200 2933	1

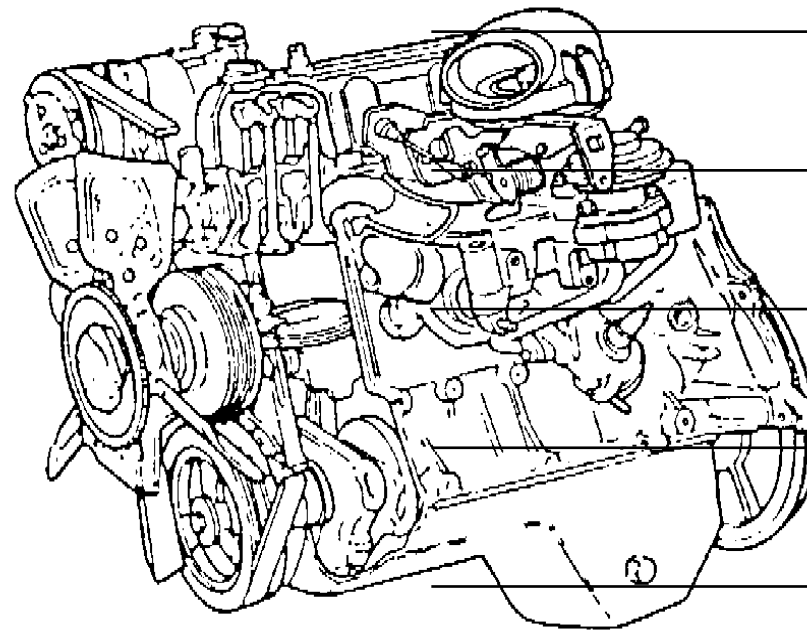
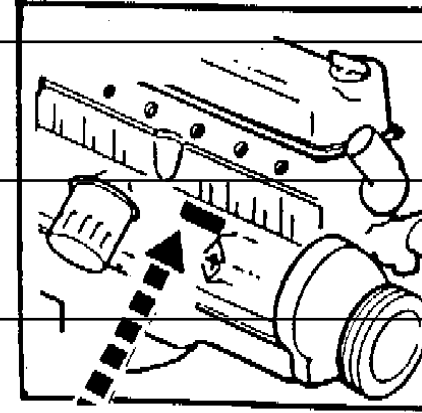
NUT  
 SHOCK ABSORBER PACKAGE, Engine  
 BOLT  
 25mm  
 35mm  
 45mm  
 SPACER



I.D. LOCATION 2.5L ENGINE  
Figure 9A-1400

8J58 1400

ITEM	PART NUMBER	QTY	BODY	MODEL	DESCRIPTION
------	-------------	-----	------	-------	-------------



MODEL CODES:

- |                             |                             |                              |
|-----------------------------|-----------------------------|------------------------------|
| 15 = Grand Wagoneer 4 Dr.   | 65 = Comanche 4WD-7 Ft. Box | 77 = Cherokee 4WD-2 Dr.      |
| 25 = J-10 Pickup-119" W.B.  | 66 = Comanche 2WD-7 Ft. Box | 78 = Cherokee 4WD-4 Dr.      |
| 26 = J-10 Pickup-131" W.B.  | 73 = Cherokee 2WD-2 Dr.     | 79 = Cherokee 4WD-4 Dr.-Com  |
| 27 = J-20 Pickup-131" W.B.  | 74 = Cherokee 2WD-4 Dr.     | 81 = Wrangler-93" W.B.       |
| 63 = Comanche 4WD-6 Ft. Box | 75 = Wagoneer 4WD-4 Dr.     | 82 = Wrangler-103" W.B.-Exp. |
| 64 = Comanche 2WD-6 Ft. Box |                             |                              |

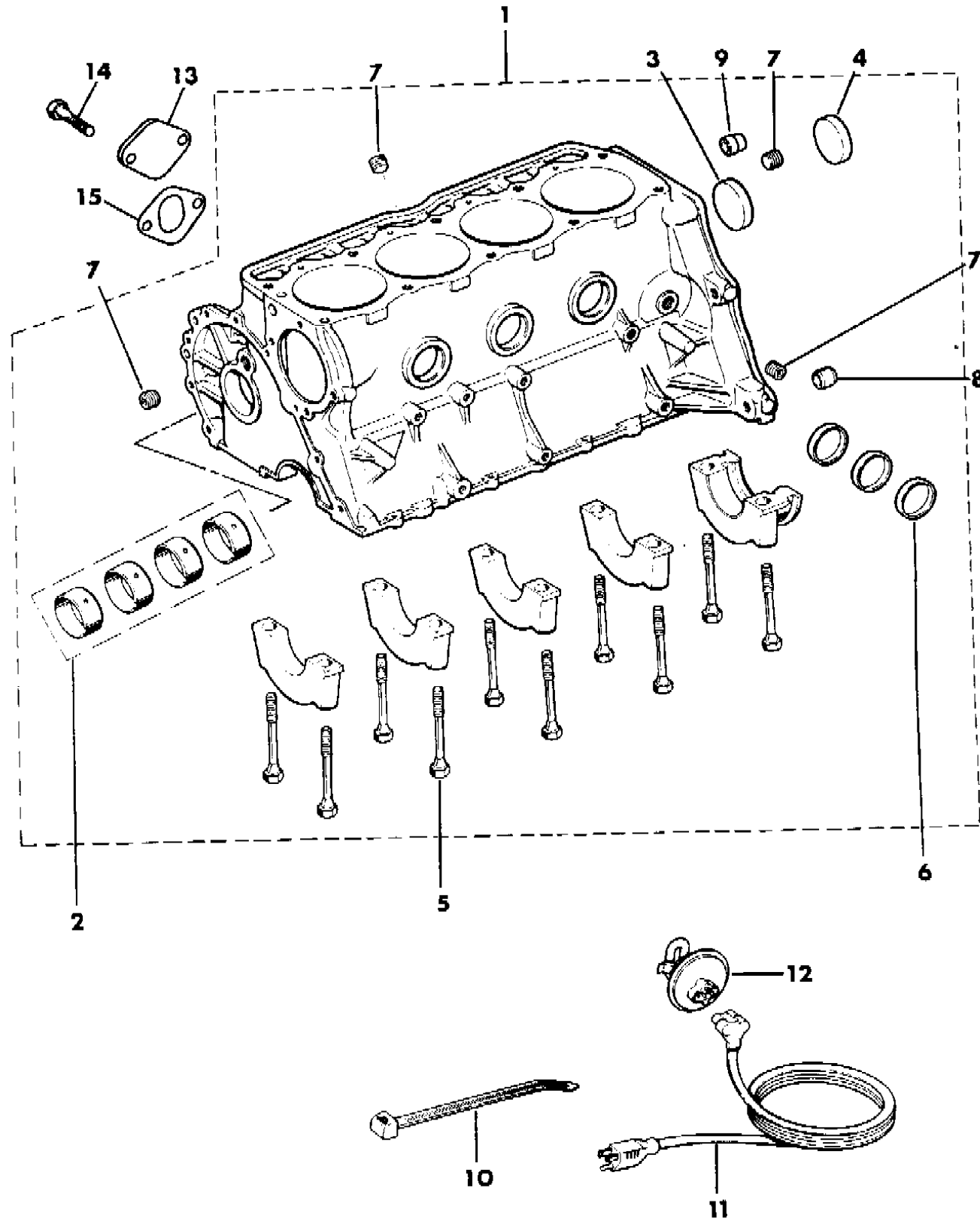
BODY STYLES:

- MJ = Comanche Pickup  
 SJ = Grand Wagoneer Wgn., J-10 & J-20 Pickups  
 XJ = Cherokee, Wagoneer Limited  
 YJ = Wrangler

AR = Use as Required - = Non Illustrated Part P.A.R. = Paint as Required

**CYLINDER BLOCK 2.5L ENGINE**  
Figure 9A-1500

8 J 58 1500



ITEM	PART NUMBER	QTY	BODY	MODEL	DESCRIPTION
	4637 399	1			ENGINE, Short (Contains, Crankshaft, Pistons, Rings, Rods, and Bearings Assembled in Block)
1	8350 2958	1			BLOCK, Engine
2	J320 5711	1			BEARING PACKAGE Standard
	J320 8985	1			+0.010"
3	J317 2313	1			PLUG
4	J310 5394	1			PLUG
5	J400 6948	10			BOLT
6	J400 6580	3			PLUG
7	J044 4660	4			PLUG
8	J400 6953	1			PIN
9	J324 1332	1			PIN
10					STRAP
	J323 5187	AR	YJ		450mm
	J323 3227	AR	MJ,XJ		200mm
	J369 3058	AR	MJ,XJ		300mm
	J323 0270	AR	MJ,XJ		350mm
	J323 5187	AR	MJ,XJ		450mm
11					CORD, Power Supply
	5600 1824	1	YJ		
	3600 0628	1	MJ,XJ		
12	J324 1657	1			HEATER, Engine Block
13	3300 4223	1			PLATE, Cover - Fuel Pump
14	J018 0077	2			BOLT
15	J317 4685	1			GASKET

MODEL CODES:

15 = Grand Wagoneer 4 Dr.	65 = Comanche 4WD-7 Ft. Box	77 = Cherokee 4WD-2 Dr.
25 = J-10 Pickup-119" W.B.	66 = Comanche 2WD-7 Ft. Box	78 = Cherokee 4WD-4 Dr.
26 = J-10 Pickup-131" W.B.	73 = Cherokee 2WD-2 Dr.	79 = Cherokee 4WD-4 Dr.-Com
27 = J-20 Pickup-131" W.B.	74 = Cherokee 2WD-4 Dr.	81 = Wrangler-93" W.B.
63 = Comanche 4WD-6 Ft. Box	75 = Wagoneer 4WD-4 Dr.	82 = Wrangler-103" W.B.-Exp.
64 = Comanche 2WD-6 Ft. Box		

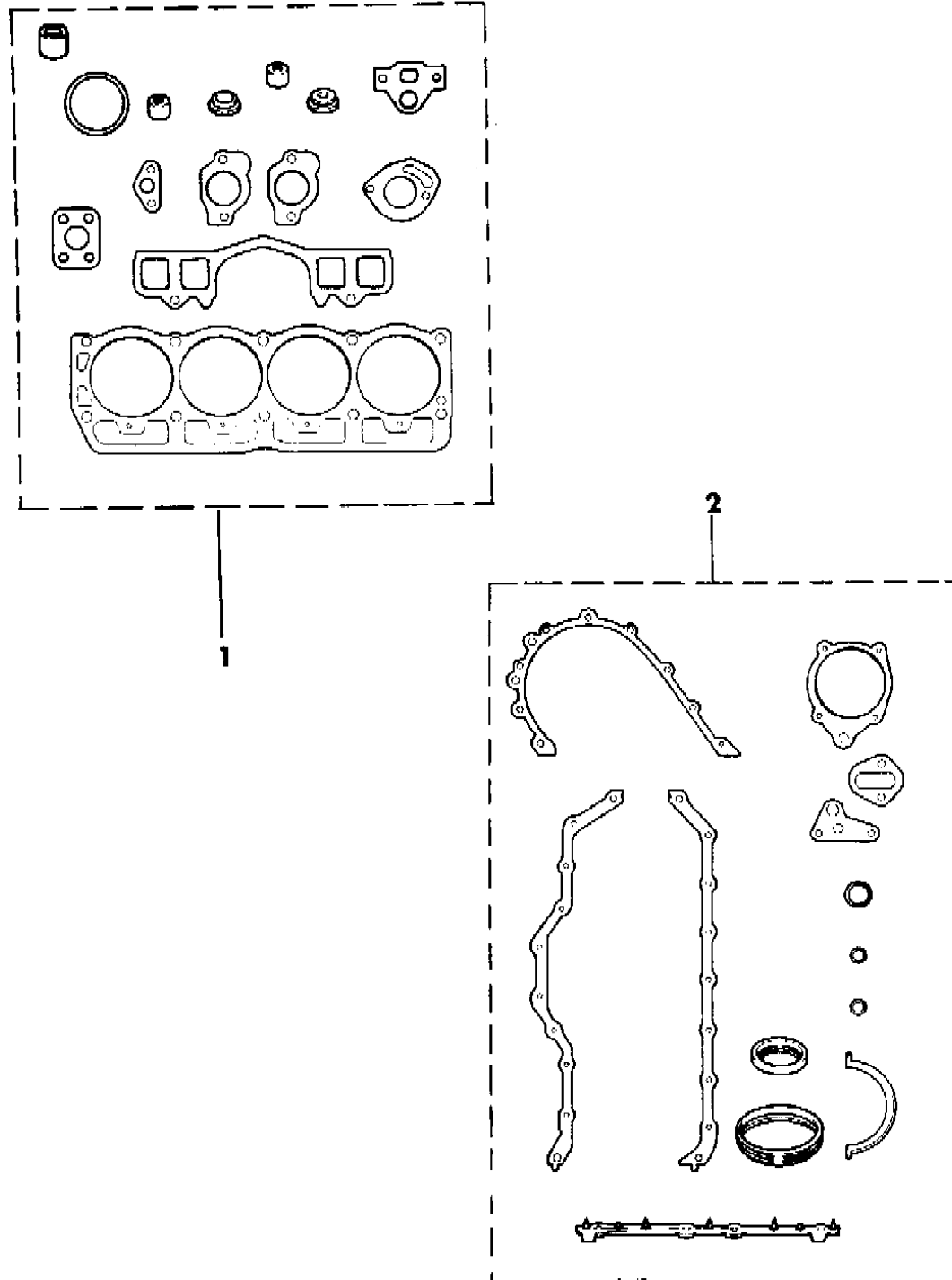
BODY STYLES:

MJ = Comanche Pickup  
 SJ = Grand Wagoneer Wgn., J-10 & J-20 Pickups  
 XJ = Cherokee, Wagoneer Limited  
 YJ = Wrangler

AR = Use as Required - = Non Illustrated Part P.A.R. = Paint as Required

**GASKET SET 2.5L ENGINE**  
**Figure 9A-1600**

**8 J58 1600**



ITEM	PART NUMBER	QTY	BODY	MODEL	DESCRIPTION
1					GASKET PACKAGE, Engine Upper
	8350 2501	1			Up to engine #608H11
	8350 4346	1			Engine #608H11 and later
2					GASKET PACKAGE, Engine Lower 1987-89
	8350 4647	1			
	8350 5399	1			1990

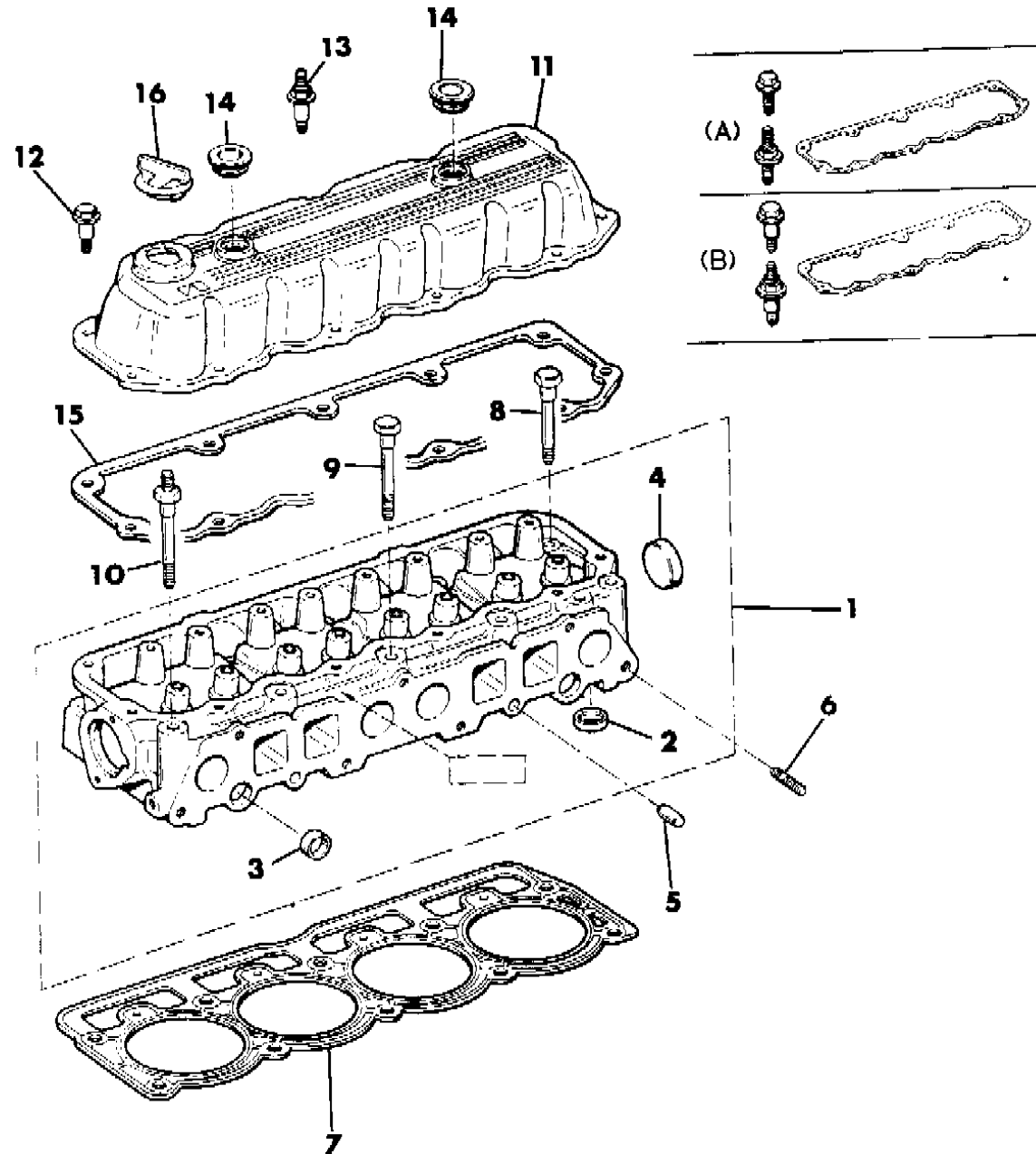
MODEL CODES:  
 15 = Grand Wagoneer 4 Dr.      65 = Comanche 4WD-7 Ft. Box      77 = Cherokee 4WD-2 Dr.  
 25 = J-10 Pickup-119" W.B.      66 = Comanche 2WD-7 Ft. Box      78 = Cherokee 4WD-4 Dr.  
 26 = J-10 Pickup-131" W.B.      73 = Cherokee 2WD-2 Dr.      79 = Cherokee 4WD-4 Dr.-Com  
 27 = J-20 Pickup-131" W.B.      74 = Cherokee 2WD-4 Dr.      81 = Wrangler-93" W.B.  
 63 = Comanche 4WD-6 Ft. Box      75 = Wagoneer 4WD-4 Dr.      82 = Wrangler-103" W.B.-Exp.  
 64 = Comanche 2WD-6 Ft. Box

BODY STYLES:  
 MJ = Comanche Pickup  
 SJ = Grand Wagoneer Wgn., J-10 & J-20 Pickups  
 XJ = Cherokee, Wagoneer Limited  
 YJ = Wrangler

AR = Use as Required - = Non Illustrated Part P.A.R. = Paint as Required

**GASKET, CYLINDER HEAD 2.5 ENGINE**  
**Figure 9A-1700**

8 J58 1700



ITEM	PART NUMBER	QTY	BODY	MODEL	DESCRIPTION
1					HEAD, Engine Cylinder
	8350 2487	1			Injected #2403
	8350 2488	1			Carbureted #2405
2	3300 2400	4			SEAT, Exhaust Valve
3	J317 2319	4			PLUG .875"
4	J310 5394	1			PLUG 2"
5	J317 2318	2			PIN
6	J400 7462	2			STUD
7	3300 3722				GASKET
8	J400 7308	5			BOLT 3.75"
9	J400 7307	1			BOLT 4.52"
10					BOLT, Stud
	J400 7310	AR			1.00"
	J400 7311	AR			1.38"
11					COVER, Cylinder Head
	J324 2121	1			CONDITION (A)
	3300 3857	1			CONDITION (B)
12					BOLT
	S943 2476	AR			Condition (A)
	J400 7506	AR			Condition (B)
13					BOLT, Stud
	J400 7144	3	YJ		Condition (A)
	J400 7508	3	YJ		Condition (B)
	J400 7495	AR	MJ,XJ		
14					GROMMET
	3300 1237	AR			Carbureted .45"
	J323 7765	AR			Carbureted .72"
	5300 4721	AR			Injected 2.2mm
15					GASKET
	J324 1731	1			Condition (A) ***
	J899 3317	1			Condition (B), RTV Sealer ***
16	3300 1016	1			CAP

**MODEL CODES:**

15 = Grand Wagoneer 4 Dr.	65 = Comanche 4WD-7 Ft. Box	77 = Cherokee 4WD-2 Dr.
25 = J-10 Pickup-119" W.B.	66 = Comanche 2WD-7 Ft. Box	78 = Cherokee 4WD-4 Dr.
26 = J-10 Pickup-131" W.B.	73 = Cherokee 2WD-2 Dr.	79 = Cherokee 4WD-4 Dr.-Com
27 = J-20 Pickup-131" W.B.	74 = Cherokee 2WD-4 Dr.	81 = Wrangler-93" W.B.
63 = Comanche 4WD-6 Ft. Box	75 = Wagoneer 4WD-4 Dr.	82 = Wrangler-103" W.B.-Exp.
64 = Comanche 2WD-6 Ft. Box		

**BODY STYLES:**

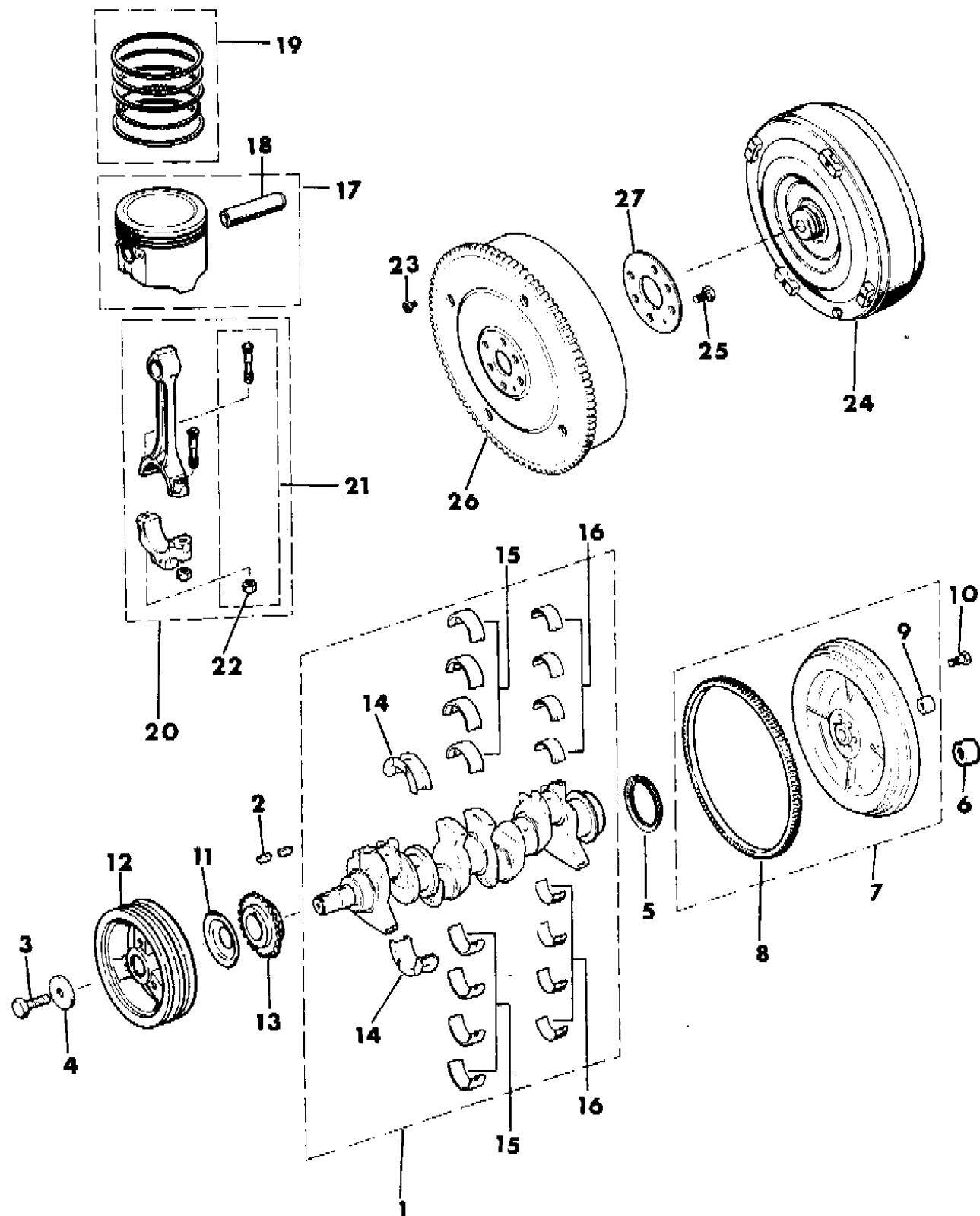
MJ = Comanche Pickup  
 SJ = Grand Wagoneer Wgn., J-10 & J-20 Pickups  
 XJ = Cherokee, Wagoneer Limited  
 YJ = Wrangler

AR = Use as Required - = Non Illustrated Part P.A.R. = Paint as Required

# CRANKSHAFT AND PISTON 2.5L ENGINE

Figure 9A-1800

8 J 58 1800



ITEM	PART NUMBER	QTY	BODY	MODEL	DESCRIPTION
1	8350 4658	1			CRANKSHAFT PACKAGE ***
2	J310 7002	2			KEY
3					BOLT
	S018 1698	1			1.25"
	S942 4033	1			1.62"
4	J323 0155	1			WASHER
5	3300 4143	1			SEAL
6			MJ,XJ		BUSHING, Automatic Transmission
	5300 0832	1			1987
	3300 2840	1			1988-90
7	3300 2408	1			FLYWHEEL, Manual Transmission
8	J324 1718	1			GEAR, Ring - Manual Transmission
9	J325 0005	1			BEARING, Pilot - Manual Transmission
10	J400 7123	6			BOLT, Manual Transmission
11	J317 3076	1			SLINGER, Oil
12	J324 2885	1	YJ		DAMPER
	J324 2886	1	MJ,XJ		
13	J324 2281	1	YJ		SPROCKET, Crankshaft
	3300 4020	1	MJ,XJ		
14					BEARING PACKAGE, Main
	J813 3253	1			Standard
	J813 3681	1			-.001"
	J813 3683	1			-.002"
	J813 3255	1			-.010"
	J813 3685	1			-.012"
15					BEARING PACKAGE, Main
	J813 3252	4			Standard
	J813 3680	4			-.001"
	J813 3682	4			-.002"
	J813 3254	4			-.010"
	J813 3684	4			-.012"
16					BEARING PACKAGE, Rod
	8350 0300	4			Standard
	8350 1397	4			-.001"
	8350 0301	4			-.010"
17					PISTON PACKAGE, Standard ***
	4773 157	4			Size 'B' 3.8746"

MODEL CODES:

15 = Grand Wagoneer 4 Dr.	65 = Comanche 4WD-7 Ft. Box	77 = Cherokee 4WD-2 Dr.
25 = J-10 Pickup-119" W.B.	66 = Comanche 2WD-7 Ft. Box	78 = Cherokee 4WD-4 Dr.
26 = J-10 Pickup-131" W.B.	73 = Cherokee 2WD-2 Dr.	79 = Cherokee 4WD-4 Dr.-Com
27 = J-20 Pickup-131" W.B.	74 = Cherokee 2WD-4 Dr.	81 = Wrangler-93" W.B.
63 = Comanche 4WD-6 Ft. Box	75 = Wagoneer 4WD-4 Dr.	82 = Wrangler-103" W.B.-Exp.
64 = Comanche 2WD-6 Ft. Box		

BODY STYLES:

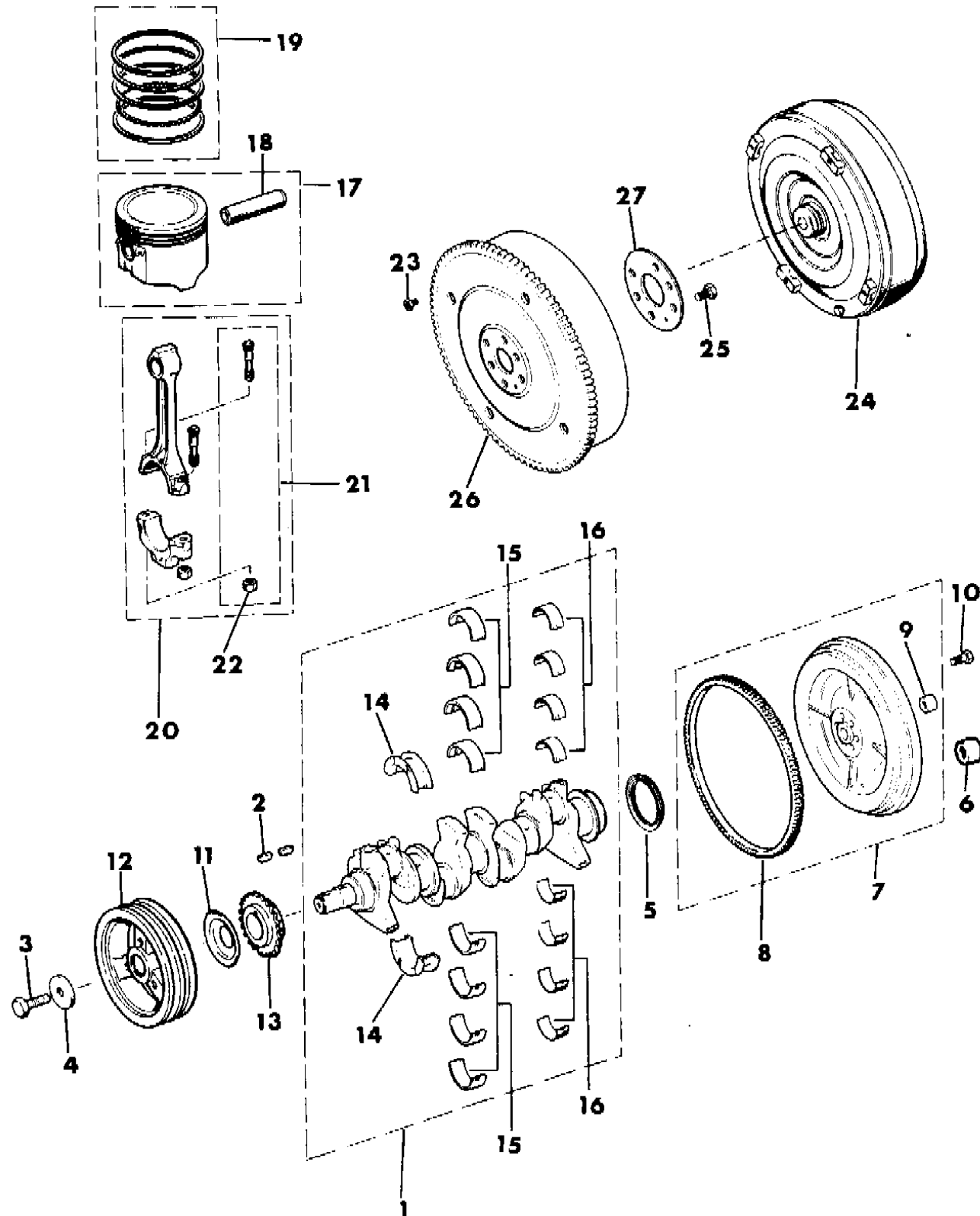
MJ = Comanche Pickup
SJ = Grand Wagoneer Wgn., J-10 & J-20 Pickups
XJ = Cherokee, Wagoneer Limited
YJ = Wrangler

AR = Use as Required - = Non Illustrated Part P.A.R. = Paint as Required

# CRANKSHAFT AND PISTON 2.5L ENGINE

## Figure 9A-1800

8 J 58 1800



ITEM	PART NUMBER	QTY	BODY	MODEL	DESCRIPTION
	4773 158	4			Size 'C' 3.8750"
	4773 159	4			Size 'D' 3.8754"
	4773 456	4			Size 'E' 3.8758"
	8350 0252	4			+0.010" O/Size
18					PIN, Piston
	J318 0483	4			Standard
	8350 0303	4			+0.003"
	8350 0304	4			+0.005"
19					RING PACKAGE, Piston
	8350 1987	4			Standard
	8350 1988	4			+0.010"
20	3300 4545	4			ROD, Connecting
21	J813 3824	8			BOLT PACKAGE
22	J400 6385	8			NUT
23	J420 0302	4	MJ,XJ		BOLT
24					CONVERTER, Torque
	5300 3917	1	MJ,XJ		EUROPE, MIDEAST, KDX
	JR77 5138	1	MJ,XJ		Remanufactured
25	J400 7122	6	MJ,XJ		BOLT
26	3300 3313	1	MJ,XJ		PLATE
27	5300 2234	1	MJ,XJ		REINFORCEMENT

### MODEL CODES:

15 = Grand Wagoneer 4 Dr.	65 = Comanche 4WD-7 Ft. Box	77 = Cherokee 4WD-2 Dr.
25 = J-10 Pickup-119" W.B.	66 = Comanche 2WD-7 Ft. Box	78 = Cherokee 4WD-4 Dr.
26 = J-10 Pickup-131" W.B.	73 = Cherokee 2WD-2 Dr.	79 = Cherokee 4WD-4 Dr.-Com
27 = J-20 Pickup-131" W.B.	74 = Cherokee 2WD-4 Dr.	81 = Wrangler-93" W.B.
63 = Comanche 4WD-6 Ft. Box	75 = Wagoneer 4WD-4 Dr.	82 = Wrangler-103" W.B.-Exp.
64 = Comanche 2WD-6 Ft. Box		

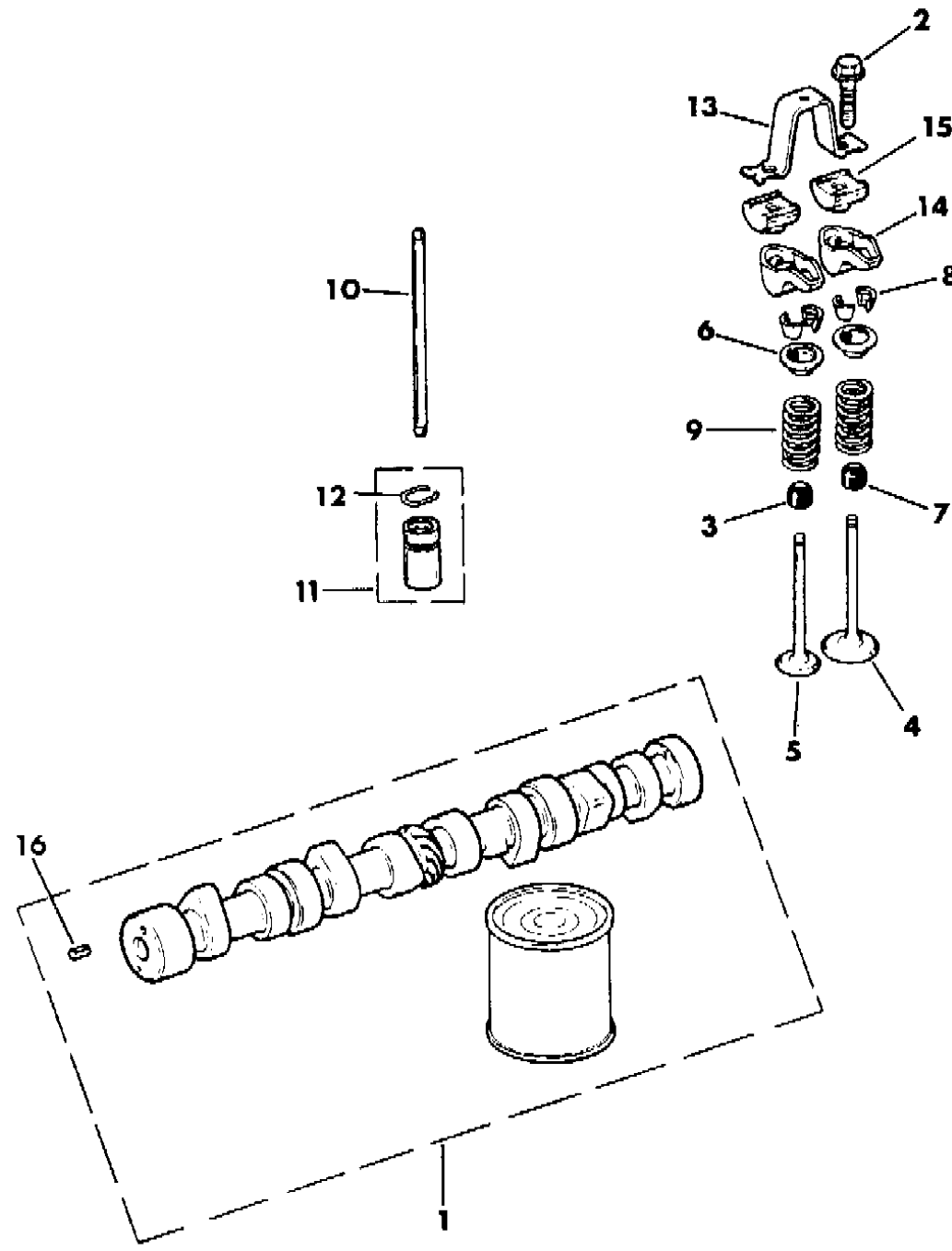
### BODY STYLES:

MJ = Comanche Pickup  
 SJ = Grand Wagoneer Wgn., J-10 & J-20 Pickups  
 XJ = Cherokee, Wagoneer Limited  
 YJ = Wrangler

AR = Use as Required - = Non Illustrated Part P.A.R. = Paint as Required

**CAMSHAFT AND VALVE 2.5L ENGINE**  
**Figure 9A-1900**

8 J 58 1900



ITEM	PART NUMBER	QTY	BODY	MODEL	DESCRIPTION
1	8350 0249	1			CAMSHAFT
2	J812 0512	8			BOLT
3					SEAL, Exhaust Valve
	3300 2522	4			Standard
	3300 2522	4			+ .003"
	3300 2733	4			+ .015"
4					VALVE, Intake
	J324 2659	4			Standard Marked 59
	3300 3515	4			Standard Marked 15
	J324 2670	4			+ .003" Marked 70
	3300 3519	4			+ .003" Marked 19
	J324 2671	4			+ .015" Marked 71
	3300 3575	4			+ .015" Marked 75
5					VALVE, Exhaust
	3300 2429	4			Standard Marked 29
	3300 3860	4			Standard Marked 60
	8350 2491	4			+ .003" Marked 73
	3300 3520	4			+ .003" Marked 20
	8350 2492	4			+ .015" Marked 74
	3300 3576	4			+ .015" Marked 76
6					RETAINER
	J324 2661	8			1.82" Cylindrical Spring - 1987
	3300 4626	8			1988-90
7					SEAL
	3300 2729	4			Standard
	3300 2729	4			+ .003"
	3300 3016	4			+ .015"
8					KEEPER
	J324 2664	16			Valves Marked #29,59,70,71,73,74
	3300 3521	16			Valves Marked #15,19,20,60,75,76
9					SPRING
	3300 4296	8			2.00" Long, Conical Shape
	J324 2678	8			1.82" Long, Cylindrical Shape 1987
10	J324 1709	8			PUSHROD
11	J322 2276	8			TAPPET
12	J644 0614	8			RING
13	J323 6513	4			BRIDGE

**MODEL CODES:**

15 = Grand Wagoneer 4 Dr.	65 = Comanche 4WD-7 Ft. Box	77 = Cherokee 4WD-2 Dr.
25 = J-10 Pickup-119" W.B.	66 = Comanche 2WD-7 Ft. Box	78 = Cherokee 4WD-4 Dr.
26 = J-10 Pickup-131" W.B.	73 = Cherokee 2WD-2 Dr.	79 = Cherokee 4WD-4 Dr.-Com
27 = J-20 Pickup-131" W.B.	74 = Cherokee 2WD-4 Dr.	81 = Wrangler-93" W.B.
63 = Comanche 4WD-6 Ft. Box	75 = Wagoneer 4WD-4 Dr.	82 = Wrangler-103" W.B.-Exp.
64 = Comanche 2WD-6 Ft. Box		

**BODY STYLES:**

MJ = Comanche Pickup  
 SJ = Grand Wagoneer Wgn., J-10 & J-20 Pickups  
 XJ = Cherokee, Wagoneer Limited  
 YJ = Wrangler

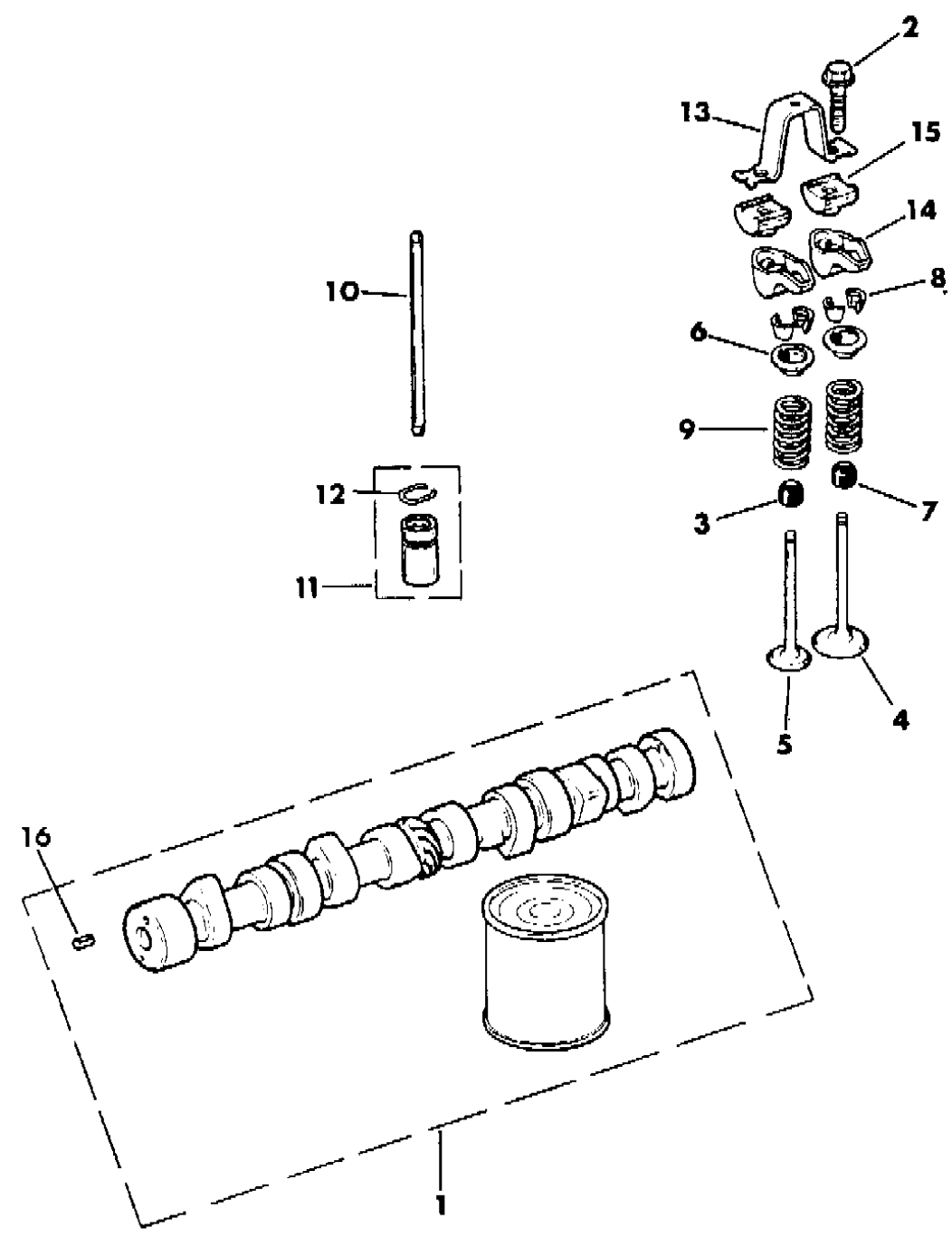
AR = Use as Required - = Non Illustrated Part P.A.R. = Paint as Required

**CAMSHAFT AND VALVE 2.5L ENGINE**  
**Figure 9A-1900**

8 J 58 1900

ITEM	PART NUMBER	QTY	BODY	MODEL	DESCRIPTION
------	-------------	-----	------	-------	-------------

14	J324 2393	8			ARM, Valve Rocker
15	J323 5090	8			PIVOT
16	J045 6384	1			PIN



- MODEL CODES:
- |                             |                             |                              |
|-----------------------------|-----------------------------|------------------------------|
| 15 = Grand Wagoneer 4 Dr.   | 65 = Comanche 4WD-7 Ft. Box | 77 = Cherokee 4WD-2 Dr.      |
| 25 = J-10 Pickup-119" W.B.  | 66 = Comanche 2WD-7 Ft. Box | 78 = Cherokee 4WD-4 Dr.      |
| 26 = J-10 Pickup-131" W.B.  | 73 = Cherokee 2WD-2 Dr.     | 79 = Cherokee 4WD-4 Dr.-Com  |
| 27 = J-20 Pickup-131" W.B.  | 74 = Cherokee 2WD-4 Dr.     | 81 = Wrangler-93" W.B.       |
| 63 = Comanche 4WD-6 Ft. Box | 75 = Wagoneer 4WD-4 Dr.     | 82 = Wrangler-103" W.B.-Exp. |
| 64 = Comanche 2WD-6 Ft. Box |                             |                              |

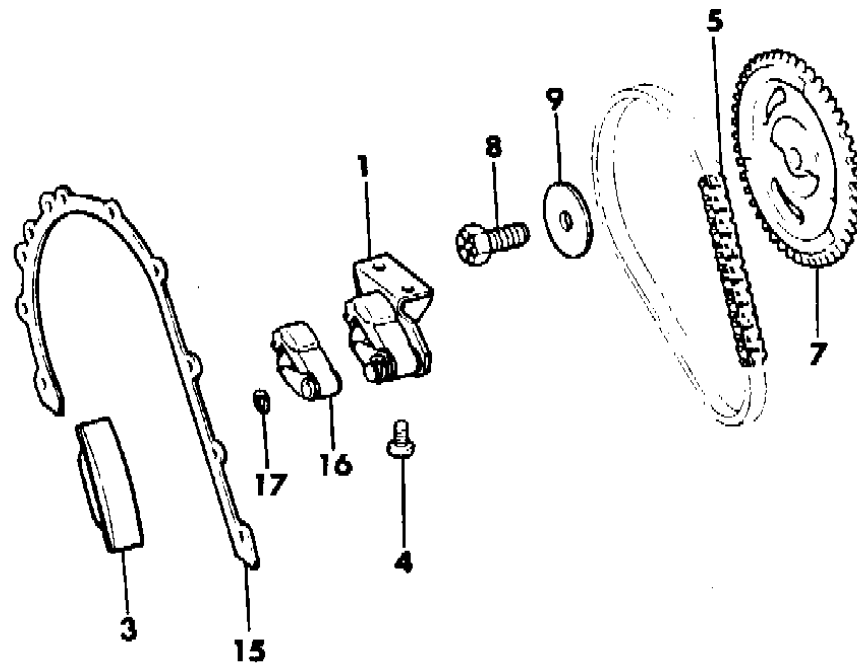
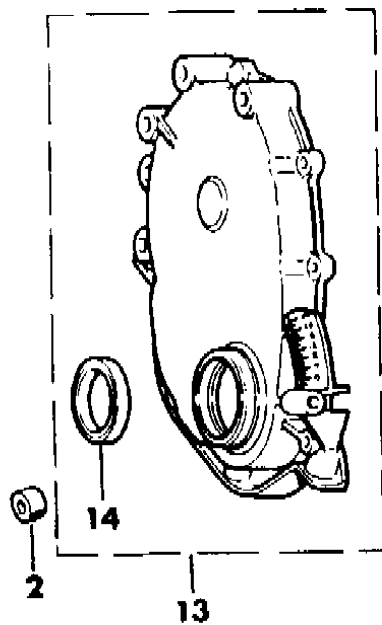
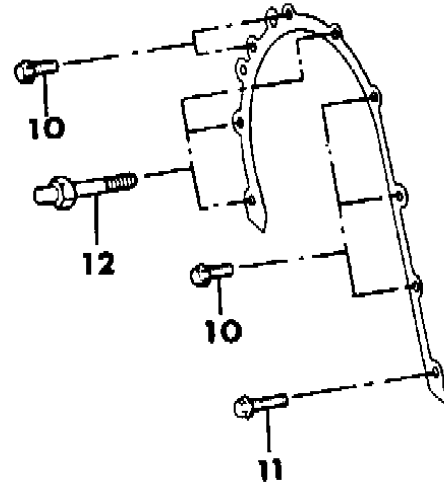
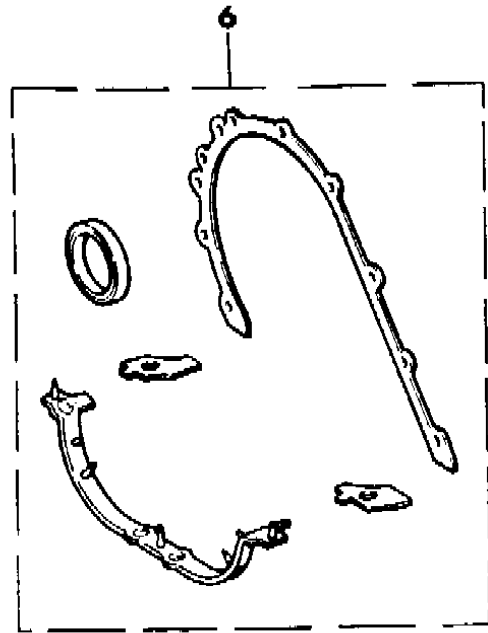
- BODY STYLES:
- MJ = Comanche Pickup
  - SJ = Grand Wagoneer Wgn., J-10 & J-20 Pickups
  - XJ = Cherokee, Wagoneer Limited
  - YJ = Wrangler

AR = Use as Required - = Non Illustrated Part P.A.R. = Paint as Required



**TIMING COVER 2.5L ENGINE**  
**Figure 9A-2000**

8J58 2000



ITEM	PART NUMBER	QTY	BODY	MODEL	DESCRIPTION
1	3300 3421	1			TENSIONER
2	3420 2521	1			SPACER
3	J324 2617	1			BUMPER
4	J400 6708	2			SCREW
5	J324 2300	1			CHAIN, Timing
6	J812 9097	1			GASKET PACKAGE
7	J324 2280	1			SPROCKET, Camshaft
8	J317 2308	1			BOLT
9	J317 3284	1			WASHER
10	J400 6906	5			BOLT .75"
11	6034 914	1			BOLT 1.12"
12	J400 7154	3			BOLT, Stud
13					COVER, Timing Case
	3300 2984	1			1987
	5300 5769	1			1988-90
14	3300 4681	1			SEAL
15	J322 5187	1			GASKET
16					TENSIONER, Serviced in Item #1
17					CLIP, Serviced in Item #1

**MODEL CODES:**

15 = Grand Wagoneer 4 Dr.	65 = Comanche 4WD-7 Ft. Box	77 = Cherokee 4WD-2 Dr.
25 = J-10 Pickup-119" W.B.	66 = Comanche 2WD-7 Ft. Box	78 = Cherokee 4WD-4 Dr.
26 = J-10 Pickup-131" W.B.	73 = Cherokee 2WD-2 Dr.	79 = Cherokee 4WD-4 Dr.-Com
27 = J-20 Pickup-131" W.B.	74 = Cherokee 2WD-4 Dr.	81 = Wrangler-93" W.B.
63 = Comanche 4WD-6 Ft. Box	75 = Wagoneer 4WD-4 Dr.	82 = Wrangler-103" W.B.-Exp.
64 = Comanche 2WD-6 Ft. Box		

**BODY STYLES:**

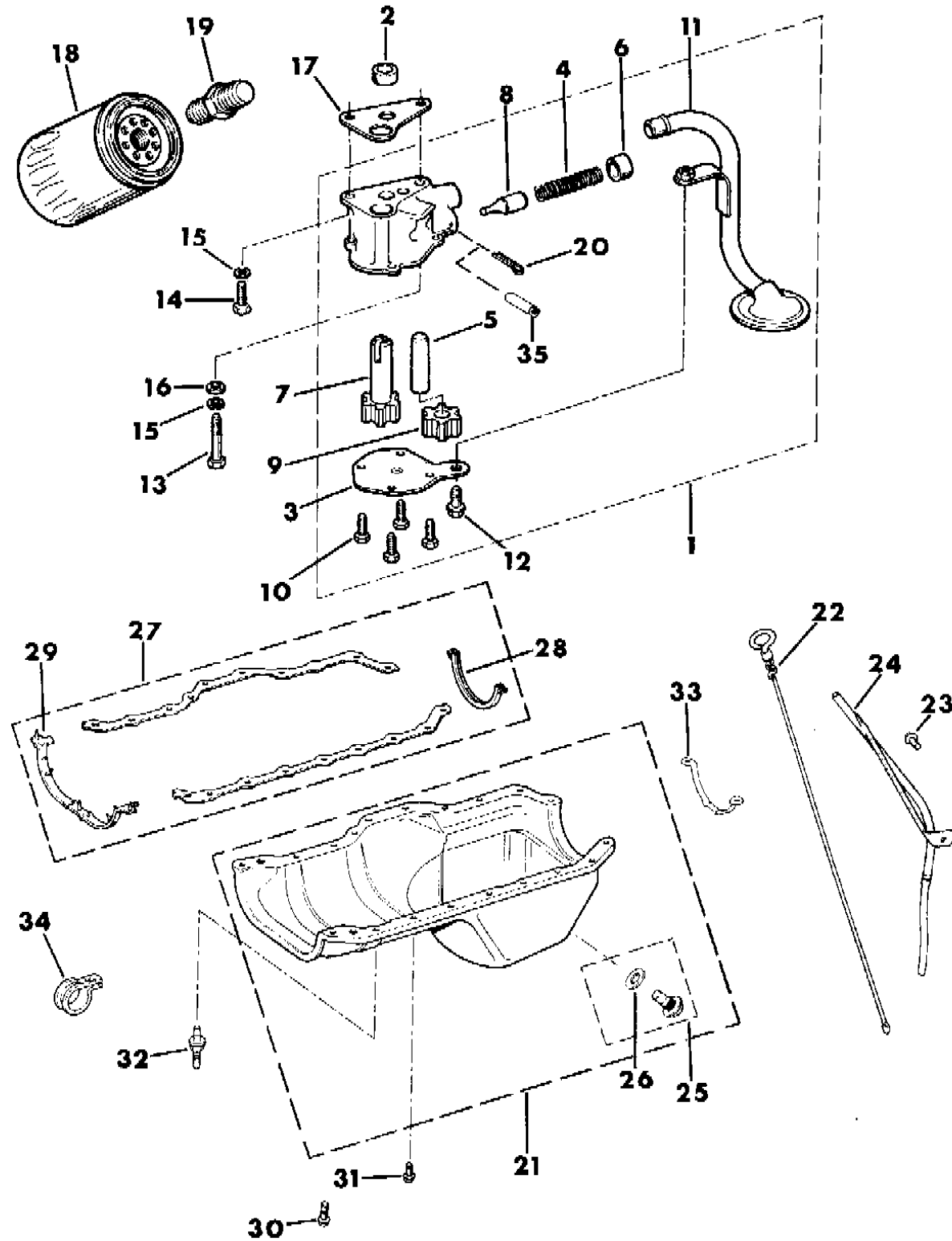
MJ = Comanche Pickup  
 SJ = Grand Wagoneer Wgn., J-10 & J-20 Pickups  
 XJ = Cherokee, Wagoneer Limited  
 YJ = Wrangler

AR = Use as Required - = Non Illustrated Part P.A.R. = Paint as Required

# ENGINE OILING 2.5L ENGINE

## Figure 9A-2100

8J58 2100



ITEM	PART NUMBER	QTY	BODY	MODEL	DESCRIPTION
1	J324 3102	1			PUMP, Engine Oil
2	J400 5149	1			PIN
3	J324 1733	1			COVER, Oil Pump
4	J323 9668	1			SPRING
5	J317 1956	1			SHAFT, Oil Pump Gear
6	J317 1958	1			RETAINER
7	J317 2334	1			GEAR, Oil Pump Drive
8					PLUNGER
	J318 8661	1			Standard
	J324 1676	1			+0.010"
9	J319 6843	1			GEAR, Oil Pump Driven
10	J812 2990	4			SCREW 1987-89
	J941 6852	4			BOLT 1990
11	J324 3111	1			TUBE, Oil Pump Inlet
12	J400 6909	1			BOLT
13	J943 7670	1			BOLT 2.62"
14	S942 7934	1			BOLT, .88"
15	J012 0214	2			WASHER, Lock
16	J012 0393	1			WASHER
17	J317 2332	1			GASKET
18	3300 4195	1			FILTER, Engine Oil
19	3300 3538	1			CONNECTOR
20	S010 8635	1			PIN, Cotter
21	5302 0205	1			PAN, Engine Oil 1986-93
22	3300 2407	1			INDICATOR, Engine Oil Level
23	J027 3573	1			BOLT
24	J324 1748	1			TUBE, Engine Oil Indicator
25	8350 1425	1			PLUG PACKAGE
26	J324 3136	1			GASKET
27	8350 4661	1			GASKET PACKAGE
28	J324 1609	1			SEAL
29	8350 4654	1			SEAL
30	J400 6297	4			SCREW .75"
31	J400 6296	17			SCREW .56"
32	6034 914	1	YJ		BOLT
	J400 7178	1	MJ,XJ		BOLT, Stud
33	J324 3116	1			SUPPORT

**MODEL CODES:**

15 = Grand Wagoneer 4 Dr.	65 = Comanche 4WD-7 Ft. Box	77 = Cherokee 4WD-2 Dr.
25 = J-10 Pickup-119" W.B.	66 = Comanche 2WD-7 Ft. Box	78 = Cherokee 4WD-4 Dr.
26 = J-10 Pickup-131" W.B.	73 = Cherokee 2WD-2 Dr.	79 = Cherokee 4WD-4 Dr.-Com
27 = J-20 Pickup-131" W.B.	74 = Cherokee 2WD-4 Dr.	81 = Wrangler-93" W.B.
63 = Comanche 4WD-6 Ft. Box	75 = Wagoneer 4WD-4 Dr.	82 = Wrangler-103" W.B.-Exp.
64 = Comanche 2WD-6 Ft. Box		

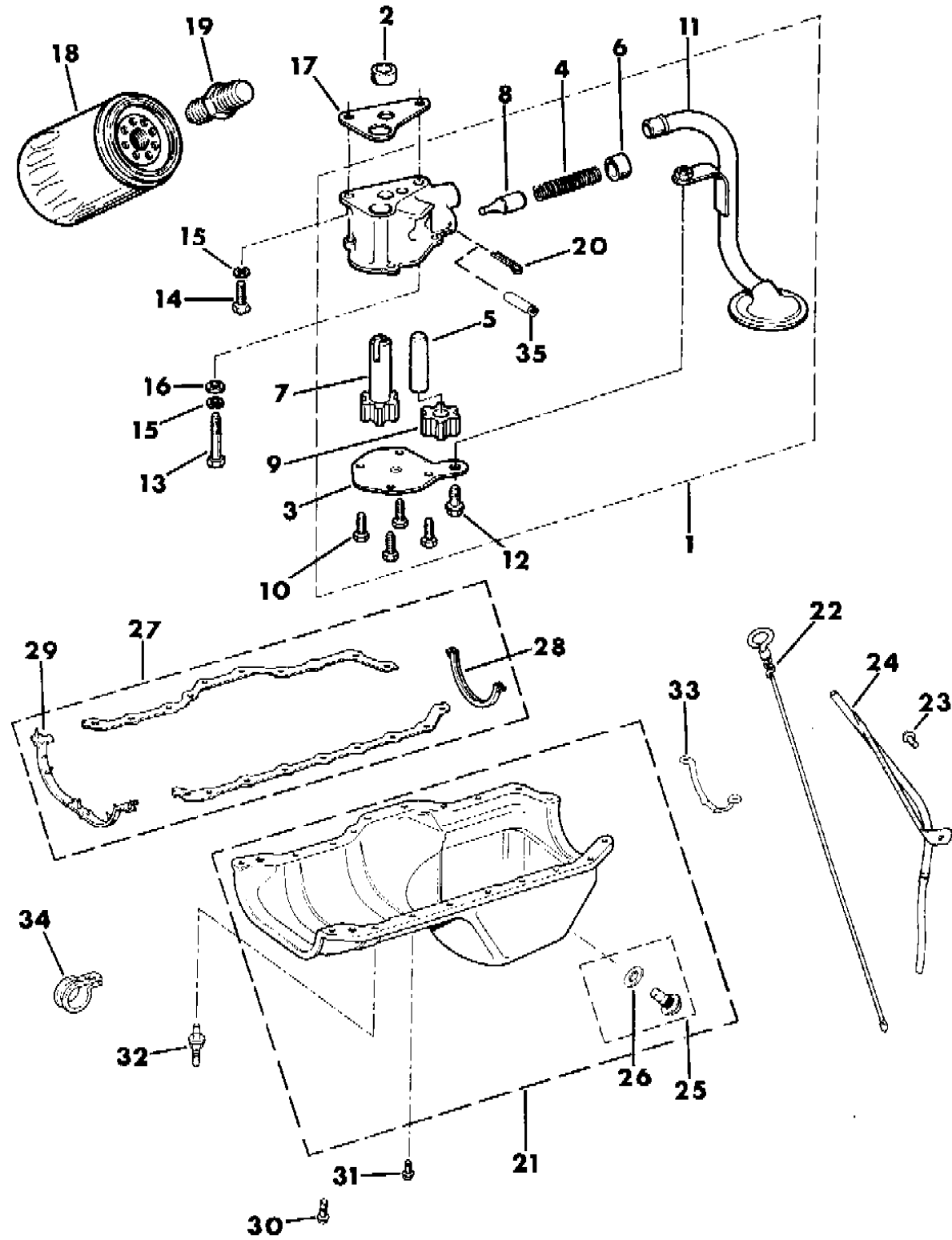
**BODY STYLES:**

MJ = Comanche Pickup
SJ = Grand Wagoneer Wgn., J-10 & J-20 Pickups
XJ = Cherokee, Wagoneer Limited
YJ = Wrangler

AR = Use as Required - = Non Illustrated Part P.A.R. = Paint as Required

ENGINE OILING 2.5L ENGINE  
Figure 9A-2100

8J58 2100



ITEM	PART NUMBER	QTY	BODY	MODEL	DESCRIPTION
34	J012 0522	1	YJ		CLIP
35	J027 1448	1			PIN, Roll

MODEL CODES:

15 = Grand Wagoneer 4 Dr.	65 = Comanche 4WD-7 Ft. Box	77 = Cherokee 4WD-2 Dr.
25 = J-10 Pickup-119" W.B.	66 = Comanche 2WD-7 Ft. Box	78 = Cherokee 4WD-4 Dr.
26 = J-10 Pickup-131" W.B.	73 = Cherokee 2WD-2 Dr.	79 = Cherokee 4WD-4 Dr.-Com
27 = J-20 Pickup-131" W.B.	74 = Cherokee 2WD-4 Dr.	81 = Wrangler-93" W.B.
63 = Comanche 4WD-6 Ft. Box	75 = Wagoneer 4WD-4 Dr.	82 = Wrangler-103" W.B.-Exp.
64 = Comanche 2WD-6 Ft. Box		

BODY STYLES:

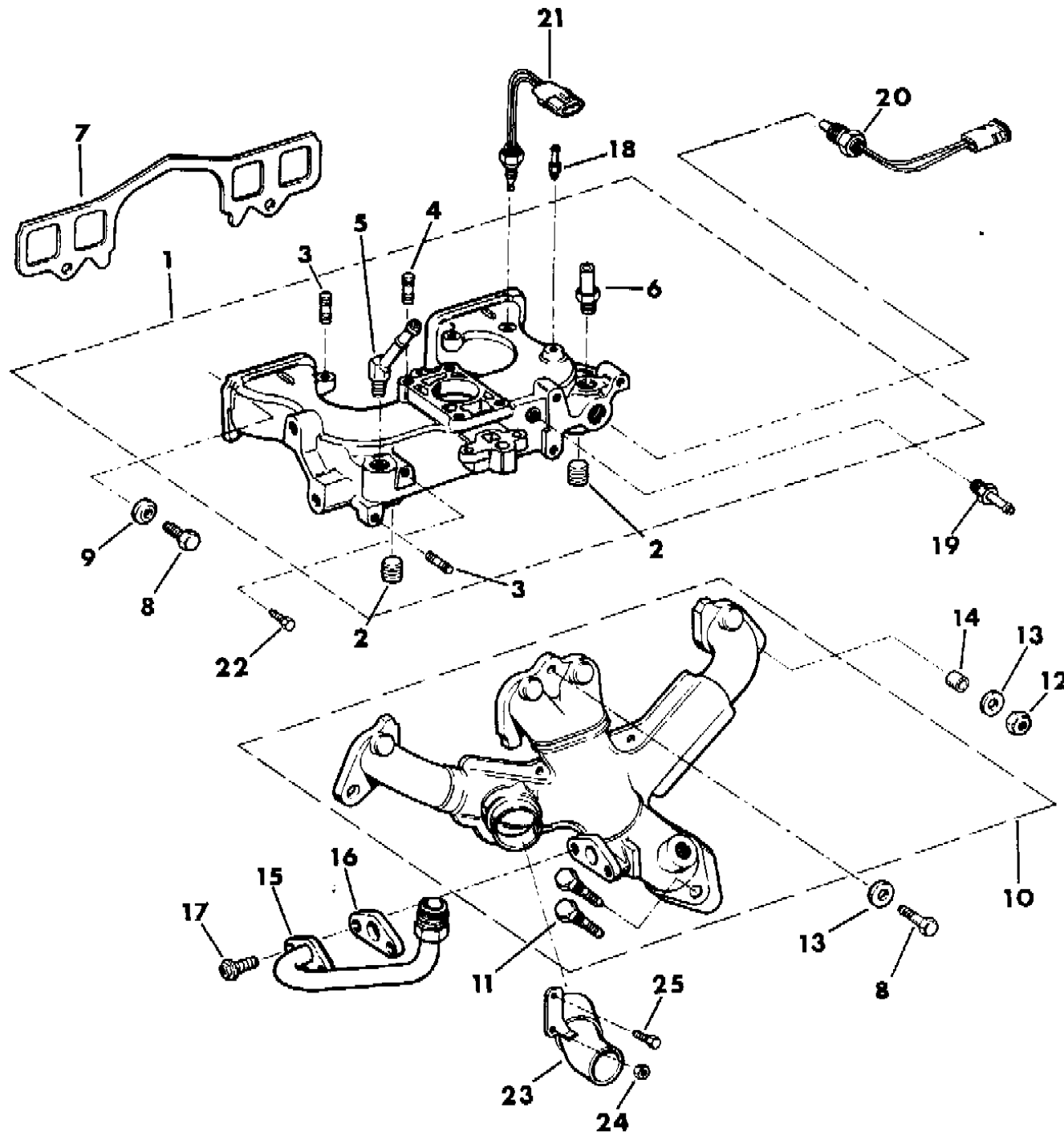
MJ = Comanche Pickup  
SJ = Grand Wagoneer Wgn., J-10 & J-20 Pickups  
XJ = Cherokee, Wagoneer Limited  
YJ = Wrangler

AR = Use as Required - = Non Illustrated Part P.A.R. = Paint as Required

MANIFOLD - INTAKE AND EXHAUST 2.5L EFI ENGINE

Figure 9A-2200

8 J58 2200



ITEM	PART NUMBER	QTY	BODY	MODEL	DESCRIPTION
1	3300 3436	1			MANIFOLD, Intake
2					PLUG
	S940 9961	2			1987
	J400 7434	2			1988-90
3	J400 1617	2			STUD
4	J400 7314	4			STUD
5					NIPPLE
	3300 3580	1			Straight
	3200 2707	1			Elbow
6					NIPPLE
	3300 2501	1			Elbow
	3200 2709	1			Straight
7	J324 2854	1			GASKET
8	J018 6622	5			BOLT
9	3300 4255	4			CLAMP
10	4713 055	1			MANIFOLD, Exhaust
11	J400 7109	2			STUD
12	J400 7153	2			NUT
13	J317 3077	3			WASHER
14	3300 3332	2			SPACER
15	3300 2516	1			TUBE, EGR
16	3300 3879	1			GASKET
17	J400 6985	2			BOLT
18	3300 1089	1	YJ		FITTING, Vacuum
	5300 2726	1	MJ,XJ		1987
	5300 4523	1	MJ,XJ		1988-90
19	5300 4523	1	YJ		FITTING, Vacuum
	3300 2327	1	MJ,XJ		
20	3300 2383	1			SENSOR, Coolant Temperature
21	3300 2382	1			SENSOR, Intake Air Temperature
22	J027 3573	1			BOLT
23	3300 3439	1	MJ,XJ		TUBE, Shroud Extension
24	J400 6080	1	MJ,XJ		NUT
25	J027 3573	1	MJ,XJ		BOLT

MODEL CODES:

15 = Grand Wagoneer 4 Dr.	65 = Comanche 4WD-7 Ft. Box	77 = Cherokee 4WD-2 Dr.
25 = J-10 Pickup-119" W.B.	66 = Comanche 2WD-7 Ft. Box	78 = Cherokee 4WD-4 Dr.
26 = J-10 Pickup-131" W.B.	73 = Cherokee 2WD-2 Dr.	79 = Cherokee 4WD-4 Dr.-Com
27 = J-20 Pickup-131" W.B.	74 = Cherokee 2WD-4 Dr.	81 = Wrangler-93" W.B.
63 = Comanche 4WD-6 Ft. Box	75 = Wagoneer 4WD-4 Dr.	82 = Wrangler-103" W.B.-Exp.
64 = Comanche 2WD-6 Ft. Box		

BODY STYLES:

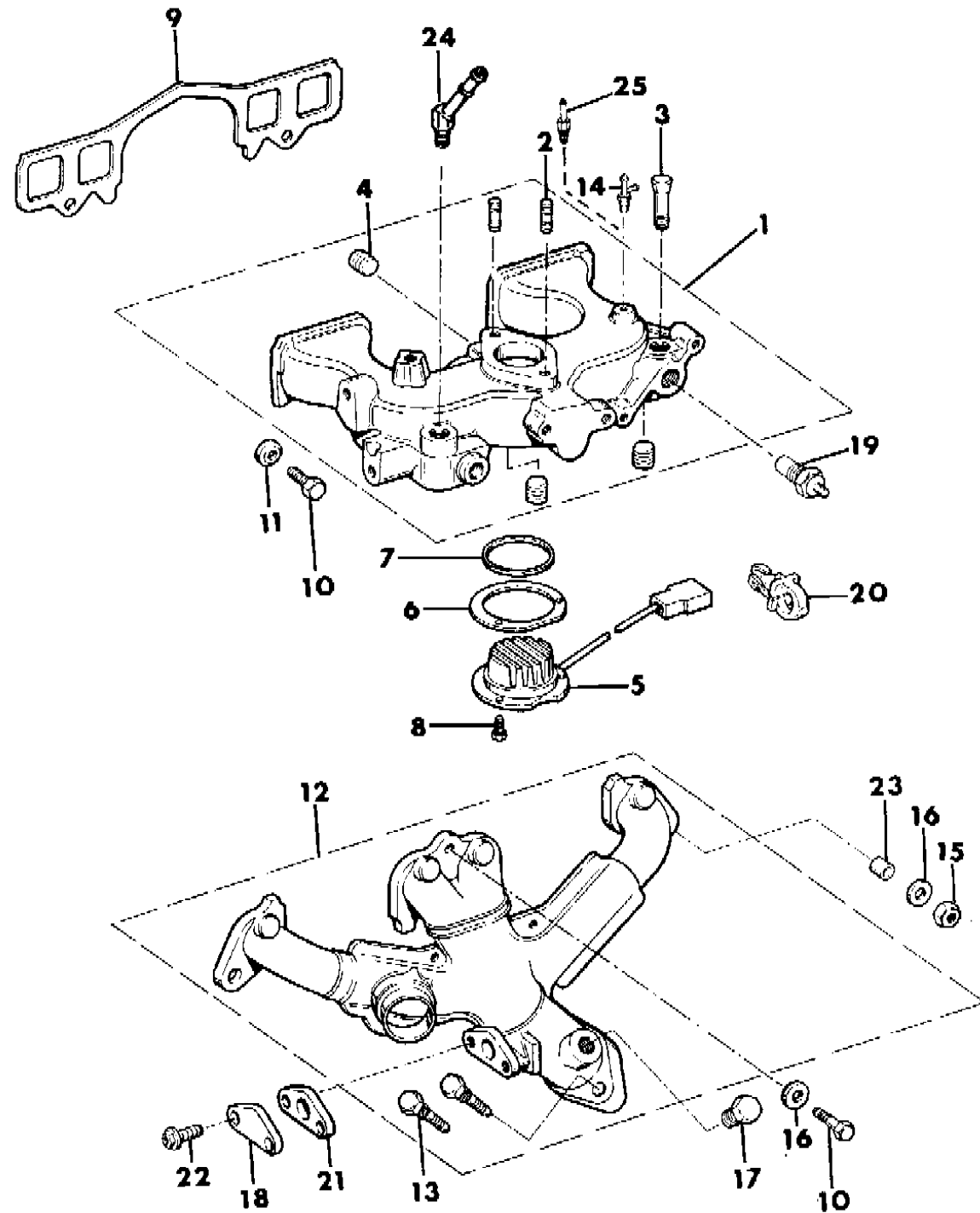
MJ = Comanche Pickup  
 SJ = Grand Wagoneer Wgn., J-10 & J-20 Pickups  
 XJ = Cherokee, Wagoneer Limited  
 YJ = Wrangler

AR = Use as Required - = Non Illustrated Part P.A.R. = Paint as Required

MANIFOLD - INTAKE AND EXHAUST 2.5L CARBURETED ENGINE

Figure 9A-2300

8J58 2300A



ITEM	PART NUMBER	QTY	BODY	MODEL	DESCRIPTION
1	8350 1410	1			MANIFOLD, Intake
2	J400 6957	2			STUD
3	3200 2709	2			NIPPLE
4	S940 9961	3			PLUG
5	3300 2466	1			HEATER, Early Fuel Evaporation
6	J323 8909	1			GASKET
7	J420 0431	1			O-RING
8	J018 0016	3			BOLT
9	J324 2854	1			GASKET
10	J018 6622	5			BOLT
11	3300 4255	4			WASHER, Clamp
12	4713 055	1			MANIFOLD, Exhaust
13	J400 7109	2			STUD
14	3300 1089	1			FITTING, Vacuum
15	J400 7153	2			NUT
16	J317 3077	3			WASHER
17	J420 0413	1			PLUG
18	J324 2583	1			COVER, EGR Port
19	J324 2321	1			SWITCH, Early Fuel Evaporation
20	3420 1633	1			CLIP
21	3300 3879	1			GASKET
22	J400 6985	2			BOLT
23	3300 3332	2			SPACER
24	3200 2707	1			ELBOW
25	5300 2726	1			FITTING, Vacuum

MODEL CODES:

15 = Grand Wagoneer 4 Dr.	65 = Comanche 4WD-7 Ft. Box	77 = Cherokee 4WD-2 Dr.
25 = J-10 Pickup-119" W.B.	66 = Comanche 2WD-7 Ft. Box	78 = Cherokee 4WD-4 Dr.
26 = J-10 Pickup-131" W.B.	73 = Cherokee 2WD-2 Dr.	79 = Cherokee 4WD-4 Dr.-Com
27 = J-20 Pickup-131" W.B.	74 = Cherokee 2WD-4 Dr.	81 = Wrangler-93" W.B.
63 = Comanche 4WD-6 Ft. Box	75 = Wagoneer 4WD-4 Dr.	82 = Wrangler-103" W.B.-Exp.
64 = Comanche 2WD-6 Ft. Box		

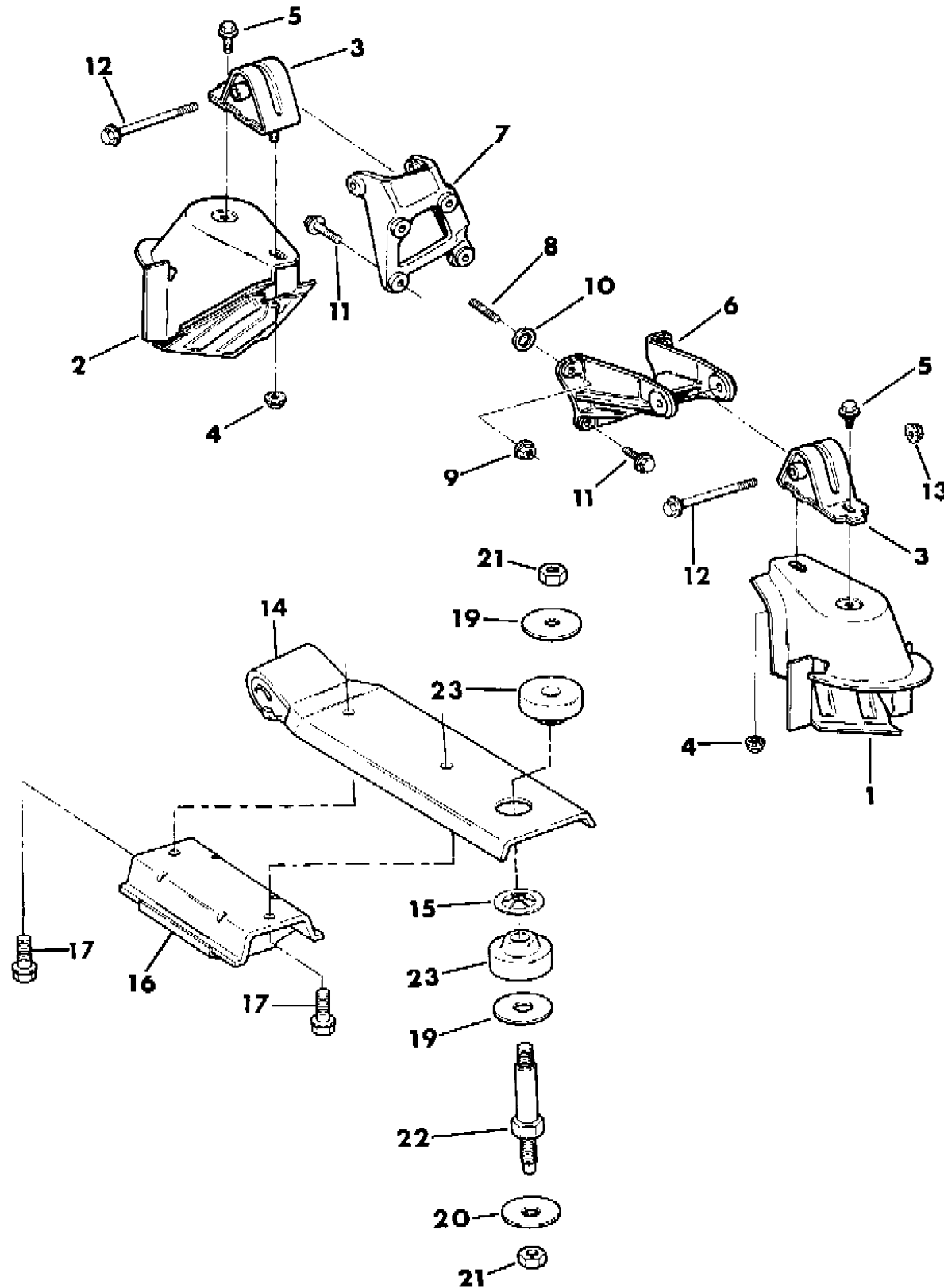
BODY STYLES:

MJ = Comanche Pickup  
 SJ = Grand Wagoneer Wgn., J-10 & J-20 Pickups  
 XJ = Cherokee, Wagoneer Limited  
 YJ = Wrangler

AR = Use as Required - = Non Illustrated Part P.A.R. = Paint as Required

**ENGINE MOUNTING 2.5L ENGINE WRANGLER, YJ**  
**Figure 9A-2400**

**8 J58 2400B**



ITEM	PART NUMBER	QTY	BODY	MODEL	DESCRIPTION
1	5204 0333	1			BRACKET, Engine - Left
2	5204 0335	1			BRACKET, Engine - Right
3	5200 0074	2			MOUNT, Engine
4	1150 2812	2			NUT
5	3420 1559	2			BOLT
6	5200 0079	1			BRACKET, Engine - Left
7	5200 1183	1			BRACKET, Engine - Right
8	J400 4110	1			STUD
9	J400 6653	1			NUT
10	J400 1161	1			WASHER, Spacer
11	J400 6999	7			BOLT
12	3420 1959	2			BOLT
13	1150 2813	2			NUT
14	5200 3043	1			BRACKET, Torque Arm
15	J400 0235	1			NUT, Push .38" I.D.
16	5200 2625	1			CUSHION
17					BOLT
	J400 7162	2			7/16-14x1-1/8" 4 Cylinder
	J941 9856	2			7/16-14x1" 6 Cylinder
18	J094 1399	2			WASHER
19	J094 5269	4			WASHER
21	J941 1783	2			NUT
22	J535 8879	1			STUD
23	J094 5266	2			INSULATOR

**MODEL CODES:**

15 = Grand Wagoneer 4 Dr.	65 = Comanche 4WD-7 Ft. Box	77 = Cherokee 4WD-2 Dr.
25 = J-10 Pickup-119" W.B.	66 = Comanche 2WD-7 Ft. Box	78 = Cherokee 4WD-4 Dr.
26 = J-10 Pickup-131" W.B.	73 = Cherokee 2WD-2 Dr.	79 = Cherokee 4WD-4 Dr.-Com
27 = J-20 Pickup-131" W.B.	74 = Cherokee 2WD-4 Dr.	81 = Wrangler-93" W.B.
63 = Comanche 4WD-6 Ft. Box	75 = Wagoneer 4WD-4 Dr.	82 = Wrangler-103" W.B.-Exp.
64 = Comanche 2WD-6 Ft. Box		

**BODY STYLES:**

MJ = Comanche Pickup  
 SJ = Grand Wagoneer Wgn., J-10 & J-20 Pickups  
 XJ = Cherokee, Wagoneer Limited  
 YJ = Wrangler

AR = Use as Required - = Non Illustrated Part P.A.R. = Paint as Required

**ENGINE MOUNTING 2.5L ENGINE CHEROKEE, WAGONEER, COMANCHE**  
**Figure 9A-2500**

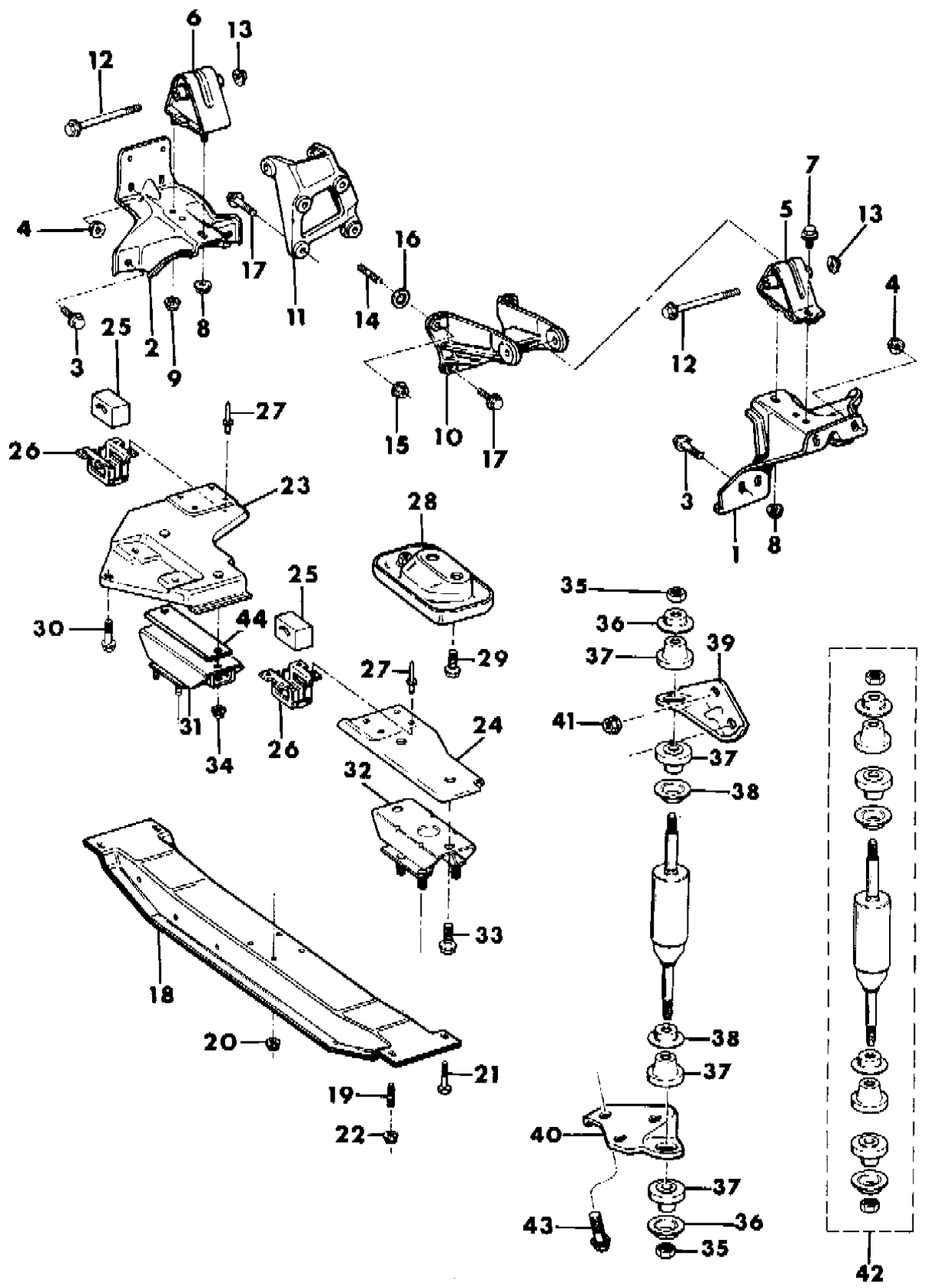
8J58 2500 A

ITEM	PART NUMBER	QTY	BODY	MODEL	DESCRIPTION
1	5200 3005	1			BRACKET, Engine - Left
2	5200 0572	1			BRACKET, Engine - Right
3					BOLT
	3420 2037	5			35mm - 1987-88
	3420 2219	5			40mm - 1989-90
4	3420 1416	4			NUT
5	5200 0074	1			MOUNT, Engine - Left ***
6	J324 2711	1			MOUNT, Engine - Right ***
7	3420 1559	1			BOLT
8	3420 1828	2			NUT
9	1150 2812	1			NUT
10	5200 0079	1			BRACKET, Engine - Left
11					BRACKET, Engine - Right
	5200 0728	1			Manual Transmission
	5200 1183	1			Automatic Transmission
12	3420 1556	2			BOLT, 120mm
13	1150 2813	2			NUT
14	J400 4110	1			STUD
15	J400 6653	AR			NUT
16					WASHER, Spacer
	J400 1161	1			w/o Power Steering
	J400 6994	1			Power Steering
17					BOLT
	J400 6999	7			1987-88
	J400 7622	7			1989-90
18	5200 2328	1			CROSSMEMBER, Transmission Support
19	3420 1710	2			STUD
20	3420 1918	4			NUT
21	3420 1540	6			BOLT, 30mm
22	1150 2812	4			NUT
23					BRACKET, Transmission Support Rear
	5200 3069	1			Manual Transmission
	5200 3073	1			Automatic Transmission, 4WD
24	5200 3071	1			BRACKET, Transmission Support Rear - Automatic Transmission, 2WD
25	5300 0101	1			INSULATOR
26	5300 0104	1			BRACKET

MODEL CODES:  
 15 = Grand Wagoneer 4 Dr.      65 = Comanche 4WD-7 Ft. Box      77 = Cherokee 4WD-2 Dr.  
 25 = J-10 Pickup-119" W.B.      66 = Comanche 2WD-7 Ft. Box      78 = Cherokee 4WD-4 Dr.  
 26 = J-10 Pickup-131" W.B.      73 = Cherokee 2WD-2 Dr.      79 = Cherokee 4WD-4 Dr.-Com  
 27 = J-20 Pickup-131" W.B.      74 = Cherokee 2WD-4 Dr.      81 = Wrangler-93" W.B.  
 63 = Comanche 4WD-6 Ft. Box      75 = Wagoneer 4WD-4 Dr.      82 = Wrangler-103" W.B.-Exp.  
 64 = Comanche 2WD-6 Ft. Box

BODY STYLES:  
 MJ = Comanche Pickup  
 SJ = Grand Wagoneer Wgn., J-10 & J-20 Pickups  
 XJ = Cherokee, Wagoneer Limited  
 YJ = Wrangler

AR = Use as Required - = Non Illustrated Part P.A.R. = Paint as Required



**ENGINE MOUNTING 2.5L ENGINE CHEROKEE, WAGONEER, COMANCHE**  
**Figure 9A-2500**

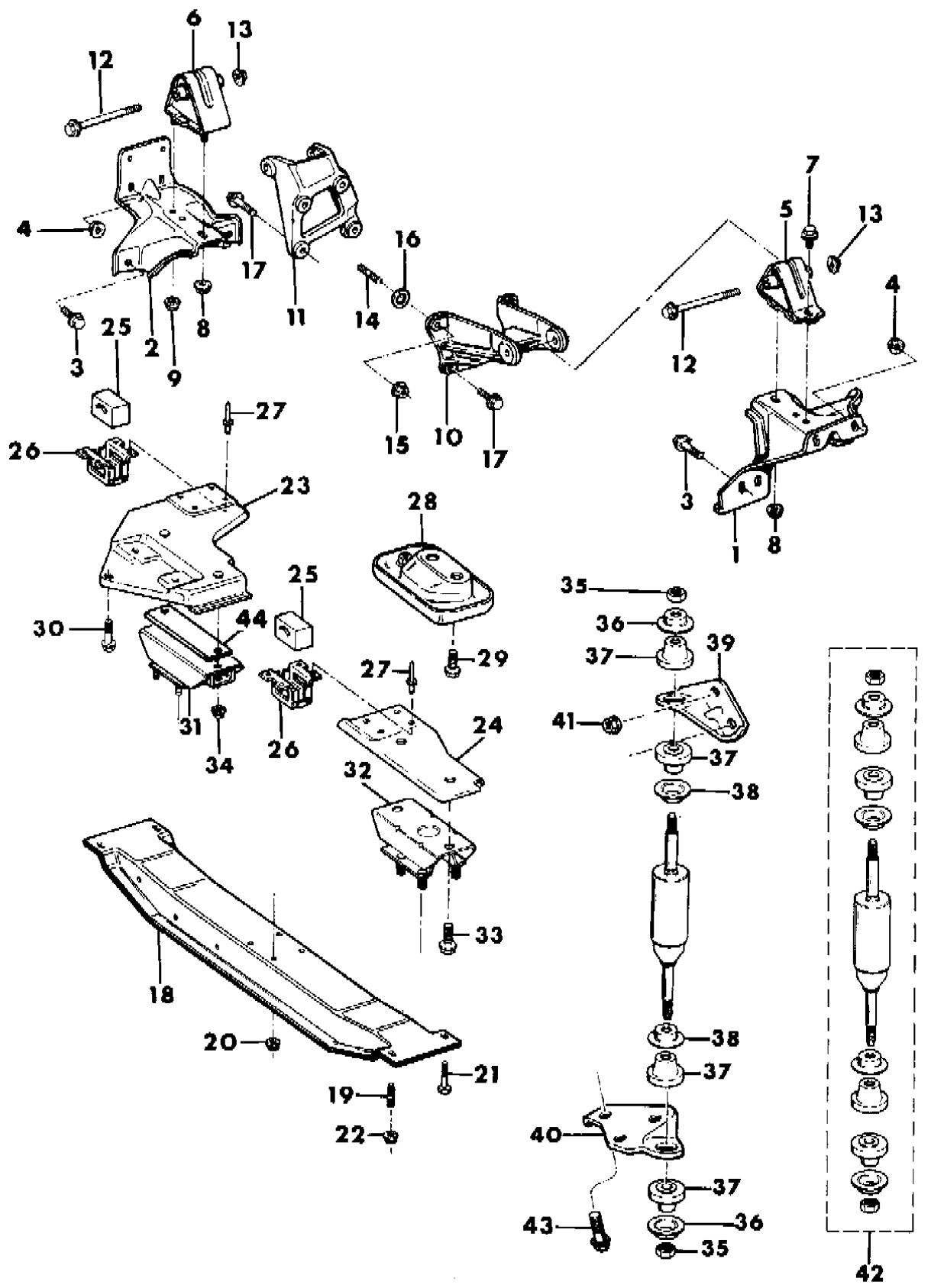
8J58 2500 A

ITEM	PART NUMBER	QTY	BODY	MODEL	DESCRIPTION
27					RIVET
	3420 1980	4			w/Automatic Transmission
	3420 1629	4			w/Manual Transmission
28	5200 2338	1			BRACKET ASSEMBLY, Transmission Support - Automatic Transmission, 2WD
29	3420 1322	2			BOLT, M12x1.75x25mm, 2WD
30					BOLT
	J027 4902	4			Manual Transmission .75"
	3420 1322	AR			Automatic Transmission M12x1.75x25mm
31					CUSHION, Transmission Support Rear
	5200 1313	1			Manual Transmission - Blue, 2WD
	5200 1180	1			Manual Transmission - Yellow, 4WD
	5200 2334	1			Automatic Transmission - Purple
32	5200 2334	1			CUSHION, Transmission Support Rear - Purple
33	3420 1322	2			BOLT, M12x1.75x25mm
34					NUT
	1150 2812	2			Manual Transmission M10 x 1.5
	1150 2813	2			Automatic Transmission M12 x 1.75
35	J012 0368	2			NUT
36	5200 0819	2			RETAINER, Outer
37	5200 0619	4			BUSHING
38	5200 0820	2			RETAINER, Inner
39	5200 1146	1			BRACKET, Shock Absorber
40	5200 1372	1			BRACKET, Shock Absorber
41	J400 4008	2			NUT
42	8350 0358	1			SHOCK ABSORBER PACKAGE, Engine
43					BOLT
	3420 1321	3			25mm
	3420 2114	3			35mm
	3420 2060	3			45mm
44	5200 3061	1			SPACER, 1987

MODEL CODES:  
 15 = Grand Wagoneer 4 Dr.      65 = Comanche 4WD-7 Ft. Box      77 = Cherokee 4WD-2 Dr.  
 25 = J-10 Pickup-119" W.B.      66 = Comanche 2WD-7 Ft. Box      78 = Cherokee 4WD-4 Dr.  
 26 = J-10 Pickup-131" W.B.      73 = Cherokee 2WD-2 Dr.      79 = Cherokee 4WD-4 Dr.-Com  
 27 = J-20 Pickup-131" W.B.      74 = Cherokee 2WD-4 Dr.      81 = Wrangler-93" W.B.  
 63 = Comanche 4WD-6 Ft. Box      75 = Wagoneer 4WD-4 Dr.      82 = Wrangler-103" W.B.-Exp.  
 64 = Comanche 2WD-6 Ft. Box

BODY STYLES:  
 MJ = Comanche Pickup  
 SJ = Grand Wagoneer Wgn., J-10 & J-20 Pickups  
 XJ = Cherokee, Wagoneer Limited  
 YJ = Wrangler

AR = Use as Required - = Non Illustrated Part P.A.R. = Paint as Required





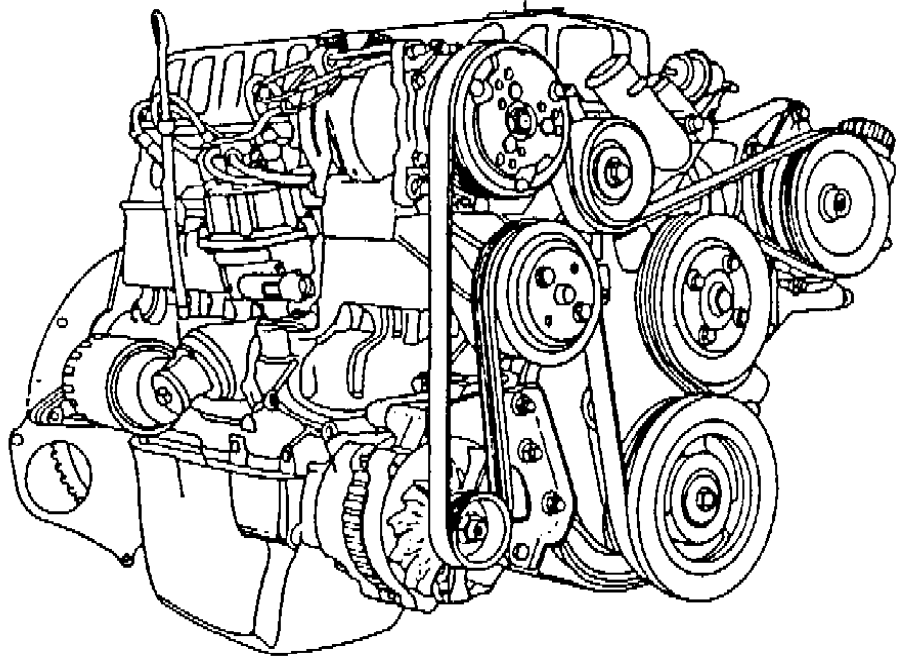
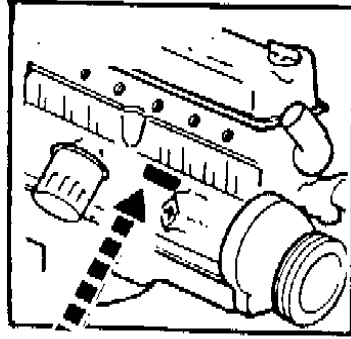
**GROUP 9B - ENGINE, 6 CYLINDER**

<b>ILLUSTRATION TITLE</b>	<b>GROUP-FIG. NO.</b>
<b>4.0L ENGINE</b>	
I.D. LOCATION 4.0L ENGINE .....	Fig. 9B-100
CYLINDER BLOCK 4.0L ENGINE .....	Fig. 9B-200
GASKET SET 4.0L ENGINE .....	Fig. 9B-300
CYLINDER HEAD 4.0L ENGINE .....	Fig. 9B-400
CRANKSHAFT AND PISTON 4.0L ENGINE .....	Fig. 9B-500
CAMSHAFT AND VALVE 4.0L ENGINE .....	Fig. 9B-600
TIMING COVER 4.0L ENGINE .....	Fig. 9B-700
ENGINE OILING 4.0L ENGINE .....	Fig. 9B-800
MANIFOLD - INTAKE AND EXHAUST 4.0L ENGINE .....	Fig. 9B-900
ENGINE MOUNTING 4.0L ENGINE .....	Fig. 9B-1000
I.D. LOCATION 4.2L ENGINE .....	Fig. 9B-1100
CYLINDER BLOCK 4.2L ENGINE .....	Fig. 9B-1200
GASKET SET 4.2L ENGINE .....	Fig. 9B-1300
CYLINDER HEAD 4.2L ENGINE .....	Fig. 9B-1400
CRANKSHAFT AND PISTON 4.2L ENGINE .....	Fig. 9B-1500
CAMSHAFT AND VALVE 4.2L ENGINE .....	Fig. 9B-1600
TIMING COVER 4.2L ENGINE .....	Fig. 9B-1700
ENGINE OILING 4.2L ENGINE .....	Fig. 9B-1800
OIL FILTER, REMOTE 4.2L ENGINE WRANGLER KDX .....	Fig. 9B-1850
MANIFOLD - INTAKE AND EXHAUST 4.2L ENGINE .....	Fig. 9B-1900
ENGINE MOUNTING 4.2L ENGINE WRANGLER, YJ .....	Fig. 9B-2000
ENGINE MOUNTING 4.2L ENGINE GRAND WAGONEER, TRUCK J10 .....	Fig. 9B-2100

**ILLUSTRATION NOT AVAILABLE AT TIME OF PUBLICATION**

I.D. LOCATION 4.0L ENGINE  
Figure 9B-100

8 J 56 100



ITEM	PART NUMBER	QTY	BODY	MODEL	DESCRIPTION

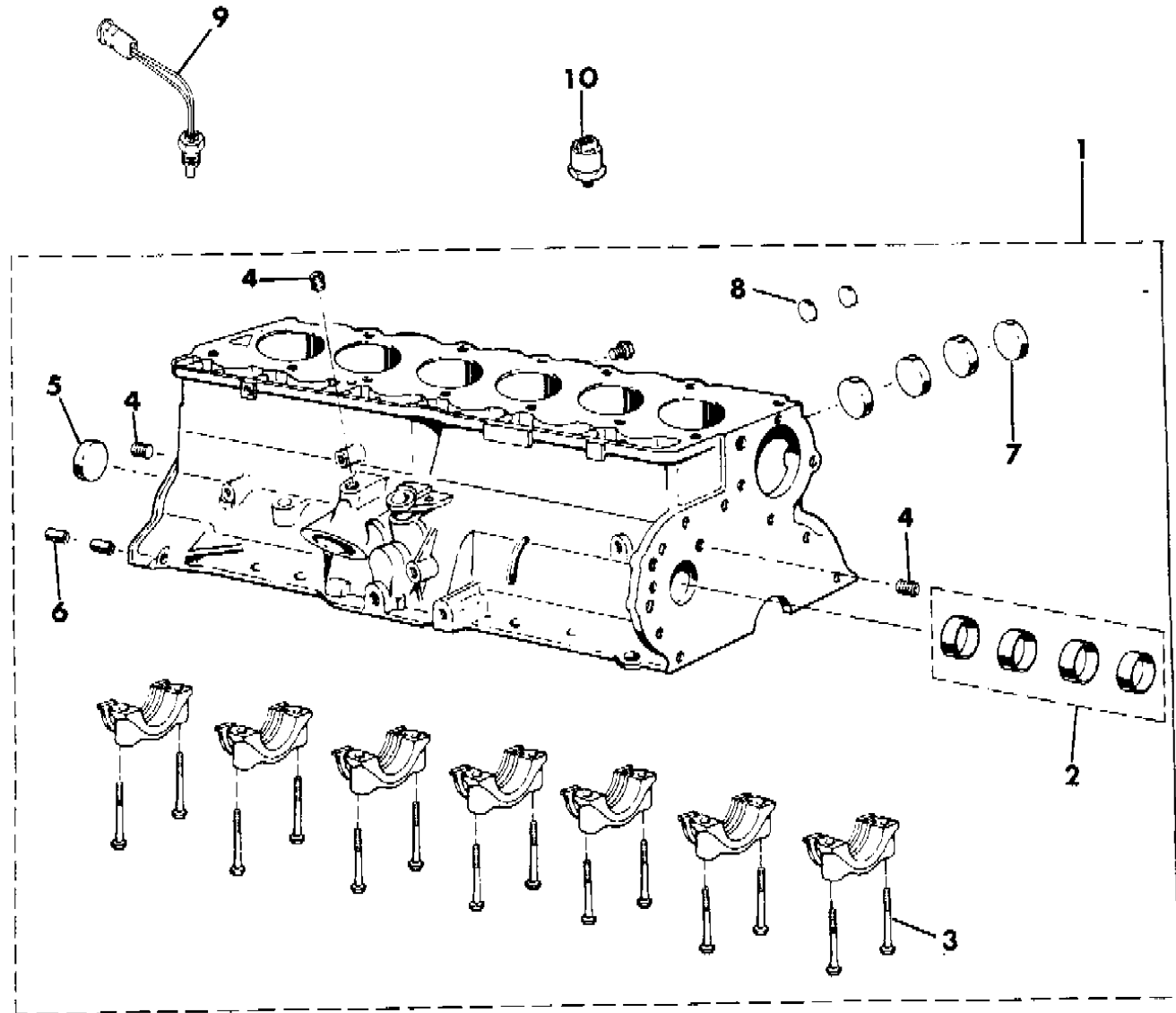
- MODEL CODES:
- |                             |                             |                              |
|-----------------------------|-----------------------------|------------------------------|
| 15 = Grand Wagoneer 4 Dr.   | 65 = Comanche 4WD-7 Ft. Box | 77 = Cherokee 4WD-2 Dr.      |
| 25 = J-10 Pickup-119" W.B.  | 66 = Comanche 2WD-7 Ft. Box | 78 = Cherokee 4WD-4 Dr.      |
| 26 = J-10 Pickup-131" W.B.  | 73 = Cherokee 2WD-2 Dr.     | 79 = Cherokee 4WD-4 Dr.-Com  |
| 27 = J-20 Pickup-131" W.B.  | 74 = Cherokee 2WD-4 Dr.     | 81 = Wrangler-93" W.B.       |
| 63 = Comanche 4WD-6 Ft. Box | 75 = Wagoneer 4WD-4 Dr.     | 82 = Wrangler-103" W.B.-Exp. |
| 64 = Comanche 2WD-6 Ft. Box |                             |                              |

- BODY STYLES:
- MJ = Comanche Pickup  
SJ = Grand Wagoneer Wgn., J-10 & J-20 Pickups  
XJ = Cherokee, Wagoneer Limited  
YJ = Wrangler

AR = Use as Required - = Non Illustrated Part P.A.R. = Paint as Required

**CYLINDER BLOCK 4.0L ENGINE**  
Figure 9B-200

8 J 56 200



ITEM	PART NUMBER	QTY	BODY	MODEL	DESCRIPTION
					ENGINE, Short, Less Camshaft
1	8350 3401	1			1987
	8350 5043	1			1988-90
	8350 3400	1			BLOCK, Engine *** 1987
2	8350 5110	1			1988-90
	J320 5711	1			BEARING PACKAGE Standard
	J320 8985	1			+.010"
3	J400 6948	14			BOLT
4	J044 4660	4			PLUG
5	J317 2313	1			PLUG
6	J400 5148	2			PIN
7	J310 5394	4			PLUG, 2"
8	J317 8449	2			PLUG, 1"
9	3300 2383	1			SENSOR, Coolant Temperature
10	3300 2933	1			SENSOR, Knock
11	5300 5197	1			HEATER, Engine Block
12	J575 2677	1			CORD, Power Supply
13	J322 3227	AR			STRAP 200mm
	J369 3058	AR			300mm
	J323 0270	AR			350mm
	J323 5187	AR			450mm

MODEL CODES:

15 = Grand Wagoneer 4 Dr.	65 = Comanche 4WD-7 Ft. Box	77 = Cherokee 4WD-2 Dr.
25 = J-10 Pickup-119" W.B.	66 = Comanche 2WD-7 Ft. Box	78 = Cherokee 4WD-4 Dr.
26 = J-10 Pickup-131" W.B.	73 = Cherokee 2WD-2 Dr.	79 = Cherokee 4WD-4 Dr.-Com
27 = J-20 Pickup-131" W.B.	74 = Cherokee 2WD-4 Dr.	81 = Wrangler-93" W.B.
63 = Comanche 4WD-6 Ft. Box	75 = Wagoneer 4WD-4 Dr.	82 = Wrangler-103" W.B.-Exp.
64 = Comanche 2WD-6 Ft. Box		

BODY STYLES:

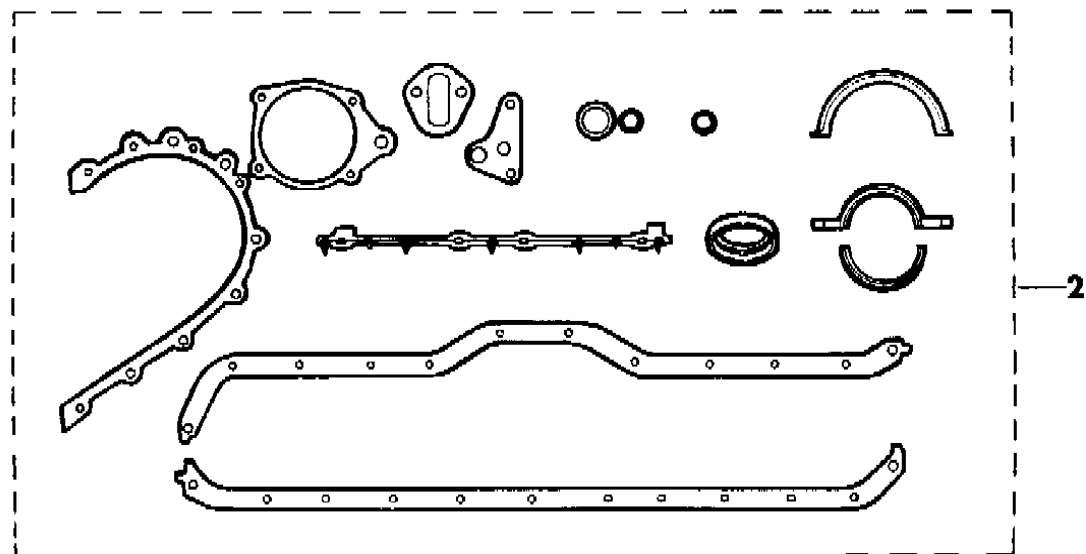
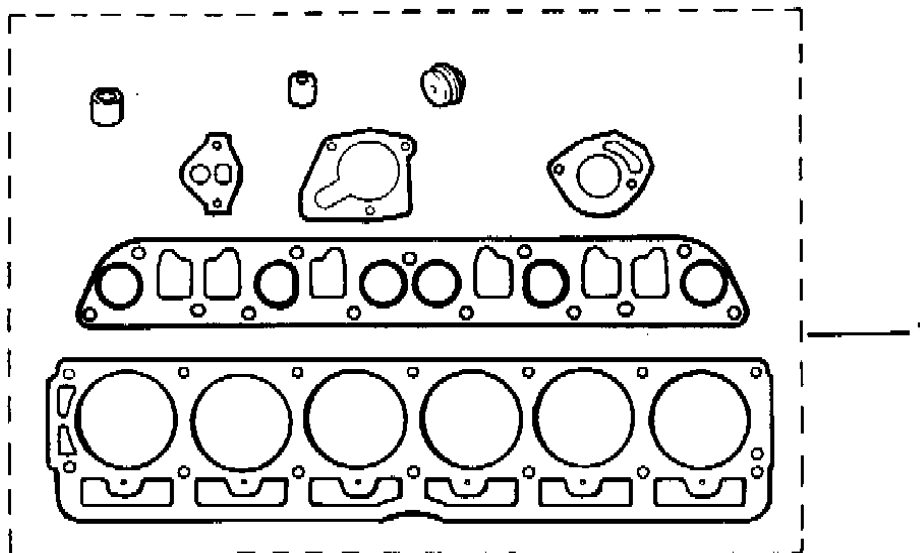
MJ = Comanche Pickup  
 SJ = Grand Wagoneer Wgn., J-10 & J-20 Pickups  
 XJ = Cherokee, Wagoneer Limited  
 YJ = Wrangler

AR = Use as Required - = Non Illustrated Part P.A.R. = Paint as Required

GASKET SET 4.0L ENGINE  
Figure 9B-300

8 J 56 300

ITEM	PART NUMBER	QTY	BODY	MODEL	DESCRIPTION
1	8350 5141	1			GASKET PACKAGE, Engine, Upper
2	8350 5389	1			GASKET PACKAGE, Engine, Lower



MODEL CODES:

15 = Grand Wagoneer 4 Dr.	65 = Comanche 4WD-7 Ft. Box	77 = Cherokee 4WD-2 Dr.
25 = J-10 Pickup-119" W.B.	66 = Comanche 2WD-7 Ft. Box	78 = Cherokee 4WD-4 Dr.
26 = J-10 Pickup-131" W.B.	73 = Cherokee 2WD-2 Dr.	79 = Cherokee 4WD-4 Dr.-Com
27 = J-20 Pickup-131" W.B.	74 = Cherokee 2WD-4 Dr.	81 = Wrangler-93" W.B.
63 = Comanche 4WD-6 Ft. Box	75 = Wagoneer 4WD-4 Dr.	82 = Wrangler-103" W.B.-Exp.
64 = Comanche 2WD-6 Ft. Box		

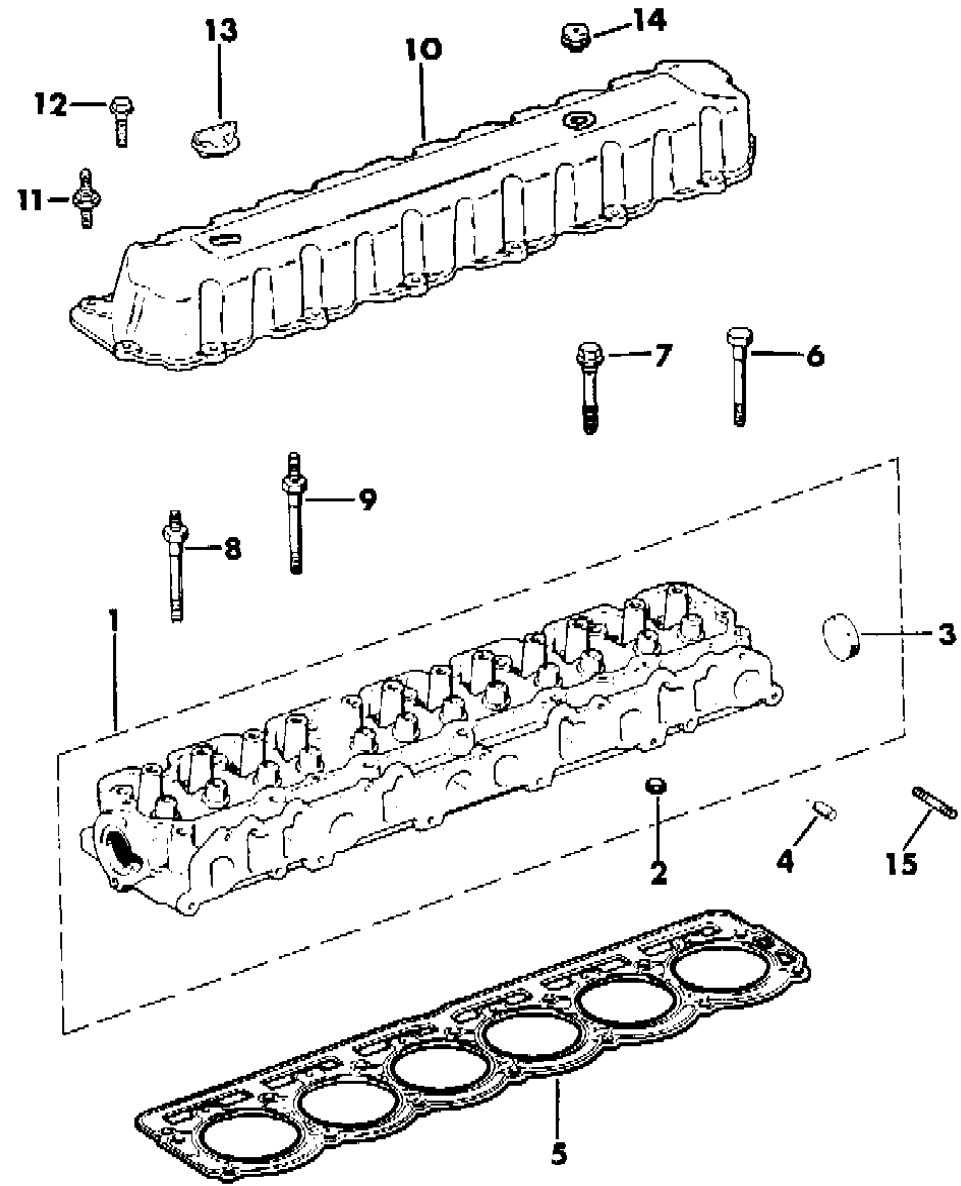
BODY STYLES:

MJ = Comanche Pickup  
SJ = Grand Wagoneer Wgn., J-10 & J-20 Pickups  
XJ = Cherokee, Wagoneer Limited  
YJ = Wrangler

AR = Use as Required - = Non Illustrated Part P.A.R. = Paint as Required

**CYLINDER HEAD 4.0L ENGINE**  
**Figure 9B-400**

8 J 56 400



ITEM	PART NUMBER	QTY	BODY	MODEL	DESCRIPTION
1	8350 3406	1			HEAD, Engine Cylinder 2686
2	J400 7434	6			PLUG
3	J310 5394	1			PLUG
4	J317 2318	2			PIN
5	3300 4447	1			GASKET
6	J400 7307	2			BOLT, 4.5"
7	J400 7308	7			BOLT, 3.75"
8	J400 7310	4			BOLT, Stud
9	J400 7311	1			BOLT, Stud
10	5300 5991				COVER, Cylinder Head
11	J400 7495	AR			BOLT, Stud
12					BOLT
	J400 7506	AR			1987
	J400 7600	AR			1988-90
13	3300 1016	1			CAP
14					GROMMET, PCV
	5300 4722	1			Gray, 2.6mm I.D.
	5300 4721	1			Black, 2.2mm I.D.
15	J400 7462	2			STUD

**MODEL CODES:**

15 = Grand Wagoneer 4 Dr.	65 = Comanche 4WD-7 Ft. Box	77 = Cherokee 4WD-2 Dr.
25 = J-10 Pickup-119" W.B.	66 = Comanche 2WD-7 Ft. Box	78 = Cherokee 4WD-4 Dr.
26 = J-10 Pickup-131" W.B.	73 = Cherokee 2WD-2 Dr.	79 = Cherokee 4WD-4 Dr.-Com
27 = J-20 Pickup-131" W.B.	74 = Cherokee 2WD-4 Dr.	81 = Wrangler-93" W.B.
63 = Comanche 4WD-6 Ft. Box	75 = Wagoneer 4WD-4 Dr.	82 = Wrangler-103" W.B.-Exp.
64 = Comanche 2WD-6 Ft. Box		

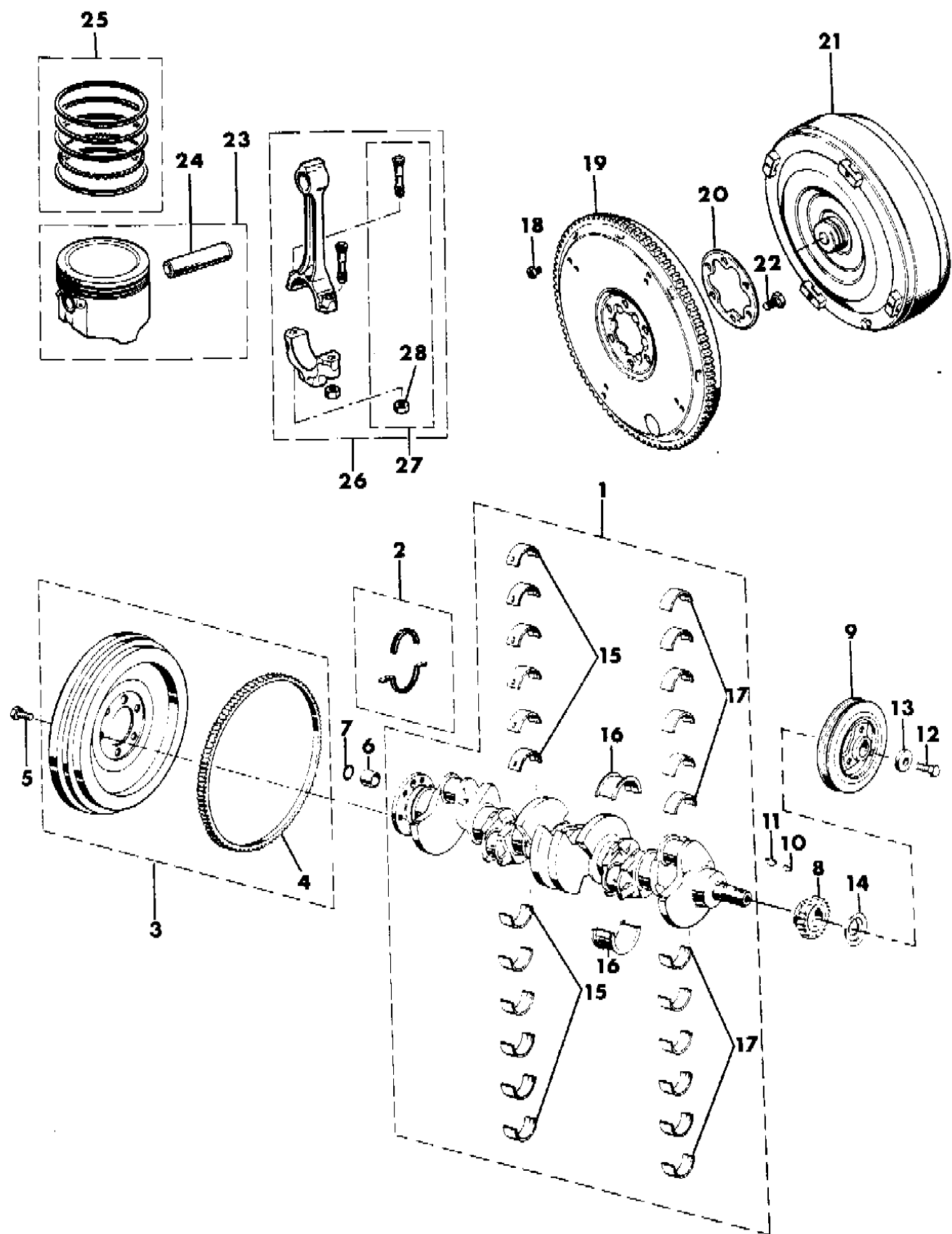
**BODY STYLES:**

MJ = Comanche Pickup  
 SJ = Grand Wagoneer Wgn., J-10 & J-20 Pickups  
 XJ = Cherokee, Wagoneer Limited  
 YJ = Wrangler

AR = Use as Required - = Non Illustrated Part P.A.R. = Paint as Required

**CRANKSHAFT AND PISTON 4.0L ENGINE**  
Figure 9B-500

8J 56 500



ITEM	PART NUMBER	QTY	BODY	MODEL	DESCRIPTION
1	8350 3409	1			CRANKSHAFT PACKAGE, w/Offset Locating Tabs On Main Bearings ***
	8350 7107	1			w/Centered Locating Tabs On Main Bearings
2	J320 5331	1			SEAL PACKAGE
3	3300 2672	1			FLYWHEEL, Manual Transmission ***
4	J317 9741	1			GEAR, Ring Manual Transmission
5	J317 0524	6			BOLT, Manual Transmission
6	3300 4041	1			BEARING, Pilot Manual Transmission
7	J322 0102	1			SEAL, Manual Transmission
8	3300 2979	1			SPROCKET, Crankshaft
9	3300 2920	1			DAMPER/Pulley ***
10	J310 7234	1			KEY, Shaft
11	J310 7002	1			KEY, Shaft
12	S018 1698	1			BOLT
13	J323 0155	1			WASHER
14	J317 3076	1			SLINGER, Oil
15					BEARING PACKAGE, Main (Offset Locating Tabs) ***
	J813 3252	6			Standard
	J813 3680	6			.001"
	J813 3682	6			.002"
	J813 3254	6			.010"
	J813 3684	6			.012"
					BEARING PACKAGE, Main (Centered Locating Tab) ***
	8350 7079	6			Standard
	8350 7080	6			.001"
	8350 7081	6			.002"
	8350 7083	6			.010"
16					BEARING PACKAGE, Thrust (Offset Locating Tabs) ***
	J813 3253	1			Standard
	J813 3681	1			.001"
	J813 3683	1			.002"
	J813 3255	1			.010"
	J813 3685	1			.012"
					BEARING PACKAGE, Thrust (Centered Locating Tab) ***
	8350 7084	1			Standard
	8350 7086	1			.001"
	8350 7088	1			.002"

MODEL CODES:

15 = Grand Wagoneer 4 Dr.	65 = Comanche 4WD-7 Ft. Box	77 = Cherokee 4WD-2 Dr.
25 = J-10 Pickup-119" W.B.	66 = Comanche 2WD-7 Ft. Box	78 = Cherokee 4WD-4 Dr.
26 = J-10 Pickup-131" W.B.	73 = Cherokee 2WD-2 Dr.	79 = Cherokee 4WD-4 Dr.-Com
27 = J-20 Pickup-131" W.B.	74 = Cherokee 2WD-4 Dr.	81 = Wrangler-93" W.B.
63 = Comanche 4WD-6 Ft. Box	75 = Wagoneer 4WD-4 Dr.	82 = Wrangler-103" W.B.-Exp.
64 = Comanche 2WD-6 Ft. Box		

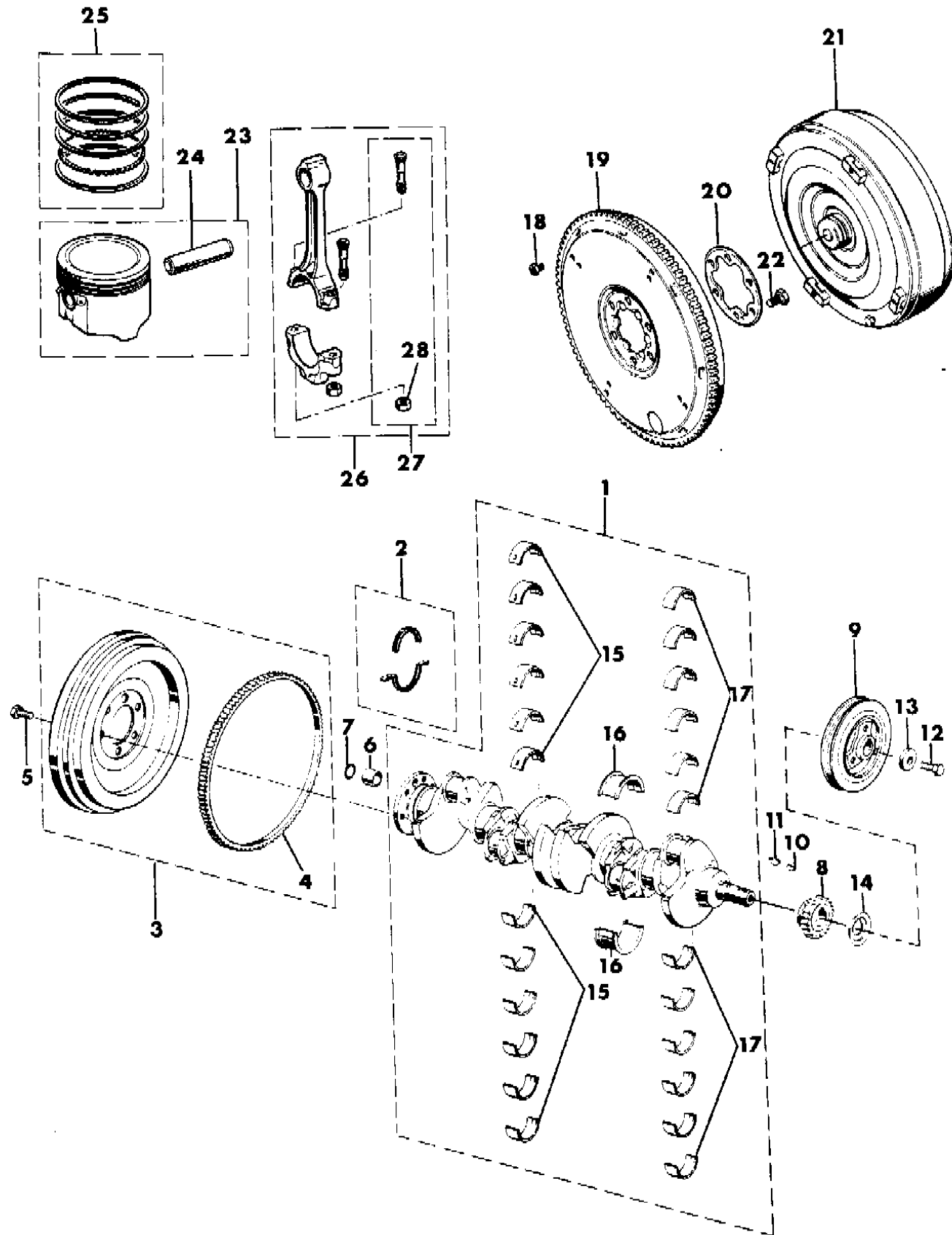
BODY STYLES:

MJ = Comanche Pickup  
 SJ = Grand Wagoneer Wgn., J-10 & J-20 Pickups  
 XJ = Cherokee, Wagoneer Limited  
 YJ = Wrangler

AR = Use as Required - = Non Illustrated Part P.A.R. = Paint as Required

**CRANKSHAFT AND PISTON 4.0L ENGINE**  
Figure 9B-500

8J 56 500



ITEM	PART NUMBER	QTY	BODY	MODEL	DESCRIPTION
	8350 7090	1			.010"
17					BEARING PACKAGE, Rods
	8350 0300	6			Standard
	8350 1397	6			.001"
	8350 0301	6			.010"
18					BOLT
	J420 0302	4			1987-88
	3420 2497	4			1989-90
19	3300 2675				PLATE, Converter Drive
20	J321 4094	1			REINFORCEMENT
21					CONVERTER, Torque
	5300 3431	1			Export
	JR77 5139	1			Remanufactured
22	J315 1407	6			BOLT
23					PISTON PACKAGE, Standard ***
	4773 157	6			Size 'B' 3.8746"
	4773 158	6			Size 'C' 3.8750"
	4773 159	6			Size 'D' 3.8754"
	4773 456	6			Size 'E' 3.8758"
	8350 0252	6			+.010" O/Size
24					PIN, Piston
	J318 0483	6			Standard
	8350 0303	6			+.003"
	8350 0304	6			+.005"
25					RING PACKAGE, Piston
	8350 1987	6			Standard
	8350 1988	6			+.010"
26	3300 4545	6			ROD, Connecting
27	J813 3824	12			BOLT PACKAGE
28	J400 6385	12			NUT

**MODEL CODES:**

15 = Grand Wagoneer 4 Dr.	65 = Comanche 4WD-7 Ft. Box	77 = Cherokee 4WD-2 Dr.
25 = J-10 Pickup-119" W.B.	66 = Comanche 2WD-7 Ft. Box	78 = Cherokee 4WD-4 Dr.
26 = J-10 Pickup-131" W.B.	73 = Cherokee 2WD-2 Dr.	79 = Cherokee 4WD-4 Dr.-Com
27 = J-20 Pickup-131" W.B.	74 = Cherokee 2WD-4 Dr.	81 = Wrangler-93" W.B.
63 = Comanche 4WD-6 Ft. Box	75 = Wagoneer 4WD-4 Dr.	82 = Wrangler-103" W.B.-Exp.
64 = Comanche 2WD-6 Ft. Box		

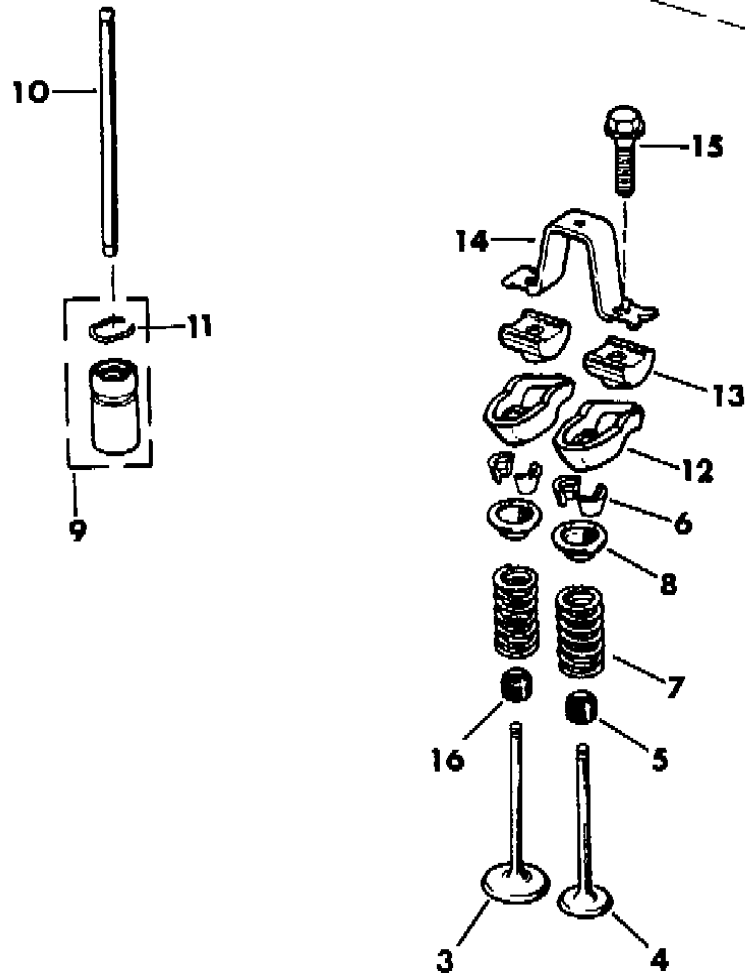
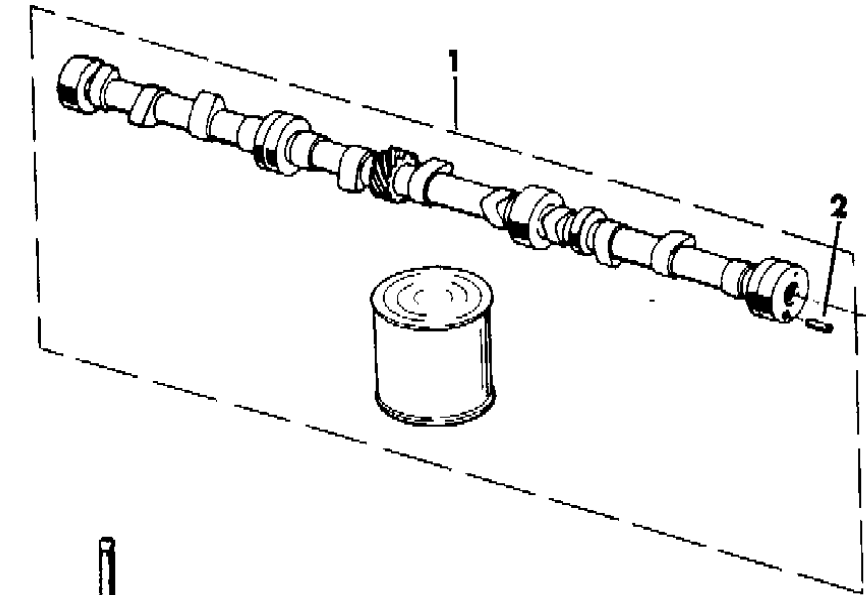
**BODY STYLES:**

MJ = Comanche Pickup  
 SJ = Grand Wagoneer Wgn., J-10 & J-20 Pickups  
 XJ = Cherokee, Wagoneer Limited  
 YJ = Wrangler

AR = Use as Required - = Non Illustrated Part P.A.R. = Paint as Required

**CAMSHAFT AND VALVE 4.0L ENGINE**  
**Figure 9B-600**

8 J 56 600



ITEM	PART NUMBER	QTY	BODY	MODEL	DESCRIPTION
1	8350 3402	1			CAMSHAFT
2	J045 6384	1			PIN
3					VALVE, Intake
	3300 3515	6			Standard
	3300 3519	6			+0.003"
	3300 3575	6			+0.015"
4					VALVE, Exhaust
	3300 3860	6			Standard
	3300 3520	6			+0.003"
	3300 3576	6			+0.015"
5					SEAL, Exhaust Valve
	3300 2522	6			Standard
	3300 2522	6			+0.003"
	3300 2733	6			+0.015"
6	3300 3521	24			KEEPER
7					SPRING, Valve
	3300 4296	12			2.00" Long, Conical Shaped
	J324 2678	12			1.82" Long, Cylindrical Shaped
8					RETAINER
	3300 4626	12			2.00" Long, Conical Shaped Spring - 1988
	3300 3179	12			1.82" Long, Cylindrical Shaped Spring - 1988
	3300 4626	12			1989-90
9	J322 2276	12			TAPPET
10	3300 2986	12			PUSHROD ***
11	J644 0614	12			RING
12	J324 2393	12			ARM, Valve Rocker
13	J323 5090	12			PIVOT
14	J323 6513	6			BRIDGE
15	J812 0512	12			BOLT
16					SEAL, Intake Valve
	3300 2729	6			Standard
	3300 2729	6			+0.003"
	3300 3016	6			+0.015"

**MODEL CODES:**

15 = Grand Wagoneer 4 Dr.	65 = Comanche 4WD-7 Ft. Box	77 = Cherokee 4WD-2 Dr.
25 = J-10 Pickup-119" W.B.	66 = Comanche 2WD-7 Ft. Box	78 = Cherokee 4WD-4 Dr.
26 = J-10 Pickup-131" W.B.	73 = Cherokee 2WD-2 Dr.	79 = Cherokee 4WD-4 Dr.-Com
27 = J-20 Pickup-131" W.B.	74 = Cherokee 2WD-4 Dr.	81 = Wrangler-93" W.B.
63 = Comanche 4WD-6 Ft. Box	75 = Wagoneer 4WD-4 Dr.	82 = Wrangler-103" W.B.-Exp.
64 = Comanche 2WD-6 Ft. Box		

**BODY STYLES:**

MJ = Comanche Pickup  
 SJ = Grand Wagoneer Wgn., J-10 & J-20 Pickups  
 XJ = Cherokee, Wagoneer Limited  
 YJ = Wrangler

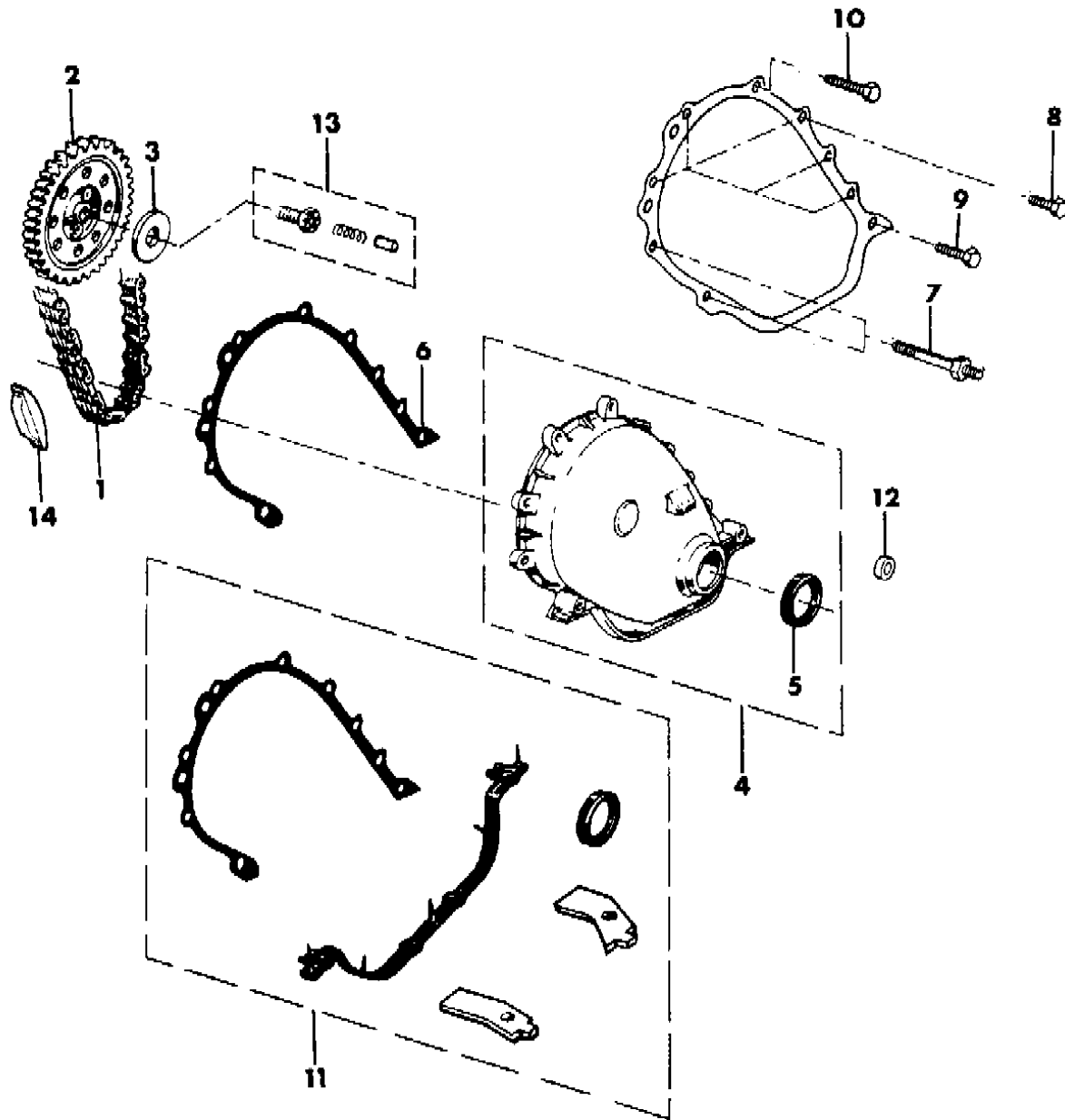
AR = Use as Required - = Non Illustrated Part P.A.R. = Paint as Required



**TIMING COVER 4.0L ENGINE**  
**Figure 9B-700**

8J56 700

ITEM	PART NUMBER	QTY	BODY	MODEL	DESCRIPTION
1	3300 2977	1			CHAIN, Timing
2	3300 2978	1			SPROCKET, Camshaft
3	J317 3284	1			WASHER
4	3300 2984	1			COVER, Timing Case
					1987
					1988-90
5	5300 5769	1			SEAL
6	3300 4681	1			GASKET
7	J322 5187	1			BOLT, Stud
	J400 7154	AR			2.89"
	J400 7455	AR			4.15"
8	J400 6906	5			BOLT
9	6034 914	1			BOLT
10	J400 7566	AR			BOLT
11	J812 9097	1			GASKET PACKAGE
12	3420 2521	1			SPACER
13	8350 2890	1			PIN PACKAGE
14	3300 3446	1			BUMPER



**MODEL CODES:**

15 = Grand Wagoneer 4 Dr.	65 = Comanche 4WD-7 Ft. Box	77 = Cherokee 4WD-2 Dr.
25 = J-10 Pickup-119" W.B.	66 = Comanche 2WD-7 Ft. Box	78 = Cherokee 4WD-4 Dr.
26 = J-10 Pickup-131" W.B.	73 = Cherokee 2WD-2 Dr.	79 = Cherokee 4WD-4 Dr.-Com
27 = J-20 Pickup-131" W.B.	74 = Cherokee 2WD-4 Dr.	81 = Wrangler-93" W.B.
63 = Comanche 4WD-6 Ft. Box	75 = Wagoneer 4WD-4 Dr.	82 = Wrangler-103" W.B.-Exp.
64 = Comanche 2WD-6 Ft. Box		

**BODY STYLES:**

MJ = Comanche Pickup  
 SJ = Grand Wagoneer Wgn., J-10 & J-20 Pickups  
 XJ = Cherokee, Wagoneer Limited  
 YJ = Wrangler

AR = Use as Required - = Non Illustrated Part P.A.R. = Paint as Required

# ENGINE OILING 4.0L ENGINE

## Figure 9B-800

8 J 56 800

ITEM	PART NUMBER	QTY	BODY	MODEL	DESCRIPTION
1	3300 2921	1			PUMP, Engine Oil
2	J400 5149	1			PIN
3	J324 1733	1			COVER, Oil Pump
4	J323 9668	1			SPRING
5	J317 1956	1			SHAFT, Oil Pump Gear
6	J317 1958	1			RETAINER
7	J317 2334	1			GEAR, Oil Pump Drive
8					PLUNGER
	J318 8661	1			Standard
	J324 1676	1			+0.010"
9	J319 6843	1			GEAR, Oil Pump Driven
10	J812 2990	4			SCREW, 1987-89
	J941 6852	4			1990
11	3300 2696	1			TUBE, Oil Pump Inlet
12	J317 2332	1			GASKET
13	J018 0078	1			BOLT
14	J943 7670	1			BOLT
15	J012 0393	1			WASHER
16	J012 0214	2			WASHER, Lock
17	3300 4195	1			FILTER, Engine Oil
18	3300 4125	1			CONNECTOR
19	S010 8635	1			PIN, Cotter
20	3300 2787	1			ADAPTER, Oil Filter
21	3300 2700	1			BOLT
22					O-RING
	3300 2970	1			.80"
	3300 2971	1			1.30"
	3300 2972	1			2.48"
23	5300 7839	1			PAN, Engine Oil
24	J400 7617	21			SCREW, .56"
25	J400 7614	3			SCREW, .75"
	J400 7610	1			BOLT, .25"
26	8350 4662	1			GASKET PACKAGE
27	J317 7635	1			SEAL, Rear
28	8350 4654	1			SEAL, Front
29	3300 3656	1			TUBE, Engine Oil Indicator
30					INDICATOR, Engine Oil Level

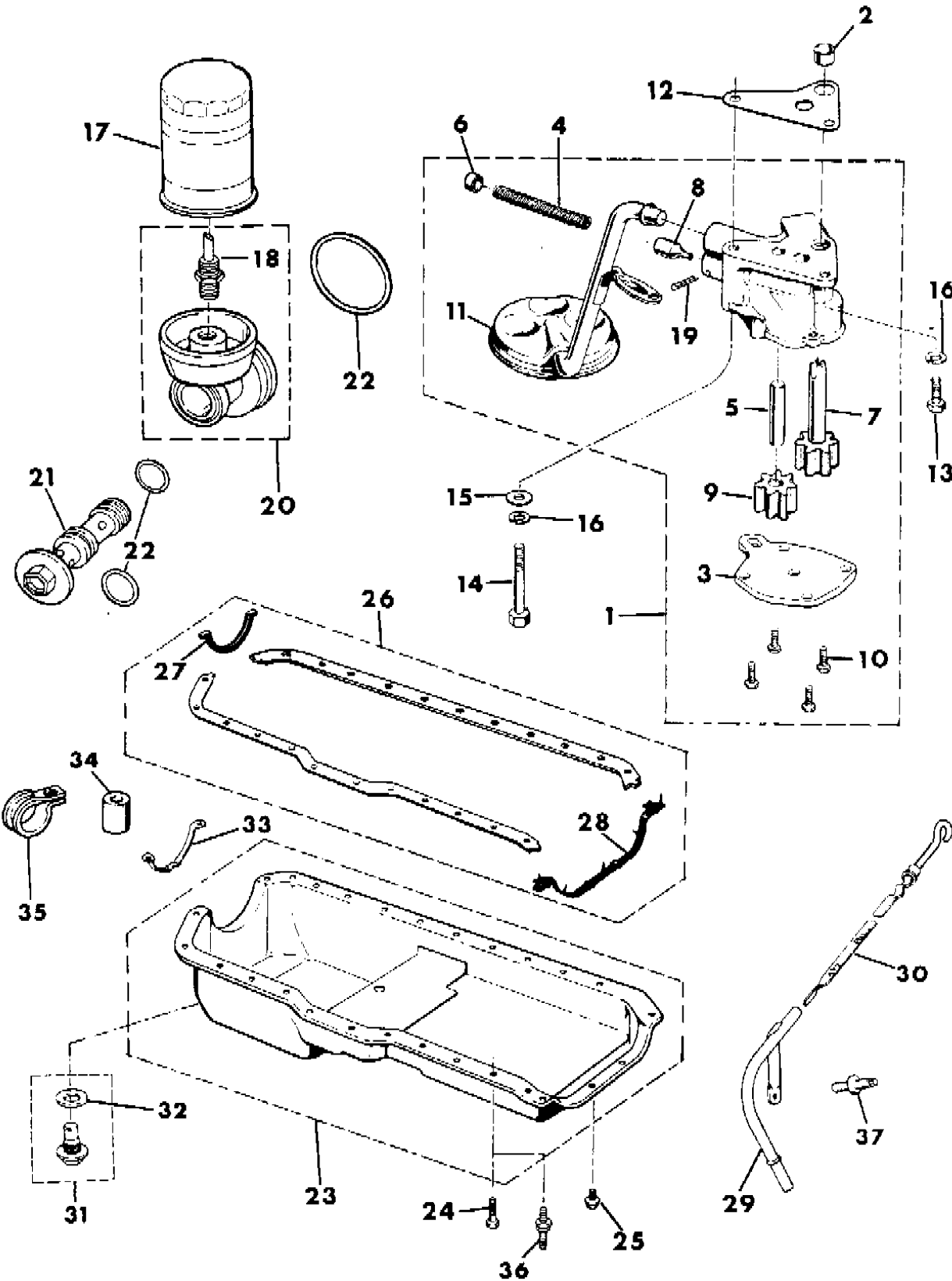
**MODEL CODES:**

15 = Grand Wagoneer 4 Dr.	65 = Comanche 4WD-7 Ft. Box	77 = Cherokee 4WD-2 Dr.
25 = J-10 Pickup-119" W.B.	66 = Comanche 2WD-7 Ft. Box	78 = Cherokee 4WD-4 Dr.
26 = J-10 Pickup-131" W.B.	73 = Cherokee 2WD-2 Dr.	79 = Cherokee 4WD-4 Dr.-Com
27 = J-20 Pickup-131" W.B.	74 = Cherokee 2WD-4 Dr.	81 = Wrangler-93" W.B.
63 = Comanche 4WD-6 Ft. Box	75 = Wagoneer 4WD-4 Dr.	82 = Wrangler-103" W.B.-Exp.
64 = Comanche 2WD-6 Ft. Box		

**BODY STYLES:**

MJ = Comanche Pickup
SJ = Grand Wagoneer Wgn., J-10 & J-20 Pickups
XJ = Cherokee, Wagoneer Limited
YJ = Wrangler

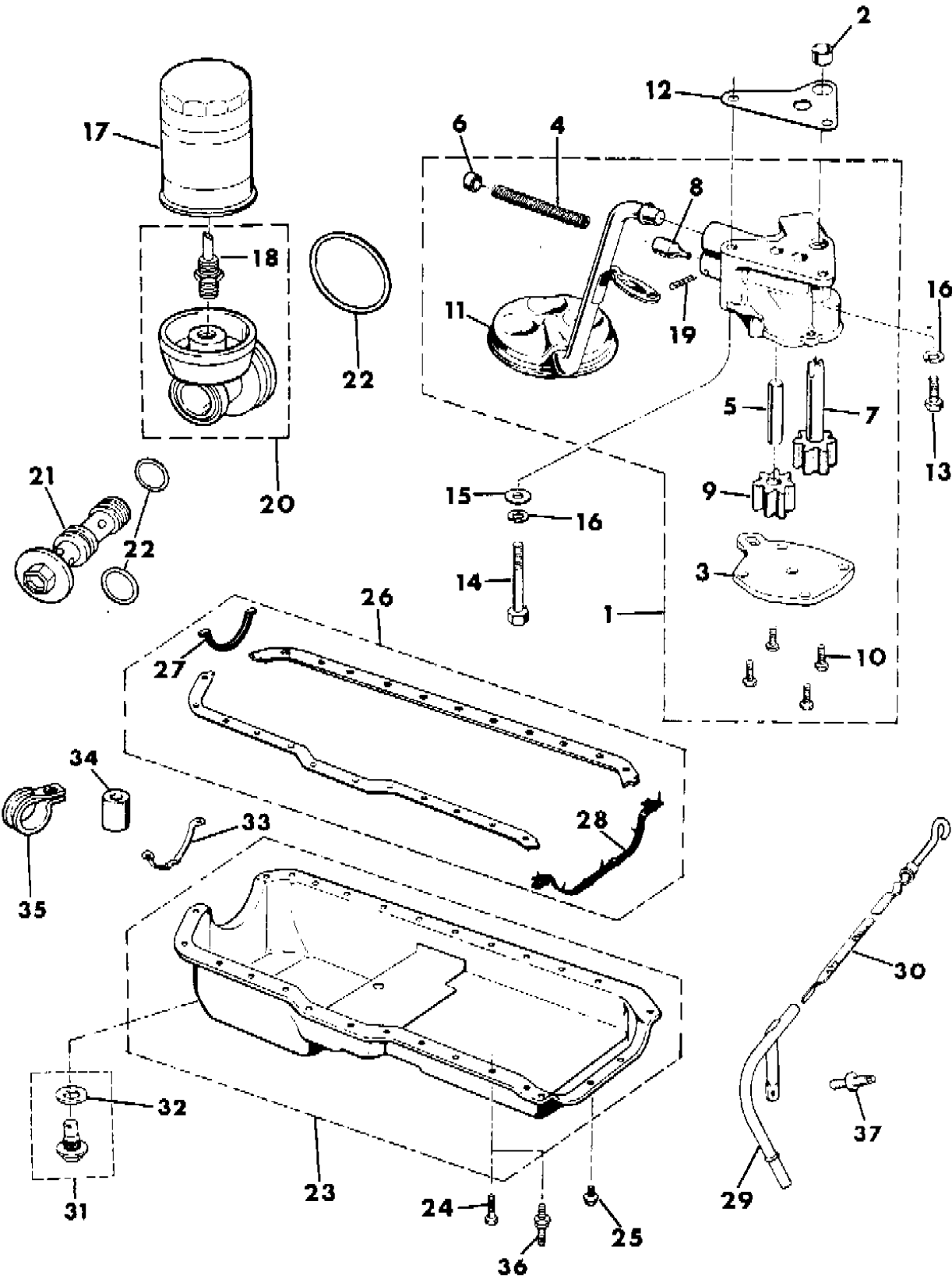
AR = Use as Required - = Non Illustrated Part P.A.R. = Paint as Required



ENGINE OILING 4.0L ENGINE  
Figure 9B-800

8 J 56 800

ITEM	PART NUMBER	QTY	BODY	MODEL	DESCRIPTION
	3300 2669	1		1987-88	
	5300 5531	1		1989-90 ***	
31	8350 1425	1			PLUG PACKAGE
32	J324 3136	1			GASKET
33	J324 3116	1			SUPPORT
34	3420 2601	1			SPACER
35	J012 0522	1			CLIP
36					STUD, Bolt
	J400 7178	3		1987	
	J400 7613	3		1988-90	
37	J400 7448	1			STUD, Bolt



MODEL CODES:

15 = Grand Wagoneer 4 Dr.	65 = Comanche 4WD-7 Ft. Box	77 = Cherokee 4WD-2 Dr.
25 = J-10 Pickup-119" W.B.	66 = Comanche 2WD-7 Ft. Box	78 = Cherokee 4WD-4 Dr.
26 = J-10 Pickup-131" W.B.	73 = Cherokee 2WD-2 Dr.	79 = Cherokee 4WD-4 Dr.-Com
27 = J-20 Pickup-131" W.B.	74 = Cherokee 2WD-4 Dr.	81 = Wrangler-93" W.B.
63 = Comanche 4WD-6 Ft. Box	75 = Wagoneer 4WD-4 Dr.	82 = Wrangler-103" W.B.-Exp.
64 = Comanche 2WD-6 Ft. Box		

BODY STYLES:

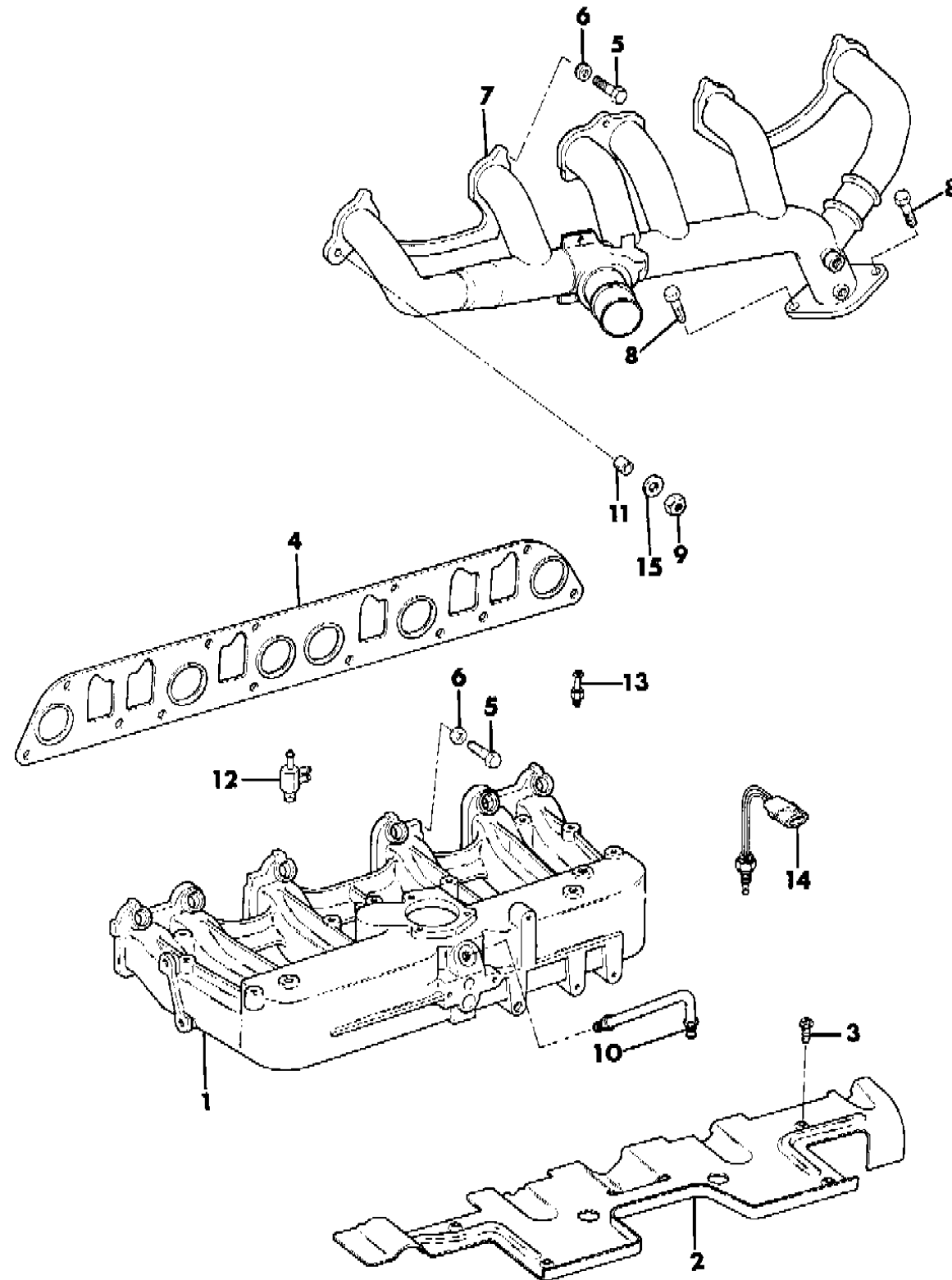
MJ = Comanche Pickup  
SJ = Grand Wagoneer Wgn., J-10 & J-20 Pickups  
XJ = Cherokee, Wagoneer Limited  
YJ = Wrangler

AR = Use as Required - = Non Illustrated Part P.A.R. = Paint as Required

MANIFOLD - INTAKE AND EXHAUST 4.0L ENGINE

Figure 9B-900

8 J56 900 A



ITEM	PART NUMBER	QTY	BODY	MODEL	DESCRIPTION
1	3300 2872	1			MANIFOLD, Intake
2	3300 3183	1			SHIELD, Heat
3	J400 6909	5			BOLT
4	5302 0122	1			GASKET
5	J018 6622	10			BOLT
6	3300 4255	8			CLAMP
7	3300 3972	1			MANIFOLD, Exhaust
	5300 6244	1	XJ		w/ECE 1990
8	J400 7109	2			STUD
9	J535 1688	2			NUT
10	3300 2871	1			TUBE, EGR
11	3300 4026	2			SPACER
12	5300 4507	1			FITTING, 3-Port
13					FITTING
	3300 2328	2			1.28"
	3300 2327	2			1.47"
14	3300 2382	1			SENSOR, Air Temperature
15	3300 4255	3			WASHER,
16	J812 1104	AR			PLUG, 1/4x18PT
17	3300 2327	AR			NIPPLE, 1/4x18PTx3/8Hose
	J322 7272	1			CAP, With Anti-lock Brakes

MODEL CODES:

15 = Grand Wagoneer 4 Dr.	65 = Comanche 4WD-7 Ft. Box	77 = Cherokee 4WD-2 Dr.
25 = J-10 Pickup-119" W.B.	66 = Comanche 2WD-7 Ft. Box	78 = Cherokee 4WD-4 Dr.
26 = J-10 Pickup-131" W.B.	73 = Cherokee 2WD-2 Dr.	79 = Cherokee 4WD-4 Dr.-Com
27 = J-20 Pickup-131" W.B.	74 = Cherokee 2WD-4 Dr.	81 = Wrangler-93" W.B.
63 = Comanche 4WD-6 Ft. Box	75 = Wagoneer 4WD-4 Dr.	82 = Wrangler-103" W.B.-Exp.
64 = Comanche 2WD-6 Ft. Box		

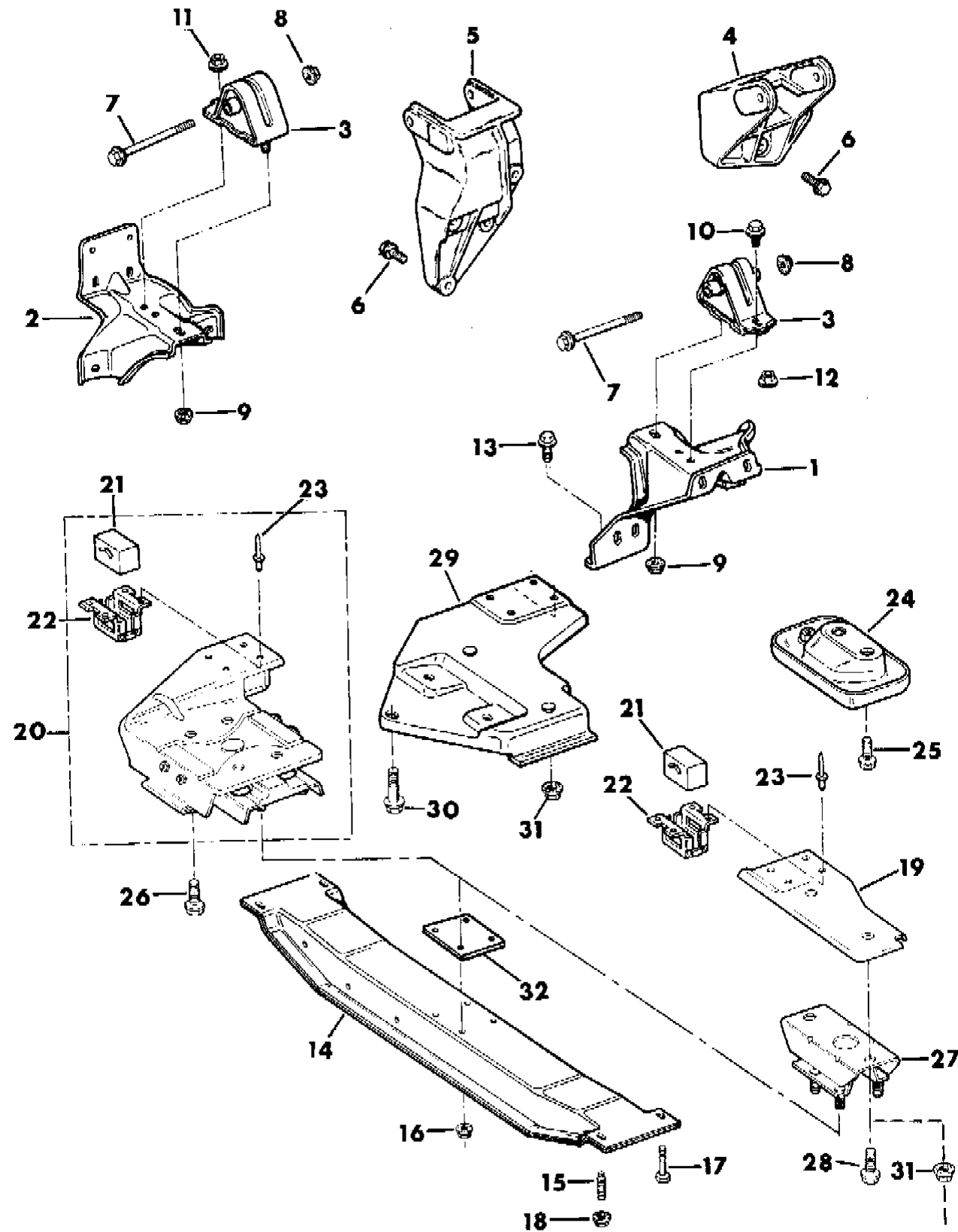
BODY STYLES:

MJ = Comanche Pickup  
 SJ = Grand Wagoneer Wgn., J-10 & J-20 Pickups  
 XJ = Cherokee, Wagoneer Limited  
 YJ = Wrangler

AR = Use as Required - = Non Illustrated Part P.A.R. = Paint as Required

**ENGINE MOUNTING 4.0L ENGINE**  
**Figure 9B-1000**

8 J 56 1000 A



ITEM	PART NUMBER	QTY	BODY	MODEL	DESCRIPTION
1	5200 2603	1			BRACKET, Engine Left
2	5200 2602	1			BRACKET, Engine Right
3	5201 9201	2			MOUNT, Engine ***
4	5200 2607	1			BRACKET, Engine Support Left
5	5200 2785	1			BRACKET, Engine Support Right
6					BOLT
	J400 7585	1			1.00"
	J400 7622	5			1.12"
7	3420 2606	2			BOLT
8	1150 2813	2			NUT
9	3420 1828	2			NUT
10	3420 1559	1			BOLT
11	1150 2812	1			NUT
12	3420 1416	3			NUT
13	3420 2472	3			BOLT
14					CROSSMEMBER, Transmission Support
	5200 2328	1			Automatic
	5200 2328	1			Type 1, Peugeot 1987-89
	5200 3929	1			Type 2, Aisin AX15 1989-90
15	3420 1710	2			STUD
16	3420 1918	4			NUT
17	3420 1540	6			BOLT, 30mm
18	1150 2812	4			NUT
19	5200 3071	1			BRACKET, Transmission Support Rear - Automatic Transmission
20	8350 5567	1			CUSHION ASSEMBLY, With Bracket - Peugeot 5 speed Manual Transmission ***
21	5300 0101	1			INSULATOR
22	5300 0104	1			BRACKET
23					RIVET
	3420 1980	4			Automatic Transmission
	3420 1629	4			Manual Transmission
24	5200 2337	1			BRACKET ASSEMBLY, Transmission Support- Automatic Transmission, 2WD ***
25	3420 1322	2			BOLT, 25mm, 2WD
26	S018 0144	4			BOLT, 75"
27					CUSHION, Transmission Support Rear
	5200 2334				Automatic Transmission

**MODEL CODES:**

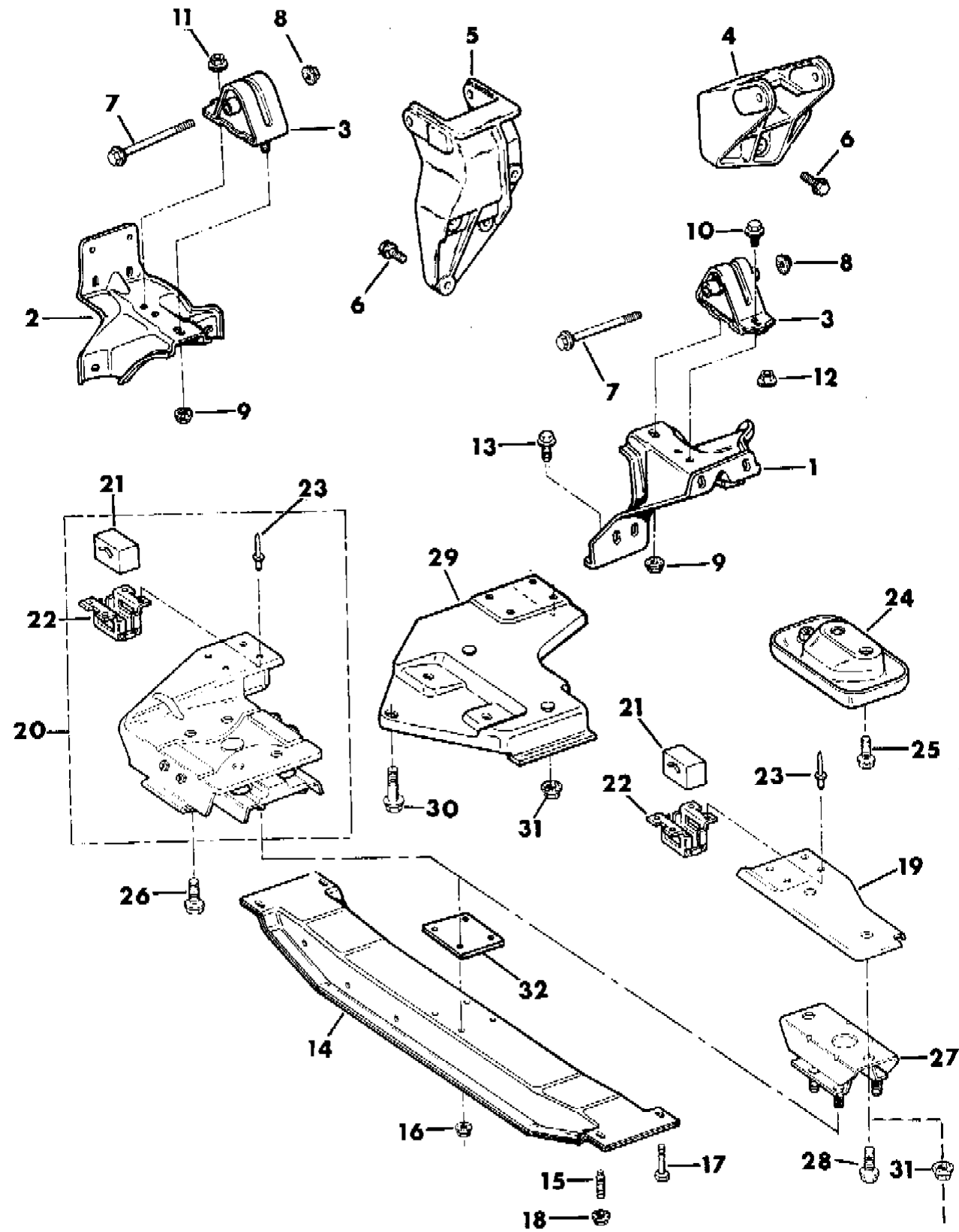
15 = Grand Wagoneer 4 Dr.	65 = Comanche 4WD-7 Ft. Box	77 = Cherokee 4WD-2 Dr.
25 = J-10 Pickup-119" W.B.	66 = Comanche 2WD-7 Ft. Box	78 = Cherokee 4WD-4 Dr.
26 = J-10 Pickup-131" W.B.	73 = Cherokee 2WD-2 Dr.	79 = Cherokee 4WD-4 Dr.-Com
27 = J-20 Pickup-131" W.B.	74 = Cherokee 2WD-4 Dr.	81 = Wrangler-93" W.B.
63 = Comanche 4WD-6 Ft. Box	75 = Wagoneer 4WD-4 Dr.	82 = Wrangler-103" W.B.-Exp.
64 = Comanche 2WD-6 Ft. Box		

**BODY STYLES:**

MJ = Comanche Pickup  
 SJ = Grand Wagoneer Wgn., J-10 & J-20 Pickups  
 XJ = Cherokee, Wagoneer Limited  
 YJ = Wrangler

AR = Use as Required - = Non Illustrated Part P.A.R. = Paint as Required

# 8 J 56 1000 A



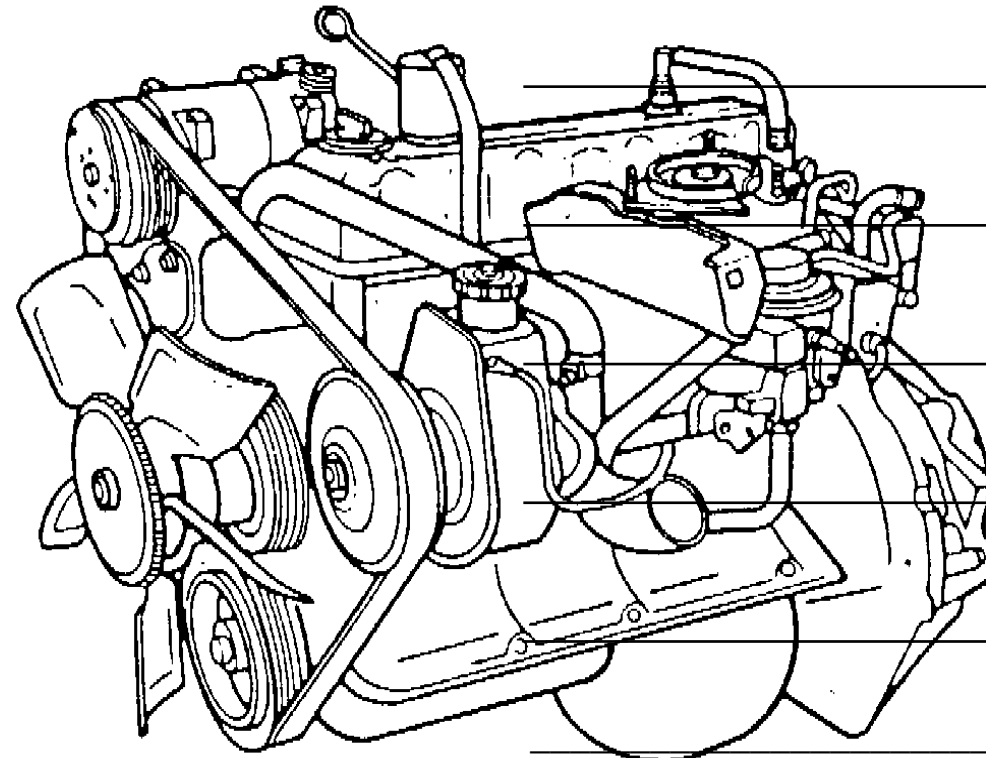
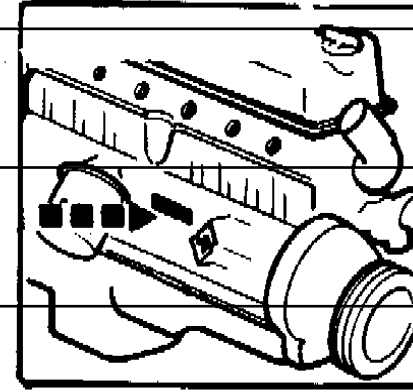
	5200 2334	1
28	3420 1322	2
29	5200 3927	1
30		
	J027 4902	4
	1150 4922	AR
31		
	1150 2812	2
	1150 2813	2
32	5200 3939	1

Manual Transmission  
 BOLT, 25mm  
 BRACKET, Transmission Support Rear, Type 2 Aisin AX15 1989/  
 90  
 BOLT  
 .75" Manual Transmission  
 .25mm Automatic Transmission  
 NUT  
 M 10x1.5 Manual Transmission  
 M 12x1.75 Automatic Transmission  
 SPACER, With Aisin AX15 Transmission

I.D. LOCATION 4.2L ENGINE  
Figure 9B-1100

8J56 1100

ITEM	PART NUMBER	QTY	BODY	MODEL	DESCRIPTION
------	-------------	-----	------	-------	-------------



MODEL CODES:

- |                             |                             |                              |
|-----------------------------|-----------------------------|------------------------------|
| 15 = Grand Wagoneer 4 Dr.   | 65 = Comanche 4WD-7 Ft. Box | 77 = Cherokee 4WD-2 Dr.      |
| 25 = J-10 Pickup-119" W.B.  | 66 = Comanche 2WD-7 Ft. Box | 78 = Cherokee 4WD-4 Dr.      |
| 26 = J-10 Pickup-131" W.B.  | 73 = Cherokee 2WD-2 Dr.     | 79 = Cherokee 4WD-4 Dr.-Com  |
| 27 = J-20 Pickup-131" W.B.  | 74 = Cherokee 2WD-4 Dr.     | 81 = Wrangler-93" W.B.       |
| 63 = Comanche 4WD-6 Ft. Box | 75 = Wagoneer 4WD-4 Dr.     | 82 = Wrangler-103" W.B.-Exp. |
| 64 = Comanche 2WD-6 Ft. Box |                             |                              |

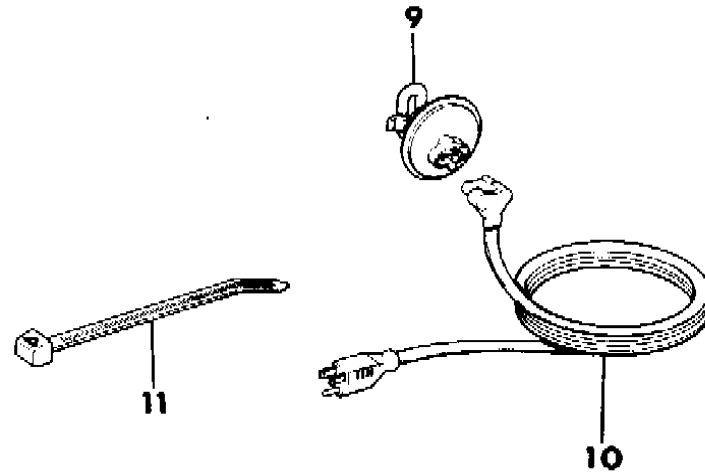
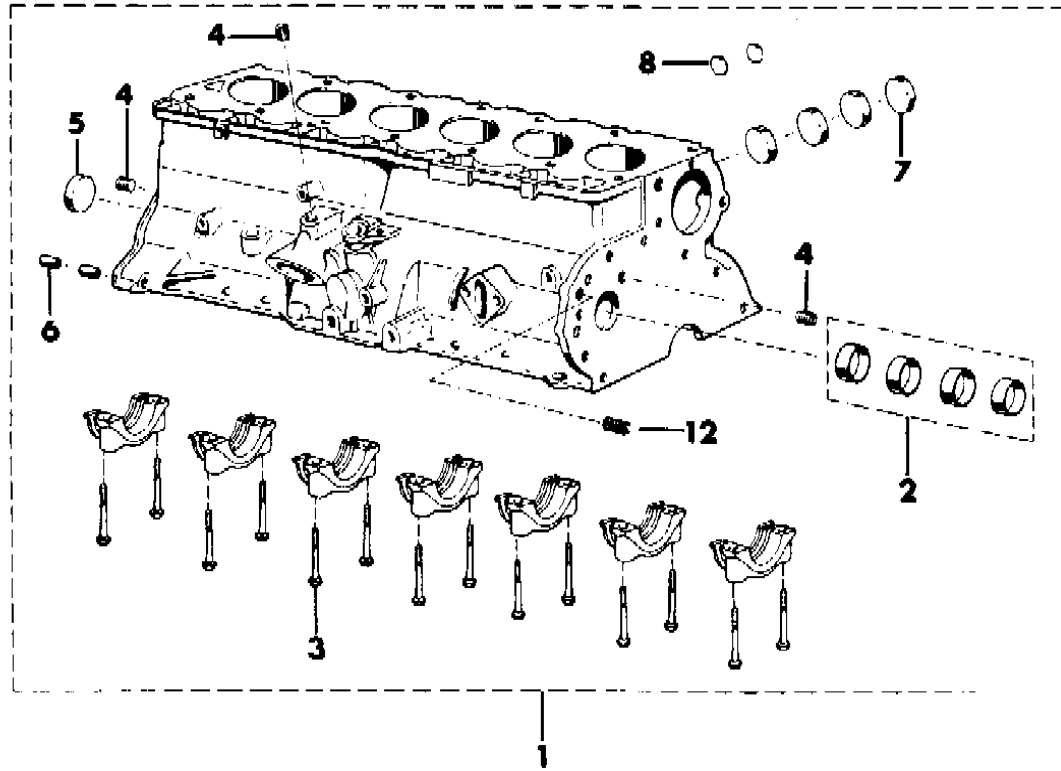
BODY STYLES:

- MJ = Comanche Pickup  
 SJ = Grand Wagoneer Wgn., J-10 & J-20 Pickups  
 XJ = Cherokee, Wagoneer Limited  
 YJ = Wrangler

AR = Use as Required - = Non Illustrated Part P.A.R. = Paint as Required

**CYLINDER BLOCK 4.2L ENGINE**  
**Figure 9B-1200**

8J56 1200



ITEM	PART NUMBER	QTY	BODY	MODEL	DESCRIPTION
					ENGINE, Short, Less Camshaft
	8350 2936	1	YJ		1987
	8350 5111	1	YJ		1988
	8350 5591	1	YJ		1989-90
	8350 3328	1	SJ		
1					BLOCK, Engine
	8350 2935	1	YJ		1987
	8350 5112	1	YJ		1988
	8350 5592	1	YJ		1989-90
	8350 3327	1	SJ		
2					BEARING PACKAGE
	J320 5711	1			Standard
	J320 8985	1			+0.010"
3	J400 6948	14			BOLT
4	J044 4660	3			PLUG
5	J317 2313	1			PLUG
6	J400 5148	2			PIN
7	J310 5394	4			PLUG 2"
8	J317 8449	2			PLUG 1"
9	5300 5197	1			HEATER, Engine Block
10	5600 1824	1	YJ		CORD, Power Supply
	J324 2324	1	SJ		
11					STRAP
	J322 3227	AR			200mm
	J369 3058	AR			300mm
	J323 0270	AR			350mm
	J323 5187	AR			450mm
12	J400 7540	1	SJ		INSERT

**MODEL CODES:**

15 = Grand Wagoneer 4 Dr.	65 = Comanche 4WD-7 Ft. Box	77 = Cherokee 4WD-2 Dr.
25 = J-10 Pickup-119" W.B.	66 = Comanche 2WD-7 Ft. Box	78 = Cherokee 4WD-4 Dr.
26 = J-10 Pickup-131" W.B.	73 = Cherokee 2WD-2 Dr.	79 = Cherokee 4WD-4 Dr.-Com
27 = J-20 Pickup-131" W.B.	74 = Cherokee 2WD-4 Dr.	81 = Wrangler-93" W.B.
63 = Comanche 4WD-6 Ft. Box	75 = Wagoneer 4WD-4 Dr.	82 = Wrangler-103" W.B.-Exp.
64 = Comanche 2WD-6 Ft. Box		

**BODY STYLES:**

MJ = Comanche Pickup  
 SJ = Grand Wagoneer Wgn., J-10 & J-20 Pickups  
 XJ = Cherokee, Wagoneer Limited  
 YJ = Wrangler

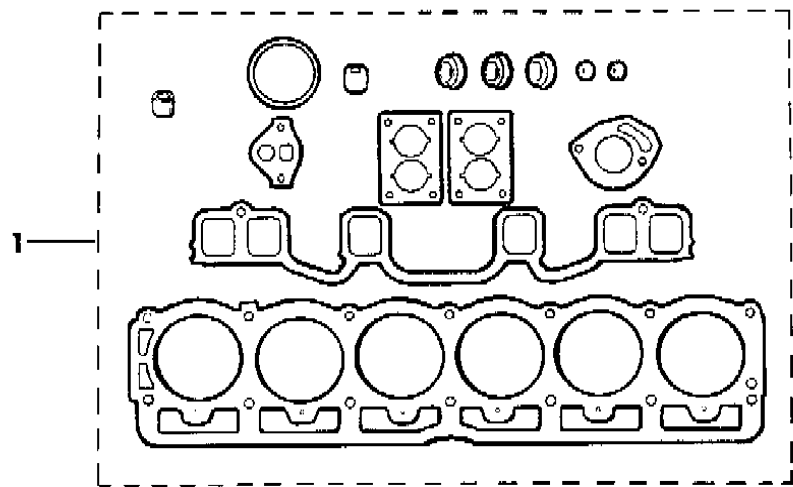
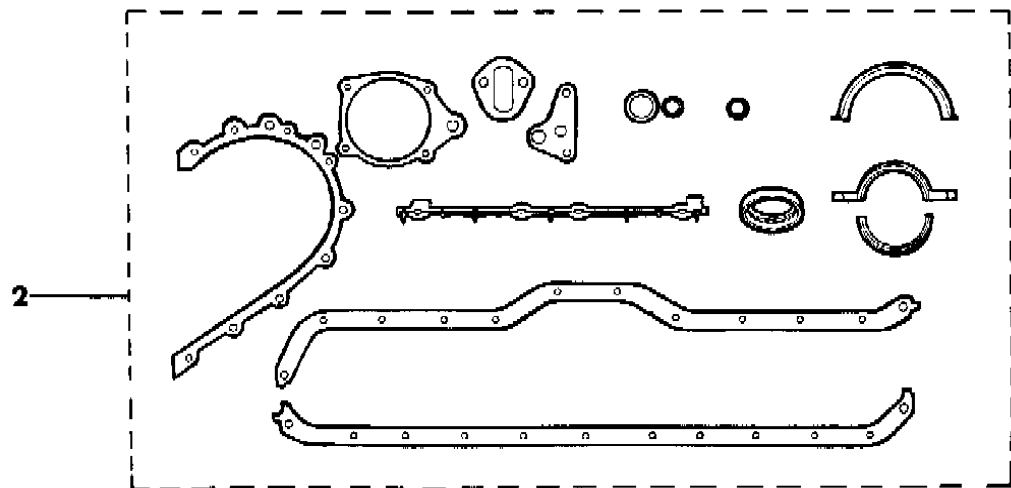
AR = Use as Required - = Non Illustrated Part P.A.R. = Paint as Required



**GASKET SET 4.2L ENGINE**  
**Figure 9B-1300**

8 J56 1300

ITEM	PART NUMBER	QTY	BODY	MODEL	DESCRIPTION
1	8350 2384				GASKET PACKAGE, Engine, Upper
2	8350 5389				GASKET PACKAGE, Engine, Lower



**MODEL CODES:**

- |                             |                             |                              |
|-----------------------------|-----------------------------|------------------------------|
| 15 = Grand Wagoneer 4 Dr.   | 65 = Comanche 4WD-7 Ft. Box | 77 = Cherokee 4WD-2 Dr.      |
| 25 = J-10 Pickup-119" W.B.  | 66 = Comanche 2WD-7 Ft. Box | 78 = Cherokee 4WD-4 Dr.      |
| 26 = J-10 Pickup-131" W.B.  | 73 = Cherokee 2WD-2 Dr.     | 79 = Cherokee 4WD-4 Dr.-Com  |
| 27 = J-20 Pickup-131" W.B.  | 74 = Cherokee 2WD-4 Dr.     | 81 = Wrangler-93" W.B.       |
| 63 = Comanche 4WD-6 Ft. Box | 75 = Wagoneer 4WD-4 Dr.     | 82 = Wrangler-103" W.B.-Exp. |
| 64 = Comanche 2WD-6 Ft. Box |                             |                              |

**BODY STYLES:**

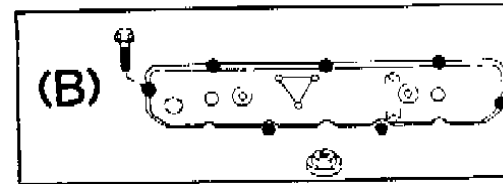
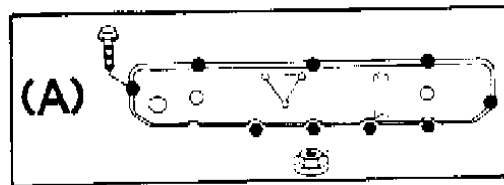
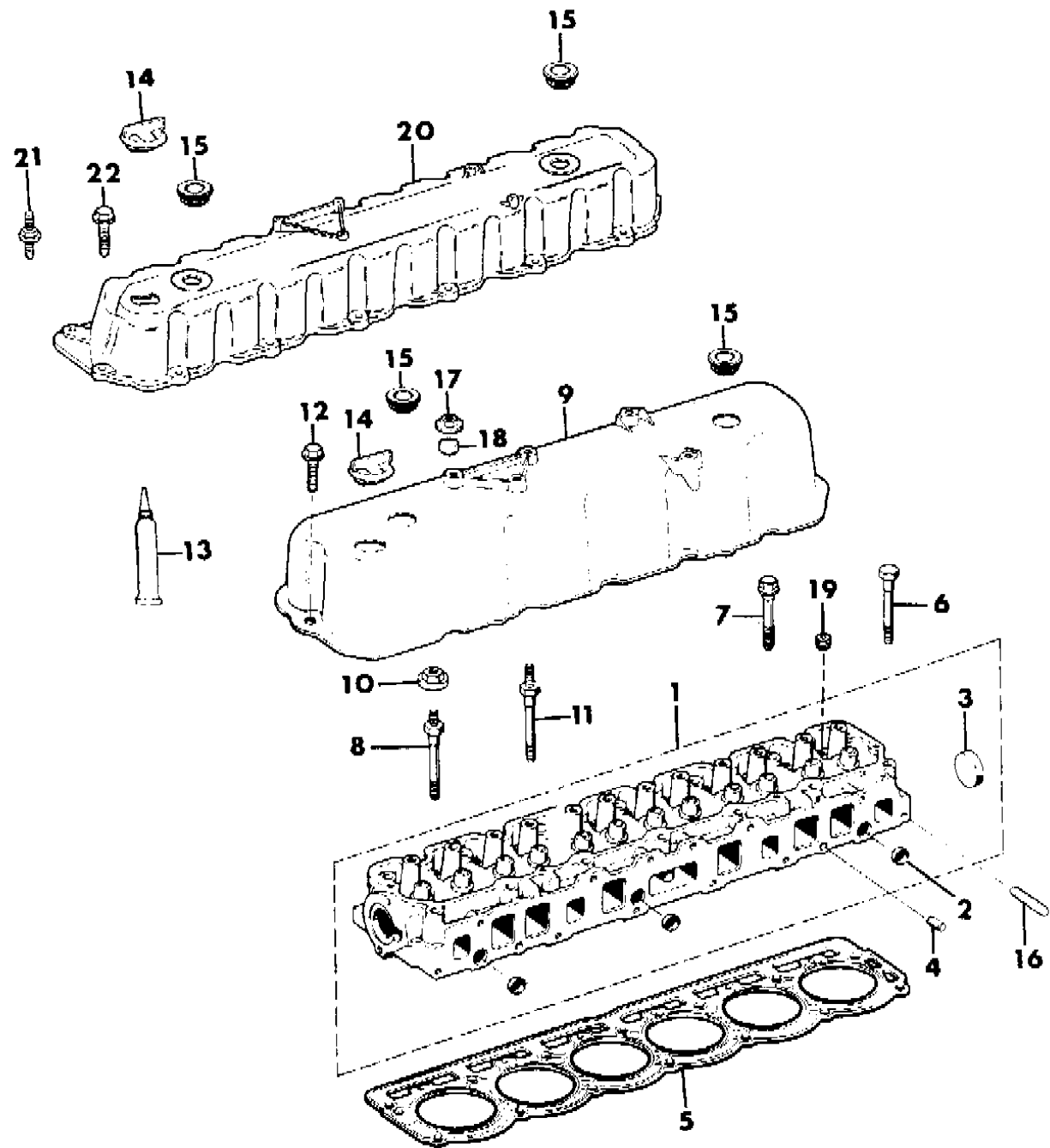
- MJ = Comanche Pickup  
 SJ = Grand Wagoneer Wgn., J-10 & J-20 Pickups  
 XJ = Cherokee, Wagoneer Limited  
 YJ = Wrangler

AR = Use as Required - = Non Illustrated Part P.A.R. = Paint as Required

# CYLINDER HEAD 4.2L ENGINE

## Figure 9B-1400

8J56 1400



ITEM	PART NUMBER	QTY	BODY	MODEL	DESCRIPTION
1					HEAD, Engine Cylinder
	8350 2372	1			1987 Use with plastic cylinder head cover #715
	8350 3322	1			1987-90 Use with aluminum cylinder head cover #661
2	J317 2319	3			PLUG
3	J310 5394	1			PLUG 2"
4	J317 2318	2			PIN
5	J322 8469	1			GASKET
6	J400 7307	2			BOLT, 4.5"
7	J400 7308	7			BOLT, 3.76"
8	J400 7310	4			BOLT, Stud - 1" Short End
9					COVER, Cylinder Head
	3300 3691	1			Inset A, Plastic
	8350 3343	1			Inset B, Plastic
10					NUT, Retainer
	8350 2989	4			Inset A
	J400 7199	2			Inset B
11	J400 7311	1			BOLT, Stud - 1.38" Short End
12					BOLT
	J400 7435	5			Inset A
	S943 2476	5			Inset B
13	J899 3317	1			GASKET, RTV Sealer
14	3300 1016	1			CAP
15					GROMMET
	J323 7765	2			.48"
	5300 0957	2			.66"
16	J400 7462	2			STUD
17	J400 6926	2			NUT, Use with plastic cylinder head cover, Inset B
18	J323 7837	2			SEAL, Use with plastic cylinder head cover, Inset B
19	J400 7434	6			PLUG
20	3300 3688	1			COVER, Cylinder Head, Aluminum
	5300 5992	1			Export
21	J400 7495	1			STUD
22	J400 7600	14			BOLT

**MODEL CODES:**

15 = Grand Wagoneer 4 Dr.	65 = Comanche 4WD-7 Ft. Box	77 = Cherokee 4WD-2 Dr.
25 = J-10 Pickup-119" W.B.	66 = Comanche 2WD-7 Ft. Box	78 = Cherokee 4WD-4 Dr.
26 = J-10 Pickup-131" W.B.	73 = Cherokee 2WD-2 Dr.	79 = Cherokee 4WD-4 Dr.-Com
27 = J-20 Pickup-131" W.B.	74 = Cherokee 2WD-4 Dr.	81 = Wrangler-93" W.B.
63 = Comanche 4WD-6 Ft. Box	75 = Wagoneer 4WD-4 Dr.	82 = Wrangler-103" W.B.-Exp.
64 = Comanche 2WD-6 Ft. Box		

**BODY STYLES:**

MJ = Comanche Pickup  
 SJ = Grand Wagoneer Wgn., J-10 & J-20 Pickups  
 XJ = Cherokee, Wagoneer Limited  
 YJ = Wrangler

AR = Use as Required - = Non Illustrated Part P.A.R. = Paint as Required

# CRANKSHAFT AND PISTON 4.2L ENGINE

Figure 9B-1500

8 J56 1500

ITEM	PART NUMBER	QTY	BODY	MODEL	DESCRIPTION
1					CRANKSHAFT PACKAGE ***
	J813 3741	1	YJ		2.48" Nose, For Engine No. 1 Thru 608C10
	8350 3326	1	YJ,SJ		2.06" Nose, Engine No. 608C11 Thru ...
2	J320 5331	1			SEAL PACKAGE
3					FLYWHEEL, Manual Transmission ***
	J324 0094	1			1987
	3300 4435	1	SJ		1988
	3300 2672	1	YJ		1988-90
4	J317 9741	1			GEAR, Ring - ManualTransmission
5	J317 0524	6			BOLT, Manual Transmission
6	3300 4041	1			BEARING, Pilot - Manual Transmission
7	3300 4107	1			SPROCKET, Crankshaft
8	J323 7196	1			DAMPER, w/V-Belt Drive
9	J323 7723	1			DAMPER, w/Serpentine Belt Drive
10	J310 7234	1			KEY, Shaft
11	J310 7002	1			KEY, Shaft
12					BOLT
	S018 1698	1	YJ		1.25"
	S942 4033	1	YJ,SJ		1.62"
13	J323 0155	1			WASHER
14					PULLEY, Crankshaft
	J322 4690	1			w/o Factory Air, w/V-Belt Drive
	J322 4692	1			Factory Air, w/V-Belt Drive
	J812 6188	1			"American Air", w/V-Belt Drive
15	S017 9814	3			BOLT, w/V-Belt Drive
16	J012 0214	3			WASHER, w/V-Belt Drive
17	J317 3076	1			SLINGER, Oil
18					BEARING PACKAGE, Main ***
	J813 3252	6			Standard
	J813 3680	6			-.001"
	J813 3682	6			-.002"
	J813 3254	6			-.010
	J813 3684	6			-.012
19					BEARING PACKAGE, Main
	J813 3253	1			Standard
	J813 3681	1			-.001
	J813 3683	1			-.002

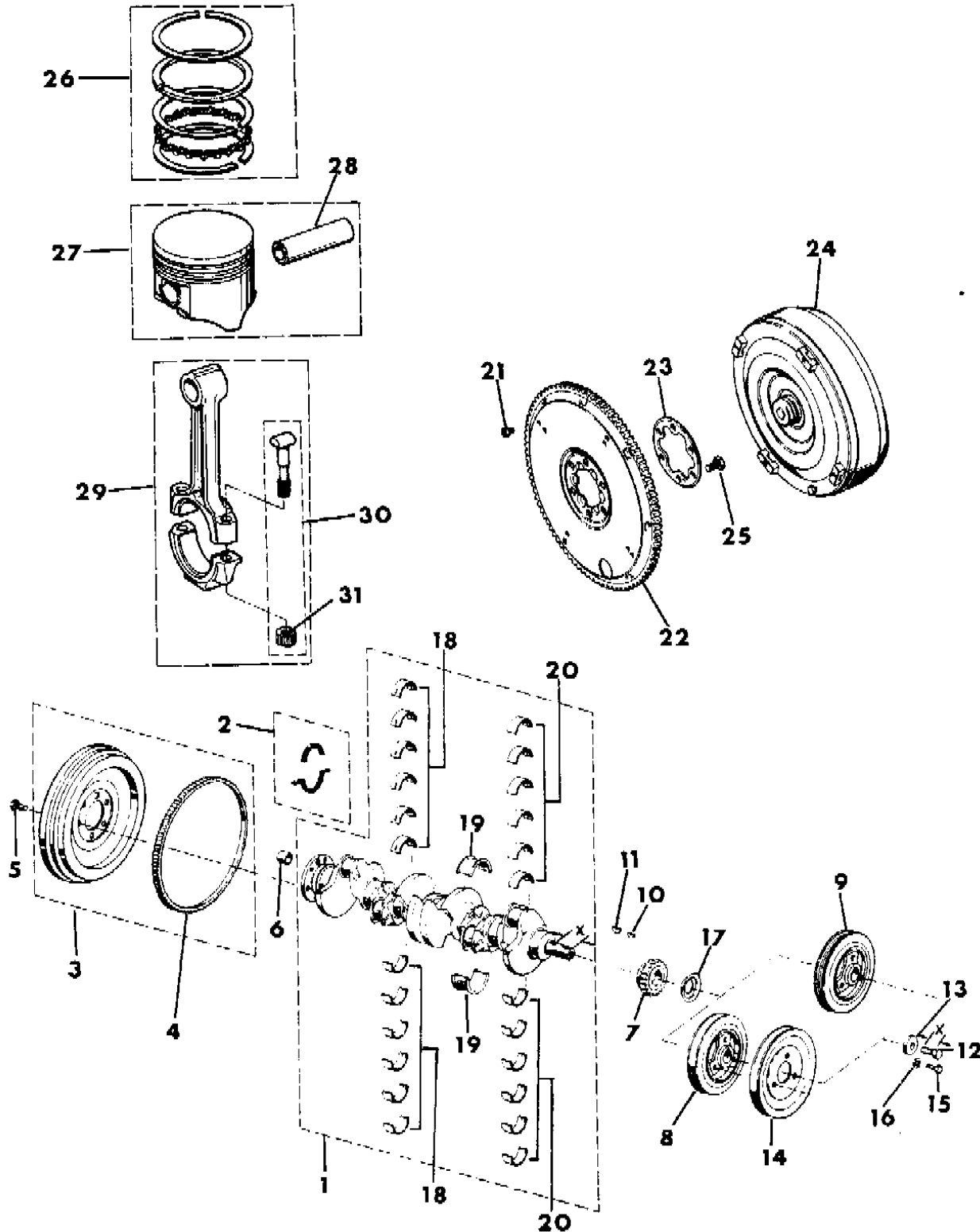
MODEL CODES:

15 = Grand Wagoneer 4 Dr.	65 = Comanche 4WD-7 Ft. Box	77 = Cherokee 4WD-2 Dr.
25 = J-10 Pickup-119" W.B.	66 = Comanche 2WD-7 Ft. Box	78 = Cherokee 4WD-4 Dr.
26 = J-10 Pickup-131" W.B.	73 = Cherokee 2WD-2 Dr.	79 = Cherokee 4WD-4 Dr.-Com
27 = J-20 Pickup-131" W.B.	74 = Cherokee 2WD-4 Dr.	81 = Wrangler-93" W.B.
63 = Comanche 4WD-6 Ft. Box	75 = Wagoneer 4WD-4 Dr.	82 = Wrangler-103" W.B.-Exp.
64 = Comanche 2WD-6 Ft. Box		

BODY STYLES:

MJ = Comanche Pickup
SJ = Grand Wagoneer Wgn., J-10 & J-20 Pickups
XJ = Cherokee, Wagoneer Limited
YJ = Wrangler

AR = Use as Required - = Non Illustrated Part P.A.R. = Paint as Required



# CRANKSHAFT AND PISTON 4.2L ENGINE

Figure 9B-1500

8 J56 1500

ITEM	PART NUMBER	QTY	BODY	MODEL	DESCRIPTION
	J813 3255	1			-.010
	J813 3685	1			-.012
20	J812 6204	6			BEARING PACKAGE, Rods Standard
	J812 6205	6			-.001
	J812 6206	6			-.002
	J812 6207	6			-.010
	J812 6208	6			-.012
21	J321 4097	4			BOLT
22	J323 2138	1			PLATE, Converter 1987
	3300 4359	1			1988/
23	J321 4094	1			REINFORCEMENT
24	JR77 5134	1			CONVERTER, Torque 4.2L Engine Remanufactured
	5300 4910	1			Up to 11-29-89
	4412 923	1			After 11-29-89
25	J315 1407	6			BOLT
26	8350 6383	1			RING PACKAGE, Piston *** Standard
	8350 6384	1			+.010
27	4762 940	6			PISTON PACKAGE, Standard *** Size 'B' 3.7492 - 3.7496"
	4762 942	6			Size 'C' 3.7496 - 3.7500"
	4762 943	6			Size 'D' 3.7500 - 3.7504"
	J813 4442	6			+.010" O/Size
28	J318 0483	6			PIN, Piston Standard
	8350 0303	6			+.003
	8350 0304	6			+.005
29	J323 7812	6			ROD, Connecting
30	J813 3824	12			BOLT PACKAGE
31	J400 6385	12			NUT

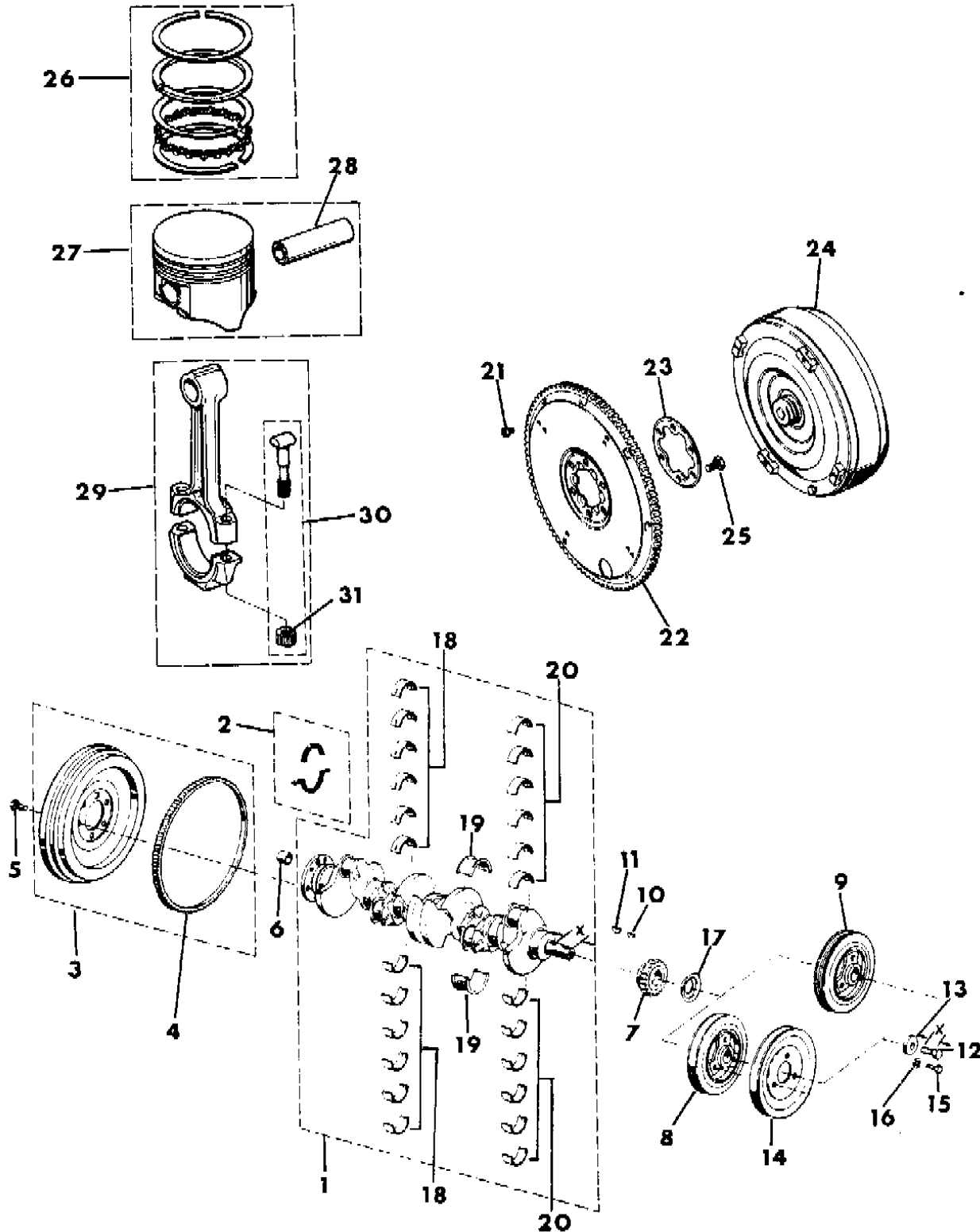
MODEL CODES:

15 = Grand Wagoneer 4 Dr.	65 = Comanche 4WD-7 Ft. Box	77 = Cherokee 4WD-2 Dr.
25 = J-10 Pickup-119" W.B.	66 = Comanche 2WD-7 Ft. Box	78 = Cherokee 4WD-4 Dr.
26 = J-10 Pickup-131" W.B.	73 = Cherokee 2WD-2 Dr.	79 = Cherokee 4WD-4 Dr.-Com
27 = J-20 Pickup-131" W.B.	74 = Cherokee 2WD-4 Dr.	81 = Wrangler-93" W.B.
63 = Comanche 4WD-6 Ft. Box	75 = Wagoneer 4WD-4 Dr.	82 = Wrangler-103" W.B.-Exp.
64 = Comanche 2WD-6 Ft. Box		

BODY STYLES:

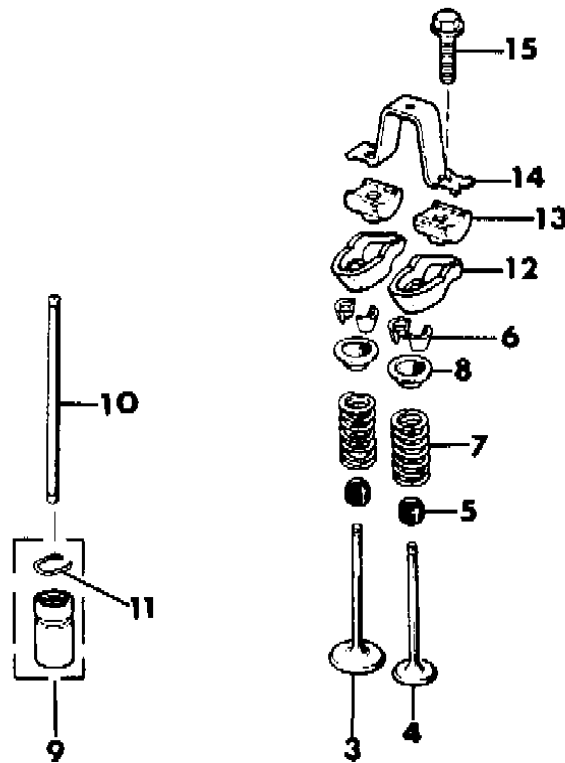
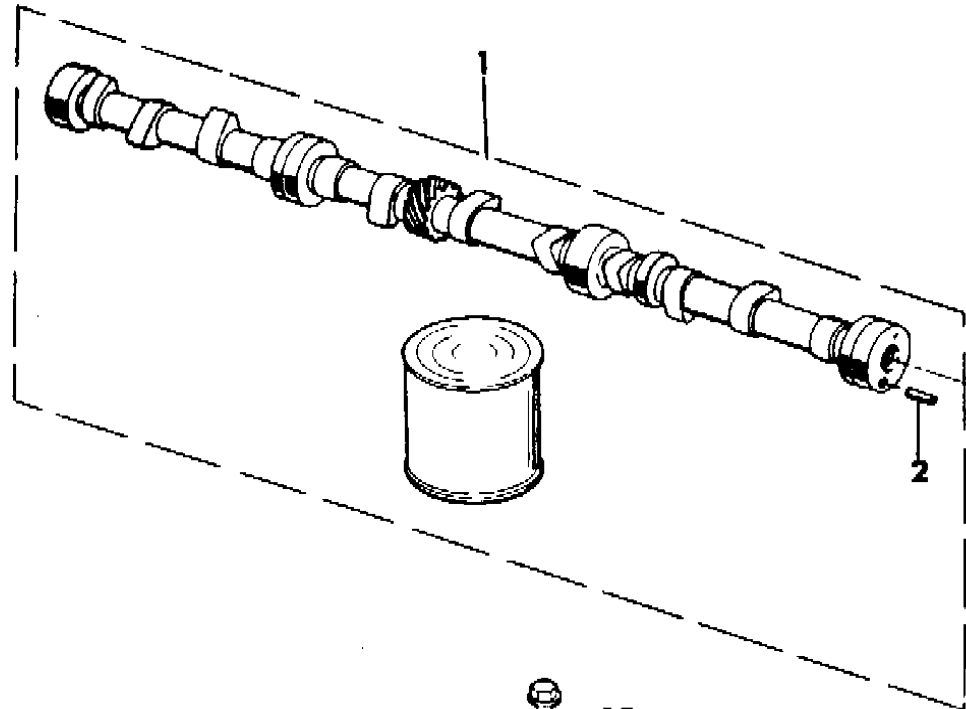
MJ = Comanche Pickup
SJ = Grand Wagoneer Wgn., J-10 & J-20 Pickups
XJ = Cherokee, Wagoneer Limited
YJ = Wrangler

AR = Use as Required - = Non Illustrated Part P.A.R. = Paint as Required



**CAMSHAFT AND VALVE 4.2L ENGINE**  
**Figure 9B-1600**

8J56 1600



ITEM	PART NUMBER	QTY	BODY	MODEL	DESCRIPTION
1	J813 3009	1			CAMSHAFT
2	J045 6384	1			PIN
3					VALVE, Intake
	J324 0768	6			Standard
	J324 0166	6			+0.003"
	J324 0167	6			+0.015"
4					VALVE, Exhaust
	J324 0767	6			Standard
	J324 0163	6			+0.003"
	J324 0164	6			+0.015"
5					SEAL, Valve Stem
	J321 8976	12			Standard
	J321 8976	12			+0.003"
	J321 8977	12			+0.015"
6	J318 0458	24			KEEPER
7	J322 8192	12			SPRING
8	3300 3180	12			RETAINER
9	J322 2276	12			TAPPET
10					PUSHROD
	J324 2395	12	YJ,SJ		1988
	3300 4853	12	YJ		1989-90
11	J644 0614	12			RING
12	J324 2393	12			ARM, Valve Rocker
13	J323 5090	12			PIVOT
14	J323 6513	6			BRIDGE
15	J812 0512	12			BOLT

**MODEL CODES:**

15 = Grand Wagoneer 4 Dr.	65 = Comanche 4WD-7 Ft. Box	77 = Cherokee 4WD-2 Dr.
25 = J-10 Pickup-119" W.B.	66 = Comanche 2WD-7 Ft. Box	78 = Cherokee 4WD-4 Dr.
26 = J-10 Pickup-131" W.B.	73 = Cherokee 2WD-2 Dr.	79 = Cherokee 4WD-4 Dr.-Com
27 = J-20 Pickup-131" W.B.	74 = Cherokee 2WD-4 Dr.	81 = Wrangler-93" W.B.
63 = Comanche 4WD-6 Ft. Box	75 = Wagoneer 4WD-4 Dr.	82 = Wrangler-103" W.B.-Exp.
64 = Comanche 2WD-6 Ft. Box		

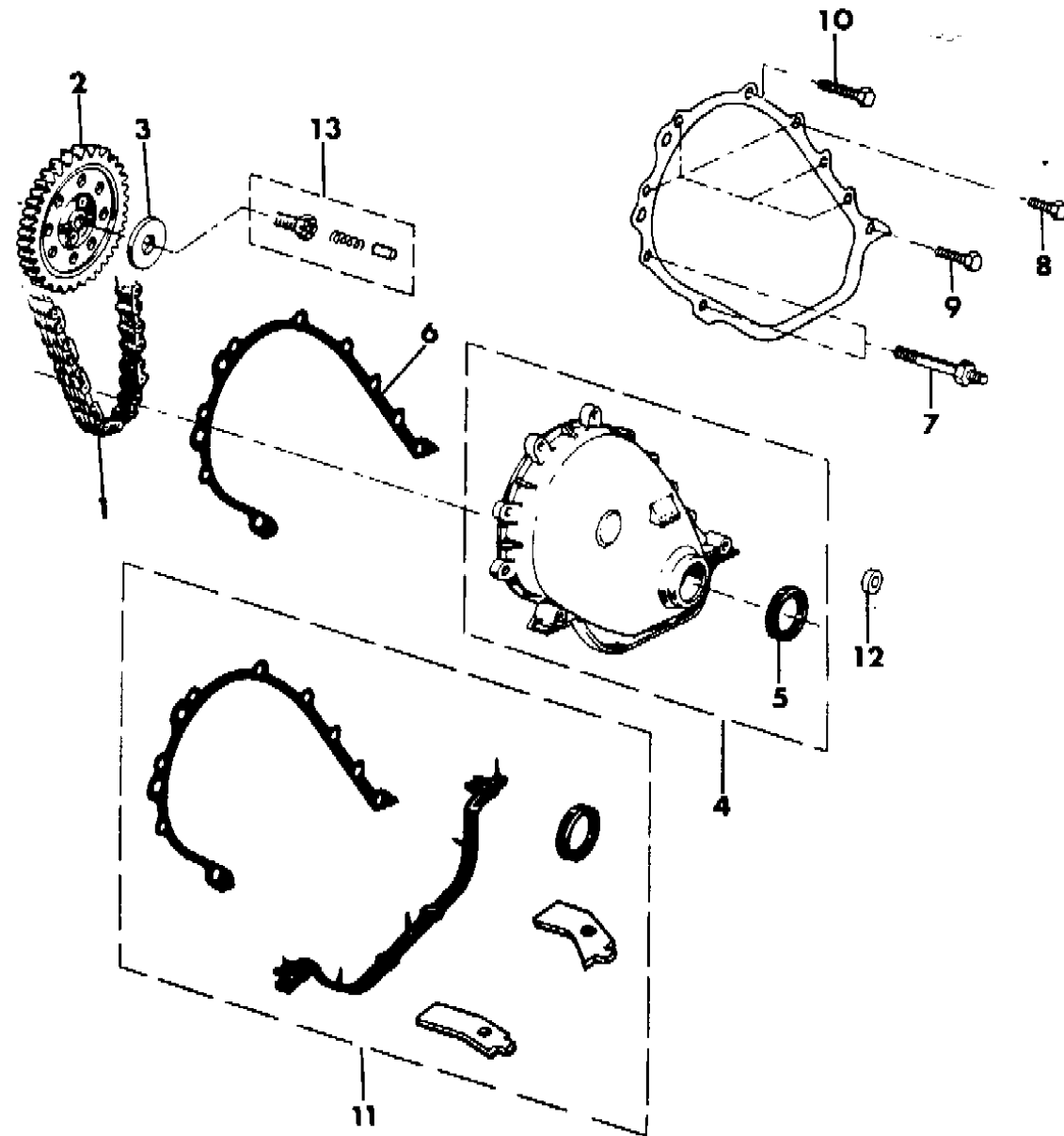
**BODY STYLES:**

MJ = Comanche Pickup  
 SJ = Grand Wagoneer Wgn., J-10 & J-20 Pickups  
 XJ = Cherokee, Wagoneer Limited  
 YJ = Wrangler

AR = Use as Required - = Non Illustrated Part P.A.R. = Paint as Required

**TIMING COVER 4.2L ENGINE**  
**Figure 9B-1700**

8J56 1700



ITEM	PART NUMBER	QTY	BODY	MODEL	DESCRIPTION
1	J324 0502	1			CHAIN, Timing
2	J320 6693	1			SPROCKET, Camshaft
3	J317 3284	1			WASHER
4	5300 5769	1			COVER, Timing Case
5	3300 4681	1			SEAL
6	J322 5187	1			GASKET
7	J400 7154	AR	YJ		BOLT, Stud
	J400 6973	AR	SJ		
8	J400 6906	5			BOLT, .75"
9	6034 914	1			BOLT, 1.12"
10	J400 7566	AR			BOLT, 1.88"
11	J812 9097	1			GASKET PACKAGE
12	3420 2521	1			SPACER
13	8350 2890	1			PIN PACKAGE

**MODEL CODES:**

15 = Grand Wagoneer 4 Dr.	65 = Comanche 4WD-7 Ft. Box	77 = Cherokee 4WD-2 Dr.
25 = J-10 Pickup-119" W.B.	66 = Comanche 2WD-7 Ft. Box	78 = Cherokee 4WD-4 Dr.
26 = J-10 Pickup-131" W.B.	73 = Cherokee 2WD-2 Dr.	79 = Cherokee 4WD-4 Dr.-Com
27 = J-20 Pickup-131" W.B.	74 = Cherokee 2WD-4 Dr.	81 = Wrangler-93" W.B.
63 = Comanche 4WD-6 Ft. Box	75 = Wagoneer 4WD-4 Dr.	82 = Wrangler-103" W.B.-Exp.
64 = Comanche 2WD-6 Ft. Box		

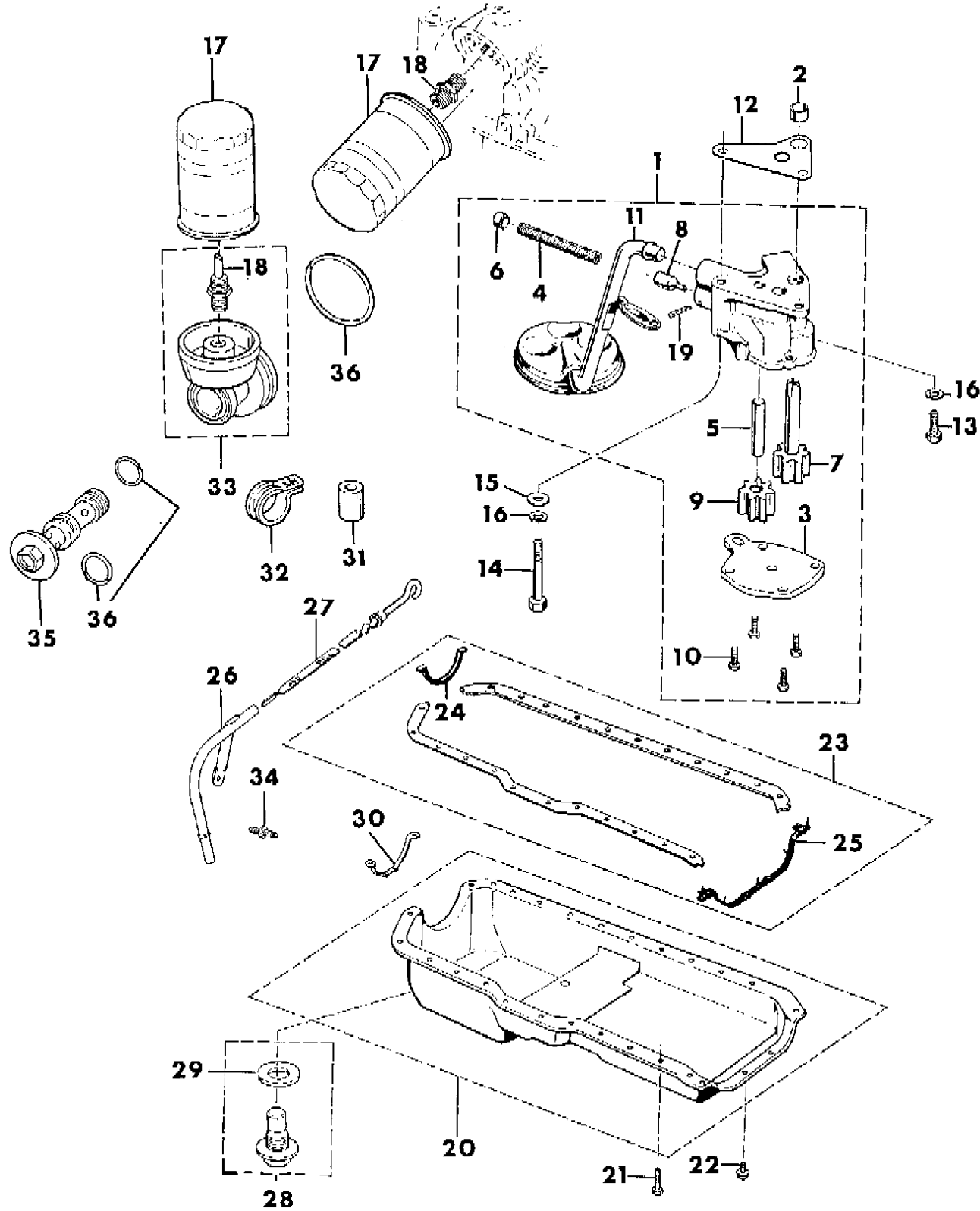
**BODY STYLES:**

MJ = Comanche Pickup  
 SJ = Grand Wagoneer Wgn., J-10 & J-20 Pickups  
 XJ = Cherokee, Wagoneer Limited  
 YJ = Wrangler

AR = Use as Required - = Non Illustrated Part P.A.R. = Paint as Required

**ENGINE OILING 4.2L ENGINE**  
**Figure 9B-1800**

8J56 1800A



ITEM	PART NUMBER	QTY	BODY	MODEL	DESCRIPTION
1	J324 2141	1			PUMP, Engine Oil
2	J400 5149	1			PIN
3	J324 1733	1			COVER, Oil Pump
4	J323 9668	1			SPRING
5	J317 1956	1			SHAFT, Oil Pump Gear
6	J317 1958	1			RETAINER
7	J317 2334	1			GEAR, Oil Pump Drive
8					PLUNGER
	J318 8661	1			Standard
	J324 1676	1			+0.010"
9	J319 6843	1			GEAR, Oil Pump Driven
10	J812 2990	4			SCREW, 1988-89
	J941 6852	4			1990
11	J324 2140	1			TUBE, Oil Pump Inlet
12	J317 2332	1			GASKET
13	J018 0078	1			BOLT
14	J943 7670	1			BOLT
15	J012 0393	1			WASHER
16	J012 0214	2			WASHER, Lock
17	3300 4195	1			FILTER, Engine Oil
18	3300 3538	1	YJ		CONNECTOR
	3300 4125	1	SJ		
19	S010 8635	1			PIN, Cotter
20					PAN, Engine Oil
	J324 3152	1			1987-89
	5300 7839	1			1990
21	J400 7617	23			SCREW, .56" Long
	6034 914	1			BOLT, 1.12" Long
22	J400 7614	4	YJ		SCREW
	J400 6297	4	SJ		
23	8350 4662	1			GASKET PACKAGE
24	3300 4733	1			SEAL
25	8350 4654	1			SEAL
26					TUBE, Engine Oil Indicator
	3300 3656	1	YJ		
	J324 2449	1	SJ		
27					INDICATOR, Engine Oil Level

**MODEL CODES:**

15 = Grand Wagoneer 4 Dr.	65 = Comanche 4WD-7 Ft. Box	77 = Cherokee 4WD-2 Dr.
25 = J-10 Pickup-119" W.B.	66 = Comanche 2WD-7 Ft. Box	78 = Cherokee 4WD-4 Dr.
26 = J-10 Pickup-131" W.B.	73 = Cherokee 2WD-2 Dr.	79 = Cherokee 4WD-4 Dr.-Com
27 = J-20 Pickup-131" W.B.	74 = Cherokee 2WD-4 Dr.	81 = Wrangler-93" W.B.
63 = Comanche 4WD-6 Ft. Box	75 = Wagoneer 4WD-4 Dr.	82 = Wrangler-103" W.B.-Exp.
64 = Comanche 2WD-6 Ft. Box		

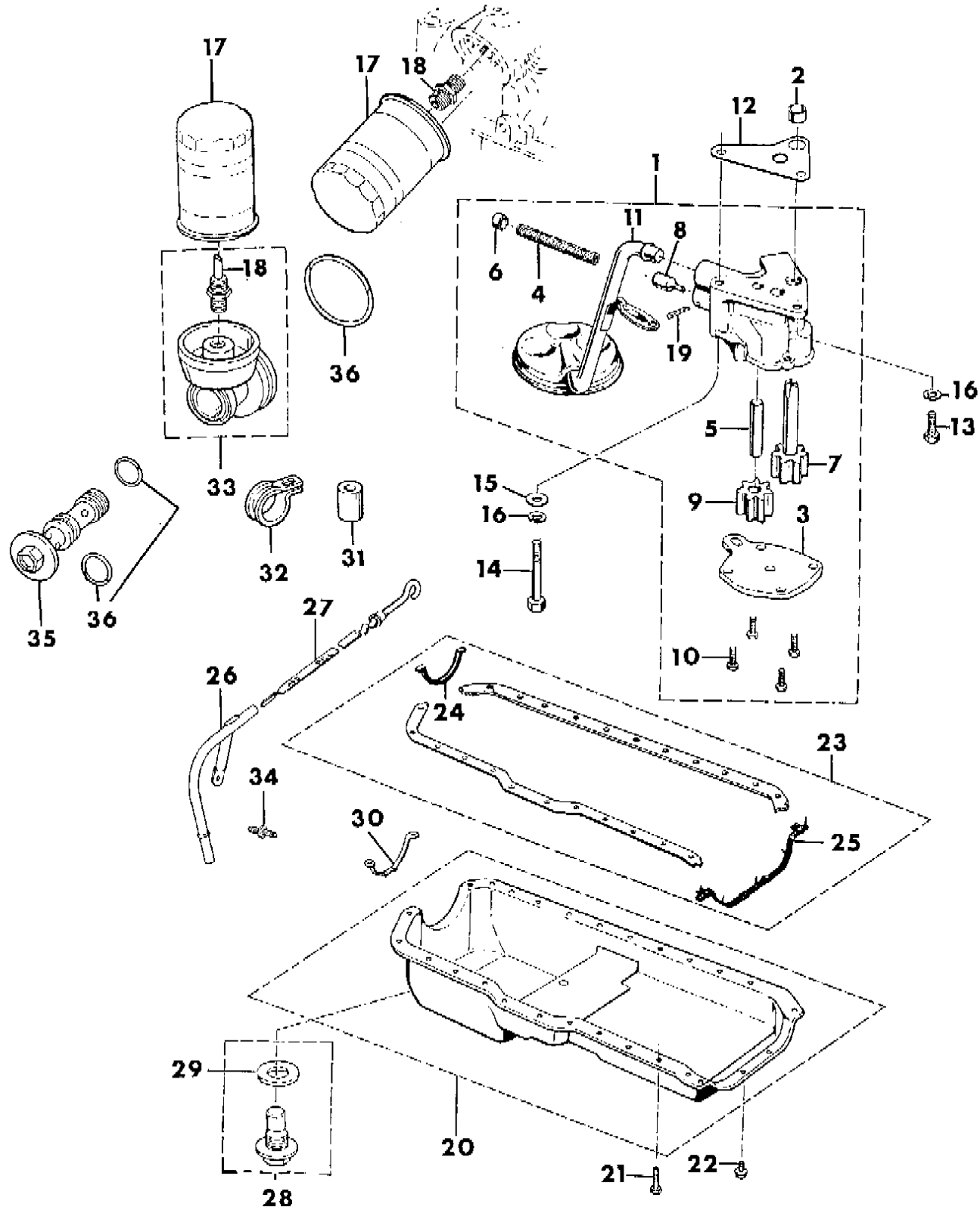
**BODY STYLES:**

MJ = Comanche Pickup  
 SJ = Grand Wagoneer Wgn., J-10 & J-20 Pickups  
 XJ = Cherokee, Wagoneer Limited  
 YJ = Wrangler

AR = Use as Required - = Non Illustrated Part P.A.R. = Paint as Required

ENGINE OILING 4.2L ENGINE  
Figure 9B-1800

8J56 1800A



ITEM	PART NUMBER	QTY	BODY	MODEL	DESCRIPTION
	3300 3875	1	YJ		1987
	3300 4796	1	YJ		1988-90
	J324 2441	1	SJ		
28	8350 1425	1			PLUG PACKAGE
29	J324 3136	1			GASKET
30	J324 3116	1			SUPPORT
31	3420 2601	1			SPACER
32	J012 0522	1			CLIP
33	3300 2787	1	SJ		ADAPTER, Oil Filter
34	J400 7448	1			STUD
35	3300 2700	1	SJ		BOLT
36			SJ		O-RING
	3300 2970	1			.80"
	3300 2971	1			1.30"
	3300 2972	1			2.48"

MODEL CODES:

15 = Grand Wagoneer 4 Dr.	65 = Comanche 4WD-7 Ft. Box	77 = Cherokee 4WD-2 Dr.
25 = J-10 Pickup-119" W.B.	66 = Comanche 2WD-7 Ft. Box	78 = Cherokee 4WD-4 Dr.
26 = J-10 Pickup-131" W.B.	73 = Cherokee 2WD-2 Dr.	79 = Cherokee 4WD-4 Dr.-Com
27 = J-20 Pickup-131" W.B.	74 = Cherokee 2WD-4 Dr.	81 = Wrangler-93" W.B.
63 = Comanche 4WD-6 Ft. Box	75 = Wagoneer 4WD-4 Dr.	82 = Wrangler-103" W.B.-Exp.
64 = Comanche 2WD-6 Ft. Box		

BODY STYLES:

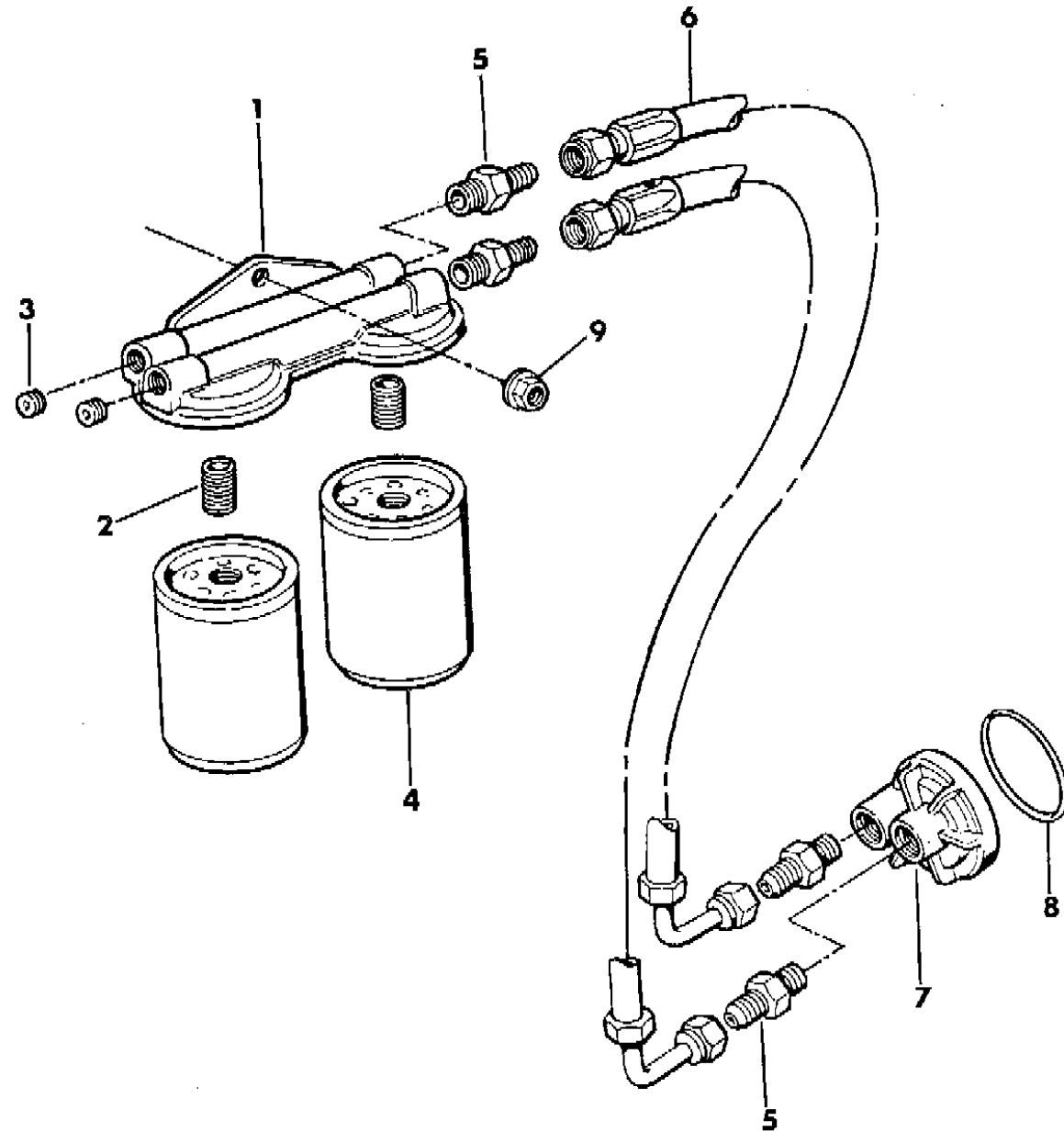
MJ = Comanche Pickup  
SJ = Grand Wagoneer Wgn., J-10 & J-20 Pickups  
XJ = Cherokee, Wagoneer Limited  
YJ = Wrangler

AR = Use as Required - = Non Illustrated Part P.A.R. = Paint as Required



OIL FILTER, REMOTE 4.2L ENGINE WRANGLER KDX  
Figure 9B-1850

8 J56 1850



ITEM	PART NUMBER	QTY	BODY	MODEL	DESCRIPTION
1					BASE
	J805 1353	1			1987-89
	5302 0097	1			1990
2					NIPPLE
	J805 1354	2			1987-89
	5302 0098	1			1990
3					PLUG
	J805 1412	2			1987-89
	5302 0099	2			1990
4	J805 1330	2			FILTER, Engine Oil
5	J805 3020	4			FITTING ***
6	J805 3016	2			HOSE
7					ADAPTER
	J805 1351	1			1987-89
	5302 0095	1			1990
8					O-RING
	J805 1352	1			1987-89
	5302 0096	1			1990
9	J012 0376	1			NUT

MODEL CODES:

15 = Grand Wagoneer 4 Dr.	65 = Comanche 4WD-7 Ft. Box	77 = Cherokee 4WD-2 Dr.
25 = J-10 Pickup-119" W.B.	66 = Comanche 2WD-7 Ft. Box	78 = Cherokee 4WD-4 Dr.
26 = J-10 Pickup-131" W.B.	73 = Cherokee 2WD-2 Dr.	79 = Cherokee 4WD-4 Dr.-Com
27 = J-20 Pickup-131" W.B.	74 = Cherokee 2WD-4 Dr.	81 = Wrangler-93" W.B.
63 = Comanche 4WD-6 Ft. Box	75 = Wagoneer 4WD-4 Dr.	82 = Wrangler-103" W.B.-Exp.
64 = Comanche 2WD-6 Ft. Box		

BODY STYLES:

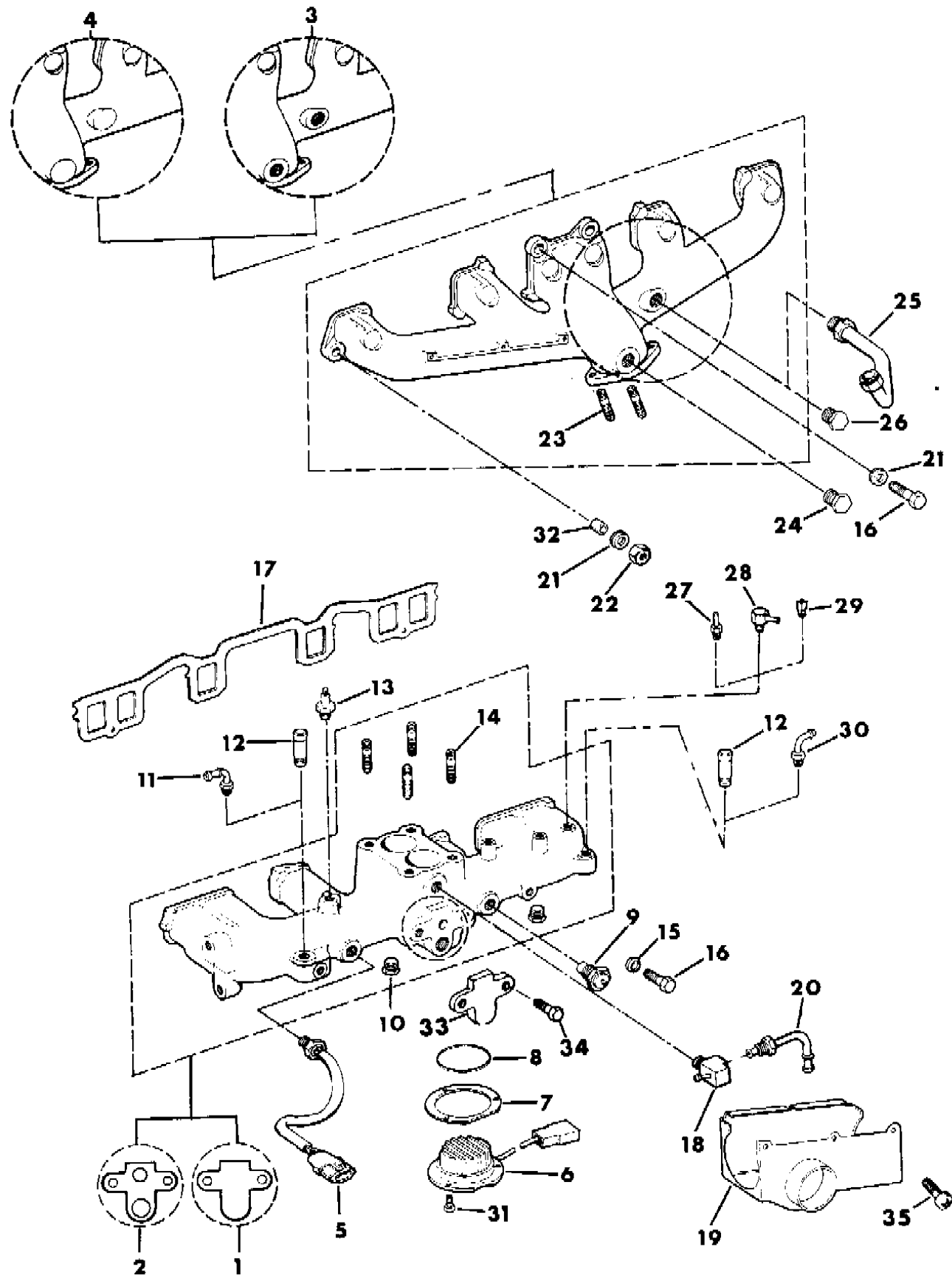
MJ = Comanche Pickup  
SJ = Grand Wagoneer Wgn., J-10 & J-20 Pickups  
XJ = Cherokee, Wagoneer Limited  
YJ = Wrangler

AR = Use as Required - = Non Illustrated Part P.A.R. = Paint as Required

# MANIFOLD - INTAKE AND EXHAUST 4.2L ENGINE

## Figure 9B-1900

8 J56 1900



ITEM	PART NUMBER	QTY	BODY	MODEL	DESCRIPTION
1	3300 0337	1			MANIFOLD, Intake - Export
2	8350 0204	1			MANIFOLD, Intake
3	J323 7426	1			MANIFOLD, Exhaust
4	3300 0584	1			MANIFOLD, Exhaust - Export
5	3300 1979	1			SWITCH, Coolant Temperature FFB
6	J324 2601	1			HEATER, Early Fuel Evaporation
7	J323 8909	1			GASKET
8	J420 0431	1			O-RING
9	J324 2321	1			SWITCH, Early Fuel Evaporation
10	S940 9961	2			PLUG
11	J324 0081	1	YJ		ELBOW
12	3200 2591	2			NIPPLE
13	5300 5278	1			SENSOR, Knock
14	J400 6722	4			STUD
15	3300 4255	8			WASHER, Clamp
16	J018 6622	10			BOLT
17	J324 2855	1			GASKET
18	J323 9145	1			FITTING
19	J323 8506	1			SHROUD, Exhaust Manifold
20	J322 9170	1	YJ		TUBE, Vacuum
	J536 2870	1	SJ		
21	J317 3077	4			WASHER
22	J535 1688	2			NUT
23	J400 6547	2			STUD
24	J420 0413	1			PLUG
25	J324 1722	1			TUBE, EGR
26	J063 9979	1			PLUG
27	5300 2726	1			FITTING
28	J323 9146	1			FITTING
29	J010 3877	1			PLUG
30	3300 2501	1	YJ		ELBOW
31	J018 0016	3			BOLT
32	3300 4026	1			SPACER
33	J321 9665	1	SJ		COVER, EGR Port NRM
34	J027 3573	2	SJ		BOLT
35	J011 1030	3			SCREW

**MODEL CODES:**

15 = Grand Wagoneer 4 Dr.	65 = Comanche 4WD-7 Ft. Box	77 = Cherokee 4WD-2 Dr.
25 = J-10 Pickup-119" W.B.	66 = Comanche 2WD-7 Ft. Box	78 = Cherokee 4WD-4 Dr.
26 = J-10 Pickup-131" W.B.	73 = Cherokee 2WD-2 Dr.	79 = Cherokee 4WD-4 Dr.-Com
27 = J-20 Pickup-131" W.B.	74 = Cherokee 2WD-4 Dr.	81 = Wrangler-93" W.B.
63 = Comanche 4WD-6 Ft. Box	75 = Wagoneer 4WD-4 Dr.	82 = Wrangler-103" W.B.-Exp.
64 = Comanche 2WD-6 Ft. Box		

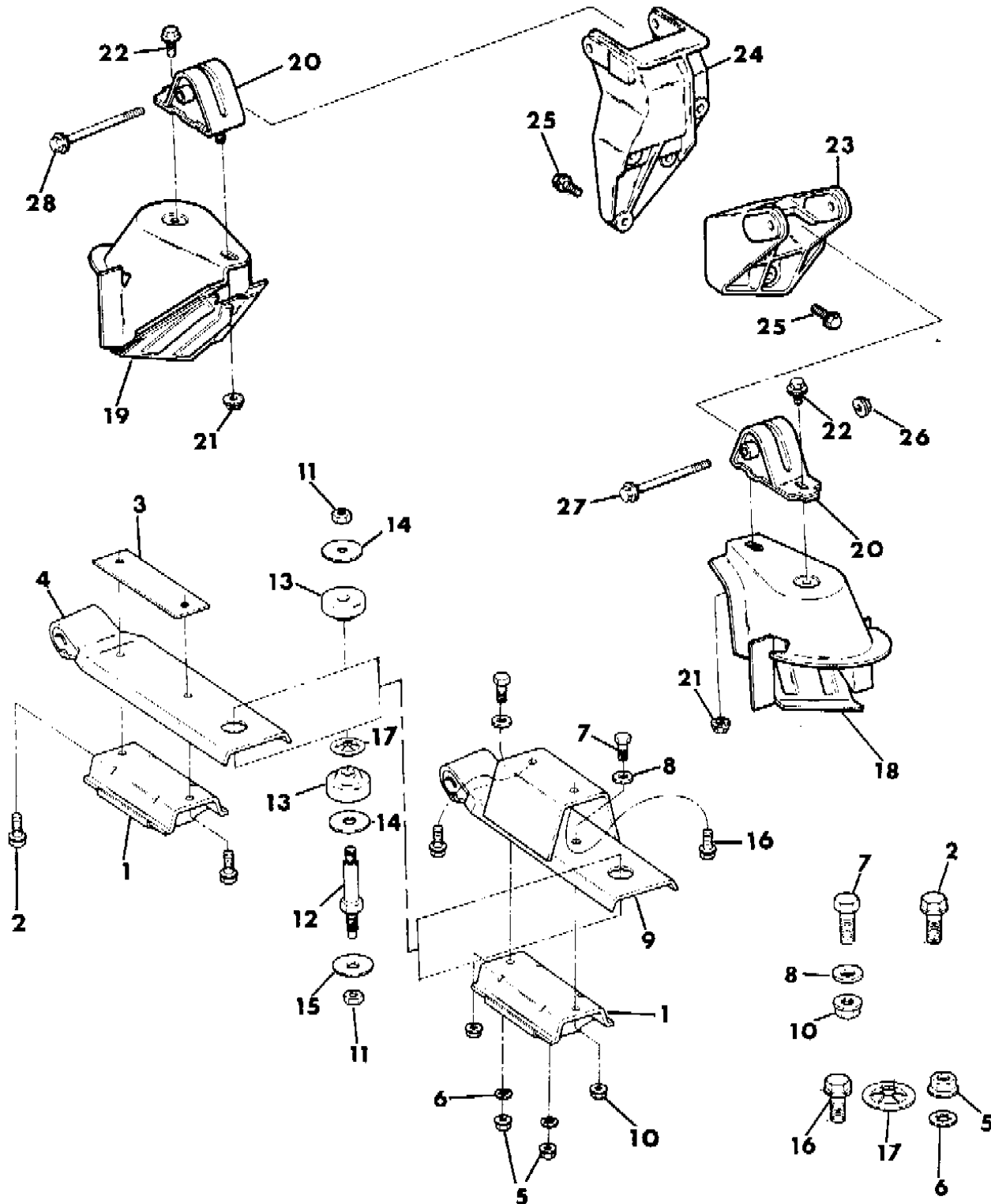
**BODY STYLES:**

MJ = Comanche Pickup
SJ = Grand Wagoneer Wgn., J-10 & J-20 Pickups
XJ = Cherokee, Wagoneer Limited
YJ = Wrangler

AR = Use as Required - = Non Illustrated Part P.A.R. = Paint as Required

**ENGINE MOUNTING 4.2L ENGINE WRANGLER, YJ**  
**Figure 9B-2000**

8 J 56 2000



ITEM	PART NUMBER	QTY	BODY	MODEL	DESCRIPTION
1	5200 2625	1			CUSHION
2	J400 7162	4			BOLT, Manual Transmission
3	5200 3044	1			SPACER, 1988-89 Manual Transmission
4	5200 3043	1			BRACKET, Torque Arm - Manual Transmission 1988-89 Peugeot BA10/5 1989-90 Aisin AX15
5	5200 3925	1			NUT
6	T140 5676	2			WASHER
7	J305 8034	2			BOLT, Automatic Transmission
8	J400 5397	2			WASHER, Automatic Transmission
9	5200 3045	1			BRACKET, Torque Arm - Automatic Transmission
10	J400 4005	2			NUT, Automatic Transmission
11	J941 1783	2			NUT
12	J535 8879	1			STUD
13	J094 5266	2			INSULATOR
14	J094 5269	4			WASHER
15	J094 1399	2			WASHER
16	J941 9856	2			SCREW, Automatic Transmission
17	J400 0235	1			NUT, Push
18	5204 0333	1			BRACKET, Engine - Left
19	5204 0335	1			BRACKET, Engine - Right
20	5201 9201	1			MOUNT, Engine ***
21	1150 2812	2			NUT
22	3420 1559	1			BOLT
23	5204 0269	1			BRACKET, Engine - Left
24	5200 2783	1			BRACKET, Engine - Right
25	J400 7585	6			BOLT 1.00"
	J400 7622	6			BOLT 1.12"
26	1150 2813	2			NUT
27	3420 1959	1			BOLT
28	3420 2606	1			BOLT

**MODEL CODES:**

15 = Grand Wagoneer 4 Dr.	65 = Comanche 4WD-7 Ft. Box	77 = Cherokee 4WD-2 Dr.
25 = J-10 Pickup-119" W.B.	66 = Comanche 2WD-7 Ft. Box	78 = Cherokee 4WD-4 Dr.
26 = J-10 Pickup-131" W.B.	73 = Cherokee 2WD-2 Dr.	79 = Cherokee 4WD-4 Dr.-Com
27 = J-20 Pickup-131" W.B.	74 = Cherokee 2WD-4 Dr.	81 = Wrangler-93" W.B.
63 = Comanche 4WD-6 Ft. Box	75 = Wagoneer 4WD-4 Dr.	82 = Wrangler-103" W.B.-Exp.
64 = Comanche 2WD-6 Ft. Box		

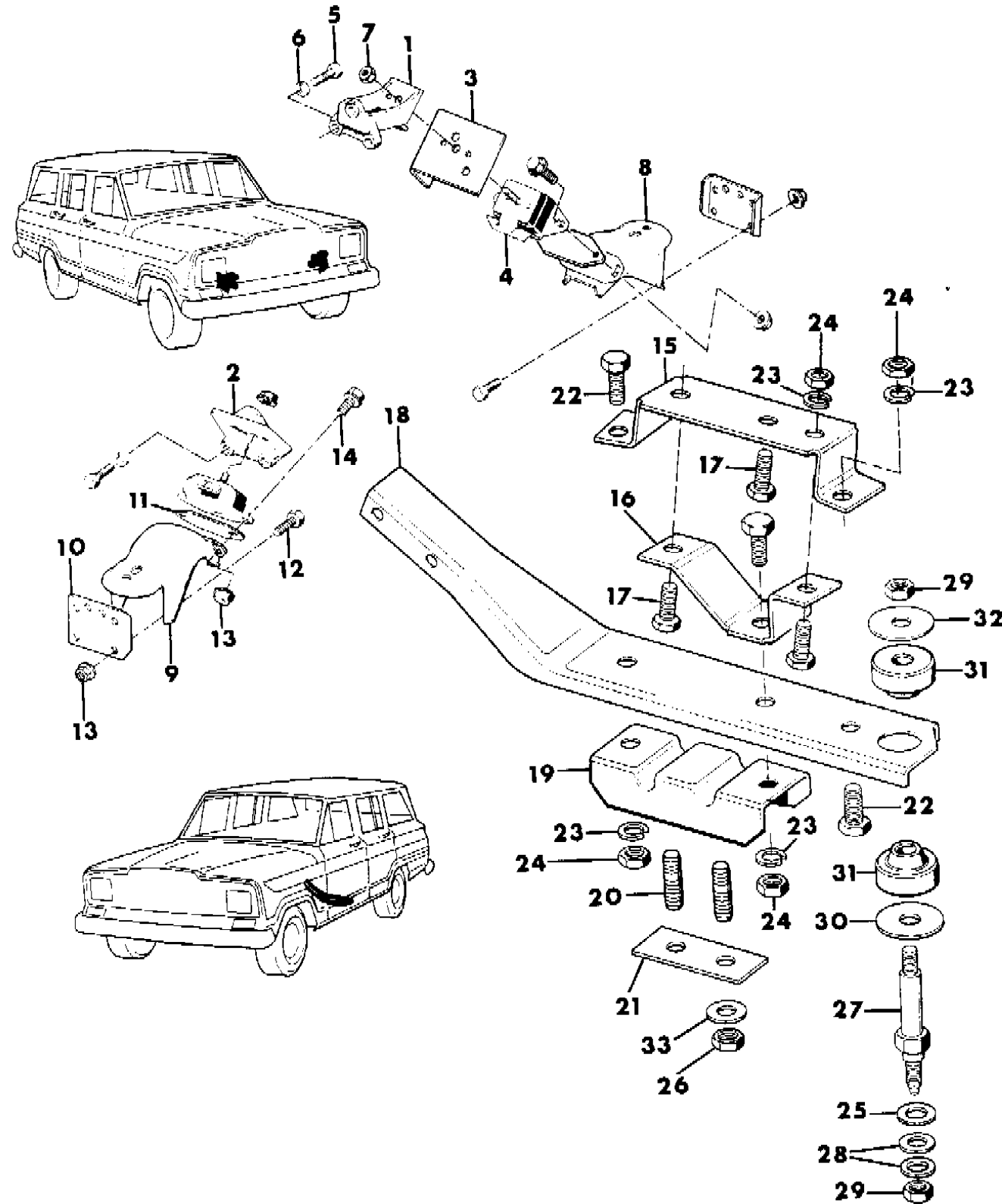
**BODY STYLES:**

MJ = Comanche Pickup  
 SJ = Grand Wagoneer Wgn., J-10 & J-20 Pickups  
 XJ = Cherokee, Wagoneer Limited  
 YJ = Wrangler

AR = Use as Required - = Non Illustrated Part P.A.R. = Paint as Required

**ENGINE MOUNTING 4.2L ENGINE GRAND WAGONEER, TRUCK J10**  
**Figure 9B-2100**

8J56 2100



ITEM	PART NUMBER	QTY	BODY	MODEL	DESCRIPTION
1	8350 3469	1			BRACKET, Engine
2	J536 4439	1			BRACKET, Engine
3	J535 4449	1			SHIELD, Heat
4	J812 8488	2			MOUNT, Engine
5	J018 0123	6			BOLT
6	J012 0382	6			WASHER, Lock
7	J400 3975	2			NUT
8	J535 2439	1			BRACKET
9	J535 2440	1			BRACKET
10	J535 3589	2			REINFORCEMENT
11	J536 4387	2			SHIM
12	J400 6864	6			BOLT
13	J400 3909	6			NUT
14					BOLT
	J018 0122	3			1.00"
	S018 0124	1			1.25"
15	J535 9754	1			BRACKET, Upper - Automatic Transmission
16	J535 9753	1			BRACKET, Lower - Automatic Transmission
17					BOLT
	J400 6110	AR			.88" Manual Transmission
	J400 6112	AR			1.00" Automatic Transmission
18					BRACKET
	J536 4455	1			Manual Transmission
	J535 9752	1			Automatic Transmission
19	J137 0910	1			INSULATOR
20	J400 4819	2			STUD
21	J536 1885	1			SPACER
22	J018 0145	4			BOLT
23	J012 0383	4			WASHER, Lock
24	J027 1501	4			NUT
25	J400 1134	1			WASHER
26	J941 3215	2			NUT
27	J535 8879	1			STUD ASSEMBLY
28	J400 1104	2			WASHER
29	J941 1783	2			NUT
30	J094 1399	1			WASHER
31	J094 5266	2			INSULATOR

**MODEL CODES:**

15 = Grand Wagoneer 4 Dr.	65 = Comanche 4WD-7 Ft. Box	77 = Cherokee 4WD-2 Dr.
25 = J-10 Pickup-119" W.B.	66 = Comanche 2WD-7 Ft. Box	78 = Cherokee 4WD-4 Dr.
26 = J-10 Pickup-131" W.B.	73 = Cherokee 2WD-2 Dr.	79 = Cherokee 4WD-4 Dr.-Com
27 = J-20 Pickup-131" W.B.	74 = Cherokee 2WD-4 Dr.	81 = Wrangler-93" W.B.
63 = Comanche 4WD-6 Ft. Box	75 = Wagoneer 4WD-4 Dr.	82 = Wrangler-103" W.B.-Exp.
64 = Comanche 2WD-6 Ft. Box		

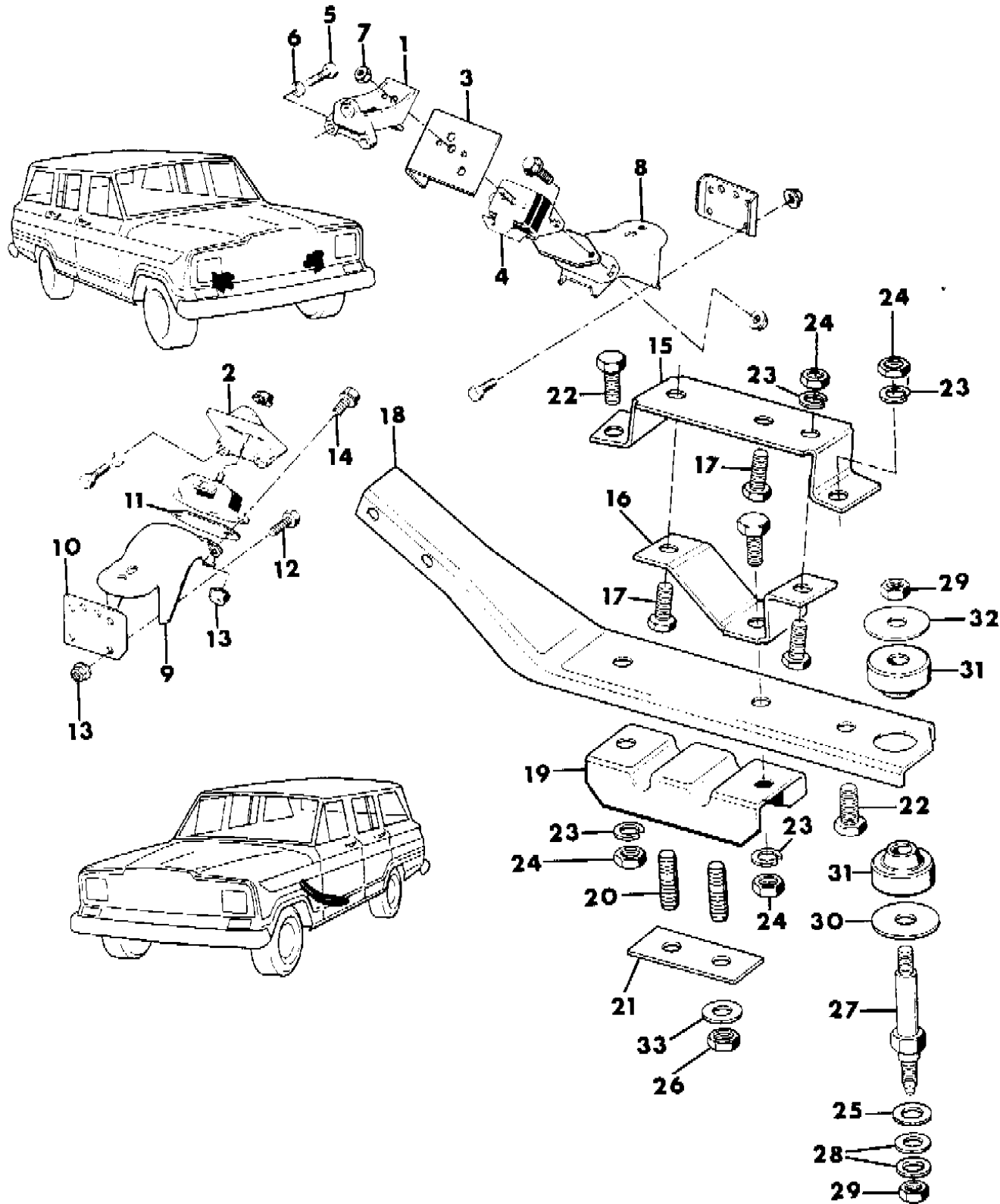
**BODY STYLES:**

MJ = Comanche Pickup
SJ = Grand Wagoneer Wgn., J-10 & J-20 Pickups
XJ = Cherokee, Wagoneer Limited
YJ = Wrangler

AR = Use as Required - = Non Illustrated Part P.A.R. = Paint as Required

**ENGINE MOUNTING 4.2L ENGINE GRAND WAGONEER, TRUCK J10**  
**Figure 9B-2100**

8J56 2100



ITEM	PART NUMBER	QTY	BODY	MODEL	DESCRIPTION
32	J094 5269	1			WASHER
33	J400 3805	1			WASHER

**MODEL CODES:**  
 15 = Grand Wagoneer 4 Dr.      65 = Comanche 4WD-7 Ft. Box      77 = Cherokee 4WD-2 Dr.  
 25 = J-10 Pickup-119" W.B.      66 = Comanche 2WD-7 Ft. Box      78 = Cherokee 4WD-4 Dr.  
 26 = J-10 Pickup-131" W.B.      73 = Cherokee 2WD-2 Dr.      79 = Cherokee 4WD-4 Dr.-Com  
 27 = J-20 Pickup-131" W.B.      74 = Cherokee 2WD-4 Dr.      81 = Wrangler-93" W.B.  
 63 = Comanche 4WD-6 Ft. Box      75 = Wagoneer 4WD-4 Dr.      82 = Wrangler-103" W.B.-Exp.  
 64 = Comanche 2WD-6 Ft. Box

**BODY STYLES:**  
 MJ = Comanche Pickup  
 SJ = Grand Wagoneer Wgn., J-10 & J-20 Pickups  
 XJ = Cherokee, Wagoneer Limited  
 YJ = Wrangler

AR = Use as Required - = Non Illustrated Part P.A.R. = Paint as Required

**GROUP 9C - ENGINE, 8 CYLINDER**

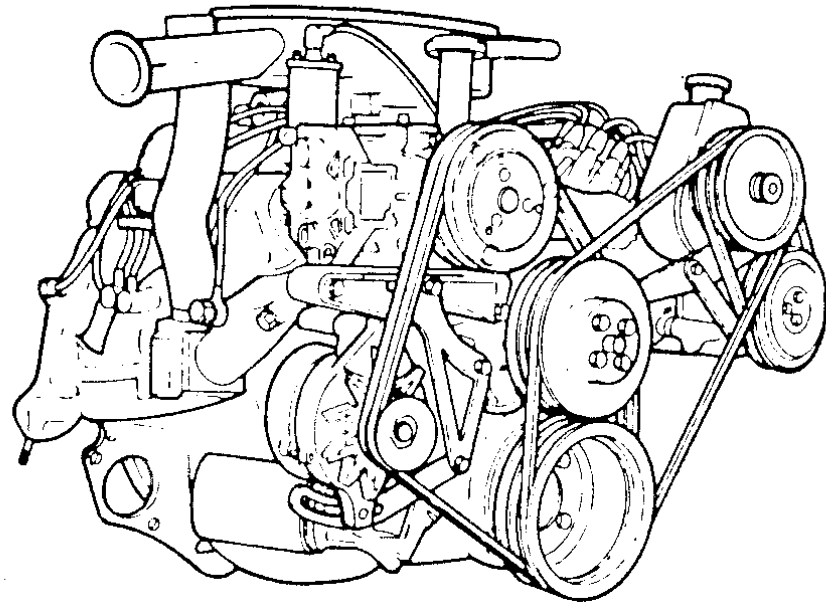
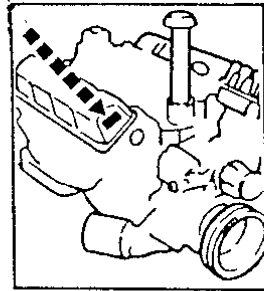
<b>ILLUSTRATION TITLE</b>	<b>GROUP-FIG. NO.</b>
<b>5.9L ENGINE</b>	
I.D. LOCATION 5.9L ENGINE .....	Fig. 9C-100
CYLINDER BLOCK 5.9L ENGINE .....	Fig. 9C-200
GASKET SET 5.9L ENGINE .....	Fig. 9C-300
CYLINDER HEAD 5.9L ENGINE .....	Fig. 9C-400
CRANKSHAFT AND PISTON 5.9L ENGINE .....	Fig. 9C-500
CAMSHAFT AND VALVE 5.9L ENGINE .....	Fig. 9C-600
TIMING COVER 5.9L ENGINE .....	Fig. 9C-700
ENGINE OILING 5.9L ENGINE .....	Fig. 9C-800
MANIFOLD, INTAKE AND EXHAUST 5.9L ENGINE .....	Fig. 9C-900
ENGINE MOUNTING 5.9L ENGINE .....	Fig. 9C-1000

**ILLUSTRATION NOT AVAILABLE AT TIME OF PUBLICATION**

I.D. LOCATION 5.9L ENGINE  
Figure 9C-100

8J09 100

ITEM	PART NUMBER	QTY	BODY	MODEL	DESCRIPTION
------	-------------	-----	------	-------	-------------



MODEL CODES:

- |                             |                             |                              |
|-----------------------------|-----------------------------|------------------------------|
| 15 = Grand Wagoneer 4 Dr.   | 65 = Comanche 4WD-7 Ft. Box | 77 = Cherokee 4WD-2 Dr.      |
| 25 = J-10 Pickup-119" W.B.  | 66 = Comanche 2WD-7 Ft. Box | 78 = Cherokee 4WD-4 Dr.      |
| 26 = J-10 Pickup-131" W.B.  | 73 = Cherokee 2WD-2 Dr.     | 79 = Cherokee 4WD-4 Dr.-Com  |
| 27 = J-20 Pickup-131" W.B.  | 74 = Cherokee 2WD-4 Dr.     | 81 = Wrangler-93" W.B.       |
| 63 = Comanche 4WD-6 Ft. Box | 75 = Wagoneer 4WD-4 Dr.     | 82 = Wrangler-103" W.B.-Exp. |
| 64 = Comanche 2WD-6 Ft. Box |                             |                              |

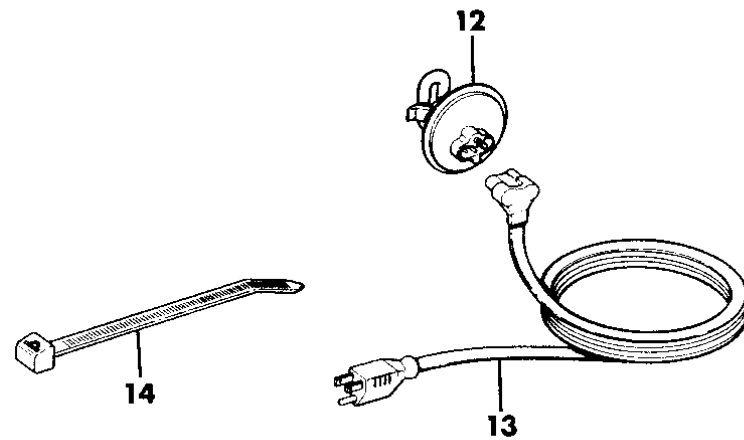
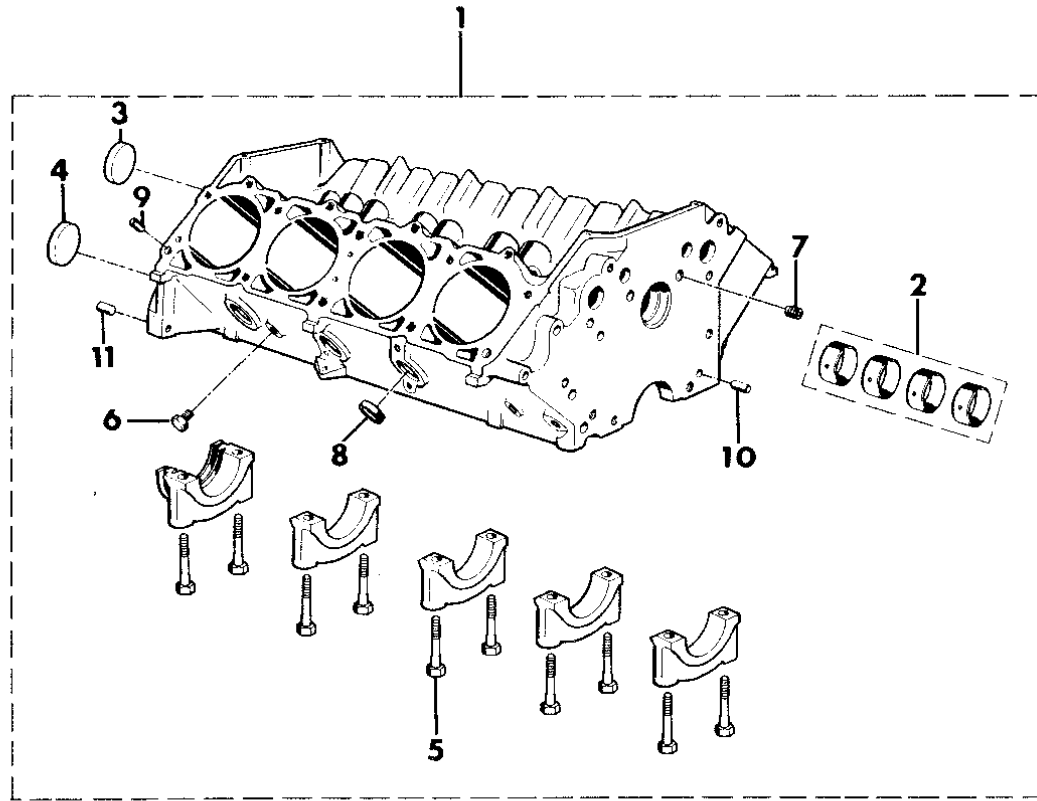
BODY STYLES:

- MJ = Comanche Pickup  
 SJ = Grand Wagoneer Wgn., J-10 & J-20 Pickups  
 XJ = Cherokee, Wagoneer Limited  
 YJ = Wrangler

AR = Use as Required - = Non Illustrated Part P.A.R. = Paint as Required

**CYLINDER BLOCK 5.9L ENGINE**  
**Figure 9C-200**

8J09 200



ITEM	PART NUMBER	QTY	BODY	MODEL	DESCRIPTION
X	J813 3592	1			ENGINE, Short - Less Camshaft
1	J448 7212	1			BLOCK, Engine
2	J448 6286	1			BEARING PACKAGE
3	J317 2313	1			PLUG
4	J400 6580	2			PLUG
5	J319 0891	10			BOLT
6	J044 4618	2			PLUG
7	J044 4660	6			PLUG
8	J314 4641	6			PLUG
9	J400 5149	4			PIN
10	J400 5307	2			PIN
11	J400 5148	2			PIN
12	J323 4035	1			HEATER, Engine Block
13	J324 2324	1			CORD, Power Supply
14					STRAP
	J322 3227	AR			200mm
	J369 3058	AR			300mm
	J323 0270	AR			350mm
	J323 5187	AR			450mm

**MODEL CODES:**

15 = Grand Wagoneer 4 Dr.	65 = Comanche 4WD-7 Ft. Box	77 = Cherokee 4WD-2 Dr.
25 = J-10 Pickup-119" W.B.	66 = Comanche 2WD-7 Ft. Box	78 = Cherokee 4WD-4 Dr.
26 = J-10 Pickup-131" W.B.	73 = Cherokee 2WD-2 Dr.	79 = Cherokee 4WD-4 Dr.-Com
27 = J-20 Pickup-131" W.B.	74 = Cherokee 2WD-4 Dr.	81 = Wrangler-93" W.B.
63 = Comanche 4WD-6 Ft. Box	75 = Wagoneer 4WD-4 Dr.	82 = Wrangler-103" W.B.-Exp.
64 = Comanche 2WD-6 Ft. Box		

**BODY STYLES:**

MJ = Comanche Pickup  
 SJ = Grand Wagoneer Wgn., J-10 & J-20 Pickups  
 XJ = Cherokee, Wagoneer Limited  
 YJ = Wrangler

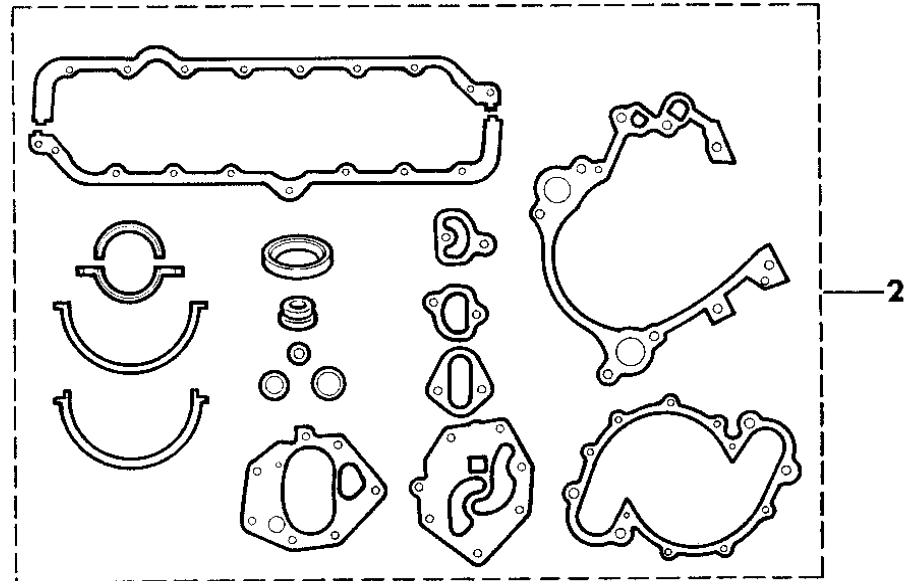
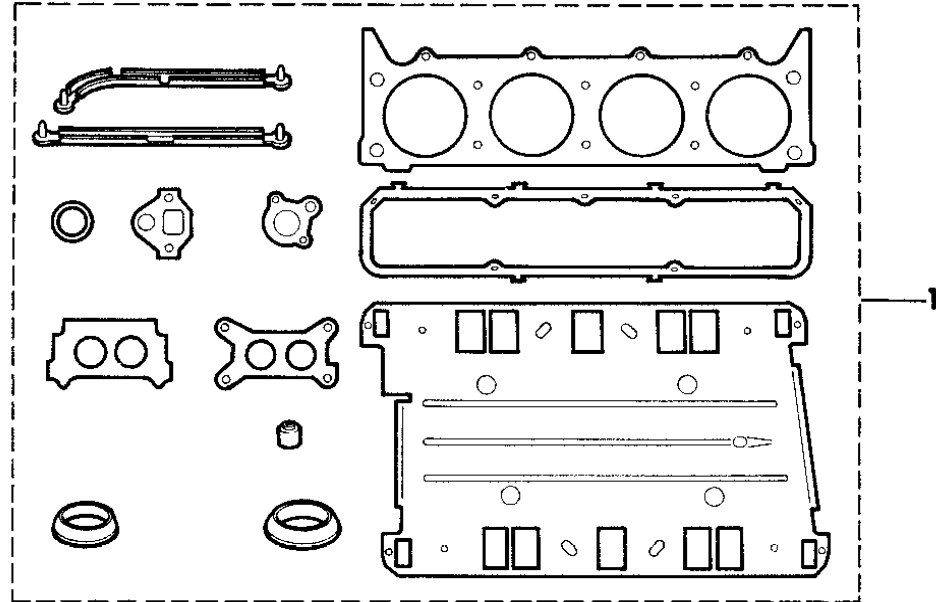
AR = Use as Required - = Non Illustrated Part P.A.R. = Paint as Required



**GASKET SET 5.9L ENGINE**  
**Figure 9C-300**

8J09 300

ITEM	PART NUMBER	QTY	BODY	MODEL	DESCRIPTION
1	J812 8192	1			GASKET PACKAGE, Engine Upper
2	J812 5727	1			GASKET PACKAGE, Engine Lower



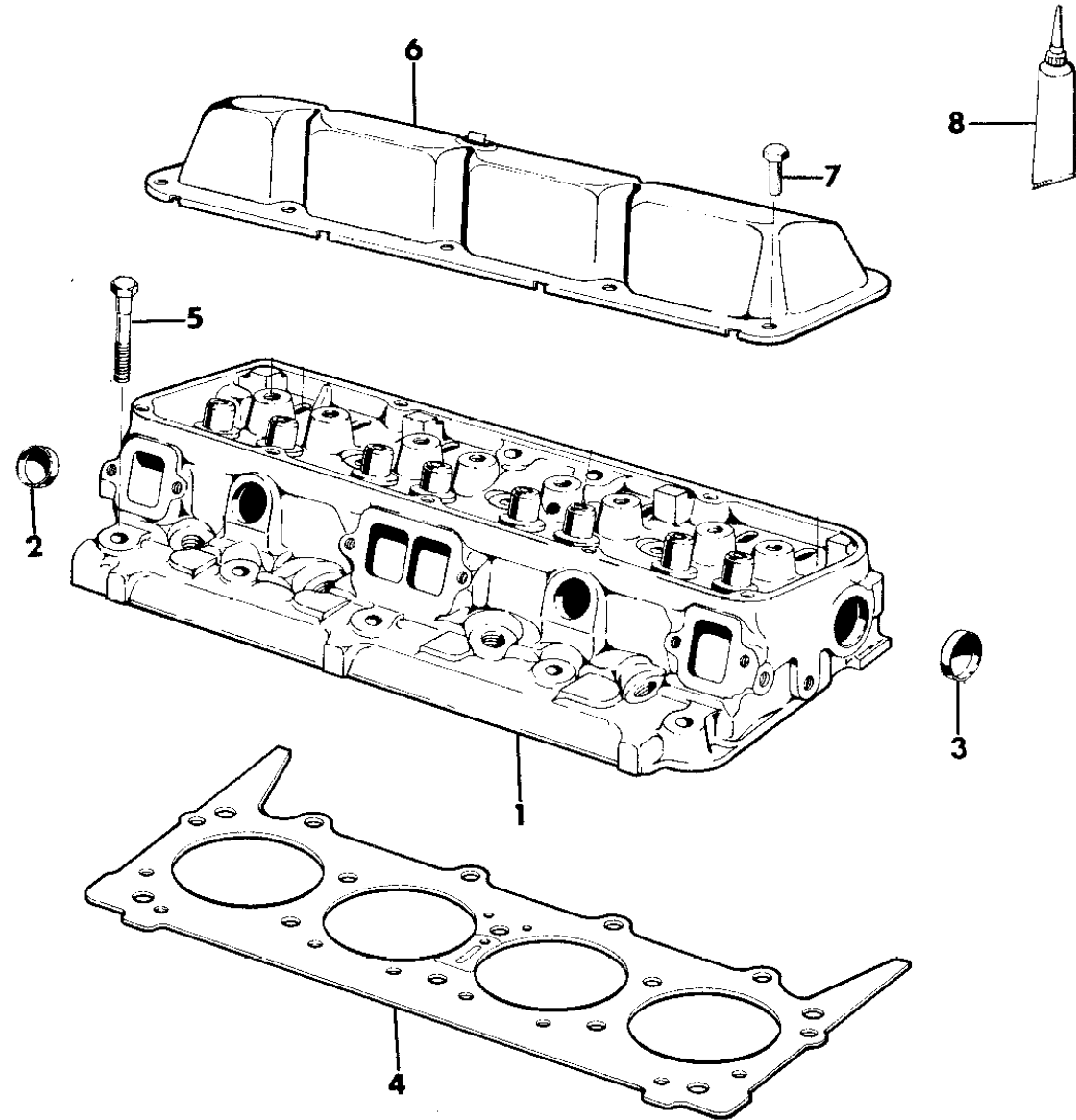
MODEL CODES:  
 15 = Grand Wagoneer 4 Dr.      65 = Comanche 4WD-7 Ft. Box      77 = Cherokee 4WD-2 Dr.  
 25 = J-10 Pickup-119" W.B.      66 = Comanche 2WD-7 Ft. Box      78 = Cherokee 4WD-4 Dr.  
 26 = J-10 Pickup-131" W.B.      73 = Cherokee 2WD-2 Dr.      79 = Cherokee 4WD-4 Dr.-Com  
 27 = J-20 Pickup-131" W.B.      74 = Cherokee 2WD-4 Dr.      81 = Wrangler-93" W.B.  
 63 = Comanche 4WD-6 Ft. Box      75 = Wagoneer 4WD-4 Dr.      82 = Wrangler-103" W.B.-Exp.  
 64 = Comanche 2WD-6 Ft. Box

BODY STYLES:  
 MJ = Comanche Pickup  
 SJ = Grand Wagoneer Wgn., J-10 & J-20 Pickups  
 XJ = Cherokee, Wagoneer Limited  
 YJ = Wrangler

AR = Use as Required - = Non Illustrated Part P.A.R. = Paint as Required

**CYLINDER HEAD 5.9L ENGINE**  
**Figure 9C-400**

8J09 400



ITEM	PART NUMBER	QTY	BODY	MODEL	DESCRIPTION
1	J813 0366	2			HEAD, Engine Cylinder
2	J317 8449	2			PLUG
3	J314 4641	2			PLUG
4	J322 7352	2			GASKET
5					BOLT
	J319 4682	10			2.36"
	J319 4681	18			3.79"
6	5300 7906	2			COVER, Cylinder Head
7	J400 5731	14			BOLT
8	J899 3317	AR			GASKET, R.T.V. Sealer

**MODEL CODES:**

15 = Grand Wagoneer 4 Dr.	65 = Comanche 4WD-7 Ft. Box	77 = Cherokee 4WD-2 Dr.
25 = J-10 Pickup-119" W.B.	66 = Comanche 2WD-7 Ft. Box	78 = Cherokee 4WD-4 Dr.
26 = J-10 Pickup-131" W.B.	73 = Cherokee 2WD-2 Dr.	79 = Cherokee 4WD-4 Dr.-Com
27 = J-20 Pickup-131" W.B.	74 = Cherokee 2WD-4 Dr.	81 = Wrangler-93" W.B.
63 = Comanche 4WD-6 Ft. Box	75 = Wagoneer 4WD-4 Dr.	82 = Wrangler-103" W.B.-Exp.
64 = Comanche 2WD-6 Ft. Box		

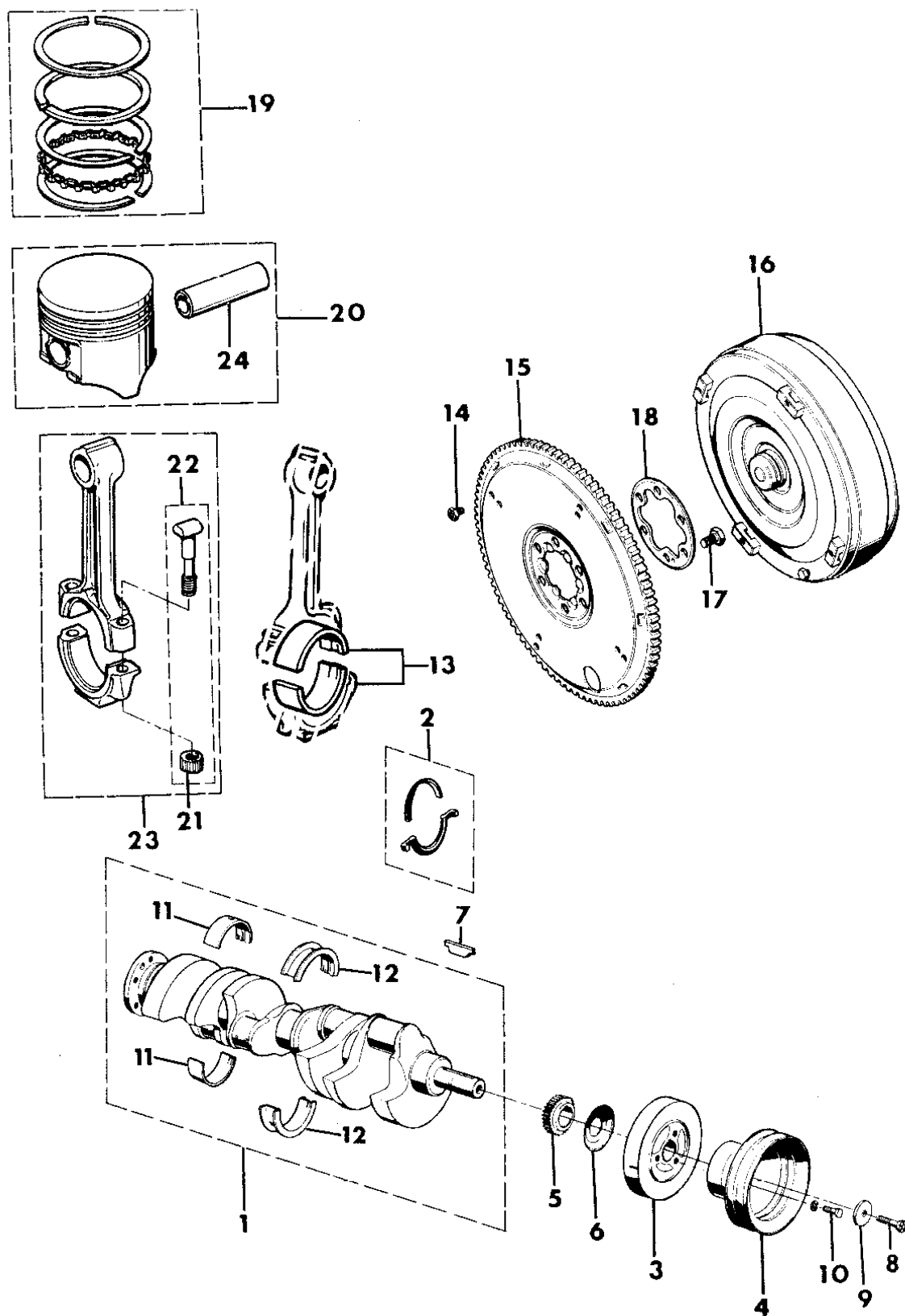
**BODY STYLES:**

MJ = Comanche Pickup  
 SJ = Grand Wagoneer Wgn., J-10 & J-20 Pickups  
 XJ = Cherokee, Wagoneer Limited  
 YJ = Wrangler

AR = Use as Required - = Non Illustrated Part P.A.R. = Paint as Required

**CRANKSHAFT AND PISTON 5.9L ENGINE**  
Figure 9C-500

8J09 500



ITEM	PART NUMBER	QTY	BODY	MODEL	DESCRIPTION
1	J813 4413	1			CRANKSHAFT PACKAGE
2	J320 6691	1			SEAL PACKAGE
3	J323 0131	1			DAMPER
4	J322 7671	1			PULLEY
5	J323 4235	1			SPROCKET, Crankshaft
6	J318 0205	1			SLINGER, Oil
7	J322 9831	1			KEY
6	J400 5748	1			BOLT
9	J323 0155	1			WASHER
10	J018 0123	4			BOLT
11	J812 5928	4			BEARING PACKAGE, Main Std.
	J812 5929	4			-.001"
	J812 5930	4			-.002"
	J812 5931	4			-.010"
	J812 5932	4			-.012"
12	J812 5933	1			BEARING PACKAGE, Main Std.
	J812 5934	1			-.001"
	J812 5935	1			-.002"
	J812 5936	1			-.010"
	J812 5937	1			-.012"
13	J812 6204	8			BEARING PACKAGE, Rod Std.
	J812 6205	8			-.001"
	J812 6206	8			-.002"
	J812 6207	8			-.010"
	J812 6208	8			-.012"
14	J321 4097	4			BOLT
15	J323 2139	1			PLATE, Converter Drive 1987
	3300 4361	1			1988-90
16	5300 4912	1			CONVERTER, Torque 5.9L Engine Remanufactured: 1988-89
	5300 4912	1			Export: 1988-89
	4431 180	1			1990
17	J315 1407	AR			BOLT

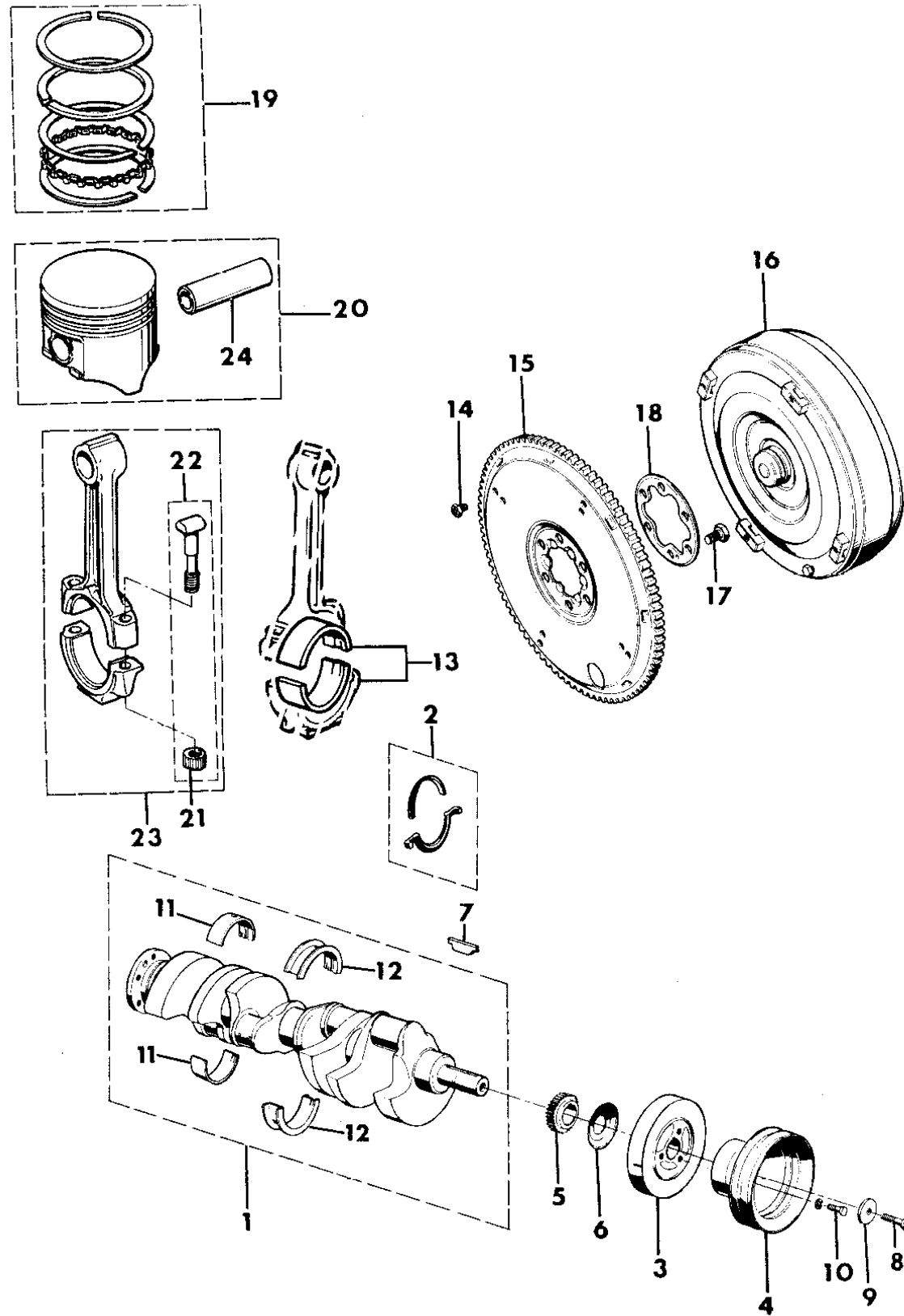
MODEL CODES:  
 15 = Grand Wagoneer 4 Dr.      65 = Comanche 4WD-7 Ft. Box      77 = Cherokee 4WD-2 Dr.  
 25 = J-10 Pickup-119" W.B.      66 = Comanche 2WD-7 Ft. Box      78 = Cherokee 4WD-4 Dr.  
 26 = J-10 Pickup-131" W.B.      73 = Cherokee 2WD-2 Dr.      79 = Cherokee 4WD-4 Dr.-Com  
 27 = J-20 Pickup-131" W.B.      74 = Cherokee 2WD-4 Dr.      81 = Wrangler-93" W.B.  
 63 = Comanche 4WD-6 Ft. Box      75 = Wagoneer 4WD-4 Dr.      82 = Wrangler-103" W.B.-Exp.  
 64 = Comanche 2WD-6 Ft. Box

BODY STYLES:  
 MJ = Comanche Pickup  
 SJ = Grand Wagoneer Wgn., J-10 & J-20 Pickups  
 XJ = Cherokee, Wagoneer Limited  
 YJ = Wrangler

AR = Use as Required - = Non Illustrated Part P.A.R. = Paint as Required

**CRANKSHAFT AND PISTON 5.9L ENGINE**  
**Figure 9C-500**

8J09 500



ITEM	PART NUMBER	QTY	BODY	MODEL	DESCRIPTION
18	J321 4094	1			PLATE, Reinforcement
19	J320 8066	1			RING PACKAGE, Piston Std.
	J320 8067	1			+0.010"
20					PISTON PACKAGE
	J813 3807	8			Std.
	J813 3808	8			+0.010"
21	J400 6385	16			NUT
22	J813 3824	16			BOLT PACKAGE
23	J323 7814	8			ROD, Connecting
24					PIN, Piston
	J318 0483	8			Std.
	8350 0303	8			+0.003"
	8350 0304	8			+0.005"

**MODEL CODES:**

15 = Grand Wagoneer 4 Dr.	65 = Comanche 4WD-7 Ft. Box	77 = Cherokee 4WD-2 Dr.
25 = J-10 Pickup-119" W.B.	66 = Comanche 2WD-7 Ft. Box	78 = Cherokee 4WD-4 Dr.
26 = J-10 Pickup-131" W.B.	73 = Cherokee 2WD-2 Dr.	79 = Cherokee 4WD-4 Dr.-Com
27 = J-20 Pickup-131" W.B.	74 = Cherokee 2WD-4 Dr.	81 = Wrangler-93" W.B.
63 = Comanche 4WD-6 Ft. Box	75 = Wagoneer 4WD-4 Dr.	82 = Wrangler-103" W.B.-Exp.
64 = Comanche 2WD-6 Ft. Box		

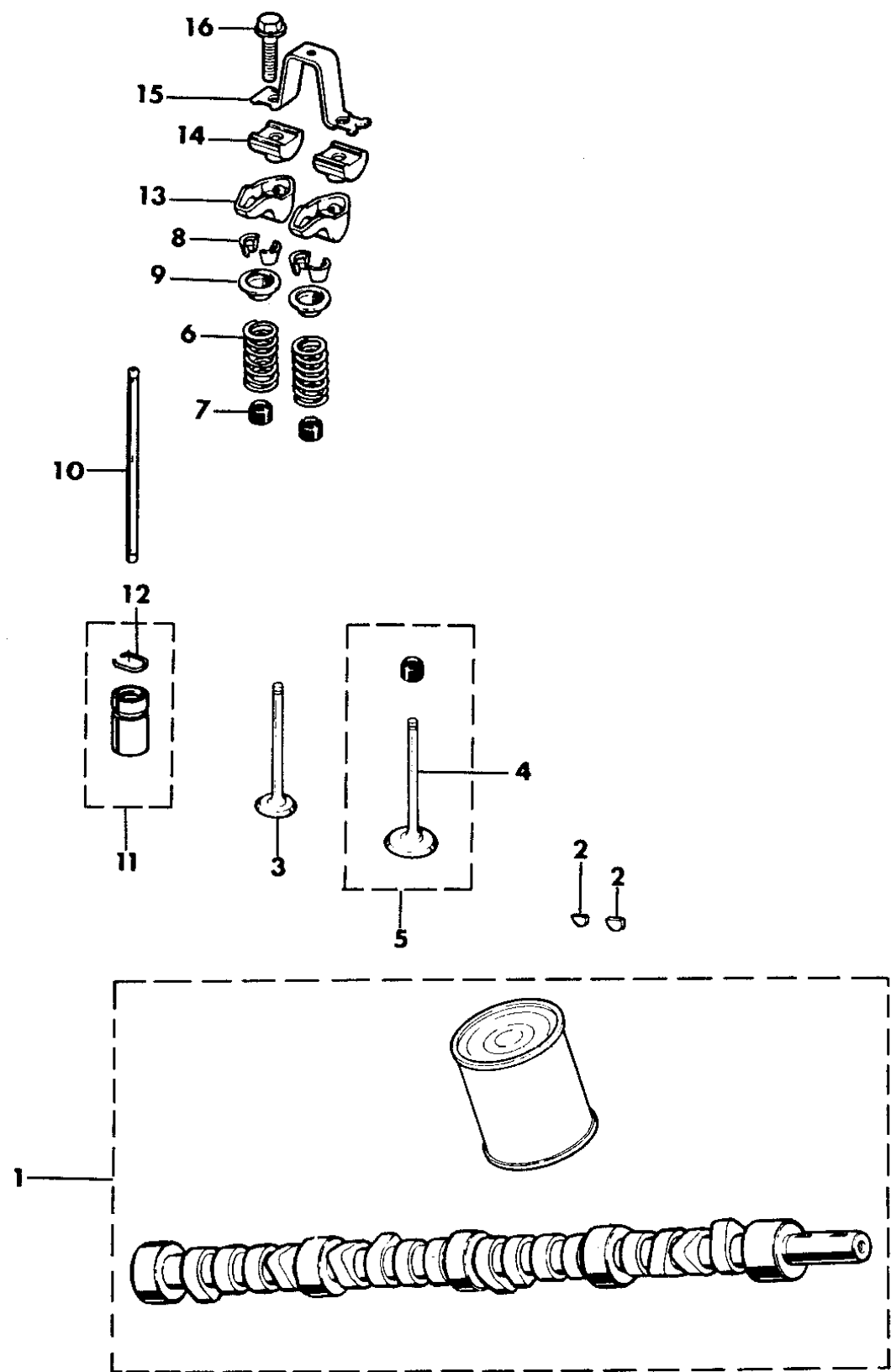
**BODY STYLES:**

MJ = Comanche Pickup  
 SJ = Grand Wagoneer Wgn., J-10 & J-20 Pickups  
 XJ = Cherokee, Wagoneer Limited  
 YJ = Wrangler

AR = Use as Required - = Non Illustrated Part P.A.R. = Paint as Required

**CAMSHAFT AND VALVE 5.9L ENGINE**  
**Figure 9C-600**

8J09 600



ITEM	PART NUMBER	QTY	BODY	MODEL	DESCRIPTION
1	J448 6476	1			CAMSHAFT
2	J012 4546	2			KEY
3					VALVE, Exhaust
	J322 4598	8			Std.
	J322 4604	8			+0.003"
	J322 4605	8			+0.015"
4	J322 9657	8			VALVE, Intake - Standard
5					VALVE PACKAGE, Intake
	J812 7694	8			+0.003"
	J812 7695	8			+0.015"
6	J322 8192	16			SPRING
7					DEFLECTOR
	J321 8976	16			Std.
	J321 8976	16			+0.003"
	J321 8977	16			+0.015"
8	J315 6157	32			KEEPER
9	3300 3180	16			RETAINER
10	J321 4014	16			PUSHROD
11	J322 2276	16			TAPPET
12	J644 0614	16			RING
13	J321 0177	16			ARM, Valve Rocker
14	J323 5090	16			PIVOT
15	J323 6513	8			BRIDGE
16	J812 0512	16			BOLT

**MODEL CODES:**

15 = Grand Wagoneer 4 Dr.	65 = Comanche 4WD-7 Ft. Box	77 = Cherokee 4WD-2 Dr.
25 = J-10 Pickup-119" W.B.	66 = Comanche 2WD-7 Ft. Box	78 = Cherokee 4WD-4 Dr.
26 = J-10 Pickup-131" W.B.	73 = Cherokee 2WD-2 Dr.	79 = Cherokee 4WD-4 Dr.-Com
27 = J-20 Pickup-131" W.B.	74 = Cherokee 2WD-4 Dr.	81 = Wrangler-93" W.B.
63 = Comanche 4WD-6 Ft. Box	75 = Wagoneer 4WD-4 Dr.	82 = Wrangler-103" W.B.-Exp.
64 = Comanche 2WD-6 Ft. Box		

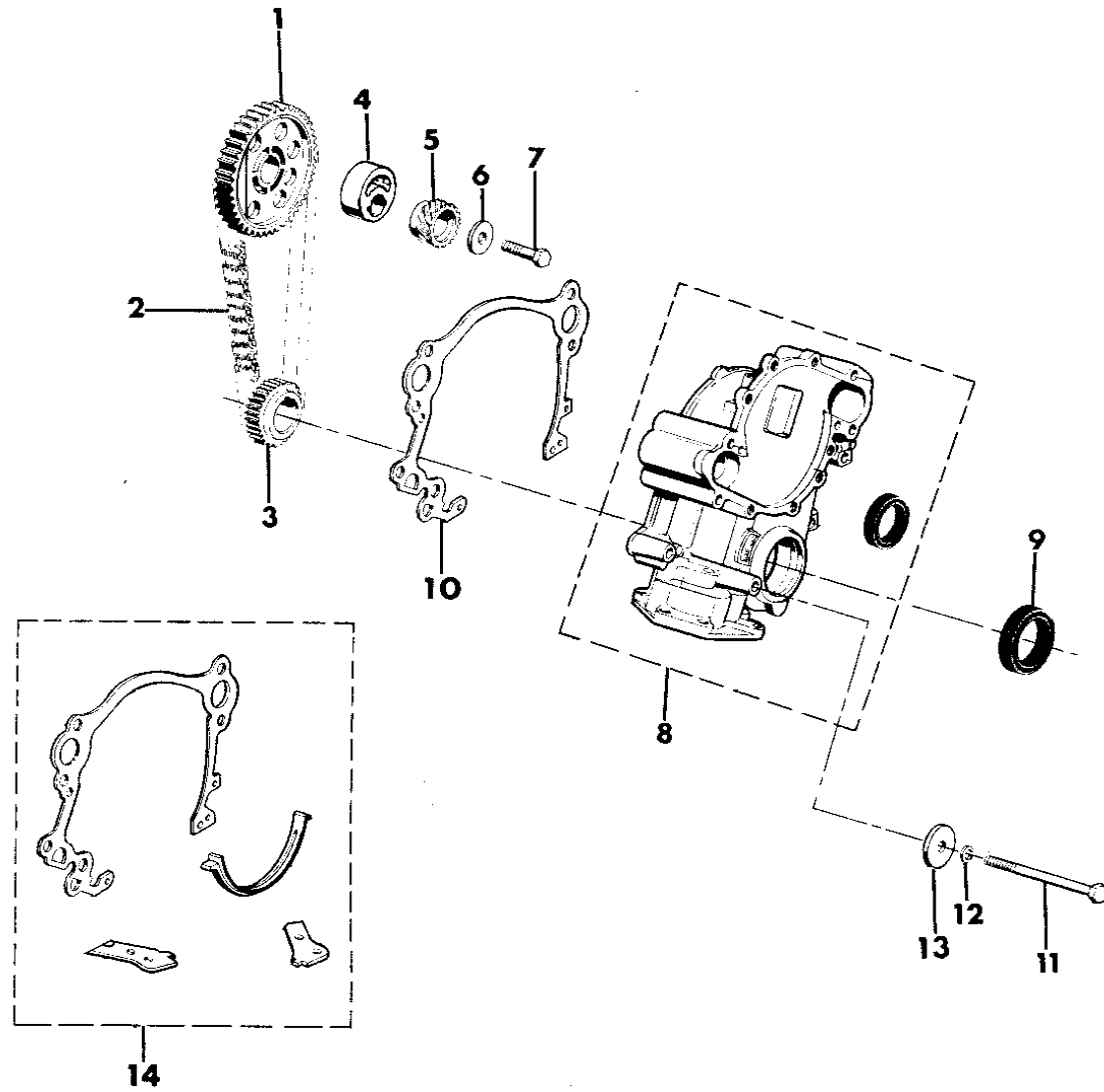
**BODY STYLES:**

MJ = Comanche Pickup  
 SJ = Grand Wagoneer Wgn., J-10 & J-20 Pickups  
 XJ = Cherokee, Wagoneer Limited  
 YJ = Wrangler

AR = Use as Required - = Non Illustrated Part P.A.R. = Paint as Required

**TIMING COVER 5.9L ENGINE**  
**Figure 9C-700**

8 J09 700



ITEM	PART NUMBER	QTY	BODY	MODEL	DESCRIPTION
1	J323 4234	1			SPROCKET, Camshaft
2	J323 4433	1			CHAIN, Timing
3	J323 4235	1			SPROCKET, Crankshaft
4	J321 8314	1			ECCENTRIC, Fuel Pump
5	J319 4007	1			GEAR, Distributor
6	J318 9338	1			SPACER
7	J019 2353	1			BOLT
8	J812 9373	1			COVER
9	J319 3613	1			SEAL
10	J318 0216	1			GASKET
11					BOLT
	J017 9844	2			1.62"
	J400 5624	2			2.12"
	J018 9303	2			3.12"
12	J400 3803	4			WASHER, Lock
13	J400 1102	4			WASHER, Plain
14	J812 9098	1			GASKET PACKAGE

**MODEL CODES:**

15 = Grand Wagoneer 4 Dr.	65 = Comanche 4WD-7 Ft. Box	77 = Cherokee 4WD-2 Dr.
25 = J-10 Pickup-119" W.B.	66 = Comanche 2WD-7 Ft. Box	78 = Cherokee 4WD-4 Dr.
26 = J-10 Pickup-131" W.B.	73 = Cherokee 2WD-2 Dr.	79 = Cherokee 4WD-4 Dr.-Com
27 = J-20 Pickup-131" W.B.	74 = Cherokee 2WD-4 Dr.	81 = Wrangler-93" W.B.
63 = Comanche 4WD-6 Ft. Box	75 = Wagoneer 4WD-4 Dr.	82 = Wrangler-103" W.B.-Exp.
64 = Comanche 2WD-6 Ft. Box		

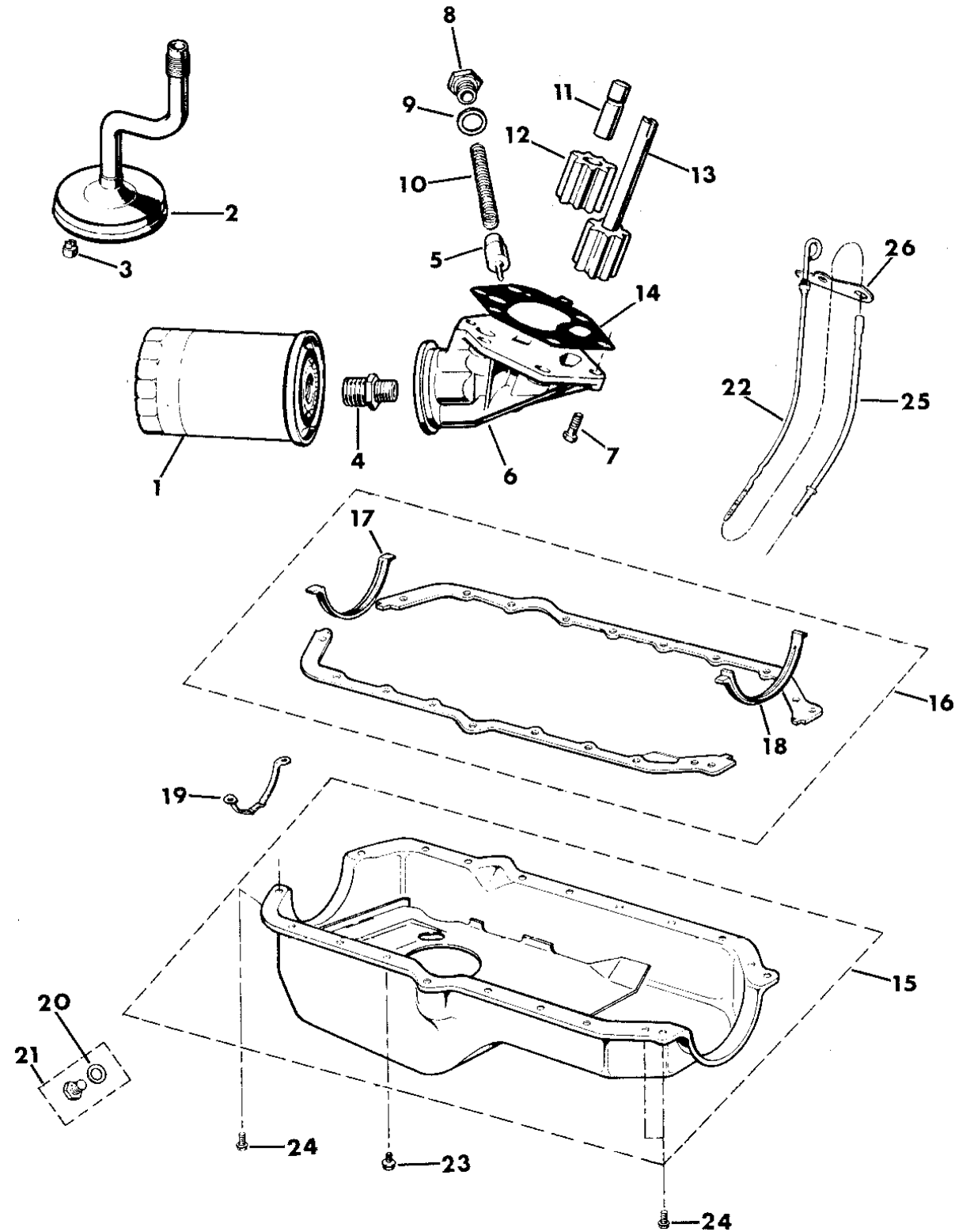
**BODY STYLES:**

MJ = Comanche Pickup  
 SJ = Grand Wagoneer Wgn., J-10 & J-20 Pickups  
 XJ = Cherokee, Wagoneer Limited  
 YJ = Wrangler

AR = Use as Required - = Non Illustrated Part P.A.R. = Paint as Required

**ENGINE OILING 5.9L ENGINE**  
**Figure 9C-800**

8J09 800



ITEM	PART NUMBER	QTY	BODY	MODEL	DESCRIPTION
1	3300 4195	1			FILTER, Engine Oil
2	J321 6049	1			TUBE, Oil Pump Inlet
3	J316 7541	1			SPACER
4	3300 3538	1			CONNECTOR
5					PLUNGER
	J318 8661	1			Std.
	J324 1676	1			+ .010"
6	3300 3536	1			COVER, Oil Pump
7	J813 3623	7			BOLT
8	J312 4735	1			CAP
9	J310 5561	1			GASKET
10	J323 3994	1			SPRING
11	J318 0209	1			SHAFT
12	J319 6842	1			GEAR, Oil Pump Driven
13	J318 2698	1			GEAR, Drive
14	J322 6241	1			GASKET, Cover
15	J323 6322	1			PAN, Engine Oil
16	J320 6690	1			GASKET PACKAGE
17	3300 4733	1			SEAL
18	J318 0414	1			SEAL
19	J324 3116	1			SUPPORT
20	J317 0271	1			SEAL
21					PLUG PACKAGE, Oil Pan
	J812 1449	1			Non-Magnetic
	J320 6696	1			Magnetic
22	J322 4880	1			INDICATOR, Engine Oil Level
23					SCREW
	J400 6296	14			1987
	J400 7617	14			1988-90
24	J400 6909	6			SCREW
25	J319 0848	1			TUBE, Engine Oil Indicator
26	J321 5161	1			BRACKET

**MODEL CODES:**

15 = Grand Wagoneer 4 Dr.	65 = Comanche 4WD-7 Ft. Box	77 = Cherokee 4WD-2 Dr.
25 = J-10 Pickup-119" W.B.	66 = Comanche 2WD-7 Ft. Box	78 = Cherokee 4WD-4 Dr.
26 = J-10 Pickup-131" W.B.	73 = Cherokee 2WD-2 Dr.	79 = Cherokee 4WD-4 Dr.-Com
27 = J-20 Pickup-131" W.B.	74 = Cherokee 2WD-4 Dr.	81 = Wrangler-93" W.B.
63 = Comanche 4WD-6 Ft. Box	75 = Wagoneer 4WD-4 Dr.	82 = Wrangler-103" W.B.-Exp.
64 = Comanche 2WD-6 Ft. Box		

**BODY STYLES:**

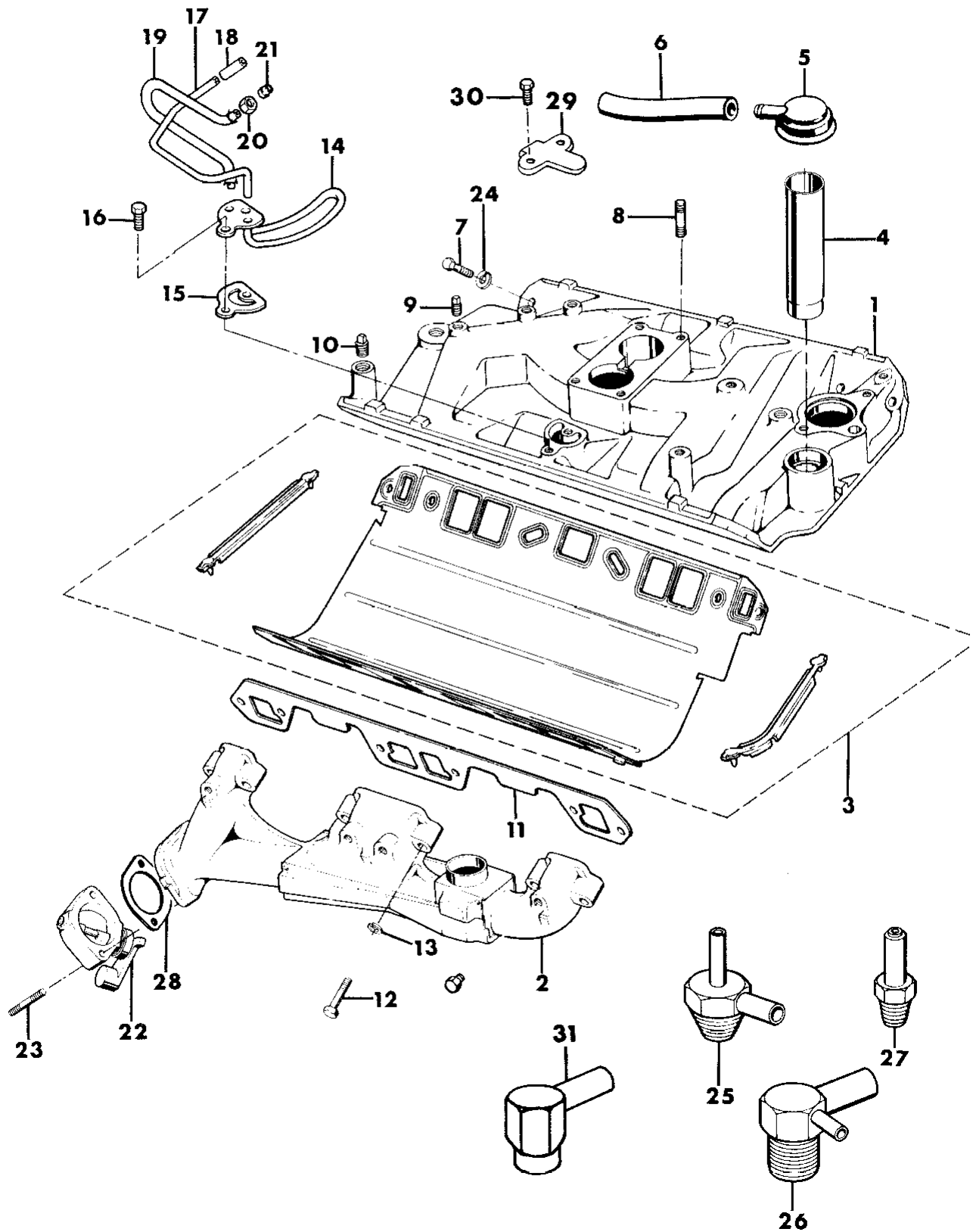
MJ = Comanche Pickup  
 SJ = Grand Wagoneer Wgn., J-10 & J-20 Pickups  
 XJ = Cherokee, Wagoneer Limited  
 YJ = Wrangler

AR = Use as Required - = Non Illustrated Part P.A.R. = Paint as Required

# MANIFOLD, INTAKE AND EXHAUST 5.9L ENGINE

## Figure 9C-900

8J09 900



ITEM	PART NUMBER	QTY	BODY	MODEL	DESCRIPTION
1	J323 3786	1			MANIFOLD, Intake
2	J812 1274	1			MANIFOLD, Exhaust
	J812 9210	1			Right
	J812 5869	1			Left
3	J812 5869	1			GASKET PACKAGE
4	J319 8950	1			TUBE, Oil Filler
5	J322 0248	1			CAP, Oil Filler
6	J812 5841	AR			HOSE, Bulk
7	J018 6622	12			BOLT
8	J019 2423	4			STUD
9	J010 3877	AR			PLUG
10	J044 4660	AR			PLUG
11	J323 7270	2			GASKET
12	J400 4538	4			BOLT
	J400 6311	8			.38"
	J400 6311	8			.31"
13	J400 3938	4			WASHER
	J400 6292	8			.38"
	J400 6292	8			.31"
14	J322 0181	1			TUBE
15	J321 8215	1			GASKET
16	J400 6297	2			SCREW
17	J323 0266	1			TUBE, Clean Air
18	8330 0080	AR			HOSE, 1/4" I.D. Bulk
19	J323 9811	1			TUBE, Heat
20	J011 4627	1			NUT
21	J011 4628	1			SLEEVE
22	J323 8998	1			DAMPER
23	J400 4109	2			STUD
	J400 4110	2			Right
	J400 4110	2			Left
24	J400 3938	12			WASHER
25	J322 5447	1			FITTING
26	J321 6512	1			FITTING
27	5300 2726	1			FITTING ***
	J400 7235	1			.25"O.D.
	J400 7235	1			.188"O.D.

**MODEL CODES:**

15 = Grand Wagoneer 4 Dr.	65 = Comanche 4WD-7 Ft. Box	77 = Cherokee 4WD-2 Dr.
25 = J-10 Pickup-119" W.B.	66 = Comanche 2WD-7 Ft. Box	78 = Cherokee 4WD-4 Dr.
26 = J-10 Pickup-131" W.B.	73 = Cherokee 2WD-2 Dr.	79 = Cherokee 4WD-4 Dr.-Com
27 = J-20 Pickup-131" W.B.	74 = Cherokee 2WD-4 Dr.	81 = Wrangler-93" W.B.
63 = Comanche 4WD-6 Ft. Box	75 = Wagoneer 4WD-4 Dr.	82 = Wrangler-103" W.B.-Exp.
64 = Comanche 2WD-6 Ft. Box		

**BODY STYLES:**

MJ = Comanche Pickup
SJ = Grand Wagoneer Wgn., J-10 & J-20 Pickups
XJ = Cherokee, Wagoneer Limited
YJ = Wrangler

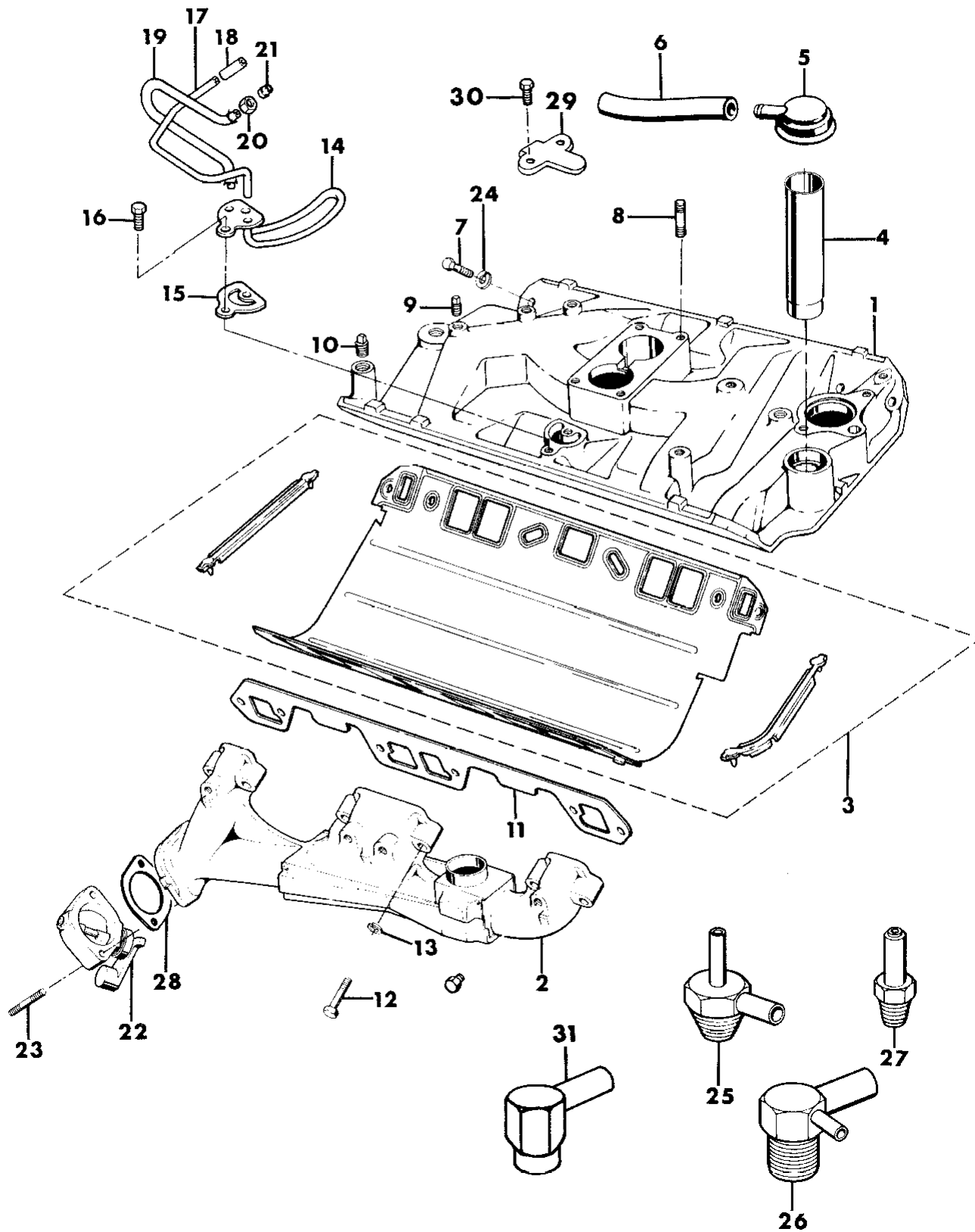
AR = Use as Required - = Non Illustrated Part P.A.R. = Paint as Required



**MANIFOLD, INTAKE AND EXHAUST 5.9L ENGINE**  
**Figure 9C-900**

8J09 900

ITEM	PART NUMBER	QTY	BODY	MODEL	DESCRIPTION
28	J535 3073	1			GASKET
29	J321 9665	1			COVER, EGR Port
30	J027 3573	2			BOLT
31	J319 8347	1			ELBOW, Vacuum, Intake Manifold



**MODEL CODES:**

15 = Grand Wagoneer 4 Dr.	65 = Comanche 4WD-7 Ft. Box	77 = Cherokee 4WD-2 Dr.
25 = J-10 Pickup-119" W.B.	66 = Comanche 2WD-7 Ft. Box	78 = Cherokee 4WD-4 Dr.
26 = J-10 Pickup-131" W.B.	73 = Cherokee 2WD-2 Dr.	79 = Cherokee 4WD-4 Dr.-Com
27 = J-20 Pickup-131" W.B.	74 = Cherokee 2WD-4 Dr.	81 = Wrangler-93" W.B.
63 = Comanche 4WD-6 Ft. Box	75 = Wagoneer 4WD-4 Dr.	82 = Wrangler-103" W.B.-Exp.
64 = Comanche 2WD-6 Ft. Box		

**BODY STYLES:**

MJ = Comanche Pickup  
 SJ = Grand Wagoneer Wgn., J-10 & J-20 Pickups  
 XJ = Cherokee, Wagoneer Limited  
 YJ = Wrangler

AR = Use as Required - = Non Illustrated Part P.A.R. = Paint as Required

**ENGINE MOUNTING 5.9L ENGINE**  
**Figure 9C-1000**

8 J09 1000A

ITEM	PART NUMBER	QTY	BODY	MODEL	DESCRIPTION
1	J535 9754	1			BRACKET, Upper, Automatic Transmission
2	J535 9753	1			BRACKET, Lower, Automatic Transmission
3					BOLT
	J400 6110	AR			.88", Manual Transmission
	J400 6112	AR			1.00", Automatic Transmission
4					BRACKET
	J536 4455	1			Manual Transmission
	J535 9752	1			Automatic Transmission
5	J137 0910	1			INSULATOR
6	J400 4819	2			STUD
7	J536 1885	1			SPACER
8	J018 0145	4			BOLT
9	J012 0383	4			WASHER, Lock
10	J027 1501	4			NUT
11	J400 1134	1			WASHER
12	J018 0121	6			BOLT
13	J535 8879	1			STUD ASSEMBLY
14	J400 1104	2			WASHER
15	J941 1783	2			NUT
16	J094 1399	1			WASHER
17	J094 5266	2			INSULATOR
18	J094 5269	1			WASHER
19	J400 3805	1			WASHER
20	J941 3215	2			NUT
21	J318 6274	1			BRACKET, Engine
22	J318 6275	1			BRACKET, Engine
23	J321 9194	2			MOUNT, Engine
24	5200 3004	2			BRACKET
25	J535 2448	2			REINFORCEMENT
26	J099 8373	2			REINFORCEMENT
27	J400 6864	4			BOLT
28	J400 3909	6			NUT
29	J400 5664	2			BOLT
30	J400 3869	AR			NUT
31	J012 0382	AR			WASHER, Lock
32	J400 1104	4			WASHER, Plain

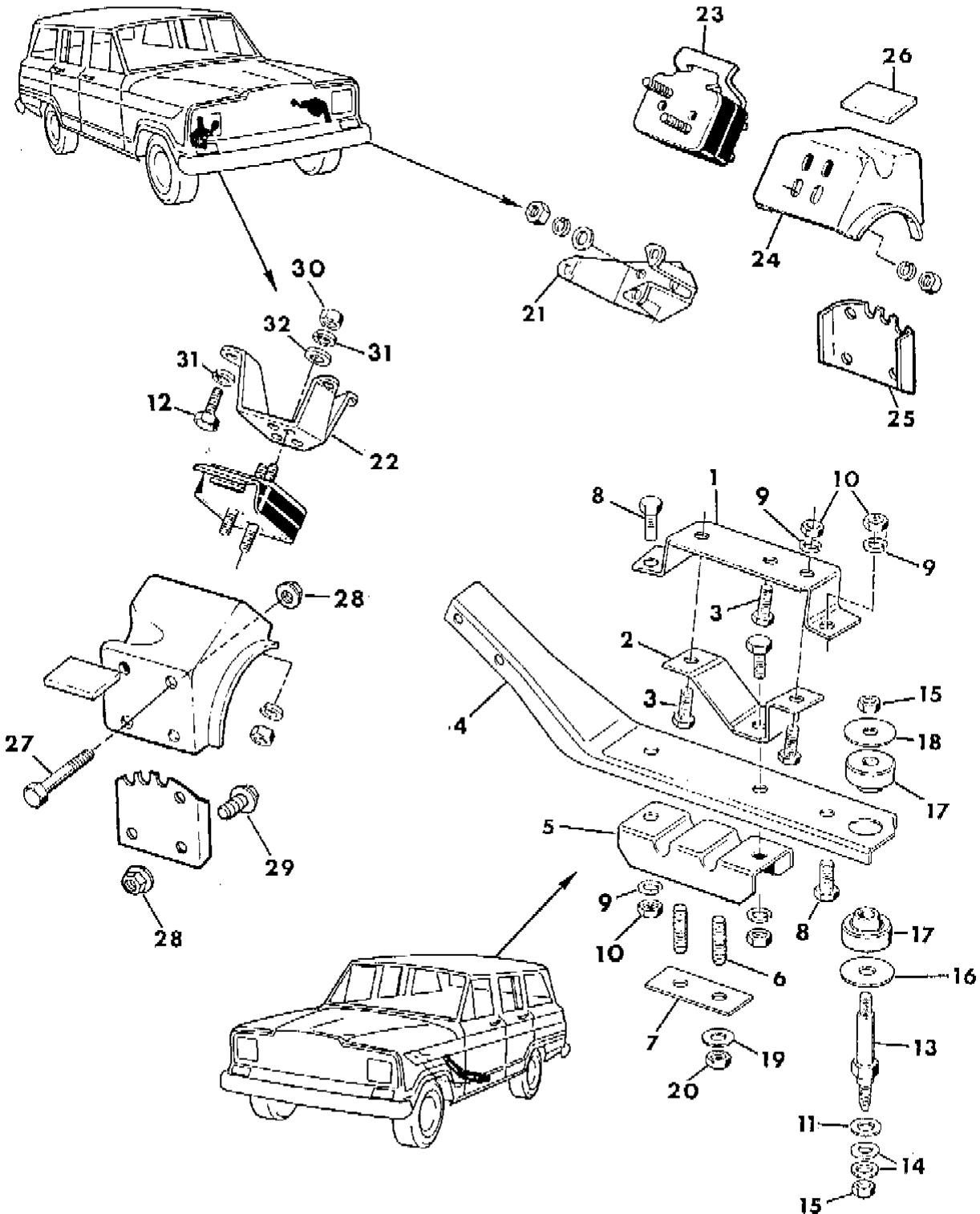
**MODEL CODES:**

15 = Grand Wagoneer 4 Dr.	65 = Comanche 4WD-7 Ft. Box	77 = Cherokee 4WD-2 Dr.
25 = J-10 Pickup-119" W.B.	66 = Comanche 2WD-7 Ft. Box	78 = Cherokee 4WD-4 Dr.
26 = J-10 Pickup-131" W.B.	73 = Cherokee 2WD-2 Dr.	79 = Cherokee 4WD-4 Dr.-Com
27 = J-20 Pickup-131" W.B.	74 = Cherokee 2WD-4 Dr.	81 = Wrangler-93" W.B.
63 = Comanche 4WD-6 Ft. Box	75 = Wagoneer 4WD-4 Dr.	82 = Wrangler-103" W.B.-Exp.
64 = Comanche 2WD-6 Ft. Box		

**BODY STYLES:**

MJ = Comanche Pickup  
 SJ = Grand Wagoneer Wgn., J-10 & J-20 Pickups  
 XJ = Cherokee, Wagoneer Limited  
 YJ = Wrangler

AR = Use as Required - = Non Illustrated Part P.A.R. = Paint as Required



---

**GROUP 11 - EXHAUST**

**ILLUSTRATION TITLE** **GROUP-FIG. NO.**

**EXHAUST SYSTEMS**

EXHAUST SYSTEM WRANGLER, YJ .....	Fig. 11-100
EXHAUST SYSTEM GAS ENGINES CHEROKEE, WAGONEER .....	Fig. 11-200
EXHAUST SYSTEM GAS ENGINES COMANCHE .....	Fig. 11-225
EXHAUST SYSTEM DIESEL ENGINE CHEROKEE, COMANCHE - EXPORT .....	Fig. 11-250
EXHAUST SYSTEM GRAND WAGONEER .....	Fig. 11-300
EXHAUST SYSTEM EXPORT NRM GRAND WAGONEER .....	Fig. 11-350
EXHAUST SYSTEM J10, J20 .....	Fig. 11-400
EXHAUST SYSTEM EXPORT NRM J10, J20 .....	Fig. 11-450

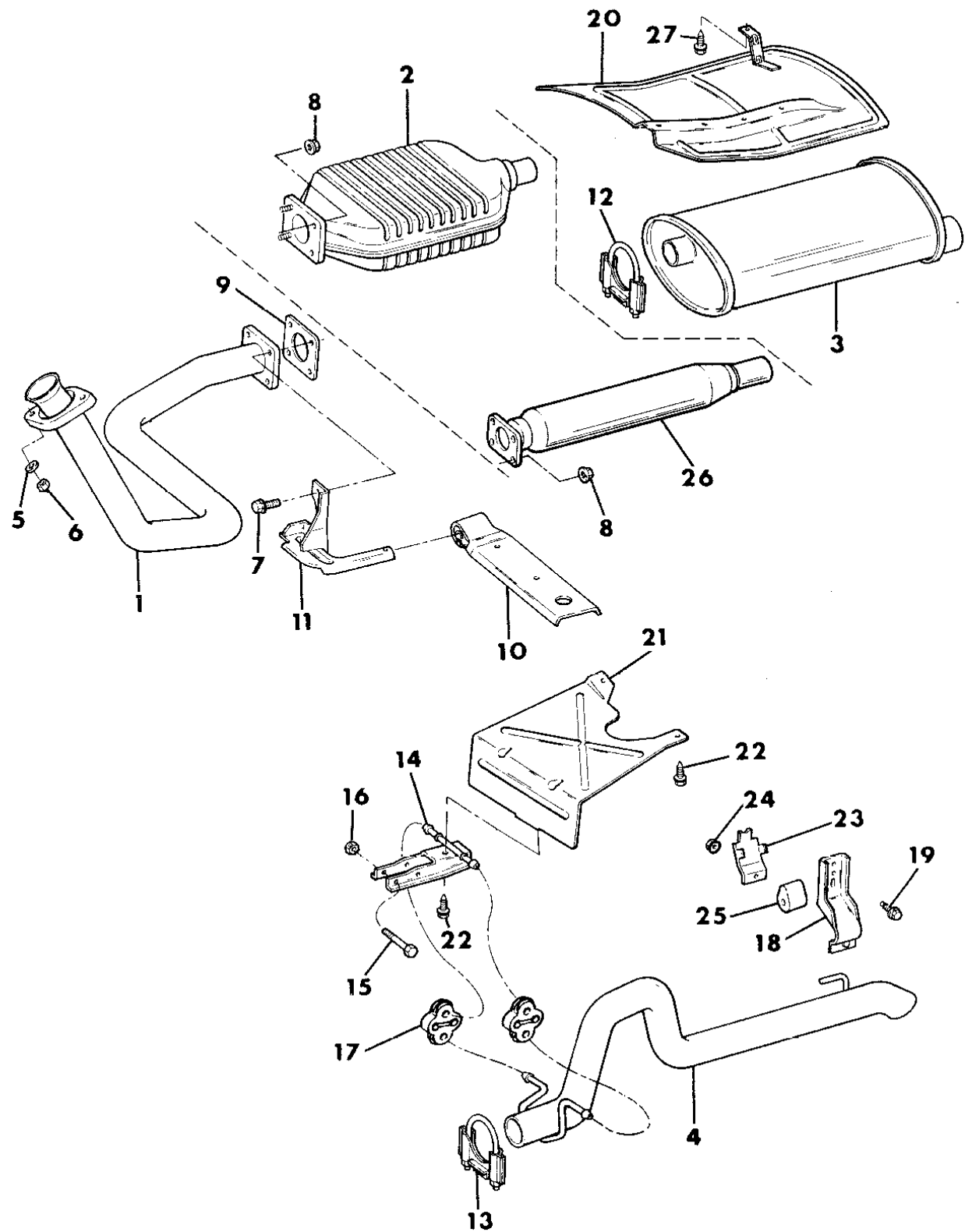
**ILLUSTRATION NOT AVAILABLE AT TIME OF PUBLICATION**

---

EXHAUST SYSTEM WRANGLER, YJ

Figure 11-100

8J11 100



ITEM	PART NUMBER	QTY	BODY	MODEL	DESCRIPTION
1					PIPE, Front Exhaust
	5200 1720	1			2.5L Engine
	5204 0278	1			4.2L Engine
	5200 2816	1			4.2L Engine, Egypt KDX, NRM
2					CONVERTER, Catalytic
	5200 3723	1			2.5L Engine ***
	5300 1627	1			4.2L Engine
3					MUFFLER
	8350 2978	1			2.5L Engine
	8350 2979	1			4.2L Engine
	5200 3934	1			MUFFLER-TAIL PIPE ASSEMBLY - 4.2L Engine, Egypt KDX ***
4	8350 2980	1			PIPE, Tail
5	J400 1104	2			WASHER
6	S941 8738	2			NUT
7	J812 5845	AR			BOLT
8	J400 4008	4			NUT
9	J322 6666	1			GASKET
10					BRACKET
	5200 3043	1			Manual Transmission
	5200 3045	1			Automatic Transmission
11	5200 2743	1			SUPPORT
12					CLAMP
	5200 2144	1			2.5L Engine
	5200 1860	1			4.2L Engine
13	8330 0061	1			CLAMP
14	5200 2506	1			HANGER
15	J018 0046	2			BOLT
16	S027 3801	2			NUT
17	5200 2400	2			SUPPORT
18	5200 3426	1			BRACKET
19	J400 1933	2			SCREW
20	5200 3280	1			SHIELD, Heat
21	5200 3271	1			SHIELD, Heat
22	J942 6241	AR			SCREW
23	5200 3427	1			BRACKET
24	J400 6080	1			NUT
25	5204 0219	1			INSULATOR

MODEL CODES:

15 = Grand Wagoneer 4 Dr.	65 = Comanche 4WD-7 Ft. Box	77 = Cherokee 4WD-2 Dr.
25 = J-10 Pickup-119" W.B.	66 = Comanche 2WD-7 Ft. Box	78 = Cherokee 4WD-4 Dr.
26 = J-10 Pickup-131" W.B.	73 = Cherokee 2WD-2 Dr.	79 = Cherokee 4WD-4 Dr.-Com
27 = J-20 Pickup-131" W.B.	74 = Cherokee 2WD-4 Dr.	81 = Wrangler-93" W.B.
63 = Comanche 4WD-6 Ft. Box	75 = Wagoneer 4WD-4 Dr.	82 = Wrangler-103" W.B.-Exp.
64 = Comanche 2WD-6 Ft. Box		

BODY STYLES:

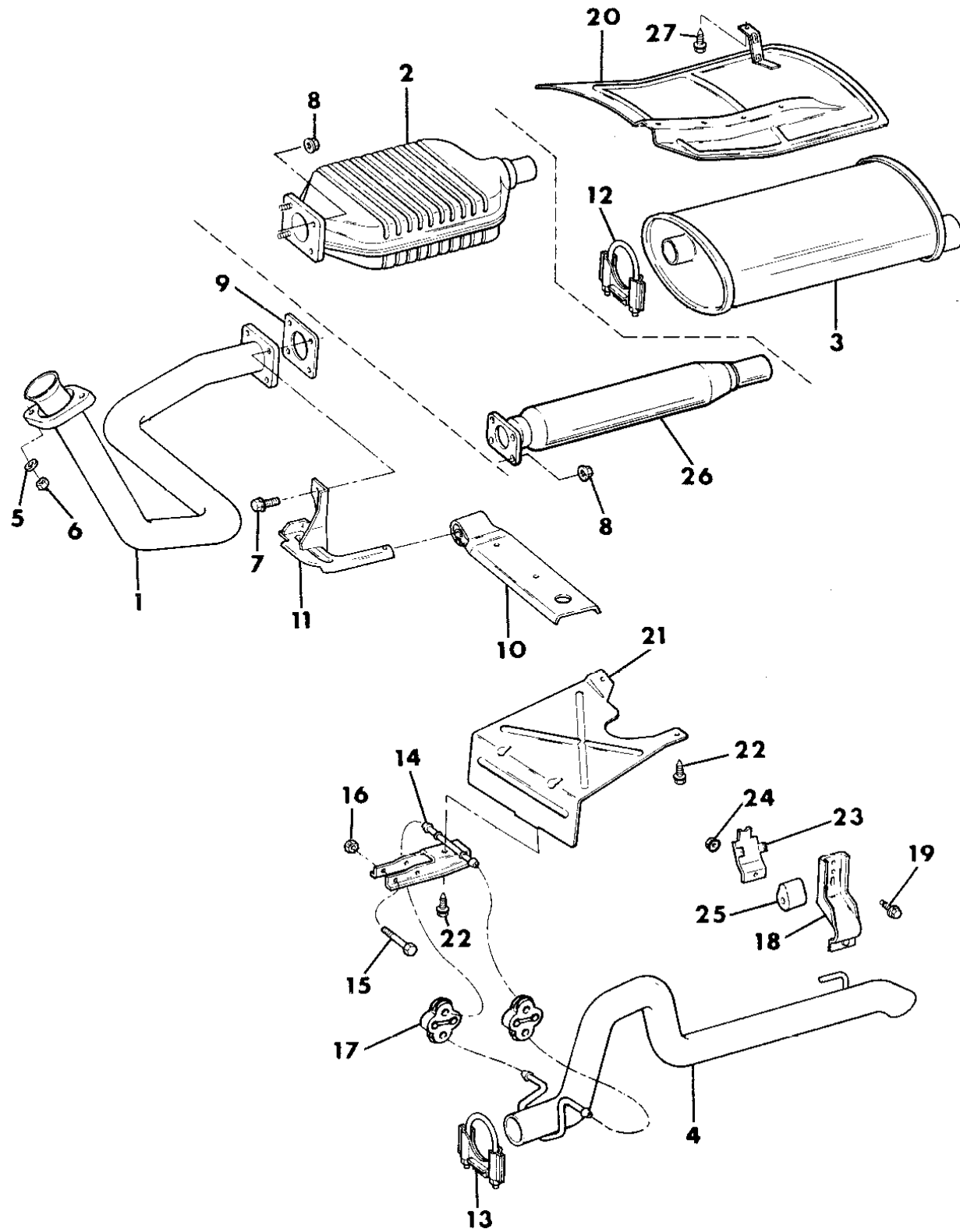
MJ = Comanche Pickup  
 SJ = Grand Wagoneer Wgn., J-10 & J-20 Pickups  
 XJ = Cherokee, Wagoneer Limited  
 YJ = Wrangler

AR = Use as Required - = Non Illustrated Part P.A.R. = Paint as Required

EXHAUST SYSTEM WRANGLER, YJ  
Figure 11-100

8J11 100

ITEM	PART NUMBER	QTY	BODY	MODEL	DESCRIPTION
26					RESONATOR
	5200 3369	1			2.5L Engine
	5300 1555	1			4.2L Engine
27	J943 1948	1			SCREW



MODEL CODES:

15 = Grand Wagoneer 4 Dr.	65 = Comanche 4WD-7 Ft. Box	77 = Cherokee 4WD-2 Dr.
25 = J-10 Pickup-119" W.B.	66 = Comanche 2WD-7 Ft. Box	78 = Cherokee 4WD-4 Dr.
26 = J-10 Pickup-131" W.B.	73 = Cherokee 2WD-2 Dr.	79 = Cherokee 4WD-4 Dr.-Com
27 = J-20 Pickup-131" W.B.	74 = Cherokee 2WD-4 Dr.	81 = Wrangler-93" W.B.
63 = Comanche 4WD-6 Ft. Box	75 = Wagoneer 4WD-4 Dr.	82 = Wrangler-103" W.B.-Exp.
64 = Comanche 2WD-6 Ft. Box		

BODY STYLES:

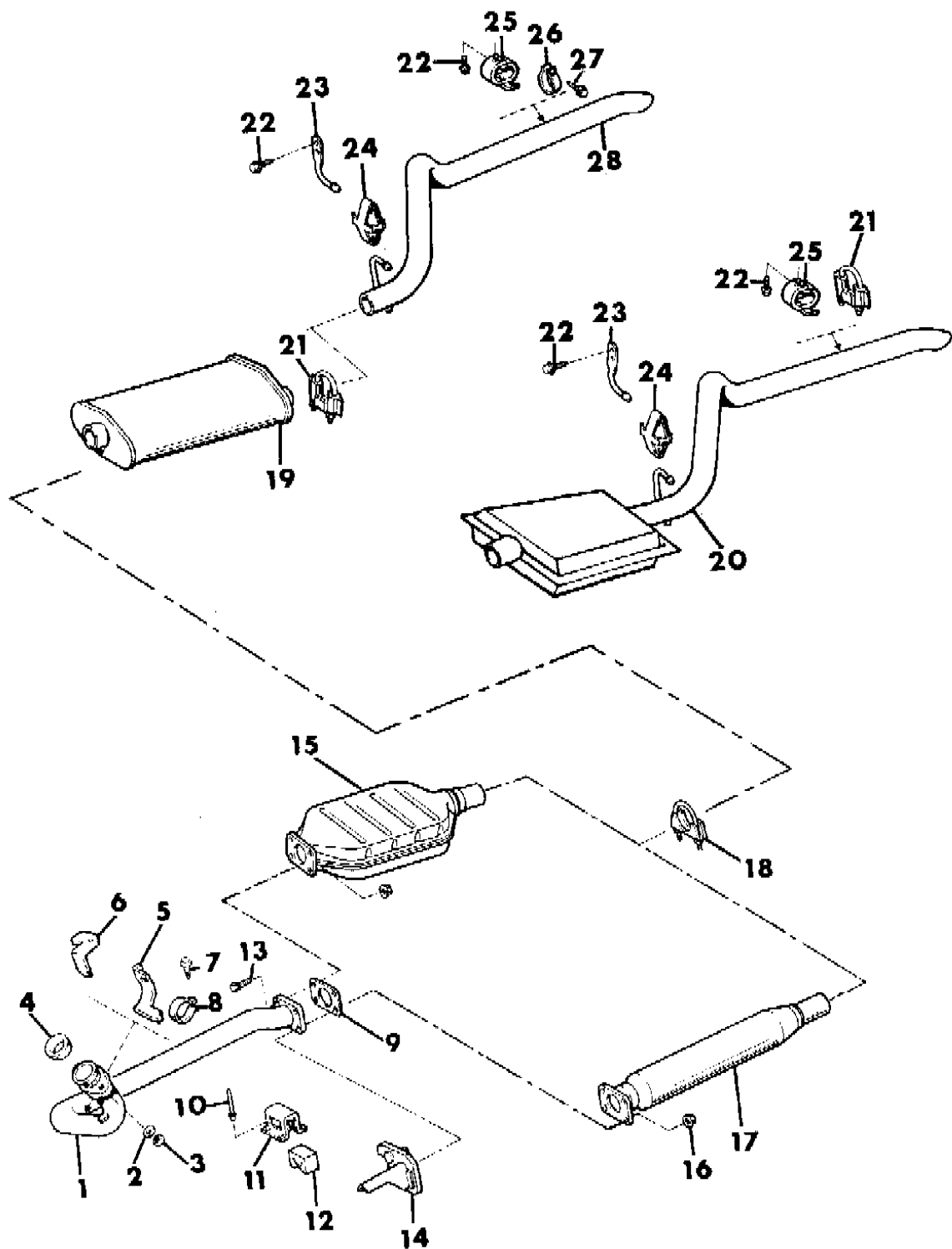
MJ = Comanche Pickup  
SJ = Grand Wagoneer Wgn., J-10 & J-20 Pickups  
XJ = Cherokee, Wagoneer Limited  
YJ = Wrangler

AR = Use as Required - = Non Illustrated Part P.A.R. = Paint as Required

EXHAUST SYSTEM GAS ENGINES CHEROKEE, WAGONEER

Figure 11-200

8J11200A



ITEM	PART NUMBER	QTY	BODY	MODEL	DESCRIPTION
1					PIPE, Front Exhaust
	8350 7205	1			2.5L Engine
	5200 2989	1			4.0L Engine
2	J400 1104	2			WASHER
3	S941 8738	2			NUT 1987-89
	J400 4008	2			NUT 1990
4	5200 3025	1			SEAL 4.0L Engine
5	5300 1652	1			SUPPORT 2.5L Engine
6	5200 3606	1			SUPPORT 4.0L Engine
7	J400 4692	1			SCREW
8					CLAMP
	5200 2949	1			2.5L Engine
	5200 2949	1			4.0L Engine
9	J322 6666	1			GASKET
10	J400 6543	4			RIVET
11	5300 0104	1			BRACKET
12	5300 0101	1			INSULATOR
13	J812 5845	2			BOLT
14	5200 3040	1			SUPPORT
15					CONVERTER, Catalytic
	5200 3723	1			2.5L Engine
	5200 3725	1			4.0L Engine
16	J400 4008	4			NUT
17					RESONATOR
	5200 3369	1			NRM
	5200 3940	1			ECE
	5200 3369	1			China or Venezuela KDX
18	5200 2144	1			CLAMP
19					MUFFLER 1987-89
	8350 2646	1			2.5L Engine
	5200 3985	1			4.0L Engine
20	5200 3985	1			MUFFLER and TAILPIPE ASSEMBLY 1990 ***
21	8330 0061	1			CLAMP
22	3420 1193	AR			SCREW
23	5200 2403	1			HANGER
24	5200 1759	AR			SUPPORT
25	5200 2794	1			INSULATOR AND BRACKET ASSEMBLY ***

MODEL CODES:

15 = Grand Wagoneer 4 Dr.	65 = Comanche 4WD-7 Ft. Box	77 = Cherokee 4WD-2 Dr.
25 = J-10 Pickup-119" W.B.	66 = Comanche 2WD-7 Ft. Box	78 = Cherokee 4WD-4 Dr.
26 = J-10 Pickup-131" W.B.	73 = Cherokee 2WD-2 Dr.	79 = Cherokee 4WD-4 Dr.-Com
27 = J-20 Pickup-131" W.B.	74 = Cherokee 2WD-4 Dr.	81 = Wrangler-93" W.B.
63 = Comanche 4WD-6 Ft. Box	75 = Wagoneer 4WD-4 Dr.	82 = Wrangler-103" W.B.-Exp.
64 = Comanche 2WD-6 Ft. Box		

BODY STYLES:

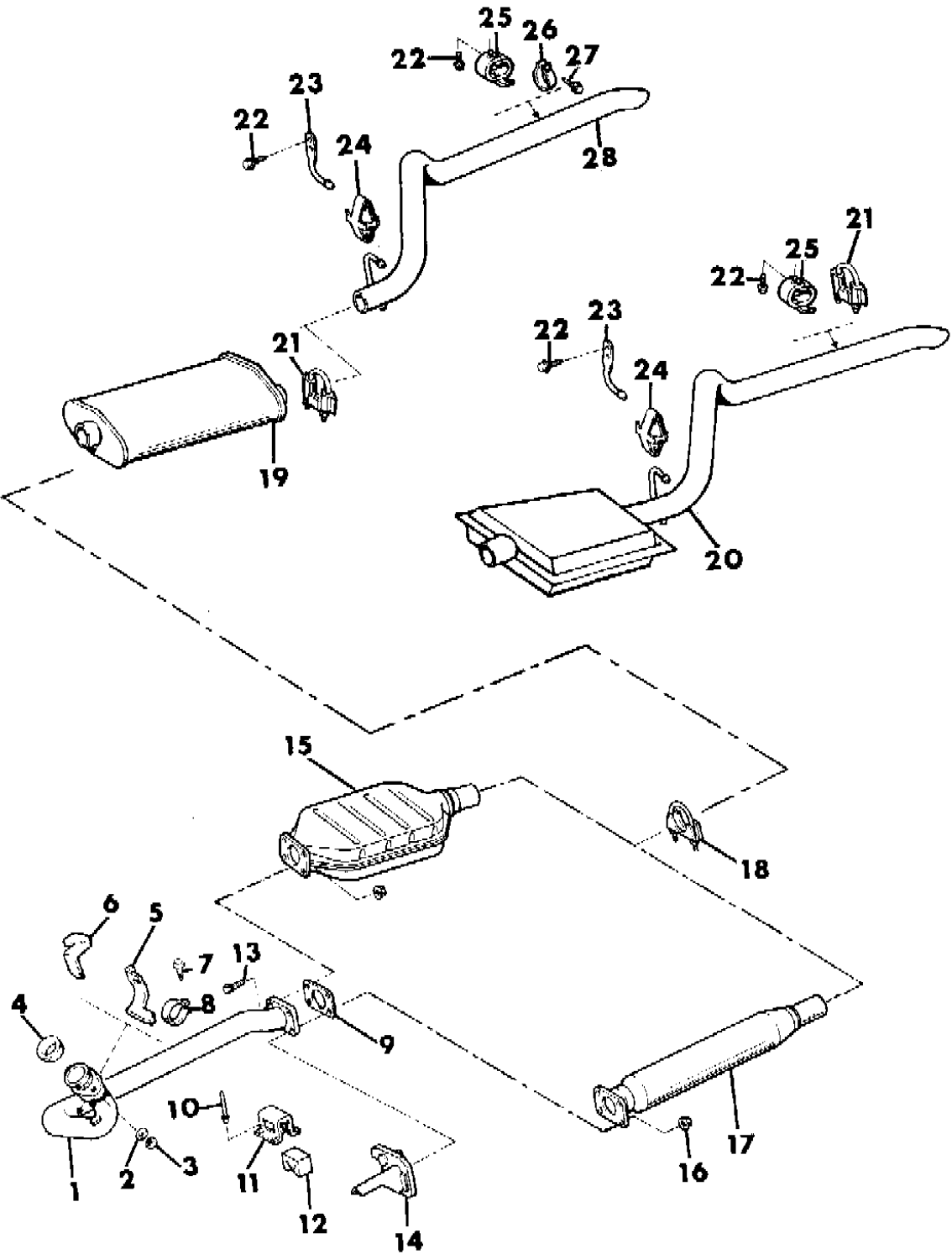
MJ = Comanche Pickup  
 SJ = Grand Wagoneer Wgn., J-10 & J-20 Pickups  
 XJ = Cherokee, Wagoneer Limited  
 YJ = Wrangler

AR = Use as Required - = Non Illustrated Part P.A.R. = Paint as Required

EXHAUST SYSTEM GAS ENGINES CHEROKEE, WAGONEER

Figure 11-200

8J11200A



ITEM	PART NUMBER	QTY	BODY	MODEL	DESCRIPTION
26	5200 2722	1			CLAMP 1987-89
27	J400 4692	1			SCREW 1987-89
28					PIPE, Tail 1987-89
	8350 2645	1			2.5L Engine
	8350 5295	1			4.0L Engine

MODEL CODES:

15 = Grand Wagoneer 4 Dr.	65 = Comanche 4WD-7 Ft. Box	77 = Cherokee 4WD-2 Dr.
25 = J-10 Pickup-119" W.B.	66 = Comanche 2WD-7 Ft. Box	78 = Cherokee 4WD-4 Dr.
26 = J-10 Pickup-131" W.B.	73 = Cherokee 2WD-2 Dr.	79 = Cherokee 4WD-4 Dr.-Com
27 = J-20 Pickup-131" W.B.	74 = Cherokee 2WD-4 Dr.	81 = Wrangler-93" W.B.
63 = Comanche 4WD-6 Ft. Box	75 = Wagoneer 4WD-4 Dr.	82 = Wrangler-103" W.B.-Exp.
64 = Comanche 2WD-6 Ft. Box		

BODY STYLES:

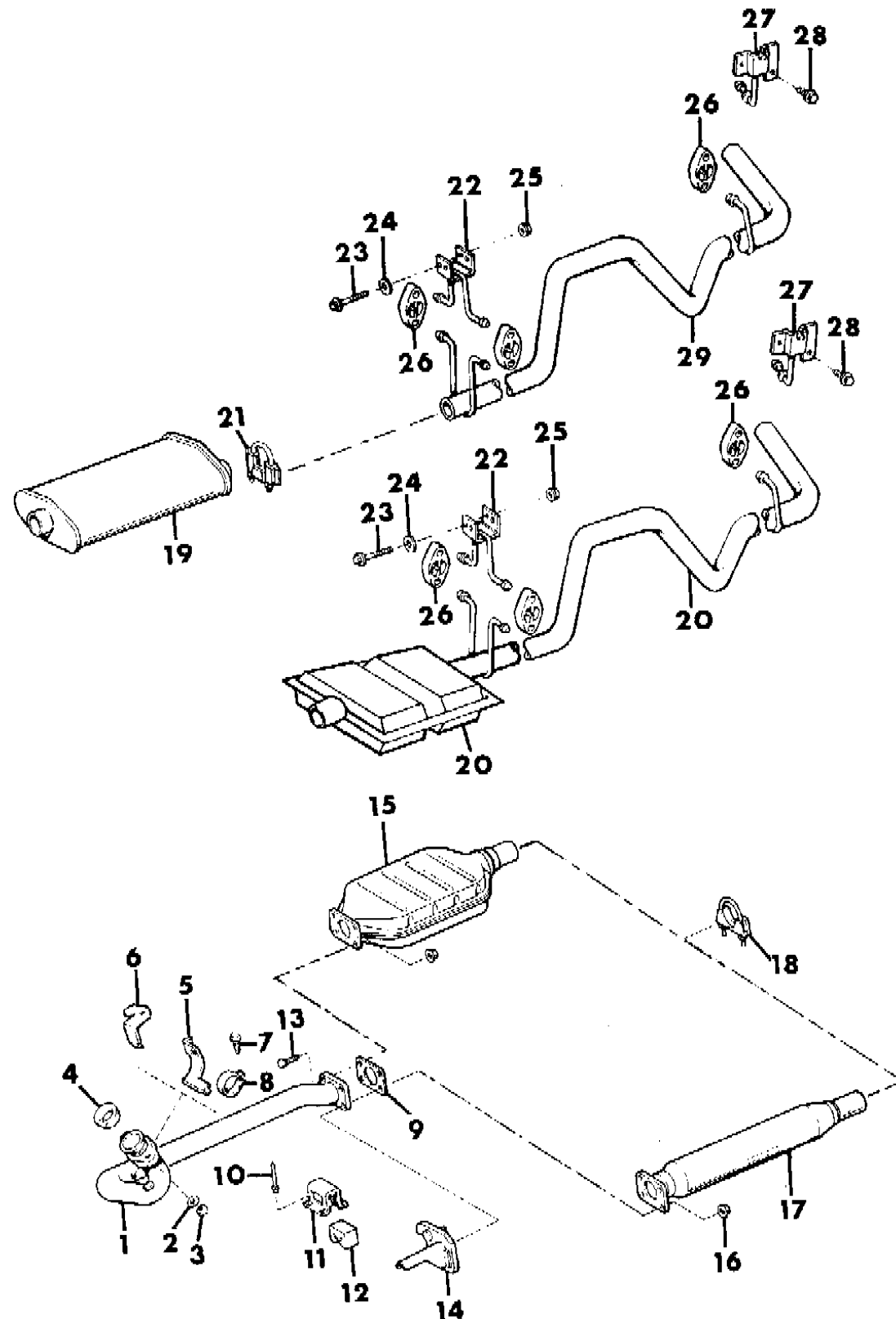
MJ = Comanche Pickup  
 SJ = Grand Wagoneer Wgn., J-10 & J-20 Pickups  
 XJ = Cherokee, Wagoneer Limited  
 YJ = Wrangler

AR = Use as Required - = Non Illustrated Part P.A.R. = Paint as Required

# EXHAUST SYSTEM GAS ENGINES COMANCHE

Figure 11-225

8J11 225



ITEM	PART NUMBER	QTY	BODY	MODEL	DESCRIPTION
1					PIPE, Front Exhaust
	5200 3008	1			2.5L Engine
	5200 2989	1			4.0L Engine
2	J400 1104	2			WASHER 1987-89
3	S941 8738	2			NUT 1987-89
	J400 4008	2			NUT 1990
4	5200 3025	1			SEAL 4.0L Engine
5	5300 1652	1			SUPPORT 2.5L Engine
6	5200 3606	1			SUPPORT 4.0L Engine
7	J400 4692	1			SCREW
8					CLAMP
	5200 2949	1			2.5L Engine
	5200 2949	1			4.0L Engine
9	J322 6666	1			GASKET
10	J400 6543	4			RIVET
11	5300 0104	1			BRACKET
12	5300 0101	1			INSULATOR
13	J812 5845	2			BOLT
14	5200 3040	1			SUPPORT
15					CONVERTER, Catalytic
	5200 3723	1			2.5L Engine
	5200 3725	1			4.0L Engine
16	J400 4008	4			NUT
17					RESONATOR
	5200 3369	1			NRM
	5200 3940	1			ECE
	5200 3369	1			China or Venezuela KDX
18	5200 2144	1			CLAMP
19					MUFFLER 1987-89
	8350 2656	1			2.5L Engine
	8350 3631	1			4.0L Engine
20					MUFFLER and TAILPIPE ASSEMBLY 1990 ***
	5200 4658	1			6 Foot Box
	5200 4656	1			7 Foot Box
21	8330 0061	1			CLAMP
22	5200 1762	1			HANGER
23	T300 1397	2			BOLT

**MODEL CODES:**

15 = Grand Wagoneer 4 Dr.	65 = Comanche 4WD-7 Ft. Box	77 = Cherokee 4WD-2 Dr.
25 = J-10 Pickup-119" W.B.	66 = Comanche 2WD-7 Ft. Box	78 = Cherokee 4WD-4 Dr.
26 = J-10 Pickup-131" W.B.	73 = Cherokee 2WD-2 Dr.	79 = Cherokee 4WD-4 Dr.-Com
27 = J-20 Pickup-131" W.B.	74 = Cherokee 2WD-4 Dr.	81 = Wrangler-93" W.B.
63 = Comanche 4WD-6 Ft. Box	75 = Wagoneer 4WD-4 Dr.	82 = Wrangler-103" W.B.-Exp.
64 = Comanche 2WD-6 Ft. Box		

**BODY STYLES:**

MJ = Comanche Pickup  
 SJ = Grand Wagoneer Wgn., J-10 & J-20 Pickups  
 XJ = Cherokee, Wagoneer Limited  
 YJ = Wrangler

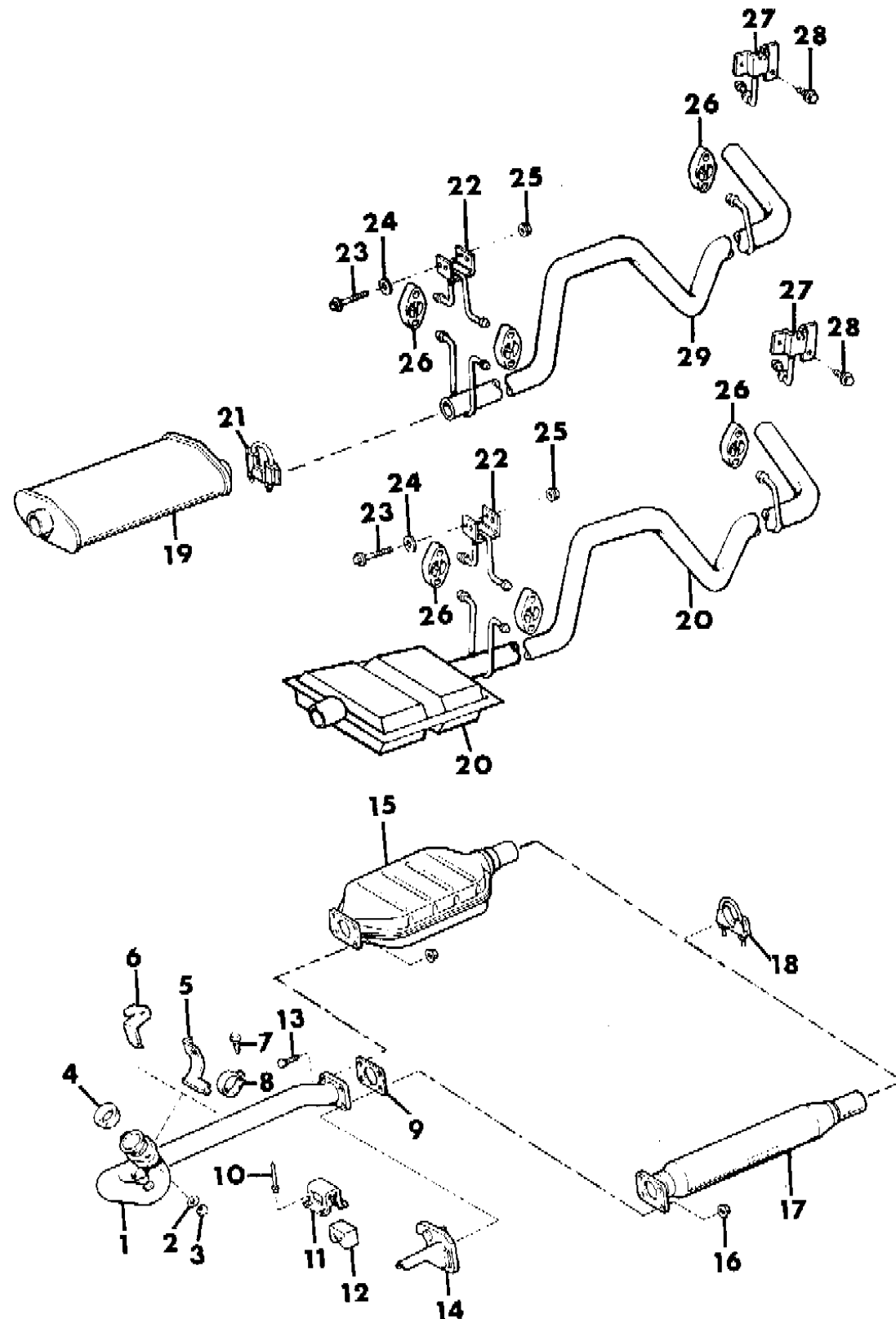
AR = Use as Required - = Non Illustrated Part P.A.R. = Paint as Required



# EXHAUST SYSTEM GAS ENGINES COMANCHE

Figure 11-225

8J11 225



ITEM	PART NUMBER	QTY	BODY	MODEL	DESCRIPTION
24	1150 0255	2			WASHER
25	1150 2811	2			NUT
26	5200 1759	AR			SUPPORT
27					HANGER
	5200 3019	1			6 Foot Box
	5200 3015	1			7 Foot Box
28	3420 1193	AR			SCREW
29					PIPE, Tail 1987-89
	8350 3453	1			6 Foot Box
	8350 2655	1			7 Foot Box

**MODEL CODES:**

15 = Grand Wagoneer 4 Dr.	65 = Comanche 4WD-7 Ft. Box	77 = Cherokee 4WD-2 Dr.
25 = J-10 Pickup-119" W.B.	66 = Comanche 2WD-7 Ft. Box	78 = Cherokee 4WD-4 Dr.
26 = J-10 Pickup-131" W.B.	73 = Cherokee 2WD-2 Dr.	79 = Cherokee 4WD-4 Dr.-Com
27 = J-20 Pickup-131" W.B.	74 = Cherokee 2WD-4 Dr.	81 = Wrangler-93" W.B.
63 = Comanche 4WD-6 Ft. Box	75 = Wagoneer 4WD-4 Dr.	82 = Wrangler-103" W.B.-Exp.
64 = Comanche 2WD-6 Ft. Box		

**BODY STYLES:**

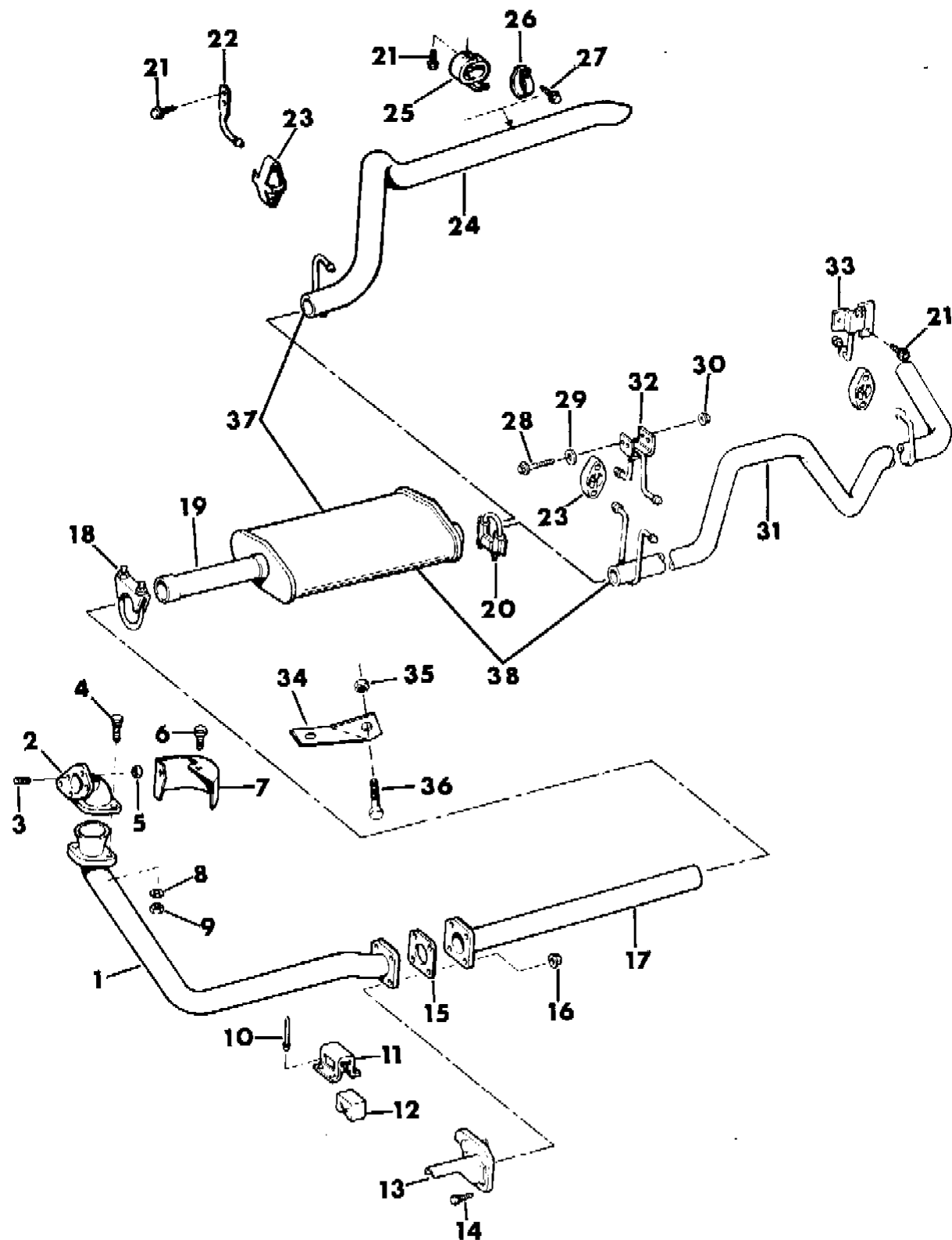
MJ = Comanche Pickup  
 SJ = Grand Wagoneer Wgn., J-10 & J-20 Pickups  
 XJ = Cherokee, Wagoneer Limited  
 YJ = Wrangler

AR = Use as Required - = Non Illustrated Part P.A.R. = Paint as Required

EXHAUST SYSTEM DIESEL ENGINE CHEROKEE, COMANCHE - EXPORT

Figure 11-250

8J11 2508



ITEM	PART NUMBER	QTY	BODY	MODEL	DESCRIPTION
1	5200 3011	1			PIPE, Front Exhaust
2	5300 1750	1			ADAPTER, Turbocharger
3	3420 2088	4			STUD
4	J400 7109	2			STUD
5	1150 0749	4			NUT
6	1150 4986	1			BOLT
7	3300 2103	1			SHIELD, Adapter
8	J400 1104	2			WASHER 1987-89
9	S941 8738	2			NUT 1987-89
	J400 4008	2			NUT, Flanged 1990
10	3420 2083	4			RIVET
11	5300 0104	1			BRACKET
12	5300 0101	1			INSULATOR
13	5200 3040	1			SUPPORT
14	J812 5845	AR			BOLT
15	J322 6666	1			GASKET
16	J400 4008	4			NUT
17	5200 3013	1			PIPE, Exhaust Adapter
18	5200 1860	1			CLAMP
19					MUFFLER 1987-90
	8350 2649	1	XJ		Wagon
	8350 2657	1	MJ		Truck
20	8330 0060	1			CLAMP
21	3420 1193	AR			SCREW
22	5300 1085	1	XJ		HANGER
23	5200 1759	AR			SUPPORT
24	8350 2647	1	XJ		PIPE, Tail 1987-89
25	5200 2794	1	XJ		HANGER
26	5200 2949	1	XJ		CLAMP
27	J400 4692	AR	XJ		SCREW
28	T300 1397	2	MJ		BOLT
29	1150 0255	2	MJ		WASHER
30	1150 2811	2	MJ		NUT, Lock
31	8350 2653	1	MJ		PIPE, Tail 1987-89
32	5200 1762	1	MJ		HANGER ASSEMBLY ***
33			MJ		HANGER ASSEMBLY ***
	5200 3019	1			6 Foot Box

MODEL CODES:

15 = Grand Wagoneer 4 Dr.	65 = Comanche 4WD-7 Ft. Box	77 = Cherokee 4WD-2 Dr.
25 = J-10 Pickup-119" W.B.	66 = Comanche 2WD-7 Ft. Box	78 = Cherokee 4WD-4 Dr.
26 = J-10 Pickup-131" W.B.	73 = Cherokee 2WD-2 Dr.	79 = Cherokee 4WD-4 Dr.-Com
27 = J-20 Pickup-131" W.B.	74 = Cherokee 2WD-4 Dr.	81 = Wrangler-93" W.B.
63 = Comanche 4WD-6 Ft. Box	75 = Wagoneer 4WD-4 Dr.	82 = Wrangler-103" W.B.-Exp.
64 = Comanche 2WD-6 Ft. Box		

BODY STYLES:

MJ = Comanche Pickup  
 SJ = Grand Wagoneer Wgn., J-10 & J-20 Pickups  
 XJ = Cherokee, Wagoneer Limited  
 YJ = Wrangler

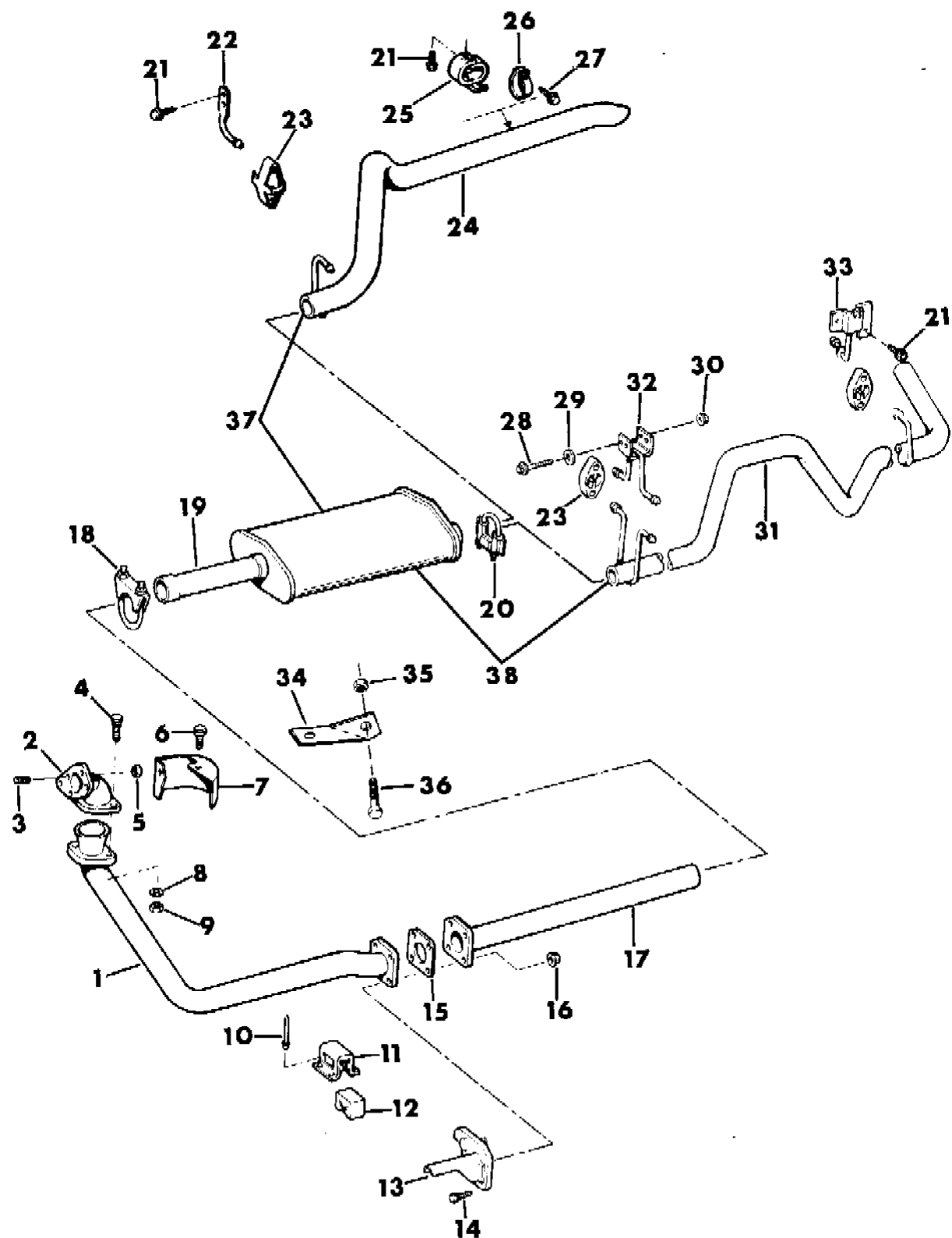
AR = Use as Required - = Non Illustrated Part P.A.R. = Paint as Required

EXHAUST SYSTEM DIESEL ENGINE CHEROKEE, COMANCHE - EXPORT

Figure 11-250

8J11 2508

ITEM	PART NUMBER	QTY	BODY	MODEL	DESCRIPTION
	5200 3015	1			7 Foot Box
34	5300 6653	1			BRACKET 1990
35	1150 3745	2			NUT 1990
36	3420 1807	2			BOLT 1990
37	5200 2204	1	XJ		TAILPIPE and MUFFLER ASSEMBLY 1990 ***
38	5200 3017	1	MJ		TAILPIPE and MUFFLER ASSEMBLY 1990 ***



MODEL CODES:

15 = Grand Wagoneer 4 Dr.	65 = Comanche 4WD-7 Ft. Box	77 = Cherokee 4WD-2 Dr.
25 = J-10 Pickup-119" W.B.	66 = Comanche 2WD-7 Ft. Box	78 = Cherokee 4WD-4 Dr.
26 = J-10 Pickup-131" W.B.	73 = Cherokee 2WD-2 Dr.	79 = Cherokee 4WD-4 Dr.-Com
27 = J-20 Pickup-131" W.B.	74 = Cherokee 2WD-4 Dr.	81 = Wrangler-93" W.B.
63 = Comanche 4WD-6 Ft. Box	75 = Wagoneer 4WD-4 Dr.	82 = Wrangler-103" W.B.-Exp.
64 = Comanche 2WD-6 Ft. Box		

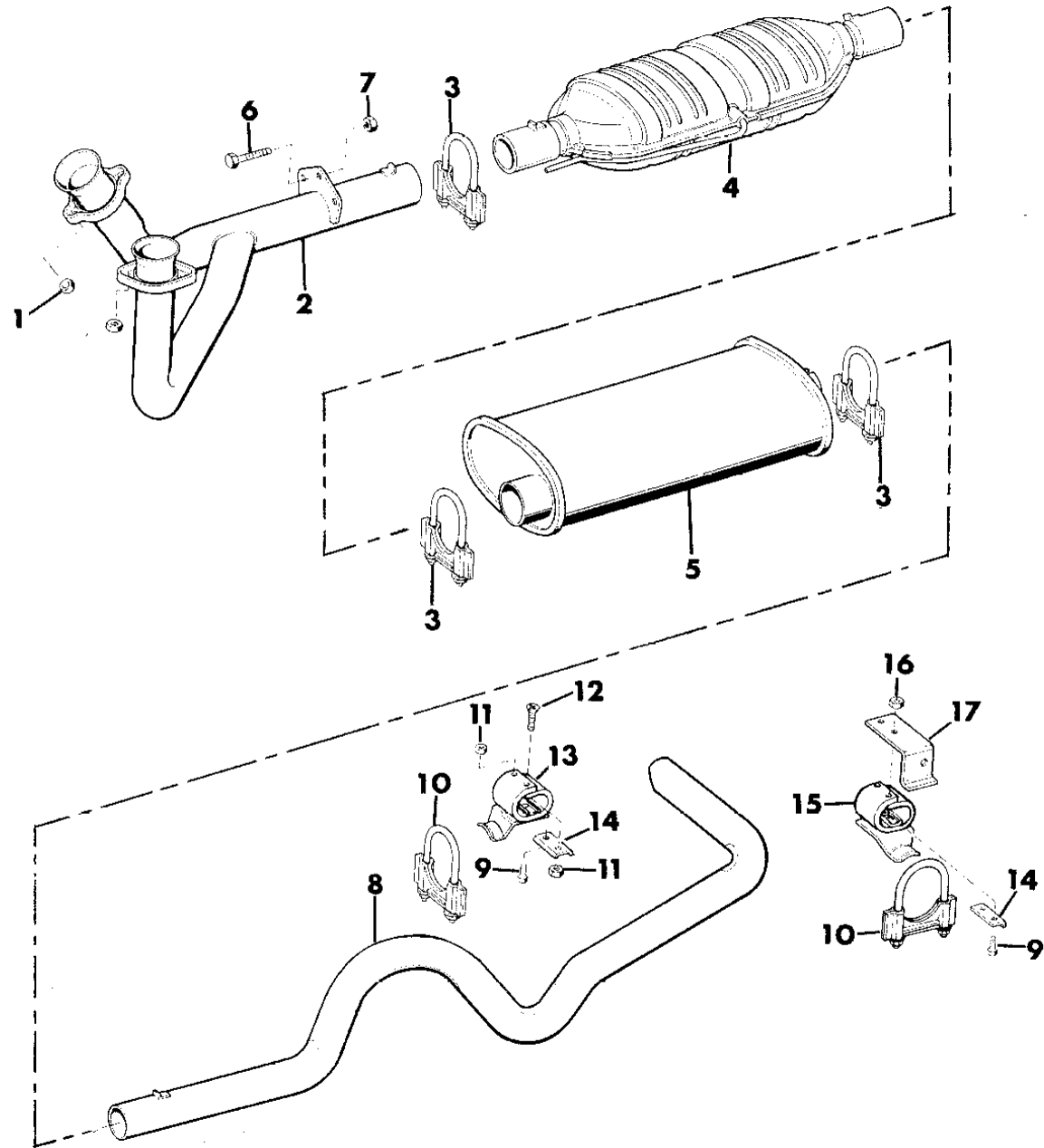
BODY STYLES:

MJ = Comanche Pickup  
 SJ = Grand Wagoneer Wgn., J-10 & J-20 Pickups  
 XJ = Cherokee, Wagoneer Limited  
 YJ = Wrangler

AR = Use as Required - = Non Illustrated Part P.A.R. = Paint as Required

**EXHAUST SYSTEM GRAND WAGONEER**  
Figure 11-300

8J11 300



ITEM	PART NUMBER	QTY	BODY	MODEL	DESCRIPTION
1	J400 3869	4			NUT
2	J536 2536	1			PIPE, Front Exhaust
3	J535 8827	1			CLAMP
4	J537 0145	1			CONVERTER, Catalytic
5	8330 0066	1			MUFFLER
6	J018 0132	1			BOLT
7	J400 5142	1			NUT
8	J536 4858	1			PIPE, Tail
9	J018 0081	3			BOLT
10	8330 0062	2			CLAMP
11	J941 3447	2			NUT
12	J098 1537	1			SCREW
13	J536 3088	1			HANGER
14	J535 8978	2			PLATE
15	J536 3087	1			HANGER
16	J027 1184	2			NUT
17	J535 7044	1			BRACKET

MODEL CODES:

15 = Grand Wagoneer 4 Dr.	65 = Comanche 4WD-7 Ft. Box	77 = Cherokee 4WD-2 Dr.
25 = J-10 Pickup-119" W.B.	66 = Comanche 2WD-7 Ft. Box	78 = Cherokee 4WD-4 Dr.
26 = J-10 Pickup-131" W.B.	73 = Cherokee 2WD-2 Dr.	79 = Cherokee 4WD-4 Dr.-Com
27 = J-20 Pickup-131" W.B.	74 = Cherokee 2WD-4 Dr.	81 = Wrangler-93" W.B.
63 = Comanche 4WD-6 Ft. Box	75 = Wagoneer 4WD-4 Dr.	82 = Wrangler-103" W.B.-Exp.
64 = Comanche 2WD-6 Ft. Box		

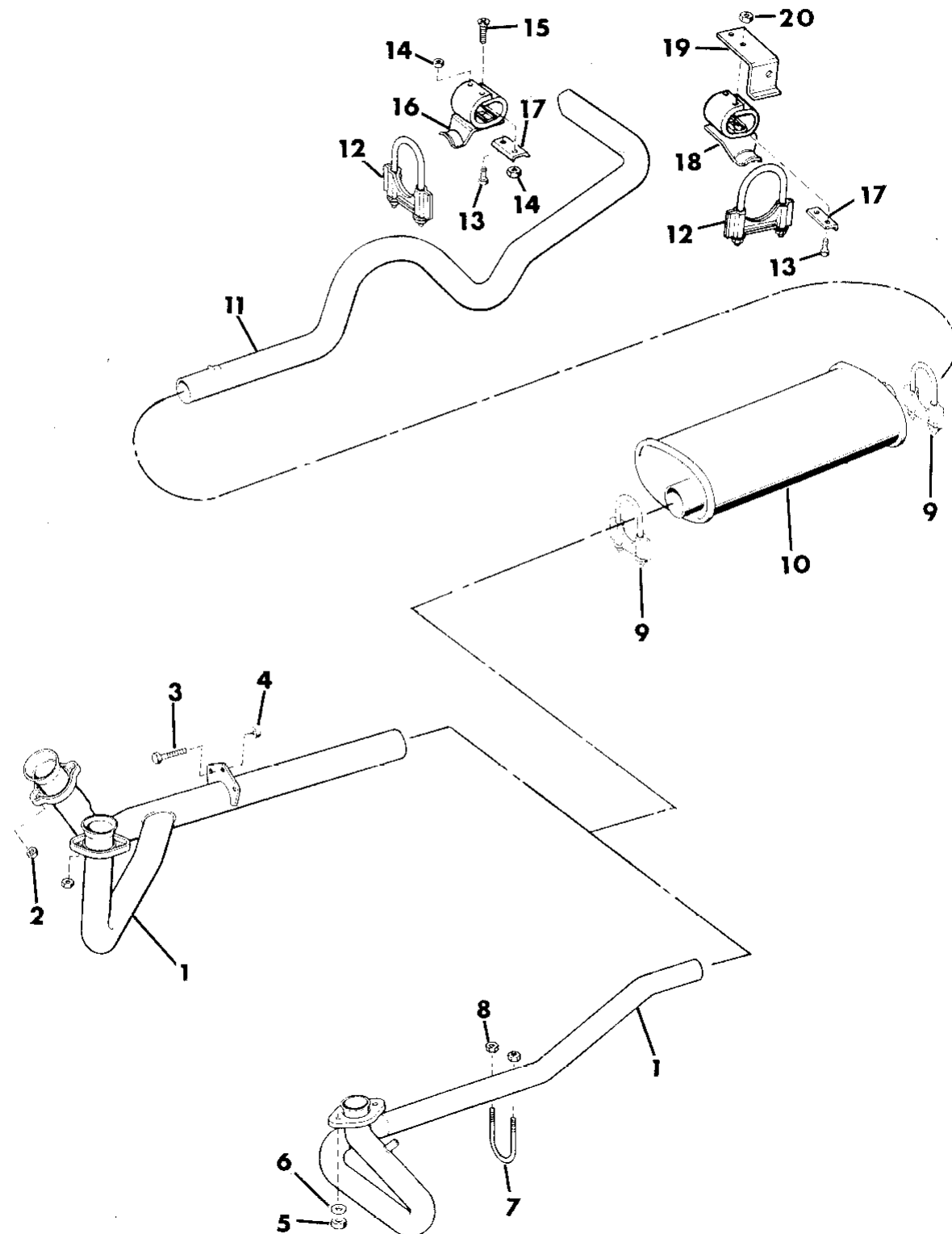
BODY STYLES:

MJ = Comanche Pickup  
 SJ = Grand Wagoneer Wgn., J-10 & J-20 Pickups  
 XJ = Cherokee, Wagoneer Limited  
 YJ = Wrangler

AR = Use as Required - = Non Illustrated Part P.A.R. = Paint as Required

**EXHAUST SYSTEM EXPORT NRM GRAND WAGONEER**  
**Figure 11-350**

8 J11 350



ITEM	PART NUMBER	QTY	BODY	MODEL	DESCRIPTION
1					PIPE, Front Exhaust
	J536 4503	1			4.2L Engine
	J536 2809	1			5.9L Engine
2	J400 3869	4			NUT 5.9L Engine
3	J018 0132	1			BOLT 5.9L Engine
4	J400 5142	1			NUT 5.9L Engine
5	S941 8738	2			NUT 4.2L Engine
6	J400 1181	2			NUT
7	J094 1013	1			U-BOLT 4.2L Engine
8	J012 0376	2			NUT 4.2L Engine
9					CLAMP
	8330 0060	1			4.2L Engine
	J535 8827	2			5.9L Engine
10					MUFFLER
	J536 1747	1			4.2L Engine
	8330 0066	1			5.9L Engine
11					PIPE, Tail
	J536 1873	1			4.2L Engine
	J536 0080	1			5.9L Engine
12	8330 0062	2			CLAMP
13	J018 0081	3			BOLT
14	J941 3447	2			NUT
15	J098 1537	1			SCREW
16	J536 3088	1			HANGER ASSEMBLY
17	J535 8978	2			PLATE
18	J536 3087	1			HANGER ASSEMBLY
19	J535 7044	1			BRACKET
20	J027 1184	2			NUT

**MODEL CODES:**

15 = Grand Wagoneer 4 Dr.	65 = Comanche 4WD-7 Ft. Box	77 = Cherokee 4WD-2 Dr.
25 = J-10 Pickup-119" W.B.	66 = Comanche 2WD-7 Ft. Box	78 = Cherokee 4WD-4 Dr.
26 = J-10 Pickup-131" W.B.	73 = Cherokee 2WD-2 Dr.	79 = Cherokee 4WD-4 Dr.-Com
27 = J-20 Pickup-131" W.B.	74 = Cherokee 2WD-4 Dr.	81 = Wrangler-93" W.B.
63 = Comanche 4WD-6 Ft. Box	75 = Wagoneer 4WD-4 Dr.	82 = Wrangler-103" W.B.-Exp.
64 = Comanche 2WD-6 Ft. Box		

**BODY STYLES:**

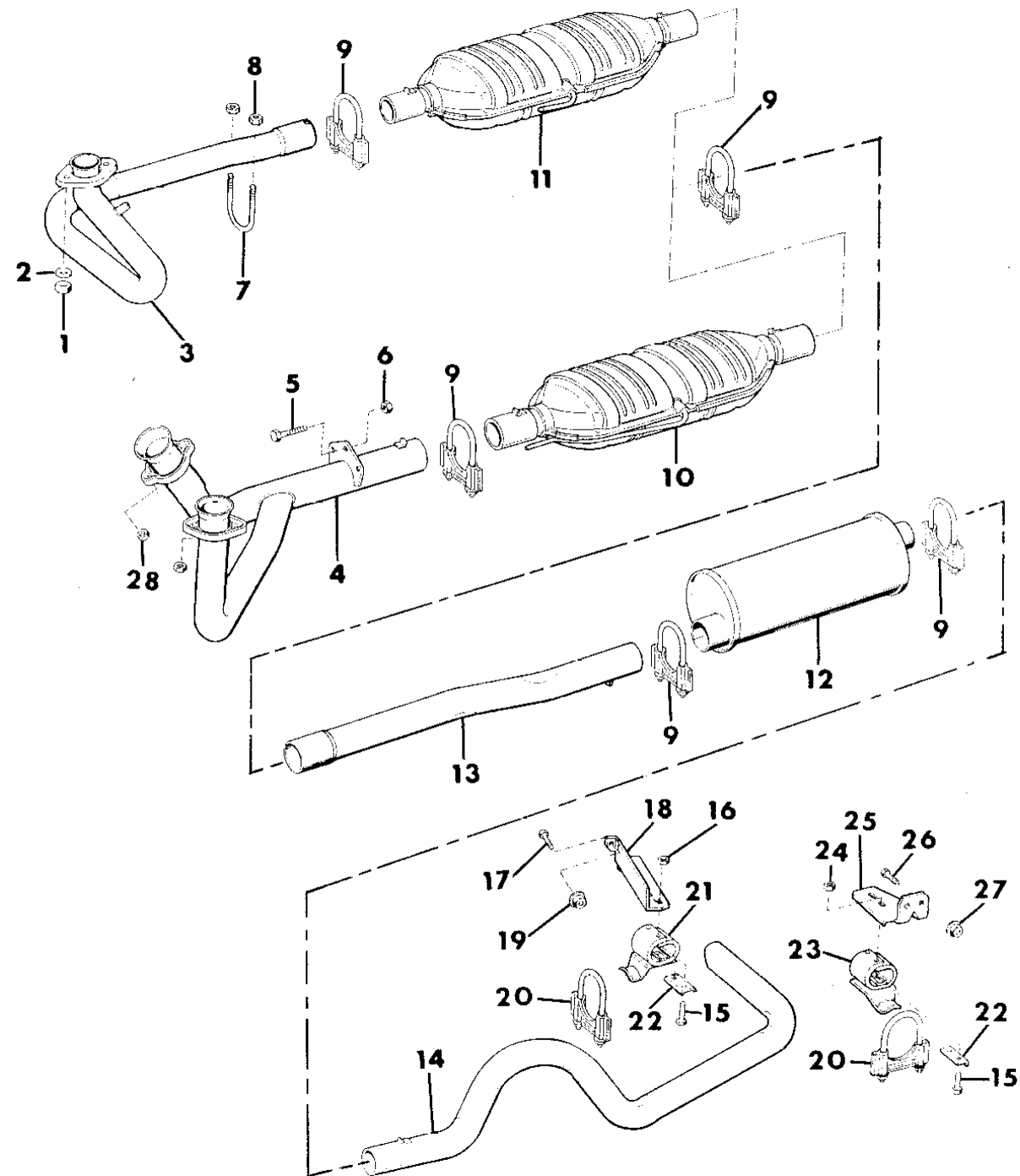
MJ = Comanche Pickup  
 SJ = Grand Wagoneer Wgn., J-10 & J-20 Pickups  
 XJ = Cherokee, Wagoneer Limited  
 YJ = Wrangler

AR = Use as Required - = Non Illustrated Part P.A.R. = Paint as Required

# EXHAUST SYSTEM J10, J20

Figure 11-400

8J11 400



ITEM	PART NUMBER	QTY	BODY	MODEL	DESCRIPTION
1	S941 8738	2			NUT 4.2L Engine
2	J400 1181	2			WASHER 4.2L Engine
3	J536 4317	1			PIPE, Exhaust 4.2L Engine
4	J536 2536	1		26,27	PIPE, Exhaust 5.9L Engine
	J536 2536	1		27	50 States
	J536 2536	1		27	Canada
	J536 1784	1		25,26	Canada - 5.9L Engine
5	J018 0132	1			BOLT 5.9L Engine
6	J400 5142	1			NUT 5.9L Engine
7	J094 1013	1			U-BOLT 4.2L Engine
8	J012 0376	2			NUT 4.2L Engine
9					CLAMP
	8330 0060	4			4.2L Engine
	J535 8827	4			5.9L Engine
10	J537 0145	1			CONVERTER, Catalytic 5.9L Engine
	J537 0145	1		27	Canada 5.9L Engine
11	J537 0123	1			CONVERTER, Catalytic 4.2L Engine
12					MUFFLER
	J536 2489	1			4.2L Engine
	J536 1254	1			5.9L Engine
	J536 1842	1		25,26	Canada 5.9L Engine
	J536 1254	1		27	Canada 5.9L Engine
13					PIPE, Intermediate
	J536 2483	1			4.2L Engine
	J536 4860	1			5.9L Engine
14					PIPE, Tail
	J536 1954	1			4.2L Engine
	J536 3119	1			5.9L Engine
	J536 1987	1		25,26	Canada 5.9L Engine
	J536 3119	1		27	Canada 5.9L Engine
15	J018 0081	4			BOLT
16	J400 1457	2			NUT
17	J018 0121	2			BOLT
18	J535 8969	1			BRACKET
19	J400 3909	2			NUT
20					CLAMP
	8330 0060	2			4.2L Engine

**MODEL CODES:**

15 = Grand Wagoneer 4 Dr.	65 = Comanche 4WD-7 Ft. Box	77 = Cherokee 4WD-2 Dr.
25 = J-10 Pickup-119" W.B.	66 = Comanche 2WD-7 Ft. Box	78 = Cherokee 4WD-4 Dr.
26 = J-10 Pickup-131" W.B.	73 = Cherokee 2WD-2 Dr.	79 = Cherokee 4WD-4 Dr.-Com
27 = J-20 Pickup-131" W.B.	74 = Cherokee 2WD-4 Dr.	81 = Wrangler-93" W.B.
63 = Comanche 4WD-6 Ft. Box	75 = Wagoneer 4WD-4 Dr.	82 = Wrangler-103" W.B.-Exp.
64 = Comanche 2WD-6 Ft. Box		

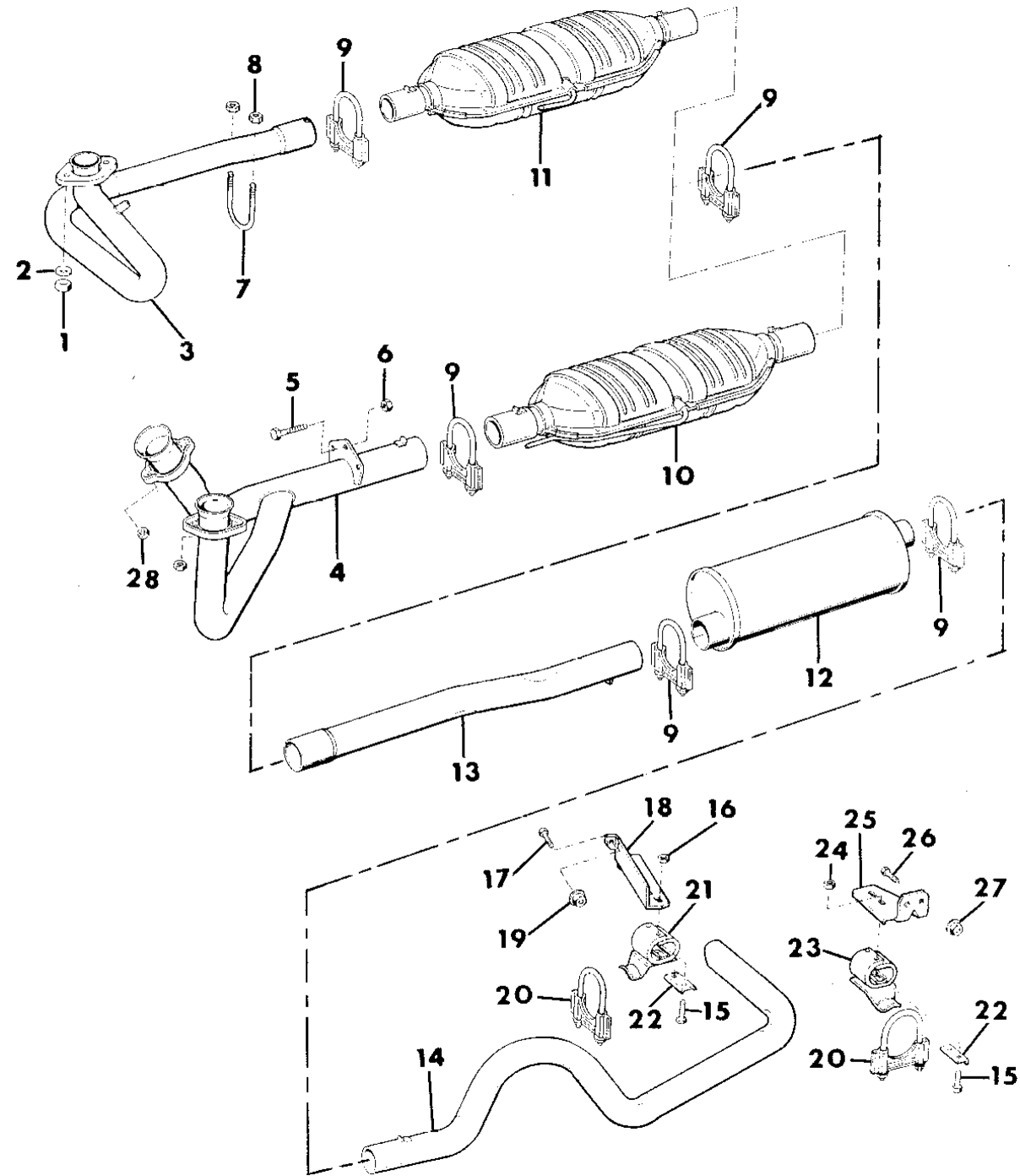
**BODY STYLES:**

MJ = Comanche Pickup  
 SJ = Grand Wagoneer Wgn., J-10 & J-20 Pickups  
 XJ = Cherokee, Wagoneer Limited  
 YJ = Wrangler

AR = Use as Required - = Non Illustrated Part P.A.R. = Paint as Required

EXHAUST SYSTEM J10, J20  
Figure 11-400

8J11 400



ITEM	PART NUMBER	QTY	BODY	MODEL	DESCRIPTION
	8330 0062	2			5.9L Engine
21	J536 3088	1			HANGER
22	J535 8978	2			PLATE
23	J536 3087	1			HANGER
24	J027 1184	2			NUT
25	J536 1940	1			BRACKET
26	J027 4319	2			SCREW
27	J400 4005	2			NUT
28	J400 3869	4			NUT 5.9L Engine

MODEL CODES:

15 = Grand Wagoneer 4 Dr.	65 = Comanche 4WD-7 Ft. Box	77 = Cherokee 4WD-2 Dr.
25 = J-10 Pickup-119" W.B.	66 = Comanche 2WD-7 Ft. Box	78 = Cherokee 4WD-4 Dr.
26 = J-10 Pickup-131" W.B.	73 = Cherokee 2WD-2 Dr.	79 = Cherokee 4WD-4 Dr.-Com
27 = J-20 Pickup-131" W.B.	74 = Cherokee 2WD-4 Dr.	81 = Wrangler-93" W.B.
63 = Comanche 4WD-6 Ft. Box	75 = Wagoneer 4WD-4 Dr.	82 = Wrangler-103" W.B.-Exp.
64 = Comanche 2WD-6 Ft. Box		

BODY STYLES:

MJ = Comanche Pickup  
SJ = Grand Wagoneer Wgn., J-10 & J-20 Pickups  
XJ = Cherokee, Wagoneer Limited  
YJ = Wrangler

AR = Use as Required - = Non Illustrated Part P.A.R. = Paint as Required

**EXHAUST SYSTEM EXPORT NRM J10, J20**  
Figure 11-450

8J11 450

ITEM	PART NUMBER	QTY	BODY	MODEL	DESCRIPTION
1					PIPE, Front Exhaust
	J536 4503	1			4.2L Engine
	J536 1784	1			5.9L Engine
2	J018 0132	1			BOLT 5.9L Engine
3	J400 5142	1			NUT 5.9L Engine
4	J400 3869	4			NUT 5.9L Engine
5	J400 1181	2			WASHER 4.2L Engine
6	S941 8738	2			NUT 4.2L Engine
7	J094 1013	1			U-BOLT 4.2L Engine
8	J012 0376	2			NUT 4.2L Engine
9					CLAMP
	8330 0060	4			4.2L Engine
	J535 8827	1			5.9L Engine
10	J400 4005	2			NUT
11	J536 4860	1	27		PIPE, Intermediate
12					MUFFLER
	J536 1838	1			4.2L Engine
	J536 1842	1			5.9L Engine
13					PIPE, Tail
	J536 1958	1			4.2L Engine
	J536 1987	1			5.9L Engine
14					CLAMP
	8330 0060	2			4.2L Engine
	8330 0062	2			5.9L Engine
15	J400 3909	2			NUT
16	J018 0121	2			BOLT
17	J535 8969	1			BRACKET, Front
18	J400 1457	2			NUT
19	J536 3088	1			HANGER ASSEMBLY
20	J535 8978	2			PLATE
21	J018 0081	4			BOLT
22	J536 3087	1			HANGER ASSEMBLY
23	J027 1184	2			NUT
24	J027 4319	2			SCREW
25	J536 1940	1			BRACKET, Rear

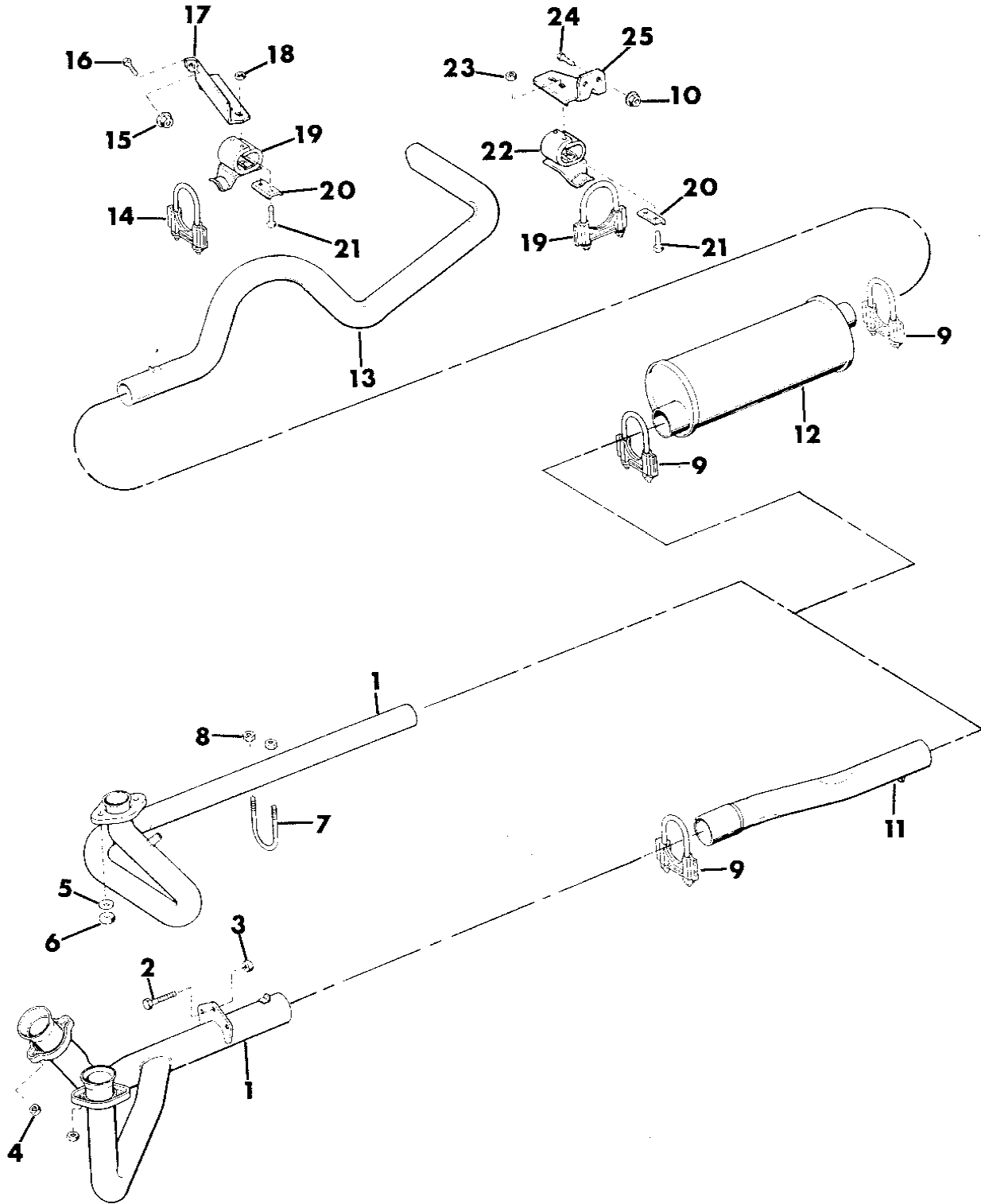
**MODEL CODES:**

15 = Grand Wagoneer 4 Dr.	65 = Comanche 4WD-7 Ft. Box	77 = Cherokee 4WD-2 Dr.
25 = J-10 Pickup-119" W.B.	66 = Comanche 2WD-7 Ft. Box	78 = Cherokee 4WD-4 Dr.
26 = J-10 Pickup-131" W.B.	73 = Cherokee 2WD-2 Dr.	79 = Cherokee 4WD-4 Dr.-Com
27 = J-20 Pickup-131" W.B.	74 = Cherokee 2WD-4 Dr.	81 = Wrangler-93" W.B.
63 = Comanche 4WD-6 Ft. Box	75 = Wagoneer 4WD-4 Dr.	82 = Wrangler-103" W.B.-Exp.
64 = Comanche 2WD-6 Ft. Box		

**BODY STYLES:**

MJ = Comanche Pickup
SJ = Grand Wagoneer Wgn., J-10 & J-20 Pickups
XJ = Cherokee, Wagoneer Limited
YJ = Wrangler

AR = Use as Required - = Non Illustrated Part P.A.R. = Paint as Required





---

**GROUP 13 - FRAME & BUMPERS**

<b>ILLUSTRATION TITLE</b>	<b>GROUP-FIG. NO.</b>
FRAME WRANGLER, YJ .....	Fig. 13-100
MOUNTING HARDWARE--BODY WRANGLER, YJ .....	Fig. 13-200
BUMPER--FRONT WRANGLER, YJ .....	Fig. 13-300
BUMPER--REAR AND DRAW BAR WRANGLER, YJ .....	Fig. 13-400
SNOWPLOW AND MOUNTING WRANGLER, YJ .....	Fig. 13-450
MOUNTING HARDWARE PICKUP BOX COMANCHE .....	Fig. 13-500
BUMPER--FRONT CHEROKEE, WAGONEER, COMANCHE .....	Fig. 13-600
BUMPER--REAR CHEROKEE, WAGONEER .....	Fig. 13-700
BUMPER, REAR STEP COMANCHE .....	Fig. 13-800
WINCH CONTROLS HIDDEN WINCH CHEROKEE, COMANCHE .....	Fig. 13-900
WINCH MOUNTING HIDDEN WINCH CHEROKEE, COMANCHE .....	Fig. 13-1000
WINCH MOTOR AND DRUM HIDDEN WINCH CHEROKEE, COMANCHE .....	Fig. 13-1100
HARNES--TRAILER TOWING WRANGLER...EXPORT .....	Fig. 13-1150
HITCH--TRAILER LIGHT DUTY CHEROKEE, WAGONEER .....	Fig. 13-1200
HITCH--TRAILER HEAVY DUTY CHEROKEE, WAGONEER .....	Fig. 13-1300
SNOW PLOW POWER LIFT UNIT CHEROKEE, WAGONEER, WRANGLER, J10, J20 .....	Fig. 13-1400
SNOW PLOW OPERATING CONTROLS AND SWITCHES CHEROKEE, COMANCHE, WRANGLER, J10, J20 .....	Fig. 13-1500
SNOW PLOW MOLDBOARD AND MOUNTING CHEROKEE, COMANCHE .....	Fig. 13-1600
SNOW PLOW POWER ANGLING CYLINDERS CHEROKEE, COMANCHE, WRANGLER, J10, J20 .....	Fig. 13-1700
FRAME ASSEMBLY GRAND WAGONEER, J10, J20 .....	Fig. 13-1800
FRAME AND COMPONENTS GRAND WAGONEER, J10, J20 .....	Fig. 13-1900
MOUNTING HARDWARE--BODY GRAND WAGONEER, J10, J20 .....	Fig. 13-2000
BUMPER--FRONT GRAND WAGONEER, J10, J20 .....	Fig. 13-2100
BUMPERS--REAR GRAND WAGONEER, J10, J20 .....	Fig. 13-2200
WIRING--TRAILER HITCH GRAND WAGONEER .....	Fig. 13-2300
HITCH--TRAILER PINTLE HOOK J10, J20 1987-88 .....	Fig. 13-2350
SNOW PLOW CONTROLS AND SWITCHES--WITH LIGHTS J-10, J-20 .....	Fig. 13-2375
SNOW PLOW MOLDBOARD AND MOUNTING J10, J20 1987-88 .....	Fig. 13-2400

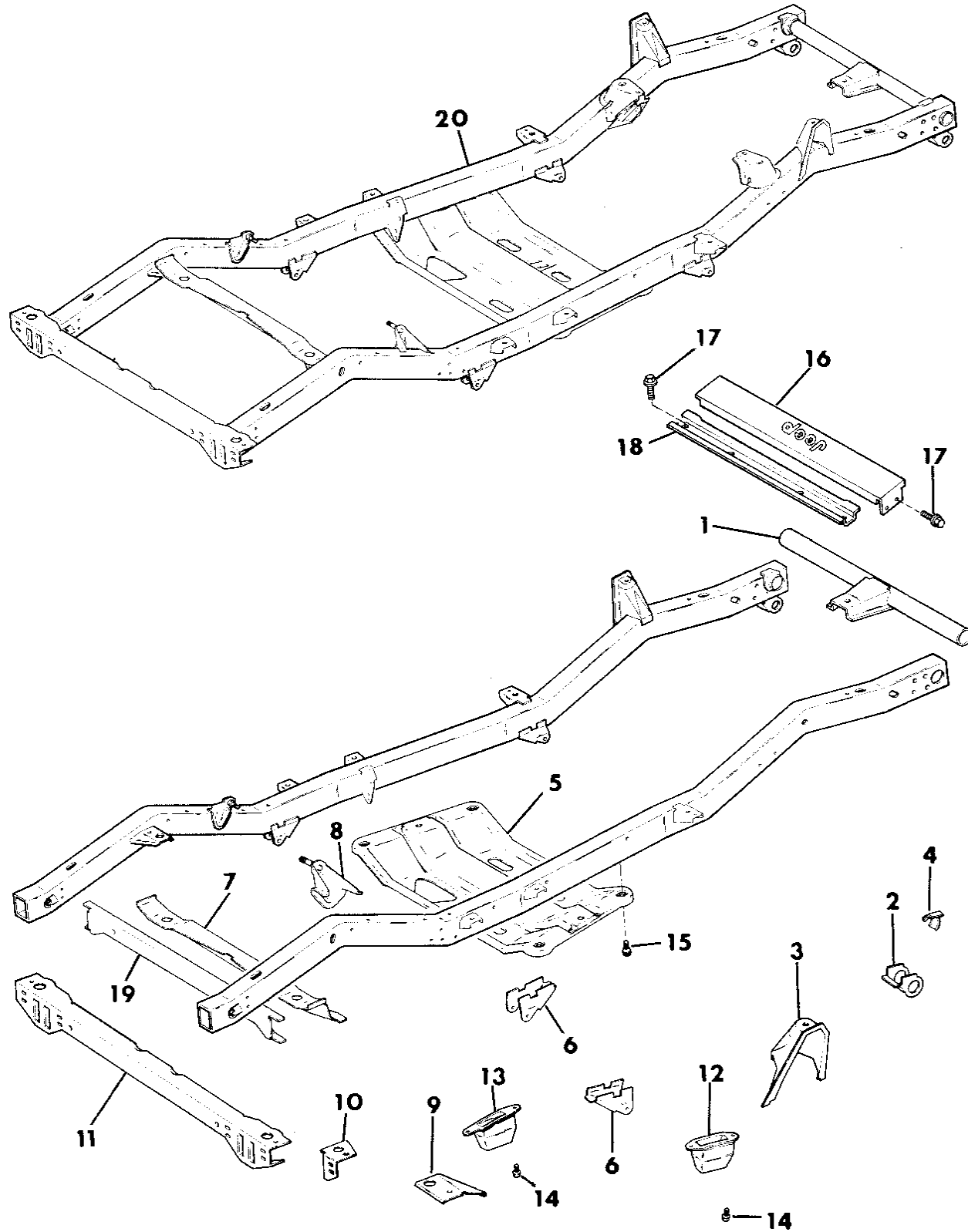
**ILLUSTRATION NOT AVAILABLE AT TIME OF PUBLICATION**

---

FRAME WRANGLER, YJ  
Figure 13-100

8J13 100

ITEM	PART NUMBER	QTY	BODY	MODEL	DESCRIPTION
1	5204 0315	1			CROSSMEMBER, Front
2	5204 0398	2			BRACKET
3	5204 0325	2			BRACKET
4	5200 2800-1	1			REINFORCEMENT
5	5200 3960	1			SKID PLATE, Trans. Support ***
6	5204 0320	4			BRACKET, Spring Pivot Mounting
7	5204 0338	1			CROSSMEMBER
8	5204 0305	2			BRACKET, Rear Shock Mounting
9	5200 2006-7	1			GUSSET
10	5200 2644-5	1			REINFORCEMENT
11	5204 0340	1			CROSSMEMBER, Rear
12	5204 0426	1			BUMPER, Front Axle
13	5204 0007	1			BUMPER, Rear Axle Jounce
14	J400 5063	8			SCREW
15	J400 7402	6			BOLT
16	5505 0158	1			COVER
17	J400 6850	6			SCREW
18	5500 7344	1			SUPPORT
19	5200 2727	1			CROSSMEMBER, Fuel Tank, KDX Egypt, KDX Venezuela
20					FRAME ASSEMBLY
Track bar frame rail bracket serviced with frame only.					
	5200 3969	1			2.5L Engine 4.2L Engine
	5204 0006	1			1987-88
	5200 3959	1			1989-90



MODEL CODES:

15 = Grand Wagoneer 4 Dr.	65 = Comanche 4WD-7 Ft. Box	77 = Cherokee 4WD-2 Dr.
25 = J-10 Pickup-119" W.B.	66 = Comanche 2WD-7 Ft. Box	78 = Cherokee 4WD-4 Dr.
26 = J-10 Pickup-131" W.B.	73 = Cherokee 2WD-2 Dr.	79 = Cherokee 4WD-4 Dr.-Com
27 = J-20 Pickup-131" W.B.	74 = Cherokee 2WD-4 Dr.	81 = Wrangler-93" W.B.
63 = Comanche 4WD-6 Ft. Box	75 = Wagoneer 4WD-4 Dr.	82 = Wrangler-103" W.B.-Exp.
64 = Comanche 2WD-6 Ft. Box		

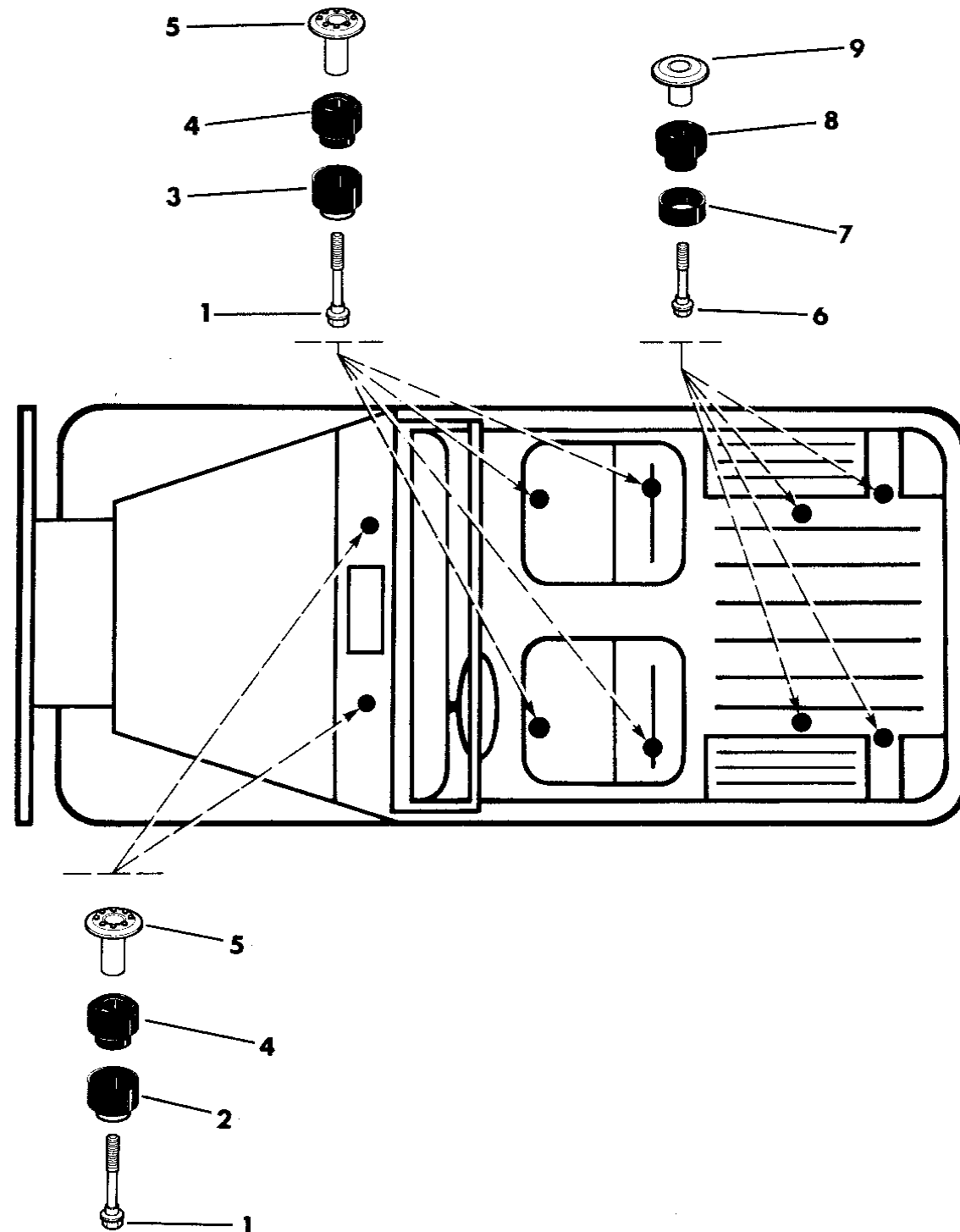
BODY STYLES:

MJ = Comanche Pickup  
 SJ = Grand Wagoneer Wgn., J-10 & J-20 Pickups  
 XJ = Cherokee, Wagoneer Limited  
 YJ = Wrangler

AR = Use as Required - = Non Illustrated Part P.A.R. = Paint as Required

MOUNTING HARDWARE--BODY WRANGLER, YJ  
Figure 13-200

8J13 200



ITEM	PART NUMBER	QTY	BODY	MODEL	DESCRIPTION
1	J400 7571	6			BOLT
2	5200 2723	2			INSULATOR
3	5200 1962	4			INSULATOR
4	5200 2008	6			INSULATOR
5	5200 1961	6			BOLT
6	J400 7412	4			SCREW
7	5200 2659	4			INSULATOR
8	5200 2660	4			INSULATOR
9	5200 2661	4			RETAINER

MODEL CODES:

15 = Grand Wagoneer 4 Dr.	65 = Comanche 4WD-7 Ft. Box	77 = Cherokee 4WD-2 Dr.
25 = J-10 Pickup-119" W.B.	66 = Comanche 2WD-7 Ft. Box	78 = Cherokee 4WD-4 Dr.
26 = J-10 Pickup-131" W.B.	73 = Cherokee 2WD-2 Dr.	79 = Cherokee 4WD-4 Dr.-Com
27 = J-20 Pickup-131" W.B.	74 = Cherokee 2WD-4 Dr.	81 = Wrangler-93" W.B.
63 = Comanche 4WD-6 Ft. Box	75 = Wagoneer 4WD-4 Dr.	82 = Wrangler-103" W.B.-Exp.
64 = Comanche 2WD-6 Ft. Box		

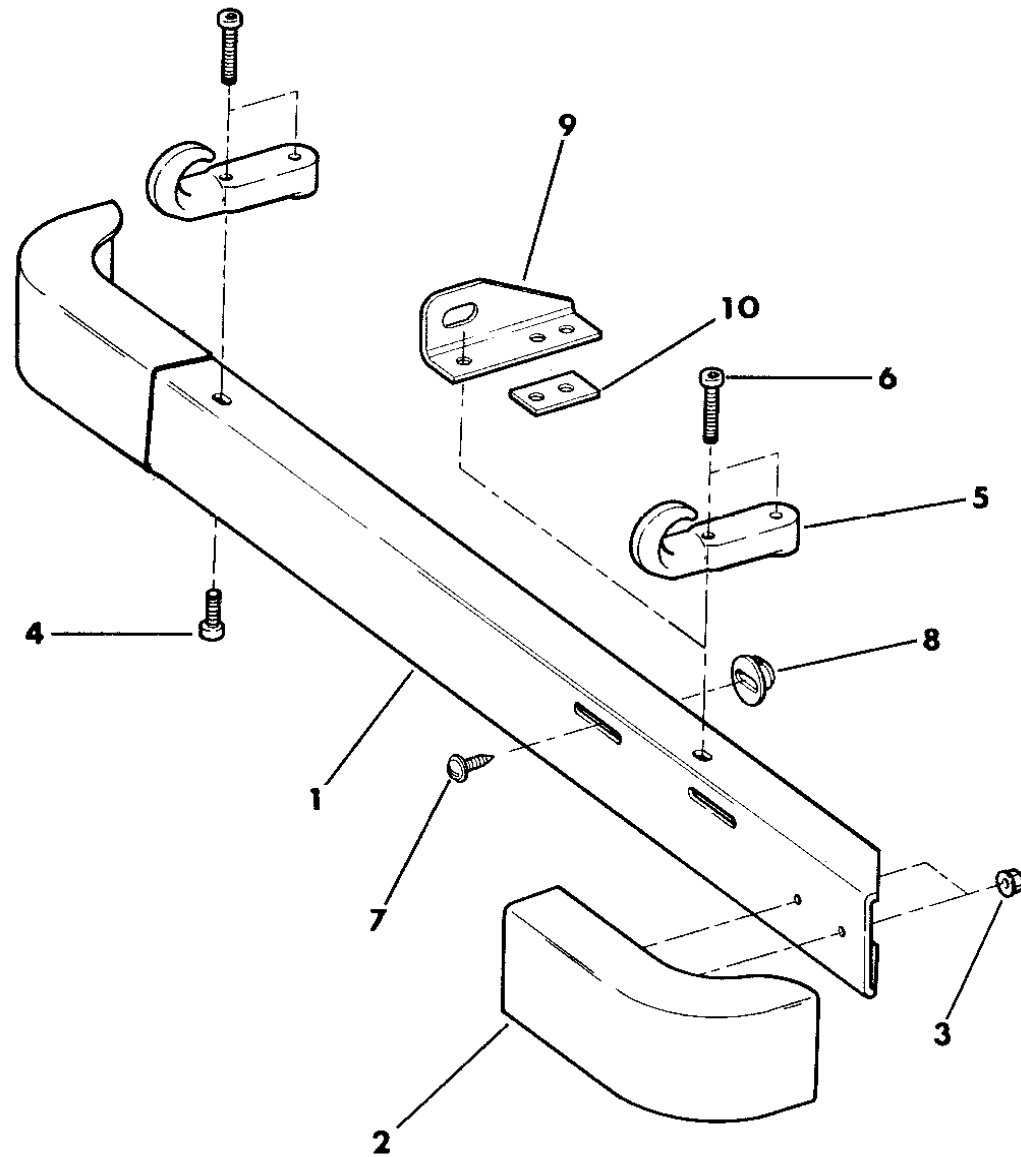
BODY STYLES:

MJ = Comanche Pickup  
 SJ = Grand Wagoneer Wgn., J-10 & J-20 Pickups  
 XJ = Cherokee, Wagoneer Limited  
 YJ = Wrangler

AR = Use as Required - = Non Illustrated Part P.A.R. = Paint as Required

**BUMPER--FRONT WRANGLER, YJ**  
**Figure 13-300**

8 J13 300



ITEM	PART NUMBER	QTY	BODY	MODEL	DESCRIPTION
1					RAIL, Bumper
					Black
	5204 0026	1			1987-89
	5200 4262	1			1990
	5204 0024	1			Chrome
2	5204 0027	2			EXTENSION, Rail
3	J400 6080	4			NUT
4					BOLT
	J400 7368	4			Black
	J400 7369	4			Chrome
5					HOOK, Tow
	5200 3087	2			Black
	5200 3086	2			Chrome
6					BOLT
	J400 7467	4			Black
	J400 7468	4			Silver
7	J400 0272	2			SCREW
8	J400 6126	2			NUT
9	5200 3811	1			EYE, Towing (Export) ***
10	5200 3812	1			SPACER, (Export)

**MODEL CODES:**

15 = Grand Wagoneer 4 Dr.	65 = Comanche 4WD-7 Ft. Box	77 = Cherokee 4WD-2 Dr.
25 = J-10 Pickup-119" W.B.	66 = Comanche 2WD-7 Ft. Box	78 = Cherokee 4WD-4 Dr.
26 = J-10 Pickup-131" W.B.	73 = Cherokee 2WD-2 Dr.	79 = Cherokee 4WD-4 Dr.-Com
27 = J-20 Pickup-131" W.B.	74 = Cherokee 2WD-4 Dr.	81 = Wrangler-93" W.B.
63 = Comanche 4WD-6 Ft. Box	75 = Wagoneer 4WD-4 Dr.	82 = Wrangler-103" W.B.-Exp.
64 = Comanche 2WD-6 Ft. Box		

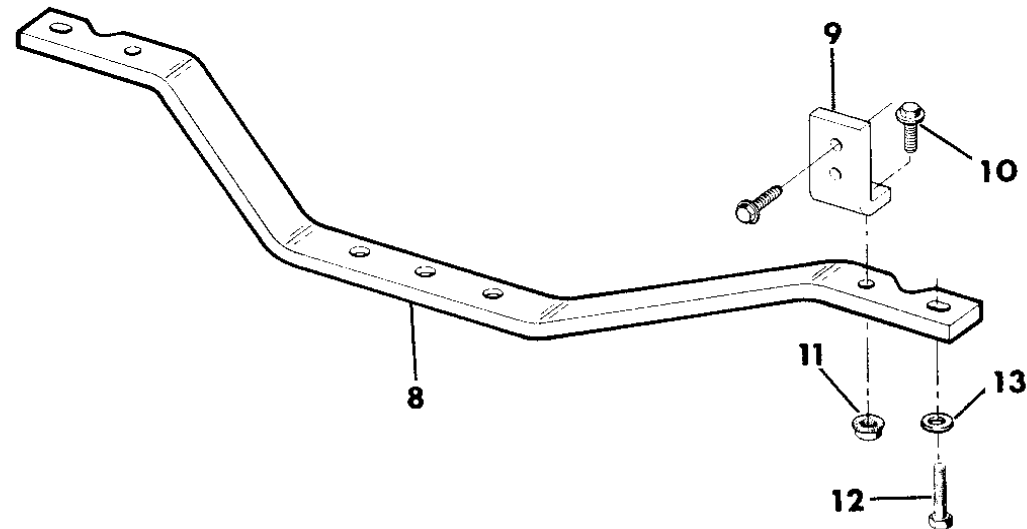
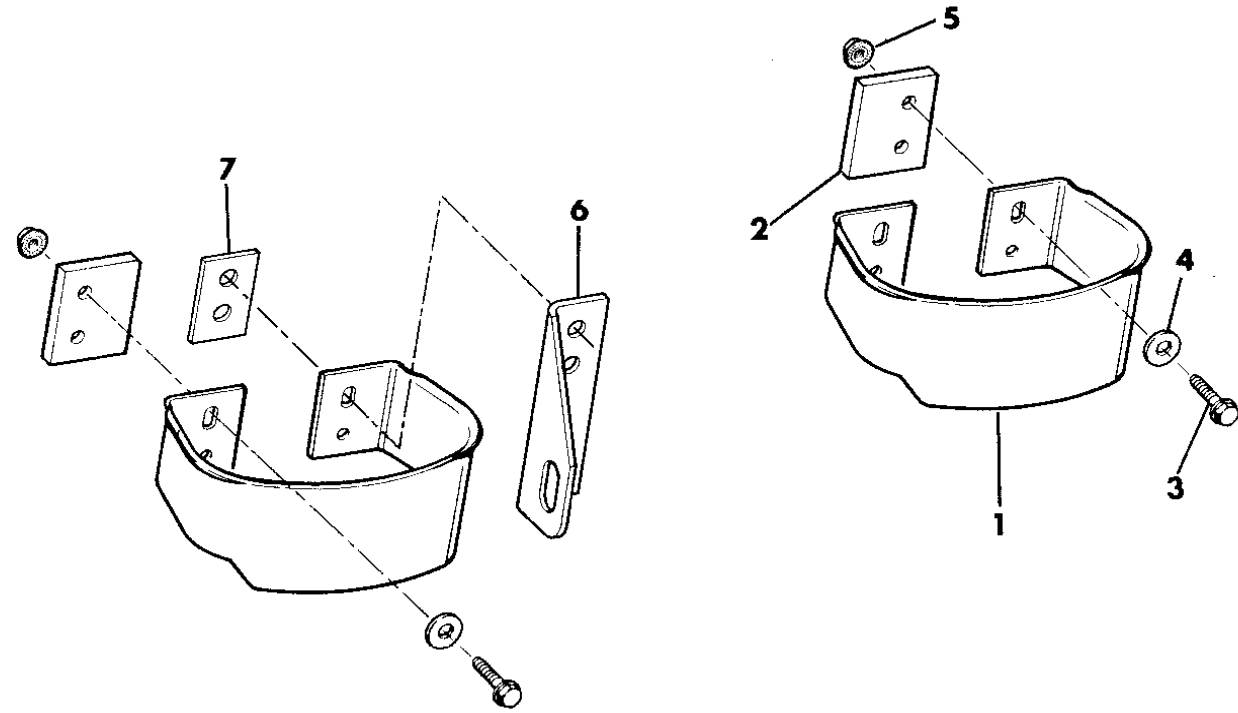
**BODY STYLES:**

MJ = Comanche Pickup  
 SJ = Grand Wagoneer Wgn., J-10 & J-20 Pickups  
 XJ = Cherokee, Wagoneer Limited  
 YJ = Wrangler

AR = Use as Required - = Non Illustrated Part P.A.R. = Paint as Required

**BUMPER--REAR AND DRAW BAR WRANGLER, YJ**  
**Figure 13-400**

8J13 400



ITEM	PART NUMBER	QTY	BODY	MODEL	DESCRIPTION
1					BUMPERETTE, Rear
					Black
	5501 0463	2			1987-89
	4773 058	2			1990
		2			Chrome
	5501 0464	2			1987-89
	5502 4415	2			1990
2	J535 8680	2			SPACER
3					BOLT
	J942 3533	8			Black, (1.50")
	S018 0144	8			Black, (.88")
	J400 7211	8			Chrome, (1.50")
	J400 7205	8			Chrome, (.88")
4	J400 6695	8			WASHER, Laredo
5	J400 4005	8			NUT
6	5200 3811	1			EYE, Towing (Export) ***
7	5200 3812	1			SPACER, (Export)
8	5204 0013	1			BAR, Draw
9	5204 0014	2			BRACKET
10	J400 6913	2			BOLT
11	J400 5749	2			NUT
12	J941 9079	2			BOLT
13	J400 5397	2			WASHER

**MODEL CODES:**

15 = Grand Wagoneer 4 Dr.	65 = Comanche 4WD-7 Ft. Box	77 = Cherokee 4WD-2 Dr.
25 = J-10 Pickup-119" W.B.	66 = Comanche 2WD-7 Ft. Box	78 = Cherokee 4WD-4 Dr.
26 = J-10 Pickup-131" W.B.	73 = Cherokee 2WD-2 Dr.	79 = Cherokee 4WD-4 Dr.-Com
27 = J-20 Pickup-131" W.B.	74 = Cherokee 2WD-4 Dr.	81 = Wrangler-93" W.B.
63 = Comanche 4WD-6 Ft. Box	75 = Wagoneer 4WD-4 Dr.	82 = Wrangler-103" W.B.-Exp.
64 = Comanche 2WD-6 Ft. Box		

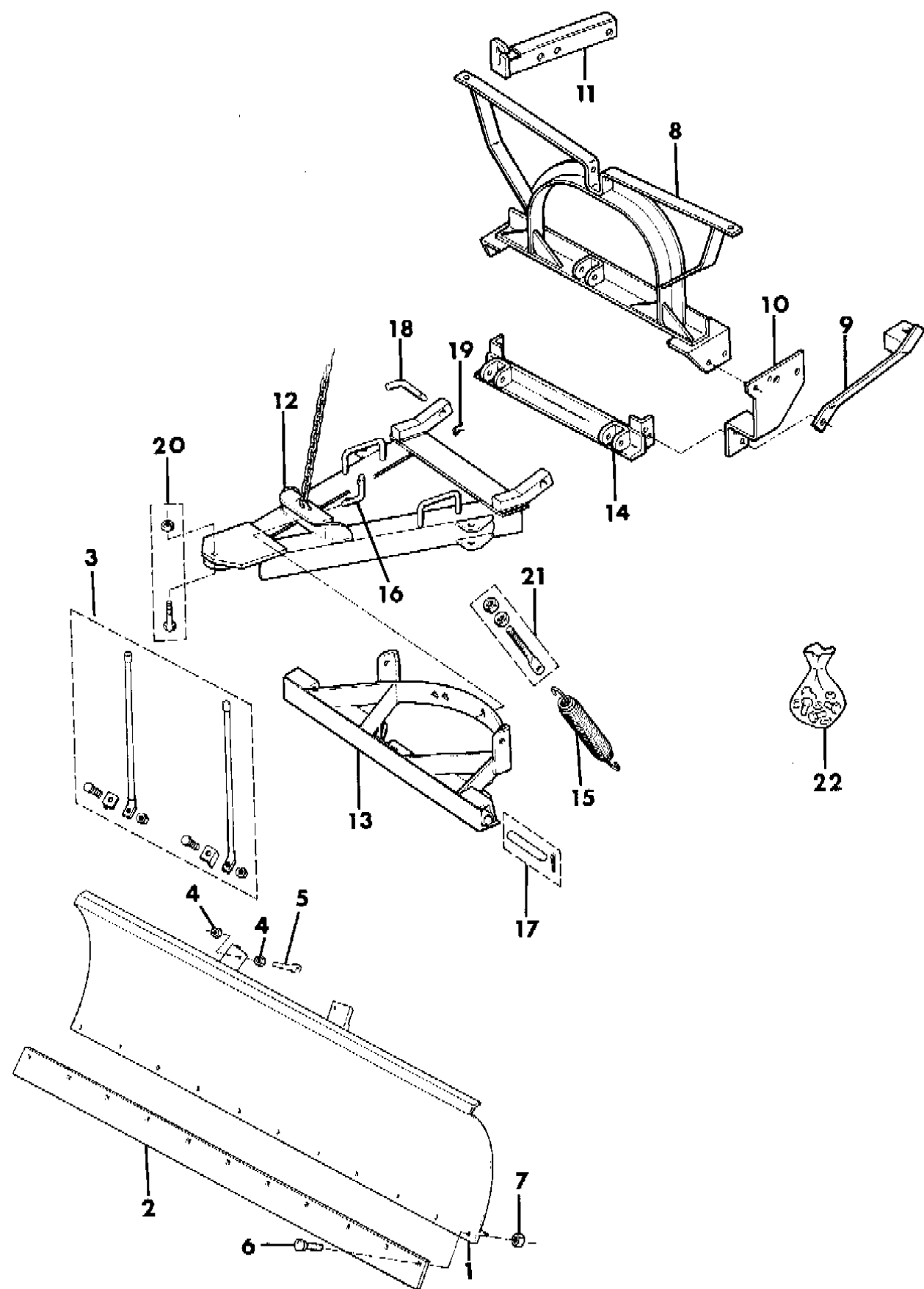
**BODY STYLES:**

MJ = Comanche Pickup  
 SJ = Grand Wagoneer Wgn., J-10 & J-20 Pickups  
 XJ = Cherokee, Wagoneer Limited  
 YJ = Wrangler

AR = Use as Required - = Non Illustrated Part P.A.R. = Paint as Required

**SNOWPLOW AND MOUNTING WRANGLER, YJ**  
**Figure 13-450**

**8J13 450**



ITEM	PART NUMBER	QTY	BODY	MODEL	DESCRIPTION
1	J200 9158	1			CUTTING EDGE, Blade
2	J200 9131	1			BLADE
3	J200 9916	1			INDICATOR PACKAGE, Plow Marker ***
4	J202 0318	16			NUT, Lock
5	J201 2150	2			BOLT
6	J202 1943	AR			BOLT
7	J202 0307	15			NUT, Lock
8	J201 0985	1			FRAME, Plow Lift
9	J201 0987	1			FRAME, Plow Side, Lt.
	J201 0988	1			(Rt.)
10	J201 0989	1			PLATE, Plow Side (Lt.)
	J201 0990	1			(Rt.)
11	J201 0514	1			ARM, Plow Lift
12	J201 3299	1			A-FRAME, Plow
13	J201 2326	1			SECTOR, Plow ***
14	J201 0986	1			FRAME, Plow Clevis
15	J200 7017	2			SPRING
16	J201 3003	1			PIN, Shear
17	J200 9119	2			PIN, Pivot (w/Cotter Pin)
18	J201 1006	2			PIN, Hinge
19	J202 1984	2			PIN, Cotter
20	J200 9122	1			BOLT, w/Nut
21	J200 9124	3			BOLT, w/Nut
22	J200 8559	1			HARDWARE, Plow Mtg. ***

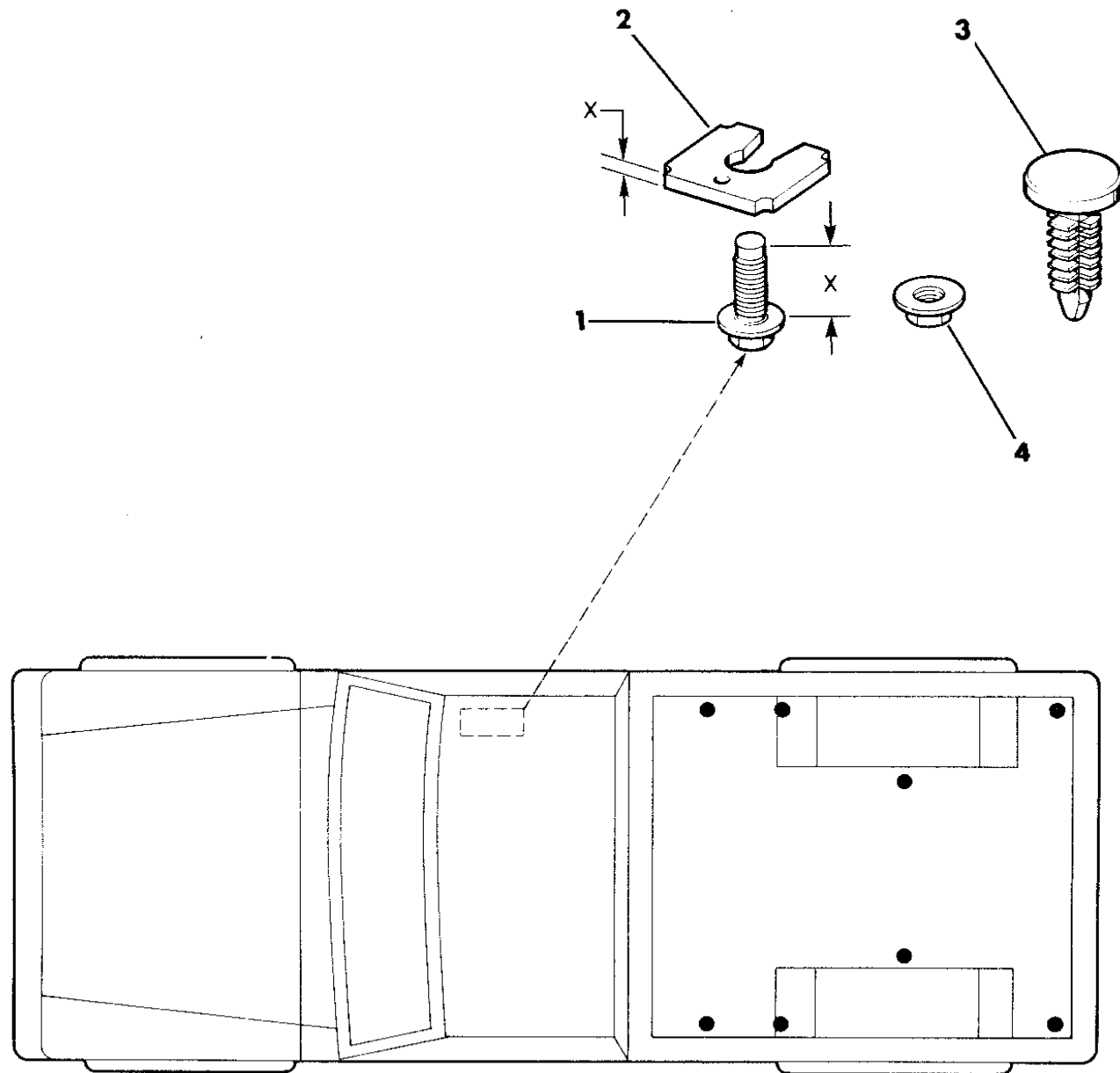
**MODEL CODES:**  
 15 = Grand Wagoneer 4 Dr.      65 = Comanche 4WD-7 Ft. Box      77 = Cherokee 4WD-2 Dr.  
 25 = J-10 Pickup-119" W.B.      66 = Comanche 2WD-7 Ft. Box      78 = Cherokee 4WD-4 Dr.  
 26 = J-10 Pickup-131" W.B.      73 = Cherokee 2WD-2 Dr.      79 = Cherokee 4WD-4 Dr.-Com  
 27 = J-20 Pickup-131" W.B.      74 = Cherokee 2WD-4 Dr.      81 = Wrangler-93" W.B.  
 63 = Comanche 4WD-6 Ft. Box      75 = Wagoneer 4WD-4 Dr.      82 = Wrangler-103" W.B.-Exp.  
 64 = Comanche 2WD-6 Ft. Box

**BODY STYLES:**  
 MJ = Comanche Pickup  
 SJ = Grand Wagoneer Wgn., J-10 & J-20 Pickups  
 XJ = Cherokee, Wagoneer Limited  
 YJ = Wrangler

AR = Use as Required - = Non Illustrated Part P.A.R. = Paint as Required

**MOUNTING HARDWARE PICKUP BOX COMANCHE**  
**Figure 13-500**

8J13 500



ITEM	PART NUMBER	QTY	BODY	MODEL	DESCRIPTION
1					BOLT
	S150 2788	8			(25mm)
	1150 2606	2			(25mm)
		2			(20mm)
	1150 2685	2			1988-89
	3420 1540	2			1990
	3420 1540	4			(30mm)
2					SHIM
	5500 6628	AR			(4mm Thk.)
	5500 6645	AR			(1mm Thk.)
3	3420 1545	AR			CLIP
4					NUT
	1150 2812	2			1988-89
	6502 113	2			1990

MODEL CODES:  
 15 = Grand Wagoneer 4 Dr.      65 = Comanche 4WD-7 Ft. Box      77 = Cherokee 4WD-2 Dr.  
 25 = J-10 Pickup-119" W.B.      66 = Comanche 2WD-7 Ft. Box      78 = Cherokee 4WD-4 Dr.  
 26 = J-10 Pickup-131" W.B.      73 = Cherokee 2WD-2 Dr.      79 = Cherokee 4WD-4 Dr.-Com  
 27 = J-20 Pickup-131" W.B.      74 = Cherokee 2WD-4 Dr.      81 = Wrangler-93" W.B.  
 63 = Comanche 4WD-6 Ft. Box      75 = Wagoneer 4WD-4 Dr.      82 = Wrangler-103" W.B.-Exp.  
 64 = Comanche 2WD-6 Ft. Box

BODY STYLES:  
 MJ = Comanche Pickup  
 SJ = Grand Wagoneer Wgn., J-10 & J-20 Pickups  
 XJ = Cherokee, Wagoneer Limited  
 YJ = Wrangler

AR = Use as Required - = Non Illustrated Part P.A.R. = Paint as Required

BUMPER--FRONT CHEROKEE, WAGONEER, COMANCHE

Figure 13-600

8J13 600

ITEM	PART NUMBER	QTY	BODY	MODEL	DESCRIPTION
1					RAIL, Bumper (Mod.Required)
	5200 0185	1			Black, (P.A.R.)
	5523 4550	1			Chrome, (Modify End Caps)
2					EXTENSION, Rail
	5501 5786-7	1			Argent
	5200 0178-9	1			Black
3	5200 0692	2			BRACKET, Support, 1987-88
4	1150 3750	8			NUT
5	5200 1972-3	1			BRACE
6	1150 0662	8			NUT
7	3420 1631	2			RIVET
8	5200 0462-3	1			GUARD, Bumper
9	1150 5098	4			BOLT
10	1150 0257	2			WASHER
11	3420 1596	2			BOLT
12	3420 1970	8			SCREW
13	5200 0488-9	1			BRACKET, Mounting
14	1150 2813	AR			NUT
15					SCREW
	1150 2606	6			1987
	3420 1540	6			1988-90
16					BOLT
	3420 2037	4			1987-89
	3420 1869	4			1990 ***
17					BOLT ***
	3420 1379	2			1987-89
	3420 1388	2			1990 ***
18	5200 3479	1			BRACKET, License
19	5200 0457	1			BUMPER, License
20					SCREW ***
	J400 5466	2			1987-89
	J812 0054	2			1990 ***
21	J400 0141	2			NUT
22	3420 1736	2			BOLT
23	1150 2811	2			NUT
24	5200 0746-7	1			BRACKET, Mounting
25	1150 2689	4			BOLT

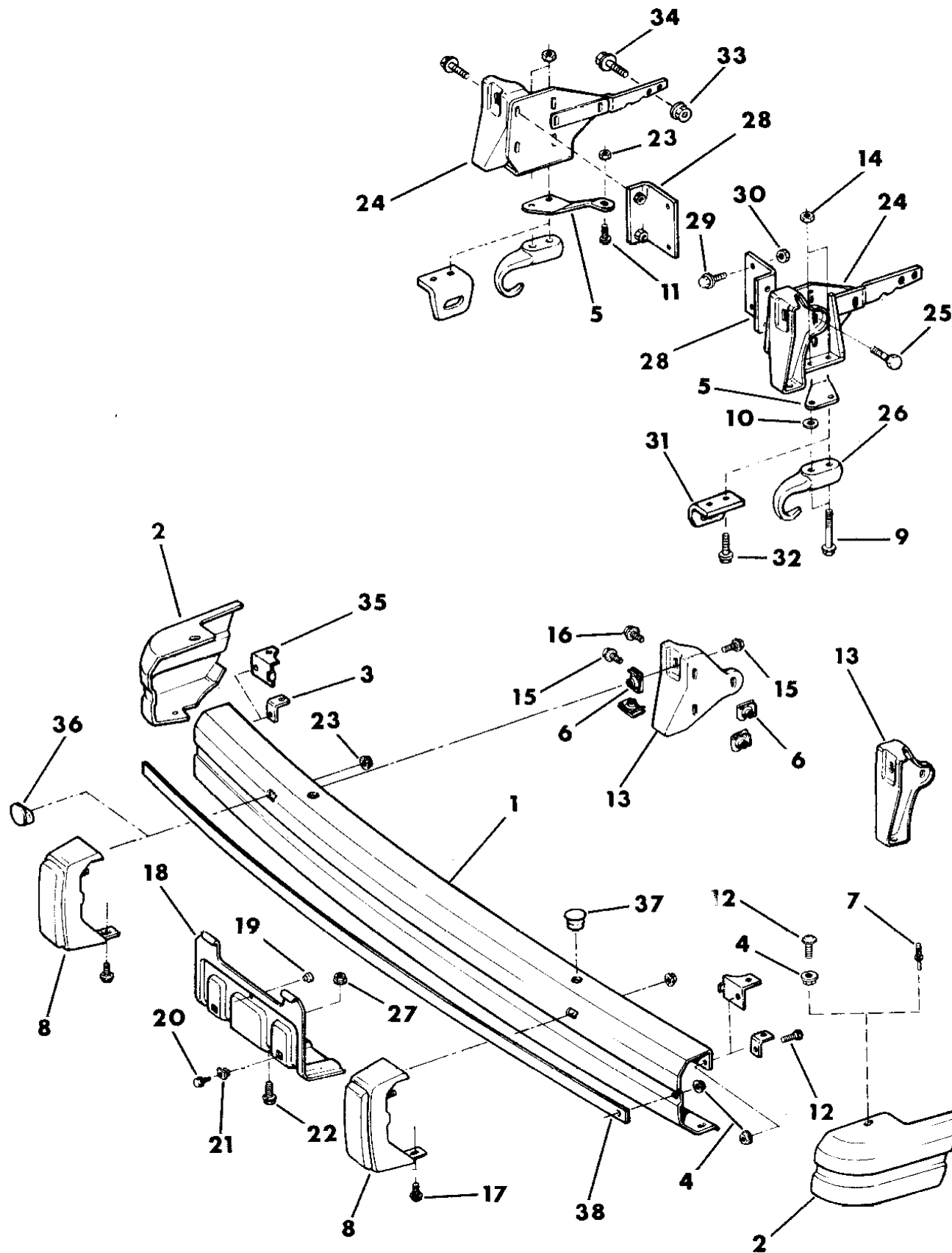
MODEL CODES:

15 = Grand Wagoneer 4 Dr.	65 = Comanche 4WD-7 Ft. Box	77 = Cherokee 4WD-2 Dr.
25 = J-10 Pickup-119" W.B.	66 = Comanche 2WD-7 Ft. Box	78 = Cherokee 4WD-4 Dr.
26 = J-10 Pickup-131" W.B.	73 = Cherokee 2WD-2 Dr.	79 = Cherokee 4WD-4 Dr.-Com
27 = J-20 Pickup-131" W.B.	74 = Cherokee 2WD-4 Dr.	81 = Wrangler-93" W.B.
63 = Comanche 4WD-6 Ft. Box	75 = Wagoneer 4WD-4 Dr.	82 = Wrangler-103" W.B.-Exp.
64 = Comanche 2WD-6 Ft. Box		

BODY STYLES:

MJ = Comanche Pickup  
 SJ = Grand Wagoneer Wgn., J-10 & J-20 Pickups  
 XJ = Cherokee, Wagoneer Limited  
 YJ = Wrangler

AR = Use as Required - = Non Illustrated Part P.A.R. = Paint as Required



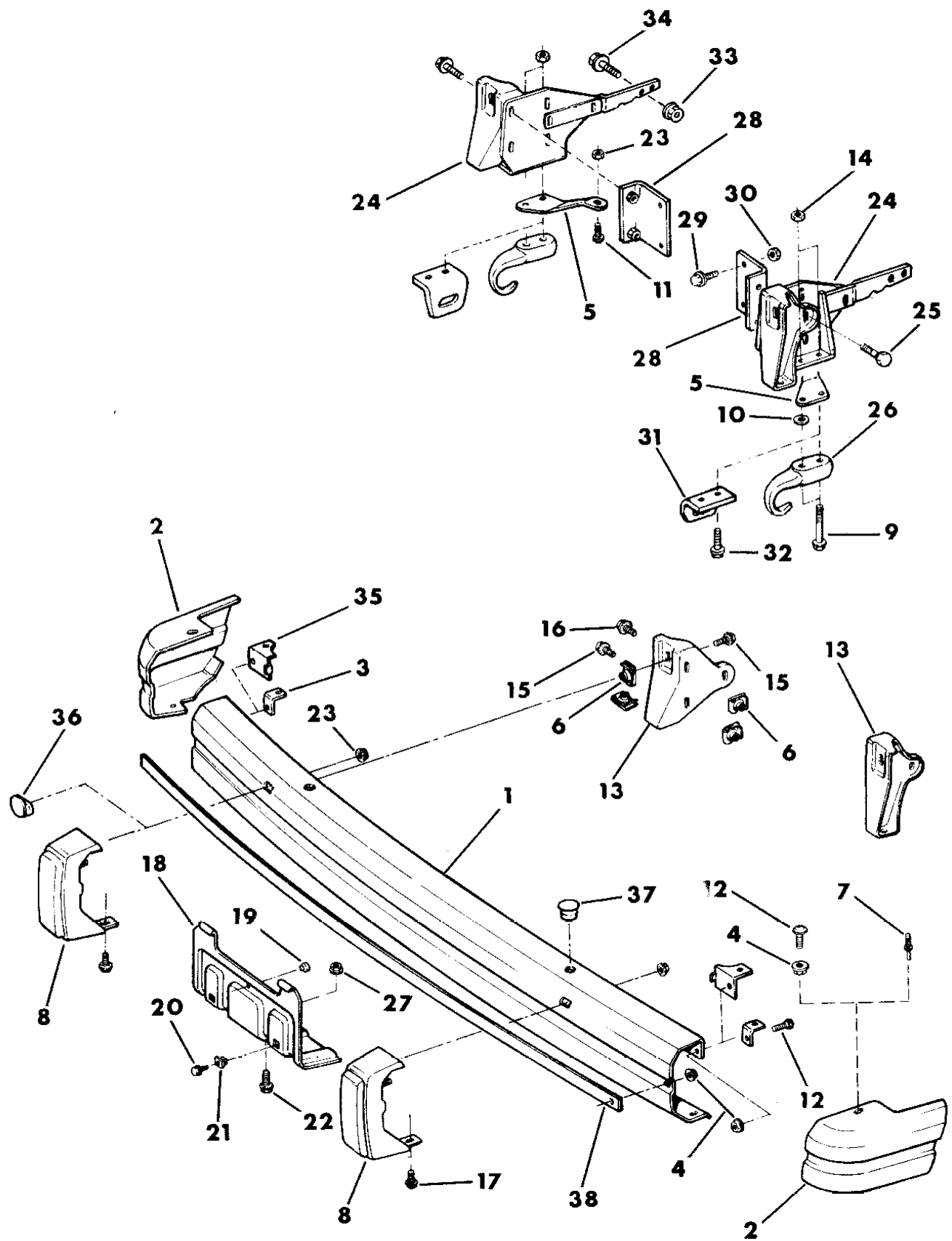


BUMPER--FRONT CHEROKEE, WAGONEER, COMANCHE

Figure 13-600

8J13 600

ITEM	PART NUMBER	QTY	BODY	MODEL	DESCRIPTION
26	5200 0710	2			HOOK, Tow
27	1150 2729	2			NUT
28	5200 1976-7	1			BRACKET, Support
29	J420 0434	4			BOLT
30	1150 1033	4			NUT
31	5200 1644	2			EYE, Towing
32	3420 1848	4			BOLT
33					NUT
	3420 2656	1			Right
	1150 2814	1			Left
34					BOLT
	3420 2661	1			Right
	3420 2388	1			Left
35	5200 2730-1	1			BRACKET, Support
36	3420 2319	2			PLUG
37	3420 2321	2			PLUG
38					INSERT, Rail (Mod. Required)
	5501 8777	1			Gold/Black
	5501 9851	1			Chrome/Black, 1988-89



MODEL CODES:

15 = Grand Wagoneer 4 Dr.	65 = Comanche 4WD-7 Ft. Box	77 = Cherokee 4WD-2 Dr.
25 = J-10 Pickup-119" W.B.	66 = Comanche 2WD-7 Ft. Box	78 = Cherokee 4WD-4 Dr.
26 = J-10 Pickup-131" W.B.	73 = Cherokee 2WD-2 Dr.	79 = Cherokee 4WD-4 Dr.-Com
27 = J-20 Pickup-131" W.B.	74 = Cherokee 2WD-4 Dr.	81 = Wrangler-93" W.B.
63 = Comanche 4WD-6 Ft. Box	75 = Wagoneer 4WD-4 Dr.	82 = Wrangler-103" W.B.-Exp.
64 = Comanche 2WD-6 Ft. Box		

BODY STYLES:

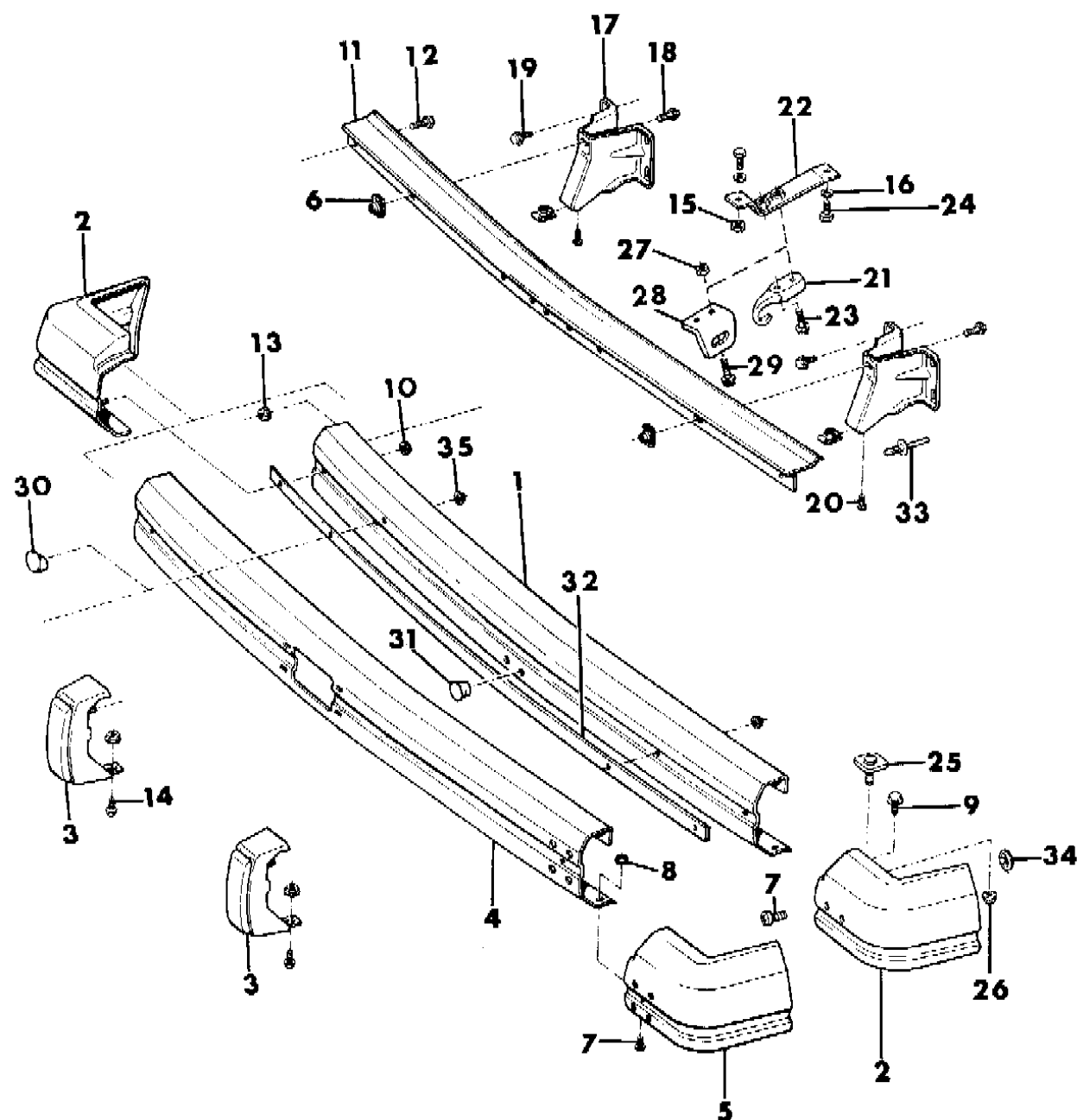
MJ = Comanche Pickup  
 SJ = Grand Wagoneer Wgn., J-10 & J-20 Pickups  
 XJ = Cherokee, Wagoneer Limited  
 YJ = Wrangler

AR = Use as Required - = Non Illustrated Part P.A.R. = Paint as Required

BUMPER--REAR CHEROKEE, WAGONEER

Figure 13-700

8J13 700A



ITEM	PART NUMBER	QTY	BODY	MODEL	DESCRIPTION
1					RAIL, Bumper (Mod. Required)
					Black
	5200 0199	1			1987-89
	5502 6257	1			1990
					Chrome
	5200 0190	1			1988-89
	5502 6259	1			1990
2					EXTENSION, Rail
					Argent (no holes)
	5502 2102-3	1			Argent (no holes)
	5502 2076-7	1			Black, 1987-90
3	5200 0468-9				GUARD, Bumper
4					RAIL, Bumper (Mod. Required)
					Black, (P.A.R.)
	5200 0645	1			Black, (P.A.R.)
	5200 0644	1			Chrome
5					EXTENSION, Rail
					Argent
	5501 7822	1			1988-90 (4 holes) RT.
	5501 7823	1			1988-90 (4 holes) LT.
	5502 6264	1			1990 (2" Hole)
					Black, Right
	5200 0654	1			1987-89 (4 holes)
	5502 6262	1			1990
6	1150 0662	4			NUT
7	3420 1970	4			SCREW
8	1150 3750	4			NUT
9	3420 1736	2			BOLT, 1987-89
10					NUT
	1150 2811	4			1987-89
	3420 1918	4			1990
11					SHIELD, Bumper Rail
					1987-89
	5200 3092	1			1987-89
	5502 6542	1			1990
12	S150 2971	4			SCREW, 1987-88
13	3420 1461	4			NUT
14					BOLT
					1987-89
	3420 1033	2			1987-89
	1150 4284	2			1990

MODEL CODES:

15 = Grand Wagoneer 4 Dr.	65 = Comanche 4WD-7 Ft. Box	77 = Cherokee 4WD-2 Dr.
25 = J-10 Pickup-119" W.B.	66 = Comanche 2WD-7 Ft. Box	78 = Cherokee 4WD-4 Dr.
26 = J-10 Pickup-131" W.B.	73 = Cherokee 2WD-2 Dr.	79 = Cherokee 4WD-4 Dr.-Com
27 = J-20 Pickup-131" W.B.	74 = Cherokee 2WD-4 Dr.	81 = Wrangler-93" W.B.
63 = Comanche 4WD-6 Ft. Box	75 = Wagoneer 4WD-4 Dr.	82 = Wrangler-103" W.B.-Exp.
64 = Comanche 2WD-6 Ft. Box		

BODY STYLES:

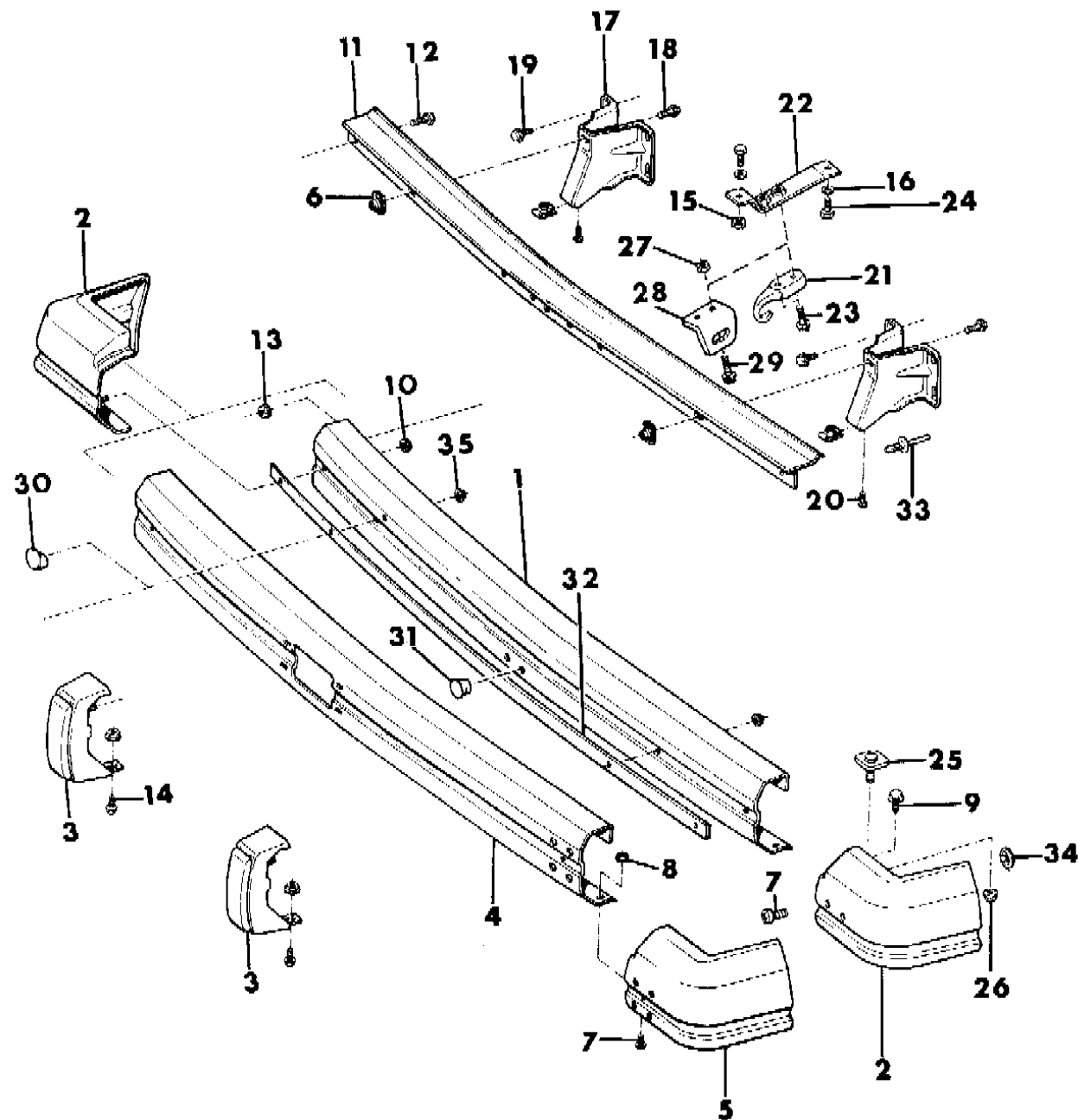
MJ = Comanche Pickup  
 SJ = Grand Wagoneer Wgn., J-10 & J-20 Pickups  
 XJ = Cherokee, Wagoneer Limited  
 YJ = Wrangler

AR = Use as Required - = Non Illustrated Part P.A.R. = Paint as Required

BUMPER--REAR CHEROKEE, WAGONEER

Figure 13-700

8J13 700A



ITEM	PART NUMBER	QTY	BODY	MODEL	DESCRIPTION
15	1150 1060	2			NUT
16	1150 0257	2			WASHER
17					BRACKET, Mounting
	5200 0290	2			1987-89
	5502 6265	2			1990
18	1150 2606	2			BOLT
19	3420 1540	8			BOLT
20	3420 1379	2			BOLT, 1987-89
21	5200 0710	1			HOOK, Tow
22	5200 0712	1			BRACKET, Tow
23	1150 4922	1			BOLT
24	3420 1322	2			BOLT
25	5200 1384	2			PLATE
26	3420 1918	4			NUT
27	1150 2813	2			NUT
28	5200 1644	1			EYE, Towing
29	3420 1848	2			BOLT
30	3420 2319	2			PLUG
31	3420 2320	2			PLUG
32					INSERT, Rail
	5501 8777	1			Gold/Black
	5501 9851	1			Chrome/Black
33	3420 2855	4			RIVET, 1988-89
34	3420 2014	2			NUT
35	1150 2811	4			NUT

MODEL CODES:

15 = Grand Wagoneer 4 Dr.	65 = Comanche 4WD-7 Ft. Box	77 = Cherokee 4WD-2 Dr.
25 = J-10 Pickup-119" W.B.	66 = Comanche 2WD-7 Ft. Box	78 = Cherokee 4WD-4 Dr.
26 = J-10 Pickup-131" W.B.	73 = Cherokee 2WD-2 Dr.	79 = Cherokee 4WD-4 Dr.-Com
27 = J-20 Pickup-131" W.B.	74 = Cherokee 2WD-4 Dr.	81 = Wrangler-93" W.B.
63 = Comanche 4WD-6 Ft. Box	75 = Wagoneer 4WD-4 Dr.	82 = Wrangler-103" W.B.-Exp.
64 = Comanche 2WD-6 Ft. Box		

BODY STYLES:

MJ = Comanche Pickup  
 SJ = Grand Wagoneer Wgn., J-10 & J-20 Pickups  
 XJ = Cherokee, Wagoneer Limited  
 YJ = Wrangler

AR = Use as Required - = Non Illustrated Part P.A.R. = Paint as Required

**BUMPER, REAR STEP COMANCHE**  
Figure 13-800

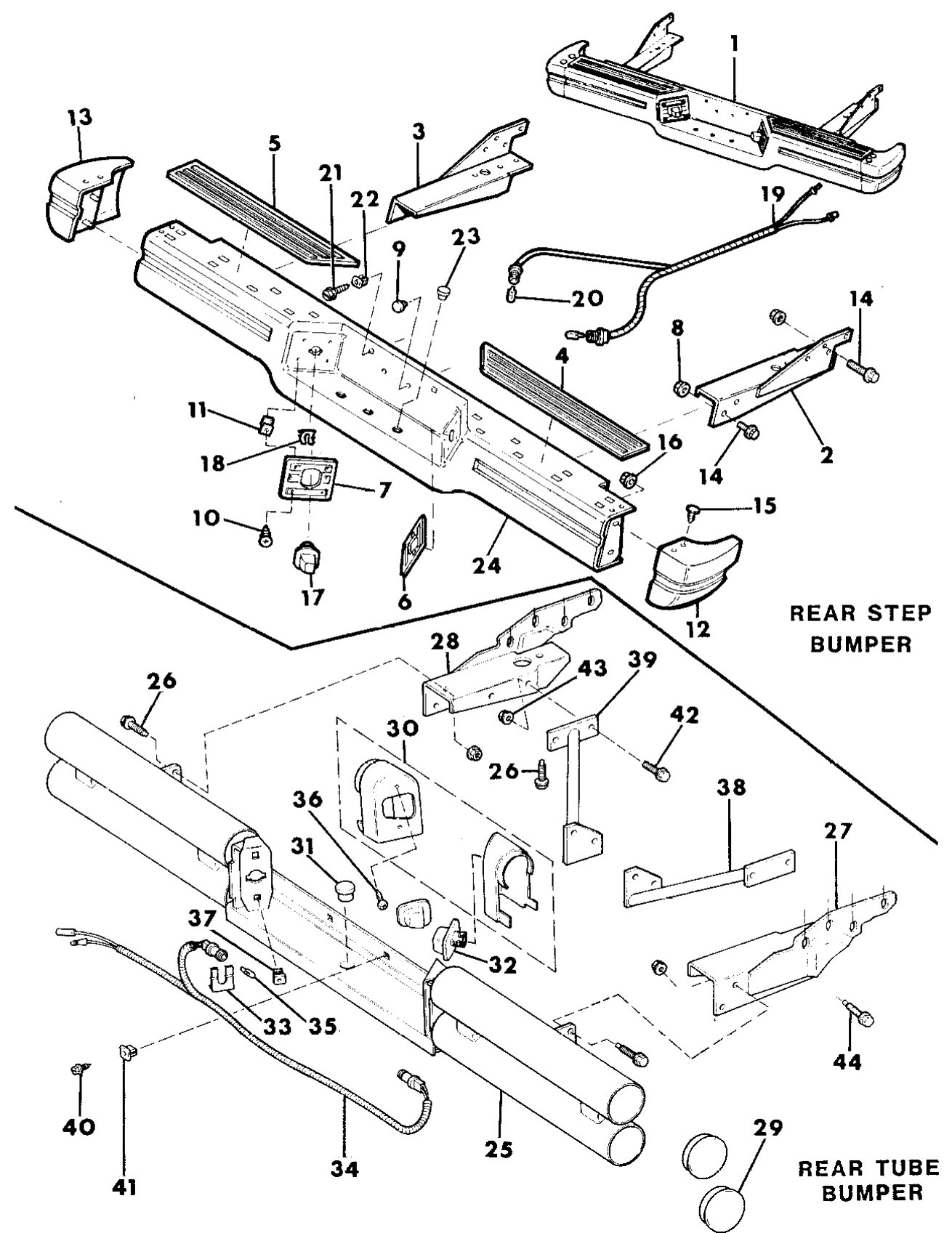
8 J13 800

ITEM	PART NUMBER	QTY	BODY	MODEL	DESCRIPTION
1					BUMPER PACKAGE, Step (Includes Items 2 thru. 24)
	8220 0562	1			Black, 1987-90
	8220 0988	1			Chrome, 1988
	8220 0583	1			Chrome, 1987
2-3	5500 9382-3	1			BRACKET, Mounting
4-5	5200 0792-3	1			PLATE, Anti-Skid
6-7	5200 1776-7	1			PLATE, Cover
8	1150 2812	4			NUT ***
9	J400 4227	4			BUMPER
10	3420 1985	8			SCREW
11	3420 1263	8			NUT
12-13					CAP, End
	5501 5794-5	1			Argent, 1988
	5200 1706-7	1			Black
14	3420 1991	16			BOLT
15	J400 6966	4			FASTENER
16	J400 6080	4			NUT
17					LAMP, License
	5600 1343	2			Black
	5600 1206	2			Chrome, 1987-88
18	5600 1312	2			CLIP, Retaining
19	5600 1054	1			HARNESS, License Lamp
20					BULB
	J942 1330	2			1987-89
	9421 330	2			1990
21	1150 0079	2			SCREW
22	J400 6367	2			NUT
23	8350 3587	3			PLUG
24	5501 9855	1			RAIL, Bumper, Silver
25	5501 8449	1			BUMPER PACKAGE, Tubular (Includes items 25 thru. 44)
26	3420 1991	AR			SCREW, 1988
27-28	5501 8452-3	1			BRACKET, Mounting, 1988
29	5501 8450	4			CAP, End 1988
30	8350 5283	1			CAP PACKAGE, 1988 ***
31	5501 8454	1			PLUG, 1988
32	5501 8455	2			HOUSING, 1988
33	5600 1312	2			CLIP, 1988

MODEL CODES:  
 15 = Grand Wagoneer 4 Dr.      65 = Comanche 4WD-7 Ft. Box      77 = Cherokee 4WD-2 Dr.  
 25 = J-10 Pickup-119" W.B.      66 = Comanche 2WD-7 Ft. Box      78 = Cherokee 4WD-4 Dr.  
 26 = J-10 Pickup-131" W.B.      73 = Cherokee 2WD-2 Dr.      79 = Cherokee 4WD-4 Dr.-Com  
 27 = J-20 Pickup-131" W.B.      74 = Cherokee 2WD-4 Dr.      81 = Wrangler-93" W.B.  
 63 = Comanche 4WD-6 Ft. Box      75 = Wagoneer 4WD-4 Dr.      82 = Wrangler-103" W.B.-Exp.  
 64 = Comanche 2WD-6 Ft. Box

BODY STYLES:  
 MJ = Comanche Pickup  
 SJ = Grand Wagoneer Wgn., J-10 & J-20 Pickups  
 XJ = Cherokee, Wagoneer Limited  
 YJ = Wrangler

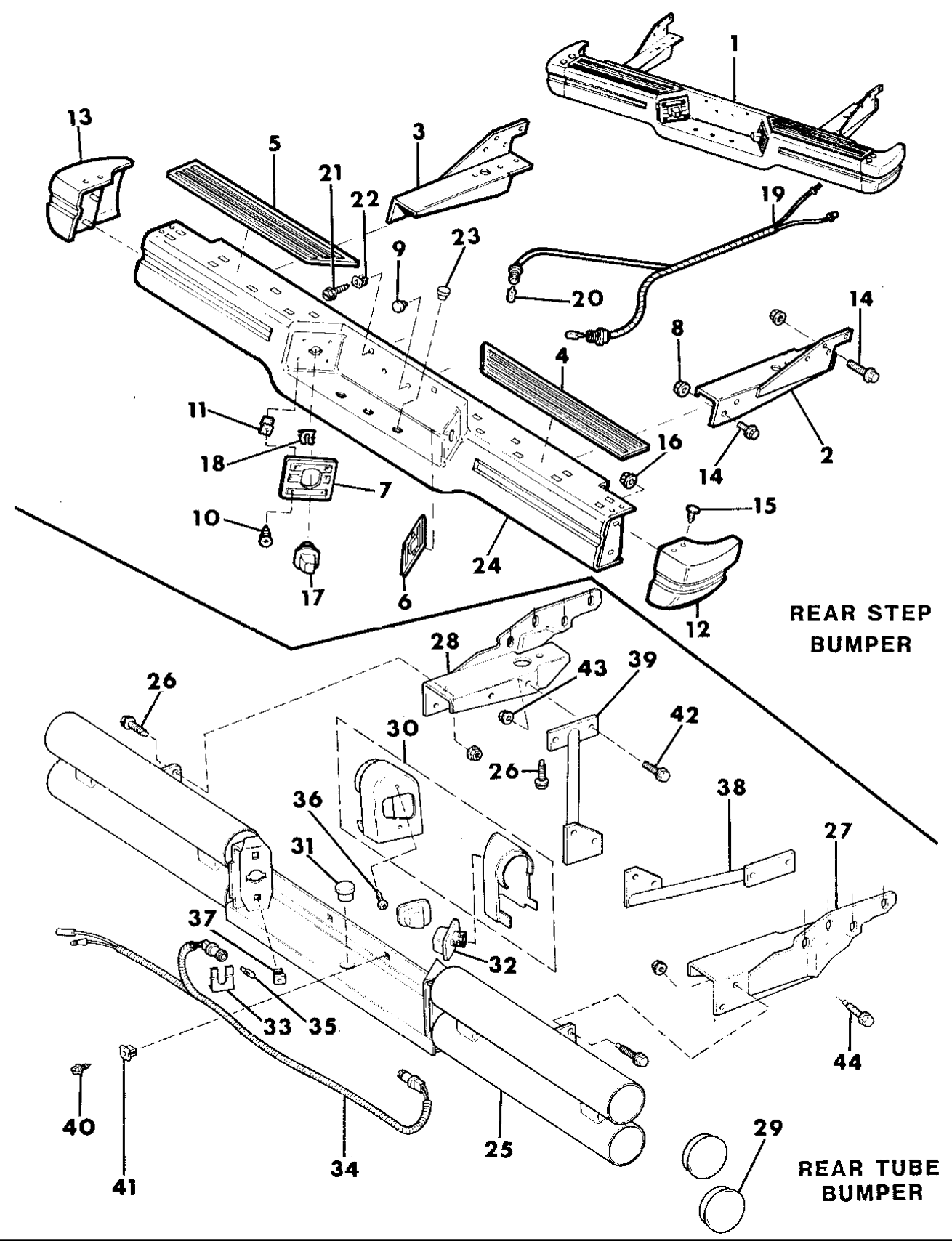
AR = Use as Required - = Non Illustrated Part P.A.R. = Paint as Required



**BUMPER, REAR STEP COMANCHE**  
Figure 13-800

8 J13 800

ITEM	PART NUMBER	QTY	BODY	MODEL	DESCRIPTION
34	5600 2670	1			HARNASS, License Lamp 1988
35	J942 1330	2			BULB, 1988
36	3420 1985	4			SCREW, 1988
37	3420 1263	4			NUT, 1988
38-39	5502 0074-5	1			BRACE, 1988
40	J400 5466	2			SCREW, 1988
41	J400 0141	2			NUT, 1988
42	3420 1869	AR			SCREW, 1988
43	1150 2812	8			NUT, 1988
44	3420 1869	8			SCREW, 1988 (Locktite Required)



**REAR STEP  
BUMPER**

**REAR TUBE  
BUMPER**

MODEL CODES:  
 15 = Grand Wagoneer 4 Dr.      65 = Comanche 4WD-7 Ft. Box      77 = Cherokee 4WD-2 Dr.  
 25 = J-10 Pickup-119" W.B.      66 = Comanche 2WD-7 Ft. Box      78 = Cherokee 4WD-4 Dr.  
 26 = J-10 Pickup-131" W.B.      73 = Cherokee 2WD-2 Dr.      79 = Cherokee 4WD-4 Dr.-Com  
 27 = J-20 Pickup-131" W.B.      74 = Cherokee 2WD-4 Dr.      81 = Wrangler-93" W.B.  
 63 = Comanche 4WD-6 Ft. Box      75 = Wagoneer 4WD-4 Dr.      82 = Wrangler-103" W.B.-Exp.  
 64 = Comanche 2WD-6 Ft. Box

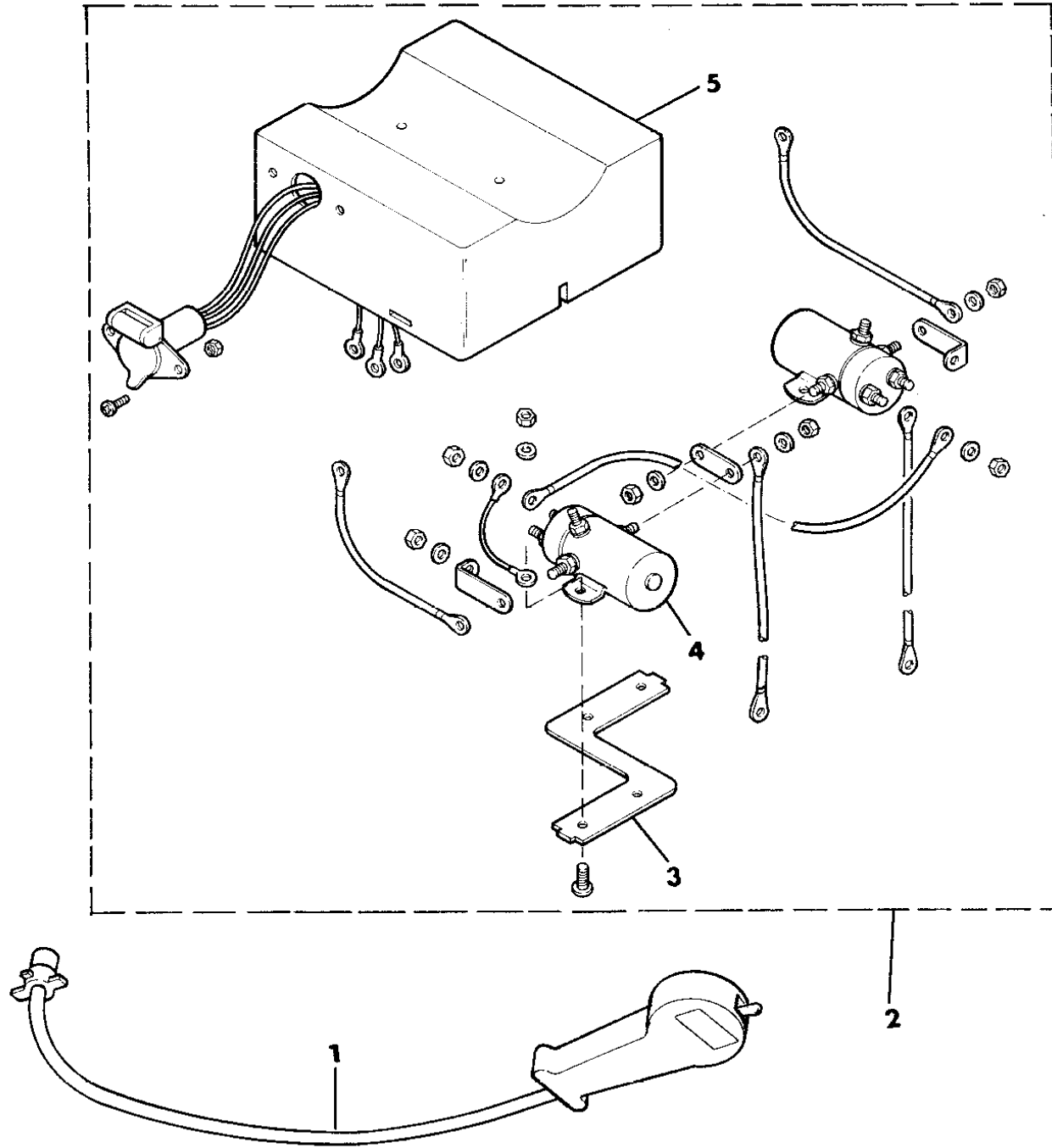
BODY STYLES:  
 MJ = Comanche Pickup  
 SJ = Grand Wagoneer Wgn., J-10 & J-20 Pickups  
 XJ = Cherokee, Wagoneer Limited  
 YJ = Wrangler

AR = Use as Required - = Non Illustrated Part P.A.R. = Paint as Required

WINCH CONTROLS HIDDEN WINCH CHEROKEE, COMANCHE  
Figure 13-900

8J13 900

ITEM	PART NUMBER	QTY	BODY	MODEL	DESCRIPTION
1	8350 2231	1			SWITCH ASSEMBLY, Winch
2	8351 0141	1			SOLENOID ASSEMBLY, Winch
3	8351 0140	1			BRACKET, Solenoid Mounting
4	8351 0139	2			SOLENOID
5	8351 0138	1			COVER, Solenoid



MODEL CODES:

15 = Grand Wagoneer 4 Dr.	65 = Comanche 4WD-7 Ft. Box	77 = Cherokee 4WD-2 Dr.
25 = J-10 Pickup-119" W.B.	66 = Comanche 2WD-7 Ft. Box	78 = Cherokee 4WD-4 Dr.
26 = J-10 Pickup-131" W.B.	73 = Cherokee 2WD-2 Dr.	79 = Cherokee 4WD-4 Dr.-Com
27 = J-20 Pickup-131" W.B.	74 = Cherokee 2WD-4 Dr.	81 = Wrangler-93" W.B.
63 = Comanche 4WD-6 Ft. Box	75 = Wagoneer 4WD-4 Dr.	82 = Wrangler-103" W.B.-Exp.
64 = Comanche 2WD-6 Ft. Box		

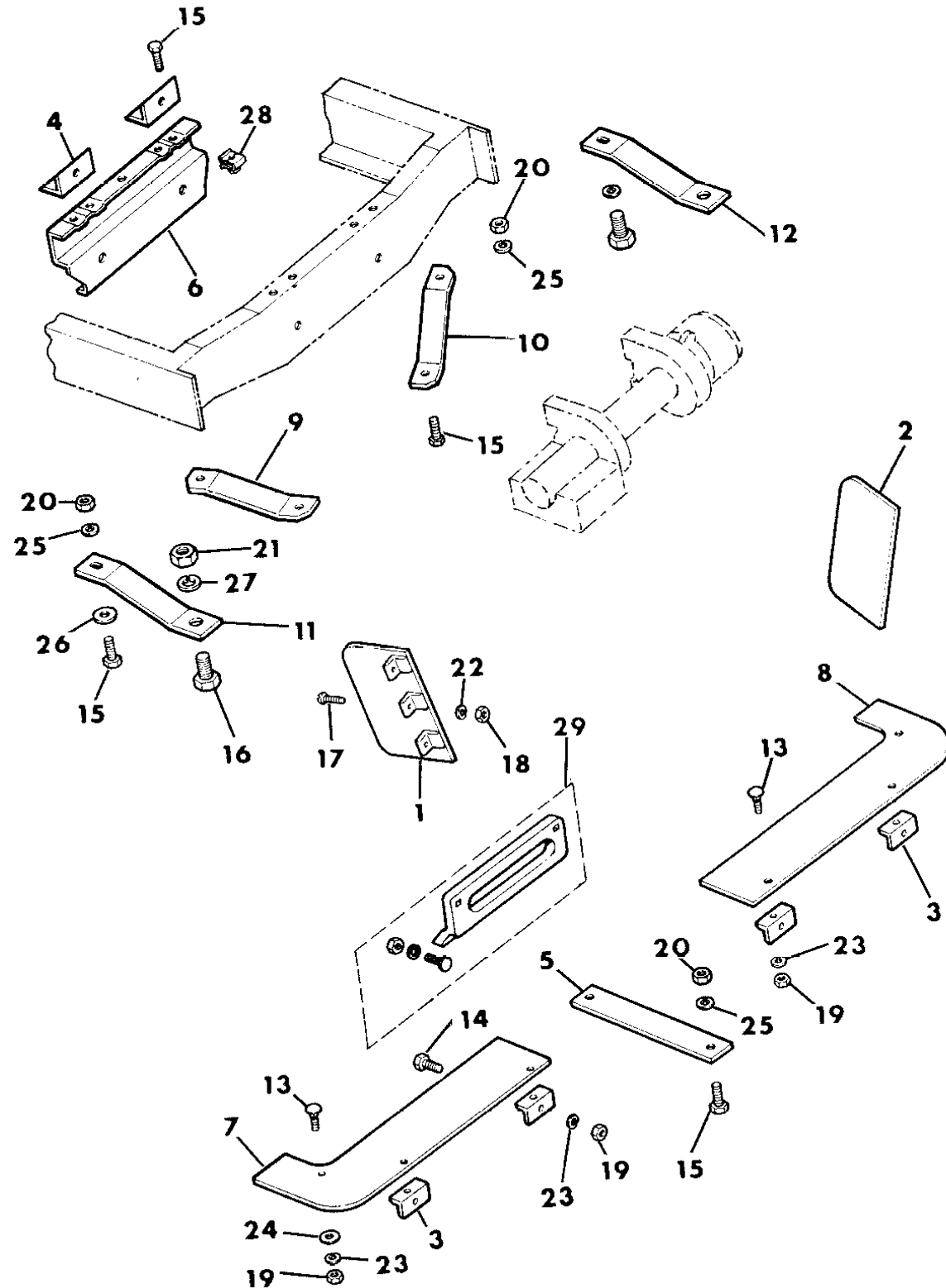
BODY STYLES:

MJ = Comanche Pickup  
 SJ = Grand Wagoneer Wgn., J-10 & J-20 Pickups  
 XJ = Cherokee, Wagoneer Limited  
 YJ = Wrangler

AR = Use as Required - = Non Illustrated Part P.A.R. = Paint as Required

WINCH MOUNTING HIDDEN WINCH CHEROKEE, COMANCHE  
Figure 13-1000

8J13 1000



ITEM	PART NUMBER	QTY	BODY	MODEL	DESCRIPTION
1	8350 1124	1			EXTENSION, Rail
2	8350 1125	1			EXTENSION, Rail
3	8350 1126	4			BRACKET, Angle
4	8350 1127	2			BRACKET, Angle
5	8350 1128	1			RETAINER, Rail (Not Serv.)
6	8350 1129	1			BRACKET, Winch Mounting
7	8350 1130	1			SHIELD, Bumper
8	8350 1131	1			SHIELD, Bumper
9	8350 1132	1			STRAP, Inner
10	8350 1133	1			STRAP, Inner
11	8350 1134	1			STRAP, Outer
12	8350 1135	1			STRAP, Outer
13	8350 1149	6			BOLT ***
14					BOLT
	S012 1887	4		1987-89	
	J018 0020	4		1990	
15	J018 0079	10			BOLT ***
16	J999 8112	2			BOLT, (Not Serv.)
17	8350 1150	6			SCREW
18	J012 0361	6			NUT
19	J012 0375	10			NUT
20	J012 0376	6			NUT
21	S012 0378	2			NUT
22	S012 0217	6			WASHER, Lock
23	J012 0380	10			WASHER, Lock
24	J012 0392	2			WASHER, Plain
25	J012 0214	6			WASHER, Lock
26	J012 0393	2			WASHER, Plain
27	S012 0384	2			WASHER, Lock
28	8350 1136	4			NUT, U-Type
29	8350 2247	1			GUIDE, Solid Cable

MODEL CODES:

15 = Grand Wagoneer 4 Dr.	65 = Comanche 4WD-7 Ft. Box	77 = Cherokee 4WD-2 Dr.
25 = J-10 Pickup-119" W.B.	66 = Comanche 2WD-7 Ft. Box	78 = Cherokee 4WD-4 Dr.
26 = J-10 Pickup-131" W.B.	73 = Cherokee 2WD-2 Dr.	79 = Cherokee 4WD-4 Dr.-Com
27 = J-20 Pickup-131" W.B.	74 = Cherokee 2WD-4 Dr.	81 = Wrangler-93" W.B.
63 = Comanche 4WD-6 Ft. Box	75 = Wagoneer 4WD-4 Dr.	82 = Wrangler-103" W.B.-Exp.
64 = Comanche 2WD-6 Ft. Box		

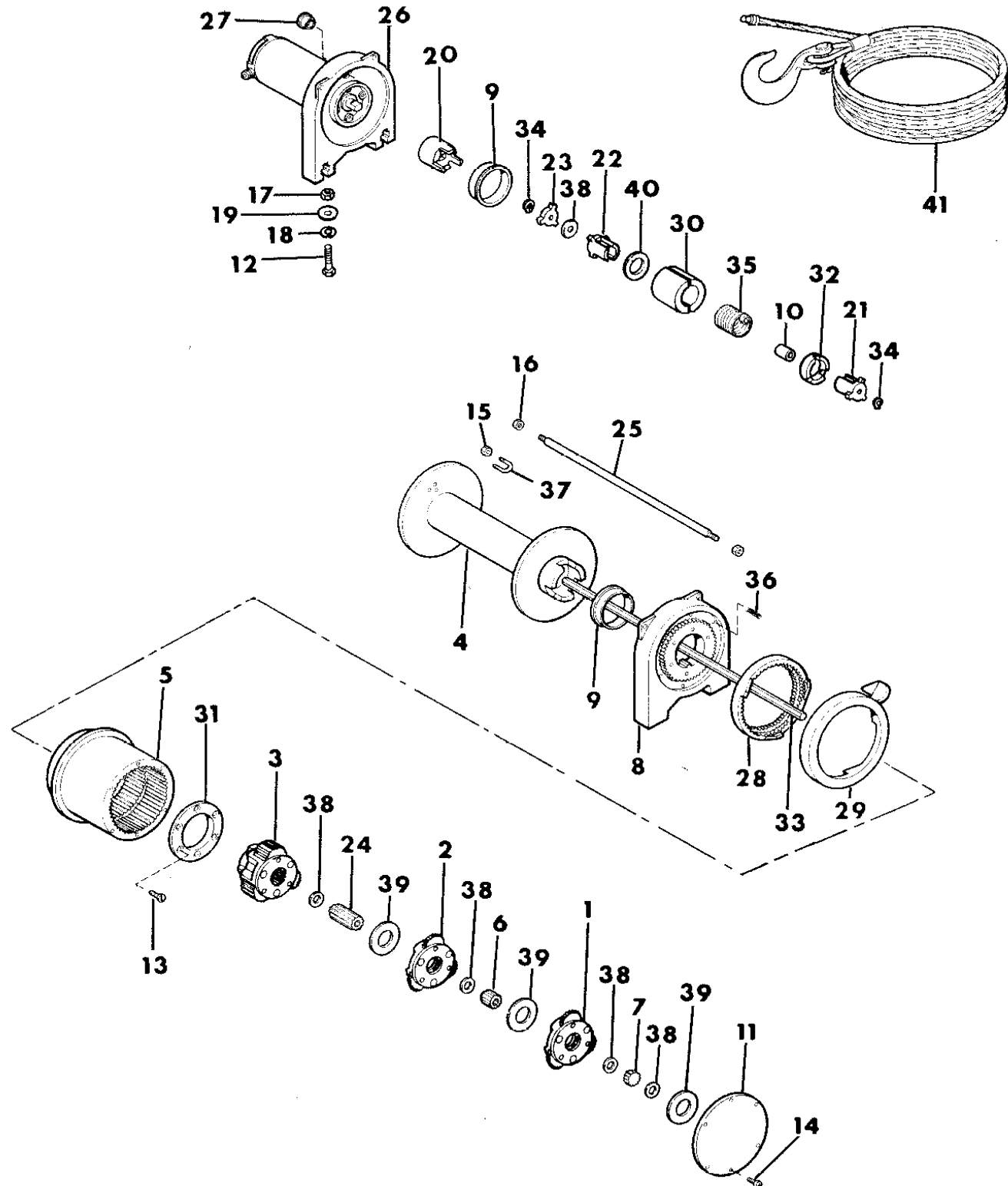
BODY STYLES:

MJ = Comanche Pickup  
 SJ = Grand Wagoneer Wgn., J-10 & J-20 Pickups  
 XJ = Cherokee, Wagoneer Limited  
 YJ = Wrangler

AR = Use as Required - = Non Illustrated Part P.A.R. = Paint as Required

WINCH MOTOR AND DRUM HIDDEN WINCH CHEROKEE, COMANCHE  
Figure 13-1100

8J13 1100



ITEM	PART NUMBER	QTY	BODY	MODEL	DESCRIPTION
1	8350 2228	1			GEAR ASSEMBLY, Input
2	8350 2229	1			GEAR ASSEMBLY, Intermediate
3	8350 2230	1			GEAR ASSEMBLY, Output
4	8350 2232	1			DRUM, Cable
5	8351 0105	1			GEAR, Ring
6	8351 0116	1			GEAR, Intermediate
7	8350 2233	1			GEAR, Input
8	8351 0100	1			BEARING, End
9	8351 0104	2			BUSHING, Brake Drum
10	8350 2234	1			BUSHING, Brake Drum
11	8351 0128	1			COVER, Gear Housing
12	S018 0124	4			SCREW
13	8351 0136	6			SCREW
14	8351 0129	6			SCREW
15					NUT
	8351 0180	2			1987-89
	J012 0361	2			1990
16	8351 0135	2			NUT
17	S941 8738	4			NUT
18					WASHER
	J012 0382	4			1987-89
	J400 3803	4			1990
19	8350 2235	4			WASHER
20	8350 2236	1			COUPLING, Brake
21	8350 2237	1			DRUM, Output Brake
22	8350 2238	1			DRUM, Input Brake
23	8350 2239	1			SPROCKET, Input
24	8350 2240	1			GEAR, Output
25	8351 0134	1			BAR, Tie
26	8351 0038	1			MOTOR
27	8351 0103	1			PLUG
28	8351 0107	1			RING, Locking
29	8351 0106	1			RING, Cam
30	8350 2241	2			RING, Half
31	8351 0110	1			RETAINER, Ring Gear
32	8350 2242	1			RETAINER, Brake Spring
33	8350 2091	1			SHAFT, Input

MODEL CODES:

15 = Grand Wagoneer 4 Dr.	65 = Comanche 4WD-7 Ft. Box	77 = Cherokee 4WD-2 Dr.
25 = J-10 Pickup-119" W.B.	66 = Comanche 2WD-7 Ft. Box	78 = Cherokee 4WD-4 Dr.
26 = J-10 Pickup-131" W.B.	73 = Cherokee 2WD-2 Dr.	79 = Cherokee 4WD-4 Dr.-Com
27 = J-20 Pickup-131" W.B.	74 = Cherokee 2WD-4 Dr.	81 = Wrangler-93" W.B.
63 = Comanche 4WD-6 Ft. Box	75 = Wagoneer 4WD-4 Dr.	82 = Wrangler-103" W.B.-Exp.

BODY STYLES:

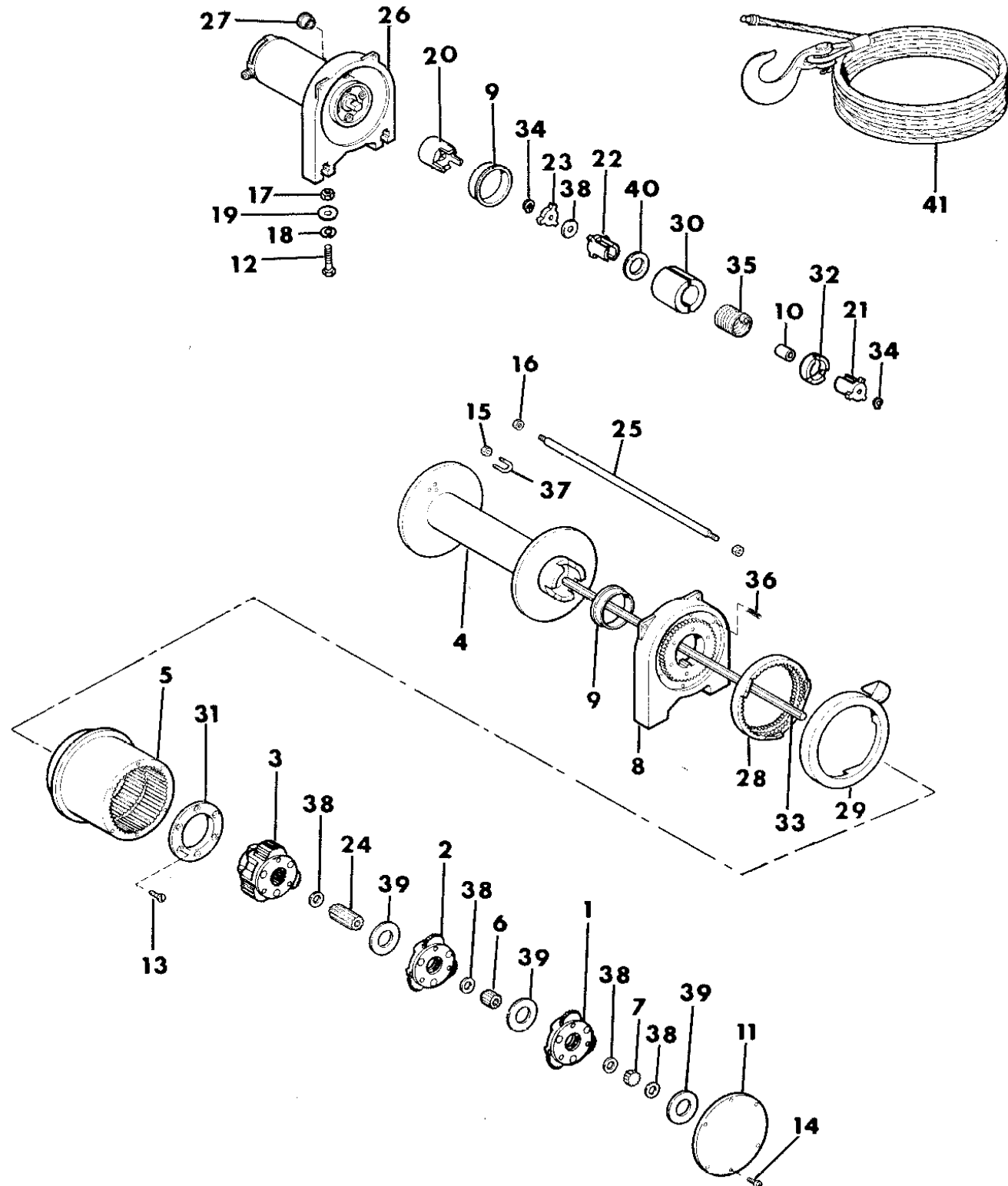
MJ = Comanche Pickup  
 SJ = Grand Wagoneer Wgn., J-10 & J-20 Pickups  
 XJ = Cherokee, Wagoneer Limited  
 YJ = Wrangler

AR = Use as Required - = Non Illustrated Part P.A.R. = Paint as Required



WINCH MOTOR AND DRUM HIDDEN WINCH CHEROKEE, COMANCHE  
Figure 13-1100

8J13 1100



ITEM	PART NUMBER	QTY	BODY	MODEL	DESCRIPTION
34	8350 2243	2			RING, Snap
35	8350 2244	2			SPRING, Brake
36	8350 2245	2			SPRING
37	8351 0102	1			U-BOLT
38	8351 0127	5			WASHER, Thrust
39	8351 0126	3			WAHER, Thrust
40	8350 2246	1			WASHER, Thrust
41	J813 1517	1			CABLE, Tow

MODEL CODES:

15 = Grand Wagoneer 4 Dr.	65 = Comanche 4WD-7 Ft. Box	77 = Cherokee 4WD-2 Dr.
25 = J-10 Pickup-119" W.B.	66 = Comanche 2WD-7 Ft. Box	78 = Cherokee 4WD-4 Dr.
26 = J-10 Pickup-131" W.B.	73 = Cherokee 2WD-2 Dr.	79 = Cherokee 4WD-4 Dr.-Com
27 = J-20 Pickup-131" W.B.	74 = Cherokee 2WD-4 Dr.	81 = Wrangler-93" W.B.
63 = Comanche 4WD-6 Ft. Box	75 = Wagoneer 4WD-4 Dr.	82 = Wrangler-103" W.B.-Exp.
64 = Comanche 2WD-6 Ft. Box		

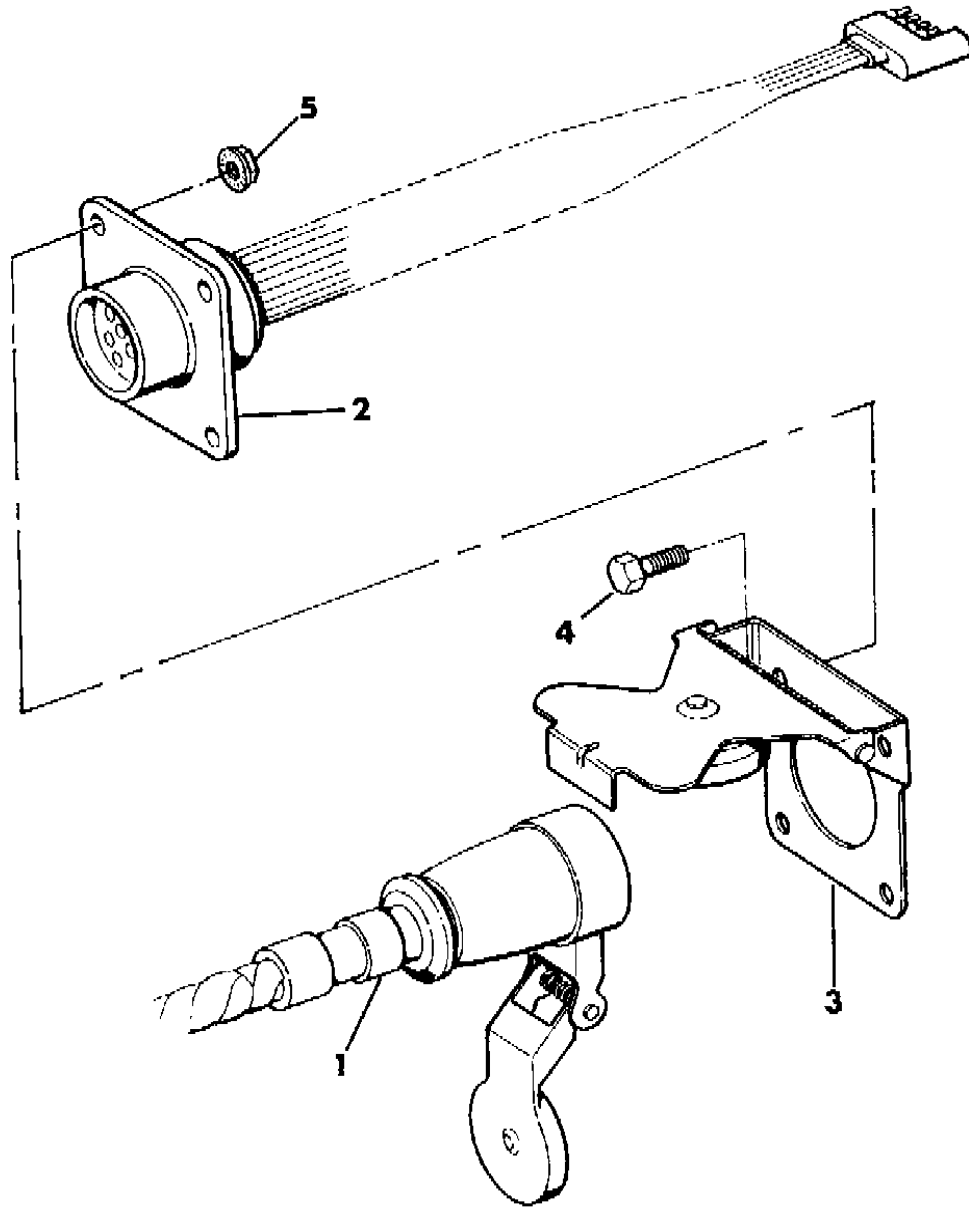
BODY STYLES:

MJ = Comanche Pickup  
 SJ = Grand Wagoneer Wgn., J-10 & J-20 Pickups  
 XJ = Cherokee, Wagoneer Limited  
 YJ = Wrangler

AR = Use as Required - = Non Illustrated Part P.A.R. = Paint as Required

HARNESS--TRAILER TOWING WRANGLER....EXPORT  
Figure 13-1150

8J13 1150



ITEM	PART NUMBER	QTY	BODY	MODEL	DESCRIPTION
1	J805 3178	1			HARNESS, Trailer Towing
2	J805 0600	1			HARNESS, Trailer Towing
3	J773 1428	1			COVER, Trailer Towing
4	J018 0020	4			BOLT
5	J941 6918	4			NUT

MODEL CODES:

15 = Grand Wagoneer 4 Dr.	65 = Comanche 4WD-7 Ft. Box	77 = Cherokee 4WD-2 Dr.
25 = J-10 Pickup-119" W.B.	66 = Comanche 2WD-7 Ft. Box	78 = Cherokee 4WD-4 Dr.
26 = J-10 Pickup-131" W.B.	73 = Cherokee 2WD-2 Dr.	79 = Cherokee 4WD-4 Dr.-Com
27 = J-20 Pickup-131" W.B.	74 = Cherokee 2WD-4 Dr.	81 = Wrangler-93" W.B.
63 = Comanche 4WD-6 Ft. Box	75 = Wagoneer 4WD-4 Dr.	82 = Wrangler-103" W.B.-Exp.
64 = Comanche 2WD-6 Ft. Box		

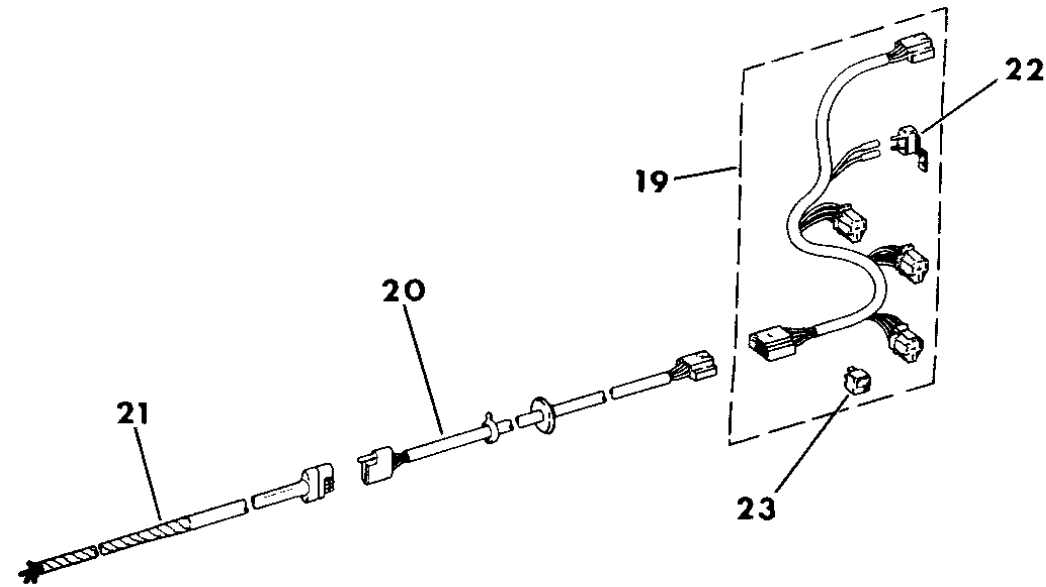
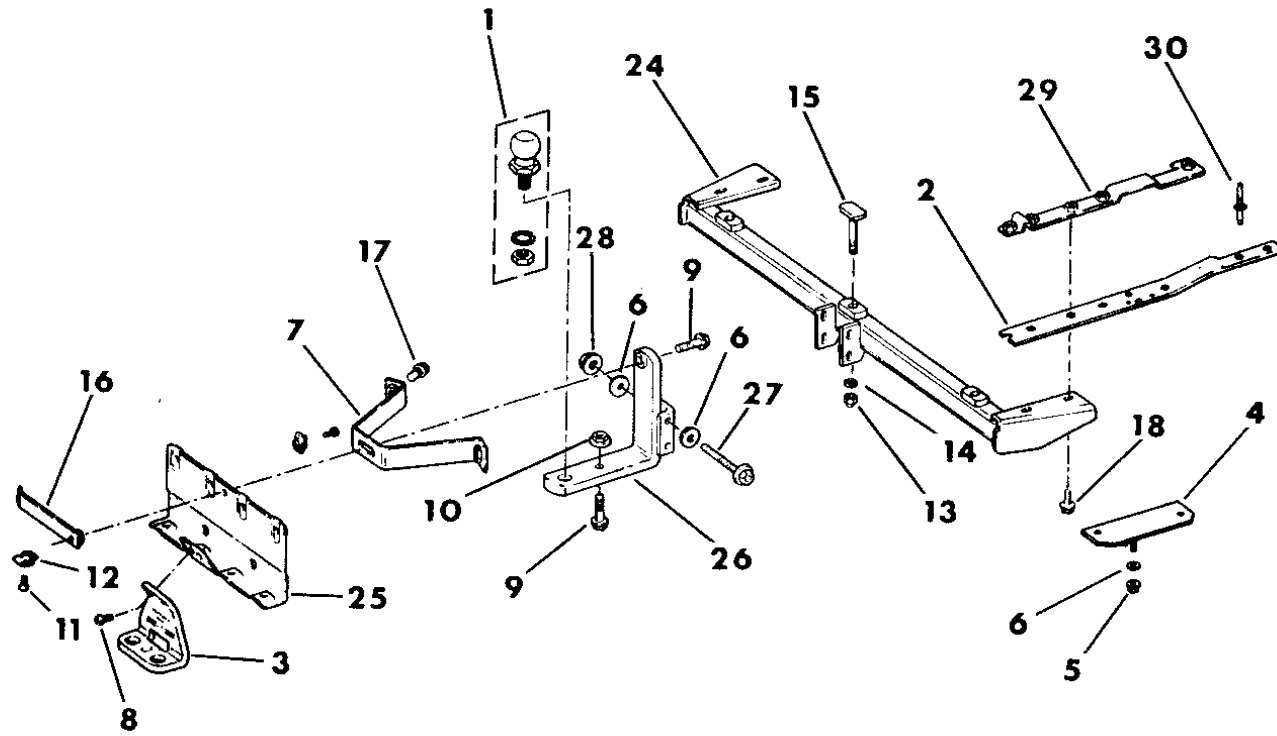
BODY STYLES:

MJ = Comanche Pickup  
SJ = Grand Wagoneer Wgn., J-10 & J-20 Pickups  
XJ = Cherokee, Wagoneer Limited  
YJ = Wrangler

AR = Use as Required - = Non Illustrated Part P.A.R. = Paint as Required

HITCH--TRAILER LIGHT DUTY CHEROKEE, WAGONEER  
Figure 13-1200

8J13 1200



ITEM	PART NUMBER	QTY	BODY	MODEL	DESCRIPTION
1					BALL KIT, Trailer Towing ***
	J899 3216	1			1 7/8"
	J899 7211	1			2"
2	5200 1661	2			REINFORCEMENT
3	5200 0920	1			BRACKET
4	5200 1511	1			BRACKET
5	J420 0046	2			NUT
6	1150 0324	6			WASHER
7	5200 1168	1			BRACKET
8	3420 1999	2			BOLT
9	1150 4922	1			BOLT
10	1150 2813	2			NUT
11	3420 1596	8			BOLT
12	1150 0660	8			NUT
13	3420 1765	3			NUT
14	S012 0384	3			WASHER
15	3420 1674	3			BOLT
16	5200 0482	1			NUT, Tab
17					BOLT
	1150 2685	2			1987-89
	3420 1540	2			1990
18					BOLT
	3420 1848	2			1988-89
	3420 1964	2			1990
19					HARNES, Trailer Towing
					(Also Order Body Harness 56002971)
	5600 2357	1		75	1987-89
	5600 3769	1		75	1990
	5600 2354	1			1987-89, Cherokee
	5600 3768	1			1990, Cherokee
20	5600 2355	1			HARNES, Trailer Towing
21	J323 8838	1			HARNES, Trailer Towing
22	8350 1394	AR			BREAKER, Circuit
23	J575 8912	AR			RELAY, Trailer Towing
24	8350 1168	1			TUBE
25	8350 1169	1			PLATE
26	5200 1523	1			BAR

MODEL CODES:

15 = Grand Wagoneer 4 Dr.	65 = Comanche 4WD-7 Ft. Box	77 = Cherokee 4WD-2 Dr.
25 = J-10 Pickup-119" W.B.	66 = Comanche 2WD-7 Ft. Box	78 = Cherokee 4WD-4 Dr.
26 = J-10 Pickup-131" W.B.	73 = Cherokee 2WD-2 Dr.	79 = Cherokee 4WD-4 Dr.-Com
27 = J-20 Pickup-131" W.B.	74 = Cherokee 2WD-4 Dr.	81 = Wrangler-93" W.B.
63 = Comanche 4WD-6 Ft. Box	75 = Wagoneer 4WD-4 Dr.	82 = Wrangler-103" W.B.-Exp.
64 = Comanche 2WD-6 Ft. Box		

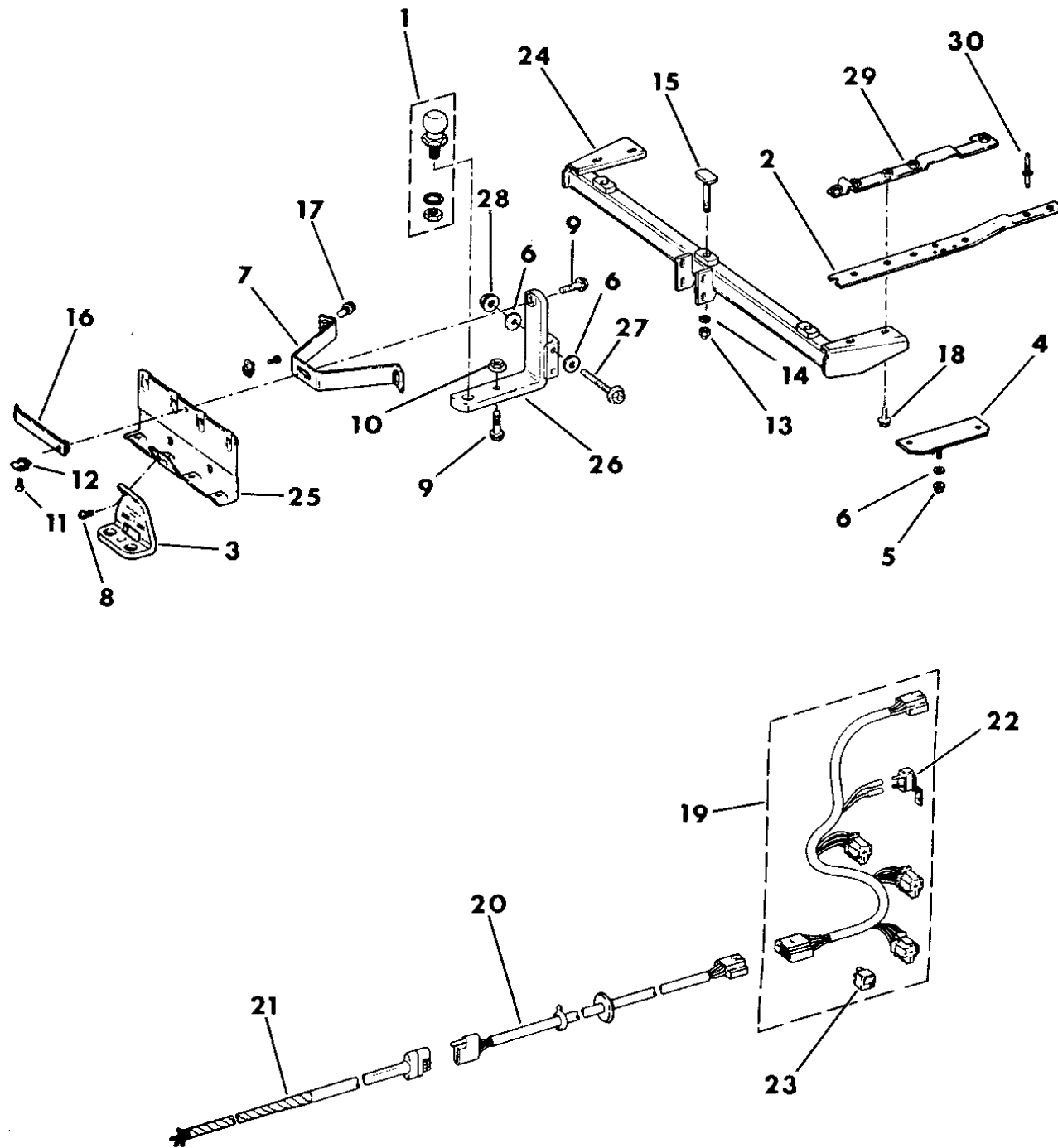
BODY STYLES:

MJ = Comanche Pickup
SJ = Grand Wagoneer Wgn., J-10 & J-20 Pickups
XJ = Cherokee, Wagoneer Limited
YJ = Wrangler

AR = Use as Required - = Non Illustrated Part P.A.R. = Paint as Required

HITCH--TRAILER LIGHT DUTY CHEROKEE, WAGONEER  
Figure 13-1200

8J13 1200



ITEM	PART NUMBER	QTY	BODY	MODEL	DESCRIPTION
27	3420 2034	2			SCREW
28					NUT
	1150 2812	2			1987-89
	6502 113	2			1990
29	5200 1174-5	1			REINFORCEMENT
30					RIVET
	J400 5791	4			1987-89
	3420 1353	4			1990

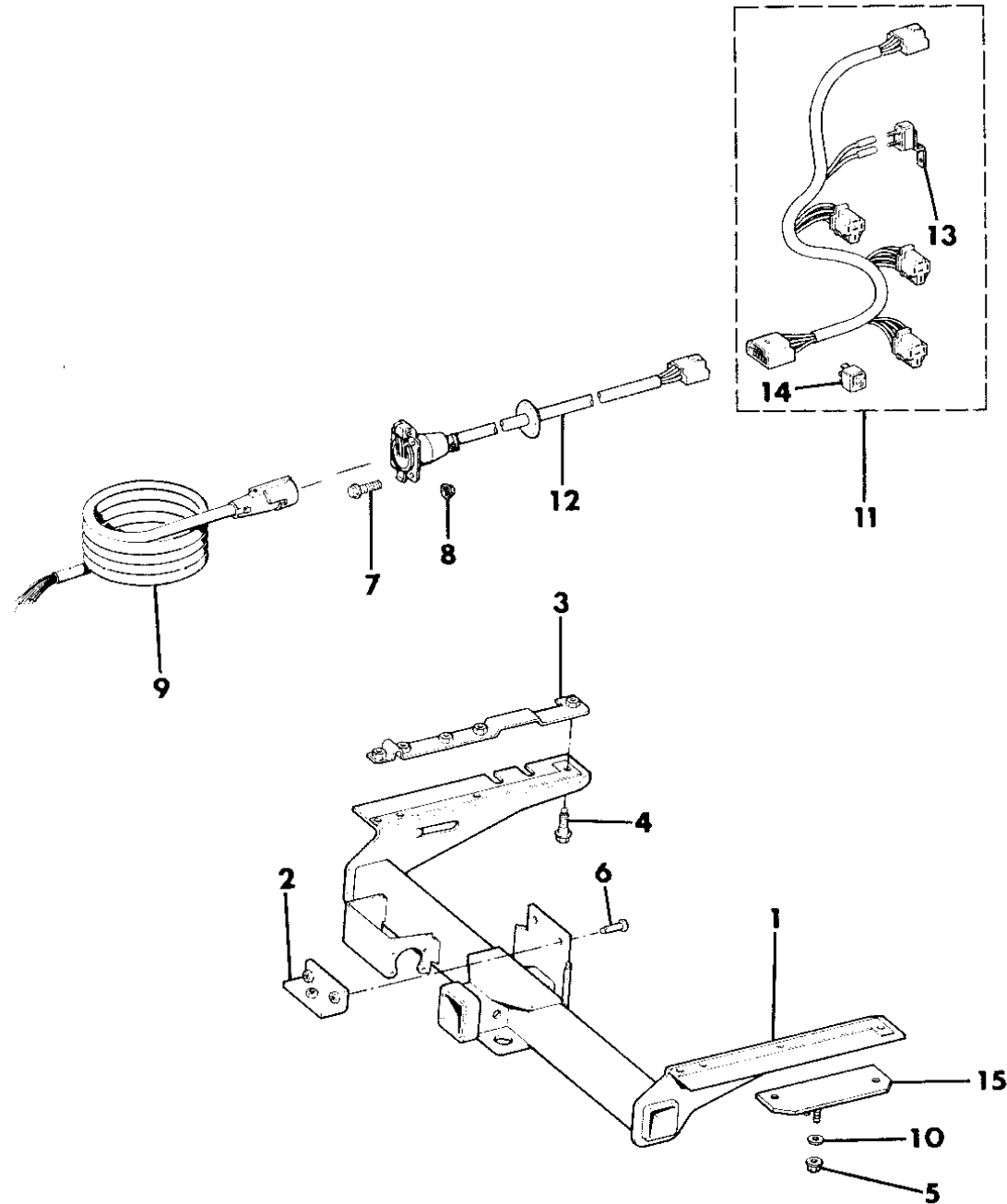
MODEL CODES:  
 15 = Grand Wagoneer 4 Dr.      65 = Comanche 4WD-7 Ft. Box      77 = Cherokee 4WD-2 Dr.  
 25 = J-10 Pickup-119" W.B.      66 = Comanche 2WD-7 Ft. Box      78 = Cherokee 4WD-4 Dr.  
 26 = J-10 Pickup-131" W.B.      73 = Cherokee 2WD-2 Dr.      79 = Cherokee 4WD-4 Dr.-Com  
 27 = J-20 Pickup-131" W.B.      74 = Cherokee 2WD-4 Dr.      81 = Wrangler-93" W.B.  
 63 = Comanche 4WD-6 Ft. Box      75 = Wagoneer 4WD-4 Dr.      82 = Wrangler-103" W.B.-Exp.  
 64 = Comanche 2WD-6 Ft. Box

BODY STYLES:  
 MJ = Comanche Pickup  
 SJ = Grand Wagoneer Wgn., J-10 & J-20 Pickups  
 XJ = Cherokee, Wagoneer Limited  
 YJ = Wrangler

AR = Use as Required - = Non Illustrated Part P.A.R. = Paint as Required

HITCH--TRAILER HEAVY DUTY CHEROKEE, WAGONEER  
Figure 13-1300

8J13 1300



ITEM	PART NUMBER	QTY	BODY	MODEL	DESCRIPTION
1	5200 3542	1			HITCH, Trailer
2	5200 1389	1			PLATE
3	5200 1174-5	1			REINFORCEMENT
4	1150 4922	8			BOLT
5	J420 0046	2			NUT
6	3420 1990	3			BOLT
7	3420 1195	4			SCREW
8	J420 0325	4			NUT
9	J545 5349	1			HARNES, Trailer Towing
10	1150 0324	2			WASHER
11					HARNES, Trailer Towing (Also Order Body Harness 56002971 For 1987-89, Use 56004573 For 1990)
	5600 2357	1			1987-89, Wagoneer
	5600 3769	1			1990, 2 Door ( Also order 56004573)
	5600 2354	1			1987-89, Cherokee
	5600 3768	1			1990, 4 Door
12	5600 2356	1			HARNES, Trailer Towing
13	8350 1394	2			BREAKER, Circuit ***
14	J575 8912	3			RELAY, Trailer Towing
15	5200 1511	1			BRACKET

MODEL CODES:

15 = Grand Wagoneer 4 Dr.	65 = Comanche 4WD-7 Ft. Box	77 = Cherokee 4WD-2 Dr.
25 = J-10 Pickup-119" W.B.	66 = Comanche 2WD-7 Ft. Box	78 = Cherokee 4WD-4 Dr.
26 = J-10 Pickup-131" W.B.	73 = Cherokee 2WD-2 Dr.	79 = Cherokee 4WD-4 Dr.-Com
27 = J-20 Pickup-131" W.B.	74 = Cherokee 2WD-4 Dr.	81 = Wrangler-93" W.B.
63 = Comanche 4WD-6 Ft. Box	75 = Wagoneer 4WD-4 Dr.	82 = Wrangler-103" W.B.-Exp.
64 = Comanche 2WD-6 Ft. Box		

BODY STYLES:

MJ = Comanche Pickup  
SJ = Grand Wagoneer Wgn., J-10 & J-20 Pickups  
XJ = Cherokee, Wagoneer Limited  
YJ = Wrangler

AR = Use as Required - = Non Illustrated Part P.A.R. = Paint as Required

**SNOW PLOW POWER LIFT UNIT CHEROKEE, WAGONEER, WRANGLER, J10, J20**  
**Figure 13-1400**

**8 J13 1400A**

ITEM	PART NUMBER	QTY	BODY	MODEL	DESCRIPTION
1					MOTOR, Pump
	J201 5054	1			1987-89
	4026 163	1			1990
2	J201 5026	1			PUMP ASSEMBLY, Snow Plow Lift 1987-89 ***
3		1			BASE, Lift Cylinder
	J201 5573	1			1987-89
	4026 170	1			1990
4	J201 5045	1			TANK, Lift Cylinder 1987-89 ***
5	4026 168	1			CYLINDER, Snow Plow Lift 1987-89
6	J201 5335	1			RAM, Snow PLow Lift 1987-89
7	J201 5194	1			COVER ASSEMBLY, Lift Cylinder
8	J201 5356	1			SOLENOID, Valve
9	J201 5209	1			WASHER
10	J201 5042	3			STUD
11	J201 5043	3			STUD
12	J201 5574	1			VALVE PACKAGE, Check 1987-89 ***
13	J201 5326	1			STRAINER
14	J201 5122	1			O-RING PACKAGE ***
15	J201 5131	2			O-RING
16	J201 5163	1			O-RING
17	J201 5127	1			O-RING
18	J201 5198	1			O-RING
19	J201 5581	1			SEAL, Pump Shaft
20	J200 5119	1			SEAL, Lift Ram
21	J201 5254	1			SEAL PACKAGE, Lift Cylinder ***
22	J201 5134	1			FLUID, Hydraulic 1987-89
23	J201 5456	1			SEAL PACKAGE, Snow Plow Lift 1987-89 ***
24					FILTER PACKAGE ***
	J201 5620	2			.50" 1987-89
	J201 5641	2			.56"
25	J201 5199	1			SLEEVE, Lift Ram
26	J202 0697	3			NUT, Lock
27	J202 1806	1			VALVE, Pressure Relief
28	J202 1805	1			FITTING, Reducer
29	J201 5621	1			BAFFLE
30					(Serviced In Item 23)

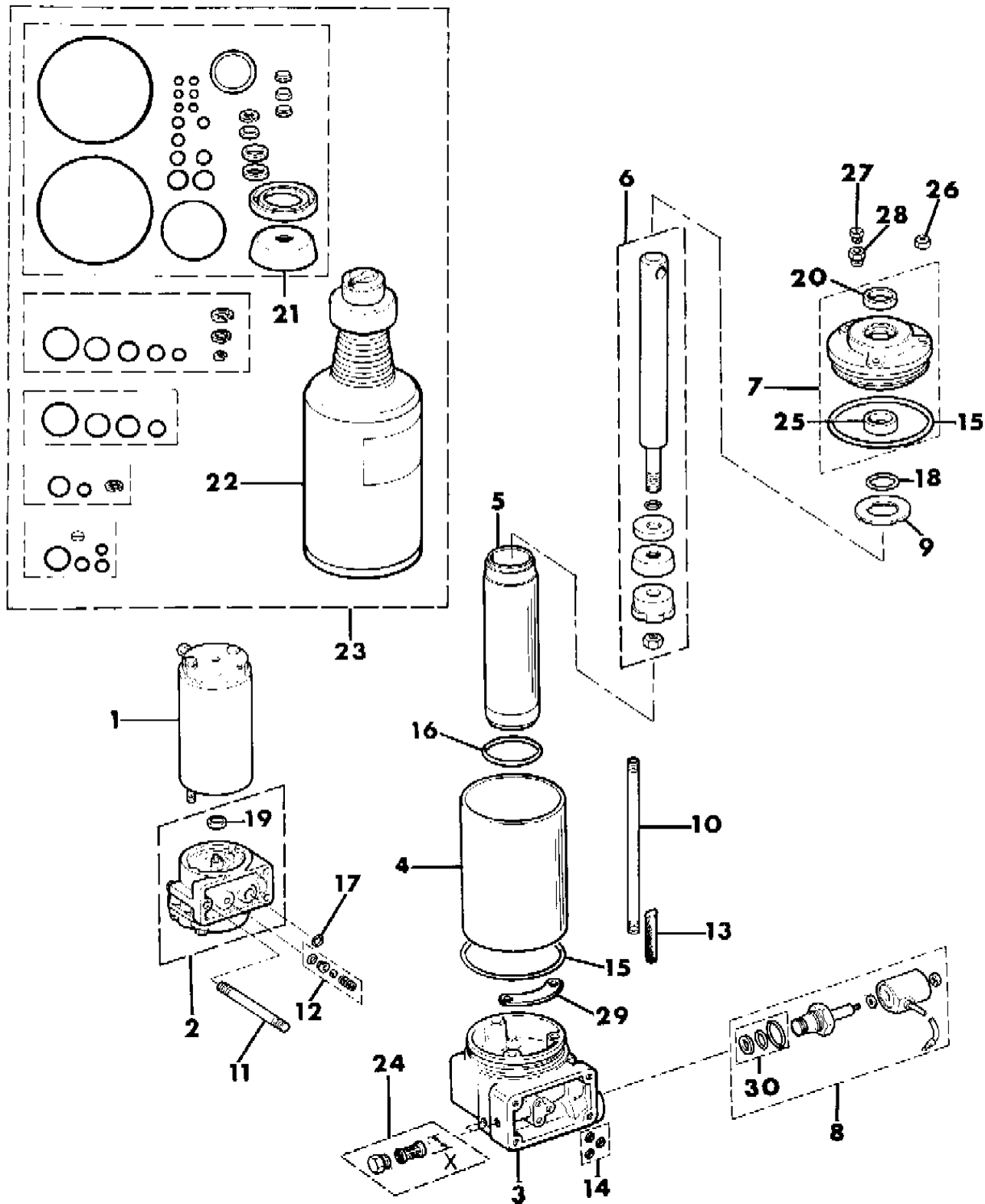
**MODEL CODES:**

15 = Grand Wagoneer 4 Dr.	65 = Comanche 4WD-7 Ft. Box	77 = Cherokee 4WD-2 Dr.
25 = J-10 Pickup-119" W.B.	66 = Comanche 2WD-7 Ft. Box	78 = Cherokee 4WD-4 Dr.
26 = J-10 Pickup-131" W.B.	73 = Cherokee 2WD-2 Dr.	79 = Cherokee 4WD-4 Dr.-Com
27 = J-20 Pickup-131" W.B.	74 = Cherokee 2WD-4 Dr.	81 = Wrangler-93" W.B.
63 = Comanche 4WD-6 Ft. Box	75 = Wagoneer 4WD-4 Dr.	82 = Wrangler-103" W.B.-Exp.
64 = Comanche 2WD-6 Ft. Box		

**BODY STYLES:**

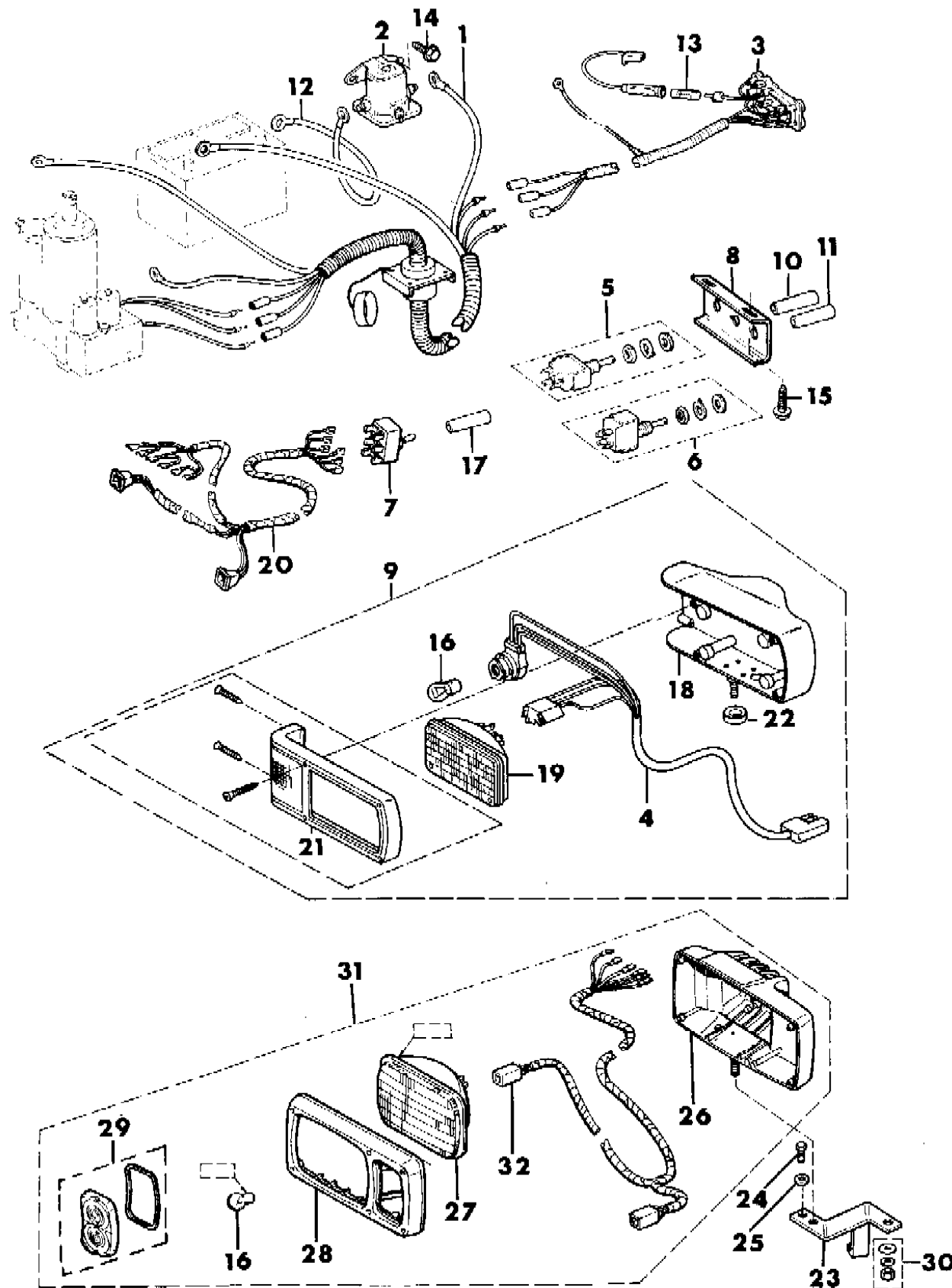
MJ = Comanche Pickup
SJ = Grand Wagoneer Wgn., J-10 & J-20 Pickups
XJ = Cherokee, Wagoneer Limited
YJ = Wrangler

AR = Use as Required - = Non Illustrated Part P.A.R. = Paint as Required



**SNOW PLOW OPERATING CONTROLS AND SWITCHES CHEROKEE, COMANCHE, WRANGLER, J10, J20**  
**Figure 13-1500**

8J13 1500A



ITEM	PART NUMBER	QTY	BODY	MODEL	DESCRIPTION
1	J200 8470	1			HARNESS, Snow Plow Electrical
2	8330 0049	1			SOLENOID, Snow Plow ***
3	4026 191	1			HARNESS, Snow Plow Electrical 1987-89
4	8350 5469	1			HARNESS, Auxiliary Headlamp
5					SWITCH, Snow Plow Angle
	J202 1918	1			1987-89
	4026 192	1			1990
6					SWITCH, Snow Plow Raise/Lower
	J202 1919	1			1987-89
	4162 742	1			1990
7	8350 2792	1			SWITCH, Auxiliary Headlamp
8	J201 5656	1			BRACKET, Snow Plow Switch
9					HEADLAMP ASSEMBLY ***
	8350 5463	1			Right
	8350 5467	1			Left
10	J201 5376	1			HANDLE, Angle Switch (Black)
11	J201 5375	1			HANDLE, Raise/Lower Switch (Yellow)
12	J200 5024	2			CABLE, Snow Plow Solenoid
13	S010 6653	1			FUSE, 20 Ampere
14	J400 5737	2			SCREW
15	1150 2843	2			SCREW
16	J320 9544	4			BULB, (1157)
17	8350 3178	1			HANDLE, Light Switch (Blue)
18					HOUSING, Auxiliary Headlamp
	8350 5464	1			Right
	8350 5468	1			Left
19	8350 5471	2			BULB, Seal Beam (6054)
20					HARNESS, Auxiliary Headlamp
	8350 2795	1			1987-88
	8350 5469	1			1989-90
21	8350 5465	2			BEZEL, Auxiliary Headlamp
22	8350 5470	2			ADAPTER, Headlamp Ferrule
23	J201 0716	1			BRACKET, Right
	J201 0715	1			BRACKET, Left
24	S018 0124	6			BOLT
25	J012 0382	6			WASHER, Lock
26	8350 2793	1			HOUSING, Auxiliary Headlamp, Right

**MODEL CODES:**

15 = Grand Wagoneer 4 Dr.	65 = Comanche 4WD-7 Ft. Box	77 = Cherokee 4WD-2 Dr.
25 = J-10 Pickup-119" W.B.	66 = Comanche 2WD-7 Ft. Box	78 = Cherokee 4WD-4 Dr.
26 = J-10 Pickup-131" W.B.	73 = Cherokee 2WD-2 Dr.	79 = Cherokee 4WD-4 Dr.-Com
27 = J-20 Pickup-131" W.B.	74 = Cherokee 2WD-4 Dr.	81 = Wrangler-93" W.B.
63 = Comanche 4WD-6 Ft. Box	75 = Wagoneer 4WD-4 Dr.	82 = Wrangler-103" W.B.-Exp.
64 = Comanche 2WD-6 Ft. Box		

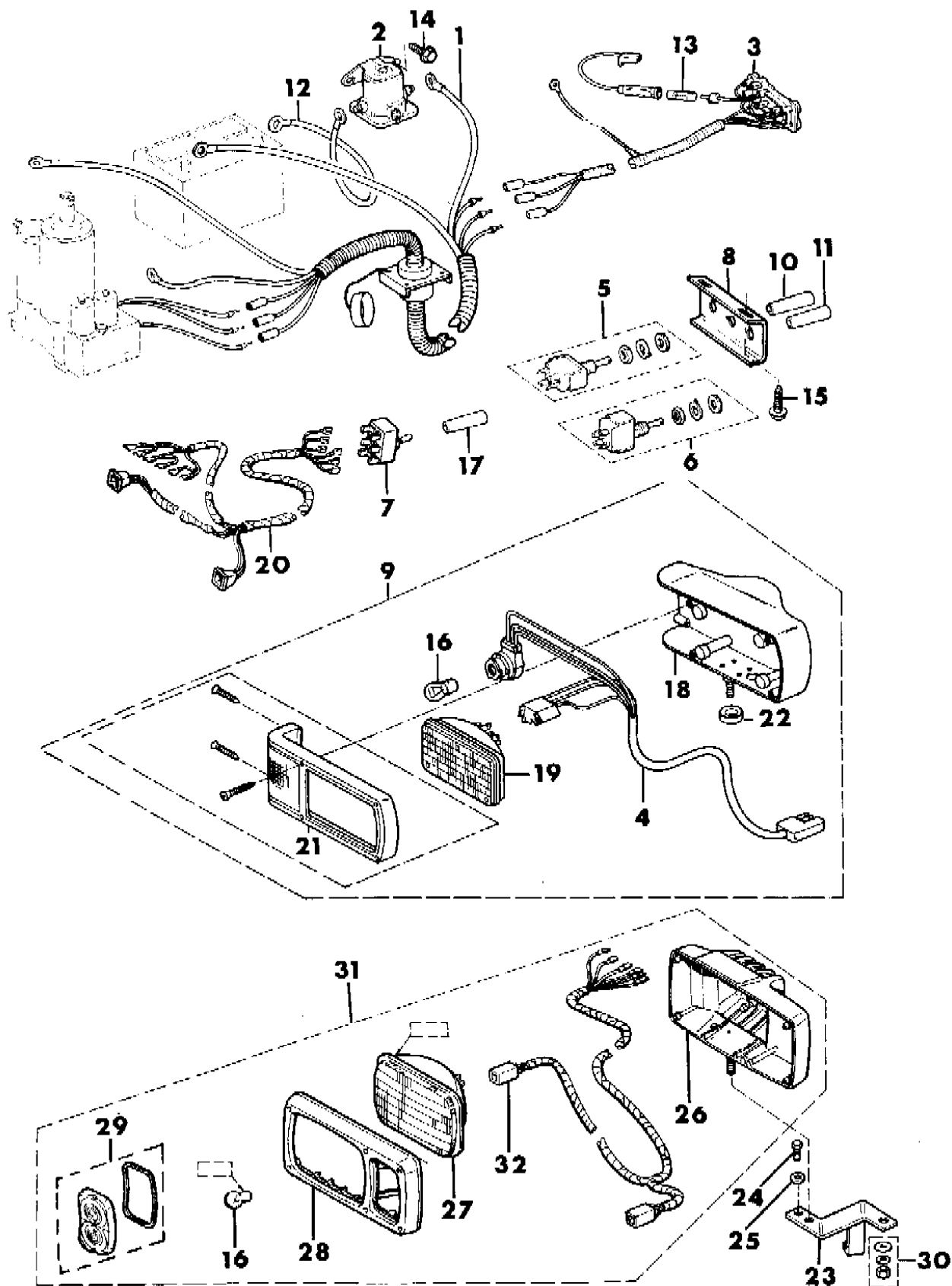
**BODY STYLES:**

MJ = Comanche Pickup
SJ = Grand Wagoneer Wgn., J-10 & J-20 Pickups
XJ = Cherokee, Wagoneer Limited
YJ = Wrangler

AR = Use as Required - = Non Illustrated Part P.A.R. = Paint as Required

**SNOW PLOW OPERATING CONTROLS AND SWITCHES CHEROKEE, COMANCHE, WRANGLER, J10, J20**  
**Figure 13-1500**

**8J13 1500A**



ITEM	PART NUMBER	QTY	BODY	MODEL	DESCRIPTION
	8350 2794	1			HOUSING, Auxiliary Headlamp, Left
27	J813 4319	2			BULB, Seal Beam, (6054)
28	8350 2790	2			BEZEL, Auxiliary Headlamp
29	8350 2791	2			LENS PACKAGE, Auxiliary Headlamp ***
30	8350 2797	2			MOUNTING PACKAGE, Auxiliary Headlamp ***
31	8350 4184-5	1			HEADLAMP ASSEMBLY ***
32	8350 2796	1			HARNES, Auxiliary Headlamp

**MODEL CODES:**

15 = Grand Wagoneer 4 Dr.	65 = Comanche 4WD-7 Ft. Box	77 = Cherokee 4WD-2 Dr.
25 = J-10 Pickup-119" W.B.	66 = Comanche 2WD-7 Ft. Box	78 = Cherokee 4WD-4 Dr.
26 = J-10 Pickup-131" W.B.	73 = Cherokee 2WD-2 Dr.	79 = Cherokee 4WD-4 Dr.-Com
27 = J-20 Pickup-131" W.B.	74 = Cherokee 2WD-4 Dr.	81 = Wrangler-93" W.B.
63 = Comanche 4WD-6 Ft. Box	75 = Wagoneer 4WD-4 Dr.	82 = Wrangler-103" W.B.-Exp.
64 = Comanche 2WD-6 Ft. Box		

**BODY STYLES:**

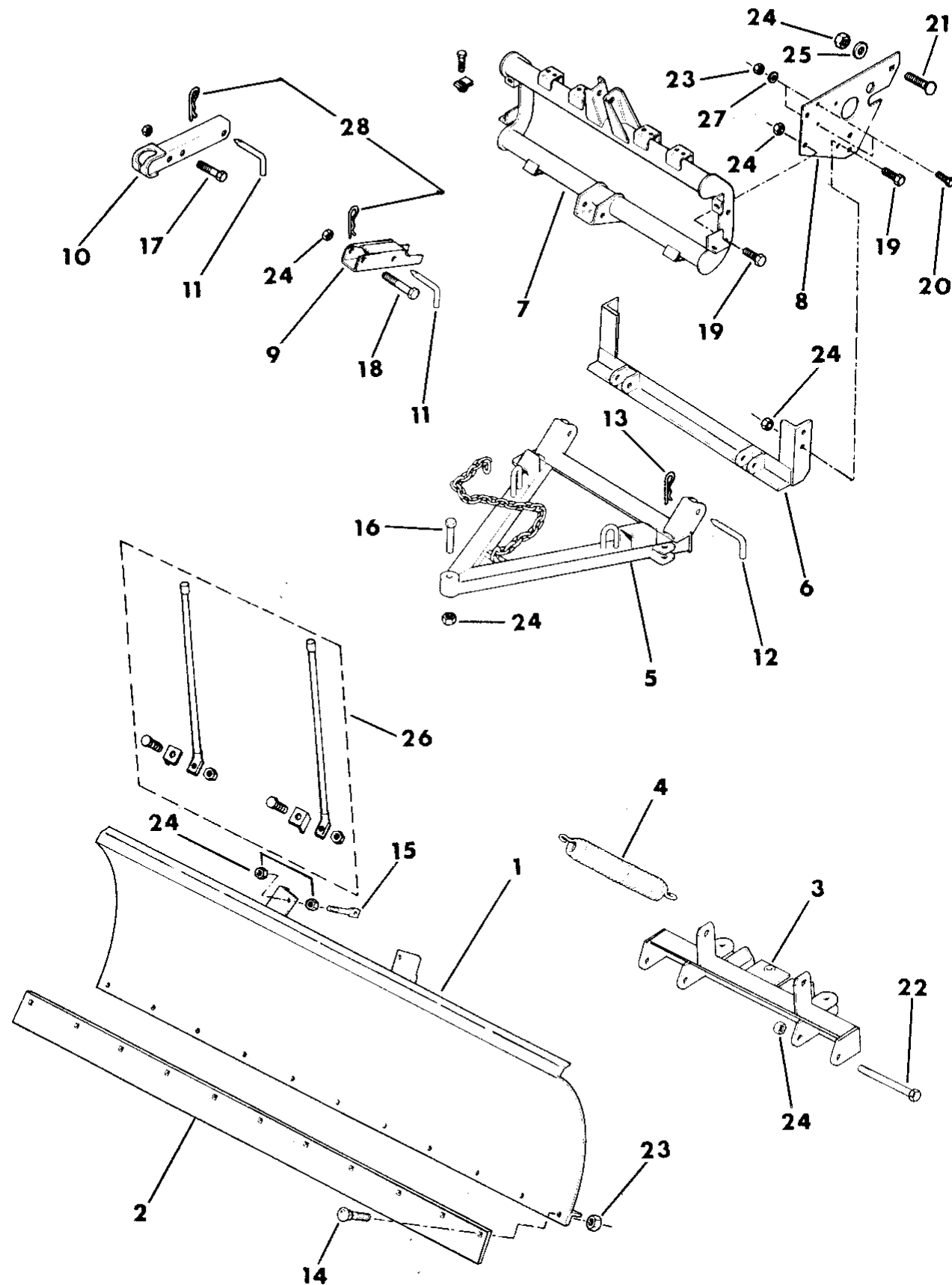
MJ = Comanche Pickup  
 SJ = Grand Wagoneer Wgn., J-10 & J-20 Pickups  
 XJ = Cherokee, Wagoneer Limited  
 YJ = Wrangler

AR = Use as Required - = Non Illustrated Part P.A.R. = Paint as Required



**SNOW PLOW MOLDBOARD AND MOUNTING CHEROKEE, COMANCHE**  
Figure 13-1600

8J13 1600



ITEM	PART NUMBER	QTY	BODY	MODEL	DESCRIPTION
1	J260 9102	1			MOLDBOARD ASSEMBLY
2	J200 9100	1			BLADE, Moldboard
3	J201 0891	1			BAR, Snow Plow Pivot
4	J201 2978	2			SPRING, Snow Plow Trip
5	J201 0888	1			A-FRAME, Snow Plow
6	J201 0897	1			FRAME, Snow Plow Clevis
7	J201 0883	1			FRAME, Snow Plow Lift
8	J201 0901	2			PLATE, Side
9	J201 0529	1			ARM, Snow Plow Support
10					ARM, Snow Plow Lift
	J201 0514	1			1987-89
	3497 294	1			1990
11	J201 0538	2			PIN, Quick Disconnect
12	J201 1006	2			PIN, Hinge
13	J200 8408	2			CLIP, Spring
14	J202 1943	11			BOLT
15	J201 2150	2			BOLT
16	J201 3591	1			BOLT
17	J202 0144	1			BOLT
18	S027 1730	1			BOLT
19	J202 0139	8			BOLT
20	S018 0175	4			BOLT
21	J202 0254	2			BOLT
22	J201 3598	2			BOLT
23	J202 0307	15			NUT, Lock
24	J202 0318	16			NUT, Lock
25	J013 1016	2			WASHER, Plain
26					INDICATOR PACKAGE, Snow Plow Marker ***
	J200 9916	1			1987-89
	3879 746	1			1990
27	J012 0396	4			WASHER, Plain
28	J202 1984	2			PIN, Cotter

MODEL CODES:

15 = Grand Wagoneer 4 Dr.	65 = Comanche 4WD-7 Ft. Box	77 = Cherokee 4WD-2 Dr.
25 = J-10 Pickup-119" W.B.	66 = Comanche 2WD-7 Ft. Box	78 = Cherokee 4WD-4 Dr.
26 = J-10 Pickup-131" W.B.	73 = Cherokee 2WD-2 Dr.	79 = Cherokee 4WD-4 Dr.-Com
27 = J-20 Pickup-131" W.B.	74 = Cherokee 2WD-4 Dr.	81 = Wrangler-93" W.B.
63 = Comanche 4WD-6 Ft. Box	75 = Wagoneer 4WD-4 Dr.	82 = Wrangler-103" W.B.-Exp.
64 = Comanche 2WD-6 Ft. Box		

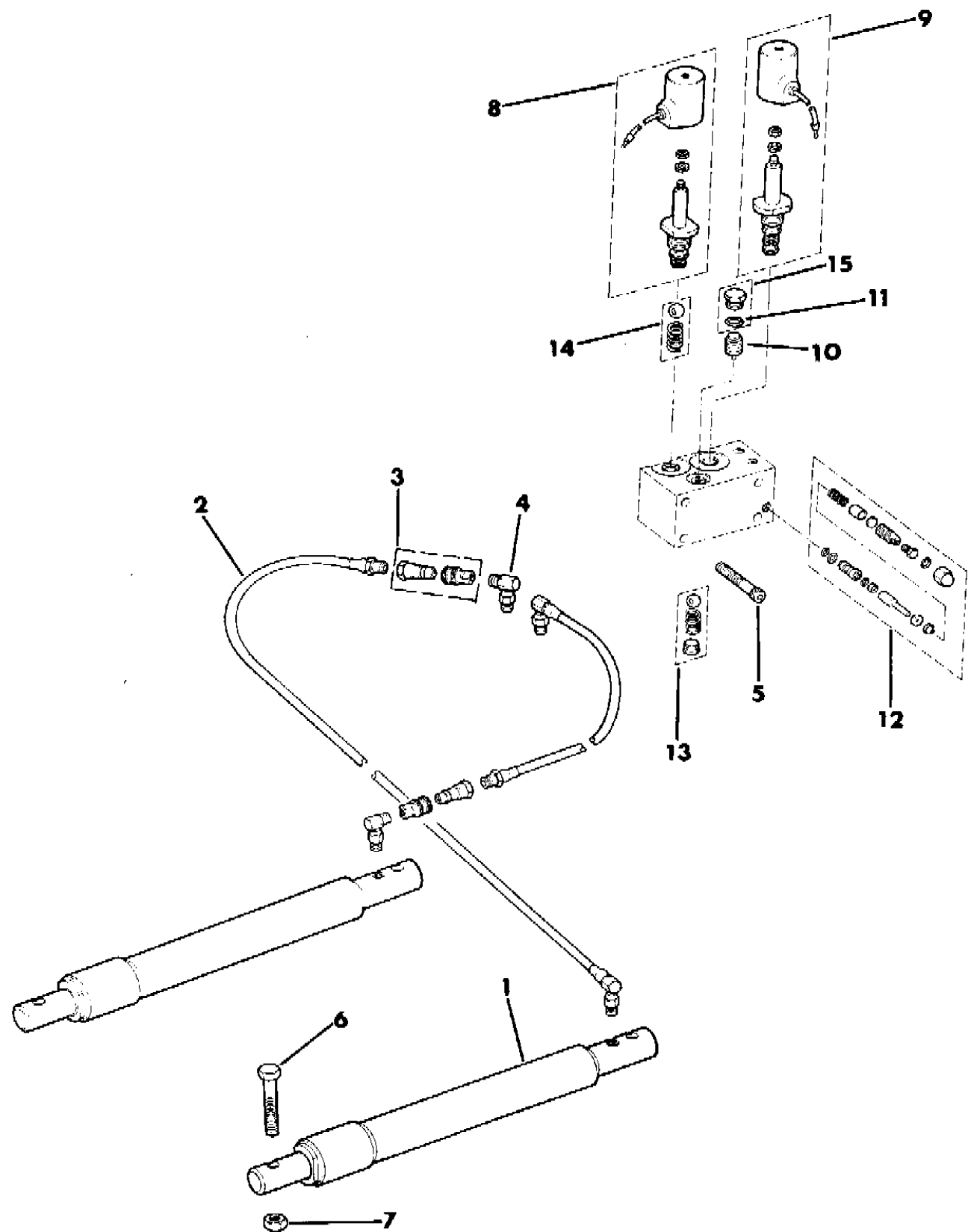
BODY STYLES:

MJ = Comanche Pickup  
 SJ = Grand Wagoneer Wgn., J-10 & J-20 Pickups  
 XJ = Cherokee, Wagoneer Limited  
 YJ = Wrangler

AR = Use as Required - = Non Illustrated Part P.A.R. = Paint as Required

**SNOW PLOW POWER ANGLING CYLINDERS CHEROKEE, COMANCHE, WRANGLER, J10, J20**  
**Figure 13-1700**

**8J13 1700 A**



ITEM	PART NUMBER	QTY	BODY	MODEL	DESCRIPTION
1					RAM, Power Angling
	J200 5810	2			1987-89
	3632 703	2			1990
2					HOSE ASSEMBLY ***
	J202 1856	1			1987-89
3	J201 5072	2			COUPLING SET, 1987-89 ***
4	J202 1855	2			FITTING, Swivel 1987-89 ***
5	J202 1826	4			SCREW
6	S027 1730	4			BOLT
7	J202 0318	1			SOLENOID, Valve
8	J201 5357	1			SOLENOID, Valve
9	J201 5358	1			SOLENOID, Valve
10	J201 5609	1			PISTON ***
11	J201 5126	1			O-RING ***
12					VALVE PACKAGE, Crossover ***
	J201 5606	1			1987-89
	4026 175	1			1990
13					VALVE PACKAGE, Check ***
	J201 5639	1			1987-89
	4026 177	1			1990
14	J201 5576	1			VALVE PACKAGE, Check 1987-89 ***
15	J201 5359	1			PLUG

**MODEL CODES:**

15 = Grand Wagoneer 4 Dr.	65 = Comanche 4WD-7 Ft. Box	77 = Cherokee 4WD-2 Dr.
25 = J-10 Pickup-119" W.B.	66 = Comanche 2WD-7 Ft. Box	78 = Cherokee 4WD-4 Dr.
26 = J-10 Pickup-131" W.B.	73 = Cherokee 2WD-2 Dr.	79 = Cherokee 4WD-4 Dr.-Com
27 = J-20 Pickup-131" W.B.	74 = Cherokee 2WD-4 Dr.	81 = Wrangler-93" W.B.
63 = Comanche 4WD-6 Ft. Box	75 = Wagoneer 4WD-4 Dr.	82 = Wrangler-103" W.B.-Exp.
64 = Comanche 2WD-6 Ft. Box		

**BODY STYLES:**

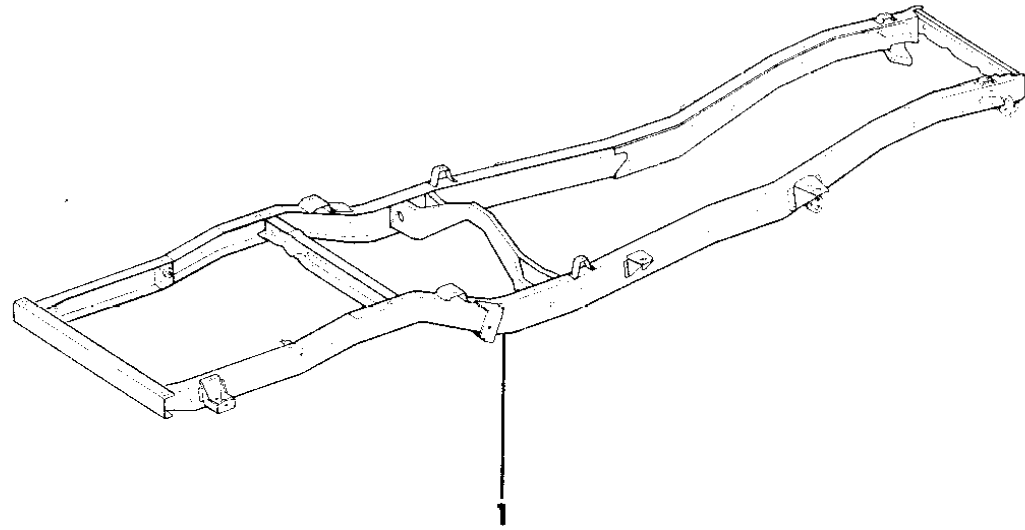
MJ = Comanche Pickup  
 SJ = Grand Wagoneer Wgn., J-10 & J-20 Pickups  
 XJ = Cherokee, Wagoneer Limited  
 YJ = Wrangler

AR = Use as Required - = Non Illustrated Part P.A.R. = Paint as Required

**FRAME ASSEMBLY GRAND WAGONEER, J10, J20**  
**Figure 13-1800**

8J13 1800

ITEM	PART NUMBER	QTY	BODY	MODEL	DESCRIPTION
1					FRAME ASSEMBLY
	J536 5187	1		15	
	J535 9829	1		26, 27	1987-88



**MODEL CODES:**

15 = Grand Wagoneer 4 Dr.	65 = Comanche 4WD-7 Ft. Box	77 = Cherokee 4WD-2 Dr.
25 = J-10 Pickup-119" W.B.	66 = Comanche 2WD-7 Ft. Box	78 = Cherokee 4WD-4 Dr.
26 = J-10 Pickup-131" W.B.	73 = Cherokee 2WD-2 Dr.	79 = Cherokee 4WD-4 Dr.-Com
27 = J-20 Pickup-131" W.B.	74 = Cherokee 2WD-4 Dr.	81 = Wrangler-93" W.B.
63 = Comanche 4WD-6 Ft. Box	75 = Wagoneer 4WD-4 Dr.	82 = Wrangler-103" W.B.-Exp.
64 = Comanche 2WD-6 Ft. Box		

**BODY STYLES:**

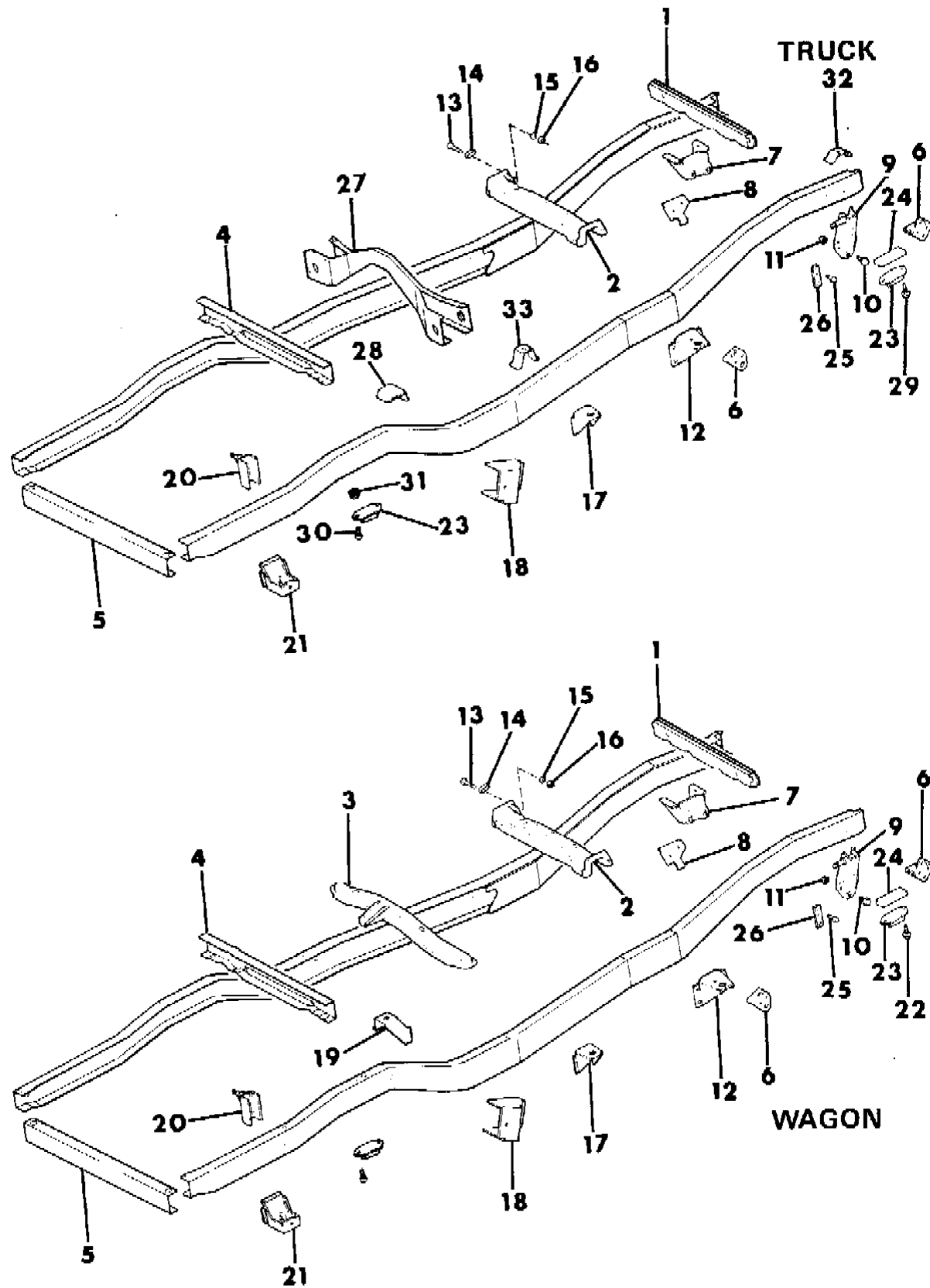
MJ = Comanche Pickup  
 SJ = Grand Wagoneer Wgn., J-10 & J-20 Pickups  
 XJ = Cherokee, Wagoneer Limited  
 YJ = Wrangler

AR = Use as Required - = Non Illustrated Part P.A.R. = Paint as Required

FRAME AND COMPONENTS GRAND WAGONEER, J10, J20

Figure 13-1900

8J13 1900 A



ITEM	PART NUMBER	QTY	BODY	MODEL	DESCRIPTION
1	J812 9559	1			CROSSMEMBER, Front
2	J813 1904	1			CROSSMEMBER, Engine, Rear
3	J812 7718	1		15	CROSSMEMBER, Center
	J813 3430	1		26,27	1987-88
4					CROSSMEMBER
	J813 3431	1		15	
	J812 6847	1		26,27	1987-88
5					CROSSMEMBER, Rear
	J812 9560	1		15	
	J812 6849	1		26,27	1987-88
6	J812 9561	4			BRACKET, Spring Mounting
7	J812 7810	1			BRACKET
8	J812 7811	1			GUSSET
9	J536 4228-9				BRACKET, Shock Absorber
10	J400 5665	2			SCREW, 1.12"
	J400 6864	4			BOLT, 3.25"
11	J400 3909	4			NUT
12					BRACKET
	J812 6836	1		15	Right
	J812 6835	1		15	Left
	J812 6838	1		26,27	Right, 1987-88
	J812 6837	1		26,27	Left, 1987-88 (Not Serv.)
13	J018 1652	8			BOLT
14	J813 1905	2			SPACER
15					WASHER
	J012 0382	8			1987-89
	J400 3803	8			1990
16	J012 0369	8			NUT
17					BRACKET
	J812 6840	2		15	
	J812 6839	2		26,27	1988
18					BRACKET
	J812 6850	2		15	
	J812 6852	1		26,27	Right, 1987-88
	J812 6851	1		26,27	Left, 1987-88
19					BRACKET

MODEL CODES:

15 = Grand Wagoneer 4 Dr.	65 = Comanche 4WD-7 Ft. Box	77 = Cherokee 4WD-2 Dr.
25 = J-10 Pickup-119" W.B.	66 = Comanche 2WD-7 Ft. Box	78 = Cherokee 4WD-4 Dr.
26 = J-10 Pickup-131" W.B.	73 = Cherokee 2WD-2 Dr.	79 = Cherokee 4WD-4 Dr.-Com
27 = J-20 Pickup-131" W.B.	74 = Cherokee 2WD-4 Dr.	81 = Wrangler-93" W.B.
63 = Comanche 4WD-6 Ft. Box	75 = Wagoneer 4WD-4 Dr.	82 = Wrangler-103" W.B.-Exp.
64 = Comanche 2WD-6 Ft. Box		

BODY STYLES:

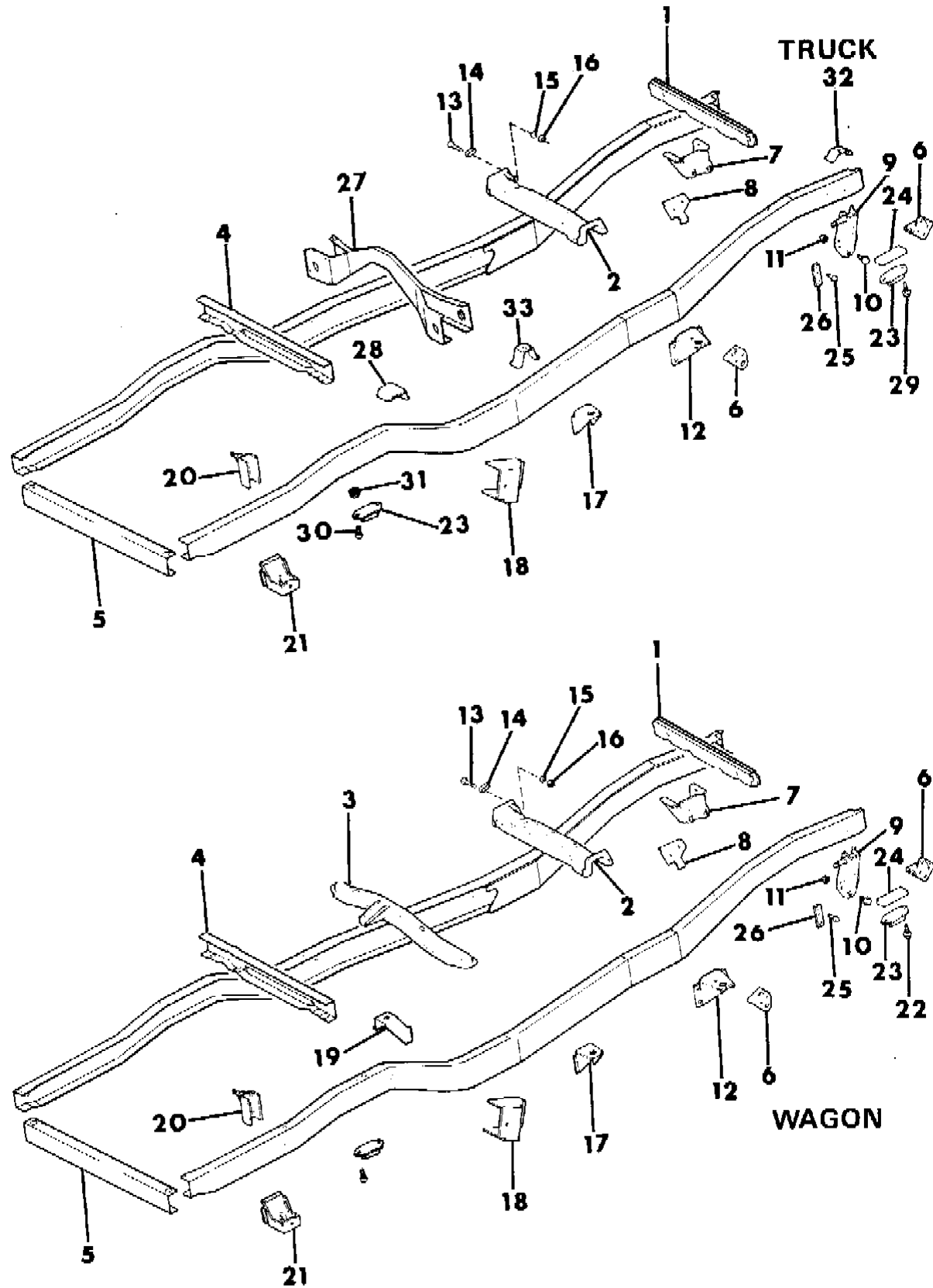
MJ = Comanche Pickup  
 SJ = Grand Wagoneer Wgn., J-10 & J-20 Pickups  
 XJ = Cherokee, Wagoneer Limited  
 YJ = Wrangler

AR = Use as Required - = Non Illustrated Part P.A.R. = Paint as Required

FRAME AND COMPONENTS GRAND WAGONEER, J10, J20

Figure 13-1900

8J13 1900 A



ITEM	PART NUMBER	QTY	BODY	MODEL	DESCRIPTION
	J812 6854	1		15	Right
	J812 6853	1		15	Left
20	J812 6859	2		15	BRACKET
	J812 6858	2		26,27	1987-88
21	J812 6861	2		15	BRACKET
	J812 6860	2		26,27	1987-88
22	J400 3060	AR			SCREW, 1.25"
	J400 5063	2		26,27	.62", 1987-88
23	J535 5483	4			BUMPER, Axle
24	J536 1023	2			SPACER
25	J400 5063	8			SCREW
26	J535 3415	2			BRACKET
27	J813 3430	1		26,27	CROSSMEMBER, Center 1988
28	J812 6855	2		26,27	BRACKET, 1987-88 (Not Serv.)
29	J400 5063	2		26,27	SCREW
	J400 3060	2		26,27	.62", 1987-88
	J400 3060	2		26,27	1.25", 1988
30	J018 0078	4		26,27	BOLT, 1987-88
31	J012 0376	4		26,27	NUT, 1987-88
32	J812 6803	2		26,27	BRACKET, 1987-88
33	J812 6841	2		26,27	BRACKET, 1987-88 (Not Serv.)

MODEL CODES:

15 = Grand Wagoneer 4 Dr.	65 = Comanche 4WD-7 Ft. Box	77 = Cherokee 4WD-2 Dr.
25 = J-10 Pickup-119" W.B.	66 = Comanche 2WD-7 Ft. Box	78 = Cherokee 4WD-4 Dr.
26 = J-10 Pickup-131" W.B.	73 = Cherokee 2WD-2 Dr.	79 = Cherokee 4WD-4 Dr.-Com
27 = J-20 Pickup-131" W.B.	74 = Cherokee 2WD-4 Dr.	81 = Wrangler-93" W.B.
63 = Comanche 4WD-6 Ft. Box	75 = Wagoneer 4WD-4 Dr.	82 = Wrangler-103" W.B.-Exp.
64 = Comanche 2WD-6 Ft. Box		

BODY STYLES:

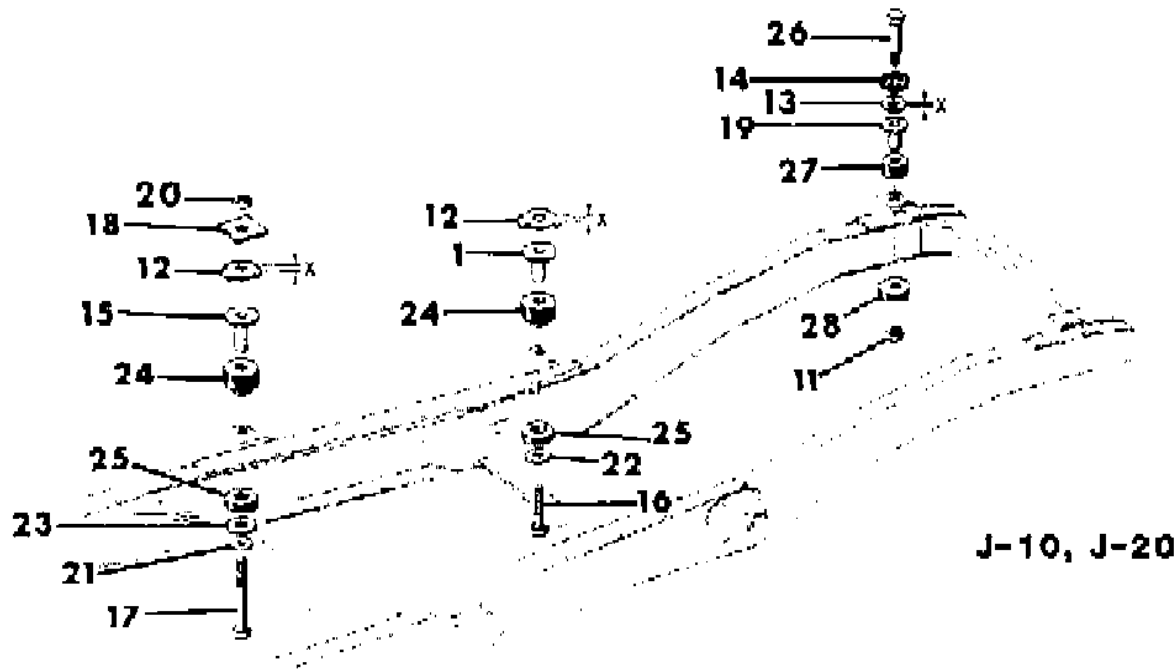
MJ = Comanche Pickup  
 SJ = Grand Wagoneer Wgn., J-10 & J-20 Pickups  
 XJ = Cherokee, Wagoneer Limited  
 YJ = Wrangler

AR = Use as Required - = Non Illustrated Part P.A.R. = Paint as Required

MOUNTING HARDWARE--BODY GRAND WAGONEER, J10, J20

Figure 13-2000

8J13 2000



ITEM	PART NUMBER	QTY	BODY	MODEL	DESCRIPTION
1	J545 9181	8			TUBE AND WASHER
2	S941 9091	8		15	BOLT, Hex Flange
3	J575 0380	2		15	TUBE, w/Washer
4	J400 6423	8		15	WASHER, Flat
5	J545 9184	8		15	INSULATOR, 1987-88
	J545 9185	8		15	INSULATOR, 1989-90
6	J545 9515	8		15	INSULATOR
7	J545 9186	2		15	INSULATOR
8	J400 6593	2		15	BOLT
9	J575 0373	2		15	INSULATOR
10	J575 0374	2		15	INSULATOR
11	J400 6165	2			NUT, Flange
12					SHIM
	J400 6114	AR			.033" Thick
	J400 6115	AR			.060" Thick
13					WASHER
	J400 6411	AR			.032" Thick
	J400 6412	AR			.059" Thick
14	J400 6414	AR			SHIM
15	J545 9524	2		26,27	TUBE, w/Washer, 1987-88
16	S941 9091	2		26,27	BOLT, Hex Flange, 1987-88
17	J400 5667	2		26,27	BOLT, 1987-88
18	J099 4165	2		26,27	REINFORCEMENT, 1987-88
19	J575 0381	2		26,27	TUBE, w/Washer, 1987-88
20	J400 4005	2		26,27	NUT, Lock, 1987-88
21	J400 3805	2		26,27	WASHER, Flat, 1987-88
22	J400 6423	2		26,27	WASHER, Flat, 1987-88
23	J400 6423	2		26,27	WASHER, Flat, 1987-88
24	J545 9184	4		26,27	INSULATOR, 1987-88
25	J545 9515	4		26,27	INSULATOR, 1987-88
26	J400 6417	2		26,27	BOLT, 1987-88
27	J575 0373	2		26,27	INSULATOR, 1987-88
28	J575 0382	2		26,27	INSULATOR, 1987-88

MODEL CODES:

15 = Grand Wagoneer 4 Dr.	65 = Comanche 4WD-7 Ft. Box	77 = Cherokee 4WD-2 Dr.
25 = J-10 Pickup-119" W.B.	66 = Comanche 2WD-7 Ft. Box	78 = Cherokee 4WD-4 Dr.
26 = J-10 Pickup-131" W.B.	73 = Cherokee 2WD-2 Dr.	79 = Cherokee 4WD-4 Dr.-Com
27 = J-20 Pickup-131" W.B.	74 = Cherokee 2WD-4 Dr.	81 = Wrangler-93" W.B.
63 = Comanche 4WD-6 Ft. Box	75 = Wagoneer 4WD-4 Dr.	82 = Wrangler-103" W.B.-Exp.
64 = Comanche 2WD-6 Ft. Box		

BODY STYLES:

MJ = Comanche Pickup  
 SJ = Grand Wagoneer Wgn., J-10 & J-20 Pickups  
 XJ = Cherokee, Wagoneer Limited  
 YJ = Wrangler

AR = Use as Required - = Non Illustrated Part P.A.R. = Paint as Required

**BUMPER--FRONT GRAND WAGONEER, J10, J20**  
**Figure 13-2100**

8J13 2100

ITEM	PART NUMBER	QTY	BODY	MODEL	DESCRIPTION
1	J536 3152	1		15	RAIL, Bumper
	J536 3153	1		26,27	1987-89
2	J536 3154	1		15	RAIL, Bumper
	J536 3153	1		26,27	(Part must be modified to fit this application.) 1987-88
3	J576 1927	1			DEFLECTOR, Air
4	J576 1928	1		15	DEFLECTOR, Air
5	J536 2881	1			GUARD, Bumper
	J536 2882	1			Right
6	5502 4418-9	1			GUARD, Bumper
					Left
7	J535 8686	1		15	BRACKET, Mounting
	J535 8685	1		15	Right
	J535 8688	1		26,27	Left
	J535 8687	1		26,27	Right, 1987-88
					Left, 1987-88
8	J400 7000	10			SCREW
9	J400 6696	2			WASHER
10	J400 3956	AR			NUT
11	J576 4609	1			BRACKET, License
12	J400 4156	1			BUMPER
13	J942 6241	2			SCREW
14	J400 5265	2			NUT
15	J400 6801	6			SCREW
					Right
16	J400 6868	AR			BOLT
					Left
17	J535 9296	AR			INSULATOR
18	J400 6611	2			BOLT
					Right
19	J812 1353	6			SCREW, 1987-89
	J941 9856	6			1990
20	J400 4469	6			NUT
					Right

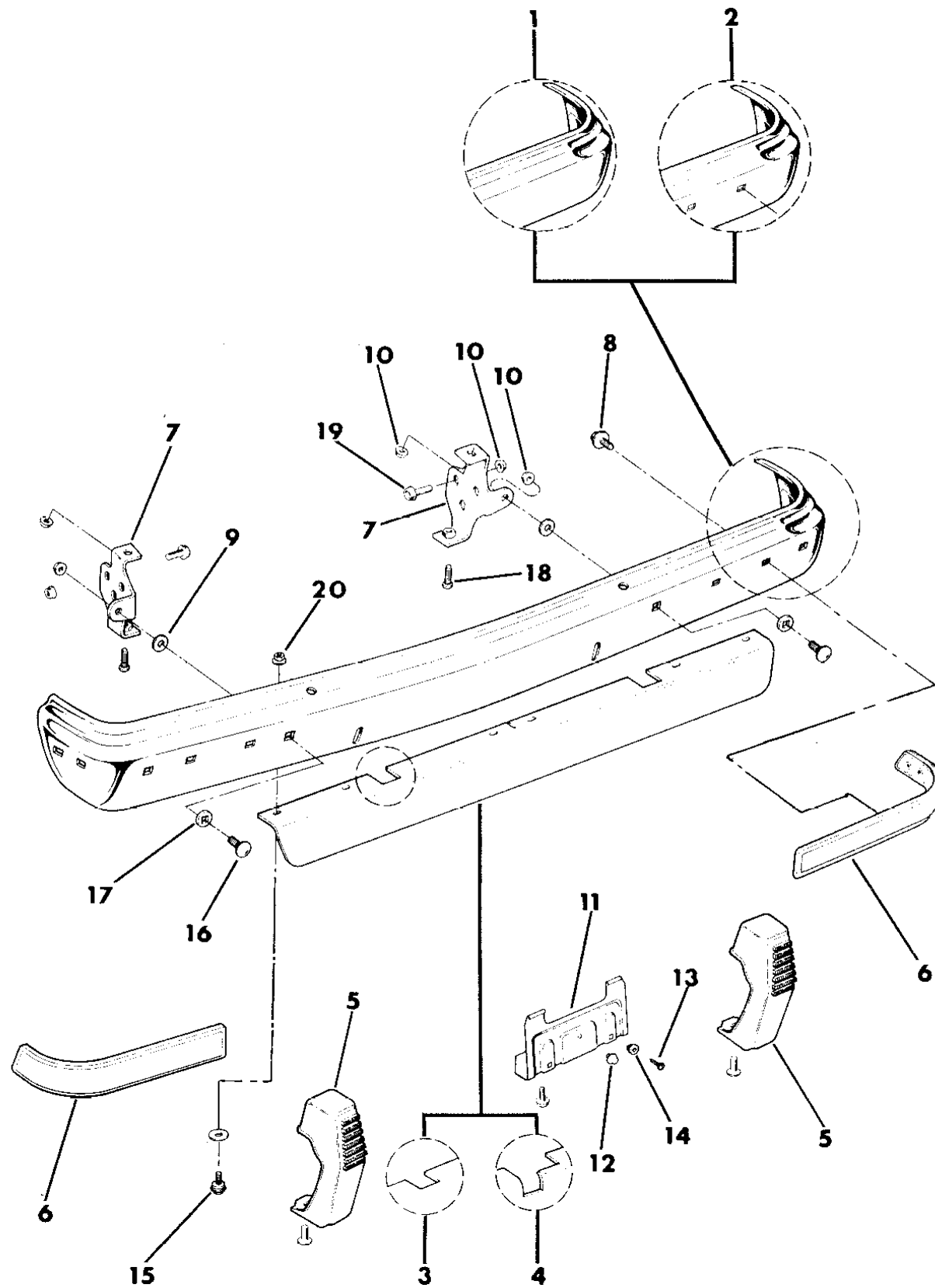
**MODEL CODES:**

15 = Grand Wagoneer 4 Dr.	65 = Comanche 4WD-7 Ft. Box	77 = Cherokee 4WD-2 Dr.
25 = J-10 Pickup-119" W.B.	66 = Comanche 2WD-7 Ft. Box	78 = Cherokee 4WD-4 Dr.
26 = J-10 Pickup-131" W.B.	73 = Cherokee 2WD-2 Dr.	79 = Cherokee 4WD-4 Dr.-Com
27 = J-20 Pickup-131" W.B.	74 = Cherokee 2WD-4 Dr.	81 = Wrangler-93" W.B.
63 = Comanche 4WD-6 Ft. Box	75 = Wagoneer 4WD-4 Dr.	82 = Wrangler-103" W.B.-Exp.
64 = Comanche 2WD-6 Ft. Box		

**BODY STYLES:**

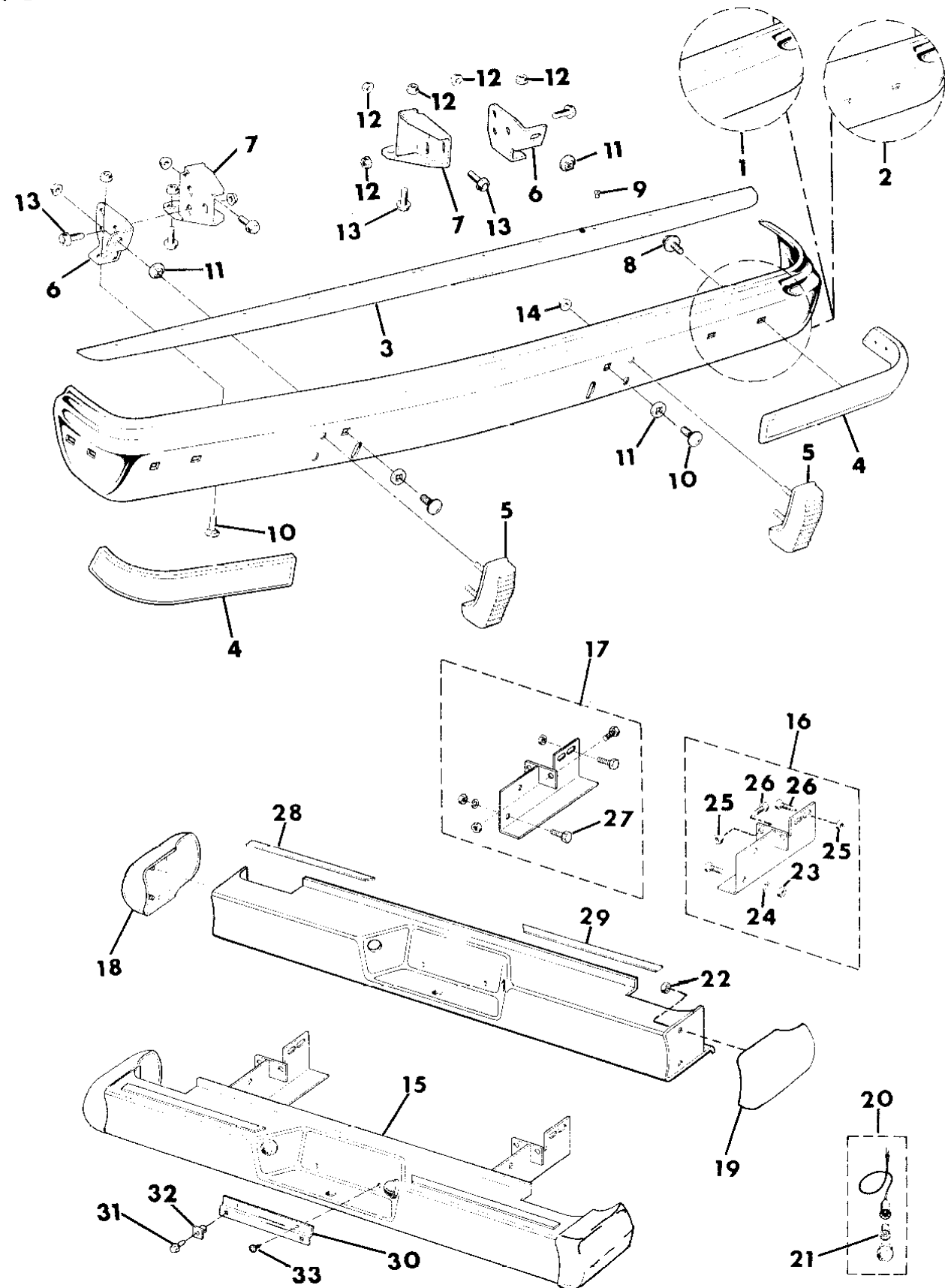
MJ = Comanche Pickup
SJ = Grand Wagoneer Wgn., J-10 & J-20 Pickups
XJ = Cherokee, Wagoneer Limited
YJ = Wrangler

AR = Use as Required - = Non Illustrated Part P.A.R. = Paint as Required



**BUMPERS--REAR GRAND WAGONEER, J10, J20**  
**Figure 13-2200**

8J13 2200



ITEM	PART NUMBER	QTY	BODY	MODEL	DESCRIPTION
1	J536 3156	1		15	RAIL, Bumper, 1987-89, (w/o Holes for Guards and Cushions)
2	J536 3157	1		15	RAIL, Bumper, w/ Guards and Cushions
3	J576 4753	1		15	DEFLECTOR
4	5502 4420-1	1		15	GUARD, Bumper
5				15	GUARD, Bumper
6	J575 1658	1			Right
	J575 1657	1			Left
6				15	BRACKET, Bumper
	J535 8730	1			Right
	J535 8729	1			Left
7				15	BRACKET, Extension
	J535 8732	1			Right
	J535 8731	1			Left
8	J400 7000	8		15	SCREW
9	J400 4822	12		15	RIVET
10	J400 6868	4		15	BOLT
11	J535 9296	4		15	INSULATOR
12	J400 3956	AR		15	NUT
13	J812 1353	AR		15	SCREW, 1987-89
	J941 9856	AR		15	1990
14	J400 6080	4		15	NUT
15	J210 9017	1		26,27	BUMPER, Rear Step, 1987-88, (Painted White)
	J210 9016	1		26,27	Chrome
16	J813 1394	1		26,27	BRACKET PACKAGE, 1987-88 ***
17	J813 1395	1		26,27	BRACKET PACKAGE, 1987-88 ***
18	J536 3170	1		26,27	CAP, End 1987-88
19	J536 3171	1		26,27	CAP, End, 1987-88
20	J211 0002	2		26,27	LIGHT PACKAGE, 1987-88 ***
21	S014 2450	2		26,27	BULB, (67) 1987-88
22	J027 1184	4		26,27	NUT, 1987-88
23	J400 5098	2		26,27	NUT, 1987-88
24	J400 1134	2		26,27	WASHER, 1987-88
25	J400 4005	4		26,27	NUT, 1987-88
26	S018 0147	4		26,27	BOLT, 1987-88
27	J941 9099	2		26,27	BOLT, 1987-88
28	J536 3903	1		26,27	STRIP, Skid, 1987-88 ***
29	J536 3902	1		26,27	STRIP, Skid, 1987-88 ***

**MODEL CODES:**

15 = Grand Wagoneer 4 Dr.	65 = Comanche 4WD-7 Ft. Box	77 = Cherokee 4WD-2 Dr.
25 = J-10 Pickup-119" W.B.	66 = Comanche 2WD-7 Ft. Box	78 = Cherokee 4WD-4 Dr.
26 = J-10 Pickup-131" W.B.	73 = Cherokee 2WD-2 Dr.	79 = Cherokee 4WD-4 Dr.-Com
27 = J-20 Pickup-131" W.B.	74 = Cherokee 2WD-4 Dr.	81 = Wrangler-93" W.B.
63 = Comanche 4WD-6 Ft. Box	75 = Wagoneer 4WD-4 Dr.	82 = Wrangler-103" W.B.-Exp.
64 = Comanche 2WD-6 Ft. Box		

**BODY STYLES:**

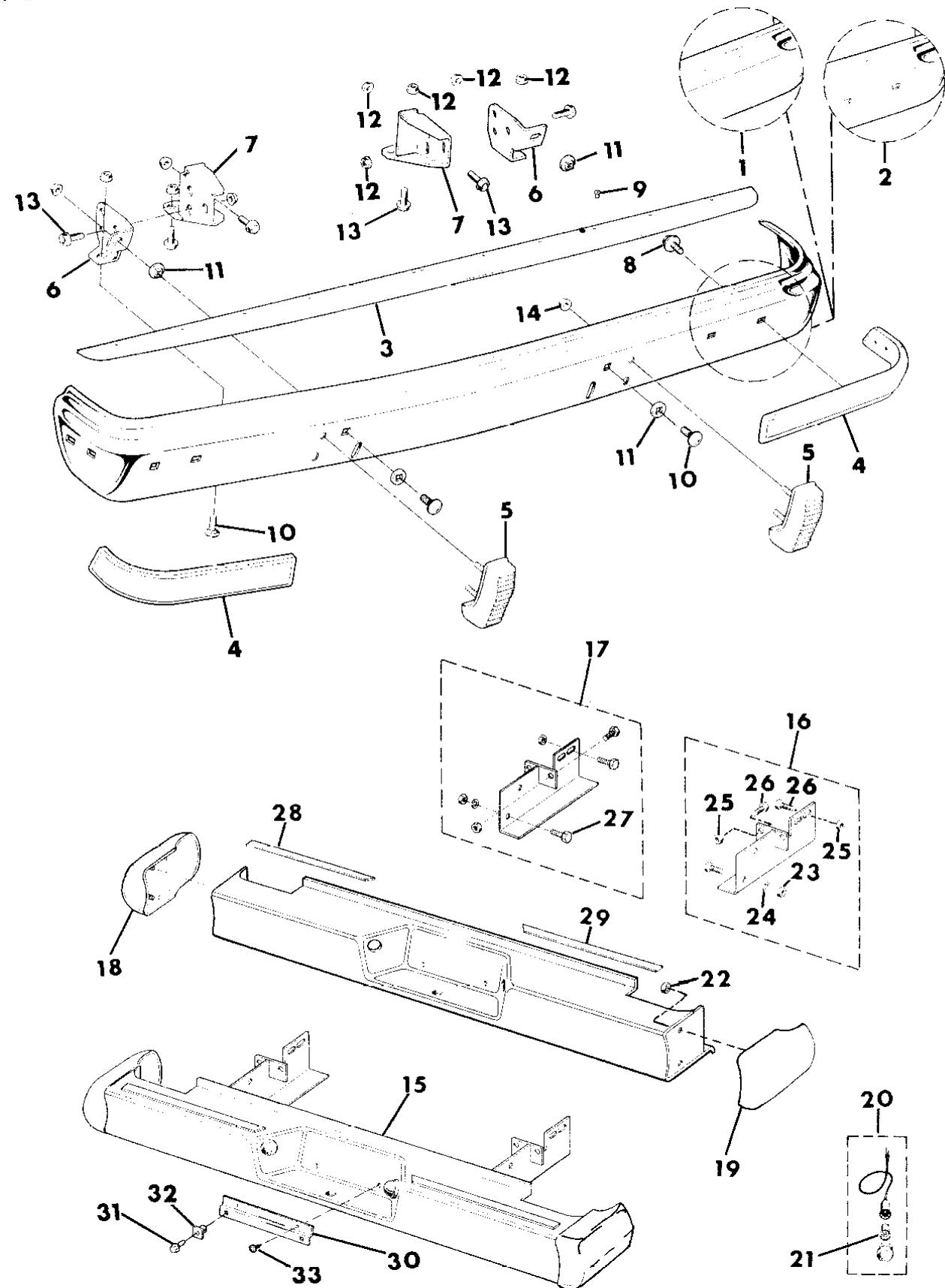
MJ = Comanche Pickup  
 SJ = Grand Wagoneer Wgn., J-10 & J-20 Pickups  
 XJ = Cherokee, Wagoneer Limited  
 YJ = Wrangler

AR = Use as Required - = Non Illustrated Part P.A.R. = Paint as Required



**BUMPERS--REAR GRAND WAGONEER, J10, J20**  
**Figure 13-2200**

8J13 2200



ITEM	PART NUMBER	QTY	BODY	MODEL	DESCRIPTION
30	J536 3433	1		26,27	BRACKET, License, 1987-88
31	J400 4077	2		26,27	SCREW, 1987-88
32	J400 0141	2		26,27	NUT, 1987-88
33	J400 0272	2		26,27	SCREW, 1987-88

**MODEL CODES:**

15 = Grand Wagoneer 4 Dr.	65 = Comanche 4WD-7 Ft. Box	77 = Cherokee 4WD-2 Dr.
25 = J-10 Pickup-119" W.B.	66 = Comanche 2WD-7 Ft. Box	78 = Cherokee 4WD-4 Dr.
26 = J-10 Pickup-131" W.B.	73 = Cherokee 2WD-2 Dr.	79 = Cherokee 4WD-4 Dr.-Com
27 = J-20 Pickup-131" W.B.	74 = Cherokee 2WD-4 Dr.	81 = Wrangler-93" W.B.
63 = Comanche 4WD-6 Ft. Box	75 = Wagoneer 4WD-4 Dr.	82 = Wrangler-103" W.B.-Exp.
64 = Comanche 2WD-6 Ft. Box		

**BODY STYLES:**

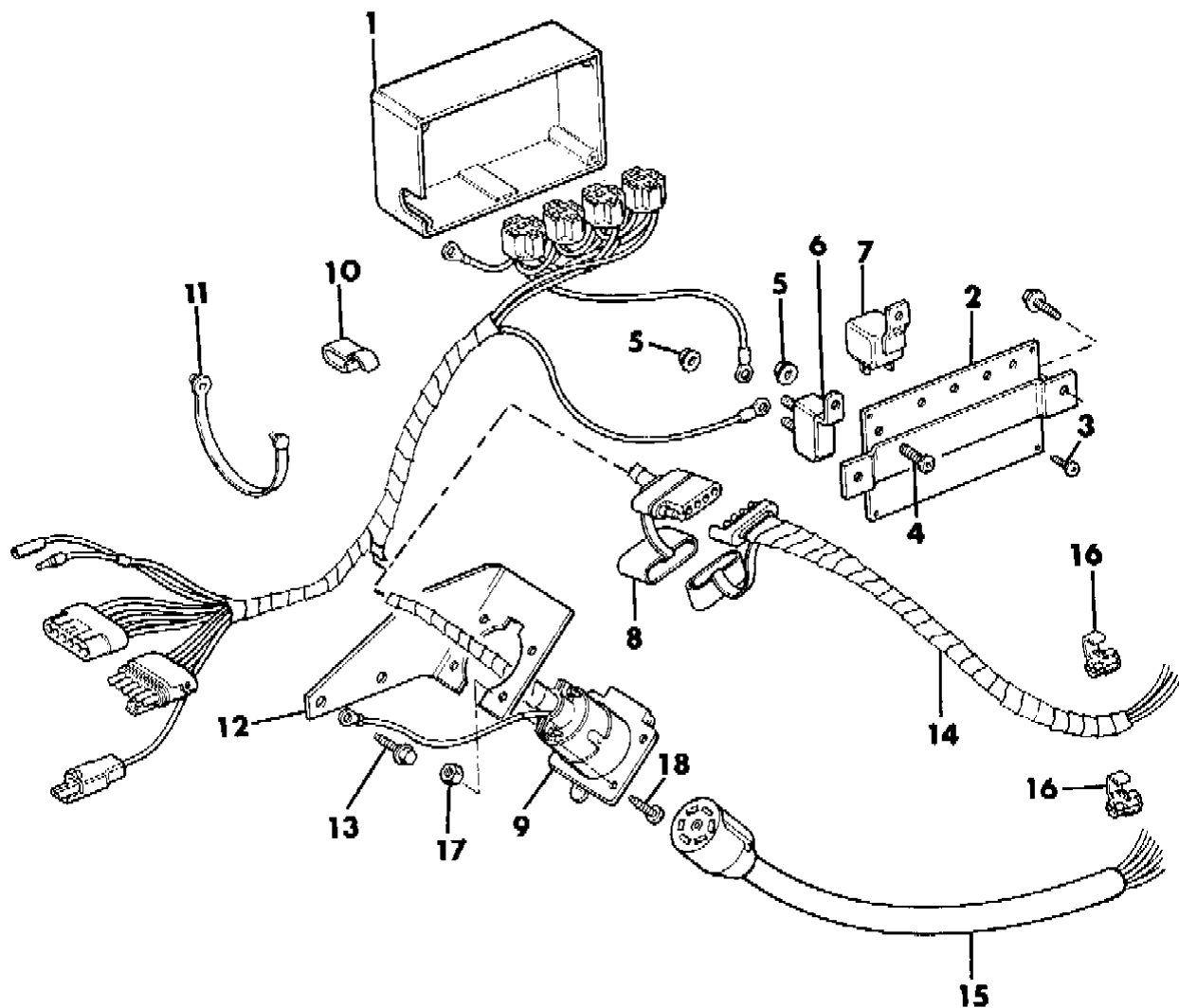
MJ = Comanche Pickup  
 SJ = Grand Wagoneer Wgn., J-10 & J-20 Pickups  
 XJ = Cherokee, Wagoneer Limited  
 YJ = Wrangler

AR = Use as Required - = Non Illustrated Part P.A.R. = Paint as Required

**WIRING--TRAILER HITCH GRAND WAGONEER**  
**Figure 13-2300**

8 J 132300 A

ITEM	PART NUMBER	QTY	BODY	MODEL	DESCRIPTION
1	J545 5334	1			BOX ***
2					COVER
	J545 5345	1			1987-89
	J576 1747	1			1990
3	J019 1940	4			SCREW
4	J017 9276	5			SCREW
5	J027 1169	7			NUT
6	8350 1394	1			BREAKER, Circuit ***
7	3300 1776	4			RELAY
8	J576 1921	1			HARNESS, Trailer Towing, Class 1
9	J576 4046	1			HARNESS, Trailer Towing, Class 3
10	J545 4903	4			CLIP
11	J322 3227	AR			STRAP
12	J536 2467	1			BRACKET
13	J400 4801	2			SCREW
14	J323 8838	1			HARNESS, Trailer Towing, Class 1
15	J545 5349	1			HARNESS, Trailer Towing, Class 3
16	J318 6888	AR			CONNECTOR, Splice
17	J027 1166	4			NUT
18	J015 9920	4			SCREW



**MODEL CODES:**

15 = Grand Wagoneer 4 Dr.	65 = Comanche 4WD-7 Ft. Box	77 = Cherokee 4WD-2 Dr.
25 = J-10 Pickup-119" W.B.	66 = Comanche 2WD-7 Ft. Box	78 = Cherokee 4WD-4 Dr.
26 = J-10 Pickup-131" W.B.	73 = Cherokee 2WD-2 Dr.	79 = Cherokee 4WD-4 Dr.-Com
27 = J-20 Pickup-131" W.B.	74 = Cherokee 2WD-4 Dr.	81 = Wrangler-93" W.B.
63 = Comanche 4WD-6 Ft. Box	75 = Wagoneer 4WD-4 Dr.	82 = Wrangler-103" W.B.-Exp.
64 = Comanche 2WD-6 Ft. Box		

**BODY STYLES:**

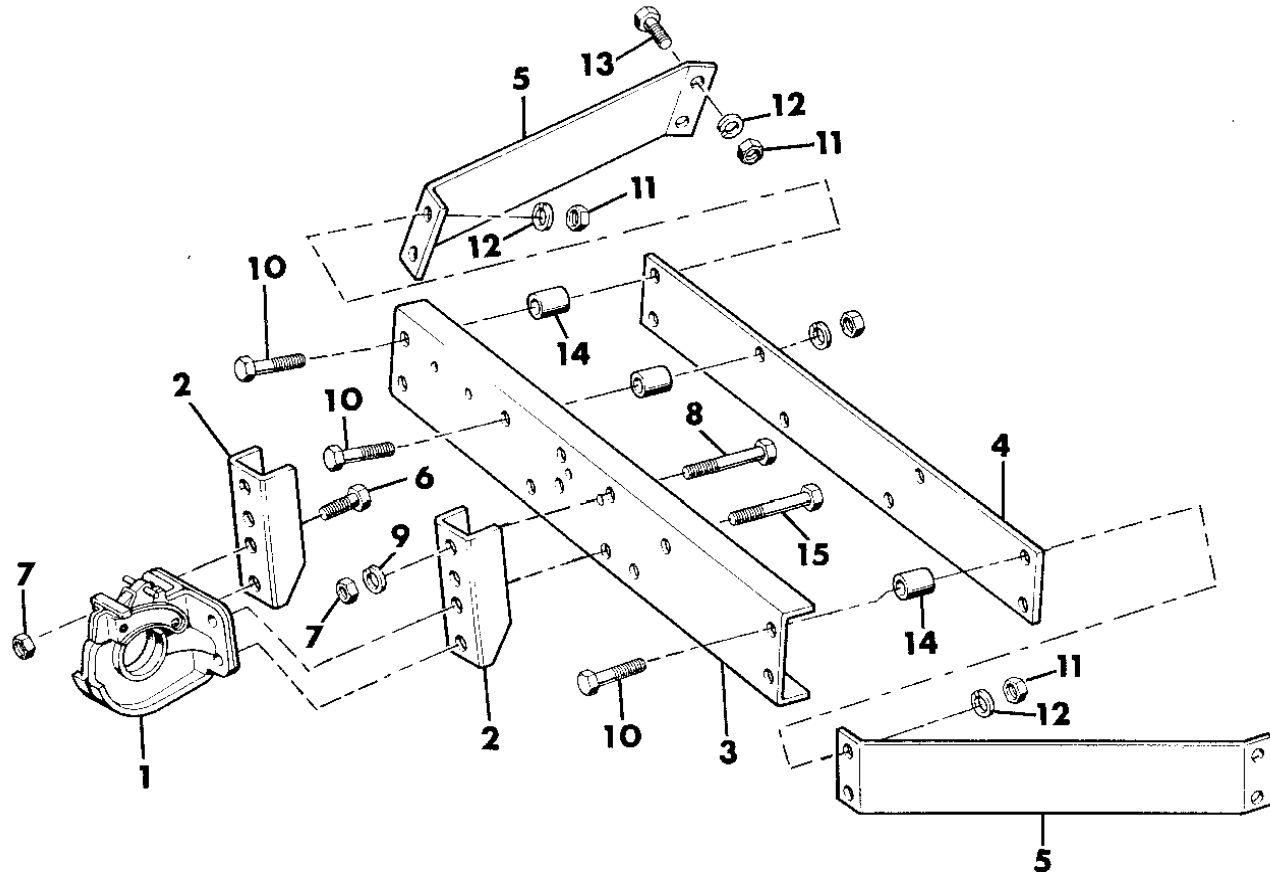
MJ = Comanche Pickup  
 SJ = Grand Wagoneer Wgn., J-10 & J-20 Pickups  
 XJ = Cherokee, Wagoneer Limited  
 YJ = Wrangler

AR = Use as Required - = Non Illustrated Part P.A.R. = Paint as Required

HITCH--TRAILER PINTLE HOOK J10, J20 1987-88  
Figure 13-2350

8J13 2350

ITEM	PART NUMBER	QTY	BODY	MODEL	DESCRIPTION
1	J096 1171	1			HOOK, Pintle
2	J093 0403	2			BRACKET
3	J093 0404	1			REINFORCEMENT
4	J093 2311	1			PLATE
5	J535 4021	2			BRACE
6	J941 9099	3			BOLT, Length = 1.25"
7	S012 0378	7			NUT
8	S018 0188	3			BOLT
9	S012 0384	3			WASHER
10	J018 0132	8			BOLT
11	S941 8738	12			NUT
12	J012 0382	12			WASHER
13	J018 0122	4			BOLT
14	J093 2292	8			SPACER
15	J999 8130	1			BOLT, Length = 2.75" (Not Serv.)



MODEL CODES:

15 = Grand Wagoneer 4 Dr.	65 = Comanche 4WD-7 Ft. Box	77 = Cherokee 4WD-2 Dr.
25 = J-10 Pickup-119" W.B.	66 = Comanche 2WD-7 Ft. Box	78 = Cherokee 4WD-4 Dr.
26 = J-10 Pickup-131" W.B.	73 = Cherokee 2WD-2 Dr.	79 = Cherokee 4WD-4 Dr.-Com
27 = J-20 Pickup-131" W.B.	74 = Cherokee 2WD-4 Dr.	81 = Wrangler-93" W.B.
63 = Comanche 4WD-6 Ft. Box	75 = Wagoneer 4WD-4 Dr.	82 = Wrangler-103" W.B.-Exp.
64 = Comanche 2WD-6 Ft. Box		

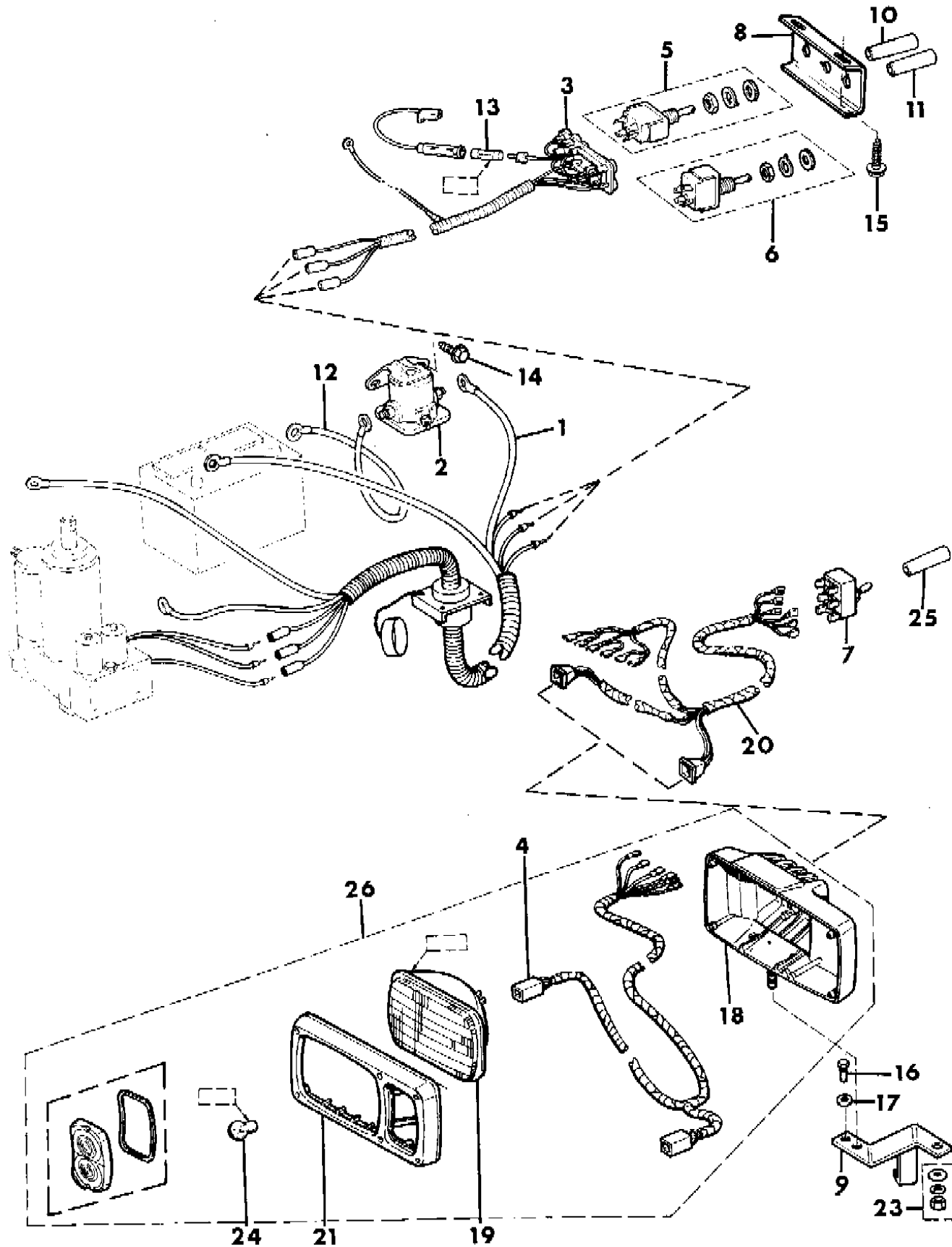
BODY STYLES:

MJ = Comanche Pickup  
 SJ = Grand Wagoneer Wgn., J-10 & J-20 Pickups  
 XJ = Cherokee, Wagoneer Limited  
 YJ = Wrangler

AR = Use as Required - = Non Illustrated Part P.A.R. = Paint as Required

SNOW PLOW CONTROLS AND SWITCHES--WITH LIGHTS J-10, J-20  
Figure 13-2375

8 J13 2375



ITEM	PART NUMBER	QTY	BODY	MODEL	DESCRIPTION
1	J200 8470	1			HARNES, Plow
2	J322 5629	1			SOLENOID, Plow ***
3	J201 5478	1			HARNES, Plow
4	8350 2796	1			HARNES, Aux. Headlamp
5	J202 1918	1			SWITCH, Plow Angle
6	J202 1919	1			SWITCH, Raise/Lower
7	8350 2792	1			SWITCH, Aux. Headlamp
8	J201 5656	1			BRACKET, Plow Switch
9	J201 0715	1			BRACKET, Aux. Headlamp (Lt.)
	J201 0716	1			(Rt.)
10	J201 5376	1			HANDLE, Angle Switch (Black)
11	J201 5375	1			HANDLE, Raise/Lower (Yellow)
12	J200 5024	2			CABLE, Snow Plow Solenoid
13	S010 6653	1			FUSE, 20 Amp. ***
14	J400 5737	2			SCREW
15	1150 2843	2			SCREW
16	S018 0124	6			BOLT
17	J012 0382	6			WASHER, Lock
18	8350 2794	1			HOUSING, Aux. Headlamp (Lt.)
	8350 2793	1			(Rt.)
19	J813 4319	2			BULB, Seal Beam, #6054
20	8350 2795	1			HARNES, Aux. Headlamp
21	8350 2790	2			BEZEL, Aux. Headlamp
22	8350 2791	2			LENS PACKAGE, Aux. Headlamp ***
23	8350 2797	2			MOUNTING PACKAGE, Aux. Headlamp ***
24	J320 9544	4			BULB, #1157
25	8350 3178	1			HANDLE, Plow Light Switch (Blue)
26	8350 4184-5	2			HEADLAMP ASSEMBLY ***

MODEL CODES:

15 = Grand Wagoneer 4 Dr.	65 = Comanche 4WD-7 Ft. Box	77 = Cherokee 4WD-2 Dr.
25 = J-10 Pickup-119" W.B.	66 = Comanche 2WD-7 Ft. Box	78 = Cherokee 4WD-4 Dr.
26 = J-10 Pickup-131" W.B.	73 = Cherokee 2WD-2 Dr.	79 = Cherokee 4WD-4 Dr.-Com
27 = J-20 Pickup-131" W.B.	74 = Cherokee 2WD-4 Dr.	81 = Wrangler-93" W.B.
63 = Comanche 4WD-6 Ft. Box	75 = Wagoneer 4WD-4 Dr.	82 = Wrangler-103" W.B.-Exp.
64 = Comanche 2WD-6 Ft. Box		

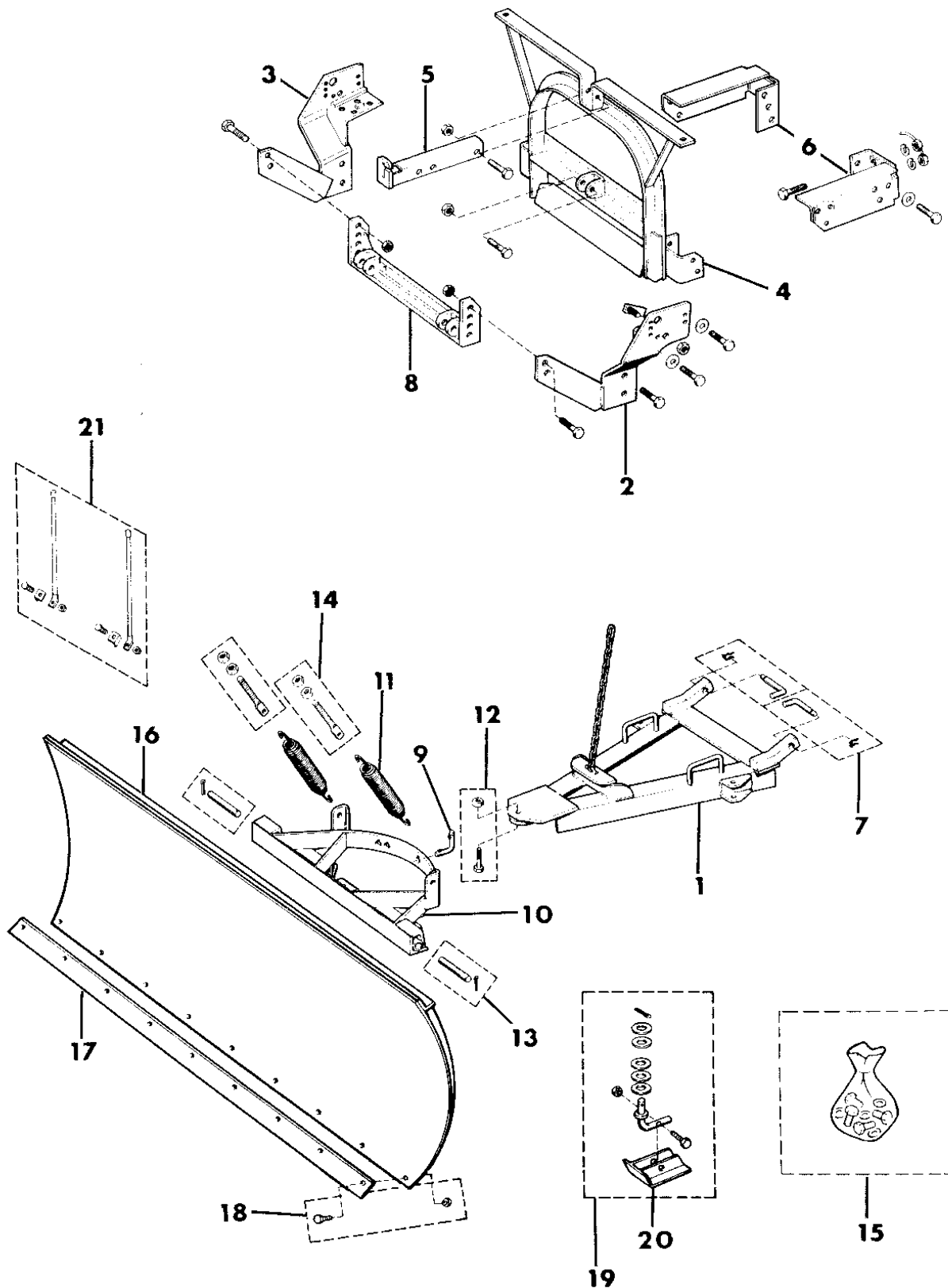
BODY STYLES:

MJ = Comanche Pickup  
 SJ = Grand Wagoneer Wgn., J-10 & J-20 Pickups  
 XJ = Cherokee, Wagoneer Limited  
 YJ = Wrangler

AR = Use as Required - = Non Illustrated Part P.A.R. = Paint as Required

**SNOW PLOW MOLDBOARD AND MOUNTING J10, J20 1987-88**  
**Figure 13-2400**

8J13 2400



ITEM	PART NUMBER	QTY	BODY	MODEL	DESCRIPTION
1					A-FRAME, Snow Plow
	J201 3568	1			Standard Duty
	J201 3569	1		27	Heavy Duty
2	J201 0429	1			BRACKET, Side
3	J201 0430	1			BRACKET, Side
4	J201 0480	1			FRAME, Snow Plow Lift
5	J201 0514	1			ARM, Lift
6					BRACKET, Front
	J200 8466	1			Right
	J200 8465	1			Left
7	J200 8562	2			PIN PACKAGE, w/Clip
8	J201 0431	1			FRAME, Snow Plow Clevis
9	J201 3003	1			PIN, Shear
10					SECTOR, Snow Plow
	J201 2326	1			Standard Duty
	J201 2793	1			Heavy Duty
11	J200 7017	2			SPRING, Snow Plow Trip
12	J200 9122	1			BOLT
13	J200 9119	2			PIN PACKAGE, w/Cotter Pin
14	J200 9124	2			BOLT, Eye
15	J200 8461	1			HARDWARE PACKAGE
16					MOLDBOARD ASSEMBLY
	J200 9163	1			90"
	J200 9286	1		27	96"
17					BLADE, Moldboard
	J200 9796	1			90"
	J200 9133	1		27	96"
18	J200 8184	1			BOLT PACKAGE ***
19	J200 9126	2			SPINDLE, Moldboard
20	J200 7006	2			SHOE, Moldboard Spindle ***
21	J200 9916	1			INDICATOR PACKAGE, Snow Plow Marker ***

**MODEL CODES:**

15 = Grand Wagoneer 4 Dr.	65 = Comanche 4WD-7 Ft. Box	77 = Cherokee 4WD-2 Dr.
25 = J-10 Pickup-119" W.B.	66 = Comanche 2WD-7 Ft. Box	78 = Cherokee 4WD-4 Dr.
26 = J-10 Pickup-131" W.B.	73 = Cherokee 2WD-2 Dr.	79 = Cherokee 4WD-4 Dr.-Com
27 = J-20 Pickup-131" W.B.	74 = Cherokee 2WD-4 Dr.	81 = Wrangler-93" W.B.
63 = Comanche 4WD-6 Ft. Box	75 = Wagoneer 4WD-4 Dr.	82 = Wrangler-103" W.B.-Exp.
64 = Comanche 2WD-6 Ft. Box		

**BODY STYLES:**

MJ = Comanche Pickup  
 SJ = Grand Wagoneer Wgn., J-10 & J-20 Pickups  
 XJ = Cherokee, Wagoneer Limited  
 YJ = Wrangler

AR = Use as Required - = Non Illustrated Part P.A.R. = Paint as Required

**GROUP 14 - FUEL**

**ILLUSTRATION TITLE** **GROUP-FIG. NO.**

**AIR CLEANERS**

AIR CLEANER 2.5L EFI ENGINE WRANGLER, YJ ..... Fig. 14-100  
AIR CLEANER 2.5L EFI ENGINE CHEROKEE, WAGONEER, COMANCHE ..... Fig. 14-200  
AIR CLEANER 2.5L CARBURETED ENGINE WRANGLER - EXPORT ..... Fig. 14-300  
AIR CLEANER 2.5L CARBURETED ENGINE CHEROKEE, WAGONEER, COMANCHE - EXPORT ..... Fig. 14-400  
AIR CLEANER 4.2L ENGINE WRANGLER, YJ ..... Fig. 14-500  
AIR CLEANER 4.2L ENGINE - SEVERE USE WRANGLER - EXPORT ..... Fig. 14-550  
AIR CLEANER 4.0L ENGINE CHEROKEE, WAGONEER, COMANCHE ..... Fig. 14-600  
AIR CLEANER 4.2L ENGINE GRAND WAGONEER, J10 ..... Fig. 14-700  
AIR CLEANER 5.9L ENGINE GRAND WAGONEER, J10, J20 ..... Fig. 14-800  
AIR CLEANER DIESEL ENGINE CHEROKEE, COMANCHE ..... Fig. 14-900

**CARBURETOR AND COMPONENTS**

CARBURETOR AND COMPONENT PARTS 2.5L ENGINE WRANGLER, CHEROKEE, WAGONEER,  
COMANCHE - NRM ..... Fig. 14-1000  
CARBURETOR AND COMPONENT PARTS 4.2L ENGINE WRANGLER, YJ, GRAND WAGONEER, J10 ..... Fig. 14-1100  
CARBURETOR AND COMPONENT PARTS 5.9L ENGINE GRAND WAGONEER, J10, J20 ..... Fig. 14-1200

**THROTTLE BODY AND TURBO CHARGER COMPONENTS**

THROTTLE BODY 2.5L EFI ENGINE WRANGLER, YJ ..... Fig. 14-1300  
THROTTLE BODY 2.5L EFI ENGINE CHEROKEE, WAGONEER, COMANCHE ..... Fig. 14-1400  
FUEL INJECTION SYSTEM 4.0L ENGINE CHEROKEE, WAGONEER, COMANCHE ..... Fig. 14-1500  
FUEL INJECTION SYSTEM DIESEL ENGINE CHEROKEE, COMANCHE ..... Fig. 14-1600  
TURBO CHARGER DIESEL ENGINE CHEROKEE, COMANCHE ..... Fig. 14-1700

**ACCELERATOR PEDAL AND LINKAGE**

ACCELERATOR PEDAL AND LINKAGE 2.5L AND 4.2L ENGINES WRANGLER, YJ ..... Fig. 14-1800  
LINKAGE AUTOMATIC TRANSMISSION DETENT 4.2L ENGINE WRANGLER, YJ ..... Fig. 14-1850  
ACCELERATOR PEDAL AND LINKAGE 2.5L AND DIESEL ENGINES CHEROKEE, WAGONEER,  
COMANCHE ..... Fig. 14-1900  
ACCELERATOR PEDAL AND LINKAGE 4.0L ENGINE CHEROKEE, WAGONEER, COMANCHE ..... Fig. 14-2000  
LINKAGE AUTOMATIC TRANSMISSION DETENT 2.5L AND 4.0L ENGINES CHEROKEE, WAGONEER,  
COMANCHE ..... Fig. 14-2050  
ACCELERATOR PEDAL AND LINKAGE 4.2L AND 5.9L ENGINES GRAND WAGONEER, J10, J20 ..... Fig. 14-2100  
LINKAGE AUTOMATIC TRANSMISSION DETENT 4.2L AND 5.9L ENGINES GRAND WAGONEER, J10, J20 ..... Fig. 14-2150

**SPEED CONTROL**

SPEED CONTROL, ENGINE COMPARTMENT COMPONENTS 4.2L ENGINE WRANGLER, YJ ..... Fig. 14-2200

**ILLUSTRATION NOT AVAILABLE AT TIME OF PUBLICATION**

---

**GROUP 14 - FUEL****GROUP 14 - FUEL****ILLUSTRATION TITLE****GROUP-FIG. NO.****ILLUSTRATION TITLE****GROUP-FIG. NO.****SPEED CONTROL (Continued)**

SPEED CONTROL, ENGINE COMPARTMENT COMPONENTS 4.2L ENGINE WRANGLER, YJ .....	Fig. 14-2200
SPEED CONTROL, INSTRUMENT PANEL COMPONENTS 4.2L ENGINE WRANGLER, YJ .....	Fig. 14-2250
SPEED CONTROL ENGINE COMPARTMENT COMPONENTS 2.5L AND 4.0L CARBURETED ENGINES CHEROKEE, WAGONEER, COMANCHE - EXPORT .....	Fig. 14-2275
SPEED CONTROL ENGINE COMPARTMENT COMPONENTS 2.5L AND 4.0L EFI ENGINES CHEROKEE, WAGONEER, COMANCHE .....	Fig. 14-2300
SPEED CONTROL ENGINE COMPARTMENT COMPONENTS DIESEL ENGINE CHEROKEE, COMANCHE ..	Fig. 14-2350
SPEED CONTROL, INSTRUMENT PANEL COMPONENTS 2.5L, 4.0L AND DIESEL ENGINES CHEROKEE, WAGONEER, COMANCHE .....	Fig. 14-2400
SPEED CONTROL, ENGINE COMPARTMENT COMPONENTS 4.2L AND 5.9L ENGINES GRAND WAGONEER, J10, J20 .....	Fig. 14-2500
SPEED CONTROL, INSTRUMENT PANEL COMPONENTS 4.2L AND 5.9L ENGINES GRAND WAGONEER, J10, J20 .....	Fig. 14-2550

**FUEL PUMP AND FILTER**

FUEL PUMP AND FILTER 2.5L CARBURETED ENGINE WRANGLER - EXPORT .....	Fig. 14-2600
FUEL PUMP AND FILTER 2.5L CARBURETED ENGINE CHEROKEE, COMANCHE - EXPORT .....	Fig. 14-2700
FUEL PUMP AND FILTER 4.2L ENGINE WRANGLER, YJ .....	Fig. 14-2800
FUEL PUMP AND FILTER 4.2L ENGINE - SEVERE USE WRANGLER - EXPORT .....	Fig. 14-2850
FUEL PUMP AND FILTER 4.2L ENGINE GRAND WAGONEER, J10 .....	Fig. 14-2900
FUEL PUMP AND FILTER 5.9L ENGINE GRAND WAGONEER, J10, J20 .....	Fig. 14-3000
FUEL INJECTION PUMP DIESEL ENGINE CHEROKEE, COMANCHE .....	Fig. 14-3100

**FUEL LINES**

FUEL LINES U.S., CANADA AND ECE WRANGLER, YJ .....	Fig. 14-3200
FUEL LINES EGYPT AND VENEZUELA KDX, NRM WRANGLER - EXPORT .....	Fig. 14-3300
FUEL LINES 2.5L CARBURETED ENGINE CHEROKEE, WAGONEER, COMANCHE .....	Fig. 14-3400
FUEL LINES 2.5L EFI ENGINE CHEROKEE, WAGONEER, COMANCHE .....	Fig. 14-3500
FUEL LINES 4.0L EFI ENGINE CHEROKEE, WAGONEER, COMANCHE .....	Fig. 14-3600
FUEL LINES 4.2L AND 5.9L ENGINES GRAND WAGONEER, J10, J20 .....	Fig. 14-3700
FUEL LINES DIESEL ENGINE CHEROKEE, COMANCHE .....	Fig. 14-3800

**FUEL TANK**

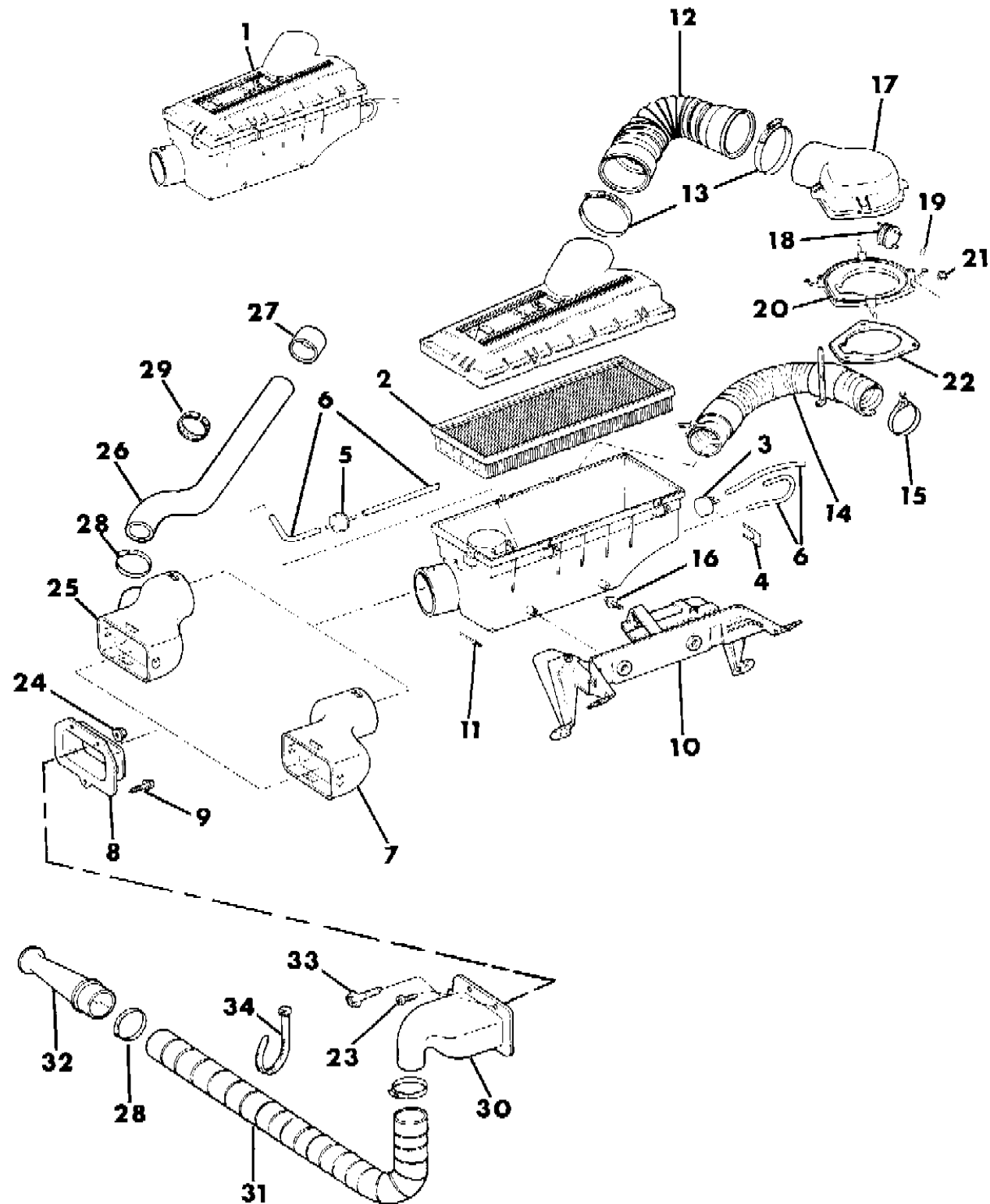
FUEL TANK 14.5 GALLON WRANGLER, YJ .....	Fig. 14-3900
FUEL TANK 20.0 GALLON WRANGLER, YJ .....	Fig. 14-4000
FUEL CONTAINER 5 GALLON AUXILIARY WRANGLER - KDX .....	Fig. 14-4050
FUEL TANK CHEROKEE AND WAGONEER .....	Fig. 14-4100

**FUEL TANK (Continued)**

FUEL TANK CHEROKEE AND WAGONEER .....	Fig. 14-4100
FUEL TANKS & PUMPS COMANCHE .....	Fig. 14-4200
FUEL TANK SKID PLATE COMANCHE .....	Fig. 14-4250
FUEL TANK GRAND WAGONEER .....	Fig. 14-4300
FUEL TANK J10, J20 .....	Fig. 14-4400

**AIR CLEANER 2.5L EFI ENGINE WRANGLER, YJ**  
**Figure 14-100**

8 J14 100



ITEM	PART NUMBER	QTY	BODY	MODEL	DESCRIPTION
1	5300 2174	1			AIR CLEANER
2	5300 2184	1			ELEMENT, Air Cleaner
3	5300 2951	1			SWITCH, Thermal Vacuum
4	J400 6334	1			CLIP
5	J323 5938	1			VALVE, Reverse Delay
6	J812 5995	AR			HOSE, 3/16" I.D. - Bulk
7	5300 2185	1			DUCT, Fresh Air - U.S. and Canada
8	J546 3866	1			ADAPTER, Air Intake
9	J942 1073	1			SCREW
10	5300 2178	1			BRACKET, Air Cleaner Mounting
11	3420 1597	4			RIVET
12	5300 4548	1			TUBE, Air Intake
13	J400 7385	AR			CLAMP, Hose
14	5300 4590	1			TUBE, Hot Air
15	J320 3078	1			CLAMP, Hose
16	3420 1790	1			SCREW
17	5300 2179	1			ADAPTER, Air Intake
18	5300 3938	1			SENSOR, Intake Air Temperature
19	J400 1714	2			NUT
20	5300 2851	1			ADAPTER, Air Intake
21	3420 1446	3			NUT
22	3300 0244	1			GASKET, Adapter
23	S150 1638	2			SCREW
24	1150 2702	2			NUT
25	5300 5328	1			ADAPTER, Air Duct - ECE
26	5300 5327	1			HOSE, Resonator - ECE
27	3300 4032	1			PLUG - ECE
28	J320 3079	1			CLAMP - ECE
29	5300 5392	1			STRAP, Tie - ECE
30	5300 5325	1			DUCT, Fresh Air - ECE
31	5300 5326	1			HOSE, Inlet - ECE
32	3300 4033	1			HORN, Air Inlet - ECE
33	3420 2718	1			SCREW - ECE
34	J323 0270	3			STRAP, Tie - ECE

**MODEL CODES:**

15 = Grand Wagoneer 4 Dr.	65 = Comanche 4WD-7 Ft. Box	77 = Cherokee 4WD-2 Dr.
25 = J-10 Pickup-119" W.B.	66 = Comanche 2WD-7 Ft. Box	78 = Cherokee 4WD-4 Dr.
26 = J-10 Pickup-131" W.B.	73 = Cherokee 2WD-2 Dr.	79 = Cherokee 4WD-4 Dr.-Com
27 = J-20 Pickup-131" W.B.	74 = Cherokee 2WD-4 Dr.	81 = Wrangler-93" W.B.
63 = Comanche 4WD-6 Ft. Box	75 = Wagoneer 4WD-4 Dr.	82 = Wrangler-103" W.B.-Exp.
64 = Comanche 2WD-6 Ft. Box		

**BODY STYLES:**

MJ = Comanche Pickup  
 SJ = Grand Wagoneer Wgn., J-10 & J-20 Pickups  
 XJ = Cherokee, Wagoneer Limited  
 YJ = Wrangler

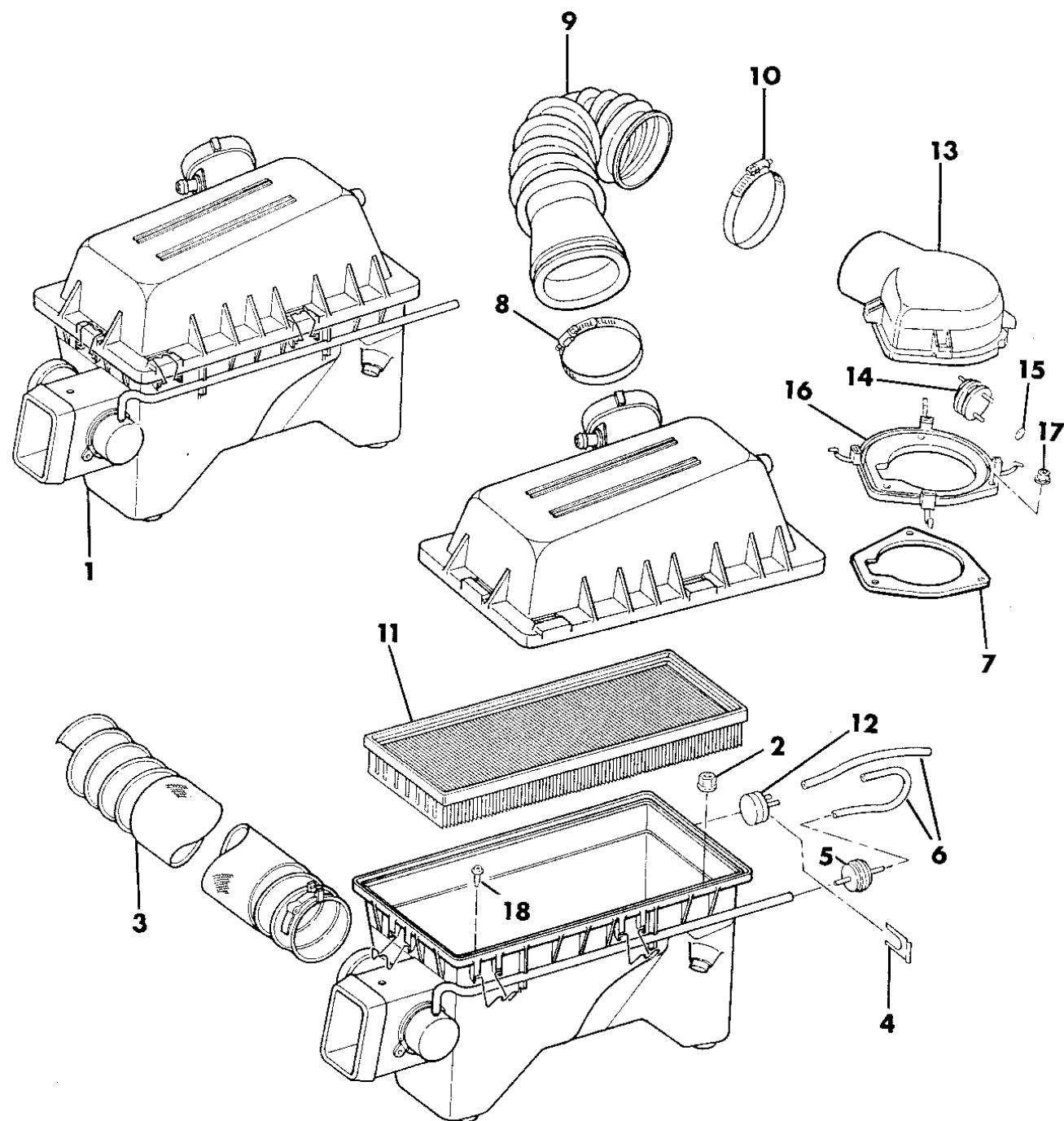
AR = Use as Required - = Non Illustrated Part P.A.R. = Paint as Required



AIR CLEANER 2.5L EFI ENGINE CHEROKEE, WAGONEER, COMANCHE

Figure 14-200

8J14 200



ITEM	PART NUMBER	QTY	BODY	MODEL	DESCRIPTION
1					AIR CLEANER
	5300 4281	1			w/Unleaded Fuel
	5300 4878	1			w/Leaded Fuel
2					NUT
	3420 1918	1			1987
	3420 1416	1			1988-90
3	5300 2877	1			TUBE, Hot Air
4	J400 6334	1			CLIP
5	J323 5938	1			VALVE, Reverse Delay - White/Gray
6	J812 5995	AR			HOSE, 3/16" I.D. - Bulk
7	3300 2325	1			GASKET, Adapter
8	J400 7479	1			CLAMP, Hose
9	5300 2876	1			TUBE, Air Intake
10	J400 6643	1			CLAMP, Hose
11	5300 4383	1			ELEMENT, Air Cleaner
12	5300 2951	1			SWITCH, Thermal Vacuum
13	5300 2179	1			ADAPTER, Air Intake
14	5300 3938	1			SENSOR, Air Intake Temperature
15	J400 1714	2			NUT, Push
16	5300 2851	1			ADAPTER, Air Intake
17	3420 1446	3			NUT
18	3420 1860	2			SCREW

MODEL CODES:

15 = Grand Wagoneer 4 Dr.	65 = Comanche 4WD-7 Ft. Box	77 = Cherokee 4WD-2 Dr.
25 = J-10 Pickup-119" W.B.	66 = Comanche 2WD-7 Ft. Box	78 = Cherokee 4WD-4 Dr.
26 = J-10 Pickup-131" W.B.	73 = Cherokee 2WD-2 Dr.	79 = Cherokee 4WD-4 Dr.-Com
27 = J-20 Pickup-131" W.B.	74 = Cherokee 2WD-4 Dr.	81 = Wrangler-93" W.B.
63 = Comanche 4WD-6 Ft. Box	75 = Wagoneer 4WD-4 Dr.	82 = Wrangler-103" W.B.-Exp.
64 = Comanche 2WD-6 Ft. Box		

BODY STYLES:

MJ = Comanche Pickup  
 SJ = Grand Wagoneer Wgn., J-10 & J-20 Pickups  
 XJ = Cherokee, Wagoneer Limited  
 YJ = Wrangler

AR = Use as Required - = Non Illustrated Part P.A.R. = Paint as Required

AIR CLEANER 2.5L CARBURETED ENGINE WRANGLER - EXPORT

Figure 14-300

8J14 300

ITEM	PART NUMBER	QTY	BODY	MODEL	DESCRIPTION
1					AIR CLEANER
	5300 1825	1			1987-89
	5300 5156	1			1990
2	J899 1386	1			ELEMENT, Air Cleaner
3	3420 1676	2			NUT, Wing
4	3300 1475	1			GASKET, Air Cleaner to Carburetor
5	3420 1844	1			BOLT, Stud
6	J323 6695	1			FILTER PACKAGE
7	J321 0891	1			TEE
8	5300 2950	1			SENSOR, Intake Air Temperature
9	J400 6571	1			CLIP
10	J323 7457	1			SWITCH, Thermal Vacuum
11	J322 8426	1			VALVE, Check
12	J323 5938	1			VALVE, Reverse Delay - Gray
13	J323 4485	1			GASKET, Air Cleaner Mounting to Bracket
14	3300 1245	1			BRACKET, Air Cleaner Mounting
15	J400 7139	1			BOLT, Stud
16	J044 6188	2			WASHER
17	J400 4469	2			NUT
18	3420 1831	1			NUT, Cage
19	3420 1841	1			STUD
20	3300 1529	1			SLIDER
21	J323 2439	1			ELBOW
22	J320 3079	3			CLAMP, Hose
23	5300 2737	1			TUBE, Hot Air
24	J942 1073	1			SCREW
25	J546 3866	1			ADAPTER, Air Intake
26	J324 2264	1			TUBE, Air Intake
27	J812 5812	AR			HOSE, 3/16" I.D. Bulk
28	S150 1638	2			SCREW
29	1150 2702	2			NUT

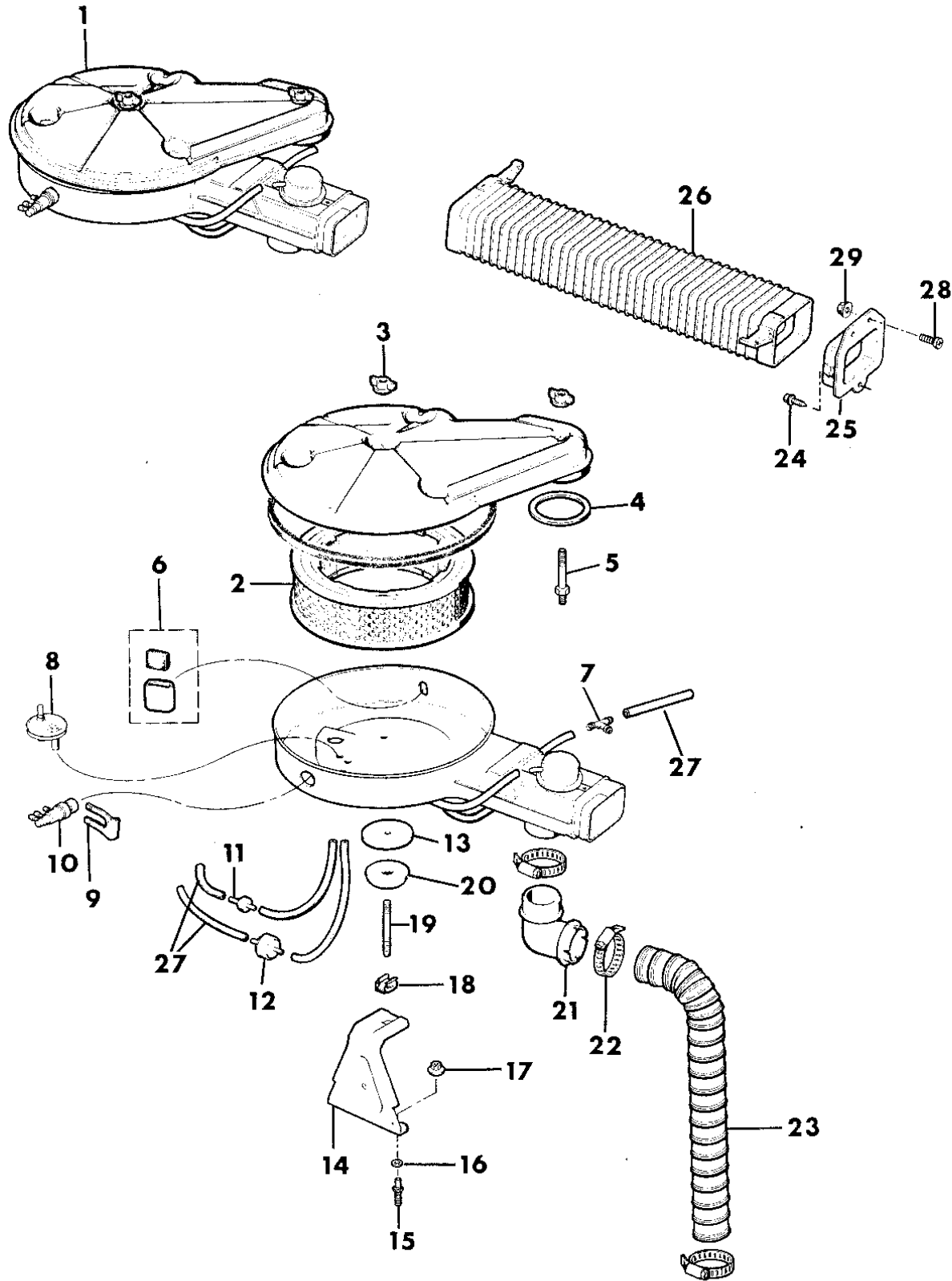
MODEL CODES:

15 = Grand Wagoneer 4 Dr.	65 = Comanche 4WD-7 Ft. Box	77 = Cherokee 4WD-2 Dr.
25 = J-10 Pickup-119" W.B.	66 = Comanche 2WD-7 Ft. Box	78 = Cherokee 4WD-4 Dr.
26 = J-10 Pickup-131" W.B.	73 = Cherokee 2WD-2 Dr.	79 = Cherokee 4WD-4 Dr.-Com
27 = J-20 Pickup-131" W.B.	74 = Cherokee 2WD-4 Dr.	81 = Wrangler-93" W.B.
63 = Comanche 4WD-6 Ft. Box	75 = Wagoneer 4WD-4 Dr.	82 = Wrangler-103" W.B.-Exp.
64 = Comanche 2WD-6 Ft. Box		

BODY STYLES:

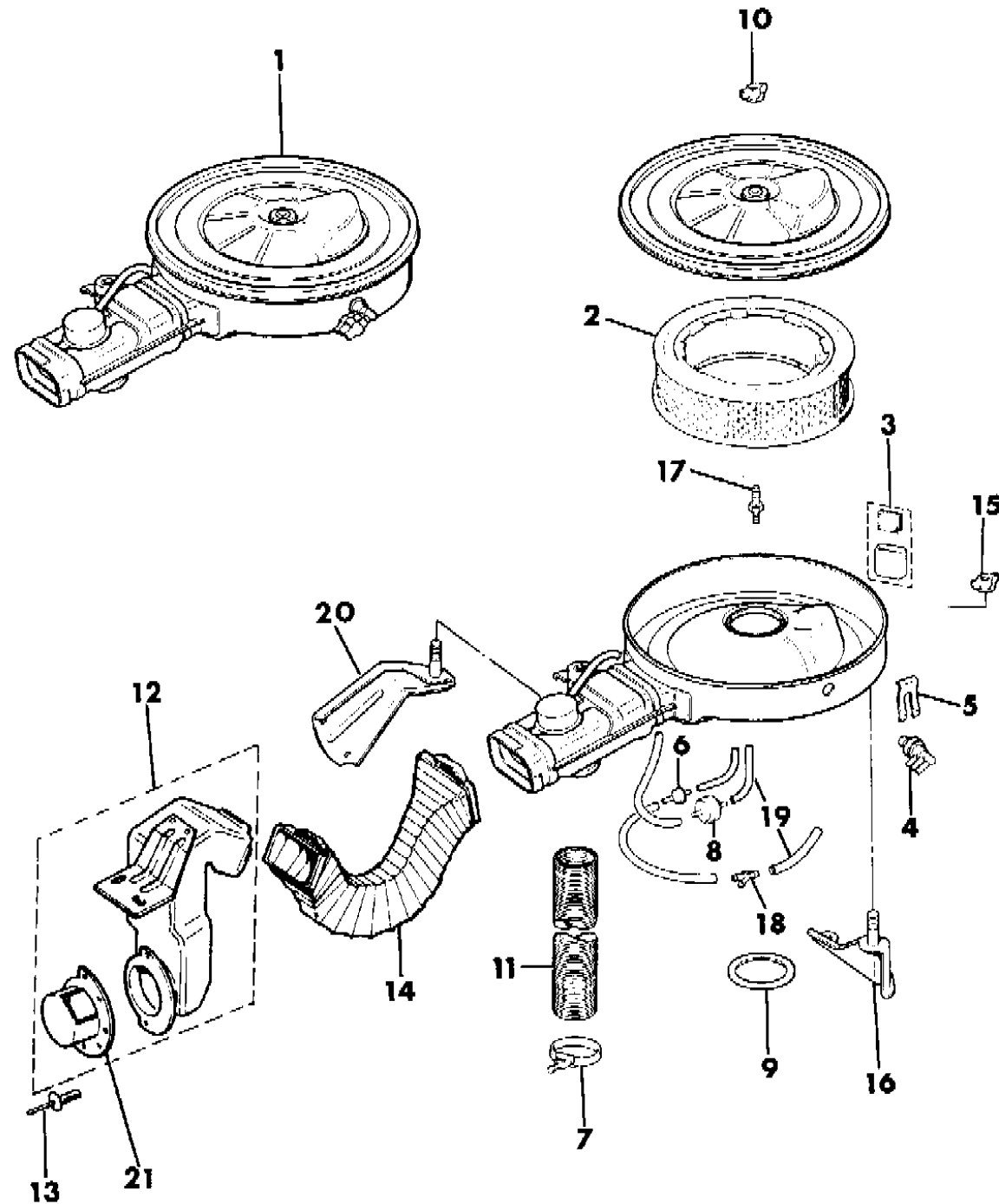
MJ = Comanche Pickup  
 SJ = Grand Wagoneer Wgn., J-10 & J-20 Pickups  
 XJ = Cherokee, Wagoneer Limited  
 YJ = Wrangler

AR = Use as Required - = Non Illustrated Part P.A.R. = Paint as Required



**AIR CLEANER 2.5L CARBURETED ENGINE CHEROKEE, WAGONEER, COMANCHE - EXPORT**  
**Figure 14-400**

8 J14 400 A



ITEM	PART NUMBER	QTY	BODY	MODEL	DESCRIPTION
1	5300 1837	1			AIR CLEANER
2	8350 0999	1			ELEMENT, Air Cleaner
3	J323 6695	1			FILTER PACKAGE
4	J323 7457	1			SWITCH, Thermal Vacuum
5	J400 6571	1			CLIP
6	J322 8426	1			VALVE, Check
7	J320 3078	2			CLAMP, Hose
8	J323 5938	1			VALVE, Reverse Delay - Gray
9	3300 1475	1			GASKET, Air Cleaner
10	3420 1676	1			NUT
11	3300 3391	1			TUBE, Hot Air
12	3300 2112	1		1987	ADAPTER, Air Duct
	5300 5143	1		1988-90	
13					RIVET
	3420 1621	2		1987	
	3420 2099	2		1988-90	
14					TUBE, Air Intake
	3300 2113	1		1987	
	5300 5144	1		1988-90	
15	3420 1918	1			NUT
16	3300 1611	1			BRACKET, Air Cleaner Mounting
17	5300 0683	1			STUD
18	8310 0020	1			CONNECTOR
19	J812 5812	AR			HOSE, 3/16" I.D. - Bulk
20					BRACKET - 1987
	3300 1723	1			w/o Power Steering
	3300 1613	1			w/o Air Cond. w/Power Steering
	3300 1615	1			w/Air Cond.
21	3300 1705	1			DEFLECTOR, Air - 1987 ***

**MODEL CODES:**

15 = Grand Wagoneer 4 Dr.	65 = Comanche 4WD-7 Ft. Box	77 = Cherokee 4WD-2 Dr.
25 = J-10 Pickup-119" W.B.	66 = Comanche 2WD-7 Ft. Box	78 = Cherokee 4WD-4 Dr.
26 = J-10 Pickup-131" W.B.	73 = Cherokee 2WD-2 Dr.	79 = Cherokee 4WD-4 Dr.-Com
27 = J-20 Pickup-131" W.B.	74 = Cherokee 2WD-4 Dr.	81 = Wrangler-93" W.B.
63 = Comanche 4WD-6 Ft. Box	75 = Wagoneer 4WD-4 Dr.	82 = Wrangler-103" W.B.-Exp.
64 = Comanche 2WD-6 Ft. Box		

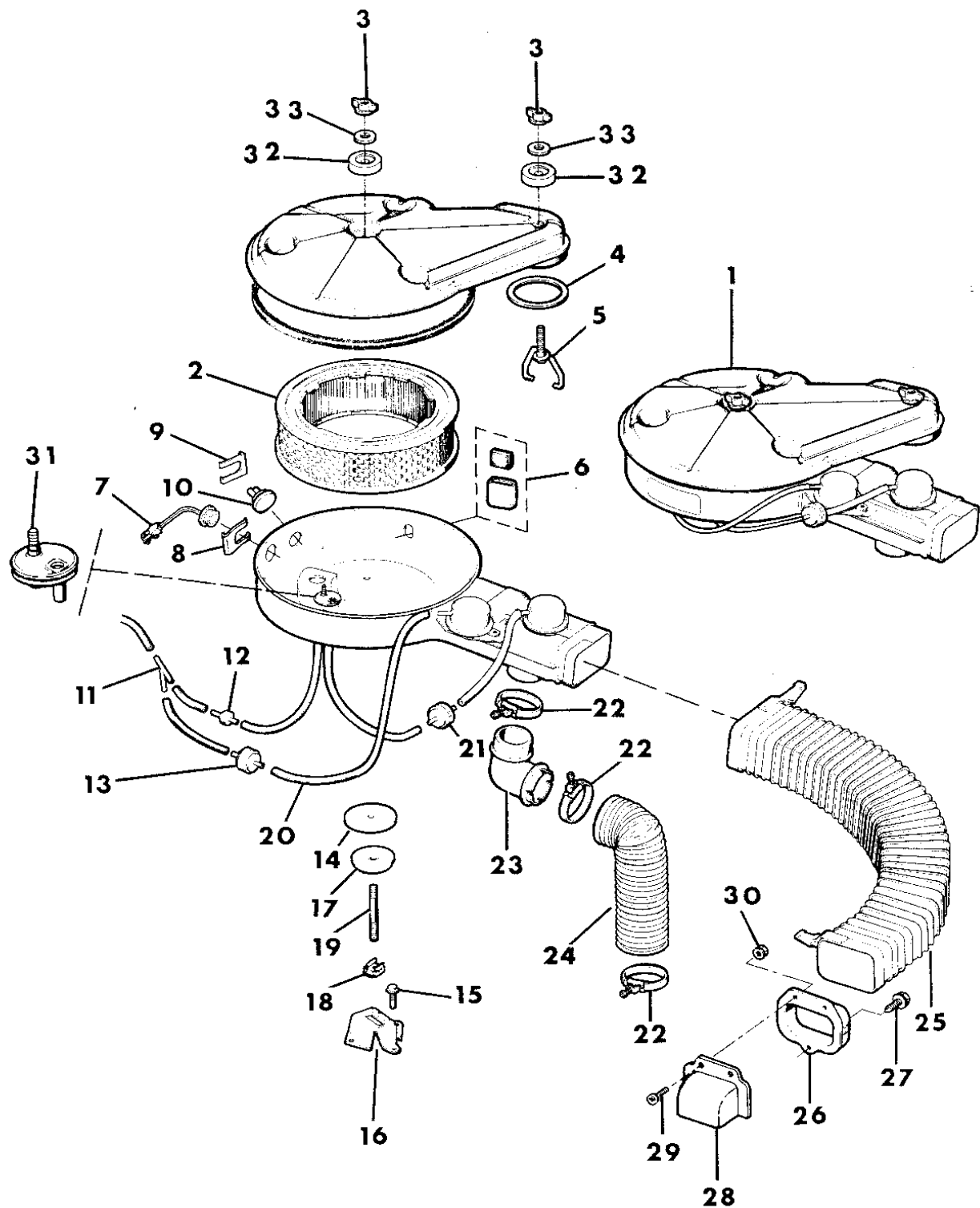
**BODY STYLES:**

MJ = Comanche Pickup  
 SJ = Grand Wagoneer Wgn., J-10 & J-20 Pickups  
 XJ = Cherokee, Wagoneer Limited  
 YJ = Wrangler

AR = Use as Required - = Non Illustrated Part P.A.R. = Paint as Required

**AIR CLEANER 4.2L ENGINE WRANGLER, YJ**  
**Figure 14-500**

8J14500



ITEM	PART NUMBER	QTY	BODY	MODEL	DESCRIPTION
1					AIR CLEANER
	3300 2082	1			U.S. and Canada
	J805 1832	1			Export NRM
	J805 1832	1			Venezuela KDX
2	J899 1386	1			FILTER, Air Cleaner
3	J315 1735	2			NUT, Wing
4	3300 1475	1			GASKET, Air Cleaner to Carburetor
5	J323 1263	1			BAIL, Air Cleaner Retaining
6	J323 6695	1			FILTER PACKAGE
7	3300 0630	1			SWITCH, Thermal Electric
8	J400 6784	1			CLIP, Retaining
9	J400 6334	1			CLIP, Retaining
10	J323 5329	1			SWITCH, Thermal Vacuum
11	8310 0020	1			CONNECTOR
12	J322 8426	1			VALVE, Check
13	J323 7141	1			VALVE, Delay - Yellow
14	J323 4485	1			GASKET, Air Cleaner Mounting to Bracket
15	J400 5731	3			SCREW
16	J323 9648	1			BRACKET, Mounting
17	J324 1389	1			SPACER
18	J400 1946	1			NUT, Cage
19	J400 7607	1			STUD
20	J812 5812	AR			HOSE, Bulk
21					VALVE, Reverse Delay
	J323 5938	1			Gray - U.S. and Canada
	J323 7141	1			Yellow - NRM
22	J320 3079	3			CLAMP, Hose
23	J323 2439	1			ELBOW
24	3300 3391	1			TUBE, Hot Air
25	J535 7889	1			TUBE, Air Intake
26	J546 3866	1			ADAPTER, Air Intake
27	J942 1073	1			SCREW
28	5300 5120	1			DEFLECTOR, Water
29	3420 2344	2			SCREW
30	1150 2702	2			NUT
31	5300 2950	1			SENSOR, Intake Air Temperature
32	3300 1941	2			GROMMET

**MODEL CODES:**

15 = Grand Wagoneer 4 Dr.	65 = Comanche 4WD-7 Ft. Box	77 = Cherokee 4WD-2 Dr.
25 = J-10 Pickup-119" W.B.	66 = Comanche 2WD-7 Ft. Box	78 = Cherokee 4WD-4 Dr.
26 = J-10 Pickup-131" W.B.	73 = Cherokee 2WD-2 Dr.	79 = Cherokee 4WD-4 Dr.-Com
27 = J-20 Pickup-131" W.B.	74 = Cherokee 2WD-4 Dr.	81 = Wrangler-93" W.B.
63 = Comanche 4WD-6 Ft. Box	75 = Wagoneer 4WD-4 Dr.	82 = Wrangler-103" W.B.-Exp.
64 = Comanche 2WD-6 Ft. Box		

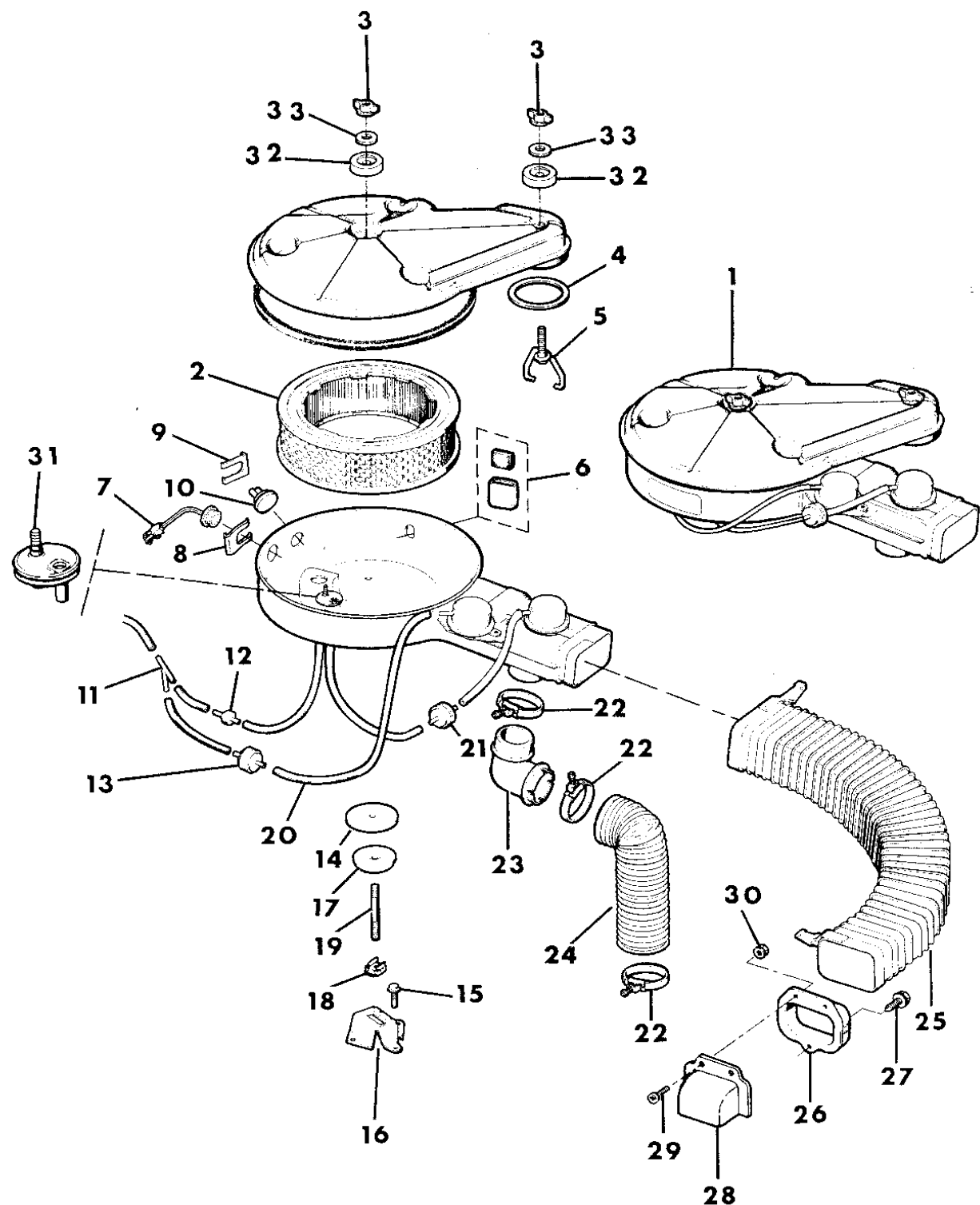
**BODY STYLES:**

MJ = Comanche Pickup  
 SJ = Grand Wagoneer Wgn., J-10 & J-20 Pickups  
 XJ = Cherokee, Wagoneer Limited  
 YJ = Wrangler

AR = Use as Required - = Non Illustrated Part P.A.R. = Paint as Required

AIR CLEANER 4.2L ENGINE WRANGLER, YJ  
Figure 14-500

8J14 500



ITEM	PART NUMBER	QTY	BODY	MODEL	DESCRIPTION
33	J420 0161	2			WASHER

MODEL CODES:

15 = Grand Wagoneer 4 Dr.	65 = Comanche 4WD-7 Ft. Box	77 = Cherokee 4WD-2 Dr.
25 = J-10 Pickup-119" W.B.	66 = Comanche 2WD-7 Ft. Box	78 = Cherokee 4WD-4 Dr.
26 = J-10 Pickup-131" W.B.	73 = Cherokee 2WD-2 Dr.	79 = Cherokee 4WD-4 Dr.-Com
27 = J-20 Pickup-131" W.B.	74 = Cherokee 2WD-4 Dr.	81 = Wrangler-93" W.B.
63 = Comanche 4WD-6 Ft. Box	75 = Wagoneer 4WD-4 Dr.	82 = Wrangler-103" W.B.-Exp.
64 = Comanche 2WD-6 Ft. Box		

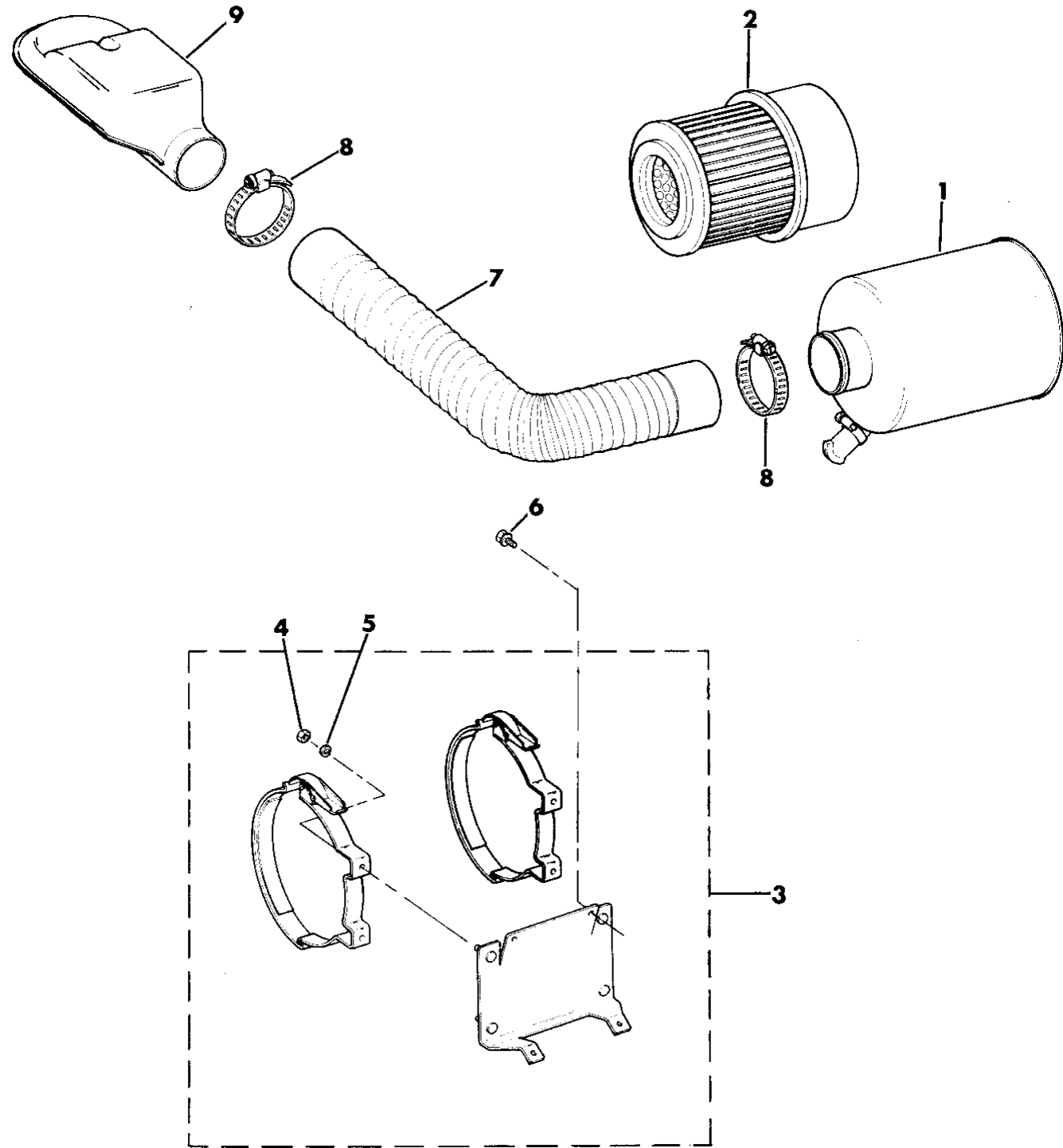
BODY STYLES:

MJ = Comanche Pickup  
SJ = Grand Wagoneer Wgn., J-10 & J-20 Pickups  
XJ = Cherokee, Wagoneer Limited  
YJ = Wrangler

AR = Use as Required - = Non Illustrated Part P.A.R. = Paint as Required

**AIR CLEANER 4.2L ENGINE - SEVERE USE WRANGLER - EXPORT**  
**Figure 14-550**

8 J14 550



ITEM	PART NUMBER	QTY	BODY	MODEL	DESCRIPTION
1	5300 3675	1			AIR CLEANER
2	5300 3676	1			ELEMENT, Air Cleaner
3	5300 4171	1			BRACKET ASSEMBLY
4	J012 0376	4			NUT
5	J012 0214	4			WASHER, Lock
6	J400 4455	4			SCREW
7	J805 3171	1			TUBE, Air Intake
8	J400 6643	2			CLAMP, Hose
9	5300 3679	1			ADAPTER, Air Intake

**MODEL CODES:**

15 = Grand Wagoneer 4 Dr.	65 = Comanche 4WD-7 Ft. Box	77 = Cherokee 4WD-2 Dr.
25 = J-10 Pickup-119" W.B.	66 = Comanche 2WD-7 Ft. Box	78 = Cherokee 4WD-4 Dr.
26 = J-10 Pickup-131" W.B.	73 = Cherokee 2WD-2 Dr.	79 = Cherokee 4WD-4 Dr.-Com
27 = J-20 Pickup-131" W.B.	74 = Cherokee 2WD-4 Dr.	81 = Wrangler-93" W.B.
63 = Comanche 4WD-6 Ft. Box	75 = Wagoneer 4WD-4 Dr.	82 = Wrangler-103" W.B.-Exp.
64 = Comanche 2WD-6 Ft. Box		

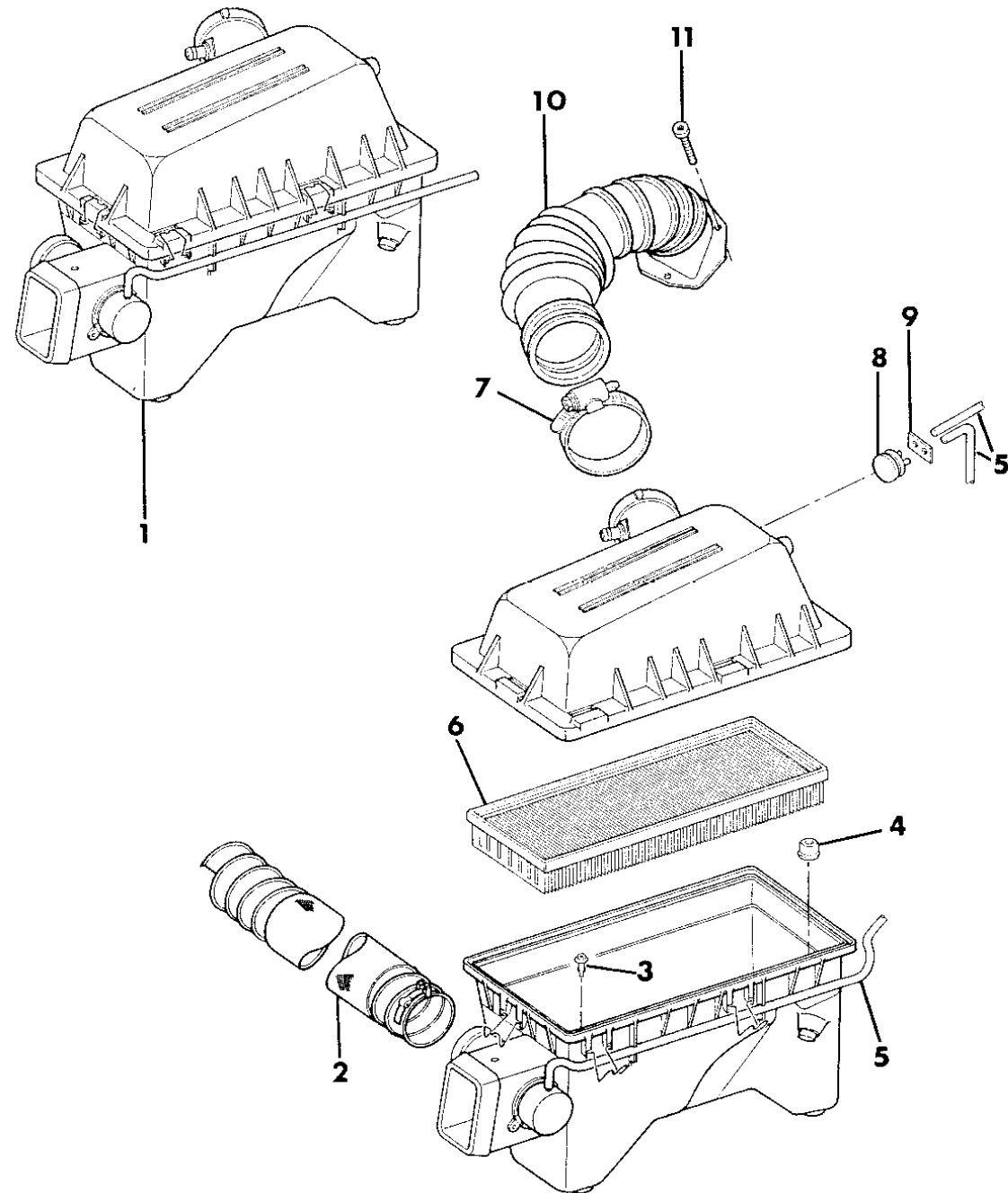
**BODY STYLES:**

MJ = Comanche Pickup  
 SJ = Grand Wagoneer Wgn., J-10 & J-20 Pickups  
 XJ = Cherokee, Wagoneer Limited  
 YJ = Wrangler

AR = Use as Required - = Non Illustrated Part P.A.R. = Paint as Required

**AIR CLEANER 4.0L ENGINE CHEROKEE, WAGONEER, COMANCHE**  
**Figure 14-600**

8J14600



ITEM	PART NUMBER	QTY	BODY	MODEL	DESCRIPTION
1					AIR CLEANER
	5300 2735	1			U.S., Canada and ECE
	5300 4879	1			Export NRM
2	5300 4839	1			TUBE, Hot Air
3	3420 1860	2			SCREW
4					NUT
	3420 1918	1			1987
	3420 1416	1			1988-90
5	J812 5995	AR			HOSE, 3/16" I.D. - Bulk
6	5300 4383	1			FILTER, Air Cleaner
7	J400 7479	1			CLAMP, Hose
8	5300 4971	1			SENSOR, Intake Air Temperature
9	8350 3394	1			RETAINER, Sensor
10					DUCT, Air
	5300 2736	1			1987-88
	5300 6196	1			1989-90
11	3420 2546	3			SCREW

**MODEL CODES:**

15 = Grand Wagoneer 4 Dr.	65 = Comanche 4WD-7 Ft. Box	77 = Cherokee 4WD-2 Dr.
25 = J-10 Pickup-119" W.B.	66 = Comanche 2WD-7 Ft. Box	78 = Cherokee 4WD-4 Dr.
26 = J-10 Pickup-131" W.B.	73 = Cherokee 2WD-2 Dr.	79 = Cherokee 4WD-4 Dr.-Com
27 = J-20 Pickup-131" W.B.	74 = Cherokee 2WD-4 Dr.	81 = Wrangler-93" W.B.
63 = Comanche 4WD-6 Ft. Box	75 = Wagoneer 4WD-4 Dr.	82 = Wrangler-103" W.B.-Exp.
64 = Comanche 2WD-6 Ft. Box		

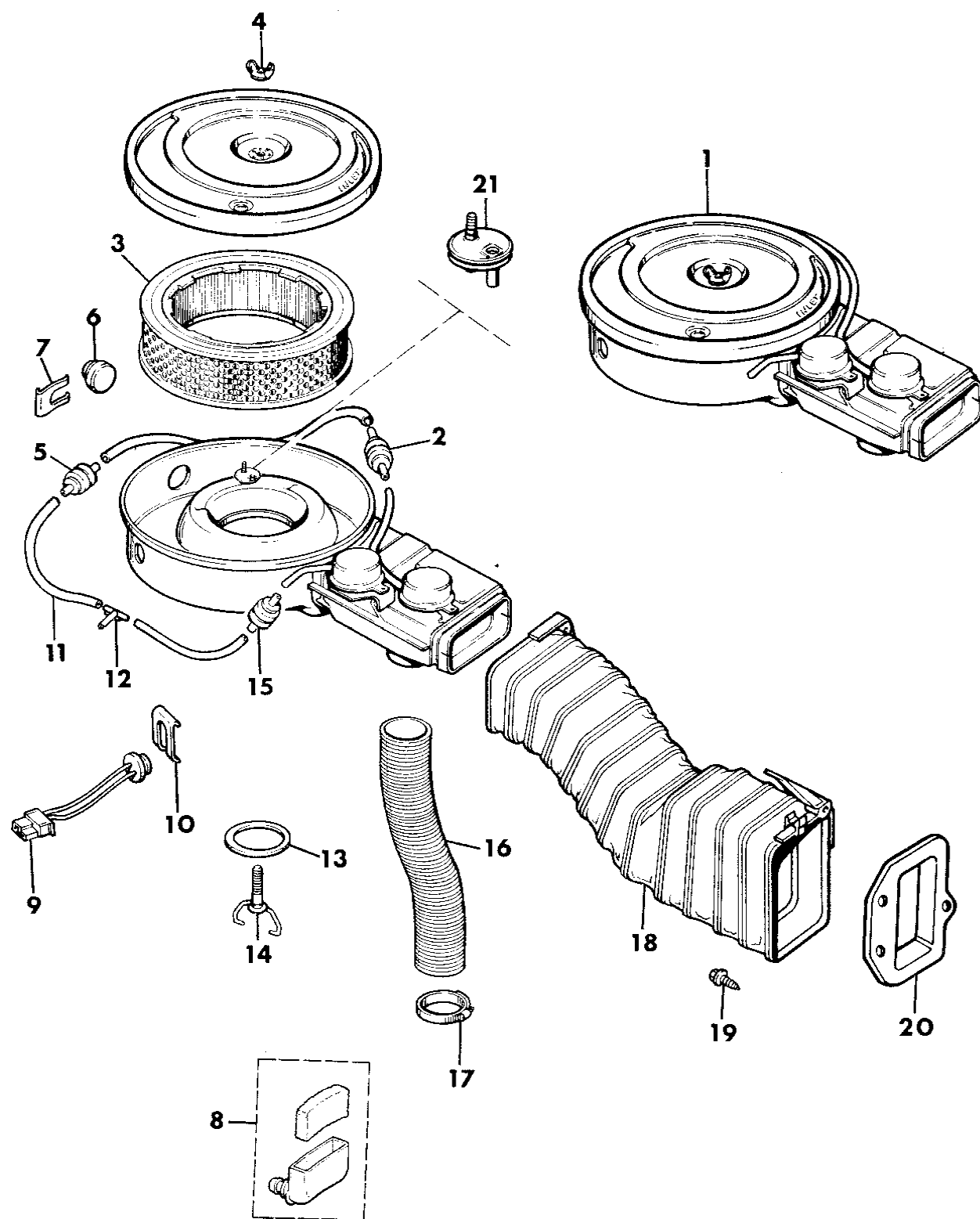
**BODY STYLES:**

MJ = Comanche Pickup  
 SJ = Grand Wagoneer Wgn., J-10 & J-20 Pickups  
 XJ = Cherokee, Wagoneer Limited  
 YJ = Wrangler

AR = Use as Required - = Non Illustrated Part P.A.R. = Paint as Required

**AIR CLEANER 4.2L ENGINE GRAND WAGONEER, J10**  
**Figure 14-700**

8J 14700



ITEM	PART NUMBER	QTY	BODY	MODEL	DESCRIPTION
1					AIR CLEANER
	3300 2064	1			U.S.
	3300 2065	1			Canada 1987
	3300 2064	1			Canada 1988-90
	J805 1772	1			Export NRM
2	J323 5938	1			VALVE, Reverse Delay - White/Gray
3	J899 1386	1			ELEMENT, Air Cleaner
4	J315 1735	1			NUT, Wing
5	J322 8426	1			VALVE, Check - White/Black
6	J323 5329	1			SWITCH, Vacuum
7	J400 6334	1			CLIP, Retaining
8	J323 6695	1			FILTER PACKAGE
9	3300 0630	1			SWITCH, Thermal Electric
10	J400 6784	1			CLIP, Retaining
11	J812 5812	AR			HOSE, 3/16" I.D. - Bulk
12	8310 0020	1			CONNECTOR, Tee
13	3300 1475	1			GASKET, Air Cleaner
14	J323 1263	1			BAIL, Air Cleaner Retaining
15	J323 7141	1			VALVE, Reverse Delay - Yellow/White
16	3300 3391	1			TUBE, Hot Air
17	J320 3079	2			CLAMP, Hose
18	J535 7886	1			TUBE, Air Intake
19	J942 1073	3			SCREW
20	J546 3866	1			ADAPTER, Air Intake
21	5300 2950	1			SENSOR, Intake Air Temperature

**MODEL CODES:**

15 = Grand Wagoneer 4 Dr.	65 = Comanche 4WD-7 Ft. Box	77 = Cherokee 4WD-2 Dr.
25 = J-10 Pickup-119" W.B.	66 = Comanche 2WD-7 Ft. Box	78 = Cherokee 4WD-4 Dr.
26 = J-10 Pickup-131" W.B.	73 = Cherokee 2WD-2 Dr.	79 = Cherokee 4WD-4 Dr.-Com
27 = J-20 Pickup-131" W.B.	74 = Cherokee 2WD-4 Dr.	81 = Wrangler-93" W.B.
63 = Comanche 4WD-6 Ft. Box	75 = Wagoneer 4WD-4 Dr.	82 = Wrangler-103" W.B.-Exp.
64 = Comanche 2WD-6 Ft. Box		

**BODY STYLES:**

MJ = Comanche Pickup  
 SJ = Grand Wagoneer Wgn., J-10 & J-20 Pickups  
 XJ = Cherokee, Wagoneer Limited  
 YJ = Wrangler

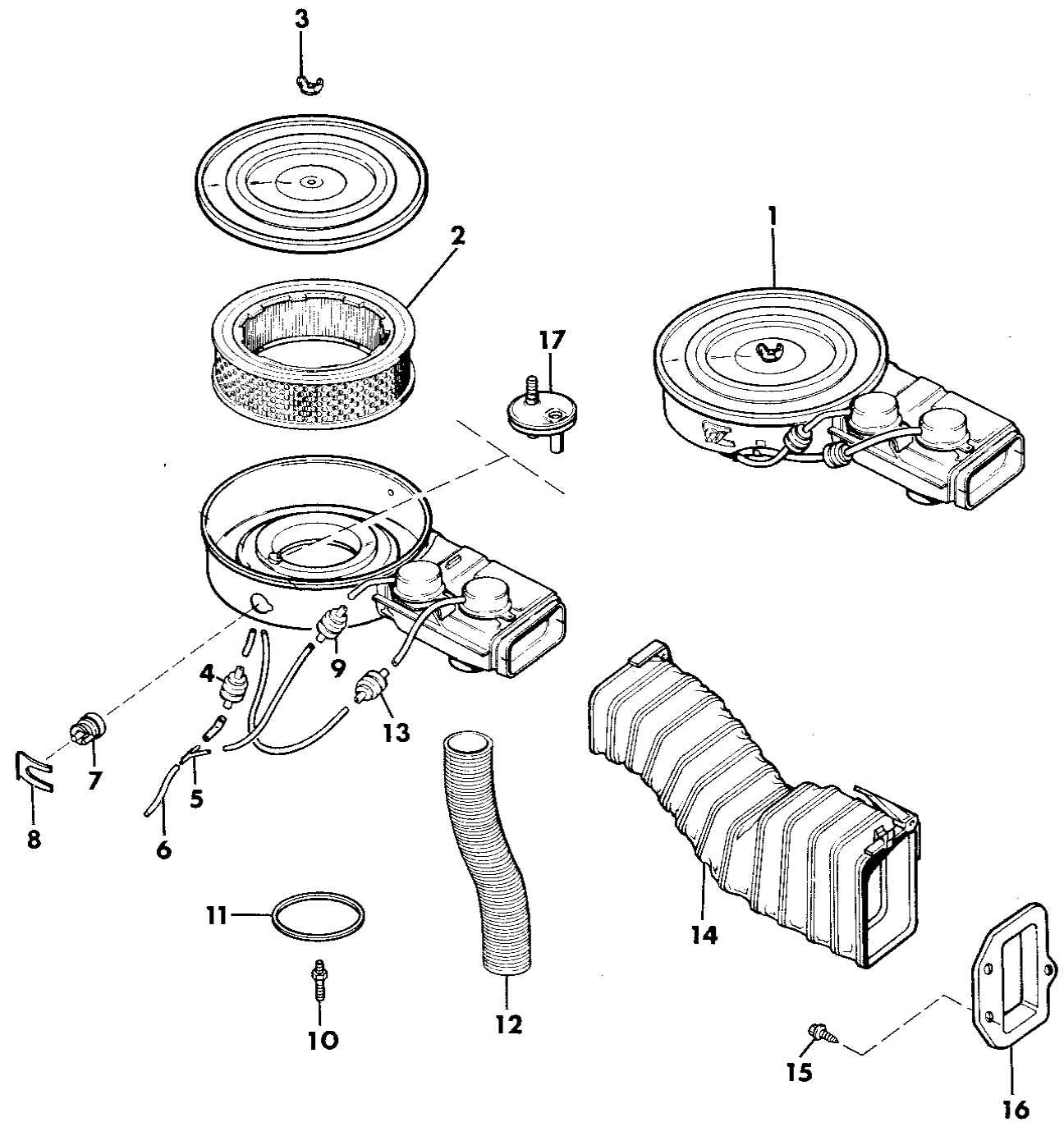
AR = Use as Required - = Non Illustrated Part P.A.R. = Paint as Required



**AIR CLEANER 5.9L ENGINE GRAND WAGONEER, J10, J20**  
**Figure 14-800**

8J14800

ITEM	PART NUMBER	QTY	BODY	MODEL	DESCRIPTION
1					AIR CLEANER
	5300 3936	1			Wagon - U.S.
	5300 3937	1			Wagon - Canada 1987
	5300 3936	1			Wagon - Canada 1988-90
	5300 3936	1			J10 - U.S.
	5300 3937	1			J10 - Canada 1987
	5300 3936	1			J10 - Canada 1988-90
	5300 3936	1			J20 - U.S. and High Alt. 1987
	5300 3936	1			J20 - U.S. and Canada 1988-90
	5300 3937	1			Export NRM
2	J899 2661	1			ELEMENT, Air Cleaner
3	J315 1735	1			NUT, Wing
4	J322 8426	1			VALVE, Check - White/Black
5	J321 0891	1			CONNECTOR, Tee
6	J812 5812	AR			HOSE, 3/16" I.D. - Bulk
7	J323 5329	1			SWITCH, Vacuum
8	J400 6334	1			CLIP, Retaining
9	J323 7141	1			VALVE, Reverse Delay - Yellow/White
10	J323 0269	1			STUD
11	J319 1884	1			GASKET, Air Cleaner to Carburetor
12	3300 3391	1			TUBE, Hot Air
13	J323 5938	1			VALVE, Reverse Delay - Gray/White
14	J535 8444	1			TUBE, Air Intake
15	J942 1073	3			SCREW
16	J546 3866	1			ADAPTER, Air Intake
17	5300 3940	1			SENSOR, Intake Air Temperature



**MODEL CODES:**

15 = Grand Wagoneer 4 Dr.	65 = Comanche 4WD-7 Ft. Box	77 = Cherokee 4WD-2 Dr.
25 = J-10 Pickup-119" W.B.	66 = Comanche 2WD-7 Ft. Box	78 = Cherokee 4WD-4 Dr.
26 = J-10 Pickup-131" W.B.	73 = Cherokee 2WD-2 Dr.	79 = Cherokee 4WD-4 Dr.-Com
27 = J-20 Pickup-131" W.B.	74 = Cherokee 2WD-4 Dr.	81 = Wrangler-93" W.B.
63 = Comanche 4WD-6 Ft. Box	75 = Wagoneer 4WD-4 Dr.	82 = Wrangler-103" W.B.-Exp.
64 = Comanche 2WD-6 Ft. Box		

**BODY STYLES:**

MJ = Comanche Pickup  
 SJ = Grand Wagoneer Wgn., J-10 & J-20 Pickups  
 XJ = Cherokee, Wagoneer Limited  
 YJ = Wrangler

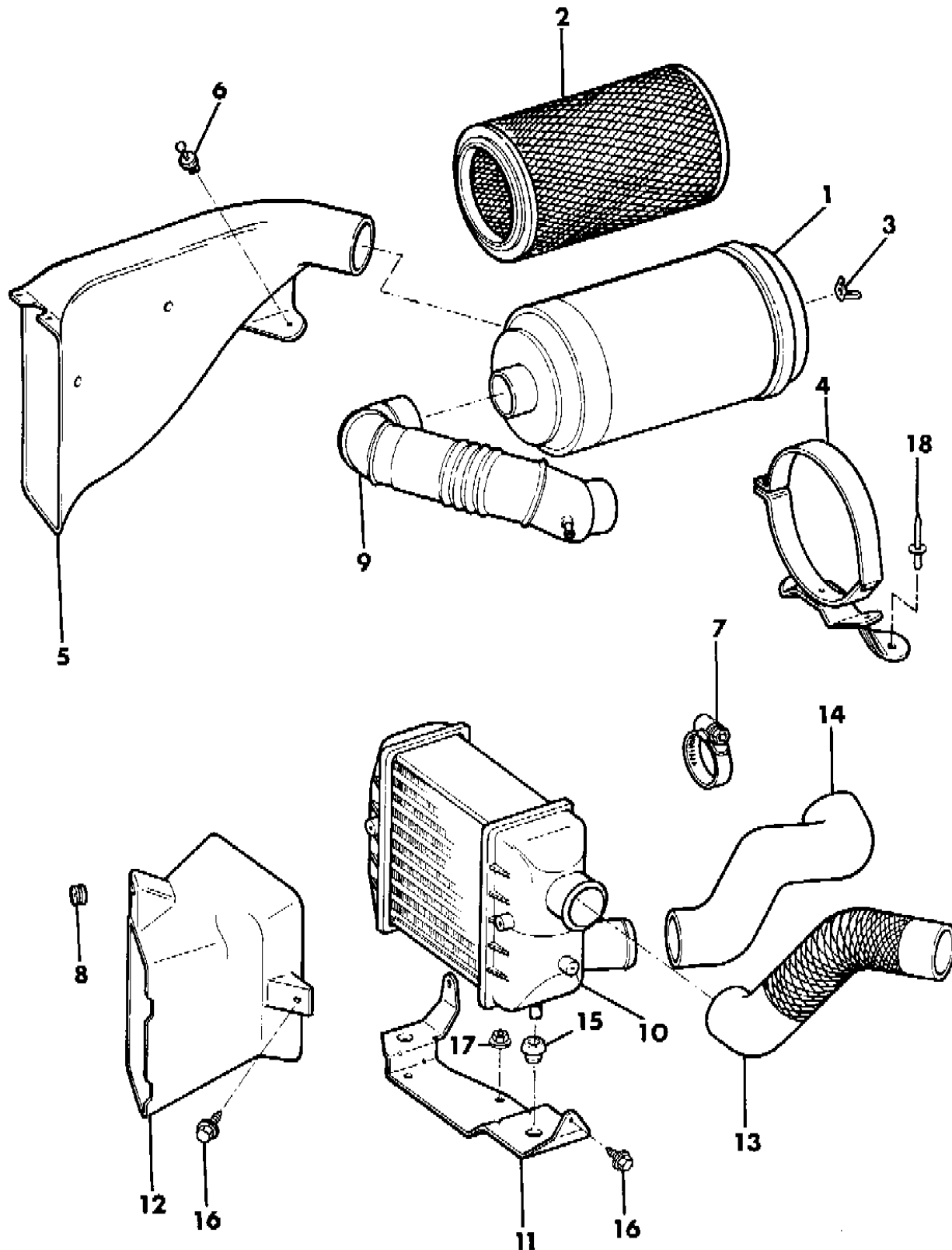
AR = Use as Required - = Non Illustrated Part P.A.R. = Paint as Required

AIR CLEANER DIESEL ENGINE CHEROKEE, COMANCHE

Figure 14-900

8J14900A

ITEM	PART NUMBER	QTY	BODY	MODEL	DESCRIPTION
1	5300 1125	1			AIR CLEANER
2	8350 1843	1			ELEMENT, Air Cleaner
3	3300 1796	1			NUT, Wing
4	3300 2197	1			BRACKET, Air Cleaner
5	5300 4536	1			DUCT, Fresh Air Intake
6	3420 1621	AR			RIVET
7	J320 3078	AR			CLAMP, Hose 1.31" to 2.25" Dia.
	J320 3079	AR			1.81" to 2.75" Dia.
8	3420 2170	1			GROMMET
9	3300 2199	1			TUBE ASSEMBLY, Turbo Inlet
10	5300 1178	1			INTERCOOLER, Turbo Air
11	5300 1182	1			BRACKET, Intercooler Mounting
12	5200 2582	1			DUCT, Intercooler Air
13	5200 2180	1			HOSE, Manifold Inlet
14	5300 1180	1			HOSE, Turbo Outlet
15	J068 7550	2			GROMMET
16	3420 2071	4			SCREW
17	1150 2729	3			NUT
	3420 1918	3			1987
	1150 2729	3			1988-90
18	3420 1597	3			RIVET



MODEL CODES:

15 = Grand Wagoneer 4 Dr.	65 = Comanche 4WD-7 Ft. Box	77 = Cherokee 4WD-2 Dr.
25 = J-10 Pickup-119" W.B.	66 = Comanche 2WD-7 Ft. Box	78 = Cherokee 4WD-4 Dr.
26 = J-10 Pickup-131" W.B.	73 = Cherokee 2WD-2 Dr.	79 = Cherokee 4WD-4 Dr.-Com
27 = J-20 Pickup-131" W.B.	74 = Cherokee 2WD-4 Dr.	81 = Wrangler-93" W.B.
63 = Comanche 4WD-6 Ft. Box	75 = Wagoneer 4WD-4 Dr.	82 = Wrangler-103" W.B.-Exp.
64 = Comanche 2WD-6 Ft. Box		

BODY STYLES:

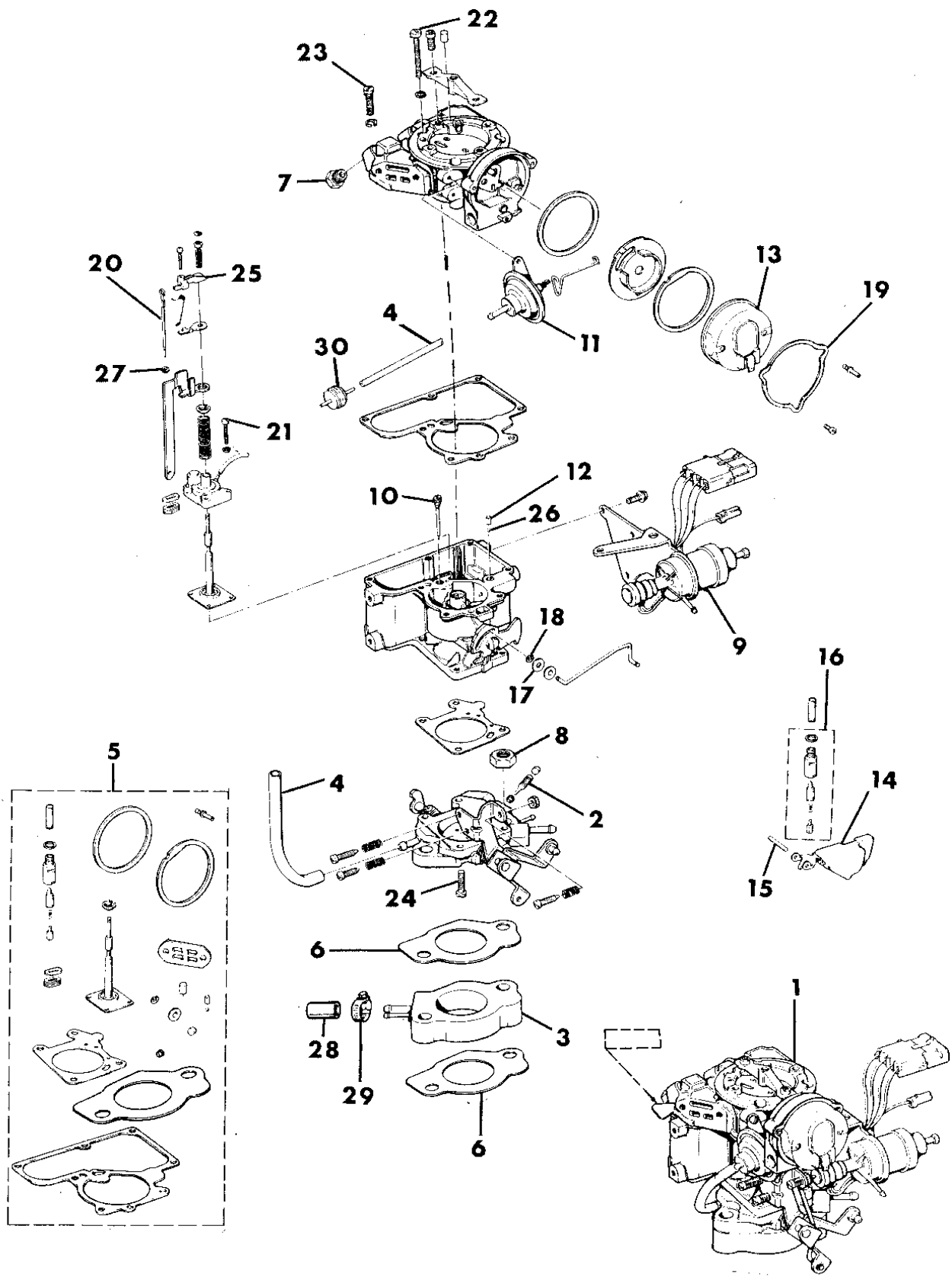
MJ = Comanche Pickup  
 SJ = Grand Wagoneer Wgn., J-10 & J-20 Pickups  
 XJ = Cherokee, Wagoneer Limited  
 YJ = Wrangler

AR = Use as Required - = Non Illustrated Part P.A.R. = Paint as Required

**CARBURETOR AND COMPONENT PARTS 2.5L ENGINE WRANGLER, CHEROKEE, WAGONEER, COMANCHE - NRM**  
**Figure 14-1000**

8 J 141000

ITEM	PART NUMBER	QTY	BODY	MODEL	DESCRIPTION
1	5300 2641	1			CARBURETOR - Tag #7708 - Man. Trans.
2	8350 0455	1			SCREW, Idle Mixture
3	5300 0616	1			INSULATOR, Carburetor
4	J812 5812	AR			HOSE, 3/16" I.D. Bulk
5	8330 0085	1			REPAIR PACKAGE, Carburetor
6	5300 0617	2			GASKET, Carburetor
7	J013 7406	1			CONNECTOR
8	J012 4925	2			NUT
9	8350 2116	1			SOLENOID, Throttle
10	8350 2113	1			JET, Low Speed
11	8350 2112	1			DIAPHRAGM, Choke
12	J812 0149	1			WEIGHT, Check Ball
13	8350 0921	1			COIL, Choke
14	8350 0454	1			FLOAT, Carburetor
15	J812 4315	1			PIN, Float
16	8350 0932	1			NEEDLE and SEAT
17	8350 0456	1			BUSHING, Choke Rod
18	J812 1249	1			CLIP
19	J812 6555	1			RETAINER, Choke Rod
20	8350 2114	1			ROD, Metering
21	J320 6433	4			SCREW
22	J320 7738	3			SCREW, 1.5"
23	J812 5858	4			SCREW, .63"
24	J812 0222	4			SCREW
25	8350 0460	1			ARM, Metering Rod
26	J812 0145	1			BALL, Discharge Check
27	8350 2115	1			JET, Metering Rod
28	J322 7272	1			CAP
29	3300 0785	1			CLAMP
30	J323 7293	1			VALVE, Delay



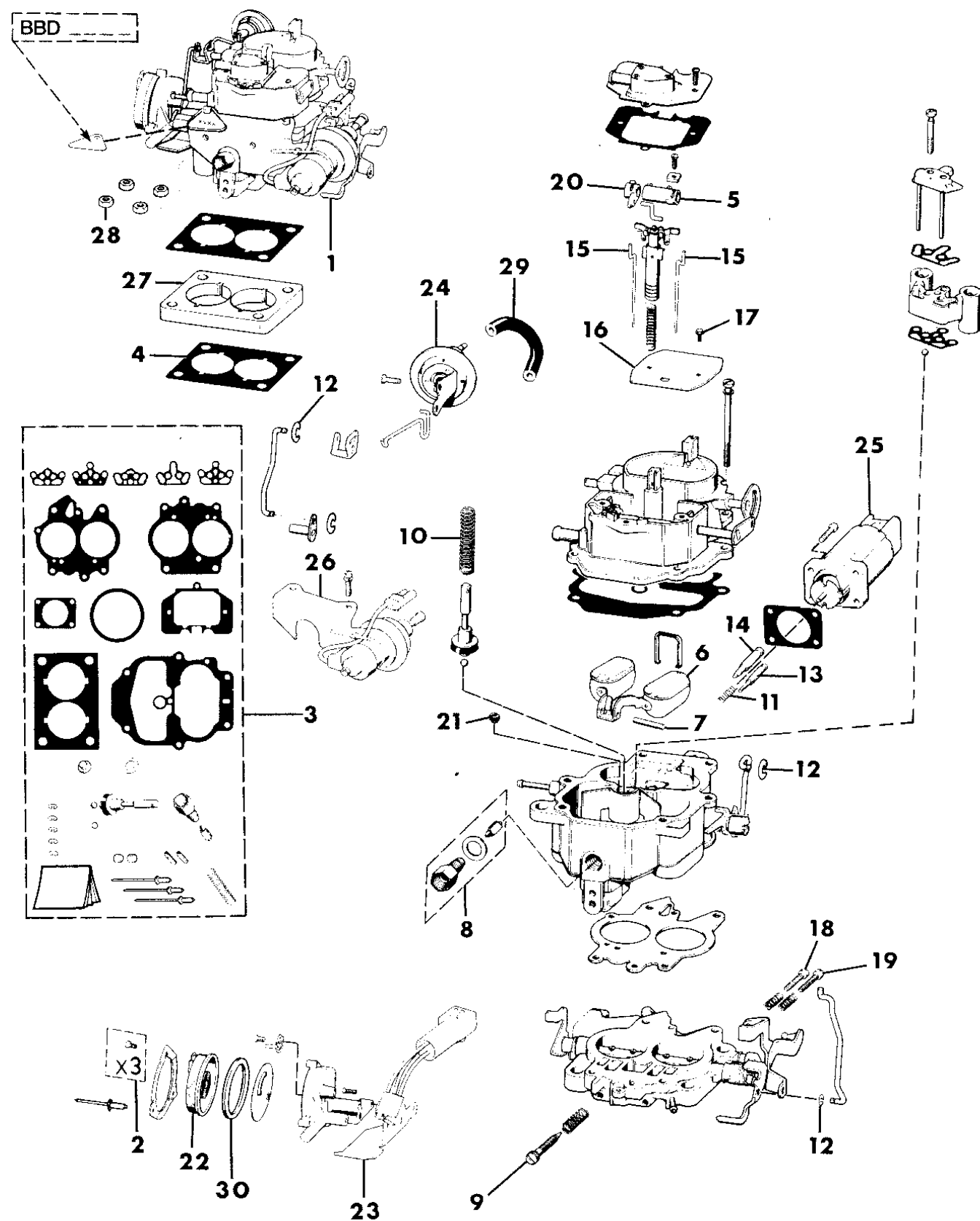
**MODEL CODES:**  
 15 = Grand Wagoneer 4 Dr.      65 = Comanche 4WD-7 Ft. Box      77 = Cherokee 4WD-2 Dr.  
 25 = J-10 Pickup-119" W.B.      66 = Comanche 2WD-7 Ft. Box      78 = Cherokee 4WD-4 Dr.  
 26 = J-10 Pickup-131" W.B.      73 = Cherokee 2WD-2 Dr.      79 = Cherokee 4WD-4 Dr.-Com  
 27 = J-20 Pickup-131" W.B.      74 = Cherokee 2WD-4 Dr.      81 = Wrangler-93" W.B.  
 63 = Comanche 4WD-6 Ft. Box      75 = Wagoneer 4WD-4 Dr.      82 = Wrangler-103" W.B.-Exp.  
 64 = Comanche 2WD-6 Ft. Box

**BODY STYLES:**  
 MJ = Comanche Pickup  
 SJ = Grand Wagoneer Wgn., J-10 & J-20 Pickups  
 XJ = Cherokee, Wagoneer Limited  
 YJ = Wrangler

AR = Use as Required - = Non Illustrated Part P.A.R. = Paint as Required

**CARBURETOR AND COMPONENT PARTS 4.2L ENGINE WRANGLER, YJ, GRAND WAGONEER, J10**  
**Figure 14-1100**

8J141100



ITEM	PART NUMBER	QTY	BODY	MODEL	DESCRIPTION
1					CARBURETOR
	8332 0007	1			U.S. and Canada - Tag #BBD 8383, BBD 8394 Carter, Man. Trans.
	8332 0007	1	YJ		U.S. and Canada - Tag #BBD 8383, BBD 8394 Carter, Auto Trans.
	3300 0486	1		15,26	Export NRM - Tag #8366
	3300 0486	1	YJ		Egypt and Venezuela - KDX - Tag #8366
2	J813 3749	1			SCREW PACKAGE
3	J813 4232	1			REPAIR PACKAGE, Carburetor
4	J323 5405	2			GASKET, Carburetor to Intake Manifold
5	J812 7319	1			ARM, Metering Rod
6	J812 7325	1			FLOAT, Carburetor
7	J812 4315	1			PIN, Float
8	J812 7326	1			NEEDLE and SEAT
9	J813 3451	2			SCREW, Idle Mixture
10	J812 7324	1			SPRING, Pump
11	8350 0337	1			SPRING, Actuator - Tag #8383, 8384
12	J812 1249	4			RETAINER
13	J813 4235	1			PIN, Metering - Tag #8383, 8384
14	J813 3702	1			PIN, Metering - Tag #8383, 8384
15					ROD, Metering
	J813 3949	2			Tag #8383, 8384
	J812 7816	2			Tag #8366
16	J812 7322	1			VALVE, Choke
17	J812 6130	2			SCREW, Choke Valve
18	J812 7329	1			SCREW, Idle Speed
19	J812 7330	1			SCREW, Fast Idle
20	J813 0220	1			ARM, Accelerator Pump
21					JET, Metering Rod
	J320 7756	2			Tag #8383, 8384
	J094 8827	2			Tag #8366
22					COVER PACKAGE, Choke
	J813 3455	1			Tag #8383, 8384
	J813 2545	1			Tag #8366
23	J813 3952	1			SWITCH, Wide Open Throttle - Tag #8383, 8384
24	J813 4544	1			DIAPHRAGM, Choke
25	J813 2632	1			MOTOR, Carburetor Stepper - Tag #8383, 8384

**MODEL CODES:**

15 = Grand Wagoneer 4 Dr.	65 = Comanche 4WD-7 Ft. Box	77 = Cherokee 4WD-2 Dr.
25 = J-10 Pickup-119" W.B.	66 = Comanche 2WD-7 Ft. Box	78 = Cherokee 4WD-4 Dr.
26 = J-10 Pickup-131" W.B.	73 = Cherokee 2WD-2 Dr.	79 = Cherokee 4WD-4 Dr.-Com
27 = J-20 Pickup-131" W.B.	74 = Cherokee 2WD-4 Dr.	81 = Wrangler-93" W.B.
63 = Comanche 4WD-6 Ft. Box	75 = Wagoneer 4WD-4 Dr.	82 = Wrangler-103" W.B.-Exp.
64 = Comanche 2WD-6 Ft. Box		

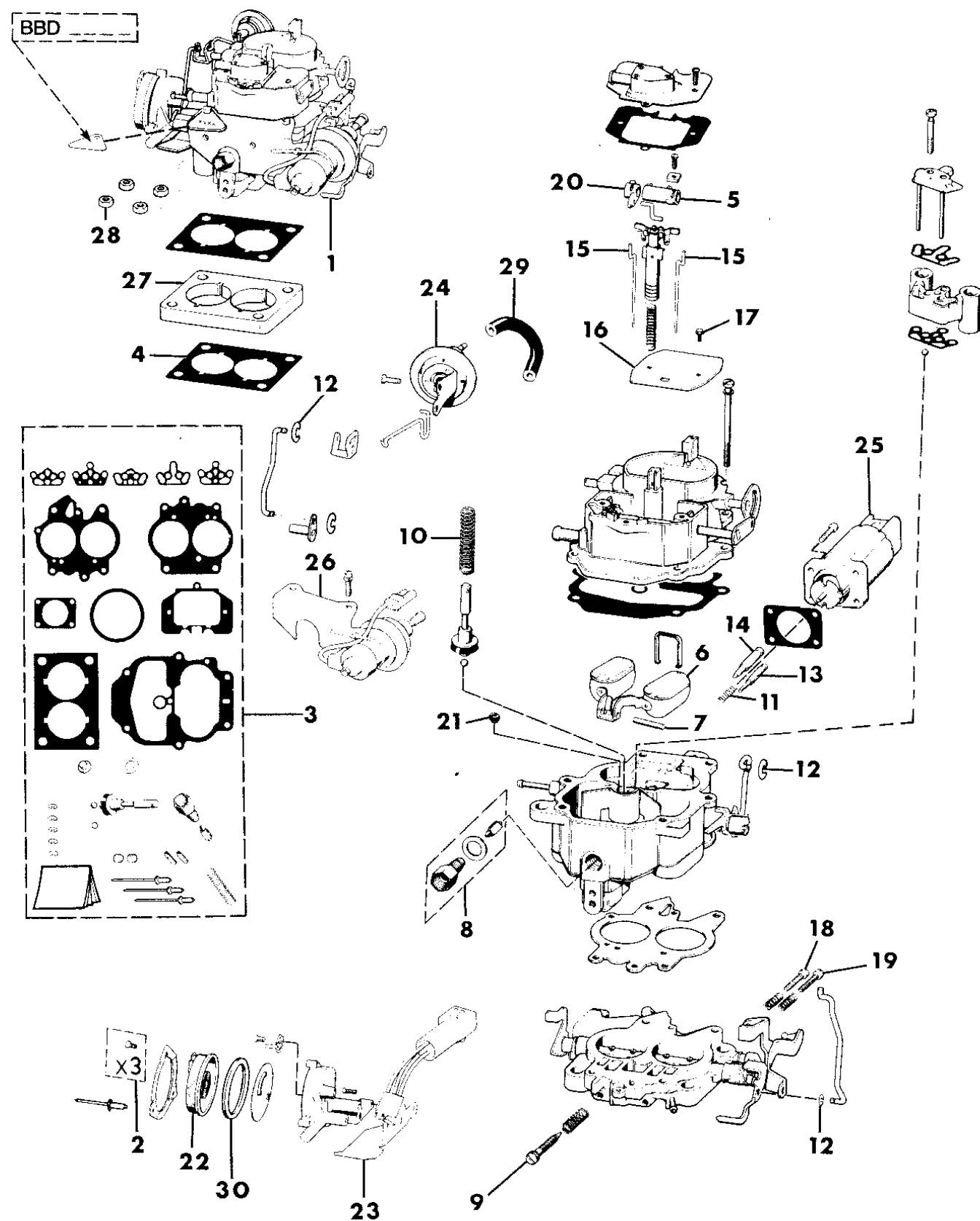
**BODY STYLES:**

MJ = Comanche Pickup  
 SJ = Grand Wagoneer Wgn., J-10 & J-20 Pickups  
 XJ = Cherokee, Wagoneer Limited  
 YJ = Wrangler

AR = Use as Required - = Non Illustrated Part P.A.R. = Paint as Required

**CARBURETOR AND COMPONENT PARTS 4.2L ENGINE WRANGLER, YJ, GRAND WAGONEER, J10**  
**Figure 14-1100**

8J141100



ITEM	PART NUMBER	QTY	BODY	MODEL	DESCRIPTION
26					SOLENOID, Throttle
	8350 0342	1			Tag #8383, 8384
	J812 7629	1			Tag #8366
27	J323 5406	1			INSULATOR, Carburetor
28	J400 3825	4			NUT
29	J812 5812	AR			HOSE, 3/16" I.D. - Bulk
30	J813 3700	1			GASKET

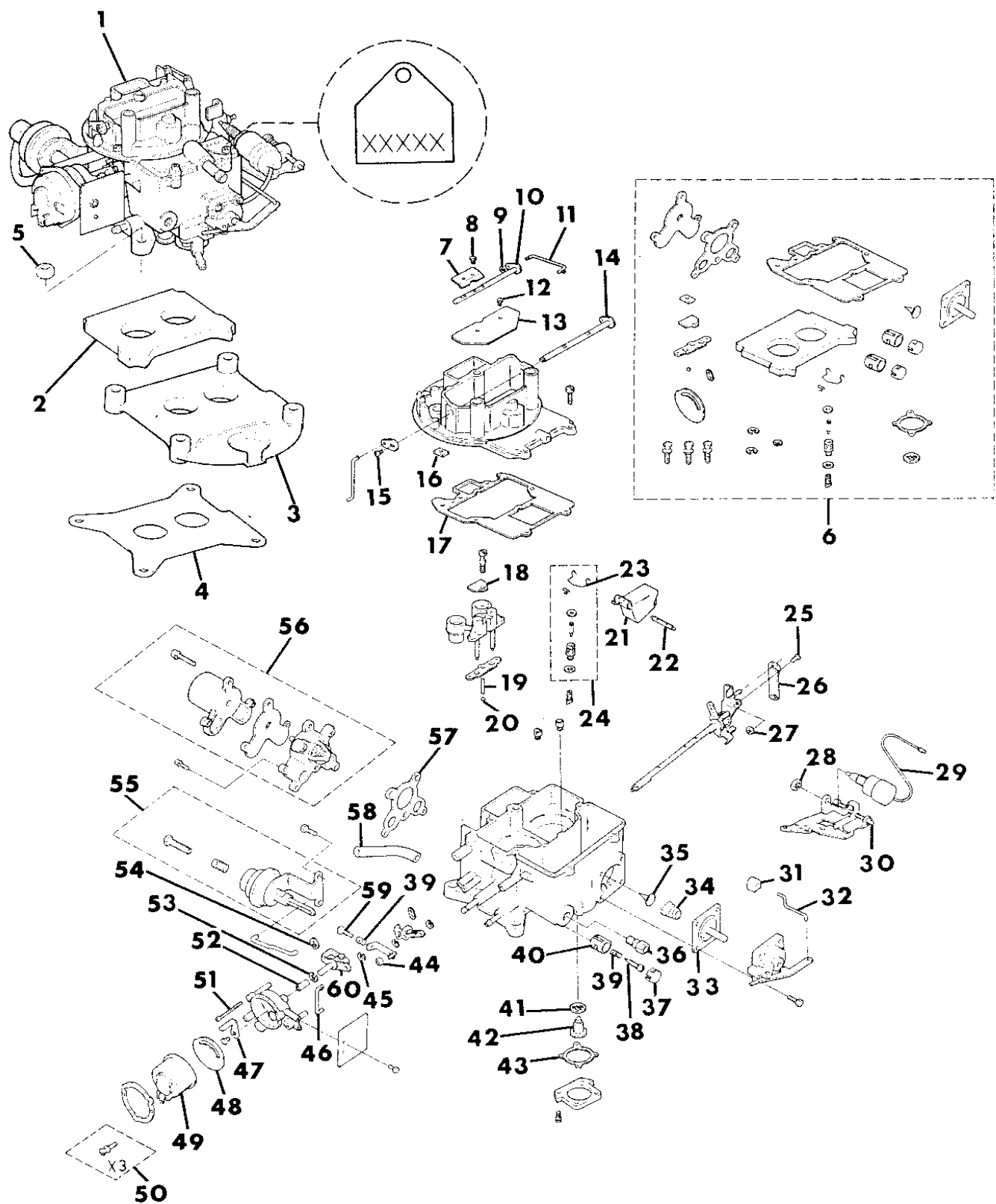
- MODEL CODES:
- |                             |                             |                              |
|-----------------------------|-----------------------------|------------------------------|
| 15 = Grand Wagoneer 4 Dr.   | 65 = Comanche 4WD-7 Ft. Box | 77 = Cherokee 4WD-2 Dr.      |
| 25 = J-10 Pickup-119" W.B.  | 66 = Comanche 2WD-7 Ft. Box | 78 = Cherokee 4WD-4 Dr.      |
| 26 = J-10 Pickup-131" W.B.  | 73 = Cherokee 2WD-2 Dr.     | 79 = Cherokee 4WD-4 Dr.-Com  |
| 27 = J-20 Pickup-131" W.B.  | 74 = Cherokee 2WD-4 Dr.     | 81 = Wrangler-93" W.B.       |
| 63 = Comanche 4WD-6 Ft. Box | 75 = Wagoneer 4WD-4 Dr.     | 82 = Wrangler-103" W.B.-Exp. |
| 64 = Comanche 2WD-6 Ft. Box |                             |                              |

- BODY STYLES:
- MJ = Comanche Pickup
  - SJ = Grand Wagoneer Wgn., J-10 & J-20 Pickups
  - XJ = Cherokee, Wagoneer Limited
  - YJ = Wrangler

AR = Use as Required - = Non Illustrated Part P.A.R. = Paint as Required

**CARBURETOR AND COMPONENT PARTS 5.9L ENGINE GRAND WAGONEER, J10, J20**  
**Figure 14-1200**

8J141200



ITEM	PART NUMBER	QTY	BODY	MODEL	DESCRIPTION
1					CARBURETOR
	5300 2537	1			1987-89 Tag #5RHA2
	5300 6748	1			1990-91 Tag #5RHA2
2	J322 9622	1			GASKET, Carburetor
3	J324 0515	1			INSULATOR, Carburetor
4	J319 1886	1			GASKET
5	J400 3825	4			NUT
6	8350 2174	1			REPAIR PACKAGE, Carburetor
7	J812 8320	1			VALVE, Air
8	J812 8321	2			SCREW
9	J812 8323	1			CLIP, Retaining
10	J812 8319	1			SHAFT
11	J812 8322	1			LINK
12	J320 9901	2			SCREW
13	J448 8175	1			VALVE, Choke
14	J812 8318	1			SHAFT
15		1			SCREW (not serviced)
16	J320 9880	1			SEAL
17	8350 3356	1			GASKET
18	J448 8180	1			PLATE
19	J812 3037	1			WEIGHT
20	S014 5637	1			BALL, Discharge Check
21	8350 0930	1			FLOAT, Carburetor
22	J320 9910	1			SHAFT
23	J812 1330	1			RETAINER
24	J812 8309	1			NEEDLE and SEAT
25	J400 3924	1			SCREW
26	J535 2990	1			ADAPTER
27	J027 1163	1			NUT
28	S942 0169	1			NUT
29	J812 0480	1			SOLENOID, Idle Speed
30	J812 1166	1			BRACKET ASSEMBLY
31	8350 3368	1			TRUNNION
32	8350 3367	1			ROD
33	J813 3833	1			DIAPHRAGM ASSEMBLY, Accelerator Pump
34	J812 5040	1			SPRING, Pump
35	8350 1195	1			VALVE, Check

**MODEL CODES:**

15 = Grand Wagoneer 4 Dr.	65 = Comanche 4WD-7 Ft. Box	77 = Cherokee 4WD-2 Dr.
25 = J-10 Pickup-119" W.B.	66 = Comanche 2WD-7 Ft. Box	78 = Cherokee 4WD-4 Dr.
26 = J-10 Pickup-131" W.B.	73 = Cherokee 2WD-2 Dr.	79 = Cherokee 4WD-4 Dr.-Com
27 = J-20 Pickup-131" W.B.	74 = Cherokee 2WD-4 Dr.	81 = Wrangler-93" W.B.
63 = Comanche 4WD-6 Ft. Box	75 = Wagoneer 4WD-4 Dr.	82 = Wrangler-103" W.B.-Exp.
64 = Comanche 2WD-6 Ft. Box		

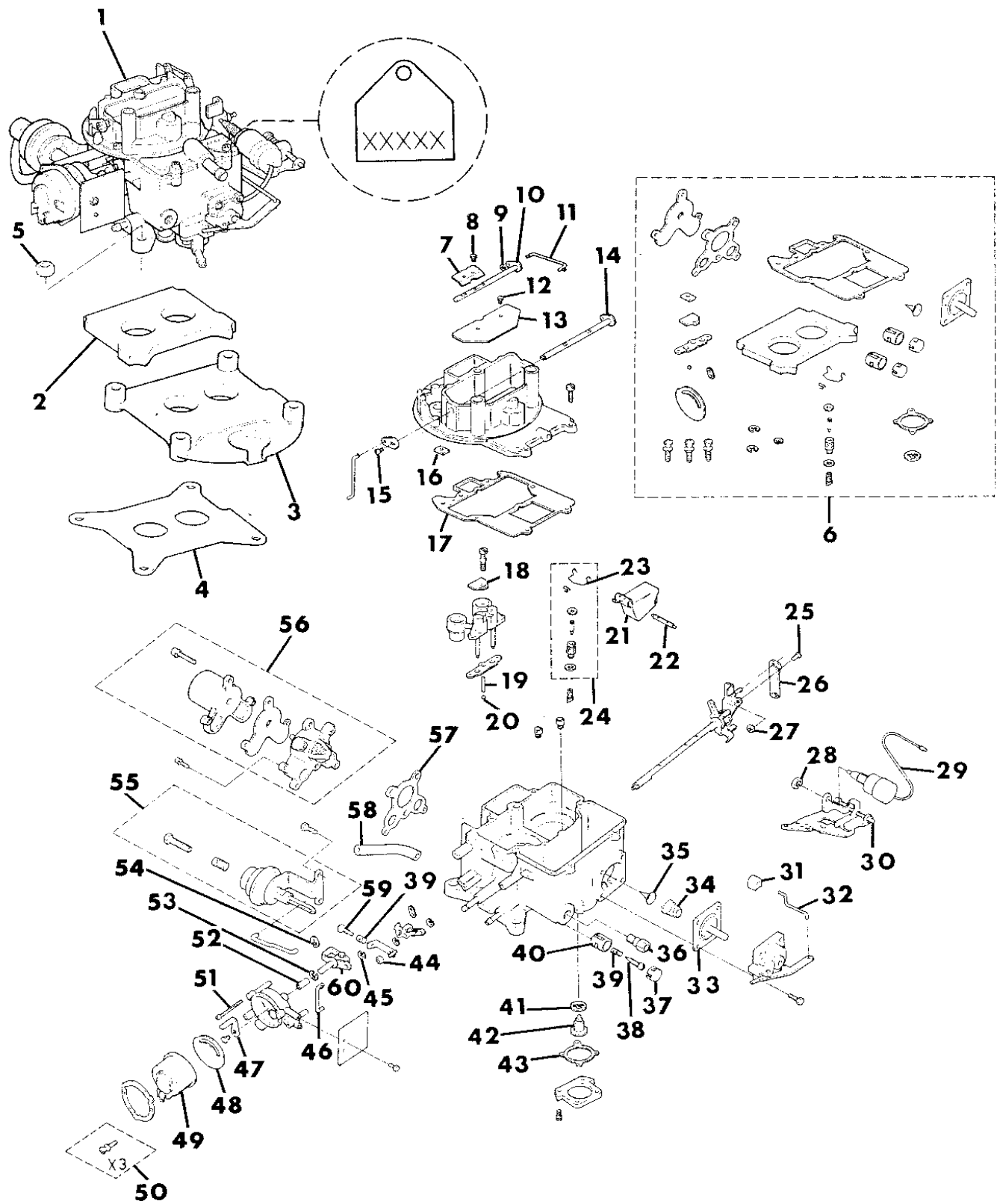
**BODY STYLES:**

MJ = Comanche Pickup  
 SJ = Grand Wagoneer Wgn., J-10 & J-20 Pickups  
 XJ = Cherokee, Wagoneer Limited  
 YJ = Wrangler

AR = Use as Required - = Non Illustrated Part P.A.R. = Paint as Required

**CARBURETOR AND COMPONENT PARTS 5.9L ENGINE GRAND WAGONEER, J10, J20**  
**Figure 14-1200**

8J141200



ITEM	PART NUMBER	QTY	BODY	MODEL	DESCRIPTION
36	J013 7406	1			FITTING
37	J813 3831	2			CAP
38	J813 3890	2			SCREW, Idle Mixture
39	J320 9917	3			SPRING
40	J813 3832	2			PLUG
41	J812 7515	1			GASKET
42	J812 5042	1			VALVE, Power
43	J320 9885	1			GASKET
44	J027 1169	1			NUT
45	J448 8171	3			CLIP, Retaining
46	J320 9893	1			ROD
47	J812 8327	1			LEVER
48	8350 2166	1			GASKET
49	J813 3889	1			COVER ASSEMBLY
50	J813 3834	1			SCREW PACKAGE
51	J448 5441	3			SCREW
52	J812 5987	1			BUSHING
53	J320 9925	1			CLIP, Retaining
54	J320 9922	1			CLIP, Retaining
55	J813 4496	1			DIAPHRAGM, Choke
56	J812 8314	1			COMPENSATOR, Altitude
57	J812 8315	1			GASKET
58	J812 5812	AR			HOSE, 3/16" I.D. Bulk
59	J812 1329	1			SCREW, Fast Idle
60	J812 8276	1			LEVER ASSEMBLY

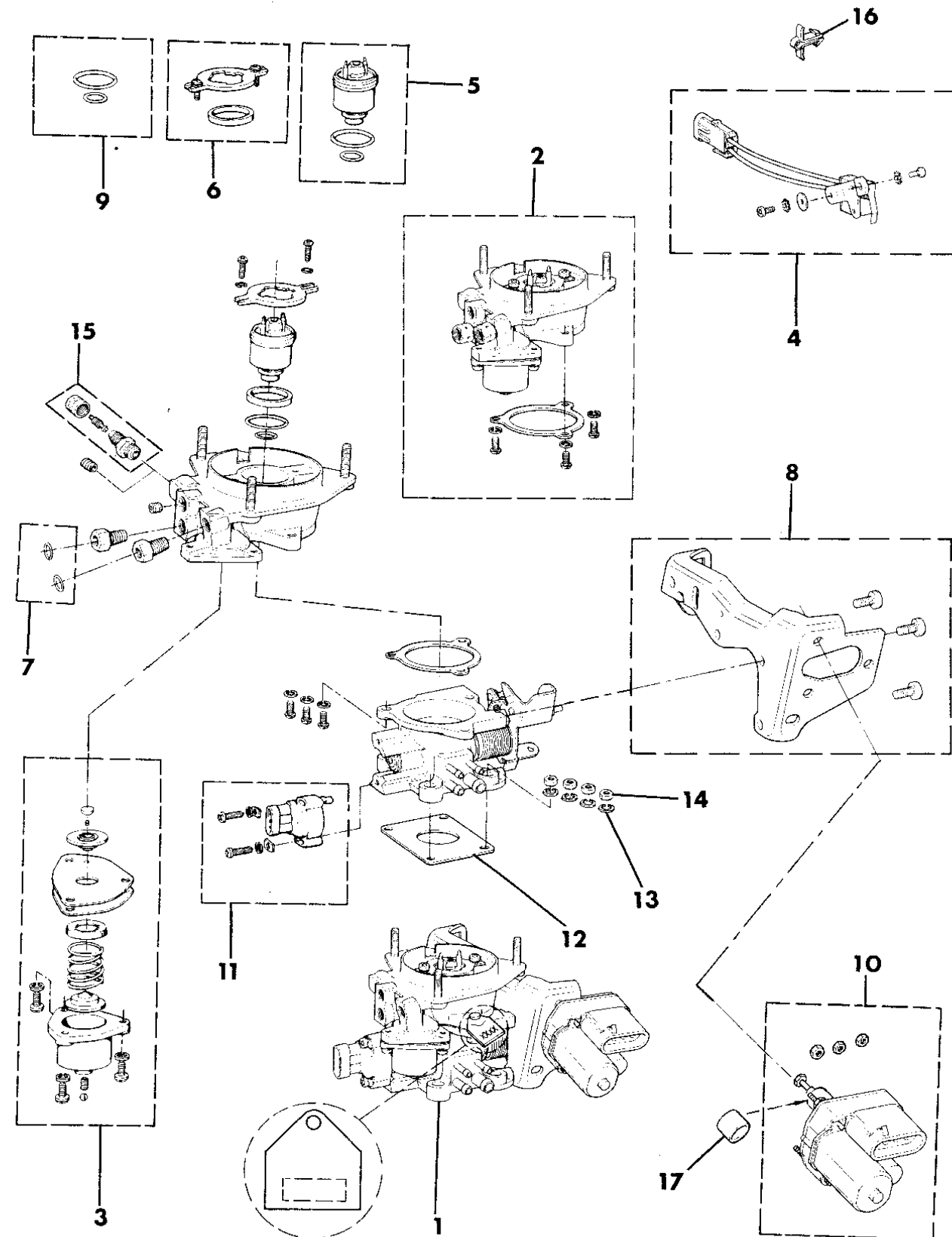
MODEL CODES:  
 15 = Grand Wagoneer 4 Dr.      65 = Comanche 4WD-7 Ft. Box      77 = Cherokee 4WD-2 Dr.  
 25 = J-10 Pickup-119" W.B.      66 = Comanche 2WD-7 Ft. Box      78 = Cherokee 4WD-4 Dr.  
 26 = J-10 Pickup-131" W.B.      73 = Cherokee 2WD-2 Dr.      79 = Cherokee 4WD-4 Dr.-Com  
 27 = J-20 Pickup-131" W.B.      74 = Cherokee 2WD-4 Dr.      81 = Wrangler-93" W.B.  
 63 = Comanche 4WD-6 Ft. Box      75 = Wagoneer 4WD-4 Dr.      82 = Wrangler-103" W.B.-Exp.  
 64 = Comanche 2WD-6 Ft. Box

BODY STYLES:  
 MJ = Comanche Pickup  
 SJ = Grand Wagoneer Wgn., J-10 & J-20 Pickups  
 XJ = Cherokee, Wagoneer Limited  
 YJ = Wrangler

AR = Use as Required - = Non Illustrated Part P.A.R. = Paint as Required

THROTTLE BODY 2.5L EFI ENGINE WRANGLER, YJ  
Figure 14-1300

8 J 14 1300



ITEM	PART NUMBER	QTY	BODY	MODEL	DESCRIPTION
1					BODY, Throttle
	5300 2153	1			Tag #8300
	5300 4540	1			Tag #8700
	5300 5223	1			Tag #8894
2	8350 2747	1			BODY, Fuel
3	8350 1829	1			REGULATOR PACKAGE, Pressure
4	8350 2749	1			SWITCH, Wide Open Throttle
5	8350 2748	1			INJECTOR, Fuel
6	8350 0064	1			MOUNTING PACKAGE, Fuel Injector
7	8350 0065	1			GASKET PACKAGE, Flare
8	8350 2750	1			BRACKET PACKAGE
9	8350 0067	1			O-RING PACKAGE
10	8350 2375	1			ACTUATOR PACKAGE, Idle Speed
11	3300 0169	1			SENSOR PACKAGE, Throttle Position
12	5300 2154	1			GASKET, Throttle Body to Intake Manifold
13	J012 0393	4			WASHER
14	J941 6531	4			NUT
15	8350 1572	1			CONNECTOR, Diagnostic
16	8350 2170	1			CLIP
17	8350 2374	1			BOOT, Actuator

MODEL CODES:

15 = Grand Wagoneer 4 Dr.	65 = Comanche 4WD-7 Ft. Box	77 = Cherokee 4WD-2 Dr.
25 = J-10 Pickup-119" W.B.	66 = Comanche 2WD-7 Ft. Box	78 = Cherokee 4WD-4 Dr.
26 = J-10 Pickup-131" W.B.	73 = Cherokee 2WD-2 Dr.	79 = Cherokee 4WD-4 Dr.-Com
27 = J-20 Pickup-131" W.B.	74 = Cherokee 2WD-4 Dr.	81 = Wrangler-93" W.B.
63 = Comanche 4WD-6 Ft. Box	75 = Wagoneer 4WD-4 Dr.	82 = Wrangler-103" W.B.-Exp.
64 = Comanche 2WD-6 Ft. Box		

BODY STYLES:

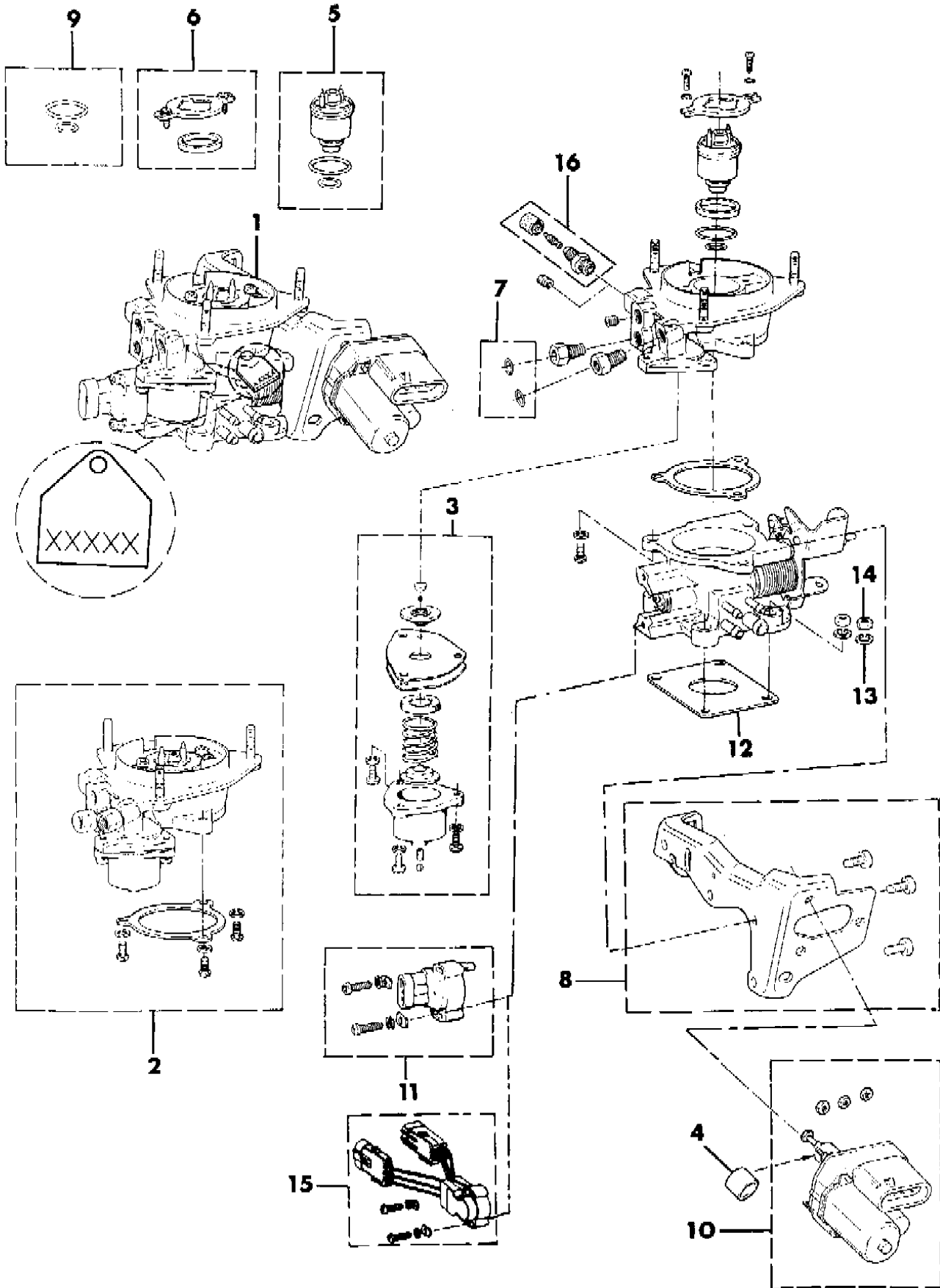
MJ = Comanche Pickup  
SJ = Grand Wagoneer Wgn., J-10 & J-20 Pickups  
XJ = Cherokee, Wagoneer Limited  
YJ = Wrangler

AR = Use as Required - = Non Illustrated Part P.A.R. = Paint as Required



THROTTLE BODY 2.5L EFI ENGINE CHEROKEE, WAGONEER, COMANCHE  
Figure 14-1400

8J14 1400



ITEM	PART NUMBER	QTY	BODY	MODEL	DESCRIPTION
1					BODY, Throttle
	5300 2153	1			Tag #8300 - Man. Trans. 1987
	5300 5222	1			Tag #8892 and #8668 - Man. Trans.
	5300 5221	1			Tag #8893 and #8667 - Man. Trans.
2	8350 4881	1			BODY, Fuel
3	8350 1829	1			REGULATOR PACKAGE, Pressure
4	8350 2374	1			BOOT, Actuator ***
5	8350 4851	1			INJECTOR, Fuel
6	8350 0064	1			MOUNTING PACKAGE, Fuel Injector ***
7	8350 0065	1			GASKET SET, Flare ***
8					BRACKET PACKAGE ***
	8350 2750	1			Man. Trans.
	8350 3638	1			Auto. Trans.
9	8350 0067	1			O-RING PACKAGE
10	8350 2375	1			ACTUATOR PACKAGE, Idle Speed ***
11	3300 0169	1			SENSOR PACKAGE, Throttle Position - Man. Trans.
12	5300 2154	1			GASKET, Throttle Body to Intake Manifold
13	J012 0393	4			WASHER
14	J941 6531	4			NUT
15	3300 4649	1			SENSOR PACKAGE, Throttle Position - Auto. Trans.
16	8350 1572	1			CONNECTOR, Diagnostic

MODEL CODES:

15 = Grand Wagoneer 4 Dr.	65 = Comanche 4WD-7 Ft. Box	77 = Cherokee 4WD-2 Dr.
25 = J-10 Pickup-119" W.B.	66 = Comanche 2WD-7 Ft. Box	78 = Cherokee 4WD-4 Dr.
26 = J-10 Pickup-131" W.B.	73 = Cherokee 2WD-2 Dr.	79 = Cherokee 4WD-4 Dr.-Com
27 = J-20 Pickup-131" W.B.	74 = Cherokee 2WD-4 Dr.	81 = Wrangler-93" W.B.
63 = Comanche 4WD-6 Ft. Box	75 = Wagoneer 4WD-4 Dr.	82 = Wrangler-103" W.B.-Exp.
64 = Comanche 2WD-6 Ft. Box		

BODY STYLES:

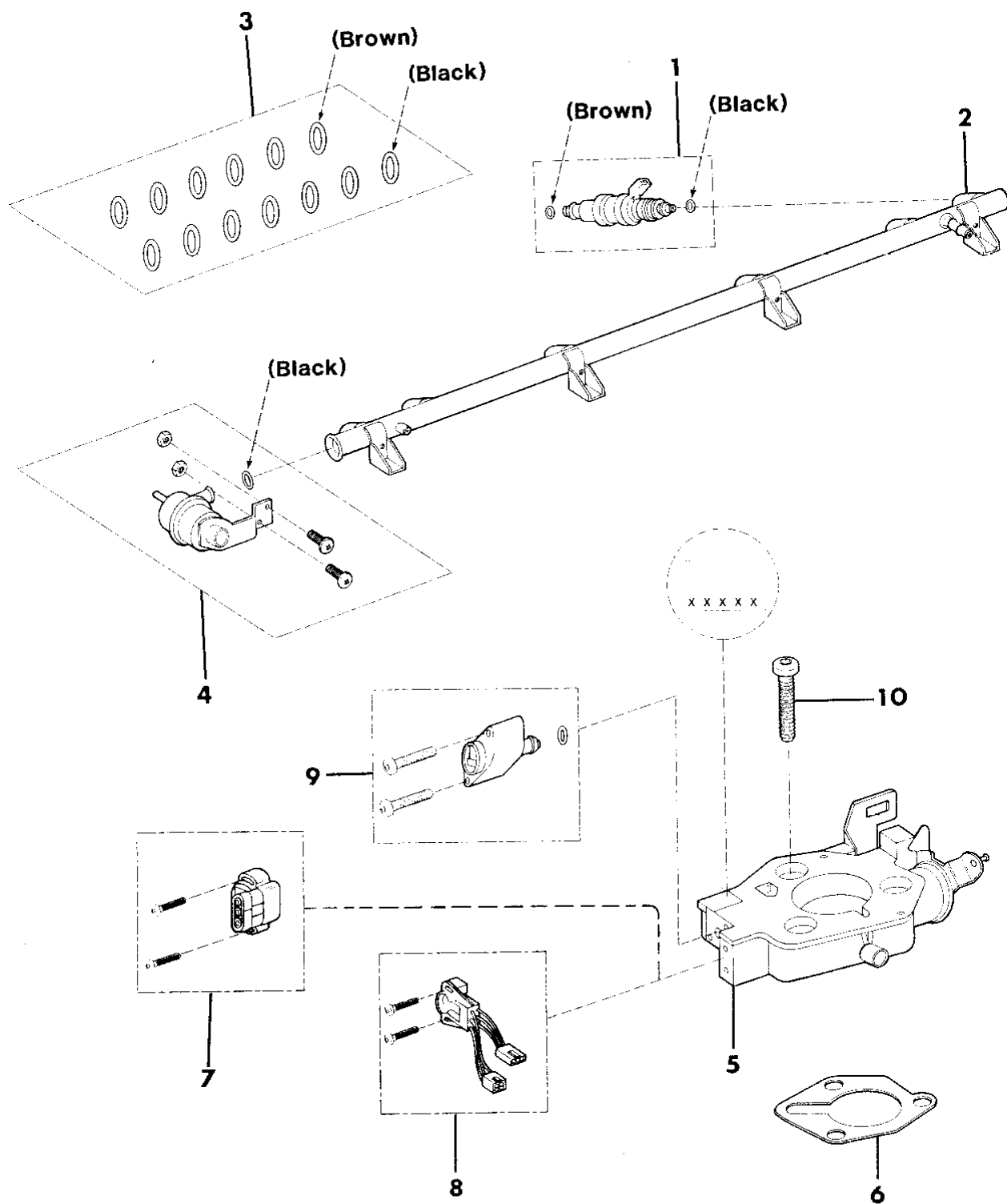
MJ = Comanche Pickup  
SJ = Grand Wagoneer Wgn., J-10 & J-20 Pickups  
XJ = Cherokee, Wagoneer Limited  
YJ = Wrangler

AR = Use as Required - = Non Illustrated Part P.A.R. = Paint as Required

FUEL INJECTION SYSTEM 4.0L ENGINE CHEROKEE, WAGONEER, COMANCHE  
Figure 14-1500

8J 14 1500

ITEM	PART NUMBER	QTY	BODY	MODEL	DESCRIPTION
1	5300 3956	6			INJECTOR, Fuel
	4275 317	6			CLIP, Fuel Injector (Not Shown)
2					RAIL, Fuel
	8350 3636	1			1987-89
	3300 2710	1			1990
3	8350 3637	1			SEAL PACKAGE, Fuel Rail
4	8350 3635	1			REGULATOR PACKAGE, Pressure
5					BODY, Throttle
	3300 3195	1			Tag #9000S - Man. Trans.
	3300 2711	1			Tag #9008S - Auto. Trans.
6	3300 2712	1			GASKET, Throttle Body to Intake Manifold
7	3300 3194	1			SENSOR PACKAGE, Throttle Position - Man. Trans.
8	3300 4650	1			SENSOR PACKAGE, Throttle Position - Auto. Trans.
9	8350 3643	1			MOTOR PACKAGE, Idle Air By-Pass
10	J400 7433	3			BOLT



MODEL CODES:

15 = Grand Wagoneer 4 Dr.	65 = Comanche 4WD-7 Ft. Box	77 = Cherokee 4WD-2 Dr.
25 = J-10 Pickup-119" W.B.	66 = Comanche 2WD-7 Ft. Box	78 = Cherokee 4WD-4 Dr.
26 = J-10 Pickup-131" W.B.	73 = Cherokee 2WD-2 Dr.	79 = Cherokee 4WD-4 Dr.-Com
27 = J-20 Pickup-131" W.B.	74 = Cherokee 2WD-4 Dr.	81 = Wrangler-93" W.B.
63 = Comanche 4WD-6 Ft. Box	75 = Wagoneer 4WD-4 Dr.	82 = Wrangler-103" W.B.-Exp.
64 = Comanche 2WD-6 Ft. Box		

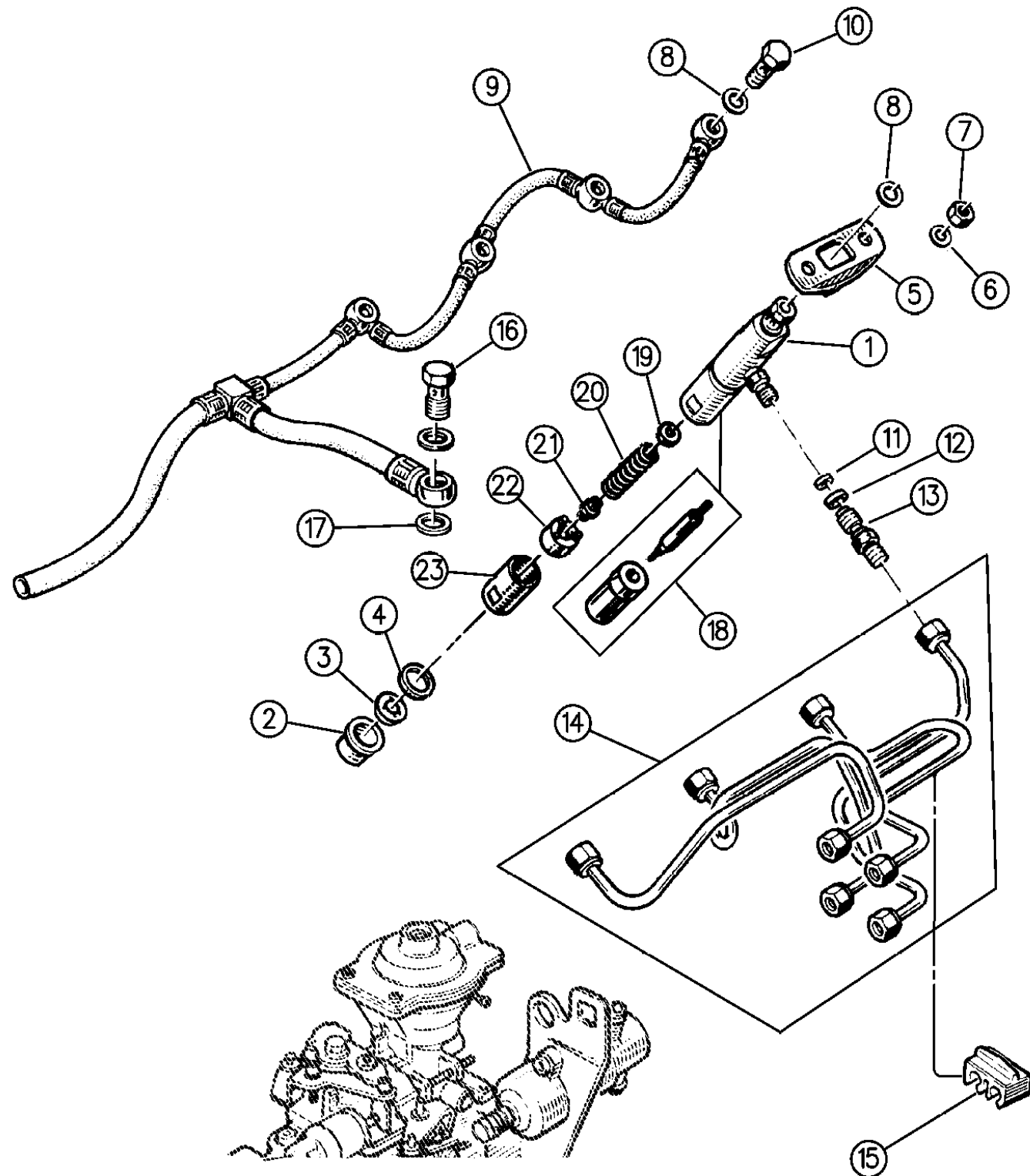
BODY STYLES:

MJ = Comanche Pickup  
SJ = Grand Wagoneer Wgn., J-10 & J-20 Pickups  
XJ = Cherokee, Wagoneer Limited  
YJ = Wrangler

AR = Use as Required - = Non Illustrated Part P.A.R. = Paint as Required

FUEL INJECTION SYSTEM DIESEL ENGINE CHEROKEE, COMANCHE  
Figure 14-1600

8J14 1600



ITEM	PART NUMBER	QTY	BODY	MODEL	DESCRIPTION
1	JR77 5059	4			NOZZLE, Injector, J8S 814 Engine
	J069 5922	4			HOUSING, Injector, J8S 890 Engine
2	T069 0543	4			SHIELD, Heat 17.5 mm
	T069 0544	4			SHIELD, Heat 17.7 mm
3	T066 3363	4			GASKET
4	T069 0542	4			O-RING
5	T067 9944	4			RETAINER, Injector
6	1150 0255	8			WASHER
7	T303 2157	8			NUT
8	T024 2149	8			SEAL
9	J073 1807	1			TUBE, Fuel Return
10	T480 5800	4			UNION, Fuel Return
11	T102 4658	4			WASHER
12	J301 5194	4			SEAL
13	T102 4659	4			CONNECTOR
14	T069 6528	1			TUBE, Injector
15	T102 7035	AR			SEPARATOR
16	T102 4765	1			UNION, Fuel Return
17	8350 2348	2			SEAL
18	J120 2182	4			PACKAGE, Needle and Seat, J8S 890 Engine
19					WASHER, Spring, J8S 890 Engine
	T102 4644	AR			1.00 mm
	T102 4645	AR			1.10 mm
	T102 4646	AR			1.20 mm
	T102 4647	AR			1.30 mm
	T102 4648	AR			1.40 mm
	T102 4649	AR			1.50 mm
	T102 4650	AR			1.60 mm
	T102 4651	AR			1.70 mm
	T102 4652	AR			1.80 mm
T102 4653	AR			1.90 mm	
20	T102 8073	1			SPRING, J8S 890 Engine
21	T102 8074	1			CUP, J8S 890 Engine
22	T102 4656	1			SPACER, J8S 890 Engine
23	T102 4657	1			CAP, J8S 890 Engine

MODEL CODES:

15 = Grand Wagoneer 4 Dr.	65 = Comanche 4WD-7 Ft. Box	77 = Cherokee 4WD-2 Dr.
25 = J-10 Pickup-119" W.B.	66 = Comanche 2WD-7 Ft. Box	78 = Cherokee 4WD-4 Dr.
26 = J-10 Pickup-131" W.B.	73 = Cherokee 2WD-2 Dr.	79 = Cherokee 4WD-4 Dr.-Com
27 = J-20 Pickup-131" W.B.	74 = Cherokee 2WD-4 Dr.	81 = Wrangler-93" W.B.
63 = Comanche 4WD-6 Ft. Box	75 = Wagoneer 4WD-4 Dr.	82 = Wrangler-103" W.B.-Exp.
64 = Comanche 2WD-6 Ft. Box		

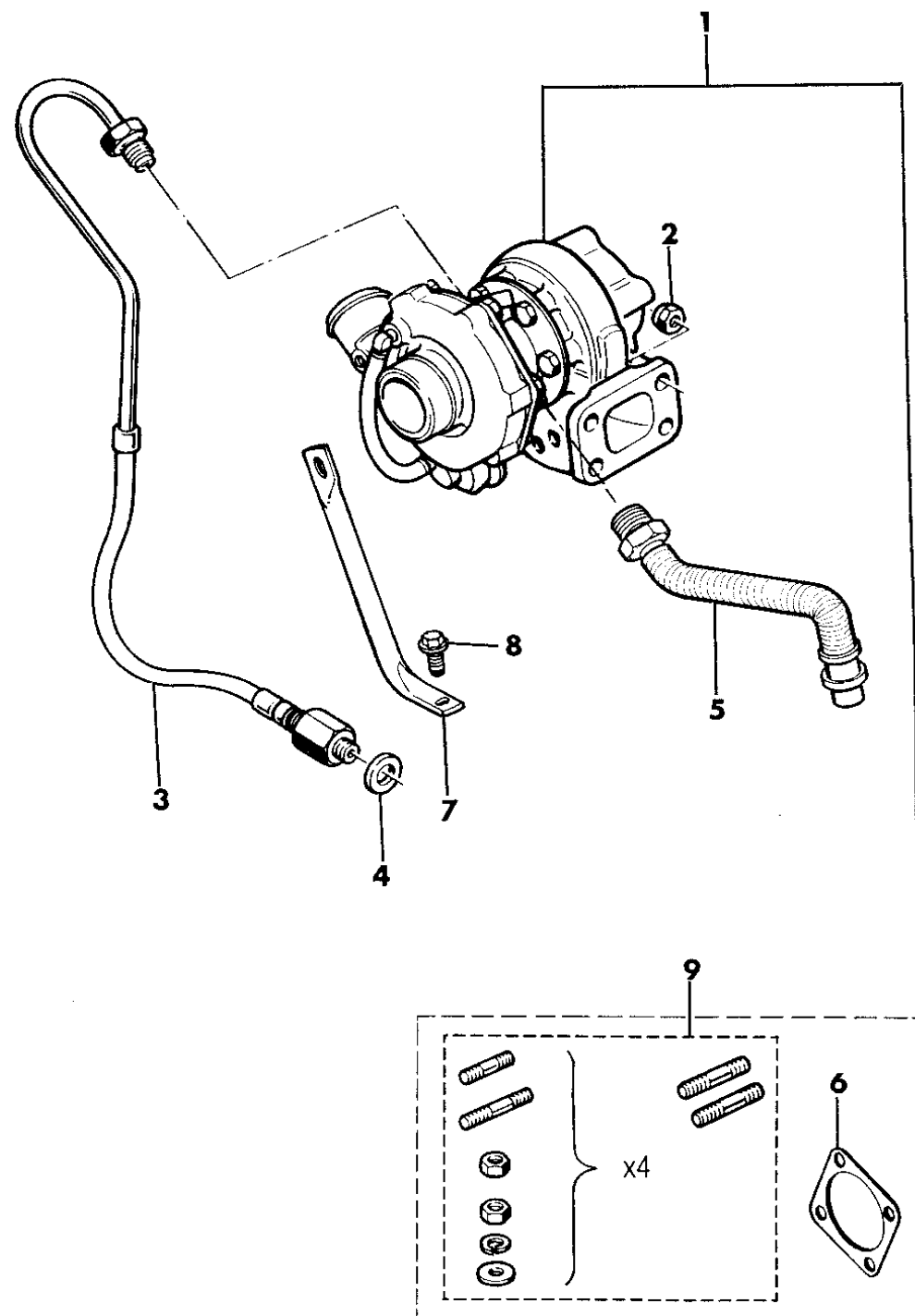
BODY STYLES:

MJ = Comanche Pickup  
 SJ = Grand Wagoneer Wgn., J-10 & J-20 Pickups  
 XJ = Cherokee, Wagoneer Limited  
 YJ = Wrangler

AR = Use as Required - = Non Illustrated Part P.A.R. = Paint as Required

TURBO CHARGER DIESEL ENGINE CHEROKEE, COMANCHE  
Figure 14-1700

8 J14 1700



ITEM	PART NUMBER	QTY	BODY	MODEL	DESCRIPTION
1	JR77 5043	1			TURBO CHARGER - Reman
2	T303 4081	4			NUT
3	T072 7702	1			TUBE, Oil Supply
4	T777 7650	1			GASKET
5	5300 3935	1			HOSE, Oil Return
6	T069 5216	1			GASKET
7	3300 2467	1			BRACKET, Support
8	3420 1818	1			SCREW
9	T146 2991	1			HARDWARE PACKAGE

MODEL CODES:

15 = Grand Wagoneer 4 Dr.	65 = Comanche 4WD-7 Ft. Box	77 = Cherokee 4WD-2 Dr.
25 = J-10 Pickup-119" W.B.	66 = Comanche 2WD-7 Ft. Box	78 = Cherokee 4WD-4 Dr.
26 = J-10 Pickup-131" W.B.	73 = Cherokee 2WD-2 Dr.	79 = Cherokee 4WD-4 Dr.-Com
27 = J-20 Pickup-131" W.B.	74 = Cherokee 2WD-4 Dr.	81 = Wrangler-93" W.B.
63 = Comanche 4WD-6 Ft. Box	75 = Wagoneer 4WD-4 Dr.	82 = Wrangler-103" W.B.-Exp.
64 = Comanche 2WD-6 Ft. Box		

BODY STYLES:

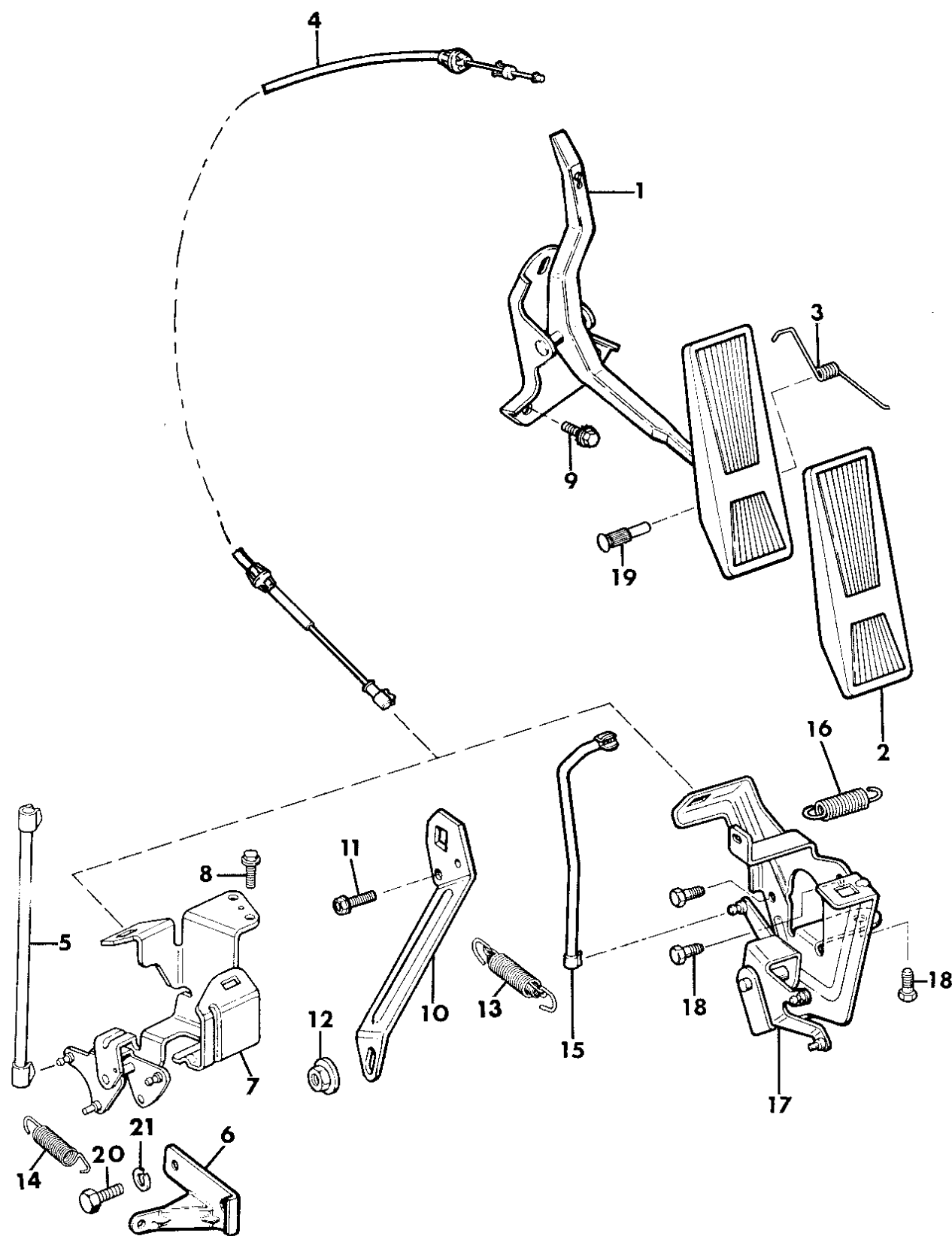
MJ = Comanche Pickup  
 SJ = Grand Wagoneer Wgn., J-10 & J-20 Pickups  
 XJ = Cherokee, Wagoneer Limited  
 YJ = Wrangler

AR = Use as Required - = Non Illustrated Part P.A.R. = Paint as Required

**ACCELERATOR PEDAL AND LINKAGE 2.5L AND 4.2L ENGINES WRANGLER, YJ**  
**Figure 14-1800**

8J14 1800

ITEM	PART NUMBER	QTY	BODY	MODEL	DESCRIPTION
1	5300 3967	1			PEDAL, Accelerator
2	5300 3932	1			PAD, Pedal
3	J319 3369	1			SPRING
4					CABLE, Accelerator
	5300 5206	1			2.5L Eng. EFI
	5204 0430	1			2.5L Eng. Carbureted - NRM
	5204 0274	1			4.2L Eng.
5	J323 9634	1			LINK, 4.2L Eng.
6					BRACKET, Spring Mounting
	J535 9319	1			4.2L Eng. - U.S. and Canada
	J536 4750	1			4.2L Eng. - KDX, NRM
7	J536 2728	1			BELLCRANK, 4.2L Eng.
8	J027 3573	3			SCREW, 4.2L Eng.
9	J400 4801	3			SCREW
10	5300 2749	1			BRACE, 2.5L Eng. EFI
11	3420 1807	1			BOLT, Hex Flange 2.5L Eng. EFI
12	J400 6080	1			NUT, 2.5L Eng. EFI
13	5300 4096	1			SPRING, Return 2.5L Eng. EFI
14	J535 8241	2			SPRING, Return 4.2L Eng.
15	3300 1068	1			LINK, 2.5L Eng. Carbureted
16	3300 1069	1			SPRING, Return 2.5L Eng. Carbureted
17	3300 1065	1			BELLCRANK, 2.5L Eng. Carbureted
18					SCREW, 2.5L Eng. Carbureted
	S017 9814	3			1987-88
	J027 3890	3			1989-90
19	J322 0231	1			PIN
20	J018 0077	2			BOLT, 4.2L Eng.
21	J012 0214	2			WASHER, Lock 4.2L Eng.



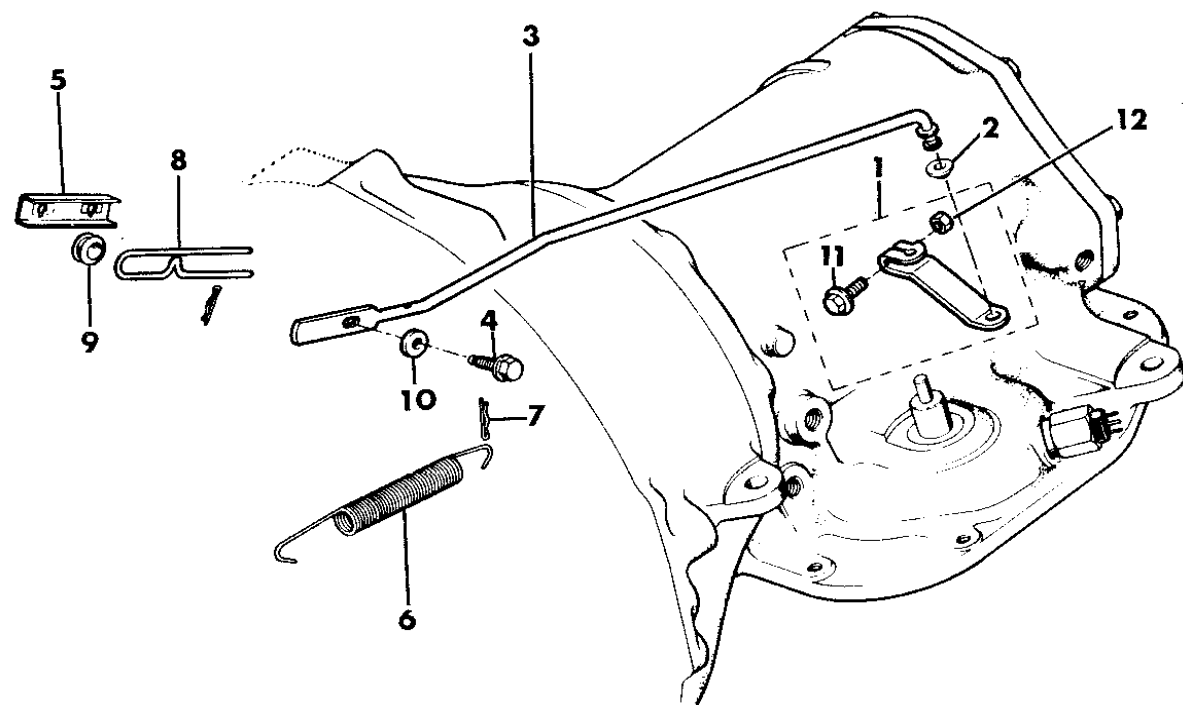
MODEL CODES:  
 15 = Grand Wagoneer 4 Dr.      65 = Comanche 4WD-7 Ft. Box      77 = Cherokee 4WD-2 Dr.  
 25 = J-10 Pickup-119" W.B.      66 = Comanche 2WD-7 Ft. Box      78 = Cherokee 4WD-4 Dr.  
 26 = J-10 Pickup-131" W.B.      73 = Cherokee 2WD-2 Dr.      79 = Cherokee 4WD-4 Dr.-Com  
 27 = J-20 Pickup-131" W.B.      74 = Cherokee 2WD-4 Dr.      81 = Wrangler-93" W.B.  
 63 = Comanche 4WD-6 Ft. Box      75 = Wagoneer 4WD-4 Dr.      82 = Wrangler-103" W.B.-Exp.  
 64 = Comanche 2WD-6 Ft. Box

BODY STYLES:  
 MJ = Comanche Pickup  
 SJ = Grand Wagoneer Wgn., J-10 & J-20 Pickups  
 XJ = Cherokee, Wagoneer Limited  
 YJ = Wrangler

AR = Use as Required - = Non Illustrated Part P.A.R. = Paint as Required

LINKAGE AUTOMATIC TRANSMISSION DETENT 4.2L ENGINE WRANGLER, YJ  
Figure 14-1850

8J14 1850



ITEM	PART NUMBER	QTY	BODY	MODEL	DESCRIPTION
1	5300 3728	1			LEVER, Throttle
2	J322 0125	1			BUSHING
3	5300 2016	1			ROD, Throttle
4	S943 2476	2			BOLT
5	J324 0123	1			CLAMP
6	J319 6286	1			SPRING
7	J400 5122	2			PIN, Hitch
8	J322 2405	1			LINK
9	J322 3656	1			SPACER
10	J400 1085	1			WASHER
11	J400 6393	1			SCREW
12	J027 1501	1			NUT

MODEL CODES:

15 = Grand Wagoneer 4 Dr.	65 = Comanche 4WD-7 Ft. Box	77 = Cherokee 4WD-2 Dr.
25 = J-10 Pickup-119" W.B.	66 = Comanche 2WD-7 Ft. Box	78 = Cherokee 4WD-4 Dr.
26 = J-10 Pickup-131" W.B.	73 = Cherokee 2WD-2 Dr.	79 = Cherokee 4WD-4 Dr.-Com
27 = J-20 Pickup-131" W.B.	74 = Cherokee 2WD-4 Dr.	81 = Wrangler-93" W.B.
63 = Comanche 4WD-6 Ft. Box	75 = Wagoneer 4WD-4 Dr.	82 = Wrangler-103" W.B.-Exp.
64 = Comanche 2WD-6 Ft. Box		

BODY STYLES:

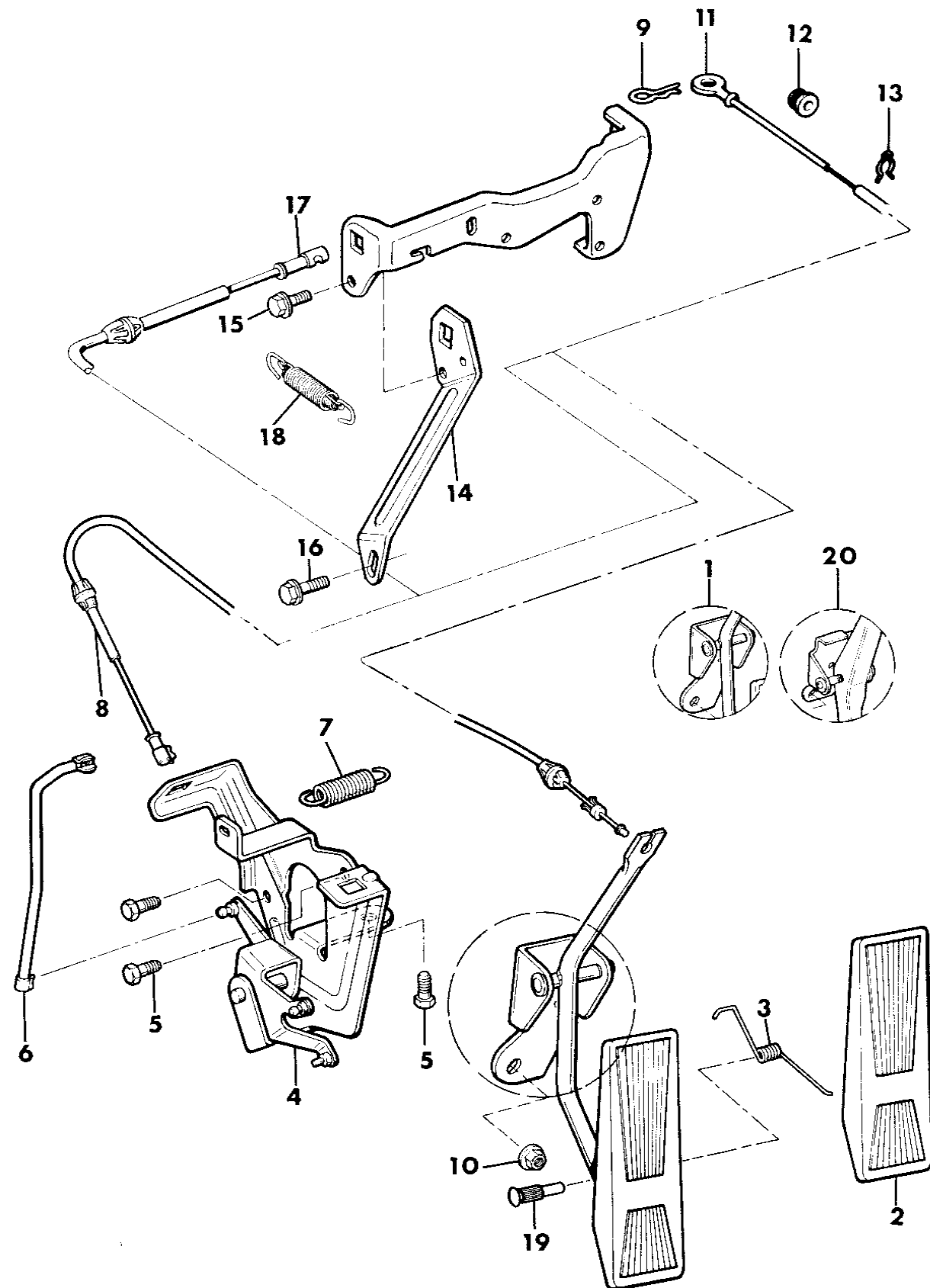
MJ = Comanche Pickup  
 SJ = Grand Wagoneer Wgn., J-10 & J-20 Pickups  
 XJ = Cherokee, Wagoneer Limited  
 YJ = Wrangler

AR = Use as Required - = Non Illustrated Part P.A.R. = Paint as Required

ACCELERATOR PEDAL AND LINKAGE 2.5L AND DIESEL ENGINES CHEROKEE, WAGONEER, COMANCHE

Figure 14-1900

8J141900



ITEM	PART NUMBER	QTY	BODY	MODEL	DESCRIPTION
1	5300 3719	1			PEDAL, Accelerator - 1987-88
2	5300 3932	1			PAD, Pedal
3	J319 3369	1			SPRING
4	3300 1065	1			BELLCRANK ASSEMBLY - Carbureted Eng. ***
5	S017 9814	3			SCREW - Carbureted Eng.
6	3300 1068	1			LINK - Carbureted Eng.
7	3300 1069	1			SPRING, Return - Carbureted Eng.
8					CABLE, Accelerator - Carbureted Eng.
	5300 1572	1			Item #1 Application
	5300 5246	1			Item #20 Application
9	J400 5122	1			PIN - Diesel Eng.
10	3420 1246	2			NUT
11					CABLE, Accelerator - Diesel Eng.
	5300 5204	1			Item #1 Application
	5300 5247	1			Item #20 Application
12	5300 1952	1			GROMMET - Diesel Eng.
13	J306 6295	1			CLIP - Diesel Eng.
14	5300 2749	1			BRACE - Injected Eng.
15	3420 1807	1			BOLT, Hex Head - Injected Eng.
16	J400 6036	1			BOLT, Hex Flange - Injected Eng.
17					CABLE, Accelerator - Injected Eng.
	5300 3652	1			Item #1 Application
	5300 5244	1			Item #20 Application
18	5300 4577	1			SPRING, Return - Injected Eng.
19	J322 0231	1			PIN
20	5300 5241	1			PEDAL, Accelerator - 1989-90

MODEL CODES:

15 = Grand Wagoneer 4 Dr.	65 = Comanche 4WD-7 Ft. Box	77 = Cherokee 4WD-2 Dr.
25 = J-10 Pickup-119" W.B.	66 = Comanche 2WD-7 Ft. Box	78 = Cherokee 4WD-4 Dr.
26 = J-10 Pickup-131" W.B.	73 = Cherokee 2WD-2 Dr.	79 = Cherokee 4WD-4 Dr.-Com
27 = J-20 Pickup-131" W.B.	74 = Cherokee 2WD-4 Dr.	81 = Wrangler-93" W.B.
63 = Comanche 4WD-6 Ft. Box	75 = Wagoneer 4WD-4 Dr.	82 = Wrangler-103" W.B.-Exp.
64 = Comanche 2WD-6 Ft. Box		

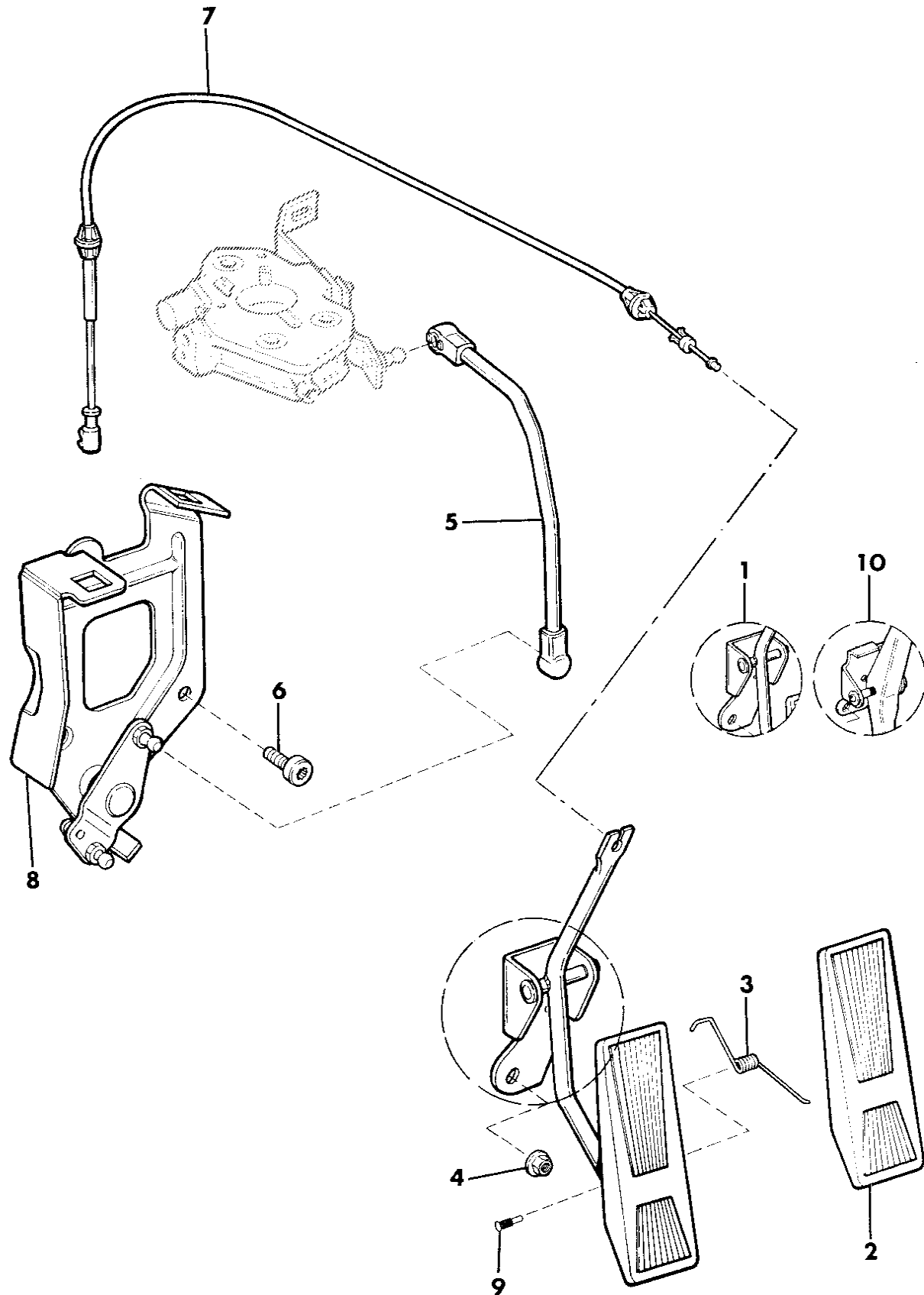
BODY STYLES:

MJ = Comanche Pickup  
 SJ = Grand Wagoneer Wgn., J-10 & J-20 Pickups  
 XJ = Cherokee, Wagoneer Limited  
 YJ = Wrangler

AR = Use as Required - = Non Illustrated Part P.A.R. = Paint as Required

**ACCELERATOR PEDAL AND LINKAGE 4.0L ENGINE CHEROKEE, WAGONEER, COMANCHE**  
**Figure 14-2000**

8J142000



ITEM	PART NUMBER	QTY	BODY	MODEL	DESCRIPTION
1	5300 3719	1			PEDAL, Accelerator - 1987-88
2	5300 3932	1			PAD, Pedal
3	J319 3369	1			SPRING
4	3420 1246	2			NUT
5					LINK
	5300 4964	1			Item #1 Application
	5300 5315	1			Item #10 Application
6	J400 6708	3			SCREW
7					CABLE, Accelerator
	5300 5201	1			Item #1 Application
	5300 5245	1			Item #10 Application
8					BELLCRANK ASSEMBLY
	5300 5185	1			Item #1 Application
	5300 5312	1			Item #10 Application
9	J322 0231	1			PIN
10	5300 5241	1			PEDAL, Accelerator 1988-90

**MODEL CODES:**

- |                             |                             |                              |
|-----------------------------|-----------------------------|------------------------------|
| 15 = Grand Wagoneer 4 Dr.   | 65 = Comanche 4WD-7 Ft. Box | 77 = Cherokee 4WD-2 Dr.      |
| 25 = J-10 Pickup-119" W.B.  | 66 = Comanche 2WD-7 Ft. Box | 78 = Cherokee 4WD-4 Dr.      |
| 26 = J-10 Pickup-131" W.B.  | 73 = Cherokee 2WD-2 Dr.     | 79 = Cherokee 4WD-4 Dr.-Com  |
| 27 = J-20 Pickup-131" W.B.  | 74 = Cherokee 2WD-4 Dr.     | 81 = Wrangler-93" W.B.       |
| 63 = Comanche 4WD-6 Ft. Box | 75 = Wagoneer 4WD-4 Dr.     | 82 = Wrangler-103" W.B.-Exp. |
| 64 = Comanche 2WD-6 Ft. Box |                             |                              |

**BODY STYLES:**

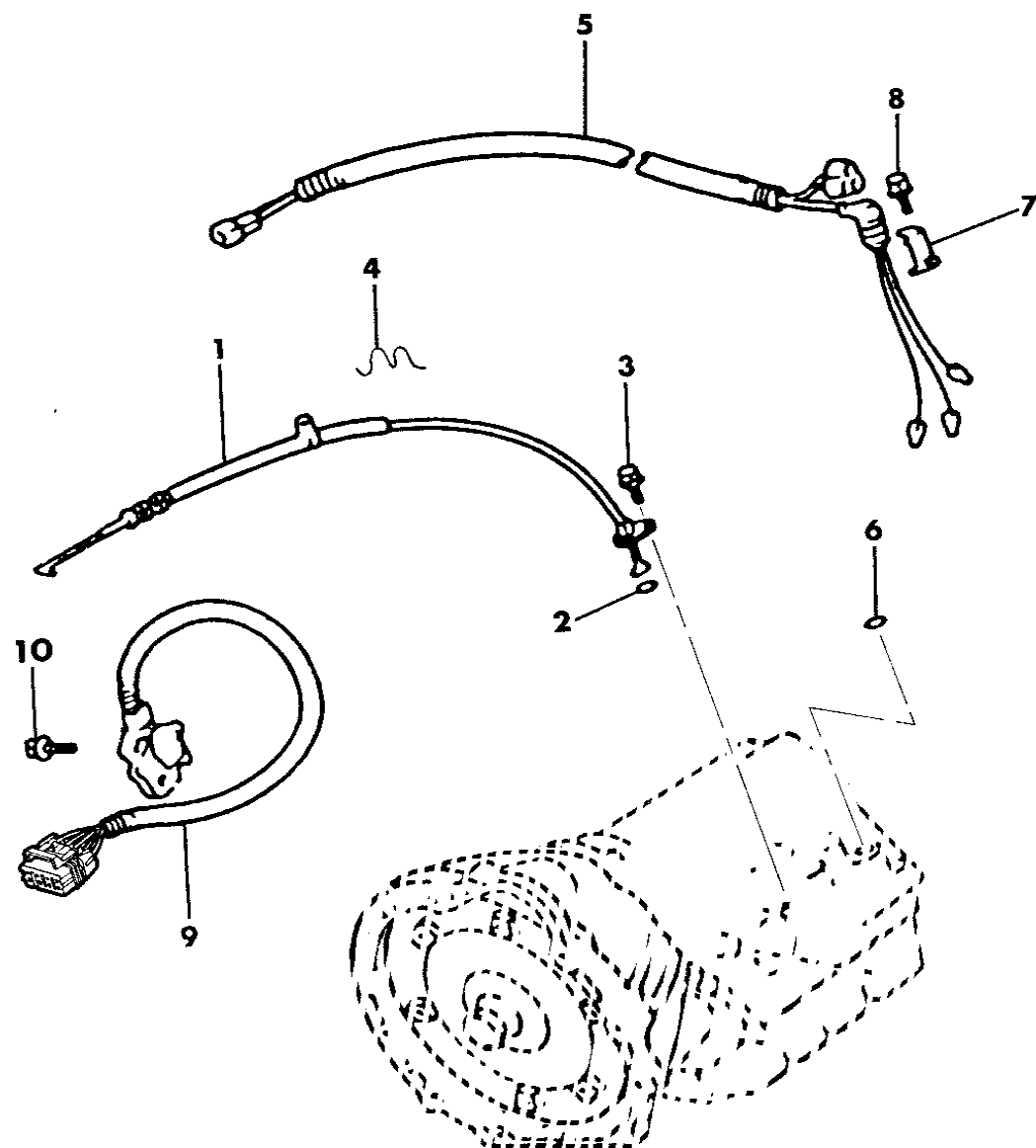
- MJ = Comanche Pickup  
 SJ = Grand Wagoneer Wgn., J-10 & J-20 Pickups  
 XJ = Cherokee, Wagoneer Limited  
 YJ = Wrangler

AR = Use as Required - = Non Illustrated Part P.A.R. = Paint as Required



LINKAGE AUTOMATIC TRANSMISSION DETENT 2.5L AND 4.0L ENGINES CHEROKEE, WAGONEER, COMANCHE  
Figure 14-2050

8J14 2050



ITEM	PART NUMBER	QTY	BODY	MODEL	DESCRIPTION
1					CABLE, Throttle Control
	8350 3707	1			2.5L Eng.
	8350 3741	1			4.0L Eng.
2	8350 3708	1			O-RING
3	8350 3709	1			BOLT
4	8350 3710	1			CLAMP
5	8350 3718	1		RWD	HARNESS, Transmission
	8350 3740	1		4WD	2.5L Eng.
	8350 3843	1		4WD	4.0L Eng.
6	8350 3719	1			O-RING
7	8350 3717	1			PLATE, Lock
8	8350 3716	1			BOLT
9	8350 3712	1			SWITCH, Neutral Safety
10	8350 3714	1			BOLT

MODEL CODES:

15 = Grand Wagoneer 4 Dr.	65 = Comanche 4WD-7 Ft. Box	77 = Cherokee 4WD-2 Dr.
25 = J-10 Pickup-119" W.B.	66 = Comanche 2WD-7 Ft. Box	78 = Cherokee 4WD-4 Dr.
26 = J-10 Pickup-131" W.B.	73 = Cherokee 2WD-2 Dr.	79 = Cherokee 4WD-4 Dr.-Com
27 = J-20 Pickup-131" W.B.	74 = Cherokee 2WD-4 Dr.	81 = Wrangler-93" W.B.
63 = Comanche 4WD-6 Ft. Box	75 = Wagoneer 4WD-4 Dr.	82 = Wrangler-103" W.B.-Exp.
64 = Comanche 2WD-6 Ft. Box		

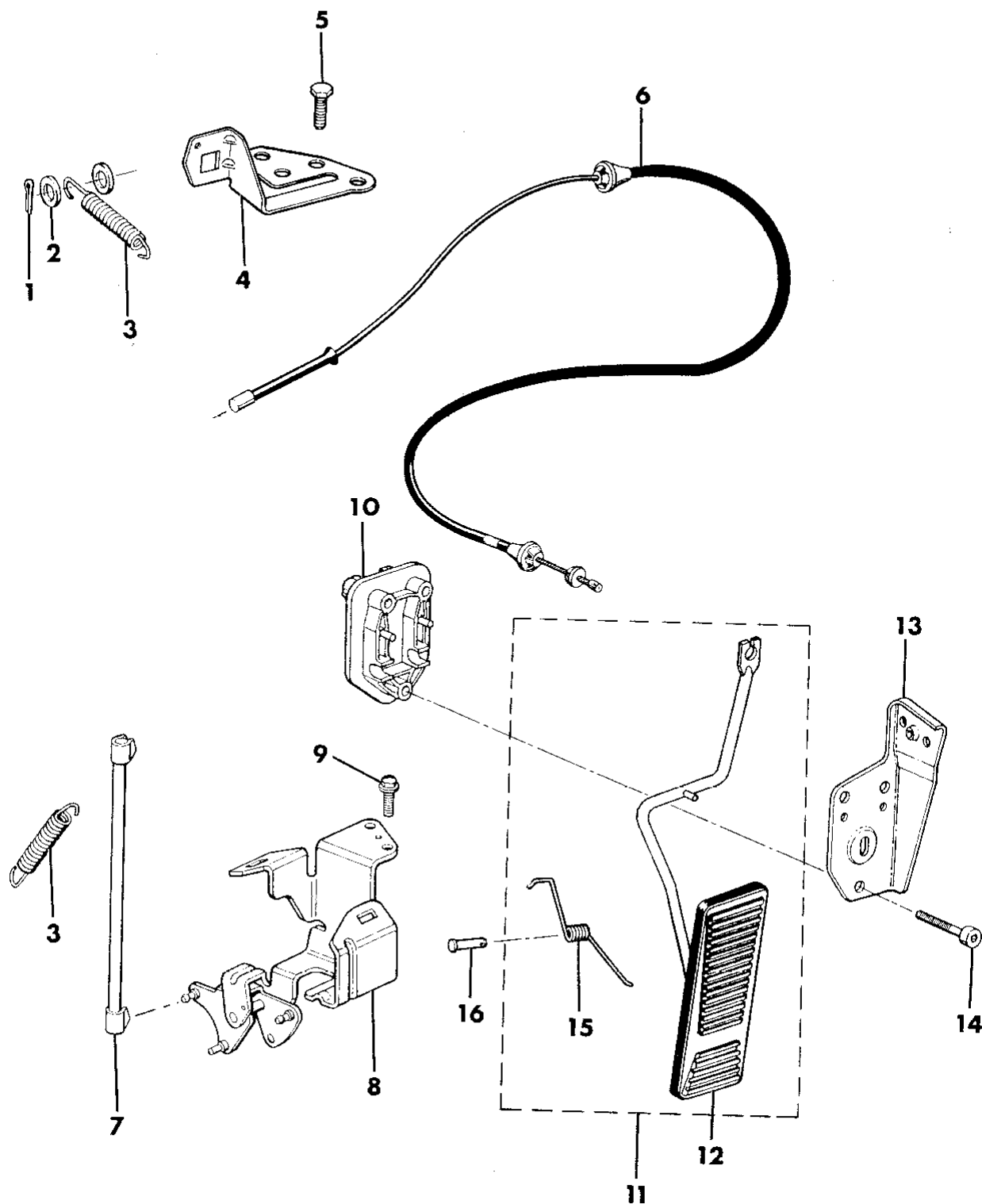
BODY STYLES:

MJ = Comanche Pickup  
 SJ = Grand Wagoneer Wgn., J-10 & J-20 Pickups  
 XJ = Cherokee, Wagoneer Limited  
 YJ = Wrangler

AR = Use as Required - = Non Illustrated Part P.A.R. = Paint as Required

**ACCELERATOR PEDAL AND LINKAGE 4.2L AND 5.9L ENGINES GRAND WAGONEER, J10, J20**  
**Figure 14-2100**

8J14 2100



ITEM	PART NUMBER	QTY	BODY	MODEL	DESCRIPTION
1	J043 5864	1			PIN, Cotter - 5.9L Eng.
2	J012 0392	2			WASHER - 5.9L Eng.
3					SPRING, Return
	J535 8241	2			4.2L Eng.
	J535 7086	1			5.9L Eng.
4	J535 7914	1			BRACKET, Cable - 5.9L Eng.
5	J400 0987	2			SCREW - 5.9L Eng.
6					CABLE, Accelerator
	5300 5203	1			4.2L Eng.
	5300 5205	1			5.9L Eng.
7	J323 9634	1			LINK, Carburetor - 4.2L Eng.
8	J536 2728	1			BELLCRANK ASSEMBLY - 4.2L Eng. ***
9	J027 3573	3			SCREW - 4.2L Eng.
10	J536 3792	1			SUPPORT, Pedal
11	5300 3963	1			PEDAL, Accelerator
12	5300 3932	1			PAD, Pedal
13	J536 0187	1			PLATE, Mounting
14	J400 7027	3			SCREW
15	J319 3369	1			SPRING
16	J319 3368	1			PIN

**MODEL CODES:**

15 = Grand Wagoneer 4 Dr.	65 = Comanche 4WD-7 Ft. Box	77 = Cherokee 4WD-2 Dr.
25 = J-10 Pickup-119" W.B.	66 = Comanche 2WD-7 Ft. Box	78 = Cherokee 4WD-4 Dr.
26 = J-10 Pickup-131" W.B.	73 = Cherokee 2WD-2 Dr.	79 = Cherokee 4WD-4 Dr.-Com
27 = J-20 Pickup-131" W.B.	74 = Cherokee 2WD-4 Dr.	81 = Wrangler-93" W.B.
63 = Comanche 4WD-6 Ft. Box	75 = Wagoneer 4WD-4 Dr.	82 = Wrangler-103" W.B.-Exp.
64 = Comanche 2WD-6 Ft. Box		

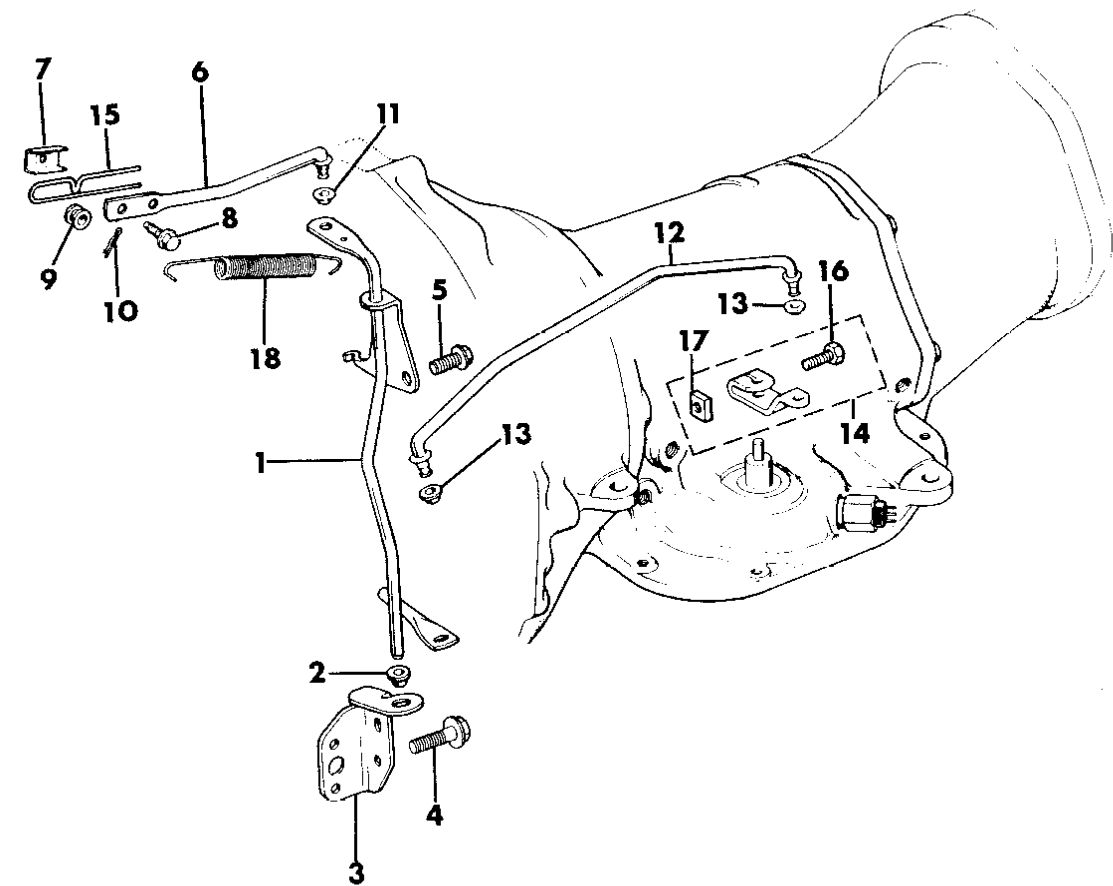
**BODY STYLES:**

MJ = Comanche Pickup  
 SJ = Grand Wagoneer Wgn., J-10 & J-20 Pickups  
 XJ = Cherokee, Wagoneer Limited  
 YJ = Wrangler

AR = Use as Required - = Non Illustrated Part P.A.R. = Paint as Required

LINKAGE AUTOMATIC TRANSMISSION DETENT 4.2L AND 5.9L ENGINES GRAND WAGONEER, J10, J20  
Figure 14-2150

8J14 2150



ITEM	PART NUMBER	QTY	BODY	MODEL	DESCRIPTION
1	J536 1240	1			BELLCRANK
2	J322 0413	1			BUSHING
3	J536 0066	1			BRACKET
4	J400 6297	2			SCREW
5	J027 4902	1			SCREW
6	J536 1058	1			ROD
7	J321 7200	1			CLAMP
8	S943 2476	1			BOLT
9	J322 3656	1			SPACER
10	J400 5122	1			PIN, Hitch
11	J322 0125	1			BUSHING
12	J322 0684	1			LINK
13	J322 0125	1			BUSHING
14	J322 0677	1			LEVER
15	J536 1056	1			LINK
16	J400 7460	1			BOLT
17	J011 4381	1			NUT
18	J319 6286	1			SPRING

MODEL CODES:

15 = Grand Wagoneer 4 Dr.	65 = Comanche 4WD-7 Ft. Box	77 = Cherokee 4WD-2 Dr.
25 = J-10 Pickup-119" W.B.	66 = Comanche 2WD-7 Ft. Box	78 = Cherokee 4WD-4 Dr.
26 = J-10 Pickup-131" W.B.	73 = Cherokee 2WD-2 Dr.	79 = Cherokee 4WD-4 Dr.-Com
27 = J-20 Pickup-131" W.B.	74 = Cherokee 2WD-4 Dr.	81 = Wrangler-93" W.B.
63 = Comanche 4WD-6 Ft. Box	75 = Wagoneer 4WD-4 Dr.	82 = Wrangler-103" W.B.-Exp.
64 = Comanche 2WD-6 Ft. Box		

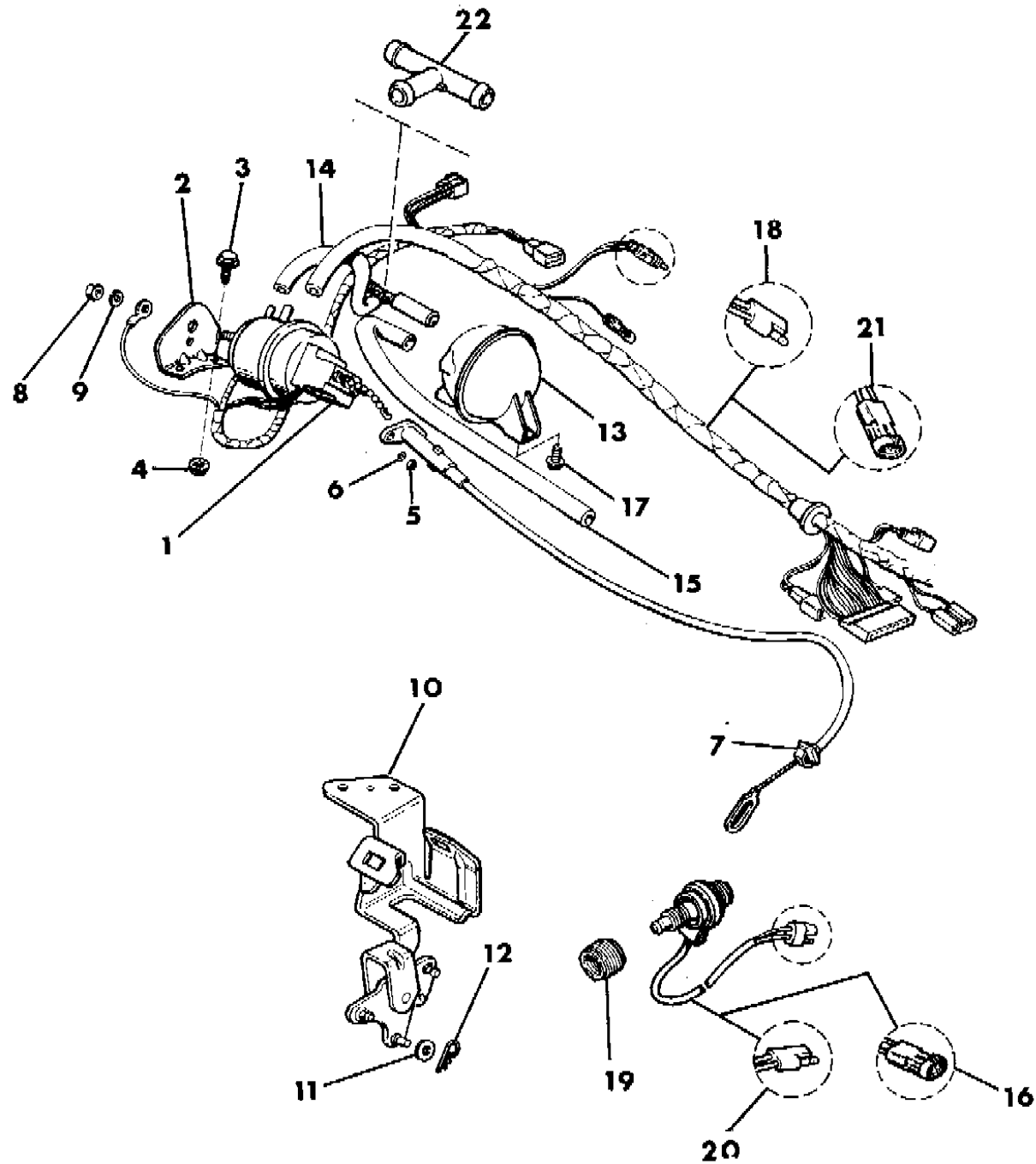
BODY STYLES:

MJ = Comanche Pickup  
 SJ = Grand Wagoneer Wgn., J-10 & J-20 Pickups  
 XJ = Cherokee, Wagoneer Limited  
 YJ = Wrangler

AR = Use as Required - = Non Illustrated Part P.A.R. = Paint as Required

**SPEED CONTROL, ENGINE COMPARTMENT COMPONENTS 4.2L ENGINE WRANGLER, YJ**  
**Figure 14-2200**

8 J 14 2200 A



ITEM	PART NUMBER	QTY	BODY	MODEL	DESCRIPTION
1	5300 5082	1			SERVO, Cruise Control
2	5300 3729	1			BRACKET
3	J027 3573	2			SCREW
4	J012 0376	2			NUT
5	S013 4530	2			NUT
6	S013 1044	2			WASHER
7					CABLE
	J324 2185	1			1987-88
	5300 5208	1			1989
8	J012 0375	1			NUT
9	J012 0380	1			WASHER
10	J536 2728	1			BRACKET, Cable
11	J400 1078	1			WASHER
12	J400 5758	1			PIN
13	5300 3408	1			RESERVOIR, Vacuum
14	5300 4653	1			HARNESS, Vacuum
15	J812 5812	AR			HOSE, Bulk
16	5600 2605	1			GENERATOR, Cruise Control ***
17	J942 6241	2			SCREW
18	5600 2242	1			HARNESS
19	8350 1453	1			ADAPTER, Cruise Control Generator
20	5300 4605	1			GENERATOR, Cruise Control ***
21	5600 2604	1			HARNESS
22	3300 0586	1			TEE

**MODEL CODES:**

15 = Grand Wagoneer 4 Dr.	65 = Comanche 4WD-7 Ft. Box	77 = Cherokee 4WD-2 Dr.
25 = J-10 Pickup-119" W.B.	66 = Comanche 2WD-7 Ft. Box	78 = Cherokee 4WD-4 Dr.
26 = J-10 Pickup-131" W.B.	73 = Cherokee 2WD-2 Dr.	79 = Cherokee 4WD-4 Dr.-Com
27 = J-20 Pickup-131" W.B.	74 = Cherokee 2WD-4 Dr.	81 = Wrangler-93" W.B.
63 = Comanche 4WD-6 Ft. Box	75 = Wagoneer 4WD-4 Dr.	82 = Wrangler-103" W.B.-Exp.
64 = Comanche 2WD-6 Ft. Box		

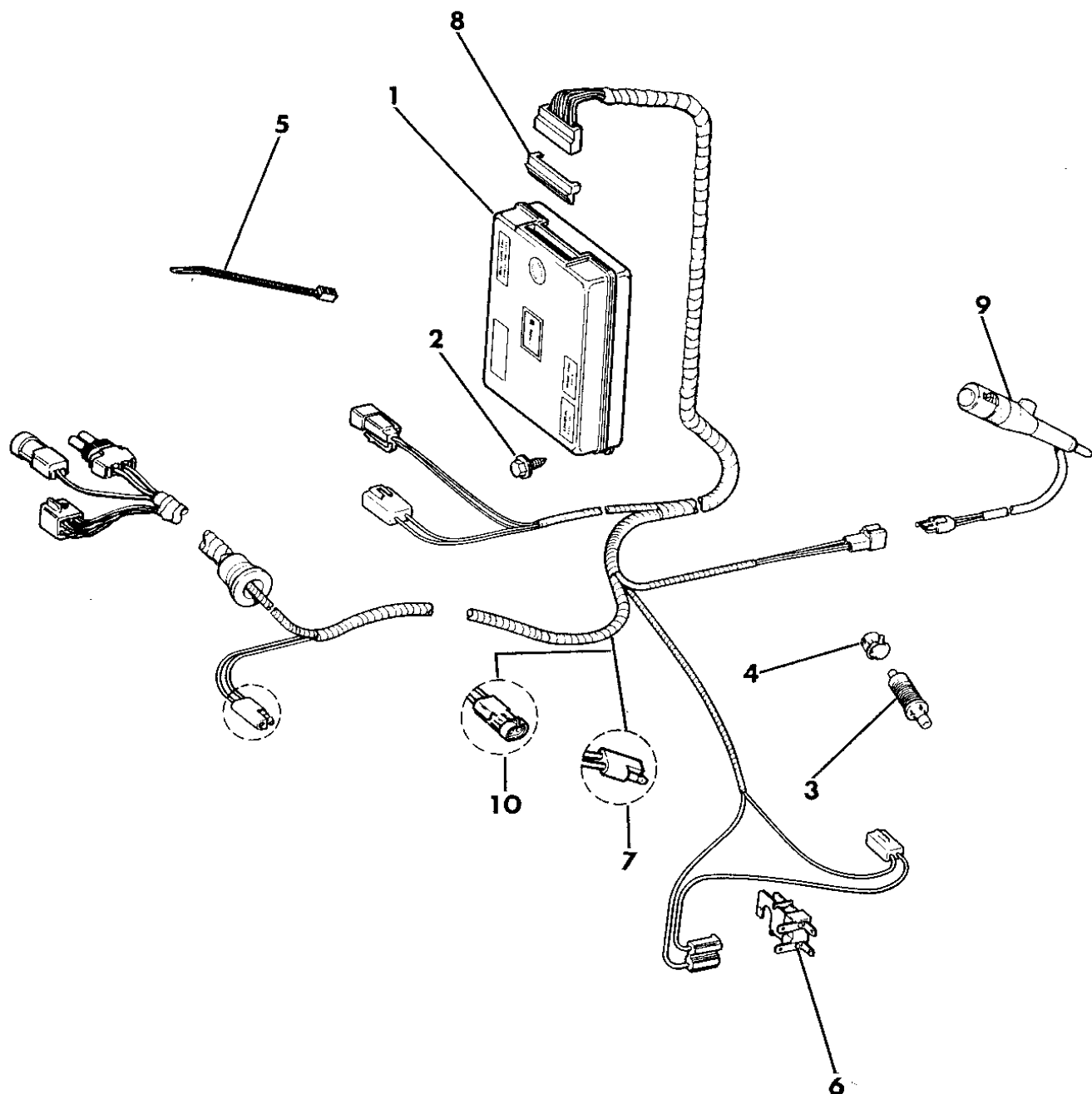
**BODY STYLES:**

MJ = Comanche Pickup  
 SJ = Grand Wagoneer Wgn., J-10 & J-20 Pickups  
 XJ = Cherokee, Wagoneer Limited  
 YJ = Wrangler

AR = Use as Required - = Non Illustrated Part P.A.R. = Paint as Required

**SPEED CONTROL, INSTRUMENT PANEL COMPONENTS 4.2L ENGINE WRANGLER, YJ**  
**Figure 14-2250**

8J14 2250



ITEM	PART NUMBER	QTY	BODY	MODEL	DESCRIPTION
1	5300 3973	1			REGULATOR
2	J400 1701	2			SCREW
3	J323 2970	1			VALVE, Cruise Control Vacuum
4	J400 6789	1			RETAINER
5	J322 3227	AR			STRAP
6	J322 5787	1			SWITCH, Brake Lamp
7	5600 2242	1			HARNESS
8	5300 4158	1			RETAINER
9	5600 0034	1			LEVER, Turn Signal
10	5600 2604	1			HARNESS

**MODEL CODES:**

15 = Grand Wagoneer 4 Dr.	65 = Comanche 4WD-7 Ft. Box	77 = Cherokee 4WD-2 Dr.
25 = J-10 Pickup-119" W.B.	66 = Comanche 2WD-7 Ft. Box	78 = Cherokee 4WD-4 Dr.
26 = J-10 Pickup-131" W.B.	73 = Cherokee 2WD-2 Dr.	79 = Cherokee 4WD-4 Dr.-Com
27 = J-20 Pickup-131" W.B.	74 = Cherokee 2WD-4 Dr.	81 = Wrangler-93" W.B.
63 = Comanche 4WD-6 Ft. Box	75 = Wagoneer 4WD-4 Dr.	82 = Wrangler-103" W.B.-Exp.
64 = Comanche 2WD-6 Ft. Box		

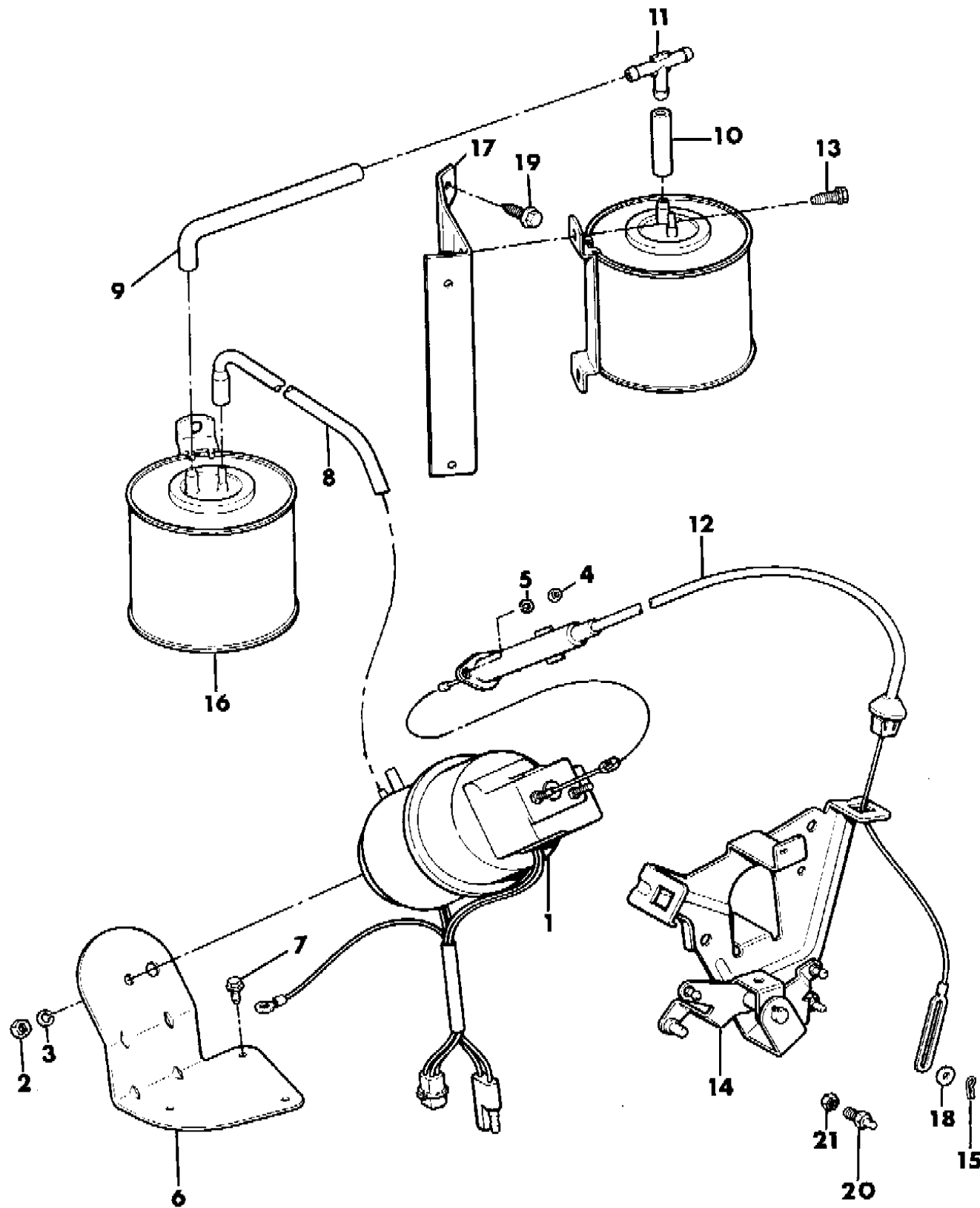
**BODY STYLES:**

MJ = Comanche Pickup  
 SJ = Grand Wagoneer Wgn., J-10 & J-20 Pickups  
 XJ = Cherokee, Wagoneer Limited  
 YJ = Wrangler

AR = Use as Required - = Non Illustrated Part P.A.R. = Paint as Required

**SPEED CONTROL ENGINE COMPARTMENT COMPONENTS 2.5L AND 4.0L CARBURETED ENGINES CHEROKEE, WAGONEER, COMANCHE - EXPORT**  
**Figure 14-2275**

8J14 2275A



ITEM	PART NUMBER	QTY	BODY	MODEL	DESCRIPTION
1	J324 0500	1			SERVO, Speed Control
2	J012 0375	1			NUT
3	J012 0380	1			WASHER
4	S013 4530	2			NUT
5	S013 1044	2			WASHER
6	5300 0313	1			BRACKET
7	3420 1489	3			SCREW
8	5300 0316	1			HOSE
9					HOSE
	5300 1501	1			2.5L Eng.
	J812 5810	1			4.0L Eng.
10	3300 0657	1			HOSE - 2.5L Eng.
11	3300 0586	1			TEE
12					CABLE
	5300 0028	1			2.5L Eng.
	5300 0920	1			4.0L Eng.
13	1150 2453	2			SCREW - 2.5L Eng.
14	3300 1065	1			BRACKET, Cable - 2.5L Eng.
15	J400 5758	1			PIN - 2.5L Eng.
16	J323 2991	1			RESERVOIR, Vacuum
17	5500 3276	1			BRACKET - 2.5L Eng.
18	J400 1078	1			WASHER - 2.5L Eng.
19	3420 1691	1			SCREW - 2.5L Eng.
20	5300 0922	1			STUD - 4.0L Eng.
21	1150 3739	1			NUT - 4.0L Eng.

**MODEL CODES:**

15 = Grand Wagoneer 4 Dr.	65 = Comanche 4WD-7 Ft. Box	77 = Cherokee 4WD-2 Dr.
25 = J-10 Pickup-119" W.B.	66 = Comanche 2WD-7 Ft. Box	78 = Cherokee 4WD-4 Dr.
26 = J-10 Pickup-131" W.B.	73 = Cherokee 2WD-2 Dr.	79 = Cherokee 4WD-4 Dr.-Com
27 = J-20 Pickup-131" W.B.	74 = Cherokee 2WD-4 Dr.	81 = Wrangler-93" W.B.
63 = Comanche 4WD-6 Ft. Box	75 = Wagoneer 4WD-4 Dr.	82 = Wrangler-103" W.B.-Exp.
64 = Comanche 2WD-6 Ft. Box		

**BODY STYLES:**

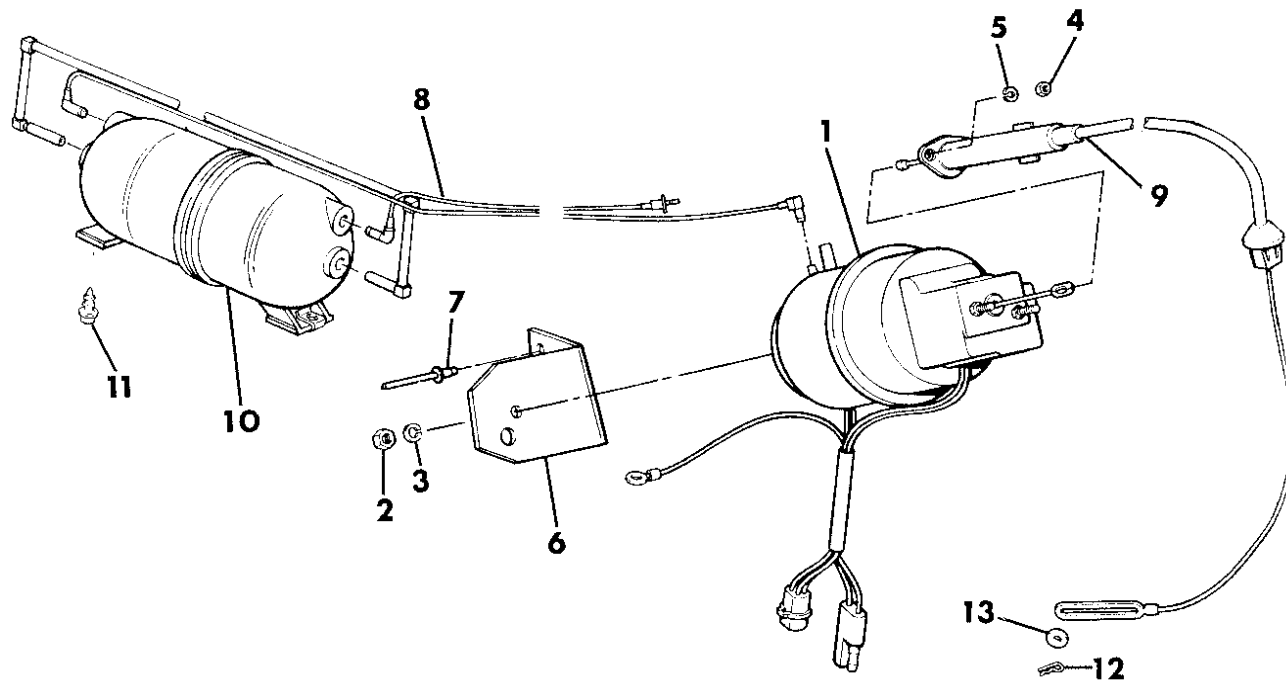
MJ = Comanche Pickup  
 SJ = Grand Wagoneer Wgn., J-10 & J-20 Pickups  
 XJ = Cherokee, Wagoneer Limited  
 YJ = Wrangler

AR = Use as Required - = Non Illustrated Part P.A.R. = Paint as Required

**SPEED CONTROL ENGINE COMPARTMENT COMPONENTS 2.5L AND 4.0L EFI ENGINES CHEROKEE, WAGONEER, COMANCHE**  
**Figure 14-2300**

8J142300

ITEM	PART NUMBER	QTY	BODY	MODEL	DESCRIPTION
1					SERVO, Speed Control
	5300 5082	1			2.5L Eng.
	5300 5082	1			4.0L Eng.
2	J012 0375	1			NUT
3	J012 0380	1			WASHER
4	S013 4530	2			NUT
5	S013 1044	2			WASHER
6					BRACKET
	5300 4602	1			1987
	5300 5181	1			1988-90
7	3420 1489	3			SCREW 1987
	3420 1208	3			RIVET 1988-90
8	5300 3520	1			HARNES, Vacuum
9					CABLE
	5300 4292	1			2.5L Eng. 1987
	5300 5183	1			2.5L Eng. 1988-90
	5300 3654	1			4.0L Eng. 1987
	5300 5184	1			4.0L Eng. 1988-90
10	5300 3052	1			RESERVOIR, Vacuum
11	1150 0994	2			SCREW
12	J400 5758	1			PIN
13	J400 1078	1			WASHER



**MODEL CODES:**

15 = Grand Wagoneer 4 Dr.	65 = Comanche 4WD-7 Ft. Box	77 = Cherokee 4WD-2 Dr.
25 = J-10 Pickup-119" W.B.	66 = Comanche 2WD-7 Ft. Box	78 = Cherokee 4WD-4 Dr.
26 = J-10 Pickup-131" W.B.	73 = Cherokee 2WD-2 Dr.	79 = Cherokee 4WD-4 Dr.-Com
27 = J-20 Pickup-131" W.B.	74 = Cherokee 2WD-4 Dr.	81 = Wrangler-93" W.B.
63 = Comanche 4WD-6 Ft. Box	75 = Wagoneer 4WD-4 Dr.	82 = Wrangler-103" W.B.-Exp.
64 = Comanche 2WD-6 Ft. Box		

**BODY STYLES:**

MJ = Comanche Pickup  
 SJ = Grand Wagoneer Wgn., J-10 & J-20 Pickups  
 XJ = Cherokee, Wagoneer Limited  
 YJ = Wrangler

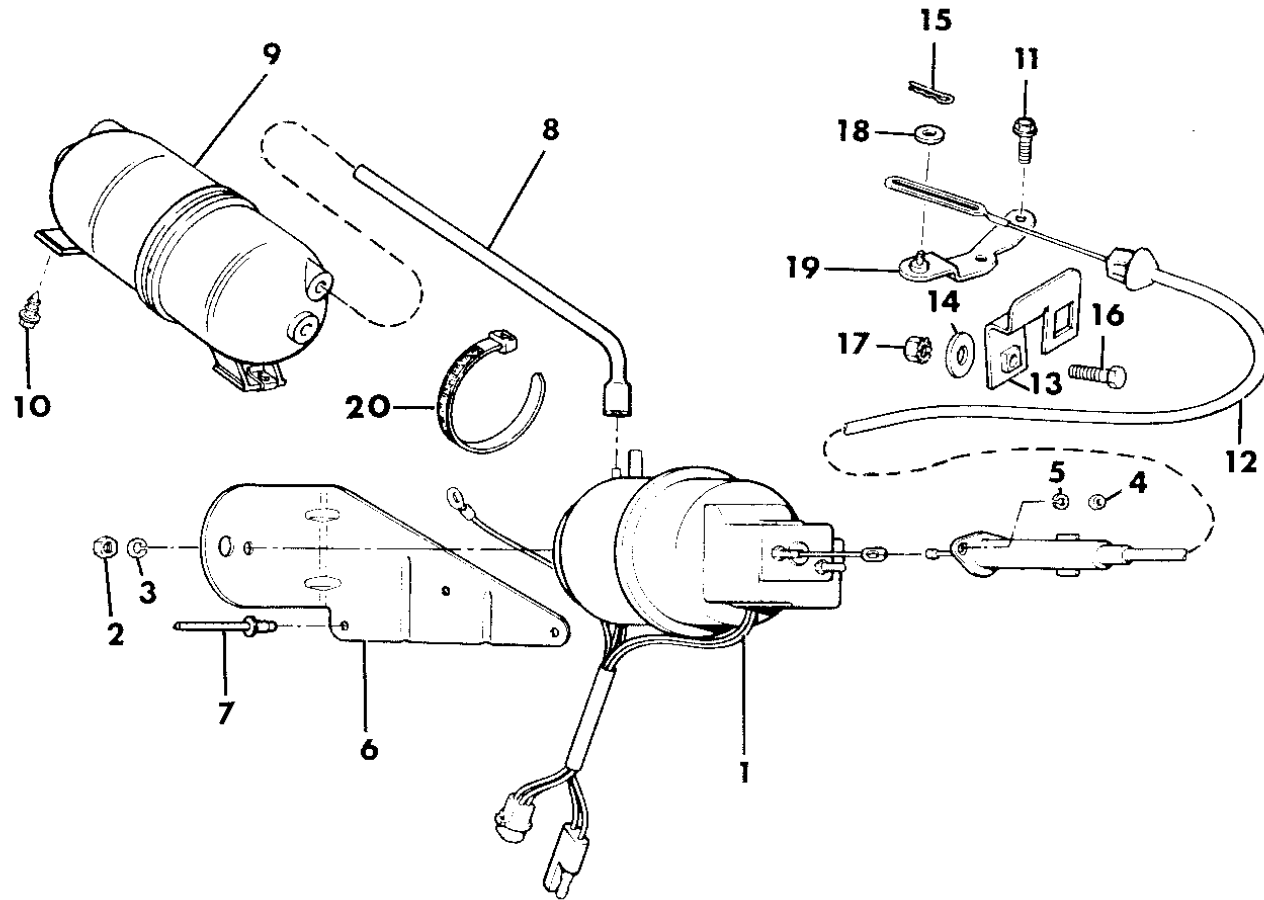
AR = Use as Required - = Non Illustrated Part P.A.R. = Paint as Required

SPEED CONTROL ENGINE COMPARTMENT COMPONENTS DIESEL ENGINE CHEROKEE, COMANCHE

Figure 14-2350

8J14 2350

ITEM	PART NUMBER	QTY	BODY	MODEL	DESCRIPTION
1	5300 5082	1			SERVO, Speed Control
2	J012 0375	1			NUT
3	J012 0380	1			WASHER
4	S013 4530	2			NUT
5	S013 1044	2			WASHER
6	5300 1733	1			BRACKET
7	3420 1208	3			RIVET
8	5300 2949	1			HOSE
9	5300 3052	1			RESERVOIR, Vacuum
10	1150 2843	2			SCREW
11	3420 1807	2			BOLT
12	5300 1734	1			CABLE
13	3300 2659	1			BRACKET
14	1150 0306	1			WASHER
15	J400 5758	1			PIN
16	1150 4331	1			BOLT
17	3420 1658	1			NUT
18	J400 1078	1			WASHER
19	3300 2658	1			LEVER
20	J322 3227	6			STRAP, Tie



MODEL CODES:

15 = Grand Wagoneer 4 Dr.	65 = Comanche 4WD-7 Ft. Box	77 = Cherokee 4WD-2 Dr.
25 = J-10 Pickup-119" W.B.	66 = Comanche 2WD-7 Ft. Box	78 = Cherokee 4WD-4 Dr.
26 = J-10 Pickup-131" W.B.	73 = Cherokee 2WD-2 Dr.	79 = Cherokee 4WD-4 Dr.-Com
27 = J-20 Pickup-131" W.B.	74 = Cherokee 2WD-4 Dr.	81 = Wrangler-93" W.B.
63 = Comanche 4WD-6 Ft. Box	75 = Wagoneer 4WD-4 Dr.	82 = Wrangler-103" W.B.-Exp.
64 = Comanche 2WD-6 Ft. Box		

BODY STYLES:

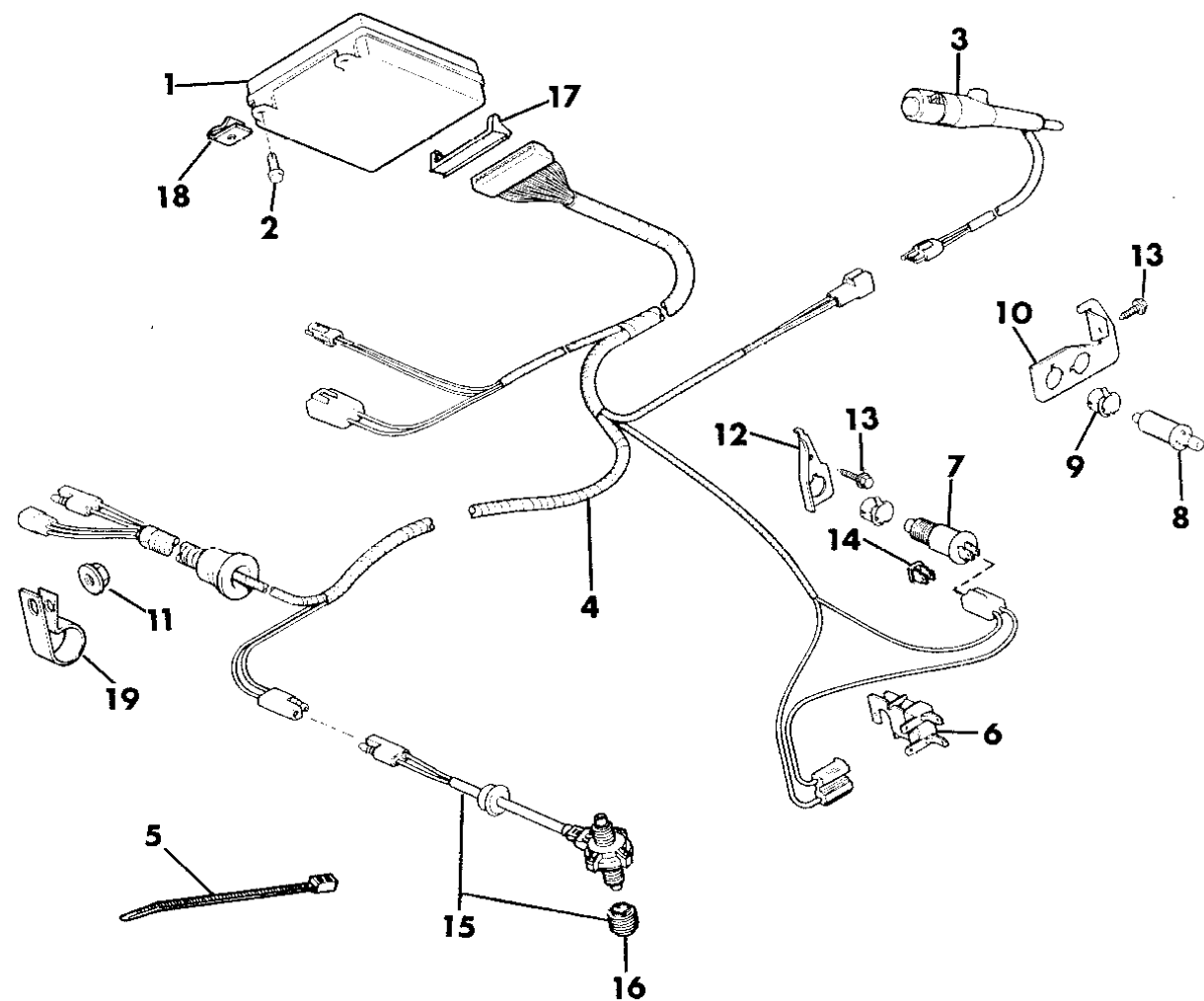
MJ = Comanche Pickup  
 SJ = Grand Wagoneer Wgn., J-10 & J-20 Pickups  
 XJ = Cherokee, Wagoneer Limited  
 YJ = Wrangler

AR = Use as Required - = Non Illustrated Part P.A.R. = Paint as Required



**SPEED CONTROL, INSTRUMENT PANEL COMPONENTS 2.5L, 4.0L AND DIESEL ENGINES CHEROKEE, WAGONEER, COMANCHE**  
**Figure 14-2400**

8J14 2400



ITEM	PART NUMBER	QTY	BODY	MODEL	DESCRIPTION
1	5300 0320	1			REGULATOR, Speed Control
2	1150 2896	1			SCREW
3	5600 0034	1			LEVER, Turn Signal
4	5600 2832	1			HARNESSE, Speed Control Gas Eng.
	5600 2206	1			Diesel Eng.
5	5600 1144	3			CLIP
6	J322 5787	1			SWITCH, Brake Lamp
7	3600 0136	1			SWITCH, Speed Control (w/Stamp # 25509432 Use 56002281 Switch)
8	J323 2970	1			VALVE, Speed Control Vacuum
9	J400 6789	AR			RETAINER
10	5300 0388	1			BRACKET, Speed Control
11	1150 3745	2			NUT, Hex
12	5300 1430	1			BRACKET - Man. Trans.
13	J812 0054	AR			SCREW
14	J318 6890	1			TERMINAL, Jumper - Auto. Trans.
15					GENERATOR, Speed Control ***
	3300 3874	1			1987-89
	5300 8975	1			1990, (w/2Male Terminals)
16	8350 1453	1			ADAPTER, Generator
17	5300 4158	1			RETAINER, Harness
18	1150 0654	2			NUT, Spring
19	J400 1717	2			CLIP

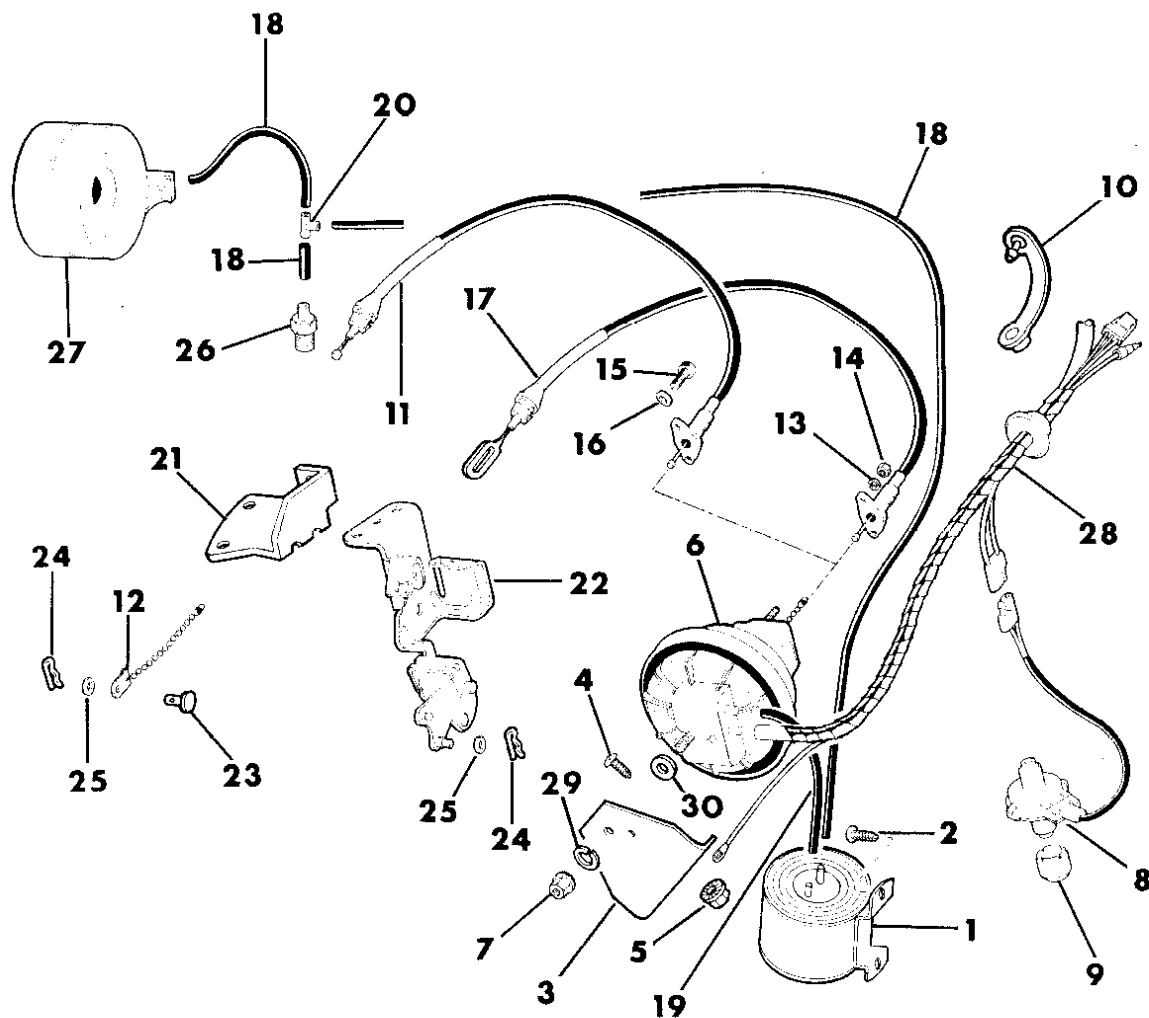
MODEL CODES:  
 15 = Grand Wagoneer 4 Dr.      65 = Comanche 4WD-7 Ft. Box      77 = Cherokee 4WD-2 Dr.  
 25 = J-10 Pickup-119" W.B.      66 = Comanche 2WD-7 Ft. Box      78 = Cherokee 4WD-4 Dr.  
 26 = J-10 Pickup-131" W.B.      73 = Cherokee 2WD-2 Dr.      79 = Cherokee 4WD-4 Dr.-Com  
 27 = J-20 Pickup-131" W.B.      74 = Cherokee 2WD-4 Dr.      81 = Wrangler-93" W.B.  
 63 = Comanche 4WD-6 Ft. Box      75 = Wagoneer 4WD-4 Dr.      82 = Wrangler-103" W.B.-Exp.  
 64 = Comanche 2WD-6 Ft. Box

BODY STYLES:  
 MJ = Comanche Pickup  
 SJ = Grand Wagoneer Wgn., J-10 & J-20 Pickups  
 XJ = Cherokee, Wagoneer Limited  
 YJ = Wrangler

AR = Use as Required - = Non Illustrated Part P.A.R. = Paint as Required

**SPEED CONTROL, ENGINE COMPARTMENT COMPONENTS 4.2L AND 5.9L ENGINES GRAND WAGONEER, J10, J20**  
**Figure 14-2500**

8J142500



ITEM	PART NUMBER	QTY	BODY	MODEL	DESCRIPTION
1	5300 1068	1			RESERVOIR, Vacuum
2	J942 6241	2			SCREW
3	J575 8370	1			BRACKET
4	J067 3600	2			SCREW
5	J941 6918	2			NUT
6					SERVO, Speed Control
	J576 1988	1			4.2L Eng.
	5300 4607	1			5.9L Eng.
7	J012 0375	1			NUT
8	5300 4605	1			GENERATOR, Speed Control
9	8350 1453	1			ADAPTER, Speed Control Generator
10	J400 1712	2			STRAP
11	J324 0422	1			CABLE - 5.9L Eng.
12	J323 4026	1			CHAIN - 5.9L Eng. ***
13	S013 1044	2			WASHER - 4.2L Eng.
14	S013 4530	2			NUT - 4.2L Eng.
15		2			SCREW - 5.9L Eng. (not serviced)
16		2			WASHER - 5.9L Eng. (not serviced)
17	J324 2185	1			CABLE - 4.2L Eng.
18	8330 0080	AR			HOSE, 4mm I.D. - Bulk
19	J812 5812	AR			HOSE, 3/16" I.D. - Bulk
20	J097 5940	1			TEE
21	J536 3683	1			BRACKET, Cable - 5.9L Eng.
22	J536 2728	1			BRACKET - 4.2L Eng.
23	J319 4849	1			PIN, Clevis - 5.9L Eng.
24	J400 5758	1			CLIP
25	J044 6152	1			WASHER
26					FITTING
	5300 2726	1			4.2L Eng.
	J322 5447	1			5.9L Eng.
27	J374 1279	1			RESERVOIR, Vacuum
28	5600 2390	1			HARNESS
29	J012 0380	1			WASHER, Lock - 5.9L Eng.
30	J012 0396	1			WASHER, Flat - 5.9L Eng.

**MODEL CODES:**

15 = Grand Wagoneer 4 Dr.	65 = Comanche 4WD-7 Ft. Box	77 = Cherokee 4WD-2 Dr.
25 = J-10 Pickup-119" W.B.	66 = Comanche 2WD-7 Ft. Box	78 = Cherokee 4WD-4 Dr.
26 = J-10 Pickup-131" W.B.	73 = Cherokee 2WD-2 Dr.	79 = Cherokee 4WD-4 Dr.-Com
27 = J-20 Pickup-131" W.B.	74 = Cherokee 2WD-4 Dr.	81 = Wrangler-93" W.B.
63 = Comanche 4WD-6 Ft. Box	75 = Wagoneer 4WD-4 Dr.	82 = Wrangler-103" W.B.-Exp.
64 = Comanche 2WD-6 Ft. Box		

**BODY STYLES:**

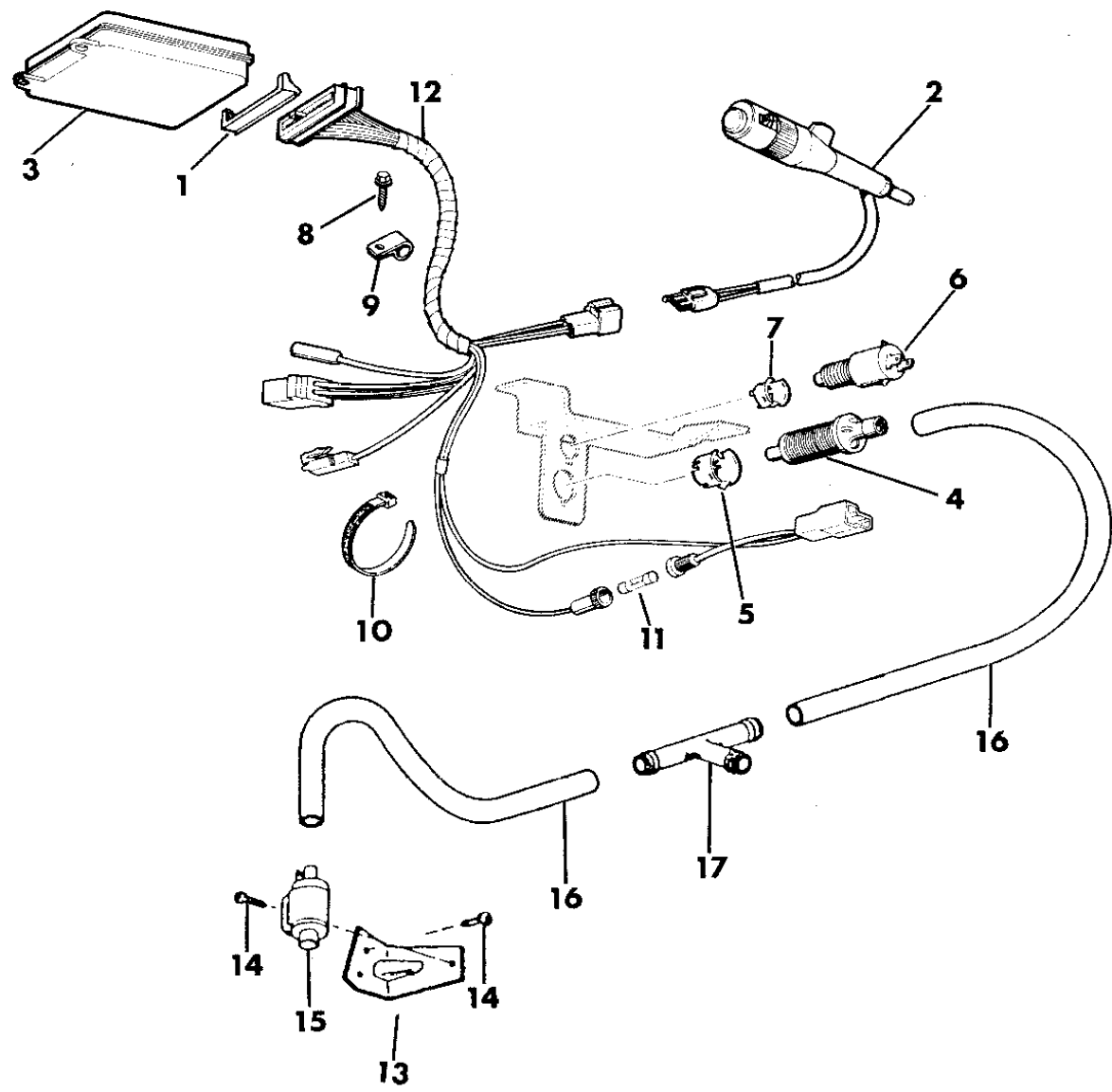
MJ = Comanche Pickup  
 SJ = Grand Wagoneer Wgn., J-10 & J-20 Pickups  
 XJ = Cherokee, Wagoneer Limited  
 YJ = Wrangler

AR = Use as Required - = Non Illustrated Part P.A.R. = Paint as Required

**SPEED CONTROL, INSTRUMENT PANEL COMPONENTS 4.2L AND 5.9L ENGINES GRAND WAGONEER, J10, J20**  
**Figure 14-2550**

8J14 2550

ITEM	PART NUMBER	QTY	BODY	MODEL	DESCRIPTION
1	5300 4158	1			RETAINER, Harness
2	5600 0034	1			LEVER, Turn Signal
3					REGULATOR, Speed Control
	5300 3973	1			4.2L Eng.
	5300 0320	1			5.9L Eng.
4	J323 2970	1			VALVE, Vacuum
5	J400 6789	1			CLIP, Valve
6	J535 2620	1			SWITCH, Stop Lamp
7	J535 2622	1			RETAINER
8	J400 6630	1			SCREW
9	J012 0526	1			CLIP
10	J322 3227	1			STRAP
11	J813 2908	1			FUSE
12	5600 2390	1			HARNESS
13	J536 4007	1			BRACKET - Man. Trans.
14	J400 7001	3			SCREW - Man. Trans.
15	J576 1946	1			VALVE, Speed Control Vacuum - Man. Trans.
16	J812 5814	1			HOSE - Man. Trans.
17	J400 6635	1			TEE - Man. Trans.



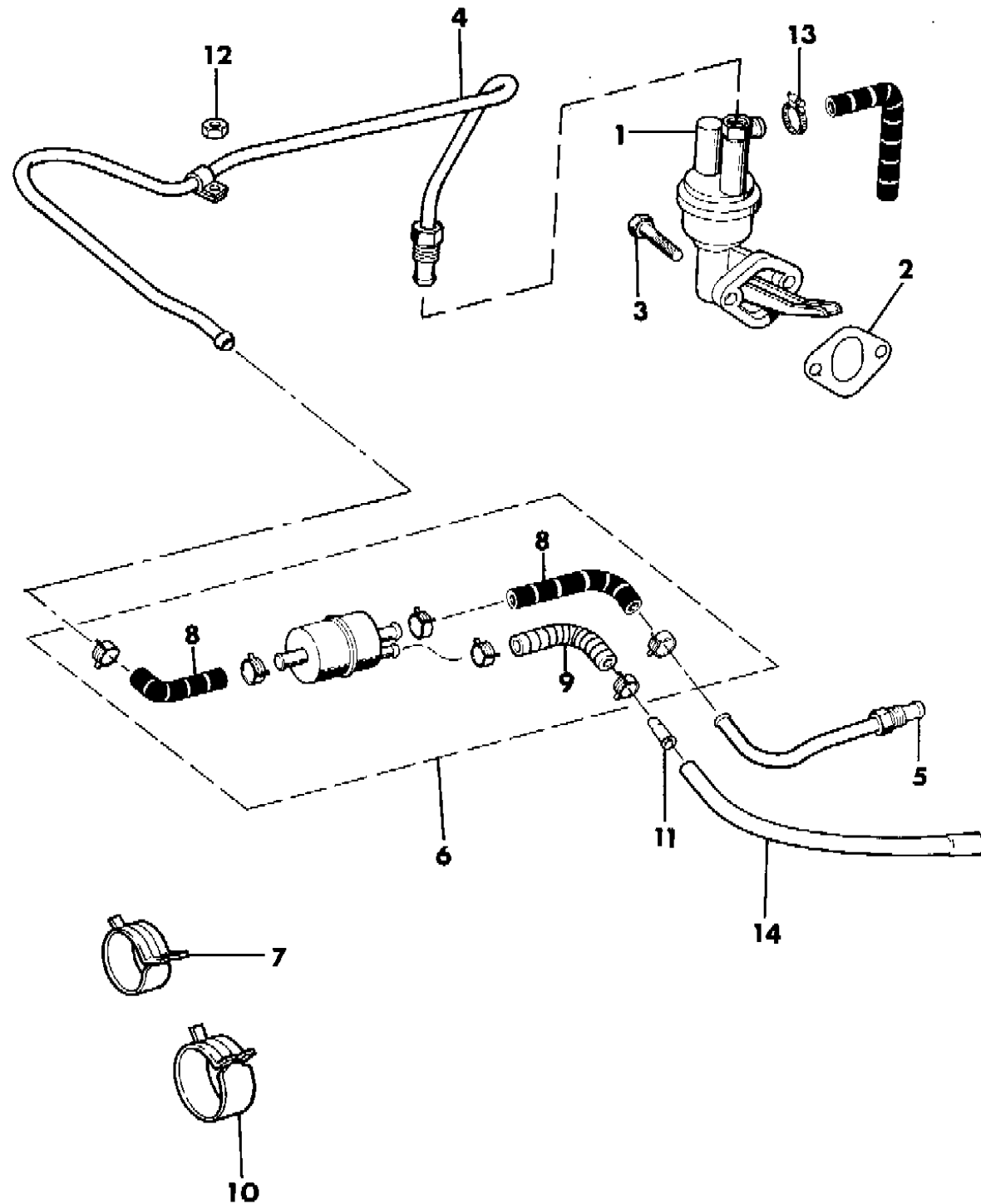
MODEL CODES:  
 15 = Grand Wagoneer 4 Dr.      65 = Comanche 4WD-7 Ft. Box      77 = Cherokee 4WD-2 Dr.  
 25 = J-10 Pickup-119" W.B.      66 = Comanche 2WD-7 Ft. Box      78 = Cherokee 4WD-4 Dr.  
 26 = J-10 Pickup-131" W.B.      73 = Cherokee 2WD-2 Dr.      79 = Cherokee 4WD-4 Dr.-Com  
 27 = J-20 Pickup-131" W.B.      74 = Cherokee 2WD-4 Dr.      81 = Wrangler-93" W.B.  
 63 = Comanche 4WD-6 Ft. Box      75 = Wagoneer 4WD-4 Dr.      82 = Wrangler-103" W.B.-Exp.  
 64 = Comanche 2WD-6 Ft. Box

BODY STYLES:  
 MJ = Comanche Pickup  
 SJ = Grand Wagoneer Wgn., J-10 & J-20 Pickups  
 XJ = Cherokee, Wagoneer Limited  
 YJ = Wrangler

AR = Use as Required - = Non Illustrated Part P.A.R. = Paint as Required

FUEL PUMP AND FILTER 2.5L CARBURETED ENGINE WRANGLER - EXPORT  
Figure 14-2600

8J142600 A



ITEM	PART NUMBER	QTY	BODY	MODEL	DESCRIPTION
1	3300 2652	1			PUMP, Fuel
2	J317 4685	1			GASKET, Fuel Pump
3	J018 0079	2			BOLT
4	5300 2566	1			TUBE
5	5300 2567	1			TUBE
6	J812 9383	1			FILTER PACKAGE, Fuel
7	J322 2900	AR			CLAMP .50" Dia.
8	J812 5823	AR			HOSE, .31" I.D. Bulk
9	J812 5843	AR			HOSE, .25" I.D. Bulk
10	J318 1643	AR			CLAMP .41" Dia.
11	J323 2144	1			VALVE
12	J941 6918	1			NUT
13	3300 0785	1			CLAMP
14	5300 4179	1			HOSE

MODEL CODES:

15 = Grand Wagoneer 4 Dr.	65 = Comanche 4WD-7 Ft. Box	77 = Cherokee 4WD-2 Dr.
25 = J-10 Pickup-119" W.B.	66 = Comanche 2WD-7 Ft. Box	78 = Cherokee 4WD-4 Dr.
26 = J-10 Pickup-131" W.B.	73 = Cherokee 2WD-2 Dr.	79 = Cherokee 4WD-4 Dr.-Com
27 = J-20 Pickup-131" W.B.	74 = Cherokee 2WD-4 Dr.	81 = Wrangler-93" W.B.
63 = Comanche 4WD-6 Ft. Box	75 = Wagoneer 4WD-4 Dr.	82 = Wrangler-103" W.B.-Exp.
64 = Comanche 2WD-6 Ft. Box		

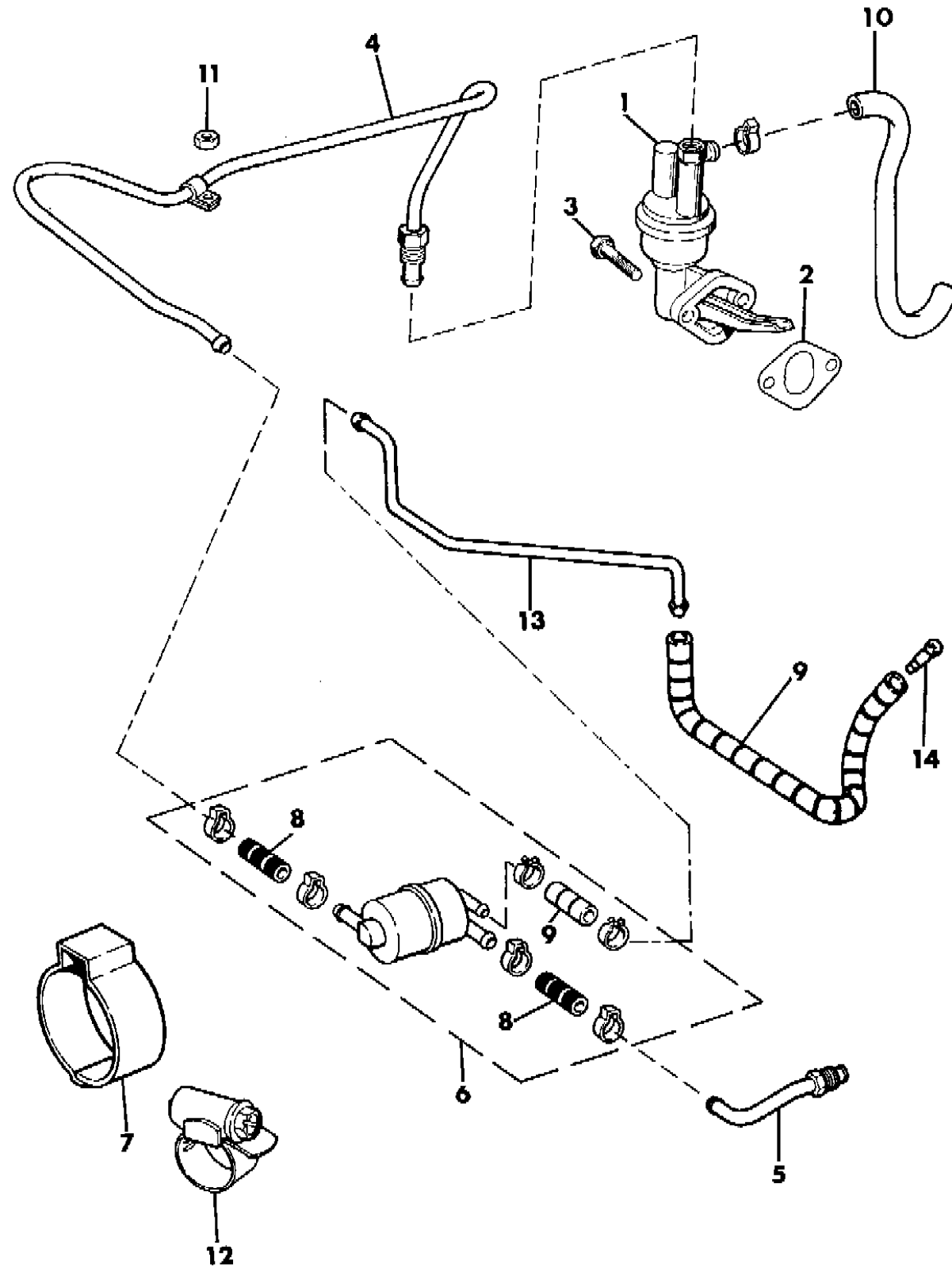
BODY STYLES:

MJ = Comanche Pickup  
SJ = Grand Wagoneer Wgn., J-10 & J-20 Pickups  
XJ = Cherokee, Wagoneer Limited  
YJ = Wrangler

AR = Use as Required - = Non Illustrated Part P.A.R. = Paint as Required

FUEL PUMP AND FILTER 2.5L CARBURETED ENGINE CHEROKEE, COMANCHE - EXPORT  
Figure 14-2700

8J142700B



ITEM	PART NUMBER	QTY	BODY	MODEL	DESCRIPTION
1	3300 2652	1			PUMP, Fuel
2	J317 4685	1			GASKET, Fuel Pump
3	J018 0079	2			BOLT
4	5300 2566	1			TUBE
5	5300 2567	1			TUBE
6	8350 0998	1			FILTER PACKAGE, Fuel
7					CLAMP
	J322 7851	AR			.60" Dia.
	J322 7852	AR			.66" Dia.
8	J812 5823	AR			HOSE, .31" I.D. - Bulk
9	J812 5843	AR			HOSE, .25" I.D. - Bulk
10					HOSE
	5300 1514	1			Wagon
	J812 5823	AR			Truck
11	J941 6918	1			NUT
12					CLAMP
	3300 0786	1			.28" to .59"
	3300 0785	1			.47" to .79"
13	5300 2569	1			TUBE, Fuel Return - Truck exc. NRM
14	J323 2144	1			VALVE - Truck exc. NRM

MODEL CODES:

15 = Grand Wagoneer 4 Dr.	65 = Comanche 4WD-7 Ft. Box	77 = Cherokee 4WD-2 Dr.
25 = J-10 Pickup-119" W.B.	66 = Comanche 2WD-7 Ft. Box	78 = Cherokee 4WD-4 Dr.
26 = J-10 Pickup-131" W.B.	73 = Cherokee 2WD-2 Dr.	79 = Cherokee 4WD-4 Dr.-Com
27 = J-20 Pickup-131" W.B.	74 = Cherokee 2WD-4 Dr.	81 = Wrangler-93" W.B.
63 = Comanche 4WD-6 Ft. Box	75 = Wagoneer 4WD-4 Dr.	82 = Wrangler-103" W.B.-Exp.
64 = Comanche 2WD-6 Ft. Box		

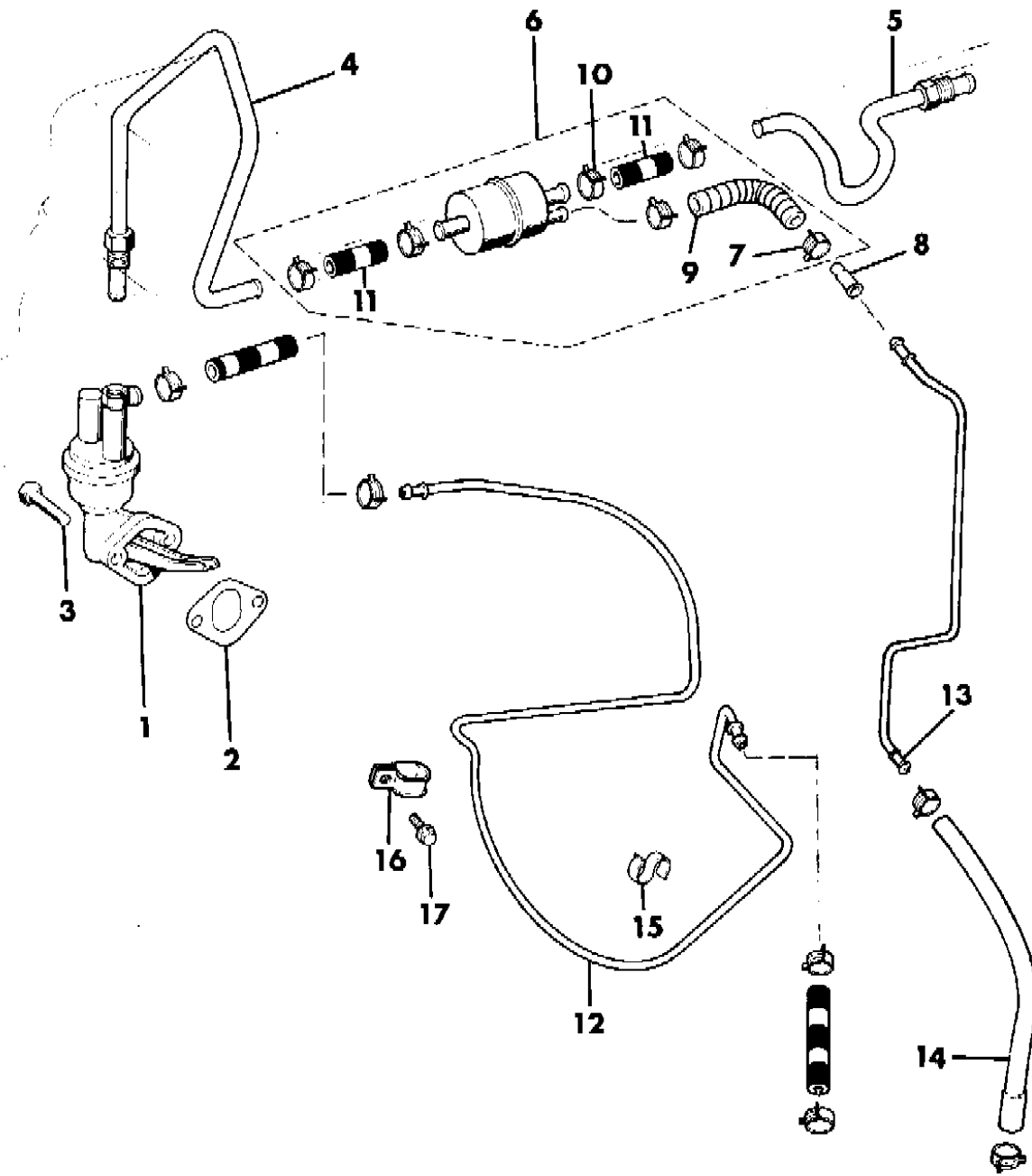
BODY STYLES:

MJ = Comanche Pickup  
SJ = Grand Wagoneer Wgn., J-10 & J-20 Pickups  
XJ = Cherokee, Wagoneer Limited  
YJ = Wrangler

AR = Use as Required - = Non Illustrated Part P.A.R. = Paint as Required

FUEL PUMP AND FILTER 4.2L ENGINE WRANGLER, YJ  
Figure 14-2800

8J142800A



ITEM	PART NUMBER	QTY	BODY	MODEL	DESCRIPTION
1					PUMP, Fuel
	J322 8191	1			Rear Inlet Fitting
	J324 0172	1			Front Inlet Fitting
2	J317 4685	1			GASKET, Fuel Pump
3	J018 0079	2			BOLT
4	5300 5137	1			TUBE, Fuel Supply
5	3300 2618	1			TUBE, Fuel Supply
6	J812 9383	1			FILTER PACKAGE, Fuel
7	J322 2900	AR			CLAMP .41" Dia.
8	J323 2144	1			VALVE, Check
9	J812 5843	AR			HOSE, .25" I.D. - Bulk
	J322 5790	1			TUBE, 5/16"ID x 1.50 L
10	J318 1643	AR			CLAMP .50" Dia.
11	J812 5823	AR			HOSE, .31" I.D. - Bulk
12	5300 5138	1			TUBE, Fuel Supply
13	5300 3619	1			TUBE, Fuel Return
14	5300 1428	1			HOSE, (Modify to Fit)
15	J400 4928	1			CLIP
16	J400 7428	1			CLIP
	J012 6166	1			U.S. and Canada NRM, KDX
17	J027 4882	1			SCREW

MODEL CODES:

15 = Grand Wagoneer 4 Dr.	65 = Comanche 4WD-7 Ft. Box	77 = Cherokee 4WD-2 Dr.
25 = J-10 Pickup-119" W.B.	66 = Comanche 2WD-7 Ft. Box	78 = Cherokee 4WD-4 Dr.
26 = J-10 Pickup-131" W.B.	73 = Cherokee 2WD-2 Dr.	79 = Cherokee 4WD-4 Dr.-Com
27 = J-20 Pickup-131" W.B.	74 = Cherokee 2WD-4 Dr.	81 = Wrangler-93" W.B.
63 = Comanche 4WD-6 Ft. Box	75 = Wagoneer 4WD-4 Dr.	82 = Wrangler-103" W.B.-Exp.
64 = Comanche 2WD-6 Ft. Box		

BODY STYLES:

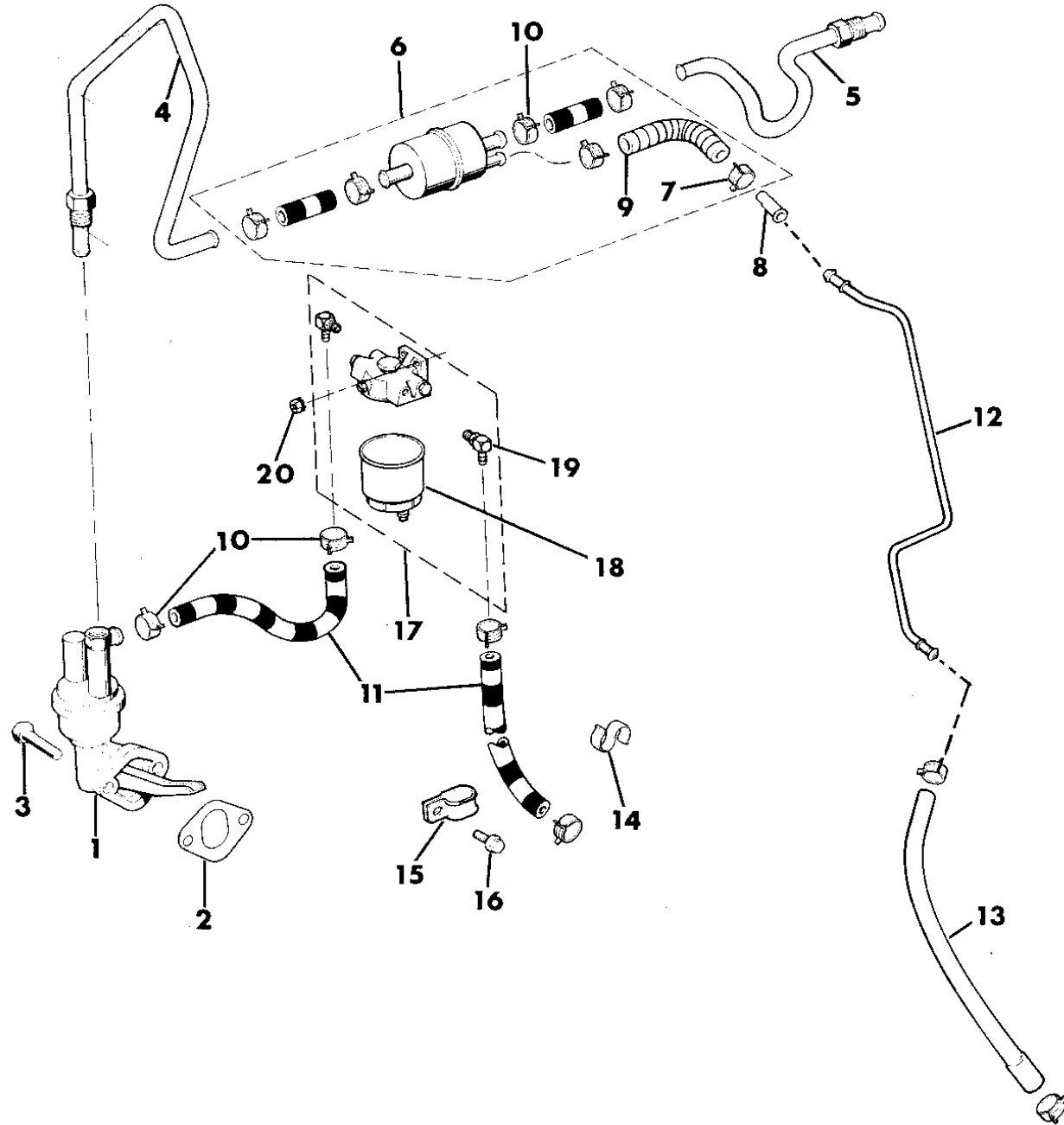
MJ = Comanche Pickup  
SJ = Grand Wagoneer Wgn., J-10 & J-20 Pickups  
XJ = Cherokee, Wagoneer Limited  
YJ = Wrangler

AR = Use as Required - = Non Illustrated Part P.A.R. = Paint as Required

FUEL PUMP AND FILTER 4.2L ENGINE - SEVERE USE WRANGLER - EXPORT  
Figure 14-2850

8 J14 28 50

ITEM	PART NUMBER	QTY	BODY	MODEL	DESCRIPTION
1	J322 8191	1			PUMP, Fuel
2	J317 4685	1			GASKET, Fuel Pump
3	J018 0079	2			BOLT
4	5300 5137	1			TUBE, Fuel Supply
5	3300 2618	1			TUBE, Fuel Supply
6	J812 9383	1			FILTER PACKAGE, Fuel
7	J322 2900	AR			CLAMP .41" Dia.
8	J323 2144	1			VALVE, Check
9	J812 5843	AR			HOSE, .25" I.D. - Bulk
10	J318 1643	AR			CLAMP .50" Dia.
11	J812 5823	AR			HOSE, .31" I.D. - Bulk
12	5300 3619	1			TUBE, Fuel Return
13	5300 1428	1			HOSE, (Modify to Fit)
14	J400 4928	1			CLIP
15	J012 6166	1			CLIP
16	J027 4882	1			SCREW
17	5300 3784	1			FILTER ASSEMBLY, Fuel
18	5300 3785	1			FILTER, Fuel
19	5300 3786	2			FITTING
20	J027 1184	2			NUT



MODEL CODES:

15 = Grand Wagoneer 4 Dr.	65 = Comanche 4WD-7 Ft. Box	77 = Cherokee 4WD-2 Dr.
25 = J-10 Pickup-119" W.B.	66 = Comanche 2WD-7 Ft. Box	78 = Cherokee 4WD-4 Dr.
26 = J-10 Pickup-131" W.B.	73 = Cherokee 2WD-2 Dr.	79 = Cherokee 4WD-4 Dr.-Com
27 = J-20 Pickup-131" W.B.	74 = Cherokee 2WD-4 Dr.	81 = Wrangler-93" W.B.
63 = Comanche 4WD-6 Ft. Box	75 = Wagoneer 4WD-4 Dr.	82 = Wrangler-103" W.B.-Exp.
64 = Comanche 2WD-6 Ft. Box		

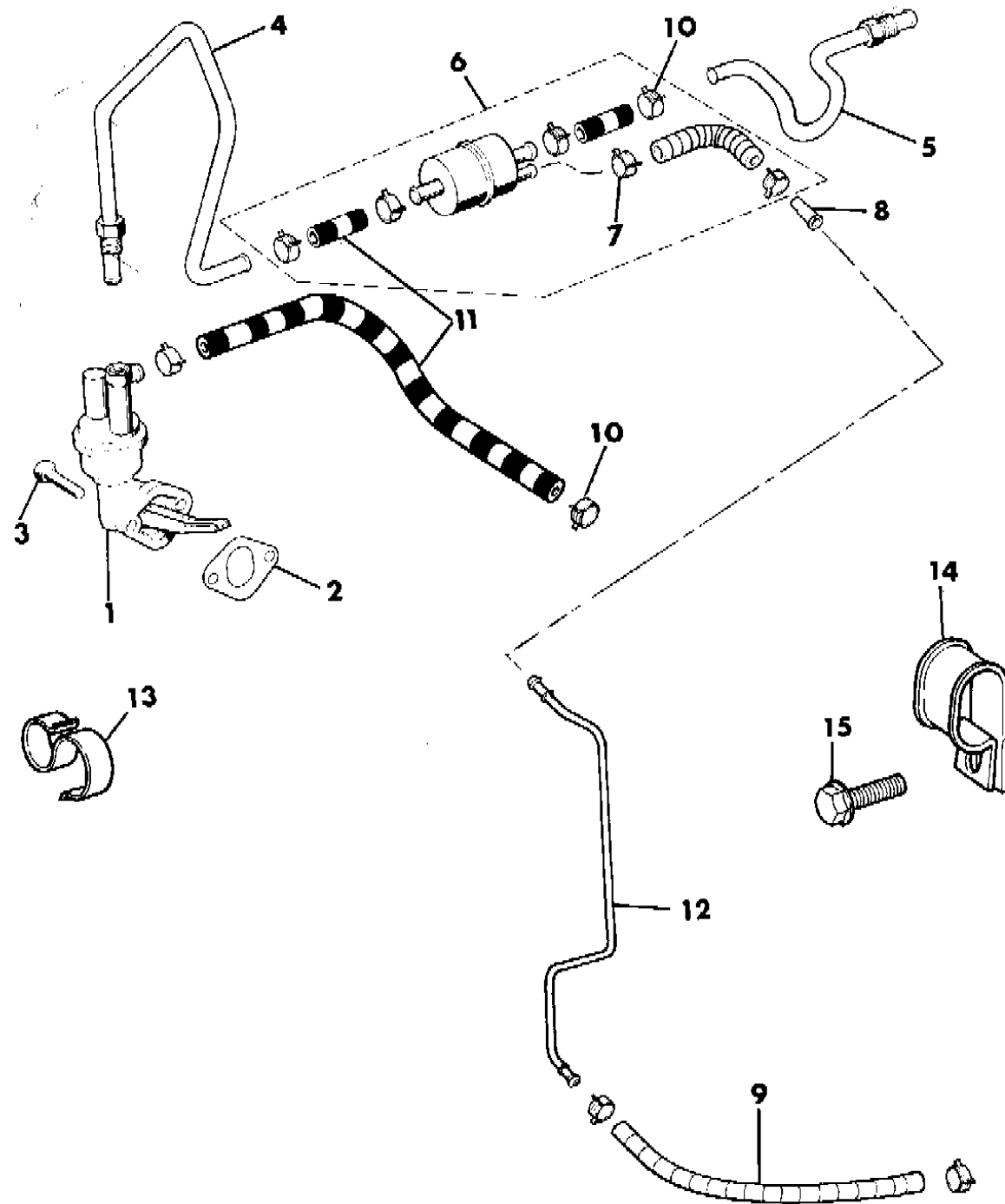
BODY STYLES:

MJ = Comanche Pickup  
SJ = Grand Wagoneer Wgn., J-10 & J-20 Pickups  
XJ = Cherokee, Wagoneer Limited  
YJ = Wrangler

AR = Use as Required - = Non Illustrated Part P.A.R. = Paint as Required

FUEL PUMP AND FILTER 4.2L ENGINE GRAND WAGONEER, J10  
Figure 14-2900

8 J142900A



ITEM	PART NUMBER	QTY	BODY	MODEL	DESCRIPTION
1	J322 8191	1			PUMP, Fuel
2	J317 4685	1			GASKET, Fuel Pump
3	J018 0079	2			BOLT
4	5300 5137	1			TUBE, Fuel Supply
5	3300 2618	1			TUBE, Fuel Supply
6	J812 9383	1			FILTER PACKAGE, Fuel
7	J322 2900	AR			CLAMP .41" Dia.
8	J323 2144	1			VALVE
9	J812 5843	AR			HOSE, .25" I.D. - Bulk
10	J318 1643	AR			CLAMP .50" Dia.
11	J812 5823	AR			HOSE, .31" I.D. - Bulk
12	5300 4056	1			TUBE, Fuel Return
13	J400 4928	1			CLIP
14	J012 6166	1			CLIP
15	J027 4882	1			SCREW

MODEL CODES:

15 = Grand Wagoneer 4 Dr.	65 = Comanche 4WD-7 Ft. Box	77 = Cherokee 4WD-2 Dr.
25 = J-10 Pickup-119" W.B.	66 = Comanche 2WD-7 Ft. Box	78 = Cherokee 4WD-4 Dr.
26 = J-10 Pickup-131" W.B.	73 = Cherokee 2WD-2 Dr.	79 = Cherokee 4WD-4 Dr.-Com
27 = J-20 Pickup-131" W.B.	74 = Cherokee 2WD-4 Dr.	81 = Wrangler-93" W.B.
63 = Comanche 4WD-6 Ft. Box	75 = Wagoneer 4WD-4 Dr.	82 = Wrangler-103" W.B.-Exp.
64 = Comanche 2WD-6 Ft. Box		

BODY STYLES:

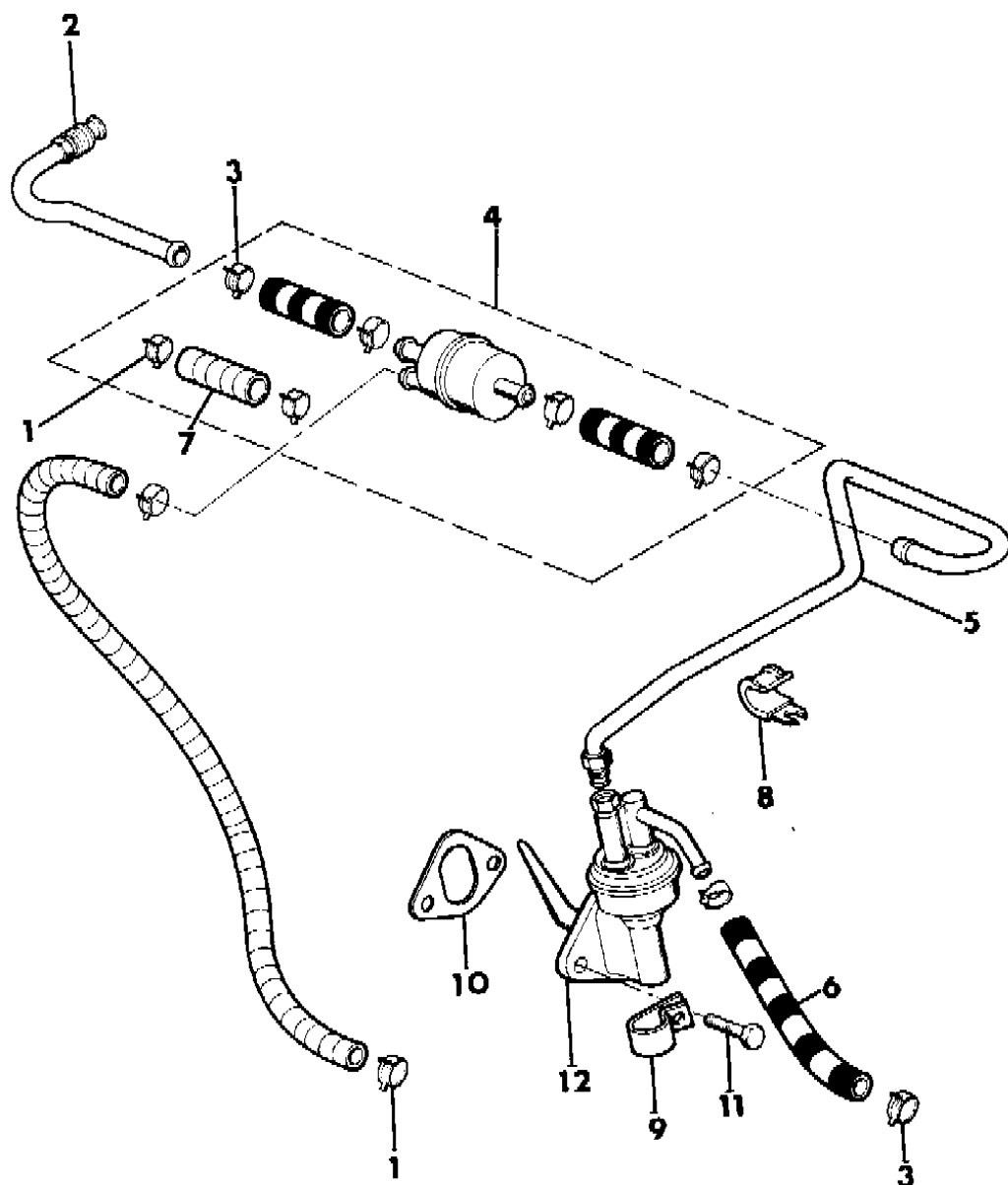
MJ = Comanche Pickup  
SJ = Grand Wagoneer Wgn., J-10 & J-20 Pickups  
XJ = Cherokee, Wagoneer Limited  
YJ = Wrangler

AR = Use as Required - = Non Illustrated Part P.A.R. = Paint as Required



FUEL PUMP AND FILTER 5.9L ENGINE GRAND WAGONEER, J10, J20  
Figure 14-3000

8J14 3000 A



ITEM	PART NUMBER	QTY	BODY	MODEL	DESCRIPTION
1	J322 2900	2			CLAMP .41" Dia.
2	5300 4058	1			TUBE, Fuel Supply
3	J318 1643	6			CLAMP .50" Dia.
4	J812 9383	1			FILTER PACKAGE, Fuel
5	5300 4057	1			TUBE, Fuel Supply
6	J812 5823	AR			HOSE, .31" I.D. - Bulk
7	J812 5843	AR			HOSE, .25" I.D. - Bulk
8	J535 0435	1			CLIP
9	J012 8302	1			CLIP
10	J317 4685	1			GASKET, Fuel Pump
11	J018 0125	2			BOLT
12	J322 8195	1			PUMP, Fuel

MODEL CODES:

15 = Grand Wagoneer 4 Dr.	65 = Comanche 4WD-7 Ft. Box	77 = Cherokee 4WD-2 Dr.
25 = J-10 Pickup-119" W.B.	66 = Comanche 2WD-7 Ft. Box	78 = Cherokee 4WD-4 Dr.
26 = J-10 Pickup-131" W.B.	73 = Cherokee 2WD-2 Dr.	79 = Cherokee 4WD-4 Dr.-Com
27 = J-20 Pickup-131" W.B.	74 = Cherokee 2WD-4 Dr.	81 = Wrangler-93" W.B.
63 = Comanche 4WD-6 Ft. Box	75 = Wagoneer 4WD-4 Dr.	82 = Wrangler-103" W.B.-Exp.
64 = Comanche 2WD-6 Ft. Box		

BODY STYLES:

MJ = Comanche Pickup  
SJ = Grand Wagoneer Wgn., J-10 & J-20 Pickups  
XJ = Cherokee, Wagoneer Limited  
YJ = Wrangler

AR = Use as Required - = Non Illustrated Part P.A.R. = Paint as Required

FUEL INJECTION PUMP DIESEL ENGINE CHEROKEE, COMANCHE  
Figure 14-3100

8J143100

ITEM	PART NUMBER	QTY	BODY	MODEL	DESCRIPTION
1					PUMP ASSEMBLY, Injection
	JR77 5058	1			Reman
	T072 6944	1			Export
2	T600 2198	1			IDLER ASSEMBLY ***
3	T302 7191	3			STUD
4	J420 0438	1			BOLT
5	T310 1057	1			BOLT
6	1150 0255	5			WASHER
7	T140 2093	5			WASHER, Lock
8	T149 3047	5			NUT
9	T068 4886	1			SUPPORT
10	T140 5667	3			BOLT
11	T305 3043	1			WASHER
12	T140 2094	1			WASHER, Lock
13	T140 5676	1			NUT
14	T134 9585	1			SPROCKET
15	T066 2634	1			WASHER
16	T149 3071	1			NUT
17	T102 4765	1			UNION, Fuel Return
18	J073 0232	1			UNION, Fuel Inlet ***
19	8350 2348	4			RING, Sealing
20	T102 5228	1			CAPSULE, Thermostatic
21	8350 2328	4			GASKET
22	8350 2330	1			SCREW, Bleeder
23	8350 2329	1			WASHER, Sealing
24	8350 2331	1			SOLENOID, Fuel Shut-Off
25	8350 2332	1			O-RING
26	8350 2333	1			O-RING
27	8350 2334	1			CABLE, Throttle Control
28	8350 2335	1			BOOT
29	8350 2336	1			SLEEVE
30	8350 2337	1			TRUNNION
31	8350 2338	1			CLEVIS
32	8350 2339	1			SCREW, Set
33	8350 2340	1			CLAMP
34	8350 2341	1			SCREW, Stop
35	8350 2342	1			WASHER, Lock

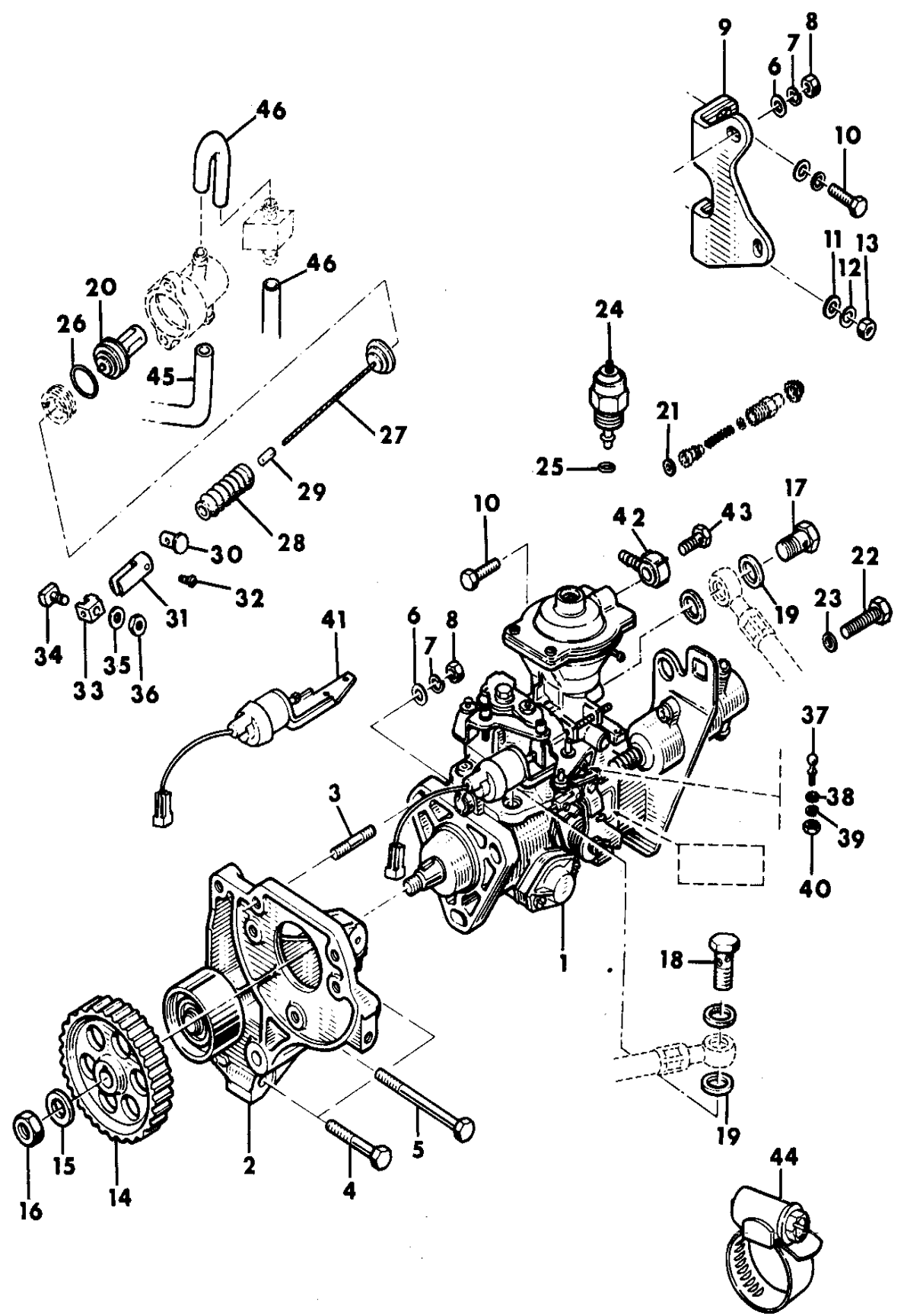
MODEL CODES:

15 = Grand Wagoneer 4 Dr.	65 = Comanche 4WD-7 Ft. Box	77 = Cherokee 4WD-2 Dr.
25 = J-10 Pickup-119" W.B.	66 = Comanche 2WD-7 Ft. Box	78 = Cherokee 4WD-4 Dr.
26 = J-10 Pickup-131" W.B.	73 = Cherokee 2WD-2 Dr.	79 = Cherokee 4WD-4 Dr.-Com
27 = J-20 Pickup-131" W.B.	74 = Cherokee 2WD-4 Dr.	81 = Wrangler-93" W.B.
63 = Comanche 4WD-6 Ft. Box	75 = Wagoneer 4WD-4 Dr.	82 = Wrangler-103" W.B.-Exp.
64 = Comanche 2WD-6 Ft. Box		

BODY STYLES:

MJ = Comanche Pickup
SJ = Grand Wagoneer Wgn., J-10 & J-20 Pickups
XJ = Cherokee, Wagoneer Limited
YJ = Wrangler

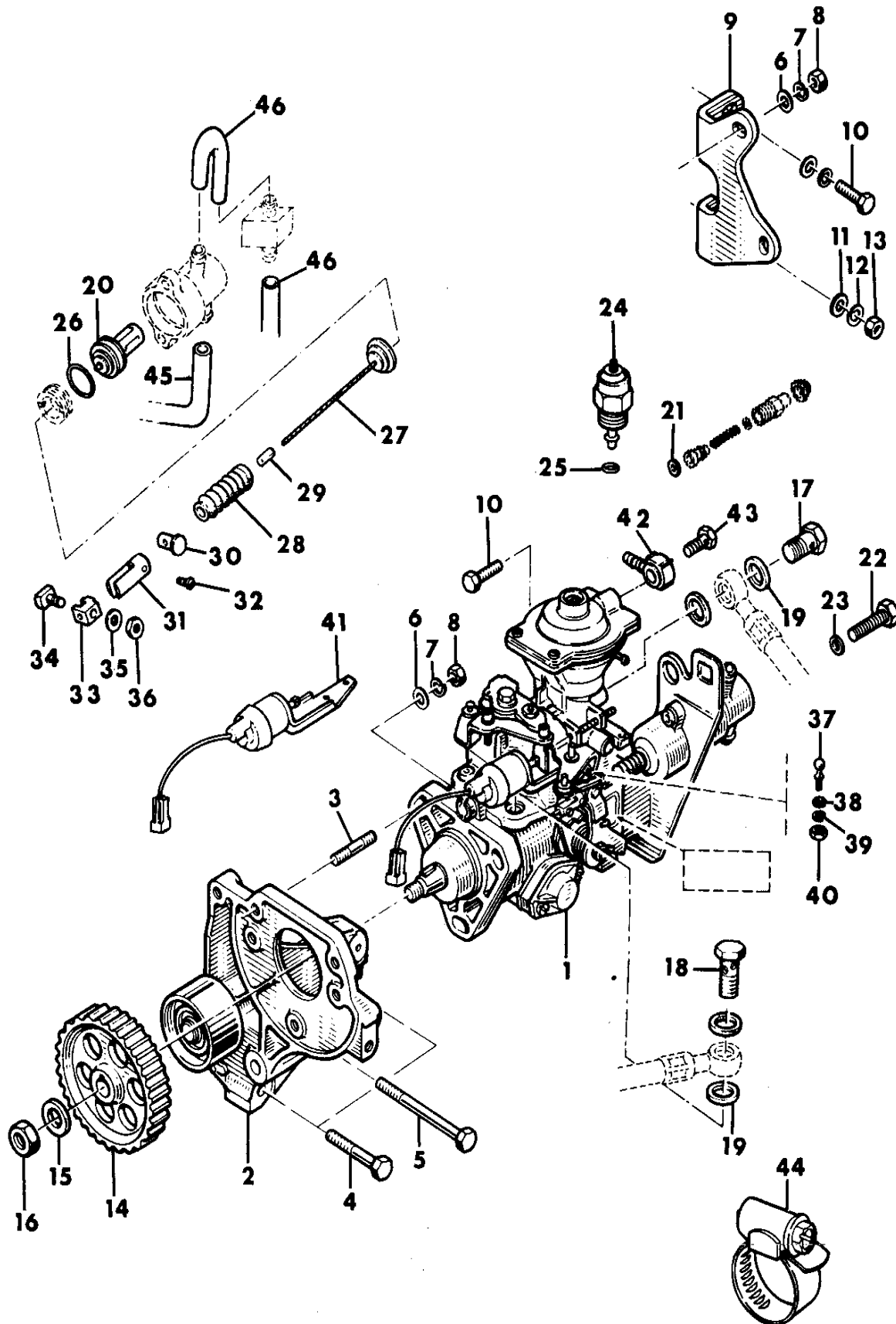
AR = Use as Required - = Non Illustrated Part P.A.R. = Paint as Required



FUEL INJECTION PUMP DIESEL ENGINE CHEROKEE, COMANCHE  
Figure 14-3100

8J143100

ITEM	PART NUMBER	QTY	BODY	MODEL	DESCRIPTION
36	8350 2343	1			NUT
37	8350 2344	1			STUD, Ball
38	8350 2345	1			WASHER
39	8350 2346	1			WASHER, Lock
40	8350 2347	1			NUT
41	8350 2349	1			SOLENOID, Idle Speed
42	T070 6862	1			CONNECTOR
43	T068 0758	1			UNION ***
44	3300 0785	AR			CLAMP, Hose
45	J067 8478	1			HOSE, Inlet
46	T066 5293	AR			HOSE, Outlet - (Modify to Fit)



MODEL CODES:

15 = Grand Wagoneer 4 Dr.	65 = Comanche 4WD-7 Ft. Box	77 = Cherokee 4WD-2 Dr.
25 = J-10 Pickup-119" W.B.	66 = Comanche 2WD-7 Ft. Box	78 = Cherokee 4WD-4 Dr.
26 = J-10 Pickup-131" W.B.	73 = Cherokee 2WD-2 Dr.	79 = Cherokee 4WD-4 Dr.-Com
27 = J-20 Pickup-131" W.B.	74 = Cherokee 2WD-4 Dr.	81 = Wrangler-93" W.B.
63 = Comanche 4WD-6 Ft. Box	75 = Wagoneer 4WD-4 Dr.	82 = Wrangler-103" W.B.-Exp.
64 = Comanche 2WD-6 Ft. Box		

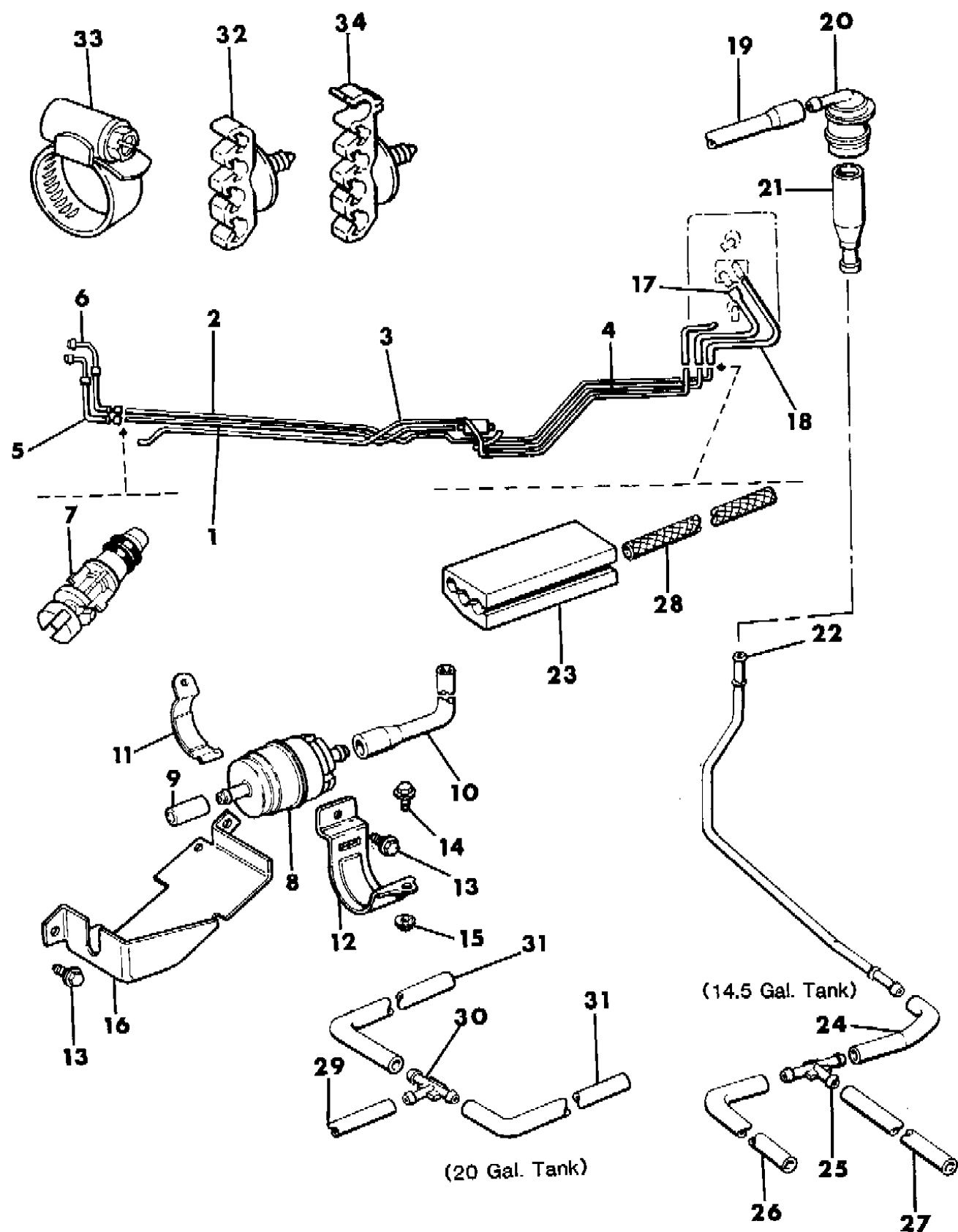
BODY STYLES:

MJ = Comanche Pickup  
SJ = Grand Wagoneer Wgn., J-10 & J-20 Pickups  
XJ = Cherokee, Wagoneer Limited  
YJ = Wrangler

AR = Use as Required - = Non Illustrated Part P.A.R. = Paint as Required

FUEL LINES U.S., CANADA AND ECE WRANGLER, YJ  
Figure 14-3200

8J14 3200 A



ITEM	PART NUMBER	QTY	BODY	MODEL	DESCRIPTION
1					TUBE, Fuel Supply
	5300 2194	1			2.5L Eng.
	5300 3601	1			4.2L Eng.
2					TUBE, Fuel Return
	5300 2196	1			2.5L Eng.
	5300 3602	1			4.2L Eng.
3	5300 3537	1			TUBE, Fuel Vent
4	5300 2195	1			TUBE, Fuel Supply - 2.5L Eng.
5	5300 2163	1			HOSE ASSEMBLY, Fuel Supply - 2.5L Eng.
6	5300 2167	1			HOSE ASSEMBLY, Fuel Return - 2.5L Eng.
7	8350 2745	2			REPAIR PACKAGE - 2.5L Eng.
8	3300 0076	1			FILTER, Fuel - 2.5L Eng.
9	J812 5823	AR			HOSE, Bulk - 2.5L Eng.
10	5300 4014	1			HOSE - 2.5L Eng.
11	3300 0203	1			CLAMP, Fuel Filter - 2.5L Eng.
12	5300 2199	1			BRACKET, Mounting - 2.5L Eng.
13	3420 1756	6			SCREW - 2.5L Eng.
14	1150 3877	1			BOLT - 2.5L Eng.
15	1150 3745	1			NUT - 2.5L Eng.
16	5300 3536	1			SHIELD - 2.5L Eng.
17					HOSE, Supply
	5300 3597	1			14.5 Gal. Tank
	5300 3607	1			20 Gal. Tank
18					HOSE, Return
	5300 3606	1			14.5 Gal. Tank (Modify to Fit)
	5300 3606	1			20 Gal. Tank
19	5300 4053	1			HOSE, Vent
20	J536 0058	1			VALVE, Vent
21	5300 4047	1			CONNECTOR
22	5300 4048	1			TUBE, Fuel Vent
23	5300 3646	1			GROMMET, Hose
24	J323 2942	1			HOSE, Vent
25	J323 7497	1			TEE
26	J322 8132	1			HOSE, Vent (Modify to Fit)
27	J812 5781	AR			HOSE, Vent - Bulk
28	3200 1056	1			SLEEVE - 20 Gal. Tank
29	8350 1071	AR			HOSE, Bulk

MODEL CODES:

15 = Grand Wagoneer 4 Dr.	65 = Comanche 4WD-7 Ft. Box	77 = Cherokee 4WD-2 Dr.
25 = J-10 Pickup-119" W.B.	66 = Comanche 2WD-7 Ft. Box	78 = Cherokee 4WD-4 Dr.
26 = J-10 Pickup-131" W.B.	73 = Cherokee 2WD-2 Dr.	79 = Cherokee 4WD-4 Dr.-Com
27 = J-20 Pickup-131" W.B.	74 = Cherokee 2WD-4 Dr.	81 = Wrangler-93" W.B.
63 = Comanche 4WD-6 Ft. Box	75 = Wagoneer 4WD-4 Dr.	82 = Wrangler-103" W.B.-Exp.
64 = Comanche 2WD-6 Ft. Box		

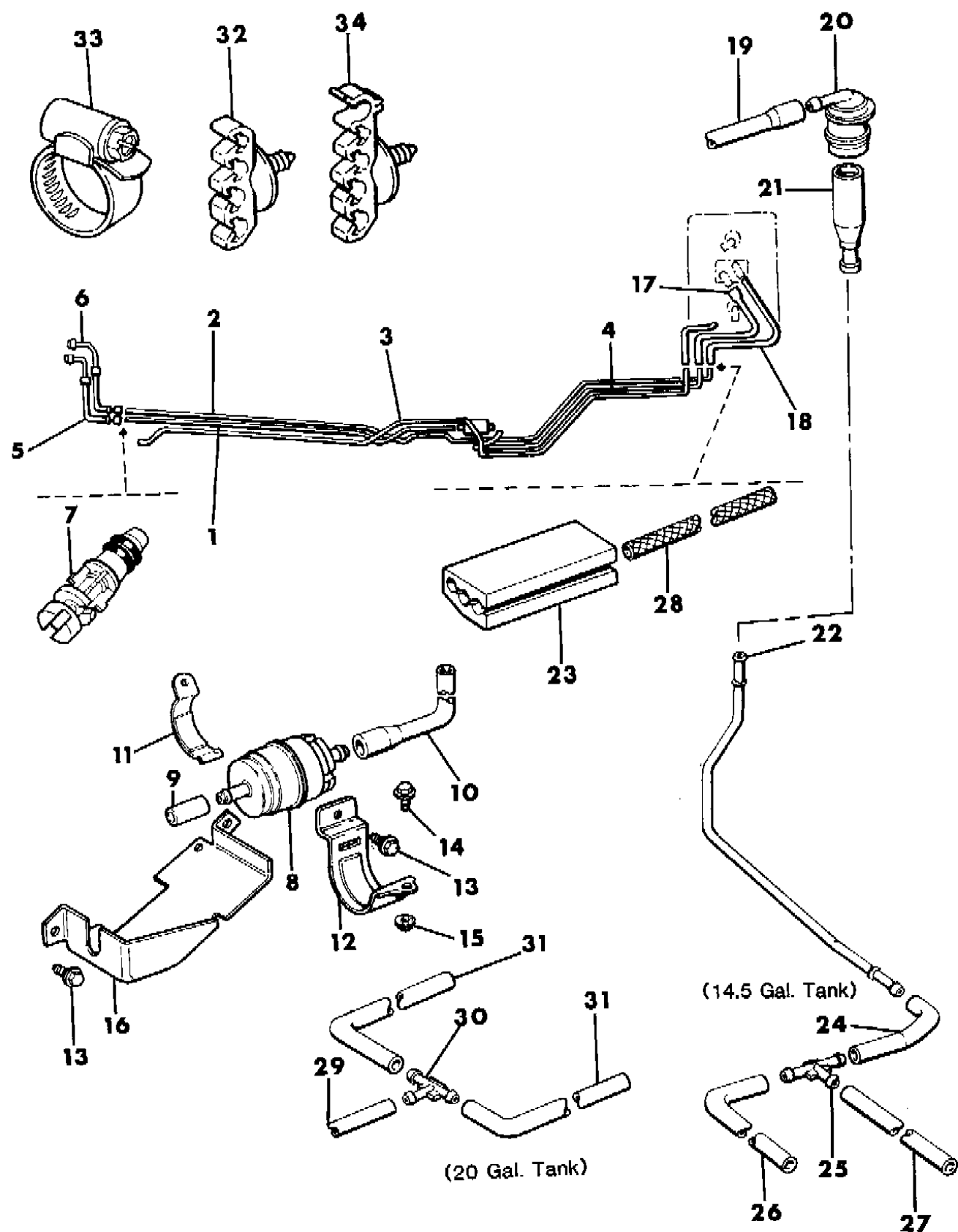
BODY STYLES:

MJ = Comanche Pickup
SJ = Grand Wagoneer Wgn., J-10 & J-20 Pickups
XJ = Cherokee, Wagoneer Limited
YJ = Wrangler

AR = Use as Required - = Non Illustrated Part P.A.R. = Paint as Required

FUEL LINES U.S., CANADA AND ECE WRANGLER, YJ  
Figure 14-3200

8J14 3200 A



ITEM	PART NUMBER	QTY	BODY	MODEL	DESCRIPTION
30	J323 9827	1			TEE
31	8330 0080	AR			HOSE, Bulk
32	3420 2371	AR			CLIP
33	J320 3076	AR			CLAMP, Hose .25" to 1.06"
	3300 0785	AR			.47" to .79"
	3300 0786	AR			.28" to .59"
34	3420 2728	1			CLIP

MODEL CODES:

15 = Grand Wagoneer 4 Dr.	65 = Comanche 4WD-7 Ft. Box	77 = Cherokee 4WD-2 Dr.
25 = J-10 Pickup-119" W.B.	66 = Comanche 2WD-7 Ft. Box	78 = Cherokee 4WD-4 Dr.
26 = J-10 Pickup-131" W.B.	73 = Cherokee 2WD-2 Dr.	79 = Cherokee 4WD-4 Dr.-Com
27 = J-20 Pickup-131" W.B.	74 = Cherokee 2WD-4 Dr.	81 = Wrangler-93" W.B.
63 = Comanche 4WD-6 Ft. Box	75 = Wagoneer 4WD-4 Dr.	82 = Wrangler-103" W.B.-Exp.
64 = Comanche 2WD-6 Ft. Box		

BODY STYLES:

MJ = Comanche Pickup  
SJ = Grand Wagoneer Wgn., J-10 & J-20 Pickups  
XJ = Cherokee, Wagoneer Limited  
YJ = Wrangler

AR = Use as Required - = Non Illustrated Part P.A.R. = Paint as Required

FUEL LINES EGYPT AND VENEZUELA KDX, NRM WRANGLER - EXPORT  
Figure 14-3300

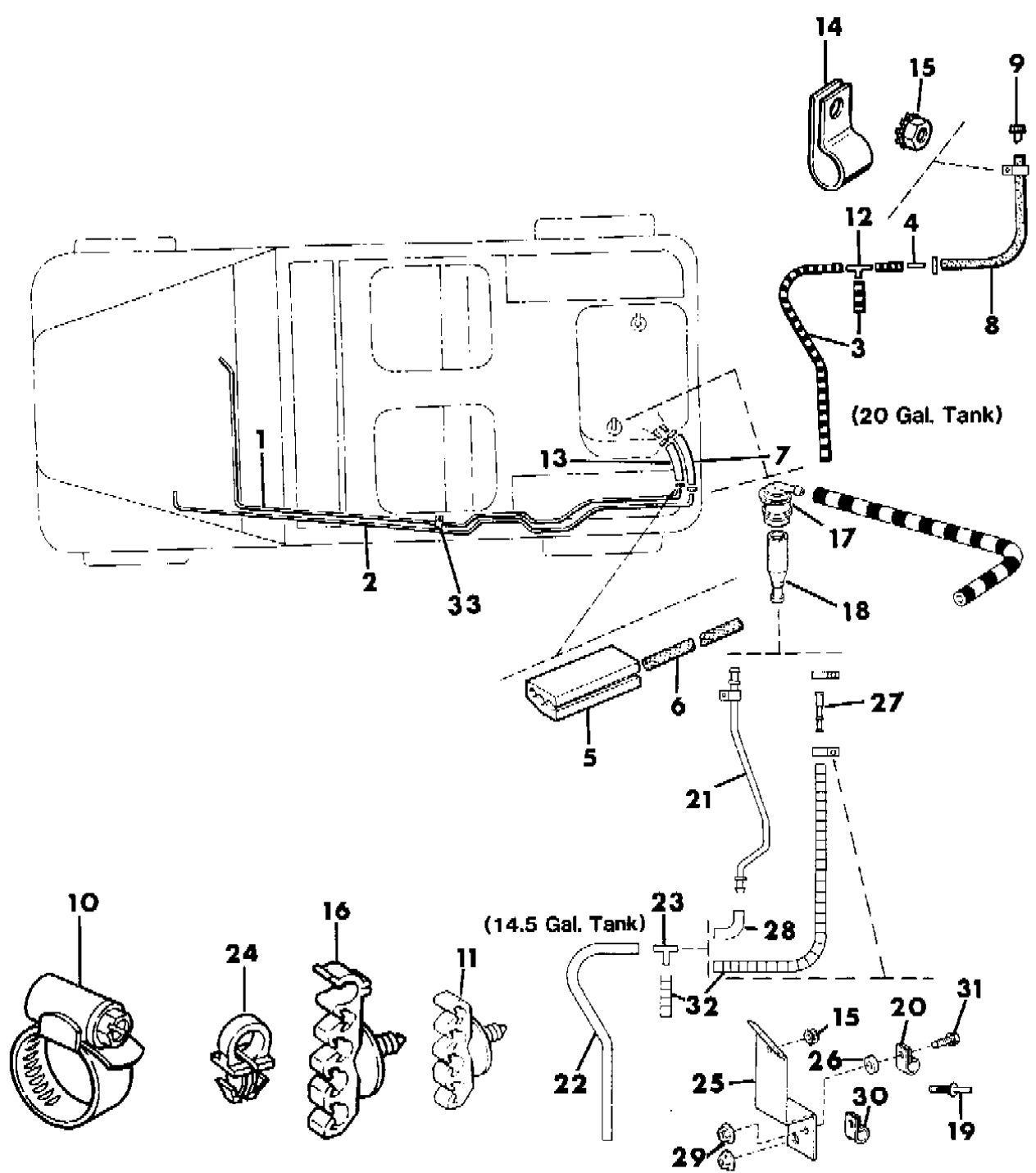
8J143300B

ITEM	PART NUMBER	QTY	BODY	MODEL	DESCRIPTION
1					TUBE, Fuel Supply
	5300 3990	1			2.5L Eng. - 20 Gal. Tank - NRM
	5300 3601	1			4.2L Eng. - 20 Gal. Tank - NRM
	5300 3988	1			4.2L Eng. - Egypt KDX w/103" W.B.
2					TUBE, Fuel Return
	5300 3987	1			2.5L Eng. - 20 Gal. Tank - NRM
	5300 3602	1			4.2L Eng. - 20 Gal. Tank - NRM
	5300 3602	1			4.2L Eng. - Venezuela KDX w/93" W.B.
	5300 3989	1			4.2L Eng. - Venezuela KDX w/103" W.B.
3	8330 0080	AR			HOSE, 7/32" I.D. - Bulk
4	J400 7075	1			CONNECTOR - 20 Gal. Tank
5	5300 3646	1			GROMMET, Hose
6	3200 1056	1			SLEEVE
7					HOSE
	5300 3606	1			14.5 Gal. Tank (Modify to Fit)
	5300 3606	1			20 Gal. Tank
8	J812 5823	AR			HOSE, 5/16" I.D. - Bulk - 20 Gal. Tank
9	J535 2955	1			CAP, Vent - 20 Gal. Tank
10					CLAMP, Hose
	3300 0786	AR			.28" to .59"
	3300 0785	AR			.47" to .79"
11	3420 2371	AR			CLIP
12	J323 2982	1			TEE - 20 Gal. Tank
13					HOSE
	5300 3597	1			14.5 Gal. Tank
	5300 3607	1			20 Gal. Tank
14	J014 0780	1			CLIP - 20 Gal. Tank
15	J027 1166	1			NUT - KDX w/93", 103" W.B.
16	3420 2728	AR			CLIP
17	J536 0058	1			VALVE, Vent - 14.5 Gal. Tank - Venezuela KDX
18	5300 4047	1			CONNECTOR - 14.5 Gal. Tank - Venezuela KDX
19	3420 2078	1			RIVET - 14.5 Gal. Tank - Venezuela KDX w/93" W.B.
20	J014 0786	1			CLIP - 14.5 Gal. Tank - Venezuela KDX
21	5300 4048	1			TUBE, Fuel Vent - 14.5 Gal. Tank - Venezuela KDX w/93" W.B.
22	J322 8132	1			HOSE, Vent - 14.5 Gal. Tank - Venezuela KDX (Modify to Fit)
23	J323 7497	1			TEE - 14.5 Gal. Tank - Venezuela KDX
24	3420 1633	1			CLIP - 14.5 Gal. Tank - Venezuela KDX w/103" W.B.

MODEL CODES:  
 15 = Grand Wagoneer 4 Dr.      65 = Comanche 4WD-7 Ft. Box      77 = Cherokee 4WD-2 Dr.  
 25 = J-10 Pickup-119" W.B.      66 = Comanche 2WD-7 Ft. Box      78 = Cherokee 4WD-4 Dr.  
 26 = J-10 Pickup-131" W.B.      73 = Cherokee 2WD-2 Dr.      79 = Cherokee 4WD-4 Dr.-Com  
 27 = J-20 Pickup-131" W.B.      74 = Cherokee 2WD-4 Dr.      81 = Wrangler-93" W.B.  
 63 = Comanche 4WD-6 Ft. Box      75 = Wagoneer 4WD-4 Dr.      82 = Wrangler-103" W.B.-Exp.  
 64 = Comanche 2WD-6 Ft. Box

BODY STYLES:  
 MJ = Comanche Pickup  
 SJ = Grand Wagoneer Wgn., J-10 & J-20 Pickups  
 XJ = Cherokee, Wagoneer Limited  
 YJ = Wrangler

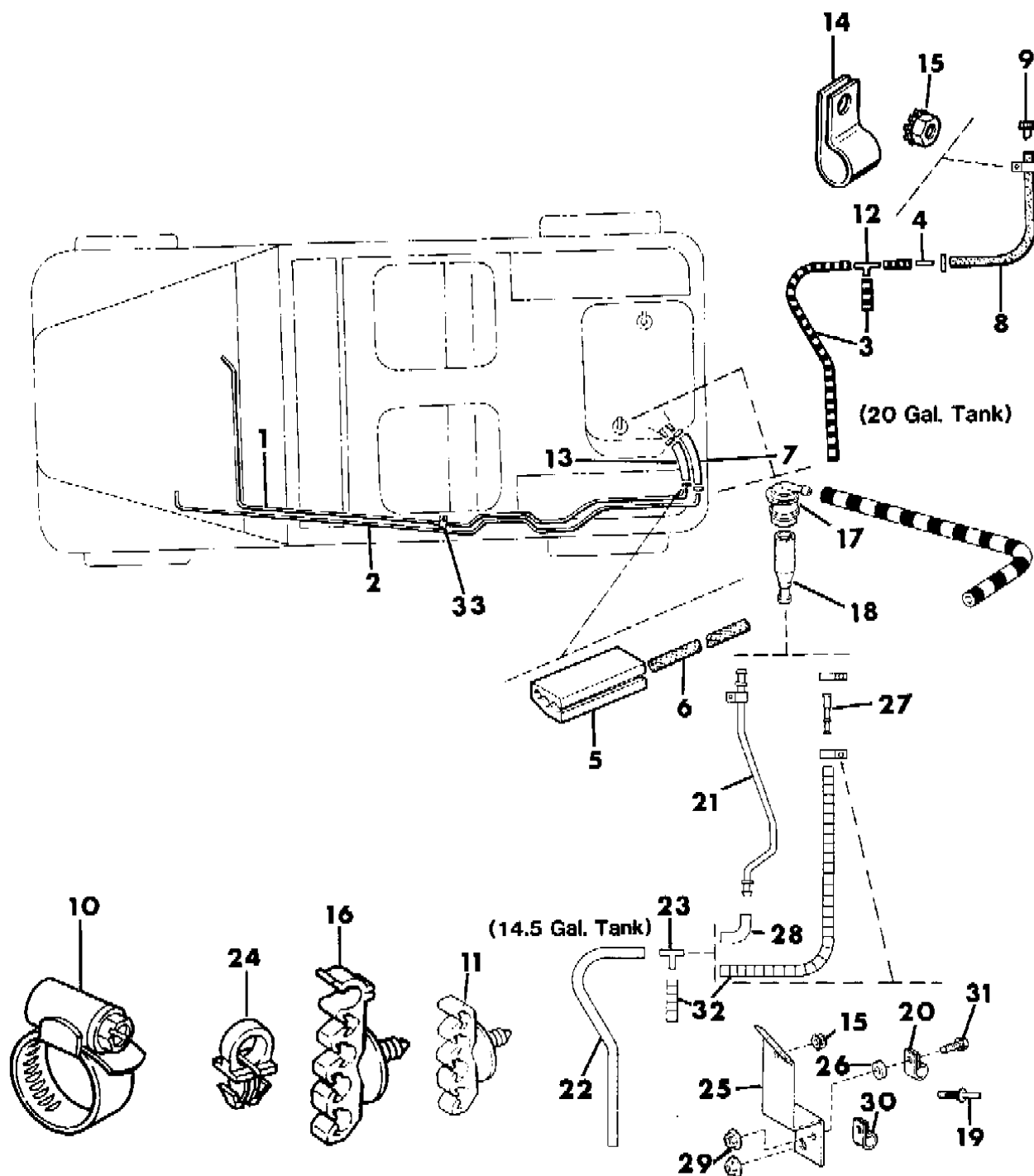
AR = Use as Required - = Non Illustrated Part P.A.R. = Paint as Required



FUEL LINES EGYPT AND VENEZUELA KDX, NRM WRANGLER - EXPORT  
Figure 14-3300

8J143300B

ITEM	PART NUMBER	QTY	BODY	MODEL	DESCRIPTION
25	5300 5035	1			BRACKET, Mounting - 14.5 Gal. Tank - Venezuela KDX w/103" W.B.
26	J066 9842	1			SPACER - 14.5 Gal. Tank - Venezuela KDX w/103" W.B.
27	5300 5034	1			TUBE, Fuel Vent - 14.5 Gal. Tank - Venezuela KDX w/103" W.B.
28	J323 2942	1			HOSE, Vent - 14.5 Gal. Tank - Venezuela KDX w/93" W.B.
29	1150 3750	2			NUT - 14.5 Gal. Tank - Venezuela KDX w/103" W.B.
30	J400 1718	1			CLIP - 14.5 Gal. Tank - Venezuela KDX w/103 W.B.
31	3420 1756	2			BOLT - 14.5 Gal. Tank - Venezuela KDX w/103" W.B.
32	J812 5781	AR			HOSE, Vent - Bulk - 14.5 Gal. Tank - Venezuela KDX w/103" W.B.
33	J400 7577	1			CLIP - KDX w/93", 103" W.B.



MODEL CODES:

15 = Grand Wagoneer 4 Dr.	65 = Comanche 4WD-7 Ft. Box	77 = Cherokee 4WD-2 Dr.
25 = J-10 Pickup-119" W.B.	66 = Comanche 2WD-7 Ft. Box	78 = Cherokee 4WD-4 Dr.
26 = J-10 Pickup-131" W.B.	73 = Cherokee 2WD-2 Dr.	79 = Cherokee 4WD-4 Dr.-Com
27 = J-20 Pickup-131" W.B.	74 = Cherokee 2WD-4 Dr.	81 = Wrangler-93" W.B.
63 = Comanche 4WD-6 Ft. Box	75 = Wagoneer 4WD-4 Dr.	82 = Wrangler-103" W.B.-Exp.
64 = Comanche 2WD-6 Ft. Box		

BODY STYLES:

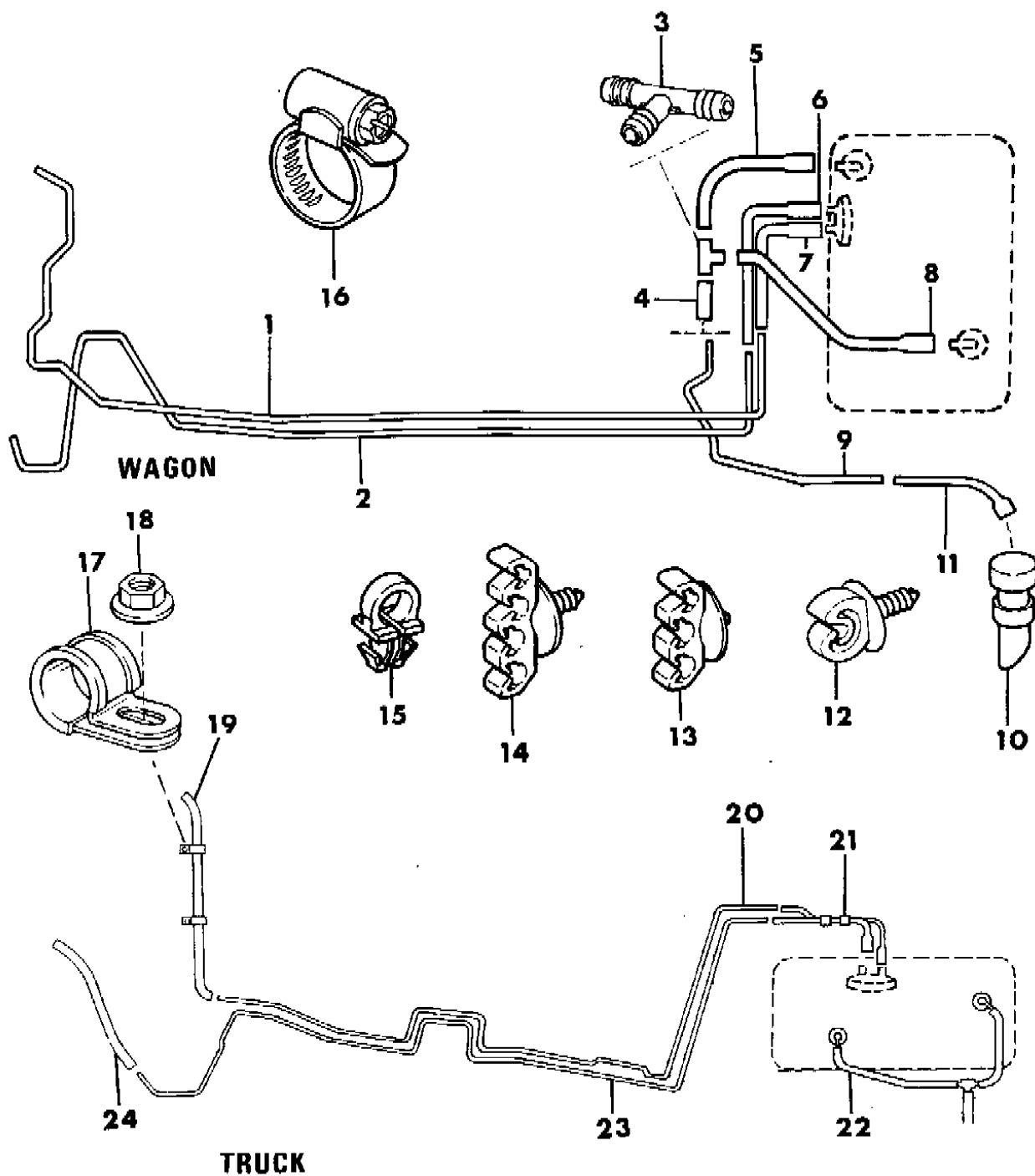
MJ = Comanche Pickup  
SJ = Grand Wagoneer Wgn., J-10 & J-20 Pickups  
XJ = Cherokee, Wagoneer Limited  
YJ = Wrangler

AR = Use as Required - = Non Illustrated Part P.A.R. = Paint as Required

FUEL LINES 2.5L CARBURETED ENGINE CHEROKEE, WAGONEER, COMANCHE  
Figure 14-3400

8J143400 A

ITEM	PART NUMBER	QTY	BODY	MODEL	DESCRIPTION
1	5300 2568	1	XJ		TUBE, Fuel Supply
2	5300 2571	1	XJ		TUBE, Fuel Return
3	J321 0891	1	XJ		TEE
4	J812 5995	AR	XJ		HOSE, Bulk
5	5300 0194	1	XJ		HOSE, Vent
6	5300 1428	1	XJ		HOSE, Return
7	5300 1662	1	XJ		HOSE, Supply
8	3300 0058	1	XJ		HOSE, Vent
9	5300 1741	1	XJ		TUBE, Fuel Vent
10	J535 2955	1	XJ		CAP, Vent
11	5300 1740	1	XJ		HOSE, Vent
12	3200 0404	AR			CLIP
13	3300 0202	AR	XJ		CLIP
14	3420 2371	AR	XJ		CLIP
15	3420 1633	AR	XJ		CLIP
16					CLAMP, Hose
	3300 0786	AR			.28" to .59"
	3300 0785	AR			.47" to .78"
17	J400 5341	2	MJ		CLIP
18	3420 1246	2	MJ		NUT
19	J812 5823	AR	MJ		HOSE, Bulk
20	5300 4541	1	MJ		TUBE, Fuel Supply
21	5300 3426	1	MJ		HOSE ASSEMBLY
22	5300 3427	1	MJ		HOSE ASSEMBLY
23	5300 1306	1	MJ		TUBE, Fuel Return
24	J812 5843	AR	MJ		HOSE, Bulk



MODEL CODES:

15 = Grand Wagoneer 4 Dr.	65 = Comanche 4WD-7 Ft. Box	77 = Cherokee 4WD-2 Dr.
25 = J-10 Pickup-119" W.B.	66 = Comanche 2WD-7 Ft. Box	78 = Cherokee 4WD-4 Dr.
26 = J-10 Pickup-131" W.B.	73 = Cherokee 2WD-2 Dr.	79 = Cherokee 4WD-4 Dr.-Com
27 = J-20 Pickup-131" W.B.	74 = Cherokee 2WD-4 Dr.	81 = Wrangler-93" W.B.
63 = Comanche 4WD-6 Ft. Box	75 = Wagoneer 4WD-4 Dr.	82 = Wrangler-103" W.B.-Exp.
64 = Comanche 2WD-6 Ft. Box		

BODY STYLES:

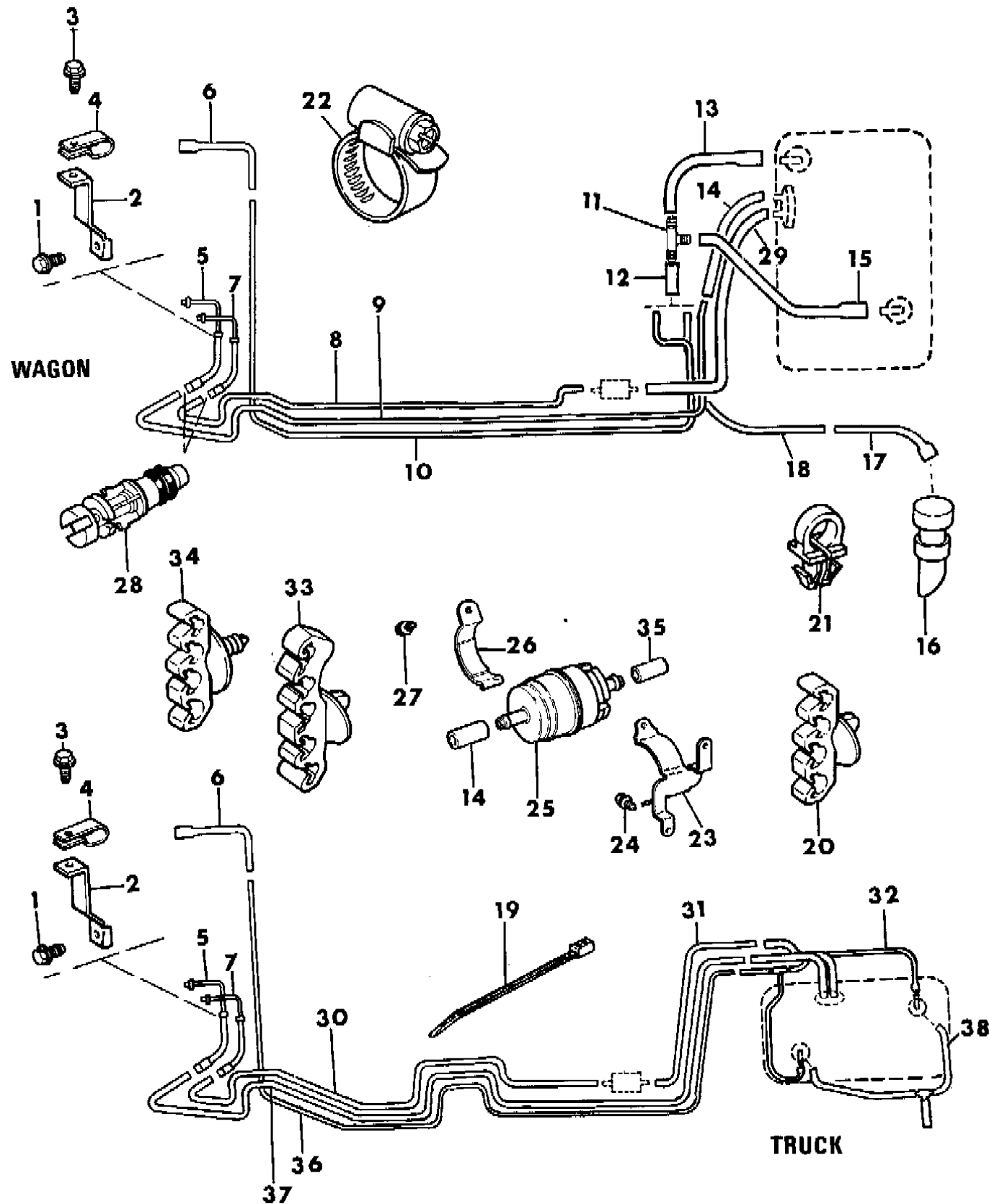
MJ = Comanche Pickup  
 SJ = Grand Wagoneer Wgn., J-10 & J-20 Pickups  
 XJ = Cherokee, Wagoneer Limited  
 YJ = Wrangler

AR = Use as Required - = Non Illustrated Part P.A.R. = Paint as Required



FUEL LINES 2.5L EFI ENGINE CHEROKEE, WAGONEER, COMANCHE  
Figure 14-3500

8J14 3500 B



ITEM	PART NUMBER	QTY	BODY	MODEL	DESCRIPTION
1	J027 1444	1			BOLT
2	5300 3045	1			BRACKET
3	3420 1193	1			SCREW
4	J400 7063	1			CLIP
5	5300 4496	1			HOSE ASSEMBLY, Fuel Return
6	5300 4608	1			HOSE
7	5300 4495	1			HOSE ASSEMBLY, Fuel Supply
8	5300 4486	1	XJ		TUBE, Fuel Supply
9	5300 4487	1	XJ		TUBE, Fuel Return
10	5300 2651	1	XJ		TUBE, Fuel Return - w/Unleaded Fuel
11	J321 0891	1	XJ		TEE
12	J812 5995	AR	XJ		HOSE, Bulk
13	5300 0194	1	XJ		HOSE, Vent
14	J812 5823	AR			HOSE, Return - Bulk
15	3300 0058	1	XJ		HOSE, Vent
16	J535 2955	1	XJ		CAP, Vent - w/Leaded Fuel - ECE
17	5300 1740	1	XJ		HOSE - w/Leaded Fuel - ECE
18	5300 1741	1	XJ		TUBE, Fuel Vent - w/Leaded Fuel - ECE
19	5600 1144	3	XJ		STRAP, Tie
20	5300 0585	AR			CLIP
21	3420 1633	AR			CLIP
22					CLAMP, Hose
	3300 0786	AR			.28" to .59"
	3300 0785	AR			.47" to .78"
23	5300 2198	1			BRACKET, Mounting
24	3420 1756	2			SCREW
25	3300 0076	1			FILTER, Fuel
26	3300 0203	1			CLAMP, Fuel Filter
27	1150 2453	1			SCREW
28	8350 2745	2			REPAIR PACKAGE
29	5300 2189	1	XJ		HOSE, Supply
30	5300 4416	1	MJ		TUBE, Fuel Supply
31	5300 2192	1	MJ		TUBE, Fuel Supply
32			MJ		HOSE ASSEMBLY
	5300 4726	1			6 Ft. Box - U.S.
	5300 4731	1			6 Ft. Box - Canada
	5300 4723	1			7 Ft. Box - U.S.

MODEL CODES:

15 = Grand Wagoneer 4 Dr.	65 = Comanche 4WD-7 Ft. Box	77 = Cherokee 4WD-2 Dr.
25 = J-10 Pickup-119" W.B.	66 = Comanche 2WD-7 Ft. Box	78 = Cherokee 4WD-4 Dr.
26 = J-10 Pickup-131" W.B.	73 = Cherokee 2WD-2 Dr.	79 = Cherokee 4WD-4 Dr.-Com
27 = J-20 Pickup-131" W.B.	74 = Cherokee 2WD-4 Dr.	81 = Wrangler-93" W.B.
63 = Comanche 4WD-6 Ft. Box	75 = Wagoneer 4WD-4 Dr.	82 = Wrangler-103" W.B.-Exp.
64 = Comanche 2WD-6 Ft. Box		

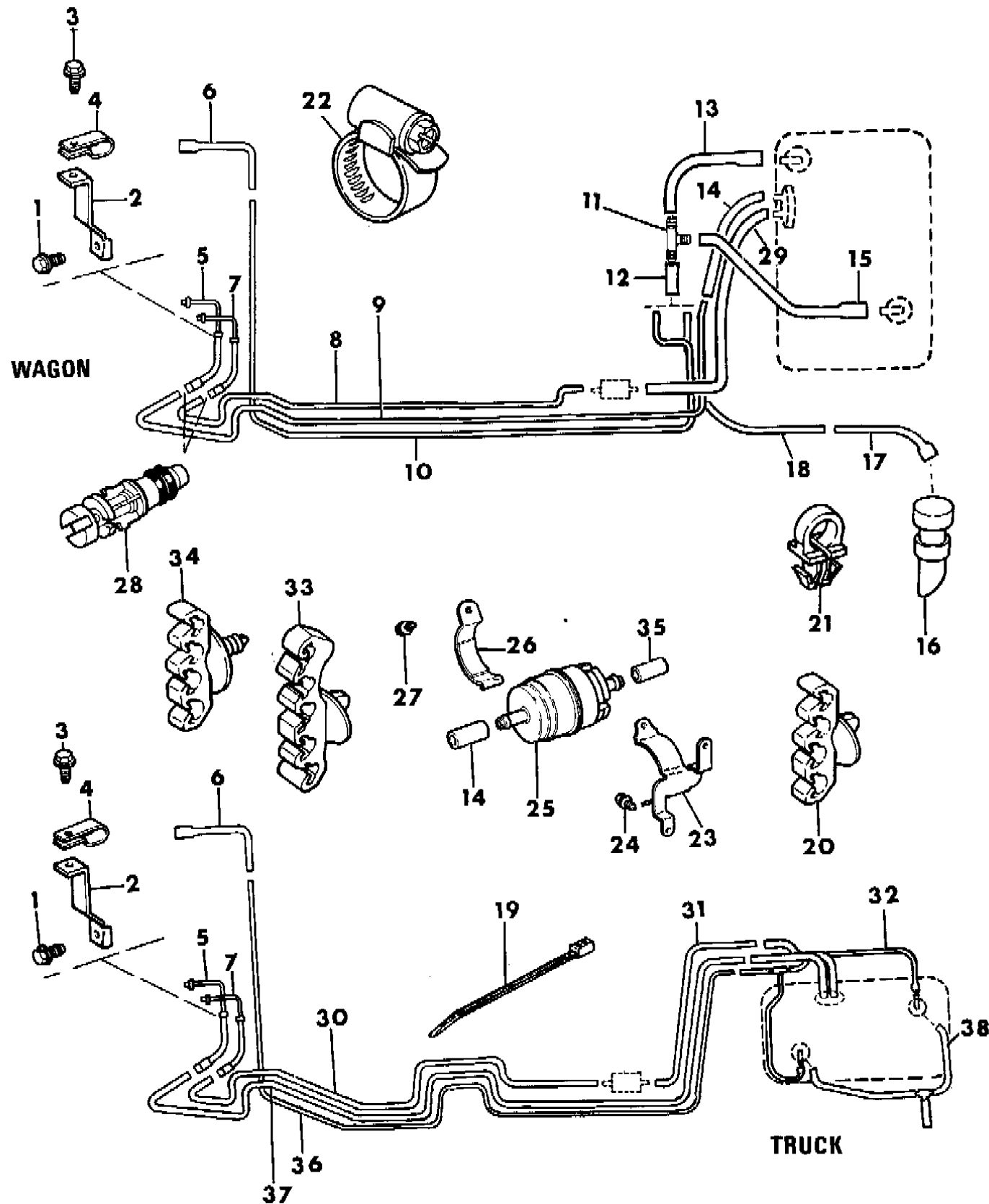
BODY STYLES:

MJ = Comanche Pickup
SJ = Grand Wagoneer Wgn., J-10 & J-20 Pickups
XJ = Cherokee, Wagoneer Limited
YJ = Wrangler

AR = Use as Required - = Non Illustrated Part P.A.R. = Paint as Required

FUEL LINES 2.5L EFI ENGINE CHEROKEE, WAGONEER, COMANCHE  
Figure 14-3500

8J14 3500 B



ITEM	PART NUMBER	QTY	BODY	MODEL	DESCRIPTION
	5300 3426	1			7 Ft. Box - Canada
33	3420 2414	AR	MJ		CLIP, Tube
34	3420 2371	AR	MJ		CLIP
35	J812 5781	AR	MJ		HOSE, Bulk
	J322 5790	1	MJ		TUBE, 5/16"ID x 1.50 L
36	5300 4418	1	MJ		TUBE, Fuel Vent
37	5300 4417	1	MJ		TUBE, Fuel Return
38	5300 3427	1			HOSE ASSEMBLY - Canada 1987

MODEL CODES:  
 15 = Grand Wagoneer 4 Dr.      65 = Comanche 4WD-7 Ft. Box      77 = Cherokee 4WD-2 Dr.  
 25 = J-10 Pickup-119" W.B.      66 = Comanche 2WD-7 Ft. Box      78 = Cherokee 4WD-4 Dr.  
 26 = J-10 Pickup-131" W.B.      73 = Cherokee 2WD-2 Dr.      79 = Cherokee 4WD-4 Dr.-Com  
 27 = J-20 Pickup-131" W.B.      74 = Cherokee 2WD-4 Dr.      81 = Wrangler-93" W.B.  
 63 = Comanche 4WD-6 Ft. Box      75 = Wagoneer 4WD-4 Dr.      82 = Wrangler-103" W.B.-Exp.  
 64 = Comanche 2WD-6 Ft. Box

BODY STYLES:  
 MJ = Comanche Pickup  
 SJ = Grand Wagoneer Wgn., J-10 & J-20 Pickups  
 XJ = Cherokee, Wagoneer Limited  
 YJ = Wrangler

AR = Use as Required - = Non Illustrated Part P.A.R. = Paint as Required

FUEL LINES 4.0L EFI ENGINE CHEROKEE, WAGONEER, COMANCHE  
Figure 14-3600

8J 14 3600 A

ITEM	PART NUMBER	QTY	BODY	MODEL	DESCRIPTION
1	5300 4608	1			HOSE
2	5200 3563	1			SHIELD
3	J027 3573	1			SCREW
4	5300 4687	1			TUBE ASSEMBLY, Fuel Supply
5					TUBE ASSEMBLY, Fuel Return ***
	5300 2787	1			Wagon 1987
	5300 2806	1			Truck 1987
	5200 3635	1			1988-90
6	5300 2651	1			TUBE, Fuel Vent
7	J321 0891	1			TEE
8	J812 5995	AR			HOSE, Bulk
9	5300 0194	1			HOSE, Vent
10	J812 5823	AR			HOSE, Return - Bulk
11	5300 2189	1	XJ		HOSE, Supply
12	3300 0058	1	XJ		HOSE, Vent
13	J535 2955	1	XJ		CAP, Vent - NRM
14	5300 1740	1	XJ		HOSE, Vent - NRM
15	3200 0404	AR			CLIP
16	5300 1741	1	XJ		TUBE, Vent - NRM
17	3420 2371	AR			CLIP
18	3420 1633	1	XJ		CLIP - NRM
19					CLAMP, Hose
	3300 0786	AR			.28" to .59"
	3300 0785	AR			.47" to .78"
20	5300 2198	1			BRACKET, Mounting
21	3420 1756	2			SCREW
22	3300 0076	1			FILTER, Fuel
23	3300 0203	1			CLAMP, Fuel Filter
24	1150 2453	AR			SCREW
25	8350 2745	3			REPAIR PACKAGE
26	5200 3634	1			HOSE ASSEMBLY, Fuel Return
27	J017 9148	1			CLIP
28	5300 4686	1	MJ		TUBE ASSEMBLY, Fuel Supply ***
29	5200 3633	1	MJ		TUBE ASSEMBLY, Fuel Return ***
30	5300 2192	1	MJ		TUBE, Fuel Supply
31			MJ		HOSE ASSEMBLY
	5300 4726	1			6 Ft. Box

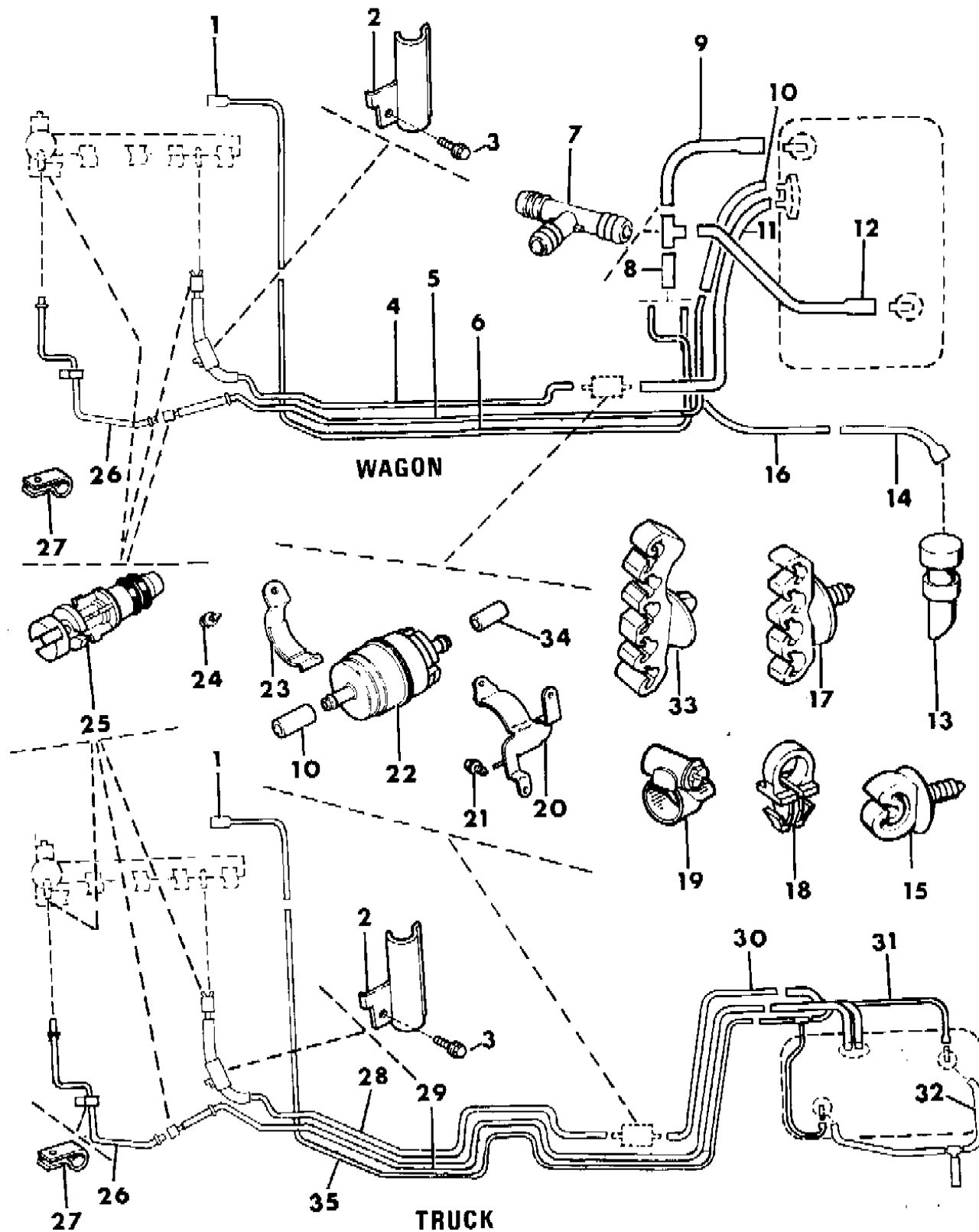
MODEL CODES:

15 = Grand Wagoneer 4 Dr.	65 = Comanche 4WD-7 Ft. Box	77 = Cherokee 4WD-2 Dr.
25 = J-10 Pickup-119" W.B.	66 = Comanche 2WD-7 Ft. Box	78 = Cherokee 4WD-4 Dr.
26 = J-10 Pickup-131" W.B.	73 = Cherokee 2WD-2 Dr.	79 = Cherokee 4WD-4 Dr.-Com
27 = J-20 Pickup-131" W.B.	74 = Cherokee 2WD-4 Dr.	81 = Wrangler-93" W.B.
63 = Comanche 4WD-6 Ft. Box	75 = Wagoneer 4WD-4 Dr.	82 = Wrangler-103" W.B.-Exp.
64 = Comanche 2WD-6 Ft. Box		

BODY STYLES:

MJ = Comanche Pickup
SJ = Grand Wagoneer Wgn., J-10 & J-20 Pickups
XJ = Cherokee, Wagoneer Limited
YJ = Wrangler

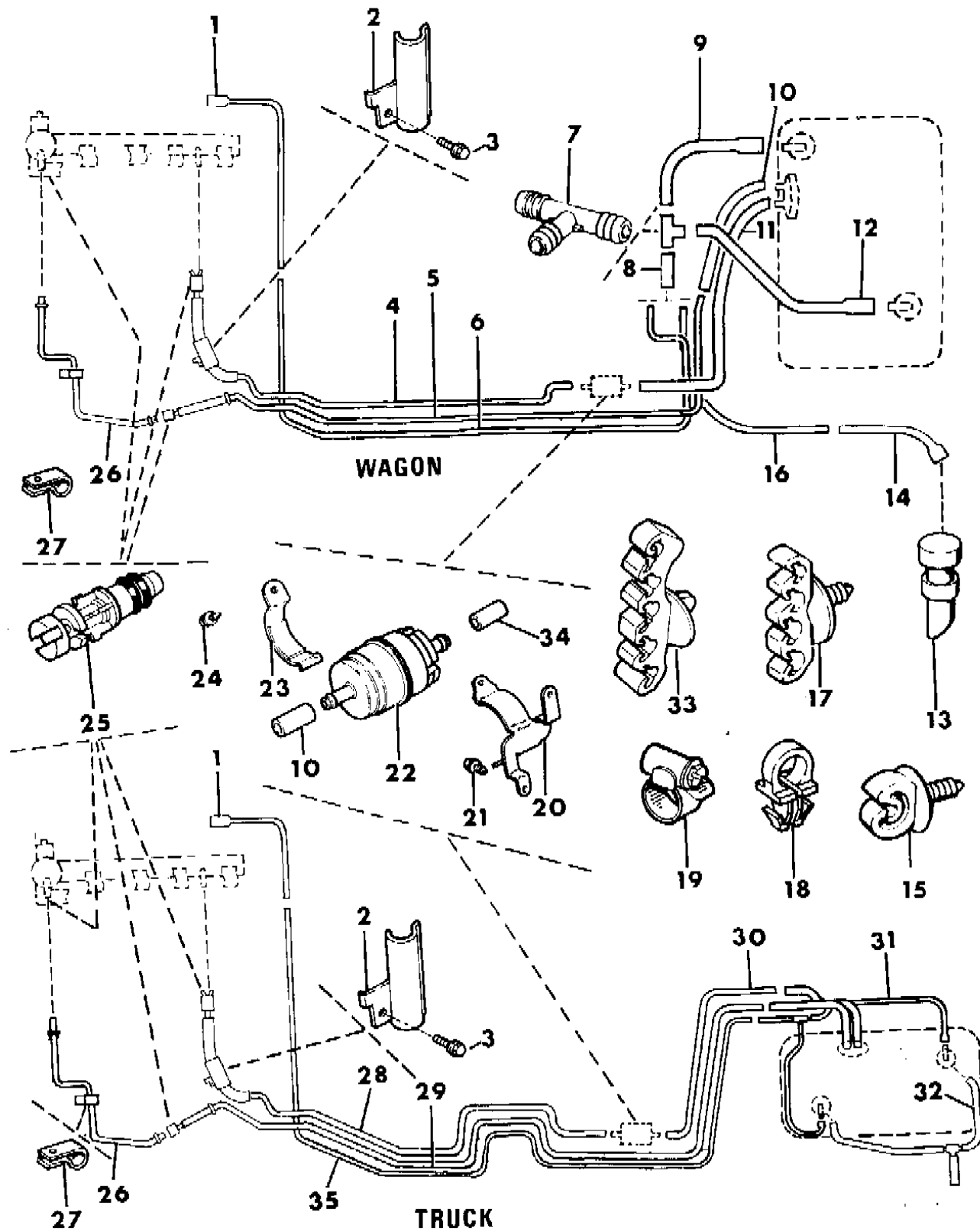
AR = Use as Required - = Non Illustrated Part P.A.R. = Paint as Required



FUEL LINES 4.0L EFI ENGINE CHEROKEE, WAGONEER, COMANCHE  
Figure 14-3600

8J143600 A

ITEM	PART NUMBER	QTY	BODY	MODEL	DESCRIPTION
	5300 4723	1			7 Ft. Box
	5300 4731	1			6 Ft. Box - NRM
	5300 3426	1			7 Ft. Box - NRM
32	5300 3427	1	MJ		HOSE ASSEMBLY - NRM
33	3420 2414	AR	MJ		CLIP
34	J812 5781	AR	MJ		HOSE, Fuel Supply - Bulk
35	5300 4418	1	MJ		TUBE, Fuel Vent



MODEL CODES:

15 = Grand Wagoneer 4 Dr.	65 = Comanche 4WD-7 Ft. Box	77 = Cherokee 4WD-2 Dr.
25 = J-10 Pickup-119" W.B.	66 = Comanche 2WD-7 Ft. Box	78 = Cherokee 4WD-4 Dr.
26 = J-10 Pickup-131" W.B.	73 = Cherokee 2WD-2 Dr.	79 = Cherokee 4WD-4 Dr.-Com
27 = J-20 Pickup-131" W.B.	74 = Cherokee 2WD-4 Dr.	81 = Wrangler-93" W.B.
63 = Comanche 4WD-6 Ft. Box	75 = Wagoneer 4WD-4 Dr.	82 = Wrangler-103" W.B.-Exp.
64 = Comanche 2WD-6 Ft. Box		

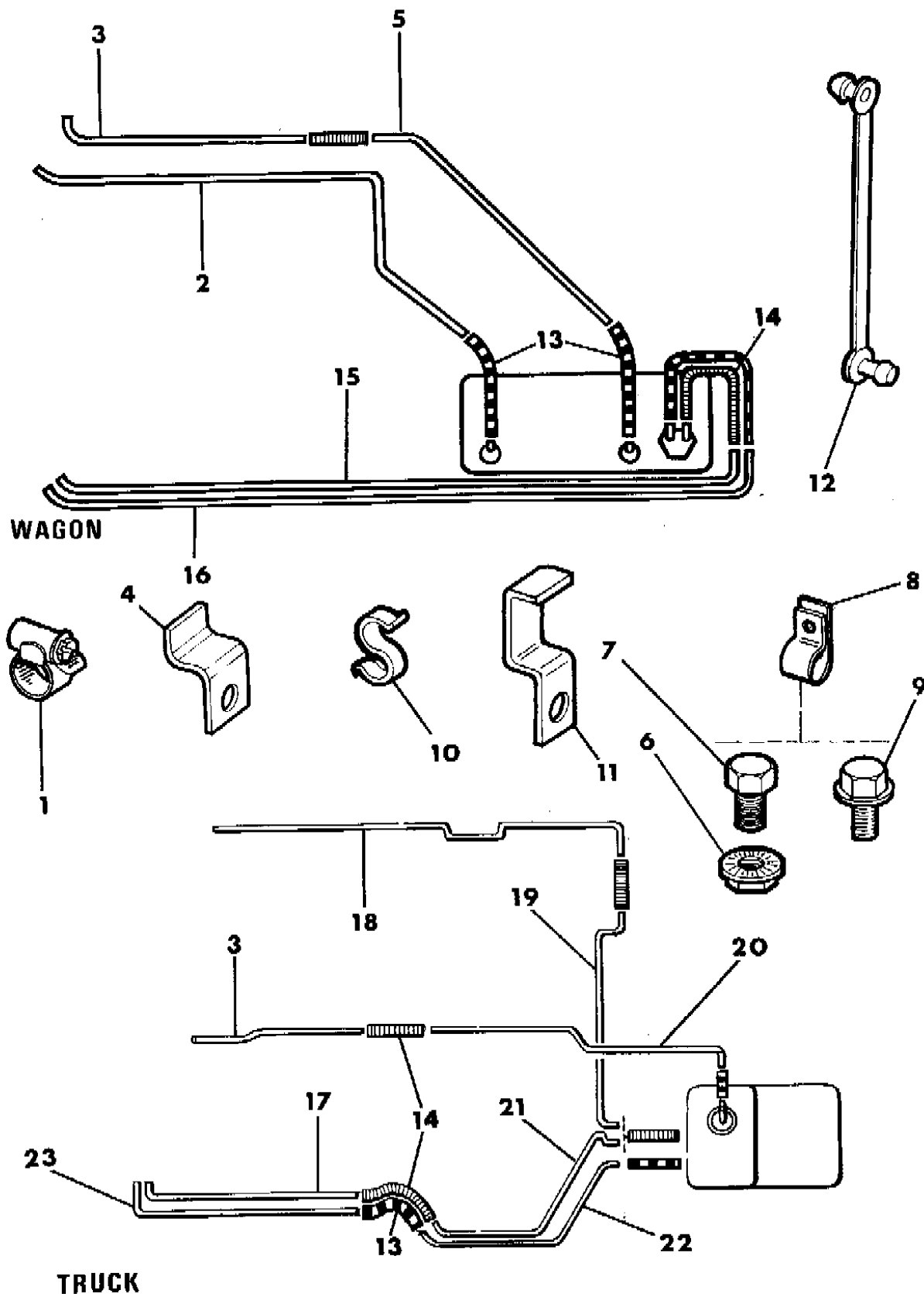
BODY STYLES:

MJ = Comanche Pickup  
SJ = Grand Wagoneer Wgn., J-10 & J-20 Pickups  
XJ = Cherokee, Wagoneer Limited  
YJ = Wrangler

AR = Use as Required - = Non Illustrated Part P.A.R. = Paint as Required

FUEL LINES 4.2L AND 5.9L ENGINES GRAND WAGONEER, J10, J20  
Figure 14-3700

8J 143700 A



ITEM	PART NUMBER	QTY	BODY	MODEL	DESCRIPTION
1					CLAMP, Hose
	3300 0786	AR			.28" to .59"
	3300 0785	AR			.47" to .78"
2				15	TUBE, Vent
	J536 1554	1			AM208 Transfer Case
	J536 1555	1			AM229 Transfer Case
3					TUBE, Vent
	J536 3388	1		26,27	4.2L Eng.
	J536 3385	1		15	4.2L Eng. - NRM
	J536 1733	1			5.9L Eng.
4	J536 4175	AR		15	CLIP - 4.2L Eng. - NRM
5	J536 4188	1		26,27	TUBE, Vent
6	J400 3587	AR		26,27	NUT
7	S017 9814	AR		26,27	BOLT
8					CLIP
	J012 0522	AR			.28"
	J019 2107	AR			.34"
	J017 9148	AR			.38"
9					SCREW
	J942 6241	AR			.25"
	J400 5063	AR			.31"
	J400 4626	AR			.38"
10					CLIP, S Type
	J080 0743	AR			.24" x .24" - NRM
	J400 4928	AR			.24" x .30"
	J400 0021	AR			.30" x .30"
11	J400 4901	AR			CLIP
12	J400 1712	1		15	FASTENER
13	J812 5843	AR			HOSE, .25" I.D. - Bulk
14	J812 5823	AR			HOSE, .31" I.D. - Bulk
15				15	TUBE, Fuel Supply
	J536 1192	1			4.2L Eng. - NRM
	J536 1195	1			5.9L Eng.
16	5300 2557	1		15	TUBE, Fuel Return
17	5300 2560	1		26,27	TUBE, Fuel Supply - 5.9L Eng.
18	J535 7965	1		26,27	TUBE, Fuel Supply - 4.2L Eng.
19	J536 1196	1		26,27	TUBE, Fuel Supply - 4.2L Eng.

MODEL CODES:

15 = Grand Wagoneer 4 Dr.	65 = Comanche 4WD-7 Ft. Box	77 = Cherokee 4WD-2 Dr.
25 = J-10 Pickup-119" W.B.	66 = Comanche 2WD-7 Ft. Box	78 = Cherokee 4WD-4 Dr.
26 = J-10 Pickup-131" W.B.	73 = Cherokee 2WD-2 Dr.	79 = Cherokee 4WD-4 Dr.-Com
27 = J-20 Pickup-131" W.B.	74 = Cherokee 2WD-4 Dr.	81 = Wrangler-93" W.B.
63 = Comanche 4WD-6 Ft. Box	75 = Wagoneer 4WD-4 Dr.	82 = Wrangler-103" W.B.-Exp.
64 = Comanche 2WD-6 Ft. Box		

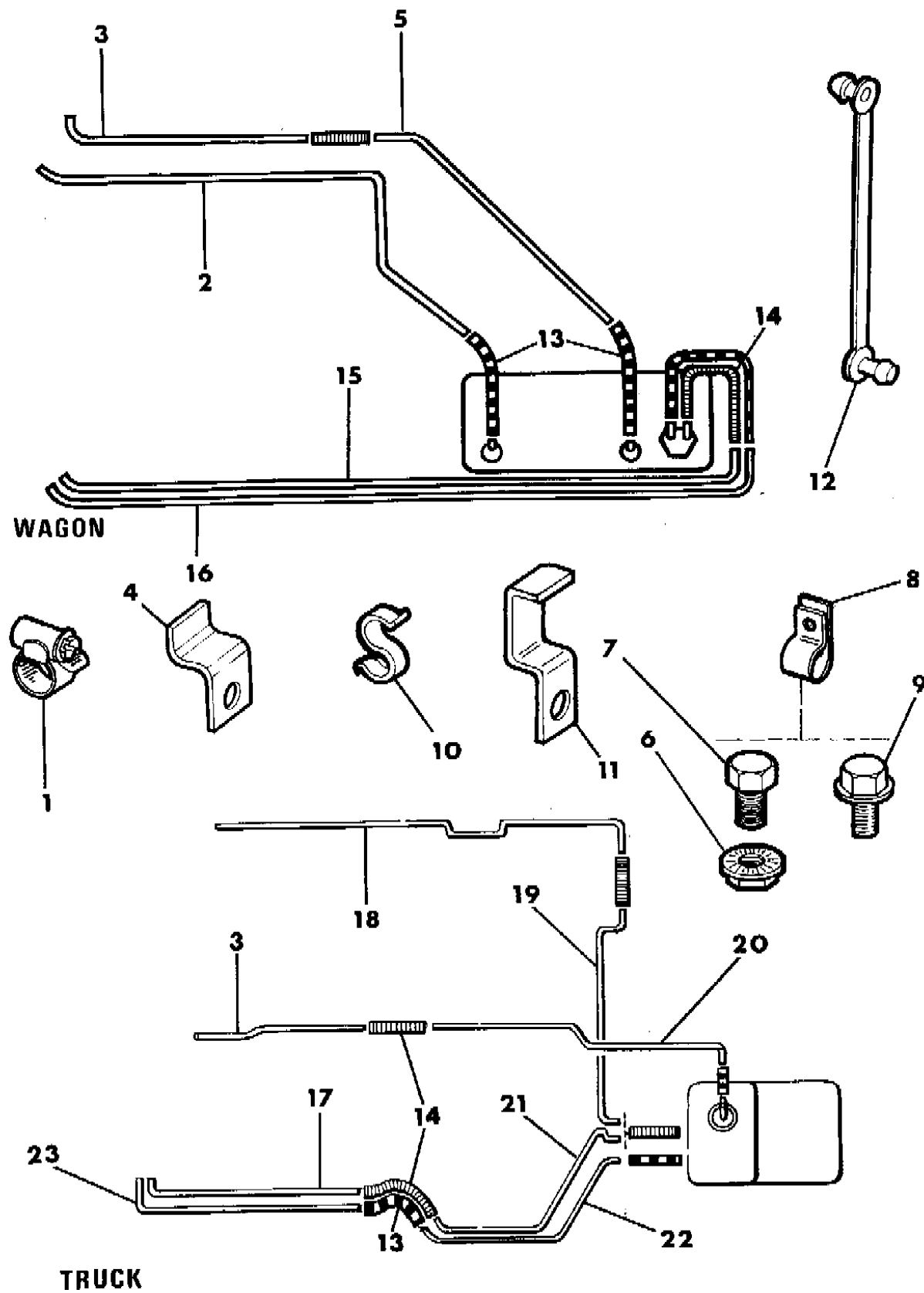
BODY STYLES:

MJ = Comanche Pickup
SJ = Grand Wagoneer Wgn., J-10 & J-20 Pickups
XJ = Cherokee, Wagoneer Limited
YJ = Wrangler

AR = Use as Required - = Non Illustrated Part P.A.R. = Paint as Required

FUEL LINES 4.2L AND 5.9L ENGINES GRAND WAGONEER, J10, J20  
Figure 14-3700

8J 143700 A



ITEM	PART NUMBER	QTY	BODY	MODEL	DESCRIPTION
20				26,27	TUBE, Fuel Vent
	J536 3387	1			4.2L Eng.
	J536 1738	1			5.9L Eng.
21	J536 1198	1		26,27	TUBE, Fuel Supply - 5.9L Eng.
22	J536 1215	1		26,27	TUBE, Fuel Return
23	J535 8535	1		26,27	TUBE, Fuel Return

MODEL CODES:  
 15 = Grand Wagoneer 4 Dr.      65 = Comanche 4WD-7 Ft. Box      77 = Cherokee 4WD-2 Dr.  
 25 = J-10 Pickup-119" W.B.      66 = Comanche 2WD-7 Ft. Box      78 = Cherokee 4WD-4 Dr.  
 26 = J-10 Pickup-131" W.B.      73 = Cherokee 2WD-2 Dr.      79 = Cherokee 4WD-4 Dr.-Com  
 27 = J-20 Pickup-131" W.B.      74 = Cherokee 2WD-4 Dr.      81 = Wrangler-93" W.B.  
 63 = Comanche 4WD-6 Ft. Box      75 = Wagoneer 4WD-4 Dr.      82 = Wrangler-103" W.B.-Exp.  
 64 = Comanche 2WD-6 Ft. Box

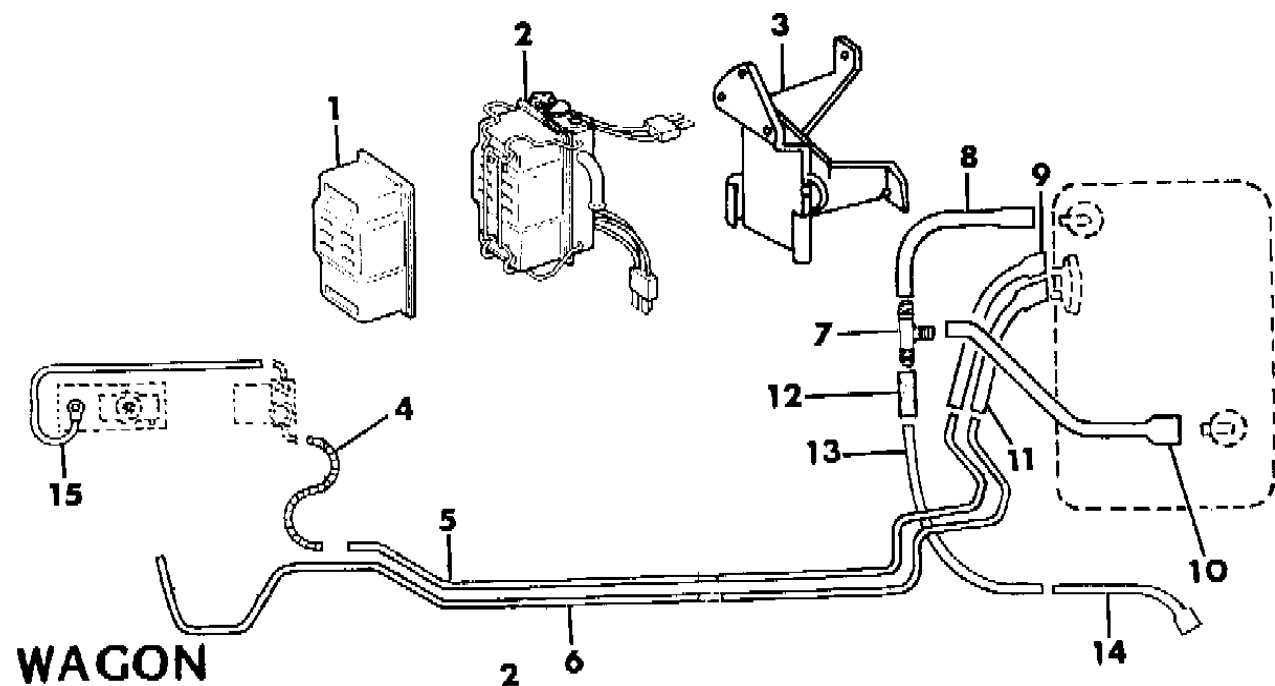
BODY STYLES:  
 MJ = Comanche Pickup  
 SJ = Grand Wagoneer Wgn., J-10 & J-20 Pickups  
 XJ = Cherokee, Wagoneer Limited  
 YJ = Wrangler

AR = Use as Required - = Non Illustrated Part P.A.R. = Paint as Required

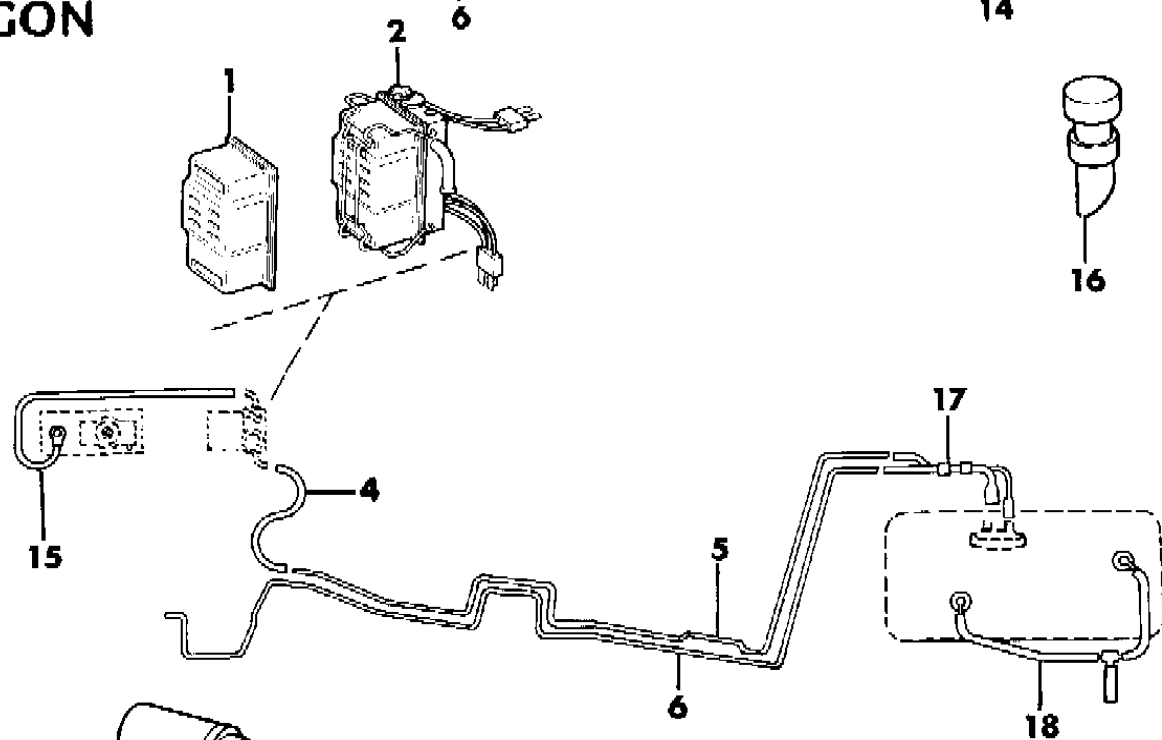
FUEL LINES DIESEL ENGINE CHEROKEE, COMANCHE

Figure 14-3800

8J143800 B



WAGON



TRUCK

ITEM	PART NUMBER	QTY	BODY	MODEL	DESCRIPTION
1	8350 1902	1			FILTER, Fuel
2	5300 1742	1			FILTER ASSEMBLY, Fuel ***
3	5300 2855	1			BRACKET, Fuel Filter Mounting
4	J812 5823	AR			HOSE, .31" I.D. - Bulk
5					TUBE, Fuel Supply
	5300 1194	1			Wagon
	5300 4469	1			Truck 1987
	5300 1194	1			Truck 1988-90
6					TUBE, Fuel Return
	5300 1195	1			Wagon
	5300 4470	1			Truck 1987
	5300 1195	1			Truck 1988-90
7	J321 0891	1			TEE
8	5300 0194	1			HOSE
9	5300 1662	1			HOSE, Fuel Supply
10	3300 0058	1			HOSE
11	5300 1428	1			HOSE, Fuel Return
12	J812 5995	AR			HOSE, .25" I.D. - Bulk
13	5300 1741	1			TUBE, Fuel Vent
14	5300 1740	1			HOSE, Fuel Vent
15	T072 8617	1			HOSE ASSEMBLY, Fuel Supply
16	J535 2955	1			CAP, Vent
17	5300 4728	1			HOSE ASSEMBLY
18	5300 3427	1			HOSE ASSEMBLY
19					CLAMP, Hose
	3300 0786	AR			.28" to .59"
	3300 0785	AR			.47" to .79"
20	3420 1633	1			CLIP - Wagon
21					CLIP
	3420 2371	AR			Wagon
	3420 2414	AR			Truck
22	3200 0404	AR			CLIP

MODEL CODES:

15 = Grand Wagoneer 4 Dr.	65 = Comanche 4WD-7 Ft. Box	77 = Cherokee 4WD-2 Dr.
25 = J-10 Pickup-119" W.B.	66 = Comanche 2WD-7 Ft. Box	78 = Cherokee 4WD-4 Dr.
26 = J-10 Pickup-131" W.B.	73 = Cherokee 2WD-2 Dr.	79 = Cherokee 4WD-4 Dr.-Com
27 = J-20 Pickup-131" W.B.	74 = Cherokee 2WD-4 Dr.	81 = Wrangler-93" W.B.
63 = Comanche 4WD-6 Ft. Box	75 = Wagoneer 4WD-4 Dr.	82 = Wrangler-103" W.B.-Exp.
64 = Comanche 2WD-6 Ft. Box		

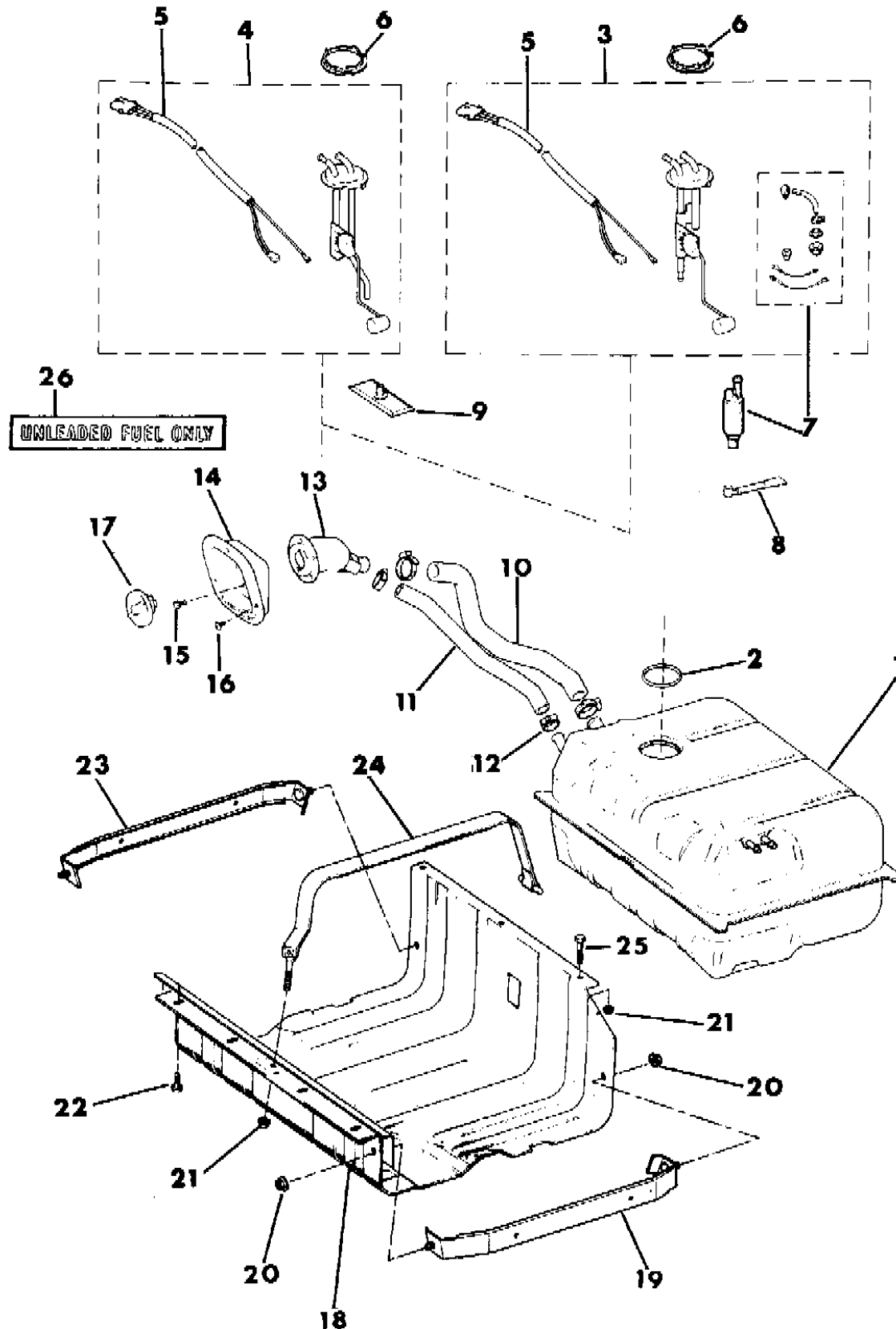
BODY STYLES:

MJ = Comanche Pickup
SJ = Grand Wagoneer Wgn., J-10 & J-20 Pickups
XJ = Cherokee, Wagoneer Limited
YJ = Wrangler

AR = Use as Required - = Non Illustrated Part P.A.R. = Paint as Required

FUEL TANK 14.5 GALLON WRANGLER, YJ  
Figure 14-3900

8J14 3900 A



ITEM	PART NUMBER	QTY	BODY	MODEL	DESCRIPTION
1					TANK, Fuel
	8350 2961	1			2.5L Eng.
	8350 2960	1			4.2L Eng.
2	5300 0575	1			O-RING
3	8350 2990	1			SENDING UNIT - 2.5L Eng. ***
4	5300 3204	1			SENDING UNIT - 4.2L Eng. ***
5					HARNASS, Fuel Tank
	8350 2955	1			2.5L Eng.
	8350 2956	1			4.2L Eng.
6	5300 0584	1			LOCK
7	8350 2994	1			PUMP PACKAGE, Fuel - 2.5L Eng. ***
8	3300 0184	1			FILTER, Fuel - 2.5L Eng.
9	5300 1248	1			FILTER, Fuel - 4.2L Eng.
10					HOSE, Filler
	5204 0078	1			w/93" W.B.
	5200 3508	1			w/103" W.B. - KDX
11					HOSE, Vent
	5204 0080	1			w/93" W.B.
	5200 3510	1			w/103" W.B. - KDX
12	J320 3077	4			CLAMP, Hose
13					TUBE, Fuel Filler
	5200 2437	1			w/Unleaded Fuel
	5200 3401	1			w/Leaded Fuel w/93" W.B.
	5200 3514	1			w/Leaded Fuel w/103" W.B. - KDX
14	J546 3803	1			PROTECTOR
15	J812 0054	6			SCREW
16	J400 5817	3			SCREW
17					CAP, Fuel Filler - Non-Locking
	5200 3766	1			U.S.
	5200 3767	1			Canada
	5200 3768	1			Export
	J535 9606	1			Egypt - KDX w/103" W.B.
18	J535 7023	1			PLATE, Skid
19	J535 7880	1			STRAP, Right
20	J400 3956	AR			NUT, Lock
21	J012 0376	AR			NUT, Lock
22	J400 5819	AR			BOLT

MODEL CODES:

15 = Grand Wagoneer 4 Dr.	65 = Comanche 4WD-7 Ft. Box	77 = Cherokee 4WD-2 Dr.
25 = J-10 Pickup-119" W.B.	66 = Comanche 2WD-7 Ft. Box	78 = Cherokee 4WD-4 Dr.
26 = J-10 Pickup-131" W.B.	73 = Cherokee 2WD-2 Dr.	79 = Cherokee 4WD-4 Dr.-Com
27 = J-20 Pickup-131" W.B.	74 = Cherokee 2WD-4 Dr.	81 = Wrangler-93" W.B.
63 = Comanche 4WD-6 Ft. Box	75 = Wagoneer 4WD-4 Dr.	82 = Wrangler-103" W.B.-Exp.
64 = Comanche 2WD-6 Ft. Box		

BODY STYLES:

MJ = Comanche Pickup  
SJ = Grand Wagoneer Wgn., J-10 & J-20 Pickups  
XJ = Cherokee, Wagoneer Limited  
YJ = Wrangler

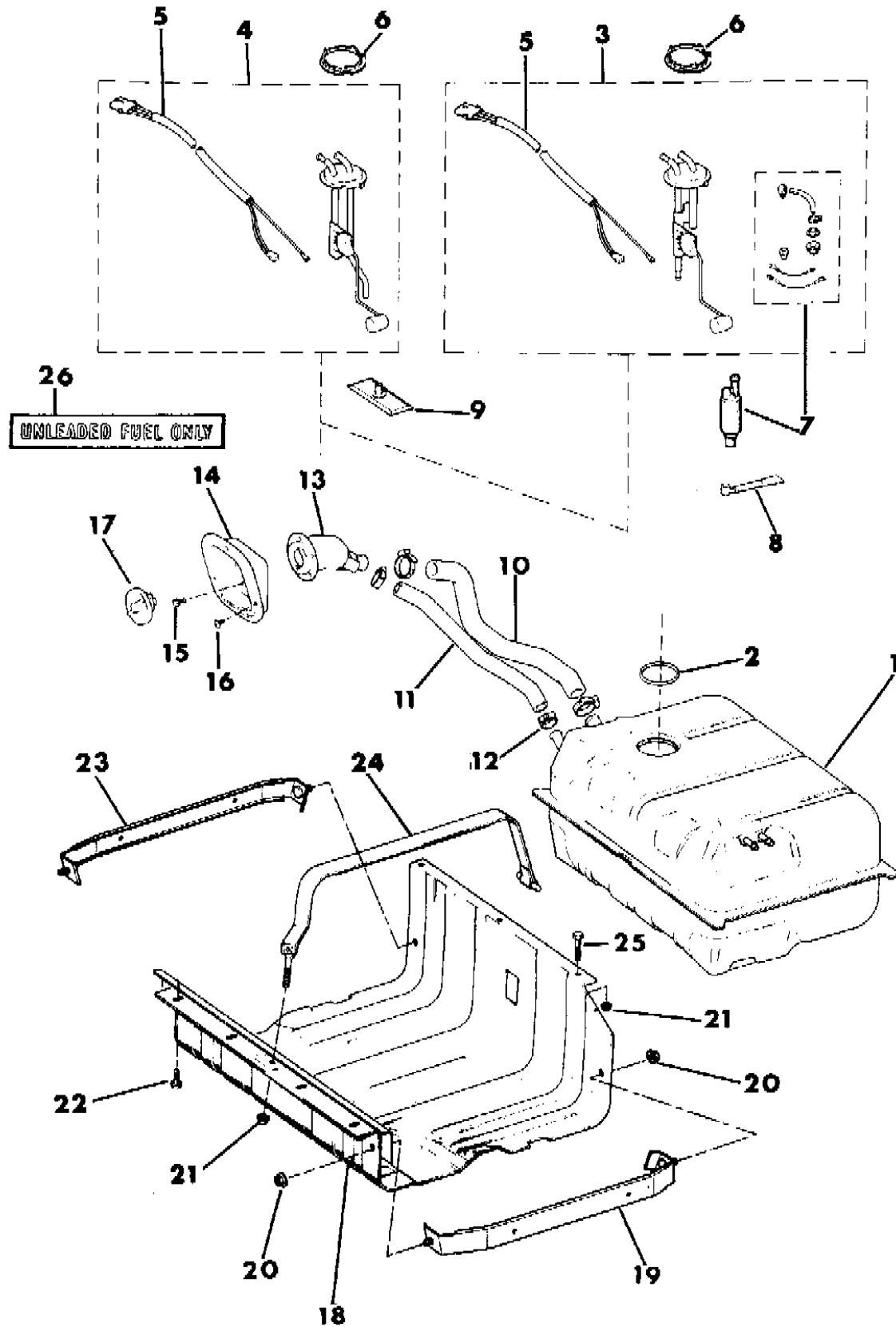
AR = Use as Required - = Non Illustrated Part P.A.R. = Paint as Required



FUEL TANK 14.5 GALLON WRANGLER, YJ  
Figure 14-3900

8J14 3900 A

ITEM	PART NUMBER	QTY	BODY	MODEL	DESCRIPTION
23	J535 7879	1			STRAP, Left
24	5200 3437	1			STRAP
25	J018 0078	3			BOLT
26					LABEL, Unleaded Fuel
	J369 6393	1			U.S.
	J369 6394	1			Canada



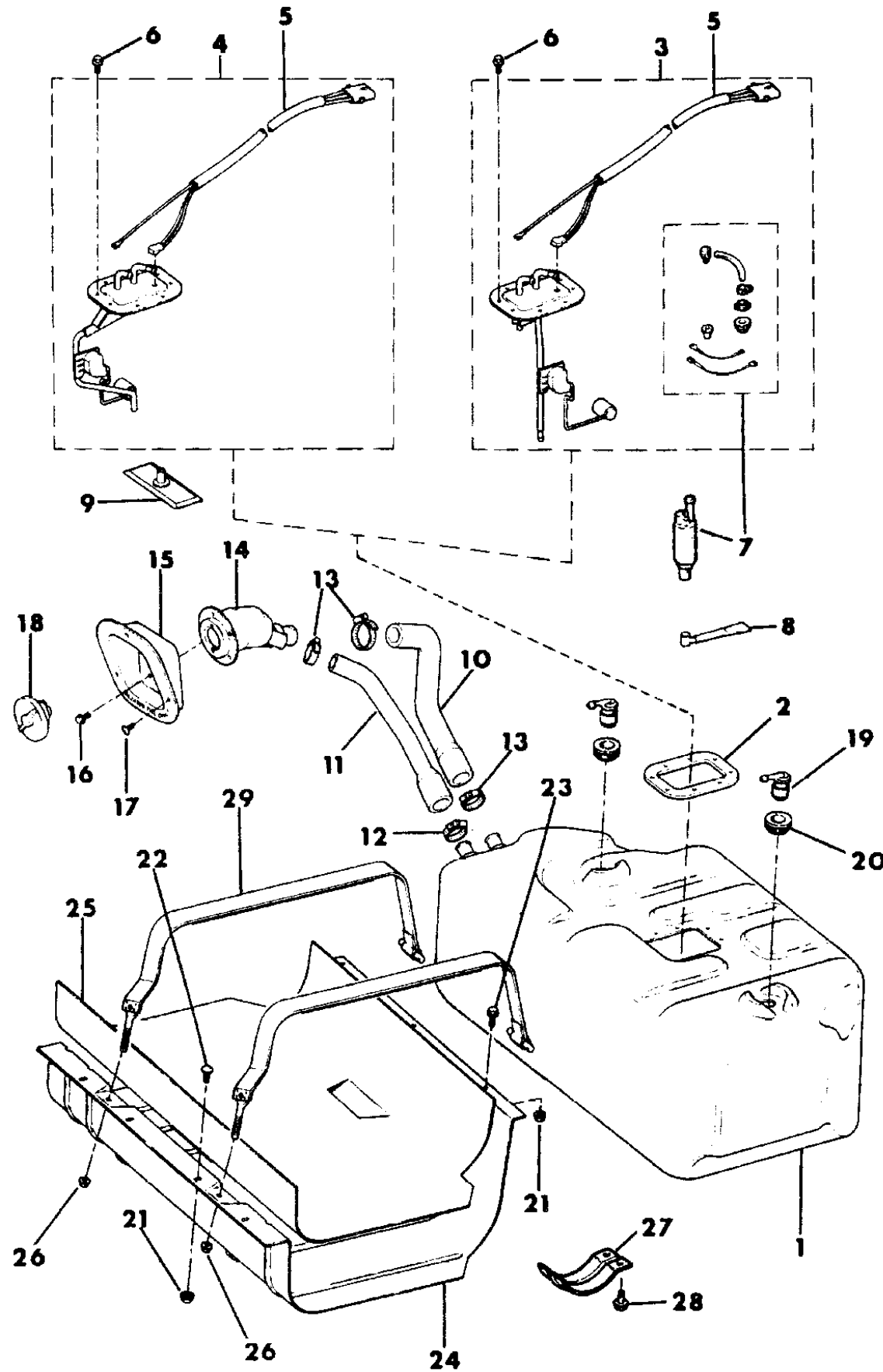
MODEL CODES:  
 15 = Grand Wagoneer 4 Dr.      65 = Comanche 4WD-7 Ft. Box      77 = Cherokee 4WD-2 Dr.  
 25 = J-10 Pickup-119" W.B.      66 = Comanche 2WD-7 Ft. Box      78 = Cherokee 4WD-4 Dr.  
 26 = J-10 Pickup-131" W.B.      73 = Cherokee 2WD-2 Dr.      79 = Cherokee 4WD-4 Dr.-Com  
 27 = J-20 Pickup-131" W.B.      74 = Cherokee 2WD-4 Dr.      81 = Wrangler-93" W.B.  
 63 = Comanche 4WD-6 Ft. Box      75 = Wagoneer 4WD-4 Dr.      82 = Wrangler-103" W.B.-Exp.  
 64 = Comanche 2WD-6 Ft. Box

BODY STYLES:  
 MJ = Comanche Pickup  
 SJ = Grand Wagoneer Wgn., J-10 & J-20 Pickups  
 XJ = Cherokee, Wagoneer Limited  
 YJ = Wrangler

AR = Use as Required - = Non Illustrated Part P.A.R. = Paint as Required

FUEL TANK 20.0 GALLON WRANGLER, YJ  
Figure 14-4000

8J14 4000



ITEM	PART NUMBER	QTY	BODY	MODEL	DESCRIPTION
1					TANK, Fuel
	5200 2633	1			2.5L Eng. - U.S., Canada and ECE
	5200 2622	1			Non Regulated Market
	5200 2622	1			4.2L Eng.
2	5300 4225	1			GASKET
3	8350 2991	1			UNIT, Fuel Sending, 2.5L Eng.
4	5300 3341	1			UNIT, Fuel Sending, 4.2L Eng.
5					HARNESSES, Fuel Tank
	8350 2955	1			2.5L Eng - U.S., Canada and ECE
	8350 2956	1			Non Regulated Markets
6	J400 4203	8			SCREW
7	8350 2995	1			PUMP PACKAGE, Fuel - 2.5L Eng. - U.S., Canada and ECE ***
8	3300 0184	1			FILTER, Fuel - 2.5L Eng. - U.S., Canada and ECE
9	5300 1248	1			FILTER, Fuel, Non Regulated Markets
10					HOSE, Filler
	5204 0079	1			w/93" W.B.
	5200 3509	1			w/103" W.B.
11					HOSE, Vent
	5204 0081	1			w/93" W.B.
	5200 3511	1			w/103" W.B.
12	J320 3078	1			CLAMP, Hose
13	J320 3077	3			CLAMP, Hose
14					NOZZLE, Fuel Filler
	5200 2437	1			w/Unleaded Fuel, w/93" W.B.
	5200 3401	1			w/Leaded Fuel, w/93" W.B.
	5200 3514	1			w/Leaded Fuel w/103" W.B.
15	J546 3803	1			PROTECTOR
16	J812 0054	6			SCREW
17	J400 5817	3			SCREW
18					CAP, Fuel Filler - Non-Locking
	5200 3766	1			U.S.
	5200 3767	1			Canada
	5200 3768	1			ECE, Venezuela KDX, Non Regulated Markets
	J535 9606	1			Egypt KDX w/103" W.B.
19	J536 0058	2			VALVE, Vent
20	J536 0059	2			SEAL
21	J012 0376	AR			NUT, Lock

MODEL CODES:

15 = Grand Wagoneer 4 Dr.	65 = Comanche 4WD-7 Ft. Box	77 = Cherokee 4WD-2 Dr.
25 = J-10 Pickup-119" W.B.	66 = Comanche 2WD-7 Ft. Box	78 = Cherokee 4WD-4 Dr.
26 = J-10 Pickup-131" W.B.	73 = Cherokee 2WD-2 Dr.	79 = Cherokee 4WD-4 Dr.-Com
27 = J-20 Pickup-131" W.B.	74 = Cherokee 2WD-4 Dr.	81 = Wrangler-93" W.B.
63 = Comanche 4WD-6 Ft. Box	75 = Wagoneer 4WD-4 Dr.	82 = Wrangler-103" W.B.-Exp.
64 = Comanche 2WD-6 Ft. Box		

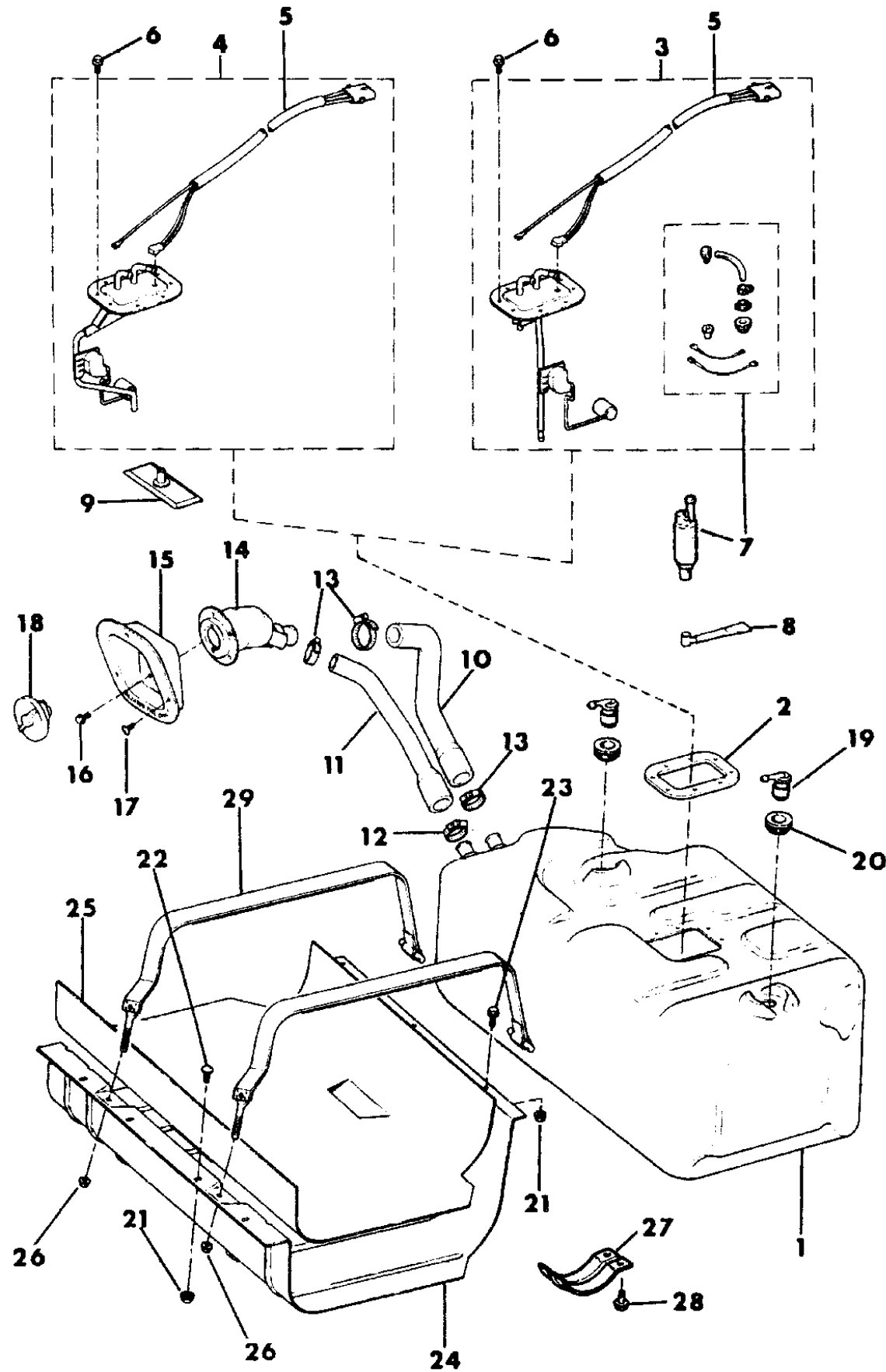
BODY STYLES:

MJ = Comanche Pickup  
SJ = Grand Wagoneer Wgn., J-10 & J-20 Pickups  
XJ = Cherokee, Wagoneer Limited  
YJ = Wrangler

AR = Use as Required - = Non Illustrated Part P.A.R. = Paint as Required

FUEL TANK 20.0 GALLON WRANGLER, YJ  
Figure 14-4000

8J14 4000



ITEM	PART NUMBER	QTY	BODY	MODEL	DESCRIPTION
22	J400 5819	AR			BOLT
23	J018 0078	3			BOLT
24	5204 0075	1			PLATE, Skid
25	5204 0076	1			PAD
26	J400 3587	2			NUT, Lock
27	5300 0739	1			PLATE, Skid
28	3420 1033	2			BOLT
29	J535 6651	2			STRAP

MODEL CODES:

15 = Grand Wagoneer 4 Dr.	65 = Comanche 4WD-7 Ft. Box	77 = Cherokee 4WD-2 Dr.
25 = J-10 Pickup-119" W.B.	66 = Comanche 2WD-7 Ft. Box	78 = Cherokee 4WD-4 Dr.
26 = J-10 Pickup-131" W.B.	73 = Cherokee 2WD-2 Dr.	79 = Cherokee 4WD-4 Dr.-Com
27 = J-20 Pickup-131" W.B.	74 = Cherokee 2WD-4 Dr.	81 = Wrangler-93" W.B.
63 = Comanche 4WD-6 Ft. Box	75 = Wagoneer 4WD-4 Dr.	82 = Wrangler-103" W.B.-Exp.
64 = Comanche 2WD-6 Ft. Box		

BODY STYLES:

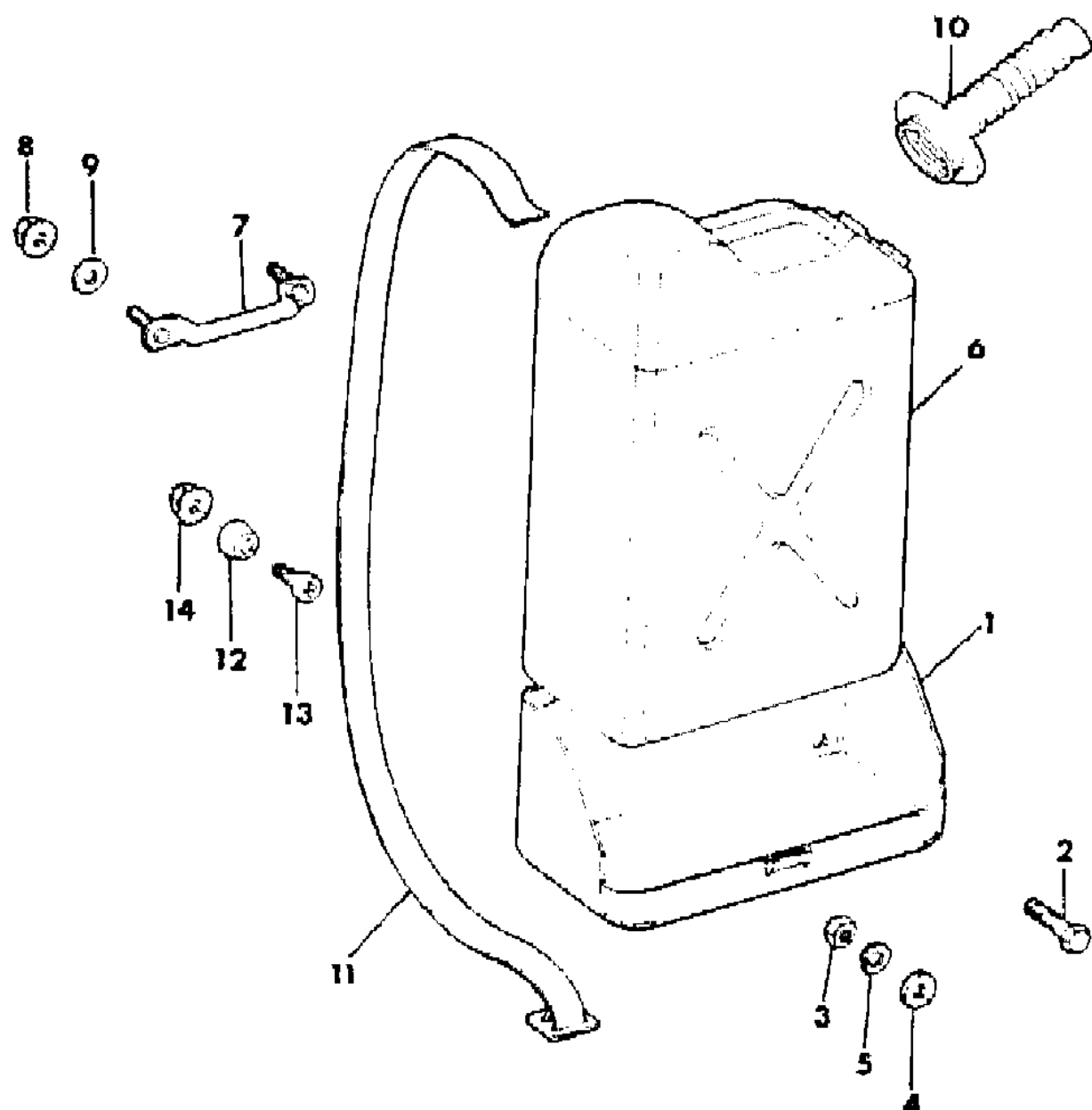
MJ = Comanche Pickup  
SJ = Grand Wagoneer Wgn., J-10 & J-20 Pickups  
XJ = Cherokee, Wagoneer Limited  
YJ = Wrangler

AR = Use as Required - = Non Illustrated Part P.A.R. = Paint as Required

FUEL CONTAINER 5 GALLON AUXILIARY WRANGLER - KDX  
Figure 14-4050

8 J14 4050

ITEM	PART NUMBER	QTY	BODY	MODEL	DESCRIPTION
1	J805 1477	1			CARRIER (Paint as Required) ***
2	J018 0120	4			BOLT
3	S941 8738	4			NUT
4	J012 0388	4			WASHER, Flat
5	J012 0382	4			WASHER, Lock
6	J805 1476	1			CONTAINER, Fuel (Paint as Required) ***
7	5500 9342	1			LOOP, Footman
8	J027 1166	2			NUT
9	J941 6244	2			WASHER
10	J805 1065	1			SPOUT
11		1			STRAP (not serviced)
12	J096 8734	2			BUMPER
13	J015 9947	2			SCREW
14	J027 1166	2			NUT



MODEL CODES:

15 = Grand Wagoneer 4 Dr.	65 = Comanche 4WD-7 Ft. Box	77 = Cherokee 4WD-2 Dr.
25 = J-10 Pickup-119" W.B.	66 = Comanche 2WD-7 Ft. Box	78 = Cherokee 4WD-4 Dr.
26 = J-10 Pickup-131" W.B.	73 = Cherokee 2WD-2 Dr.	79 = Cherokee 4WD-4 Dr.-Com
27 = J-20 Pickup-131" W.B.	74 = Cherokee 2WD-4 Dr.	81 = Wrangler-93" W.B.
63 = Comanche 4WD-6 Ft. Box	75 = Wagoneer 4WD-4 Dr.	82 = Wrangler-103" W.B.-Exp.
64 = Comanche 2WD-6 Ft. Box		

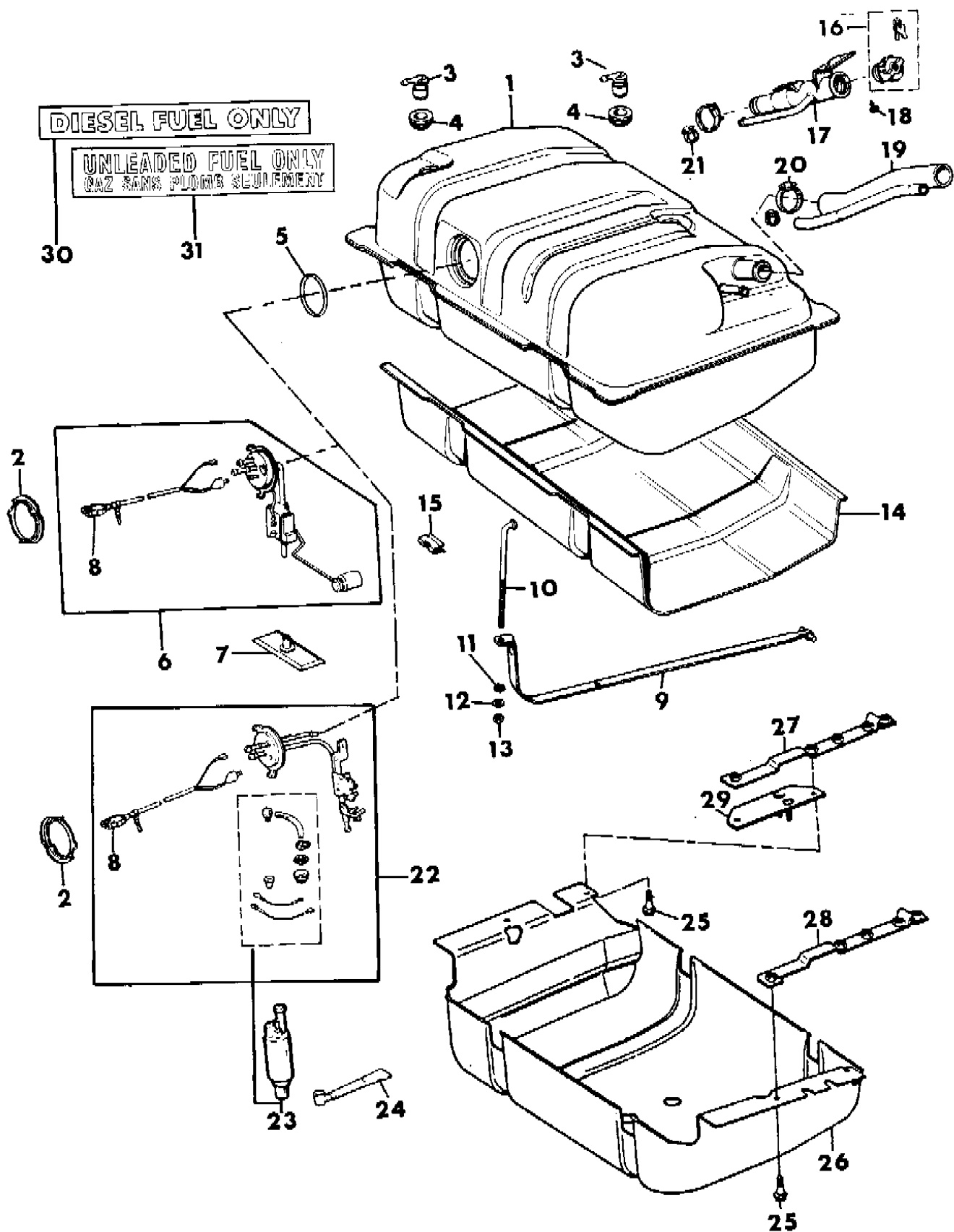
BODY STYLES:

MJ = Comanche Pickup  
SJ = Grand Wagoneer Wgn., J-10 & J-20 Pickups  
XJ = Cherokee, Wagoneer Limited  
YJ = Wrangler

AR = Use as Required - = Non Illustrated Part P.A.R. = Paint as Required

FUEL TANK CHEROKEE AND WAGONEER  
Figure 14-4100

8 J 14 4100 B



ITEM	PART NUMBER	QTY	BODY	MODEL	DESCRIPTION
1					TANK, Fuel
	8350 0267	1			w/13.5 Gal. Tank w/Carbureted Eng. - also use 53003062
	8350 2633	1			w/13.5 Gal. Tank w/2.5L Eng. - also use 83504484
	8350 0267	1			w/13.5 Gal. Tank w/Diesel Eng. - also use 53003066
	8350 2633	1			w/13.5 Gal. Tank w/4.0L Eng. - also use 83504487
	8350 0267	1			w/20.2 Gal. Tank w/Carbureted Eng.
	8350 2633	1			w/20.2 Gal. Tank w/Fuel Injected Eng.
	8350 0267	1			w/20.2 Gal. Tank w/Diesel Eng.
2	5300 0584	1			LOCK
3	J536 0058	2			VALVE, Vent
4	J536 0059	2			SEAL
5	5300 0575	1			O-RING
6					SENDING UNIT, Fuel - w/20.2 Gal. Tank ***
	5200 3647	1			w/Carbureted Eng.
	8350 6285	1			w/Diesel Eng.
7	5300 1248	1			FILTER, Fuel - w/Carbureted Eng.
8					HARNES, Fuel Tank
	5600 1860	1			w/Carbureted or Diesel Eng.
	5600 1859	1			w/Fuel Injected Eng.
9	5200 0128	2			STRAP
10	J324 0023	2			BOLT
11	S941 8738	2			WASHER
12	J400 1104	2			WASHER
13	S941 8738	2			NUT
14	5200 0415	1			SHIELD, Fuel Tank
15	3420 1934	6			CLIP
16					CAP, Fuel Filler
	5200 3770	1			U.S. Non-locking
	5200 3772	1			Canada Non-locking
	5200 3774	1			Export Non-locking
	8240 0041	1			Locking
	3300 0068	1			ECE Locking
17					TUBE, Fuel Filler
	5200 0132	1			w/Unleaded Gas
	5200 0137	1			w/Leaded Gas or Diesel
18	J400 1701	4			SCREW
19	5200 0623	1			HOSE ASSEMBLY

MODEL CODES:

15 = Grand Wagoneer 4 Dr.	65 = Comanche 4WD-7 Ft. Box	77 = Cherokee 4WD-2 Dr.
25 = J-10 Pickup-119" W.B.	66 = Comanche 2WD-7 Ft. Box	78 = Cherokee 4WD-4 Dr.
26 = J-10 Pickup-131" W.B.	73 = Cherokee 2WD-2 Dr.	79 = Cherokee 4WD-4 Dr.-Com
27 = J-20 Pickup-131" W.B.	74 = Cherokee 2WD-4 Dr.	81 = Wrangler-93" W.B.
63 = Comanche 4WD-6 Ft. Box	75 = Wagoneer 4WD-4 Dr.	82 = Wrangler-103" W.B.-Exp.
64 = Comanche 2WD-6 Ft. Box		

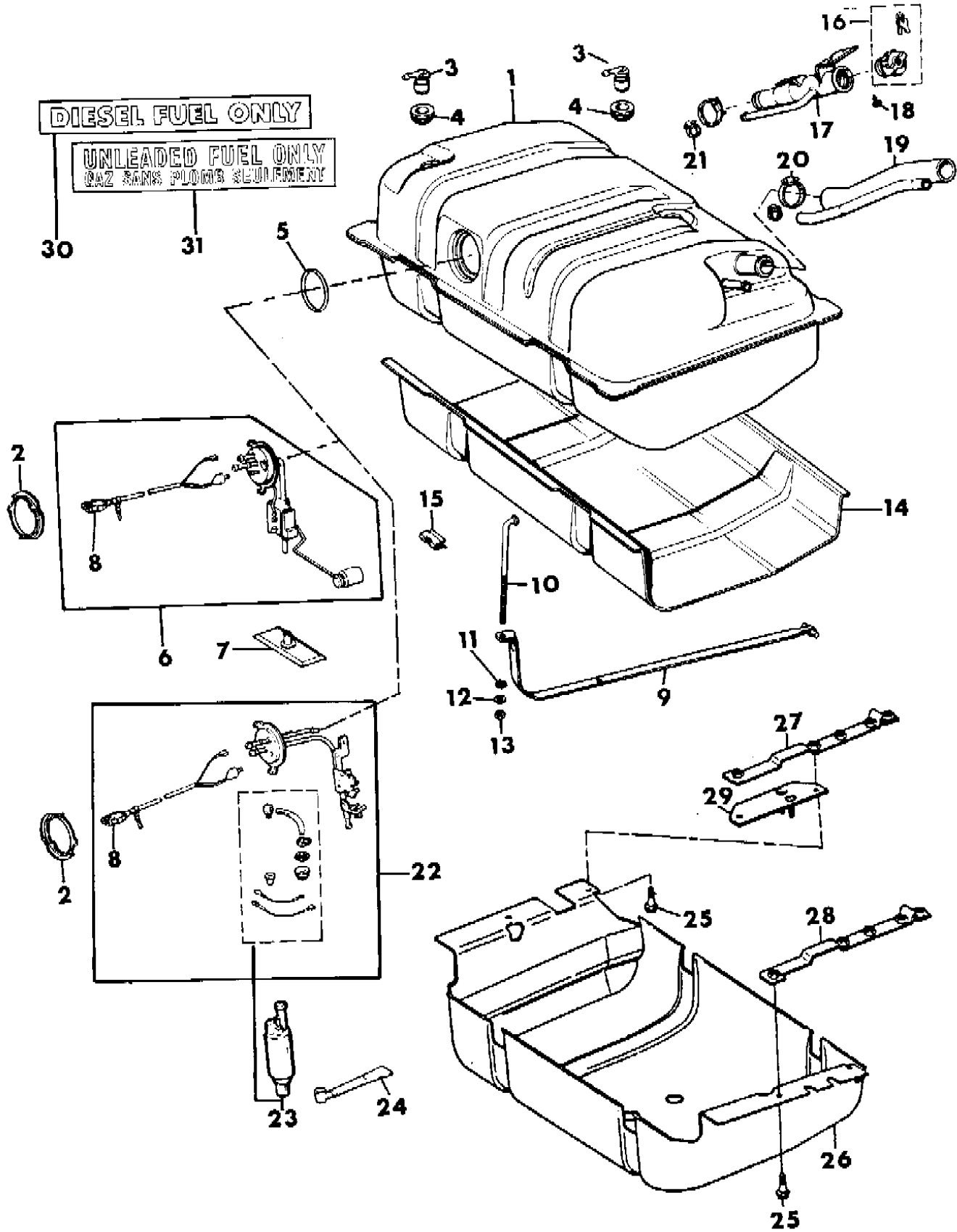
BODY STYLES:

MJ = Comanche Pickup
SJ = Grand Wagoneer Wgn., J-10 & J-20 Pickups
XJ = Cherokee, Wagoneer Limited
YJ = Wrangler

AR = Use as Required - = Non Illustrated Part P.A.R. = Paint as Required

FUEL TANK CHEROKEE AND WAGONEER  
Figure 14-4100

8 J 14 4100 B



ITEM	PART NUMBER	QTY	BODY	MODEL	DESCRIPTION
20	J320 3078	2			CLAMP, Hose
21	J320 3077	2			CLAMP, Hose
22					SENDING UNIT, Fuel - w/Fuel Injected Eng. ***
	8350 4480	1			w/13.5 Gal. Tank w/2.5L Eng.
	8350 4488	1			w/13.5 Gal. Tank w/4.0L Eng.
	8350 4484	1			w/20.2 Gal. Tank w/2.5L Eng.
	8350 4487	1			w/20.2 Gal. Tank w/4.0L Eng.
23					PUMP PACKAGE, Fuel - w/Fuel Injected Eng. ***
	8350 2751	1			2.5L Eng.
	4637 192	1			4.0L Eng.
24	3300 0184	1			FILTER, Fuel - w/Fuel Injected Eng.
25	3420 1964	4			BOLT
26					PLATE, Skid
	5200 0415	1			w/o 4x4 Protection Pkg.
	5200 1512	1			w/4x4 Protection Pkg.
27	5200 1174	1			REINFORCEMENT, Sill - Rt.
28	5200 1175	1			REINFORCEMENT, Sill - Lt.
29	5200 1511	1			BRACKET ASSEMBLY ***
30	J546 4900	1			LABEL, Diesel Fuel
31					LABEL, Unleaded Fuel
	J369 6393	1			U.S.
	J369 6394	1			Canada

MODEL CODES:

15 = Grand Wagoneer 4 Dr.	65 = Comanche 4WD-7 Ft. Box	77 = Cherokee 4WD-2 Dr.
25 = J-10 Pickup-119" W.B.	66 = Comanche 2WD-7 Ft. Box	78 = Cherokee 4WD-4 Dr.
26 = J-10 Pickup-131" W.B.	73 = Cherokee 2WD-2 Dr.	79 = Cherokee 4WD-4 Dr.-Com
27 = J-20 Pickup-131" W.B.	74 = Cherokee 2WD-4 Dr.	81 = Wrangler-93" W.B.
63 = Comanche 4WD-6 Ft. Box	75 = Wagoneer 4WD-4 Dr.	82 = Wrangler-103" W.B.-Exp.
64 = Comanche 2WD-6 Ft. Box		

BODY STYLES:

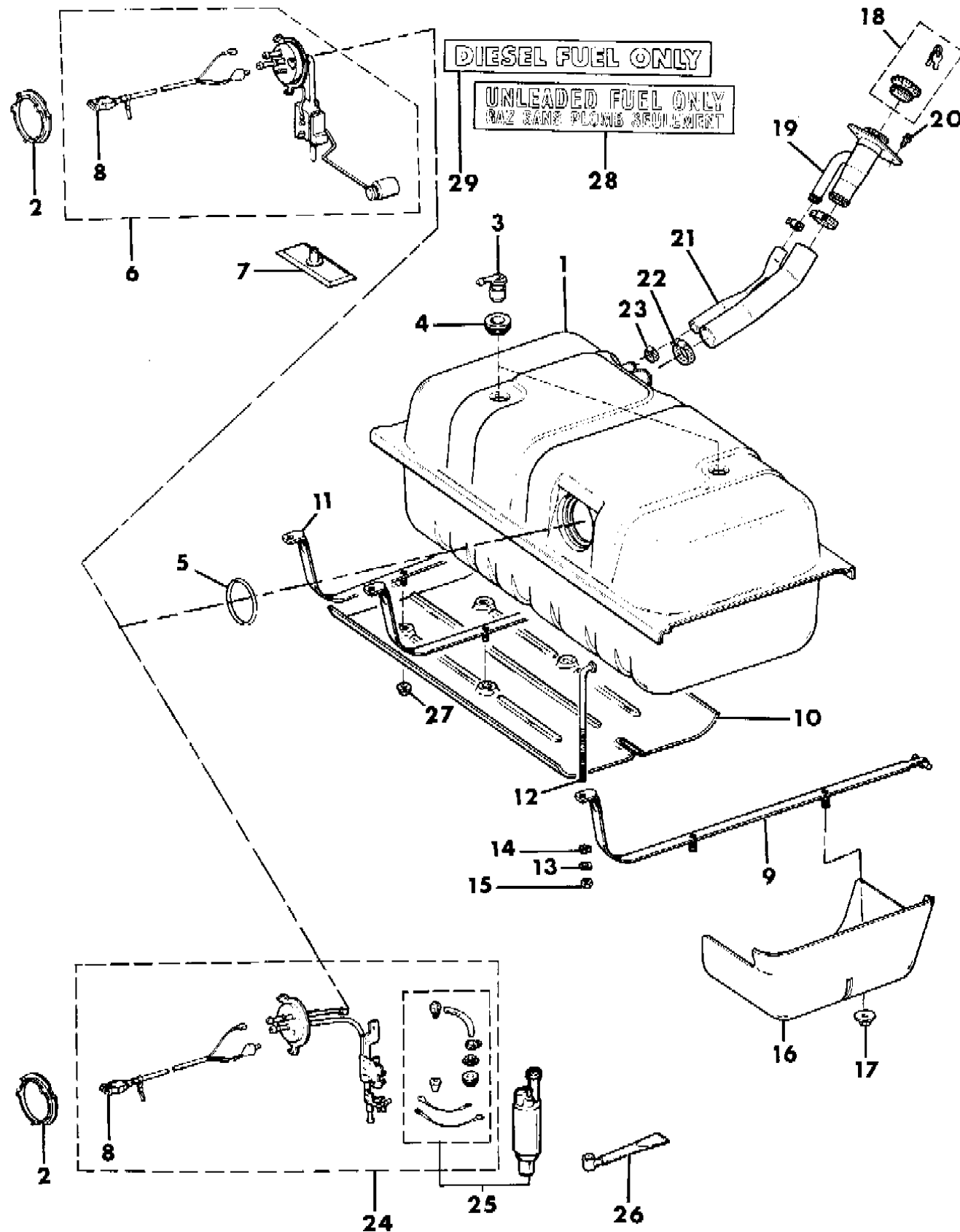
MJ = Comanche Pickup  
SJ = Grand Wagoneer Wgn., J-10 & J-20 Pickups  
XJ = Cherokee, Wagoneer Limited  
YJ = Wrangler

AR = Use as Required - = Non Illustrated Part P.A.R. = Paint as Required

# FUEL TANKS & PUMPS COMANCHE

## Figure 14-4200

8 J144200 A



ITEM	PART NUMBER	QTY	BODY	MODEL	DESCRIPTION
1					TANK, Fuel
	8350 2635	1			w/16 Gal. Tank w/Carbureted Eng. - also use 53002492 - 1987-88
	8350 2632	1			w/16 Gal. Tank w/2.5L Eng. EFI - 7 Ft. Box - also use 83504481 - 1988
	8350 2632	1			w/16 Gal. Tank w/EFI Eng. - also use 83502729 - 1987-88
	8350 2632	1			w/16 Gal. Tank w/4.0L EFI Eng. - 7 Ft. Box - also use 83504485 - 1988
	8350 2635	1			w/16 Gal. Tank w/Diesel Eng. - also use 52003644 - 1987-88
	8350 2635	1			w/16 Gal. Tank w/2.5L Eng. Carbureted - 7 Ft. Box - also use 52003652 - 1988
	8350 3398	1			w/18 Gal. Tank - EFI Eng. - 6 Ft. Box
	8350 5282	1			w/18 Gal. Tank - Carbureted Eng. - 6 Ft. Box
	8350 2632	1			w/23.5 Gal. Tank - EFI Eng. - 7 Ft. Box
	8350 2635	1			w/23.5 Gal. Tank - Carbureted or Diesel Eng. - 7 Ft. Box
2	5300 0584	1			LOCK
3	J536 0058	2			VALVE
4	J536 0059	2			SEAL
5	5300 0575	1			O-RING
6					SENDING UNIT, Fuel ***
	5200 3671	1			w/16 Gal. Tank - Carbureted Eng. - 7 Ft. Box - 1988
	5200 3644	1			w/18 Gal. Tank - Carbureted Eng. - 7 Ft. Box
	5200 3652	1			w/23.5 Gal. Tank - Carbureted Eng. - 7 Ft. Box
	5200 3644	1			w/23.5 Gal. Tank - Diesel Eng. - 7 Ft. Box
7	5300 1248	1			FILTER, Fuel - w/Carbureted Eng.
8					HARNASS, Fuel Tank
	5600 1860	1			w/Carbureted Eng.
	5600 1859	1			w/EFI Eng.
	5600 1860	1			w/Diesel Eng.
9					STRAP
	5200 1614	2			w/o Skid Plate
	5200 1612	2			w/Skid Plate
10					EXTENSION, Shield
	5200 2958	1			6 Ft. Box (Modify to Fit)
	5200 2958	1			7 Ft. Box
11					STRAP, Rear - 7 Ft. Box
	5200 2986	1			w/o Skid Plate

**MODEL CODES:**

15 = Grand Wagoneer 4 Dr.	65 = Comanche 4WD-7 Ft. Box	77 = Cherokee 4WD-2 Dr.
25 = J-10 Pickup-119" W.B.	66 = Comanche 2WD-7 Ft. Box	78 = Cherokee 4WD-4 Dr.
26 = J-10 Pickup-131" W.B.	73 = Cherokee 2WD-2 Dr.	79 = Cherokee 4WD-4 Dr.-Com
27 = J-20 Pickup-131" W.B.	74 = Cherokee 2WD-4 Dr.	81 = Wrangler-93" W.B.
63 = Comanche 4WD-6 Ft. Box	75 = Wagoneer 4WD-4 Dr.	82 = Wrangler-103" W.B.-Exp.
64 = Comanche 2WD-6 Ft. Box		

**BODY STYLES:**

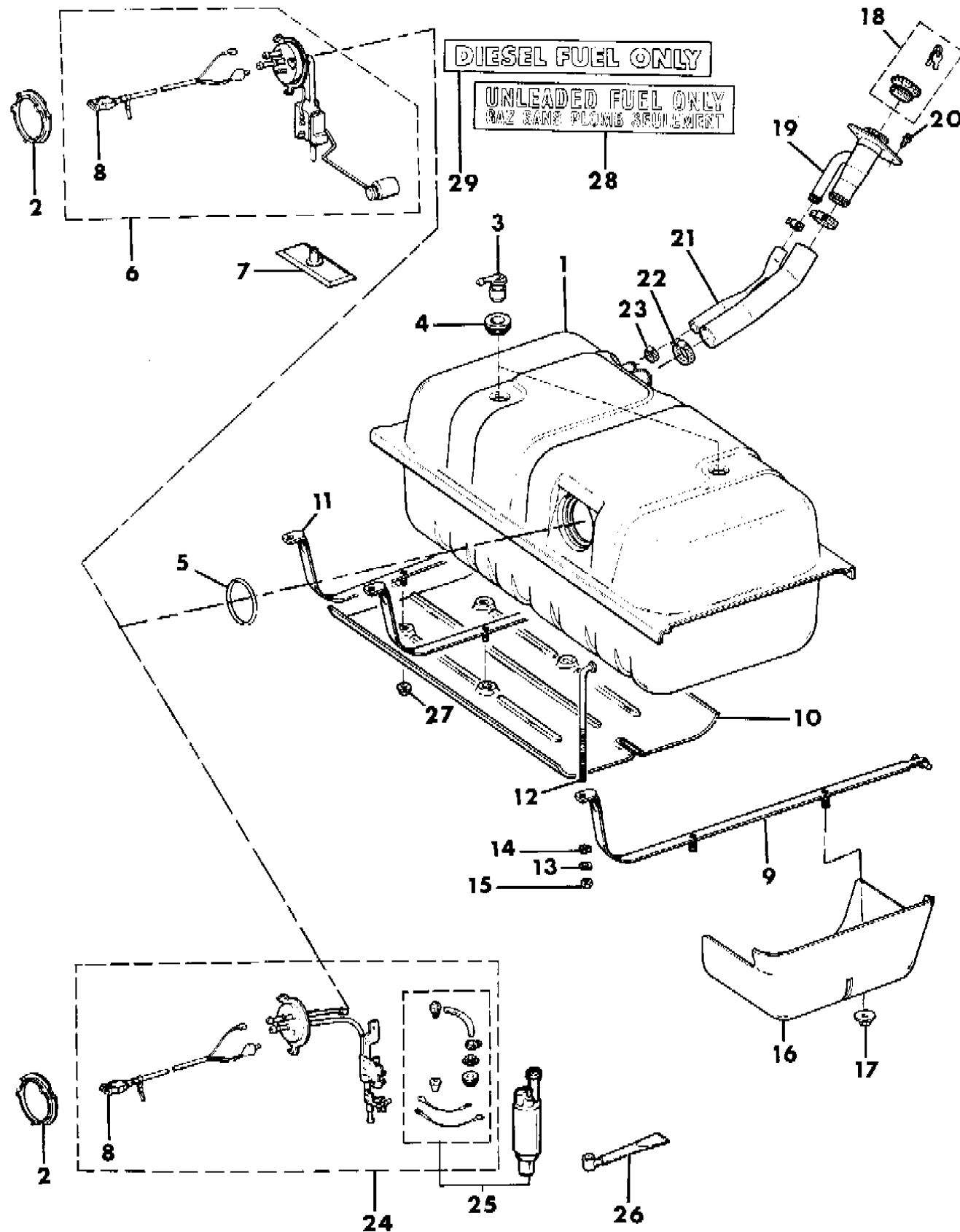
MJ = Comanche Pickup
SJ = Grand Wagoneer Wgn., J-10 & J-20 Pickups
XJ = Cherokee, Wagoneer Limited
YJ = Wrangler

AR = Use as Required - = Non Illustrated Part P.A.R. = Paint as Required

# FUEL TANKS & PUMPS COMANCHE

## Figure 14-4200

8 J144200 A



ITEM	PART NUMBER	QTY	BODY	MODEL	DESCRIPTION
	5200 1613	1			w/Skid Plate
12	5200 1590	AR			BOLT
13	1150 0273	AR			WASHER, Flat
14	1150 0222	AR			WASHER, Lock
15	1150 0424	AR			NUT, Hex
16	5200 0951	1			SHIELD, Tank - w/o Skid Plate
17	3420 2123	2			NUT, Flange
18					CAP, Fuel Filler
	5200 3770	1			U.S. Non-locking
	5200 3772	1			Canada Non-locking
	5200 3774	1			Export Non-locking
	8240 0041	1			Locking
	3300 0068	1			Export Locking
19					TUBE, Fuel Filler
	5200 1814	1			U.S. and Canada
	5200 1817	1			Export
20	J400 1701	AR			SCREW
21	5200 1595	1			HOSE ASSEMBLY
22	J320 3078	2			CLAMP, Hose
23	J320 3077	2			CLAMP, Hose
24					SENDING UNIT - EFI Eng. ***
	8350 4483	1			w/16 Gal. Tank w/2.5L Eng. EFI - 7 Ft. Box - 1988
	8350 4486	1			w/16 Gal. Tank w/4.0L Eng. EFI - 7 Ft. Box - 1988
	8350 4481	1			w/18 and 23.5 Gal. Tank w/2.5L Eng. EFI - 6 and 7 Ft. Box
	8350 4485	1			w/18 and 23.5 Gal. Tank w/4.0L Eng. EFI - 6 and 7 Ft. Box
25					PUMP PACKAGE - EFI Eng. ***
	8350 2752	1			2.5L Eng.
	4637 192	1			4.0L Eng.
26	3300 0184	1			FILTER - EFI Eng.
27	1150 3745	AR			NUT, Flange
28					LABEL, Unleaded Fuel
	J369 6393	1			U.S.
	J369 6394	1			Canada
29	J546 4900	1			LABEL, Diesel Fuel

**MODEL CODES:**

15 = Grand Wagoneer 4 Dr.	65 = Comanche 4WD-7 Ft. Box	77 = Cherokee 4WD-2 Dr.
25 = J-10 Pickup-119" W.B.	66 = Comanche 2WD-7 Ft. Box	78 = Cherokee 4WD-4 Dr.
26 = J-10 Pickup-131" W.B.	73 = Cherokee 2WD-2 Dr.	79 = Cherokee 4WD-4 Dr.-Com
27 = J-20 Pickup-131" W.B.	74 = Cherokee 2WD-4 Dr.	81 = Wrangler-93" W.B.
63 = Comanche 4WD-6 Ft. Box	75 = Wagoneer 4WD-4 Dr.	82 = Wrangler-103" W.B.-Exp.
64 = Comanche 2WD-6 Ft. Box		

**BODY STYLES:**

MJ = Comanche Pickup
SJ = Grand Wagoneer Wgn., J-10 & J-20 Pickups
XJ = Cherokee, Wagoneer Limited
YJ = Wrangler

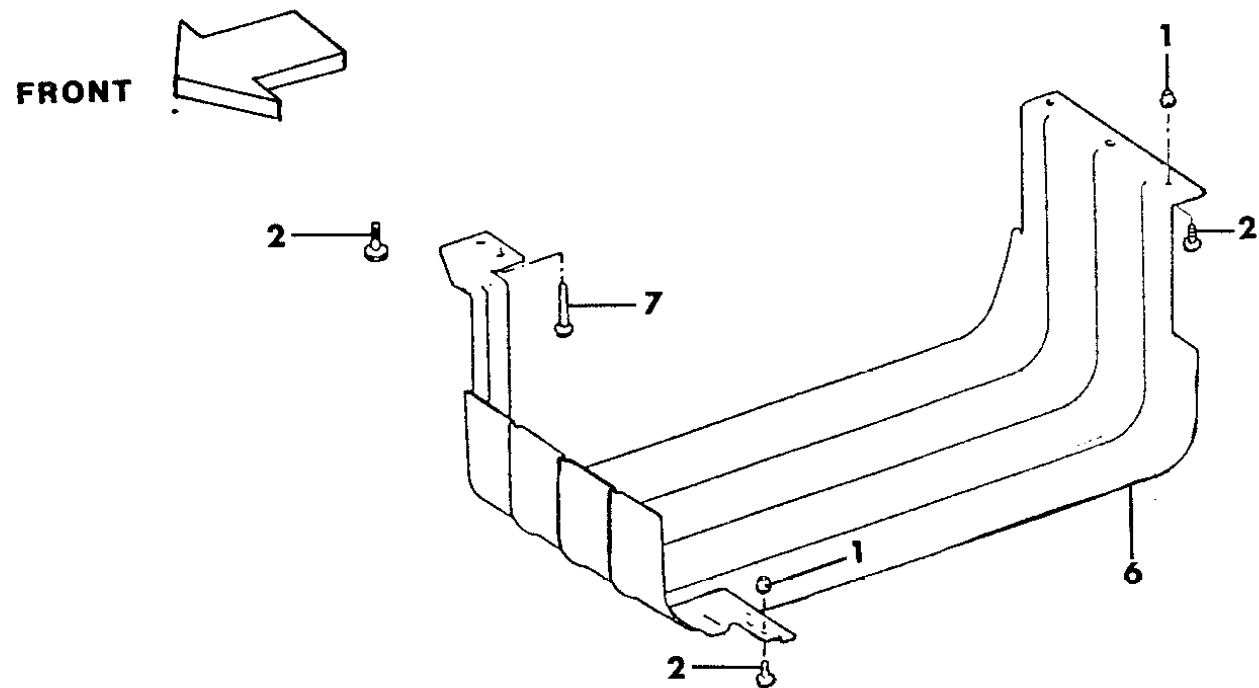
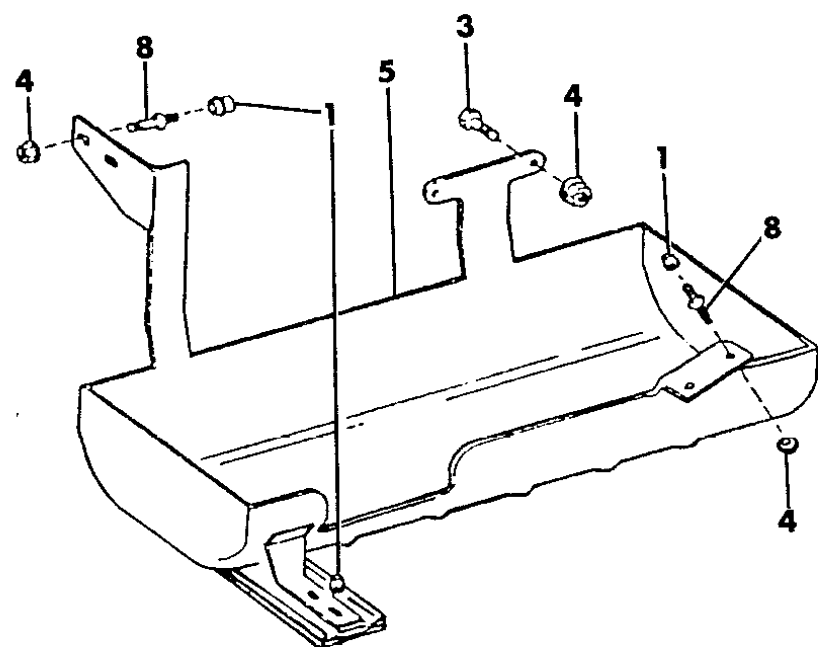
AR = Use as Required - = Non Illustrated Part P.A.R. = Paint as Required



FUEL TANK SKID PLATE COMANCHE  
Figure 14-4250

8J14 4250

ITEM	PART NUMBER	QTY	BODY	MODEL	DESCRIPTION
1	3420 1575	AR			NUTSERT ***
2	1150 2605	AR			BOLT
3	1150 2850	AR			BOLT
4	1150 1889	AR			NUT
5	5200 1806	1			PLATE, Skid - 7 Ft. Box
6	5200 2810	1			PLATE, Skid - 6 Ft. Box
7	3420 1540	2			BOLT
8	3420 2347	4			STUD



MODEL CODES:

15 = Grand Wagoneer 4 Dr.	65 = Comanche 4WD-7 Ft. Box	77 = Cherokee 4WD-2 Dr.
25 = J-10 Pickup-119" W.B.	66 = Comanche 2WD-7 Ft. Box	78 = Cherokee 4WD-4 Dr.
26 = J-10 Pickup-131" W.B.	73 = Cherokee 2WD-2 Dr.	79 = Cherokee 4WD-4 Dr.-Com
27 = J-20 Pickup-131" W.B.	74 = Cherokee 2WD-4 Dr.	81 = Wrangler-93" W.B.
63 = Comanche 4WD-6 Ft. Box	75 = Wagoneer 4WD-4 Dr.	82 = Wrangler-103" W.B.-Exp.
64 = Comanche 2WD-6 Ft. Box		

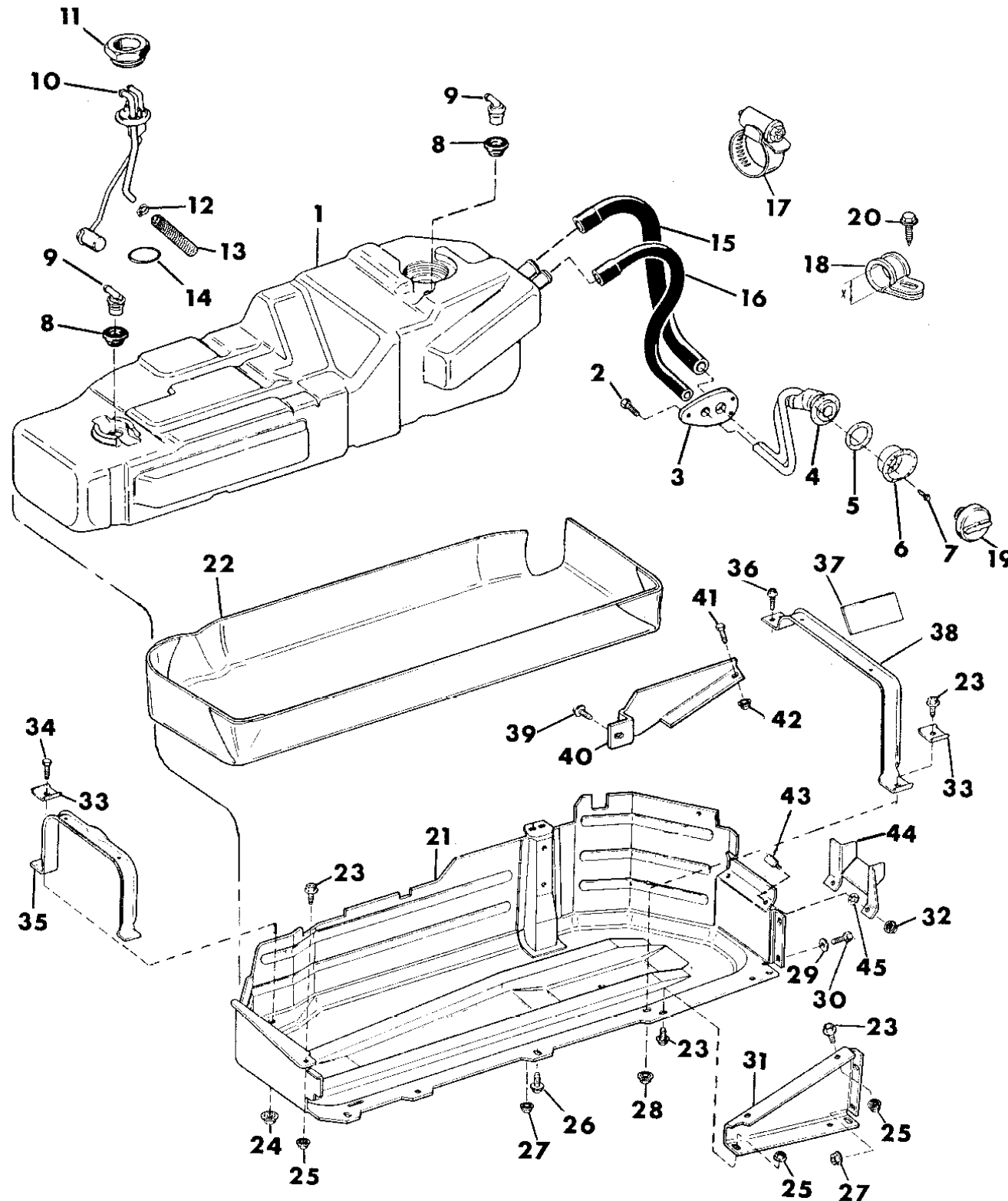
BODY STYLES:

MJ = Comanche Pickup  
SJ = Grand Wagoneer Wgn., J-10 & J-20 Pickups  
XJ = Cherokee, Wagoneer Limited  
YJ = Wrangler

AR = Use as Required - = Non Illustrated Part P.A.R. = Paint as Required

FUEL TANK GRAND WAGONEER  
Figure 14-4300

8 J 14 4300



ITEM	PART NUMBER	QTY	BODY	MODEL	DESCRIPTION
1	J536 2496	1			TANK, Fuel
2	J812 0056	3			SCREW
3	J535 8610	1			GROMMET
4	J536 4763	1			TUBE, Fuel Filler w/Unleaded Fuel
	J536 3315	1			w/Leaded Fuel
5	J093 6433	1			GASKET
6	J536 3394	1			BEZEL w/Unleaded Fuel
	J536 3395	1			w/Leaded Fuel
7	J400 6871	6			SCREW
8	J536 0059	2			SEAL
9	J536 2541	2			VALVE
10	5300 3099	1			SENDING UNIT, Fuel
11	J537 0014	1			LOCK
12	3300 0786	1			CLAMP, Hose
13	J536 1389	1			FILTER, Fuel
14	J094 1521	1			O-RING
15	J536 1183	1			HOSE, Filler
16	J536 1184	1			HOSE, Vent
17	J320 3077	4			CLAMP, Hose
18	J400 3838	2			CLIP 1.06"
	J400 6793	1			1.50"
19	5200 3766	1			CAP, Fuel Filler Non-locking U.S.
	5200 3767	1			Canada
	5200 3768	1			NRM
20	J943 1948	AR			SCREW
21	J536 1590	1			PLATE, Skid
22	J536 2004	1			PAD, Fuel Tank
23	J027 3773	6			BOLT
24	J400 4005	1			NUT, Lock
25	J400 5895	5			NUT
26	J400 4626	3			SCREW
27	J400 3587	4			NUT, Lock
28	J400 4008	1			NUT, Lock

MODEL CODES:

15 = Grand Wagoneer 4 Dr.	65 = Comanche 4WD-7 Ft. Box	77 = Cherokee 4WD-2 Dr.
25 = J-10 Pickup-119" W.B.	66 = Comanche 2WD-7 Ft. Box	78 = Cherokee 4WD-4 Dr.
26 = J-10 Pickup-131" W.B.	73 = Cherokee 2WD-2 Dr.	79 = Cherokee 4WD-4 Dr.-Com
27 = J-20 Pickup-131" W.B.	74 = Cherokee 2WD-4 Dr.	81 = Wrangler-93" W.B.
63 = Comanche 4WD-6 Ft. Box	75 = Wagoneer 4WD-4 Dr.	82 = Wrangler-103" W.B.-Exp.
64 = Comanche 2WD-6 Ft. Box		

BODY STYLES:

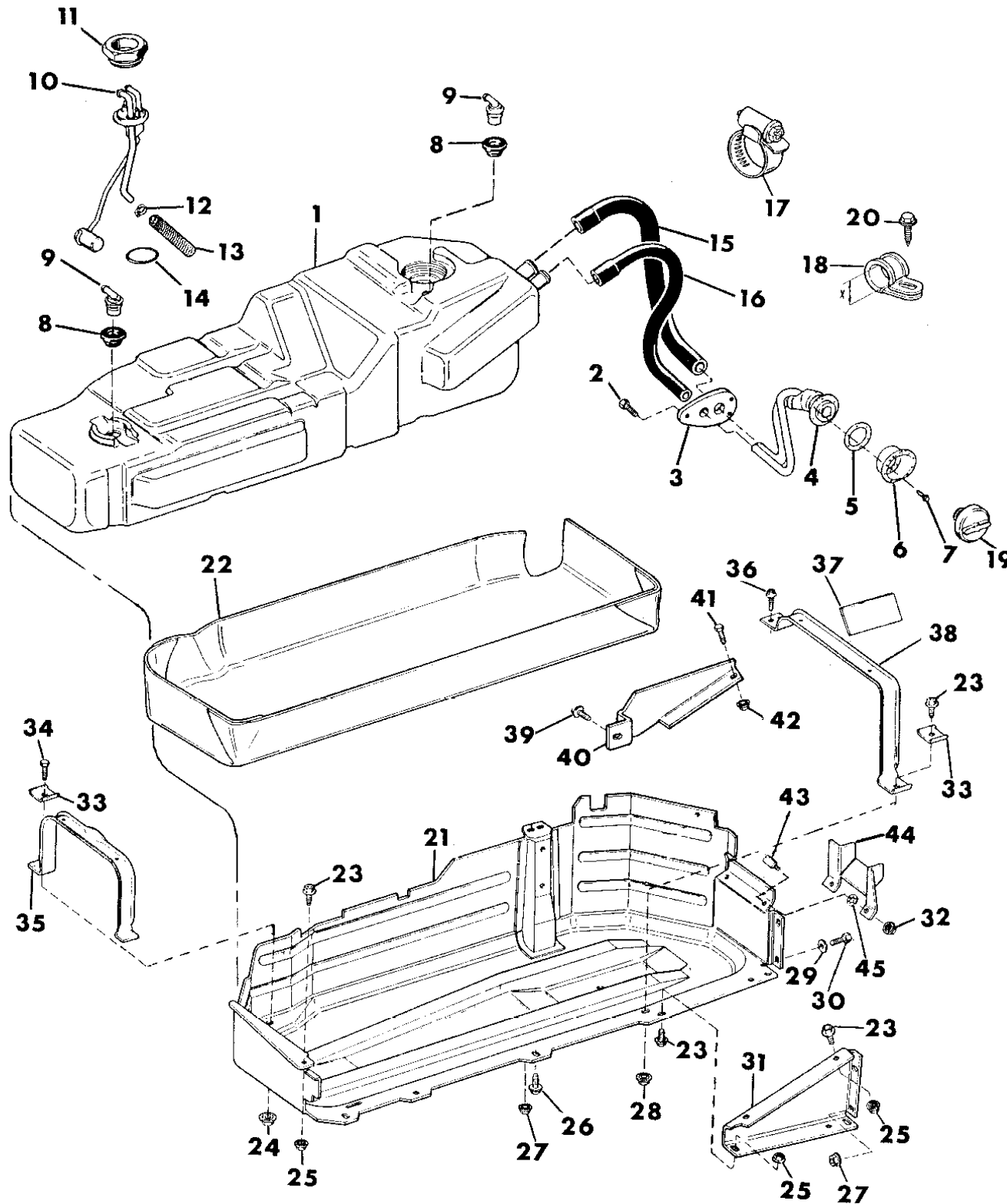
MJ = Comanche Pickup  
SJ = Grand Wagoneer Wgn., J-10 & J-20 Pickups  
XJ = Cherokee, Wagoneer Limited  
YJ = Wrangler

AR = Use as Required - = Non Illustrated Part P.A.R. = Paint as Required

FUEL TANK GRAND WAGONEER  
Figure 14-4300

8 J 14 4300

ITEM	PART NUMBER	QTY	BODY	MODEL	DESCRIPTION
29	J012 0393	2			WASHER
30	S017 9814	2			BOLT
31	J536 1268	1			BRACKET
32	J941 6918	2			NUT, Lock
33	J535 6417	2			PLATE
34	J942 4069	1			BOLT
35	J536 1271	1			STRAP, Front
36	J400 5673	2			SCREW
37	5200 2895	1			PAD, Strap
38	J536 1269	1			STRAP, Rear
39	J400 5063	1			SCREW
40	J536 1629	1			SHIELD
41	J018 0016	1			BOLT
42	J941 6918	1			NUT, Lock
43	J400 5681	2			SCREW, T-Head
44	J536 1592	1			SHIELD
45	J400 5041	2			NUT, Push



MODEL CODES:

15 = Grand Wagoneer 4 Dr.	65 = Comanche 4WD-7 Ft. Box	77 = Cherokee 4WD-2 Dr.
25 = J-10 Pickup-119" W.B.	66 = Comanche 2WD-7 Ft. Box	78 = Cherokee 4WD-4 Dr.
26 = J-10 Pickup-131" W.B.	73 = Cherokee 2WD-2 Dr.	79 = Cherokee 4WD-4 Dr.-Com
27 = J-20 Pickup-131" W.B.	74 = Cherokee 2WD-4 Dr.	81 = Wrangler-93" W.B.
63 = Comanche 4WD-6 Ft. Box	75 = Wagoneer 4WD-4 Dr.	82 = Wrangler-103" W.B.-Exp.
64 = Comanche 2WD-6 Ft. Box		

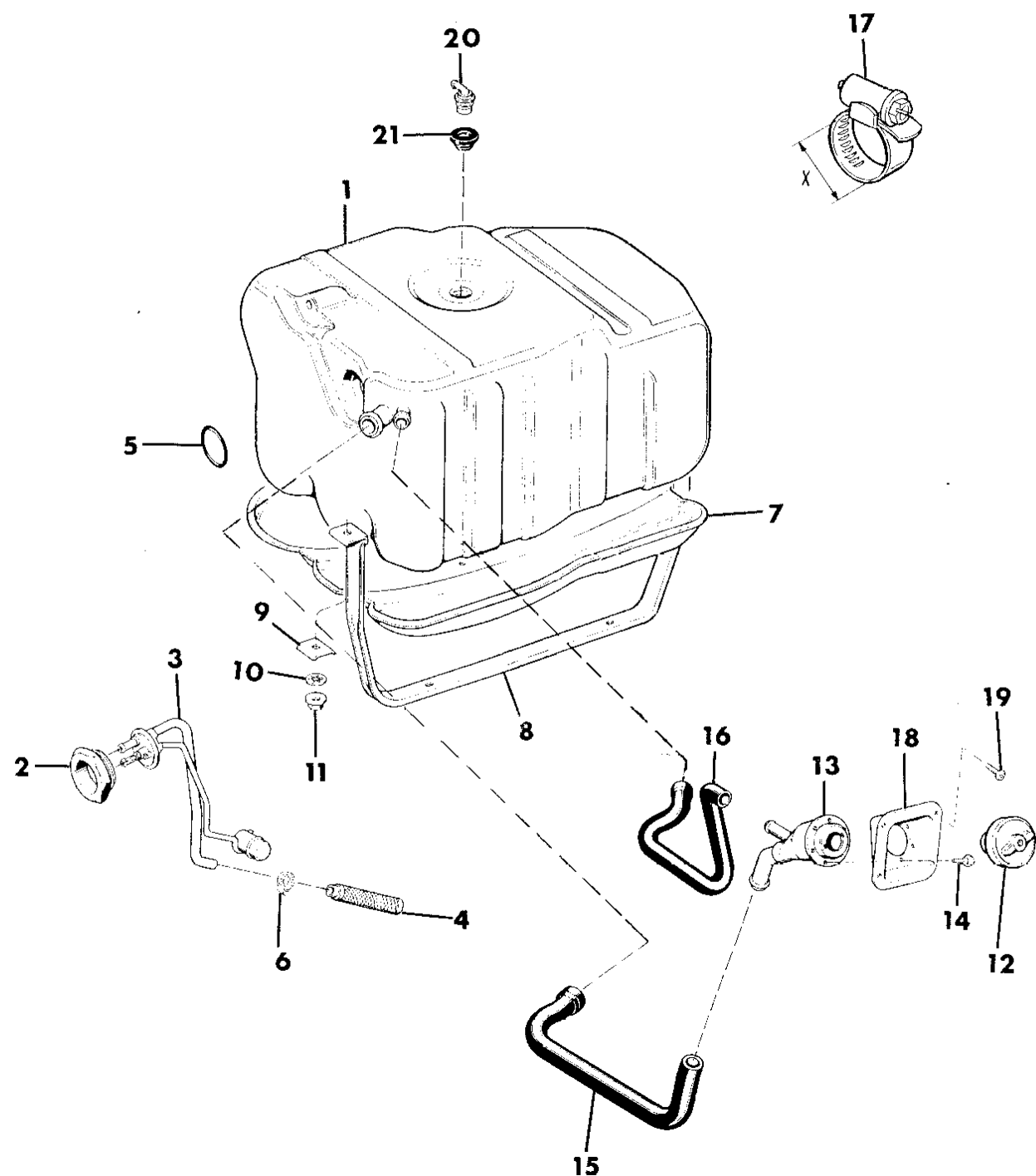
BODY STYLES:

MJ = Comanche Pickup  
SJ = Grand Wagoneer Wgn., J-10 & J-20 Pickups  
XJ = Cherokee, Wagoneer Limited  
YJ = Wrangler

AR = Use as Required - = Non Illustrated Part P.A.R. = Paint as Required

FUEL TANK J10, J20  
Figure 14-4400

8 J 144400



ITEM	PART NUMBER	QTY	BODY	MODEL	DESCRIPTION
1	J536 2499	1			TANK, Fuel
2	J537 0014	1			LOCK
3	5300 3201	1			SENDING UNIT
4	J536 1389	1			FILTER, Fuel
5	J094 1521	1			O-RING
6	3300 0786	1			CLAMP, Hose
7	J536 1256	1			SHIELD, Fuel Tank
8	J535 9779	2			STRAP
9	J535 9777	4			REINFORCEMENT
10	J400 3084	4			NUT, Push
11	J400 5895	4			NUT, Lock
12					CAP, Fuel Filler Non-locking
	5200 3766	1			U.S.
	5200 3767	1			Canada
	5200 3768	1			NRM
13					TUBE, Fuel Filler
	J536 4762	1			w/Unleaded Fuel
	J535 7893	1			w/Leaded Fuel
14	J812 0054	6			SCREW
15	J536 1182	1			HOSE, Filler
16	J536 1188	1			HOSE, Vent
17					CLAMP, Hose
	J320 3077	3			.81" to 1.75"
	J320 3079	1			1.81" to 2.75"
18					PROTECTOR
	J546 3919	1			w/Unleaded Fuel
	J546 3920	1			w/Leaded Fuel
19	J400 5817	4			SCREW
20	J536 2541	1			VALVE
21	J536 0059	1			SEAL

MODEL CODES:

15 = Grand Wagoneer 4 Dr.	65 = Comanche 4WD-7 Ft. Box	77 = Cherokee 4WD-2 Dr.
25 = J-10 Pickup-119" W.B.	66 = Comanche 2WD-7 Ft. Box	78 = Cherokee 4WD-4 Dr.
26 = J-10 Pickup-131" W.B.	73 = Cherokee 2WD-2 Dr.	79 = Cherokee 4WD-4 Dr.-Com
27 = J-20 Pickup-131" W.B.	74 = Cherokee 2WD-4 Dr.	81 = Wrangler-93" W.B.
63 = Comanche 4WD-6 Ft. Box	75 = Wagoneer 4WD-4 Dr.	82 = Wrangler-103" W.B.-Exp.
64 = Comanche 2WD-6 Ft. Box		

BODY STYLES:

MJ = Comanche Pickup  
 SJ = Grand Wagoneer Wgn., J-10 & J-20 Pickups  
 XJ = Cherokee, Wagoneer Limited  
 YJ = Wrangler

AR = Use as Required - = Non Illustrated Part P.A.R. = Paint as Required

---

**GROUP 16 - PROP. SHAFT AND UNIVERSAL JOINT**

<b>ILLUSTRATION TITLE</b>	<b>GROUP-FIG. NO.</b>
SHAFT, FRONT, PROPELLER WRANGLER, YJ .....	Fig. 16-100
SHAFT, REAR, PROPELLER WRANGLER, YJ .....	Fig. 16-200
SHAFT, FRONT, PROPELLER 4 WHEEL DRIVE CHEROKEE, WAGONEER, COMANCHE .....	Fig. 16-300
SHAFT, REAR PROPELLER 2 WHEEL DRIVE AND 4 WHEEL DRIVE CHEROKEE, WAGONEER, COMANCHE .....	Fig. 16-400
SHAFT, FRONT PROPELLER GRAND WAGONEER, TRUCK J10, J20 .....	Fig. 16-500
SHAFT, REAR, PROPELLER GRAND WAGONEER, TRUCK J10, J20 .....	Fig. 16-600

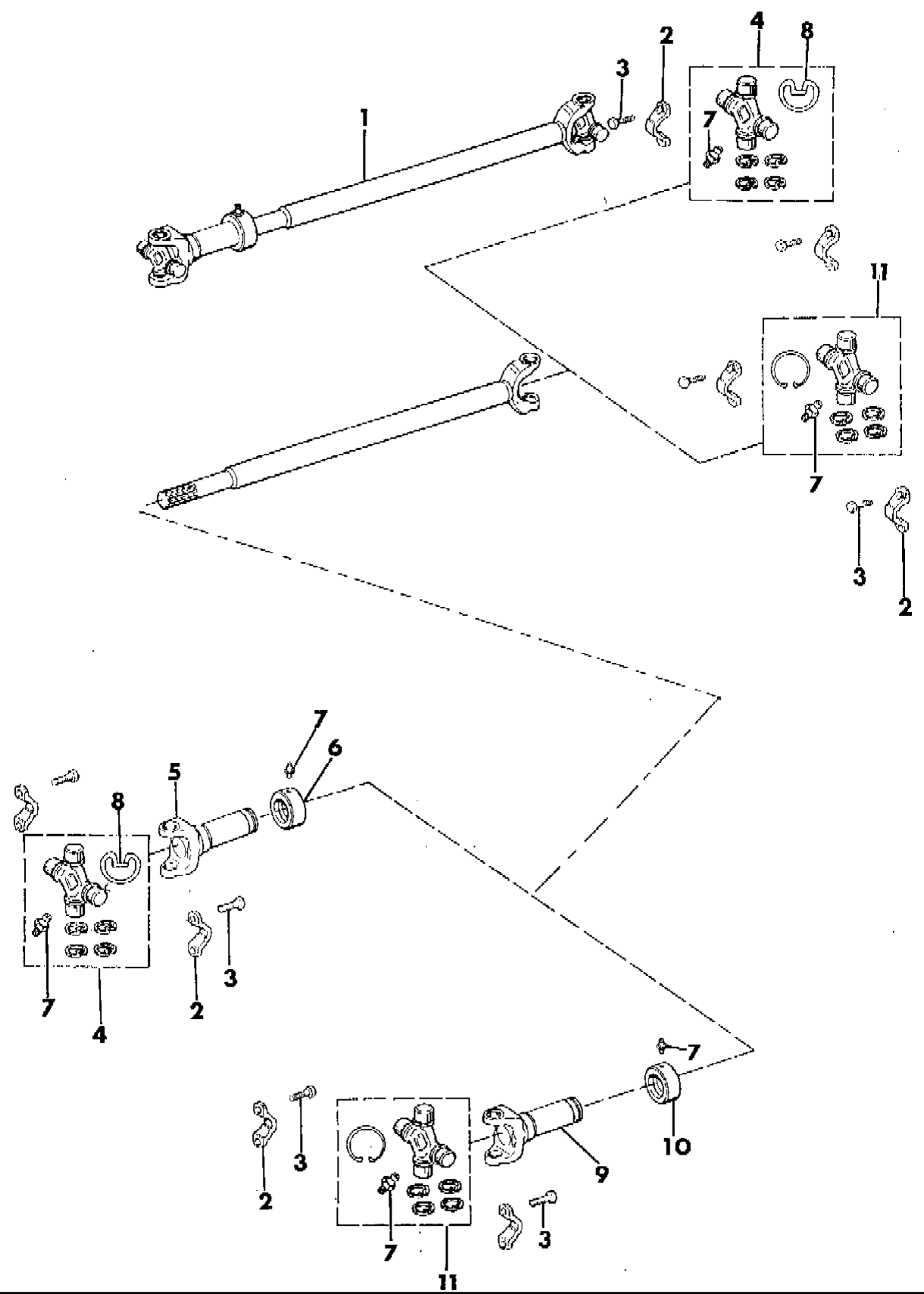
**ILLUSTRATION NOT AVAILABLE AT TIME OF PUBLICATION**

---

SHAFT, FRONT, PROPELLER WRANGLER, YJ  
Figure 16-100

8 J16 100 A

ITEM	PART NUMBER	QTY	BODY	MODEL	DESCRIPTION
1					SHAFT ASSEMBLY, Propeller
	5300 4369	1			4 CYL. ENG., With Manual Transmission
	5300 4453	1			6 CYL. ENG., With Manual Transmission, 1987-1988
	5300 2001	1			6 CYL. ENG., With Manual Transimssion, 1989
	5300 4369	1			6 CYL. ENG., With Automatic Transmission
2	J324 0553	4			STRAP
3	J400 6928	8			BOLT
4	J812 6614	2			SPIDER PACKAGE
5	8350 1594	1			YOKE, Slip Front Propeller
6	8350 1595	1			SEAL
7	J027 1287	3			FITTING
8	J320 7886	4			RING, Snap
9	8350 3117	1			YOKE, Slip
10	8350 3118	1			SEAL
11	8350 3115	2			SPIDER PACKAGE



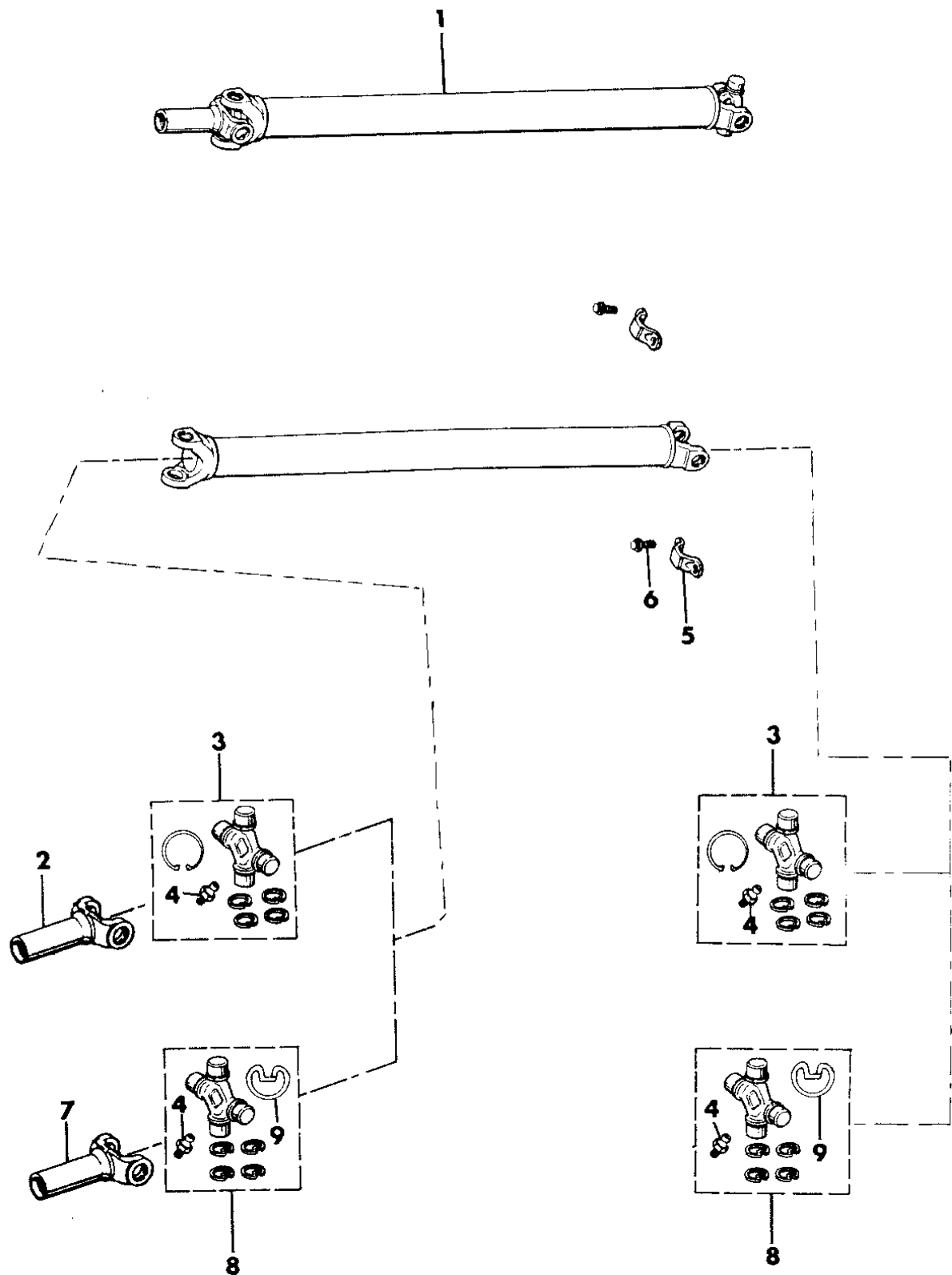
MODEL CODES:  
 15 = Grand Wagoneer 4 Dr.      65 = Comanche 4WD-7 Ft. Box      77 = Cherokee 4WD-2 Dr.  
 25 = J-10 Pickup-119" W.B.      66 = Comanche 2WD-7 Ft. Box      78 = Cherokee 4WD-4 Dr.  
 26 = J-10 Pickup-131" W.B.      73 = Cherokee 2WD-2 Dr.      79 = Cherokee 4WD-4 Dr.-Com  
 27 = J-20 Pickup-131" W.B.      74 = Cherokee 2WD-4 Dr.      81 = Wrangler-93" W.B.  
 63 = Comanche 4WD-6 Ft. Box      75 = Wagoneer 4WD-4 Dr.      82 = Wrangler-103" W.B.-Exp.  
 64 = Comanche 2WD-6 Ft. Box

BODY STYLES:  
 MJ = Comanche Pickup  
 SJ = Grand Wagoneer Wgn., J-10 & J-20 Pickups  
 XJ = Cherokee, Wagoneer Limited  
 YJ = Wrangler

AR = Use as Required - = Non Illustrated Part P.A.R. = Paint as Required

SHAFT, REAR, PROPELLER WRANGLER, YJ  
Figure 16-200

8J16 200



ITEM	PART NUMBER	QTY	BODY	MODEL	DESCRIPTION
1					SHAFT ASSEMBLY, Propeller Rear
	5300 2002	1	81		4 CYL. ENG. With Manual Transmission, AM 231 Transfer Case. 1987-1990
	5300 2003	1	81		6 CYL. ENG. With Manual Transmission, AM 231 Transfer Case. 1987-1990
	5300 5397	1	81		6 CYL. ENG. With Automatic Transmission, AM 231 Transfer Case. 1987-1990
	5300 5401	1	82		6 CYL. ENG. With Manual Transmission, Built for KDX. 1988
	5300 4527	1			4 CYL. ENG. With Manual Transmission, AM 207 Transfer Case. 1987
	5300 4454	1			4 CYL. ENG. With Manual Transmission, AM 231 Transfer Case. 1987-1990
	5300 4455	1			6 CYL. ENG. With Manual Transmission, AM 207 Transfer Case, Except Export KDX, 1987
	5300 4526	1			6 CYL. ENG. With Manual Transmission, AM 231 Transfer Case, Except Export KDX, 1987-1988
	5300 4454	1			6 CYL. Eng. With Automatic Transmission, AM 207 Transfer Case. 1987-1990
	5300 4525	1			6 CYL. ENG. With Automatic Transmission, AM 231 Transfer Case, 1987-1988
2	8350 2855	1			YOKE, Slip
3	J812 6614	2			SPIDER PACKAGE, Rear Propeller ***
4	J027 1287	2			FITTING
5	J324 0553	2			STRAP
6	J400 6928	4			BOLT
7	8350 2855	1			YOKE, Slip
8	J812 6614	2			SPIDER PACKAGE ***
9	J320 7886	4			RING, Snap

MODEL CODES:

15 = Grand Wagoneer 4 Dr.	65 = Comanche 4WD-7 Ft. Box	77 = Cherokee 4WD-2 Dr.
25 = J-10 Pickup-119" W.B.	66 = Comanche 2WD-7 Ft. Box	78 = Cherokee 4WD-4 Dr.
26 = J-10 Pickup-131" W.B.	73 = Cherokee 2WD-2 Dr.	79 = Cherokee 4WD-4 Dr.-Com
27 = J-20 Pickup-131" W.B.	74 = Cherokee 2WD-4 Dr.	81 = Wrangler-93" W.B.
63 = Comanche 4WD-6 Ft. Box	75 = Wagoneer 4WD-4 Dr.	82 = Wrangler-103" W.B.-Exp.
64 = Comanche 2WD-6 Ft. Box		

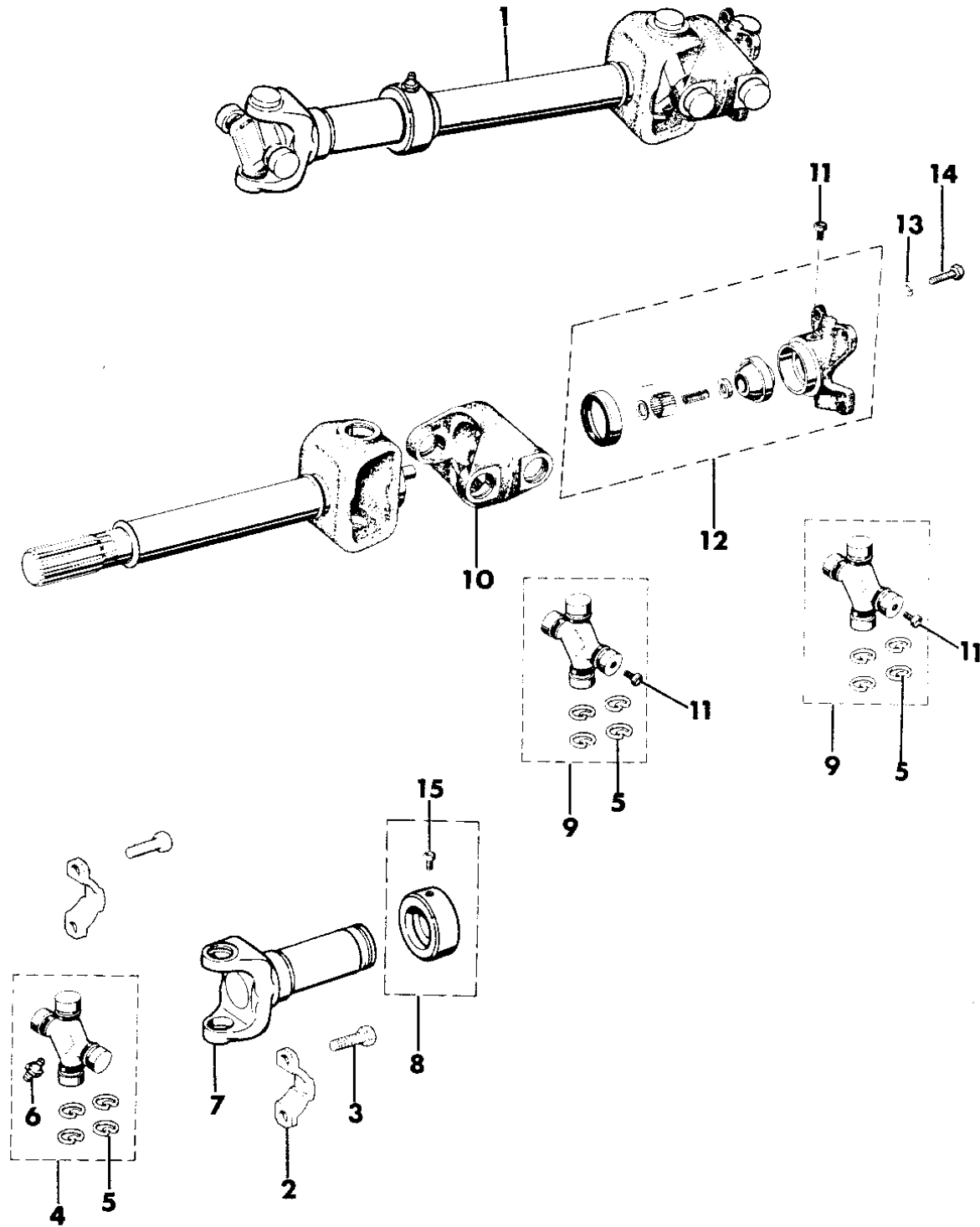
BODY STYLES:

MJ = Comanche Pickup  
 SJ = Grand Wagoneer Wgn., J-10 & J-20 Pickups  
 XJ = Cherokee, Wagoneer Limited  
 YJ = Wrangler

AR = Use as Required - = Non Illustrated Part P.A.R. = Paint as Required

SHAFT, FRONT, PROPELLER 4 WHEEL DRIVE CHEROKEE, WAGONEER, COMANCHE  
Figure 16-300

8J16 300



ITEM	PART NUMBER	QTY	BODY	MODEL	DESCRIPTION
1					SHAFT ASSEMBLY, Propeller
					1987-88
	5300 3235	1			4 CYL. ENG., With Manual Transmission
	5300 3912	1			4 CYL. ENG., With Automatic Transmission
	5300 5039	1			6 CYL. ENG., With Manual Transmission
	5300 5040	1			6 CYL. ENG., With Automatic Transmission
	5300 3235	1			KDX, DIESEL ENG.
	5300 5259	1			KDX, 6 CYL. ENG., With Manual Transmission
	5300 5260	1			KDX, 6 CYL. ENG., With Automatic Transmission
					1989-90
	5300 5541	1			4 CYL. ENG., With Manual Transmission
	5300 5540	1			4 CYL. ENG., With Automatic Transmission
	5300 5543	1			6 CYL. ENG., With Manual Transmission
	5300 5542	1			6 CYL. ENG., With Automatic Transmission
	5300 5541	1			DIESEL ENG.
	5300 5544	1			KDX, 6 CYL. ENG., With Manual Transmission
	5300 5545	1			KDX, 6 CYL. ENG., With Automatic Transmission
2	J324 0553	2			STRAP
3	J400 6928	4			BOLT
4	J812 6614	1			SPIDER PACKAGE ***
5	J320 7886	12			RING, Snap
6	J027 1287	1			FITTING
7	8350 1594	1			YOKE, Slip
8	8350 2812	1			SEAL
9	J813 0750	2			SPIDER PACKAGE, Front Propeller ***
10	J813 0296	1			YOKE
11	J099 4826	3			FITTING
12	J812 6796	1			FLANGE, Front Propeller Shaft
					1987-1988
	4384 663	1			1989-90
13	J012 0214	4			WASHER
14	J018 1613	4			BOLT
15	J813 0300	1			FITTING

MODEL CODES:

15 = Grand Wagoneer 4 Dr.	65 = Comanche 4WD-7 Ft. Box	77 = Cherokee 4WD-2 Dr.
25 = J-10 Pickup-119" W.B.	66 = Comanche 2WD-7 Ft. Box	78 = Cherokee 4WD-4 Dr.
26 = J-10 Pickup-131" W.B.	73 = Cherokee 2WD-2 Dr.	79 = Cherokee 4WD-4 Dr.-Com
27 = J-20 Pickup-131" W.B.	74 = Cherokee 2WD-4 Dr.	81 = Wrangler-93" W.B.
63 = Comanche 4WD-6 Ft. Box	75 = Wagoneer 4WD-4 Dr.	82 = Wrangler-103" W.B.-Exp.
64 = Comanche 2WD-6 Ft. Box		

BODY STYLES:

MJ = Comanche Pickup
SJ = Grand Wagoneer Wgn., J-10 & J-20 Pickups
XJ = Cherokee, Wagoneer Limited
YJ = Wrangler

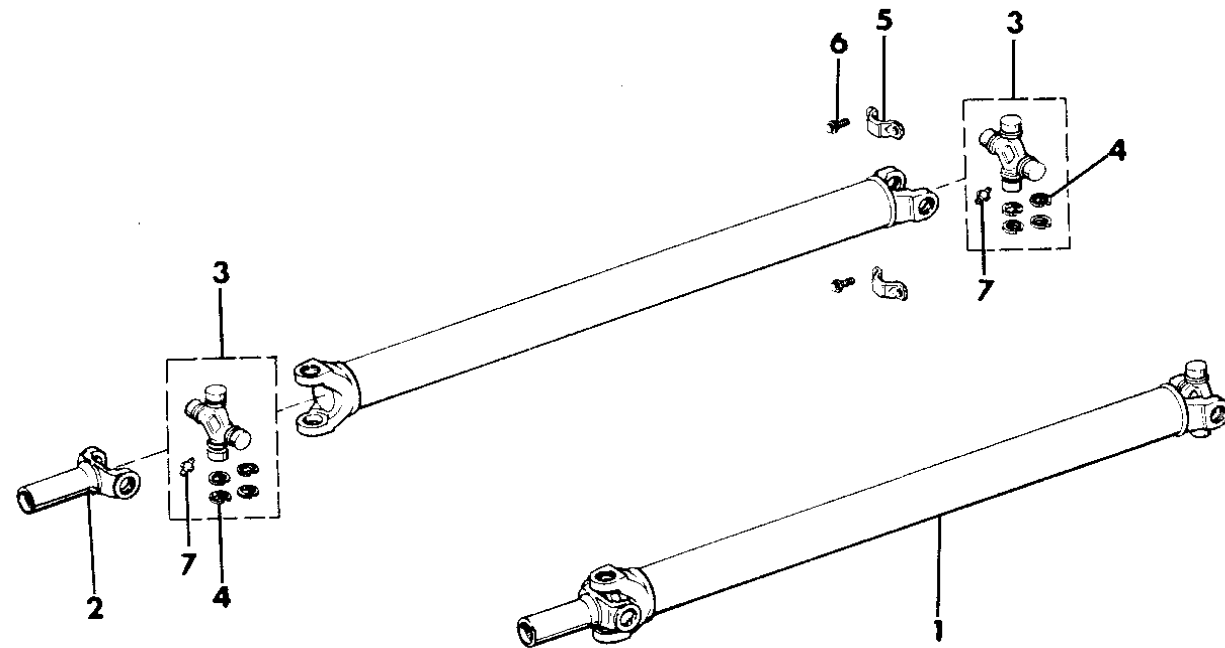
AR = Use as Required - = Non Illustrated Part P.A.R. = Paint as Required



SHAFT, REAR PROPELLER 2 WHEEL DRIVE AND 4 WHEEL DRIVE CHEROKEE, WAGONEER, COMANCHE

Figure 16-400

8 J16 400



ITEM	PART NUMBER	QTY	BODY	MODEL	DESCRIPTION
1					SHAFT - DANA 35 ***
			XJ		2 WHEEL DRIVE
	5300 4950	1			4 CYL. ENG. Manual Transmission
	5300 3913	1			4 CYL. ENG. Automatic Transmission
	5300 3244	1			6 CYL. ENG. Manual Transmission - w/Peupeot 5 Spee d
	5300 4815	1			6 Cyl. Eng. Manual Transmission - w/Aisin 5 Speed
	5300 4815	1			6 CYL. ENG. Automatic Transmission
			MJ		2 WHEEL DRIVE - 6 FOOT BOX
	5300 4661	1			4 CYL. ENG. Manual Transmission
	5300 4666	1			4 CYL. ENG. Automatic Transmission
	5300 4667	1			6 CYL. ENG. Manual Transmission
	5300 4816	1			6 CYL. ENG. Manual Transmission, 1990
	5300 4816	1			6 CYL. ENG. Automatic Transmission
			MJ		2 WHEEL DRIVE - 7 FOOT BOX
	5300 4659	1			4 CYL. ENG., Diesel, Manual Transmission
	5300 4664	1			4 CYL. ENG. Automatic Transmission
	5300 4658	1			6 CYL. ENG. Manual Transmission
	5300 4814	1			6 CYL. ENG. Automatic Transmission and 5 Speed Aisin Manual Trans.
			MJ		SHAFT - DANA 44 ***
			MJ		2 WHEEL DRIVE - 6 FOOT BOX
	5300 5015	1			6 CYL. ENG. Manual Transmission
	5300 5014	1			6 CYL. ENG. Automatic Transmission
			MJ		2 WHEEL DRIVE - 7 FOOT BOX
	5300 4660	1			4 CYL. ENG., Diesel, Manual Transmission
	5300 4661	1			6 CYL. ENG. Manual Transmission
	5300 4813	1			6 CYL. ENG. Automatic Transmission
			XJ		SHAFT - DANA 35 ***
			XJ		4 WHEEL DRIVE
	5300 3241	1			4 CYL. ENG., Diesel, Manual Transmission
	5300 3914	1			4 CYL. ENG. Automatic Transmission
	5300 3242	1			6 CYL. ENG. Manual Transmission
	5300 3246	1			6 CYL. ENG. Automatic Transmission
			XJ		SHAFT - DANA 44 ***
			XJ		2 WHEEL DRIVE
	5300 5010	1			6 CYL. ENG. Automatic Transmission
	5300 5011	1			6 CYL. ENG. Manual Trasmission

MODEL CODES:

15 = Grand Wagoneer 4 Dr.	65 = Comanche 4WD-7 Ft. Box	77 = Cherokee 4WD-2 Dr.
25 = J-10 Pickup-119" W.B.	66 = Comanche 2WD-7 Ft. Box	78 = Cherokee 4WD-4 Dr.
26 = J-10 Pickup-131" W.B.	73 = Cherokee 2WD-2 Dr.	79 = Cherokee 4WD-4 Dr.-Com
27 = J-20 Pickup-131" W.B.	74 = Cherokee 2WD-4 Dr.	81 = Wrangler-93" W.B.
63 = Comanche 4WD-6 Ft. Box	75 = Wagoneer 4WD-4 Dr.	82 = Wrangler-103" W.B.-Exp.
64 = Comanche 2WD-6 Ft. Box		

BODY STYLES:

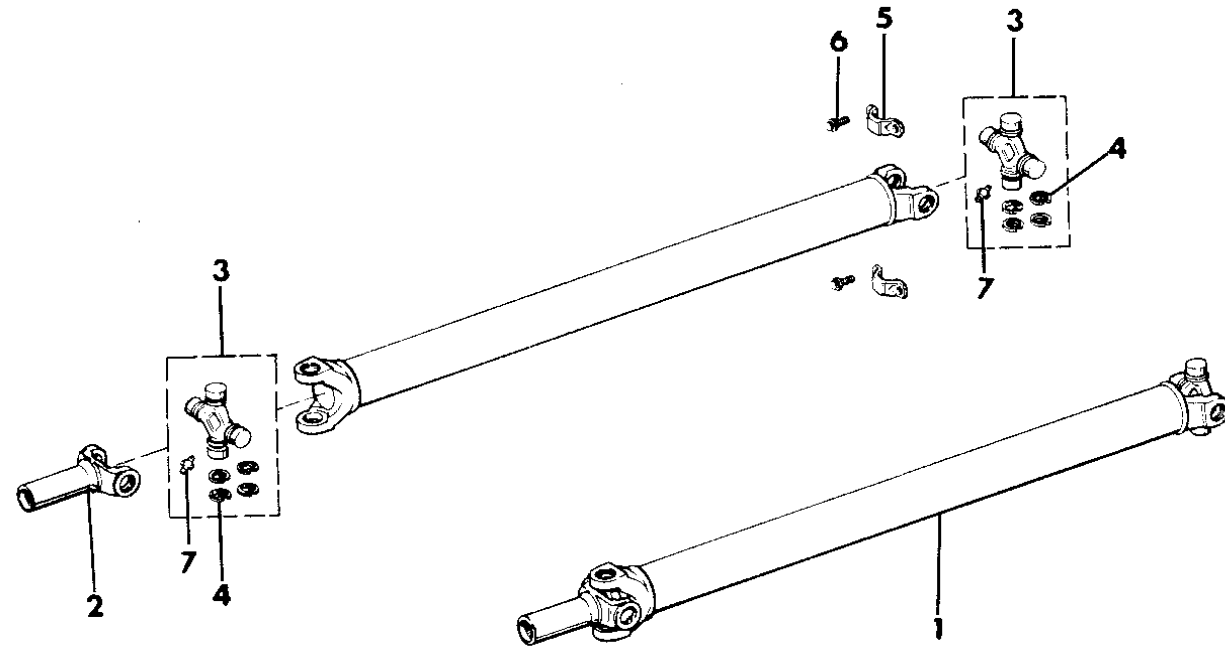
MJ = Comanche Pickup
SJ = Grand Wagoneer Wgn., J-10 & J-20 Pickups
XJ = Cherokee, Wagoneer Limited
YJ = Wrangler

AR = Use as Required - = Non Illustrated Part P.A.R. = Paint as Required

SHAFT, REAR PROPELLER 2 WHEEL DRIVE AND 4 WHEEL DRIVE CHEROKEE, WAGONEER, COMANCHE

Figure 16-400

8 J16 400



ITEM	PART NUMBER	QTY	BODY	MODEL	DESCRIPTION
			XJ		4 WHEEL DRIVE
	5300 5008	1			6 CYL.ENG.,Automatic Transmission
	5300 5009	1			6 CYL.ENG.,Manual Transmission
			MJ		4 WHEEL DRIVE - 6 FOOT BOX
	5300 4671	1			4 CYL. ENG. Manual Transmission
	5300 4668	1			4 CYL. ENG. Automatic Transmission
	5300 4669	1			6 CYL. ENG. Manual Transmission
	5300 5008	1			6 CYL. ENG.,Automatic Transmission
	5300 5009	1			6 CYL.ENG.,Manual Transmission,44 Axle
	5300 4670	1			6 CYL. ENG. Automatic Transmission
			MJ		4 WHEEL DRIVE - 7 FOOT BOX
	5300 4656	1			4 CYL. ENG. Manual Transmmission
	5300 4655	1			4 CYL. ENG. Automatic Transmission
	5300 4662	1			6 CYL. ENG. Manual Transmission
	5300 4654	1			6 CYL. ENG. Automatic Transmission SHAFT - DANA 44 ***
			MJ		4 WHEEL DRIVE - 6 FOOT BOX
	5300 5013	1			6 CYL. ENG. Manual Transmission
	5300 5012	1			6 CYL. ENG. Automatic Transmission
			MJ		4 WHEEL DRIVE - 7 FOOT BOX
	5300 4657	1			4 CYL.ENG. Manual Transmission
	5300 4665	1			6 CYL. ENG. Manual Transmission
	5300 4663	1			6 CYL. ENG. Automatic Transmission
2					YOKE, Slip
	5300 1987	1			2 Wheel Drive,Manual Transmission,21 Splines
	8350 3593	1			2 Wheel Drive, Automatic Transmission,26 Splines
	8350 3574	1			4 Wheel Drive
3	J812 6614	2			SPIDER PACKAGE ***
4	J320 7886	8			RING, Snap
5	J324 0553	2			STRAP
6	J400 6928	4			BOLT
7	J027 1287	2			FITTING

MODEL CODES:

15 = Grand Wagoneer 4 Dr.	65 = Comanche 4WD-7 Ft. Box	77 = Cherokee 4WD-2 Dr.
25 = J-10 Pickup-119" W.B.	66 = Comanche 2WD-7 Ft. Box	78 = Cherokee 4WD-4 Dr.
26 = J-10 Pickup-131" W.B.	73 = Cherokee 2WD-2 Dr.	79 = Cherokee 4WD-4 Dr.-Com
27 = J-20 Pickup-131" W.B.	74 = Cherokee 2WD-4 Dr.	81 = Wrangler-93" W.B.
63 = Comanche 4WD-6 Ft. Box	75 = Wagoneer 4WD-4 Dr.	82 = Wrangler-103" W.B.-Exp.
64 = Comanche 2WD-6 Ft. Box		

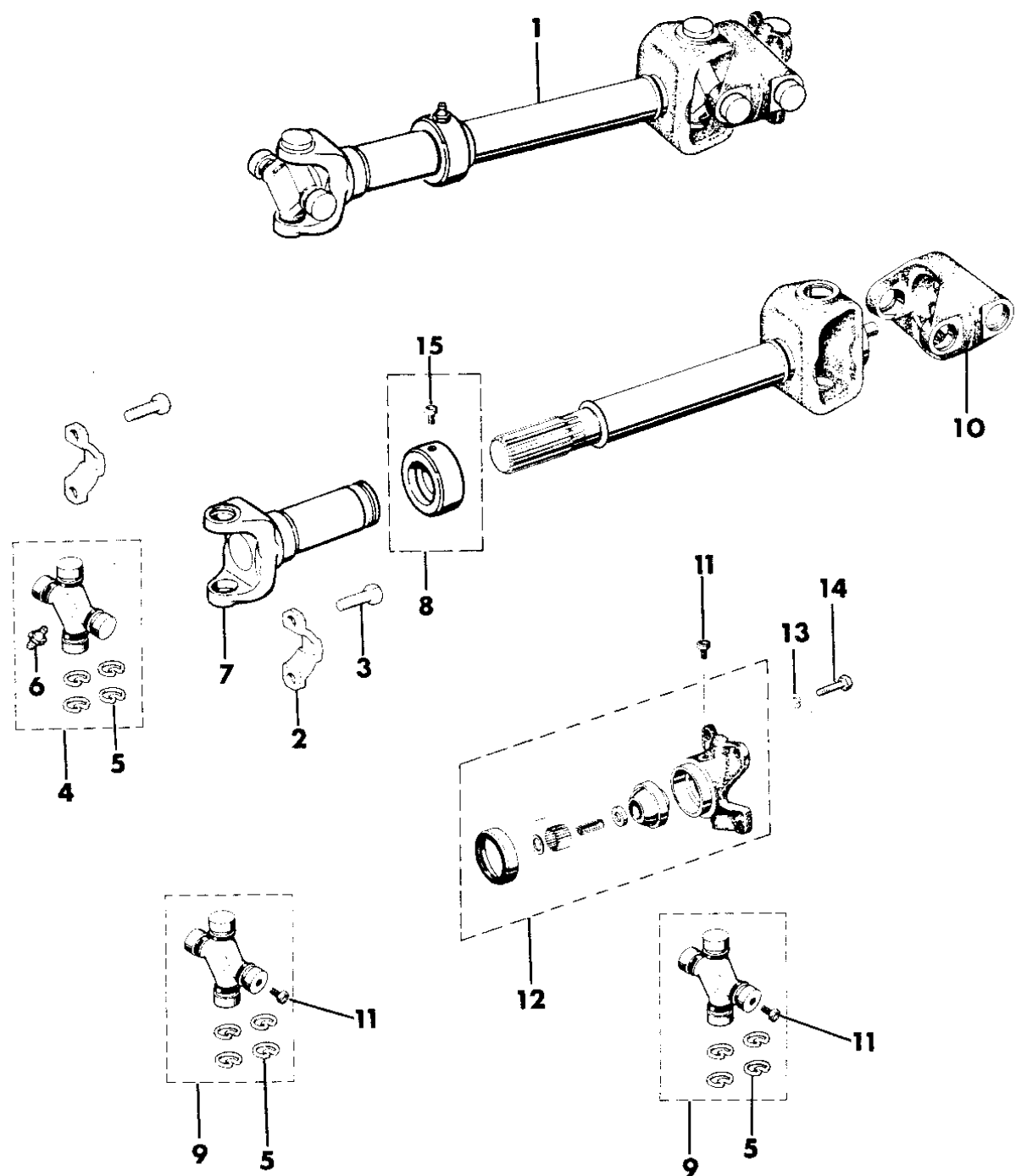
BODY STYLES:

MJ = Comanche Pickup  
 SJ = Grand Wagoneer Wgn., J-10 & J-20 Pickups  
 XJ = Cherokee, Wagoneer Limited  
 YJ = Wrangler

AR = Use as Required - = Non Illustrated Part P.A.R. = Paint as Required

SHAFT, FRONT PROPELLER GRAND WAGONEER, TRUCK J10, J20  
Figure 16-500

8J16 500



ITEM	PART NUMBER	QTY	BODY	MODEL	DESCRIPTION
1					SHAFT ASSEMBLY, Propeller
	J536 0995	1	15		Manual Transmission
	J536 0995	1	26		Manual Transmission
	J536 0998	1	27		Manual Transmission
	J536 0997	1			6 CYL. ENG. Automatic Transmission
	J536 0996	1			8 CYL. ENG. Automatic Transmission, 1987-88
	5300 5539	1			8 CYL. ENG. Automatic Transmission, 1989-90
2	J324 0553	2			STRAP
3	J400 6928	4			BOLT
4	J812 6614	1			SPIDER PACKAGE ***
5	J320 7886	12			RING, Snap
6	J027 1287	2			FITTING
7	8350 1594	1			YOKE, Slip
8	8350 1595	1			SEAL
9	J813 0750	2			SPIDER PACKAGE ***
10	J813 0296	1			YOKE
11	J099 4826	3			FITTING
12					FLANGE ASSEMBLY, Front Propeller Shaft ***
	J812 6796	1			1987-88
	4384 663	1			1989-90
13	J012 0214	4			WASHER
14	J018 1613	4			BOLT
15	J813 0300	1			FITTING

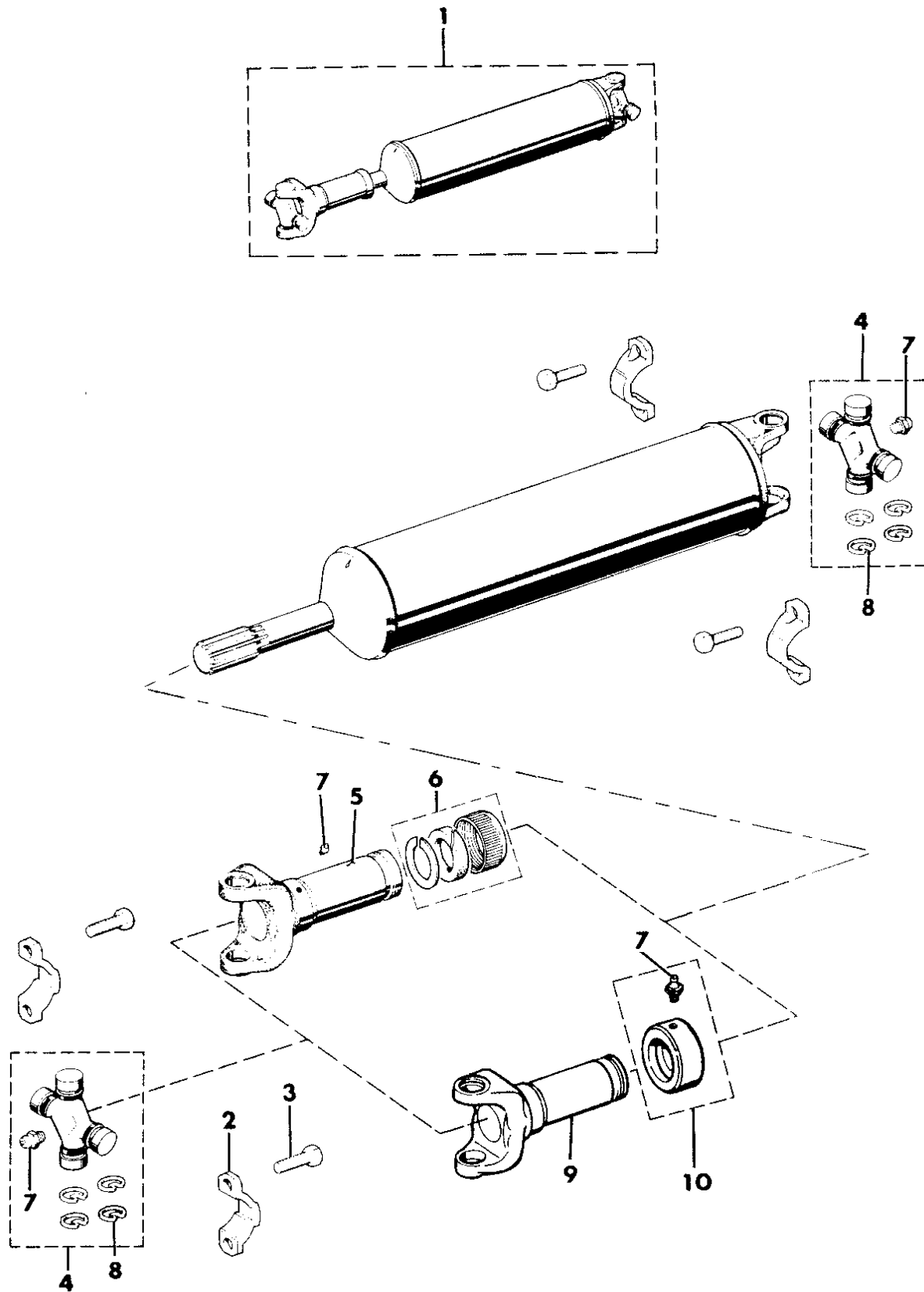
MODEL CODES:  
 15 = Grand Wagoneer 4 Dr.      65 = Comanche 4WD-7 Ft. Box      77 = Cherokee 4WD-2 Dr.  
 25 = J-10 Pickup-119" W.B.      66 = Comanche 2WD-7 Ft. Box      78 = Cherokee 4WD-4 Dr.  
 26 = J-10 Pickup-131" W.B.      73 = Cherokee 2WD-2 Dr.      79 = Cherokee 4WD-4 Dr.-Com  
 27 = J-20 Pickup-131" W.B.      74 = Cherokee 2WD-4 Dr.      81 = Wrangler-93" W.B.  
 63 = Comanche 4WD-6 Ft. Box      75 = Wagoneer 4WD-4 Dr.      82 = Wrangler-103" W.B.-Exp.  
 64 = Comanche 2WD-6 Ft. Box

BODY STYLES:  
 MJ = Comanche Pickup  
 SJ = Grand Wagoneer Wgn., J-10 & J-20 Pickups  
 XJ = Cherokee, Wagoneer Limited  
 YJ = Wrangler

AR = Use as Required - = Non Illustrated Part P.A.R. = Paint as Required

SHAFT, REAR, PROPELLER GRAND WAGONEER, TRUCK J10, J20  
Figure 16-600

8 J16 600



ITEM	PART NUMBER	QTY	BODY	MODEL	DESCRIPTION
1					SHAFT ASSEMBLY, Propeller Rear
	J536 1007	1	15		Manual Transmission AM208 Transfer Case
	J536 1011	1	15		6 CYL. ENG. Automatic Transmission AM208 Transfer Case.
	J536 0999	1	15		6 CYL. ENG. Automatic Transmission AM229 Transfer Case
	J536 1015	1	15		8 CYL. ENG. Automatic Transmission AM208 Transfer Case.
	J536 1003	1	15		8 CYL. ENG. Automatic Transmission AM229 Transfer Case.
	J536 1009	1	26		Manual Transmission AM208 Transfer Case
	J536 1013	1	26		6 CYL. ENG. Automatic Transmission AM208 Transfer Case.
	J536 1001	1	26		6 CYL. ENG. Automatic Transmission AM229 Transfer Case.
	J536 1017	1	26		8 CYL. ENG. Automatic Transmission AM208 Transfer Case.
	J536 1005	1	26		8 CYL. ENG. Automatic Transmission AM229 Transfer Case.
	J536 1010	1	27		Manual Transmission
	J536 1018	1	27		Automatic Transmission
2	J324 0553	4			STRAP
3	J400 6698	8			BOLT
4	J812 6614	2			SPIDER
5	J812 7263	1			YOKE, Slip Rear Propeller
6	J812 8447	1			SEAL
7	J027 1287	3			FITTING
8	J320 7886	8			RING, Snap
9	J813 4782	1			YOKE, Slip
10	J813 4783	1			SEAL

MODEL CODES:

15 = Grand Wagoneer 4 Dr.	65 = Comanche 4WD-7 Ft. Box	77 = Cherokee 4WD-2 Dr.
25 = J-10 Pickup-119" W.B.	66 = Comanche 2WD-7 Ft. Box	78 = Cherokee 4WD-4 Dr.
26 = J-10 Pickup-131" W.B.	73 = Cherokee 2WD-2 Dr.	79 = Cherokee 4WD-4 Dr.-Com
27 = J-20 Pickup-131" W.B.	74 = Cherokee 2WD-4 Dr.	81 = Wrangler-93" W.B.
63 = Comanche 4WD-6 Ft. Box	75 = Wagoneer 4WD-4 Dr.	82 = Wrangler-103" W.B.-Exp.
64 = Comanche 2WD-6 Ft. Box		

BODY STYLES:

MJ = Comanche Pickup  
SJ = Grand Wagoneer Wgn., J-10 & J-20 Pickups  
XJ = Cherokee, Wagoneer Limited  
YJ = Wrangler

AR = Use as Required - = Non Illustrated Part P.A.R. = Paint as Required

---

**GROUP 17 - REAR SUSPENSION**

<b>ILLUSTRATION TITLE</b>	<b>GROUP-FIG. NO.</b>
SUSPENSION, REAR W/SHOCK ABSORBER WRANGLER, YJ .....	Fig. 17-100
SUSPENSION, REAR W/SHOCK ABSORBER CHEROKEE, WAGONEER .....	Fig. 17-200
SUSPENSION, REAR COMANCHE .....	Fig. 17-300
SUSPENSION, REAR W/SHOCK ABSORBER GRAND WAGONEER, J10, J20 .....	Fig. 17-400

**ILLUSTRATION NOT AVAILABLE AT TIME OF PUBLICATION**

---

**SUSPENSION, REAR W/SHOCK ABSORBER WRANGLER, YJ**  
**Figure 17-100**

8J17 100

ITEM	PART NUMBER	QTY	BODY	MODEL	DESCRIPTION
1					SHOCK ABSORBER
	8350 2867	2			Standard Duty, Coded 89 52 040 041
	8350 2837	2			Heavy Duty, Coded 89 52 002 554 or 89 52 002 751, Gas Charged, Off Road Package
2	J018 1709	2			BOLT
3	J448 8495	6			WASHER
4	J400 4311	4			NUT
5	1150 2723	4			NUT
6	J448 8495	10			WASHER
7	3420 1465	3			BOLT
8	5204 0404	1			BAR, Track Rear
9	5200 1989	2			SPACER
10					SPRING ASSEMBLY ***
	5200 3208	2			Standard Duty, w/Soft Top, 5 Leaf ***
	5200 3209	2			Standard Duty, w/Hard Top, 5 Leaf
	5200 3449	2			Heavy Duty, 6 Leaf
	5200 2836	2			KDX Egypt, 6 Leaf
	5200 2854	2			KDX Venezuela, w/Soft Top, 6 Leaf
	5200 3556	2			KDX Venezuela, w/Hard Top, 6 Leaf
11	J400 5063	4			SCREW
12	5200 2551	2			BUSHING
13	5200 2552	8			BUSHING
14	5200 2553	4			SPACER
15	5204 0415	4			PLATE, Shackle
16					PLATE, Rear Spring U-Bolt
	5200 3150	2			1987-89
	5200 6421	2			1990
17	J400 7393	4			BOLT
18	J400 4311	12			NUT
19	J448 8495	12			WASHER
20	J400 7547	2			BOLT
21	J400 3979	2			NUT
22	J400 6884	2			WASHER
23					U-BOLT
	J813 0369	4			1987-89
	5200 6420	4			1990
24	5200 2658	2			BUMPER

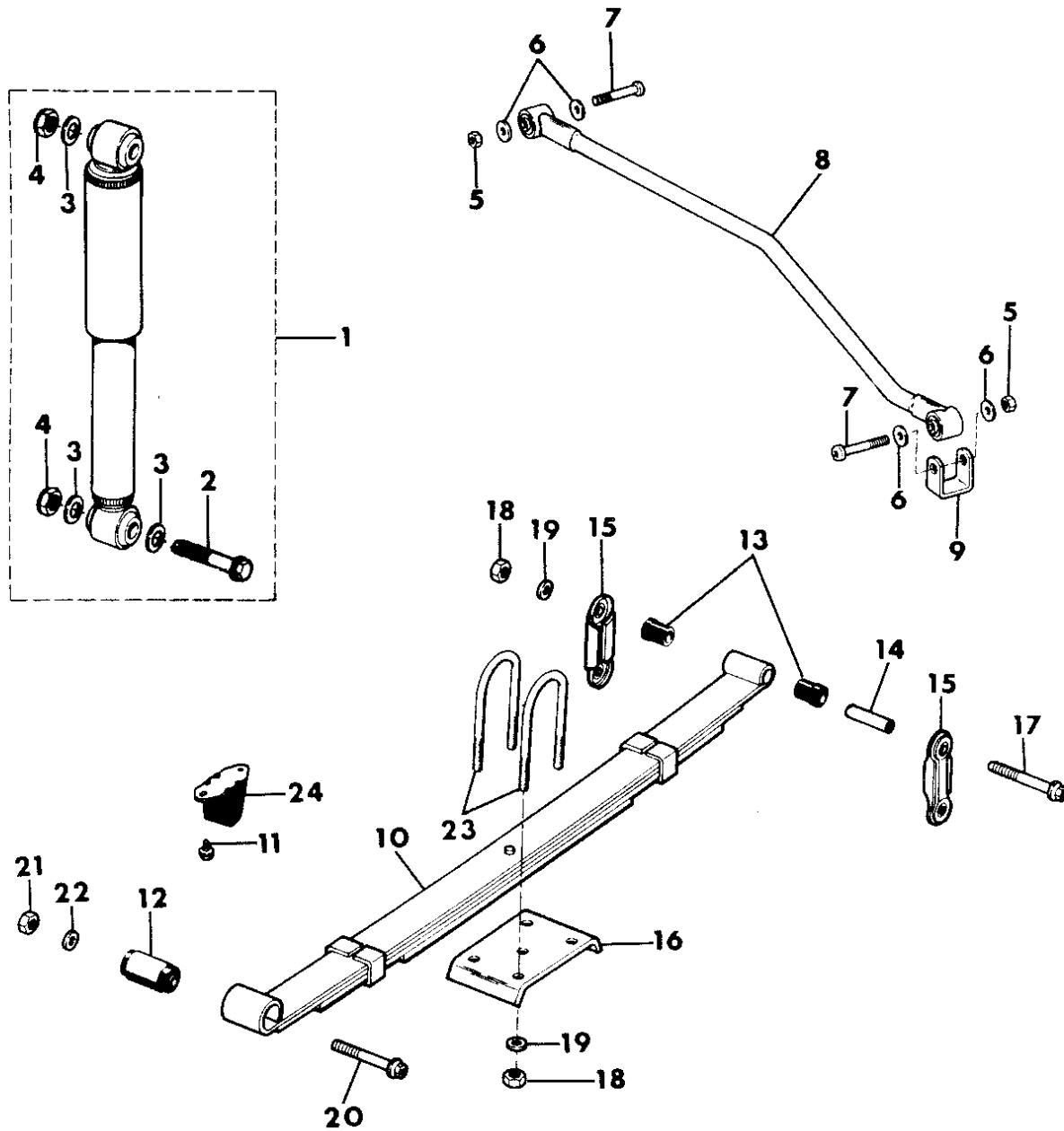
**MODEL CODES:**

15 = Grand Wagoneer 4 Dr.	65 = Comanche 4WD-7 Ft. Box	77 = Cherokee 4WD-2 Dr.
25 = J-10 Pickup-119" W.B.	66 = Comanche 2WD-7 Ft. Box	78 = Cherokee 4WD-4 Dr.
26 = J-10 Pickup-131" W.B.	73 = Cherokee 2WD-2 Dr.	79 = Cherokee 4WD-4 Dr.-Com
27 = J-20 Pickup-131" W.B.	74 = Cherokee 2WD-4 Dr.	81 = Wrangler-93" W.B.
63 = Comanche 4WD-6 Ft. Box	75 = Wagoneer 4WD-4 Dr.	82 = Wrangler-103" W.B.-Exp.
64 = Comanche 2WD-6 Ft. Box		

**BODY STYLES:**

MJ = Comanche Pickup  
 SJ = Grand Wagoneer Wgn., J-10 & J-20 Pickups  
 XJ = Cherokee, Wagoneer Limited  
 YJ = Wrangler

AR = Use as Required - = Non Illustrated Part P.A.R. = Paint as Required



**SUSPENSION, REAR W/SHOCK ABSORBER CHEROKEE, WAGONEER**  
**Figure 17-200**

8 J17200

ITEM	PART NUMBER	QTY	BODY	MODEL	DESCRIPTION
1					SHOCK ABSORBER
	8350 1160	2			Light Duty, Coded 89 52 001 567
	8350 1159	2			Standard Duty, Coded 89 52 001 565
	8350 1161	2			Heavy Duty, Coded 89 52 001 566
	8350 2515	2			Heavy Duty, Coded 89 52 002 385
	8350 1160	2			Heavy Duty, 1989, Coded 89 52 004 525
	8350 4212	2			Heavy Duty, Off Road Package, Coded 89 52 003 286
	4637 103	2			With Stamping 52037727 ***
2	J448 8495	AR			WASHER
3	1150 0756	AR			NUT
4	J420 0089	4			SCREW
5	5200 1135	1			STABILIZER ***
6	5200 1145	4			CUSHION, Stabilizer, Yellow
7	5200 1085	2			CLAMP
8	5200 1094	2			LINK
9					BRACKET
	5200 3504	2			1987-89
	5200 6450	2			1990
10	3420 1321	4			BOLT
11	3420 1756	2			BOLT
12	1150 5098	2			BOLT
13	1150 2813	2			NUT
14					SPRING, Rear
	5200 0050	2			Standard Duty, Coded LB
	5200 0051	2			Standard Duty, Coded LC, EC
	5200 0706	2			Standard Duty, Coded LN, also used on ES
	5200 0544	2			Heavy Duty, Coded LK
	5200 0545	2			Heavy Duty, Coded LL, EL
	5200 0707	2			Heavy Duty, Coded LM
	5200 2390	2			Heavy Duty, Coded LS
	5200 2392	2			Heavy Duty, Coded LT
15					PLATE
	5200 3500	2			1987-89
	5200 6449	2			1990
16	1150 2813	8			NUT
17	1150 2814	6			NUT
18	5200 0503	2			BUSHING

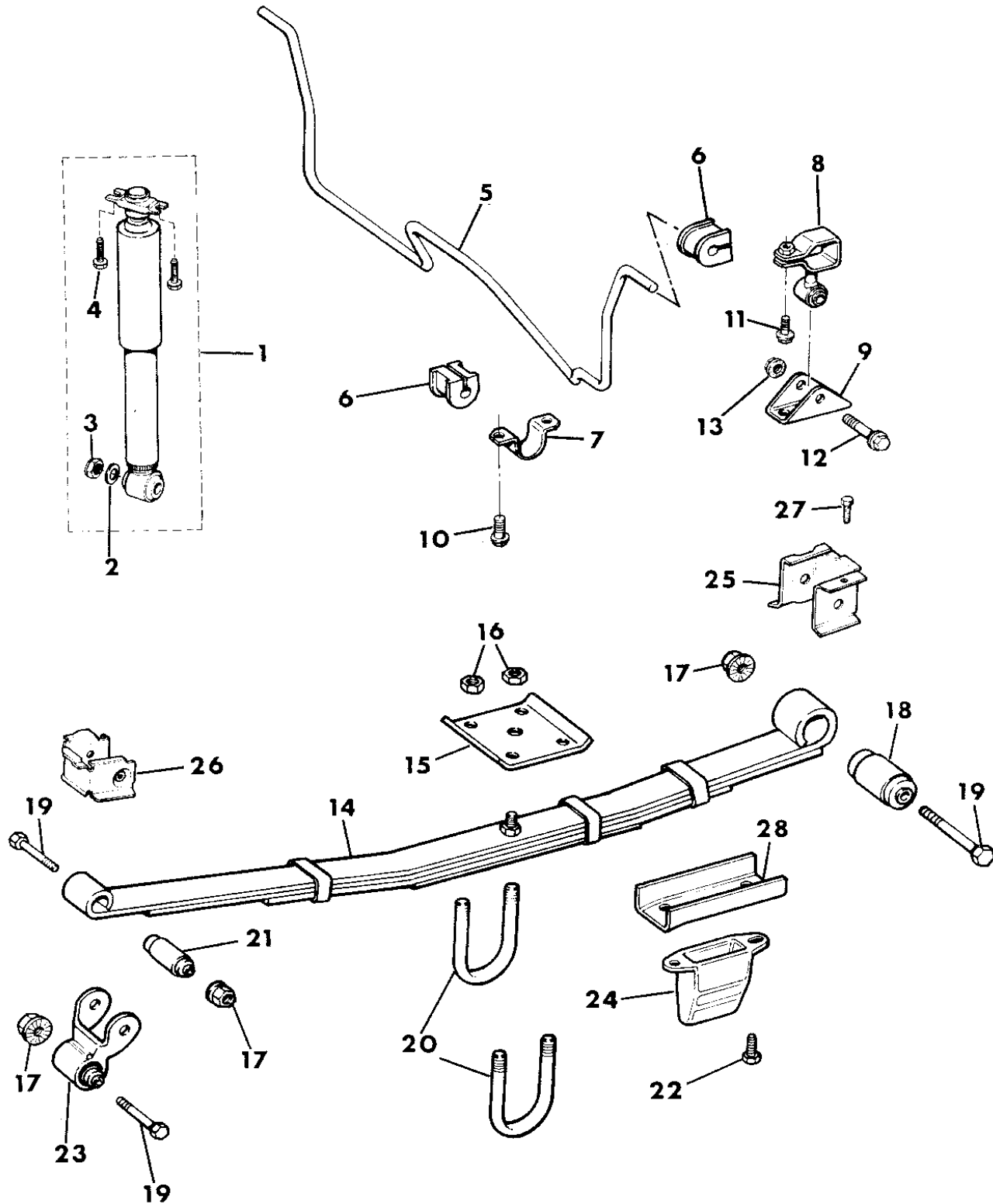
**MODEL CODES:**

15 = Grand Wagoneer 4 Dr.	65 = Comanche 4WD-7 Ft. Box	77 = Cherokee 4WD-2 Dr.
25 = J-10 Pickup-119" W.B.	66 = Comanche 2WD-7 Ft. Box	78 = Cherokee 4WD-4 Dr.
26 = J-10 Pickup-131" W.B.	73 = Cherokee 2WD-2 Dr.	79 = Cherokee 4WD-4 Dr.-Com
27 = J-20 Pickup-131" W.B.	74 = Cherokee 2WD-4 Dr.	81 = Wrangler-93" W.B.
63 = Comanche 4WD-6 Ft. Box	75 = Wagoneer 4WD-4 Dr.	82 = Wrangler-103" W.B.-Exp.
64 = Comanche 2WD-6 Ft. Box		

**BODY STYLES:**

MJ = Comanche Pickup  
 SJ = Grand Wagoneer Wgn., J-10 & J-20 Pickups  
 XJ = Cherokee, Wagoneer Limited  
 YJ = Wrangler

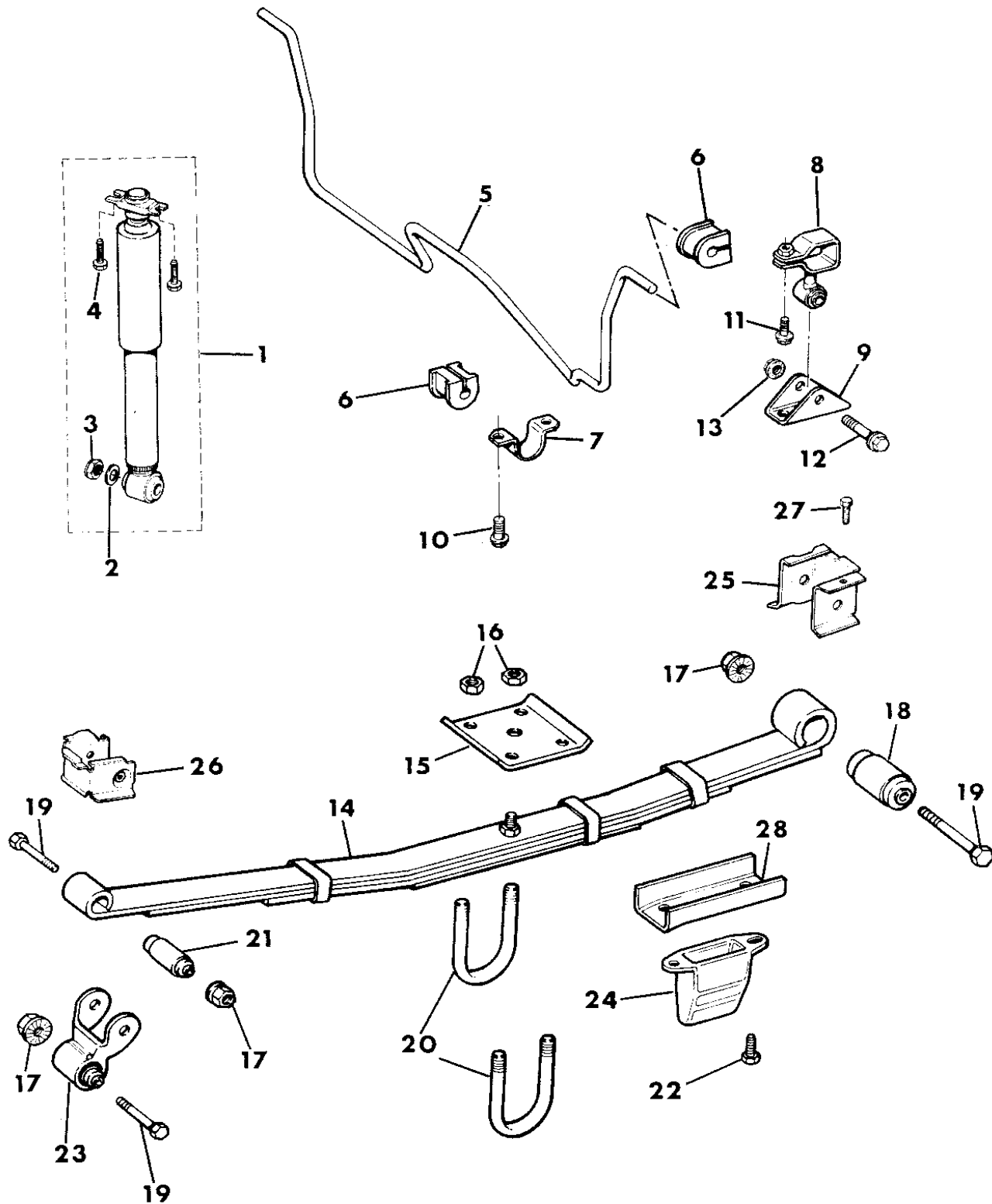
AR = Use as Required - = Non Illustrated Part P.A.R. = Paint as Required



**SUSPENSION, REAR W/SHOCK ABSORBER CHEROKEE, WAGONEER**  
**Figure 17-200**

8 J17200

ITEM	PART NUMBER	QTY	BODY	MODEL	DESCRIPTION
19	3420 2118	6			BOLT
20					U-BOLT
	5200 0232	4			Length = 77mm, 1987-89
	5200 3499	4			Length = 83mm, (3")
	5200 6440	4			1990 (2 5/8")
21	5200 0504	2			BUSHING
22					SCREW
	3420 1193	4			Length = 25mm
	3420 1771	4			Length = 30mm
	3420 1819	4			Length = 45mm
23	5200 0507	2			SHACKLE
24					BUMPER, Rear Axle Jounce
	5200 4297	2			Height = 74mm
	5200 2393	2			Height = 104mm
25	5500 1100-1	1			BRACKET
26	5500 1102-3	1			BRACKET
27	3420 1559	2			BOLT
28	5200 2386	2			REINFORCEMENT



MODEL CODES:  
 15 = Grand Wagoneer 4 Dr.      65 = Comanche 4WD-7 Ft. Box      77 = Cherokee 4WD-2 Dr.  
 25 = J-10 Pickup-119" W.B.      66 = Comanche 2WD-7 Ft. Box      78 = Cherokee 4WD-4 Dr.  
 26 = J-10 Pickup-131" W.B.      73 = Cherokee 2WD-2 Dr.      79 = Cherokee 4WD-4 Dr.-Com  
 27 = J-20 Pickup-131" W.B.      74 = Cherokee 2WD-4 Dr.      81 = Wrangler-93" W.B.  
 63 = Comanche 4WD-6 Ft. Box      75 = Wagoneer 4WD-4 Dr.      82 = Wrangler-103" W.B.-Exp.  
 64 = Comanche 2WD-6 Ft. Box

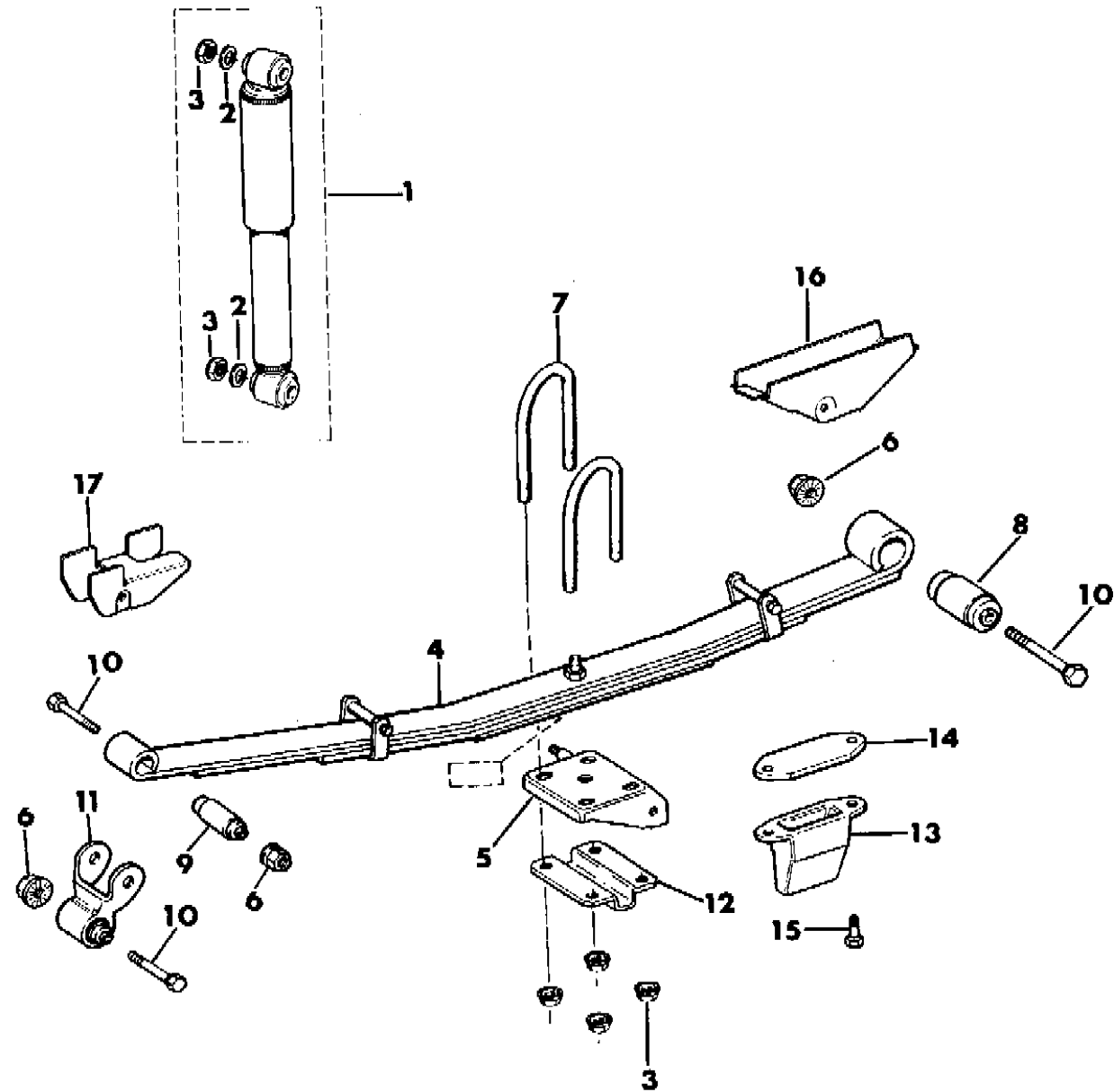
BODY STYLES:  
 MJ = Comanche Pickup  
 SJ = Grand Wagoneer Wgn., J-10 & J-20 Pickups  
 XJ = Cherokee, Wagoneer Limited  
 YJ = Wrangler

AR = Use as Required - = Non Illustrated Part P.A.R. = Paint as Required



**SUSPENSION, REAR COMANCHE**  
Figure 17-300

8J17 300 A



ITEM	PART NUMBER	QTY	BODY	MODEL	DESCRIPTION
1					SHOCK ABSORBER
	8350 2512	2			Standard Duty, Coded 89 52 000 950 ***
	8350 2513	2			Standard Duty, Coded 89 52 001 237
	8350 3449	2			Standard Duty, Coded 89 52 002 307
	8350 3450	2			Standard Duty, Coded 89 52 002 672
	8350 2514	2			Heavy Duty, Coded 89 52 002 787 or 52 004 408
	8350 3448	2			Heavy Duty, Coded 89 52 003 287
2	J448 8495	AR			WASHER
3	1150 0756	AR			NUT
4					SPRING ASSEMBLY ***
	5200 2312	2			Standard Duty, 4 Leaf, Coded RB 1987-89
	5200 6448	2			1990
	5200 1240	2			Standard Duty, 4 Leaf, Coded RD 1987-89
	5200 6444	2			1990
	5200 2351	2			Standard Duty, 4 Leaf, Coded RE 1987-89
	5200 6446	2			1990
	5200 1824	2			Standard Duty, 4 Leaf, Coded RF 1987-89
	5200 6445	2			1990
	5200 2350	2			Standard Duty, 4 Leaf, Coded RG 1987-89
	5200 6447	2			1990
	5200 3676	2			Heavy Duty, 5 Leaf, Coded SD
5					PLATE
	5200 1832	1			Right, w/7 Foot Box 1987-89
	5200 4844	1			1990
	5200 1833	1			Right, w/6 Foot Box 1987-89
	5200 4845	1			1990
	5200 1833	1			Left, w/7 Foot Box 1987-89
	5200 4845	1			1990
					Left, w/6 Foot Box

MODEL CODES:

15 = Grand Wagoneer 4 Dr.	65 = Comanche 4WD-7 Ft. Box	77 = Cherokee 4WD-2 Dr.
25 = J-10 Pickup-119" W.B.	66 = Comanche 2WD-7 Ft. Box	78 = Cherokee 4WD-4 Dr.
26 = J-10 Pickup-131" W.B.	73 = Cherokee 2WD-2 Dr.	79 = Cherokee 4WD-4 Dr.-Com
27 = J-20 Pickup-131" W.B.	74 = Cherokee 2WD-4 Dr.	81 = Wrangler-93" W.B.
63 = Comanche 4WD-6 Ft. Box	75 = Wagoneer 4WD-4 Dr.	82 = Wrangler-103" W.B.-Exp.
64 = Comanche 2WD-6 Ft. Box		

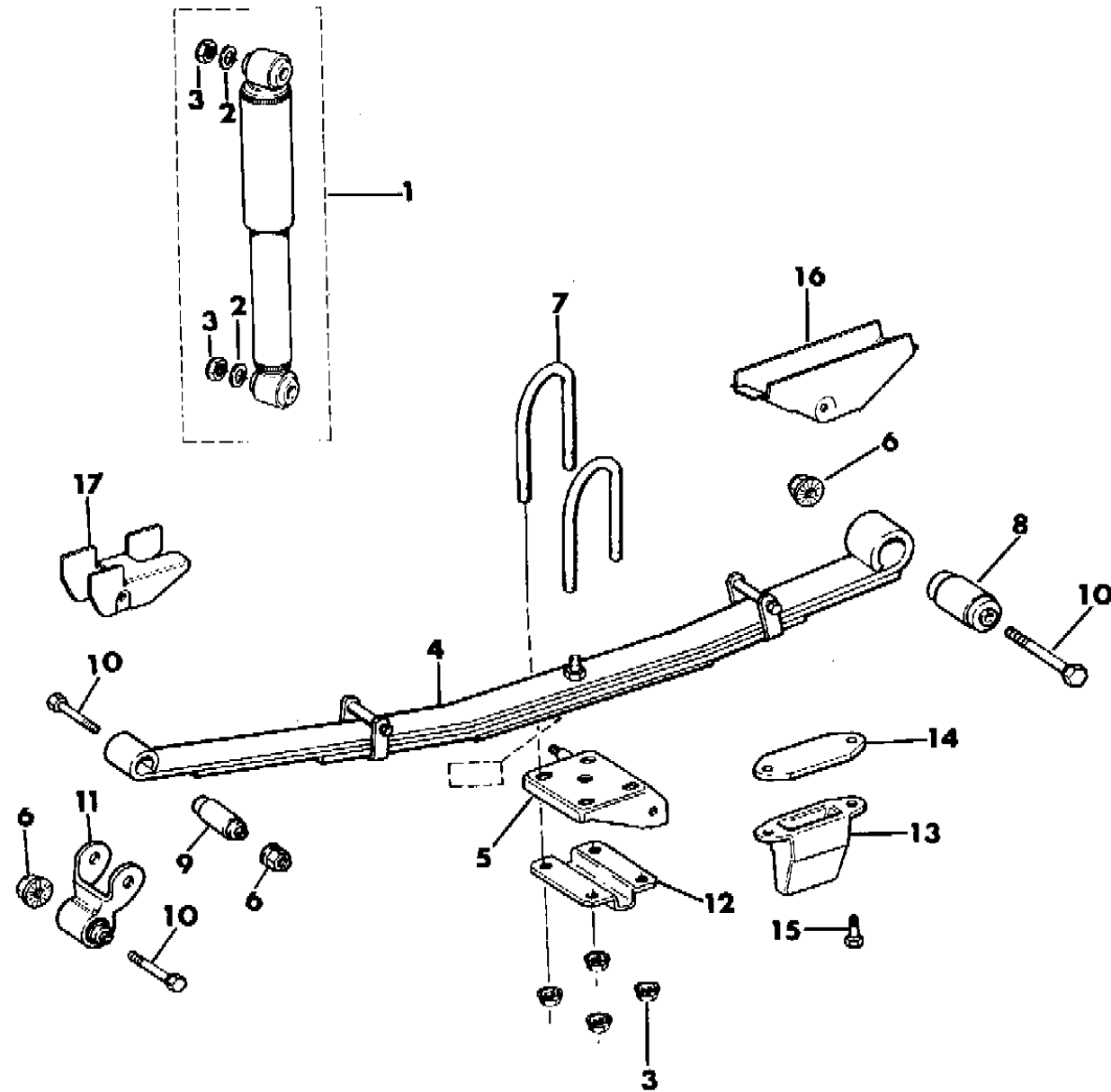
BODY STYLES:

MJ = Comanche Pickup  
 SJ = Grand Wagoneer Wgn., J-10 & J-20 Pickups  
 XJ = Cherokee, Wagoneer Limited  
 YJ = Wrangler

AR = Use as Required - = Non Illustrated Part P.A.R. = Paint as Required

**SUSPENSION, REAR COMANCHE**  
Figure 17-300

8J17 300 A



ITEM	PART NUMBER	QTY	BODY	MODEL	DESCRIPTION
	5200 1832	1			1987-89
	5200 4844	1			1990
6	1150 2814	14			NUT
7					U-BOLT
	5200 2885	4			Standard Duty ***
					Heavy Duty
	5200 2886	4			1987
	5200 3678	4			1988-89
	5200 3996	4			1990
8	5200 0876	2			BUSHING
9	5200 0504	2			BUSHING
10	3420 2118	6			BOLT
11	5200 1828	2			SHACKLE
12					REINFORCEMENT
	5200 2892	2			Standard Duty
	5200 2893	2			Heavy Duty
13					BUMPER, Rear Axle Jounce
	5200 2382	2			Height = 74mm
	5200 2381	2			Height = 90mm
	5200 2393	2			Height = 104mm
	5200 2078	2			Height = 117mm
14	5200 2383	2			SPACER
15					SCREW
	J420 0089	4			Length = 25mm
	3420 1771	4			Length = 30mm
	3420 1819	4			Length = 45mm
16					BRACKET
	5500 6826	2			7 Foot Box
	5500 9170	2			6 Foot Box
17					BRACKET
	5500 6824	1			Rt.
	5500 6825	1			Lt.
18	5014 495AA	4			CLAMP KIT, Leaf Spring ***

MODEL CODES:

15 = Grand Wagoneer 4 Dr.	65 = Comanche 4WD-7 Ft. Box	77 = Cherokee 4WD-2 Dr.
25 = J-10 Pickup-119" W.B.	66 = Comanche 2WD-7 Ft. Box	78 = Cherokee 4WD-4 Dr.
26 = J-10 Pickup-131" W.B.	73 = Cherokee 2WD-2 Dr.	79 = Cherokee 4WD-4 Dr.-Com
27 = J-20 Pickup-131" W.B.	74 = Cherokee 2WD-4 Dr.	81 = Wrangler-93" W.B.
63 = Comanche 4WD-6 Ft. Box	75 = Wagoneer 4WD-4 Dr.	82 = Wrangler-103" W.B.-Exp.
64 = Comanche 2WD-6 Ft. Box		

BODY STYLES:

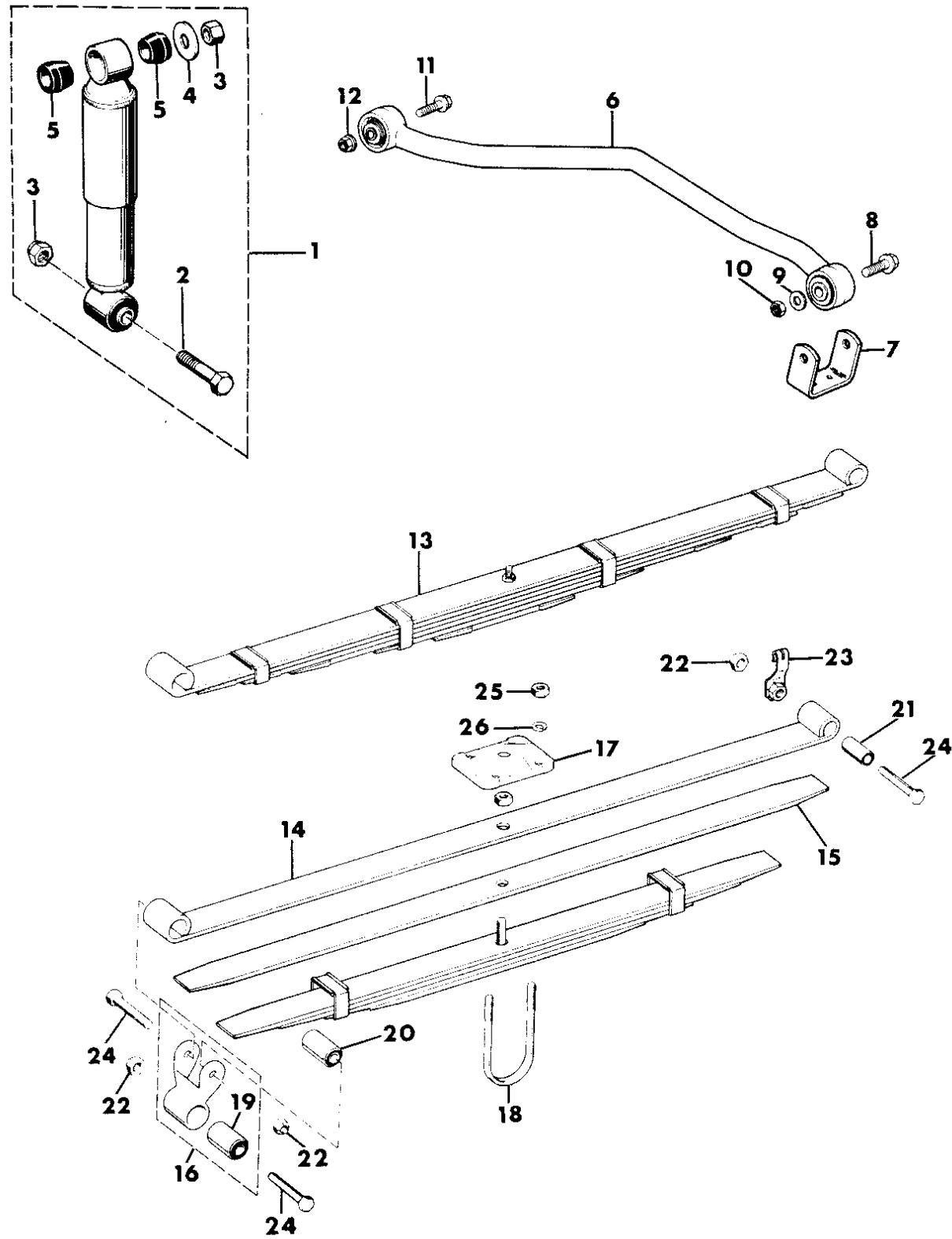
MJ = Comanche Pickup  
 SJ = Grand Wagoneer Wgn., J-10 & J-20 Pickups  
 XJ = Cherokee, Wagoneer Limited  
 YJ = Wrangler

AR = Use as Required - = Non Illustrated Part P.A.R. = Paint as Required

SUSPENSION, REAR W/SHOCK ABSORBER GRAND WAGONEER, J10, J20

Figure 17-400

8J17 400



ITEM	PART NUMBER	QTY	BODY	MODEL	DESCRIPTION
1					SHOCK ABSORBER
	8350 1878	2		15	Standard Duty
	8350 3693	2		15	Heavy Duty
	J813 3293	2		26, 27	Heavy Duty
2	J018 1709	2			BOLT
3	J400 4311	4			NUT
4	J448 8495	2			WASHER
5	J063 7936	4			BUSHING
6	5200 1990	1			BAR, Track
7	5200 1989	1			SPACER
8	3420 1465	1			BOLT
9	J448 8495	1			WASHER
10	1150 2723	1			NUT
11	S150 4810	1			BOLT
12	1150 2812	1			NUT
13					SPRING ASSEMBLY ***
	J535 5576	2		26	4 Leaf
	J536 2956	2		15	5 Leaf
	J536 4156	2		26, 27	6 Leaf
	J536 4155	2		27	9 Leaf
14					LEAF, Main ***
	J813 4740	2			5 Leaf Assembly
	J813 4425	2			9 Leaf Assembly
15	J813 4426	2			LEAF, 9 Leaf ***
16					SHACKLE
	J535 2863	2		15, 26	
	J535 2251	2		27	
17					PLATE
	J535 2087	2		15, 26	
	J535 2091	2		27	
18					U-BOLT
	J812 9475	4			Length = 6.20"
	J813 0371	4			Length = 6.70"
	J536 4244	4			Length = 7.70"
19	J535 2079	2			BUSHING
20	J094 4870	2			BUSHING
21					BUSHING

MODEL CODES:

15 = Grand Wagoneer 4 Dr.	65 = Comanche 4WD-7 Ft. Box	77 = Cherokee 4WD-2 Dr.
25 = J-10 Pickup-119" W.B.	66 = Comanche 2WD-7 Ft. Box	78 = Cherokee 4WD-4 Dr.
26 = J-10 Pickup-131" W.B.	73 = Cherokee 2WD-2 Dr.	79 = Cherokee 4WD-4 Dr.-Com
27 = J-20 Pickup-131" W.B.	74 = Cherokee 2WD-4 Dr.	81 = Wrangler-93" W.B.
63 = Comanche 4WD-6 Ft. Box	75 = Wagoneer 4WD-4 Dr.	82 = Wrangler-103" W.B.-Exp.
64 = Comanche 2WD-6 Ft. Box		

BODY STYLES:

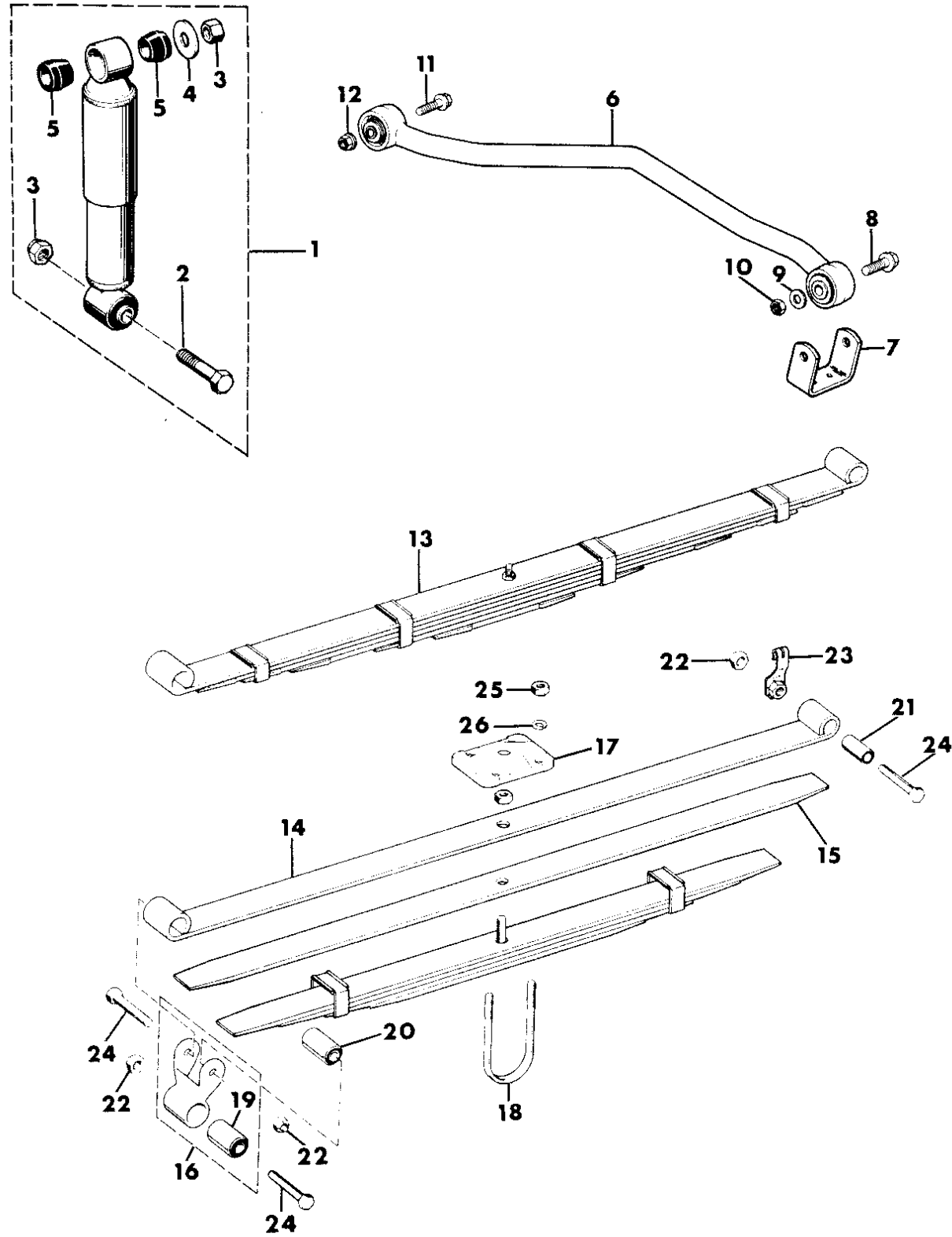
MJ = Comanche Pickup  
 SJ = Grand Wagoneer Wgn., J-10 & J-20 Pickups  
 XJ = Cherokee, Wagoneer Limited  
 YJ = Wrangler

AR = Use as Required - = Non Illustrated Part P.A.R. = Paint as Required

SUSPENSION, REAR W/SHOCK ABSORBER GRAND WAGONEER, J10, J20

Figure 17-400

8J17 400



ITEM	PART NUMBER	QTY	BODY	MODEL	DESCRIPTION
	J535 8985	2		15	
	J535 5369	2		26, 27	
22	J400 3979	6			NUT
23	J400 6631	1		15	NUT, Lt.
24	J400 4120	6			BOLT
25	J942 0350	8			NUT
26	J400 4806	8			WASHER

MODEL CODES:

15 = Grand Wagoneer 4 Dr.	65 = Comanche 4WD-7 Ft. Box	77 = Cherokee 4WD-2 Dr.
25 = J-10 Pickup-119" W.B.	66 = Comanche 2WD-7 Ft. Box	78 = Cherokee 4WD-4 Dr.
26 = J-10 Pickup-131" W.B.	73 = Cherokee 2WD-2 Dr.	79 = Cherokee 4WD-4 Dr.-Com
27 = J-20 Pickup-131" W.B.	74 = Cherokee 2WD-4 Dr.	81 = Wrangler-93" W.B.
63 = Comanche 4WD-6 Ft. Box	75 = Wagoneer 4WD-4 Dr.	82 = Wrangler-103" W.B.-Exp.
64 = Comanche 2WD-6 Ft. Box		

BODY STYLES:

MJ = Comanche Pickup  
 SJ = Grand Wagoneer Wgn., J-10 & J-20 Pickups  
 XJ = Cherokee, Wagoneer Limited  
 YJ = Wrangler

AR = Use as Required - = Non Illustrated Part P.A.R. = Paint as Required

**GROUP 19 - STEERING**

**ILLUSTRATION TITLE**

**GROUP-FIG. NO.**

**STEERING WHEELS**

WHEEL, STEERING WRANGLER, YJ ..... Fig. 19-100  
WHEEL, STEERING - TWO SPOKE CHEROKEE, WAGONEER, COMANCHE ..... Fig. 19-200  
WHEEL, STEERING - THREE SPOKE CHEROKEE, WAGONEER, COMANCHE ..... Fig. 19-225  
WHEEL, STEERING - TWO SPOKE GRAND WAGONEER, J10, J20 ..... Fig. 19-300  
WHEEL, STEERING - THREE SPOKE GRAND WAGONEER, J10, J20 ..... Fig. 19-325

**STEERING COLUMNS**

COLUMN ASSEMBLY, STEERING WRANGLER, YJ ..... Fig. 19-400  
HOUSING STEERING COLUMN UPPER W/FLOOR GEAR SHIFT, W/O TILT WRANGLER, YJ ..... Fig. 19-420  
HOUSING STEERING COLUMN LOWER W/FLOOR GEAR SHIFT, W/O TILT WRANGLER, YJ ..... Fig. 19-430  
HOUSING STEERING COLUMN UPPER W/FLOOR GEAR SHIFT, W/TILT WRANGLER, YJ ..... Fig. 19-440  
HOUSING STEERING COLUMN LOWER W/FLOOR GEAR SHIFT, W/TILT WRANGLER, YJ ..... Fig. 19-450  
HOUSING STEERING COLUMN UPPER W/COLUMN GEAR SHIFT, W/TILT WRANGLER, YJ ..... Fig. 19-460  
HOUSING STEERING COLUMN LOWER W/COLUMN GEAR SHIFT, W/TILT WRANGLER, YJ ..... Fig. 19-470  
COLUMN ASSEMBLY, STEERING W/FLOOR MOUNTED GEAR SHIFT CHEROKEE, WAGONEER,  
COMANCHE ..... Fig. 19-500  
HOUSING STEERING COLUMN UPPER W/FLOOR GEAR SHIFT, W/O TILT CHEROKEE, WAGONEER,  
COMANCHE ..... Fig. 19-510  
HOUSING STEERING COLUMN LOWER W/FLOOR GEAR SHIFT, W/O TILT CHEROKEE, WAGONEER,  
COMANCHE ..... Fig. 19-520  
HOUSING STEERING COLUMN UPPER W/FLOOR GEAR SHIFT, W/TILT CHEROKEE, WAGONEER,  
COMANCHE ..... Fig. 19-530  
HOUSING STEERING COLUMN LOWER W/FLOOR GEAR SHIFT, W/TILT CHEROKEE, WAGONEER,  
COMANCHE ..... Fig. 19-540  
COLUMN ASSEMBLY, STEERING W/COLUMN GEAR SHIFT COMANCHE ..... Fig. 19-600  
HOUSING STEERING COLUMN UPPER W/COLUMN GEAR SHIFT, W/O TILT COMANCHE ..... Fig. 19-610  
HOUSING STEERING COLUMN LOWER W/COLUMN GEAR SHIFT, W/O TILT COMANCHE ..... Fig. 19-620  
HOUSING STEERING COLUMN UPPER W/COLUMN GEAR SHIFT, W/TILT COMANCHE ..... Fig. 19-630  
HOUSING STEERING COLUMN LOWER W/COLUMN GEAR SHIFT, W/TILT COMANCHE ..... Fig. 19-640  
COLUMN ASSY., AND MOUNTING GRAND WAGONEER, J10,20 ..... Fig. 19-700  
HOUSING STEERING COLUMN UPPER W/FLOOR GEAR SHIFT, W/O TILT J10, J20 ..... Fig. 19-710  
HOUSING STEERING COLUMN LOWER W/FLOOR GEAR SHIFT, W/O TILT J10, J20 ..... Fig. 19-720  
HOUSING STEERING COLUMN UPPER W/COLUMN GEAR SHIFT, W/TILT GRAND WAGONEER, J10, J20 ..... Fig. 19-730  
HOUSING STEERING COLUMN LOWER W/COLUMN GEAR SHIFT, W/TILT GRAND WAGONEER, J10, J20 ..... Fig. 19-740

**ILLUSTRATION NOT AVAILABLE AT TIME OF PUBLICATION**



---

## GROUP 19 - STEERING

### ILLUSTRATION TITLE

### GROUP-FIG. NO.

#### STEERING GEARS

GEAR, STEERING W/O POWER STEERING WRANGLER, CHEROKEE, COMANCHE .....	Fig. 19-1600
GEAR, STEERING W/POWER STEERING WRANGLER, CHEROKEE, WAGONEER, COMANCHE .....	Fig. 19-1700
GEAR, POWER STEERING GRAND WAGONEER, J10, J20 .....	Fig. 19-1800

#### STEERING LINKAGE

LINKAGE AND DAMPER WRANGLER .....	Fig. 19-1900
LINKAGE AND DAMPER CHEROKEE, WAGONEER, COMANCHE .....	Fig. 19-2000
LINKAGE AND DAMPER GRAND WAGONEER, J10, J20 .....	Fig. 19-2100

#### POWER STEERING PUMPS

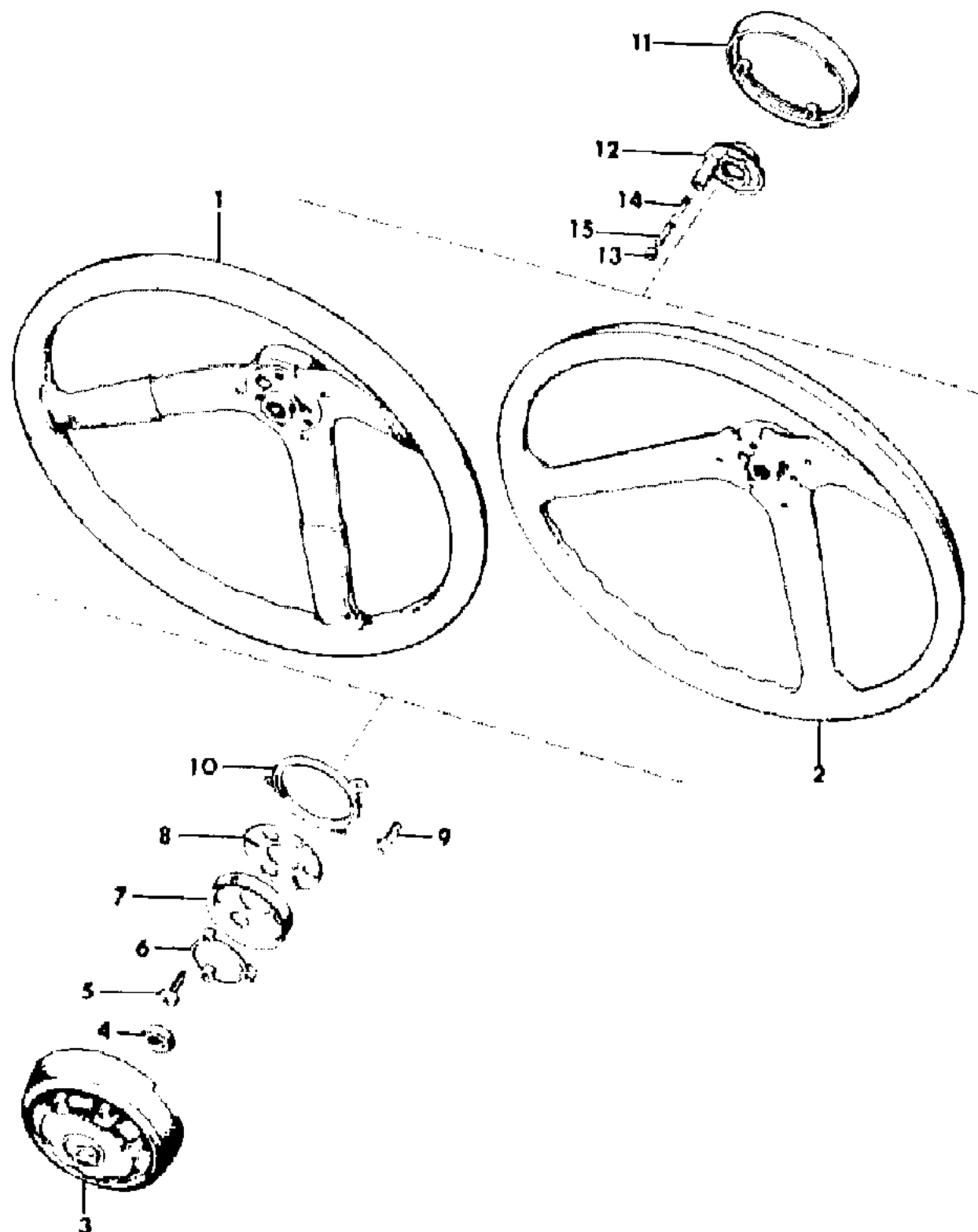
PUMP, POWER STEERING WRANGLER .....	Fig. 19-2200
PUMP, POWER STEERING CHEROKEE, WAGONEER, COMANCHE .....	Fig. 19-2300
PUMP, POWER STEERING GRAND WAGONEER, J10, J20 .....	Fig. 19-2400
PUMP, POWER STEERING 2.1L DIESEL ENGINE CHEROKEE, WAGONEER .....	Fig. 19-2500

#### POWER STEERING MOUNTING

PUMP MOUNTING POWER STEERING WRANGLER .....	Fig. 19-2600
PUMP MOUNTING POWER STEERING CHEROKEE, WAGONEER, COMANCHE .....	Fig. 19-2700
PUMP MOUNTING POWER STEERING, 5.7L ENGINE GRAND WAGONEER, J10, J20 .....	Fig. 19-2800
PUMP MOUNTING POWER STEERING, 4.2L ENGINE J10, J20 .....	Fig. 19-2900
PUMP MOUNTING POWER STEERING, 2.1L DIESEL ENGINE CHEROKEE, WAGONEER .....	Fig. 19-3000

**WHEEL, STEERING WRANGLER, YJ**  
**Figure 19-100**

8J19100



ITEM	PART NUMBER	QTY	BODY	MODEL	DESCRIPTION
1					WHEEL, Steering - Leather Wrapped
	8350 2574	1			Black
	8350 4869	1			Charcoal
	8350 5514	1			Dark Sand
	8350 2195	1			Honey
2	8350 3184	1			Tan
					WHEEL, Steering - Soft Feel Sport
	8350 2575	1			Black
	8350 4867	1			Charcoal
	8350 5515	1			Dark Sand
3	8350 2195	1			Honey
	8350 3185	1			Tan
					BUTTON, Steering Wheel
	5200 1889	1			Black
	5200 3807	1			Charcoal
	5200 3900	1			Charcoal, w/(ECE)
	5200 3849	1			Dark Sand
	5AC1 5JY6	1			Dark Sand, w/(ECE)
4	5200 1629	1			Honey
	5200 3810	1			Tan
	J420 0414	1			NUT
	J400 4167	3			SCREW
	J318 6964	1			BUSHING
	J324 2217	1			RECEIVER
	J318 6965	1			SPRING
	J812 2359	3			SCREW
	J321 3915	1			INSULATOR
	J321 8276	1			EXTENTION (Dealer Paint) ***
					CAM, Cancelling
	J448 7711	1			w/o Tilt Wheel
	J448 7816	1			w/Tilt Wheel
	J318 7257	1			RETAINER
	J318 7255	1			SPRING
J318 7249	1			PIN	

**MODEL CODES:**

15 = Grand Wagoneer 4 Dr.	65 = Comanche 4WD-7 Ft. Box	77 = Cherokee 4WD-2 Dr.
25 = J-10 Pickup-119" W.B.	66 = Comanche 2WD-7 Ft. Box	78 = Cherokee 4WD-4 Dr.
26 = J-10 Pickup-131" W.B.	73 = Cherokee 2WD-2 Dr.	79 = Cherokee 4WD-4 Dr.-Com
27 = J-20 Pickup-131" W.B.	74 = Cherokee 2WD-4 Dr.	81 = Wrangler-93" W.B.
63 = Comanche 4WD-6 Ft. Box	75 = Wagoneer 4WD-4 Dr.	82 = Wrangler-103" W.B.-Exp.
64 = Comanche 2WD-6 Ft. Box		

**BODY STYLES:**

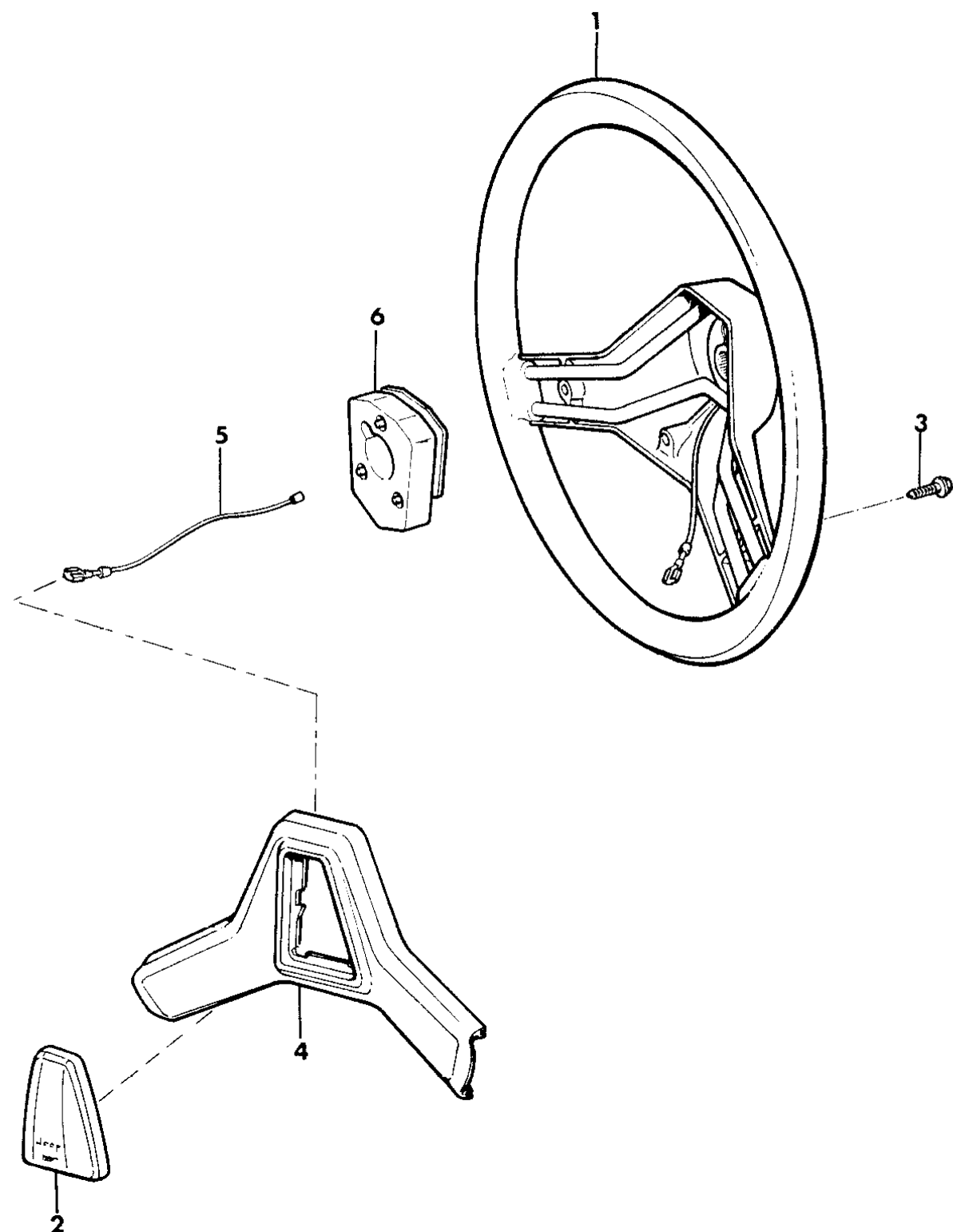
MJ = Comanche Pickup  
 SJ = Grand Wagoneer Wgn., J-10 & J-20 Pickups  
 XJ = Cherokee, Wagoneer Limited  
 YJ = Wrangler

AR = Use as Required - = Non Illustrated Part P.A.R. = Paint as Required

**WHEEL, STEERING - TWO SPOKE CHEROKEE, WAGONEER, COMANCHE**  
**Figure 19-200**

8J19 200

ITEM	PART NUMBER	QTY	BODY	MODEL	DESCRIPTION
1	8350 2809	1			WHEEL, Steering (Black)
	8350 2326	1			(Med. Blue)
	8350 3460	1			(Cordovan)
2	5200 3785	1			BUTTON, Steering Wheel
3	3420 1298	3			SCREW
4	5200 0562	1			COVER, Steering Wheel (Black)
	5200 1884	1			(Med. Blue)
	5200 2876	1			(Cordovan)
5	5200 0745	1			WIRE
6	5200 3757	1			DAMPER



**MODEL CODES:**

15 = Grand Wagoneer 4 Dr.	65 = Comanche 4WD-7 Ft. Box	77 = Cherokee 4WD-2 Dr.
25 = J-10 Pickup-119" W.B.	66 = Comanche 2WD-7 Ft. Box	78 = Cherokee 4WD-4 Dr.
26 = J-10 Pickup-131" W.B.	73 = Cherokee 2WD-2 Dr.	79 = Cherokee 4WD-4 Dr.-Com
27 = J-20 Pickup-131" W.B.	74 = Cherokee 2WD-4 Dr.	81 = Wrangler-93" W.B.
63 = Comanche 4WD-6 Ft. Box	75 = Wagoneer 4WD-4 Dr.	82 = Wrangler-103" W.B.-Exp.
64 = Comanche 2WD-6 Ft. Box		

**BODY STYLES:**

MJ = Comanche Pickup  
 SJ = Grand Wagoneer Wgn., J-10 & J-20 Pickups  
 XJ = Cherokee, Wagoneer Limited  
 YJ = Wrangler

AR = Use as Required - = Non Illustrated Part P.A.R. = Paint as Required



**WHEEL, STEERING - THREE SPOKE CHEROKEE, WAGONEER, COMANCHE**  
**Figure 19-225**

8J19 225

ITEM	PART NUMBER	QTY	BODY	MODEL	DESCRIPTION
1					WHEEL, Steering - Leather Wrapped
		8350 4865	1		Charcoal, w/Perforations
		8350 3454	1		Cordovan
		8350 5514	1		Dark Sand, w/o Perforations
		8350 6329	1		Dark Sand, w/Perforations
		8350 4864	1		Navy
		8350 3184	1		Tan
		8350 2574	1		(Black) w/o Limited Pkg. 1987
		8350 4499	1		(Black) w/Limited Pkg. 1987
		8350 2324	1		(Med. Blue) 1987
2		8350 2195	1		(Honey) 1987
					WHEEL, Steering - Soft Feel Sport
		8350 4867	1		Charcoal
		8350 3458	1		Cordovan
		8350 5515	1		Dark Sand
		8350 4866	1		Navy
		8350 3185	1		Tan
		8350 2575	1		(Black) 1987
	8350 2325	1		(Med. Blue) 1987	
	8350 3458	1		(Cordovan) 1987	
3					BUTTON, Steering Wheel
		5200 3807	1		Charcoal
		5200 3900	1		Charcoal, w/(ECE)
		5200 3809	1		Cordovan
		5200 3901	1		Cordovan, w/(ECE)
		5AC1 5JH9	1		Cordovan, w/(ECE) 1990
		5200 3849	1		Dark Sand
		5200 3808	1		Navy
		5200 3902	1		Navy, w/(ECE)
		5200 3810	1		Tan
	5200 1889	1		(Black) 1987	
	5200 1887	1		(Med. Blue) 1987	
	5200 1629	1		(Honey) 1987	
4	J420 0414	1			NUT
5	J400 4167	3			SCREW
6	J318 6964	1			BUSHING
7	J324 2217	1			RECEIVER

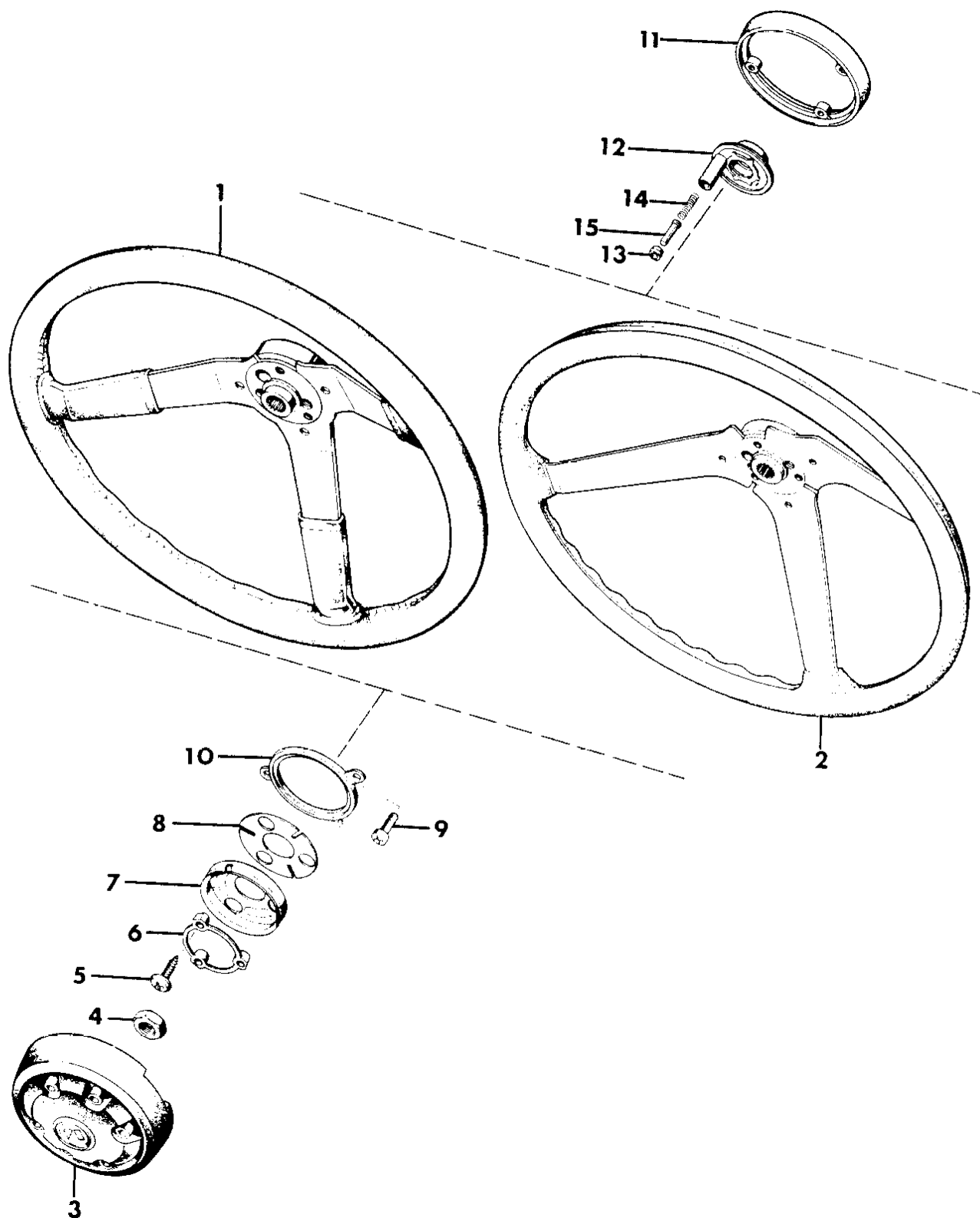
**MODEL CODES:**

15 = Grand Wagoneer 4 Dr.	65 = Comanche 4WD-7 Ft. Box	77 = Cherokee 4WD-2 Dr.
25 = J-10 Pickup-119" W.B.	66 = Comanche 2WD-7 Ft. Box	78 = Cherokee 4WD-4 Dr.
26 = J-10 Pickup-131" W.B.	73 = Cherokee 2WD-2 Dr.	79 = Cherokee 4WD-4 Dr.-Com
27 = J-20 Pickup-131" W.B.	74 = Cherokee 2WD-4 Dr.	81 = Wrangler-93" W.B.
63 = Comanche 4WD-6 Ft. Box	75 = Wagoneer 4WD-4 Dr.	82 = Wrangler-103" W.B.-Exp.
64 = Comanche 2WD-6 Ft. Box		

**BODY STYLES:**

MJ = Comanche Pickup  
 SJ = Grand Wagoneer Wgn., J-10 & J-20 Pickups  
 XJ = Cherokee, Wagoneer Limited  
 YJ = Wrangler

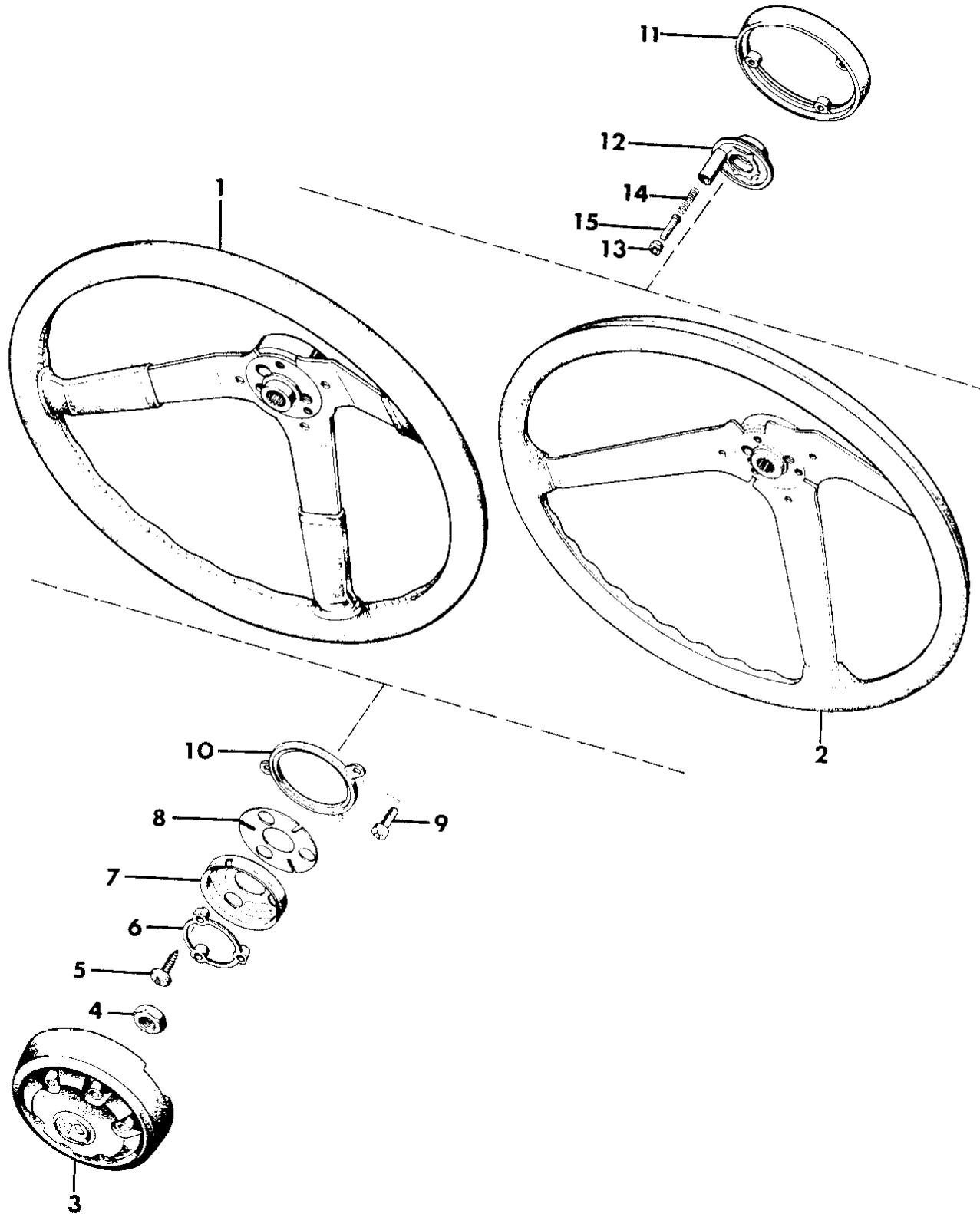
AR = Use as Required - = Non Illustrated Part P.A.R. = Paint as Required



**WHEEL, STEERING - THREE SPOKE CHEROKEE, WAGONEER, COMANCHE**  
**Figure 19-225**

8J19 225

ITEM	PART NUMBER	QTY	BODY	MODEL	DESCRIPTION
8	J318 6965	1			SPRING
9	J812 2359	3			SCREW
10	J321 3915	1			INSULATOR
11	J321 8276	1			EXTENTION, (Dealer Paint) ***
12					CAM, Cancelling
	J448 7711	1			w/o Tilt Wheel
	J448 7816	1			w/Tilt Wheel
13	J318 7257	1			RETAINER
14	J318 7255	1			SPRING
15	J318 7249	1			PIN



**MODEL CODES:**

15 = Grand Wagoneer 4 Dr.	65 = Comanche 4WD-7 Ft. Box	77 = Cherokee 4WD-2 Dr.
25 = J-10 Pickup-119" W.B.	66 = Comanche 2WD-7 Ft. Box	78 = Cherokee 4WD-4 Dr.
26 = J-10 Pickup-131" W.B.	73 = Cherokee 2WD-2 Dr.	79 = Cherokee 4WD-4 Dr.-Com
27 = J-20 Pickup-131" W.B.	74 = Cherokee 2WD-4 Dr.	81 = Wrangler-93" W.B.
63 = Comanche 4WD-6 Ft. Box	75 = Wagoneer 4WD-4 Dr.	82 = Wrangler-103" W.B.-Exp.
64 = Comanche 2WD-6 Ft. Box		

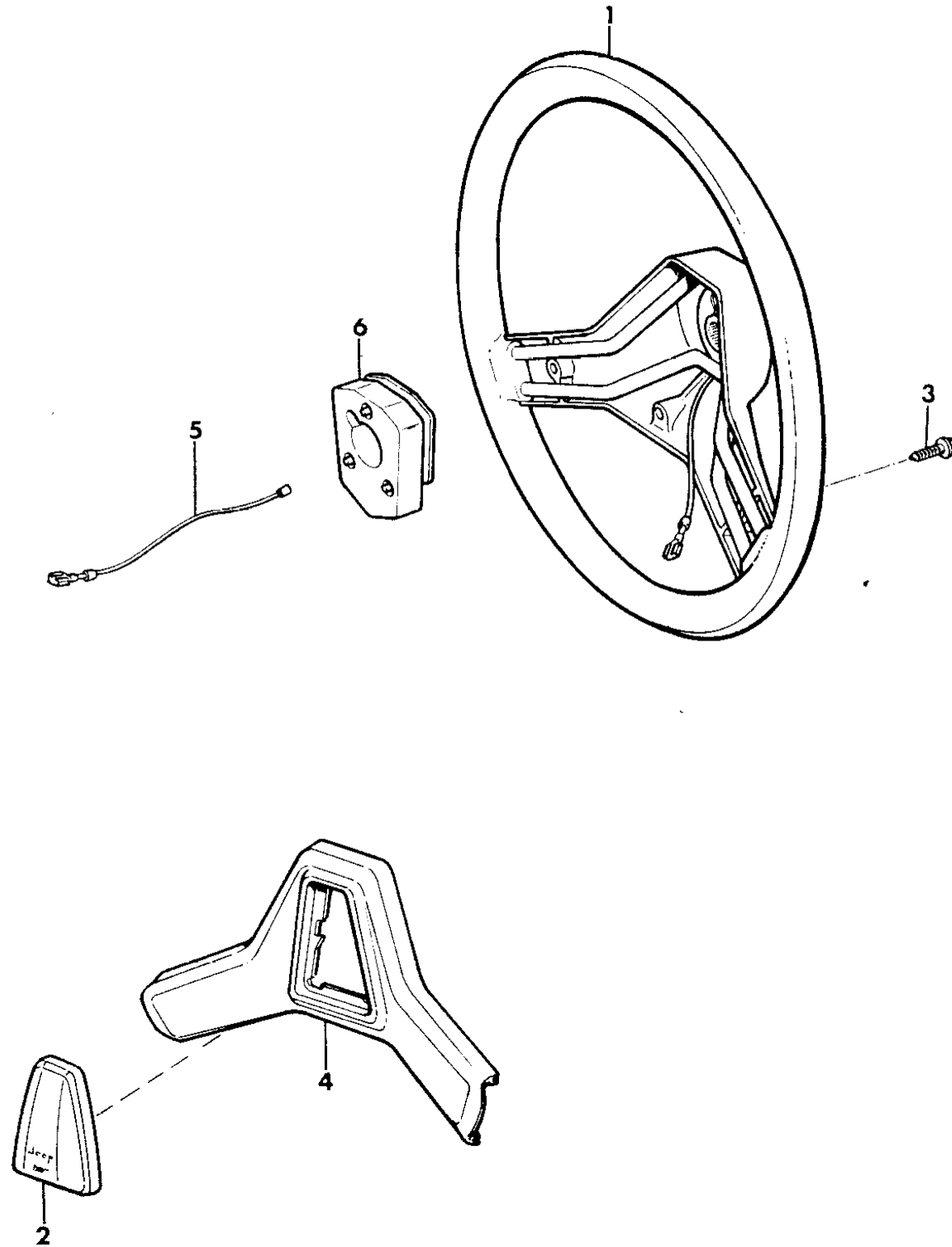
**BODY STYLES:**

MJ = Comanche Pickup  
 SJ = Grand Wagoneer Wgn., J-10 & J-20 Pickups  
 XJ = Cherokee, Wagoneer Limited  
 YJ = Wrangler

AR = Use as Required - = Non Illustrated Part P.A.R. = Paint as Required

**WHEEL, STEERING - TWO SPOKE GRAND WAGONEER, J10, J20**  
**Figure 19-300**

8J19 300



ITEM	PART NUMBER	QTY	BODY	MODEL	DESCRIPTION
1					WHEEL, Steering
	8350 3181	1			Cordovan
	5AC1 1JH9	1			1987-89
					1990
					Dark Sand
	8350 5580	1			1987-90
	8350 3182	1			Tan
2	5200 3785	1			BUTTON, Steering Wheel
3					COVER, Steering Wheel
	5AC0 7JH9	1			Cordovan
	5AC0 7JY6	1			Dark Sand
	5200 2871	1			Tan
4	5200 0745	1			WIRE
5	3420 1298	3			SCREW
6	5200 3757	2			DAMPER

**MODEL CODES:**

15 = Grand Wagoneer 4 Dr.	65 = Comanche 4WD-7 Ft. Box	77 = Cherokee 4WD-2 Dr.
25 = J-10 Pickup-119" W.B.	66 = Comanche 2WD-7 Ft. Box	78 = Cherokee 4WD-4 Dr.
26 = J-10 Pickup-131" W.B.	73 = Cherokee 2WD-2 Dr.	79 = Cherokee 4WD-4 Dr.-Com
27 = J-20 Pickup-131" W.B.	74 = Cherokee 2WD-4 Dr.	81 = Wrangler-93" W.B.
63 = Comanche 4WD-6 Ft. Box	75 = Wagoneer 4WD-4 Dr.	82 = Wrangler-103" W.B.-Exp.
64 = Comanche 2WD-6 Ft. Box		

**BODY STYLES:**

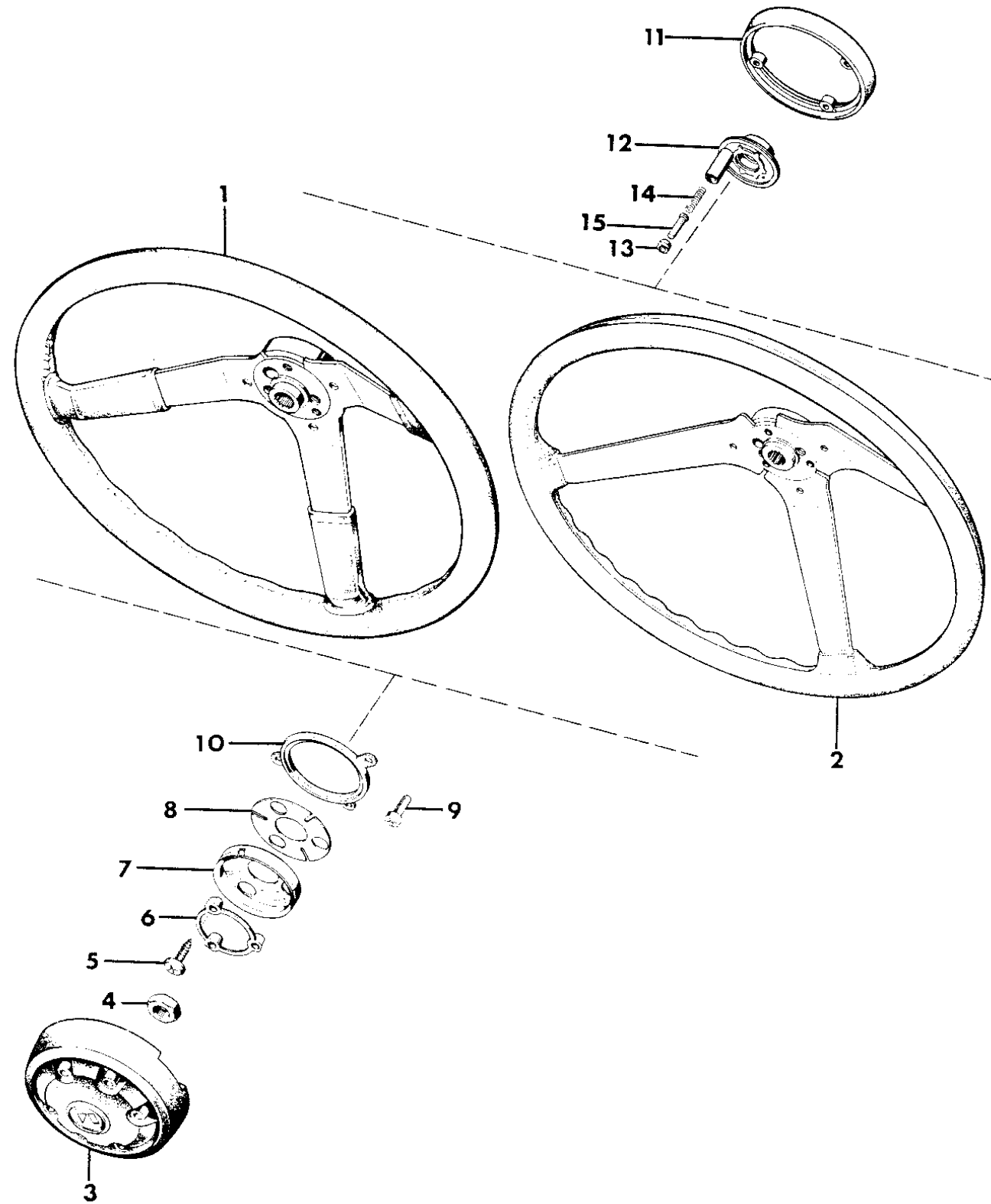
MJ = Comanche Pickup  
 SJ = Grand Wagoneer Wgn., J-10 & J-20 Pickups  
 XJ = Cherokee, Wagoneer Limited  
 YJ = Wrangler

AR = Use as Required - = Non Illustrated Part P.A.R. = Paint as Required

**WHEEL, STEERING - THREE SPOKE GRAND WAGONEER, J10, J20**  
**Figure 19-325**

8J19 325

ITEM	PART NUMBER	QTY	BODY	MODEL	DESCRIPTION
1	8350 3184	1			WHEEL, Steering - Tan
2					WHEEL, Steering
	8350 3185	1			Tan
	8350 5515	1			Dark Sand
3					BUTTON, Steering Wheel
	5200 3810	1			Tan
	5200 3849	1			Dark Sand
4	J420 0414	1			NUT
5	J400 4167	3			SCREW
6	J318 6964	1			BUSHING
7	J324 2217	1			RECEIVER
8	J318 6965	1			SPRING
9	J812 2359	3			SCREW
10	J321 3915	1			INSULATOR
11	J321 8276	1			EXTENTION, (Dealer Paint) ***
12					CAM, Cancelling
	J448 7711	1			w/o Tilt Wheel
	J448 7816	1			w/Tilt Wheel
13	J318 7257	1			RETAINER
14	J318 7255	1			SPRING
15	J318 7249	1			PIN



**MODEL CODES:**

15 = Grand Wagoneer 4 Dr.	65 = Comanche 4WD-7 Ft. Box	77 = Cherokee 4WD-2 Dr.
25 = J-10 Pickup-119" W.B.	66 = Comanche 2WD-7 Ft. Box	78 = Cherokee 4WD-4 Dr.
26 = J-10 Pickup-131" W.B.	73 = Cherokee 2WD-2 Dr.	79 = Cherokee 4WD-4 Dr.-Com
27 = J-20 Pickup-131" W.B.	74 = Cherokee 2WD-4 Dr.	81 = Wrangler-93" W.B.
63 = Comanche 4WD-6 Ft. Box	75 = Wagoneer 4WD-4 Dr.	82 = Wrangler-103" W.B.-Exp.
64 = Comanche 2WD-6 Ft. Box		

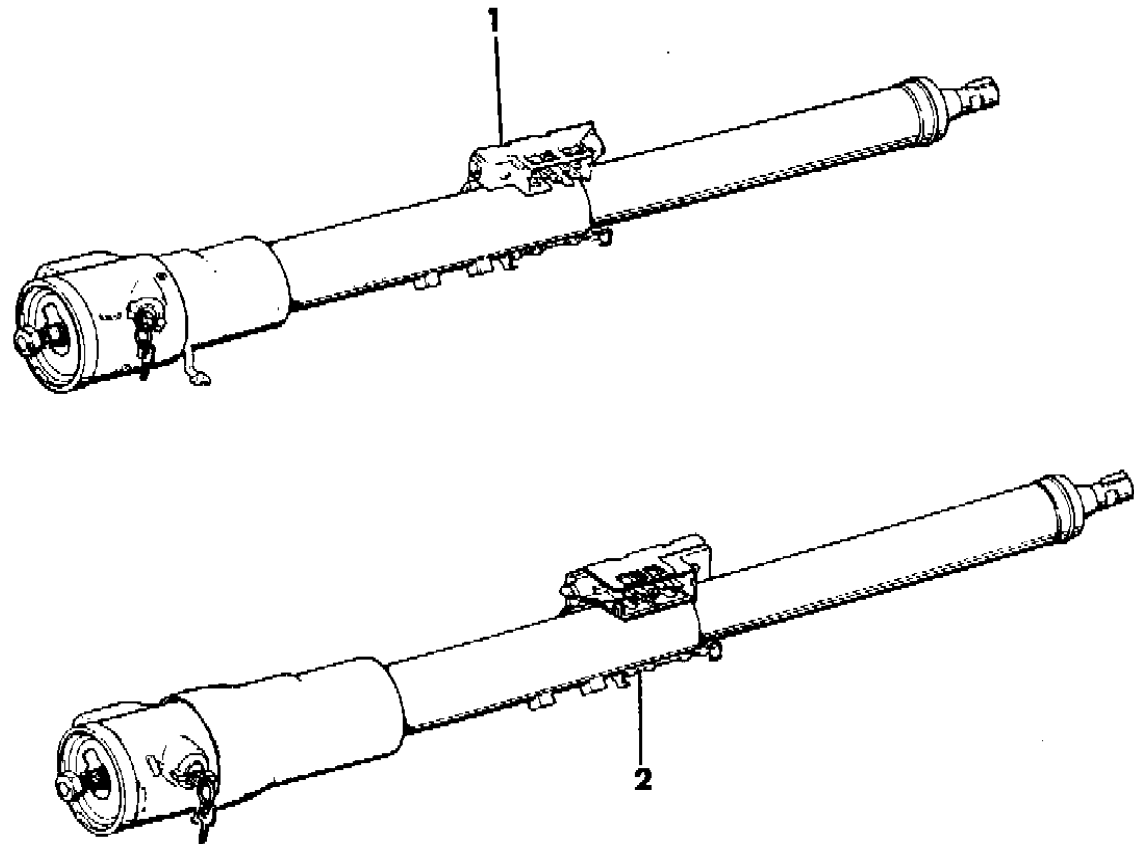
**BODY STYLES:**

MJ = Comanche Pickup  
 SJ = Grand Wagoneer Wgn., J-10 & J-20 Pickups  
 XJ = Cherokee, Wagoneer Limited  
 YJ = Wrangler

AR = Use as Required - = Non Illustrated Part P.A.R. = Paint as Required

**COLUMN ASSEMBLY, STEERING WRANGLER, YJ**  
**Figure 19-400**

**8J19 400**



ITEM	PART NUMBER	QTY	BODY	MODEL	DESCRIPTION
1					COLUMN ASSEMBLY, w/Manual Transmission, w/Floor Gear Shift, w/o Tilt, w/o Intermittent Wipers
	5200 1698	1			1987-88
	5200 4164	1			1989
	5200 4673	1			1990
					COLUMN ASSEMBLY, w/Manual Transmission, w/Floor Gear Shift, w/o Tilt, w/Intermittent Wipers
	5200 1968	1			1987-88
	5200 4165	1			1989
	5200 4674	1			1990
2					COLUMN ASSEMBLY, w/Manual Transmission, w/Floor Gear Shift, w/Tilt, w/Intermittent Wipers
	5200 1969	1			1987-88
	5200 4167	1			1989
	5200 4664	1			1990
					COLUMN ASSEMBLY, w/Automatic Transmission, w/Column Gear Shift, w/Tilt, w/Intermittent Wipers
	5200 3177	1			1987-88
	5200 4166	1			1989
	5200 4663	1			1990

**MODEL CODES:**

15 = Grand Wagoneer 4 Dr.	65 = Comanche 4WD-7 Ft. Box	77 = Cherokee 4WD-2 Dr.
25 = J-10 Pickup-119" W.B.	66 = Comanche 2WD-7 Ft. Box	78 = Cherokee 4WD-4 Dr.
26 = J-10 Pickup-131" W.B.	73 = Cherokee 2WD-2 Dr.	79 = Cherokee 4WD-4 Dr.-Com
27 = J-20 Pickup-131" W.B.	74 = Cherokee 2WD-4 Dr.	81 = Wrangler-93" W.B.
63 = Comanche 4WD-6 Ft. Box	75 = Wagoneer 4WD-4 Dr.	82 = Wrangler-103" W.B.-Exp.
64 = Comanche 2WD-6 Ft. Box		

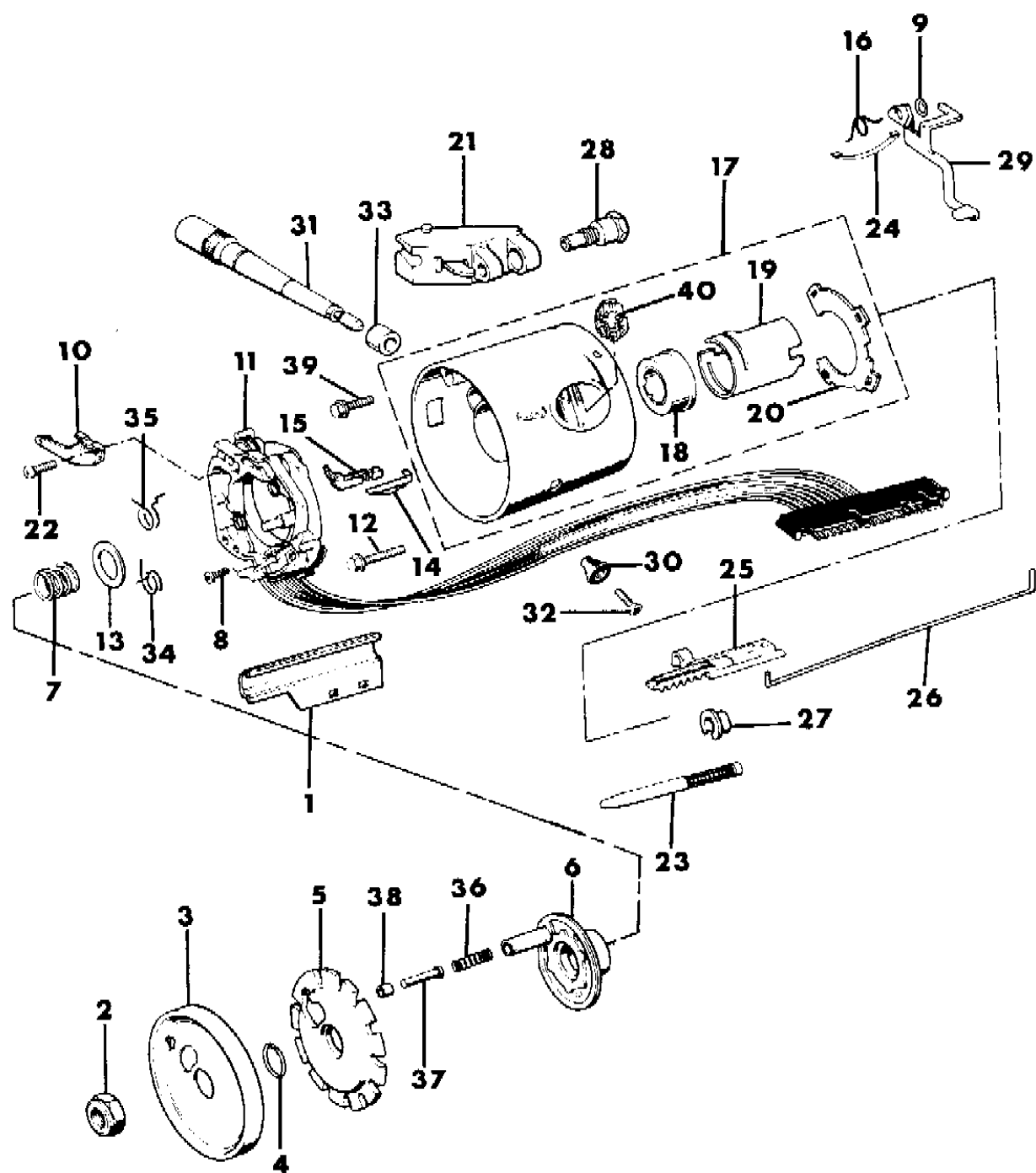
**BODY STYLES:**

MJ = Comanche Pickup  
 SJ = Grand Wagoneer Wgn., J-10 & J-20 Pickups  
 XJ = Cherokee, Wagoneer Limited  
 YJ = Wrangler

AR = Use as Required - = Non Illustrated Part P.A.R. = Paint as Required

HOUSING STEERING COLUMN UPPER W/FLOOR GEAR SHIFT, W/O TILT WRANGLER, YJ  
Figure 19-420

8 J19 420



ITEM	PART NUMBER	QTY	BODY	MODEL	DESCRIPTION
1	8350 2566	1			PROTECTOR
2	J420 0414	1			NUT
3	J322 8743	1			COVER, Shift Lock
4	J320 8377	1			RING
5	J812 7831	1			LOCK
6	J448 7711	1			CAM, Cancelling
7	J448 7765	1			SPRING
8	J448 8301	3			SCREW
9	J812 0186	1			WASHER
10	8351 0088	1			ARM, Switch Actuator
11	J322 9970	1			SWITCH, Turn Signal
12	J448 7761	4			SCREW
13	J320 8008	1			WASHER
14	J321 1423	1			SWITCH, Key Buzzer
15	J448 7713	1			CLIP
16	J812 0185	1			SPRING
17	J813 4499	1			HOUSING ASSEMBLY
18	J812 7850	1			BEARING ASSEMBLY
19	J813 3537	1			BUSHING
20	J813 4703	1			RETAINER
21					SWITCH ASSEMBLY, WIPERS
	5600 0031	1			w/o Intermittent Wipers
	5600 0032	1			w/Intermittent Wipers
22	J400 1267	1			SCREW
23	J448 7897	1			BOLT
24	J448 7774	1			SPRING
25	J812 1437	1			RACK
26	8350 2913	1			ROD
27	J448 7777	1			WASHER
28	J813 3538	1			PIN
29	J813 3541	1			LEVER
30					KNOB, Hazard Warning
	5200 3425	1			Except ECE
	5600 3149	1			ECE
31					LEVER, Turn Signal
	5600 0432	1			w/o Intermittent Wipers 1987/88/89

MODEL CODES:

15 = Grand Wagoneer 4 Dr.	65 = Comanche 4WD-7 Ft. Box	77 = Cherokee 4WD-2 Dr.
25 = J-10 Pickup-119" W.B.	66 = Comanche 2WD-7 Ft. Box	78 = Cherokee 4WD-4 Dr.
26 = J-10 Pickup-131" W.B.	73 = Cherokee 2WD-2 Dr.	79 = Cherokee 4WD-4 Dr.-Com
27 = J-20 Pickup-131" W.B.	74 = Cherokee 2WD-4 Dr.	81 = Wrangler-93" W.B.
63 = Comanche 4WD-6 Ft. Box	75 = Wagoneer 4WD-4 Dr.	82 = Wrangler-103" W.B.-Exp.
64 = Comanche 2WD-6 Ft. Box		

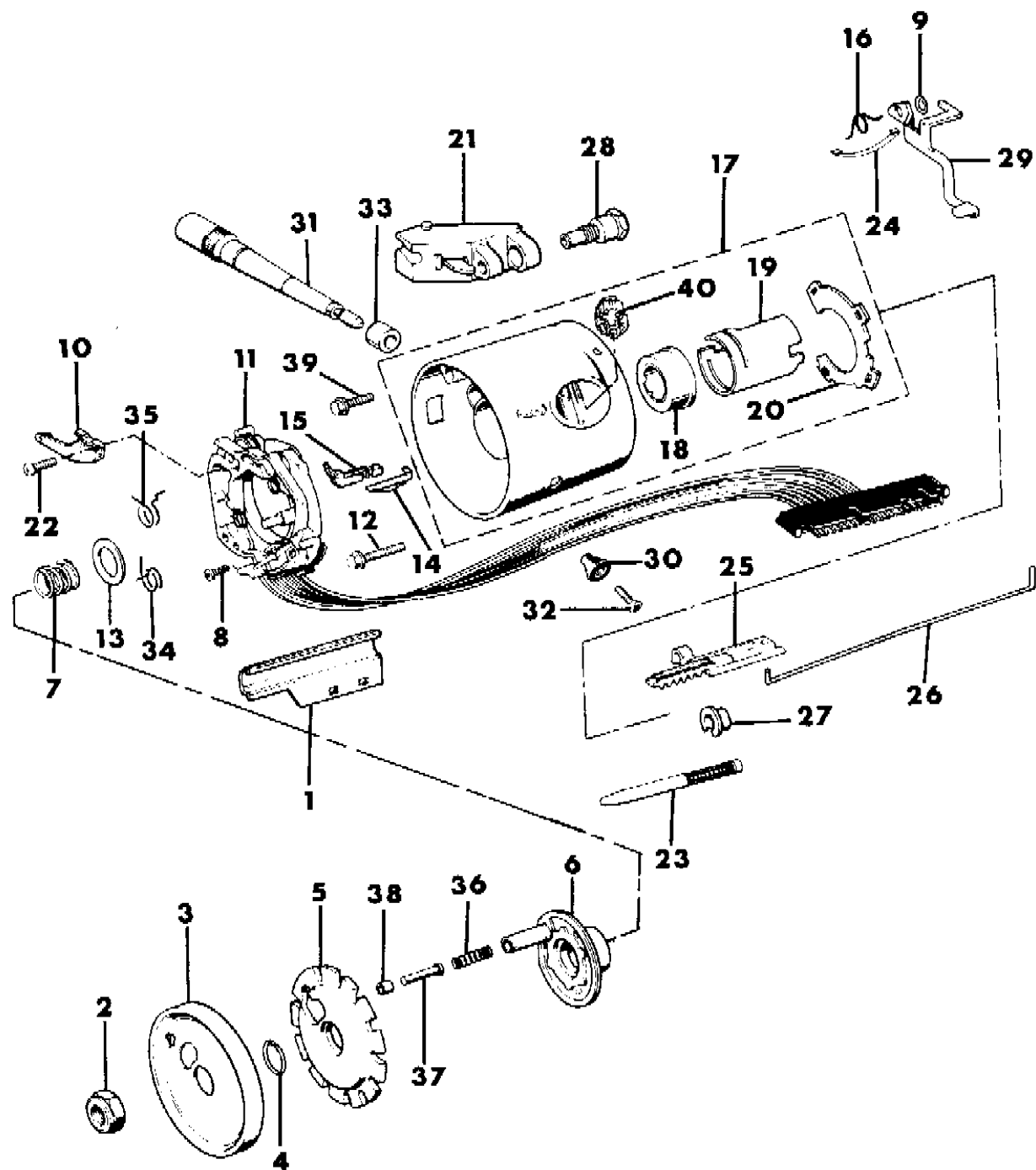
BODY STYLES:

MJ = Comanche Pickup
SJ = Grand Wagoneer Wgn., J-10 & J-20 Pickups
XJ = Cherokee, Wagoneer Limited
YJ = Wrangler

AR = Use as Required - = Non Illustrated Part P.A.R. = Paint as Required

**HOUSING STEERING COLUMN UPPER W/FLOOR GEAR SHIFT, W/O TILT WRANGLER, YJ**  
**Figure 19-420**

8 J19 420



ITEM	PART NUMBER	QTY	BODY	MODEL	DESCRIPTION
	5600 3867	1			1990
					w/o Cruise Control, w/Intermittent Wipers
	5600 0433	1			1987/88/89
	5600 2951	1			1990
	5600 2951	1			Export
					w/Cruise Control, w/Intermittent Wipers
	5600 0034	1			1987/88/89 (Chrome Stem)
	5600 4595	1			1990 (Black Stem)
32	3420 2670	1			SCREW
33	5600 2285	1			INSULATOR
34	J812 9317	1			SPRING, Left Lower
35	J812 9335	1			SPRING, Right Upper
36					SPRING
	J318 7255	1			For vehicles built up to 04-01-89
	5200 4402	1			For vehicles built 04-01-89 and later
37	J318 7249	1			PIN
38	J318 7257	1			RETAINER
39	8350 2102	1			SCREW
40	J812 0097	1			SECTOR

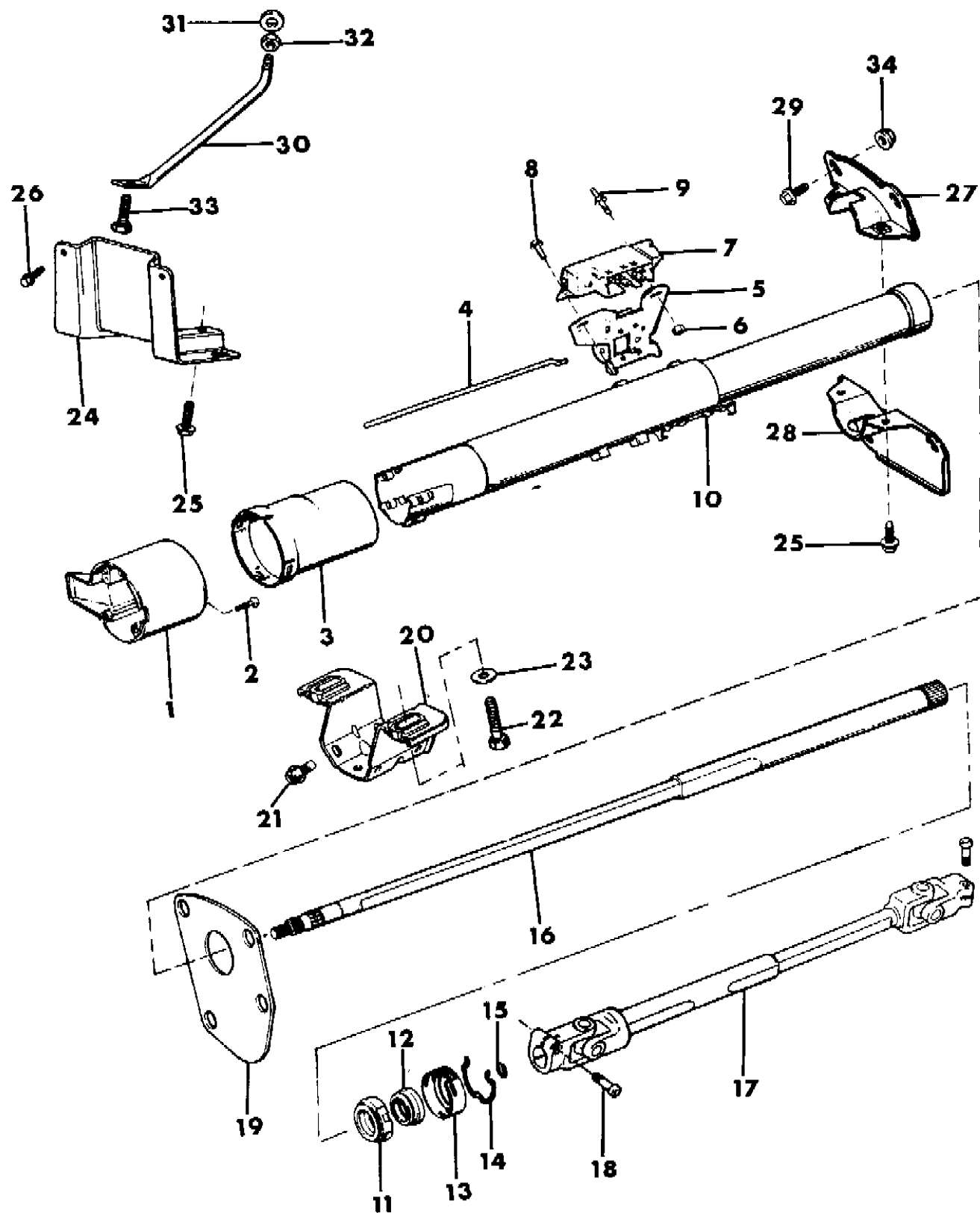
**MODEL CODES:**  
 15 = Grand Wagoneer 4 Dr.      65 = Comanche 4WD-7 Ft. Box      77 = Cherokee 4WD-2 Dr.  
 25 = J-10 Pickup-119" W.B.      66 = Comanche 2WD-7 Ft. Box      78 = Cherokee 4WD-4 Dr.  
 26 = J-10 Pickup-131" W.B.      73 = Cherokee 2WD-2 Dr.      79 = Cherokee 4WD-4 Dr.-Com  
 27 = J-20 Pickup-131" W.B.      74 = Cherokee 2WD-4 Dr.      81 = Wrangler-93" W.B.  
 63 = Comanche 4WD-6 Ft. Box      75 = Wagoneer 4WD-4 Dr.      82 = Wrangler-103" W.B.-Exp.  
 64 = Comanche 2WD-6 Ft. Box

**BODY STYLES:**  
 MJ = Comanche Pickup  
 SJ = Grand Wagoneer Wgn., J-10 & J-20 Pickups  
 XJ = Cherokee, Wagoneer Limited  
 YJ = Wrangler

AR = Use as Required - = Non Illustrated Part P.A.R. = Paint as Required

HOUSING STEERING COLUMN LOWER W/FLOOR GEAR SHIFT, W/O TILT WRANGLER, YJ  
Figure 19-430

8J19 430



ITEM	PART NUMBER	QTY	BODY	MODEL	DESCRIPTION
1	J813 4497	1			BOWL
2	J448 8301	3			SCREW
3	8350 1374	1			SHROUD, Bowl
4	8350 2912	1			ROD, Dimmer Switch Actuator 1987-89
	8350 2784	1			1990
5					SWITCH, Headlamp Dimmer
	J323 9703	1			1987-88
	J813 4498	1			1989
	5600 3406	1			1990
6	J012 0361	1			NUT
7	J325 0576	1			SWITCH, Ignition
8	J448 7772	1			SCREW
9	J813 3546	1			STUD
10	8350 2906	1			JACKET ASSEMBLY
11	J448 7696	1			ADAPTER
12	J448 6713	1			BEARING
13	J448 7743	1			RETAINER
14	J448 7739	1			CLIP
15	J320 8377	1			RING
16	8350 2908	1			SHAFT, Steering Column Upper
17					SHAFT, Steering Column Lower
	5204 0099	1			w/Power Steering
	5204 0098	1			w/o Power Steering
18	J420 0400	2			BOLT
19	J319 6896	1			SEAL
20	J535 1229	1			BRACKET
21	1150 2764	4			SCREW
22	S941 8778	2			BOLT
23	J012 0388	2			WASHER
24	J545 3933	1			BRACKET
25	J027 3573	3			SCREW
26	J400 4991	2			SCREW
27	J536 3488	1			PLATE
28	J319 6897	1			PLATE
29	J400 4520	4			SCREW
30	5200 2840	1			BRACE
31	J448 8495	2			WASHER

MODEL CODES:

15 = Grand Wagoneer 4 Dr.	65 = Comanche 4WD-7 Ft. Box	77 = Cherokee 4WD-2 Dr.
25 = J-10 Pickup-119" W.B.	66 = Comanche 2WD-7 Ft. Box	78 = Cherokee 4WD-4 Dr.
26 = J-10 Pickup-131" W.B.	73 = Cherokee 2WD-2 Dr.	79 = Cherokee 4WD-4 Dr.-Com
27 = J-20 Pickup-131" W.B.	74 = Cherokee 2WD-4 Dr.	81 = Wrangler-93" W.B.
63 = Comanche 4WD-6 Ft. Box	75 = Wagoneer 4WD-4 Dr.	82 = Wrangler-103" W.B.-Exp.
64 = Comanche 2WD-6 Ft. Box		

BODY STYLES:

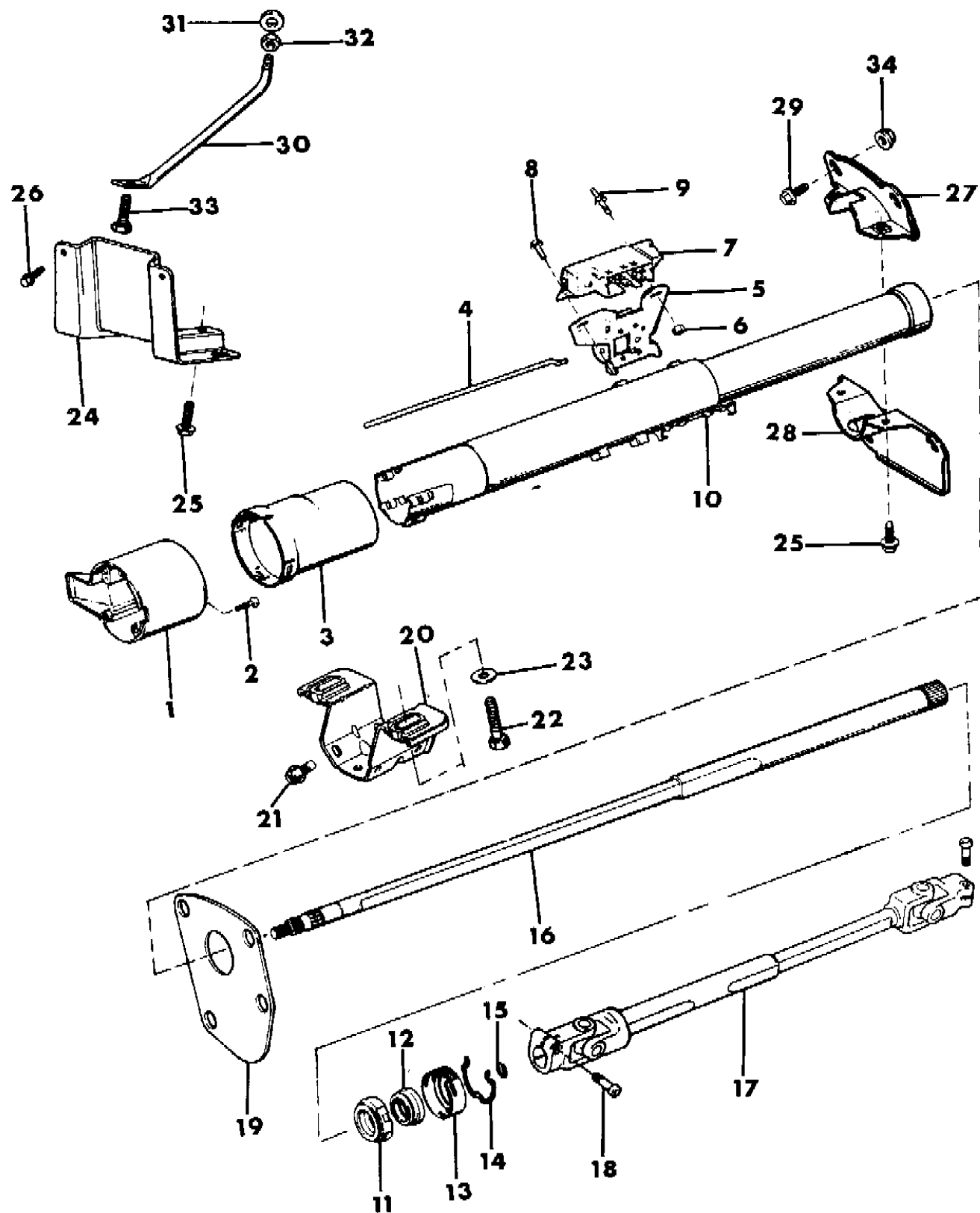
MJ = Comanche Pickup  
 SJ = Grand Wagoneer Wgn., J-10 & J-20 Pickups  
 XJ = Cherokee, Wagoneer Limited  
 YJ = Wrangler

AR = Use as Required - = Non Illustrated Part P.A.R. = Paint as Required



HOUSING STEERING COLUMN LOWER W/FLOOR GEAR SHIFT, W/O TILT WRANGLER, YJ  
Figure 19-430

8J19 430



ITEM	PART NUMBER	QTY	BODY	MODEL	DESCRIPTION
------	-------------	-----	------	-------	-------------

32	J400 5098	2			NUT
33	J400 7131	1			BOLT
34	J400 4866	4			NUT

MODEL CODES:

15 = Grand Wagoneer 4 Dr.	65 = Comanche 4WD-7 Ft. Box	77 = Cherokee 4WD-2 Dr.
25 = J-10 Pickup-119" W.B.	66 = Comanche 2WD-7 Ft. Box	78 = Cherokee 4WD-4 Dr.
26 = J-10 Pickup-131" W.B.	73 = Cherokee 2WD-2 Dr.	79 = Cherokee 4WD-4 Dr.-Com
27 = J-20 Pickup-131" W.B.	74 = Cherokee 2WD-4 Dr.	81 = Wrangler-93" W.B.
63 = Comanche 4WD-6 Ft. Box	75 = Wagoneer 4WD-4 Dr.	82 = Wrangler-103" W.B.-Exp.
64 = Comanche 2WD-6 Ft. Box		

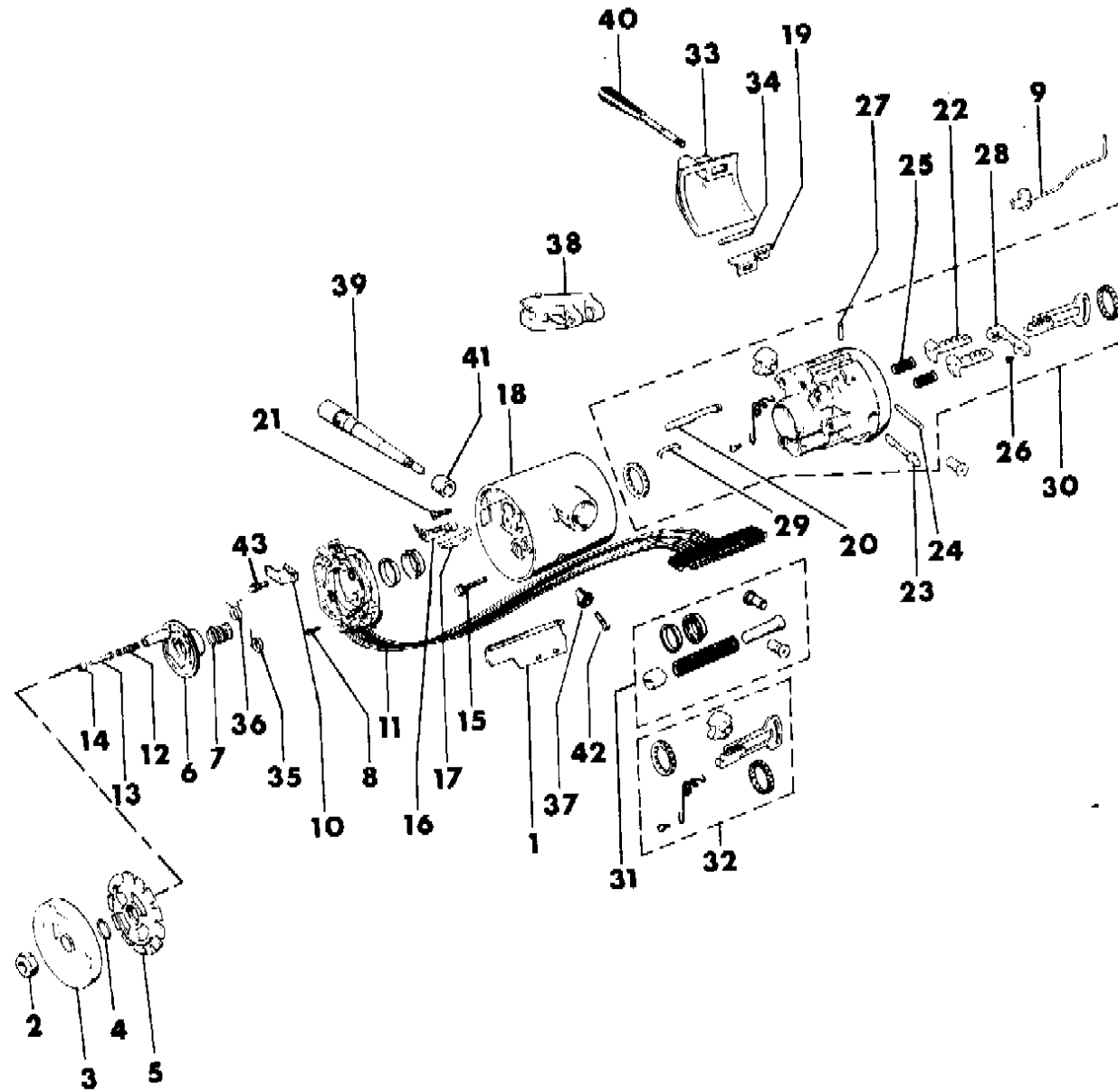
BODY STYLES:

MJ = Comanche Pickup  
 SJ = Grand Wagoneer Wgn., J-10 & J-20 Pickups  
 XJ = Cherokee, Wagoneer Limited  
 YJ = Wrangler

AR = Use as Required - = Non Illustrated Part P.A.R. = Paint as Required

**HOUSING STEERING COLUMN UPPER W/FLOOR GEAR SHIFT, W/TILT WRANGLER, YJ**  
**Figure 19-440**

8J19 440A



ITEM	PART NUMBER	QTY	BODY	MODEL	DESCRIPTION
1	8350 2566	1			PROTECTOR
2	J420 0414	1			NUT
3	J322 8743	1			COVER, Shift Lock
4	J320 8377	1			RING
5					LOCK
	J812 7874	1			1987-88
	J325 1125	1			1989-90
6	J448 7816	1			CAM, Cancelling
7	J812 2485	1			SPRING
8	J448 8301	3			SCREW
9	8350 2915	1			ACTUATOR ASSEMBLY, Ignition Switch ***
10	8350 1575	1			ARM, Switch Actuator
11	5600 2011	1			SWITCH, Turn Signal
12					SPRING
	J318 7255	1			(Up To 4-1-89)
	5200 4402	1			(After 4-1-89)
13	J318 7249	1			PIN
14	J318 7257	1			RETAINER
15	J813 3572	3			SCREW
16	J321 1424	1			SWITCH, Key Buzzer
17	J448 7853	1			CLIP
18	8350 2096	1			COVER, Steering Column Housing
19	J813 3570	1			ACTUATOR, Dimmer Switch Rod
20	3467 377	1			BOLT
21	8350 2103	1			SCREW
22					SHOE
	J812 2716	1			Left
	J448 7828	1			Right
23	J813 4191	1			SHAFT
24	J448 7822	1			PIN
25	J448 7832	2			SPRING
26	J320 8047	1			SPRING
27	J320 8043	1			PIN
28	J813 3567	1			LEVER
29	J448 7831	1			SPRING
30					HOUSING, Steering Column
	8350 1104	1			1987-90,Federal

**MODEL CODES:**

15 = Grand Wagoneer 4 Dr.	65 = Comanche 4WD-7 Ft. Box	77 = Cherokee 4WD-2 Dr.
25 = J-10 Pickup-119" W.B.	66 = Comanche 2WD-7 Ft. Box	78 = Cherokee 4WD-4 Dr.
26 = J-10 Pickup-131" W.B.	73 = Cherokee 2WD-2 Dr.	79 = Cherokee 4WD-4 Dr.-Com
27 = J-20 Pickup-131" W.B.	74 = Cherokee 2WD-4 Dr.	81 = Wrangler-93" W.B.
63 = Comanche 4WD-6 Ft. Box	75 = Wagoneer 4WD-4 Dr.	82 = Wrangler-103" W.B.-Exp.
64 = Comanche 2WD-6 Ft. Box		

**BODY STYLES:**

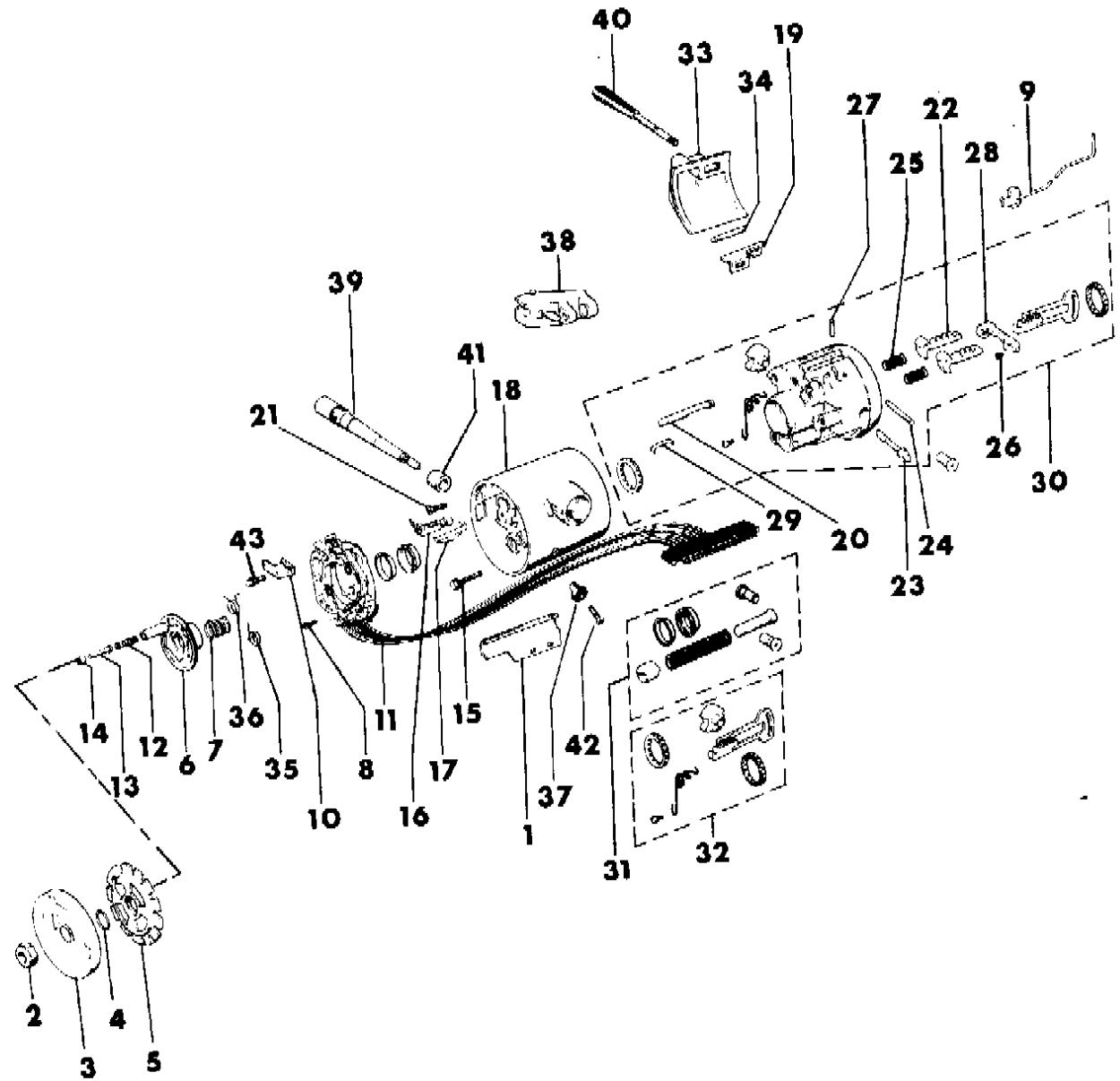
MJ = Comanche Pickup  
 SJ = Grand Wagoneer Wgn., J-10 & J-20 Pickups  
 XJ = Cherokee, Wagoneer Limited  
 YJ = Wrangler

AR = Use as Required - = Non Illustrated Part P.A.R. = Paint as Required

**HOUSING STEERING COLUMN UPPER W/FLOOR GEAR SHIFT, W/TILT WRANGLER, YJ**  
**Figure 19-440**

8J19 440A

ITEM	PART NUMBER	QTY	BODY	MODEL	DESCRIPTION
	8350 1107	1			1987-90,Export
31	8351 0054	1			PARTS PACKAGE
32	8351 0055	1			RACK PACKAGE
33	J813 4704	1			CAP
34	J813 3565	1			PIN
35	J812 9317	1			SPRING, Left Lower
36	J812 9335	1			SPRING, Right Upper
37					KNOB, Hazard Warning
	5200 3425	1			w/o ECE
	5600 3149	1			w/ECE
38	5600 0033	1			SWITCH ASSEMBLY, Intermittent Wipers
39					LEVER, Turn Signal
	5600 0432	1			w/o Intermittent Wipers, w/o Cruise Control
	5600 0433	1			w/Intermittent Wipers, w/o Cruise Control
	5600 2951	1			1990
	5600 2951	1			w/Intermittent Wipers, w/o Cruise Control w/ECE
	5600 0034	1			w/Intermittent Wipers, w/Cruise Control
40	5600 0108	1			LEVER, Wheel Release
	3200 1822	1			Black 1990
41	5600 2285	1			INSULATOR
42	3420 2670	1			SCREW
43	J400 1267	1			SCREW



**MODEL CODES:**

- |                             |                             |                              |
|-----------------------------|-----------------------------|------------------------------|
| 15 = Grand Wagoneer 4 Dr.   | 65 = Comanche 4WD-7 Ft. Box | 77 = Cherokee 4WD-2 Dr.      |
| 25 = J-10 Pickup-119" W.B.  | 66 = Comanche 2WD-7 Ft. Box | 78 = Cherokee 4WD-4 Dr.      |
| 26 = J-10 Pickup-131" W.B.  | 73 = Cherokee 2WD-2 Dr.     | 79 = Cherokee 4WD-4 Dr.-Com  |
| 27 = J-20 Pickup-131" W.B.  | 74 = Cherokee 2WD-4 Dr.     | 81 = Wrangler-93" W.B.       |
| 63 = Comanche 4WD-6 Ft. Box | 75 = Wagoneer 4WD-4 Dr.     | 82 = Wrangler-103" W.B.-Exp. |
| 64 = Comanche 2WD-6 Ft. Box |                             |                              |

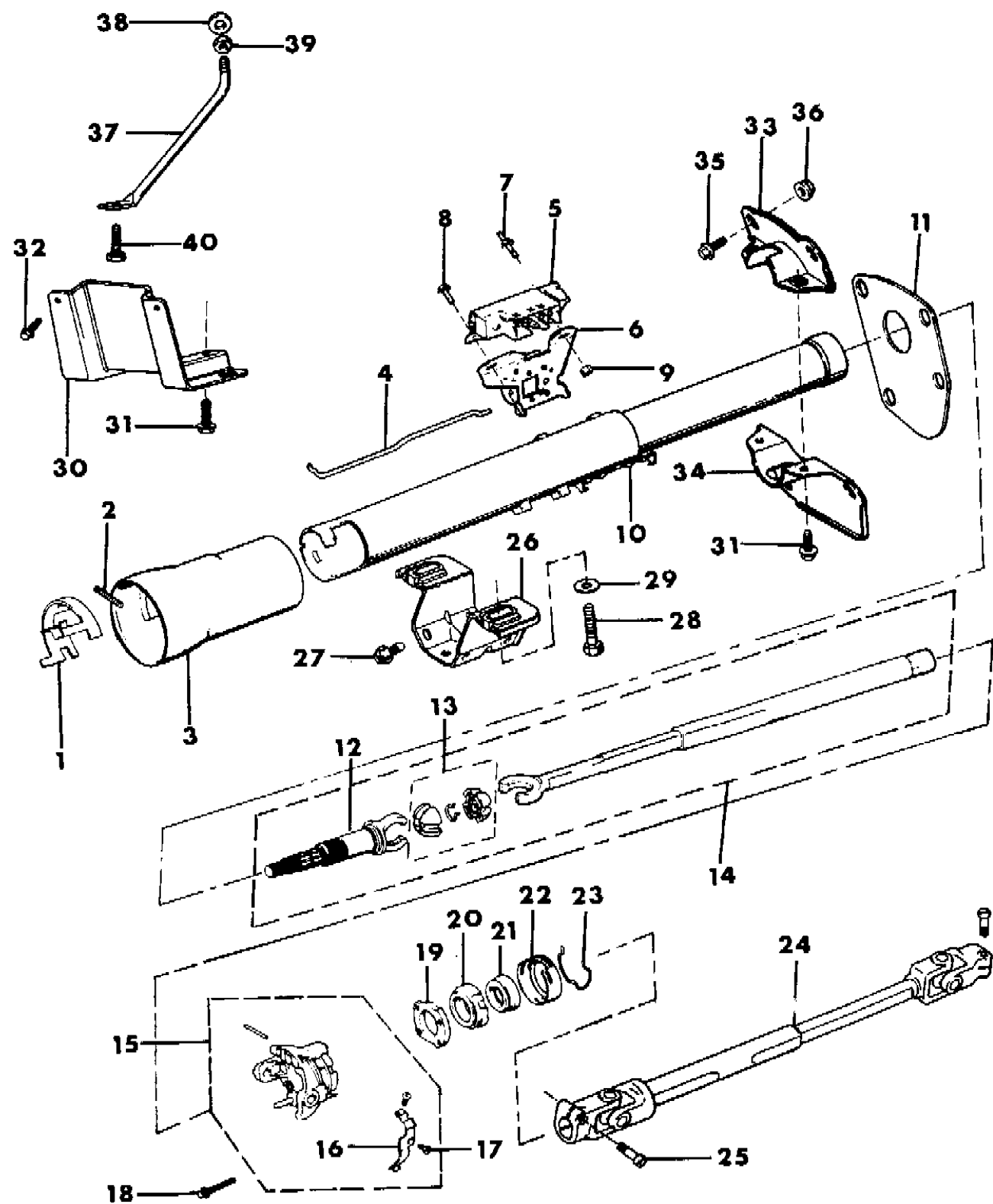
**BODY STYLES:**

- MJ = Comanche Pickup  
 SJ = Grand Wagoneer Wgn., J-10 & J-20 Pickups  
 XJ = Cherokee, Wagoneer Limited  
 YJ = Wrangler

AR = Use as Required - = Non Illustrated Part P.A.R. = Paint as Required

**HOUSING STEERING COLUMN LOWER W/FLOOR GEAR SHIFT, W/TILT WRANGLER, YJ**  
**Figure 19-450**

8 J19 450



ITEM	PART NUMBER	QTY	BODY	MODEL	DESCRIPTION
1	J812 8154	1			LEVER
2	J812 8156	1			SPRING
3	8350 0359	1			SHROUD, Shift Bowl
4	8350 2911	1			ROD, Dimmer Switch Actuator
5	J325 0575	1			SWITCH, Ignition Lock
6					SWITCH, Headlamp Dimmer
	J323 9703	1			1987-88
	J813 4498	1			1989-90
7	J813 3546	1			STUD
8	J448 7772	1			SCREW
9	J012 0361	1			NUT
10	8350 2905	1			JACKET ASSEMBLY
11	J319 6896	1			SEAL
12	J812 8888	1			SHAFT, Steering Column Upper
13	8351 0056	1			SPHERE
14	8350 2907	1			SHAFT ASSEMBLY, Steering Column Upper
15	8350 1109	1			SUPPORT
16	J813 3569	1			PLATE
17	J320 8210	2			SCREW
18	J448 7867	4			SCREW
19	J448 7860	1			PLATE
20	J448 7696	1			ADAPTER
21	J448 6713	1			BEARING
22	J448 7743	1			RETAINER
23	J448 7739	1			CLIP
24					SHAFT, Steering Column Lower
	5200 7017	1			w/Power Steering,ALSO MUST ORDER 2 OF 06502411
					BOLTS
	5204 0098	1			w/o Power Steering
25	J420 0400	2			BOLT
26	J535 1229	1			BRACKET
27	1150 2764	4			SCREW
28	S941 8778	2			BOLT
29	J012 0388	2			WASHER
30	J545 3933	1			BRACKET
31	J027 3573	3			SCREW
32	J400 4991	2			SCREW

**MODEL CODES:**

15 = Grand Wagoneer 4 Dr.	65 = Comanche 4WD-7 Ft. Box	77 = Cherokee 4WD-2 Dr.
25 = J-10 Pickup-119" W.B.	66 = Comanche 2WD-7 Ft. Box	78 = Cherokee 4WD-4 Dr.
26 = J-10 Pickup-131" W.B.	73 = Cherokee 2WD-2 Dr.	79 = Cherokee 4WD-4 Dr.-Com
27 = J-20 Pickup-131" W.B.	74 = Cherokee 2WD-4 Dr.	81 = Wrangler-93" W.B.
63 = Comanche 4WD-6 Ft. Box	75 = Wagoneer 4WD-4 Dr.	82 = Wrangler-103" W.B.-Exp.
64 = Comanche 2WD-6 Ft. Box		

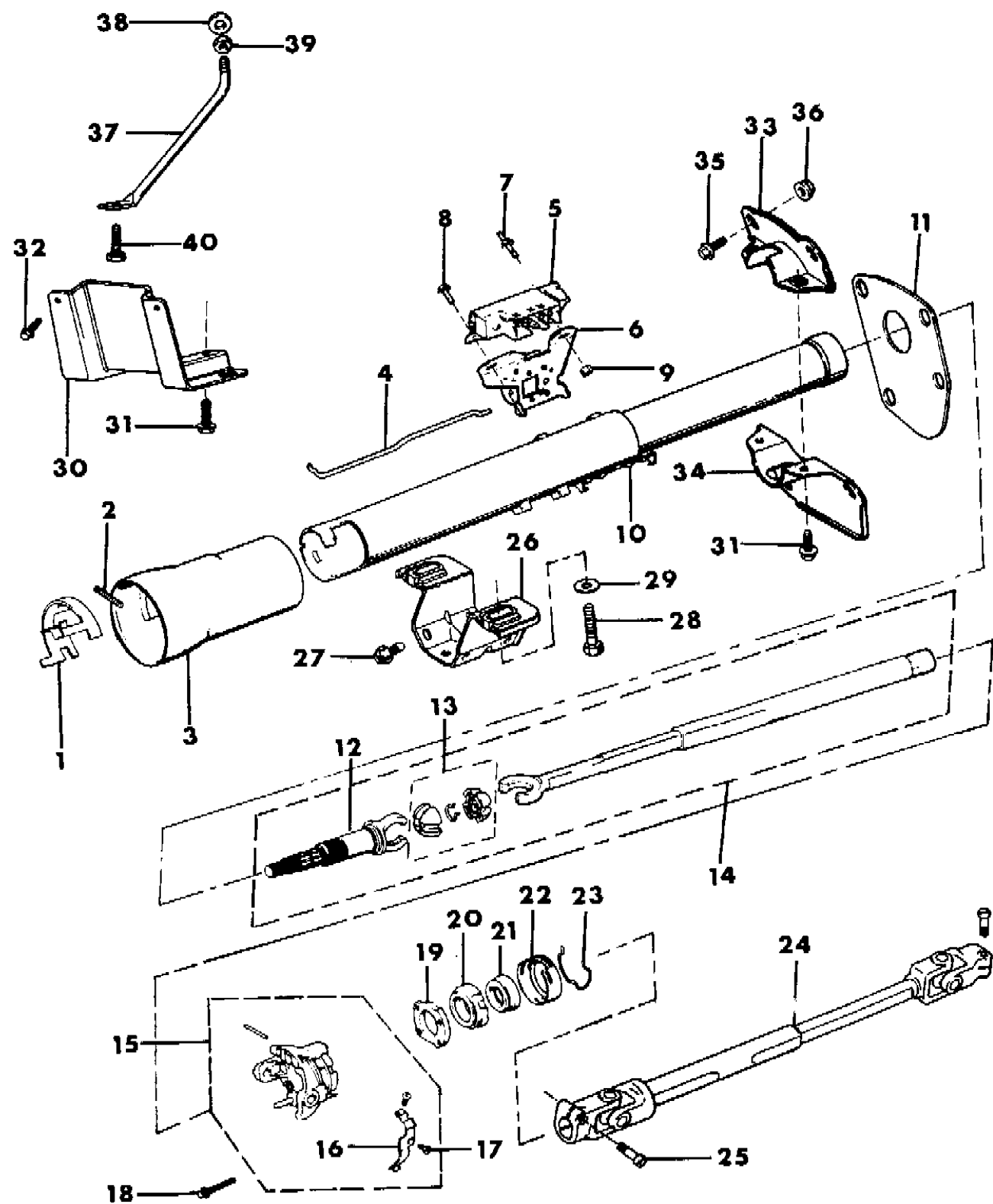
**BODY STYLES:**

MJ = Comanche Pickup  
 SJ = Grand Wagoneer Wgn., J-10 & J-20 Pickups  
 XJ = Cherokee, Wagoneer Limited  
 YJ = Wrangler

AR = Use as Required - = Non Illustrated Part P.A.R. = Paint as Required

HOUSING STEERING COLUMN LOWER W/FLOOR GEAR SHIFT, W/TILT WRANGLER, YJ  
Figure 19-450

8 J19 450



ITEM	PART NUMBER	QTY	BODY	MODEL	DESCRIPTION
33	J536 3488	1			PLATE
34	J319 6897	1			PLATE
35	J400 4520	4			SCREW
36	J400 4866	4			NUT
37	5200 2840	1			BRACE
38	J448 8495	2			WASHER
39	J400 5098	2			NUT
40	J400 7131	1			BOLT

MODEL CODES:

15 = Grand Wagoneer 4 Dr.	65 = Comanche 4WD-7 Ft. Box	77 = Cherokee 4WD-2 Dr.
25 = J-10 Pickup-119" W.B.	66 = Comanche 2WD-7 Ft. Box	78 = Cherokee 4WD-4 Dr.
26 = J-10 Pickup-131" W.B.	73 = Cherokee 2WD-2 Dr.	79 = Cherokee 4WD-4 Dr.-Com
27 = J-20 Pickup-131" W.B.	74 = Cherokee 2WD-4 Dr.	81 = Wrangler-93" W.B.
63 = Comanche 4WD-6 Ft. Box	75 = Wagoneer 4WD-4 Dr.	82 = Wrangler-103" W.B.-Exp.
64 = Comanche 2WD-6 Ft. Box		

BODY STYLES:

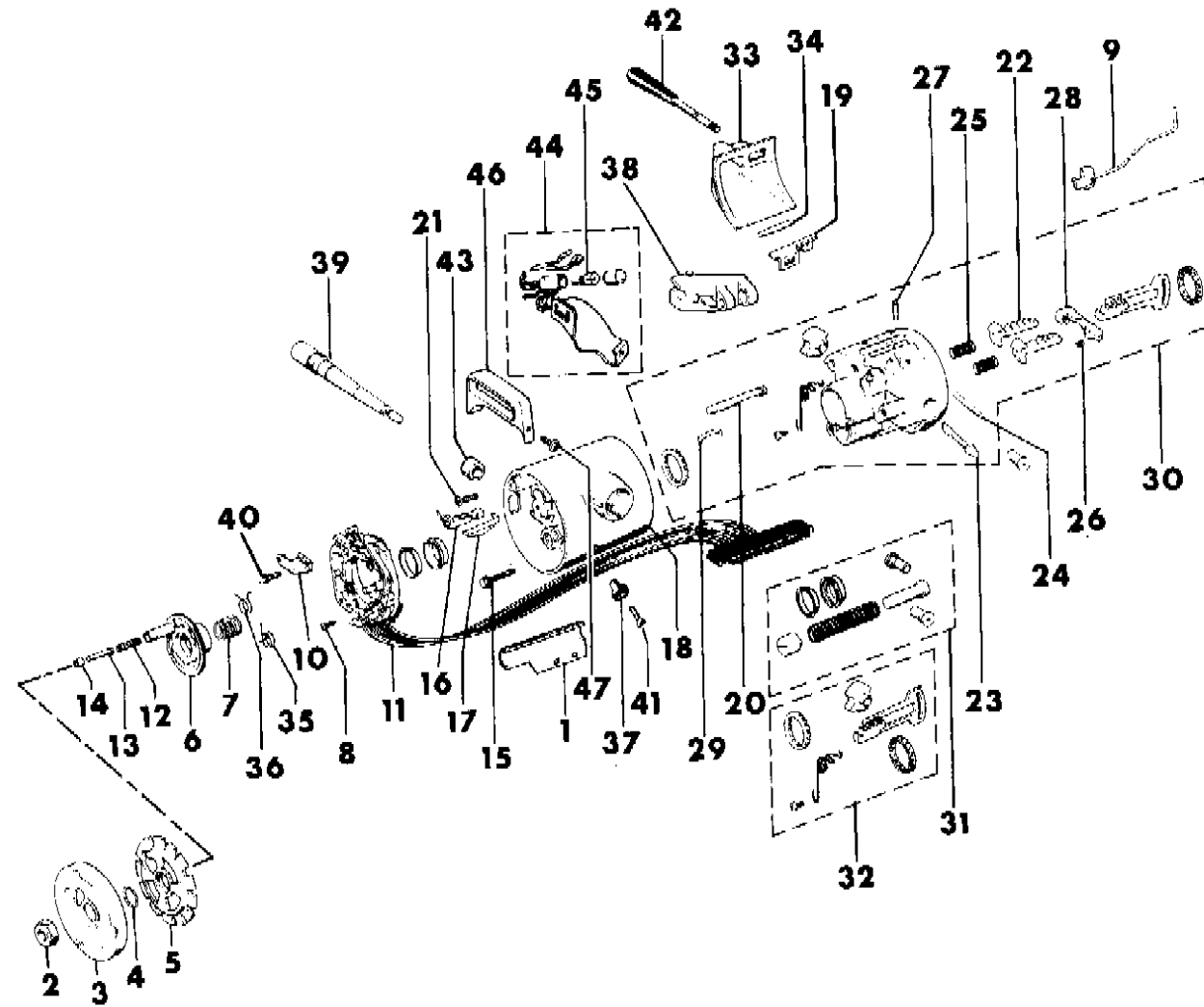
MJ = Comanche Pickup  
SJ = Grand Wagoneer Wgn., J-10 & J-20 Pickups  
XJ = Cherokee, Wagoneer Limited  
YJ = Wrangler

AR = Use as Required - = Non Illustrated Part P.A.R. = Paint as Required

**HOUSING STEERING COLUMN UPPER W/COLUMN GEAR SHIFT, W/TILT WRANGLER, YJ**  
**Figure 19-460**

**8 J19 460A**

ITEM	PART NUMBER	QTY	BODY	MODEL	DESCRIPTION
1	8350 2566	1			PROTECTOR
2	J420 0414	1			NUT
3	J322 8743	1			COVER, Shift Lock
4	J320 8377	1			RING
5	J812 7874	1			LOCK
6	J448 7816	1			CAM, Cancelling
6	J812 2485	1			SPRING
8	J448 8301	3			SCREW
9	8350 2914	1			ACTUATOR ASSEMBLY, Ignition Switch ***
10	8350 1575	1			ARM, Switch Actuator
11	J322 9970	1			SWITCH, Turn Signal
12					SPRING
	J318 7255	1			(Up To 4-1-89)
	5200 4402	1			(After 4-1-89)
13	J318 7249	1			PIN
14	J318 7257	1			RETAINER
15	J813 3572	3			SCREW
16	J321 1424	1			SWITCH, Key Buzzer
17	J448 7853	1			CLIP
18	8350 4379	1			COVER, Steering Column Housing
19	J813 3570	1			ACTUATOR, Dimmer Switch Rod
20	J448 7819	1			BOLT
21	8350 2103	1			SCREW
22					SHOE
	8350 2583	1			Lt.
	J448 7828	1			Rt.
23	J813 4191	1			SHAFT
24	J448 7822	1			PIN
25	J448 7832	2			SPRING
26	J320 8047	1			SPRING
27	J320 8043	1			PIN
28	J813 3567	1			LEVER
29	J448 7831	1			SPRING
30	8350 2582	1			HOUSING, Steering Column
31	8351 0054	1			PARTS PACKAGE
32	8351 0055	1			RACK PACKAGE
33	J813 4704	1			CAP



**MODEL CODES:**

15 = Grand Wagoneer 4 Dr.	65 = Comanche 4WD-7 Ft. Box	77 = Cherokee 4WD-2 Dr.
25 = J-10 Pickup-119" W.B.	66 = Comanche 2WD-7 Ft. Box	78 = Cherokee 4WD-4 Dr.
26 = J-10 Pickup-131" W.B.	73 = Cherokee 2WD-2 Dr.	79 = Cherokee 4WD-4 Dr.-Com
27 = J-20 Pickup-131" W.B.	74 = Cherokee 2WD-4 Dr.	81 = Wrangler-93" W.B.
63 = Comanche 4WD-6 Ft. Box	75 = Wagoneer 4WD-4 Dr.	82 = Wrangler-103" W.B.-Exp.
64 = Comanche 2WD-6 Ft. Box		

**BODY STYLES:**

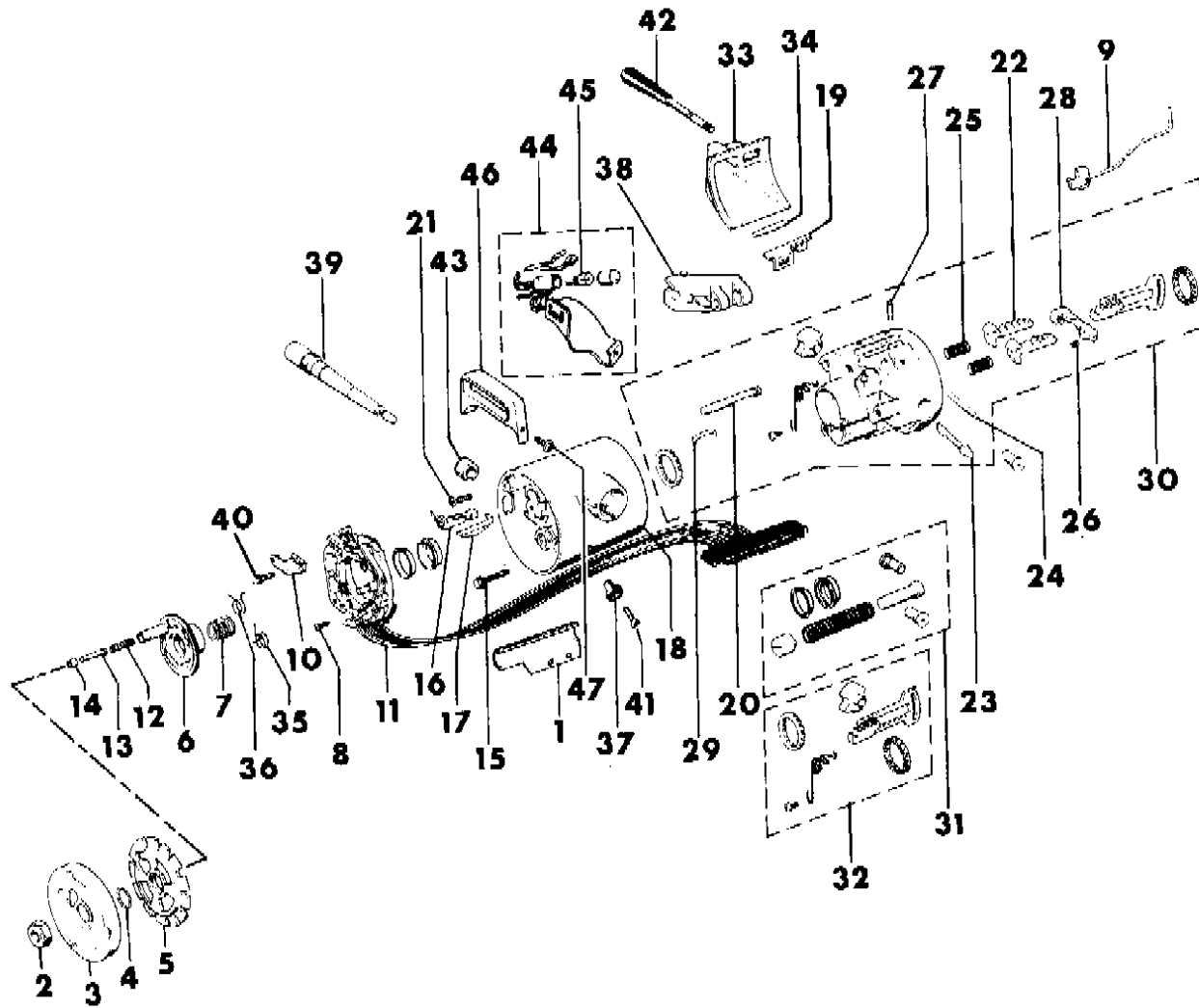
MJ = Comanche Pickup  
 SJ = Grand Wagoneer Wgn., J-10 & J-20 Pickups  
 XJ = Cherokee, Wagoneer Limited  
 YJ = Wrangler

AR = Use as Required - = Non Illustrated Part P.A.R. = Paint as Required

**HOUSING STEERING COLUMN UPPER W/COLUMN GEAR SHIFT, W/TILT WRANGLER, YJ**  
**Figure 19-460**

**8 J19 460A**

ITEM	PART NUMBER	QTY	BODY	MODEL	DESCRIPTION
34	J813 3565	1			PIN
35	J812 9317	1			SPRING, Left Lower
36	J812 9335	1			SPRING, Right Upper
37					KNOB, Hazard Warning
	5200 3425	1			w/o ECE
	5600 3149	1			w/ECE
38	5600 0033	1			SWITCH ASSEMBLY, Intermittent Wipers
39					LEVER, Turn Signal
	5600 0432	1			w/o Intermittent Wipers, w/o Cruise Control
	5600 0433	1			w/Intermittent Wipers, w/o Cruise Control
	5600 2951	1			w/Intermittent Wipers, w/o Cruise Control - Export
	5600 0034	1			w/Intermittent Wipers, w/Cruise Control
40	J400 1267	1			SCREW
41	3420 2670	1			SCREW
42	5600 0108	1			LEVER, Wheel Release
	3200 1822	1			Black 1990
43	5600 2285	1			INSULATOR
44	8350 2549	1			BRACKET
45	S943 6970	1			BULB
46	8350 2555	1			BEZEL, Gear Selector
47	J400 4812	2			SCREW



**MODEL CODES:**

15 = Grand Wagoneer 4 Dr.	65 = Comanche 4WD-7 Ft. Box	77 = Cherokee 4WD-2 Dr.
25 = J-10 Pickup-119" W.B.	66 = Comanche 2WD-7 Ft. Box	78 = Cherokee 4WD-4 Dr.
26 = J-10 Pickup-131" W.B.	73 = Cherokee 2WD-2 Dr.	79 = Cherokee 4WD-4 Dr.-Com
27 = J-20 Pickup-131" W.B.	74 = Cherokee 2WD-4 Dr.	81 = Wrangler-93" W.B.
63 = Comanche 4WD-6 Ft. Box	75 = Wagoneer 4WD-4 Dr.	82 = Wrangler-103" W.B.-Exp.
64 = Comanche 2WD-6 Ft. Box		

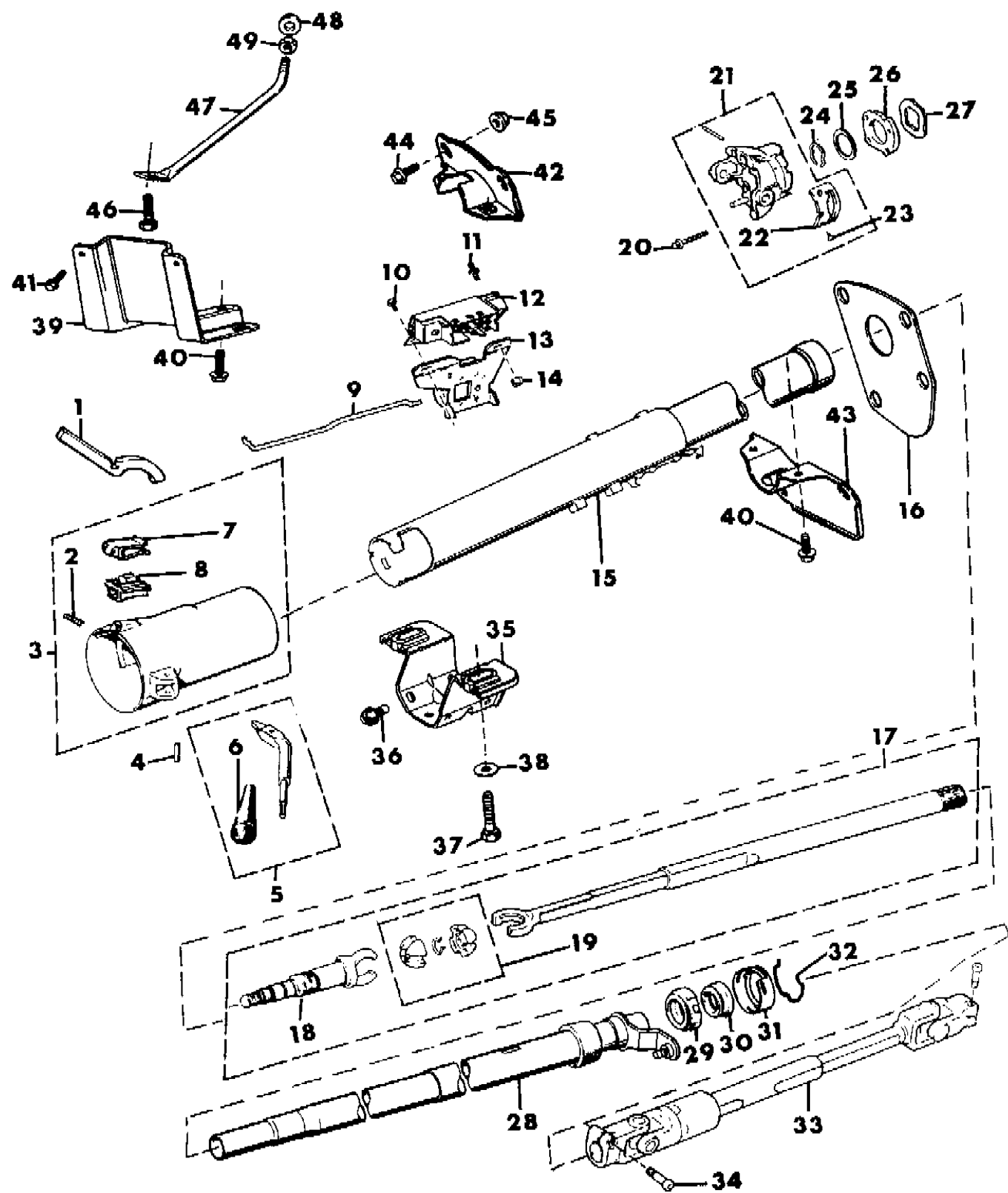
**BODY STYLES:**

MJ = Comanche Pickup  
 SJ = Grand Wagoneer Wgn., J-10 & J-20 Pickups  
 XJ = Cherokee, Wagoneer Limited  
 YJ = Wrangler

AR = Use as Required - = Non Illustrated Part P.A.R. = Paint as Required

**HOUSING STEERING COLUMN LOWER W/COLUMN GEAR SHIFT, W/TILT WRANGLER, YJ**  
**Figure 19-470**

8J19 470



ITEM	PART NUMBER	QTY	BODY	MODEL	DESCRIPTION
1	8350 2565	1			INDICATOR, Shift ***
2	J812 0251	1			SPRING
3	8350 2570	1			SHROUD, Bowl
4	J400 3925	1			PIN
5	5200 3095	1			LEVER, Gear Shift
6	J321 6462	1			KNOB
7	8350 2572	1			CLIP
8	8350 2571	1			BRACKET
9	8350 2910	1			ROD, Dimmer Switch Actuator
10	J448 7772	1			SCREW
11	J813 3546	1			STUD
12	J325 0575	1			SWITCH, Ignition Lock
13					SWITCH, Headlamp Dimmer
	J323 9703	1			1987-88
	J813 4498	1			1989
	5600 3406	1			1990
14	J012 0361	1			NUT, (10-24)
15	8350 2904	1			JACKET ASSEMBLY
16	J319 6896	1			SEAL
17	8350 2907	1			SHAFT ASSEMBLY, Steering Column Upper
18	J812 8888	1			SHAFT, Steering Column Upper
19	8351 0056	1			SPHERE
20	J448 7867	4			SCREW
21	8350 2560	1			SUPPORT
22	J319 5616	1			GATE
23	J320 8210	2			SCREW
24	J448 7864	1			RING, Shift Tube Retaining
25	J448 7872	1			WASHER, Thrust
26	J448 7860	1			PLATE
27	J448 7873	1			WASHER, Wave
28	8350 2909	1			TUBE ASSEMBLY, Shift
29	J448 7896	1			ADAPTER
30	J448 6713	1			BEARING
31	J448 7743	1			RETAINER
32	J448 7739	1			CLIP
33					SHAFT, Steering Column Lower
	5204 0099	1			w/Power Steering

**MODEL CODES:**

15 = Grand Wagoneer 4 Dr.	65 = Comanche 4WD-7 Ft. Box	77 = Cherokee 4WD-2 Dr.
25 = J-10 Pickup-119" W.B.	66 = Comanche 2WD-7 Ft. Box	78 = Cherokee 4WD-4 Dr.
26 = J-10 Pickup-131" W.B.	73 = Cherokee 2WD-2 Dr.	79 = Cherokee 4WD-4 Dr.-Com
27 = J-20 Pickup-131" W.B.	74 = Cherokee 2WD-4 Dr.	81 = Wrangler-93" W.B.
63 = Comanche 4WD-6 Ft. Box	75 = Wagoneer 4WD-4 Dr.	82 = Wrangler-103" W.B.-Exp.
64 = Comanche 2WD-6 Ft. Box		

**BODY STYLES:**

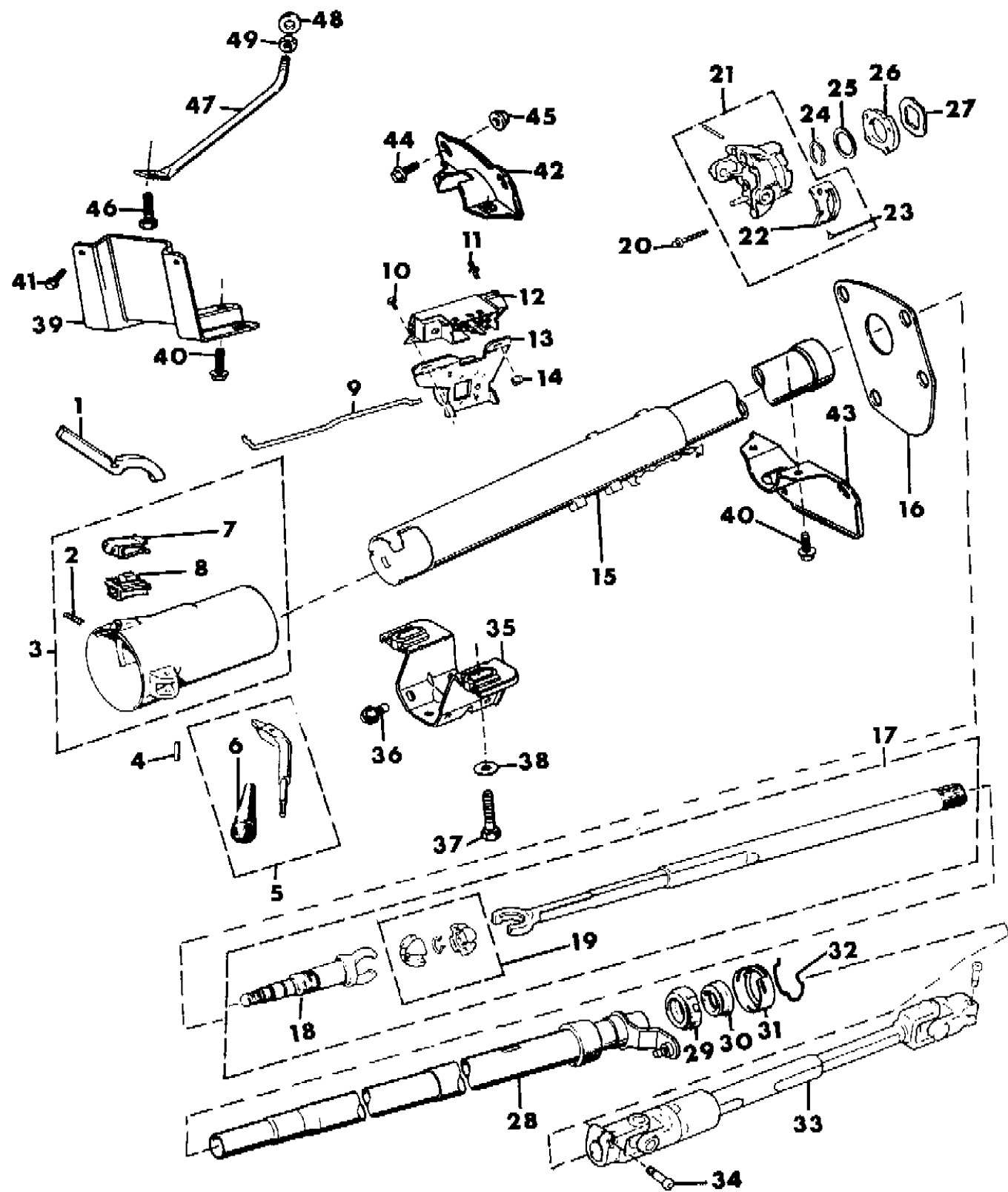
MJ = Comanche Pickup  
 SJ = Grand Wagoneer Wgn., J-10 & J-20 Pickups  
 XJ = Cherokee, Wagoneer Limited  
 YJ = Wrangler

AR = Use as Required - = Non Illustrated Part P.A.R. = Paint as Required



**HOUSING STEERING COLUMN LOWER W/COLUMN GEAR SHIFT, W/TILT WRANGLER, YJ**  
**Figure 19-470**

8J19 470



ITEM	PART NUMBER	QTY	BODY	MODEL	DESCRIPTION
	5204 0098	1			w/o Power Steering ***
34	J420 0400	2			BOLT
35	J535 1229	1			BRACKET
36	1150 2764	4			SCREW
37	S941 8778	2			BOLT
38	J012 0388	2			WASHER
39	J545 3933	1			BRACKET
40	J027 3573	3			SCREW
41	J400 4991	2			SCREW
42	J536 3488	1			PLATE
43	J319 6897	1			PLATE
44	J400 4520	4			SCREW
45	J400 4866	4			NUT
46	J400 7131	1			BOLT
47	5200 2840	1			BRACE
48	J448 8495	2			WASHER
49	J400 5098	2			NUT

**MODEL CODES:**

15 = Grand Wagoneer 4 Dr.	65 = Comanche 4WD-7 Ft. Box	77 = Cherokee 4WD-2 Dr.
25 = J-10 Pickup-119" W.B.	66 = Comanche 2WD-7 Ft. Box	78 = Cherokee 4WD-4 Dr.
26 = J-10 Pickup-131" W.B.	73 = Cherokee 2WD-2 Dr.	79 = Cherokee 4WD-4 Dr.-Com
27 = J-20 Pickup-131" W.B.	74 = Cherokee 2WD-4 Dr.	81 = Wrangler-93" W.B.
63 = Comanche 4WD-6 Ft. Box	75 = Wagoneer 4WD-4 Dr.	82 = Wrangler-103" W.B.-Exp.
64 = Comanche 2WD-6 Ft. Box		

**BODY STYLES:**

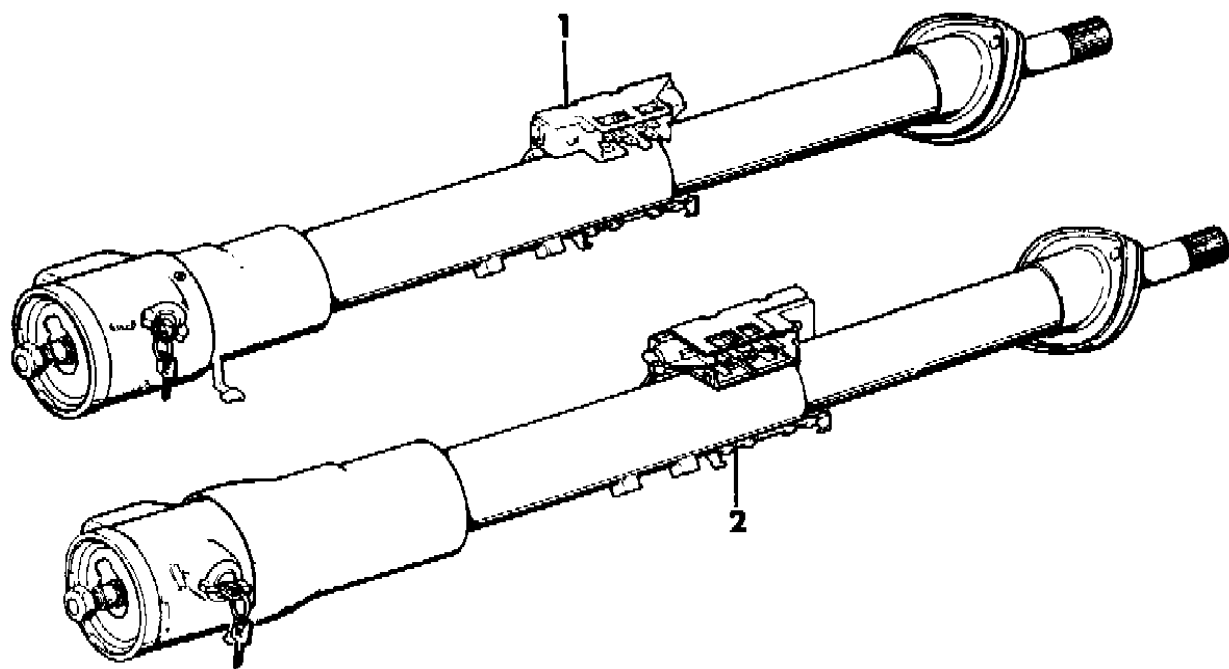
MJ = Comanche Pickup  
 SJ = Grand Wagoneer Wgn., J-10 & J-20 Pickups  
 XJ = Cherokee, Wagoneer Limited  
 YJ = Wrangler

AR = Use as Required - = Non Illustrated Part P.A.R. = Paint as Required

COLUMN ASSEMBLY, STEERING W/FLOOR MOUNTED GEAR SHIFT CHEROKEE, WAGONEER, COMANCHE

Figure 19-500

8 J19 500



ITEM	PART NUMBER	QTY	BODY	MODEL	DESCRIPTION
1					COLUMN ASSEMBLY, w/Manual Transmission, w/o Tilt, w/o Intermittent Wipers
	5200 1951	1			1987-88
	5200 4155	1			1989
	5200 4665	1			1990
					COLUMN ASSEMBLY, w/Automatic Transmission, w/o Tilt, w/o Intermittent Wipers
	5200 1955	1			1987-88
	5200 4158	1			1989
	5200 4668	1			1990
					COLUMN ASSEMBLY, w/Manual Transmission, w/o Tilt, w/ Intermittent Wipers
	5200 1952	1			1987-88
	5200 4156	1			1989
	5200 4666	1			1990
					COLUMN ASSEMBLY, w/Automatic Transmission, w/o Tilt, W/ Intermittent Wipers
	5200 1956	1			1987-88
	5200 4159	1			1989
	5200 4669	1			1990
2					COLUMN ASSEMBLY, w/Manual Transmission, w/Tilt, w/ Intermittent Wipers
	5200 1950	1			1987-88
	5200 4154	1			1989
	5200 4662	1			1990
					COLUMN ASSEMBLY, w/Automatic Transmission, w/Tilt, w/ Intermittent Wipers
	5200 1954	1			1987-88
	5200 4157	1			1989
	5200 4667	1			1990

MODEL CODES:

15 = Grand Wagoneer 4 Dr.	65 = Comanche 4WD-7 Ft. Box	77 = Cherokee 4WD-2 Dr.
25 = J-10 Pickup-119" W.B.	66 = Comanche 2WD-7 Ft. Box	78 = Cherokee 4WD-4 Dr.
26 = J-10 Pickup-131" W.B.	73 = Cherokee 2WD-2 Dr.	79 = Cherokee 4WD-4 Dr.-Com
27 = J-20 Pickup-131" W.B.	74 = Cherokee 2WD-4 Dr.	81 = Wrangler-93" W.B.
63 = Comanche 4WD-6 Ft. Box	75 = Wagoneer 4WD-4 Dr.	82 = Wrangler-103" W.B.-Exp.
64 = Comanche 2WD-6 Ft. Box		

BODY STYLES:

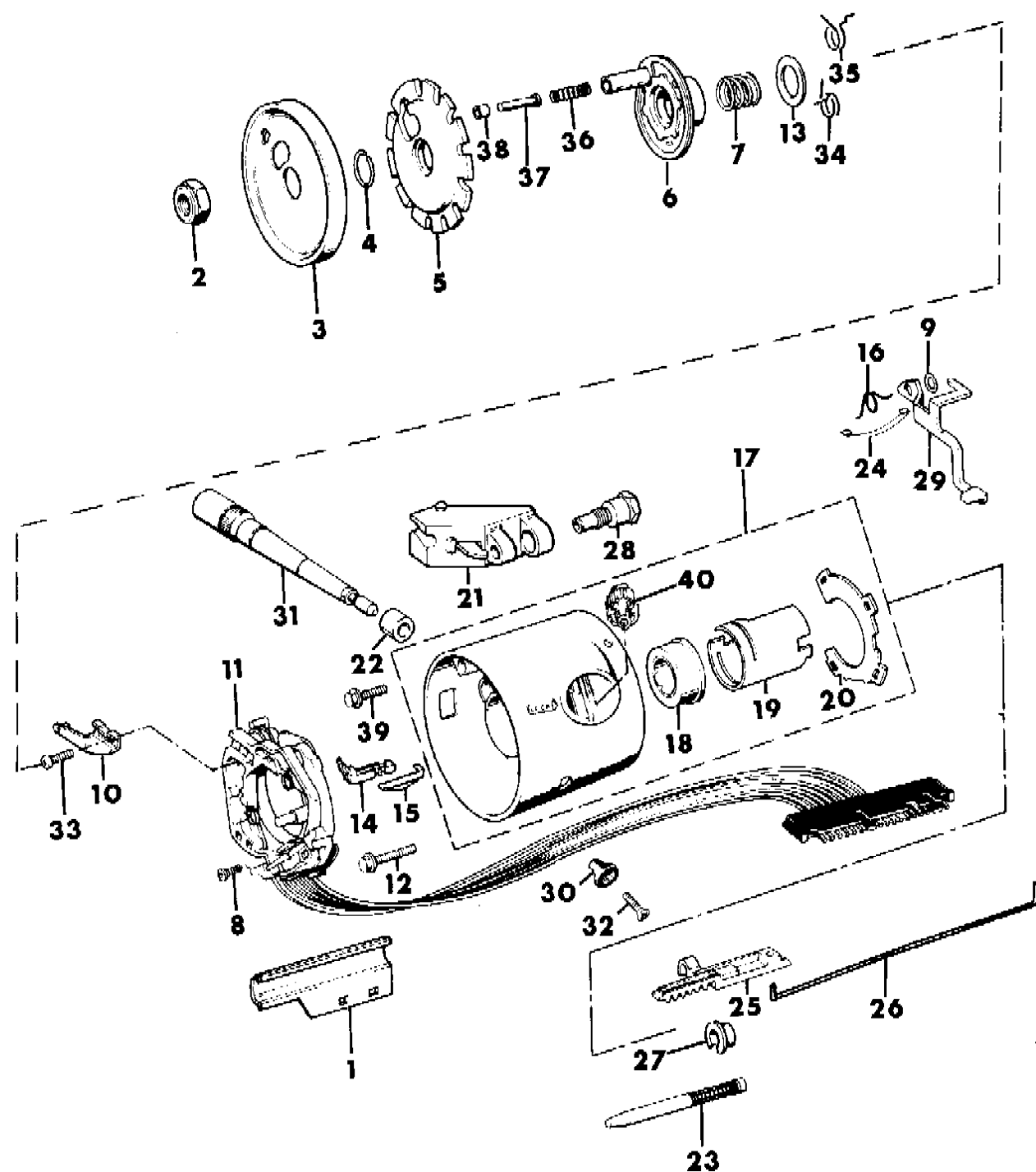
MJ = Comanche Pickup  
 SJ = Grand Wagoneer Wgn., J-10 & J-20 Pickups  
 XJ = Cherokee, Wagoneer Limited  
 YJ = Wrangler

AR = Use as Required - = Non Illustrated Part P.A.R. = Paint as Required

HOUSING STEERING COLUMN UPPER W/FLOOR GEAR SHIFT, W/O TILT CHEROKEE, WAGONEER, COMANCHE

Figure 19-510

8J19 510A



ITEM	PART NUMBER	QTY	BODY	MODEL	DESCRIPTION
1	8350 0225	1			PROTECTOR
2	J420 0414	1			NUT
3	J322 8743	1			COVER, Shift Lock
4	J320 8377	2			RING
5	J812 7831	1			LOCK
6	J448 7711	1			CAM, Cancelling
7	J448 7765	1			SPRING
8	J448 8301	3			SCREW
9	J812 0186	1			WASHER, w/Manual Transmission
10	8351 0088	1			ARM, Switch Actuator
11	J322 9970	1			SWITCH, Turn Signal
12	J448 7761	4			SCREW
13	J320 8008	1			WASHER
14	J321 1423	1			SWITCH, Key Buzzer
15	J448 7713	1			clip ***
16	J812 0185	1			SPRING, w/Manual Transmission
17	J813 4499	1			HOUSING ASSEMBLY
18	J812 7850	1			BEARING ASSEMBLY
19	J813 3537	1			BUSHING
20	J813 4703	1			RETAINER
21					SWITCH ASSEMBLY, Wipers
	5600 0031	1			w/o Intermittent Wipers
	5600 0032	1			w/Intermittent Wipers
22	5600 2285	1			INSULATOR
23	J448 7897	1			BOLT
24	J448 7774	1			SPRING
25					RACK
	J812 1437	1			w/Manual Transmission
	8350 0216	1			w/Automatic Transmission
26					ROD
	8350 0238	1			w/Manual Transmission
	8350 0220	1			w/Automatic Transmission
27	J448 7777	1			WASHER
28	J813 3538	1			PIN
29	J813 3541	1			LEVER, w/Manual Transmission
30	5200 3425	1			KNOB, Hazard Warning
31					LEVER, Turn Signal

MODEL CODES:

15 = Grand Wagoneer 4 Dr.	65 = Comanche 4WD-7 Ft. Box	77 = Cherokee 4WD-2 Dr.
25 = J-10 Pickup-119" W.B.	66 = Comanche 2WD-7 Ft. Box	78 = Cherokee 4WD-4 Dr.
26 = J-10 Pickup-131" W.B.	73 = Cherokee 2WD-2 Dr.	79 = Cherokee 4WD-4 Dr.-Com
27 = J-20 Pickup-131" W.B.	74 = Cherokee 2WD-4 Dr.	81 = Wrangler-93" W.B.
63 = Comanche 4WD-6 Ft. Box	75 = Wagoneer 4WD-4 Dr.	82 = Wrangler-103" W.B.-Exp.
64 = Comanche 2WD-6 Ft. Box		

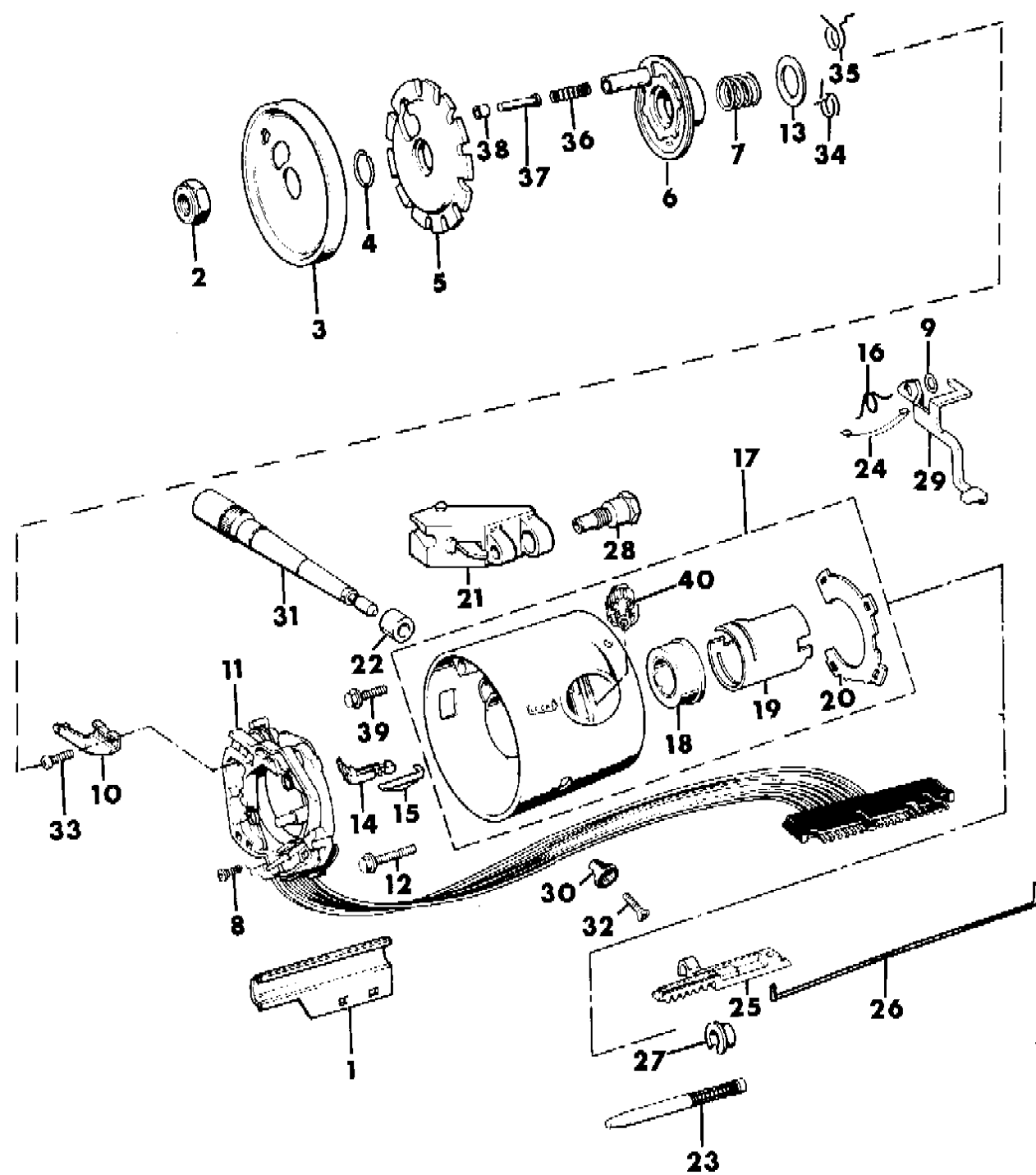
BODY STYLES:

MJ = Comanche Pickup
SJ = Grand Wagoneer Wgn., J-10 & J-20 Pickups
XJ = Cherokee, Wagoneer Limited
YJ = Wrangler

AR = Use as Required - = Non Illustrated Part P.A.R. = Paint as Required

**HOUSING STEERING COLUMN UPPER W/FLOOR GEAR SHIFT, W/O TILT CHEROKEE, WAGONEER, COMANCHE**  
**Figure 19-510**

8J19 510A



ITEM	PART NUMBER	QTY	BODY	MODEL	DESCRIPTION
	5600 0432	1			w/o Intermittent Wipers, w/o Cruise Control ***
	5600 0433	1			w/Intermittent Wipers, w/o Cruise
	5600 0034	1			w/Intermittent Wipers, w/Cruise Control
32	3420 2670	1			SCREW
33	J400 1267	1			SCREW
34	J812 9317	1			SPRING, Left Lower
35	J812 9335	1			SPRING, Right Upper
36					SPRING
	J318 7255	1			(Up To 4-1-89)
	5200 4402	1			(After 4-1-89)
37	J318 7249	1			PIN
38	J318 7257	1			RETAINER
39	8350 2102	1			SCREW
40	J812 0097	1			SECTOR

**MODEL CODES:**

15 = Grand Wagoneer 4 Dr.	65 = Comanche 4WD-7 Ft. Box	77 = Cherokee 4WD-2 Dr.
25 = J-10 Pickup-119" W.B.	66 = Comanche 2WD-7 Ft. Box	78 = Cherokee 4WD-4 Dr.
26 = J-10 Pickup-131" W.B.	73 = Cherokee 2WD-2 Dr.	79 = Cherokee 4WD-4 Dr.-Com
27 = J-20 Pickup-131" W.B.	74 = Cherokee 2WD-4 Dr.	81 = Wrangler-93" W.B.
63 = Comanche 4WD-6 Ft. Box	75 = Wagoneer 4WD-4 Dr.	82 = Wrangler-103" W.B.-Exp.
64 = Comanche 2WD-6 Ft. Box		

**BODY STYLES:**

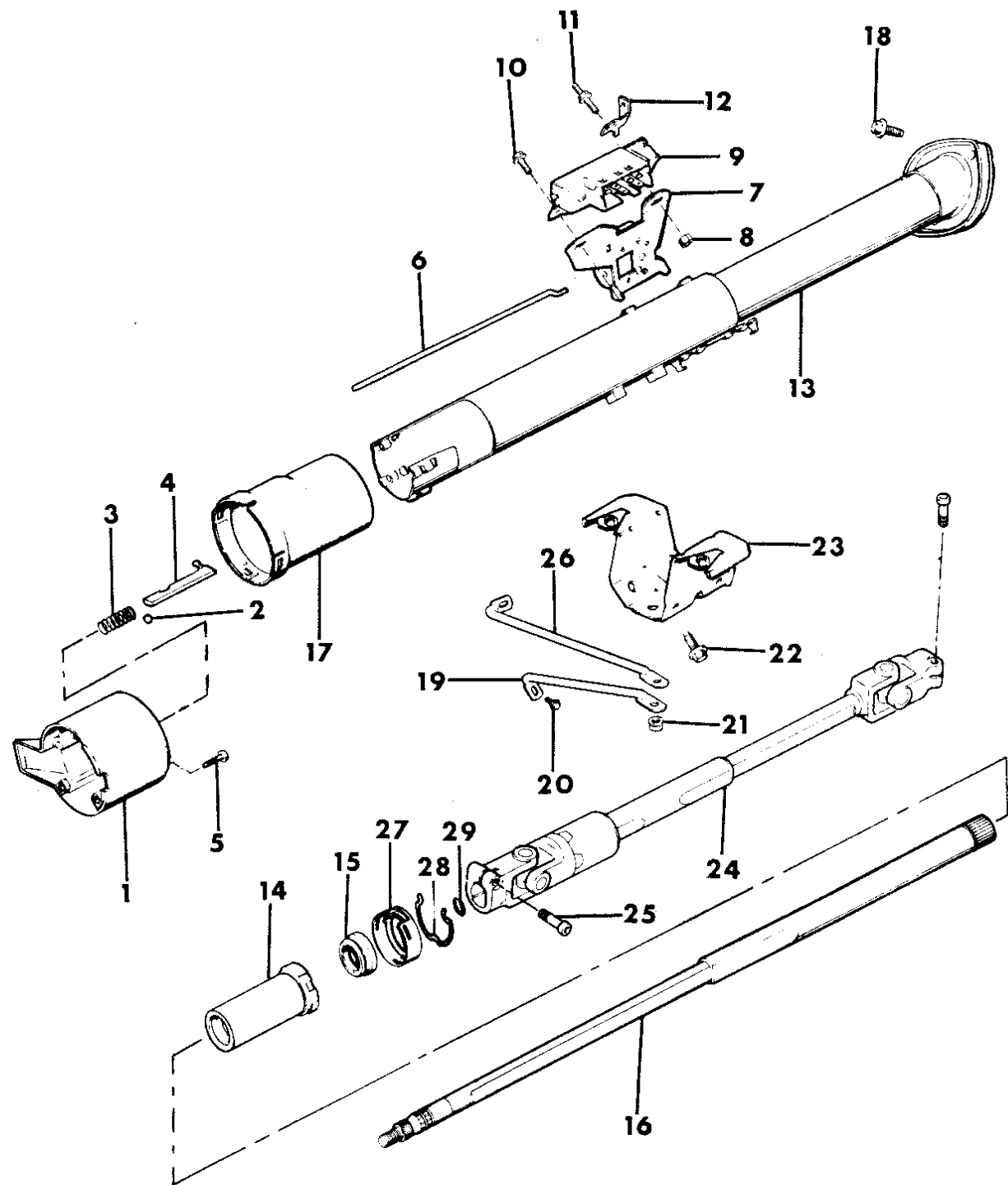
MJ = Comanche Pickup  
 SJ = Grand Wagoneer Wgn., J-10 & J-20 Pickups  
 XJ = Cherokee, Wagoneer Limited  
 YJ = Wrangler

AR = Use as Required - = Non Illustrated Part P.A.R. = Paint as Required

# HOUSING STEERING COLUMN LOWER W/FLOOR GEAR SHIFT, W/O TILT CHEROKEE, WAGONEER, COMANCHE

Figure 19-520

8J19 520



ITEM	PART NUMBER	QTY	BODY	MODEL	DESCRIPTION
1					BOWL, Shift
	J813 4497	1			w/Manual Transmission
	8350 0218	1			w/Automatic Transmission
2	8350 0217	1			BALL, w/Automatic Transmission
3	8350 0237	1			SPRING, w/Automatic Transmission
4	8350 0219	1			PIN, w/Automatic Transmission
5	J448 8301	3			SCREW
6	8350 0226	1			ROD, Dimmer Switch Actuator
7					SWITCH, Headlamp Dimmer
	J323 9703	1		1987-88	
	J813 4498	1		1989	
	5600 3406	1		1990	
8	J012 0361	1			NUT
9	J325 0576	1			SWITCH, Ignition Lock
10	J448 7772	1			SCREW
11	J813 3546	1			STUD
12	8350 0224	1			BRACKET, w/Automatic Transmission
13	8350 0222	1			JACKET ASSEMBLY
14	J812 9486	1			ADAPTER
15	J448 6713	1			BEARING
16	8350 2100	1			SHAFT, Steering Column (upper)
17					SHROUD, Shift Bowl
	J813 3542	1			w/Manual Transmission
	8350 0221	1			w/Automatic Transmission
18	3420 1193	2			SCREW
19	5200 1375	1			SUPPORT, Rod (Short)
20	1150 2685	2			BOLT
21	1150 2812	2			NUT
22	1150 2764	4			SCREW
23	5200 0399	1			BRACKET
24					SHAFT, Steering Column (Lower)
	5200 1948	1			w/Power Steering
	5200 1947	1			w/o Power Steering
25	J420 0400	2			BOLT
26	5200 1376	1			SUPPORT, Rod (Long)
27	J448 7743	1			RETAINER
28	J448 7739	1			CLIP

MODEL CODES:

15 = Grand Wagoneer 4 Dr.	65 = Comanche 4WD-7 Ft. Box	77 = Cherokee 4WD-2 Dr.
25 = J-10 Pickup-119" W.B.	66 = Comanche 2WD-7 Ft. Box	78 = Cherokee 4WD-4 Dr.
26 = J-10 Pickup-131" W.B.	73 = Cherokee 2WD-2 Dr.	79 = Cherokee 4WD-4 Dr.-Com
27 = J-20 Pickup-131" W.B.	74 = Cherokee 2WD-4 Dr.	81 = Wrangler-93" W.B.
63 = Comanche 4WD-6 Ft. Box	75 = Wagoneer 4WD-4 Dr.	82 = Wrangler-103" W.B.-Exp.
64 = Comanche 2WD-6 Ft. Box		

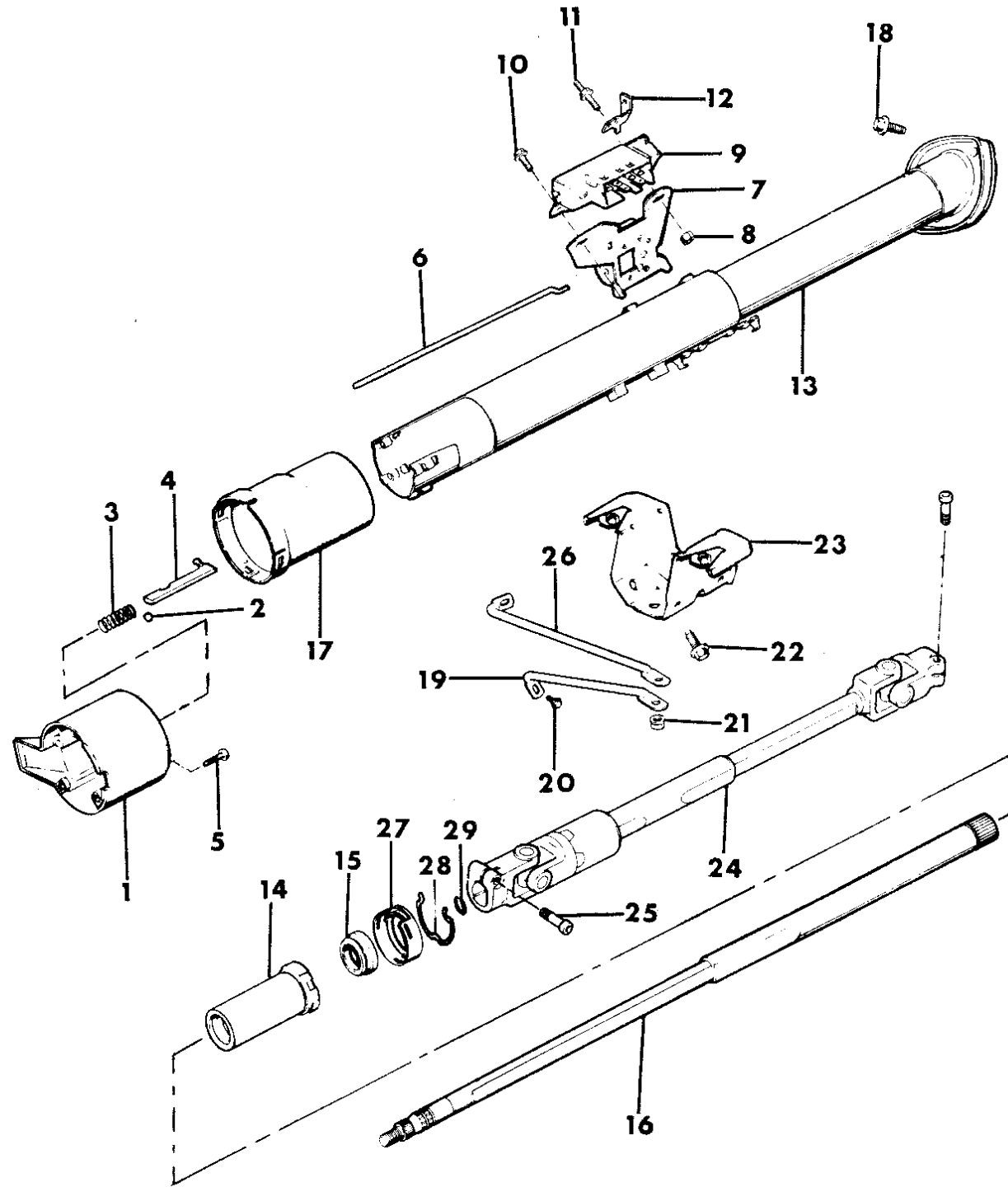
BODY STYLES:

MJ = Comanche Pickup  
 SJ = Grand Wagoneer Wgn., J-10 & J-20 Pickups  
 XJ = Cherokee, Wagoneer Limited  
 YJ = Wrangler

AR = Use as Required - = Non Illustrated Part P.A.R. = Paint as Required

HOUSING STEERING COLUMN LOWER W/FLOOR GEAR SHIFT, W/O TILT CHEROKEE, WAGONEER, COMANCHE  
Figure 19-520

8J19 520



ITEM	PART NUMBER	QTY	BODY	MODEL	DESCRIPTION
29	J320 8377	1			RING

MODEL CODES:

15 = Grand Wagoneer 4 Dr.	65 = Comanche 4WD-7 Ft. Box	77 = Cherokee 4WD-2 Dr.
25 = J-10 Pickup-119" W.B.	66 = Comanche 2WD-7 Ft. Box	78 = Cherokee 4WD-4 Dr.
26 = J-10 Pickup-131" W.B.	73 = Cherokee 2WD-2 Dr.	79 = Cherokee 4WD-4 Dr.-Com
27 = J-20 Pickup-131" W.B.	74 = Cherokee 2WD-4 Dr.	81 = Wrangler-93" W.B.
63 = Comanche 4WD-6 Ft. Box	75 = Wagoneer 4WD-4 Dr.	82 = Wrangler-103" W.B.-Exp.
64 = Comanche 2WD-6 Ft. Box		

BODY STYLES:

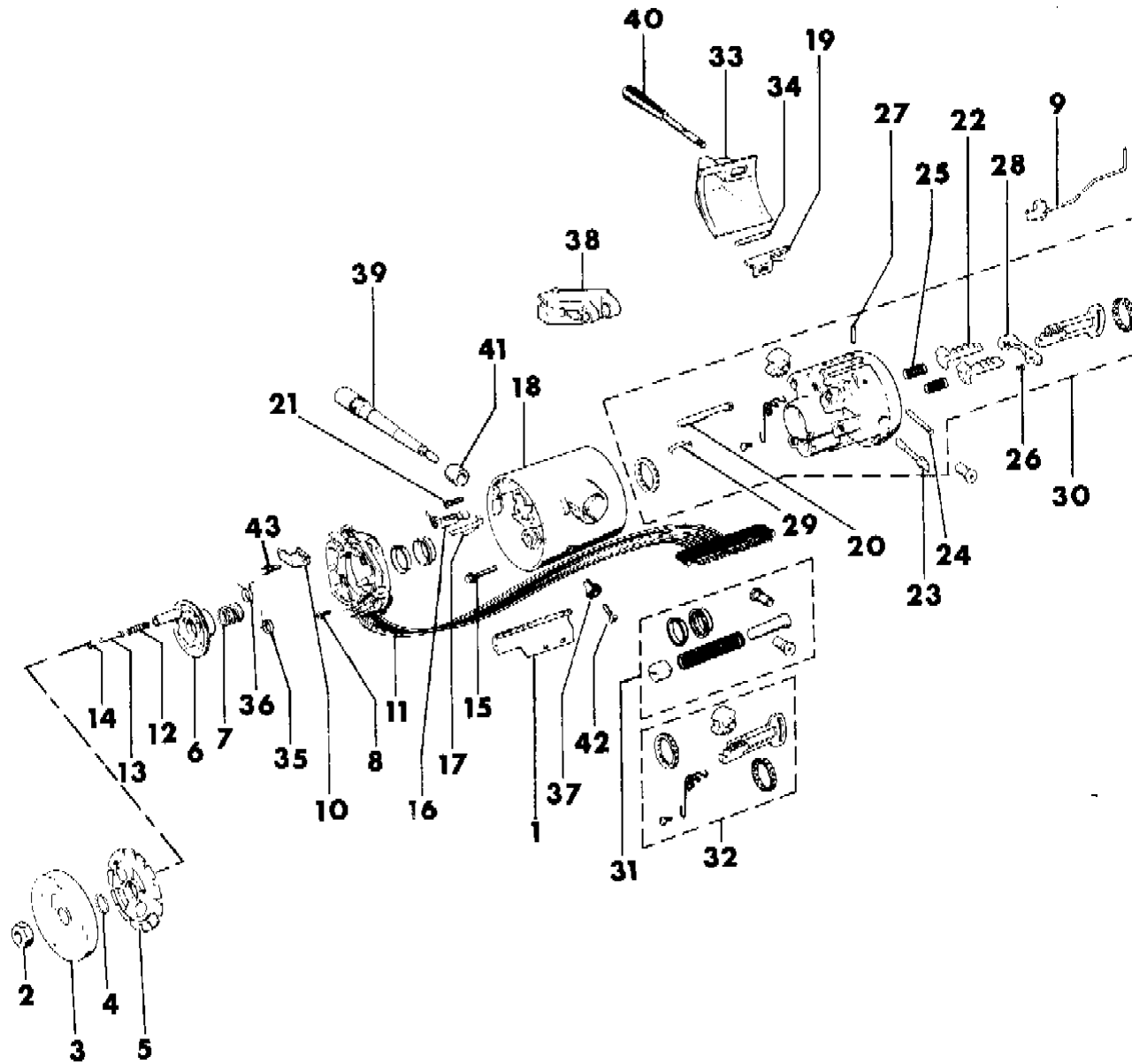
MJ = Comanche Pickup  
SJ = Grand Wagoneer Wgn., J-10 & J-20 Pickups  
XJ = Cherokee, Wagoneer Limited  
YJ = Wrangler

AR = Use as Required - = Non Illustrated Part P.A.R. = Paint as Required

# HOUSING STEERING COLUMN UPPER W/FLOOR GEAR SHIFT, W/TILT CHEROKEE, WAGONEER, COMANCHE

Figure 19-530

8J19 530A



ITEM	PART NUMBER	QTY	BODY	MODEL	DESCRIPTION
1	8350 0225	1			PROTECTOR
2	J420 0414	1			NUT
3	J322 8743	1			COVER, Shift Lock
4	J320 8377	2			RING
5	J812 7874	1			LOCK
6	J448 7816	1			CAM, Cancelling
7	J812 2485	1			SPRING
8	J448 8301	3			SCREW
9					ACTUATOR ASSEMBLY, Ignition Switch ***
	8350 0239	1			w/Manual Transmission ***
	8350 0227	1			w/Automatic Transmission
10	J813 3560	1			ARM, Switch Actuator
11	J322 9970	1			SWITCH, Turn Signal
12					SPRING
	J318 7255	1			(Up To 4-1-89)
	5200 4402	1			(After 4-1-89)
13	J318 7249	1			PIN
14	J318 7257	1			RETAINER
15	J813 3572	3			SCREW
16	J321 1424	1			SWITCH, Key Buzzer
17	J448 7853	1			CLIP
18	8350 2096	1			COVER, Steering Column Housing
19	J813 3570	1			ACTUATOR, Dimmer Switch Rod
20	J448 7819	1			BOLT
21	8350 2103	1			SCREW
22					SHOE
	J448 7828	1			Rt.
	J812 2716	1			Lt.
23	J813 4191	1			SHAFT
24	J448 7822	1			PIN
25	J448 7832	2			SPRING
26	J320 8047	1			SPRING
27	J320 8043	1			PIN
28	J813 3567	1			LEVER
29	J448 7831	1			SPRING
30	8350 1104	1			HOUSING, Steering Column
31	8351 0054	1			PARTS PACKAGE

MODEL CODES:

15 = Grand Wagoneer 4 Dr.	65 = Comanche 4WD-7 Ft. Box	77 = Cherokee 4WD-2 Dr.
25 = J-10 Pickup-119" W.B.	66 = Comanche 2WD-7 Ft. Box	78 = Cherokee 4WD-4 Dr.
26 = J-10 Pickup-131" W.B.	73 = Cherokee 2WD-2 Dr.	79 = Cherokee 4WD-4 Dr.-Com
27 = J-20 Pickup-131" W.B.	74 = Cherokee 2WD-4 Dr.	81 = Wrangler-93" W.B.
63 = Comanche 4WD-6 Ft. Box	75 = Wagoneer 4WD-4 Dr.	82 = Wrangler-103" W.B.-Exp.
64 = Comanche 2WD-6 Ft. Box		

BODY STYLES:

MJ = Comanche Pickup
SJ = Grand Wagoneer Wgn., J-10 & J-20 Pickups
XJ = Cherokee, Wagoneer Limited
YJ = Wrangler

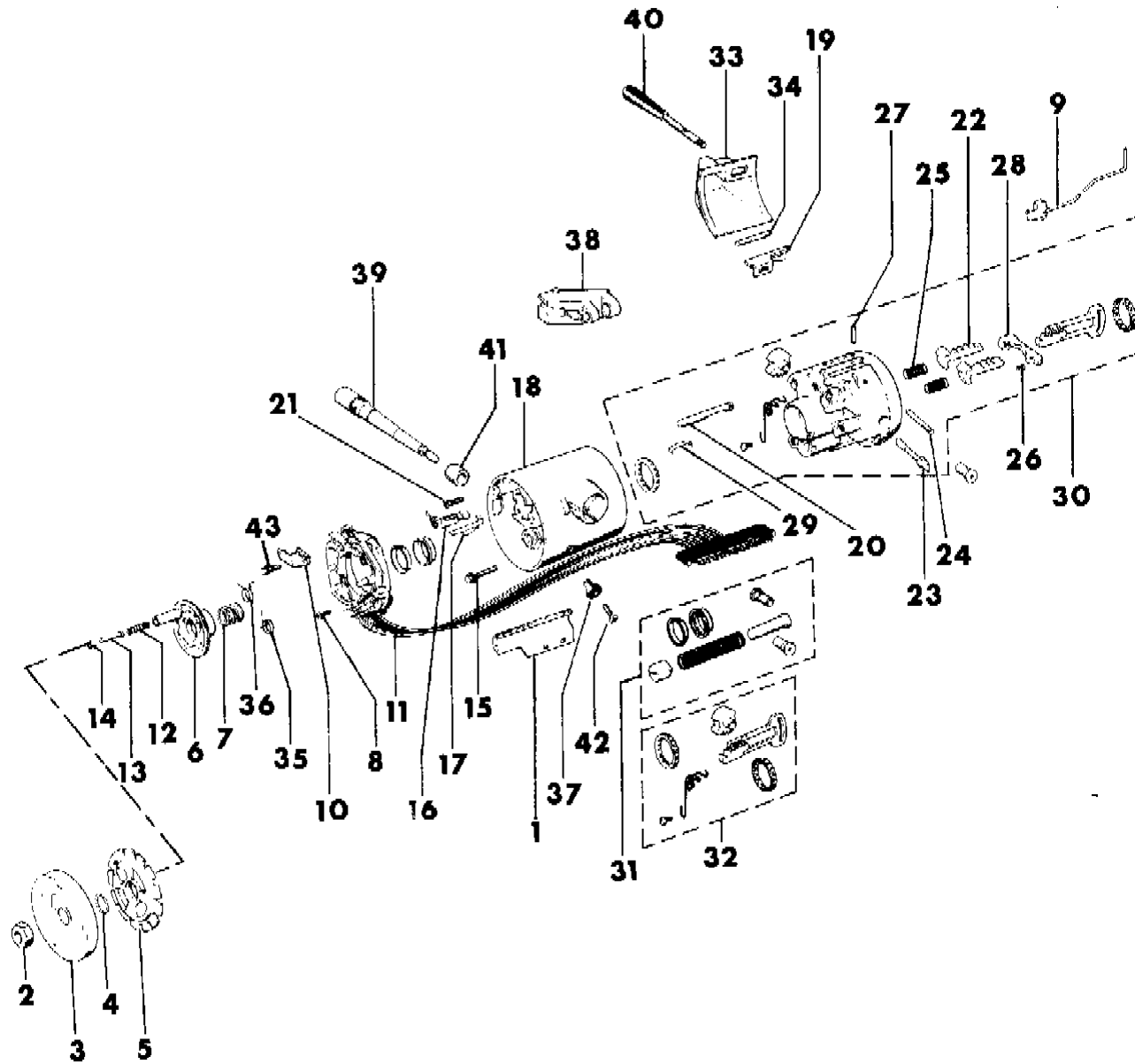
AR = Use as Required - = Non Illustrated Part P.A.R. = Paint as Required

HOUSING STEERING COLUMN UPPER W/FLOOR GEAR SHIFT, W/TILT CHEROKEE, WAGONEER, COMANCHE

Figure 19-530

8J19 530A

ITEM	PART NUMBER	QTY	BODY	MODEL	DESCRIPTION
32	8351 0055	1			RACK PACKAGE
33	J813 4704	1			CAP
34	J813 3565	1			PIN
35	J812 9317	1			SPRING, Lt. Lower
36	J812 9335	1			SPRING, Rt. Upper
37	5200 3425	1			KNOB, Hazard Warning
38					SWITCH ASSEMBLY, Wipers
	5600 0431	1			w/o Intermittent Wipers
	5600 0033	1			w/Intermittent Wipers
39					LEVER, Turn Signal
	5600 0432	1			w/o Intermittent Wipers, w/o Cruise Control
	5600 3867	1			1990
	5600 0433	1			w/Intermittent Wipers, w/o Cruise Control
	5600 2951	1			1990
	5600 0034	1			w/Intermittent Wipers, w/Cruise Control
	5600 4595	1			1990
40	5600 0108	1			LEVER, Wheel Release
	3200 1822	1			Black 1990
41	5600 2285	1			INSULATOR
42	3420 2670	1			SCREW
43	J400 1267	1			SCREW



MODEL CODES:

15 = Grand Wagoneer 4 Dr.	65 = Comanche 4WD-7 Ft. Box	77 = Cherokee 4WD-2 Dr.
25 = J-10 Pickup-119" W.B.	66 = Comanche 2WD-7 Ft. Box	78 = Cherokee 4WD-4 Dr.
26 = J-10 Pickup-131" W.B.	73 = Cherokee 2WD-2 Dr.	79 = Cherokee 4WD-4 Dr.-Com
27 = J-20 Pickup-131" W.B.	74 = Cherokee 2WD-4 Dr.	81 = Wrangler-93" W.B.
63 = Comanche 4WD-6 Ft. Box	75 = Wagoneer 4WD-4 Dr.	82 = Wrangler-103" W.B.-Exp.
64 = Comanche 2WD-6 Ft. Box		

BODY STYLES:

MJ = Comanche Pickup  
 SJ = Grand Wagoneer Wgn., J-10 & J-20 Pickups  
 XJ = Cherokee, Wagoneer Limited  
 YJ = Wrangler

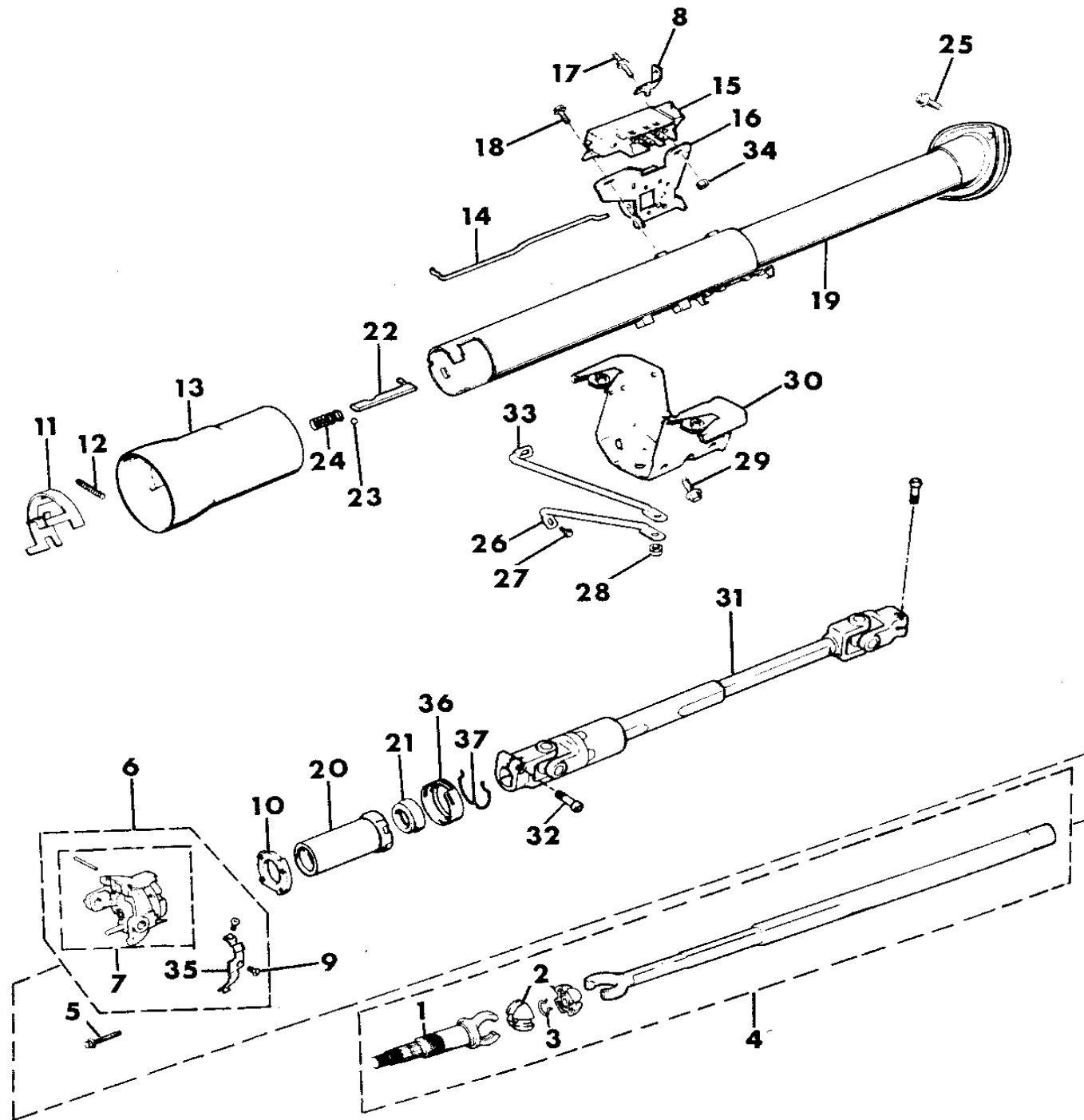
AR = Use as Required - = Non Illustrated Part P.A.R. = Paint as Required



HOUSING STEERING COLUMN LOWER W/FLOOR GEAR SHIFT, W/TILT CHEROKEE, WAGONEER, COMANCHE

Figure 19-540

8J19 540



ITEM	PART NUMBER	QTY	BODY	MODEL	DESCRIPTION
1	J812 8888	1			SHAFT, Steering Column Upper
2	J448 7842	2			SPHERE
3	J448 7843	1			SPRING
4	8350 2101	1			SHAFT ASSEMBLY, Steering Column Upper
5	J448 7867	4			SCREW
6	8350 1109	1			SUPPORT, w/Manual Transmission
7	8350 1369	1			SUPPORT, w/Automatic Transmission
8	8350 0224	1			BRACKET, w/Automatic Transmission
9	J320 8210	2			SCREW, w/Manual Transmission
10	J448 7860	1			PLATE
11	J812 8154	1			LEVER
12	J812 8156	1			SPRING, w/Automatic Transmission
13					SHROUD, Shift Bowl
	8350 0359	1			w/Manual Transmission
	8350 0234	1			w/Automatic Transmission
14	8350 0233	1			ROD, Dimmer Switch Actuator
15	J325 0575	1			SWITCH, Ignition Lock
16					SWITCH, Headlamp Dimmer
	J323 9703	1			1987-88
	J813 4498	1			1989-90
17	J813 3546	1			STUD
18	J448 7772	1			SCREW
19					JACKET ASSEMBLY
	8350 0240	1			w/Manual Transmission ***
	8350 0228	1			w/Automatic Transmission
20	J812 9486	1			ADAPTER
21	J448 6713	1			BEARING
22	8350 0231	1			PIN, w/Automatic Transmission
23	8350 0232	1			PIN, w/Automatic Transmission
24	8350 0235	1			SPRING, w/Automatic Transmission
25	3420 1193	2			SCREW
26	5200 1375	1			SUPPORT, Rod (Short)
27	1150 2685	2			BOLT
28	1150 2812	2			NUT
29	1150 2764	4			SCREW
30	5200 0399	1			BRACKET
31					SHAFT, Steering Column Lower

MODEL CODES:

15 = Grand Wagoneer 4 Dr.	65 = Comanche 4WD-7 Ft. Box	77 = Cherokee 4WD-2 Dr.
25 = J-10 Pickup-119" W.B.	66 = Comanche 2WD-7 Ft. Box	78 = Cherokee 4WD-4 Dr.
26 = J-10 Pickup-131" W.B.	73 = Cherokee 2WD-2 Dr.	79 = Cherokee 4WD-4 Dr.-Com
27 = J-20 Pickup-131" W.B.	74 = Cherokee 2WD-4 Dr.	81 = Wrangler-93" W.B.
63 = Comanche 4WD-6 Ft. Box	75 = Wagoneer 4WD-4 Dr.	82 = Wrangler-103" W.B.-Exp.
64 = Comanche 2WD-6 Ft. Box		

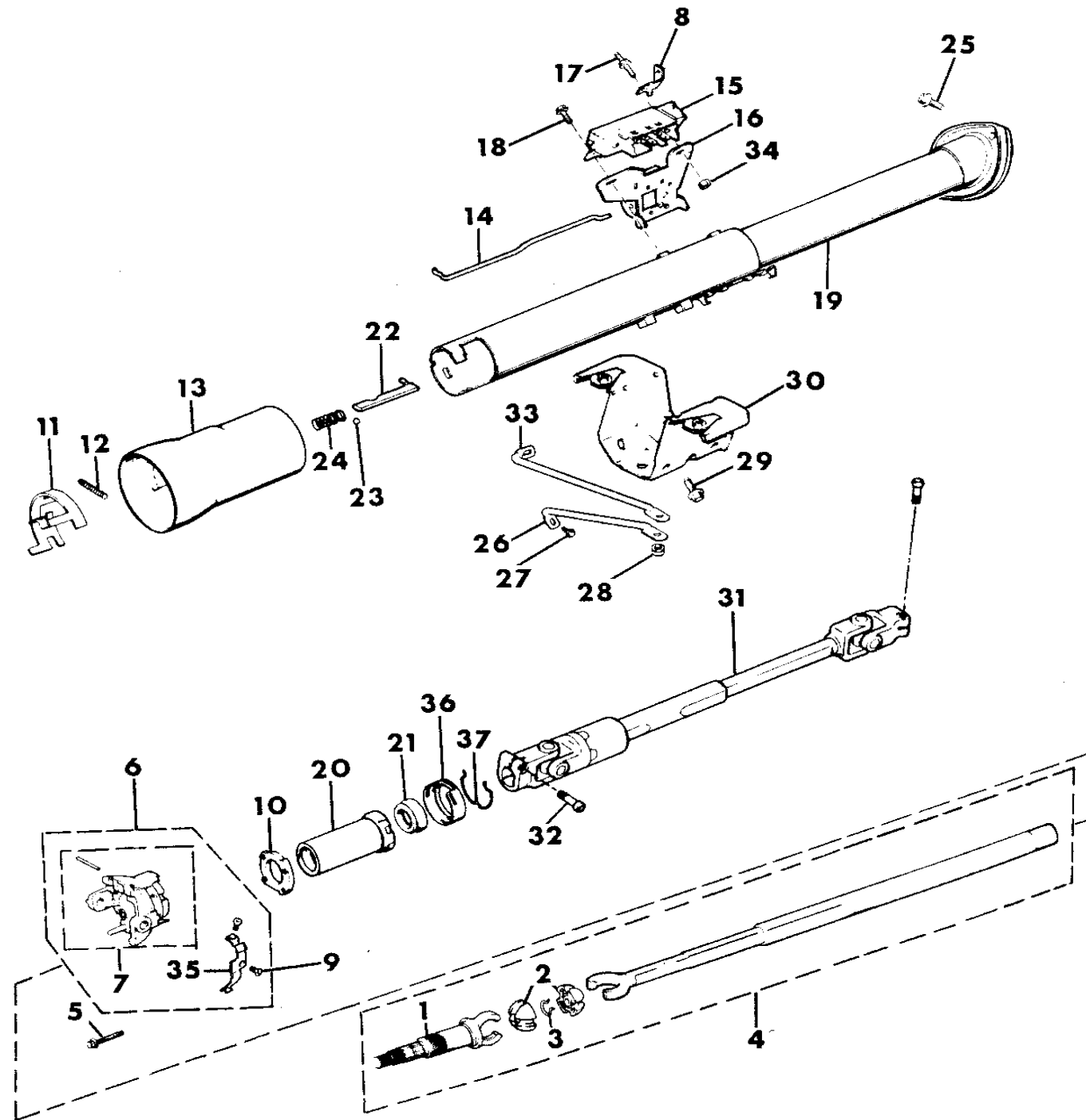
BODY STYLES:

MJ = Comanche Pickup  
 SJ = Grand Wagoneer Wgn., J-10 & J-20 Pickups  
 XJ = Cherokee, Wagoneer Limited  
 YJ = Wrangler

AR = Use as Required - = Non Illustrated Part P.A.R. = Paint as Required

HOUSING STEERING COLUMN LOWER W/FLOOR GEAR SHIFT, W/TILT CHEROKEE, WAGONEER, COMANCHE  
Figure 19-540

8J19 540



ITEM	PART NUMBER	QTY	BODY	MODEL	DESCRIPTION
	5200 7020	1			w/Power Steering, PLUS 2 M8x1.25x30.00 Bolts
	5200 1947	1			w/o Power Steering
32	J420 0400	2			BOLT
33	5200 1376	1			SUPPORT, Rod (Long)
34	J012 0361	1			NUT
35	J813 3569	1			PLATE, w/Manual Transmission
36	J448 7743	1			RETAINER
37	J448 7739	1			CLIP

MODEL CODES:

15 = Grand Wagoneer 4 Dr.	65 = Comanche 4WD-7 Ft. Box	77 = Cherokee 4WD-2 Dr.
25 = J-10 Pickup-119" W.B.	66 = Comanche 2WD-7 Ft. Box	78 = Cherokee 4WD-4 Dr.
26 = J-10 Pickup-131" W.B.	73 = Cherokee 2WD-2 Dr.	79 = Cherokee 4WD-4 Dr.-Com
27 = J-20 Pickup-131" W.B.	74 = Cherokee 2WD-4 Dr.	81 = Wrangler-93" W.B.
63 = Comanche 4WD-6 Ft. Box	75 = Wagoneer 4WD-4 Dr.	82 = Wrangler-103" W.B.-Exp.
64 = Comanche 2WD-6 Ft. Box		

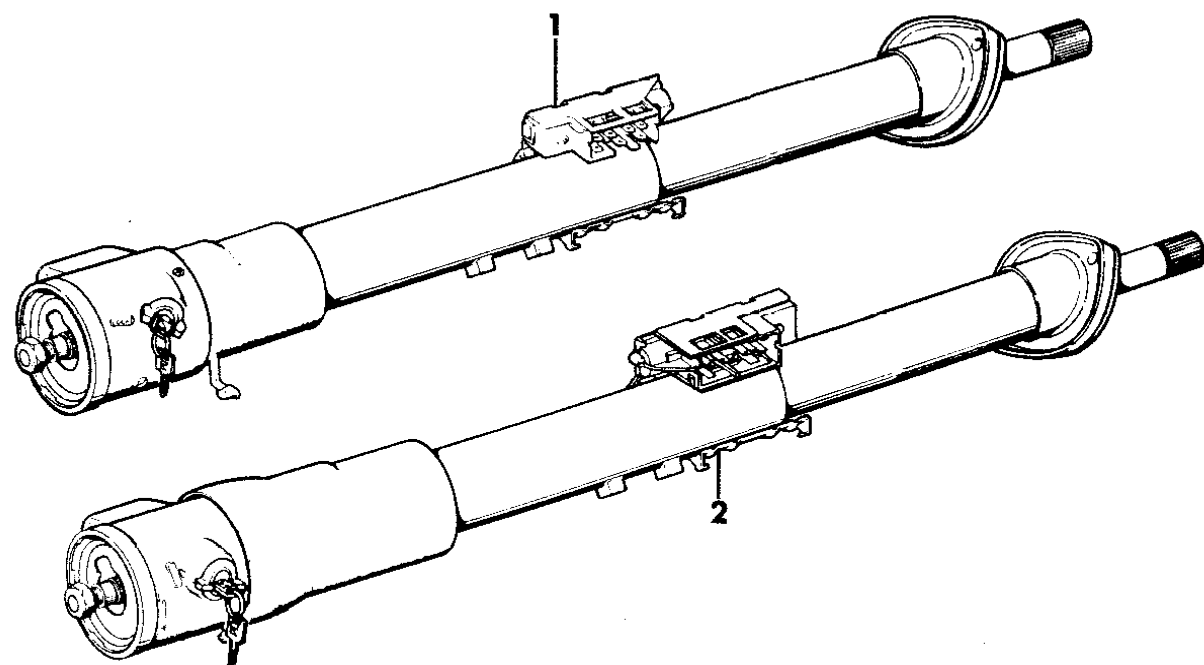
BODY STYLES:

MJ = Comanche Pickup  
SJ = Grand Wagoneer Wgn., J-10 & J-20 Pickups  
XJ = Cherokee, Wagoneer Limited  
YJ = Wrangler

AR = Use as Required - = Non Illustrated Part P.A.R. = Paint as Required

**COLUMN ASSEMBLY, STEERING W/COLUMN GEAR SHIFT COMANCHE**  
**Figure 19-600**

8J19 600



ITEM	PART NUMBER	QTY	BODY	MODEL	DESCRIPTION
1					COLUMN ASSEMBLY, w/Automatic Transmission, w/o Tilt, w/o Intermittent Wipers
	5200 2587	1			1987-88
	5200 4162	1			1989
	5200 4671	1			1990
					COLUMN ASSEMBLY, w/Automtic Transmission, w/o Tilt, w/ Intermittent Wipers
	5200 2588	1			1987-88
	5200 4163	1			1989
	5200 4672	1			1990
2					COLUMN ASSEMBLY, w/Automatic Transmission, w/Tilt, w/ Intermittent Wipers
	5200 2586	1			1987-88
	5200 4160	1			1989
	5200 4670	1			1990

MODEL CODES:

15 = Grand Wagoneer 4 Dr.	65 = Comanche 4WD-7 Ft. Box	77 = Cherokee 4WD-2 Dr.
25 = J-10 Pickup-119" W.B.	66 = Comanche 2WD-7 Ft. Box	78 = Cherokee 4WD-4 Dr.
26 = J-10 Pickup-131" W.B.	73 = Cherokee 2WD-2 Dr.	79 = Cherokee 4WD-4 Dr.-Com
27 = J-20 Pickup-131" W.B.	74 = Cherokee 2WD-4 Dr.	81 = Wrangler-93" W.B.
63 = Comanche 4WD-6 Ft. Box	75 = Wagoneer 4WD-4 Dr.	82 = Wrangler-103" W.B.-Exp.
64 = Comanche 2WD-6 Ft. Box		

BODY STYLES:

MJ = Comanche Pickup  
 SJ = Grand Wagoneer Wgn., J-10 & J-20 Pickups  
 XJ = Cherokee, Wagoneer Limited  
 YJ = Wrangler

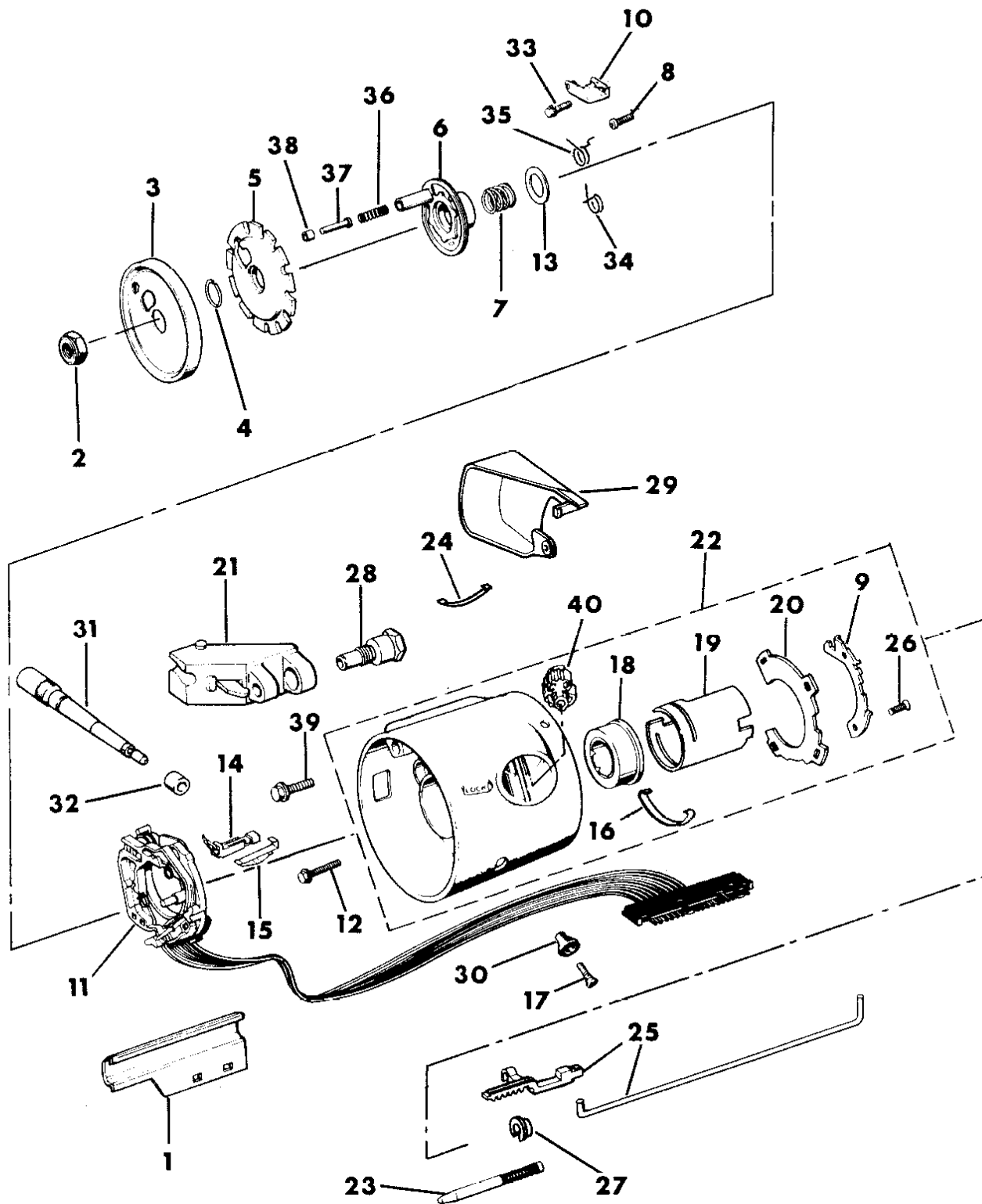
AR = Use as Required - = Non Illustrated Part P.A.R. = Paint as Required

# HOUSING STEERING COLUMN UPPER W/COLUMN GEAR SHIFT, W/O TILT COMANCHE

Figure 19-610

8J19 610

ITEM	PART NUMBER	QTY	BODY	MODEL	DESCRIPTION
1	8350 2566	1			PROTECTOR
2	J420 0414	1			NUT
3	J322 8743	1			COVER, Shift Lock
4	J320 8377	2			RING
5	J812 7831	1			LOCK
6	J448 7711	1			CAM, CANCELLING
7	J448 7765	1			SPRING
8	J448 8301	3			SCREW
9	J448 7799	1			GATE
10	8351 0088	1			ARM, Switch Actuator
11	J322 9970	1			SWITCH, Turn Signal
12	J448 7761	4			SCREW
13	J320 8008	1			WASHER
14	J321 1423	1			SWITCH, Key Buzzer
15	J448 7713	1			CLIP
16	8350 2552	1			CONTACT ***
17	3420 2670	1			SCREW
18	J812 7850	1			BEARING ASSEMBLY
19	8350 2551	1			BUSHING
20	J813 4703	1			RETAINER
21					SWITCH ASSEMBLY, Wipers
	5600 0031	1			w/o Intermittent Wipers
	5600 0032	1			w/Intermittent Wipers
22	8350 3476	1			HOUSING ASSEMBLY
23	J448 7897	1			BOLT
24	J448 7774	1			SPRING
25	8350 2610	1			RACK PACKAGE
26	J813 3553	2			SCREW
27	J448 7777	1			WASHER
28	J813 3538	1			PIN
29	8350 2553	1			COVER
30	5200 3425	1			KNOB, Hazard Warning
31					LEVER, Turn Signal
	5600 0432	1			w/o Cruise, w/o Intermittent Wipers
	5600 0433	1			w/o Cruise, w/Intermittent Wipers
	5600 0034	1			w/Cruise, w/Intermittent Wipers
32	5600 2285	1			INSULATOR



MODEL CODES:

15 = Grand Wagoneer 4 Dr.	65 = Comanche 4WD-7 Ft. Box	77 = Cherokee 4WD-2 Dr.
25 = J-10 Pickup-119" W.B.	66 = Comanche 2WD-7 Ft. Box	78 = Cherokee 4WD-4 Dr.
26 = J-10 Pickup-131" W.B.	73 = Cherokee 2WD-2 Dr.	79 = Cherokee 4WD-4 Dr.-Com
27 = J-20 Pickup-131" W.B.	74 = Cherokee 2WD-4 Dr.	81 = Wrangler-93" W.B.
63 = Comanche 4WD-6 Ft. Box	75 = Wagoneer 4WD-4 Dr.	82 = Wrangler-103" W.B.-Exp.
64 = Comanche 2WD-6 Ft. Box		

BODY STYLES:

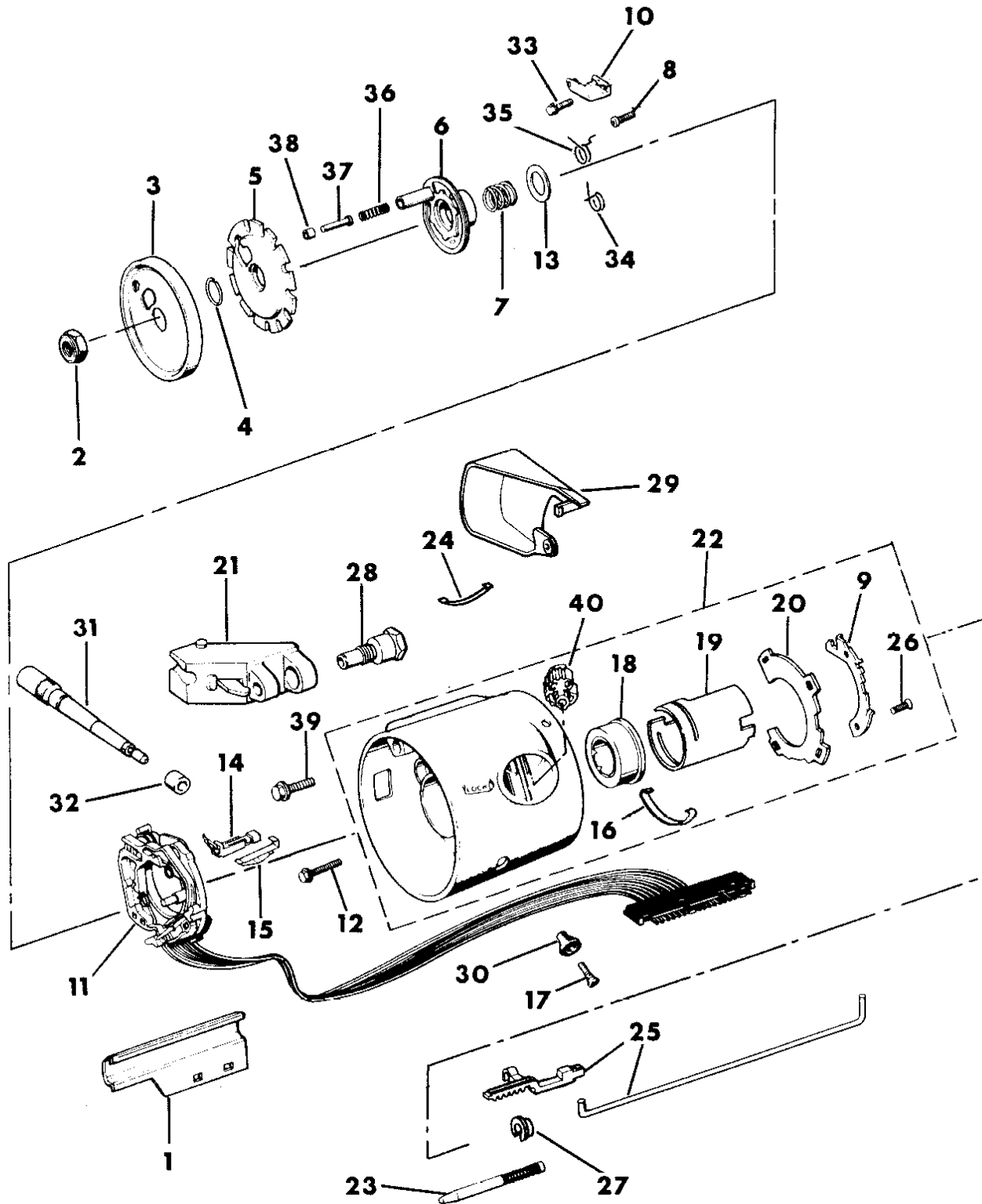
MJ = Comanche Pickup
SJ = Grand Wagoneer Wgn., J-10 & J-20 Pickups
XJ = Cherokee, Wagoneer Limited
YJ = Wrangler

AR = Use as Required - = Non Illustrated Part P.A.R. = Paint as Required

**HOUSING STEERING COLUMN UPPER W/COLUMN GEAR SHIFT, W/O TILT COMANCHE**  
**Figure 19-610**

8J19 610

ITEM	PART NUMBER	QTY	BODY	MODEL	DESCRIPTION
33	J400 1267	1			SCREW
34	J812 9317	1			SPRING, Left Lower
35	J812 9335	1			SPRING, Right Upper
36	J318 7255	1			SPRING (Up To 4-1-89)
	5200 4402	1			(After 4-1-89)
37	J318 7249	1			PIN
38	J318 7257	1			RETAINER
39	8350 2102	1			SCREW
40	J812 0097	1			SECTOR



**MODEL CODES:**

15 = Grand Wagoneer 4 Dr.	65 = Comanche 4WD-7 Ft. Box	77 = Cherokee 4WD-2 Dr.
25 = J-10 Pickup-119" W.B.	66 = Comanche 2WD-7 Ft. Box	78 = Cherokee 4WD-4 Dr.
26 = J-10 Pickup-131" W.B.	73 = Cherokee 2WD-2 Dr.	79 = Cherokee 4WD-4 Dr.-Com
27 = J-20 Pickup-131" W.B.	74 = Cherokee 2WD-4 Dr.	81 = Wrangler-93" W.B.
63 = Comanche 4WD-6 Ft. Box	75 = Wagoneer 4WD-4 Dr.	82 = Wrangler-103" W.B.-Exp.
64 = Comanche 2WD-6 Ft. Box		

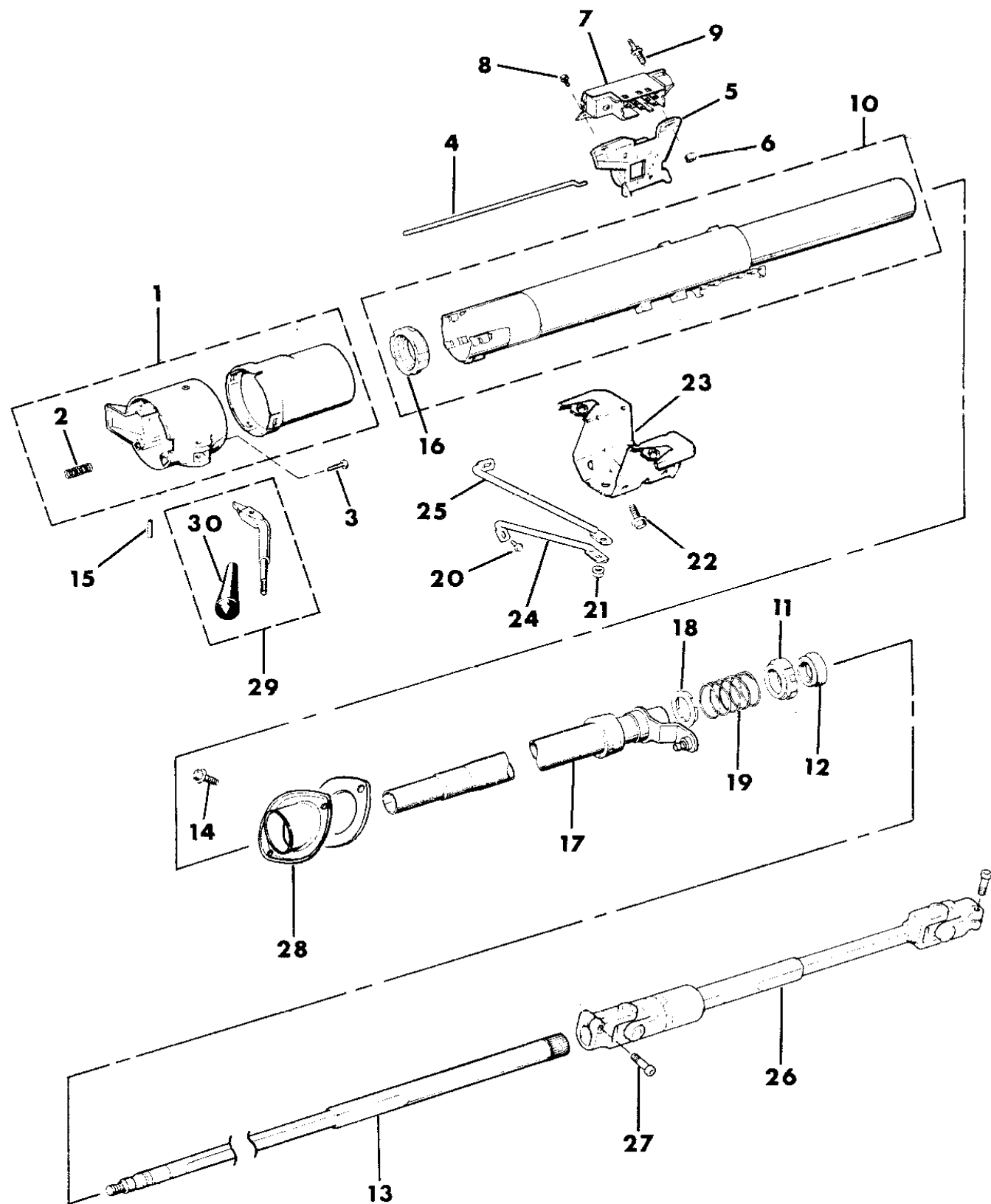
**BODY STYLES:**

MJ = Comanche Pickup  
 SJ = Grand Wagoneer Wgn., J-10 & J-20 Pickups  
 XJ = Cherokee, Wagoneer Limited  
 YJ = Wrangler

AR = Use as Required - = Non Illustrated Part P.A.R. = Paint as Required

**HOUSING STEERING COLUMN LOWER W/COLUMN GEAR SHIFT, W/O TILT COMANCHE**  
**Figure 19-620**

8J19 620



ITEM	PART NUMBER	QTY	BODY	MODEL	DESCRIPTION
1	8350 3472	1			BOWL, Shift
2	J448 7791	1			SPRING
3	J448 8301	3			SCREW
4	8350 2567	1			ROD, Dimmer Switch Actuator
5					SWITCH, Headlamp Dimmer
	J323 9703	1			1987-88
	J813 4498	1			1989-90
6	J012 0361	1			NUT
7	J325 0576	1			SWITCH, Ignition Lock
8	J448 7772	1			SCREW
9	J813 3546	1			STUD
10	8350 2556	1			JACKET ASSEMBLY
11	8350 2561	1			ADAPTER
12	J448 6713	1			BEARING
13	8350 2100	1			SHAFT, Steering Column Upper
14	3420 1193	2			SCREW
15	J400 3925	1			PIN
16	J813 3557	1			BEARING
17	8350 2559	1			TUBE ASSEMBLY, Shift
18	J448 7779	1			WASHER
19	8350 2569	1			SPRING
20	1150 2685	2			BOLT
21	1150 2812	2			NUT
22	1150 2764	4			SCREW
23	5200 0399	1			BRACKET
24	5200 1375	1			SUPPORT, Rod (Short)
25	5200 1376	1			SUPPORT, Rod (Long)
26					SHAFT, Steering Column Lower
	5200 1947	1			w/o Power Steering
	5200 1948	1			w/Power Steering
27	J420 0400	2			BOLT
28	8350 2563	1			PLATE
29	5200 3418	1			LEVER, Gear Shift
30	J321 6462	1			KNOB

**MODEL CODES:**

15 = Grand Wagoneer 4 Dr.	65 = Comanche 4WD-7 Ft. Box	77 = Cherokee 4WD-2 Dr.
25 = J-10 Pickup-119" W.B.	66 = Comanche 2WD-7 Ft. Box	78 = Cherokee 4WD-4 Dr.
26 = J-10 Pickup-131" W.B.	73 = Cherokee 2WD-2 Dr.	79 = Cherokee 4WD-4 Dr.-Com
27 = J-20 Pickup-131" W.B.	74 = Cherokee 2WD-4 Dr.	81 = Wrangler-93" W.B.
63 = Comanche 4WD-6 Ft. Box	75 = Wagoneer 4WD-4 Dr.	82 = Wrangler-103" W.B.-Exp.
64 = Comanche 2WD-6 Ft. Box		

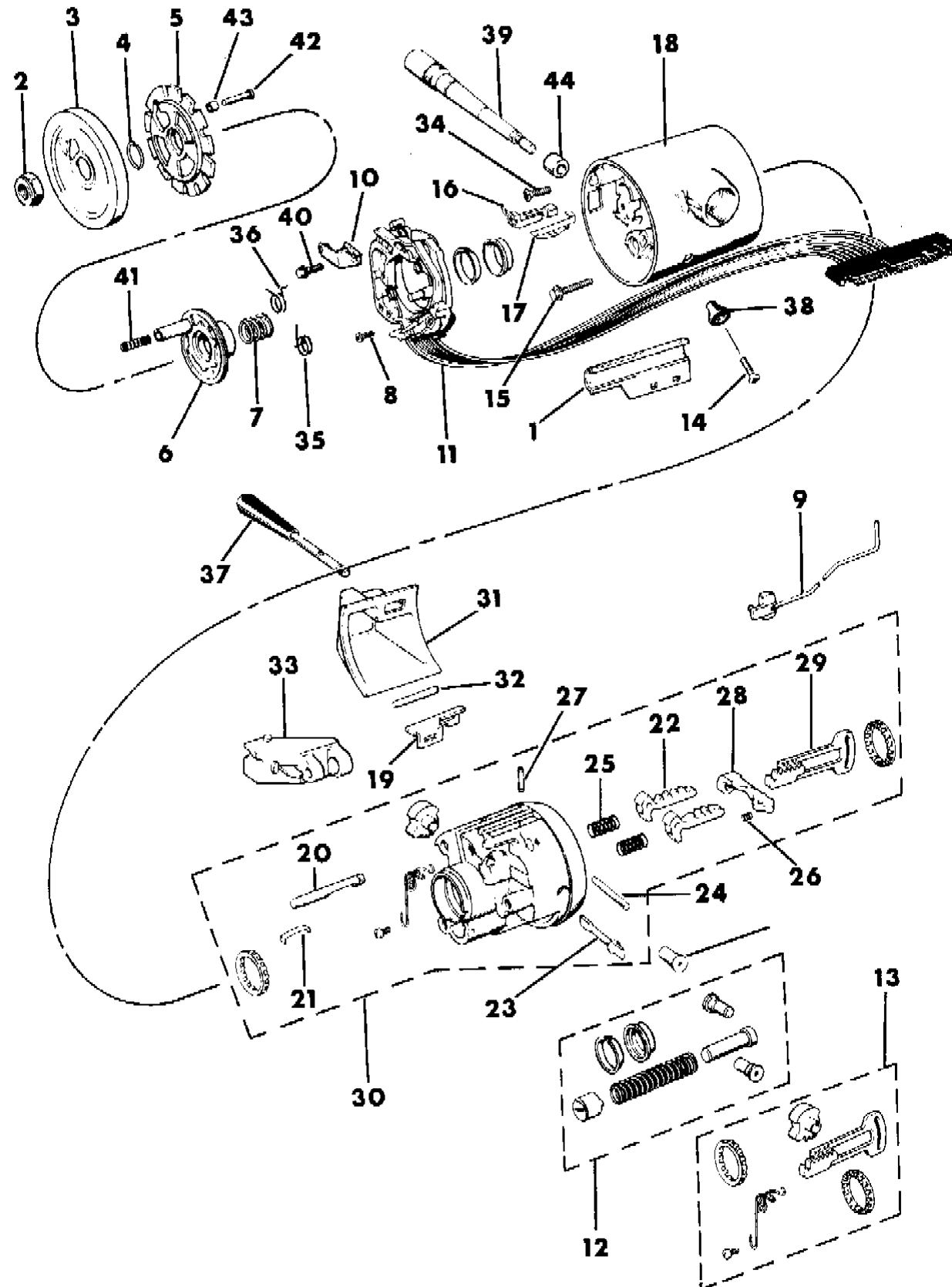
**BODY STYLES:**

MJ = Comanche Pickup  
 SJ = Grand Wagoneer Wgn., J-10 & J-20 Pickups  
 XJ = Cherokee, Wagoneer Limited  
 YJ = Wrangler

AR = Use as Required - = Non Illustrated Part P.A.R. = Paint as Required

**HOUSING STEERING COLUMN UPPER W/COLUMN GEAR SHIFT, W/TILT COMANCHE**  
**Figure 19-630**

**8J19 630A**



ITEM	PART NUMBER	QTY	BODY	MODEL	DESCRIPTION
1	8350 2566	1			PROTECTOR
2	J420 0414	1			NUT
3	J322 8743	1			COVER, Shift Lock
4	J320 8377	2			RING
5	J812 7874	1			LOCK
6	J448 7816	1			CAM, Cancelling
7	J812 2485	1			SPRING ***
8	J448 8301	3			SCREW
9	8350 2573	1			ACTUATOR ASSEMBLY, Ignition Switch ***
10	8350 1575	1			ARM, Switch Actuator
11	J322 9970	1			SWITCH, Turn Signal
12	8351 0054	1			PARTS PACKAGE
13	8351 0055	1			RACK PACKAGE
14	3420 2670	1			SCREW
15	J813 3572	3			SCREW
16	J321 1424	1			SWITCH, Key Buzzer
17	J448 7853	1			CLIP
18	8350 2096	1			COVER, Steering Column Housing
19	J813 3570	1			ACTUATOR, Dimmer Switch Rod
20	J448 7819	1			BOLT
21	J448 7831	1			SPRING
22					SHOE
	8350 2583	1			Lt.
	J448 7828	1			Rt.
23	J813 4191	1			SHAFT
24	J448 7822	1			PIN
25	J448 7832	2			SPRING
26	J320 8047	1			SPRING ***
27	J320 8043	1			PIN
28	J813 3567	1			LEVER
29	J812 7870	1			RACK
30	8350 2582	1			HOUSING, Steering Column
31	J813 4704	1			CAP
32	J813 3565	1			PIN
33	5600 0033	1			SWITCH ASSEMBLY, Intermittent Wipers
34	8350 2103	1			SCREW
35	J812 9317	1			SPRING, Left Lower

**MODEL CODES:**

15 = Grand Wagoneer 4 Dr.	65 = Comanche 4WD-7 Ft. Box	77 = Cherokee 4WD-2 Dr.
25 = J-10 Pickup-119" W.B.	66 = Comanche 2WD-7 Ft. Box	78 = Cherokee 4WD-4 Dr.
26 = J-10 Pickup-131" W.B.	73 = Cherokee 2WD-2 Dr.	79 = Cherokee 4WD-4 Dr.-Com
27 = J-20 Pickup-131" W.B.	74 = Cherokee 2WD-4 Dr.	81 = Wrangler-93" W.B.
63 = Comanche 4WD-6 Ft. Box	75 = Wagoneer 4WD-4 Dr.	82 = Wrangler-103" W.B.-Exp.
64 = Comanche 2WD-6 Ft. Box		

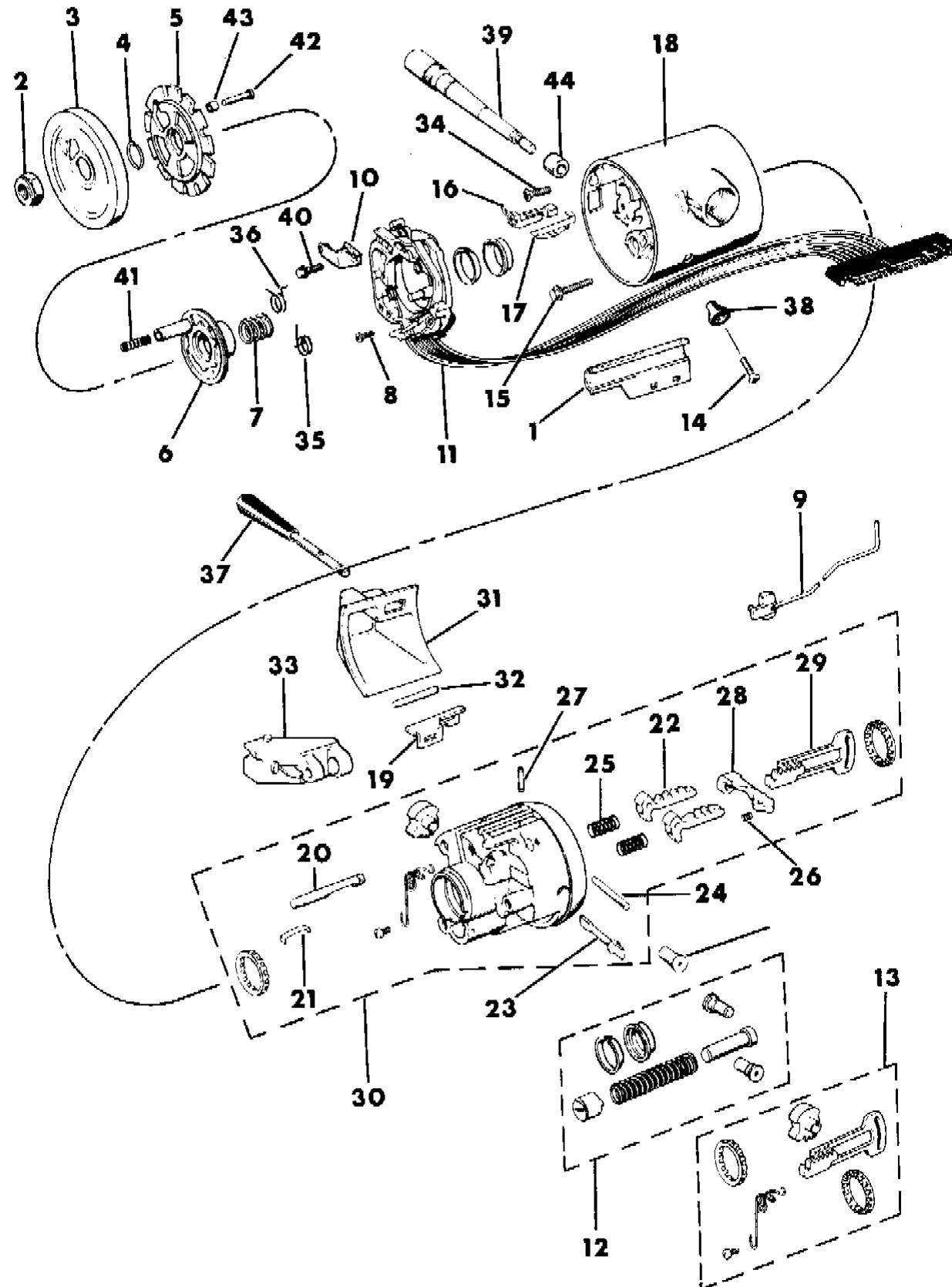
**BODY STYLES:**

MJ = Comanche Pickup  
 SJ = Grand Wagoneer Wgn., J-10 & J-20 Pickups  
 XJ = Cherokee, Wagoneer Limited  
 YJ = Wrangler

AR = Use as Required - = Non Illustrated Part P.A.R. = Paint as Required

**HOUSING STEERING COLUMN UPPER W/COLUMN GEAR SHIFT, W/TILT COMANCHE**  
**Figure 19-630**

**8J19 630A**



ITEM	PART NUMBER	QTY	BODY	MODEL	DESCRIPTION
36	J812 9335	1			SPRING, Right Upper
37	5600 0108	1			LEVER, Wheel Release
	3200 1822	1			Black 1990
38	5200 3425	1			KNOB, Hazard Warning
39					LEVER, Turn Signal
	5600 0433	1			w/o Cruise Control
	5600 0034	1			w/Cruise Control
40	J400 1267	1			SCREW
41					SPRING
	J318 7255	1			(Up To 4-1-89)
	5200 4402	1			(After 4-1-89)
42	J318 7249	1			PIN
43	J318 7257	1			RETAINER
44	5600 2285	1			INSULATOR

**MODEL CODES:**

15 = Grand Wagoneer 4 Dr.	65 = Comanche 4WD-7 Ft. Box	77 = Cherokee 4WD-2 Dr.
25 = J-10 Pickup-119" W.B.	66 = Comanche 2WD-7 Ft. Box	78 = Cherokee 4WD-4 Dr.
26 = J-10 Pickup-131" W.B.	73 = Cherokee 2WD-2 Dr.	79 = Cherokee 4WD-4 Dr.-Com
27 = J-20 Pickup-131" W.B.	74 = Cherokee 2WD-4 Dr.	81 = Wrangler-93" W.B.
63 = Comanche 4WD-6 Ft. Box	75 = Wagoneer 4WD-4 Dr.	82 = Wrangler-103" W.B.-Exp.
64 = Comanche 2WD-6 Ft. Box		

**BODY STYLES:**

MJ = Comanche Pickup  
 SJ = Grand Wagoneer Wgn., J-10 & J-20 Pickups  
 XJ = Cherokee, Wagoneer Limited  
 YJ = Wrangler

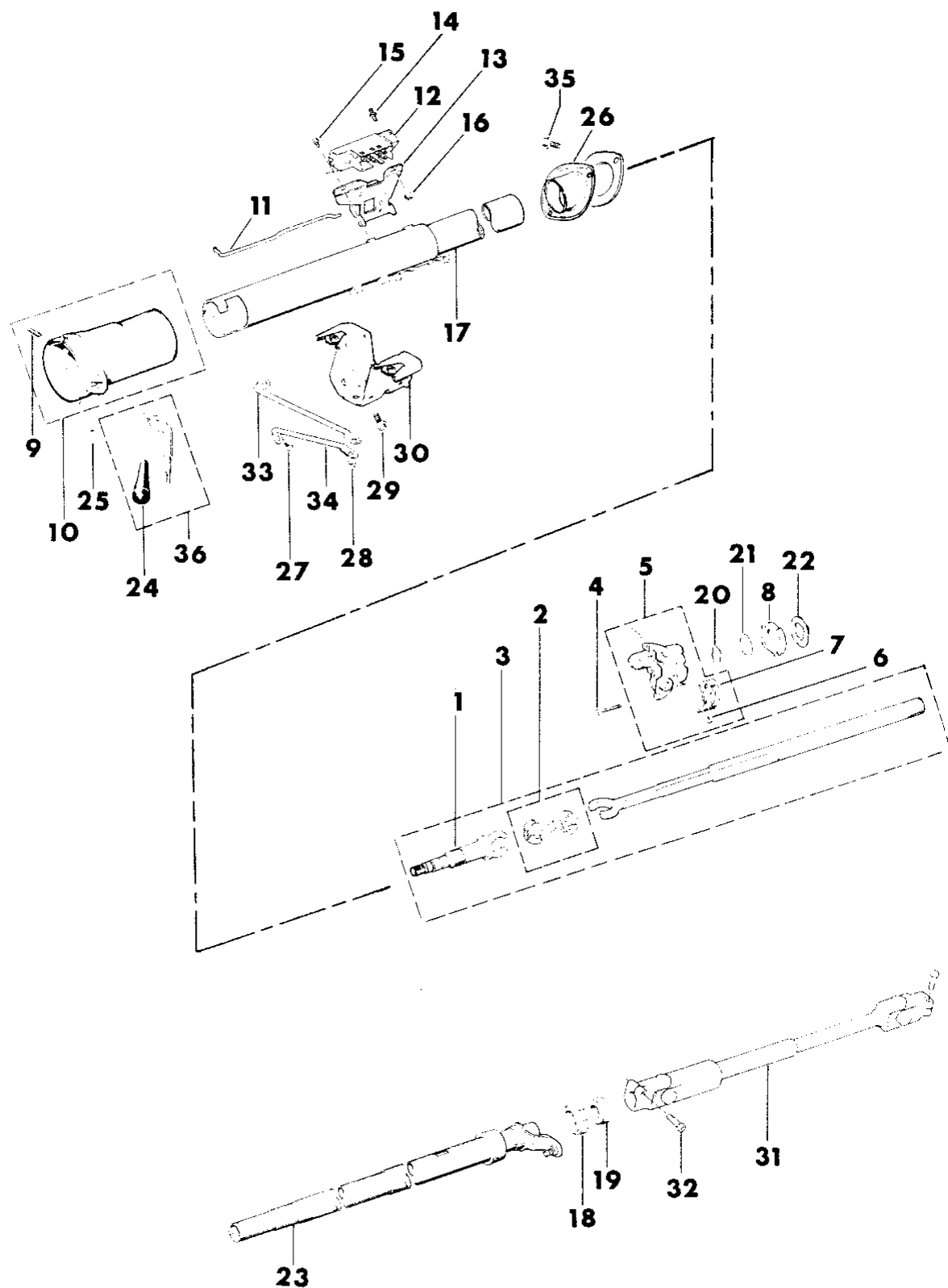
AR = Use as Required - = Non Illustrated Part P.A.R. = Paint as Required



# HOUSING STEERING COLUMN LOWER W/COLUMN GEAR SHIFT, W/TILT COMANCHE

Figure 19-640

8J19 640



ITEM	PART NUMBER	QTY	BODY	MODEL	DESCRIPTION
1	J812 8888	1			SHAFT, Steering Column Upper
2	8351 0056	1			SPHERE
3	8350 2101	1			SHAFT ASSEMBLY, Steering Column Upper
4	J448 7867	4			SCREW
5	8350 4415	1			SUPPORT ***
6	J320 8210	2			SCREW
7	8350 4412	1			GATE, Shift Lever
8	J448 7860	1			PLATE
9	J812 0251	1			SPRING
10	8350 3478	1			SHROUD, Shift Bowl
11	8350 2568	1			ROD, Dimmer Switch Actuator
12	J325 0575	1			SWITCH, Ignition Lock
13					SWITCH, Headlamp Dimmer
	J323 9703	1		1987-88	
	J813 4498	1		1989-90	
14	J813 3546	1			STUD
15	J448 7772	1			SCREW
16	J012 0361	1			NUT
17	8350 2557	1			JACKET ASSEMBLY
18	8350 2561	1			ADAPTER
19	J448 6713	1			BEARING
20	J448 7864	1			RING, Shift Tube Retaining
21	J448 7872	1			WASHER, Thrust
22	J448 7873	1			WASHER, WAVE
23	8350 2558	1			TUBE ASSEMBLY, Shift
24	J321 6462	1			KNOB
25	J400 3925	1			PIN
26	8350 2563	1			PLATE
27	1150 2685	2			BOLT
28	1150 2812	2			NUT
29	1150 2764	4			SCREW
30	5200 0399	1			BRACKET
31					SHAFT, Steering Column Lower
	5200 1947	1			w/o Power Steering
	5200 1948	1			w/Power Steering
32	J420 0400	2			BOLT
33	5200 1376	1			SUPPORT, Rod (Long)

MODEL CODES:

15 = Grand Wagoneer 4 Dr.	65 = Comanche 4WD-7 Ft. Box	77 = Cherokee 4WD-2 Dr.
25 = J-10 Pickup-119" W.B.	66 = Comanche 2WD-7 Ft. Box	78 = Cherokee 4WD-4 Dr.
26 = J-10 Pickup-131" W.B.	73 = Cherokee 2WD-2 Dr.	79 = Cherokee 4WD-4 Dr.-Com
27 = J-20 Pickup-131" W.B.	74 = Cherokee 2WD-4 Dr.	81 = Wrangler-93" W.B.
63 = Comanche 4WD-6 Ft. Box	75 = Wagoneer 4WD-4 Dr.	82 = Wrangler-103" W.B.-Exp.
64 = Comanche 2WD-6 Ft. Box		

BODY STYLES:

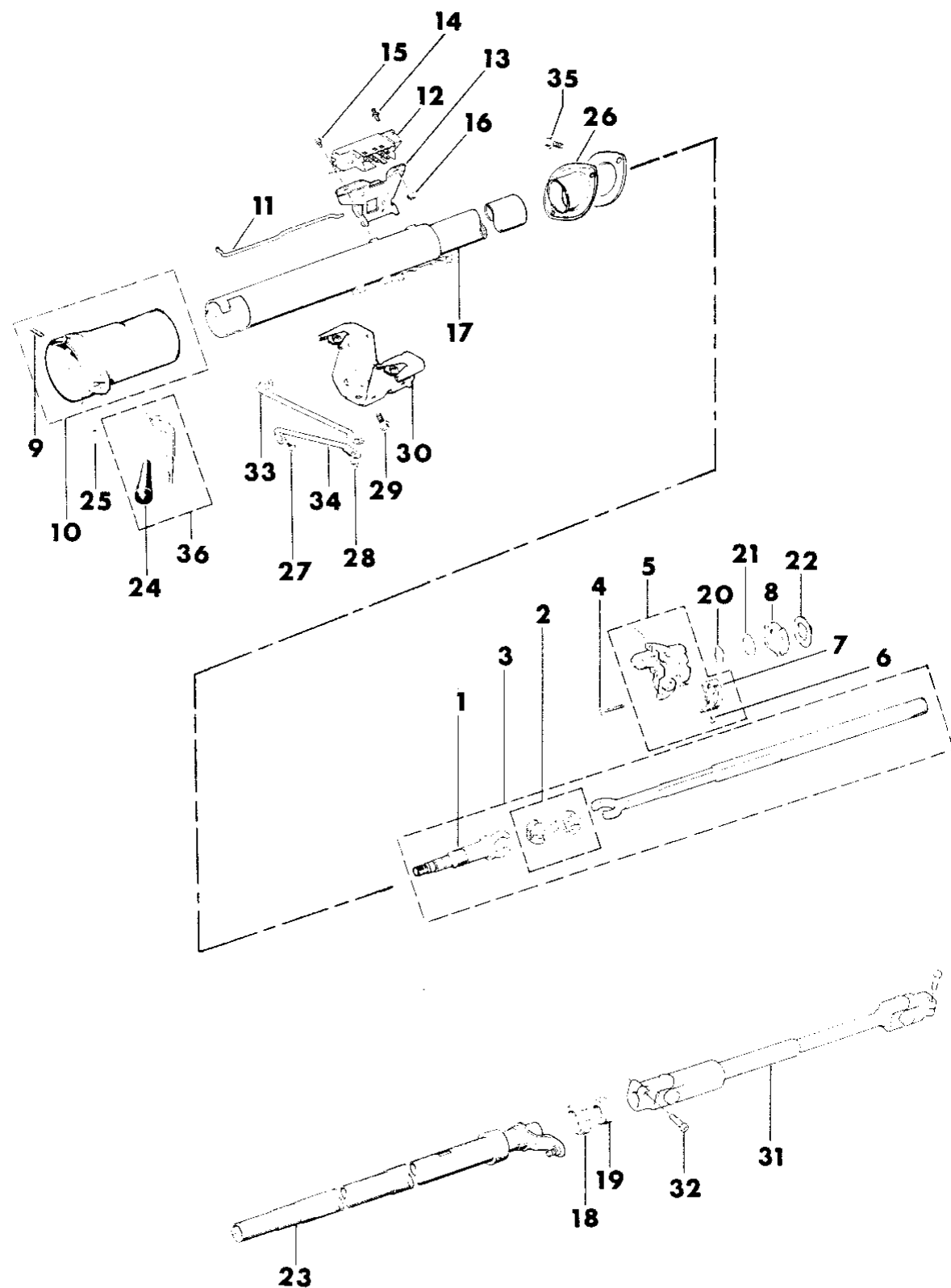
MJ = Comanche Pickup  
 SJ = Grand Wagoneer Wgn., J-10 & J-20 Pickups  
 XJ = Cherokee, Wagoneer Limited  
 YJ = Wrangler

AR = Use as Required - = Non Illustrated Part P.A.R. = Paint as Required

HOUSING STEERING COLUMN LOWER W/COLUMN GEAR SHIFT, W/TILT COMANCHE

Figure 19-640

8J19 640



ITEM	PART NUMBER	QTY	BODY	MODEL	DESCRIPTION
------	-------------	-----	------	-------	-------------

34	5200 1375	1			SUPPORT, Rod (Short)
35	3420 1193	2			SCREW
36	5200 3095	1			LEVER, Gear Shift

MODEL CODES:

15 = Grand Wagoneer 4 Dr.	65 = Comanche 4WD-7 Ft. Box	77 = Cherokee 4WD-2 Dr.
25 = J-10 Pickup-119" W.B.	66 = Comanche 2WD-7 Ft. Box	78 = Cherokee 4WD-4 Dr.
26 = J-10 Pickup-131" W.B.	73 = Cherokee 2WD-2 Dr.	79 = Cherokee 4WD-4 Dr.-Com
27 = J-20 Pickup-131" W.B.	74 = Cherokee 2WD-4 Dr.	81 = Wrangler-93" W.B.
63 = Comanche 4WD-6 Ft. Box	75 = Wagoneer 4WD-4 Dr.	82 = Wrangler-103" W.B.-Exp.
64 = Comanche 2WD-6 Ft. Box		

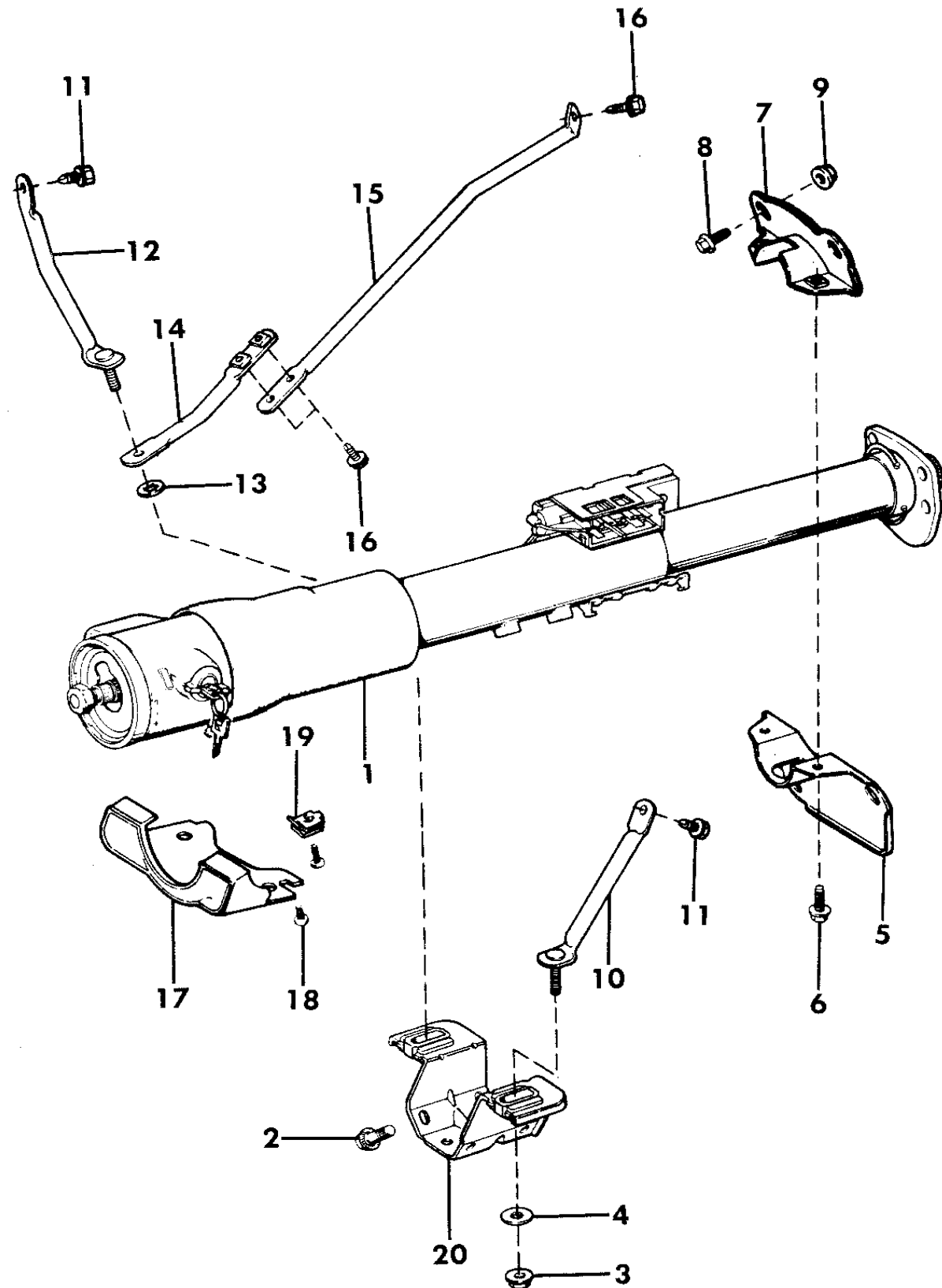
BODY STYLES:

MJ = Comanche Pickup  
 SJ = Grand Wagoneer Wgn., J-10 & J-20 Pickups  
 XJ = Cherokee, Wagoneer Limited  
 YJ = Wrangler

AR = Use as Required - = Non Illustrated Part P.A.R. = Paint as Required

**COLUMN ASSY., AND MOUNTING GRAND WAGONEER, J10,20**  
**Figure 19-700**

8 J19 700



ITEM	PART NUMBER	QTY	BODY	MODEL	DESCRIPTION
1					COLUMN ASSEMBLY, Steering
	5200 2374	1			w/Floor Shift
	5200 3162	1			w/Column Shift, 1987-89
	5200 6391	1			w/Column Shift, 1990
2	1150 2764	4			SCREW
3	J400 4747	2			NUT
4	J012 0391	2			WASHER
5	J319 6897	1			PLATE
6	J027 3573	2			SCREW
7	J536 3488	1			PLATE
8	J400 4520	4			SCREW
9	J400 4866	4			NUT
10	J575 2703	1			ROD
11	J400 5063	2			SCREW
12	J575 2788	1			ROD
13	J400 3084	1			NUT, Push
14	J576 1741	1			ROD
15	J576 1740	1			ROD
16	J400 1933	3			SCREW
17	5500 9633	1			COVER, (Dealer Paint)
18	3420 1314	4			SCREW
19	3420 1820	2			NUT
20	J535 1229	1			BRACKET

**MODEL CODES:**

15 = Grand Wagoneer 4 Dr.	65 = Comanche 4WD-7 Ft. Box	77 = Cherokee 4WD-2 Dr.
25 = J-10 Pickup-119" W.B.	66 = Comanche 2WD-7 Ft. Box	78 = Cherokee 4WD-4 Dr.
26 = J-10 Pickup-131" W.B.	73 = Cherokee 2WD-2 Dr.	79 = Cherokee 4WD-4 Dr.-Com
27 = J-20 Pickup-131" W.B.	74 = Cherokee 2WD-4 Dr.	81 = Wrangler-93" W.B.
63 = Comanche 4WD-6 Ft. Box	75 = Wagoneer 4WD-4 Dr.	82 = Wrangler-103" W.B.-Exp.
64 = Comanche 2WD-6 Ft. Box		

**BODY STYLES:**

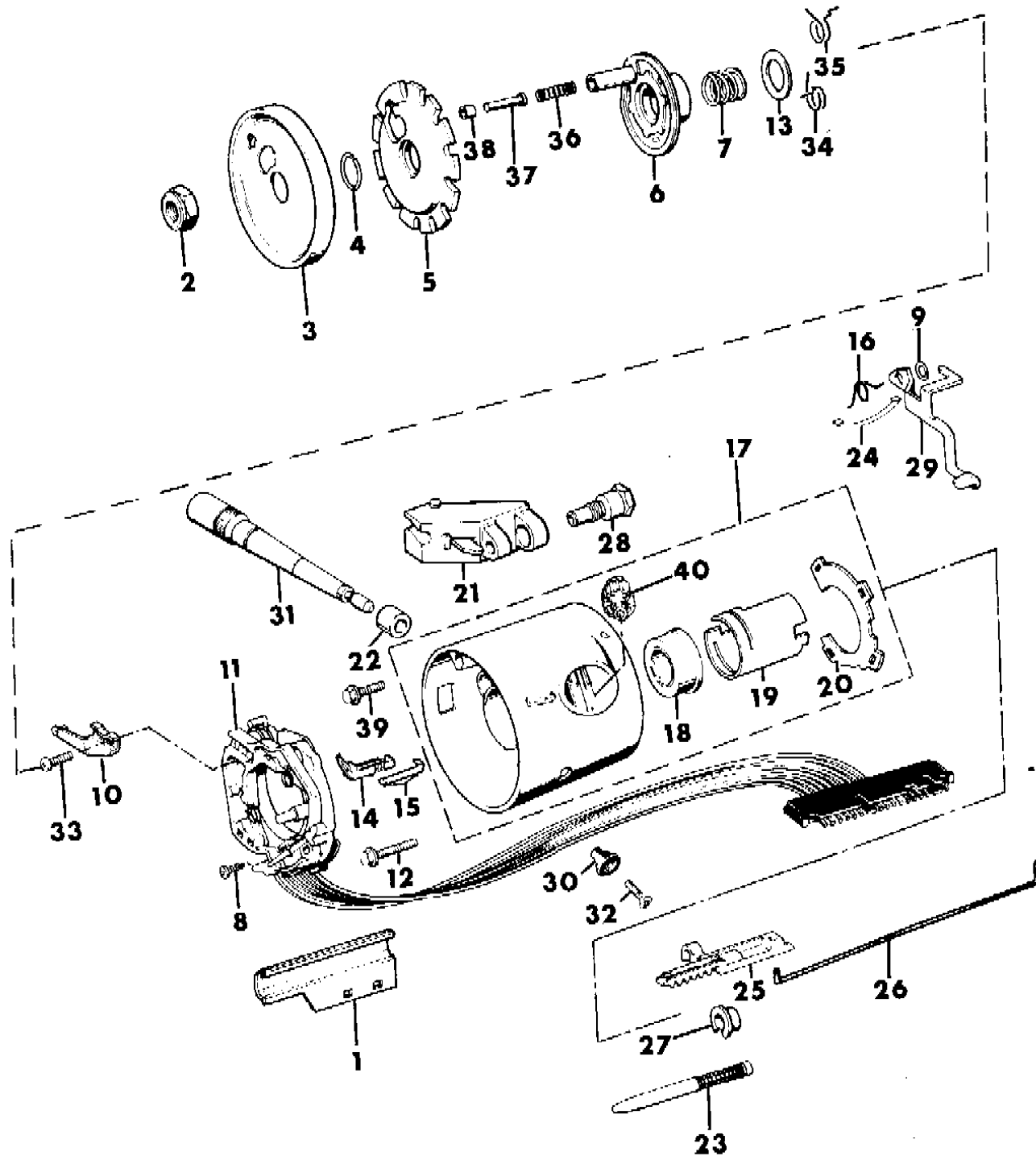
MJ = Comanche Pickup  
 SJ = Grand Wagoneer Wgn., J-10 & J-20 Pickups  
 XJ = Cherokee, Wagoneer Limited  
 YJ = Wrangler

AR = Use as Required - = Non Illustrated Part P.A.R. = Paint as Required

# HOUSING STEERING COLUMN UPPER W/FLOOR GEAR SHIFT, W/O TILT J10, J20

Figure 19-710

8J19 710 A



ITEM	PART NUMBER	QTY	BODY	MODEL	DESCRIPTION
1	8350 2566	1			PROTECTOR
2	J420 0414	1			NUT
3	J322 8743	1			COVER, Shift Lock
4	J320 8377	2			RING
5	J812 7831	1			LOCK
6	J448 7711	1			CAM, Cancelling
7	J448 7765	1			SPRING
8	J448 8301	3			SCREW
9	J812 0186	1			WASHER
10	8351 0088	1			ARM, Switch Actuator
11	5600 2011	1			SWITCH, Turn Signal
12	J448 7761	4			SCREW
13	J320 8008	1			WASHER
14	J321 1423	1			SWITCH, Key Buzzer
15	J448 7713	1			CLIP ***
16	J812 0185	1			SPRING
17	J813 4499	1			HOUSING ASSEMBLY
18	J812 7850	1			BEARING ASSEMBLY
19	J813 3537	1			BUSHING
20	J813 4703	1			RETAINER
21	5600 0031	1			SWITCH ASSEMBLY, Wipers
22	5600 2285	1			INSULATOR
23	J448 7897	1			BOLT
24	J448 7774	1			SPRING
25	J812 1437	1			RACK
26	8350 0238	1			ROD
27	J448 7777	1			WASHER
28	J813 3538	1			PIN
29	J813 3541	1			LEVER
30	5200 3425	1			KNOB, Hazard Warning
31	5600 0432	1			LEVER, Turn Signal
32	3420 2670	1			SCREW
33	J400 1267	1			SCREW
34	J812 9317	1			SPRING, Left Lower
35	J812 9335	1			SPRING, Right Upper
36	J318 7255	1			SPRING (Up To 4-1-89)

MODEL CODES:

15 = Grand Wagoneer 4 Dr.	65 = Comanche 4WD-7 Ft. Box	77 = Cherokee 4WD-2 Dr.
25 = J-10 Pickup-119" W.B.	66 = Comanche 2WD-7 Ft. Box	78 = Cherokee 4WD-4 Dr.
26 = J-10 Pickup-131" W.B.	73 = Cherokee 2WD-2 Dr.	79 = Cherokee 4WD-4 Dr.-Com
27 = J-20 Pickup-131" W.B.	74 = Cherokee 2WD-4 Dr.	81 = Wrangler-93" W.B.
63 = Comanche 4WD-6 Ft. Box	75 = Wagoneer 4WD-4 Dr.	82 = Wrangler-103" W.B.-Exp.
64 = Comanche 2WD-6 Ft. Box		

BODY STYLES:

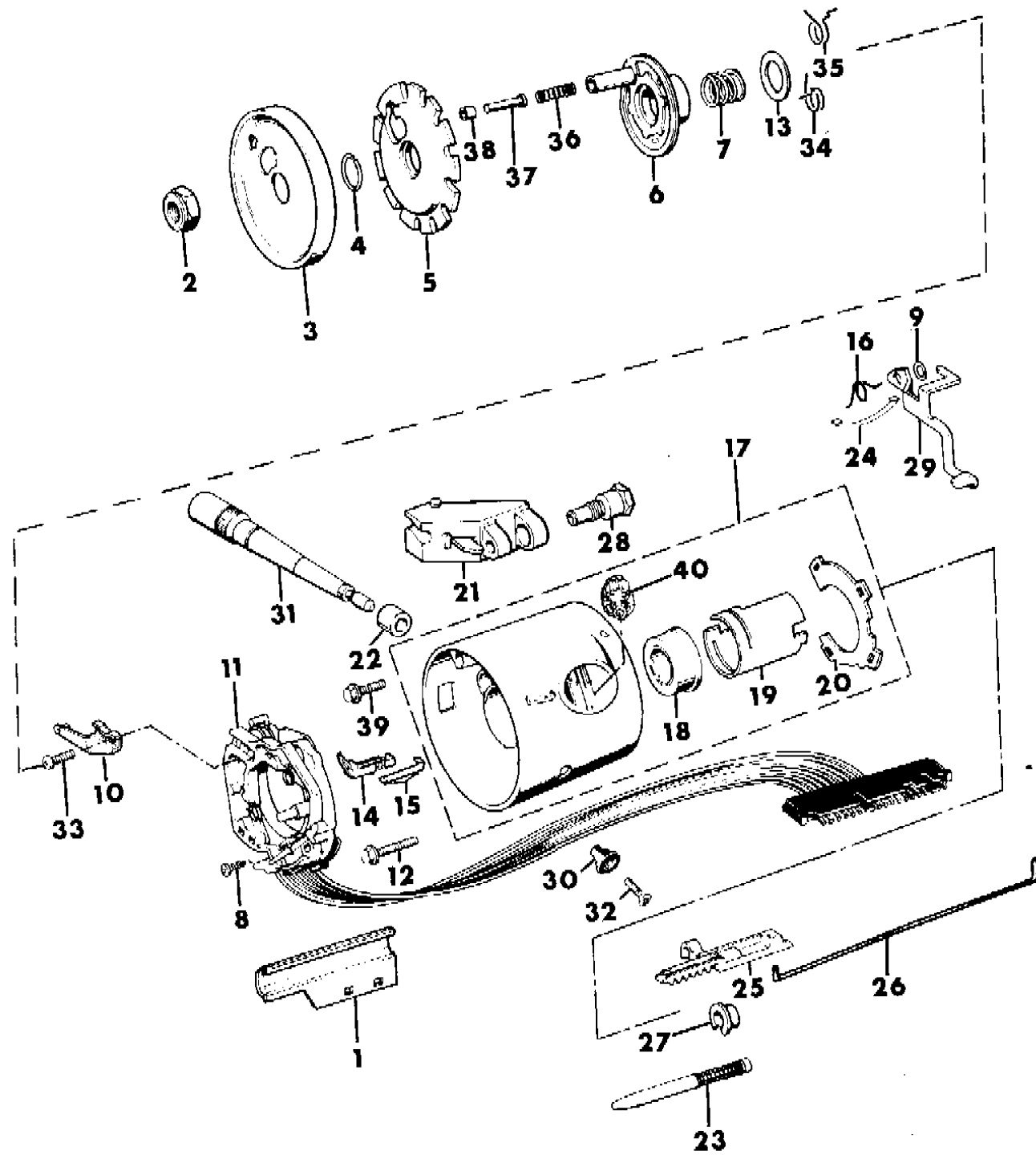
MJ = Comanche Pickup  
 SJ = Grand Wagoneer Wgn., J-10 & J-20 Pickups  
 XJ = Cherokee, Wagoneer Limited  
 YJ = Wrangler

AR = Use as Required - = Non Illustrated Part P.A.R. = Paint as Required

HOUSING STEERING COLUMN UPPER W/FLOOR GEAR SHIFT, W/O TILT J10, J20  
Figure 19-710

8J19 710 A

ITEM	PART NUMBER	QTY	BODY	MODEL	DESCRIPTION
	5200 4402	1			(After 4-1-89)
37	J318 7249	1			PIN
38	J318 7257	1			RETAINER
39	8350 2102	1			SCREW
40	J812 0097	1			SECTOR



MODEL CODES:

- |                             |                             |                              |
|-----------------------------|-----------------------------|------------------------------|
| 15 = Grand Wagoneer 4 Dr.   | 65 = Comanche 4WD-7 Ft. Box | 77 = Cherokee 4WD-2 Dr.      |
| 25 = J-10 Pickup-119" W.B.  | 66 = Comanche 2WD-7 Ft. Box | 78 = Cherokee 4WD-4 Dr.      |
| 26 = J-10 Pickup-131" W.B.  | 73 = Cherokee 2WD-2 Dr.     | 79 = Cherokee 4WD-4 Dr.-Com  |
| 27 = J-20 Pickup-131" W.B.  | 74 = Cherokee 2WD-4 Dr.     | 81 = Wrangler-93" W.B.       |
| 63 = Comanche 4WD-6 Ft. Box | 75 = Wagoneer 4WD-4 Dr.     | 82 = Wrangler-103" W.B.-Exp. |
| 64 = Comanche 2WD-6 Ft. Box |                             |                              |

BODY STYLES:

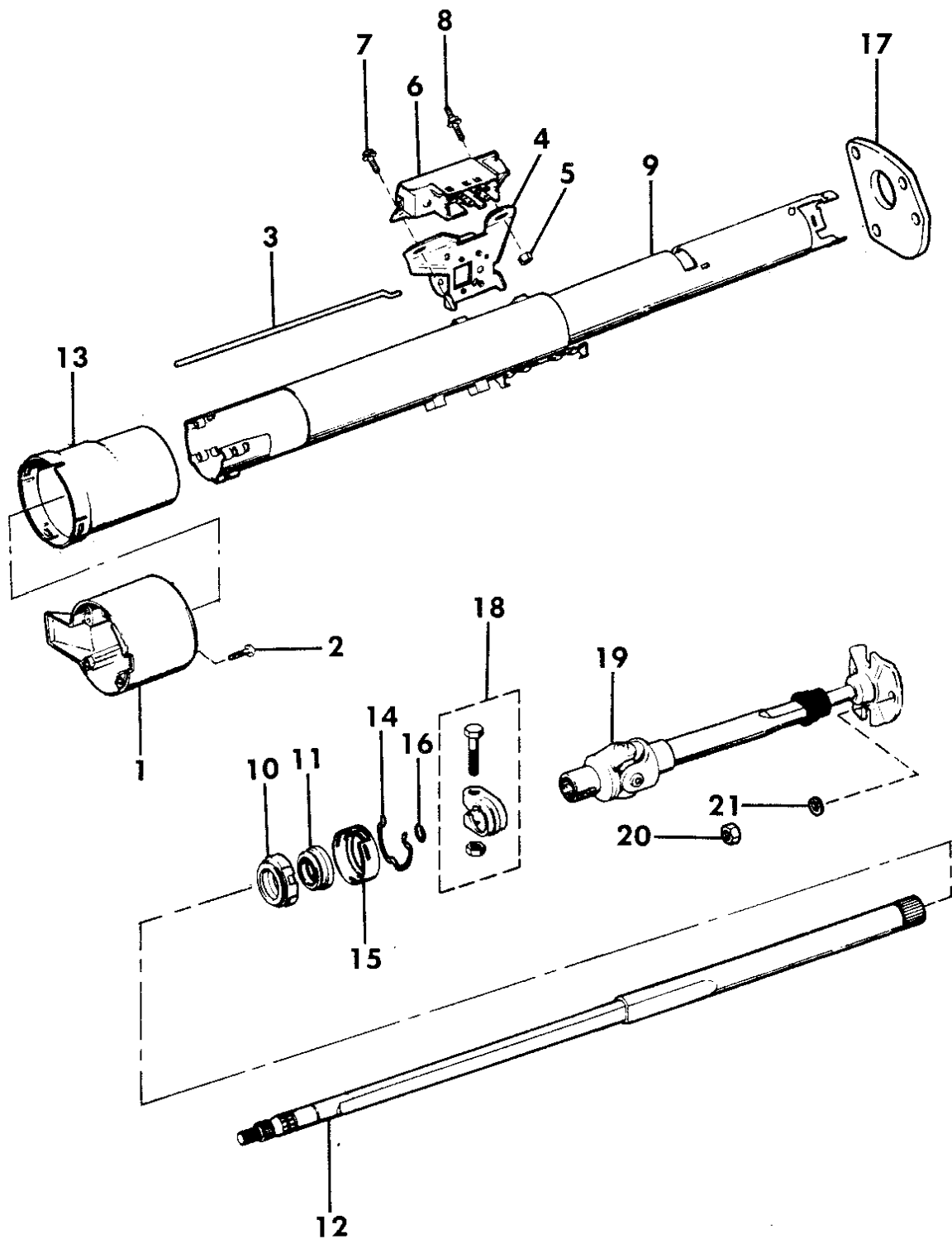
- MJ = Comanche Pickup  
 SJ = Grand Wagoneer Wgn., J-10 & J-20 Pickups  
 XJ = Cherokee, Wagoneer Limited  
 YJ = Wrangler

AR = Use as Required - = Non Illustrated Part P.A.R. = Paint as Required

HOUSING STEERING COLUMN LOWER FLOOR GEAR SHIFT, W/O TILT J10, J20

Figure 19-720

8J19 720



ITEM	PART NUMBER	QTY	BODY	MODEL	DESCRIPTION
1	J813 4497	1			BOWL, Shift
2	J448 8301	3			SCREW
3	8350 2786	1			ROD
4	5600 2125	1			SWITCH, Headlamp Dimmer
5	J012 0361	1			NUT
6	J325 0576	1			SWITCH, Ignition Lock
7	J448 7772	1			SCREW
8	J813 3546	1			STUD
9	8350 2605	1			JACKET ASSEMBLY
10	J448 7696	1			ADAPTER
11	J448 6713	1			BEARING
12	8350 2606	1			SHAFT, Upper
13	8350 2604	1			SHROUD, Shift Bowl
14	J448 7739	1			CLIP
15	J448 7743	1			RETAINER
16	J320 8377	1			RING
17	J319 6896	1			SEAL
18	J320 9606	1			CLAMP PACKAGE
19	J535 5766	1			SHAFT, Lower
20					NUT
	J012 0368	1			5/16"
	J012 0369	1			3/8"
21					WASHER
	J012 0214	1			5/16"
	J012 0382	1			3/8"

MODEL CODES:

15 = Grand Wagoneer 4 Dr.	65 = Comanche 4WD-7 Ft. Box	77 = Cherokee 4WD-2 Dr.
25 = J-10 Pickup-119" W.B.	66 = Comanche 2WD-7 Ft. Box	78 = Cherokee 4WD-4 Dr.
26 = J-10 Pickup-131" W.B.	73 = Cherokee 2WD-2 Dr.	79 = Cherokee 4WD-4 Dr.-Com
27 = J-20 Pickup-131" W.B.	74 = Cherokee 2WD-4 Dr.	81 = Wrangler-93" W.B.
63 = Comanche 4WD-6 Ft. Box	75 = Wagoneer 4WD-4 Dr.	82 = Wrangler-103" W.B.-Exp.
64 = Comanche 2WD-6 Ft. Box		

BODY STYLES:

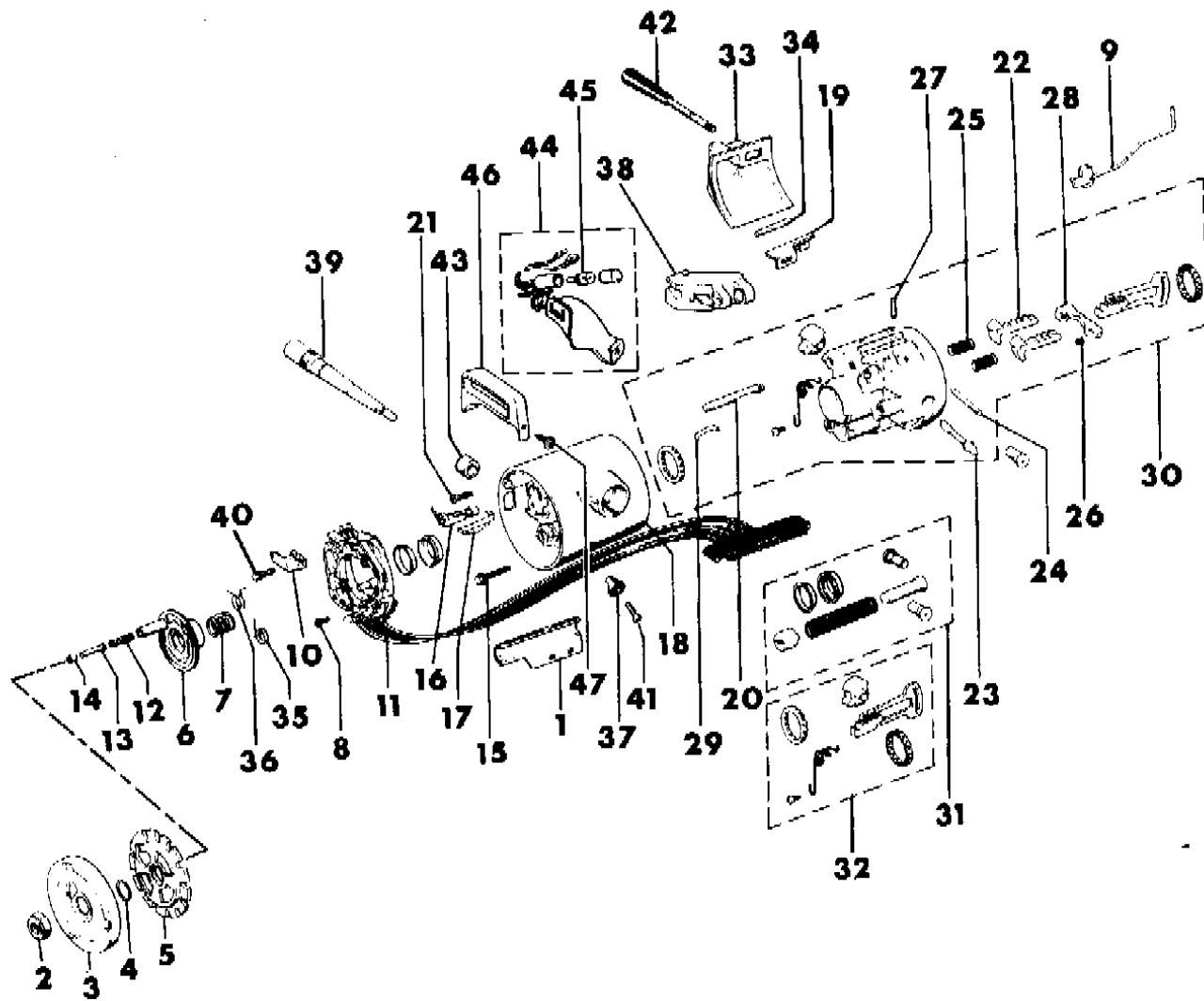
MJ = Comanche Pickup  
 SJ = Grand Wagoneer Wgn., J-10 & J-20 Pickups  
 XJ = Cherokee, Wagoneer Limited  
 YJ = Wrangler

AR = Use as Required - = Non Illustrated Part P.A.R. = Paint as Required

HOUSING STEERING COLUMN UPPER W/COLUMN GEAR SHIFT, W/TILT GRAND WAGONEER, J10, J20

Figure 19-730

8J19 730A



ITEM	PART NUMBER	QTY	BODY	MODEL	DESCRIPTION
1	8350 2566	1			PROTECTOR
2	J420 0414	1			NUT
3	J322 8743	1			COVER, Shift Lock
4	J320 8377	1			RING
5	J812 7874	1			LOCK
6	J448 7816	1			CAM, Cancelling
7	J812 2485	1			SPRING
8	J448 8301	3			SCREW
9	8350 2573	1			ACTUATOR ASSEMBLY, Ignition Switch ***
10	8350 1575	1			ARM, Switch Actuator
11	5600 2011	1			SWITCH, Turn Signal
12					SPRING
	J318 7255	1			(Up To 4-1-89)
	5200 4402	1			(After 4-1-89)
13	J318 7249	1			PIN
14	J318 7257	1			RETAINER
15	J813 3572	3			SCREW
16	J321 1424	1			SWITCH, Key Buzzer
17	J448 7853	1			CLIP
18	8350 4379	1			COVER, Steering Column Housing
19	J813 3570	1			ACTUATOR, Dimmer Switch Rod
20	J448 7819	1			BOLT
21	8350 2103	1			SCREW
22					SHOE
	8350 2583	1			Lt.
	J448 7828	1			Rt.
23	J813 4191	1			SHAFT
24	J448 7822	1			PIN
25	J448 7832	2			SPRING
26	J320 8047	1			SPRING
27	J320 8043	1			PIN
28	J813 3567	1			LEVER
29	J448 7831	1			SPRING
30	8350 2582	1			HOUSING, Steering Column
31	8351 0054	1			PARTS PACKAGE
32	8351 0055	1			RACK PACKAGE
33	J813 4704	1			CAP

MODEL CODES:

15 = Grand Wagoneer 4 Dr.	65 = Comanche 4WD-7 Ft. Box	77 = Cherokee 4WD-2 Dr.
25 = J-10 Pickup-119" W.B.	66 = Comanche 2WD-7 Ft. Box	78 = Cherokee 4WD-4 Dr.
26 = J-10 Pickup-131" W.B.	73 = Cherokee 2WD-2 Dr.	79 = Cherokee 4WD-4 Dr.-Com
27 = J-20 Pickup-131" W.B.	74 = Cherokee 2WD-4 Dr.	81 = Wrangler-93" W.B.
63 = Comanche 4WD-6 Ft. Box	75 = Wagoneer 4WD-4 Dr.	82 = Wrangler-103" W.B.-Exp.
64 = Comanche 2WD-6 Ft. Box		

BODY STYLES:

MJ = Comanche Pickup  
 SJ = Grand Wagoneer Wgn., J-10 & J-20 Pickups  
 XJ = Cherokee, Wagoneer Limited  
 YJ = Wrangler

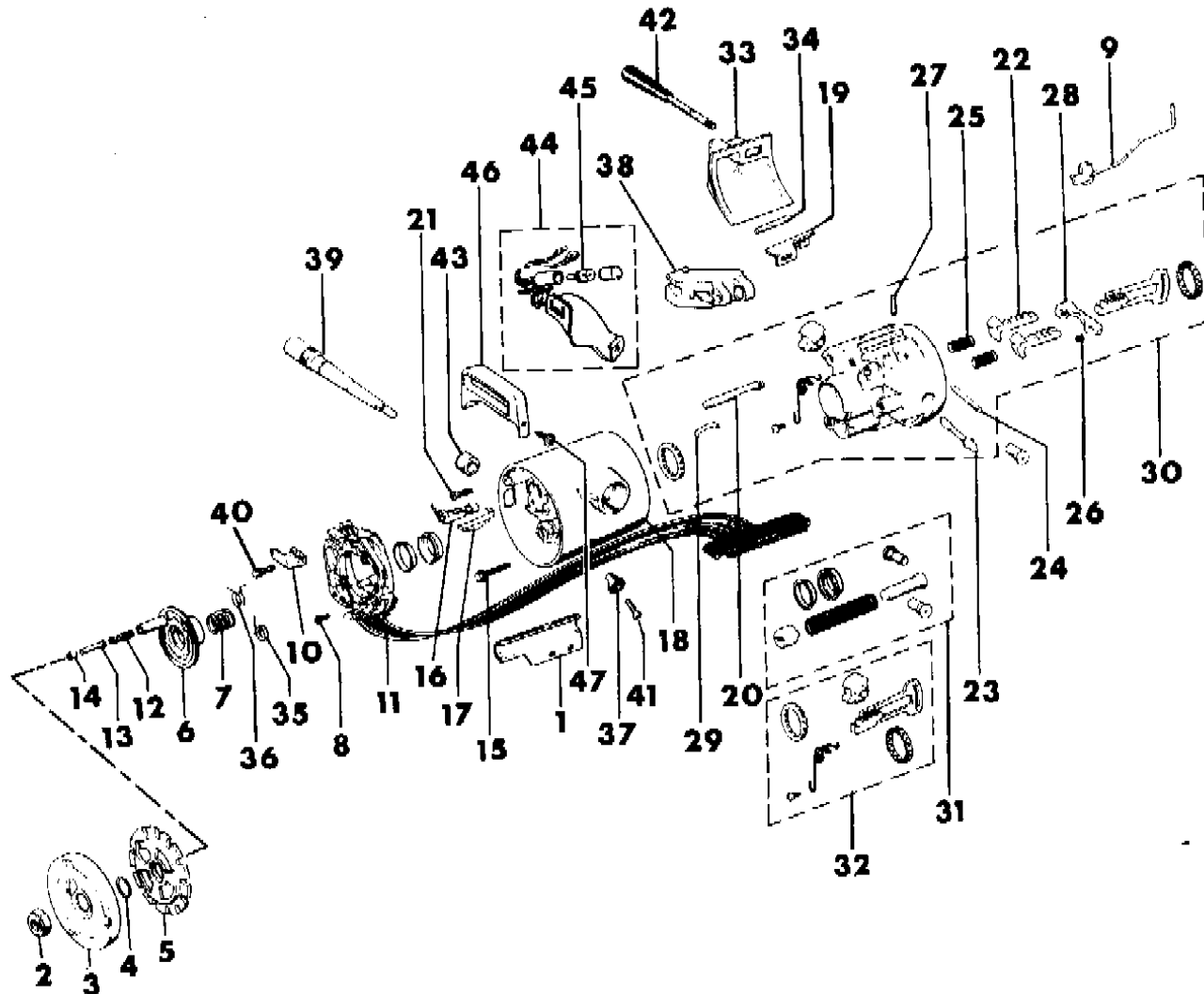
AR = Use as Required - = Non Illustrated Part P.A.R. = Paint as Required

HOUSING STEERING COLUMN UPPER W/COLUMN GEAR SHIFT, W/TILT GRAND WAGONEER, J10, J20

Figure 19-730

8J19 730A

ITEM	PART NUMBER	QTY	BODY	MODEL	DESCRIPTION
34	J813 3565	1			PIN
35	J812 9317	1			SPRING, Lt. Lower
36	J812 9335	1			SPRING, Rt. Upper
37	5200 3425	1			KNOB, Hazard Warning
38	5600 0033	1			SWITCH ASSEMBLY, Intermittent Wipers
39					LEVER, Turn Signal
	5600 0433	1			w/Intermittent Wipers, w/o Cruise Control
	5600 0034	1			w/Intermittent Wipers, w/Cruise Control 1987-89
	5600 4595	1			1990
40	J400 1267	1			SCREW
41	3420 2670	1			SCREW
42	J323 9880	1			LEVER, Wheel Release
43	5600 2285	1			INSULATOR
44	8350 2549	1			BRACKET
45	S943 6970	1			BULB
46	8350 2555	1			BEZEL, Gear Selector
47	J400 4812	2			SCREW



MODEL CODES:

15 = Grand Wagoneer 4 Dr.	65 = Comanche 4WD-7 Ft. Box	77 = Cherokee 4WD-2 Dr.
25 = J-10 Pickup-119" W.B.	66 = Comanche 2WD-7 Ft. Box	78 = Cherokee 4WD-4 Dr.
26 = J-10 Pickup-131" W.B.	73 = Cherokee 2WD-2 Dr.	79 = Cherokee 4WD-4 Dr.-Com
27 = J-20 Pickup-131" W.B.	74 = Cherokee 2WD-4 Dr.	81 = Wrangler-93" W.B.
63 = Comanche 4WD-6 Ft. Box	75 = Wagoneer 4WD-4 Dr.	82 = Wrangler-103" W.B.-Exp.
64 = Comanche 2WD-6 Ft. Box		

BODY STYLES:

MJ = Comanche Pickup  
 SJ = Grand Wagoneer Wgn., J-10 & J-20 Pickups  
 XJ = Cherokee, Wagoneer Limited  
 YJ = Wrangler

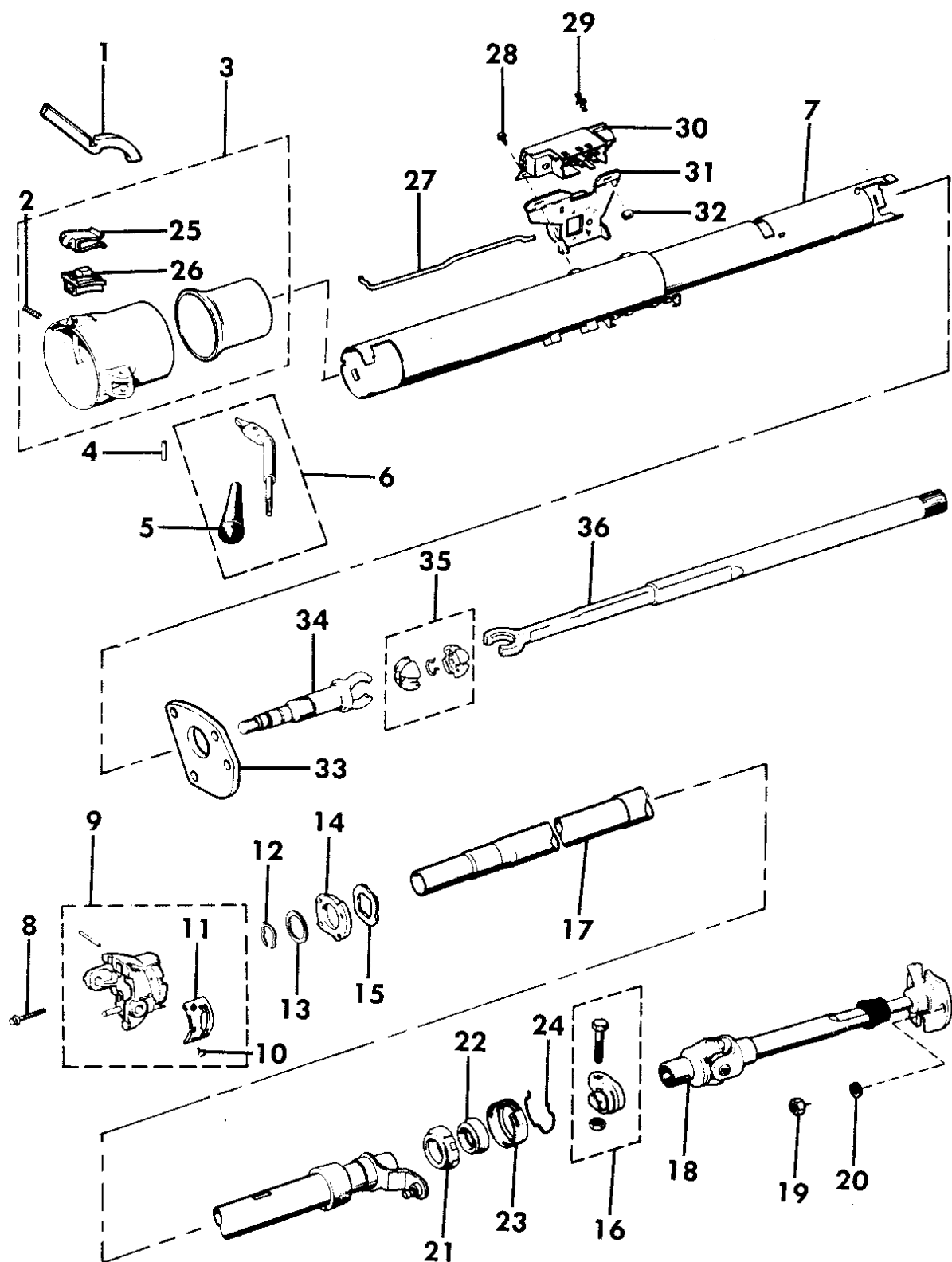
AR = Use as Required - = Non Illustrated Part P.A.R. = Paint as Required



HOUSING STEERING COLUMN LOWER W/COLUMN GEAR SHIFT, W/TILT GRAND WAGONEER, J10, J20

Figure 19-740

3J19 740



ITEM	PART NUMBER	QTY	BODY	MODEL	DESCRIPTION
1	8350 2565	1			POINTER
2	J812 0251	1			SPRING
3	8350 2607	1			SHROUD, Shift Bowl
4	J400 3925	1			PIN
5	J321 6462	1			KNOB
6	5200 3095	1			LEVER, Gear Shift
7	8350 2608	1			JACKET ASSEMBLY
8	J448 7867	4			SCREW
9	8350 2560	1			SUPPORT
10	J320 8210	2			SCREW
11	J319 5616	1			GATE, Shift Lever
12	J448 7864	1			RING
13	J448 7872	1			WASHER
14	J448 7860	1			PLATE
15	J448 7873	1			WASHER
16	J320 9606	1			CLAMP PACKAGE
17	8350 2601	1			TUBE ASSEMBLY, Shift
18	J535 5766	1			SHAFT, Lower
19					NUT
	J012 0368	1			5/16"
	J012 0369	1			3/8"
20					WASHER
	J012 0214	1			5/16"
	J012 0382	1			3/8"
21	J448 7696	1			ADAPTER
22	J448 6713	1			BEARING
23	J448 7743	1			RETAINER
24	J448 7739	1			CLIP
25	8350 2572	1			CLIP
26	8350 2571	1			BRACKET
27	8350 2784	1			ROD
28	J448 7772	1			SCREW
29	J813 3546	1			STUD
30	J325 0575	1			SWITCH, Ignition lock
31	5600 2125	1			SWITCH, Headlamp Dimmer
32	J012 0361	1			NUT
33	J319 6896	1			SEAL

MODEL CODES:

15 = Grand Wagoneer 4 Dr.	65 = Comanche 4WD-7 Ft. Box	77 = Cherokee 4WD-2 Dr.
25 = J-10 Pickup-119" W.B.	66 = Comanche 2WD-7 Ft. Box	78 = Cherokee 4WD-4 Dr.
26 = J-10 Pickup-131" W.B.	73 = Cherokee 2WD-2 Dr.	79 = Cherokee 4WD-4 Dr.-Com
27 = J-20 Pickup-131" W.B.	74 = Cherokee 2WD-4 Dr.	81 = Wrangler-93" W.B.
63 = Comanche 4WD-6 Ft. Box	75 = Wagoneer 4WD-4 Dr.	82 = Wrangler-103" W.B.-Exp.
64 = Comanche 2WD-6 Ft. Box		

BODY STYLES:

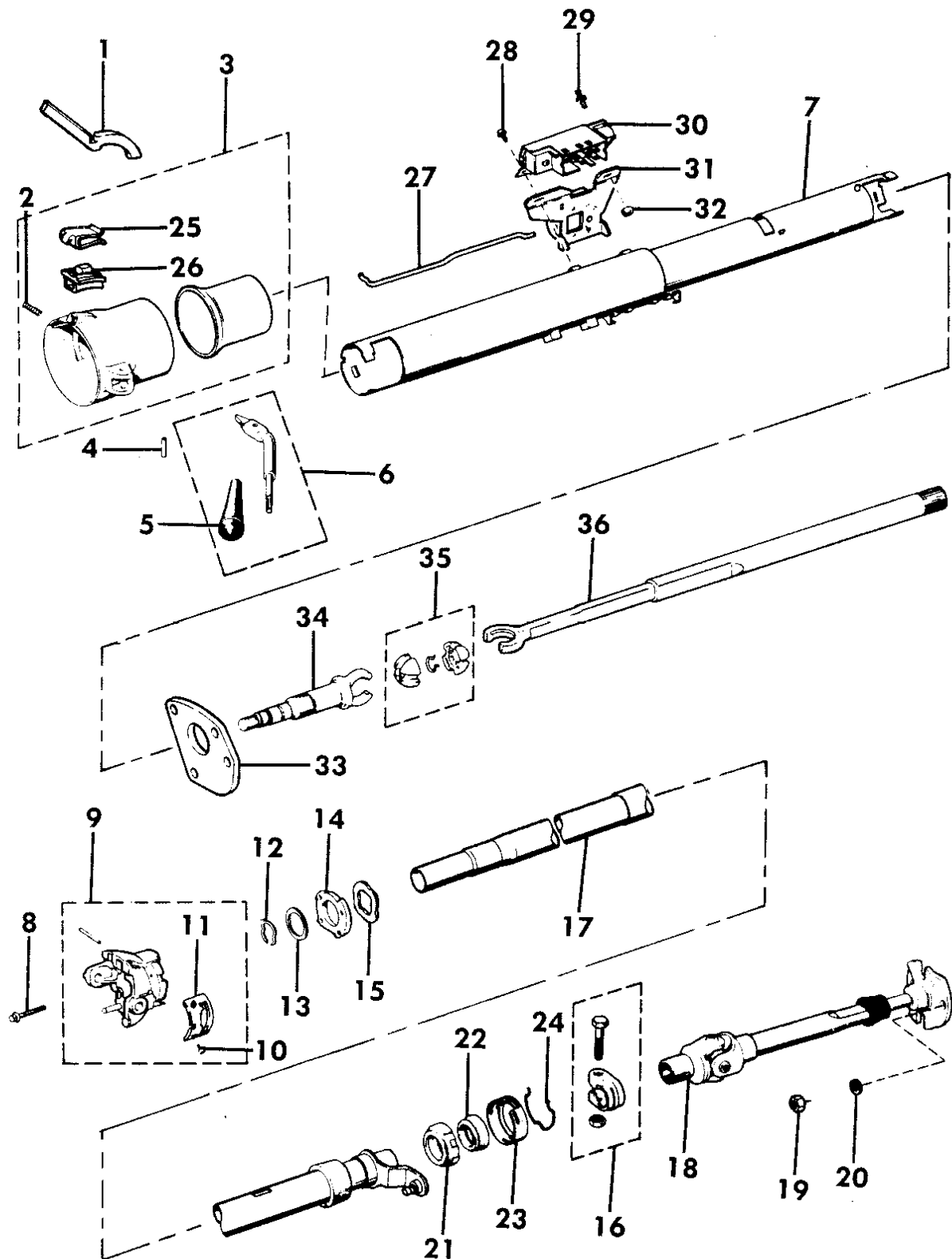
MJ = Comanche Pickup  
 SJ = Grand Wagoneer Wgn., J-10 & J-20 Pickups  
 XJ = Cherokee, Wagoneer Limited  
 YJ = Wrangler

AR = Use as Required - = Non Illustrated Part P.A.R. = Paint as Required

HOUSING STEERING COLUMN LOWER W/COLUMN GEAR SHIFT, W/TILT GRAND WAGONEER, J10, J20

Figure 19-740

3J19 740



ITEM	PART NUMBER	QTY	BODY	MODEL	DESCRIPTION
------	-------------	-----	------	-------	-------------

34	J812 8888	1			SHAFT, Upper
35	8351 0056	1			SPHERE
36	8350 2602	1			SHAFT, Intermediate

MODEL CODES:

15 = Grand Wagoneer 4 Dr.	65 = Comanche 4WD-7 Ft. Box	77 = Cherokee 4WD-2 Dr.
25 = J-10 Pickup-119" W.B.	66 = Comanche 2WD-7 Ft. Box	78 = Cherokee 4WD-4 Dr.
26 = J-10 Pickup-131" W.B.	73 = Cherokee 2WD-2 Dr.	79 = Cherokee 4WD-4 Dr.-Com
27 = J-20 Pickup-131" W.B.	74 = Cherokee 2WD-4 Dr.	81 = Wrangler-93" W.B.
63 = Comanche 4WD-6 Ft. Box	75 = Wagoneer 4WD-4 Dr.	82 = Wrangler-103" W.B.-Exp.
64 = Comanche 2WD-6 Ft. Box		

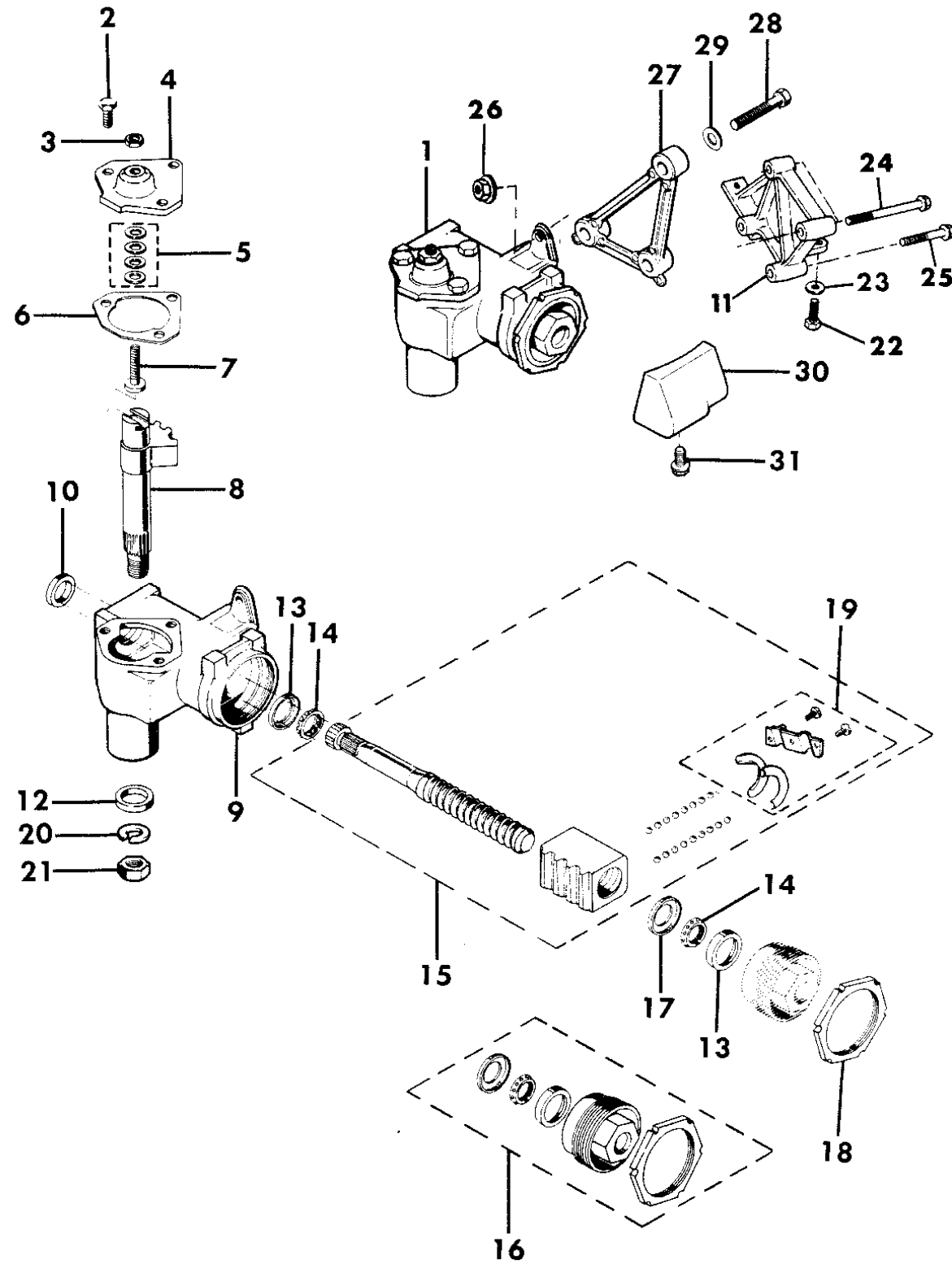
BODY STYLES:

MJ = Comanche Pickup  
 SJ = Grand Wagoneer Wgn., J-10 & J-20 Pickups  
 XJ = Cherokee, Wagoneer Limited  
 YJ = Wrangler

AR = Use as Required - = Non Illustrated Part P.A.R. = Paint as Required

**GEAR, STEERING W/O POWER STEERING WRANGLER, CHEROKEE, COMANCHE**  
**Figure 19-1600**

8J19 1600



ITEM	PART NUMBER	QTY	BODY	MODEL	DESCRIPTION
1	5200 0089	1			GEAR, Steering
2	J099 2295	3			BOLT
3	J999 7938	1			NUT
4	J448 6846	1			COVER, Gear
5	J094 0521	1			SHIM PACKAGE
6	J094 0522	1			GASKET
7	J448 6135	1			SCREW
8	J812 0221	1			SHAFT
9	8350 2351	1			HOUSING
10	J448 6141	1			SEAL
11	5204 0103	1	YJ		BRACKET
12	J448 6140	1			SEAL
13	J320 0492	2			CLIP
14	J320 0491	2			BEARING
15	8350 0248	1			SHAFT
16	8350 2352	1			ADJUSTER
17	J320 0493	1			RETAINER
18	J094 0533	1			NUT
19	J320 5677	1			GUIDE
20	S010 3336	1			WASHER
21	J320 0501	1			NUT
22	J942 5080	2	YJ		BOLT
23	J400 5397	2	YJ		WASHER
24	J400 7238	1	YJ		BOLT 5.0" length
	J400 5613	1	YJ		BOLT 5.5" length
25	J400 7250	2	YJ		BOLT
26	J400 7043	1			NUT
27	5200 0090	1	XJ, MJ		ADAPTER
28	J400 3972	3	XJ, MJ		BOLT
29	J400 3926	3	XJ, MJ		WASHER
30	5200 0881	1	XJ, MJ		BLOCK
31	3420 1193	1	XJ, MJ		SCREW
-	5200 4566	2	YJ		BUSHING

**MODEL CODES:**

15 = Grand Wagoneer 4 Dr.	65 = Comanche 4WD-7 Ft. Box	77 = Cherokee 4WD-2 Dr.
25 = J-10 Pickup-119" W.B.	66 = Comanche 2WD-7 Ft. Box	78 = Cherokee 4WD-4 Dr.
26 = J-10 Pickup-131" W.B.	73 = Cherokee 2WD-2 Dr.	79 = Cherokee 4WD-4 Dr.-Com
27 = J-20 Pickup-131" W.B.	74 = Cherokee 2WD-4 Dr.	81 = Wrangler-93" W.B.
63 = Comanche 4WD-6 Ft. Box	75 = Wagoneer 4WD-4 Dr.	82 = Wrangler-103" W.B.-Exp.
64 = Comanche 2WD-6 Ft. Box		

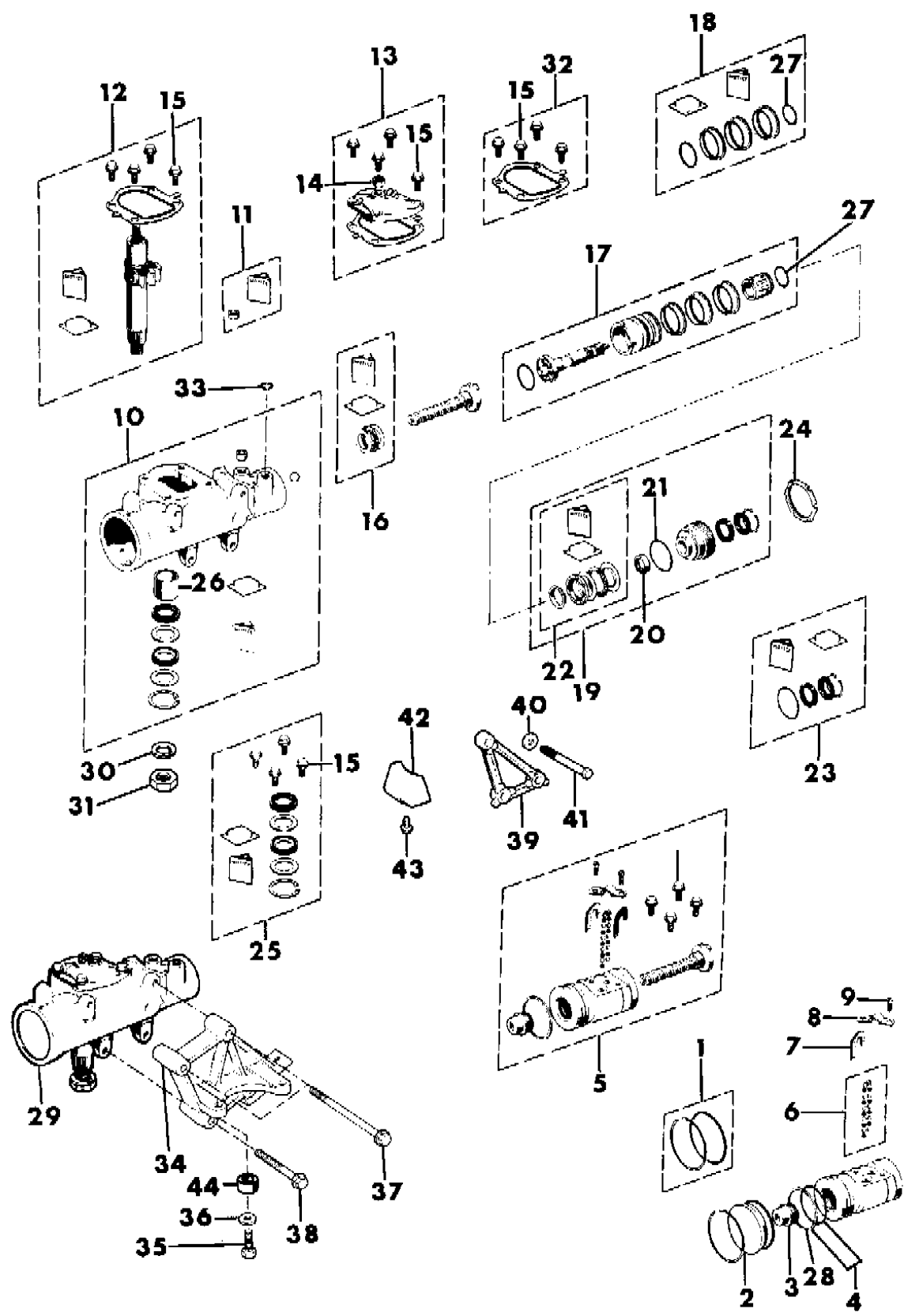
**BODY STYLES:**

MJ = Comanche Pickup  
 SJ = Grand Wagoneer Wgn., J-10 & J-20 Pickups  
 XJ = Cherokee, Wagoneer Limited  
 YJ = Wrangler

AR = Use as Required - = Non Illustrated Part P.A.R. = Paint as Required

**GEAR, STEERING W/POWER STEERING WRANGLER, CHEROKEE, WAGONEER, COMANCHE**  
**Figure 19-1700**

8J19 1700A



ITEM	PART NUMBER	QTY	BODY	MODEL	DESCRIPTION
1	J812 5037	1			SEAL PACKAGE
2	8350 2251	1			PLUG
3	J812 7965	1			PLUG
4	J812 5039	1			SEAL PACKAGE
5	J812 5036	1			RACK PACKAGE, Includes Piston 1987-88
	J812 5471	1			1989-90
6	J320 4836	1			BALL PACKAGE, Rack/Piston
7					GUIDE
	J448 7887	2			1987-88
	J094 0707	1			1989-90
8	J320 4812	1			CLAMP
9	J320 7057	2			SCREW
10					HOUSING, Steering Gear
	J813 2537	1	YJ		
	J813 2579	1	XJ, MJ		
11	J813 2538	1			VALVE
12	J812 2958	1			SHAFT, 1987-88
	J812 2819	1			1989-90
13	J812 5033	1			COVER, Gear
14	J320 4818	1			NUT
15	J812 4191	4			BOLT
16	J812 7645	1			BEARING PACKAGE
17					VALVE PACKAGE
	8350 2924	1	YJ		
	8350 2261	1	XJ, MJ		
18	J320 4833	1			SEAL PACKAGE
19	J813 0152	1			BEARING PACKAGE
20	J813 0142	1			BEARING
21	J812 6247	1			O-RING
22	J813 0155	1			PLUG, Adjusting
23	J813 0157	1			SEAL PACKAGE
24	J812 8427	1			NUT
25	J813 4568	1			SEAL PACKAGE
26	J448 7154	1			BEARING
27	J812 6250	1			O-RING
28	J320 4814	1			RING
29					GEAR, STEERING

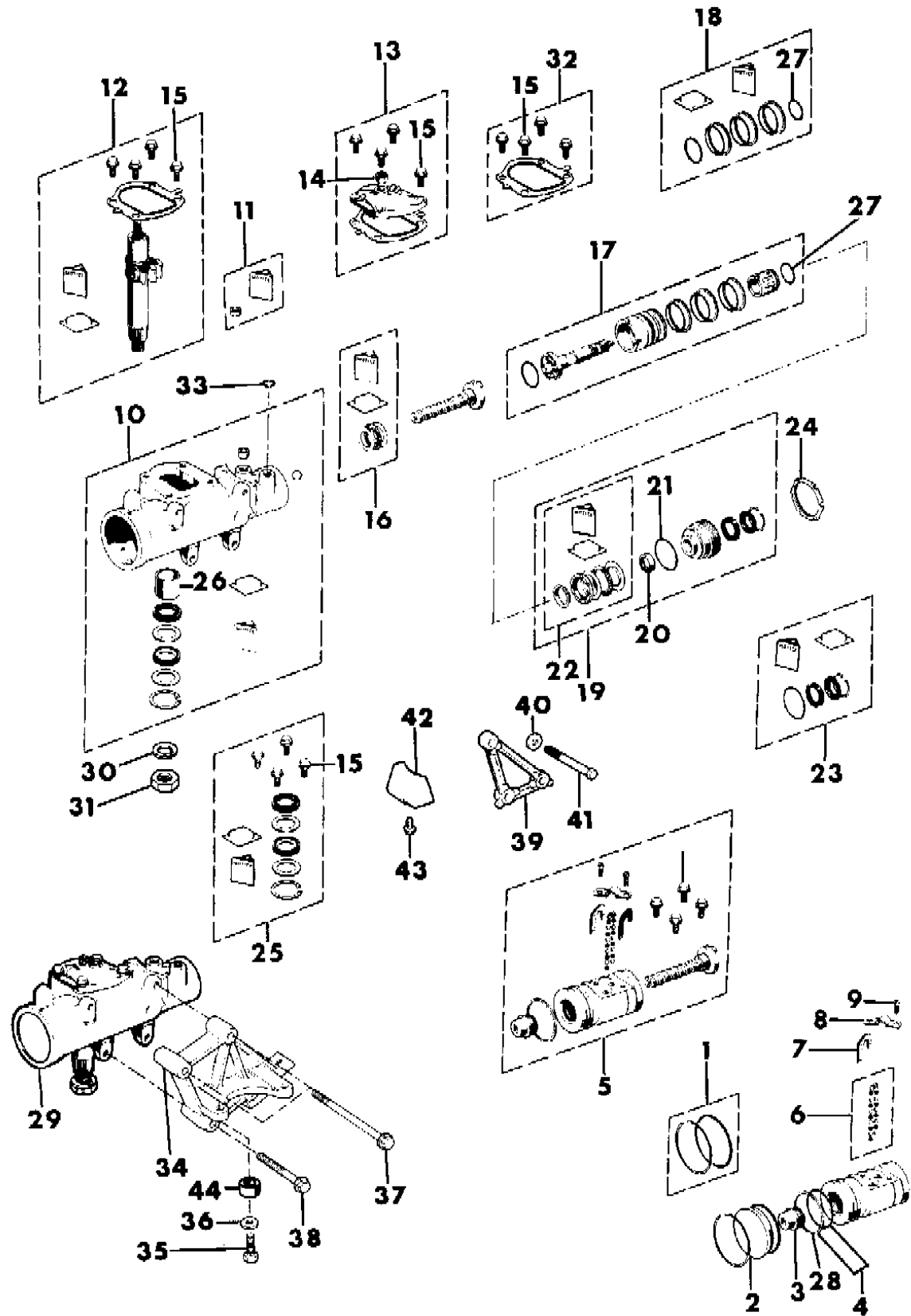
MODEL CODES:  
 15 = Grand Wagoneer 4 Dr.      65 = Comanche 4WD-7 Ft. Box      77 = Cherokee 4WD-2 Dr.  
 25 = J-10 Pickup-119" W.B.      66 = Comanche 2WD-7 Ft. Box      78 = Cherokee 4WD-4 Dr.  
 26 = J-10 Pickup-131" W.B.      73 = Cherokee 2WD-2 Dr.      79 = Cherokee 4WD-4 Dr.-Com  
 27 = J-20 Pickup-131" W.B.      74 = Cherokee 2WD-4 Dr.      81 = Wrangler-93" W.B.  
 63 = Comanche 4WD-6 Ft. Box      75 = Wagoneer 4WD-4 Dr.      82 = Wrangler-103" W.B.-Exp.  
 64 = Comanche 2WD-6 Ft. Box

BODY STYLES:  
 MJ = Comanche Pickup  
 SJ = Grand Wagoneer Wgn., J-10 & J-20 Pickups  
 XJ = Cherokee, Wagoneer Limited  
 YJ = Wrangler

AR = Use as Required - = Non Illustrated Part P.A.R. = Paint as Required

**GEAR, STEERING W/POWER STEERING WRANGLER, CHEROKEE, WAGONEER, COMANCHE**  
**Figure 19-1700**

8J19 1700A



ITEM	PART NUMBER	QTY	BODY	MODEL	DESCRIPTION
	5204 0101	1	YJ		w/14 To 1 Ratio w/o Export
	5200 3923	1	YJ		w/17.5 To 1 Ratio w/Export
	5200 2737	1	XJ, MJ		
30	S010 3336	1			WASHER
31	J320 0501	1			NUT
32	J812 5038	1			SEAL PACKAGE
33	J325 1183	2			SEAL
34	5204 0103	1	YJ		BRACKET
35	J942 5080	2	YJ		BOLT
36	J400 5397	2	YJ		WASHER
37					BOLT
	J400 7238	1	YJ		5.0" length
	J400 5613	1	YJ		5.5" length
38	J400 7250	1	YJ		BOLT
39	5200 0090	1	XJ, MJ		ADAPTER
40	J400 3926	3	XJ, MJ		WASHER
41	J400 3972	3	XJ, MJ		BOLT
42	5200 0881	1	XJ, MJ		BLOCK
43	3420 1193	1	XJ, MJ		SCREW
44	5200 4566	2	YJ		BUSHING

**MODEL CODES:**

15 = Grand Wagoneer 4 Dr.	65 = Comanche 4WD-7 Ft. Box	77 = Cherokee 4WD-2 Dr.
25 = J-10 Pickup-119" W.B.	66 = Comanche 2WD-7 Ft. Box	78 = Cherokee 4WD-4 Dr.
26 = J-10 Pickup-131" W.B.	73 = Cherokee 2WD-2 Dr.	79 = Cherokee 4WD-4 Dr.-Com
27 = J-20 Pickup-131" W.B.	74 = Cherokee 2WD-4 Dr.	81 = Wrangler-93" W.B.
63 = Comanche 4WD-6 Ft. Box	75 = Wagoneer 4WD-4 Dr.	82 = Wrangler-103" W.B.-Exp.
64 = Comanche 2WD-6 Ft. Box		

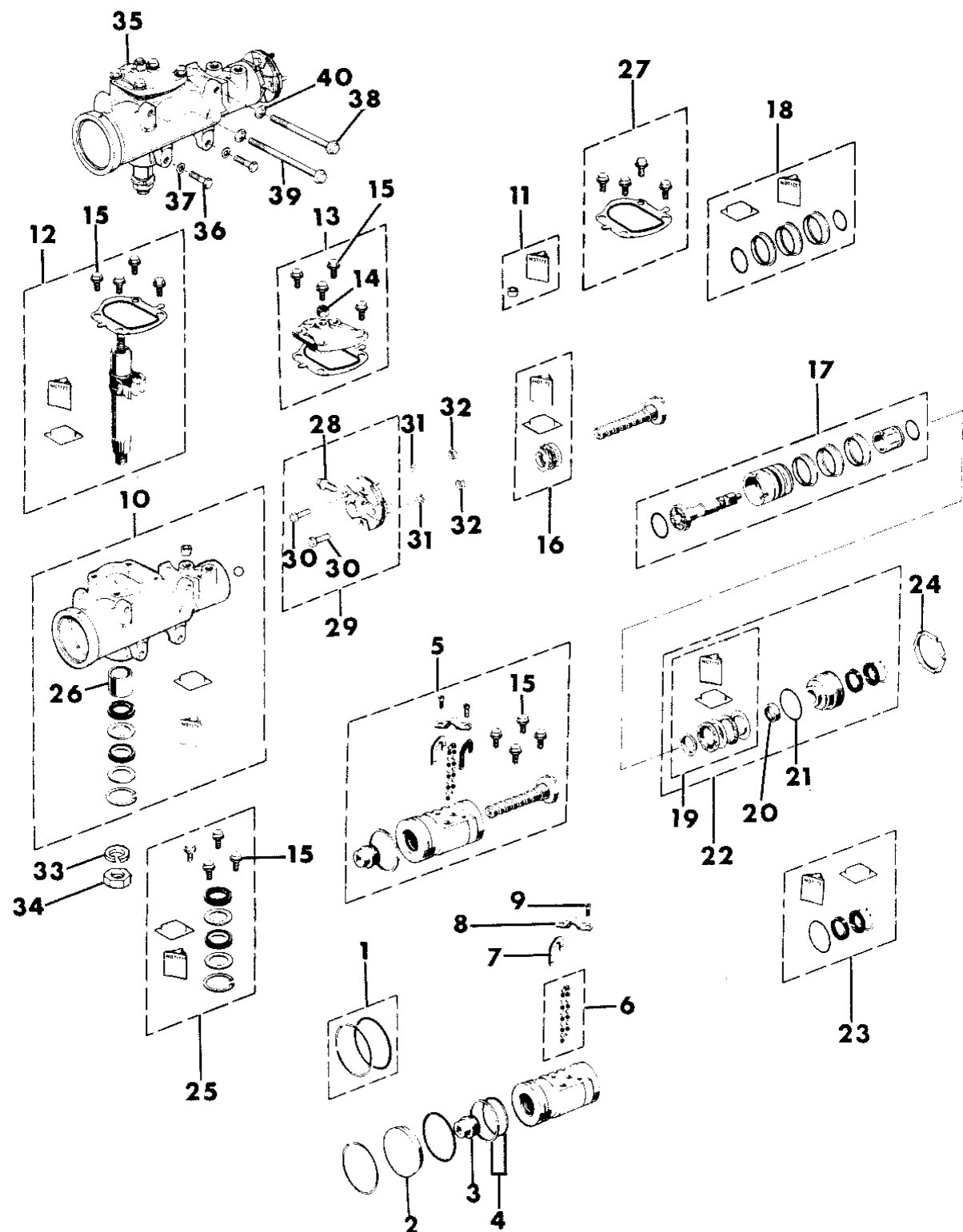
**BODY STYLES:**

MJ = Comanche Pickup  
 SJ = Grand Wagoneer Wgn., J-10 & J-20 Pickups  
 XJ = Cherokee, Wagoneer Limited  
 YJ = Wrangler

AR = Use as Required - = Non Illustrated Part P.A.R. = Paint as Required

**GEAR, POWER STEERING GRAND WAGONEER, J10, J20**  
**Figure 19-1800**

8J19 1800



ITEM	PART NUMBER	QTY	BODY	MODEL	DESCRIPTION
1	J812 5037	1			SEAL PACKAGE
2					PLUG
	8350 2251	1			Stamped EN
	J812 7058	1			Stamped VH
3	J812 7965	1			PLUG
4	J812 5039	1			SEAL PACKAGE
5					RACK PACKAGE, Includes Piston
	J812 5036	1			Stamped EN
	J812 7056	1			Stamped VH
6	J320 4836	1			BALL PACKAGE, Rack/Piston
7	J448 7887	2			GUIDE
8	J320 4812	1			CLAMP
9	J320 7057	2			SCREW
10					HOUSING
	J813 2537	1			Stamped EN
	J813 2539	1			Stamped VH
11	J813 2538	1			VALVE
12	J812 2958	1			SHAFT
13	J812 5033	1			COVER, Gear
14	J320 4818	1			NUT
15	J812 4191	4			BOLT
16	J812 7645	1			BEARING PACKAGE
17					VALVE PACKAGE
	8350 2261	1			Stamped EN
	J813 0144	1			Stamped VH
18	J320 4833	1			SEAL PACKAGE
19	J813 0152	1			BEARING PACKAGE
20	J813 0142	1			BEARING
21	J812 6247	1			O-RING
22	J813 0155	1			PLUG, Adjusting
23	J813 0157	1			SEAL PACKAGE
24	J812 8427	1			NUT
25	J813 4568	1			SEAL PACKAGE
26	J448 7154	1			BEARING
27	J812 5038	1			SEAL PACKAGE
28	J400 3934	1			BOLT
29	J812 7966	1			FLANGE

**MODEL CODES:**

15 = Grand Wagoneer 4 Dr.	65 = Comanche 4WD-7 Ft. Box	77 = Cherokee 4WD-2 Dr.
25 = J-10 Pickup-119" W.B.	66 = Comanche 2WD-7 Ft. Box	78 = Cherokee 4WD-4 Dr.
26 = J-10 Pickup-131" W.B.	73 = Cherokee 2WD-2 Dr.	79 = Cherokee 4WD-4 Dr.-Com
27 = J-20 Pickup-131" W.B.	74 = Cherokee 2WD-4 Dr.	81 = Wrangler-93" W.B.
63 = Comanche 4WD-6 Ft. Box	75 = Wagoneer 4WD-4 Dr.	82 = Wrangler-103" W.B.-Exp.
64 = Comanche 2WD-6 Ft. Box		

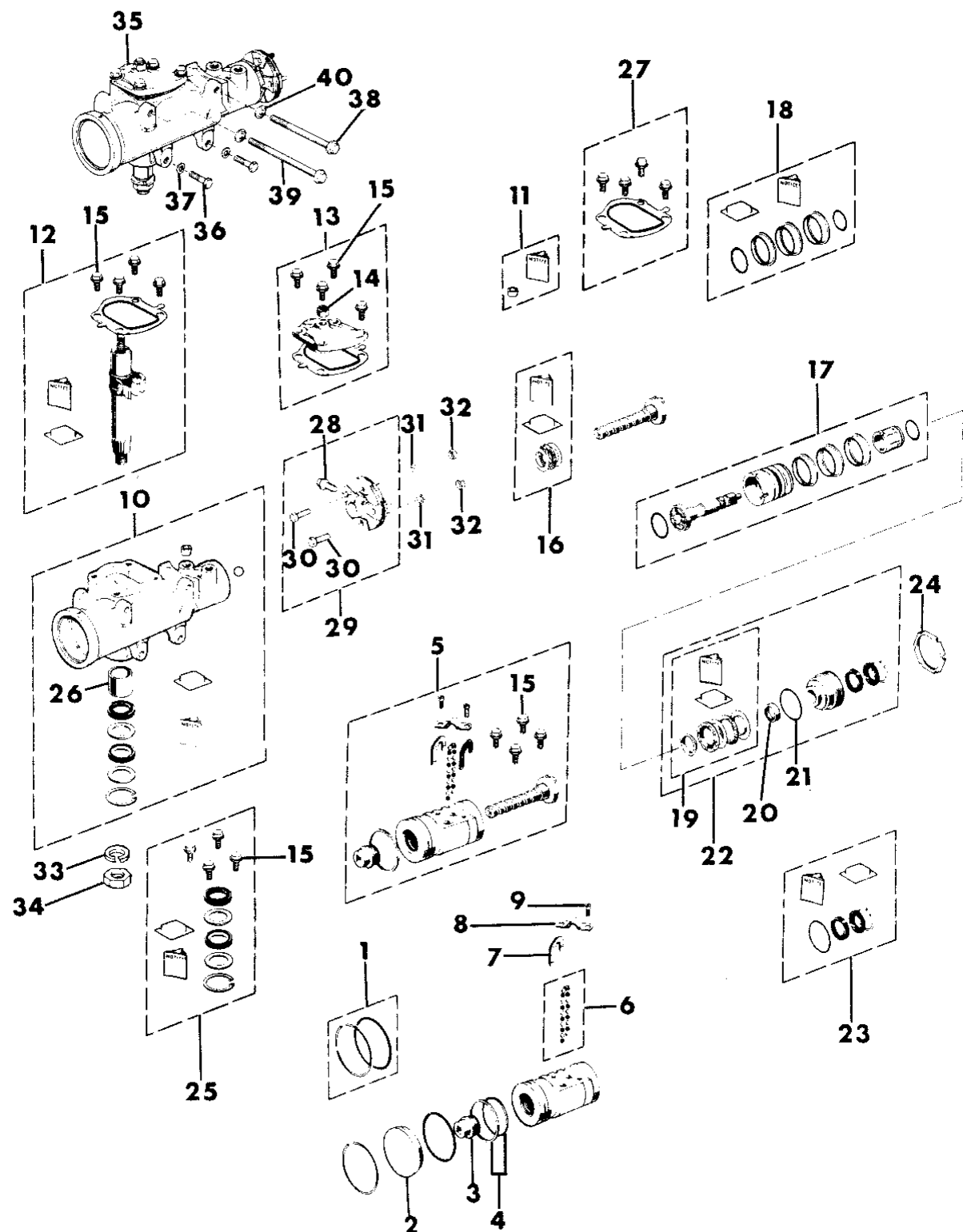
**BODY STYLES:**

MJ = Comanche Pickup  
 SJ = Grand Wagoneer Wgn., J-10 & J-20 Pickups  
 XJ = Cherokee, Wagoneer Limited  
 YJ = Wrangler

AR = Use as Required - = Non Illustrated Part P.A.R. = Paint as Required

**GEAR, POWER STEERING GRAND WAGONEER, J10, J20**  
**Figure 19-1800**

8J19 1800



ITEM	PART NUMBER	QTY	BODY	MODEL	DESCRIPTION
30					BOLT
	J448 6976	1			5/16"
	J320 8200	1			3/8"
31					WASHER
	J012 0214	1			5/16"
	J012 0382	1			3/8"
32					NUT
	J012 0368	1			5/16"
	J999 1769	1			3/8"
33	S010 3336	1			WASHER
34	J320 0501	1			NUT
35					GEAR, Steering
	5200 2085	1			Stamped EN
	J536 0094	1			Stamped VH
36	J942 4069	2			BOLT
37	J400 4809	2			WASHER
38	J400 5612	1			BOLT
39	J400 5613	1			BOLT
40	J400 4943	2			WASHER

NOTE: Identification EN or VH stamped on steering gear assembly cover.

MODEL CODES:

15 = Grand Wagoneer 4 Dr.	65 = Comanche 4WD-7 Ft. Box	77 = Cherokee 4WD-2 Dr.
25 = J-10 Pickup-119" W.B.	66 = Comanche 2WD-7 Ft. Box	78 = Cherokee 4WD-4 Dr.
26 = J-10 Pickup-131" W.B.	73 = Cherokee 2WD-2 Dr.	79 = Cherokee 4WD-4 Dr.-Com
27 = J-20 Pickup-131" W.B.	74 = Cherokee 2WD-4 Dr.	81 = Wrangler-93" W.B.
63 = Comanche 4WD-6 Ft. Box	75 = Wagoneer 4WD-4 Dr.	82 = Wrangler-103" W.B.-Exp.
64 = Comanche 2WD-6 Ft. Box		

BODY STYLES:

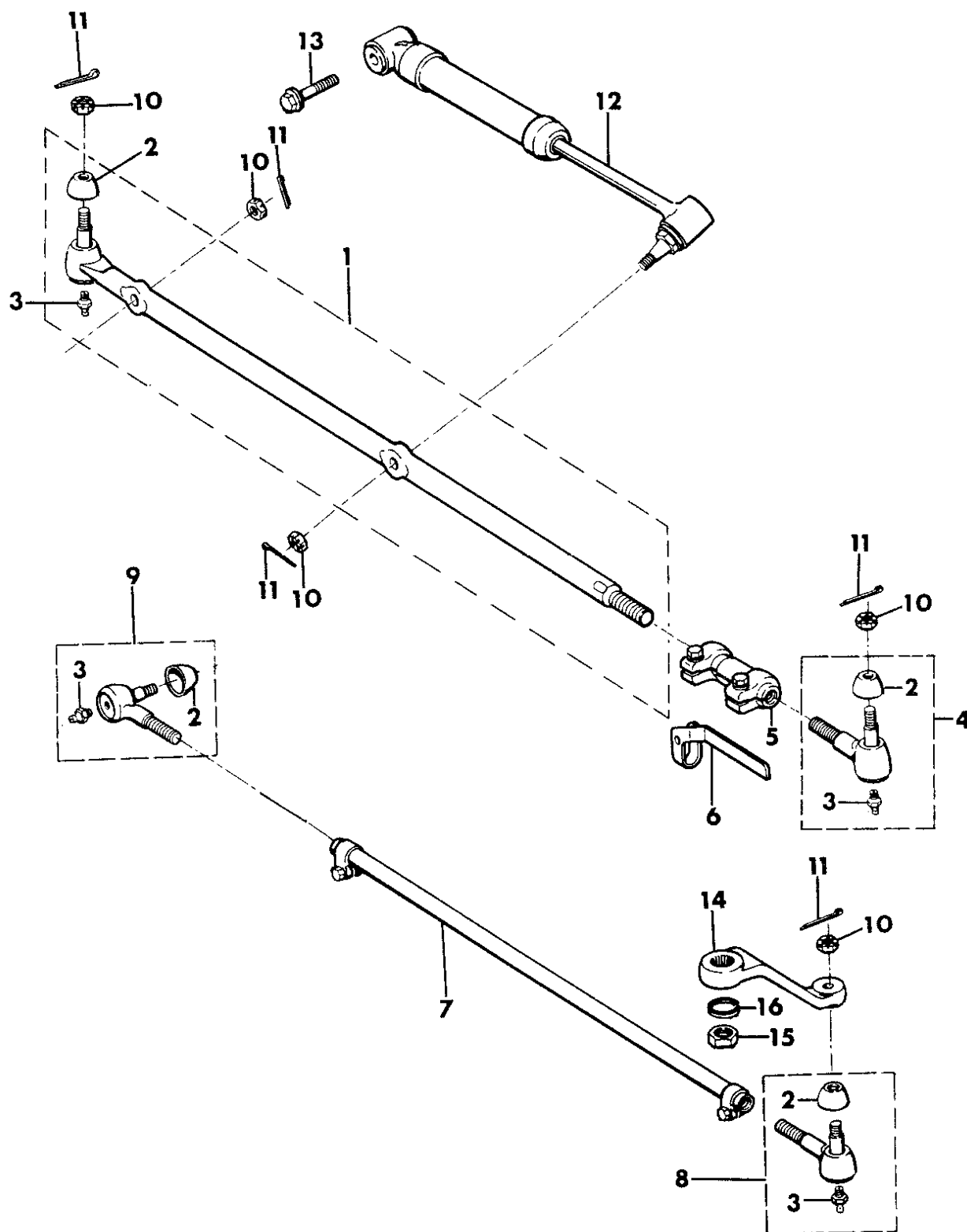
MJ = Comanche Pickup  
 SJ = Grand Wagoneer Wgn., J-10 & J-20 Pickups  
 XJ = Cherokee, Wagoneer Limited  
 YJ = Wrangler

AR = Use as Required - = Non Illustrated Part P.A.R. = Paint as Required

LINKAGE AND DAMPER WRANGLER  
Figure 19-1900

8J19 1900

ITEM	PART NUMBER	QTY	BODY	MODEL	DESCRIPTION
1	5200 2540	1			END, Tie Rod
2	5200 0988	4			COVER, Tie Rod End
3	J027 1287	4			FITTING
4	5200 2541	1			END, Tie Rod
5	5200 2544	1			TUBE
6	5200 2547	1			BAR
7	5200 2700	1			TUBE
8	5200 0598	1			END, Tie Rod
9	5200 0599	1			END, Tie Rod
10	J027 4428	4			NUT
11	J010 3375	4			PIN, Cotter
12	5200 2739	1			DAMPER
13	J400 7388	1			BOLT
14					ARM, Pitman
	5204 0112	1			w/Power Steering
	5204 0110	1			w/o Power Steering
15	J320 0501	1			NUT
16	S010 3336	1			WASHER



MODEL CODES:

15 = Grand Wagoneer 4 Dr.	65 = Comanche 4WD-7 Ft. Box	77 = Cherokee 4WD-2 Dr.
25 = J-10 Pickup-119" W.B.	66 = Comanche 2WD-7 Ft. Box	78 = Cherokee 4WD-4 Dr.
26 = J-10 Pickup-131" W.B.	73 = Cherokee 2WD-2 Dr.	79 = Cherokee 4WD-4 Dr.-Com
27 = J-20 Pickup-131" W.B.	74 = Cherokee 2WD-4 Dr.	81 = Wrangler-93" W.B.
63 = Comanche 4WD-6 Ft. Box	75 = Wagoneer 4WD-4 Dr.	82 = Wrangler-103" W.B.-Exp.
64 = Comanche 2WD-6 Ft. Box		

BODY STYLES:

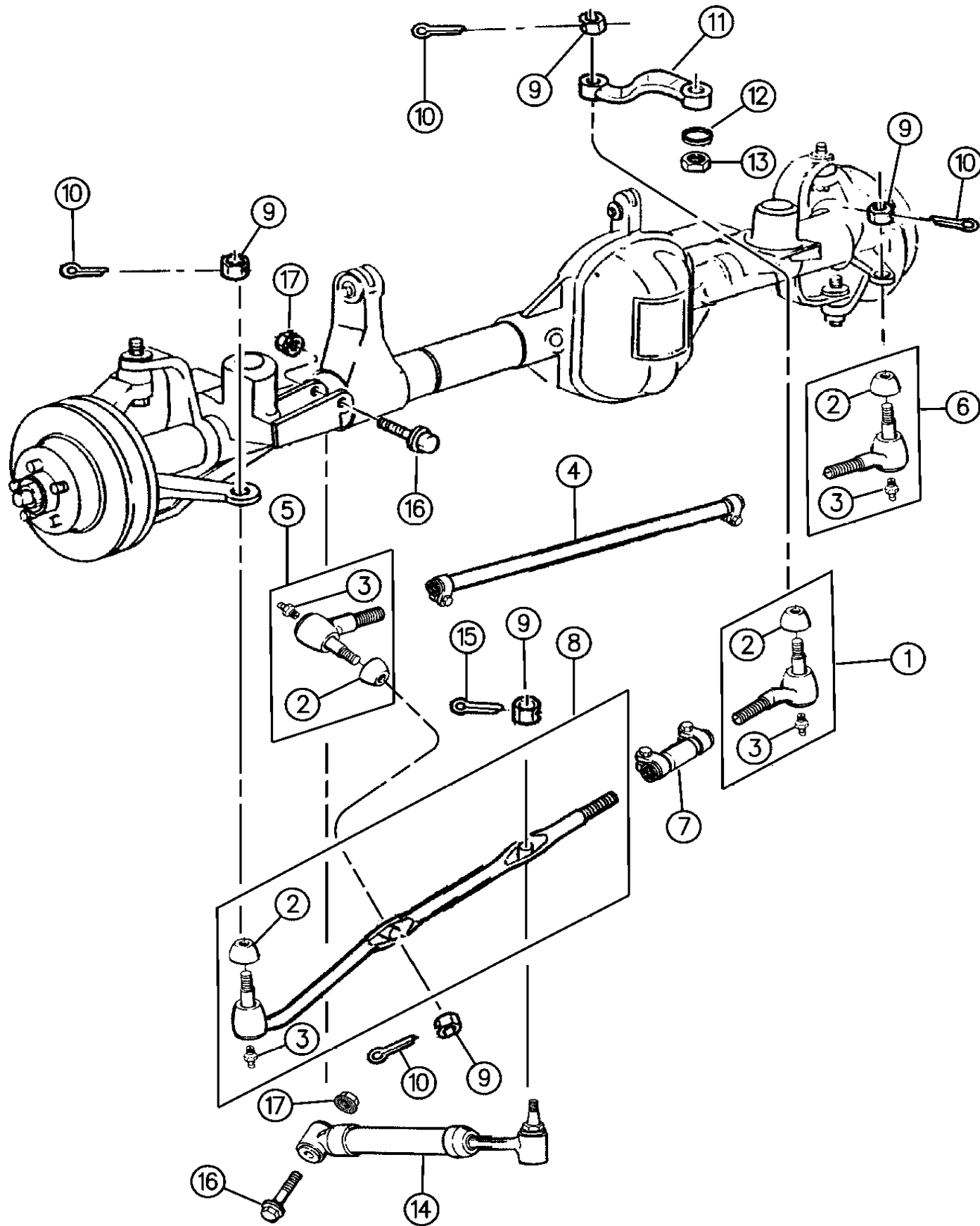
MJ = Comanche Pickup  
SJ = Grand Wagoneer Wgn., J-10 & J-20 Pickups  
XJ = Cherokee, Wagoneer Limited  
YJ = Wrangler

AR = Use as Required - = Non Illustrated Part P.A.R. = Paint as Required



LINKAGE AND DAMPER CHEROKEE, WAGONEER, COMANCHE  
Figure 19-2000

8J19 2000B



ITEM	PART NUMBER	QTY	BODY	MODEL	DESCRIPTION
1	5200 0608	1			END, Tie Rod
2	5200 0988	4			COVER, Tie Rod End
3	J027 1287	4			FITTING
4	5200 0596	1			TUBE
5	5200 0599	1			END, Tie Rod
6	5200 0598	1			END, Tie Rod
7	5200 1736	1			TUBE
8	5200 0601	1			END, Tie Rod
9	J027 4428	5			NUT
10	J010 3375	4			PIN, Cotter
11					ARM, Pitman
	5200 0615	1			w/Power Steering
	5200 0616	1			w/o Power Steering ***
12	S010 3336	1			WASHER
13	J320 0501	1			NUT
14	J323 6097	1			DAMPER
15	J012 1224	1			PIN, Cotter
16	1150 5098	1			BOLT
17	1150 2813	1			NUT

MODEL CODES:

15 = Grand Wagoneer 4 Dr.	65 = Comanche 4WD-7 Ft. Box	77 = Cherokee 4WD-2 Dr.
25 = J-10 Pickup-119" W.B.	66 = Comanche 2WD-7 Ft. Box	78 = Cherokee 4WD-4 Dr.
26 = J-10 Pickup-131" W.B.	73 = Cherokee 2WD-2 Dr.	79 = Cherokee 4WD-4 Dr.-Com
27 = J-20 Pickup-131" W.B.	74 = Cherokee 2WD-4 Dr.	81 = Wrangler-93" W.B.
63 = Comanche 4WD-6 Ft. Box	75 = Wagoneer 4WD-4 Dr.	82 = Wrangler-103" W.B.-Exp.
64 = Comanche 2WD-6 Ft. Box		

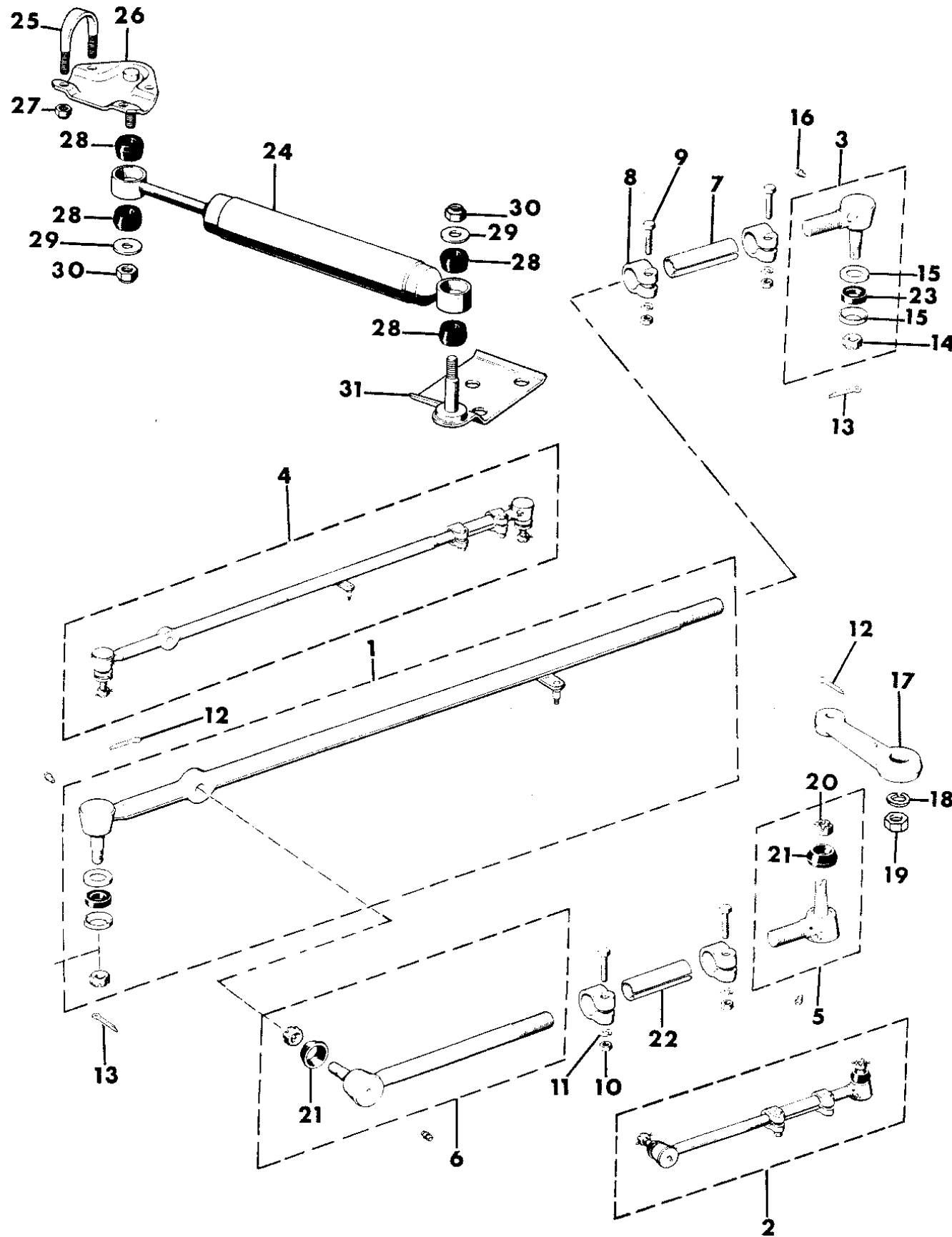
BODY STYLES:

MJ = Comanche Pickup  
 SJ = Grand Wagoneer Wgn., J-10 & J-20 Pickups  
 XJ = Cherokee, Wagoneer Limited  
 YJ = Wrangler

AR = Use as Required - = Non Illustrated Part P.A.R. = Paint as Required

LINKAGE AND DAMPER GRAND WAGONEER, J10, J20  
Figure 19-2100

8J19 2100



ITEM	PART NUMBER	QTY	BODY	MODEL	DESCRIPTION
1					END, Tie Rod
	J812 4816	1		15	
	J812 4823	1		26,27	
2					ROD ASSEMBLY
	J535 2163	1		15	
	J535 2421	1		26,27	
3					ROD ASSEMBLY
	J812 4817	1			
4					END, Tie Rod
	J535 2665	1		15	
	J535 2680	1		26,27	
5					END, Tie Rod
	J812 3319	1			
6					END, Tie Rod
	J812 3315	1		15	
	J812 3316	1		26,27	
7					TUBE
	J812 4819	1			
8					CLAMP
	J080 6746	4			
9					BOLT
	S018 1404	4			
10					NUT
	S027 1505	4			
11					WASHER
	J012 0383	4			
12					PIN, Cotter
	J013 7190	2			
13					PIN, Cotter
	S010 8635	2			
14					NUT
	J812 4818	2			
15					WASHER
	J812 4820	4			
16					FITTING
	J027 1287	4			
17					ARM, Pitman
	J535 2278	1			
18					WASHER
	S010 3336	1			
19					NUT
	J320 0501	1			
20					NUT
	J812 3318	2			
21					COVER, Tie Rod End
	J812 3317	2			
22					TUBE
	J812 3320	1			
23					COVER
	J812 4821	2			
24					DAMPER
	J812 9434	1			
25					U-BOLT
	J094 0121	2			
26					BRACKET
	J535 3384	1			
27					NUT
	J941 6531	4			
28					BUSHING
	J063 7936	4			
29					WASHER
	J012 0389	2			

MODEL CODES:

15 = Grand Wagoneer 4 Dr.	65 = Comanche 4WD-7 Ft. Box	77 = Cherokee 4WD-2 Dr.
25 = J-10 Pickup-119" W.B.	66 = Comanche 2WD-7 Ft. Box	78 = Cherokee 4WD-4 Dr.
26 = J-10 Pickup-131" W.B.	73 = Cherokee 2WD-2 Dr.	79 = Cherokee 4WD-4 Dr.-Com
27 = J-20 Pickup-131" W.B.	74 = Cherokee 2WD-4 Dr.	81 = Wrangler-93" W.B.
63 = Comanche 4WD-6 Ft. Box	75 = Wagoneer 4WD-4 Dr.	82 = Wrangler-103" W.B.-Exp.
64 = Comanche 2WD-6 Ft. Box		

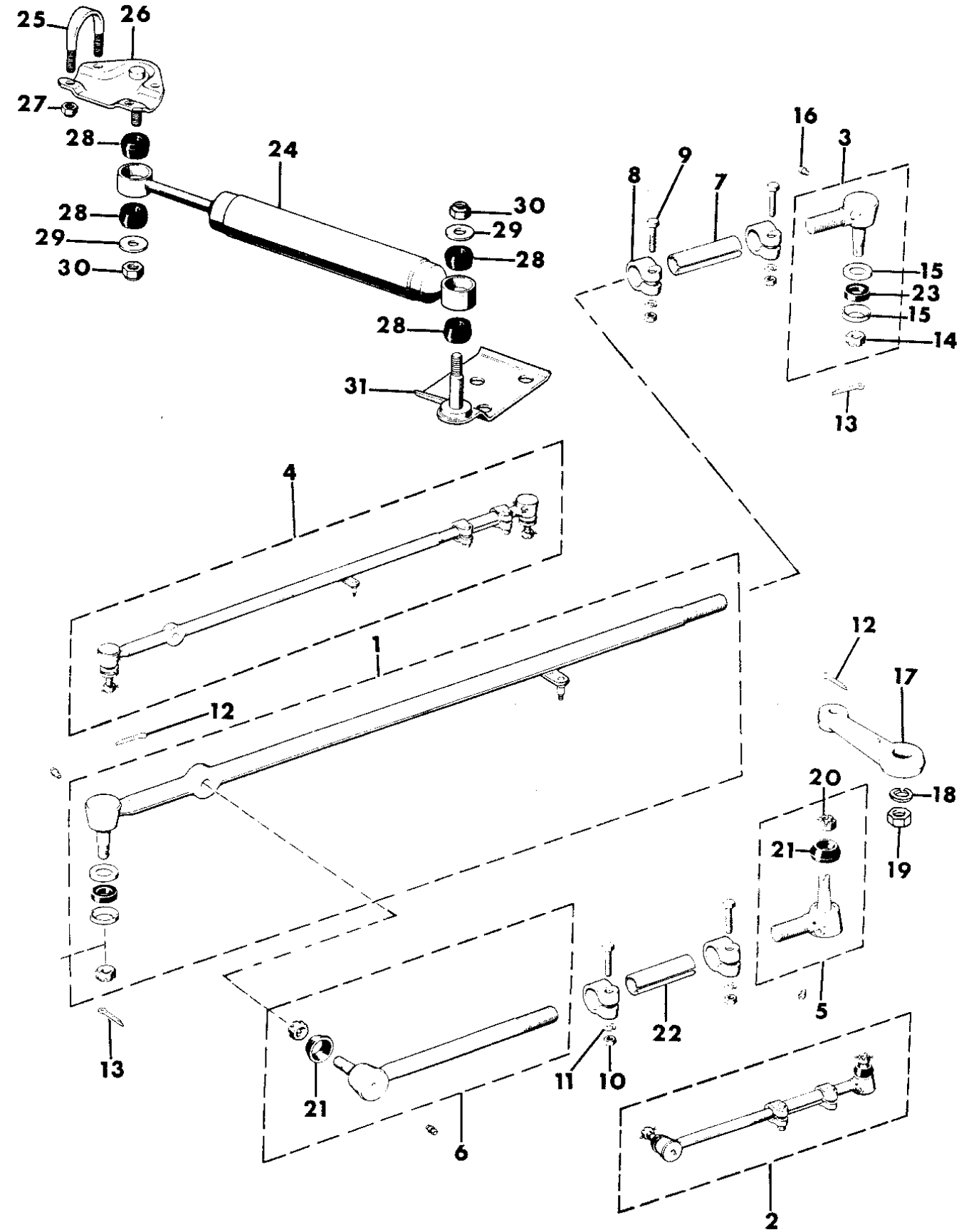
BODY STYLES:

MJ = Comanche Pickup  
 SJ = Grand Wagoneer Wgn., J-10 & J-20 Pickups  
 XJ = Cherokee, Wagoneer Limited  
 YJ = Wrangler

AR = Use as Required - = Non Illustrated Part P.A.R. = Paint as Required

LINKAGE AND DAMPER GRAND WAGONEER, J10, J20  
Figure 19-2100

8J19 2100



ITEM	PART NUMBER	QTY	BODY	MODEL	DESCRIPTION
30	J941 3215	2			NUT
31	J535 9695	1			BRACKET

MODEL CODES:

15 = Grand Wagoneer 4 Dr.	65 = Comanche 4WD-7 Ft. Box	77 = Cherokee 4WD-2 Dr.
25 = J-10 Pickup-119" W.B.	66 = Comanche 2WD-7 Ft. Box	78 = Cherokee 4WD-4 Dr.
26 = J-10 Pickup-131" W.B.	73 = Cherokee 2WD-2 Dr.	79 = Cherokee 4WD-4 Dr.-Com
27 = J-20 Pickup-131" W.B.	74 = Cherokee 2WD-4 Dr.	81 = Wrangler-93" W.B.
63 = Comanche 4WD-6 Ft. Box	75 = Wagoneer 4WD-4 Dr.	82 = Wrangler-103" W.B.-Exp.
64 = Comanche 2WD-6 Ft. Box		

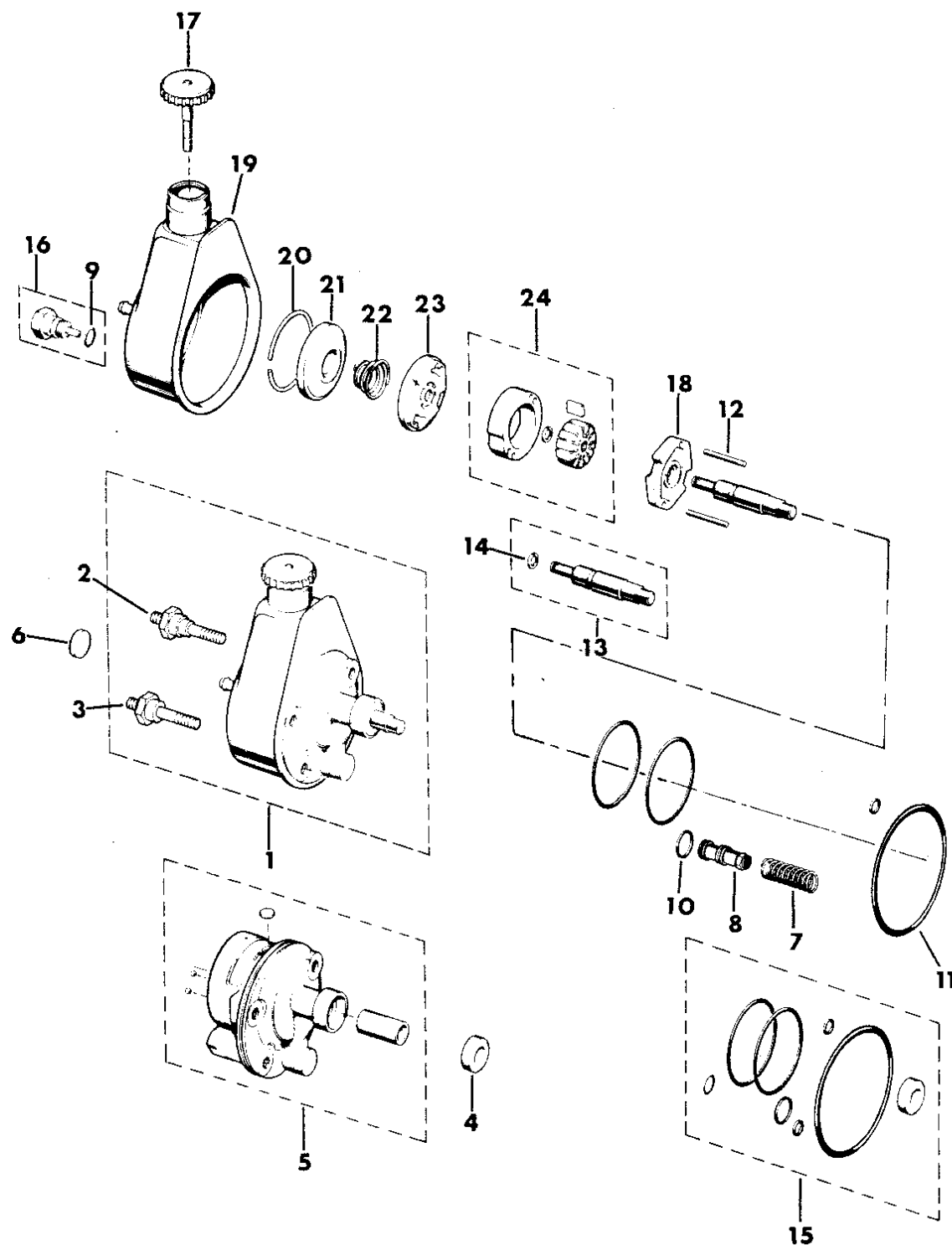
BODY STYLES:

MJ = Comanche Pickup  
 SJ = Grand Wagoneer Wgn., J-10 & J-20 Pickups  
 XJ = Cherokee, Wagoneer Limited  
 YJ = Wrangler

AR = Use as Required - = Non Illustrated Part P.A.R. = Paint as Required

**PUMP, POWER STEERING WRANGLER**  
Figure 19-2200

8 J19 2200



ITEM	PART NUMBER	QTY	BODY	MODEL	DESCRIPTION
1	3300 1907	1			PUMP, Power Steering
2	J813 2474	1			STUD
3	J813 2475	1			STUD
4	J448 8330	1			SEAL
5	J813 2473	1			HOUSING
6	8350 0243	1			MAGNET
7	J320 9673	1			SPRING
8	J448 8026	1			VALVE
9	J320 9671	1			SEAL
10	8350 2151	1			SEAL
11	J320 9669	1			SEAL
12	J320 9660	2			PIN
13	J813 3828	1			SHAFT PACKAGE
14	J813 3827	1			RING PACKAGE
15	8350 2149	1			SEAL PACKAGE
16	J813 2472	1			FITTING
17	J812 8467	1			CAP
18	8350 0071	1			PLATE
19	8350 0244	1			RESERVOIR
20	J320 9664	1			RING
21	J320 9661	1			PLATE
22	J813 3958	1			SPRING
23	J813 3957	1			PLATE
24	J813 3829	1			RING PACKAGE

MODEL CODES:

15 = Grand Wagoneer 4 Dr.	65 = Comanche 4WD-7 Ft. Box	77 = Cherokee 4WD-2 Dr.
25 = J-10 Pickup-119" W.B.	66 = Comanche 2WD-7 Ft. Box	78 = Cherokee 4WD-4 Dr.
26 = J-10 Pickup-131" W.B.	73 = Cherokee 2WD-2 Dr.	79 = Cherokee 4WD-4 Dr.-Com
27 = J-20 Pickup-131" W.B.	74 = Cherokee 2WD-4 Dr.	81 = Wrangler-93" W.B.
63 = Comanche 4WD-6 Ft. Box	75 = Wagoneer 4WD-4 Dr.	82 = Wrangler-103" W.B.-Exp.
64 = Comanche 2WD-6 Ft. Box		

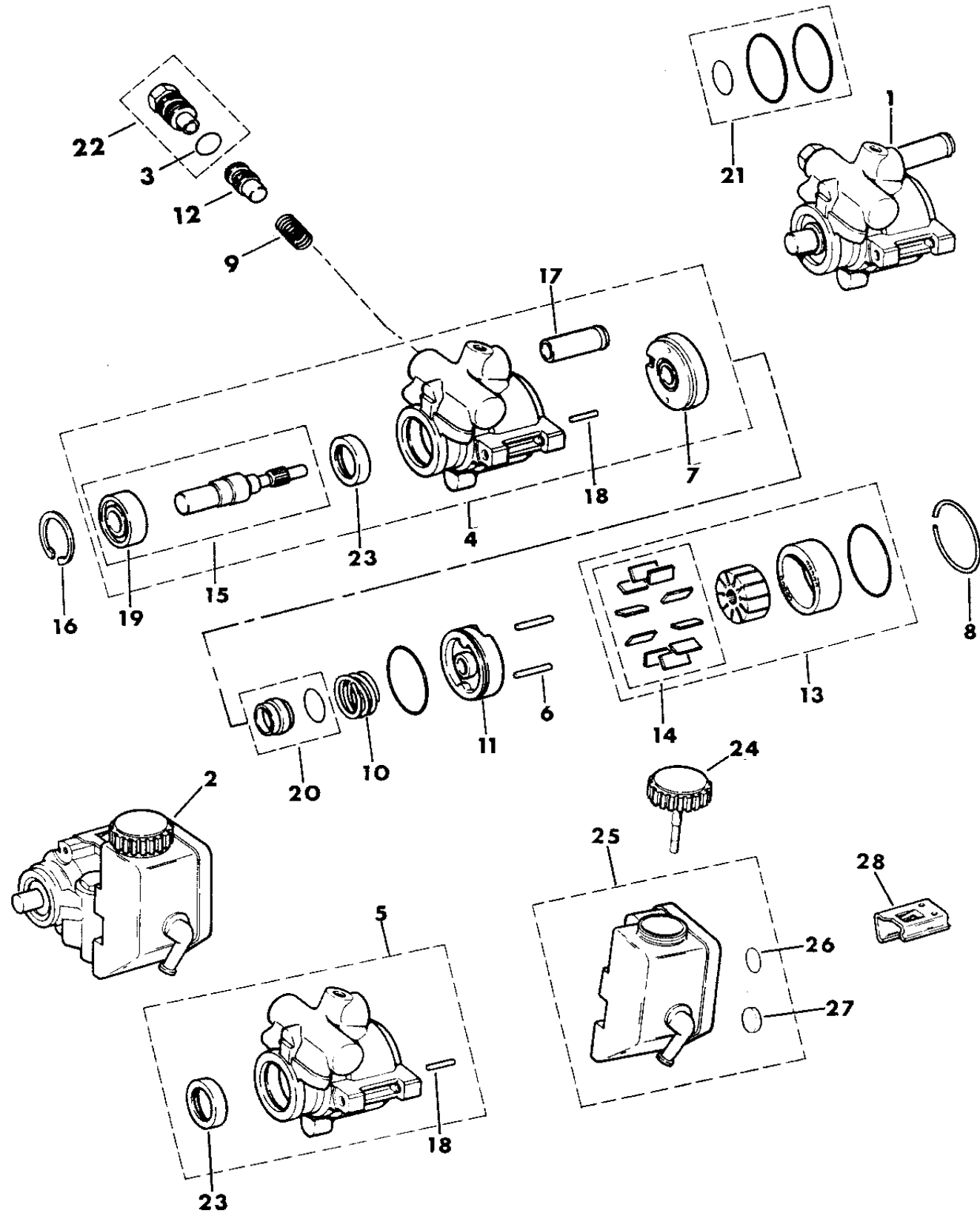
BODY STYLES:

MJ = Comanche Pickup  
 SJ = Grand Wagoneer Wgn., J-10 & J-20 Pickups  
 XJ = Cherokee, Wagoneer Limited  
 YJ = Wrangler

AR = Use as Required - = Non Illustrated Part P.A.R. = Paint as Required

**PUMP, POWER STEERING CHEROKEE, WAGONEER, COMANCHE**  
**Figure 19-2300**

8 J19 2300



ITEM	PART NUMBER	QTY	BODY	MODEL	DESCRIPTION
1					PUMP, Power Steering
	5300 5017	1			w/2.5L Eng.
2					PUMP, Power Steering
	5300 5437	1			w/4.0L Eng.
	5300 8448	1			1987-89
	5300 5358	1			1990
	5300 8449	1			4.0L Eng. w/ECE
	5300 8449	1			1988-89
	5300 8449	1			1990
3	J320 9671	1			SEAL
4	8350 3485	1			BODY PACKAGE, w/2.5L Eng.
5	8350 3491	1			BODY PACKAGE, w/4.0L Eng.
6	8350 1818	2			PIN
7	8350 1815	1			PLATE
8	8350 1821	1			RING
9	J320 9673	1			SPRING
10	8350 1822	1			SPRING
11	8350 3488	1			PLATE
12					VALVE
	8350 4436	1			w/2.5L Eng.
	8350 3489	1			w/4.0L Eng.
	8350 4436	1			w/4.0L Eng. w/ECE
13	8350 1824	1			RING PACKAGE
14	8350 1827	1			VANE PACKAGE
15	8350 3486	1			SHAFT
16	8350 1820	1			RING
17	8350 0266	1			TUBE, w/2.5L Eng.
18	8350 1828	1			PIN
19	8350 3487	1			BEARING
20	8350 1826	1			SLEEVE PACKAGE
21	8350 1825	1			SEAL PACKAGE
22					FITTING
	8350 4435	1			w/2.5L Eng.
	8350 3484	1			w/4.0L Eng.
	8350 5299	1			w/4.0L Eng. w/ECE
23	8350 1814	1			SEAL
24	8350 5415	1			CAP, w/4.0L Eng.

**MODEL CODES:**

15 = Grand Wagoneer 4 Dr.	65 = Comanche 4WD-7 Ft. Box	77 = Cherokee 4WD-2 Dr.
25 = J-10 Pickup-119" W.B.	66 = Comanche 2WD-7 Ft. Box	78 = Cherokee 4WD-4 Dr.
26 = J-10 Pickup-131" W.B.	73 = Cherokee 2WD-2 Dr.	79 = Cherokee 4WD-4 Dr.-Com
27 = J-20 Pickup-131" W.B.	74 = Cherokee 2WD-4 Dr.	81 = Wrangler-93" W.B.
63 = Comanche 4WD-6 Ft. Box	75 = Wagoneer 4WD-4 Dr.	82 = Wrangler-103" W.B.-Exp.
64 = Comanche 2WD-6 Ft. Box		

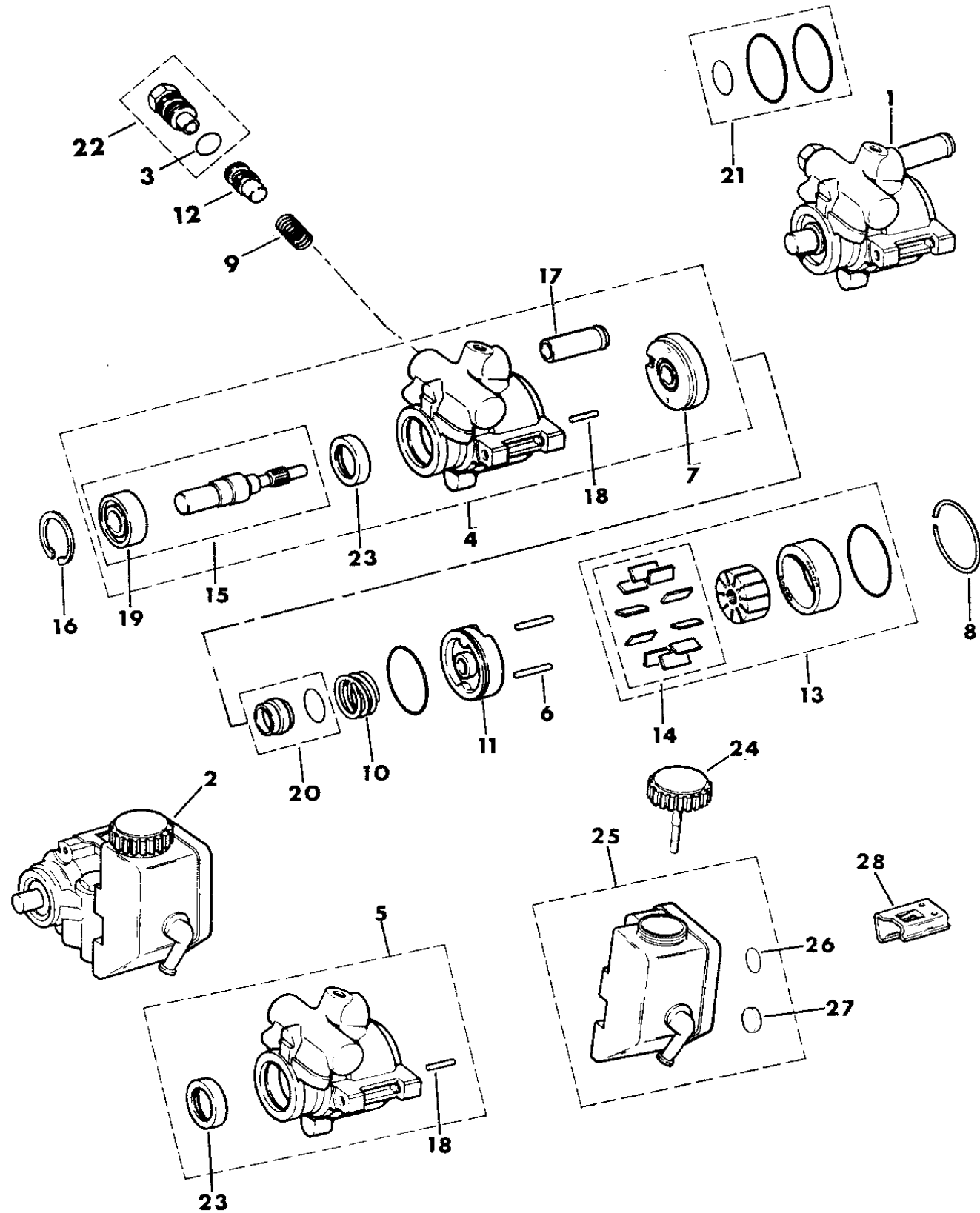
**BODY STYLES:**

MJ = Comanche Pickup  
 SJ = Grand Wagoneer Wgn., J-10 & J-20 Pickups  
 XJ = Cherokee, Wagoneer Limited  
 YJ = Wrangler

AR = Use as Required - = Non Illustrated Part P.A.R. = Paint as Required

PUMP, POWER STEERING CHEROKEE, WAGONEER, COMANCHE  
Figure 19-2300

8 J19 2300



ITEM	PART NUMBER	QTY	BODY	MODEL	DESCRIPTION
25					RESERVIOR, 4.0L Engine ***
	8350 3495	1		1987-89	
	8350 7075	1		1990	
26	8350 4876	1			SEAL, w/4.0L Eng.
27	8350 0243	1			MAGNET, w/4.0L Eng. ***
28					CLIP, w/4.0L Eng.
	8350 3492	1		Rt.	
	8350 3493	1		Lt.	

MODEL CODES:

15 = Grand Wagoneer 4 Dr.	65 = Comanche 4WD-7 Ft. Box	77 = Cherokee 4WD-2 Dr.
25 = J-10 Pickup-119" W.B.	66 = Comanche 2WD-7 Ft. Box	78 = Cherokee 4WD-4 Dr.
26 = J-10 Pickup-131" W.B.	73 = Cherokee 2WD-2 Dr.	79 = Cherokee 4WD-4 Dr.-Com
27 = J-20 Pickup-131" W.B.	74 = Cherokee 2WD-4 Dr.	81 = Wrangler-93" W.B.
63 = Comanche 4WD-6 Ft. Box	75 = Wagoneer 4WD-4 Dr.	82 = Wrangler-103" W.B.-Exp.
64 = Comanche 2WD-6 Ft. Box		

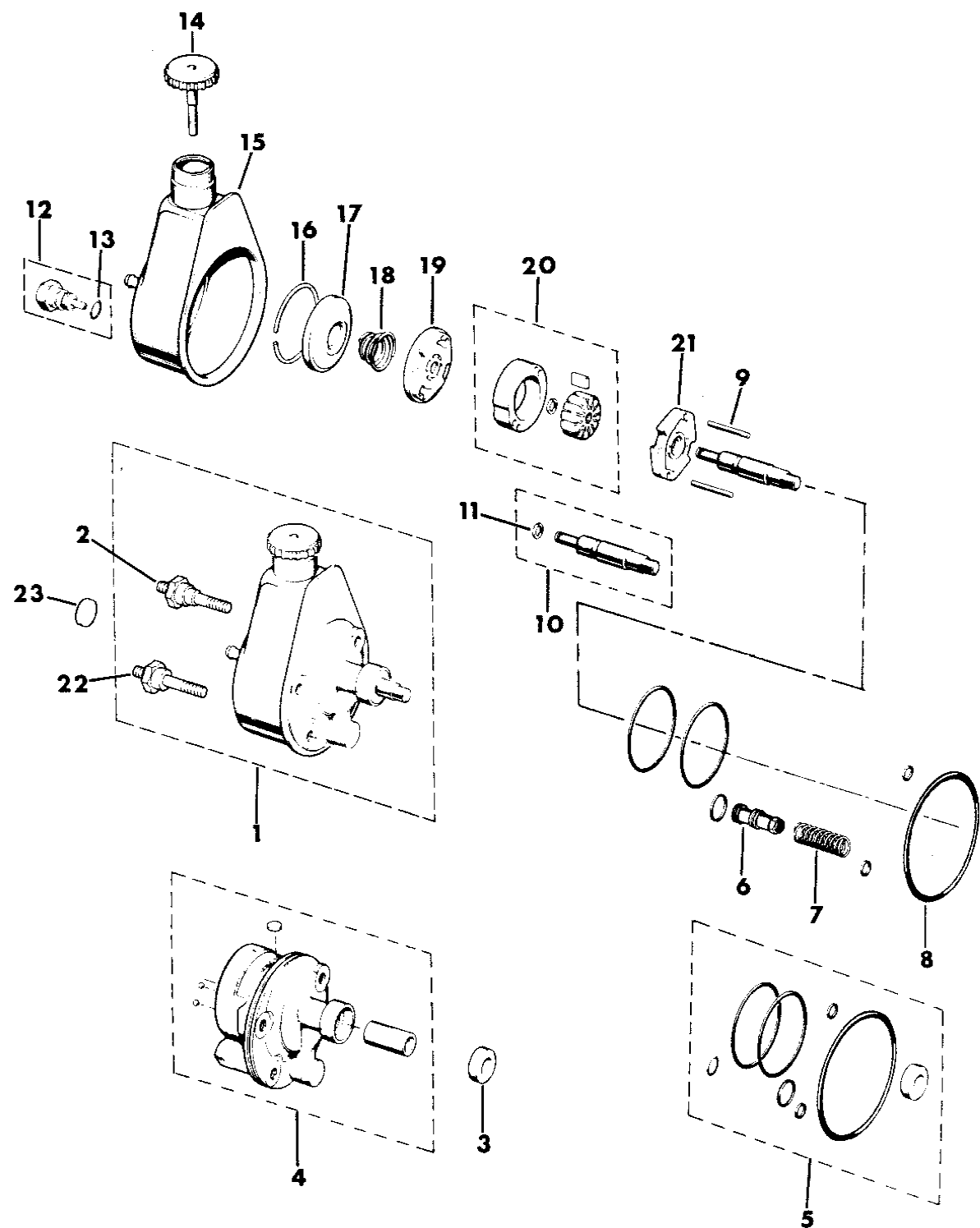
BODY STYLES:

MJ = Comanche Pickup  
SJ = Grand Wagoneer Wgn., J-10 & J-20 Pickups  
XJ = Cherokee, Wagoneer Limited  
YJ = Wrangler

AR = Use as Required - = Non Illustrated Part P.A.R. = Paint as Required

PUMP, POWER STEERING GRAND WAGONEER, J10, J20  
Figure 19-2400

8J192400



ITEM	PART NUMBER	QTY	BODY	MODEL	DESCRIPTION
1					PUMP, Power Steering
	5300 2714	1		15,26	
	J323 7193	1		27	
2	J813 2474	1			STUD
3	J448 8330	1			SEAL
4	J813 2473	1			HOUSING
5	8350 2149	1			SEAL PACKAGE
6	J812 5923	1			VALVE
7	J320 9673	1			SPRING
8	J320 9669	1			SEAL
9	J320 9660	2			PIN
10	J813 3828	1			SHAFT PACKAGE
11	J813 3827	1			RING PACKAGE
12					FITTING
	8350 2088	1		15,26	
	J813 2472	1		27	
13	J320 9671	1			SEAL
14	J812 8467	1			CAP
15	J812 7369	1			RESERVOIR
16	J320 9664	1			RING
17	J320 9661	1			PLATE
18	J813 3958	1			SPRING
19	J813 3957	1			PLATE
20	J813 3829	1			RING PACKAGE
21	8350 0071	1			PLATE
22	J813 2475	1			STUD
23	8350 0243	1			MAGNET

MODEL CODES:

15 = Grand Wagoneer 4 Dr.	65 = Comanche 4WD-7 Ft. Box	77 = Cherokee 4WD-2 Dr.
25 = J-10 Pickup-119" W.B.	66 = Comanche 2WD-7 Ft. Box	78 = Cherokee 4WD-4 Dr.
26 = J-10 Pickup-131" W.B.	73 = Cherokee 2WD-2 Dr.	79 = Cherokee 4WD-4 Dr.-Com
27 = J-20 Pickup-131" W.B.	74 = Cherokee 2WD-4 Dr.	81 = Wrangler-93" W.B.
63 = Comanche 4WD-6 Ft. Box	75 = Wagoneer 4WD-4 Dr.	82 = Wrangler-103" W.B.-Exp.
64 = Comanche 2WD-6 Ft. Box		

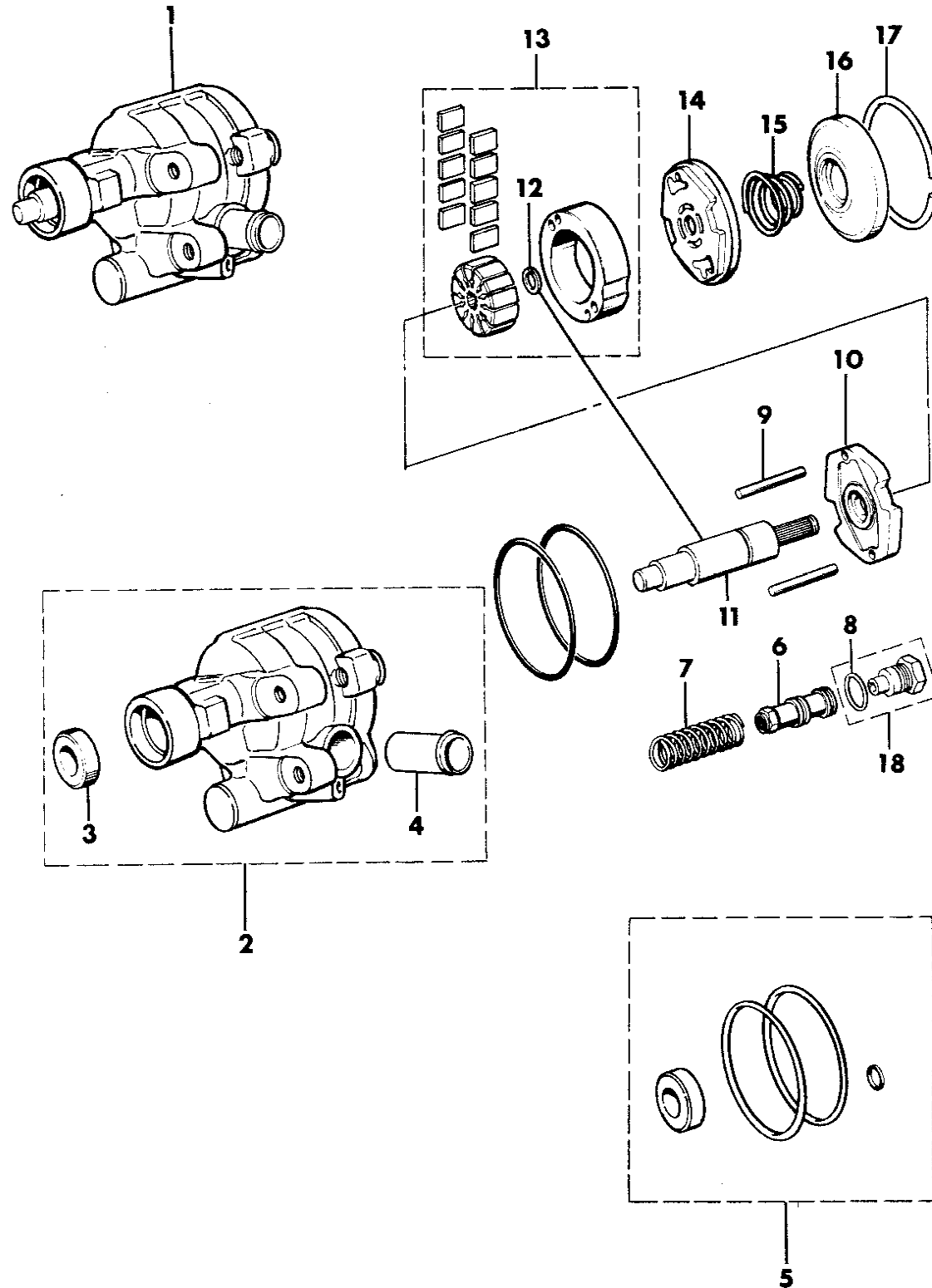
BODY STYLES:

MJ = Comanche Pickup  
 SJ = Grand Wagoneer Wgn., J-10 & J-20 Pickups  
 XJ = Cherokee, Wagoneer Limited  
 YJ = Wrangler

AR = Use as Required - = Non Illustrated Part P.A.R. = Paint as Required

**PUMP, POWER STEERING 2.1L DIESEL ENGINE CHEROKEE, WAGONEER**  
**Figure 19-2500**

19 2500



ITEM	PART NUMBER	QTY	BODY	MODEL	DESCRIPTION
1	5300 5254	1			PUMP, Power Steering
2	8350 0265	1			HOUSING
3	J448 8330	1			SEAL
4	8350 0266	1			TUBE
5	8350 0074	1			SEAL PACKAGE
6	J812 5923	1			VALVE
7	J320 9673	1			SPRING
8	J320 9671	1			SEAL
9	J320 9660	1			PIN
10	8350 0071	1			PLATE
11	J813 3828	1			SHAFT PACKAGE
12	8350 0075	1			RING PACKAGE
13	J813 3829	1			RING PACKAGE
14	J813 3957	1			PLATE
15	J813 3958	1			SPRING
16	J320 9661	1			PLATE
17	J320 9664	1			RING
18	8350 2088	1			FITTING

**MODEL CODES:**

15 = Grand Wagoneer 4 Dr.	65 = Comanche 4WD-7 Ft. Box	77 = Cherokee 4WD-2 Dr.
25 = J-10 Pickup-119" W.B.	66 = Comanche 2WD-7 Ft. Box	78 = Cherokee 4WD-4 Dr.
26 = J-10 Pickup-131" W.B.	73 = Cherokee 2WD-2 Dr.	79 = Cherokee 4WD-4 Dr.-Com
27 = J-20 Pickup-131" W.B.	74 = Cherokee 2WD-4 Dr.	81 = Wrangler-93" W.B.
63 = Comanche 4WD-6 Ft. Box	75 = Wagoneer 4WD-4 Dr.	82 = Wrangler-103" W.B.-Exp.
64 = Comanche 2WD-6 Ft. Box		

**BODY STYLES:**

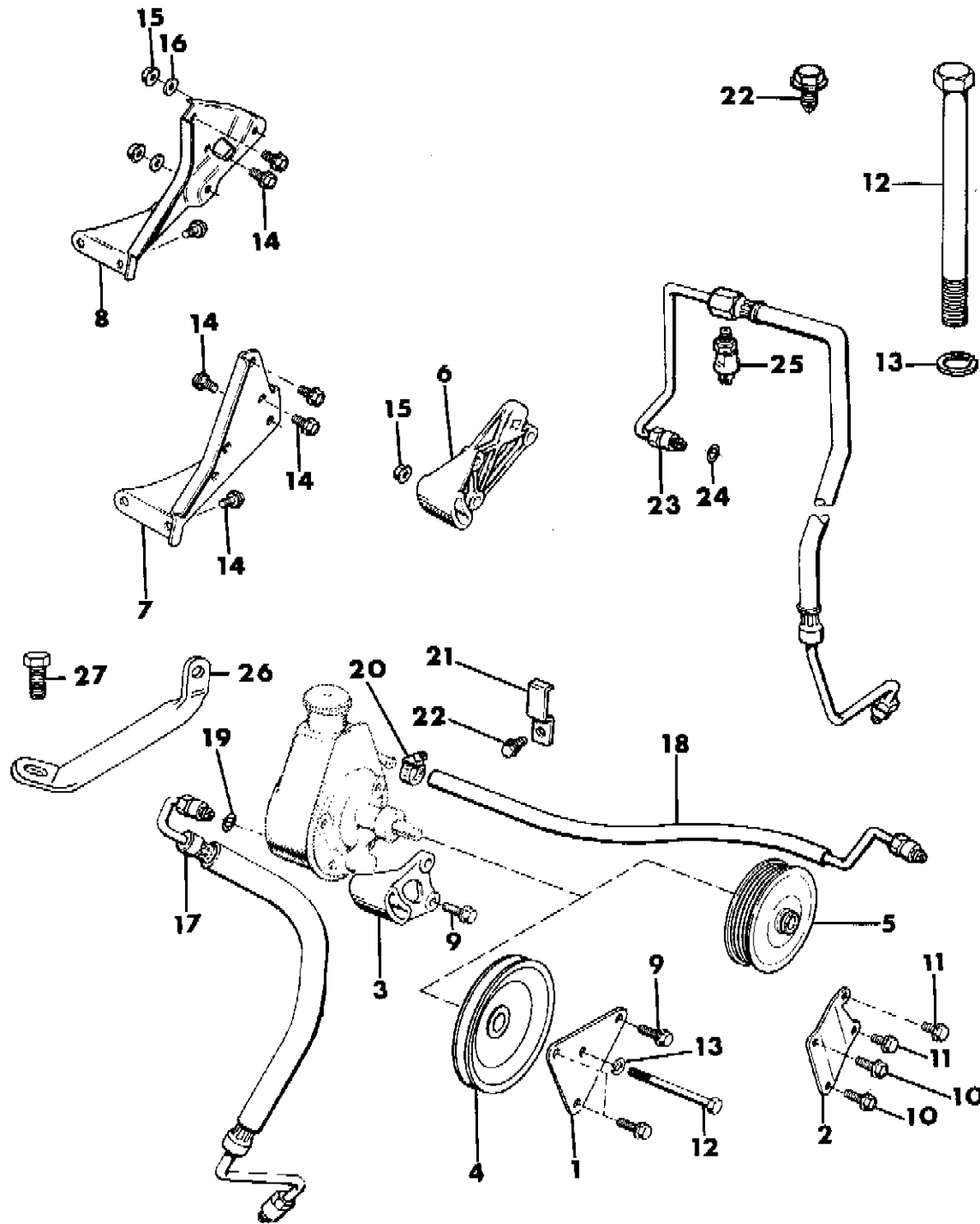
MJ = Comanche Pickup  
 SJ = Grand Wagoneer Wgn., J-10 & J-20 Pickups  
 XJ = Cherokee, Wagoneer Limited  
 YJ = Wrangler

AR = Use as Required - = Non Illustrated Part P.A.R. = Paint as Required



**PUMP MOUNTING POWER STEERING WRANGLER**  
Figure 19-2600

8J19 2600A



ITEM	PART NUMBER	QTY	BODY	MODEL	DESCRIPTION
1	J323 7232	1			BRACKET, w/o Serpentine Belt
2	5300 0096	1			BRACKET, w/Serpentine Belt
3	J323 4993	1			BRACKET, w/o Serpentine Belt
4	J322 6937	1			PULLEY, w/o Serpentine Belt
5	J323 8275	1			PULLEY, w/Serpentine Belt
6	J323 8265	1			BRACKET, w/o Serpentine Belt
7	J323 8661	1			BRACKET, w/o Serpentine Belt
8	3300 1546	1			BRACKET, w/Serpentine Belt
9	1150 2606	2			BOLT
10	J027 4195	2			BOLT
11	3420 1868	2			BOLT
12	J018 9295	1			BOLT
13	J400 3803	1			WASHER
14	J027 3773	AR			BOLT
15	1150 6007	2			NUT
16	J420 0093	2			WASHER
17	5200 3687	1			HOSE, w/4.0, 4.2L Eng. 1988-90
	5200 2459	1			w/4.0L,4.2L Eng.,1987
18					HOSE
	5200 2460	1			w/4.0, 4.2L Eng.
	5204 0125	1			w/2.5L Eng.
19	J325 1183	3			SEAL
20	J320 3076	1			CLAMP
21	J400 4901	1			CLIP
22	J400 2359	1			SCREW
23	5204 0123	1			HOSE, w/2.5L Eng.
24	J325 1183	3			SEAL
25	5300 0970	1			SWITCH, High Pressure
26	5300 6409	1			BRACE
27	J400 6985	1			BOLT

MODEL CODES:

15 = Grand Wagoneer 4 Dr.	65 = Comanche 4WD-7 Ft. Box	77 = Cherokee 4WD-2 Dr.
25 = J-10 Pickup-119" W.B.	66 = Comanche 2WD-7 Ft. Box	78 = Cherokee 4WD-4 Dr.
26 = J-10 Pickup-131" W.B.	73 = Cherokee 2WD-2 Dr.	79 = Cherokee 4WD-4 Dr.-Com
27 = J-20 Pickup-131" W.B.	74 = Cherokee 2WD-4 Dr.	81 = Wrangler-93" W.B.
63 = Comanche 4WD-6 Ft. Box	75 = Wagoneer 4WD-4 Dr.	82 = Wrangler-103" W.B.-Exp.
64 = Comanche 2WD-6 Ft. Box		

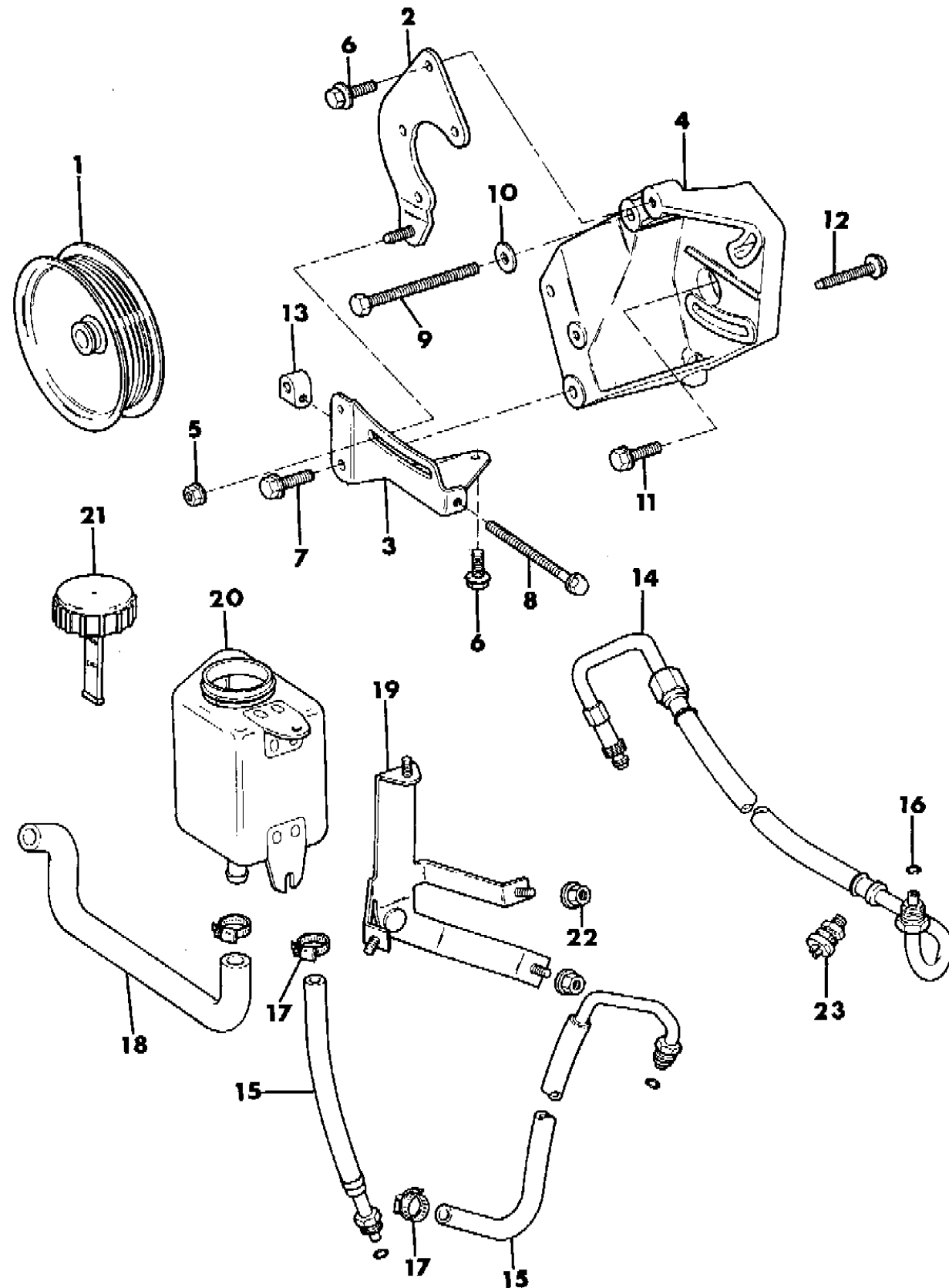
BODY STYLES:

MJ = Comanche Pickup  
 SJ = Grand Wagoneer Wgn., J-10 & J-20 Pickups  
 XJ = Cherokee, Wagoneer Limited  
 YJ = Wrangler

AR = Use as Required - = Non Illustrated Part P.A.R. = Paint as Required

**PUMP MOUNTING POWER STEERING CHEROKEE, WAGONEER, COMANCHE**  
**Figure 19-2700**

8J19 2700A



ITEM	PART NUMBER	QTY	BODY	MODEL	DESCRIPTION
1					PULLEY
	5300 3805	1			w/2.5L Eng.
	5300 2909	1			w/4.0L Eng.
2	5300 2911	1			BRACKET
3	5300 2913	1			BRACKET
4	5300 2910	1			BRACKET
5	3420 1918	1			NUT
6					SCREW
	3420 1818	1			Length = 25mm
	3420 1586	5			Length = 20mm
7	J400 6995	2			BOLT
8	3420 2480	1			BOLT
9	J045 6958	1			BOLT
10	J400 1161	1			WASHER
11	J812 5845	1			BOLT
12	3420 1819	2			SCREW
13	5300 2915	1			COLLAR
14					HOSE
	5200 3625	1			w/2.5L Eng.
	5200 3627	1			w/4.0L Eng.
15					HOSE
	5200 3135	1			w/2.5L Eng.
	5200 3782	1			w/4.0L Eng.
	5300 8450	1			w/4.0L Eng. 1990
16	J325 1183	1			SEAL
17	J320 3076	AR			CLAMP
18	5200 3134	1			HOSE, w/2.5L Eng.
19	5200 3224	1			BRACKET, w/2.5L Eng.
20	5200 3130	1			RESERVOIR, w/2.5L Eng.
21	5200 3132	1			CAP, w/2.5L Eng.
22					NUT
	1150 2722	3			M5x0.8, w/2.5L Eng.
	1150 3745	2			M6x1.0, w/2.5L Eng.
23	5300 0970	1			SWITCH, High Pressure

**MODEL CODES:**

15 = Grand Wagoneer 4 Dr.	65 = Comanche 4WD-7 Ft. Box	77 = Cherokee 4WD-2 Dr.
25 = J-10 Pickup-119" W.B.	66 = Comanche 2WD-7 Ft. Box	78 = Cherokee 4WD-4 Dr.
26 = J-10 Pickup-131" W.B.	73 = Cherokee 2WD-2 Dr.	79 = Cherokee 4WD-4 Dr.-Com
27 = J-20 Pickup-131" W.B.	74 = Cherokee 2WD-4 Dr.	81 = Wrangler-93" W.B.
63 = Comanche 4WD-6 Ft. Box	75 = Wagoneer 4WD-4 Dr.	82 = Wrangler-103" W.B.-Exp.
64 = Comanche 2WD-6 Ft. Box		

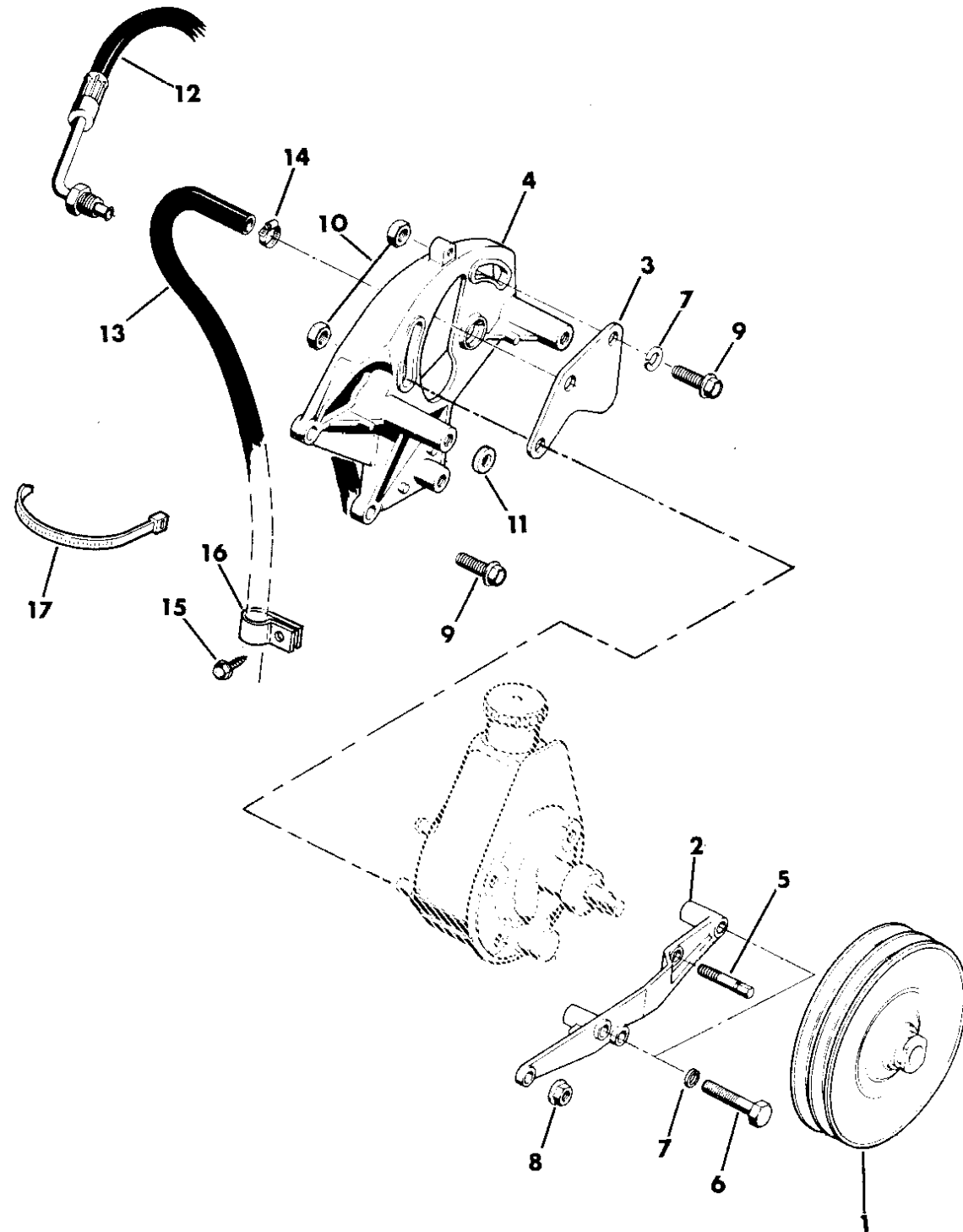
**BODY STYLES:**

MJ = Comanche Pickup  
 SJ = Grand Wagoneer Wgn., J-10 & J-20 Pickups  
 XJ = Cherokee, Wagoneer Limited  
 YJ = Wrangler

AR = Use as Required - = Non Illustrated Part P.A.R. = Paint as Required

**PUMP MOUNTING POWER STEERING, 5.7L ENGINE GRAND WAGONEER, J10, J20**  
**Figure 19-2800**

8 J 19 2800



ITEM	PART NUMBER	QTY	BODY	MODEL	DESCRIPTION
1	J322 7674	1			PULLEY
2	J323 4995	1			BRACKET
3	J323 0990	1			BRACKET
4	J323 4992	1			BRACKET
5	J420 0080	1			STUD
6	J018 0137	2			BOLT
7	J400 3803	3			WASHER
8	J400 3869	1			NUT
9					BOLT
	J400 4010	2			Length = 1.12"
	J018 0125	1			Length = 1.38"
10	J420 0081	2			NUT
11	J400 1104	1			WASHER
12	5200 3079	1			HOSE
13	J537 0023	1			HOSE
14	J315 5600	1			CLAMP
15	1150 1940	1			BOLT
16	J400 4892	1			CLIP
17	J322 3227	1			STRAP

**MODEL CODES:**

15 = Grand Wagoneer 4 Dr.	65 = Comanche 4WD-7 Ft. Box	77 = Cherokee 4WD-2 Dr.
25 = J-10 Pickup-119" W.B.	66 = Comanche 2WD-7 Ft. Box	78 = Cherokee 4WD-4 Dr.
26 = J-10 Pickup-131" W.B.	73 = Cherokee 2WD-2 Dr.	79 = Cherokee 4WD-4 Dr.-Com
27 = J-20 Pickup-131" W.B.	74 = Cherokee 2WD-4 Dr.	81 = Wrangler-93" W.B.
63 = Comanche 4WD-6 Ft. Box	75 = Wagoneer 4WD-4 Dr.	82 = Wrangler-103" W.B.-Exp.
64 = Comanche 2WD-6 Ft. Box		

**BODY STYLES:**

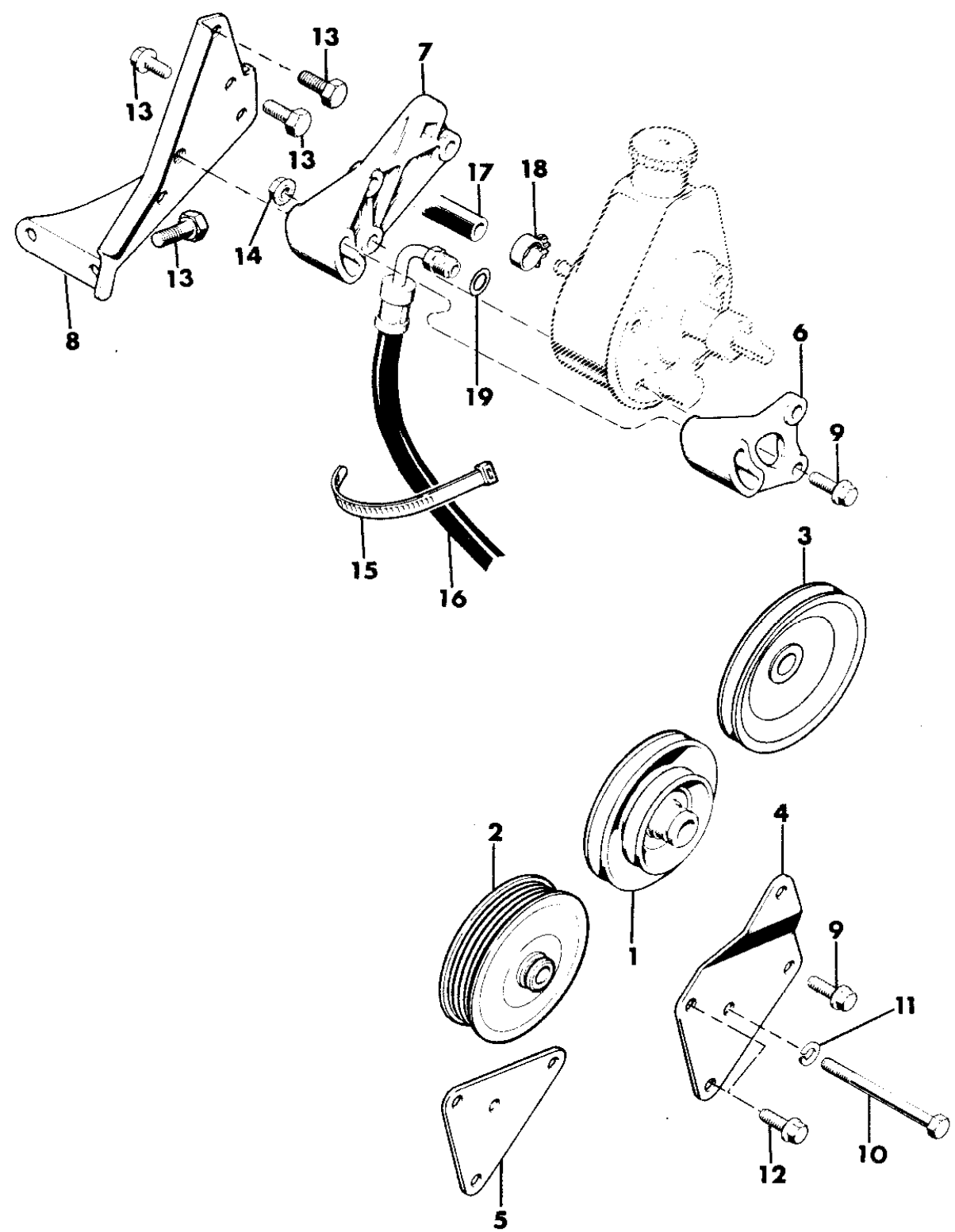
MJ = Comanche Pickup  
 SJ = Grand Wagoneer Wgn., J-10 & J-20 Pickups  
 XJ = Cherokee, Wagoneer Limited  
 YJ = Wrangler

AR = Use as Required - = Non Illustrated Part P.A.R. = Paint as Required

**PUMP MOUNTING POWER STEERING, 4.2L ENGINE J10, J20**  
**Figure 19-2900**

8J19 2900

ITEM	PART NUMBER	QTY	BODY	MODEL	DESCRIPTION
1	J322 6937	1			PULLEY
2	J323 8275	1			PULLEY
3	J322 6940	1			PULLEY
4	J323 7571	1			BRACKET
5	J323 7232	1			BRACKET
6	J323 4993	1			BRACKET
7	J323 8265	1			BRACKET
8	J323 8661	1			BRACKET
9	1150 2606	2			BOLT
10	J018 9295	1			BOLT
11	J400 3803	1			WASHER
12					SCREW
	J027 4195	1			Length = 1.00"
	J400 6995	1			Length = 1.12"
13	J027 3773	6			BOLT
14	1150 6007	2			NUT
15	J322 3227	1			STRAP
16	5200 3769	1			HOSE
17	J537 0025	1			HOSE
18	J315 5600	1			CLAMP
19	J325 1183	2			SEAL



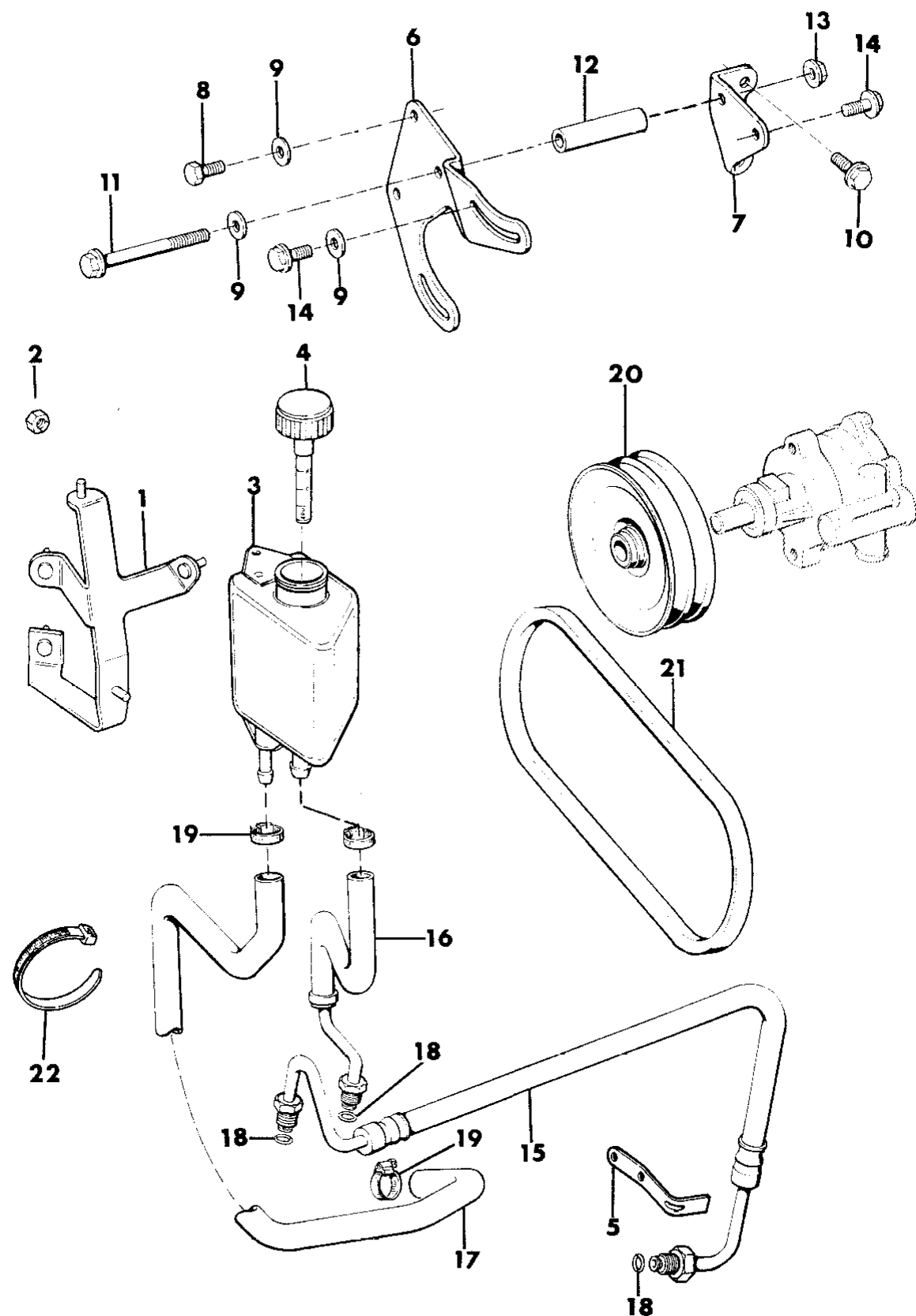
**MODEL CODES:**  
 15 = Grand Wagoneer 4 Dr.      65 = Comanche 4WD-7 Ft. Box      77 = Cherokee 4WD-2 Dr.  
 25 = J-10 Pickup-119" W.B.      66 = Comanche 2WD-7 Ft. Box      78 = Cherokee 4WD-4 Dr.  
 26 = J-10 Pickup-131" W.B.      73 = Cherokee 2WD-2 Dr.      79 = Cherokee 4WD-4 Dr.-Com  
 27 = J-20 Pickup-131" W.B.      74 = Cherokee 2WD-4 Dr.      81 = Wrangler-93" W.B.  
 63 = Comanche 4WD-6 Ft. Box      75 = Wagoneer 4WD-4 Dr.      82 = Wrangler-103" W.B.-Exp.  
 64 = Comanche 2WD-6 Ft. Box

**BODY STYLES:**  
 MJ = Comanche Pickup  
 SJ = Grand Wagoneer Wgn., J-10 & J-20 Pickups  
 XJ = Cherokee, Wagoneer Limited  
 YJ = Wrangler

AR = Use as Required - = Non Illustrated Part P.A.R. = Paint as Required

**PUMP MOUNTING POWER STEERING, 2.1L DIESEL ENGINE CHEROKEE, WAGONEER**  
**Figure 19-3000**

8J19 3000



ITEM	PART NUMBER	QTY	BODY	MODEL	DESCRIPTION
1	5200 3225	1			BRACKET
2	1150 2722	3			NUT M5x0.8
	1150 3745	2			M6x1.0
3	5200 3130	1			RESERVOIR
	8350 0243	1			MAGNET, 1987 ***
4	5200 3132	1			CAP
5	5200 3629	1			BRACKET
6	5300 1768	1			BRACKET
7	5300 1769	1			BRACKET
8	S150 0832	2			BOLT
9	J400 1104	5			WASHER
10	3420 1586	2			BOLT
11	T300 1695	1			BOLT
12	3420 2052	1			SPACER
13	1150 2812	1			NUT
14	3420 1540	3			BOLT
15	5200 3212	1			HOSE
16	5200 3140	1			HOSE
17	5200 3139	1			HOSE
18	J325 1183	3			SEAL
19	J320 3076	3			CLAMP
20	5300 1767	1			PULLEY
21	5300 1773	1			BELT
22	J322 3227	1			STRAP

**MODEL CODES:**

15 = Grand Wagoneer 4 Dr.	65 = Comanche 4WD-7 Ft. Box	77 = Cherokee 4WD-2 Dr.
25 = J-10 Pickup-119" W.B.	66 = Comanche 2WD-7 Ft. Box	78 = Cherokee 4WD-4 Dr.
26 = J-10 Pickup-131" W.B.	73 = Cherokee 2WD-2 Dr.	79 = Cherokee 4WD-4 Dr.-Com
27 = J-20 Pickup-131" W.B.	74 = Cherokee 2WD-4 Dr.	81 = Wrangler-93" W.B.
63 = Comanche 4WD-6 Ft. Box	75 = Wagoneer 4WD-4 Dr.	82 = Wrangler-103" W.B.-Exp.
64 = Comanche 2WD-6 Ft. Box		

**BODY STYLES:**

MJ = Comanche Pickup  
 SJ = Grand Wagoneer Wgn., J-10 & J-20 Pickups  
 XJ = Cherokee, Wagoneer Limited  
 YJ = Wrangler

AR = Use as Required - = Non Illustrated Part P.A.R. = Paint as Required

**GROUP 21M - TRANSMISSION, MANUAL**

ILLUSTRATION TITLE	GROUP-FIG. NO.
MANUAL TRANSMISSION AND TRANSFER CASE ASSEMBLIES ALL MODELS .....	Fig. 21M-100
TRANSFER CASE ASSEMBLY N.P.G. MODEL 207, KANDA MODEL 87A-K WRANGLER, YJ, CHEROKEE, WAGONEER, COMANCHE .....	Fig. 21M-150
TRANSMISSION CASE, EXTENSION & MISCELLANEOUS PARTS FOUR CYL. GAS OR DIESEL ENGINE 4 OR 5 SPEED TRANSAISIN MODEL AX4 OR AX5 .....	Fig. 21M-200
GEAR TRAIN, MANUAL TRANSMISSION FOUR CYL. GAS OR DIESEL ENGINE 4 OR 5 SPEED TRANSAISIN MODEL AX4 OR AX5 .....	Fig. 21M-300
FORKS, RAILS, SHAFTS, MANUAL TRANSMISSION FOUR CYL. GAS OR DIESEL ENGINE 4 OR 5 SPEED TRANS.AISIN MODEL AX4 OR AX5 .....	Fig. 21M-400
TRANSMISSION CASE, ADAPTER AND MISC. PARTS SIX CYL. ENG. 4.0L, 4.2L, FIVE SPEED TRANSMISSION PEUGEOT MODEL BA 10/5 .....	Fig. 21M-500
GEAR TRAIN, MANUAL TRANSMISSION SIX CYL. ENG. 4.0L, 4.2L, FIVE SPEED TRANSMISSION PEUGEOT MODEL BA 10/5 .....	Fig. 21M-600
FORKS, RAILS, SHIFT MANUAL TRANSMISSION SIX CYL. ENG. 4.0L, 4.2L, FIVE SPEED TRANSMISSION PEUGEOT MODEL BA 10/5 .....	Fig. 21M-700
CASE, ADAPTER/EXTENSION & MISC. PARTS, MANUAL TRANSIX CYL. ENG. 4.0L, 4.2L, FIVE SPEED TRANSMISSION AISIN MODEL AX 15 .....	Fig. 21M-800
GEAR TRAIN, MANUAL TRANSMISSION SIX CYLINDER ENGINE 4.0L, 4.2L, FIVE SPEED TRANS AISIN - MODEL AX 15 .....	Fig. 21M-900
GEAR TRAIN, REVERSE IDLER, MANUAL TRANSMISSION SIX CYLINDER ENGINE 4.0L, 4.2L FIVE SPEED TRANSMISSION - AISIN MODEL AX15 .....	Fig. 21M-1000
FORKS, RAILS, SHAFTS MANUAL TRANSMISSION SIX CYL. ENG. 4.0L, 4.2L, FIVE SPEED AISIN MODEL AX15 .....	Fig. 21M-1100
TRANSMISSION CASE, ADAPTER AND MISCELLANEOUS PARTS FOUR SPEED TRANSMISSION MODEL TREMEC T177 TRUCK J10, J20 .....	Fig. 21M-1300
GEAR TRAIN FOUR SPEED TRANSMISSION MODEL TREMEC T177 TRUCK J10, J20 .....	Fig. 21M-1400
FORKS, RAILS, SHIFT MANUAL TRANSMISSION FOUR SPEED TRANSMISSION MODEL TREMEC T177 TRUCK J10, J20 .....	Fig. 21M-1500
CONTROLS, GEARSHIFT FIVE SPEED TRANSMISSION WRANGLER, YJ .....	Fig. 21M-1600
CONTROLS, GEARSHIFT FOUR OR FIVE SPEED TRANSMISSION CHEROKEE, WAGONEER, COMANCHE .....	Fig. 21M-1700
CONTROLS, GEARSHIFT FOUR SPEED TRANSMISSION MODEL TREMEC T177 GRAND WAGONEER, TRUCK J10, J20 .....	Fig. 21M-1800
CASE, EXTENSION AND MISCELLANEOUS PARTS N.P.G. MODEL 231 TRANSFER CASE WRANGLER, YJ, CHEROKEE, COMANCHE .....	Fig. 21M-1900
GEAR TRAIN N.P.G. MODEL 231 TRANSFER CASE WRANGLER, YJ, CHEROKEE, COMANCHE .....	Fig. 21M-2000
FORKS, RAILS, MISCELLANEOUS PARTS, SHIFT N.P.G. MODEL 231 TRANSFER CASE WRANGLER, YJ, CHEROKEE, COMANCHE .....	Fig. 21M-2100

**ILLUSTRATION NOT AVAILABLE AT TIME OF PUBLICATION**

**GROUP 21M - TRANSMISSION, MANUAL**

**GROUP 21M - TRANSMISSION, MANUAL**

**ILLUSTRATION TITLE**

**GROUP-FIG. NO.**

**ILLUSTRATION TITLE**

**GROUP-FIG. NO.**

**POWER STEERING MOUNTING (Continued)**

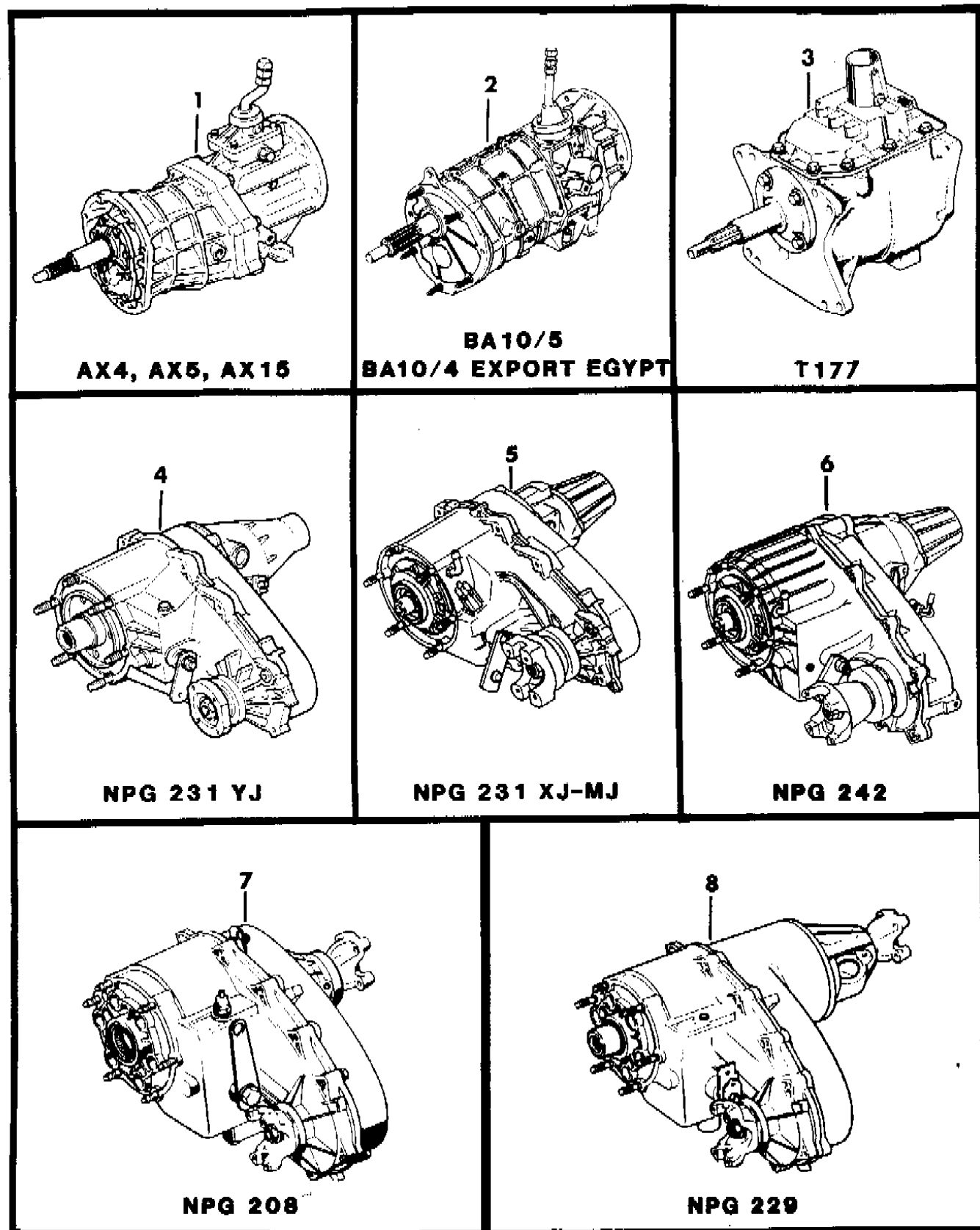
FORKS, RAILS, MISCELLANEOUS PARTS, SHIFT N.P.G. MODEL 231 TRANSFER CASE WRANGLER, YJ, CHEROKEE, COMANCHE .....	Fig. 21M-2100
CASE, EXTENSION AND MISCELLANEOUS PARTS N.P.G. MODEL 207 TRANSFER CASE WRANGLER, YJ GEAR TRAIN N.P.G. MODEL 207 TRANSFER CASE WRANGLER, YJ .....	Fig. 21M-2200
FORKS, RAILS, SHAFTS - SHIFTING N.P.G. MODEL 207 TRANSFER CASE WRANGLER, YJ .....	Fig. 21M-2300
CASE, EXTENSION AND MISCELLANEOUS PARTS N.P.G. MODEL 242 TRANSFER CASE CHEROKEE, WAGONEER, COMANCHE .....	Fig. 21M-2400
GEAR TRAIN N.P.G. MODEL 242 TRANSFER CASE CHEROKEE, WAGONEER, COMANCHE .....	Fig. 21M-2500
FORKS, RAILS - SHIFTING N.P.G. MODEL 242 TRANSFER CASE CHEROKEE, WAGONEER, COMANCHE .....	Fig. 21M-2600
CASE, EXTENSION AND MISC. PARTS N.P.G. MODEL 208 TRANSFER CASE GRAND WAGONEER, TRUCK J10, J20 .....	Fig. 21M-2700
GEAR TRAIN N.P.G. MODEL 208 TRANSFER CASE GRAND WAGONEER, TRUCK J10, J20 .....	Fig. 21M-2800
FORKS, RAILS, SHIFT CONTROLS N.P.G. MODEL 208 TRANSFER CASE GRAND WAGONEER, TRUCK J10, J20 .....	Fig. 21M-2900
CASE, EXTENSION AND MISC. PARTS N.P.G. MODEL 229 TRANSFER CASE GRAND WAGONEER, TRUCK J10, J20 .....	Fig. 21M-3000
GEAR TRAIN N.P.G. MODEL 229 TRANSFER CASE GRAND WAGONEER, TRUCK J10, J20 .....	Fig. 21M-3100
FORKS, RAILS, SHAFTS, SHIFTING N.P.G. MODEL 229 TRANSFER CASE GRAND WAGONEER, TRUCK J10, J20 .....	Fig. 21M-3200
CASE, EXTENSION AND MISCELLANEOUS PARTS KANDA MODEL 87A-K TRANSFER CASE(CKD) WRANGLER, YJ, CHEROKEE, WAGONEER, COMANCHE .....	Fig. 21M-3300
GEAR TRAIN KANDA MODEL 87A-K TRANSFER CASE(CKD) WRANGLER, YJ, CHEROKEE, WAGONEER, COMANCHE .....	Fig. 21M-3325
FORKS, RAILS, MISCELLANEOUS PARTS, SHIFT KANDA MODEL 87A-K TRANSFER CASE(CKD) WRANGLER, YJ, CHEROKEE, WAGONEER, COMANCHE .....	Fig. 21M-3350
CONTROLS, SHIFT N.P.G. MODEL 231 /KANDA MODEL 87A-K TRANSFER CASE WRANGLER, YJ .....	Fig. 21M-3375
CONTROLS, SHIFT N.P.G. MODEL 231/KANDA MODEL 87A-K TRANSFER CASE CHEROKEE, WAGONEER, COMANCHE .....	Fig. 21M-3400
CONTROLS, SHIFT N.P.G. MODEL 242 TRANSFER CASE CHEROKEE, WAGONEER, COMANCHE .....	Fig. 21M-3500
CONTROLS, TRANSFER CASE SHIFT N.P.G. MODEL 208 WITH MANUAL TRANSMISSION GRAND WAGONEER, TRUCK J10, J20 .....	Fig. 21M-3600
CONTROLS, TRANSFER CASE SHIFT N.P.G. MODEL 208, 229 WITH AUTOMATIC TRANSMISSION GRAND WAGONEER, TRUCK J10, J20 .....	Fig. 21M-3700
CONTROLS SWITCH, TRANSFER CASE VACUUM N.P.G. MODEL 229 TYPE 1 GRAND WAGONEER, TRUCK J10, J20 .....	Fig. 21M-3750
	Fig. 21M-3800

**POWER STEERING MOUNTING (Continued)**

CONTROLS SWITCH, TRANSFER CASE VACUUM N.P.G. MODEL 229 TYPE 1 GRAND WAGONEER, TRUCK J10, J20 .....	Fig. 21M-3800
CONTROLS SWITCH, TRANSFER CASE VACUUM N.P.G. MODEL 229 TYPE 2 GRAND WAGONEER, TRUCK J10, J20 .....	Fig. 21M-3900
CABLE, SPEEDOMETER WITH PINION AND ADAPTER MANUAL TRANSMISSION WRANGLER, YJ .....	Fig. 21M-4000
CABLE, SPEEDOMETER AND PINION MANUAL TRANSMISSION CHEROKEE, WAGONEER, COMANCHE .....	Fig. 21M-4100
CABLE, SPEEDOMETER AND PINION MANUAL TRANSMISSION TRUCK J10, J20 .....	Fig. 21M-4200

**MANUAL TRANSMISSION AND TRANSFER CASE ASSEMBLIES ALL MODELS**  
**Figure 21M-100**

8J21 100 A



ITEM	PART NUMBER	QTY	BODY	MODEL	DESCRIPTION
1					TRANSMISSION ASSEMBLY
					4 SPEED
	5300 3023	1	XJ, MJ		1987-89: AX4, 4 Cylinder Engine, 2WD, Up to 11/4/88
	5300 6168	1	XJ, MJ		1989-90: AX4, 4 Cylinder Engine, 2WD, After 11/4/88
	5300 4119	1	XJ, MJ		1987-89: AX4, 4 Cylinder Engine, 4WD, Up to 11/8/88
	5300 6172	1	XJ, MJ		1989-90: AX4, 4 Cylinder Engine, After 11/8/88
					5 SPEED
	5300 4224	1	YJ		1987-89: AX5, 4 Cylinder Engine, 4WD, Up to 10/4/88
	5300 6176	1	YJ		1989-90: AX5, 4 Cylinder Engine, 4WD, After 10/4/88
	5300 5360	1	YJ		1989-90: AX15, 6 Cylinder Engine, 4WD, After 3/3/89
	5300 3024	1	XJ, MJ		1987-89: AX5, 4 Cylinder Engine, 2WD, Up to 10/4/88
	5300 6169	1	XJ, MJ		1989-90: AX5, 4 Cylinder Engine, 2WD, After 10/4/88
	5300 3388	1	XJ, MJ		1987-89: AX5, Diesel Engine, 2WD, Up to 11/1/88
	5300 6170	1	XJ, MJ		1989-90: AX5, Diesel Engine, 2WD, After 11/1/88
	5300 5386	1	XJ, MJ		1989-90: AX15, 6 Cylinder Engine, 2WD, After 3/9/89
	5300 4358	1	XJ, MJ		1987-89: AX5, 4 Cylinder Engine, 4WD, Up to 12/12/88
	5300 6173	1	XJ, MJ		1989-90: AX5, 4 Cylinder Engine, 4WD, After 12/12/88
	5300 4359	1	XJ, MJ		1987-89: AX5, Diesel Engine, 4WD, Up to 11/21/88
	5300 6174	1	XJ, MJ		1989-90: AX5, Diesel Engine, 4WD, After 11/21/88
	5300 5385	1	XJ, MJ		1989-90: AX15, 6 Cylinder Engine, 4WD, After 3/9/89
2					TRANSMISSION ASSEMBLY, Model BA 10/5 Peugeot
	5300 2035	1	YJ		1987: 5 Speed, 6 Cylinder Engine, 4WD
	5300 5248	1	YJ		1988-89: 5 SPEED, 6 Cylinder Engine, 4WD
	5300 5451	1	YJ		1989: 5 SPEED, 6 Cylinder Engine, 4WD, Up to 3/9/89
	5300 5452	1	YJ		1988: 4 SPEED, 6 Cylinder Engine, 4WD, CKD Egypt
	5300 2838	1	XJ, MJ		1987: 5 SPEED, 6 Cylinder Engine, 2WD
	5300 5251	1	XJ, MJ		1988: 5 SPEED, 6 Cylinder Engine, 2WD, Up to Transmission serial no. 131162
	5300 5453	1	XJ, MJ		1988-89: 5 SPEED, 6 Cylinder Engine, 2WD, After Transmission serial no. 131162.
	5300 3234	1	XJ, MJ		1987: 5 SPEED, 6 Cylinder Engine, 4WD
	5300 5252	1	XJ, MJ		1988: 5 SPEED, 6 Cylinder Engine, 4WD, Up to Transmission serial no. 131162.
	5300 5454	1	XJ, MJ		1988-89: 5 SPEED, 6 Cylinder Engine, 4WD, After Transmission serial no. 131162.
3	5300 4993	1	SJ		TRANSMISSION ASSEMBLY, 4 Speed T177, 4WD
4					TRANSFER CASE ASSEMBLY, MODEL NPG 231

**MODEL CODES:**

15 = Grand Wagoneer 4 Dr.	65 = Comanche 4WD-7 Ft. Box	77 = Cherokee 4WD-2 Dr.
25 = J-10 Pickup-119" W.B.	66 = Comanche 2WD-7 Ft. Box	78 = Cherokee 4WD-4 Dr.
26 = J-10 Pickup-131" W.B.	73 = Cherokee 2WD-2 Dr.	79 = Cherokee 4WD-4 Dr.-Com
27 = J-20 Pickup-131" W.B.	74 = Cherokee 2WD-4 Dr.	81 = Wrangler-93" W.B.
63 = Comanche 4WD-6 Ft. Box	75 = Wagoneer 4WD-4 Dr.	82 = Wrangler-103" W.B.-Exp.
64 = Comanche 2WD-6 Ft. Box		

**BODY STYLES:**

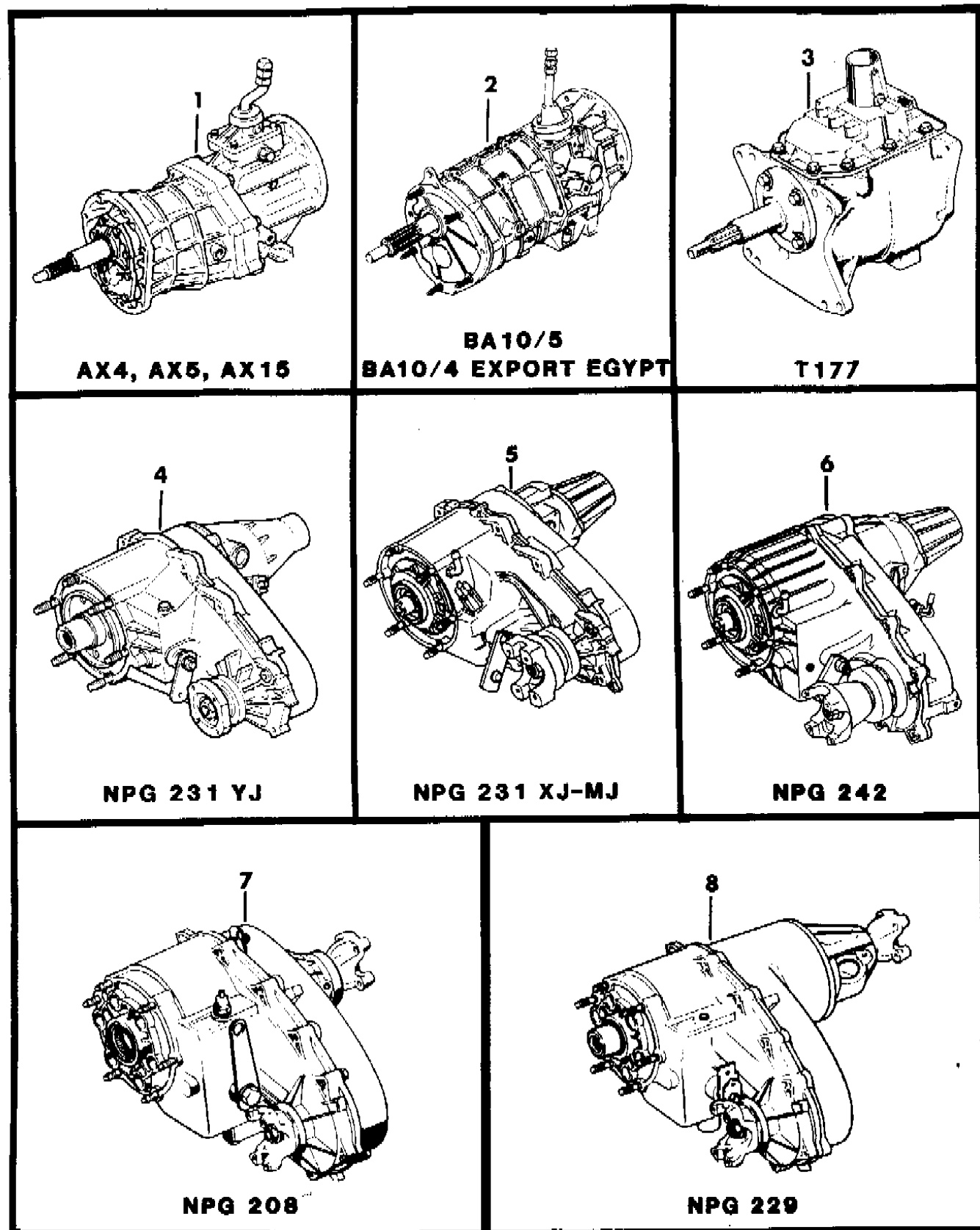
MJ = Comanche Pickup  
 SJ = Grand Wagoneer Wgn., J-10 & J-20 Pickups  
 XJ = Cherokee, Wagoneer Limited  
 YJ = Wrangler

AR = Use as Required - = Non Illustrated Part P.A.R. = Paint as Required



**MANUAL TRANSMISSION AND TRANSFER CASE ASSEMBLIES ALL MODELS**  
**Figure 21M-100**

**8J21 100 A**



ITEM	PART NUMBER	QTY	BODY	MODEL	DESCRIPTION
	5300 4272	1	YJ		1987-89: 4 Cylinder Engine, 5 Speed Transmission, Up to 10/18/88
	5300 6095	1	YJ		1989: 4 Cylinder Engine, 5 Speed Transmission, After 10/18/88
	5300 6095	1	YJ		1990: 4 Cylinder Engine, 5 Speed Transmission, Up to 10/9/89
	5300 8211	1	YJ		1990: 4 Cylinder Engine, 5 Speed Transmission, After 10/9/89
	5300 4328	1	YJ		1987-89: 6 Cylinder Engine, 5 Speed Transmission, Up to 10/19/88
	5300 6191	1	YJ		1989: 6 Cylinder Engine, 5 Speed Transmission, After 10/19/88 thru 3/1/89
	5300 6096	1	YJ		1989: 6 Cylinder Engine, 5 Speed Transmission, After 3/1/89
	5300 6096	1	YJ		1990: 6 Cylinder Engine, 5 Speed Transmission, Up to 10/9/89
	5300 8212	1	YJ		1990: 6 Cylinder Engine, 5 Speed Transmission, After 10/9/89
	5300 4271	1	YJ		1987-89: Automatic Transmission, Up to 10/20/89
	5300 6094	1	YJ		1989: Automatic Transmission, After 10/20/88
	5300 6094	1	YJ		1990: Automatic Transmission, Up to 10/9/89
	5300 8210	1	YJ		1990: Automatic Transmission, After 10/9/89
5					TRANSFER CASE ASSEMBLY, MODEL NPG 231
	5300 3927	1	XJ, MJ		1987-89: 4 Cylinder Engine, Manual Transmission, Up to 10/17/88
	5300 6091	1	XJ, MJ		1989: 4 Cylinder Engine, 5 Speed Transmission, After 10/17/88
	5300 6091	1	XJ, MJ		1990: 4 Cylinder Engine, 5 Speed Transmission, Up to 10/2/89
	5300 8207	1	XJ, MJ		1990: 4 Cylinder Engine, 5 Speed Transmission, After 10/2/89
	5300 4301	1	XJ, MJ		1987-89: 6 Cylinder Engine, 5 Speed Transmission, Or Automatic Transmission, Up to 10/18/88
	5300 6092	1	XJ, MJ		1989: 6 Cylinder Engine, 5 Speed Peugeot Transmission, After 10/18/88
	5300 6092	1	XJ, MJ		1990: Up to 10/2/89.
	5300 8208	1	XJ, MJ		1990: Automatic Transmission, After 10/2/89
	5300 6093	1	XJ, MJ		1989: 5 Speed Aisin AX15 Transmission, After 3/1/89
	5300 6093	1	XJ, MJ		1990: 5 Speed Aisin AX15 Transmission, Up to 10/2/89
	5300 8209	1	XJ, MJ		1990: 5 Speed Aisin AX15 Transmission, After 10/2/89
6					TRANSFER CASE ASSEMBLY, Model NPG 242, W/Automatic Transmission
	5300 4269	1	XJ, MJ		1987-89: 6 Cylinder Engine, Up To 11/2/88
	5300 6097	1	XJ, MJ		1989: After 11/2/88.
	5300 6097	1	XJ, MJ		1990: Up to 10/16/89.
	5300 8223	1	XJ, MJ		1990: After 10/16/89.

**MODEL CODES:**

15 = Grand Wagoneer 4 Dr.	65 = Comanche 4WD-7 Ft. Box	77 = Cherokee 4WD-2 Dr.
25 = J-10 Pickup-119" W.B.	66 = Comanche 2WD-7 Ft. Box	78 = Cherokee 4WD-4 Dr.
26 = J-10 Pickup-131" W.B.	73 = Cherokee 2WD-2 Dr.	79 = Cherokee 4WD-4 Dr.-Com
27 = J-20 Pickup-131" W.B.	74 = Cherokee 2WD-4 Dr.	81 = Wrangler-93" W.B.
63 = Comanche 4WD-6 Ft. Box	75 = Wagoneer 4WD-4 Dr.	82 = Wrangler-103" W.B.-Exp.
64 = Comanche 2WD-6 Ft. Box		

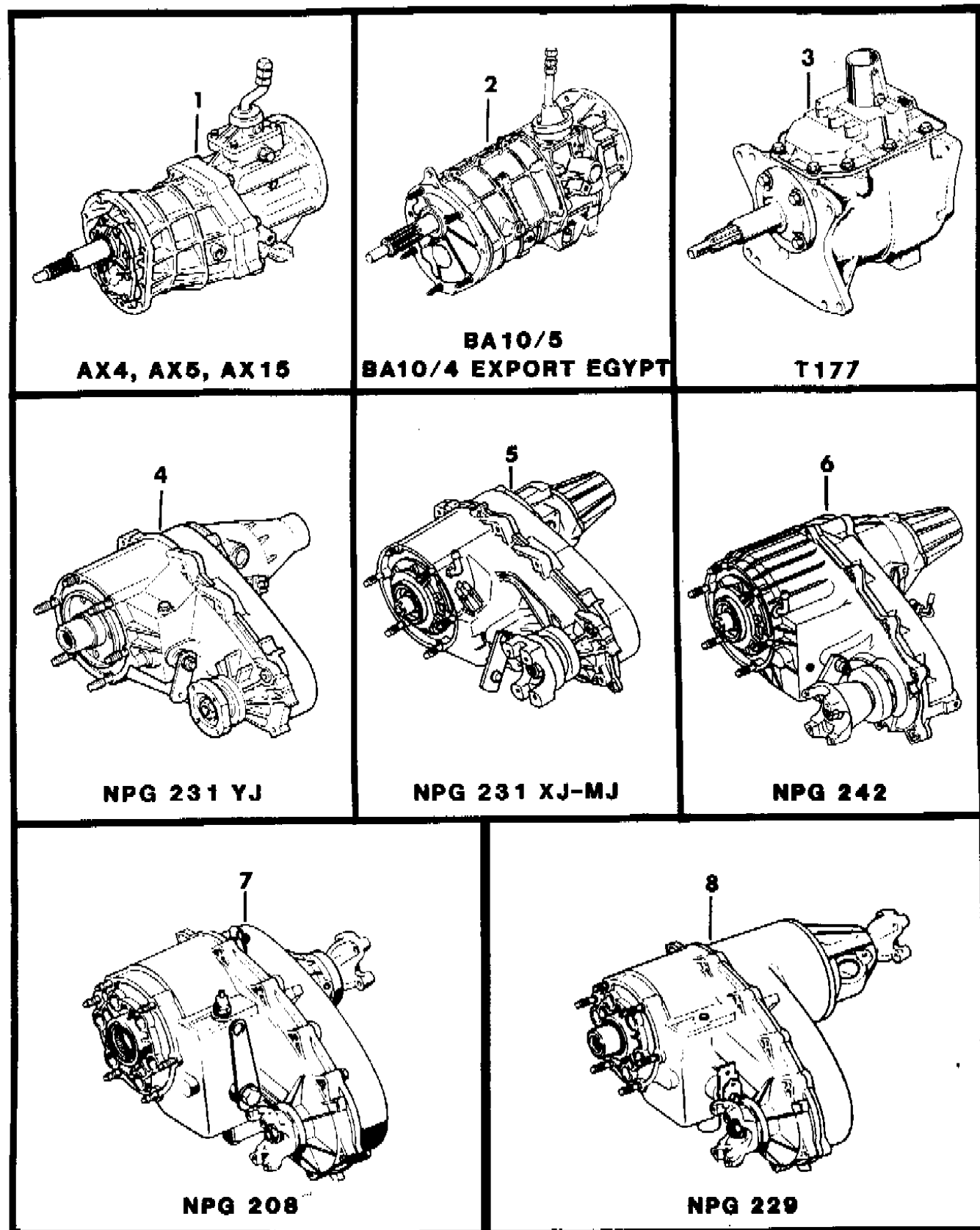
**BODY STYLES:**

MJ = Comanche Pickup  
 SJ = Grand Wagoneer Wgn., J-10 & J-20 Pickups  
 XJ = Cherokee, Wagoneer Limited  
 YJ = Wrangler

AR = Use as Required - = Non Illustrated Part P.A.R. = Paint as Required

**MANUAL TRANSMISSION AND TRANSFER CASE ASSEMBLIES ALL MODELS**  
**Figure 21M-100**

8J21 100 A



ITEM	PART NUMBER	QTY	BODY	MODEL	DESCRIPTION
	5300 5464	1	XJ, MJ		1988-89: ECE, Up to 10/16/88
	5300 6098	1	XJ, MJ		1989: ECE, After 10/16/88.
	5300 6098	1	XJ, MJ		1990: ECE, Up to 10/16/89.
	5300 8224	1	XJ, MJ		1990: ECE, After 10/16/89.
7					TRANSFER CASE ASSEMBLY, Model NPG 208
	3300 1383	1	SJ		Manual Transmission or Automatic Transmission
	3300 1384	1	SJ		Manual Transmission or Automatic Transmission
	3300 1385	1	SJ		Manual Transmission or Automatic Transmission
8	5300 4882	1	SJ		TRANSFER CASE ASSEMBLY, Model NPG 229, Automatic Transmission

**MODEL CODES:**

- |                             |                             |                              |
|-----------------------------|-----------------------------|------------------------------|
| 15 = Grand Wagoneer 4 Dr.   | 65 = Comanche 4WD-7 Ft. Box | 77 = Cherokee 4WD-2 Dr.      |
| 25 = J-10 Pickup-119" W.B.  | 66 = Comanche 2WD-7 Ft. Box | 78 = Cherokee 4WD-4 Dr.      |
| 26 = J-10 Pickup-131" W.B.  | 73 = Cherokee 2WD-2 Dr.     | 79 = Cherokee 4WD-4 Dr.-Com  |
| 27 = J-20 Pickup-131" W.B.  | 74 = Cherokee 2WD-4 Dr.     | 81 = Wrangler-93" W.B.       |
| 63 = Comanche 4WD-6 Ft. Box | 75 = Wagoneer 4WD-4 Dr.     | 82 = Wrangler-103" W.B.-Exp. |
| 64 = Comanche 2WD-6 Ft. Box |                             |                              |

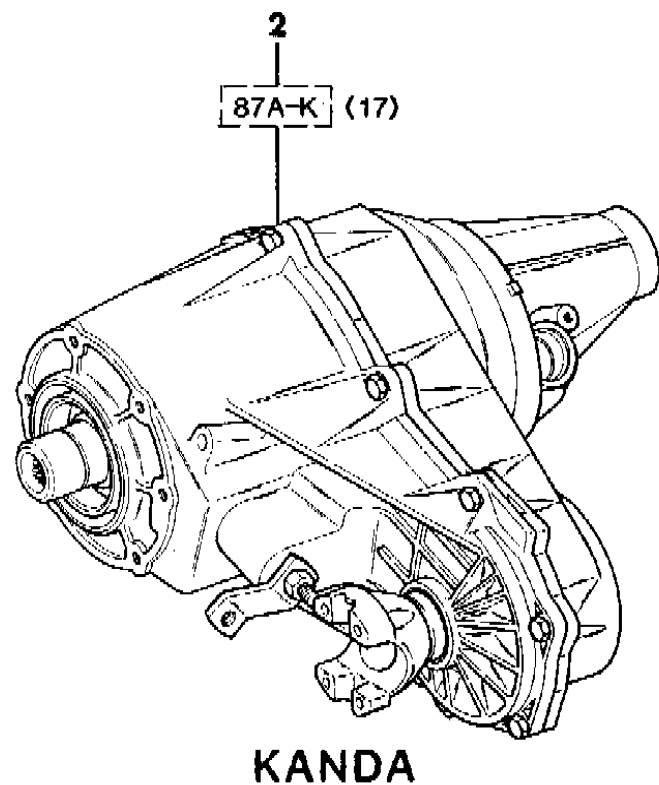
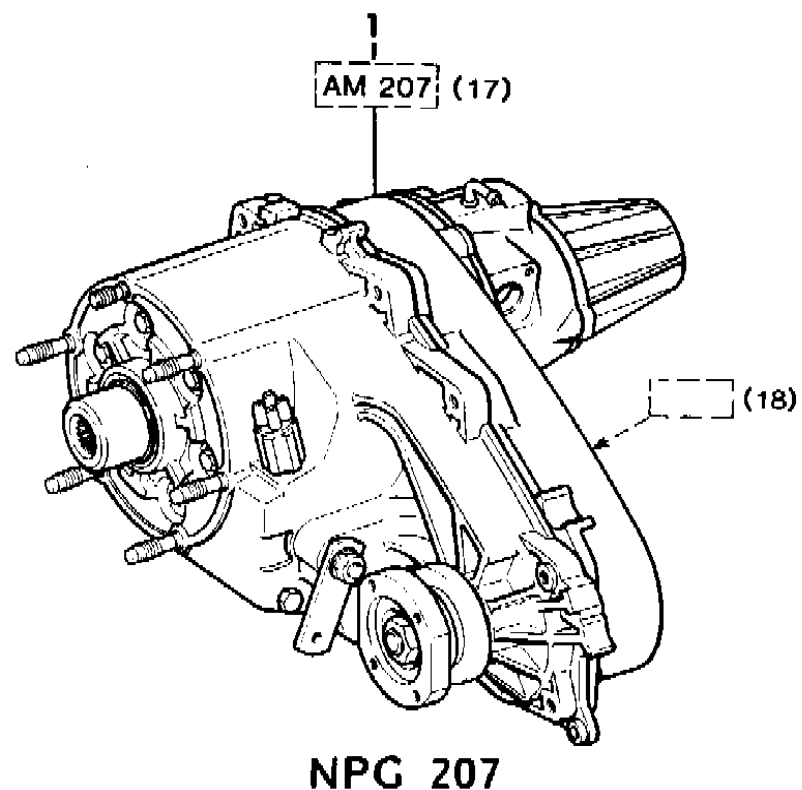
**BODY STYLES:**

- MJ = Comanche Pickup  
 SJ = Grand Wagoneer Wgn., J-10 & J-20 Pickups  
 XJ = Cherokee, Wagoneer Limited  
 YJ = Wrangler

AR = Use as Required - = Non Illustrated Part P.A.R. = Paint as Required

TRANSFER CASE ASSEMBLY N.P.G. MODEL 207, KANDA MODEL 87A-K WRANGLER, YJ, CHEROKEE, WAGONEER, COMANCHE  
Figure 21M-150

8J21 150



ITEM	PART NUMBER	QTY	BODY	MODEL	DESCRIPTION
1				YJ	TRANSFER ASSEMBLY, Model NPG 207, 1987 ***
	5300 4205	1			4 CYLINDER ENGINE, W/Man Tran.
	5300 2948	1			6 CYLINDER ENGINE, W/Man Tran. - 3.08 Axle Ratio
	5300 4994	1			6 CYLINDER ENGINE, W/Man Tran. - 3.55 Ratio
	5300 4995	1			6 CYLINDER ENGINE, W/Auto Trans. - 3.08 Ratio
	5300 2363	1			6 CYLINDER ENGINE, W/Auto Trans. - 3.55 Ratio
2					TRANSFER CASE ASSEMBLY, KANDA Model 87A-K
	5300 5061	1	YJ		1987: Export Vehicle shipped in knock-down form for local assembly.
	5300 5220	1	YJ		1988-90: Export vehicles shipped in knockdown form for local assembly in Venezuela.
	5300 5020	1	XJ, MJ		1987-90: 4 CYL. ENG., Export Vehicles shipped in knockdown form assembled in Republic of China.
	5300 5219	1	XJ, MJ		1988-90: 4 CYL. and DIESEL, Export Vehicle shipped in knockdown form to be assembled in Venezuela and Turkey.
	5300 5387	1	XJ, MJ		1989-90: Export vehicles shipped in knockdown form for local assembly(Venezuela). Used with AX15 Manual Transmission.

MODEL CODES:

15 = Grand Wagoneer 4 Dr.	65 = Comanche 4WD-7 Ft. Box	77 = Cherokee 4WD-2 Dr.
25 = J-10 Pickup-119" W.B.	66 = Comanche 2WD-7 Ft. Box	78 = Cherokee 4WD-4 Dr.
26 = J-10 Pickup-131" W.B.	73 = Cherokee 2WD-2 Dr.	79 = Cherokee 4WD-4 Dr.-Com
27 = J-20 Pickup-131" W.B.	74 = Cherokee 2WD-4 Dr.	81 = Wrangler-93" W.B.
63 = Comanche 4WD-6 Ft. Box	75 = Wagoneer 4WD-4 Dr.	82 = Wrangler-103" W.B.-Exp.
64 = Comanche 2WD-6 Ft. Box		

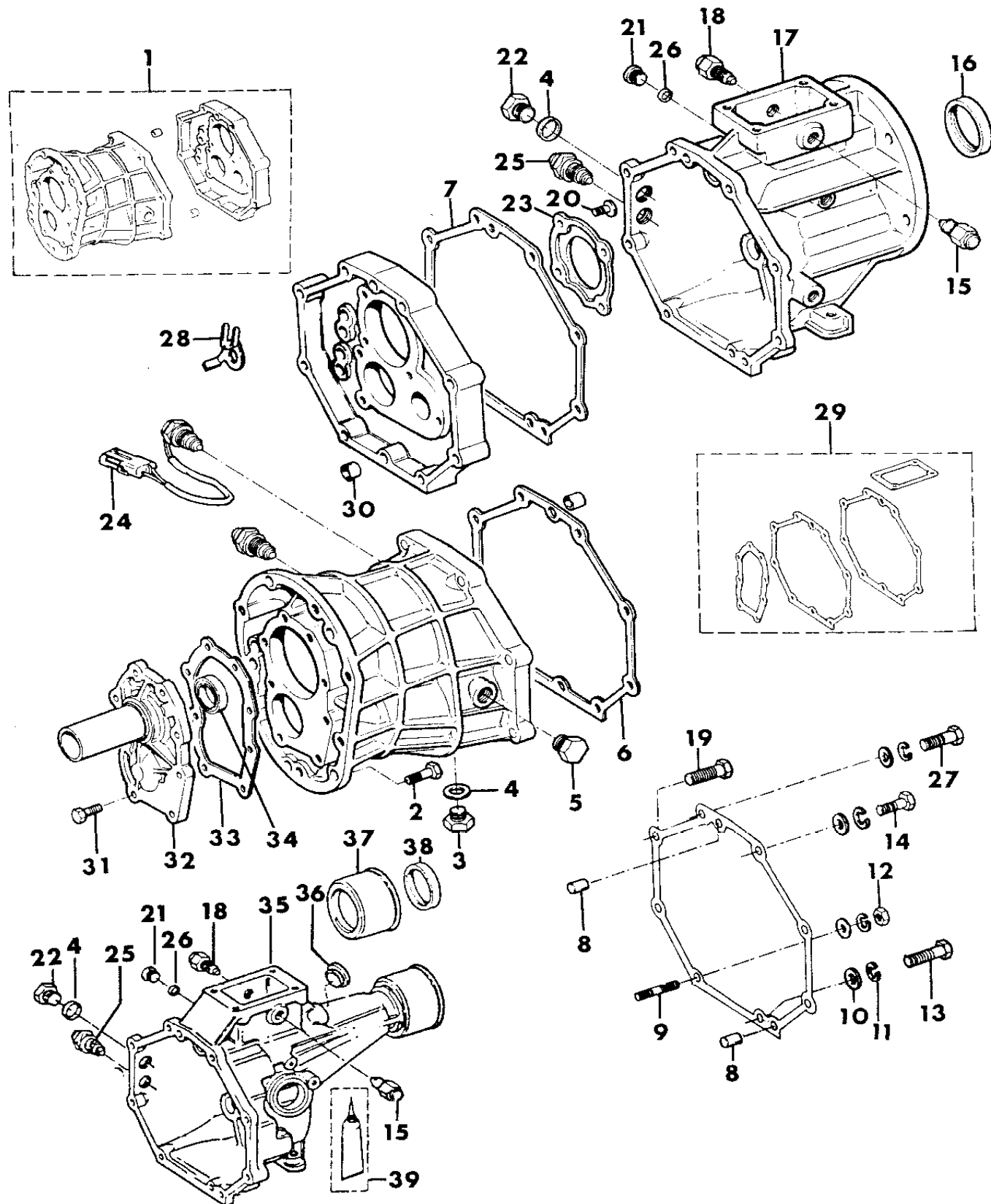
BODY STYLES:

MJ = Comanche Pickup  
 SJ = Grand Wagoneer Wgn., J-10 & J-20 Pickups  
 XJ = Cherokee, Wagoneer Limited  
 YJ = Wrangler

AR = Use as Required - = Non Illustrated Part P.A.R. = Paint as Required

TRANSMISSION CASE, EXTENSION & MISCELLANEOUS PARTS FOUR CYL. GAS OR DIESEL ENGINE 4 OR 5 SPEED TRANSAISIN MODEL AX4 OR AX5  
Figure 21M-200

8 J21 200



ITEM	PART NUMBER	QTY	BODY	MODEL	DESCRIPTION
1					CASE, Transmission
	8350 0634	1	YJ,XJMJ		With 5 Speed Transmission (C)
	8350 6016	1	YJ,XJMJ		With 5 Speed Transmission (D)
	8350 0502	1	XJ,MJ		With 4 Speed Transmission (A)
	8350 6015	1	XJ,MJ		With 4 Speed Transmission (B)
2					BOLT, Case
	3420 1914	9			GAS
	3420 2317	9			DIESEL
3	8350 0512	1			PLUG, Drain
4	8350 0513	2			GASKET, Plug
5	8350 0509	1			PLUG
6	8350 0506	1			GASKET, Transmission
7	8350 0507	1			GASKET, Adapter
8	8350 0504	4			PIN
9	8350 0618	1			STUD
10	8350 0627	1			WASHER
11	8350 0626	1			WASHER
12	8350 0625	1			NUT
13	8350 3547	1			BOLT, With Washer
14	8350 3549	3			BOLT
15					PIN, Reverse Left
	8350 0516	1			1987-89
	5252 921	1			1990
16	8350 3108	1			SEAL, Adapter
17					ADAPTER, Transmission
	8350 3111	1	YJ		With 5 Speed Transmission (E) 4WD
	8350 6039	1	YJ		With 5 Speed Transmission (F) 4WD
	8350 3629	1	XJ,MJ		With Four or Five Speed Transmission, 53004119, 53004359 (B)
	8350 3630	1	XJ,MJ		With Five Speed Transmission 53004358, 2WD
	8350 6038	1	XJ,MJ		With 5 Speed Transmission (D) 4WD
18	8350 0515	1			PIN, Reverse, Right
19	8350 3548	1			BOLT, With Washer
20	8350 0511	4			SCREW
21	8350 0628	1			PLUG, Sensor
22	8350 0623	1			PLUG, Filler
23					RETAINER, Countershaft Rear

MODEL CODES:

15 = Grand Wagoneer 4 Dr.	65 = Comanche 4WD-7 Ft. Box	77 = Cherokee 4WD-2 Dr.
25 = J-10 Pickup-119" W.B.	66 = Comanche 2WD-7 Ft. Box	78 = Cherokee 4WD-4 Dr.
26 = J-10 Pickup-131" W.B.	73 = Cherokee 2WD-2 Dr.	79 = Cherokee 4WD-4 Dr.-Com
27 = J-20 Pickup-131" W.B.	74 = Cherokee 2WD-4 Dr.	81 = Wrangler-93" W.B.
63 = Comanche 4WD-6 Ft. Box	75 = Wagoneer 4WD-4 Dr.	82 = Wrangler-103" W.B.-Exp.
64 = Comanche 2WD-6 Ft. Box		

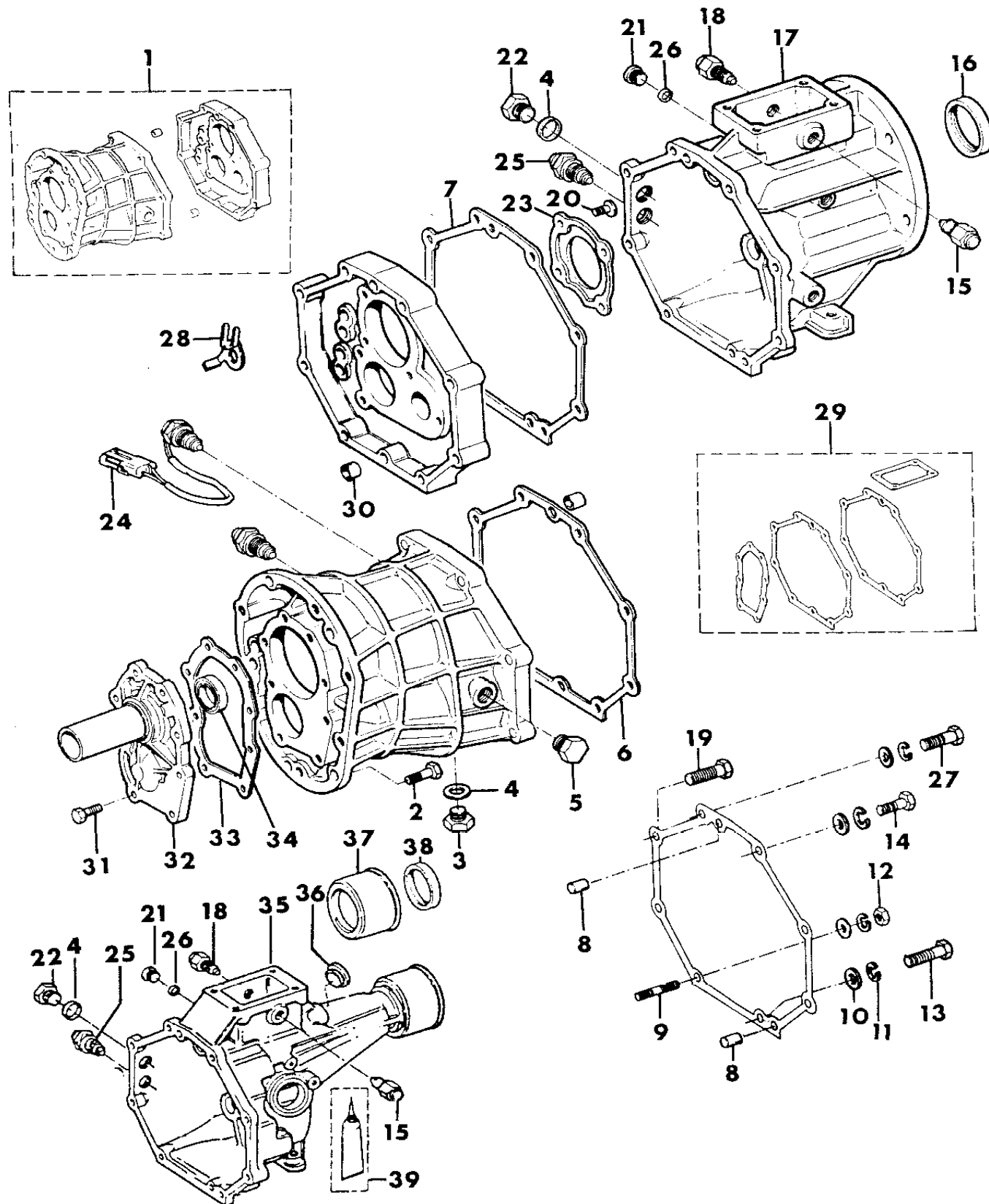
BODY STYLES:

MJ = Comanche Pickup  
SJ = Grand Wagoneer Wgn., J-10 & J-20 Pickups  
XJ = Cherokee, Wagoneer Limited  
YJ = Wrangler

AR = Use as Required - = Non Illustrated Part P.A.R. = Paint as Required

TRANSMISSION CASE, EXTENSION & MISCELLANEOUS PARTS FOUR CYL. GAS OR DIESEL ENGINE 4 OR 5 SPEED TRANSAISIN MODEL AX4 OR AX5  
Figure 21M-200

8 J21 200



ITEM	PART NUMBER	QTY	BODY	MODEL	DESCRIPTION
	8350 0508	1			(C)
	8350 6034	1			(D)
24	8350 0629	1			SWITCH, Back Up Lamp
25	5300 2831	1			SWITCH, Upshift Lamp
26	3300 0322	1			GASKET
27	8350 0972	2			BOLT
28	8350 3551	1			CLAMP
29	8350 0632	1			GASKET PACKAGE, Transmission Overhaul
30	8350 0539	2			PIN
31	3420 1818	8			BOLT
32					RETAINER
	8350 3112	1			GAS
	8350 2684	1			DIESEL
33	8350 0505	1			GASKET
34					SEAL, Retainer
	8350 0501	1			(C)
	8350 6045	1			(D) (F)
	8350 2685	1			Use With Transmissions: 53003385, 53003387, 53004249
35					HOUSING ASSEMBLY, Extension
	8350 2119	1	XJ,MJ		With 4 Speed Transmission (A) 2WD
	8350 6013	1	XJ,MJ		With 4 Speed Transmission (B) 2WD
	8350 6014	1	XJ,MJ		With 5 Speed Transmission 2WD (C) (I)
36	8350 2124	1			PLUG 2WD
37	8350 2123	1			DEFLECTOR 2WD ***
38	8350 2118	1			SEAL, Extension Housing Assy, 2WD
39					SEALER, Gasket-in-a-tube ***
	J899 3317	AR			1987-89
	4318 025	1			1990

(A) For Vehicles Built with Transmissions: 53003023; 53004119.

(B) For Vehicles Built with Transmissions: 53006168; 53006172.

(C) For Vehicles Built With Transmissions: 53003024; 53003386; 53003388; 53004119; 53004224; 53004358; 53004359.

(D) For Vehicles Built With Transmissions: 53006172; 53006173; 53006174.

(E) For Vehicles Built with Transmission: 53004224.

(F) For Vehicles Built with Transmission: 53006176.

(I) For Vehicles Built with Transmissions: 53006168; 53006169; 53006170.

MODEL CODES:

15 = Grand Wagoneer 4 Dr.	65 = Comanche 4WD-7 Ft. Box	77 = Cherokee 4WD-2 Dr.
25 = J-10 Pickup-119" W.B.	66 = Comanche 2WD-7 Ft. Box	78 = Cherokee 4WD-4 Dr.
26 = J-10 Pickup-131" W.B.	73 = Cherokee 2WD-2 Dr.	79 = Cherokee 4WD-4 Dr.-Com
27 = J-20 Pickup-131" W.B.	74 = Cherokee 2WD-4 Dr.	81 = Wrangler-93" W.B.
63 = Comanche 4WD-6 Ft. Box	75 = Wagoneer 4WD-4 Dr.	82 = Wrangler-103" W.B.-Exp.
64 = Comanche 2WD-6 Ft. Box		

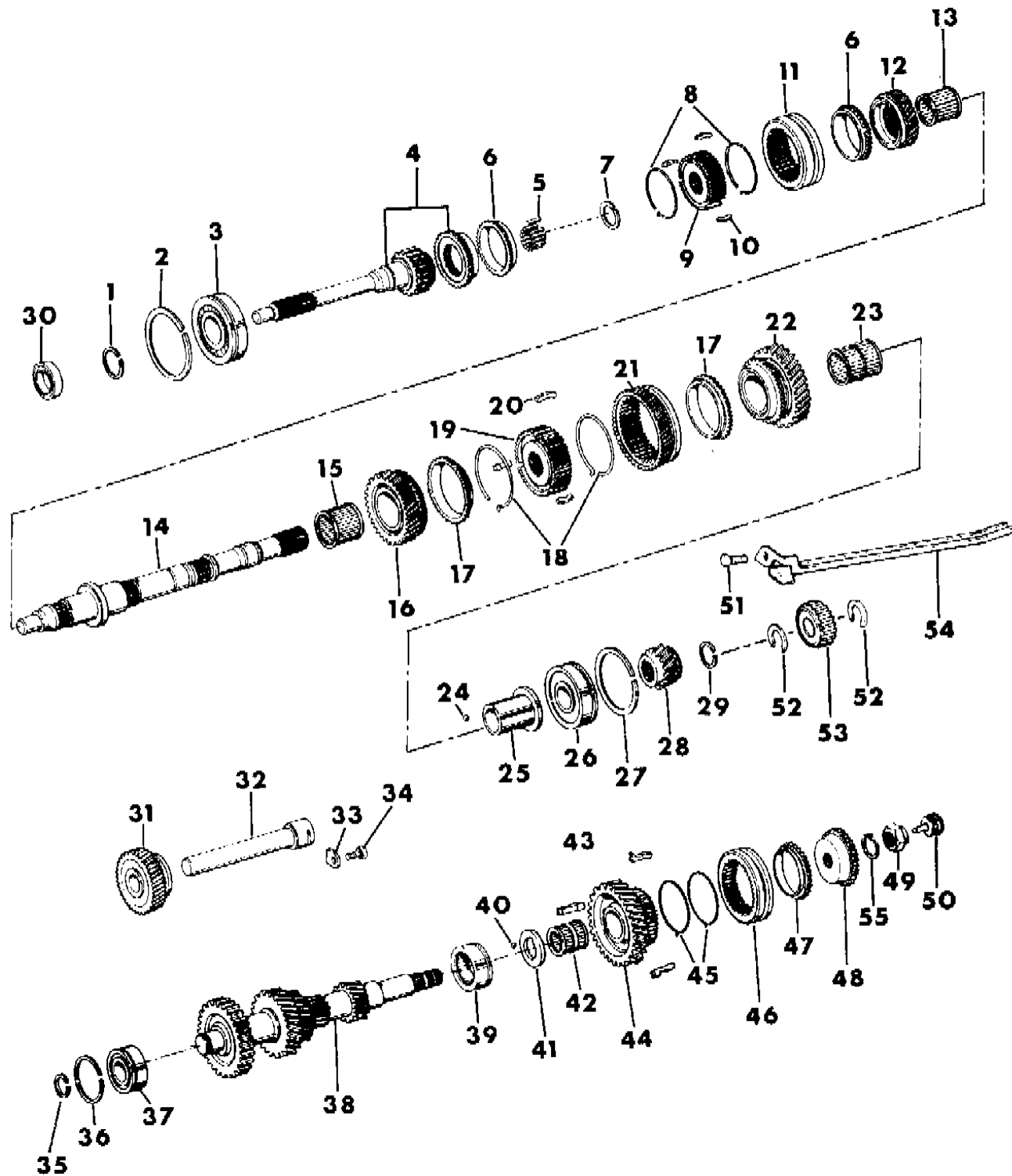
BODY STYLES:

MJ = Comanche Pickup  
SJ = Grand Wagoneer Wgn., J-10 & J-20 Pickups  
XJ = Cherokee, Wagoneer Limited  
YJ = Wrangler

AR = Use as Required - = Non Illustrated Part P.A.R. = Paint as Required

**GEAR TRAIN, MANUAL TRANSMISSION FOUR CYL. GAS OR DIESEL ENGINE 4 OR 5 SPEED TRANSAXIS MODEL AX4 OR AX5**  
**Figure 21M-300**

8 J 21 300 B



ITEM	PART NUMBER	QTY	BODY	MODEL	DESCRIPTION	
1	8350 0645	AR			SNAP RING, Gear Train 2.05mm	
	8350 0607	AR			2.10mm	
	8350 0608	AR			2.15mm	
	8350 0609	AR			2.20mm	
	8350 0610	AR			2.25mm	
2	8350 0611	AR			2.30mm	
	8350 0614	1			SNAP RING, Bearing	
3	8350 2681	1			BEARING	
4	SHAFT, Input Manual Transmission					
	8350 2682	1			GAS (A)	
	8350 6020	1			GAS (B)	
	8350 2683	1			DIESEL (C)	
5	8350 6021	1			DIESEL (D)	
	8350 2680	13			ROLLER, Input Gear Train	
	6	8350 0566	3			RING, Synchronizer
		7	SNAP RING, Synchronizer			
8350 0598	AR				1.75mm	
8350 0599	AR				1.80mm	
8350 0602	AR				1.85mm	
8	8350 0603	AR			1.90mm	
	8350 0604	AR			1.95mm	
	8350 0605	AR			2.00mm	
9	8350 0606	AR			2.05mm	
	8350 0568	4			SPRING, Synchronizer	
10	SYNCHRONIZER, 3rd & 4th Gear					
	8350 0562	1			(A)	
11	8350 6027	1			(B)	
	KEY, Synchronizer					
12	8350 0565	3			(A)	
	8350 6029	3			(B)	
13	SLEEVE, Synchronizer					
	8350 0563	1			(A)	
14	8350 6028	1			(B)	
	GEAR, Third Speed					
15	8350 0552	1			(A)	
	8350 6019	1			(B)	

**MODEL CODES:**

15 = Grand Wagoneer 4 Dr.	65 = Comanche 4WD-7 Ft. Box	77 = Cherokee 4WD-2 Dr.
25 = J-10 Pickup-119" W.B.	66 = Comanche 2WD-7 Ft. Box	78 = Cherokee 4WD-4 Dr.
26 = J-10 Pickup-131" W.B.	73 = Cherokee 2WD-2 Dr.	79 = Cherokee 4WD-4 Dr.-Com
27 = J-20 Pickup-131" W.B.	74 = Cherokee 2WD-4 Dr.	81 = Wrangler-93" W.B.
63 = Comanche 4WD-6 Ft. Box	75 = Wagoneer 4WD-4 Dr.	82 = Wrangler-103" W.B.-Exp.
64 = Comanche 2WD-6 Ft. Box		

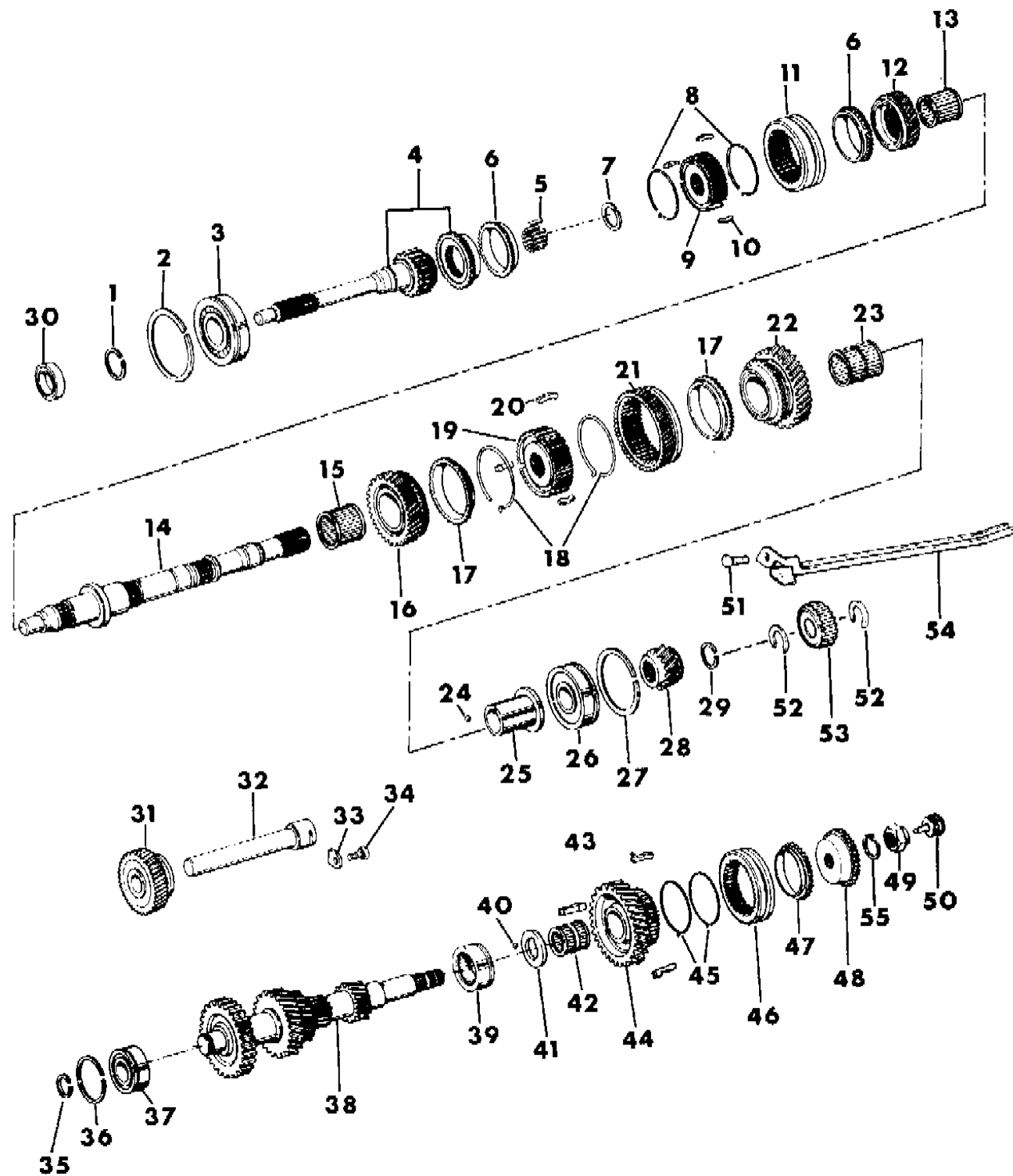
**BODY STYLES:**

MJ = Comanche Pickup  
 SJ = Grand Wagoneer Wgn., J-10 & J-20 Pickups  
 XJ = Cherokee, Wagoneer Limited  
 YJ = Wrangler

AR = Use as Required - = Non Illustrated Part P.A.R. = Paint as Required

**GEAR TRAIN, MANUAL TRANSMISSION FOUR CYL. GAS OR DIESEL ENGINE 4 OR 5 SPEED TRANSAXIS MODEL AX4 OR AX5**  
**Figure 21M-300**

8 J 21 300 B



ITEM	PART NUMBER	QTY	BODY	MODEL	DESCRIPTION
13	8350 0576	1			BEARING
14					SHAFT, Output
	8350 2117	1			2 Wheel Drive
	8350 3105	1			4 Wheel Drive
15	8350 0577	1			BEARING
16					GEAR, Second Speed
	8350 0551	1			(A)
	8350 6018	1			(B)
17	8350 0567	2			RING, Synchronizer
18	8350 0569	2			SPRING, Synchronizer
19	8350 0561	1			SYNCHRONIZER, 1st & 2nd Gear
20	8350 0564	3			KEY, Synchronizer
21	8350 0555	1			GEAR, Reverse Manual Tran
22					GEAR, First Speed Manual Tran
	8350 0550	1			(A)
	8350 6017	1			(B)
23					BEARING, First Gear
	8350 0578	1			(A)
	8350 6031	1			(B)
24	8350 0573	2			BALL, Reverse
25					RACE, First Gear
	8350 0560	1			(A)
	8350 6026	1			(B)
26					BEARING
	8350 0575	1			(A)
	8350 6030	1			(B)
27	8350 0613	1			SNAP RING
28	8350 0971	1			GEAR, Fifth Speed Manual Tran
29					SNAP RING
	8350 0587	AR			2.67mm
	8350 0588	AR			2.73mm
	8350 0589	AR			2.79mm
	8350 0590	AR			2.85mm
	8350 0591	AR			2.91mm
	8350 0592	AR			2.97mm
	8350 0593	AR			3.03mm
	8350 0594	AR			3.09mm

**MODEL CODES:**

15 = Grand Wagoneer 4 Dr.	65 = Comanche 4WD-7 Ft. Box	77 = Cherokee 4WD-2 Dr.
25 = J-10 Pickup-119" W.B.	66 = Comanche 2WD-7 Ft. Box	78 = Cherokee 4WD-4 Dr.
26 = J-10 Pickup-131" W.B.	73 = Cherokee 2WD-2 Dr.	79 = Cherokee 4WD-4 Dr.-Com
27 = J-20 Pickup-131" W.B.	74 = Cherokee 2WD-4 Dr.	81 = Wrangler-93" W.B.
63 = Comanche 4WD-6 Ft. Box	75 = Wagoneer 4WD-4 Dr.	82 = Wrangler-103" W.B.-Exp.
64 = Comanche 2WD-6 Ft. Box		

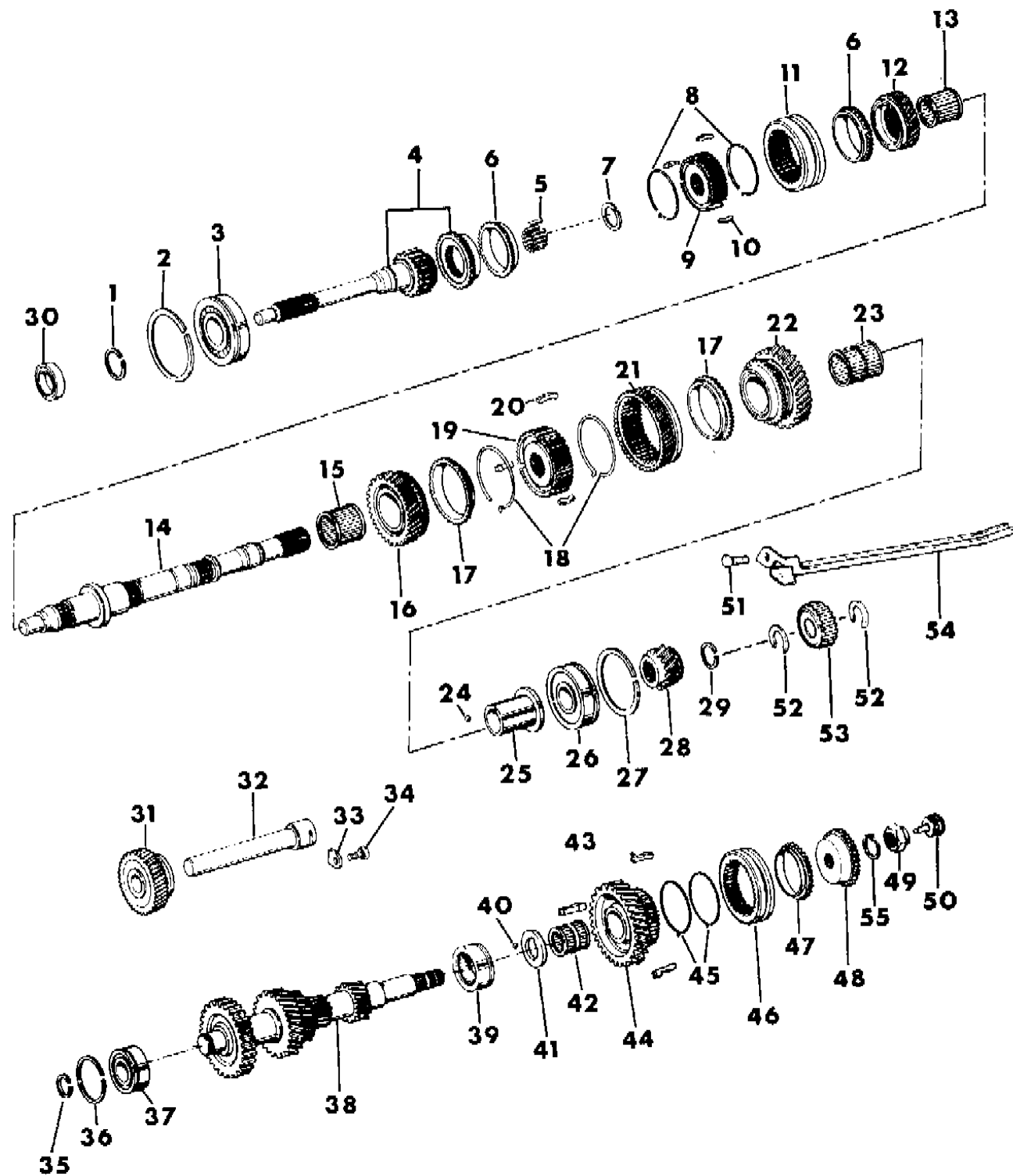
**BODY STYLES:**

MJ = Comanche Pickup
SJ = Grand Wagoneer Wgn., J-10 & J-20 Pickups
XJ = Cherokee, Wagoneer Limited
YJ = Wrangler

AR = Use as Required - = Non Illustrated Part P.A.R. = Paint as Required

**GEAR TRAIN, MANUAL TRANSMISSION FOUR CYL. GAS OR DIESEL ENGINE 4 OR 5 SPEED TRANSAXIS MODEL AX4 OR AX5**  
**Figure 21M-300**

8 J 21 300 B



ITEM	PART NUMBER	QTY	BODY	MODEL	DESCRIPTION
	8350 0595	AR			3.15mm
	8350 0596	AR			3.21mm
	8350 0597	AR			3.27mm
30	8350 6045	1			SEAL, Outer
31	8350 3555	1			GEAR, Reverse Idler Manual
32	8350 0570	1			SHAFT, Reverse Idler
33	8350 0571	1			STOPPER, Reverse Idler
34	8350 0615	1			BOLT, With Washer
35					SNAP RING
	8350 0581	AR			2.05mm
	8350 0582	AR			2.10mm
	8350 0583	AR			2.15mm
	8350 0584	AR			2.20mm
	8350 0585	AR			2.25mm
	8350 0586	AR			2.30mm
36	8350 0612	1			SNAP RING
37	8350 6032	1			BEARING
38					GEAR, Cluster Manual Tran
	8350 0557	1			(A)
	8350 6023	1			(B)
39					BEARING
	8350 0580	1			(A)
	8350 6033	1			(B)
40	8350 0573	2			BALL, Reverse
41					WASHER
	8350 0640	1			(A)
	8350 6025	1			(B)
42	8350 0644	1			BEARING
43	8350 0641	3			KEY, Synchronizer
44	8350 6022	1			GEAR, Countershaft Fifth
45	8350 0568	4			SPRING, Synchronizer
46	8350 0642	1			SLEEVE, Synchronizer
47	8350 0566	3			RING, Synchronizer
48					SPACER
	8350 0639	1			(A)
	8350 6024	1			(B)
49	8350 0572	1			NUT

**MODEL CODES:**

15 = Grand Wagoneer 4 Dr.	65 = Comanche 4WD-7 Ft. Box	77 = Cherokee 4WD-2 Dr.
25 = J-10 Pickup-119" W.B.	66 = Comanche 2WD-7 Ft. Box	78 = Cherokee 4WD-4 Dr.
26 = J-10 Pickup-131" W.B.	73 = Cherokee 2WD-2 Dr.	79 = Cherokee 4WD-4 Dr.-Com
27 = J-20 Pickup-131" W.B.	74 = Cherokee 2WD-4 Dr.	81 = Wrangler-93" W.B.
63 = Comanche 4WD-6 Ft. Box	75 = Wagoneer 4WD-4 Dr.	82 = Wrangler-103" W.B.-Exp.
64 = Comanche 2WD-6 Ft. Box		

**BODY STYLES:**

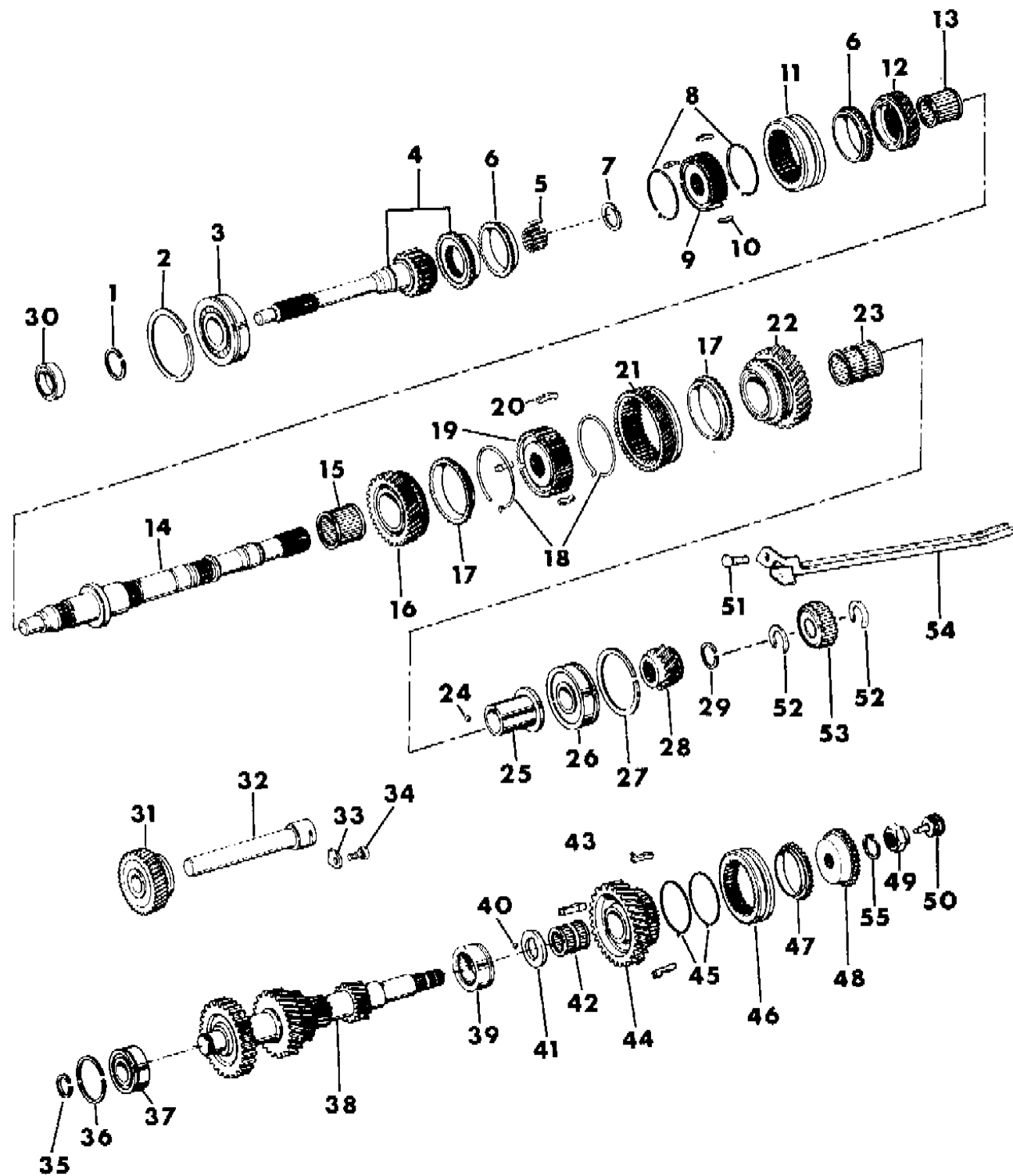
MJ = Comanche Pickup
SJ = Grand Wagoneer Wgn., J-10 & J-20 Pickups
XJ = Cherokee, Wagoneer Limited
YJ = Wrangler

AR = Use as Required - = Non Illustrated Part P.A.R. = Paint as Required



**GEAR TRAIN, MANUAL TRANSMISSION FOUR CYL. GAS OR DIESEL ENGINE 4 OR 5 SPEED TRANSAXIS MODEL AX4 OR AX5**  
**Figure 21M-300**

8 J 21 300 B



ITEM	PART NUMBER	QTY	BODY	MODEL	DESCRIPTION
50	8350 0646	1			FILLER, Oil
51	8350 2126	1	XJ,MJ		BOLT, 2WD
52	8350 2125	2	XJ,MJ		RING, SNAP, 2WD
53	8350 2121	1	XJ,MJ		GEAR, Speedometer Drive, 2WD
54	8350 2122	1	XJ,MJ		PIPE, Oil Receiver, 2WD ***
55	8350 6035	1			RING, Snap Package (B) (E)

(A) For Vehicles Built with Transmissions: 53003023; 53003024; 53003386; 53003388; 53004119; 53004224; 53004358; 53004359.

(B) For Vehicles Built with Transmissions: 53006168; 53006169; 53006170; 53006172; 53006173; 53006174; 53006176.

(C) For Vehicles Built with Transmissions: 53003388; 53004359.

(D) For Vehicles Built with Transmissions: 53006170; 53006174.

(E) Package contains 7 assorted sizes.

**MODEL CODES:**

15 = Grand Wagoneer 4 Dr.	65 = Comanche 4WD-7 Ft. Box	77 = Cherokee 4WD-2 Dr.
25 = J-10 Pickup-119" W.B.	66 = Comanche 2WD-7 Ft. Box	78 = Cherokee 4WD-4 Dr.
26 = J-10 Pickup-131" W.B.	73 = Cherokee 2WD-2 Dr.	79 = Cherokee 4WD-4 Dr.-Com
27 = J-20 Pickup-131" W.B.	74 = Cherokee 2WD-4 Dr.	81 = Wrangler-93" W.B.
63 = Comanche 4WD-6 Ft. Box	75 = Wagoneer 4WD-4 Dr.	82 = Wrangler-103" W.B.-Exp.
64 = Comanche 2WD-6 Ft. Box		

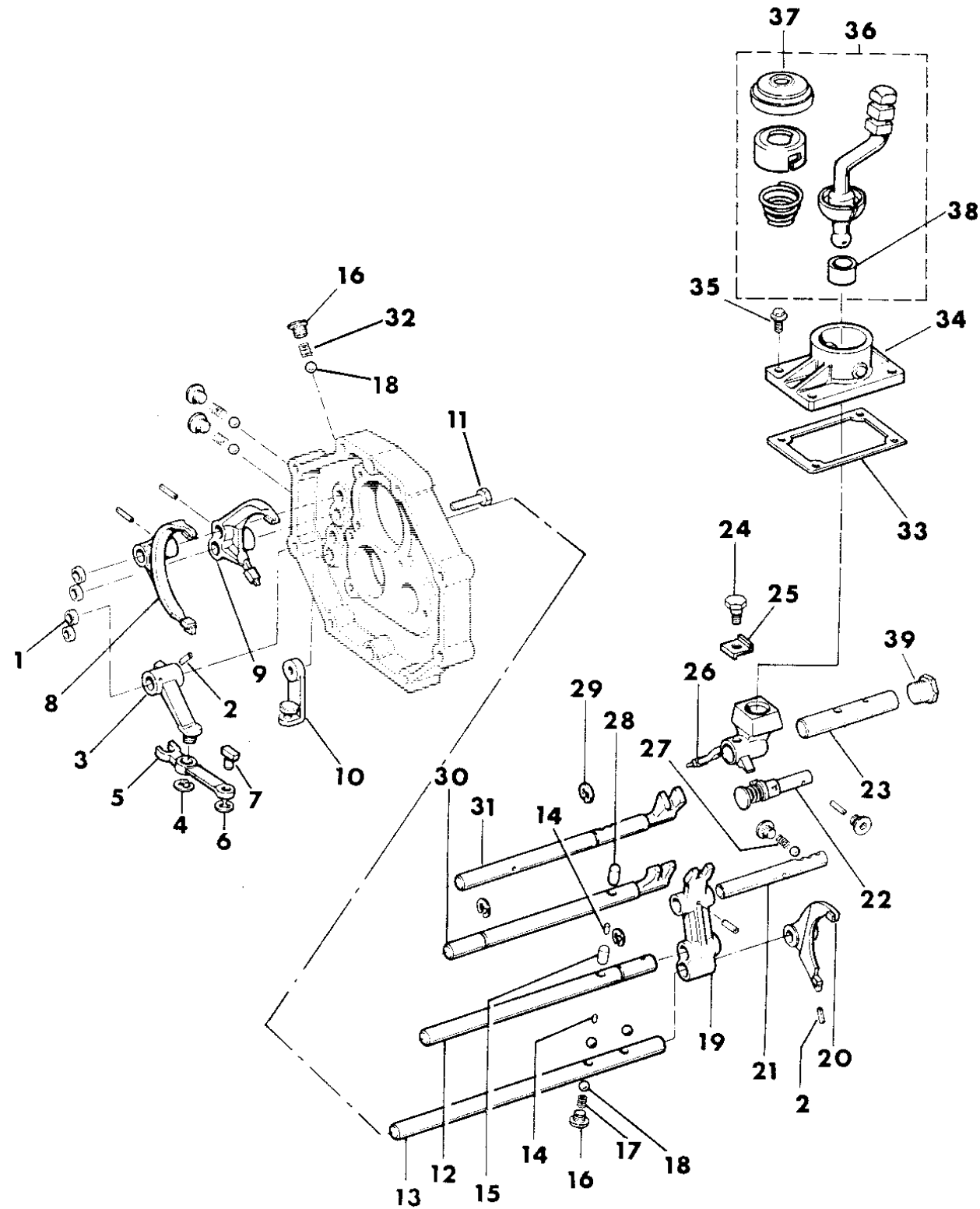
**BODY STYLES:**

MJ = Comanche Pickup  
 SJ = Grand Wagoneer Wgn., J-10 & J-20 Pickups  
 XJ = Cherokee, Wagoneer Limited  
 YJ = Wrangler

AR = Use as Required - = Non Illustrated Part P.A.R. = Paint as Required

FORKS, RAILS, SHAFTS, MANUAL TRANSMISSION FOUR CYL. GAS OR DIESEL ENGINE 4 OR 5 SPEED TRANS.AISIN MODEL AX4 OR AX5  
Figure 21M-400

8J21 400



ITEM	PART NUMBER	QTY	BODY	MODEL	DESCRIPTION
1	8350 0503	4			PLUG
2	8350 2664	6			BOLT, With washer
3	8350 0526	1			FORK, Reverse
4	8350 0548	1			RING, Retaining
5	8350 0529	1			ARM, Reverse Shift
6	8350 0547	1			RING, Retaining
7	8350 3552	1			SHOE, Shift Arm
8	8350 2665	1			FORK, Gearshift No.2
9	8350 2662	1			FORK, Gearshift No.1
10	8350 0531	1			BRACKET
11	8350 0549	2			BOLT, With Washer ***
12					SHAFT, Gearshift No.3
	8350 6053	1			With 4 Speed Transmission (C) & (D)
	8350 0974	1			With 5 Speed Transmission (A) & (C)
	8350 6052	1			With 5 Speed Transmission (B) & (D)
13	8350 0538	1			SHAFT, Gearshift No.4
14	8350 0537	4			PIN
15	8350 0541	1			ROLLER
16	8350 3109	6			PLUG
17	8350 0638	1			SPRING
18	8350 0542	7			BALL
19					HEAD, Reverse Shift ***
	8350 0532	1			2 Holes
	8350 3553	1			3 Holes
20	8350 0637	1			FORK, Gearshift No.3
21	8350 0536	1			SHAFT, Gearshift No.5
22	8350 0635	1			PIN, Reverse
23	8350 0514	1			SHAFT, Shift Lever
24					BOLT
	8350 0522	1			(A) (C)
	8350 6036	1			(B) (D)
25	8350 0523	1			WASHER, Lock
26	8350 0636	1			HOUSING, Shift
27	8350 0544	1			SPRING
28	8350 0543	1			ROLLER
29					CLIP, Retaining
	8350 0546	3			1mm Thick (A) (C)

MODEL CODES:

15 = Grand Wagoneer 4 Dr.	65 = Comanche 4WD-7 Ft. Box	77 = Cherokee 4WD-2 Dr.
25 = J-10 Pickup-119" W.B.	66 = Comanche 2WD-7 Ft. Box	78 = Cherokee 4WD-4 Dr.
26 = J-10 Pickup-131" W.B.	73 = Cherokee 2WD-2 Dr.	79 = Cherokee 4WD-4 Dr.-Com
27 = J-20 Pickup-131" W.B.	74 = Cherokee 2WD-4 Dr.	81 = Wrangler-93" W.B.
63 = Comanche 4WD-6 Ft. Box	75 = Wagoneer 4WD-4 Dr.	82 = Wrangler-103" W.B.-Exp.
64 = Comanche 2WD-6 Ft. Box		

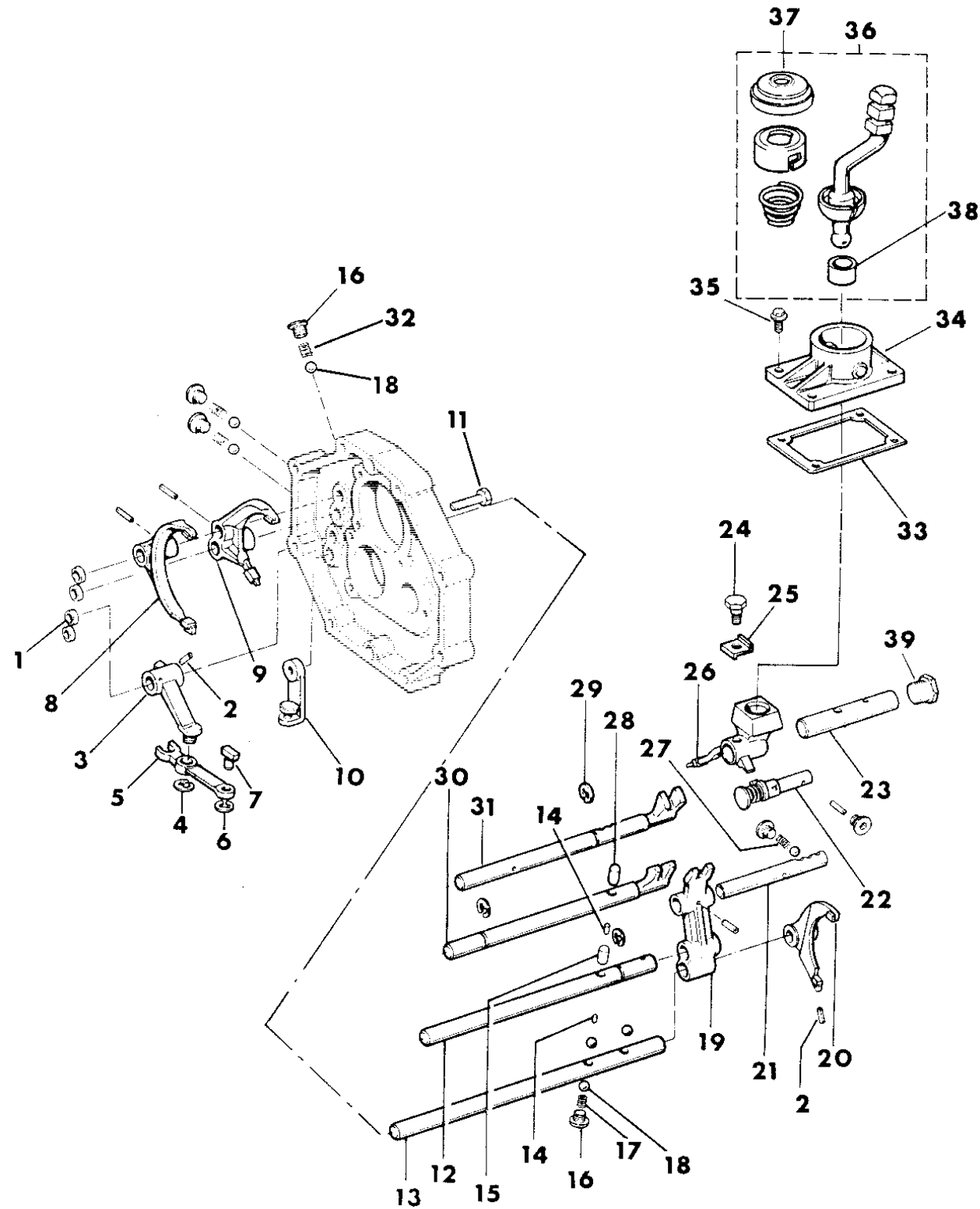
BODY STYLES:

MJ = Comanche Pickup  
SJ = Grand Wagoneer Wgn., J-10 & J-20 Pickups  
XJ = Cherokee, Wagoneer Limited  
YJ = Wrangler

AR = Use as Required - = Non Illustrated Part P.A.R. = Paint as Required

FORKS, RAILS, SHAFTS, MANUAL TRANSMISSION FOUR CYL. GAS OR DIESEL ENGINE 4 OR 5 SPEED TRANS.AISIN MODEL AX4 OR AX5  
Figure 21M-400

8J21 400



ITEM	PART NUMBER	QTY	BODY	MODEL	DESCRIPTION
	8350 6054	3			1.5mm Thick (B) (D)
30	8350 6055	1			SHAFT, Gearshift No.1
31					SHAFT, Gearshift No.2
	8350 2666	1	XJ,MJ		With 4 Speed Transmission (A) & (C)
	8350 6048	1	XJ,MJ		With 4 Speed Transmission (B) & (D)
	8350 6047	1			With 5 Speed Transmission.
32	8350 0545	3			SPRING
33	8350 0521	1			GASKET
34					RETAINER, Gearshift Lever
	8350 3106		YJ		
35	8350 0517	1	XJ,MJ		BOLT
	8350 3107	4	YJ		
	8350 0525	4	XJ,MJ		
36					LEVER, Gearshift
	8350 3110	1	YJ		
	8350 0518	1	XJ,MJ		Gas
	8350 1407	1	XJ,MJ		Diesel
37	8350 0520	1			BOOT
38	8350 0519	1			BUSHING
39	8350 0619	1			PLUG

(A) For Vehicles Built with Transmissions: 53003024; 53003386; 53003388; 53004224; 53004358; 53004359.

(B) For Vehicles Built with Transmissions: 53006169; 53006170; 53006173; 53006174; 53006176.

(C) For Vehicles Built with Transmissions: 53003023; 53004119.

(D) For Vehicles Built with Transmissions: 53006168; 53006172.

MODEL CODES:

15 = Grand Wagoneer 4 Dr.	65 = Comanche 4WD-7 Ft. Box	77 = Cherokee 4WD-2 Dr.
25 = J-10 Pickup-119" W.B.	66 = Comanche 2WD-7 Ft. Box	78 = Cherokee 4WD-4 Dr.
26 = J-10 Pickup-131" W.B.	73 = Cherokee 2WD-2 Dr.	79 = Cherokee 4WD-4 Dr.-Com
27 = J-20 Pickup-131" W.B.	74 = Cherokee 2WD-4 Dr.	81 = Wrangler-93" W.B.
63 = Comanche 4WD-6 Ft. Box	75 = Wagoneer 4WD-4 Dr.	82 = Wrangler-103" W.B.-Exp.
64 = Comanche 2WD-6 Ft. Box		

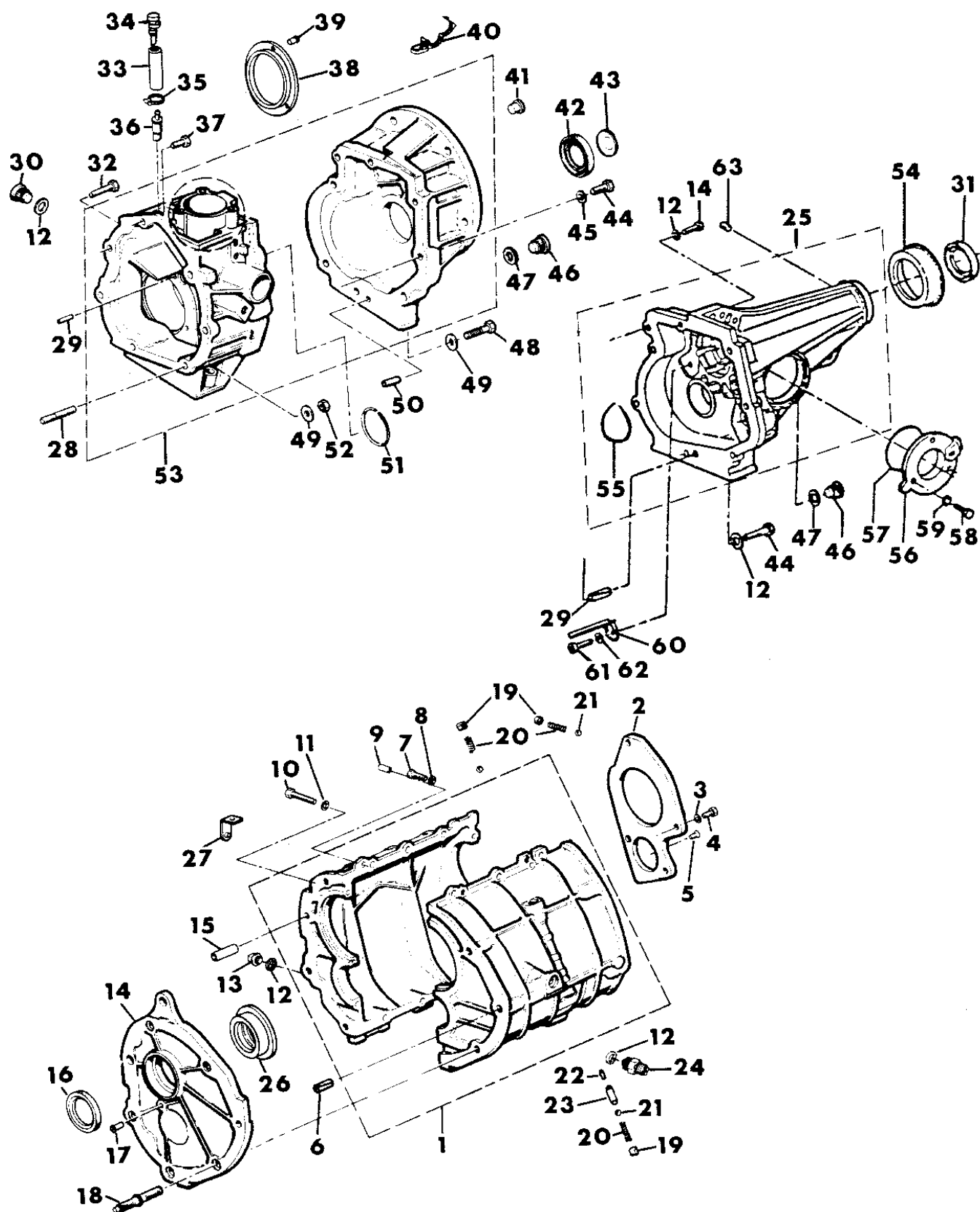
BODY STYLES:

MJ = Comanche Pickup  
SJ = Grand Wagoneer Wgn., J-10 & J-20 Pickups  
XJ = Cherokee, Wagoneer Limited  
YJ = Wrangler

AR = Use as Required - = Non Illustrated Part P.A.R. = Paint as Required

TRANSMISSION CASE, ADAPTER AND MISC. PARTS SIX CYL. ENG. 4.0L, 4.2L, FIVE SPEED TRANSMISSION PEUGEOT MODEL BA 10/5  
Figure 21M-500

8 J21500



ITEM	PART NUMBER	QTY	BODY	MODEL	DESCRIPTION
1					CASE, Manual Transmission BA 10/5
	8350 3281	1	YJ		For vehicles built up to trans. serial no. 71788.
	8350 5274	1	YJ		For vehicles built with trans. serial no. 71788 and higher.
	8350 3281	1	XJ,MJ		1987
	8350 5274	1	XJ,MJ		1988: For Vehicles built up to trans. serial no. 131162.
	8350 5446	1	XJ,MJ		1988-89: For vehicles built after trans. serial no. 131162.
2	8350 3233	1			PLATE, Inner Bearing Retainer, For Vehicles built up to trans. serial no. 131162.
3	8350 3296	4			WASHER
4	8350 3295	4			BOLT
5	8350 3293	1			SCREW
6	8350 3255	1			PIN
7	8350 3288	6			SCREW
8	T305 7002	6			WASHER
9	8350 3291	2			PIN
10	8350 3287	6			SCREW
11	8350 3290	6			WASHER
12	T777 7650	AR			SEAL
13	8350 3285	1			PLUG
14					PLATE, Front Bearing Retainer
	8350 4122	1			1987
	8350 5202	1			1987-88: Except Transmission 8953005330 or 53005330
	8350 5203	1			1988-89: Used on Transmission 8953005330 or 53005330 only.
15	8350 3255	1			PIN
16	8350 3234	1			SEAL, Lip Outer
17	8350 3228	1			PIN
18	8350 3236	5			STUD
19	8350 3270	2			PLUG
20	8350 4432	3			SPRING
21	8350 3272	4			BALL
22	8350 3271	1			NEEDLE
23	8350 3225	1			LOCK, Finger
24	5300 4522	1			SWITCH, Back-Up Lamp
25					EXTENSION, 2WD
	8350 4418	1			1987
	8350 5211	1			1988-89
26	8350 5204	1			RING, Oil Discharge, Front Bearing Retainer

MODEL CODES:

15 = Grand Wagoneer 4 Dr.	65 = Comanche 4WD-7 Ft. Box	77 = Cherokee 4WD-2 Dr.
25 = J-10 Pickup-119" W.B.	66 = Comanche 2WD-7 Ft. Box	78 = Cherokee 4WD-4 Dr.
26 = J-10 Pickup-131" W.B.	73 = Cherokee 2WD-2 Dr.	79 = Cherokee 4WD-4 Dr.-Com
27 = J-20 Pickup-131" W.B.	74 = Cherokee 2WD-4 Dr.	81 = Wrangler-93" W.B.
63 = Comanche 4WD-6 Ft. Box	75 = Wagoneer 4WD-4 Dr.	82 = Wrangler-103" W.B.-Exp.
64 = Comanche 2WD-6 Ft. Box		

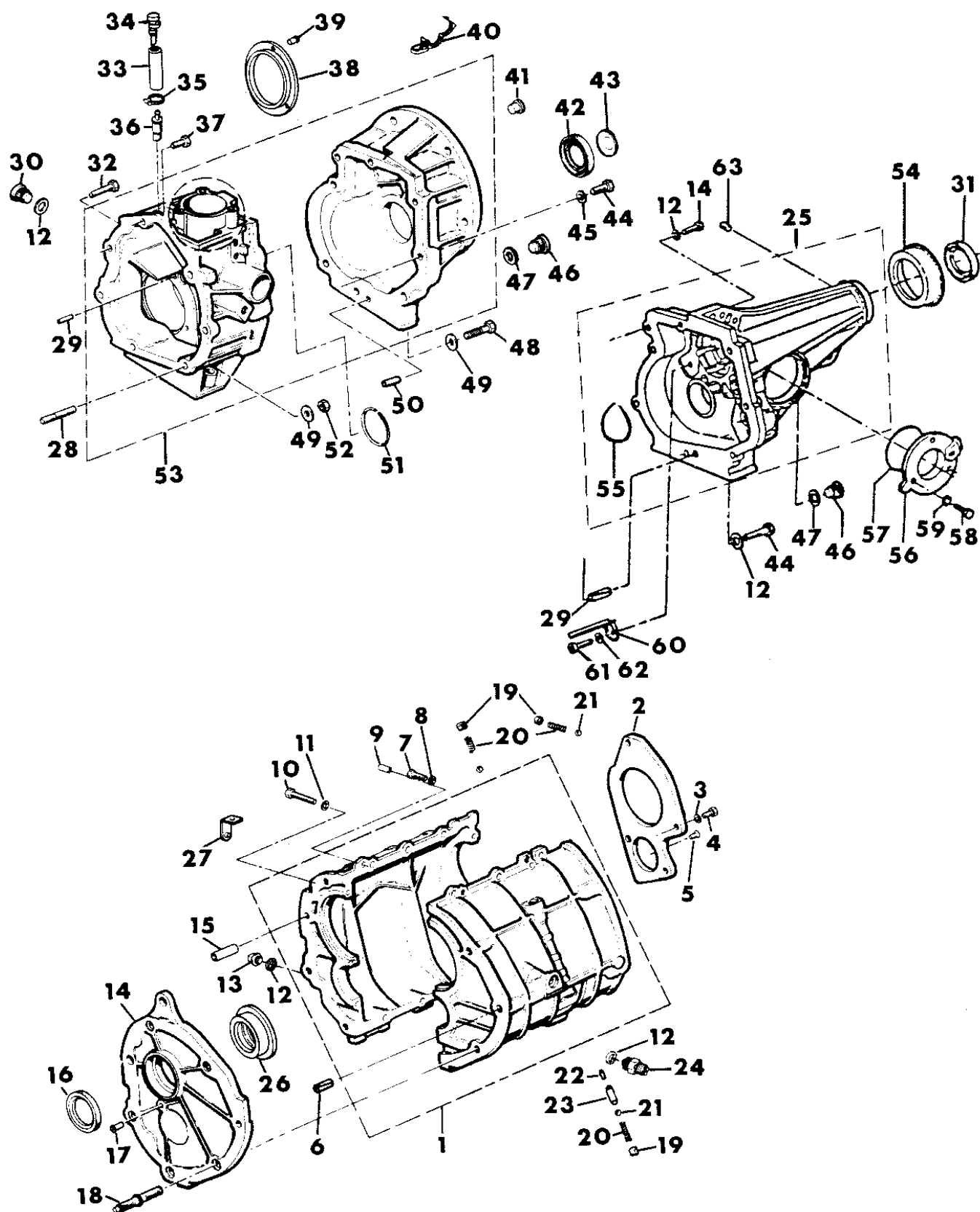
BODY STYLES:

MJ = Comanche Pickup  
SJ = Grand Wagoneer Wgn., J-10 & J-20 Pickups  
XJ = Cherokee, Wagoneer Limited  
YJ = Wrangler

AR = Use as Required - = Non Illustrated Part P.A.R. = Paint as Required

TRANSMISSION CASE, ADAPTER AND MISC. PARTS SIX CYL. ENG. 4.0L, 4.2L, FIVE SPEED TRANSMISSION PEUGEOT MODEL BA 10/5  
Figure 21M-500

8 J21500



ITEM	PART NUMBER	QTY	BODY	MODEL	DESCRIPTION
27	8350 4088	1			BRACKET
28	8350 3235	3			STUD, Rear Case
29	8350 3291	2			PIN
30	8350 3285	1			PLUG
31	8350 4419	1			SEAL, Rear Extension (2WD)
32	8350 3289	3			SCREW
33	J812 5823	AR			HOSE 1' Bulk
34	J535 2955	1			CAP
35	J322 7851	1			CLAMP
36	8350 3210	1			BREATHER, Rear Case
37	8350 3292	1			SCREW
38	8350 4407	1			PLATE
39	8350 4408	3			RIVET
40	J545 9095	1			CLIP
41	8350 4871	1			PLUG
42	8350 3250	1			SEAL
43	8350 4872	1			PLUG
44	8350 3289	5			SCREW
45	J305 7005	7			WASHER
46	8350 3284	1			PLUG
47	T777 7649	1			SEAL, Plug
48	8350 3277	1			SCREW
49	J305 7005	7			WASHER
50	8350 3294	2			PIN
51	8350 3200	1			CLIP
52	8350 3241	3			NUT
53					CASE, Rear
	8350 4437	1	YJ		For Vehicles built up to trans. serial no. 71788
	8350 5209	1	YJ		For Vehicles built with trans. serial no. 71788 and higher
	8350 4123	1	XJ,MJ		1987
	8350 5210	1	XJ,MJ		1988-89
54	8350 4428	1	XJ,MJ		PROTECTOR, Rear Seal, 2WD
55	8350 3200	1	XJ,MJ		RING, Snap, 2WD
56	8350 4420	1	XJ,MJ		SPACER, 2WD
57	8350 4421	1	XJ,MJ		O-RING, 2WD
58	8350 4422	3	XJ,MJ		SCREW, 2WD
59	8350 4423	3	XJ,MJ		GASKET, 2WD

MODEL CODES:

15 = Grand Wagoneer 4 Dr.	65 = Comanche 4WD-7 Ft. Box	77 = Cherokee 4WD-2 Dr.
25 = J-10 Pickup-119" W.B.	66 = Comanche 2WD-7 Ft. Box	78 = Cherokee 4WD-4 Dr.
26 = J-10 Pickup-131" W.B.	73 = Cherokee 2WD-2 Dr.	79 = Cherokee 4WD-4 Dr.-Com
27 = J-20 Pickup-131" W.B.	74 = Cherokee 2WD-4 Dr.	81 = Wrangler-93" W.B.
63 = Comanche 4WD-6 Ft. Box	75 = Wagoneer 4WD-4 Dr.	82 = Wrangler-103" W.B.-Exp.
64 = Comanche 2WD-6 Ft. Box		

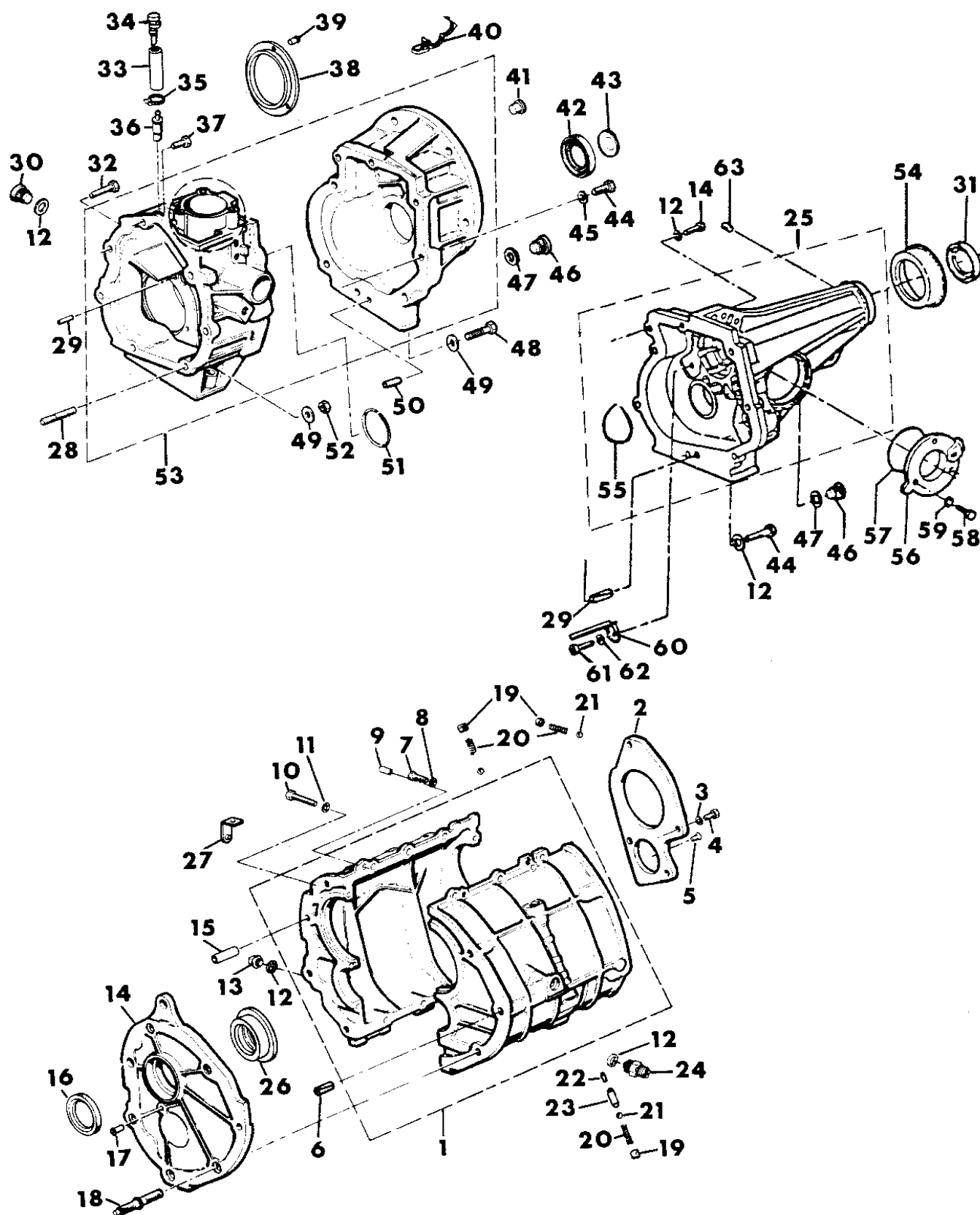
BODY STYLES:

MJ = Comanche Pickup  
SJ = Grand Wagoneer Wgn., J-10 & J-20 Pickups  
XJ = Cherokee, Wagoneer Limited  
YJ = Wrangler

AR = Use as Required - = Non Illustrated Part P.A.R. = Paint as Required

TRANSMISSION CASE, ADAPTER AND MISC. PARTS SIX CYL. ENG. 4.0L, 4.2L, FIVE SPEED TRANSMISSION PEUGEOT MODEL BA 10/5  
Figure 21M-500

8 J21500



ITEM	PART NUMBER	QTY	BODY	MODEL	DESCRIPTION
60	8350 4424	1	XJ,MJ		DEFLECTOR, 2WD ***
61	8350 4425	1	XJ,MJ		SCREW, 2WD
62	8350 4426	1	XJ,MJ		WASHER, 2WD
63	8350 4427	1	XJ,MJ		PLUG, 2WD

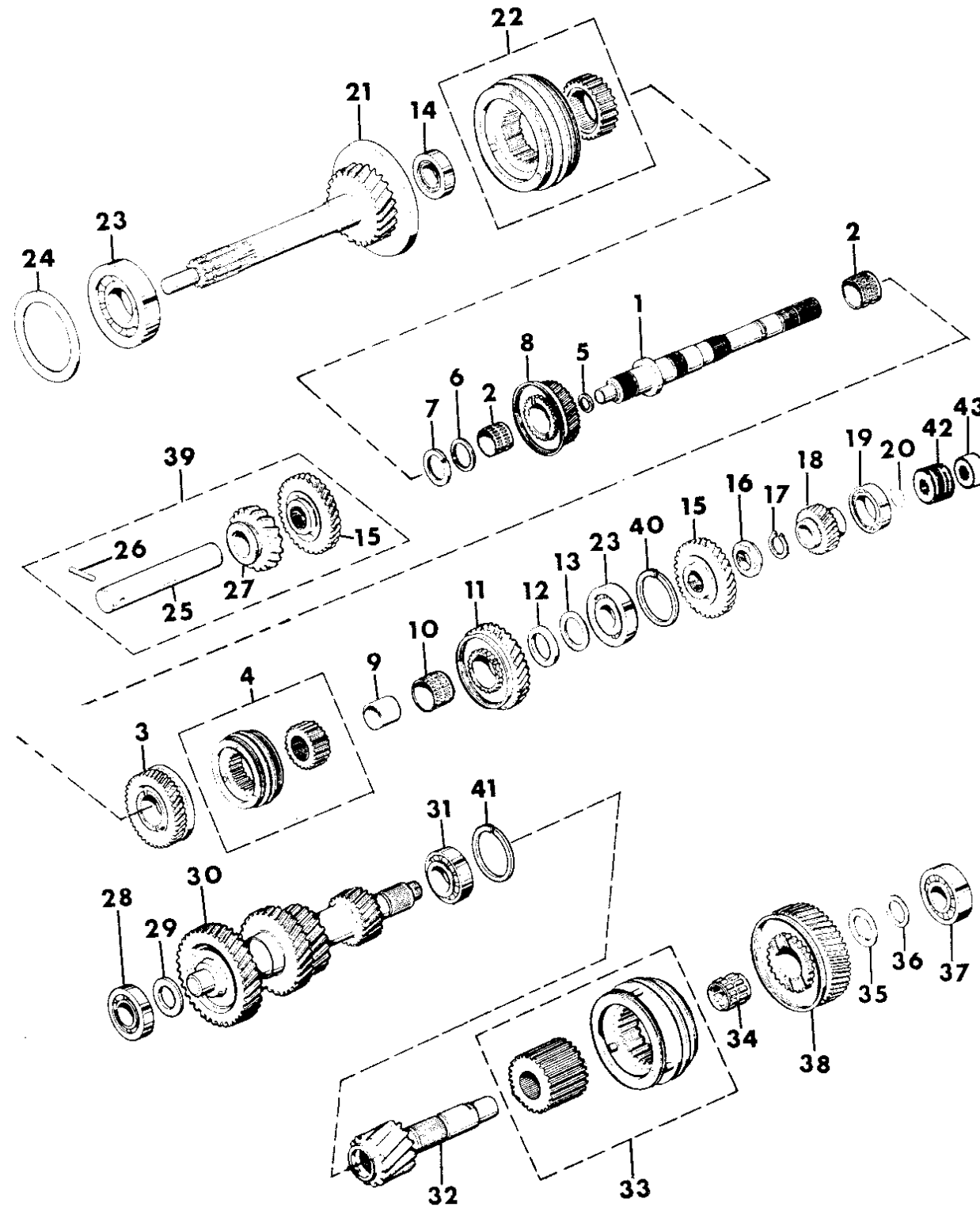
MODEL CODES:  
 15 = Grand Wagoneer 4 Dr.      65 = Comanche 4WD-7 Ft. Box      77 = Cherokee 4WD-2 Dr.  
 25 = J-10 Pickup-119" W.B.      66 = Comanche 2WD-7 Ft. Box      78 = Cherokee 4WD-4 Dr.  
 26 = J-10 Pickup-131" W.B.      73 = Cherokee 2WD-2 Dr.      79 = Cherokee 4WD-4 Dr.-Com  
 27 = J-20 Pickup-131" W.B.      74 = Cherokee 2WD-4 Dr.      81 = Wrangler-93" W.B.  
 63 = Comanche 4WD-6 Ft. Box      75 = Wagoneer 4WD-4 Dr.      82 = Wrangler-103" W.B.-Exp.  
 64 = Comanche 2WD-6 Ft. Box

BODY STYLES:  
 MJ = Comanche Pickup  
 SJ = Grand Wagoneer Wgn., J-10 & J-20 Pickups  
 XJ = Cherokee, Wagoneer Limited  
 YJ = Wrangler

AR = Use as Required - = Non Illustrated Part P.A.R. = Paint as Required

**GEAR TRAIN, MANUAL TRANSMISSION SIX CYL. ENG. 4.0L, 4.2L, FIVE SPEED TRANSMISSION PEUGEOT MODEL BA 10/5**  
**Figure 21M-600**

8J21 600



ITEM	PART NUMBER	QTY	BODY	MODEL	DESCRIPTION
1					MAINSHAFT
	8350 3219	1			4 Wheel Drive
	8350 4429	1			2 Wheel Drive ***
2	8350 3208	2			BEARING, Needle
3	8350 3218	1			GEAR, Second Speed
4	8350 4089	1			SYNCHRONIZER, 1st & 2nd Gear
5	8350 3205	1			WASHER, Spring
6	8350 4870	1			WASHER
7	8350 3203	1			RING, Stop
8	8350 3221	1			GEAR, Third Speed
9	8350 3213	1			SPACER, Bearing
10	8350 3231	1			BEARING, Needle
11					GEAR, First Speed
	8350 3214	1			12 x 34 teeth (A)
	8350 5444	1			12 x 32 teeth (B)
12	8350 4622	1			SHIM
13	8350 3222	1			SHIM PACKAGE
14	8350 4410	1			BEARING, Roller Tapered
15	8350 3206	1			GEAR, Reverse Driven
16	8350 3204	1			NUT
17	8350 3253	1			RING, Locking
18					GEAR, Fifth Speed
	8350 4099	1			53 x 27 teeth (A)
	8350 5452	1			51 x 28 teeth (B)
19	8350 3249	1			BEARING, Roller With Race
20	8350 3224	1			RING, Retaining
21					SHAFT, Input
	8350 3229	1	YJ		For vehicles built up to trans. serial no 71788.
	8350 5205	1	YJ		For vehicles built after trans. serial no 71788.
	8350 5205	1	XJ,MJ		
22	8350 4103	1			SYNCHRONIZER, 3rd & 4th Gear
23					BEARING, Roller Tapered
	8350 3212	2			(A)
	8350 5447	2			(B)
24	8350 3230	1			SHIM PACKAGE
25					RAIL, Reverse
	8350 3248	1	YJ		For vehicles built up to trans. serial no 12615.

**MODEL CODES:**

15 = Grand Wagoneer 4 Dr.	65 = Comanche 4WD-7 Ft. Box	77 = Cherokee 4WD-2 Dr.
25 = J-10 Pickup-119" W.B.	66 = Comanche 2WD-7 Ft. Box	78 = Cherokee 4WD-4 Dr.
26 = J-10 Pickup-131" W.B.	73 = Cherokee 2WD-2 Dr.	79 = Cherokee 4WD-4 Dr.-Com
27 = J-20 Pickup-131" W.B.	74 = Cherokee 2WD-4 Dr.	81 = Wrangler-93" W.B.
63 = Comanche 4WD-6 Ft. Box	75 = Wagoneer 4WD-4 Dr.	82 = Wrangler-103" W.B.-Exp.
64 = Comanche 2WD-6 Ft. Box		

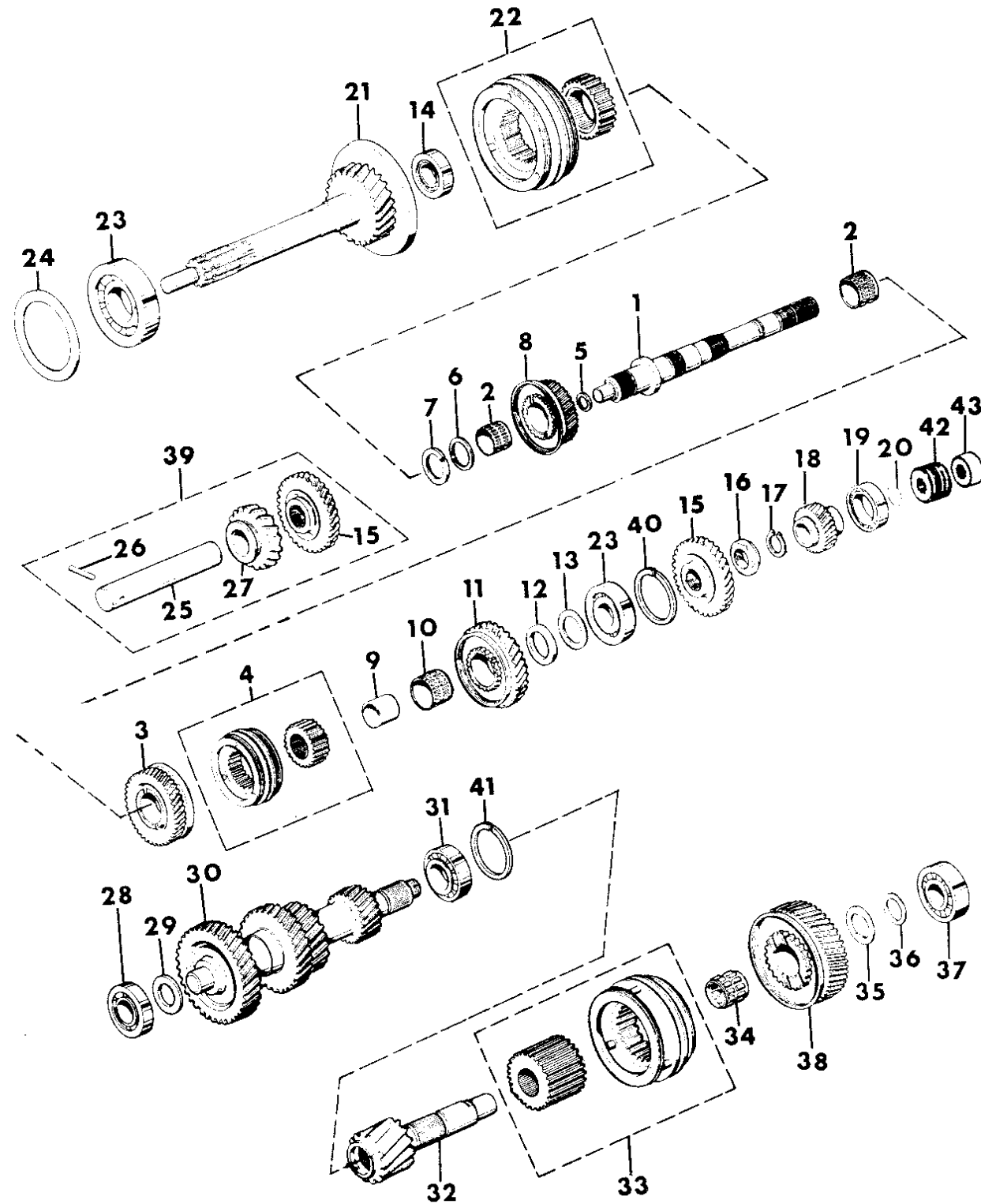
**BODY STYLES:**

MJ = Comanche Pickup
SJ = Grand Wagoneer Wgn., J-10 & J-20 Pickups
XJ = Cherokee, Wagoneer Limited
YJ = Wrangler

AR = Use as Required - = Non Illustrated Part P.A.R. = Paint as Required

**GEAR TRAIN, MANUAL TRANSMISSION SIX CYL. ENG. 4.0L, 4.2L, FIVE SPEED TRANSMISSION PEUGEOT MODEL BA 10/5**  
**Figure 21M-600**

8J21 600



ITEM	PART NUMBER	QTY	BODY	MODEL	DESCRIPTION
	8350 3262	1	YJ		For Vehicles built after trans. serial no 12616.
	8350 3262	1	XJ,MJ		
26	8350 3257	1			PIN, Reverse
27	8350 3259	1			GEAR, Reverse Idler
28	8350 3209	1			BEARING, Roller
29	8350 3254	1			SHIM PACKAGE
30					SHAFT, Intermediate
	8350 3239	1			(A)
	8350 5445	1			(B)
31	8350 5448	1			BEARING, Roller
32	8350 3242	1			GEAR, Fifth Intermediate
33	8350 3246	1			HUB AND SYNCHRONIZER, Fifth Gear
34	8350 3207	1			BEARING, Needle
35	8350 3247	1			SHIM, Spacer
36	8350 3237	1			SHIM PACKAGE
37	8350 3201	1			BEARING, Roller
38					GEAR, Fifth Intermediate
	8350 3243	1			53 X 27 teeth (A)
	8350 5451	1			51 X 28 teeth (B)
39	8350 4500	1			GEAR PACKAGE
40	8350 5477	1			RING, Retaining (B)
41	8350 5478	1			RING, Retaining (B)
42	8350 4430	1	XJ,MJ		GEAR, Speedometer Drive, 2WD
43	8350 4431	1	XJ,MJ		SEAL, 2WD

NOTES: (A) YJ For Vehicles Built w/trans. serial no. up to 131001. XJ,MJ For Vehicles Built w/trans. up to serial no. 131163.  
 (B) YJ For Vehicles Built w/trans. serial no after 131001. XJ,MJ For Vehicles Built w/trans after serial no. 131163. (A) YJ For Vehicles Built w/trans. serial no. up to 131001. XJ,MJ For Vehicles Built w/trans. up to serial no. 131163.  
 (C) For Vehicles Built with trans. serial no. up to 22171. (A) YJ For Vehicles Built w/trans. serial no. up to 131001. XJ,MJ For Vehicles Built w/trans. up to serial no. 131163.  
 (D) For Vehicles Built after trans. serial no. 22172. (A) YJ For Vehicles Built w/trans. serial no. up to 131001. XJ,MJ For Vehicles Built w/trans. up to serial no. 131163.

**MODEL CODES:**

15 = Grand Wagoneer 4 Dr.	65 = Comanche 4WD-7 Ft. Box	77 = Cherokee 4WD-2 Dr.
25 = J-10 Pickup-119" W.B.	66 = Comanche 2WD-7 Ft. Box	78 = Cherokee 4WD-4 Dr.
26 = J-10 Pickup-131" W.B.	73 = Cherokee 2WD-2 Dr.	79 = Cherokee 4WD-4 Dr.-Com
27 = J-20 Pickup-131" W.B.	74 = Cherokee 2WD-4 Dr.	81 = Wrangler-93" W.B.
63 = Comanche 4WD-6 Ft. Box	75 = Wagoneer 4WD-4 Dr.	82 = Wrangler-103" W.B.-Exp.
64 = Comanche 2WD-6 Ft. Box		

**BODY STYLES:**

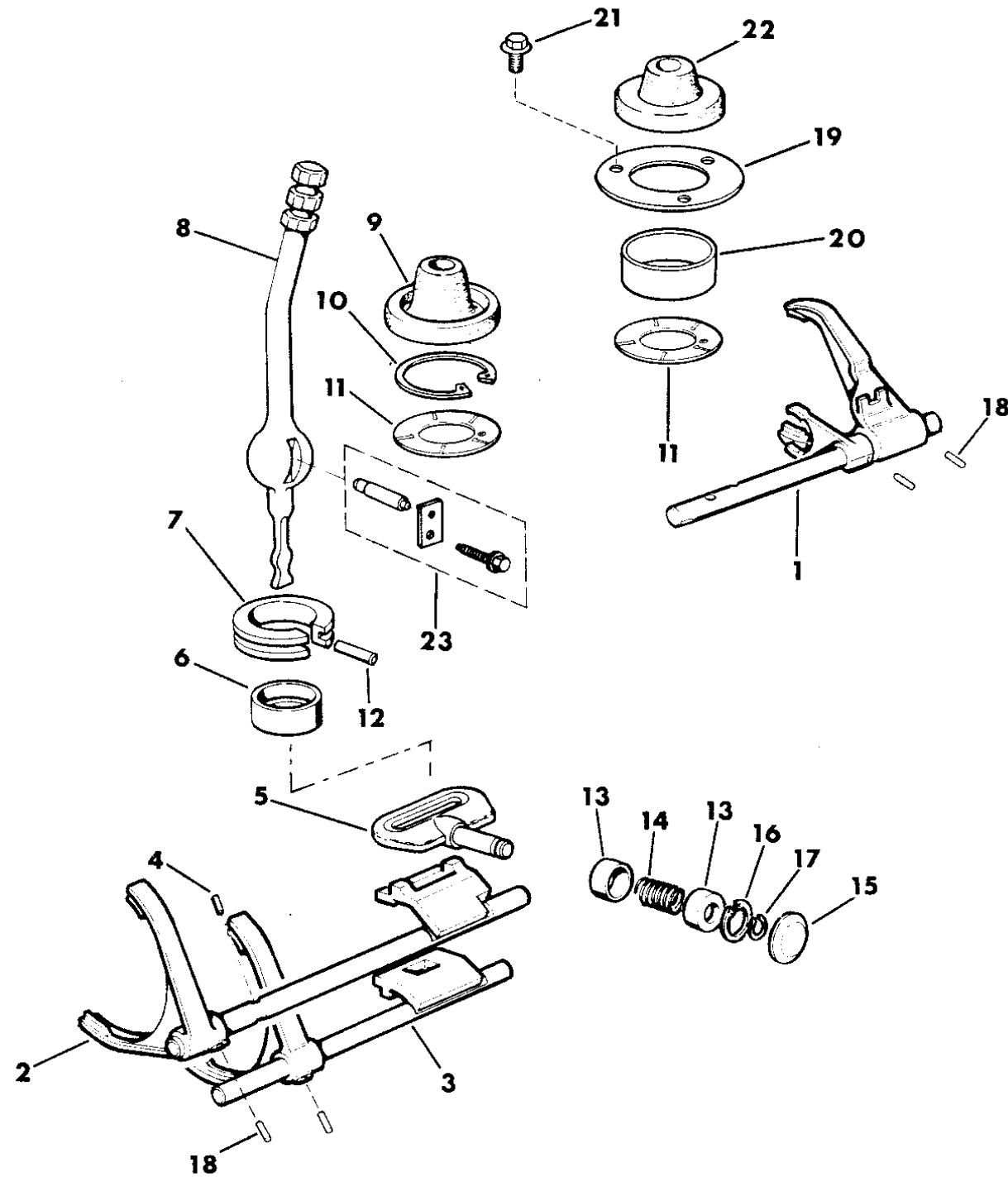
MJ = Comanche Pickup  
 SJ = Grand Wagoneer Wgn., J-10 & J-20 Pickups  
 XJ = Cherokee, Wagoneer Limited  
 YJ = Wrangler

AR = Use as Required - = Non Illustrated Part P.A.R. = Paint as Required



FORKS, RAILS, SHIFT MANUAL TRANSMISSION SIX CYL. ENG. 4.0L, 4.2L, FIVE SPEED TRANSMISSION PEUGEOT MODEL BA 10/5  
Figure 21M-700

8 J 21 700



ITEM	PART NUMBER	QTY	BODY	MODEL	DESCRIPTION
1					FORK, 5th & Reverse Shift
	8350 3261	1			(A)
	8350 5456	1			(B)
2	8350 3268	1			FORK, 1st & 2nd Shift
3	8350 3263	1			FORK, 3rd & 4th Shift
4	8350 3225	1			PIN, Locking
5	8350 4626	1			KEY
6					BUSHING, Lower
	8350 3275	1	YJ		
	8350 4121	1	XJ,MJ		
7	8350 3276	1			BUSHING, Upper
8					LEVER, Gearshift
	8350 3274	1	YJ		9 3/4" Long
	8350 4113	1	XJ,MJ		11" Long
9					BOOT
	8350 3279	1	YJ		(C)
10	8350 3280	1	YJ		SNAP RING (C) ***
11	8350 3286	1	YJ		WASHER
12	8350 5281	1			PIN
13	8350 3265	2			BUSHING
14					SPRING
	8350 4112	1	YJ		
	8350 4501	1	XJ,MJ		
15	8350 4872	1			PLUG
16	8350 3273	1			RING, Locking
17	8350 3252	1			RING, Locking
18	8350 3260	4			PIN
19	8350 5273	1			COVER
20					BUSHING
	8350 4120	1	YJ		(D)
	8350 4124	1	XJ,MJ		
21	1150 5117	3			SCREW
22					BOOT
	8350 4621	1	YJ		(D)
	8350 4621	1	XJ,MJ		
23					PLATE PACKAGE ***
	8350 5281	1	YJ		(E)

MODEL CODES:

15 = Grand Wagoneer 4 Dr.	65 = Comanche 4WD-7 Ft. Box	77 = Cherokee 4WD-2 Dr.
25 = J-10 Pickup-119" W.B.	66 = Comanche 2WD-7 Ft. Box	78 = Cherokee 4WD-4 Dr.
26 = J-10 Pickup-131" W.B.	73 = Cherokee 2WD-2 Dr.	79 = Cherokee 4WD-4 Dr.-Com
27 = J-20 Pickup-131" W.B.	74 = Cherokee 2WD-4 Dr.	81 = Wrangler-93" W.B.
63 = Comanche 4WD-6 Ft. Box	75 = Wagoneer 4WD-4 Dr.	82 = Wrangler-103" W.B.-Exp.
64 = Comanche 2WD-6 Ft. Box		

BODY STYLES:

MJ = Comanche Pickup  
 SJ = Grand Wagoneer Wgn., J-10 & J-20 Pickups  
 XJ = Cherokee, Wagoneer Limited  
 YJ = Wrangler

AR = Use as Required - = Non Illustrated Part P.A.R. = Paint as Required

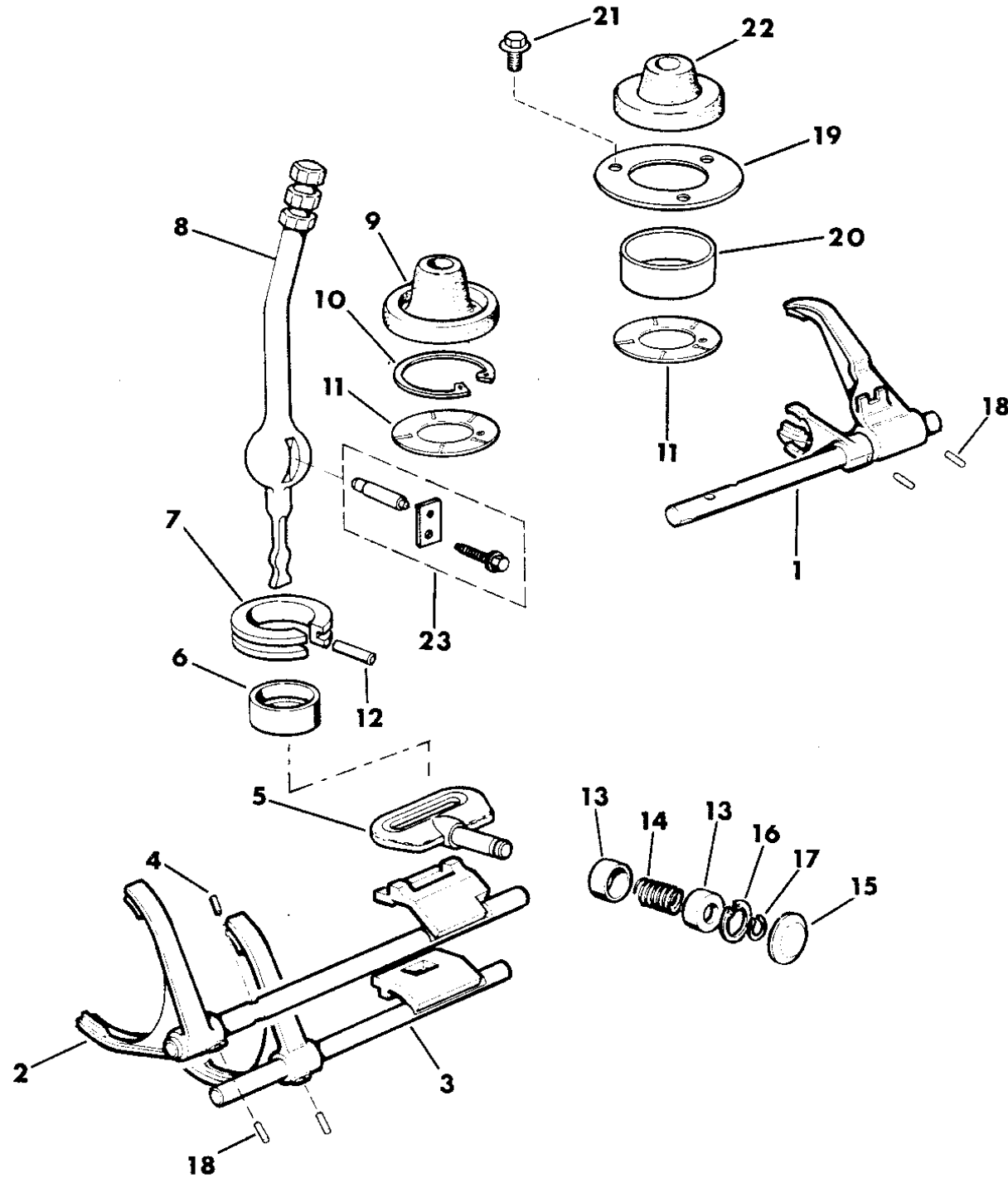
FORKS, RAILS, SHIFT MANUAL TRANSMISSION SIX CYL. ENG. 4.0L, 4.2L, FIVE SPEED TRANSMISSION PEUGEOT MODEL BA 10/5  
Figure 21M-700

8 J 21 700

ITEM	PART NUMBER	QTY	BODY	MODEL	DESCRIPTION
------	-------------	-----	------	-------	-------------

8350 5281 1 XJ,MJ

- (A) For YJ Vehicles Built w/trans. serial no up to 131001. For XJ,MJ Vehicles Built w/trans serial no up to 131162. (A) YJ For Vehicles Built w/trans. serial no. up to 131001. XJ,MJ For Vehicles Built w/trans. up to serial no. 131163.  
 (B) For YJ Vehicles Built w/trans. after serial no 131001. For XJ,MJ Vehicles Built w/trans. after serial no 131163. (A) YJ For Vehicles Built w/trans. serial no. up to 131001. XJ,MJ For Vehicles Built w/trans. up to serial no. 131163.  
 (C) For Vehicles Built up to transmission serial no. 12616. (A) YJ For Vehicles Built w/trans. serial no. up to 131001. XJ,MJ For Vehicles Built w/trans. up to serial no. 131163.  
 (D) For Vehicles Built after transmission serial no. 12616. (A) YJ For Vehicles Built w/trans. serial no. up to 131001. XJ,MJ For Vehicles Built w/trans. up to serial no. 131163.  
 (E) For Vehicles Built after transmission serial no. 72072. (A) YJ For Vehicles Built w/trans. serial no. up to 131001. XJ,MJ For Vehicles Built w/trans. up to serial no. 131163.



MODEL CODES:

- |                             |                             |                              |
|-----------------------------|-----------------------------|------------------------------|
| 15 = Grand Wagoneer 4 Dr.   | 65 = Comanche 4WD-7 Ft. Box | 77 = Cherokee 4WD-2 Dr.      |
| 25 = J-10 Pickup-119" W.B.  | 66 = Comanche 2WD-7 Ft. Box | 78 = Cherokee 4WD-4 Dr.      |
| 26 = J-10 Pickup-131" W.B.  | 73 = Cherokee 2WD-2 Dr.     | 79 = Cherokee 4WD-4 Dr.-Com  |
| 27 = J-20 Pickup-131" W.B.  | 74 = Cherokee 2WD-4 Dr.     | 81 = Wrangler-93" W.B.       |
| 63 = Comanche 4WD-6 Ft. Box | 75 = Wagoneer 4WD-4 Dr.     | 82 = Wrangler-103" W.B.-Exp. |
| 64 = Comanche 2WD-6 Ft. Box |                             |                              |

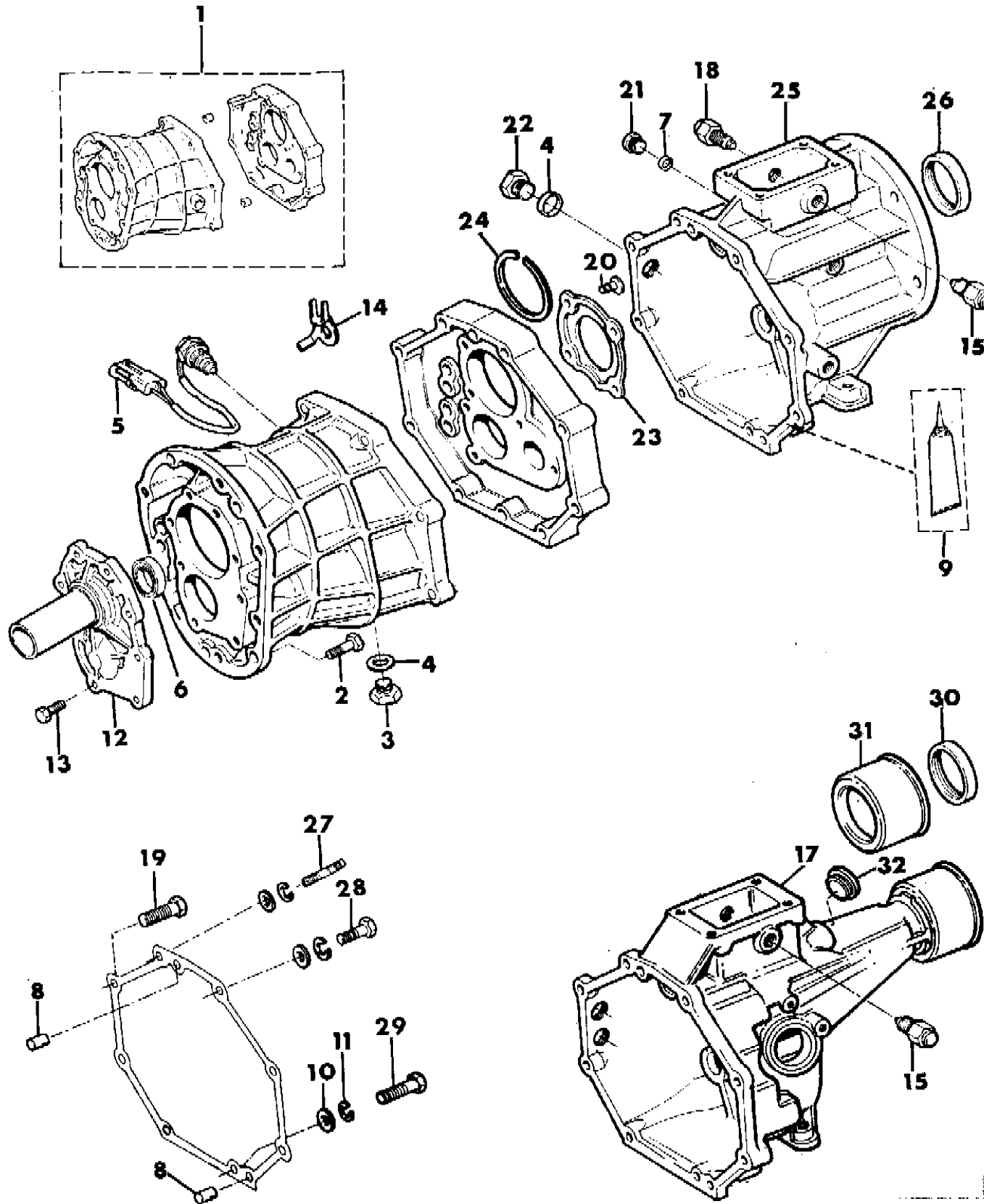
BODY STYLES:

- MJ = Comanche Pickup  
 SJ = Grand Wagoneer Wgn., J-10 & J-20 Pickups  
 XJ = Cherokee, Wagoneer Limited  
 YJ = Wrangler

AR = Use as Required - = Non Illustrated Part P.A.R. = Paint as Required

CASE, ADAPTER/EXTENSION & MISC. PARTS, MANUAL TRANSIX CYL. ENG. 4.0L, 4.2L, FIVE SPEED TRANSMISSION AISIN MODEL AX 15  
Figure 21M-800

8 J21800 A



ITEM	PART NUMBER	QTY	BODY	MODEL	DESCRIPTION
1	5252 034	1			CASE, Transmission
2	3420 1914	AR			BOLT, (M10x1.25x45mm)
3	8350 0512	1			PLUG, Drain
4	8350 0513	2			GASKET, Plug
5	8350 0629	1			SWITCH, Back-up
6	5252 053	1			SEAL, Retainer
7	3300 0322	1			GASKET
8	8350 0504	1			PIN
9	J899 3317	AR			SEALER, Gasket-in-a-tube ***
10	8350 0627	AR			WASHER
11	8350 0626	AR			WASHER
12	5252 052	1			RETAINER, Front Bearing
13	3420 1818	5			BOLT, (M8x1.25x25mm)
14	8350 3551	1			CLAMP
15					PIN, Reverse
	8350 0516	1			1987-89
	5252 921	1			1990
16	8350 6227	2			BOLT
17	8350 6225	1	XJ,MJ		EXTENSION, Housing, 2WD
18	5252 039	1			PIN, Reverse
19	8350 3548	2			BOLT, With Washer
20	3420 1818	4			BOLT, (M8x1.25x25mm)
21	8350 0628	1			PLUG, Sensor
22	8350 0623	1			PLUG, Filler
23	5252 036	1			RETAINER, Rear
24	8350 6221	1			RING, Snap
25					ADAPTER, 4WD
	8350 6224	1	YJ		
	8350 6223	1	XJ,MJ		
26	8350 3108	1			SEAL, Adapter
27	8350 0972	2			STUD, (M10x1.25x105mm)
28	8350 3549	5			BOLT
29	8350 3547	5			BOLT With washer
30	8350 2118	1			SEAL, Extension Housing, 2WD
31	8350 2123	1			DEFLECTOR, Extension Housing, 2WD ***
32	8350 2124	1			PLUG, 2WD

MODEL CODES:

15 = Grand Wagoneer 4 Dr.	65 = Comanche 4WD-7 Ft. Box	77 = Cherokee 4WD-2 Dr.
25 = J-10 Pickup-119" W.B.	66 = Comanche 2WD-7 Ft. Box	78 = Cherokee 4WD-4 Dr.
26 = J-10 Pickup-131" W.B.	73 = Cherokee 2WD-2 Dr.	79 = Cherokee 4WD-4 Dr.-Com
27 = J-20 Pickup-131" W.B.	74 = Cherokee 2WD-4 Dr.	81 = Wrangler-93" W.B.
63 = Comanche 4WD-6 Ft. Box	75 = Wagoneer 4WD-4 Dr.	82 = Wrangler-103" W.B.-Exp.
64 = Comanche 2WD-6 Ft. Box		

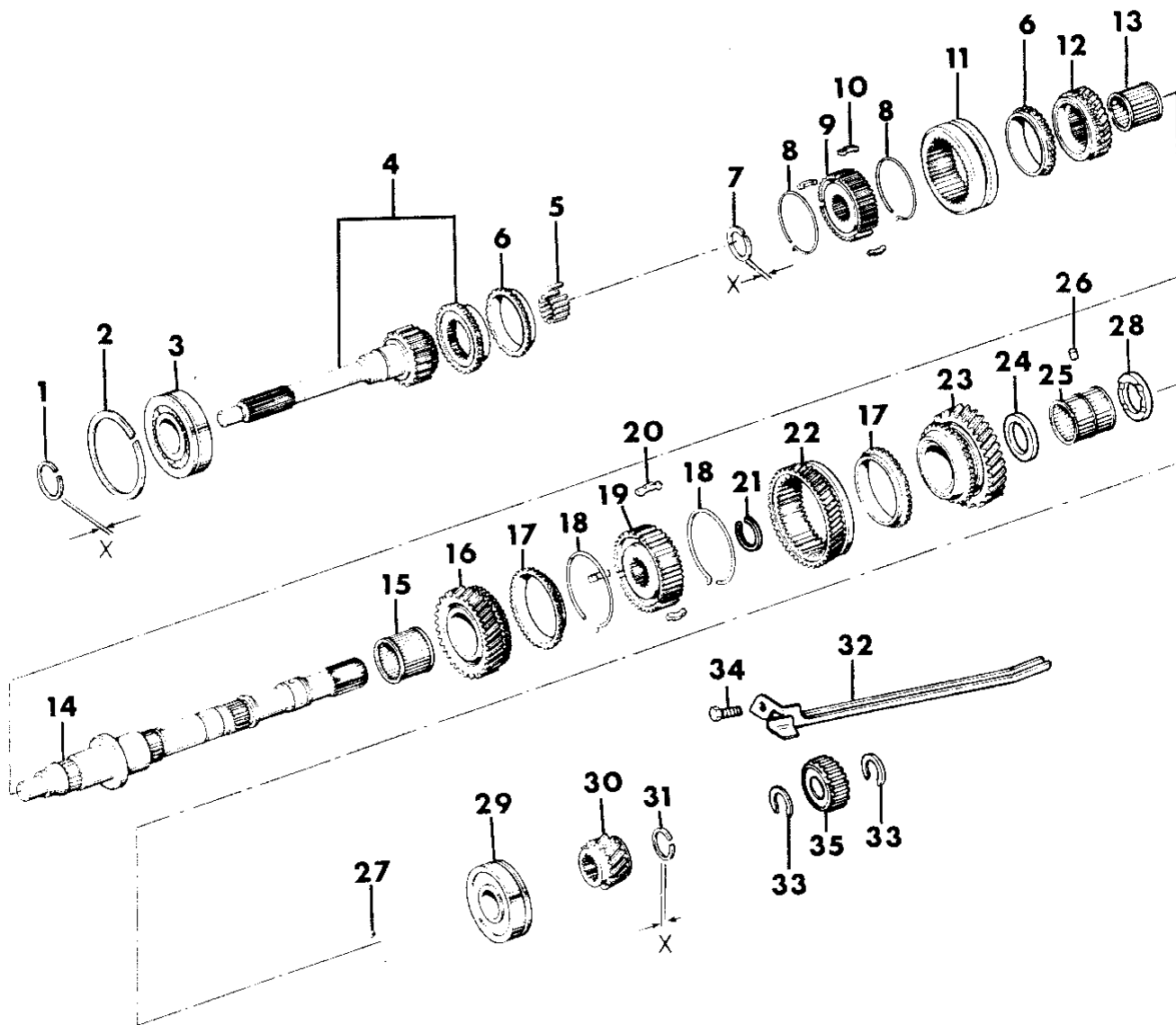
BODY STYLES:

MJ = Comanche Pickup  
SJ = Grand Wagoneer Wgn., J-10 & J-20 Pickups  
XJ = Cherokee, Wagoneer Limited  
YJ = Wrangler

AR = Use as Required - = Non Illustrated Part P.A.R. = Paint as Required

**GEAR TRAIN, MANUAL TRANSMISSION SIX CYLINDER ENGINE 4.0L, 4.2L, FIVE SPEED TRANS AISIN - MODEL AX 15**  
**Figure 21M-900**

8J21 900



ITEM	PART NUMBER	QTY	BODY	MODEL	DESCRIPTION
1	8350 6099	AR			RING, Snap Input Shaft Bearing Stamped A (X=2.10mm)
	8350 6214	AR			Stamped B (X=2.15mm)
	8350 6215	AR			Stamped C (X=2.20mm)
	8350 6216	AR			Stamped D (X=2.25mm)
	8350 6217	AR			Stamped E (X=2.30mm)
	8350 6218	AR			STamped F (X=2.35mm)
	8350 6219	AR			STamped G (X=2.40mm)
2	8350 6222	1			RING, Snap, Front Bearing
3	8350 6074	1			BEARING, Input Shaft (92mmODx25.5mm WD)
4	5252 081	1			SHAFT, Input
5	8350 6078	1			BEARING, Input, Needle Roller, (36.4mmODx24mmWD)
6	8350 6253	3			RING, Synchronizer No. 2 Stamped A (X=1.80mm)
	8350 6086	AR			Stamped B (X=1.85mm)
	8350 6087	AR			Stamped C (X=1.90mm)
	8350 6088	AR			Stamped D (X=1.95mm)
	8350 6089	AR			Stamped D (X=2.00mm)
	8350 6090	AR			Stamped F (X=2.05mm)
	8350 6091	AR			Stamped G (X=2.10mm)
7	8350 6092	AR			SPRING, Synchronizer No. 3, 5TH Gear Up To Transmission Serial No. 00705123
	4637 534	AR			After Transmission Serial No. 00705123
9	8350 6248	1			SYNCHRONIZER, 3rd and 4th Gear
10	8350 6251	3			KEY, Synchronizer No. 2
11	8350 6249	1			SLEEVE, Synchronizer No.2
12	5252 079	1			GEAR, Third
13	8350 6077	1			BEARING, Needle, 3rd Gear, (85mmODx36.2mmWD)
14	8350 6243	1			SHAFT, Output 4WD (16-1/8" Lg)
	8350 6244	1			2WD (22-5/8" Lg)
	8350 6076	1			BEARING, Needle, 2nd Gear, (52.8mmODx36mmWD)
16	5252 078	1			GEAR, Second
17	8350 6252	2			RING, Synchronizer No. 1
18	8350 6254	2			SPRING, Synchronizer
19	8350 6247	1			SYNCHRONIZER, 1st and 2nd Gear

**MODEL CODES:**

15 = Grand Wagoneer 4 Dr.	65 = Comanche 4WD-7 Ft. Box	77 = Cherokee 4WD-2 Dr.
25 = J-10 Pickup-119" W.B.	66 = Comanche 2WD-7 Ft. Box	78 = Cherokee 4WD-4 Dr.
26 = J-10 Pickup-131" W.B.	73 = Cherokee 2WD-2 Dr.	79 = Cherokee 4WD-4 Dr.-Com
27 = J-20 Pickup-131" W.B.	74 = Cherokee 2WD-4 Dr.	81 = Wrangler-93" W.B.
63 = Comanche 4WD-6 Ft. Box	75 = Wagoneer 4WD-4 Dr.	82 = Wrangler-103" W.B.-Exp.
64 = Comanche 2WD-6 Ft. Box		

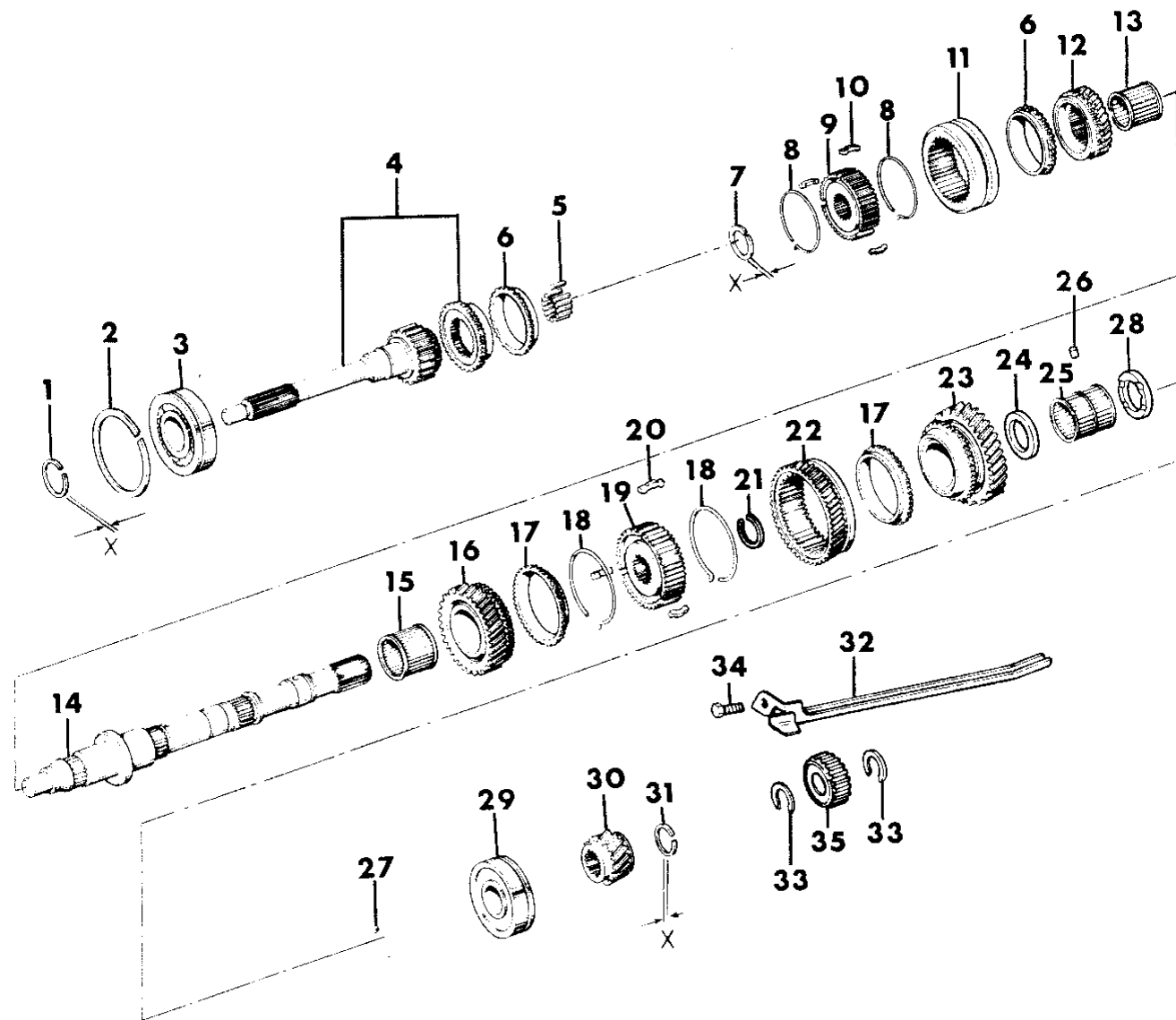
**BODY STYLES:**

MJ = Comanche Pickup  
 SJ = Grand Wagoneer Wgn., J-10 & J-20 Pickups  
 XJ = Cherokee, Wagoneer Limited  
 YJ = Wrangler

AR = Use as Required - = Non Illustrated Part P.A.R. = Paint as Required

**GEAR TRAIN, MANUAL TRANSMISSION SIX CYLINDER ENGINE 4.0L, 4.2L, FIVE SPEED TRANS AISIN - MODEL AX 15**  
**Figure 21M-900**

8J21 900



ITEM	PART NUMBER	QTY	BODY	MODEL	DESCRIPTION
20	8350 6250	3			KEY, Synchronizer No. 1
21					RING, Snap Synchronizer
	8350 6093	AR			Stamped B (X=2.35mm)
	8350 6094	AR			Stamped C (X=2.40mm)
	8350 6095	AR			Stamped D (X=2.45mm)
	8350 6096	AR			Stamped E (X=2.50mm)(
	8350 6097	AR			Stamped F (X=2.55mm)
	8350 6098	AR			Stamped G (X=2.60mm)
22	5252 082	1			GEAR, Reverse
23	5252 077	1			GEAR, First
24	8350 6280	1			SPACER
25	8350 6075	1			BEARING, Needle, 1st Gear, (45.8mmODx44.5mmWD)
26	8350 6008	1			PIN
27	8350 0573	1			BALL, Reverse
28	8350 6246	1			WASHER, Thrust
29	8350 6073	1			BEARING, Output (85mmODx23mmWD) (Stamped MSK35TM 05U1)
30	5252 083	1			GEAR, Fifth
31					RING, Snap 5th Gear
	8350 6268	AR			Stamped A (X=2.75mm)
	8350 6269	AR			Stamped B (X=2.80mm)
	8350 6270	AR			Stamped C (X=2.85mm)
	8350 6271	AR			Stamped D (X=2.90mm)
	8350 6272	AR			Stamped E (X=2.95mm)
	8350 6273	AR			Stamped F (X=3.00mm)
	8350 6274	AR			Stamped G (X=3.05mm)
	8350 6275	AR			Stamped H (X=3.10mm)
	8350 6276	AR			Stamped I (X=3.15mm)
	8350 6277	AR			Stamped J (X=3.20mm)
	8350 6278	AR			Stamped K (X=3.25mm)
	8350 6279	AR			STamped L (X=3.30mm)
32	8350 6226	1	XJ,MJ		PIPE, Oil Receiver, 2WD ***
33	8350 6229	2	XJ,MJ		RING, Snap, 2WD
34	8350 6227	2	XJ,MJ		BOLT, With Washer, 2WD
35	8350 6228	1	XJ,MJ		GEAR, Speedometer Drive, 2WD

**MODEL CODES:**

15 = Grand Wagoneer 4 Dr.	65 = Comanche 4WD-7 Ft. Box	77 = Cherokee 4WD-2 Dr.
25 = J-10 Pickup-119" W.B.	66 = Comanche 2WD-7 Ft. Box	78 = Cherokee 4WD-4 Dr.
26 = J-10 Pickup-131" W.B.	73 = Cherokee 2WD-2 Dr.	79 = Cherokee 4WD-4 Dr.-Com
27 = J-20 Pickup-131" W.B.	74 = Cherokee 2WD-4 Dr.	81 = Wrangler-93" W.B.
63 = Comanche 4WD-6 Ft. Box	75 = Wagoneer 4WD-4 Dr.	82 = Wrangler-103" W.B.-Exp.
64 = Comanche 2WD-6 Ft. Box		

**BODY STYLES:**

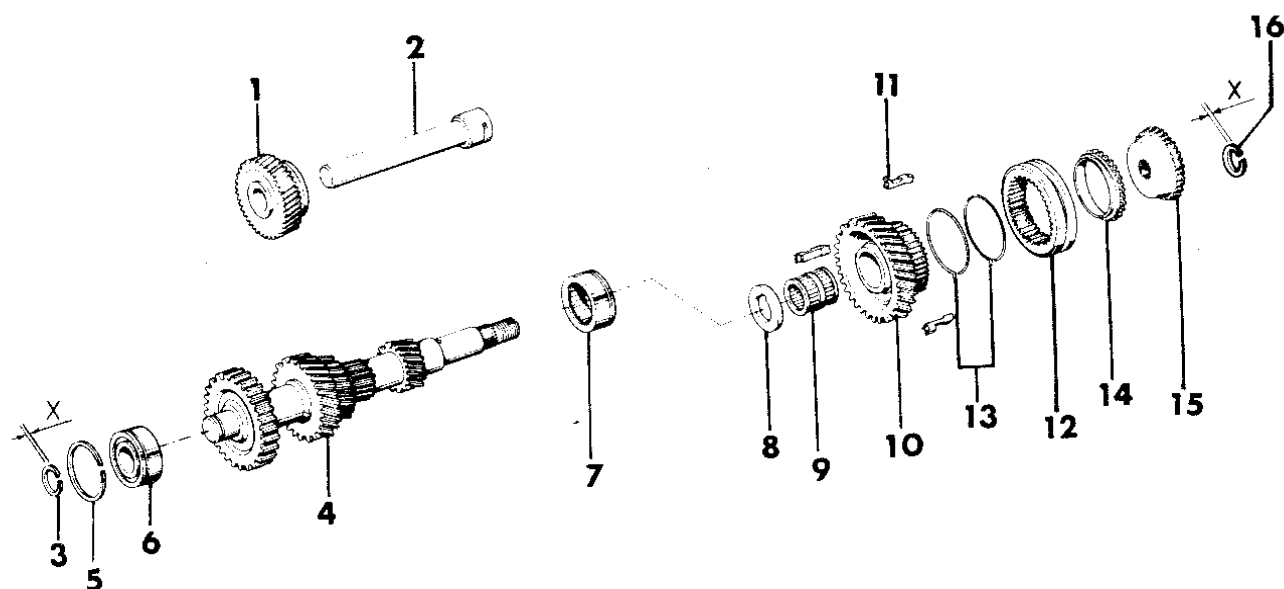
MJ = Comanche Pickup  
 SJ = Grand Wagoneer Wgn., J-10 & J-20 Pickups  
 XJ = Cherokee, Wagoneer Limited  
 YJ = Wrangler

AR = Use as Required - = Non Illustrated Part P.A.R. = Paint as Required

GEAR TRAIN, REVERSE IDLER, MANUAL TRANSMISSION SIX CYLINDER ENGINE 4.0L, 4.2L FIVE SPEED TRANSMISSION - AISIN MODEL AX15

Figure 21M-1000

8 J21 1000



ITEM	PART NUMBER	QTY	BODY	MODEL	DESCRIPTION
1	5252 084	1			GEAR, Reverse Idler
2	8350 6258	1			SHAFT, Reverse Idler
3					RING, Snap Cluster Front Bearing
	8350 6081	AR			Stamped A (X=2.00mm)
	8350 6082	AR			Stamped B (X=2.05mm)
	8350 6083	AR			Stamped C (X=2.10mm)
	8350 6084	AR			Stamped D (X=2.15mm)
	8350 6085	AR			Stamped E (X=2.20mm)
4	5252 085	1			GEAR, Cluster Counter
5	8350 6220	1			RING, Snap
6	8350 6259	1			BEARING, Front Roller, (59mmODx24mmWD)
7	8350 6080	1			BEARING, Rear Countershaft Roller, (64mmODx22mmWD)
8	8350 6245	1			WASHER, Thrust
9	8350 6079	1			BEARING, 5th Gear Counter, Needle Roller, (34.85ODx37.5mmWD)
10	4637 535	1			GEAR PACKAGE, Fifth Gear Counter (Replaces 5252080) *** CONSISTS OF: 1 - 4637527 5th Counter Gear 3 - 4637532 Key #3 1 - 4637533 Ring #3 1 - 4637534 Spring #3
11					KEY, Synchronizer No. 3
	8350 6256	3			Up to Transmission Serial No. 00705123
	4637 532	3			After Transmission Serial No. 00705123
12	8350 6257	1			SLEEVE, Synchronizer No. 3
13	8350 6254	1			SPRING, Synchronizer No. 3
14					RING, Synchronizer No. 3, 5TH Gear
	8350 6253	AR			Up to Transmission Serial No. 00705123
	4637 533	AR			After Transmission Serial No. 00705123
15	8350 6242	1			SPACER
16					RING, Snap 5th Gear
	8350 6260	AR			Stamped A (X=2.80mm)
	8350 6261	AR			Stamped B (X=2.85mm)
	8350 6262	AR			Stamped C (X=2.90mm)
	8350 6263	AR			Stamped D (X=2.95mm)
	8350 6264	AR			Stamped E (X=3.00mm)
	8350 6265	AR			Stamped E (X=3.05mm)

MODEL CODES:

15 = Grand Wagoneer 4 Dr.	65 = Comanche 4WD-7 Ft. Box	77 = Cherokee 4WD-2 Dr.
25 = J-10 Pickup-119" W.B.	66 = Comanche 2WD-7 Ft. Box	78 = Cherokee 4WD-4 Dr.
26 = J-10 Pickup-131" W.B.	73 = Cherokee 2WD-2 Dr.	79 = Cherokee 4WD-4 Dr.-Com
27 = J-20 Pickup-131" W.B.	74 = Cherokee 2WD-4 Dr.	81 = Wrangler-93" W.B.
63 = Comanche 4WD-6 Ft. Box	75 = Wagoneer 4WD-4 Dr.	82 = Wrangler-103" W.B.-Exp.
64 = Comanche 2WD-6 Ft. Box		

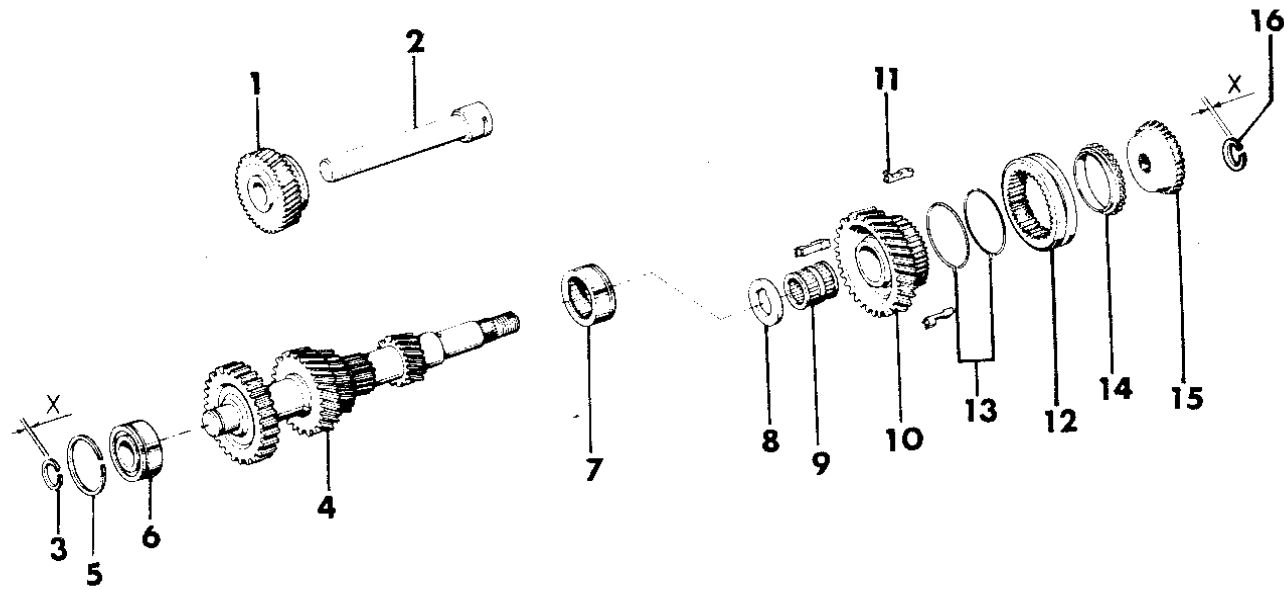
BODY STYLES:

MJ = Comanche Pickup  
 SJ = Grand Wagoneer Wgn., J-10 & J-20 Pickups  
 XJ = Cherokee, Wagoneer Limited  
 YJ = Wrangler

AR = Use as Required - = Non Illustrated Part P.A.R. = Paint as Required

**GEAR TRAIN, REVERSE IDLER, MANUAL TRANSMISSION SIX CYLINDER ENGINE 4.0L, 4.2L FIVE SPEED TRANSMISSION - AISIN MODEL AX15**  
**Figure 21M-1000**

8 J21 1000



ITEM	PART NUMBER	QTY	BODY	MODEL	DESCRIPTION
	8350 6266	AR			Stamped G (X=3.10mm)
	8350 6267	AR			Stamped H (X=3.15mm)

**MODEL CODES:**

- |                             |                             |                              |
|-----------------------------|-----------------------------|------------------------------|
| 15 = Grand Wagoneer 4 Dr.   | 65 = Comanche 4WD-7 Ft. Box | 77 = Cherokee 4WD-2 Dr.      |
| 25 = J-10 Pickup-119" W.B.  | 66 = Comanche 2WD-7 Ft. Box | 78 = Cherokee 4WD-4 Dr.      |
| 26 = J-10 Pickup-131" W.B.  | 73 = Cherokee 2WD-2 Dr.     | 79 = Cherokee 4WD-4 Dr.-Com  |
| 27 = J-20 Pickup-131" W.B.  | 74 = Cherokee 2WD-4 Dr.     | 81 = Wrangler-93" W.B.       |
| 63 = Comanche 4WD-6 Ft. Box | 75 = Wagoneer 4WD-4 Dr.     | 82 = Wrangler-103" W.B.-Exp. |
| 64 = Comanche 2WD-6 Ft. Box |                             |                              |

**BODY STYLES:**

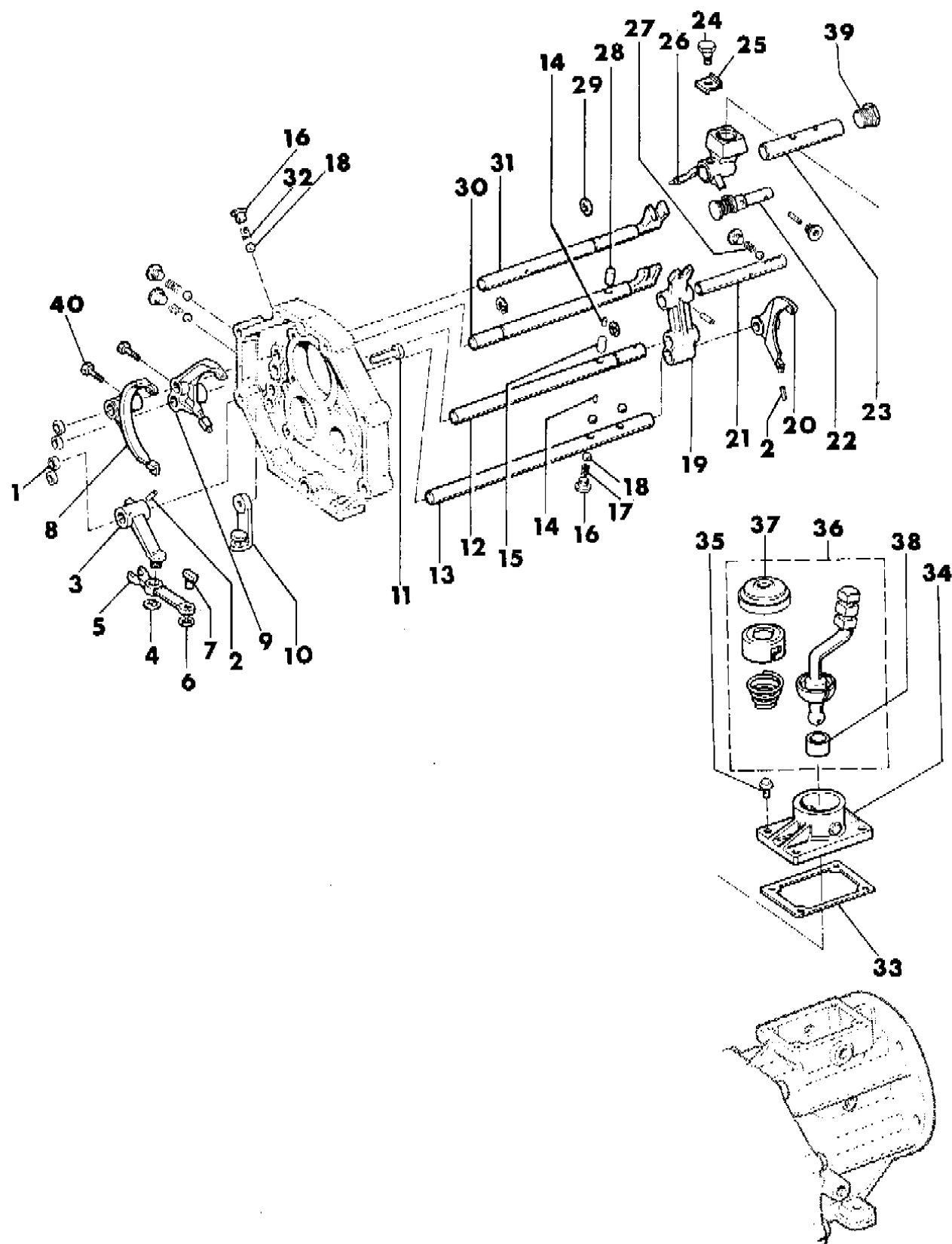
- MJ = Comanche Pickup  
 SJ = Grand Wagoneer Wgn., J-10 & J-20 Pickups  
 XJ = Cherokee, Wagoneer Limited  
 YJ = Wrangler

AR = Use as Required - = Non Illustrated Part P.A.R. = Paint as Required

FORKS, RAILS, SHAFTS MANUAL TRANSMISSION SIX CYL. ENG. 4.0L, 4.2L, FIVE SPEED AISIN MODEL AX15

Figure 21M-1100

8J 21 1100 A



ITEM	PART NUMBER	QTY	BODY	MODEL	DESCRIPTION
1	8350 0503	4			PLUG, Shift Forks
2	8350 0540	AR			PIN
3	5252 056	1			FORK, Reverse, and No. Five
4	8350 0548	1			RING, Retaining
5	5252 060	1			ARM, Reverse Shift
6	8350 0547	1			RING, Retaining
7	5252 062	1			SHOE, Shift Arm
8	5252 058	1			FORK, Gear Shift No. 2
9	5252 057	1			FORK, Gear Shift No. 1
10	5252 063	1			BRACKET, Reverse Shift Arm
11	8350 0549	2			BOLT, Bearing Retainer
12	5252 070	1			SHAFT, Gear Shift No. 3
13	5252 071	1			SHAFT, Gear Shift No. 4
14	8350 0537	4			PIN
15	8350 0541	1			ROLLER
16	8350 3109	6			PLUG
17	5252 075	1			SPRING
18	8350 0542	7			BALL
19	5252 064	1			HEAD, Reverse Shift ***
20	5252 059	1			FORK, Gear Shift No. 3
21	5252 065	1			SHAFT, Gear Shift Fork No. 5
22	8350 0635	1			PIN, Reverse
23	5252 037	1			SHAFT, Shift Lever
24	3420 1373	1			BOLT, Shift Lever
25	8350 0523	1			WASHER, Lock
26	5252 041	1			HOUSING, Shift Lever
27	8350 0544	1			SPRING
28	8350 0543	1			ROLLER
29	5252 076	3			RING, Snap
30	5252 066	1			SHAFT, Gear Shift No. 1
31	5252 068	1			SHAFT, Gear Shift No. 2
32	8350 0545	3			SPRING
33	5252 043	1			GASKET
34					RETAINER, Control Shift
	5252 054	1	YJ		
	5252 040	1	XJ,MJ		
35					BOLT, Shift Lever Housing

MODEL CODES:

15 = Grand Wagoneer 4 Dr.	65 = Comanche 4WD-7 Ft. Box	77 = Cherokee 4WD-2 Dr.
25 = J-10 Pickup-119" W.B.	66 = Comanche 2WD-7 Ft. Box	78 = Cherokee 4WD-4 Dr.
26 = J-10 Pickup-131" W.B.	73 = Cherokee 2WD-2 Dr.	79 = Cherokee 4WD-4 Dr.-Com
27 = J-20 Pickup-131" W.B.	74 = Cherokee 2WD-4 Dr.	81 = Wrangler-93" W.B.
63 = Comanche 4WD-6 Ft. Box	75 = Wagoneer 4WD-4 Dr.	82 = Wrangler-103" W.B.-Exp.
64 = Comanche 2WD-6 Ft. Box		

BODY STYLES:

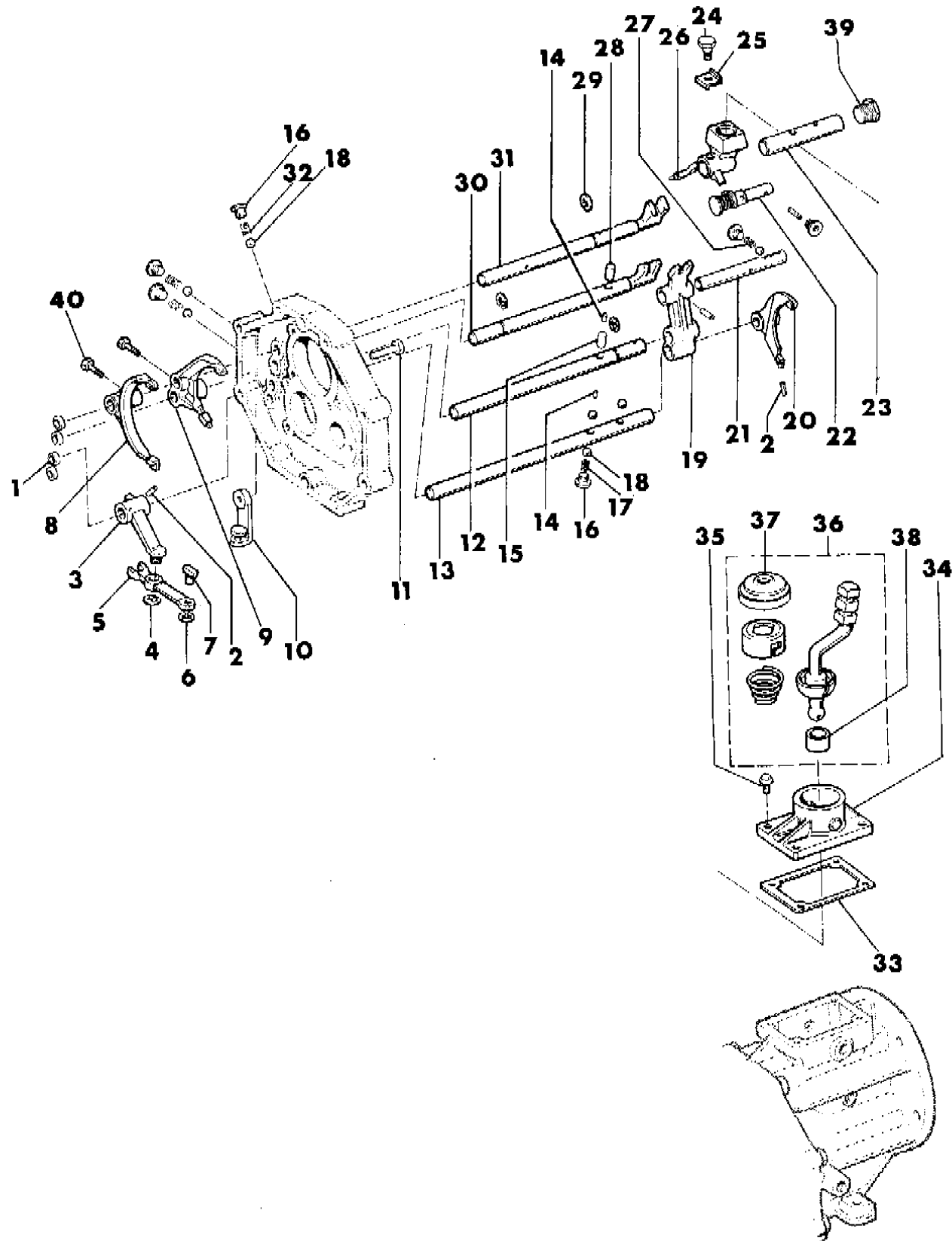
MJ = Comanche Pickup  
 SJ = Grand Wagoneer Wgn., J-10 & J-20 Pickups  
 XJ = Cherokee, Wagoneer Limited  
 YJ = Wrangler

AR = Use as Required - = Non Illustrated Part P.A.R. = Paint as Required



**FORKS, RAILS, SHAFTS MANUAL TRANSMISSION SIX CYL. ENG. 4.0L, 4.2L, FIVE SPEED AISIN MODEL AX15**  
**Figure 21M-1100**

8J 21 1100 A



ITEM	PART NUMBER	QTY	BODY	MODEL	DESCRIPTION
	8350 0525	2	YJ		BOLT, With Washer, Shift Control
	5252 211	2	YJ		BOLT - STUD, With Washer
	8350 0525	4	XJ		Bolt, With Washer
36					LEVER, Gear Shift
	5252 055	1	YJ		
	5252 042	1	XJ,MJ		
37	8350 0520	1			BOOT, Gear Shift Lever
38	8350 0519	1			BUSHING
39	8350 0619	1			PLUG
40	5252 214	3			BOLT

**MODEL CODES:**

15 = Grand Wagoneer 4 Dr.	65 = Comanche 4WD-7 Ft. Box	77 = Cherokee 4WD-2 Dr.
25 = J-10 Pickup-119" W.B.	66 = Comanche 2WD-7 Ft. Box	78 = Cherokee 4WD-4 Dr.
26 = J-10 Pickup-131" W.B.	73 = Cherokee 2WD-2 Dr.	79 = Cherokee 4WD-4 Dr.-Com
27 = J-20 Pickup-131" W.B.	74 = Cherokee 2WD-4 Dr.	81 = Wrangler-93" W.B.
63 = Comanche 4WD-6 Ft. Box	75 = Wagoneer 4WD-4 Dr.	82 = Wrangler-103" W.B.-Exp.
64 = Comanche 2WD-6 Ft. Box		

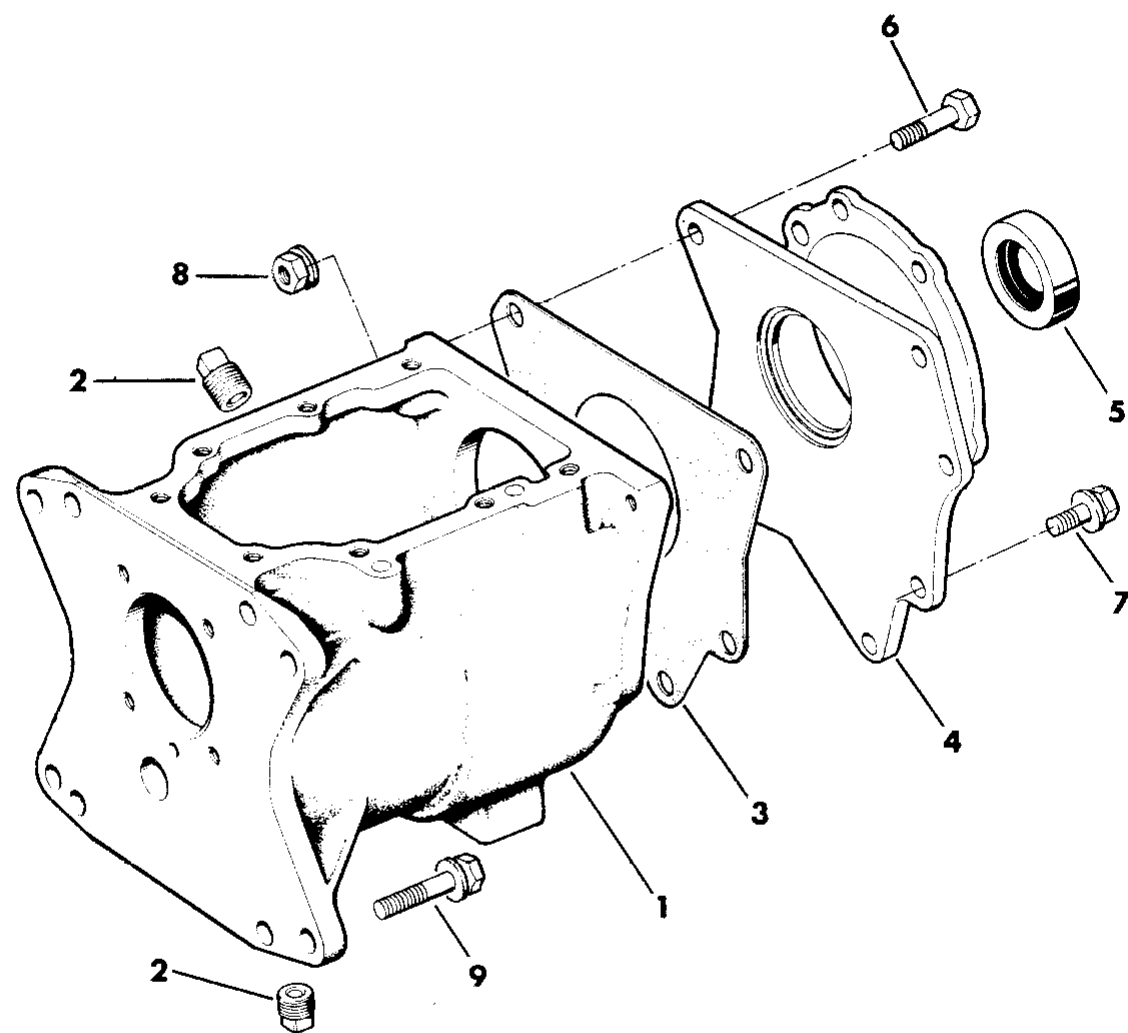
**BODY STYLES:**

MJ = Comanche Pickup  
 SJ = Grand Wagoneer Wgn., J-10 & J-20 Pickups  
 XJ = Cherokee, Wagoneer Limited  
 YJ = Wrangler

AR = Use as Required - = Non Illustrated Part P.A.R. = Paint as Required

**TRANSMISSION CASE, ADAPTER AND MISCELLANEOUS PARTS FOUR SPEED TRANSMISSION MODEL TREMEC T177 TRUCK J10, J20**  
**Figure 21M-1300**

8 J 21 1300



ITEM	PART NUMBER	QTY	BODY	MODEL	DESCRIPTION
1	J813 2375	1			CASE, Transmission
2	SO44 4588	2			PLUG, Drain
3	J535 9411	1			GASKET
4	J535 9381	1			ADAPTER
5	J535 9457	1			SEAL
6	J018 0137	3			BOLT
7	J400 1884	2			BOLT
8	J400 4747	3			NUT
9	S018 0147	4			NUT

**MODEL CODES:**

- |                             |                             |                              |
|-----------------------------|-----------------------------|------------------------------|
| 15 = Grand Wagoneer 4 Dr.   | 65 = Comanche 4WD-7 Ft. Box | 77 = Cherokee 4WD-2 Dr.      |
| 25 = J-10 Pickup-119" W.B.  | 66 = Comanche 2WD-7 Ft. Box | 78 = Cherokee 4WD-4 Dr.      |
| 26 = J-10 Pickup-131" W.B.  | 73 = Cherokee 2WD-2 Dr.     | 79 = Cherokee 4WD-4 Dr.-Com  |
| 27 = J-20 Pickup-131" W.B.  | 74 = Cherokee 2WD-4 Dr.     | 81 = Wrangler-93" W.B.       |
| 63 = Comanche 4WD-6 Ft. Box | 75 = Wagoneer 4WD-4 Dr.     | 82 = Wrangler-103" W.B.-Exp. |
| 64 = Comanche 2WD-6 Ft. Box |                             |                              |

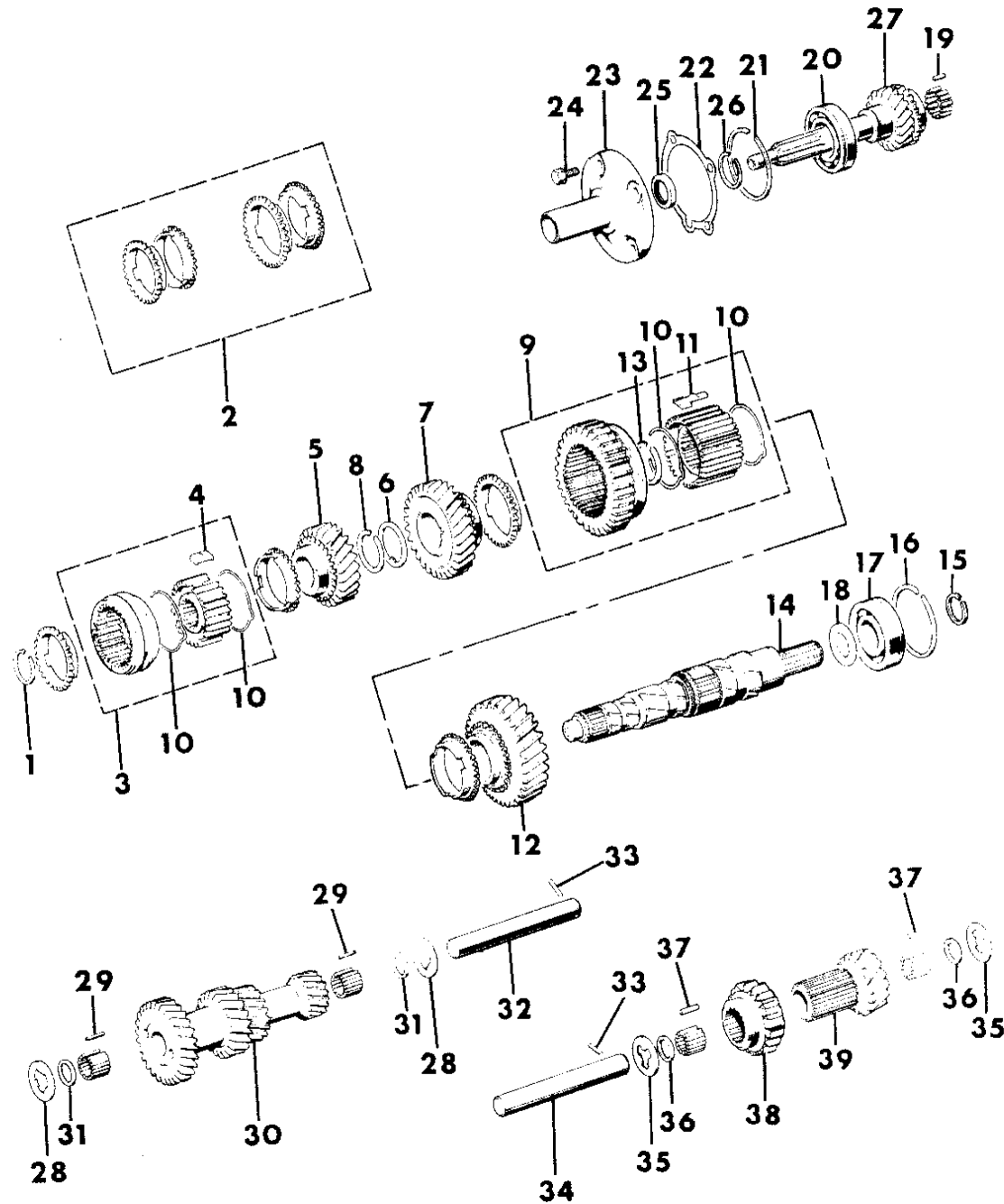
**BODY STYLES:**

- MJ = Comanche Pickup
- SJ = Grand Wagoneer Wgn., J-10 & J-20 Pickups
- XJ = Cherokee, Wagoneer Limited
- YJ = Wrangler

AR = Use as Required - = Non Illustrated Part P.A.R. = Paint as Required

**GEAR TRAIN FOUR SPEED TRANSMISSION MODEL TREMEC T177 TRUCK J10, J20**  
**Figure 21M-1400**

8J21 1400



ITEM	PART NUMBER	QTY	BODY	MODEL	DESCRIPTION
1	J813 2388	1			RING, SNAP
2	8330 0046	1			RING PACKAGE, 3rd & 4th Synchronizer
3	8350 4095	1			SYNCHRONIZER, 3rd & 4th Gear
4	J812 4895	3			PLATE, 3rd & 4th Synchronizer
5	J813 2429	1			GEAR, Third Speed
6	J812 4936	1			WASHER, Thrust
7	J813 2384	1			GEAR, Second Speed
8	J812 4930	1			RING, SNAP
9	8350 4096	1			SYNCHRONIZER, 1st & 2nd Gear
10	J813 2377	4			SPRING
11	J813 2387	3			PLATE
12	J813 2389	1			GEAR, First Speed
13	J813 2385	1			RING, SNAP
14	J813 2374	1			MAINSHAFT
15	J812 4883	1			RING, SNAP
16	J813 2430	1			RING, Locking
17	J813 6623	1			BEARING, Rear
18	J813 2390	1			WASHER, Thrust
19	J812 4929	15			ROLLER
20	J813 2426	1			BEARING, Front
21	J813 2425	1			RING, Locking
22	J813 2423	1			GASKET
23	J813 2372	1			CAP, Bearing
24	J813 2424	4			BOLT
25	8330 0041	1			SEAL
26	J813 2427	1			RING, SNAP
27	J813 2401	1			SHAFT, Clutch
28	J813 2396	2			WASHER
29	J813 2394	42			ROLLER
30	J813 2393	1			GEAR, C/Shaft Cluster
31	J813 2395	2			WASHER
32	J813 2397	1			SHAFT
33	J812 4931	2			PIN
34	J813 2398	1			SHAFT, Idler Gear
35	J813 2405	2			WASHER, Thrust
36	J813 2404	2			WASHER, Flat
37	J813 2403	44			ROLLER

**MODEL CODES:**

15 = Grand Wagoneer 4 Dr.	65 = Comanche 4WD-7 Ft. Box	77 = Cherokee 4WD-2 Dr.
25 = J-10 Pickup-119" W.B.	66 = Comanche 2WD-7 Ft. Box	78 = Cherokee 4WD-4 Dr.
26 = J-10 Pickup-131" W.B.	73 = Cherokee 2WD-2 Dr.	79 = Cherokee 4WD-4 Dr.-Com
27 = J-20 Pickup-131" W.B.	74 = Cherokee 2WD-4 Dr.	81 = Wrangler-93" W.B.
63 = Comanche 4WD-6 Ft. Box	75 = Wagoneer 4WD-4 Dr.	82 = Wrangler-103" W.B.-Exp.
64 = Comanche 2WD-6 Ft. Box		

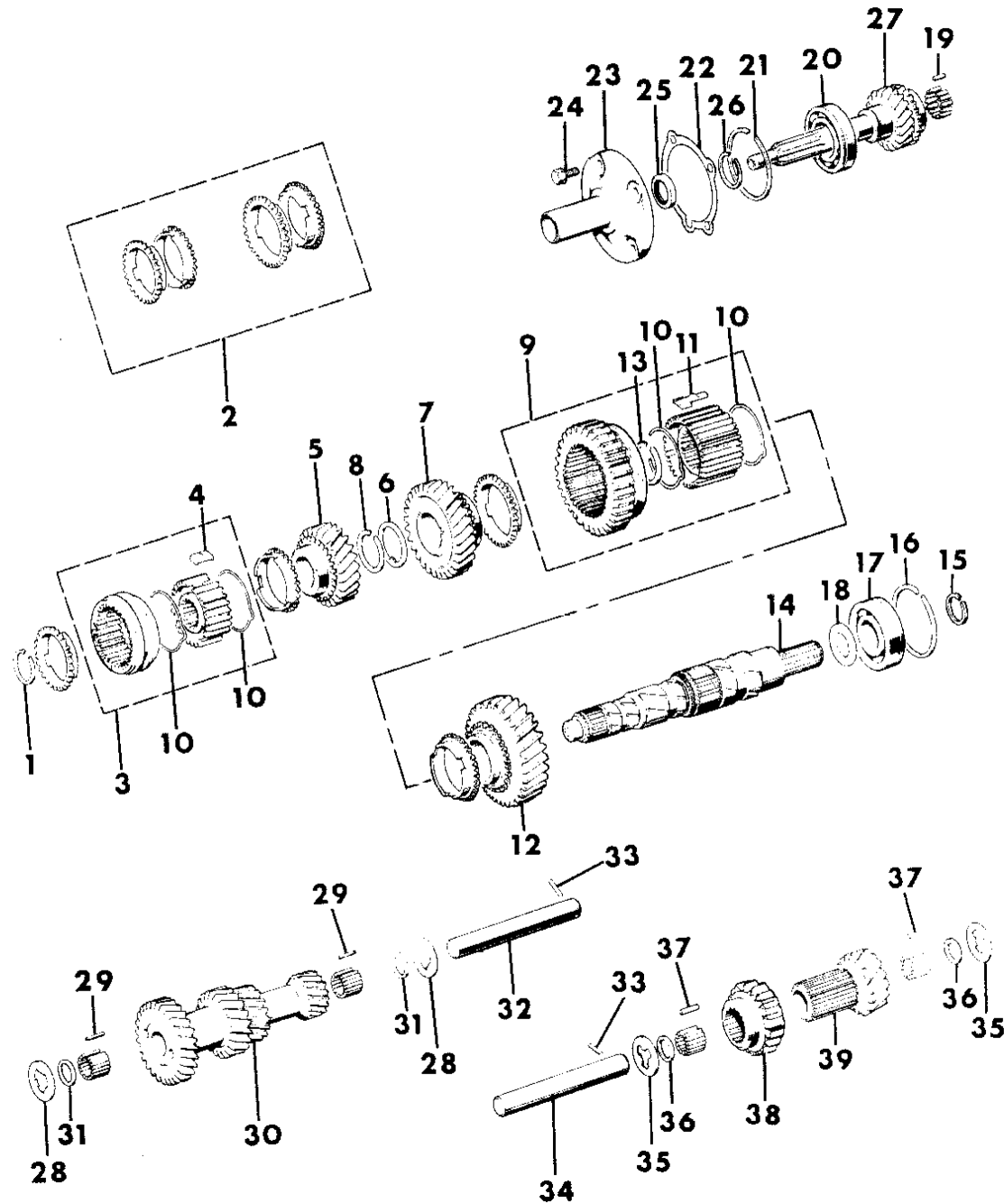
**BODY STYLES:**

MJ = Comanche Pickup  
 SJ = Grand Wagoneer Wgn., J-10 & J-20 Pickups  
 XJ = Cherokee, Wagoneer Limited  
 YJ = Wrangler

AR = Use as Required - = Non Illustrated Part P.A.R. = Paint as Required

**GEAR TRAIN FOUR SPEED TRANSMISSION MODEL TREMEC T177 TRUCK J10, J20**  
**Figure 21M-1400**

8J21 1400



ITEM	PART NUMBER	QTY	BODY	MODEL	DESCRIPTION
38	J813 2402	1			GEAR, Reverse
39	J813 2399	1			GEAR, Reverse Idler

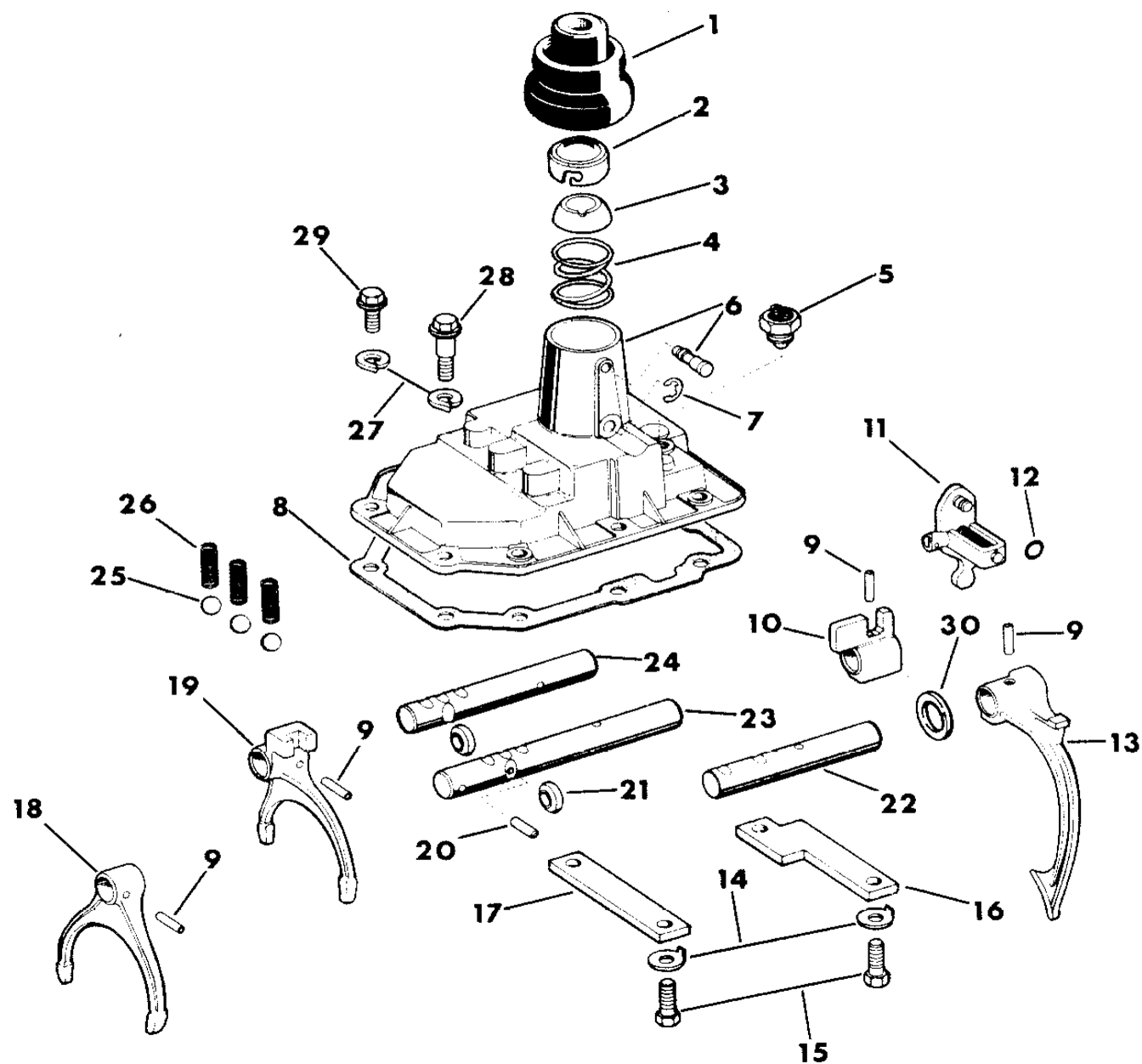
MODEL CODES:  
 15 = Grand Wagoneer 4 Dr.      65 = Comanche 4WD-7 Ft. Box      77 = Cherokee 4WD-2 Dr.  
 25 = J-10 Pickup-119" W.B.      66 = Comanche 2WD-7 Ft. Box      78 = Cherokee 4WD-4 Dr.  
 26 = J-10 Pickup-131" W.B.      73 = Cherokee 2WD-2 Dr.      79 = Cherokee 4WD-4 Dr.-Com  
 27 = J-20 Pickup-131" W.B.      74 = Cherokee 2WD-4 Dr.      81 = Wrangler-93" W.B.  
 63 = Comanche 4WD-6 Ft. Box      75 = Wagoneer 4WD-4 Dr.      82 = Wrangler-103" W.B.-Exp.  
 64 = Comanche 2WD-6 Ft. Box

BODY STYLES:  
 MJ = Comanche Pickup  
 SJ = Grand Wagoneer Wgn., J-10 & J-20 Pickups  
 XJ = Cherokee, Wagoneer Limited  
 YJ = Wrangler

AR = Use as Required - = Non Illustrated Part P.A.R. = Paint as Required

FORKS, RAILS, SHIFT MANUAL TRANSMISSION FOUR SPEED TRANSMISSION MODEL TREMEC T177 TRUCK J10, J20  
Figure 21M-1500

8J21 1500



ITEM	PART NUMBER	QTY	BODY	MODEL	DESCRIPTION
1	J813 2422	1			BOOT, Shift Lever
2	J813 4667	1			CAP
3	J813 2420	1			CAP
4	J812 7059	1			SPRING, Lever
5	J575 1207	1			SWITCH
6	J813 4292	1			COVER, Shift
7	J813 2900	1			E-CLIP
8	J813 2428	1			GASKET, Cover
9	J813 2897	AR			PIN
10	J813 3794	1			LUG
11	J813 2815	1			ARM
12	J813 2899	1			O-RING
13	J813 2413	1			FORK, Reverse
14	J813 2418	2			WASHER, Lock
15	J813 2417	2			SCREW
16	J813 2416	1			PLATE
17	J813 2415	1			PLATE
18	J813 2412	1			FORK, 3rd & 4th Shift
19	J813 4429	1			FORK, 1st & 2nd Shift
20	J813 2419	1			PIN
21	J813 2371	2			RING, Locking
22	J813 2410	1			RAIL, Reverse Shift Fork
23	J813 2409	1			RAIL, 3rd & 4th Shift
24	J813 2408	1			RAIL, 1st & 2nd Shift
25	J812 6829	3			BALL
26	J812 6828	3			SPRING
27	J400 3803	8			WASHER, Lock
28	J813 4335	2			BOLT, Shouldered
29	J812 6815	6			BOLT
30	J813 4403	1			SPACER

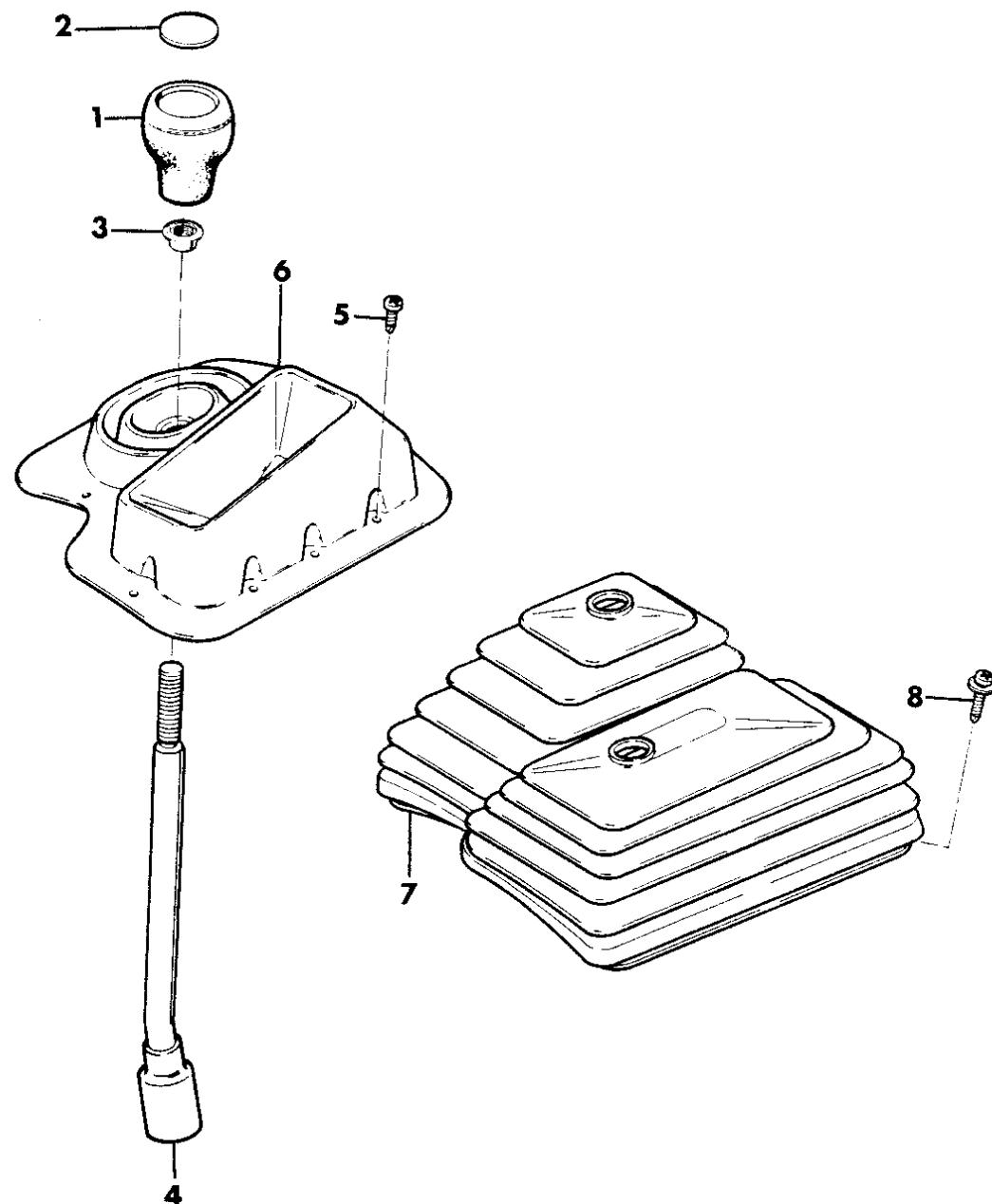
MODEL CODES:  
 15 = Grand Wagoneer 4 Dr.      65 = Comanche 4WD-7 Ft. Box      77 = Cherokee 4WD-2 Dr.  
 25 = J-10 Pickup-119" W.B.      66 = Comanche 2WD-7 Ft. Box      78 = Cherokee 4WD-4 Dr.  
 26 = J-10 Pickup-131" W.B.      73 = Cherokee 2WD-2 Dr.      79 = Cherokee 4WD-4 Dr.-Com  
 27 = J-20 Pickup-131" W.B.      74 = Cherokee 2WD-4 Dr.      81 = Wrangler-93" W.B.  
 63 = Comanche 4WD-6 Ft. Box      75 = Wagoneer 4WD-4 Dr.      82 = Wrangler-103" W.B.-Exp.  
 64 = Comanche 2WD-6 Ft. Box

BODY STYLES:  
 MJ = Comanche Pickup  
 SJ = Grand Wagoneer Wgn., J-10 & J-20 Pickups  
 XJ = Cherokee, Wagoneer Limited  
 YJ = Wrangler

AR = Use as Required - = Non Illustrated Part P.A.R. = Paint as Required

**CONTROLS, GEARSHIFT FIVE SPEED TRANSMISSION WRANGLER, YJ**  
**Figure 21M-1600**

8J21 1600



ITEM	PART NUMBER	QTY	BODY	MODEL	DESCRIPTION
1	J324 1062	1			KNOB, Gearshift Lever
2					INSERT
	J324 1067	1			With Four Speed Transmission
	J324 1073	1			With Five Speed Transmission
3	J400 6495	1			NUT
4	5300 2006	1			LEVER, Manual Gearshift
5	J400 6444	3			SCREW, (.62" Lg)
6					BOOT, Inner
	5300 3041	1			1987-89
	5300 5554	1			1990
7	5300 4539	1			BOOT, Outer
8	J400 6633	7			SCREW, (1" Lg.)

**MODEL CODES:**

15 = Grand Wagoneer 4 Dr.	65 = Comanche 4WD-7 Ft. Box	77 = Cherokee 4WD-2 Dr.
25 = J-10 Pickup-119" W.B.	66 = Comanche 2WD-7 Ft. Box	78 = Cherokee 4WD-4 Dr.
26 = J-10 Pickup-131" W.B.	73 = Cherokee 2WD-2 Dr.	79 = Cherokee 4WD-4 Dr.-Com
27 = J-20 Pickup-131" W.B.	74 = Cherokee 2WD-4 Dr.	81 = Wrangler-93" W.B.
63 = Comanche 4WD-6 Ft. Box	75 = Wagoneer 4WD-4 Dr.	82 = Wrangler-103" W.B.-Exp.
64 = Comanche 2WD-6 Ft. Box		

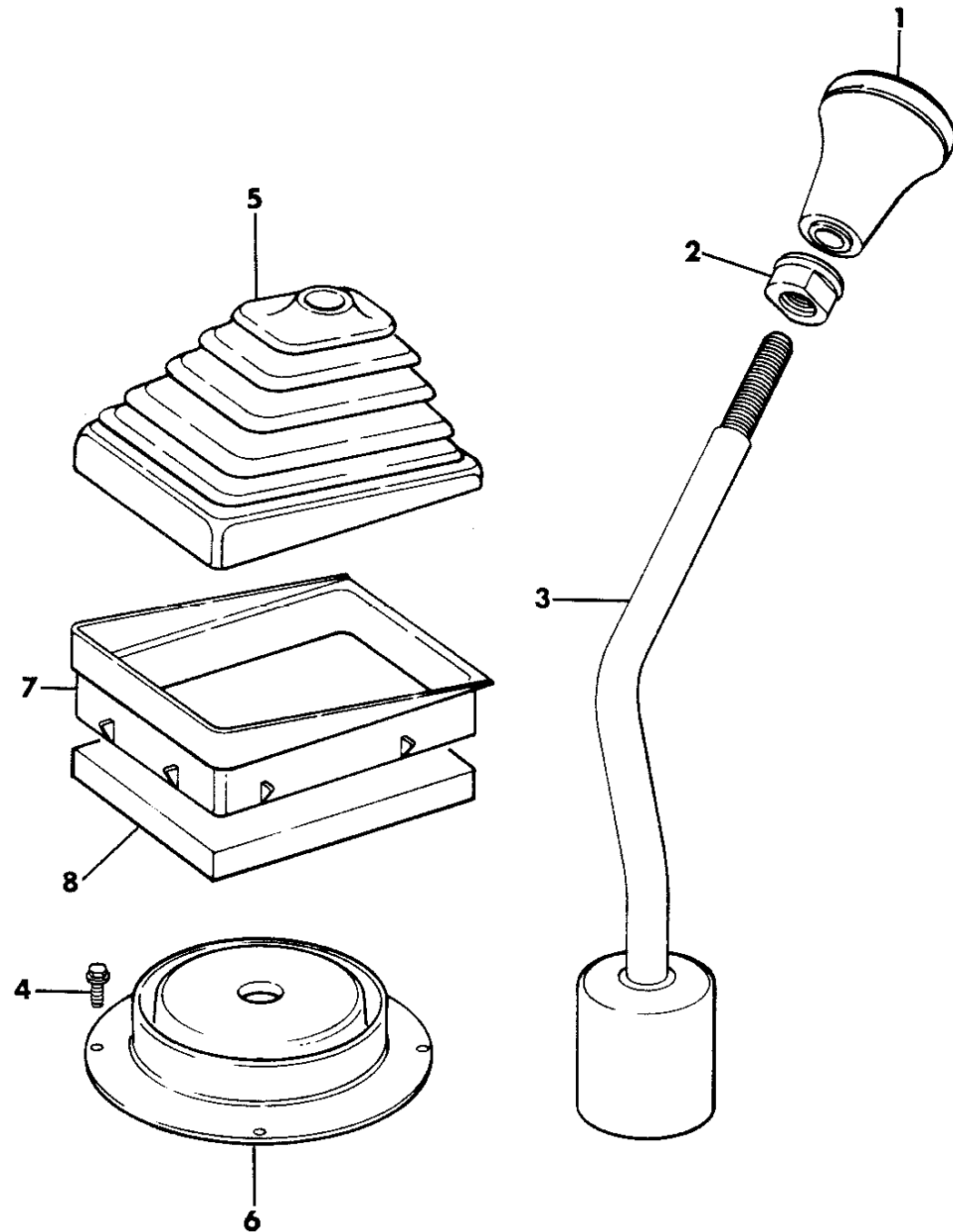
**BODY STYLES:**

MJ = Comanche Pickup  
 SJ = Grand Wagoneer Wgn., J-10 & J-20 Pickups  
 XJ = Cherokee, Wagoneer Limited  
 YJ = Wrangler

AR = Use as Required - = Non Illustrated Part P.A.R. = Paint as Required

**CONTROLS, GEARSHIFT FOUR OR FIVE SPEED TRANSMISSION CHEROKEE, WAGONEER, COMANCHE**  
**Figure 21M-1700**

8J211700



ITEM	PART NUMBER	QTY	BODY	MODEL	DESCRIPTION
1					KNOB, Shift
	5300 0604	1			With Four Speed Transmission
	5300 0605	1			With Five Speed Transmission
2	5300 0606	1			NUT
3					LEVER, Manual Shift
	5300 1480	1			With Four Cylinder Engine
					With Six Cylinder Engine
	5300 2863	1			1987-89: Used With Peugeot BA 10/5 5 Speed Transmission.
	5300 1480	1			1989-90: Used with Aisin AX 15, 5 Speed Transmission.
4	1150 2843	4			SCREW
5	5300 4433	1			BOOT, Outer
6					BOOT, Inner
	5300 1553	1			With Four Cylinder Engine
					With Six Cylinder Engine
	5300 2864	1			1987-89
	5300 5384	1			1990
7	5300 0056	1			BEZEL, Shift
8	5300 5395	1			INSULATOR, With Manual Transmission

**MODEL CODES:**

15 = Grand Wagoneer 4 Dr.	65 = Comanche 4WD-7 Ft. Box	77 = Cherokee 4WD-2 Dr.
25 = J-10 Pickup-119" W.B.	66 = Comanche 2WD-7 Ft. Box	78 = Cherokee 4WD-4 Dr.
26 = J-10 Pickup-131" W.B.	73 = Cherokee 2WD-2 Dr.	79 = Cherokee 4WD-4 Dr.-Com
27 = J-20 Pickup-131" W.B.	74 = Cherokee 2WD-4 Dr.	81 = Wrangler-93" W.B.
63 = Comanche 4WD-6 Ft. Box	75 = Wagoneer 4WD-4 Dr.	82 = Wrangler-103" W.B.-Exp.
64 = Comanche 2WD-6 Ft. Box		

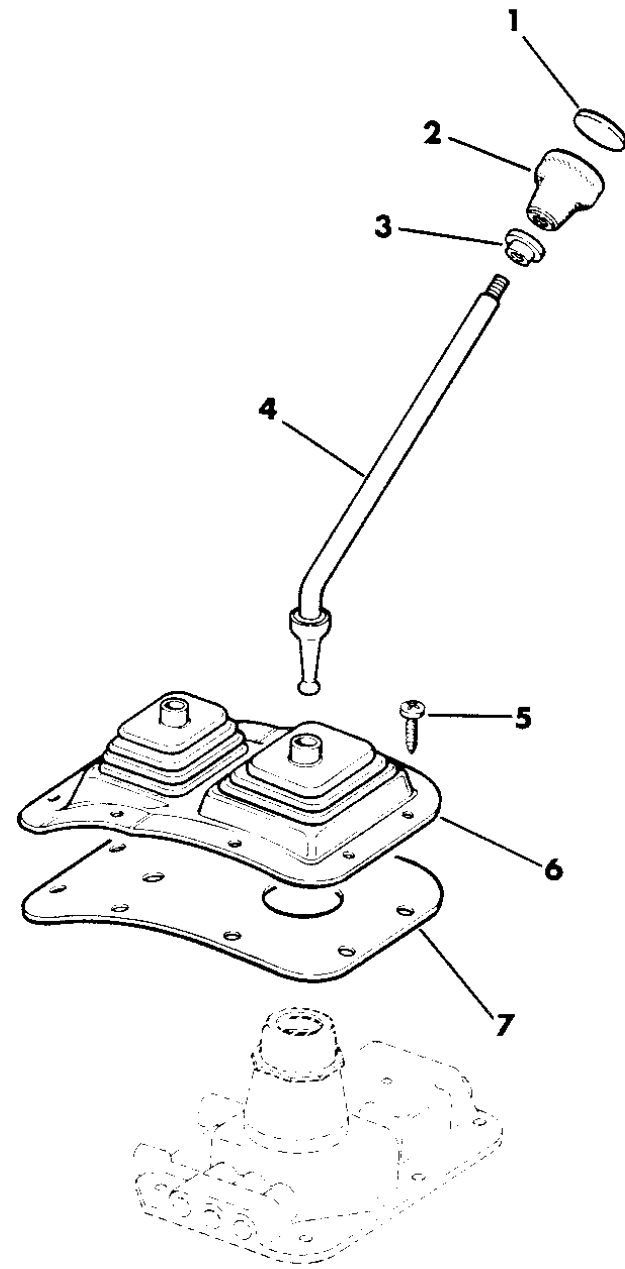
**BODY STYLES:**

MJ = Comanche Pickup  
 SJ = Grand Wagoneer Wgn., J-10 & J-20 Pickups  
 XJ = Cherokee, Wagoneer Limited  
 YJ = Wrangler

AR = Use as Required - = Non Illustrated Part P.A.R. = Paint as Required

**CONTROLS, GEARSHIFT FOUR SPEED TRANSMISSION MODEL TREMEC T177 GRAND WAGONEER, TRUCK J10, J20**  
**Figure 21M-1800**

8J 21 1800



ITEM	PART NUMBER	QTY	BODY	MODEL	DESCRIPTION
1	J324 1428	1			INSERT, Shift Knob
2	J324 1062	1			KNOB, Shift Lever
3	J400 6495	1			NUT
4	J535 9837	1			LEVER, Manual Shift
5	J400 7056	8			SCREW
6					BOOT, Manual Shift
	J575 2011	1			Black
	5501 5248	1			Tan
7	J575 2447	1			SEAL

**MODEL CODES:**

15 = Grand Wagoneer 4 Dr.	65 = Comanche 4WD-7 Ft. Box	77 = Cherokee 4WD-2 Dr.
25 = J-10 Pickup-119" W.B.	66 = Comanche 2WD-7 Ft. Box	78 = Cherokee 4WD-4 Dr.
26 = J-10 Pickup-131" W.B.	73 = Cherokee 2WD-2 Dr.	79 = Cherokee 4WD-4 Dr.-Com
27 = J-20 Pickup-131" W.B.	74 = Cherokee 2WD-4 Dr.	81 = Wrangler-93" W.B.
63 = Comanche 4WD-6 Ft. Box	75 = Wagoneer 4WD-4 Dr.	82 = Wrangler-103" W.B.-Exp.
64 = Comanche 2WD-6 Ft. Box		

**BODY STYLES:**

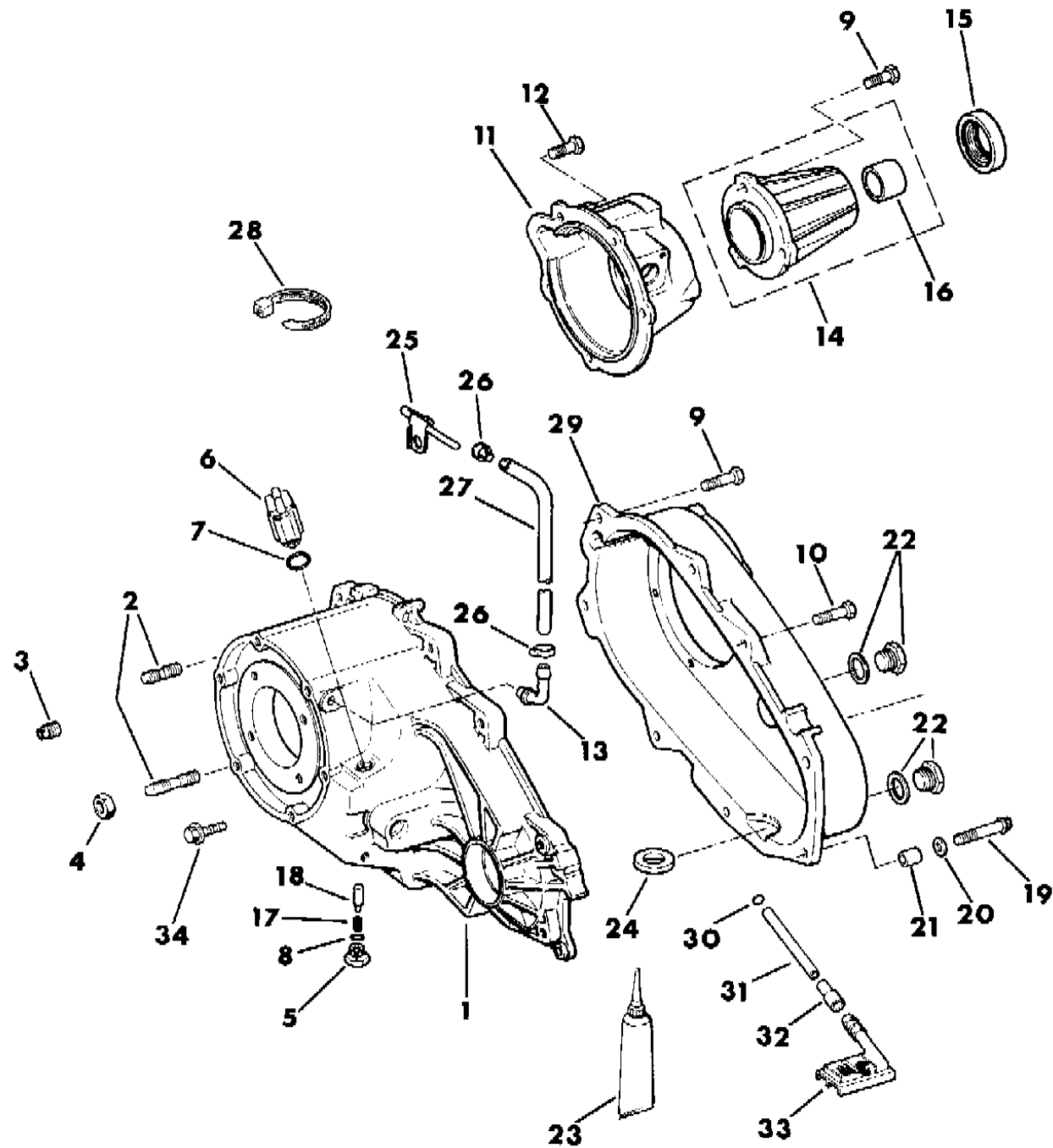
MJ = Comanche Pickup  
 SJ = Grand Wagoneer Wgn., J-10 & J-20 Pickups  
 XJ = Cherokee, Wagoneer Limited  
 YJ = Wrangler

AR = Use as Required - = Non Illustrated Part P.A.R. = Paint as Required



CASE, EXTENSION AND MISCELLANEOUS PARTS N.P.G. MODEL 231 TRANSFER CASE WRANGLER, YJ, CHEROKEE, COMANCHE  
Figure 21M-1900

8J21 1900B



ITEM	PART NUMBER	QTY	BODY	MODEL	DESCRIPTION
1					CASE, Front, (Includes Annulus Gear)
	8350 3572	1	YJ		1987-90 (A) (B) (C): (With Vaccum Switch Hole)
	5300 8214	1	YJ		1990 (D)
	8350 3121	1	XJ,MJ		1987-90 (A) (B) (C): (Without Vacuum Switch Hole)
	5300 8220	1	XJ,MJ		1990 (D)
2					STUD
	8350 0952	AR			23mm
					36mm
	J813 0805	AR			1987-90 (A) (B) (C)
	4505 365	AR			1990 (D)
3	5300 0502	1			PLUG
4	J400 6681	AR			NUT
5					SCREW
	8350 3127	1			1987-90: (A) (B) (C)
	5300 8216	1			1990: (D)
6	5300 1101	1			SWITCH, Vacuum
7	J813 4485	1			SEAL
8					SEAL
	8350 3128	1			1987-90: (A) (B) (C)
	4338 956	1			1990: (D)
9	J813 0984	8			BOLT, (M10-1.5x28mm)
10	J813 0979	1			BOLT, (M10-1.5x48mm)
11					RETAINER
	8350 3573	1	YJ		
	8350 3155	1	XJ,MJ		1987-90: (A) (B) (C)
	4338 949	1	XJ,MJ		1990: (D)
12	J813 4472	5			BOLT
13	J813 1659	1			VENT
14	8350 3156	1			EXTENSION, Case Rear Housing
15	8350 1389	1			SEAL, Rear
16	J813 4490	1			BUSHING
17					SPRING
	8350 3126	1			1987-90: (A) (B) (C)
	5300 8218	1			1990: (D)
18					PLUNGER
	8350 3125	1			1987-90 (A) (B) (C)
	5300 8217	1			1990 (D)

MODEL CODES:

15 = Grand Wagoneer 4 Dr.	65 = Comanche 4WD-7 Ft. Box	77 = Cherokee 4WD-2 Dr.
25 = J-10 Pickup-119" W.B.	66 = Comanche 2WD-7 Ft. Box	78 = Cherokee 4WD-4 Dr.
26 = J-10 Pickup-131" W.B.	73 = Cherokee 2WD-2 Dr.	79 = Cherokee 4WD-4 Dr.-Com
27 = J-20 Pickup-131" W.B.	74 = Cherokee 2WD-4 Dr.	81 = Wrangler-93" W.B.
63 = Comanche 4WD-6 Ft. Box	75 = Wagoneer 4WD-4 Dr.	82 = Wrangler-103" W.B.-Exp.
64 = Comanche 2WD-6 Ft. Box		

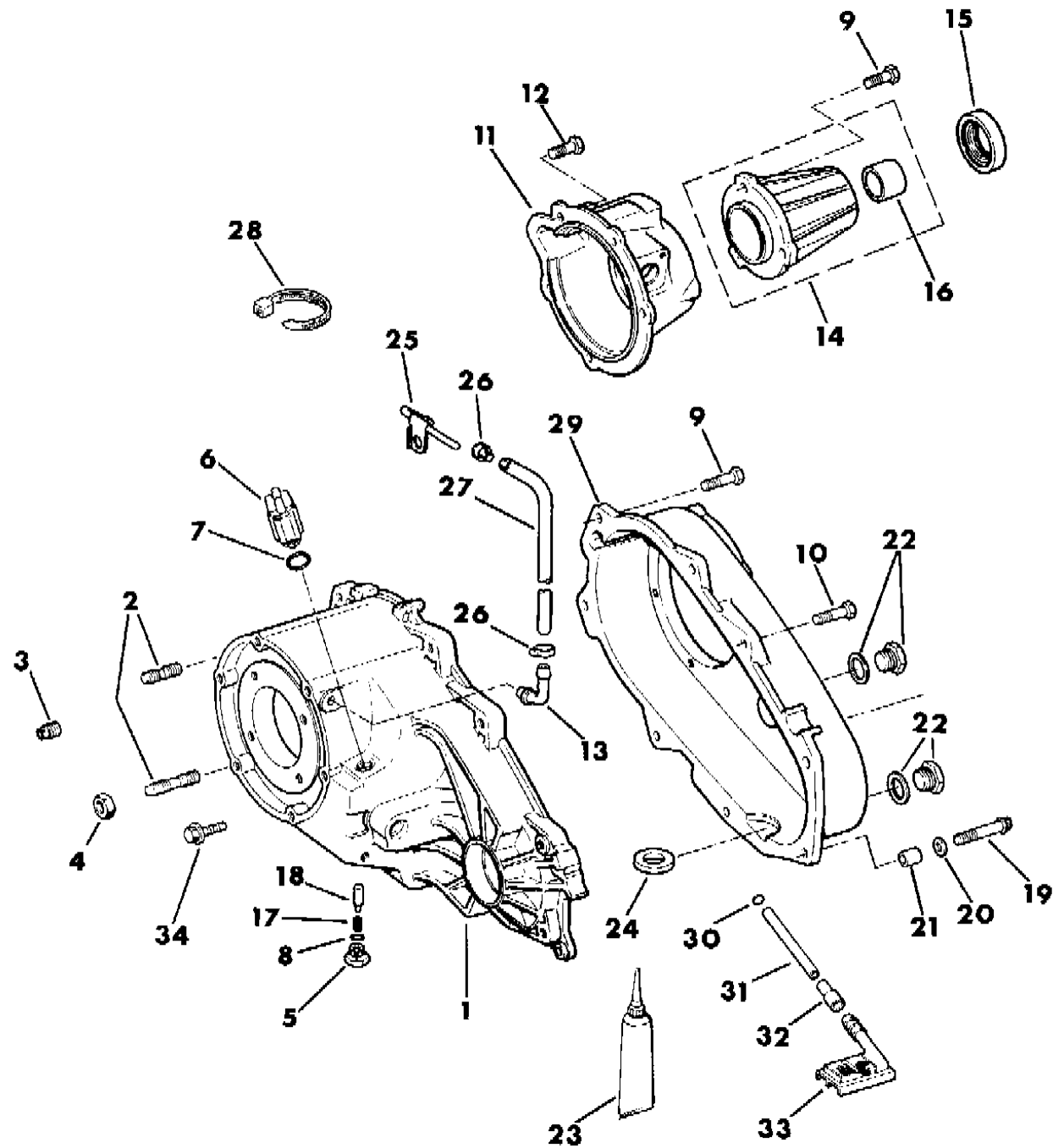
BODY STYLES:

MJ = Comanche Pickup  
SJ = Grand Wagoneer Wgn., J-10 & J-20 Pickups  
XJ = Cherokee, Wagoneer Limited  
YJ = Wrangler

AR = Use as Required - = Non Illustrated Part P.A.R. = Paint as Required

CASE, EXTENSION AND MISCELLANEOUS PARTS N.P.G. MODEL 231 TRANSFER CASE WRANGLER, YJ, CHEROKEE, COMANCHE  
Figure 21M-1900

8J21 1900B



ITEM	PART NUMBER	QTY	BODY	MODEL	DESCRIPTION
19	1150 0831	2			BOLT, (M10-1.5x35mm)
20	J400 1104	2			WASHER, (3/8IDx813ODx063THK)
21	J813 0872	2			DOWEL
22	J813 0824	2			PLUG, Drain 1987-90: (A) (B) (C)
	4210 616	2			1990: (D)
23	J899 3317	1			SEALER, Gasket-in-a-Tube
24	J813 0823	1			MAGNET 1987-90: (A) (B) (C)
	3681 601	1			1990: (D)
25	J535 2955	1	YJ		TUBE
	5300 0805	1	XJ,MJ		
26	J400 6047	2			CLAMP
27	J812 5823	AR			HOSE 1' Bulk
28	J322 3227	1			STRAP
29	8350 3153	1			CASE, Rear
30					SEAL
	8350 3149	1			1987-90: (A) (B) (C)
	4338 942	1			1990: (D)
31					TUBE
	8350 3150	1			1987-90: (A) (B) (C)
	4338 941	1			1990: (D)
32	4338 944	1			CONNECTOR
33					SCREEN
	8350 3152	1			1987-90: (A)(B) (C)
	4338 943	1			1990: (D)
34	J400 6995	1			BOLT, (3/8-16x1.25)

(A) For Vehicles Built with TRANSFER CASES: 53003927; 53004271; 53004272; 53004301; 53004328; 53005355; 53005382. (A) YJ For Vehicles Built w/trans. serial no. up to 131001. XJ,MJ For Vehicles Built w/trans. up to serial no. 131163.  
(B) For Vehicles Built with TRANSFER CASES: 53006094; 53006095; 53006096; 53006191. (A) YJ For Vehicles Built w/trans. serial no. up to 131001. XJ,MJ For Vehicles Built w/trans. up to serial no. 131163.  
(C) For Vehicles Built With TRANSFER CASES; 53006093; 53006095. (A) YJ For Vehicles Built w/trans. serial no. up to 131001. XJ,MJ For Vehicles Built w/trans. up to serial no. 131163.  
(D) For Vehicles Built With TRANSFER CASES: 53008207; 53008208; 53008209; 53008210; 53008211; 53008212. (A) YJ For Vehicles Built w/trans. serial no. up to 131001. XJ,MJ For Vehicles Built w/trans. up to serial no. 131163.

MODEL CODES:

15 = Grand Wagoneer 4 Dr.	65 = Comanche 4WD-7 Ft. Box	77 = Cherokee 4WD-2 Dr.
25 = J-10 Pickup-119" W.B.	66 = Comanche 2WD-7 Ft. Box	78 = Cherokee 4WD-4 Dr.
26 = J-10 Pickup-131" W.B.	73 = Cherokee 2WD-2 Dr.	79 = Cherokee 4WD-4 Dr.-Com
27 = J-20 Pickup-131" W.B.	74 = Cherokee 2WD-4 Dr.	81 = Wrangler-93" W.B.
63 = Comanche 4WD-6 Ft. Box	75 = Wagoneer 4WD-4 Dr.	82 = Wrangler-103" W.B.-Exp.
64 = Comanche 2WD-6 Ft. Box		

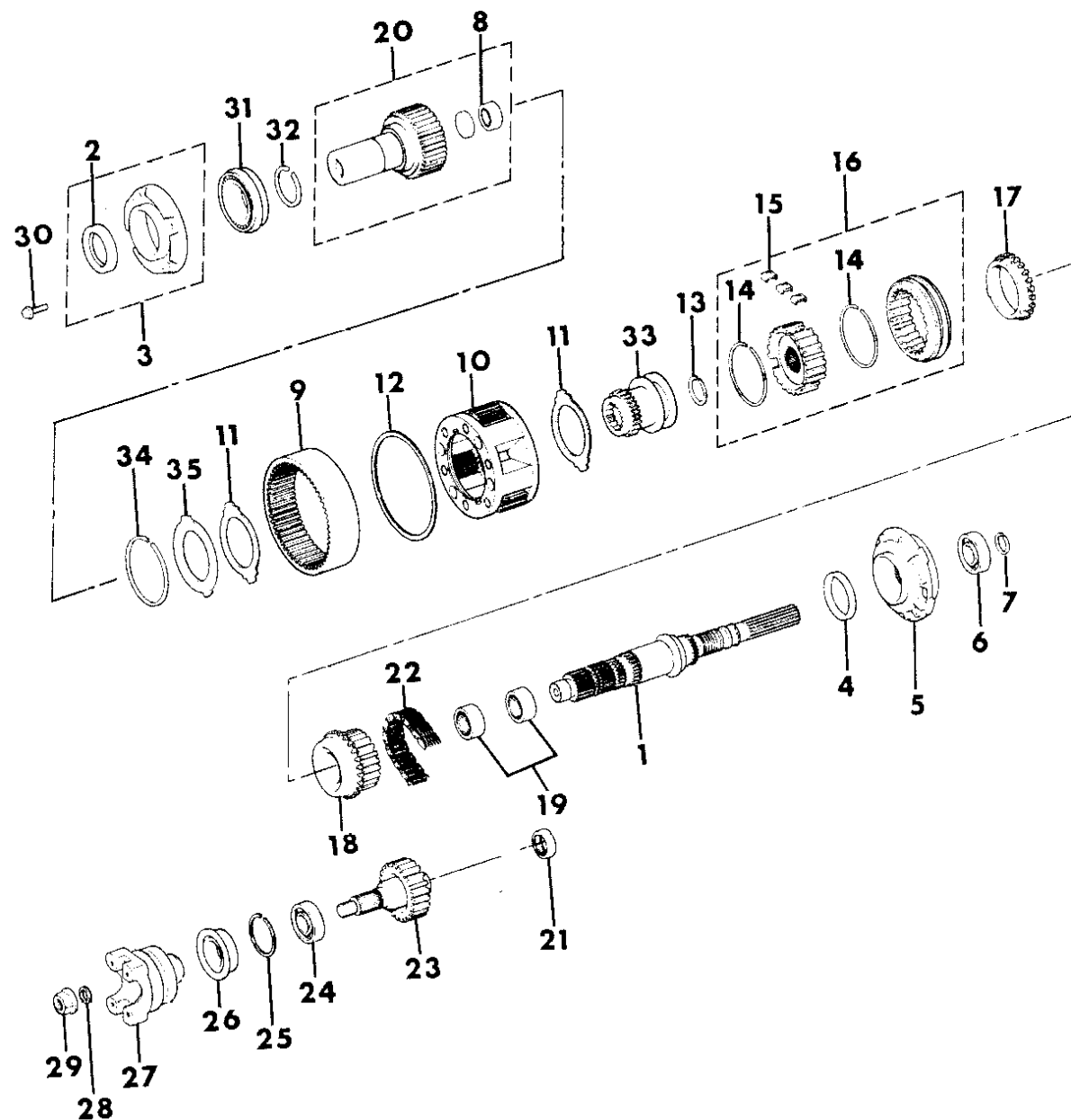
BODY STYLES:

MJ = Comanche Pickup  
SJ = Grand Wagoneer Wgn., J-10 & J-20 Pickups  
XJ = Cherokee, Wagoneer Limited  
YJ = Wrangler

AR = Use as Required - = Non Illustrated Part P.A.R. = Paint as Required

**GEAR TRAIN N.P.G. MODEL 231 TRANSFER CASE WRANGLER, YJ, CHEROKEE, COMANCHE**  
**Figure 21M-2000**

8J21 2000



ITEM	PART NUMBER	QTY	BODY	MODEL	DESCRIPTION
1	8350 3141	1			SHAFT, Main Drive
2	J535 9457	1			SEAL, Oil 1987-90: (A) (B) (C)
	4167 929	1			1990: (K)
3					RETAINER 1987-90: (A) (B) (C)
	8350 3133	1			1990: (K)
	4338 972	1			
4	J813 0982	1			SEAL, Oil
5					HOUSING, Oil Pump 1987-90: (A) (B) (C)
	8350 3148	1			1990: (K)
	4338 936	1			
6	J813 4445	1			BEARING 1987-90: (A) (B) (C)
	4338 892	1			1990: (K)
7	J813 4488	1			RING
8					BEARING, Input 1987-90: (A) (B) (C)
	J813 4450	1			1990: (K)
	4338 913	1			
9	8350 3122	1			GEAR, Transfer Case Annulus(Included in Front Case)
10					GEAR, Planetary Transfer Case (A)
	8350 3129	1	YJ,XJMJ		
	5300 6087	1	YJ		(B) (K)
	5300 6087	1	XJ,MJ		(C) (K) (H)
11					RING, Thrust 1987-90: (A) (B) (C)
	8350 3130	2			1990: (K)
	4338 908	2			
12					RING, Retaining 1987-90: (A) (B) (C)
	J813 4454	1			1990: (K)
	4219 065	2			
13	8350 3144	1			RING, Retaining
14					SPRING 1987-89: (A) (B) (C)
	8350 0991	2			1990: (K)
	4329 524	2			
15	8350 0990	3			STRUT, Synchronizer
16	8350 3143	1			SYNCHRONIZER, Mode Shift
17					RING, Stop 1987-90: (A) (B) (C) (H)
	8350 0992	1			

**MODEL CODES:**

15 = Grand Wagoneer 4 Dr.	65 = Comanche 4WD-7 Ft. Box	77 = Cherokee 4WD-2 Dr.
25 = J-10 Pickup-119" W.B.	66 = Comanche 2WD-7 Ft. Box	78 = Cherokee 4WD-4 Dr.
26 = J-10 Pickup-131" W.B.	73 = Cherokee 2WD-2 Dr.	79 = Cherokee 4WD-4 Dr.-Com
27 = J-20 Pickup-131" W.B.	74 = Cherokee 2WD-4 Dr.	81 = Wrangler-93" W.B.
63 = Comanche 4WD-6 Ft. Box	75 = Wagoneer 4WD-4 Dr.	82 = Wrangler-103" W.B.-Exp.
64 = Comanche 2WD-6 Ft. Box		

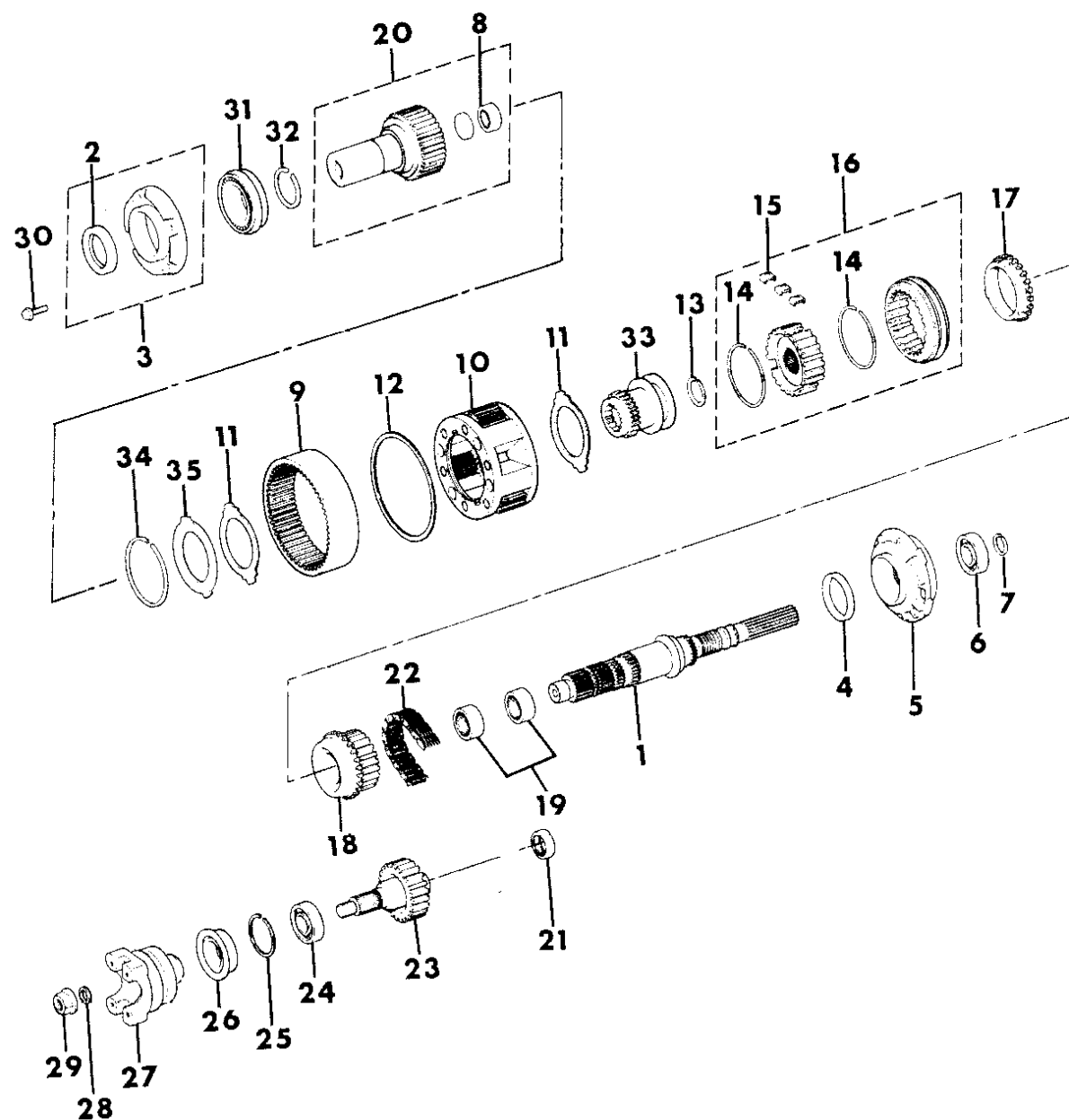
**BODY STYLES:**

MJ = Comanche Pickup  
 SJ = Grand Wagoneer Wgn., J-10 & J-20 Pickups  
 XJ = Cherokee, Wagoneer Limited  
 YJ = Wrangler

AR = Use as Required - = Non Illustrated Part P.A.R. = Paint as Required

**GEAR TRAIN N.P.G. MODEL 231 TRANSFER CASE WRANGLER, YJ, CHEROKEE, COMANCHE**  
**Figure 21M-2000**

8J21 2000



ITEM	PART NUMBER	QTY	BODY	MODEL	DESCRIPTION
	4329 526	1			1990: (K)
18	8350 3142	1			SPROCKET, Drive
	4338 929	1			1987-90: (A) (B) (C)
19	J813 0868	2			1990: (K)
	4269 185	2			BEARING, Sprocket 231 Transfer Case
20	8350 3159	1	YJ,XJMJ		1987-90: (A) (B) (C)
	8350 5550	1	YJ		1990: (K)
	8350 5553	1	YJ		GEAR, Input 231 Transfer Case
	5300 6085	1	YJ		(D)
	8350 6065	1	YJ,XJMJ		(E)
	5300 6083	1	YJ,XJMJ		(F)
	5300 6086	1	MJ,XJ		(G) (N)
21	8350 3154	1			(H) (M)
	4269 189	1			(C) (J) (K) (L)
22	8350 3146	1			(O)
	4338 935	1			BEARING
23	8350 3145	1			1987-90: (A) (B) (C)
	4338 934	1			1990: (K)
24	J813 4445	1			CHAIN, Drive Transfer Case
	4338 892	1			1987-90: (A) (B) (C)
25	J813 4447	1			1990: (K)
	4338 894	1			SHAFT, Output 231 Transfer Case
26	8350 3147	1			1987-90: (A) (B) (C)
	4338 893	1			1990: (K)
27	8350 2829	1	YJ		BEARING
	8350 3161	1	XJ,MJ		1987-90: (A) (B) (C)
28	J813 4474	1			(K)
					RING, Retaining
					1987-90: (A) (B) (C)
					1990: (K)
					SEAL, Oil, Front
					1987-90: (A) (B) (C)
					1990: (K)
					FLANGE
					1987-90: (A) (B) (C)
					1990: (K)
					WASHER

**MODEL CODES:**

15 = Grand Wagoneer 4 Dr.	65 = Comanche 4WD-7 Ft. Box	77 = Cherokee 4WD-2 Dr.
25 = J-10 Pickup-119" W.B.	66 = Comanche 2WD-7 Ft. Box	78 = Cherokee 4WD-4 Dr.
26 = J-10 Pickup-131" W.B.	73 = Cherokee 2WD-2 Dr.	79 = Cherokee 4WD-4 Dr.-Com
27 = J-20 Pickup-131" W.B.	74 = Cherokee 2WD-4 Dr.	81 = Wrangler-93" W.B.
63 = Comanche 4WD-6 Ft. Box	75 = Wagoneer 4WD-4 Dr.	82 = Wrangler-103" W.B.-Exp.
64 = Comanche 2WD-6 Ft. Box		

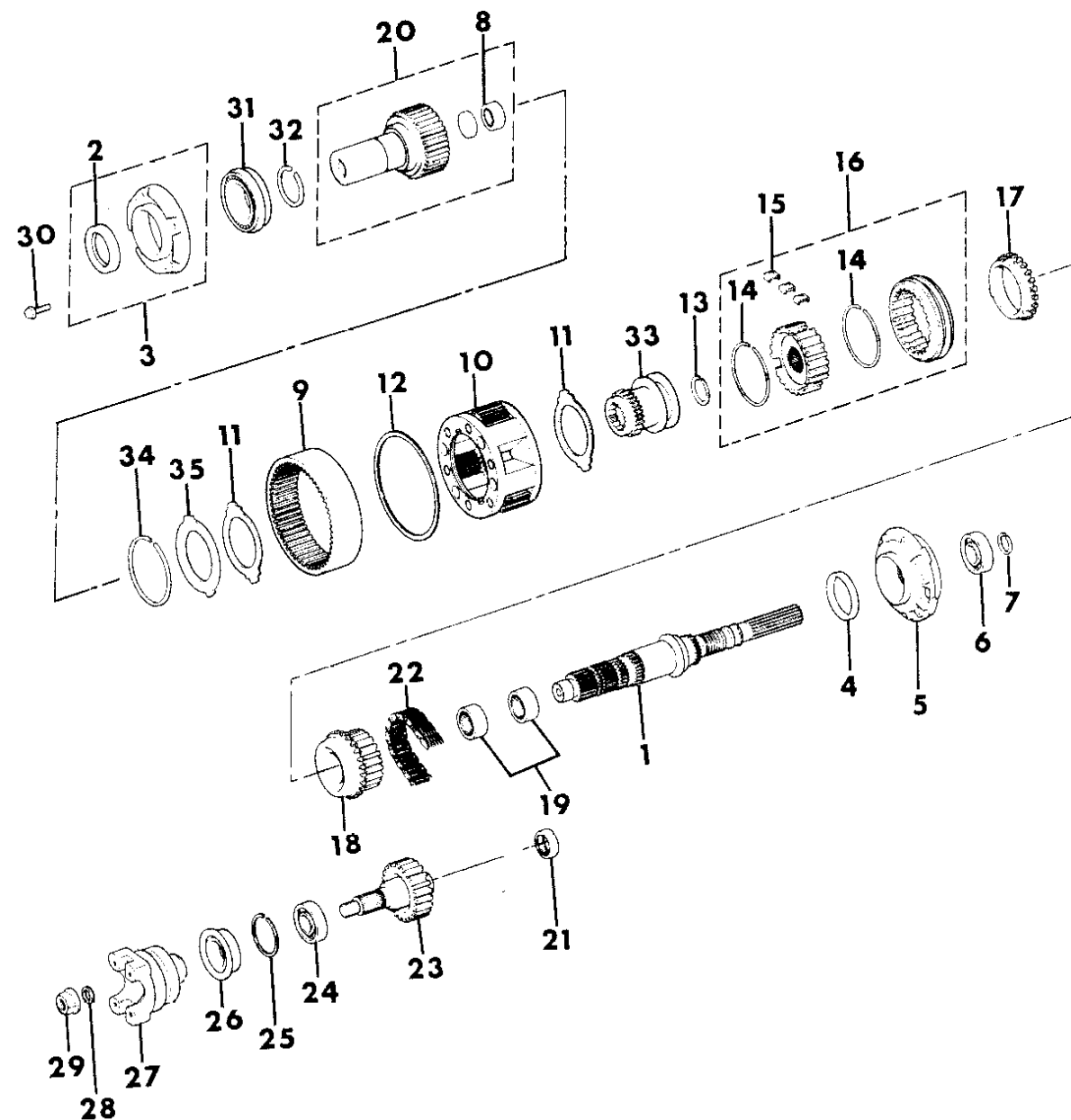
**BODY STYLES:**

MJ = Comanche Pickup  
 SJ = Grand Wagoneer Wgn., J-10 & J-20 Pickups  
 XJ = Cherokee, Wagoneer Limited  
 YJ = Wrangler

AR = Use as Required - = Non Illustrated Part P.A.R. = Paint as Required

**GEAR TRAIN N.P.G. MODEL 231 TRANSFER CASE WRANGLER, YJ, CHEROKEE, COMANCHE**  
**Figure 21M-2000**

8J21 2000



ITEM	PART NUMBER	QTY	BODY	MODEL	DESCRIPTION
29	J813 4475	1			NUT
30					BOLT
	8350 3135	5			1987-90: (A) (B) (C)
	6500 318	5			1990: (K)
31					BEARING
	8350 3123	1			1987-90: (A) (B) (C)
	4338 891	1			1990: (K)
32					RING, Retaining
	8350 3131	1			1987-90: (A) (B) (C)
	3821 558	1			1990: (K)
33					HUB, Range Shift
	8350 3132	1			(A)
	8350 6062	1			1988-90: (B), (C), (G), (H)
	5300 6089	1			1990: (K)
34					RING, Snap
	8350 3527	1			1987-90: (A) (B) (C)
	4338 910	1			1990: (K)
35					RING, Snap
	8350 3526	1			1987-90: (A) (B) (C)
	4338 909	1			1990: (K)

(A) For Vehicles Built with Transfer Cases: 53003927; 53004271; 53004272; 53004301; 53004328; 53005355; 53005382. (A) YJ For Vehicles Built w/trans. serial no. up to 131001. XJ,MJ For Vehicles Built w/trans. up to serial no. 131163.

(B) For Vehicles Built with Transfer Cases: 53006094; 53006095; 53006096; 53006191. (A) YJ For Vehicles Built w/trans. serial no. up to 131001. XJ,MJ For Vehicles Built w/trans. up to serial no. 131163.

(C) For Vehicles Built with Transfer Cases: 53006091; 53006092. (A) YJ For Vehicles Built w/trans. serial no. up to 131001. XJ,MJ For Vehicles Built w/trans. up to serial no. 131163.

(D) For Vehicles Built with Transfer Cases: 53003927; 53004272; 53004328; 53004301. (A) YJ For Vehicles Built w/trans. serial no. up to 131001. XJ,MJ For Vehicles Built w/trans. up to serial no. 131163.

(E) For Vehicles Built with Transfer Case: 53004271. (A) YJ For Vehicles Built w/trans. serial no. up to 131001. XJ,MJ For Vehicles Built w/trans. up to serial no. 131163.

(F) For Vehicles Built with Transfer Cases: 53005382; 53005355. (A) YJ For Vehicles Built w/trans. serial no. up to 131001. XJ,MJ For Vehicles Built w/trans. up to serial no. 131163.

(G) For Vehicles Built with Transfer Cases: 53006094. (A) YJ For Vehicles Built w/trans. serial no. up to 131001. XJ,MJ For Vehicles Built w/trans. up to serial no. 131163.

(H) For Vehicles Built with Transfer Cases: 53006093; 53006096; (A) YJ For Vehicles Built w/trans. serial no. up to 131001. XJ,MJ For Vehicles Built w/trans. up to serial no. 131163.

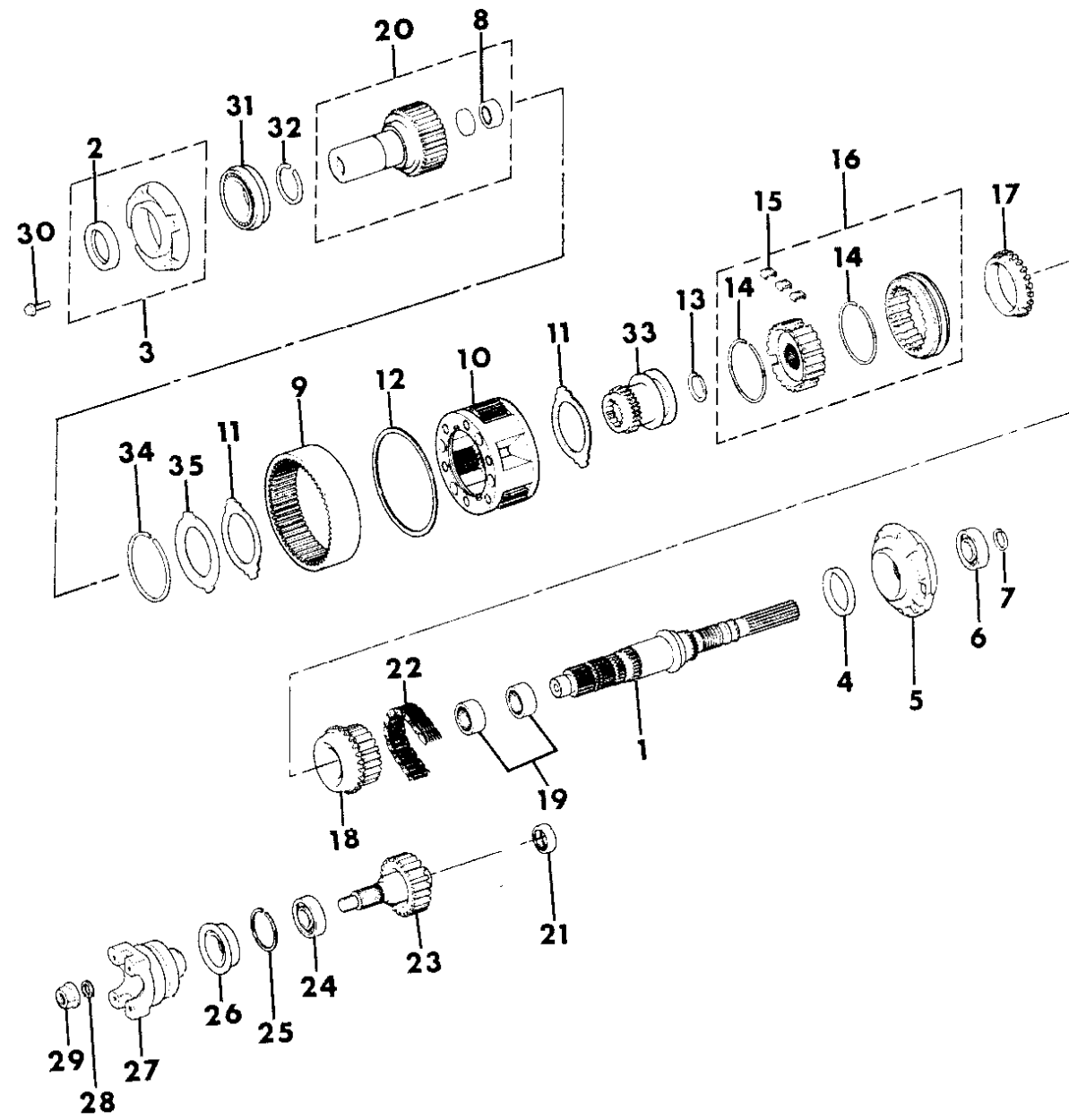
MODEL CODES:  
 15 = Grand Wagoneer 4 Dr.      65 = Comanche 4WD-7 Ft. Box      77 = Cherokee 4WD-2 Dr.  
 25 = J-10 Pickup-119" W.B.      66 = Comanche 2WD-7 Ft. Box      78 = Cherokee 4WD-4 Dr.  
 26 = J-10 Pickup-131" W.B.      73 = Cherokee 2WD-2 Dr.      79 = Cherokee 4WD-4 Dr.-Com  
 27 = J-20 Pickup-131" W.B.      74 = Cherokee 2WD-4 Dr.      81 = Wrangler-93" W.B.  
 63 = Comanche 4WD-6 Ft. Box      75 = Wagoneer 4WD-4 Dr.      82 = Wrangler-103" W.B.-Exp.  
 64 = Comanche 2WD-6 Ft. Box

BODY STYLES:  
 MJ = Comanche Pickup  
 SJ = Grand Wagoneer Wgn., J-10 & J-20 Pickups  
 XJ = Cherokee, Wagoneer Limited  
 YJ = Wrangler

AR = Use as Required - = Non Illustrated Part P.A.R. = Paint as Required

Figure 21M-2000

8J21 2000



**GEAR TRAIN N.P.G. MODEL 231 TRANSFER CASE WRANGLER, YJ, CHEROKEE, COMANCHE**  
**Figure 21M-2000**

ITEM	PART NUMBER	QTY	BODY	MODEL	DESCRIPTION
					(J) For Vehicles Built with Transfer Cases: 53006095; 53006191. (A) YJ For Vehicles Built w/trans. serial no. up to 131001. XJ,MJ For Vehicles Built w/trans. up to serial no. 131163.
					(K) For Vehicles Built with Transfer Cases: 53008207; 53008208; 53008209; 53008210; 53008211; 53008212. (A) YJ For Vehicles Built w/trans. serial no. up to 131001. XJ,MJ For Vehicles Built w/trans. up to serial no. 131163.
					(L) For Vehicles Built with Transfer Cases: 53008207; 53008208; 53008211. (A) YJ For Vehicles Built w/trans. serial no. up to 131001. XJ,MJ For Vehicles Built w/trans. up to serial no. 131163.
					(M) For Vehicles Built with Transfer Cases: 53008209; 53008212. (A) YJ For Vehicles Built w/trans. serial no. up to 131001. XJ,MJ For Vehicles Built w/trans. up to serial no. 131163.
					(N) For Vehicle Built with Transfer Case: 53008210. (A) YJ For Vehicles Built w/trans. serial no. up to 131001. XJ,MJ For Vehicles Built w/trans. up to serial no. 131163.
					(O) For Vehicle Built with Transfer Case: 53008223. (A) YJ For Vehicles Built w/trans. serial no. up to 131001. XJ,MJ For Vehicles Built w/trans. up to serial no. 131163.

MODEL CODES:

15 = Grand Wagoneer 4 Dr.	65 = Comanche 4WD-7 Ft. Box	77 = Cherokee 4WD-2 Dr.
25 = J-10 Pickup-119" W.B.	66 = Comanche 2WD-7 Ft. Box	78 = Cherokee 4WD-4 Dr.
26 = J-10 Pickup-131" W.B.	73 = Cherokee 2WD-2 Dr.	79 = Cherokee 4WD-4 Dr.-Com
27 = J-20 Pickup-131" W.B.	74 = Cherokee 2WD-4 Dr.	81 = Wrangler-93" W.B.
63 = Comanche 4WD-6 Ft. Box	75 = Wagoneer 4WD-4 Dr.	82 = Wrangler-103" W.B.-Exp.
64 = Comanche 2WD-6 Ft. Box		

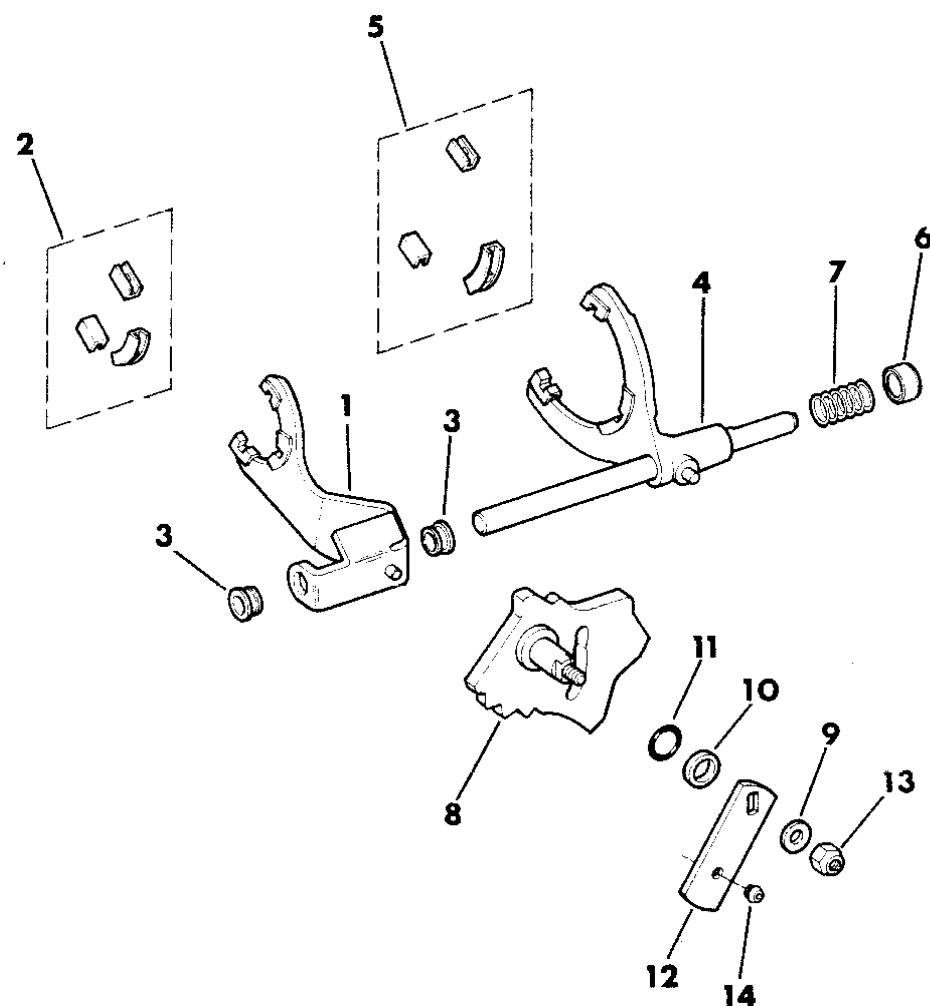
BODY STYLES:

MJ = Comanche Pickup  
SJ = Grand Wagoneer Wgn., J-10 & J-20 Pickups  
XJ = Cherokee, Wagoneer Limited  
YJ = Wrangler

AR = Use as Required - = Non Illustrated Part P.A.R. = Paint as Required

**FORKS, RAILS, MISCELLANEOUS PARTS, SHIFT N.P.G. MODEL 231 TRANSFER CASE WRANGLER, YJ, CHEROKEE, COMANCHE**  
**Figure 21M-2100**

8 J21 2100



ITEM	PART NUMBER	QTY	BODY	MODEL	DESCRIPTION
1					FORK, Range Shift
	8350 3136	1			1987-90: (A) (B) (C)
	4338 915	1			1990: (D)
2	8350 0994	1			PAD PACKAGE, Shift Fork
3	8350 3137	2			BUSHING
4					FORK, Mode Shift Transfer Case
	8350 3138	1			1987-90: (A) (B) (C)
	4338 920	1			1990: (D)
5					PAD PACKAGE, Shift Fork ***
	J813 4279	1			1987-90: (A) (B) (C)
	0 15 866	1			1990: (D)
6	8350 3139	1			BUSHING
7					SPRING, Shifting
	8350 3140	1			1987-90: (A) (B) (C)
	4338 925	1			1990: (D)
8					SECTOR, Transfer Case Shifting
	8350 3124	1			1987-90: (A) (B) (C)
	5300 8215	1			1990: (D)
9					SPACER, Shift Lever
	8350 3157	1			1987-90: (A) (B) (C)
	0120 394	1			1990: (D)
10					SEAL
	J813 0853	1			1987-90: (A) (B) (C)
	4167 964	1			1990: (D)
11					O-RING
	J813 0854	1			1987-90: (A) (B) (C)
	4167 963	1			1990: (D)
12					LEVER, Transfer Case Shift
	5300 4421	1	YJ		4 CYL. ENG. (A) (B) (C) (F)
	5300 4420	1	YJ		6 CYL. ENG. With Manual Transmission (A) (B) (C) (G)
	5300 4409	1	YJ		6 CYL. ENG. With Automatic Transmission
	5300 4226	1	XJ,MJ		With Manual Transmission (A) (B) (C) (E)
13					NUT
	J813 0813	1			1987/1990: (A) (B) (C)
	0152 345	1			1990: (D)
14	5300 4810	1			BUSHING

**MODEL CODES:**

15 = Grand Wagoneer 4 Dr.	65 = Comanche 4WD-7 Ft. Box	77 = Cherokee 4WD-2 Dr.
25 = J-10 Pickup-119" W.B.	66 = Comanche 2WD-7 Ft. Box	78 = Cherokee 4WD-4 Dr.
26 = J-10 Pickup-131" W.B.	73 = Cherokee 2WD-2 Dr.	79 = Cherokee 4WD-4 Dr.-Com
27 = J-20 Pickup-131" W.B.	74 = Cherokee 2WD-4 Dr.	81 = Wrangler-93" W.B.
63 = Comanche 4WD-6 Ft. Box	75 = Wagoneer 4WD-4 Dr.	82 = Wrangler-103" W.B.-Exp.
64 = Comanche 2WD-6 Ft. Box		

**BODY STYLES:**

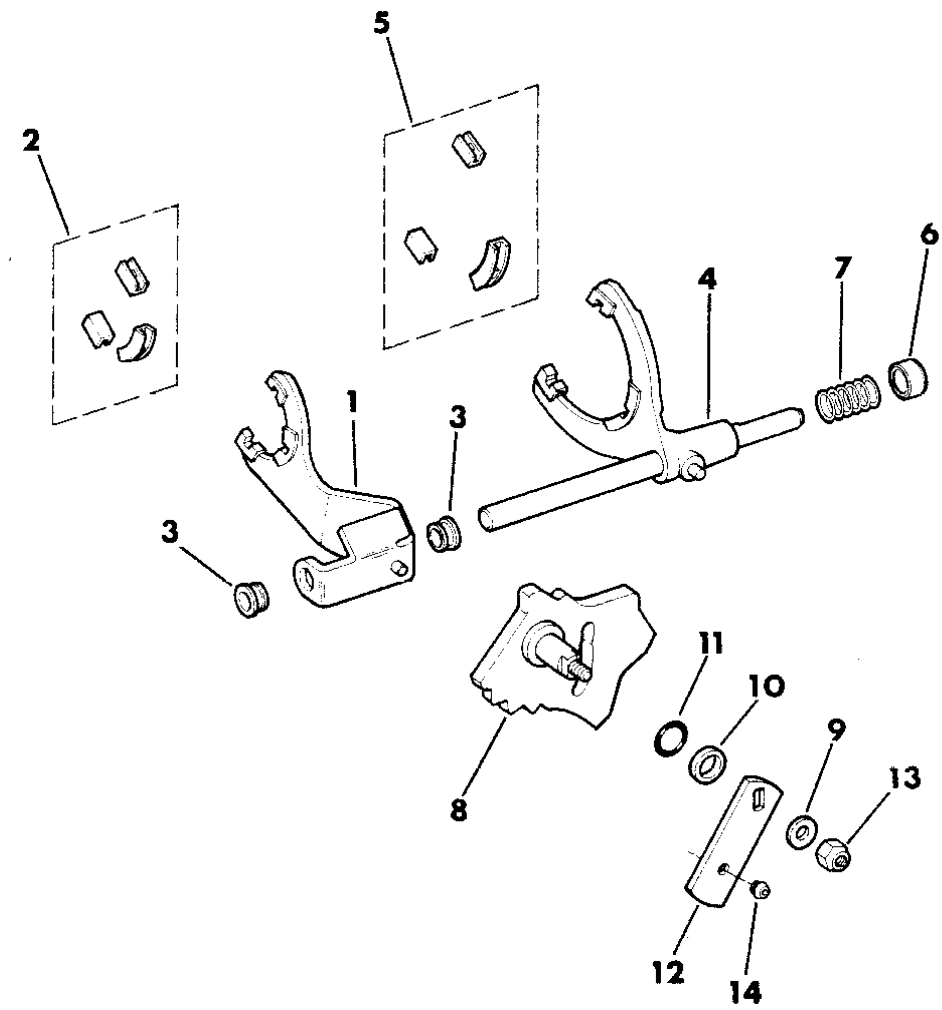
MJ = Comanche Pickup  
 SJ = Grand Wagoneer Wgn., J-10 & J-20 Pickups  
 XJ = Cherokee, Wagoneer Limited  
 YJ = Wrangler

AR = Use as Required - = Non Illustrated Part P.A.R. = Paint as Required



Figure 21M-2100

8 J21 2100



**FORKS, RAILS, MISCELLANEOUS PARTS, SHIFT N.P.G. MODEL 231 TRANSFER CASE WRANGLER, YJ, CHEROKEE, COMANCHE  
Figure 21M-2100**

ITEM	PART NUMBER	QTY	BODY	MODEL	DESCRIPTION
					(A) For Vehicles Built with TRANSFER CASES: 53003927; 53004271; 53004271; 53004272; 53004301; 53004328; 53005355; 53005382. (A) YJ For Vehicles Built w/trans. serial no. up to 131001. XJ,MJ For Vehicles Built w/trans. up to serial no. 131163.
					(B) For Vehicles Built with TRANSFER CASES; 53006094; 53006095; 53006096; 53006191. (A) YJ For Vehicles Built w/trans. serial no. up to 131001. XJ,MJ For Vehicles Built w/trans. up to serial no. 131163.
					(C) For Vehicles Built With TRANSFER CASES: 53006093; 53006095. (A) YJ For Vehicles Built w/trans. serial no. up to 131001. XJ,MJ For Vehicles Built w/trans. up to serial no. 131163.
					(D) For Vehicles Built With TRANSFER CASES: 53008207; 53008208; 53008209; 53008210; 53008211; 53008212. (A) YJ For Vehicles Built w/trans. serial no. up to 131001. XJ,MJ For Vehicles Built w/trans. up to serial no. 131163.
					(E) For Vehicles Built With TRANSFER CASES: 53008207; 53008209; 53008210. (A) YJ For Vehicles Built w/trans. serial no. up to 131001. XJ,MJ For Vehicles Built w/trans. up to serial no. 131163.
					(F) For Vehicles Built With TRANSFER CASES: 53008208; 53008211. (A) YJ For Vehicles Built w/trans. serial no. up to 131001. XJ,MJ For Vehicles Built w/trans. up to serial no. 131163.
					(G) For Vehicles Built With TRANSFER CASE: 53008212. (A) YJ For Vehicles Built w/trans. serial no. up to 131001. XJ,MJ For Vehicles Built w/trans. up to serial no. 131163.

**MODEL CODES:**

15 = Grand Wagoneer 4 Dr.	65 = Comanche 4WD-7 Ft. Box	77 = Cherokee 4WD-2 Dr.
25 = J-10 Pickup-119" W.B.	66 = Comanche 2WD-7 Ft. Box	78 = Cherokee 4WD-4 Dr.
26 = J-10 Pickup-131" W.B.	73 = Cherokee 2WD-2 Dr.	79 = Cherokee 4WD-4 Dr.-Com
27 = J-20 Pickup-131" W.B.	74 = Cherokee 2WD-4 Dr.	81 = Wrangler-93" W.B.
63 = Comanche 4WD-6 Ft. Box	75 = Wagoneer 4WD-4 Dr.	82 = Wrangler-103" W.B.-Exp.
64 = Comanche 2WD-6 Ft. Box		

**BODY STYLES:**

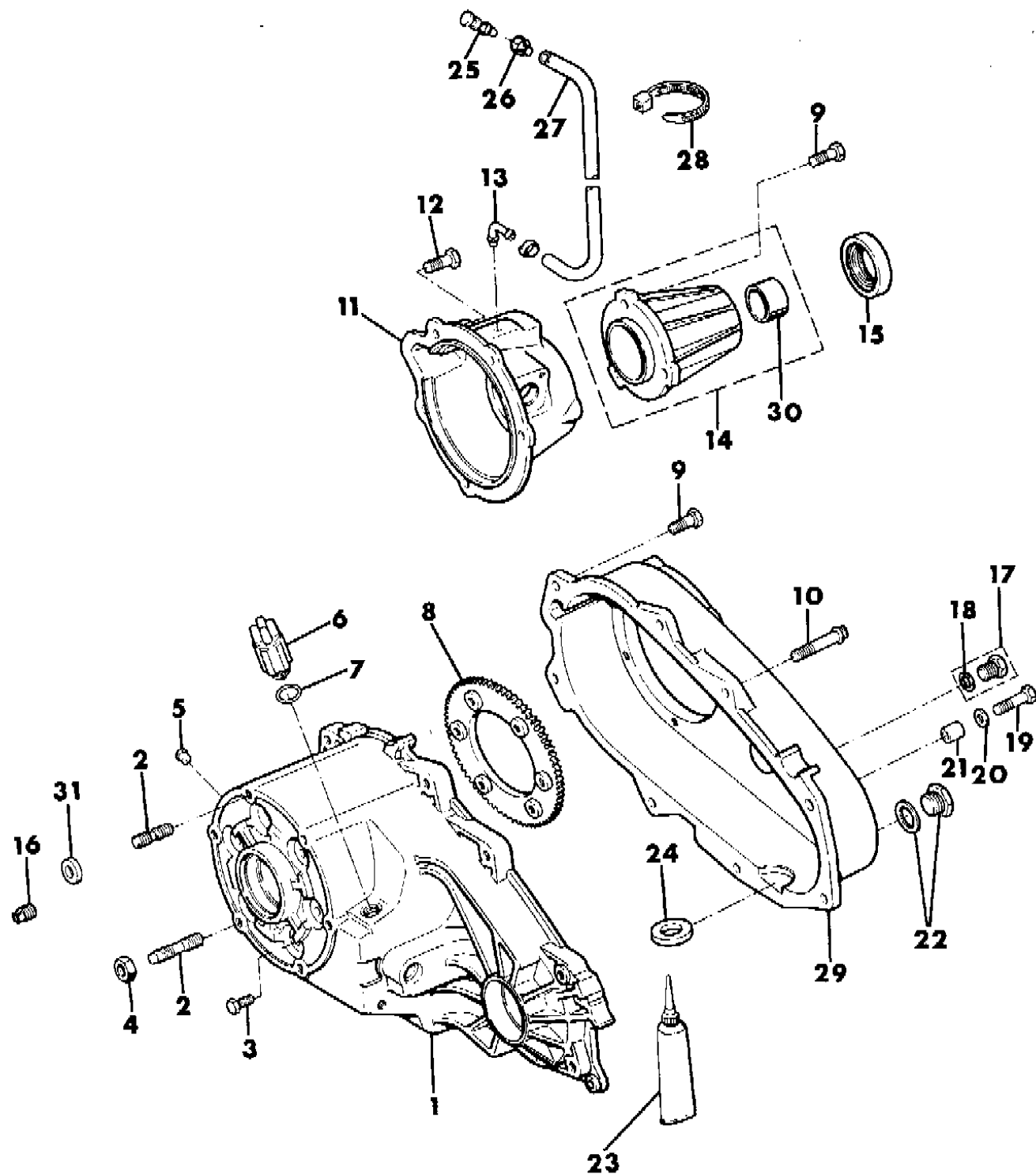
MJ = Comanche Pickup  
 SJ = Grand Wagoneer Wgn., J-10 & J-20 Pickups  
 XJ = Cherokee, Wagoneer Limited  
 YJ = Wrangler

AR = Use as Required - = Non Illustrated Part P.A.R. = Paint as Required

**CASE, EXTENSION AND MISCELLANEOUS PARTS N.P.G. MODEL 207 TRANSFER CASE WRANGLER, YJ**  
**Figure 21M-2200**

8J21 2200

ITEM	PART NUMBER	QTY	BODY	MODEL	DESCRIPTION
1	8350 0953	1			CASE, Front
2	J813 0805	AR			STUD, Front Case 36mm
	8350 0952	AR			23mm
3	J813 0874	6			BOLT
4	J400 6681	AR			NUT, Front Case
5	J813 1617	1			PLUG
6	5300 1101	1			SWITCH, Vacuum
7	J813 4485	1			GASKET
8	J813 0873	1			PLATE
9	J813 0984	8			BOLT, Rear Extension Case to Front
10	J813 0979	1			BOLT, Front to Rear Case
11	J813 4487	1			RETAINER
12	J813 4472	5			Bolt, Retainer to Case ***
13	J813 1659	1			VENT
14	J813 4489	1			Extension, Case ***
15	8350 1389	1			SEAL
16	5300 0502	1			PLUG
17	8350 1425	1			PLUG
18	3300 0322	1			SEAL
19	1150 0831	1			BOLT
20	J400 1104	1			WASHER
21	J813 0872	1			DOWEL
22	J813 0824	1			PLUG, Drain
23	J899 3317	AR			SEALER, Gasket-in-a-Tube ***
24	J813 0823	1			MAGNET
25	J535 2955	1			VENT
26	J400 6047	2			CLAMP, Vent Hose
27	J812 5823	1			HOSE (Bulk)(1') ***
28	J322 3227	1			STRAP
29	8350 1192	1			CASE, Rear
30	J813 4490	1			BUSHING
31	J400 1289	1			SPACER



**MODEL CODES:**

15 = Grand Wagoneer 4 Dr.	65 = Comanche 4WD-7 Ft. Box	77 = Cherokee 4WD-2 Dr.
25 = J-10 Pickup-119" W.B.	66 = Comanche 2WD-7 Ft. Box	78 = Cherokee 4WD-4 Dr.
26 = J-10 Pickup-131" W.B.	73 = Cherokee 2WD-2 Dr.	79 = Cherokee 4WD-4 Dr.-Com
27 = J-20 Pickup-131" W.B.	74 = Cherokee 2WD-4 Dr.	81 = Wrangler-93" W.B.
63 = Comanche 4WD-6 Ft. Box	75 = Wagoneer 4WD-4 Dr.	82 = Wrangler-103" W.B.-Exp.
64 = Comanche 2WD-6 Ft. Box		

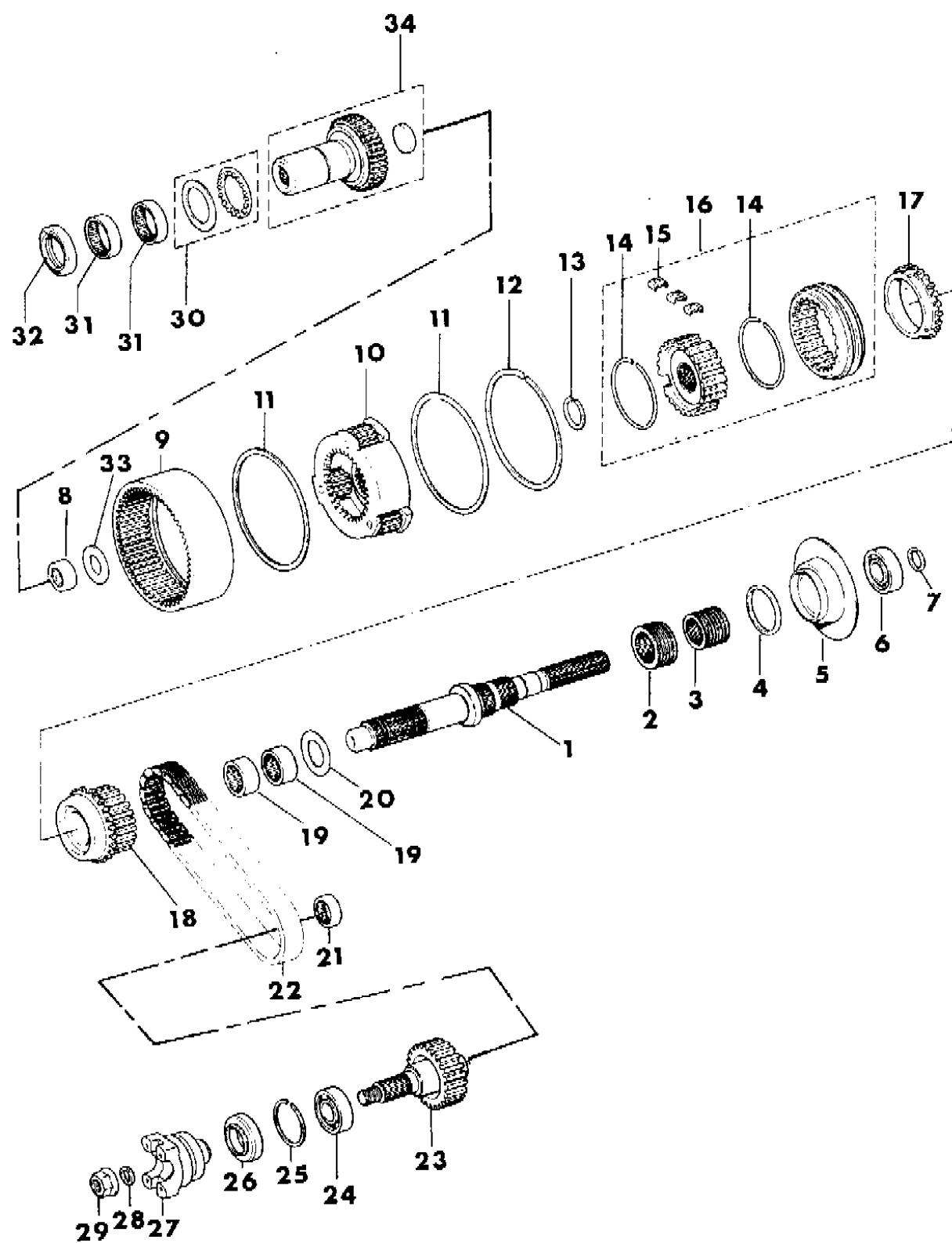
**BODY STYLES:**

MJ = Comanche Pickup  
 SJ = Grand Wagoneer Wgn., J-10 & J-20 Pickups  
 XJ = Cherokee, Wagoneer Limited  
 YJ = Wrangler

AR = Use as Required - = Non Illustrated Part P.A.R. = Paint as Required

**GEAR TRAIN N.P.G. MODEL 207 TRANSFER CASE WRANGLER, YJ**  
**Figure 21M-2300**

8J21 2300 A



ITEM	PART NUMBER	QTY	BODY	MODEL	DESCRIPTION
1	J813 4467	1			SHAFT, Main Drive
2	J813 3645	1			PUMP, Transfer Case Oil
3	J813 4493	1			GEAR, Speedometer Drive
	8350 2828	1			7 Teeth
					9 Teeth
4	J813 0982	1			SEAL, Oil
5	J813 4486	1			HOUSING, Oil Pump
6	J813 4445	1			BEARING, Ball Front Output
7	J813 4488	1			RING, Retaining
8	J813 4450	1			BEARING, Needle Roller
9	J813 4452	1			GEAR, Transfer Case Annulus
10	J813 4455	1			GEAR, Planetary
11	4504 599	2			RING, Thrust
12	J813 4454	1			RING, Retaining
13	J813 4481	1			RING, Retaining
14	8350 0991	2			SPRING, Strut
15	8350 0990	3			STRUT, Synchronizer
16	8350 2485	1			SYNCHRONIZER ASSY, Mode Shift ***
17	4329 526	1			RING, Stop
18	J813 4468	1			SPROCKET, Drive
19	J813 4469	2			BEARING, Needle Roller Sprocket
20	J813 4470	1			WASHER, Thrust
21	8350 3119	1			BEARING, Needle Roller Output Shaft
22	J813 4471	1			CHAIN, Drive
23	J813 4482	1			SHAFT, Front Output
24	J813 4445	1			BEARING, Ball
25	J813 4447	1			RING, Retaining
26	J813 4446	1			SEAL, Oil Front Output
27	8350 2829	1			FLANGE, Includes Slinger
28	J813 4474	1			WASHER, Spline Seal
29	J813 4475	1			NUT, Flange Yoke
30	J813 4451	1			BERING KIT, Thrust ***
31	J813 4444	2			BEARING, Needle Roller Input Shaft
32	J535 9457	1			SEAL, Oil
33	8350 0993	1			WASHER, Thrust
34	8350 2830	1			GEAR, Input With Manual Transmission

**MODEL CODES:**

15 = Grand Wagoneer 4 Dr.	65 = Comanche 4WD-7 Ft. Box	77 = Cherokee 4WD-2 Dr.
25 = J-10 Pickup-119" W.B.	66 = Comanche 2WD-7 Ft. Box	78 = Cherokee 4WD-4 Dr.
26 = J-10 Pickup-131" W.B.	73 = Cherokee 2WD-2 Dr.	79 = Cherokee 4WD-4 Dr.-Com
27 = J-20 Pickup-131" W.B.	74 = Cherokee 2WD-4 Dr.	81 = Wrangler-93" W.B.
63 = Comanche 4WD-6 Ft. Box	75 = Wagoneer 4WD-4 Dr.	82 = Wrangler-103" W.B.-Exp.
64 = Comanche 2WD-6 Ft. Box		

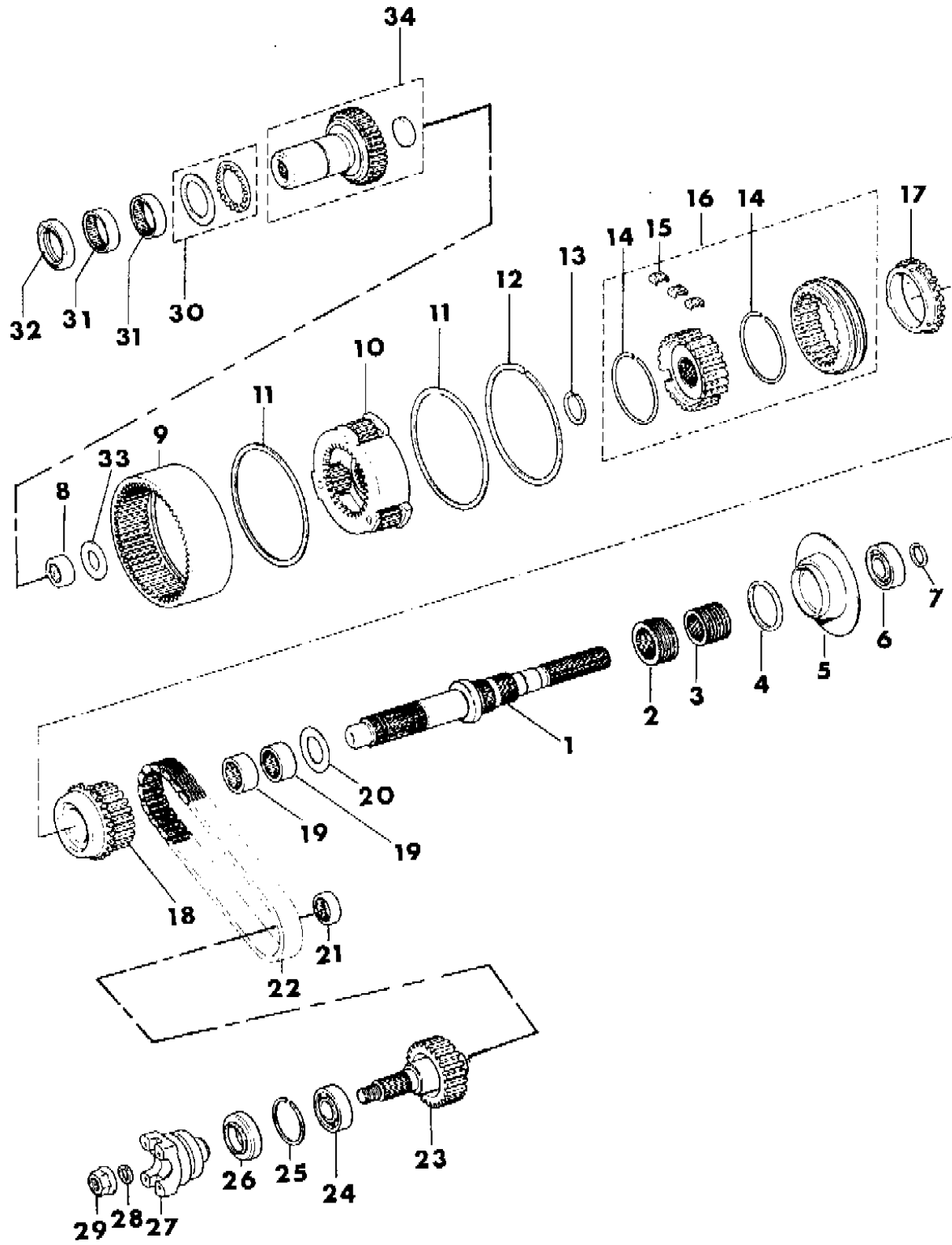
**BODY STYLES:**

MJ = Comanche Pickup  
 SJ = Grand Wagoneer Wgn., J-10 & J-20 Pickups  
 XJ = Cherokee, Wagoneer Limited  
 YJ = Wrangler

AR = Use as Required - = Non Illustrated Part P.A.R. = Paint as Required

**GEAR TRAIN N.P.G. MODEL 207 TRANSFER CASE WRANGLER, YJ**  
**Figure 21M-2300**

8J21 2300 A



ITEM	PART NUMBER	QTY	BODY	MODEL	DESCRIPTION
------	-------------	-----	------	-------	-------------

	J813 4495	1			With Automatic Transmission

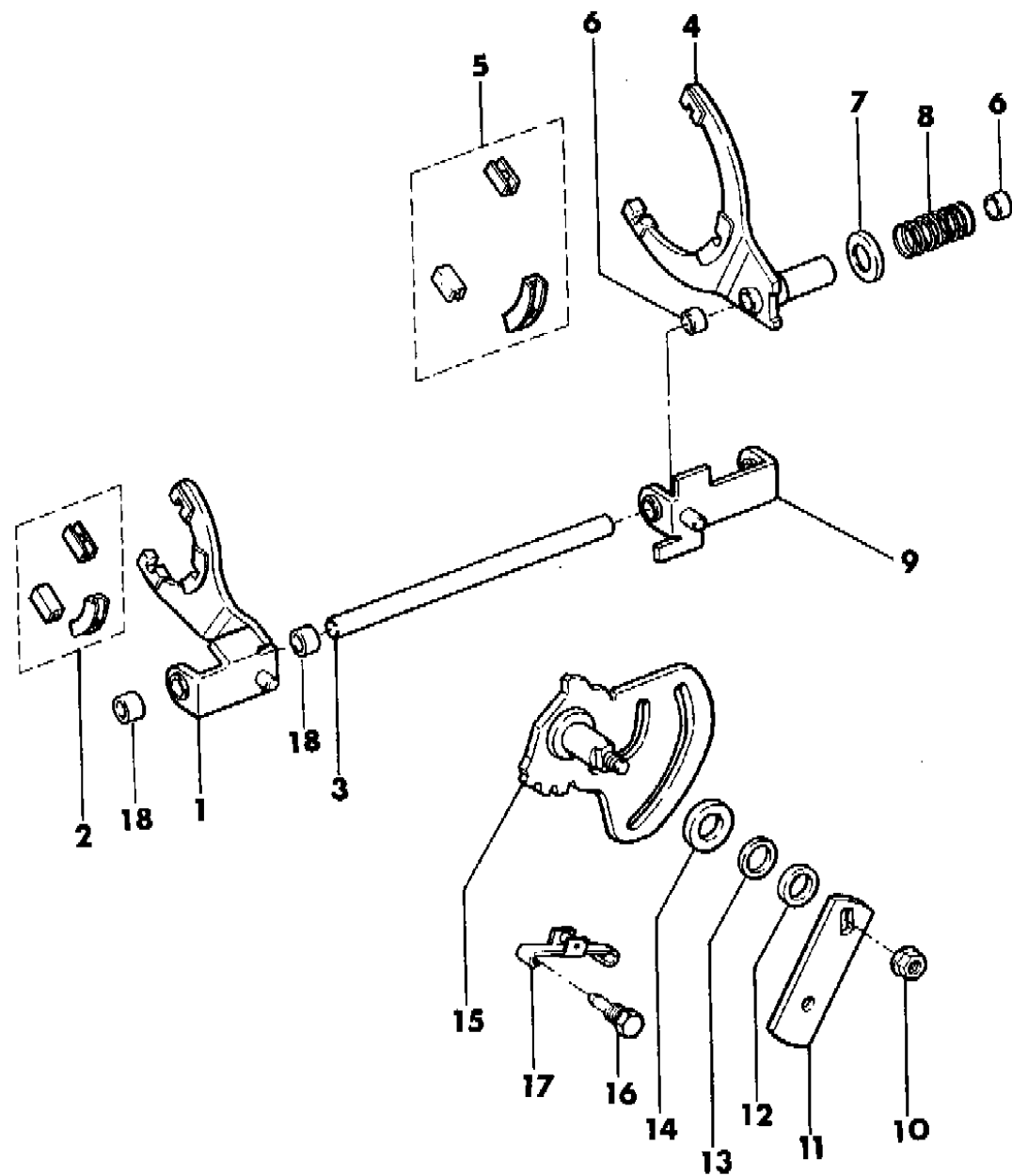
MODEL CODES:  
 15 = Grand Wagoneer 4 Dr.      65 = Comanche 4WD-7 Ft. Box      77 = Cherokee 4WD-2 Dr.  
 25 = J-10 Pickup-119" W.B.      66 = Comanche 2WD-7 Ft. Box      78 = Cherokee 4WD-4 Dr.  
 26 = J-10 Pickup-131" W.B.      73 = Cherokee 2WD-2 Dr.      79 = Cherokee 4WD-4 Dr.-Com  
 27 = J-20 Pickup-131" W.B.      74 = Cherokee 2WD-4 Dr.      81 = Wrangler-93" W.B.  
 63 = Comanche 4WD-6 Ft. Box      75 = Wagoneer 4WD-4 Dr.      82 = Wrangler-103" W.B.-Exp.  
 64 = Comanche 2WD-6 Ft. Box

BODY STYLES:  
 MJ = Comanche Pickup  
 SJ = Grand Wagoneer Wgn., J-10 & J-20 Pickups  
 XJ = Cherokee, Wagoneer Limited  
 YJ = Wrangler

AR = Use as Required - = Non Illustrated Part P.A.R. = Paint as Required

**FORKS, RAILS, SHAFTS - SHIFTING N.P.G. MODEL 207 TRANSFER CASE WRANGLER, YJ**  
**Figure 21M-2400**

8J21 2400



ITEM	PART NUMBER	QTY	BODY	MODEL	DESCRIPTION
1	J813 4459	1			FORK ASSEMBLY, Range Shift
2	8350 0994	1			PAD PACKAGE, Shift Fork ***
3	J813 4466	1			RAIL, Transfer Case Shift
4	J813 4461	1			FORK ASSEMBLY, Mode Shift
5	J813 4279	1			PAD PACKAGE, Shift Fork ***
6	J813 4465	2			BUSHING, Shift Lever
7	J813 4464	1			CUP
8	J813 4463	1			SPRING, Shifter
9	J813 4462	1			BRACKET ASSEMBLY, Shift
10	J813 4477	1			NUT, Flange Lock
11					LEVER, Transfer Case Shift
	5300 4142	1			4 CYLINDER
	5300 3028	1			6 CYLINDER - W/Man Trans
	5300 4141	1			6 CYLINDER - W/Auto Trans
12	J813 0854	1			O-RING
13	J813 0853	1			RETAINER
14	J813 4458	1			SPACER, Shift Shaft
15	J813 4457	1			SECTOR ASSEMBLY, Shifter & Shaft ***
16	J813 4449	1			SCREW, Dog Point
17	J813 4448	1			SPRING, Sector Shift
18	J813 4460	2			BUSHING, Nylon

**MODEL CODES:**

15 = Grand Wagoneer 4 Dr.	65 = Comanche 4WD-7 Ft. Box	77 = Cherokee 4WD-2 Dr.
25 = J-10 Pickup-119" W.B.	66 = Comanche 2WD-7 Ft. Box	78 = Cherokee 4WD-4 Dr.
26 = J-10 Pickup-131" W.B.	73 = Cherokee 2WD-2 Dr.	79 = Cherokee 4WD-4 Dr.-Com
27 = J-20 Pickup-131" W.B.	74 = Cherokee 2WD-4 Dr.	81 = Wrangler-93" W.B.
63 = Comanche 4WD-6 Ft. Box	75 = Wagoneer 4WD-4 Dr.	82 = Wrangler-103" W.B.-Exp.
64 = Comanche 2WD-6 Ft. Box		

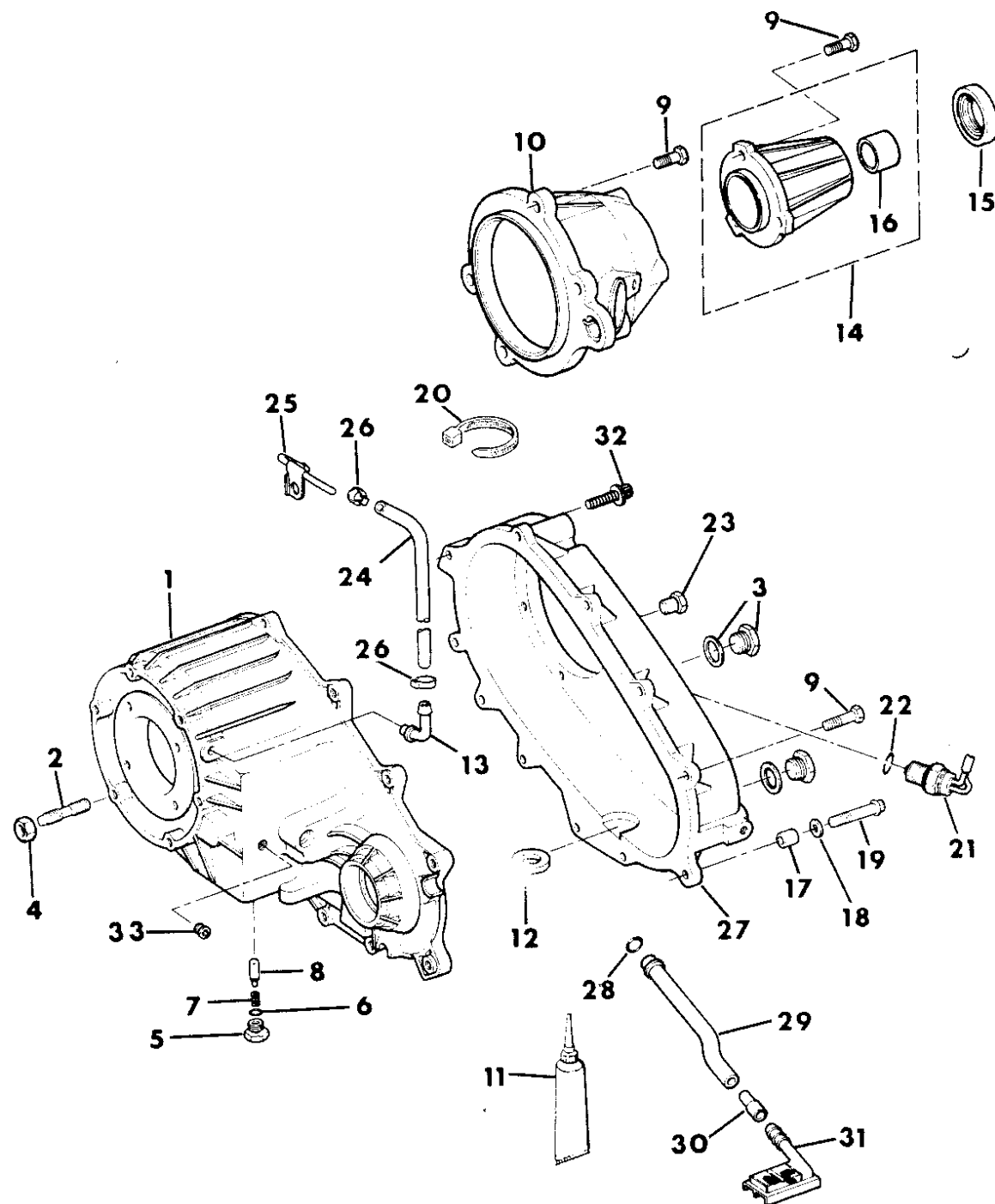
**BODY STYLES:**

MJ = Comanche Pickup  
 SJ = Grand Wagoneer Wgn., J-10 & J-20 Pickups  
 XJ = Cherokee, Wagoneer Limited  
 YJ = Wrangler

AR = Use as Required - = Non Illustrated Part P.A.R. = Paint as Required

CASE, EXTENSION AND MISCELLANEOUS PARTS N.P.G. MODEL 242 TRANSFER CASE CHEROKEE, WAGONEER, COMANCHE  
Figure 21M-2500

8 J212500



ITEM	PART NUMBER	QTY	BODY	MODEL	DESCRIPTION
1					CASE, Front
	8350 3500	1			1987-89: (A)
	5300 8225	1			1990: (B)
2					STUD
	J813 0805	1			1987-89: (A)
	4505 365	1			1990: (B)
3	J813 0824	2			PLUG, Drain
4	J400 6681	AR			NUT
5		1			SCREW
	8350 3697	1			1987-89: (A)
	5300 8216	1			1990: (B)
6	8350 3128	1			SEAL
7	8350 3126	1			SPRING
8					PLUNGER
	8350 3125	1			1987-89: (A)
	5300 8217	1			1990: (B)
9	J813 0984	15			BOLT
10	8350 3524	1			RETAINER
11					SEALER, Gasket-in-a-Tube ***
	J899 3317	AR			1987-89
	4318 025	1			1990
12	J813 0823	1			MAGNET
13	J813 1659	1			VENT
14	8350 3156	1			EXTENSION, Case
15	8350 1389	1			SEAL, Rear
16	J813 4490	1			BUSHING
17	J813 0872	2			DOWEL
18	4338 956	2			WASHER
19	1150 0831	2			BOLT
20	J322 3227	1			STRAP
21	8350 3525	1			SWITCH, 4Wheel Drive Indicator
22	J813 4485	1			SEAL
23	J813 1617	1			PLUG
24	J812 5823	AR			HOSE
25	5300 0805	1			TUBE
26	J400 6047	2			CLAMP
27	8350 3520	1			CASE, Rear

MODEL CODES:

15 = Grand Wagoneer 4 Dr.	65 = Comanche 4WD-7 Ft. Box	77 = Cherokee 4WD-2 Dr.
25 = J-10 Pickup-119" W.B.	66 = Comanche 2WD-7 Ft. Box	78 = Cherokee 4WD-4 Dr.
26 = J-10 Pickup-131" W.B.	73 = Cherokee 2WD-2 Dr.	79 = Cherokee 4WD-4 Dr.-Com
27 = J-20 Pickup-131" W.B.	74 = Cherokee 2WD-4 Dr.	81 = Wrangler-93" W.B.
63 = Comanche 4WD-6 Ft. Box	75 = Wagoneer 4WD-4 Dr.	82 = Wrangler-103" W.B.-Exp.
64 = Comanche 2WD-6 Ft. Box		

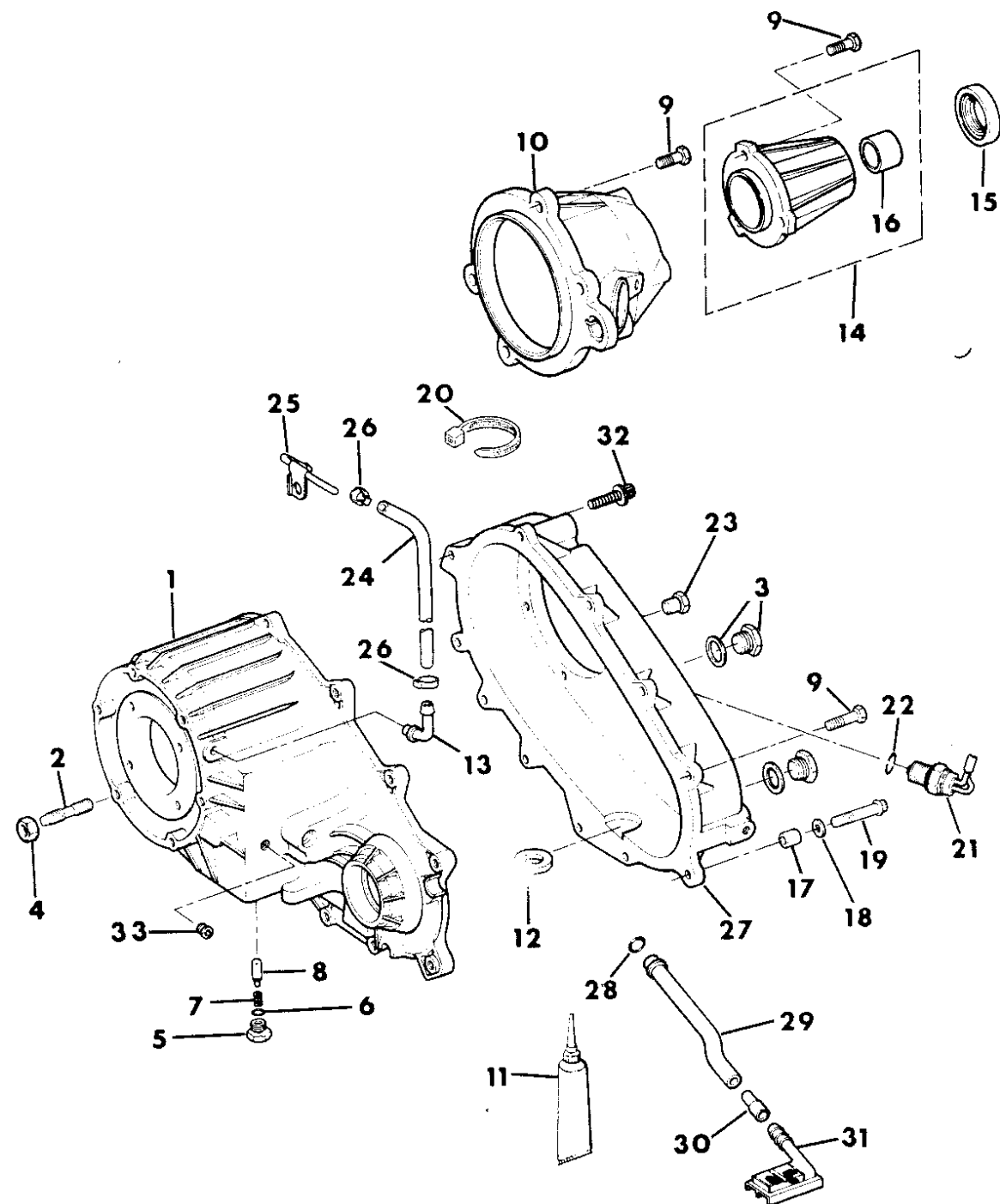
BODY STYLES:

MJ = Comanche Pickup
SJ = Grand Wagoneer Wgn., J-10 & J-20 Pickups
XJ = Cherokee, Wagoneer Limited
YJ = Wrangler

AR = Use as Required - = Non Illustrated Part P.A.R. = Paint as Required

CASE, EXTENSION AND MISCELLANEOUS PARTS N.P.G. MODEL 242 TRANSFER CASE CHEROKEE, WAGONEER, COMANCHE  
Figure 21M-2500

8 J212500



ITEM	PART NUMBER	QTY	BODY	MODEL	DESCRIPTION
28	8350 3149	1			SEAL
29	8350 3523	1			TUBE
30	J812 5843	AR			HOSE
31	8350 3152	1			SCREEN
32	J813 0979	1			BOLT
33	J813 1617	1			PLUG

NOTES: (A) For Vehicles Built with Transfer Cases: 53004269; 53005464.

(B) For Vehicles Built with Transfer Cases: 53006097; 53006098; 53008223; 53008224. (A) For Vehicles Built with Transfer Cases: 53004269; 53005464.

MODEL CODES:

15 = Grand Wagoneer 4 Dr.	65 = Comanche 4WD-7 Ft. Box	77 = Cherokee 4WD-2 Dr.
25 = J-10 Pickup-119" W.B.	66 = Comanche 2WD-7 Ft. Box	78 = Cherokee 4WD-4 Dr.
26 = J-10 Pickup-131" W.B.	73 = Cherokee 2WD-2 Dr.	79 = Cherokee 4WD-4 Dr.-Com
27 = J-20 Pickup-131" W.B.	74 = Cherokee 2WD-4 Dr.	81 = Wrangler-93" W.B.
63 = Comanche 4WD-6 Ft. Box	75 = Wagoneer 4WD-4 Dr.	82 = Wrangler-103" W.B.-Exp.
64 = Comanche 2WD-6 Ft. Box		

BODY STYLES:

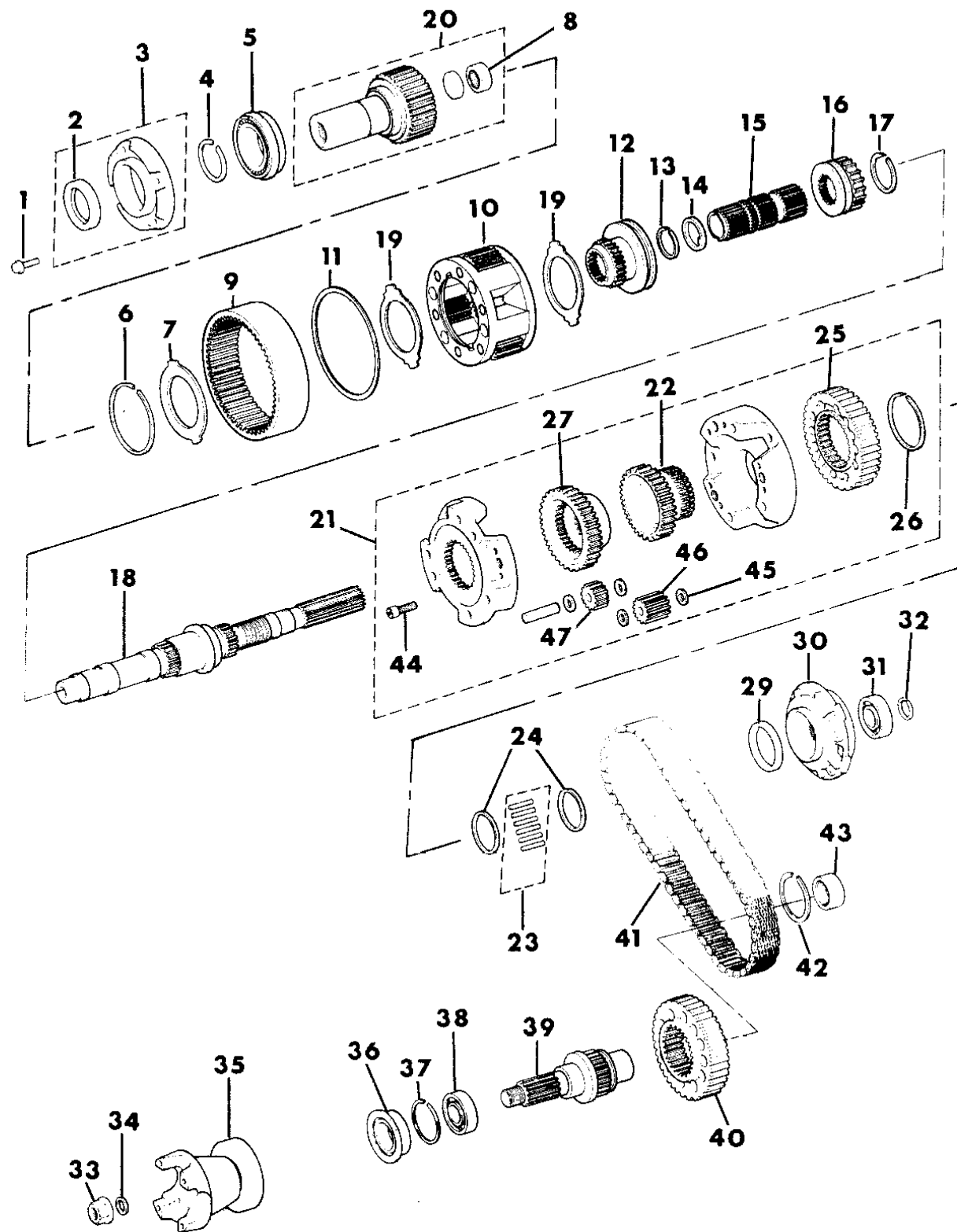
MJ = Comanche Pickup  
SJ = Grand Wagoneer Wgn., J-10 & J-20 Pickups  
XJ = Cherokee, Wagoneer Limited  
YJ = Wrangler

AR = Use as Required - = Non Illustrated Part P.A.R. = Paint as Required



**GEAR TRAIN N.P.G. MODEL 242 TRANSFER CASE CHEROKEE, WAGONEER, COMANCHE**  
**Figure 21M-2600**

8J21 2600



ITEM	PART NUMBER	QTY	BODY	MODEL	DESCRIPTION
1					BOLT
	8350 3135	4			1987-89: (A)
	6500 318	4			1989-90: (B)
2	J535 9457	1			SEAL
3					RETAINER
	8350 3133	1			1987-89: (A)
	4338 972	1			1989-90: (B)
4					RING, Retaining
	8350 3131	1			1987-89: (A)
	3821 558	1			1989-90: (B)
5	8350 3123	1			BEARING
6	8350 3527	1			RING, Retaining
7	8350 3526	1			RING, Retaining
8	8350 3507	1			BEARING
9	8350 3122	1			GEAR, Annulus
10					GEAR, Planetary
	4338 901	1			1987-89: (A)
	5300 6087	1			1989-90: (B)
11	J813 4454	1			RING, Retaining
12					SLEEVE, Range Mode Shift
	8350 3541	1			1987-89: (A)
	5300 6090	1			1989-90: (B)
13	8350 3540	1			RING, Retaining
14	8350 3539	1			WASHER
15	8350 3538	1			SLEEVE, Intermediate
16	8350 3542	1			SLEEVE, Mode
17	8350 3537	1			RING, Retaining
18	8350 3528	1			SHAFT, Main Drive
19					WASHER, Thrust
	8350 3130	1			1987-89: (A)
	4338 908	1			1989-90: (B)
20					GEAR, Input
	8350 3506	1			1987-89: (A)
	5300 6086	1			1989-90: (B) 21 Teeth
21	8350 3529	1			DIFFERENTIAL ASSEMBLY
22	8350 3530	1			SPROCKET
23	8350 3543	1			BEARING PACKAGE

**MODEL CODES:**

15 = Grand Wagoneer 4 Dr.	65 = Comanche 4WD-7 Ft. Box	77 = Cherokee 4WD-2 Dr.
25 = J-10 Pickup-119" W.B.	66 = Comanche 2WD-7 Ft. Box	78 = Cherokee 4WD-4 Dr.
26 = J-10 Pickup-131" W.B.	73 = Cherokee 2WD-2 Dr.	79 = Cherokee 4WD-4 Dr.-Com
27 = J-20 Pickup-131" W.B.	74 = Cherokee 2WD-4 Dr.	81 = Wrangler-93" W.B.
63 = Comanche 4WD-6 Ft. Box	75 = Wagoneer 4WD-4 Dr.	82 = Wrangler-103" W.B.-Exp.
64 = Comanche 2WD-6 Ft. Box		

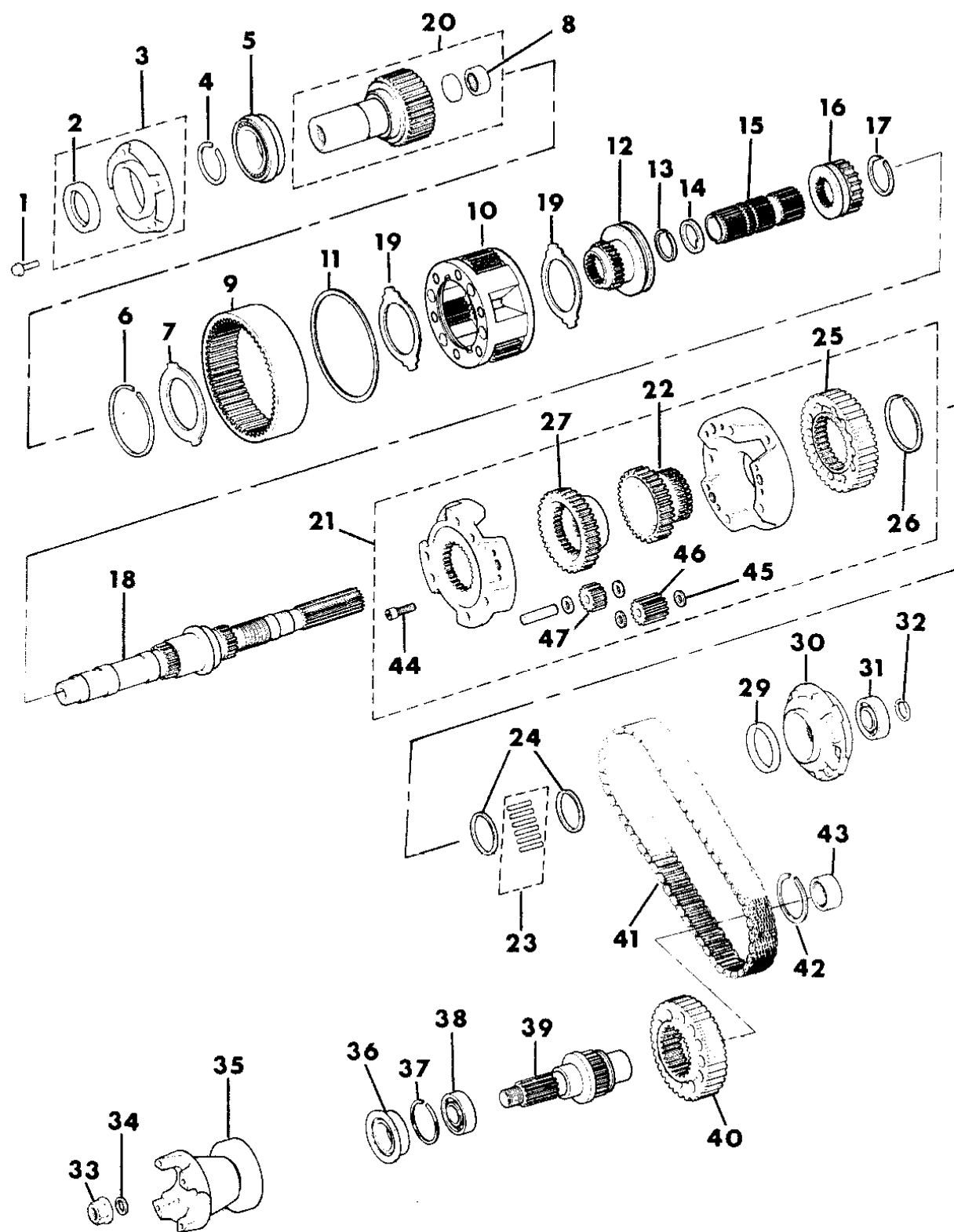
**BODY STYLES:**

MJ = Comanche Pickup
SJ = Grand Wagoneer Wgn., J-10 & J-20 Pickups
XJ = Cherokee, Wagoneer Limited
YJ = Wrangler

AR = Use as Required - = Non Illustrated Part P.A.R. = Paint as Required

**GEAR TRAIN N.P.G. MODEL 242 TRANSFER CASE CHEROKEE, WAGONEER, COMANCHE**  
**Figure 21M-2600**

8J21 2600



ITEM	PART NUMBER	QTY	BODY	MODEL	DESCRIPTION
24	8350 3533	2			SPACER
25	8350 3531	1			SPROCKET, Drive
26	8350 3532	1			RING, Retaining
27	8350 3536	1			GEAR
28	8350 3537	1			RING, Retaining
29	J813 0982	1			SEAL
30	8350 3148	1			PUMP, Oil
31					BEARING, Front Output
	J813 4445	1			1987-89: (A)
	4338 892	1			1989-90: (B)
32	J813 4488	1			RING, Retaining
33	J813 0816	1			NUT
34					WASHER
	8350 2518	1			1987-89: (A)
	4210 973	1			1989-90: (B)
35					YOKE, Transfer Case
	J813 0818	1			1987-89: (A)
	0 13 776	1			1989-90: (B)
36					SEAL, Output, Front
	8350 2508	1			Without Lip, (2.75ODx1.875IDx.54WD)
	8350 5290	1			With Lip, (2.97ODx1.875IDx.50WD)
37	8350 3502	1			RING, Snap Bearing Front
38	8350 3501	1			BEARING, Rear Output
39					SHAFT, Front Output
	8350 3517	1			1987-89: (A)
	4338 991	1			1989-90 (B)
40	8350 3518	1			SPROCKET, Driven
41	8350 4575	1			CHAIN, Drive
42					RING, Retaining
	J813 0802	1			1987-89: (A)
	4167 991	1			1989-90: (B)
43					BEARING
	8350 3154	1			1987-89: (A)
	4269 189	1			1989-90: (B)
44	8350 4167	6			BOLT, Transfer Case Differential
45	8350 4168	12			WASHER
46	8350 4169	3			GEAR, Transfer Case Differential

**MODEL CODES:**

15 = Grand Wagoneer 4 Dr.	65 = Comanche 4WD-7 Ft. Box	77 = Cherokee 4WD-2 Dr.
25 = J-10 Pickup-119" W.B.	66 = Comanche 2WD-7 Ft. Box	78 = Cherokee 4WD-4 Dr.
26 = J-10 Pickup-131" W.B.	73 = Cherokee 2WD-2 Dr.	79 = Cherokee 4WD-4 Dr.-Com
27 = J-20 Pickup-131" W.B.	74 = Cherokee 2WD-4 Dr.	81 = Wrangler-93" W.B.
63 = Comanche 4WD-6 Ft. Box	75 = Wagoneer 4WD-4 Dr.	82 = Wrangler-103" W.B.-Exp.
64 = Comanche 2WD-6 Ft. Box		

**BODY STYLES:**

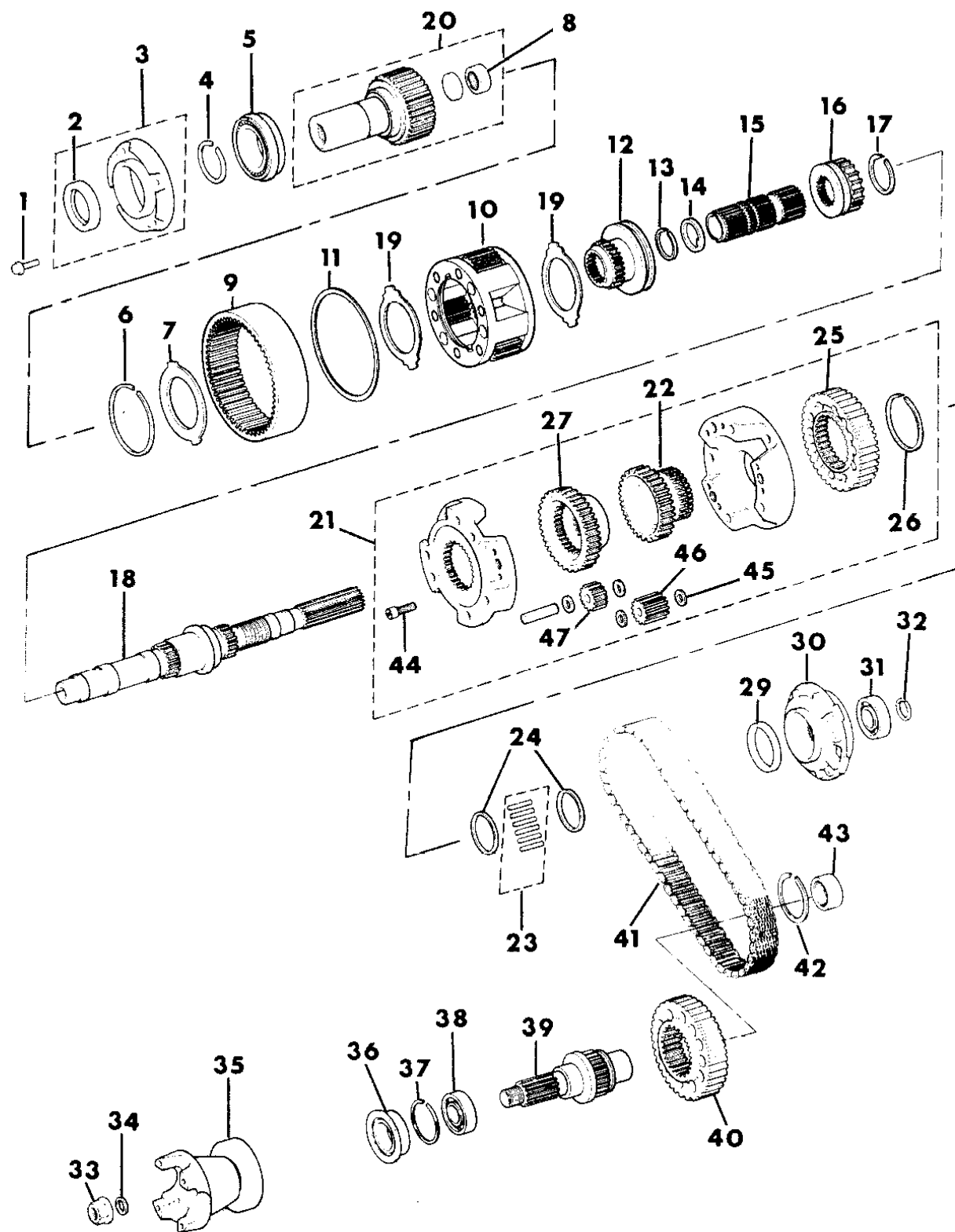
MJ = Comanche Pickup  
 SJ = Grand Wagoneer Wgn., J-10 & J-20 Pickups  
 XJ = Cherokee, Wagoneer Limited  
 YJ = Wrangler

AR = Use as Required - = Non Illustrated Part P.A.R. = Paint as Required

GEAR TRAIN N.P.G. MODEL 242 TRANSFER CASE CHEROKEE, WAGONEER, COMANCHE

Figure 21M-2600

8J21 2600



ITEM	PART NUMBER	QTY	BODY	MODEL	DESCRIPTION
------	-------------	-----	------	-------	-------------

47	8350 4170	3			GEAR, Differential
(A) For Vehicles Built with Transfer Cases: 53004269; 53005464. (A) For Vehicles Built with Transfer Cases: 53004269; 53005464.					
(B) For Vehicles Built with Transfer Cases: 53006097; 53006098; 53008223; 53008224. (A) For Vehicles Built with Transfer Cases: 53004269; 53005464.					

MODEL CODES:

15 = Grand Wagoneer 4 Dr.	65 = Comanche 4WD-7 Ft. Box	77 = Cherokee 4WD-2 Dr.
25 = J-10 Pickup-119" W.B.	66 = Comanche 2WD-7 Ft. Box	78 = Cherokee 4WD-4 Dr.
26 = J-10 Pickup-131" W.B.	73 = Cherokee 2WD-2 Dr.	79 = Cherokee 4WD-4 Dr.-Com
27 = J-20 Pickup-131" W.B.	74 = Cherokee 2WD-4 Dr.	81 = Wrangler-93" W.B.
63 = Comanche 4WD-6 Ft. Box	75 = Wagoneer 4WD-4 Dr.	82 = Wrangler-103" W.B.-Exp.
64 = Comanche 2WD-6 Ft. Box		

BODY STYLES:

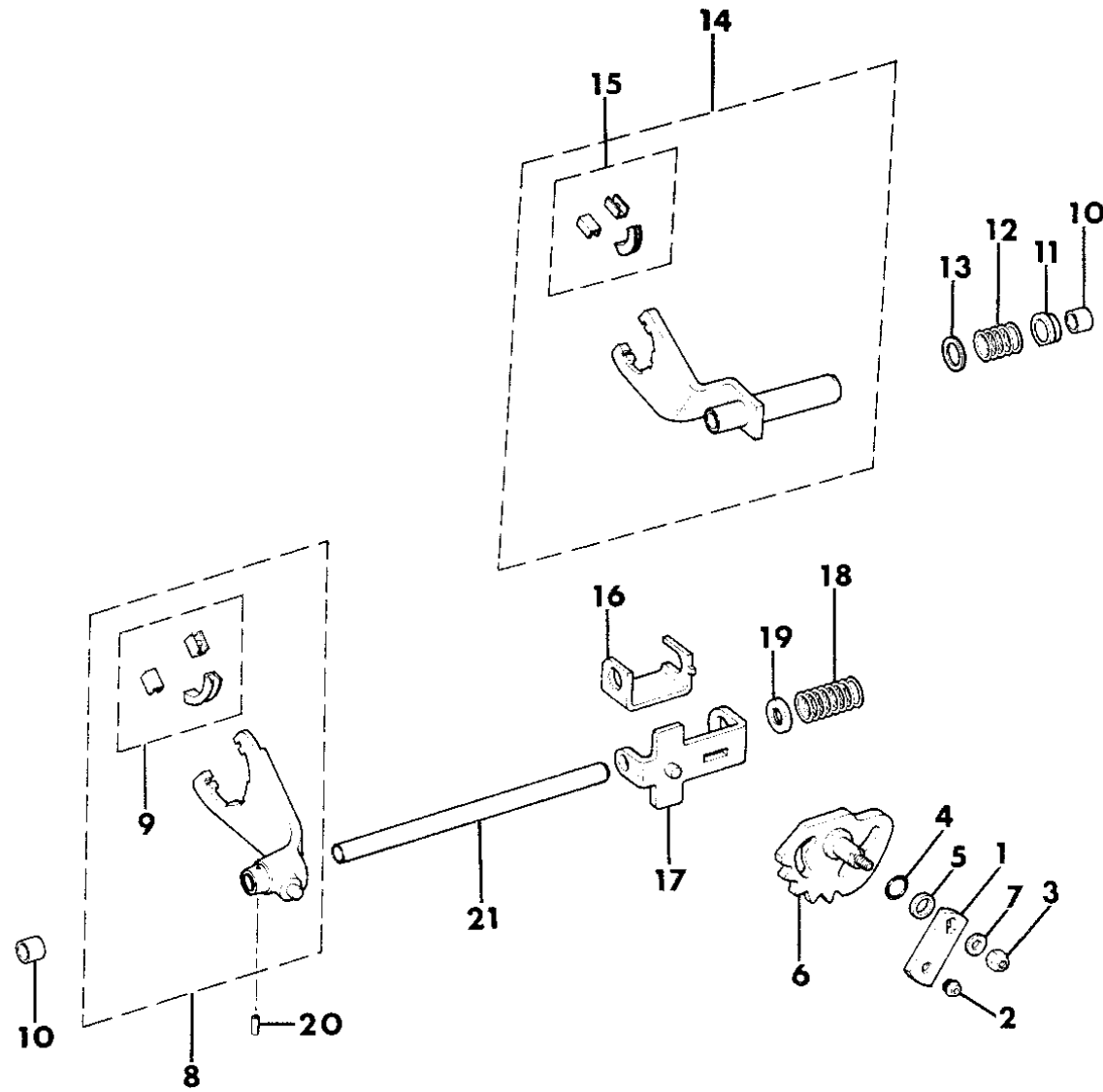
MJ = Comanche Pickup  
 SJ = Grand Wagoneer Wgn., J-10 & J-20 Pickups  
 XJ = Cherokee, Wagoneer Limited  
 YJ = Wrangler

AR = Use as Required - = Non Illustrated Part P.A.R. = Paint as Required

FORKS, RAILS - SHIFTING N.P.G. MODEL 242 TRANSFER CASE CHEROKEE, WAGONEER, COMANCHE

Figure 21M-2700

8J21 2700



ITEM	PART NUMBER	QTY	BODY	MODEL	DESCRIPTION
1	5300 4227	1			LEVER
2	5300 4810	1			BUSHING
3	J813 0813	1			NUT
4	J813 0854	1			SEAL
5	J813 0853	1			RETAINING
6	8350 3503	1			SECTOR
7	J012 0394	1			WASHER
8	8350 3508	1			FORK, Range Shift
9	J813 4279	1			PAD PACKAGE, Shift Fork
10	8350 3139	2			BUSHING
11	8350 3514	1			BUSHING
12	8350 3513	1			SPRING
13	8350 3512	1			WASHER
14	8350 3509	1			FORK, Mode Shift
15	8350 0994	1			PAD PACKAGE, Shift Kit
16	8350 3511	1			BRACKET, Shift, Inner
17	8350 3510	1			BRACKET, Shift, Outer
18	8350 3516	1			SPRING
19	8350 3515	1			CUP
20	1664 355	1			PIN
21	8350 4469	1			RAIL, Shift Fork

MODEL CODES:

15 = Grand Wagoneer 4 Dr.	65 = Comanche 4WD-7 Ft. Box	77 = Cherokee 4WD-2 Dr.
25 = J-10 Pickup-119" W.B.	66 = Comanche 2WD-7 Ft. Box	78 = Cherokee 4WD-4 Dr.
26 = J-10 Pickup-131" W.B.	73 = Cherokee 2WD-2 Dr.	79 = Cherokee 4WD-4 Dr.-Com
27 = J-20 Pickup-131" W.B.	74 = Cherokee 2WD-4 Dr.	81 = Wrangler-93" W.B.
63 = Comanche 4WD-6 Ft. Box	75 = Wagoneer 4WD-4 Dr.	82 = Wrangler-103" W.B.-Exp.
64 = Comanche 2WD-6 Ft. Box		

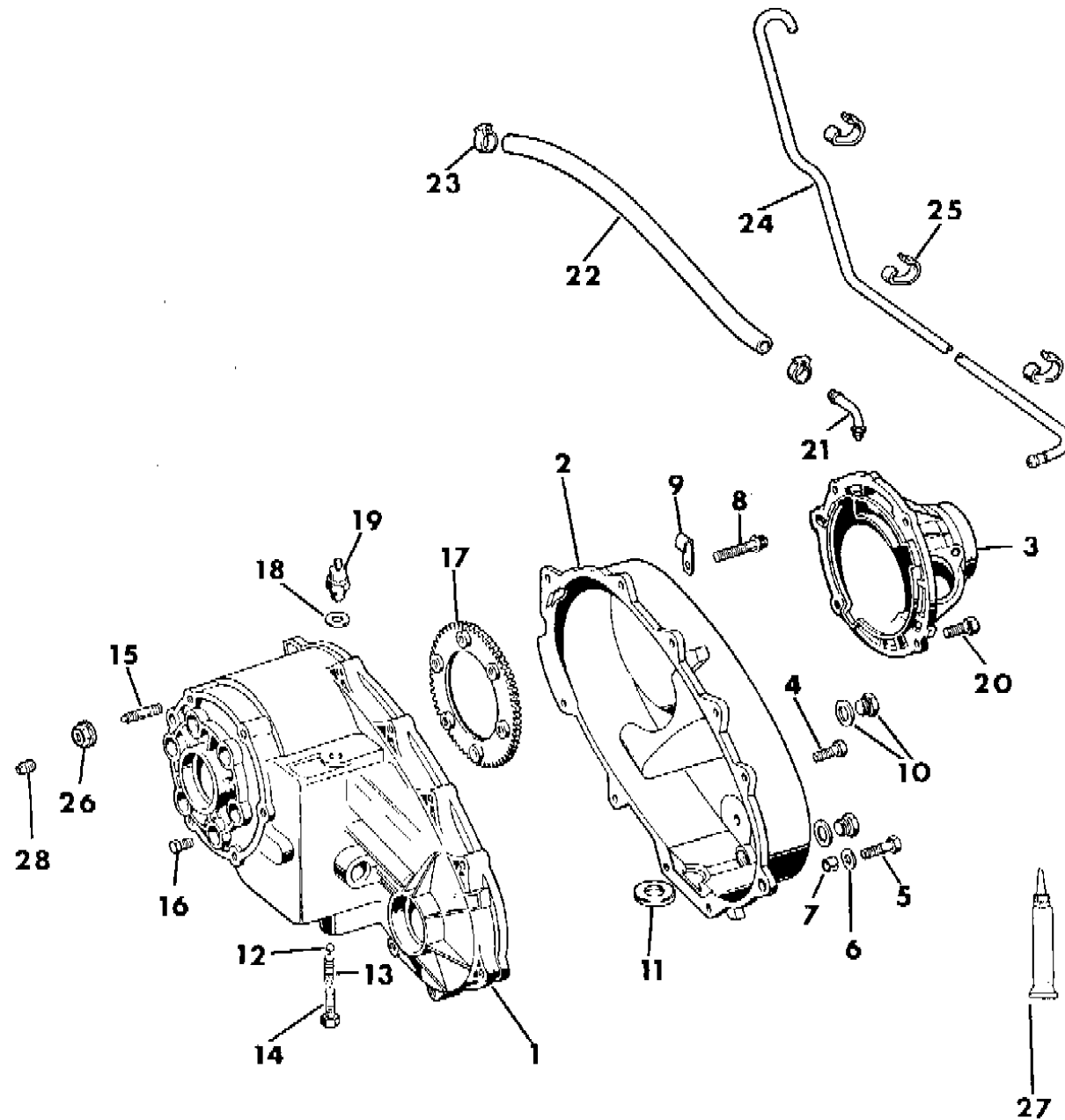
BODY STYLES:

MJ = Comanche Pickup  
 SJ = Grand Wagoneer Wgn., J-10 & J-20 Pickups  
 XJ = Cherokee, Wagoneer Limited  
 YJ = Wrangler

AR = Use as Required - = Non Illustrated Part P.A.R. = Paint as Required

CASE, EXTENSION AND MISC. PARTS N.P.G. MODEL 208 TRANSFER CASE GRAND WAGONEER, TRUCK J10, J20  
Figure 21M-2800

8 J21 2800 A



ITEM	PART NUMBER	QTY	BODY	MODEL	DESCRIPTION
1	J813 0867	1			CASE, Front
2	J813 0978	1			CASE, Rear
3	J813 0983	1			RETAINER
4	J813 0810	6			BOLT, (M10-1.5x30mm)
5	1150 0831	2			BOLT, (M10-1.5x35mm)
6	J400 1104	2			WASHER, (13/32IDx.875ODx.125thk)
7	J813 0872	2			DOWEL
8	J813 0979	1			BOLT, (M10-1.5x48mm)
9	J813 0980	1			CLIP
10	J813 0824	2			PLUG
11	J813 0823	1			MAGNET
12	8350 1349	1			BALL
13	J813 0856	1			SPRING
14	J813 0857	1			BOLT
15	J813 0805	6			STUD
16	J813 0874	6			BOLT, (M8-1x20mm)
17	J813 0873	1			PLATE
18	J813 0830	1			WASHER
19	J813 0829	1			SWITCH
20	J813 0984	4			BOLT, (M10-1.5x8mm)
21	J813 1659	1			VENT
22	J812 5823	AR			HOSE 1' Bulk ***
23	J400 6047	2			CLAMP
24					TUBE
	J536 3389	1			6 CYL. ENG.
	J536 1519	1			8 CYL. ENG.
25	J313 7319	3			CUP
26	J400 6681	6			NUT
27	J899 3317	AR			SEALER, Gasket-in-a-Tube ***
28	5300 0502	1			PLUG

MODEL CODES:

15 = Grand Wagoneer 4 Dr.	65 = Comanche 4WD-7 Ft. Box	77 = Cherokee 4WD-2 Dr.
25 = J-10 Pickup-119" W.B.	66 = Comanche 2WD-7 Ft. Box	78 = Cherokee 4WD-4 Dr.
26 = J-10 Pickup-131" W.B.	73 = Cherokee 2WD-2 Dr.	79 = Cherokee 4WD-4 Dr.-Com
27 = J-20 Pickup-131" W.B.	74 = Cherokee 2WD-4 Dr.	81 = Wrangler-93" W.B.
63 = Comanche 4WD-6 Ft. Box	75 = Wagoneer 4WD-4 Dr.	82 = Wrangler-103" W.B.-Exp.
64 = Comanche 2WD-6 Ft. Box		

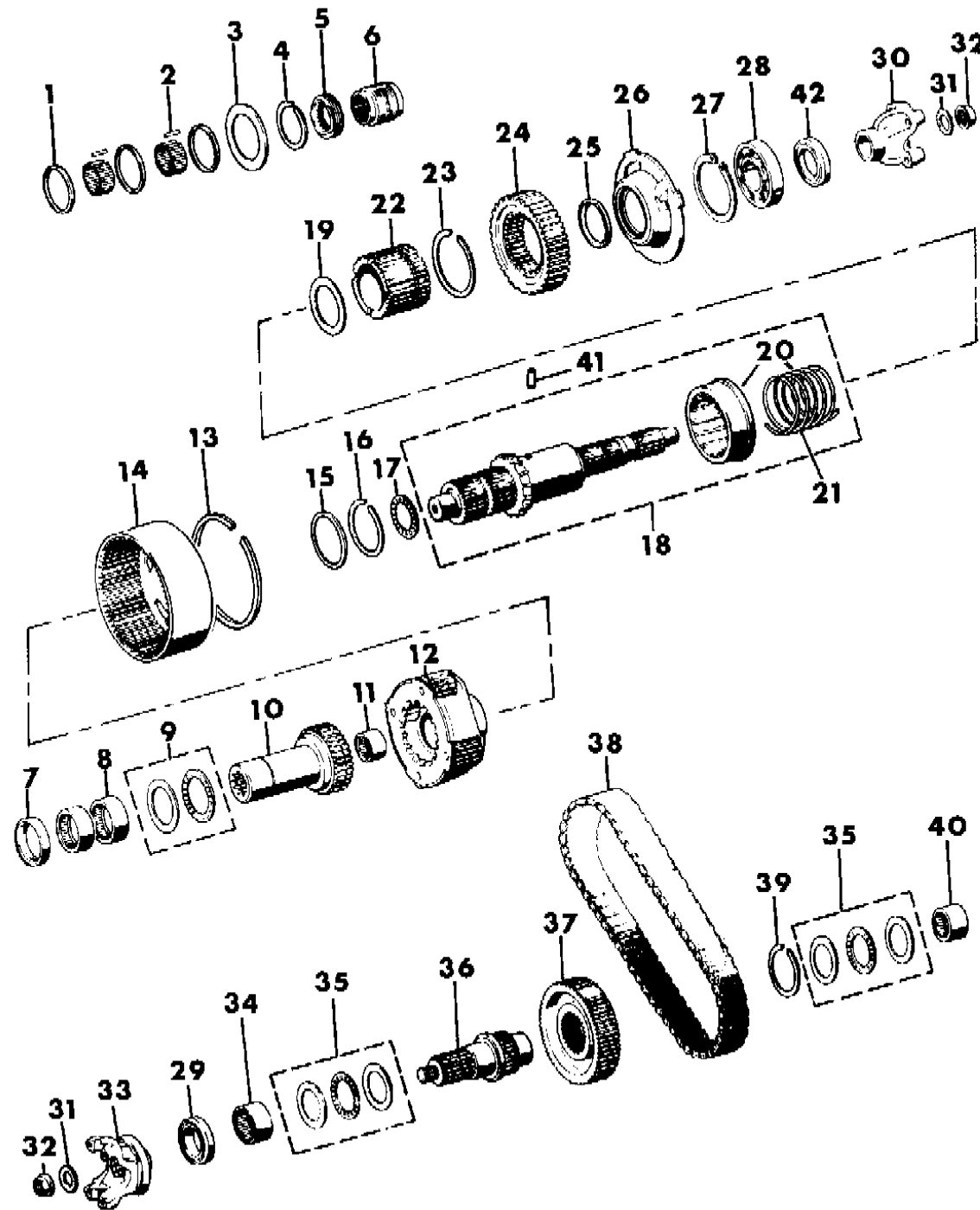
BODY STYLES:

MJ = Comanche Pickup  
 SJ = Grand Wagoneer Wgn., J-10 & J-20 Pickups  
 XJ = Cherokee, Wagoneer Limited  
 YJ = Wrangler

AR = Use as Required - = Non Illustrated Part P.A.R. = Paint as Required

**GEAR TRAIN N.P.G. MODEL 208 TRANSFER CASE GRAND WAGONEER, TRUCK J10, J20**  
**Figure 21M-2900**

8 J21 2900 A



ITEM	PART NUMBER	QTY	BODY	MODEL	DESCRIPTION
1	J813 0971	3			SPACER
2	J813 0972	1			BEARING
3	J813 4130	1			WASHER, Thrust
4	J813 0974	1			RING, Retaining
5	J813 0826	1			PUMP, Transfer Case, Oil
6	J813 0827	1			GEAR, Speedometer Drive
7	J535 9457	1			SEAL
8	J813 0868	2			BEARING
9	8350 2717	1			BEARING PACKAGE
10					GEAR, Input
	J813 0877	1			(A)
	J813 2818	1			(B)
	J813 0877	1			(C)
11	J813 0878	1			BEARING
12	J813 0862	1			GEAR, Planetary
13	J813 4454	1			RING, Retaining
14	8350 0259	1			GEAR, Transfer Case Annulus
15	8350 0258	1			WASHER, Thrust
16	J813 0866	1			RING, Retaining
17	J813 0879	1			BEARING, Thrust
18	8351 0093	1			SHAFT, Main Drive
19	J813 0967	1			WASHER, Thrust
20	8351 0094	1			CLUTCH
21	8350 1437	1			SPRING
22	J813 4541	1			CARRIER, Sprocket ***
23	J813 0970	1			RING, Retaining
24	J813 0968	1			SPROCKET, Drive
25	J813 0982	1			SEAL
26	J813 0981	1			HOUSING, Oil Pump
27	J813 4411	1			RING, Retaining
28	J813 6626	1			BEARING
29	8350 5290	1			SEAL
30	8350 3578	1			YOKE
31	J813 0815	1			WASHER, Rubber
32	J813 0816	1			NUT
33	J813 0818	1			YOKE
34	J813 0869	1			BEARING

**MODEL CODES:**

15 = Grand Wagoneer 4 Dr.	65 = Comanche 4WD-7 Ft. Box	77 = Cherokee 4WD-2 Dr.
25 = J-10 Pickup-119" W.B.	66 = Comanche 2WD-7 Ft. Box	78 = Cherokee 4WD-4 Dr.
26 = J-10 Pickup-131" W.B.	73 = Cherokee 2WD-2 Dr.	79 = Cherokee 4WD-4 Dr.-Com
27 = J-20 Pickup-131" W.B.	74 = Cherokee 2WD-4 Dr.	81 = Wrangler-93" W.B.
63 = Comanche 4WD-6 Ft. Box	75 = Wagoneer 4WD-4 Dr.	82 = Wrangler-103" W.B.-Exp.
64 = Comanche 2WD-6 Ft. Box		

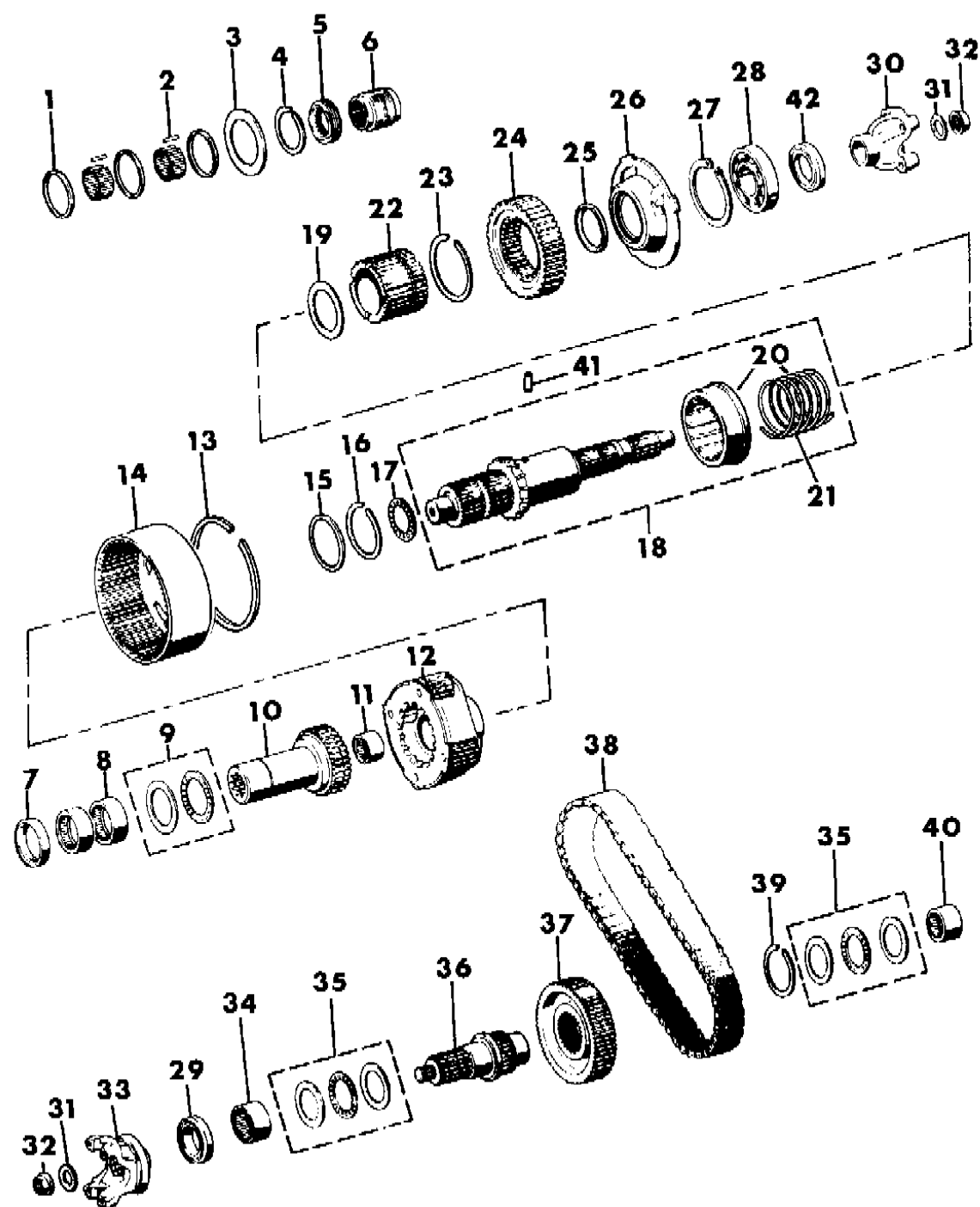
**BODY STYLES:**

MJ = Comanche Pickup
SJ = Grand Wagoneer Wgn., J-10 & J-20 Pickups
XJ = Cherokee, Wagoneer Limited
YJ = Wrangler

AR = Use as Required - = Non Illustrated Part P.A.R. = Paint as Required

**GEAR TRAIN N.P.G. MODEL 208 TRANSFER CASE GRAND WAGONEER, TRUCK J10, J20**  
**Figure 21M-2900**

**8 J21 2900 A**



ITEM	PART NUMBER	QTY	BODY	MODEL	DESCRIPTION
35	J813 0819	1			BEARING PACKAGE
36	J813 0976	1			SHAFT, Output
37	J813 0975	1			SPROCKET, Driven
38	J813 0977	1			CHAIN
39	J813 0802	1			RING, Retaining
40	J813 0836	1			BEARING
41	8351 0095	1			PIN
42	8350 2508	1			SEAL

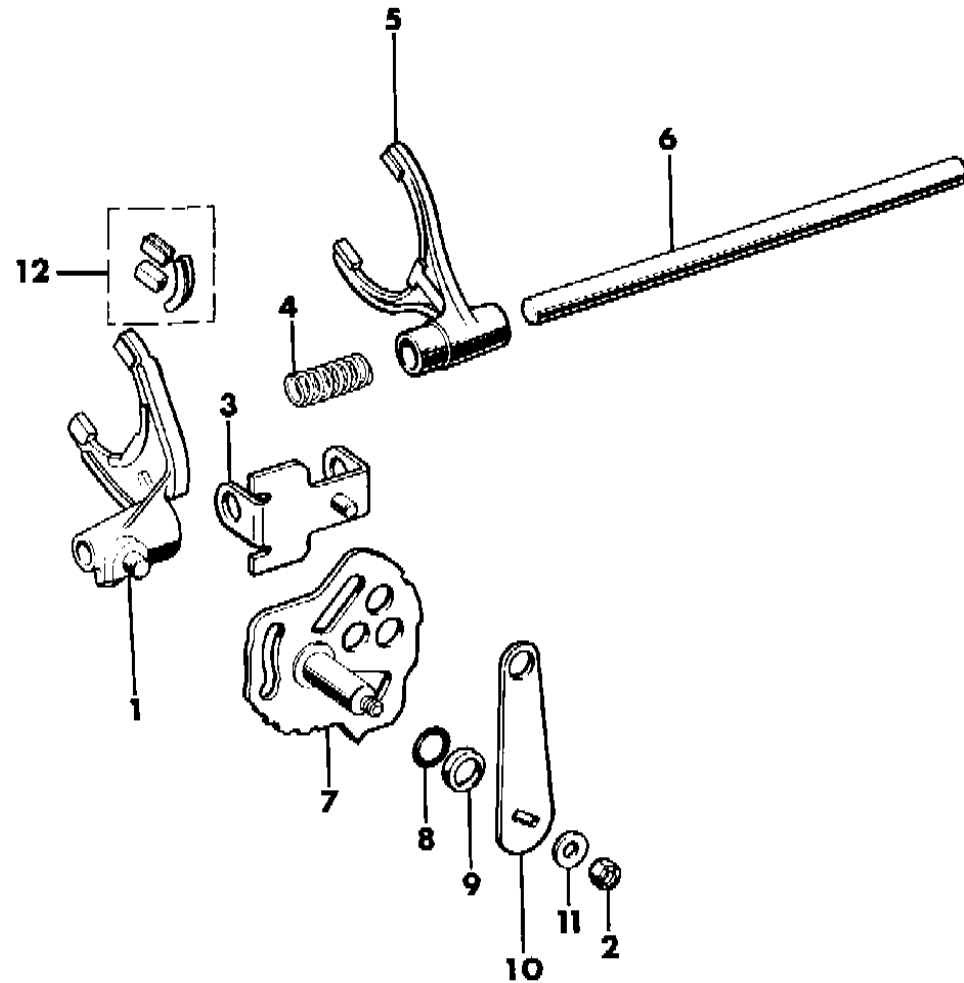
**MODEL CODES:**  
 15 = Grand Wagoneer 4 Dr.      65 = Comanche 4WD-7 Ft. Box      77 = Cherokee 4WD-2 Dr.  
 25 = J-10 Pickup-119" W.B.      66 = Comanche 2WD-7 Ft. Box      78 = Cherokee 4WD-4 Dr.  
 26 = J-10 Pickup-131" W.B.      73 = Cherokee 2WD-2 Dr.      79 = Cherokee 4WD-4 Dr.-Com  
 27 = J-20 Pickup-131" W.B.      74 = Cherokee 2WD-4 Dr.      81 = Wrangler-93" W.B.  
 63 = Comanche 4WD-6 Ft. Box      75 = Wagoneer 4WD-4 Dr.      82 = Wrangler-103" W.B.-Exp.  
 64 = Comanche 2WD-6 Ft. Box

**BODY STYLES:**  
 MJ = Comanche Pickup  
 SJ = Grand Wagoneer Wgn., J-10 & J-20 Pickups  
 XJ = Cherokee, Wagoneer Limited  
 YJ = Wrangler

AR = Use as Required - = Non Illustrated Part P.A.R. = Paint as Required

**FORKS, RAILS, SHIFT CONTROLS N.P.G. MODEL 208 TRANSFER CASE GRAND WAGONEER, TRUCK J10, J20**  
**Figure 21M-3000**

**8J21 3000 A**



ITEM	PART NUMBER	QTY	BODY	MODEL	DESCRIPTION
1	8350 0260	1			FORK, Range Shift
2	J813 0813	1			NUT
3	J813 0821	1			BRACKET, Shift
4	J813 0876	1			SPRING
5	J813 0851	1			FORK, Mode Shift
6	J813 0822	1			RAIL, Transfer Case Shift
7	J813 0820	1			SECTOR
8	J813 0854	1			O-RING
9	J813 0853	1			SEAL
10					LEVER, Transfer Case Shift
	J536 0185	1			(A)
	J536 0185	1			(B)
	J536 0082	1			(C)
11	J400 1104	1			WASHER
12	J813 0859	1			PAD PACKAGE ***

(A) For Vehicles Built with Transfer Case 33001383. (A) For Vehicles Built with Transfer Cases: 53004269; 53005464.  
 (B) For Vehicles Built with Transfer Case 33001384. (A) For Vehicles Built with Transfer Cases: 53004269; 53005464.  
 (C) For Vehicles Built with Transfer Case 33001385. (A) For Vehicles Built with Transfer Cases: 53004269; 53005464.

**MODEL CODES:**

15 = Grand Wagoneer 4 Dr.	65 = Comanche 4WD-7 Ft. Box	77 = Cherokee 4WD-2 Dr.
25 = J-10 Pickup-119" W.B.	66 = Comanche 2WD-7 Ft. Box	78 = Cherokee 4WD-4 Dr.
26 = J-10 Pickup-131" W.B.	73 = Cherokee 2WD-2 Dr.	79 = Cherokee 4WD-4 Dr.-Com
27 = J-20 Pickup-131" W.B.	74 = Cherokee 2WD-4 Dr.	81 = Wrangler-93" W.B.
63 = Comanche 4WD-6 Ft. Box	75 = Wagoneer 4WD-4 Dr.	82 = Wrangler-103" W.B.-Exp.
64 = Comanche 2WD-6 Ft. Box		

**BODY STYLES:**

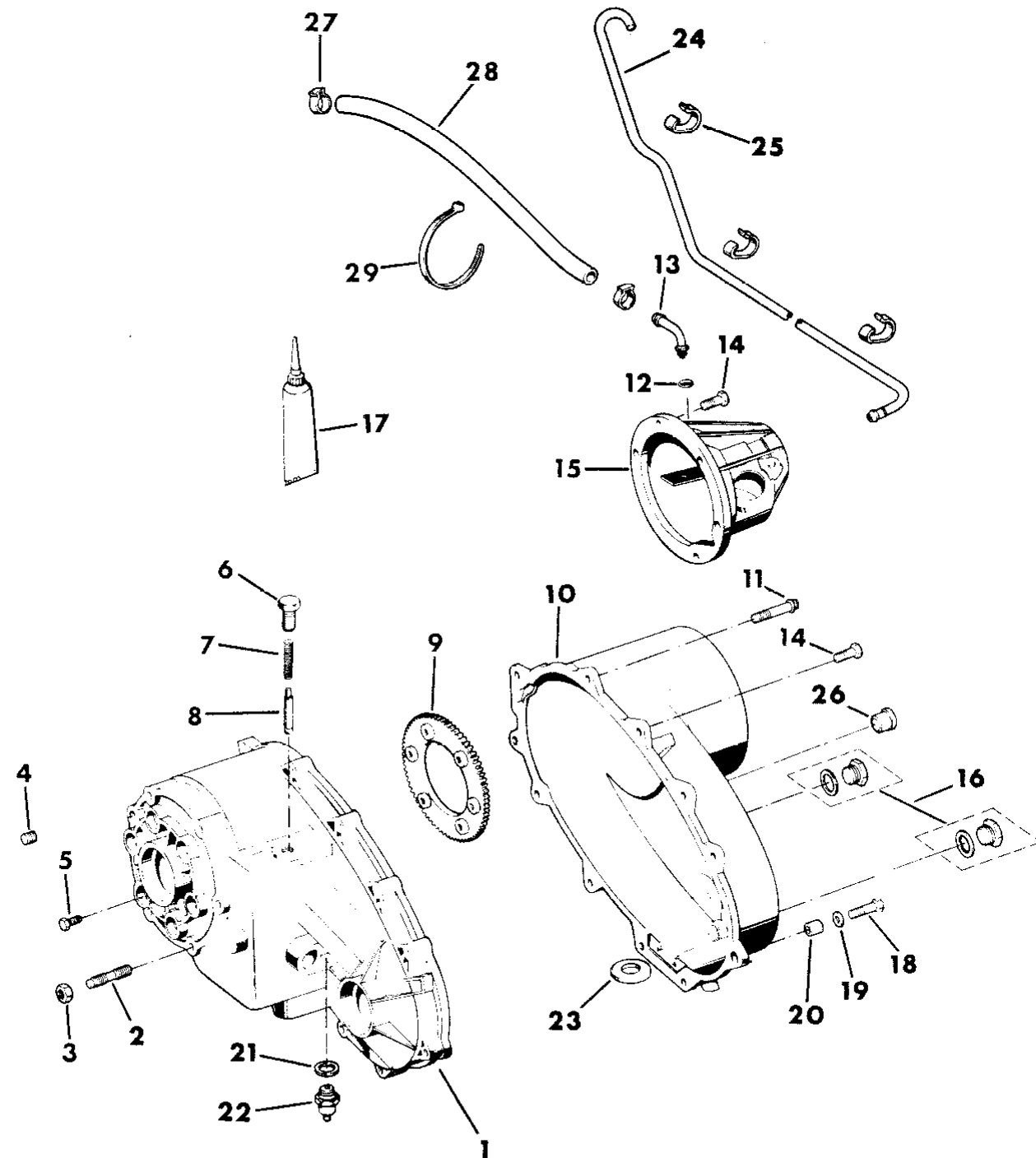
MJ = Comanche Pickup  
 SJ = Grand Wagoneer Wgn., J-10 & J-20 Pickups  
 XJ = Cherokee, Wagoneer Limited  
 YJ = Wrangler

AR = Use as Required - = Non Illustrated Part P.A.R. = Paint as Required



CASE, EXTENSION AND MISC. PARTS N.P.G. MODEL 229 TRANSFER CASE GRAND WAGONEER, TRUCK J10, J20  
Figure 21M-3100

8 J 21 3100



ITEM	PART NUMBER	QTY	BODY	MODEL	DESCRIPTION
1	0 15 608	1			CASE, Front
2					STUD, Front Case
	J813 0805	1			1987-89
	4505 365	1			1990
3	J400 6681	6			NUT
4	5300 0502	1			PLUG
5	J813 0874	6			BOLT
6	J813 3641	1			SCREW
7	J813 4289	1			SPRING
8					PLUNGER
	J813 4282	1			1989-90
	4338 071	1			1990
9					PLATE, Front Case
	J813 0873	1			1987-89
	4167 931	1			1990
10	8350 2613	1			CASE, Rear
11	J813 0979	1			BOLT
12	J813 3743	1			SEAL
13	J813 1659	1			VENT
14					BOLT
	J813 0810	AR			1987-89
	1150 0830	AR			1990
15					RETAINER
	J813 0806	1			1987-89
	0 13 693	1			1990
16					PLUG
	J813 0824	2			1987-89
	4210 616	2			1990
17					SEALER, Gasket-in-a-Tube ***
	J899 3317	1			1987-89 (Case of 12)
	4318 025	1			1990 (Single Tube)
18	1150 0831	1			BOLT
19	J400 1104	1			WASHER
20	J813 0872	1			DOWEL
21	J813 0830	1			SEAL
22	8350 2652	1			SWITCH ASSEMBLY, 4WD Indicator Lamp
23					MAGNET

MODEL CODES:

15 = Grand Wagoneer 4 Dr.	65 = Comanche 4WD-7 Ft. Box	77 = Cherokee 4WD-2 Dr.
25 = J-10 Pickup-119" W.B.	66 = Comanche 2WD-7 Ft. Box	78 = Cherokee 4WD-4 Dr.
26 = J-10 Pickup-131" W.B.	73 = Cherokee 2WD-2 Dr.	79 = Cherokee 4WD-4 Dr.-Com
27 = J-20 Pickup-131" W.B.	74 = Cherokee 2WD-4 Dr.	81 = Wrangler-93" W.B.
63 = Comanche 4WD-6 Ft. Box	75 = Wagoneer 4WD-4 Dr.	82 = Wrangler-103" W.B.-Exp.
64 = Comanche 2WD-6 Ft. Box		

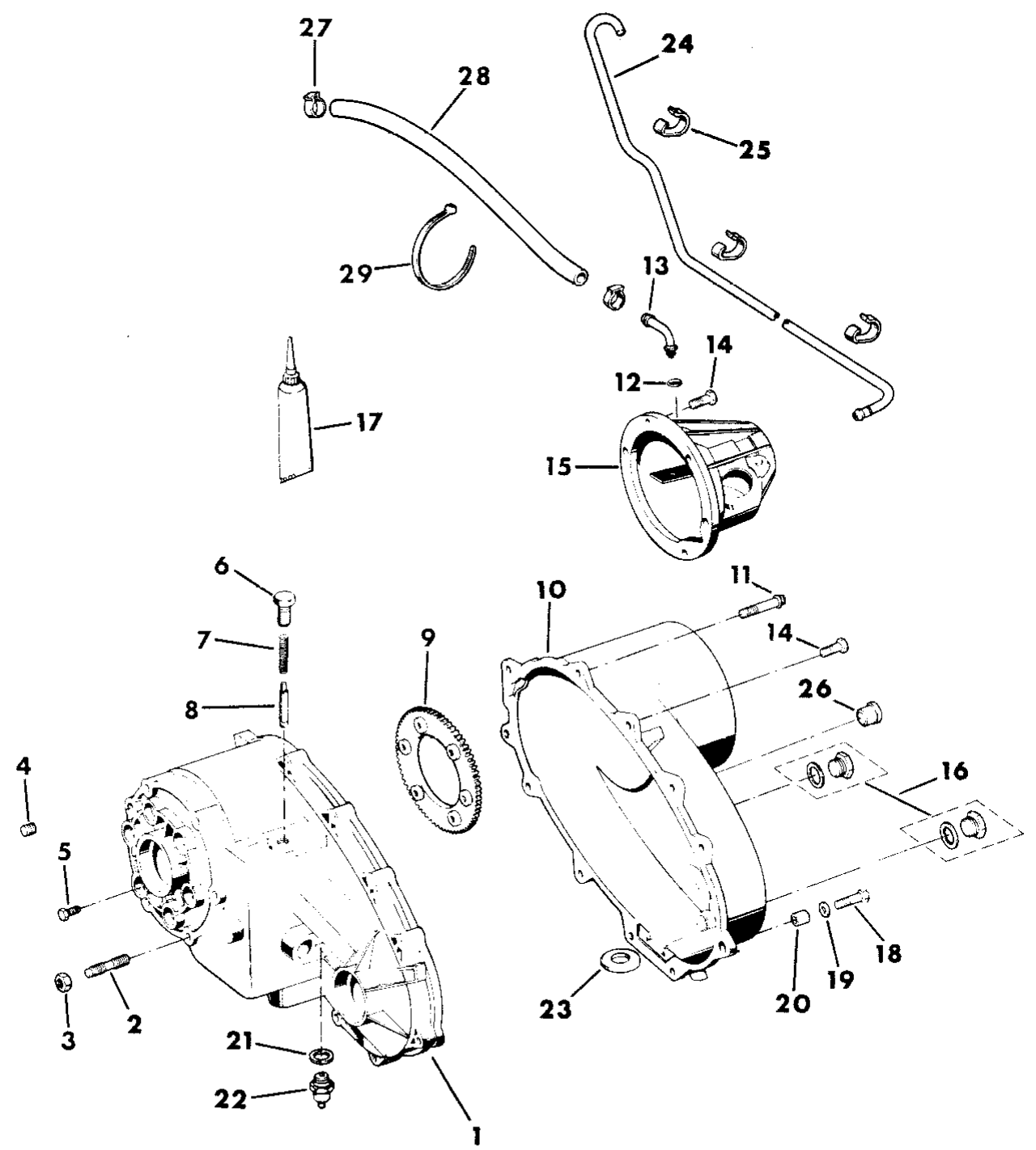
BODY STYLES:

MJ = Comanche Pickup  
 SJ = Grand Wagoneer Wgn., J-10 & J-20 Pickups  
 XJ = Cherokee, Wagoneer Limited  
 YJ = Wrangler

AR = Use as Required - = Non Illustrated Part P.A.R. = Paint as Required

CASE, EXTENSION AND MISC. PARTS N.P.G. MODEL 229 TRANSFER CASE GRAND WAGONEER, TRUCK J10, J20  
Figure 21M-3100

8 J 21 3100



ITEM	PART NUMBER	QTY	BODY	MODEL	DESCRIPTION
	J813 0823	1			1987-89
	3681 601	1			1990
24	J536 3389	1			TUBE 6 CYL. ENG.
	J536 1519	1			8 CYL. ENG.
25	J313 7319	3			CLIP
26	J813 1617	1			PLUG
27	J400 6047	2			CLAMP
28	J812 5823	AR			TUBE 1' Bulk ***
29					STRAP, Plastic
	J322 3227	1			1987-89
	6015 756	1			1990

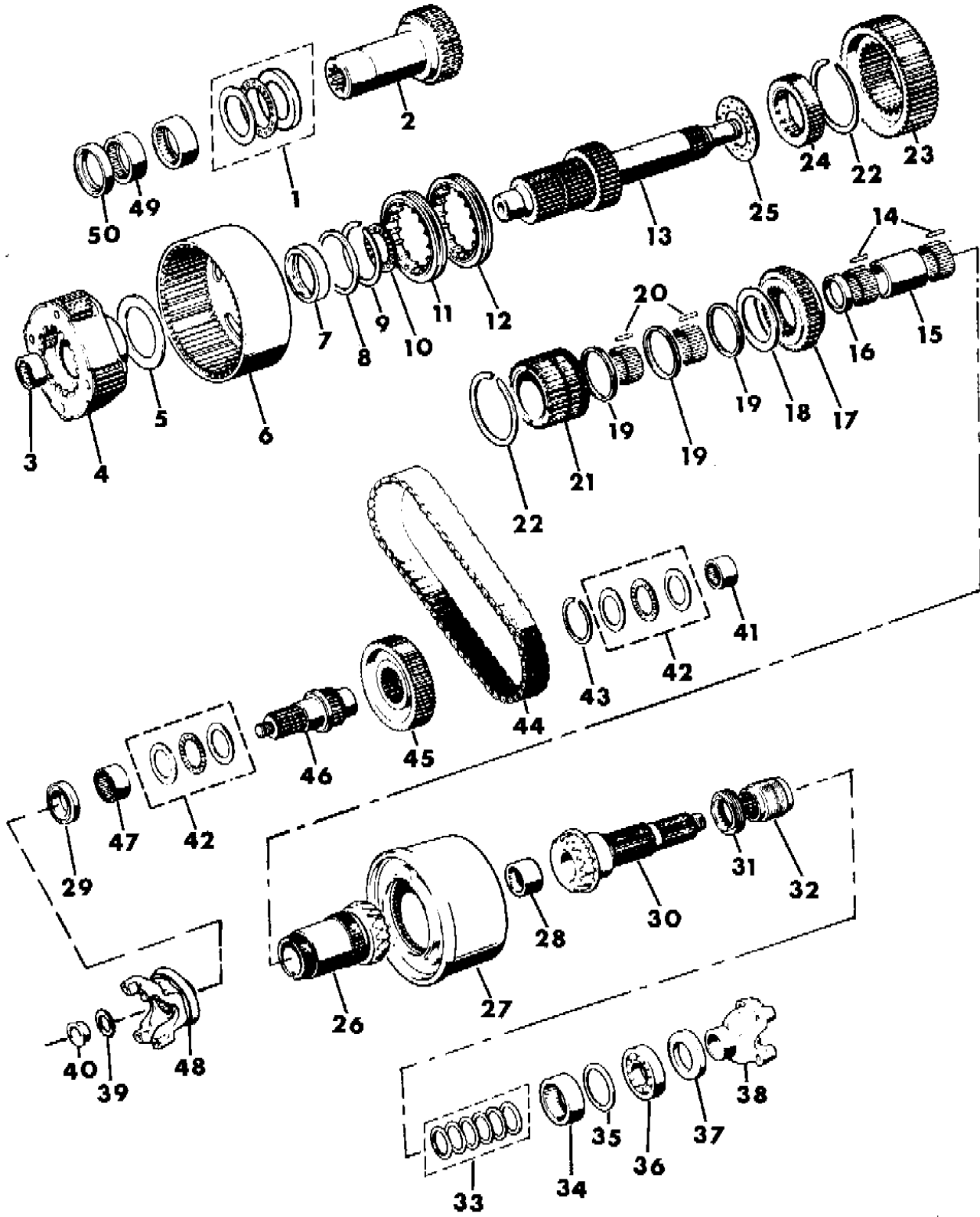
MODEL CODES:  
 15 = Grand Wagoneer 4 Dr.      65 = Comanche 4WD-7 Ft. Box      77 = Cherokee 4WD-2 Dr.  
 25 = J-10 Pickup-119" W.B.      66 = Comanche 2WD-7 Ft. Box      78 = Cherokee 4WD-4 Dr.  
 26 = J-10 Pickup-131" W.B.      73 = Cherokee 2WD-2 Dr.      79 = Cherokee 4WD-4 Dr.-Com  
 27 = J-20 Pickup-131" W.B.      74 = Cherokee 2WD-4 Dr.      81 = Wrangler-93" W.B.  
 63 = Comanche 4WD-6 Ft. Box      75 = Wagoneer 4WD-4 Dr.      82 = Wrangler-103" W.B.-Exp.  
 64 = Comanche 2WD-6 Ft. Box

BODY STYLES:  
 MJ = Comanche Pickup  
 SJ = Grand Wagoneer Wgn., J-10 & J-20 Pickups  
 XJ = Cherokee, Wagoneer Limited  
 YJ = Wrangler

AR = Use as Required - = Non Illustrated Part P.A.R. = Paint as Required

**GEAR TRAIN N.P.G. MODEL 229 TRANSFER CASE GRAND WAGONEER, TRUCK J10, J20**  
**Figure 21M-3200**

8 J21 3200 A



ITEM	PART NUMBER	QTY	BODY	MODEL	DESCRIPTION
1					BEARING PACKAGE, Input Shaft ***
	8350 0382	1			1987-89
	0 16 027	1			1990
2					SHAFT, Input 229 Transfer Case
	8350 0492	1			1987-89
	0 15 786	1			1990
3					BEARING, Planetary
	J813 0878	1			1987-89
	4269 187	1			1990
4					GEAR, Planetary 229 Transfer Case
	8350 0383	1			1987-89
	4329 198	1			1990
5					WASHER, Thrust
	J813 0863	1			
6					GEAR, Transfer Case Annulus
	J813 0864	1			1987-89
	4167 954	1			1990
7					BUSHING, Planetary Gear
	J813 3677	1			1987-89
	0 13 721	1			1990
8					WASHER, Thrust
	J813 0865	1			1987-89
	4167 959	1			1990
9					RING, Retaining
	J813 0866	1			1987-89
	3821 372	1			1990
10					BEARING
	J813 0879	1			1987-89
	4269 182	1			1990
11					COLLAR, Shift
	8350 2611	1			1987-89
	0 16 112	1			1990
12					COLLAR, Shift
	8350 2516	1			1987-89
	0 16 111	1			1990
13					SHAFT, Main Drive
	J813 4274	1			1987-89
	0 15 636	1			1990

**MODEL CODES:**

15 = Grand Wagoneer 4 Dr.	65 = Comanche 4WD-7 Ft. Box	77 = Cherokee 4WD-2 Dr.
25 = J-10 Pickup-119" W.B.	66 = Comanche 2WD-7 Ft. Box	78 = Cherokee 4WD-4 Dr.
26 = J-10 Pickup-131" W.B.	73 = Cherokee 2WD-2 Dr.	79 = Cherokee 4WD-4 Dr.-Com
27 = J-20 Pickup-131" W.B.	74 = Cherokee 2WD-4 Dr.	81 = Wrangler-93" W.B.
63 = Comanche 4WD-6 Ft. Box	75 = Wagoneer 4WD-4 Dr.	82 = Wrangler-103" W.B.-Exp.
64 = Comanche 2WD-6 Ft. Box		

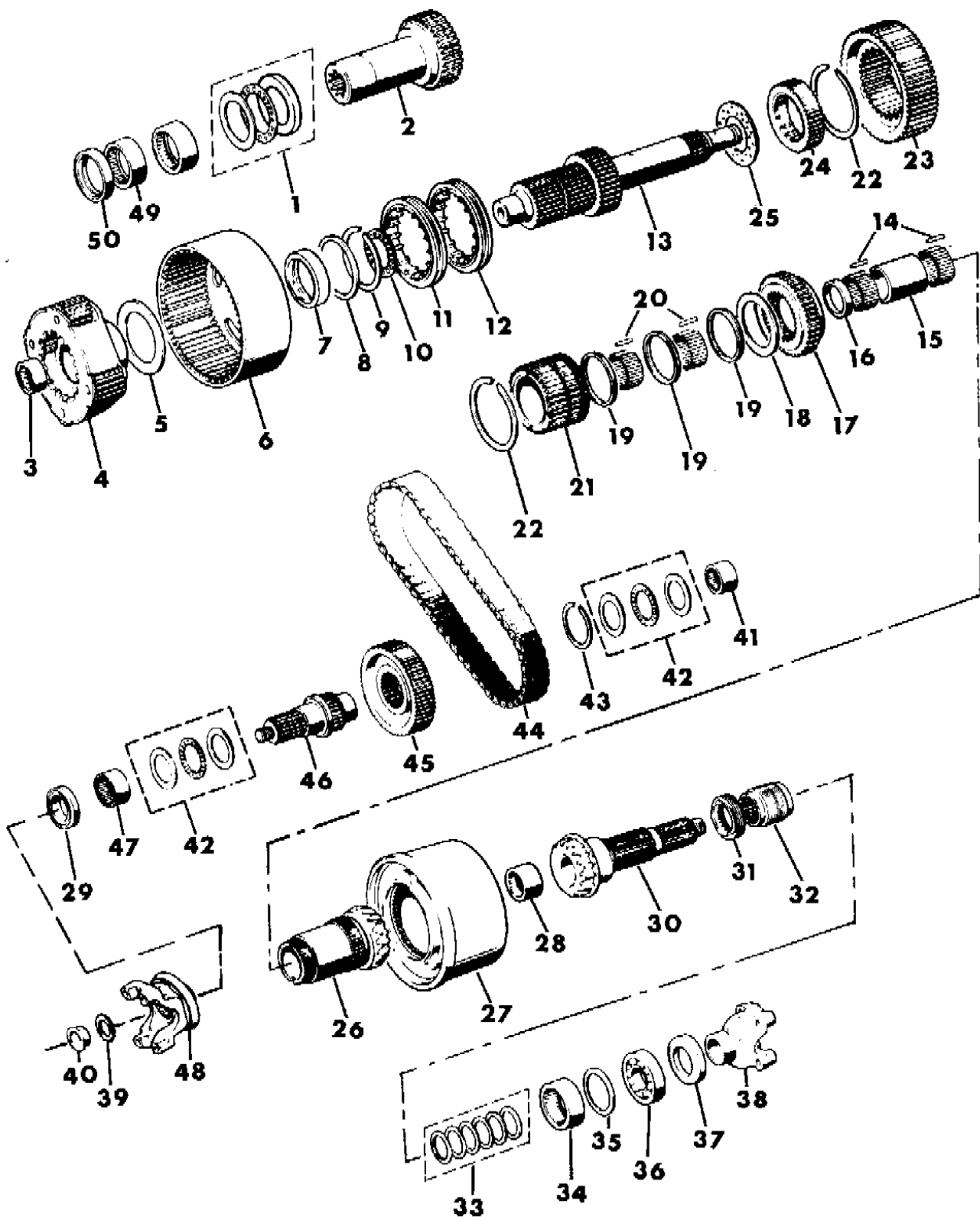
**BODY STYLES:**

MJ = Comanche Pickup
SJ = Grand Wagoneer Wgn., J-10 & J-20 Pickups
XJ = Cherokee, Wagoneer Limited
YJ = Wrangler

AR = Use as Required - = Non Illustrated Part P.A.R. = Paint as Required

**GEAR TRAIN N.P.G. MODEL 229 TRANSFER CASE GRAND WAGONEER, TRUCK J10, J20**  
**Figure 21M-3200**

8 J21 3200 A



ITEM	PART NUMBER	QTY	BODY	MODEL	DESCRIPTION
14	8350 0288	1			ROLLER PACKAGE (Contains 82 pcs) ***
15	J813 0847	1			SPACER 1987-89
	0 15 004	1			1990
16					SPACER
	J813 0848	1			1987-89
	3821 366	1			1990
17					GEAR
	J813 0801	1			1987-89
	0 13 854	1			1990
18					WASHER, Thrust
	J813 1613	1			1987-89
	0 13 842	1			1990
19					SPACER
	J813 1612	2			1987-89
	0 13 841	2			1990
20	J813 1611	1			ROLLER PACKAGE
21					CARRIER, Sprocket ***
	J813 3632	1			1987-89
	0 15 285	1			1990
22					RING, Retaining
	J813 0970	2			1987-89
	4167 984	2			1990
23					SPROCKET, Drive
	J813 1610	1			1987-89
	0 15 450	1			1990
24					GEAR, Sprocket Drive
	J813 3633	1			1989-89
	0 15 283	1			1990
25					WASHER, Thrust
	J813 0844	1			1987-89
	0 13 851	1			1990
26					GEAR, Side
	J813 1608	1			1987-89
	0 13 836	1			1990
27					VISCOUS, Drive ***
	J813 0800	1			1987-89

**MODEL CODES:**

15 = Grand Wagoneer 4 Dr.	65 = Comanche 4WD-7 Ft. Box	77 = Cherokee 4WD-2 Dr.
25 = J-10 Pickup-119" W.B.	66 = Comanche 2WD-7 Ft. Box	78 = Cherokee 4WD-4 Dr.
26 = J-10 Pickup-131" W.B.	73 = Cherokee 2WD-2 Dr.	79 = Cherokee 4WD-4 Dr.-Com
27 = J-20 Pickup-131" W.B.	74 = Cherokee 2WD-4 Dr.	81 = Wrangler-93" W.B.
63 = Comanche 4WD-6 Ft. Box	75 = Wagoneer 4WD-4 Dr.	82 = Wrangler-103" W.B.-Exp.
64 = Comanche 2WD-6 Ft. Box		

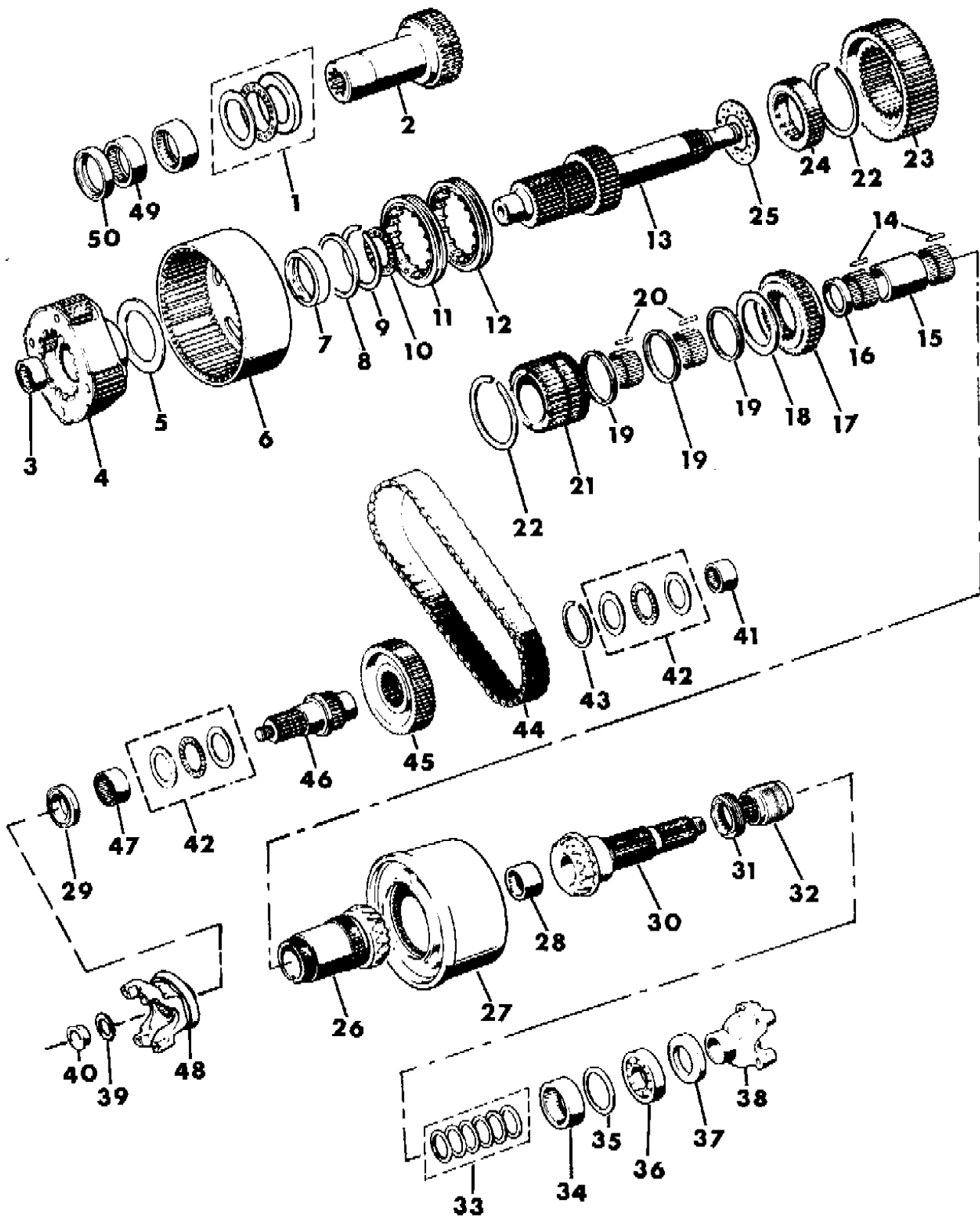
**BODY STYLES:**

MJ = Comanche Pickup  
 SJ = Grand Wagoneer Wgn., J-10 & J-20 Pickups  
 XJ = Cherokee, Wagoneer Limited  
 YJ = Wrangler

AR = Use as Required - = Non Illustrated Part P.A.R. = Paint as Required

**GEAR TRAIN N.P.G. MODEL 229 TRANSFER CASE GRAND WAGONEER, TRUCK J10, J20**  
**Figure 21M-3200**

8 J21 3200 A



ITEM	PART NUMBER	QTY	BODY	MODEL	DESCRIPTION
	0 13 855	1			1990
28	8350 3570	1			BEARING, Output Shaft
29	8350 5290	1			SEAL, Output Shaft
30					SHAFT, Output
	J813 0803	1			1987-89
	0 13 867	1			1990
31					PUMP, Transfer Case, Oil
	J813 3645	1			1987-89
	4446 463	1			1990
32					GEAR, Speedometer Drive 13 Teeth
	J813 3646	1			1987-89
	0 15 461	1			1990
33					SHIM PACKAGE, Output Shaft ***
	J813 0828	1			1987-89
	0 15 128	1			1990
34					BEARING
	J813 3644	1			1987-89
	0 15 462	1			1990
35	J813 0982	1			SEAL
36	J813 6626	1			BEARING, Yoke
37	8350 2508	1			SEAL, Yoke
38					YOKE PACKAGE ***
	8350 3578	1			1987-89
	0 13 775	1			1990
39	J813 0815	1			WASHER
40	J813 0816	2			NUT, Yoke
41					BEARING
	J813 0836	1			1987-89
	4269 189	1			1990
42					BEARING PACKAGE ***
	J813 0819	1			1987-89
	0 15 127	1			1990
43					RING, Retaining
	J813 0802	1			1987-89
	4167 991	1			1990
44	J813 0831	1			CHAIN, Drive
45					SPROCKET, Driven

**MODEL CODES:**

15 = Grand Wagoneer 4 Dr.	65 = Comanche 4WD-7 Ft. Box	77 = Cherokee 4WD-2 Dr.
25 = J-10 Pickup-119" W.B.	66 = Comanche 2WD-7 Ft. Box	78 = Cherokee 4WD-4 Dr.
26 = J-10 Pickup-131" W.B.	73 = Cherokee 2WD-2 Dr.	79 = Cherokee 4WD-4 Dr.-Com
27 = J-20 Pickup-131" W.B.	74 = Cherokee 2WD-4 Dr.	81 = Wrangler-93" W.B.
63 = Comanche 4WD-6 Ft. Box	75 = Wagoneer 4WD-4 Dr.	82 = Wrangler-103" W.B.-Exp.
64 = Comanche 2WD-6 Ft. Box		

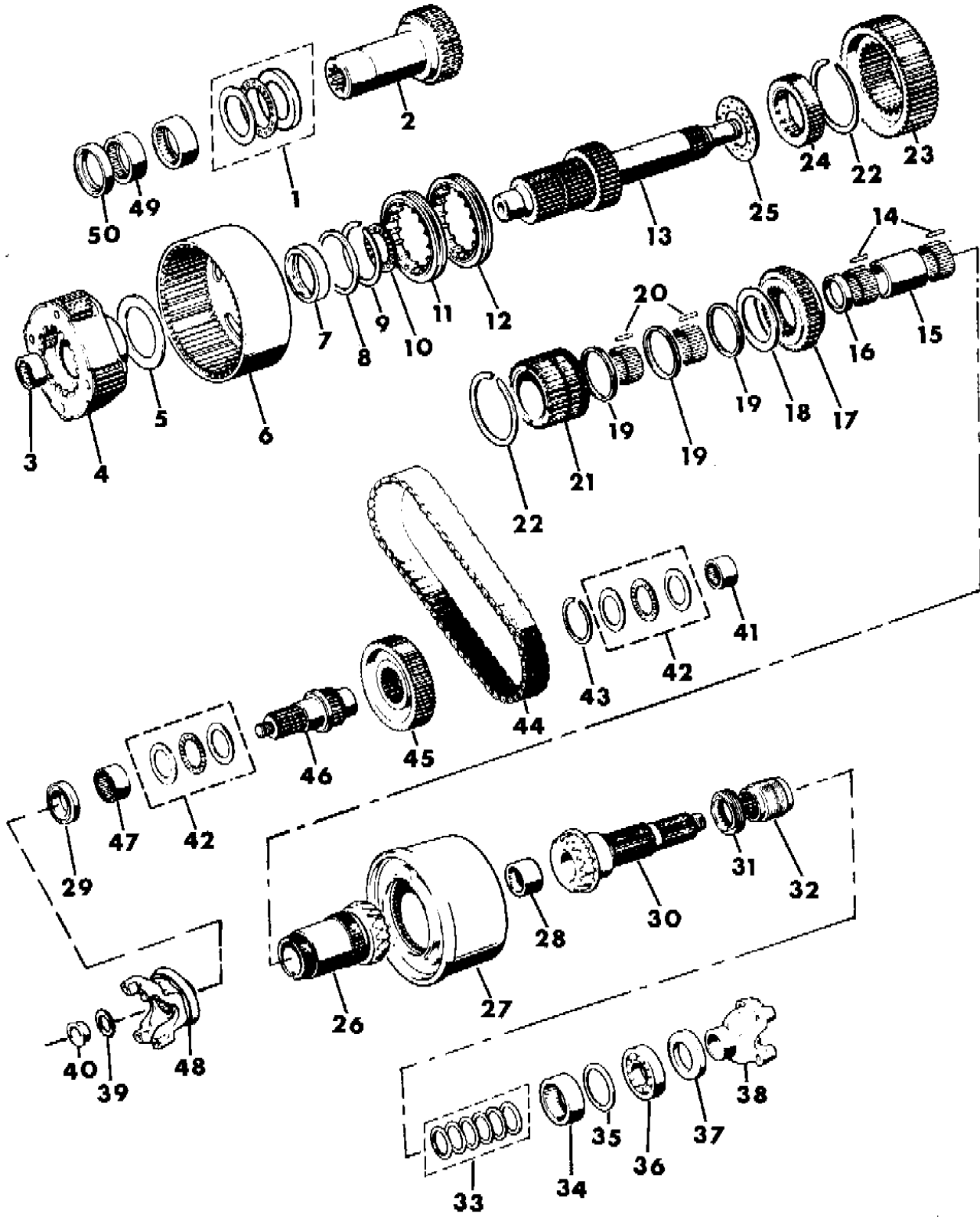
**BODY STYLES:**

MJ = Comanche Pickup  
 SJ = Grand Wagoneer Wgn., J-10 & J-20 Pickups  
 XJ = Cherokee, Wagoneer Limited  
 YJ = Wrangler

AR = Use as Required - = Non Illustrated Part P.A.R. = Paint as Required

**GEAR TRAIN N.P.G. MODEL 229 TRANSFER CASE GRAND WAGONEER, TRUCK J10, J20**  
**Figure 21M-3200**

8 J21 3200 A



ITEM	PART NUMBER	QTY	BODY	MODEL	DESCRIPTION
	J813 0849	1			1987-89
	0 15 451	1			1990
46	J813 0850	1			1987-89
	0 15 336	1			1990
47					BEARING
	J813 0869	1			1987-89
	4269 186	1			1990
48					FLANGE, With Slinger
	8350 3586	1			1987-89
	0 15 286	1			1990
49	J813 0868	2			BEARING
50	J535 9457	1			SEAL, Oil

**MODEL CODES:**

15 = Grand Wagoneer 4 Dr.	65 = Comanche 4WD-7 Ft. Box	77 = Cherokee 4WD-2 Dr.
25 = J-10 Pickup-119" W.B.	66 = Comanche 2WD-7 Ft. Box	78 = Cherokee 4WD-4 Dr.
26 = J-10 Pickup-131" W.B.	73 = Cherokee 2WD-2 Dr.	79 = Cherokee 4WD-4 Dr.-Com
27 = J-20 Pickup-131" W.B.	74 = Cherokee 2WD-4 Dr.	81 = Wrangler-93" W.B.
63 = Comanche 4WD-6 Ft. Box	75 = Wagoneer 4WD-4 Dr.	82 = Wrangler-103" W.B.-Exp.
64 = Comanche 2WD-6 Ft. Box		

**BODY STYLES:**

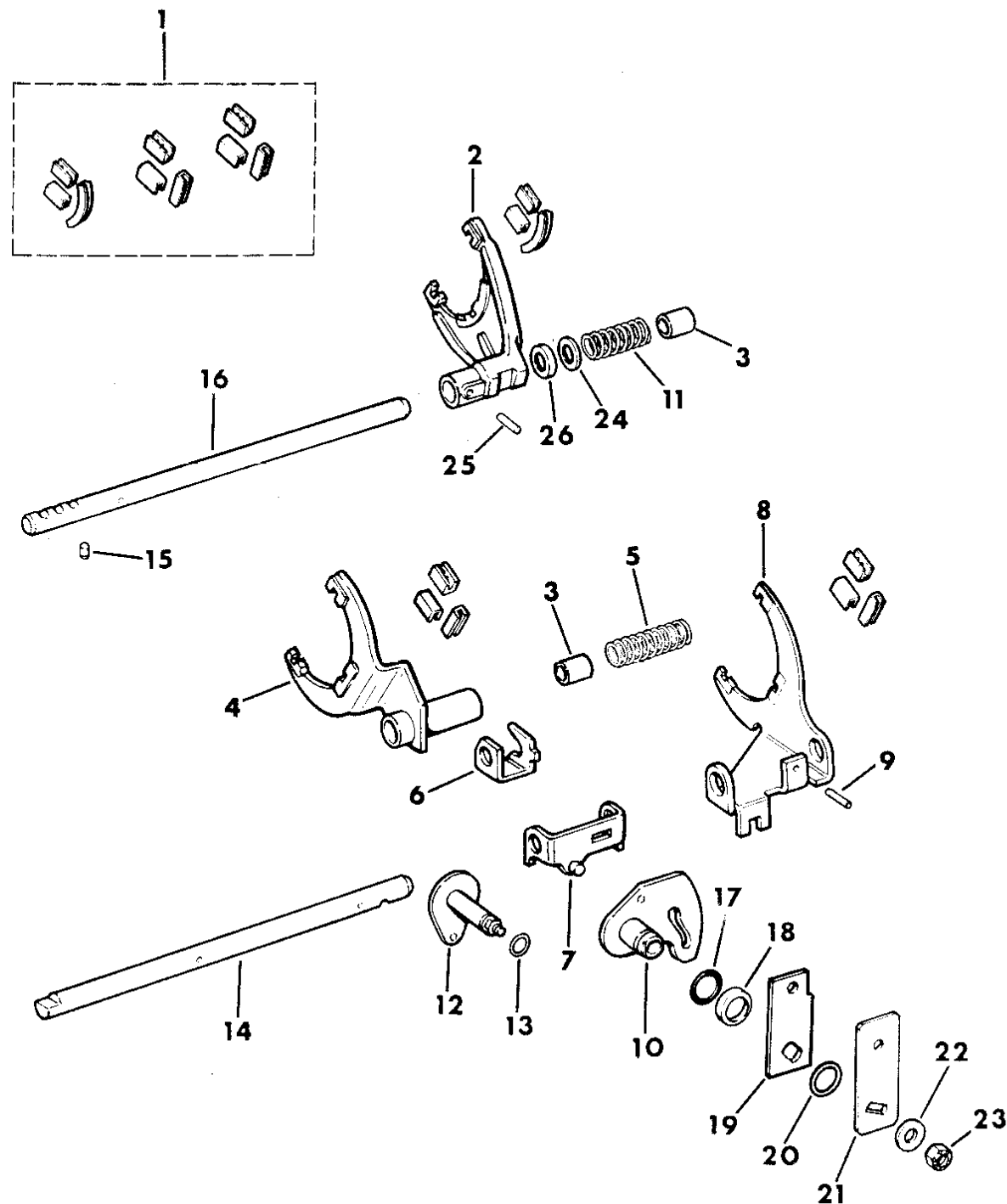
MJ = Comanche Pickup  
 SJ = Grand Wagoneer Wgn., J-10 & J-20 Pickups  
 XJ = Cherokee, Wagoneer Limited  
 YJ = Wrangler

AR = Use as Required - = Non Illustrated Part P.A.R. = Paint as Required

FORKS, RAILS, SHAFTS, SHIFTING N.P.G. MODEL 229 TRANSFER CASE GRAND WAGONEER, TRUCK J10, J20

Figure 21M-3300

8J21 3300



ITEM	PART NUMBER	QTY	BODY	MODEL	DESCRIPTION
1					PAD PACKAGE, Shift Fork ***
	J813 4279	1			1987-89
	0 15 866	1			1990
2					FORK, Range Shift
	J813 4276	1			1987-89
	0 15 618	1			1990
3	J813 4291	2			BUSHING
4					FORK, Locking
	J813 4287	1			1987-89
	0 15 621	1			1990
5	J813 4286	1			SPRING
6					BRACKET
	J813 4298	1			1987-89
	0 15 626	1			1990
7	J813 4407	1			BRACKET ASSY
8	J813 4275	1			FORK, Mode Shift
9	J813 4307	1			PIN
10					SECTOR, Range Shift
	J813 4277	1			1987-89
	0 15 609	1			1990
11	J813 4284	1			SPRING
12					SECTOR, Mode Shift
	J813 4288	1			1987-89
	0015 614	1			1990
13					SEAL
	J813 4301	1			1987-89
	0013 812	1			1990
14	8350 2612	1			RAIL, Transfer Case Mode Shift
15	J813 4283	1			PIN
16					RAIL, Transfer Case Range Shift
	J813 4280	1			1987-89
	0 15 619	1			1990
17	J813 4299	1			SEAL
18	J813 4300	1			RETAINER
19	J813 4305	1			LEVER, Transfer Case Range Shift
20	J813 4304	1			SNAP RING
21	0 15 640	1			LEVER, Transfer Case Mode Shift

MODEL CODES:

15 = Grand Wagoneer 4 Dr.	65 = Comanche 4WD-7 Ft. Box	77 = Cherokee 4WD-2 Dr.
25 = J-10 Pickup-119" W.B.	66 = Comanche 2WD-7 Ft. Box	78 = Cherokee 4WD-4 Dr.
26 = J-10 Pickup-131" W.B.	73 = Cherokee 2WD-2 Dr.	79 = Cherokee 4WD-4 Dr.-Com
27 = J-20 Pickup-131" W.B.	74 = Cherokee 2WD-4 Dr.	81 = Wrangler-93" W.B.
63 = Comanche 4WD-6 Ft. Box	75 = Wagoneer 4WD-4 Dr.	82 = Wrangler-103" W.B.-Exp.
64 = Comanche 2WD-6 Ft. Box		

BODY STYLES:

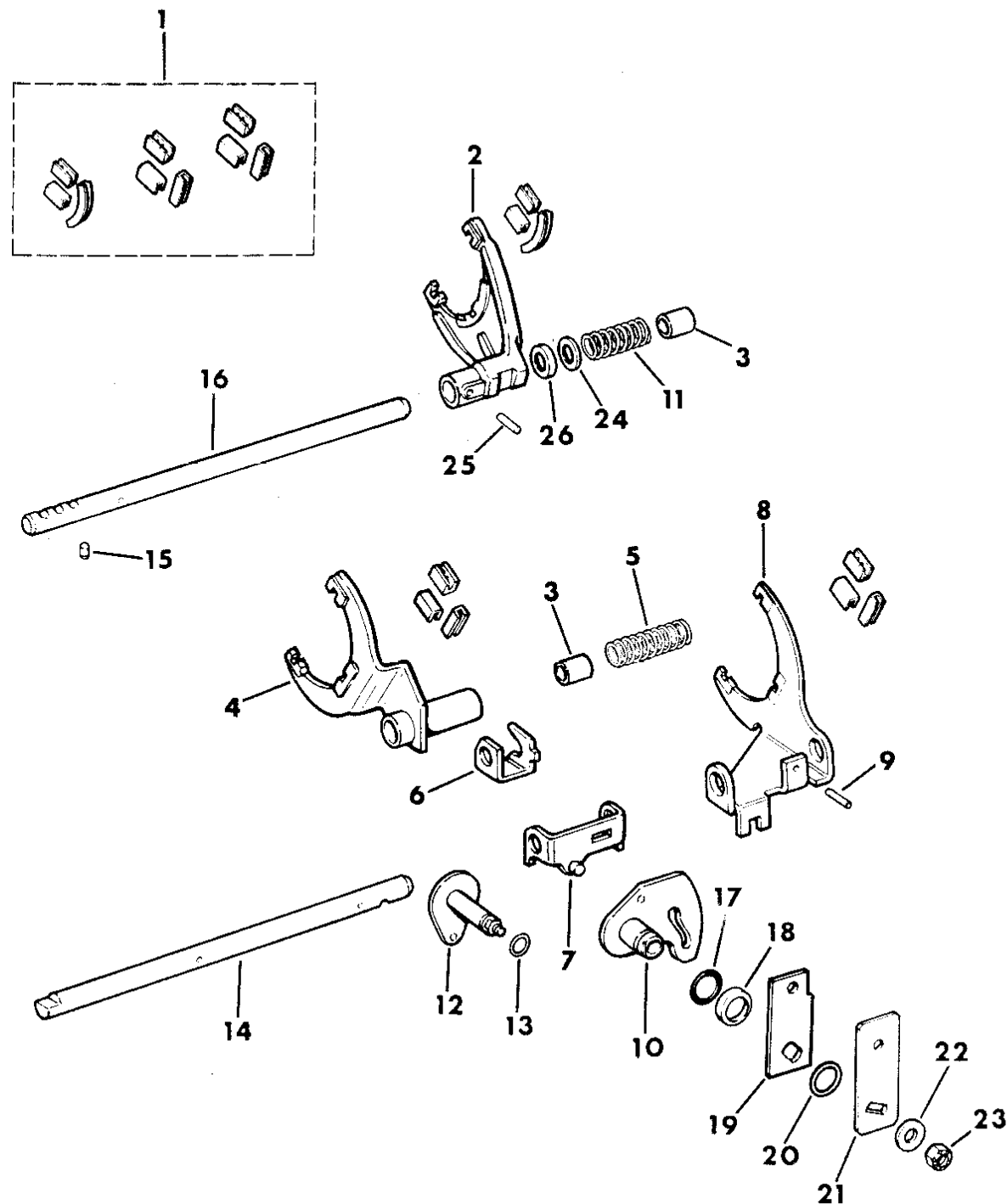
MJ = Comanche Pickup  
 SJ = Grand Wagoneer Wgn., J-10 & J-20 Pickups  
 XJ = Cherokee, Wagoneer Limited  
 YJ = Wrangler

AR = Use as Required - = Non Illustrated Part P.A.R. = Paint as Required

FORKS, RAILS, SHAFTS, SHIFTING N.P.G. MODEL 229 TRANSFER CASE GRAND WAGONEER, TRUCK J10, J20

Figure 21M-3300

8J21 3300



ITEM	PART NUMBER	QTY	BODY	MODEL	DESCRIPTION
22	J012 0393	1			WASHER
23	J813 4302	1			NUT
24	J813 4285	1			WASHER
25	1664 355	1			PIN
26	8350 3303	1			SPACER

MODEL CODES:

15 = Grand Wagoneer 4 Dr.	65 = Comanche 4WD-7 Ft. Box	77 = Cherokee 4WD-2 Dr.
25 = J-10 Pickup-119" W.B.	66 = Comanche 2WD-7 Ft. Box	78 = Cherokee 4WD-4 Dr.
26 = J-10 Pickup-131" W.B.	73 = Cherokee 2WD-2 Dr.	79 = Cherokee 4WD-4 Dr.-Com
27 = J-20 Pickup-131" W.B.	74 = Cherokee 2WD-4 Dr.	81 = Wrangler-93" W.B.
63 = Comanche 4WD-6 Ft. Box	75 = Wagoneer 4WD-4 Dr.	82 = Wrangler-103" W.B.-Exp.
64 = Comanche 2WD-6 Ft. Box		

BODY STYLES:

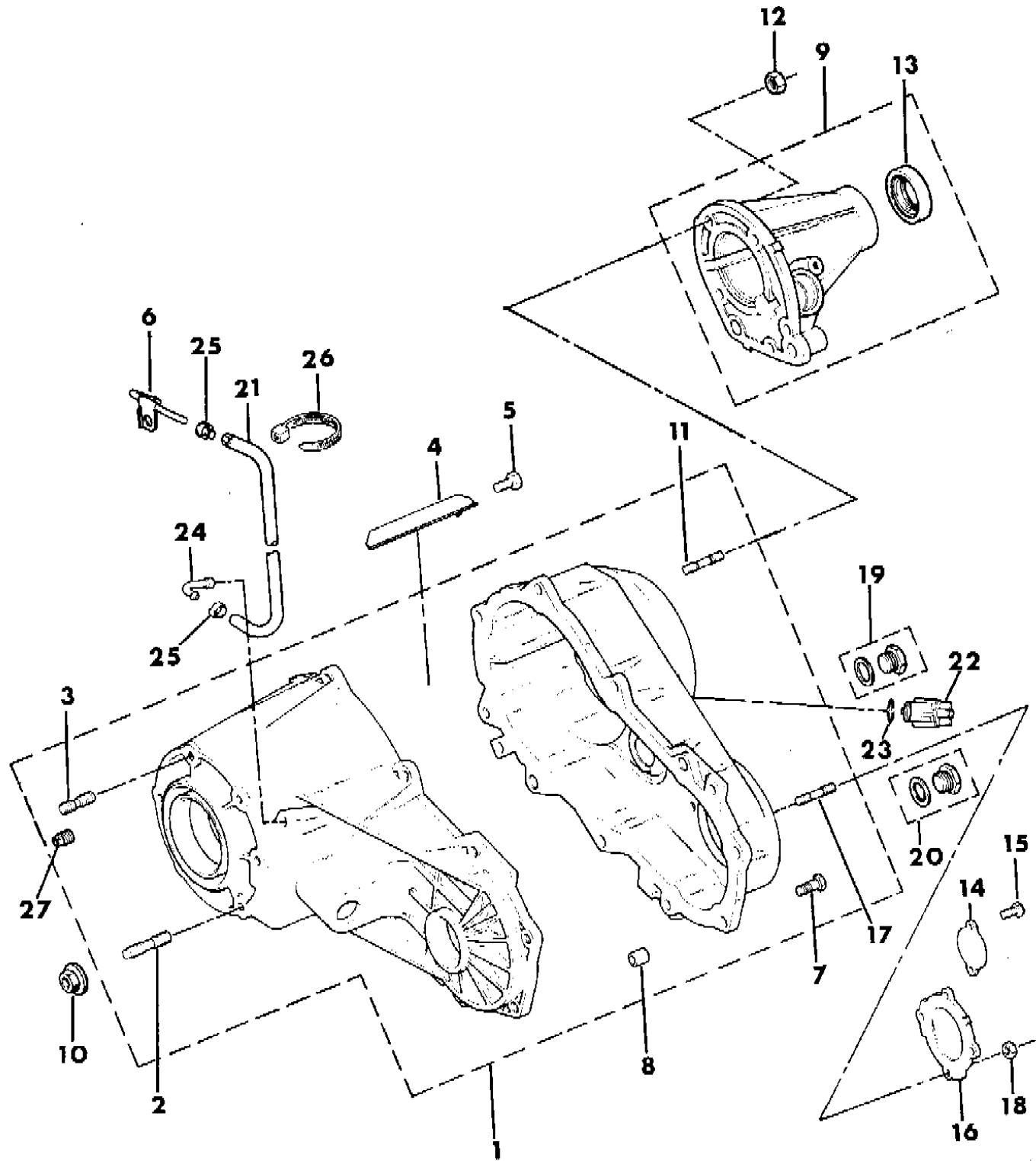
MJ = Comanche Pickup  
 SJ = Grand Wagoneer Wgn., J-10 & J-20 Pickups  
 XJ = Cherokee, Wagoneer Limited  
 YJ = Wrangler

AR = Use as Required - = Non Illustrated Part P.A.R. = Paint as Required



CASE, EXTENSION AND MISCELLANEOUS PARTS KANDA MODEL 87A-K TRANSFER CASE(CKD) WRANGLER, YJ, CHEROKEE, WAGONEER, COMANCHE  
Figure 21M-3325

8J21 3325



ITEM	PART NUMBER	QTY	BODY	MODEL	DESCRIPTION
1	8350 4704	1			CASE, Front Half
2	8350 4713	5			STUD, Mounting, (54mm)
3	8350 4712	AR			STUD, Mounting, (41mm)
4	8350 4723	1			TROUGH, Internal ***
5	8350 4773	1			SCREW, Trough
6	J535 2955	1			BREATHER
7	8350 4759	2			BOLT, (37mm)
8	8350 4760	8			BOLT, (26mm)
8	8350 4767	2			PIN, Transfer Case
9	8350 4706	1			EXTENSION, Case Rear, Includes Bushing
10	J400 6681	6			NUT
11	8350 4779	5			STUD
12	8350 4780	5			NUT
13	8350 4708	1			SEAL
14	8350 4764	1			COVER
15	8350 4769	2			BOLT
16	8350 4716	1			PLATE, Bearing
17	8350 4776	4			BOLT
18	8350 4777	4			NUT
19	8350 4718	1			PLUG, Filler
20	8350 4717	1			PLUG, Drain
21	J812 5823	AR			HOSE
22	5300 1101	1			SWITCH, Vacuum
23	J813 4485	1			SEAL
24	J813 1659	1			BREATHER
25	J400 6047	2			CLAMP
26	J322 3227	1			STRAP
27	5300 0502	1			PLUG

MODEL CODES:

15 = Grand Wagoneer 4 Dr.	65 = Comanche 4WD-7 Ft. Box	77 = Cherokee 4WD-2 Dr.
25 = J-10 Pickup-119" W.B.	66 = Comanche 2WD-7 Ft. Box	78 = Cherokee 4WD-4 Dr.
26 = J-10 Pickup-131" W.B.	73 = Cherokee 2WD-2 Dr.	79 = Cherokee 4WD-4 Dr.-Com
27 = J-20 Pickup-131" W.B.	74 = Cherokee 2WD-4 Dr.	81 = Wrangler-93" W.B.
63 = Comanche 4WD-6 Ft. Box	75 = Wagoneer 4WD-4 Dr.	82 = Wrangler-103" W.B.-Exp.
64 = Comanche 2WD-6 Ft. Box		

BODY STYLES:

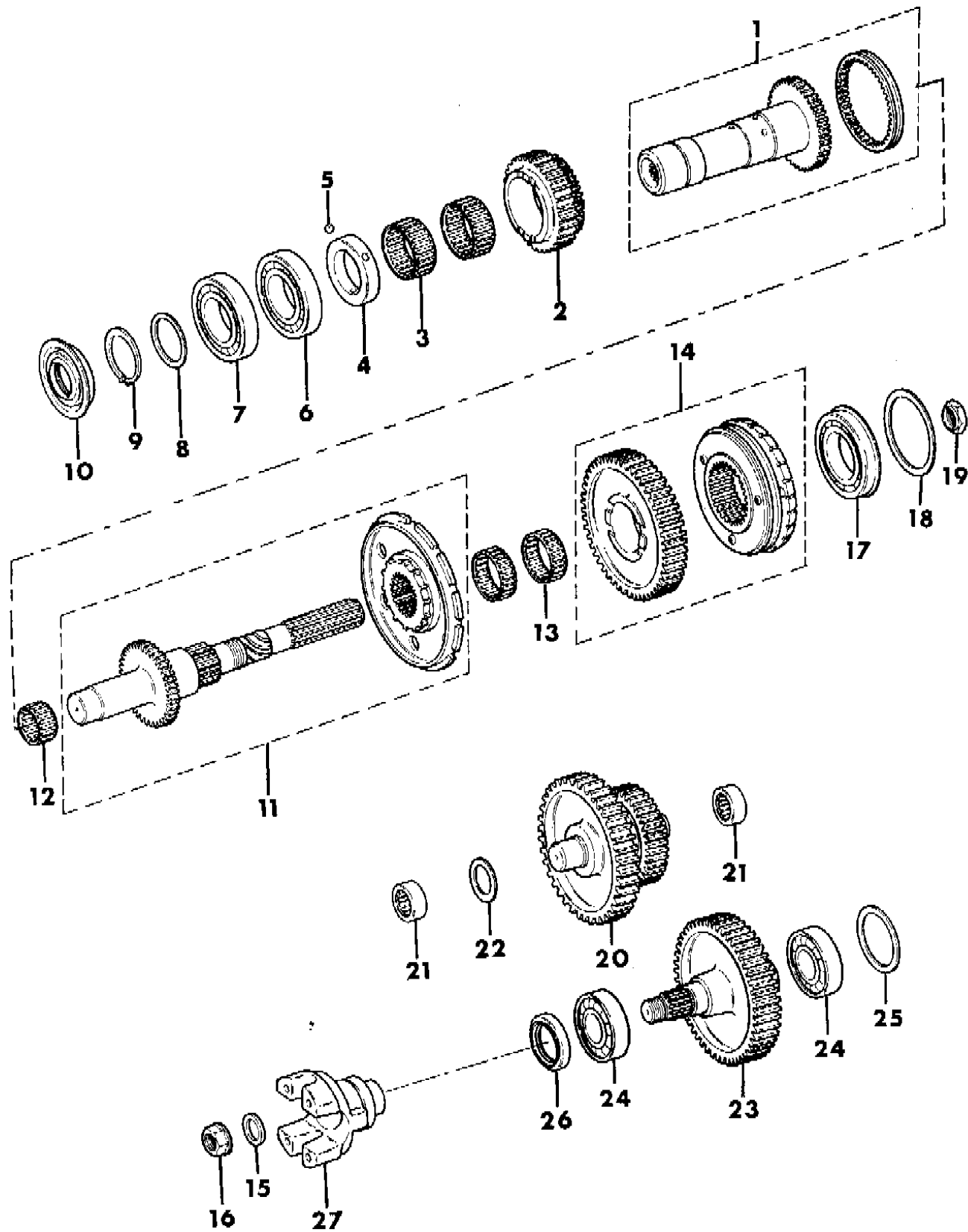
MJ = Comanche Pickup  
 SJ = Grand Wagoneer Wgn., J-10 & J-20 Pickups  
 XJ = Cherokee, Wagoneer Limited  
 YJ = Wrangler

AR = Use as Required - = Non Illustrated Part P.A.R. = Paint as Required

GEAR TRAIN KANDA MODEL 87A-K TRANSFER CASE(CKD) WRANGLER, YJ, CHEROKEE, WAGONEER, COMANCHE

Figure 21M-3350

8J21 3350



ITEM	PART NUMBER	QTY	BODY	MODEL	DESCRIPTION
1					GEAR, Input
	8350 4714	1			Used in all Assemblies except 53005387.
	8350 6204	1	XJ,MJ		Used in Transfer Case Assembly 53005387
2	8350 4753	1			GEAR, Low
3	8350 4749	2			BEARING
4	8350 4752	1			SPACER
5	8350 4775	1			BALL
6	8350 4757	1			BEARING
7	8350 4751	1			BEARING
8					SHIM
	8350 4736	AR			.1mm
	8350 4737	AR			.2mm
	8350 4738	AR			.3mm
	8350 4739	AR			.4mm
	8350 4740	AR			.5mm
9	8350 4750	1			RING, Retaining
10	8350 4747	1			SEAL, Outer Input Gear
11					SHAFT, Output
	8350 4715	1			Used in Transfer Case Assemblies: 53005061, 53005020.
	8350 5458	1			Used in Transfer Case Assemblies: 53005220, 53005319, 53005387.
12	8350 4748	1			BEARING
13	8350 4762	2			BEARING
14					GEAR, 4 WD
	8350 4761	1			Used in Transfer Case Assemblies: 53005061, 53005020.
	8350 5457	1			Used in Transfer Case Assemblies: 53005220, 53005319, 53005387.
15	8350 4709	1			SEAL
16	8350 4710	1			NUT
17	8350 4763	1			BEARING
18					SHIM
	8350 4733	AR			.1mm
	8350 4734	AR			.2mm
	8350 4735	AR			.3mm
19	8350 4765	1			NUT, Lock
20	8350 4755	1			GEAR, Idle
21	8350 4766	2			BEARING, Idler Gear

MODEL CODES:

15 = Grand Wagoneer 4 Dr.	65 = Comanche 4WD-7 Ft. Box	77 = Cherokee 4WD-2 Dr.
25 = J-10 Pickup-119" W.B.	66 = Comanche 2WD-7 Ft. Box	78 = Cherokee 4WD-4 Dr.
26 = J-10 Pickup-131" W.B.	73 = Cherokee 2WD-2 Dr.	79 = Cherokee 4WD-4 Dr.-Com
27 = J-20 Pickup-131" W.B.	74 = Cherokee 2WD-4 Dr.	81 = Wrangler-93" W.B.
63 = Comanche 4WD-6 Ft. Box	75 = Wagoneer 4WD-4 Dr.	82 = Wrangler-103" W.B.-Exp.
64 = Comanche 2WD-6 Ft. Box		

BODY STYLES:

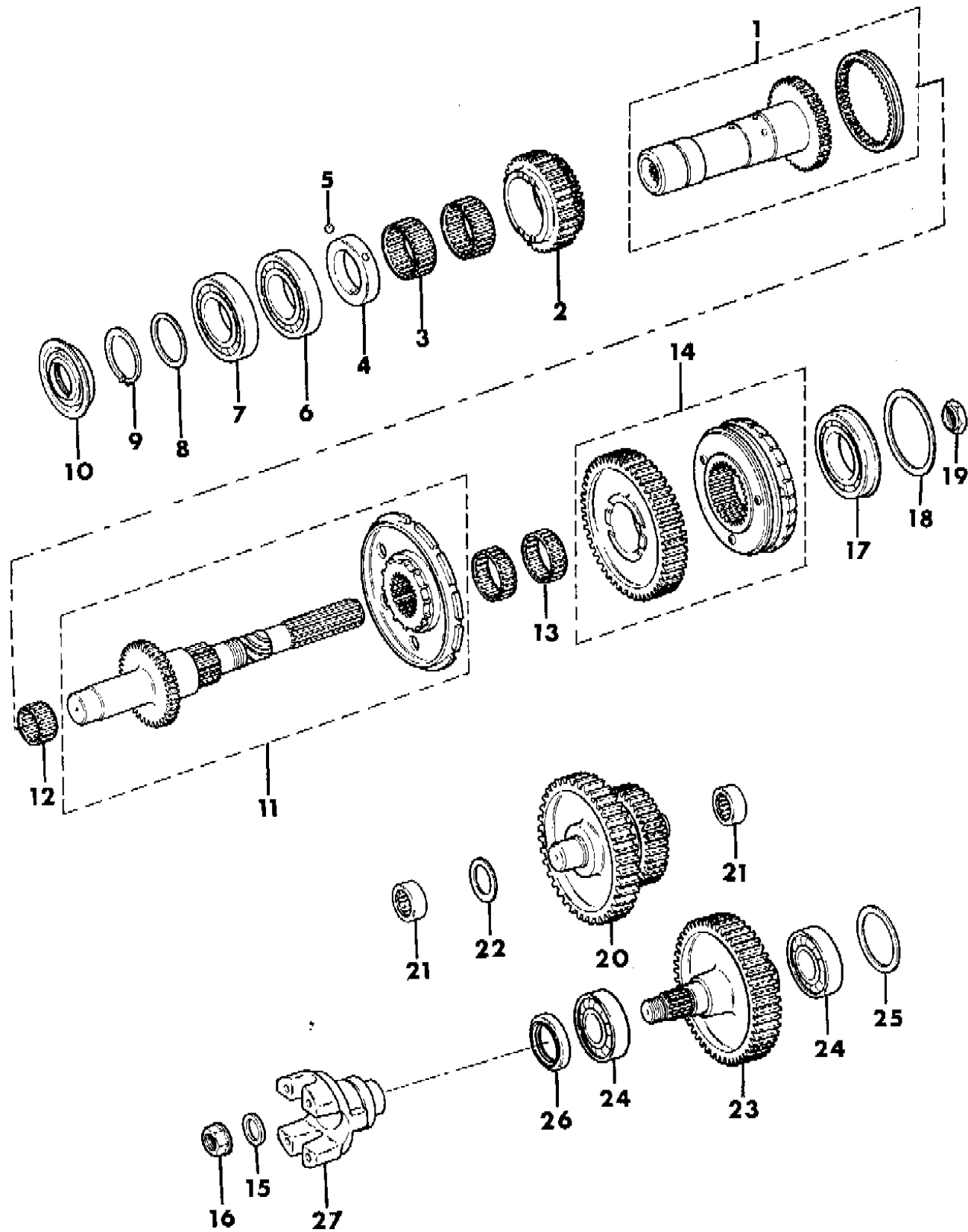
MJ = Comanche Pickup  
 SJ = Grand Wagoneer Wgn., J-10 & J-20 Pickups  
 XJ = Cherokee, Wagoneer Limited  
 YJ = Wrangler

AR = Use as Required - = Non Illustrated Part P.A.R. = Paint as Required

GEAR TRAIN KANDA MODEL 87A-K TRANSFER CASE(CKD) WRANGLER, YJ, CHEROKEE, WAGONEER, COMANCHE

Figure 21M-3350

8J21 3350



ITEM	PART NUMBER	QTY	BODY	MODEL	DESCRIPTION
22	8350 4756	2			WASHER, Thrust
23	8350 4711	1			SHAFT, Output
24	8350 4758	2			BEARING, Output Shaft
25					SHIM
	8350 4730	AR			.1mm
	8350 4731	AR			.3mm
	8350 4732	AR			.4mm
26	8350 4754	1			SEAL
27	8350 4703	1			YOKE

MODEL CODES:

15 = Grand Wagoneer 4 Dr.	65 = Comanche 4WD-7 Ft. Box	77 = Cherokee 4WD-2 Dr.
25 = J-10 Pickup-119" W.B.	66 = Comanche 2WD-7 Ft. Box	78 = Cherokee 4WD-4 Dr.
26 = J-10 Pickup-131" W.B.	73 = Cherokee 2WD-2 Dr.	79 = Cherokee 4WD-4 Dr.-Com
27 = J-20 Pickup-131" W.B.	74 = Cherokee 2WD-4 Dr.	81 = Wrangler-93" W.B.
63 = Comanche 4WD-6 Ft. Box	75 = Wagoneer 4WD-4 Dr.	82 = Wrangler-103" W.B.-Exp.
64 = Comanche 2WD-6 Ft. Box		

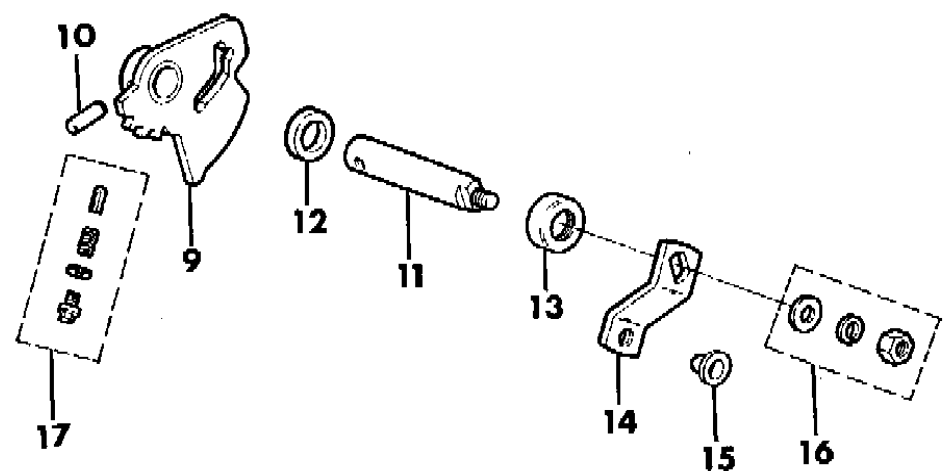
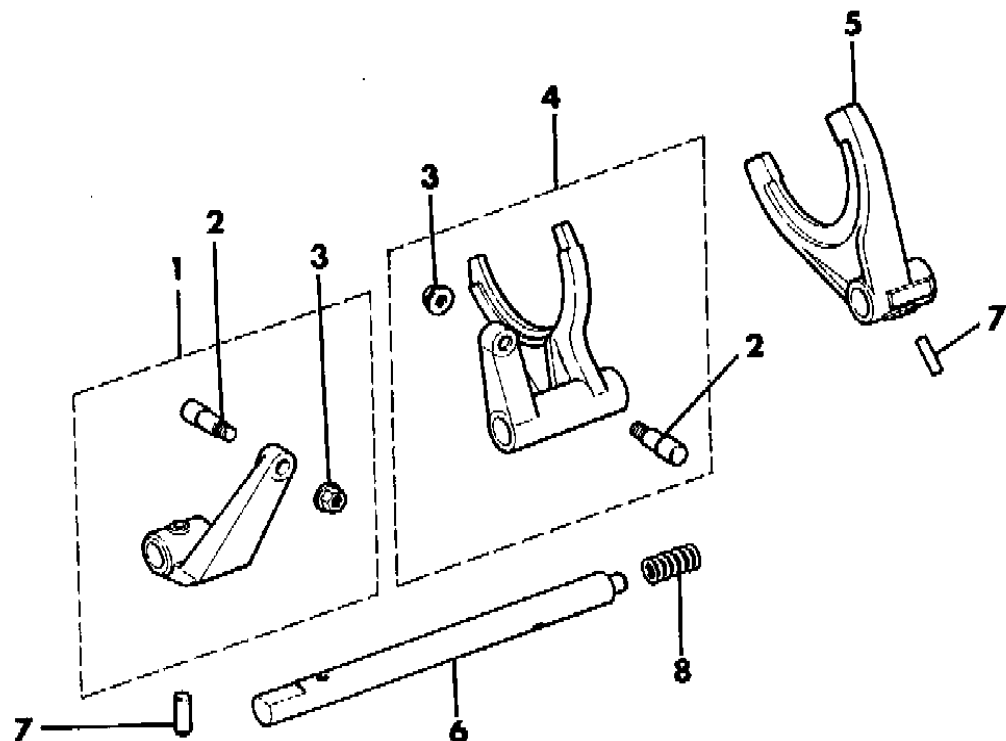
BODY STYLES:

MJ = Comanche Pickup  
 SJ = Grand Wagoneer Wgn., J-10 & J-20 Pickups  
 XJ = Cherokee, Wagoneer Limited  
 YJ = Wrangler

AR = Use as Required - = Non Illustrated Part P.A.R. = Paint as Required

FORKS, RAILS, MISCELLANEOUS PARTS, SHIFT KANDA MODEL 87A-K TRANSFER CASE(CKD) WRANGLER, YJ, CHEROKEE, WAGONEER, COMANCHE  
Figure 21M-3375

8J21 3375



ITEM	PART NUMBER	QTY	BODY	MODEL	DESCRIPTION
1	8350 4720	1			LEVER, Rail
2	8350 4722	2			PIN
3	8350 4778	2			NUT
4	8350 4721	1			FORK, Range Shift
5	8350 4744	1			Fork, Mode Shift ***
6	8350 4741	1			RAIL, Shift Fork
7	8350 4772	2			PIN
8	8350 4745	1			SPRING, Rail
9	8350 4719	1			SECTOR
10	8350 4770	1			PIN
11	8350 4728	1			SHAFT, Sector
12	8350 4726	1			WASHER
13	8350 4727	1			SEAL, Shift Shaft
14					LEVER, Shift
	8350 4701	1	YJ		
	8350 4700	1	XJ,MJ		
15	J323 8418	1			BUSHING
16	8350 4774	1			NUT PACKAGE ***
17	8350 4746	1			BOLT PACKAGE ***

MODEL CODES:  
 15 = Grand Wagoneer 4 Dr.      65 = Comanche 4WD-7 Ft. Box      77 = Cherokee 4WD-2 Dr.  
 25 = J-10 Pickup-119" W.B.      66 = Comanche 2WD-7 Ft. Box      78 = Cherokee 4WD-4 Dr.  
 26 = J-10 Pickup-131" W.B.      73 = Cherokee 2WD-2 Dr.      79 = Cherokee 4WD-4 Dr.-Com  
 27 = J-20 Pickup-131" W.B.      74 = Cherokee 2WD-4 Dr.      81 = Wrangler-93" W.B.  
 63 = Comanche 4WD-6 Ft. Box      75 = Wagoneer 4WD-4 Dr.      82 = Wrangler-103" W.B.-Exp.  
 64 = Comanche 2WD-6 Ft. Box

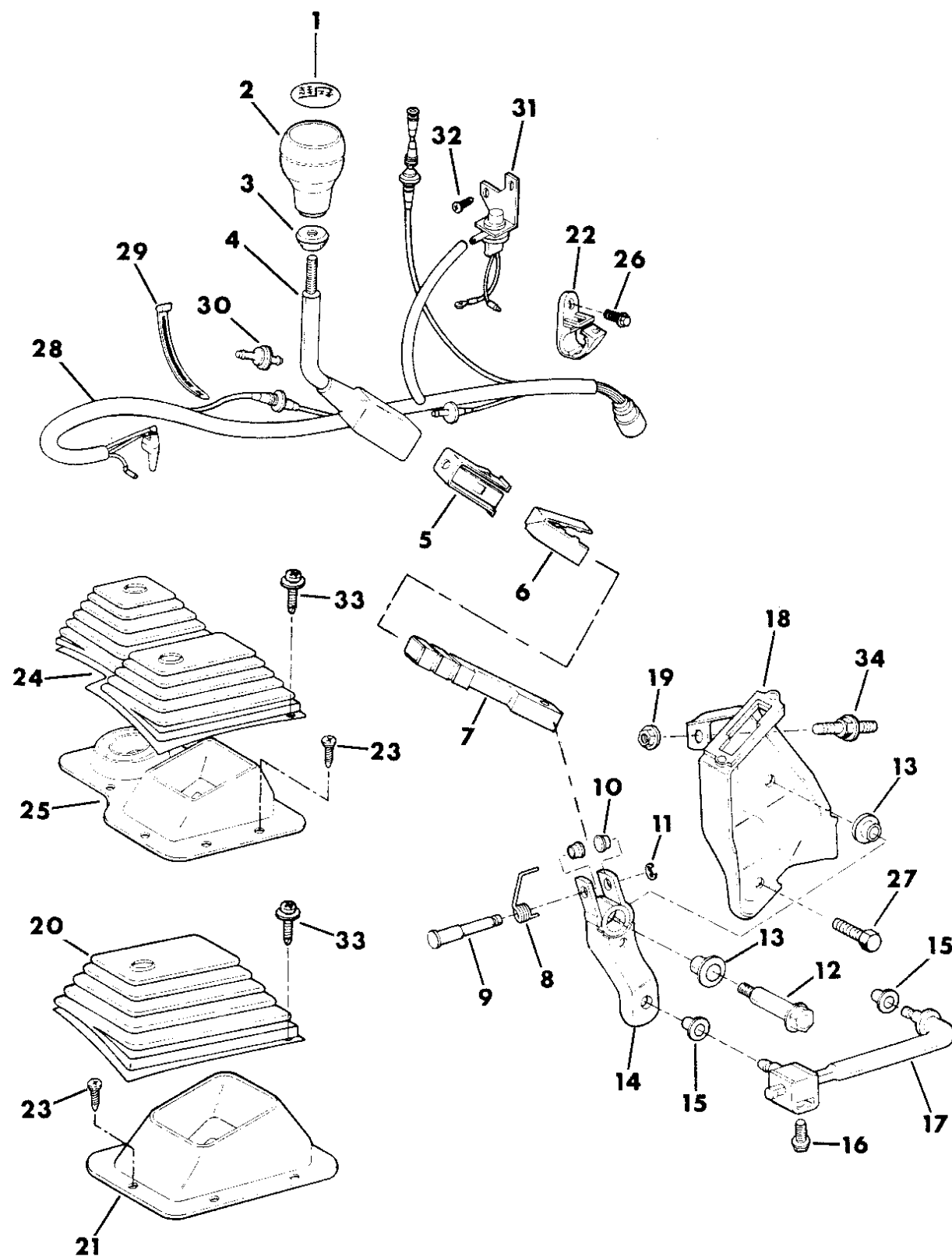
BODY STYLES:  
 MJ = Comanche Pickup  
 SJ = Grand Wagoneer Wgn., J-10 & J-20 Pickups  
 XJ = Cherokee, Wagoneer Limited  
 YJ = Wrangler

AR = Use as Required - = Non Illustrated Part P.A.R. = Paint as Required

CONTROLS, SHIFT N.P.G. MODEL 231 /KANDA MODEL 87A-K TRANSFER CASE WRANGLER, YJ

Figure 21M-3400

8J213400



ITEM	PART NUMBER	QTY	BODY	MODEL	DESCRIPTION
1	5300 4376	1			INSERT, Shift Lever
2	J324 1062	1			KNOB, Shift
3	J400 6495	1			NUT
4	5300 3031	1			LEVER, Transfer Case Shift
5	J324 1239	1			CLIP
6	J324 1481	1			ISOLATOR, Shift Lever ***
7	5300 3029	1			LEVER
8	5300 3030	1			SPRING
9	5300 4157	1			PIN
10	5300 3033	2			BUSHING
11	1150 5398	1			CLIP
12	5300 3038	1			BOLT
13	5300 3035	2			BUSHING
14	5300 2028	1			LEVER
15	J323 8418	2			BUSHING
16	J400 6036	1			BOLT
17					ROD, Shift
	5300 4146	1			Four Cylinder Engine, With Manual Transmission-NPG 207 Transfer Case
	5300 4338	1			Four Cylinder Engine, With Manual Transmission-NPG 231 Transfer Case
	5300 3053	1			Six Cylinder Engine, With Manual Transmission-NPG 207 Transfer Case
	5300 4405	1			Six Cylinder Engine, With Manual Transmission-NPG 231 Transfer Case
	5300 2025	1			Six Cylinder Engine, With Automatic Transmissio-NPG 207 Transfer Case
	5300 4407	1			Six Cylinder Engine, With Automatic Transmission-NPG 231 Transfer Case
	5300 5277	1			Six Cylinder Engine, With Automatic Transmission-KANDA 87A-K Transfer Case
18					BRACKET
	5300 4278	1			Four Cylinder Engine
	5300 4279	1			Six Cylinder Engine - With Manual Transmission
	5300 5371	1			With AX5 - Five Speed Transmission
	5300 4280	1			With AX15 - Five Speed Transmission
					Six Cylinder Engine, With Automatic Transmission

MODEL CODES:

15 = Grand Wagoneer 4 Dr.	65 = Comanche 4WD-7 Ft. Box	77 = Cherokee 4WD-2 Dr.
25 = J-10 Pickup-119" W.B.	66 = Comanche 2WD-7 Ft. Box	78 = Cherokee 4WD-4 Dr.
26 = J-10 Pickup-131" W.B.	73 = Cherokee 2WD-2 Dr.	79 = Cherokee 4WD-4 Dr.-Com
27 = J-20 Pickup-131" W.B.	74 = Cherokee 2WD-4 Dr.	81 = Wrangler-93" W.B.
63 = Comanche 4WD-6 Ft. Box	75 = Wagoneer 4WD-4 Dr.	82 = Wrangler-103" W.B.-Exp.
64 = Comanche 2WD-6 Ft. Box		

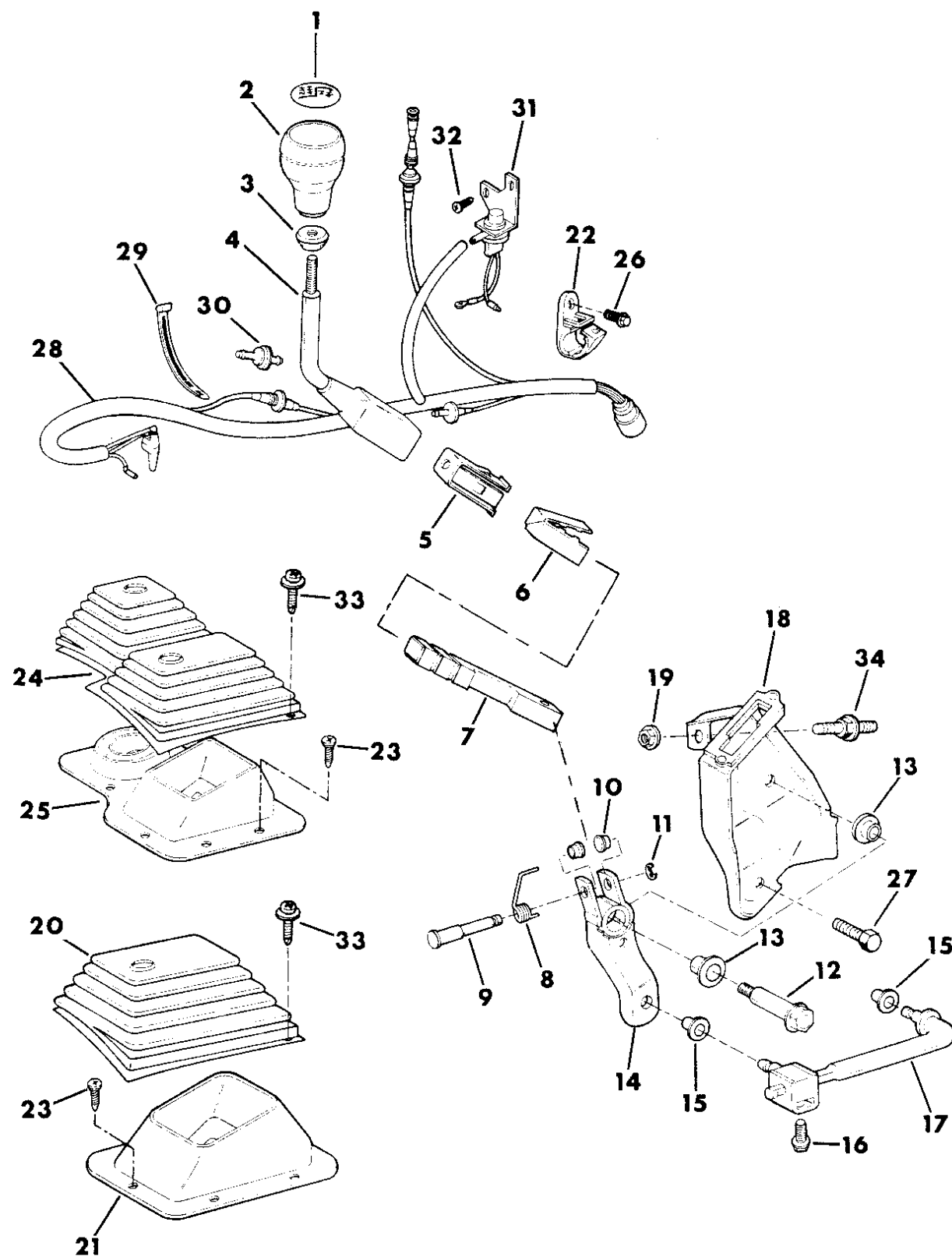
BODY STYLES:

MJ = Comanche Pickup  
 SJ = Grand Wagoneer Wgn., J-10 & J-20 Pickups  
 XJ = Cherokee, Wagoneer Limited  
 YJ = Wrangler

AR = Use as Required - = Non Illustrated Part P.A.R. = Paint as Required

CONTROLS, SHIFT N.P.G. MODEL 231 /KANDA MODEL 87A-K TRANSFER CASE WRANGLER, YJ  
Figure 21M-3400

8J213400



ITEM	PART NUMBER	QTY	BODY	MODEL	DESCRIPTION
19	J400 6681	2			NUT
20	5300 4511	1			BOOT, Outer With Automatic Transmission
21					BOOT, Inner, With Automatic Transmission
	5300 3040	1			1987-89
	5300 5553	1			1990
22	J545 9095	1			CLIP
23	J400 6444	AR			SCREW, (.62")
24	5300 4539	1			BOOT, Outer With Manual Transmission
25					BOOT, Inner, With Manual Transmission
	5300 3041	1			1987-89
	5300 5554	1			1990
26	J942 1073	1			SCREW
27	1150 2693	1			BOLT
28					HARNESSES, Vacuum ***
	5300 2033	1			Except Export Knockdown units
	5300 4775	1			Export Knockdown Units
29	J322 3227	1			STRAP
30	J536 4511	1			VALVE, Vacuum
31	5300 1102	1			SWITCH ASSEMBLY, 4WD Indicator Lamp
32	J400 6651	2			SCREW
33	J400 6633	AR			SCREW, Pan Head, (10-16x1)
34	J400 7546	2			STUD
35	5300 4295	1			RETAINER, Transfer Case Boot, With Automatic Transmission

MODEL CODES:

15 = Grand Wagoneer 4 Dr.	65 = Comanche 4WD-7 Ft. Box	77 = Cherokee 4WD-2 Dr.
25 = J-10 Pickup-119" W.B.	66 = Comanche 2WD-7 Ft. Box	78 = Cherokee 4WD-4 Dr.
26 = J-10 Pickup-131" W.B.	73 = Cherokee 2WD-2 Dr.	79 = Cherokee 4WD-4 Dr.-Com
27 = J-20 Pickup-131" W.B.	74 = Cherokee 2WD-4 Dr.	81 = Wrangler-93" W.B.
63 = Comanche 4WD-6 Ft. Box	75 = Wagoneer 4WD-4 Dr.	82 = Wrangler-103" W.B.-Exp.
64 = Comanche 2WD-6 Ft. Box		

BODY STYLES:

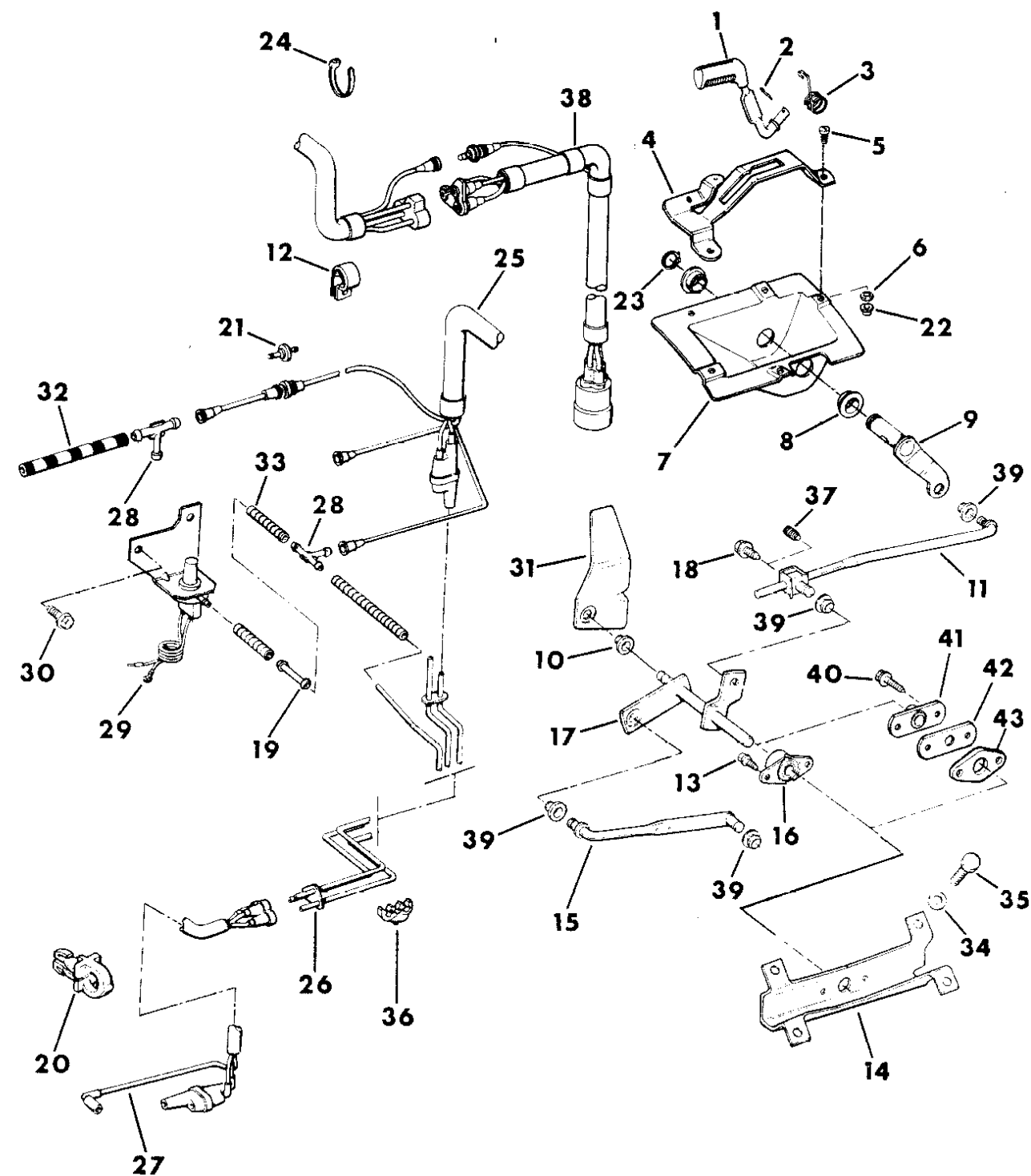
MJ = Comanche Pickup  
SJ = Grand Wagoneer Wgn., J-10 & J-20 Pickups  
XJ = Cherokee, Wagoneer Limited  
YJ = Wrangler

AR = Use as Required - = Non Illustrated Part P.A.R. = Paint as Required

CONTROLS, SHIFT N.P.G. MODEL 231/KANDA MODEL 87A-K TRANSFER CASE CHEROKEE, WAGONEER, COMANCHE

Figure 21M-3500

8J21 3500



ITEM	PART NUMBER	QTY	BODY	MODEL	DESCRIPTION
1	5300 3354	1			HANDLE, Transfer Case Shift
2	J400 6723	1			PIN, Locking
3	5300 0809	1			SPRING
4	5300 4715	1			GATE
5	3420 1277	5			SCREW
6	1150 4118	2			RETAINER
7	5300 1284	1			HOUSING, Shift
8	5300 0639	2			BUSHING
9	5300 5150	1			LEVER
10	5300 4810	2			BUSHING
11					SHAFT ASSEMBLY, Rod, Trunion, and Torque Shaft ***
	5300 4863	1			FOUR Cylinder Engine
	5300 4863	1			SIX Cylinder Engine, With Automatic Transmission
	5300 4863	1			SIX Cylinder Engine, With Peugeot Five Speed Transmission
	5300 5552	1			SIX Cylinder Engine, With Aisin AX15 Five Speed Transmission
	5300 4957	1			DIESEL
	5300 5064	1			EXPORT - Used With Kanda Transfer Case
12	J012 5928	1			CLIP, Retaining
13	1150 2453	2			BOLT
14	5300 4956	1			BRACKET
15					ROD, Shift
	5300 4945	1			DIESEL
	5300 4941	1			FOUR Cylinder Engine, Gas, With Manual Transmission
	5300 4944	1			FOUR Cylinder Engine, Gas, With Automatic Transmission
	5300 4940	1			SIX Cylinder Engine, With Peugeot Five Speed Transmission
	5300 5448	1			SIX Cylinder Engine, With Aisin Five Speed Transmission
	5300 4942	1			SIX Cylinder Engine, With Automatic Transmission, Except Export
	5300 5065	1			SIX Cylinder Engine, With Automatic Transmission, Export
16	5300 3355	1			BEARING
17					SHAFT ASSY ***
	5300 5151	1			Except SIX Cylinder Engine, With Manual Transmission
	5300 5445	1			With SIX Cylinder Engine, With Manual Transmission
18	J400 6036	1			BOLT
19	J322 0180	1			CONNECTOR
20	3420 1633	3			CLIP
21	J536 4511	1			VALVE, Vacuum

MODEL CODES:

15 = Grand Wagoneer 4 Dr.	65 = Comanche 4WD-7 Ft. Box	77 = Cherokee 4WD-2 Dr.
25 = J-10 Pickup-119" W.B.	66 = Comanche 2WD-7 Ft. Box	78 = Cherokee 4WD-4 Dr.
26 = J-10 Pickup-131" W.B.	73 = Cherokee 2WD-2 Dr.	79 = Cherokee 4WD-4 Dr.-Com
27 = J-20 Pickup-131" W.B.	74 = Cherokee 2WD-4 Dr.	81 = Wrangler-93" W.B.
63 = Comanche 4WD-6 Ft. Box	75 = Wagoneer 4WD-4 Dr.	82 = Wrangler-103" W.B.-Exp.
64 = Comanche 2WD-6 Ft. Box		

BODY STYLES:

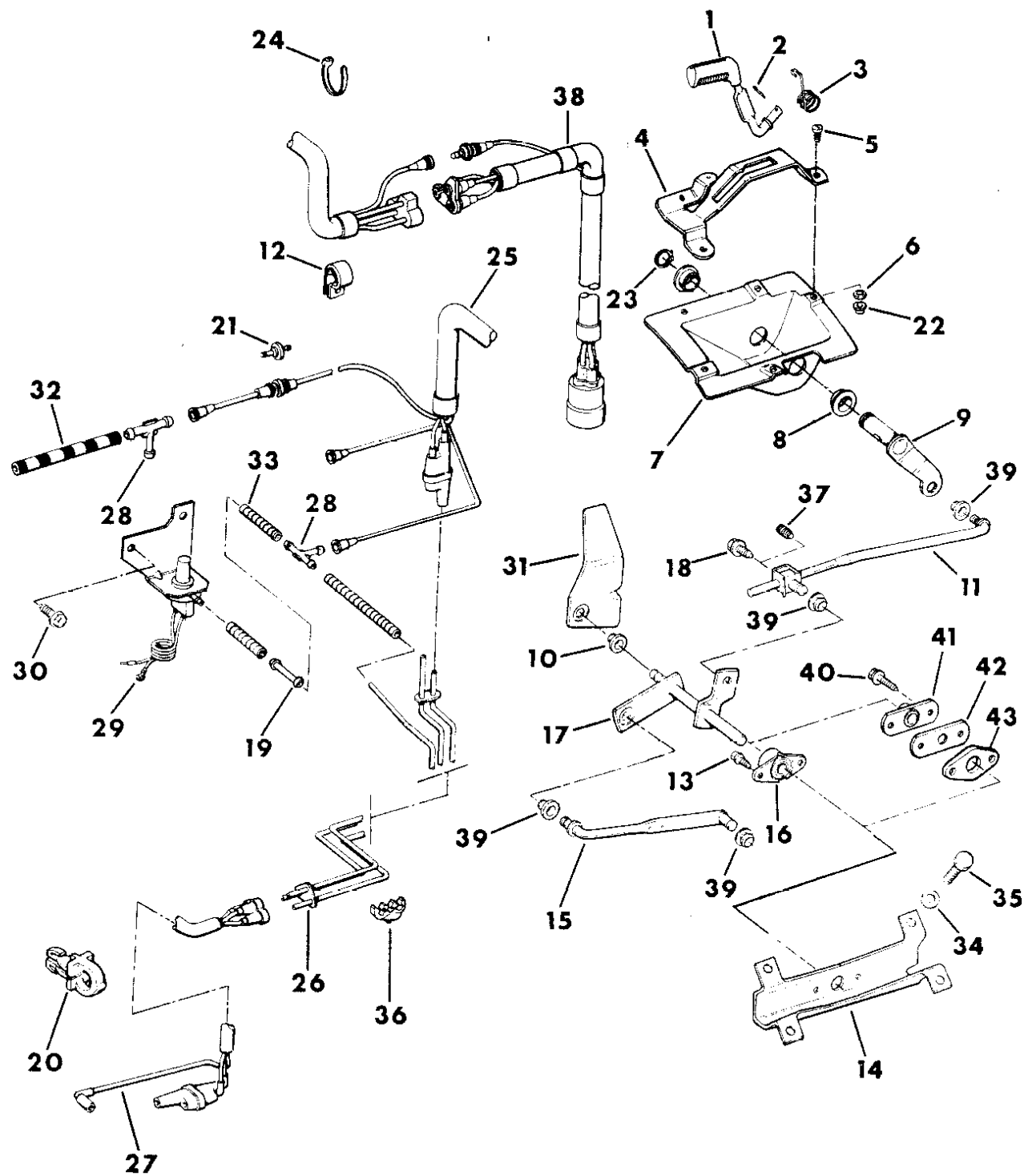
MJ = Comanche Pickup  
 SJ = Grand Wagoneer Wgn., J-10 & J-20 Pickups  
 XJ = Cherokee, Wagoneer Limited  
 YJ = Wrangler

AR = Use as Required - = Non Illustrated Part P.A.R. = Paint as Required

CONTROLS, SHIFT N.P.G. MODEL 231/KANDA MODEL 87A-K TRANSFER CASE CHEROKEE, WAGONEER, COMANCHE

Figure 21M-3500

8J21 3500



ITEM	PART NUMBER	QTY	BODY	MODEL	DESCRIPTION
22	3420 1578	5			RIVNUT M5x.8 ***
23	1150 5389	1			RING, Retaining
24	J369 3058	4			STRAP
25	5300 3974	1			HARNESS, Vacuum *** Except FOUR Cylinder Engine, Gas, Export
	5300 1100	1			With FOUR Cylinder Engine, Gas, Export
26	5300 1412	1			TUBE ASSY, Vacuum
27	5300 1408	1			HARNESS, Vacuum
28	J323 2982	2			TEE
29	5300 1102	1			SWITCH ASSY, 4WD Indicator Lamp
30	1150 2453	2			SCREW
31	5300 4917	1			BRACKET DIESEL
	5300 4917	1			FOUR Cylinder Engine, Gas, With Manual Transmission
	5300 5070	1			FOUR Cylinder Engine, Gas, With Automatic Transmission
	5300 5072	1			SIX Cylinder Engine, With Peugeot Five Speed Transmission
	5300 5457	1			SIX Cylinder Engine, With Aisin Five Speed Transmission
	5300 5071	1			SIX Cylinder Engine, With Automatic Transmission
32	8330 0080	AR			HOSE, Vacuum BULK
33	J812 5812	AR			HOSE, Vacuum BULK
34	J044 6188	4			WASHER
35	3420 2407	4			BOLT
36	5300 1242	2			CLIP, Retaining
37	J400 7498	1			SCREW, Set
38	5300 4804	1			HARNESS, Vacuum *** Except FOUR Cylinder Engine, Gas, Export
	5300 1100	1			With FOUR Cylinder Engine, Gas, Export
39	J323 8418	3			BUSHING
40	3420 1691	2			BOLT
41	5300 5094	1			BEARING
42	5300 5154	1			GASKET
43	5300 5037	1			SPACER

MODEL CODES:

15 = Grand Wagoneer 4 Dr.	65 = Comanche 4WD-7 Ft. Box	77 = Cherokee 4WD-2 Dr.
25 = J-10 Pickup-119" W.B.	66 = Comanche 2WD-7 Ft. Box	78 = Cherokee 4WD-4 Dr.
26 = J-10 Pickup-131" W.B.	73 = Cherokee 2WD-2 Dr.	79 = Cherokee 4WD-4 Dr.-Com
27 = J-20 Pickup-131" W.B.	74 = Cherokee 2WD-4 Dr.	81 = Wrangler-93" W.B.
63 = Comanche 4WD-6 Ft. Box	75 = Wagoneer 4WD-4 Dr.	82 = Wrangler-103" W.B.-Exp.
64 = Comanche 2WD-6 Ft. Box		

BODY STYLES:

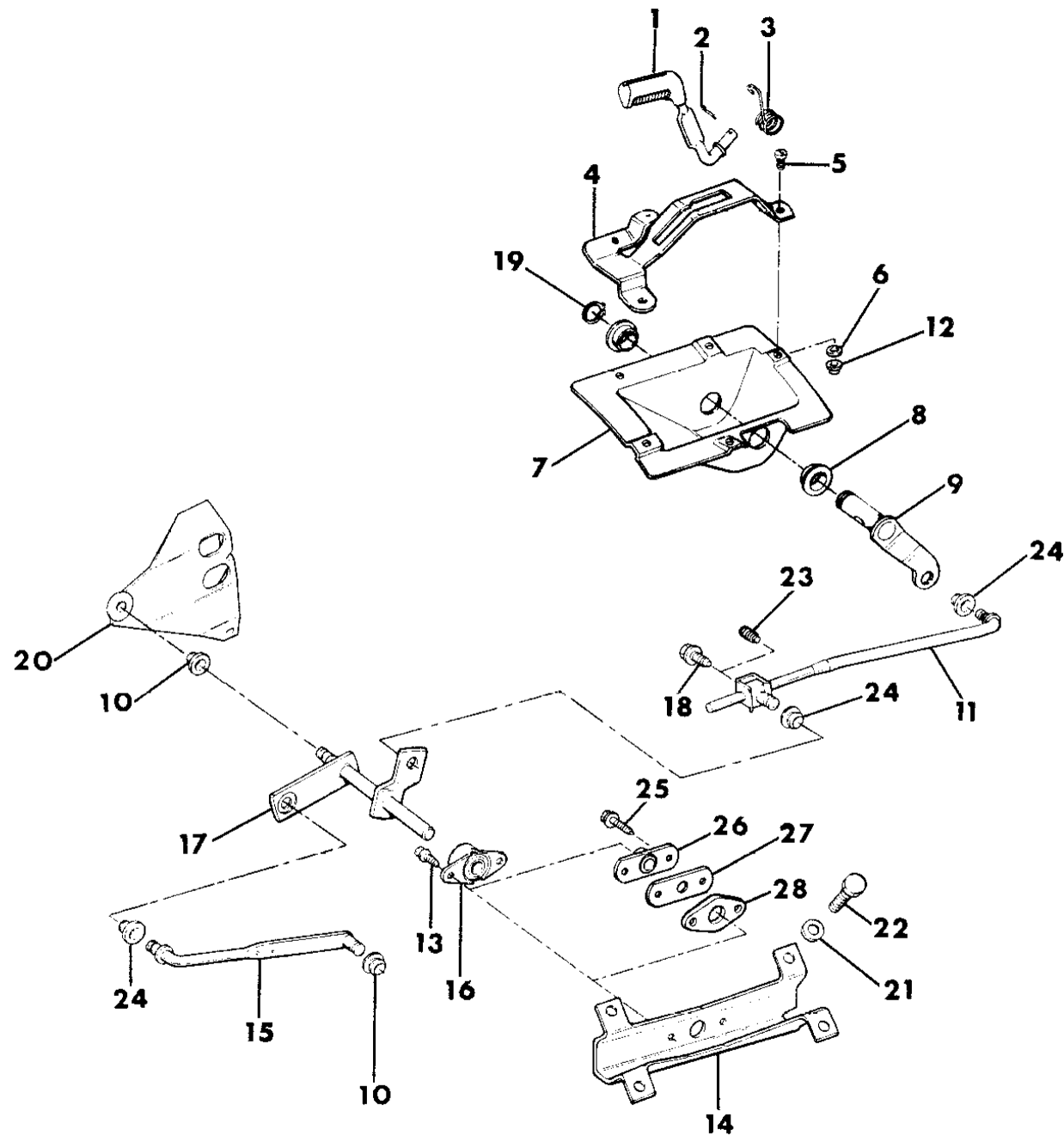
MJ = Comanche Pickup  
 SJ = Grand Wagoneer Wgn., J-10 & J-20 Pickups  
 XJ = Cherokee, Wagoneer Limited  
 YJ = Wrangler

AR = Use as Required - = Non Illustrated Part P.A.R. = Paint as Required



**CONTROLS, SHIFT N.P.G. MODEL 242 TRANSFER CASE CHEROKEE, WAGONEER, COMANCHE**  
**Figure 21M-3600**

8J21 3600



ITEM	PART NUMBER	QTY	BODY	MODEL	DESCRIPTION
1	5300 3354	1			HANDLE, Transfer Case Shift
2	J400 6723	1			PIN, Locking
3	5300 0809	1			SPRING
4	5300 3475	1			GATE
5	3420 1277	5			SCREW
6	1150 4118	2			RETAINER
7	5300 1284	1			HOUSING, Shift
8	5300 0639	2			BUSHING
9	5300 5150	1			LEVER
10	5300 4810	2			BUSHING
11	5300 4863	1			ROD, Shift
12	3420 1578	5			NUTSERT ***
13	3420 1895	2			BOLT
14	5300 4956	1			BRACKET
15	5300 4943	1			ROD, Shift
16	5300 3355	1			BEARING
17	5300 5151	1			SHAFT ASSY ***
18	J400 6036	1			BOLT
19	1150 5389	1			RING, Retaining
20	5300 5071	1			BRACKET
21	J044 6188	4			WASHER
22	3420 2407	4			BOLT
23	J400 7498	1			SCREW, Set
24	J323 8418	3			BUSHING
25	3420 1691	2			BOLT
26	5300 5094	1			BEARING
27	5300 5154	1			GASKET
28	5300 5037	1			SPACER

**MODEL CODES:**

15 = Grand Wagoneer 4 Dr.	65 = Comanche 4WD-7 Ft. Box	77 = Cherokee 4WD-2 Dr.
25 = J-10 Pickup-119" W.B.	66 = Comanche 2WD-7 Ft. Box	78 = Cherokee 4WD-4 Dr.
26 = J-10 Pickup-131" W.B.	73 = Cherokee 2WD-2 Dr.	79 = Cherokee 4WD-4 Dr.-Com
27 = J-20 Pickup-131" W.B.	74 = Cherokee 2WD-4 Dr.	81 = Wrangler-93" W.B.
63 = Comanche 4WD-6 Ft. Box	75 = Wagoneer 4WD-4 Dr.	82 = Wrangler-103" W.B.-Exp.
64 = Comanche 2WD-6 Ft. Box		

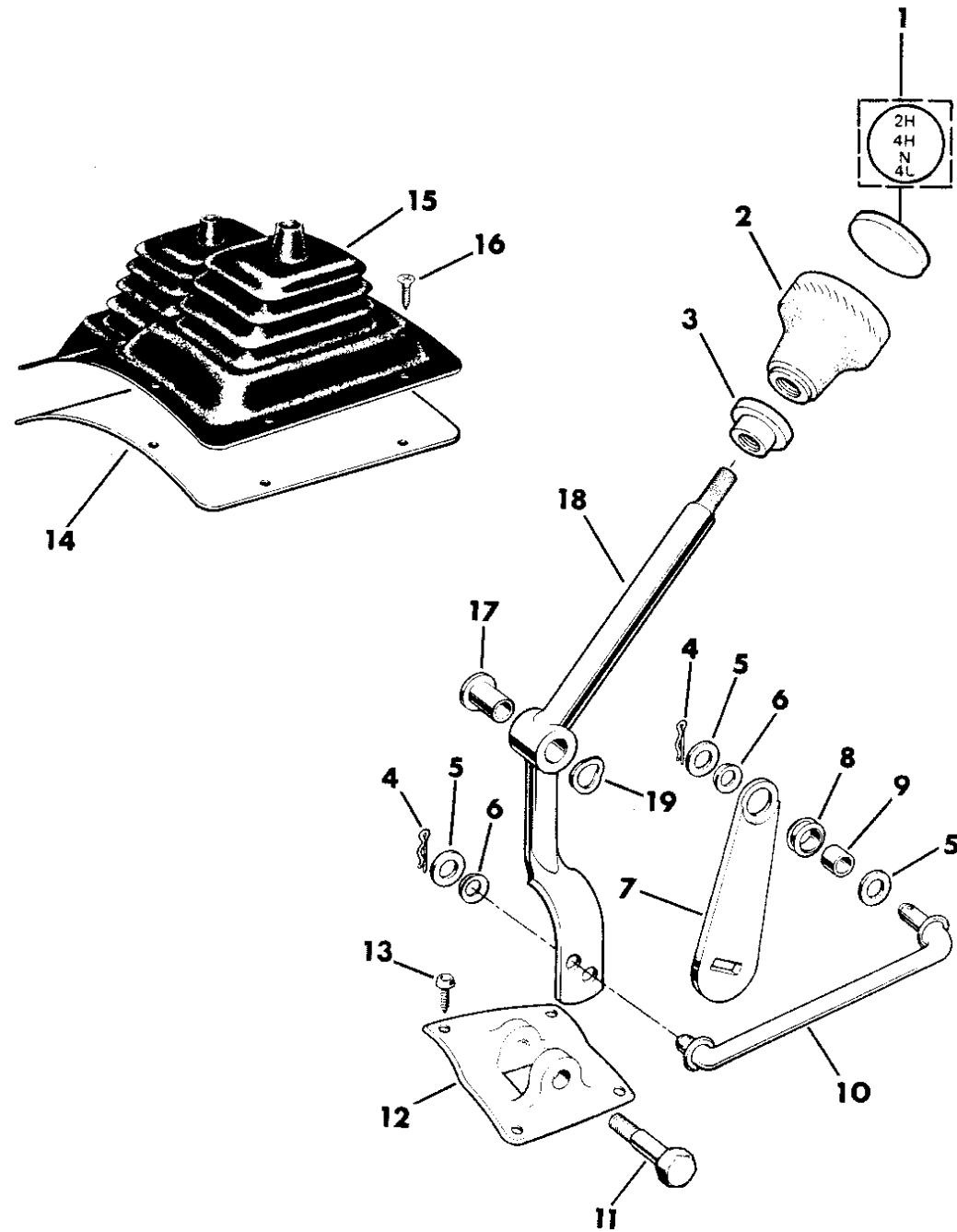
**BODY STYLES:**

MJ = Comanche Pickup  
 SJ = Grand Wagoneer Wgn., J-10 & J-20 Pickups  
 XJ = Cherokee, Wagoneer Limited  
 YJ = Wrangler

AR = Use as Required - = Non Illustrated Part P.A.R. = Paint as Required

CONTROLS, TRANSFER CASE SHIFT N.P.G. MODEL 208 WITH MANUAL TRANSMISSION GRAND WAGONEER, TRUCK J10, J20  
Figure 21M-3700

8 J 21 3700



ITEM	PART NUMBER	QTY	BODY	MODEL	DESCRIPTION
1	J324 1431	1			INSERT
2	J324 1062	1			KNOB, Shift
3	J400 6495	1			NUT
4	J400 4295	2			PIN, Hitch
5	J094 3961	3			WASHER, Flat
6	J081 5535	2			WASHER, Wave
7	J536 0185	1			LEVER
8	J318 7697	1			GROMMET
9	J318 7696	1			BUSHING
10					ROD, Shift
	J536 0906	1			GRAND WAGONEER
	J536 0906	1			TRUCK J10
	J536 0903	1			TRUCK J20
11	J400 6490	1			BOLT
12	J536 1066	1			BRACKET
13	J943 1948	1			SCREW
14	J575 2447	1			SEAL
15					BOOT
	J575 2011	1			Black
	5501 5248	1			Tan
16	J400 7056	8			SCREW
17	J400 6489	1			BUSHING
18	J536 0197	1			LEVER
19	J400 6483	1			WASHER, Wave

MODEL CODES:

15 = Grand Wagoneer 4 Dr.	65 = Comanche 4WD-7 Ft. Box	77 = Cherokee 4WD-2 Dr.
25 = J-10 Pickup-119" W.B.	66 = Comanche 2WD-7 Ft. Box	78 = Cherokee 4WD-4 Dr.
26 = J-10 Pickup-131" W.B.	73 = Cherokee 2WD-2 Dr.	79 = Cherokee 4WD-4 Dr.-Com
27 = J-20 Pickup-131" W.B.	74 = Cherokee 2WD-4 Dr.	81 = Wrangler-93" W.B.
63 = Comanche 4WD-6 Ft. Box	75 = Wagoneer 4WD-4 Dr.	82 = Wrangler-103" W.B.-Exp.
64 = Comanche 2WD-6 Ft. Box		

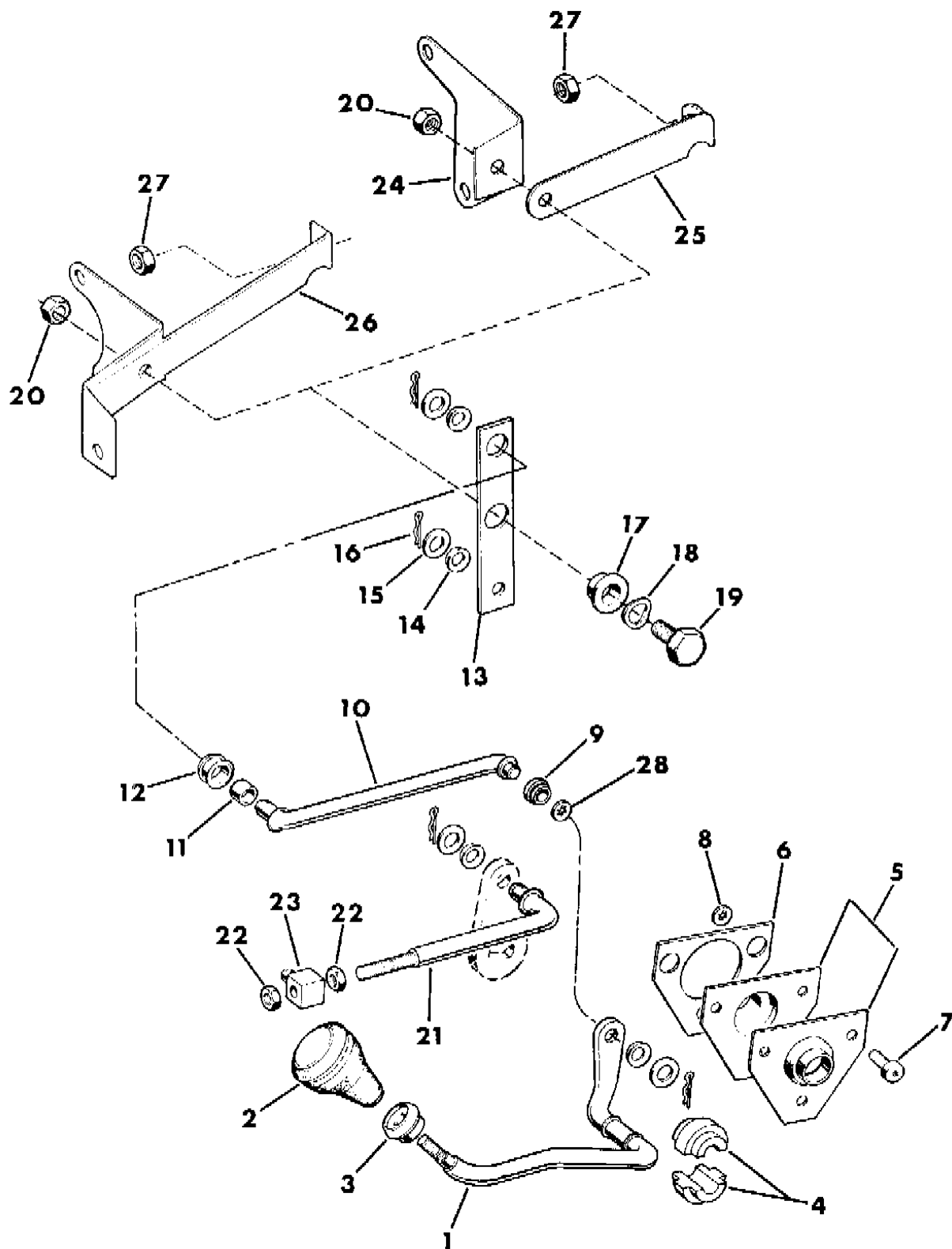
BODY STYLES:

MJ = Comanche Pickup  
SJ = Grand Wagoneer Wgn., J-10 & J-20 Pickups  
XJ = Cherokee, Wagoneer Limited  
YJ = Wrangler

AR = Use as Required - = Non Illustrated Part P.A.R. = Paint as Required

CONTROLS, TRANSFER CASE SHIFT N.P.G. MODEL 208, 229 WITH AUTOMATIC TRANSMISSION GRAND WAGONEER, TRUCK J10, J20  
Figure 21M-3750

8 J 21 3750 A



ITEM	PART NUMBER	QTY	BODY	MODEL	DESCRIPTION
1	8350 2727	1			LEVER, Transfer Case Shift
2					KNOB, Shift
	J536 1065	1			208 Transfer Case
	J536 3530	1			229 Transfer Case
3	J400 6495	1			NUT
4	J400 6487	2			BUSHING
5	J536 0114	2			RETAINER
6	J536 0134	1			GASKET
7	J400 5765	1			SCREW
8	J400 5041	1			NUT
9	J323 8418	1			BUSHING
10					ROD, Shift
	5300 4306	1			SIX CYLINDER ENGINE
	5300 4307	1			EIGHT CYLINDER ENGINE
11	J318 7696	1			BUSHING
12	J318 7697	1			GROMMET
13					LEVER
	J536 0084	1			208 Transfer Case
	J536 3526	1			229 Transfer Case
14	J081 5535	3			WASHER, Wave
15	J094 3961	3			WASHER, Plain
16	J400 4295	3			PIN, Hitch
17	J400 6488	1			BUSHING
18	J400 6483	1			WASHER, Wave
19	J400 6482	1			BOLT
20	J941 3534	1			NUT
21	J536 3528	1			ROD, Shift
22	J012 4824	2			NUT
23	J536 0930	1			SWIVEL
24	J536 0052	1			BRACKET
25	J536 0072	1			BRACKET
26	J536 3522	1			BRACKET
27	J420 0081	1			NUT
28	J098 0363	1			NUT

MODEL CODES:

15 = Grand Wagoneer 4 Dr.	65 = Comanche 4WD-7 Ft. Box	77 = Cherokee 4WD-2 Dr.
25 = J-10 Pickup-119" W.B.	66 = Comanche 2WD-7 Ft. Box	78 = Cherokee 4WD-4 Dr.
26 = J-10 Pickup-131" W.B.	73 = Cherokee 2WD-2 Dr.	79 = Cherokee 4WD-4 Dr.-Com
27 = J-20 Pickup-131" W.B.	74 = Cherokee 2WD-4 Dr.	81 = Wrangler-93" W.B.
63 = Comanche 4WD-6 Ft. Box	75 = Wagoneer 4WD-4 Dr.	82 = Wrangler-103" W.B.-Exp.
64 = Comanche 2WD-6 Ft. Box		

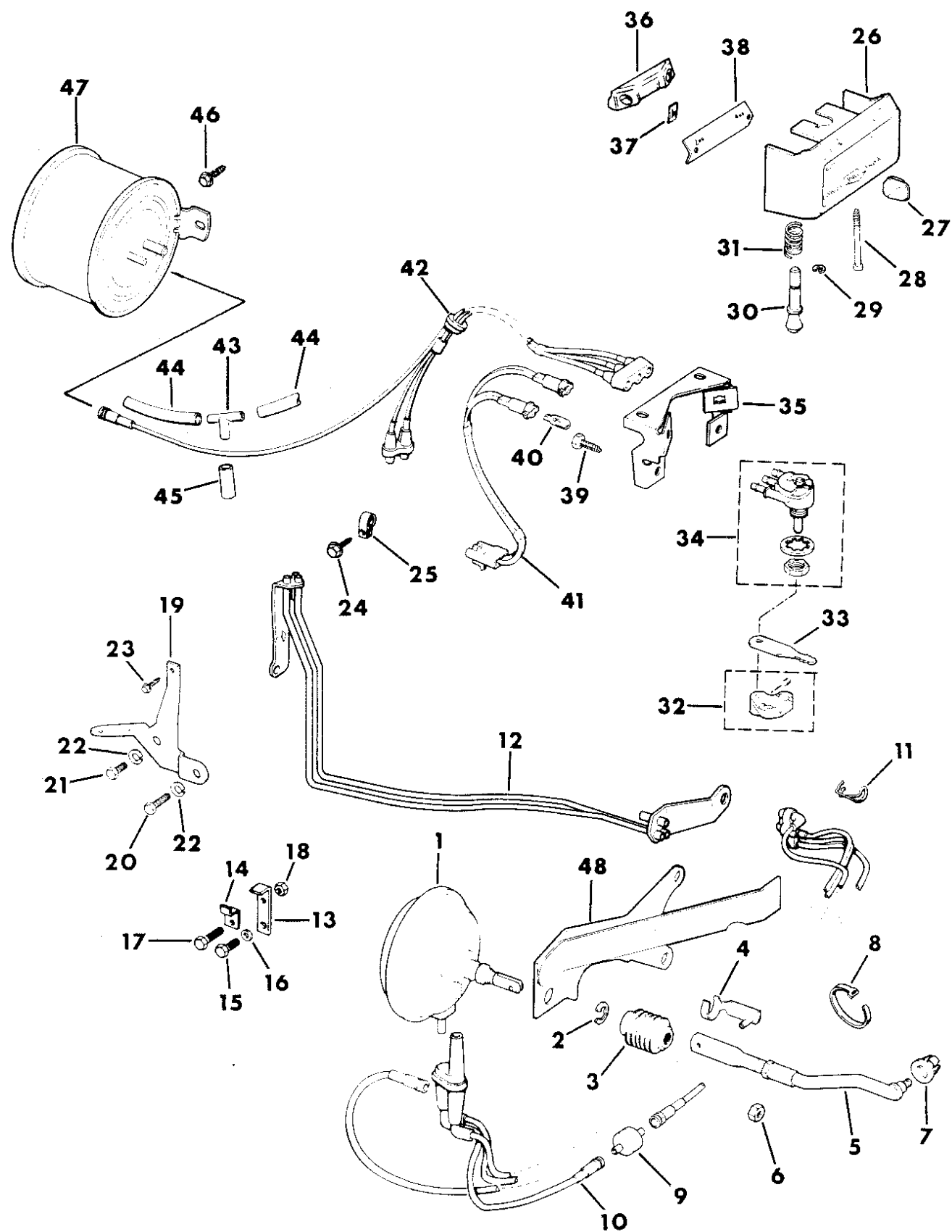
BODY STYLES:

MJ = Comanche Pickup  
SJ = Grand Wagoneer Wgn., J-10 & J-20 Pickups  
XJ = Cherokee, Wagoneer Limited  
YJ = Wrangler

AR = Use as Required - = Non Illustrated Part P.A.R. = Paint as Required

**CONTROLS SWITCH, TRANSFER CASE VACUUM N.P.G. MODEL 229 TYPE 1 GRAND WAGONEER, TRUCK J10, J20**  
**Figure 21M-3800**

8 J 21 3800



ITEM	PART NUMBER	QTY	BODY	MODEL	DESCRIPTION
1	5300 4596	1			MOTOR, Transfer Case Vacuum
2	J400 6924	1			CLIP
3	J324 0126	1			BOOT
4	J324 1415	1			CLIP
5	J536 3985	1			ROD
6	J012 4824	1			NUT
7	J323 8418	1			BUSHING
8	J322 3227	3			STRAP
9	J536 4511	1			VALVE, Vacuum
10	J536 5166	1			HARNESS, Vacuum
11	J098 7269	1			RETAINER
12	J536 5164	1			TUBE ASSY, Shift SIX CYLINDER ENGINE
	J536 5165	1			EIGHT CYLINDER ENGINE
13	J536 4338	1			BRACKET
14	J536 4175	1			CLIP
15	J400 6110	1			BOLT
16	J012 0388	1			WASHER
17	S018 0017	1			BOLT
18	J027 1172	1			NUT
19	J536 3932	1			BRACKET, SIX Cylinder Engine
20	S018 0124	1			BOLT, SIX Cylinder Engine
21	J018 0120	1			BOLT, SIX Cylinder Engine
22	J400 3803	2			WASHER, SIX Cylinder Engine
23	J942 6241	1			SCREW
24	J400 5600	1			SCREW
25	S014 0580	1			CLIP
26	J576 6615	1			BEZEL Paint as Required
27	J324 1055	1			KNOB
28	J400 7052	2			SCREW
29	J400 6918	1			RING, Retaining
30	J576 6610	1			PIN
31	J324 0289	1			SPRING
32	J576 6612	1			BASE, Vacuum Switch
33	J324 0211	1			LEVER
34	J324 0218	1			SWITCH, Transfer Case Lockout
35	J576 1732	1			BRACKET

**MODEL CODES:**

15 = Grand Wagoneer 4 Dr.	65 = Comanche 4WD-7 Ft. Box	77 = Cherokee 4WD-2 Dr.
25 = J-10 Pickup-119" W.B.	66 = Comanche 2WD-7 Ft. Box	78 = Cherokee 4WD-4 Dr.
26 = J-10 Pickup-131" W.B.	73 = Cherokee 2WD-2 Dr.	79 = Cherokee 4WD-4 Dr.-Com
27 = J-20 Pickup-131" W.B.	74 = Cherokee 2WD-4 Dr.	81 = Wrangler-93" W.B.
63 = Comanche 4WD-6 Ft. Box	75 = Wagoneer 4WD-4 Dr.	82 = Wrangler-103" W.B.-Exp.
64 = Comanche 2WD-6 Ft. Box		

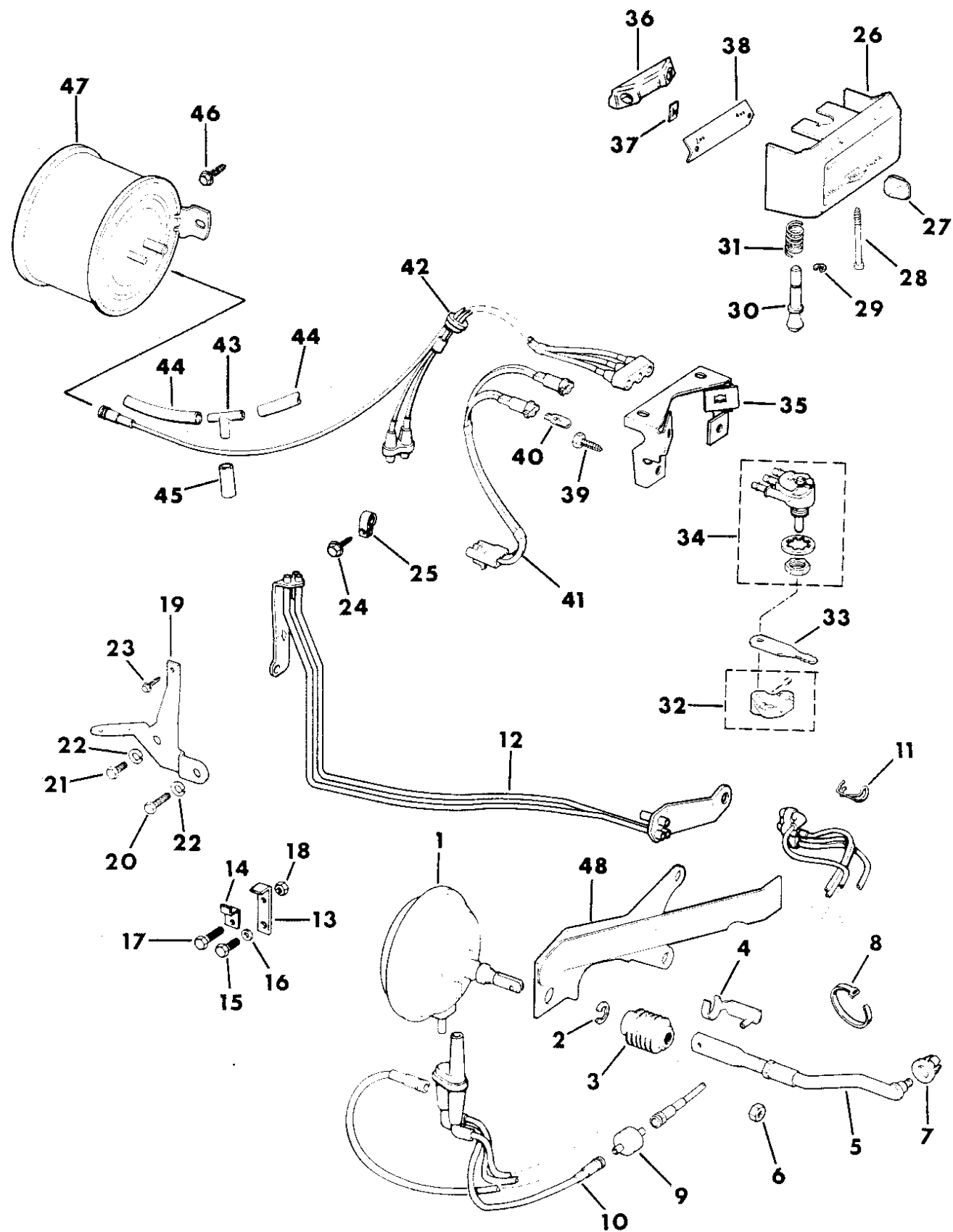
**BODY STYLES:**

MJ = Comanche Pickup  
 SJ = Grand Wagoneer Wgn., J-10 & J-20 Pickups  
 XJ = Cherokee, Wagoneer Limited  
 YJ = Wrangler

AR = Use as Required - = Non Illustrated Part P.A.R. = Paint as Required

**CONTROLS SWITCH, TRANSFER CASE VACUUM N.P.G. MODEL 229 TYPE 1 GRAND WAGONEER, TRUCK J10, J20**  
**Figure 21M-3800**

8 J 21 3800



ITEM	PART NUMBER	QTY	BODY	MODEL	DESCRIPTION
36	J576 1999	1			SHIELD
37	J400 7069	2			NUT
38	J576 1923	1			LENS
39	J400 5932	2			SCREW
40	J320 9541	1			BULB
41	J576 1733	1			WIRE
42	J536 4138	1			HARNESS, Vacuum SIX CYLINDER ENGINE
	J536 4137	1			EIGHT CYLINDER ENGINE
43	J323 9827	1			TEE
44	8330 0080	AR			HOSE, Vacuum BULK
45	J812 5995	AR			HOSE, Vacuum BULK
46	J942 6241	2			SCREW
47	J323 2991	1			TANK, Vacuum
48	J536 3522	1			BRACKET, Motor

**MODEL CODES:**

15 = Grand Wagoneer 4 Dr.	65 = Comanche 4WD-7 Ft. Box	77 = Cherokee 4WD-2 Dr.
25 = J-10 Pickup-119" W.B.	66 = Comanche 2WD-7 Ft. Box	78 = Cherokee 4WD-4 Dr.
26 = J-10 Pickup-131" W.B.	73 = Cherokee 2WD-2 Dr.	79 = Cherokee 4WD-4 Dr.-Com
27 = J-20 Pickup-131" W.B.	74 = Cherokee 2WD-4 Dr.	81 = Wrangler-93" W.B.
63 = Comanche 4WD-6 Ft. Box	75 = Wagoneer 4WD-4 Dr.	82 = Wrangler-103" W.B.-Exp.
64 = Comanche 2WD-6 Ft. Box		

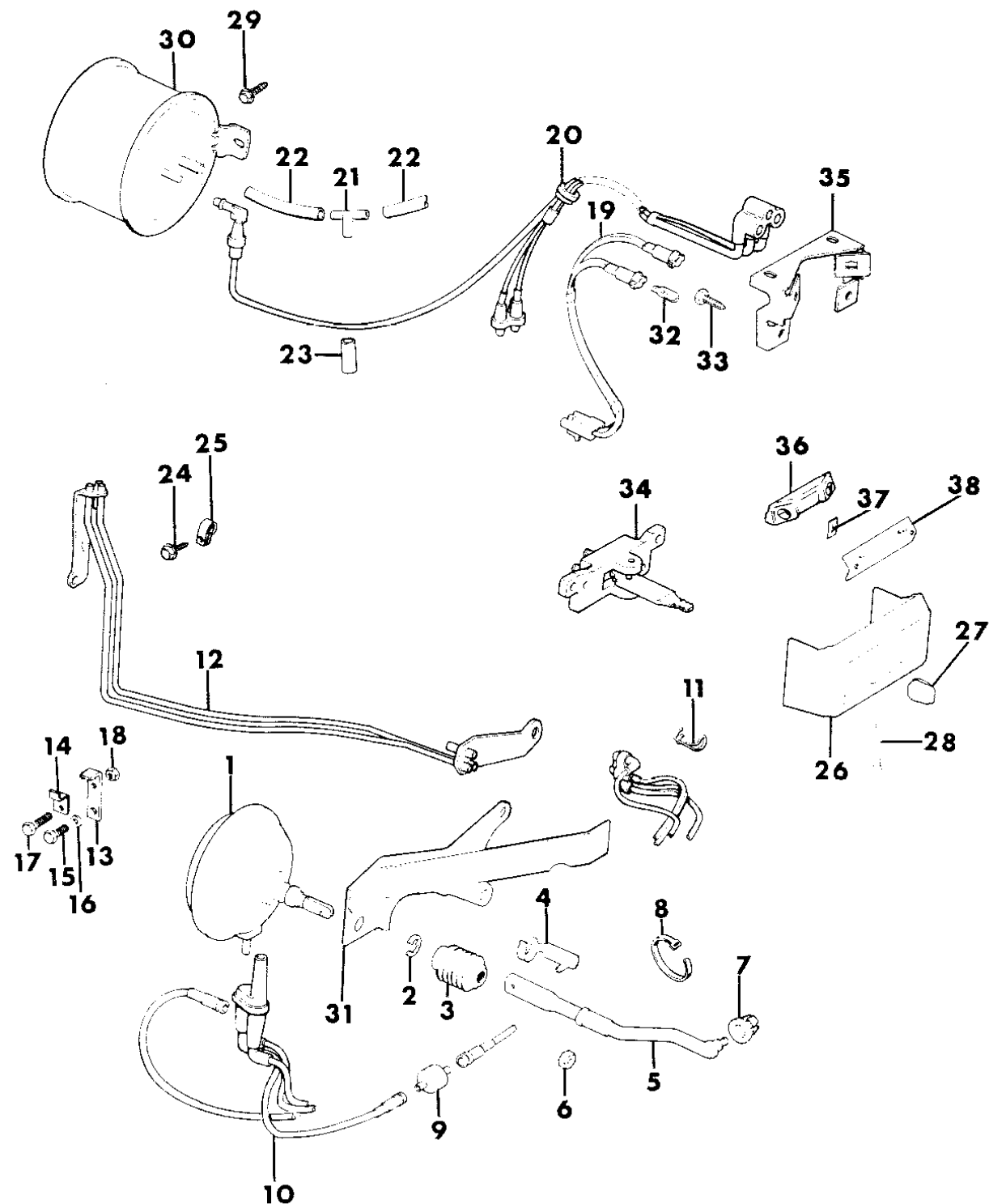
**BODY STYLES:**

MJ = Comanche Pickup  
 SJ = Grand Wagoneer Wgn., J-10 & J-20 Pickups  
 XJ = Cherokee, Wagoneer Limited  
 YJ = Wrangler

AR = Use as Required - = Non Illustrated Part P.A.R. = Paint as Required

**CONTROLS SWITCH, TRANSFER CASE VACUUM N.P.G. MODEL 229 TYPE 2 GRAND WAGONEER, TRUCK J10, J20**  
**Figure 21M-3900**

8J21 3900



ITEM	PART NUMBER	QTY	BODY	MODEL	DESCRIPTION
1	5300 4596	1			MOTOR, Transfer Case Vacuum
2	J400 6924	1			CLIP
3	J324 0126	1			BOOT
4	J324 1415	1			CLIP
5	J536 3985	1			ROD
6	J012 4824	1			NUT
7	J323 8418	1			BUSHING
8	J322 3227	3			STRAP
9	J536 4511	1			VALVE, Vacuum
10	J536 5166	1			HARNESS, Vacuum
11	J098 7269	1			RETAINER
12	J536 5165	1			TUBE ASSY, Shift
13	J536 4338	1			BRACKET
14	J536 4175	1			CLIP
15	J400 6110	1			BOLT
16	J012 0388	1			WASHER
17	S018 0017	1			BOLT
18	J027 1172	1			NUT
19	J576 1733	1			WIRE
20	5300 5194	1			HARNESS, Vacuum
21	J323 9827	1			TEE
22	8330 0080	AR			HOSE, Vacuum Bulk
23	J812 5995	AR			HOSE, Vacuum Bulk
24	J400 5600	1			SCREW
25	S014 0580	1			CLIP
26	5501 9846	1			BEZEL Paint as Required ***
27	J324 1055	1			KNOB
28	J400 7052	2			SCREW
29	J942 6241	2			SCREW
30	J323 2991	1			TANK, Vacuum
31	J536 3522	1			BRACKET, Motor
32	J320 9541	1			BULB
33	J400 5932	2			SCREW
34	5300 5279	1			SWITCH, Transfer Case Lockout
35	J576 1732	1			BRACKET
36	J576 1999	1			SHIELD
37	J400 7069	2			NUT

**MODEL CODES:**

15 = Grand Wagoneer 4 Dr.	65 = Comanche 4WD-7 Ft. Box	77 = Cherokee 4WD-2 Dr.
25 = J-10 Pickup-119" W.B.	66 = Comanche 2WD-7 Ft. Box	78 = Cherokee 4WD-4 Dr.
26 = J-10 Pickup-131" W.B.	73 = Cherokee 2WD-2 Dr.	79 = Cherokee 4WD-4 Dr.-Com
27 = J-20 Pickup-131" W.B.	74 = Cherokee 2WD-4 Dr.	81 = Wrangler-93" W.B.
63 = Comanche 4WD-6 Ft. Box	75 = Wagoneer 4WD-4 Dr.	82 = Wrangler-103" W.B.-Exp.
64 = Comanche 2WD-6 Ft. Box		

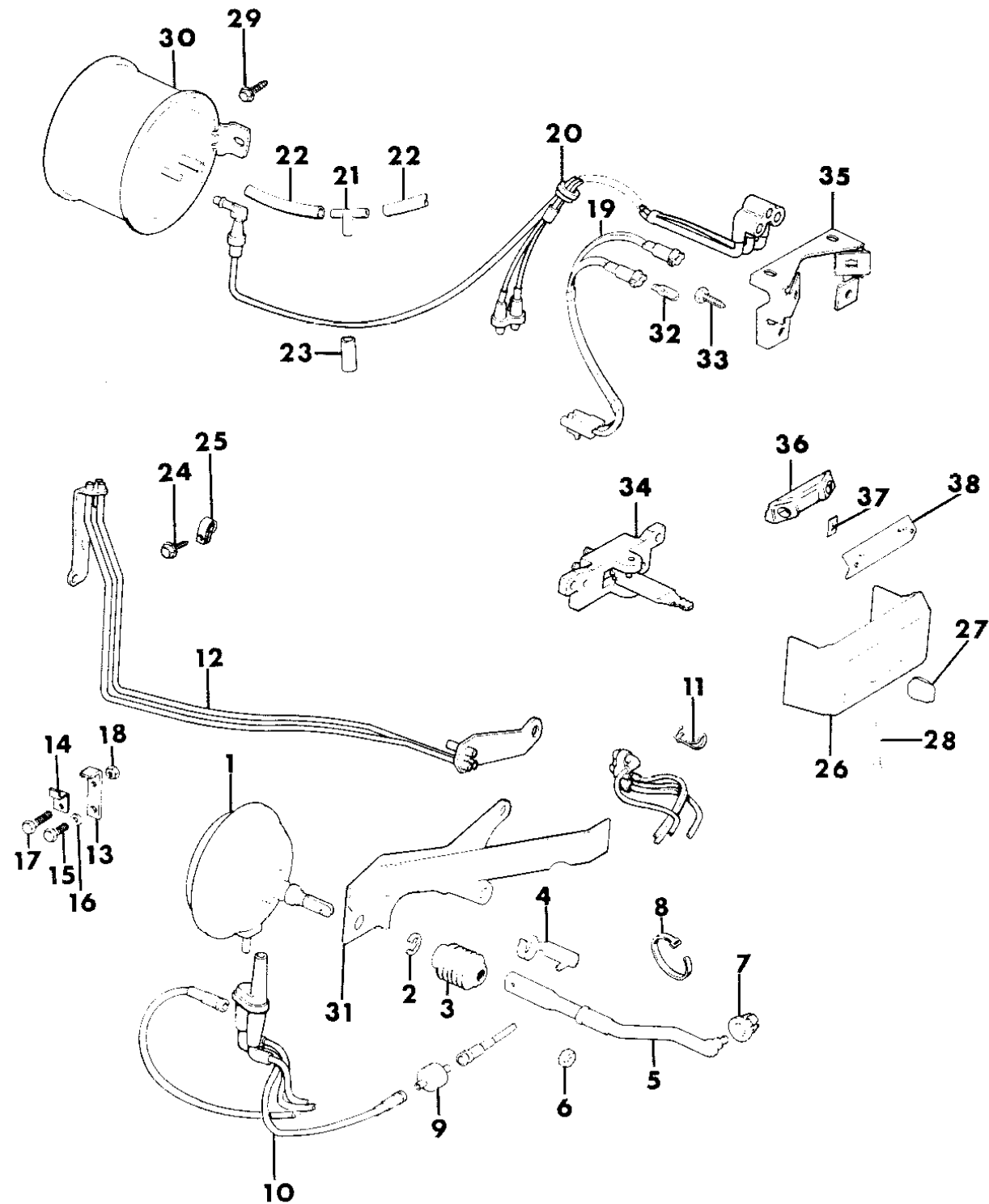
**BODY STYLES:**

MJ = Comanche Pickup  
 SJ = Grand Wagoneer Wgn., J-10 & J-20 Pickups  
 XJ = Cherokee, Wagoneer Limited  
 YJ = Wrangler

AR = Use as Required - = Non Illustrated Part P.A.R. = Paint as Required

**CONTROLS SWITCH, TRANSFER CASE VACUUM N.P.G. MODEL 229 TYPE 2 GRAND WAGONEER, TRUCK J10, J20**  
**Figure 21M-3900**

8J21 3900



ITEM	PART NUMBER	QTY	BODY	MODEL	DESCRIPTION
38	J576 1923	1			LENS

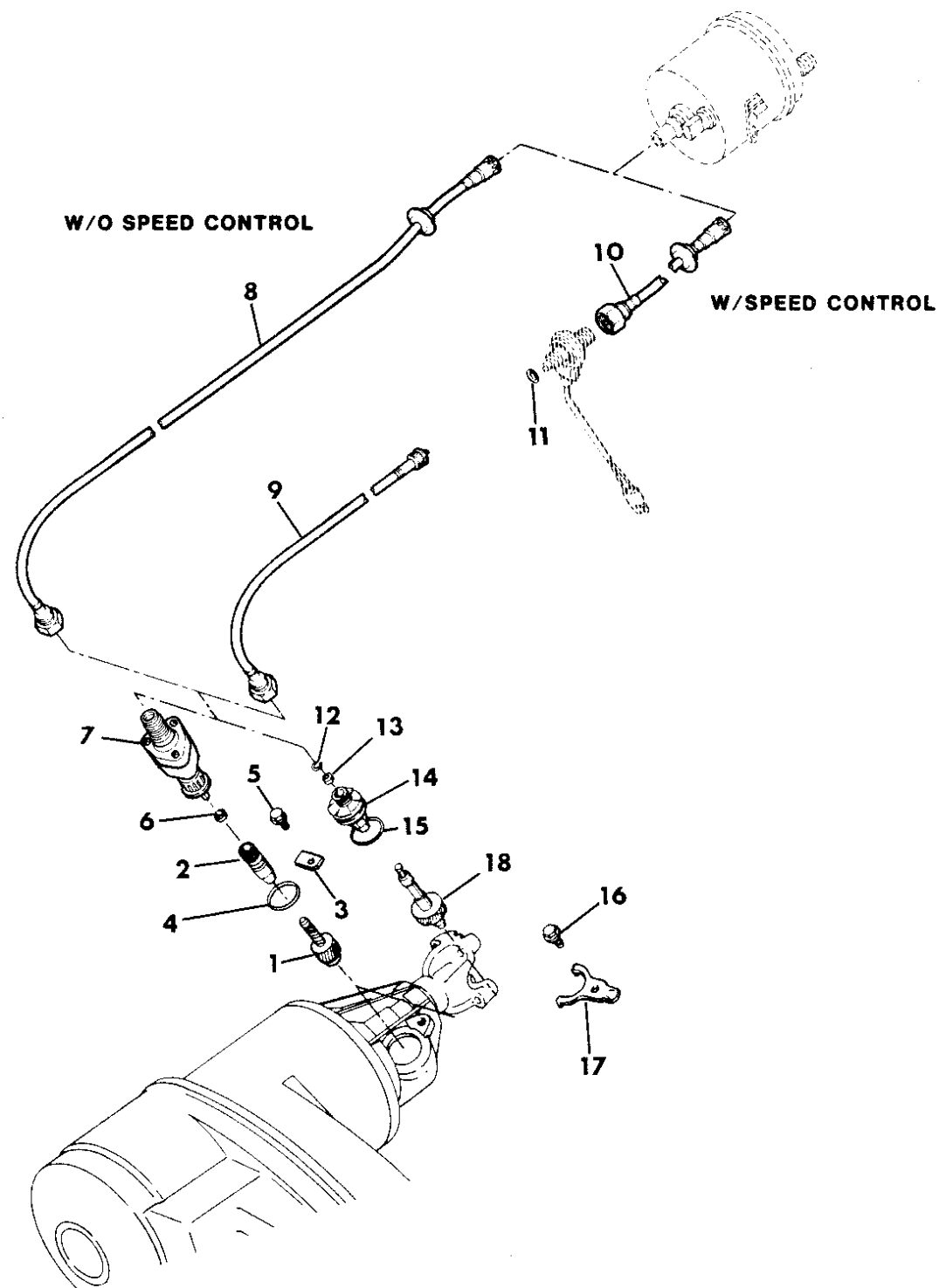
MODEL CODES:  
 15 = Grand Wagoneer 4 Dr.      65 = Comanche 4WD-7 Ft. Box      77 = Cherokee 4WD-2 Dr.  
 25 = J-10 Pickup-119" W.B.      66 = Comanche 2WD-7 Ft. Box      78 = Cherokee 4WD-4 Dr.  
 26 = J-10 Pickup-131" W.B.      73 = Cherokee 2WD-2 Dr.      79 = Cherokee 4WD-4 Dr.-Com  
 27 = J-20 Pickup-131" W.B.      74 = Cherokee 2WD-4 Dr.      81 = Wrangler-93" W.B.  
 63 = Comanche 4WD-6 Ft. Box      75 = Wagoneer 4WD-4 Dr.      82 = Wrangler-103" W.B.-Exp.  
 64 = Comanche 2WD-6 Ft. Box

BODY STYLES:  
 MJ = Comanche Pickup  
 SJ = Grand Wagoneer Wgn., J-10 & J-20 Pickups  
 XJ = Cherokee, Wagoneer Limited  
 YJ = Wrangler

AR = Use as Required - = Non Illustrated Part P.A.R. = Paint as Required

**CABLE, SPEEDOMETER WITH PINION AND ADAPTER MANUAL TRANSMISSION WRANGLER, YJ**  
**Figure 21M-4000**

8 J21 4000



ITEM	PART NUMBER	QTY	BODY	MODEL	DESCRIPTION
1					GEAR, Speedometer Driven, .79" Gear Dia.
	5300 1491	AR			18 Teeth, Yellow
	5300 1492	AR			19 Teeth, Red
	5300 1493	AR			20 Teeth, Blue
	5300 3401	AR			21 Teeth, Green
2	5300 1485	1			ADAPTER, Speedometer
3	5300 1484	1			RETAINER
4	3420 1877	1			O-RING
5	3420 1886	1			SCREW
6	8351 0031	1			SEAL
7	5300 4152	1			ADAPTER, Speedometer, 1.3235 to 1 Ratio
8					CABLE, Speedometer
	5300 2506	1			1987
	5300 5084	1			1988-89: For Vehicles Built up to 2/13/89.
	5300 8988	1			1989-90: For Vehicles Built 2/13/89 and later.
9					CABLE, Speedometer, Lower
	5300 5085	1			1987-89: For Vehicles Built up to 2/13/89.
	5300 8990	1			1989-90: For Vehicles Built 2/13/89 and later.
10					CABLE, Speedometer, Upper
	5300 4023	1			1987-89: For Vehicles Built up to 2/13/89.
	5300 8989	1			1989-90: For Vehicles Built 2/13 /89 and later.
11	J400 6555	1			O-RING
12	J321 2846	1			RETAINER
13	J321 2847	1			SEAL
14	J321 2893	1			ADAPTER, Speedometer
15	6025 752	1			O-RING
16	J027 3573	1			SCREW
17	J321 2844	1			CLAMP
18					GEAR, Speedometer Driven, 1.42" Gear Dia.
	5300 1492	AR			19 Teeth, Red
	J321 2729	AR			29 Teeth, Black
	J321 2730	AR			30 Teeth, Yellow
	J321 2731	AR			31 Teeth, Green
	J321 2733	AR			33 Teeth, Yellow
	J321 2734	AR			34 Teeth, Green
	J321 2735	AR			35 Teeth, Orange
	J323 0221	AR			39 Teeth, Green

**MODEL CODES:**

15 = Grand Wagoneer 4 Dr.	65 = Comanche 4WD-7 Ft. Box	77 = Cherokee 4WD-2 Dr.
25 = J-10 Pickup-119" W.B.	66 = Comanche 2WD-7 Ft. Box	78 = Cherokee 4WD-4 Dr.
26 = J-10 Pickup-131" W.B.	73 = Cherokee 2WD-2 Dr.	79 = Cherokee 4WD-4 Dr.-Com
27 = J-20 Pickup-131" W.B.	74 = Cherokee 2WD-4 Dr.	81 = Wrangler-93" W.B.
63 = Comanche 4WD-6 Ft. Box	75 = Wagoneer 4WD-4 Dr.	82 = Wrangler-103" W.B.-Exp.
64 = Comanche 2WD-6 Ft. Box		

**BODY STYLES:**

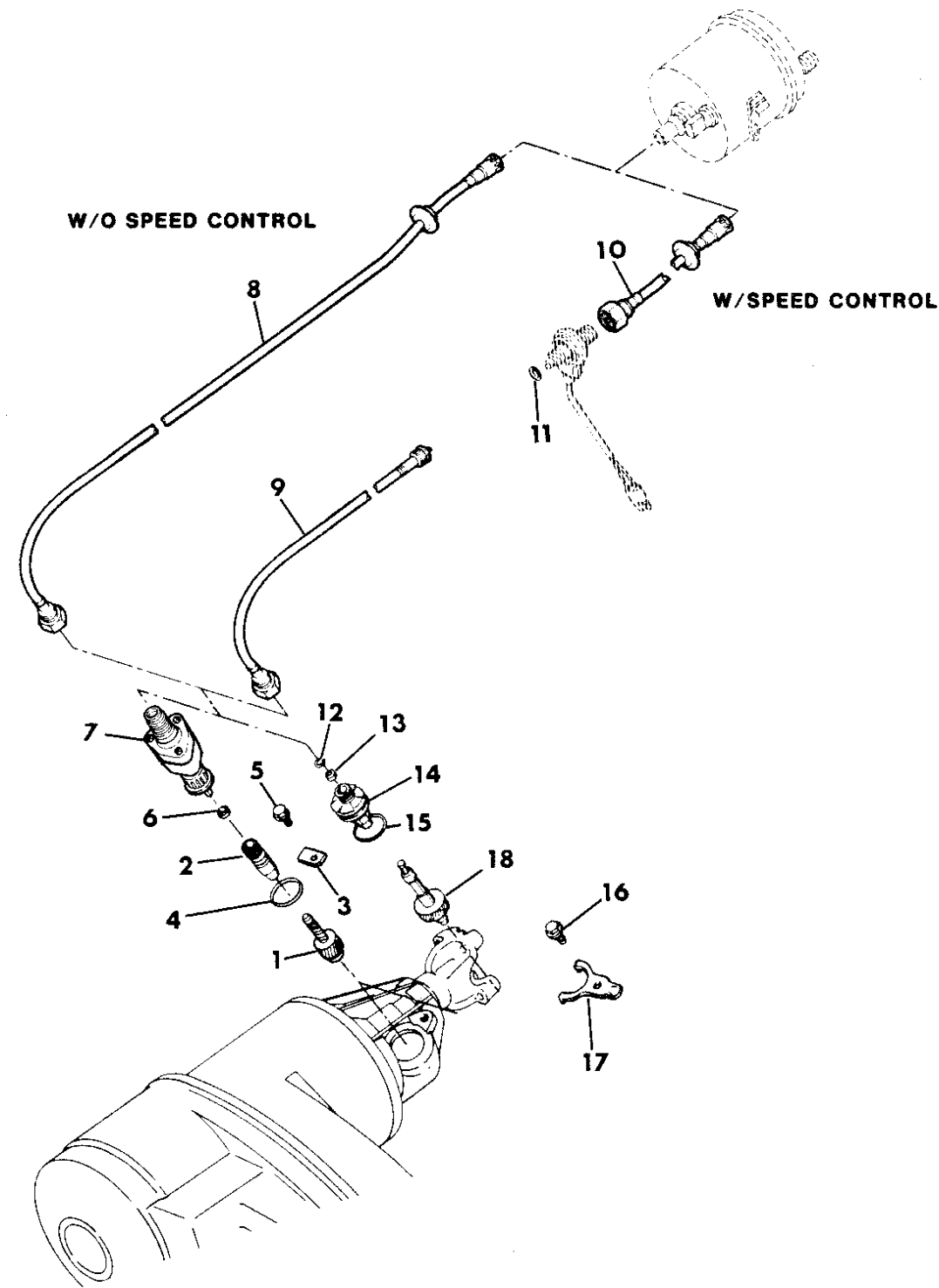
MJ = Comanche Pickup  
 SJ = Grand Wagoneer Wgn., J-10 & J-20 Pickups  
 XJ = Cherokee, Wagoneer Limited  
 YJ = Wrangler

AR = Use as Required - = Non Illustrated Part P.A.R. = Paint as Required



**CABLE, SPEEDOMETER WITH PINION AND ADAPTER MANUAL TRANSMISSION WRANGLER, YJ**  
**Figure 21M-4000**

8 J21 4000



ITEM	PART NUMBER	QTY	BODY	MODEL	DESCRIPTION
	J323 0222	AR			40 Teeth, Orange
	5300 1488	AR			41 Teeth, Red

- MODEL CODES:**
- |                             |                             |                              |
|-----------------------------|-----------------------------|------------------------------|
| 15 = Grand Wagoneer 4 Dr.   | 65 = Comanche 4WD-7 Ft. Box | 77 = Cherokee 4WD-2 Dr.      |
| 25 = J-10 Pickup-119" W.B.  | 66 = Comanche 2WD-7 Ft. Box | 78 = Cherokee 4WD-4 Dr.      |
| 26 = J-10 Pickup-131" W.B.  | 73 = Cherokee 2WD-2 Dr.     | 79 = Cherokee 4WD-4 Dr.-Com  |
| 27 = J-20 Pickup-131" W.B.  | 74 = Cherokee 2WD-4 Dr.     | 81 = Wrangler-93" W.B.       |
| 63 = Comanche 4WD-6 Ft. Box | 75 = Wagoneer 4WD-4 Dr.     | 82 = Wrangler-103" W.B.-Exp. |
| 64 = Comanche 2WD-6 Ft. Box |                             |                              |

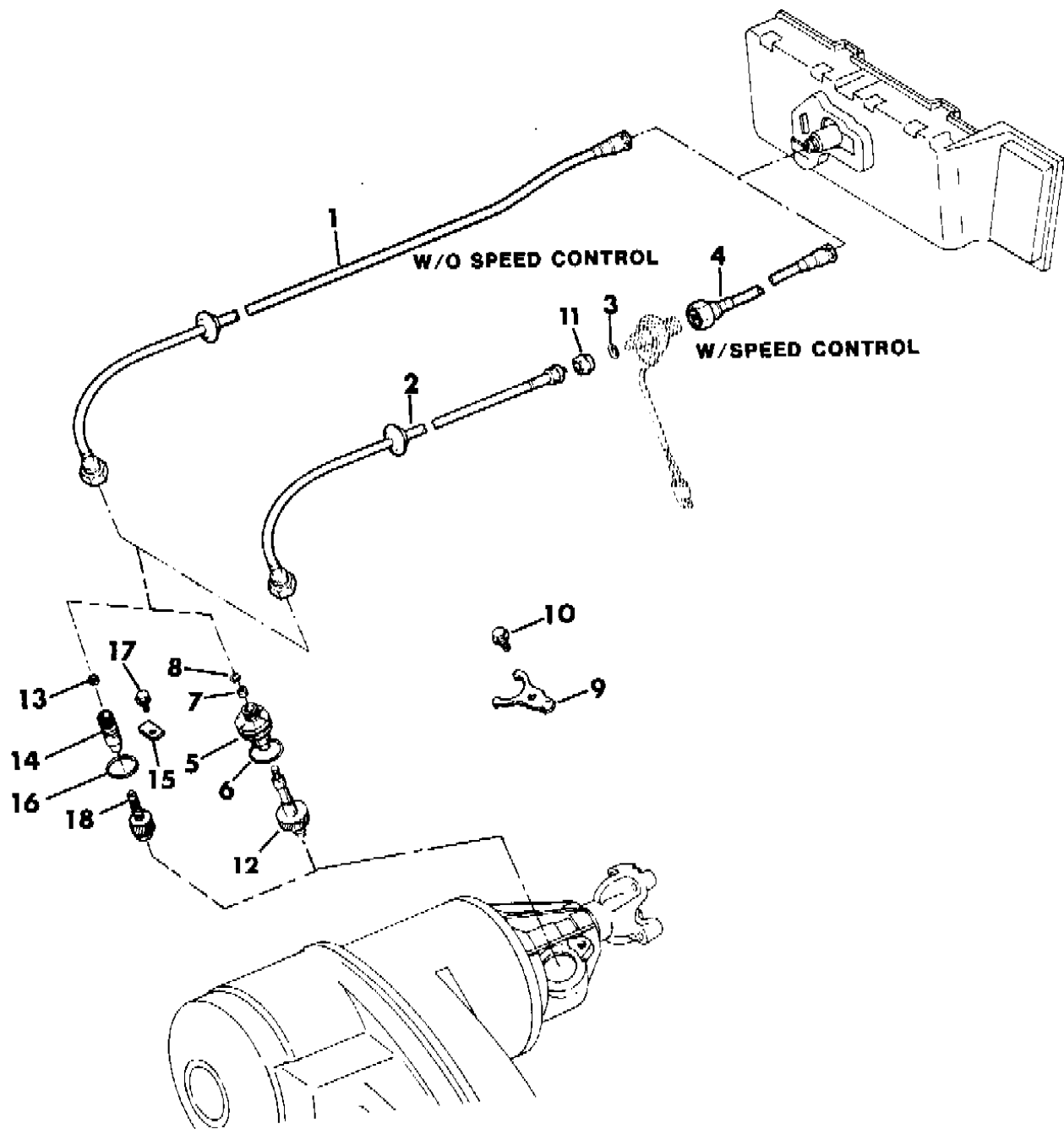
- BODY STYLES:**
- MJ = Comanche Pickup
  - SJ = Grand Wagoneer Wgn., J-10 & J-20 Pickups
  - XJ = Cherokee, Wagoneer Limited
  - YJ = Wrangler

AR = Use as Required - = Non Illustrated Part P.A.R. = Paint as Required

CABLE, SPEEDOMETER AND PINION MANUAL TRANSMISSION CHEROKEE, WAGONEER, COMANCHE

Figure 21M-4100

8 J 21 4100 A



ITEM	PART NUMBER	QTY	BODY	MODEL	DESCRIPTION
1					CABLE, Speedometer
					2.5L FOUR Cylinder & Diesel
					2 Wheel Drive
	5300 1990	1			1987: (A)
	5300 4952	1			1987: (B)
	5300 4952	1			1988-89
	5300 9002	1			1990
					4 Wheel Drive
	5300 3900	1			1987: (A)
	5300 4954	1			1987: (B)
	5300 4954	1			1988-89
	5300 9004	1			1990
					4.0L SIX Cylinder Engine
					2 Wheel Drive
	5300 1990	1			1987 (A)
	5300 4953	1			1987 (B)
	5300 4953	1			1988-89
	5300 9003	1			1990
					4 Wheel Drive
	5300 3900	1			1987 (A)
	5300 4954	1			1987 (B)
	5300 4954	1			1988-89
	5300 9004	1			1990
2					CABLE, Speedometer
	5300 6186	1			1987-89: SIX Cylinder Engine, 2WD
	5300 9006	1			1990: SIX Cylinder Engine, 2WD
	5300 4892	1			1987-89: FOUR Cylinder Engine & Diesel, 2WD
	5300 9005	1			1990: FOUR Cylinder Engine & Diesel, 2WD
	5300 4894	1			1987-89: 4WD
	5300 9000	1			1990: 4WD
3	J400 6555	1			O-RING
4					CABLE, Speedometer, Upper
	5300 3073	1			1987: (A)
	5300 4955	1			1987: (B)
	5300 4955	1			1988-89
	5300 9001	1			1990
5	J321 2893	1			ADAPTER, Speedometer

MODEL CODES:

15 = Grand Wagoneer 4 Dr.	65 = Comanche 4WD-7 Ft. Box	77 = Cherokee 4WD-2 Dr.
25 = J-10 Pickup-119" W.B.	66 = Comanche 2WD-7 Ft. Box	78 = Cherokee 4WD-4 Dr.
26 = J-10 Pickup-131" W.B.	73 = Cherokee 2WD-2 Dr.	79 = Cherokee 4WD-4 Dr.-Com
27 = J-20 Pickup-131" W.B.	74 = Cherokee 2WD-4 Dr.	81 = Wrangler-93" W.B.
63 = Comanche 4WD-6 Ft. Box	75 = Wagoneer 4WD-4 Dr.	82 = Wrangler-103" W.B.-Exp.
64 = Comanche 2WD-6 Ft. Box		

BODY STYLES:

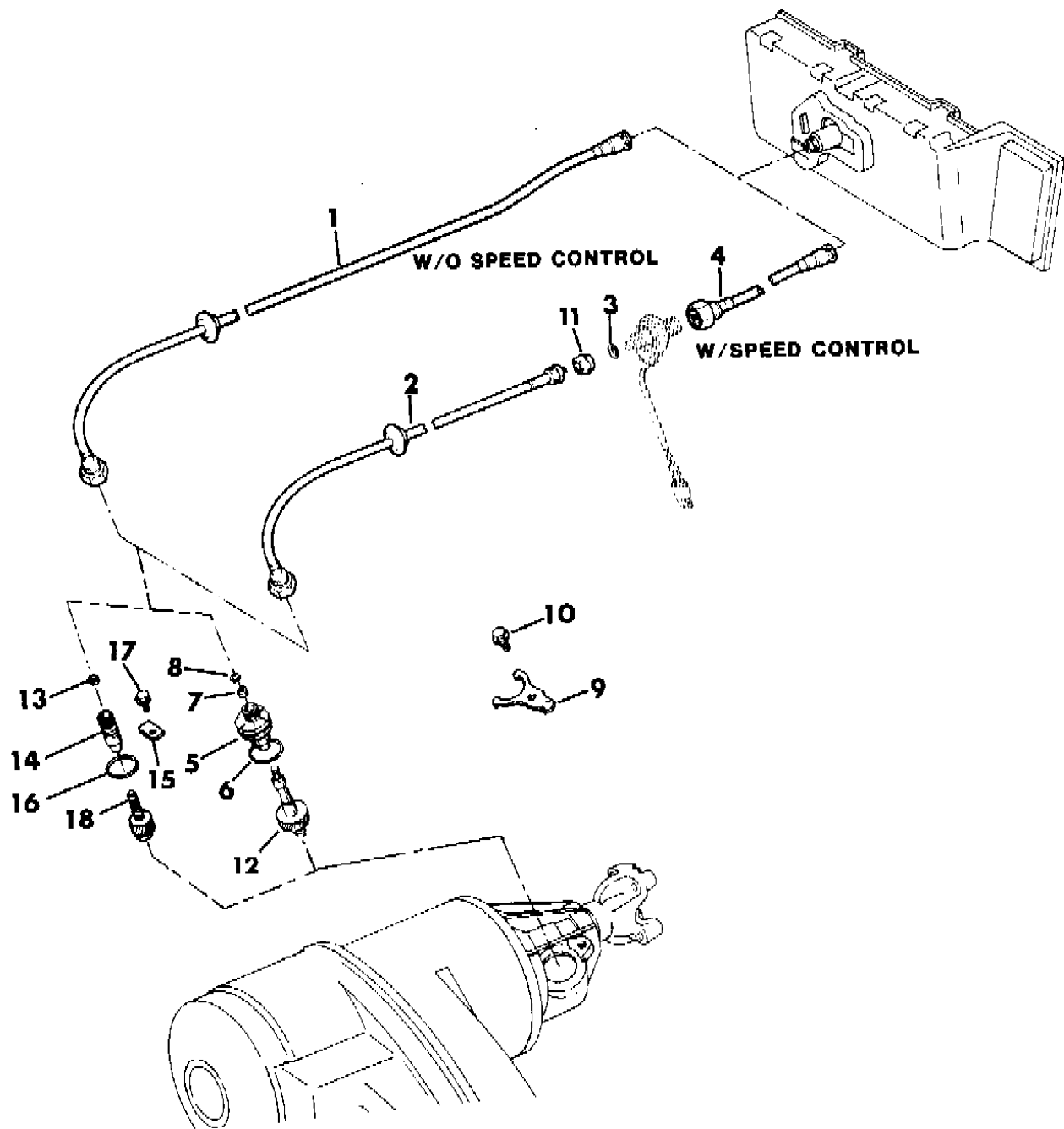
MJ = Comanche Pickup
SJ = Grand Wagoneer Wgn., J-10 & J-20 Pickups
XJ = Cherokee, Wagoneer Limited
YJ = Wrangler

AR = Use as Required - = Non Illustrated Part P.A.R. = Paint as Required

CABLE, SPEEDOMETER AND PINION MANUAL TRANSMISSION CHEROKEE, WAGONEER, COMANCHE

Figure 21M-4100

8 J 21 4100 A



ITEM	PART NUMBER	QTY	BODY	MODEL	DESCRIPTION
6	6025 752	1			O-RING
7	J321 2847	1			SEAL
8	J321 2846	1			RETAINER
9	J321 2844	1			CLAMP
10	J027 3573	1			SCREW
11	J318 7257	1			RETAINER
12					GEAR, Speedometer Driven, (1.42")
	J321 2729	AR			29 Teeth, Black
	J321 2730	AR			30 Teeth, Yellow
	J321 2731	AR			31 Teeth, Green
	J321 2732	AR			32 Teeth, Black
	J321 2733	AR			33 Teeth, Yellow
	J321 2734	AR			34 Teeth, Green
	J321 2735	AR			35 Teeth, Orange
	J321 2736	AR			36 Teeth, Red
	J323 0221	AR			39 Teeth, Green
	J323 0222	AR			40 Teeth, Orange
	5300 1488	AR			41 Teeth, Red
	5300 1489	AR			42 Teeth, White
	J323 8143	AR			43 Teeth, Blue
	J323 8144	AR			44 Teeth, Black
	9200 0065	AR			45 Teeth, Yellow
13	8351 0031	AR			SEAL
14	5300 1485	1			ADAPTER, Speedometer
15	5300 1484	1			Retainer ***
16	3420 1877	1			O-RING
17	3420 1866	1			SCREW
18					GEAR, Speedometer Driven, (.79")
	5300 1491	AR			18 Teeth, Yellow
	5300 1492	AR			19 Teeth, Red
	5300 1493	AR			20 Teeth, Blue
	5300 3401	AR			21 Teeth, Green
	5300 3419	AR			22 Teeth, Black

NOTES: (A) For 1987, two types of instrument clusters were used. On type one, Clusters, the odometer numbers are rounded, the Speedometer face has (2) slotte  
d head screws, and the trip odometer numbers are in one long window. (A) For 1987, two types of instrument clusters were used. On type one, Clusters, the odometer numbers are rounded, the Speedometer face has (2) slotte

MODEL CODES:

15 = Grand Wagoneer 4 Dr.	65 = Comanche 4WD-7 Ft. Box	77 = Cherokee 4WD-2 Dr.
25 = J-10 Pickup-119" W.B.	66 = Comanche 2WD-7 Ft. Box	78 = Cherokee 4WD-4 Dr.
26 = J-10 Pickup-131" W.B.	73 = Cherokee 2WD-2 Dr.	79 = Cherokee 4WD-4 Dr.-Com
27 = J-20 Pickup-131" W.B.	74 = Cherokee 2WD-4 Dr.	81 = Wrangler-93" W.B.
63 = Comanche 4WD-6 Ft. Box	75 = Wagoneer 4WD-4 Dr.	82 = Wrangler-103" W.B.-Exp.
64 = Comanche 2WD-6 Ft. Box		

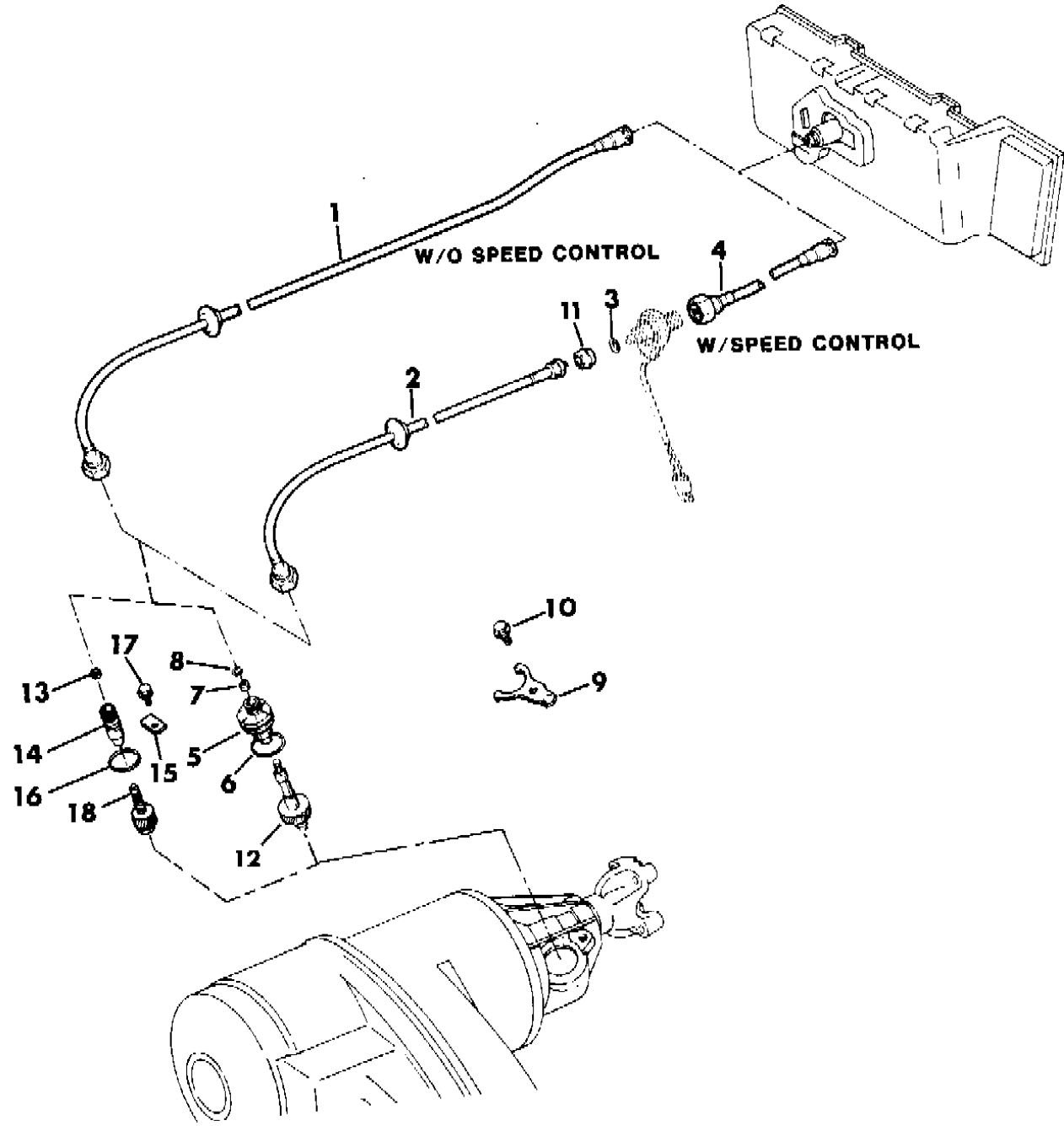
BODY STYLES:

MJ = Comanche Pickup  
 SJ = Grand Wagoneer Wgn., J-10 & J-20 Pickups  
 XJ = Cherokee, Wagoneer Limited  
 YJ = Wrangler

AR = Use as Required - = Non Illustrated Part P.A.R. = Paint as Required

Figure 21M-4100

8 J 21 4100 A



CABLE, SPEEDOMETER AND PINION MANUAL TRANSMISSION CHEROKEE, WAGONEER, COMANCHE

Figure 21M-4100

ITEM	PART NUMBER	QTY	BODY	MODEL	DESCRIPTION
------	-------------	-----	------	-------	-------------

(B) For 1987, two types of instrument Cluster were used. On Type 2 Clusters, the odometer numbers are squared, the Speedometer face has (2) phillip hd (A) For 1987, two types of instrument clusters were used. On type one, Clusters, the odometer numbers screws, and the trip odometers numbers are in four individual windows. The letters NS appear at the bottom. (A) For 1987, two types of instrument clusters were used. On type one, Clusters, the odometer numbers are rounded, the Speedometer face has (2

MODEL CODES:

15 = Grand Wagoneer 4 Dr.	65 = Comanche 4WD-7 Ft. Box	77 = Cherokee 4WD-2 Dr.
25 = J-10 Pickup-119" W.B.	66 = Comanche 2WD-7 Ft. Box	78 = Cherokee 4WD-4 Dr.
26 = J-10 Pickup-131" W.B.	73 = Cherokee 2WD-2 Dr.	79 = Cherokee 4WD-4 Dr.-Com
27 = J-20 Pickup-131" W.B.	74 = Cherokee 2WD-4 Dr.	81 = Wrangler-93" W.B.
63 = Comanche 4WD-6 Ft. Box	75 = Wagoneer 4WD-4 Dr.	82 = Wrangler-103" W.B.-Exp.
64 = Comanche 2WD-6 Ft. Box		

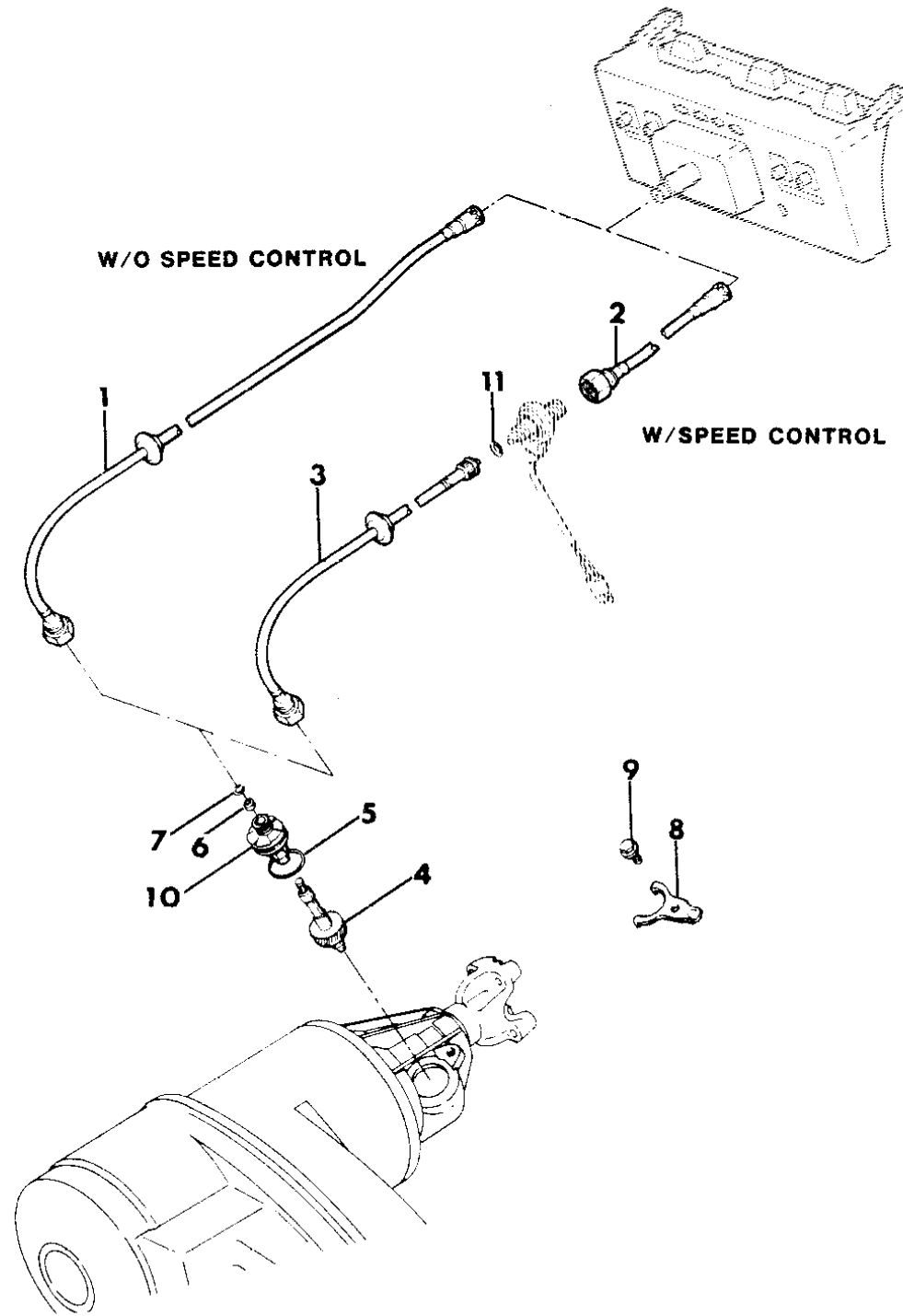
BODY STYLES:

MJ = Comanche Pickup  
 SJ = Grand Wagoneer Wgn., J-10 & J-20 Pickups  
 XJ = Cherokee, Wagoneer Limited  
 YJ = Wrangler

AR = Use as Required - = Non Illustrated Part P.A.R. = Paint as Required

**CABLE, SPEEDOMETER AND PINION MANUAL TRANSMISSION TRUCK J10, J20**  
**Figure 21M-4200**

8J21 4200



ITEM	PART NUMBER	QTY	BODY	MODEL	DESCRIPTION
1					CABLE, Speedometer
	J575 2281	1			With Manual Transmission
	J575 2282	1			With Automatic Transmission, Transfer Case 229.
	J575 2281	1			With Automatic Transmission, Transfer Case 208.
2	J575 8491	1			CABLE, Speedometer, Upper
3					CABLE, Speedometer, Lower
	J536 3552	1			With Manual Transmission
	5300 8990	1			With Automatic Transmission, Transfer Case 229.
	J536 3552	1			With Automatic Transmission, Transfer Case 208.
4					GEAR, Speedometer Driven
	J321 2725	AR			25 Teeth
	J321 2726	AR			26 Teeth
	J321 2731	AR			31 Teeth
	J321 2732	AR			32 Teeth
	J321 2733	AR			33 Teeth
	J321 2734	AR			34 Teeth
5	6025 752	1			O-RING
6	J321 2847	1			SEAL
7	J321 2846	1			RETAINER
8	J321 2844	1			CLAMP
9	J027 3573	1			SCREW
10	J321 2893	1			ADAPTER
11	J400 6555	1			O-RING

**MODEL CODES:**

15 = Grand Wagoneer 4 Dr.	65 = Comanche 4WD-7 Ft. Box	77 = Cherokee 4WD-2 Dr.
25 = J-10 Pickup-119" W.B.	66 = Comanche 2WD-7 Ft. Box	78 = Cherokee 4WD-4 Dr.
26 = J-10 Pickup-131" W.B.	73 = Cherokee 2WD-2 Dr.	79 = Cherokee 4WD-4 Dr.-Com
27 = J-20 Pickup-131" W.B.	74 = Cherokee 2WD-4 Dr.	81 = Wrangler-93" W.B.
63 = Comanche 4WD-6 Ft. Box	75 = Wagoneer 4WD-4 Dr.	82 = Wrangler-103" W.B.-Exp.
64 = Comanche 2WD-6 Ft. Box		

**BODY STYLES:**

MJ = Comanche Pickup  
 SJ = Grand Wagoneer Wgn., J-10 & J-20 Pickups  
 XJ = Cherokee, Wagoneer Limited  
 YJ = Wrangler

AR = Use as Required - = Non Illustrated Part P.A.R. = Paint as Required

**GROUP 21A - TRANSMISSION, AUTO.**

ILLUSTRATION TITLE	GROUP-FIG. NO.
TRANSMISSION ASSEMBLIES, AUTOMATIC TRANSMISSION ALL MODELS . . . . .	Fig. 21A-100
GASKET AND SEAL PACKAGE, REPAIR AUTOMATIC TRANSMISSION - A999 WRANGLER, YJ . . . . .	Fig. 21A-200
CASE, ADAPTER AND MISC. PARTS AUTOMATIC TRANSMISSION - A999 WRANGLER, YJ . . . . .	Fig. 21A-300
PUMP, OIL AND GEAR TRAIN AUTOMATIC TRANSMISSION - A999 WRANGLER, YJ . . . . .	Fig. 21A-400
GOVERNOR AND PARKING SPRAG AUTOMATIC TRANSMISSION - A999 WRANGLER, YJ . . . . .	Fig. 21A-500
SERVOS, ACCUMULATOR AND VALVE BODY AUTOMATIC TRANSMISSION - A999 WRANGLER, YJ . . . . .	Fig. 21A-600
CLUTCH, FRONT AND REAR AUTOMATIC TRANSMISSION - A999 WRANGLER, YJ . . . . .	Fig. 21A-700
CASE, EXTENSION AND MISC. PARTS AUTOMATIC TRANSMISSION - AW4 CHEROKEE, WAGONEER, COMANCHE . . . . .	Fig. 21A-800
LOCK, PARKING AUTOMATIC TRANSMISSION - AW4 CHEROKEE, WAGONEER, COMANCHE . . . . .	Fig. 21A-850
PUMP, OIL AND OVERDRIVE CLUTCH AUTOMATIC TRANSMISSION - AW4 CHEROKEE, WAGONEER, COMANCHE . . . . .	Fig. 21A-900
CLUTCHES, FORWARD AND DIRECT AUTOMATIC TRANSMISSION - AW4 CHEROKEE, WAGONEER, COMANCHE . . . . .	Fig. 21A-1000
BRAKE, CLUTCH AND SUN GEAR AUTOMATIC TRANSMISSION - AW4 CHEROKEE, WAGONEER, COMANCHE . . . . .	Fig. 21A-1100
VALVE BODY AND ELECTRONIC CONTROL AUTOMATIC TRANSMISSION - AW4 CHEROKEE, WAGONEER, COMANCHE . . . . .	Fig. 21A-1200
GEAR TRAIN AND OUTPUT SHAFT AUTOMATIC TRANSMISSION - AW4 CHEROKEE, WAGONEER, COMANCHE . . . . .	Fig. 21A-1300
LINKAGE, HARNESS, NEUTRAL SAFETY SWITCH AUTOMATIC TRANSMISSION - AW4 CHEROKEE, WAGONEER, COMANCHE . . . . .	Fig. 21A-1375
CASE, ADAPTER & MISCELLANEOUS PARTS AUTOMATIC TRANSMISSION - A727 GRAND WAGONEER, TRUCK J20 . . . . .	Fig. 21A-1400
GASKET AND SEAL PACKAGE, REPAIR AUTOMATIC TRANSMISSION - A727 GRAND WAGONEER, TRUCK J20 . . . . .	Fig. 21A-1500
OIL PUMP, GEAR TRAIN, OUTPUT SHAFT AUTOMATIC TRANSMISSION - A727 GRAND WAGONEER, TRUCK J20 . . . . .	Fig. 21A-1600
GOVERNOR CONTROL AUTOMATIC TRANSMISSION - A727 GRAND WAGONEER, TRUCK J20 . . . . .	Fig. 21A-1700
SERVOS, ACCUMULATOR AND VALVE BODY AUTOMATIC TRANSMISSION - A727 GRAND WAGONEER, TRUCK J20 . . . . .	Fig. 21A-1800
CLUTCH, FRONT AND REAR AUTOMATIC TRANSMISSION - A727 GRAND WAGONEER, TRUCK J20 . . . . .	Fig. 21A-1900
CONTROLS, SHIFT, LOWER, COLUMN AUTOMATIC TRANSMISSION WRANGLER, YJ . . . . .	Fig. 21A-2000
CONTROLS, GEARSHIFT, FLOOR MOUNTED AUTOMATIC TRANSMISSION - AW4 CHEROKEE, WAGONEER, COMANCHE . . . . .	Fig. 21A-2100
CONTROLS, GEARSHIFT, COLUMN MOUNTED AUTOMATIC TRANSMISSION COMANCHE . . . . .	Fig. 21A-2200
CONTROLS, SHIFT, LOWER, COLUMN AUTOMATIC TRANSMISSION GRAND WAGONEER, TRUCK J20 . . . . .	Fig. 21A-2300
CABLE, SPEEDOMETER WITH PINION AND ADAPTER AUTOMATIC TRANSMISSION WRANGLER, YJ . . . . .	Fig. 21A-2400

**ILLUSTRATION NOT AVAILABLE AT TIME OF PUBLICATION**

---

**GROUP 21A - TRANSMISSION, AUTO.**

**ILLUSTRATION TITLE**

**GROUP-FIG. NO.**

**POWER STEERING MOUNTING (Continued)**

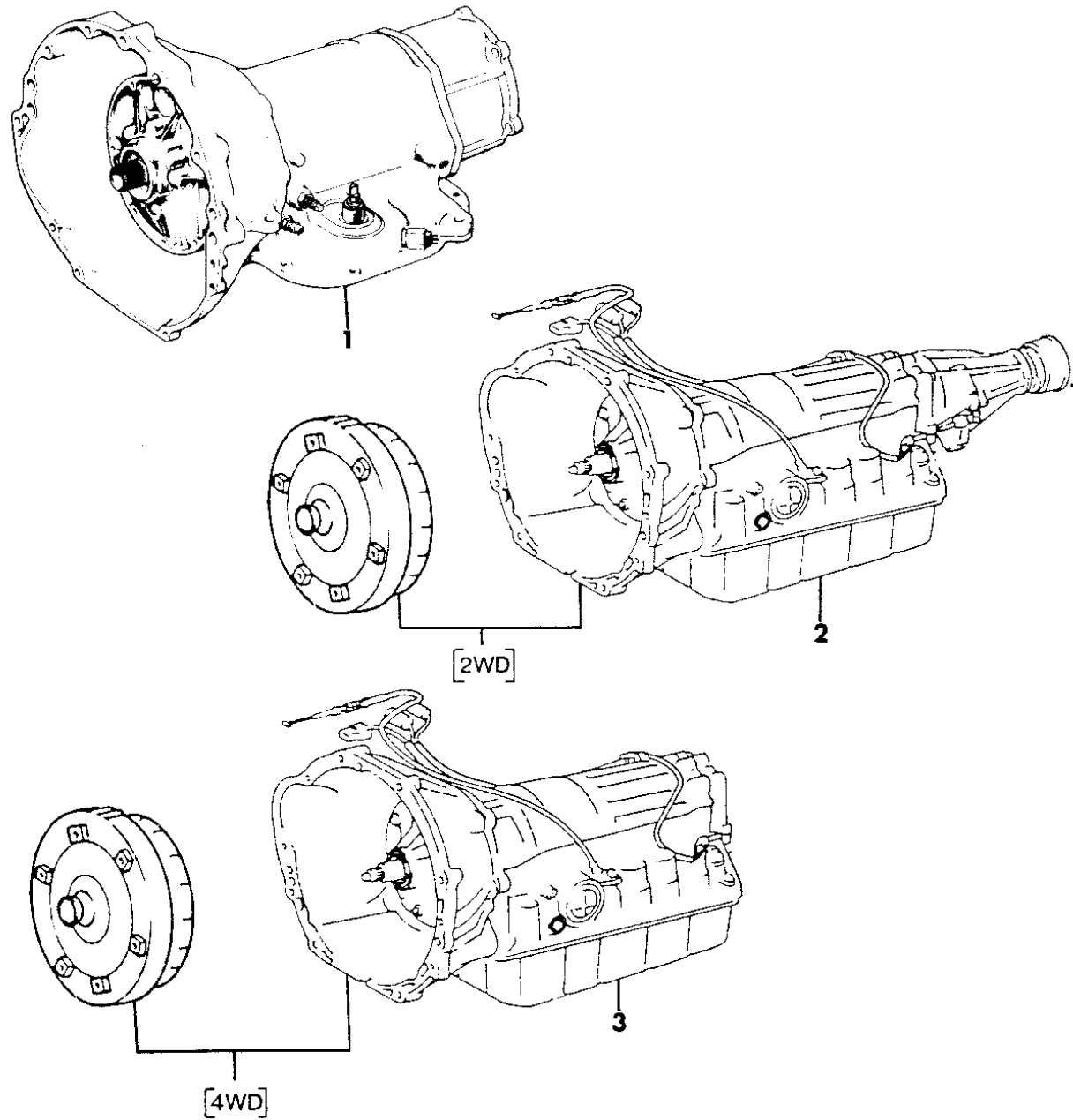
CABLE, SPEEDOMETER WITH PINION AND ADAPTER AUTOMATIC TRANSMISSION WRANGLER, YJ . . .	Fig. 21A-2400
CABLE, SPEEDOMETER AND PINION AUTOMATIC TRANSMISSION CHEROKEE, WAGONEER, COMANCHE . . . . .	Fig. 21A-2500
CABLE, SPEEDOMETER AND PINION AUTOMATIC TRANSMISSION GRAND WAGONEER, TRUCK J20 . .	Fig. 21A-2600



**TRANSMISSION ASSEMBLIES, AUTOMATIC TRANSMISSION ALL MODELS**  
**Figure 21A-100**

8J51 100

ITEM	PART NUMBER	QTY	BODY	MODEL	DESCRIPTION
1					TRANSMISSION ASSEMBLY, Automatic, 4WD
	5300 3074	1	YJ		1987
	5300 5018	1	YJ		1988
	8350 5558	1	YJ		1989, Used For Transmission Tagged 4446106
	4531 005	1	YJ		1990
	5300 5019	1	SJ		1987-89
	4531 025	1	SJ		1990
2			XJ,MJ		TRANSMISSION ASSEMBLY, Automatic, 2WD
	5300 3810	1			4 Cyl. Eng., Vehicle Built For Export Market
	JR77 5140	1			4 Cyl. Eng., Remanufactured Part U.S. And CANADA
	5300 2840	1			6 Cyl. Eng., Vehicle Built For Export Market
	JR77 5142	1			6 Cyl. Eng., Remanufactured Part U.S. And CANADA
3			XJ,MJ		TRANSMISSION ASSEMBLY, Automatic, 4WD
	5300 3811	1			4 Cyl. Eng., Vehicle Built For Export Market
	JR77 5141	1			4 Cyl. Eng., Remanufactured Part U.S. And CANADA
	5300 2839	1			6 Cyl. Eng., Vehicle Built For Export Market
	JR77 5143	1			6 Cyl. Eng., Remanufactured Part U.S. And CANADA



**MODEL CODES:**

15 = Grand Wagoneer 4 Dr.	65 = Comanche 4WD-7 Ft. Box	77 = Cherokee 4WD-2 Dr.
25 = J-10 Pickup-119" W.B.	66 = Comanche 2WD-7 Ft. Box	78 = Cherokee 4WD-4 Dr.
26 = J-10 Pickup-131" W.B.	73 = Cherokee 2WD-2 Dr.	79 = Cherokee 4WD-4 Dr.-Com
27 = J-20 Pickup-131" W.B.	74 = Cherokee 2WD-4 Dr.	81 = Wrangler-93" W.B.
63 = Comanche 4WD-6 Ft. Box	75 = Wagoneer 4WD-4 Dr.	82 = Wrangler-103" W.B.-Exp.
64 = Comanche 2WD-6 Ft. Box		

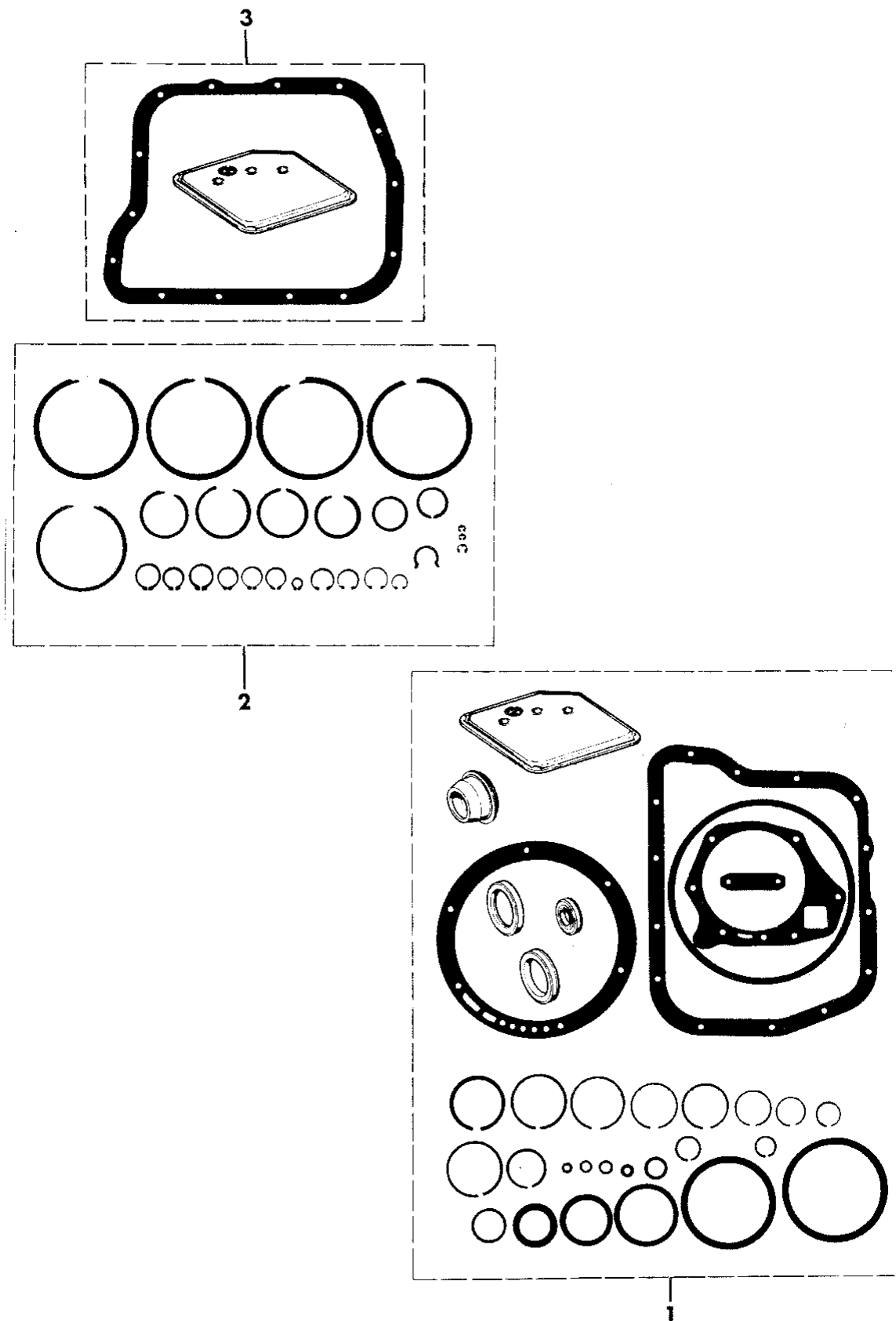
**BODY STYLES:**

MJ = Comanche Pickup  
 SJ = Grand Wagoneer Wgn., J-10 & J-20 Pickups  
 XJ = Cherokee, Wagoneer Limited  
 YJ = Wrangler

AR = Use as Required - = Non Illustrated Part P.A.R. = Paint as Required

GASKET AND SEAL PACKAGE, REPAIR AUTOMATIC TRANSMISSION - A999 WRANGLER, YJ  
Figure 21A-200

8J51 200



ITEM	PART NUMBER	QTY	BODY	MODEL	DESCRIPTION
1	J813 4681	1			GASKET PACKAGE, Transmission Overhaul
2	J813 0351	1			SNAP RING PACKAGE
3					FILTER PACKAGE ***
	J812 7652	1			1987-89
	3515 996	1			1990, (Filter Only)

MODEL CODES:

15 = Grand Wagoneer 4 Dr.	65 = Comanche 4WD-7 Ft. Box	77 = Cherokee 4WD-2 Dr.
25 = J-10 Pickup-119" W.B.	66 = Comanche 2WD-7 Ft. Box	78 = Cherokee 4WD-4 Dr.
26 = J-10 Pickup-131" W.B.	73 = Cherokee 2WD-2 Dr.	79 = Cherokee 4WD-4 Dr.-Com
27 = J-20 Pickup-131" W.B.	74 = Cherokee 2WD-4 Dr.	81 = Wrangler-93" W.B.
63 = Comanche 4WD-6 Ft. Box	75 = Wagoneer 4WD-4 Dr.	82 = Wrangler-103" W.B.-Exp.
64 = Comanche 2WD-6 Ft. Box		

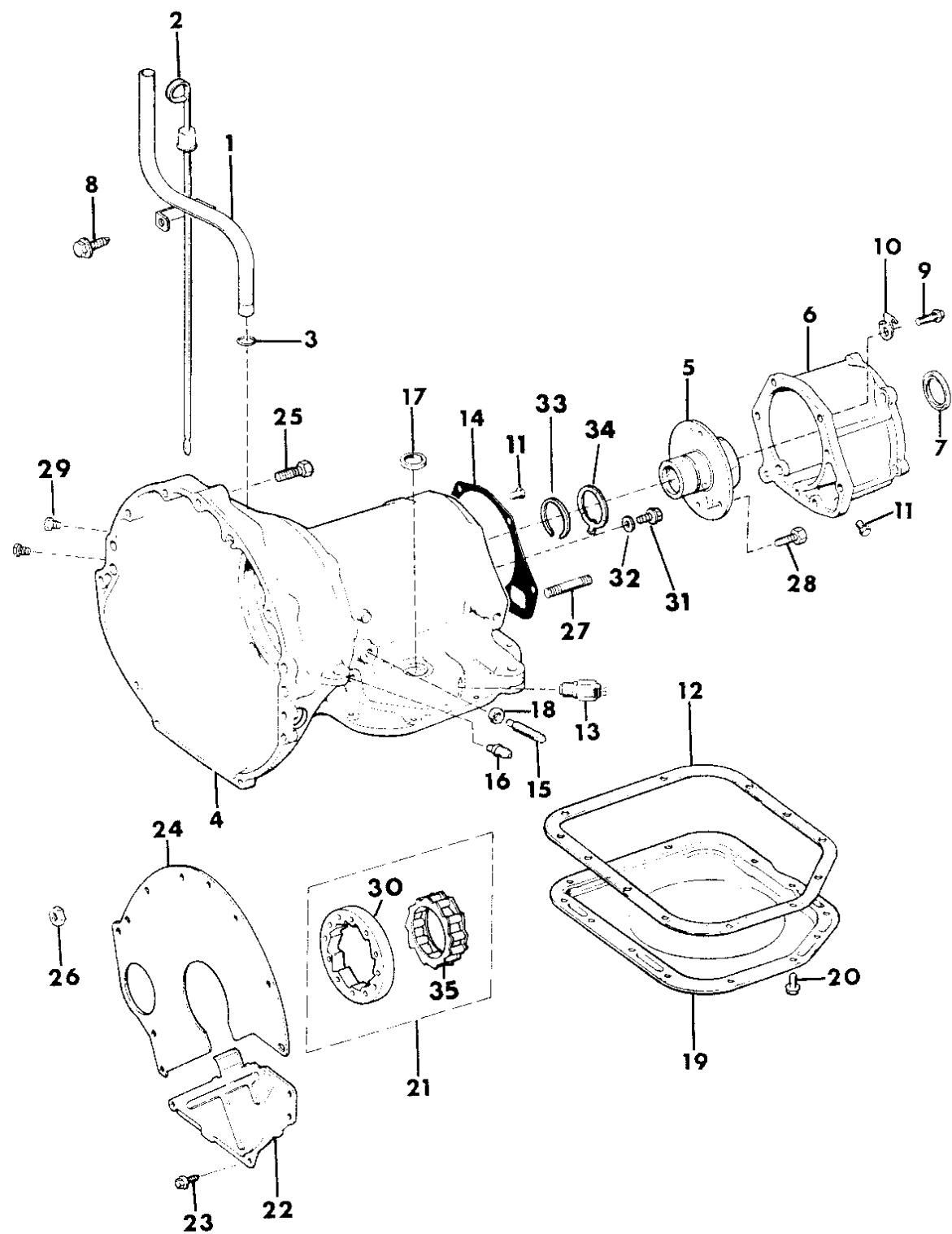
BODY STYLES:

MJ = Comanche Pickup  
 SJ = Grand Wagoneer Wgn., J-10 & J-20 Pickups  
 XJ = Cherokee, Wagoneer Limited  
 YJ = Wrangler

AR = Use as Required - = Non Illustrated Part P.A.R. = Paint as Required

**CASE, ADAPTER AND MISC. PARTS AUTOMATIC TRANSMISSION - A999 WRANGLER, YJ**  
**Figure 21A-300**

8J51 300



ITEM	PART NUMBER	QTY	BODY	MODEL	DESCRIPTION
1	5300 2009	1			TUBE, Oil Indicator
2	5300 3661	1			INDICATOR, Trans. Oil Level
3	J321 2885	1			O-RING, Oil Indicator Tube
4					CASE, Automatic Trans.
	J813 0600	1			1987-88, Use w/53003074,53005018 Trans.
	8350 5540	1			1988-89, For Transmission Tagged 4466106, Also Order- J8126794 And 3-83505555
	5252 208	1			1990
	3681 601	1			MAGNET, Chip Collector (Not Shown)
5					SUPPORT, Shaft
	J812 0841	1			1987-88, Use w/53003074,53005018 Trans.
	8350 5542	1			1988-89, For Transmission Tagged 4446106, Also Order 1- J8126794 And 3-83505555
	4431 433	1			1990 6 Hole
6					ADAPTER, Automatic Trans.
	J813 4760	1			1987-89
	4505 236	1			1990
7					SEAL, Adapter
	J813 4680	1			1987-89
	4269 956	1			1990
8	J400 1701	1			SCREW
9					BOLT
	J813 2505	5			1987-89
	6030 849	5			1990
10	J812 1160	1			CLIP
11	J812 0840	2			PLUG, Pressure Check
12					GASKET, Pan
	J813 6640	1			1987-89
	4295 875	1			1990
13					SWITCH, Neutral Starter and Back-Up Light Safety
	J323 2844	1			1987-89
	4057 750	1			1990
14					GASKET, Case To Adapter
	J812 6785	1			1987-89
	2466 954	1			1990
15					SCREW, Band Adjusting
	J812 1085	1			1987-89

**MODEL CODES:**

15 = Grand Wagoneer 4 Dr.	65 = Comanche 4WD-7 Ft. Box	77 = Cherokee 4WD-2 Dr.
25 = J-10 Pickup-119" W.B.	66 = Comanche 2WD-7 Ft. Box	78 = Cherokee 4WD-4 Dr.
26 = J-10 Pickup-131" W.B.	73 = Cherokee 2WD-2 Dr.	79 = Cherokee 4WD-4 Dr.-Com
27 = J-20 Pickup-131" W.B.	74 = Cherokee 2WD-4 Dr.	81 = Wrangler-93" W.B.
63 = Comanche 4WD-6 Ft. Box	75 = Wagoneer 4WD-4 Dr.	82 = Wrangler-103" W.B.-Exp.
64 = Comanche 2WD-6 Ft. Box		

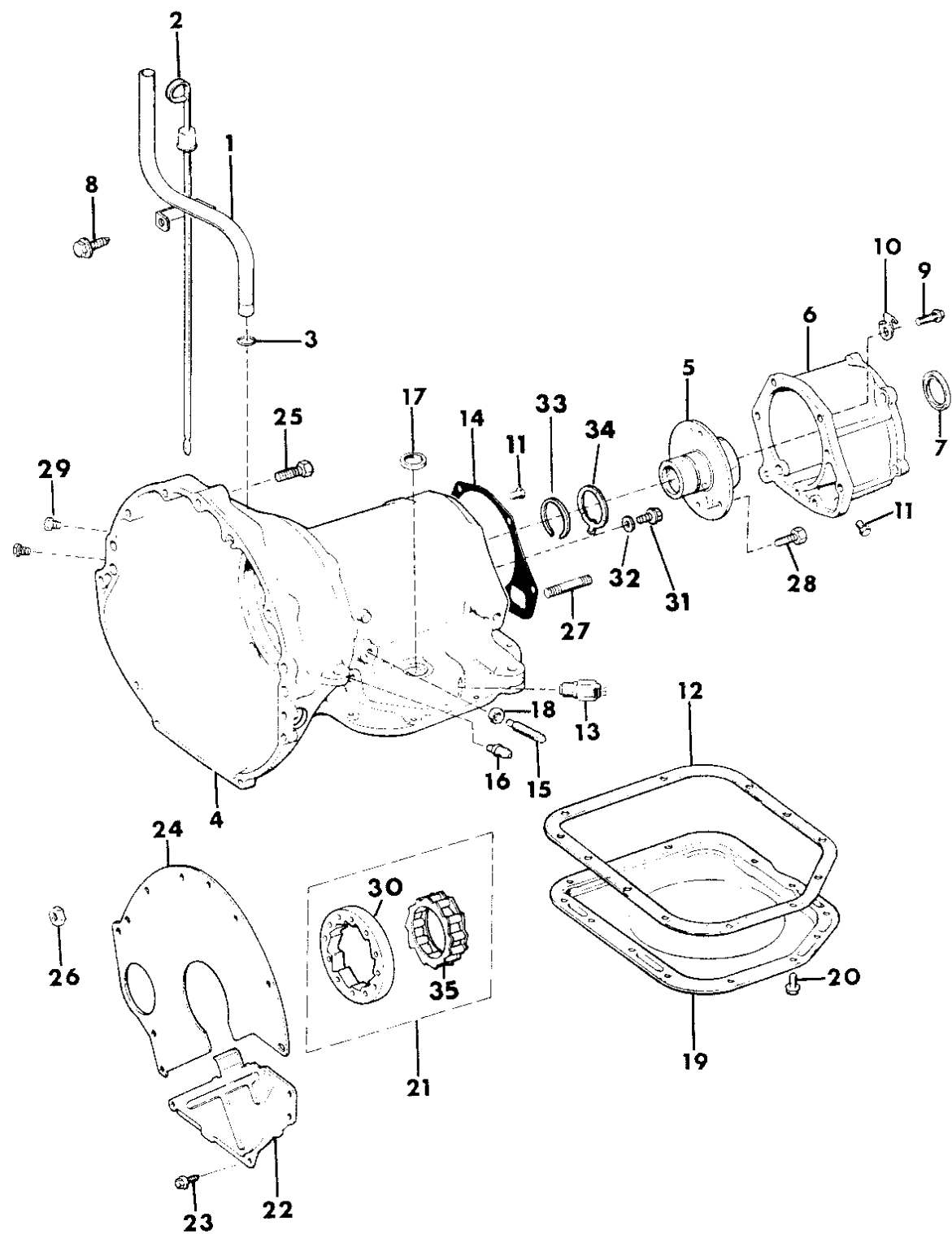
**BODY STYLES:**

MJ = Comanche Pickup  
 SJ = Grand Wagoneer Wgn., J-10 & J-20 Pickups  
 XJ = Cherokee, Wagoneer Limited  
 YJ = Wrangler

AR = Use as Required - = Non Illustrated Part P.A.R. = Paint as Required

CASE, ADAPTER AND MISC. PARTS AUTOMATIC TRANSMISSION - A999 WRANGLER, YJ  
Figure 21A-300

8J51 300



ITEM	PART NUMBER	QTY	BODY	MODEL	DESCRIPTION
	1942 477	1			1990
16	J813 2511	1			CONNECTOR, Oil Cooler Tube, 1/4-18 Pipe Thread
17	J812 6794	1			SEAL, Manual Valve Lever Shaft
	4505 098	1			1987-89
					1990
18	S012 4934	1			NUT
19	J812 8964	1			PAN, Trans. Oil
	4202 005	1			1987-89
					1990
20	6023 355	14			SCREW, 5/16-18 x 5/8"
21	J812 4585	1			CLUTCH PACKAGE, 1988 Overrunning, Use w/53003074, 53005018 Trans.
22	J321 3744	1			COVER
23	J400 0987	4			SCREW, 5/16-18 x 5/8"
24	J323 7847	1			SPACER
25	J400 1885	5			BOLT, 3/8-16 x 2-1/8"
	J400 4370	2			7/16-14 x 2-3/4"
26	J021 9422	2			NUT, 3/8-16
27					STUD
	8350 2996	1			1987-89
	6033 157	1			1990
28					BOLT
	J018 0079	4			1987-88
	8350 5544	4			1989
	6033 479	6			1990
29	8350 5555	3			PLUG, Pressure Check For Trans. Tagged 4446106
30					CAM, Overrunning Clutch
	8350 5541	1			1987-89, For Transmission Tagged 4446106
	4431 690	1			1990
31					SCREW
	J813 3623	5			1987-89, For Transmission Tagged 4446106
	6033 616	5			1990
32	J400 1085	5			WASHER, For Transmission Tagged 4446106
33					RING, Retaining For Transmission Tagged 4446106
	8350 5557	1			1988-89
	6033 480	1			1990
34	8350 5548	1			WASHER, Thrust For Transmission Tagged 4446106

MODEL CODES:

15 = Grand Wagoneer 4 Dr.	65 = Comanche 4WD-7 Ft. Box	77 = Cherokee 4WD-2 Dr.
25 = J-10 Pickup-119" W.B.	66 = Comanche 2WD-7 Ft. Box	78 = Cherokee 4WD-4 Dr.
26 = J-10 Pickup-131" W.B.	73 = Cherokee 2WD-2 Dr.	79 = Cherokee 4WD-4 Dr.-Com
27 = J-20 Pickup-131" W.B.	74 = Cherokee 2WD-4 Dr.	81 = Wrangler-93" W.B.
63 = Comanche 4WD-6 Ft. Box	75 = Wagoneer 4WD-4 Dr.	82 = Wrangler-103" W.B.-Exp.
64 = Comanche 2WD-6 Ft. Box		

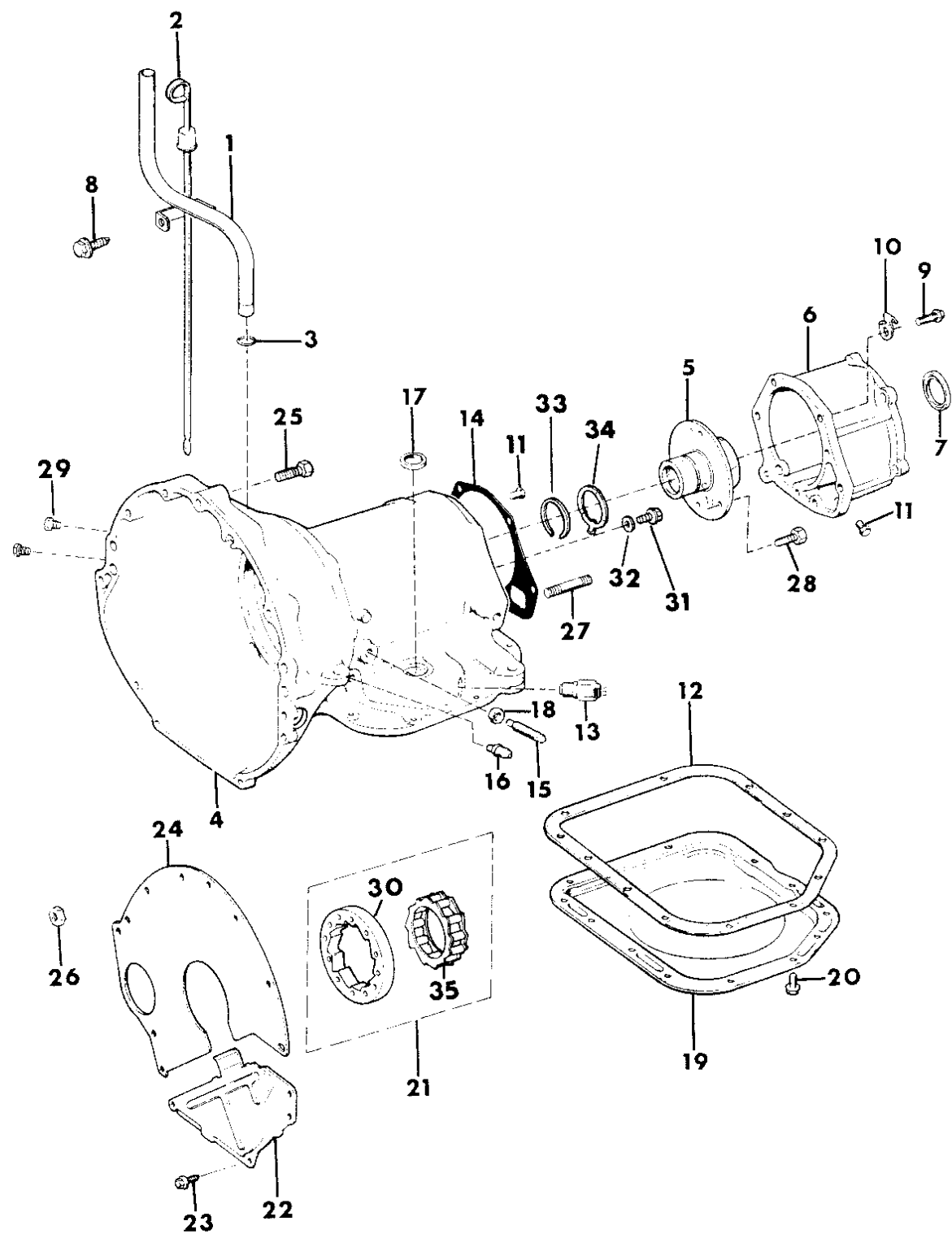
BODY STYLES:

MJ = Comanche Pickup
SJ = Grand Wagoneer Wgn., J-10 & J-20 Pickups
XJ = Cherokee, Wagoneer Limited
YJ = Wrangler

AR = Use as Required - = Non Illustrated Part P.A.R. = Paint as Required

CASE, ADAPTER AND MISC. PARTS AUTOMATIC TRANSMISSION - A999 WRANGLER, YJ  
Figure 21A-300

8J51 300



ITEM	PART NUMBER	QTY	BODY	MODEL	DESCRIPTION
------	-------------	-----	------	-------	-------------

35					CLUTCH ASSEMBLY, Overrunning
	8350 5545	1			1988-89, For Transmission Tagged 4446106
	4431 432	1			1990

MODEL CODES:

15 = Grand Wagoneer 4 Dr.	65 = Comanche 4WD-7 Ft. Box	77 = Cherokee 4WD-2 Dr.
25 = J-10 Pickup-119" W.B.	66 = Comanche 2WD-7 Ft. Box	78 = Cherokee 4WD-4 Dr.
26 = J-10 Pickup-131" W.B.	73 = Cherokee 2WD-2 Dr.	79 = Cherokee 4WD-4 Dr.-Com
27 = J-20 Pickup-131" W.B.	74 = Cherokee 2WD-4 Dr.	81 = Wrangler-93" W.B.
63 = Comanche 4WD-6 Ft. Box	75 = Wagoneer 4WD-4 Dr.	82 = Wrangler-103" W.B.-Exp.
64 = Comanche 2WD-6 Ft. Box		

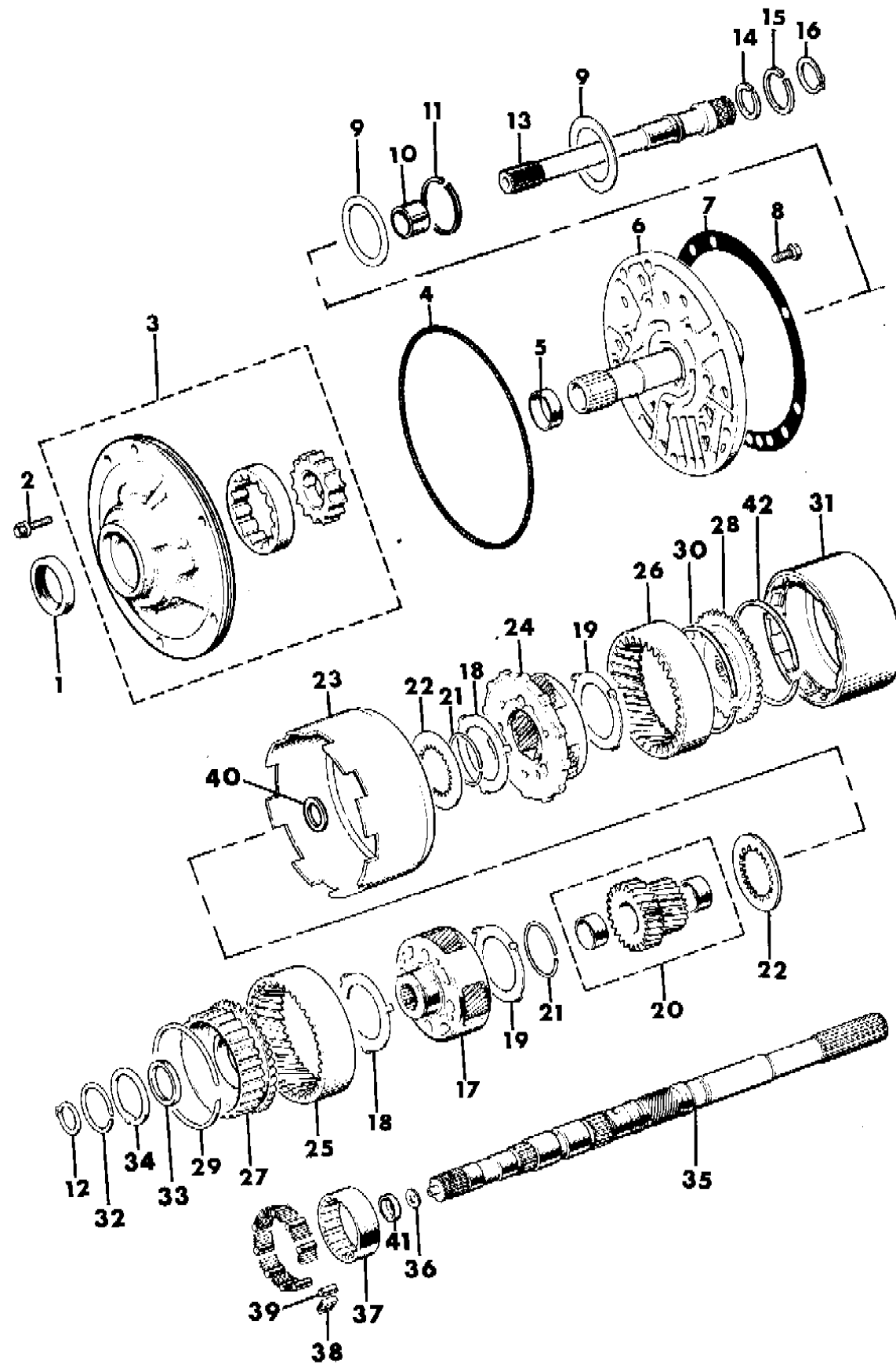
BODY STYLES:

MJ = Comanche Pickup  
 SJ = Grand Wagoneer Wgn., J-10 & J-20 Pickups  
 XJ = Cherokee, Wagoneer Limited  
 YJ = Wrangler

AR = Use as Required - = Non Illustrated Part P.A.R. = Paint as Required

PUMP, OIL AND GEAR TRAIN AUTOMATIC TRANSMISSION - A999 WRANGLER, YJ  
Figure 21A-400

8J51 400 A



ITEM	PART NUMBER	QTY	BODY	MODEL	DESCRIPTION
1					SEAL, T/Converter Impeller Hub
	J813 4675	1			1987-89
	4269 057	1			1990
2					SCREW, Pump
	J812 0871	6			1987-89
	6023 943	6			1990
3					PUMP, Trans. Oil
	J813 0353	1			1987-89
	4130 192	1			1990
4					SEAL
	J812 6789	1			1987-89
	2204 709	1			1990
5					BUSHING, Oil Pump
	J812 0854	1			1987-89
	2466 796	1			1990
6					SHAFT, Reaction Support
	J812 8971	1			1987-89
	4202 298	1			1990
7					GASKET, Reaction Support
	J812 6903	1			1987-89
	4028 364	1			1990
8					SCREW, Support, 5/16-18 x 11/16"
9					WASHER
	J812 0835	2			1987-89
	3410 572	2			1990, 2-5/8" O.D.
10					BUSHING
	J812 8974	1			1987-89
	4058 635	1			1990, .968" O.D.
11					RING, Reaction Support
	J812 6790	2			1987-89
	4471 874	2			1990, 2-1/16" I.D.
12					SNAP RING, Output Shaft
	6026 289	AR			.946" I.D., .040" Thk.
	6030 938	AR			.910" I.D., .062" Thk., Green
	6030 404	AR			.906" I.D., .084" Thk., White
13					SHAFT, Input
	J813 0344	1			1987-89

MODEL CODES:

15 = Grand Wagoneer 4 Dr.	65 = Comanche 4WD-7 Ft. Box	77 = Cherokee 4WD-2 Dr.
25 = J-10 Pickup-119" W.B.	66 = Comanche 2WD-7 Ft. Box	78 = Cherokee 4WD-4 Dr.
26 = J-10 Pickup-131" W.B.	73 = Cherokee 2WD-2 Dr.	79 = Cherokee 4WD-4 Dr.-Com
27 = J-20 Pickup-131" W.B.	74 = Cherokee 2WD-4 Dr.	81 = Wrangler-93" W.B.
63 = Comanche 4WD-6 Ft. Box	75 = Wagoneer 4WD-4 Dr.	82 = Wrangler-103" W.B.-Exp.
64 = Comanche 2WD-6 Ft. Box		

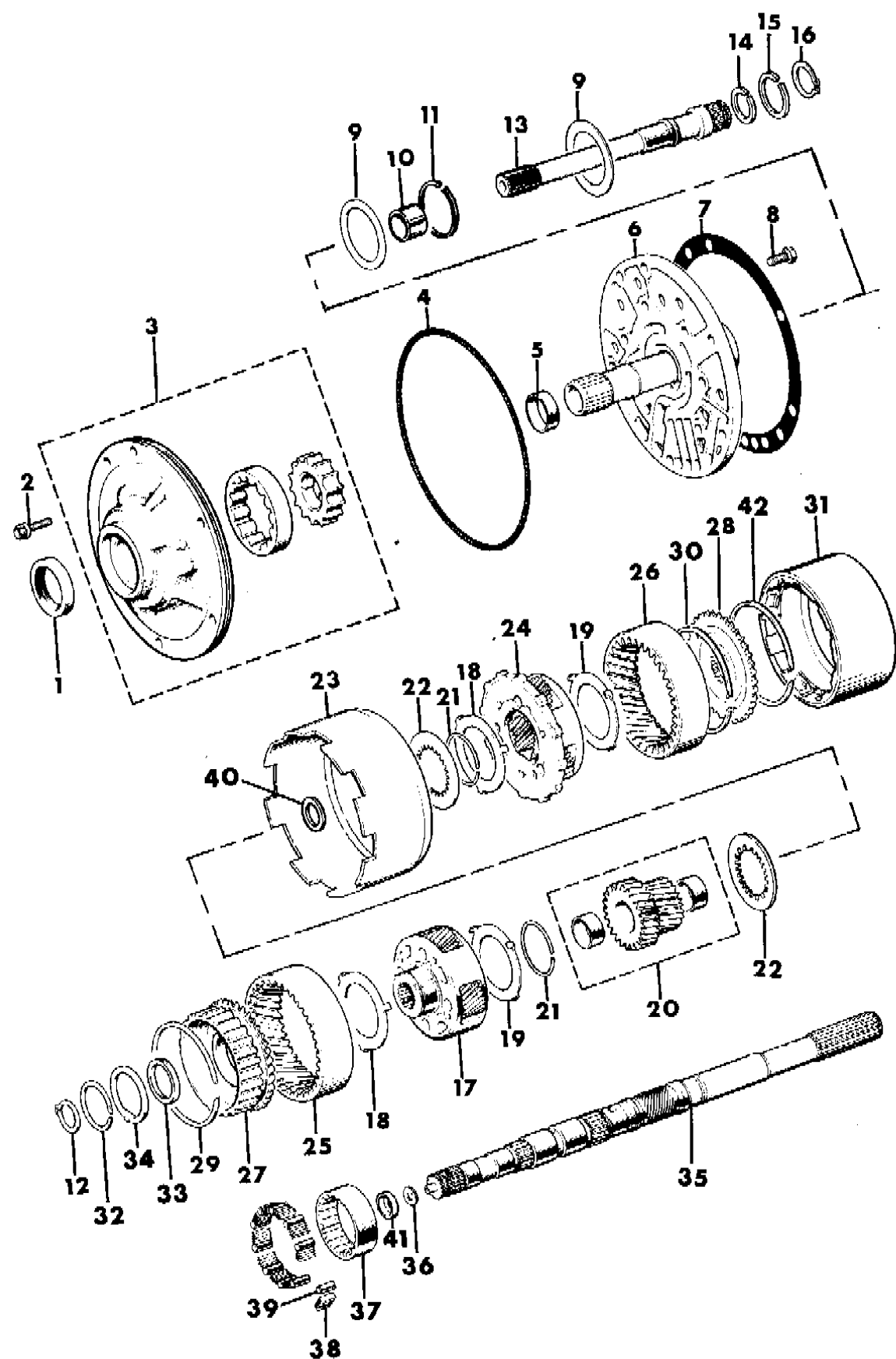
BODY STYLES:

MJ = Comanche Pickup
SJ = Grand Wagoneer Wgn., J-10 & J-20 Pickups
XJ = Cherokee, Wagoneer Limited
YJ = Wrangler

AR = Use as Required - = Non Illustrated Part P.A.R. = Paint as Required

PUMP, OIL AND GEAR TRAIN AUTOMATIC TRANSMISSION - A999 WRANGLER, YJ  
Figure 21A-400

8J51 400 A



ITEM	PART NUMBER	QTY	BODY	MODEL	DESCRIPTION
					1990
14	4505 190	1			RING, Sealing Input Shaft
	J812 0910	1			1987-89
	J812 6778	1			1990
15					SEAL
	J812 8981	1			1987-89
	1401 221	1			1990
16	6022 859	1			SNAP RING, Input Shaft, 57/64", .059" Thk.
17					CARRIER, Front Planetary ***
	J813 3395	1			1987-89
	4130 514	1			1990
18					WASHER, 2-5/8" I.D., w/4 Tabs I.D.
	J813 3394	2			1987-89
	4130 518	2			1990
19					WASHER, 2" I.D., w/4 Tabs O.D.
	J812 4320	2			1987-89
	3681 935	2			1990
20					GEAR ASSEMBLY, Sun w/Bushings
	J813 3389	1			1987-89
	4130 685	1			1990, 38T-28T
21					RING, Locking, 1-41/64" O.D.
	J812 1024	2			1987-89
	1942 439	1			1990
22					PLATE
	J813 3391	2			1987-89
	4471 566	2			1990
23					SHELL, Sun Gear
	J813 3390	1			1987-89
	4431 593	1			1990, Also Order 2 Of 4471566 Plate)
24					CARRIER ASSEMBLY, Rear Planetary
	J812 4325	1			1987-88, Use w/53005018 Trans.
	8350 5546	1			1988-89, For Transmission Tagged 4446106
	4431 438	1			1990
25					GEAR, Front Annulus
	J813 3393	1			1987-89
	4130 512	1			1990
26					GEAR, Rear Annulus

MODEL CODES:

15 = Grand Wagoneer 4 Dr.	65 = Comanche 4WD-7 Ft. Box	77 = Cherokee 4WD-2 Dr.
25 = J-10 Pickup-119" W.B.	66 = Comanche 2WD-7 Ft. Box	78 = Cherokee 4WD-4 Dr.
26 = J-10 Pickup-131" W.B.	73 = Cherokee 2WD-2 Dr.	79 = Cherokee 4WD-4 Dr.-Com
27 = J-20 Pickup-131" W.B.	74 = Cherokee 2WD-4 Dr.	81 = Wrangler-93" W.B.
63 = Comanche 4WD-6 Ft. Box	75 = Wagoneer 4WD-4 Dr.	82 = Wrangler-103" W.B.-Exp.
64 = Comanche 2WD-6 Ft. Box		

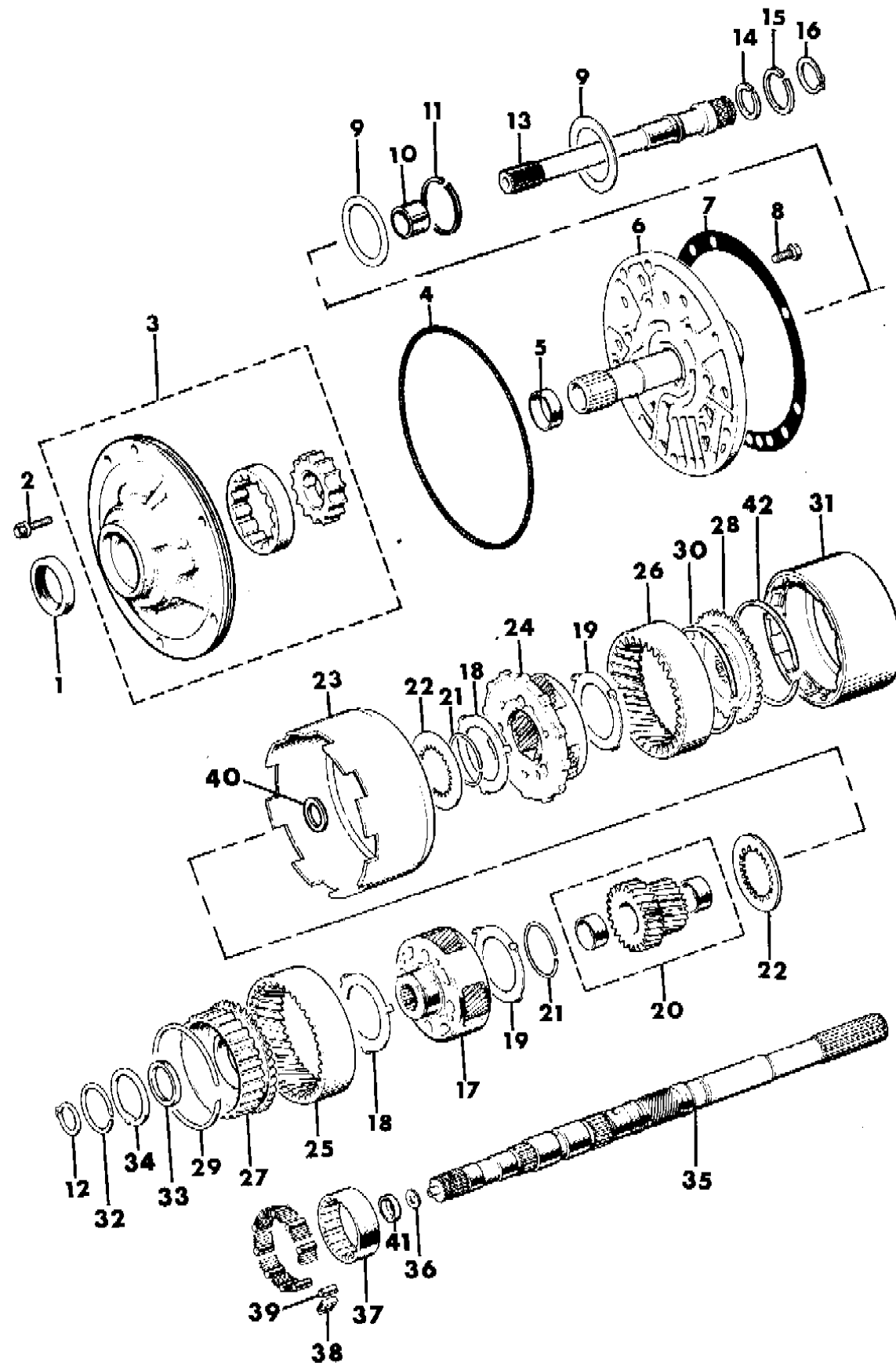
BODY STYLES:

MJ = Comanche Pickup  
 SJ = Grand Wagoneer Wgn., J-10 & J-20 Pickups  
 XJ = Cherokee, Wagoneer Limited  
 YJ = Wrangler

AR = Use as Required - = Non Illustrated Part P.A.R. = Paint as Required

PUMP, OIL AND GEAR TRAIN AUTOMATIC TRANSMISSION - A999 WRANGLER, YJ  
Figure 21A-400

8J51 400 A



ITEM	PART NUMBER	QTY	BODY	MODEL	DESCRIPTION
	J812 4159	1			1987-89
	3743 184	1			1990
27	J813 3396	1			SUPPORT, Front Annulus Gear
	4130 510	1			1987-89
					1990
28	J812 1074	1			SUPPORT, Rear Annulus Gear
	3515 501	1			1987-89
					1990
29	J813 3397	1			SNAP RING, Front Annulus Gear, 5-5/8" O.D.
	4130 513	1			1987-89
					1990
30	J812 1014	1			SNAP RING, Rear Annulus Gear, 4-1/16" O.D.
	1942 444	1			1987-89
					1990
31					DRUM, Reverse
	8350 4126	1			1987-88, Use w/53005018 Trans.
	8350 5547	1			1988-89, Includes Inner Race. For Transmission Tagged 4446106
					1990, Includes Inner Race
32	4531 208	1			SNAP RING, Front Annulus Gear Support
	J812 4583	1			1987-89
	6030 576	1			1990
33	J812 4860	1			BUSHING
34					WASHER, Front Annulus Thrust
	J812 4582	1			1987-89
	3681 969	1			1990
35					SHAFT, Output
	J813 2490	1			1987-89
	4505 245	1			1990
36					WASHER, Thrust Output Shaft
	4505 185	AR			.053" Thk.
	4505 186	AR			.069" Thk.
	4505 187	AR			.084" Thk.
37	J812 0849	1			RACE PACKAGE, Overrunning Clutch, Use w/53003074, 53005018 Trans.
38	J812 0845	10			SPRING, w/53003074,53005018 Trans.
39	J812 0847	10			ROLLER, Clutch, w/53003074,53005018 Trans.

MODEL CODES:

15 = Grand Wagoneer 4 Dr.	65 = Comanche 4WD-7 Ft. Box	77 = Cherokee 4WD-2 Dr.
25 = J-10 Pickup-119" W.B.	66 = Comanche 2WD-7 Ft. Box	78 = Cherokee 4WD-4 Dr.
26 = J-10 Pickup-131" W.B.	73 = Cherokee 2WD-2 Dr.	79 = Cherokee 4WD-4 Dr.-Com
27 = J-20 Pickup-131" W.B.	74 = Cherokee 2WD-4 Dr.	81 = Wrangler-93" W.B.
63 = Comanche 4WD-6 Ft. Box	75 = Wagoneer 4WD-4 Dr.	82 = Wrangler-103" W.B.-Exp.
64 = Comanche 2WD-6 Ft. Box		

BODY STYLES:

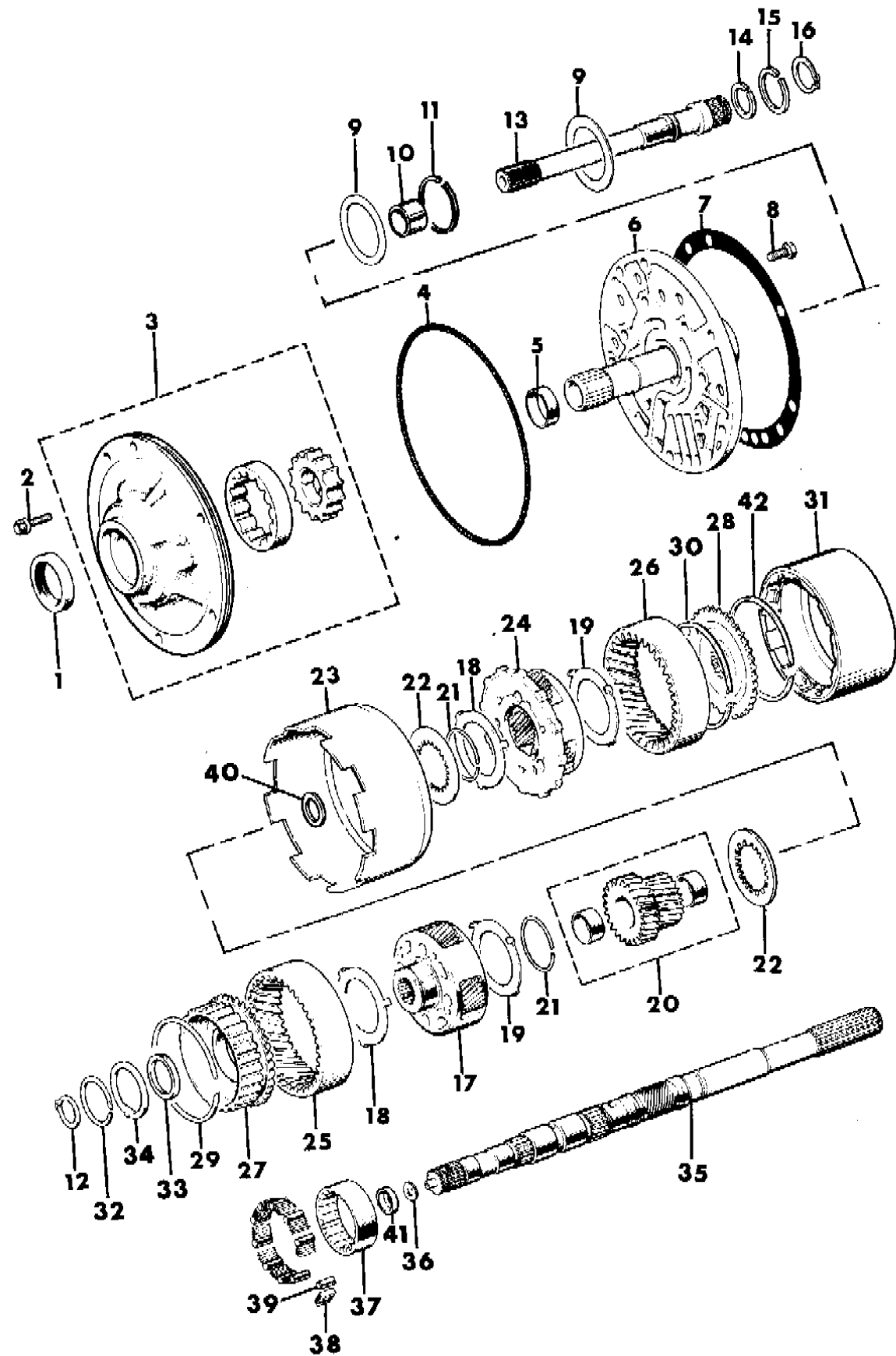
MJ = Comanche Pickup  
SJ = Grand Wagoneer Wgn., J-10 & J-20 Pickups  
XJ = Cherokee, Wagoneer Limited  
YJ = Wrangler

AR = Use as Required - = Non Illustrated Part P.A.R. = Paint as Required



PUMP, OIL AND GEAR TRAIN AUTOMATIC TRANSMISSION - A999 WRANGLER, YJ  
Figure 21A-400

8J51 400 A



ITEM	PART NUMBER	QTY	BODY	MODEL	DESCRIPTION
40	J813 3392	1			SPACER, Sun Gear
	4130 736	1			1987-89
					1990, 4 Inner Teeth, 2" O.D.
41					PLATE
	4058 982	1			1987-89
	4505 188	1			1990
42					RING, Reverse Drum Retaining
	8350 5557	1			1987-89
	6033 480	1			1990

MODEL CODES:

15 = Grand Wagoneer 4 Dr.	65 = Comanche 4WD-7 Ft. Box	77 = Cherokee 4WD-2 Dr.
25 = J-10 Pickup-119" W.B.	66 = Comanche 2WD-7 Ft. Box	78 = Cherokee 4WD-4 Dr.
26 = J-10 Pickup-131" W.B.	73 = Cherokee 2WD-2 Dr.	79 = Cherokee 4WD-4 Dr.-Com
27 = J-20 Pickup-131" W.B.	74 = Cherokee 2WD-4 Dr.	81 = Wrangler-93" W.B.
63 = Comanche 4WD-6 Ft. Box	75 = Wagoneer 4WD-4 Dr.	82 = Wrangler-103" W.B.-Exp.
64 = Comanche 2WD-6 Ft. Box		

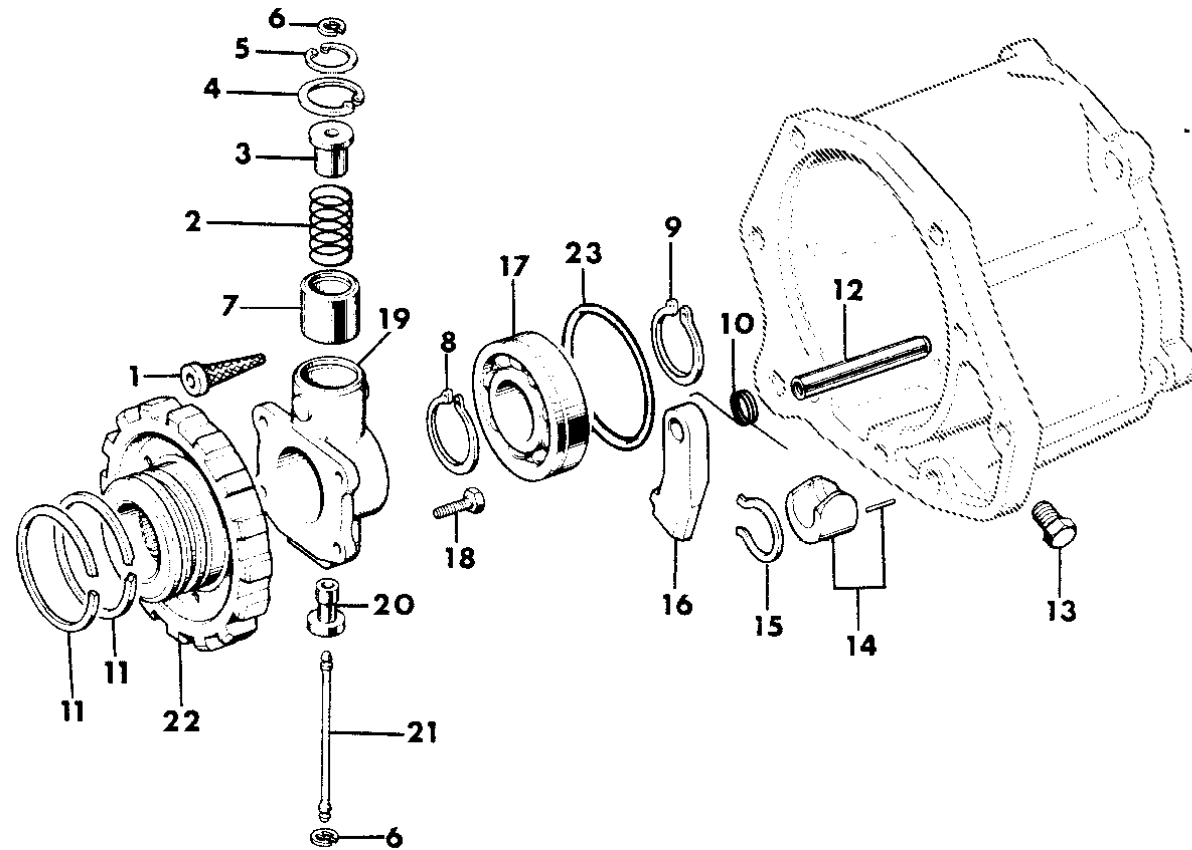
BODY STYLES:

MJ = Comanche Pickup  
SJ = Grand Wagoneer Wgn., J-10 & J-20 Pickups  
XJ = Cherokee, Wagoneer Limited  
YJ = Wrangler

AR = Use as Required - = Non Illustrated Part P.A.R. = Paint as Required

**GOVERNOR AND PARKING SPRAG AUTOMATIC TRANSMISSION - A999 WRANGLER, YJ**  
**Figure 21A-500**

8J51500



ITEM	PART NUMBER	QTY	BODY	MODEL	DESCRIPTION
	4186 874	1			BODY PACKAGE, Governor Consists Of: 1 - 4446151 BODY, Governor 1 - 3743519 FILTER, Gov. 2 - 1942109 SEAL RING, Support 4 - 6031613 BOLT, Body 1 - 6027271 SNAP RING, Gov. Body 1 - 6025031 SNAP RING, Weight, Outer 1 - 3515479 VALVE, Governor 1 - 1556082 SHAFT, Gov. Valve 2 - 1638461 SNAP RING, Valve Shaft
	4202 658	1			WEIGHT PACKAGE, Governor Consists Of: 1 - 3515482 WEIGHT, Inner 1 - 4130851 WEIGHT, Outer 1 - 4130140 SPRING, 4.5 Lb. Spring Load 1 - 1636464 SNAP RING, Weight, Inner
1	J812 4464 3743 519	1 1			FILTER, Governor 1987-89 1990
2	J813 3858	1			SPRING, Weight 1987-89
3	J812 1130	1			WEIGHT, Governor, Inner 1987-89
4	J813 0335 6025 031	1 1			SNAP RING, Weight, Outer 1987-89 1990
5	J812 1058 1636 464	1 1			SNAP RING, Weight, Inner 1987-89 1990
6	J812 1059 1638 461	2 2			SNAP RING, Valve Shaft 1987-89 1990
7	J813 2497	1			WEIGHT, Governor, Outer 1987-89

**MODEL CODES:**

15 = Grand Wagoneer 4 Dr.	65 = Comanche 4WD-7 Ft. Box	77 = Cherokee 4WD-2 Dr.
25 = J-10 Pickup-119" W.B.	66 = Comanche 2WD-7 Ft. Box	78 = Cherokee 4WD-4 Dr.
26 = J-10 Pickup-131" W.B.	73 = Cherokee 2WD-2 Dr.	79 = Cherokee 4WD-4 Dr.-Com
27 = J-20 Pickup-131" W.B.	74 = Cherokee 2WD-4 Dr.	81 = Wrangler-93" W.B.
63 = Comanche 4WD-6 Ft. Box	75 = Wagoneer 4WD-4 Dr.	82 = Wrangler-103" W.B.-Exp.
64 = Comanche 2WD-6 Ft. Box		

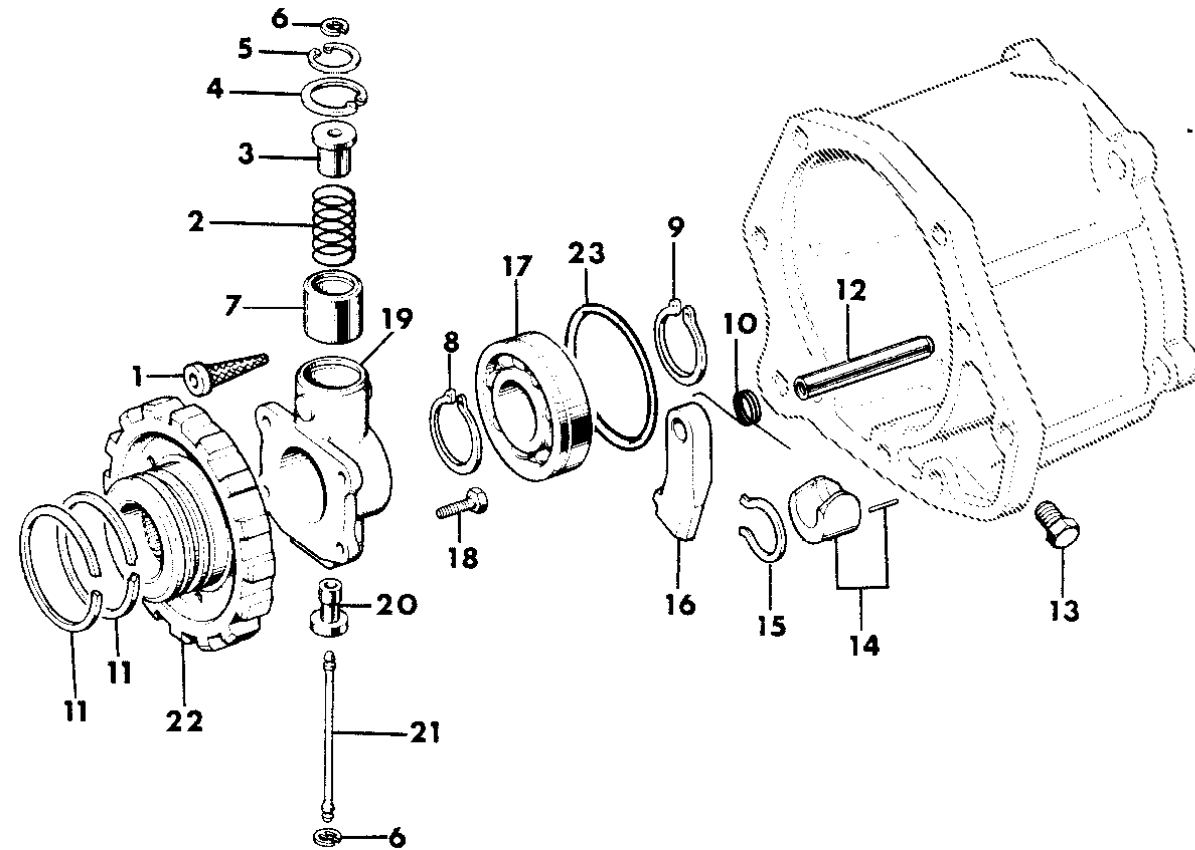
**BODY STYLES:**

MJ = Comanche Pickup  
 SJ = Grand Wagoneer Wgn., J-10 & J-20 Pickups  
 XJ = Cherokee, Wagoneer Limited  
 YJ = Wrangler

AR = Use as Required - = Non Illustrated Part P.A.R. = Paint as Required

**GOVERNOR AND PARKING SPRAG AUTOMATIC TRANSMISSION - A999 WRANGLER, YJ**  
**Figure 21A-500**

8J51 500



ITEM	PART NUMBER	QTY	BODY	MODEL	DESCRIPTION
		1			1990, (Serviced in Weight Pkg. 4202658)
8	J812 1056	1			SNAP RING, Governor Body
	6027 271	1			1987-89
					1990
9					SNAP RING, Output Shaft Bearing
	J813 2500	1			1987-89
	6025 668	1			1990, 1.15" I.D.
10					SPRING
	J812 1158	1			1987-89
	2466 909	1			1990
11					RING, Gov. Suppt. Front Seal
	J812 0976	2			1987-89
	1942 109	2			1990
12					SHAFT
	J812 1159	1			1987-89
	2466 892	1			1990
13					PLUG, Pressure Check
	J812 0840	1			1987-89
		1			1990, (Not Serviced)
14					PLUG, Parking Sprag Reaction
	J812 1185	1			1987-89
	2538 042	1			1990
15					SNAP RING, Parking Sprag Reaction Plug
	J812 1063	1			1987-89
	2538 034	1			1990
16					SPRAG, Park
	J812 1157	1			1987-89
	4471 415	1			1990
17					BEARING, Output Shaft
	4130 537	1			
18					BOLT, Governor Body
	J813 2816	4			1987-89
	6031 613	4			1990
19					BODY, Governor
	J813 2495	1			1987-89
		1			1990, (Serviced in Body Pkg. 4186874)
20					VALVE, Governor
	J812 1149	1			1987-89

**MODEL CODES:**

15 = Grand Wagoneer 4 Dr.	65 = Comanche 4WD-7 Ft. Box	77 = Cherokee 4WD-2 Dr.
25 = J-10 Pickup-119" W.B.	66 = Comanche 2WD-7 Ft. Box	78 = Cherokee 4WD-4 Dr.
26 = J-10 Pickup-131" W.B.	73 = Cherokee 2WD-2 Dr.	79 = Cherokee 4WD-4 Dr.-Com
27 = J-20 Pickup-131" W.B.	74 = Cherokee 2WD-4 Dr.	81 = Wrangler-93" W.B.
63 = Comanche 4WD-6 Ft. Box	75 = Wagoneer 4WD-4 Dr.	82 = Wrangler-103" W.B.-Exp.
64 = Comanche 2WD-6 Ft. Box		

**BODY STYLES:**

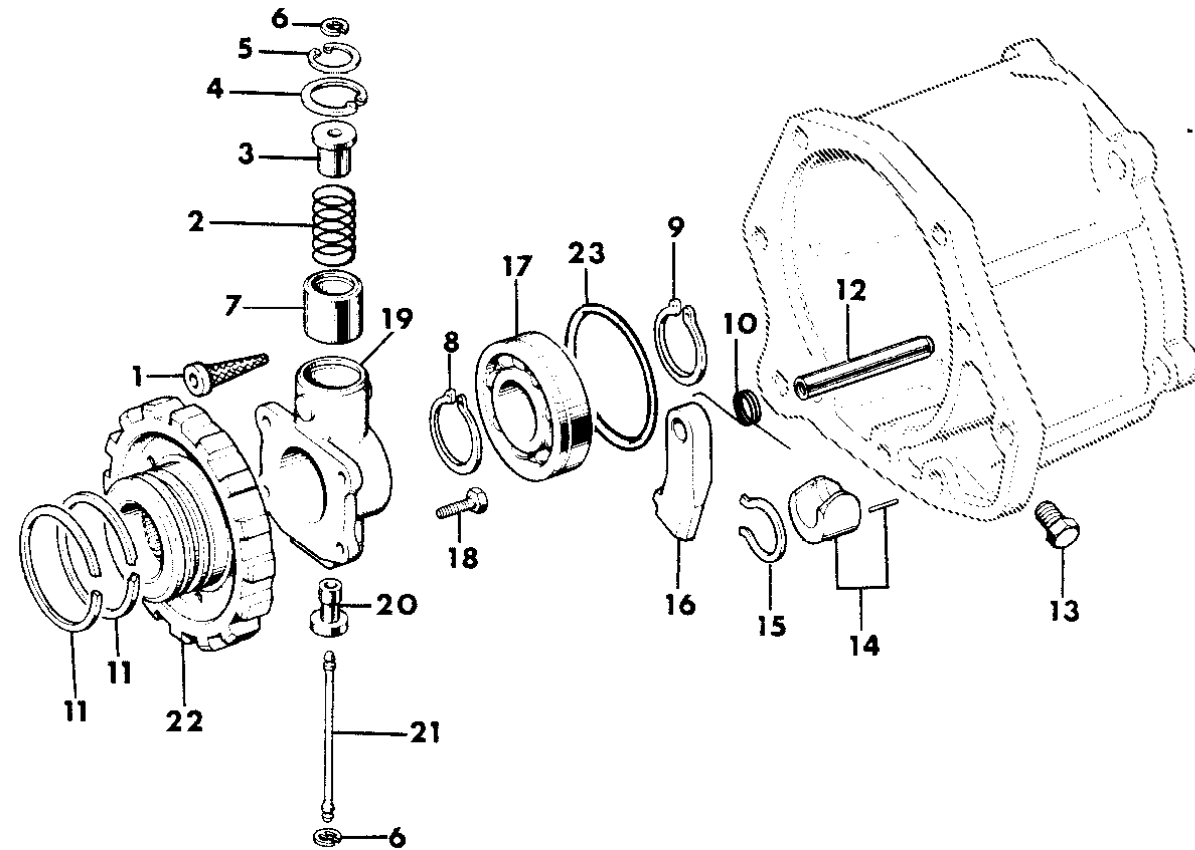
MJ = Comanche Pickup  
 SJ = Grand Wagoneer Wgn., J-10 & J-20 Pickups  
 XJ = Cherokee, Wagoneer Limited  
 YJ = Wrangler

AR = Use as Required - = Non Illustrated Part P.A.R. = Paint as Required

**GOVERNOR AND PARKING SPRAG AUTOMATIC TRANSMISSION - A999 WRANGLER, YJ**  
**Figure 21A-500**

8J51 500

ITEM	PART NUMBER	QTY	BODY	MODEL	DESCRIPTION
	3515 479	1		1990	
21	J812 1150	1		1987-89	SHAFT, Governor Valve
	1556 082	1		1990	
22	J812 4461	1		1987-89	SUPPORT, Trans. Governor
	3743 518	1		1990	
23	6032 739	1			O-RING, Output Shaft Bearing



**MODEL CODES:**

- |                             |                             |                              |
|-----------------------------|-----------------------------|------------------------------|
| 15 = Grand Wagoneer 4 Dr.   | 65 = Comanche 4WD-7 Ft. Box | 77 = Cherokee 4WD-2 Dr.      |
| 25 = J-10 Pickup-119" W.B.  | 66 = Comanche 2WD-7 Ft. Box | 78 = Cherokee 4WD-4 Dr.      |
| 26 = J-10 Pickup-131" W.B.  | 73 = Cherokee 2WD-2 Dr.     | 79 = Cherokee 4WD-4 Dr.-Com  |
| 27 = J-20 Pickup-131" W.B.  | 74 = Cherokee 2WD-4 Dr.     | 81 = Wrangler-93" W.B.       |
| 63 = Comanche 4WD-6 Ft. Box | 75 = Wagoneer 4WD-4 Dr.     | 82 = Wrangler-103" W.B.-Exp. |
| 64 = Comanche 2WD-6 Ft. Box |                             |                              |

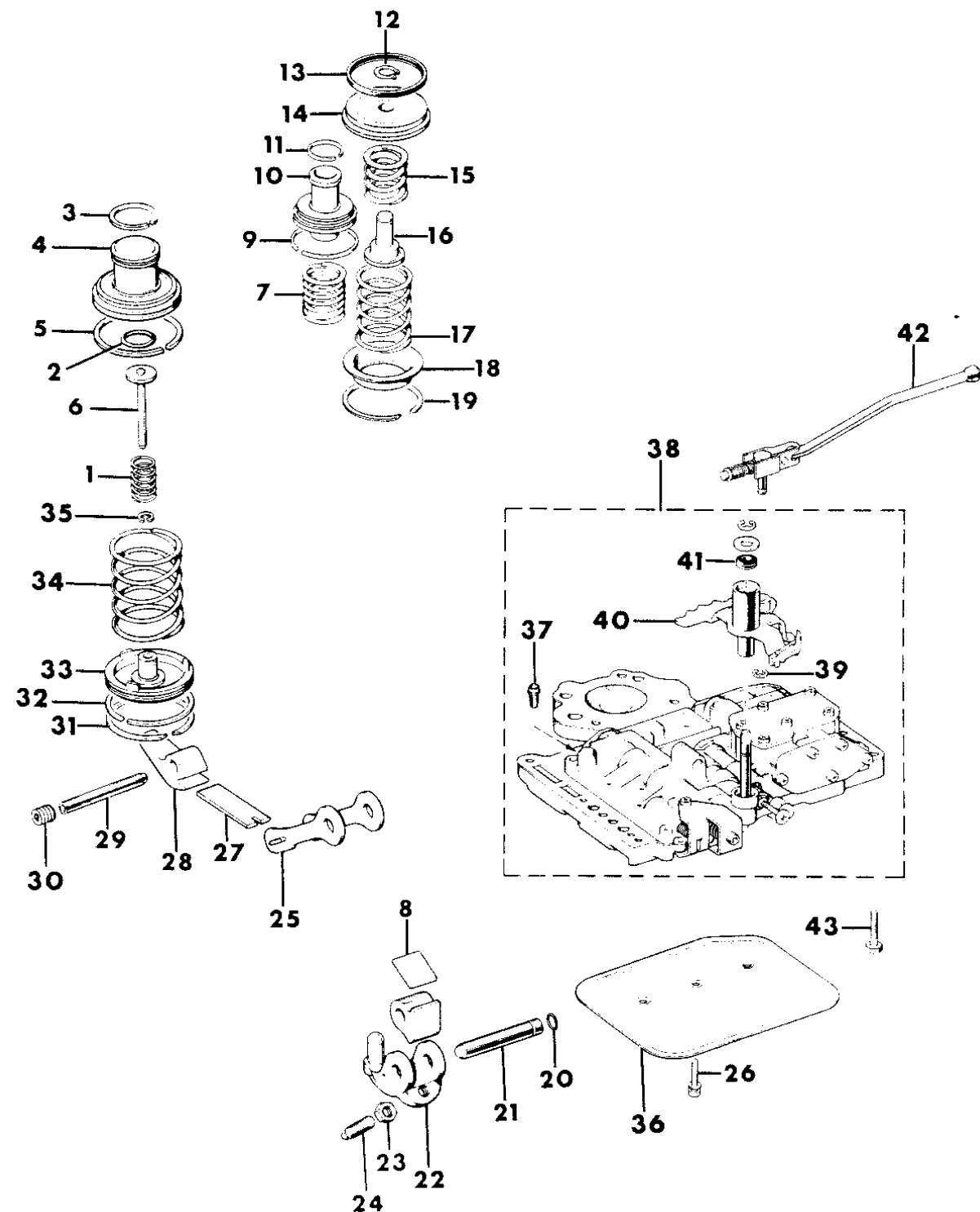
**BODY STYLES:**

- MJ = Comanche Pickup  
 SJ = Grand Wagoneer Wgn., J-10 & J-20 Pickups  
 XJ = Cherokee, Wagoneer Limited  
 YJ = Wrangler

AR = Use as Required - = Non Illustrated Part P.A.R. = Paint as Required

**SERVOS, ACCUMULATOR AND VALVE BODY AUTOMATIC TRANSMISSION - A999 WRANGLER, YJ**  
**Figure 21A-600**

8J51 600



ITEM	PART NUMBER	QTY	BODY	MODEL	DESCRIPTION
1	J812 1099	1			SPRING
2	J812 4870	1			O-RING, Kickdown Inner Piston
	6028 864	1			1987-89
					1990
3					RING, Kickdown Servo Piston Seal, 1" O.D.
	J812 0987	1			1987-89
	4443 190	1			1990
4					PISTON, Kickdown Servo
	J812 8989	1			1987-89
	4058 777	1			1990
5	4295 966	1			RING, Kickdown Servo Piston Seal, 2-3/8" O.D.
6					ROD, Kickdown Servo
	J812 8990	1			1987-89
	4058 780	1			1990
7					SPRING
	8350 0428	1			1987-89
	3515 079	1			1990
8					STRUT, Reverse Band
	J812 3484	1			1987-89
	3515 589	1			1990
9					RING, Accumulator Piston Seal, Large
	J812 0982	1			1987-89
	3743 013	1			1990
10					PISTON, Accumulator
	J812 1054	1			1987-89
	3743 650	1			1990
11					RING, Accumulator Piston Seal, Small
	8350 1941	1			1987-89
	3743 010	1			1990
12					SNAP RING, Reverse Servo Plug
	J812 1174	1			1987-89
	6027 153	1			1990
13					SEAL, Reverse Servo Piston
	J813 6634	1			1987-89
	4202 864	1			1990
14					PISTON, Reverse Servo
	J812 1180	1			1987-89

**MODEL CODES:**

15 = Grand Wagoneer 4 Dr.	65 = Comanche 4WD-7 Ft. Box	77 = Cherokee 4WD-2 Dr.
25 = J-10 Pickup-119" W.B.	66 = Comanche 2WD-7 Ft. Box	78 = Cherokee 4WD-4 Dr.
26 = J-10 Pickup-131" W.B.	73 = Cherokee 2WD-2 Dr.	79 = Cherokee 4WD-4 Dr.-Com
27 = J-20 Pickup-131" W.B.	74 = Cherokee 2WD-4 Dr.	81 = Wrangler-93" W.B.
63 = Comanche 4WD-6 Ft. Box	75 = Wagoneer 4WD-4 Dr.	82 = Wrangler-103" W.B.-Exp.
64 = Comanche 2WD-6 Ft. Box		

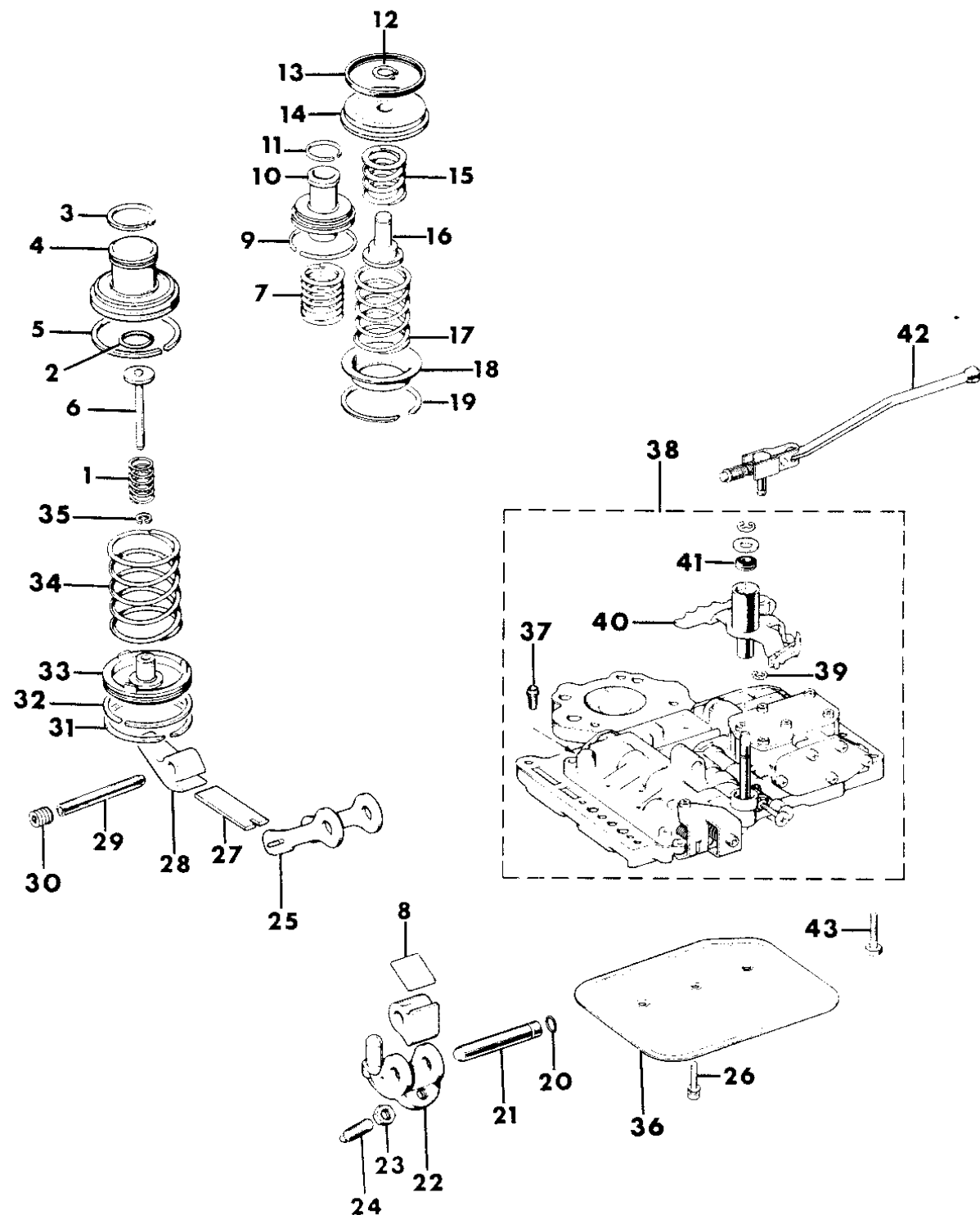
**BODY STYLES:**

MJ = Comanche Pickup  
 SJ = Grand Wagoneer Wgn., J-10 & J-20 Pickups  
 XJ = Cherokee, Wagoneer Limited  
 YJ = Wrangler

AR = Use as Required - = Non Illustrated Part P.A.R. = Paint as Required

**SERVOS, ACCUMULATOR AND VALVE BODY AUTOMATIC TRANSMISSION - A999 WRANGLER, YJ**  
**Figure 21A-600**

8J51 600



ITEM	PART NUMBER	QTY	BODY	MODEL	DESCRIPTION
	2801 271	1			1990
15	J813 0603	1			1987-89
	4130 824	1			1990
16					PLUG, Reverse Sevo Piston
	J812 4497	1			1987-89
	3743 353	1			1990
17	J812 1172	1			1987-89
	2801 274	1			1990
18	J812 1170	1			1987-89
	2464 463				1990
19	J812 6968	1			1987-89
	2464 464	1			1990
20					SEAL
	J812 0989	1			1987-89
	6030 657	1			1990
21	J812 1183	1			1987-89
	3410 102	1			1990
22	8350 2802	1			1987-89
	4202 764	1			1990
23	J400 1239	1			NUT
24	J812 1188	1			1987-89
	2538 472	1			1990
25	J812 1048	1			1987-89
	2464 439	1			1990
26					SCREW
	J812 6893	3			1987-89
	6033 826	3			1990
27	J812 1087	1			1987-89

**MODEL CODES:**

15 = Grand Wagoneer 4 Dr.	65 = Comanche 4WD-7 Ft. Box	77 = Cherokee 4WD-2 Dr.
25 = J-10 Pickup-119" W.B.	66 = Comanche 2WD-7 Ft. Box	78 = Cherokee 4WD-4 Dr.
26 = J-10 Pickup-131" W.B.	73 = Cherokee 2WD-2 Dr.	79 = Cherokee 4WD-4 Dr.-Com
27 = J-20 Pickup-131" W.B.	74 = Cherokee 2WD-4 Dr.	81 = Wrangler-93" W.B.
63 = Comanche 4WD-6 Ft. Box	75 = Wagoneer 4WD-4 Dr.	82 = Wrangler-103" W.B.-Exp.
64 = Comanche 2WD-6 Ft. Box		

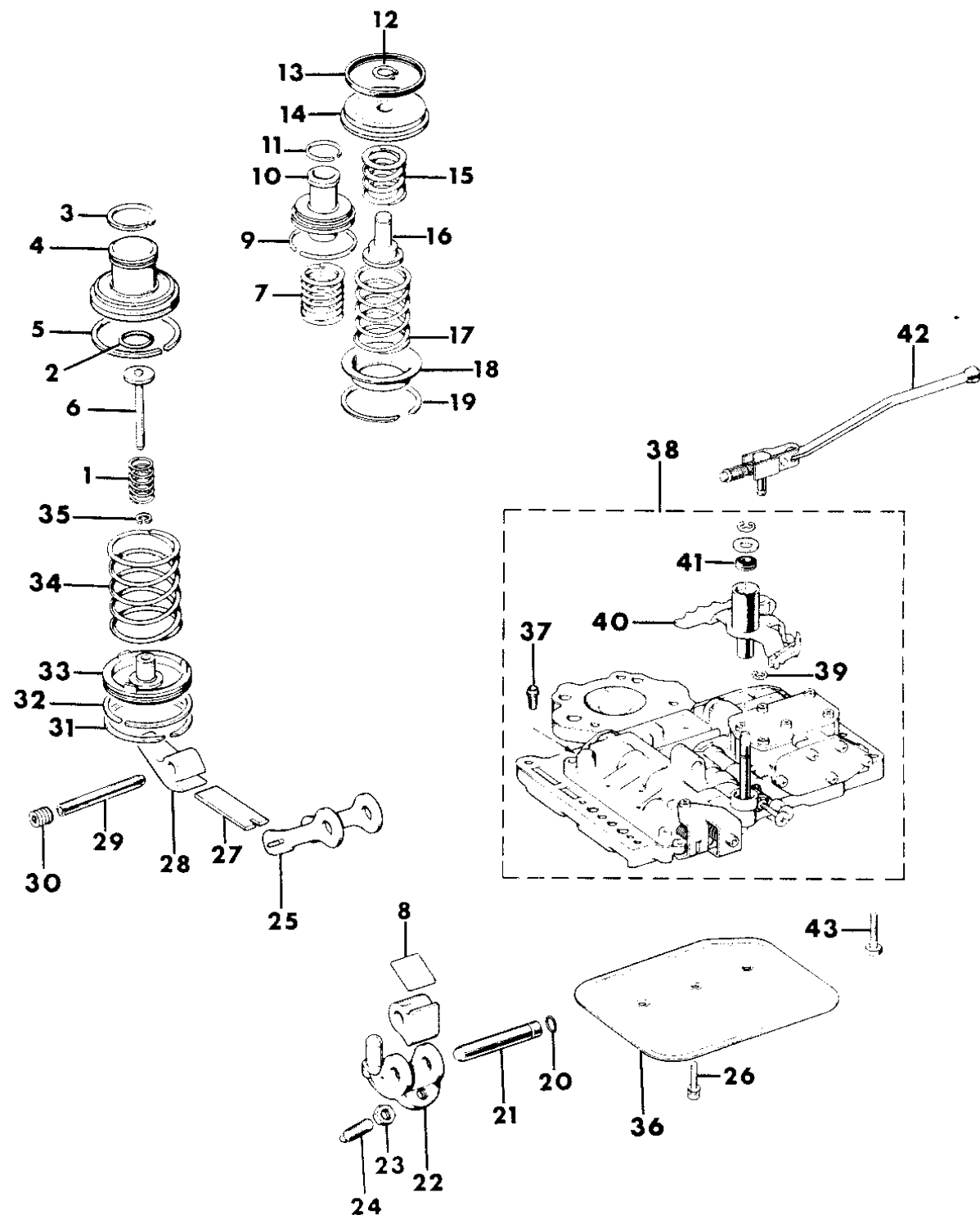
**BODY STYLES:**

MJ = Comanche Pickup  
 SJ = Grand Wagoneer Wgn., J-10 & J-20 Pickups  
 XJ = Cherokee, Wagoneer Limited  
 YJ = Wrangler

AR = Use as Required - = Non Illustrated Part P.A.R. = Paint as Required

SERVOS, ACCUMULATOR AND VALVE BODY AUTOMATIC TRANSMISSION - A999 WRANGLER, YJ  
Figure 21A-600

8J51 600



ITEM	PART NUMBER	QTY	BODY	MODEL	DESCRIPTION
	3515 084	1			1990
28	J812 1088	1			1987-89
	2125 067	1			1990
29					SHAFT
	J812 1109	1			1987-89
	4531 181	1			1990
30	J812 1104	1			PLUG
31					SNAP RING, Kickdown Servo
	J812 1052	1			1987-89
	6028 863	1			1990
32					RING, Kickdown Servo Guide Seal, 2-3/8" O.D.
	J812 0972	1			1987-89
	4295 966	1			1990
33					GUIDE
	J812 1106	1			1987-89
	3410 332	1			1990
34					SPRING
	J812 7837	1			1987-89
	4058 885	1			1990
35					SNAP RING
	J812 1050	1			1987-89
	6024 336	1			1990
36					FILTER, Trans. Oil
	J812 7652	1			1987-89
	3515 996	1			1990
37	J812 4863	1			FILTER, Regulator Valve
38	4348 765	1			BODY ASSEMBLY, Valve ***
39					E-RING, Retainer
	J812 1239	1			1987-89
	1626 749	1			1990
40					LEVER
	3410 484	1			1987-89
	4531 159	1			1990
41					SEAL
	J812 4862	1			1987-89
	2466 548	1			1990

MODEL CODES:

15 = Grand Wagoneer 4 Dr.	65 = Comanche 4WD-7 Ft. Box	77 = Cherokee 4WD-2 Dr.
25 = J-10 Pickup-119" W.B.	66 = Comanche 2WD-7 Ft. Box	78 = Cherokee 4WD-4 Dr.
26 = J-10 Pickup-131" W.B.	73 = Cherokee 2WD-2 Dr.	79 = Cherokee 4WD-4 Dr.-Com
27 = J-20 Pickup-131" W.B.	74 = Cherokee 2WD-4 Dr.	81 = Wrangler-93" W.B.
63 = Comanche 4WD-6 Ft. Box	75 = Wagoneer 4WD-4 Dr.	82 = Wrangler-103" W.B.-Exp.
64 = Comanche 2WD-6 Ft. Box		

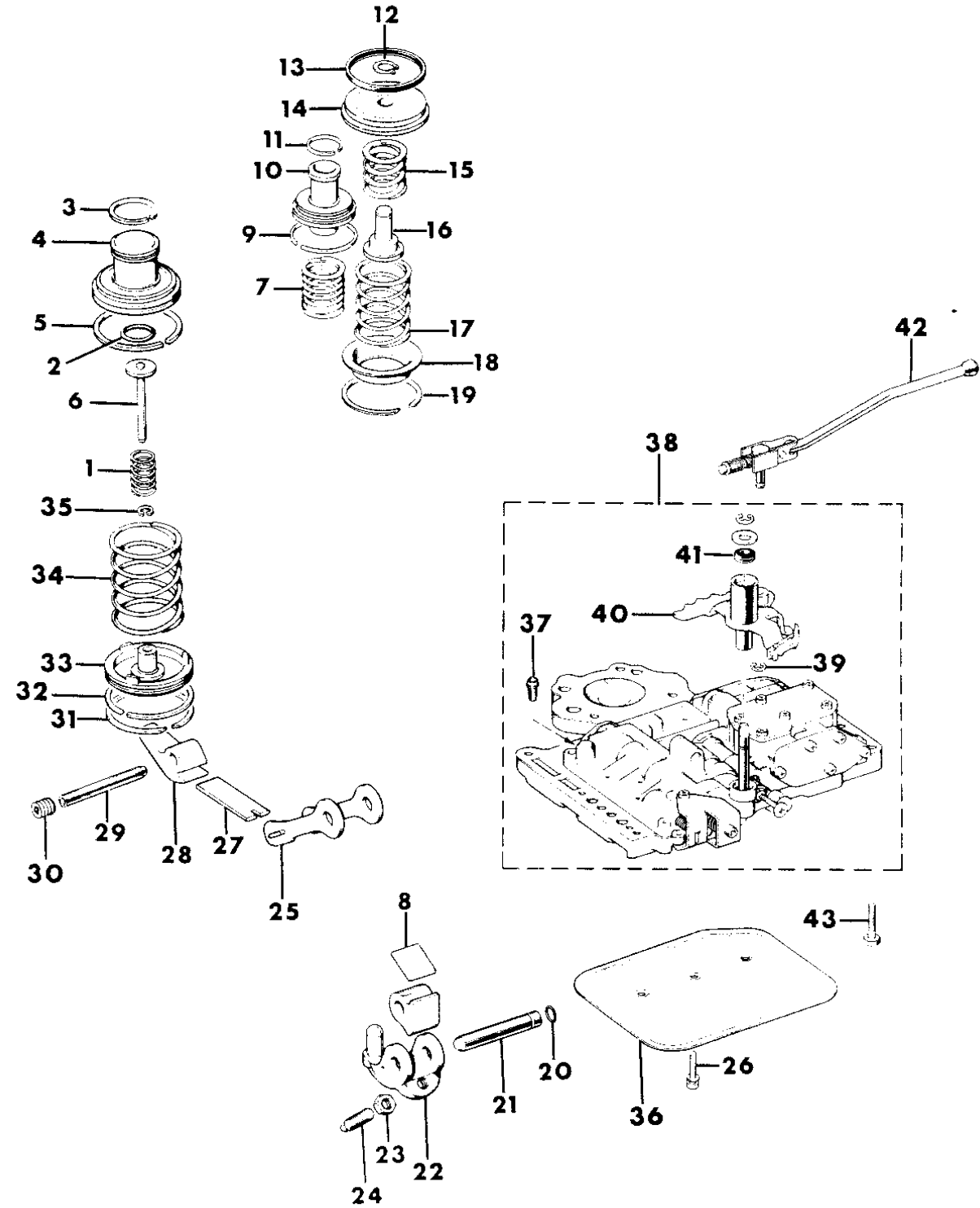
BODY STYLES:

MJ = Comanche Pickup  
 SJ = Grand Wagoneer Wgn., J-10 & J-20 Pickups  
 XJ = Cherokee, Wagoneer Limited  
 YJ = Wrangler

AR = Use as Required - = Non Illustrated Part P.A.R. = Paint as Required

**SERVOS, ACCUMULATOR AND VALVE BODY AUTOMATIC TRANSMISSION - A999 WRANGLER, YJ**  
**Figure 21A-600**

8J51 600



ITEM	PART NUMBER	QTY	BODY	MODEL	DESCRIPTION
42					ROD
	J812 1163	1			1987-89
	2466 906	1			1990
43	J017 9798	10			BOLT

**MODEL CODES:**

15 = Grand Wagoneer 4 Dr.	65 = Comanche 4WD-7 Ft. Box	77 = Cherokee 4WD-2 Dr.
25 = J-10 Pickup-119" W.B.	66 = Comanche 2WD-7 Ft. Box	78 = Cherokee 4WD-4 Dr.
26 = J-10 Pickup-131" W.B.	73 = Cherokee 2WD-2 Dr.	79 = Cherokee 4WD-4 Dr.-Com
27 = J-20 Pickup-131" W.B.	74 = Cherokee 2WD-4 Dr.	81 = Wrangler-93" W.B.
63 = Comanche 4WD-6 Ft. Box	75 = Wagoneer 4WD-4 Dr.	82 = Wrangler-103" W.B.-Exp.
64 = Comanche 2WD-6 Ft. Box		

**BODY STYLES:**  
 MJ = Comanche Pickup  
 SJ = Grand Wagoneer Wgn., J-10 & J-20 Pickups  
 XJ = Cherokee, Wagoneer Limited  
 YJ = Wrangler

AR = Use as Required - = Non Illustrated Part P.A.R. = Paint as Required



**CLUTCH, FRONT AND REAR AUTOMATIC TRANSMISSION - A999 WRANGLER, YJ**  
**Figure 21A-700**

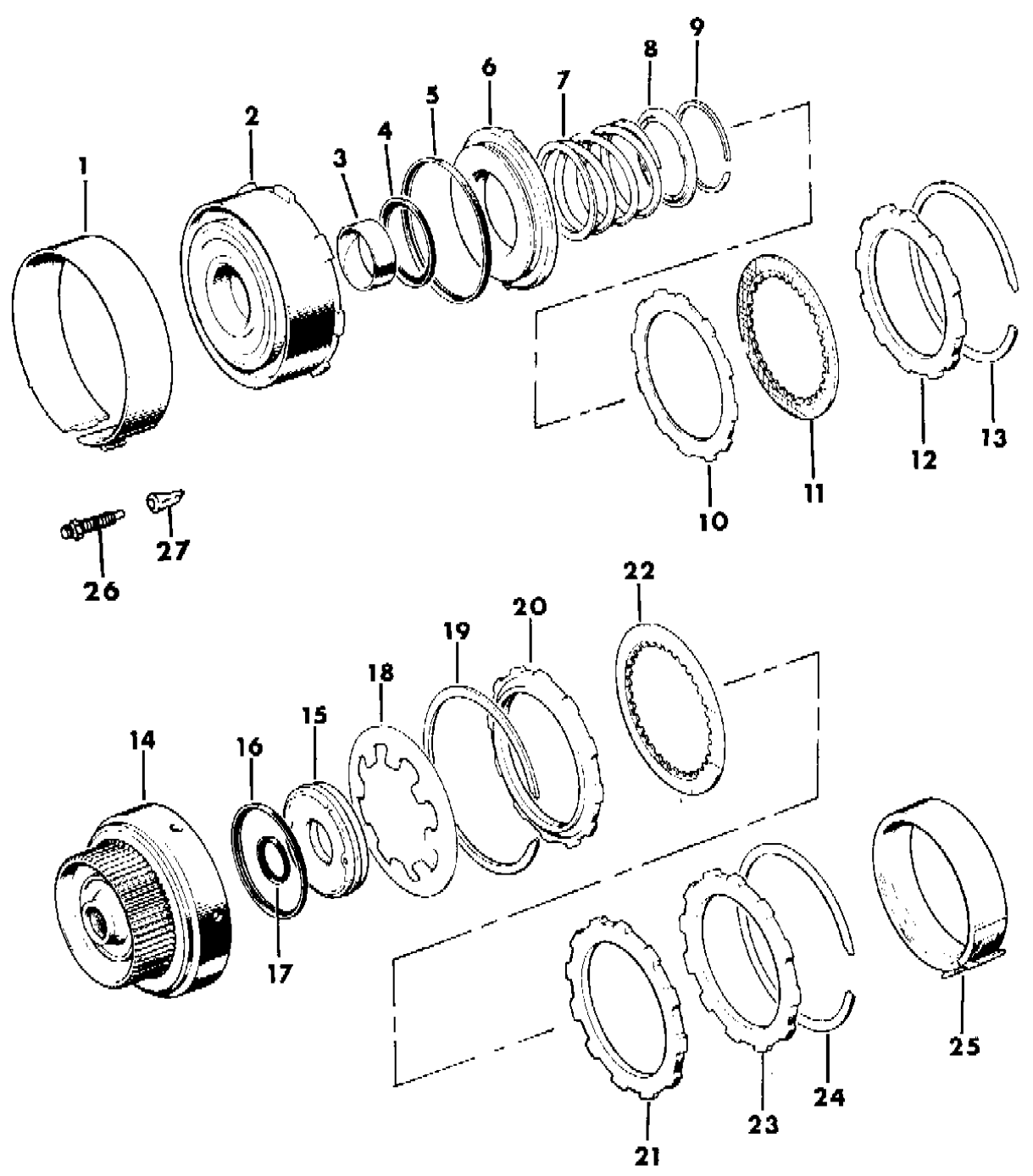
8 J 51 700 A

ITEM	PART NUMBER	QTY	BODY	MODEL	DESCRIPTION
1	4419 646	1			BAND, Kickdown
2	J813 2483	1			RETAINER, Front Clutch 1987-89
	3743 382	1			1990
3					BUSHING, Front Clutch
	J812 0896	1			1987-89
	2801 727	1			1990
4	J812 0881	1			SEAL, Front Clutch Piston, Inner 1987-89
	3515 176	1			1990
5	J813 2510	1			SEAL, Front Clutch Piston, Outer 1987-89
	4058 487	1			1990
6	J813 2484	1			PISTON, Front Clutch 1987-89
	3743 384	1			1990
7					SPRING
	J812 6888	1			1987-89
	3515 054	1			1990
8	J812 0885	1			RETAINER, Front Clutch Piston Spring 1987-89
	1942 399	1			1990
9	J812 0887	1			SNAP RING, Front Clutch Inner 1987-89
	1942 400	1			1990
10	J813 6610	4			PLATE, Front Clutch 1987-89
	1942 403	5			1990
11					DISC, Front Clutch Driven
	8350 1953	4			1987-89
	4329 805	5			1990
12	J812 0932	1			PLATE, Pressure 1987-89
	2801 969	1			1990
13	J812 0894	1			SNAP RING, Front Clutch, Outer 1987-89
	3410 571	1			1990

MODEL CODES:  
 15 = Grand Wagoneer 4 Dr.      65 = Comanche 4WD-7 Ft. Box      77 = Cherokee 4WD-2 Dr.  
 25 = J-10 Pickup-119" W.B.      66 = Comanche 2WD-7 Ft. Box      78 = Cherokee 4WD-4 Dr.  
 26 = J-10 Pickup-131" W.B.      73 = Cherokee 2WD-2 Dr.      79 = Cherokee 4WD-4 Dr.-Com  
 27 = J-20 Pickup-131" W.B.      74 = Cherokee 2WD-4 Dr.      81 = Wrangler-93" W.B.  
 63 = Comanche 4WD-6 Ft. Box      75 = Wagoneer 4WD-4 Dr.      82 = Wrangler-103" W.B.-Exp.  
 64 = Comanche 2WD-6 Ft. Box

BODY STYLES:  
 MJ = Comanche Pickup  
 SJ = Grand Wagoneer Wgn., J-10 & J-20 Pickups  
 XJ = Cherokee, Wagoneer Limited  
 YJ = Wrangler

AR = Use as Required - = Non Illustrated Part P.A.R. = Paint as Required



**CLUTCH, FRONT AND REAR AUTOMATIC TRANSMISSION - A999 WRANGLER, YJ**  
**Figure 21A-700**

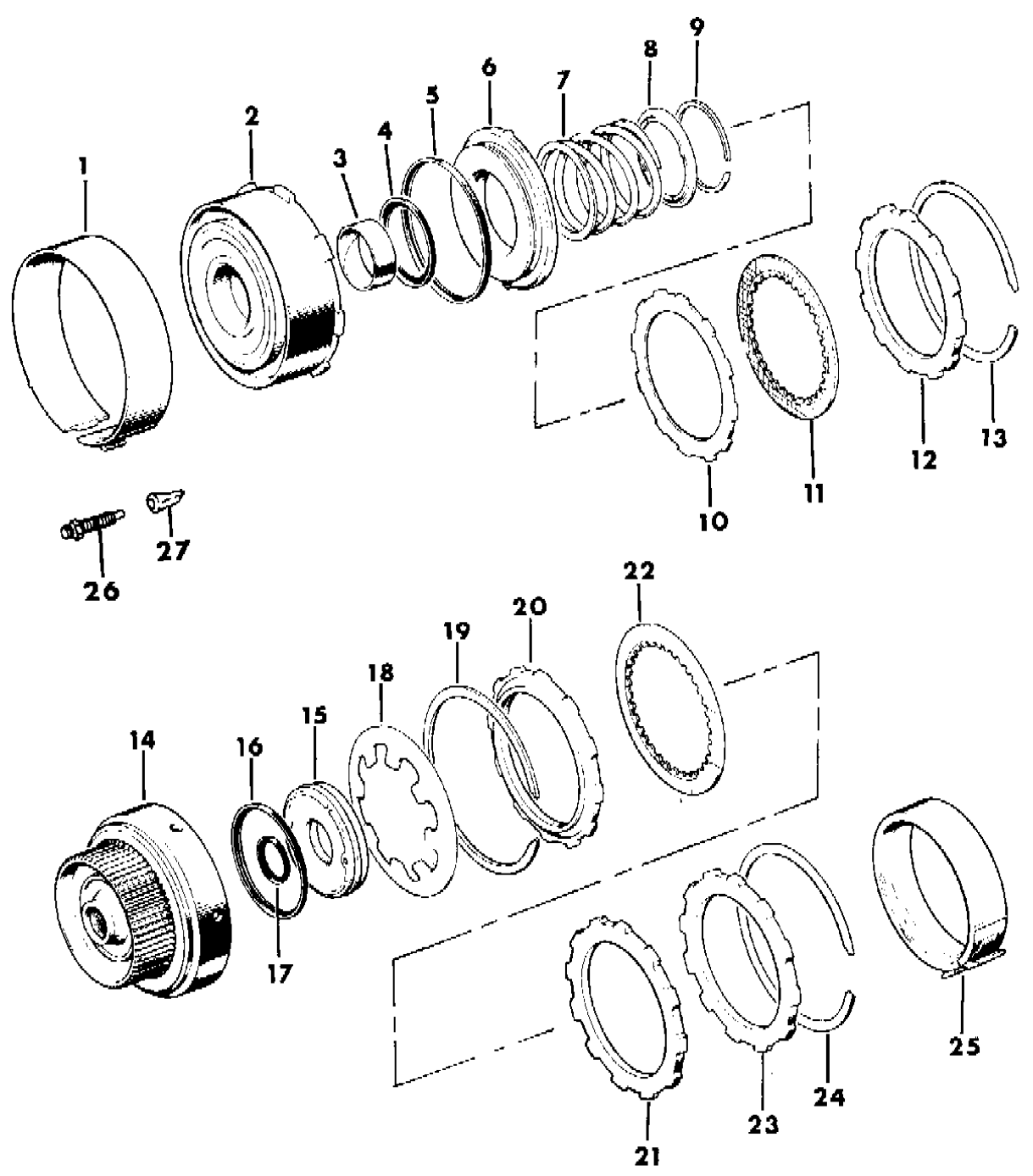
8 J 51 700 A

ITEM	PART NUMBER	QTY	BODY	MODEL	DESCRIPTION
14					RETAINER, Rear Clutch
	J813 2485	1			1987-89
	4505 199	1			1990
15					PISTON ASSEMBLY, Rear Clutch
	J812 0912	1			1987-89
	3515 716	1			1990
16					SEAL, Rear Clutch Piston Outer
	J812 0917	1			1987-89
	2538 695	1			1990
17					SEAL, Rear Clutch Piston Inner
	J812 0915	1			1987-89
	2538 510	1			1990
18					SPRING
	J812 0919	1			1987-89
	1942 414	1			1990
19					SPRING, Clutch Wave
	J812 0922	1			1987-89
	2466 283	1			1990
20					PLATE, Clutch
	J812 0926	1			1987-89
	2466 281	1			1990
21	1942 403	3			PLATE, Drive Rear Clutch
22					DISC, Driven
	J812 0928	4			1987-89
	4539 178	4			1990
23					PLATE, Rear Clutch Pressure
	J812 0932	1			1987-89
	2801 969	1			1990
24					SNAP RING, Rear Clutch Retaining, 5-11/32" O.D.
					.060" Thk.
	J813 2487	AR			1987-89
	4130 761	AR			1990
					.074" Thk.
	J813 2488	AR			1987-89
	4130 762	AR			1990
					.098" Thk.
	J813 2489	AR			1987-89

MODEL CODES:  
 15 = Grand Wagoneer 4 Dr.      65 = Comanche 4WD-7 Ft. Box      77 = Cherokee 4WD-2 Dr.  
 25 = J-10 Pickup-119" W.B.      66 = Comanche 2WD-7 Ft. Box      78 = Cherokee 4WD-4 Dr.  
 26 = J-10 Pickup-131" W.B.      73 = Cherokee 2WD-2 Dr.      79 = Cherokee 4WD-4 Dr.-Com  
 27 = J-20 Pickup-131" W.B.      74 = Cherokee 2WD-4 Dr.      81 = Wrangler-93" W.B.  
 63 = Comanche 4WD-6 Ft. Box      75 = Wagoneer 4WD-4 Dr.      82 = Wrangler-103" W.B.-Exp.  
 64 = Comanche 2WD-6 Ft. Box

BODY STYLES:  
 MJ = Comanche Pickup  
 SJ = Grand Wagoneer Wgn., J-10 & J-20 Pickups  
 XJ = Cherokee, Wagoneer Limited  
 YJ = Wrangler

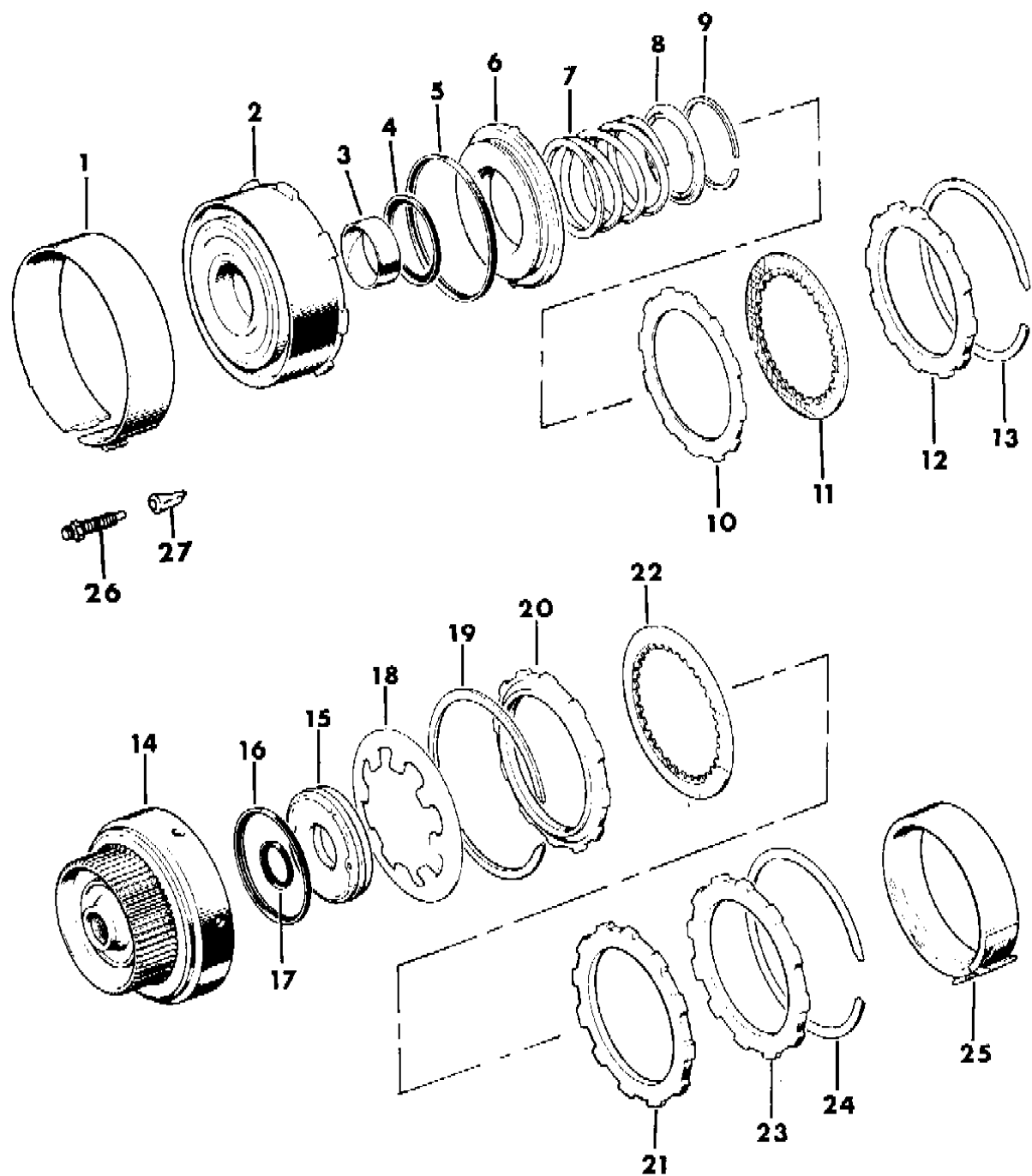
AR = Use as Required - = Non Illustrated Part P.A.R. = Paint as Required



**CLUTCH, FRONT AND REAR AUTOMATIC TRANSMISSION - A999 WRANGLER, YJ**  
**Figure 21A-700**

8 J 51 700 A

ITEM	PART NUMBER	QTY	BODY	MODEL	DESCRIPTION
	4130 763	AR		1990	
25					BAND, Reverse
	8350 4129	1		1987-89	
	4443 187	1		1990	
26					SCREW, Kickdown Band Adjusting
	J812 1085	1		1987-89	
	1942 477	1		1990	
27		1			NUT, Kickdown Band (Not Serviced)



MODEL CODES:  
 15 = Grand Wagoneer 4 Dr.      65 = Comanche 4WD-7 Ft. Box      77 = Cherokee 4WD-2 Dr.  
 25 = J-10 Pickup-119" W.B.      66 = Comanche 2WD-7 Ft. Box      78 = Cherokee 4WD-4 Dr.  
 26 = J-10 Pickup-131" W.B.      73 = Cherokee 2WD-2 Dr.      79 = Cherokee 4WD-4 Dr.-Com  
 27 = J-20 Pickup-131" W.B.      74 = Cherokee 2WD-4 Dr.      81 = Wrangler-93" W.B.  
 63 = Comanche 4WD-6 Ft. Box      75 = Wagoneer 4WD-4 Dr.      82 = Wrangler-103" W.B.-Exp.  
 64 = Comanche 2WD-6 Ft. Box

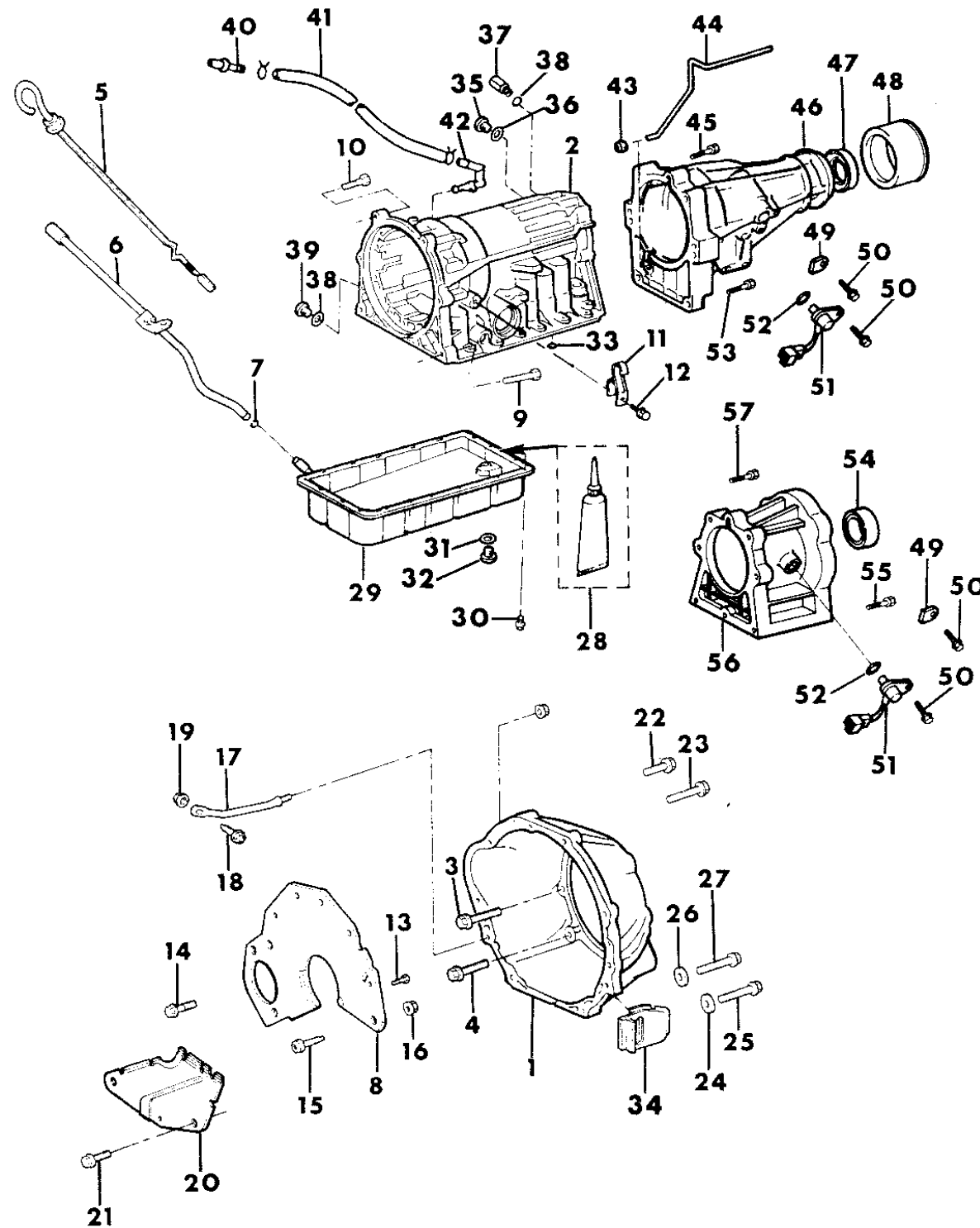
BODY STYLES:  
 MJ = Comanche Pickup  
 SJ = Grand Wagoneer Wgn., J-10 & J-20 Pickups  
 XJ = Cherokee, Wagoneer Limited  
 YJ = Wrangler

AR = Use as Required - = Non Illustrated Part P.A.R. = Paint as Required

CASE, EXTENSION AND MISC. PARTS AUTOMATIC TRANSMISSION - AW4 CHEROKEE, WAGONEER, COMANCHE

Figure 21A-800

8J51 800



ITEM	PART NUMBER	QTY	BODY	MODEL	DESCRIPTION
1					HOUSING, Torque converter
	8350 3706	1			4 Cyl. Eng.
	8350 4062	1			6 Cyl. Eng.
2	8350 3745	1			CASE, Transmission
3	8350 3747	4			BOLT, w/Washer, M10x1.5x35mm
4	8350 4057	2			BOLT, w/Washer, M10x1.5x100mm
5	5300 3976	1			INDICATOR, Oil Level
6					TUBE, Oil Indicator
	5300 3921	1			4 Cyl. Eng.
	5300 2870	1			6 Cyl. Eng.
7	5300 3977	1			SEAL
8	5300 4907	1			SPACER, 6 Cyl. Eng.
9	8350 3746	2			BOLT, w/Washer, M12x1.75x45mm
10	8350 3747	3			BOLT, w/Washer, M10x1.5x35mm
11	8350 3715	1			CLAMP
12	8350 3716	1			BOLT, w/Washer, M6x1x12mm
13	J942 8638	1			BOLT, 6 Cyl. Eng., 3/8-16x.62
14	1150 2850	3			BOLT, 6 Cyl. Eng, M8x1.25x20mm
15	1150 4922	2			BOLT, 6 Cyl. Eng., M12x1.75x50mm
16	1150 2723	2			NUT, 6 Cyl. Eng., M12x1.75
17	5300 1595	1			ROD, Brace, 4 Cyl. Eng.
18	3420 1848	1			BOLT, 4 Cyl. Eng, M12x1.75x35
19	1150 2813	2			NUT, 4 Cyl. Eng., M12x1.75x13mm
20					COVER, Torque Converter
	5300 3950	1			4 Cyl. Eng.
	5300 4908	1			6 Cyl. Eng.
21	1150 2628	3			BOLT, 4 Cyl. Eng, M8x1.25x30mm
22	1150 4922	4			BOLT, 4 Cyl. Eng., M12x1.75x50mm
23	3420 1837	2			BOLT, 4 Cyl. Eng., M12x1.75x90mm
24	S044 6363	2			WASHER, 6 Cyl. Eng., 3/8IDx7/8ODx.078
25	J018 0129	2			BOLT, 6 Cyl. Eng., 3/8-16x1.875
26	J400 5397	2			WASHER, 6 Cyl. Eng., 7/16IDx.875ODx.135
27	J942 7626	2			BOLT, 6 Cyl. Eng., 7/16-14x3.125
28	J899 3317	1			SEALER, RTV ***
29	8350 4037	1			PAN
30	8350 4039	19			BOLT
31	8350 4040	1			GASKET

MODEL CODES:

15 = Grand Wagoneer 4 Dr.	65 = Comanche 4WD-7 Ft. Box	77 = Cherokee 4WD-2 Dr.
25 = J-10 Pickup-119" W.B.	66 = Comanche 2WD-7 Ft. Box	78 = Cherokee 4WD-4 Dr.
26 = J-10 Pickup-131" W.B.	73 = Cherokee 2WD-2 Dr.	79 = Cherokee 4WD-4 Dr.-Com
27 = J-20 Pickup-131" W.B.	74 = Cherokee 2WD-4 Dr.	81 = Wrangler-93" W.B.
63 = Comanche 4WD-6 Ft. Box	75 = Wagoneer 4WD-4 Dr.	82 = Wrangler-103" W.B.-Exp.

BODY STYLES:

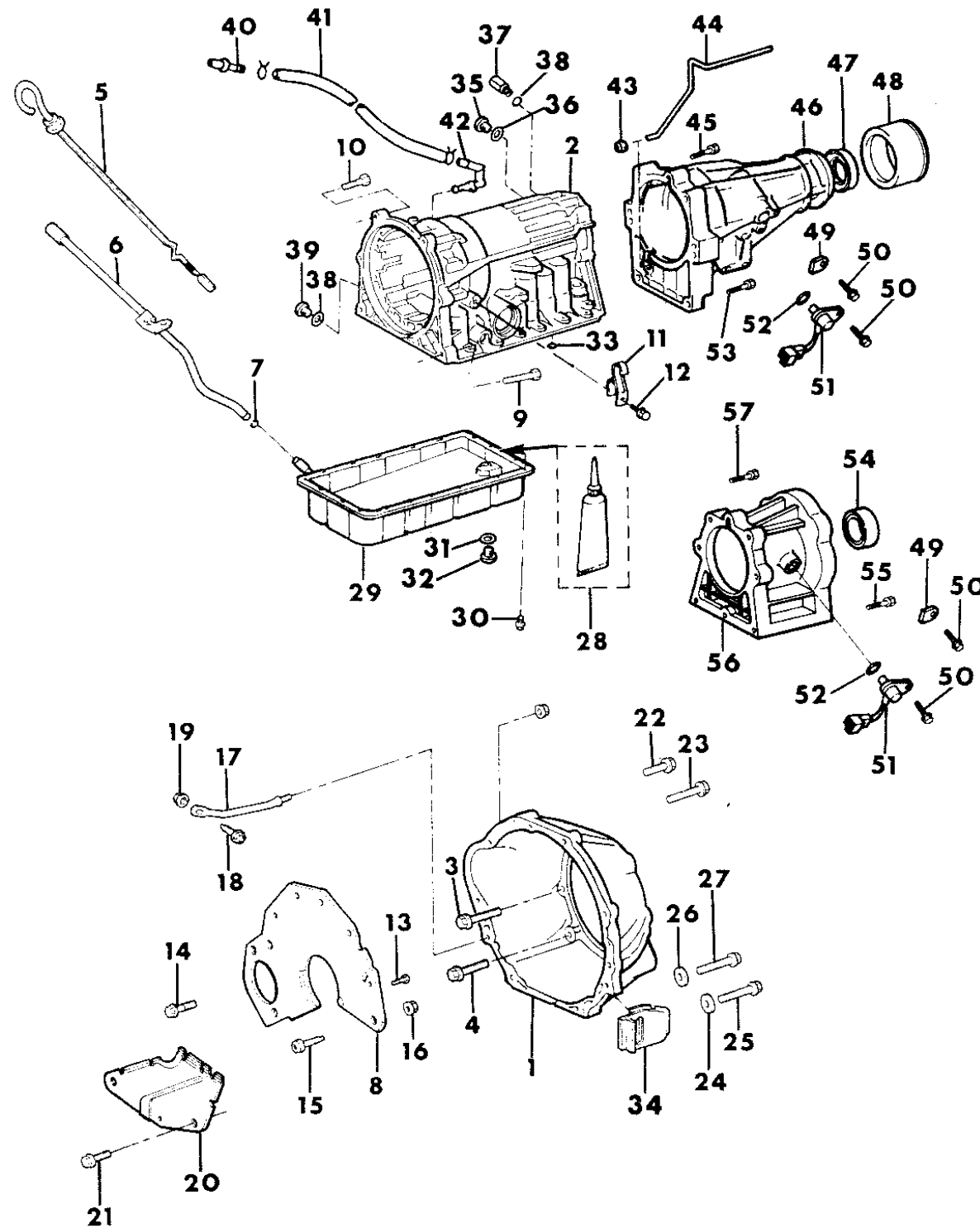
MJ = Comanche Pickup  
 SJ = Grand Wagoneer Wgn., J-10 & J-20 Pickups  
 XJ = Cherokee, Wagoneer Limited  
 YJ = Wrangler

AR = Use as Required - = Non Illustrated Part P.A.R. = Paint as Required

CASE, EXTENSION AND MISC. PARTS AUTOMATIC TRANSMISSION - AW4 CHEROKEE, WAGONEER, COMANCHE

Figure 21A-800

8J51 800



ITEM	PART NUMBER	QTY	BODY	MODEL	DESCRIPTION
32	8350 4041	1			PLUG, Drain
33					GASKET
	8350 4060	1			1987-89
	5252 444	1			1990
34					GROMMET
	5300 9045	1			4 Cyl. Eng.
	5300 4909	1			6 Cyl. Eng., 1987-89
	5300 5129	1			1990
35	8350 3749	2			PLUG
36	8350 3750	2			O-RING
37	8350 3728	2			UNION
38	8350 3727	2			O-RING
39	8350 3726	1			PLUG
40					BREATHER ***
	8350 3729	1			2WD
	8350 3737	1			4WD
41	8350 3720	1			HOSE
42	8350 3738	1			ADAPTER
43	8350 4052	1		2WD	GASKET
44	8350 4053	1		2WD	TUBE
45	8350 4051	4		2WD	BOLT
46	8350 4046	1		2WD	EXTENSION
47	8350 4048	1		2WD	SEAL, Oil Lip, Extension
48	8350 4050	1		2WD	DEFLECTOR, Dust ***
49	8350 3721	1			PLATE
50					BOLT
	8350 3709	2			1987-89
	3420 1808	2			1990, M6x1x16mm
51	8350 3722	1			SENSOR, Speed
52	8350 3723	1			O-RING
53	8350 3747	3			BOLT
54	8350 4055	1		4WD	SEAL, Oil Lip, Adapter
55	8350 4057	2		4WD	BOLT
56	8350 4056	1		4WD	ADAPTER
57	8350 4058	5		4WD	BOLT, w/Washer, M10x1.5x40mm

MODEL CODES:

15 = Grand Wagoneer 4 Dr.	65 = Comanche 4WD-7 Ft. Box	77 = Cherokee 4WD-2 Dr.
25 = J-10 Pickup-119" W.B.	66 = Comanche 2WD-7 Ft. Box	78 = Cherokee 4WD-4 Dr.
26 = J-10 Pickup-131" W.B.	73 = Cherokee 2WD-2 Dr.	79 = Cherokee 4WD-4 Dr.-Com
27 = J-20 Pickup-131" W.B.	74 = Cherokee 2WD-4 Dr.	81 = Wrangler-93" W.B.
63 = Comanche 4WD-6 Ft. Box	75 = Wagoneer 4WD-4 Dr.	82 = Wrangler-103" W.B.-Exp.
64 = Comanche 2WD-6 Ft. Box		

BODY STYLES:

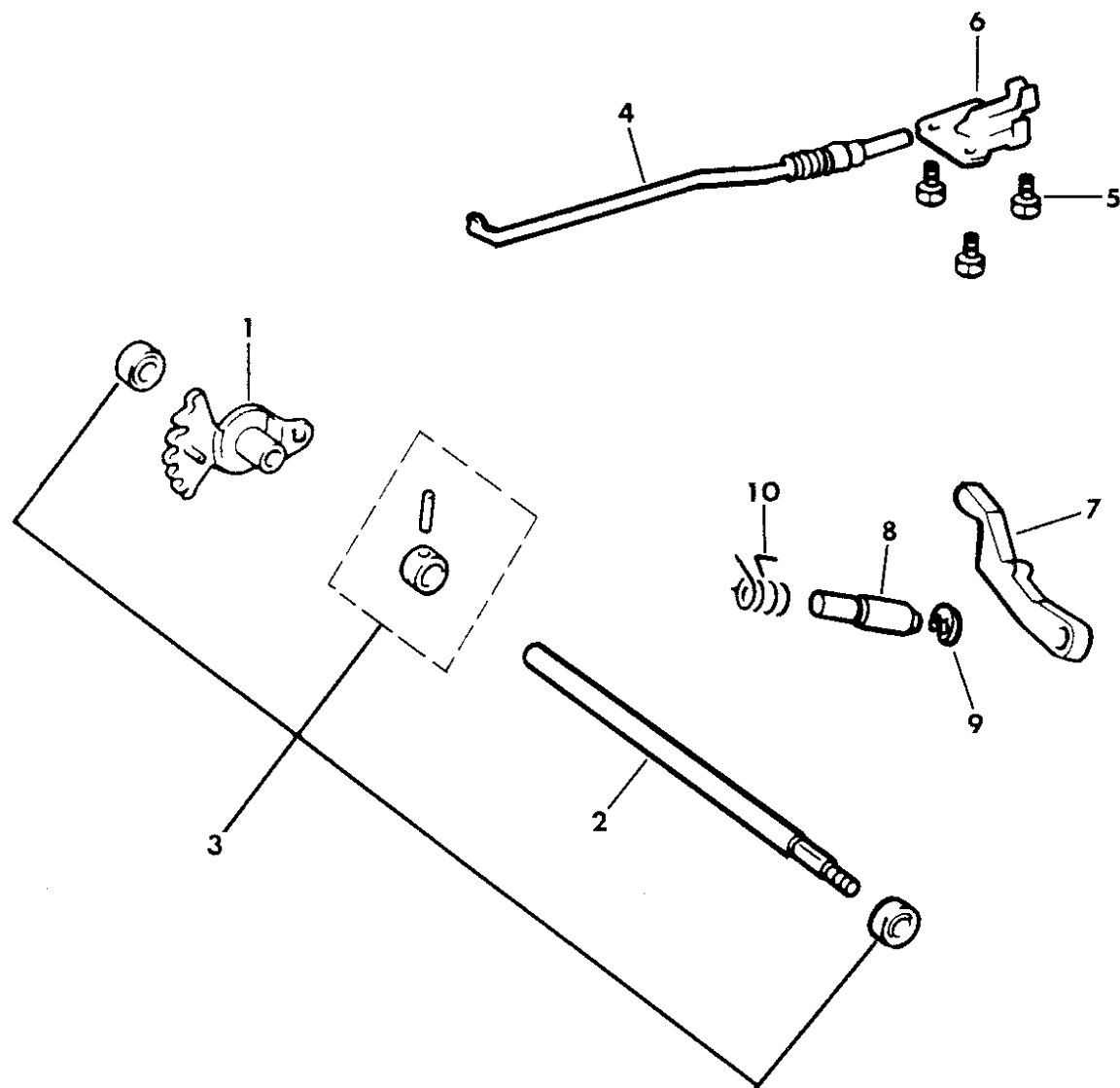
MJ = Comanche Pickup  
 SJ = Grand Wagoneer Wgn., J-10 & J-20 Pickups  
 XJ = Cherokee, Wagoneer Limited  
 YJ = Wrangler

AR = Use as Required - = Non Illustrated Part P.A.R. = Paint as Required

**LOCK, PARKING AUTOMATIC TRANSMISSION - AW4 CHEROKEE, WAGONEER, COMANCHE**  
**Figure 21A-850**

8J51 850

ITEM	PART NUMBER	QTY	BODY	MODEL	DESCRIPTION
1	8350 3774	1			LEVER, Manual Valve
2	8350 3725	1			SHAFT
3	8350 4332	1			REPAIR PACKAGE
4	8350 3781	1			ROD, Park Lock
5	8350 3783	3			BOLT, M6x1.0x14mm
6	8350 3780	1			BRACKET
7	8350 3779	1			PAWL
8	8350 3777	1			SHAFT
9	8350 3776	1			E-RING
10	8350 3778	1			SPRING



**MODEL CODES:**

- |                             |                             |                              |
|-----------------------------|-----------------------------|------------------------------|
| 15 = Grand Wagoneer 4 Dr.   | 65 = Comanche 4WD-7 Ft. Box | 77 = Cherokee 4WD-2 Dr.      |
| 25 = J-10 Pickup-119" W.B.  | 66 = Comanche 2WD-7 Ft. Box | 78 = Cherokee 4WD-4 Dr.      |
| 26 = J-10 Pickup-131" W.B.  | 73 = Cherokee 2WD-2 Dr.     | 79 = Cherokee 4WD-4 Dr.-Com  |
| 27 = J-20 Pickup-131" W.B.  | 74 = Cherokee 2WD-4 Dr.     | 81 = Wrangler-93" W.B.       |
| 63 = Comanche 4WD-6 Ft. Box | 75 = Wagoneer 4WD-4 Dr.     | 82 = Wrangler-103" W.B.-Exp. |
| 64 = Comanche 2WD-6 Ft. Box |                             |                              |

**BODY STYLES:**

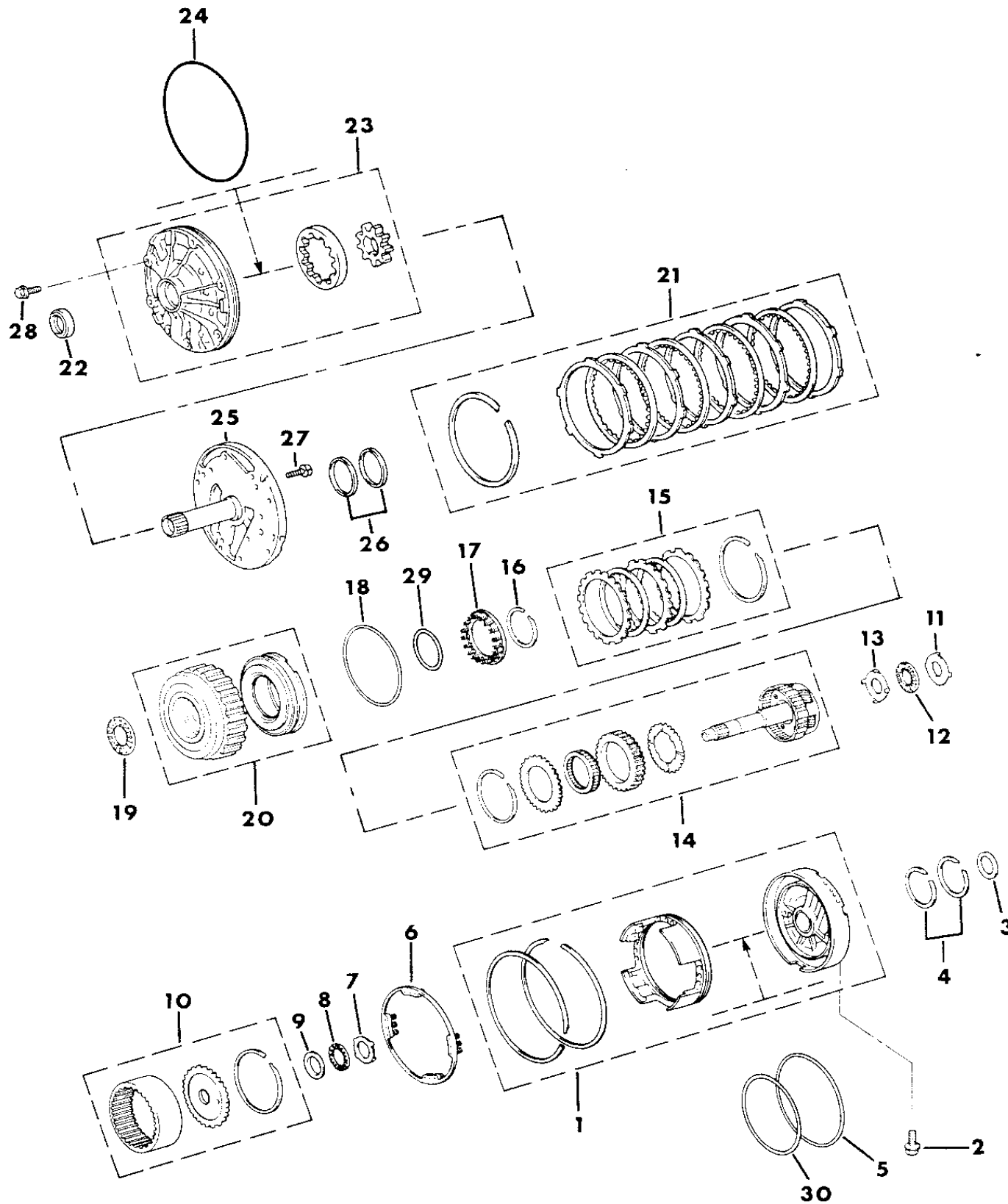
- MJ = Comanche Pickup
- SJ = Grand Wagoneer Wgn., J-10 & J-20 Pickups
- XJ = Cherokee, Wagoneer Limited
- YJ = Wrangler

AR = Use as Required - = Non Illustrated Part P.A.R. = Paint as Required

PUMP, OIL AND OVERDRIVE CLUTCH AUTOMATIC TRANSMISSION - AW4 CHEROKEE, WAGONEER, COMANCHE

Figure 21A-900

8 J 51 900



ITEM	PART NUMBER	QTY	BODY	MODEL	DESCRIPTION
1					REPAIR PACKAGE, Overdrive Support
	8350 4291	1			4 Cyl. Eng.
	8350 4292	1			6 Cyl. Eng.
2	8350 3898	2			BOLT, Flange, M8x1.25x45mm
3	8350 3784	1			RACE, Bearing
4	8350 3757	2			RING
5	8350 3902	1			O-RING
6	8350 3904	1			SPRING
7	8350 3873	1			RACE, Bearing
8	8350 3874	1			BEARING
9	8350 3917	1			RACE, Bearing
10	8350 4290	1			REPAIR PACKAGE
11	8350 3916	1			RACE, Bearing
12	8350 3802	1			BEARING
13	8350 3915	1			RACE, Bearing
14	8350 4288	1			REPAIR PACKAGE, Planetary Gear
15	8350 4287	1			REPAIR PACKAGE, Direct Clutch
16	8350 3810	1			RING
17	8350 3928	1			SPRING
18	8350 3926	1			O-RING
19	8350 3939	1			BEARING ASSEMBLY
20	8350 4289	1			CLUTCH ASSEMBLY, Overdrive
21					PLATE SET, Overdrive Clutch
	8350 4293	1			4 Cyl. Eng.
	8350 4294	1			6 Cyl. Eng.
22	8350 3752	1			OIL SEAL
23	8350 4283	1			PUMP ASSEMBLY
24	8350 3758	1			O-RING
25	8350 3755	1			STATOR
26	8350 3757	2			OIL SEAL
27	8350 3756	13			BOLT, Flange, M6x1.0x16mm
28	8350 3759	7			BOLT, w/Washer, M8x1.25x35mm
29	8350 3811	1			O-RING
30	8350 3901	1			O-RING

MODEL CODES:

15 = Grand Wagoneer 4 Dr.	65 = Comanche 4WD-7 Ft. Box	77 = Cherokee 4WD-2 Dr.
25 = J-10 Pickup-119" W.B.	66 = Comanche 2WD-7 Ft. Box	78 = Cherokee 4WD-4 Dr.
26 = J-10 Pickup-131" W.B.	73 = Cherokee 2WD-2 Dr.	79 = Cherokee 4WD-4 Dr.-Com
27 = J-20 Pickup-131" W.B.	74 = Cherokee 2WD-4 Dr.	81 = Wrangler-93" W.B.
63 = Comanche 4WD-6 Ft. Box	75 = Wagoneer 4WD-4 Dr.	82 = Wrangler-103" W.B.-Exp.
64 = Comanche 2WD-6 Ft. Box		

BODY STYLES:

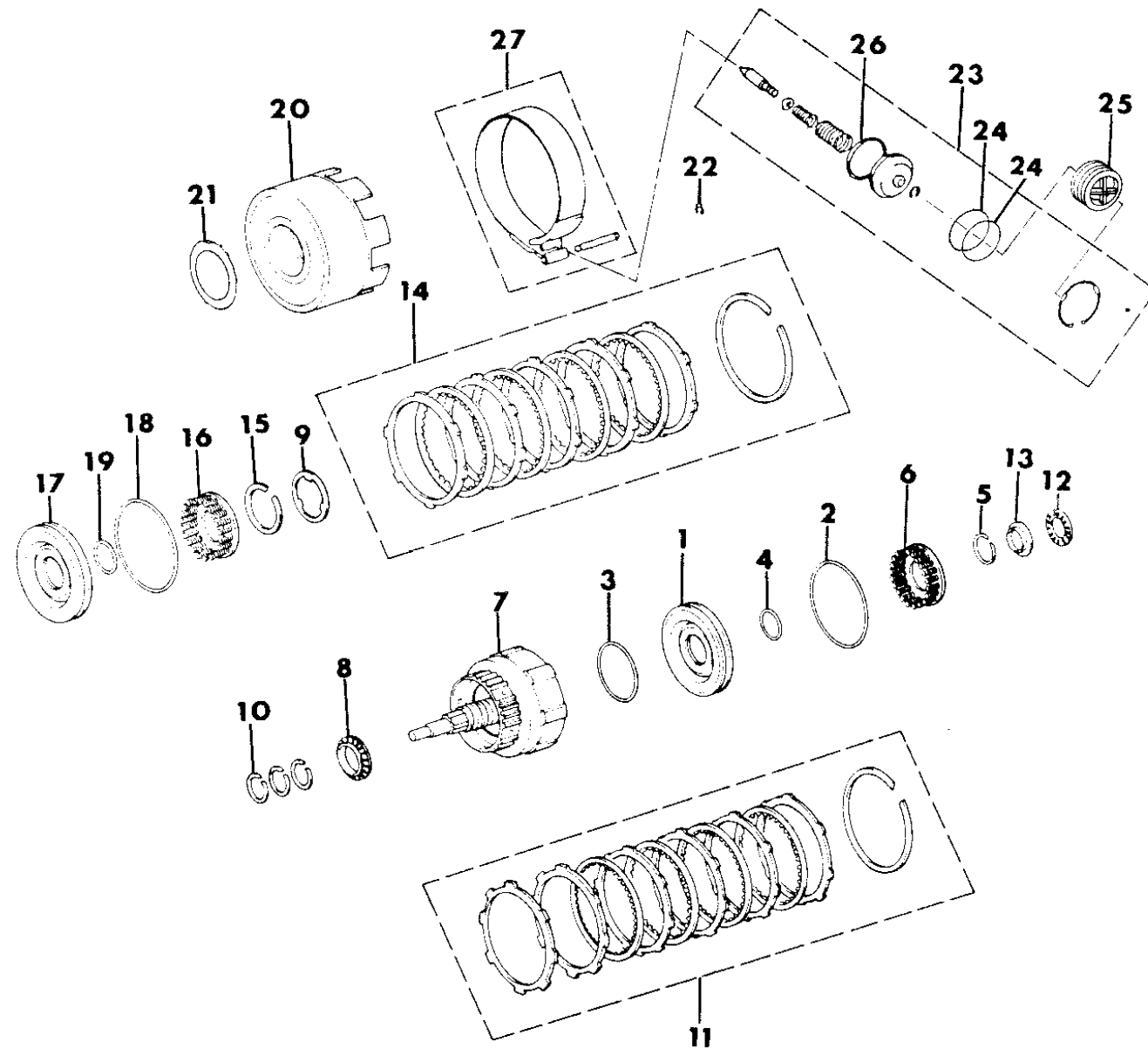
MJ = Comanche Pickup  
 SJ = Grand Wagoneer Wgn., J-10 & J-20 Pickups  
 XJ = Cherokee, Wagoneer Limited  
 YJ = Wrangler

AR = Use as Required - = Non Illustrated Part P.A.R. = Paint as Required

CLUTCHES, FORWARD AND DIRECT AUTOMATIC TRANSMISSION - AW4 CHEROKEE, WAGONEER, COMANCHE

Figure 21A-1000

8J51 1000



ITEM	PART NUMBER	QTY	BODY	MODEL	DESCRIPTION
1					PISTON, Front Clutch
	8350 3791	1			4 Cyl. Eng.
	4636 671	1			4 Cyl. Eng., w/53003810 Trans.
	8350 3803	1			6 Cyl. Eng.
	4636 683	1			6 Cyl. Eng., w/53002840 Trans.
2	8350 3789	1			O-RING
3	8350 3788	1			O-RING
4	8350 3790	1			O-RING
5	8350 3792	1			SNAP RING
6	8350 3793	1			SPRING
7	8350 3786	1			SHAFT, Input
8	8350 3785	1			BEARING
9	8350 3825	1			WASHER, Thrust
10	8350 3799	3			SEAL RING
11					REPAIR PACKAGE, Forward Clutch ***
	8350 4296	1			4 Cyl. Eng.
	8350 4300	1			6 Cyl. Eng.
12	8350 3802	1			BEARING
13	8350 3800	1			RACE
14					REPAIR PACKAGE, Direct Clutch ***
	8350 4297	1			4 Cyl. Eng.
	8350 4298	1			6 Cyl. Eng.
15	8350 3810	1			SNAP RING
16	8350 3813	1			SPRING ASSEMBLY ***
17	8350 3812	1			PISTON ASSEMBLY
18	8350 3789	1			O-RING
19	8350 3811	1			O-RING
20					DRUM ASSEMBLY
	8350 3809	1			4 Cyl. Eng.
	8350 3826	1			6 Cyl. Eng.
21	8350 3825	1			WASHER
22	8350 3851	1			SPRING
23	8350 4299	1			BRAKE ASSEMBLY, 2nd Coast
24	8350 3855	2			O-RING
25	8350 3853	1			COVER, 2nd Coast Brake
26	8350 3849	1			SEAL
27	8350 4311	1			REPAIR PACKAGE, 2nd Band ***

MODEL CODES:

15 = Grand Wagoneer 4 Dr.	65 = Comanche 4WD-7 Ft. Box	77 = Cherokee 4WD-2 Dr.
25 = J-10 Pickup-119" W.B.	66 = Comanche 2WD-7 Ft. Box	78 = Cherokee 4WD-4 Dr.
26 = J-10 Pickup-131" W.B.	73 = Cherokee 2WD-2 Dr.	79 = Cherokee 4WD-4 Dr.-Com
27 = J-20 Pickup-131" W.B.	74 = Cherokee 2WD-4 Dr.	81 = Wrangler-93" W.B.
63 = Comanche 4WD-6 Ft. Box	75 = Wagoneer 4WD-4 Dr.	82 = Wrangler-103" W.B.-Exp.
64 = Comanche 2WD-6 Ft. Box		

BODY STYLES:

MJ = Comanche Pickup  
 SJ = Grand Wagoneer Wgn., J-10 & J-20 Pickups  
 XJ = Cherokee, Wagoneer Limited  
 YJ = Wrangler

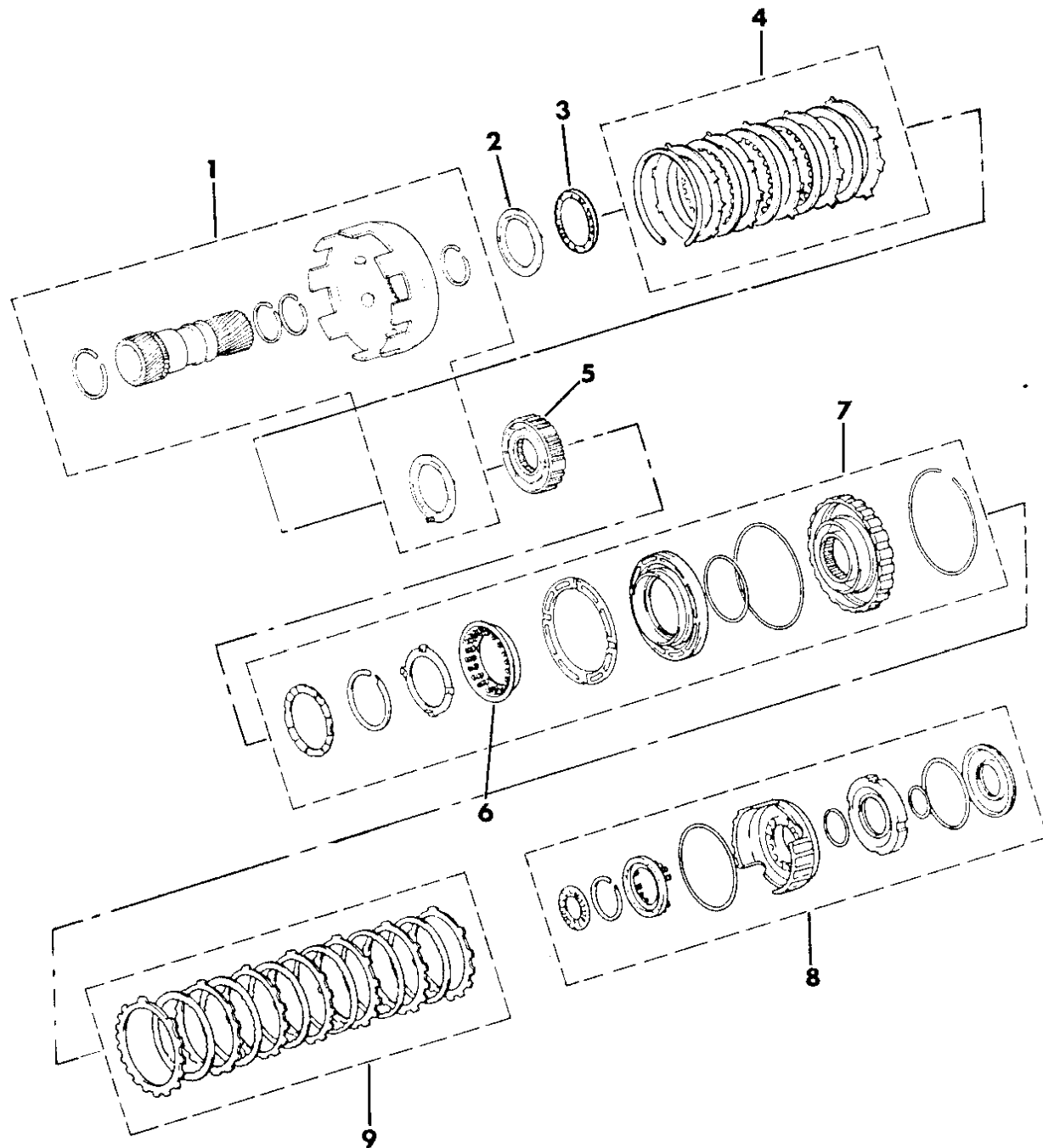
AR = Use as Required - = Non Illustrated Part P.A.R. = Paint as Required



BRAKE, CLUTCH AND SUN GEAR AUTOMATIC TRANSMISSION - AW4 CHEROKEE, WAGONEER, COMANCHE

Figure 21A-1100

8 J 51 1100



ITEM	PART NUMBER	QTY	BODY	MODEL	DESCRIPTION
1	8350 4313	1			REPAIR PACKAGE, Sun Gear ***
2	8350 3886	1			RACE, Bearing
3	8350 3885	1			BEARING
4	8350 4318	1			REPAIR PACKAGE, 2nd Brake Clutch *** 4 Cyl. Eng.
	8350 4319	1			6 Cyl. Eng.
5	8350 3846	1			CLUTCH, One Way
6	8350 3837	1			SPRING ASSEMBLY ***
7	8350 4320	1			REPAIR PACKAGE, 2nd Brake Piston
8	8350 4321	1			REPAIR PACKAGE, 1st And Reverse *** 4 Cyl. Eng.
	8350 4323	1			6 Cyl. Eng.
9	8350 4322	1			REPAIR PACKAGE, Disc And Plate *** 4 Cyl. Eng.
	8350 4324	1			6 Cyl. Eng.

MODEL CODES:

15 = Grand Wagoneer 4 Dr.	65 = Comanche 4WD-7 Ft. Box	77 = Cherokee 4WD-2 Dr.
25 = J-10 Pickup-119" W.B.	66 = Comanche 2WD-7 Ft. Box	78 = Cherokee 4WD-4 Dr.
26 = J-10 Pickup-131" W.B.	73 = Cherokee 2WD-2 Dr.	79 = Cherokee 4WD-4 Dr.-Com
27 = J-20 Pickup-131" W.B.	74 = Cherokee 2WD-4 Dr.	81 = Wrangler-93" W.B.
63 = Comanche 4WD-6 Ft. Box	75 = Wagoneer 4WD-4 Dr.	82 = Wrangler-103" W.B.-Exp.
64 = Comanche 2WD-6 Ft. Box		

BODY STYLES:

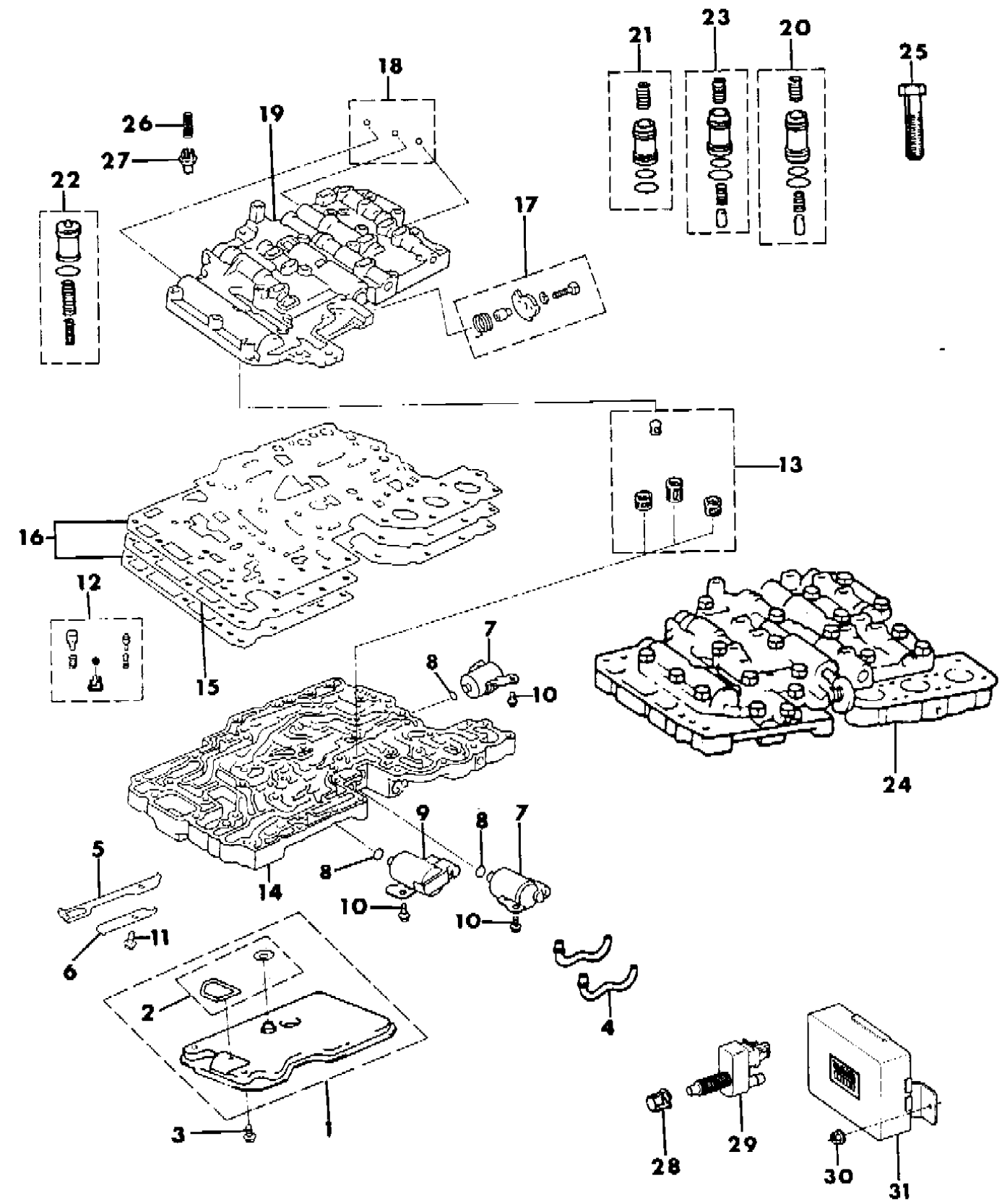
MJ = Comanche Pickup  
 SJ = Grand Wagoneer Wgn., J-10 & J-20 Pickups  
 XJ = Cherokee, Wagoneer Limited  
 YJ = Wrangler

AR = Use as Required - = Non Illustrated Part P.A.R. = Paint as Required

# VALVE BODY AND ELECTRONIC CONTROL AUTOMATIC TRANSMISSION - AW4 CHEROKEE, WAGONEER, COMANCHE

Figure 21A-1200

8 J51 1200



ITEM	PART NUMBER	QTY	BODY	MODEL	DESCRIPTION
1	8350 4032	1			FILTER ASSEMBLY ***
2	8350 4333	1			GASKET PACKAGE, Oil Filter
3	8350 4031	4			BOLT, Flange, M6x1.0x12mm
4	8350 4334	2			TUBE
5	8350 4016	1			SPRING, Manual Detent
6	8350 4015	1			COVER, Detent
7	8350 4043	2			SOLENOID
8	8350 4065	3			O-RING
9	8350 4044	1			SOLENOID
10	8350 4031	3			BOLT, Flange Head, M6x1.0x12mm
11	8350 4014	1			BOLT, Flange, M6x1.0x16mm
12	8350 4335	1			VALVE PACKAGE, Check & Pressure Relief ***
13	8350 4336	1			STRAINER PACKAGE
14	8350 4356	1			BODY, Lower Valve
15	8350 3770	1			PLATE, Stamped with no.5
16	8350 4337	1			GASKET PACKAGE
17	8350 4338	1			CAM PACKAGE, Throttle Valve
18	8350 4339	1			BALL PACKAGE, Check ***
19	8350 4355	1			BODY, Upper Valve
20	8350 4340	1			ACCUMULATOR PACKAGE, B-2 *** 4 Cyl. Eng.
	8350 4341	1			6 Cyl. Eng.
21	8350 4342	1			ACCUMULATOR PACKAGE, B-0 ***
22	8350 4343	1			ACCUMULATOR PACKAGE, C-2 ***
23	8350 4344	1			ACCUMULATOR PACKAGE, C-2 *** 4 Cyl. Eng.
	8350 4345	1			6 Cyl. Eng.
24	8350 3760	1			VALVE ASSEMBLY
25	8350 4031	6			BOLT M6x1.0x12mm
	8350 4014	1			M6x1.0x16mm
	8350 4011	9			M5x0.8x20mm
	8350 4133	5			M6x1.0x23mm
	8350 4012	3			M5x0.8x28mm
	8350 4134	12			M6x1.0x32mm
	8350 4013	13			M5x0.8x38mm
26	8350 4036	1			SPRING

**MODEL CODES:**

15 = Grand Wagoneer 4 Dr.	65 = Comanche 4WD-7 Ft. Box	77 = Cherokee 4WD-2 Dr.
25 = J-10 Pickup-119" W.B.	66 = Comanche 2WD-7 Ft. Box	78 = Cherokee 4WD-4 Dr.
26 = J-10 Pickup-131" W.B.	73 = Cherokee 2WD-2 Dr.	79 = Cherokee 4WD-4 Dr.-Com
27 = J-20 Pickup-131" W.B.	74 = Cherokee 2WD-4 Dr.	81 = Wrangler-93" W.B.
63 = Comanche 4WD-6 Ft. Box	75 = Wagoneer 4WD-4 Dr.	82 = Wrangler-103" W.B.-Exp.
64 = Comanche 2WD-6 Ft. Box		

**BODY STYLES:**

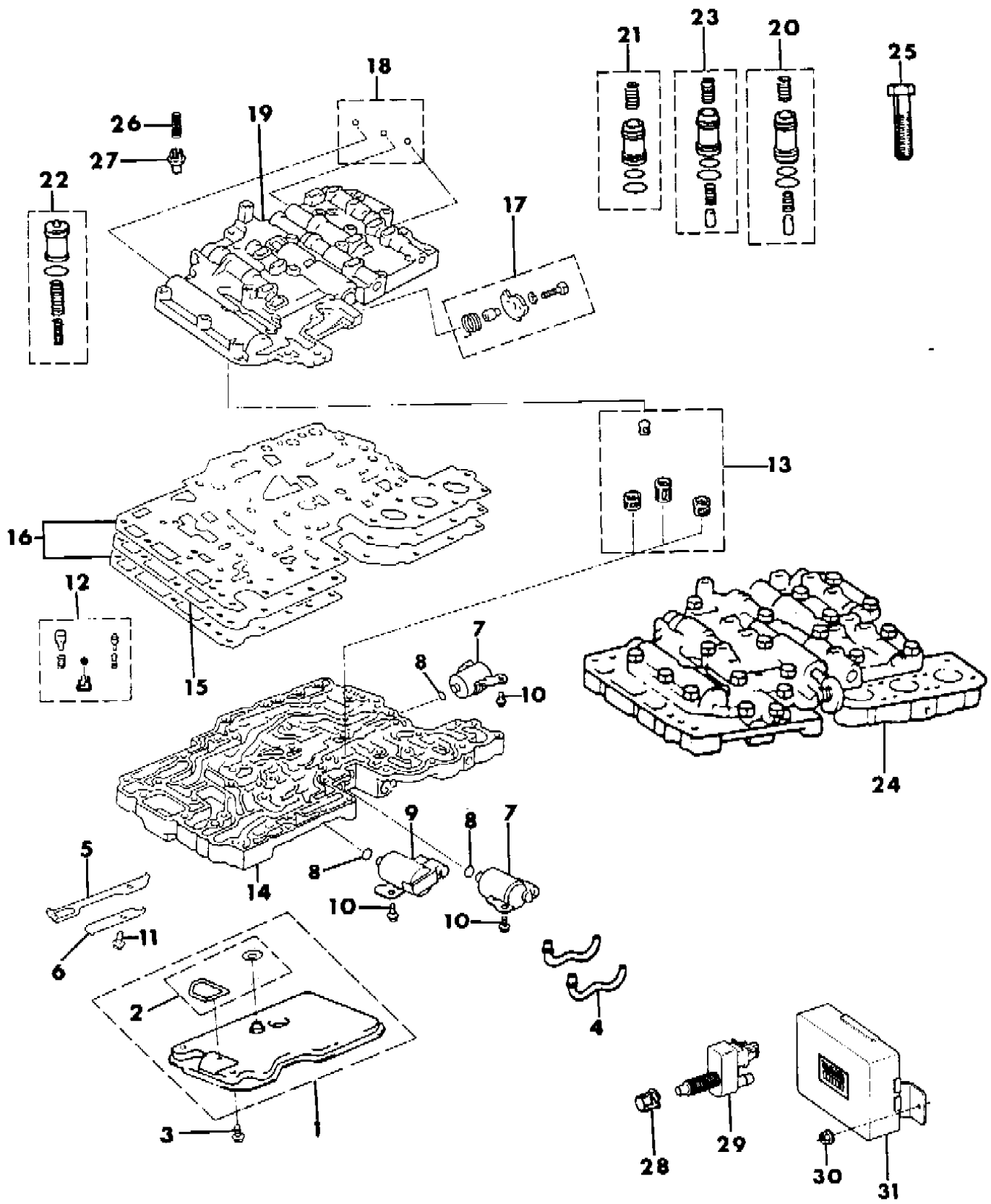
MJ = Comanche Pickup
SJ = Grand Wagoneer Wgn., J-10 & J-20 Pickups
XJ = Cherokee, Wagoneer Limited
YJ = Wrangler

AR = Use as Required - = Non Illustrated Part P.A.R. = Paint as Required

VALVE BODY AND ELECTRONIC CONTROL AUTOMATIC TRANSMISSION - AW4 CHEROKEE, WAGONEER, COMANCHE

Figure 21A-1200

8 J51 1200



ITEM	PART NUMBER	QTY	BODY	MODEL	DESCRIPTION
27	8350 4042	1			BODY, Check Ball
28	J400 6789	1			NUT
29	5600 2281	1			SWITCH, Trans. Converter Cut-Out
30	1150 2702	2			NUT
31					MODULE, Transmission
	5300 5101	1			4 Cyl. Eng.
	5300 5305	1			6 Cyl. Eng.

MODEL CODES:  
 15 = Grand Wagoneer 4 Dr.      65 = Comanche 4WD-7 Ft. Box      77 = Cherokee 4WD-2 Dr.  
 25 = J-10 Pickup-119" W.B.      66 = Comanche 2WD-7 Ft. Box      78 = Cherokee 4WD-4 Dr.  
 26 = J-10 Pickup-131" W.B.      73 = Cherokee 2WD-2 Dr.      79 = Cherokee 4WD-4 Dr.-Com  
 27 = J-20 Pickup-131" W.B.      74 = Cherokee 2WD-4 Dr.      81 = Wrangler-93" W.B.  
 63 = Comanche 4WD-6 Ft. Box      75 = Wagoneer 4WD-4 Dr.      82 = Wrangler-103" W.B.-Exp.  
 64 = Comanche 2WD-6 Ft. Box

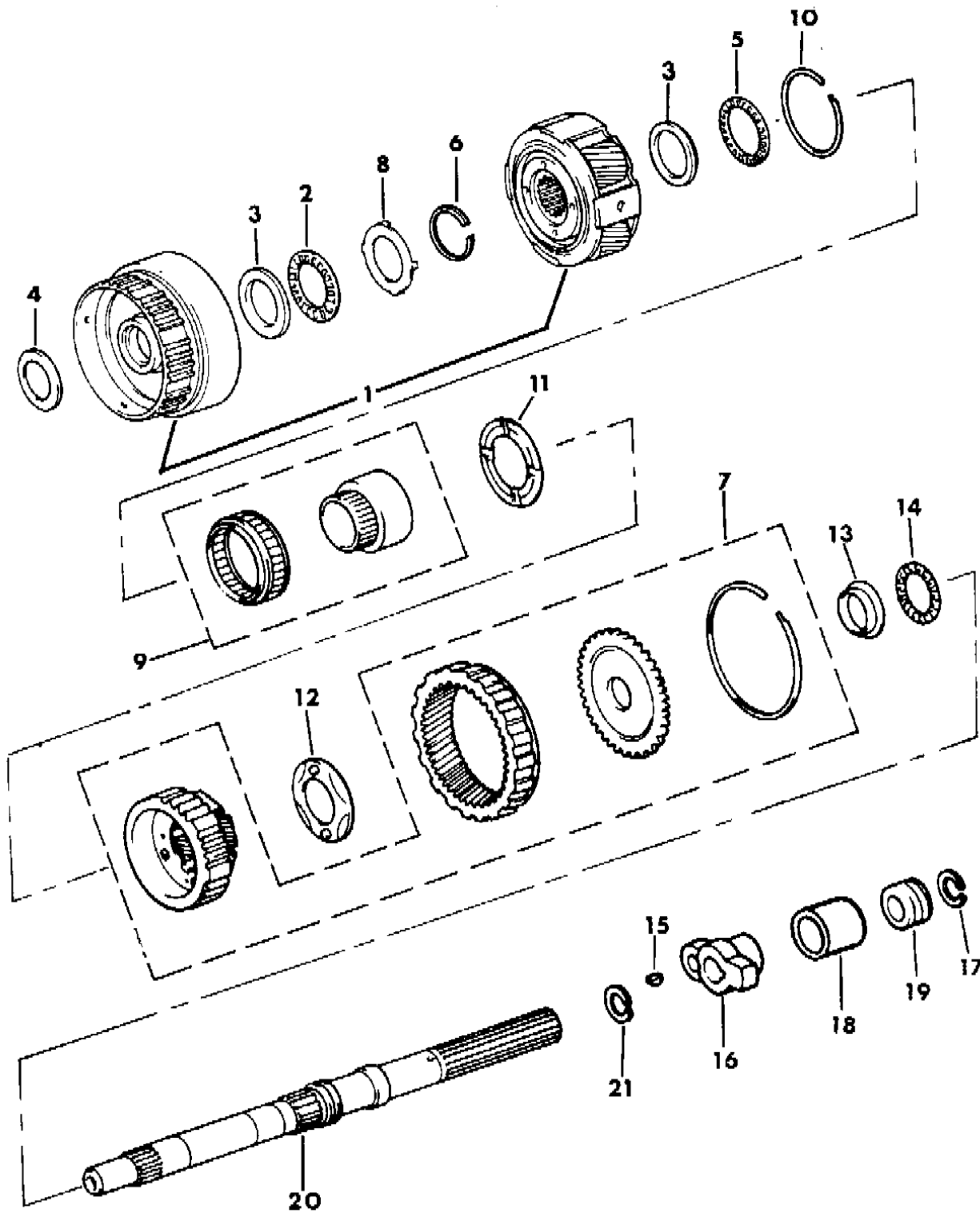
BODY STYLES:  
 MJ = Comanche Pickup  
 SJ = Grand Wagoneer Wgn., J-10 & J-20 Pickups  
 XJ = Cherokee, Wagoneer Limited  
 YJ = Wrangler

AR = Use as Required - = Non Illustrated Part P.A.R. = Paint as Required

GEAR TRAIN AND OUTPUT SHAFT AUTOMATIC TRANSMISSION - AW4 CHEROKEE, WAGONEER, COMANCHE

Figure 21A-1300

8 J 51 1300



ITEM	PART NUMBER	QTY	BODY	MODEL	DESCRIPTION
1	8350 4326	1			GEAR, Front Planetary
2	8350 3874	1			BEARING
3	8350 3872	1			RACE, Thrust Bearing, Front
	8350 3877	1			Thrust Bearing, Rear
4	8350 3801	1			RACE
5	8350 3878	1			BEARING
6	8350 3879	1			SNAP RING
7	8350 4327	1			GEAR, Rear Planetary
8	8350 3873	1			RACE, Thrust Bearing, w/4 Tabs
9	8350 4328	1			CLUTCH, One Way No. 2
10	8350 3890	1			SNAP RING
11	8350 3891	1			WASHER
12	8350 3893	1			WASHER
13	8350 3887	1			RACE
14	8350 3897	1			BEARING
15	8350 3947	1			KEY, Sensor
16	8350 3946	1			ROTOR, Sensor
17					SEAL RING
	8350 3945	1			2WD
	8350 3943	1			4WD
18	8350 3705	1			SPACER, 2WD
19	8350 3704	1			GEAR, Speedometer Drive, 2WD
20					SHAFT, Output
	8350 3944	1			2WD
	8350 3941	1			4WD
21	8350 5652	1			SEAL, Oil Ring

MODEL CODES:

15 = Grand Wagoneer 4 Dr.	65 = Comanche 4WD-7 Ft. Box	77 = Cherokee 4WD-2 Dr.
25 = J-10 Pickup-119" W.B.	66 = Comanche 2WD-7 Ft. Box	78 = Cherokee 4WD-4 Dr.
26 = J-10 Pickup-131" W.B.	73 = Cherokee 2WD-2 Dr.	79 = Cherokee 4WD-4 Dr.-Com
27 = J-20 Pickup-131" W.B.	74 = Cherokee 2WD-4 Dr.	81 = Wrangler-93" W.B.
63 = Comanche 4WD-6 Ft. Box	75 = Wagoneer 4WD-4 Dr.	82 = Wrangler-103" W.B.-Exp.
64 = Comanche 2WD-6 Ft. Box		

BODY STYLES:

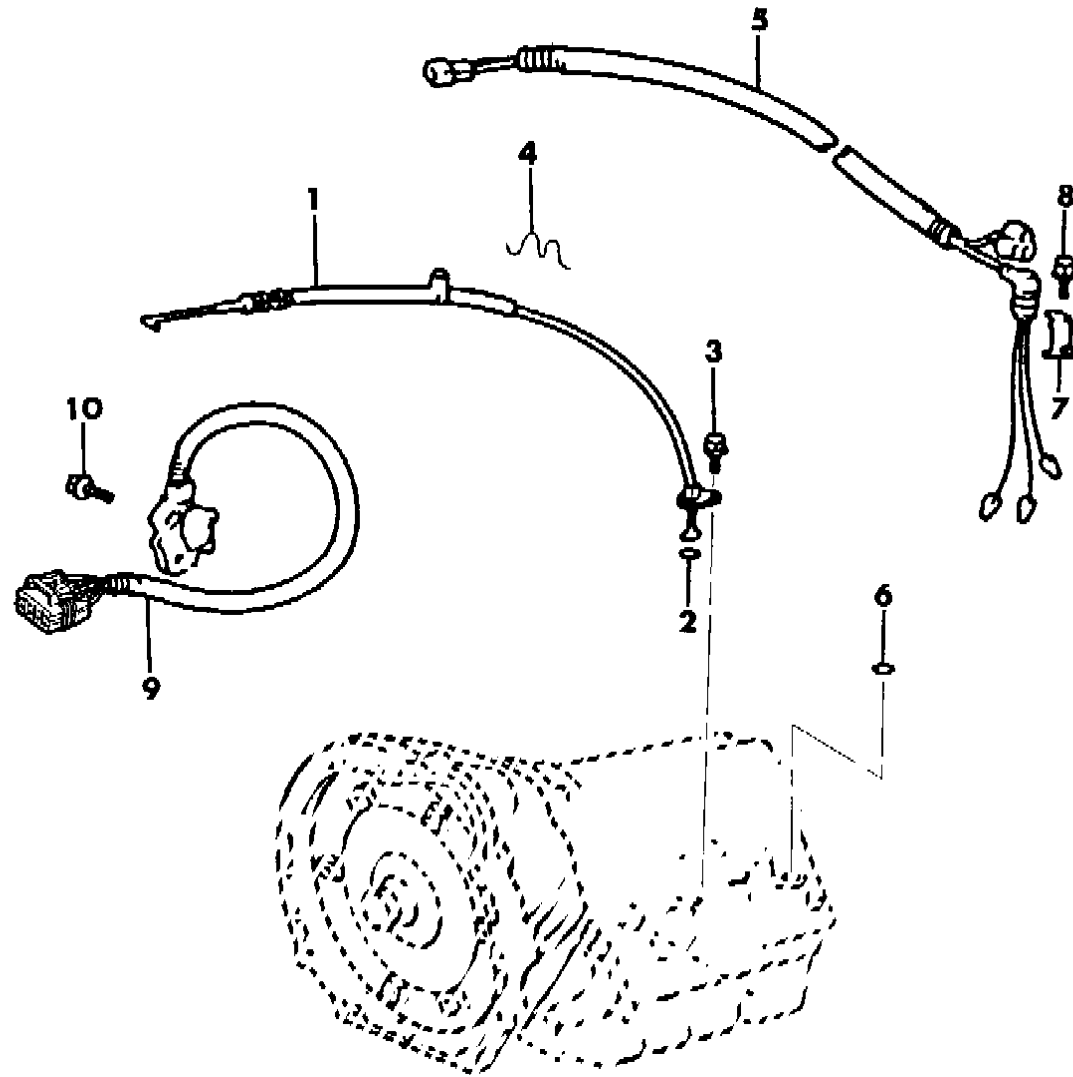
MJ = Comanche Pickup  
 SJ = Grand Wagoneer Wgn., J-10 & J-20 Pickups  
 XJ = Cherokee, Wagoneer Limited  
 YJ = Wrangler

AR = Use as Required - = Non Illustrated Part P.A.R. = Paint as Required

LINKAGE, HARNESS, NEUTRAL SAFETY SWITCH AUTOMATIC TRANSMISSION - AW4 CHEROKEE, WAGONEER, COMANCHE

Figure 21A-1375

8 J 51 1375



ITEM	PART NUMBER	QTY	BODY	MODEL	DESCRIPTION
1					CABLE, Throttle Control
	8350 3707	1			4 Cyl. Eng.
	8350 3741	1			6 Cyl. Eng.
2	8350 3708	1			O-RING, Cable Seal
3					BOLT, Cable
	8350 3709	1			1987-89
	3420 1808	1			1990
4	8350 3710	1			CLAMP, Cable Retention
5					HARNESS, Trans. Solenoids and Module
	8350 3718	1			2WD
	8350 3740	1			4 Cyl. Eng., 4WD
	8350 3843	1			6 Cyl. Eng., 4WD
6	8350 3719	1			O-RING
7	8350 3717	1			PLATE, Lock
8	8350 3716	1			BOLT, w/Washer, M6x1.0x12mm
9	8350 3712	1			SWITCH, Neutral Starter and Back-Up Light Safety
10	8350 3714	1			BOLT, M8x1.25x30mm

MODEL CODES:

15 = Grand Wagoneer 4 Dr.	65 = Comanche 4WD-7 Ft. Box	77 = Cherokee 4WD-2 Dr.
25 = J-10 Pickup-119" W.B.	66 = Comanche 2WD-7 Ft. Box	78 = Cherokee 4WD-4 Dr.
26 = J-10 Pickup-131" W.B.	73 = Cherokee 2WD-2 Dr.	79 = Cherokee 4WD-4 Dr.-Com
27 = J-20 Pickup-131" W.B.	74 = Cherokee 2WD-4 Dr.	81 = Wrangler-93" W.B.
63 = Comanche 4WD-6 Ft. Box	75 = Wagoneer 4WD-4 Dr.	82 = Wrangler-103" W.B.-Exp.
64 = Comanche 2WD-6 Ft. Box		

BODY STYLES:

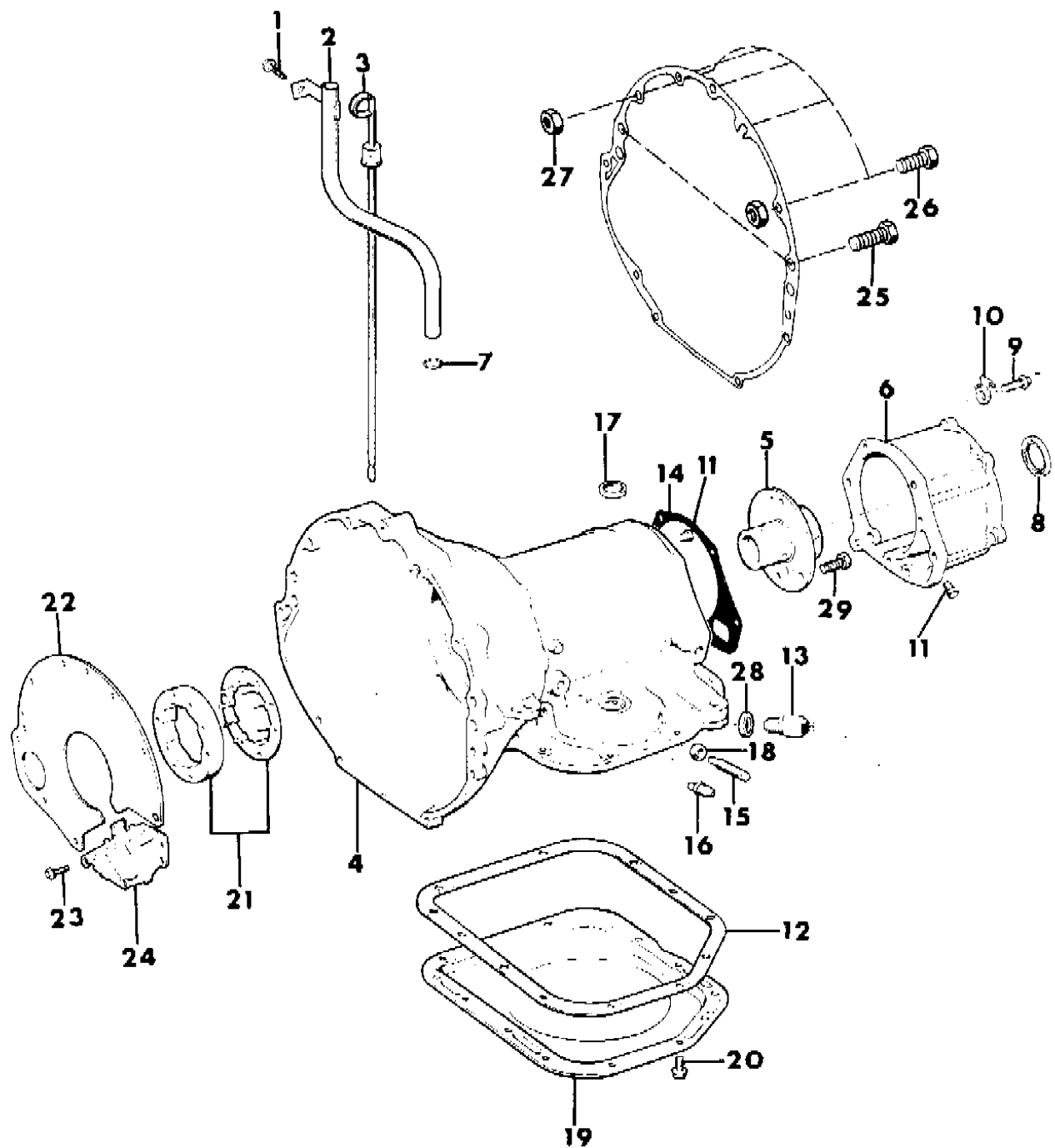
MJ = Comanche Pickup  
 SJ = Grand Wagoneer Wgn., J-10 & J-20 Pickups  
 XJ = Cherokee, Wagoneer Limited  
 YJ = Wrangler

AR = Use as Required - = Non Illustrated Part P.A.R. = Paint as Required

CASE, ADAPTER & MISCELLANEOUS PARTS AUTOMATIC TRANSMISSION - A727 GRAND WAGONEER, TRUCK J20

Figure 21A-1400

8J51 1400



ITEM	PART NUMBER	QTY	BODY	MODEL	DESCRIPTION
1	J018 0132	1			BOLT
2	J536 1276	1			TUBE, Oil Indicator
3	J536 3757	1			INDICATOR, Oil Level
4	J813 3385	1			CASE, Transmission
	4505 117	1			1987-89
	4505 117	1			1990
	3681 601	1			MAGNET, Case Chip Collector
5	2466 882	1			SUPPORT, Output Shaft
	4505 118	1			1987-89
	4505 118	1			1990
6	J813 4761	1			ADAPTER
	4505 240	1			1987-89
	4505 240	1			1990
7	J321 2885	1			SEAL
8	J813 4680	1			SEAL, Adapter
	4269 956	1			1987-89
	4269 956	1			1990
9	J813 2505	6			BOLT
	6030 849	6			1987-89
	6030 849	6			1990
10	J812 1160	1			CLIP
11	J812 0840	2			PLUG, Pressure Check
12	J812 0984	1			GASKET, Pan
	2464 324	1			1987-89
	2464 324	1			1990
13	4057 750	1			SWITCH, Neutral Starter and Back-Up Light Safety
14	J812 6785	1			GASKET, Adapter
	2466 954	1			1987-89
	2466 954	1			1990
15	J812 1086	1			SCREW, Band Adjusting
	2400 389	1			1987-89
	2400 389	1			1990
16	J813 2511	1			FITTING
	6033 970	1			1987-89, 1/4-18 Pipe Thread
	6033 970	1			1990, 1/4-18 Pipe Thread
17	J812 6794	1			SEAL
	J812 6794	1			1987-89

MODEL CODES:  
 15 = Grand Wagoneer 4 Dr.      65 = Comanche 4WD-7 Ft. Box      77 = Cherokee 4WD-2 Dr.  
 25 = J-10 Pickup-119" W.B.      66 = Comanche 2WD-7 Ft. Box      78 = Cherokee 4WD-4 Dr.  
 26 = J-10 Pickup-131" W.B.      73 = Cherokee 2WD-2 Dr.      79 = Cherokee 4WD-4 Dr.-Com  
 27 = J-20 Pickup-131" W.B.      74 = Cherokee 2WD-4 Dr.      81 = Wrangler-93" W.B.  
 63 = Comanche 4WD-6 Ft. Box      75 = Wagoneer 4WD-4 Dr.      82 = Wrangler-103" W.B.-Exp.  
 64 = Comanche 2WD-6 Ft. Box

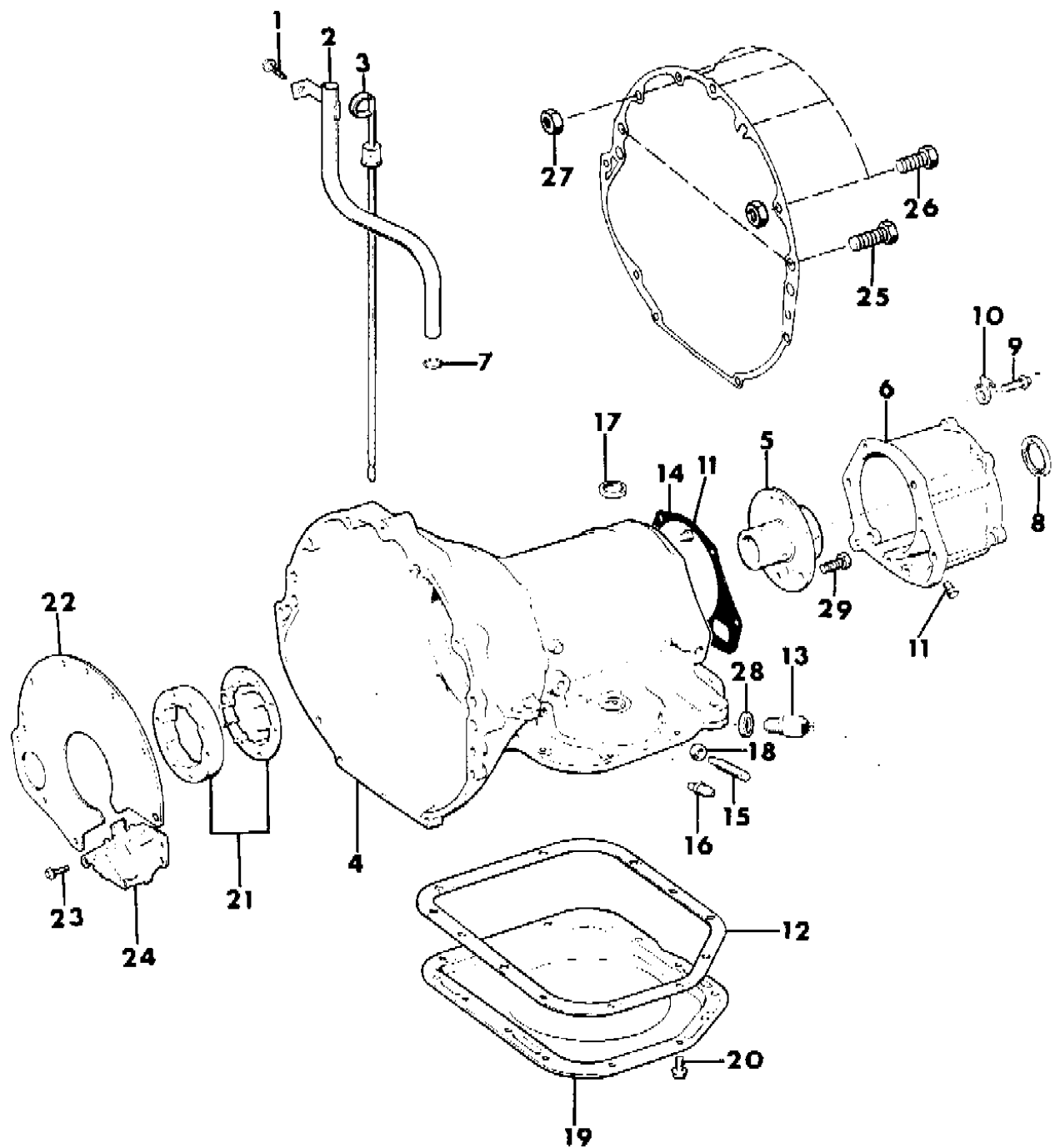
BODY STYLES:  
 MJ = Comanche Pickup  
 SJ = Grand Wagoneer Wgn., J-10 & J-20 Pickups  
 XJ = Cherokee, Wagoneer Limited  
 YJ = Wrangler

AR = Use as Required - = Non Illustrated Part P.A.R. = Paint as Required

CASE, ADAPTER & MISCELLANEOUS PARTS AUTOMATIC TRANSMISSION - A727 GRAND WAGONEER, TRUCK J20

Figure 21A-1400

8J51 1400



ITEM	PART NUMBER	QTY	BODY	MODEL	DESCRIPTION
	4505 098	1			1990
18	S012 4934	1			NUT
19					PAN, Transmission Oil
	J812 8965	1			1987-89
	4531 198	1			1990
20					SCREW, Trans. Oil Pan
	J812 1145	14			1987-89
	6023 355	14			1990, 5/16-18 x 5/8"
21					CLUTCH PACKAGE
	J812 2438	1			1987-89
	1942 095	1			1990
22	J321 3743	1			SPACER
23	J400 0987	2			BOLT, Hex Hd w/Washer, 5/16-18 x 5/8"
24	J321 3744	1			COVER
25	J400 4370	AR			BOLT, 7/16-14 x 2-3/4"
26	J400 1885	AR			BOLT, 3/8-16 x 2-1/8"
27	J021 9422	1			NUT
28					SEAL
	J812 1142	1			1987-89
	2408 143	1			1990
29					SCREW, Output Shaft Support
	J018 0079	4			1987-89
	6033 479	4			1990

MODEL CODES:  
 15 = Grand Wagoneer 4 Dr.      65 = Comanche 4WD-7 Ft. Box      77 = Cherokee 4WD-2 Dr.  
 25 = J-10 Pickup-119" W.B.      66 = Comanche 2WD-7 Ft. Box      78 = Cherokee 4WD-4 Dr.  
 26 = J-10 Pickup-131" W.B.      73 = Cherokee 2WD-2 Dr.      79 = Cherokee 4WD-4 Dr.-Com  
 27 = J-20 Pickup-131" W.B.      74 = Cherokee 2WD-4 Dr.      81 = Wrangler-93" W.B.  
 63 = Comanche 4WD-6 Ft. Box      75 = Wagoneer 4WD-4 Dr.      82 = Wrangler-103" W.B.-Exp.  
 64 = Comanche 2WD-6 Ft. Box

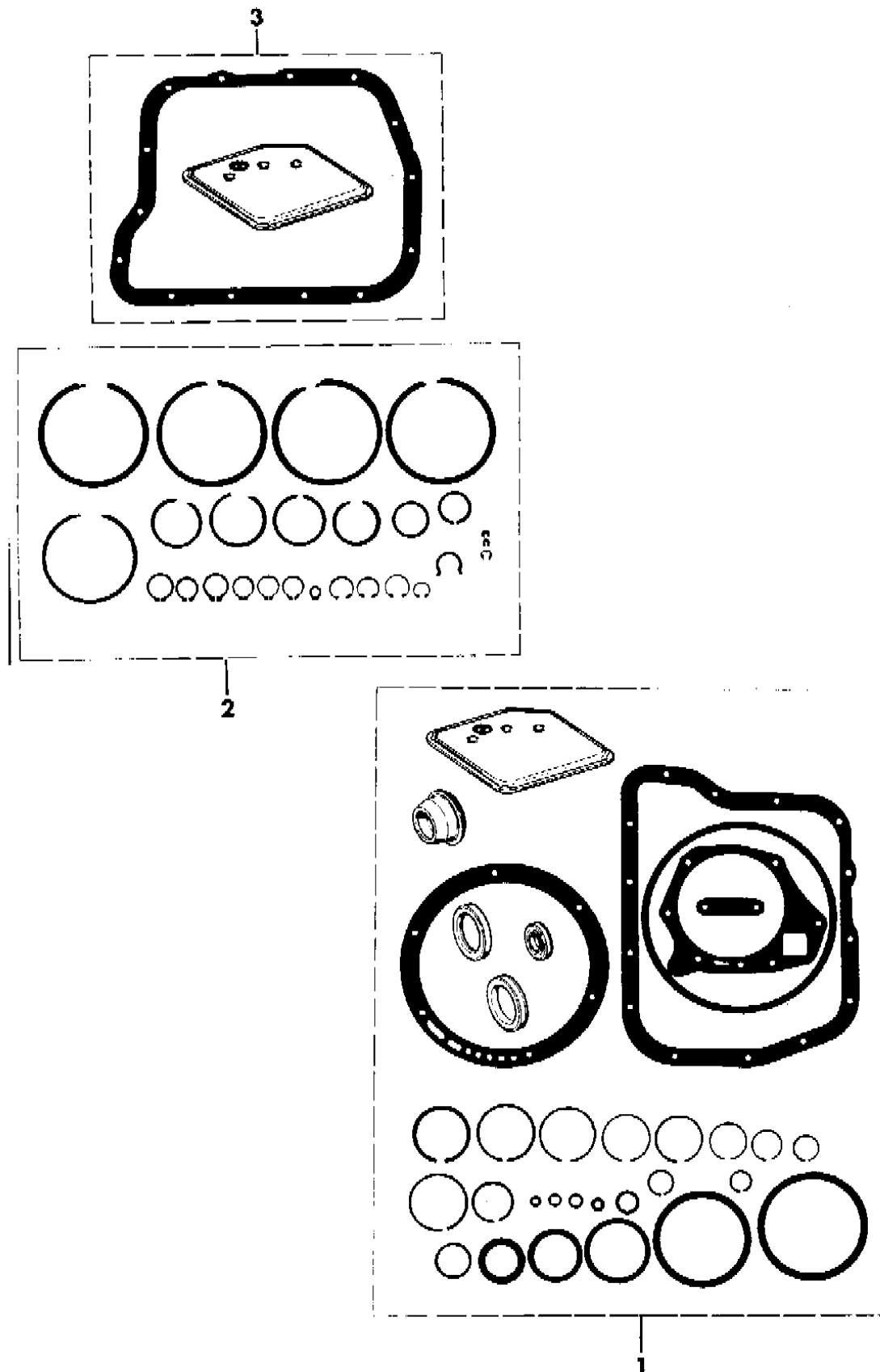
BODY STYLES:  
 MJ = Comanche Pickup  
 SJ = Grand Wagoneer Wgn., J-10 & J-20 Pickups  
 XJ = Cherokee, Wagoneer Limited  
 YJ = Wrangler

AR = Use as Required - = Non Illustrated Part P.A.R. = Paint as Required

GASKET AND SEAL PACKAGE, REPAIR AUTOMATIC TRANSMISSION - A727 GRAND WAGONEER, TRUCK J20

Figure 21A-1500

8J51 1500



ITEM	PART NUMBER	QTY	BODY	MODEL	DESCRIPTION
1	J813 4763	1			GASKET PACKAGE, Transmission Overhaul
2	4637 240	1			SNAP RING PACKAGE ***
3					FILTER PACKAGE ***
	J812 7652	1			1987-89
	3515 996	1			1990, (Filter Only)

MODEL CODES:

15 = Grand Wagoneer 4 Dr.	65 = Comanche 4WD-7 Ft. Box	77 = Cherokee 4WD-2 Dr.
25 = J-10 Pickup-119" W.B.	66 = Comanche 2WD-7 Ft. Box	78 = Cherokee 4WD-4 Dr.
26 = J-10 Pickup-131" W.B.	73 = Cherokee 2WD-2 Dr.	79 = Cherokee 4WD-4 Dr.-Com
27 = J-20 Pickup-131" W.B.	74 = Cherokee 2WD-4 Dr.	81 = Wrangler-93" W.B.
63 = Comanche 4WD-6 Ft. Box	75 = Wagoneer 4WD-4 Dr.	82 = Wrangler-103" W.B.-Exp.
64 = Comanche 2WD-6 Ft. Box		

BODY STYLES:

MJ = Comanche Pickup  
 SJ = Grand Wagoneer Wgn., J-10 & J-20 Pickups  
 XJ = Cherokee, Wagoneer Limited  
 YJ = Wrangler

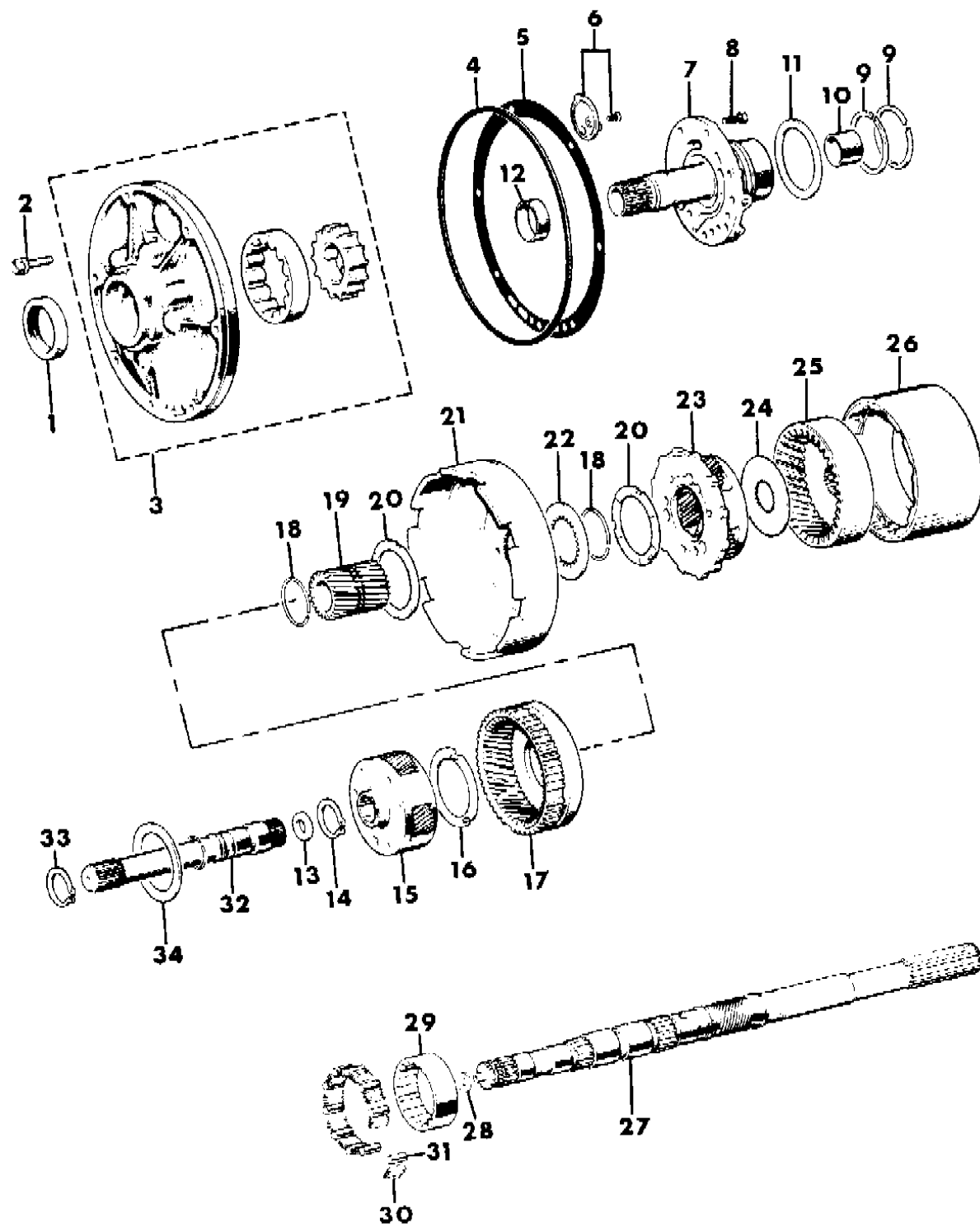
AR = Use as Required - = Non Illustrated Part P.A.R. = Paint as Required



OIL PUMP, GEAR TRAIN, OUTPUT SHAFT AUTOMATIC TRANSMISSION - A727 GRAND WAGONEER, TRUCK J20

Figure 21A-1600

8J51 1600



ITEM	PART NUMBER	QTY	BODY	MODEL	DESCRIPTION
1					SEAL, Pump Shaft
	J812 6792	1			1987-89
	3515 137	1			1990
2					SCREW, w/Washer, Housing
	J812 0871	7			1987-89
	6023 943	7			1990, 5/16-18 x 1-3/8"
3					PUMP ASSEMBLY, Trans. Oil
	4130 193	1			1987-89
	4531 166	1			1990
4					SEAL, Front Pump Housing
	J812 0859	1			1987-89
	1942 021	1			1990
5					GASKET
6					BAFFLE
	J812 0857	1			1987-89
	3420 087	1			1990
7					SHAFT, w/Support Reaction
8					BOLT, 5/16-18 x 11/16"
9					RING, Reaction Shaft Support Seal
	J812 0867	2			1987-89
	3743 689	2			1990
10					BUSHING, Reaction Shaft, 1.30" O.D., 1987-89
	J812 0865	1			1990
	2801 348	1			
11					WASHER
					.062"
	J812 0898	AR			1987-89
	2204 622	AR			1990
					.085"
	J812 0899	AR			1987-89
	2204 623	AR			1990
					.103"
	J812 0900	AR			1987-89
	2400 284	AR			1990
12					BUSHING, Oil Pump Housing
	J812 0855	1			
13					WASHER
					1987-89
	4428 222	1			
	4505 186	1			1990

MODEL CODES:  
 15 = Grand Wagoneer 4 Dr.      65 = Comanche 4WD-7 Ft. Box      77 = Cherokee 4WD-2 Dr.  
 25 = J-10 Pickup-119" W.B.      66 = Comanche 2WD-7 Ft. Box      78 = Cherokee 4WD-4 Dr.  
 26 = J-10 Pickup-131" W.B.      73 = Cherokee 2WD-2 Dr.      79 = Cherokee 4WD-4 Dr.-Com  
 27 = J-20 Pickup-131" W.B.      74 = Cherokee 2WD-4 Dr.      81 = Wrangler-93" W.B.  
 63 = Comanche 4WD-6 Ft. Box      75 = Wagoneer 4WD-4 Dr.      82 = Wrangler-103" W.B.-Exp.  
 64 = Comanche 2WD-6 Ft. Box

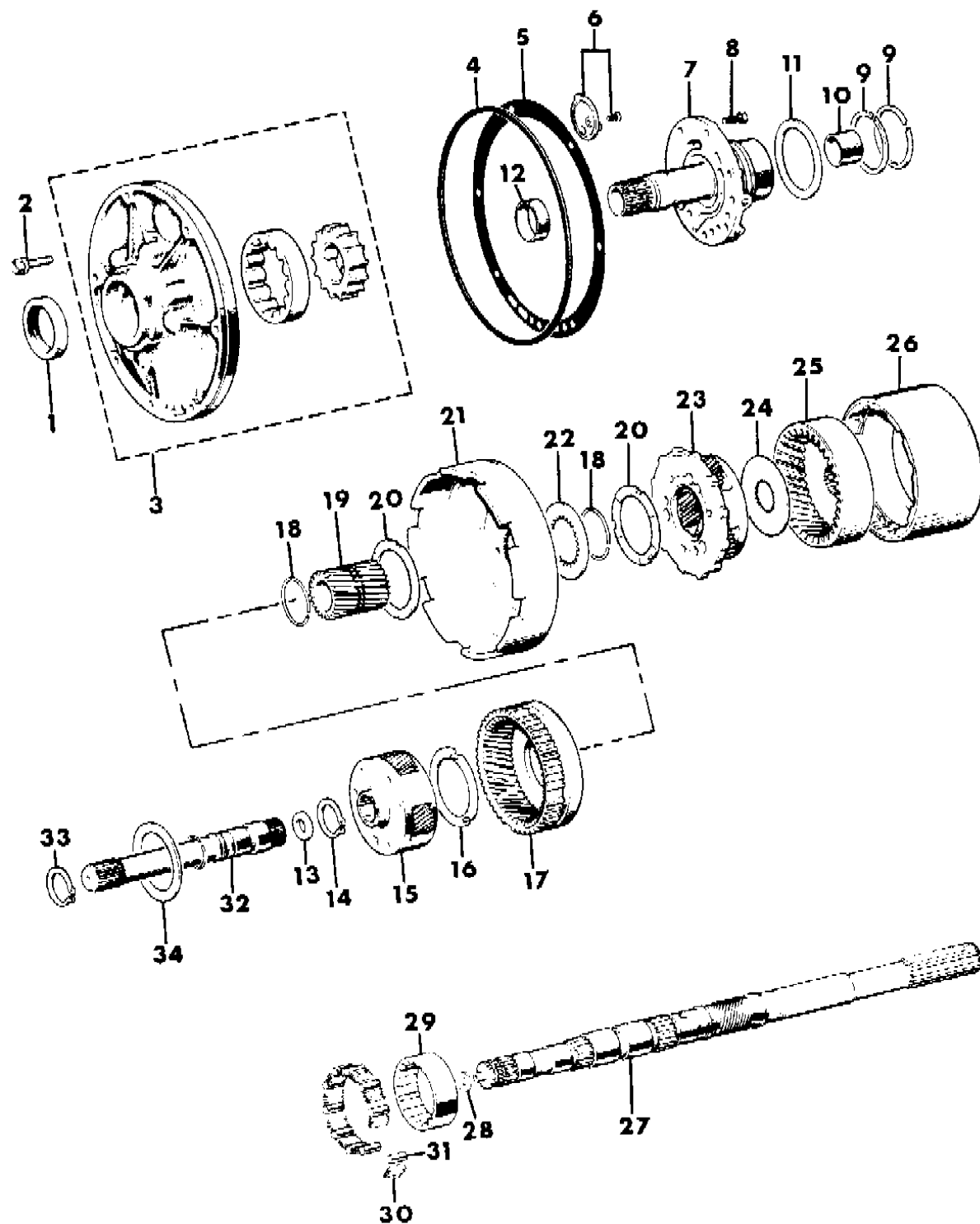
BODY STYLES:  
 MJ = Comanche Pickup  
 SJ = Grand Wagoneer Wgn., J-10 & J-20 Pickups  
 XJ = Cherokee, Wagoneer Limited  
 YJ = Wrangler

AR = Use as Required - = Non Illustrated Part P.A.R. = Paint as Required

OIL PUMP, GEAR TRAIN, OUTPUT SHAFT AUTOMATIC TRANSMISSION - A727 GRAND WAGONEER, TRUCK J20

Figure 21A-1600

8J51 1600



ITEM	PART NUMBER	QTY	BODY	MODEL	DESCRIPTION
14					SNAP RING, Output Shaft
					.048"
	J812 0914	AR			1987-89
	6030 982	AR			1990
					.055"
	J812 1005	AR			1987-89
	6024 311	AR			1990
					.062"
	J812 1007	AR			1987-89
	6024 312	AR			1990
15					CARRIER ASSEMBLY, Front Planetary
	J812 6582	1			1987-89
	4428 224	1			1990 4 Pinion
16	J812 1072	2			WASHER, Front Carrier, Thrust
17					GEAR, Front Annulus
	J812 1015	1			1987-89
	2892 656	1			1990
18					RING, Locking
	J812 1028	2			1987-89
	1736 521	2			1990
19					GEAR, w/Bushing, Sun
	J812 1285	1			1987-89
	2801 311	1			1990
20	J812 1072	1			WASHER
21					SHELL, Sun Gear
	J812 1026	1			1987-89
	2400 662	1			1990
22					PLATE
	J812 1027	1			1987-89
	1942 080	1			1990
23					CARRIER ASSEMBLY, Rear Planetary
	J812 1070	1			1987-89
	2466 539	1			1990
24					PLATE
	J812 1076	1			1987-89
	2400 580	1			1990
25					GEAR, Rear Annulus

MODEL CODES:

15 = Grand Wagoneer 4 Dr.	65 = Comanche 4WD-7 Ft. Box	77 = Cherokee 4WD-2 Dr.
25 = J-10 Pickup-119" W.B.	66 = Comanche 2WD-7 Ft. Box	78 = Cherokee 4WD-4 Dr.
26 = J-10 Pickup-131" W.B.	73 = Cherokee 2WD-2 Dr.	79 = Cherokee 4WD-4 Dr.-Com
27 = J-20 Pickup-131" W.B.	74 = Cherokee 2WD-4 Dr.	81 = Wrangler-93" W.B.
63 = Comanche 4WD-6 Ft. Box	75 = Wagoneer 4WD-4 Dr.	82 = Wrangler-103" W.B.-Exp.
64 = Comanche 2WD-6 Ft. Box		

BODY STYLES:

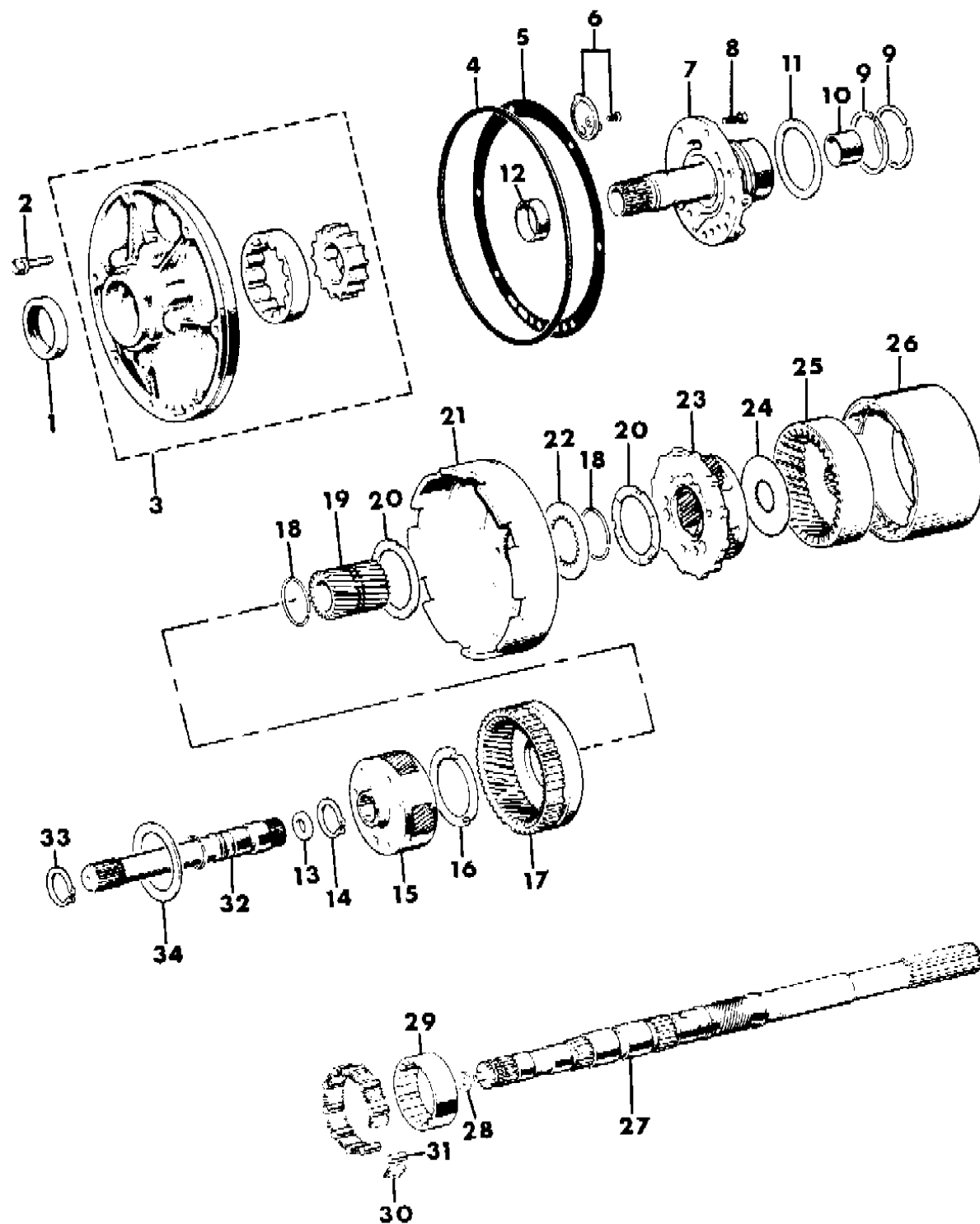
MJ = Comanche Pickup
SJ = Grand Wagoneer Wgn., J-10 & J-20 Pickups
XJ = Cherokee, Wagoneer Limited
YJ = Wrangler

AR = Use as Required - = Non Illustrated Part P.A.R. = Paint as Required

OIL PUMP, GEAR TRAIN, OUTPUT SHAFT AUTOMATIC TRANSMISSION - A727 GRAND WAGONEER, TRUCK J20

Figure 21A-1600

8J51 1600



ITEM	PART NUMBER	QTY	BODY	MODEL	DESCRIPTION
	J812 1075	1			1987-89
	2538 185	1			1990
26					DRUM, Reverse
	8350 4125	1			1987-89
	4505 095	1			1990
27					SHAFT, Output
	J813 2491	1			1987-89
	4531 043	1			1990
28	4428 222	1			WASHER, Thrust
29	3420 100	1			RACE PACKAGE, w/Rollers and Springs, "O" Running Clutch
30	J812 0846	12			SPRING, Clutch, 1987-89
	2808 673	1			ROLLER And SPRING PACKAGE, "O" Running Clutch, 1990 ***
31	J812 0848	12			ROLLER, Clutch, 1987-89
		1			1990, (Served in 2808673 Pkg.)
32					SHAFT, Input
	J812 8977	1			1987-89
	4505 223	1			1990
33					SNAP RING, Rear Clutch Piston Retainer
	J812 0908	1			1987-89
	2124 872	1			1990
34					WASHER
	J812 0898	1			1987-89
	2204 622	1			1990

MODEL CODES:

15 = Grand Wagoneer 4 Dr.	65 = Comanche 4WD-7 Ft. Box	77 = Cherokee 4WD-2 Dr.
25 = J-10 Pickup-119" W.B.	66 = Comanche 2WD-7 Ft. Box	78 = Cherokee 4WD-4 Dr.
26 = J-10 Pickup-131" W.B.	73 = Cherokee 2WD-2 Dr.	79 = Cherokee 4WD-4 Dr.-Com
27 = J-20 Pickup-131" W.B.	74 = Cherokee 2WD-4 Dr.	81 = Wrangler-93" W.B.
63 = Comanche 4WD-6 Ft. Box	75 = Wagoneer 4WD-4 Dr.	82 = Wrangler-103" W.B.-Exp.
64 = Comanche 2WD-6 Ft. Box		

BODY STYLES:

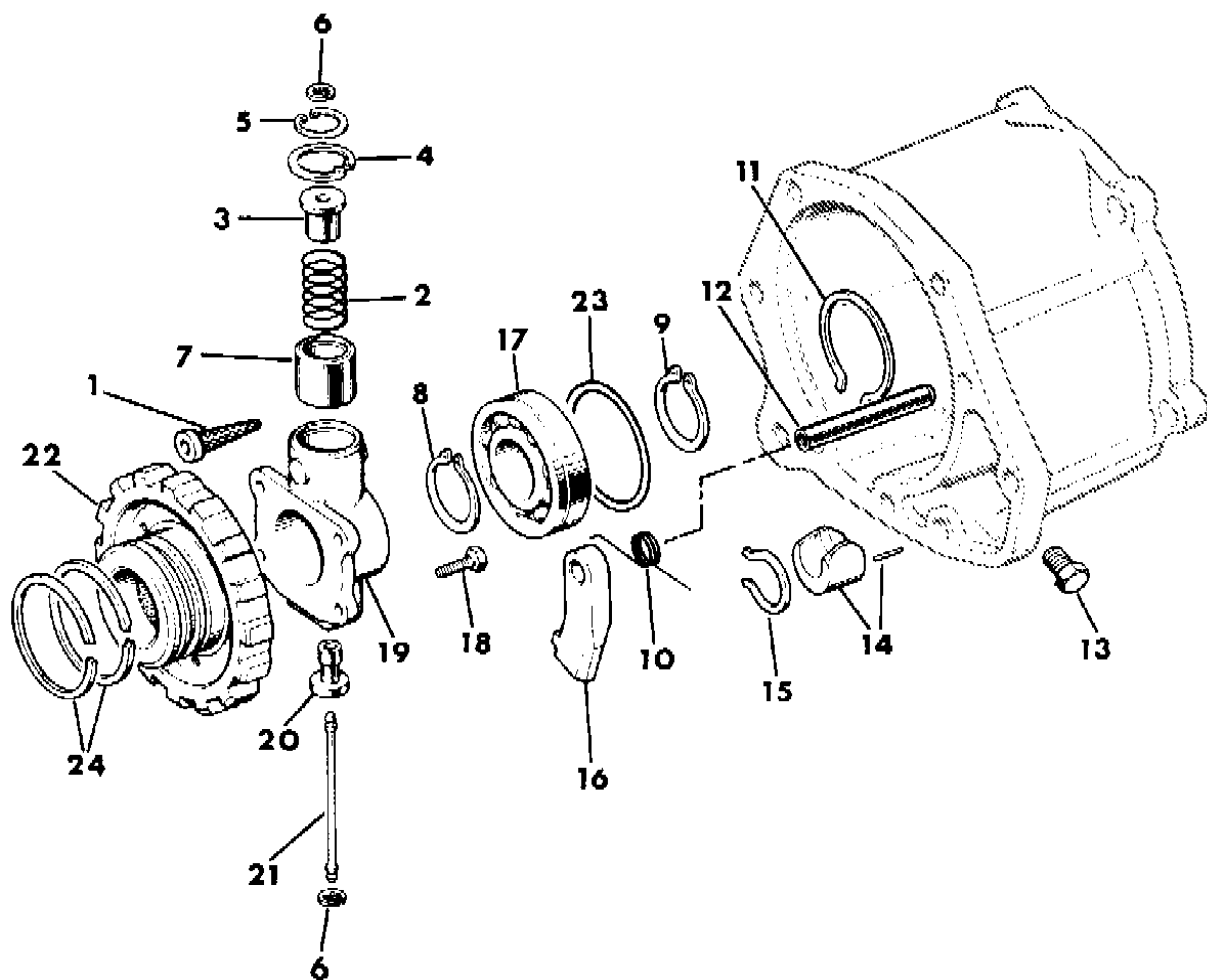
MJ = Comanche Pickup  
 SJ = Grand Wagoneer Wgn., J-10 & J-20 Pickups  
 XJ = Cherokee, Wagoneer Limited  
 YJ = Wrangler

AR = Use as Required - = Non Illustrated Part P.A.R. = Paint as Required

**GOVERNOR CONTROL AUTOMATIC TRANSMISSION - A727 GRAND WAGONEER, TRUCK J20**  
**Figure 21A-1700**

8 J 51 1700

ITEM	PART NUMBER	QTY	BODY	MODEL	DESCRIPTION
	4186 875	1			BODY PACKAGE, Governor - A727, 1990 Consists Of: 1 - 4446152 BODY, Governor 1 - 3743519 FILTER, Gov. 2 - 1942109 SEAL RING, Support
	4130 891	1			WEIGHT PACKAGE, Governor - A727, 1990 Consists Of: 1 - 3515482 WEIGHT, Inner 1 - 4130851 WEIGHT, Outer 1 - 4202043 SPRING, 3.0 Lb. Spring Load 1 - 1636464 SNAP RING, Weight, Inner
1	3743 519	1			FILTER, Governor
2	J813 2498	1			SPRING 1987-89 1990, (Served in 4130891 Wt. Pkg.)
3	J812 1130	1			WEIGHT 1987-89 1990, (Served in 4130891 Wt. Pkg.)
4	J813 0335	1			SNAP RING 1987-89
	6025 031	1			1990
5	J812 1058	1			SNAP RING 1987-89
	1636 464	1			1990
6	J812 1059	2			SNAP RING 1987-89
	1638 461	2			1990
7	J813 2497	1			WEIGHT, Governor 1987-89 1990, (Served in 4130891 Wt. Pkg.)
		1			1990, (Served in 4130891 Wt. Pkg.)
8	J812 1057	1			SNAP RING 1987-89



**MODEL CODES:**

15 = Grand Wagoneer 4 Dr.	65 = Comanche 4WD-7 Ft. Box	77 = Cherokee 4WD-2 Dr.
25 = J-10 Pickup-119" W.B.	66 = Comanche 2WD-7 Ft. Box	78 = Cherokee 4WD-4 Dr.
26 = J-10 Pickup-131" W.B.	73 = Cherokee 2WD-2 Dr.	79 = Cherokee 4WD-4 Dr.-Com
27 = J-20 Pickup-131" W.B.	74 = Cherokee 2WD-4 Dr.	81 = Wrangler-93" W.B.
63 = Comanche 4WD-6 Ft. Box	75 = Wagoneer 4WD-4 Dr.	82 = Wrangler-103" W.B.-Exp.
64 = Comanche 2WD-6 Ft. Box		

**BODY STYLES:**

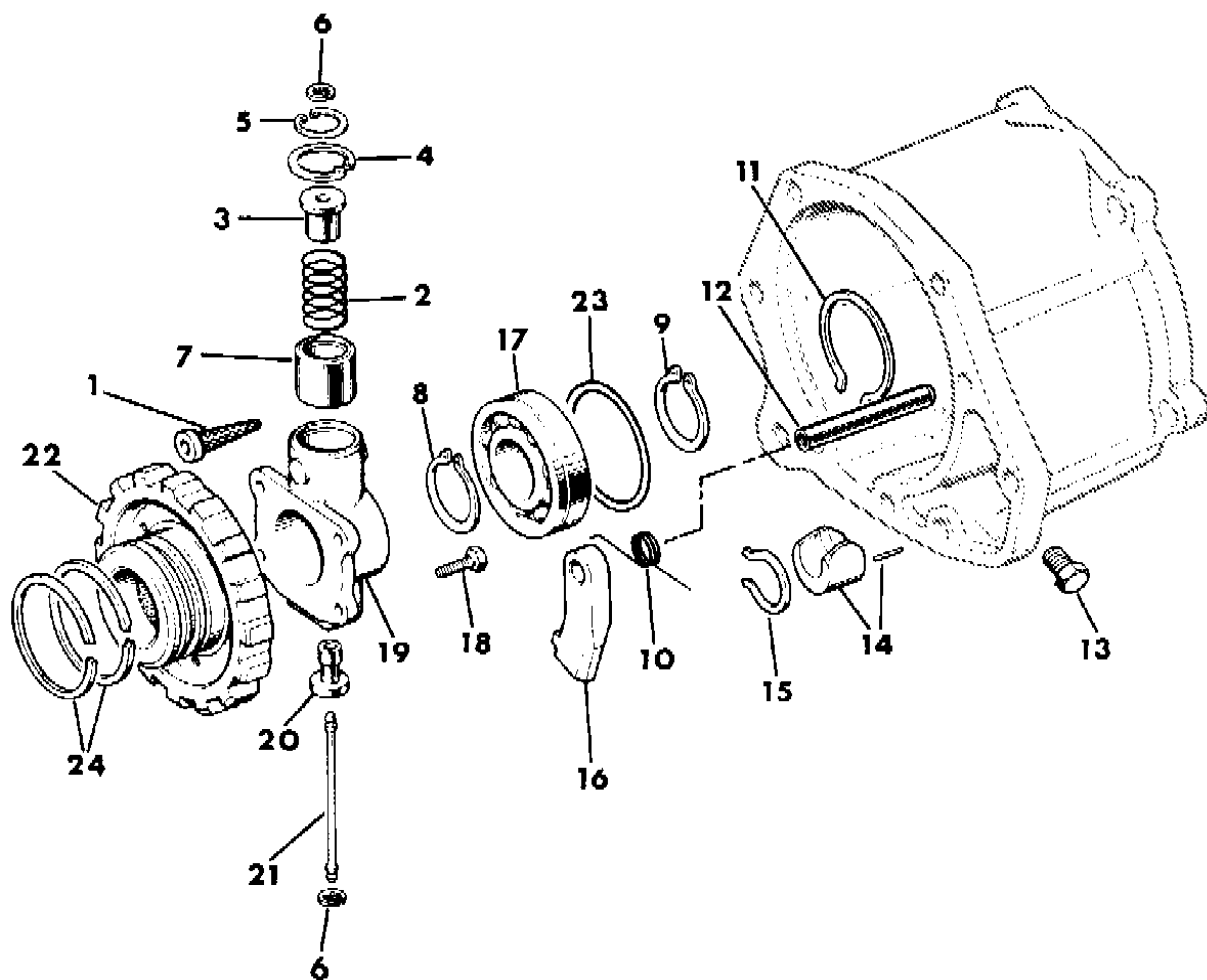
MJ = Comanche Pickup  
 SJ = Grand Wagoneer Wgn., J-10 & J-20 Pickups  
 XJ = Cherokee, Wagoneer Limited  
 YJ = Wrangler

AR = Use as Required - = Non Illustrated Part P.A.R. = Paint as Required

**GOVERNOR CONTROL AUTOMATIC TRANSMISSION - A727 GRAND WAGONEER, TRUCK J20**  
**Figure 21A-1700**

8 J 51 1700

ITEM	PART NUMBER	QTY	BODY	MODEL	DESCRIPTION
	6022 817	1			1990
9	6025 570	1			SNAP RING
10	J812 1158	1			1987-89
	2466 909	1			1990
11	J812 1062	1			SNAP RING
12	J812 1159	1			SHAFT, Park Sprag
	2466 892	1			1987-89
					1990
13	J812 0840	4			PLUG, Pressure Check
14	J812 1185	1			PLUG
	2538 042	1			1987-89
					1990
15	2538 034	1			SNAP RING
16	J812 1157	1			SPRAG, Park
	4446 726	1			1987-88
	4471 415	1			1989
					1990
17	J812 1078	1			BEARING, Output Shaft
	2466 224	1			1987-89
					1990
18	6031 613	4			BOLT, Governor Body
19	J813 2496	1			BODY, Governor (Serviced in 4186875 Body Pkg.)
20	J812 1149	1			VALVE, Governor
	3515 479	1			1987-89
					1990
21	1556 082	1			SHAFT, Governor
22	J812 4498	1			SUPPORT, Governor
	3743 517	1			1987-89
					1990
23	6032 739	1			O-RING, Bearing
24	J812 0976	1			SEAL
	1942 109	2			1987-89
					1990



**MODEL CODES:**

15 = Grand Wagoneer 4 Dr.	65 = Comanche 4WD-7 Ft. Box	77 = Cherokee 4WD-2 Dr.
25 = J-10 Pickup-119" W.B.	66 = Comanche 2WD-7 Ft. Box	78 = Cherokee 4WD-4 Dr.
26 = J-10 Pickup-131" W.B.	73 = Cherokee 2WD-2 Dr.	79 = Cherokee 4WD-4 Dr.-Com
27 = J-20 Pickup-131" W.B.	74 = Cherokee 2WD-4 Dr.	81 = Wrangler-93" W.B.
63 = Comanche 4WD-6 Ft. Box	75 = Wagoneer 4WD-4 Dr.	82 = Wrangler-103" W.B.-Exp.
64 = Comanche 2WD-6 Ft. Box		

**BODY STYLES:**

MJ = Comanche Pickup  
 SJ = Grand Wagoneer Wgn., J-10 & J-20 Pickups  
 XJ = Cherokee, Wagoneer Limited  
 YJ = Wrangler

AR = Use as Required - = Non Illustrated Part P.A.R. = Paint as Required

SERVOS, ACCUMULATOR AND VALVE BODY AUTOMATIC TRANSMISSION - A727 GRAND WAGONEER, TRUCK J20

Figure 21A-1800

8 J 51 1800

ITEM	PART NUMBER	QTY	BODY	MODEL	DESCRIPTION
1					SPRING
	J812 1096	1			1987-89
	3410 444	1			1990
2					SEAL
	J812 4870	1			1987-89
	6028 864	1			1990
3					RING, Kickdown Servo Piston Seal, Small
	J812 0987	1			1987-89
	4443 190	1			1990
4					PISTON, Kickdown Servo
	J812 1094	1			1987-89
	3410 440	1			1990
5					RING, Seal
	J812 0988	1			1987-89
	1942 123	1			1990
6					ROD, Kickdown Servo
	J812 1095	1			1987-89
	3410 445	1			1990
7					LEVER, Kickdown Servo
	J812 1191	1			1987-89
	2892 233	1			1990
8					STRUT, Reverse Band
	J812 1122	1			1987-89
	4505 092	1			1990
9					RING, Accumulator Seal
	J812 0982	1			1987-89
	3743 013	1			1990
10					PISTON, Accumulator
	J812 1054	1			1987-89
	3743 650	1			1990
11					RING, Accumulator Piston Seal, Small
	J812 6786	1			1987-89
	3743 010	1			1990
12					RING
	J812 1174	1			1987-89
	6027 153	1			1990
13					SEAL, Reverse Servo Piston

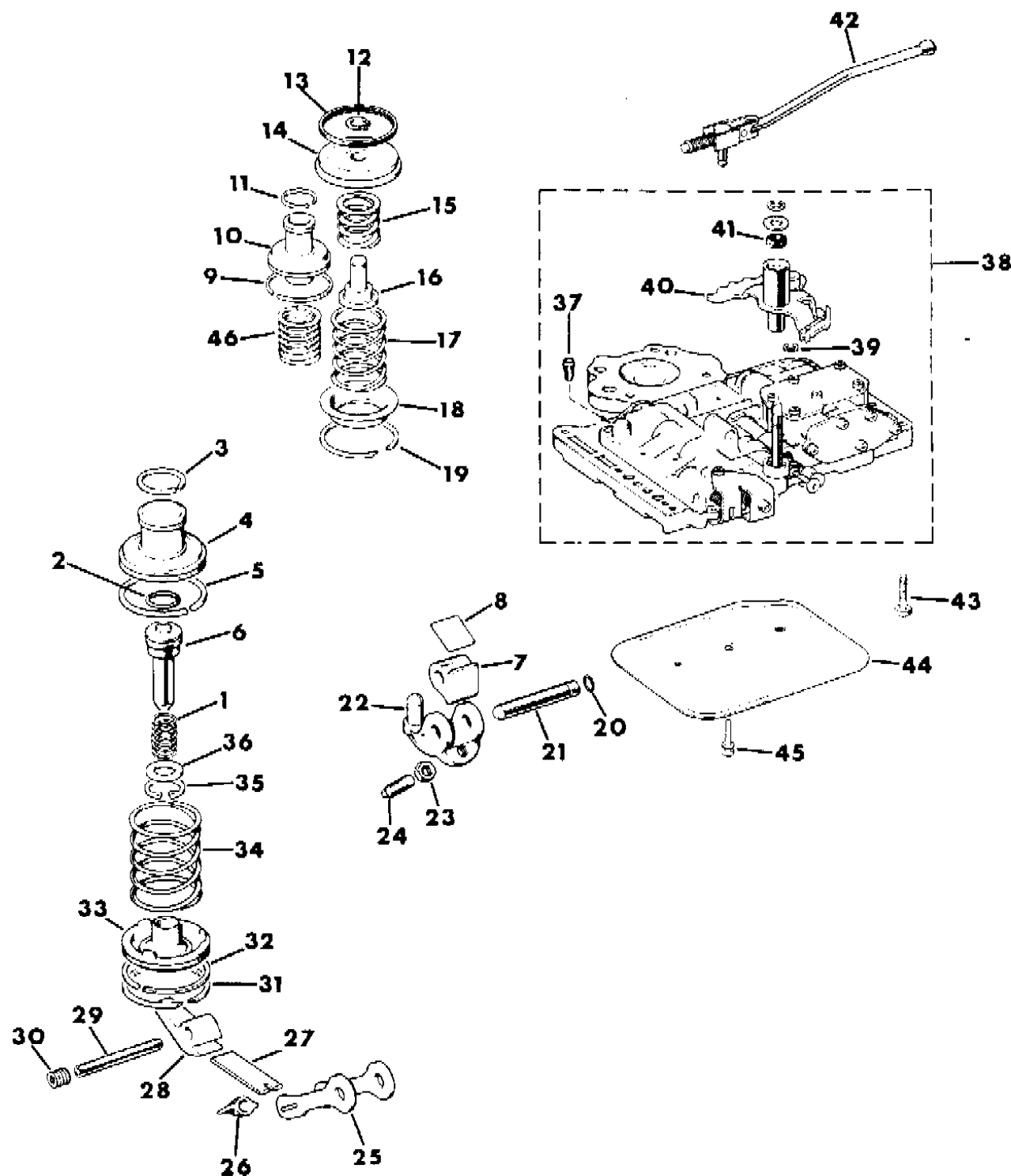
MODEL CODES:

15 = Grand Wagoneer 4 Dr.	65 = Comanche 4WD-7 Ft. Box	77 = Cherokee 4WD-2 Dr.
25 = J-10 Pickup-119" W.B.	66 = Comanche 2WD-7 Ft. Box	78 = Cherokee 4WD-4 Dr.
26 = J-10 Pickup-131" W.B.	73 = Cherokee 2WD-2 Dr.	79 = Cherokee 4WD-4 Dr.-Com
27 = J-20 Pickup-131" W.B.	74 = Cherokee 2WD-4 Dr.	81 = Wrangler-93" W.B.
63 = Comanche 4WD-6 Ft. Box	75 = Wagoneer 4WD-4 Dr.	82 = Wrangler-103" W.B.-Exp.
64 = Comanche 2WD-6 Ft. Box		

BODY STYLES:

MJ = Comanche Pickup
SJ = Grand Wagoneer Wgn., J-10 & J-20 Pickups
XJ = Cherokee, Wagoneer Limited
YJ = Wrangler

AR = Use as Required - = Non Illustrated Part P.A.R. = Paint as Required



SERVOS, ACCUMULATOR AND VALVE BODY AUTOMATIC TRANSMISSION - A727 GRAND WAGONEER, TRUCK J20

Figure 21A-1800

8 J 51 1800

ITEM	PART NUMBER	QTY	BODY	MODEL	DESCRIPTION
	J812 9044	1			1987-89
	4058 741	1			1990
14	J812 1181	1			PISTON, Reverse Servo
	2801 281	1			1987-89
					1990
15	J812 4581	1			SPRING, Reverse Servo Cushion
	3743 580	1			1987-89
					1990
16					PLUG
	J812 4497	1			1987-89
	3743 353	1			1990
17	J812 1173	1			SPRING, Reverse Servo Piston
	2801 241	1			1987-89
					1990
18					RETAINER
	J812 1171	1			1987-89
	1942 150	1			1990
19	J812 1055	1			SNAP RING, Spring Retainer
	1942 130	1			1987-89
					1990
20	J812 0990	1			SEAL, Reverse Band Shaft
	6030 910	1			1987-89
					1990
21	J812 1184	1			SHAFT, Band Lever
	2124 857	1			1987-89
					1990
22	J812 1194	1			LEVER, Reverse Band
	1942 137	1			1987-89
					1990
23	0271 506	1			NUT, Adj. Screw Lock, 7/16-20
24	J812 1189	1			SCREW, Reverse Band Adjusting
	1942 141	1			1987-89
					1990
25	J812 1120	1			LINK, Reverse Band
	4505 093	1			1987-89
					1990
26					ANCHOR, Kickdown Band

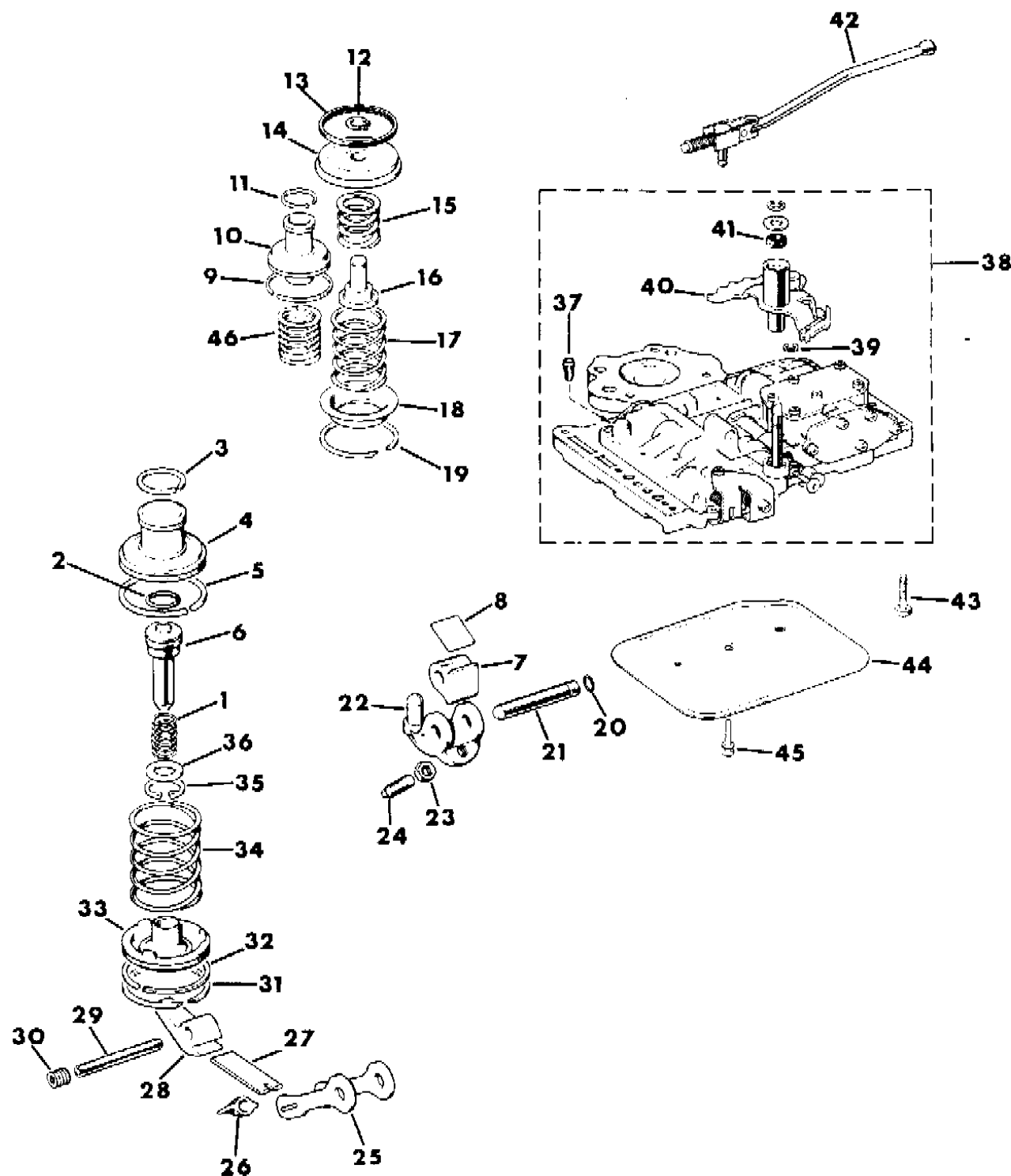
MODEL CODES:

15 = Grand Wagoneer 4 Dr.	65 = Comanche 4WD-7 Ft. Box	77 = Cherokee 4WD-2 Dr.
25 = J-10 Pickup-119" W.B.	66 = Comanche 2WD-7 Ft. Box	78 = Cherokee 4WD-4 Dr.
26 = J-10 Pickup-131" W.B.	73 = Cherokee 2WD-2 Dr.	79 = Cherokee 4WD-4 Dr.-Com
27 = J-20 Pickup-131" W.B.	74 = Cherokee 2WD-4 Dr.	81 = Wrangler-93" W.B.
63 = Comanche 4WD-6 Ft. Box	75 = Wagoneer 4WD-4 Dr.	82 = Wrangler-103" W.B.-Exp.
64 = Comanche 2WD-6 Ft. Box		

BODY STYLES:

MJ = Comanche Pickup
SJ = Grand Wagoneer Wgn., J-10 & J-20 Pickups
XJ = Cherokee, Wagoneer Limited
YJ = Wrangler

AR = Use as Required - = Non Illustrated Part P.A.R. = Paint as Required

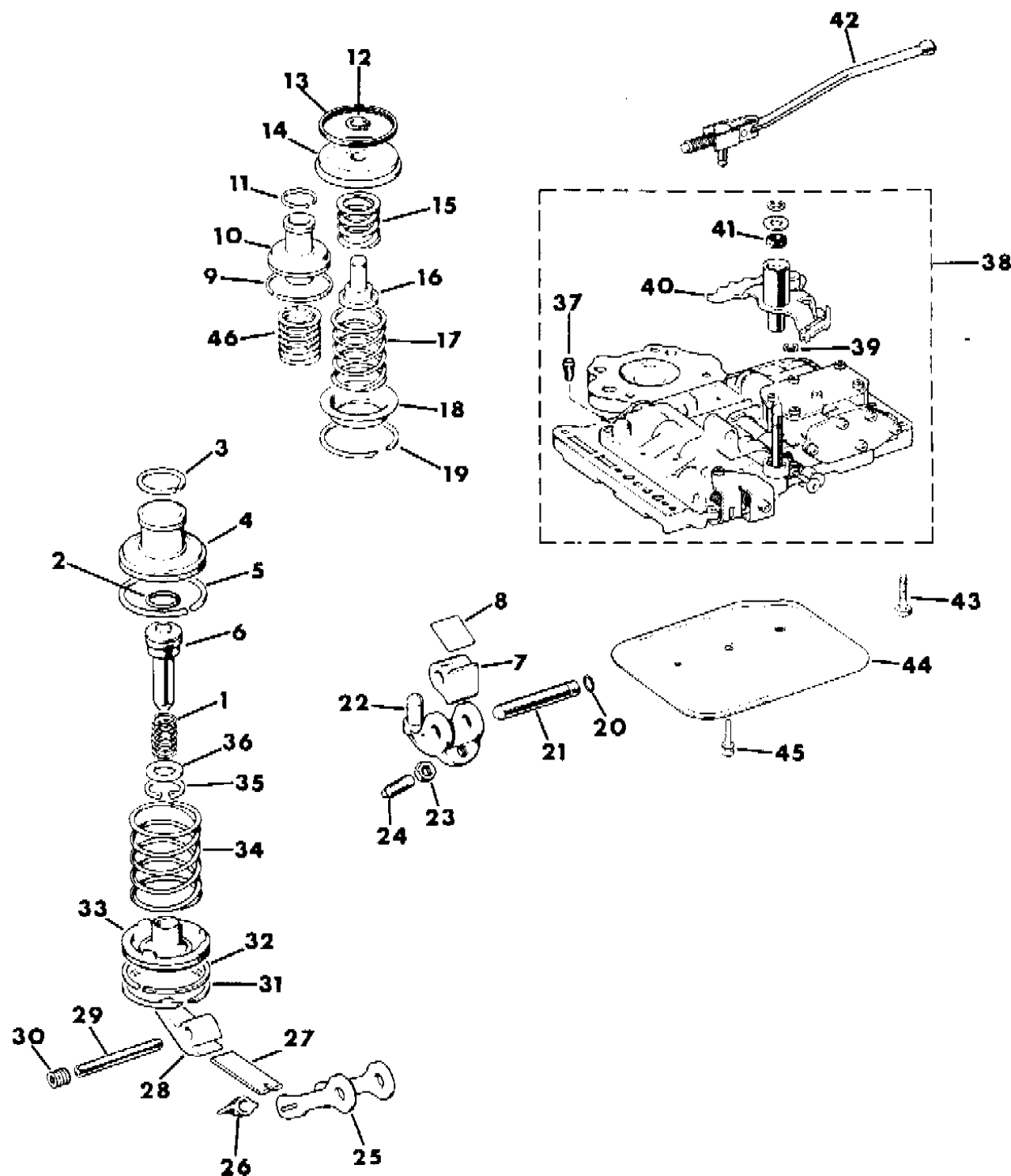


SERVOS, ACCUMULATOR AND VALVE BODY AUTOMATIC TRANSMISSION - A727 GRAND WAGONEER, TRUCK J20

Figure 21A-1800

8 J 51 1800

ITEM	PART NUMBER	QTY	BODY	MODEL	DESCRIPTION
	J812 4775	1			1987-89
	3743 338	1			1990
27	J812 1103	1			1987-89
	2124 848	1			1990
28	J812 1090	1			1987-89
	2204 952	1			1990
29	J812 1109	1			1987-89
	4531 181	1			1990
30	J812 1104	1			PLUG
31	J812 1055	1			1987-89
	1942 130	1			1990
32	J812 0988	1			1987-89
	1942 123	1			1990
33	J812 1107	1			1987-89
	3410 441	1			1990
34	J812 1101	1			1987-89
	3410 518	1			1990
35	J812 1050	1			1987-89
	6024 336	1			1990, 1-1/8" I.D.
36	J812 1097	1			1987-89
	3410 437	1			1990
37	J812 4863	1			1987-89
	3878 313	1			1990
38	8350 2738	1			1987-89
	4531 019	1			1990
39					E-RING



MODEL CODES:

15 = Grand Wagoneer 4 Dr.	65 = Comanche 4WD-7 Ft. Box	77 = Cherokee 4WD-2 Dr.
25 = J-10 Pickup-119" W.B.	66 = Comanche 2WD-7 Ft. Box	78 = Cherokee 4WD-4 Dr.
26 = J-10 Pickup-131" W.B.	73 = Cherokee 2WD-2 Dr.	79 = Cherokee 4WD-4 Dr.-Com
27 = J-20 Pickup-131" W.B.	74 = Cherokee 2WD-4 Dr.	81 = Wrangler-93" W.B.
63 = Comanche 4WD-6 Ft. Box	75 = Wagoneer 4WD-4 Dr.	82 = Wrangler-103" W.B.-Exp.
64 = Comanche 2WD-6 Ft. Box		

BODY STYLES:

MJ = Comanche Pickup  
 SJ = Grand Wagoneer Wgn., J-10 & J-20 Pickups  
 XJ = Cherokee, Wagoneer Limited  
 YJ = Wrangler

AR = Use as Required - = Non Illustrated Part P.A.R. = Paint as Required

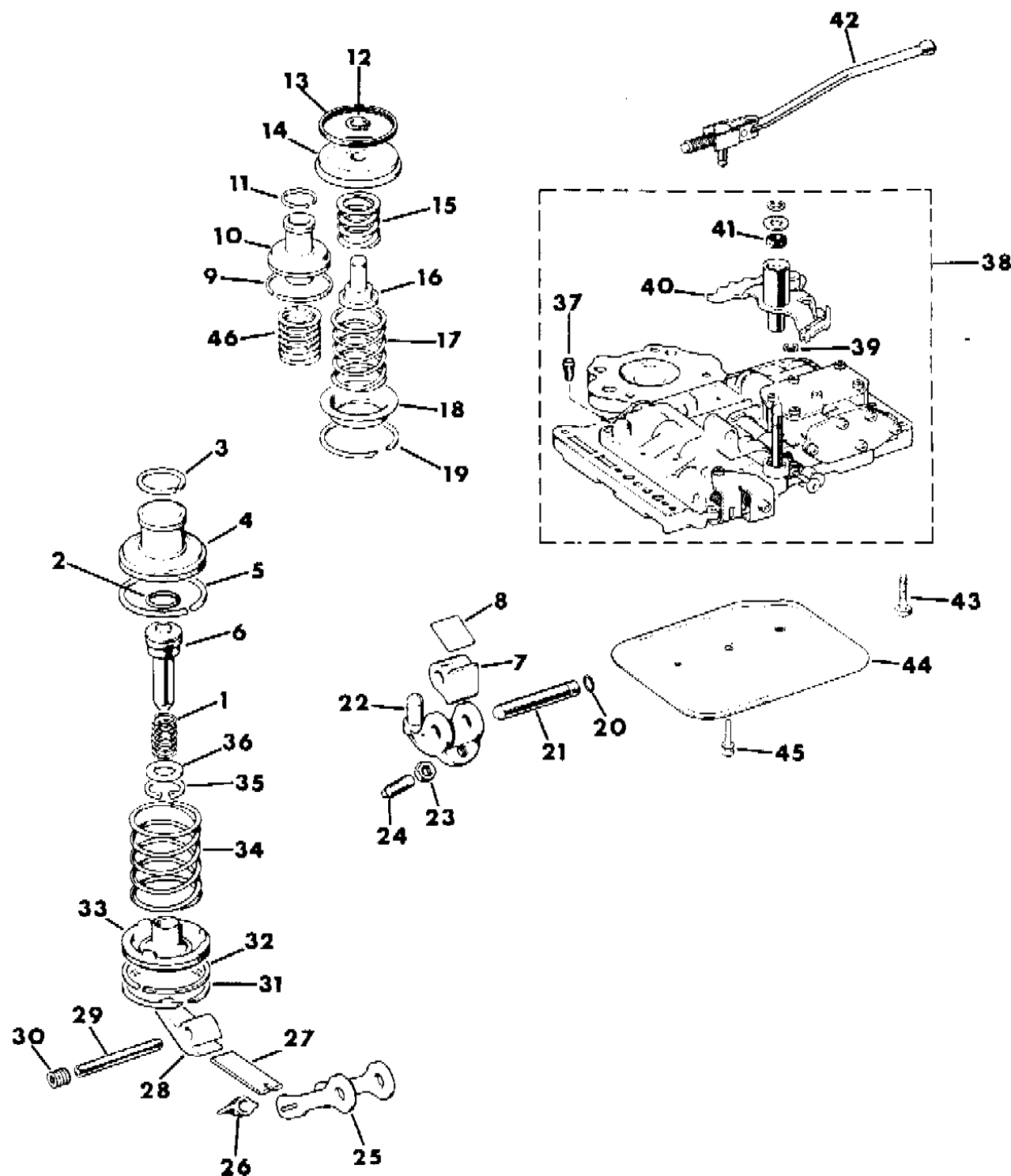


SERVOS, ACCUMULATOR AND VALVE BODY AUTOMATIC TRANSMISSION - A727 GRAND WAGONEER, TRUCK J20

Figure 21A-1800

8 J 51 1800

ITEM	PART NUMBER	QTY	BODY	MODEL	DESCRIPTION
	J812 1239	1			1987-89
	1626 749	1			1990
40					LEVER
	3410 484	1			1987-89
	4531 159	1			1990
41					SEAL
	J812 4862	1			1987-89
	2466 548	1			1990
42					ROD
	J812 1164	1			1987-89
	2466 894	1			1990
43	J017 9798	10			BOLT
44					FILTER, Valve Body
	J812 7652	1			1987-89
	3515 996	1			1990
45	J812 6893	3			SCREW
46					SPRING
	J813 2508	1			1987-89
	3515 079	1			1990



MODEL CODES:

15 = Grand Wagoneer 4 Dr.	65 = Comanche 4WD-7 Ft. Box	77 = Cherokee 4WD-2 Dr.
25 = J-10 Pickup-119" W.B.	66 = Comanche 2WD-7 Ft. Box	78 = Cherokee 4WD-4 Dr.
26 = J-10 Pickup-131" W.B.	73 = Cherokee 2WD-2 Dr.	79 = Cherokee 4WD-4 Dr.-Com
27 = J-20 Pickup-131" W.B.	74 = Cherokee 2WD-4 Dr.	81 = Wrangler-93" W.B.
63 = Comanche 4WD-6 Ft. Box	75 = Wagoneer 4WD-4 Dr.	82 = Wrangler-103" W.B.-Exp.
64 = Comanche 2WD-6 Ft. Box		

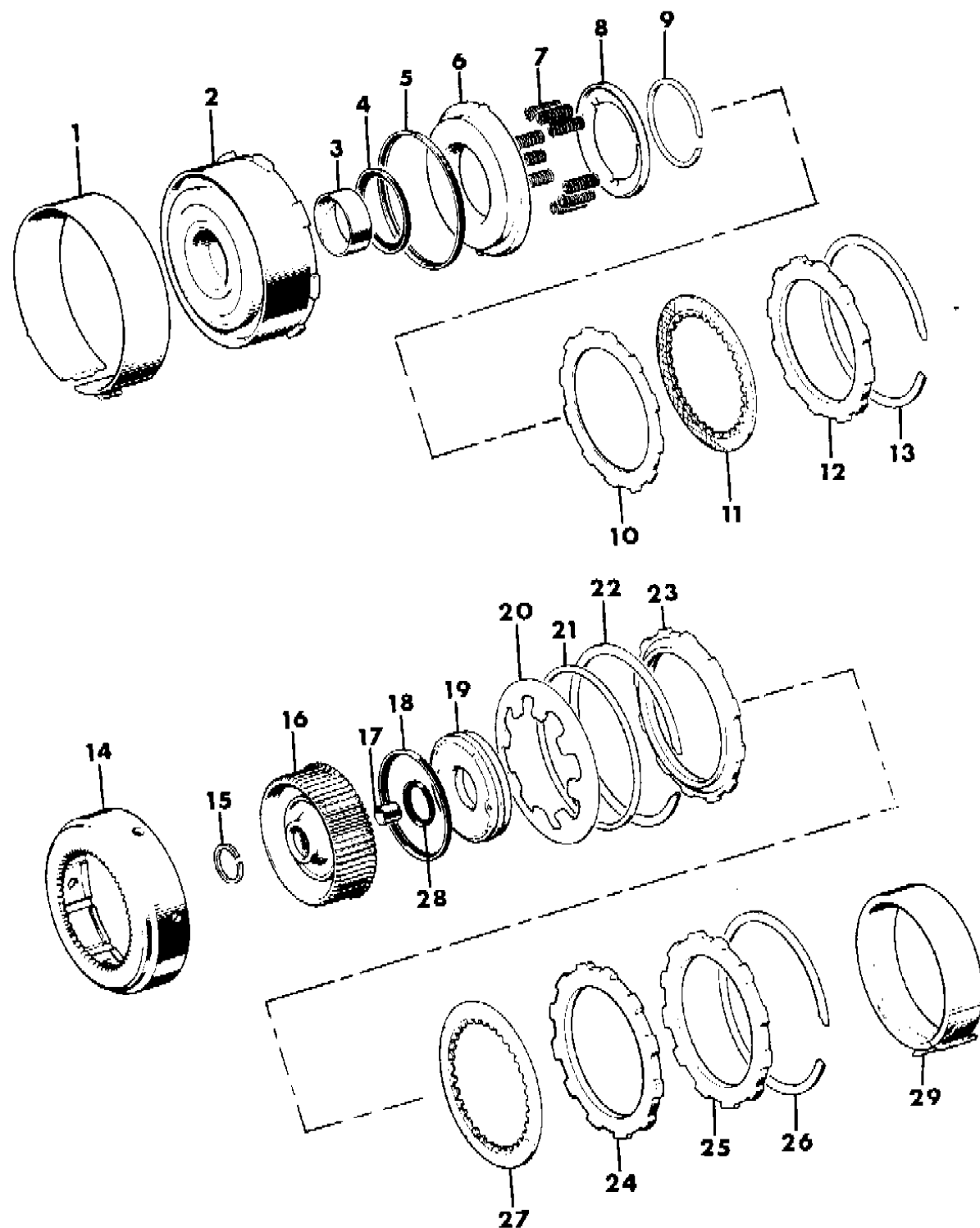
BODY STYLES:

MJ = Comanche Pickup  
 SJ = Grand Wagoneer Wgn., J-10 & J-20 Pickups  
 XJ = Cherokee, Wagoneer Limited  
 YJ = Wrangler

AR = Use as Required - = Non Illustrated Part P.A.R. = Paint as Required

**CLUTCH, FRONT AND REAR AUTOMATIC TRANSMISSION - A727 GRAND WAGONEER, TRUCK J20**  
**Figure 21A-1900**

8J51 1900



ITEM	PART NUMBER	QTY	BODY	MODEL	DESCRIPTION
1	8350 1956	1			BAND, Kickdown
2	J812 8969	1			RETAINER, Front Clutch 1987-89
	4058 648	1			1990
3					BUSHING
	J812 8970	1			1987-89
	4058 647	1			1990
4	J812 0882	1			SEAL, Front Clutch Piston, Inner 1987-89
	3410 226	1			1990
5	J812 0884	1			SEAL, Front Clutch Piston, Outer 1987-89
	4058 484	1			1990
6	J812 0880	1			PISTON, Front Clutch 1987-89
	2464 651	1			1990
7					SPRING, Front Clutch Piston
	J812 0966	11			1987-89
	2801 243	11			1990
8	2801 949	1			RETAINER, Piston Spring
9	J812 0888	1			SNAP RING, Piston Spring Retaining 1987-89
	2124 824	1			1990
10	J813 6611	4			PLATE, Front Clutch 1987-89
	2124 826	4			1990
11	J812 0889	4			DISC, Front Clutch 1987-88
	8350 1955	4			1989
	4329 846	4			1990
12	J812 0933	1			PLATE, Pressure 1987-89
	2801 961	1			1990
13	3410 570	1			SNAP RING, Front Clutch, .050" Thk., 7-8/64" O.D.
14	J812 4733	1			RETAINER, Rear Clutch 1987
	3743 622	1			1989-90

**MODEL CODES:**

15 = Grand Wagoneer 4 Dr.	65 = Comanche 4WD-7 Ft. Box	77 = Cherokee 4WD-2 Dr.
25 = J-10 Pickup-119" W.B.	66 = Comanche 2WD-7 Ft. Box	78 = Cherokee 4WD-4 Dr.
26 = J-10 Pickup-131" W.B.	73 = Cherokee 2WD-2 Dr.	79 = Cherokee 4WD-4 Dr.-Com
27 = J-20 Pickup-131" W.B.	74 = Cherokee 2WD-4 Dr.	81 = Wrangler-93" W.B.
63 = Comanche 4WD-6 Ft. Box	75 = Wagoneer 4WD-4 Dr.	82 = Wrangler-103" W.B.-Exp.
64 = Comanche 2WD-6 Ft. Box		

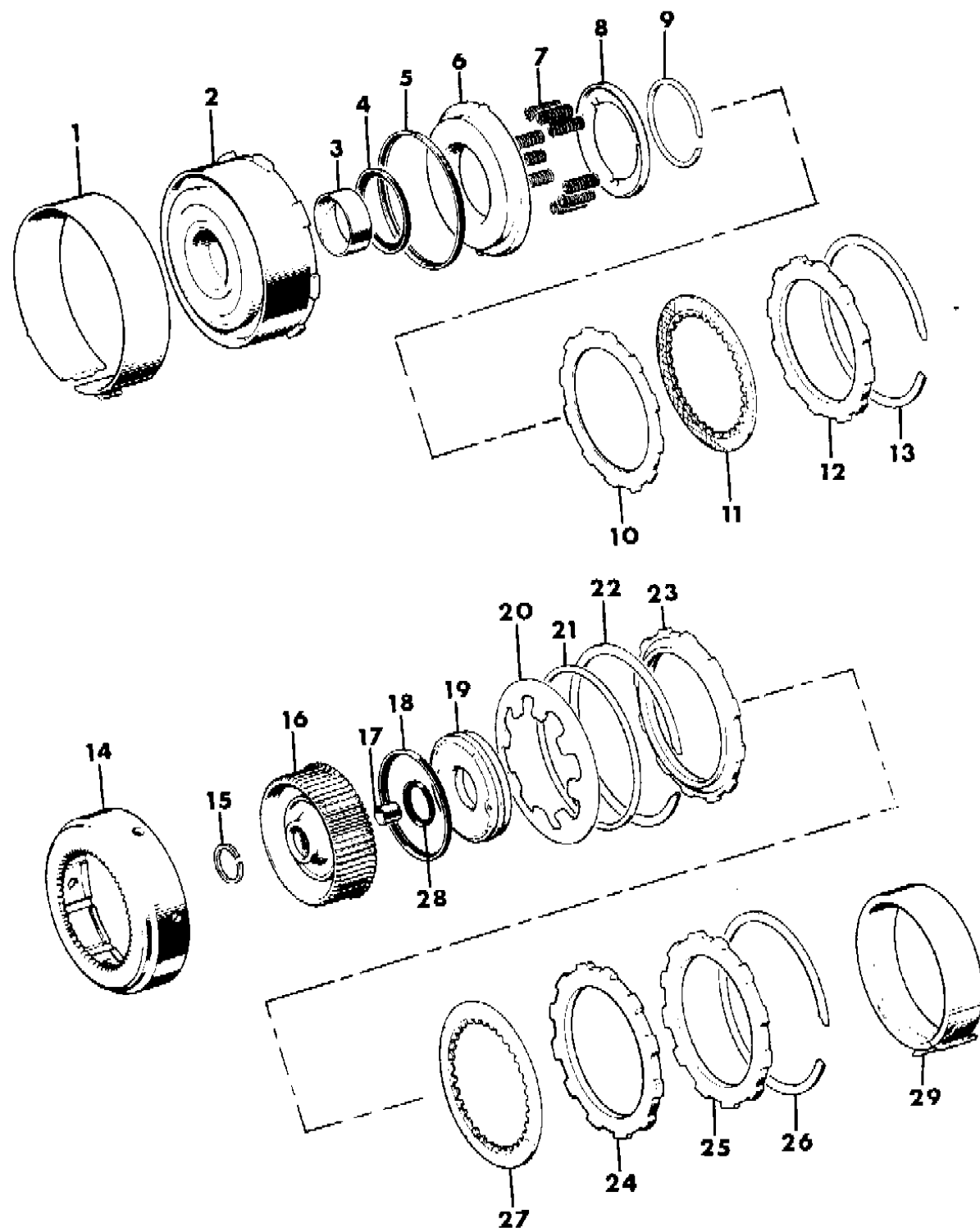
**BODY STYLES:**

MJ = Comanche Pickup
SJ = Grand Wagoneer Wgn., J-10 & J-20 Pickups
XJ = Cherokee, Wagoneer Limited
YJ = Wrangler

AR = Use as Required - = Non Illustrated Part P.A.R. = Paint as Required

**CLUTCH, FRONT AND REAR AUTOMATIC TRANSMISSION - A727 GRAND WAGONEER, TRUCK J20**  
**Figure 21A-1900**

8J51 1900



ITEM	PART NUMBER	QTY	BODY	MODEL	DESCRIPTION
15					RING, Rear Clutch Piston Retainer Seal
	J812 8982	1			1987-89
	4058 443	1			1990
16					RETAINER, Rear Clutch Piston
	J812 8980	1			1987-89
	4505 224	1			1990
17	J812 3200	1			BUSHING
18					SEAL, Rear Clutch Piston, Outer
	J812 0918	1			1987-89
	2124 835	1			1990
19					PISTON, Rear Clutch
	J812 4732	1			1987-89
	3743 624	1			1990
20					SPRING, Rear Clutch Piston
	J812 4734	1			1987-89
	3743 621	1			1990
21					SPACER
	J812 1155	1			1987-89
	3515 077	1			1990, 6-13/16" O.D.
22					SPRING, Rear Clutch Wave
	J812 0924	1			1987-89
	2466 806	1			1990
23					PLATE, Rear Clutch Pressure, Front
	J812 0927	1			1987-89
	2466 803	1			1990
24					PLATE, Drive
	J813 6611	3			1987-89
	2124 826	3			1990
25					PLATE, Rear Clutch Reaction
	J812 0933	1			1987-89
	2801 961	1			1990
26					SNAP RING, Rear Clutch Retainer, 7" O.D.
					.060" Thk.
	J812 0940	AR			1987-89
	1942 063	AR			1990
					.074" Thk.
	J812 0939	AR			1987-89

**MODEL CODES:**

15 = Grand Wagoneer 4 Dr.	65 = Comanche 4WD-7 Ft. Box	77 = Cherokee 4WD-2 Dr.
25 = J-10 Pickup-119" W.B.	66 = Comanche 2WD-7 Ft. Box	78 = Cherokee 4WD-4 Dr.
26 = J-10 Pickup-131" W.B.	73 = Cherokee 2WD-2 Dr.	79 = Cherokee 4WD-4 Dr.-Com
27 = J-20 Pickup-131" W.B.	74 = Cherokee 2WD-4 Dr.	81 = Wrangler-93" W.B.
63 = Comanche 4WD-6 Ft. Box	75 = Wagoneer 4WD-4 Dr.	82 = Wrangler-103" W.B.-Exp.
64 = Comanche 2WD-6 Ft. Box		

**BODY STYLES:**

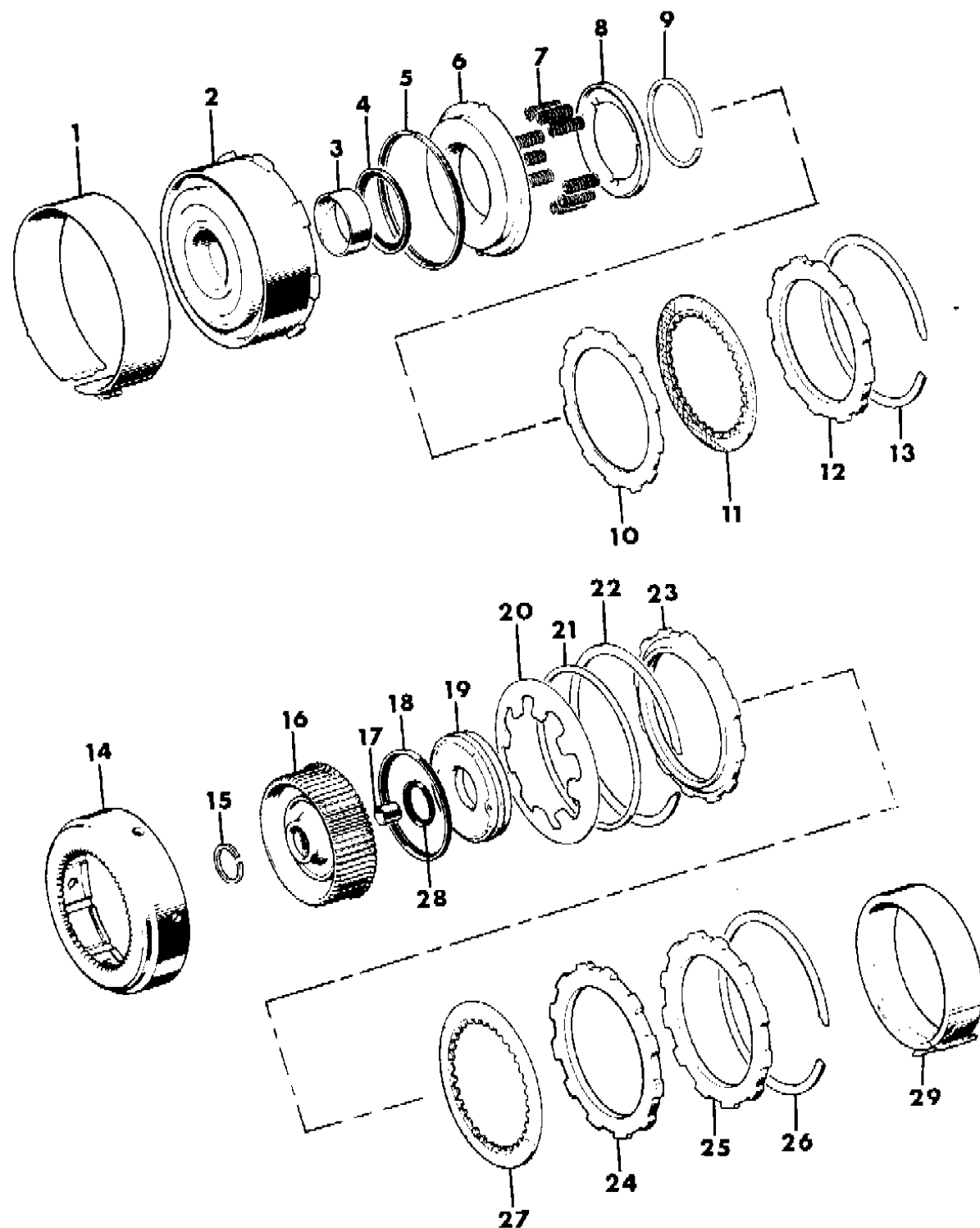
MJ = Comanche Pickup
SJ = Grand Wagoneer Wgn., J-10 & J-20 Pickups
XJ = Cherokee, Wagoneer Limited
YJ = Wrangler

AR = Use as Required - = Non Illustrated Part P.A.R. = Paint as Required

CLUTCH, FRONT AND REAR AUTOMATIC TRANSMISSION - A727 GRAND WAGONEER, TRUCK J20

Figure 21A-1900

8 J51 1900



ITEM	PART NUMBER	QTY	BODY	MODEL	DESCRIPTION
	1942 064	AR			1990
					.088" Thk.
	J812 0937	AR			1987-89
	1942 065	AR			1990
					.106" Thk.
	J812 0935	AR			1987-89
27	2466 811	AR			1990
					DISC, Driven
	J812 0929	4			1987-89
28	5252 259	1			1990, (Disc Package)
					SEAL, Rear Clutch Piston, Inner
	J812 0916	1			1987-89
	1942 054	1			1990
29					BAND, Reverse
	4443 185	1			1987-89
	4505 091	1			1990

MODEL CODES:

15 = Grand Wagoneer 4 Dr.	65 = Comanche 4WD-7 Ft. Box	77 = Cherokee 4WD-2 Dr.
25 = J-10 Pickup-119" W.B.	66 = Comanche 2WD-7 Ft. Box	78 = Cherokee 4WD-4 Dr.
26 = J-10 Pickup-131" W.B.	73 = Cherokee 2WD-2 Dr.	79 = Cherokee 4WD-4 Dr.-Com
27 = J-20 Pickup-131" W.B.	74 = Cherokee 2WD-4 Dr.	81 = Wrangler-93" W.B.
63 = Comanche 4WD-6 Ft. Box	75 = Wagoneer 4WD-4 Dr.	82 = Wrangler-103" W.B.-Exp.
64 = Comanche 2WD-6 Ft. Box		

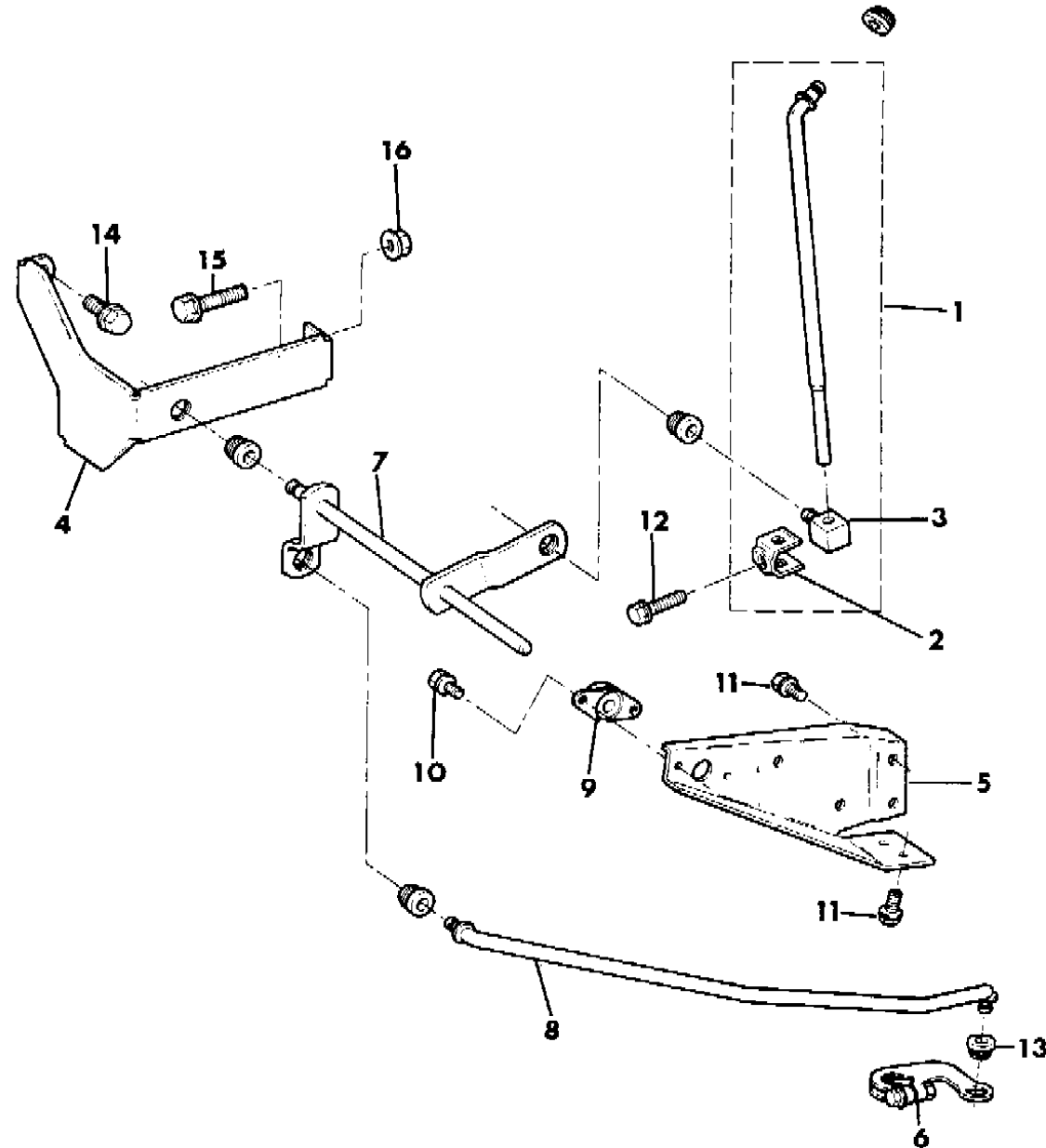
BODY STYLES:

MJ = Comanche Pickup  
 SJ = Grand Wagoneer Wgn., J-10 & J-20 Pickups  
 XJ = Cherokee, Wagoneer Limited  
 YJ = Wrangler

AR = Use as Required - = Non Illustrated Part P.A.R. = Paint as Required

CONTROLS, SHIFT, LOWER, COLUMN AUTOMATIC TRANSMISSION WRANGLER, YJ  
Figure 21A-2000

8J51 2000



ITEM	PART NUMBER	QTY	BODY	MODEL	DESCRIPTION
1	5204 0190	1			ROD, Shift
2	J323 4757	1			CLAMP
3	J323 8417	1			TRUNNION
4	5300 2022	1			BRACKET
5	5300 2020	1			BRACKET
6	5300 2026	1			LEVER
7	5300 2023	1			SHAFT
8	5300 3734	1			ROD
9	5300 3355	1			BEARING
10	J942 6241	2			SCREW
11	J400 5063	4			SCREW
12	J400 6036	1			BOLT, 5/16-18 x 1/2"
13	J323 8418	5			BUSHING
14	J400 7155	2			BOLT
15	J941 9076	1			BOLT
16	J400 4005	1			NUT

MODEL CODES:

15 = Grand Wagoneer 4 Dr.	65 = Comanche 4WD-7 Ft. Box	77 = Cherokee 4WD-2 Dr.
25 = J-10 Pickup-119" W.B.	66 = Comanche 2WD-7 Ft. Box	78 = Cherokee 4WD-4 Dr.
26 = J-10 Pickup-131" W.B.	73 = Cherokee 2WD-2 Dr.	79 = Cherokee 4WD-4 Dr.-Com
27 = J-20 Pickup-131" W.B.	74 = Cherokee 2WD-4 Dr.	81 = Wrangler-93" W.B.
63 = Comanche 4WD-6 Ft. Box	75 = Wagoneer 4WD-4 Dr.	82 = Wrangler-103" W.B.-Exp.
64 = Comanche 2WD-6 Ft. Box		

BODY STYLES:

MJ = Comanche Pickup  
SJ = Grand Wagoneer Wgn., J-10 & J-20 Pickups  
XJ = Cherokee, Wagoneer Limited  
YJ = Wrangler

AR = Use as Required - = Non Illustrated Part P.A.R. = Paint as Required

CONTROLS, GEARSHIFT, FLOOR MOUNTED AUTOMATIC TRANSMISSION - AW4 CHEROKEE, WAGONEER, COMANCHE

Figure 21A-2100

8 J51 2100

ITEM	PART NUMBER	QTY	BODY	MODEL	DESCRIPTION
1	5300 0675	1			HANDLE, Lever
2	5300 0211	1			BUTTON
3	5300 0865	1			LEVER
4	5300 0866	1			SPRING
5	5300 0867	1			CAP
6	5300 0868	1			CAP
7	5300 4120	1			BEZEL, Shift, For Vehicles Built Up To 9-14-88
	5502 2195	1			BEZEL, Shift, For Vehicles Built After 9-14-88
8	5300 4560	1			CABLE, Gearshift Park Lock
9	5300 0659	1			SEAL, Shift Housing
10	5300 4551	1			HOUSING AND LEVER, Assy., Shift, For Vehicles Built Up To 9-14-88 ***
	5300 5470	1			From 9-14-88 Thru 5-3-90
	5300 9223	1			After 5-3-90
11	5300 4561	1			CABLE, Gearshift Lever
12	J012 5924	1			CLIP
13	J400 3084	1			NUT
14	3420 1788	1			STRAP
15	5300 4563	1			BRACKET
16	1150 2605	2			BOLT, M8x1.25x18
17	5300 4564	1			LEVER, (For Seal at End of Lever Use 83504332)
18	J420 0046	1			NUT
19	5300 3350	1			SPRING
20					BOLT, M8x1.25x18
	3420 1033	4			1987-89
	1150 4284	4			1990
21	5502 2192	1			SHIELD, Hsg. & Lever Assy.

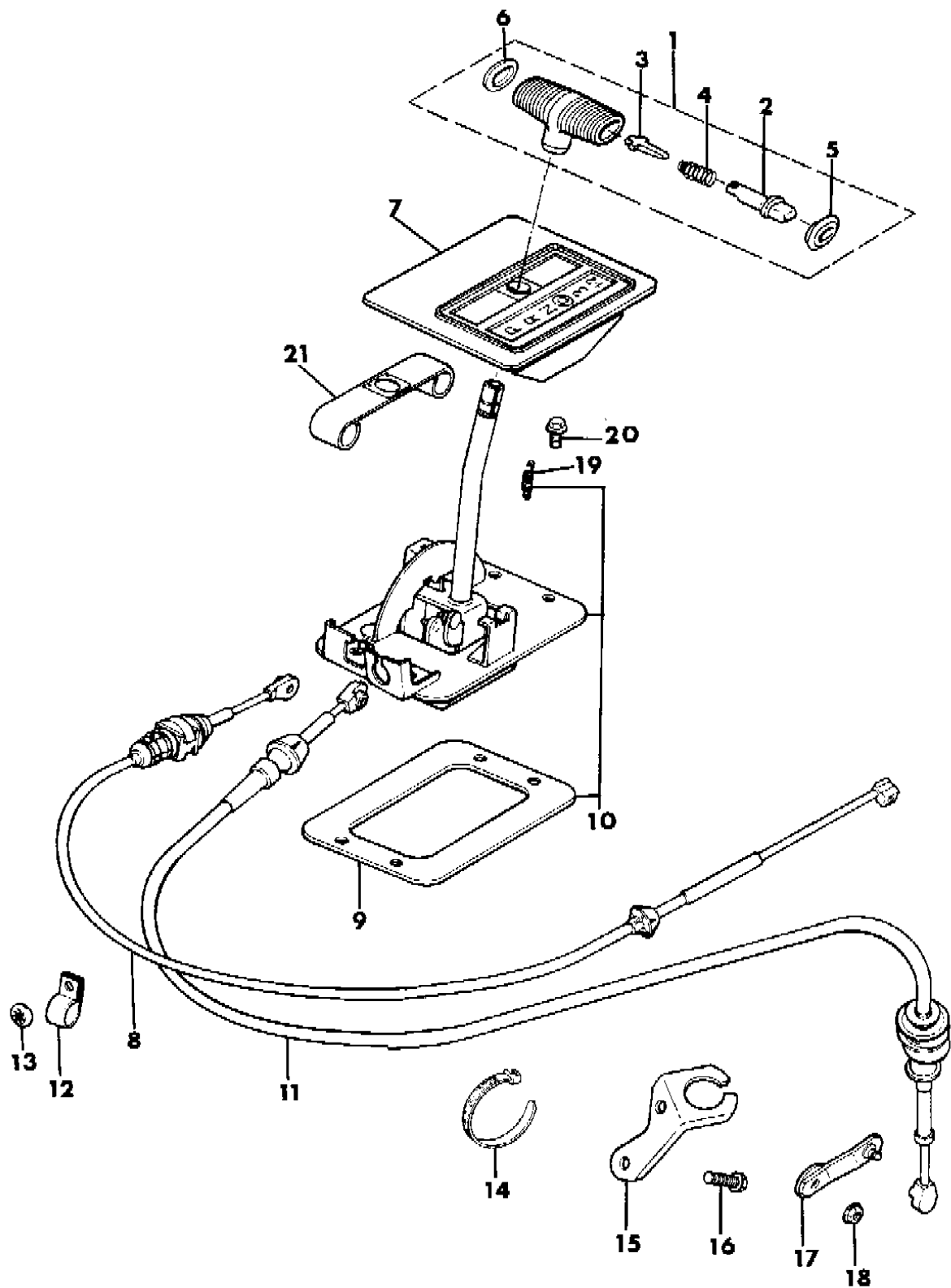
MODEL CODES:

15 = Grand Wagoneer 4 Dr.	65 = Comanche 4WD-7 Ft. Box	77 = Cherokee 4WD-2 Dr.
25 = J-10 Pickup-119" W.B.	66 = Comanche 2WD-7 Ft. Box	78 = Cherokee 4WD-4 Dr.
26 = J-10 Pickup-131" W.B.	73 = Cherokee 2WD-2 Dr.	79 = Cherokee 4WD-4 Dr.-Com
27 = J-20 Pickup-131" W.B.	74 = Cherokee 2WD-4 Dr.	81 = Wrangler-93" W.B.
63 = Comanche 4WD-6 Ft. Box	75 = Wagoneer 4WD-4 Dr.	82 = Wrangler-103" W.B.-Exp.
64 = Comanche 2WD-6 Ft. Box		

BODY STYLES:

MJ = Comanche Pickup  
 SJ = Grand Wagoneer Wgn., J-10 & J-20 Pickups  
 XJ = Cherokee, Wagoneer Limited  
 YJ = Wrangler

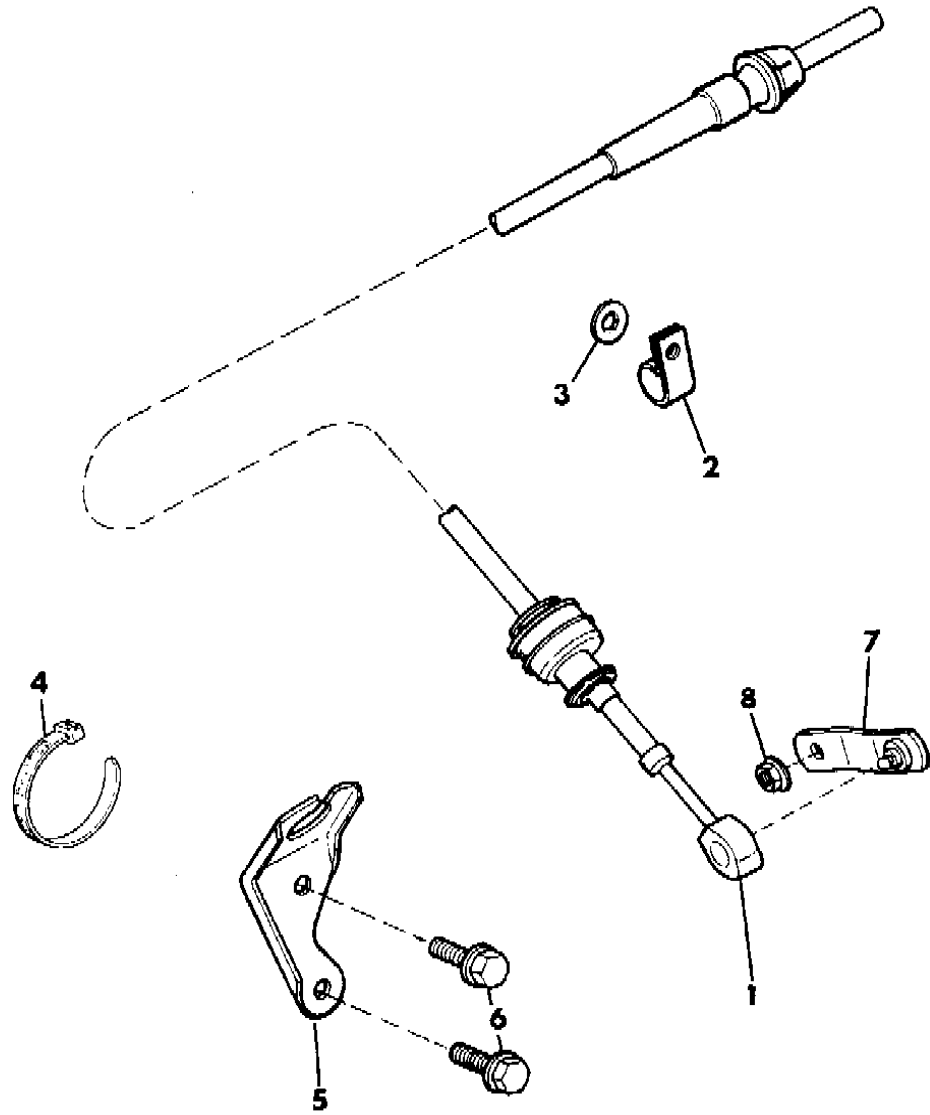
AR = Use as Required - = Non Illustrated Part P.A.R. = Paint as Required



**CONTROLS, GEARSHIFT, COLUMN MOUNTED AUTOMATIC TRANSMISSION COMANCHE**  
**Figure 21A-2200**

8 J51 2200

ITEM	PART NUMBER	QTY	BODY	MODEL	DESCRIPTION
1	5300 4562	1			CABLE
2	J012 5924	1			CLIP
3	J400 3084	1			NUT
4	3420 1788	1			STRAP
5	5300 4563	1			BRACKET
6	1150 2605	2			BOLT, M8x1.25x25
7	5300 4564	1			LEVER, Manual Valve Shaft (Shaft Seals See Illus. 850)
8	J420 0046	1			NUT, M8x1.25



**MODEL CODES:**

- |                             |                             |                              |
|-----------------------------|-----------------------------|------------------------------|
| 15 = Grand Wagoneer 4 Dr.   | 65 = Comanche 4WD-7 Ft. Box | 77 = Cherokee 4WD-2 Dr.      |
| 25 = J-10 Pickup-119" W.B.  | 66 = Comanche 2WD-7 Ft. Box | 78 = Cherokee 4WD-4 Dr.      |
| 26 = J-10 Pickup-131" W.B.  | 73 = Cherokee 2WD-2 Dr.     | 79 = Cherokee 4WD-4 Dr.-Com  |
| 27 = J-20 Pickup-131" W.B.  | 74 = Cherokee 2WD-4 Dr.     | 81 = Wrangler-93" W.B.       |
| 63 = Comanche 4WD-6 Ft. Box | 75 = Wagoneer 4WD-4 Dr.     | 82 = Wrangler-103" W.B.-Exp. |
| 64 = Comanche 2WD-6 Ft. Box |                             |                              |

**BODY STYLES:**

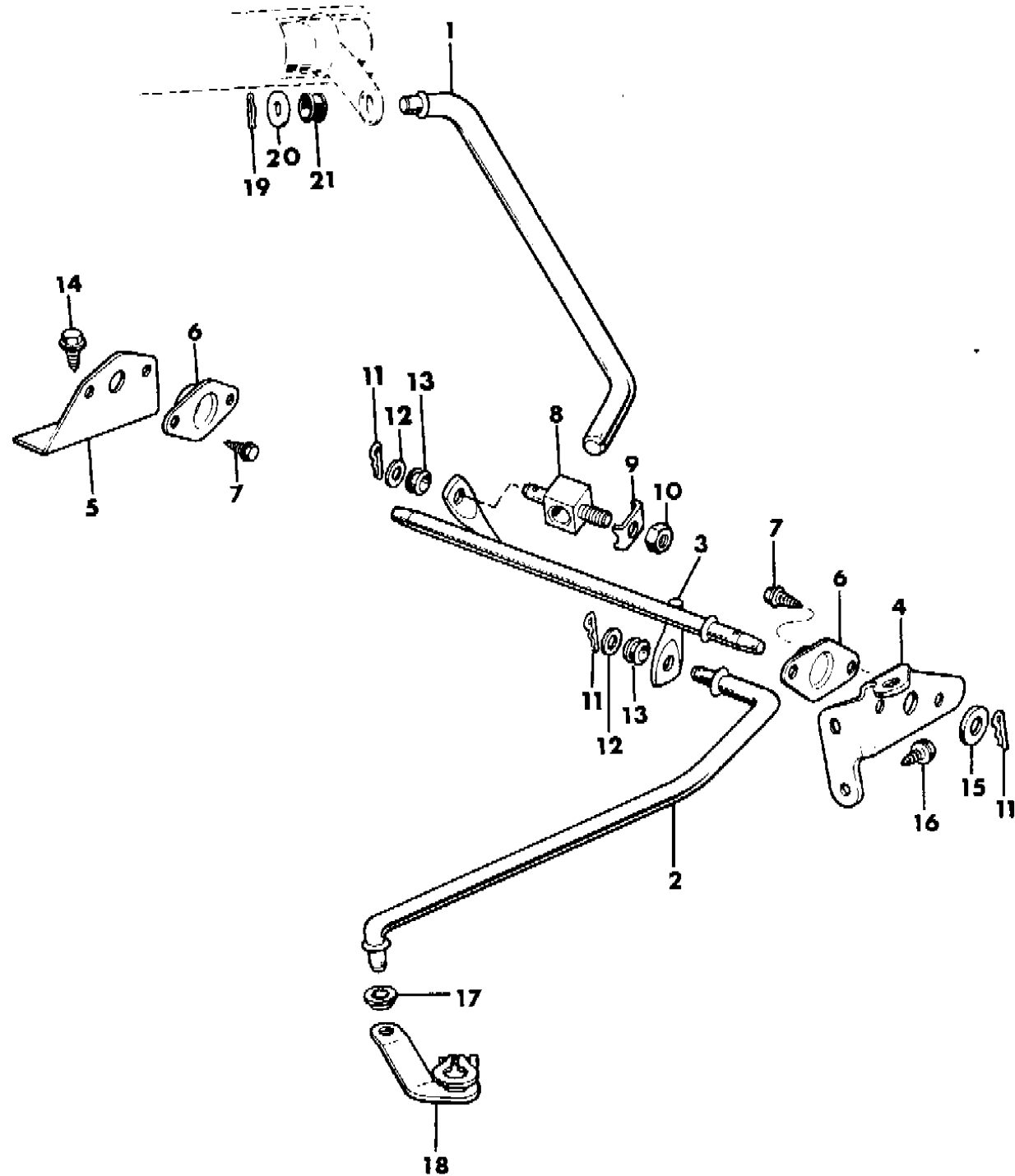
- MJ = Comanche Pickup  
 SJ = Grand Wagoneer Wgn., J-10 & J-20 Pickups  
 XJ = Cherokee, Wagoneer Limited  
 YJ = Wrangler

AR = Use as Required - = Non Illustrated Part P.A.R. = Paint as Required

CONTROLS, SHIFT, LOWER, COLUMN AUTOMATIC TRANSMISSION GRAND WAGONEER, TRUCK J20

Figure 21A-2300

8J51 2300



ITEM	PART NUMBER	QTY	BODY	MODEL	DESCRIPTION
1					ROD, Shift
	J536 0067	1			Grand Wagoneer
	J536 0068	1			Truck J20
2	J536 3103	1			ROD, Shift, Lower
3	J536 0071	1			BELLCRANK
4	J536 0066	1			BRACKET
5	J536 0117	1			BRACKET
6	J535 2589	2			BEARING
7	J942 6241	4			SCREW
8	J536 0178	1			TRUNNION
9	J094 8180	1			CLIP
10	J941 6531	1			NUT
11	J400 4295	3			COTTER PIN
12	J400 1091	2			WASHER
13	J321 2549	2			BUSHING
14	S942 4824	2			SCREW
15	J012 0388	1			WASHER
16	J400 6297	2			SCREW, 5/16-18 x 3/4"
17	J323 8418	1			BUSHING
18	J536 3106	1			LEVER
19	J400 6486	1			COTTER PIN
20	J400 1102	1			WASHER
21	J319 4672	1			BUSHING

MODEL CODES:

15 = Grand Wagoneer 4 Dr.	65 = Comanche 4WD-7 Ft. Box	77 = Cherokee 4WD-2 Dr.
25 = J-10 Pickup-119" W.B.	66 = Comanche 2WD-7 Ft. Box	78 = Cherokee 4WD-4 Dr.
26 = J-10 Pickup-131" W.B.	73 = Cherokee 2WD-2 Dr.	79 = Cherokee 4WD-4 Dr.-Com
27 = J-20 Pickup-131" W.B.	74 = Cherokee 2WD-4 Dr.	81 = Wrangler-93" W.B.
63 = Comanche 4WD-6 Ft. Box	75 = Wagoneer 4WD-4 Dr.	82 = Wrangler-103" W.B.-Exp.
64 = Comanche 2WD-6 Ft. Box		

BODY STYLES:

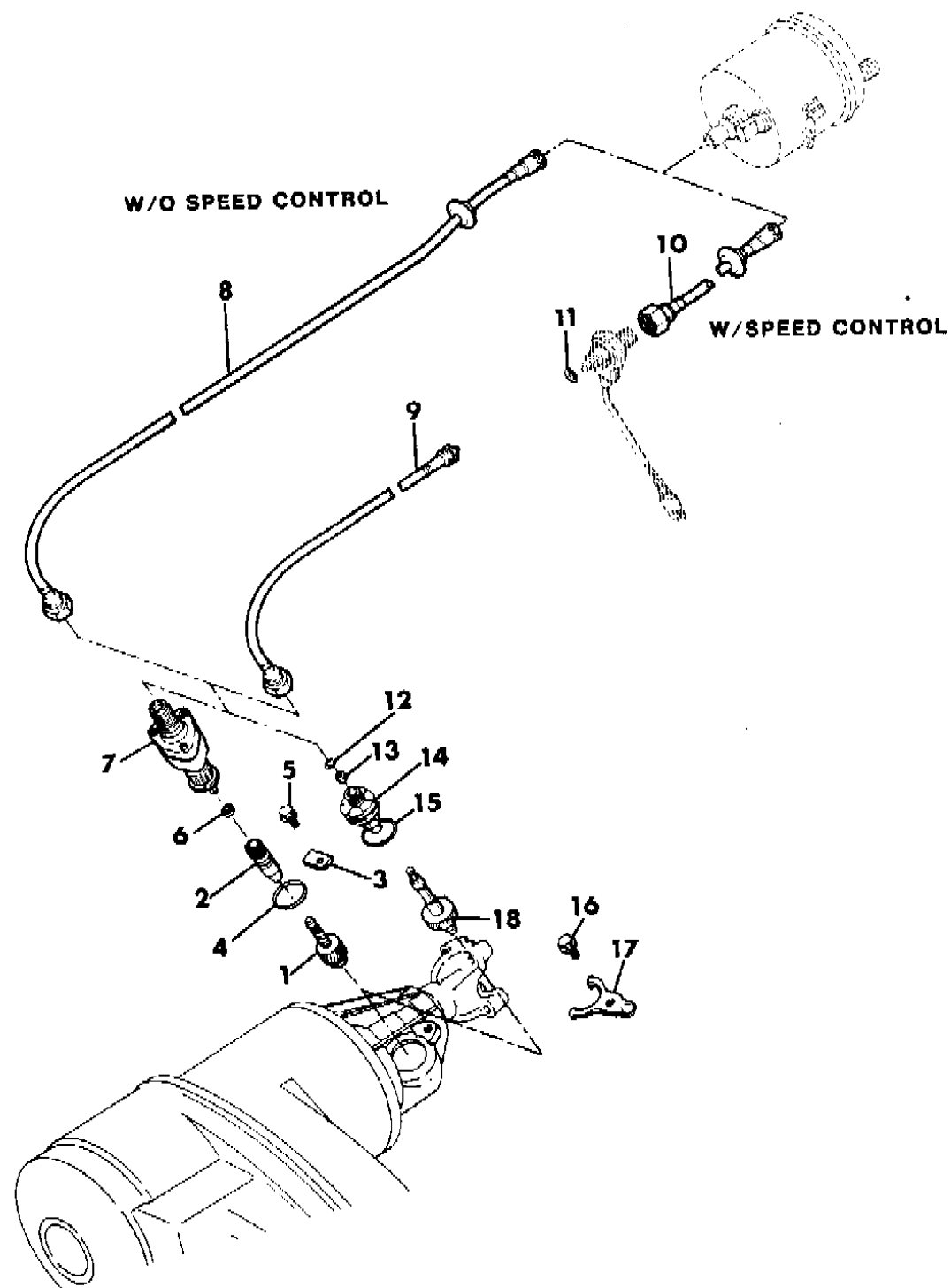
MJ = Comanche Pickup  
 SJ = Grand Wagoneer Wgn., J-10 & J-20 Pickups  
 XJ = Cherokee, Wagoneer Limited  
 YJ = Wrangler

AR = Use as Required - = Non Illustrated Part P.A.R. = Paint as Required



**CABLE, SPEEDOMETER WITH PINION AND ADAPTER AUTOMATIC TRANSMISSION WRANGLER, YJ**  
**Figure 21A-2400**

**8J51 2400**



ITEM	PART NUMBER	QTY	BODY	MODEL	DESCRIPTION
1	5300 1491	AR			GEAR, Speedometer Driven, .79" Dia. 18 Teeth - Yellow
	5300 1492	AR			19 Teeth - Red
	5300 1493	AR			20 Teeth - Blue
	5300 3401	AR			21 Teeth - Green
2	5300 1485	1			ADAPTER, Speedometer
3	5300 1484	1			RETAINER
4	3420 1877	1			O-RING
5	3420 1886	1			SCREW
6	8351 0031	1			SEAL
7	5300 4154	AR			ADAPTER, Speedometer, w/Automatic Trans. 1.1111 to 1 Ratio
	5300 4155	AR			1.1765 to 1 Ratio
	5300 4151	AR			1.25 to 1 Ratio
8	5300 2506	1			CABLE, Speedometer 1987
	5300 5084	1			1988-89, For Vehicles Built Up To 2-13-89
	5300 8988	1			1989, For Vehicles Built After 2-13-89
	5300 8988	1			1990
9		1			CABLE, Speedometer, Lower
	J575 8490	1			1987
	5300 5085	1			1988-89, For Vehicles Built up to 2-13-89
10	5300 8990	1			1989, For Vehicles Built After 2-13-89
	5300 8990	1			1990
		1			CABLE, Speedometer, Upper
11	5300 4023	1			1988-89, For Vehicles Built up to 2-13-89
	5300 8989	1			1989, For Vehicles Built After 2-13-89
	5300 8989	1			1990
12	J400 6555	1			O-RING
13	J321 2846	1			RETAINER
14	J321 2847	1			SEAL
15	J321 2893	1			ADAPTER, Speedometer
16	6025 752	1			O-RING
17	J027 3573	1			SCREW
18	J321 2844	1			CLAMP
18	J321 2729	AR			GEAR, Speedometer Driven, 1.42" Dia. 29 Teeth - Black

**MODEL CODES:**

15 = Grand Wagoneer 4 Dr.	65 = Comanche 4WD-7 Ft. Box	77 = Cherokee 4WD-2 Dr.
25 = J-10 Pickup-119" W.B.	66 = Comanche 2WD-7 Ft. Box	78 = Cherokee 4WD-4 Dr.
26 = J-10 Pickup-131" W.B.	73 = Cherokee 2WD-2 Dr.	79 = Cherokee 4WD-4 Dr.-Com
27 = J-20 Pickup-131" W.B.	74 = Cherokee 2WD-4 Dr.	81 = Wrangler-93" W.B.
63 = Comanche 4WD-6 Ft. Box	75 = Wagoneer 4WD-4 Dr.	82 = Wrangler-103" W.B.-Exp.
64 = Comanche 2WD-6 Ft. Box		

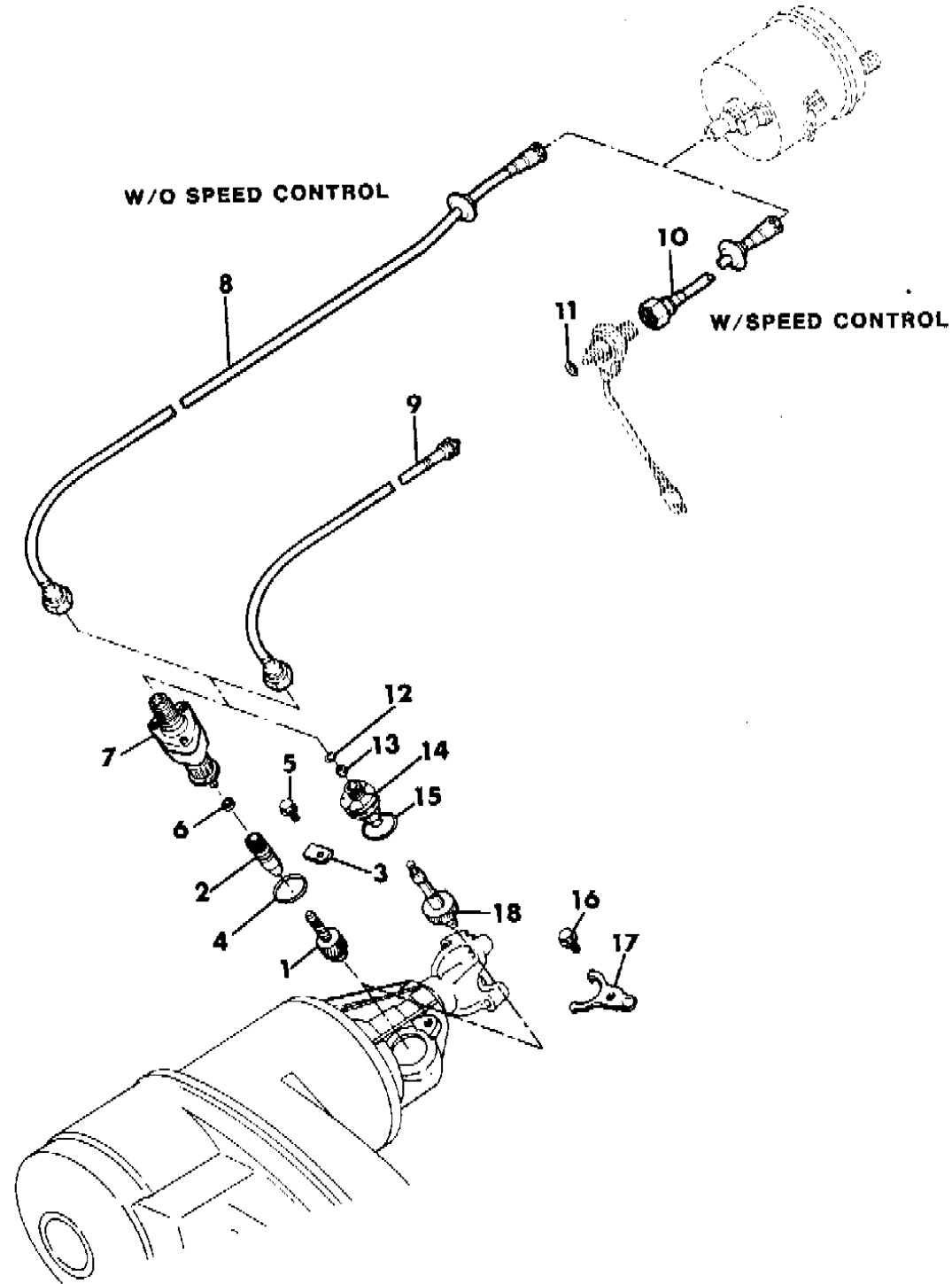
**BODY STYLES:**

MJ = Comanche Pickup  
 SJ = Grand Wagoneer Wgn., J-10 & J-20 Pickups  
 XJ = Cherokee, Wagoneer Limited  
 YJ = Wrangler

AR = Use as Required - = Non Illustrated Part P.A.R. = Paint as Required

**CABLE, SPEEDOMETER WITH PINION AND ADAPTER AUTOMATIC TRANSMISSION WRANGLER, YJ**  
**Figure 21A-2400**

**8J51 2400**



ITEM	PART NUMBER	QTY	BODY	MODEL	DESCRIPTION
	J321 2730	AR			30 Teeth - Yellow
	J321 2733	AR			33 Teeth - Yellow
	J321 2734	AR			34 Teeth - Green
	J321 2735	AR			35 Teeth - Orange
	J323 0221	AR			39 Teeth - Green
	J323 0222	AR			40 Teeth - Orange
	5300 1488	AR			41 Teeth - Red
	5300 1491	AR			41 Teeth - Yellow

**MODEL CODES:**

- |                             |                             |                              |
|-----------------------------|-----------------------------|------------------------------|
| 15 = Grand Wagoneer 4 Dr.   | 65 = Comanche 4WD-7 Ft. Box | 77 = Cherokee 4WD-2 Dr.      |
| 25 = J-10 Pickup-119" W.B.  | 66 = Comanche 2WD-7 Ft. Box | 78 = Cherokee 4WD-4 Dr.      |
| 26 = J-10 Pickup-131" W.B.  | 73 = Cherokee 2WD-2 Dr.     | 79 = Cherokee 4WD-4 Dr.-Com  |
| 27 = J-20 Pickup-131" W.B.  | 74 = Cherokee 2WD-4 Dr.     | 81 = Wrangler-93" W.B.       |
| 63 = Comanche 4WD-6 Ft. Box | 75 = Wagoneer 4WD-4 Dr.     | 82 = Wrangler-103" W.B.-Exp. |
| 64 = Comanche 2WD-6 Ft. Box |                             |                              |

**BODY STYLES:**

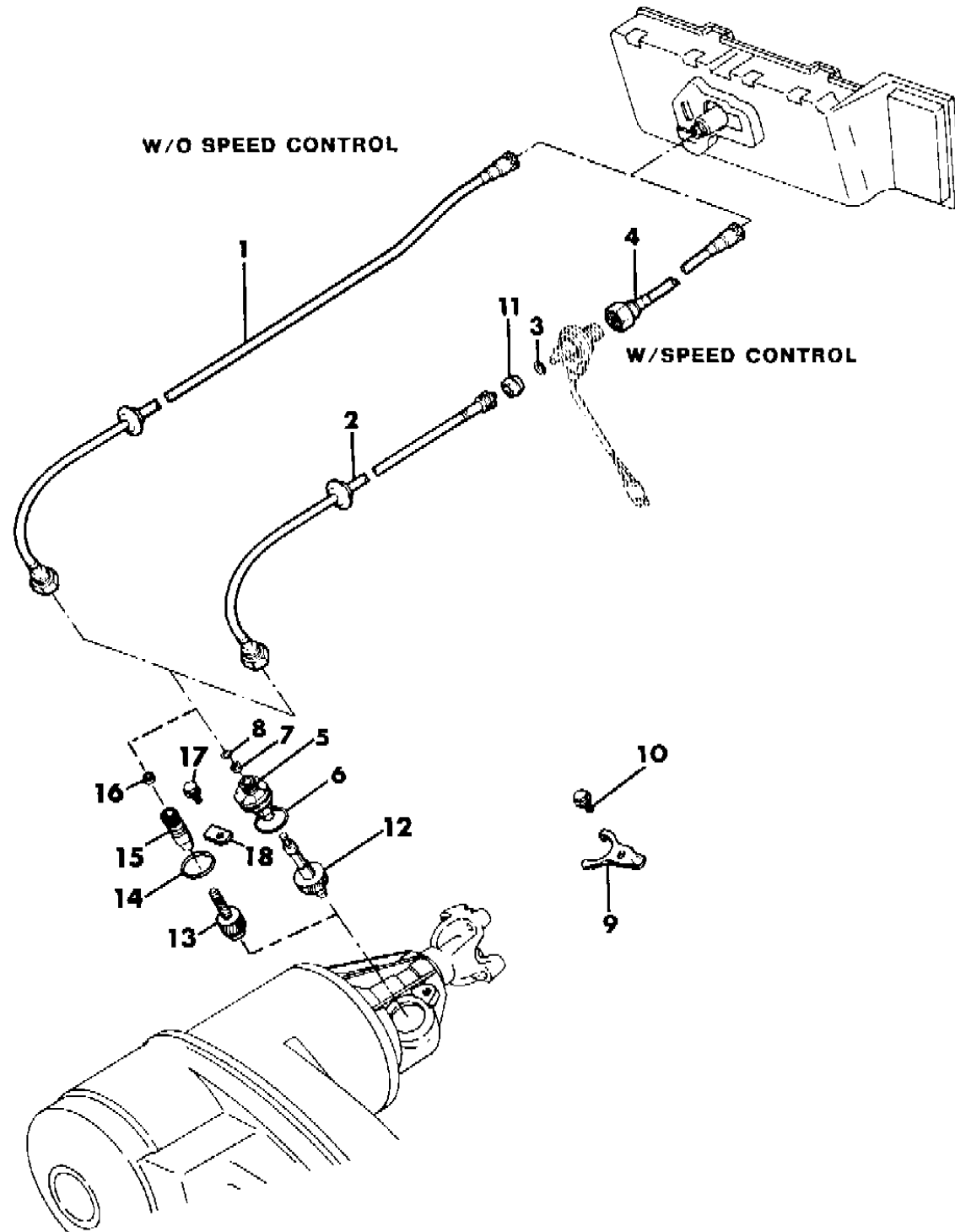
- MJ = Comanche Pickup  
 SJ = Grand Wagoneer Wgn., J-10 & J-20 Pickups  
 XJ = Cherokee, Wagoneer Limited  
 YJ = Wrangler

AR = Use as Required - = Non Illustrated Part P.A.R. = Paint as Required

CABLE, SPEEDOMETER AND PINION AUTOMATIC TRANSMISSION CHEROKEE, WAGONEER, COMANCHE

Figure 21A-2500

8 J51 2500 A



ITEM	PART NUMBER	QTY	BODY	MODEL	DESCRIPTION
1					CABLE, Speedometer
					4 Cyl. Eng.
	5300 1990	1		2WD	1987, Type One Cluster (Speedometer Face Has (2) Slotted Head Screws)
	5300 4953	1		2WD	1987, Type Two Cluster (Speedometer Face Has (2) Phillips Head Screws)
	5300 3900	1		4WD	1987, Type One Cluster (Speedometer Face Has (2) Slotted Head Screws)
	5300 4954	1		4WD	1987, Type Two Cluster (Speedometer Face Has (2) Phillips Head Screws)
	5300 4952	1		2WD	1988-89
	5300 9002	1		2WD	1990, 59-3/4" Lg.
					6 Cyl. Eng.
	5300 1990	1		2WD	1987, Type One Cluster (Speedometer Face Has (2) Slotted Head Screws)
	5300 4953	1		2WD	1987, Type Two Cluster (Speedometer Face Has (2) Phillips Head Screws)
	5300 3900	1		4WD	1987, Type One Cluster (Speedometer Face Has (2) Slotted Head Screws)
	5300 4954	1		4WD	1987, Type Two Cluster (Speedometer Face Has (2) Phillips Head Screws)
	5300 4953	1		2WD	1988-89
	5300 9003	1		2WD	1990, 69-1/2" Lg.
	5300 4954	1		4WD	1988-89
	5300 9004	1		4WD	1990, 76-3/4" Lg.
2					CABLE, Speedometer, Lower
					4 Cyl. Eng.
	5300 4892	1		2WD	1987-89
	5300 9005	1		2WD	1990, 49" Lg.
					6 Cyl. Eng.
	5300 2871	1		2WD	1987-89
	5300 9006	1		2WD	1990, 58-3/4" Lg.
	5300 4894	1		4WD	1987-89
	5300 9000	1		4WD	1990, 68" Lg.
3	J400 6555	1			O-RING
4					CABLE, Speedometer, Upper

MODEL CODES:

15 = Grand Wagoneer 4 Dr.	65 = Comanche 4WD-7 Ft. Box	77 = Cherokee 4WD-2 Dr.
25 = J-10 Pickup-119" W.B.	66 = Comanche 2WD-7 Ft. Box	78 = Cherokee 4WD-4 Dr.
26 = J-10 Pickup-131" W.B.	73 = Cherokee 2WD-2 Dr.	79 = Cherokee 4WD-4 Dr.-Com
27 = J-20 Pickup-131" W.B.	74 = Cherokee 2WD-4 Dr.	81 = Wrangler-93" W.B.
63 = Comanche 4WD-6 Ft. Box	75 = Wagoneer 4WD-4 Dr.	82 = Wrangler-103" W.B.-Exp.
64 = Comanche 2WD-6 Ft. Box		

BODY STYLES:

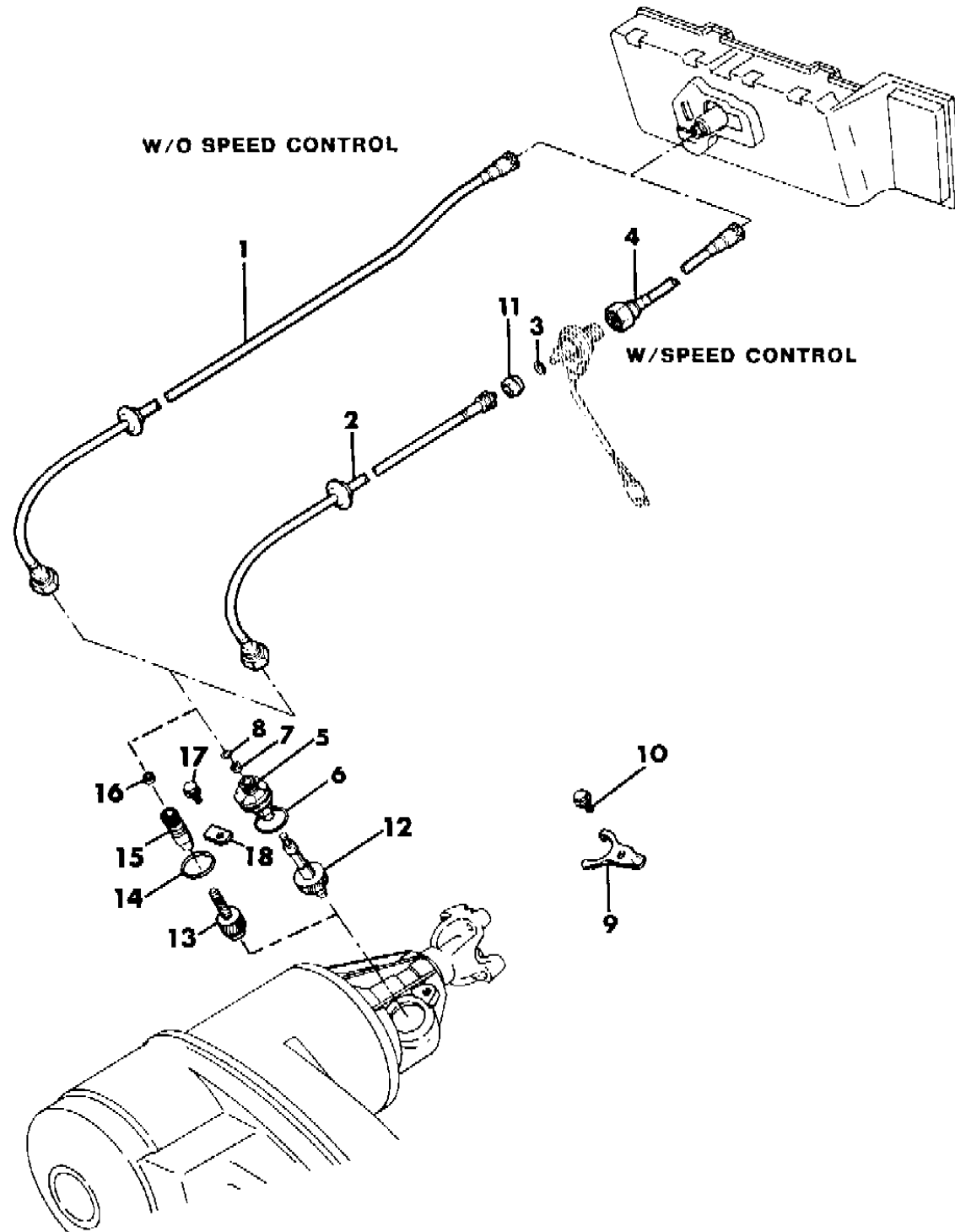
MJ = Comanche Pickup
SJ = Grand Wagoneer Wgn., J-10 & J-20 Pickups
XJ = Cherokee, Wagoneer Limited
YJ = Wrangler

AR = Use as Required - = Non Illustrated Part P.A.R. = Paint as Required

CABLE, SPEEDOMETER AND PINION AUTOMATIC TRANSMISSION CHEROKEE, WAGONEER, COMANCHE

Figure 21A-2500

8 J51 2500 A



ITEM	PART NUMBER	QTY	BODY	MODEL	DESCRIPTION
	5300 3073	1			1987, Type One Cluster (Speedometer Face Has (2) Slotted Head Screws
	5300 4955	1			1987, Type Two Cluster (Speedometer Face Has (2) Phillips Head Screws
	5300 4955	1			1988-89
	5300 9001	1			1990
5	J321 2893	1			ADAPTER, Speedometer
6	6025 752	1			O-RING
7	J321 2847	1			SEAL
8	J321 2846	1			RETAINER
9	J321 2844	1			CLAMP
10	J027 3573	1			SCREW
11	J318 7257	1			RETAINER
12					PINION, Speedometer Drive, 1.42" Dia.
	J321 2729	AR			29 Teeth - Black
	J321 2730	AR			30 Teeth - Yellow
	J321 2731	AR			31 Teeth - Green
	J321 2732	AR			32 Teeth - Black
	J321 2733	AR			33 Teeth - Yellow
	J321 2734	AR			34 Teeth - Green
	J321 2735	AR			35 Teeth - Orange
	J321 2736	AR			36 Teeth - Red
	J323 0221	AR			39 Teeth - Green
	J323 0222	AR			40 Teeth - Orange
	5300 1488	AR			41 Teeth - Red
	5300 1489	AR			42 Teeth - White
	J323 8143	AR			43 Teeth - Blue
	J323 8144	AR			44 Teeth - Black
	9200 0065	AR			45 Teeth - Yellow
13					PINION, Speedometer Drive, .79" Dia., 1987
	5300 1491	AR			18 Teeth - Yellow
	5300 1492	AR			19 Teeth - Red
	5300 1493	AR			20 Teeth - Blue
	5300 3401	AR			21 Teeth - Green
	5300 3419	AR			22 Teeth - Black
14	3420 1877	1			O-RING, 1987
15	5300 1485	1			ADAPTER, Speedometer, 1987

MODEL CODES:

15 = Grand Wagoneer 4 Dr.	65 = Comanche 4WD-7 Ft. Box	77 = Cherokee 4WD-2 Dr.
25 = J-10 Pickup-119" W.B.	66 = Comanche 2WD-7 Ft. Box	78 = Cherokee 4WD-4 Dr.
26 = J-10 Pickup-131" W.B.	73 = Cherokee 2WD-2 Dr.	79 = Cherokee 4WD-4 Dr.-Com
27 = J-20 Pickup-131" W.B.	74 = Cherokee 2WD-4 Dr.	81 = Wrangler-93" W.B.
63 = Comanche 4WD-6 Ft. Box	75 = Wagoneer 4WD-4 Dr.	82 = Wrangler-103" W.B.-Exp.
64 = Comanche 2WD-6 Ft. Box		

BODY STYLES:

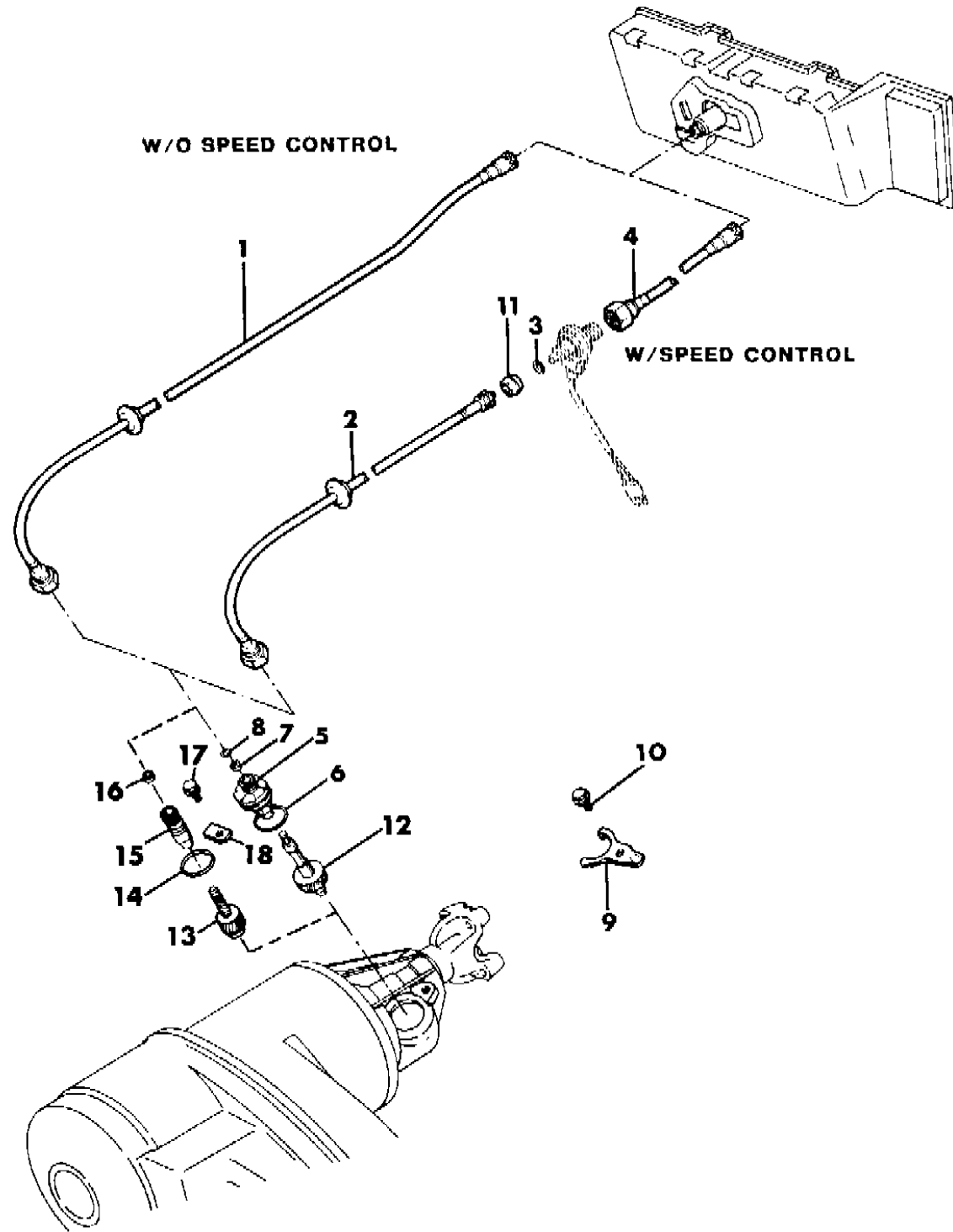
MJ = Comanche Pickup
SJ = Grand Wagoneer Wgn., J-10 & J-20 Pickups
XJ = Cherokee, Wagoneer Limited
YJ = Wrangler

AR = Use as Required - = Non Illustrated Part P.A.R. = Paint as Required

CABLE, SPEEDOMETER AND PINION AUTOMATIC TRANSMISSION CHEROKEE, WAGONEER, COMANCHE

Figure 21A-2500

8J51 2500 A



ITEM	PART NUMBER	QTY	BODY	MODEL	DESCRIPTION
16	8351 0031	1			SEAL, 1987
17	3420 1886	1			SCREW, 1987
18	5300 1484	1			RETAINER, 1987

MODEL CODES:

15 = Grand Wagoneer 4 Dr.	65 = Comanche 4WD-7 Ft. Box	77 = Cherokee 4WD-2 Dr.
25 = J-10 Pickup-119" W.B.	66 = Comanche 2WD-7 Ft. Box	78 = Cherokee 4WD-4 Dr.
26 = J-10 Pickup-131" W.B.	73 = Cherokee 2WD-2 Dr.	79 = Cherokee 4WD-4 Dr.-Com
27 = J-20 Pickup-131" W.B.	74 = Cherokee 2WD-4 Dr.	81 = Wrangler-93" W.B.
63 = Comanche 4WD-6 Ft. Box	75 = Wagoneer 4WD-4 Dr.	82 = Wrangler-103" W.B.-Exp.
64 = Comanche 2WD-6 Ft. Box		

BODY STYLES:

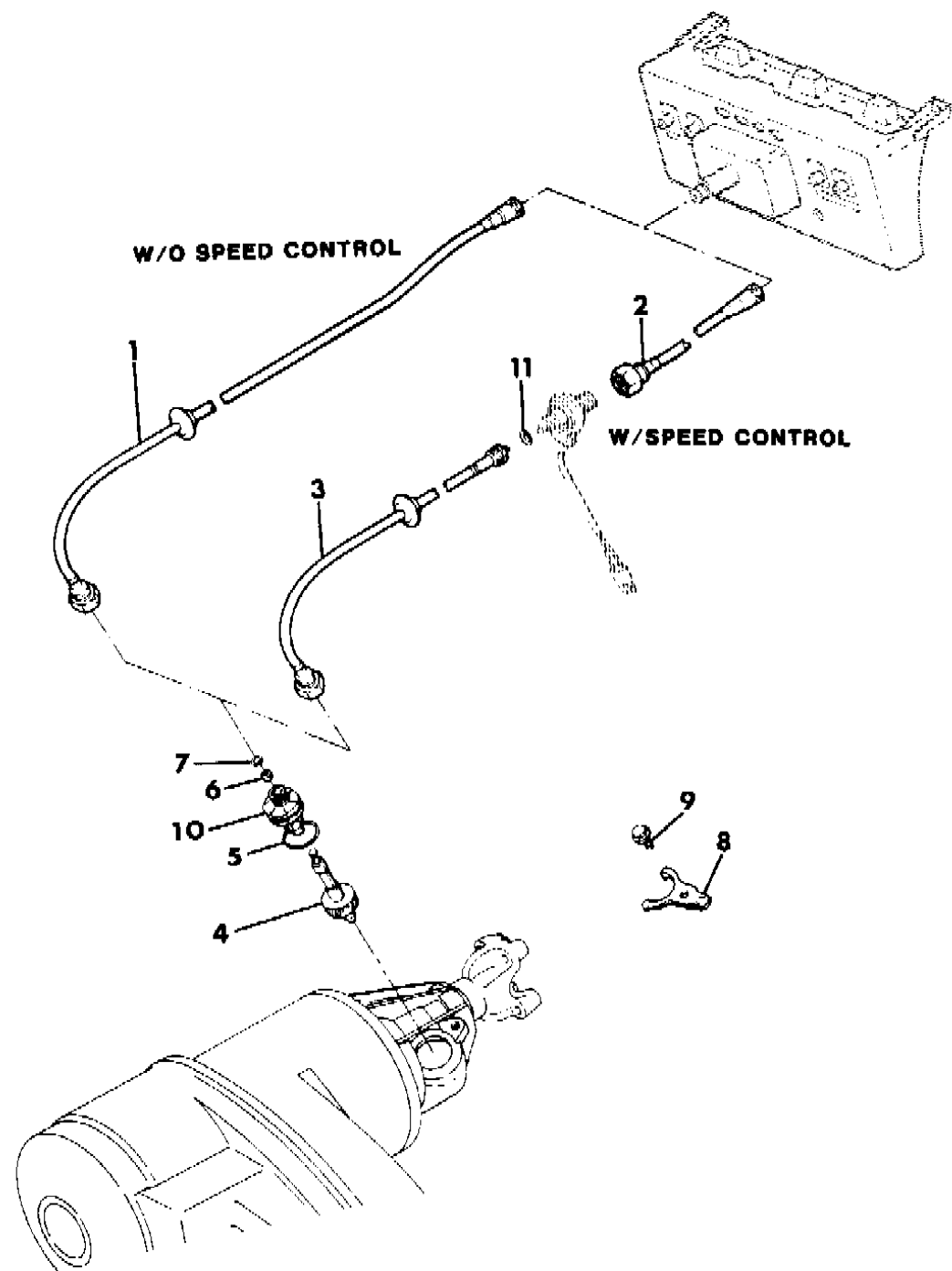
MJ = Comanche Pickup  
 SJ = Grand Wagoneer Wgn., J-10 & J-20 Pickups  
 XJ = Cherokee, Wagoneer Limited  
 YJ = Wrangler

AR = Use as Required - = Non Illustrated Part P.A.R. = Paint as Required

CABLE, SPEEDOMETER AND PINION AUTOMATIC TRANSMISSION GRAND WAGONEER, TRUCK J20

Figure 21A-2600

8J51 2600



ITEM	PART NUMBER	QTY	BODY	MODEL	DESCRIPTION
1					CABLE, Speedometer
	J575 2281	1			w/Model 208 Transfer Case
	J575 2282	1			w/Model 229 Transfer Case
2	J575 8491	1			CABLE, Speedometer, Upper
3					CABLE, Speedometer, Lower
	J536 3552	1			w/Model 208 Transfer Case
	5300 5085	1			1988
	5300 8990	1			1989-90
4					PINION, Speedometer Drive
	J321 2725	AR			25 Teeth
	J321 2726	AR			26 Teeth
	J321 2731	AR			31 Teeth
	J321 2732	AR			32 Teeth
	J321 2733	AR			33 Teeth
	J321 2734	AR			34 Teeth
5	6025 752	1			O-RING
6	J321 2847	1			SEAL
7	J321 2846	1			RETAINER
8	J321 2844	1			CLAMP
9	J027 3573	1			SCREW
10	J321 2893	1			ADAPTER
11	J400 6555	1			O-RING

MODEL CODES:

15 = Grand Wagoneer 4 Dr.	65 = Comanche 4WD-7 Ft. Box	77 = Cherokee 4WD-2 Dr.
25 = J-10 Pickup-119" W.B.	66 = Comanche 2WD-7 Ft. Box	78 = Cherokee 4WD-4 Dr.
26 = J-10 Pickup-131" W.B.	73 = Cherokee 2WD-2 Dr.	79 = Cherokee 4WD-4 Dr.-Com
27 = J-20 Pickup-131" W.B.	74 = Cherokee 2WD-4 Dr.	81 = Wrangler-93" W.B.
63 = Comanche 4WD-6 Ft. Box	75 = Wagoneer 4WD-4 Dr.	82 = Wrangler-103" W.B.-Exp.
64 = Comanche 2WD-6 Ft. Box		

BODY STYLES:

MJ = Comanche Pickup  
 SJ = Grand Wagoneer Wgn., J-10 & J-20 Pickups  
 XJ = Cherokee, Wagoneer Limited  
 YJ = Wrangler

AR = Use as Required - = Non Illustrated Part P.A.R. = Paint as Required

---

**GROUP 22 - WHEELS**

<b>ILLUSTRATION TITLE</b>	<b>GROUP-FIG. NO.</b>
WHEEL, CAP, COVER AND WEIGHTS WRANGLER, YJ .....	Fig. 22-100
WHEEL, SPARE TAILGATE MOUNTING WRANGLER, YJ .....	Fig. 22-200
WHEEL, SPARE MOUNTING WRANGLER, KDX .....	Fig. 22-250
JACK AND MOUNTING UNDER HOOD, 1987-89 WRANGLER YJ .....	Fig. 22-300
JACK AND MOUNTING WRANGLER, YJ 1990 .....	Fig. 22-325
WHEEL, CAP, COVER, AND WEIGHTS CHEROKEE, WAGONEER, COMANCHE .....	Fig. 22-400
WHEEL, SPARE INSIDE MOUNTING CHEROKEE, WAGONEER .....	Fig. 22-500
WHEEL, SPARE - 1987-89 OUTSIDE MOUNTING CHEROKEE, WAGONEER .....	Fig. 22-600
WHEEL, SPARE - 1990 OUTSIDE MOUNTING, SWING AWAY CHEROKEE, WAGONEER .....	Fig. 22-650
WHEEL, SPARE MOUNTING COMANCHE .....	Fig. 22-700
JACK AND MOUNTING CHEROKEE, WAGONEER, COMANCHE .....	Fig. 22-750
WHEELS, CAPS COVERS AND WEIGHTS GRAND WAGONEER, J10, J20 .....	Fig. 22-800
WHEEL, SPARE INTERIOR MOUNTING GRAND WAGONEER .....	Fig. 22-900
WHEEL, SPARE UNDERBODY MOUNTING GRAND WAGONEER, J10, J20 .....	Fig. 22-1000
JACK AND STORAGE BAG GRAND WAGONEER, J10, J20 .....	Fig. 22-1100

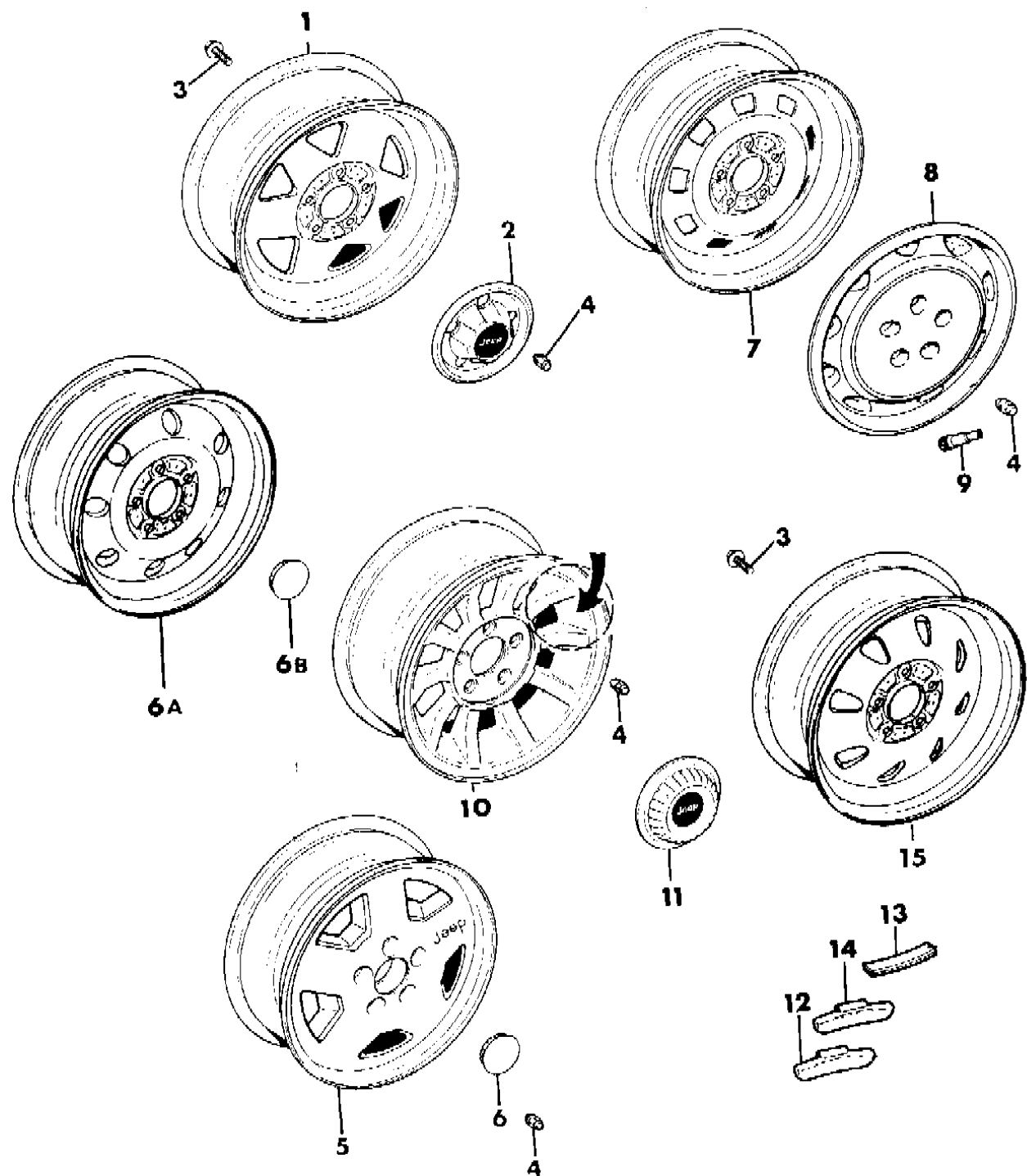
**ILLUSTRATION NOT AVAILABLE AT TIME OF PUBLICATION**

---

WHEEL, CAP, COVER AND WEIGHTS WRANGLER, YJ

Figure 22-100

8J22100 B



ITEM	PART NUMBER	QTY	BODY	MODEL	DESCRIPTION
1					WHEEL, Styled Steel
	5200 3309	AR			Pearl White - 88J17, 1988
	5200 3714	AR			Khaki - 87J77
	5200 3938	AR			Sterling Metallic - 3D
	5200 3616	AR			Snow White (77R31) 6 Spoke, 1987
2					CAP, Hub
	5200 0476	4			Chrome/Black
	5200 1179	4			Black
3					SCREW
	3420 1489	12			1987-88
	3420 2523	12			1989
4	J400 6956	20			NUT, Lug
5	5200 3368	AR			WHEEL, Aluminum
6	5200 2971	4			CAP, Hub
6A	5200 4765	AR			WHEEL, 16x6.0, KDX
6B	5200 4766	4			CAP, Hub
7					WHEEL, Steel
	5200 0022	AR			Silver
	5200 3897	AR			Khaki
	5200 0022	1			Silver, Spare
8	J324 2730	4			COVER, Wheel
9	J323 6449	4			EXTENSION, Valve
10					WHEEL, Aluminum
	5200 0025	AR			Dull, Rough Finish in Circle Area
	5200 2735	AR			Smooth, Glossy Finish in Circled Area
11	5200 0452	4			CAP, Hub
12					WEIGHT, Wheel
	J316 5949	AR			1/2oz.
	J313 1615	AR			1oz.
	J316 5783	AR			1-1/2oz.
	J312 3943	AR			2oz.
	J316 5784	AR			2-1/1oz.
13					WEIGHT, Wheel
	J322 6926	AR			1/2oz.
	J322 6925	AR			1oz.
	J322 6924	AR			1-1/2oz.
	J322 6923	AR			2oz.

MODEL CODES:

15 = Grand Wagoneer 4 Dr.	65 = Comanche 4WD-7 Ft. Box	77 = Cherokee 4WD-2 Dr.
25 = J-10 Pickup-119" W.B.	66 = Comanche 2WD-7 Ft. Box	78 = Cherokee 4WD-4 Dr.
26 = J-10 Pickup-131" W.B.	73 = Cherokee 2WD-2 Dr.	79 = Cherokee 4WD-4 Dr.-Com
27 = J-20 Pickup-131" W.B.	74 = Cherokee 2WD-4 Dr.	81 = Wrangler-93" W.B.
63 = Comanche 4WD-6 Ft. Box	75 = Wagoneer 4WD-4 Dr.	82 = Wrangler-103" W.B.-Exp.
64 = Comanche 2WD-6 Ft. Box		

BODY STYLES:

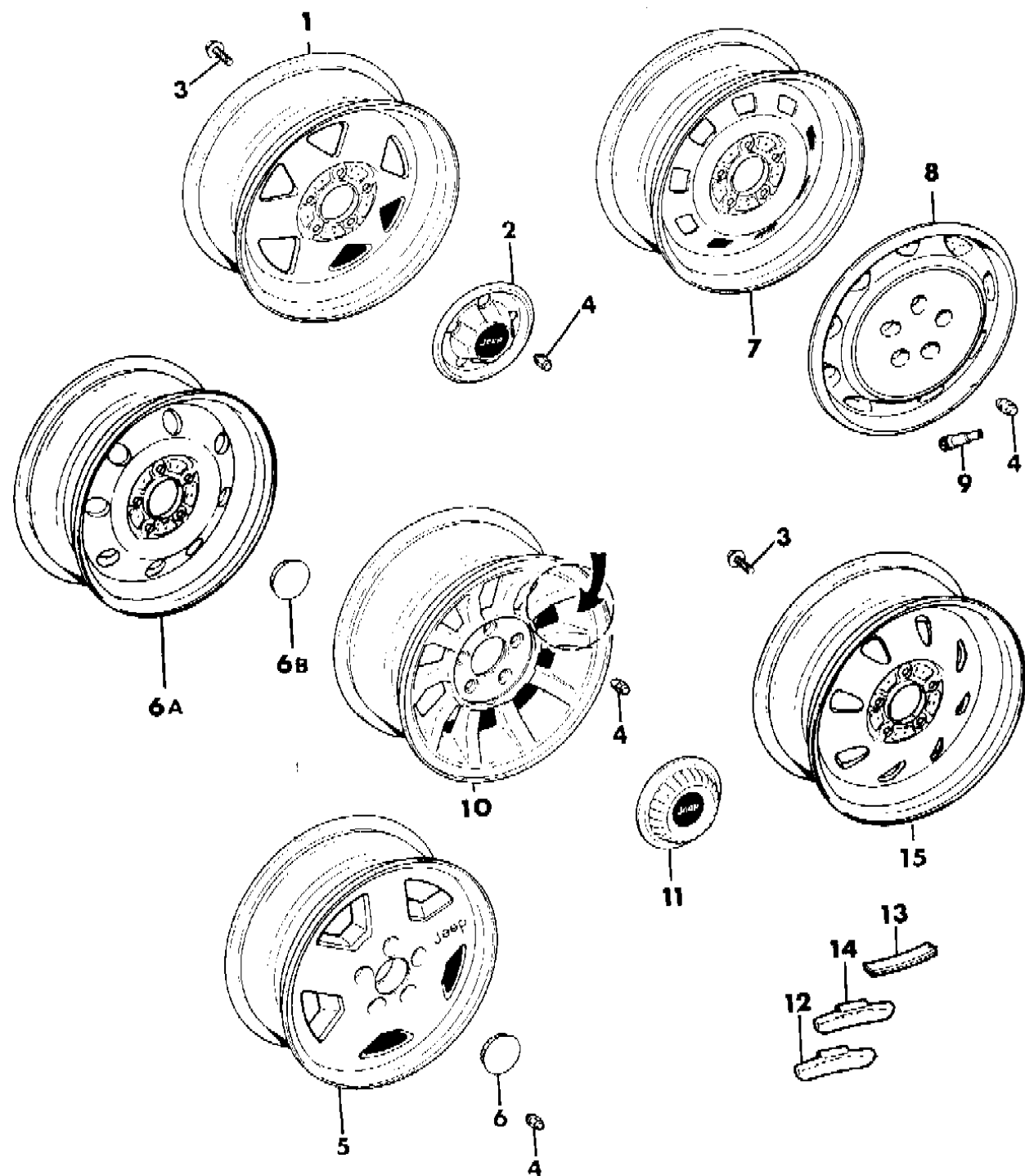
MJ = Comanche Pickup  
 SJ = Grand Wagoneer Wgn., J-10 & J-20 Pickups  
 XJ = Cherokee, Wagoneer Limited  
 YJ = Wrangler

AR = Use as Required - = Non Illustrated Part P.A.R. = Paint as Required



**WHEEL, CAP, COVER AND WEIGHTS WRANGLER, YJ**  
**Figure 22-100**

**8J22100 B**



ITEM	PART NUMBER	QTY	BODY	MODEL	DESCRIPTION
	J322 6922	AR			2-1/2oz.
	J322 6921	AR			3oz.
	J322 6920	AR			3-1/2oz.
	J322 6919	AR			4oz.
14					WEIGHT, Wheel (Not Serviced)
15	5200 2569	AR			WHEEL, Styled Steel, Olympic White (79B) 8 Spoke Holes, 1987

**MODEL CODES:**

15 = Grand Wagoneer 4 Dr.	65 = Comanche 4WD-7 Ft. Box	77 = Cherokee 4WD-2 Dr.
25 = J-10 Pickup-119" W.B.	66 = Comanche 2WD-7 Ft. Box	78 = Cherokee 4WD-4 Dr.
26 = J-10 Pickup-131" W.B.	73 = Cherokee 2WD-2 Dr.	79 = Cherokee 4WD-4 Dr.-Com
27 = J-20 Pickup-131" W.B.	74 = Cherokee 2WD-4 Dr.	81 = Wrangler-93" W.B.
63 = Comanche 4WD-6 Ft. Box	75 = Wagoneer 4WD-4 Dr.	82 = Wrangler-103" W.B.-Exp.
64 = Comanche 2WD-6 Ft. Box		

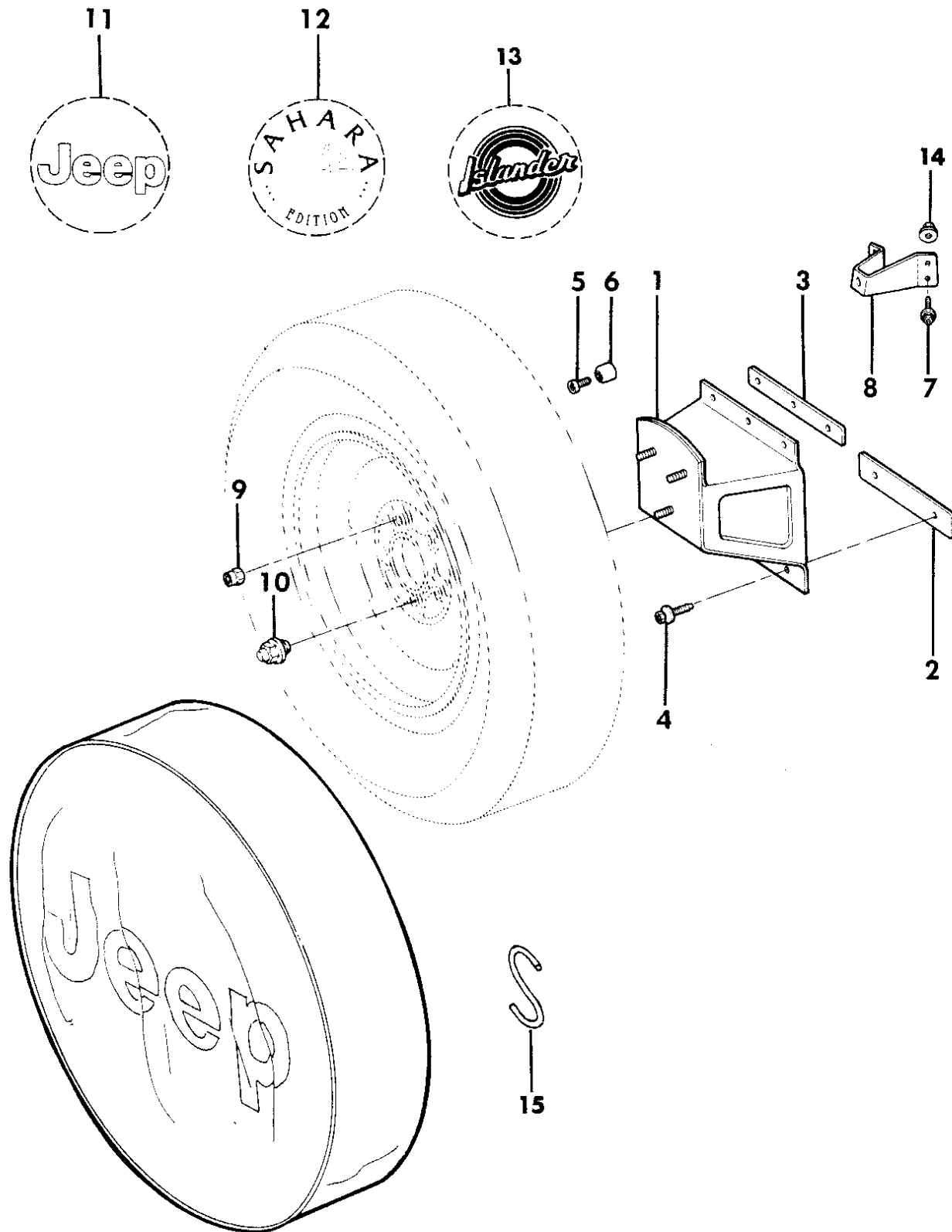
**BODY STYLES:**

MJ = Comanche Pickup  
 SJ = Grand Wagoneer Wgn., J-10 & J-20 Pickups  
 XJ = Cherokee, Wagoneer Limited  
 YJ = Wrangler

AR = Use as Required - = Non Illustrated Part P.A.R. = Paint as Required

**WHEEL, SPARE TAILGATE MOUNTING WRANGLER, YJ**  
**Figure 22-200**

8J22 200



ITEM	PART NUMBER	QTY	BODY	MODEL	DESCRIPTION
1					BRACKET, Mounting
	5500 8243	1			w/ECE
	5501 5857	1			
2	5501 0928	1			GASKET
3	5501 0841	1			GASKET
4	J400 7319	5			SCREW
5	J400 7355	4			SCREW
6					BUMPER
	5500 8263	4			Length = 1.22"
	5501 3350	4			Length = 1.62"
7	J400 6850	4			SCREW
8	5500 8244	1			BRACKET
	5501 7478	1			BRACKET w/Blackout Lamps - Export
9	J400 7186	1			LOCK PACKAGE, Spare Wheel (McGARD)
					Consists Of:
					1 - Locknut
					1 - Key
					1 - Poly Bag
					1 - Registration Card
					1 - Label
10	J400 6956	2			NUT
11					COVER, Spare Tire, Logo Jeep
					Black
	5501 9699	1			1988-89, Poly Spare
	5AF1 6JX7	1			1990, Space Saver
	5501 6592	1			Charcoal 1988-89
	5501 5949	1			Tan 1988
	5502 1251	1			Sand 1989, Poly Spare
	5AF1 6JY6	1			Dark Sand 1990
	5501 5393	1			Honey, 1987
12					COVER, Spare Tire, Logo Sahara
					Khaki
	5501 9298	1			1988 ***
	5502 2210	1			1989
	5AF6 8JJ5	1			1990
13					COVER, Spare Tire, Logo Islander
					Charcoal

**MODEL CODES:**

15 = Grand Wagoneer 4 Dr.	65 = Comanche 4WD-7 Ft. Box	77 = Cherokee 4WD-2 Dr.
25 = J-10 Pickup-119" W.B.	66 = Comanche 2WD-7 Ft. Box	78 = Cherokee 4WD-4 Dr.
26 = J-10 Pickup-131" W.B.	73 = Cherokee 2WD-2 Dr.	79 = Cherokee 4WD-4 Dr.-Com
27 = J-20 Pickup-131" W.B.	74 = Cherokee 2WD-4 Dr.	81 = Wrangler-93" W.B.
63 = Comanche 4WD-6 Ft. Box	75 = Wagoneer 4WD-4 Dr.	82 = Wrangler-103" W.B.-Exp.
64 = Comanche 2WD-6 Ft. Box		

**BODY STYLES:**

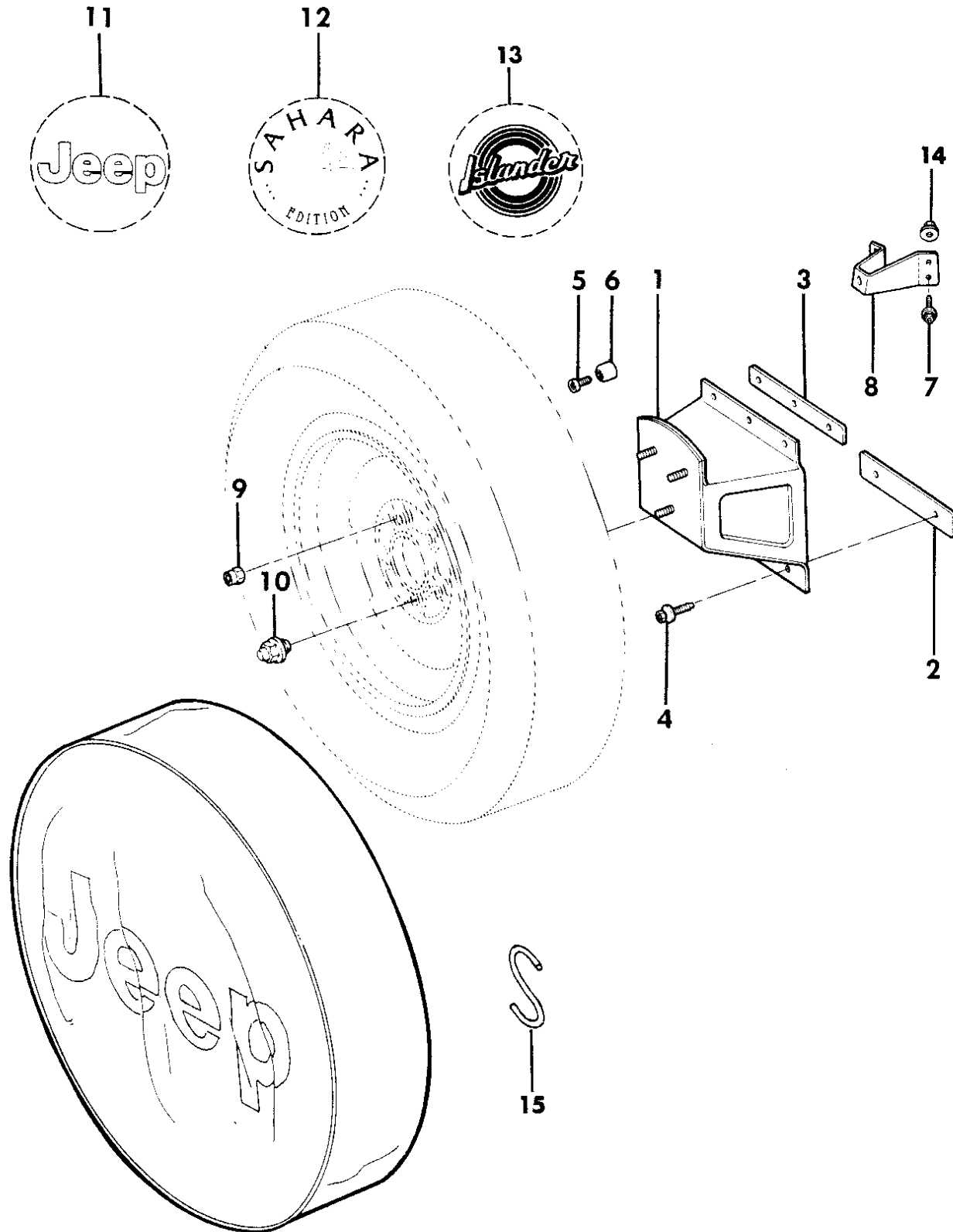
MJ = Comanche Pickup  
 SJ = Grand Wagoneer Wgn., J-10 & J-20 Pickups  
 XJ = Cherokee, Wagoneer Limited  
 YJ = Wrangler

AR = Use as Required - = Non Illustrated Part P.A.R. = Paint as Required

**WHEEL, SPARE TAILGATE MOUNTING WRANGLER, YJ**  
**Figure 22-200**

8J22 200

ITEM	PART NUMBER	QTY	BODY	MODEL	DESCRIPTION
	5AH0 0JS1	1			1990, Charcoal, w/Jeep
14	J941 6918	4			NUT Export
15	J546 0441	1			HOOK, Spare Tire Cover



**MODEL CODES:**

15 = Grand Wagoneer 4 Dr.	65 = Comanche 4WD-7 Ft. Box	77 = Cherokee 4WD-2 Dr.
25 = J-10 Pickup-119" W.B.	66 = Comanche 2WD-7 Ft. Box	78 = Cherokee 4WD-4 Dr.
26 = J-10 Pickup-131" W.B.	73 = Cherokee 2WD-2 Dr.	79 = Cherokee 4WD-4 Dr.-Com
27 = J-20 Pickup-131" W.B.	74 = Cherokee 2WD-4 Dr.	81 = Wrangler-93" W.B.
63 = Comanche 4WD-6 Ft. Box	75 = Wagoneer 4WD-4 Dr.	82 = Wrangler-103" W.B.-Exp.
64 = Comanche 2WD-6 Ft. Box		

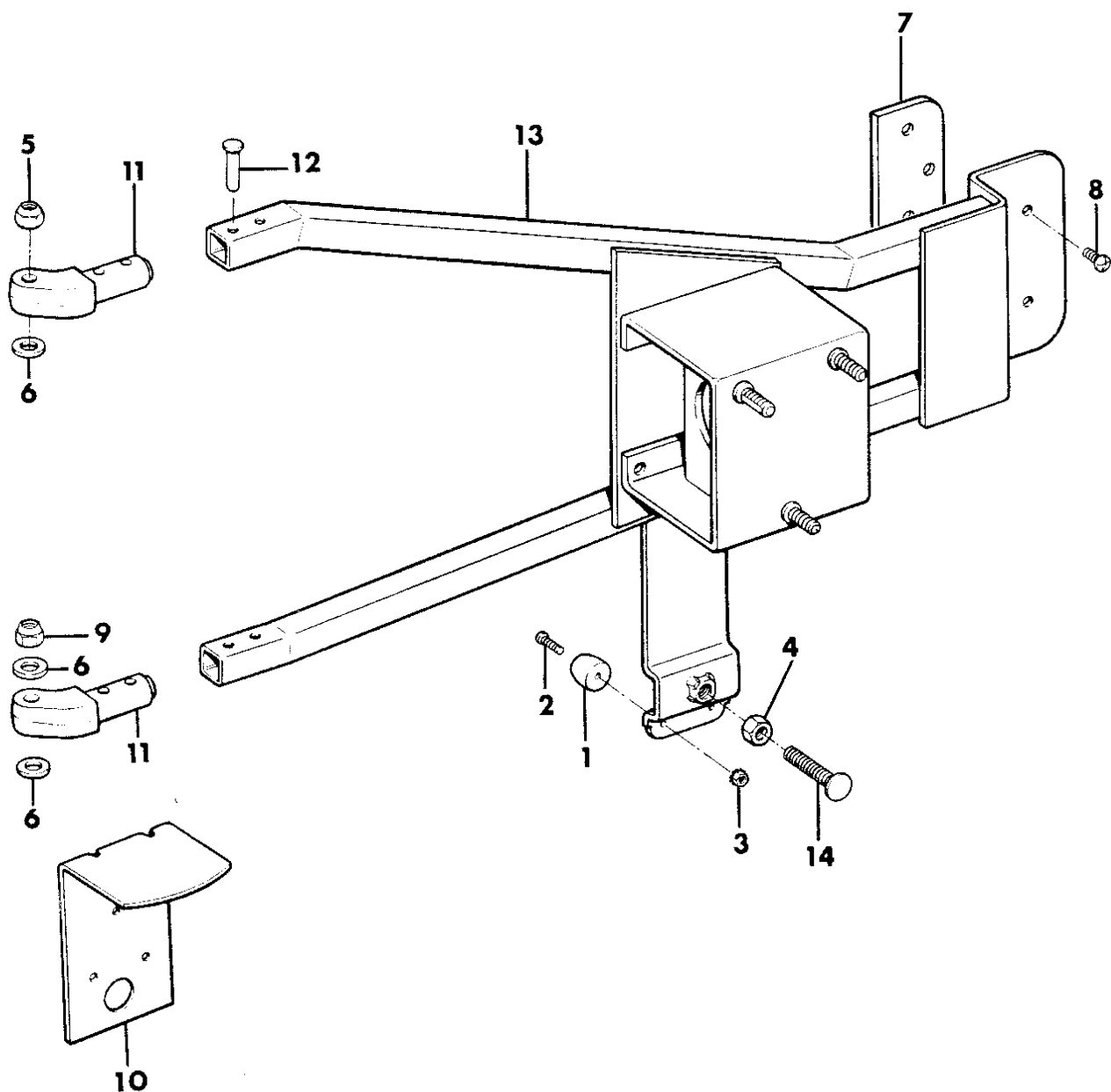
**BODY STYLES:**

MJ = Comanche Pickup  
 SJ = Grand Wagoneer Wgn., J-10 & J-20 Pickups  
 XJ = Cherokee, Wagoneer Limited  
 YJ = Wrangler

AR = Use as Required - = Non Illustrated Part P.A.R. = Paint as Required

WHEEL, SPARE MOUNTING WRANGLER, KDX  
 Figure 22-250

8J22 250



ITEM	PART NUMBER	QTY	BODY	MODEL	DESCRIPTION
1	J096 8734	2			BUMPER
2	J015 9947	2			SCREW
3	J027 1166	2			NUT
4	J012 0238	1			NUT
5	J805 2458	2			NUT
6	J400 7070	4			WASHER
7	J805 2220	1			PLATE
8	J400 6986	2			SCREW
9	J400 5739	2			NUT
10	J805 2261	1			BRACKET
11	J805 2197	2			ARM
12	J805 3204	4			RIVET
13	5502 0098	1			CARRIER, Tire
14	J097 2773	1			BOLT

MODEL CODES:

15 = Grand Wagoneer 4 Dr.	65 = Comanche 4WD-7 Ft. Box	77 = Cherokee 4WD-2 Dr.
25 = J-10 Pickup-119" W.B.	66 = Comanche 2WD-7 Ft. Box	78 = Cherokee 4WD-4 Dr.
26 = J-10 Pickup-131" W.B.	73 = Cherokee 2WD-2 Dr.	79 = Cherokee 4WD-4 Dr.-Com
27 = J-20 Pickup-131" W.B.	74 = Cherokee 2WD-4 Dr.	81 = Wrangler-93" W.B.
63 = Comanche 4WD-6 Ft. Box	75 = Wagoneer 4WD-4 Dr.	82 = Wrangler-103" W.B.-Exp.
64 = Comanche 2WD-6 Ft. Box		

BODY STYLES:

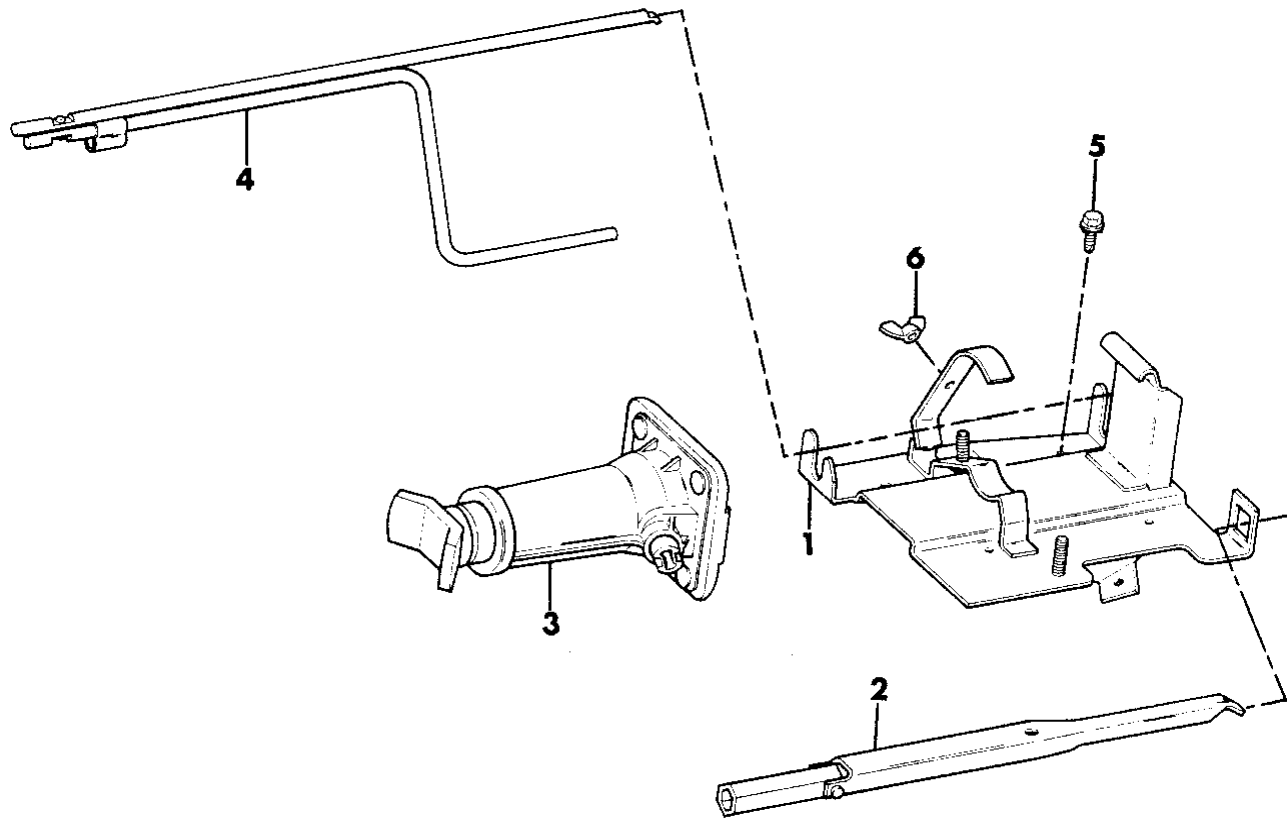
MJ = Comanche Pickup  
 SJ = Grand Wagoneer Wgn., J-10 & J-20 Pickups  
 XJ = Cherokee, Wagoneer Limited  
 YJ = Wrangler

AR = Use as Required - = Non Illustrated Part P.A.R. = Paint as Required

JACK AND MOUNTING UNDER HOOD, 1987-89 WRANGLER YJ  
Figure 22-300

8 J22300

ITEM	PART NUMBER	QTY	BODY	MODEL	DESCRIPTION
1	5200 2486	1			BRACKET
2	5200 3583	1			WRENCH, Lug
3	5200 3584	1			JACK
4	5200 3582	1			HANDLE, Jack
5	J400 4801	3			SCREW
6	S014 2745	1			NUT, Wing
-	8350 5024	1			LABEL, Jack Instruction



MODEL CODES:

15 = Grand Wagoneer 4 Dr.	65 = Comanche 4WD-7 Ft. Box	77 = Cherokee 4WD-2 Dr.
25 = J-10 Pickup-119" W.B.	66 = Comanche 2WD-7 Ft. Box	78 = Cherokee 4WD-4 Dr.
26 = J-10 Pickup-131" W.B.	73 = Cherokee 2WD-2 Dr.	79 = Cherokee 4WD-4 Dr.-Com
27 = J-20 Pickup-131" W.B.	74 = Cherokee 2WD-4 Dr.	81 = Wrangler-93" W.B.
63 = Comanche 4WD-6 Ft. Box	75 = Wagoneer 4WD-4 Dr.	82 = Wrangler-103" W.B.-Exp.
64 = Comanche 2WD-6 Ft. Box		

BODY STYLES:

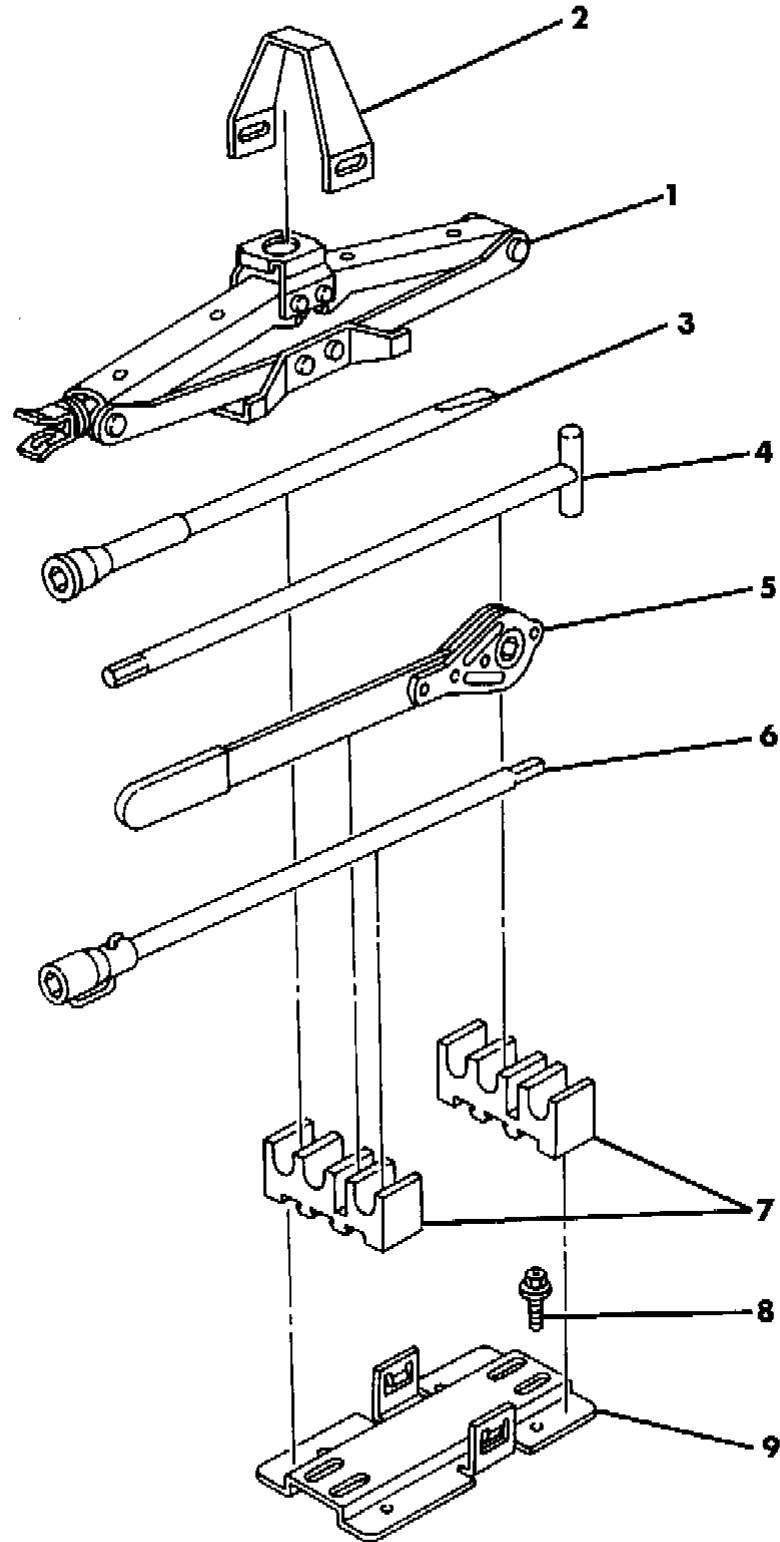
MJ = Comanche Pickup  
 SJ = Grand Wagoneer Wgn., J-10 & J-20 Pickups  
 XJ = Cherokee, Wagoneer Limited  
 YJ = Wrangler

AR = Use as Required - = Non Illustrated Part P.A.R. = Paint as Required

JACK AND MOUNTING WRANGLER, YJ 1990

Figure 22-325

8 J22325



ITEM	PART NUMBER	QTY	BODY	MODEL	DESCRIPTION
1	5200 6166	1			JACK ASSEMBLY, Scissor Type ***
2	4352 217	1			BRACKET, In Cab Jack Stowage, Upper
3	5502 2737	1			WRENCH, Wheel
4	5200 6170	1			T/BAR, Jack Handle ***
5	4522 119	1			CRANK, Jack Handle
6	5200 6169	1			EXTENSION, Jack Handle
7	5200 6171	2			SPACER ***
8	J400 6850	3			SCREW & WASHER ASSEMBLY ***
9	5200 6167	1			BRACKET, In Cab Jack Stowage, Lower

MODEL CODES:

15 = Grand Wagoneer 4 Dr.	65 = Comanche 4WD-7 Ft. Box	77 = Cherokee 4WD-2 Dr.
25 = J-10 Pickup-119" W.B.	66 = Comanche 2WD-7 Ft. Box	78 = Cherokee 4WD-4 Dr.
26 = J-10 Pickup-131" W.B.	73 = Cherokee 2WD-2 Dr.	79 = Cherokee 4WD-4 Dr.-Com
27 = J-20 Pickup-131" W.B.	74 = Cherokee 2WD-4 Dr.	81 = Wrangler-93" W.B.
63 = Comanche 4WD-6 Ft. Box	75 = Wagoneer 4WD-4 Dr.	82 = Wrangler-103" W.B.-Exp.
64 = Comanche 2WD-6 Ft. Box		

BODY STYLES:

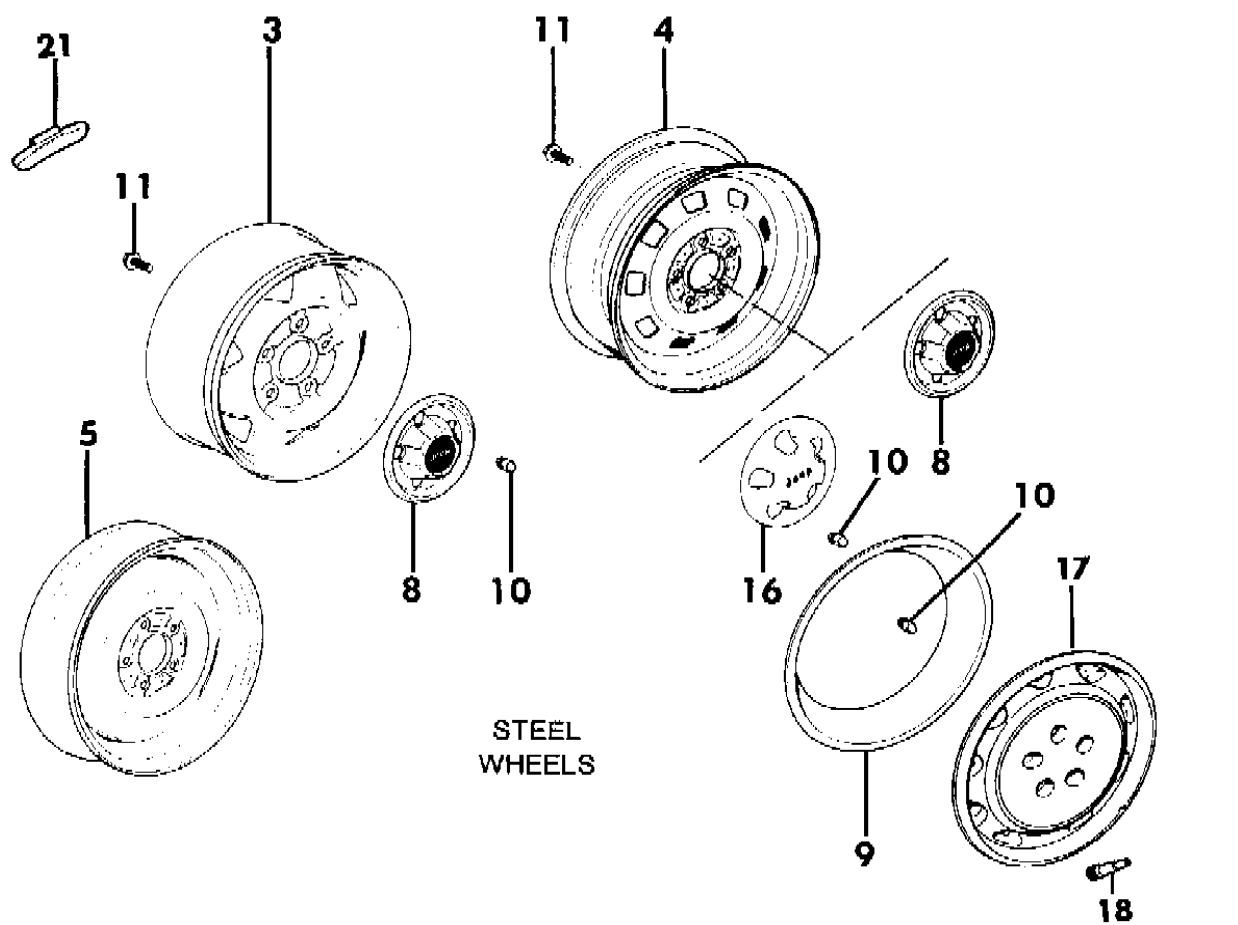
MJ = Comanche Pickup  
 SJ = Grand Wagoneer Wgn., J-10 & J-20 Pickups  
 XJ = Cherokee, Wagoneer Limited  
 YJ = Wrangler

AR = Use as Required - = Non Illustrated Part P.A.R. = Paint as Required

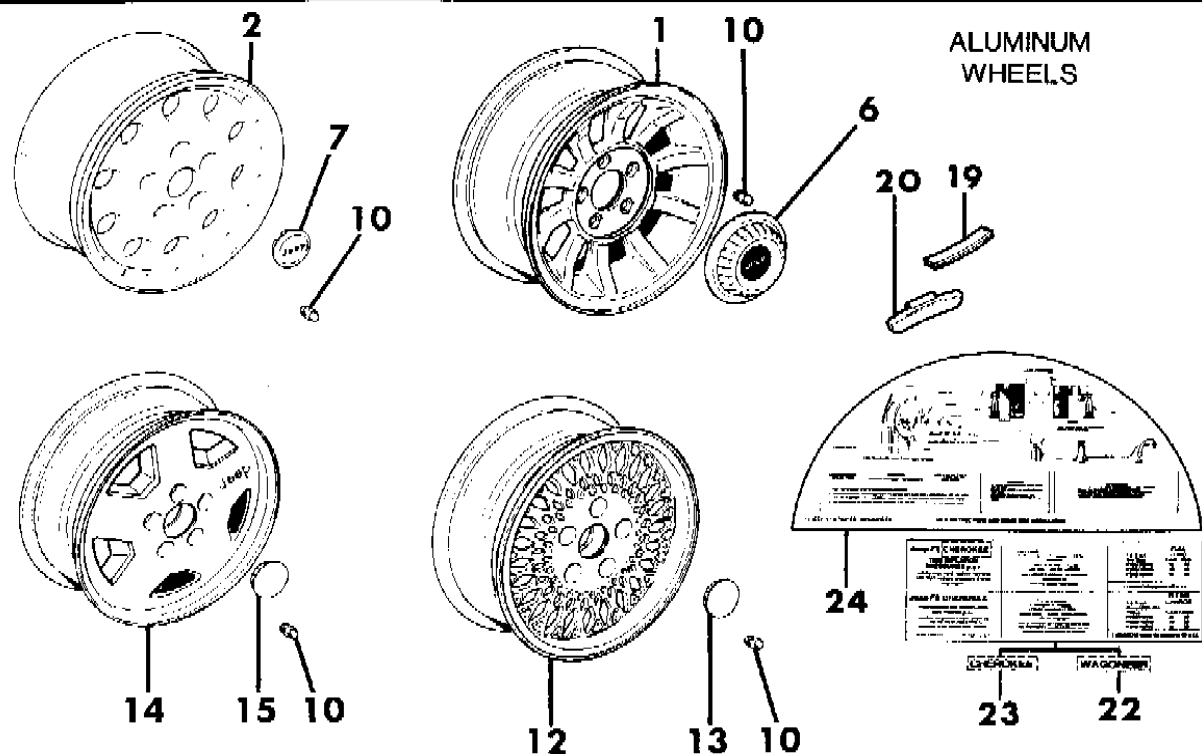
WHEEL, CAP, COVER, AND WEIGHTS CHEROKEE, WAGONEER, COMANCHE

Figure 22-400

8J22400A



STEEL WHEELS



ALUMINUM WHEELS

ITEM	PART NUMBER	QTY	BODY	MODEL	DESCRIPTION
1	5200 0025	AR			WHEEL, Aluminum
2	5200 3758	AR			WHEEL, Aluminum
3	5200 3309	AR			WHEEL, Styled Steel Pearl White - 88J17
	5200 3938	AR			Sterling Metallic - 3D
4	5200 0022	AR			WHEEL, Steel
5	5200 0019	1			WHEEL, Compact Spare, 16x4JJ
6	5200 0452	4			CAP, Hub
7	5200 3759	4			CAP, Hub, Jeep Written in Silver
8	5200 0476	4			CAP, Hub Chrome/Black ***
	5200 1179	4			Black ***
9	5200 1805	4			RING
10	J400 6956	20			NUT, Lug
11	3420 1489	20			SCREW 1987-1988
	3420 2523	12			1989
12	5200 3620	AR			WHEEL, Aluminum - Gold
13	5200 3621	4			CAP, Hub, Gold
14	5200 3403	AR			WHEEL, Aluminum
15	5200 2971	4			CAP, Hub
16	5200 3763	4			CAP, Hub
17	J324 2730	4			COVER, Wheel
18	J323 6449	4			EXTENSION, Valve
19	J322 6926	AR			WEIGHT, Wheel 1/2 oz.
	J322 6925	AR			1oz.
	J322 6924	AR			1-1/2 oz.
	J322 6923	AR			2 oz.
	J322 6922	AR			2-1/2 oz.
	J322 6921	AR			3 oz.
	J322 6920	AR			3-1/2 oz.
	J322 6919	AR			4 oz.
20	3200 0610	AR			WEIGHT, Wheel 1/2 oz.
	3200 0611	AR			1 oz.
	3200 0612	AR			1-1/2 oz.

MODEL CODES:

15 = Grand Wagoneer 4 Dr.	65 = Comanche 4WD-7 Ft. Box	77 = Cherokee 4WD-2 Dr.
25 = J-10 Pickup-119" W.B.	66 = Comanche 2WD-7 Ft. Box	78 = Cherokee 4WD-4 Dr.
26 = J-10 Pickup-131" W.B.	73 = Cherokee 2WD-2 Dr.	79 = Cherokee 4WD-4 Dr.-Com
27 = J-20 Pickup-131" W.B.	74 = Cherokee 2WD-4 Dr.	81 = Wrangler-93" W.B.
63 = Comanche 4WD-6 Ft. Box	75 = Wagoneer 4WD-4 Dr.	82 = Wrangler-103" W.B.-Exp.
64 = Comanche 2WD-6 Ft. Box		

BODY STYLES:

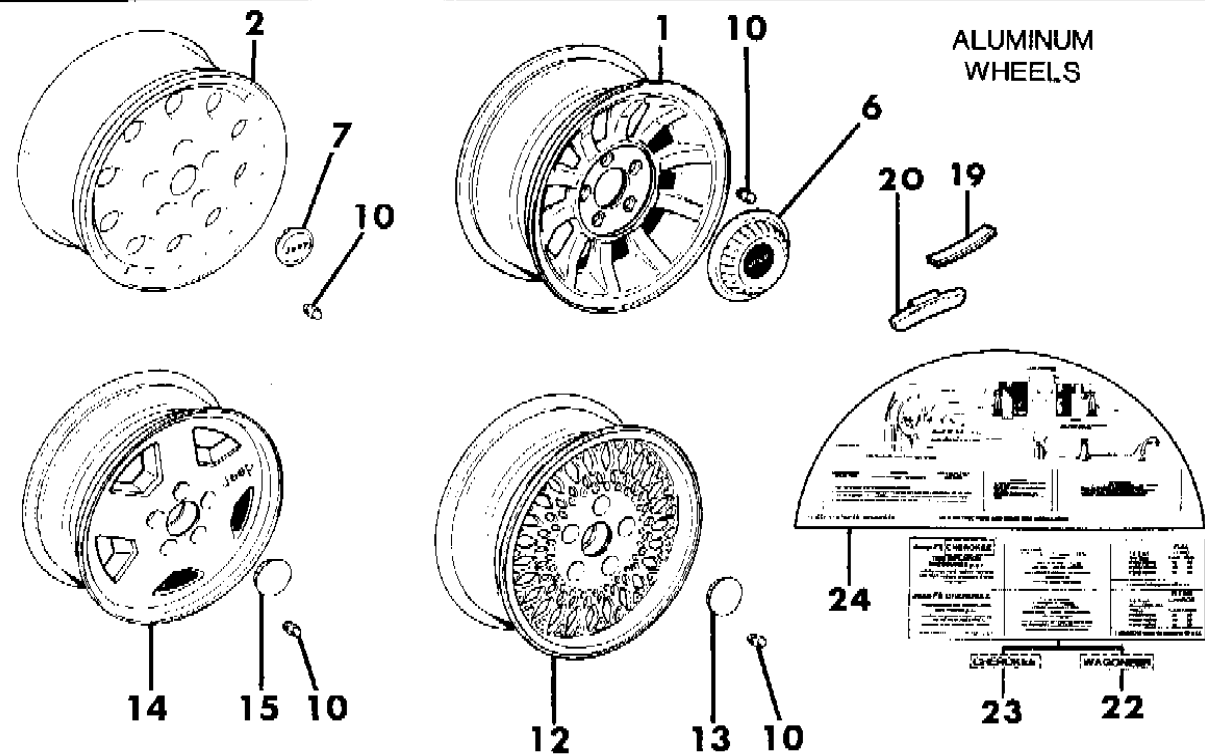
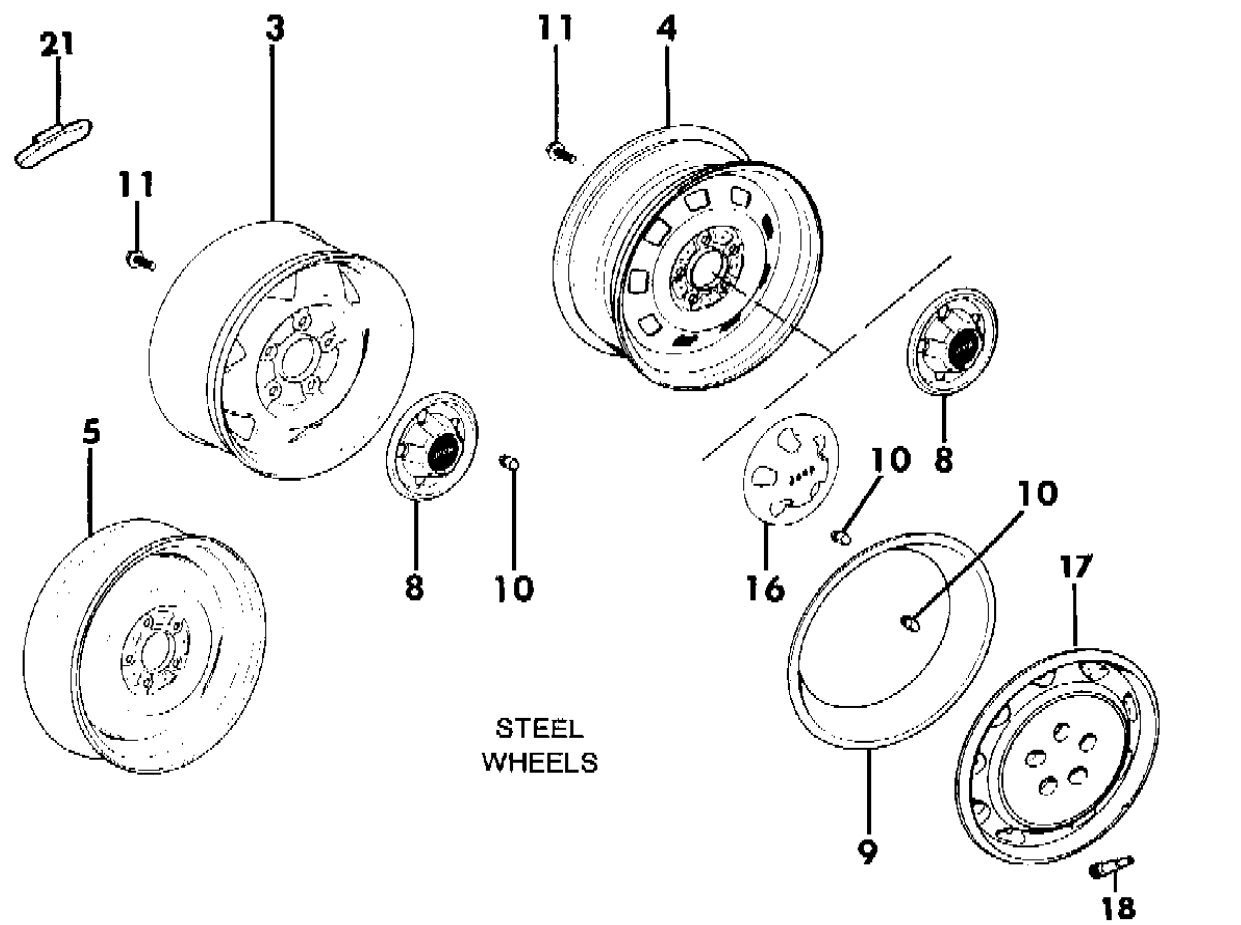
MJ = Comanche Pickup
SJ = Grand Wagoneer Wgn., J-10 & J-20 Pickups
XJ = Cherokee, Wagoneer Limited
YJ = Wrangler

AR = Use as Required - = Non Illustrated Part P.A.R. = Paint as Required

WHEEL, CAP, COVER, AND WEIGHTS CHEROKEE, WAGONEER, COMANCHE

Figure 22-400

8J22400A



ITEM	PART NUMBER	QTY	BODY	MODEL	DESCRIPTION
	3200 0613	AR			2 oz.
	3200 0614	AR			2-1/2 oz.
	3200 0615	AR			3 oz.
21					WEIGHT, Wheel
	J316 5949	AR			1/2 oz.
	J313 1615	AR			1 oz.
	J316 5783	AR			1-1/2 oz.
	J312 3943	AR			2 oz.
	J316 5784	AR			2-1/2 oz.
22	5200 1401	1			LABEL, Tire Pressure
23	5200 2797	1			LABEL, Tire Pressure
24	5200 1189	1			LABEL, Spare Tire, U.S.
	5200 1190	1			LABEL, Spare Tire, Canada

MODEL CODES:

15 = Grand Wagoneer 4 Dr.	65 = Comanche 4WD-7 Ft. Box	77 = Cherokee 4WD-2 Dr.
25 = J-10 Pickup-119" W.B.	66 = Comanche 2WD-7 Ft. Box	78 = Cherokee 4WD-4 Dr.
26 = J-10 Pickup-131" W.B.	73 = Cherokee 2WD-2 Dr.	79 = Cherokee 4WD-4 Dr.-Com
27 = J-20 Pickup-131" W.B.	74 = Cherokee 2WD-4 Dr.	81 = Wrangler-93" W.B.
63 = Comanche 4WD-6 Ft. Box	75 = Wagoneer 4WD-4 Dr.	82 = Wrangler-103" W.B.-Exp.
64 = Comanche 2WD-6 Ft. Box		

BODY STYLES:

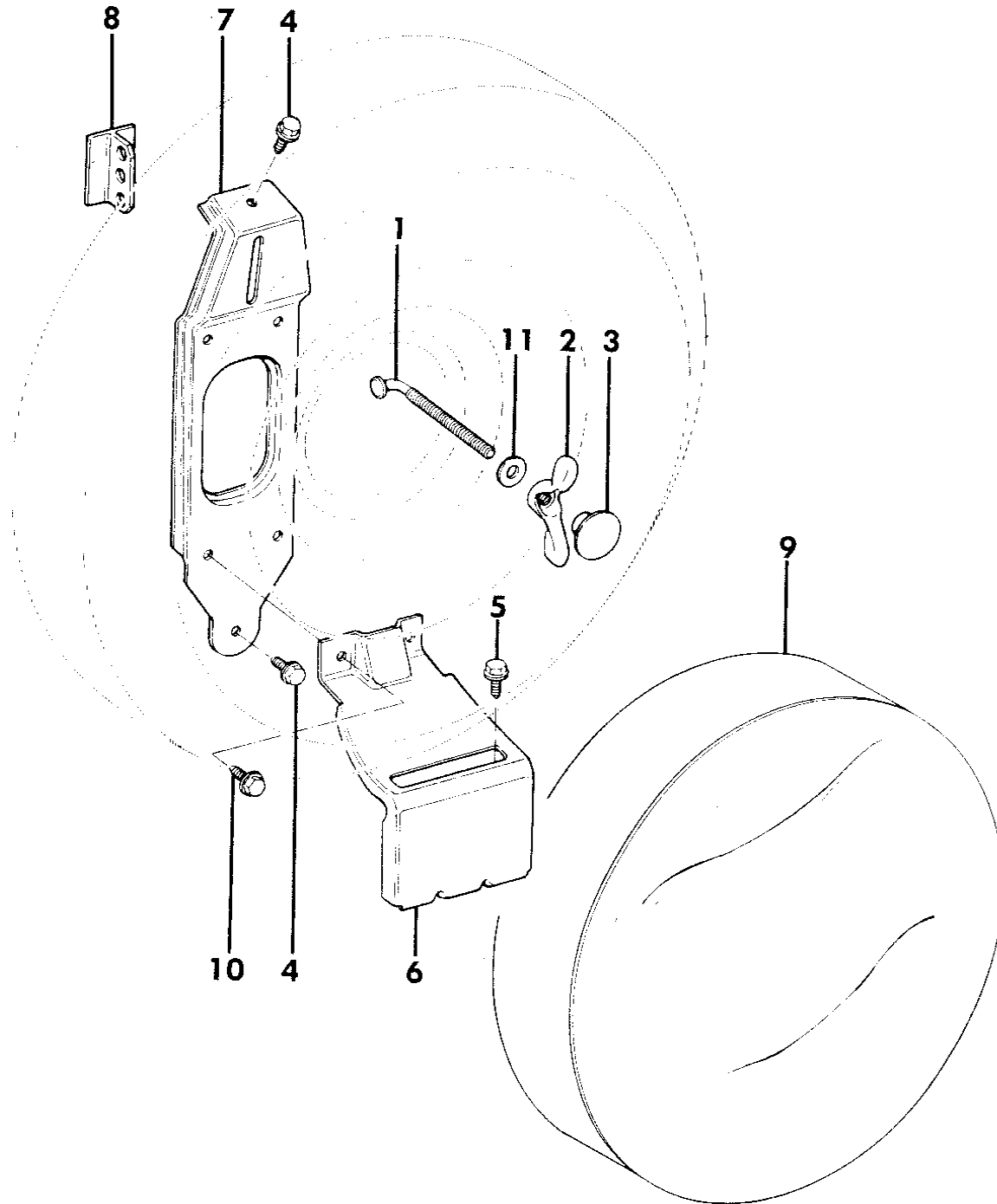
MJ = Comanche Pickup  
 SJ = Grand Wagoneer Wgn., J-10 & J-20 Pickups  
 XJ = Cherokee, Wagoneer Limited  
 YJ = Wrangler

AR = Use as Required - = Non Illustrated Part P.A.R. = Paint as Required



**WHEEL, SPARE INSIDE MOUNTING CHEROKEE, WAGONEER**  
**Figure 22-500**

8J22500



ITEM	PART NUMBER	QTY	BODY	MODEL	DESCRIPTION
1					ROD, Tire Hold Down
	5200 0731	1			Length = 125mm
	5200 2705	1			Length = 174mm
2	5200 1643	1			NUT
3	5200 0733	1			CAP, Rod
4	3420 1408	6			BOLT
5	1150 0100	2			BOLT
6	5500 0859	1			BRACKET
7	5500 2009	1			BRACE
8	5500 3494	1			BRACKET
9					COVER, Spare Tire
					Tires Coded T125
	5AJ7 5JY6	1			Sand Carpet
	5502 1181	1			Charcoal Carpet
	5502 1180	1			Charcoal Vinyl
	5502 1185	1			Cordovan Vinyl
	5502 1183	1			Navy Vinyl
	5501 8802	1			Black Carpet, 1987
	5500 8076	1			Black Vinyl, 1987
	5500 8077	1			Blue Med. Vinyl, 1987
	5502 1106	1			Sand Vinyl
	5502 1184	1			Tan Vinyl
					Tires Coded P195 or P205
	5502 1186	1			Charcoal Vinyl
	5502 1189	1			Cordovan Vinyl
	5502 1187	1			Navy Vinyl
	5501 3180	1			Blue Med. Vinyl, 1987
	5502 1107	1			Sand Vinyl
	5500 8078	1			Blue Med. Vinyl, 1987
	5502 1188	1			Tan Vinyl
	5500 8079	1			Black Vinyl, 1987
					Tires Coded P215 or P225
	5AJ7 6JY6	1			Sand Carpet
	5502 1182	1			Charcoal Carpet
	5502 1190	1			Charcoal Vinyl
	5502 1193	1			Cordovan Vinyl
	5502 1191	1			Navy Vinyl

**MODEL CODES:**

15 = Grand Wagoneer 4 Dr.	65 = Comanche 4WD-7 Ft. Box	77 = Cherokee 4WD-2 Dr.
25 = J-10 Pickup-119" W.B.	66 = Comanche 2WD-7 Ft. Box	78 = Cherokee 4WD-4 Dr.
26 = J-10 Pickup-131" W.B.	73 = Cherokee 2WD-2 Dr.	79 = Cherokee 4WD-4 Dr.-Com
27 = J-20 Pickup-131" W.B.	74 = Cherokee 2WD-4 Dr.	81 = Wrangler-93" W.B.
63 = Comanche 4WD-6 Ft. Box	75 = Wagoneer 4WD-4 Dr.	82 = Wrangler-103" W.B.-Exp.
64 = Comanche 2WD-6 Ft. Box		

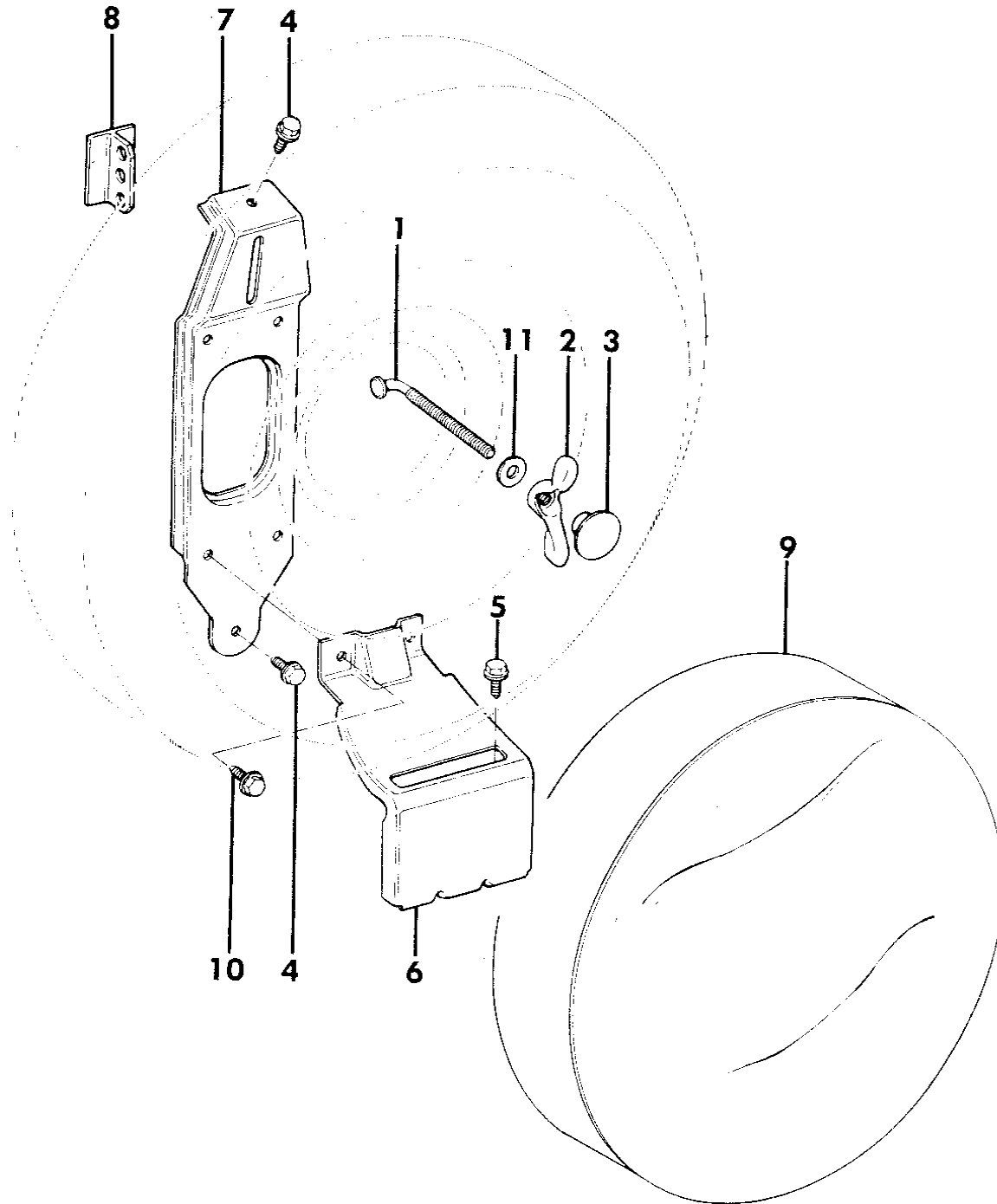
**BODY STYLES:**

MJ = Comanche Pickup
SJ = Grand Wagoneer Wgn., J-10 & J-20 Pickups
XJ = Cherokee, Wagoneer Limited
YJ = Wrangler

AR = Use as Required - = Non Illustrated Part P.A.R. = Paint as Required

**WHEEL, SPARE INSIDE MOUNTING CHEROKEE, WAGONEER**  
**Figure 22-500**

8J22500



ITEM	PART NUMBER	QTY	BODY	MODEL	DESCRIPTION
	5501 3180	1			Blue Med. Vinyl, 1987
	5502 0693	1			Sand Vinyl
	5501 3181	1			Black Vinyl, 1987
	5502 1192	1			Tan Vinyl
	5501 8803	1			Black Carpet, 1987
10	3420 1610	2			SCREW
11	J400 6404	1			WASHER

**MODEL CODES:**

15 = Grand Wagoneer 4 Dr.	65 = Comanche 4WD-7 Ft. Box	77 = Cherokee 4WD-2 Dr.
25 = J-10 Pickup-119" W.B.	66 = Comanche 2WD-7 Ft. Box	78 = Cherokee 4WD-4 Dr.
26 = J-10 Pickup-131" W.B.	73 = Cherokee 2WD-2 Dr.	79 = Cherokee 4WD-4 Dr.-Com
27 = J-20 Pickup-131" W.B.	74 = Cherokee 2WD-4 Dr.	81 = Wrangler-93" W.B.
63 = Comanche 4WD-6 Ft. Box	75 = Wagoneer 4WD-4 Dr.	82 = Wrangler-103" W.B.-Exp.
64 = Comanche 2WD-6 Ft. Box		

**BODY STYLES:**

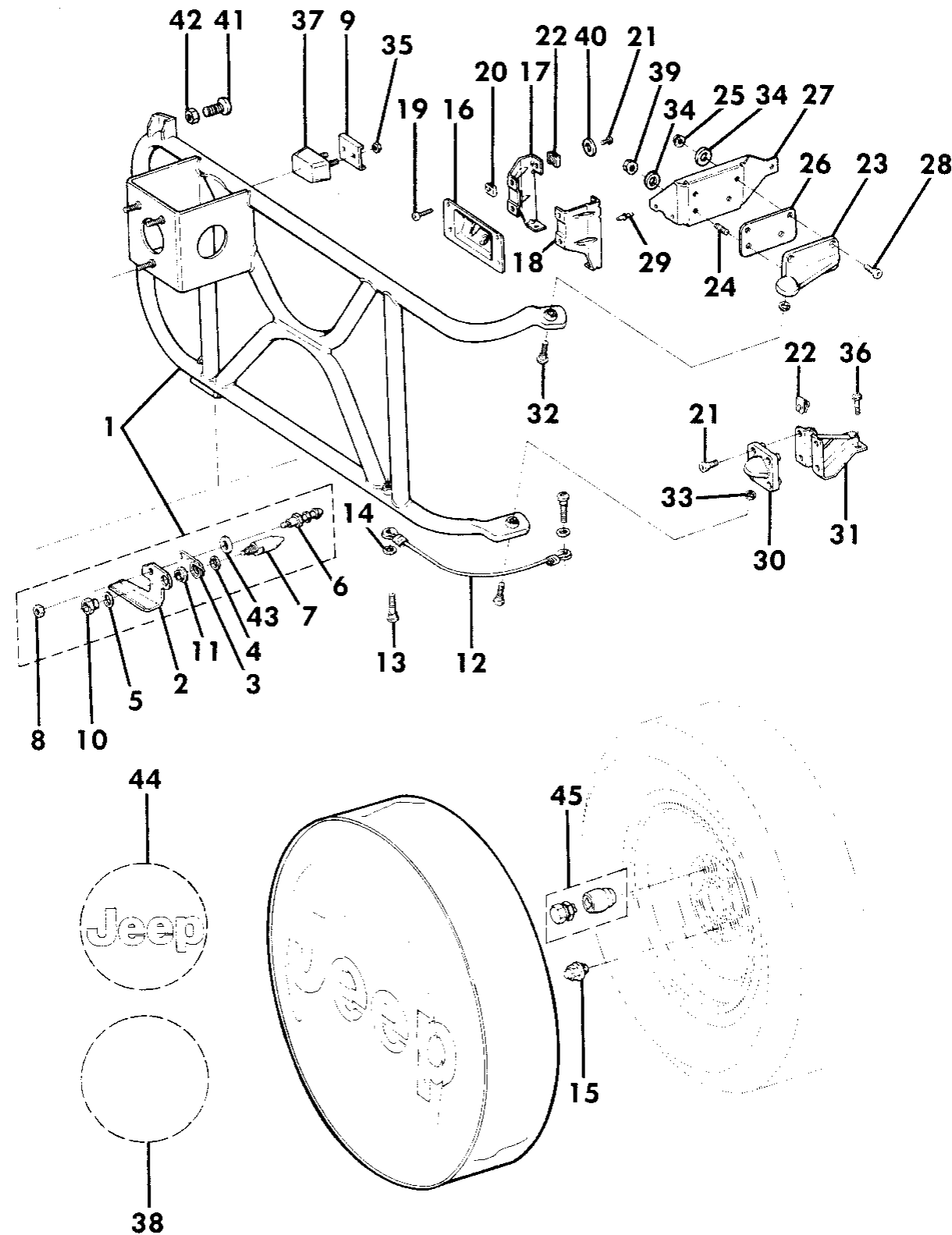
MJ = Comanche Pickup  
 SJ = Grand Wagoneer Wgn., J-10 & J-20 Pickups  
 XJ = Cherokee, Wagoneer Limited  
 YJ = Wrangler

AR = Use as Required - = Non Illustrated Part P.A.R. = Paint as Required

WHEEL, SPARE - 1987-89 OUTSIDE MOUNTING CHEROKEE, WAGONEER

Figure 22-600

8J22600



ITEM	PART NUMBER	QTY	BODY	MODEL	DESCRIPTION
1	5200 0207	1			CARRIER
2	5200 0635	1			LEVER, Lock
3	5200 0633	3			SPRING, Lever
4	5200 0636	1			BUSHING, Lever
5	5200 0634	2			SPACER, Lever
6	5200 0344	1			LATCH, Lock Pin
7	5200 3084	1			PIN, Lock Pilot
8	3420 1580	1			NUT
9	5500 2000	1			REINFORCEMENT
10	5200 0926	1			RETAINER, Lever
11	5200 0927	1			SLEEVE, Lever
12	5200 1414	1			CABLE, Carrier
13					BOLT
	3420 1583	1			Diameter = M10
	3420 2583	1			Diameter = M12
14	1150 0324	2			WASHER
15	J400 6956	2			NUT, Lug
16	5200 0343	1			PLATE, Latch
17	5200 0341	1			REINFORCEMENT
18	5200 0340	1			REINFORCEMENT
19	3420 2183	4			BOLT
20	1150 3714	4			NUT
21	3420 1596	6			BOLT
22	1150 0660	AR			NUT
23	5200 0337	1			BRACKET, Hinge
24	3420 1623	2			STUD
25	J303 4037	2			NUT
26	5200 0686	1			GASKET
27	5500 3345	1			REINFORCEMENT
28	3420 1620	2			BOLT
29	3420 1035	3			RIVET
30	5200 0338	1			BRACKET, Hinge
31	5200 0649	1			REINFORCEMENT
32	3420 1779	2			BOLT
33	5200 0985	AR			SHIM
34	J400 6826	4			WASHER
35	1150 2702	2			NUT

MODEL CODES:

15 = Grand Wagoneer 4 Dr.	65 = Comanche 4WD-7 Ft. Box	77 = Cherokee 4WD-2 Dr.
25 = J-10 Pickup-119" W.B.	66 = Comanche 2WD-7 Ft. Box	78 = Cherokee 4WD-4 Dr.
26 = J-10 Pickup-131" W.B.	73 = Cherokee 2WD-2 Dr.	79 = Cherokee 4WD-4 Dr.-Com
27 = J-20 Pickup-131" W.B.	74 = Cherokee 2WD-4 Dr.	81 = Wrangler-93" W.B.
63 = Comanche 4WD-6 Ft. Box	75 = Wagoneer 4WD-4 Dr.	82 = Wrangler-103" W.B.-Exp.
64 = Comanche 2WD-6 Ft. Box		

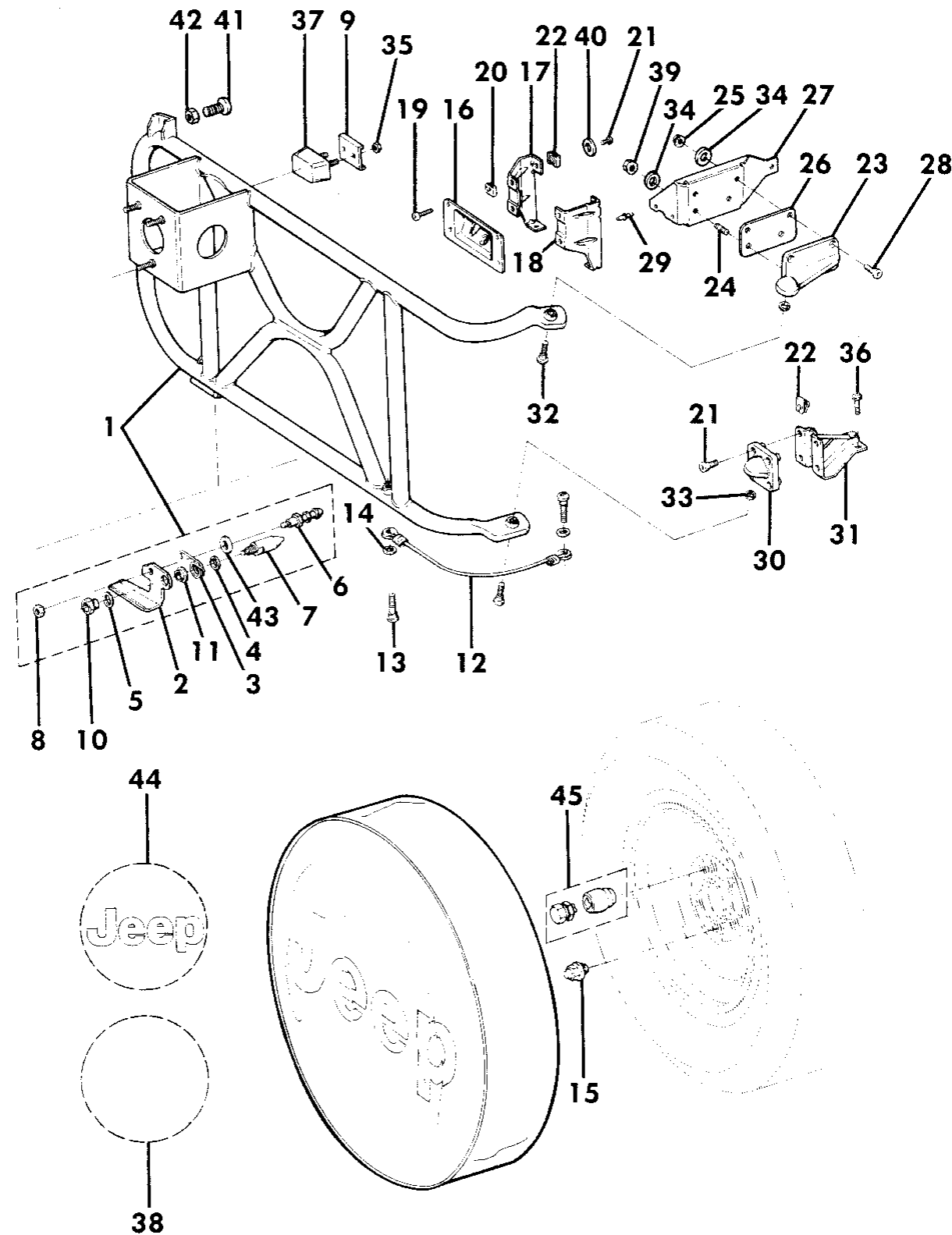
BODY STYLES:

MJ = Comanche Pickup  
 SJ = Grand Wagoneer Wgn., J-10 & J-20 Pickups  
 XJ = Cherokee, Wagoneer Limited  
 YJ = Wrangler

AR = Use as Required - = Non Illustrated Part P.A.R. = Paint as Required

**WHEEL, SPARE - 1987-89 OUTSIDE MOUNTING CHEROKEE, WAGONEER**  
**Figure 22-600**

8J22600



ITEM	PART NUMBER	QTY	BODY	MODEL	DESCRIPTION
36	3420 1766	4			SCREW
37	5500 2002	1			BUMPER, Carrier
38	5500 3387	1			COVER, Spare Tire Tire Coded "P195" or "P205"
	8220 0151	1			Tire Coded "P215"
39	1150 2729	2			NUT
40	1150 0323	2			WASHER
41	3420 1900	1			SCREW, 1987
	J096 0139	1			SCREW, 1988-1989
	3420 1900	1			SCREW, 1987
42	1150 0749	1			NUT
43	J013 1016	1			WASHER
44	5501 6126	1			COVER, Spare Tire, Tire Coded "P205" - Jeep
45	8350 1152	1			LOCK, Spare Wheel

**MODEL CODES:**

15 = Grand Wagoneer 4 Dr.	65 = Comanche 4WD-7 Ft. Box	77 = Cherokee 4WD-2 Dr.
25 = J-10 Pickup-119" W.B.	66 = Comanche 2WD-7 Ft. Box	78 = Cherokee 4WD-4 Dr.
26 = J-10 Pickup-131" W.B.	73 = Cherokee 2WD-2 Dr.	79 = Cherokee 4WD-4 Dr.-Com
27 = J-20 Pickup-131" W.B.	74 = Cherokee 2WD-4 Dr.	81 = Wrangler-93" W.B.
63 = Comanche 4WD-6 Ft. Box	75 = Wagoneer 4WD-4 Dr.	82 = Wrangler-103" W.B.-Exp.
64 = Comanche 2WD-6 Ft. Box		

**BODY STYLES:**

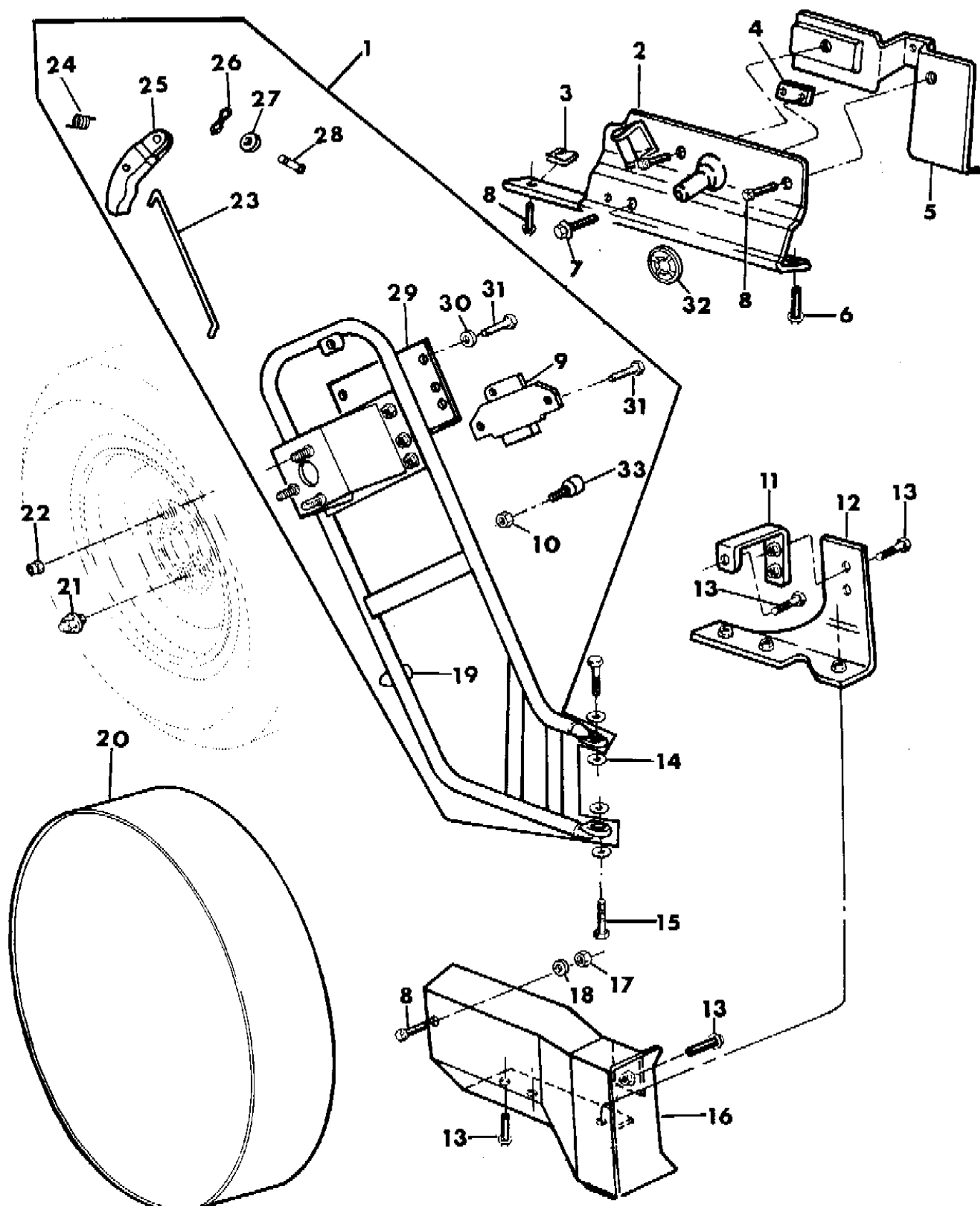
MJ = Comanche Pickup  
 SJ = Grand Wagoneer Wgn., J-10 & J-20 Pickups  
 XJ = Cherokee, Wagoneer Limited  
 YJ = Wrangler

AR = Use as Required - = Non Illustrated Part P.A.R. = Paint as Required

WHEEL, SPARE - 1990 OUTSIDE MOUNTING, SWING AWAY CHEROKEE, WAGONEER

Figure 22-650

8 J 22 650 C



ITEM	PART NUMBER	QTY	BODY	MODEL	DESCRIPTION
1	5502 5329	1			CARRIER ASSEMBLY ***
2	5502 6244	1			REINFORCEMENT
3	6101 283	1			U-NUT
4	5502 6245	1			BRACKET
5	5502 6243	1			REINFORCEMENT
6	#6502 334	1			BOLT, Torx
7	3420 2452	1			SCREW and WASHER ASSEMBLY ***
8	3420 1596	5			BOLT, Pan Head Torx
9	#5200 5822	1			MECHANISM, Lock ***
10	6100 219	1			NUT, Jam
11	5502 6247	1			REINFORCEMENT
12	5502 6246	1			REINFORCEMENT
13	3420 2467	6			BOLT
14	8350 7112	1			BUSHING PACKAGE ***
15	#6004 504	2			BOLT, Carrier Pivot
16	#5200 5823	1			BRACKET ASSEMBLY ***
17	6101 467	1			NUT
18	6501 000	1			WASHER, Flat
19	#5200 5825	1			BUMPER, Lower
20	5501 6126	1			COVER
21	J400 6956	2			NUT, Accorn
22	J400 7186	1			NUT, Lock
23	#5200 5821	1			ROD, Handle
24	5523 4511	1			SPRING, Handle Return
25	#5200 5820	1			HANDLE
26	5523 4514	1			CLIP
27	5523 4513	1			WASHER
28	5523 4512	1			PIN, Handle to Weldment
29	5523 4515	1			PLATE, Adjuster
30	5523 4510	4			WASHER, Adjuster Plate
31	5523 4517	4			BOLT, Adjuster Plate and Latch
32	5523 4516	1			SLEEVE, Latch Pin
33	#5200 5826	1			BUMPER, Upper

MODEL CODES:

15 = Grand Wagoneer 4 Dr.	65 = Comanche 4WD-7 Ft. Box	77 = Cherokee 4WD-2 Dr.
25 = J-10 Pickup-119" W.B.	66 = Comanche 2WD-7 Ft. Box	78 = Cherokee 4WD-4 Dr.
26 = J-10 Pickup-131" W.B.	73 = Cherokee 2WD-2 Dr.	79 = Cherokee 4WD-4 Dr.-Com
27 = J-20 Pickup-131" W.B.	74 = Cherokee 2WD-4 Dr.	81 = Wrangler-93" W.B.
63 = Comanche 4WD-6 Ft. Box	75 = Wagoneer 4WD-4 Dr.	82 = Wrangler-103" W.B.-Exp.
64 = Comanche 2WD-6 Ft. Box		

BODY STYLES:

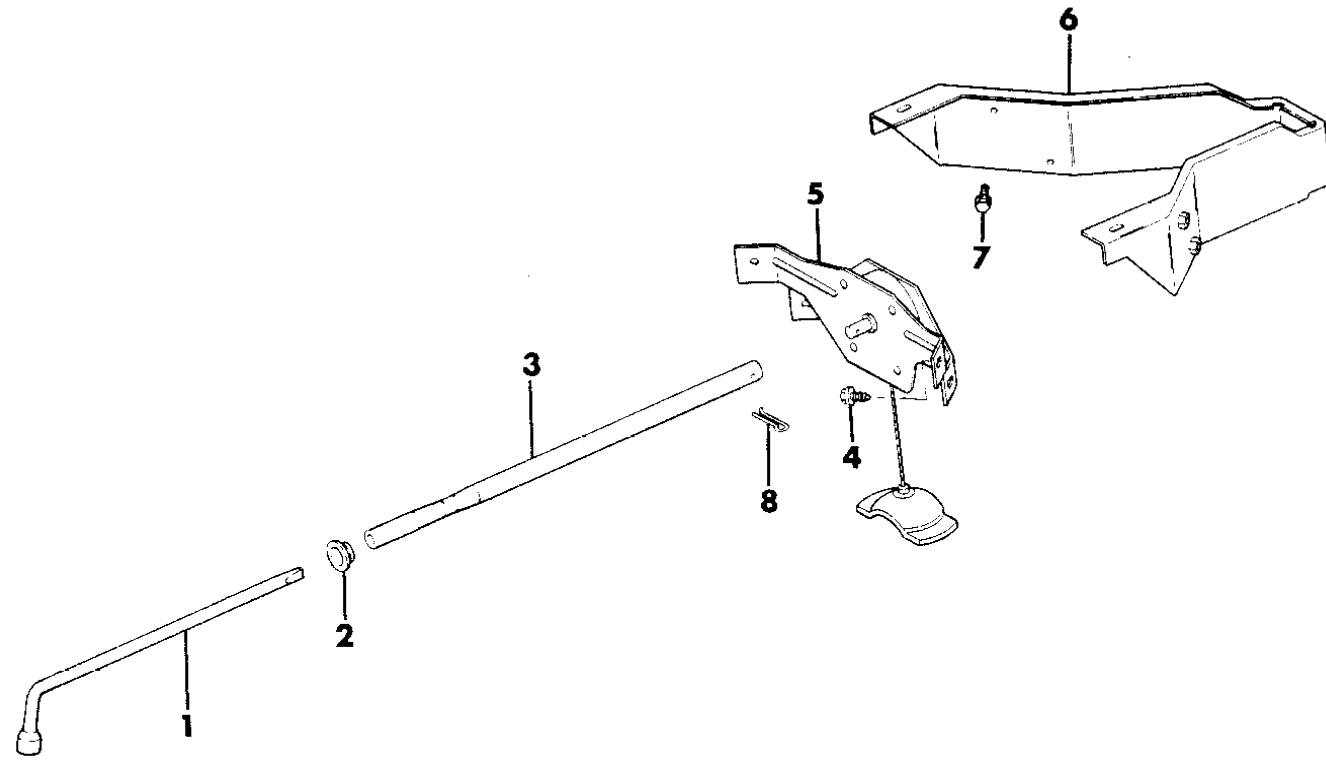
MJ = Comanche Pickup  
 SJ = Grand Wagoneer Wgn., J-10 & J-20 Pickups  
 XJ = Cherokee, Wagoneer Limited  
 YJ = Wrangler

AR = Use as Required - = Non Illustrated Part P.A.R. = Paint as Required

**WHEEL, SPARE MOUNTING COMANCHE**  
**Figure 22-700**

8J22 700

ITEM	PART NUMBER	QTY	BODY	MODEL	DESCRIPTION
1	J535 4991	1			WRENCH, Lug
2	J400 7520	1			BUSHING
3					TUBE, Winch
	5200 3128	1			6 Foot Box
	5200 1286	1			7 Foot Box
4	3420 1257	4			SCREW
5	5200 1859	1			HOIST, Spare Tire ***
6	5200 3075	1			BRACKET 6 Foot Box
7	3420 1257	4			BOLT 6 Foot Box
8		1			PIN, Cotter 5mm X 45mm (Not Serviced)



**MODEL CODES:**

15 = Grand Wagoneer 4 Dr.	65 = Comanche 4WD-7 Ft. Box	77 = Cherokee 4WD-2 Dr.
25 = J-10 Pickup-119" W.B.	66 = Comanche 2WD-7 Ft. Box	78 = Cherokee 4WD-4 Dr.
26 = J-10 Pickup-131" W.B.	73 = Cherokee 2WD-2 Dr.	79 = Cherokee 4WD-4 Dr.-Com
27 = J-20 Pickup-131" W.B.	74 = Cherokee 2WD-4 Dr.	81 = Wrangler-93" W.B.
63 = Comanche 4WD-6 Ft. Box	75 = Wagoneer 4WD-4 Dr.	82 = Wrangler-103" W.B.-Exp.
64 = Comanche 2WD-6 Ft. Box		

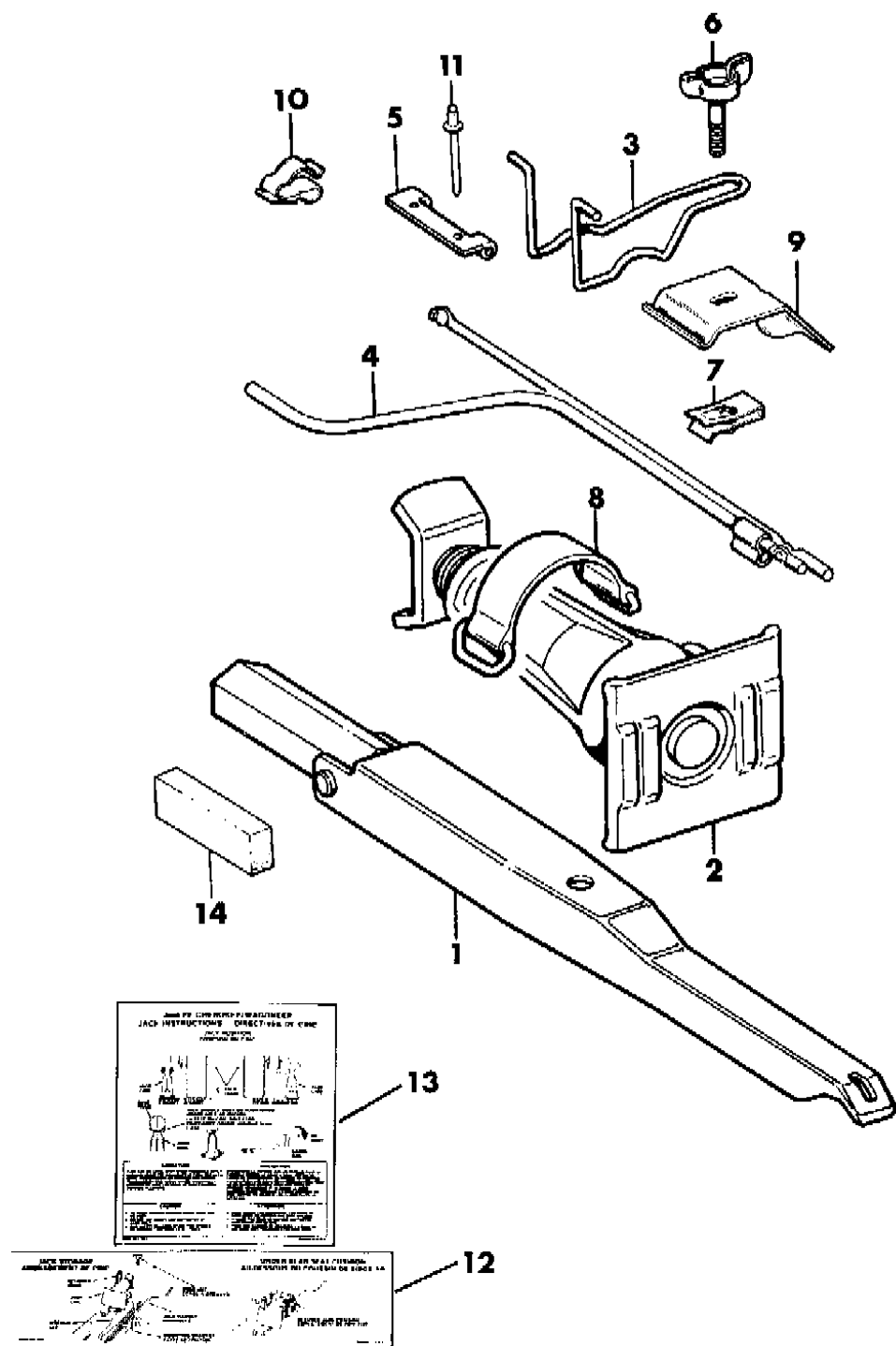
**BODY STYLES:**

MJ = Comanche Pickup  
 SJ = Grand Wagoneer Wgn., J-10 & J-20 Pickups  
 XJ = Cherokee, Wagoneer Limited  
 YJ = Wrangler

AR = Use as Required - = Non Illustrated Part P.A.R. = Paint as Required

JACK AND MOUNTING CHEROKEE, WAGONEER, COMANCHE  
Figure 22-750

8J22 750B



ITEM	PART NUMBER	QTY	BODY	MODEL	DESCRIPTION
1					WRENCH, Lug
	5200 3583	1	XJ		
	J535 4991	1	MJ		
2	5200 3584	1			JACK
3					BRACKET, Jack
	5200 3474	1	XJ		1988-90
	5200 1186	1	XJ		1987
	5200 1186	1	XJ		China KDX
4					HANDLE, Jack
	5200 3582	1	XJ		
	5200 1316	1	MJ		
5	5200 1202	1	XJ		CLIP, Handle
6	5200 0354	1			STUD
7	1150 0660	1	MJ		NUT
8	5200 2077	1	MJ		STRAP, Hold Down
9	5200 1317	1	MJ		BRACKET, Jack
10	3420 2362	1	MJ		CLIP
11	3420 1684	2	XJ		RIVET
12	5200 1187	1			LABEL, Jack Storage, Wagon, U.S.
	5200 1188	1			Canada
13	5200 1200	1			LABEL, Jack, Wagon, U.S.
	5200 1201	1			Canada
14	5200 3169	1			PAD

MODEL CODES:

15 = Grand Wagoneer 4 Dr.	65 = Comanche 4WD-7 Ft. Box	77 = Cherokee 4WD-2 Dr.
25 = J-10 Pickup-119" W.B.	66 = Comanche 2WD-7 Ft. Box	78 = Cherokee 4WD-4 Dr.
26 = J-10 Pickup-131" W.B.	73 = Cherokee 2WD-2 Dr.	79 = Cherokee 4WD-4 Dr.-Com
27 = J-20 Pickup-131" W.B.	74 = Cherokee 2WD-4 Dr.	81 = Wrangler-93" W.B.
63 = Comanche 4WD-6 Ft. Box	75 = Wagoneer 4WD-4 Dr.	82 = Wrangler-103" W.B.-Exp.
64 = Comanche 2WD-6 Ft. Box		

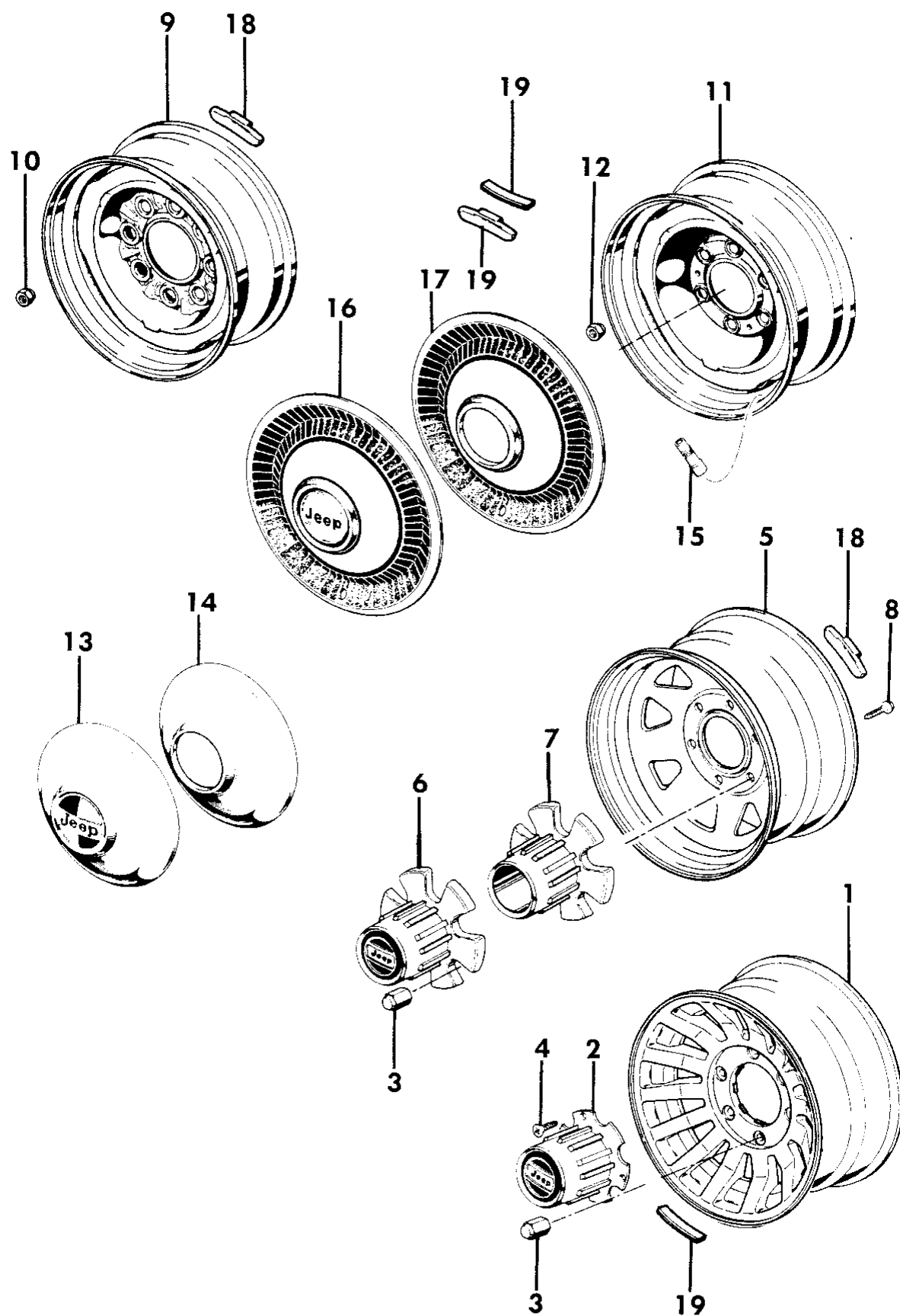
BODY STYLES:

MJ = Comanche Pickup  
 SJ = Grand Wagoneer Wgn., J-10 & J-20 Pickups  
 XJ = Cherokee, Wagoneer Limited  
 YJ = Wrangler

AR = Use as Required - = Non Illustrated Part P.A.R. = Paint as Required

**WHEELS, CAPS COVERS AND WEIGHTS GRAND WAGONEER, J10, J20**  
**Figure 22-800**

8J22800



ITEM	PART NUMBER	QTY	BODY	MODEL	DESCRIPTION
1					WHEEL
	5200 3473	AR			Gray
	J536 5093	AR			Gold
2					CAP, Hub
	5200 3046	4			Gray
	J536 5094	4			Gold
3	J400 4844	20			NUT, Lug
4	J400 4867	12			SCREW
5	J536 1397	AR			WHEEL, Styled Steel
6	J536 4409	AR			CAP, Hub
7	J536 4408	AR			CAP, Hub
8	J400 7001	12			SCREW
9	J535 2639	AR			WHEEL, Steel
10	J400 4836	32			NUT, Lug
11					WHEEL, Steel
	J590 2518	AR			16"
	J535 9101	AR	15		15" Compact Spare
	J535 9101	AR	26		15"
12	J400 4837	24			NUT, Lug
13	J535 2672	AR			CAP, Hub
14	J535 2267	AR			CAP, Hub
15	J535 5858	AR			EXTENSION, Valve
16	J535 4752	AR			COVER, Wheel
17	J535 8281	AR			COVER, Wheel
18					WEIGHT
	J316 5949	AR			1/2 oz.
	J313 1615	AR			1 oz.
	J316 5783	AR			1-1/2 oz.
	J312 3943	AR			2 oz.
	J312 3943	AR			2 oz.
	J316 5784	AR			2-1/2 oz.
	J535 6329	AR			4 oz.
19					WEIGHT
	J322 6926	AR			1/2 oz.
	J322 6925	AR			1 oz.
	J322 6924	AR			1-1/2 oz.
	J322 6923	AR			2 oz.

**MODEL CODES:**

15 = Grand Wagoneer 4 Dr.	65 = Comanche 4WD-7 Ft. Box	77 = Cherokee 4WD-2 Dr.
25 = J-10 Pickup-119" W.B.	66 = Comanche 2WD-7 Ft. Box	78 = Cherokee 4WD-4 Dr.
26 = J-10 Pickup-131" W.B.	73 = Cherokee 2WD-2 Dr.	79 = Cherokee 4WD-4 Dr.-Com
27 = J-20 Pickup-131" W.B.	74 = Cherokee 2WD-4 Dr.	81 = Wrangler-93" W.B.
63 = Comanche 4WD-6 Ft. Box	75 = Wagoneer 4WD-4 Dr.	82 = Wrangler-103" W.B.-Exp.
64 = Comanche 2WD-6 Ft. Box		

**BODY STYLES:**

MJ = Comanche Pickup
SJ = Grand Wagoneer Wgn., J-10 & J-20 Pickups
XJ = Cherokee, Wagoneer Limited
YJ = Wrangler

AR = Use as Required - = Non Illustrated Part P.A.R. = Paint as Required



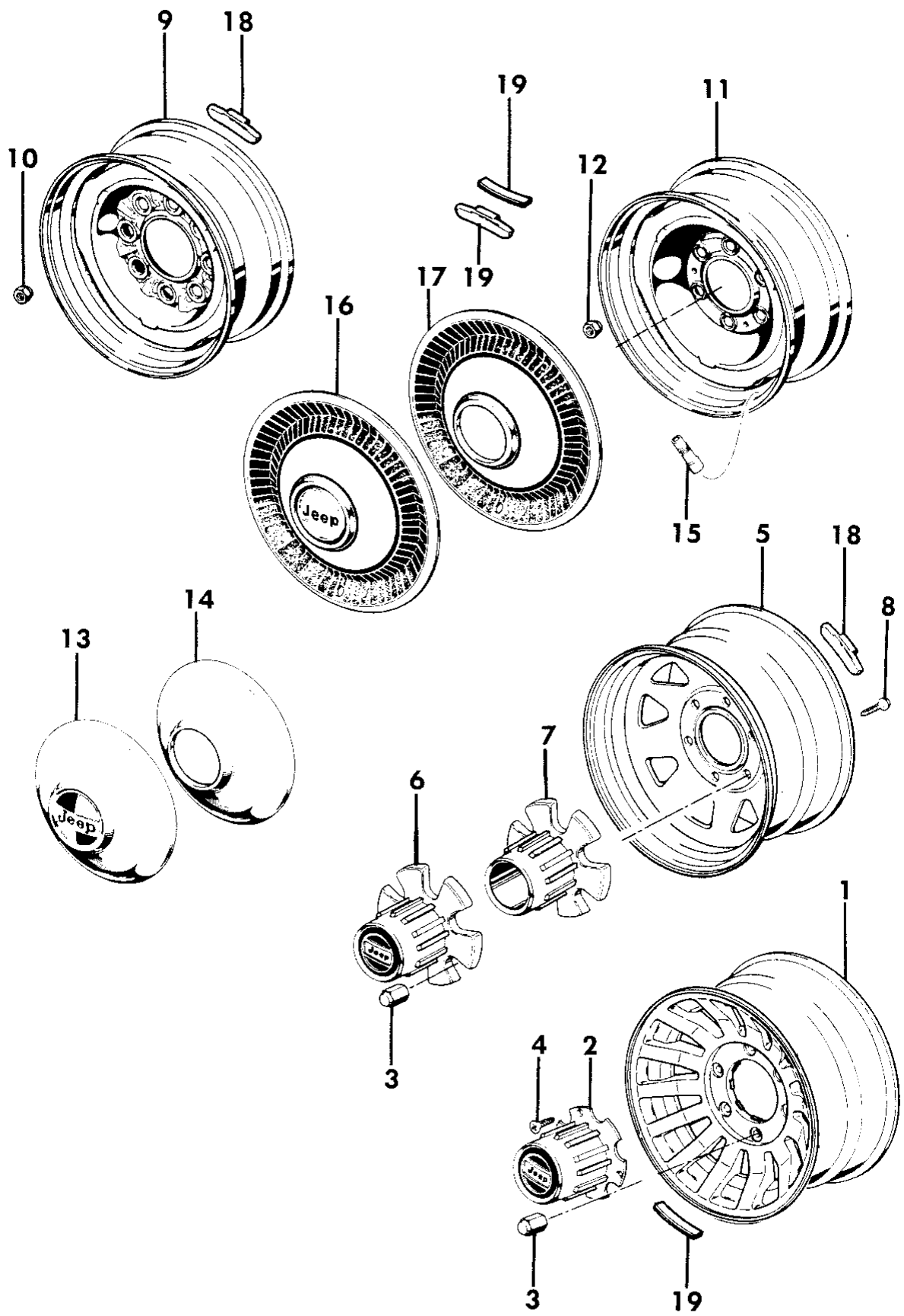
# WHEELS, CAPS COVERS AND WEIGHTS GRAND WAGONEER, J10, J20

## Figure 22-800

8 J 22 800

ITEM	PART NUMBER	QTY	BODY	MODEL	DESCRIPTION
------	-------------	-----	------	-------	-------------

	J322 6922	AR			2-1/2 oz.
	J322 6921	AR			3 oz.
	J322 6920	AR			3-1/2 oz.
	J322 6919	AR			4 oz.

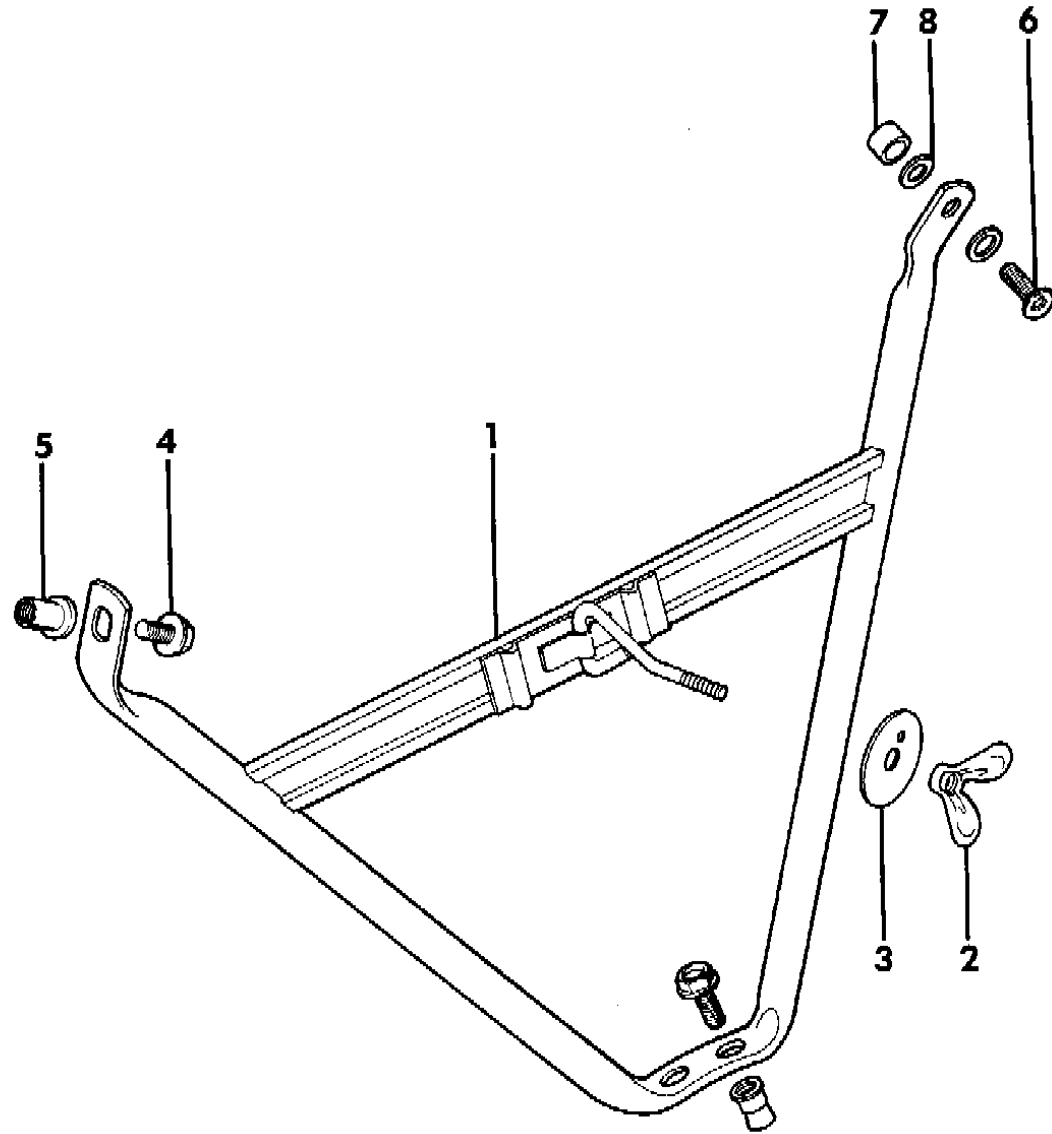
- MODEL CODES:  
15 = Grand Wagoneer 4 Dr.      65 = Comanche 4WD-7 Ft. Box      77 = Cherokee 4WD-2 Dr.  
25 = J-10 Pickup-119" W.B.      66 = Comanche 2WD-7 Ft. Box      78 = Cherokee 4WD-4 Dr.  
26 = J-10 Pickup-131" W.B.      73 = Cherokee 2WD-2 Dr.      79 = Cherokee 4WD-4 Dr.-Com  
27 = J-20 Pickup-131" W.B.      74 = Cherokee 2WD-4 Dr.      81 = Wrangler-93" W.B.  
63 = Comanche 4WD-6 Ft. Box      75 = Wagoneer 4WD-4 Dr.      82 = Wrangler-103" W.B.-Exp.  
64 = Comanche 2WD-6 Ft. Box

- BODY STYLES:  
MJ = Comanche Pickup  
SJ = Grand Wagoneer Wgn., J-10 & J-20 Pickups  
XJ = Cherokee, Wagoneer Limited  
YJ = Wrangler

AR = Use as Required - = Non Illustrated Part P.A.R. = Paint as Required

**WHEEL, SPARE INTERIOR MOUNTING GRAND WAGONEER**  
**Figure 22-900**

**8J22 900 A**



ITEM	PART NUMBER	QTY	BODY	MODEL	DESCRIPTION
1	J546 0123	1			FRAME
2	J097 3780	1			NUT, Wing
3	J066 4277	1			PLATE
4	J400 3556	3			SCREW
5	J400 5818	3			NUT, Push
6	J400 5507	1			BOLT
7	J097 6555	1			SPACER
8	S012 0390	2			WASHER

**MODEL CODES:**

15 = Grand Wagoneer 4 Dr.	65 = Comanche 4WD-7 Ft. Box	77 = Cherokee 4WD-2 Dr.
25 = J-10 Pickup-119" W.B.	66 = Comanche 2WD-7 Ft. Box	78 = Cherokee 4WD-4 Dr.
26 = J-10 Pickup-131" W.B.	73 = Cherokee 2WD-2 Dr.	79 = Cherokee 4WD-4 Dr.-Com
27 = J-20 Pickup-131" W.B.	74 = Cherokee 2WD-4 Dr.	81 = Wrangler-93" W.B.
63 = Comanche 4WD-6 Ft. Box	75 = Wagoneer 4WD-4 Dr.	82 = Wrangler-103" W.B.-Exp.
64 = Comanche 2WD-6 Ft. Box		

**BODY STYLES:**

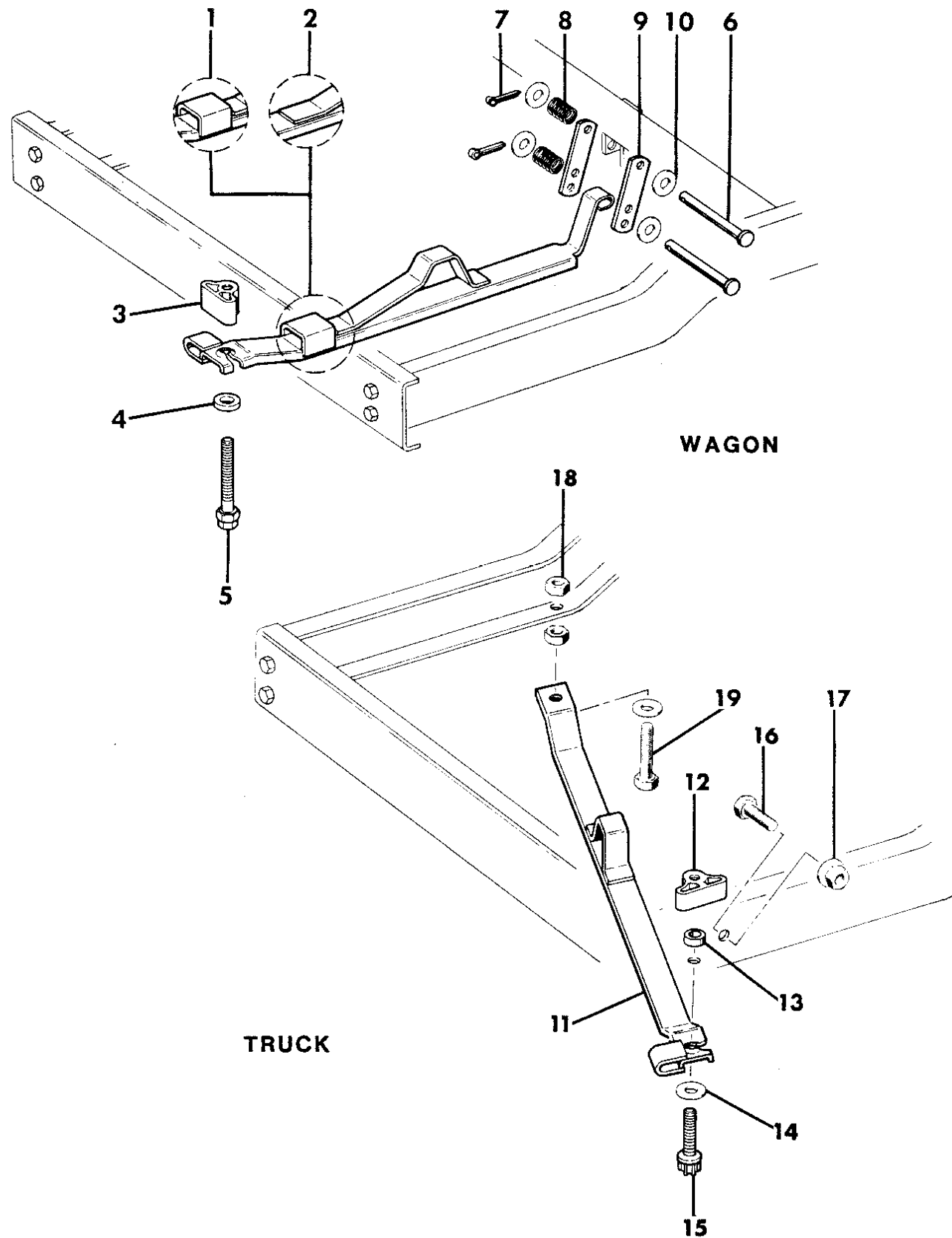
MJ = Comanche Pickup  
 SJ = Grand Wagoneer Wgn., J-10 & J-20 Pickups  
 XJ = Cherokee, Wagoneer Limited  
 YJ = Wrangler

AR = Use as Required - = Non Illustrated Part P.A.R. = Paint as Required

WHEEL, SPARE UNDERBODY MOUNTING GRAND WAGONEER, J10, J20

Figure 22-1000

8J22 1000



ITEM	PART NUMBER	QTY	BODY	MODEL	DESCRIPTION
1	5200 3366	1			BAR, Mounting Class I Trailer Hitch
	J536 4910	1			Class III Trailer Hitch
2	J535 4018	1			BAR, Mounting Class I Trailer Hitch
	J535 4018	1			w/o Trailer Hitch
3	J099 4719	1			NUT
4	J012 1458	AR			WASHER Thickness = .09"
	J099 8036	AR			SPACER Thickness = .38"
5	J400 4982	AR			BOLT "P225" Tire, Length = 5.5"
	J400 4983	AR			"P235" Tire, Length = 7.0"
6	J091 2217	2			PIN, Clevis
	J012 1222	2			PIN, Cotter
8	J080 3356	2			SPRING
9	J535 7938	2			PLATE
10	J012 0394	4			WASHER
11	J535 3485	1			BAR
12	J099 4719	1			NUT
13	J099 8036	1			SPACER
14	J012 1458	2			WASHER Thickness = .09"
15	J400 4983	1			BOLT Length = 7.0"
16	J018 0145	1			BOLT
17	J400 3956	1			NUT
18	J012 4843	2			NUT
19	J012 2630	1			BOLT Length = 3.0"
	J043 3022	1			Length = 4.7"

MODEL CODES:

15 = Grand Wagoneer 4 Dr.	65 = Comanche 4WD-7 Ft. Box	77 = Cherokee 4WD-2 Dr.
25 = J-10 Pickup-119" W.B.	66 = Comanche 2WD-7 Ft. Box	78 = Cherokee 4WD-4 Dr.
26 = J-10 Pickup-131" W.B.	73 = Cherokee 2WD-2 Dr.	79 = Cherokee 4WD-4 Dr.-Com
27 = J-20 Pickup-131" W.B.	74 = Cherokee 2WD-4 Dr.	81 = Wrangler-93" W.B.
63 = Comanche 4WD-6 Ft. Box	75 = Wagoneer 4WD-4 Dr.	82 = Wrangler-103" W.B.-Exp.
64 = Comanche 2WD-6 Ft. Box		

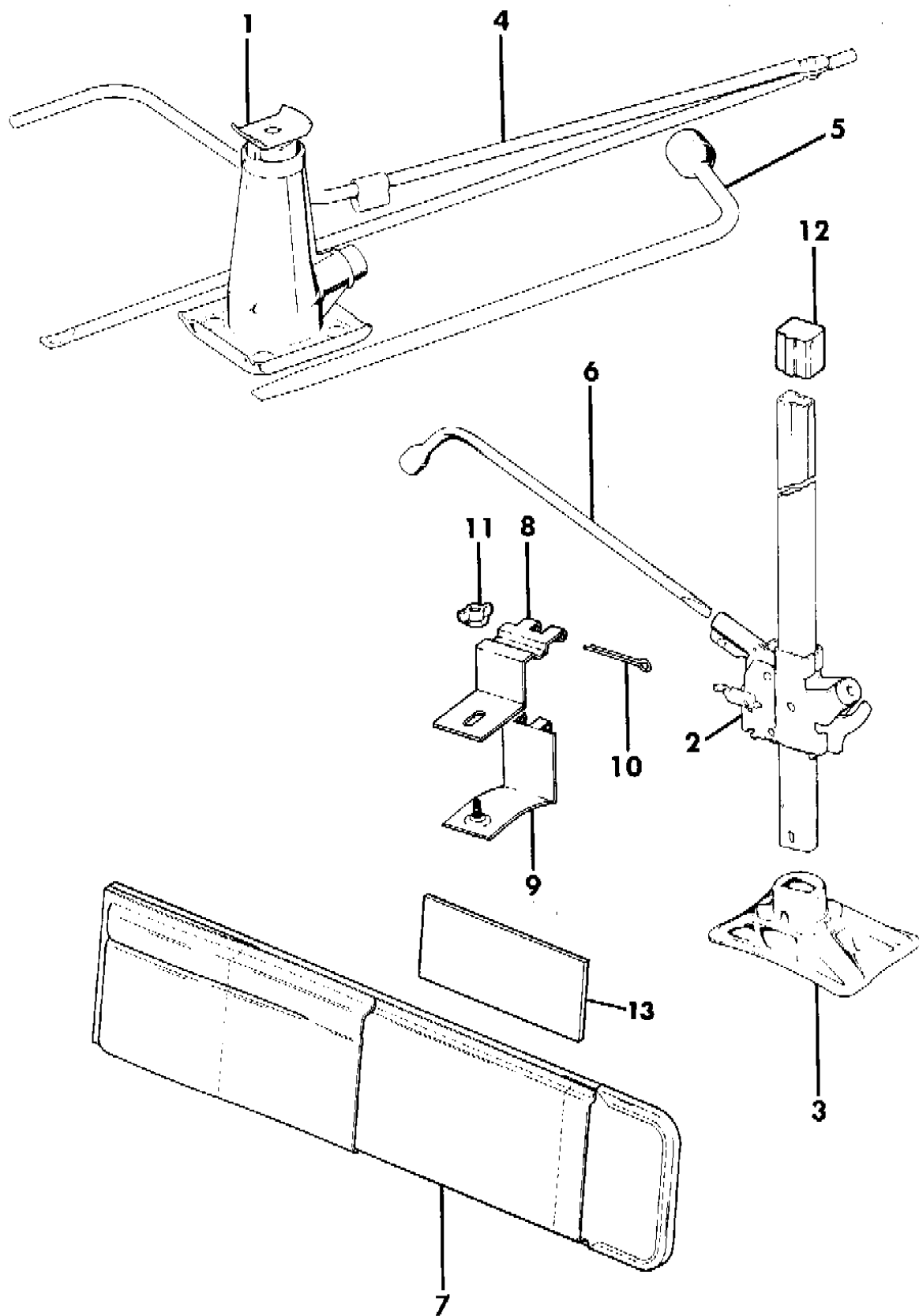
BODY STYLES:

MJ = Comanche Pickup  
 SJ = Grand Wagoneer Wgn., J-10 & J-20 Pickups  
 XJ = Cherokee, Wagoneer Limited  
 YJ = Wrangler

AR = Use as Required - = Non Illustrated Part P.A.R. = Paint as Required

**JACK AND STORAGE BAG GRAND WAGONEER, J10, J20**  
**Figure 22-1100**

8J221100 A



ITEM	PART NUMBER	QTY	BODY	MODEL	DESCRIPTION
1					JACK
	J535 4439	1	26		
	J535 4012	1	27		
2	J535 8904	1	15		JACK
3	J535 5009	1	15		BASE, Jack
4	J535 4665	1	26,27		HANDLE, Jack
5	J535 2730	1	26,27		WRENCH, Lug
6	J535 4991	1	15,26		WRENCH, Lug
7					BAG, Jack
	J576 0188	1	26,27		
	5502 0270	1	15		
8	5501 9522	1	15		BRACKET
9	5501 9523	1	15		BRACKET
10	J013 7214	1	15		PIN
11	J014 8312	1	15		NUT
12	5501 9524	1			CAP
13	J576 6468	1			INSULATOR

**MODEL CODES:**

15 = Grand Wagoneer 4 Dr.	65 = Comanche 4WD-7 Ft. Box	77 = Cherokee 4WD-2 Dr.
25 = J-10 Pickup-119" W.B.	66 = Comanche 2WD-7 Ft. Box	78 = Cherokee 4WD-4 Dr.
26 = J-10 Pickup-131" W.B.	73 = Cherokee 2WD-2 Dr.	79 = Cherokee 4WD-4 Dr.-Com
27 = J-20 Pickup-131" W.B.	74 = Cherokee 2WD-4 Dr.	81 = Wrangler-93" W.B.
63 = Comanche 4WD-6 Ft. Box	75 = Wagoneer 4WD-4 Dr.	82 = Wrangler-103" W.B.-Exp.
64 = Comanche 2WD-6 Ft. Box		

**BODY STYLES:**

MJ = Comanche Pickup  
 SJ = Grand Wagoneer Wgn., J-10 & J-20 Pickups  
 XJ = Cherokee, Wagoneer Limited  
 YJ = Wrangler

AR = Use as Required - = Non Illustrated Part P.A.R. = Paint as Required

**GROUP 23 - BODY - EXTERIOR ORNAMENTATION**

ILLUSTRATION TITLE	GROUP-FIG. NO.
<b>WRANGLER, YJ</b>	
NAMEPLATES WRANGLER .....	Fig. 23-100
EXTENSIONS FENDER AND REAR QUARTER WRANGLER, YJ .....	Fig. 23-110
DECALS, EXTERIOR BASE, U.S., CANADA WRANGLER, YJ .....	Fig. 23-200
DECALS, EXTERIOR BASE, E.C.E., 1988-90 WRANGLER .....	Fig. 23-300
DECALS, EXTERIOR SAHARA, 1988-90 WRANGLER, YJ .....	Fig. 23-400
DECALS, EXTERIOR ISLANDER, 1989-90 WRANGLER, YJ .....	Fig. 23-500
DECALS, EXTERIOR SPORT, U.S., 1987-88 WRANGLER .....	Fig. 23-600
DECALS, EXTERIOR SPORT, CANADA, 1987-88 YJ .....	Fig. 23-700
DECALS, EXTERIOR SPORT, EXPORT, 1988 WRANGLER .....	Fig. 23-800
DECALS, EXTERIOR LAREDO, 1987-90 WRANGLER, YJ .....	Fig. 23-900
DECALS, EXTERIOR LAREDO, E.C.E. WRANGLER .....	Fig. 23-1000
DECALS, EXTERIOR OLYMPIC, 1988 WRANGLER .....	Fig. 23-1100
<b>CHEROKEE, 4 DOOR, XJ</b>	
NAMEPLATES CHEROKEE 4 DOOR .....	Fig. 23-1200
MOULDINGS, EXTERIOR, UPPER CHEROKEE 4 DOOR .....	Fig. 23-1300
MOULDINGS, EXTERIOR, LOWER CHEROKEE 4 DOOR .....	Fig. 23-1400
DECALS, EXTERIOR PIONEER CHEROKEE 4 DOOR .....	Fig. 23-1500
DECALS, EXTERIOR 2 TONE, 1987 CHEROKEE 4 DOOR .....	Fig. 23-1590
DECALS, EXTERIOR 2 TONE, 1988 CHEROKEE 4 DOOR .....	Fig. 23-1600
DECALS, EXTERIOR CHIEF, U.S., CANADA, 1987-89, VENEZUELA, 1989 CHEROKEE 4 DOOR .....	Fig. 23-1700
DECALS, EXTERIOR CHIEF, E.C.E., 1987-88 CHEROKEE 4 DOOR .....	Fig. 23-1800
DECALS, EXTERIOR LAREDO, 1987 CHEROKEE 4 DOOR .....	Fig. 23-2000
DECALS, EXTERIOR LAREDO AND ECE TYPE 1, 1988 CHEROKEE 4 DOOR .....	Fig. 23-2100
DECALS, EXTERIOR LAREDO AND ECE TYPE 2 1988, 1989/90 CHEROKEE 4 DOOR .....	Fig. 23-2200
DECALS, EXTERIOR LIMITED CHEROKEE 4 DOOR .....	Fig. 23-2300
DECALS, EXTERIOR OLYMPIC, 1988 CHEROKEE 4 DOOR .....	Fig. 23-2400
<b>CHEROKEE, XJ, 2 DOOR</b>	
NAMEPLATES CHEROKEE 2 DOOR .....	Fig. 23-2500
MOULDINGS, EXTERIOR, UPPER CHEROKEE 2 DOOR .....	Fig. 23-2600
MOULDINGS, EXTERIOR, LOWER CHEROKEE 2 DOOR .....	Fig. 23-2700
DECALS, EXTERIOR PIONEER CHEROKEE 2 DOOR .....	Fig. 23-2800
DECALS, EXTERIOR 2 TONE, 1987 TYPE 1 CHEROKEE 2 DOOR .....	Fig. 23-2890
DECALS, EXTERIOR 2 TONE, 1987 TYPE 2 AND 1988 CHEROKEE 2 DOOR .....	Fig. 23-2900
DECALS, EXTERIOR CHIEF - U.S. OR CANADA, 1987-89 CHEROKEE 2 DOOR .....	Fig. 23-3000

ILLUSTRATION NOT AVAILABLE AT TIME OF PUBLICATION

**GROUP 23 - BODY - EXTERIOR ORNAMENTATION**

**GROUP 23 - BODY - EXTERIOR ORNAMENTATION**

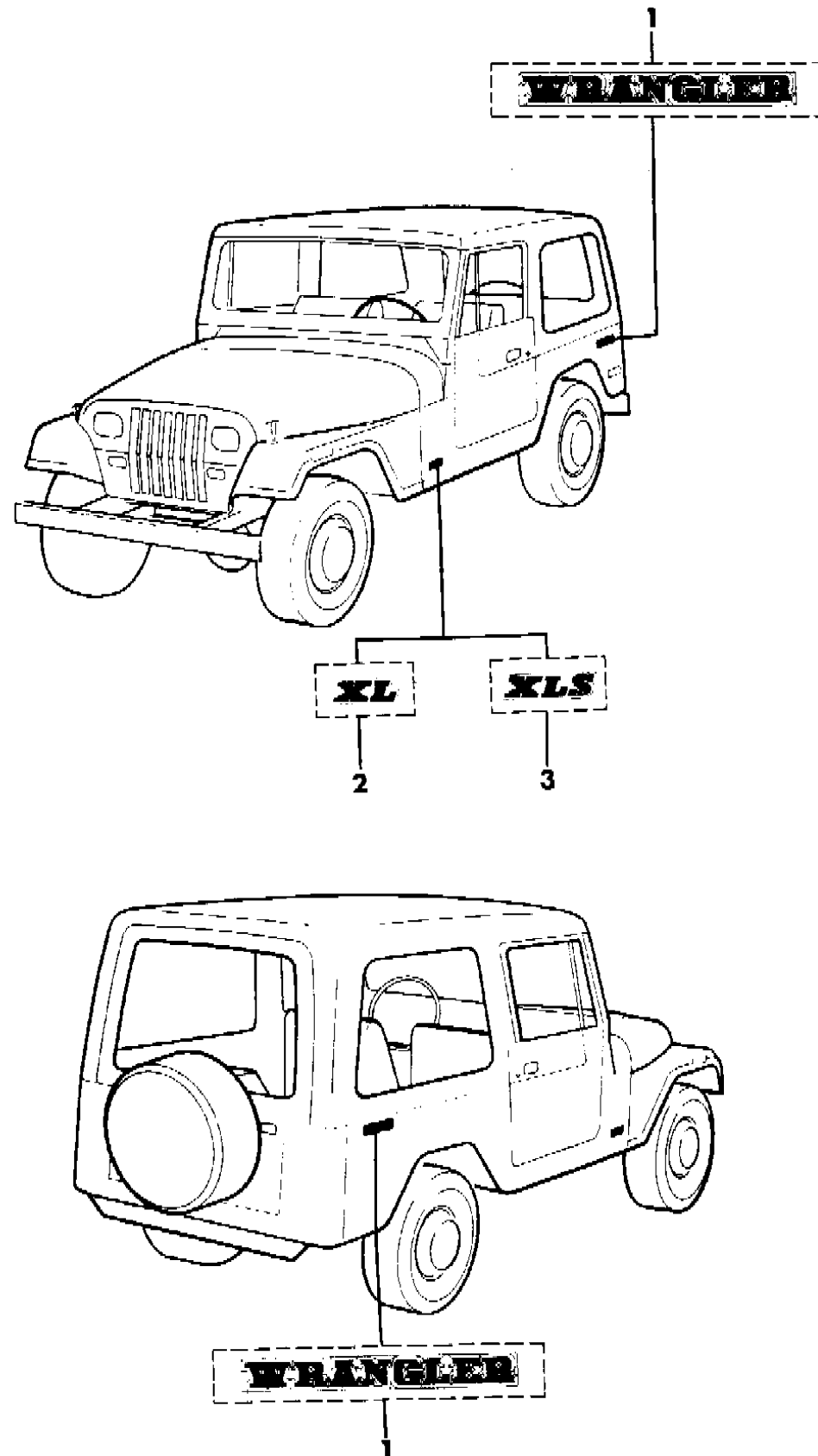
ILLUSTRATION TITLE	GROUP-FIG. NO.
<b>CHEROKEE, XJ, 2 DOOR (Continued)</b>	
DECALS, EXTERIOR CHIEF - U.S. OR CANADA, 1987-89 CHEROKEE 2 DOOR .....	Fig. 23-3000
DECALS, EXTERIOR CHIEF - E.C.E., 1987-89 CHEROKEE 2 DOOR .....	Fig. 23-3100
DECALS, EXTERIOR LAREDO, 1987 CHEROKEE 2 DOOR .....	Fig. 23-3290
DECALS, EXTERIOR LAREDO AND ECE TYPE 1, 1988 CHEROKEE 2 DOOR .....	Fig. 23-3300
DECALS, EXTERIOR LAREDO AND ECE TYPE 2, 1988 1989-90 CHEROKEE 2 DOOR .....	Fig. 23-3400
DECALS, EXTERIOR LIMITED, 1988-90 CHEROKEE 2 DOOR .....	Fig. 23-3500
DECALS, EXTERIOR OLYMPIC, 1988 CHEROKEE 2 DOOR .....	Fig. 23-3600
DECALS, EXTERIOR SPORT, 1988-90 CHEROKEE 2 DOOR .....	Fig. 23-3700
<b>WAGONEER, XJ</b>	
NAMEPLATES WAGONEER .....	Fig. 23-3800
MOULDINGS, EXTERIOR, UPPER WAGONEER .....	Fig. 23-3900
MOULDINGS, EXTERIOR, LOWER WAGONEER LIMITED .....	Fig. 23-4000
DECALS, EXTERIOR 2-TONE, 1987 WAGONEER .....	Fig. 23-4080
DECALS, EXTERIOR PINSTRIPE, 1987 WAGONEER .....	Fig. 23-4090
DECALS, EXTERIOR WOODGRAIN WAGONEER LIMITED .....	Fig. 23-4100
<b>COMANCHE, MJ</b>	
NAMEPLATES COMANCHE .....	Fig. 23-4200
MOULDINGS, EXTERIOR, UPPER COMANCHE .....	Fig. 23-4300
MOULDINGS, EXTERIOR, LOWER COMANCHE .....	Fig. 23-4400
DECALS, EXTERIOR BASE COMANCHE .....	Fig. 23-4500
DECALS, EXTERIOR CHIEF, 1987-89 COMANCHE .....	Fig. 23-4600
DECALS, EXTERIOR, LONG BED CHIEF-EXPORT, VENEZUELA, 1988-89 COMANCHE .....	Fig. 23-4700
DECALS, EXTERIOR ELIMINATOR, 1988-90 COMANCHE .....	Fig. 23-4800
DECALS, EXTERIOR LAREDO, 1987 COMANCHE .....	Fig. 23-4890
DECALS, EXTERIOR LAREDO, 1988 COMANCHE .....	Fig. 23-4900
DECALS, EXTERIOR OLYMPIC, 1988 COMANCHE .....	Fig. 23-5000
DECALS, EXTERIOR PIONEER, 1988-90 COMANCHE .....	Fig. 23-5100
DECALS, EXTERIOR SPORT, 1987 COMANCHE .....	Fig. 23-5190
DECALS, EXTERIOR SPORTRUCK COMANCHE .....	Fig. 23-5200
DECALS, EXTERIOR SPORT 2 TONE, 1987-88 COMANCHE .....	Fig. 23-5300
DECALS, EXTERIOR PREMIUM 2 TONE, 1987-88 COMANCHE .....	Fig. 23-5400
<b>GRAND WAGONEER, SJ</b>	
NAMEPLATES WAGON .....	Fig. 23-5500
MOULDINGS, EXTERIOR, UPPER WAGON .....	Fig. 23-5600

ILLUSTRATION TITLE	GROUP-FIG. NO.
<b>GRAND WAGONEER, SJ (Continued)</b>	
MOULDINGS, EXTERIOR, UPPER WAGON .....	Fig. 23-5600
MOULDINGS, EXTERIOR, LOWER LESS WOODGRAIN DECALS WAGON, 1987-88 .....	Fig. 23-5700
MOULDINGS, EXTERIOR, LOWER WITH WOODGRAIN DECALS WAGON .....	Fig. 23-5800
DECALS, EXTERIOR WAGON .....	Fig. 23-5900
<b>J10, J20</b>	
NAMEPLATES 1987-88 J10, J20 .....	Fig. 23-6000
MOULDINGS, EXTERIOR, UPPER 1987-88 J10, J20 .....	Fig. 23-6100
MOULDINGS, EXTERIOR, LOWER 1987-88 J10, J20 .....	Fig. 23-6200
DECALS, EXTERIOR 1987-88 J10, J20 .....	Fig. 23-6300

NAMEPLATES WRANGLER

Figure 23-100

8J68 100



ITEM	PART NUMBER	QTY	BODY	MODEL	DESCRIPTION
------	-------------	-----	------	-------	-------------

1	5501 0768	2			NAMEPLATE, "Wrangler"
2	5500 6529	2			NAMEPLATE, "XL" Export
3	5500 9128	2			NAMEPLATE, "XLS" Export

MODEL CODES:

15 = Grand Wagoneer 4 Dr.	65 = Comanche 4WD-7 Ft. Box	77 = Cherokee 4WD-2 Dr.
25 = J-10 Pickup-119" W.B.	66 = Comanche 2WD-7 Ft. Box	78 = Cherokee 4WD-4 Dr.
26 = J-10 Pickup-131" W.B.	73 = Cherokee 2WD-2 Dr.	79 = Cherokee 4WD-4 Dr.-Com
27 = J-20 Pickup-131" W.B.	74 = Cherokee 2WD-4 Dr.	81 = Wrangler-93" W.B.
63 = Comanche 4WD-6 Ft. Box	75 = Wagoneer 4WD-4 Dr.	82 = Wrangler-103" W.B.-Exp.
64 = Comanche 2WD-6 Ft. Box		

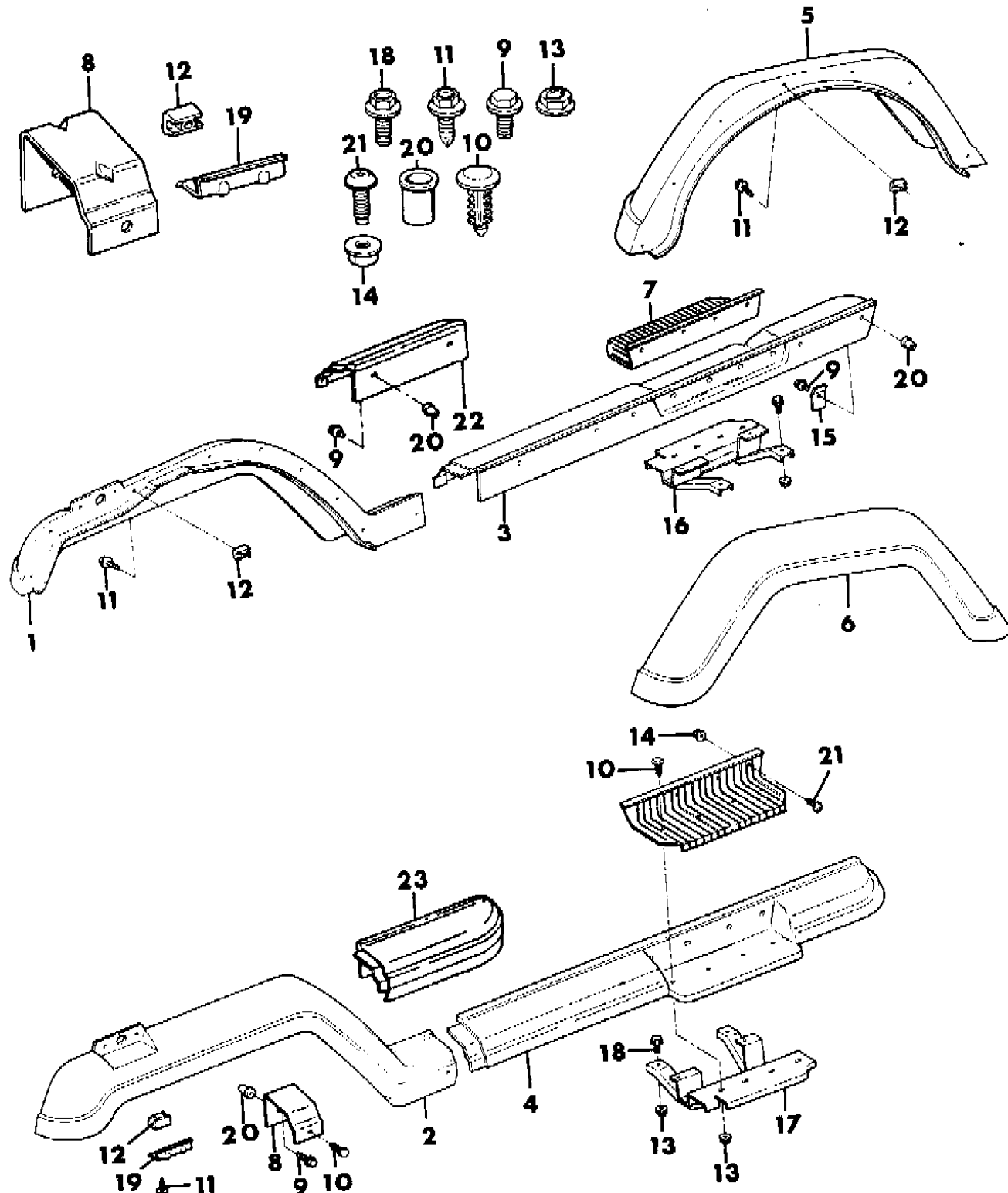
BODY STYLES:

MJ = Comanche Pickup  
 SJ = Grand Wagoneer Wgn., J-10 & J-20 Pickups  
 XJ = Cherokee, Wagoneer Limited  
 YJ = Wrangler

AR = Use as Required - = Non Illustrated Part P.A.R. = Paint as Required

EXTENSIONS FENDER AND REAR QUARTER WRANGLER, YJ  
Figure 23-110

8J68 110



ITEM	PART NUMBER	QTY	BODY	MODEL	DESCRIPTION
1					EXTENSION, Fender, Right, P.A.R.
	5505 0054	1			1987-89
	5AF8 6JW7	1			1990
2					EXTENSION, Fender, Left, P.A.R.
	5505 0053	1			1987-89
	5AF8 7JW7	1			1990
3-4					MOULDING, Body Side Step
	5500 7678-9	1			P.A.R., 1987-89
	5AF94-5 JX9	1			Flat Black, 1990
	5AF94-5 JCB	1			Navy Blue, 1990
	5AF94-5 JQ4	1			Pacific Blue, 1990
	5AF94-5 JJ6	1			Khaki Metallic, 1990
	5AF94-5 JR5	1			Graphic Red, 1990
	5AF94-5 JW7	1			Bright White, 1990
	5AF94-5 JJ2	1			Malibu Yellow, 1990
5					EXTENSION, Rear Quarter, Right
	5505 0056	1	81		P.A.R., 1987-89
	J575 7020	1	82		Export, CKD, P.A.R.
	5AF8 8JW7	1			P.A.R., 1990
6					EXTENSION, Rear Quarter, Left
	5505 0055	1	81		P.A.R., 1987-89
	J575 7021	1	82		Export, CKD, P.A.R.
	5AF8 9JW7	1			P.A.R., 1990
7	5501 7500	2			APPLIQUE, Body Side Step
-	5501 0048	2			STRIP, Skid, Adhesive ***
8	5500 8582	2			BRACKET, Mounting
9	J400 6906	14			SCREW
10	J400 4919	AR			FASTENER
11	J941 6223	32			SCREW
12	J400 4868	32			NUT
13	1150 2507	AR			NUT
14	J400 4588	AR			NUT
15	5500 8583	2			BRACKET
16-17					SUPPORT, Body Side Step
	5500 9130-1	1			w/4 Mounting Holes
	8350 4798-9	1			w/3 Mounting Holes
18	J400 5822	8			SCREW

MODEL CODES:

15 = Grand Wagoneer 4 Dr.	65 = Comanche 4WD-7 Ft. Box	77 = Cherokee 4WD-2 Dr.
25 = J-10 Pickup-119" W.B.	66 = Comanche 2WD-7 Ft. Box	78 = Cherokee 4WD-4 Dr.
26 = J-10 Pickup-131" W.B.	73 = Cherokee 2WD-2 Dr.	79 = Cherokee 4WD-4 Dr.-Com
27 = J-20 Pickup-131" W.B.	74 = Cherokee 2WD-4 Dr.	81 = Wrangler-93" W.B.
63 = Comanche 4WD-6 Ft. Box	75 = Wagoneer 4WD-4 Dr.	82 = Wrangler-103" W.B.-Exp.
64 = Comanche 2WD-6 Ft. Box		

BODY STYLES:

MJ = Comanche Pickup  
 SJ = Grand Wagoneer Wgn., J-10 & J-20 Pickups  
 XJ = Cherokee, Wagoneer Limited  
 YJ = Wrangler

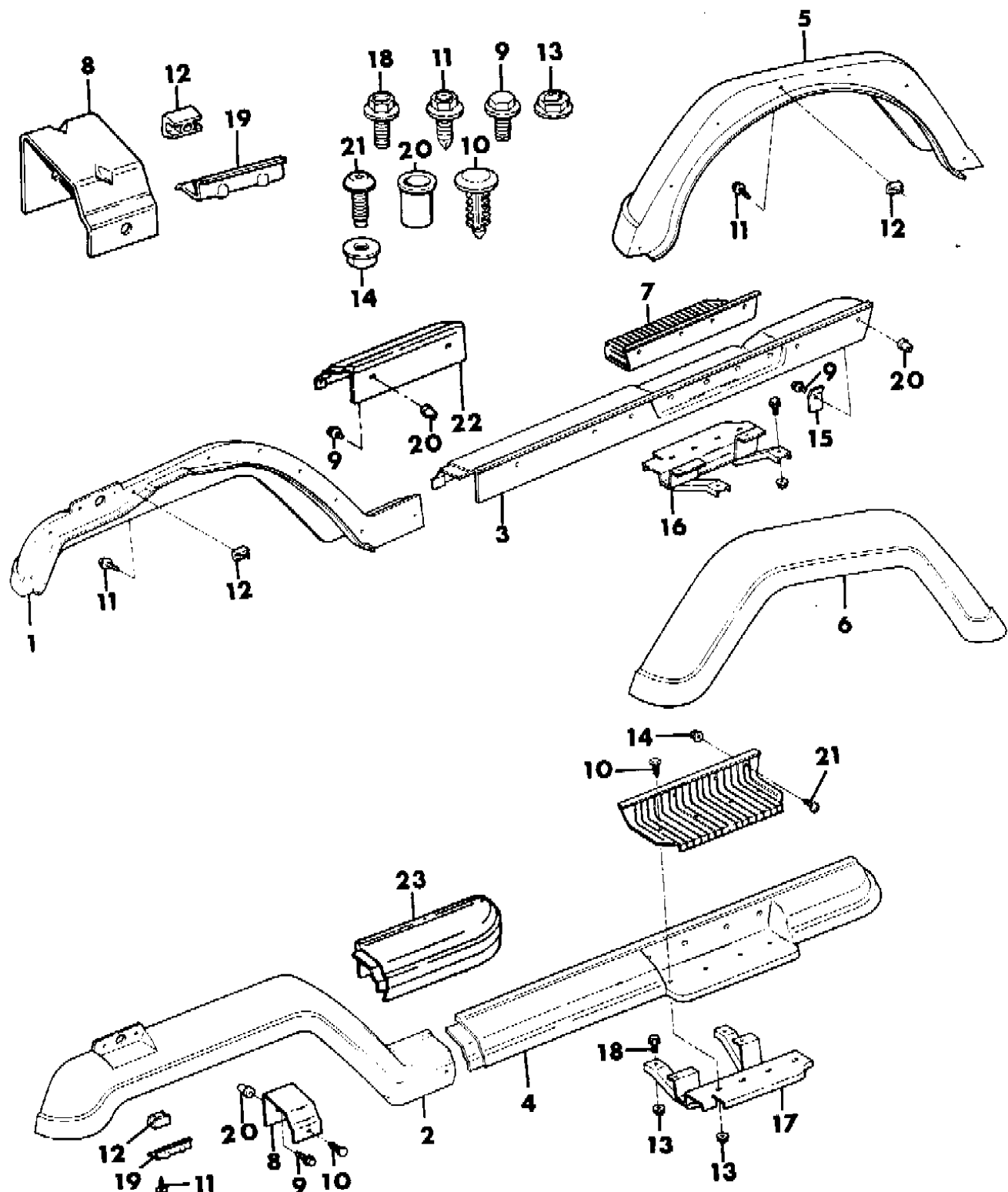
AR = Use as Required - = Non Illustrated Part P.A.R. = Paint as Required



EXTENSIONS FENDER AND REAR QUARTER WRANGLER, YJ

Figure 23-110

8J68 110



ITEM	PART NUMBER	QTY	BODY	MODEL	DESCRIPTION
19	5505 0157	2			BRACKET, Extension
20	J400 7101	12			NUTSERT
21	J400 7562	AR			SCREW
22-23	5500 7316-7	1			MOULDING, Body Side, P.A.R.

(CKD) KDX (Knock-Down Export). (A) For 1987, two types of instrument clusters were used. On type one, Clusters, the odometer numbers are rounded, the Speedometer face has (2) slotte

---

---

---

---

---

---

---

---

---

---

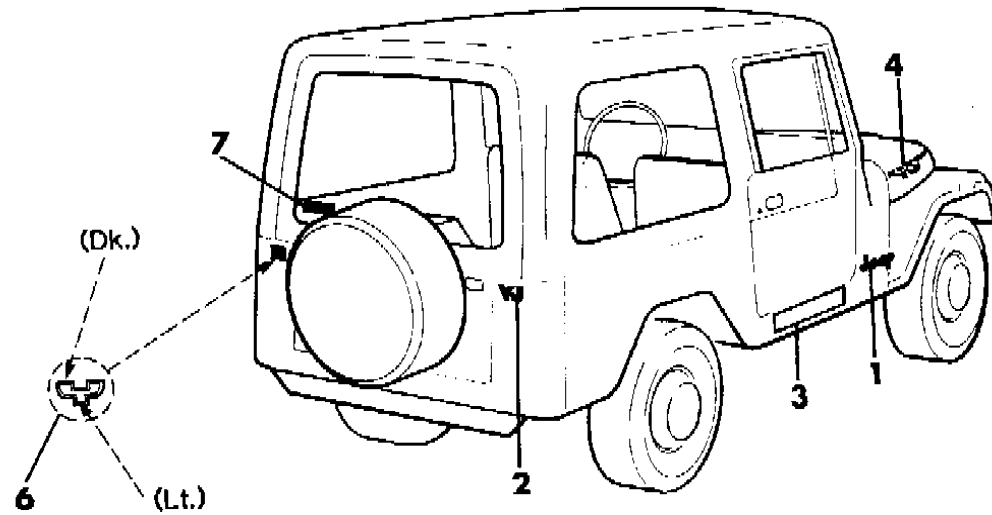
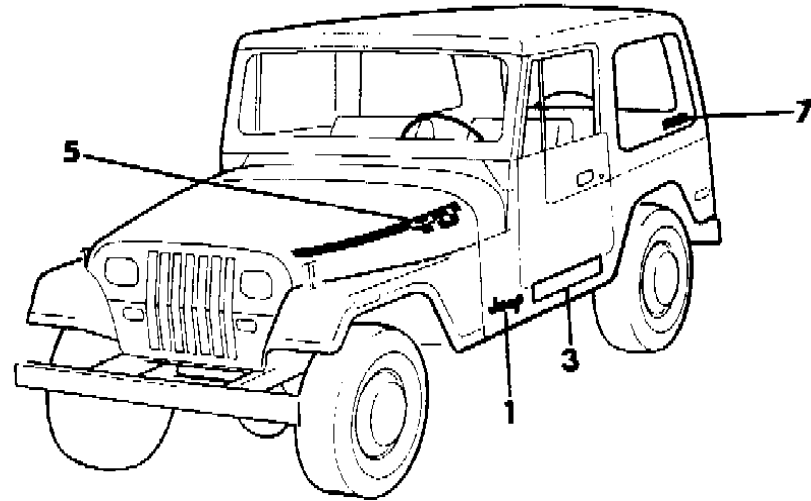
- MODEL CODES:
- 15 = Grand Wagoneer 4 Dr.
  - 25 = J-10 Pickup-119" W.B.
  - 26 = J-10 Pickup-131" W.B.
  - 27 = J-20 Pickup-131" W.B.
  - 63 = Comanche 4WD-6 Ft. Box
  - 64 = Comanche 2WD-6 Ft. Box
  - 65 = Comanche 4WD-7 Ft. Box
  - 66 = Comanche 2WD-7 Ft. Box
  - 73 = Cherokee 2WD-2 Dr.
  - 74 = Cherokee 2WD-4 Dr.
  - 75 = Wagoneer 4WD-4 Dr.
  - 77 = Cherokee 4WD-2 Dr.
  - 78 = Cherokee 4WD-4 Dr.
  - 79 = Cherokee 4WD-4 Dr.-Com
  - 81 = Wrangler-93" W.B.
  - 82 = Wrangler-103" W.B.-Exp.

- BODY STYLES:
- MJ = Comanche Pickup
  - SJ = Grand Wagoneer Wgn., J-10 & J-20 Pickups
  - XJ = Cherokee, Wagoneer Limited
  - YJ = Wrangler

AR = Use as Required - = Non Illustrated Part P.A.R. = Paint as Required

DECALS, EXTERIOR BASE, U.S., CANADA WRANGLER, YJ  
Figure 23-200

8J68 200



ITEM	PART NUMBER	QTY	BODY	MODEL	DESCRIPTION
1					DECAL, "Jeep"
	J546 1682	2			Black, 1987-89
	5AS1 5JX9	2			Black, 1990
	J576 6780	2			White, 1987
	5502 0244	2			White, 1988
	5AS1 5JW4	2			White, 1990
2	5501 5321	1			DECAL, "YJ" Canada, Black, 1987-88
3	J576 5270	2			PROTECTOR, Scuff, Clear
4-5					DECAL, Hood, Canada
	5502 1374-5	1			Sand, 1989
	5AS30-1 JK8	1			Sand, 1990
	5501 7516-7	1			Silver, 1987-89
	5AS30-1 JA9	1			Silver, 1990
	5501 7518-9	1			Tan, 1987-88
6					DECAL, "YJ" Canada
	5502 1373	1			Sand, 1989
	5AS3 2JAZ	1			Sand, 1990
	5501 8574	1			Silver, 1987-89
	5AS3 2JAV	1			Silver, 1990
	5501 7513	1			Tan, 1987-88
7	5502 0568	1			DECAL, "Olympic" 1988

MODEL CODES:

15 = Grand Wagoneer 4 Dr.	65 = Comanche 4WD-7 Ft. Box	77 = Cherokee 4WD-2 Dr.
25 = J-10 Pickup-119" W.B.	66 = Comanche 2WD-7 Ft. Box	78 = Cherokee 4WD-4 Dr.
26 = J-10 Pickup-131" W.B.	73 = Cherokee 2WD-2 Dr.	79 = Cherokee 4WD-4 Dr.-Com
27 = J-20 Pickup-131" W.B.	74 = Cherokee 2WD-4 Dr.	81 = Wrangler-93" W.B.
63 = Comanche 4WD-6 Ft. Box	75 = Wagoneer 4WD-4 Dr.	82 = Wrangler-103" W.B.-Exp.
64 = Comanche 2WD-6 Ft. Box		

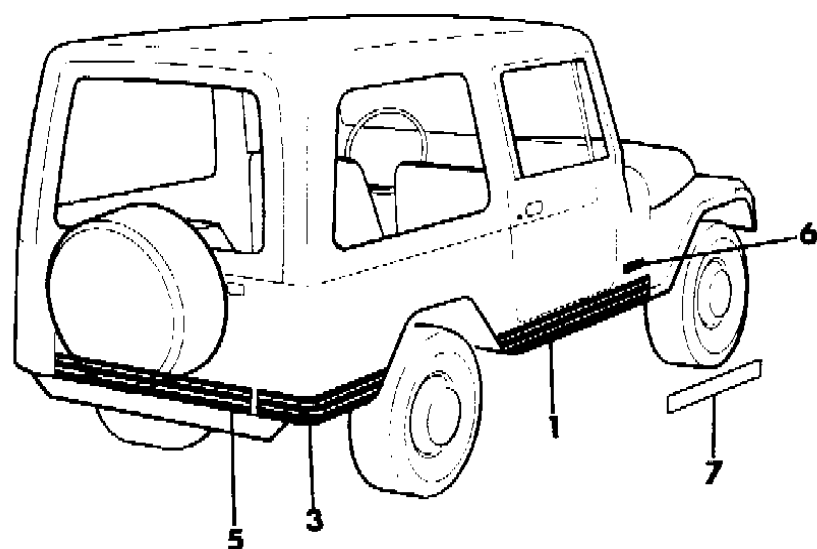
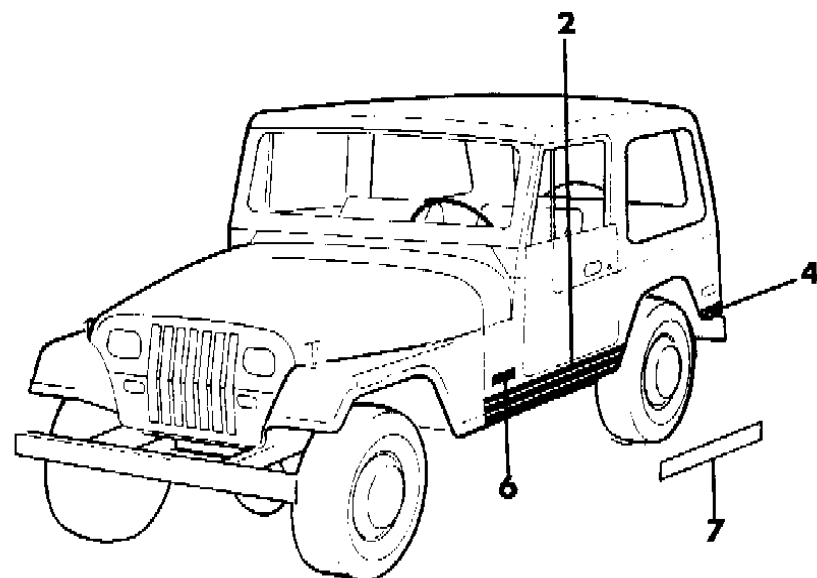
BODY STYLES:

MJ = Comanche Pickup  
 SJ = Grand Wagoneer Wgn., J-10 & J-20 Pickups  
 XJ = Cherokee, Wagoneer Limited  
 YJ = Wrangler

AR = Use as Required - = Non Illustrated Part P.A.R. = Paint as Required

DECALS, EXTERIOR BASE, E.C.E., 1988-90 WRANGLER  
Figure 23-300

8 J 68 300



ITEM	PART NUMBER	QTY	BODY	MODEL	DESCRIPTION
1-2					DECAL, Body Side, 1988
	5501 8578-9	1			Dark Silver/Light Medium Silver
	5501 3482-3	1			Dark Tan/Medium Tan/Light Tan
3-4					DECAL, Rear Quarter, 1988
	5501 8576-7	1			Dark Silver/Light Medium Silver
	5501 3486-7	1			Dark Tan/Medium Tan/Light Tan
5					DECAL, Rear Lower, 1988
	5501 8575	1			Dark Silver/Light Medium Silver
	5501 3479	1			Dark Tan/Medium Tan/Light Tan
6					DECAL, "Jeep"
	J546 1682	2			Black, 1989
	5AS1 5JX9	2			Black, 1990
	5501 8584	2			Silver, 1988
	5501 3469	2			Tan, 1988
	5502 0244	2			White, 1989
	5AS1 5JW4	2			White, 1990
7	J576 5270	2			PROTECTOR, Scuff, Clear

(ECE) Emission Controlled European. (A) For 1987, two types of instrument clusters were used. On type one, Clusters, the odometer numbers are rounded, the Speedometer face has (2) slotte

MODEL CODES:

15 = Grand Wagoneer 4 Dr.	65 = Comanche 4WD-7 Ft. Box	77 = Cherokee 4WD-2 Dr.
25 = J-10 Pickup-119" W.B.	66 = Comanche 2WD-7 Ft. Box	78 = Cherokee 4WD-4 Dr.
26 = J-10 Pickup-131" W.B.	73 = Cherokee 2WD-2 Dr.	79 = Cherokee 4WD-4 Dr.-Com
27 = J-20 Pickup-131" W.B.	74 = Cherokee 2WD-4 Dr.	81 = Wrangler-93" W.B.
63 = Comanche 4WD-6 Ft. Box	75 = Wagoneer 4WD-4 Dr.	82 = Wrangler-103" W.B.-Exp.
64 = Comanche 2WD-6 Ft. Box		

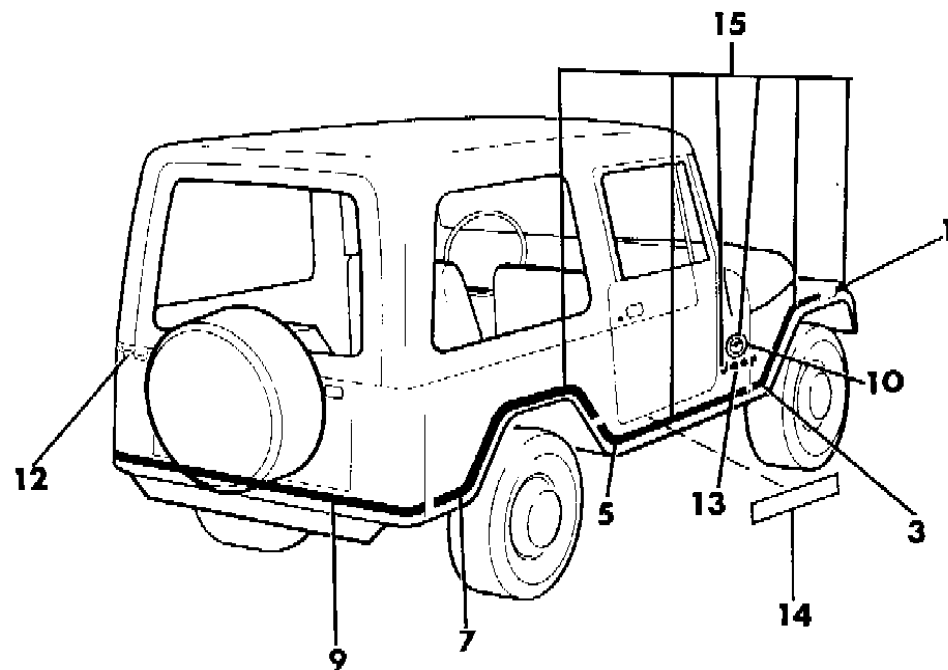
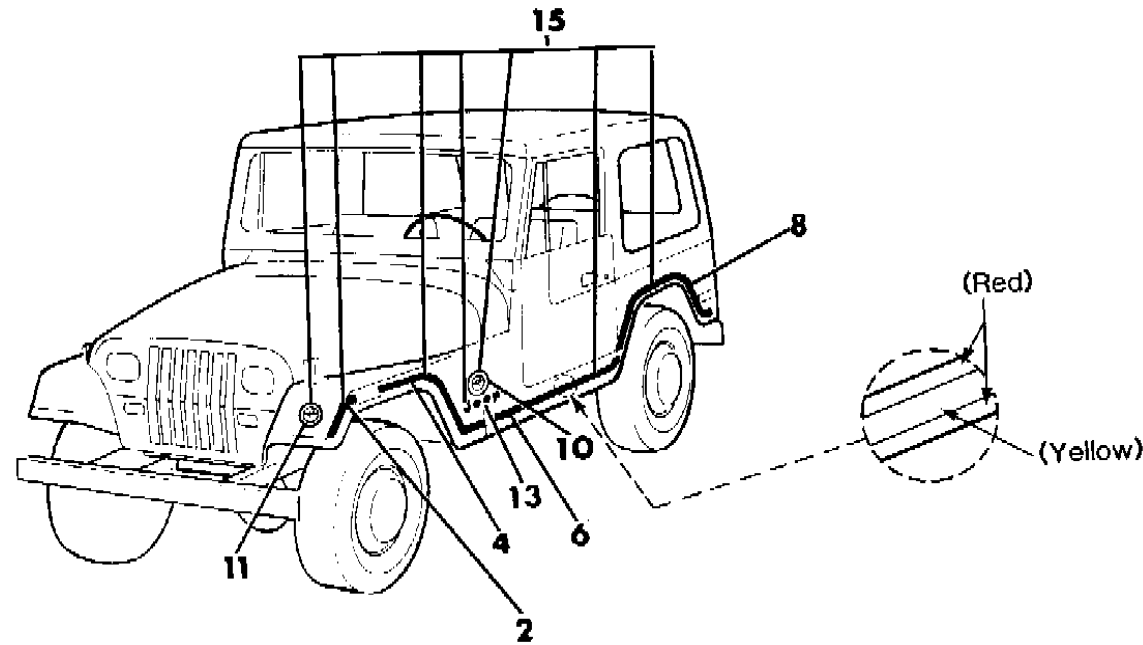
BODY STYLES:

MJ = Comanche Pickup  
 SJ = Grand Wagoneer Wgn., J-10 & J-20 Pickups  
 XJ = Cherokee, Wagoneer Limited  
 YJ = Wrangler

AR = Use as Required - = Non Illustrated Part P.A.R. = Paint as Required

DECALS, EXTERIOR SAHARA, 1988-90 WRANGLER, YJ  
Figure 23-400

8J68 400 A



ITEM	PART NUMBER	QTY	BODY	MODEL	DESCRIPTION
1-2					DECAL, Fender, Front, Red/Yellow, Except (ECE)
	5501 9338-9	1			1988-89
	5AS42-3 JAP	1			1990
3-4					DECAL, Fender, Rear, Red/Yellow
	5501 9340-1	1			1988-89
	5AS44-5 JAP	1			1990
5-6					DECAL, Body Side, Red/Yellow
	5501 9342-3	1			1988-89
	5AS46-7 JAP	1			1990
7-8					DECAL, Rear Quarter, Red/Yellow
	5502 0000-1	1			1988-89
	5AS48-9 JAP	1			1990
9					DECAL, Rear Lower, Red/Yellow
	5501 9344	1			1988-89
	5AS5 0JAP	1			1990
10					DECAL, Body Side, Red/Yellow
	5501 9345	2			1988-89
	5AS6 0JAP	2			1990
11					DECAL, Fender, Red/Yellow
	5501 9998	1			1988-89
	5AS6 1JAP	1			1990
12					DECAL, "YJ" Canada
	5501 9346	1			Yellow/Red, 1988-89
	5AS3 2JAP	1			Red/Yellow, 1990
13					DECAL, "Jeep"
	5501 9250	2			Yellow, 1988-89
	5AS1 5JY3	2			Yellow, 1990
	5AS1 5JR3	2			Red, 1990
14	J576 5270	2			PROTECTOR, Scuff, Clear
15					TAPESTRIPE PACKAGE, Bodyside, 1990 ***
	4636 086	1			Right, includes items 1,3,5,7,10, and 13.
	4636 087	1			Left, includes items 2,4,6,8,10,11, and 13.

MODEL CODES:

15 = Grand Wagoneer 4 Dr.	65 = Comanche 4WD-7 Ft. Box	77 = Cherokee 4WD-2 Dr.
25 = J-10 Pickup-119" W.B.	66 = Comanche 2WD-7 Ft. Box	78 = Cherokee 4WD-4 Dr.
26 = J-10 Pickup-131" W.B.	73 = Cherokee 2WD-2 Dr.	79 = Cherokee 4WD-4 Dr.-Com
27 = J-20 Pickup-131" W.B.	74 = Cherokee 2WD-4 Dr.	81 = Wrangler-93" W.B.
63 = Comanche 4WD-6 Ft. Box	75 = Wagoneer 4WD-4 Dr.	82 = Wrangler-103" W.B.-Exp.
64 = Comanche 2WD-6 Ft. Box		

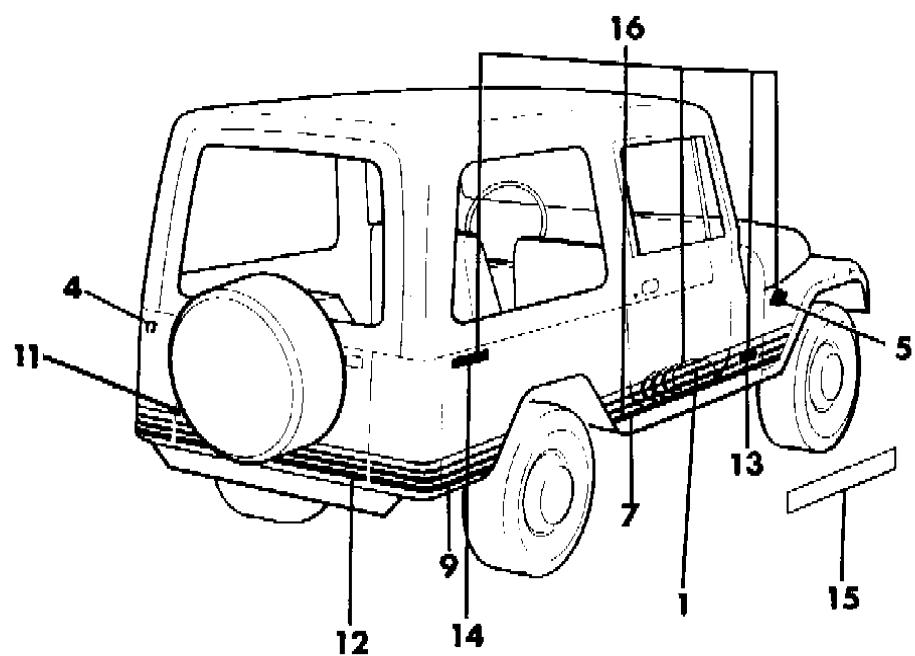
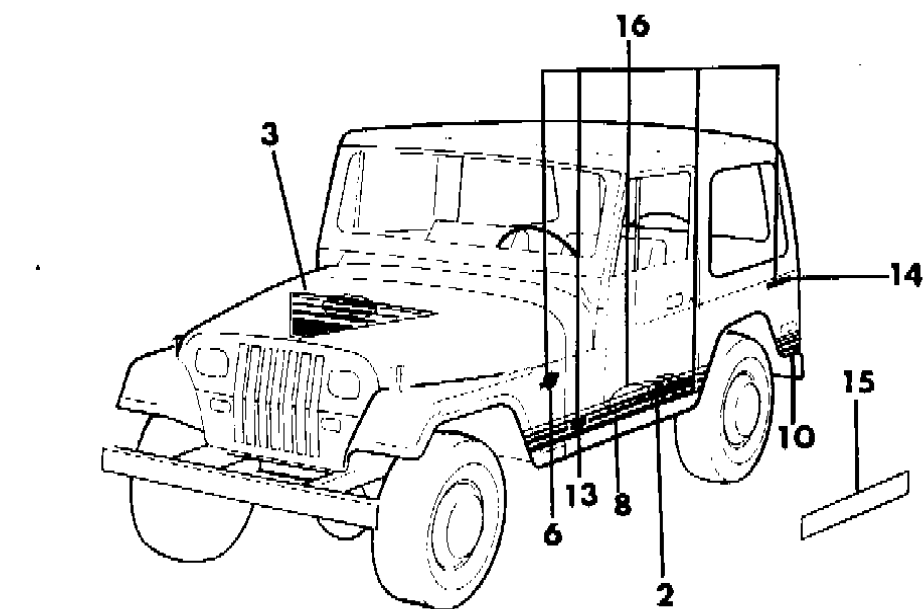
BODY STYLES:

MJ = Comanche Pickup  
 SJ = Grand Wagoneer Wgn., J-10 & J-20 Pickups  
 XJ = Cherokee, Wagoneer Limited  
 YJ = Wrangler

AR = Use as Required - = Non Illustrated Part P.A.R. = Paint as Required

DECALS, EXTERIOR ISLANDER, 1989-90 WRANGLER, YJ  
Figure 23-500

8J68 500 A



ITEM	PART NUMBER	QTY	BODY	MODEL	DESCRIPTION
1-2					DECAL, Door Orange Red/Yellow Orange/Blue Metallic
	5502 4440-1	1			1989
	5AS26-7 JAN	1			1990
3					DECAL, Hood Orange Red/Yellow Orange/Blue Metallic
	5502 2124	1			1989
	5AS1 7JAN	1			1990
4					DECAL, "YJ" Canada Blue Metallic/Orange Red
	5502 2133	1			1989
	5AS6 2JBD	1			1990
5-6					DECAL, "Islander" Blue Metallic/Yellow Orange
	5502 2130-1	1			1989
	5AS22-3 JAP	1			1990
7-8					DECAL, Body Side, Blue Metallic
	5502 2126-7	1			1989
	5AS18-9 JAN	1			1990
9-10					DECAL, Rear Quarter, Blue Metallic
	5502 4442-3	1			1989
	5AS28-9 JAN	1			1990
11					DECAL, Tailgate Upper, Left, Blue Metallic
	5502 4439	1			1989
	5AS2 5JAN	1			1990
12					DECAL, Rear Lower, Blue Metallic
	5502 2128	1			1989
	5AS2 0JAN	1			1990
13					DECAL, "Jeep"
	5502 2132	2			1989
	5AS1 5JQ9	2			1990
14					DECAL, "Wrangler"
	5502 2129	2			1989
	5AS2 1JAN	2			1990
15	J576 5270	2			PROTECTOR, Scuff, Clear
16					TAPESTRIPE PACKAGE, Bodyside, 1990 ***
	4636 090	1			U.S., Right, includes items 1,5,7,13, and 14.

MODEL CODES:

15 = Grand Wagoneer 4 Dr.	65 = Comanche 4WD-7 Ft. Box	77 = Cherokee 4WD-2 Dr.
25 = J-10 Pickup-119" W.B.	66 = Comanche 2WD-7 Ft. Box	78 = Cherokee 4WD-4 Dr.
26 = J-10 Pickup-131" W.B.	73 = Cherokee 2WD-2 Dr.	79 = Cherokee 4WD-4 Dr.-Com
27 = J-20 Pickup-131" W.B.	74 = Cherokee 2WD-4 Dr.	81 = Wrangler-93" W.B.
63 = Comanche 4WD-6 Ft. Box	75 = Wagoneer 4WD-4 Dr.	82 = Wrangler-103" W.B.-Exp.
64 = Comanche 2WD-6 Ft. Box		

BODY STYLES:

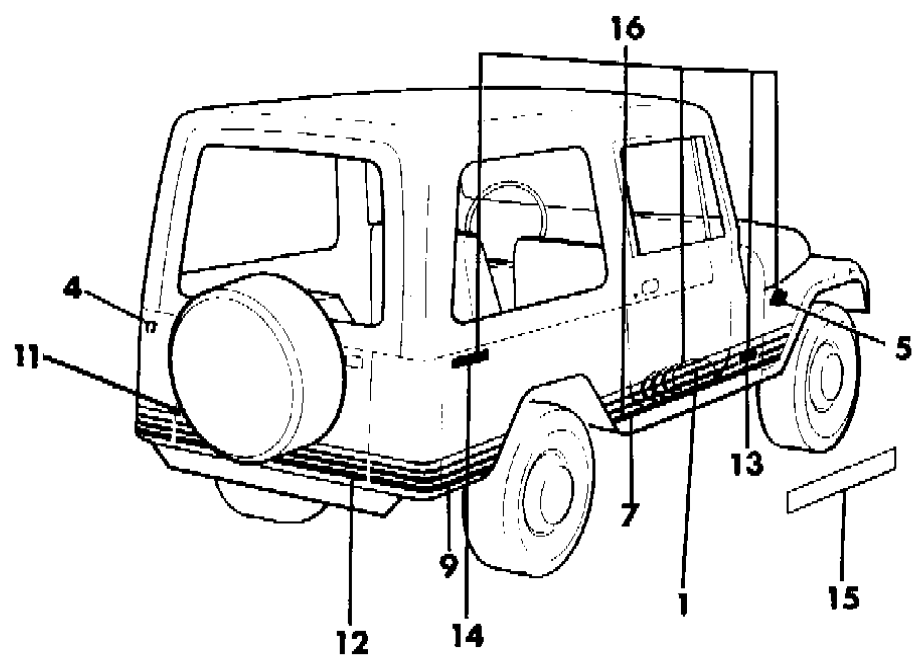
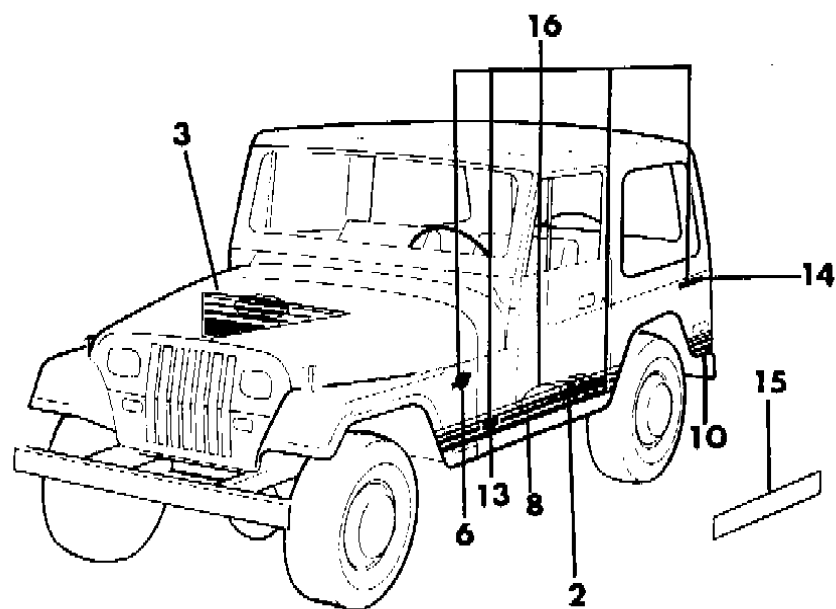
MJ = Comanche Pickup  
 SJ = Grand Wagoneer Wgn., J-10 & J-20 Pickups  
 XJ = Cherokee, Wagoneer Limited  
 YJ = Wrangler

AR = Use as Required - = Non Illustrated Part P.A.R. = Paint as Required

DECALS, EXTERIOR ISLANDER, 1989-90 WRANGLER, YJ  
Figure 23-500

8J68 500 A

ITEM	PART NUMBER	QTY	BODY	MODEL	DESCRIPTION
	4636 091	1			U.S., Left, includes items 2,6,8,13 and 14
	4636 092	1			Canada, Right, includes items 1,5,7 and 13.
	4636 093	1			Canada, Left, includes items 2,6,8 and 13.
17	4636 095	1			TAPESTRIPE PACKAGE, Rear End, 1990, includes items 9,10, 11, and 12. ***



MODEL CODES:

- |                             |                             |                              |
|-----------------------------|-----------------------------|------------------------------|
| 15 = Grand Wagoneer 4 Dr.   | 65 = Comanche 4WD-7 Ft. Box | 77 = Cherokee 4WD-2 Dr.      |
| 25 = J-10 Pickup-119" W.B.  | 66 = Comanche 2WD-7 Ft. Box | 78 = Cherokee 4WD-4 Dr.      |
| 26 = J-10 Pickup-131" W.B.  | 73 = Cherokee 2WD-2 Dr.     | 79 = Cherokee 4WD-4 Dr.-Com  |
| 27 = J-20 Pickup-131" W.B.  | 74 = Cherokee 2WD-4 Dr.     | 81 = Wrangler-93" W.B.       |
| 63 = Comanche 4WD-6 Ft. Box | 75 = Wagoneer 4WD-4 Dr.     | 82 = Wrangler-103" W.B.-Exp. |
| 64 = Comanche 2WD-6 Ft. Box |                             |                              |

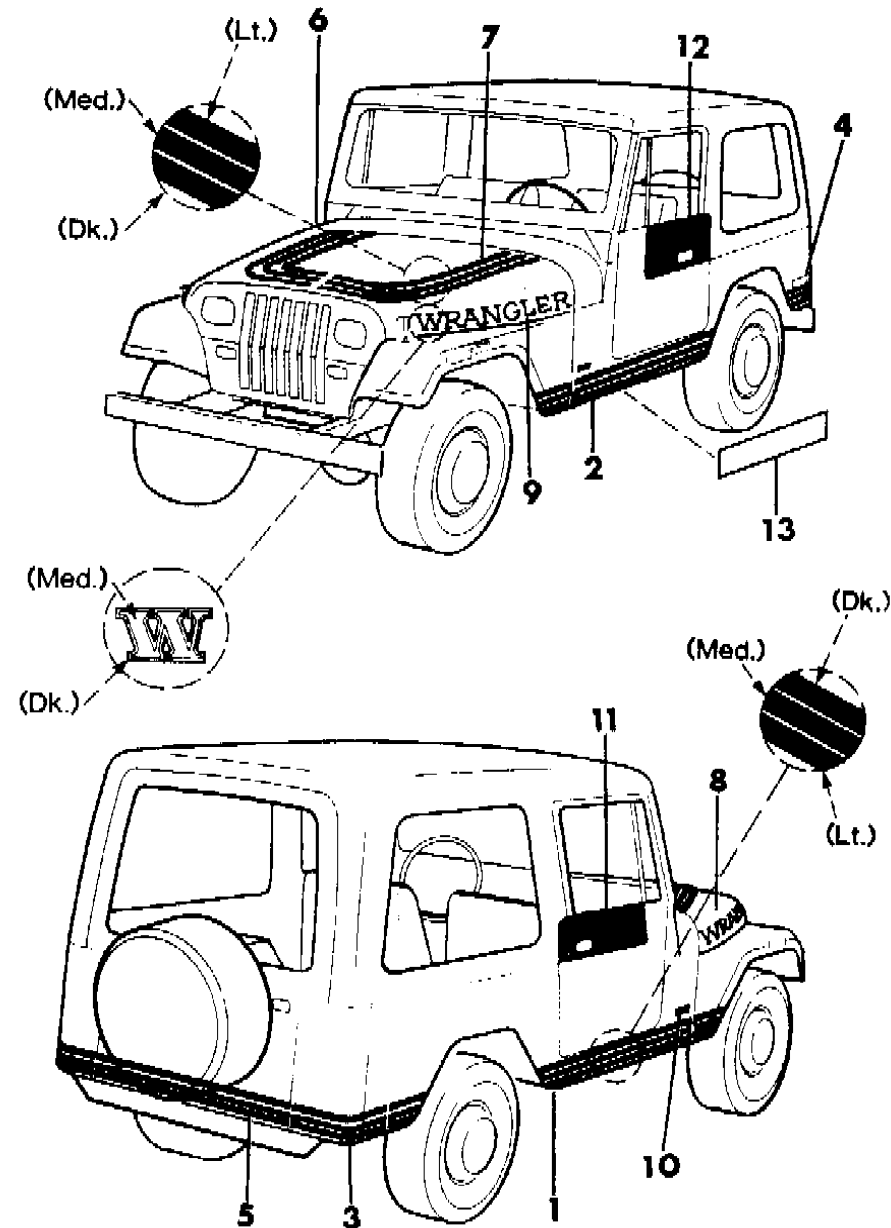
BODY STYLES:

- MJ = Comanche Pickup  
 SJ = Grand Wagoneer Wgn., J-10 & J-20 Pickups  
 XJ = Cherokee, Wagoneer Limited  
 YJ = Wrangler

AR = Use as Required - = Non Illustrated Part P.A.R. = Paint as Required

DECALS, EXTERIOR SPORT, U.S., 1987-88 WRANGLER  
Figure 23-600

8 J 68 600



ITEM	PART NUMBER	QTY	BODY	MODEL	DESCRIPTION
1-2					DECAL, Body Side
	5501 3480-1	1			Dark Silver/Medium Silver/Light Silver, 1987
	5501 8578-9	1			Dark Silver/Light Medium Silver, 1988
	5501 3482-3	1			Dark Tan/Medium Tan/Light Tan, 1987-88
3-4					DECAL, Rear Quarter
	5501 3484-5	1			Dark Silver/Medium Silver/Light Silver, 1987
	5501 8576-7	1			Dark Silver/Light Medium Silver, 1988
	5501 3486-7	1			Dark Tan/Medium Tan/Light Tan, 1987-88
5					DECAL, Rear Lower
	5501 3478	1			Dark Silver/Medium Silver/ Light Silver, 1987
	5501 8575	1			Dark Silver/Light Medium Silver, 1988
	5501 3479	1			Dark Tan/Medium Tan/Light Tan, 1987-88
6-7					DECAL, Hood
	5501 3474-5	1			Dark Silver/Medium Silver/Light Silver, 1987
	5501 8580-1	1			Light Medium Silver/Dark Silver, 1988
	5501 3476-7	1			Light Tan/Medium Tan/Dark Tan, 1987-88
8-9					DECAL, Hood, U.S.
	5501 3470-1	1			Dark Silver/Medium Silver, 1987
	5501 8582-3	1			Dark Silver, 1988
	5501 3472-3	1			Dark Tan/Medium Tan, 1987-88
10					DECAL, "Jeep"
	J546 1682	2			Black, 1987
	5501 3468	2			Silver, 1987
	5501 8584	2			Silver, 1988
	5501 3469	2			Tan, 1987-88
11-12					DECAL, Door, modification required
	J576 4570-1	1			Black
	J576 5504-5	1			Honey
	J576 4568-9	1			White
13	J576 5270	2			PROTECTOR, Scuff, Clear

MODEL CODES:

15 = Grand Wagoneer 4 Dr.	65 = Comanche 4WD-7 Ft. Box	77 = Cherokee 4WD-2 Dr.
25 = J-10 Pickup-119" W.B.	66 = Comanche 2WD-7 Ft. Box	78 = Cherokee 4WD-4 Dr.
26 = J-10 Pickup-131" W.B.	73 = Cherokee 2WD-2 Dr.	79 = Cherokee 4WD-4 Dr.-Com
27 = J-20 Pickup-131" W.B.	74 = Cherokee 2WD-4 Dr.	81 = Wrangler-93" W.B.
63 = Comanche 4WD-6 Ft. Box	75 = Wagoneer 4WD-4 Dr.	82 = Wrangler-103" W.B.-Exp.
64 = Comanche 2WD-6 Ft. Box		

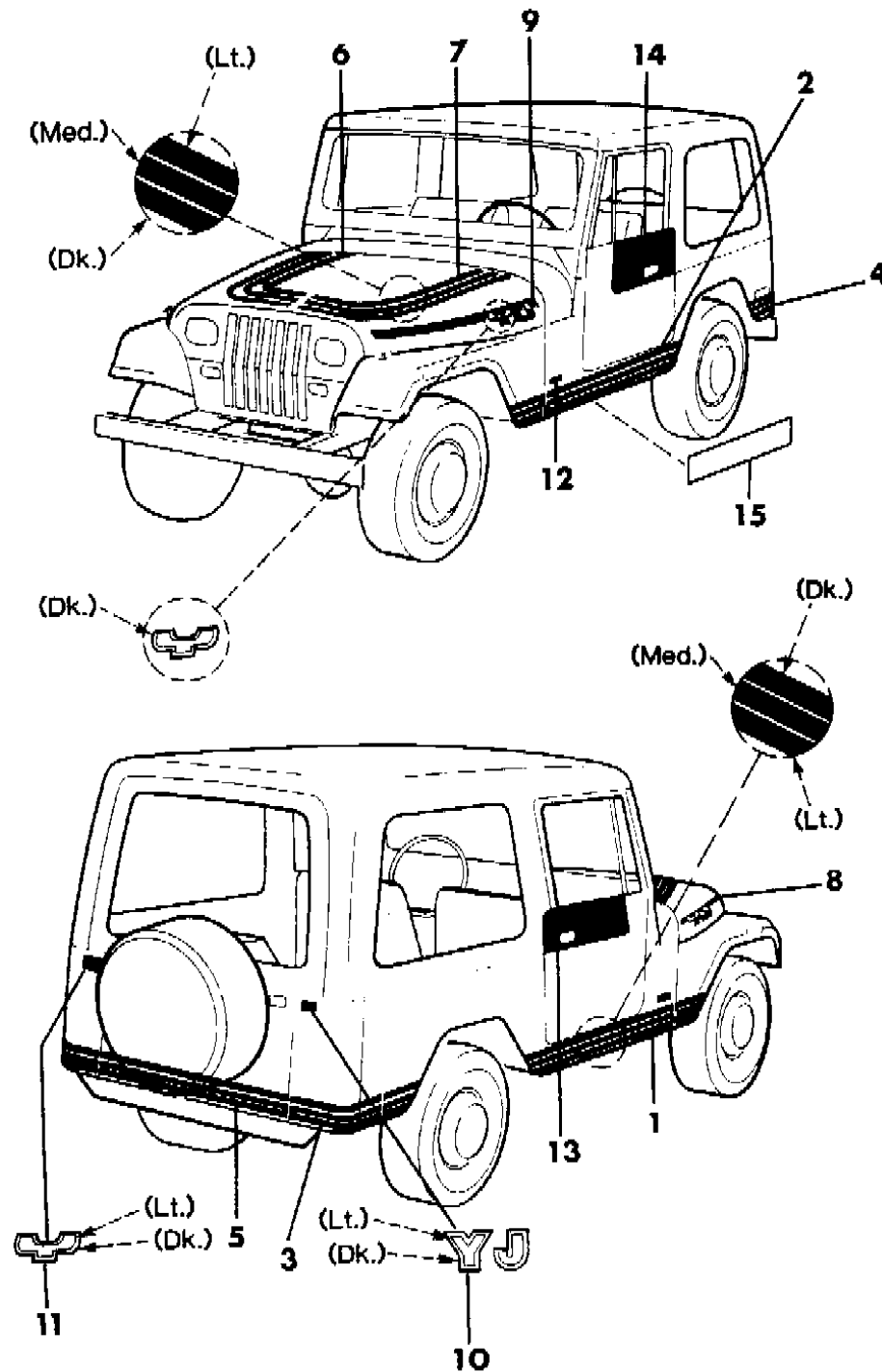
BODY STYLES:

MJ = Comanche Pickup  
 SJ = Grand Wagoneer Wgn., J-10 & J-20 Pickups  
 XJ = Cherokee, Wagoneer Limited  
 YJ = Wrangler

AR = Use as Required - = Non Illustrated Part P.A.R. = Paint as Required

DECALS, EXTERIOR SPORT, CANADA, 1987-88 YJ  
Figure 23-700

8J68 700



ITEM	PART NUMBER	QTY	BODY	MODEL	DESCRIPTION
1-2					DECAL, Body Side
	5501 3480-1	1			Dark Silver/Medium Silver/ Light Silver, 1987
	5501 8578-9	1			Dark Silver/Light Medium Silver, 1988
	5501 3482-3	1			Dark Tan/Medium Tan/Light Tan, 1987-88
3-4					DECAL, Rear Quarter
	5501 3484-5	1			Dark Silver/Medium Silver/Light Silver, 1987
	5501 8576-7	1			Dark Silver/Light Medium Silver, 1988
	5501 3486-7	1			Dark Tan/Medium Tan/Light Tan, 1987-88
5					DECAL, Rear Lower
	5501 3478	1			Dark Silver/Medium Silver/Light Silver, 1987
	5501 8575	1			Dark Silver/Light Medium Silver, 1988
	5501 3479	1			Dark Tan/Medium Tan/Light Tan, 1987-88
6-7					DECAL, Hood
	5501 3474-5	1			Light Silver/Medium Silver/Dark Silver, 1987
	5501 8580-1	1			Light Medium Silver/Dark Silver, 1988
	5501 3476-7	1			Light Tan/Medium Tan/Dark Tan, 1987-88
8-9					DECAL, Hood
	5501 7516-7	1			Dark Silver, 1987-88
	5501 7518-9	1			Dark Tan, 1987-88
10					DECAL, "YJ"
	5501 5318	1			Dark Silver/Light Silver, 1987
	5501 5320	1			Dark Tan/Light Tan, 1988
11					DECAL, "YJ"
	5501 7512	1			Dark Silver/Light Silver, 1987
	5501 8574	1			Dark Silver, 1988
	5501 7513	1			Dark Tan/Light Tan, 1987-88
12					DECAL, "Jeep"
	J546 1682	2			Black, 1987
	5501 3468	2			Silver, 1987
	5501 8584	2			Silver, 1988
	5501 3469	2			Tan, 1987-88
13-14					DECAL, Door, modification required
	J576 4570-1	1			Black
	J576 5504-5	1			Honey
	J576 4568-9	1			White
15	J576 5270	2			PROTECTOR, Scuff, Clear

MODEL CODES:

15 = Grand Wagoneer 4 Dr.	65 = Comanche 4WD-7 Ft. Box	77 = Cherokee 4WD-2 Dr.
25 = J-10 Pickup-119" W.B.	66 = Comanche 2WD-7 Ft. Box	78 = Cherokee 4WD-4 Dr.
26 = J-10 Pickup-131" W.B.	73 = Cherokee 2WD-2 Dr.	79 = Cherokee 4WD-4 Dr.-Com
27 = J-20 Pickup-131" W.B.	74 = Cherokee 2WD-4 Dr.	81 = Wrangler-93" W.B.
63 = Comanche 4WD-6 Ft. Box	75 = Wagoneer 4WD-4 Dr.	82 = Wrangler-103" W.B.-Exp.
64 = Comanche 2WD-6 Ft. Box		

BODY STYLES:

MJ = Comanche Pickup  
 SJ = Grand Wagoneer Wgn., J-10 & J-20 Pickups  
 XJ = Cherokee, Wagoneer Limited  
 YJ = Wrangler

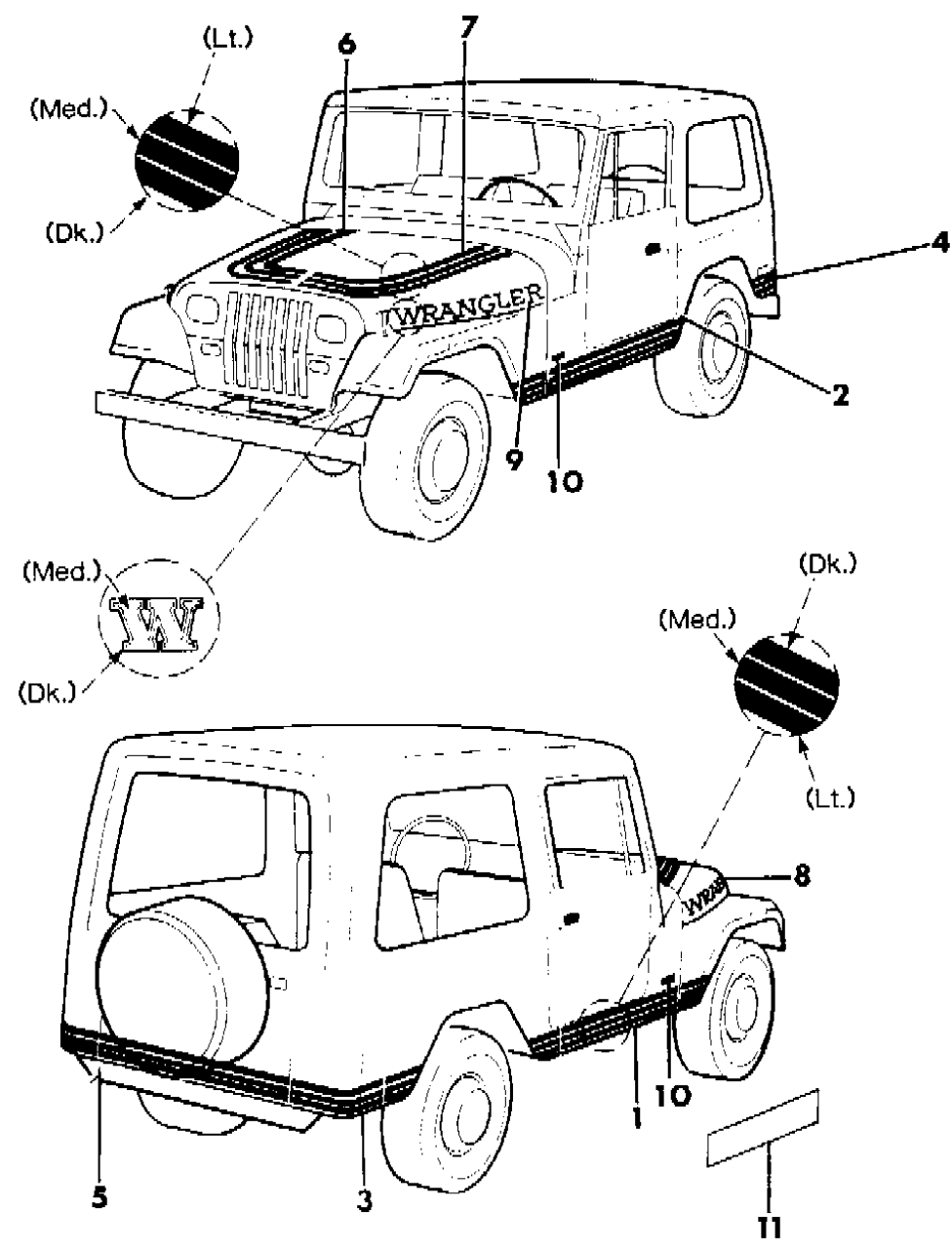
AR = Use as Required - = Non Illustrated Part P.A.R. = Paint as Required



DECALS, EXTERIOR SPORT, EXPORT, 1988 WRANGLER  
Figure 23-800

8J68 800

ITEM	PART NUMBER	QTY	BODY	MODEL	DESCRIPTION
1-2	5502 0402-3	1			DECAL, Body Side, Dark Tan/Medium Tan/Light Tan
3-4	5502 0404-5	1			DECAL, Rear Quarter, Dark Tan/Med Tan/Light Tan
5	5501 3479	1			DECAL, Rear Lower, Dark Tan/Med Tan/Light Tan
6-7	5501 3476-7	1			DECAL, Hood, Light Tan/Medium Tan/Dark Tan
8-9	5501 3472-3	1			DECAL, Hood, Dark Tan/Medium Tan
10	5501 3469	2			DECAL, "Jeep", Tan
11	J576 5270	2			PROTECTOR, Scuff, Clear



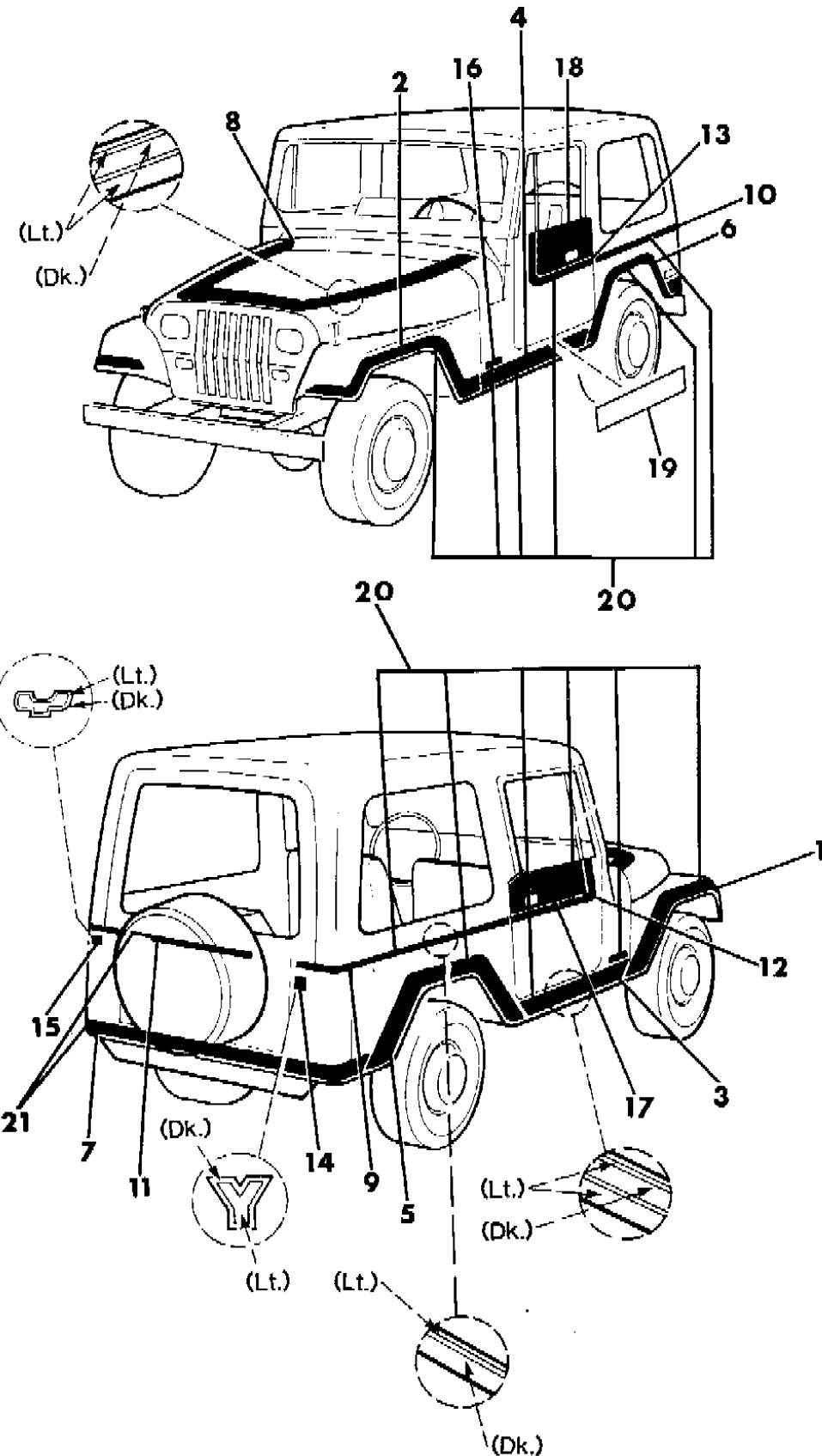
- MODEL CODES:
- |                             |                             |                              |
|-----------------------------|-----------------------------|------------------------------|
| 15 = Grand Wagoneer 4 Dr.   | 65 = Comanche 4WD-7 Ft. Box | 77 = Cherokee 4WD-2 Dr.      |
| 25 = J-10 Pickup-119" W.B.  | 66 = Comanche 2WD-7 Ft. Box | 78 = Cherokee 4WD-4 Dr.      |
| 26 = J-10 Pickup-131" W.B.  | 73 = Cherokee 2WD-2 Dr.     | 79 = Cherokee 4WD-4 Dr.-Com  |
| 27 = J-20 Pickup-131" W.B.  | 74 = Cherokee 2WD-4 Dr.     | 81 = Wrangler-93" W.B.       |
| 63 = Comanche 4WD-6 Ft. Box | 75 = Wagoneer 4WD-4 Dr.     | 82 = Wrangler-103" W.B.-Exp. |
| 64 = Comanche 2WD-6 Ft. Box |                             |                              |

- BODY STYLES:
- MJ = Comanche Pickup
  - SJ = Grand Wagoneer Wgn., J-10 & J-20 Pickups
  - XJ = Cherokee, Wagoneer Limited
  - YJ = Wrangler

AR = Use as Required - = Non Illustrated Part P.A.R. = Paint as Required

DECALS, EXTERIOR LAREDO, 1987-90 WRANGLER, YJ  
Figure 23-900

8J68 900A



ITEM	PART NUMBER	QTY	BODY	MODEL	DESCRIPTION
1-2					DECAL, Fender
	5501 4420-1	1			Light Brown/Medium Brown/Light Brown, 1987-88
	5502 1518-9	1			Light Sand/Dark Sand/Light Sand, 1989
	5AS02-3 JAZ	1			Sand, 1990
	5501 4404-5	1			Light Silver/Dark Silver/Light Silver, 1987
	5501 6184-5	1			Medium Silver/Dark Silver/Medium Silver, 1987-89
	5AS02-3 JAV	1			Silver, 1990
3-4					DECAL, Body Side
	5501 4422-3	1			Light Brown/Medium Brown/Light Brown, 1987-88
	5502 1520-1	1			Light Sand/Dark Sand/Light Sand, 1989
	5AS04-5 JAZ	1			Sand, 1990
	5501 4406-7	1			Light Silver/Dark Silver/Light Silver, 1987
	5501 6186-7	1			Medium Silver/Dark Silver/Medium Silver, 1987-89
	5AS04-5 JAV	1			Silver, 1990
5-6					DECAL, Rear Quarter
	5501 4424-5	1			Light Brown/Medium Brown/Light Brown, 1987-88
	5502 1522-3	1			Light Sand/Dark Sand/Light Sand, 1989
	5AS06-7 JAZ	1			Sand, 1990
	5501 4408-9	1			Light Silver/Dark Silver/Light Silver, 1987
	5501 6188-9	1			Medium Silver/Dark Silver/Medium Silver, 1987-89
	5AS06-7 JAV	1			Silver, 1990
7					DECAL, Rear Lower
	5501 4431	1			Light Brown/Medium Brown/Light Brown, 1987-88
	5502 1529	1			Light Sand/Dark Sand/Light Sand, 1989
	5AS1 3JAZ	1			Sand, 1990
	5501 4410	1			Light Silver/Dark Silver/Light Silver, 1987
	5501 6194	1			Medium Silver/Dark Silver/Medium Silver, 1987-89
	5AS1 3JAV	1			Silver, 1990
8					DECAL, Hood
	5501 4432	1			Light Brown/Medium Brown/Light Brown, 1987-88
	5502 1530	1			Light Sand/Dark Sand/Light Sand, 1989
	5AS1 4JAZ	1			Sand, 1990
	5501 4418	1			Light Silver/Dark Silver/Light Silver, 1987
	5501 6195	1			Medium Silver/Dark Silver/Medium Silver, 1987-89
	5AS1 4JAV	1			Silver, 1990
9-10					DECAL, Body Side
	5501 4428-9	1			Light Brown/Medium Brown, 1987-88

MODEL CODES:

15 = Grand Wagoneer 4 Dr.	65 = Comanche 4WD-7 Ft. Box	77 = Cherokee 4WD-2 Dr.
25 = J-10 Pickup-119" W.B.	66 = Comanche 2WD-7 Ft. Box	78 = Cherokee 4WD-4 Dr.
26 = J-10 Pickup-131" W.B.	73 = Cherokee 2WD-2 Dr.	79 = Cherokee 4WD-4 Dr.-Com
27 = J-20 Pickup-131" W.B.	74 = Cherokee 2WD-4 Dr.	81 = Wrangler-93" W.B.
63 = Comanche 4WD-6 Ft. Box	75 = Wagoneer 4WD-4 Dr.	82 = Wrangler-103" W.B.-Exp.
64 = Comanche 2WD-6 Ft. Box		

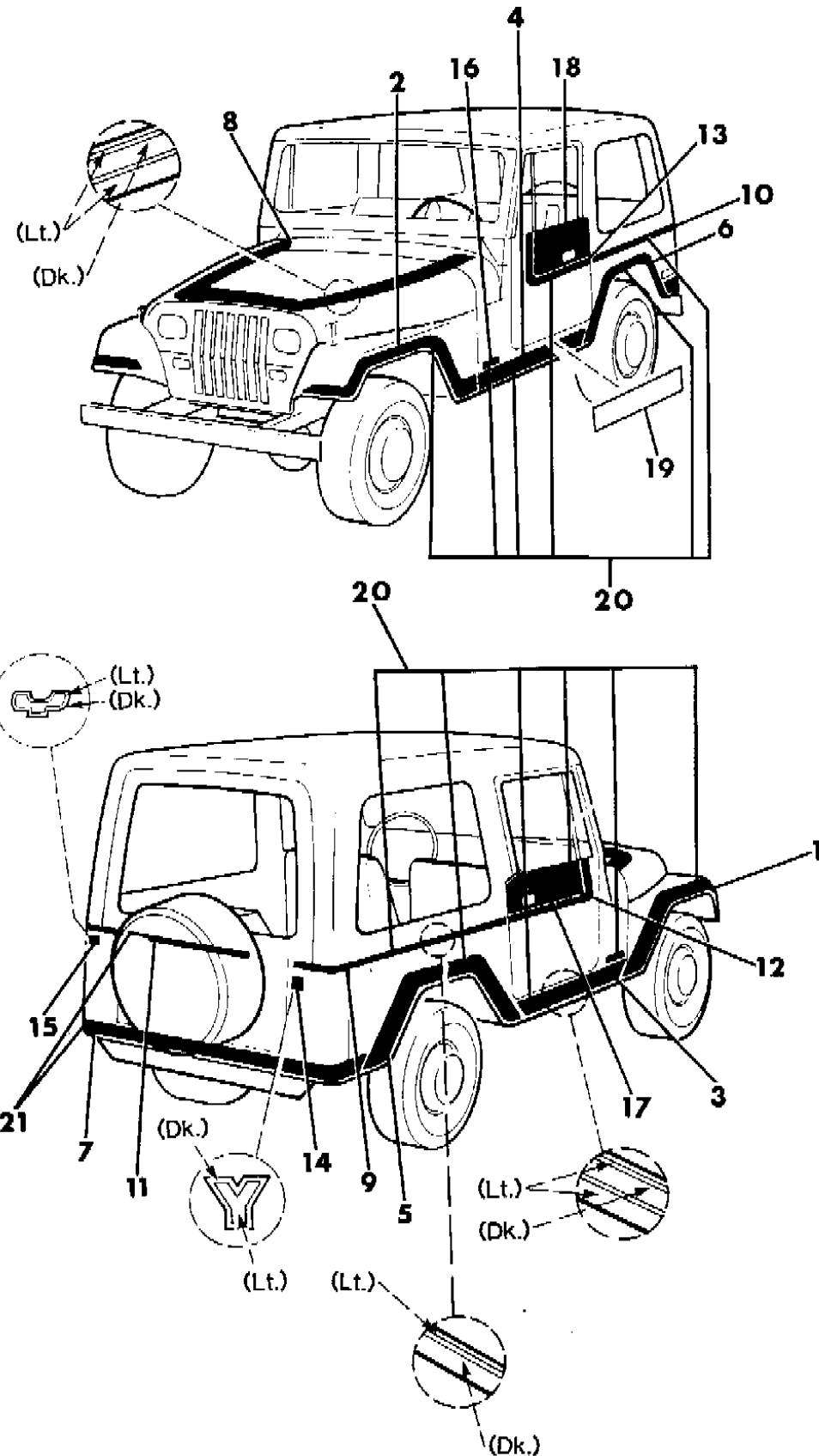
BODY STYLES:

MJ = Comanche Pickup  
 SJ = Grand Wagoneer Wgn., J-10 & J-20 Pickups  
 XJ = Cherokee, Wagoneer Limited  
 YJ = Wrangler

AR = Use as Required - = Non Illustrated Part P.A.R. = Paint as Required

DECALS, EXTERIOR LAREDO, 1987-90 WRANGLER, YJ  
Figure 23-900

8J68 900A



ITEM	PART NUMBER	QTY	BODY	MODEL	DESCRIPTION
	5502 1526-7	1			Light Sand/Dark Sand, 1989
	5AS10-1 JAZ	1			Sand, 1990
	5501 4414-5	1			Light Silver/Dark Silver, 1987
	5501 6192-3	1			Medium Silver/Dark Silver, 1987-89
	5AS10-1 JAV	1			Silver, 1990 ***
11					DECAL, Lift Door
	5501 4430	1			Light Brown/Medium Brown, 1987-88
	5502 1528	1			Light Sand/Dark Sand, 1989
	5AS1 2JAZ	1			Sand, 1990
	5501 4411	1			Light Silver/Dark Silver, 1987
	5501 6183	1			Medium Silver/Dark Silver, 1987-89
	5AS1 2JAV	1			Silver, 1990
12-13					DECAL, Door
	5501 4426-7	1			Light Brown/Medium Brown, 1987-88
	5502 1524-5	1			Light Sand/Dark Sand, 1989
	5AS08-9 JAZ	1			Sand, 1990
	5501 4412-3	1			Light Silver/Dark Silver, 1987
	5501 6190-1	1			Medium Silver/Dark Silver, 1987-89
	5AS08-9 JAV	1			Silver, 1990
14					DECAL, "YJ" Canada
	5501 5319	1			Medium Brown/Light Brown, 1987-88
	5501 5318	1			Dark Silver/Light Silver, 1987-89
15					DECAL, "YJ" Canada
	5501 7513	1			Medium Brown/Light Brown, 1987-88
	5502 1373	1			Dark Sand/Light Sand, 1989
	5AS3 2JAZ	1			Light Sand/Dark Sand, 1990
	5501 8574	1			Dark Silver/Light Silver, 1987
	5501 7512	1			Dark Silver/Light Silver, 1987-89
	5AS3 2JAV	1			Light Silver/Dark Silver, 1989-90
16					DECAL, "Jeep"
	J546 1682	2			Black, 1987-89
	5AS1 5JX9	2			Black, 1990
	J576 5389	2			Light Brown, 1987-88
	5502 1531	2			Sand, 1989
	5AS1 5JK2	2			Sand, 1990
	5501 4419	2			Light Silver/Dark Silver/Light Silver, 1987
	5501 6196	2			Medium Silver, 1987-89

MODEL CODES:

15 = Grand Wagoneer 4 Dr.	65 = Comanche 4WD-7 Ft. Box	77 = Cherokee 4WD-2 Dr.
25 = J-10 Pickup-119" W.B.	66 = Comanche 2WD-7 Ft. Box	78 = Cherokee 4WD-4 Dr.
26 = J-10 Pickup-131" W.B.	73 = Cherokee 2WD-2 Dr.	79 = Cherokee 4WD-4 Dr.-Com
27 = J-20 Pickup-131" W.B.	74 = Cherokee 2WD-4 Dr.	81 = Wrangler-93" W.B.
63 = Comanche 4WD-6 Ft. Box	75 = Wagoneer 4WD-4 Dr.	82 = Wrangler-103" W.B.-Exp.
64 = Comanche 2WD-6 Ft. Box		

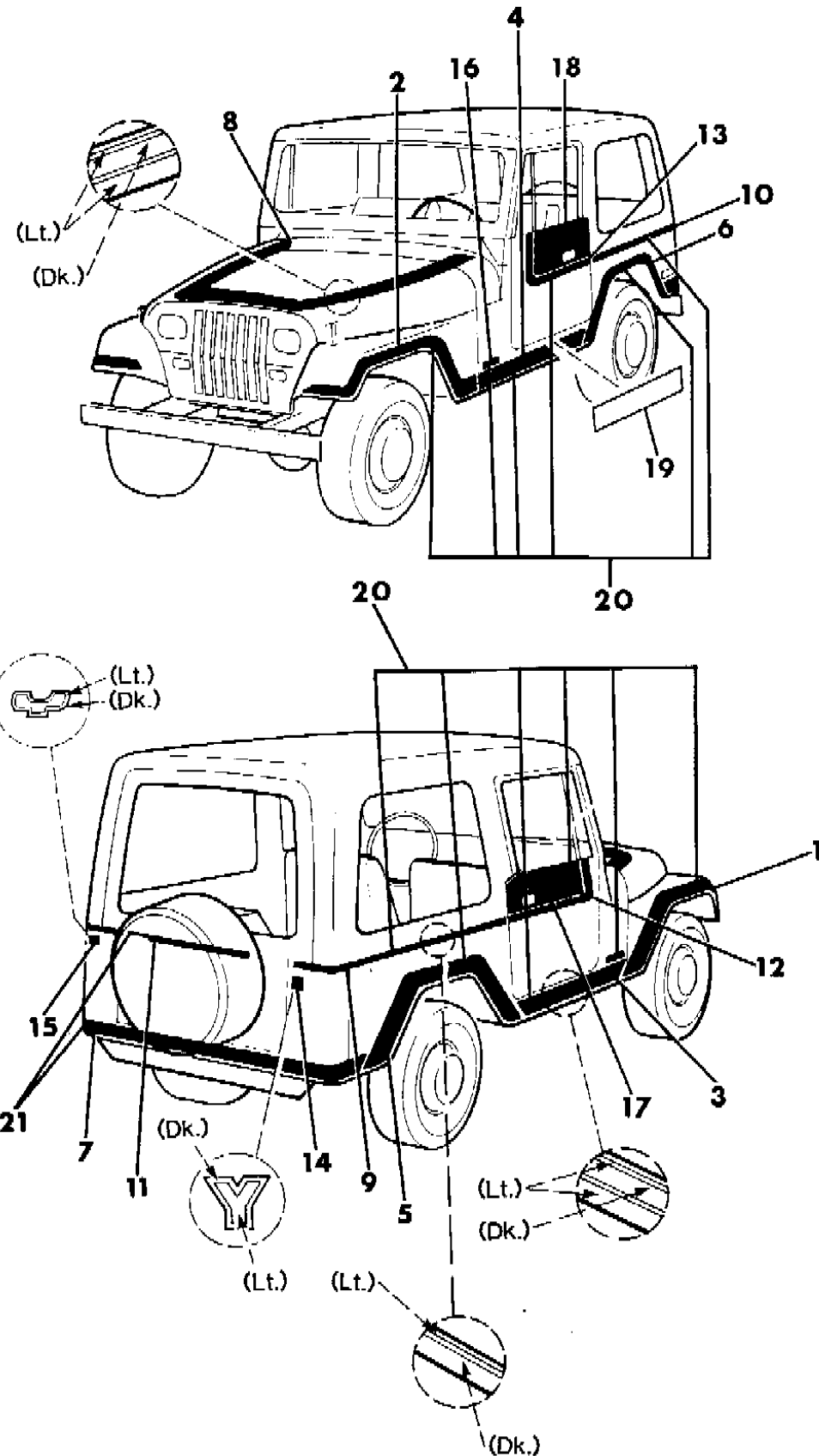
BODY STYLES:

MJ = Comanche Pickup  
 SJ = Grand Wagoneer Wgn., J-10 & J-20 Pickups  
 XJ = Cherokee, Wagoneer Limited  
 YJ = Wrangler

AR = Use as Required - = Non Illustrated Part P.A.R. = Paint as Required

DECALS, EXTERIOR LAREDO, 1987-90 WRANGLER, YJ  
Figure 23-900

8J68 900 A



ITEM	PART NUMBER	QTY	BODY	MODEL	DESCRIPTION
	5AS1 5JA3	2			Silver, 1990
17-18					DECAL, Door, modification required
NOTE: This part may require heat so it can be stretched to fit. (A) For 1987, two types of instrument clusters were used. On type one, Clusters, the odometer numbers are rounded, the Speedometer face has (2) slotte					
	J576 4570-1	1			Black
	J576 5504-5	1			Honey
	J576 4568-9	1			White
19	J576 5270	2			PROTECTOR, Scuff, Clear
20					TAPESTRIPE PACKAGE, Bodyside, 1990 ***
					Right, includes items 1,3,5,9 and 12
	4636 080	1			Sand
	4636 078	1			Silver
					Left, includes items 2,4,6,10 and 13
	4636 081	1			Sand
	4636 079	1			Silver
NOTE: Item 16 has been removed from this bodyside tape package. (not as illustrated) (A) For 1987, two types of instrument clusters were used. On type one, Clusters, the odometer numbers are rounded, the Speedometer face has (2) slotte					
21					TAPESTRIPE PACKAGE, Tailgate and Lower Rear Panel, 1990, includes items 7 and 11 ***
	4636 094	1			Sand
	4636 075	1			Silver

MODEL CODES:

15 = Grand Wagoneer 4 Dr.	65 = Comanche 4WD-7 Ft. Box	77 = Cherokee 4WD-2 Dr.
25 = J-10 Pickup-119" W.B.	66 = Comanche 2WD-7 Ft. Box	78 = Cherokee 4WD-4 Dr.
26 = J-10 Pickup-131" W.B.	73 = Cherokee 2WD-2 Dr.	79 = Cherokee 4WD-4 Dr.-Com
27 = J-20 Pickup-131" W.B.	74 = Cherokee 2WD-4 Dr.	81 = Wrangler-93" W.B.
63 = Comanche 4WD-6 Ft. Box	75 = Wagoneer 4WD-4 Dr.	82 = Wrangler-103" W.B.-Exp.
64 = Comanche 2WD-6 Ft. Box		

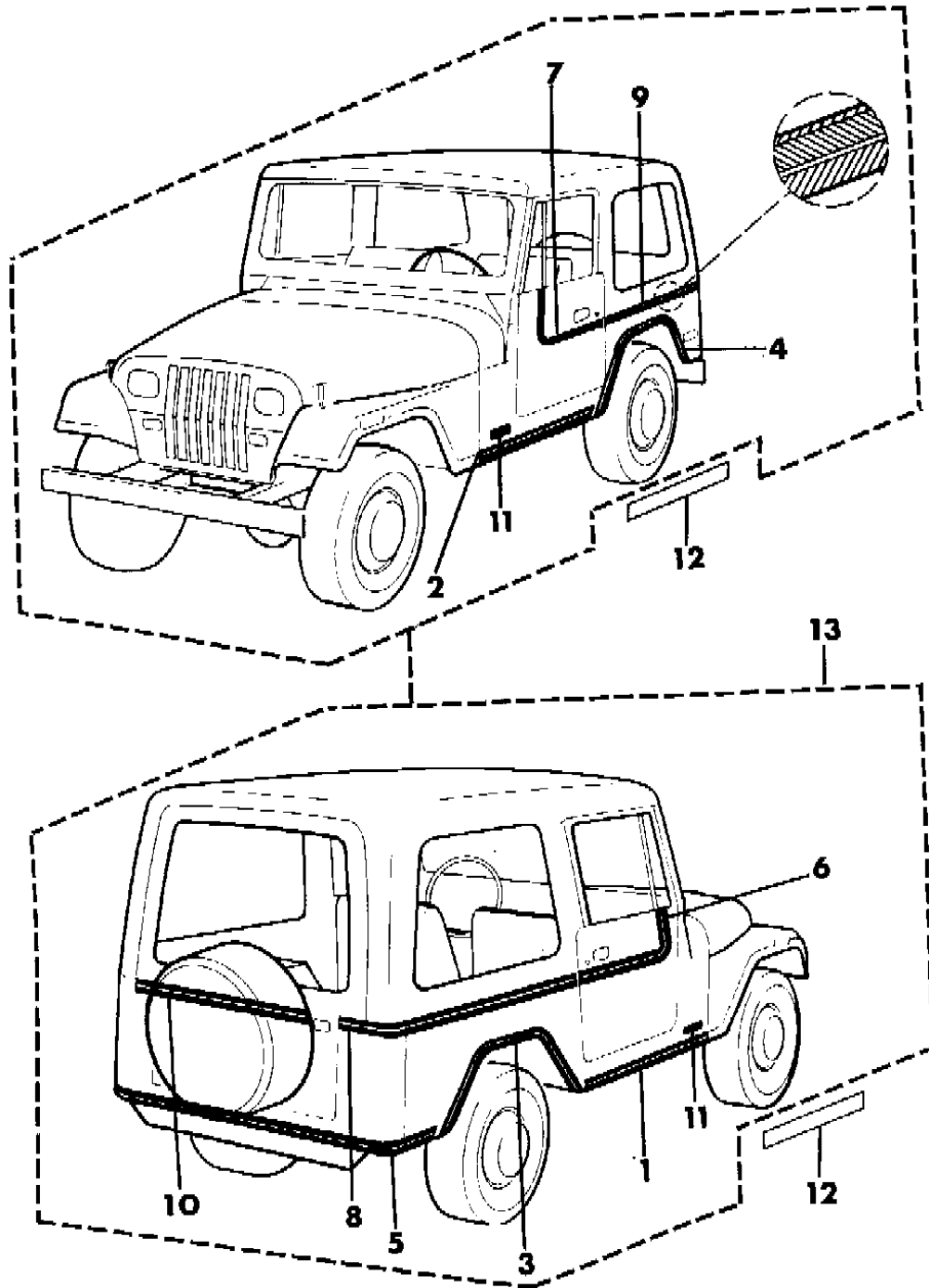
BODY STYLES:

MJ = Comanche Pickup  
 SJ = Grand Wagoneer Wgn., J-10 & J-20 Pickups  
 XJ = Cherokee, Wagoneer Limited  
 YJ = Wrangler

AR = Use as Required - = Non Illustrated Part P.A.R. = Paint as Required

DECALS, EXTERIOR LAREDO, E.C.E. WRANGLER  
Figure 23-1000

8J 68 1000 A



ITEM	PART NUMBER	QTY	BODY	MODEL	DESCRIPTION
1-2					DECAL, Body Side
	5501 4422-3	1			Light Brown/Medium Brown/Light Brown, 1988
	5502 1520-1	1			Light Sand/Dark Sand/Light Sand, 1989
	5AS04-5 JAZ	1			Sand, 1990
	5501 6186-7	1			Medium Silver/Dark Silver/Medium Silver, 1988-89
	5AS04-5 JAV	1			Silver, 1990
3-4					DECAL, Rear Quarter
	5501 4424-5	1			Light Brown/Medium Brown/Light Brown, 1988
	5502 1522-3	1			Light Sand/Dark Sand/Light Sand, 1989
	5AS06-7 JAZ	1			Sand, 1990
	5501 6188-9	1			Medium Silver/Dark Silver/Medium Silver, 1988-89
	5AS06-7 JAV	1			Silver, 1990
5					DECAL, Rear Lower
	5501 4431	1			Light Brown/Medium Brown/Light Brown, 1988
	5502 1529	1			Light Sand/Dark Sand/Light Sand, 1989
	5AS1 3JAZ	1			Sand, 1990
	5501 6194	1			Medium Silver/Dark Silver/Medium Silver, 1988-89
	5AS1 3JAV	1			Silver, 1990
6-7					DECAL, Door
	5501 4426-7	1			Light Brown/Medium Brown, 1988
	5502 1524-5	1			Light Sand/Dark Sand, 1989
	5AS08-9 JAZ	1			Sand, 1990
	5501 6190-1	1			Medium Silver/Dark Silver, 1988-89
	5AS08-9 JAV	1			Silver, 1990
8-9					DECAL, Body Side
	5501 4428-9	1			Light Brown/Medium Brown, 1988
	5502 1526-7	1			Light Sand/Dark Sand, 1989
	5AS10-1 JAZ	1			Sand, 1990
	5501 6192-3	1			Medium Silver/Dark Silver, 1988-89
	5AS10-1 JAV	1			Silver, 1990
10					DECAL, Lift Door
	5501 4430	1			Light Brown/Medium Brown, 1988
	5502 1528	1			Light Sand/Dark Sand, 1989
	5AS1 2JAZ	1			Sand, 1990
	5501 6183	1			Medium Silver/Dark Silver, 1988-89
	5AS1 2JAV	1			Silver, 1990
11					DECAL, "Jeep"

MODEL CODES:

15 = Grand Wagoneer 4 Dr.	65 = Comanche 4WD-7 Ft. Box	77 = Cherokee 4WD-2 Dr.
25 = J-10 Pickup-119" W.B.	66 = Comanche 2WD-7 Ft. Box	78 = Cherokee 4WD-4 Dr.
26 = J-10 Pickup-131" W.B.	73 = Cherokee 2WD-2 Dr.	79 = Cherokee 4WD-4 Dr.-Com
27 = J-20 Pickup-131" W.B.	74 = Cherokee 2WD-4 Dr.	81 = Wrangler-93" W.B.
63 = Comanche 4WD-6 Ft. Box	75 = Wagoneer 4WD-4 Dr.	82 = Wrangler-103" W.B.-Exp.
64 = Comanche 2WD-6 Ft. Box		

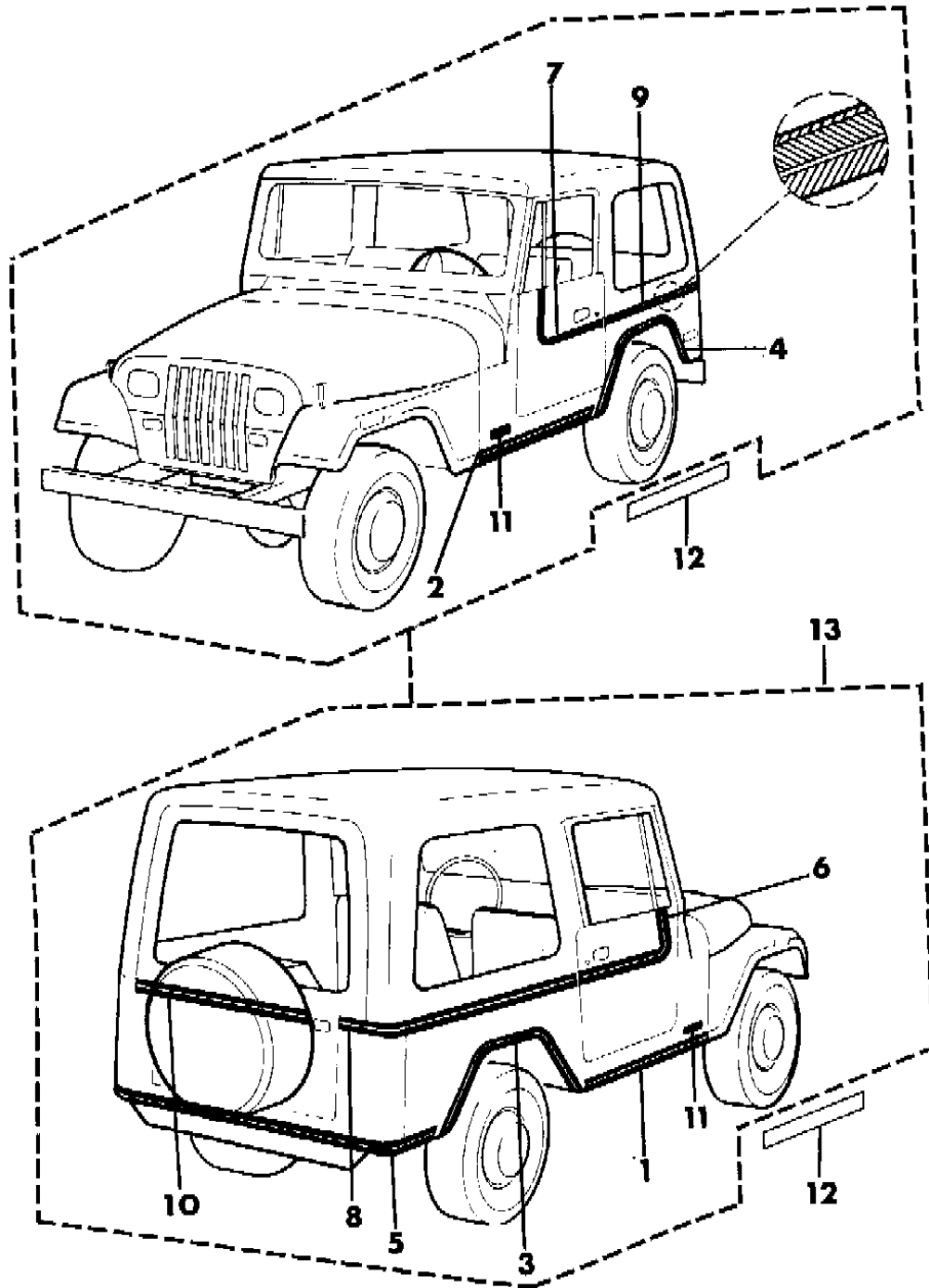
BODY STYLES:

MJ = Comanche Pickup  
 SJ = Grand Wagoneer Wgn., J-10 & J-20 Pickups  
 XJ = Cherokee, Wagoneer Limited  
 YJ = Wrangler

AR = Use as Required - = Non Illustrated Part P.A.R. = Paint as Required

DECALS, EXTERIOR LAREDO, E.C.E. WRANGLER  
Figure 23-1000

8J 68 1000 A



ITEM	PART NUMBER	QTY	BODY	MODEL	DESCRIPTION
	J576 5389	2			Light Brown, 1988
	5502 1531	2			Sand, 1989
	5AS1 5JK2	2			Sand, 1990
	5501 6196	2			Medium Silver, 1988-89
	5AS1 5JA3	2			Silver, 1990
12	J576 5270	2			PROTECTOR, Scuff
13					DECAL KIT, Laredo ***
	5AS0 1JAZ	1			Sand, 1990
	5AS0 1JAV	1			Silver, 1990

NEW TAPE PACKAGES. These packages may be used in place of items that have been exhausted. (A) For 1987, two types of instrument clusters were used. On type one, Clusters, the odometer numbers are rounded, the Speedometer face has (2) slotte

-	4637 872-3	1			Silver
-	4637 874-5	1			Sand
					TAPE PACKAGE, Bodyside
-	4636 075	1			Silver
-	4636 094	1			Sand
					TAPE PACKAGE, Tailgate

(ECE) Emission Controlled European (A) For 1987, two types of instrument clusters were used. On type one, Clusters, the odometer numbers are rounded, the Speedometer face has (2) slotte

- MODEL CODES:
- |                             |                             |                              |
|-----------------------------|-----------------------------|------------------------------|
| 15 = Grand Wagoneer 4 Dr.   | 65 = Comanche 4WD-7 Ft. Box | 77 = Cherokee 4WD-2 Dr.      |
| 25 = J-10 Pickup-119" W.B.  | 66 = Comanche 2WD-7 Ft. Box | 78 = Cherokee 4WD-4 Dr.      |
| 26 = J-10 Pickup-131" W.B.  | 73 = Cherokee 2WD-2 Dr.     | 79 = Cherokee 4WD-4 Dr.-Com  |
| 27 = J-20 Pickup-131" W.B.  | 74 = Cherokee 2WD-4 Dr.     | 81 = Wrangler-93" W.B.       |
| 63 = Comanche 4WD-6 Ft. Box | 75 = Wagoneer 4WD-4 Dr.     | 82 = Wrangler-103" W.B.-Exp. |
| 64 = Comanche 2WD-6 Ft. Box |                             |                              |

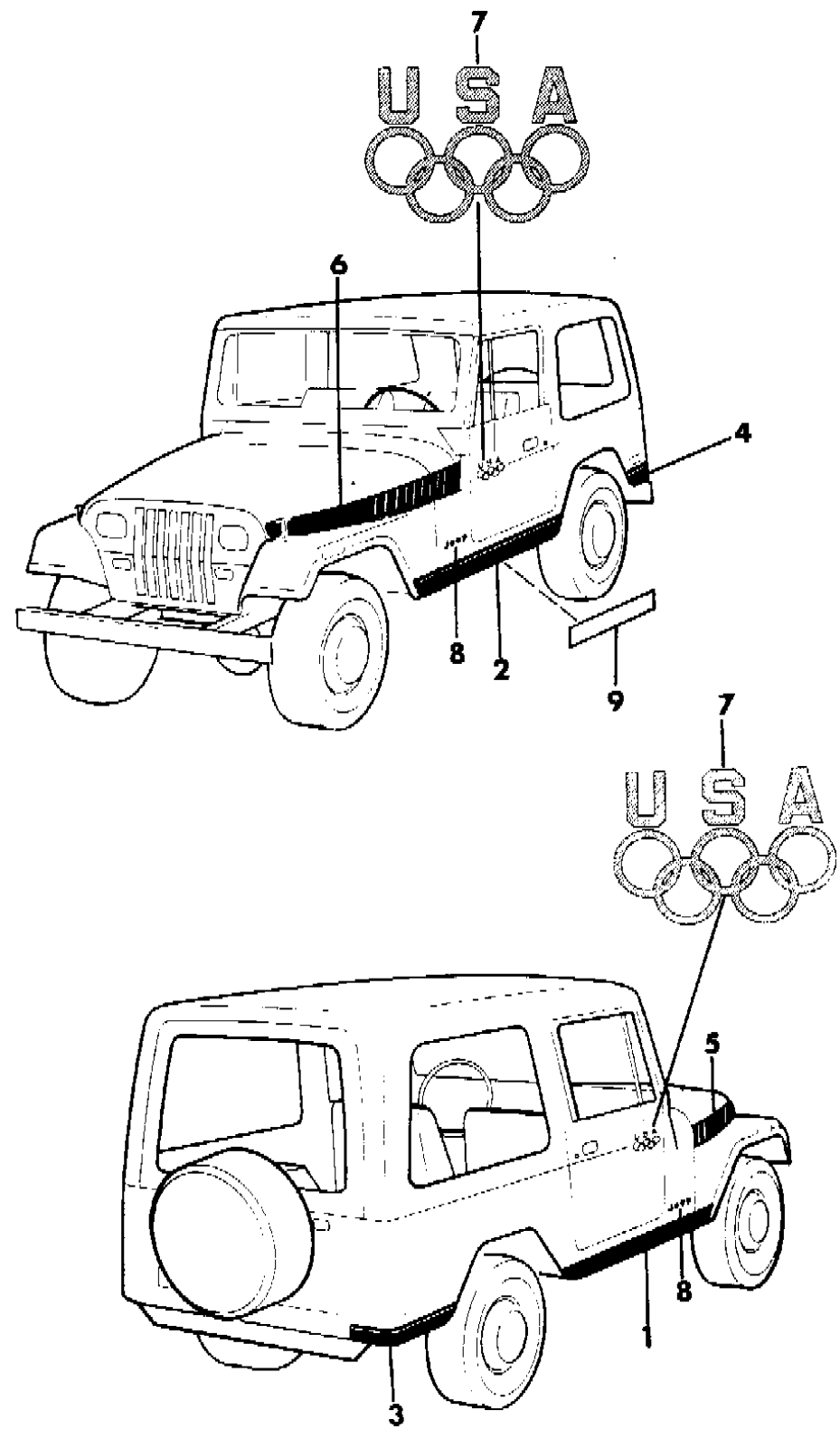
- BODY STYLES:
- MJ = Comanche Pickup
  - SJ = Grand Wagoneer Wgn., J-10 & J-20 Pickups
  - XJ = Cherokee, Wagoneer Limited
  - YJ = Wrangler

AR = Use as Required - = Non Illustrated Part P.A.R. = Paint as Required

DECALS, EXTERIOR OLYMPIC, 1988 WRANGLER  
Figure 23-1100

8J68 1100

ITEM	PART NUMBER	QTY	BODY	MODEL	DESCRIPTION
1-2	5502 1396-7	1			DECAL, Body Side, Gold
3-4	5502 1398-9	1			DECAL, Rear Quarter, Gold
5-6	5502 1394-5	1			DECAL, Hood, Gold
7	5502 1400	2			DECAL, "Olympic", Gold
8	5502 1401	2			DECAL, "Jeep", Gold
9	J576 5270	2			PROTECTOR, Scuff, Clear



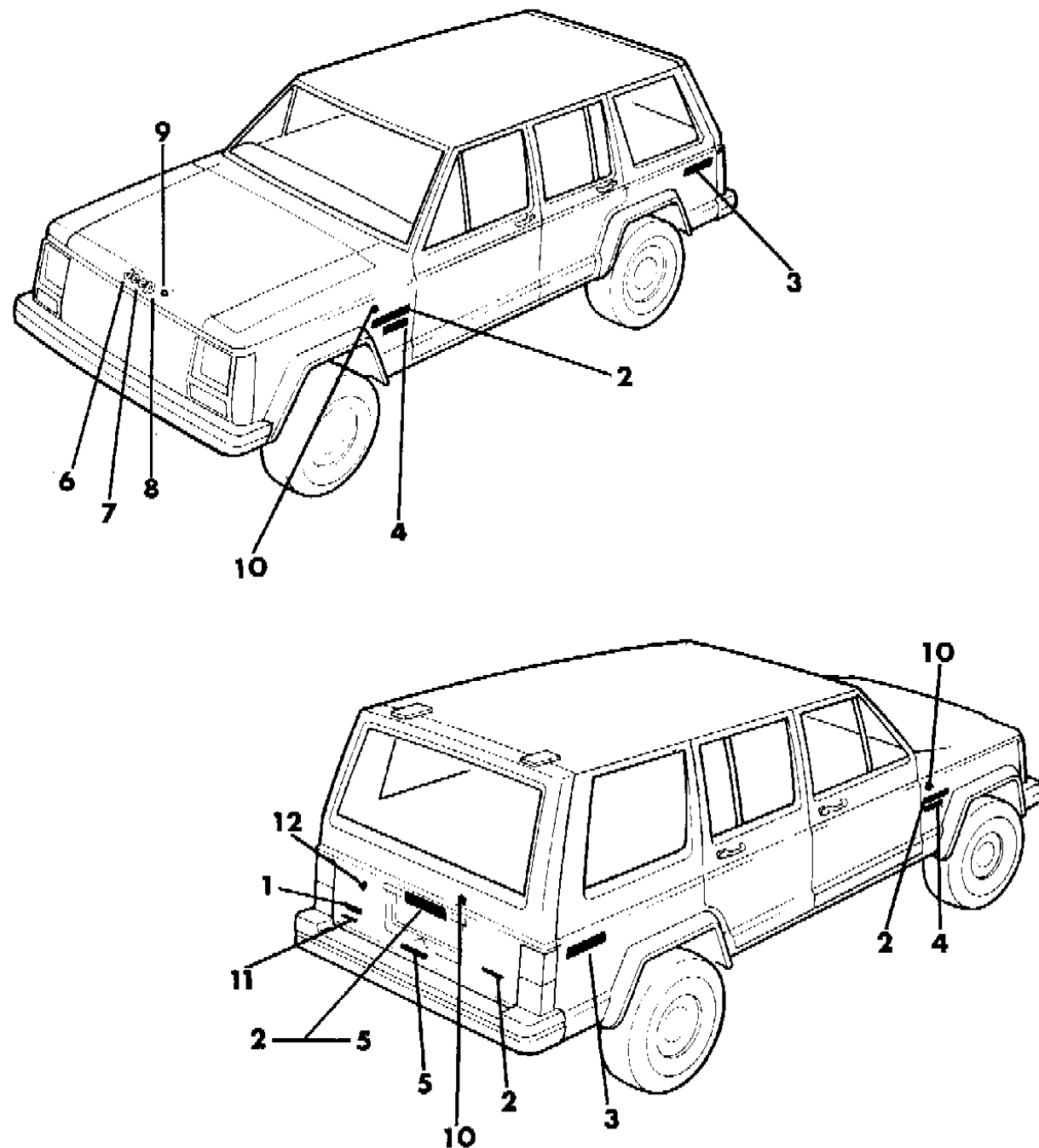
MODEL CODES:  
 15 = Grand Wagoneer 4 Dr.      65 = Comanche 4WD-7 Ft. Box      77 = Cherokee 4WD-2 Dr.  
 25 = J-10 Pickup-119" W.B.      66 = Comanche 2WD-7 Ft. Box      78 = Cherokee 4WD-4 Dr.  
 26 = J-10 Pickup-131" W.B.      73 = Cherokee 2WD-2 Dr.      79 = Cherokee 4WD-4 Dr.-Com  
 27 = J-20 Pickup-131" W.B.      74 = Cherokee 2WD-4 Dr.      81 = Wrangler-93" W.B.  
 63 = Comanche 4WD-6 Ft. Box      75 = Wagoneer 4WD-4 Dr.      82 = Wrangler-103" W.B.-Exp.  
 64 = Comanche 2WD-6 Ft. Box

BODY STYLES:  
 MJ = Comanche Pickup  
 SJ = Grand Wagoneer Wgn., J-10 & J-20 Pickups  
 XJ = Cherokee, Wagoneer Limited  
 YJ = Wrangler

AR = Use as Required - = Non Illustrated Part P.A.R. = Paint as Required

**NAMEPLATES CHEROKEE 4 DOOR**  
**Figure 23-1200**

8J68 1200 A



ITEM	PART NUMBER	QTY	BODY	MODEL	DESCRIPTION	
1	NAMEPLATE					
	"4.0 Litre"					
		5501 0037	1		Chrome	
		5501 8683	1		Gold	
	"Turbo Diesel"					
		5501 0895	1		Chrome	
		5502 1078	1		Gold, Emission Controlled European	
		5501 0893	1		"2.5 Litre", 1987	
	2	NAMEPLATE				
		"Cherokee"				
			5501 0897	AR		Chrome
		5501 8678	AR		Gold	
3	NAMEPLATE					
	"4X4"					
		5500 7817	2		Chrome	
		5501 8684	2		Gold	
4	NAMEPLATE					
		5501 0899	2		"Laredo"	
		5501 0898	2		"Pioneer"	
5	NAMEPLATE					
		5501 0904	2		"Limited"	
	NAMEPLATE, "Jeep"					
6		5500 8340	1		Chrome	
		5501 8682	1		Gold	
7	NAMEPLATE, "J"					
		5501 0901	1		Chrome	
8	NAMEPLATE, "e"					
		5501 8679	1		Gold	
9	NAMEPLATE, "p"					
		5501 0902	2		Chrome	
		5501 8680	2		Gold	
10	NAMEPLATE, "Fuel Injection", 1987					
		5501 0903	1		Chrome	
11		5501 8681	1		Gold	
		1150 2557	4		NUT	
12		J400 1335	AR		CLIP	
		5500 8338	1		NAMEPLATE, "Fuel Injection", 1987	

MODEL CODES:  
 15 = Grand Wagoneer 4 Dr.      65 = Comanche 4WD-7 Ft. Box      77 = Cherokee 4WD-2 Dr.  
 25 = J-10 Pickup-119" W.B.      66 = Comanche 2WD-7 Ft. Box      78 = Cherokee 4WD-4 Dr.  
 26 = J-10 Pickup-131" W.B.      73 = Cherokee 2WD-2 Dr.      79 = Cherokee 4WD-4 Dr.-Com  
 27 = J-20 Pickup-131" W.B.      74 = Cherokee 2WD-4 Dr.      81 = Wrangler-93" W.B.  
 63 = Comanche 4WD-6 Ft. Box      75 = Wagoneer 4WD-4 Dr.      82 = Wrangler-103" W.B.-Exp.  
 64 = Comanche 2WD-6 Ft. Box

BODY STYLES:  
 MJ = Comanche Pickup  
 SJ = Grand Wagoneer Wgn., J-10 & J-20 Pickups  
 XJ = Cherokee, Wagoneer Limited  
 YJ = Wrangler

AR = Use as Required - = Non Illustrated Part P.A.R. = Paint as Required



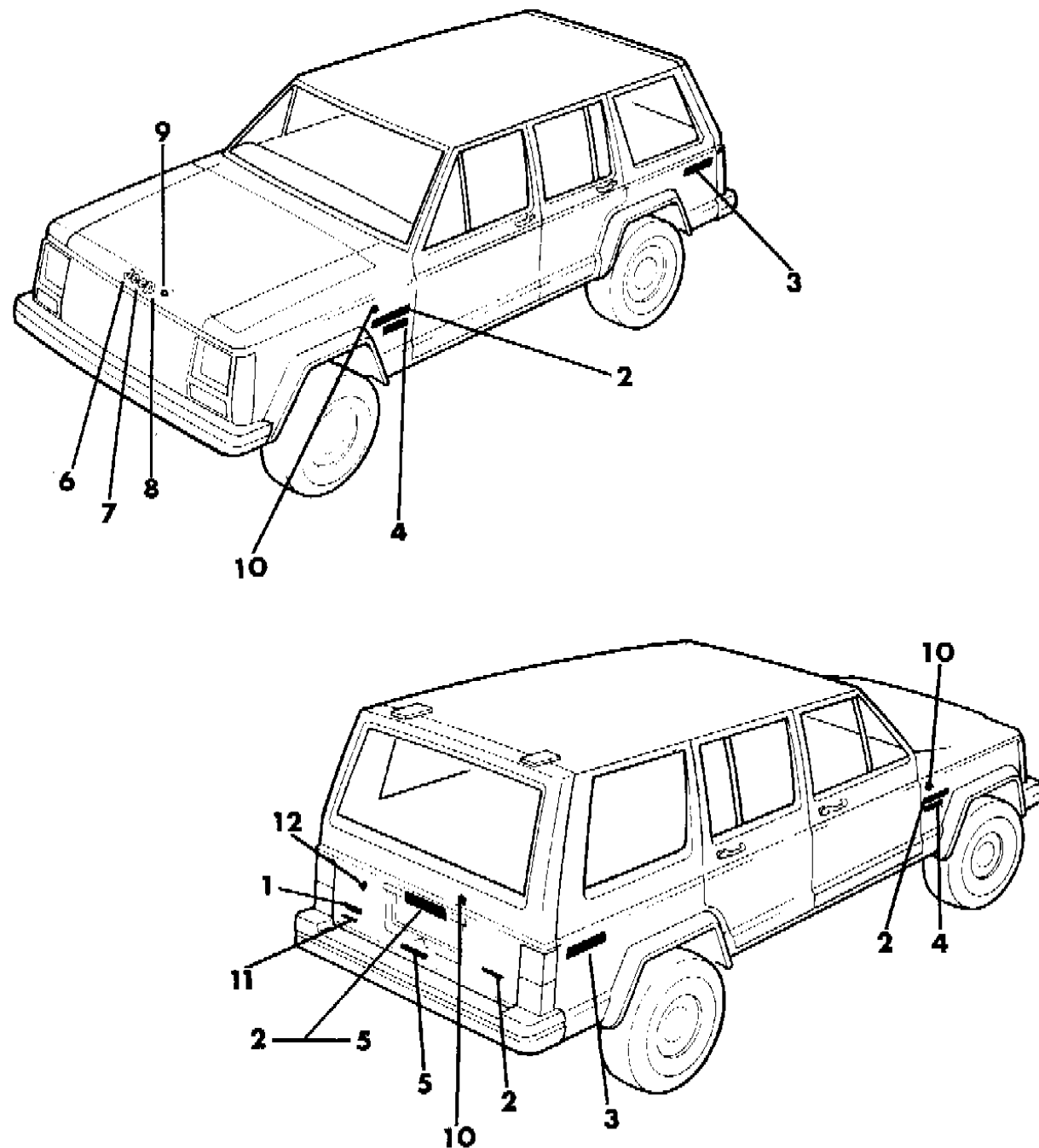
**NAMEPLATES CHEROKEE 4 DOOR**  
**Figure 23-1200**

8J68 1200 A

ITEM	PART NUMBER	QTY	BODY	MODEL	DESCRIPTION
------	-------------	-----	------	-------	-------------

12	J400 3657	2			CLIP, 1987
----	-----------	---	--	--	------------

This illustration represents four model years, and the nameplate locations have varied from year to year. (A) For 1987, two types of instrument clusters were used. On type one, Clusters, the odometer numbers are rounded, the Speedometer face has (2) slotted



**MODEL CODES:**

- |                             |                             |                              |
|-----------------------------|-----------------------------|------------------------------|
| 15 = Grand Wagoneer 4 Dr.   | 65 = Comanche 4WD-7 Ft. Box | 77 = Cherokee 4WD-2 Dr.      |
| 25 = J-10 Pickup-119" W.B.  | 66 = Comanche 2WD-7 Ft. Box | 78 = Cherokee 4WD-4 Dr.      |
| 26 = J-10 Pickup-131" W.B.  | 73 = Cherokee 2WD-2 Dr.     | 79 = Cherokee 4WD-4 Dr.-Com  |
| 27 = J-20 Pickup-131" W.B.  | 74 = Cherokee 2WD-4 Dr.     | 81 = Wrangler-93" W.B.       |
| 63 = Comanche 4WD-6 Ft. Box | 75 = Wagoneer 4WD-4 Dr.     | 82 = Wrangler-103" W.B.-Exp. |
| 64 = Comanche 2WD-6 Ft. Box |                             |                              |

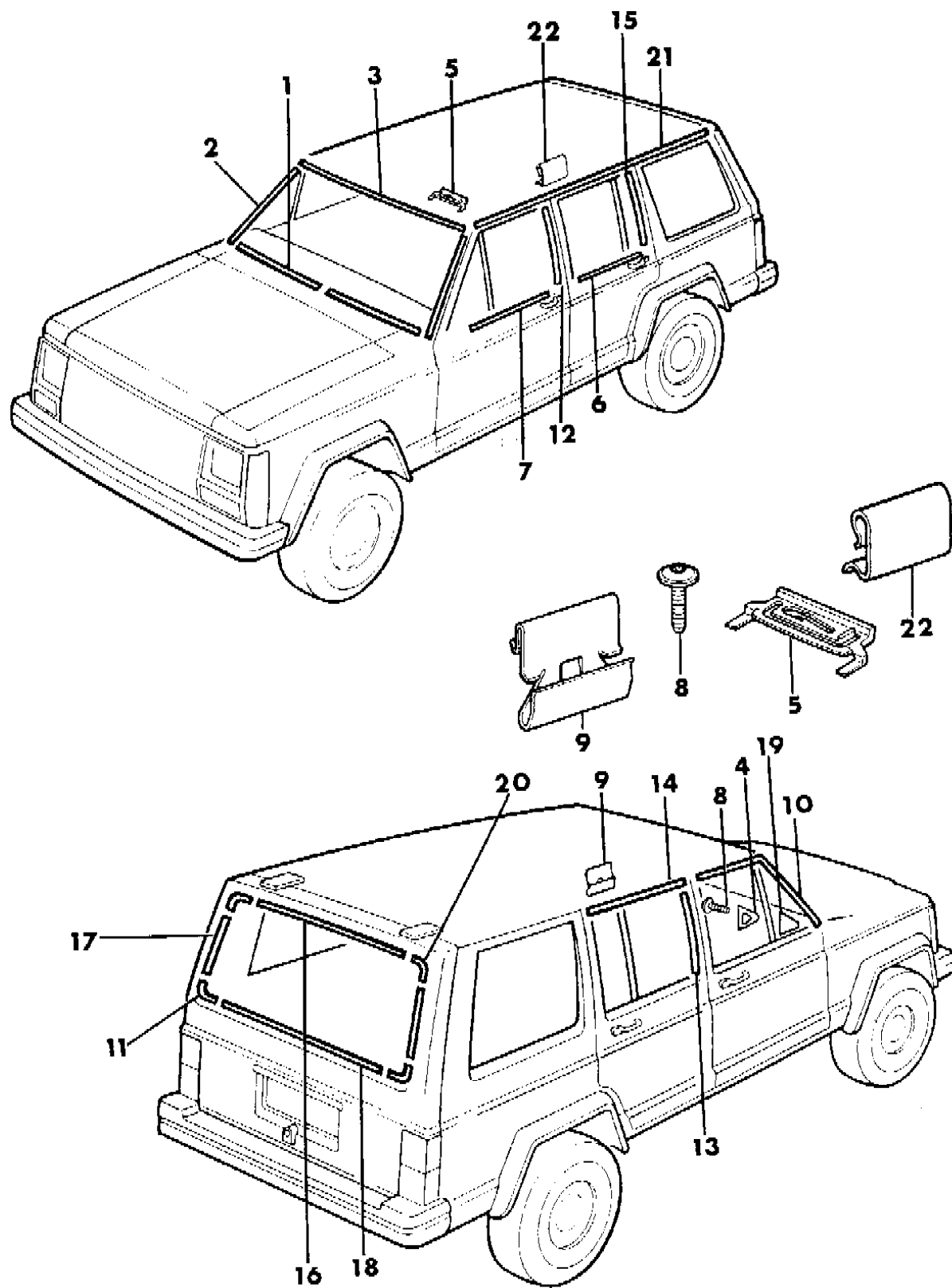
**BODY STYLES:**

- MJ = Comanche Pickup
- SJ = Grand Wagoneer Wgn., J-10 & J-20 Pickups
- XJ = Cherokee, Wagoneer Limited
- YJ = Wrangler

AR = Use as Required - = Non Illustrated Part P.A.R. = Paint as Required

**MOULDINGS, EXTERIOR, UPPER CHEROKEE 4 DOOR**  
**Figure 23-1300**

8J68 1300



ITEM	PART NUMBER	QTY	BODY	MODEL	DESCRIPTION
1					MOULDING, Windshield
					Bright, up to 12/18/89
	5500 6380	1			Right
	5500 2509	1			Left
2	5502 6726-7	1			Bright, after 12/18/89
	5502 6724-5	1			Black
3	5500 0538-9	1			MOULDING, Windshield
	5500 0546-7	1			Black
4	5500 0536	1			MOULDING, Windshield
	5500 0544	1			Black
5	5500 5430-1	1			Bright
6	5500 5430-1	1			GASKET
7	J400 6211	26			CLIP
8	5500 5294	2			MOULDING, Door
9	5500 5284-5	1			MOULDING, Door
10	3420 1957	4			SCREW
	5500 5384	4			CLIP
11	5500 5383	AR			height = 24mm
	5500 5278-9	1			height = 27mm
12	5500 5278-9	1			MOULDING, Door
13	5500 5334	2			CAP, Lower Moulding
14	5500 5282-3	1			MOULDING, Door
15	5500 5290-1	1			MOULDING, Door
16	5500 5292-3	1			MOULDING, Door
17	5500 5288-9	1			MOULDING, Door
18	5500 5331	1			MOULDING, Lift Door
19	5500 5308	2			MOULDING, Lift Door ***
20	5500 5332	1			MOULDING, Lift Door
21	5500 5312-3	1			COVER (LESS MIRROR) ***
22	5500 5333	2			CAP, Upper Moulding
	5501 5886-7	1			MOULDING, Drip Rail
22	5501 3656-7	1			Black
	3500 2115	AR			Bright
					CLIP

**MODEL CODES:**

15 = Grand Wagoneer 4 Dr.	65 = Comanche 4WD-7 Ft. Box	77 = Cherokee 4WD-2 Dr.
25 = J-10 Pickup-119" W.B.	66 = Comanche 2WD-7 Ft. Box	78 = Cherokee 4WD-4 Dr.
26 = J-10 Pickup-131" W.B.	73 = Cherokee 2WD-2 Dr.	79 = Cherokee 4WD-4 Dr.-Com
27 = J-20 Pickup-131" W.B.	74 = Cherokee 2WD-4 Dr.	81 = Wrangler-93" W.B.
63 = Comanche 4WD-6 Ft. Box	75 = Wagoneer 4WD-4 Dr.	82 = Wrangler-103" W.B.-Exp.
64 = Comanche 2WD-6 Ft. Box		

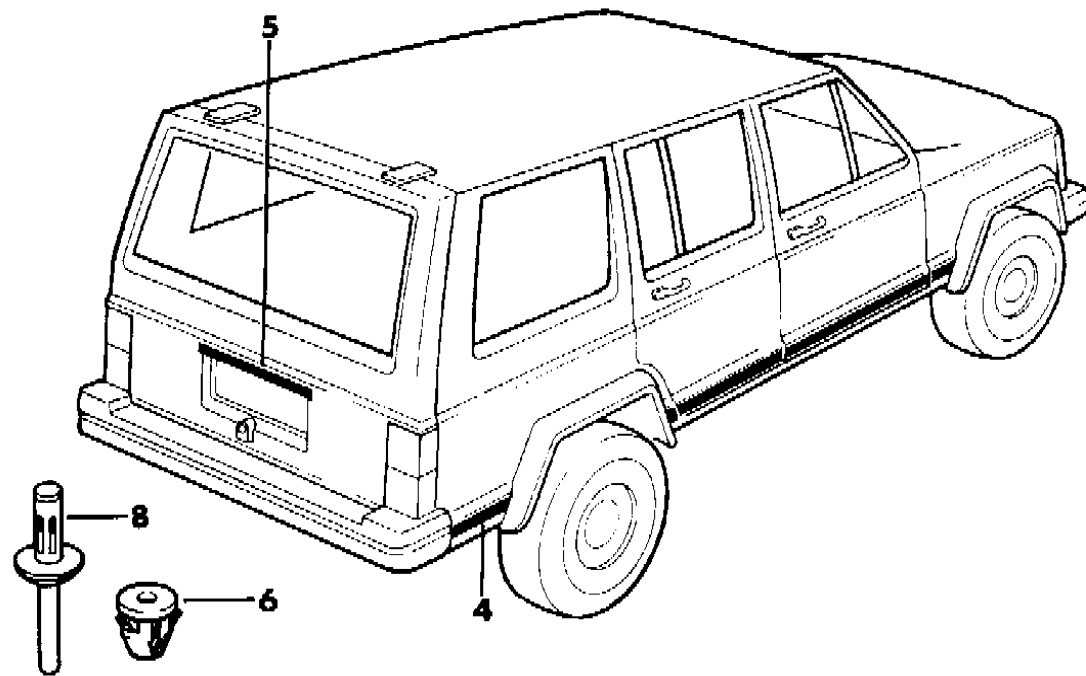
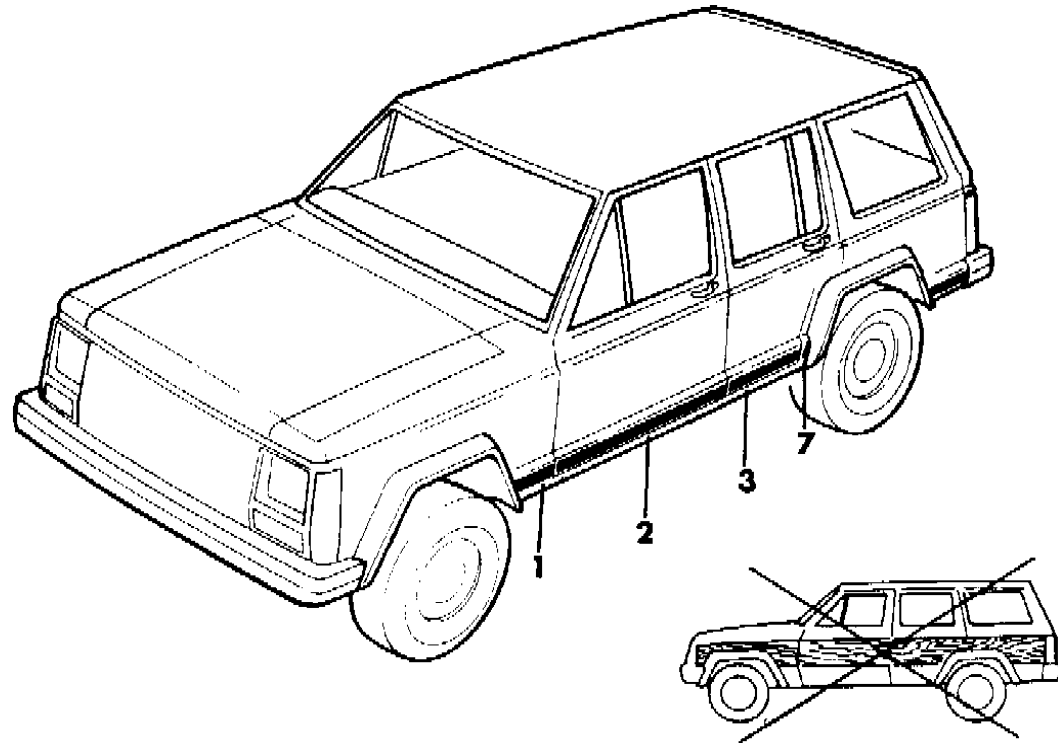
**BODY STYLES:**

MJ = Comanche Pickup  
 SJ = Grand Wagoneer Wgn., J-10 & J-20 Pickups  
 XJ = Cherokee, Wagoneer Limited  
 YJ = Wrangler

AR = Use as Required - = Non Illustrated Part P.A.R. = Paint as Required

**MOULDINGS, EXTERIOR, LOWER CHEROKEE 4 DOOR**  
**Figure 23-1400**

8J68 1400



ITEM	PART NUMBER	QTY	BODY	MODEL	DESCRIPTION
1					MOULDING, Fender
					Argent
	5502 1784-5	1			1988-90
					Black/Chrome
	5500 3166-7	1			1987-89
	5AJ52-3 JXZ	1			1990
2					MOULDING, Door
					Argent
	5501 5528-9	1			1988-90
					Black/Chrome
	5500 3168-9	1			1987-89
	5AJ58-9 JXZ	1			1990
3					MOULDING, Door
					Argent
	5501 8688-9	1			1987-89
	5AJ58-9 JXY	1			1990
					Black/Gold
	5501 5540-1	1			1988-90
4					MOULDING, Rear Quarter
					Argent
	5502 1790-1	1			1988-90
					Black/Chrome
	5500 3172-3	1			1987-89
	5AJ62-3 JXZ	1			1990
5					OVERLAY, License Plate
					Black/Gold
	5501 8692-3	1			1987-89
	5AJ62-3 JXY	1			1990
	5501 3411	1			

**MODEL CODES:**

15 = Grand Wagoneer 4 Dr.	65 = Comanche 4WD-7 Ft. Box	77 = Cherokee 4WD-2 Dr.
25 = J-10 Pickup-119" W.B.	66 = Comanche 2WD-7 Ft. Box	78 = Cherokee 4WD-4 Dr.
26 = J-10 Pickup-131" W.B.	73 = Cherokee 2WD-2 Dr.	79 = Cherokee 4WD-4 Dr.-Com
27 = J-20 Pickup-131" W.B.	74 = Cherokee 2WD-4 Dr.	81 = Wrangler-93" W.B.
63 = Comanche 4WD-6 Ft. Box	75 = Wagoneer 4WD-4 Dr.	82 = Wrangler-103" W.B.-Exp.
64 = Comanche 2WD-6 Ft. Box		

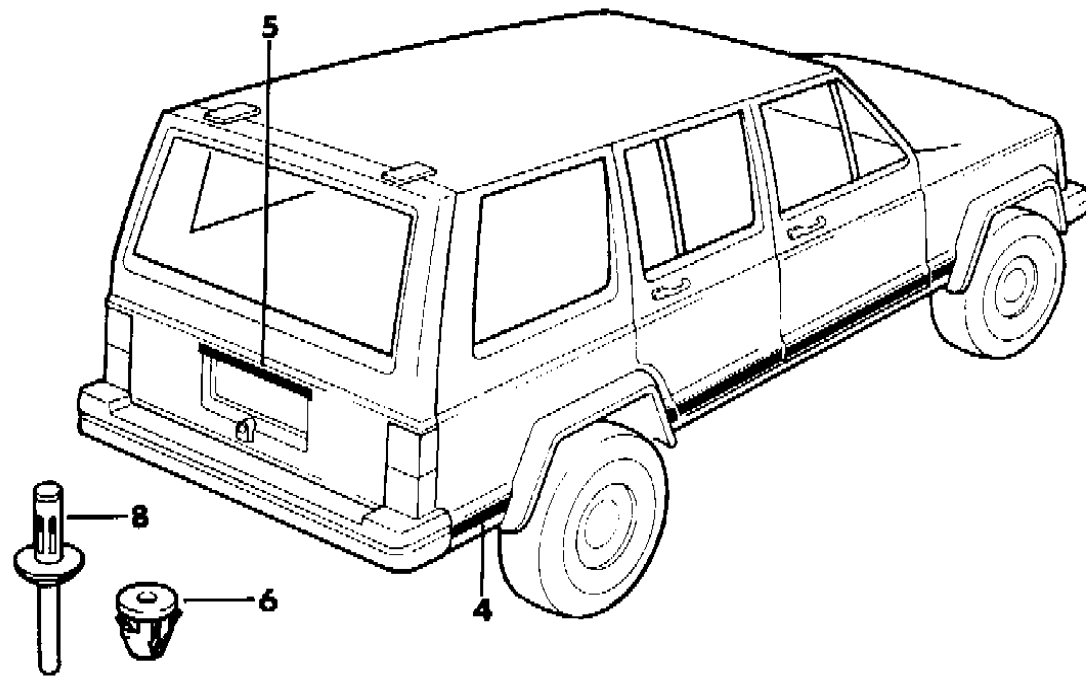
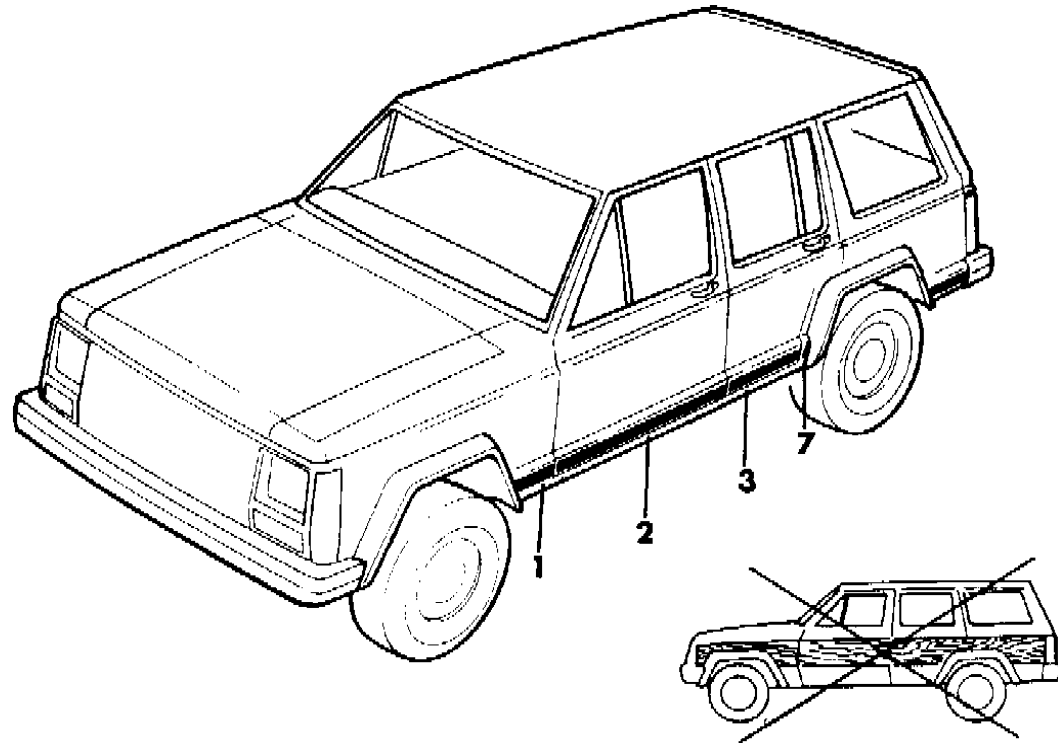
**BODY STYLES:**

MJ = Comanche Pickup  
 SJ = Grand Wagoneer Wgn., J-10 & J-20 Pickups  
 XJ = Cherokee, Wagoneer Limited  
 YJ = Wrangler

AR = Use as Required - = Non Illustrated Part P.A.R. = Paint as Required

**MOULDINGS, EXTERIOR, LOWER CHEROKEE 4 DOOR**  
**Figure 23-1400**

8J68 1400



ITEM	PART NUMBER	QTY	BODY	MODEL	DESCRIPTION
	5502 1383	1			Argent, Euro Pkg.
	5502 1384	1			Gold, ECE Limited
	5501 7644	1			Export, 1987-88
6	J400 1335	2			CLIP
7					MOULDING, Rear Quarter
	5502 1788-9	1			Argent 1988-90
8	3420 1631	2			RIVET ECE
	3420 1684	2			Except ECE

(ECE) Emission Controlled European. (A) For 1987, two types of instrument clusters were used. On type one, Clusters, the odometer numbers are rounded, the Speedometer face has (2) slotte

**MODEL CODES:**

15 = Grand Wagoneer 4 Dr.	65 = Comanche 4WD-7 Ft. Box	77 = Cherokee 4WD-2 Dr.
25 = J-10 Pickup-119" W.B.	66 = Comanche 2WD-7 Ft. Box	78 = Cherokee 4WD-4 Dr.
26 = J-10 Pickup-131" W.B.	73 = Cherokee 2WD-2 Dr.	79 = Cherokee 4WD-4 Dr.-Com
27 = J-20 Pickup-131" W.B.	74 = Cherokee 2WD-4 Dr.	81 = Wrangler-93" W.B.
63 = Comanche 4WD-6 Ft. Box	75 = Wagoneer 4WD-4 Dr.	82 = Wrangler-103" W.B.-Exp.
64 = Comanche 2WD-6 Ft. Box		

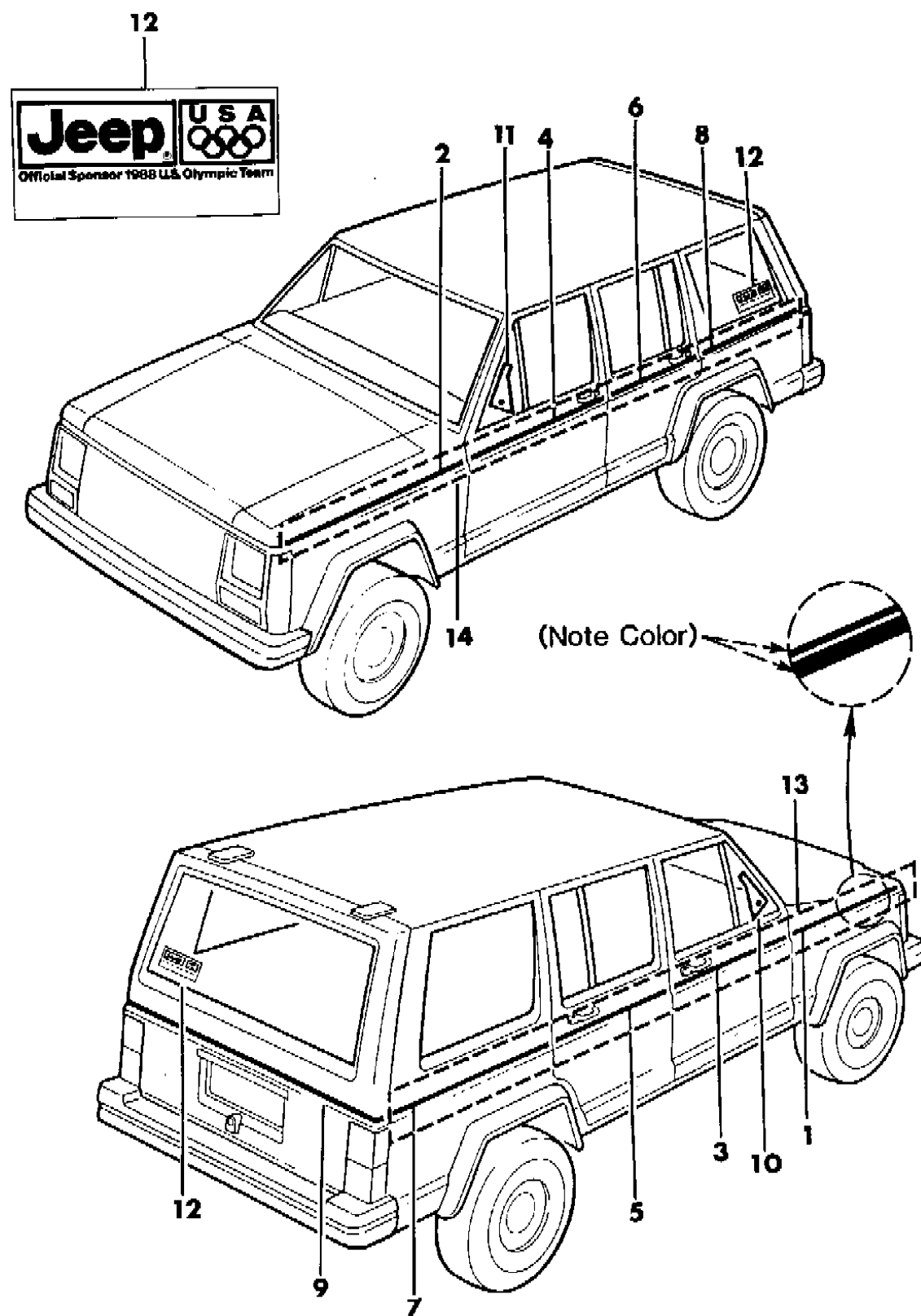
**BODY STYLES:**

MJ = Comanche Pickup  
 SJ = Grand Wagoneer Wgn., J-10 & J-20 Pickups  
 XJ = Cherokee, Wagoneer Limited  
 YJ = Wrangler

AR = Use as Required - = Non Illustrated Part P.A.R. = Paint as Required

DECALS, EXTERIOR PIONEER CHEROKEE 4 DOOR  
Figure 23-1500

8J68 1500 A



ITEM	PART NUMBER	QTY	BODY	MODEL	DESCRIPTION
1-2					DECAL, Fender
	5501 4768-9	1			Almond, 1988
	5501 6826-7	1			Dark Baltic, 1988-89
	5500 5972-3	1			Dark Red, 1987-89
	5501 0088-9	1			Light Blue, Med. Blue, 1987
	5501 0094-5	1			Orange, Red, 1987
	5501 4752-3	1			Silver, 1987
	5501 6056-7	1			Sterling Silver, 1988-89
	5502 1682-3	1			Sand Tan, 1989
3-4					DECAL, Door
	5501 4776	2			Almond, 1987-88, (MR)
	5501 6832	2			Dark Baltic, 1988-89, (MR)
	5500 5967	2			Dark Red, 1987-89, (MR)
	5501 0106-7	1			Light Blue, Med. Blue, 1987
	5501 0096-7	1			Orange, Red, 1987
	5501 4762	2			Silver, 1987, (MR)
	5501 6816	2			Sterling Silver, 1988-89, (MR)
	5502 1681	2			Sand Tan, 1989, (MR)
5-6					DECAL, Door
	5501 4776	2			Almond, 1987-88, (MR)
	5501 6832	2			Dark Baltic, 1988-89, (MR)
	5500 5967	2			Dark Red, 1987-89, (MR)
	5501 0108-9	1			Light Blue, Med. Blue, 1987
	5501 0098-9	1			Orange, Red, 1987
	5501 4762	2			Silver, 1987, (MR)
	5501 6816	2			Sterling Silver, 1988-89, (MR)
	5502 1681	2			Sand Tan, 1989, (MR)
7-8					DECAL, Rear Quarter
	5501 4776	2			Almond, 1987-88, (MR)
	5501 6832	2			Dark Baltic, 1988-89, (MR)
	5500 5967	2			Dark Red, 1987-89, (MR)
	5501 0110-1	1			Light Blue, Med. Blue, 1987
	5501 0100-1	1			Orange, Red, 1987
	5501 4762	2			Silver, 1987, (MR)
	5501 6816	2			Sterling Silver, 1988-89, (MR)
	5502 1681	2			Sand Tan, 1989, (MR)
9					DECAL, Lift Door

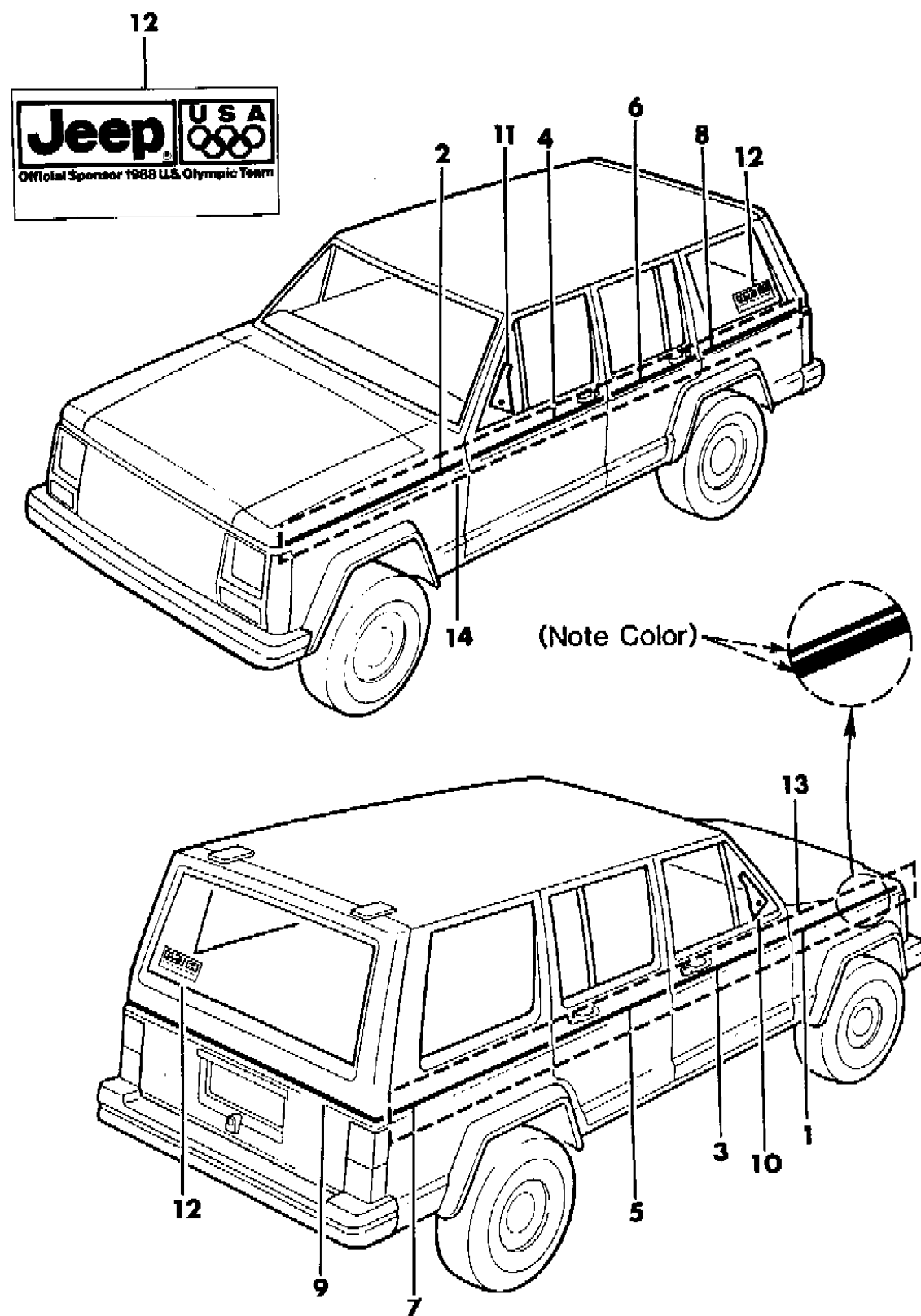
MODEL CODES:  
 15 = Grand Wagoneer 4 Dr.      65 = Comanche 4WD-7 Ft. Box      77 = Cherokee 4WD-2 Dr.  
 25 = J-10 Pickup-119" W.B.      66 = Comanche 2WD-7 Ft. Box      78 = Cherokee 4WD-4 Dr.  
 26 = J-10 Pickup-131" W.B.      73 = Cherokee 2WD-2 Dr.      79 = Cherokee 4WD-4 Dr.-Com  
 27 = J-20 Pickup-131" W.B.      74 = Cherokee 2WD-4 Dr.      81 = Wrangler-93" W.B.  
 63 = Comanche 4WD-6 Ft. Box      75 = Wagoneer 4WD-4 Dr.      82 = Wrangler-103" W.B.-Exp.  
 64 = Comanche 2WD-6 Ft. Box

BODY STYLES:  
 MJ = Comanche Pickup  
 SJ = Grand Wagoneer Wgn., J-10 & J-20 Pickups  
 XJ = Cherokee, Wagoneer Limited  
 YJ = Wrangler

AR = Use as Required - = Non Illustrated Part P.A.R. = Paint as Required

DECALS, EXTERIOR PIONEER CHEROKEE 4 DOOR  
Figure 23-1500

8J68 1500 A



ITEM	PART NUMBER	QTY	BODY	MODEL	DESCRIPTION
	5501 4776	1			Almond, 1987-88
	5501 6832	1			Dark Baltic, 1988-89
	5500 5967	1			Dark Red, 1987-89
	5AL5 8JR7	1			Dark Red, 1990
	5501 0087	1			Light Blue, Med. Blue, 1987
	5501 0112	1			Orange, Red, 1987
	5501 4762	1			Silver, 1987
	5501 6816	1			Sterling Silver, 1988-89
	5AL5 8JA2	1			Sterling Silver, 1990
	5502 1681	1			Sand Tan, 1989
	5AL5 8JK2	1			Sand Tan, 1990
10-11	5500 6220-1	1			DECAL, Door, Black
12	5502 0568	1			DECAL, "Olympic" 1988
13-14					DECAL KIT, Body Side ***
	5252 790-1	1			Dark Red, 1990
	5252 788-9	1			Sterling Silver, 1990
	5252 792-3	1			Light Sand, 1990

(MR) Modification Required. (A) For 1987, two types of instrument clusters were used. On type one, Clusters, the odometer numbers are rounded, the Speedometer face has (2) slotte

MODEL CODES:

- |                             |                             |                              |
|-----------------------------|-----------------------------|------------------------------|
| 15 = Grand Wagoneer 4 Dr.   | 65 = Comanche 4WD-7 Ft. Box | 77 = Cherokee 4WD-2 Dr.      |
| 25 = J-10 Pickup-119" W.B.  | 66 = Comanche 2WD-7 Ft. Box | 78 = Cherokee 4WD-4 Dr.      |
| 26 = J-10 Pickup-131" W.B.  | 73 = Cherokee 2WD-2 Dr.     | 79 = Cherokee 4WD-4 Dr.-Com  |
| 27 = J-20 Pickup-131" W.B.  | 74 = Cherokee 2WD-4 Dr.     | 81 = Wrangler-93" W.B.       |
| 63 = Comanche 4WD-6 Ft. Box | 75 = Wagoneer 4WD-4 Dr.     | 82 = Wrangler-103" W.B.-Exp. |
| 64 = Comanche 2WD-6 Ft. Box |                             |                              |

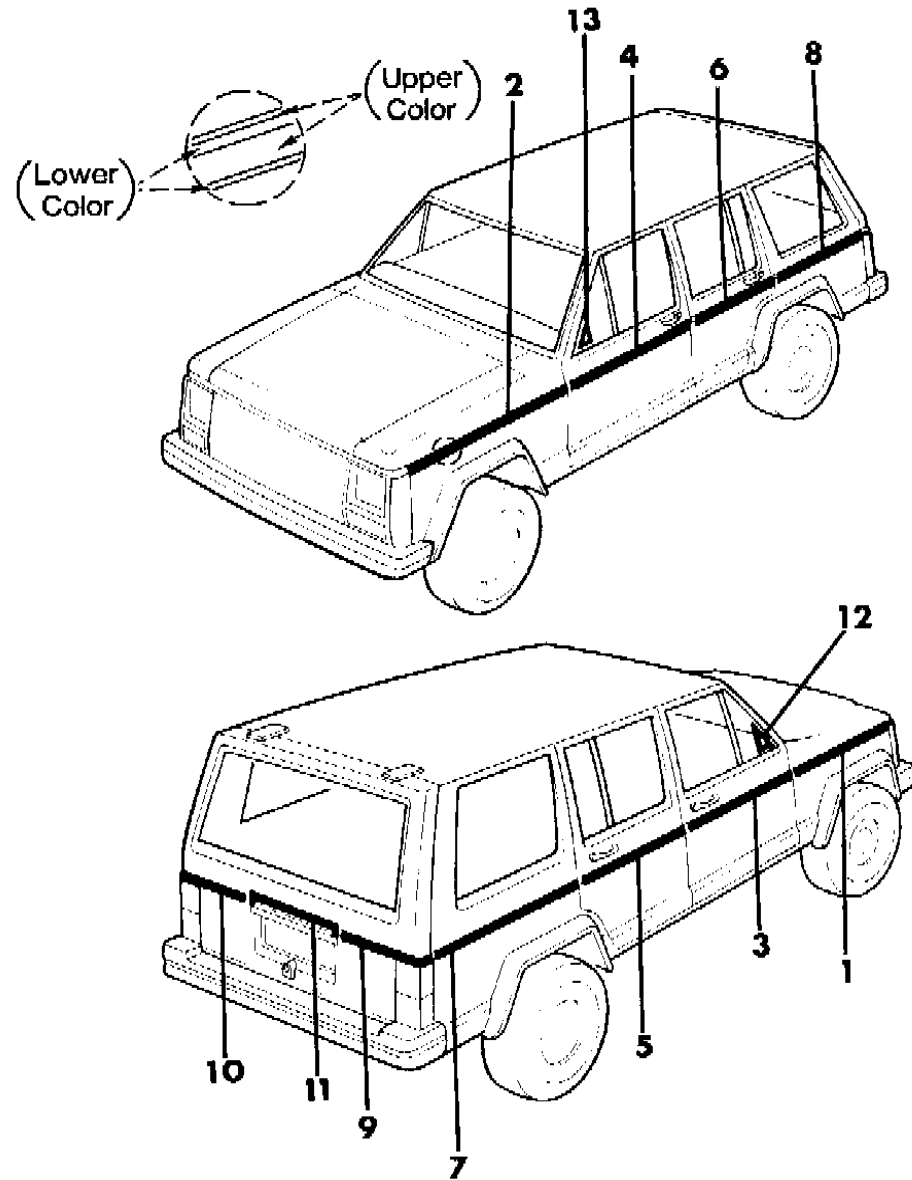
BODY STYLES:

- MJ = Comanche Pickup  
 SJ = Grand Wagoneer Wgn., J-10 & J-20 Pickups  
 XJ = Cherokee, Wagoneer Limited  
 YJ = Wrangler

AR = Use as Required - = Non Illustrated Part P.A.R. = Paint as Required

DECALS, EXTERIOR 2 TONE, 1987 CHEROKEE 4 DOOR  
Figure 23-1590

8J68 1590



ITEM	PART NUMBER	QTY	BODY	MODEL	DESCRIPTION
1-2					DECAL, Fender
	5501 4634-5	1			Beige/Briarwood/Beige/Briarwood
	5501 4622-3	1			Sterling/Charcoal/Sterling/Charcoal
	5501 4810-1	1			Sterling/Grenadine/Sterling/Grenadine
	5501 4646-7	1			White/Med. Blue/White/Med. Blue
3-4					DECAL, Door, (MR)
	5501 4634-5	1			Beige/Briarwood/Beige/Briarwood
	5501 4622-3	1			Sterling/Charcoal/Sterling/Charcoal
	5501 4810-1	1			Sterling/Grenadine/Sterling/Grenadine
	5501 4646-7	1			White/Med. Blue/White/Med. Blue
5-6					DECAL, Door, (MR)
	5501 4634-5	1			Beige/Briarwood/Beige/Briarwood
	5501 4622-3	1			Sterling/Charcoal/Sterling/Charcoal
	5501 4810-1	1			Sterling/Grenadine/Sterling/Grenadine
	5501 4646-7	1			White/Med. Blue/White/Med. Blue
7-8					DECAL, Rear Quarter, (MR)
	5501 4634-5	1			Beige/Briarwood/Beige/Briarwood
	5501 4622-3	1			Sterling/Charcoal/Sterling/Charcoal
	5501 4810-1	1			Sterling/Grenadine/Sterling/Grenadine
	5501 4646-7	1			White/Med. Blue/White/Med. Blue
9-10					DECAL, Lift Door
	5501 4638-9	1			Beige/Briarwood/Beige/Briarwood
	5501 4626-7	1			Sterling/Charcoal/Sterling/Charcoal
	5501 4500-1	1			Sterling/Grenadine/Sterling/Grenadine
	5501 4650-1	1			White/Med. Blue/White/Med. Blue
11					DECAL, Lift Door
	This decal is one solid color, it is used with the following color combinations. (A) For 1987, two types of instrument clusters were used. On type one, Clusters, the odometer numbers are rounded, the Speedometer face has (2) slotte				
	5501 4636	1			Beige/Briarwood/Beige/Briarwood
	5501 4624	1			Sterling/Charcoal/Sterling/Charcoal
	5501 4498	1			Sterling/Grenadine/Sterling/Grenadine
	5501 4648	1			White/Med. Blue/White/Med. Blue
12-13	5500 6220-1	1			DECAL, Door, Black

MODEL CODES:

15 = Grand Wagoneer 4 Dr.	65 = Comanche 4WD-7 Ft. Box	77 = Cherokee 4WD-2 Dr.
25 = J-10 Pickup-119" W.B.	66 = Comanche 2WD-7 Ft. Box	78 = Cherokee 4WD-4 Dr.
26 = J-10 Pickup-131" W.B.	73 = Cherokee 2WD-2 Dr.	79 = Cherokee 4WD-4 Dr.-Com
27 = J-20 Pickup-131" W.B.	74 = Cherokee 2WD-4 Dr.	81 = Wrangler-93" W.B.
63 = Comanche 4WD-6 Ft. Box	75 = Wagoneer 4WD-4 Dr.	82 = Wrangler-103" W.B.-Exp.
64 = Comanche 2WD-6 Ft. Box		

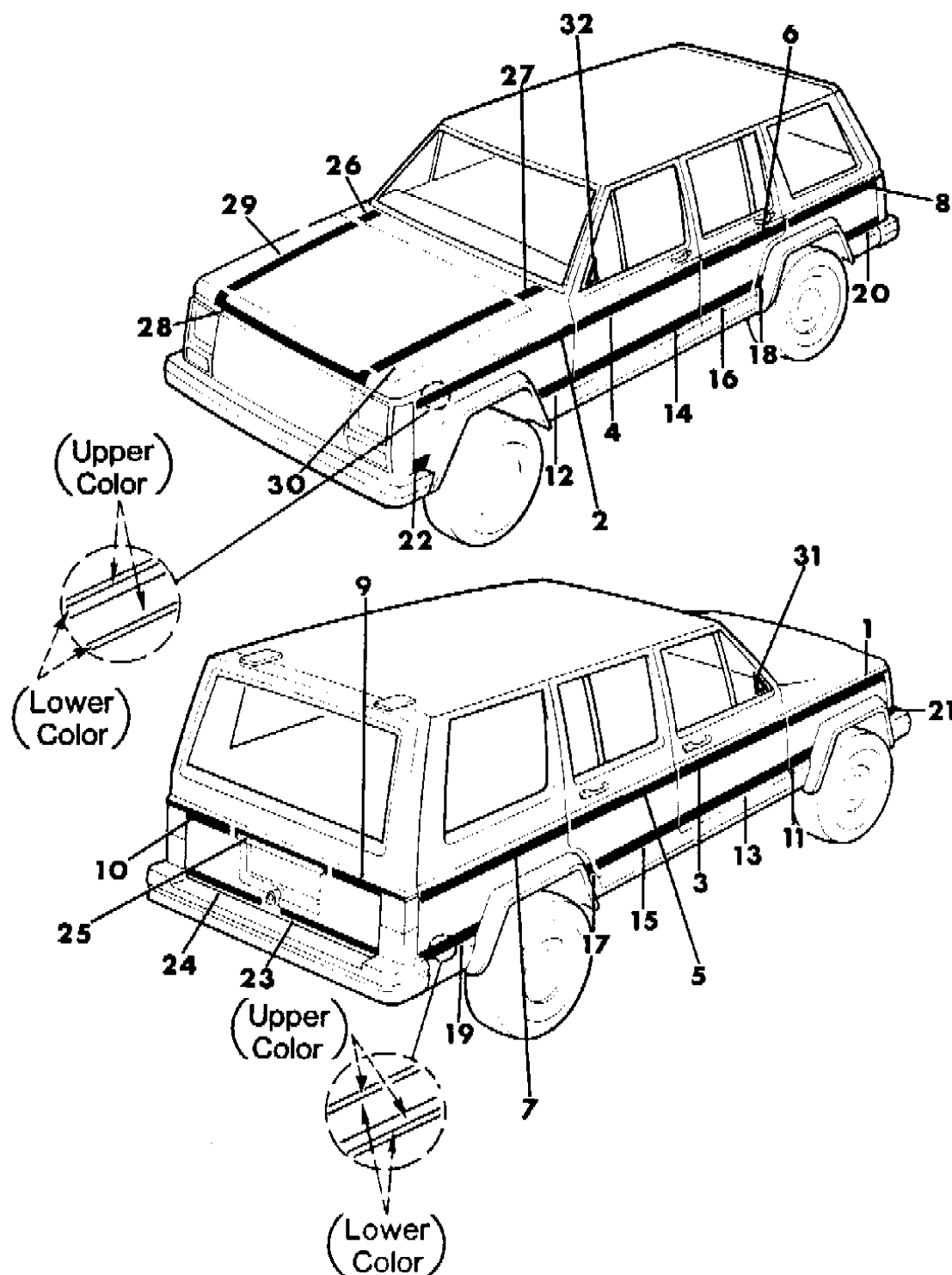
BODY STYLES:

MJ = Comanche Pickup  
 SJ = Grand Wagoneer Wgn., J-10 & J-20 Pickups  
 XJ = Cherokee, Wagoneer Limited  
 YJ = Wrangler

AR = Use as Required - = Non Illustrated Part P.A.R. = Paint as Required

DECALS, EXTERIOR 2 TONE, 1988 CHEROKEE 4 DOOR  
Figure 23-1600

8J68 1600



ITEM	PART NUMBER	QTY	BODY	MODEL	DESCRIPTION
1-2					DECAL, Fender, (MR)
	5501 6646-7	1			Black/Dover Grey/Black/Dover Grey
	5501 6694-5	1			Briarwood/Bronze/Briarwood/Bronze
	5501 6682-3	1			Dark Baltic/Sterling/Dark Baltic/Sterling
	5501 6658-9	1			Dover Grey/Sterling/Dover Grey/Sterling
	5501 9876-7	1			Grenadine/Sterling/Grenadine/Sterling
	5501 6706-7	1			Pearl White/Coffee/Pearl White/Coffee
3-4					DECAL, Door, (MR)
	5501 6646-7	1			Black/Dover Grey/Black/Dover Grey
	5501 6694-5	1			Briarwood/Bronze/Briarwood/Bronze
	5501 6682-3	1			Dark Baltic/Sterling/Dark Baltic/Sterling
	5501 6658-9	1			Dover Grey/Sterling/Dover Grey/Sterling
	5501 9876-7	1			Grenadine/Sterling/Grenadine/Sterling
	5501 6706-7	1			Pearl White/Coffee/Pearl White/Coffee
5-6					DECAL, Door, (MR)
	5501 6646-7	1			Black/Dover Grey/Black/Dover Grey
	5501 6694-5	1			Briarwood/Bronze/Briarwood/Bronze
	5501 6682-3	1			Dark Baltic/Sterling/Dark Baltic/Sterling
	5501 6658-9	1			Dover Grey/Sterling/Dover Grey/Sterling
	5501 9876-7	1			Grenadine/Sterling/Grenadine/Sterling
	5501 6706-7	1			Pearl White/Coffee/Pearl White/Coffee
7-8					DECAL, Rear Quarter, (MR)
	5501 6646-7	1			Black/Dover Grey/Black/Dover Grey
	5501 6694-5	1			Briarwood/Bronze/Briarwood/Bronze
	5501 6682-3	1			Dark Baltic/Sterling/Dark Baltic/Sterling
	5501 6658-9	1			Dover Grey/Sterling/Dover Grey/Sterling
	5501 9876-7	1			Grenadine/Sterling/Grenadine/Sterling
	5501 6706-7	1			Pearl White/Coffee/Pearl White/Coffee
9-10					DECAL, Lift Door
	5501 6648-9	1			Black/Dover Grey/Black/Dover Grey
	5501 6696-7	1			Briarwood/Bronze/Briarwood/Bronze
	5501 6684-5	1			Dark Baltic/Sterling/Dark Baltic/Sterling
	5501 6660-1	1			Dover Grey/Sterling/Dover Grey/Sterling
	5501 8482-3	1			Grenadine/Sterling/Grenadine/Sterling
	5501 6708-9	1			Pearl White/Coffee/Pearl White/Coffee
11-12					DECAL, Fender, (MR)
	5502 0316-7	1			Dover Grey/Black/Dover Grey/Black

MODEL CODES:

15 = Grand Wagoneer 4 Dr.	65 = Comanche 4WD-7 Ft. Box	77 = Cherokee 4WD-2 Dr.
25 = J-10 Pickup-119" W.B.	66 = Comanche 2WD-7 Ft. Box	78 = Cherokee 4WD-4 Dr.
26 = J-10 Pickup-131" W.B.	73 = Cherokee 2WD-2 Dr.	79 = Cherokee 4WD-4 Dr.-Com
27 = J-20 Pickup-131" W.B.	74 = Cherokee 2WD-4 Dr.	81 = Wrangler-93" W.B.
63 = Comanche 4WD-6 Ft. Box	75 = Wagoneer 4WD-4 Dr.	82 = Wrangler-103" W.B.-Exp.
64 = Comanche 2WD-6 Ft. Box		

BODY STYLES:

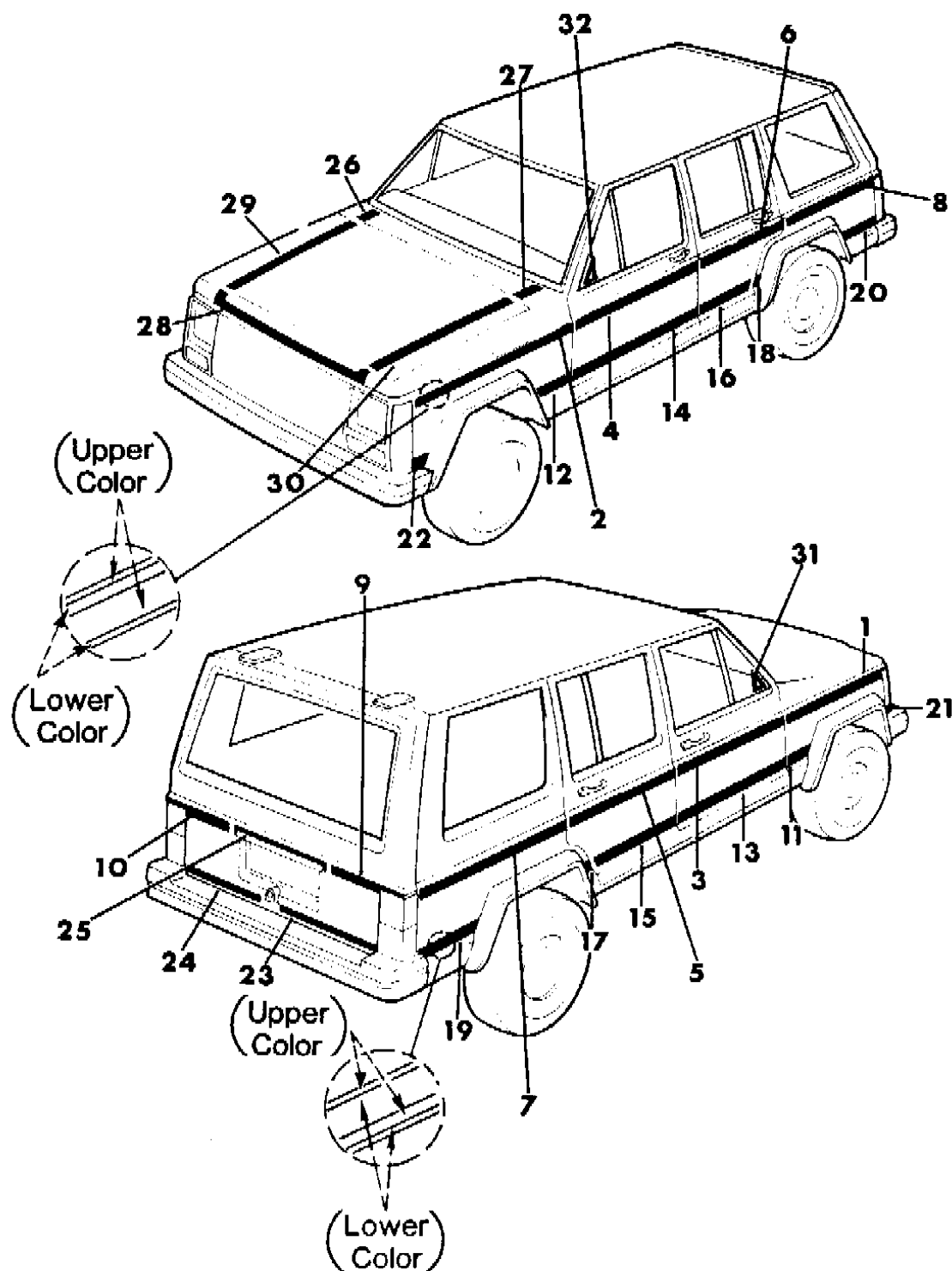
MJ = Comanche Pickup  
 SJ = Grand Wagoneer Wgn., J-10 & J-20 Pickups  
 XJ = Cherokee, Wagoneer Limited  
 YJ = Wrangler

AR = Use as Required - = Non Illustrated Part P.A.R. = Paint as Required



DECALS, EXTERIOR 2 TONE, 1988 CHEROKEE 4 DOOR  
Figure 23-1600

8J68 1600



ITEM	PART NUMBER	QTY	BODY	MODEL	DESCRIPTION
	5502 0324-5	1			Bronze/Briarwood/Bronze/Briarwood
	5502 0322-3	1			Sterling/Dark Baltic/Sterling/Dark Baltic
	5502 0318-9	1			Sterling/Dover Grey/Sterling/Dover Grey
	5502 0320-1	1			Sterling/Grenadine/Sterling/Grenadine
	5502 0326-7	1			Coffee/Pearl White/Coffee/Pearl White
13-14					DECAL, Door,
	5502 0316-7	1			Dover Grey/Black/Dover Grey/Black
	5502 0324-5	1			Bronze/Briarwood/Bronze/Briarwood
	5502 0322-3	1			Sterling/Dark Baltic/Sterling/Dark Baltic
	5502 0318-9	1			Sterling/Dover Grey/Sterling/Dover Grey
	5501 4512-3	1			Sterling/Grenadine/Sterling/Grenadine
	5502 0326-7	1			Coffee/Pearl White/Coffee/Pearl White
15-16					DECAL, Door, (MR)
	5502 0316-7	1			Dover Grey/Black/Dover Grey/Black
	5502 0324-5	1			Bronze/Briarwood/Bronze/Briarwood
	5502 0322-3	1			Sterling/Dark Baltic/Sterling/Dark Baltic
	5502 0318-9	1			Sterling/Dover Grey/Sterling/Dover Grey
	5502 0320-1	1			Sterling/Grenadine/Sterling/Grenadine
	5502 0326-7	1			Coffee/Pearl White/Coffee/Pearl White
17-18					DECAL, Rear Quarter, (MR)
	5502 0316-7	1			Dover Grey/Black/Dover Grey/Black
	5502 0324-5	1			Bronze/Briarwood/Bronze/Briarwood
	5502 0322-3	1			Sterling/Dark Baltic/Sterling/Dark Baltic
	5502 0318-9	1			Sterling/Dover Grey/Sterling/Dover Grey
	5502 0320-1	1			Sterling/Grenadine/Sterling/Grenadine
	5502 0326-7	1			Coffee/Pearl White/Coffee/Pearl White
19-20					DECAL, Rear Quarter, (MR)
	5502 0316-7	1			Dover Grey/Black/Dover Grey/Black
	5502 0324-5	1			Bronze/Briarwood/Bronze/Briarwood
	5502 0322-3	1			Sterling/Dark Baltic/Sterling/Dark Baltic
	5502 0318-9	1			Sterling/Dover Grey/Sterling/Dover Grey
	5502 0320-1	1			Sterling/Grenadine/Sterling/Grenadine
	5502 0326-7	1			Coffee/Pearl White/Coffee/Pearl White
21-22					DECAL, Fender, (MR)
	5502 0316-7	1			Dover Grey/Black/Dover Grey/Black
	5502 0324-5	1			Bronze/Briarwood/Bronze/Briarwood
	5502 0322-3	1			Sterling/Dark Baltic/Sterling/Dark Baltic

MODEL CODES:

15 = Grand Wagoneer 4 Dr.	65 = Comanche 4WD-7 Ft. Box	77 = Cherokee 4WD-2 Dr.
25 = J-10 Pickup-119" W.B.	66 = Comanche 2WD-7 Ft. Box	78 = Cherokee 4WD-4 Dr.
26 = J-10 Pickup-131" W.B.	73 = Cherokee 2WD-2 Dr.	79 = Cherokee 4WD-4 Dr.-Com
27 = J-20 Pickup-131" W.B.	74 = Cherokee 2WD-4 Dr.	81 = Wrangler-93" W.B.
63 = Comanche 4WD-6 Ft. Box	75 = Wagoneer 4WD-4 Dr.	82 = Wrangler-103" W.B.-Exp.
64 = Comanche 2WD-6 Ft. Box		

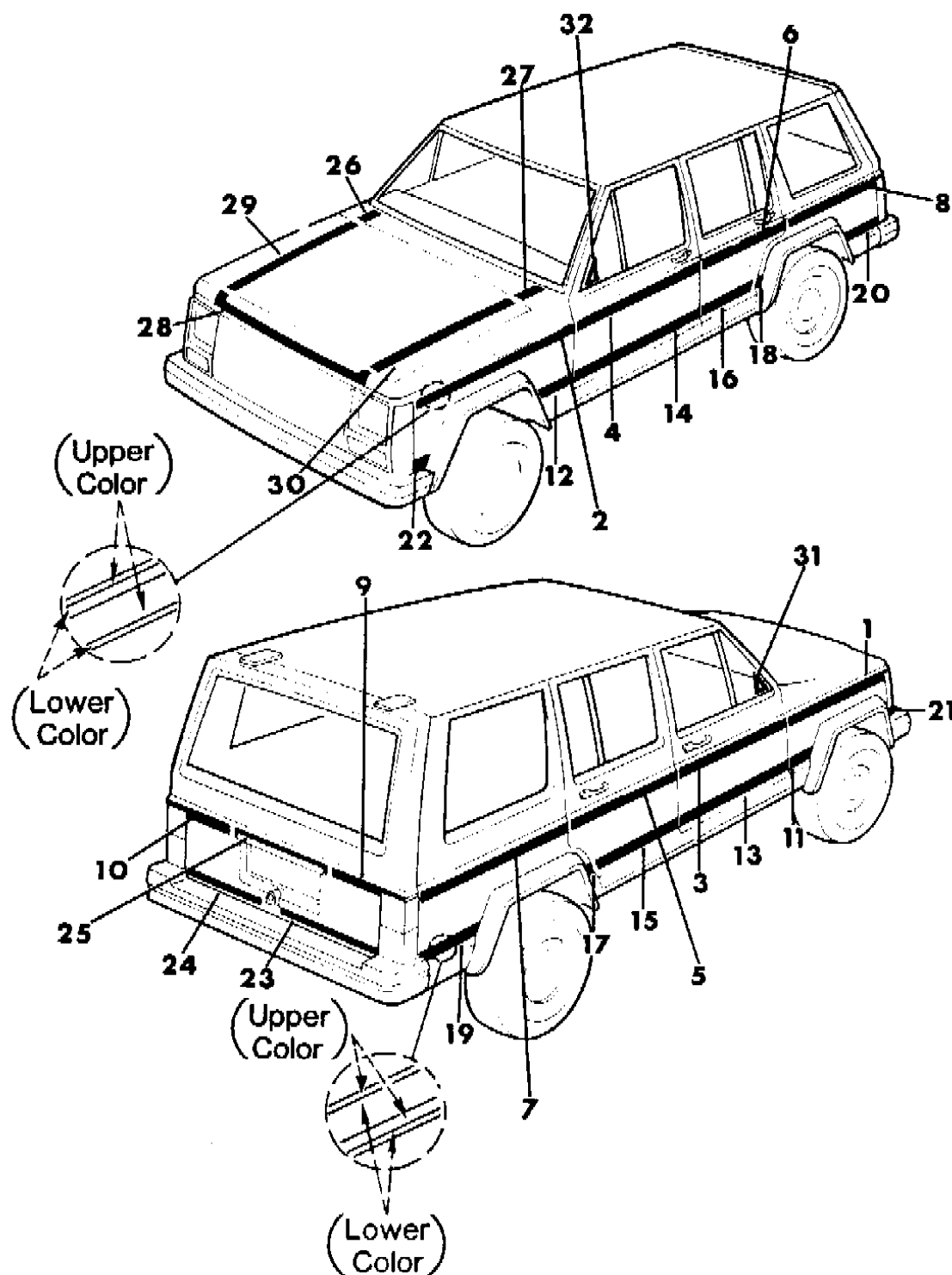
BODY STYLES:

MJ = Comanche Pickup  
 SJ = Grand Wagoneer Wgn., J-10 & J-20 Pickups  
 XJ = Cherokee, Wagoneer Limited  
 YJ = Wrangler

AR = Use as Required - = Non Illustrated Part P.A.R. = Paint as Required

DECALS, EXTERIOR 2 TONE, 1988 CHEROKEE 4 DOOR  
Figure 23-1600

8J68 1600



ITEM	PART NUMBER	QTY	BODY	MODEL	DESCRIPTION
	5502 0318-9	1			Sterling/Dover Grey/Sterling/Dover Grey
	5502 0320-1	1			Sterling/Grenadine/Sterling/Grenadine
	5502 0326-7	1			Coffee/Pearl White/Coffee/Pearl White
23-24					DECAL, Lift Door
	5501 7172-3	1			Dover Grey/Black/Dover Grey/Black
	5501 8860-1	1			Bronze/Briarwood/Bronze/Briarwood
	5501 6746-7	1			Sterling/Dark Baltic/Sterling/Dark Baltic
	5501 8858-9	1			Sterling/Dover Grey/Sterling/Dover Grey
	5501 4506-7	1			Sterling/Grenadine/Sterling/Grenadine
25					DECAL, Lift Door
	5501 8862-3	1			Coffee/Pearl White/Coffee/Pearl White
	5501 6650	1			Dover Grey
	5501 6698	1			Bronze
	5501 6686	1			Sterling, use with Sterling/Dark Baltic decals.
	5501 6662	1			Sterling, use with Sterling/Dover Grey decals.
	5501 8480	1			Sterling, use with Sterling/Grenadine decals.
	5501 6710	1			Coffee
26-27					DECAL, Cowl
	5501 8840-1	1			Dover Grey
	5501 8876-7	1			Bronze
	5501 6602-3	1			Sterling
	5501 8882-3	1			Coffee
28					DECAL, Grille Panel
	5501 8842	1			Dover Grey
	5501 8878	1			Bronze
	5501 6595	1			Sterling
	5501 8879	1			Coffee
29-30					DECAL, Hood
	5501 8838-9	1			Dover Grey
	5501 8874-5	1			Bronze
	5501 6598-9	1			Sterling
	5501 8880-1	1			Coffee
31-32	5500 6220-1	1			DECAL, Door, Black

(MR) Modification Required. (A) For 1987, two types of instrument clusters were used. On type one, Clusters, the odometer numbers are rounded, the Speedometer face has (2) slotte

MODEL CODES:

15 = Grand Wagoneer 4 Dr.	65 = Comanche 4WD-7 Ft. Box	77 = Cherokee 4WD-2 Dr.
25 = J-10 Pickup-119" W.B.	66 = Comanche 2WD-7 Ft. Box	78 = Cherokee 4WD-4 Dr.
26 = J-10 Pickup-131" W.B.	73 = Cherokee 2WD-2 Dr.	79 = Cherokee 4WD-4 Dr.-Com
27 = J-20 Pickup-131" W.B.	74 = Cherokee 2WD-4 Dr.	81 = Wrangler-93" W.B.
63 = Comanche 4WD-6 Ft. Box	75 = Wagoneer 4WD-4 Dr.	82 = Wrangler-103" W.B.-Exp.
64 = Comanche 2WD-6 Ft. Box		

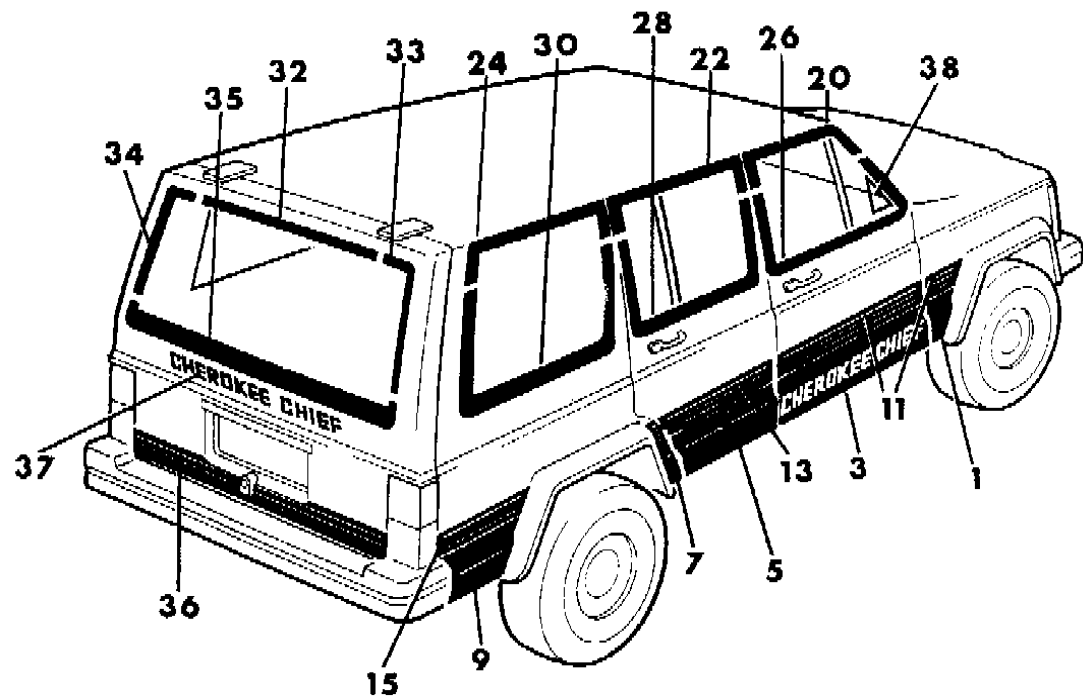
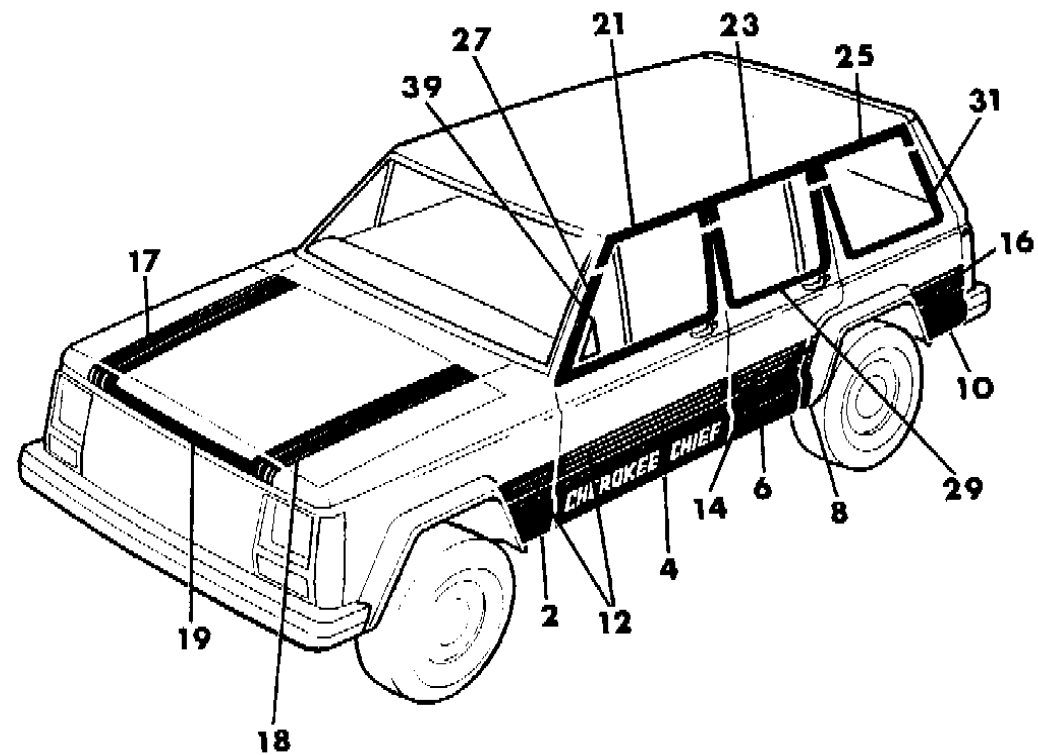
BODY STYLES:

MJ = Comanche Pickup  
 SJ = Grand Wagoneer Wgn., J-10 & J-20 Pickups  
 XJ = Cherokee, Wagoneer Limited  
 YJ = Wrangler

AR = Use as Required - = Non Illustrated Part P.A.R. = Paint as Required

DECALS, EXTERIOR CHIEF, U.S., CANADA, 1987-89, VENEZUELA, 1989 CHEROKEE 4 DOOR  
Figure 23-1700

8J68 1700



ITEM	PART NUMBER	QTY	BODY	MODEL	DESCRIPTION
1-2	5501 5428-9	1			DECAL, Fender, Black
3-4	5501 5444-5	1			DECAL, Door, Black
5-6	5501 5446-7	1			DECAL, Door, Black
7-8	5501 5448-9	1			DECAL, Rear Quarter, Black
9-10	5501 5434-5	1			DECAL, Rear Quarter, Black
11-12	5501 5870-1	1			DECAL, Door And Fender, Black
13-14	5501 5872-3	1			DECAL, Door And Quarter, Black
15-16	5501 5874-5	1			DECAL, Rear Quarter, Black
17-18	5501 5426-7	1			DECAL, Hood, Black
19	5501 5425	1			DECAL, Grille Panel, Black
20-21	5500 6800-1	1			DECAL, Door Frame, Black
22-23	5500 6804-5	1			DECAL, Door Frame, Black
24-25	5500 6808-9	1			DECAL, Rear Quarter, Black
26-27	5500 6798-9	1			DECAL, Door Frame, Black
28-29	5500 6802-3	1			DECAL, Door Frame, Black
30-31	5500 6806-7	1			DECAL, Rear Quarter, Black
32	5500 6814	1			DECAL, Lift Door, Black
33-34	5500 6810-1	1			DECAL, Lift Door, Black
35	5500 6812	1			DECAL, Lift Door, Black
36	5501 5437	1			DECAL, Lift Door, Black
37	5501 5436	1			DECAL, Lift Door, Black
38-39	5500 6220-1	1			DECAL, Door, Black

MODEL CODES:

15 = Grand Wagoneer 4 Dr.	65 = Comanche 4WD-7 Ft. Box	77 = Cherokee 4WD-2 Dr.
25 = J-10 Pickup-119" W.B.	66 = Comanche 2WD-7 Ft. Box	78 = Cherokee 4WD-4 Dr.
26 = J-10 Pickup-131" W.B.	73 = Cherokee 2WD-2 Dr.	79 = Cherokee 4WD-4 Dr.-Com
27 = J-20 Pickup-131" W.B.	74 = Cherokee 2WD-4 Dr.	81 = Wrangler-93" W.B.
63 = Comanche 4WD-6 Ft. Box	75 = Wagoneer 4WD-4 Dr.	82 = Wrangler-103" W.B.-Exp.
64 = Comanche 2WD-6 Ft. Box		

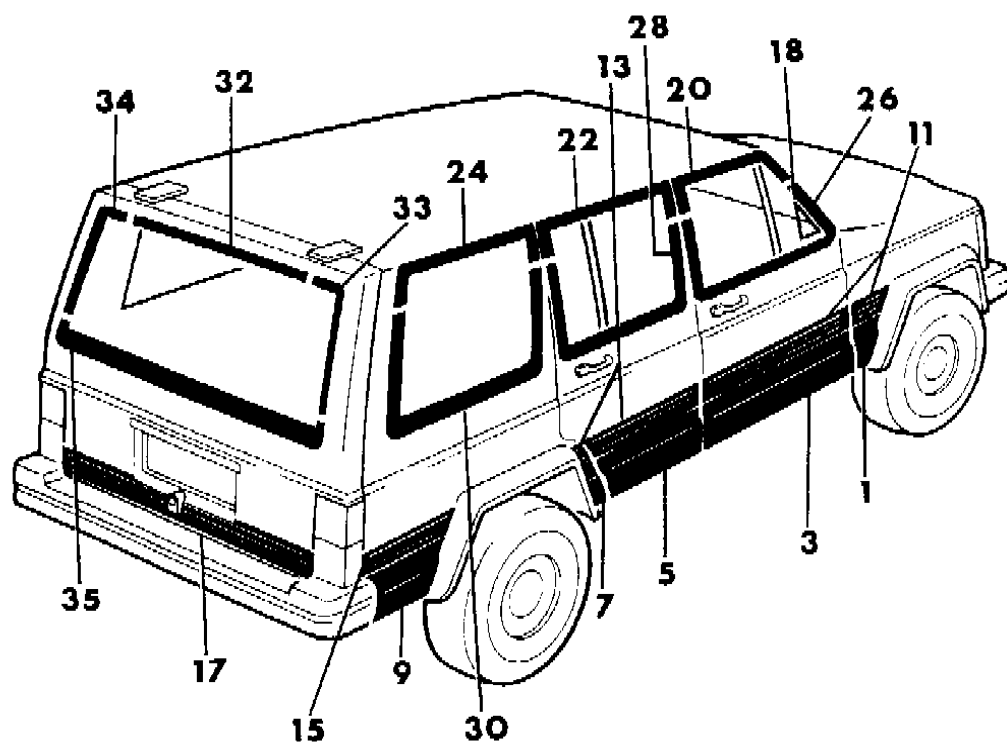
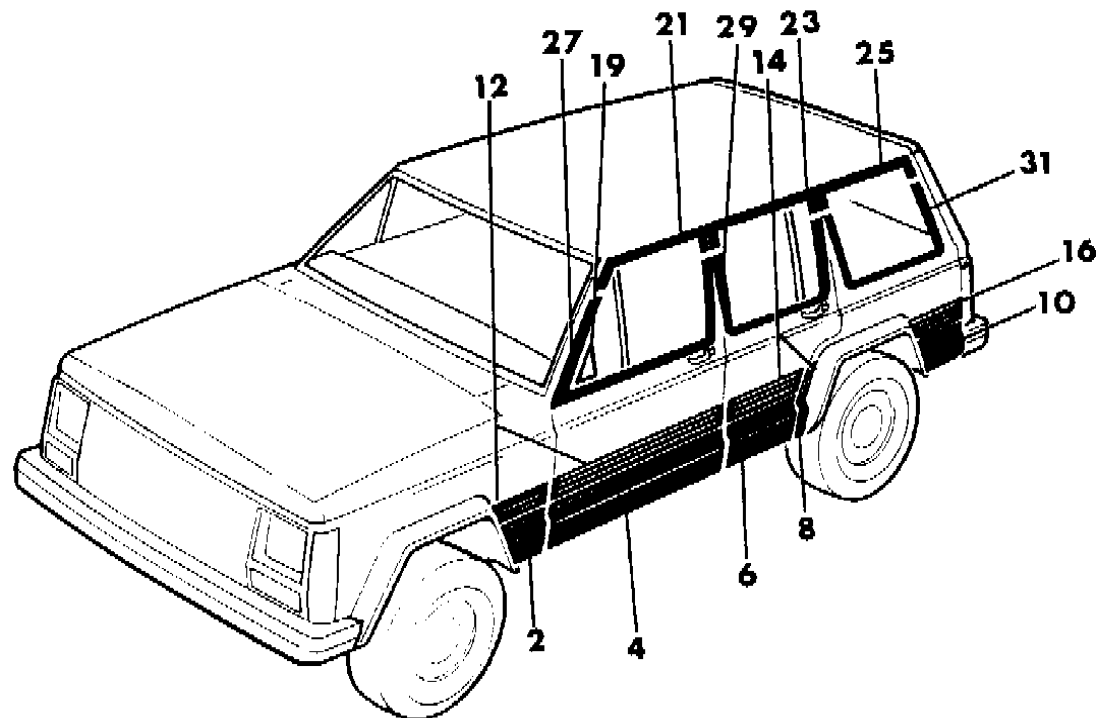
BODY STYLES:

MJ = Comanche Pickup  
 SJ = Grand Wagoneer Wgn., J-10 & J-20 Pickups  
 XJ = Cherokee, Wagoneer Limited  
 YJ = Wrangler

AR = Use as Required - = Non Illustrated Part P.A.R. = Paint as Required

DECALS, EXTERIOR CHIEF, E.C.E., 1987-88 CHEROKEE 4 DOOR  
Figure 23-1800

8J68 1800



ITEM	PART NUMBER	QTY	BODY	MODEL	DESCRIPTION
1-2	5501 5428-9	1			DECAL, Fender, Black
3-4	5501 7690-1	1			DECAL, Door, Black
5-6	5501 5446-7	1			DECAL, Door, Black
7-8	5501 5448-9	1			DECAL, Rear Quarter, Black
9-10	5501 5434-5	1			DECAL, Rear Quarter, Black
11-12	5501 5870-1	1			DECAL, Door And Fender, Black
13-14	5501 5872-3	1			DECAL, Door And Quarter, Black
15-16	5501 5874-5	1			DECAL, Rear Quarter, Black
17	5501 5437	1			DECAL, Lift Door, Black
18-19	5500 6220-1	1			DECAL, Door, Black
20-21	5500 6800-1	1			DECAL, Door Frame, Black
22-23	5500 6804-5	1			DECAL, Door Frame, Black
24-25	5500 6808-9	1			DECAL, Rear Quarter, Black
26-27	5500 6798-9	1			DECAL, Door Frame, Black
28-29	5500 6802-3	1			DECAL, Door Frame, Bright
30-31	5500 6806-7	1			DECAL, Rear Quarter, Black
32	5500 6814	1			DECAL, Lift Door, Black
33-34	5500 6810-1	1			DECAL, Lift Door, Black
35	5500 6812	1			DECAL, Lift Door, Black

MODEL CODES:

15 = Grand Wagoneer 4 Dr.	65 = Comanche 4WD-7 Ft. Box	77 = Cherokee 4WD-2 Dr.
25 = J-10 Pickup-119" W.B.	66 = Comanche 2WD-7 Ft. Box	78 = Cherokee 4WD-4 Dr.
26 = J-10 Pickup-131" W.B.	73 = Cherokee 2WD-2 Dr.	79 = Cherokee 4WD-4 Dr.-Com
27 = J-20 Pickup-131" W.B.	74 = Cherokee 2WD-4 Dr.	81 = Wrangler-93" W.B.
63 = Comanche 4WD-6 Ft. Box	75 = Wagoneer 4WD-4 Dr.	82 = Wrangler-103" W.B.-Exp.
64 = Comanche 2WD-6 Ft. Box		

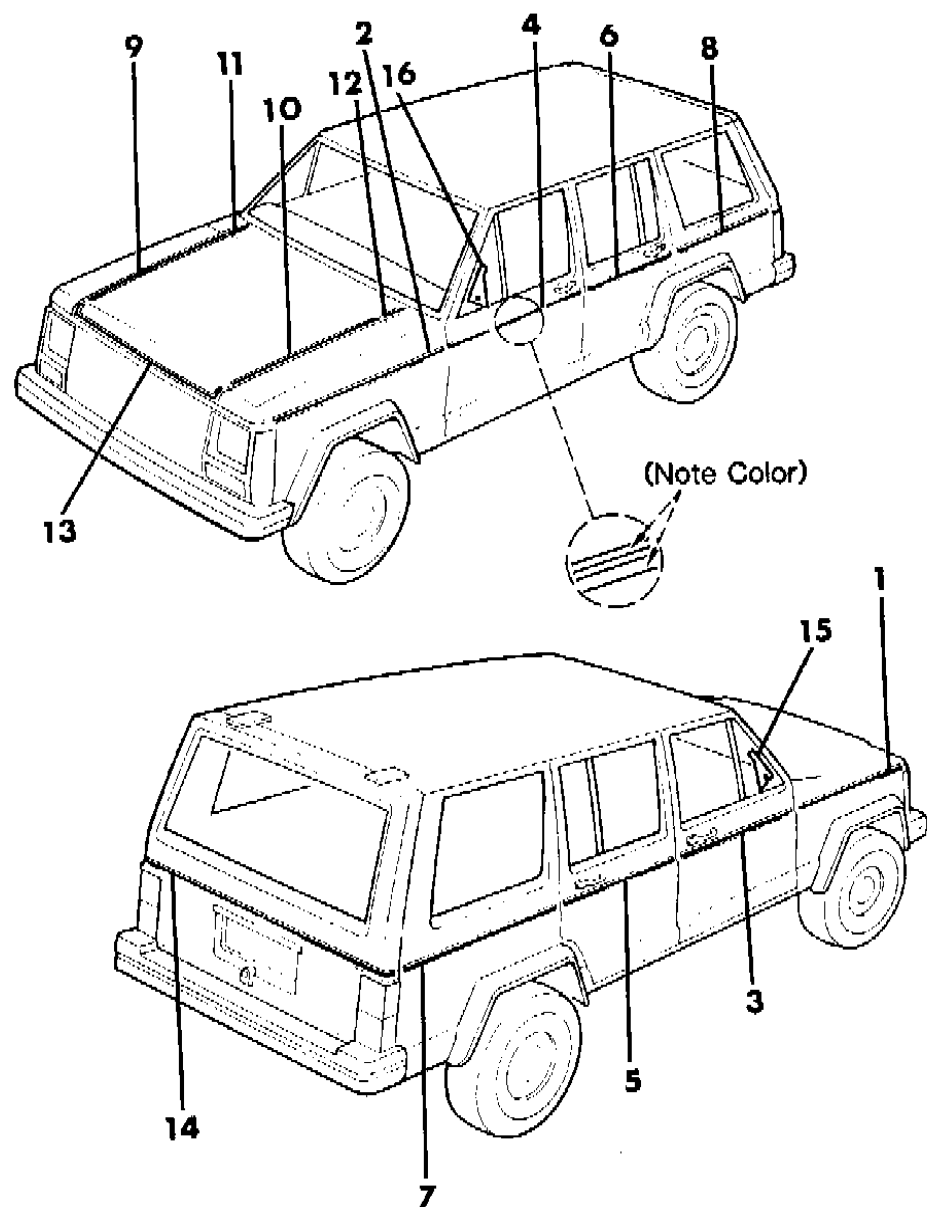
BODY STYLES:

MJ = Comanche Pickup  
 SJ = Grand Wagoneer Wgn., J-10 & J-20 Pickups  
 XJ = Cherokee, Wagoneer Limited  
 YJ = Wrangler

AR = Use as Required - = Non Illustrated Part P.A.R. = Paint as Required

DECALS, EXTERIOR LAREDO, 1987 CHEROKEE 4 DOOR  
Figure 23-2000

8J68 2000



ITEM	PART NUMBER	QTY	BODY	MODEL	DESCRIPTION
1-2					DECAL, Fender
	5500 5972-3	1			Dark Red
	5501 4768-9	1			Almond
3-4					DECAL, Door, (MR)
	5500 5967	2			Dark Red
	5501 4776	2			Almond
5-6					DECAL, Door, (MR)
	5500 5967	2			Dark Red
	5501 4776	2			Almond
7-8					DECAL, Rear Quarter, (MR)
	5500 5967	2			Dark Red
	5501 4776	2			Almond
9-10					DECAL, Hood, (MR)
	5500 5967	2			Dark Red
	5501 4776	2			Almond
11-12					DECAL, Cowl
	5500 5970-1	1			Dark Red
	5501 4766-7	1			Almond
13					DECAL, Grille Panel
	5500 5966	1			Dark Red
	5501 4763	1			Almond
14					DECAL, Lift Door
	5500 5967	1			Dark Red
	5501 4776	1			Almond
15-16	5500 6220-1	1			DECAL, Door, (Black)

MODEL CODES:

15 = Grand Wagoneer 4 Dr.	65 = Comanche 4WD-7 Ft. Box	77 = Cherokee 4WD-2 Dr.
25 = J-10 Pickup-119" W.B.	66 = Comanche 2WD-7 Ft. Box	78 = Cherokee 4WD-4 Dr.
26 = J-10 Pickup-131" W.B.	73 = Cherokee 2WD-2 Dr.	79 = Cherokee 4WD-4 Dr.-Com
27 = J-20 Pickup-131" W.B.	74 = Cherokee 2WD-4 Dr.	81 = Wrangler-93" W.B.
63 = Comanche 4WD-6 Ft. Box	75 = Wagoneer 4WD-4 Dr.	82 = Wrangler-103" W.B.-Exp.
64 = Comanche 2WD-6 Ft. Box		

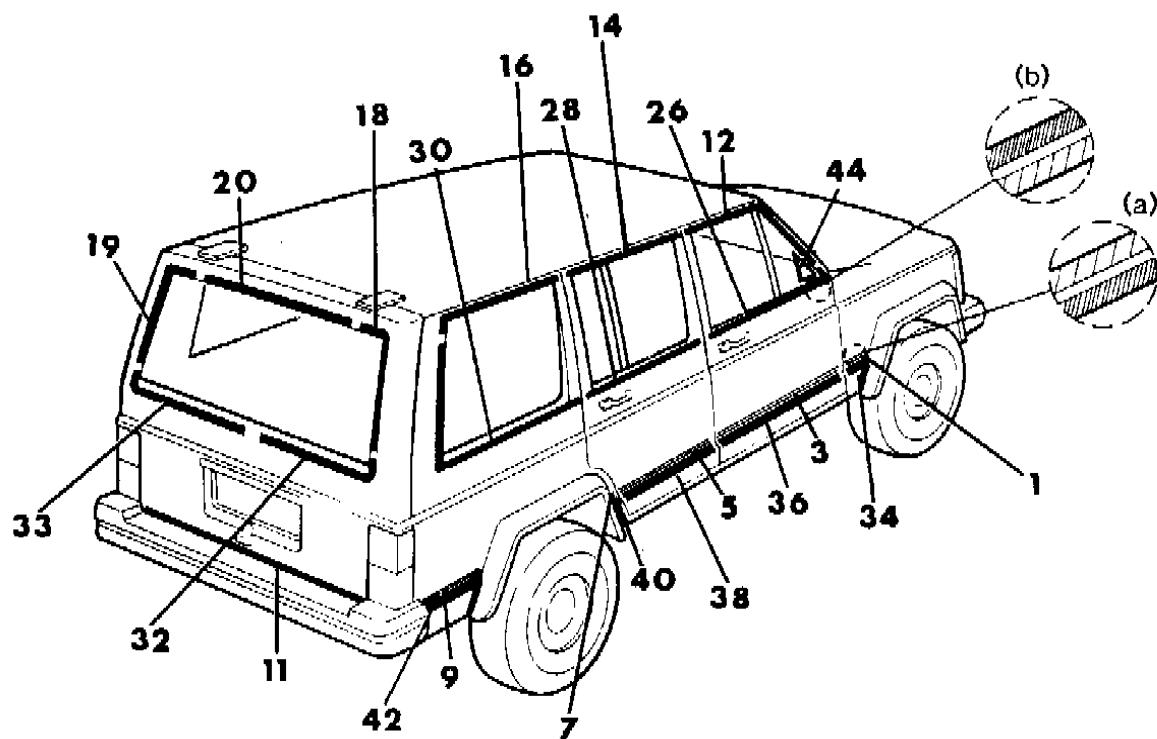
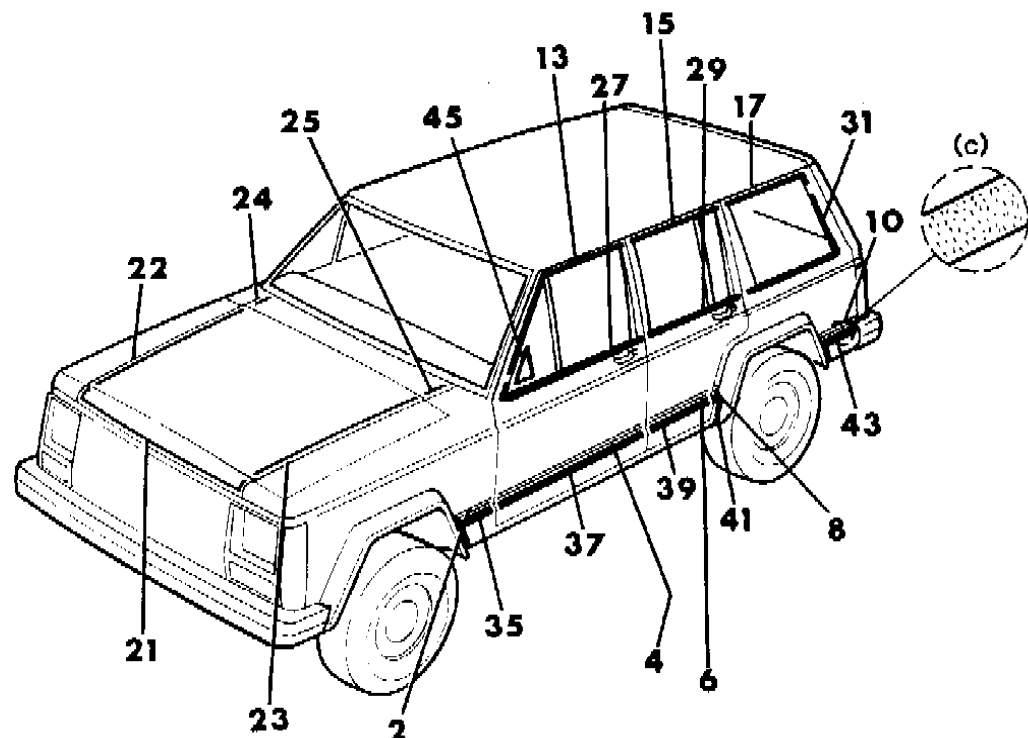
BODY STYLES:

MJ = Comanche Pickup  
 SJ = Grand Wagoneer Wgn., J-10 & J-20 Pickups  
 XJ = Cherokee, Wagoneer Limited  
 YJ = Wrangler

AR = Use as Required - = Non Illustrated Part P.A.R. = Paint as Required

DECALS, EXTERIOR LAREDO AND ECE TYPE 1, 1988 CHEROKEE 4 DOOR  
Figure 23-2100

8 J 68 2100



ITEM	PART NUMBER	QTY	BODY	MODEL	DESCRIPTION
1-2	5501 9410-1	1			DECAL, Fender, Light Silver/Argent, (MR)
3-4	5501 9410-1	1			DECAL, Door, Right, Light Silver/Argent, (MR)
5-6	5501 9410-1	1			DECAL, Door, Right, Light Silver/Argent, (MR)
7-8	5501 9410-1	1			DECAL, Rear Quarter, Light Silver/Argent, (MR)
9-10	5501 9410-1	1			DECAL, Rear Quarter, Light Silver/Argent, (MR)
11	5501 9420	1			DECAL, Lift Door, Light Silver/Argent
12-13	5501 9446-7	1			DECAL, Door Frame, Light Silver/Argent
14-15	5501 9450-1	1			DECAL, Door Frame, Light Silver/Argent
16-17	5501 9458-9	1			DECAL, Rear Quarter, Light Silver/Argent
18-19	5501 9464-5	1			DECAL, Lift Door, Light Silver/Argent
20	5501 9468	1			DECAL, Lift Door, Light Silver/Argent
21	5501 6926	1			DECAL, Grille Panel, Argent/Light Silver, Except ECE
22-23	5501 6928-9	1			DECAL, Hood, Argent/Light Silver, Except ECE
24-25	5501 6930-1	1			DECAL, Cowl, Argent/Light Silver, Except ECE
26-27	5501 9448-9	1			DECAL, Door Frame, Argent/Light Silver
28-29	5501 9452-3	1			DECAL, Door Frame, Argent/Light Silver
30-31	5501 9460-1	1			DECAL, Rear Quarter, Argent/Light Silver
32-33	5501 9466-7	1			DECAL, Lift Door, Argent/Light Silver
34-35	5501 9422-3	1			DECAL, Fender, Grey Textured
36-37	5501 9426-7	1			DECAL, Door, Grey Textured
38-39	5501 9428-9	1			DECAL, Door, Grey Textured
40-41	5501 9432-3	1			DECAL, Rear Quarter, Grey Textured
42-43	5501 9438-9	1			DECAL, Rear Quarter, Grey Textured
44-45	5500 6220-1	1			DECAL, Door, Black

(MR) Modification Required. (A) For 1987, two types of instrument clusters were used. On type one, Clusters, the odometer numbers are rounded, the Speedometer face has (2) slotte

MODEL CODES:

15 = Grand Wagoneer 4 Dr.	65 = Comanche 4WD-7 Ft. Box	77 = Cherokee 4WD-2 Dr.
25 = J-10 Pickup-119" W.B.	66 = Comanche 2WD-7 Ft. Box	78 = Cherokee 4WD-4 Dr.
26 = J-10 Pickup-131" W.B.	73 = Cherokee 2WD-2 Dr.	79 = Cherokee 4WD-4 Dr.-Com
27 = J-20 Pickup-131" W.B.	74 = Cherokee 2WD-4 Dr.	81 = Wrangler-93" W.B.
63 = Comanche 4WD-6 Ft. Box	75 = Wagoneer 4WD-4 Dr.	82 = Wrangler-103" W.B.-Exp.
64 = Comanche 2WD-6 Ft. Box		

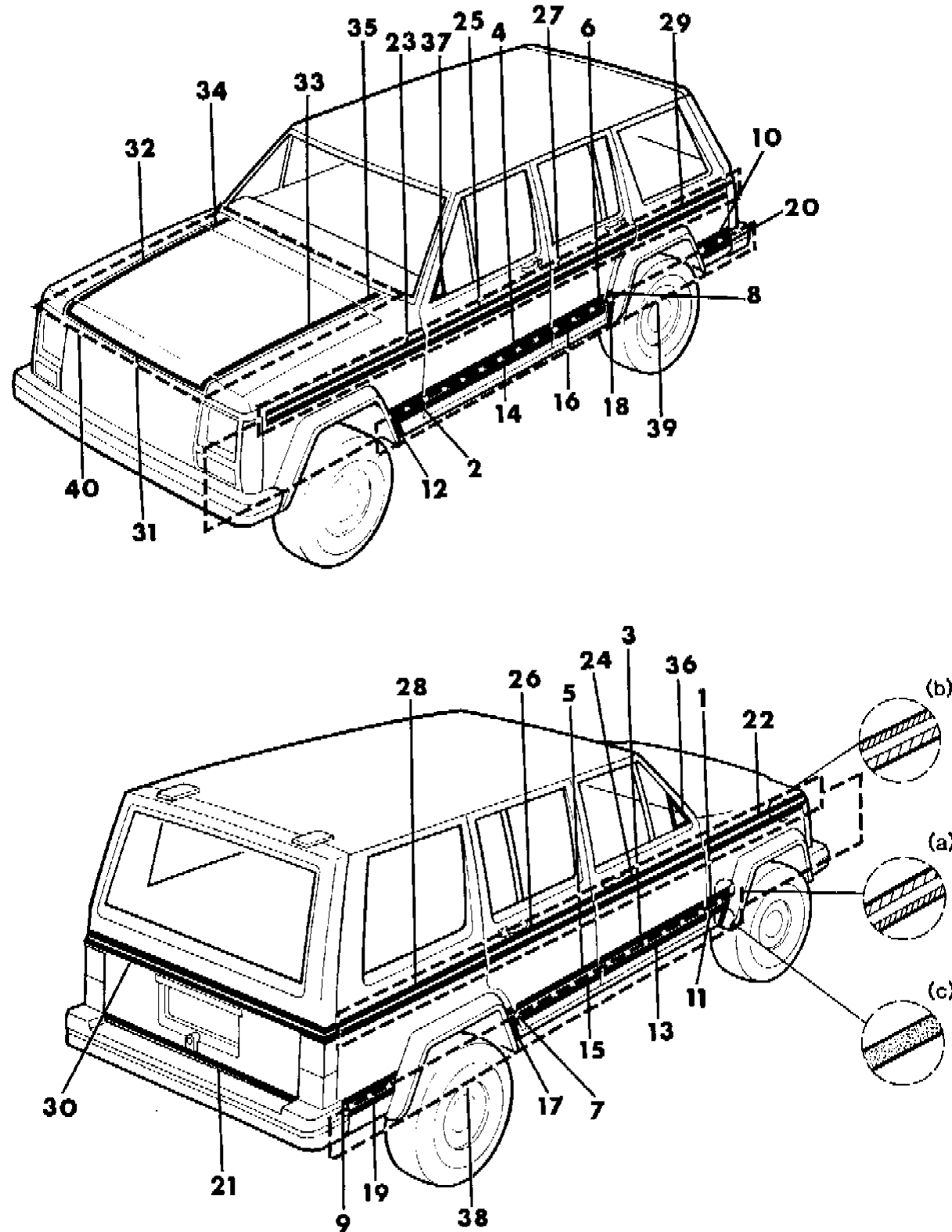
BODY STYLES:

MJ = Comanche Pickup  
SJ = Grand Wagoneer Wgn., J-10 & J-20 Pickups  
XJ = Cherokee, Wagoneer Limited  
YJ = Wrangler

AR = Use as Required - = Non Illustrated Part P.A.R. = Paint as Required

DECALS, EXTERIOR LAREDO AND ECE TYPE 2 1988, 1989/90 CHEROKEE 4 DOOR  
Figure 23-2200

8J68 2200 A



ITEM	PART NUMBER	QTY	BODY	MODEL	DESCRIPTION
1-2	5501 9410-1	1			DECAL, Fender, Light Silver/Argent, (MR), 1988-89
3-4	5501 9410-1	1			DECAL, Door, Light Silver/Argent, (MR), 1988-89
5-6	5501 9410-1	1			DECAL, Door, Light Silver/Argent, (MR), 1988-89
7-8	5501 9410-1	1			DECAL, Rear Quarter, Light Silver/Argent, (MR)
9-10	5501 9410-1	1			DECAL, Rear Quarter, Light Silver/Argent, (MR), 1988-89
11-12	5501 9422-3	1			DECAL, Fender, Grey Textured, 1988-89
13-14	5501 9426-7	1			DECAL, Door, Grey Textured, 1988-89
15-16	5501 9428-9	1			DECAL, Door, Grey Textured, 1988-89
17-18	5501 9432-3	1			DECAL, Rear Quarter, Grey Textured, 1988-89
19-20	5501 9438-9	1			DECAL, Rear Quarter, Grey Textured, 1988-89
21	5501 9420	1			DECAL, Lift Door, Light Silver/Argent
22-23					DECAL, Fender, (MR)
	5252 069	2			Narrow Silver/Thick Argent, 1988-89 up to 12/1/88
	5502 1498	2			Narrow Argent/Thick Silver, 1989 after 12/1/88
24-25					DECAL, Door, (MR)
	5252 069	2			Narrow Silver/Thick Argent, 1988-89 up to 12/1/88
	5502 1498	2			Narrow Argent/Thick Silver, 1989 after 12/1/88
26-27					DECAL, Door, (MR)
	5252 069	2			Narrow Silver/Thick Argent, 1988-89 up to 12/1/88
	5502 1498	2			Narrow Argent/Thick Silver, 1989 after 12/1/88
28-29					DECAL, Rear Quarter, (MR)
	5252 069	2			Narrow Silver/Thick Argent, 1988-89 up to 12/1/90
	5502 1498	2			Narrow Argent/Thick Silver, 1989 after 12/1/88
30					DECAL, Lift Door
	5252 069	1			Narrow Silver/Thick Argent, 1988-89 up to 12/1/88
	5502 1498	1			Narrow Argent/Thick Silver, 1989 after 12/1/88
	5AL5 8JAT	1			Narrow Argent/Thick Silver, 1990
31					DECAL, Grille Panel, Except ECE
	5501 6926	1			Argent/Light Silver, 1988-89
32-33					DECAL, Hood, Except ECE
	5501 6928-9	1			Argent/Light Silver, 1988-89
34-35					DECAL, Cowl, Except ECE
	5501 6930-1	1			Argent/Light Silver, 1988-89
36-37	5500 6220-1	1			DECAL, Door, Black
38-39	5252 760-1	1			DECAL KIT, Body Side, Argent Textured Lower, Narrow Argent/ Thick Silver Upper, 1990 ***

MODEL CODES:

15 = Grand Wagoneer 4 Dr.	65 = Comanche 4WD-7 Ft. Box	77 = Cherokee 4WD-2 Dr.
25 = J-10 Pickup-119" W.B.	66 = Comanche 2WD-7 Ft. Box	78 = Cherokee 4WD-4 Dr.
26 = J-10 Pickup-131" W.B.	73 = Cherokee 2WD-2 Dr.	79 = Cherokee 4WD-4 Dr.-Com
27 = J-20 Pickup-131" W.B.	74 = Cherokee 2WD-4 Dr.	81 = Wrangler-93" W.B.
63 = Comanche 4WD-6 Ft. Box	75 = Wagoneer 4WD-4 Dr.	82 = Wrangler-103" W.B.-Exp.
64 = Comanche 2WD-6 Ft. Box		

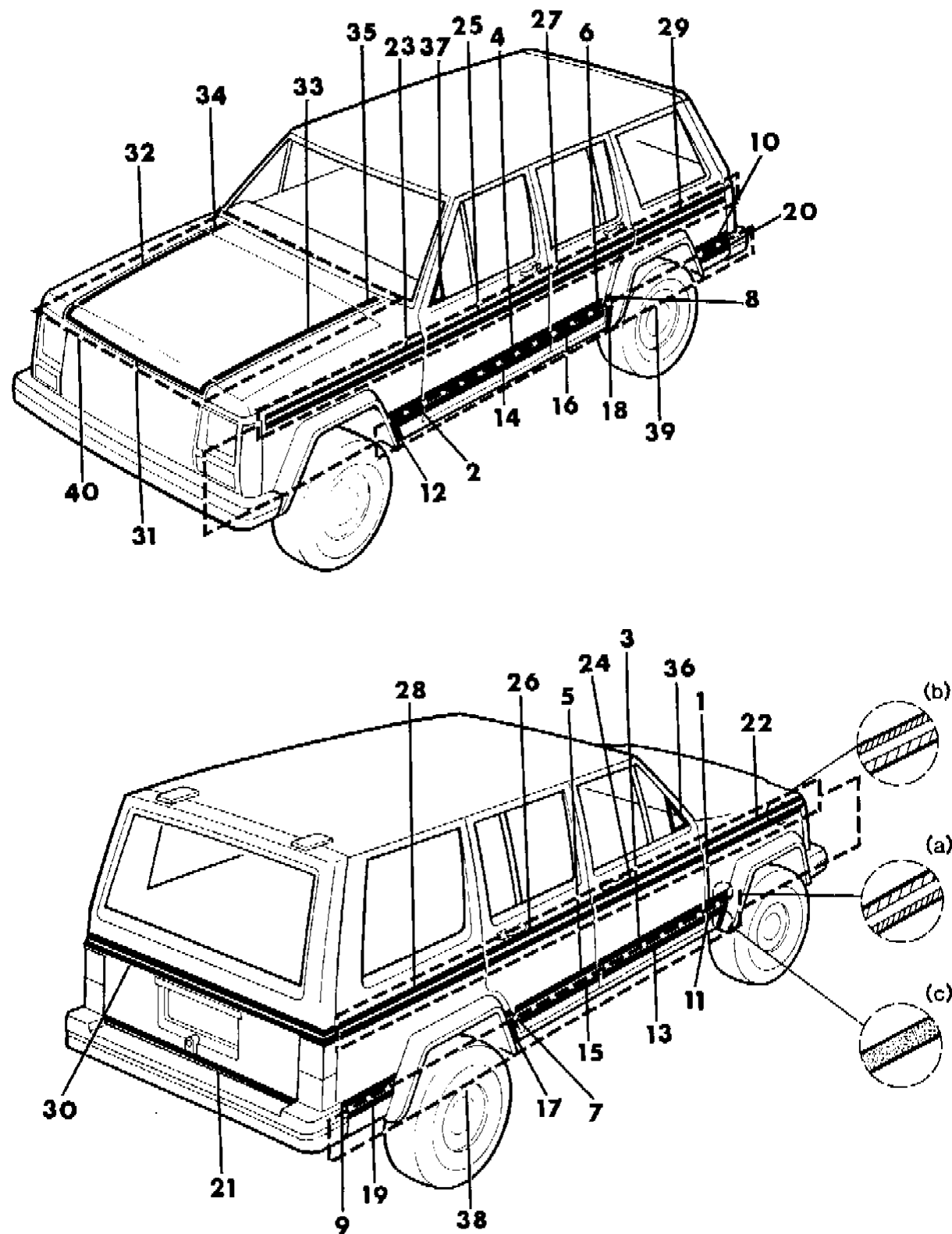
BODY STYLES:

MJ = Comanche Pickup  
 SJ = Grand Wagoneer Wgn., J-10 & J-20 Pickups  
 XJ = Cherokee, Wagoneer Limited  
 YJ = Wrangler

AR = Use as Required - = Non Illustrated Part P.A.R. = Paint as Required

DECALS, EXTERIOR LAREDO AND ECE TYPE 2 1988, 1989/90 CHEROKEE 4 DOOR  
Figure 23-2200

8J68 2200 A



ITEM	PART NUMBER	QTY	BODY	MODEL	DESCRIPTION
------	-------------	-----	------	-------	-------------

40	5252 774	1			Decal Kit, Hood, Cowl, Grille Opening Panel (Thin Silver Wide Argent) ***
----	----------	---	--	--	---

(MR) Modification Required. (A) For 1987, two types of instrument clusters were used. On type one, Clusters, the odometer numbers are rounded, the Speedometer face has (2) slotte

MODEL CODES:  
 15 = Grand Wagoneer 4 Dr.      65 = Comanche 4WD-7 Ft. Box      77 = Cherokee 4WD-2 Dr.  
 25 = J-10 Pickup-119" W.B.      66 = Comanche 2WD-7 Ft. Box      78 = Cherokee 4WD-4 Dr.  
 26 = J-10 Pickup-131" W.B.      73 = Cherokee 2WD-2 Dr.      79 = Cherokee 4WD-4 Dr.-Com  
 27 = J-20 Pickup-131" W.B.      74 = Cherokee 2WD-4 Dr.      81 = Wrangler-93" W.B.  
 63 = Comanche 4WD-6 Ft. Box      75 = Wagoneer 4WD-4 Dr.      82 = Wrangler-103" W.B.-Exp.  
 64 = Comanche 2WD-6 Ft. Box

BODY STYLES:  
 MJ = Comanche Pickup  
 SJ = Grand Wagoneer Wgn., J-10 & J-20 Pickups  
 XJ = Cherokee, Wagoneer Limited  
 YJ = Wrangler

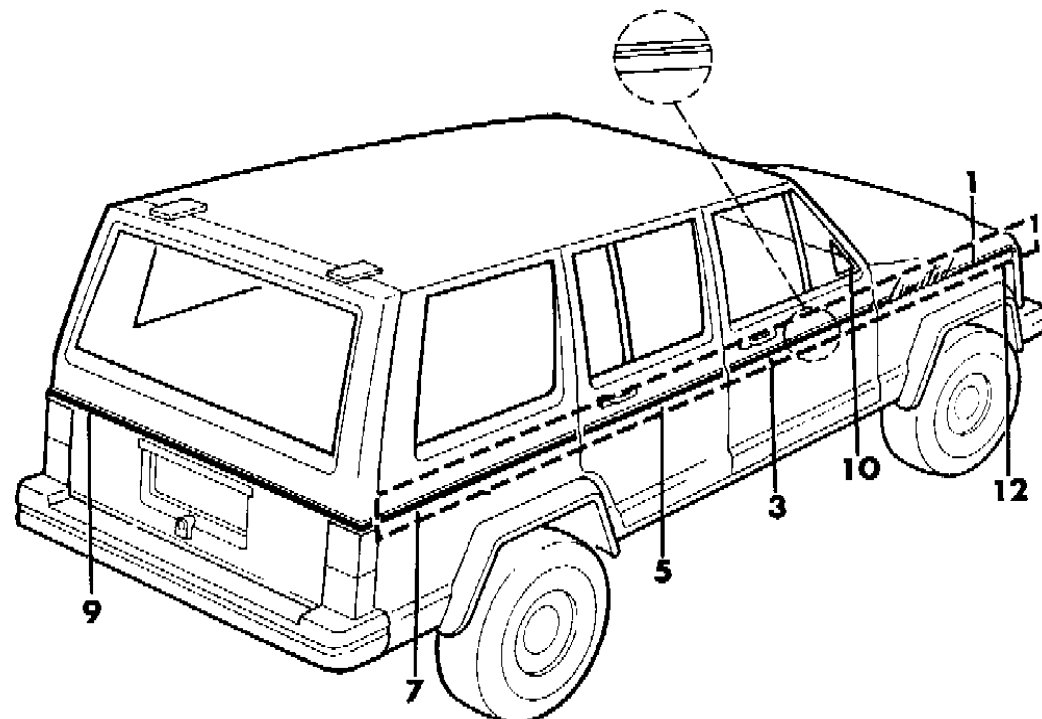
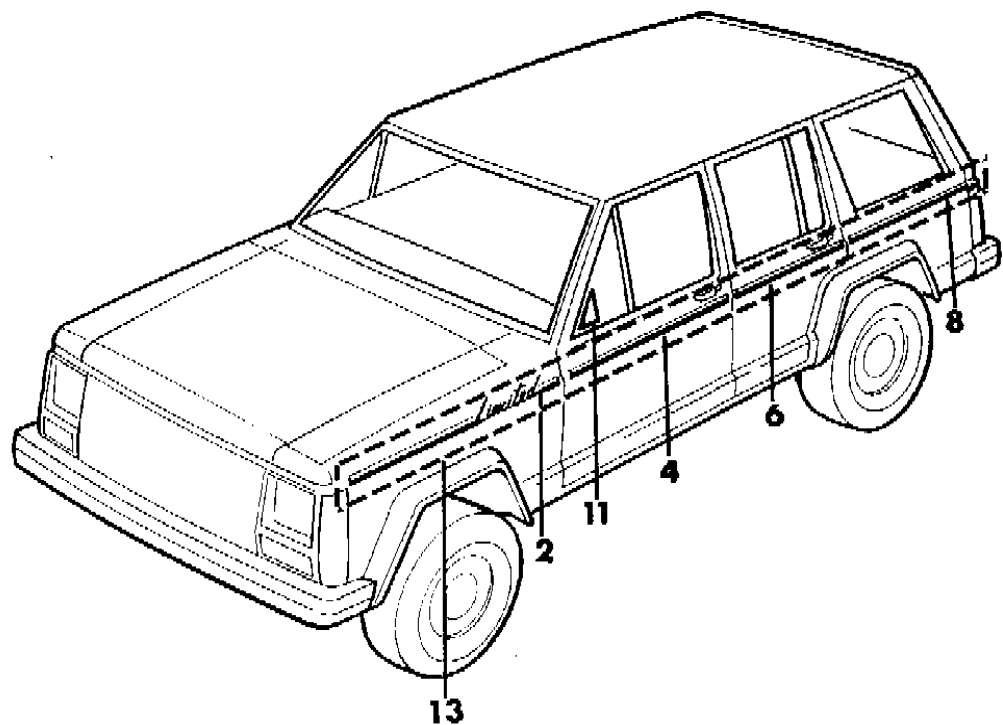
AR = Use as Required - = Non Illustrated Part P.A.R. = Paint as Required



DECALS, EXTERIOR LIMITED CHEROKEE 4 DOOR  
Figure 23-2300

8 J 68 2300 A

ITEM	PART NUMBER	QTY	BODY	MODEL	DESCRIPTION
1-2	5252 746-7	1			DECAL, Fender, Gold, 1987-89
3-4	5501 9292-3	1			DECAL, Door, Gold, 1987-89
5-6	5501 9294-5	1			DECAL, Door, Gold, 1987-89
7-8	5501 9296-7	1			DECAL, Rear Quarter, Gold, 1987-89
9					DECAL, Lift Door
	5501 9289	1			Gold, 1987-89
	5AM1 8JY2	1			Gold, 1990
10-11	5500 6220-1	1			DECAL, Door, Black
12-13	5252 746-7	1			DECAL KIT, Body Side, Gold, 1987-90 ***



MODEL CODES:

15 = Grand Wagoneer 4 Dr.	65 = Comanche 4WD-7 Ft. Box	77 = Cherokee 4WD-2 Dr.
25 = J-10 Pickup-119" W.B.	66 = Comanche 2WD-7 Ft. Box	78 = Cherokee 4WD-4 Dr.
26 = J-10 Pickup-131" W.B.	73 = Cherokee 2WD-2 Dr.	79 = Cherokee 4WD-4 Dr.-Com
27 = J-20 Pickup-131" W.B.	74 = Cherokee 2WD-4 Dr.	81 = Wrangler-93" W.B.
63 = Comanche 4WD-6 Ft. Box	75 = Wagoneer 4WD-4 Dr.	82 = Wrangler-103" W.B.-Exp.
64 = Comanche 2WD-6 Ft. Box		

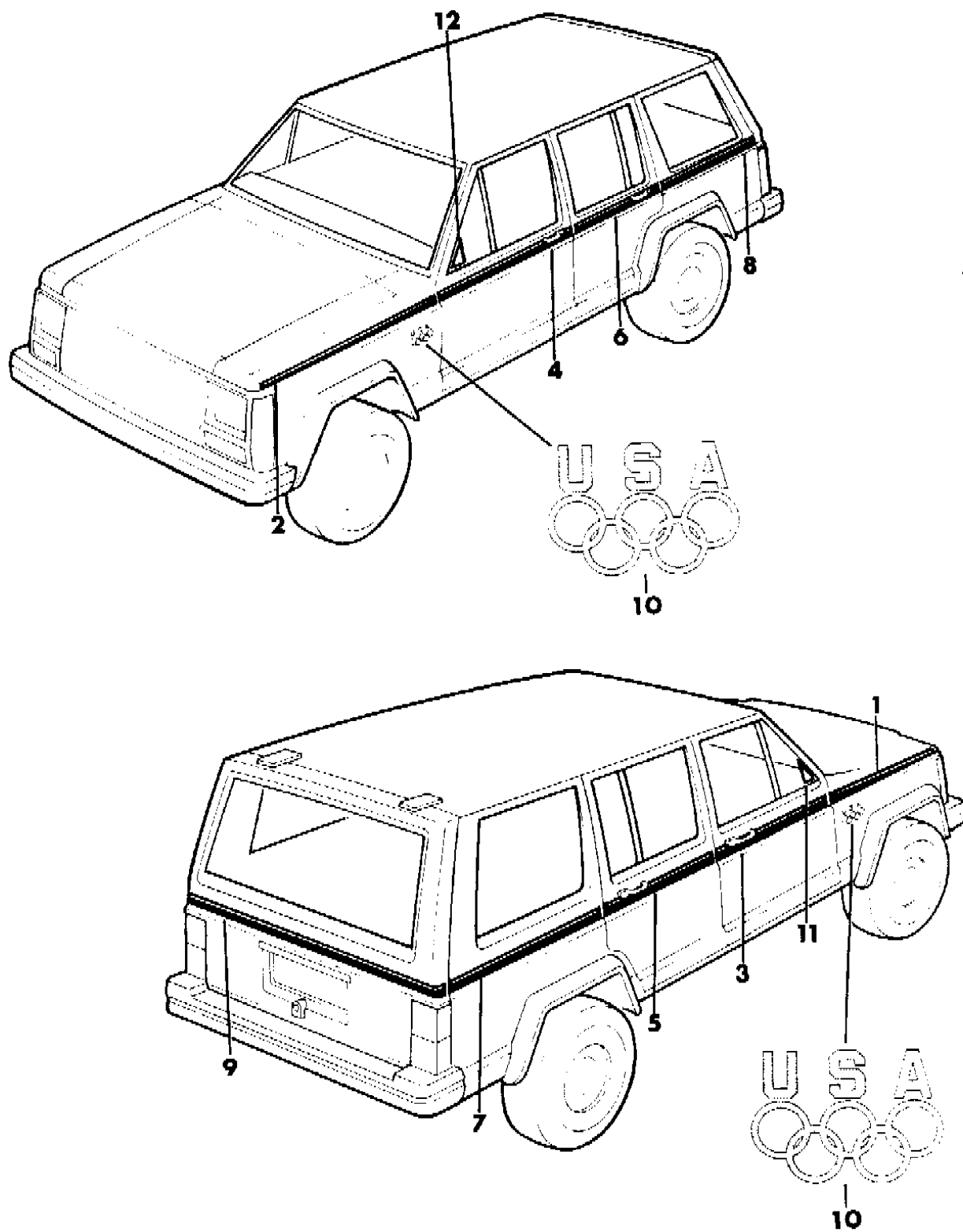
BODY STYLES:

MJ = Comanche Pickup  
 SJ = Grand Wagoneer Wgn., J-10 & J-20 Pickups  
 XJ = Cherokee, Wagoneer Limited  
 YJ = Wrangler

AR = Use as Required - = Non Illustrated Part P.A.R. = Paint as Required

DECALS, EXTERIOR OLYMPIC, 1988 CHEROKEE 4 DOOR  
Figure 23-2400

8J68 2400



ITEM	PART NUMBER	QTY	BODY	MODEL	DESCRIPTION
1-2	5502 1418-9	1			DECAL, Fender, Gold
3-4	5502 1417	2			DECAL, Door, Gold, (MR)
5-6	5502 1417	2			DECAL, Door, Gold, (MR)
7-8	5502 1417	2			DECAL, Rear Quarter, Gold, (MR)
9	5502 1417	1			DECAL, Lift Door, Gold
10	5502 1413	2			DECAL, "Olympic", Gold
11-12	5500 6220-1	1			DECAL, Door, Black

(MR) Modification Required. (A) For 1987, two types of instrument clusters were used. On type one, Clusters, the odometer numbers are rounded, the Speedometer face has (2) slotte

MODEL CODES:

15 = Grand Wagoneer 4 Dr.	65 = Comanche 4WD-7 Ft. Box	77 = Cherokee 4WD-2 Dr.
25 = J-10 Pickup-119" W.B.	66 = Comanche 2WD-7 Ft. Box	78 = Cherokee 4WD-4 Dr.
26 = J-10 Pickup-131" W.B.	73 = Cherokee 2WD-2 Dr.	79 = Cherokee 4WD-4 Dr.-Com
27 = J-20 Pickup-131" W.B.	74 = Cherokee 2WD-4 Dr.	81 = Wrangler-93" W.B.
63 = Comanche 4WD-6 Ft. Box	75 = Wagoneer 4WD-4 Dr.	82 = Wrangler-103" W.B.-Exp.
64 = Comanche 2WD-6 Ft. Box		

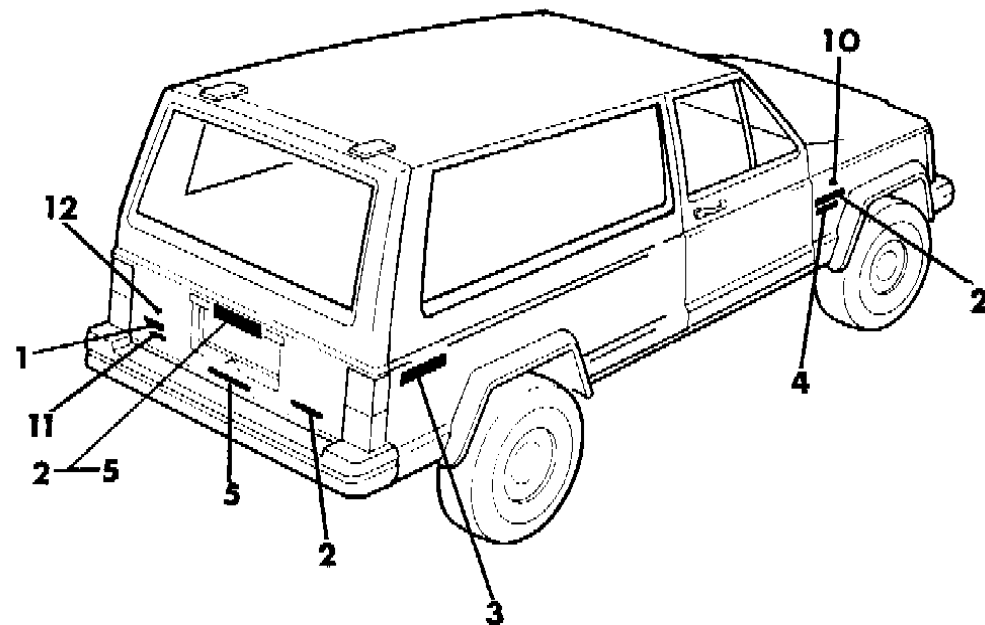
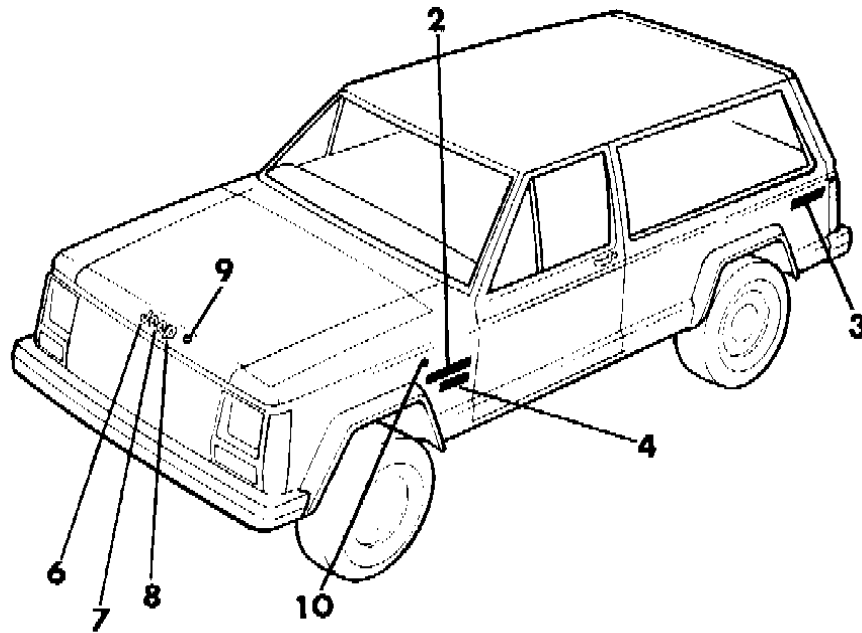
BODY STYLES:

MJ = Comanche Pickup  
 SJ = Grand Wagoneer Wgn., J-10 & J-20 Pickups  
 XJ = Cherokee, Wagoneer Limited  
 YJ = Wrangler

AR = Use as Required - = Non Illustrated Part P.A.R. = Paint as Required

NAMEPLATES CHEROKEE 2 DOOR  
Figure 23-2500

8J68 2500 A



ITEM	PART NUMBER	QTY	BODY	MODEL	DESCRIPTION
1					NAMEPLATE
					"4.0 Litre"
	5501 0037	1			Chrome
	5501 8683	1			Gold
					"Turbo Diesel"
	5501 0895	1			Chrome
	5502 1078	1			Gold, Emission Controlled European
	5501 0893	1			"2.5 Liter", 1987
2					NAMEPLATE, "Cherokee"
	5501 0897	AR			Chrome
	5501 8678	AR			Gold
	5500 8339	1			"Command Trac", 1987
3					NAMEPLATE
					"4X4"
	5500 7817	2			Chrome
	5501 8684	2			Gold
	5501 0896	2			"Selec Trac", 1987
4					NAMEPLATE
	5501 0899	2			"Laredo"
	5501 0898	2			"Pioneer"
	5501 0904	2			"Limited"
5					NAMEPLATE, "Jeep"
	5500 8340	1			Chrome
	5501 8682	1			Gold
6					NAMEPLATE, "J"
	5501 0901	1			Chrome
	5501 8679	1			Gold
7					NAMEPLATE, "e"
	5501 0902	2			Chrome
	5501 8680	2			Gold
8					NAMEPLATE, "p"
	5501 0903	1			Chrome
	5501 8681	1			Gold
9	1150 2557	4			NUT
10	J400 1335	AR			CLIP
11	5500 8338	1			NAMEPLATE, "Fuel Injection", 1987
12	J400 3657	2			CLIP, 1987

MODEL CODES:

15 = Grand Wagoneer 4 Dr.	65 = Comanche 4WD-7 Ft. Box	77 = Cherokee 4WD-2 Dr.
25 = J-10 Pickup-119" W.B.	66 = Comanche 2WD-7 Ft. Box	78 = Cherokee 4WD-4 Dr.
26 = J-10 Pickup-131" W.B.	73 = Cherokee 2WD-2 Dr.	79 = Cherokee 4WD-4 Dr.-Com
27 = J-20 Pickup-131" W.B.	74 = Cherokee 2WD-4 Dr.	81 = Wrangler-93" W.B.
63 = Comanche 4WD-6 Ft. Box	75 = Wagoneer 4WD-4 Dr.	82 = Wrangler-103" W.B.-Exp.
64 = Comanche 2WD-6 Ft. Box		

BODY STYLES:

MJ = Comanche Pickup  
SJ = Grand Wagoneer Wgn., J-10 & J-20 Pickups  
XJ = Cherokee, Wagoneer Limited  
YJ = Wrangler

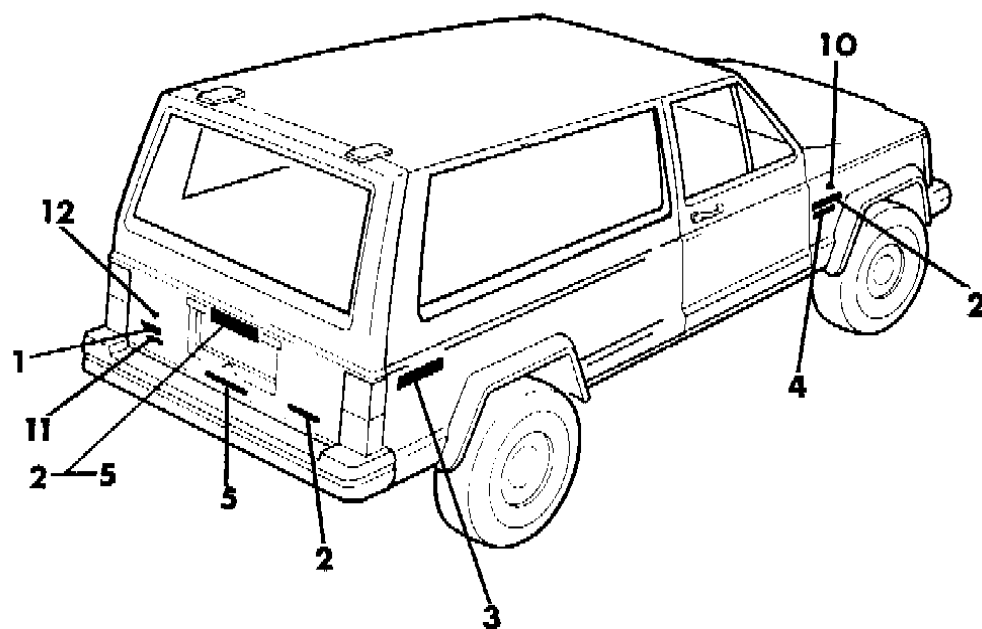
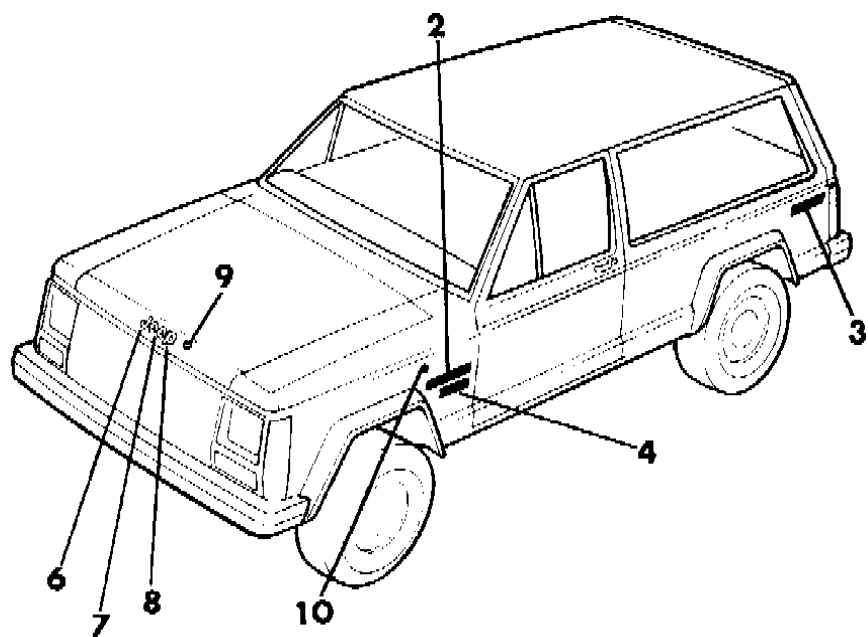
AR = Use as Required - = Non Illustrated Part P.A.R. = Paint as Required

NAMEPLATES CHEROKEE 2 DOOR  
Figure 23-2500

8J68 2500 A

ITEM	PART NUMBER	QTY	BODY	MODEL	DESCRIPTION
------	-------------	-----	------	-------	-------------

This illustration represents four model years, and the nameplate locations have varied from year to year. (A) For 1987, two types of instrument clusters were used. On type one, Clusters, the odometer numbers are rounded, the Speedometer face has (2) slotted



MODEL CODES:

15 = Grand Wagoneer 4 Dr.	65 = Comanche 4WD-7 Ft. Box	77 = Cherokee 4WD-2 Dr.
25 = J-10 Pickup-119" W.B.	66 = Comanche 2WD-7 Ft. Box	78 = Cherokee 4WD-4 Dr.
26 = J-10 Pickup-131" W.B.	73 = Cherokee 2WD-2 Dr.	79 = Cherokee 4WD-4 Dr.-Com
27 = J-20 Pickup-131" W.B.	74 = Cherokee 2WD-4 Dr.	81 = Wrangler-93" W.B.
63 = Comanche 4WD-6 Ft. Box	75 = Wagoneer 4WD-4 Dr.	82 = Wrangler-103" W.B.-Exp.
64 = Comanche 2WD-6 Ft. Box		

BODY STYLES:

MJ = Comanche Pickup  
SJ = Grand Wagoneer Wgn., J-10 & J-20 Pickups  
XJ = Cherokee, Wagoneer Limited  
YJ = Wrangler

AR = Use as Required - = Non Illustrated Part P.A.R. = Paint as Required

**MOULDINGS, EXTERIOR, UPPER CHEROKEE 2 DOOR**  
**Figure 23-2600**

8J68 2600

ITEM	PART NUMBER	QTY	BODY	MODEL	DESCRIPTION
1					MOULDING, Windshield
					Bright, up to 12/18/89
		5500 6380	1		Right
		5500 2509	1		Left
		5502 6726-7	1		Bright, after 12/18/89
2					MOULDING, Windshield
					Black
3					MOULDING, Windshield
					Black
4					GASKET
					Bright
5	5500 5282-3	1			MOULDING, Door
6	5500 5308	2			MOULDING, Lift Door
7	5500 5331	1			MOULDING, Lift Door
8	5500 5332	1			MOULDING, Lift Door
9	5500 5312-3	1			COVER, (LESS MIRROR)
10	3420 1957	4			SCREW
11					APPLIQUE, Rear Quarter, P.A.R.
					1987-89
12					1990
					NUT
13					1987-90
					SCREW, 1987-89
14	J400 6211	26			CLIP
15	5500 5333	2			CAP, Upper Moulding
16	5500 5334	2			CAP, Lower Moulding
17					CLIP
					height = 24mm
18					height = 27mm
					RETAINER
19	5500 5286-7	1			MOULDING, Door
20	5500 5280-1	1			MOULDING, Door
21					MOULDING, Drip Rail
					Black
	5501 3656-7	1			Bright

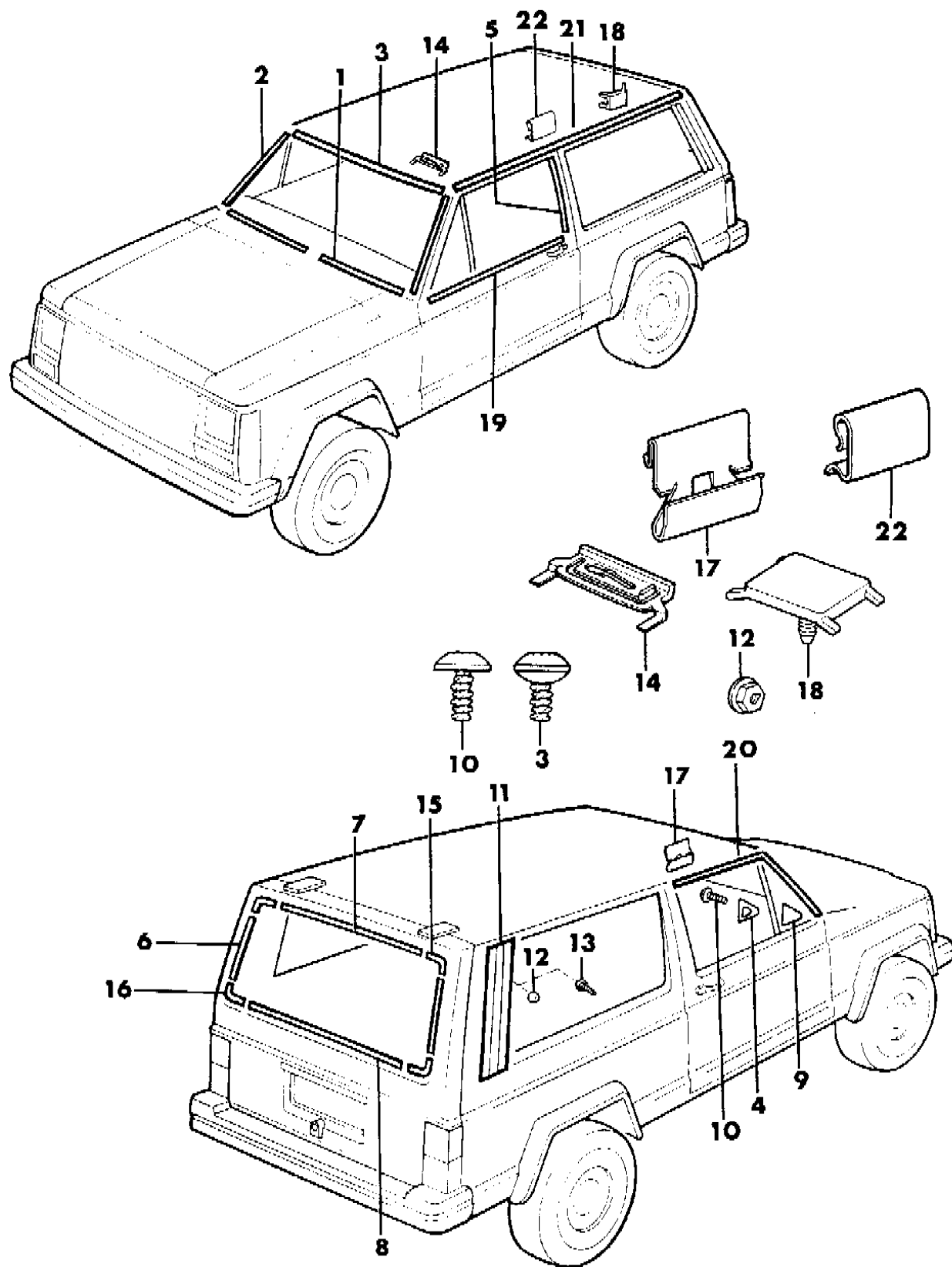
**MODEL CODES:**

15 = Grand Wagoneer 4 Dr.	65 = Comanche 4WD-7 Ft. Box	77 = Cherokee 4WD-2 Dr.
25 = J-10 Pickup-119" W.B.	66 = Comanche 2WD-7 Ft. Box	78 = Cherokee 4WD-4 Dr.
26 = J-10 Pickup-131" W.B.	73 = Cherokee 2WD-2 Dr.	79 = Cherokee 4WD-4 Dr.-Com
27 = J-20 Pickup-131" W.B.	74 = Cherokee 2WD-4 Dr.	81 = Wrangler-93" W.B.
63 = Comanche 4WD-6 Ft. Box	75 = Wagoneer 4WD-4 Dr.	82 = Wrangler-103" W.B.-Exp.
64 = Comanche 2WD-6 Ft. Box		

**BODY STYLES:**

MJ = Comanche Pickup  
 SJ = Grand Wagoneer Wgn., J-10 & J-20 Pickups  
 XJ = Cherokee, Wagoneer Limited  
 YJ = Wrangler

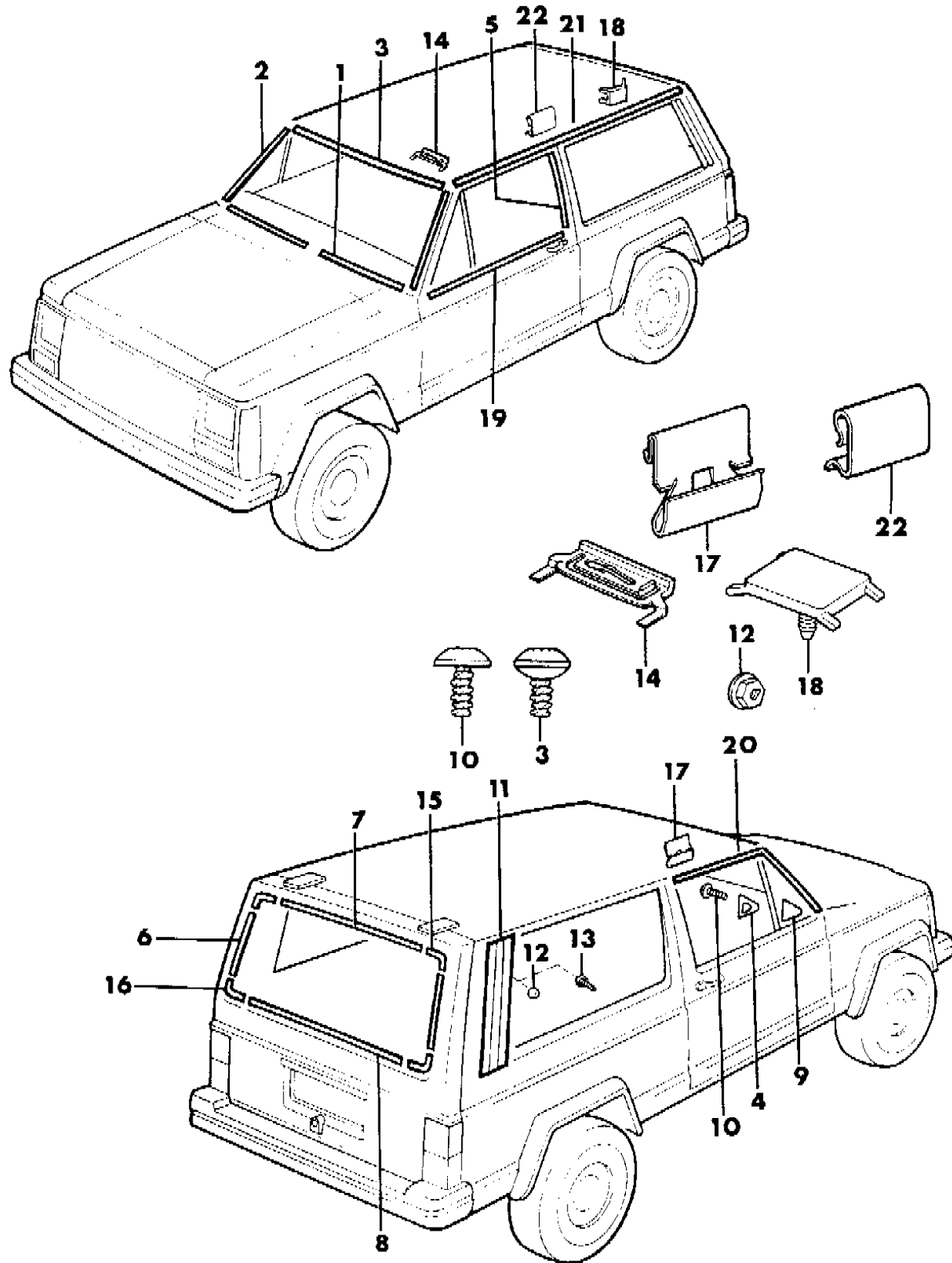
AR = Use as Required - = Non Illustrated Part P.A.R. = Paint as Required



MOULDINGS, EXTERIOR, UPPER CHEROKEE 2 DOOR  
Figure 23-2600

8J68 2600

ITEM	PART NUMBER	QTY	BODY	MODEL	DESCRIPTION
22	3500 2115	AR			CLIP



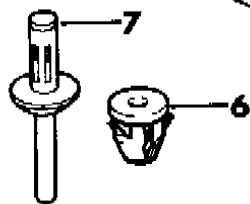
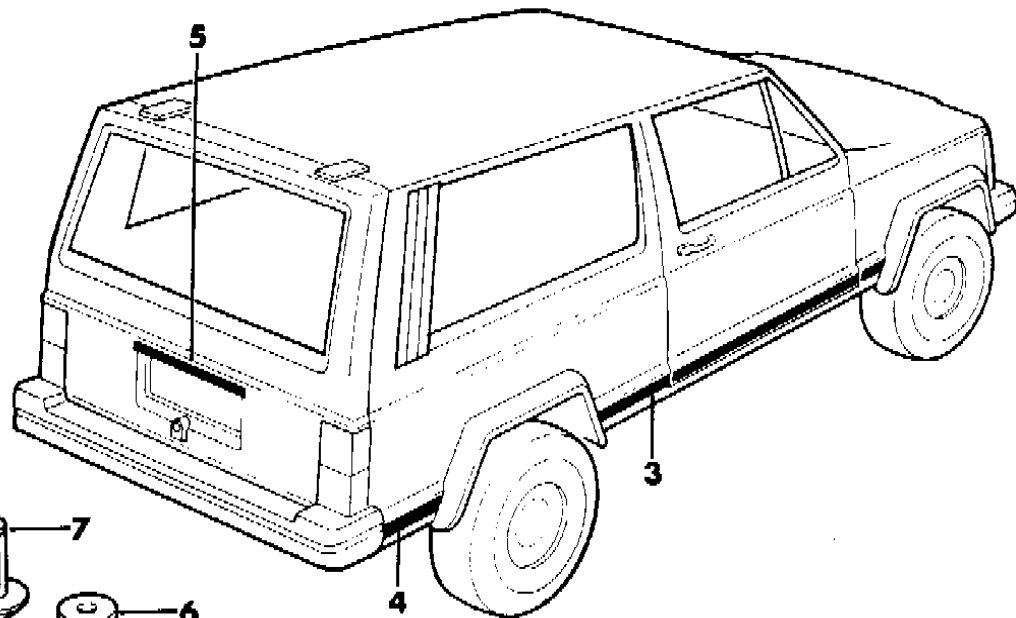
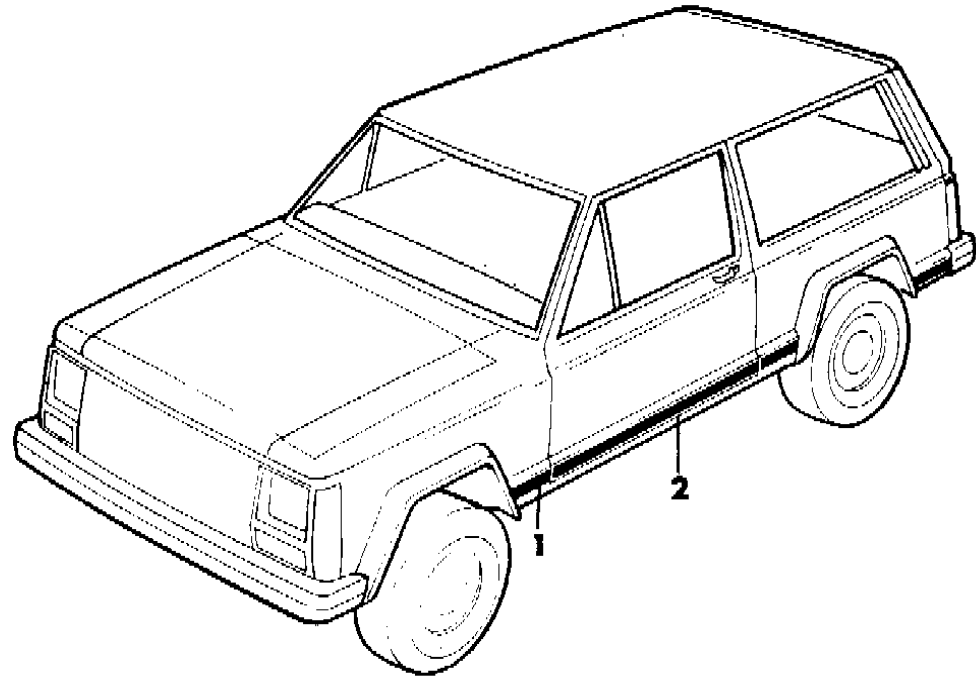
- MODEL CODES:
- |                             |                             |                              |
|-----------------------------|-----------------------------|------------------------------|
| 15 = Grand Wagoneer 4 Dr.   | 65 = Comanche 4WD-7 Ft. Box | 77 = Cherokee 4WD-2 Dr.      |
| 25 = J-10 Pickup-119" W.B.  | 66 = Comanche 2WD-7 Ft. Box | 78 = Cherokee 4WD-4 Dr.      |
| 26 = J-10 Pickup-131" W.B.  | 73 = Cherokee 2WD-2 Dr.     | 79 = Cherokee 4WD-4 Dr.-Com  |
| 27 = J-20 Pickup-131" W.B.  | 74 = Cherokee 2WD-4 Dr.     | 81 = Wrangler-93" W.B.       |
| 63 = Comanche 4WD-6 Ft. Box | 75 = Wagoneer 4WD-4 Dr.     | 82 = Wrangler-103" W.B.-Exp. |
| 64 = Comanche 2WD-6 Ft. Box |                             |                              |

- BODY STYLES:
- MJ = Comanche Pickup
  - SJ = Grand Wagoneer Wgn., J-10 & J-20 Pickups
  - XJ = Cherokee, Wagoneer Limited
  - YJ = Wrangler

AR = Use as Required - = Non Illustrated Part P.A.R. = Paint as Required

**MOULDINGS, EXTERIOR, LOWER CHEROKEE 2 DOOR**  
**Figure 23-2700**

8 J 68 2700



ITEM	PART NUMBER	QTY	BODY	MODEL	DESCRIPTION
1	5502 1784-5	1			MOULDING, Fender Argent, 1988-90
	5500 3166-7	1			Black/Chrome 1987-89
	5AJ52-3 JXZ	1			1990
2	5501 8686-7	1			Black/Gold 1988-89
	5AJ52-3 JXY	1			1990
	5501 5534-5	1			MOULDING, Door Argent, 1988-90
3	5500 7396-7	1			Black/Chrome 1987-89
	5AJ54-5 JXZ	1			1990
	5501 9582-3	1			Black/Gold 1988-89
4	5AJ54-5 JXY	1			1990
	5501 5552-3	1			MOULDING, Rear Quarter Argent
	5502 1786-7	1			1988-89
5	5500 7398-9	1			Black/Chrome 1987-89
	5AJ56-7 JXZ	1			1990
	5501 9584-5	1			Black/Gold 1988-89
6	5AJ56-7 JXY	1			1990
	5502 1790-1	1			MOULDING, Rear Quarter Argent, 1988-90
	5500 3172-3	1			Black/Chrome 1987-89
7	5AJ62-3 JXZ	1			1990
	5501 8692-3	1			Black/Gold 1988-89
	5AJ62-3 JXY	1			1990
8	5501 3411	1			OVERLAY, License Plate Chrome
	5502 1383	1			Argent, for ECE "Euro Pkg" model

**MODEL CODES:**

15 = Grand Wagoneer 4 Dr.	65 = Comanche 4WD-7 Ft. Box	77 = Cherokee 4WD-2 Dr.
25 = J-10 Pickup-119" W.B.	66 = Comanche 2WD-7 Ft. Box	78 = Cherokee 4WD-4 Dr.
26 = J-10 Pickup-131" W.B.	73 = Cherokee 2WD-2 Dr.	79 = Cherokee 4WD-4 Dr.-Com
27 = J-20 Pickup-131" W.B.	74 = Cherokee 2WD-4 Dr.	81 = Wrangler-93" W.B.
63 = Comanche 4WD-6 Ft. Box	75 = Wagoneer 4WD-4 Dr.	82 = Wrangler-103" W.B.-Exp.
64 = Comanche 2WD-6 Ft. Box		

**BODY STYLES:**

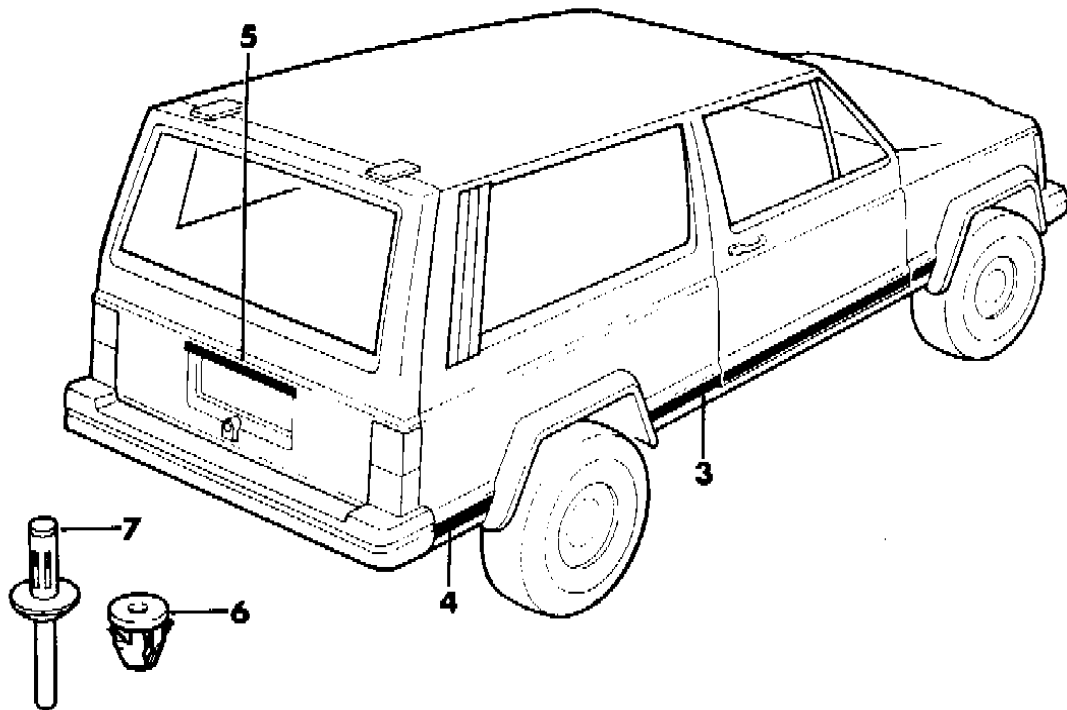
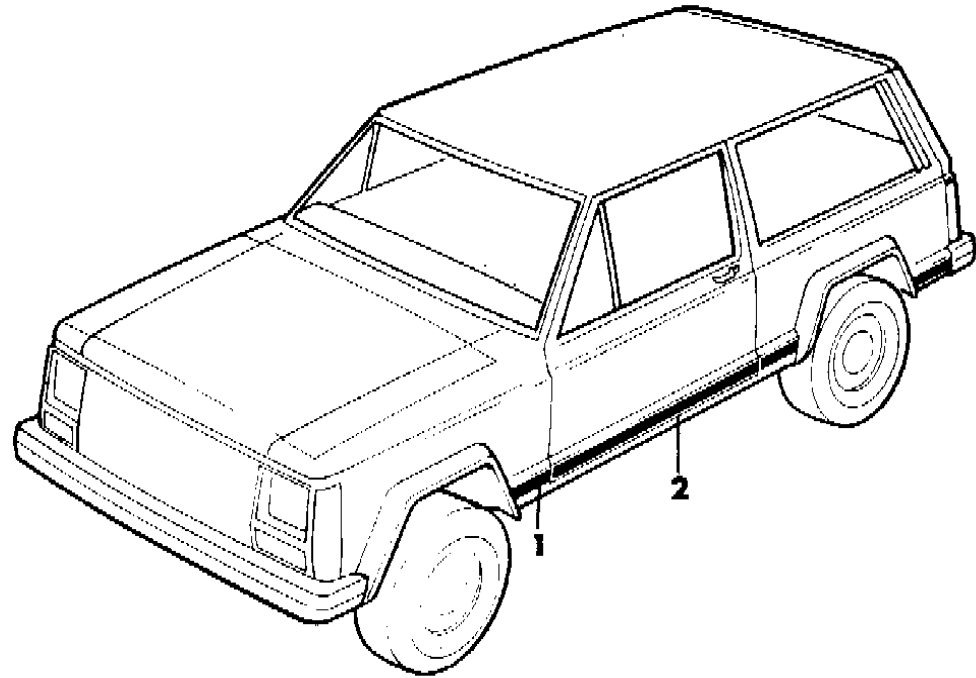
MJ = Comanche Pickup  
 SJ = Grand Wagoneer Wgn., J-10 & J-20 Pickups  
 XJ = Cherokee, Wagoneer Limited  
 YJ = Wrangler

AR = Use as Required - = Non Illustrated Part P.A.R. = Paint as Required

**MOULDINGS, EXTERIOR, LOWER CHEROKEE 2 DOOR**  
**Figure 23-2700**

8 J 68 2700

ITEM	PART NUMBER	QTY	BODY	MODEL	DESCRIPTION
	5502 1384	1			Gold, for ECE "Limited" model
	5501 7644	1			Export, 1987-88
6	J400 1335	2			CLIP
7	3420 1631	2			RIVET



- MODEL CODES:
- |                             |                             |                              |
|-----------------------------|-----------------------------|------------------------------|
| 15 = Grand Wagoneer 4 Dr.   | 65 = Comanche 4WD-7 Ft. Box | 77 = Cherokee 4WD-2 Dr.      |
| 25 = J-10 Pickup-119" W.B.  | 66 = Comanche 2WD-7 Ft. Box | 78 = Cherokee 4WD-4 Dr.      |
| 26 = J-10 Pickup-131" W.B.  | 73 = Cherokee 2WD-2 Dr.     | 79 = Cherokee 4WD-4 Dr.-Com  |
| 27 = J-20 Pickup-131" W.B.  | 74 = Cherokee 2WD-4 Dr.     | 81 = Wrangler-93" W.B.       |
| 63 = Comanche 4WD-6 Ft. Box | 75 = Wagoneer 4WD-4 Dr.     | 82 = Wrangler-103" W.B.-Exp. |
| 64 = Comanche 2WD-6 Ft. Box |                             |                              |

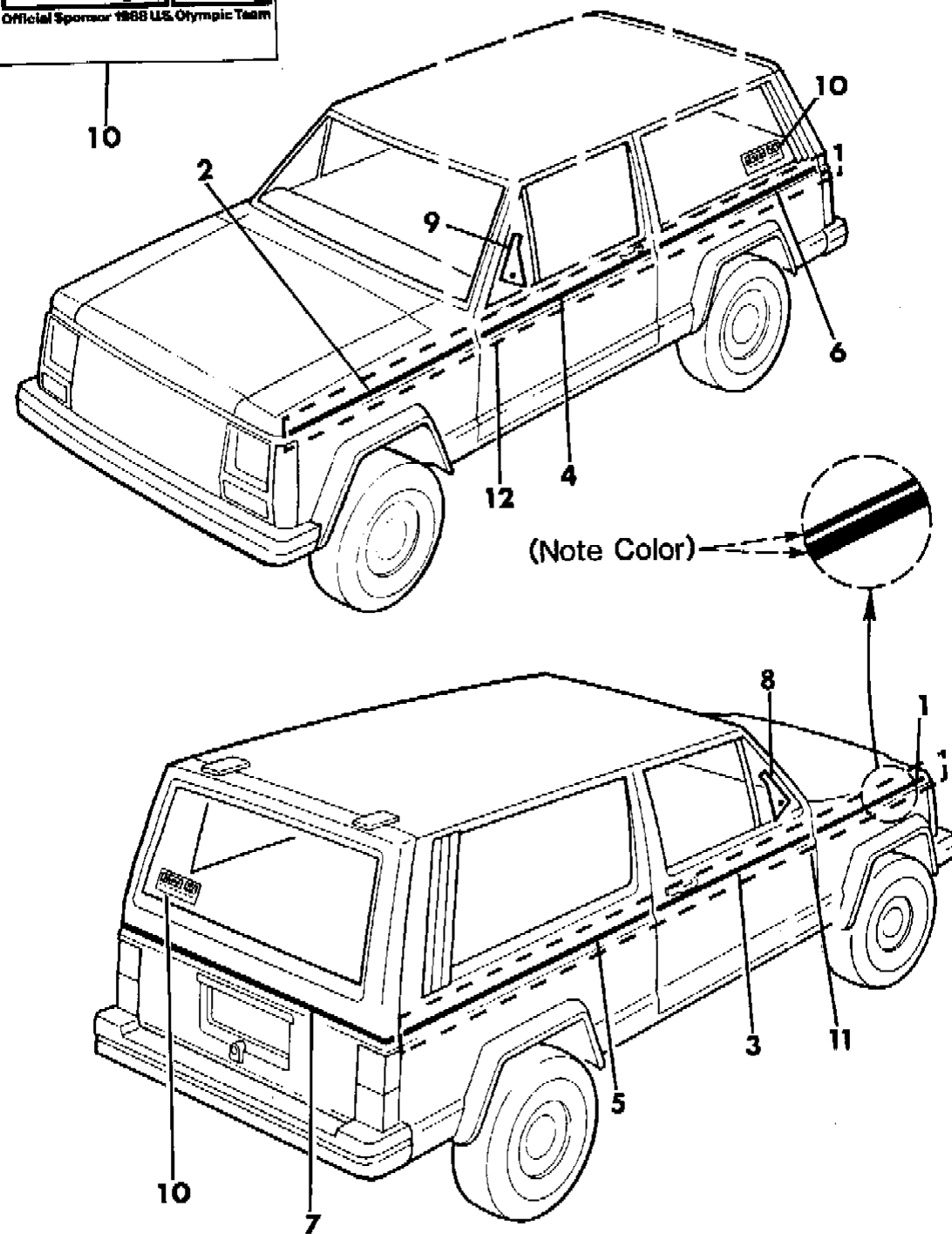
- BODY STYLES:
- MJ = Comanche Pickup
  - SJ = Grand Wagoneer Wgn., J-10 & J-20 Pickups
  - XJ = Cherokee, Wagoneer Limited
  - YJ = Wrangler

AR = Use as Required - = Non Illustrated Part P.A.R. = Paint as Required



DECALS, EXTERIOR PIONEER CHEROKEE 2 DOOR  
Figure 23-2800

8J68 2800 A



ITEM	PART NUMBER	QTY	BODY	MODEL	DESCRIPTION
1-2					FENDER, Front ***
	5501 4768-9	1			Almond, 1987-88
	5501 6826-7	1			Dark Baltic, 1988-89
	5500 5972-3	1			Dark Red, 1988-89
	5501 0088-9	1			Light Blue, Med. Blue, 1987
	5501 0094-5	1			Orange, Red, 1987
	5501 4752-3	1			Silver, 1987
	5501 6056-7	1			Sterling Silver, 1988-89
	5502 1682-3	1			Sand Tan, 1989
3-4					DECAL, Door,
	5501 4776	2			Almond, 1987-88, (MR)
	5501 6832	2			Dark Baltic, 1988-89, (MR)
	5500 5967	2			Dark Red, 1987-89, (MR)
	5501 0090-1	1			Light Blue, Med. Blue, 1987
	5501 0102-3	1			Orange, Red, 1987
	5501 4762	2			Silver, 1987, (MR)
	5501 6816	2			Sterling Silver, 1988-89, (MR)
	5502 1681	2			Sand Tan, 1989, (MR)
5-6					DECAL, Rear Quarter
	5501 4776	2			Almond, 1987-88, (MR)
	5501 6832	2			Dark Baltic, 1988-89
	5500 5967	2			Dark Red, 1987-89, (MR)
	5501 0092-3	1			Light Blue, Med. Blue, 1987
	5501 0104-5	1			Orange, Red, 1987
	5501 4762	2			Silver, 1987, (MR)
	5501 6816	2			Sterling Silver, 1988-89, (MR)
	5502 1681	2			Sand Tan, 1989, (MR)
7					DECAL, Lift Door
	5501 4776	1			Almond, 1987-88
	5501 6832	1			Dark Baltic, 1988-89
	5500 5967	1			Dark Red, 1987-89
	5AL5 8JR7	1			Dark Red, 1990
	5501 0087	1			Light Blue, Med. Blue, 1987
	5501 0112	1			Orange, Red, 1987
	5501 4762	1			Silver, 1987
	5501 6816	1			Sterling Silver, 1988-89
	5AL5 8JA2	1			Sterling Silver, 1990

MODEL CODES:

15 = Grand Wagoneer 4 Dr.	65 = Comanche 4WD-7 Ft. Box	77 = Cherokee 4WD-2 Dr.
25 = J-10 Pickup-119" W.B.	66 = Comanche 2WD-7 Ft. Box	78 = Cherokee 4WD-4 Dr.
26 = J-10 Pickup-131" W.B.	73 = Cherokee 2WD-2 Dr.	79 = Cherokee 4WD-4 Dr.-Com
27 = J-20 Pickup-131" W.B.	74 = Cherokee 2WD-4 Dr.	81 = Wrangler-93" W.B.
63 = Comanche 4WD-6 Ft. Box	75 = Wagoneer 4WD-4 Dr.	82 = Wrangler-103" W.B.-Exp.
64 = Comanche 2WD-6 Ft. Box		

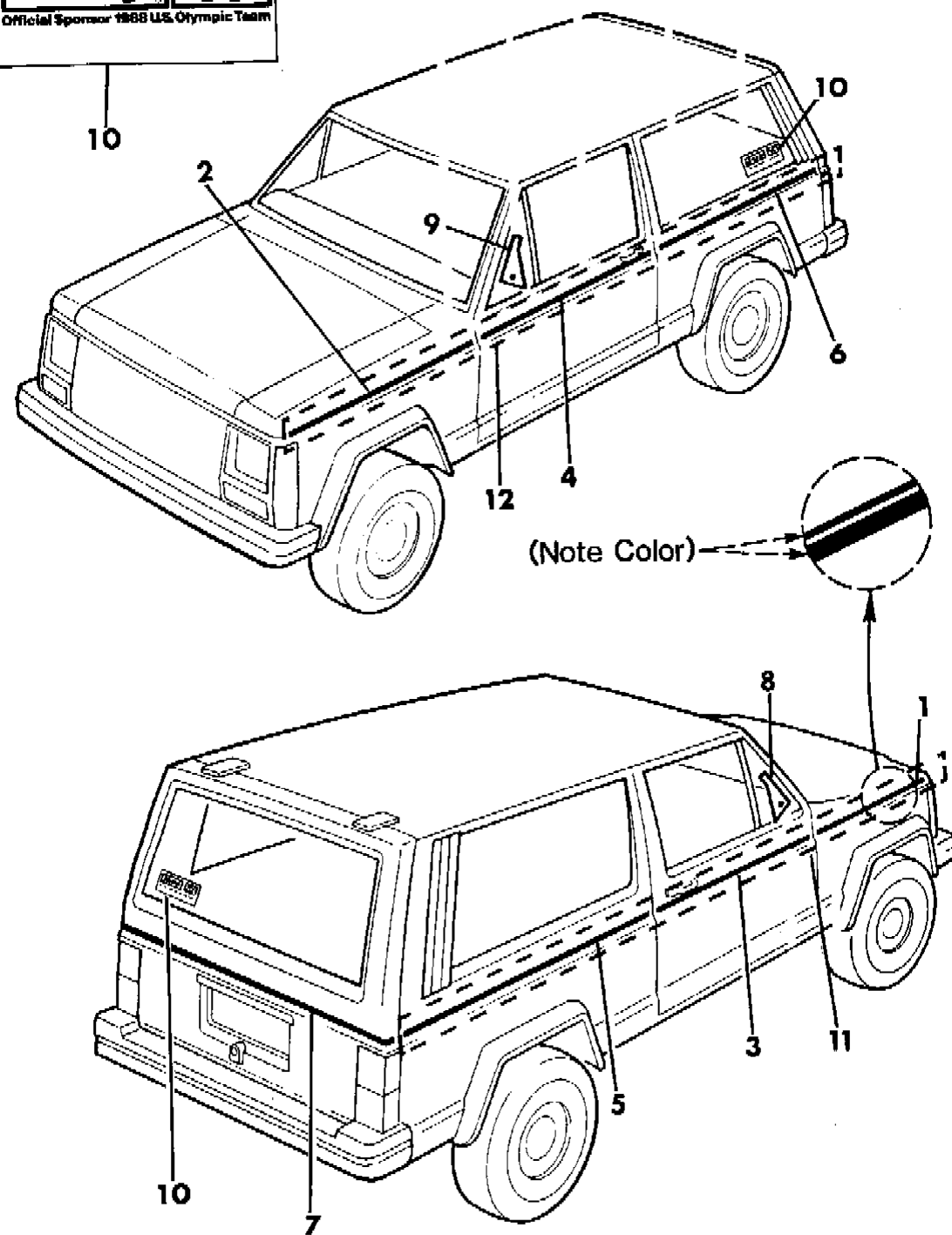
BODY STYLES:

MJ = Comanche Pickup  
 SJ = Grand Wagoneer Wgn., J-10 & J-20 Pickups  
 XJ = Cherokee, Wagoneer Limited  
 YJ = Wrangler

AR = Use as Required - = Non Illustrated Part P.A.R. = Paint as Required

DECALS, EXTERIOR PIONEER CHEROKEE 2 DOOR  
Figure 23-2800

8J68 2800 A



ITEM	PART NUMBER	QTY	BODY	MODEL	DESCRIPTION
	5502 1681	1			Sand Tan, 1989
	5AL5 8JK2	1			Sand Tan, 1990
8-9	5500 6220-1	1			DECAL, Door, Black
10	5502 0568	1			DECAL, "Olympic"
11-12					DECAL KIT, Body Side ***
	5252 784-5	1			Dark Red, 1990
	5252 782-3	1			Sterling Silver, 1990
	5252 786-7	1			Light Sand, 1990

(MR) Modification Required. (A) For 1987, two types of instrument clusters were used. On type one, Clusters, the odometer numbers are rounded, the Speedometer face has (2) slotte

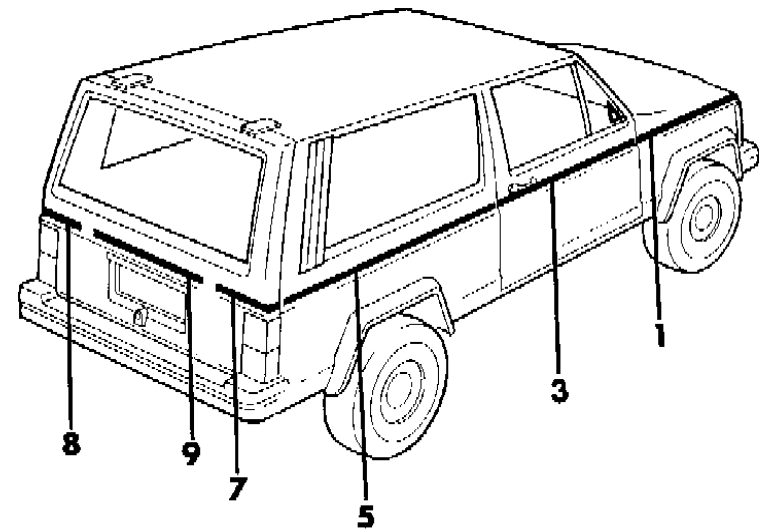
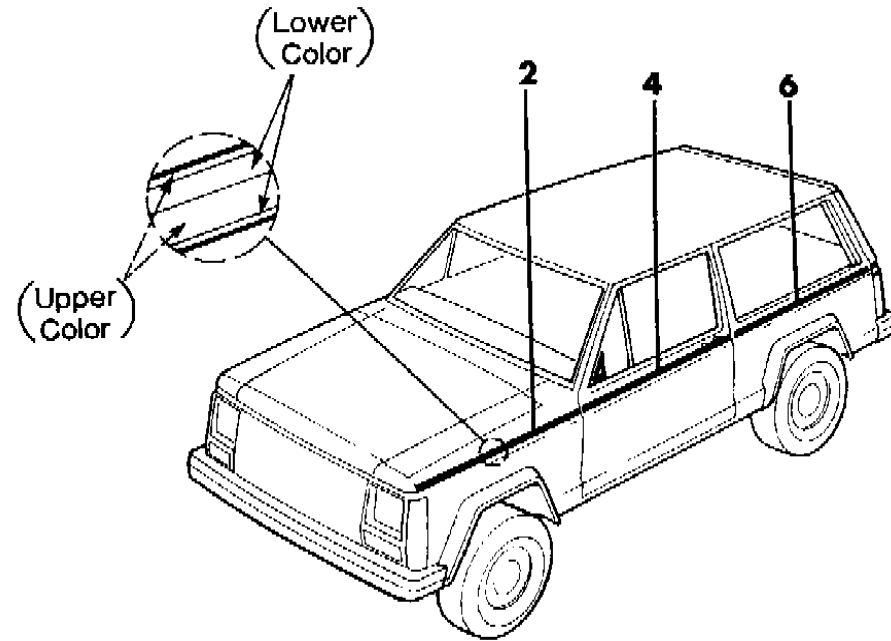
- MODEL CODES:
- |                             |                             |                              |
|-----------------------------|-----------------------------|------------------------------|
| 15 = Grand Wagoneer 4 Dr.   | 65 = Comanche 4WD-7 Ft. Box | 77 = Cherokee 4WD-2 Dr.      |
| 25 = J-10 Pickup-119" W.B.  | 66 = Comanche 2WD-7 Ft. Box | 78 = Cherokee 4WD-4 Dr.      |
| 26 = J-10 Pickup-131" W.B.  | 73 = Cherokee 2WD-2 Dr.     | 79 = Cherokee 4WD-4 Dr.-Com  |
| 27 = J-20 Pickup-131" W.B.  | 74 = Cherokee 2WD-4 Dr.     | 81 = Wrangler-93" W.B.       |
| 63 = Comanche 4WD-6 Ft. Box | 75 = Wagoneer 4WD-4 Dr.     | 82 = Wrangler-103" W.B.-Exp. |
| 64 = Comanche 2WD-6 Ft. Box |                             |                              |

- BODY STYLES:
- MJ = Comanche Pickup
  - SJ = Grand Wagoneer Wgn., J-10 & J-20 Pickups
  - XJ = Cherokee, Wagoneer Limited
  - YJ = Wrangler

AR = Use as Required - = Non Illustrated Part P.A.R. = Paint as Required

DECALS, EXTERIOR 2 TONE, 1987 TYPE 1 CHEROKEE 2 DOOR  
Figure 23-2890

8J68 2890



ITEM	PART NUMBER	QTY	BODY	MODEL	DESCRIPTION
1-2					DECAL, Fender, (MR)
	5501 6250-1	1			Beige/Briarwood/Beige/Briarwood
	5501 6240-1	1			Sterling/Charcoal/Sterling/Charcoal
	5501 6222-3	1			Sterling/Grenadine/Sterling/Grenadine
	5501 6232-3	1			White/Med. Blue/White/Med. Blue
3-4					DECAL, Door, (MR)
	5501 6250-1	1			Beige/Briarwood/Beige/Briarwood
	5501 6240-1	1			Sterling/Charcoal/Sterling/Charcoal
	5501 6222-3	1			Sterling/Grenadine/Sterling/Grenadine
	5501 6232-3	1			White/Med. Blue/White/Med. Blue
5-6					DECAL, Rear Quarter
	5501 6250-1	1			Beige/Briarwood/Beige/Briarwood
	5501 6240-1	1			Sterling/Charcoal/Sterling/Charcoal
	5501 6222-3	1			Sterling/Grenadine/Sterling/Grenadine
	5501 6232-3	1			White/Med. Blue/White/Med. Blue
7-8					DECAL, Lift Door
	5501 6252-3	1			Beige/Briarwood/Beige/Briarwood
	5501 6242-3	1			Sterling/Charcoal/Sterling/Charcoal
	5501 6224-5	1			Sterling/Grenadine/Sterling/Grenadine
	5501 6234-5	1			White/Med. Blue/White/Med. Blue
9					DECAL, Lift Door
	5501 6245	1			Beige
	5501 6244	1			Sterling
	5501 6226	1			Grenadine
	5501 6227	1			White

MODEL CODES:

15 = Grand Wagoneer 4 Dr.	65 = Comanche 4WD-7 Ft. Box	77 = Cherokee 4WD-2 Dr.
25 = J-10 Pickup-119" W.B.	66 = Comanche 2WD-7 Ft. Box	78 = Cherokee 4WD-4 Dr.
26 = J-10 Pickup-131" W.B.	73 = Cherokee 2WD-2 Dr.	79 = Cherokee 4WD-4 Dr.-Com
27 = J-20 Pickup-131" W.B.	74 = Cherokee 2WD-4 Dr.	81 = Wrangler-93" W.B.
63 = Comanche 4WD-6 Ft. Box	75 = Wagoneer 4WD-4 Dr.	82 = Wrangler-103" W.B.-Exp.
64 = Comanche 2WD-6 Ft. Box		

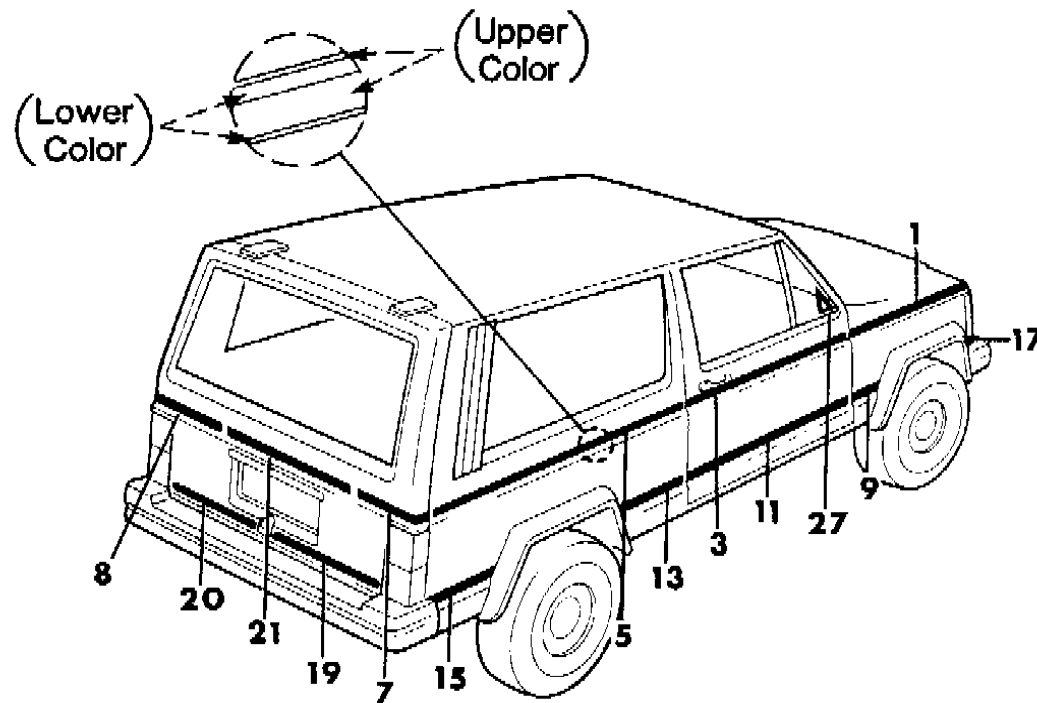
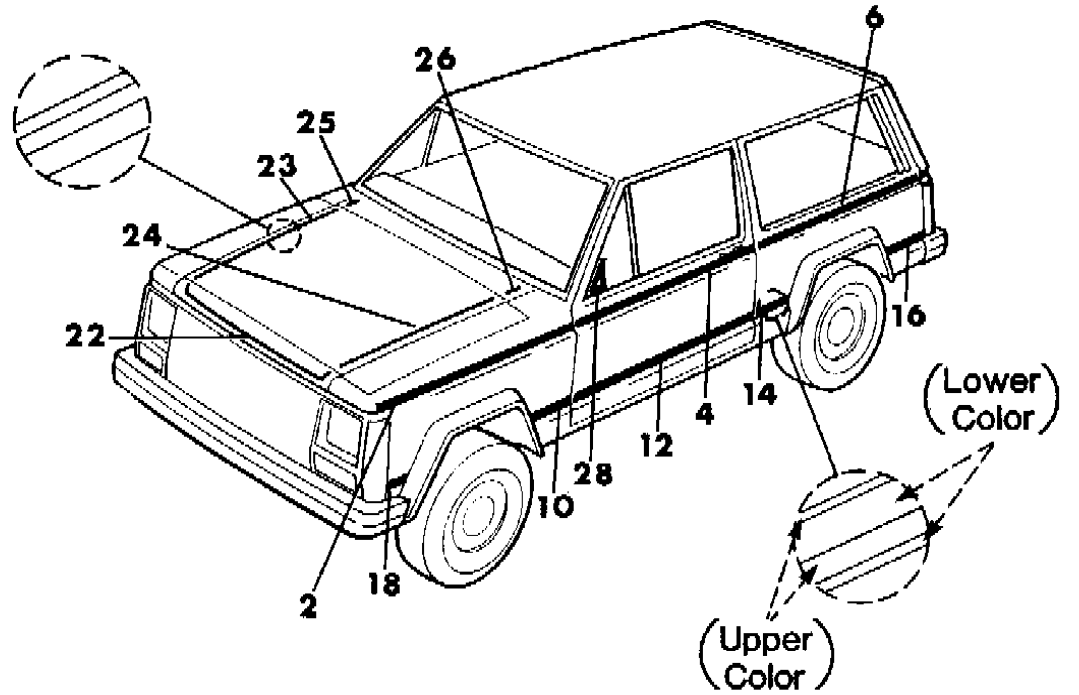
BODY STYLES:

MJ = Comanche Pickup  
 SJ = Grand Wagoneer Wgn., J-10 & J-20 Pickups  
 XJ = Cherokee, Wagoneer Limited  
 YJ = Wrangler

AR = Use as Required - = Non Illustrated Part P.A.R. = Paint as Required

DECALS, EXTERIOR 2 TONE, 1987 TYPE 2 AND 1988 CHEROKEE 2 DOOR  
Figure 23-2900

8J 68 2900



ITEM	PART NUMBER	QTY	BODY	MODEL	DESCRIPTION
1-2					DECAL, Fender, (MR)
	5501 6646-7	1			Black/Dover Grey/Black/Dover Grey
	5501 6694-5	1			Briarwood/Bronze/Briarwood/Bronze
	5501 6682-3	1			Dark Baltic/Sterling/Dark Baltic/Sterling
	5501 6658-9	1			Dover Grey/Sterling/Dover Grey/Sterling
	5501 9876-7	1			Grenadine/Sterling/Grenadine/Sterling
	5501 6706-7	1			Pearl White/Coffee/Pearl White/Coffee
3-4					DECAL, Door, (MR)
	5501 6646-7	1			Black/Dover Grey/Black/Dover Grey
	5501 6694-5	1			Briarwood/Bronze/Briarwood/Bronze
	5501 6682-3	1			Dark Baltic/Sterling/Dark Baltic/Sterling
	5501 6658-9	1			Dover Grey/Sterling/Dover Grey/Sterling
	5501 9876-7	1			Grenadine/Sterling/Grenadine/Sterling
	5501 6706-7	1			Pearl White/Coffee/Pearl White/Coffee
5-6					DECAL, Rear Quarter,
	5501 6646-7	1			Black/Dover Grey/Black/Dover Grey
	5501 6694-5	1			Briarwood/Bronze/Briarwood/Bronze
	5501 6682-3	1			Dark Baltic/Sterling/Dark Baltic/Sterling
	5501 6658-9	1			Dover Grey/Sterling/Dover Grey/Sterling
	5501 9876-7	1			Grenadine/Sterling/Grenadine/Sterling
	5501 6706-7	1			Pearl White/Coffee/Pearl White/Coffee
7-8					DECAL, Lift Door
	5501 6648-9	1			Black/Dover Grey/Black/Dover Grey
	5501 6696-7	1			Briarwood/Bronze/Briarwood/Bronze
	5501 6684-5	1			Dark Baltic/Sterling/Dark Baltic/Sterling
	5501 6660-1	1			Dover Grey/Sterling/Dover Grey/Sterling
	5501 9880-1	1			Grenadine/Sterling/Grenadine/Sterling
	5501 6708-9	1			Pearl White/Coffee/Pearl White/Coffee
9-10					DECAL, Fender, (MR)
	5502 0316-7	1			Dover Grey/Black/Dover Grey/Black
	5502 0324-5	1			Bronze/Briarwood/Bronze/Briarwood
	5502 0322-3	1			Sterling/Dark Baltic/Sterling/Dark Baltic
	5502 0318-9	1			Sterling/Dover Grey/Sterling/Dover Grey
	5502 0320-1	1			Sterling/Grenadine/Sterling/Grenadine
	5502 0326-7	1			Coffee/Pearl White/Coffee/Pearl White
11-12					DECAL, Door
	5502 0316-7	1			Dover Grey/Black/Dover Grey/Black

MODEL CODES:

15 = Grand Wagoneer 4 Dr.	65 = Comanche 4WD-7 Ft. Box	77 = Cherokee 4WD-2 Dr.
25 = J-10 Pickup-119" W.B.	66 = Comanche 2WD-7 Ft. Box	78 = Cherokee 4WD-4 Dr.
26 = J-10 Pickup-131" W.B.	73 = Cherokee 2WD-2 Dr.	79 = Cherokee 4WD-4 Dr.-Com
27 = J-20 Pickup-131" W.B.	74 = Cherokee 2WD-4 Dr.	81 = Wrangler-93" W.B.
63 = Comanche 4WD-6 Ft. Box	75 = Wagoneer 4WD-4 Dr.	82 = Wrangler-103" W.B.-Exp.
64 = Comanche 2WD-6 Ft. Box		

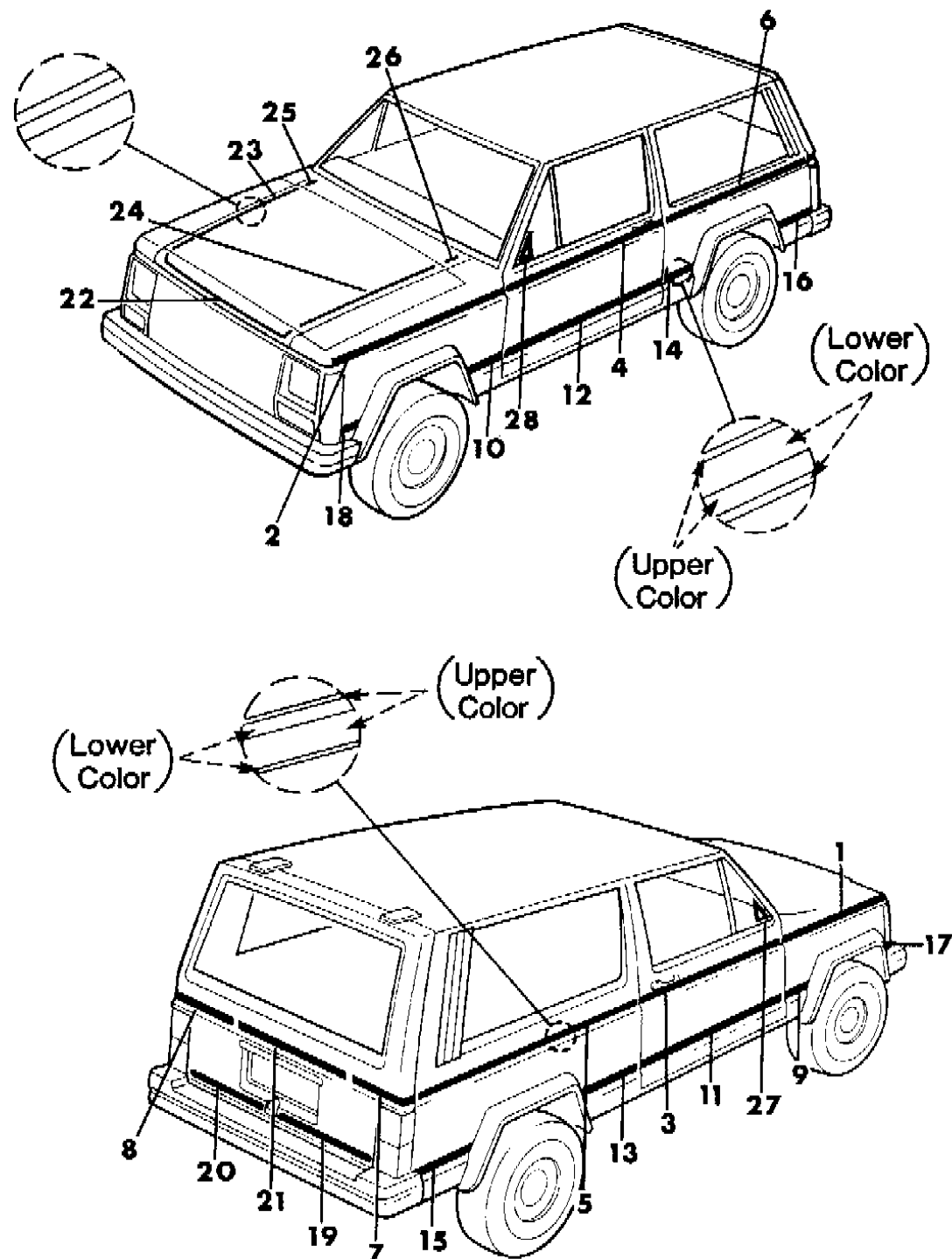
BODY STYLES:

MJ = Comanche Pickup
SJ = Grand Wagoneer Wgn., J-10 & J-20 Pickups
XJ = Cherokee, Wagoneer Limited
YJ = Wrangler

AR = Use as Required - = Non Illustrated Part P.A.R. = Paint as Required

DECALS, EXTERIOR 2 TONE, 1987 TYPE 2 AND 1988 CHEROKEE 2 DOOR  
Figure 23-2900

8J 68 2900



ITEM	PART NUMBER	QTY	BODY	MODEL	DESCRIPTION
	5502 0324-5	1			Bronze/Briarwood/Bronze/Briarwood
	5502 0322-3	1			Sterling/Dark Baltic/Sterling/Dark Baltic
	5502 0318-9	1			Sterling/Dover Grey/Sterling/Dover Grey
	5502 0320-1	1			Sterling/Grenadine/Sterling/Grenadine
	5502 0326-7	1			Coffee/Pearl White/Coffee/Pearl White
13-14					DECAL, Rear Quarter, (MR)
	5502 0316-7	1			Dover Grey/Black/Dover Grey/Black
	5502 0324-5	1			Bronze/Briarwood/Bronze/Briarwood
	5502 0322-3	1			Sterling/Dark Baltic/Sterling/Dark Baltic
	5502 0318-9	1			Sterling/Dover Grey/Sterling/Dover Grey
	5502 0320-1	1			Sterling/Grenadine/Sterling/Grenadine
	5502 0326-7	1			Coffee/Pearl White/Coffee/Pearl White
15-16					DECAL, Rear Quarter, (MR)
	5502 0316-7	1			Dover Grey/Black/Dover Grey/Black
	5502 0324-5	1			Bronze/Briarwood/Bronze/Briarwood
	5502 0322-3	1			Sterling/Dark Baltic/Sterling/Dark Baltic
	5502 0318-9	1			Sterling/Dover Grey/Sterling/Dover Grey
	5502 0320-1	1			Sterling/Grenadine/Sterling/Grenadine
	5502 0326-7	1			Coffee/Pearl White/Coffee/Pearl White
17-18					DECAL, Fender, (MR)
	5502 0316-7	1			Dover Grey/Black/Dover Grey/Black
	5502 0324-5	1			Bronze/Briarwood/Bronze/Briarwood
	5502 0322-3	1			Sterling/Dark Baltic/Sterling/Dark Baltic
	5502 0318-9	1			Sterling/Dover Grey/Sterling/Dover Grey
	5502 0320-1	1			Sterling/Grenadine/Sterling/Grenadine
	5502 0326-7	1			Coffee/Pearl White/Coffee/Pearl White
19-20					DECAL, Lift Door
	5501 7172-3	1			Dover Grey/Black/Dover Grey/Black
	5501 8860-1	1			Bronze/Briarwood/Bronze/Briarwood
	5501 6746-7	1			Sterling/Dark Baltic/Sterling/Dark Baltic
	5501 8858-9	1			Sterling/Dover Grey/Sterling/Dover Grey
	5501 4506-7	1			Sterling/Grenadine/Sterling/Grenadine
	5501 8862-3	1			Coffee/Pearl White/Coffee/Pearl White
21					DECAL, Lift Door
	5501 6650	1			Dover Grey
	5501 6698	1			Bronze
	5501 6686	1			Sterling, used with Sterling and Dark Baltic decals

MODEL CODES:

15 = Grand Wagoneer 4 Dr.	65 = Comanche 4WD-7 Ft. Box	77 = Cherokee 4WD-2 Dr.
25 = J-10 Pickup-119" W.B.	66 = Comanche 2WD-7 Ft. Box	78 = Cherokee 4WD-4 Dr.
26 = J-10 Pickup-131" W.B.	73 = Cherokee 2WD-2 Dr.	79 = Cherokee 4WD-4 Dr.-Com
27 = J-20 Pickup-131" W.B.	74 = Cherokee 2WD-4 Dr.	81 = Wrangler-93" W.B.
63 = Comanche 4WD-6 Ft. Box	75 = Wagoneer 4WD-4 Dr.	82 = Wrangler-103" W.B.-Exp.
64 = Comanche 2WD-6 Ft. Box		

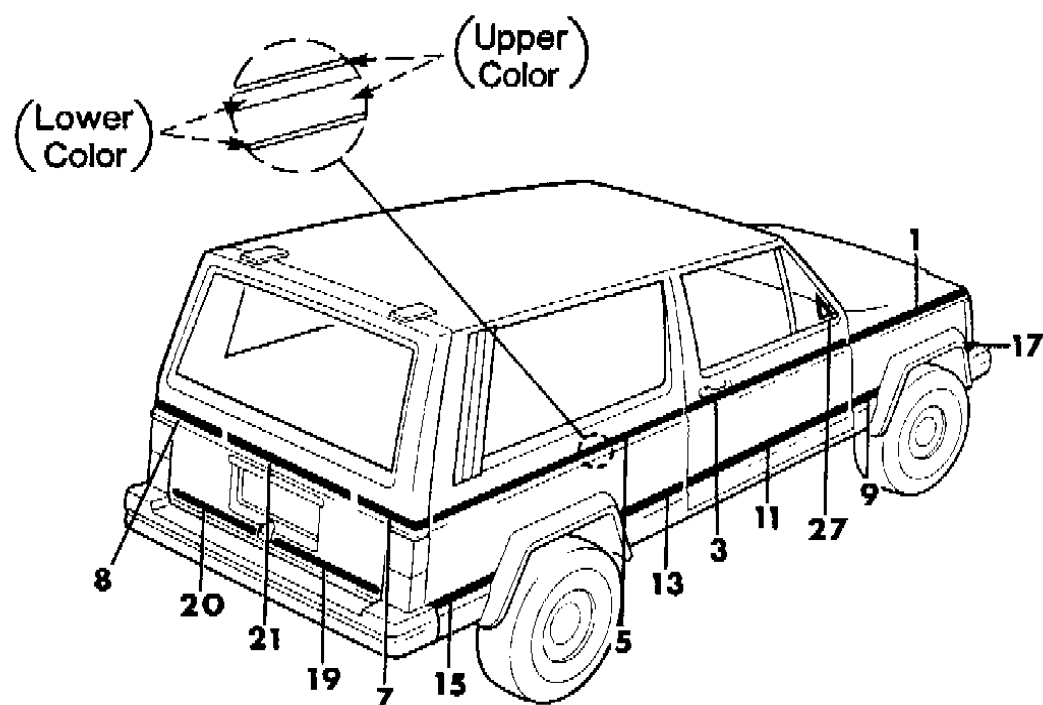
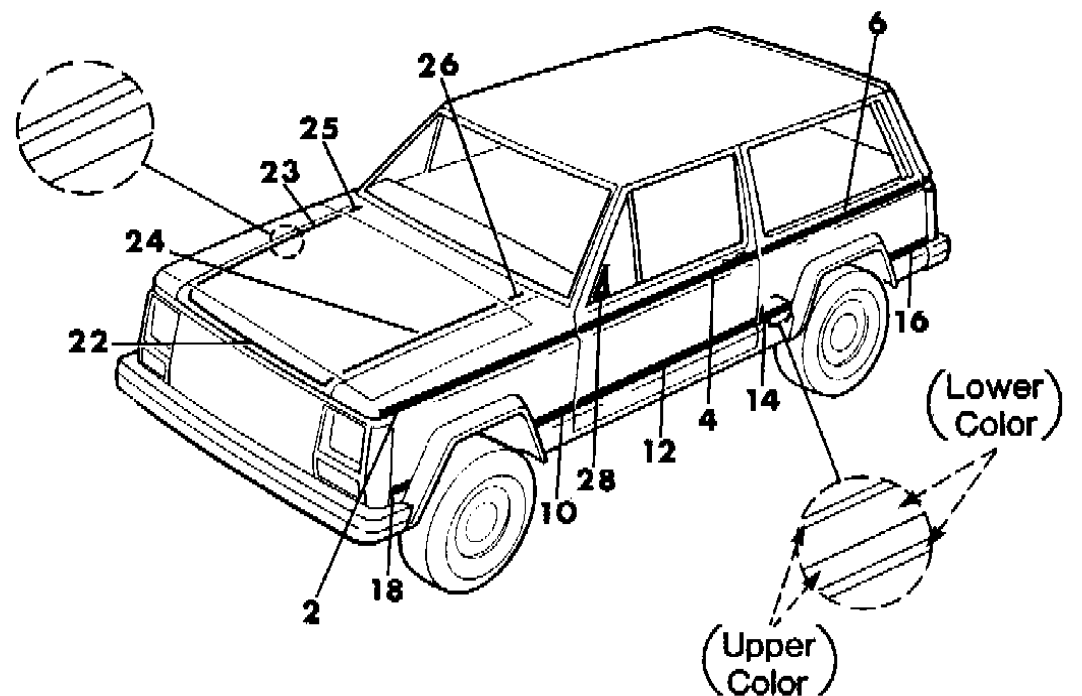
BODY STYLES:

MJ = Comanche Pickup  
 SJ = Grand Wagoneer Wgn., J-10 & J-20 Pickups  
 XJ = Cherokee, Wagoneer Limited  
 YJ = Wrangler

AR = Use as Required - = Non Illustrated Part P.A.R. = Paint as Required

DECALS, EXTERIOR 2 TONE, 1987 TYPE 2 AND 1988 CHEROKEE 2 DOOR  
Figure 23-2900

8J 68 2900



ITEM	PART NUMBER	QTY	BODY	MODEL	DESCRIPTION
	5501 6662	1			Sterling, used with Sterling and Dover Grey decals
	5501 9867	1			Sterling, used with Sterling and Grenadine decals
	5501 6710	1			Coffee
22					DECAL, Grille Panel
	5501 8842	1			Dover Grey
	5501 8878	1			Bronze
	5501 6595	1			Sterling
	5501 8879	1			Coffee
23-24					DECAL, Hood
	5501 8838-9	1			Dover Grey
	5501 8874-5	1			Bronze
	5501 6598-9	1			Sterling
	5501 8880-1	1			Coffee
25-26					DECAL, Cowl
	5501 8840-1	1			Dover Grey
	5501 8876-7	1			Bronze
	5501 6602-3	1			Sterling
	5501 8882-3	1			Coffee
27-28	5500 6220-1	1			DECAL, Door

(MR) Modification required. (A) For 1987, two types of instrument clusters were used. On type one, Clusters, the odometer numbers are rounded, the Speedometer face has (2) slotte

MODEL CODES:

- |                             |                             |                              |
|-----------------------------|-----------------------------|------------------------------|
| 15 = Grand Wagoneer 4 Dr.   | 65 = Comanche 4WD-7 Ft. Box | 77 = Cherokee 4WD-2 Dr.      |
| 25 = J-10 Pickup-119" W.B.  | 66 = Comanche 2WD-7 Ft. Box | 78 = Cherokee 4WD-4 Dr.      |
| 26 = J-10 Pickup-131" W.B.  | 73 = Cherokee 2WD-2 Dr.     | 79 = Cherokee 4WD-4 Dr.-Com  |
| 27 = J-20 Pickup-131" W.B.  | 74 = Cherokee 2WD-4 Dr.     | 81 = Wrangler-93" W.B.       |
| 63 = Comanche 4WD-6 Ft. Box | 75 = Wagoneer 4WD-4 Dr.     | 82 = Wrangler-103" W.B.-Exp. |
| 64 = Comanche 2WD-6 Ft. Box |                             |                              |

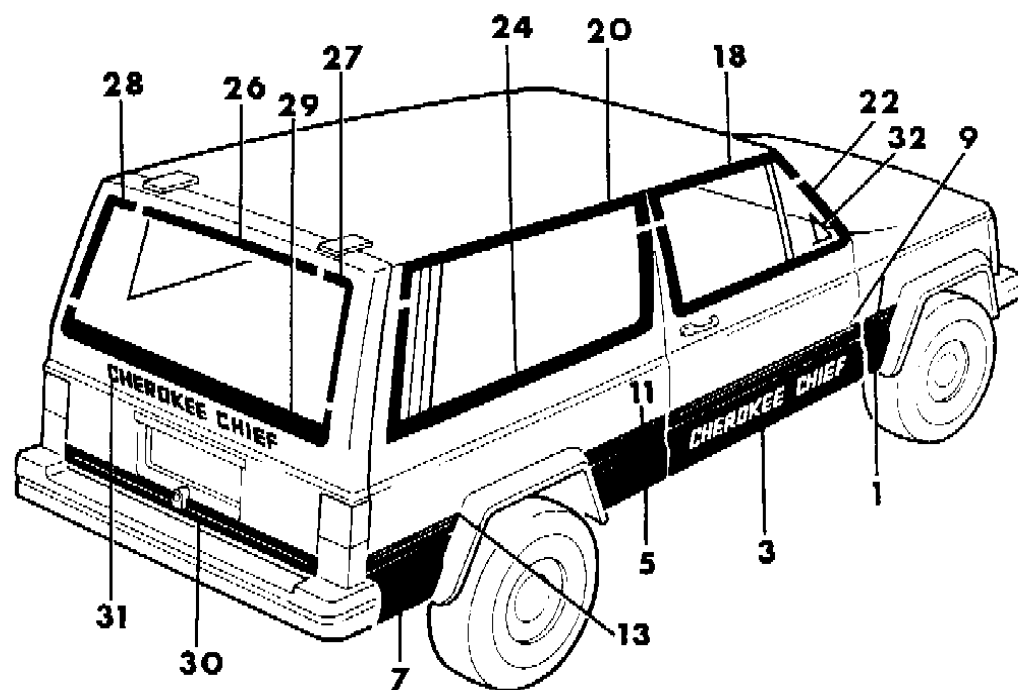
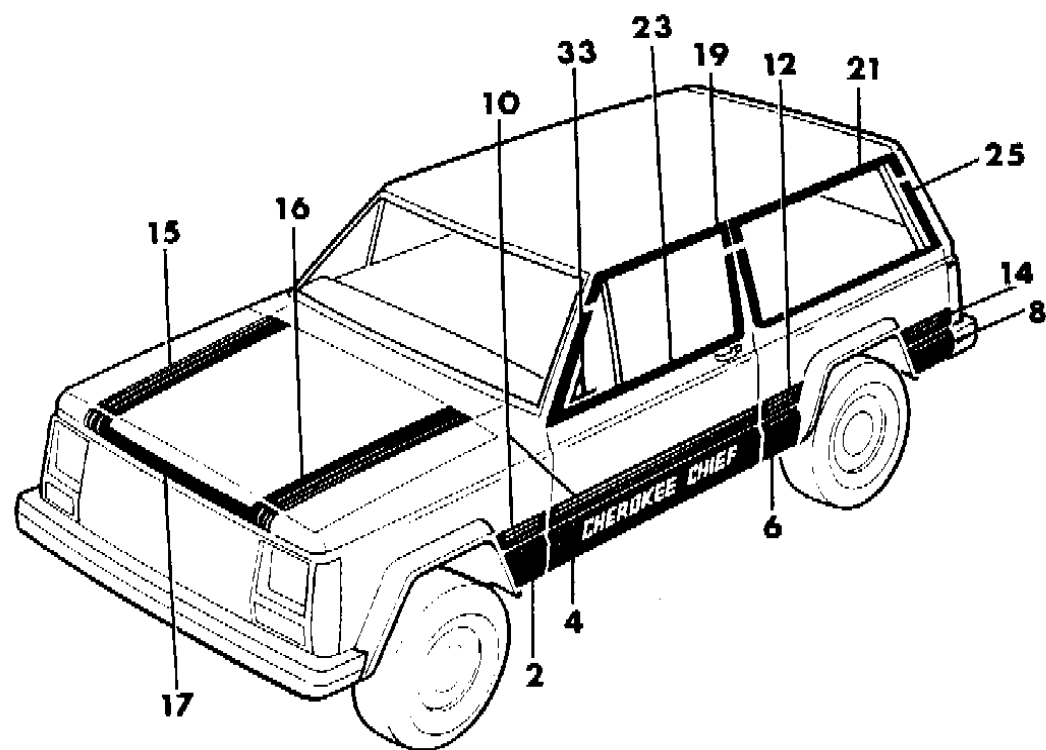
BODY STYLES:

- MJ = Comanche Pickup
- SJ = Grand Wagoneer Wgn., J-10 & J-20 Pickups
- XJ = Cherokee, Wagoneer Limited
- YJ = Wrangler

AR = Use as Required - = Non Illustrated Part P.A.R. = Paint as Required

DECALS, EXTERIOR CHIEF - U.S. OR CANADA, 1987-89 CHEROKEE 2 DOOR  
Figure 23-3000

8J68 3000



ITEM	PART NUMBER	QTY	BODY	MODEL	DESCRIPTION
1-2	5501 5428-9	1			DECAL, Fender, Black
3-4	5501 5430-1	1			DECAL, Door, Black
5-6	5501 5432-3	1			DECAL, Rear Quarter, Black
7-8	5501 5434-5	1			DECAL, Rear Quarter, Black
9-10	5501 5876-7	1			DECAL, Door And Fender, Black
11-12	5501 5878-9	1			DECAL, Rear Quarter, Black
13-14	5501 5880-1	1			DECAL, Rear Quarter, Black
15-16	5501 5426-7	1			DECAL, Hood, Black
17	5501 5425	1			DECAL, Grille Panel, Black
18-19	5500 6784-5	1			DECAL, Door Frame, Black
20-21	5500 6788-9	1			DECAL, Rear Quarter, Black
22-23	5500 6782-3	1			DECAL, Door Frame, Black
24-25	5500 6786-7	1			DECAL, Rear Quarter, Black
26	5500 6814	1			DECAL, Lift Door, Black
27-28	5500 6810-1	1			DECAL, Lift Door, Black
29	5500 6812	1			DECAL, Lift Door, Black
30	5501 5437	1			DECAL, Lift Door, Black
31	5501 5436	1			DECAL, Lift Door, Black
32-33	5500 6220-1	1			DECAL, Door, Black

MODEL CODES:

15 = Grand Wagoneer 4 Dr.	65 = Comanche 4WD-7 Ft. Box	77 = Cherokee 4WD-2 Dr.
25 = J-10 Pickup-119" W.B.	66 = Comanche 2WD-7 Ft. Box	78 = Cherokee 4WD-4 Dr.
26 = J-10 Pickup-131" W.B.	73 = Cherokee 2WD-2 Dr.	79 = Cherokee 4WD-4 Dr.-Com
27 = J-20 Pickup-131" W.B.	74 = Cherokee 2WD-4 Dr.	81 = Wrangler-93" W.B.
63 = Comanche 4WD-6 Ft. Box	75 = Wagoneer 4WD-4 Dr.	82 = Wrangler-103" W.B.-Exp.
64 = Comanche 2WD-6 Ft. Box		

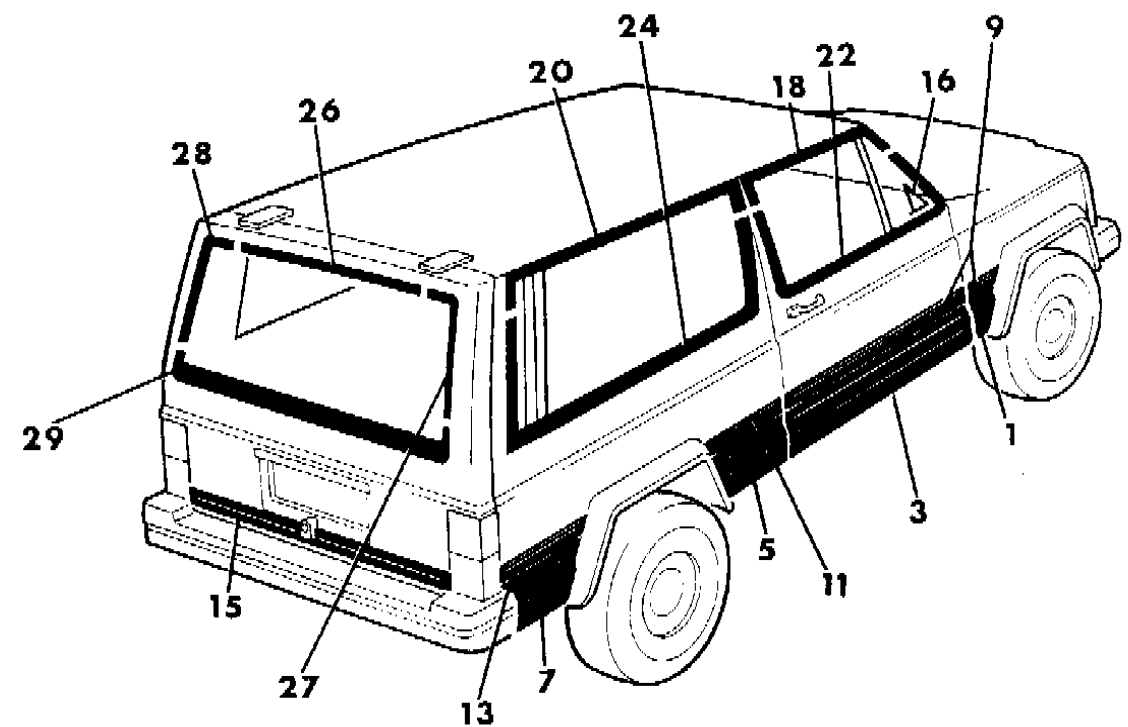
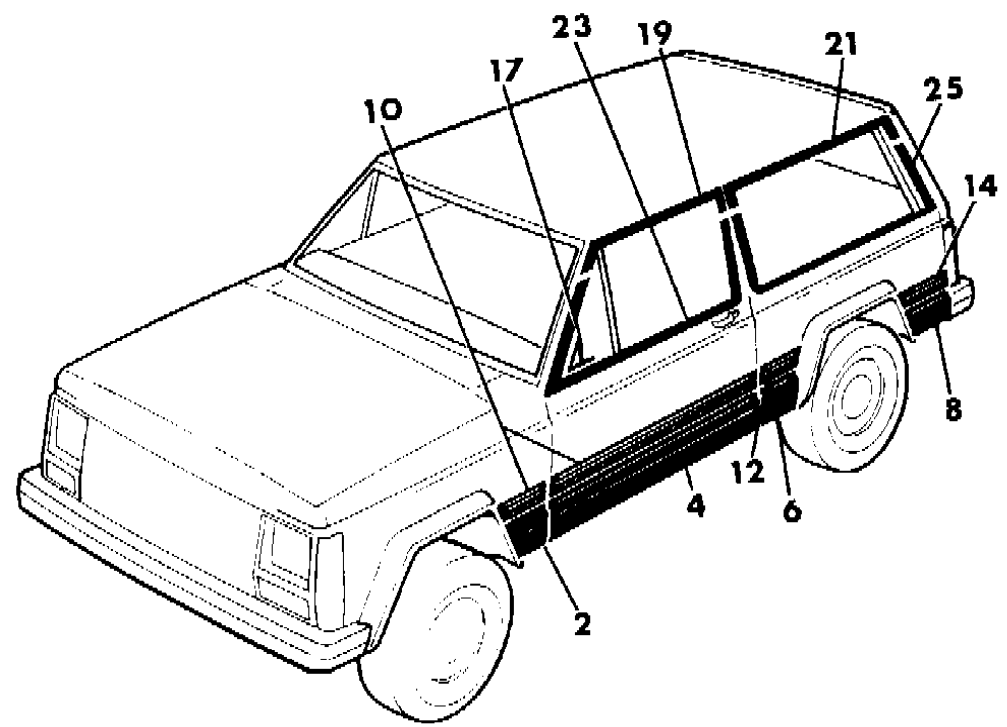
BODY STYLES:

MJ = Comanche Pickup  
 SJ = Grand Wagoneer Wgn., J-10 & J-20 Pickups  
 XJ = Cherokee, Wagoneer Limited  
 YJ = Wrangler

AR = Use as Required - = Non Illustrated Part P.A.R. = Paint as Required

DECALS, EXTERIOR CHIEF - E.C.E., 1987-89 CHEROKEE 2 DOOR  
Figure 23-3100

8J68 3100



ITEM	PART NUMBER	QTY	BODY	MODEL	DESCRIPTION
1-2	5501 5428-9	1			DECAL, Fender, Black
3-4	5501 7694-5	1			DECAL, Door, Black
5-6	5501 5432-3	1			DECAL, Rear Quarter, Black
7-8	5501 5434-5	1			DECAL, Rear Quarter, Black
9-10	5501 5876-7	1			DECAL, Door And Fender, Black
11-12	5501 5878-9	1			DECAL, Rear Quarter, Black
13-14	5501 5880-1	1			DECAL, Rear Quarter, Black
15	5501 5437	1			DECAL, Lift Door, Black
16-17	5500 6220-1	1			DECAL, Door, Black
18-19	5500 6784-5	1			DECAL, Door Frame, Black
20-21	5500 6788-9	1			DECAL, Rear Quarter, Black
22-23	5500 6782-3	1			DECAL, Door Frame, Black
24-25	5500 6786-7	1			DECAL, Rear Quarter, Black
26	5500 6814	1			DECAL, Lift Door, Black
27-28	5500 6810-1	1			DECAL, Lift Door, Black
29	5500 6812	1			DECAL, Lift Door, Black

MODEL CODES:  
 15 = Grand Wagoneer 4 Dr.      65 = Comanche 4WD-7 Ft. Box      77 = Cherokee 4WD-2 Dr.  
 25 = J-10 Pickup-119" W.B.      66 = Comanche 2WD-7 Ft. Box      78 = Cherokee 4WD-4 Dr.  
 26 = J-10 Pickup-131" W.B.      73 = Cherokee 2WD-2 Dr.      79 = Cherokee 4WD-4 Dr.-Com  
 27 = J-20 Pickup-131" W.B.      74 = Cherokee 2WD-4 Dr.      81 = Wrangler-93" W.B.  
 63 = Comanche 4WD-6 Ft. Box      75 = Wagoneer 4WD-4 Dr.      82 = Wrangler-103" W.B.-Exp.  
 64 = Comanche 2WD-6 Ft. Box

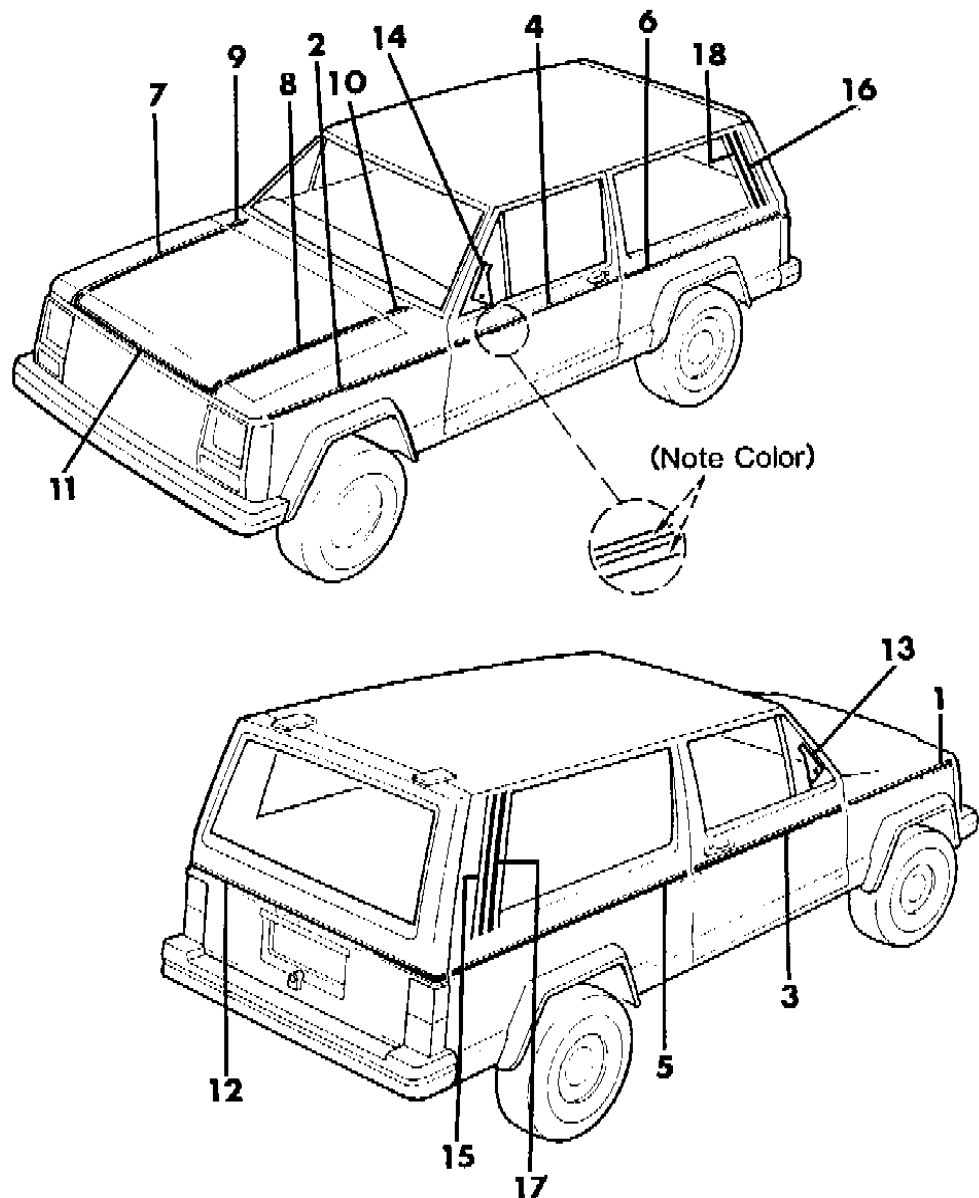
BODY STYLES:  
 MJ = Comanche Pickup  
 SJ = Grand Wagoneer Wgn., J-10 & J-20 Pickups  
 XJ = Cherokee, Wagoneer Limited  
 YJ = Wrangler

AR = Use as Required - = Non Illustrated Part P.A.R. = Paint as Required



DECALS, EXTERIOR LAREDO, 1987 CHEROKEE 2 DOOR  
Figure 23-3290

8J68 3290



ITEM	PART NUMBER	QTY	BODY	MODEL	DESCRIPTION
1-2					DECAL, Fender
	5500 5972-3	1			Dark Red
	5501 4768-9	1			Almond
3-4					DECAL, Door, (MR)
	5500 5967	2			Dark Red
	5501 4776	2			Almond
5-6					DECAL, Rear Quarter, (MR)
	5500 5967	2			Dark Red
	5501 4776	2			Almond
7-8					DECAL, Hood, (MR)
	5500 5967	2			Dark Red
	5501 4776	2			Almond
9-10					DECAL, Cowl
	5500 5970-1	1			Dark Red
	5501 4766-7	1			Almond
11					DECAL, Grille Panel
	5500 5966	1			Dark Red
	5501 4763	1			Almond
12					DECAL, Lift Door
	5500 5967	1			Dark Red
	5501 4776	1			Almond
13-14	5500 6220-1	1			DECAL, Door, Black
15-16	5500 3646-7	1			DECAL, Rear Quarter, Black
17-18	5500 3644-5	1			DECAL, Rear Quarter, Black

(MR) = Modification Required

MODEL CODES:

15 = Grand Wagoneer 4 Dr.	65 = Comanche 4WD-7 Ft. Box	77 = Cherokee 4WD-2 Dr.
25 = J-10 Pickup-119" W.B.	66 = Comanche 2WD-7 Ft. Box	78 = Cherokee 4WD-4 Dr.
26 = J-10 Pickup-131" W.B.	73 = Cherokee 2WD-2 Dr.	79 = Cherokee 4WD-4 Dr.-Com
27 = J-20 Pickup-131" W.B.	74 = Cherokee 2WD-4 Dr.	81 = Wrangler-93" W.B.
63 = Comanche 4WD-6 Ft. Box	75 = Wagoneer 4WD-4 Dr.	82 = Wrangler-103" W.B.-Exp.
64 = Comanche 2WD-6 Ft. Box		

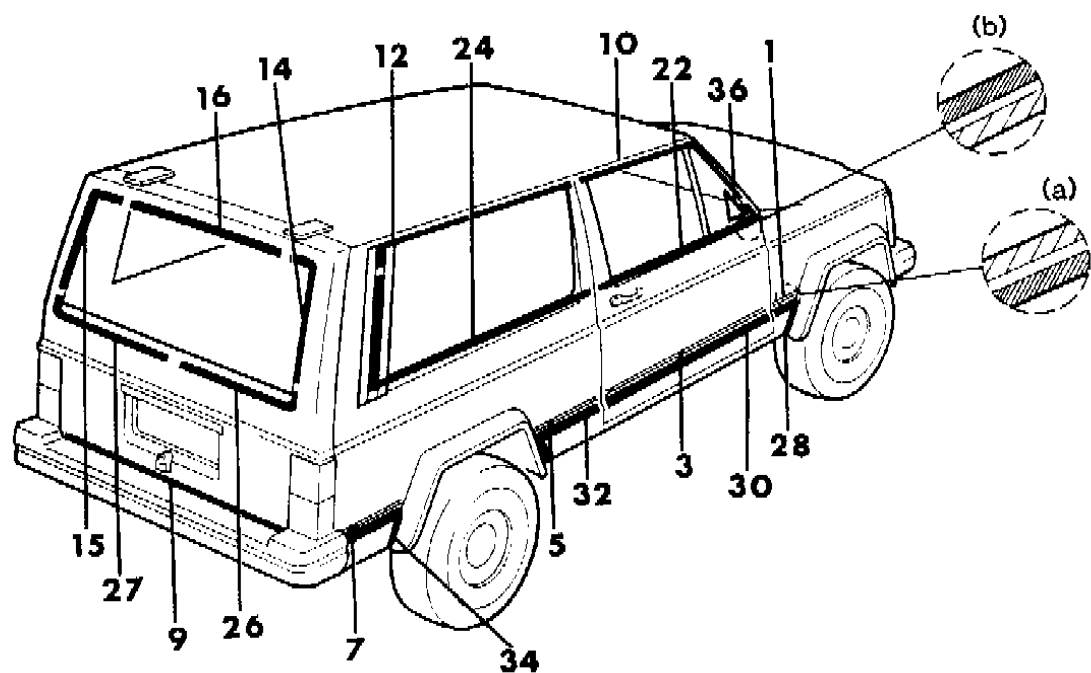
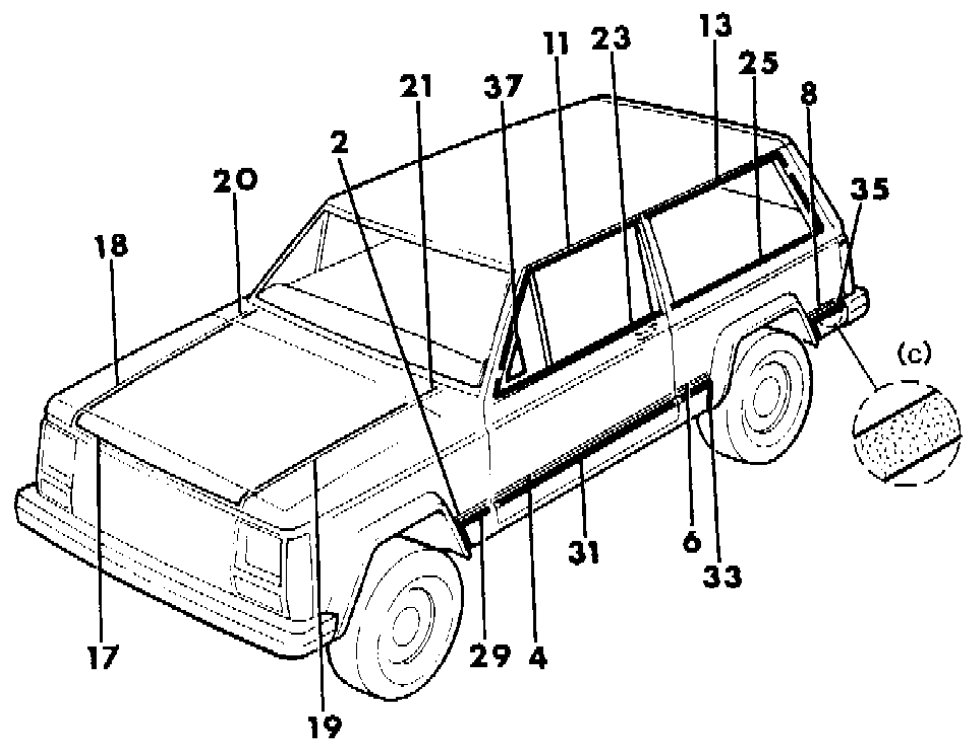
BODY STYLES:

MJ = Comanche Pickup  
 SJ = Grand Wagoneer Wgn., J-10 & J-20 Pickups  
 XJ = Cherokee, Wagoneer Limited  
 YJ = Wrangler

AR = Use as Required - = Non Illustrated Part P.A.R. = Paint as Required

DECALS, EXTERIOR LAREDO AND ECE TYPE 1, 1988 CHEROKEE 2 DOOR  
Figure 23-3300

8J68 3300



ITEM	PART NUMBER	QTY	BODY	MODEL	DESCRIPTION
1-2	5501 9410-1	1			DECAL, Fender, Light Silver/Argent, (MR)
3-4	5501 9410-1	1			DECAL, Door, Light Silver/Argent
5-6	5501 9410-1	1			DECAL, Rear Quarter, Light Silver/Argent, (MR)
7-8	5501 9410-1	1			DECAL, Rear Quarter, Light Silver/Argent, (MR)
9	5501 9420	1			DECAL, Lift Door, Light Silver/Argent
10-11	5501 9442-3	1			DECAL, Door Frame, Light Silver/Argent
12-13	5501 9454-5	1			DECAL, Rear Quarter, Light Silver/Argent
14-15	5501 9464-5	1			DECAL, Lift Door, Light Silver/Argent
16	5501 9468	1			DECAL, Lift Door, Light Silver/Argent
17	5501 6926	1			DECAL, Grille Panel, Argent/Light Silver, Except ECE
18-19	5501 6928-9	1			DECAL, Hood, Argent/Light Silver, Except ECE
20-21	5501 6930-1	1			DECAL, Cowl, Argent/Light Silver, Except ECE
22-23	5501 9444-5	1			DECAL, Door Frame, Argent/Light Silver
24-25	5501 9456-7	1			DECAL, Rear Quarter, Argent/Light Silver
26-27	5501 9466-7	1			DECAL, Lift Door, Argent/Light Silver
28-29	5501 9422-3	1			DECAL, Fender, Grey Textured
30-31	5501 9424-5	1			DECAL, Door, Grey Textured
32-33	5501 9430-1	1			DECAL, Rear Quarter, Grey Textured
34-35	5501 9438-9	1			DECAL, Rear Quarter, Grey Textured
36-37	5500 6220-1	1			DECAL, Door, Black

(MR) Modification Required. (A) For 1987, two types of instrument clusters were used. On type one, Clusters, the odometer numbers are rounded, the Speedometer face has (2) slotte

MODEL CODES:

15 = Grand Wagoneer 4 Dr.	65 = Comanche 4WD-7 Ft. Box	77 = Cherokee 4WD-2 Dr.
25 = J-10 Pickup-119" W.B.	66 = Comanche 2WD-7 Ft. Box	78 = Cherokee 4WD-4 Dr.
26 = J-10 Pickup-131" W.B.	73 = Cherokee 2WD-2 Dr.	79 = Cherokee 4WD-4 Dr.-Com
27 = J-20 Pickup-131" W.B.	74 = Cherokee 2WD-4 Dr.	81 = Wrangler-93" W.B.
63 = Comanche 4WD-6 Ft. Box	75 = Wagoneer 4WD-4 Dr.	82 = Wrangler-103" W.B.-Exp.
64 = Comanche 2WD-6 Ft. Box		

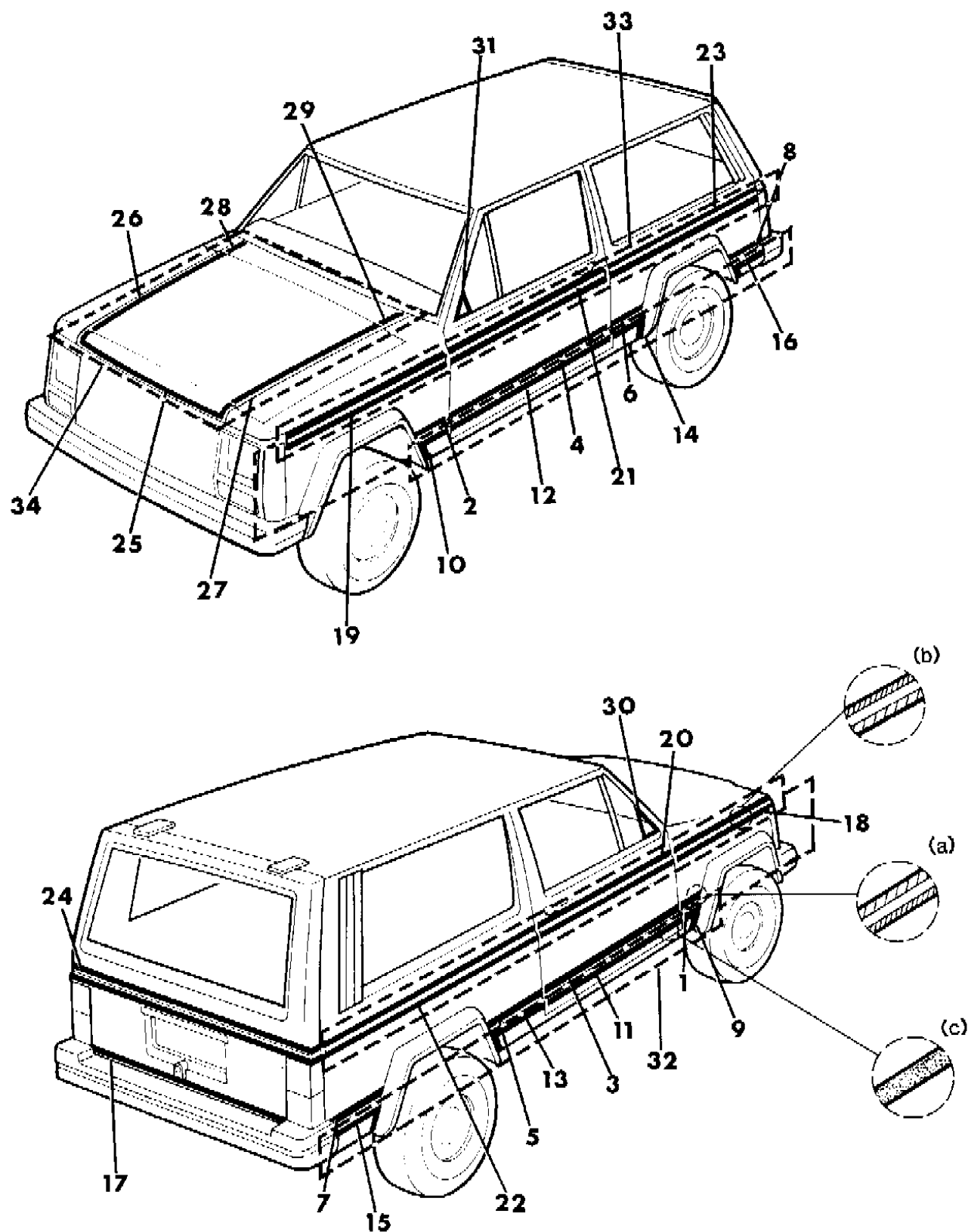
BODY STYLES:

MJ = Comanche Pickup  
 SJ = Grand Wagoneer Wgn., J-10 & J-20 Pickups  
 XJ = Cherokee, Wagoneer Limited  
 YJ = Wrangler

AR = Use as Required - = Non Illustrated Part P.A.R. = Paint as Required

DECALS, EXTERIOR LAREDO AND ECE TYPE 2, 1988 1989-90 CHEROKEE 2 DOOR  
Figure 23-3400

8J68 3400 A



ITEM	PART NUMBER	QTY	BODY	MODEL	DESCRIPTION
1-2	5501 9410-1	1			DECAL, Fender, Light Silver/Argent, 1988-89, (MR)
3-4	5501 9410-1	1			DECAL, Door, Light Silver/Argent, 1988-89
5-6	5501 9410-1	1			DECAL, Rear Quarter, Light Silver/Argent, 1988-89, (MR)
7-8	5501 9410-1	1			DECAL, Rear Quarter, Light Silver/Argent, 1988-89, (MR)
9-10	5501 9422-3	1			DECAL, Fender, Grey Textured, 1988-89
11-12	5501 9424-5	1			DECAL, Door, Grey Textured, 1988-89
13-14	5501 9430-1	1			DECAL, Rear Quarter, Grey Textured, 1988-89
15-16	5501 9438-9	1			DECAL, Rear Quarter, Grey Textured, 1988-89
17	5501 9420	1			DECAL, Lift Door, Light Silver/Argent, 1988-89
18-19					DECAL, Fender, (MR)
	5252 069	2			Narrow Silver/Thick Argent, 1988-89 up to 12/1/88
	5502 1498	2			Narrow Argent/Thick Silver, 1989 after 12/1/88
20-21					DECAL, Door, (MR)
	5252 069	2			Narrow Silver/Thick Argent, 1988-89 up to 12/1/88
	5502 1498	2			Narrow Argent/Thick Silver, 1989 after 12/1/89
22-23					DECAL, Rear Quarter, (MR)
	5252 069	2			Narrow Silver/Thick Argent, 1988-89 up to 12/1/88
	5502 1498	2			Narrow Argent/Thick Silver, 1989 after 12/1/88
24					DECAL, Lift Door
	5252 069	1			Narrow Silver/Thick Argent, 1988-89 up to 12/1/88
	5502 1498	1			Narrow Argent/Thick Silver, 1989 after 12/1/88
	5AL5 8JAT	1			Narrow Argent/Thick Silver, 1990
25	5501 6926	1			DECAL, Grille Panel, Argent/Silver, Except ECE
26-27	5501 6928-9	1			DECAL, Hood, Argent/Light Silver, 1988-89, Except ECE
28-29	5501 6930-1	1			DECAL, Cowl, Argent/Silver, 1988-89, Except ECE
30-31	5500 6220-1	1			DECAL, Door, Black
32-33					DECAL KIT, Body Side, 1990 ***
	5252 758-9	1			Argent Textured Lower, Argent/Silver Upper
34					DECAL KIT, Hood, Cowl, Grille Opening Panel, 1990 ***
	5252 774	1			Thin Silver/Wide Argent

(MR) Modification Required. (A) For 1987, two types of instrument clusters were used. On type one, Clusters, the odometer numbers are rounded, the Speedometer face has (2) slotte

MODEL CODES:

15 = Grand Wagoneer 4 Dr.	65 = Comanche 4WD-7 Ft. Box	77 = Cherokee 4WD-2 Dr.
25 = J-10 Pickup-119" W.B.	66 = Comanche 2WD-7 Ft. Box	78 = Cherokee 4WD-4 Dr.
26 = J-10 Pickup-131" W.B.	73 = Cherokee 2WD-2 Dr.	79 = Cherokee 4WD-4 Dr.-Com
27 = J-20 Pickup-131" W.B.	74 = Cherokee 2WD-4 Dr.	81 = Wrangler-93" W.B.
63 = Comanche 4WD-6 Ft. Box	75 = Wagoneer 4WD-4 Dr.	82 = Wrangler-103" W.B.-Exp.
64 = Comanche 2WD-6 Ft. Box		

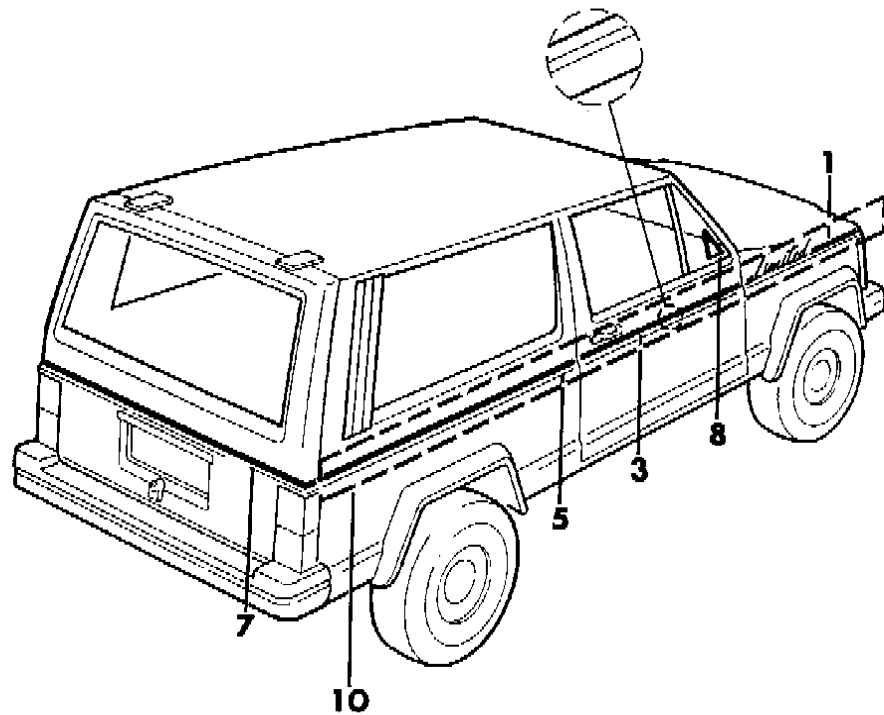
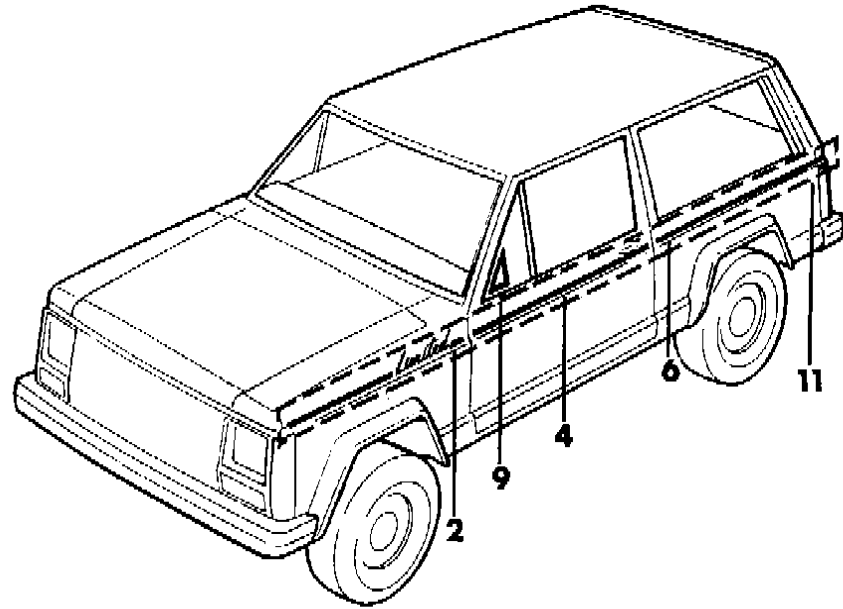
BODY STYLES:

MJ = Comanche Pickup  
SJ = Grand Wagoneer Wgn., J-10 & J-20 Pickups  
XJ = Cherokee, Wagoneer Limited  
YJ = Wrangler

AR = Use as Required - = Non Illustrated Part P.A.R. = Paint as Required

DECALS, EXTERIOR LIMITED, 1988-90 CHEROKEE 2 DOOR  
Figure 23-3500

8J68 3500 A



ITEM	PART NUMBER	QTY	BODY	MODEL	DESCRIPTION
1-2	5252 742-3	1			DECAL, Fender, Gold, 1988-89
3-4	5501 9692-3	1			DECAL, Door, Gold, 1988-89
5-6	5501 9694-5	1			DECAL, Rear Quarter, Gold, 1988-89
7					DECAL, Lift Door
	5501 9289	1			Gold, 1988-89
	5AM1 8JY2	1			Gold, 1990
8-9	5500 6220-1	1			DECAL, Door, Black
10-11	#5252 742-3	1			DECAL KIT, Body Side, Gold, 1990 ***

MODEL CODES:

15 = Grand Wagoneer 4 Dr.	65 = Comanche 4WD-7 Ft. Box	77 = Cherokee 4WD-2 Dr.
25 = J-10 Pickup-119" W.B.	66 = Comanche 2WD-7 Ft. Box	78 = Cherokee 4WD-4 Dr.
26 = J-10 Pickup-131" W.B.	73 = Cherokee 2WD-2 Dr.	79 = Cherokee 4WD-4 Dr.-Com
27 = J-20 Pickup-131" W.B.	74 = Cherokee 2WD-4 Dr.	81 = Wrangler-93" W.B.
63 = Comanche 4WD-6 Ft. Box	75 = Wagoneer 4WD-4 Dr.	82 = Wrangler-103" W.B.-Exp.
64 = Comanche 2WD-6 Ft. Box		

BODY STYLES:

MJ = Comanche Pickup  
 SJ = Grand Wagoneer Wgn., J-10 & J-20 Pickups  
 XJ = Cherokee, Wagoneer Limited  
 YJ = Wrangler

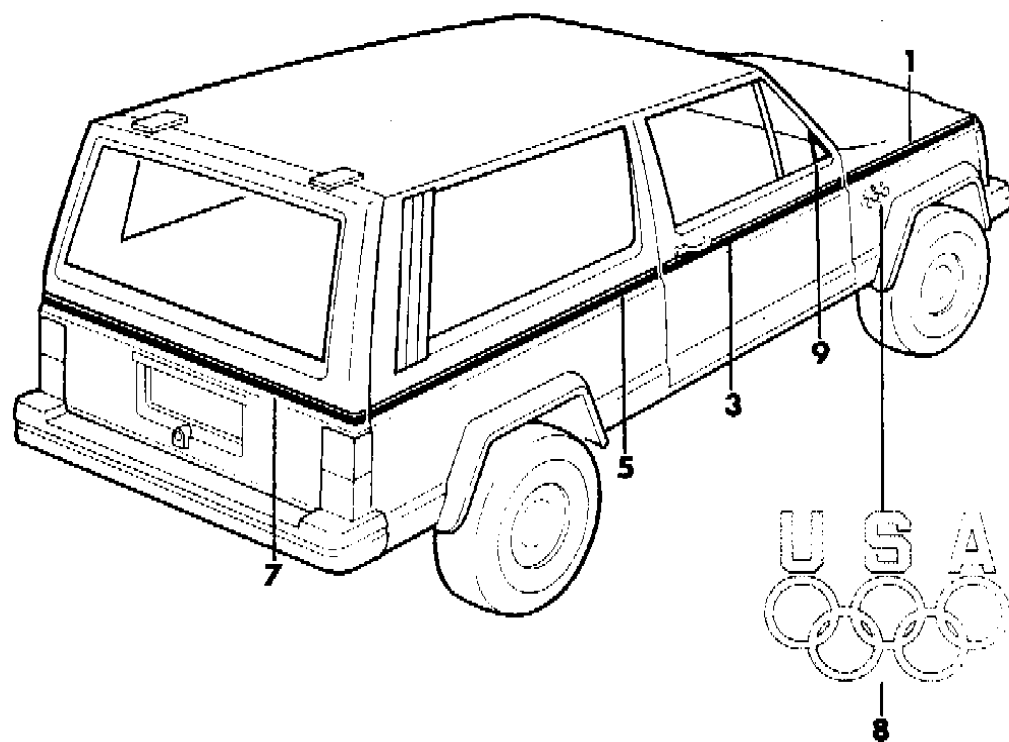
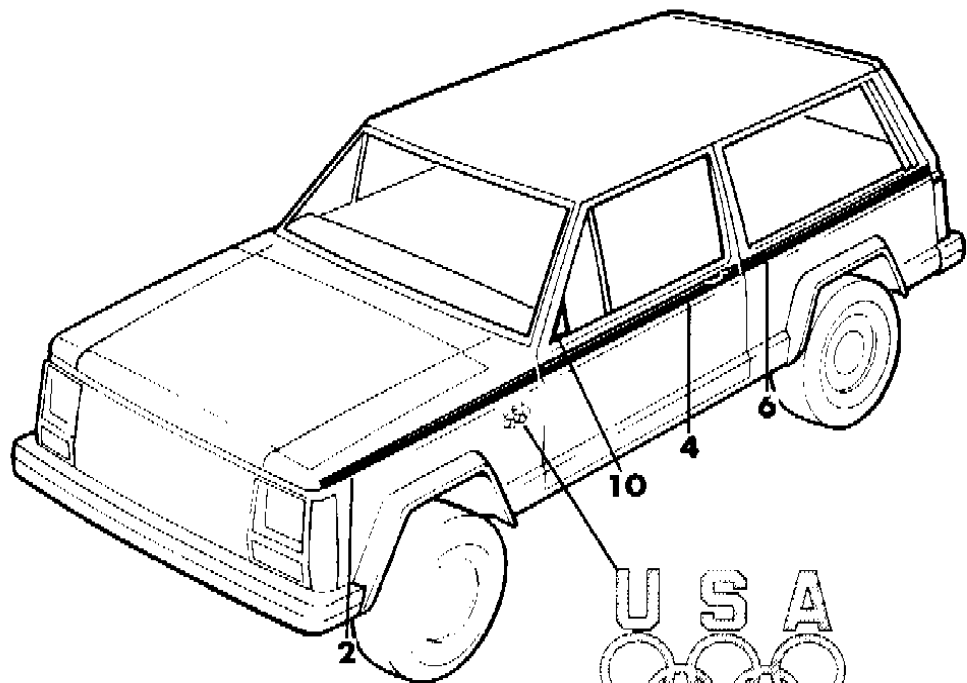
AR = Use as Required - = Non Illustrated Part P.A.R. = Paint as Required

DECALS, EXTERIOR OLYMPIC, 1988 CHEROKEE 2 DOOR  
Figure 23-3600

8J68 3600

ITEM	PART NUMBER	QTY	BODY	MODEL	DESCRIPTION
1-2	5502 1418-9	1			DECAL, Fender, Gold
3-4	5502 1417	2			DECAL, Door, Gold, (MR)
5-6	5502 1417	2			DECAL, Rear Quarter, Gold, (MR)
7	5502 1417	1			DECAL, Lift Door, Gold
8	5502 1413	2			DECAL, "Olympic", Gold
9-10	5500 6220-1	1			DECAL, Door, Black

(MR) Modification Required. (A) For 1987, two types of instrument clusters were used. On type one, Clusters, the odometer numbers are rounded, the Speedometer face has (2) slotte



MODEL CODES:

15 = Grand Wagoneer 4 Dr.	65 = Comanche 4WD-7 Ft. Box	77 = Cherokee 4WD-2 Dr.
25 = J-10 Pickup-119" W.B.	66 = Comanche 2WD-7 Ft. Box	78 = Cherokee 4WD-4 Dr.
26 = J-10 Pickup-131" W.B.	73 = Cherokee 2WD-2 Dr.	79 = Cherokee 4WD-4 Dr.-Com
27 = J-20 Pickup-131" W.B.	74 = Cherokee 2WD-4 Dr.	81 = Wrangler-93" W.B.
63 = Comanche 4WD-6 Ft. Box	75 = Wagoneer 4WD-4 Dr.	82 = Wrangler-103" W.B.-Exp.
64 = Comanche 2WD-6 Ft. Box		

BODY STYLES:

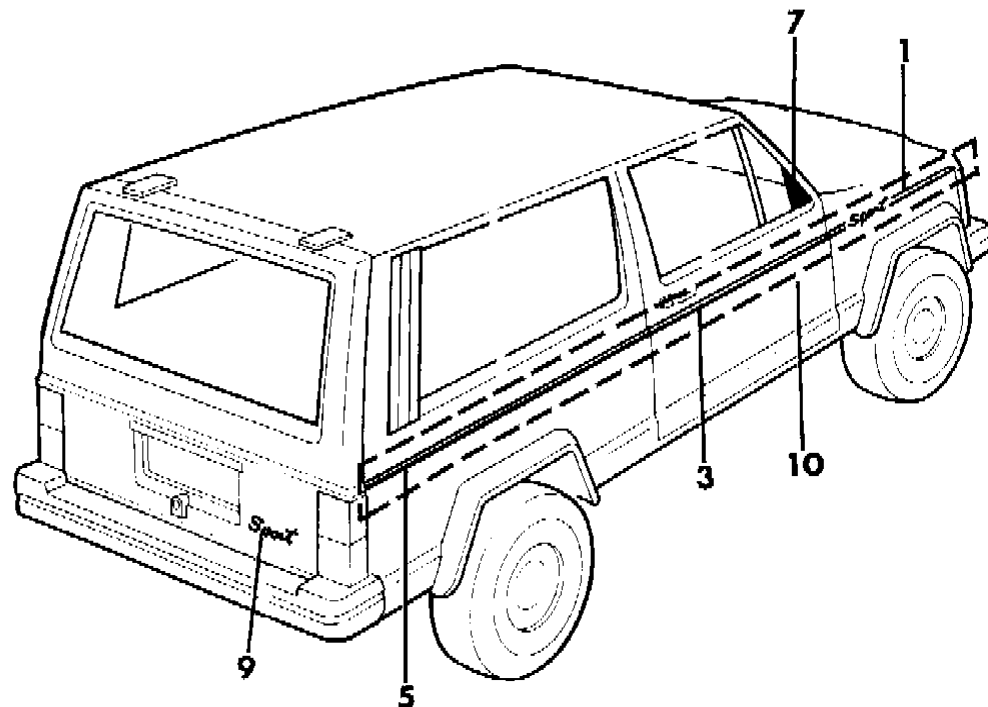
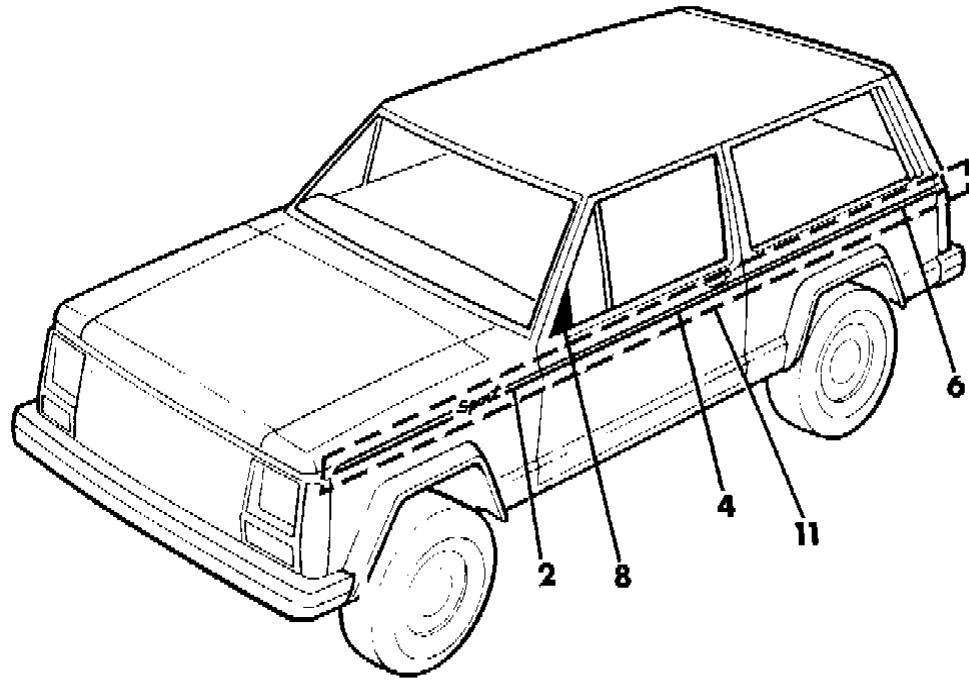
MJ = Comanche Pickup  
 SJ = Grand Wagoneer Wgn., J-10 & J-20 Pickups  
 XJ = Cherokee, Wagoneer Limited  
 YJ = Wrangler

AR = Use as Required - = Non Illustrated Part P.A.R. = Paint as Required

DECALS, EXTERIOR SPORT, 1988-90 CHEROKEE 2 DOOR  
Figure 23-3700

8J68 3700 A

ITEM	PART NUMBER	QTY	BODY	MODEL	DESCRIPTION
1-2					DECAL, Fender
	5502 2862-3	1			Red, 1988-89
	5502 4282-3	1			Red/Silver/Dark Silver, 1989
	5AL66-7 JBD	1			Red/Silver/Dark Silver, 1990
3-4					DECAL, Door
	5502 2864-5	1			Red, 1988-89
	5502 4284-5	1			Red/Silver/Dark Silver, 1989
	5AL68-9 JBD	1			Red/Silver/Dark Silver, 1990
5-6					DECAL, Rear Quarter
	5502 2866-7	1			Red, 1988-89
	5502 4286-7	1			Red/Silver/Dark Silver, 1989
	5AL70-1 JBD	1			Red/Silver/Dark Silver, 1990
7-8	5500 6220-1	1			DECAL, Door, Black
9					DECAL, Lift Door
	5502 2868	1			Red, 1988-89
	5502 4288	1			Red/Silver/Dark Silver, 1989
	5AL7 2JBD	1			Red/Silver/Dark Silver, 1990
10-11	#5252 638-9	1			DECAL KIT, Body Side, Red/Silver/Dark Silver, 1990 ***



MODEL CODES:

15 = Grand Wagoneer 4 Dr.	65 = Comanche 4WD-7 Ft. Box	77 = Cherokee 4WD-2 Dr.
25 = J-10 Pickup-119" W.B.	66 = Comanche 2WD-7 Ft. Box	78 = Cherokee 4WD-4 Dr.
26 = J-10 Pickup-131" W.B.	73 = Cherokee 2WD-2 Dr.	79 = Cherokee 4WD-4 Dr.-Com
27 = J-20 Pickup-131" W.B.	74 = Cherokee 2WD-4 Dr.	81 = Wrangler-93" W.B.
63 = Comanche 4WD-6 Ft. Box	75 = Wagoneer 4WD-4 Dr.	82 = Wrangler-103" W.B.-Exp.
64 = Comanche 2WD-6 Ft. Box		

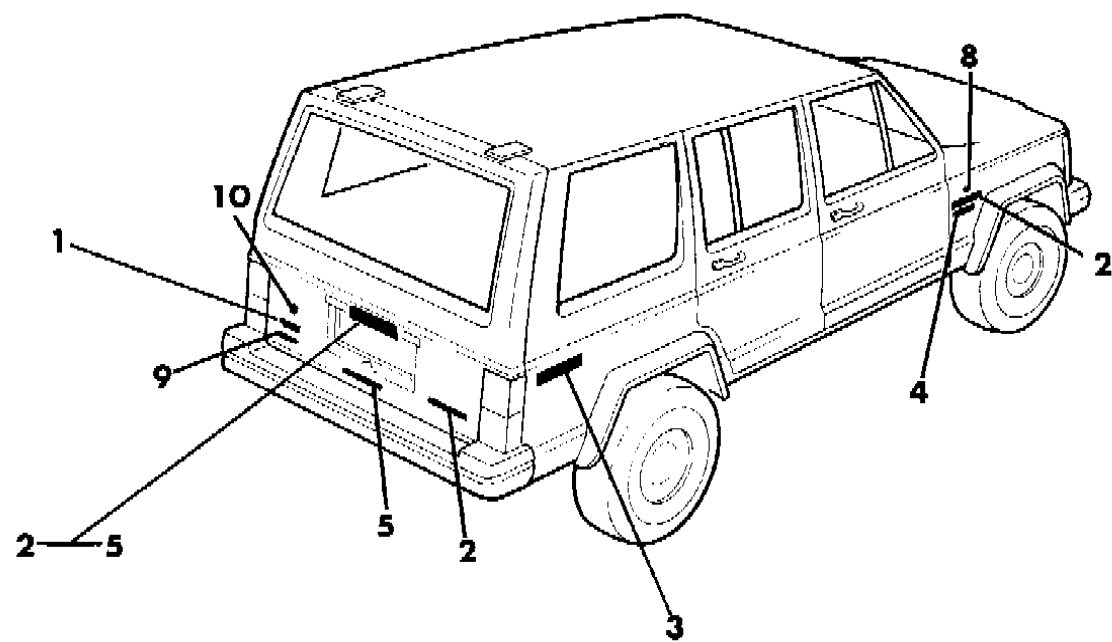
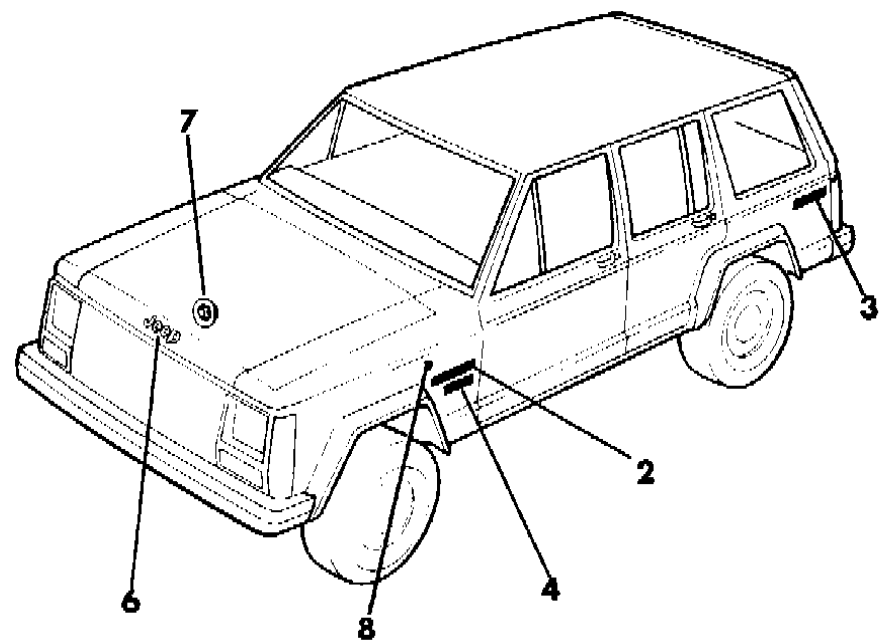
BODY STYLES:

MJ = Comanche Pickup  
 SJ = Grand Wagoneer Wgn., J-10 & J-20 Pickups  
 XJ = Cherokee, Wagoneer Limited  
 YJ = Wrangler

AR = Use as Required - = Non Illustrated Part P.A.R. = Paint as Required

**NAMEPLATES WAGONEER**  
**Figure 23-3800**

8J68 3800 B



ITEM	PART NUMBER	QTY	BODY	MODEL	DESCRIPTION
1					NAMEPLATE
	5501 0037	1			"4.0 Litre"
	5501 0893	1			"2.5 Litre"
	5501 0895	1			"Turbo Diesel"
2					NAMEPLATE
	5501 0892	AR			"Wagoneer"
	5500 8339	1			"Command Trac", 1987
	5501 3411	1			OVERLAY, License Plate, "Jeep"
3					NAMEPLATE
	5500 7817	2			"4X4"
	5501 0896	2			"Selec Trac", 1987
4	5501 0904	2			NAMEPLATE, "Limited"
5	5500 8340	1			NAMEPLATE, "Jeep"
6	5501 2986	1			NAMEPLATE, "Jeep"
7	1150 2557	2			NUT
8	J400 1335	AR			CLIP
9	5500 8338	1			NAMEPLATE, "Fuel Injection", 1987
10	J400 3657	2			CLIP, 1987

This illustration represents four model years, and the nameplate locations have varied from year to year. (A) For 1987, two types of instrument clusters were used. On type one, Clusters, the odometer numbers are rounded, the Speedometer face has (2) slotte

**MODEL CODES:**

15 = Grand Wagoneer 4 Dr.	65 = Comanche 4WD-7 Ft. Box	77 = Cherokee 4WD-2 Dr.
25 = J-10 Pickup-119" W.B.	66 = Comanche 2WD-7 Ft. Box	78 = Cherokee 4WD-4 Dr.
26 = J-10 Pickup-131" W.B.	73 = Cherokee 2WD-2 Dr.	79 = Cherokee 4WD-4 Dr.-Com
27 = J-20 Pickup-131" W.B.	74 = Cherokee 2WD-4 Dr.	81 = Wrangler-93" W.B.
63 = Comanche 4WD-6 Ft. Box	75 = Wagoneer 4WD-4 Dr.	82 = Wrangler-103" W.B.-Exp.
64 = Comanche 2WD-6 Ft. Box		

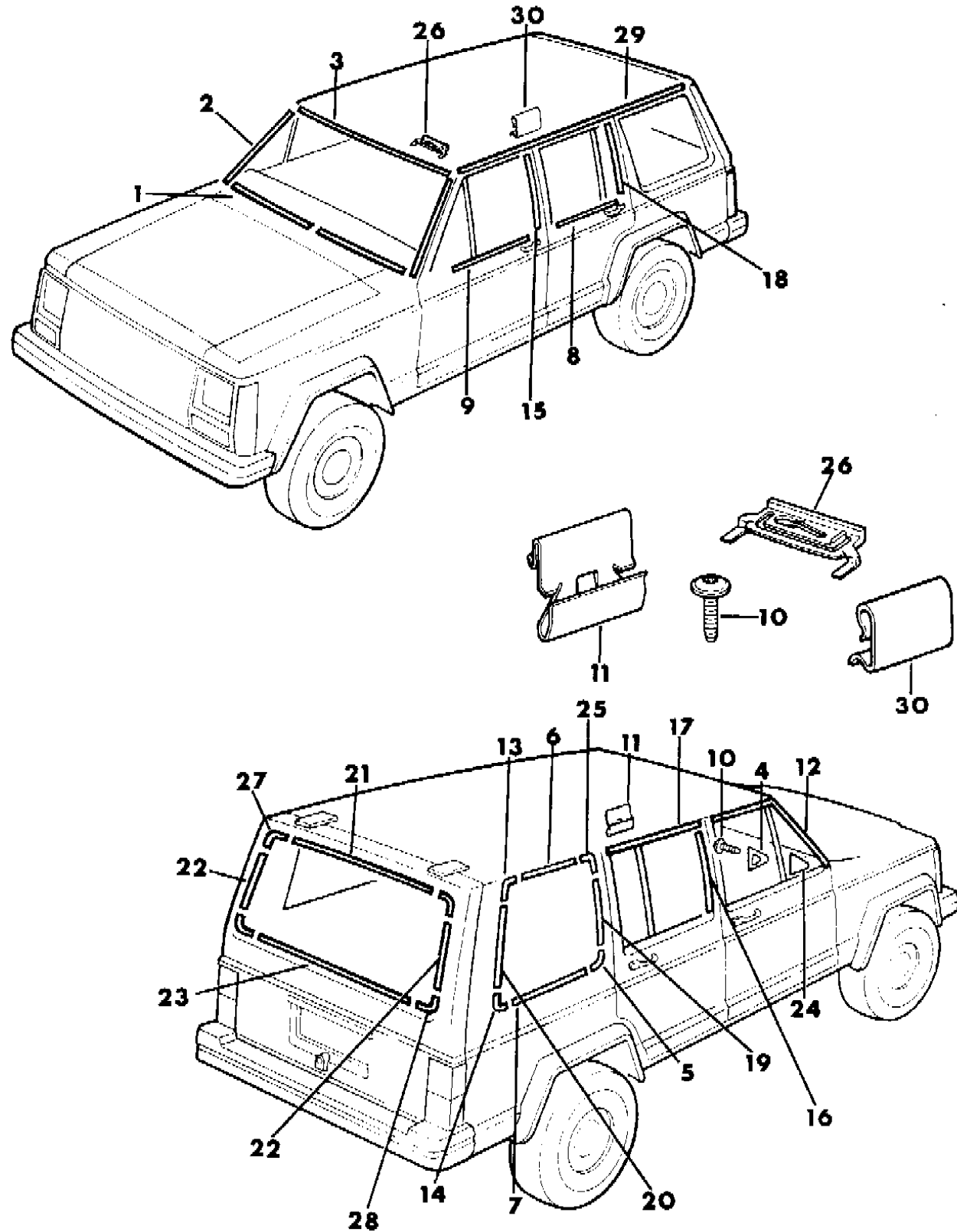
**BODY STYLES:**

MJ = Comanche Pickup  
 SJ = Grand Wagoneer Wgn., J-10 & J-20 Pickups  
 XJ = Cherokee, Wagoneer Limited  
 YJ = Wrangler

AR = Use as Required - = Non Illustrated Part P.A.R. = Paint as Required

**MOULDINGS, EXTERIOR, UPPER WAGONEER**  
Figure 23-3900

8J 68 3900



ITEM	PART NUMBER	QTY	BODY	MODEL	DESCRIPTION
1					MOULDING, Windshield
					1987-90, up to 12/18/89
	5500 6380	1			Right
	5500 2509	1			Left
	5502 6726-7	1			1990, after 12/18/89
2	5500 0546-7	1			MOULDING, Windshield
3	5500 0544	1			MOULDING, Windshield
4	5500 5430-1	1			GASKET
5	5500 5374	2			CAP, Moulding
6	5500 5371	2			MOULDING, Rear Quarter
7	5500 5300	2			MOULDING, Rear Quarter
8	5500 5382	2			MOULDING, Door
9	5500 5270-1	1			MOULDING, Door
10	3420 1957	4			SCREW
11					CLIP
	5500 5384	4			height = 24mm
	5500 5383	AR			height = 27mm
12	5500 5320-1	1			MOULDING, Door
13	5500 5375	2			CAP, Moulding
14	5500 5376	2			CAP, Moulding
15	5500 5324-5	1			MOULDING, Door
16	5500 5274-5	1			MOULDING, Door
17	5500 5276-7	1			MOULDING, Door
18	5500 5272-3	1			MOULDING, Door
19	5500 5296	2			MOULDING, Rear Quarter
20	5500 5298	2			MOULDING, Rear Quarter
21	5500 5331	1			MOULDING, Lift Door
22	5500 5308	2			MOULDING, Lift Door
23	5500 5332	1			MOULDING, Lift Door
24	5500 5312-3	1			COVER (LESS MIRROR) ***
25	5500 5373	2			CAP, Moulding
26	J400 6211	26			CLIP
27	5500 5333	2			CAP, Upper Moulding
28	5500 5334	2			CAP, Lower Moulding
29	5501 3656-7	1			MOULDING, Drip
30	3500 2115	AR			CLIP

**MODEL CODES:**

15 = Grand Wagoneer 4 Dr.	65 = Comanche 4WD-7 Ft. Box	77 = Cherokee 4WD-2 Dr.
25 = J-10 Pickup-119" W.B.	66 = Comanche 2WD-7 Ft. Box	78 = Cherokee 4WD-4 Dr.
26 = J-10 Pickup-131" W.B.	73 = Cherokee 2WD-2 Dr.	79 = Cherokee 4WD-4 Dr.-Com
27 = J-20 Pickup-131" W.B.	74 = Cherokee 2WD-4 Dr.	81 = Wrangler-93" W.B.
63 = Comanche 4WD-6 Ft. Box	75 = Wagoneer 4WD-4 Dr.	82 = Wrangler-103" W.B.-Exp.
64 = Comanche 2WD-6 Ft. Box		

**BODY STYLES:**

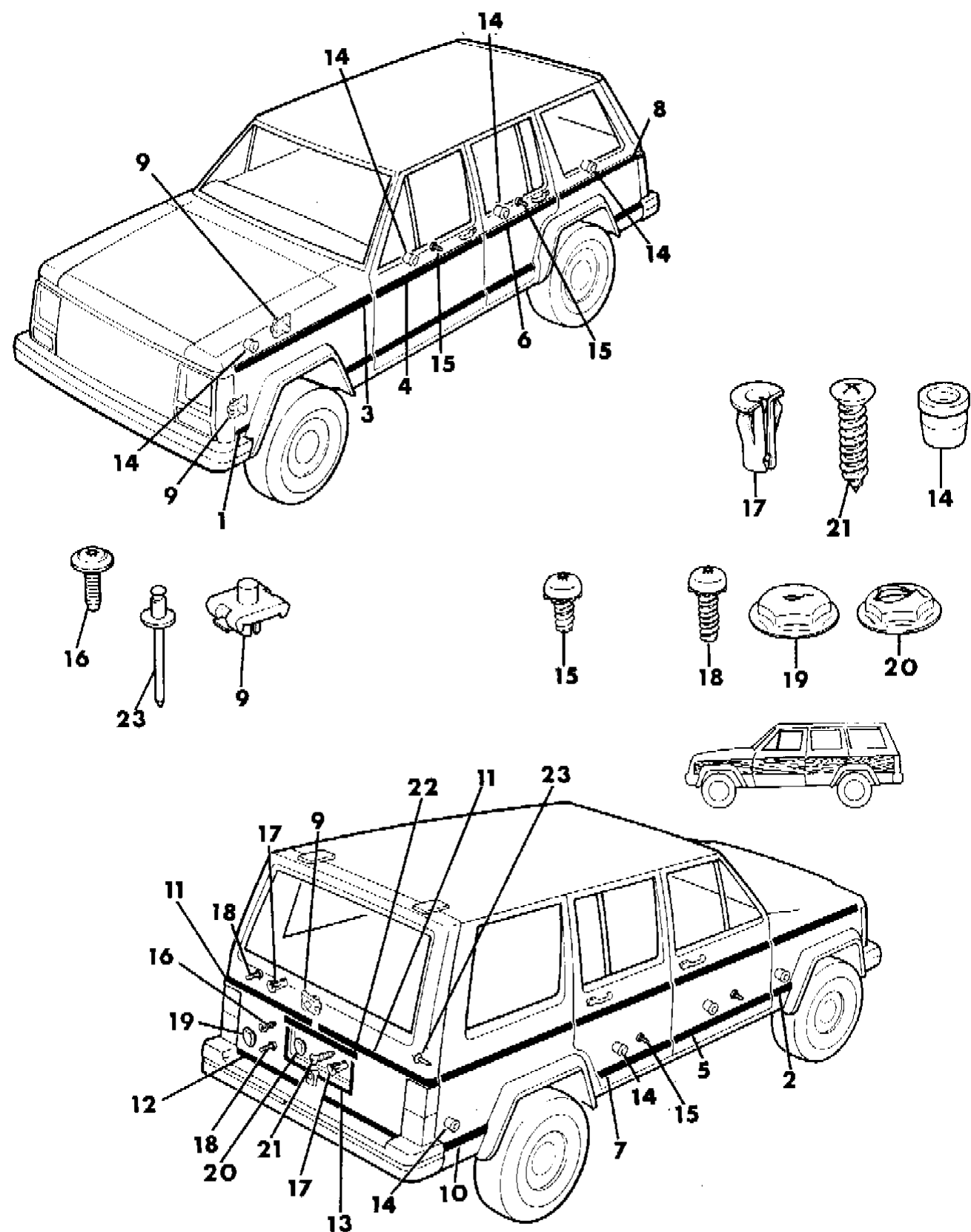
MJ = Comanche Pickup  
 SJ = Grand Wagoneer Wgn., J-10 & J-20 Pickups  
 XJ = Cherokee, Wagoneer Limited  
 YJ = Wrangler

AR = Use as Required - = Non Illustrated Part P.A.R. = Paint as Required



MOULDINGS, EXTERIOR, LOWER WAGONEER LIMITED  
Figure 23-4000

8J68 4000 A



ITEM	PART NUMBER	QTY	BODY	MODEL	DESCRIPTION
1	5500 3802-3	1			MOULDING, Fender
2	5500 3806-7	1			MOULDING, Fender
3	5500 3840-1	1			MOULDING, Fender
4	5500 3852-3	1			MOULDING, Door
5	5500 3854-5	1			MOULDING, Door
6	5500 3860-1	1			MOULDING, Door
7	5500 3844-5	1			MOULDING, Door
8	5500 3848	2			MOULDING, Rear Quarter
9					RETAINER
	J097 2422	AR			1987-89
	6004 002	AR			1990
10	5500 3810-1	1			MOULDING, Rear Quarter
11	5500 3820-1	1			MOULDING, Lift Door
12	5500 3815	2			MOULDING, Lift Door
13	5500 3828-9	1			MOULDING, License
14	3420 1767	52			CLIP
15	3420 1797	12			SCREW
16	3420 2005	1			SCREW
17	3420 1782	AR			CLIP
18	3420 1798	6			SCREW
19	1150 1855	2			NUT
20	1150 1047	2			NUT
21	1150 2796	2			SCREW
22	5501 3411	1			OVERLAY, License Plate
	J400 1335	2			CLIP, tubular seal attaching overlay to liftgate
23	3420 2204	2			RIVET

MODEL CODES:

15 = Grand Wagoneer 4 Dr.	65 = Comanche 4WD-7 Ft. Box	77 = Cherokee 4WD-2 Dr.
25 = J-10 Pickup-119" W.B.	66 = Comanche 2WD-7 Ft. Box	78 = Cherokee 4WD-4 Dr.
26 = J-10 Pickup-131" W.B.	73 = Cherokee 2WD-2 Dr.	79 = Cherokee 4WD-4 Dr.-Com
27 = J-20 Pickup-131" W.B.	74 = Cherokee 2WD-4 Dr.	81 = Wrangler-93" W.B.
63 = Comanche 4WD-6 Ft. Box	75 = Wagoneer 4WD-4 Dr.	82 = Wrangler-103" W.B.-Exp.
64 = Comanche 2WD-6 Ft. Box		

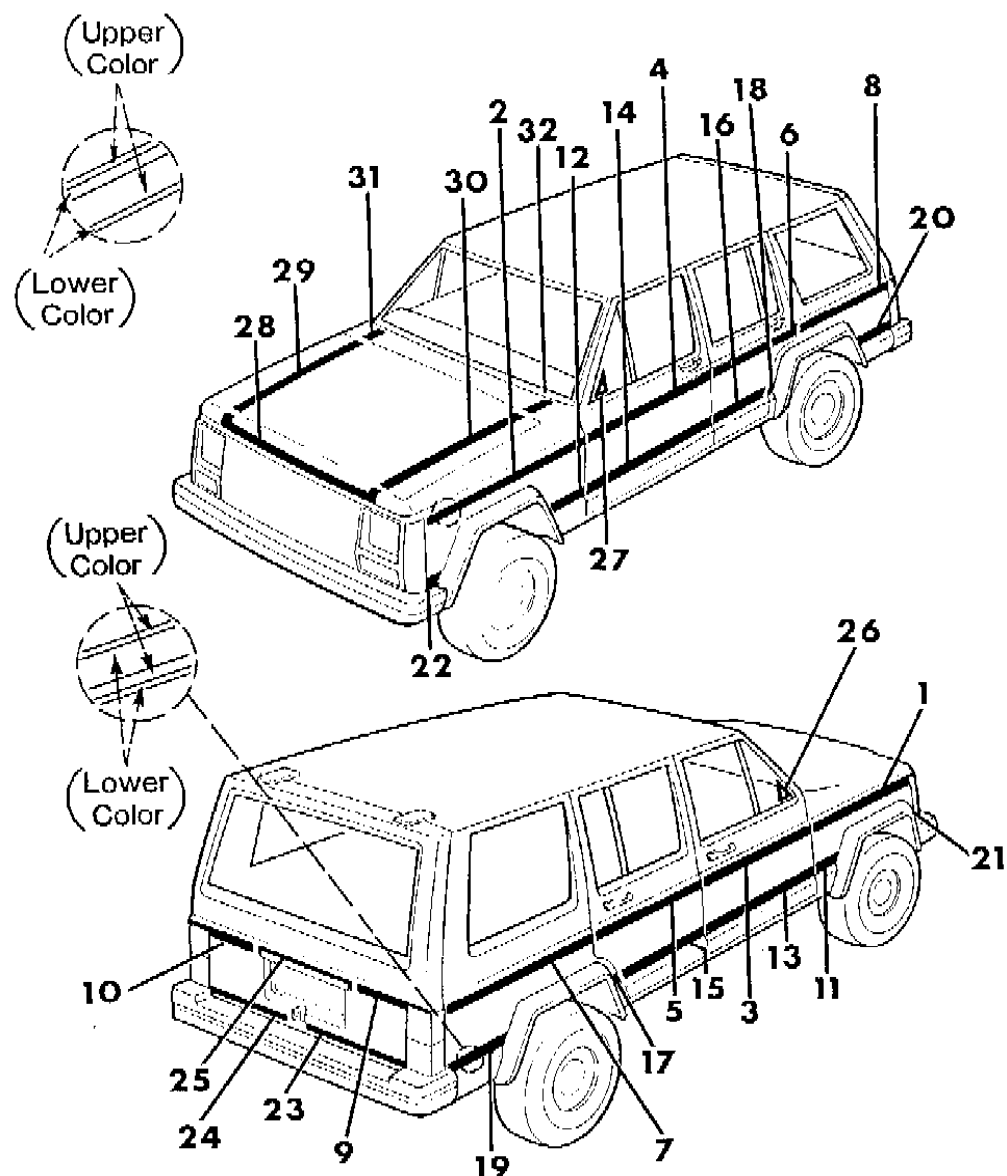
BODY STYLES:

MJ = Comanche Pickup  
 SJ = Grand Wagoneer Wgn., J-10 & J-20 Pickups  
 XJ = Cherokee, Wagoneer Limited  
 YJ = Wrangler

AR = Use as Required - = Non Illustrated Part P.A.R. = Paint as Required

DECALS, EXTERIOR 2-TONE, 1987 WAGONEER  
Figure 23-4080

8J68 4080



ITEM	PART NUMBER	QTY	BODY	MODEL	DESCRIPTION
1-2					DECAL, Fender
	5501 4574-5	1			Beige/Briarwood/Beige/Briarwood
	5501 4548-9	1			Black/Grenadine/Black/Grenadine
	5501 4522-3	1			Black/Sterling/Black/Sterling
	5501 4600-1	1			Champagne/Briarwood/Champagne/Briarwood
	5501 4496-7	1			Grenadine/Sterling/Grenadine/Sterling
	5501 2642-3	1			Sterling/Charcoal/Sterling/Charcoal
3-4					DECAL, Door, (MR)
	5501 4574-5	1			Beige/Briarwood/Beige/Briarwood
	5501 4548-9	1			Black/Grenadine/Black/Grenadine
	5501 4522-3	1			Black/Sterling/Black/Sterling
	5501 4600-1	1			Champagne/Briarwood/Champagne/Briarwood
	5501 4496-7	1			Grenadine/Sterling/Grenadine/Sterling
	5501 2634-5	1			Sterling/Charcoal/Sterling/Charcoal
5-6					DECAL, Door, (MR)
	5501 4574-5	1			Beige/Briarwood/Beige/Briarwood
	5501 4548-9	1			Black/Grenadine/Black/Grenadine
	5501 4522-3	1			Black/Sterling/Black/Sterling
	5501 4600-1	1			Champagne/Briarwood/Champagne/Briarwood
	5501 4496-7	1			Grenadine/Sterling/Grenadine/Sterling
	5501 2762-3	1			Sterling/Charcoal/Sterling/Charcoal
7-8					DECAL, Rear Quarter, (MR)
	5501 4574-5	1			Beige/Briarwood/Beige/Briarwood
	5501 4548-9	1			Black/Grenadine/Black/Grenadine
	5501 4522-3	1			Black/Sterling/Black/Sterling
	5501 4600-1	1			Champagne/Briarwood/Champagne/Briarwood
	5501 4496-7	1			Grenadine/Sterling/Grenadine/Sterling
	5501 2754-5	1			Sterling/Charcoal/Sterling/Charcoal
9-10					DECAL, Lift Door
	5501 4578-9	1			Beige/Briarwood/Beige/Briarwood
	5501 4552-3	1			Black/Grenadine/Black/Grenadine
	5501 4526-7	1			Black/Sterling/Black/Sterling
	5501 4604-5	1			Champagne/Briarwood/Champagne/Briarwood
	5501 8482-3	1			Grenadine/Sterling/Grenadine/Sterling
	5501 2704-5	1			Sterling/Charcoal/Sterling/Charcoal
11-12					DECAL, Fender, (MR)
	5501 4590-1	1			Briarwood/Beige/Briarwood/Beige

MODEL CODES:

15 = Grand Wagoneer 4 Dr.	65 = Comanche 4WD-7 Ft. Box	77 = Cherokee 4WD-2 Dr.
25 = J-10 Pickup-119" W.B.	66 = Comanche 2WD-7 Ft. Box	78 = Cherokee 4WD-4 Dr.
26 = J-10 Pickup-131" W.B.	73 = Cherokee 2WD-2 Dr.	79 = Cherokee 4WD-4 Dr.-Com
27 = J-20 Pickup-131" W.B.	74 = Cherokee 2WD-4 Dr.	81 = Wrangler-93" W.B.
63 = Comanche 4WD-6 Ft. Box	75 = Wagoneer 4WD-4 Dr.	82 = Wrangler-103" W.B.-Exp.
64 = Comanche 2WD-6 Ft. Box		

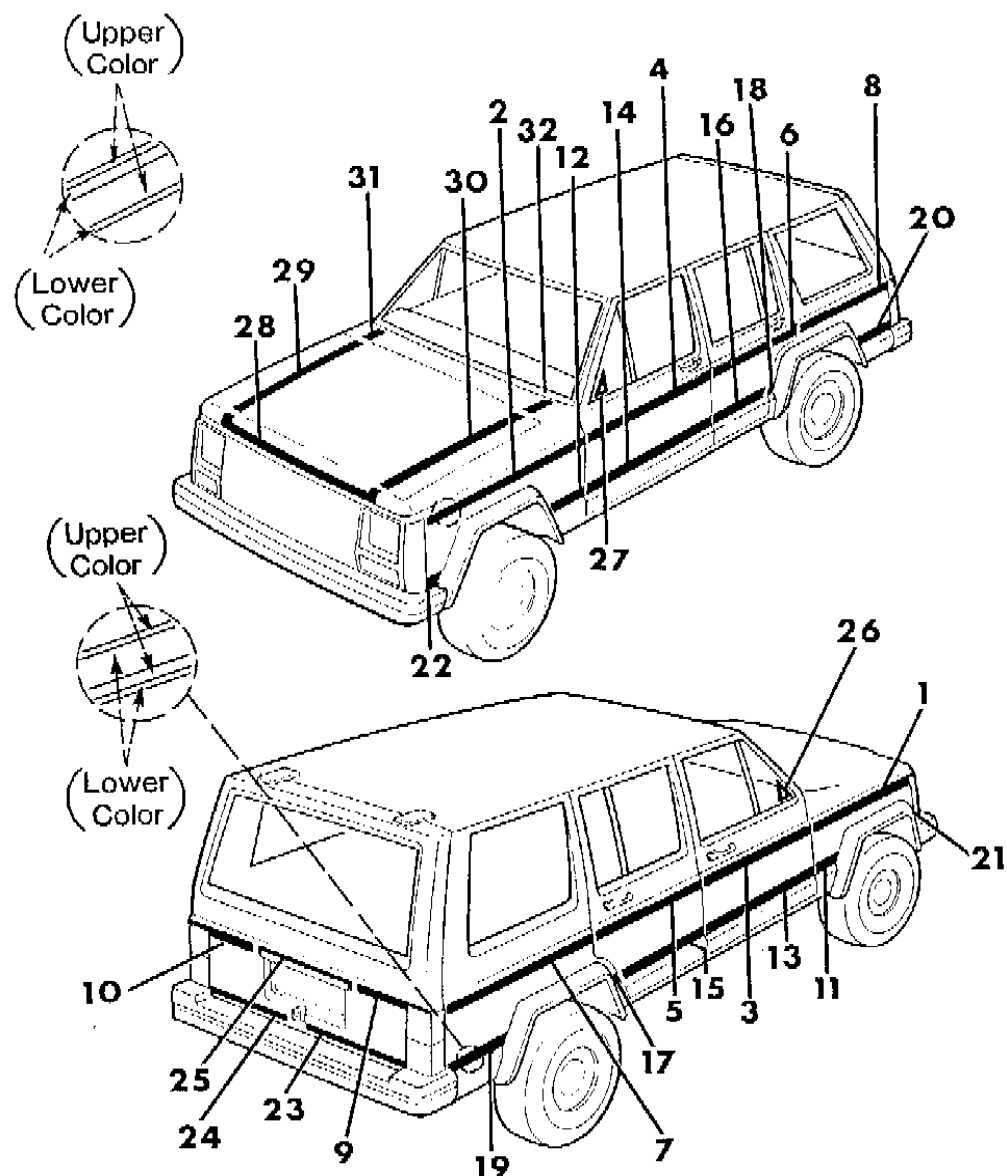
BODY STYLES:

MJ = Comanche Pickup  
 SJ = Grand Wagoneer Wgn., J-10 & J-20 Pickups  
 XJ = Cherokee, Wagoneer Limited  
 YJ = Wrangler

AR = Use as Required - = Non Illustrated Part P.A.R. = Paint as Required

DECALS, EXTERIOR 2-TONE, 1987 WAGONEER  
Figure 23-4080

8J68 4080



ITEM	PART NUMBER	QTY	BODY	MODEL	DESCRIPTION
	5501 4564-5	1			Grenadine/Black/Grenadine/Black
	5501 9212-3	1			Sterling/Black/Sterling/Black
	5501 4616-7	1			Briarwood/Champagne/Briarwood/Champagne
	5501 4512-3	1			Sterling/Grenadine/Sterling/Grenadine
	5501 3362-3	1			Charcoal/Sterling/Charcoal/Sterling
13-14					DECAL, Door
	5501 4590-1	1			Briarwood/Beige/Briarwood/Beige
	5501 4564-5	1			Grenadine/Black/Grenadine/Black
	5501 9212-3	1			Sterling/Black/Sterling/Black
	5501 4616-7	1			Briarwood/Champagne/Briarwood/Champagne
	5501 4512-3	1			Grenadine/Sterling/Grenadine/Sterling
	5501 3316-7	1			Charcoal/Sterling/Charcoal/Sterling
15-16					DECAL, Door, (MR)
	5501 4590-1	1			Briarwood/Beige/Briarwood/Beige
	5501 4564-5	1			Grenadine/Black/Grenadine/Black
	5501 9212-3	1			Sterling/Black/Sterling/Black
	5501 4616-7	1			Briarwood/Champagne/Briarwood/Champagne
	5501 4512-3	1			Sterling/Grenadine/Sterling/Grenadine
	5501 3314-5	1			Charcoal/Sterling/Charcoal/Sterling
17-18					DECAL, Rear Quarter, (MR)
	5501 4590-1	1			Briarwood/Beige/Briarwood/Beige
	5501 4564-5	1			Grenadine/Black/Grenadine/Black
	5501 9212-3	1			Sterling/Black/Sterling/Black
	5501 4616-7	1			Briarwood/Champagne/Briarwood/Champagne
	5501 4512-3	1			Sterling/Grenadine/Sterling/Grenadine
	5501 2770-1	1			Charcoal/Sterling/Charcoal/Sterling
19-20					DECAL, Rear Quarter, (MR)
	5501 4590-1	1			Briarwood/Beige/Briarwood/Beige
	5501 4564-5	1			Grenadine/Black/Grenadine/Black
	5501 9212-3	1			Sterling/Black/Sterling/Black
	5501 4616-7	1			Briarwood/Champagne/Briarwood/Champagne
	5501 4512-3	1			Sterling/Grenadine/Sterling/Grenadine
	5501 3370-1	1			Charcoal/Sterling/Charcoal/Sterling
21-22					DECAL, Fender, (MR)
	5501 4590-1	1			Briarwood/Beige/Briarwood/Beige
	5501 4564-5	1			Grenadine/Black/Grenadine/Black
	5501 9212-3	1			Sterling/Black/Sterling/Black

MODEL CODES:

15 = Grand Wagoneer 4 Dr.	65 = Comanche 4WD-7 Ft. Box	77 = Cherokee 4WD-2 Dr.
25 = J-10 Pickup-119" W.B.	66 = Comanche 2WD-7 Ft. Box	78 = Cherokee 4WD-4 Dr.
26 = J-10 Pickup-131" W.B.	73 = Cherokee 2WD-2 Dr.	79 = Cherokee 4WD-4 Dr.-Com
27 = J-20 Pickup-131" W.B.	74 = Cherokee 2WD-4 Dr.	81 = Wrangler-93" W.B.
63 = Comanche 4WD-6 Ft. Box	75 = Wagoneer 4WD-4 Dr.	82 = Wrangler-103" W.B.-Exp.
64 = Comanche 2WD-6 Ft. Box		

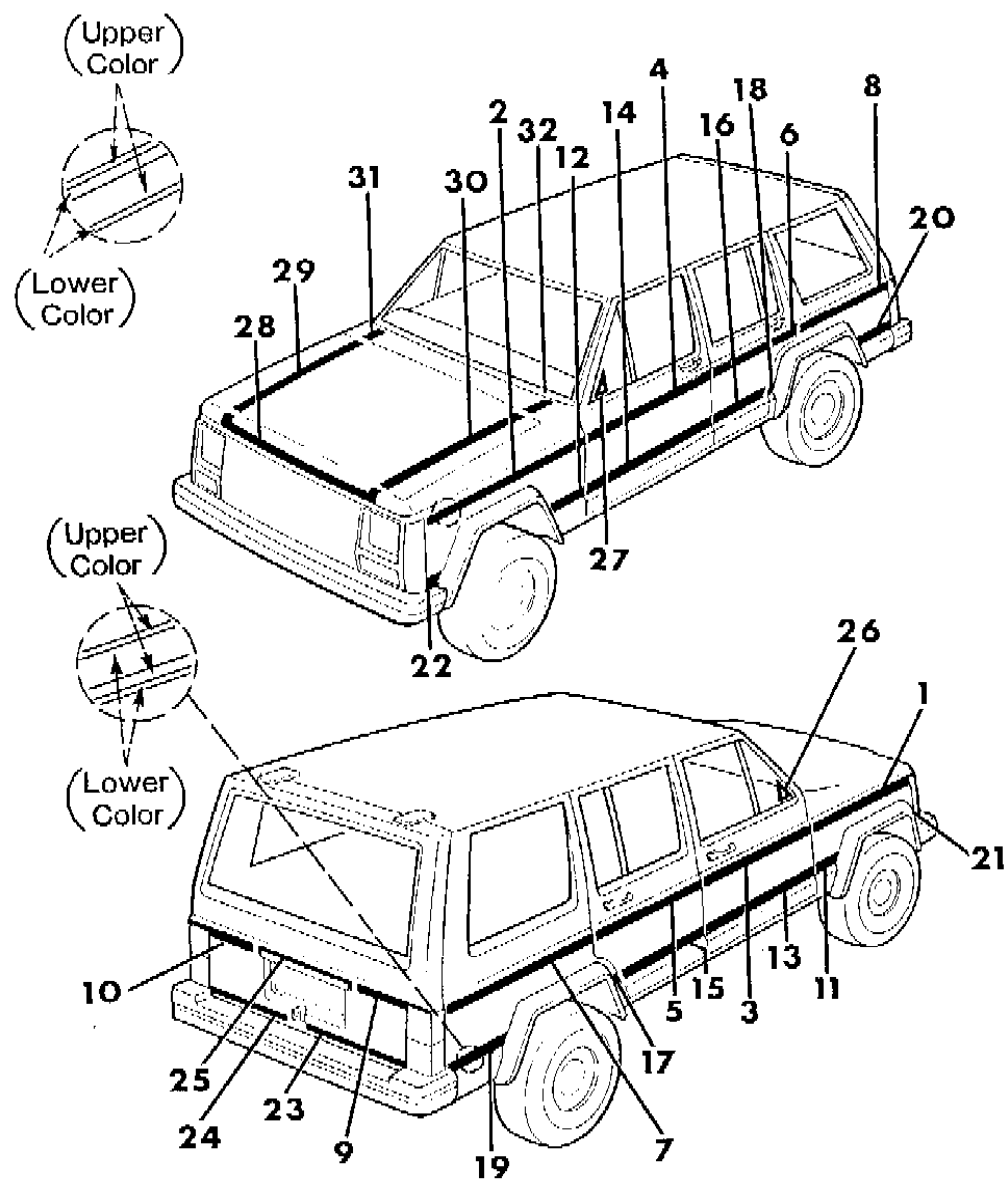
BODY STYLES:

MJ = Comanche Pickup  
 SJ = Grand Wagoneer Wgn., J-10 & J-20 Pickups  
 XJ = Cherokee, Wagoneer Limited  
 YJ = Wrangler

AR = Use as Required - = Non Illustrated Part P.A.R. = Paint as Required

DECALS, EXTERIOR 2-TONE, 1987 WAGONEER  
Figure 23-4080

8J68 4080



ITEM	PART NUMBER	QTY	BODY	MODEL	DESCRIPTION
	5501 4616-7	1			Briarwood/Champagne/Briarwood/Champagne
	5501 4512-3	1			Sterling/Grenadine/Sterling/Grenadine
	5501 2626-7	1			Charcoal/Sterling/Charcoal/Sterling
23-24					DECAL, Lift Door
	5501 4584-5	1			Briarwood/Beige/Briarwood/Beige
	5501 4558-9	1			Grenadine/Black/Grenadine/Black
	5501 4532-3	1			Sterling/Black/Sterling/Black
	5501 4610-1	1			Briarwood/Champagne/Briarwood/Champagne
	5501 4506-7	1			Sterling/Grenadine/Sterling/Grenadine
	5501 3312-3	1			Charcoal/Sterling/Charcoal/Sterling
25					DECAL, Lift Door
This decal is one solid color, it is used with the following color combinations. (A) For 1987, two types of instrument clusters were used. On type one, Clusters, the odometer numbers are rounded, the Speedometer face has (2) slotte					
	5501 4576	1			Briarwood/Beige/Briarwood/Beige
	5501 4550	1			Grenadine/Black/Grenadine/Black
	5501 4524	1			Sterling/Black/Sterling/Black
	5501 4602	1			Briarwood/Champagne/Briarwood/Champagne
	5501 8480	1			Sterling/Grenadine/Sterling/Grenadine
	5501 2748	1			Charcoal/Sterling/Charcoal/Sterling
26-27	5500 6220-1	1			DECAL, Door (Black)
28					DECAL, Grille Panel
	5501 8425	1			Grenadine
	5501 6596	1			Briarwood
	5501 6595	1			Sterling
	5501 8424	1			Charcoal
29-30					DECAL, Hood
	5501 8430-1	1			Grenadine
	5501 6600-1	1			Briarwood
	5501 6598-9	1			Sterling
	5501 8426-7	1			Charcoal
31-32					DECAL, Cowl
	5501 8432-3	1			Grenadine
	5501 6604-5	1			Briarwood
	5501 6602-3	1			Sterling
	5501 8428-9	1			Charcoal

MODEL CODES:

15 = Grand Wagoneer 4 Dr.	65 = Comanche 4WD-7 Ft. Box	77 = Cherokee 4WD-2 Dr.
25 = J-10 Pickup-119" W.B.	66 = Comanche 2WD-7 Ft. Box	78 = Cherokee 4WD-4 Dr.
26 = J-10 Pickup-131" W.B.	73 = Cherokee 2WD-2 Dr.	79 = Cherokee 4WD-4 Dr.-Com
27 = J-20 Pickup-131" W.B.	74 = Cherokee 2WD-4 Dr.	81 = Wrangler-93" W.B.
63 = Comanche 4WD-6 Ft. Box	75 = Wagoneer 4WD-4 Dr.	82 = Wrangler-103" W.B.-Exp.
64 = Comanche 2WD-6 Ft. Box		

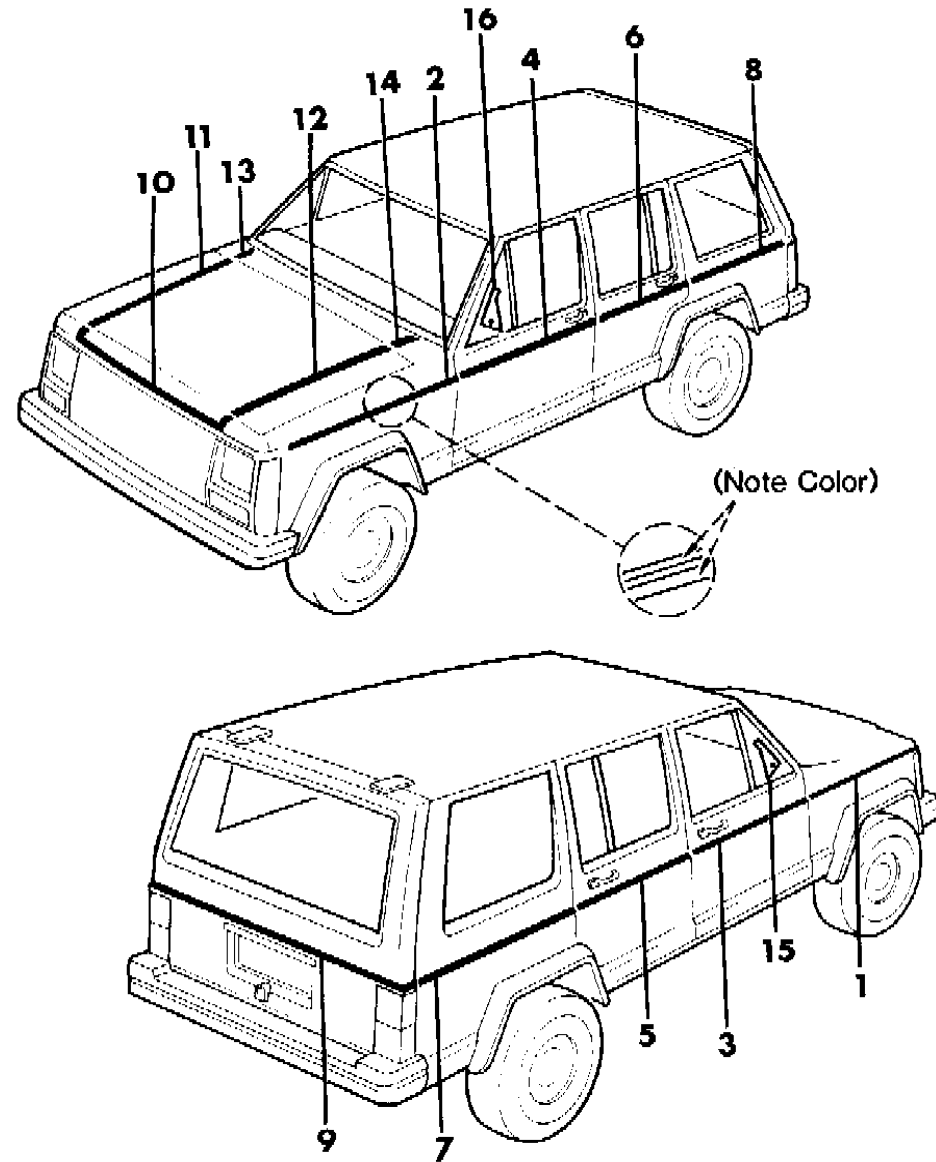
BODY STYLES:

MJ = Comanche Pickup  
 SJ = Grand Wagoneer Wgn., J-10 & J-20 Pickups  
 XJ = Cherokee, Wagoneer Limited  
 YJ = Wrangler

AR = Use as Required - = Non Illustrated Part P.A.R. = Paint as Required

DECALS, EXTERIOR PINSTRIPE, 1987 WAGONEER  
Figure 23-4090

8J68 4090



ITEM	PART NUMBER	QTY	BODY	MODEL	DESCRIPTION
1-2					DECAL, Fender
	5500 5972-3	1			Dark Red
	5500 5952-3	1			Gold
	5501 4768-9	1			Almond
	5501 4752-3	1			Silver
3-4					DECAL, Door, (MR)
	5500 5967	2			Dark Red
	5500 5947	2			Gold
	5501 4776	2			Almond
	5501 4762	2			Silver
5-6					DECAL, Door, (MR)
	5500 5967	2			Dark Red
	5500 5947	2			Gold
	5501 4776	2			Almond
	5501 4762	2			Silver
7-8					DECAL, Rear Quarter, (MR)
	5500 5967	2			Dark Red
	5500 5947	2			Gold
	5501 4776	2			Almond
	5501 4762	2			Silver
9					DECAL, Lift Door
	5500 5967	1			Dark Red
	5500 5947	1			Gold
	5501 4776	1			Almond
	5501 4762	1			Silver
10					DECAL, Grille Panel
	5500 5966	1			Dark Red
	5500 5946	1			Gold
	5501 4763	1			Almond
	5501 4747	1			Silver
11-12					DECAL, Hood, (MR)
	5500 5967	2			Dark Red
	5500 5947	2			Gold
	5501 4776	2			Almond
	5501 4762	2			Silver
13-14					DECAL, Cowl
	5500 5970-1	1			Dark Red

MODEL CODES:

15 = Grand Wagoneer 4 Dr.	65 = Comanche 4WD-7 Ft. Box	77 = Cherokee 4WD-2 Dr.
25 = J-10 Pickup-119" W.B.	66 = Comanche 2WD-7 Ft. Box	78 = Cherokee 4WD-4 Dr.
26 = J-10 Pickup-131" W.B.	73 = Cherokee 2WD-2 Dr.	79 = Cherokee 4WD-4 Dr.-Com
27 = J-20 Pickup-131" W.B.	74 = Cherokee 2WD-4 Dr.	81 = Wrangler-93" W.B.
63 = Comanche 4WD-6 Ft. Box	75 = Wagoneer 4WD-4 Dr.	82 = Wrangler-103" W.B.-Exp.
64 = Comanche 2WD-6 Ft. Box		

BODY STYLES:

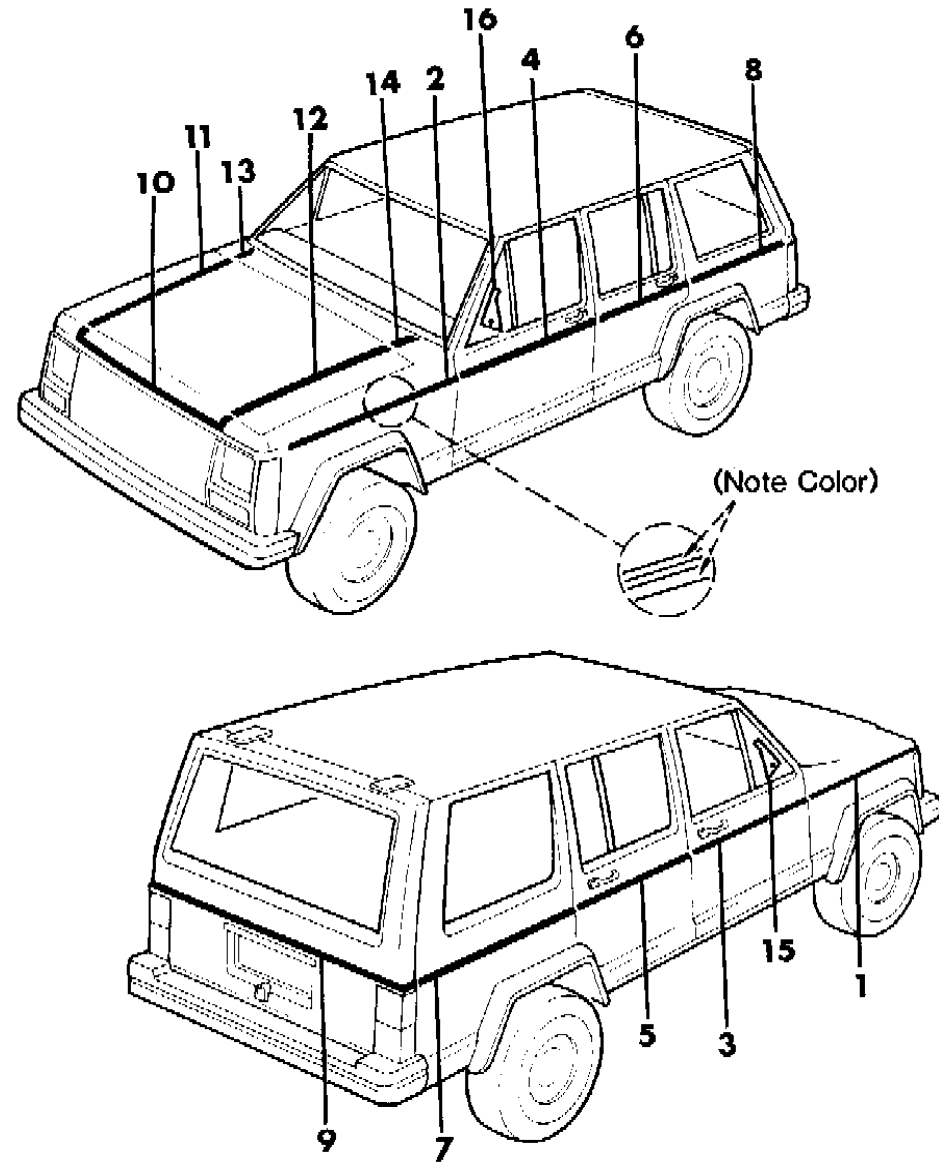
MJ = Comanche Pickup  
 SJ = Grand Wagoneer Wgn., J-10 & J-20 Pickups  
 XJ = Cherokee, Wagoneer Limited  
 YJ = Wrangler

AR = Use as Required - = Non Illustrated Part P.A.R. = Paint as Required

DECALS, EXTERIOR PINSTRIPE, 1987 WAGONEER  
Figure 23-4090

8J68 4090

ITEM	PART NUMBER	QTY	BODY	MODEL	DESCRIPTION
	5500 5950-1	1			Gold
	5501 4766-7	1			Almond
	5501 4750-1	1			Silver
15-16	5500 6220-1	1			DECAL, Door (Black)



MODEL CODES:

- |                             |                             |                              |
|-----------------------------|-----------------------------|------------------------------|
| 15 = Grand Wagoneer 4 Dr.   | 65 = Comanche 4WD-7 Ft. Box | 77 = Cherokee 4WD-2 Dr.      |
| 25 = J-10 Pickup-119" W.B.  | 66 = Comanche 2WD-7 Ft. Box | 78 = Cherokee 4WD-4 Dr.      |
| 26 = J-10 Pickup-131" W.B.  | 73 = Cherokee 2WD-2 Dr.     | 79 = Cherokee 4WD-4 Dr.-Com  |
| 27 = J-20 Pickup-131" W.B.  | 74 = Cherokee 2WD-4 Dr.     | 81 = Wrangler-93" W.B.       |
| 63 = Comanche 4WD-6 Ft. Box | 75 = Wagoneer 4WD-4 Dr.     | 82 = Wrangler-103" W.B.-Exp. |
| 64 = Comanche 2WD-6 Ft. Box |                             |                              |

BODY STYLES:

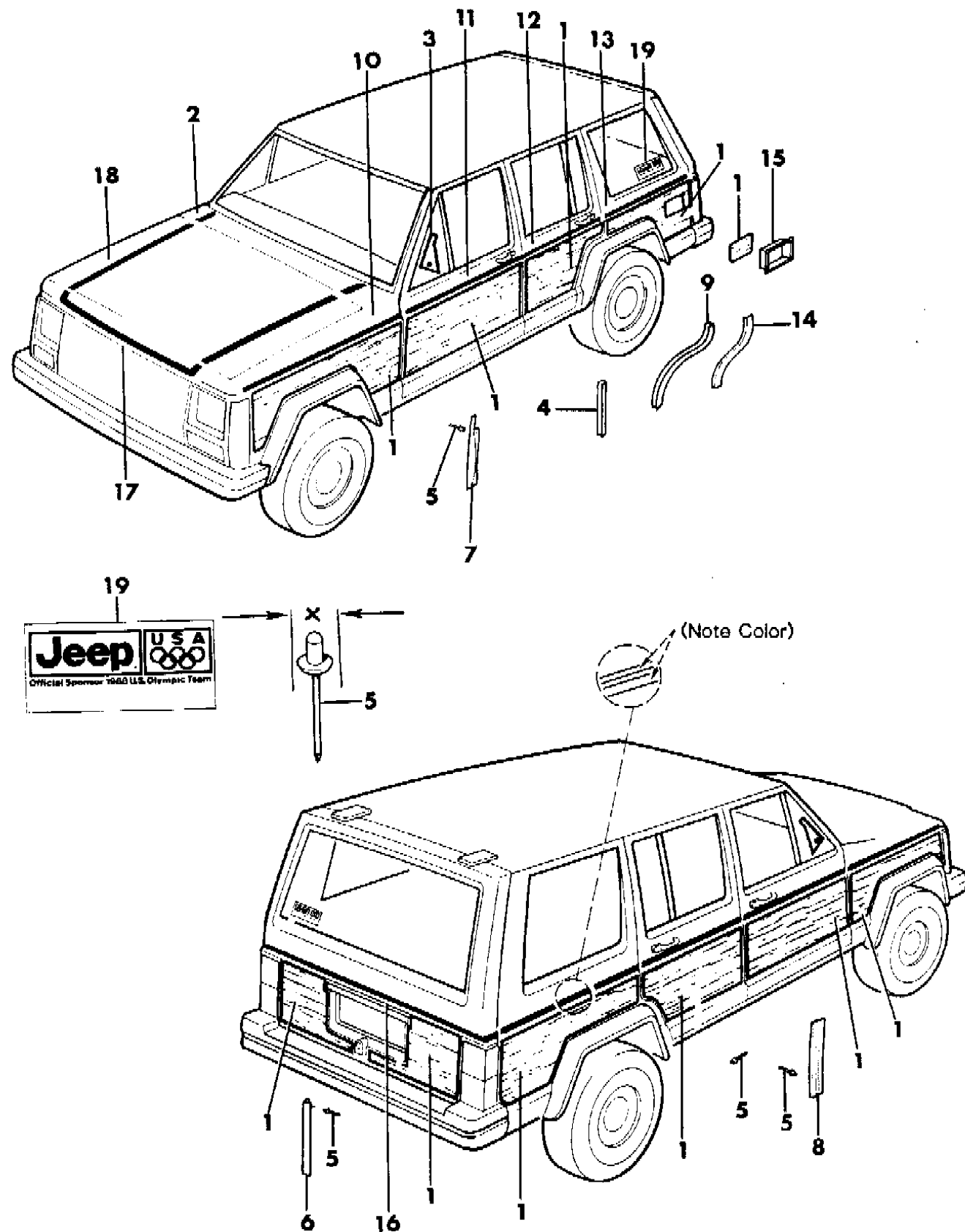
- MJ = Comanche Pickup
- SJ = Grand Wagoneer Wgn., J-10 & J-20 Pickups
- XJ = Cherokee, Wagoneer Limited
- YJ = Wrangler

AR = Use as Required - = Non Illustrated Part P.A.R. = Paint as Required

DECALS, EXTERIOR WOODGRAIN WAGONEER LIMITED

Figure 23-4100

8J68 4100



ITEM	PART NUMBER	QTY	BODY	MODEL	DESCRIPTION
1	8350 3186	11			DECAL, Woodgrain (MR)
2					DECAL, Cowl
	5501 4766-7	1			Almond, 1988-90
	5500 5950-1	1			Gold, 1987
3	5500 6220-1	1			DECAL, Door, Black
4					MOULDING, Door, P.A.R.
	5500 3831	2			1987
	5501 7612	2			1988-90
5	3420 2204	AR			RIVET (8.5mm long) ***
	3420 2200	12			RIVET (6.6mm long), 1987 ***
6	5500 4808	2			RETAINER
7	5500 4804-5	1			RETAINER
8	5500 4806-7	1			RETAINER
9					MOULDING, Door, P.A.R.
	5500 4796-7	1			1987
	5501 7614-5	1			1988-90
10					DECAL, Fender
	5501 4768-9	1			Almond, 1988-90
	5500 5952-3	1			Gold, 1987
11					DECAL, Door
	5501 4776	2			Almond, 1988, (MR)
	5500 5954-5	1			Gold, 1987
12					DECAL, Door
	5501 4776	2			Almond, 1988-90, (MR)
	5500 5956-7	1			Gold, 1987
13					DECAL, Rear Quarter
	5501 4776	2			Almond, 1988-90, (MR)
	5500 5958-9	1			Gold, 1987
14	5505 2530-1	1			RETAINER
15	5505 2532	1			RETAINER, P.A.R.
16					DECAL, Lift Door
	5501 4776	1			Almond, 1988-90
	5500 5947	1			Gold, 1987
17					DECAL, Grille Panel
	5501 4763	1			Almond, 1988-90
	5500 5946	1			Gold, 1987
18					DECAL, Hood

MODEL CODES:

15 = Grand Wagoneer 4 Dr.	65 = Comanche 4WD-7 Ft. Box	77 = Cherokee 4WD-2 Dr.
25 = J-10 Pickup-119" W.B.	66 = Comanche 2WD-7 Ft. Box	78 = Cherokee 4WD-4 Dr.
26 = J-10 Pickup-131" W.B.	73 = Cherokee 2WD-2 Dr.	79 = Cherokee 4WD-4 Dr.-Com
27 = J-20 Pickup-131" W.B.	74 = Cherokee 2WD-4 Dr.	81 = Wrangler-93" W.B.
63 = Comanche 4WD-6 Ft. Box	75 = Wagoneer 4WD-4 Dr.	82 = Wrangler-103" W.B.-Exp.
64 = Comanche 2WD-6 Ft. Box		

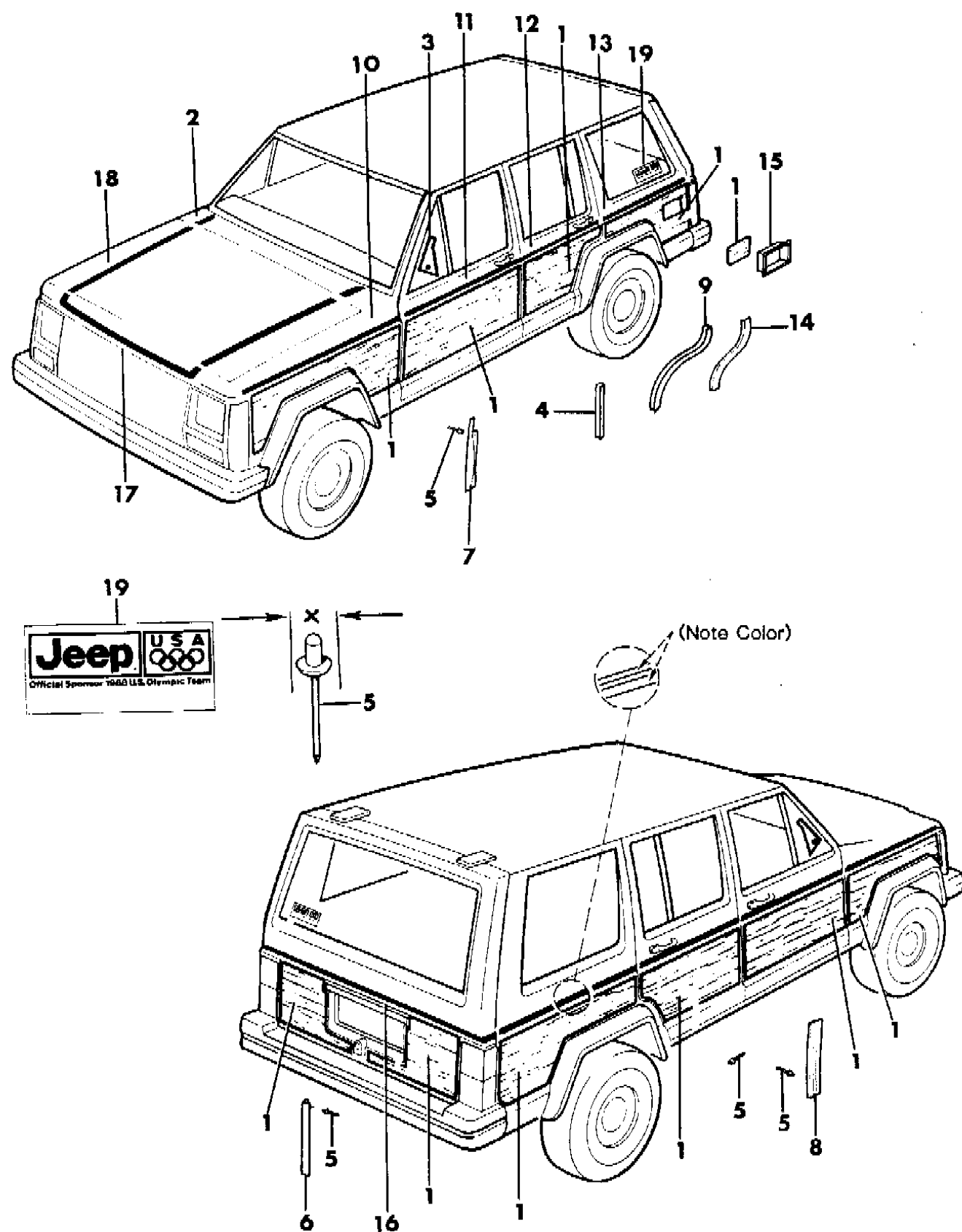
BODY STYLES:

MJ = Comanche Pickup  
 SJ = Grand Wagoneer Wgn., J-10 & J-20 Pickups  
 XJ = Cherokee, Wagoneer Limited  
 YJ = Wrangler

AR = Use as Required - = Non Illustrated Part P.A.R. = Paint as Required

DECALS, EXTERIOR WOODGRAIN WAGONEER LIMITED  
Figure 23-4100

8J68 4100



ITEM	PART NUMBER	QTY	BODY	MODEL	DESCRIPTION
	5501 4776	2			Almond, 1988-90, (MR)
	5500 5948-9	1			Gold, 1987
19	5502 0568	1			DECAL, "Olympic" 1988

(MR) Modification Required. (A) For 1987, two types of instrument clusters were used. On type one, Clusters, the odometer numbers are rounded, the Speedometer face has (2) slotte

- MODEL CODES:
- |                             |                             |                              |
|-----------------------------|-----------------------------|------------------------------|
| 15 = Grand Wagoneer 4 Dr.   | 65 = Comanche 4WD-7 Ft. Box | 77 = Cherokee 4WD-2 Dr.      |
| 25 = J-10 Pickup-119" W.B.  | 66 = Comanche 2WD-7 Ft. Box | 78 = Cherokee 4WD-4 Dr.      |
| 26 = J-10 Pickup-131" W.B.  | 73 = Cherokee 2WD-2 Dr.     | 79 = Cherokee 4WD-4 Dr.-Com  |
| 27 = J-20 Pickup-131" W.B.  | 74 = Cherokee 2WD-4 Dr.     | 81 = Wrangler-93" W.B.       |
| 63 = Comanche 4WD-6 Ft. Box | 75 = Wagoneer 4WD-4 Dr.     | 82 = Wrangler-103" W.B.-Exp. |
| 64 = Comanche 2WD-6 Ft. Box |                             |                              |

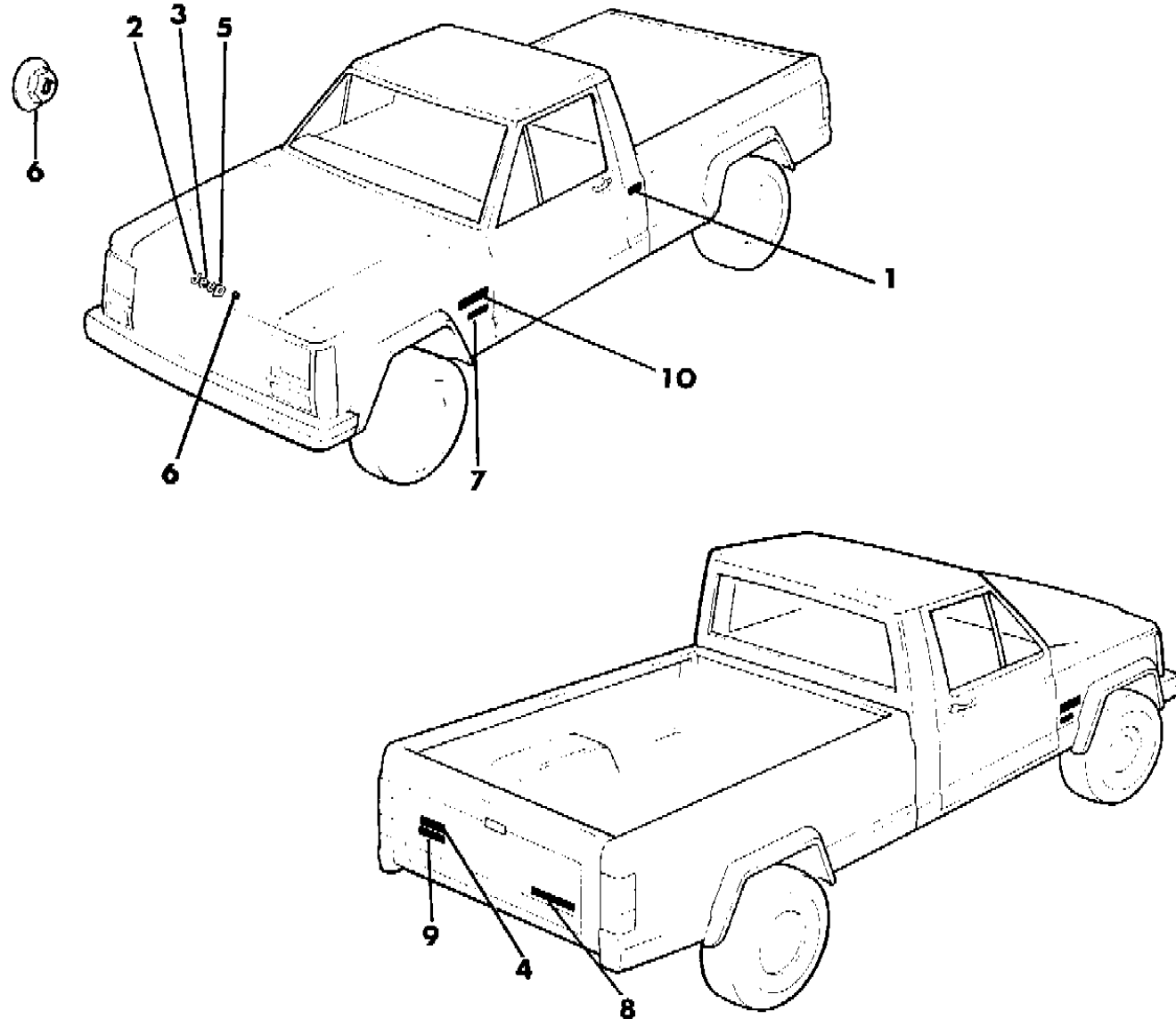
- BODY STYLES:
- MJ = Comanche Pickup
  - SJ = Grand Wagoneer Wgn., J-10 & J-20 Pickups
  - XJ = Cherokee, Wagoneer Limited
  - YJ = Wrangler

AR = Use as Required - = Non Illustrated Part P.A.R. = Paint as Required



**NAMEPLATES COMANCHE**  
Figure 23-4200

8 J68 4200 A



ITEM	PART NUMBER	QTY	BODY	MODEL	DESCRIPTION
1	5500 7817	2			NAMEPLATE, "4x4"
2	5501 0901	1			NAMEPLATE, "J"
3	5501 0902	2			NAMEPLATE, "e"
4	5501 0895	1			NAMEPLATE "Turbo Diesel", 1987-90
	5501 0037	1			"4.0 Litre", 1987-90
	5501 0893	1			"2.5 Litre", 1987
5	5501 0903	1			NAMEPLATE, "p"
6	1150 2557	4			NUT
7	5501 0899	2			NAMEPLATE "Laredo", 1987-89
	5501 0898	2			"Pioneer", 1987-89
	5500 9128	2			"XLS", 1987-88
8	5501 3576	1			NAMEPLATE "Metric Ton", 1987-90
	5500 8339	1			"Command Trac", 1987
	5501 0896	1			"Selec Trac", 1987
9	5500 8338	1			NAMEPLATE, "Fuel Injection"
10	5501 4472	1			NAMEPLATE, "Comanche"

MODEL CODES:

15 = Grand Wagoneer 4 Dr.	65 = Comanche 4WD-7 Ft. Box	77 = Cherokee 4WD-2 Dr.
25 = J-10 Pickup-119" W.B.	66 = Comanche 2WD-7 Ft. Box	78 = Cherokee 4WD-4 Dr.
26 = J-10 Pickup-131" W.B.	73 = Cherokee 2WD-2 Dr.	79 = Cherokee 4WD-4 Dr.-Com
27 = J-20 Pickup-131" W.B.	74 = Cherokee 2WD-4 Dr.	81 = Wrangler-93" W.B.
63 = Comanche 4WD-6 Ft. Box	75 = Wagoneer 4WD-4 Dr.	82 = Wrangler-103" W.B.-Exp.
64 = Comanche 2WD-6 Ft. Box		

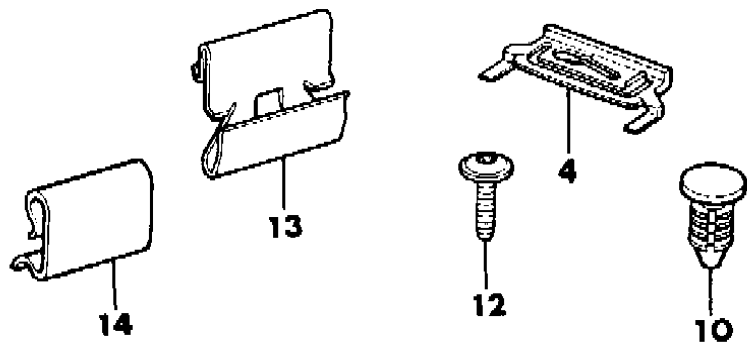
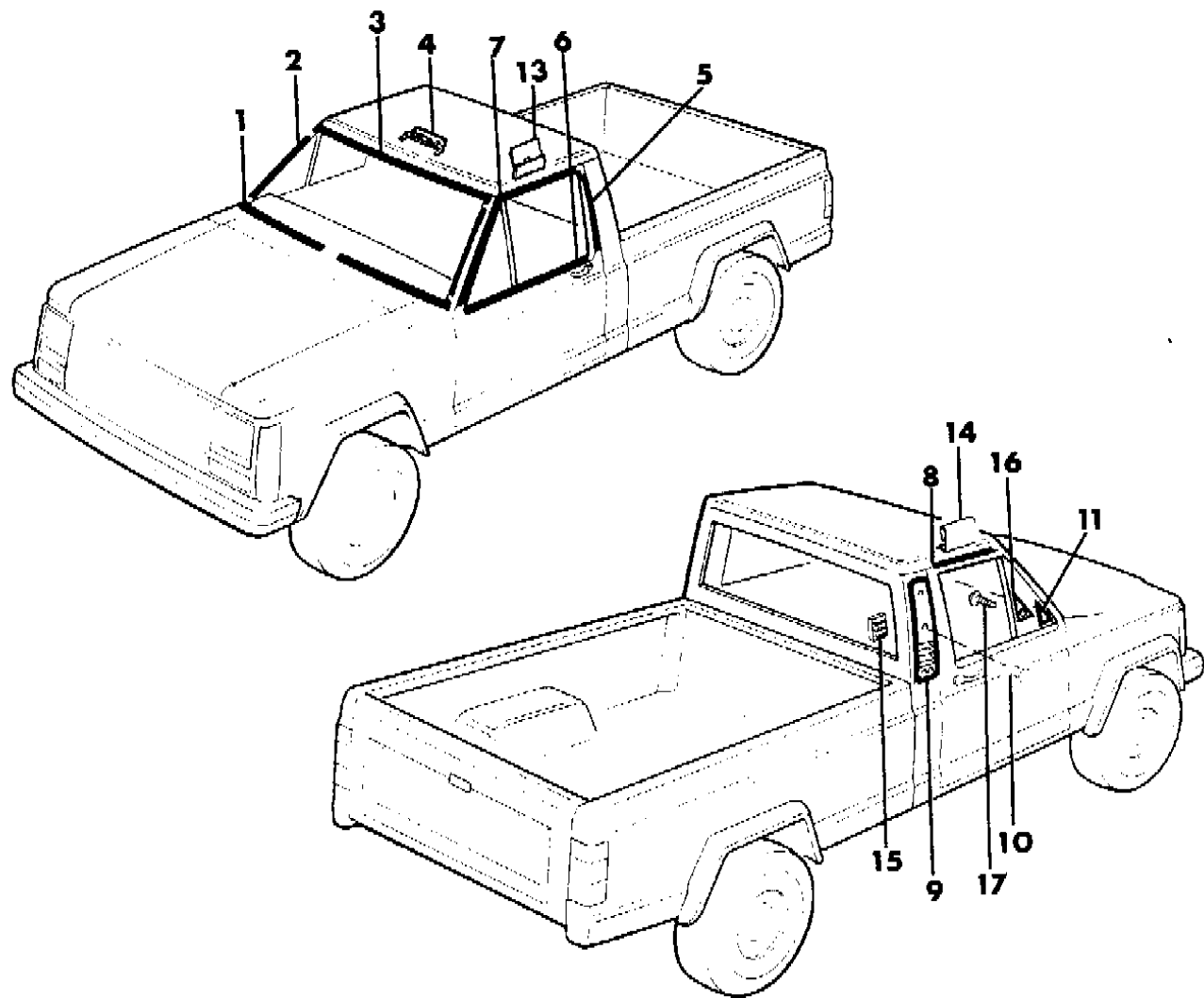
BODY STYLES:

MJ = Comanche Pickup  
 SJ = Grand Wagoneer Wgn., J-10 & J-20 Pickups  
 XJ = Cherokee, Wagoneer Limited  
 YJ = Wrangler

AR = Use as Required - = Non Illustrated Part P.A.R. = Paint as Required

**MOULDINGS, EXTERIOR, UPPER COMANCHE**  
**Figure 23-4300**

8J68 4300



ITEM	PART NUMBER	QTY	BODY	MODEL	DESCRIPTION
1					MOULDING, Windshield
					Bright, up to 12/18/89
	5500 6380	1			Right
	5500 2509	1			Left
2	5502 6726-7	1			Bright, after 12/18/89
	5502 6724-5	1			Black
	5500 0538-9	1			MOULDING, Windshield
	5500 0546-7	1			Black
3					Bright
	5500 0536	1			MOULDING, Windshield
	5500 0544	1			Black
4	J400 6211	26			CLIP
					Bright
5	5500 5282-3	1			MOULDING, Door
	5500 5324-5	1			Black
					Bright, 1987-88
6	5500 5284-5	1			MOULDING, Door
	5500 5270-1	1			Black
					Bright, 1987-88
7	5500 5278-9	1			MOULDING, Door
	5500 5320-1	1			Black
					Bright, 1987-88
8	5501 5914-5	1			MOULDING, Drip
	5501 3670-1	1			Black
9					Bright
	5500 9294-5	1			APPLIQUE, Cab Rear Quarter
10	3420 2335	8			FASTENER
11	5500 5312-3	1			COVER (LESS MIRROR) ***
12	3420 1957	4			SCREW
13					CLIP
	5500 5384	AR			height = 24mm
	5500 5383	AR			height = 27mm
14	3500 2115	AR			CLIP
15	5500 7673	2			EXHAUSTER, Air
16	5500 5430-1	1			GASKET
17	3420 1957	2			SCREW

**MODEL CODES:**

15 = Grand Wagoneer 4 Dr.	65 = Comanche 4WD-7 Ft. Box	77 = Cherokee 4WD-2 Dr.
25 = J-10 Pickup-119" W.B.	66 = Comanche 2WD-7 Ft. Box	78 = Cherokee 4WD-4 Dr.
26 = J-10 Pickup-131" W.B.	73 = Cherokee 2WD-2 Dr.	79 = Cherokee 4WD-4 Dr.-Com
27 = J-20 Pickup-131" W.B.	74 = Cherokee 2WD-4 Dr.	81 = Wrangler-93" W.B.
63 = Comanche 4WD-6 Ft. Box	75 = Wagoneer 4WD-4 Dr.	82 = Wrangler-103" W.B.-Exp.
64 = Comanche 2WD-6 Ft. Box		

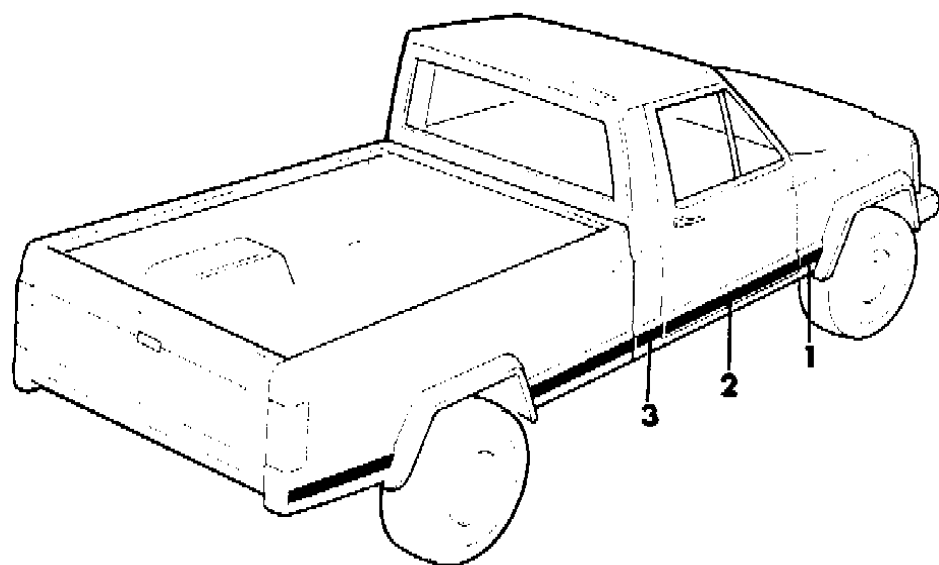
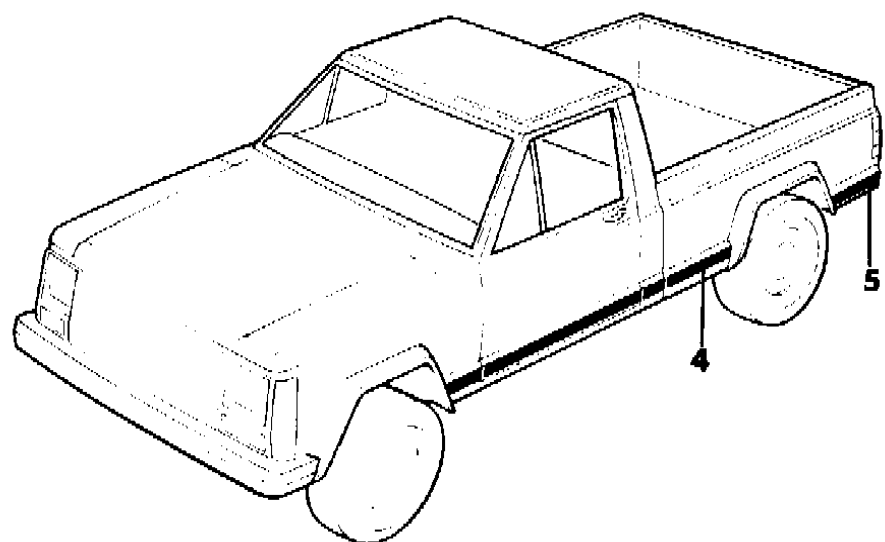
**BODY STYLES:**

MJ = Comanche Pickup  
 SJ = Grand Wagoneer Wgn., J-10 & J-20 Pickups  
 XJ = Cherokee, Wagoneer Limited  
 YJ = Wrangler

AR = Use as Required - = Non Illustrated Part P.A.R. = Paint as Required

**MOULDINGS, EXTERIOR, LOWER COMANCHE**  
**Figure 23-4400**

8J68 4400



ITEM	PART NUMBER	QTY	BODY	MODEL	DESCRIPTION
1					MOULDING, Fender
	5502 1784-5	1			Argent, 1988
	5500 3048-9	1			Black, 1987-89
	5AY68-9 JX9	1			Black, 1990
	5500 3166-7	1			Black/Chrome, 1987-89
2	5AJ52-3 JXZ	1			Black/Chrome, 1990
					MOULDING, Door
	5501 5528-9	1			Argent, 1988
	5500 3050-1	1			Black, 1987-89
	5AY70-1 JX9	1			Black, 1990
3	5500 3168-9	1			Black/Chrome, 1987-89
	5AJ58-9 JXZ	1			Black/Chrome, 1990
					MOULDING, Cab Rear Quarter
	5501 5570-1	1			Argent, 1988
	5500 6164-5	1			Black, 1987-89
4	5AY72-3 JX9	1			Black, 1990
	5500 6166-7	1			Black/Chrome, 1987-89
	5AJ64-5 JXZ	1			Black/Chrome, 1990
					MOULDING, Cargo Box Side w/7 ft. pickup box
	5501 5576-7	1			Argent, 1988
	5500 6168-9	1			Black, 1987-89
	5AY74-5 JX9	1			Black, 1990
	5500 6170-1	1			Black/Chrome, 1987-89
	5AJ66-7 JXZ	1			Black/Chrome, 1990
					w/6 ft. pickup box
5500 6168-9	1			Black, 1987-89, modification required	
5AY74-5 JX9	1			Black, 1990, modification required	
5500 9152-3	1			Black/Chrome, 1987-89	
5AJ70-1 JXZ	1			Black/Chrome, 1990	
5					MOULDING, Cargo Box Side w/7 ft. pickup box
	5501 5582-3	1			Argent, 1988
	5500 6172-3	1			Black, 1987-89
	5AY76-7 JX9	1			Black, 1990
	5500 6174-5	1			Black/Chrome, 1987-89
5AJ68-9 JXZ	1			Black/Chrome, 1990	

**MODEL CODES:**

15 = Grand Wagoneer 4 Dr.	65 = Comanche 4WD-7 Ft. Box	77 = Cherokee 4WD-2 Dr.
25 = J-10 Pickup-119" W.B.	66 = Comanche 2WD-7 Ft. Box	78 = Cherokee 4WD-4 Dr.
26 = J-10 Pickup-131" W.B.	73 = Cherokee 2WD-2 Dr.	79 = Cherokee 4WD-4 Dr.-Com
27 = J-20 Pickup-131" W.B.	74 = Cherokee 2WD-4 Dr.	81 = Wrangler-93" W.B.
63 = Comanche 4WD-6 Ft. Box	75 = Wagoneer 4WD-4 Dr.	82 = Wrangler-103" W.B.-Exp.
64 = Comanche 2WD-6 Ft. Box		

**BODY STYLES:**

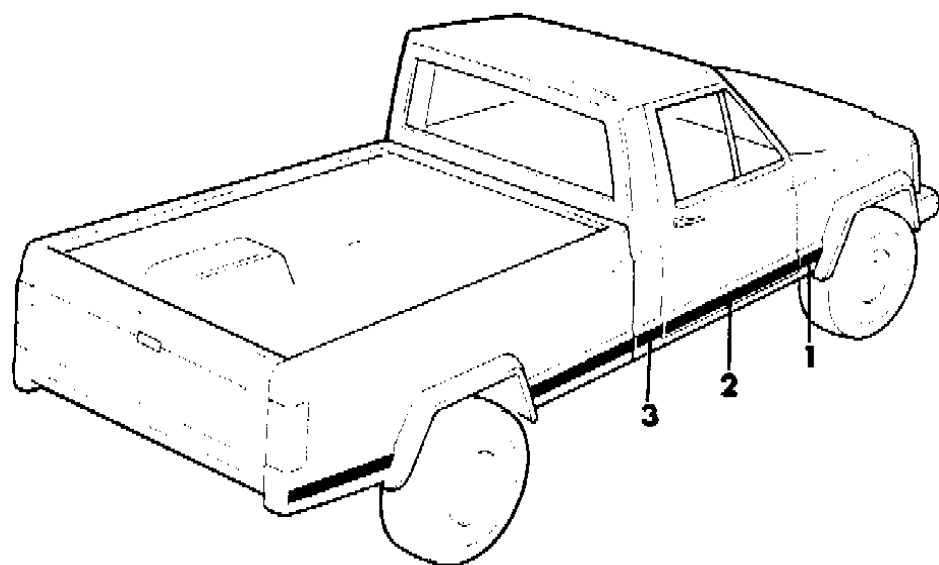
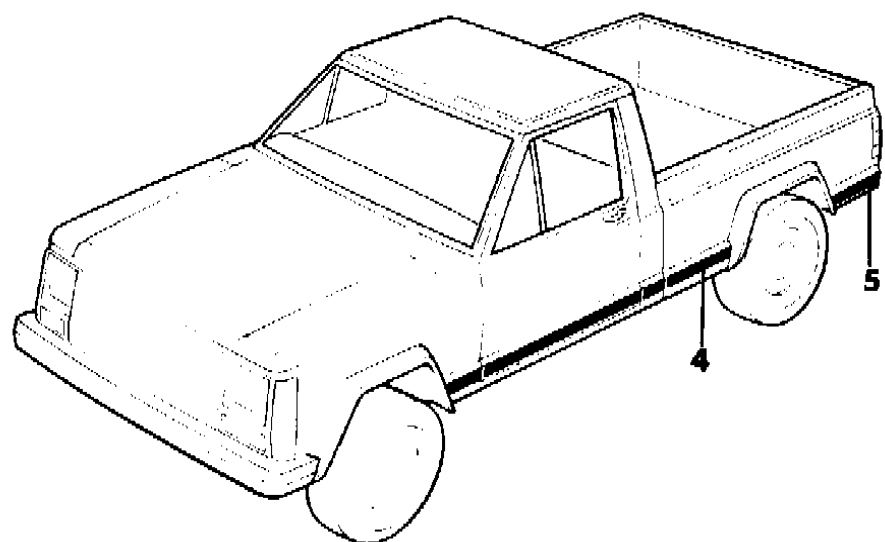
MJ = Comanche Pickup  
 SJ = Grand Wagoneer Wgn., J-10 & J-20 Pickups  
 XJ = Cherokee, Wagoneer Limited  
 YJ = Wrangler

AR = Use as Required - = Non Illustrated Part P.A.R. = Paint as Required

**MOULDINGS, EXTERIOR, LOWER COMANCHE**  
**Figure 23-4400**

**8J68 4400**

ITEM	PART NUMBER	QTY	BODY	MODEL	DESCRIPTION
					w/6 ft. pickup box
	5500 6172-3	1			Black, 1987/89, modification required
	5AY76-7 JX9	1			Black, 1990, modification required
	5500 9154-5	1			Black/Chrome, 1987-89
	5AJ72-3 JXZ	1			Black/Chrome, 1990



**MODEL CODES:**

- |                             |                             |                              |
|-----------------------------|-----------------------------|------------------------------|
| 15 = Grand Wagoneer 4 Dr.   | 65 = Comanche 4WD-7 Ft. Box | 77 = Cherokee 4WD-2 Dr.      |
| 25 = J-10 Pickup-119" W.B.  | 66 = Comanche 2WD-7 Ft. Box | 78 = Cherokee 4WD-4 Dr.      |
| 26 = J-10 Pickup-131" W.B.  | 73 = Cherokee 2WD-2 Dr.     | 79 = Cherokee 4WD-4 Dr.-Com  |
| 27 = J-20 Pickup-131" W.B.  | 74 = Cherokee 2WD-4 Dr.     | 81 = Wrangler-93" W.B.       |
| 63 = Comanche 4WD-6 Ft. Box | 75 = Wagoneer 4WD-4 Dr.     | 82 = Wrangler-103" W.B.-Exp. |
| 64 = Comanche 2WD-6 Ft. Box |                             |                              |

**BODY STYLES:**

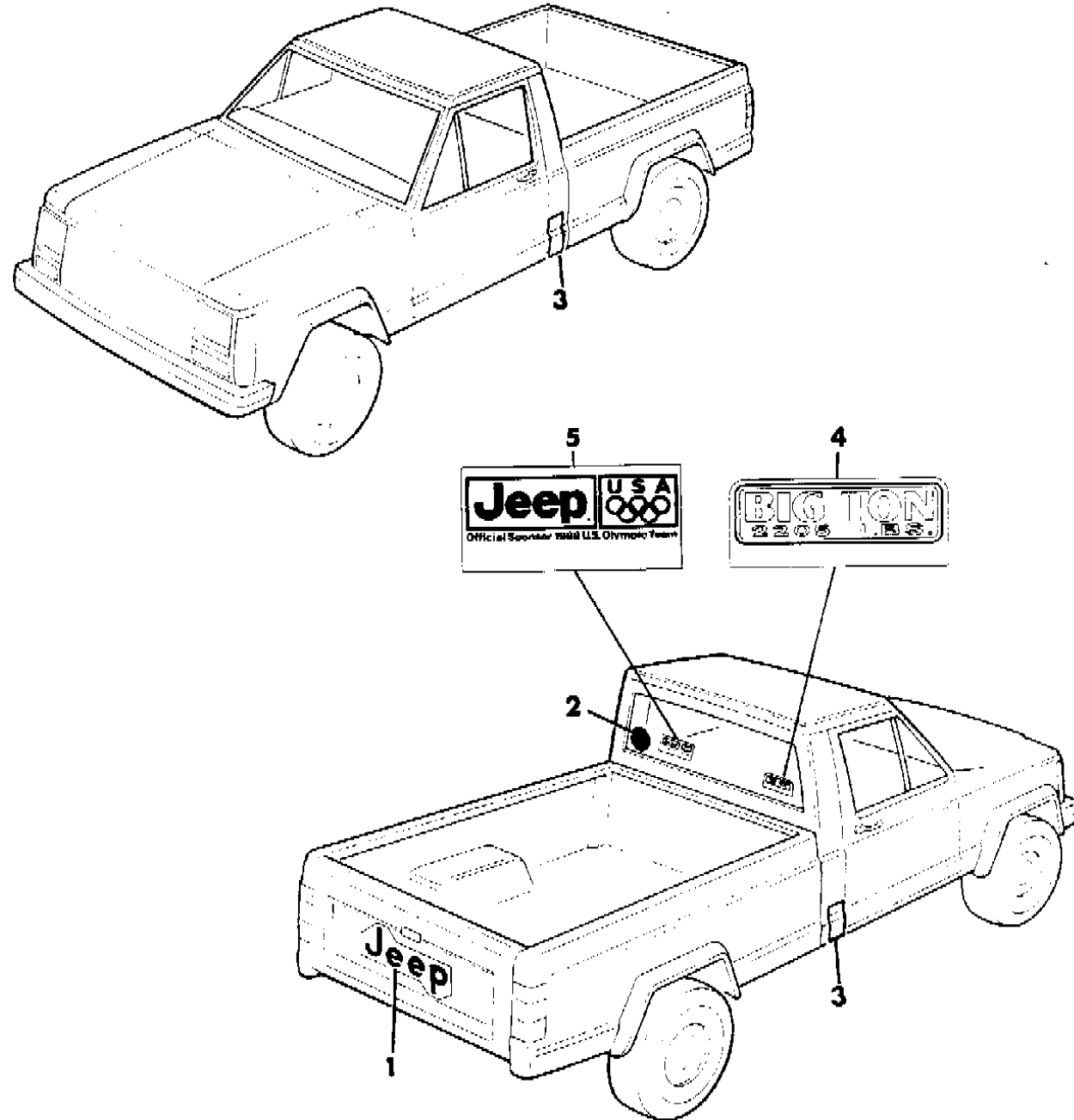
- MJ = Comanche Pickup  
 SJ = Grand Wagoneer Wgn., J-10 & J-20 Pickups  
 XJ = Cherokee, Wagoneer Limited  
 YJ = Wrangler

AR = Use as Required - = Non Illustrated Part P.A.R. = Paint as Required

DECALS, EXTERIOR BASE COMANCHE  
Figure 23-4500

8 J 68 4500

ITEM	PART NUMBER	QTY	BODY	MODEL	DESCRIPTION
1					DECAL, Tailgate
	5500 6262	1			Black, 1987-89
	5AE8 9JX9	1			Black, 1990
	5501 7112	1			Pearl White, 1988-89
	5AE8 9JW4	1			Pearl White, 1990
2	5501 6564	1			DECAL, "Off Road Package"
3	3501 9114-5	1			APPLIQUE, Cab Rear Quarter
4	5502 1150	1			DECAL, "Big Ton"
5	5502 0568	1			DECAL, "Olympic" 1988



MODEL CODES:

15 = Grand Wagoneer 4 Dr.	65 = Comanche 4WD-7 Ft. Box	77 = Cherokee 4WD-2 Dr.
25 = J-10 Pickup-119" W.B.	66 = Comanche 2WD-7 Ft. Box	78 = Cherokee 4WD-4 Dr.
26 = J-10 Pickup-131" W.B.	73 = Cherokee 2WD-2 Dr.	79 = Cherokee 4WD-4 Dr.-Com
27 = J-20 Pickup-131" W.B.	74 = Cherokee 2WD-4 Dr.	81 = Wrangler-93" W.B.
63 = Comanche 4WD-6 Ft. Box	75 = Wagoneer 4WD-4 Dr.	82 = Wrangler-103" W.B.-Exp.
64 = Comanche 2WD-6 Ft. Box		

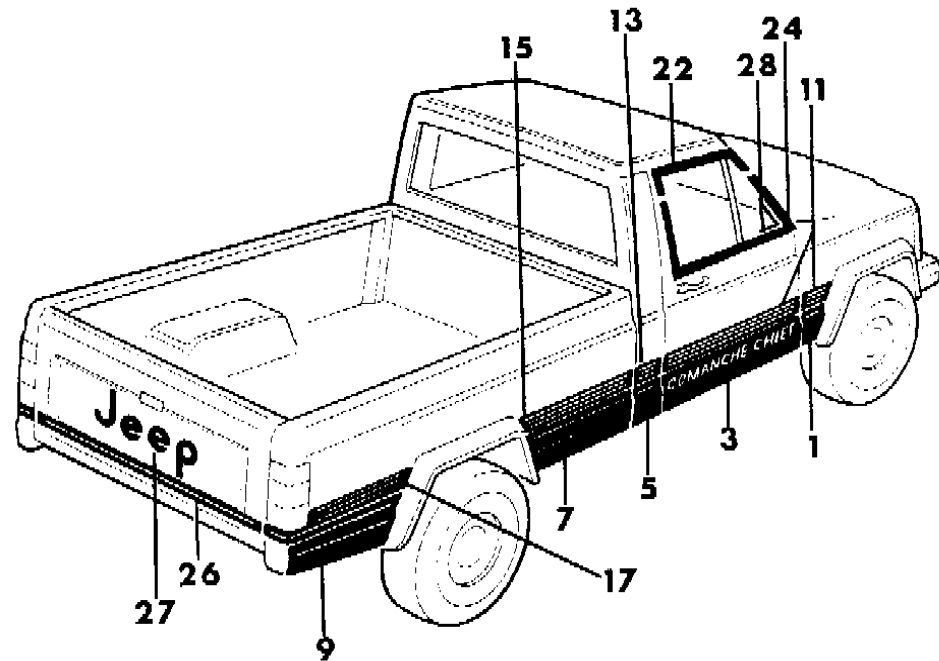
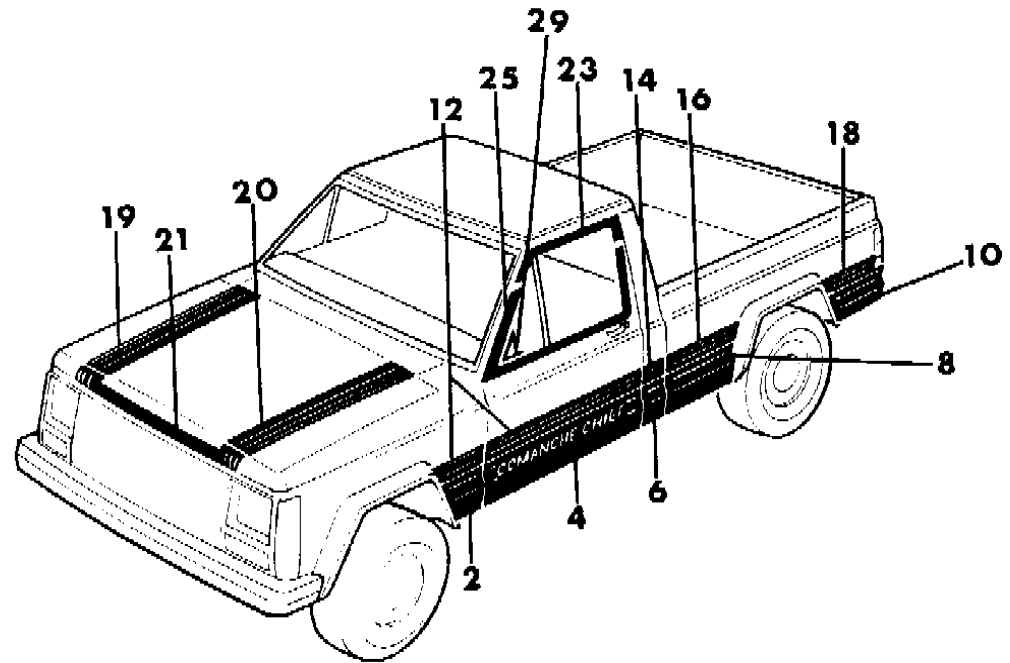
BODY STYLES:

MJ = Comanche Pickup  
 SJ = Grand Wagoneer Wgn., J-10 & J-20 Pickups  
 XJ = Cherokee, Wagoneer Limited  
 YJ = Wrangler

AR = Use as Required - = Non Illustrated Part P.A.R. = Paint as Required

DECALS, EXTERIOR CHIEF, 1987-89 COMANCHE  
Figure 23-4600

8J68 4600



ITEM	PART NUMBER	QTY	BODY	MODEL	DESCRIPTION
1-2	5501 5428-9	1			DECAL, Fender, Black
3-4	5501 5808-9	1			DECAL, Door, Black
5-6	5501 5810-1	1			DECAL, Cab Rear Quarter, Black
7-8	5501 5812-3	1			DECAL, Cargo Box Side, Black
9-10	5501 5818-9	1			DECAL, Cargo Box Side, Black
11-12	5501 5804-5	1			DECAL, Door, Black
13-14	5501 5822-3	1			DECAL, Cab Rear Quarter, Black
15-16	5501 5814-5	1			DECAL, Cargo Box Side, Black
17-18	5501 5816-7	1			DECAL, Cargo Box Side, Black
19-20	5501 5426-7	1			DECAL, Hood, Black
21	5501 5425	1			DECAL, Grille Panel, Black
22-23	5500 6800-1	1			DECAL, Door Frame, Black
24-25	5500 6798-9	1			DECAL, Door Frame, Black
26	5501 5820	1			DECAL, Tailgate, Black
27	5501 5868	1			DECAL, Tailgate, Black
28-29	5500 6220-1	1			DECAL, Door, Black

MODEL CODES:

15 = Grand Wagoneer 4 Dr.	65 = Comanche 4WD-7 Ft. Box	77 = Cherokee 4WD-2 Dr.
25 = J-10 Pickup-119" W.B.	66 = Comanche 2WD-7 Ft. Box	78 = Cherokee 4WD-4 Dr.
26 = J-10 Pickup-131" W.B.	73 = Cherokee 2WD-2 Dr.	79 = Cherokee 4WD-4 Dr.-Com
27 = J-20 Pickup-131" W.B.	74 = Cherokee 2WD-4 Dr.	81 = Wrangler-93" W.B.
63 = Comanche 4WD-6 Ft. Box	75 = Wagoneer 4WD-4 Dr.	82 = Wrangler-103" W.B.-Exp.
64 = Comanche 2WD-6 Ft. Box		

BODY STYLES:

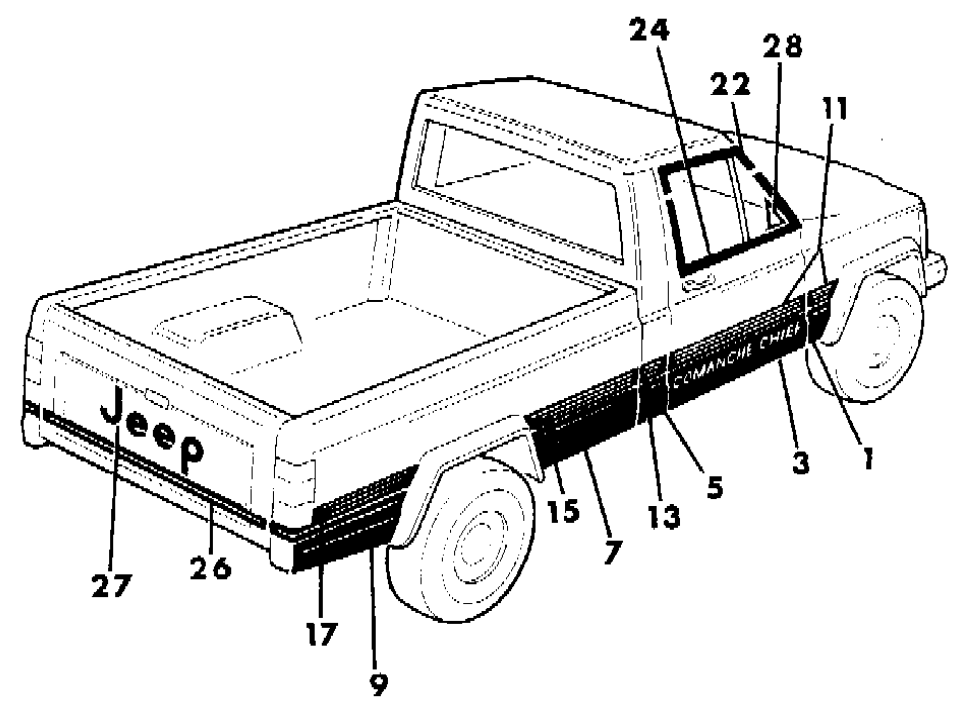
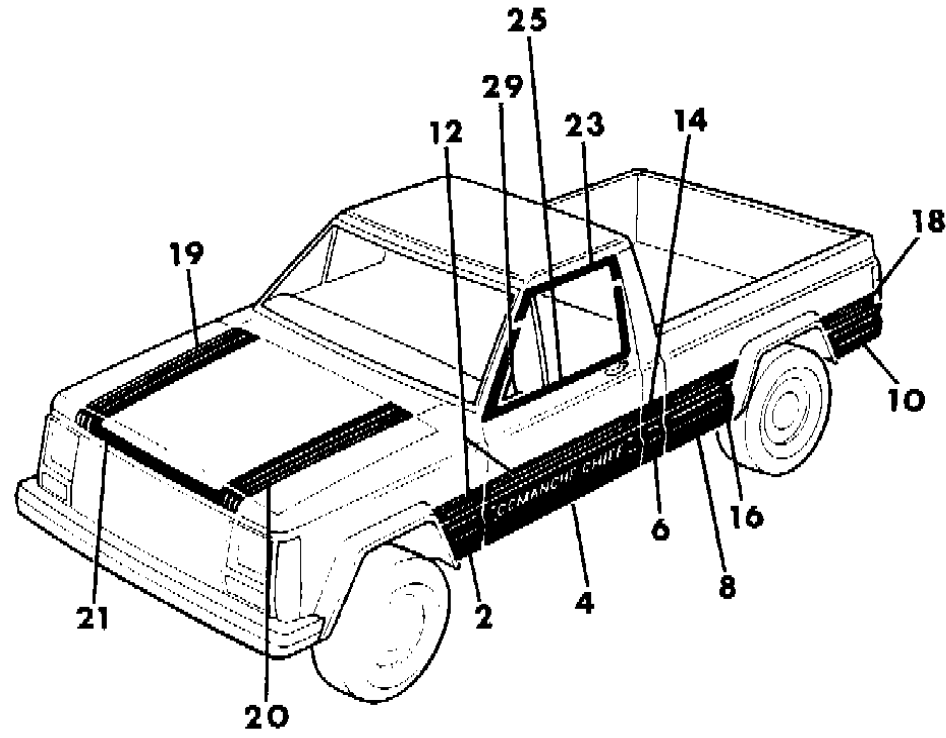
MJ = Comanche Pickup  
 SJ = Grand Wagoneer Wgn., J-10 & J-20 Pickups  
 XJ = Cherokee, Wagoneer Limited  
 YJ = Wrangler

AR = Use as Required - = Non Illustrated Part P.A.R. = Paint as Required

DECALS, EXTERIOR, LONG BED CHIEF-EXPORT, VENEZUELA, 1988-89 COMANCHE  
Figure 23-4700

8J68 4700

ITEM	PART NUMBER	QTY	BODY	MODEL	DESCRIPTION
1-2	5501 5428-9	1			DECAL, Fender, Black
3-4	5501 5808-9	1			DECAL, Door, Black
5-6	5501 5810-1	1			DECAL, Cab Rear Quarter, Black
7-8	5502 0544-5	1			DECAL, Cargo Box Side, Black
9-10	5502 0548-9	1			DECAL, Cargo Box Side, Black
11-12	5501 5804-5	1			DECAL, Door, Black
13-14	5501 5822-3	1			DECAL, Cab Rear Quarter, Black
15-16	5502 0542-3	1			DECAL, Cargo Box Side, Black
17-18	5502 0546-7	1			DECAL, Cargo Box Side, Black
19-20	5501 5426-7	1			DECAL, Hood, Black
21	5501 5425	1			DECAL, Grille Panel, Black
22-23	5500 6800-1	1			DECAL, Door Frame, Black
24-25	5500 6798-9	1			DECAL, Door Frame, Black
26	5501 5820	1			DECAL, Tailgate, Black
27	5501 5868	1			DECAL, Tailgate, Black
28-29	5500 6220-1	1			DECAL, Door, Black



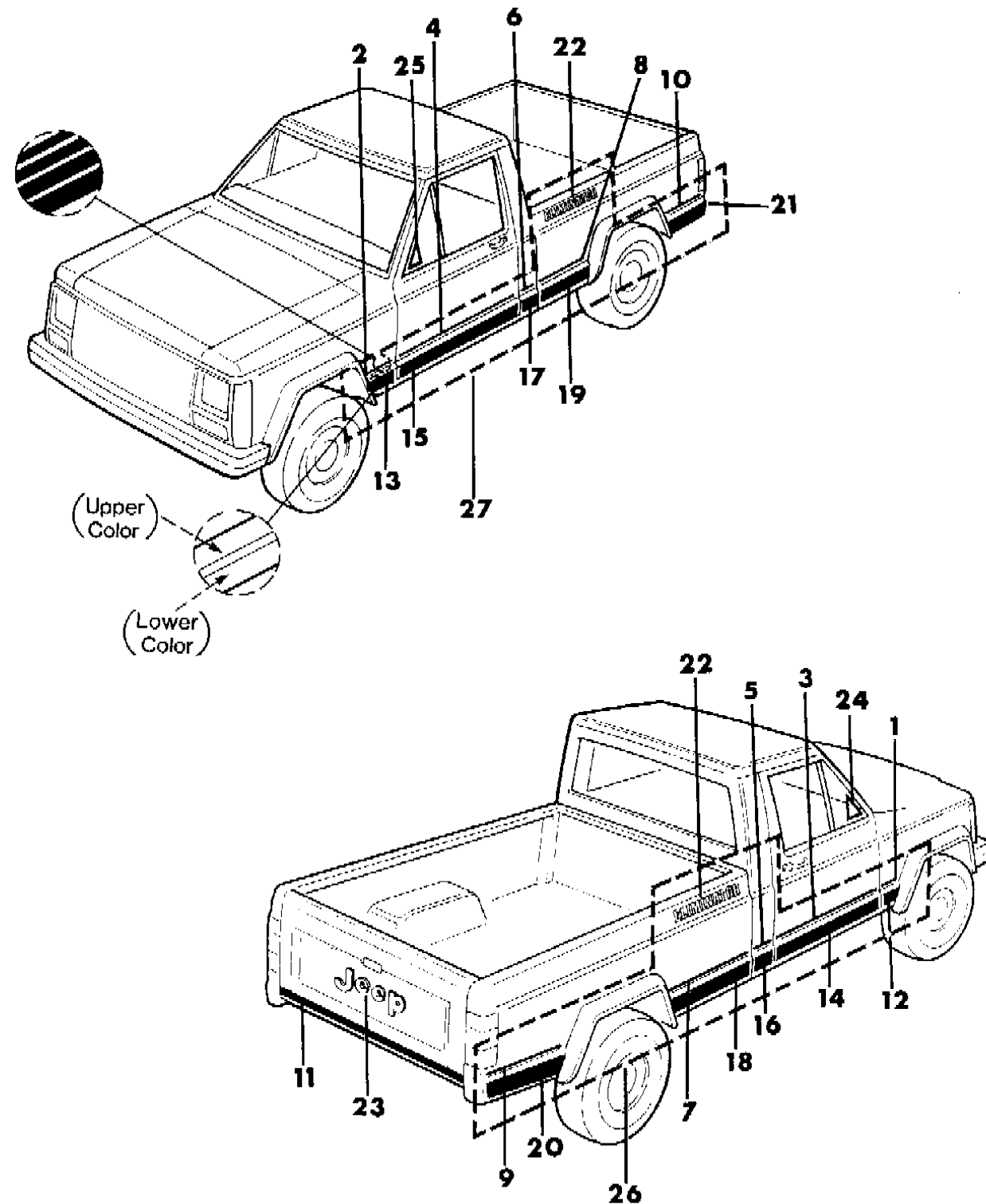
MODEL CODES:  
 15 = Grand Wagoneer 4 Dr.      65 = Comanche 4WD-7 Ft. Box      77 = Cherokee 4WD-2 Dr.  
 25 = J-10 Pickup-119" W.B.      66 = Comanche 2WD-7 Ft. Box      78 = Cherokee 4WD-4 Dr.  
 26 = J-10 Pickup-131" W.B.      73 = Cherokee 2WD-2 Dr.      79 = Cherokee 4WD-4 Dr.-Com  
 27 = J-20 Pickup-131" W.B.      74 = Cherokee 2WD-4 Dr.      81 = Wrangler-93" W.B.  
 63 = Comanche 4WD-6 Ft. Box      75 = Wagoneer 4WD-4 Dr.      82 = Wrangler-103" W.B.-Exp.  
 64 = Comanche 2WD-6 Ft. Box

BODY STYLES:  
 MJ = Comanche Pickup  
 SJ = Grand Wagoneer Wgn., J-10 & J-20 Pickups  
 XJ = Cherokee, Wagoneer Limited  
 YJ = Wrangler

AR = Use as Required - = Non Illustrated Part P.A.R. = Paint as Required

DECALS, EXTERIOR ELIMINATOR, 1988-90 COMANCHE  
Figure 23-4800

8J68 4800 A



ITEM	PART NUMBER	QTY	BODY	MODEL	DESCRIPTION
1-2	5502 0036-7	1			DECAL, Fender, Silver, 1988-89
3-4	5502 0040-1	1			DECAL, Door, Silver, 1988-89
5-6	5502 0044-5	1			DECAL, Cab Rear Quarter, Silver, 1988-89
7-8	5502 0048-9	1			DECAL, Cargo Box Side, Silver, 1988-89
9-10	5502 0052-3	1			DECAL, Cargo Box Side, Silver, 1988-89
11					DECAL, Tailgate
	5502 0058	1			Silver, 1988-89
	5AM6 4JAU	1			Silver Metallic/Silver, 1990
12-13	5502 0038-9	1			DECAL, Fender, Silver/Sterling, 1988-89
14-15	5502 0042-3	1			DECAL, Door, Silver/Sterling, 1988-89
16-17	5502 0046-7	1			DECAL, Cab Rear Quarter, Silver/Sterling, 1988-89
18-19	5502 0050-1	1			DECAL, Cargo Box Side, Silver/Sterling, 1988-89
20-21	5502 0054-5	1			DECAL, Cargo Box Side, Silver/Sterling, 1988-89
22	5502 0056	1			DECAL, Cargo Box Side, Silver, 1988-89
23					DECAL, "Jeep"
	5501 3102	1			Sterling, 1988-89
	5AE8 9JA2	1			Sterling, 1990
24-25	5500 6220-1	1			DECAL, Door, Black
26-27	5252 756-7	1			DECAL KIT, Body Side, Silver/Metalic Silver, 1990 ***

MODEL CODES:

15 = Grand Wagoneer 4 Dr.	65 = Comanche 4WD-7 Ft. Box	77 = Cherokee 4WD-2 Dr.
25 = J-10 Pickup-119" W.B.	66 = Comanche 2WD-7 Ft. Box	78 = Cherokee 4WD-4 Dr.
26 = J-10 Pickup-131" W.B.	73 = Cherokee 2WD-2 Dr.	79 = Cherokee 4WD-4 Dr.-Com
27 = J-20 Pickup-131" W.B.	74 = Cherokee 2WD-4 Dr.	81 = Wrangler-93" W.B.
63 = Comanche 4WD-6 Ft. Box	75 = Wagoneer 4WD-4 Dr.	82 = Wrangler-103" W.B.-Exp.
64 = Comanche 2WD-6 Ft. Box		

BODY STYLES:

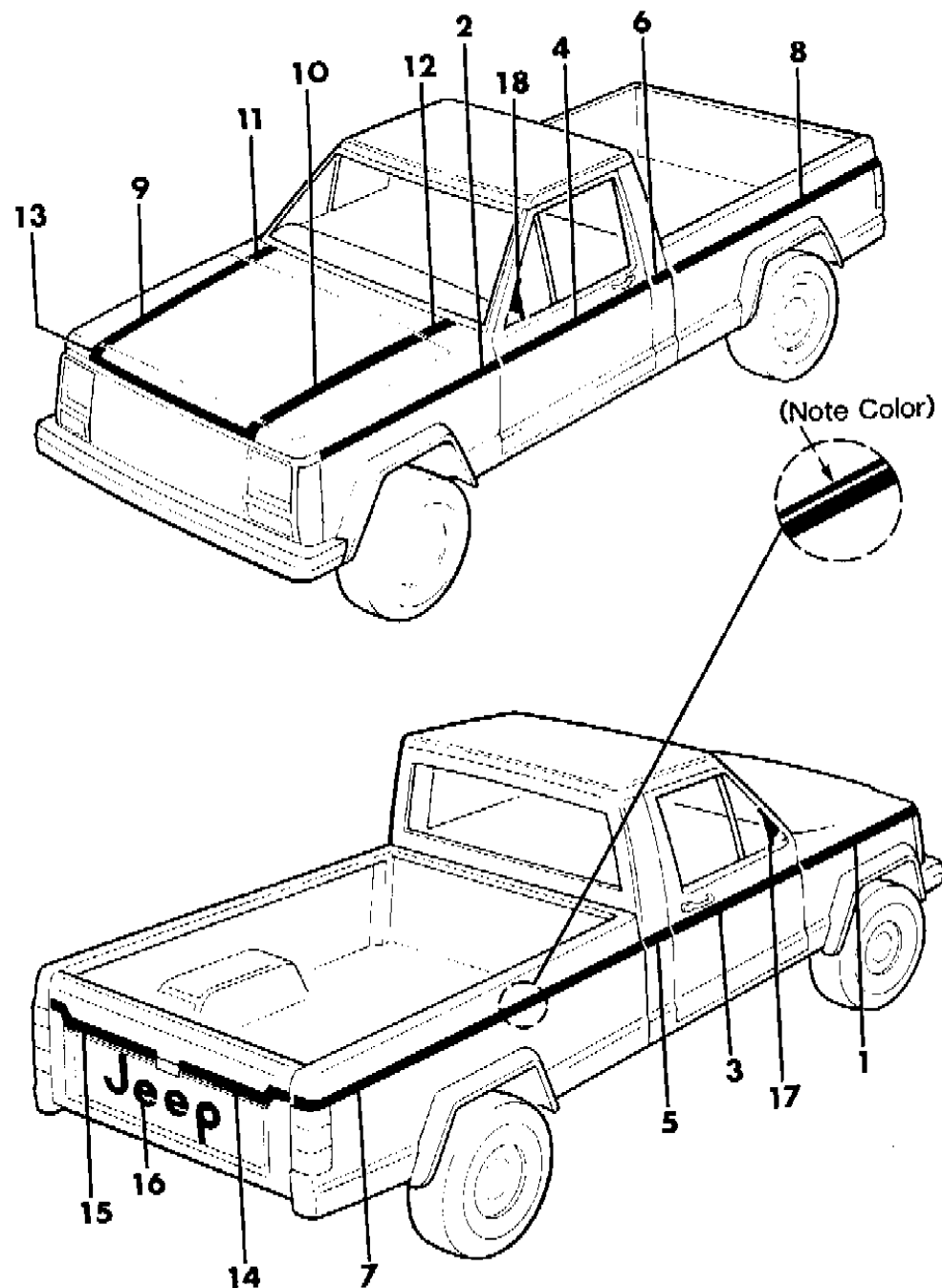
MJ = Comanche Pickup  
 SJ = Grand Wagoneer Wgn., J-10 & J-20 Pickups  
 XJ = Cherokee, Wagoneer Limited  
 YJ = Wrangler

AR = Use as Required - = Non Illustrated Part P.A.R. = Paint as Required



DECALS, EXTERIOR LAREDO, 1987 COMANCHE  
Figure 23-4890

8J68 4890



ITEM	PART NUMBER	QTY	BODY	MODEL	DESCRIPTION
1-2					DECAL, Fender
	5500 5972-3	1			Dark Red
	5501 4768-9	1			Almond
	5501 4752-3	1			Silver
3-4					DECAL, Door, (MR)
	5501 0446-7	1			Dark Red
	5501 4922-3	1			Almond
	5501 4914-5	1			Silver
5-6					DECAL, Cab Rear Quarter
	5501 0440-1	1			Dark Red
	5501 4920-1	1			Almond
	5501 4912-3	1			Silver
7-8					DECAL, Cargo Box Side
	5501 0446-7	1			Dark Red
	5501 4922-3	1			Almond
	5501 4914-5	1			Silver
9-10					DECAL, Hood, (MR)
	5501 0446-7	1			Dark Red
	5501 4922-3	1			Almond
	5501 4914-5	1			Silver
11-12					DECAL, Cowl
	5500 5970-1	1			Dark Red
	5501 4766-7	1			Almond
	5501 4750-1	1			Silver
13					DECAL, Grille Panel
	5500 5966	1			Dark Red
	5501 4763	1			Almond
	5501 4747	1			Silver
14-15					DECAL, Tailgate
	5501 3638-9	1			Dark Red
	5501 4924-5	1			Almond
	5501 4916-7	1			Silver
16					DECAL, Jeep
	5501 0455	1			Dark Red
	5501 4926	1			Almond
	5501 4918	1			Silver
17-18	5500 6220-1	1			DECAL, Door (Black)

MODEL CODES:

15 = Grand Wagoneer 4 Dr.	65 = Comanche 4WD-7 Ft. Box	77 = Cherokee 4WD-2 Dr.
25 = J-10 Pickup-119" W.B.	66 = Comanche 2WD-7 Ft. Box	78 = Cherokee 4WD-4 Dr.
26 = J-10 Pickup-131" W.B.	73 = Cherokee 2WD-2 Dr.	79 = Cherokee 4WD-4 Dr.-Com
27 = J-20 Pickup-131" W.B.	74 = Cherokee 2WD-4 Dr.	81 = Wrangler-93" W.B.
63 = Comanche 4WD-6 Ft. Box	75 = Wagoneer 4WD-4 Dr.	82 = Wrangler-103" W.B.-Exp.
64 = Comanche 2WD-6 Ft. Box		

BODY STYLES:

MJ = Comanche Pickup  
 SJ = Grand Wagoneer Wgn., J-10 & J-20 Pickups  
 XJ = Cherokee, Wagoneer Limited  
 YJ = Wrangler

AR = Use as Required - = Non Illustrated Part P.A.R. = Paint as Required

DECALS, EXTERIOR LAREDO, 1988 COMANCHE  
Figure 23-4900

8J68 4900

ITEM	PART NUMBER	QTY	BODY	MODEL	DESCRIPTION
1-2	5501 9410-1	1			DECAL, Fender, Light Silver/Argent, (MR)
3-4	5501 9410-1	1			DECAL, Door, Light Silver/Argent, (MR)
5-6	5501 9410-1	1			DECAL, Cab Rear Quarter, Light Silver/Argent, (MR)
7-8	5501 9410-1	1			DECAL, Cargo Box Side, Light Silver/Argent, (MR)
9-10	5501 6940-1	1			DECAL, Cargo Box Side, Light Silver/Argent, (MR)
11	5501 6942	1			DECAL, Tailgate, Light Silver/Argent
12-13	5501 9446-7	1			DECAL, Door Frame, Light Silver/Argent
14	5501 6926	1			DECAL, Grille Panel, Argent/Light Silver
15-16	5501 6928-9	1			DECAL, Hood, Argent/Light Silver
17-18	5501 6930-1	1			DECAL, Cowl, Argent/Light Silver
19-20	5501 9448-9	1			DECAL, Door Frame, Argent/Light Silver
21-22	5501 9462-3	1			DECAL, Cab Rear Quarter, Argent/Light Silver
23-24	5501 9422-3	1			DECAL, Fender, Grey Textured
25-26	5501 9426-7	1			DECAL, Fender, Grey Textured
27-28	5501 9434-5	1			DECAL, Cab Rear Quarter, Grey Textured
29-30	5501 9436-7	1			DECAL, Cargo Box Side, Grey Textured
31-32	5501 9440-1	1			DECAL, Cargo Box Side, Grey Textured
33	5501 9421	1			DECAL, Tailgate, Grey Textured
34-35	5500 6220-1	1			DECAL, Door, Black
36	5501 3102	1			DECAL, "Jeep", Sterling

(MR) Modification Required. (A) For 1987, two types of instrument clusters were used. On type one, Clusters, the odometer numbers are rounded, the Speedometer face has (2) slotte

---



---



---



---



---

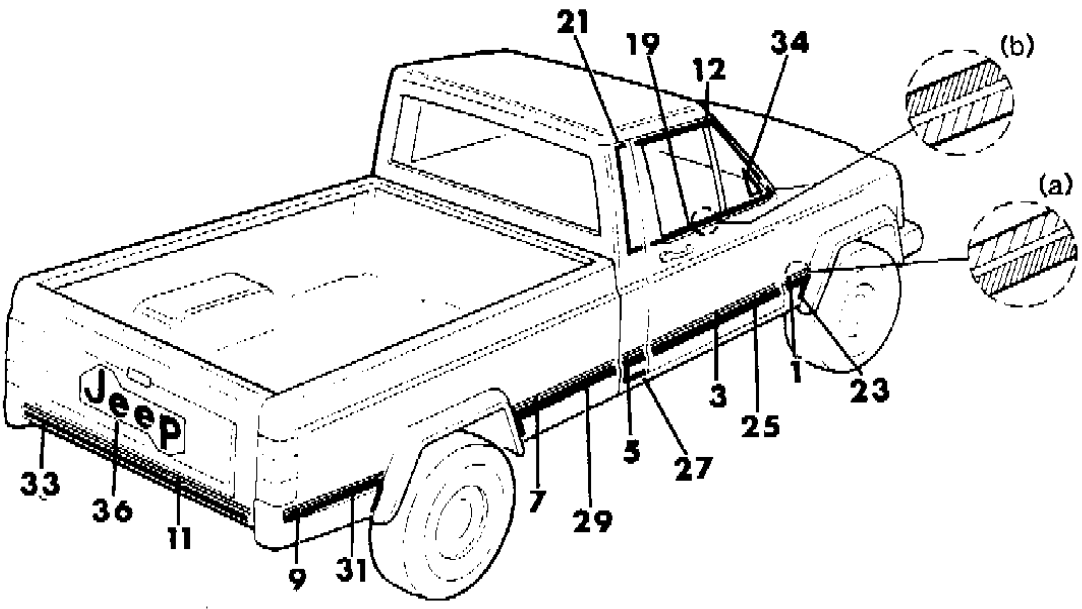
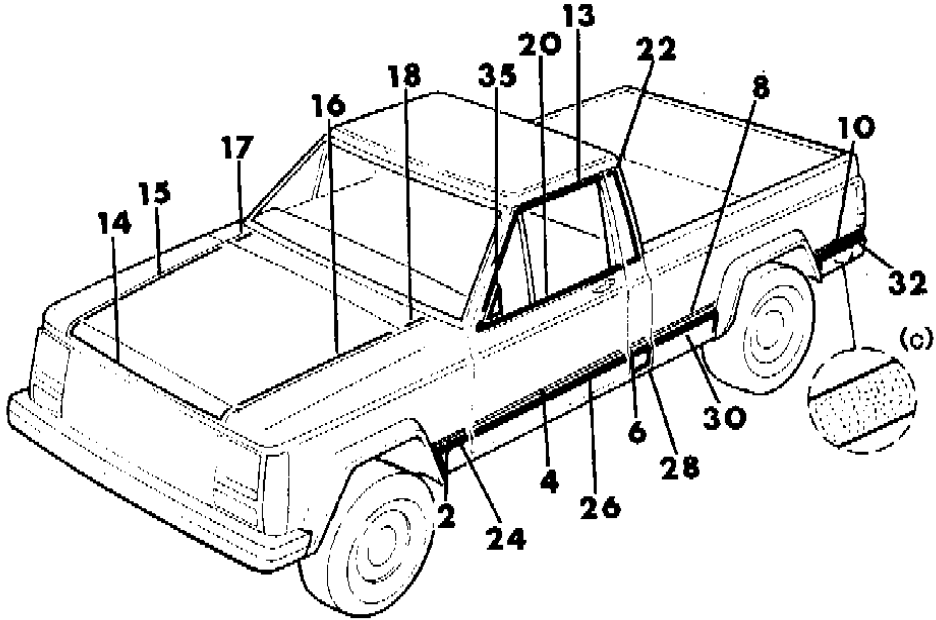


---

- MODEL CODES:
- |                             |                             |                              |
|-----------------------------|-----------------------------|------------------------------|
| 15 = Grand Wagoneer 4 Dr.   | 65 = Comanche 4WD-7 Ft. Box | 77 = Cherokee 4WD-2 Dr.      |
| 25 = J-10 Pickup-119" W.B.  | 66 = Comanche 2WD-7 Ft. Box | 78 = Cherokee 4WD-4 Dr.      |
| 26 = J-10 Pickup-131" W.B.  | 73 = Cherokee 2WD-2 Dr.     | 79 = Cherokee 4WD-4 Dr.-Com  |
| 27 = J-20 Pickup-131" W.B.  | 74 = Cherokee 2WD-4 Dr.     | 81 = Wrangler-93" W.B.       |
| 63 = Comanche 4WD-6 Ft. Box | 75 = Wagoneer 4WD-4 Dr.     | 82 = Wrangler-103" W.B.-Exp. |
| 64 = Comanche 2WD-6 Ft. Box |                             |                              |

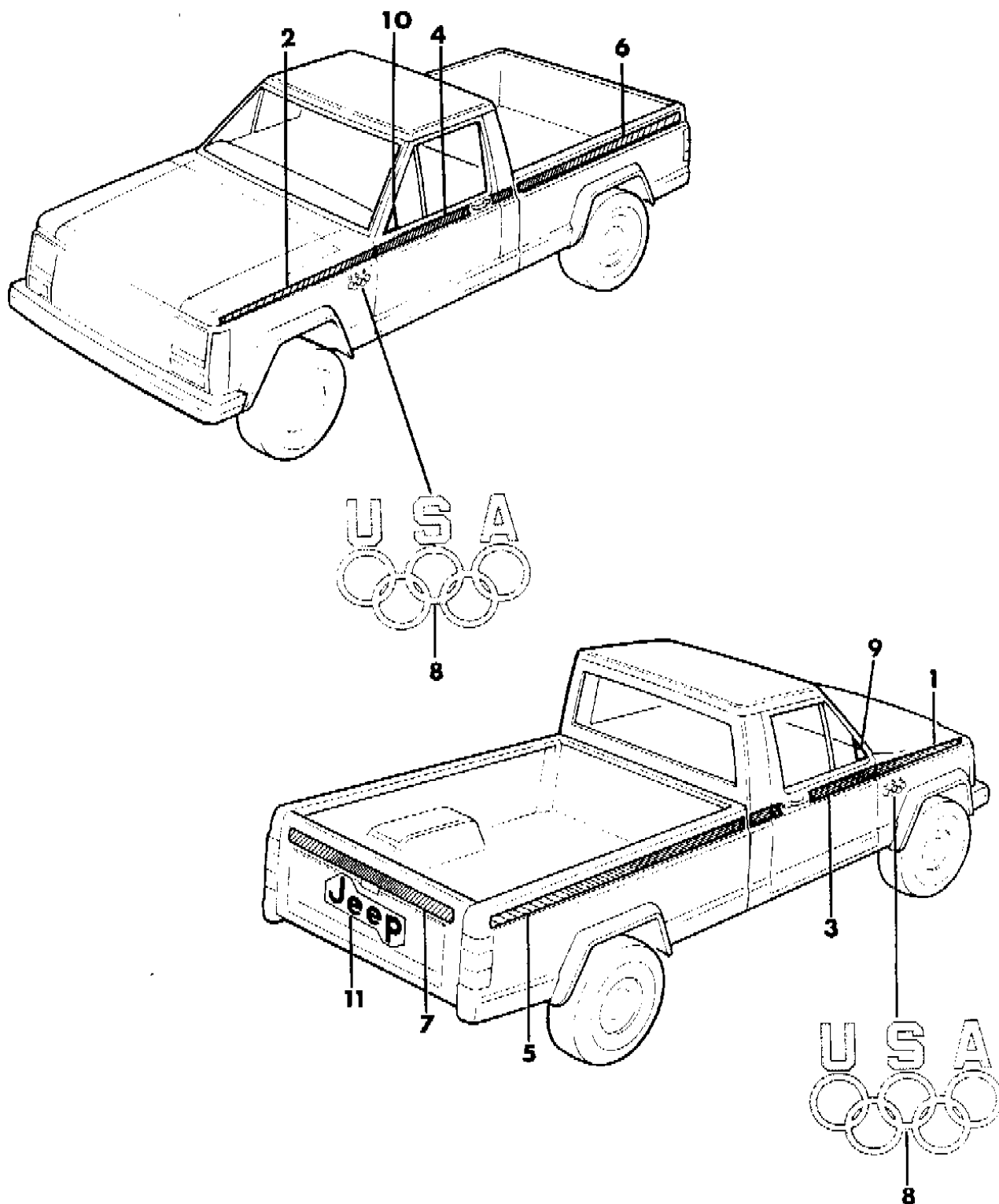
- BODY STYLES:
- MJ = Comanche Pickup
  - SJ = Grand Wagoneer Wgn., J-10 & J-20 Pickups
  - XJ = Cherokee, Wagoneer Limited
  - YJ = Wrangler

AR = Use as Required - = Non Illustrated Part P.A.R. = Paint as Required



DECALS, EXTERIOR OLYMPIC, 1988 COMANCHE  
Figure 23-5000

8J68 5000



ITEM	PART NUMBER	QTY	BODY	MODEL	DESCRIPTION
1-2	5502 1406-7	1			DECAL, Fender, Gold
3-4	5502 1408-9	1			DECAL, Door And Quarter, Gold
5-6	5502 1410-1	1			DECAL, Cargo Box Side, Gold, (MR) for 6' pickup box applications
7	5502 1412	1			DECAL, Tailgate, Gold
8	5502 1413	2			DECAL, "Olympic", Gold
9-10	5500 6220-1	1			DECAL, Door, Black
11	5502 1414	1			DECAL, "Jeep", Gold

(MR) Modification Required. (A) For 1987, two types of instrument clusters were used. On type one, Clusters, the odometer numbers are rounded, the Speedometer face has (2) slotte

MODEL CODES:

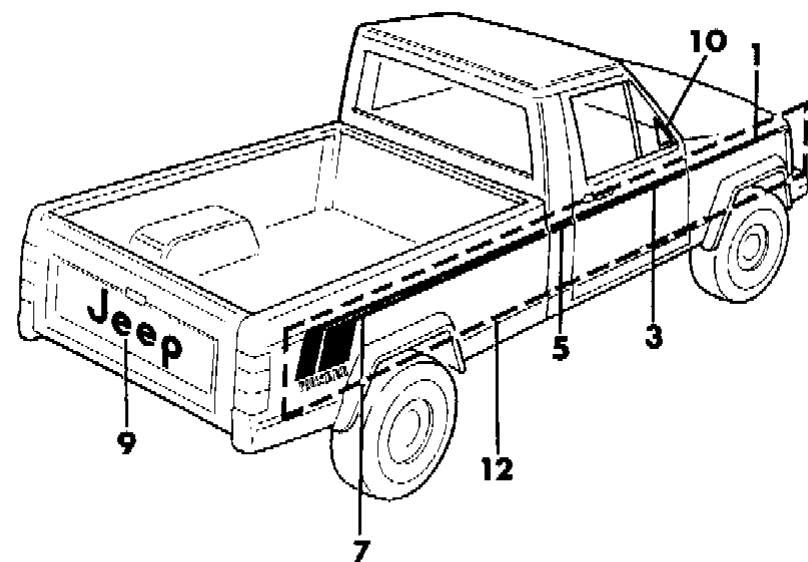
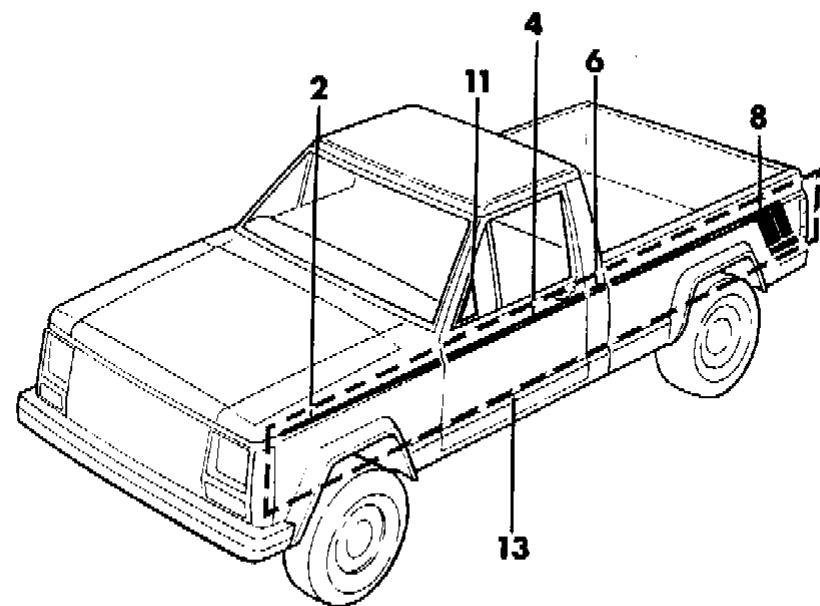
15 = Grand Wagoneer 4 Dr.	65 = Comanche 4WD-7 Ft. Box	77 = Cherokee 4WD-2 Dr.
25 = J-10 Pickup-119" W.B.	66 = Comanche 2WD-7 Ft. Box	78 = Cherokee 4WD-4 Dr.
26 = J-10 Pickup-131" W.B.	73 = Cherokee 2WD-2 Dr.	79 = Cherokee 4WD-4 Dr.-Com
27 = J-20 Pickup-131" W.B.	74 = Cherokee 2WD-4 Dr.	81 = Wrangler-93" W.B.
63 = Comanche 4WD-6 Ft. Box	75 = Wagoneer 4WD-4 Dr.	82 = Wrangler-103" W.B.-Exp.
64 = Comanche 2WD-6 Ft. Box		

BODY STYLES:  
 MJ = Comanche Pickup  
 SJ = Grand Wagoneer Wgn., J-10 & J-20 Pickups  
 XJ = Cherokee, Wagoneer Limited  
 YJ = Wrangler

AR = Use as Required - = Non Illustrated Part P.A.R. = Paint as Required

DECALS, EXTERIOR PIONEER, 1988-90 COMANCHE  
Figure 23-5100

8J68 5100 A



ITEM	PART NUMBER	QTY	BODY	MODEL	DESCRIPTION
1-2					DECAL, Fender
	5501 9954-5	1			Red/Dark Red, 1988-89
	5501 9934-5	1			Light Silver/Dark Silver, 1988-89
	5501 9944-5	1			Light Tan/Dark Tan, 1988
	5502 1700-1	1			Light Sand Tan/Dark Sand Tan, 1989
3-4					DECAL, Door
	5501 9956-7	1			Red/Dark Red, 1988-89
	5501 9936-7	1			Light Silver/Dark Silver, 1988-89
	5501 9946-7	1			Light Tan/Dark Tan, 1988
	5502 1702-3	1			Light Sand Tan/Dark Sand Tan, 1989
5-6					DECAL, Cab Rear Quarter
	5501 9958-9	1			Red/Dark Red, 1988-89
	5501 9938-9	1			Light Silver/Dark Silver, 1988-89
	5501 9948-9	1			Light Tan/Dark Tan, 1988
	5502 1704-5	1			Light Sand Tan/Dark Sand Tan, 1989
7-8					DECAL, Cargo Box Side, w/6 ft. pickup box
	5501 9960-1	1			Red/Dark Red, 1988-89
	5501 9940-1	1			Light Silver/Dark Silver, 1988-89
	5501 9950-1	1			Light Tan/Dark Tan, 1988
	5502 1706-7	1			Light Sand Tan/Dark Sand Tan, 1989
					DECAL, Cargo Box Side, w/7 ft. pickup box
	5501 9962-3	1			Red/Dark Red, 1988-89
	5501 9942-3	1			Light Silver/Dark Silver, 1988-89
	5501 9952-3	1			Light Tan/Dark Tan, 1988
	5502 1708-9	1			Light Sand Tan/Dark Sand Tan, 1989
9					DECAL, "Jeep"
					Red
	5501 9159	1			1988-89
	5AE8 9JR4	1			1990
					Medium Silver
	5501 5498	1			1988-89
	5AE8 9JA5	1			1990
	5501 5499	1			Tan, 1988
					Sand
	5502 1699	1			1989
	5AE8 9JK2	1			1990
10-11	5500 6220-1	1			DECAL, Door, Black

MODEL CODES:

15 = Grand Wagoneer 4 Dr.	65 = Comanche 4WD-7 Ft. Box	77 = Cherokee 4WD-2 Dr.
25 = J-10 Pickup-119" W.B.	66 = Comanche 2WD-7 Ft. Box	78 = Cherokee 4WD-4 Dr.
26 = J-10 Pickup-131" W.B.	73 = Cherokee 2WD-2 Dr.	79 = Cherokee 4WD-4 Dr.-Com
27 = J-20 Pickup-131" W.B.	74 = Cherokee 2WD-4 Dr.	81 = Wrangler-93" W.B.
63 = Comanche 4WD-6 Ft. Box	75 = Wagoneer 4WD-4 Dr.	82 = Wrangler-103" W.B.-Exp.
64 = Comanche 2WD-6 Ft. Box		

BODY STYLES:

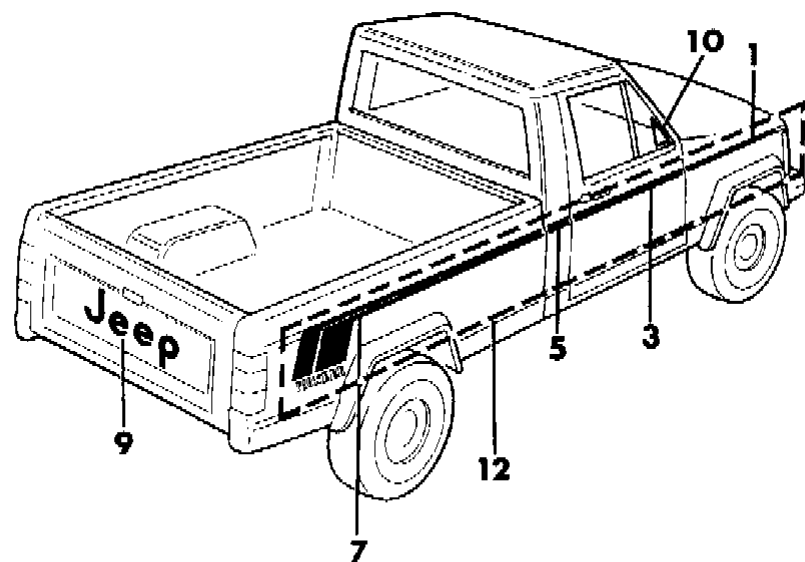
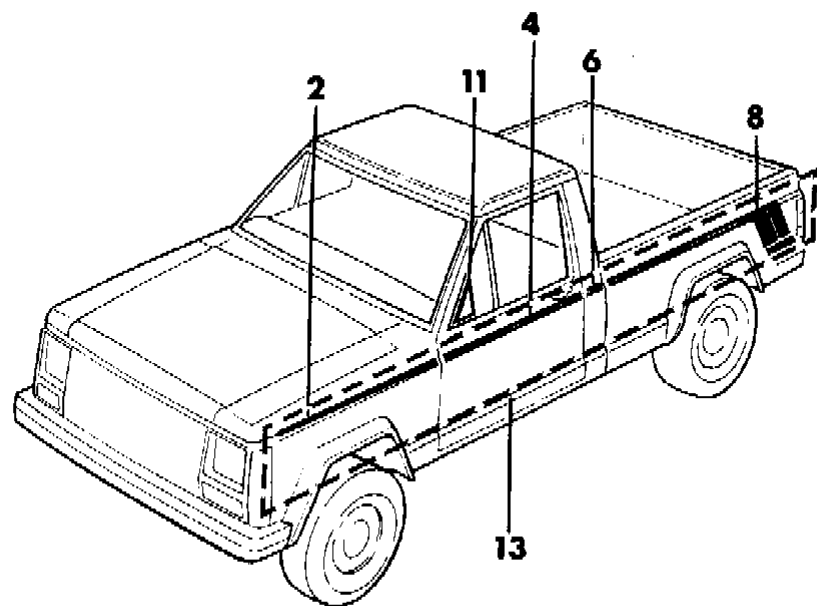
MJ = Comanche Pickup  
 SJ = Grand Wagoneer Wgn., J-10 & J-20 Pickups  
 XJ = Cherokee, Wagoneer Limited  
 YJ = Wrangler

AR = Use as Required - = Non Illustrated Part P.A.R. = Paint as Required

DECALS, EXTERIOR PIONEER, 1988-90 COMANCHE  
Figure 23-5100

8J68 5100 A

ITEM	PART NUMBER	QTY	BODY	MODEL	DESCRIPTION
12-13					DECAL KIT, Body Side ***
					Red/Dark Red
	5252 798-9	1			1990 with 6 foot box
	5252 804-5	1			1990 with 7 foot box
					Light Silver/Dark Silver
	5252 794-5	1			1990 with 6 foot box
	5252 540-1	1			1990 with 7 foot box
					Light Sand/Dark Sand
	5252 796-7	1			1990 with 6 foot box
	5252 634-5	1			1990 with 7 foot box



MODEL CODES:

15 = Grand Wagoneer 4 Dr.	65 = Comanche 4WD-7 Ft. Box	77 = Cherokee 4WD-2 Dr.
25 = J-10 Pickup-119" W.B.	66 = Comanche 2WD-7 Ft. Box	78 = Cherokee 4WD-4 Dr.
26 = J-10 Pickup-131" W.B.	73 = Cherokee 2WD-2 Dr.	79 = Cherokee 4WD-4 Dr.-Com
27 = J-20 Pickup-131" W.B.	74 = Cherokee 2WD-4 Dr.	81 = Wrangler-93" W.B.
63 = Comanche 4WD-6 Ft. Box	75 = Wagoneer 4WD-4 Dr.	82 = Wrangler-103" W.B.-Exp.
64 = Comanche 2WD-6 Ft. Box		

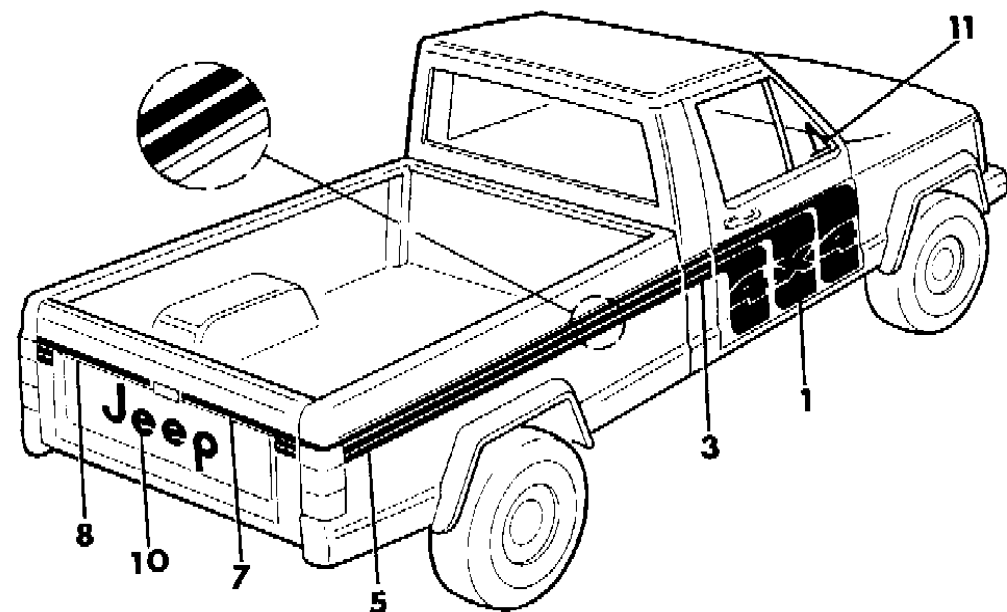
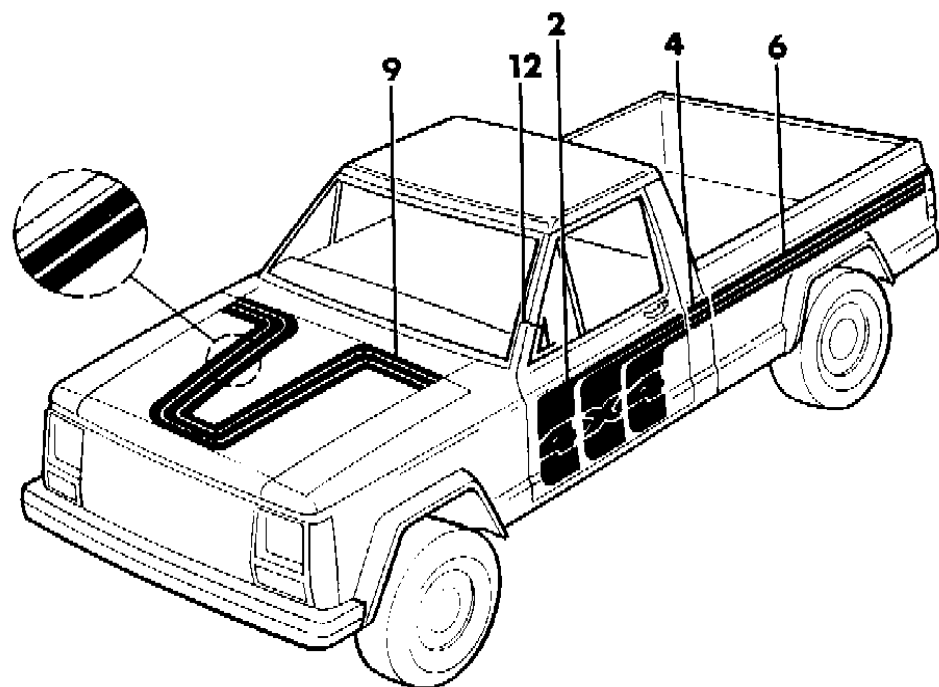
BODY STYLES:

MJ = Comanche Pickup  
 SJ = Grand Wagoneer Wgn., J-10 & J-20 Pickups  
 XJ = Cherokee, Wagoneer Limited  
 YJ = Wrangler

AR = Use as Required - = Non Illustrated Part P.A.R. = Paint as Required

DECALS, EXTERIOR SPORT, 1987 COMANCHE  
Figure 23-5190

8J68 5190



ITEM	PART NUMBER	QTY	BODY	MODEL	DESCRIPTION
1-2					DECAL, Door
	5501 5490-1	1			Dark Red/Medium Blue/Light Red
	5501 5468-9	1			Dark Silver/Medium Silver/Light Silver
	5501 5480-1	1			Dark Tan/Medium Tan/Light Tan
3-4					DECAL, Cab Rear Quarter
	5501 5492-3	1			Dark Red/Medium Red/Light Red
	5501 5470-1	1			Dark Silver/Medium Silver/Light Silver
	5501 5482-3	1			Dark Tan/Medium Tan/Light Tan
5-6					DECAL, Cargo Box Side
	5501 5494-5	1			Dark Red/Medium Red/Light Red
	5501 5472-3	1			Dark Silver/Medium Silver/Light Silver
	5501 5484-5	1			Dark Tan/Medium Tan/Light Tan
7-8					DECAL, Tailgate
	5501 5496-7	1			Dark Red/Medium Red/Light Red
	5501 5474-5	1			Dark Silver/Medium Silver/Light Silver
	5501 5486-7	1			Dark Tan/Medium Tan/Light Tan
9					DECAL, Hood
	5501 5488	1			Light Red/Medium Red/Dark Red
	5501 5466	1			Light Silver/Medium Silver/Dark Silver
	5501 5478	1			Light Tan/Medium Tan/Dark Tan
10					DECAL, Tailgate
	5501 5500	1			Light Orange
	5501 5498	1			Light Silver
	5501 5499	1			Light Tan
11-12	5500 6220-1	1			DECAL, Door (Black)

MODEL CODES:

15 = Grand Wagoneer 4 Dr.	65 = Comanche 4WD-7 Ft. Box	77 = Cherokee 4WD-2 Dr.
25 = J-10 Pickup-119" W.B.	66 = Comanche 2WD-7 Ft. Box	78 = Cherokee 4WD-4 Dr.
26 = J-10 Pickup-131" W.B.	73 = Cherokee 2WD-2 Dr.	79 = Cherokee 4WD-4 Dr.-Com
27 = J-20 Pickup-131" W.B.	74 = Cherokee 2WD-4 Dr.	81 = Wrangler-93" W.B.
63 = Comanche 4WD-6 Ft. Box	75 = Wagoneer 4WD-4 Dr.	82 = Wrangler-103" W.B.-Exp.
64 = Comanche 2WD-6 Ft. Box		

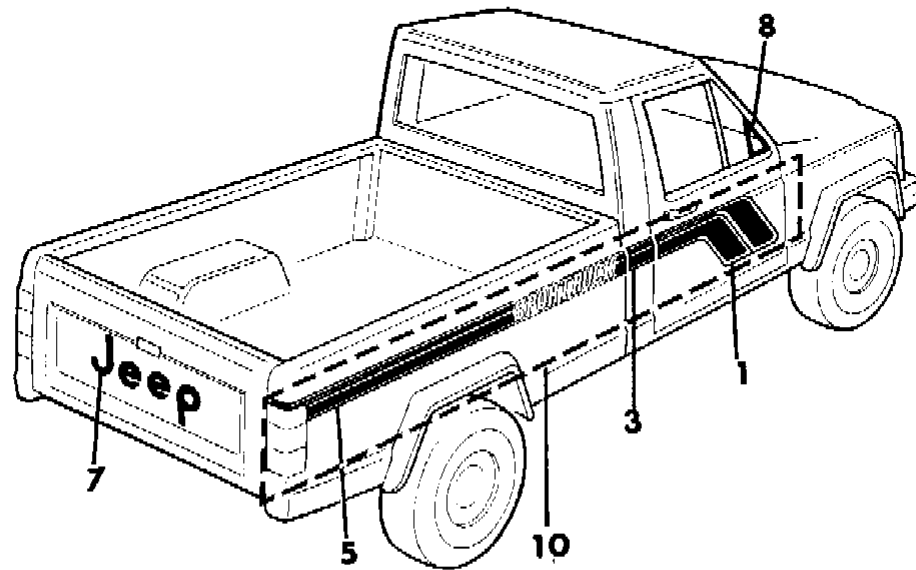
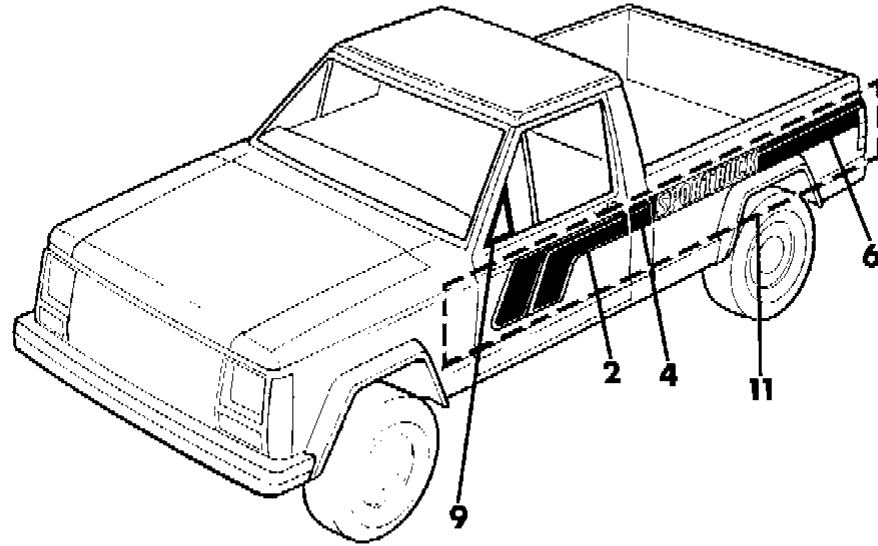
BODY STYLES:

MJ = Comanche Pickup  
 SJ = Grand Wagoneer Wgn., J-10 & J-20 Pickups  
 XJ = Cherokee, Wagoneer Limited  
 YJ = Wrangler

AR = Use as Required - = Non Illustrated Part P.A.R. = Paint as Required

DECALS, EXTERIOR SPORTRUCK COMANCHE  
Figure 23-5200

8J68 5200 A



ITEM	PART NUMBER	QTY	BODY	MODEL	DESCRIPTION
1-2					DECAL, Door
	5501 7660-1	1			Black, 1987-89
	5502 0136-7	1			Gold, 1988
	5502 0144-5	1			Red, 1988-89
	5501 7654-5	1			Silver, 1987-89
	5502 1710-1	1			Sand Tan, 1989
3-4					DECAL, Cab Rear Quarter
	5501 7662-3	1			Black, 1987-89
	5502 0138-9	1			Gold, 1988
	5502 0146-7	1			Red, 1988-89
	5501 7656-7	1			Silver, 1987-89
	5502 1712-3	1			Sand Tan, 1989
5-6					DECAL, Cargo Box Side
	5501 7664-5	1			Black, 1987-89
	5502 0140-1	1			Gold, 1988
	5502 0148-9	1			Red, 1988-89
	5501 7658-9	1			Silver, 1987-89
	5502 1714-5	1			Sand Tan, 1989
7					DECAL, Tailgate
	5501 5868	1			Black, 1987-89
	5AE8 9JX3	1			Black, 1990
	5502 0142	1			Gold, 1988
	5502 0143	1			Red, 1988-89
	5AE8 9JR7	1			Dark Red, 1990
	5501 3102	1			Silver, 1987-89
	5AE8 9JA2	1			Sterling Silver, 1990
	5502 1699	1			Sand Tan, 1989
	5AE8 9JK2	1			Light Sand, 1990
8-9	5500 6220-1	1			DECAL, Door, Black
10-11					DECAL KIT, Body Side ***
	5252 748-9	1			Black, 1990
	5252 754-5	1			Dark Red, 1990
	5252 750-1	1			Sterling Silver, 1990
	5252 752-3	1			Light Sand, 1990

MODEL CODES:

15 = Grand Wagoneer 4 Dr.	65 = Comanche 4WD-7 Ft. Box	77 = Cherokee 4WD-2 Dr.
25 = J-10 Pickup-119" W.B.	66 = Comanche 2WD-7 Ft. Box	78 = Cherokee 4WD-4 Dr.
26 = J-10 Pickup-131" W.B.	73 = Cherokee 2WD-2 Dr.	79 = Cherokee 4WD-4 Dr.-Com
27 = J-20 Pickup-131" W.B.	74 = Cherokee 2WD-4 Dr.	81 = Wrangler-93" W.B.
63 = Comanche 4WD-6 Ft. Box	75 = Wagoneer 4WD-4 Dr.	82 = Wrangler-103" W.B.-Exp.
64 = Comanche 2WD-6 Ft. Box		

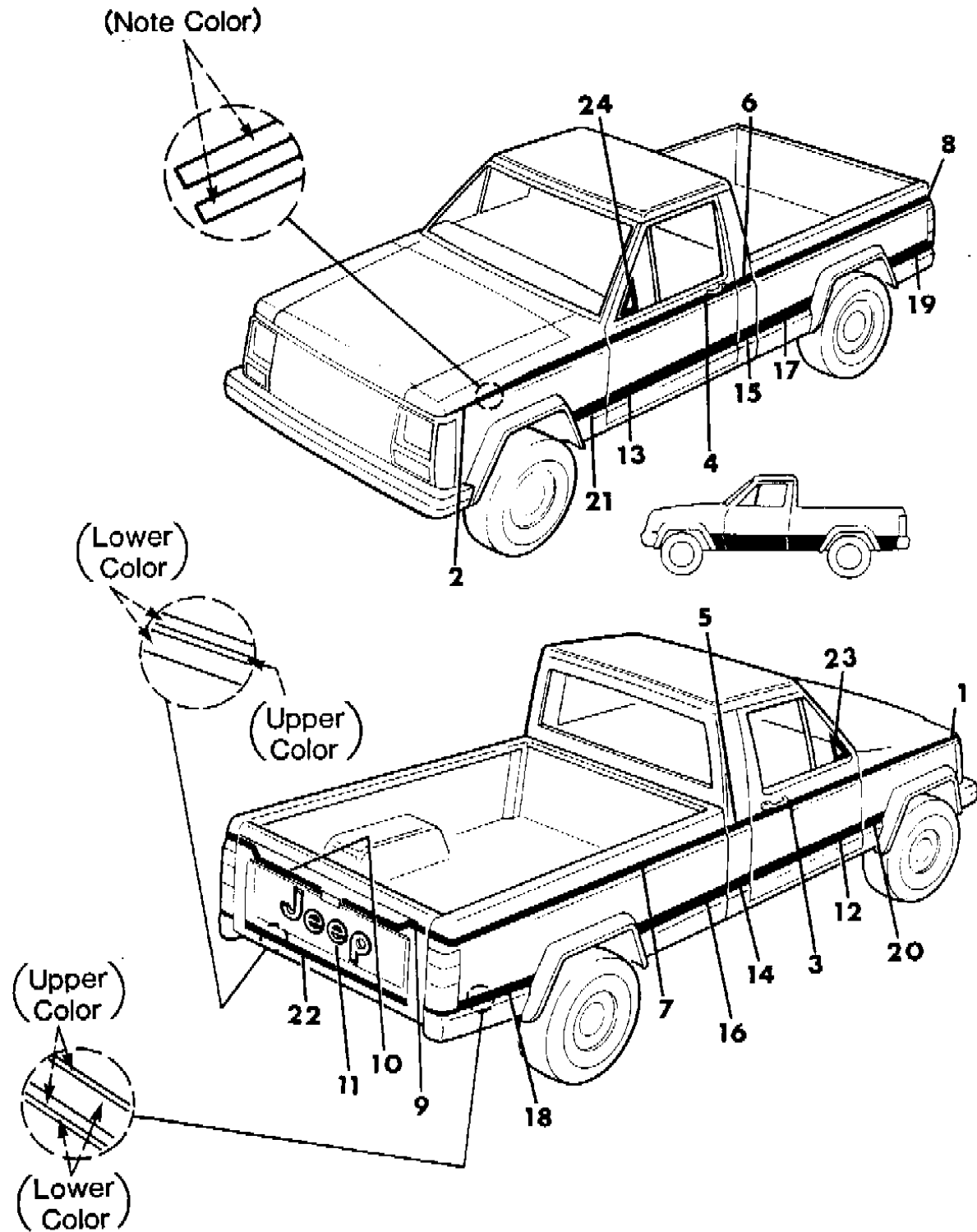
BODY STYLES:

MJ = Comanche Pickup  
SJ = Grand Wagoneer Wgn., J-10 & J-20 Pickups  
XJ = Cherokee, Wagoneer Limited  
YJ = Wrangler

AR = Use as Required - = Non Illustrated Part P.A.R. = Paint as Required

DECALS, EXTERIOR SPORT 2 TONE, 1987-88 COMANCHE  
Figure 23-5300

8 J68 5300



ITEM	PART NUMBER	QTY	BODY	MODEL	DESCRIPTION
1-2					DECAL, Fender
	5501 6098-9	1			Briarwood, 1987
	5501 6118-9	1			Medium Blue, 1987
	5501 7132-3	1			Dover Grey, 1988
	5501 7292-3	1			Bronze, 1988
	5501 6056-7	1			Sterling, 1987-88
	5501 7332-3	1			Coffee, 1988
3-4					DECAL, Door, (MR)
	5501 6104-5	1			Briarwood, 1987
	5501 6124-5	1			Medium Blue, 1987
	5501 7132-3	1			Dover Grey, 1988
	5501 7292-3	1			Bronze, 1988
	5501 6056-7	1			Sterling, 1987-88
	5501 7332-3	1			Coffee, 1988
5					DECAL, Cab Rear Quarter, Right (MR)
	5501 6099	1			Briarwood, 1987
	5501 6119	1			Medium Blue, 1987
	5501 7133	1			Dover Grey, 1988
	5501 7293	1			Bronze, 1988
	5501 6057	1			Sterling, 1987-88
	5501 7333	1			Coffee, 1988
6					DECAL, Cab Rear Quarter, Left (MR)
	5501 6098	1			Briarwood, 1987
	5501 6118	1			Medium Blue, 1987
	5501 7132	1			Dover Grey, 1988
	5501 7292	1			Bronze, 1988
	5501 6056	1			Sterling, 1987-88
	5501 7332	1			Coffee, 1988
7-8					DECAL, Cargo Box Side
	5501 6104-5	1			Briarwood, 1987
	5501 6124-5	1			Medium Blue, 1987
	5501 7138-9	1			Dover Grey, 1988
	5501 7298-9	1			Bronze, 1988
	5501 6062-3	1			Sterling, 1987-88
	5501 7338-9	1			Coffee, 1988
9-10					DECAL, Tailgate
	5501 6096-7	1			Briarwood, 1987

MODEL CODES:

15 = Grand Wagoneer 4 Dr.	65 = Comanche 4WD-7 Ft. Box	77 = Cherokee 4WD-2 Dr.
25 = J-10 Pickup-119" W.B.	66 = Comanche 2WD-7 Ft. Box	78 = Cherokee 4WD-4 Dr.
26 = J-10 Pickup-131" W.B.	73 = Cherokee 2WD-2 Dr.	79 = Cherokee 4WD-4 Dr.-Com
27 = J-20 Pickup-131" W.B.	74 = Cherokee 2WD-4 Dr.	81 = Wrangler-93" W.B.
63 = Comanche 4WD-6 Ft. Box	75 = Wagoneer 4WD-4 Dr.	82 = Wrangler-103" W.B.-Exp.
64 = Comanche 2WD-6 Ft. Box		

BODY STYLES:

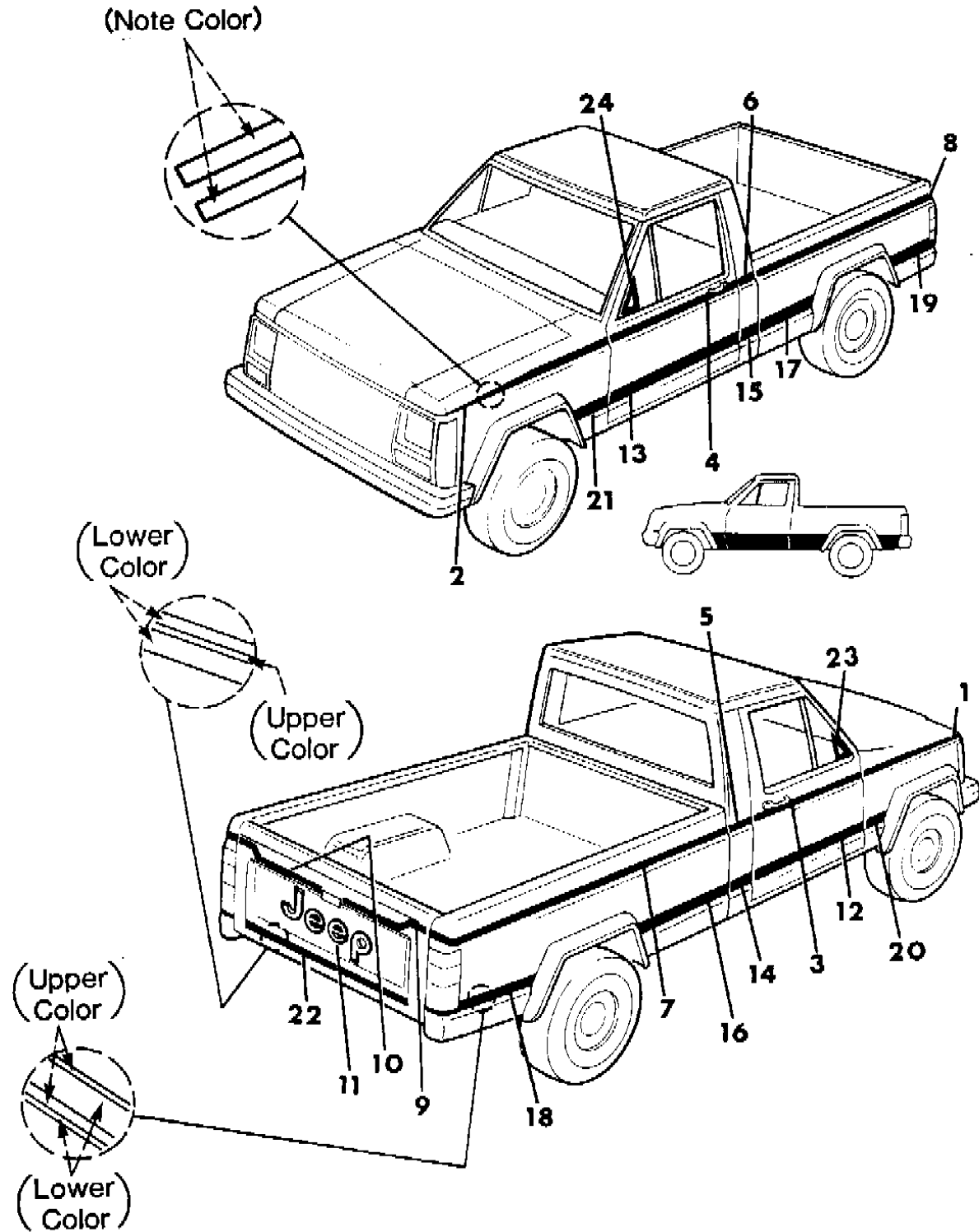
MJ = Comanche Pickup  
 SJ = Grand Wagoneer Wgn., J-10 & J-20 Pickups  
 XJ = Cherokee, Wagoneer Limited  
 YJ = Wrangler

AR = Use as Required - = Non Illustrated Part P.A.R. = Paint as Required



DECALS, EXTERIOR SPORT 2 TONE, 1987-88 COMANCHE  
Figure 23-5300

8 J68 5300



ITEM	PART NUMBER	QTY	BODY	MODEL	DESCRIPTION
	5501 6116-7	1			Medium Blue, 1987
	5501 7140-1	1			Dover Grey, 1988
	5501 7300-1	1			Bronze, 1988
	5501 6054-5	1			Sterling, 1987-88
	5501 7340-1	1			Coffee, 1988
11					DECAL, "Jeep"
	5501 4800	1			Briarwood, 1987
	5501 3101	1			Medium Blue, 1987
	5501 6998	1			Dover Grey, 1988
	5501 7302	1			Bronze, 1988
	5501 3102	1			Sterling, 1987-88
	5501 7342	1			Coffee, 1988
12-13					DECAL, Door
	5501 6092-3	1			Beige/Briarwood/Beige/Briarwood, 1987
	5501 6050-1	1			Charcoal/Sterling/Charcoal/Sterling, 1987
	5501 6112-3	1			White/Medium Blue/White/Medium Blue, 1987
	5501 7124-5	1			Black/Dover Grey/Black/Dover Grey, 1988
	5501 7284-5	1			Briarwood/Bronze/Briarwood/Bronze, 1988
	5501 7224-5	1			Dk. Baltic/Sterling/Dk. Baltic/Sterling, 1988
	5501 7154-5	1			Dover Grey/Sterling/Dover Grey/Sterling, 1988
	5501 6068-9	1			Grenadine/Sterling/Grenadine/Sterling, 1987-88
	5501 7324-5	1			Pearl White/Coffee/Pearl White/Coffee, 1988
14-15					DECAL, Cab Rear Quarter, (MR)
	5501 6092-3	1			Beige/Briarwood/Beige/Briarwood, 1987
	5501 6050-1	1			Charcoal/Sterling/Charcoal/Sterling, 1987
	5501 6112-3	1			White/Medium Blue/White/Medium Blue, 1987
	5501 7124-5	1			Black/Dover Grey/Black/Dover Grey, 1988
	5501 7284-5	1			Briarwood/Bronze/Briarwood/Bronze, 1988
	5501 7224-5	1			Dk. Baltic/Sterling/Dk. Baltic/Sterling, 1988
	5501 7154-5	1			Dover Grey/Sterling/Dover Grey/Sterling, 1988
	5501 6068-9	1			Grenadine/Sterling/Grenadine/Sterling, 1987-88
	5501 7324-5	1			Pearl White/Coffee/Pearl White/Coffee, 1988
16-17					DECAL, Cargo Box Side, (MR)
	5501 6092-3	1			Beige/Briarwood/Beige/Briarwood, 1987
	5501 6050-1	1			Charcoal/Sterling/Charcoal/Sterling, 1987
	5501 6112-3	1			White/Medium Blue/White/Medium Blue, 1987
	5501 7124-5	1			Black/Dover Grey/Black/Dover Grey, 1988

MODEL CODES:

15 = Grand Wagoneer 4 Dr.	65 = Comanche 4WD-7 Ft. Box	77 = Cherokee 4WD-2 Dr.
25 = J-10 Pickup-119" W.B.	66 = Comanche 2WD-7 Ft. Box	78 = Cherokee 4WD-4 Dr.
26 = J-10 Pickup-131" W.B.	73 = Cherokee 2WD-2 Dr.	79 = Cherokee 4WD-4 Dr.-Com
27 = J-20 Pickup-131" W.B.	74 = Cherokee 2WD-4 Dr.	81 = Wrangler-93" W.B.
63 = Comanche 4WD-6 Ft. Box	75 = Wagoneer 4WD-4 Dr.	82 = Wrangler-103" W.B.-Exp.
64 = Comanche 2WD-6 Ft. Box		

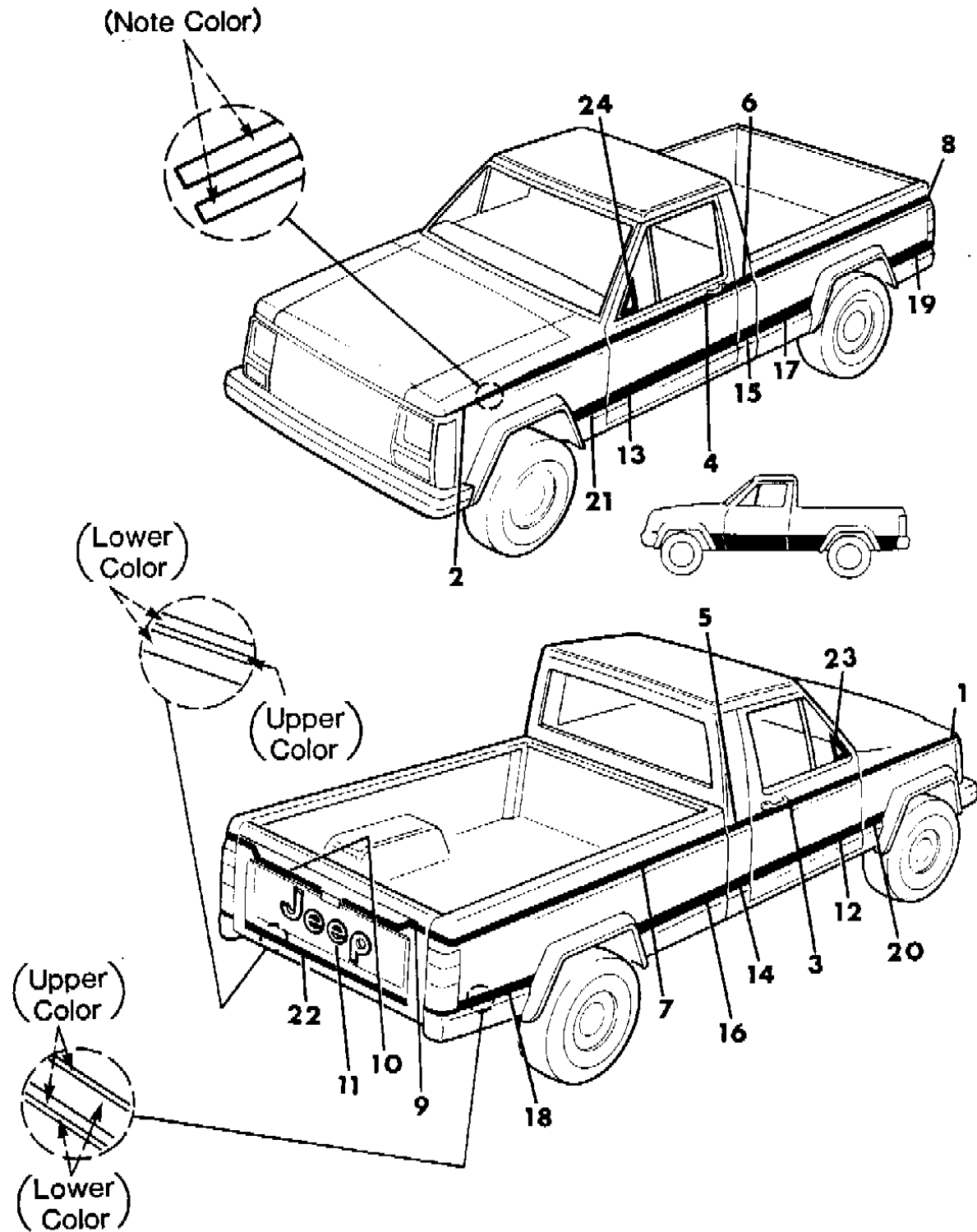
BODY STYLES:

MJ = Comanche Pickup
SJ = Grand Wagoneer Wgn., J-10 & J-20 Pickups
XJ = Cherokee, Wagoneer Limited
YJ = Wrangler

AR = Use as Required - = Non Illustrated Part P.A.R. = Paint as Required

DECALS, EXTERIOR SPORT 2 TONE, 1987-88 COMANCHE  
Figure 23-5300

8 J68 5300



ITEM	PART NUMBER	QTY	BODY	MODEL	DESCRIPTION
	5501 7284-5	1			Briarwood/Bronze/Briarwood/Bronze, 1988
	5501 7224-5	1			Dk. Baltic/Sterling/Dk. Baltic/Sterling, 1988
	5501 7154-5	1			Dover Grey/Sterling/Dover Grey/Sterling, 1988
	5501 6068-9	1			Grenadine/Sterling/Grenadine/Sterling, 1987-88
	5501 7324-5	1			Pearl White/Coffee/Pearl White/Coffee, 1988
18-19					DECAL, Cargo Box Side
	5501 6088-9	1			Beige/Briarwood/Beige/Briarwood, 1987
	5501 6046-7	1			Charcoal/Sterling/Charcoal/Sterling, 1987
	5501 6110-1	1			White/Medium Blue/White/Medium Blue, 1987
	5501 7130-1	1			Black/Dover Grey/Black/Dover Grey, 1988
	5501 7290-1	1			Briarwood/Bronze/Briarwood/Bronze, 1988
	5501 7230-1	1			Dk. Baltic/Sterling/Dk. Baltic/Sterling, 1988
	5501 7160-1	1			Dover Grey/Sterling/Dover Grey/Sterling, 1988
	5501 6082-3	1			Grenadine/Sterling/Grenadine/Sterling, 1987-88
	5501 7330-1	1			Pearl White/Coffee/Pearl White/Coffee, 1988
20-21					DECAL, Fender, (MR)
	5501 6092-3	1			Beige/Briarwood/Beige/Briarwood, 1987
	5501 6050-1	1			Charcoal/Sterling/Charcoal/Sterling, 1987
	5501 6112-3	1			White/Medium Blue/White/Medium Blue, 1987
	5501 7124-5	1			Black/Dover Grey/Black/Dover Grey, 1988
	5501 7284-5	1			Briarwood/Bronze/Briarwood/Bronze, 1988
	5501 7224-5	1			Dk. Baltic/Sterling/Dk. Baltic/Sterling, 1988
	5501 7154-5	1			Dover Grey/Sterling/Dover Grey/Sterling, 1988
	5501 6068-9	1			Grenadine/Sterling/Grenadine/Sterling, 1987-88
	5501 7324-5	1			Pearl White/Coffee/Pearl White/Coffee, 1988
22					DECAL, Tailgate
	5501 6090	1			Beige/Briarwood/Beige/Briarwood, 1987
	5501 6048	1			Charcoal/Sterling/Charcoal/Sterling, 1987
	5501 6091	1			White/Medium Blue/White/Medium Blue, 1987
	5501 7144	1			Black/Dover Grey/Black/Dover Grey, 1988
	5501 7304	1			Briarwood/Bronze/Briarwood/Bronze, 1988
	5501 7244	1			Dk. Baltic/Sterling/Dk. Baltic/Sterling, 1988
	5501 7174	1			Dover Grey/Sterling/Dover Grey/Sterling, 1988
	5501 6049	1			Grenadine/Sterling/Grenadine/Sterling, 1987-88
	5501 7344	1			Pearl White/Coffee/Pearl White/Coffee, 1988
23-24	5500 6220-1	1			DECAL, Door, Black

MODEL CODES:

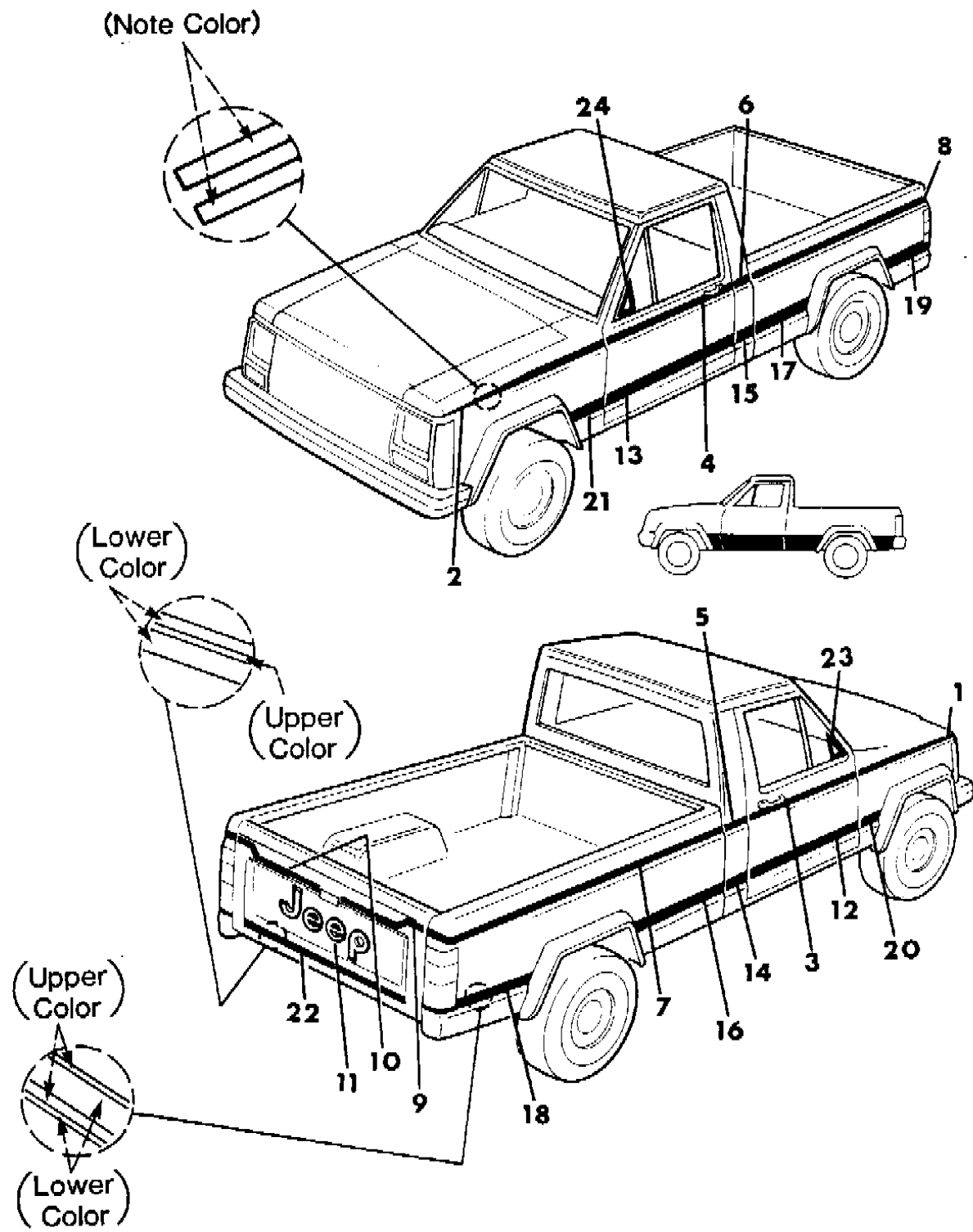
15 = Grand Wagoneer 4 Dr.	65 = Comanche 4WD-7 Ft. Box	77 = Cherokee 4WD-2 Dr.
25 = J-10 Pickup-119" W.B.	66 = Comanche 2WD-7 Ft. Box	78 = Cherokee 4WD-4 Dr.
26 = J-10 Pickup-131" W.B.	73 = Cherokee 2WD-2 Dr.	79 = Cherokee 4WD-4 Dr.-Com
27 = J-20 Pickup-131" W.B.	74 = Cherokee 2WD-4 Dr.	81 = Wrangler-93" W.B.
63 = Comanche 4WD-6 Ft. Box	75 = Wagoneer 4WD-4 Dr.	82 = Wrangler-103" W.B.-Exp.
64 = Comanche 2WD-6 Ft. Box		

BODY STYLES:

MJ = Comanche Pickup
SJ = Grand Wagoneer Wgn., J-10 & J-20 Pickups
XJ = Cherokee, Wagoneer Limited
YJ = Wrangler

AR = Use as Required - = Non Illustrated Part P.A.R. = Paint as Required

8 J68 5300



**DECALS, EXTERIOR SPORT 2 TONE, 1987-88 COMANCHE**  
**Figure 23-5300**

ITEM	PART NUMBER	QTY	BODY	MODEL	DESCRIPTION
------	-------------	-----	------	-------	-------------

(MR) Modification Required. (A) For 1987, two types of instrument clusters were used. On type one, Clusters, the odometer numbers are rounded, the Speedometer face has (2) slotte

**MODEL CODES:**

15 = Grand Wagoneer 4 Dr.	65 = Comanche 4WD-7 Ft. Box	77 = Cherokee 4WD-2 Dr.
25 = J-10 Pickup-119" W.B.	66 = Comanche 2WD-7 Ft. Box	78 = Cherokee 4WD-4 Dr.
26 = J-10 Pickup-131" W.B.	73 = Cherokee 2WD-2 Dr.	79 = Cherokee 4WD-4 Dr.-Com
27 = J-20 Pickup-131" W.B.	74 = Cherokee 2WD-4 Dr.	81 = Wrangler-93" W.B.
63 = Comanche 4WD-6 Ft. Box	75 = Wagoneer 4WD-4 Dr.	82 = Wrangler-103" W.B.-Exp.
64 = Comanche 2WD-6 Ft. Box		

**BODY STYLES:**

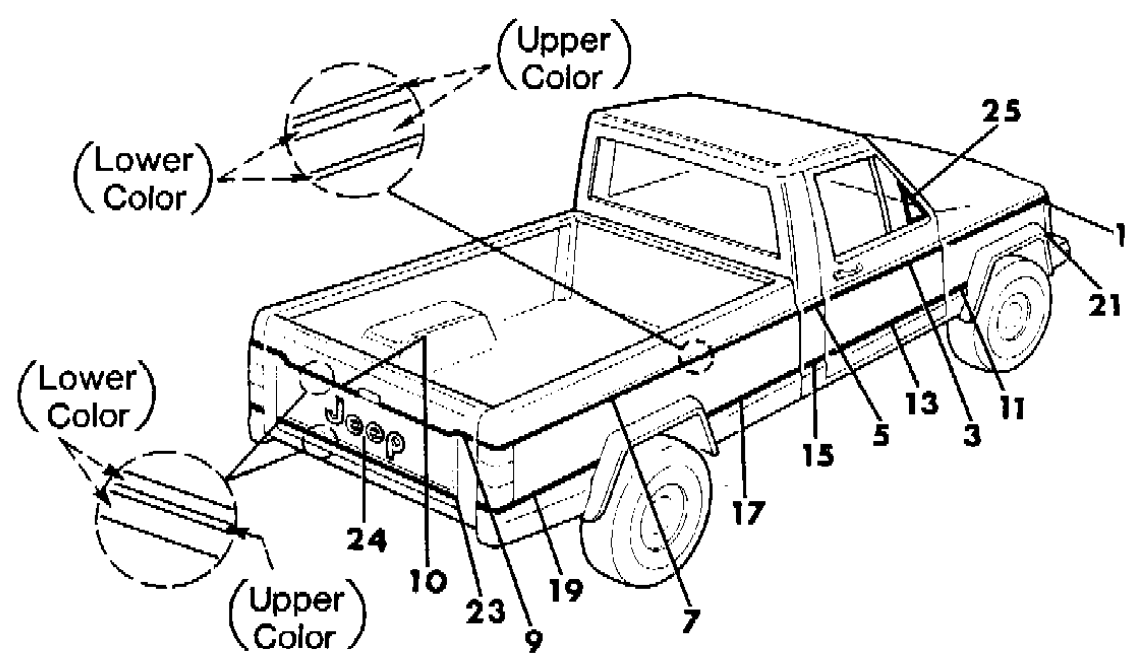
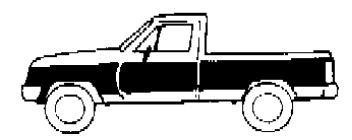
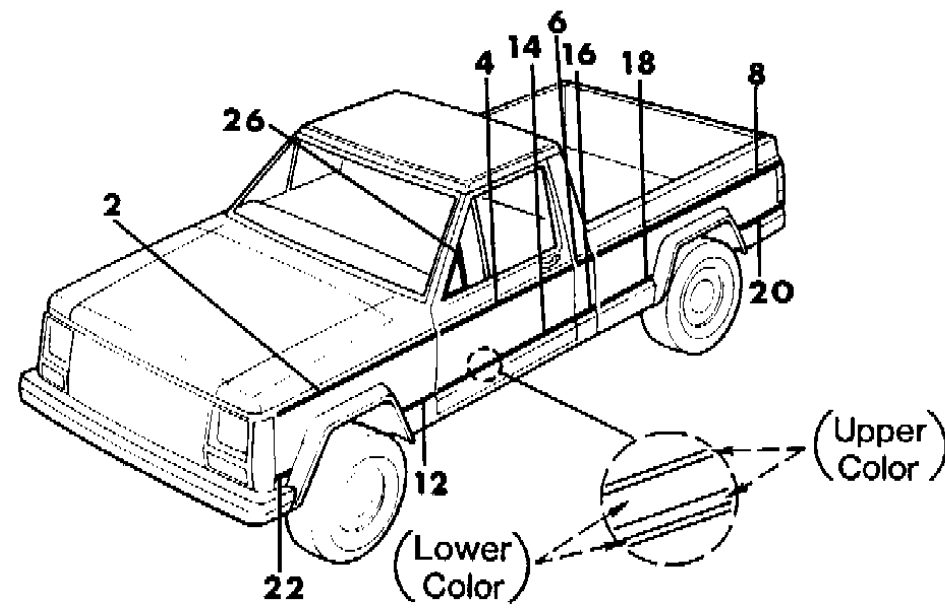
MJ = Comanche Pickup  
 SJ = Grand Wagoneer Wgn., J-10 & J-20 Pickups  
 XJ = Cherokee, Wagoneer Limited  
 YJ = Wrangler

AR = Use as Required - = Non Illustrated Part P.A.R. = Paint as Required

DECALS, EXTERIOR PREMIUM 2 TONE, 1987-88 COMANCHE  
Figure 23-5400

8J68 5400

ITEM	PART NUMBER	QTY	BODY	MODEL	DESCRIPTION
1-2					DECAL, Fender, (MR)
					1987
	5501 4574-5	1			Beige/Briarwood/Beige/Briarwood
	5501 2642-3	1			Sterling/Charcoal/Sterling/Charcoal
	5501 5976-7	1			Sterling/Grenadine/Sterling/Grenadine
	5501 5998-9	1			White/Medium Blue/White/Medium Blue
					1988
	5501 6646-7	1			Black/Dover Grey/Black/Dover Grey
	5501 6694-5	1			Briarwood/Bronze/Briarwood/Bronze
	5501 6682-3	1			Dark Baltic/Sterling/Dark Baltic/Sterling
	5501 6658-9	1			Dover Grey/Sterling/Dover Grey/Sterling
	5501 9876-7	1			Grenadine/Sterling/Grenadine/Sterling
	5501 6706-7	1			Pearl White/Coffee/Pearl White/Coffee
3-4					DECAL, Door, (MR)
					1987
	5501 4574-5	1			Beige/Briarwood/Beige/Briarwood
	5501 2634-5	1			Sterling/Charcoal/Sterling/Charcoal
	5501 5976-7	1			Sterling/Grenadine/Sterling/Grenadine
	5501 5998-9	1			White/Medium Blue/White/Medium Blue
					1988
	5501 6646-7	1			Black/Dover Grey/Black/Dover Grey
	5501 6694-5	1			Briarwood/Bronze/Briarwood/Bronze
	5501 6682-3	1			Dark Baltic/Sterling/Dark Baltic/Sterling
	5501 6658-9	1			Dover Grey/Sterling/Dover Grey/Sterling
	5501 9876-7	1			Grenadine/Sterling/Grenadine/Sterling
	5501 6706-7	1			Pearl White/Coffee/Pearl White/Coffee
5-6					DECAL, Cab Rear Quarter, (MR)
					1987
	5501 4574-5	1			Beige/Briarwood/Beige/Briarwood
	5501 2660-1	1			Sterling/Charcoal/Sterling/Charcoal
	5501 5976-7	1			Sterling/Grenadine/Sterling/Grenadine
	5501 5998-9	1			White/Medium Blue/White/Medium Blue
					1988
	5501 6646-7	1			Black/Dover Grey/Black/Dover Grey
	5501 6694-5	1			Briarwood/Bronze/Briarwood/Bronze
	5501 6682-3	1			Dark Baltic/Sterling/Dark Baltic/Sterling
	5501 6658-9	1			Dover Grey/Sterling/Dover Grey/Sterling



MODEL CODES:  
 15 = Grand Wagoneer 4 Dr.      65 = Comanche 4WD-7 Ft. Box      77 = Cherokee 4WD-2 Dr.  
 25 = J-10 Pickup-119" W.B.      66 = Comanche 2WD-7 Ft. Box      78 = Cherokee 4WD-4 Dr.  
 26 = J-10 Pickup-131" W.B.      73 = Cherokee 2WD-2 Dr.      79 = Cherokee 4WD-4 Dr.-Com  
 27 = J-20 Pickup-131" W.B.      74 = Cherokee 2WD-4 Dr.      81 = Wrangler-93" W.B.  
 63 = Comanche 4WD-6 Ft. Box      75 = Wagoneer 4WD-4 Dr.      82 = Wrangler-103" W.B.-Exp.  
 64 = Comanche 2WD-6 Ft. Box

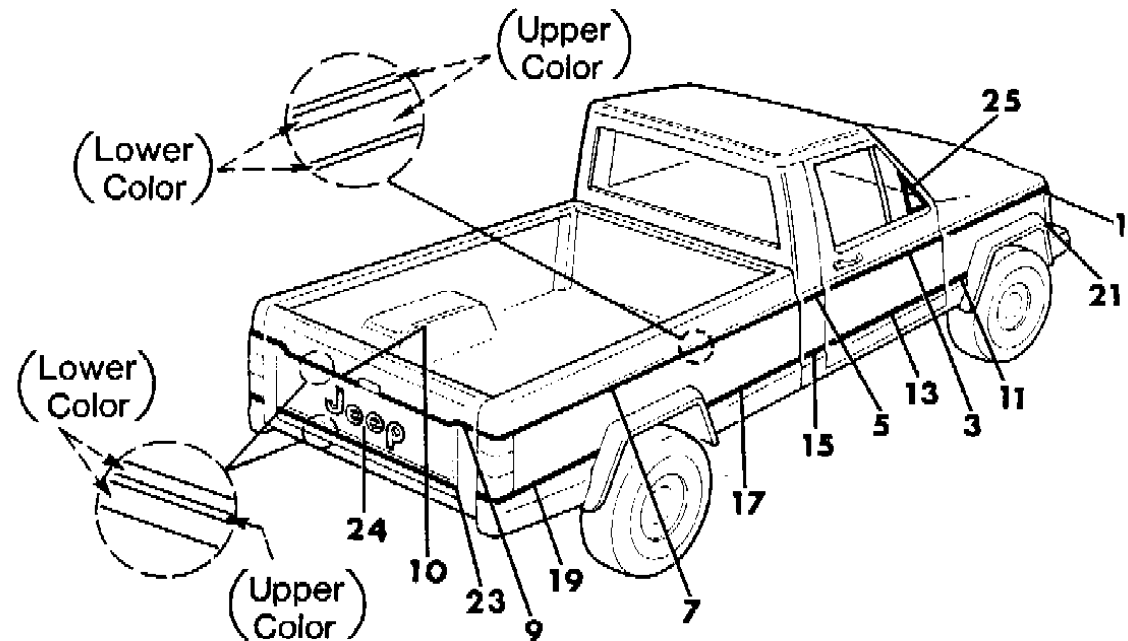
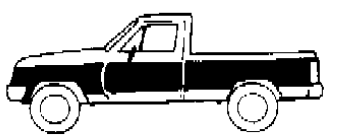
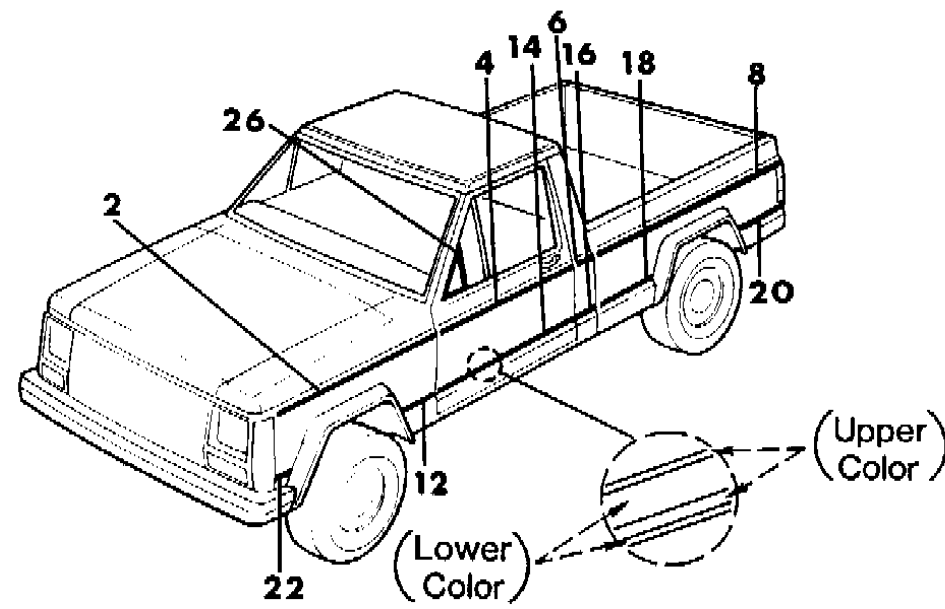
BODY STYLES:  
 MJ = Comanche Pickup  
 SJ = Grand Wagoneer Wgn., J-10 & J-20 Pickups  
 XJ = Cherokee, Wagoneer Limited  
 YJ = Wrangler

AR = Use as Required - = Non Illustrated Part P.A.R. = Paint as Required

DECALS, EXTERIOR PREMIUM 2 TONE, 1987-88 COMANCHE  
Figure 23-5400

8J68 5400

ITEM	PART NUMBER	QTY	BODY	MODEL	DESCRIPTION
	5501 9876-7	1			Grenadine/Sterling/Grenadine/Sterling
	5501 6706-7	1			Pearl White/Coffee/Pearl White/Coffee
7-8					DECAL, Cargo Box Side 1987
	5501 4794-5	1			Beige/Briarwood/Beige/Briarwood
	5501 2652-3	1			Sterling/Charcoal/Sterling/Charcoal
	5501 5954-5	1			Sterling/Grenadine/Sterling/Grenadine
	5501 5978-9	1			White/Medium Blue/White/Medium Blue 1988
	5501 6960-1	1			Black/Dover Grey/Black/Dover Grey
	5501 7074-5	1			Briarwood/Bronze/Briarwood/Bronze
	5501 7046-7	1			Dark Baltic/Sterling/Dark Baltic/Sterling
	5501 6988-9	1			Dover Grey/Sterling/Dover Grey/Sterling
	5501 9904-5	1			Grenadine/Sterling/Grenadine/Sterling
9-10	5501 7102-3	1			Pearl White/Coffee/Pearl White/Coffee DECAL, Tailgate 1987
	5501 4798-9	1			Beige/Briarwood/Beige/Briarwood
	5501 3528-9	1			Sterling/Charcoal/Sterling/Charcoal
	5501 5958-9	1			Sterling/Grenadine/Sterling/Grenadine
	5501 5982-3	1			White/Medium Blue/White/Medium Blue 1988
	5501 6966-7	1			Black/Dover Grey/Black/Dover Grey
	5501 7080-1	1			Briarwood/Bronze/Briarwood/Bronze
	5501 7052-3	1			Dark Baltic/Sterling/Dark Baltic/Sterling
	5501 6994-5	1			Dover Grey/Sterling/Dover Grey/Sterling
	5501 9910-1	1			Grenadine/Sterling/Grenadine/Sterling
	5501 7108-9	1			Pearl White/Coffee/Pearl White/Coffee
11-12					DECAL, Fender, (MR) 1987
	5501 4590-1	1			Briarwood/Beige/Briarwood/Beige
	5501 3362-3	1			Charcoal/Sterling/Charcoal/Sterling
	5501 5968-9	1			Grenadine/Sterling/Grenadine/Sterling
	5501 5990-1	1			Medium Blue/White/Medium Blue/White 1988
	5502 0316-7	1			Dover Grey/Black/Dover Grey/Black
	5501 7068-9	1			Bronze/Briarwood/Bronze/Briarwood



MODEL CODES:  
 15 = Grand Wagoneer 4 Dr.      65 = Comanche 4WD-7 Ft. Box      77 = Cherokee 4WD-2 Dr.  
 25 = J-10 Pickup-119" W.B.      66 = Comanche 2WD-7 Ft. Box      78 = Cherokee 4WD-4 Dr.  
 26 = J-10 Pickup-131" W.B.      73 = Cherokee 2WD-2 Dr.      79 = Cherokee 4WD-4 Dr.-Com  
 27 = J-20 Pickup-131" W.B.      74 = Cherokee 2WD-4 Dr.      81 = Wrangler-93" W.B.  
 63 = Comanche 4WD-6 Ft. Box      75 = Wagoneer 4WD-4 Dr.      82 = Wrangler-103" W.B.-Exp.  
 64 = Comanche 2WD-6 Ft. Box

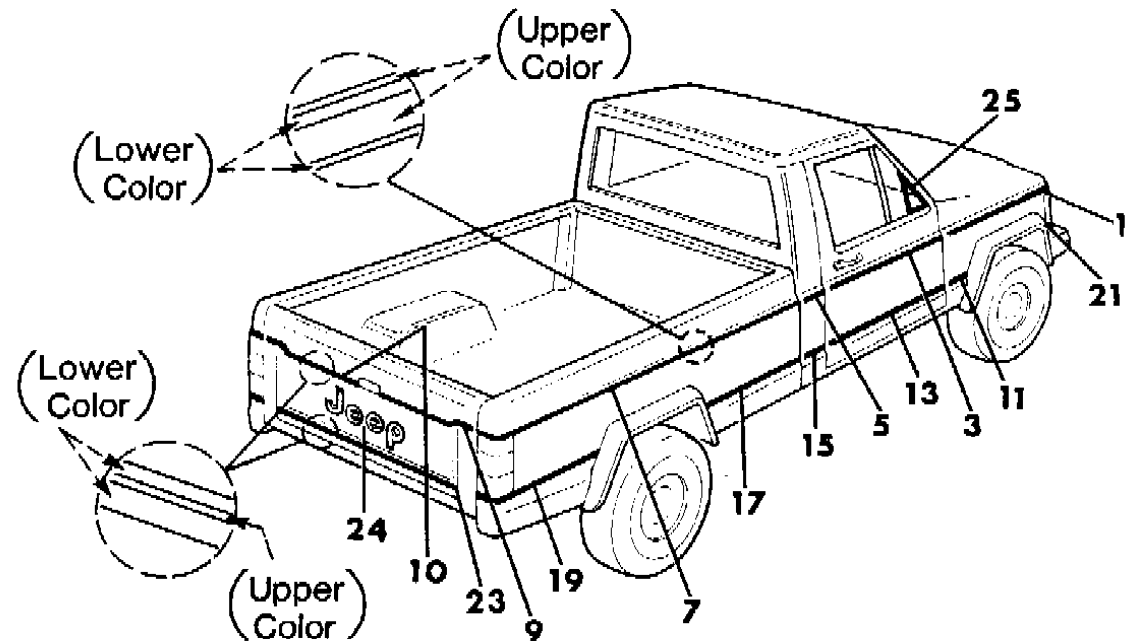
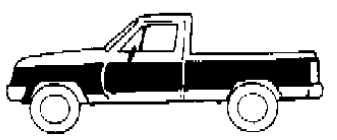
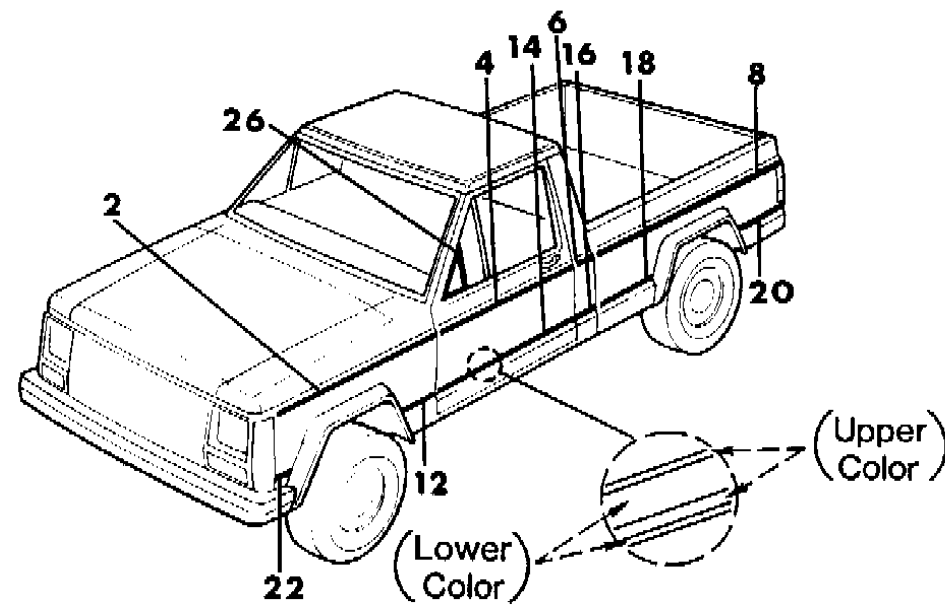
BODY STYLES:  
 MJ = Comanche Pickup  
 SJ = Grand Wagoneer Wgn., J-10 & J-20 Pickups  
 XJ = Cherokee, Wagoneer Limited  
 YJ = Wrangler

AR = Use as Required - = Non Illustrated Part P.A.R. = Paint as Required

DECALS, EXTERIOR PREMIUM 2 TONE, 1987-88 COMANCHE  
Figure 23-5400

8J68 5400

ITEM	PART NUMBER	QTY	BODY	MODEL	DESCRIPTION
	5502 0322-3	1			Sterling/Dark Baltic/Sterling/Dark Baltic
	5501 6982-3	1			Sterling/Dover Grey/Sterling/Dover Grey
	5501 9886-7	1			Sterling/Grenadine/Sterling/Grenadine
	5501 7096-7	1			Coffee/Pearl White/Coffee/Pearl White
13-14					DECAL, Door, (MR)
					1987
	5501 4590-1	1			Briarwood/Beige/Briarwood/Beige
	5501 3316-7	1			Charcoal/Sterling/Charcoal/Sterling
	5501 5968-9	1			Grenadine/Sterling/Grenadine/Sterling
	5501 5990-1	1			Medium Blue/White/Medium Blue/White
					1988
	5502 0316-7	1			Dover Grey/Black/Dover Grey/Black
	5501 7068-9	1			Bronze/Briarwood/Bronze/Briarwood
	5502 0322-3	1			Sterling/Dark Baltic/Sterling/Dark Baltic
	5501 6982-3	1			Sterling/Dover Grey/Sterling/Dover Grey
	5501 9886-7	1			Sterling/Grenadine/Sterling/Grenadine
	5501 7096-7	1			Coffee/Pearl White/Coffee/Pearl White
15-16					DECAL, Cab Rear Quarter, (MR)
					1987
	5501 4590-1	1			Briarwood/Beige/Briarwood/Beige
	5501 3376-7	1			Charcoal/Sterling/Charcoal/Sterling
	5501 9886-7	1			Grenadine/Sterling/Grenadine/Sterling
	5501 5990-1	1			Medium Blue/White/Medium Blue/White
					1988
	5502 0316-7	1			Dover Grey/Black/Dover Grey/Black
	5501 7068-9	1			Bronze/Briarwood/Bronze/Briarwood
	5502 0322-3	1			Sterling/Dark Baltic/Sterling/Dark Baltic
	5501 6982-3	1			Sterling/Dover Grey/Sterling/Dover Grey
	5501 9886-7	1			Sterling/Grenadine/Sterling/Grenadine
	5501 7096-7	1			Coffee/Pearl White/Coffee/Pearl White
17-18					DECAL, Cargo Box Side, (MR)
					1987
	5501 4590-1	1			Briarwood/Beige/Briarwood/Beige
	5501 3384-5	1			Charcoal/Sterling/Charcoal/Sterling
	5501 5968-9	1			Grenadine/Sterling/Grenadine/Sterling
	5501 5990-1	1			Medium Blue/White/Medium Blue/White
					1988



MODEL CODES:  
 15 = Grand Wagoneer 4 Dr.      65 = Comanche 4WD-7 Ft. Box      77 = Cherokee 4WD-2 Dr.  
 25 = J-10 Pickup-119" W.B.      66 = Comanche 2WD-7 Ft. Box      78 = Cherokee 4WD-4 Dr.  
 26 = J-10 Pickup-131" W.B.      73 = Cherokee 2WD-2 Dr.      79 = Cherokee 4WD-4 Dr.-Com  
 27 = J-20 Pickup-131" W.B.      74 = Cherokee 2WD-4 Dr.      81 = Wrangler-93" W.B.  
 63 = Comanche 4WD-6 Ft. Box      75 = Wagoneer 4WD-4 Dr.      82 = Wrangler-103" W.B.-Exp.  
 64 = Comanche 2WD-6 Ft. Box

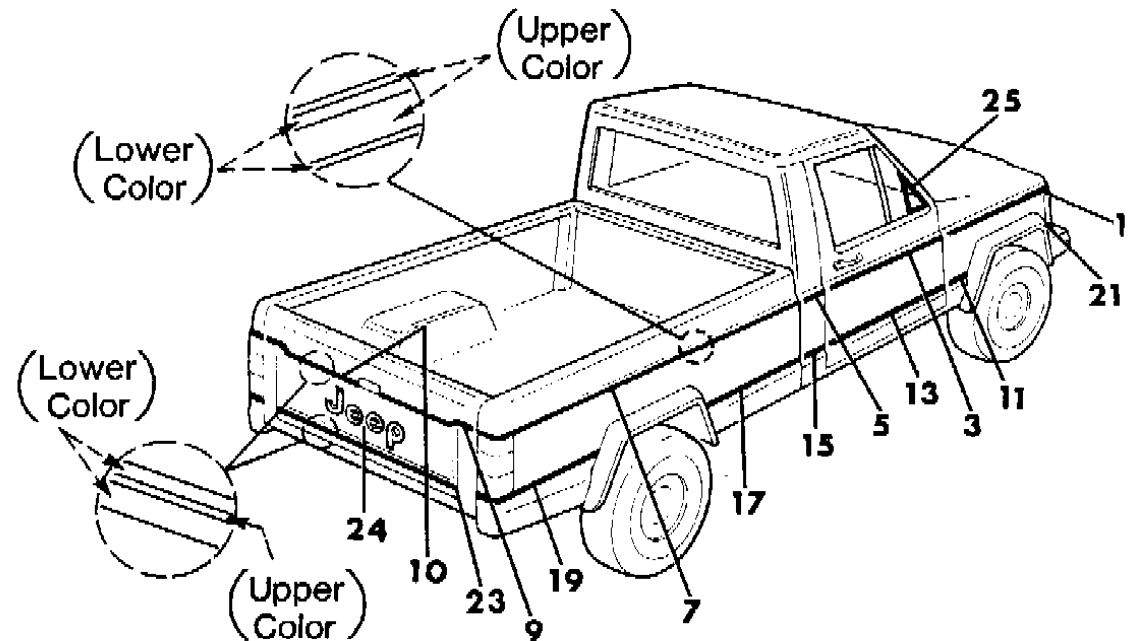
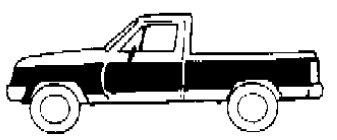
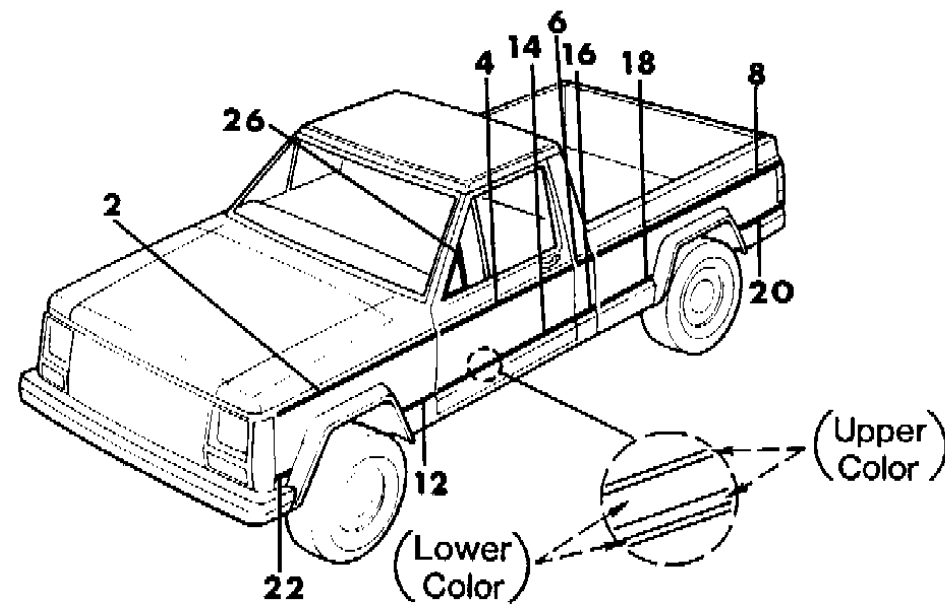
BODY STYLES:  
 MJ = Comanche Pickup  
 SJ = Grand Wagoneer Wgn., J-10 & J-20 Pickups  
 XJ = Cherokee, Wagoneer Limited  
 YJ = Wrangler

AR = Use as Required - = Non Illustrated Part P.A.R. = Paint as Required

DECALS, EXTERIOR PREMIUM 2 TONE, 1987-88 COMANCHE  
Figure 23-5400

8J68 5400

ITEM	PART NUMBER	QTY	BODY	MODEL	DESCRIPTION
	5502 0316-7	1			Dover Grey/Black/Dover Grey/Black
	5501 7068-9	1			Bronze/Briarwood/Bronze/Briarwood
	5502 0322-3	1			Sterling/Dark Baltic/Sterling/Dark Baltic
	5501 6982-3	1			Sterling/Dover Grey/Sterling/Dover Grey
	5501 9886-7	1			Sterling/Grenadine/Sterling/Grenadine
19-20	5501 7096-7	1			Coffee/Pearl White/Coffee/Pearl White DECAL, Cargo Box Side 1987
	5501 4900-1	1			Briarwood/Beige/Briarwood/Beige
	5501 3392-3	1			Sterling/Charcoal/Sterling/Charcoal
	5501 5964-5	1			Grenadine/Sterling/Grenadine/Sterling
	5501 5988-9	1			Medium Blue/White/Medium Blue/White 1988
	5502 0316-7	1			Dover Grey/Black/Dover Grey/Black
	5501 7078-9	1			Bronze/Briarwood/Bronze/Briarwood
	5501 7050-1	1			Sterling/Dark Baltic/Sterling/Dark Baltic
	5501 6992-3	1			Sterling/Dover Grey/Sterling/Dover Grey
	5501 9908-9	1			Sterling/Grenadine/Sterling/Grenadine
21-22	5501 7106-7	1			Coffee/Pearl White/Coffee/Pearl White DECAL, Fender, (MR) 1987
	5501 4590-1	1			Briarwood/Beige/Briarwood/Beige
	5501 2626-7	1			Charcoal/Sterling/Charcoal/Sterling
	5501 5968-9	1			Grenadine/Sterling/Grenadine/Sterling
	5501 5990-1	1			Medium Blue/White/Medium Blue/White 1988
	5502 0316-7	1			Dover Grey/Black/Dover Grey/Black
	5501 7068-9	1			Bronze/Briarwood/Bronze/Briarwood
	5502 0322-3	1			Sterling/Dark Baltic/Sterling/Dark Baltic
	5501 6982-3	1			Sterling/Dover Grey/Sterling/Dover Grey
	5501 9886-7	1			Sterling/Grenadine/Sterling/Grenadine
23	5501 7096-7	1			Coffee/Pearl White/Coffee/Pearl White DECAL, Tailgate 1987
	5501 4902	1			Briarwood/Beige/Briarwood/Beige
	5501 3398	1			Charcoal/Sterling/Charcoal/Sterling
	5501 5966	1			Grenadine/Sterling/Grenadine/Sterling



MODEL CODES:  
 15 = Grand Wagoneer 4 Dr.      65 = Comanche 4WD-7 Ft. Box      77 = Cherokee 4WD-2 Dr.  
 25 = J-10 Pickup-119" W.B.      66 = Comanche 2WD-7 Ft. Box      78 = Cherokee 4WD-4 Dr.  
 26 = J-10 Pickup-131" W.B.      73 = Cherokee 2WD-2 Dr.      79 = Cherokee 4WD-4 Dr.-Com  
 27 = J-20 Pickup-131" W.B.      74 = Cherokee 2WD-4 Dr.      81 = Wrangler-93" W.B.  
 63 = Comanche 4WD-6 Ft. Box      75 = Wagoneer 4WD-4 Dr.      82 = Wrangler-103" W.B.-Exp.  
 64 = Comanche 2WD-6 Ft. Box

BODY STYLES:  
 MJ = Comanche Pickup  
 SJ = Grand Wagoneer Wgn., J-10 & J-20 Pickups  
 XJ = Cherokee, Wagoneer Limited  
 YJ = Wrangler

AR = Use as Required - = Non Illustrated Part P.A.R. = Paint as Required

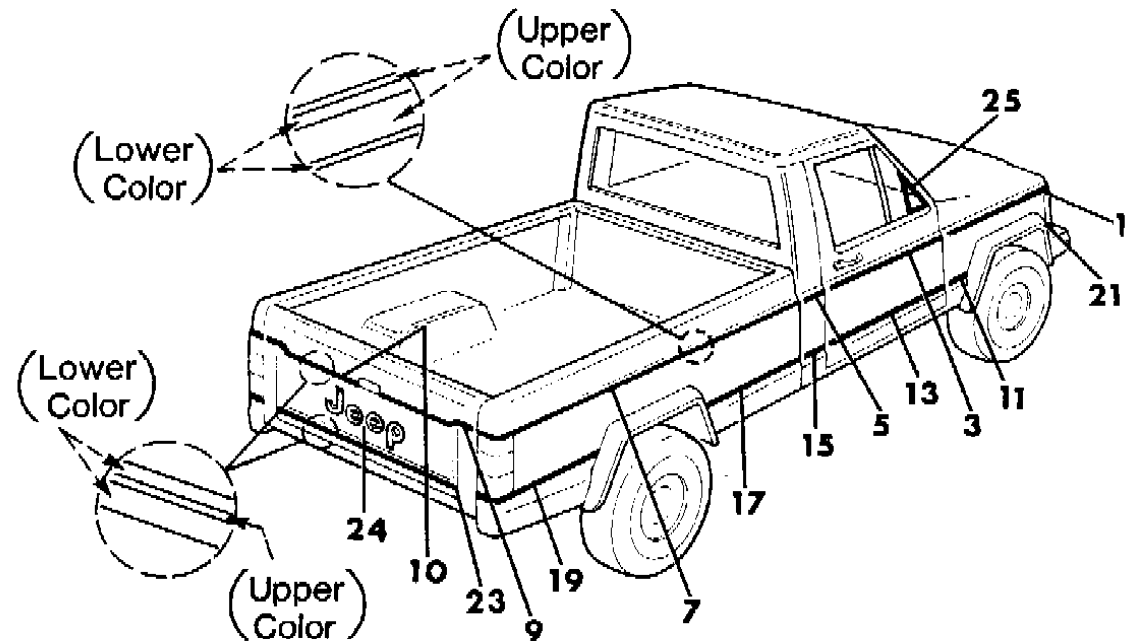
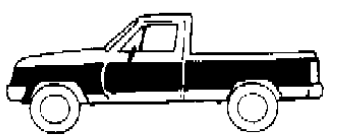
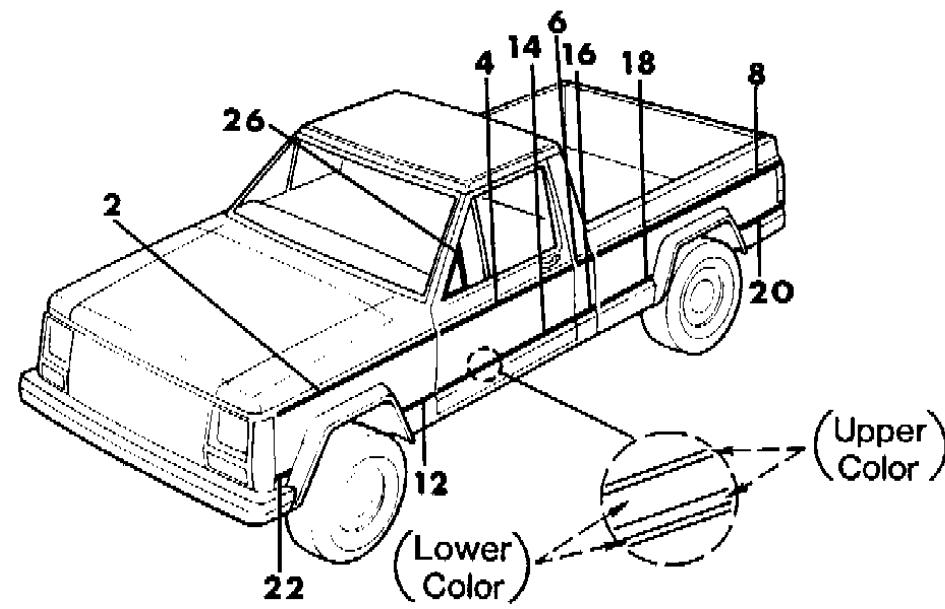


DECALS, EXTERIOR PREMIUM 2 TONE, 1987-88 COMANCHE  
Figure 23-5400

8J68 5400

ITEM	PART NUMBER	QTY	BODY	MODEL	DESCRIPTION
	5501 5967	1			Medium Blue/White/Medium Blue/White 1988
	5501 6968	1			Dover Grey/Black/Dover Grey/Black
	5501 7082	1			Bronze/Briarwood/Bronze/Briarwood
	5501 7054	1			Sterling/Dark Baltic/Sterling/Dark Baltic
	5501 6996	1			Sterling/Dover Grey/Sterling/Dover Grey
	5501 9912	1			Sterling/Grenadine/Sterling/Grenadine
	5501 7110	1			Coffee/Pearl White/Coffee/Pearl White
24					DECAL, "Jeep"
	5500 6262	1			Black
	5501 4800	1			Briarwood
	5501 7056	1			Dk. Baltic
	5501 6998	1			Dover Grey
	5501 4889	1			Grenadine
	5501 3101	1			Medium Blue
	5501 7112	1			Pearl White
	5501 3102	1			Sterling
25-26	5500 6220-1	1			DECAL, Door, Black

(MR) Modification Required. (A) For 1987, two types of instrument clusters were used. On type one, Clusters, the odometer numbers are rounded, the Speedometer face has (2) slotte



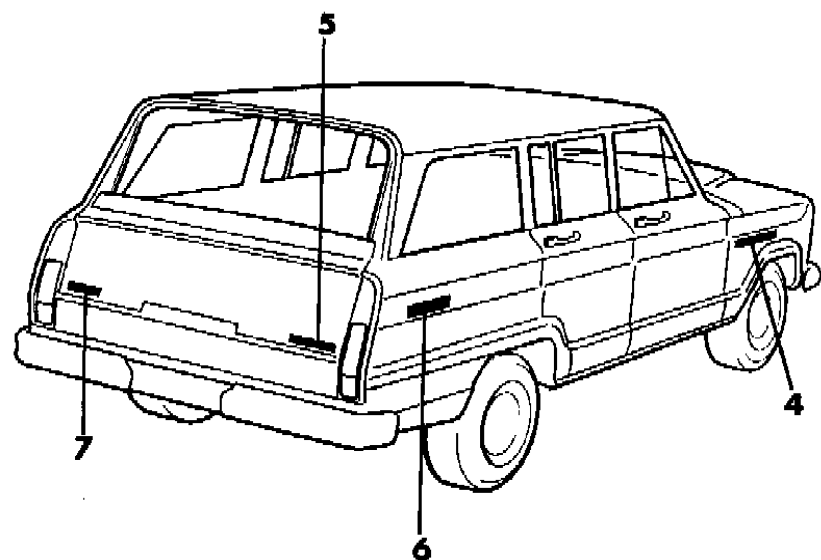
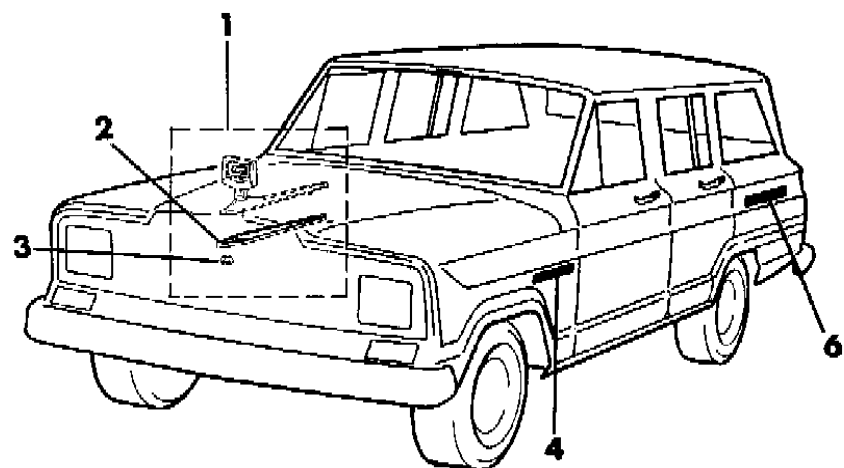
- MODEL CODES:
- |                             |                             |                              |
|-----------------------------|-----------------------------|------------------------------|
| 15 = Grand Wagoneer 4 Dr.   | 65 = Comanche 4WD-7 Ft. Box | 77 = Cherokee 4WD-2 Dr.      |
| 25 = J-10 Pickup-119" W.B.  | 66 = Comanche 2WD-7 Ft. Box | 78 = Cherokee 4WD-4 Dr.      |
| 26 = J-10 Pickup-131" W.B.  | 73 = Cherokee 2WD-2 Dr.     | 79 = Cherokee 4WD-4 Dr.-Com  |
| 27 = J-20 Pickup-131" W.B.  | 74 = Cherokee 2WD-4 Dr.     | 81 = Wrangler-93" W.B.       |
| 63 = Comanche 4WD-6 Ft. Box | 75 = Wagoneer 4WD-4 Dr.     | 82 = Wrangler-103" W.B.-Exp. |
| 64 = Comanche 2WD-6 Ft. Box |                             |                              |

- BODY STYLES:
- MJ = Comanche Pickup
  - SJ = Grand Wagoneer Wgn., J-10 & J-20 Pickups
  - XJ = Cherokee, Wagoneer Limited
  - YJ = Wrangler

AR = Use as Required - = Non Illustrated Part P.A.R. = Paint as Required

NAMEPLATES WAGON  
Figure 23-5500

8J68 5500 A



ITEM	PART NUMBER	QTY	BODY	MODEL	DESCRIPTION
1	8350 2503	1			ORNAMENT KIT, Hood
2	5501 0384	1			GASKET
3	J942 0287	2			NUT
4	J545 1637	2			NAMEPLATE "Wagoneer" Base Wagon, 1987-89
5	5501 3577	2			NAMEPLATE "Grand Wagoneer"
	5501 3577	1			"Grand Wagoneer"
	J545 1627	1			"Jeep", 1987-89, base wagon ***
6	5500 7817	2			NAMEPLATE, "4x4"
7	5501 3578	1			NAMEPLATE, "V8"

MODEL CODES:

15 = Grand Wagoneer 4 Dr.	65 = Comanche 4WD-7 Ft. Box	77 = Cherokee 4WD-2 Dr.
25 = J-10 Pickup-119" W.B.	66 = Comanche 2WD-7 Ft. Box	78 = Cherokee 4WD-4 Dr.
26 = J-10 Pickup-131" W.B.	73 = Cherokee 2WD-2 Dr.	79 = Cherokee 4WD-4 Dr.-Com
27 = J-20 Pickup-131" W.B.	74 = Cherokee 2WD-4 Dr.	81 = Wrangler-93" W.B.
63 = Comanche 4WD-6 Ft. Box	75 = Wagoneer 4WD-4 Dr.	82 = Wrangler-103" W.B.-Exp.
64 = Comanche 2WD-6 Ft. Box		

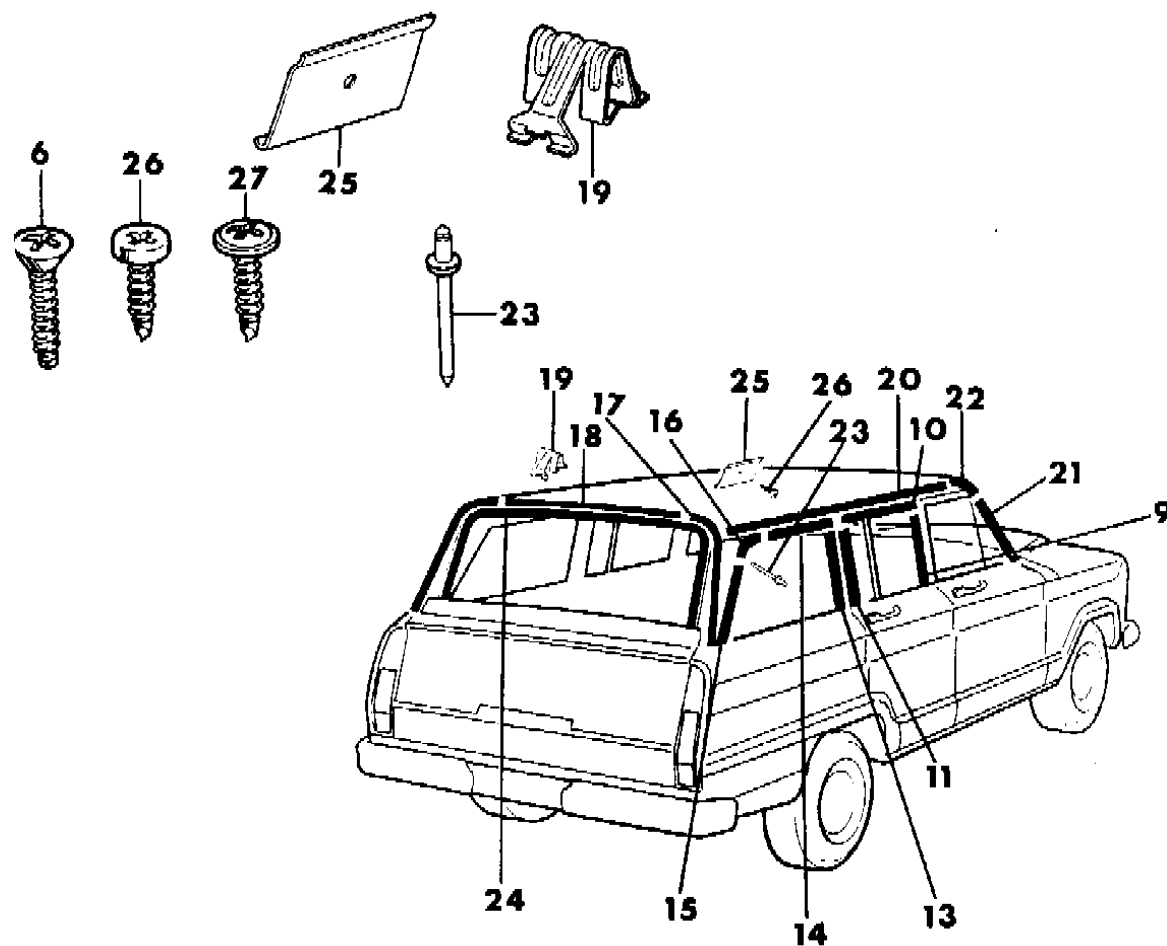
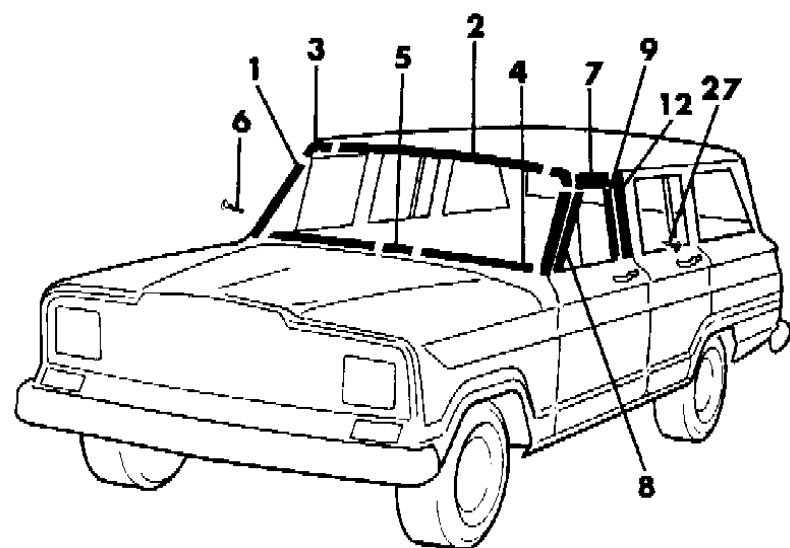
BODY STYLES:

MJ = Comanche Pickup  
SJ = Grand Wagoneer Wgn., J-10 & J-20 Pickups  
XJ = Cherokee, Wagoneer Limited  
YJ = Wrangler

AR = Use as Required - = Non Illustrated Part P.A.R. = Paint as Required

**MOULDINGS, EXTERIOR, UPPER WAGON**  
**Figure 23-5600**

8J68 5600



ITEM	PART NUMBER	QTY	BODY	MODEL	DESCRIPTION
1					MOULDING, Windshield
	J096 8348	1			Right
	J096 8347	1			Left
2	J096 0057	1			MOULDING, Windshield
3					CAP, Molding
	J096 8350	1			Right
	J096 8349	1			Left
4					MOULDING, Windshield
	J096 1178	1			Right
	J096 1177	1			Left
5	J096 1240	1			CAP, Moulding
6	J400 6409	AR			SCREW
7					MOULDING, Door
	J575 8506	1			Right
	J575 8507	1			Left
8					MOULDING, Door
	J096 0658	1			Right
	J096 0657	1			Left
9					MOULDING, Door, front and rear
	J096 0834	2			Right
	J096 0833	2			Left
10	J575 8508	2			MOULDING, Door
11					MOULDING, Door
	J096 0954	1			Right
	J096 0953	1			Left
12	J546 0017	2			MOULDING, "B" Pillar
13					MOULDING, Rear Quarter
	J576 6440	1			Right
	J576 6439	1			Left
14					MOULDING, Rear Quarter
	J096 0952	1			Right
	J096 0951	1			Left
15	J096 0873	2			MOULDING, Rear Quarter
16	J096 1032	2			CAP, Molding
17					MOULDING, Rear Quarter
	J096 5620	1			Right
	J096 5619	1			Left

**MODEL CODES:**

15 = Grand Wagoneer 4 Dr.	65 = Comanche 4WD-7 Ft. Box	77 = Cherokee 4WD-2 Dr.
25 = J-10 Pickup-119" W.B.	66 = Comanche 2WD-7 Ft. Box	78 = Cherokee 4WD-4 Dr.
26 = J-10 Pickup-131" W.B.	73 = Cherokee 2WD-2 Dr.	79 = Cherokee 4WD-4 Dr.-Com
27 = J-20 Pickup-131" W.B.	74 = Cherokee 2WD-4 Dr.	81 = Wrangler-93" W.B.
63 = Comanche 4WD-6 Ft. Box	75 = Wagoneer 4WD-4 Dr.	82 = Wrangler-103" W.B.-Exp.
64 = Comanche 2WD-6 Ft. Box		

**BODY STYLES:**

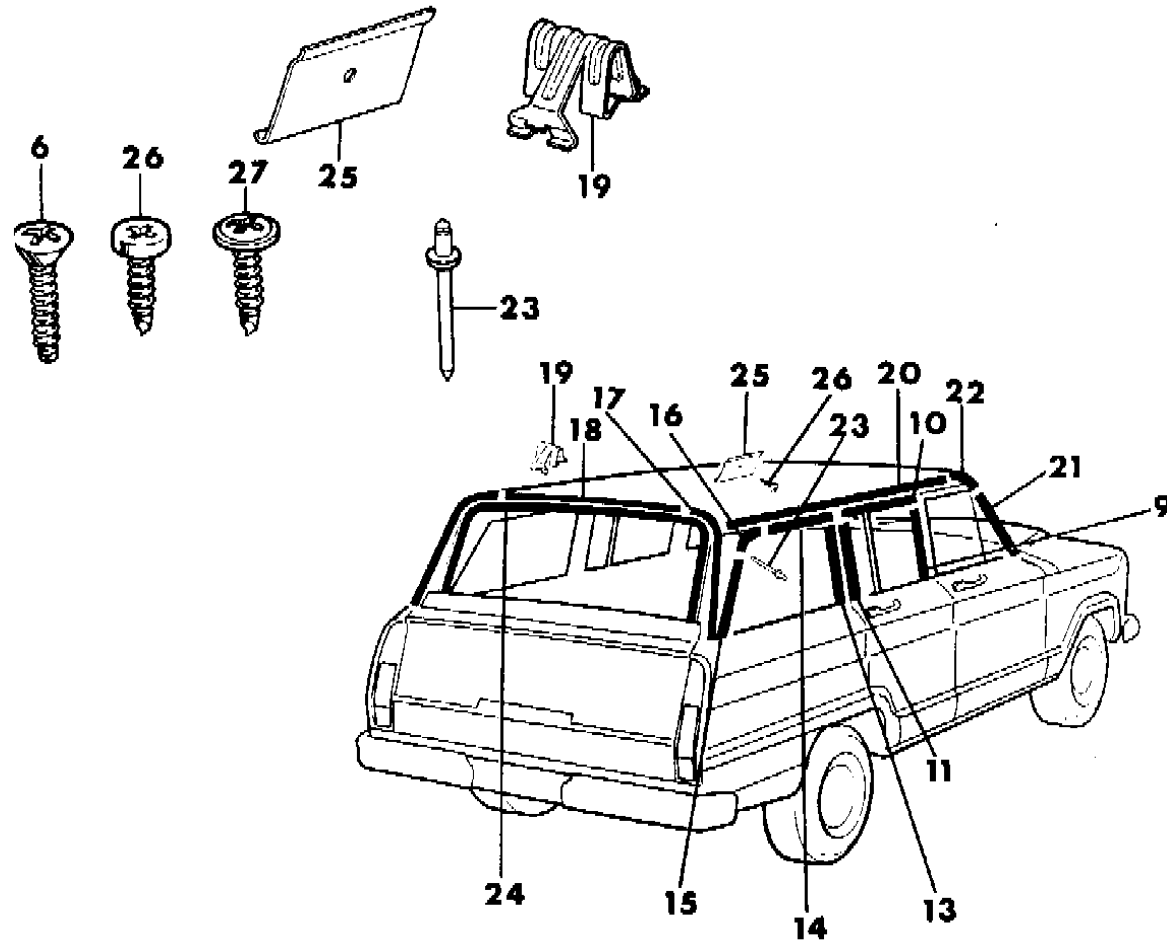
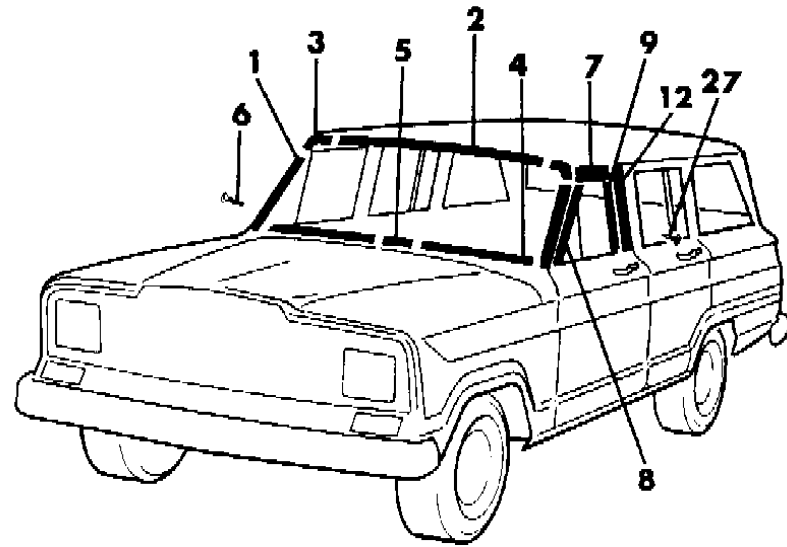
MJ = Comanche Pickup  
 SJ = Grand Wagoneer Wgn., J-10 & J-20 Pickups  
 XJ = Cherokee, Wagoneer Limited  
 YJ = Wrangler

AR = Use as Required - = Non Illustrated Part P.A.R. = Paint as Required

**MOULDINGS, EXTERIOR, UPPER WAGON**  
**Figure 23-5600**

8J68 5600

ITEM	PART NUMBER	QTY	BODY	MODEL	DESCRIPTION
18	J096 5623	1			MOULDING, Roof
19	J400 6693	AR			CLIP
20	J576 0634	2			MOULDING, Drip
21	J576 0635	2			MOULDING, Drip
22	J575 0560	2			CAP, Molding
23	J400 4962	AR			RIVET
24	J575 4191	1			MOULDING, Rear Window
25	J096 0882	AR			TRACK, Moulding
26	J400 4924	10			SCREW
27	J400 5407	AR			SCREW



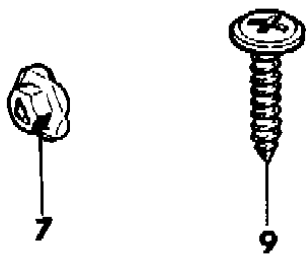
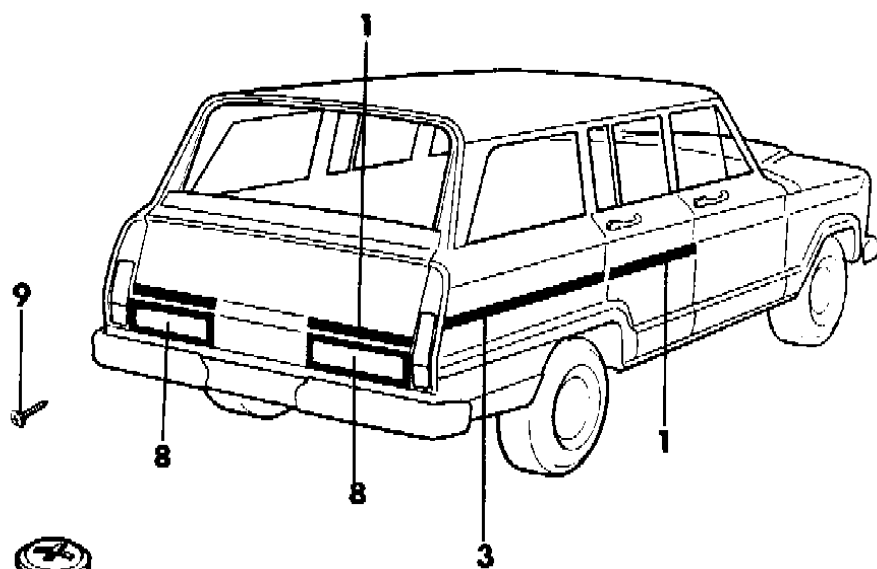
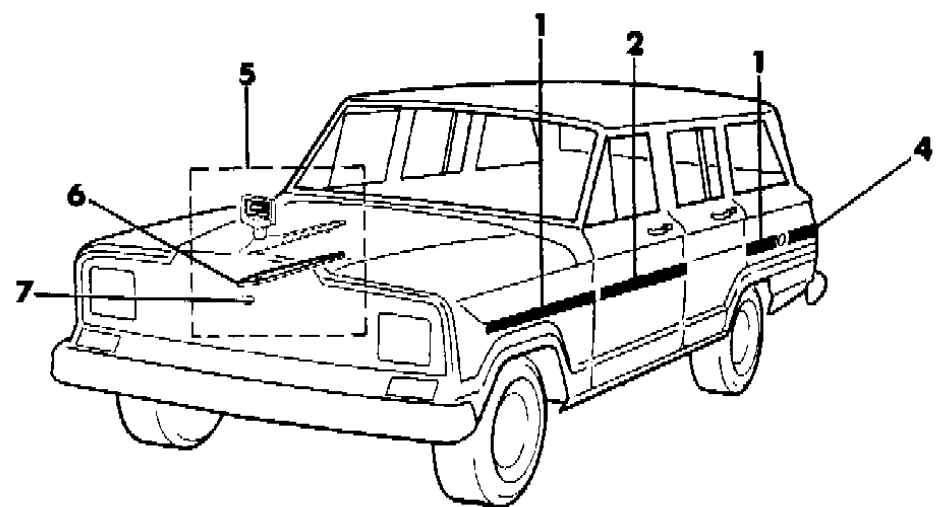
MODEL CODES:  
 15 = Grand Wagoneer 4 Dr.      65 = Comanche 4WD-7 Ft. Box      77 = Cherokee 4WD-2 Dr.  
 25 = J-10 Pickup-119" W.B.      66 = Comanche 2WD-7 Ft. Box      78 = Cherokee 4WD-4 Dr.  
 26 = J-10 Pickup-131" W.B.      73 = Cherokee 2WD-2 Dr.      79 = Cherokee 4WD-4 Dr.-Com  
 27 = J-20 Pickup-131" W.B.      74 = Cherokee 2WD-4 Dr.      81 = Wrangler-93" W.B.  
 63 = Comanche 4WD-6 Ft. Box      75 = Wagoneer 4WD-4 Dr.      82 = Wrangler-103" W.B.-Exp.  
 64 = Comanche 2WD-6 Ft. Box

BODY STYLES:  
 MJ = Comanche Pickup  
 SJ = Grand Wagoneer Wgn., J-10 & J-20 Pickups  
 XJ = Cherokee, Wagoneer Limited  
 YJ = Wrangler

AR = Use as Required - = Non Illustrated Part P.A.R. = Paint as Required

**MOULDINGS, EXTERIOR, LOWER LESS WOODGRAIN DECALS WAGON, 1987-88**  
**Figure 23-5700**

8J68 5700



ITEM	PART NUMBER	QTY	BODY	MODEL	DESCRIPTION
1					MOULDING, (MR)
	J576 4530	AR			Silver
2					MOULDING, Door
	J576 4530	2			Silver
3					MOULDING, Rear Quarter
	J576 3376	1			Silver
4					MOULDING, Rear Quarter
	J576 3377	1			Silver
5	8350 2503	1			ORNAMENT PACKAGE, Hood ***
6	5501 0384	1			GASKET
7	J942 0287	2			NUT
8					OVERLAY
	J575 4800	1			Right
	J575 4799	1			Left
9	J400 4812	14			SCREW

(MR) = Modification Required. (A) For 1987, two types of instrument clusters were used. On type one, Clusters, the odometer numbers are rounded, the Speedometer face has (2) slotte

**MODEL CODES:**

15 = Grand Wagoneer 4 Dr.	65 = Comanche 4WD-7 Ft. Box	77 = Cherokee 4WD-2 Dr.
25 = J-10 Pickup-119" W.B.	66 = Comanche 2WD-7 Ft. Box	78 = Cherokee 4WD-4 Dr.
26 = J-10 Pickup-131" W.B.	73 = Cherokee 2WD-2 Dr.	79 = Cherokee 4WD-4 Dr.-Com
27 = J-20 Pickup-131" W.B.	74 = Cherokee 2WD-4 Dr.	81 = Wrangler-93" W.B.
63 = Comanche 4WD-6 Ft. Box	75 = Wagoneer 4WD-4 Dr.	82 = Wrangler-103" W.B.-Exp.
64 = Comanche 2WD-6 Ft. Box		

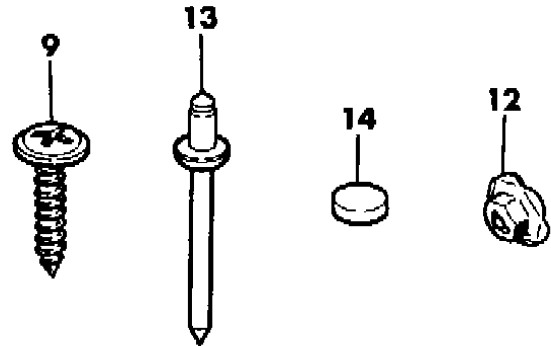
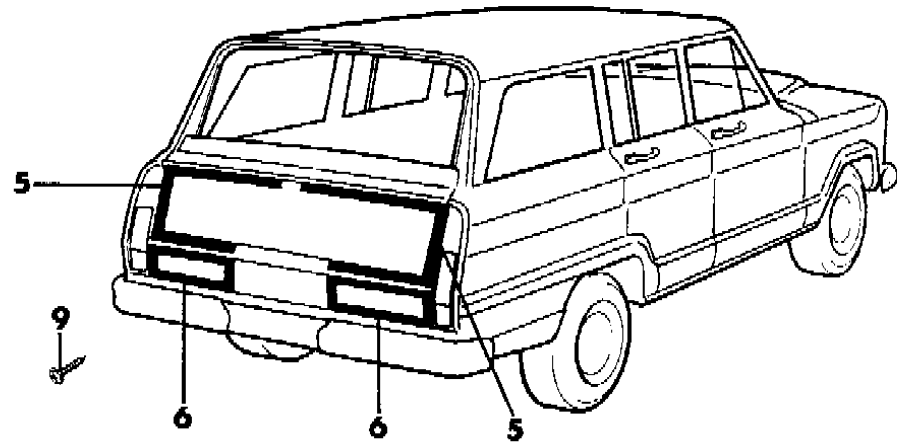
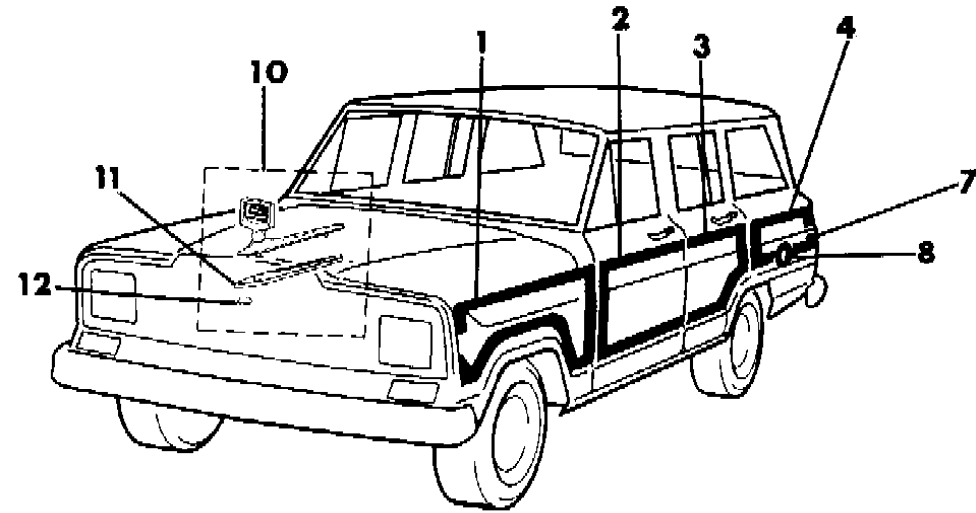
**BODY STYLES:**

MJ = Comanche Pickup  
 SJ = Grand Wagoneer Wgn., J-10 & J-20 Pickups  
 XJ = Cherokee, Wagoneer Limited  
 YJ = Wrangler

AR = Use as Required - = Non Illustrated Part P.A.R. = Paint as Required

**MOULDINGS, EXTERIOR, LOWER WITH WOODGRAIN DECALS WAGON**  
**Figure 23-5800**

8J68 5800



ITEM	PART NUMBER	QTY	BODY	MODEL	DESCRIPTION
1					MOULDING, Fender
					Right
	5505 2654	1			1987-90, up to 1/15/90
	5502 5744	1			1990, after 1/15/90
					Left
					1987-90, up to 1/15/90
	5502 5745	1			1990, after 1/15/90
2					MOULDING, Door
					Right
	5505 2656	1			1987-90, up to 1/15/90
	5502 5746	1			1990, after 1/15/90
					Left
					1987-90, up to 1/15/90
	5502 5747	1			1990, after 1/15/90
3					MOULDING, Door
					Right
	5505 2658	1			1987-90, up to 1/15/90
	5502 5748	1			1990, after 1/15/90
					Left
					1987-90, up to 1/15/90
	5502 5749	1			1990, after 1/15/90
4					MOULDING, Rear Quarter
					Right
	5505 2660	1			1987-90, up to 1/15/90
	5502 5750	1			1990, after 1/15/90
					Left
					1987-90, up to 1/15/90
	5502 5751	1			1990, after 1/15/90
5					MOULDING, Tailgate
					Right
	5505 2662	1			1987-90, up to 1/15/90
	5502 5752	1			1990, after 1/15/90
					Left
					1987-90, up to 1/15/90
	5502 5753	1			1990, after 1/15/90
6					OVERLAY
					Right
	J575 4800	1			

**MODEL CODES:**

15 = Grand Wagoneer 4 Dr.	65 = Comanche 4WD-7 Ft. Box	77 = Cherokee 4WD-2 Dr.
25 = J-10 Pickup-119" W.B.	66 = Comanche 2WD-7 Ft. Box	78 = Cherokee 4WD-4 Dr.
26 = J-10 Pickup-131" W.B.	73 = Cherokee 2WD-2 Dr.	79 = Cherokee 4WD-4 Dr.-Com
27 = J-20 Pickup-131" W.B.	74 = Cherokee 2WD-4 Dr.	81 = Wrangler-93" W.B.
63 = Comanche 4WD-6 Ft. Box	75 = Wagoneer 4WD-4 Dr.	82 = Wrangler-103" W.B.-Exp.
64 = Comanche 2WD-6 Ft. Box		

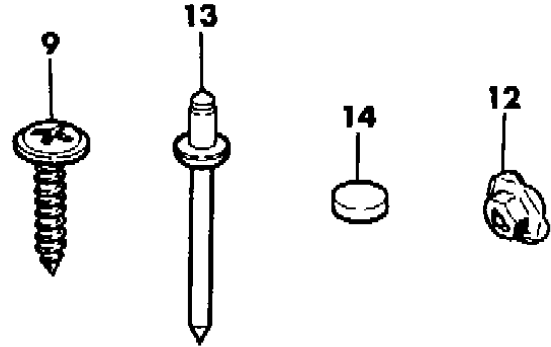
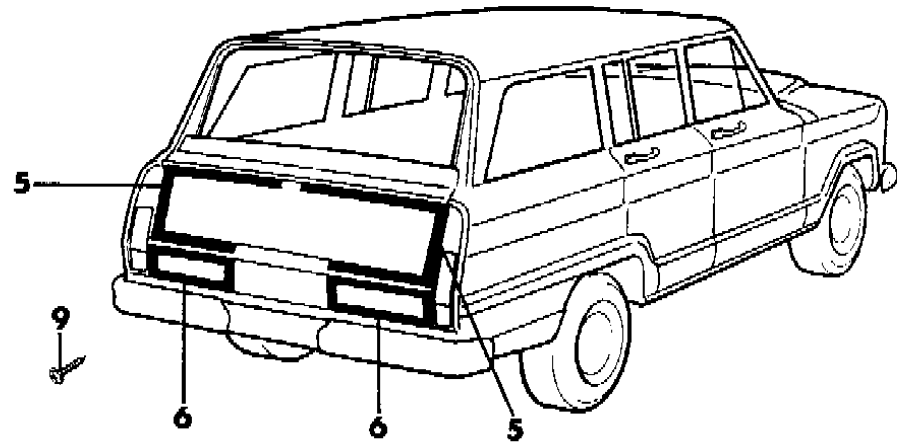
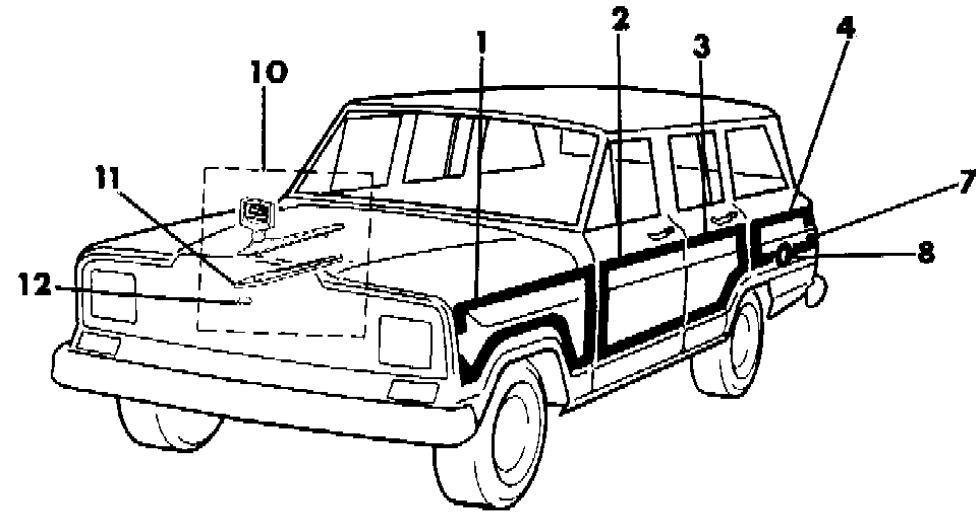
**BODY STYLES:**

MJ = Comanche Pickup  
 SJ = Grand Wagoneer Wgn., J-10 & J-20 Pickups  
 XJ = Cherokee, Wagoneer Limited  
 YJ = Wrangler

AR = Use as Required - = Non Illustrated Part P.A.R. = Paint as Required

**MOULDINGS, EXTERIOR, LOWER WITH WOODGRAIN DECALS WAGON**  
**Figure 23-5800**

8J68 5800



ITEM	PART NUMBER	QTY	BODY	MODEL	DESCRIPTION
	J575 4799	1			Left
7					MOULDING, Rear Quarter
	J576 6465	1			Left
	5502 5743	1			1987-89
					1990
8	J545 6634	1			RING, Trim
9	J400 4812	AR			SCREW
10	8350 2503	1			ORNAMENT PACKAGE, Hood ***
11	5501 0384	1			GASKET
12	J942 0287	2			NUT
13	J400 4962	AR			RIVET
14					PLUG
	J575 5503	AR			1987-89
	5252 124	AR			1990

**MODEL CODES:**

15 = Grand Wagoneer 4 Dr.	65 = Comanche 4WD-7 Ft. Box	77 = Cherokee 4WD-2 Dr.
25 = J-10 Pickup-119" W.B.	66 = Comanche 2WD-7 Ft. Box	78 = Cherokee 4WD-4 Dr.
26 = J-10 Pickup-131" W.B.	73 = Cherokee 2WD-2 Dr.	79 = Cherokee 4WD-4 Dr.-Com
27 = J-20 Pickup-131" W.B.	74 = Cherokee 2WD-4 Dr.	81 = Wrangler-93" W.B.
63 = Comanche 4WD-6 Ft. Box	75 = Wagoneer 4WD-4 Dr.	82 = Wrangler-103" W.B.-Exp.
64 = Comanche 2WD-6 Ft. Box		

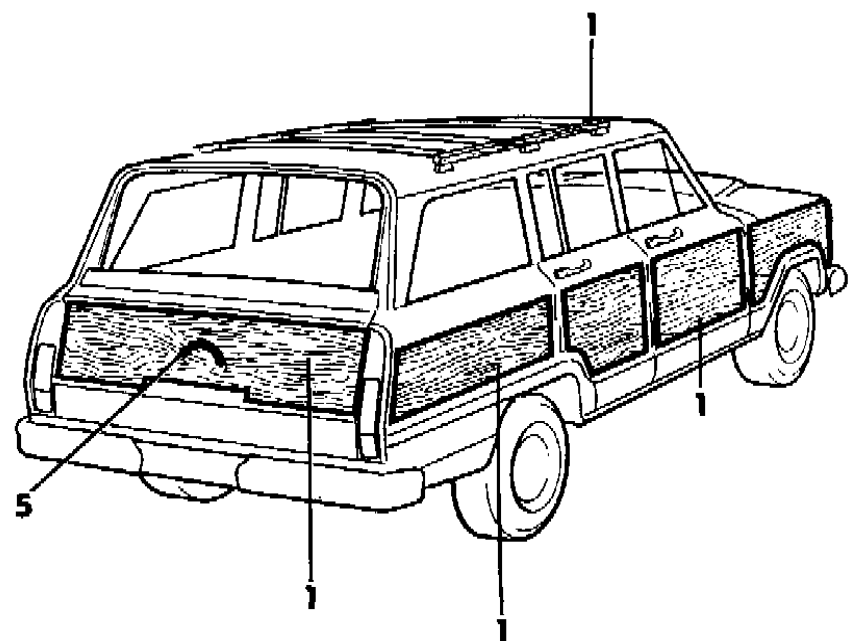
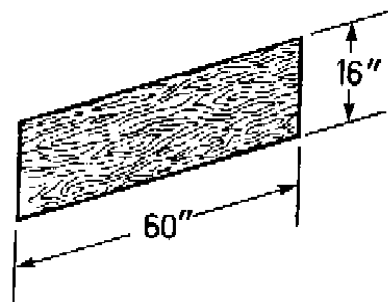
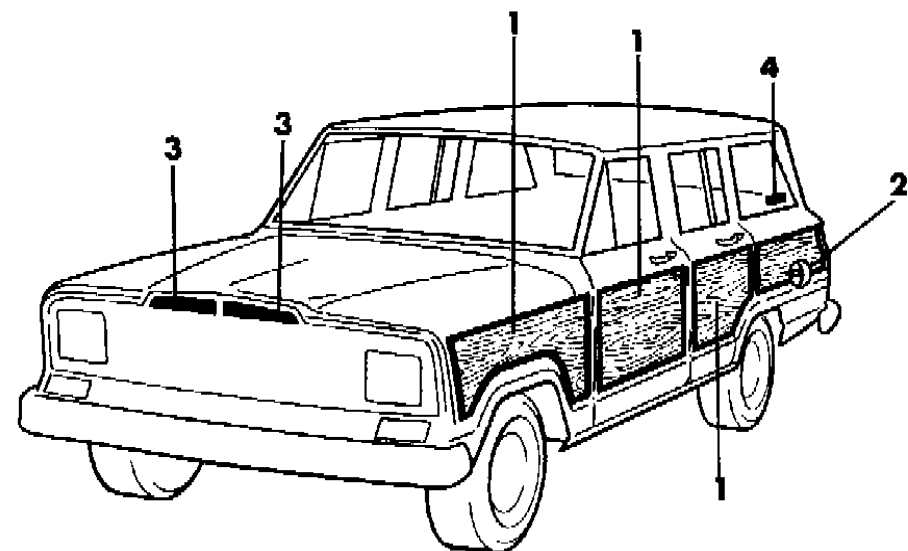
**BODY STYLES:**

MJ = Comanche Pickup  
 SJ = Grand Wagoneer Wgn., J-10 & J-20 Pickups  
 XJ = Cherokee, Wagoneer Limited  
 YJ = Wrangler

AR = Use as Required - = Non Illustrated Part P.A.R. = Paint as Required

DECALS, EXTERIOR WAGON  
Figure 23-5900

8J68 5900 C



ITEM	PART NUMBER	QTY	BODY	MODEL	DESCRIPTION
1	8350 3186	AR			DECAL, Woodgrain
2	J536 3394	1			RING, Retaining Vehicles Equipped To Use Unleaded Fuel
	J536 3395	1			Vehicles Equipped To Use Leaded Fuel
3					DECAL, Grille Panel
	5501 2578	1			Right
	5501 2579	1			Left
4	5502 0568	2			DECAL, "Olympic" 1988
5	5502 2196	1			DECAL, "ALWAYS REMOVE KEY"

MODEL CODES:

15 = Grand Wagoneer 4 Dr.	65 = Comanche 4WD-7 Ft. Box	77 = Cherokee 4WD-2 Dr.
25 = J-10 Pickup-119" W.B.	66 = Comanche 2WD-7 Ft. Box	78 = Cherokee 4WD-4 Dr.
26 = J-10 Pickup-131" W.B.	73 = Cherokee 2WD-2 Dr.	79 = Cherokee 4WD-4 Dr.-Com
27 = J-20 Pickup-131" W.B.	74 = Cherokee 2WD-4 Dr.	81 = Wrangler-93" W.B.
63 = Comanche 4WD-6 Ft. Box	75 = Wagoneer 4WD-4 Dr.	82 = Wrangler-103" W.B.-Exp.
64 = Comanche 2WD-6 Ft. Box		

BODY STYLES:

MJ = Comanche Pickup  
 SJ = Grand Wagoneer Wgn., J-10 & J-20 Pickups  
 XJ = Cherokee, Wagoneer Limited  
 YJ = Wrangler

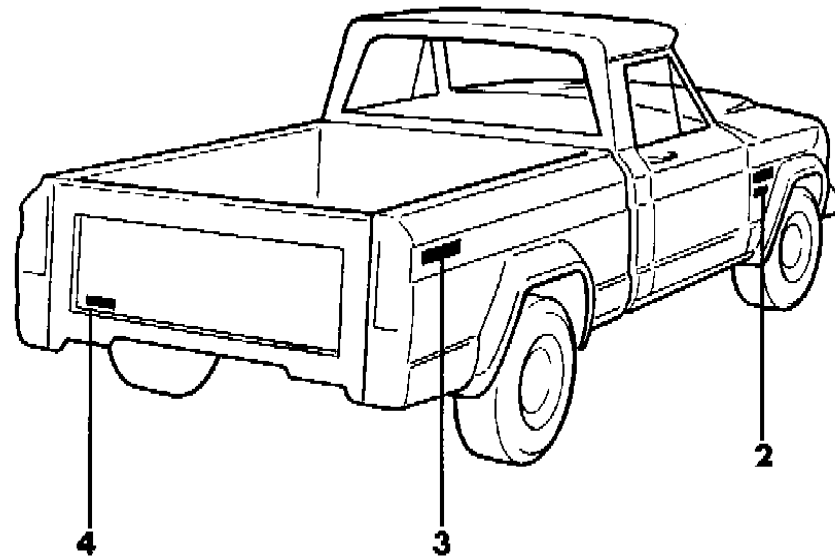
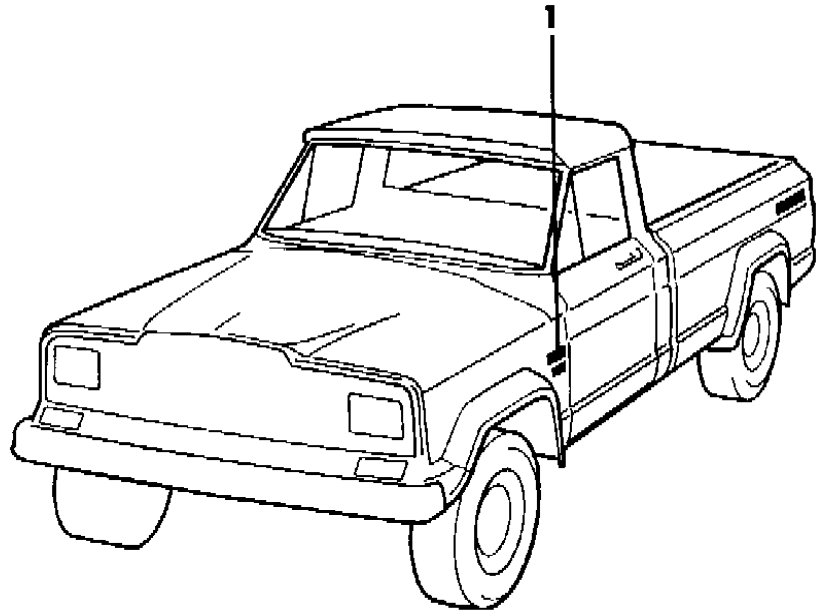
AR = Use as Required - = Non Illustrated Part P.A.R. = Paint as Required



NAMEPLATES 1987-88 J10, J20  
Figure 23-6000

8J68 6000 A

ITEM	PART NUMBER	QTY	BODY	MODEL	DESCRIPTION
1					NAMEPLATE
	J545 2020	2			"J10"
	J545 2021	2			"J20"
2	5501 0898	2			NAMEPLATE, "Pioneer"
3	5500 7817	2			NAMEPLATE, "4x4"
4	5501 3578	1			NAMEPLATE, "V8"



MODEL CODES:

15 = Grand Wagoneer 4 Dr.	65 = Comanche 4WD-7 Ft. Box	77 = Cherokee 4WD-2 Dr.
25 = J-10 Pickup-119" W.B.	66 = Comanche 2WD-7 Ft. Box	78 = Cherokee 4WD-4 Dr.
26 = J-10 Pickup-131" W.B.	73 = Cherokee 2WD-2 Dr.	79 = Cherokee 4WD-4 Dr.-Com
27 = J-20 Pickup-131" W.B.	74 = Cherokee 2WD-4 Dr.	81 = Wrangler-93" W.B.
63 = Comanche 4WD-6 Ft. Box	75 = Wagoneer 4WD-4 Dr.	82 = Wrangler-103" W.B.-Exp.
64 = Comanche 2WD-6 Ft. Box		

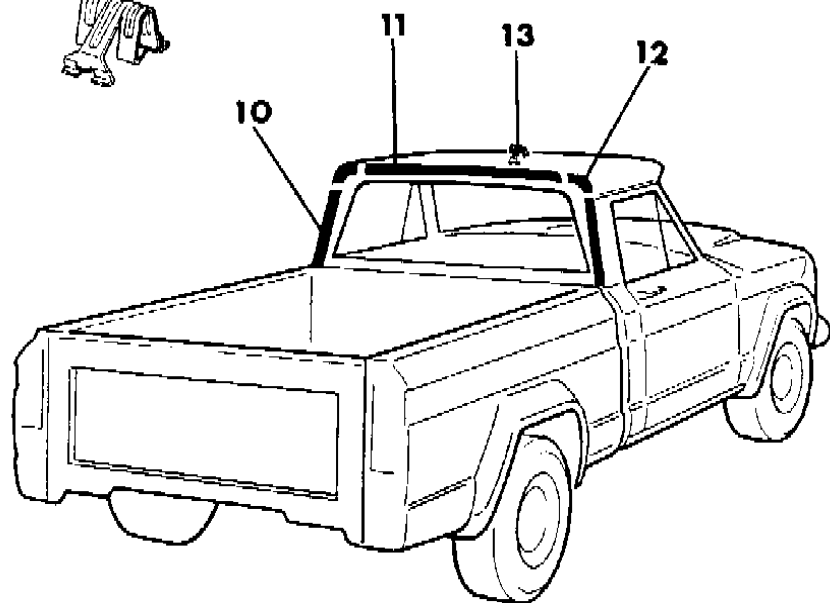
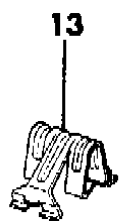
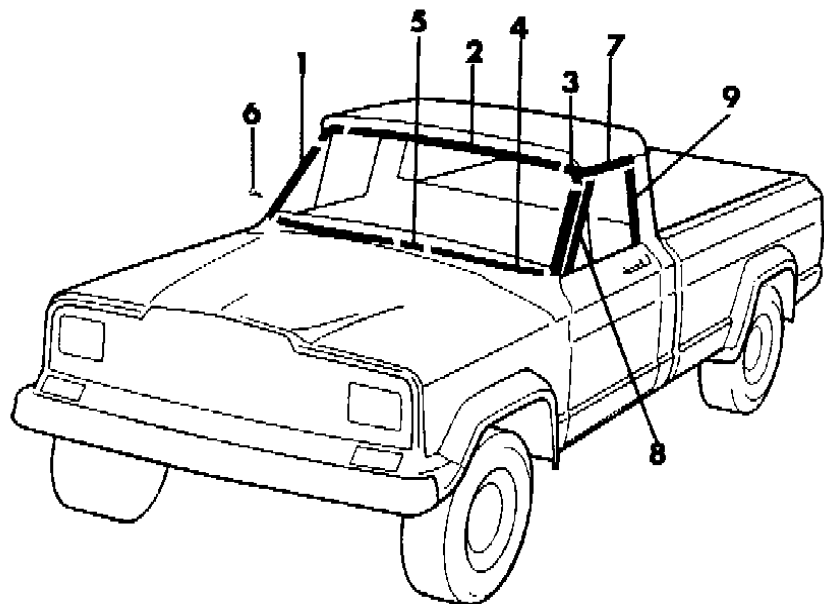
BODY STYLES:

MJ = Comanche Pickup  
SJ = Grand Wagoneer Wgn., J-10 & J-20 Pickups  
XJ = Cherokee, Wagoneer Limited  
YJ = Wrangler

AR = Use as Required - = Non Illustrated Part P.A.R. = Paint as Required

**MOULDINGS, EXTERIOR, UPPER 1987-88 J10, J20**  
**Figure 23-6100**

8J68 6100



ITEM	PART NUMBER	QTY	BODY	MODEL	DESCRIPTION
1					MOULDING, Windshield
	J096 8348	1			Right
	J096 8347	1			Left
2	J096 0057	1			MOULDING, Windshield
3					CAP, Moulding
	J096 8350	1			Right
	J096 8349	1			Left
4					MOULDING, Windshield
	J096 1178	1			Right
	J096 1177	1			Left
5	J096 1240	1			CAP, Moulding
6	J400 6409	AR			SCREW
7					MOULDING, Door
	J575 8506	1			Right
	J575 8507	1			Left
8					MOULDING, Door
	J096 0658	1			Right
	J096 0657	1			Left
9					MOULDING, Door
	J096 0834	1			Right
	J096 0833	1			Left
10					MOULDING, Cab Rear Quarter
	J095 7808	1			Right
	J095 7807	1			Left
11	J095 7811	1			MOULDING, Roof
12	J096 1930	2			CAP, Moulding
13	J400 6693	AR			CLIP

**MODEL CODES:**

15 = Grand Wagoneer 4 Dr.	65 = Comanche 4WD-7 Ft. Box	77 = Cherokee 4WD-2 Dr.
25 = J-10 Pickup-119" W.B.	66 = Comanche 2WD-7 Ft. Box	78 = Cherokee 4WD-4 Dr.
26 = J-10 Pickup-131" W.B.	73 = Cherokee 2WD-2 Dr.	79 = Cherokee 4WD-4 Dr.-Com
27 = J-20 Pickup-131" W.B.	74 = Cherokee 2WD-4 Dr.	81 = Wrangler-93" W.B.
63 = Comanche 4WD-6 Ft. Box	75 = Wagoneer 4WD-4 Dr.	82 = Wrangler-103" W.B.-Exp.
64 = Comanche 2WD-6 Ft. Box		

**BODY STYLES:**

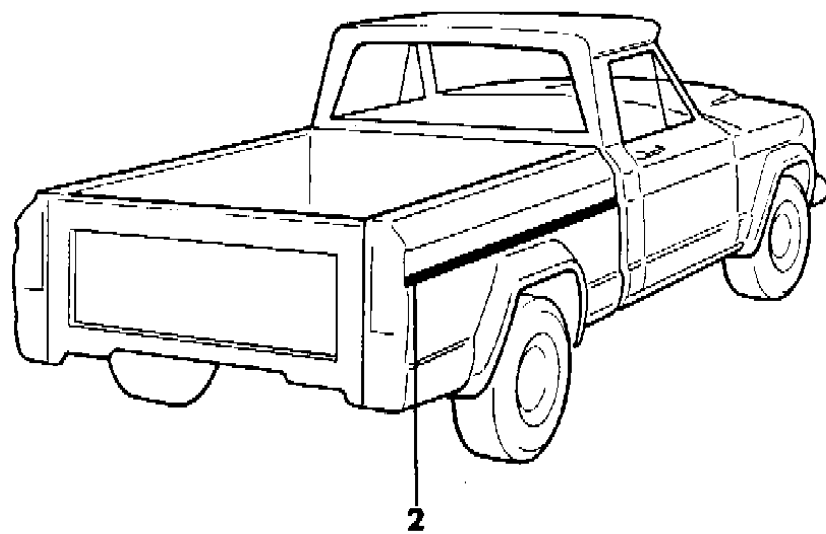
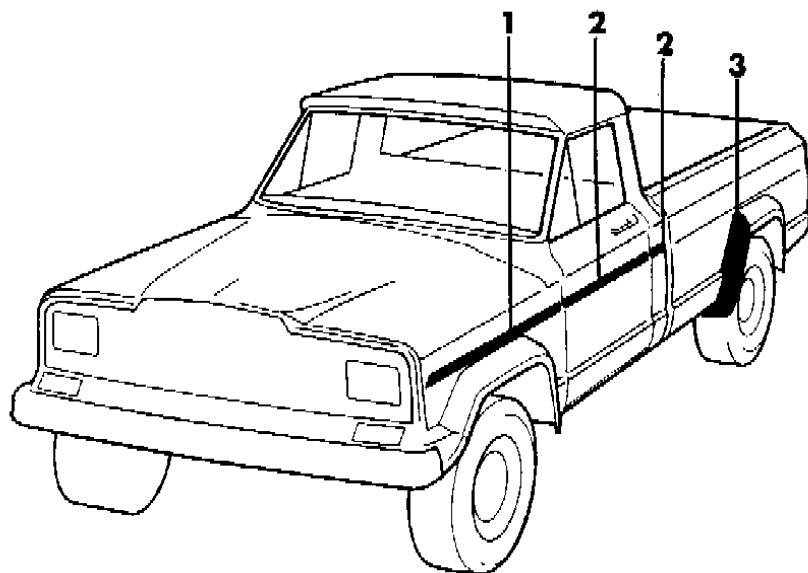
MJ = Comanche Pickup  
 SJ = Grand Wagoneer Wgn., J-10 & J-20 Pickups  
 XJ = Cherokee, Wagoneer Limited  
 YJ = Wrangler

AR = Use as Required - = Non Illustrated Part P.A.R. = Paint as Required

**MOULDINGS, EXTERIOR, LOWER 1987-88 J10, J20**  
**Figure 23-6200**

8J68 6200

ITEM	PART NUMBER	QTY	BODY	MODEL	DESCRIPTION
1					MOULDING
	8350 2094	1			Right
	8350 2095	1			Left
2	8350 2093	AR			MOULDING
3					PROTECTOR, Scuff
	J576 2182	1			Right
	J576 2183	1			Left



**MODEL CODES:**

- |                             |                             |                              |
|-----------------------------|-----------------------------|------------------------------|
| 15 = Grand Wagoneer 4 Dr.   | 65 = Comanche 4WD-7 Ft. Box | 77 = Cherokee 4WD-2 Dr.      |
| 25 = J-10 Pickup-119" W.B.  | 66 = Comanche 2WD-7 Ft. Box | 78 = Cherokee 4WD-4 Dr.      |
| 26 = J-10 Pickup-131" W.B.  | 73 = Cherokee 2WD-2 Dr.     | 79 = Cherokee 4WD-4 Dr.-Com  |
| 27 = J-20 Pickup-131" W.B.  | 74 = Cherokee 2WD-4 Dr.     | 81 = Wrangler-93" W.B.       |
| 63 = Comanche 4WD-6 Ft. Box | 75 = Wagoneer 4WD-4 Dr.     | 82 = Wrangler-103" W.B.-Exp. |
| 64 = Comanche 2WD-6 Ft. Box |                             |                              |

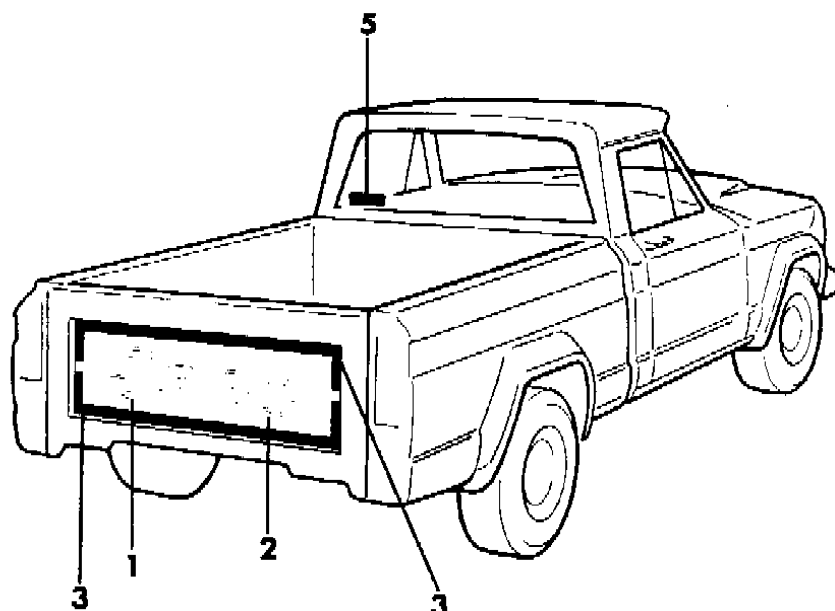
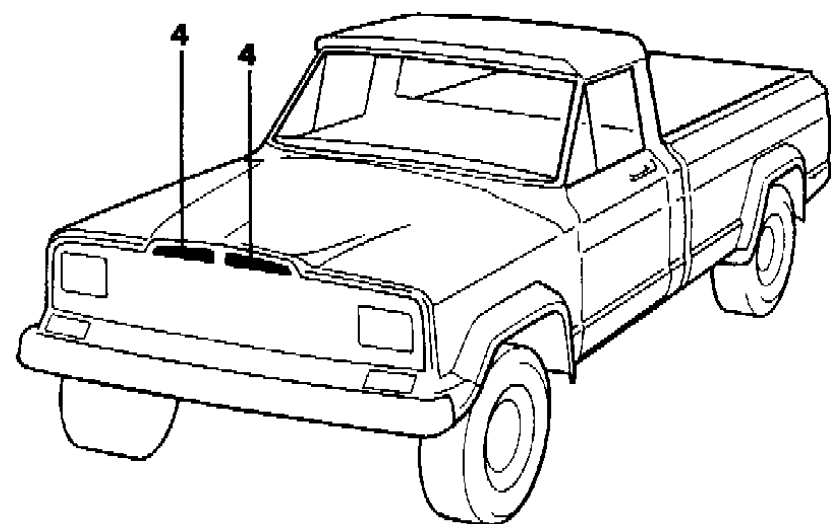
**BODY STYLES:**

- MJ = Comanche Pickup
- SJ = Grand Wagoneer Wgn., J-10 & J-20 Pickups
- XJ = Cherokee, Wagoneer Limited
- YJ = Wrangler

AR = Use as Required - = Non Illustrated Part P.A.R. = Paint as Required

DECALS, EXTERIOR 1987-88 J10, J20  
Figure 23-6300

8J68 6300



ITEM	PART NUMBER	QTY	BODY	MODEL	DESCRIPTION
1					DECAL, Tailgate
	5501 4356	1			Tan
2					DECAL, Tailgate
	5501 4357	1			Tan
3					DECAL, Tailgate
	5501 4355	1			Tan
4					DECAL, Grille Panel
	5501 2578	1			Right, Black
	5501 2579	1			Left, Black
5					DECAL, "Olympic"
	5502 0568	1			

MODEL CODES:

15 = Grand Wagoneer 4 Dr.	65 = Comanche 4WD-7 Ft. Box	77 = Cherokee 4WD-2 Dr.
25 = J-10 Pickup-119" W.B.	66 = Comanche 2WD-7 Ft. Box	78 = Cherokee 4WD-4 Dr.
26 = J-10 Pickup-131" W.B.	73 = Cherokee 2WD-2 Dr.	79 = Cherokee 4WD-4 Dr.-Com
27 = J-20 Pickup-131" W.B.	74 = Cherokee 2WD-4 Dr.	81 = Wrangler-93" W.B.
63 = Comanche 4WD-6 Ft. Box	75 = Wagoneer 4WD-4 Dr.	82 = Wrangler-103" W.B.-Exp.
64 = Comanche 2WD-6 Ft. Box		

BODY STYLES:

MJ = Comanche Pickup  
 SJ = Grand Wagoneer Wgn., J-10 & J-20 Pickups  
 XJ = Cherokee, Wagoneer Limited  
 YJ = Wrangler

AR = Use as Required - = Non Illustrated Part P.A.R. = Paint as Required

**GROUP 23A - BODY - SHEET METAL EXCEPT DOORS**

ILLUSTRATION TITLE	GROUP-FIG. NO.
<b>WRANGLER, YJ</b>	
PAN, FLOOR FRONT AND REAR WRANGLER, YJ .....	Fig. 23A-100
FENDERS, FRONT WRANGLER, YJ .....	Fig. 23A-200
HOOD, LOCK AND CATCHES WRANGLER, YJ .....	Fig. 23A-300
PANELS, COWL DASH WRANGLER, YJ .....	Fig. 23A-350
WINDSHIELD FRAME AND HINGES WRANGLER, YJ .....	Fig. 23A-400
GLASS, MIRROR, INSIDE REAR VIEW LESS WORLD CAB WRANGLER, YJ .....	Fig. 23A-500
GLASS WITH WORLD CAB, EXPORT WRANGLER, YJ .....	Fig. 23A-600
SEALS, WINDOW WRANGLER, YJ .....	Fig. 23A-700
TOP ENCLOSURE, HARD WRANGLER, YJ .....	Fig. 23A-800
PANELS, BODY SIDE WRANGLER, YJ .....	Fig. 23A-900
TAILGATE WRANGLER, YJ .....	Fig. 23A-1000
HINGES, TAILGATE WRANGLER, YJ .....	Fig. 23A-1100
SPORT BAR WRANGLER, YJ .....	Fig. 23A-1200
SOFT TOP HARDWARE WITH HALF DOORS WRANGLER, YJ .....	Fig. 23A-1300
SOFT TOP AND WINDOWS WITH HALF DOORS WRANGLER, YJ .....	Fig. 23A-1400
SOFT TOP HARDWARE WITH FULL HARD DOORS WRANGLER, YJ .....	Fig. 23A-1500
SOFT TOP AND WINDOWS WITH FULL HARD DOORS WRANGLER, YJ .....	Fig. 23A-1600
SOFT TOP, FULL SOFT DOORS AND WINDOWS NON REGULATED MARKETS .....	Fig. 23A-1700
LIFT DOOR, LATCH AND HINGES WITH HARD TOP ENCLOSURE WRANGLER, YJ .....	Fig. 23A-1800
LATCH AND STRIKER, TAILGATE WRANGLER, YJ .....	Fig. 23A-1900
<b>WAGONEER &amp; CHEROKEE AND COMANCHE</b>	
PANS, FLOOR CHEROKEE, WAGONEER .....	Fig. 23A-2000
PAN, FLOOR COMANCHE .....	Fig. 23A-2100
PLATES, UNDERBODY SKID CHEROKEE, WAGONEER .....	Fig. 23A-2200
PLATES, UNDERBODY SKID COMANCHE .....	Fig. 23A-2300
PLUGS, BODY CHEROKEE, WAGONEER, COMANCHE .....	Fig. 23A-2400
PANELS, FRONT END INNER AND WHEELHOUSE CHEROKEE, WAGONEER, COMANCHE .....	Fig. 23A-2500
FENDERS, FRONT CHEROKEE, WAGONEER, COMANCHE .....	Fig. 23A-2600
HOOD, LATCH AND HINGES CHEROKEE, WAGONEER, COMANCHE .....	Fig. 23A-2700
PANELS, COWL AND DASH CHEROKEE, WAGONEER, COMANCHE .....	Fig. 23A-2800
MIRROR INSIDE REAR VIEW CHEROKEE, WAGONEER, COMANCHE .....	Fig. 23A-2900
PANELS, BODY SIDE CHEROKEE 2 DOOR .....	Fig. 23A-3000
PANELS, BODY SIDE CHEROKEE, WAGONEER 4 DOOR .....	Fig. 23A-3100
PANELS, BODY SIDE AND REAR COMANCHE .....	Fig. 23A-3200
PANELS, REAR QUARTER CHEROKEE 2 DOOR .....	Fig. 23A-3300

**ILLUSTRATION NOT AVAILABLE AT TIME OF PUBLICATION**

**GROUP 23A - BODY - SHEET METAL EXCEPT DOORS**

**GROUP 23A - BODY - SHEET METAL EXCEPT DOORS**

ILLUSTRATION TITLE

GROUP-FIG. NO.

ILLUSTRATION TITLE

GROUP-FIG. NO.

**WAGONEER & CHEROKEE AND COMANCHE (Continued)**

PANELS, REAR QUARTER CHEROKEE 2 DOOR .....	Fig. 23A-3300
PANELS, REAR QUARTER CHEROKEE, WAGONEER 4 DOOR .....	Fig. 23A-3400
APPLIQUES, REAR QUARTER PANEL CHEROKEE, WAGONEER, COMANCHE .....	Fig. 23A-3500
PANELS, LOAD BARRIER AND AUXILIARY FLOOR CHEROKEE 2 DOOR, 79, FRENCH COMMERCIAL PACKAGE .....	Fig. 23A-3600
TAILGATE, LATCHES AND HINGES COMANCHE .....	Fig. 23A-3700
BOX, PICKUP COMANCHE .....	Fig. 23A-3800
LIFT DOOR, LATCH AND HINGES CHEROKEE, WAGONEER .....	Fig. 23A-3900
SPORT BAR COMANCHE .....	Fig. 23A-4000
RACK, ROOF LUGGAGE (TYPE 1) CHEROKEE, WAGONEER .....	Fig. 23A-4100
RACK, ROOF LUGGAGE, TYPE 2 CHEROKEE, WAGONEER .....	Fig. 23A-4200
SUNROOF, POP-UP CHEROKEE, WAGONEER .....	Fig. 23A-4300
PANELS, ROOF CHEROKEE, WAGONEER, COMANCHE .....	Fig. 23A-4400
GLASS COMANCHE .....	Fig. 23A-4500
SEAL, WINDOW COMANCHE .....	Fig. 23A-4600
GLASS, REAR QUARTER FIXED CHEROKEE 2 DOOR .....	Fig. 23A-4700
SEAL LIFT DOOR CHEROKEE, WAGONEER .....	Fig. 23A-4800
SEALS WINDOW CHEROKEE 2 DOOR .....	Fig. 23A-4900
GLASS, STATIONARY WINDSHIELD, QUARTER AND LIFT DOOR CHEROKEE 2 DOOR .....	Fig. 23A-5000
GLASS, STATIONARY WINDSHIELD, QUARTER, AND LIFT DOOR CHEROKEE 4 DOOR, WAGONEER ...	Fig. 23A-5100
SEALS QUARTER AND LIFT DOOR WINDOW CHEROKEE 4 DOOR, WAGONEER .....	Fig. 23A-5200

**GRAND WAGONEER & J10-AND-J20-TRUCK**

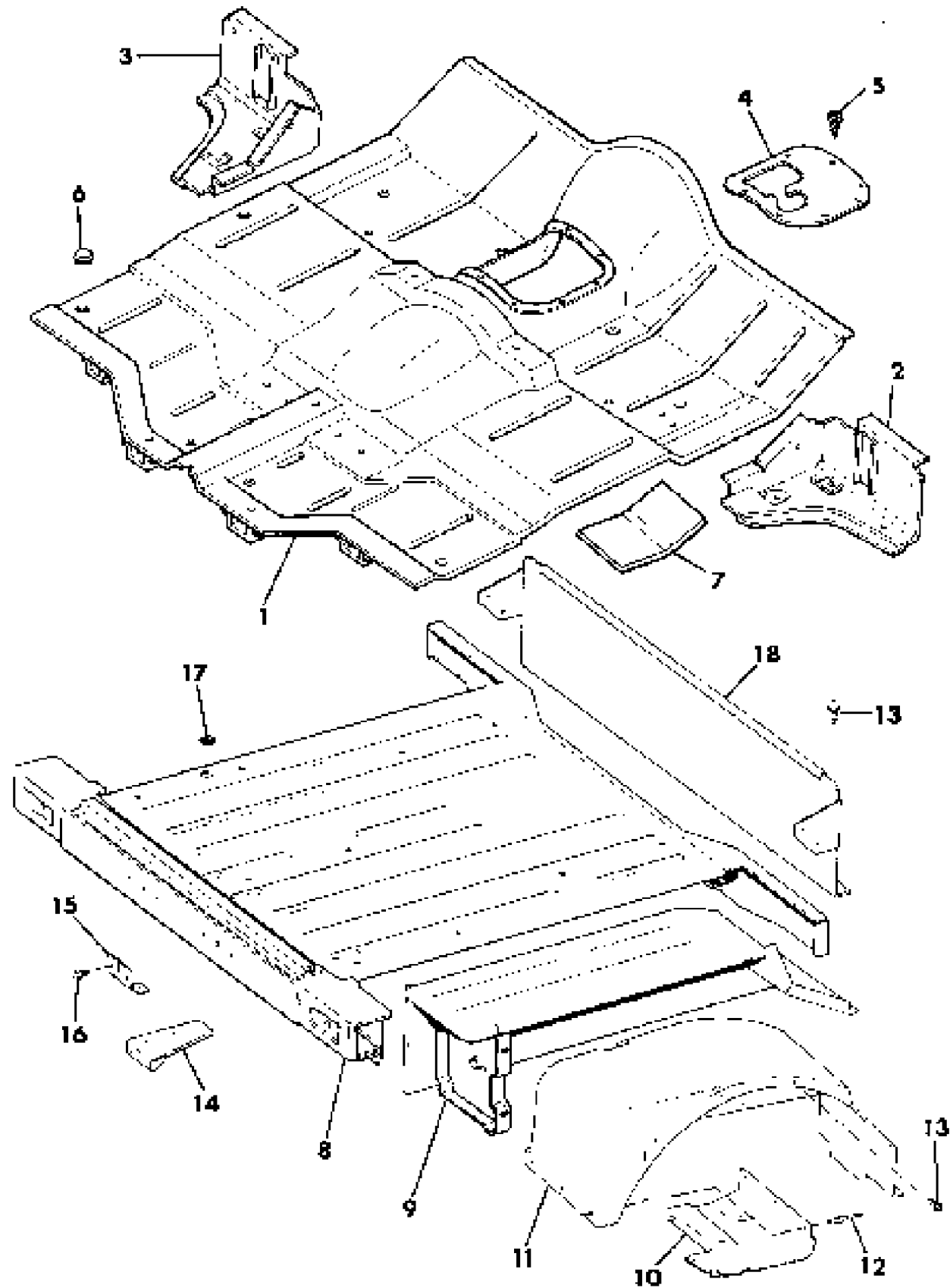
PAN, FLOOR GRAND WAGONEER .....	Fig. 23A-5300
PAN, FLOOR 1987-88 J10, J20 .....	Fig. 23A-5400
SEALS AND PLUGS, BODY GRAND WAGONEER, J10, J20 .....	Fig. 23A-5500
FENDERS, FRONT GRAND WAGONEER, J10, J20 .....	Fig. 23A-5600
HOOD AND HINGES GRAND WAGONEER, J10, J20 .....	Fig. 23A-5700
LOCK AND RELEASE, HOOD GRAND WAGONEER, J10, J20 .....	Fig. 23A-5800
PANELS, COWL AND DASH GRAND WAGONEER, J10, J20 .....	Fig. 23A-5900
MIRROR, INSIDE REAR VIEW GRAND WAGONEER, J10, J20 .....	Fig. 23A-6000
PANELS, BODY SIDE GRAND WAGONEER .....	Fig. 23A-6100
PANELS, REAR QUARTER GRAND WAGONEER .....	Fig. 23A-6200
TAILGATE AND HINGES GRAND WAGONEER .....	Fig. 23A-6300
LATCHES, TAILGATE GRAND WAGONEER .....	Fig. 23A-6400
REGULATOR, TAILGATE GLASS MANUAL GRAND WAGONEER .....	Fig. 23A-6500

**GRAND WAGONEER & J10-AND-J20-TRUCK (Continued)**

REGULATOR, TAILGATE GLASS MANUAL GRAND WAGONEER .....	Fig. 23A-6500
REGULATOR, TAILGATE GLASS ELECTRIC GRAND WAGONEER .....	Fig. 23A-6600
PANELS, BODY SIDE AND REAR 1987-88 J10, J20 .....	Fig. 23A-6700
PANELS, ROOF GRAND WAGONEER, J10, J20 .....	Fig. 23A-6800
SEALS & GLASS TINTED WINDSHIELD, QUARTER AND TAILGATE GRAND WAGONEER .....	Fig. 23A-6900
GLASS, SEALS WINDSHIELD AND REAR WINDOW J10, J20 .....	Fig. 23A-7000
RACK--ROOF LUGGAGE GRAND WAGONEER 1987 .....	Fig. 23A-7050
RACK--ROOF LUGGAGE GRAND WAGONEER 1988-90 .....	Fig. 23A-7100
SUNROOF TRACK AND ELECTRICAL GRAND WAGONEER .....	Fig. 23A-7200
SUNROOF--SLIDING GRAND WAGONEER--1987 .....	Fig. 23A-7250
SUNROOF SLIDING GLASS AND HOUSING GRAND WAGONEER .....	Fig. 23A-7300
BOX, PICKUP 1987-1988 J10, J20 .....	Fig. 23A-7400
MOUNTING HARDWARE, PICKUP BOX 1987-1988 J10, J20 .....	Fig. 23A-7500
TAILGATE, LATCH AND HINGES 1987-1988 J10, J20 .....	Fig. 23A-7600

PAN, FLOOR FRONT AND REAR WRANGLER, YJ  
Figure 23A-100

BJ69100



ITEM	PART NUMBER	QTY	BODY	MODEL	DESCRIPTION
1	5505 0016	1			PAN, Front Floor
2-3	5501 0914-5	1			BRACKET, Body
4	5505 0141	1			COVER, Floor Pan w/Auto. Trans.
	5505 0142	1			w/Manual Trans.
5	J400 6444	7			SCREW
6	5500 6578	11			PLUG
7	5501 5268	1			SHIELD, Heat
8	5505 0021	1			PAN, Rear Floor
9					WHEELHOUSE ASSEMBLY ***
	5501 0578	1			Right
	5501 0579	1			Left 1987-88
	5502 0523	1			Left 1989-90
10	5500 9592-3	1			SHIELD, Splash
11	5500 9590-1	1			PANEL, Inner Protection
12	3420 1631	AR			RIVET
13	J943 1948	AR			SCREW
14	5500 6578	2			PLUG
15	5502 5238	1			PANEL, Load Barrier ECE

(ECE) Emission Controlled European. (A) For 1987, two types of instrument clusters were used. On type one, Clusters, the odometer numbers are rounded, the Speedometer face has (2) slotte

MODEL CODES:

15 = Grand Wagoneer 4 Dr.	65 = Comanche 4WD-7 Ft. Box	77 = Cherokee 4WD-2 Dr.
25 = J-10 Pickup-119" W.B.	66 = Comanche 2WD-7 Ft. Box	78 = Cherokee 4WD-4 Dr.
26 = J-10 Pickup-131" W.B.	73 = Cherokee 2WD-2 Dr.	79 = Cherokee 4WD-4 Dr.-Com
27 = J-20 Pickup-131" W.B.	74 = Cherokee 2WD-4 Dr.	81 = Wrangler-93" W.B.
63 = Comanche 4WD-6 Ft. Box	75 = Wagoneer 4WD-4 Dr.	82 = Wrangler-103" W.B.-Exp.
64 = Comanche 2WD-6 Ft. Box		

BODY STYLES:

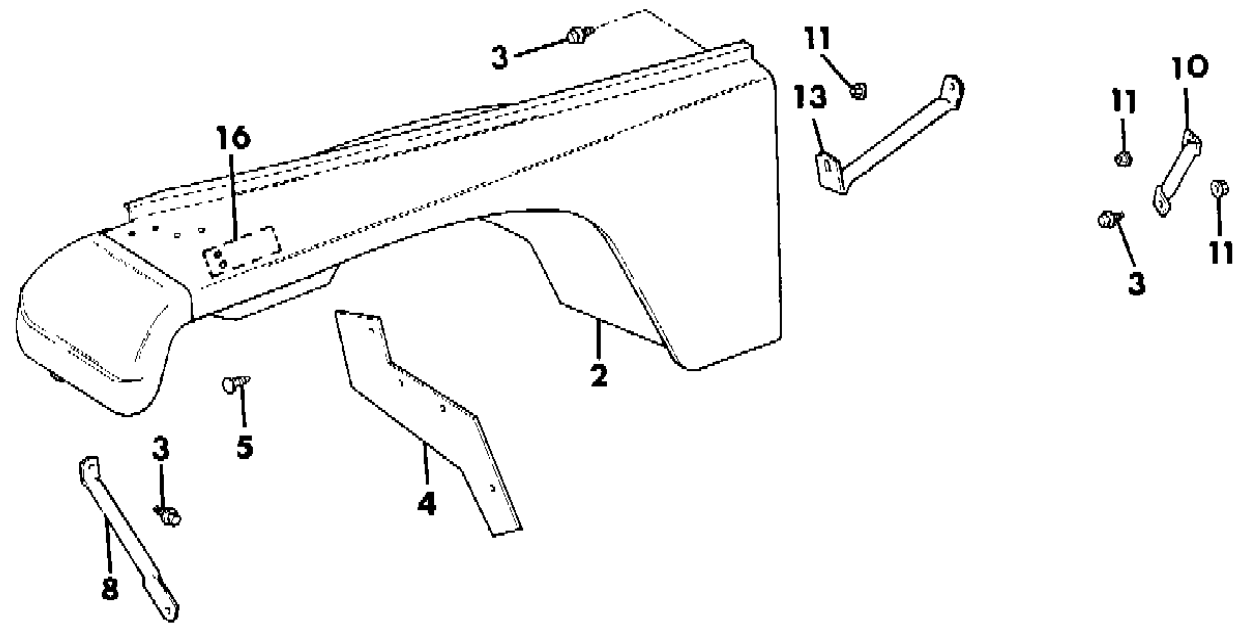
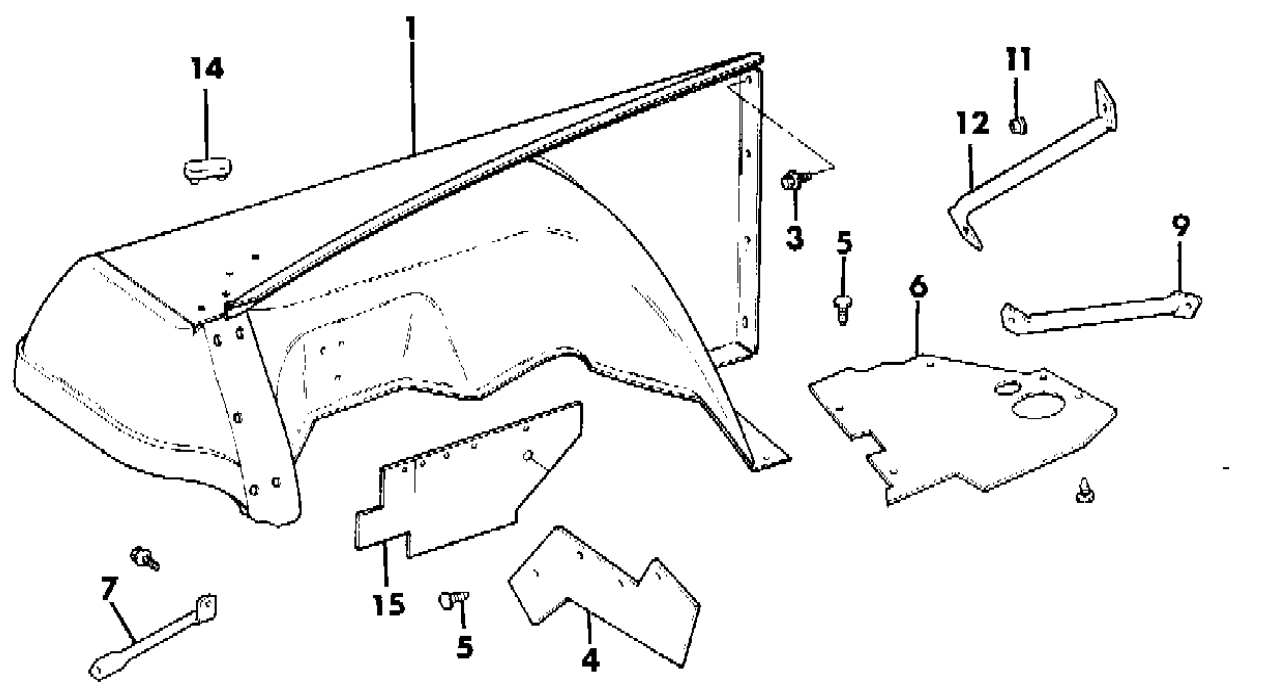
MJ = Comanche Pickup  
 SJ = Grand Wagoneer Wgn., J-10 & J-20 Pickups  
 XJ = Cherokee, Wagoneer Limited  
 YJ = Wrangler

AR = Use as Required - = Non Illustrated Part P.A.R. = Paint as Required

FENDERS, FRONT WRANGLER, YJ  
Figure 23A-200

8J69 200 A

ITEM	PART NUMBER	QTY	BODY	MODEL	DESCRIPTION
1-2					FENDER
	5501 3514-5	1			1987-89
	5502 7294-5	1			1990
3	J400 4455	AR			SCREW
4	5501 0840	2			SHIELD, Splash
5	J400 4919	AR			FASTENER
6	5501 0838	2			SHIELD, Splash
7-8					SUPPORT
	5505 0146-7	1			1987-89
	5502 6584-5	1			1990
9-10	5505 0050-1	1			SUPPORT
11	J012 0376	AR			NUT
12	5505 0052	1			SUPPORT, Right
13	5505 0049	1			SUPPORT, Left
14	J400 7541	2			BUMPER
15	5501 9470	2			SHIELD, Splash
16	5501 0948	1			PLATE, Horn Bracket
17	5501 3193	1			REINFORCEMENT, Battery Tray Support



MODEL CODES:  
 15 = Grand Wagoneer 4 Dr.      65 = Comanche 4WD-7 Ft. Box      77 = Cherokee 4WD-2 Dr.  
 25 = J-10 Pickup-119" W.B.      66 = Comanche 2WD-7 Ft. Box      78 = Cherokee 4WD-4 Dr.  
 26 = J-10 Pickup-131" W.B.      73 = Cherokee 2WD-2 Dr.      79 = Cherokee 4WD-4 Dr.-Com  
 27 = J-20 Pickup-131" W.B.      74 = Cherokee 2WD-4 Dr.      81 = Wrangler-93" W.B.  
 63 = Comanche 4WD-6 Ft. Box      75 = Wagoneer 4WD-4 Dr.      82 = Wrangler-103" W.B.-Exp.  
 64 = Comanche 2WD-6 Ft. Box

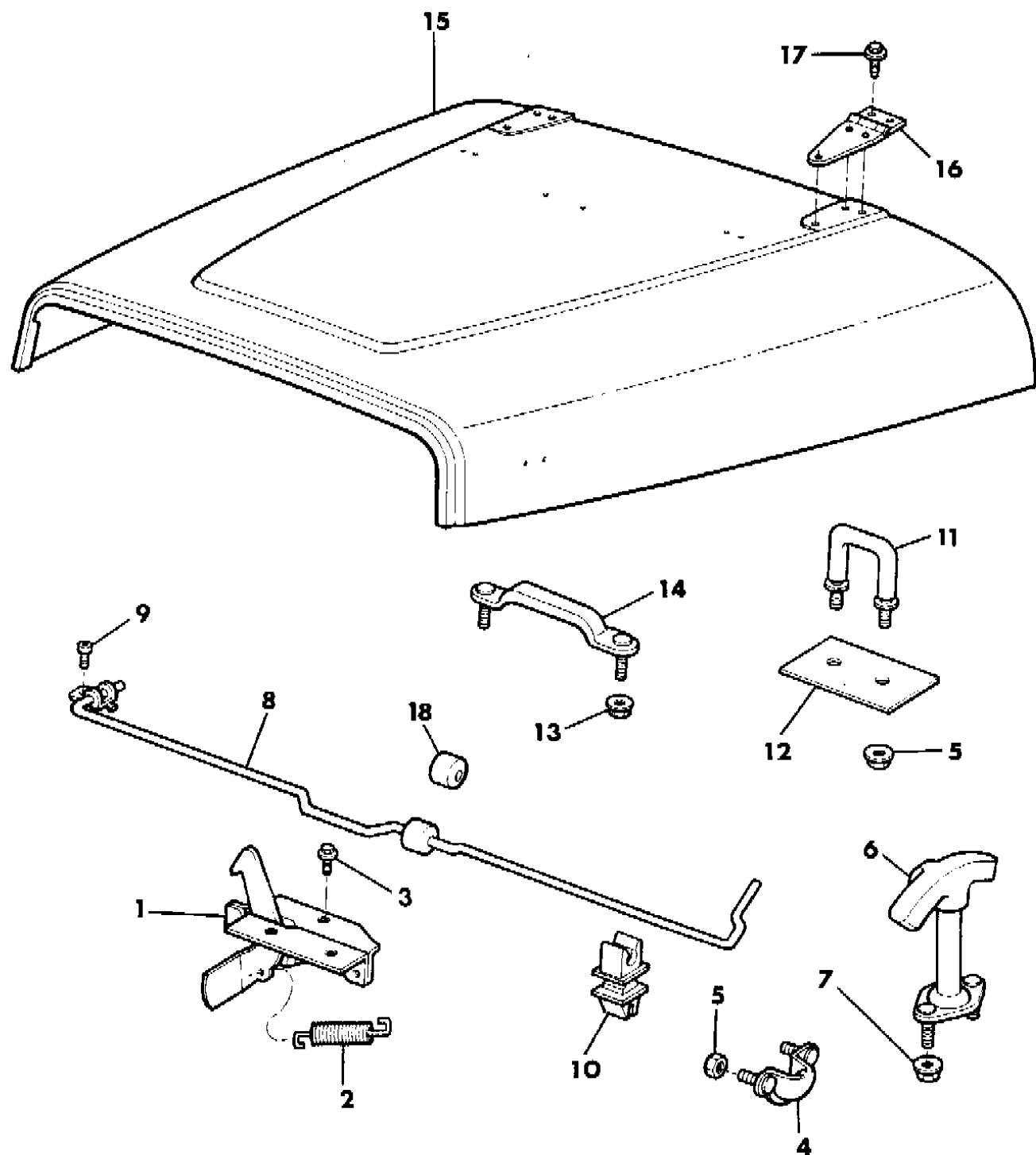
BODY STYLES:  
 MJ = Comanche Pickup  
 SJ = Grand Wagoneer Wgn., J-10 & J-20 Pickups  
 XJ = Cherokee, Wagoneer Limited  
 YJ = Wrangler

AR = Use as Required - = Non Illustrated Part P.A.R. = Paint as Required



**HOOD, LOCK AND CATCHES WRANGLER, YJ**  
**Figure 23A-300**

8J69 300



ITEM	PART NUMBER	QTY	BODY	MODEL	DESCRIPTION
1	5500 6868	1			LOCK ASSEMBLY, Hood ***
2	J097 8984	1			SPRING
3	J400 6393	3			SCREW
4	5500 9343	2			BRACKET
5	J027 1172	8			NUT
6	5500 9428	2			CATCH
7	J400 4588	4			NUT
8	5505 0155	1			ROD
9	J400 5969	2			SCREW
10	J400 7456	1			RETAINER
11	J813 4315	2			BUMPER
12	J068 9294	2			REINFORCEMENT
13					NUT
	J400 7630	2			1987-89
	6025 001	2			1990
14	5500 9342	1			LOOP, Footman
15	5501 3508	1			HOOD
16					HINGE, Hood
	5501 6588	2			1987-89
	5503 3954	2			1990
17	J400 7530	10			SCREW
18	5500 2258	1			BUMPER, Hood Support Rod

**MODEL CODES:**

15 = Grand Wagoneer 4 Dr.	65 = Comanche 4WD-7 Ft. Box	77 = Cherokee 4WD-2 Dr.
25 = J-10 Pickup-119" W.B.	66 = Comanche 2WD-7 Ft. Box	78 = Cherokee 4WD-4 Dr.
26 = J-10 Pickup-131" W.B.	73 = Cherokee 2WD-2 Dr.	79 = Cherokee 4WD-4 Dr.-Com
27 = J-20 Pickup-131" W.B.	74 = Cherokee 2WD-4 Dr.	81 = Wrangler-93" W.B.
63 = Comanche 4WD-6 Ft. Box	75 = Wagoneer 4WD-4 Dr.	82 = Wrangler-103" W.B.-Exp.
64 = Comanche 2WD-6 Ft. Box		

**BODY STYLES:**

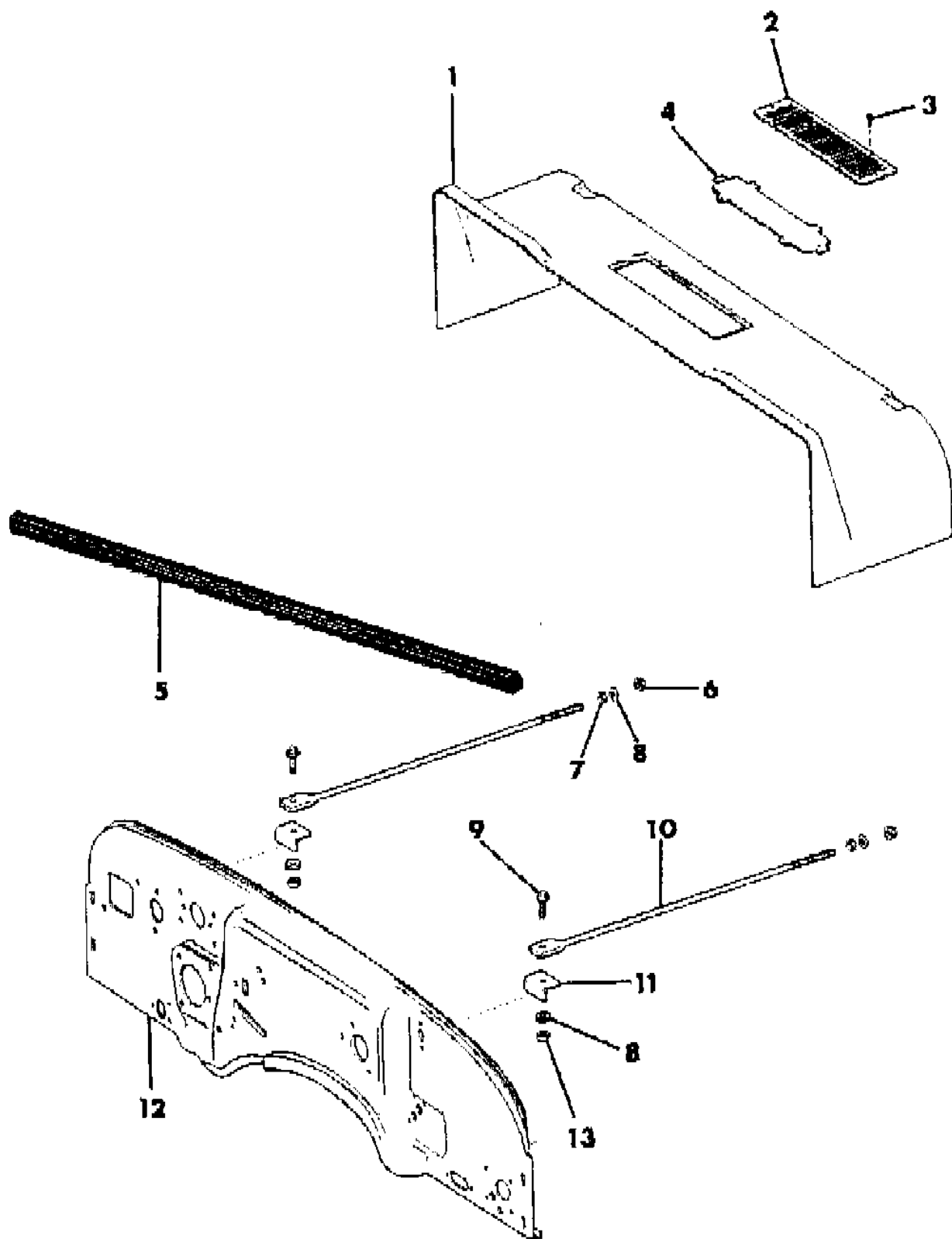
MJ = Comanche Pickup  
 SJ = Grand Wagoneer Wgn., J-10 & J-20 Pickups  
 XJ = Cherokee, Wagoneer Limited  
 YJ = Wrangler

AR = Use as Required - = Non Illustrated Part P.A.R. = Paint as Required

PANELS, COWL DASH WRANGLER, YJ  
Figure 23A-350

8J69 350

ITEM	PART NUMBER	QTY	BODY	MODEL	DESCRIPTION
1	5700 1485	1			PANEL, Cowl
2	J546 2438	1			GRILLE, Cowl Top
3	J812 3288	6			SCREW
4	5501 6164	1			SCREEN, Grille
5	5500 8119	1			WEATHERSEAL ***
6	J012 0369	2			NUT, Hex
7	J400 6681	2			NUT
8	J400 1104	4			WASHER
9	J080 8319	2			BOLT
10	5505 0119	2			ROD
11	J098 7066	2			BRACKET
12					PANEL, Dash
	5505 0012	1			1987-89
	5502 6903	1			1990
13	J012 0368	2			NUT, Hex



MODEL CODES:

15 = Grand Wagoneer 4 Dr.	65 = Comanche 4WD-7 Ft. Box	77 = Cherokee 4WD-2 Dr.
25 = J-10 Pickup-119" W.B.	66 = Comanche 2WD-7 Ft. Box	78 = Cherokee 4WD-4 Dr.
26 = J-10 Pickup-131" W.B.	73 = Cherokee 2WD-2 Dr.	79 = Cherokee 4WD-4 Dr.-Com
27 = J-20 Pickup-131" W.B.	74 = Cherokee 2WD-4 Dr.	81 = Wrangler-93" W.B.
63 = Comanche 4WD-6 Ft. Box	75 = Wagoneer 4WD-4 Dr.	82 = Wrangler-103" W.B.-Exp.
64 = Comanche 2WD-6 Ft. Box		

BODY STYLES:

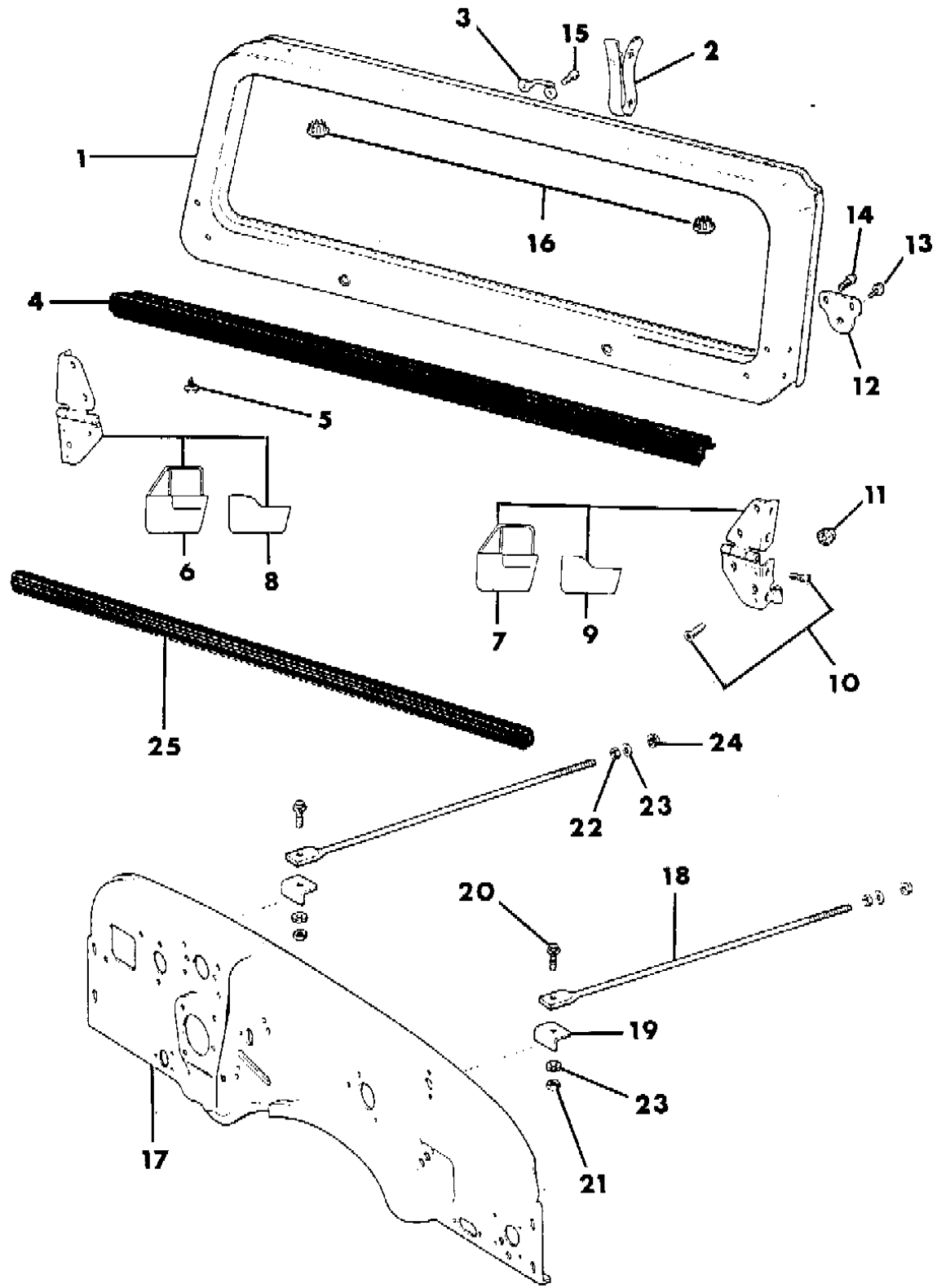
MJ = Comanche Pickup  
 SJ = Grand Wagoneer Wgn., J-10 & J-20 Pickups  
 XJ = Cherokee, Wagoneer Limited  
 YJ = Wrangler

AR = Use as Required - = Non Illustrated Part P.A.R. = Paint as Required

**WINDSHIELD FRAME AND HINGES WRANGLER, YJ**  
**Figure 23A-400**

8 J 69 400

ITEM	PART NUMBER	QTY	BODY	MODEL	DESCRIPTION
1	5502 3067	1			FRAME, Windshield
	J805 2278	1			w/World Cab, Export (Not Serv.)
2	J545 8890	2			STRAP, Windshield
3	5501 3666	1			LOOP, Footman
	5501 3667	1			Black
	5501 3667	1			Chrome
4	J545 3950	1			SEAL, Windshield To Cowl
5	J400 4171	9			SCREW
6-7	5501 6586-7				HINGE, Windshield and Door
8-9					HINGE, Windshield and Door
	5501 7510-1	1			w/windshield hinge mounted mirror
	5501 6586-7	1			w/upper door hinge mounted mirror
10	J400 4956	16			SCREW
11	J012 0376	8			NUT
12	J545 3945	2			BRACKET, Windshield Hold Down
13	J400 7481	2			SCREW
14	J400 7220	4			SCREW
15					SCREW
	J400 4995	2			1987-89
	J400 4969	2			1990
16	J043 2453	2			PLUG



**MODEL CODES:**

15 = Grand Wagoneer 4 Dr.	65 = Comanche 4WD-7 Ft. Box	77 = Cherokee 4WD-2 Dr.
25 = J-10 Pickup-119" W.B.	66 = Comanche 2WD-7 Ft. Box	78 = Cherokee 4WD-4 Dr.
26 = J-10 Pickup-131" W.B.	73 = Cherokee 2WD-2 Dr.	79 = Cherokee 4WD-4 Dr.-Com
27 = J-20 Pickup-131" W.B.	74 = Cherokee 2WD-4 Dr.	81 = Wrangler-93" W.B.
63 = Comanche 4WD-6 Ft. Box	75 = Wagoneer 4WD-4 Dr.	82 = Wrangler-103" W.B.-Exp.
64 = Comanche 2WD-6 Ft. Box		

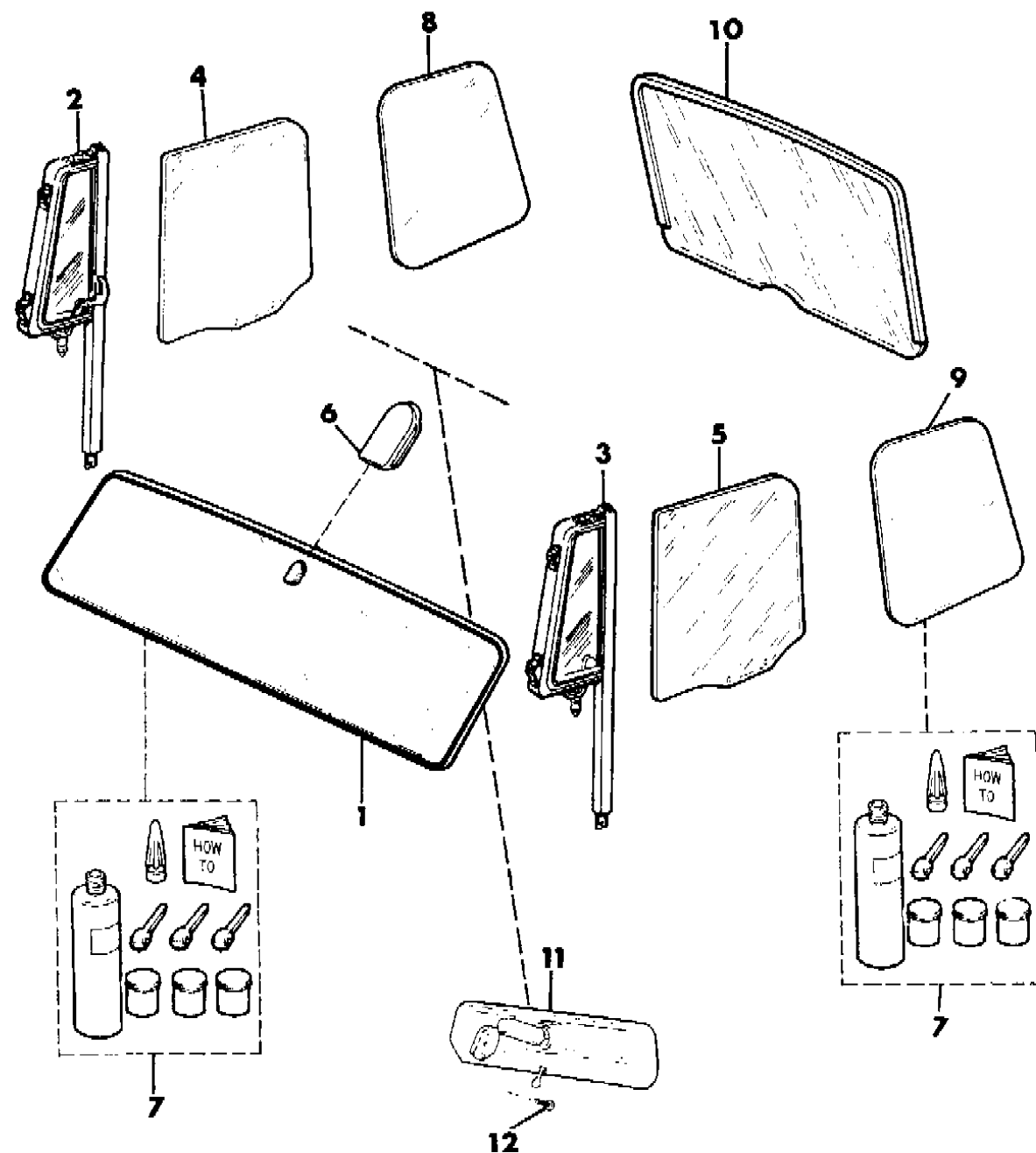
**BODY STYLES:**

MJ = Comanche Pickup  
 SJ = Grand Wagoneer Wgn., J-10 & J-20 Pickups  
 XJ = Cherokee, Wagoneer Limited  
 YJ = Wrangler

AR = Use as Required - = Non Illustrated Part P.A.R. = Paint as Required

**GLASS, MIRROR, INSIDE REAR VIEW LESS WORLD CAB WRANGLER, YJ**  
**Figure 23A-500**

8J69 500



ITEM	PART NUMBER	QTY	BODY	MODEL	DESCRIPTION
1	5501 0619	1			GLASS, Windshield w/tinted glass
2-3	5501 2914-5	1			VENT, Pivoting w/tinted glass
4-5	5502 2404-5	1			GLASS, Door Tinted
6	J365 7374	1			SUPPORT, Inside Rear View Mirror Mounting (a)
7	8310 0051	1			MOUNTING PACKAGE, Windshield ***
8-9					GLASS, Quarter w/tinted glass
	5500 8266-7	1			Green
	5500 8270-1	1			Gray
	5500 8268-9	1			Bronze
10					GLASS, Lift Door w/tinted glass
	8350 2987	1			w/o Rear Window Defogger
	8350 2988	1			w/ Rear Window Defogger
11	5500 9784	1			MIRROR, Inside Rear View
12	J400 5766	1			SCREW

(a) The Mirror Support is replacing Mirror Mounting Kit. When installing a Mirror Support, use Mounting Repair Kit 4293039. (A) For 1987, two types of instrument clusters were used. On type one, Clusters, the odometer numbers are rounded, the Speedometer

**MODEL CODES:**

- |                             |                             |                              |
|-----------------------------|-----------------------------|------------------------------|
| 15 = Grand Wagoneer 4 Dr.   | 65 = Comanche 4WD-7 Ft. Box | 77 = Cherokee 4WD-2 Dr.      |
| 25 = J-10 Pickup-119" W.B.  | 66 = Comanche 2WD-7 Ft. Box | 78 = Cherokee 4WD-4 Dr.      |
| 26 = J-10 Pickup-131" W.B.  | 73 = Cherokee 2WD-2 Dr.     | 79 = Cherokee 4WD-4 Dr.-Com  |
| 27 = J-20 Pickup-131" W.B.  | 74 = Cherokee 2WD-4 Dr.     | 81 = Wrangler-93" W.B.       |
| 63 = Comanche 4WD-6 Ft. Box | 75 = Wagoneer 4WD-4 Dr.     | 82 = Wrangler-103" W.B.-Exp. |
| 64 = Comanche 2WD-6 Ft. Box |                             |                              |

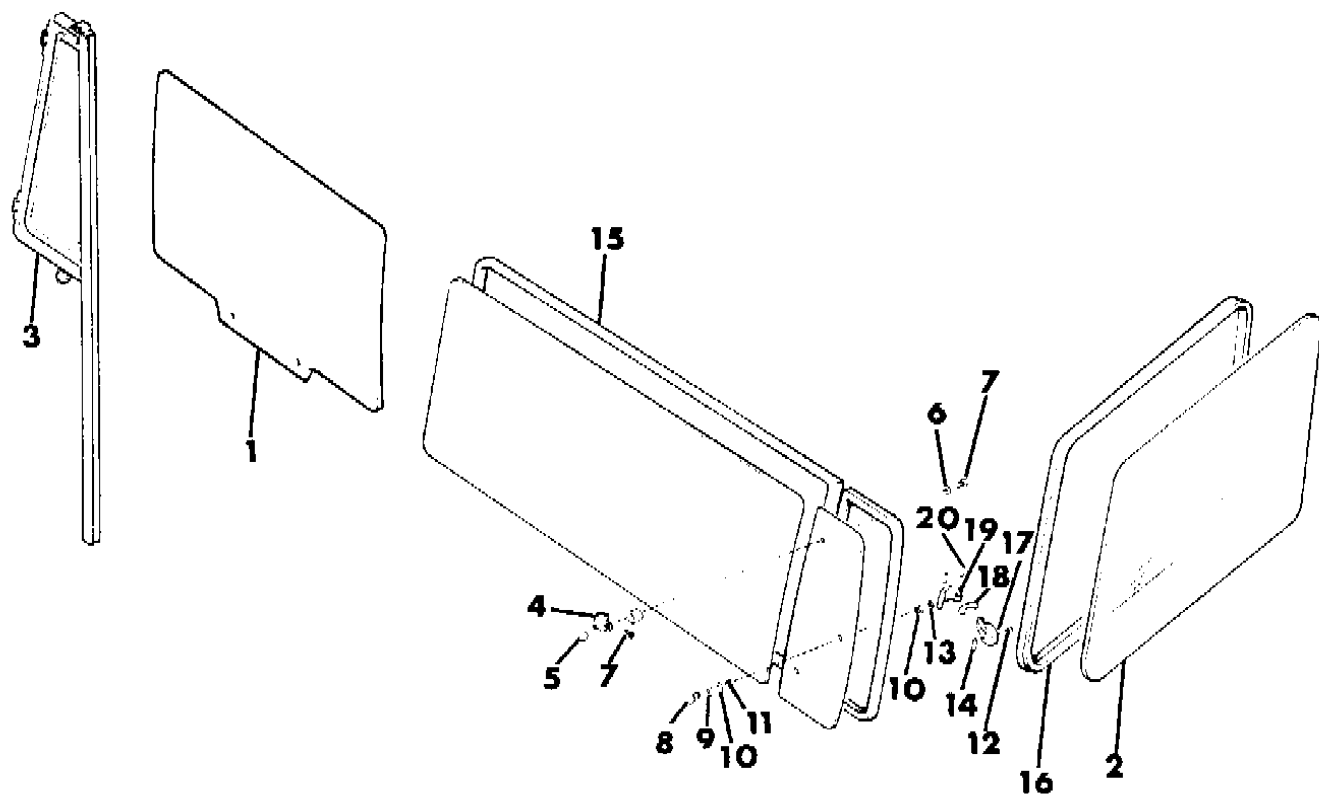
**BODY STYLES:**

- MJ = Comanche Pickup
- SJ = Grand Wagoneer Wgn., J-10 & J-20 Pickups
- XJ = Cherokee, Wagoneer Limited
- YJ = Wrangler

AR = Use as Required - = Non Illustrated Part P.A.R. = Paint as Required

**GLASS WITH WORLD CAB, EXPORT WRANGLER, YJ**  
**Figure 23A-600**

**8J69 600**



ITEM	PART NUMBER	QTY	BODY	MODEL	DESCRIPTION
1					GLASS, Door
	J556 7898	1			Right
	J556 7897	1			Left
2	J805 2574	1			GLASS, Door
3	J576 2326-7	1			VENT, Pivoting
4	9500 0617	4			HINGE
5	J805 2419	4			BUSHING
6	J805 2417	4			CAP
7	J805 2457	8			SCREW
8	J364 6215	2			STUD
9	J400 3578	2			WASHER, Wave
10	J364 6217	8			WASHER
11	J364 6218	2			WASHER
12	J805 2418	4			SCREW
13	J400 4570	2			NUT
14	J812 0648	2			PIN, Spring
15					WEATHERSTRIP, Quarter Glass
	J805 2187	1		81	Vehicles with 93" wheelbase (Not Serv.)
	J805 2163	1		82	Vehicles with 103" wheelbase (Not Serv.)
16	J805 2122	1			WEATHERSTRIP, Fixed Glass
17	J805 2439	1			BRACKET, Flipper Window
18	J364 6461	1			LINK, Flipper Window
19	J364 6460	1			HANDLE, Flipper Window
20	J812 0648	2			PIN

**MODEL CODES:**

15 = Grand Wagoneer 4 Dr.	65 = Comanche 4WD-7 Ft. Box	77 = Cherokee 4WD-2 Dr.
25 = J-10 Pickup-119" W.B.	66 = Comanche 2WD-7 Ft. Box	78 = Cherokee 4WD-4 Dr.
26 = J-10 Pickup-131" W.B.	73 = Cherokee 2WD-2 Dr.	79 = Cherokee 4WD-4 Dr.-Com
27 = J-20 Pickup-131" W.B.	74 = Cherokee 2WD-4 Dr.	81 = Wrangler-93" W.B.
63 = Comanche 4WD-6 Ft. Box	75 = Wagoneer 4WD-4 Dr.	82 = Wrangler-103" W.B.-Exp.
64 = Comanche 2WD-6 Ft. Box		

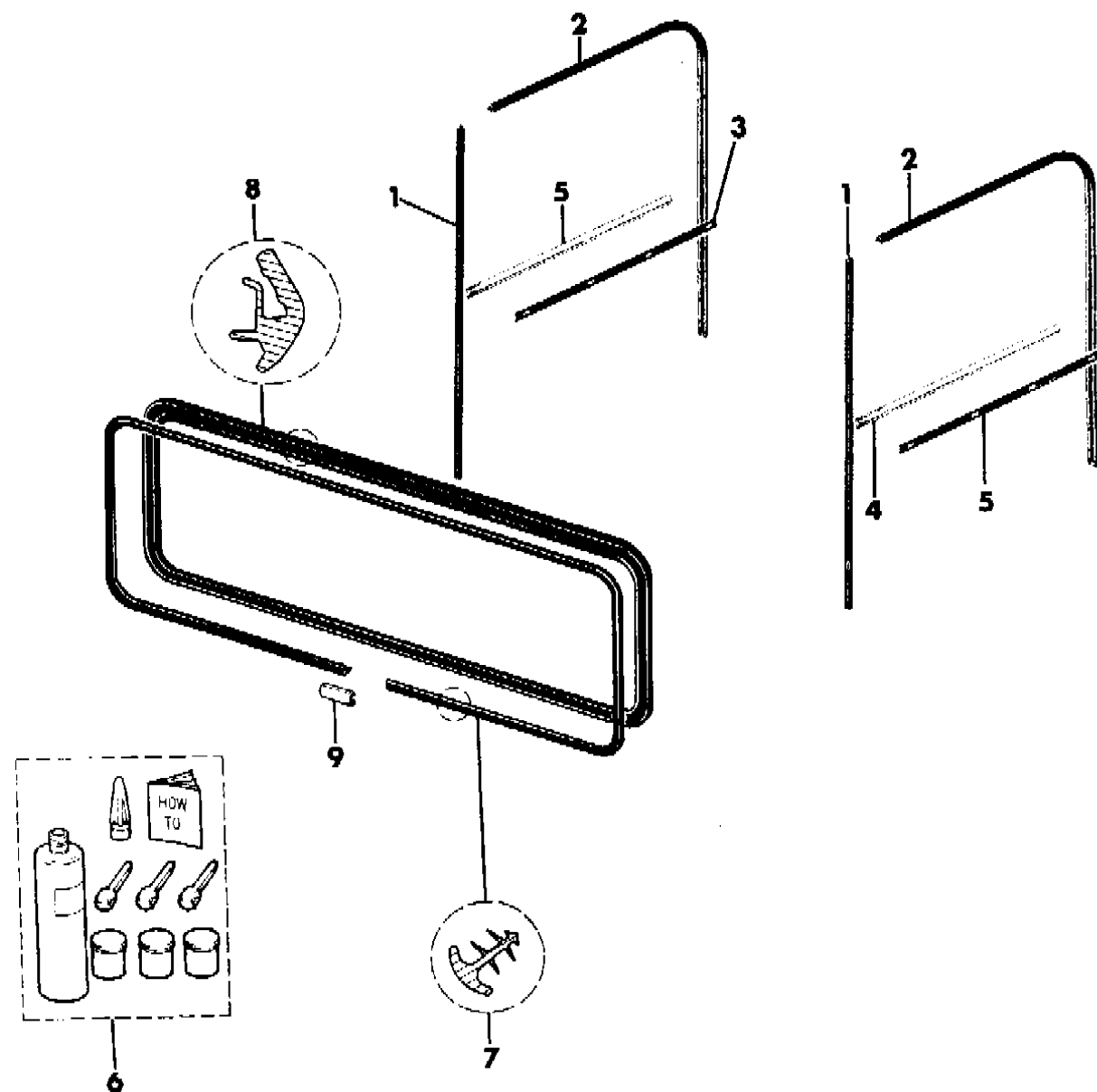
**BODY STYLES:**

MJ = Comanche Pickup  
 SJ = Grand Wagoneer Wgn., J-10 & J-20 Pickups  
 XJ = Cherokee, Wagoneer Limited  
 YJ = Wrangler

AR = Use as Required - = Non Illustrated Part P.A.R. = Paint as Required

SEALS, WINDOW WRANGLER, YJ  
Figure 23A-700

8J69 700



ITEM	PART NUMBER	QTY	BODY	MODEL	DESCRIPTION
1	J813 4851	2			WEATHERSTRIP, Glass Run
2	J545 7057	2			CHANNEL, Glass Run
	J556 8181	2			w/Full Metal Cab, Export
3	J576 2384	1			WEATHERSTRIP, Inner
4	J576 2385	1			WEATHERSTRIP, Inner
5	5502 4254-5	1			WEATHERSTRIP
6	8310 0051	AR			MOUNTING PACKAGE, Windshield ***
7	5501 0655	1			MOULDING, Windshield Reveal
8	5501 9988	1			MOULDING, Garnish
9	5500 9625	1			CAP

MODEL CODES:

15 = Grand Wagoneer 4 Dr.	65 = Comanche 4WD-7 Ft. Box	77 = Cherokee 4WD-2 Dr.
25 = J-10 Pickup-119" W.B.	66 = Comanche 2WD-7 Ft. Box	78 = Cherokee 4WD-4 Dr.
26 = J-10 Pickup-131" W.B.	73 = Cherokee 2WD-2 Dr.	79 = Cherokee 4WD-4 Dr.-Com
27 = J-20 Pickup-131" W.B.	74 = Cherokee 2WD-4 Dr.	81 = Wrangler-93" W.B.
63 = Comanche 4WD-6 Ft. Box	75 = Wagoneer 4WD-4 Dr.	82 = Wrangler-103" W.B.-Exp.
64 = Comanche 2WD-6 Ft. Box		

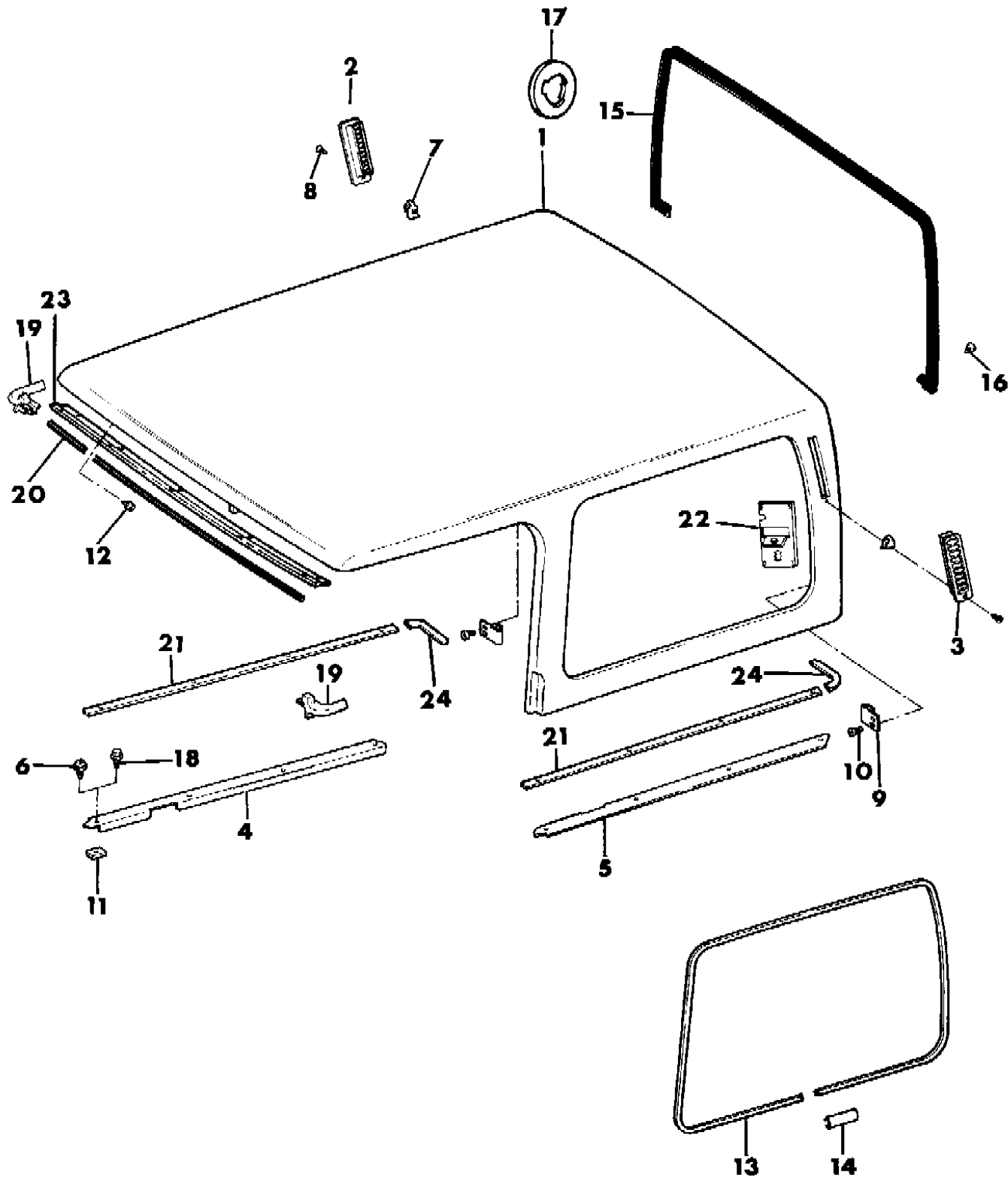
BODY STYLES:

MJ = Comanche Pickup  
 SJ = Grand Wagoneer Wgn., J-10 & J-20 Pickups  
 XJ = Cherokee, Wagoneer Limited  
 YJ = Wrangler

AR = Use as Required - = Non Illustrated Part P.A.R. = Paint as Required

TOP ENCLOSURE, HARD WRANGLER, YJ  
Figure 23A-800

8J69 800C



ITEM	PART NUMBER	QTY	BODY	MODEL	DESCRIPTION
1					TOP ENCLOSURE, Hard ***
	5500 8545	1			Black 1987-89
	5AR4 OJCX	1			Black 1990
	5501 6544	1			Charcoal 1988-89
	5AR4 OJS2	1			Charcoal 1990
	5500 8547	1			Honey, 1987
	5502 1259	1			Sand 1989
	5AR4 OJY8	1			Sand 1990
	5501 6418	1			Tan 1988
	5500 8546	1			White, 1987
2-3	5500 8540-1	1			EXHAUSTER, Air ***
4-5	5501 5798-9	1			MOULDING, Rear Quarter
6	J400 7007	8			SCREW
7	J400 6402	2			NUT, Spring
8	J400 2809	2			SCREW
9	5501 7502	2			STRIKER, Lift Door
10	J400 4648	4			SCREW
11	J096 8155	8			PLATE, Tapping
12	J400 1701	5			SCREW
13	5500 9396	2			MOULDING, Quarter Window
14	5500 9625	2			CAP, End
15	5501 0064	1			WEATHERSTRIP, Lift Door Glass
16	J400 2461	4			SCREW
17	J400 5677	AR			SHIM, .04" Thick
	J400 5678	AR			SHIM, .09" Thick ***
18	J400 4520	8			SCREW
19	J576 6638-9	1			SEAL, 1987-89
	5502 5164-5	1			1990
20	5505 2607	1			SEAL, Windshield
21	J545 9582-3	1			SEAL
22	5600 3696	1			PLATE, Hardtop Disconnect, 1990
23	5534 4543	1			PLATE, Hardtop Header Attach to W/SHLD, 1990
24		1			SEAL
	J546 3864				Right
	J546 3863				Left

MODEL CODES:

15 = Grand Wagoneer 4 Dr.	65 = Comanche 4WD-7 Ft. Box	77 = Cherokee 4WD-2 Dr.
25 = J-10 Pickup-119" W.B.	66 = Comanche 2WD-7 Ft. Box	78 = Cherokee 4WD-4 Dr.
26 = J-10 Pickup-131" W.B.	73 = Cherokee 2WD-2 Dr.	79 = Cherokee 4WD-4 Dr.-Com
27 = J-20 Pickup-131" W.B.	74 = Cherokee 2WD-4 Dr.	81 = Wrangler-93" W.B.
63 = Comanche 4WD-6 Ft. Box	75 = Wagoneer 4WD-4 Dr.	82 = Wrangler-103" W.B.-Exp.
64 = Comanche 2WD-6 Ft. Box		

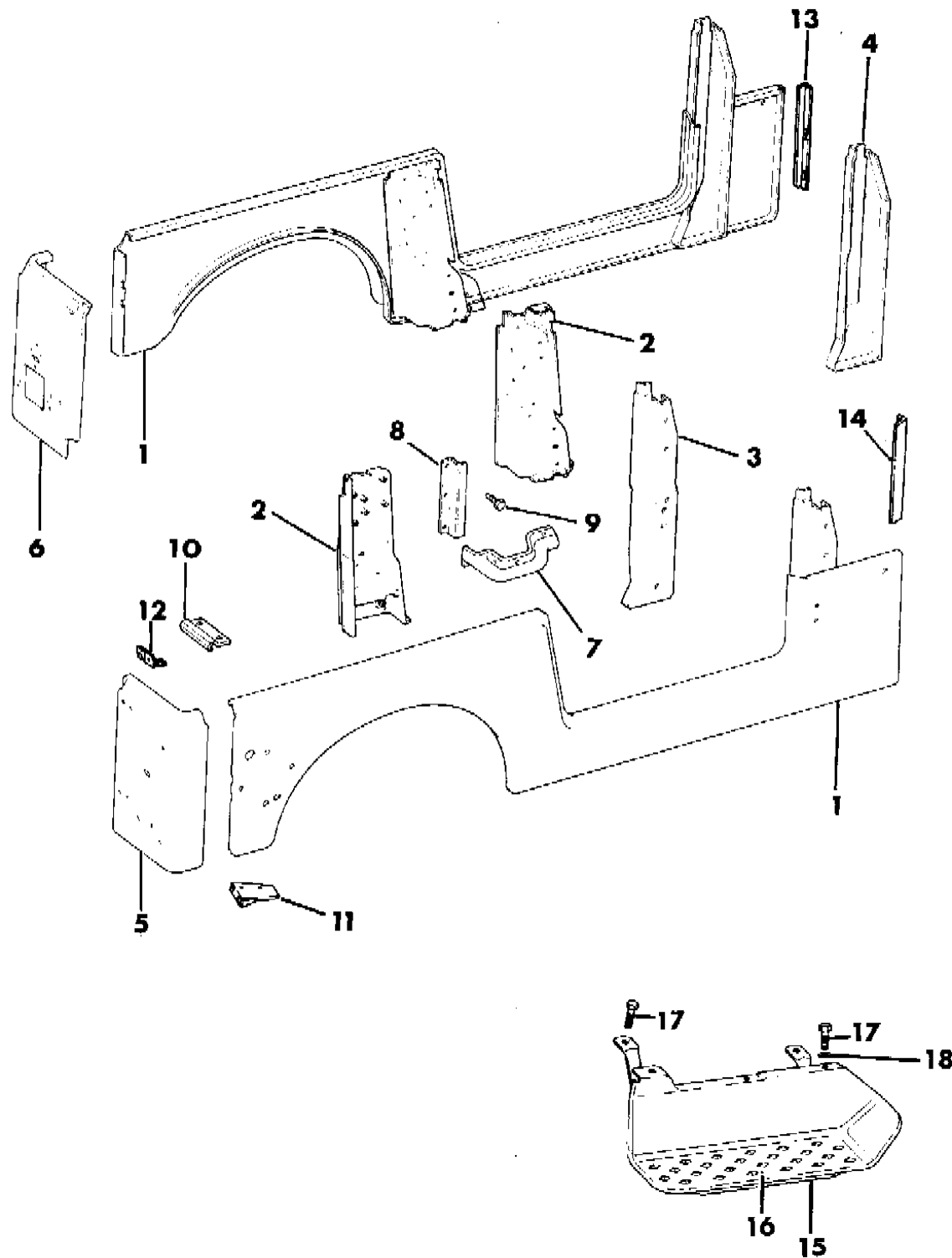
BODY STYLES:

MJ = Comanche Pickup  
 SJ = Grand Wagoneer Wgn., J-10 & J-20 Pickups  
 XJ = Cherokee, Wagoneer Limited  
 YJ = Wrangler

AR = Use as Required - = Non Illustrated Part P.A.R. = Paint as Required

PANELS, BODY SIDE WRANGLER, YJ  
Figure 23A-900

8 J 69 900 B



ITEM	PART NUMBER	QTY	BODY	MODEL	DESCRIPTION
1	8350 2940-1	1			PANEL, Side
2	5501 5006-7	1			SUPPORT, Side Panel 1987-89
	5502 7368-9	1			1990
3	J545 3806	1			PILLAR, Cowl Right
4	J545 3805	1			PILLAR, Cowl Left
5	5505 0036	1			PANEL, Right
6	8350 3579	1			PANEL, Left
7	J576 0997	1			COVER, 1987-89
8	J575 8728	1			COVER, 1987-89
9	3420 1261	6			SCREW, 1987-89
10	5600 2062	3			COVER, 1987-88
11	5500 9132	1			REINFORCEMENT, Tailgate Hinge Lower
12	5500 8262	1			REINFORCEMENT, Tailgate Hinge Upper
13	J068 3529	1			REINFORCEMENT, Side Panel, Left
14	J068 3530	1			REINFORCEMENT, Side Panel, Right
15	J575 8122-3	1			STEP ASSEMBLY, 1990, KDX Egypt, Venezuela ***
16	J576 1538-9	1			TREAD, Step, 1990, KDX - Egypt, Venezuela ***
17	J018 0122	4			BOLT, 1990, KDX - Egypt, Venezuela
18	J400 4711	4			WASHER, 1990, KDX - Egypt, Venezuela

MODEL CODES:

15 = Grand Wagoneer 4 Dr.	65 = Comanche 4WD-7 Ft. Box	77 = Cherokee 4WD-2 Dr.
25 = J-10 Pickup-119" W.B.	66 = Comanche 2WD-7 Ft. Box	78 = Cherokee 4WD-4 Dr.
26 = J-10 Pickup-131" W.B.	73 = Cherokee 2WD-2 Dr.	79 = Cherokee 4WD-4 Dr.-Com
27 = J-20 Pickup-131" W.B.	74 = Cherokee 2WD-4 Dr.	81 = Wrangler-93" W.B.
63 = Comanche 4WD-6 Ft. Box	75 = Wagoneer 4WD-4 Dr.	82 = Wrangler-103" W.B.-Exp.
64 = Comanche 2WD-6 Ft. Box		

BODY STYLES:

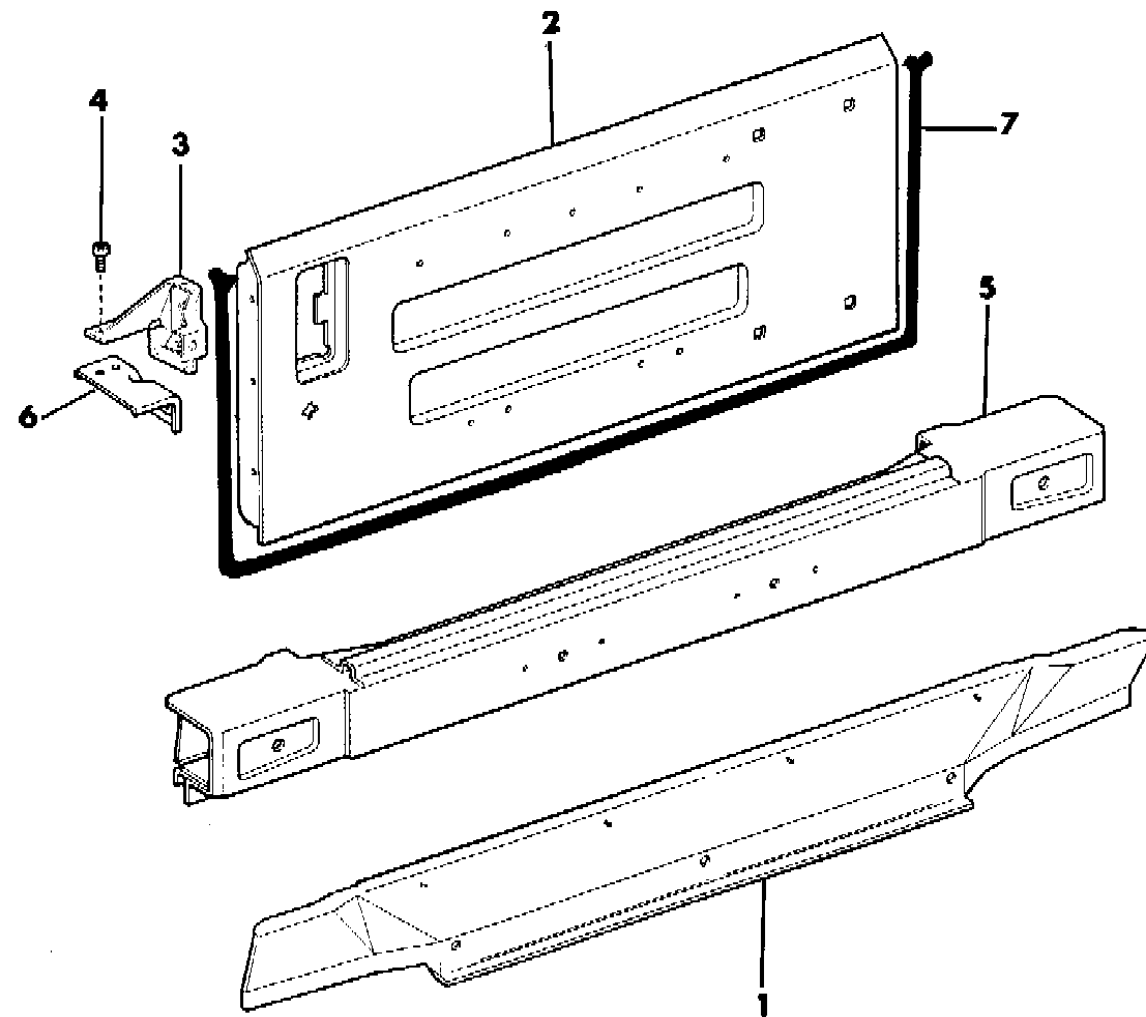
MJ = Comanche Pickup  
 SJ = Grand Wagoneer Wgn., J-10 & J-20 Pickups  
 XJ = Cherokee, Wagoneer Limited  
 YJ = Wrangler

AR = Use as Required - = Non Illustrated Part P.A.R. = Paint as Required



TAILGATE WRANGLER, YJ  
Figure 23A-1000

8 J 69 1000 A



ITEM	PART NUMBER	QTY	BODY	MODEL	DESCRIPTION
1	J546 0669	1			PANEL
2	5700 1412	1			TAILGATE
3	5501 5904	1			BRACKET
4	J400 4648	9			SCREW
5	5505 0024	1			PANEL, Lower
6	5501 5903	1			REINFORCEMENT
7	5500 9742	1			WEATHERSTRIP

MODEL CODES:

15 = Grand Wagoneer 4 Dr.	65 = Comanche 4WD-7 Ft. Box	77 = Cherokee 4WD-2 Dr.
25 = J-10 Pickup-119" W.B.	66 = Comanche 2WD-7 Ft. Box	78 = Cherokee 4WD-4 Dr.
26 = J-10 Pickup-131" W.B.	73 = Cherokee 2WD-2 Dr.	79 = Cherokee 4WD-4 Dr.-Com
27 = J-20 Pickup-131" W.B.	74 = Cherokee 2WD-4 Dr.	81 = Wrangler-93" W.B.
63 = Comanche 4WD-6 Ft. Box	75 = Wagoneer 4WD-4 Dr.	82 = Wrangler-103" W.B.-Exp.
64 = Comanche 2WD-6 Ft. Box		

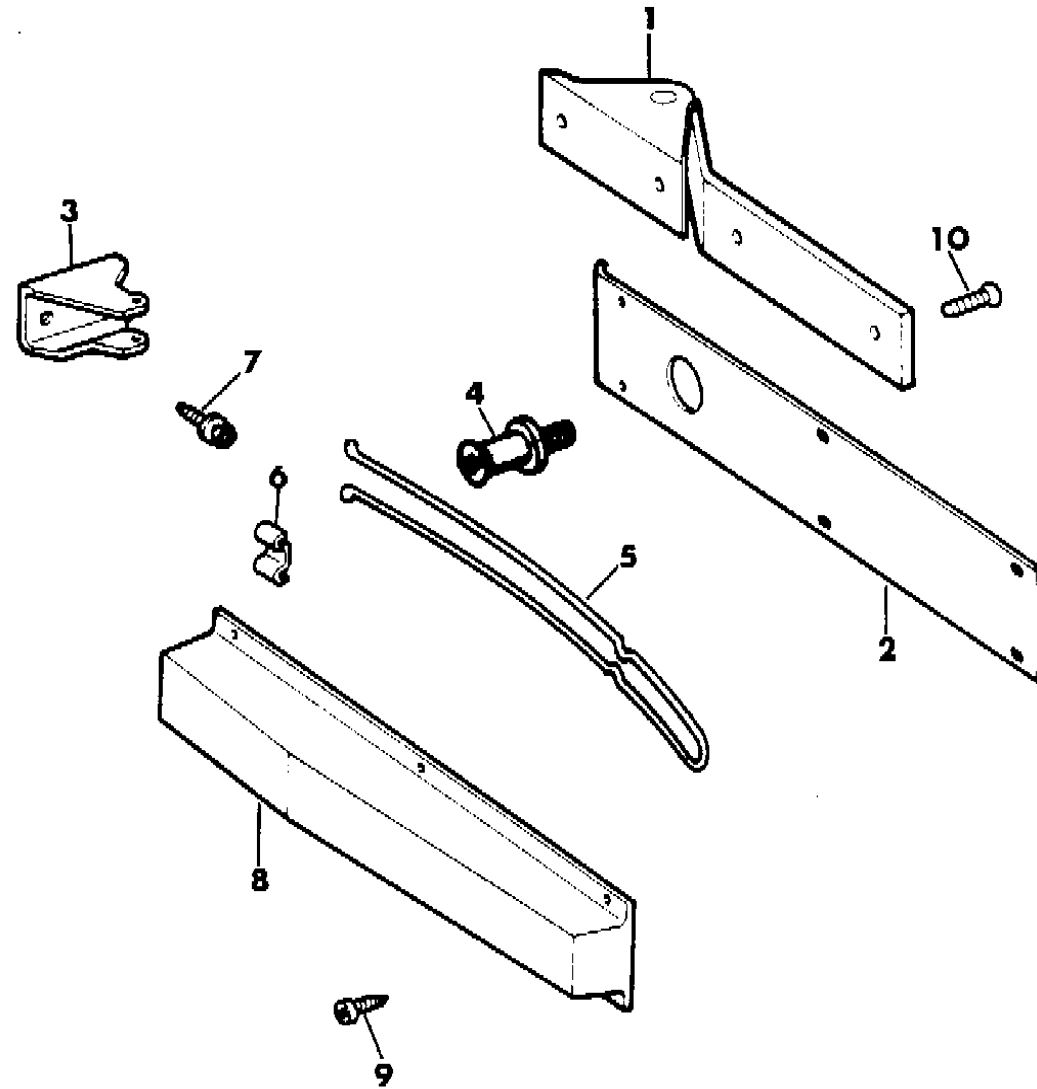
BODY STYLES:

MJ = Comanche Pickup  
 SJ = Grand Wagoneer Wgn., J-10 & J-20 Pickups  
 XJ = Cherokee, Wagoneer Limited  
 YJ = Wrangler

AR = Use as Required - = Non Illustrated Part P.A.R. = Paint as Required

**HINGES, TAILGATE WRANGLER, YJ**  
**Figure 23A-1100**

8J69 1100



ITEM	PART NUMBER	QTY	BODY	MODEL	DESCRIPTION
1					HINGE, Tailgate
	5501 6590	2			Except Export
	5502 1074	2			w/Pintle Hook, Export
2	5500 9445	1			SHIELD
3	5500 9448	1			BRACKET
4	5500 9447	1			PIN
5	5500 9446	1			ROD
6	5500 9440	1			CLAMP
7	J400 4455	2			SCREW
8	5500 9444	1			COVER
9	J812 0052	6			SCREW
10	J400 4956	AR			SCREW

**MODEL CODES:**

15 = Grand Wagoneer 4 Dr.	65 = Comanche 4WD-7 Ft. Box	77 = Cherokee 4WD-2 Dr.
25 = J-10 Pickup-119" W.B.	66 = Comanche 2WD-7 Ft. Box	78 = Cherokee 4WD-4 Dr.
26 = J-10 Pickup-131" W.B.	73 = Cherokee 2WD-2 Dr.	79 = Cherokee 4WD-4 Dr.-Com
27 = J-20 Pickup-131" W.B.	74 = Cherokee 2WD-4 Dr.	81 = Wrangler-93" W.B.
63 = Comanche 4WD-6 Ft. Box	75 = Wagoneer 4WD-4 Dr.	82 = Wrangler-103" W.B.-Exp.
64 = Comanche 2WD-6 Ft. Box		

**BODY STYLES:**

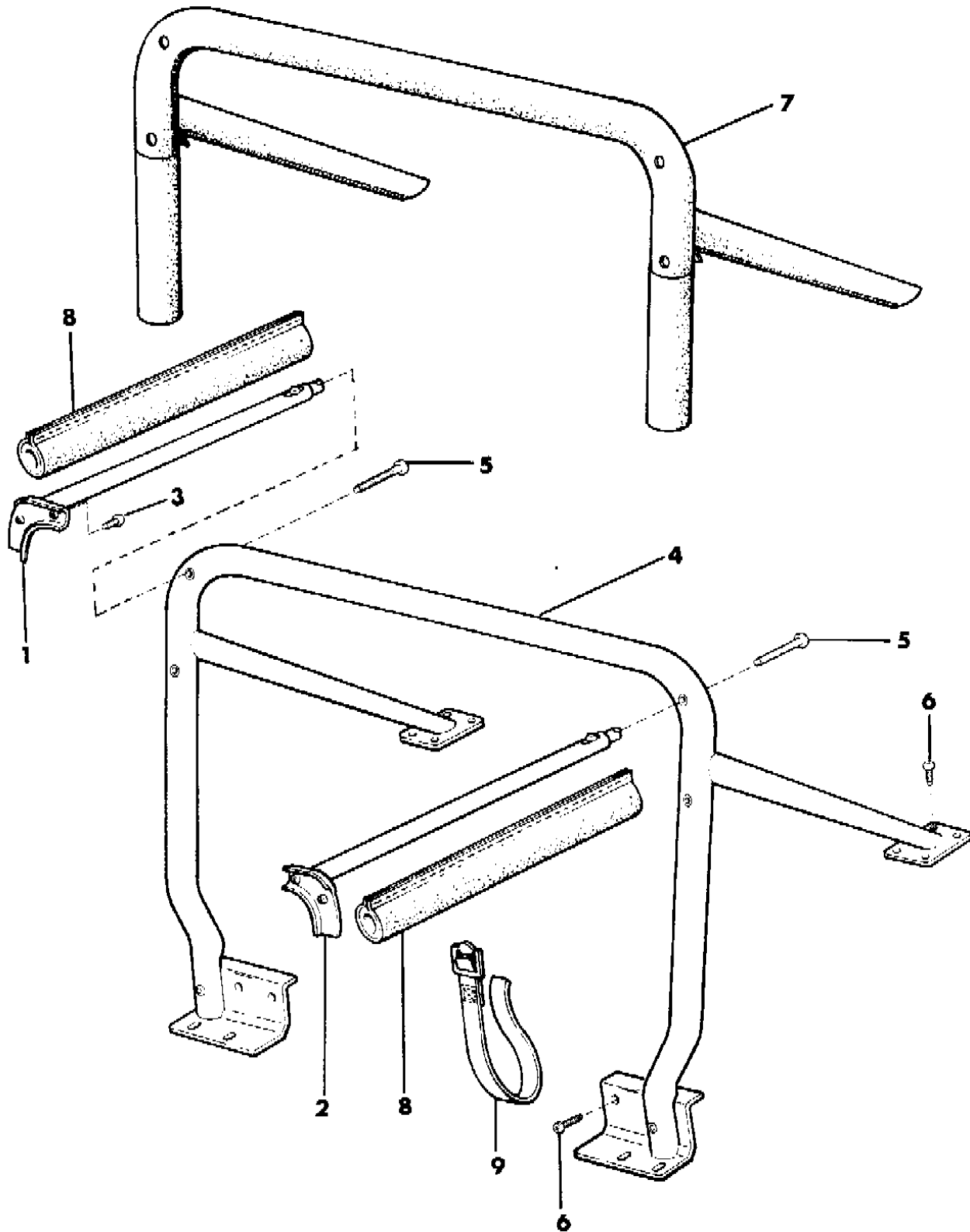
MJ = Comanche Pickup  
 SJ = Grand Wagoneer Wgn., J-10 & J-20 Pickups  
 XJ = Cherokee, Wagoneer Limited  
 YJ = Wrangler

AR = Use as Required - = Non Illustrated Part P.A.R. = Paint as Required

**SPORT BAR WRANGLER, YJ**  
**Figure 23A-1200**

8 J 69 1200

ITEM	PART NUMBER	QTY	BODY	MODEL	DESCRIPTION
1-2	5501 0600-1	1			SIDE BAR ***
3	J400 4956	4			SCREW
4					SPORT BAR
	5501 0621	1			1987-90
	5501 6542	1		82	w/103" Wheelbase, 1988
5	J400 7446	2			BOLT
6	J400 7073	16			SCREW
7					COVER, Sport Bar
	5501 8831	1			Black, 1987
	5501 6395	1			Charcoal 1988-89
	5AF3 9JS1	1			1990
	5501 8832	1			Honey, 1987
	5AF3 9JY6	1			Dk. Sand 1989-90
	5501 6396	1			Tan, 1988
8					COVER, Side Bar
	5501 3522	2			Black, 1987
	5501 6397	2			Charcoal, 1988-89
	5AE9 9JS1	2			1990
	5501 3523	2			Honey, 1987
	5AE9 9JY6	2			Dk. Sand 1989-90
	5501 6398	2			Tan, 1988
9	5501 5916	4			STRAP



**MODEL CODES:**

15 = Grand Wagoneer 4 Dr.	65 = Comanche 4WD-7 Ft. Box	77 = Cherokee 4WD-2 Dr.
25 = J-10 Pickup-119" W.B.	66 = Comanche 2WD-7 Ft. Box	78 = Cherokee 4WD-4 Dr.
26 = J-10 Pickup-131" W.B.	73 = Cherokee 2WD-2 Dr.	79 = Cherokee 4WD-4 Dr.-Com
27 = J-20 Pickup-131" W.B.	74 = Cherokee 2WD-4 Dr.	81 = Wrangler-93" W.B.
63 = Comanche 4WD-6 Ft. Box	75 = Wagoneer 4WD-4 Dr.	82 = Wrangler-103" W.B.-Exp.
64 = Comanche 2WD-6 Ft. Box		

**BODY STYLES:**

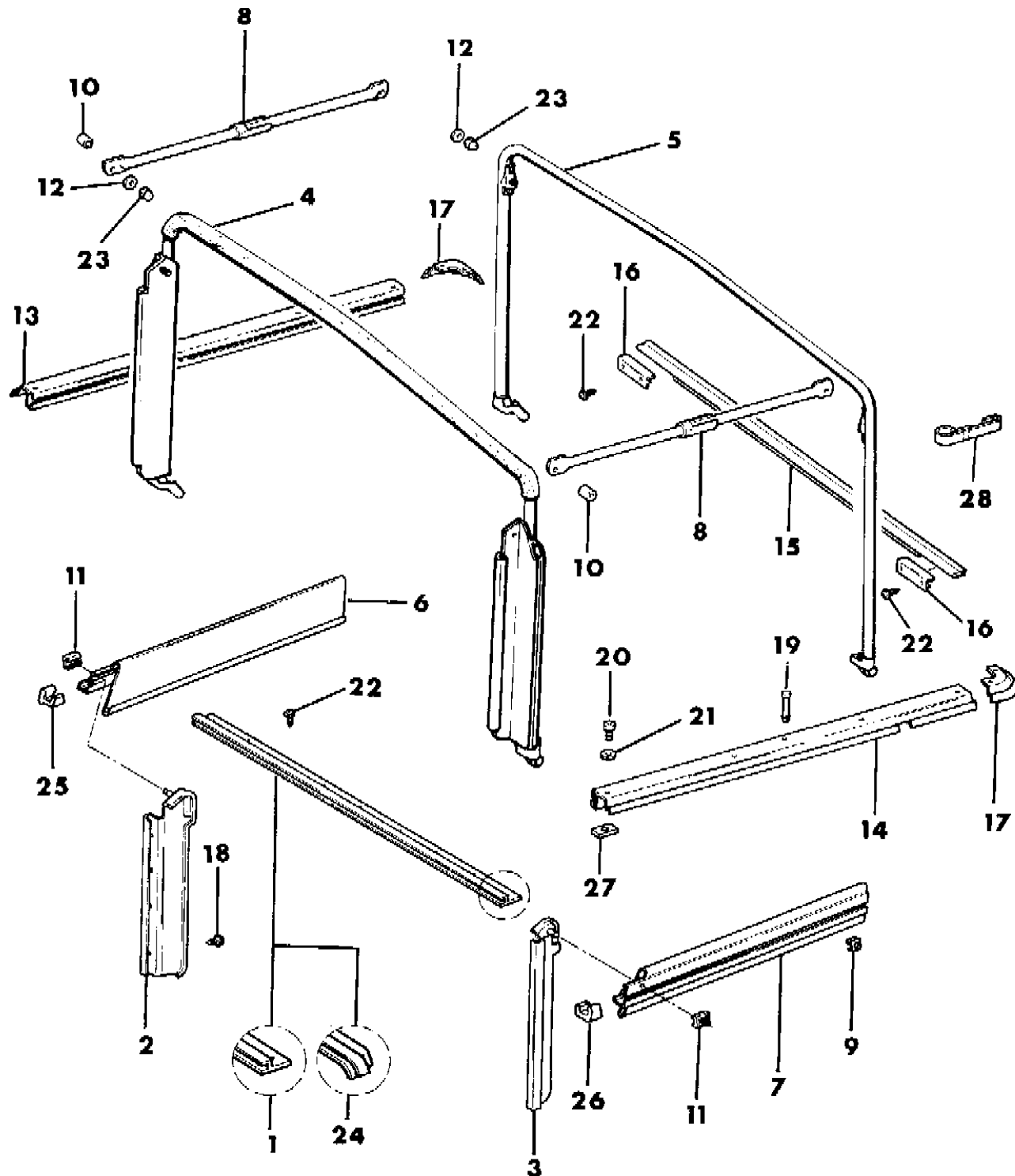
MJ = Comanche Pickup  
 SJ = Grand Wagoneer Wgn., J-10 & J-20 Pickups  
 XJ = Cherokee, Wagoneer Limited  
 YJ = Wrangler

AR = Use as Required - = Non Illustrated Part P.A.R. = Paint as Required

SOFT TOP HARDWARE WITH HALF DOORS WRANGLER, YJ  
Figure 23A-1300

8 J 69 1300 B

ITEM	PART NUMBER	QTY	BODY	MODEL	DESCRIPTION
1	8220 0599	1			RETAINER, Windshield
2-3	5501 3678-9	1			FLANGE, Door Sealing Front ***
4					BOW ASSEMBLY, Front Roof ***
	8350 3382	1			1987
	8350 5252	1			1988-90, KDX
5	8350 3381	1			BOW ASSEMBLY, Rear Roof ***
6-7	5501 0744-5	1			RAIL, Upper Door Drip
8	5501 5100	2			BAR, Spreader
9	5501 5378	10			STUD, (Includes Clip)
10	5501 5108	2			SPACER, Spreader Bar
11	5501 3673	2			SLIDER, Drip Rail Lock
12	J400 7015	4			WASHER
13-14					RETAINER, Side Belt Rail
	5501 5110-1	1			1987
	5502 0532-3	1	81		1988-90 w/93" W.B.
	5501 8024-5	1	82		Front, KDX w/103" W.B.
	5501 8028-9	1	82		Rear, KDX, w/103" W.B.
15	5501 0754	1			RETAINER, Tailgate Opening, w/Seal
16					CLIP, Tailgate Retainer
	5501 0849	2			1987
	5502 0534-5	2			1988-90
17	5501 0734	2			RETAINER, Rear Corner Belt Rail
18	J400 3671	8			SCREW
19	5501 5114	4			PIN
20	J400 6986	12			BOLT
21	J012 0393	12			WASHER
22	J400 7487	17			SCREW
23	8350 4132	4			NUT, Acorn
24	8220 0921	1			RETAINER, Windshield
25-26	5501 8718-9	1			CAP, End
27	J096 8155	12			PLATE, Tapping
28	5501 6035	1			STRAP, Bow Tie Down



MODEL CODES:

15 = Grand Wagoneer 4 Dr.	65 = Comanche 4WD-7 Ft. Box	77 = Cherokee 4WD-2 Dr.
25 = J-10 Pickup-119" W.B.	66 = Comanche 2WD-7 Ft. Box	78 = Cherokee 4WD-4 Dr.
26 = J-10 Pickup-131" W.B.	73 = Cherokee 2WD-2 Dr.	79 = Cherokee 4WD-4 Dr.-Com
27 = J-20 Pickup-131" W.B.	74 = Cherokee 2WD-4 Dr.	81 = Wrangler-93" W.B.
63 = Comanche 4WD-6 Ft. Box	75 = Wagoneer 4WD-4 Dr.	82 = Wrangler-103" W.B.-Exp.
64 = Comanche 2WD-6 Ft. Box		

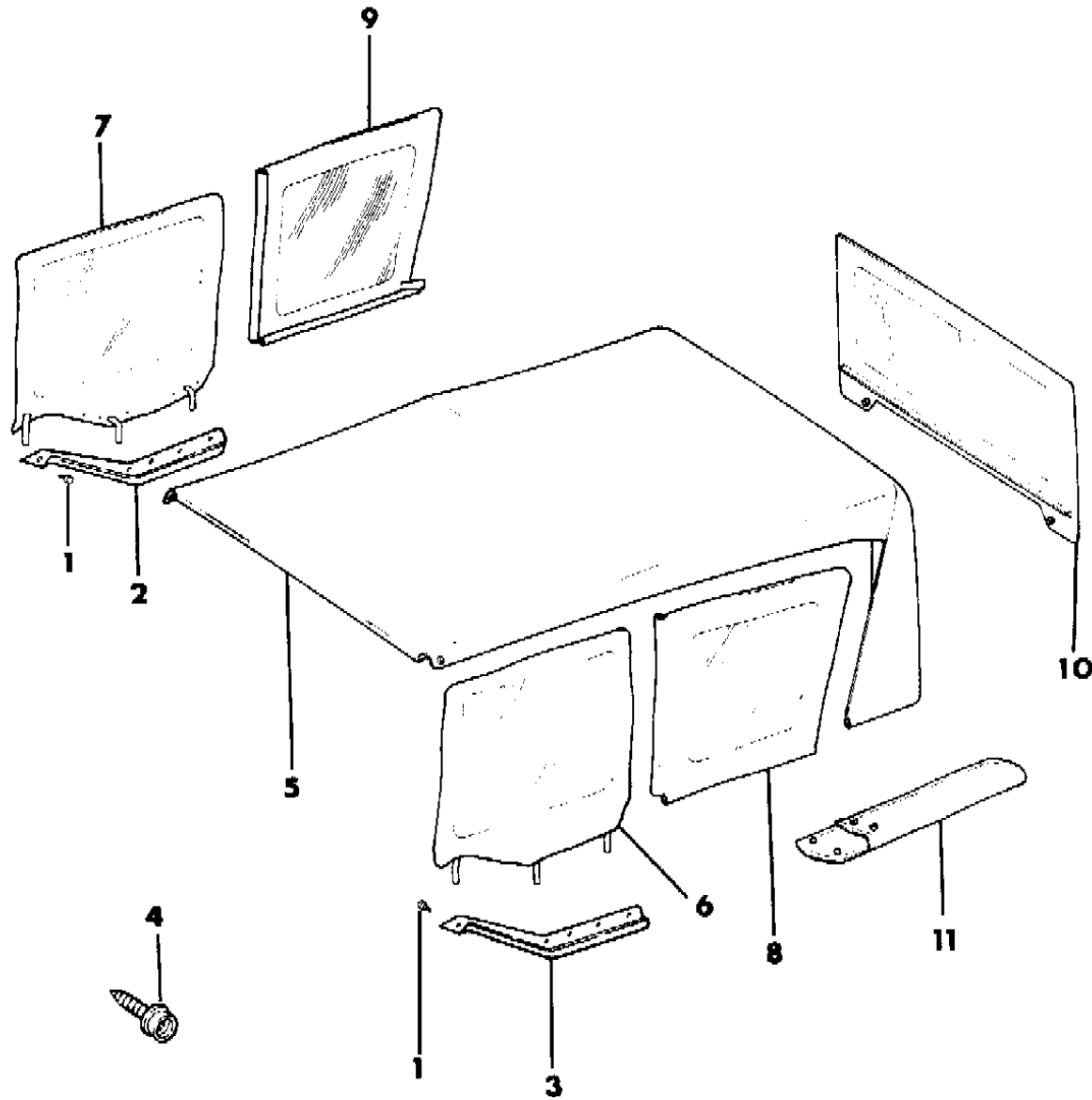
BODY STYLES:

MJ = Comanche Pickup  
 SJ = Grand Wagoneer Wgn., J-10 & J-20 Pickups  
 XJ = Cherokee, Wagoneer Limited  
 YJ = Wrangler

AR = Use as Required - = Non Illustrated Part P.A.R. = Paint as Required

SOFT TOP AND WINDOWS WITH HALF DOORS WRANGLER, YJ  
Figure 23A-1400

8J 69 1400



ITEM	PART NUMBER	QTY	BODY	MODEL	DESCRIPTION
1	J400 7487	12			SCREW
2-3	5501 7744-5	1			RETAINER, Door
4	J400 7545	12			SCREW, Snap Head
5					TOP, Soft
	5501 1009	1			Black, w/Snap 1987
	5501 7620	1			Black, w/o Snap 1987
	5501 8813	1			Black Denim 1988-89
	5AE8 3JS1	1			Charcoal 1988-90
	5501 1011	1			Honey, w/Snap 1987
	5501 7624	1			Honey, w/o Snap 1987
	5501 9256	1			Khaki 1988-89
	5501 8564	1			Olive Drab, Canada Military w/o Snap 1987-88
	5AE8 3JY6	1			Sand 1989-90
	5501 6430	1			Tan 1988
	5501 1502	1			White w/Snap 1987
	5501 7622	1			White, w/o Snap 1987 1990
	5AE8 3JX7	1			Black
	5AE8 3JJ5	1			Khaki
6-7					DOOR, Upper Soft
	5501 2584-5	1			Black, 1987
	5501 9542-3	1			Black Denim, (Up To 11-15-88) 1988-89
	5BA10-1 JX7	1			Black Denim, (Aft. 11-15-88)
	5501 9544-5	1			Charcoal, (Up To 11-15-88) 1988-89
	5BA10-1 JS1	1			Charcoal, (Aft. To 11-15-88)
	5501 2588-9	1			Honey, 1987
	5501 9550-1	1			Khaki, (Up To 11-15-88) 1988-89
	5BA10-1 JJ5	1			Khaki, (Aft. 11-15-88)
	5501 8004-5	1			Olive Drab, Canada Military 1987
	5501 9548-9	1			Olive Drab, Canada Military 1988
	5502 1268-9	1			Sand, (Up To 11-15-88) 1989
	5BA10-1 JY6	1			Sand, (Aft. To 11-15-88)
	5501 9546-7	1			Tan, 1988
	5501 2586-7	1			White, 1987
8-9					GLASS, Quarter
	5501 0976-7	1		81	Black, w/ 93" W.B. 1987
	5502 1436-7	1		81	Black Denim, w/ 93" W.B. 1988-89

MODEL CODES:

15 = Grand Wagoneer 4 Dr.	65 = Comanche 4WD-7 Ft. Box	77 = Cherokee 4WD-2 Dr.
25 = J-10 Pickup-119" W.B.	66 = Comanche 2WD-7 Ft. Box	78 = Cherokee 4WD-4 Dr.
26 = J-10 Pickup-131" W.B.	73 = Cherokee 2WD-2 Dr.	79 = Cherokee 4WD-4 Dr.-Com
27 = J-20 Pickup-131" W.B.	74 = Cherokee 2WD-4 Dr.	81 = Wrangler-93" W.B.
63 = Comanche 4WD-6 Ft. Box	75 = Wagoneer 4WD-4 Dr.	82 = Wrangler-103" W.B.-Exp.
64 = Comanche 2WD-6 Ft. Box		

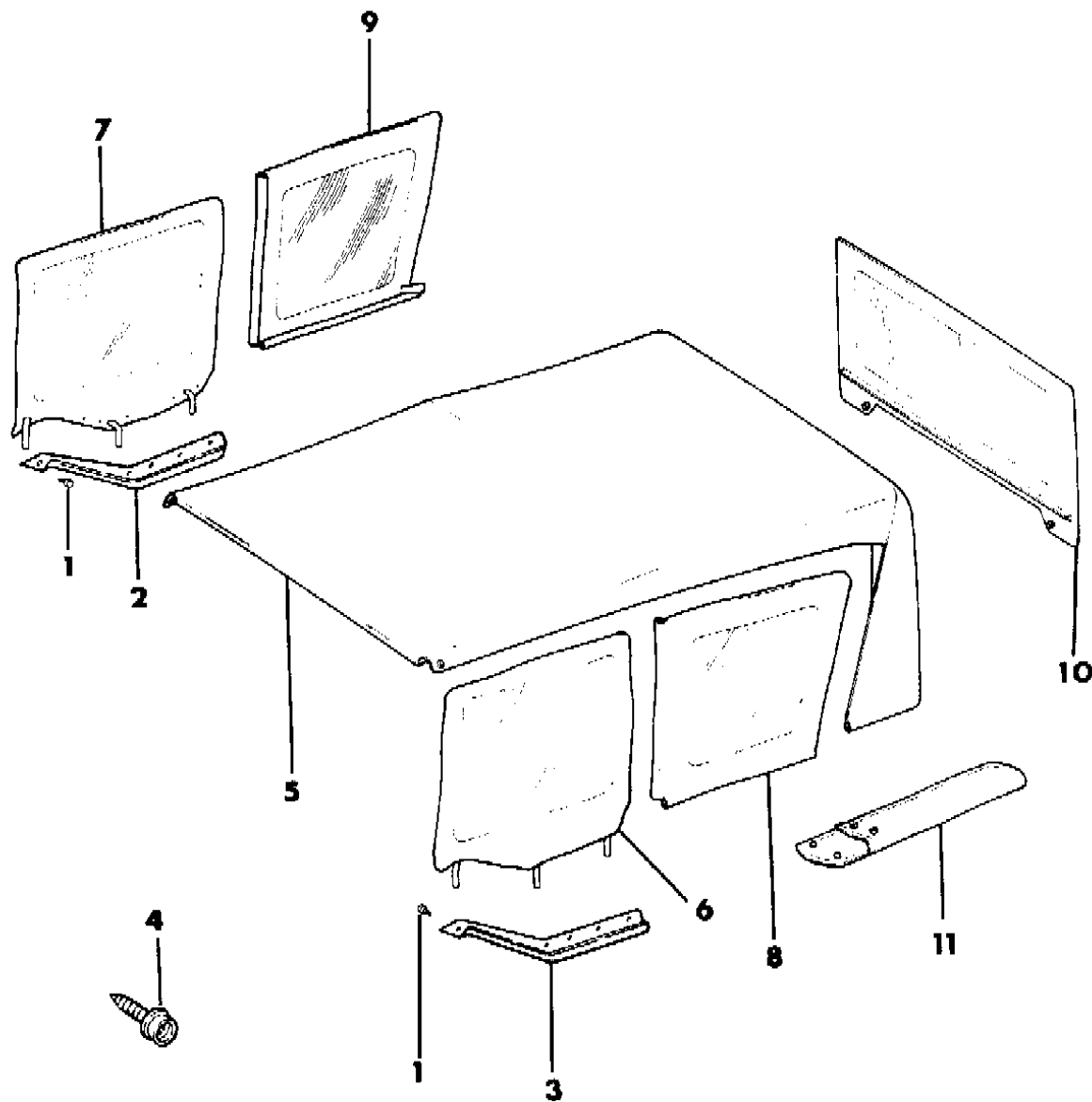
BODY STYLES:

MJ = Comanche Pickup  
SJ = Grand Wagoneer Wgn., J-10 & J-20 Pickups  
XJ = Cherokee, Wagoneer Limited  
YJ = Wrangler

AR = Use as Required - = Non Illustrated Part P.A.R. = Paint as Required

SOFT TOP AND WINDOWS WITH HALF DOORS WRANGLER, YJ  
Figure 23A-1400

8J 69 1400



ITEM	PART NUMBER	QTY	BODY	MODEL	DESCRIPTION
	5502 0506-7	1		82	Black Denim, w/ 103" W.B. 1988-89 (Export)
	5AF78-9 JS1	1		81	Charcoal, w/ 93" W.B.
	5501 0980-1	1		81	Honey, w/ 93" W.B. 1987
	5502 1450-1	1		81	Khaki, w/ 93" W.B. 1988-89
	5502 1442-3	1		81	Olive Drab, Canada Military, w/ 93" W.B. 1987-88
	5501 7996-7	1		82	Olive Drab, Canada Military, w/ 103" W.B. (Export) 1988
	5502 1272-3	1		81	Sand, w/ 93" W.B. 1989
	5502 1440-1	1		81	Tan, w/ 93" W.B. 1988
	5502 0508-9	1		82	Tan, w/ 103" W.B. (Export) 1988
	5501 1496-7	1		81	White, w/ 93" W.B. 1987
					1990
	5AF78-9 JX7	1			Black
	5AF78-9 JJ5	1			Khaki
	5AF78-9 JY6	1			Sand
10					GLASS, Tailgate
					Snap Type
	5501 0991	1			Black, 1987
	5501 8814	1			Black Denim, 1987
	5501 6550	1			Charcoal, 1987
	5501 0993	1			Honey, 1987
	5501 9255	1			Khaki, 1987
	5502 1447	1			Olive Drab, Canada Military 1987
	5501 1498	1			White, 1987
					Plastic Retainer Type (Slides into Groove in Tailgate)
	5502 1446	1			Tan, 1988
	5AF7 7JY6	1			Dark Sand, 1989-90
	5AF7 7JS1	1			Charcoal or Silver, 1988-90
	5AF7 7JJ5	1			Khaki, 1988-90
	5AF7 7JX7	1			Black, 1988-90
11					BAG, Window Stowage
	5501 0995	2			Black, 1987
	5501 8815	2			Black Denim, 1988-89
	5501 6551	2			Charcoal, 1988-89
	5501 0997	2			Honey, 1987
	5501 9257	2			Khaki, 1988-89
	5501 0995	2			Olive Drab, Canada Military 1987-88 (Use Black)
	5502 1275	2			Sand, 1989

MODEL CODES:

15 = Grand Wagoneer 4 Dr.	65 = Comanche 4WD-7 Ft. Box	77 = Cherokee 4WD-2 Dr.
25 = J-10 Pickup-119" W.B.	66 = Comanche 2WD-7 Ft. Box	78 = Cherokee 4WD-4 Dr.
26 = J-10 Pickup-131" W.B.	73 = Cherokee 2WD-2 Dr.	79 = Cherokee 4WD-4 Dr.-Com
27 = J-20 Pickup-131" W.B.	74 = Cherokee 2WD-4 Dr.	81 = Wrangler-93" W.B.
63 = Comanche 4WD-6 Ft. Box	75 = Wagoneer 4WD-4 Dr.	82 = Wrangler-103" W.B.-Exp.
64 = Comanche 2WD-6 Ft. Box		

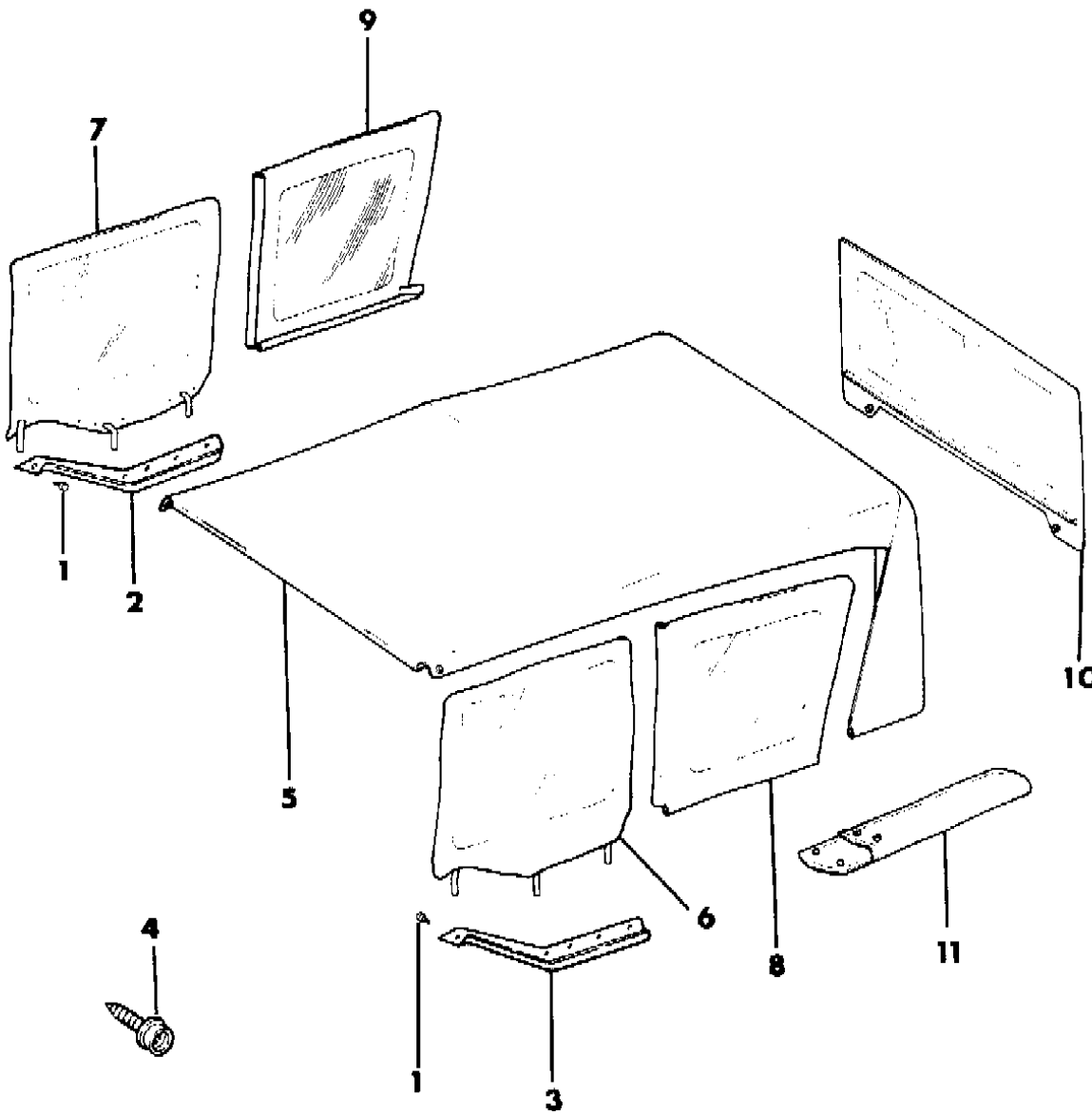
BODY STYLES:

MJ = Comanche Pickup  
SJ = Grand Wagoneer Wgn., J-10 & J-20 Pickups  
XJ = Cherokee, Wagoneer Limited  
YJ = Wrangler

AR = Use as Required - = Non Illustrated Part P.A.R. = Paint as Required

**SOFT TOP AND WINDOWS WITH HALF DOORS WRANGLER, YJ**  
Figure 23A-1400

8J 69 1400



ITEM	PART NUMBER	QTY	BODY	MODEL	DESCRIPTION
	5501 6425	2			Tan, 1988
	5501 1495	2			White, 1987 1990
	5AE8 2JX7	2			Black
	5AE8 2JJ5	2			Khaki

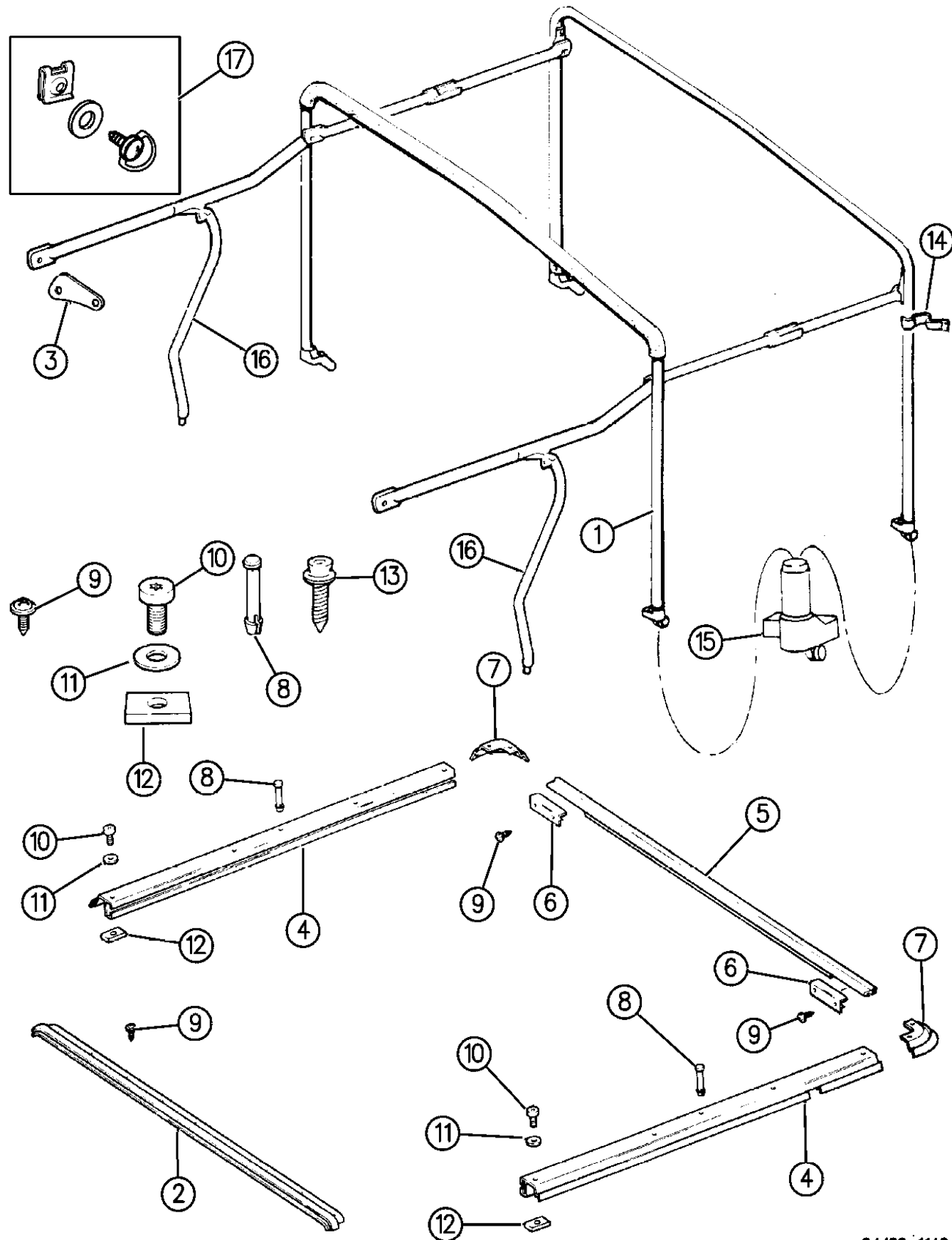
MODEL CODES:  
 15 = Grand Wagoneer 4 Dr.      65 = Comanche 4WD-7 Ft. Box      77 = Cherokee 4WD-2 Dr.  
 25 = J-10 Pickup-119" W.B.      66 = Comanche 2WD-7 Ft. Box      78 = Cherokee 4WD-4 Dr.  
 26 = J-10 Pickup-131" W.B.      73 = Cherokee 2WD-2 Dr.      79 = Cherokee 4WD-4 Dr.-Com  
 27 = J-20 Pickup-131" W.B.      74 = Cherokee 2WD-4 Dr.      81 = Wrangler-93" W.B.  
 63 = Comanche 4WD-6 Ft. Box      75 = Wagoneer 4WD-4 Dr.      82 = Wrangler-103" W.B.-Exp.  
 64 = Comanche 2WD-6 Ft. Box

BODY STYLES:  
 MJ = Comanche Pickup  
 SJ = Grand Wagoneer Wgn., J-10 & J-20 Pickups  
 XJ = Cherokee, Wagoneer Limited  
 YJ = Wrangler

AR = Use as Required - = Non Illustrated Part P.A.R. = Paint as Required

SOFT TOP HARDWARE WITH FULL HARD DOORS WRANGLER, YJ  
Figure 23A-1500

8J69 1500D



ITEM	PART NUMBER	QTY	BODY	MODEL	DESCRIPTION
1					BOW AND DOOR FRAME ASSEMBLY ***
	8350 5016	1			1987-89
	5252 835	1			1990, (Does not include verticle door supports item 16)
2	8220 0921	1			RETAINER, Windshield
3	8350 5014-5	1			BRACKET, Windshield
4					RETAINER, Side Belt Rail
	8350 5018	1			Right
	8350 5017	1			Left
5	5501 0754	1			RETAINER, Tailgate Opening
6	5501 0849	2			CLIP, Tailgate Retainer
7	5501 0734	2			RETAINER, Rear Corner Belt Rail
8	5501 5114	4			PIN
9	J400 7487	15			SCREW, .38" Long ***
	J400 3671	15			SCREW, .625" Long ***
10	J400 7484	12			BOLT
11	J012 0393	12			WASHER
12	J096 8155	12			PLATE, Tapping
13	J400 7545	2			SCREW, Snap Head
14	5501 6035	1			STRAP, Bow Tie Down
15					SLIDE, included in bow and door frame assy.
16	5252 355	1			SUPPORT
17	4773 633	1			SCREW PACKAGE, Attach Windshield Bracket to Support ***

MODEL CODES:

15 = Grand Wagoneer 4 Dr.	65 = Comanche 4WD-7 Ft. Box	77 = Cherokee 4WD-2 Dr.
25 = J-10 Pickup-119" W.B.	66 = Comanche 2WD-7 Ft. Box	78 = Cherokee 4WD-4 Dr.
26 = J-10 Pickup-131" W.B.	73 = Cherokee 2WD-2 Dr.	79 = Cherokee 4WD-4 Dr.-Com
27 = J-20 Pickup-131" W.B.	74 = Cherokee 2WD-4 Dr.	81 = Wrangler-93" W.B.
63 = Comanche 4WD-6 Ft. Box	75 = Wagoneer 4WD-4 Dr.	82 = Wrangler-103" W.B.-Exp.
64 = Comanche 2WD-6 Ft. Box		

BODY STYLES:

MJ = Comanche Pickup  
SJ = Grand Wagoneer Wgn., J-10 & J-20 Pickups  
XJ = Cherokee, Wagoneer Limited  
YJ = Wrangler

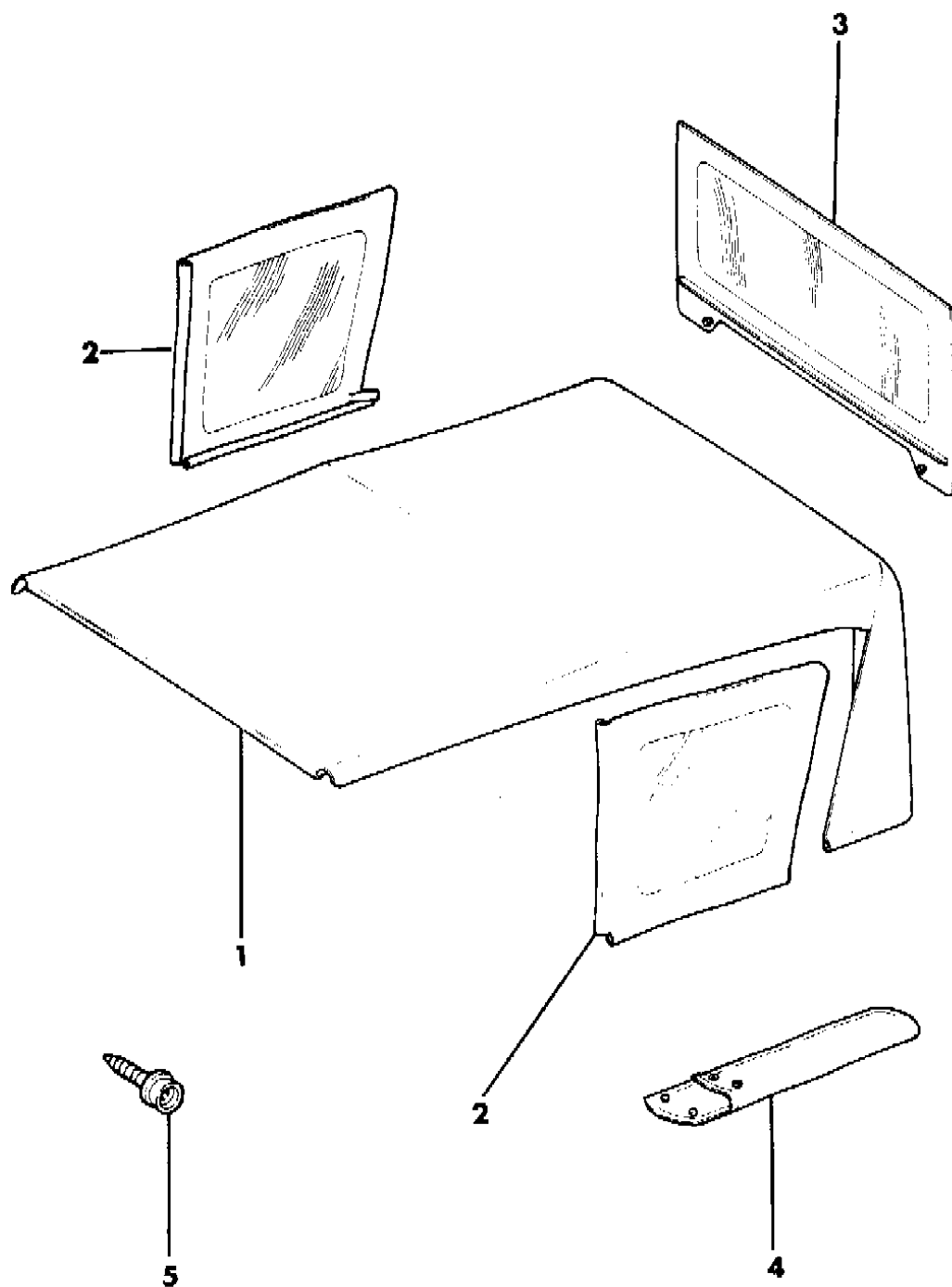
94J69 1140

AR = Use as Required - = Non Illustrated Part P.A.R. = Paint as Required



SOFT TOP AND WINDOWS WITH FULL HARD DOORS WRANGLER, YJ  
Figure 23A-1600

8 J 69 1600



ITEM	PART NUMBER	QTY	BODY	MODEL	DESCRIPTION
1					TOP, Soft
	8350 5005	1			Black, 1987
	8350 5031	1			Black Denim, 1988-90
	8350 5029	1			Charcoal, 1988-90
	8350 5006	1			Honey, 1987
	8350 5030	1			Khaki, 1988-90
	8350 5559	1			Sand, 1989-90
	8350 5028	1			Tan, 1988
	8350 5007	1			White, 1987
2					WINDOW, Quarter ***
	8350 5008-9	1			Black, 1987
	8350 5034-5	1			Black Denim, 1988-90
	8350 5036-7	1			Charcoal, 1988,90
	8350 5010-1	1			Honey, 1987
	8350 5038-9	1			Khaki, 1988,90
	8350 5560-1	1			Sand, 1989-90
	8350 5032-3	1			Tan, 1988
	8350 5012-3	1			White, 1987
3					WINDOW, Tailgate ***
					Snap Type
	5501 0991	1			Black, 1987
	5501 8814	1			Black Denim, 1987
	5501 6550	1			Charcoal, 1987
	5501 9255	1			Khaki, 1987
	5501 0993	1			Honey, 1987
	5501 1498	1			White, 1987
					Plastic Retainer Type (Slides into Groove in Tailgate)
	5502 1446	1			Tan, 1988
	5AF7 7JY6	1			Dark Sand, 1989-90
	5AF7 7JJ5	1			Khaki, 1988-90
	5AF7 7JS1	1			Charcoal or Silver, 1988-90
	5AF7 7JX7	1			Black, 1988-90
4					BAG, Window Stowage
	5501 0995	2			Black, 1987
	5501 8815	2			Black Denim, 1988-89
	5501 6551	2			Charcoal, 1988,89
	5501 0997	2			Honey, 1987

MODEL CODES:

15 = Grand Wagoneer 4 Dr.	65 = Comanche 4WD-7 Ft. Box	77 = Cherokee 4WD-2 Dr.
25 = J-10 Pickup-119" W.B.	66 = Comanche 2WD-7 Ft. Box	78 = Cherokee 4WD-4 Dr.
26 = J-10 Pickup-131" W.B.	73 = Cherokee 2WD-2 Dr.	79 = Cherokee 4WD-4 Dr.-Com
27 = J-20 Pickup-131" W.B.	74 = Cherokee 2WD-4 Dr.	81 = Wrangler-93" W.B.
63 = Comanche 4WD-6 Ft. Box	75 = Wagoneer 4WD-4 Dr.	82 = Wrangler-103" W.B.-Exp.
64 = Comanche 2WD-6 Ft. Box		

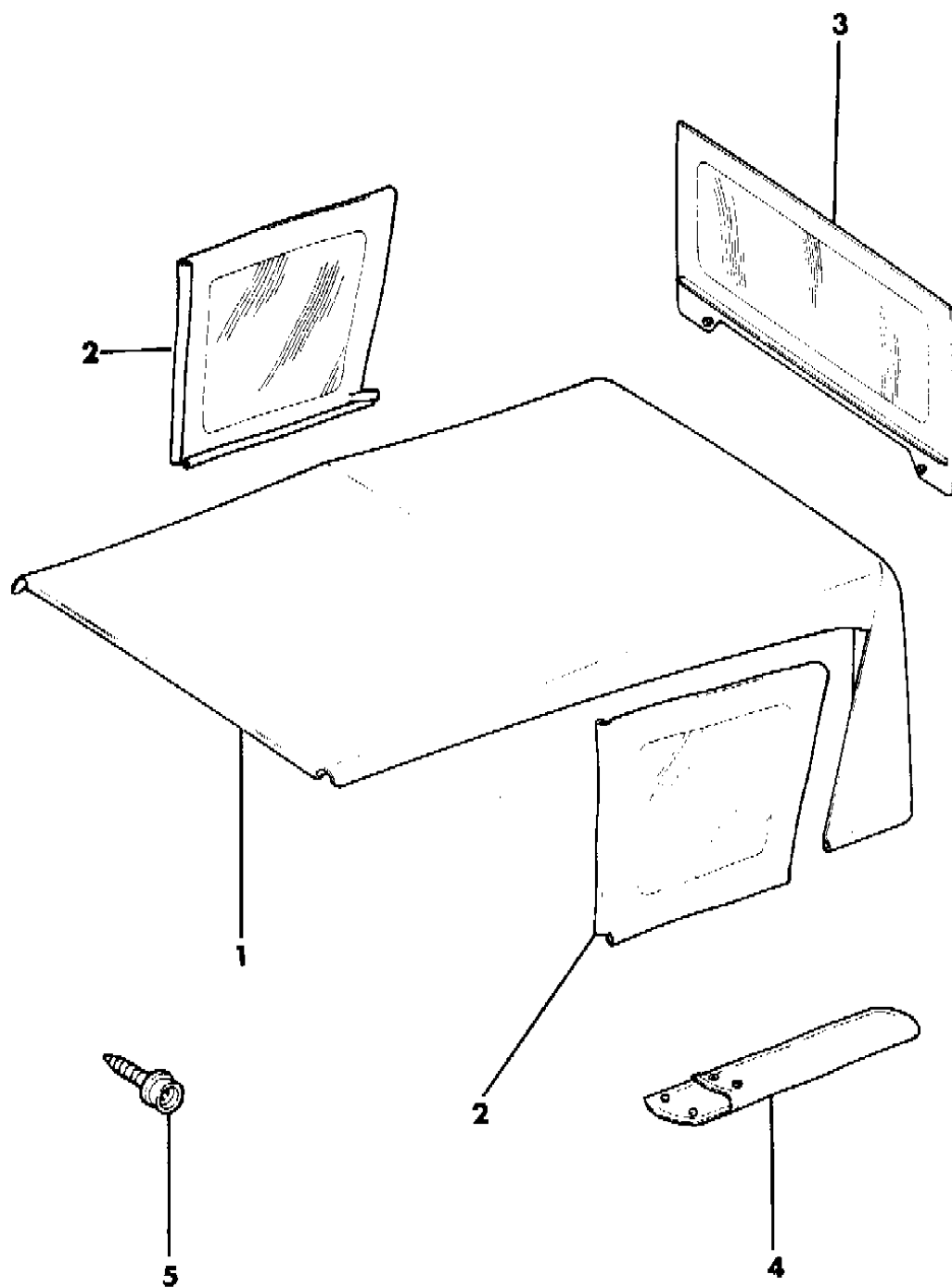
BODY STYLES:

MJ = Comanche Pickup  
 SJ = Grand Wagoneer Wgn., J-10 & J-20 Pickups  
 XJ = Cherokee, Wagoneer Limited  
 YJ = Wrangler

AR = Use as Required - = Non Illustrated Part P.A.R. = Paint as Required

SOFT TOP AND WINDOWS WITH FULL HARD DOORS WRANGLER, YJ  
Figure 23A-1600

8 J 69 1600



ITEM	PART NUMBER	QTY	BODY	MODEL	DESCRIPTION
	5501 9257	2			Khaki, 1988-89
	5502 1275	2			Sand, 1989
	5501 6425	2			Tan, 1988
	5501 1495	2			White, 1987 1990
	5AE8 2JX7	2			Black
	5AE8 2JJ5	2			Khaki
5	J400 7545	2			SCREW

MODEL CODES:

15 = Grand Wagoneer 4 Dr.	65 = Comanche 4WD-7 Ft. Box	77 = Cherokee 4WD-2 Dr.
25 = J-10 Pickup-119" W.B.	66 = Comanche 2WD-7 Ft. Box	78 = Cherokee 4WD-4 Dr.
26 = J-10 Pickup-131" W.B.	73 = Cherokee 2WD-2 Dr.	79 = Cherokee 4WD-4 Dr.-Com
27 = J-20 Pickup-131" W.B.	74 = Cherokee 2WD-4 Dr.	81 = Wrangler-93" W.B.
63 = Comanche 4WD-6 Ft. Box	75 = Wagoneer 4WD-4 Dr.	82 = Wrangler-103" W.B.-Exp.
64 = Comanche 2WD-6 Ft. Box		

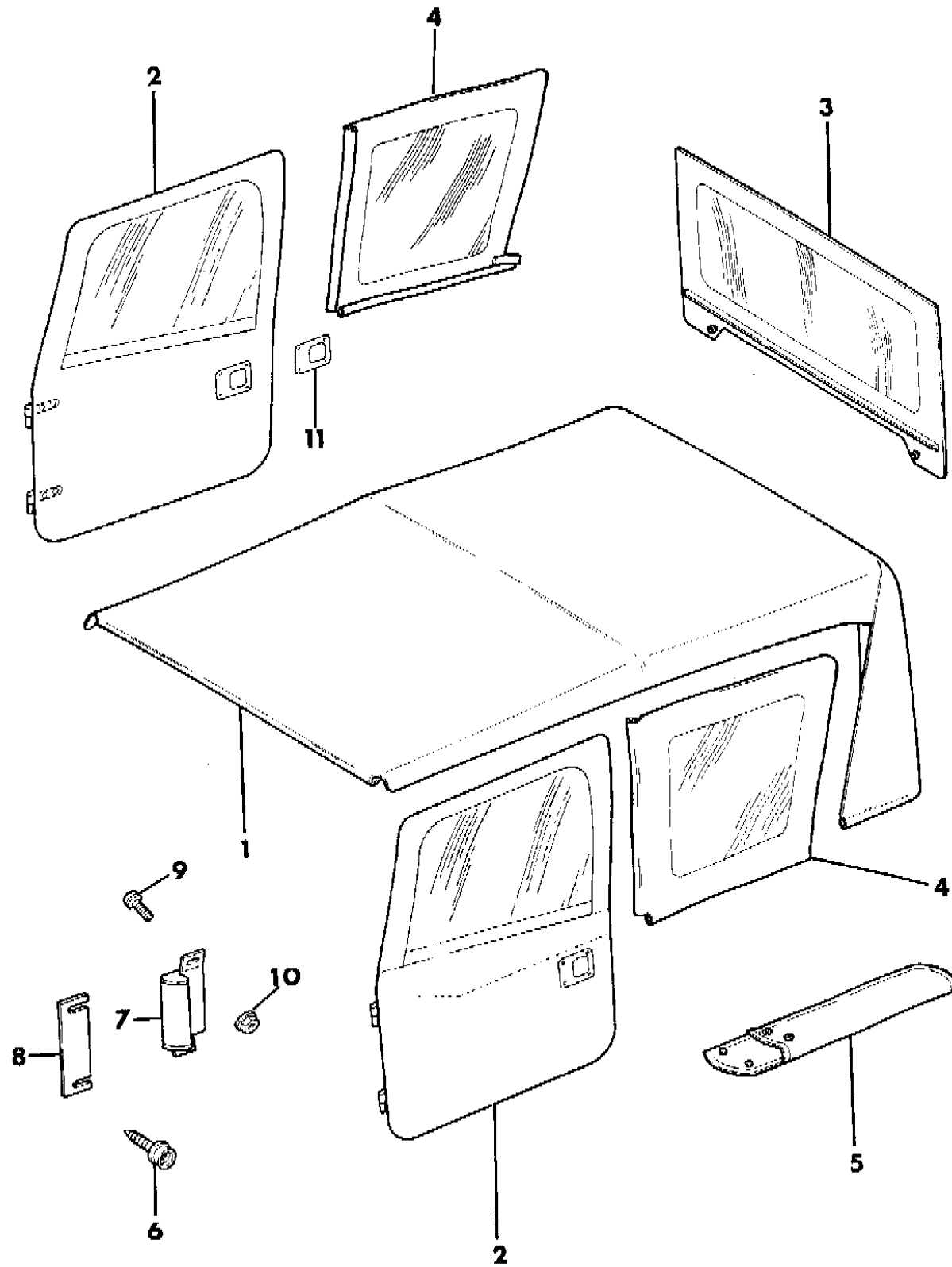
BODY STYLES:

MJ = Comanche Pickup  
SJ = Grand Wagoneer Wgn., J-10 & J-20 Pickups  
XJ = Cherokee, Wagoneer Limited  
YJ = Wrangler

AR = Use as Required - = Non Illustrated Part P.A.R. = Paint as Required

SOFT TOP, FULL SOFT DOORS AND WINDOWS NON REGULATED MARKETS  
Figure 23A-1700

8J 69 1700A



ITEM	PART NUMBER	QTY	BODY	MODEL	DESCRIPTION
1	#5BN7 9JX7	1			TOP, Soft, Black
2	5AF32-3 JX7	1			DOOR, Soft, Black
3					GLASS, Tailgate
	5501 8814	1			Black Denim
	5501 7984	1			Olive Drab
4					GLASS, Quarter
	5501 8816-7	1			Black Denim
	5501 7986-7	1			Olive Drab
5					BAG, Window Stowage
	5501 8815	2			Black Denim
	5501 7998	2			Olive Drab
6	J400 7545	12			SCREW, Snap Head
7	5502 0252-3	1			STRIKER, Door
8	5502 1820	AR			SHIM
9	J400 6189	4			SCREW
10	J027 1166	4			NUT
11	5501 8786	2			HANDLE ASSEMBLY

MODEL CODES:

15 = Grand Wagoneer 4 Dr.	65 = Comanche 4WD-7 Ft. Box	77 = Cherokee 4WD-2 Dr.
25 = J-10 Pickup-119" W.B.	66 = Comanche 2WD-7 Ft. Box	78 = Cherokee 4WD-4 Dr.
26 = J-10 Pickup-131" W.B.	73 = Cherokee 2WD-2 Dr.	79 = Cherokee 4WD-4 Dr.-Com
27 = J-20 Pickup-131" W.B.	74 = Cherokee 2WD-4 Dr.	81 = Wrangler-93" W.B.
63 = Comanche 4WD-6 Ft. Box	75 = Wagoneer 4WD-4 Dr.	82 = Wrangler-103" W.B.-Exp.
64 = Comanche 2WD-6 Ft. Box		

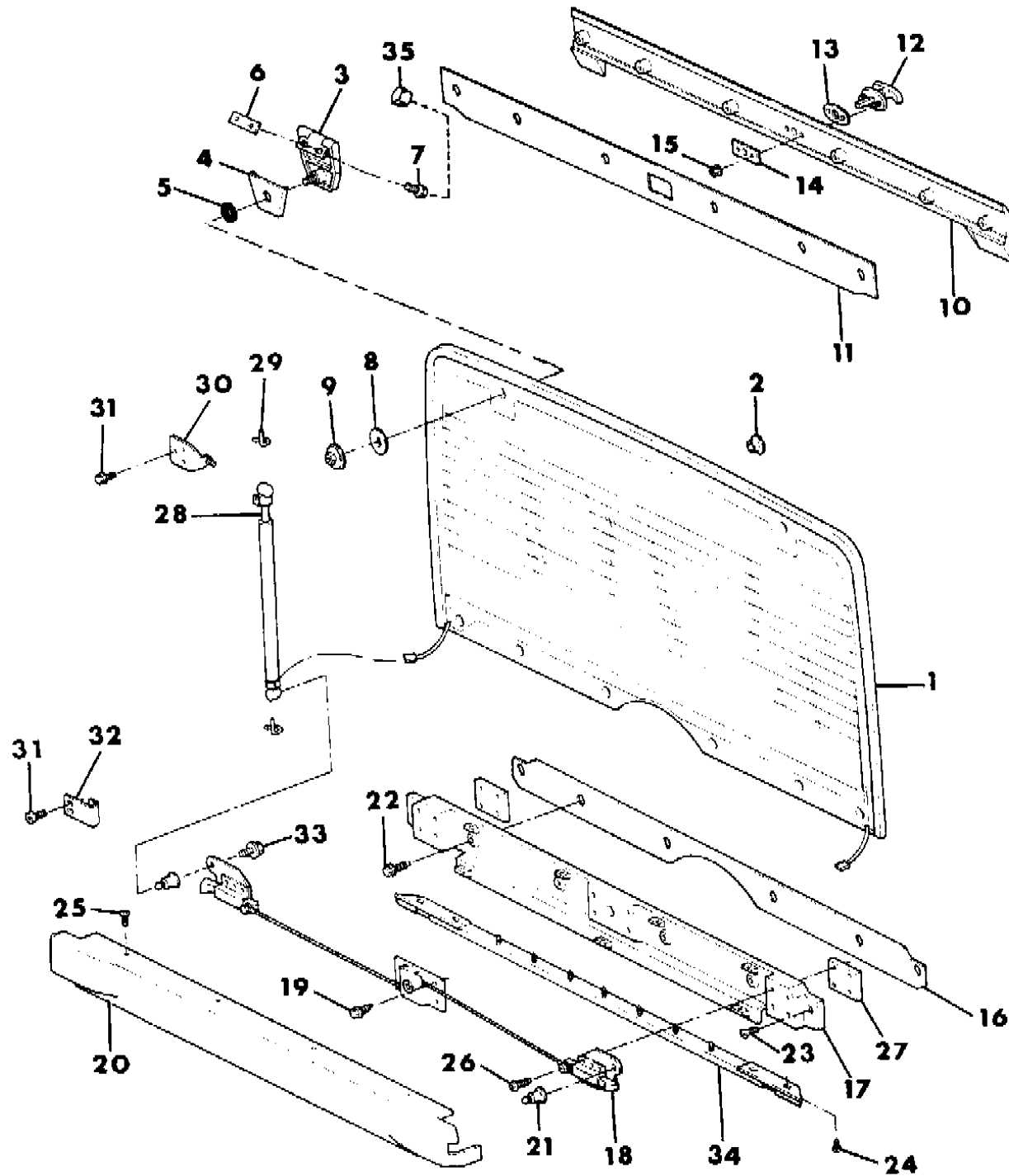
BODY STYLES:

MJ = Comanche Pickup  
SJ = Grand Wagoneer Wgn., J-10 & J-20 Pickups  
XJ = Cherokee, Wagoneer Limited  
YJ = Wrangler

AR = Use as Required - = Non Illustrated Part P.A.R. = Paint as Required

LIFT DOOR, LATCH AND HINGES WITH HARD TOP ENCLOSURE WRANGLER, YJ  
Figure 23A-1800

8J691800



ITEM	PART NUMBER	QTY	BODY	MODEL	DESCRIPTION
1					GLASS, Lift Door
	8350 2988	1			Tinted, w/ rear window defogger
	8350 2987	1			Tinted, w/o rear window defogger
2					PLUG ***
	J400 7473	2			w/ rear window defogger
	J400 7443	2			w/o rear window defogger
3	5500 8136	2			HINGE, Lift Door
4	5500 9433	2			GASKET
5	5500 9788	2			SEAL
6	5500 9432	2			GASKET
7	J400 6906	4			SCREW
8	5500 9434	2			BUSHING
9	J400 7384	2			NUT
10		1			MOULDING, Lift Door
	5500 8530	1			P.A.R. (1987-89)
	5AB3 2JCX	1			Black, 1990
	5AB3 2JS2	1			Charcoal, 1990
	5AB3 2JY8	1			Sand, 1990
	4370 528	1			White, 1990, ECE
11	5500 9576	1			GASKET
12	5500 9857	1			HANDLE ASSEMBLY, Outside ***
13	J095 3289	1			GASKET
14	5500 9858	1			REINFORCEMENT
15	S027 4741	2			NUT
16	5500 9577	1			GASKET
17	5500 8531	1			PANEL, Lift Door Lower
18	5500 8148	1			LATCH, Lift Door
19	J400 4042	4			SCREW
20	5500 8532	1			MOULDING, Lift Door
21	J400 6230	2			NUT
22	J400 7378	4			SCREW
23	J400 7379	2			SCREW
24					SCREW
	J400 2461	4			.625" long
	J400 2465	4			.750" long
25	J400 4112	7			SCREW
26	J400 7387	8			SCREW

MODEL CODES:

15 = Grand Wagoneer 4 Dr.	65 = Comanche 4WD-7 Ft. Box	77 = Cherokee 4WD-2 Dr.
25 = J-10 Pickup-119" W.B.	66 = Comanche 2WD-7 Ft. Box	78 = Cherokee 4WD-4 Dr.
26 = J-10 Pickup-131" W.B.	73 = Cherokee 2WD-2 Dr.	79 = Cherokee 4WD-4 Dr.-Com
27 = J-20 Pickup-131" W.B.	74 = Cherokee 2WD-4 Dr.	81 = Wrangler-93" W.B.
63 = Comanche 4WD-6 Ft. Box	75 = Wagoneer 4WD-4 Dr.	82 = Wrangler-103" W.B.-Exp.
64 = Comanche 2WD-6 Ft. Box		

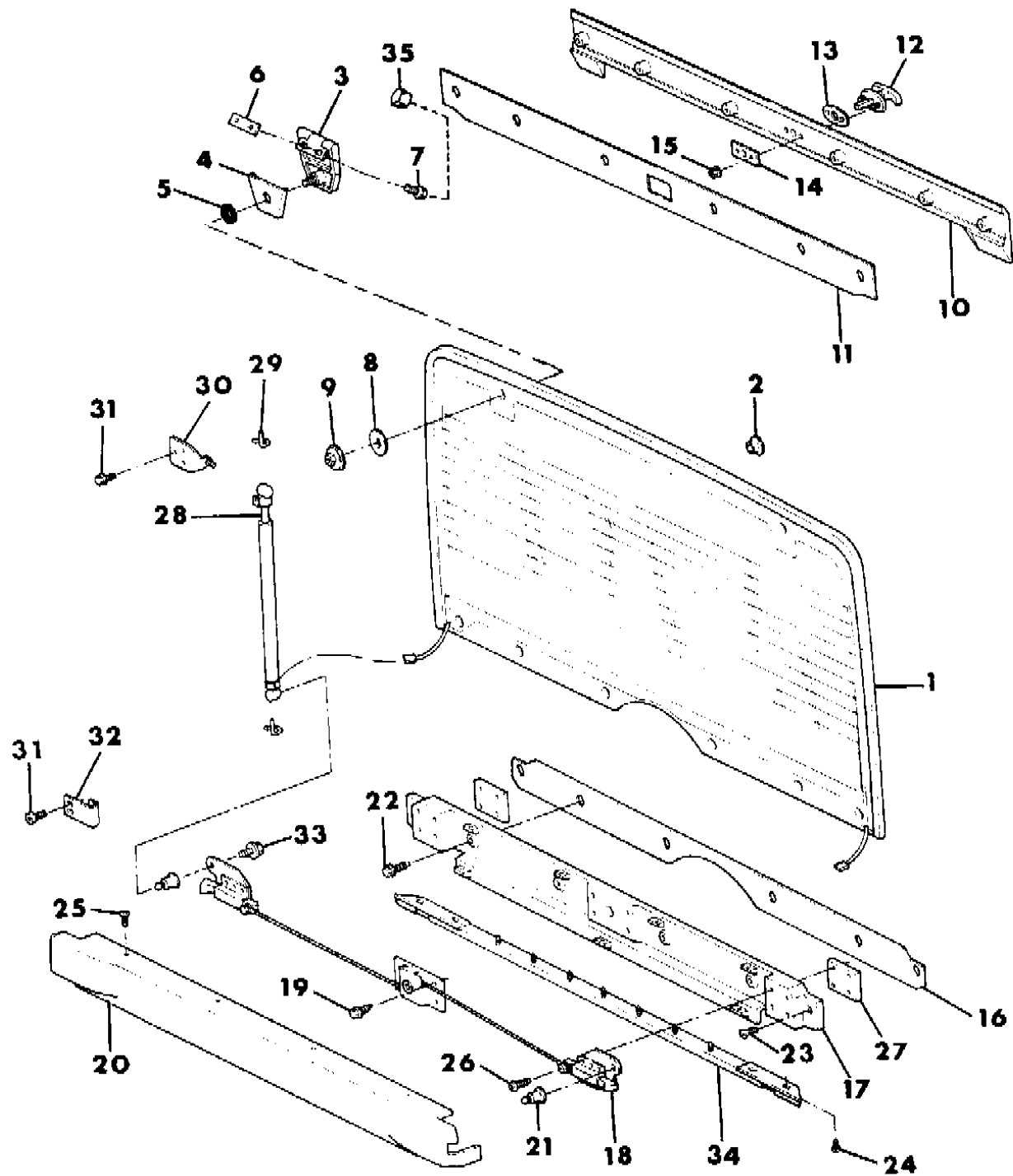
BODY STYLES:

MJ = Comanche Pickup  
 SJ = Grand Wagoneer Wgn., J-10 & J-20 Pickups  
 XJ = Cherokee, Wagoneer Limited  
 YJ = Wrangler

AR = Use as Required - = Non Illustrated Part P.A.R. = Paint as Required

LIFT DOOR, LATCH AND HINGES WITH HARD TOP ENCLOSURE WRANGLER, YJ  
Figure 23A-1800

8J691800



ITEM	PART NUMBER	QTY	BODY	MODEL	DESCRIPTION
27	5500 9868	2			PLATE, Tapping
28					SUPPORT, Lift Door
	5500 9866	2			w/ rear window defogger
	5500 7272	2			w/o rear window defogger
29	J367 9830	4			CLIP
30	5500 9992	2			BRACKET
	J369 6930	2			BALL STUD, (Included in 55009992 Bracket) ***
31	S943 2476	AR			BOLT
32	5501 7502	2			STRIKER, Lift Door
33	J400 7382	2			SCREW
34	5500 9398	1			WEATHERSTRIP
35	5501 9378	1			CAP, Protective

MODEL CODES:

15 = Grand Wagoneer 4 Dr.	65 = Comanche 4WD-7 Ft. Box	77 = Cherokee 4WD-2 Dr.
25 = J-10 Pickup-119" W.B.	66 = Comanche 2WD-7 Ft. Box	78 = Cherokee 4WD-4 Dr.
26 = J-10 Pickup-131" W.B.	73 = Cherokee 2WD-2 Dr.	79 = Cherokee 4WD-4 Dr.-Com
27 = J-20 Pickup-131" W.B.	74 = Cherokee 2WD-4 Dr.	81 = Wrangler-93" W.B.
63 = Comanche 4WD-6 Ft. Box	75 = Wagoneer 4WD-4 Dr.	82 = Wrangler-103" W.B.-Exp.
64 = Comanche 2WD-6 Ft. Box		

BODY STYLES:

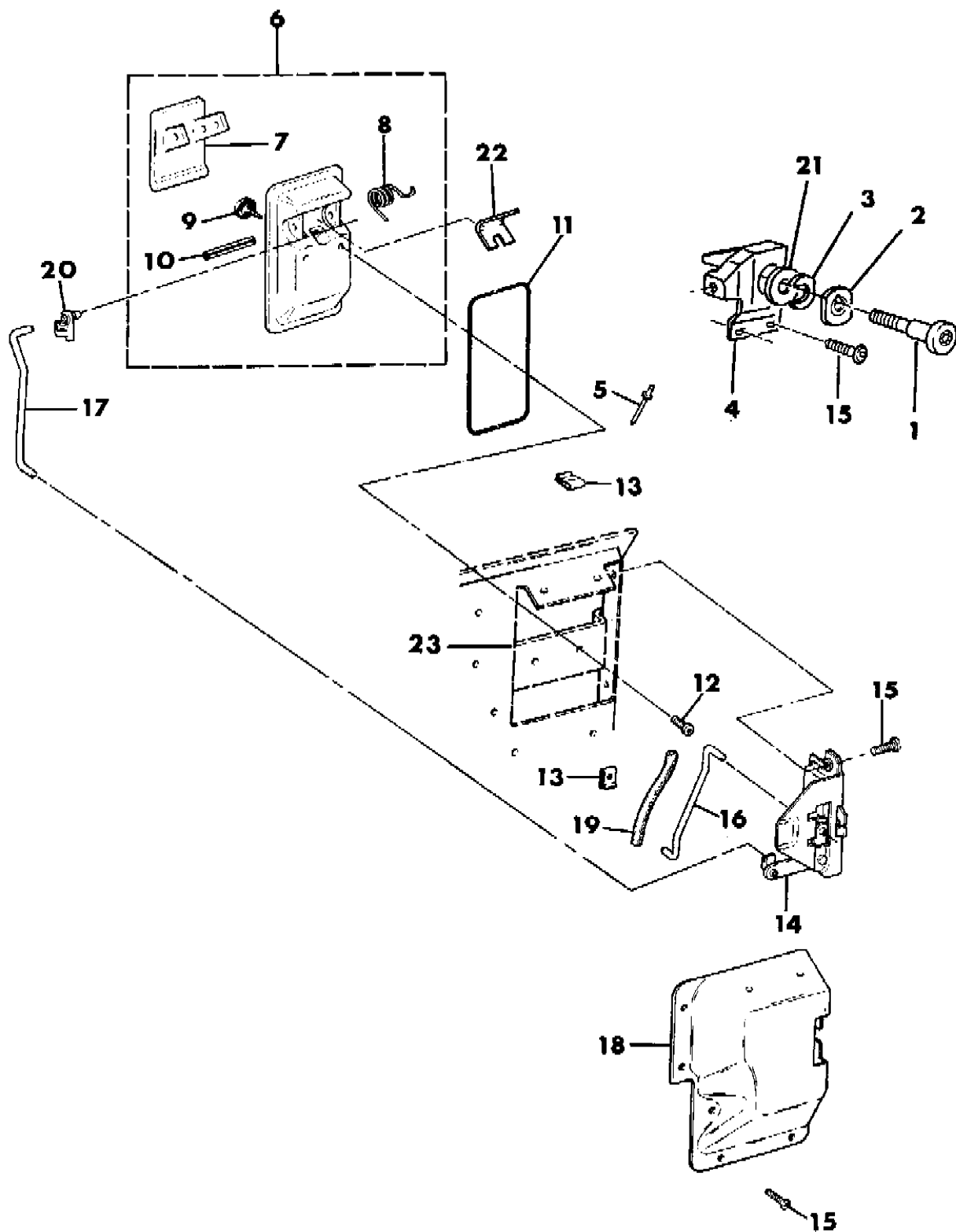
MJ = Comanche Pickup  
 SJ = Grand Wagoneer Wgn., J-10 & J-20 Pickups  
 XJ = Cherokee, Wagoneer Limited  
 YJ = Wrangler

AR = Use as Required - = Non Illustrated Part P.A.R. = Paint as Required

LATCH AND STRIKER, TAILGATE WRANGLER, YJ  
Figure 23A-1900

8J691900 A

ITEM	PART NUMBER	QTY	BODY	MODEL	DESCRIPTION
1	J575 8191	1			STRIKER, Tailgate 1987-89
	5502 4904	1			1990
2	J575 8192	1			PLATE, Mounting 1987-89
	5502 4905	1			1990
3	J575 8193	AR			SHIM
4	5500 9515	1			COVER, Striker
5	3420 2200	3			RIVET
6	5500 8895	1			HANDLE, Tailgate
7	5500 8902	1			HANDLE
8	J363 1218	1			SPRING, Return
9	J400 3110	1			BUMPER, Door Handle
10	S045 5313	1			PIN, Spring
11	J374 3608	1			SEAL, Door Handle
12	J400 5969	2			SCREW
13	S149 4250	3			NUT
14	5500 8126	1			LATCH, Tailgate
15	J400 7536	10			SCREW
16	5500 8921	1			ROD, Lock Cylinder
17	5500 8127	1			ROD, Tailgate Latch
18	5501 5300	1			COVER, Latch
19	J372 1174	1			SLEEVE, 27" Long ***
20	J400 3672	1			RETAINER
21	J941 5543	1			WASHER
22	5502 0076	1			SEAL
23	5500 8273	1			BRACKET, Tailgate Latch Mounting



MODEL CODES:

15 = Grand Wagoneer 4 Dr.	65 = Comanche 4WD-7 Ft. Box	77 = Cherokee 4WD-2 Dr.
25 = J-10 Pickup-119" W.B.	66 = Comanche 2WD-7 Ft. Box	78 = Cherokee 4WD-4 Dr.
26 = J-10 Pickup-131" W.B.	73 = Cherokee 2WD-2 Dr.	79 = Cherokee 4WD-4 Dr.-Com
27 = J-20 Pickup-131" W.B.	74 = Cherokee 2WD-4 Dr.	81 = Wrangler-93" W.B.
63 = Comanche 4WD-6 Ft. Box	75 = Wagoneer 4WD-4 Dr.	82 = Wrangler-103" W.B.-Exp.
64 = Comanche 2WD-6 Ft. Box		

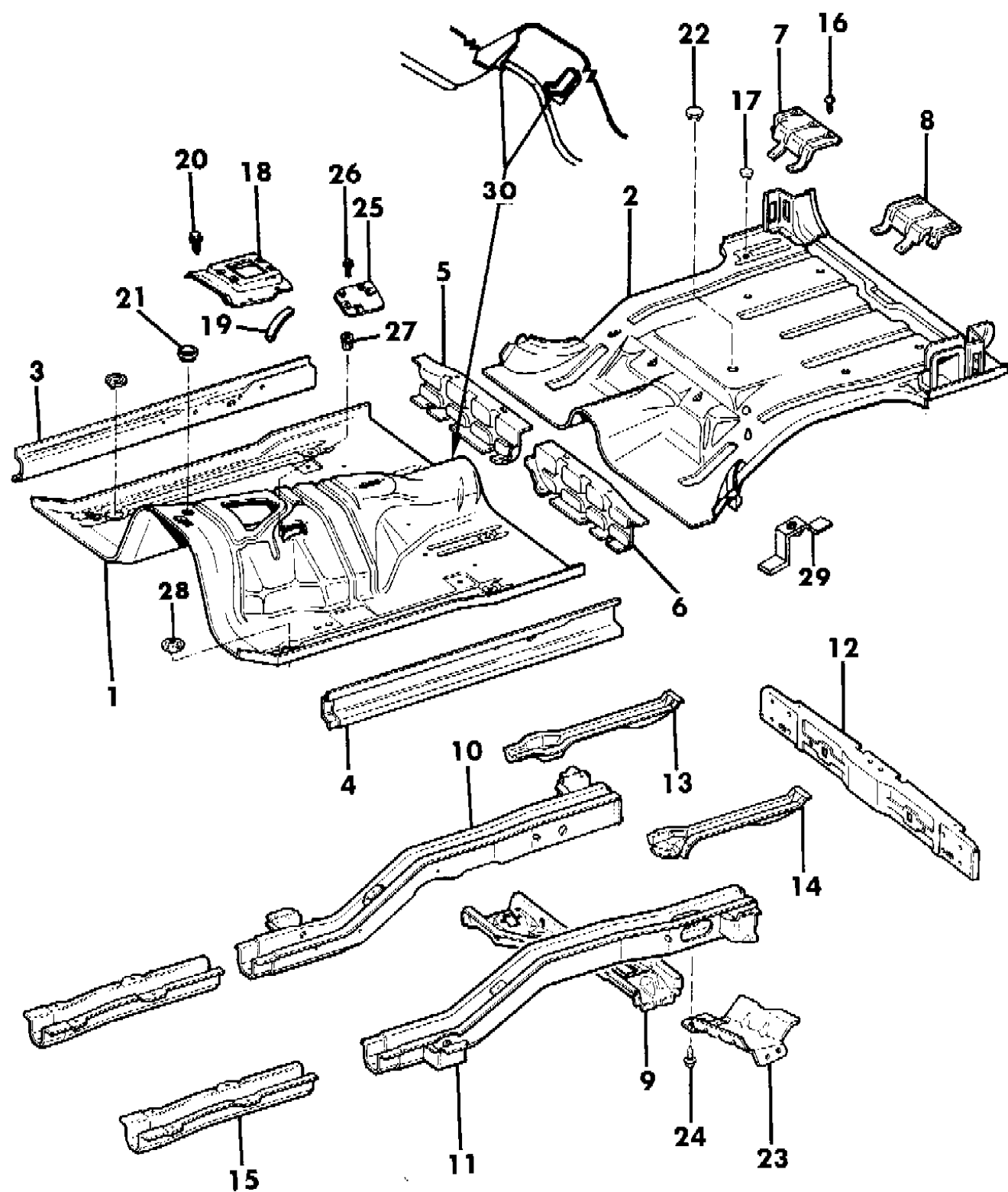
BODY STYLES:

MJ = Comanche Pickup  
 SJ = Grand Wagoneer Wgn., J-10 & J-20 Pickups  
 XJ = Cherokee, Wagoneer Limited  
 YJ = Wrangler

AR = Use as Required - = Non Illustrated Part P.A.R. = Paint as Required

PANS, FLOOR CHEROKEE, WAGONEER  
Figure 23A-2000

8J69 2000 A



ITEM	PART NUMBER	QTY	BODY	MODEL	DESCRIPTION
1	5700 1712	1			PAN, Front Floor
2	5700 1713	1			PAN, Rear Floor
3-4	5700 0012-3	1			SILL, Front Pan
5	5500 0008	1			CROSSMEMBER, Seat Right 1987-90
6	5500 0009	1			CROSSMEMBER, Seat Left 1987-89
	5502 6393	1			Left 1990
7-8	5500 2230-1	1			COVER, Floor Pan
9	5700 0020	1			CROSSMEMBER, Shock
10-11					SILL, Rear Side
	5700 0014-5	1			1988-89
	5502 6216-7	1			1990
12	5700 0007	1			SILL, Rear Cross
13	5700 0022	1			SUPPORT, Fuel Tank Right
14	5500 2935	1			SUPPORT, Fuel Tank Left
15	5500 1206	2			SILL, Center
16	3420 2035	6			SCREW, 1987-90
17	5500 6578	10			PLUG, Drain
18					COVER, Transmission
	5300 0580	1			4 Cyl. Engine w/Manual Trans.
	5300 4436	1			6 Cyl.Engine w/5 Speed Trans. 1987
	5300 5141	1			6 Cyl. Engine w/Manual Trans. 1988-90
	5300 0580	1			Diesel Engine w/Manual Trans.
	5300 0704	1			w/Floor Mounted Gear Shift, w/Auto. Trans.
19	5500 4690	1			SEAL, Cover w/Auto. Trans.
20	J400 1701	AR			SCREW
21	J400 0499	1			PLUG
22	5500 6579	5			PLUG
23	5500 3285	1			SHIELD, Splash
24	1150 2453	4			SCREW, 1987-89
	3420 1895	4			1990
25	5501 0460	1			COVER, Transfer Case 2WD
26	3420 1277	5			SCREW, 2WD
27	3420 1578	5			NUT, 2WD
28	3420 1275	2			PLUG, 1987
	3420 2136	2			1988-89
29	5500 1903	1			BRACKET, Jack
30	5500 5177	2			BRACKET, Hand Brake Cable Mounting

MODEL CODES:

15 = Grand Wagoneer 4 Dr.	65 = Comanche 4WD-7 Ft. Box	77 = Cherokee 4WD-2 Dr.
25 = J-10 Pickup-119" W.B.	66 = Comanche 2WD-7 Ft. Box	78 = Cherokee 4WD-4 Dr.
26 = J-10 Pickup-131" W.B.	73 = Cherokee 2WD-2 Dr.	79 = Cherokee 4WD-4 Dr.-Com
27 = J-20 Pickup-131" W.B.	74 = Cherokee 2WD-4 Dr.	81 = Wrangler-93" W.B.
63 = Comanche 4WD-6 Ft. Box	75 = Wagoneer 4WD-4 Dr.	82 = Wrangler-103" W.B.-Exp.
64 = Comanche 2WD-6 Ft. Box		

BODY STYLES:

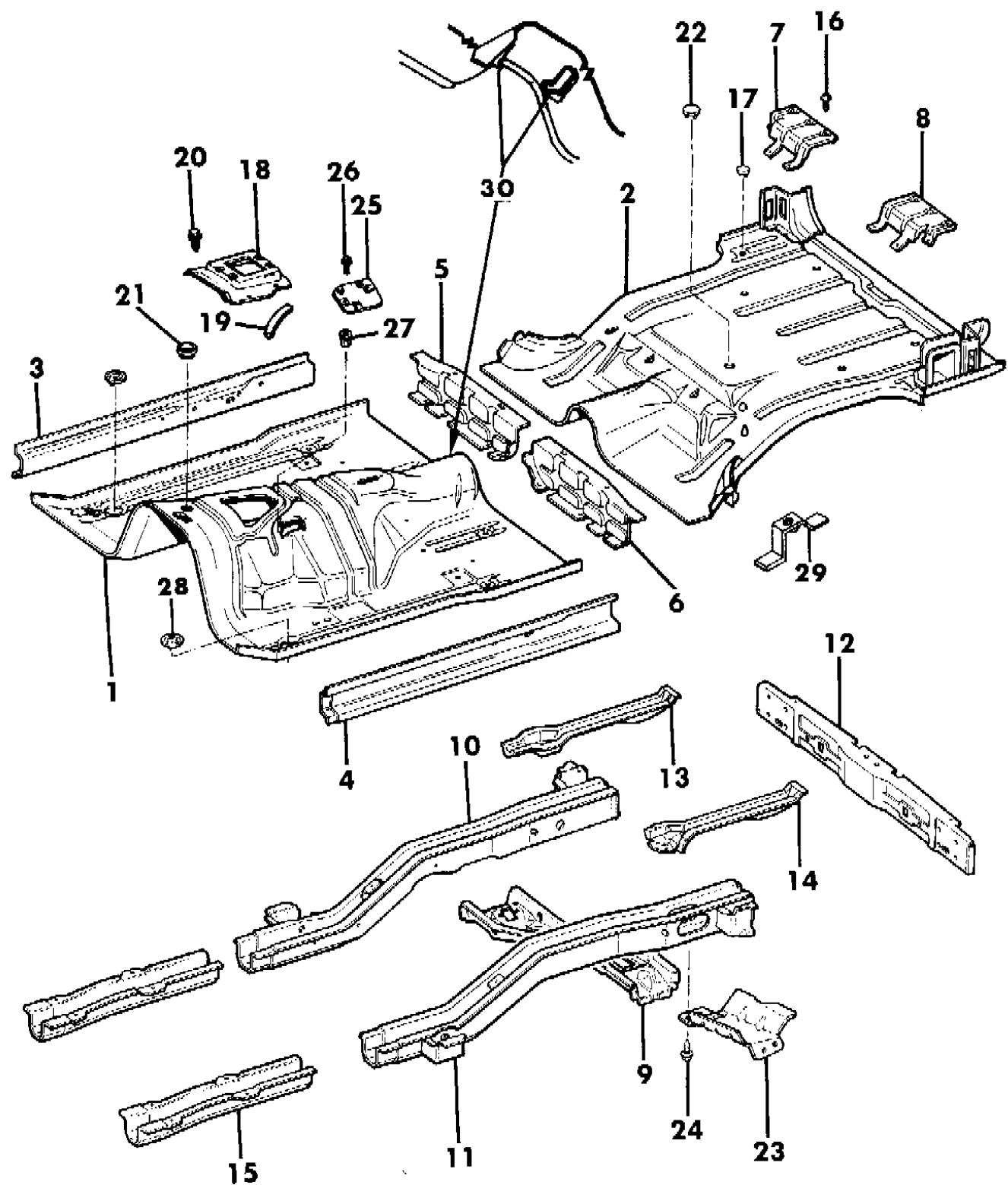
MJ = Comanche Pickup  
 SJ = Grand Wagoneer Wgn., J-10 & J-20 Pickups  
 XJ = Cherokee, Wagoneer Limited  
 YJ = Wrangler

AR = Use as Required - = Non Illustrated Part P.A.R. = Paint as Required

PANS, FLOOR CHEROKEE, WAGONEER

Figure 23A-2000

8J69 2000 A



ITEM	PART NUMBER	QTY	BODY	MODEL	DESCRIPTION
------	-------------	-----	------	-------	-------------

31	5500 0864-5	1			GUSSET
32	5700 0193	1			HOUSING, Fuel Filler

- MODEL CODES:
- |                             |                             |                              |
|-----------------------------|-----------------------------|------------------------------|
| 15 = Grand Wagoneer 4 Dr.   | 65 = Comanche 4WD-7 Ft. Box | 77 = Cherokee 4WD-2 Dr.      |
| 25 = J-10 Pickup-119" W.B.  | 66 = Comanche 2WD-7 Ft. Box | 78 = Cherokee 4WD-4 Dr.      |
| 26 = J-10 Pickup-131" W.B.  | 73 = Cherokee 2WD-2 Dr.     | 79 = Cherokee 4WD-4 Dr.-Com  |
| 27 = J-20 Pickup-131" W.B.  | 74 = Cherokee 2WD-4 Dr.     | 81 = Wrangler-93" W.B.       |
| 63 = Comanche 4WD-6 Ft. Box | 75 = Wagoneer 4WD-4 Dr.     | 82 = Wrangler-103" W.B.-Exp. |
| 64 = Comanche 2WD-6 Ft. Box |                             |                              |

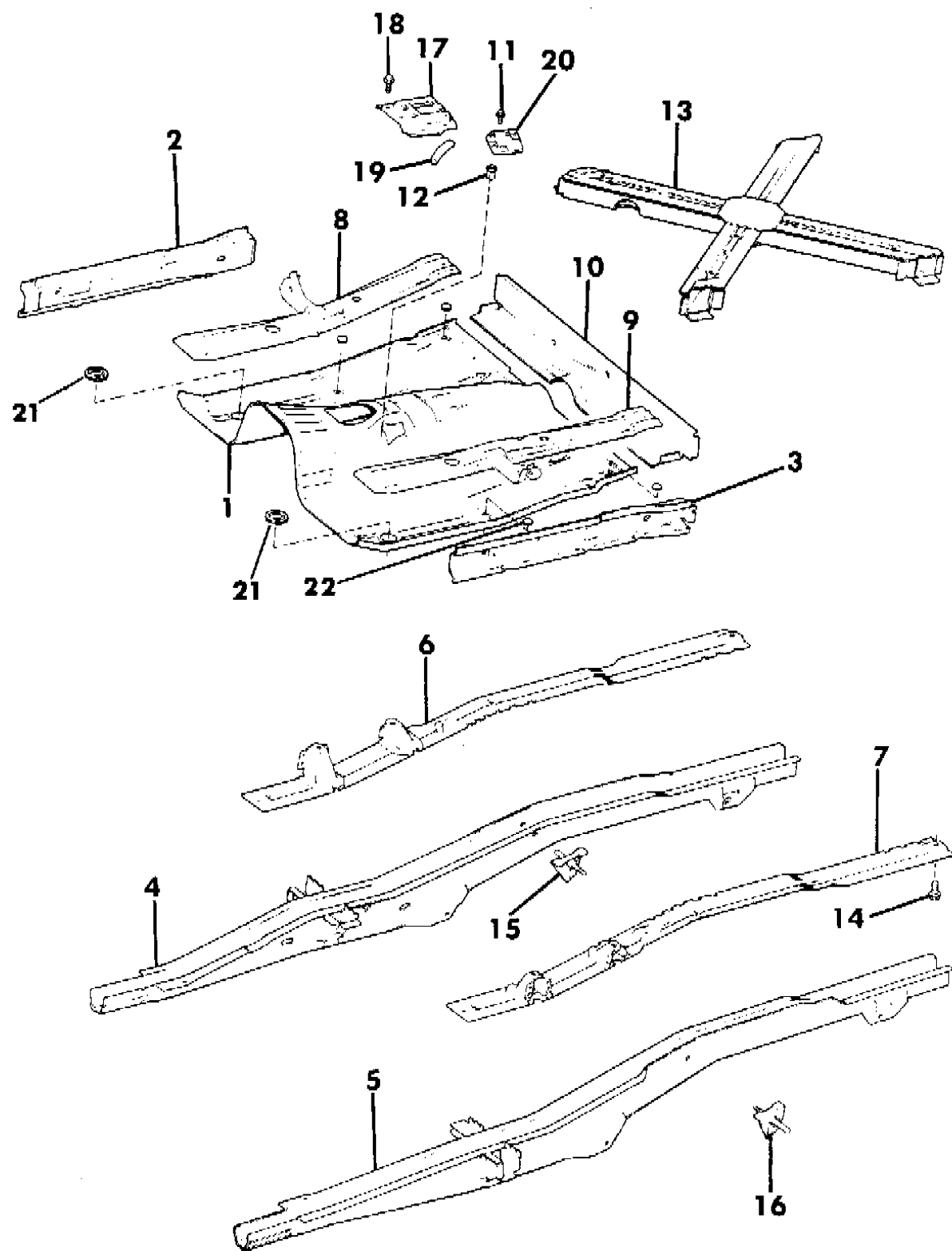
- BODY STYLES:
- MJ = Comanche Pickup
  - SJ = Grand Wagoneer Wgn., J-10 & J-20 Pickups
  - XJ = Cherokee, Wagoneer Limited
  - YJ = Wrangler

AR = Use as Required - = Non Illustrated Part P.A.R. = Paint as Required



PAN, FLOOR COMANCHE  
Figure 23A-2100

8J69 2100



ITEM	PART NUMBER	QTY	BODY	MODEL	DESCRIPTION
1	5700 2183	1			PAN, Cab Floor
2-3	5700 0896-7	1			SILL, Body Side
4-5					RAIL, Cab and Pickup Box
	5700 2178-9	1			w/7 ft. pickup box
	5700 0946-7	1			w/6 ft. pickup box
6-7					REINFORCEMENT, Rail Frame
	5700 0902-3	1			w/7 ft. pickup box
	5700 0938-9	1			w/6 ft. pickup box
8-9					REINFORCEMENT, Cab Floor
	5700 0894-5	1			1988-89
	5700 2184-5	1			1990
10	5500 3470	1			CROSSMEMBER, Rear Cab Floor
11	3420 1277	1			SCREW, 2WD
12	3420 1578	5			NUT, Sert 2WD
13					CROSSMEMBER, Rear Rail
	5700 0917	1			w/7 ft. pickup box
	5700 0935	1			w/6 ft. pickup box
14	1150 2606	6			BOLT
15-16	5501 5400-1	1			BRACKET, Shock Absorber
17					COVER, Transmission
	5300 0580	1			4 Cyl. Engine w/Manual Trans.
	5300 5141	1			6 Cyl. Engine w/Manual Trans.
	5300 0704	1			w/Auto. Trans., w/Floor Mounted Gear Shift
	5500 9171	1			4WD, w/Column Mounted Gear Shift
	5500 7376	1			2WD, w/Column Mounted Gear Shift
	5300 4436	1			6 Cyl. W / 5 speed trans. 1987
18	J400 1701	9			SCREW
19	5500 4690	1			SEAL, Cover, w/Auto. Trans.
20	5501 0460	1			COVER, Transfer Case 2WD
21	3420 2136	2			PLUG
22	5500 6578	4			PLUG

MODEL CODES:

15 = Grand Wagoneer 4 Dr.	65 = Comanche 4WD-7 Ft. Box	77 = Cherokee 4WD-2 Dr.
25 = J-10 Pickup-119" W.B.	66 = Comanche 2WD-7 Ft. Box	78 = Cherokee 4WD-4 Dr.
26 = J-10 Pickup-131" W.B.	73 = Cherokee 2WD-2 Dr.	79 = Cherokee 4WD-4 Dr.-Com
27 = J-20 Pickup-131" W.B.	74 = Cherokee 2WD-4 Dr.	81 = Wrangler-93" W.B.
63 = Comanche 4WD-6 Ft. Box	75 = Wagoneer 4WD-4 Dr.	82 = Wrangler-103" W.B.-Exp.
64 = Comanche 2WD-6 Ft. Box		

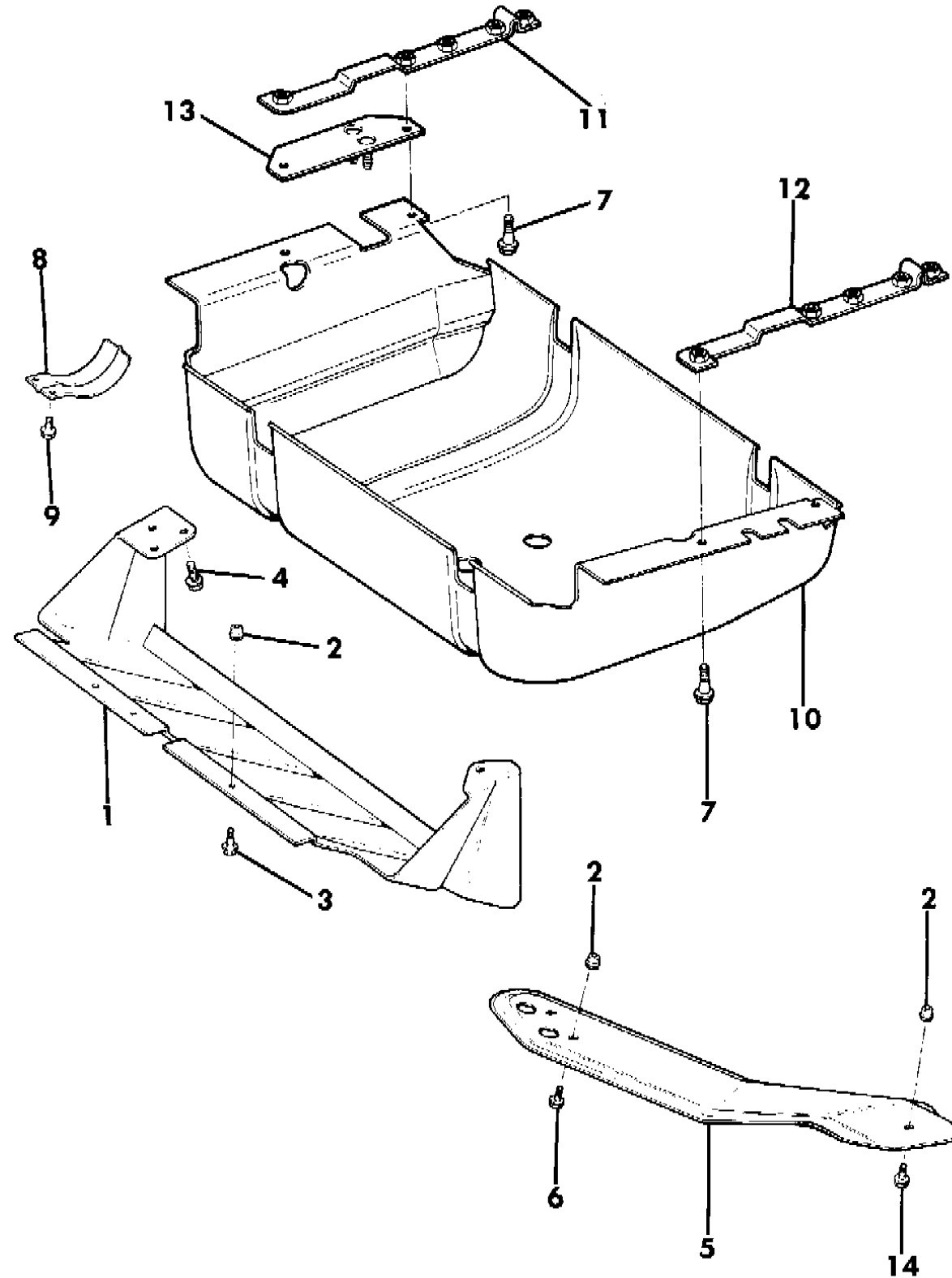
BODY STYLES:

MJ = Comanche Pickup  
 SJ = Grand Wagoneer Wgn., J-10 & J-20 Pickups  
 XJ = Cherokee, Wagoneer Limited  
 YJ = Wrangler

AR = Use as Required - = Non Illustrated Part P.A.R. = Paint as Required

PLATES, UNDERBODY SKID CHEROKEE, WAGONEER  
Figure 23A-2200

8J692200



ITEM	PART NUMBER	QTY	BODY	MODEL	DESCRIPTION
1	8220 0613	1			PLATE, Skid 1987-89
2	3420 1575	6			NUTSERT
3	1150 2605	3			BOLT, 1987-89
	3420 1871	3			1990
4	3420 1540	3			BOLT
5	8220 0616	1			PLATE, Skid 1987-89
6	1150 2850	2			BOLT, 20 m.m.Long
7	3420 1964	4			BOLT, 1987-89
	1150 4922	4			1990
8	5300 0739	1			PLATE, Skid
9	3420 1033	2			BOLT, 1987-89
	1150 4284	2			1990
10	5200 1512	1			PLATE, Skid
11-12	5200 1174-5	1			REINFORCEMENT, Sill
13	5200 1511	1			BRACKET ASSEMBLY ***
14	3420 1936	1			BOLT, 35mm Long

MODEL CODES:

15 = Grand Wagoneer 4 Dr.	65 = Comanche 4WD-7 Ft. Box	77 = Cherokee 4WD-2 Dr.
25 = J-10 Pickup-119" W.B.	66 = Comanche 2WD-7 Ft. Box	78 = Cherokee 4WD-4 Dr.
26 = J-10 Pickup-131" W.B.	73 = Cherokee 2WD-2 Dr.	79 = Cherokee 4WD-4 Dr.-Com
27 = J-20 Pickup-131" W.B.	74 = Cherokee 2WD-4 Dr.	81 = Wrangler-93" W.B.
63 = Comanche 4WD-6 Ft. Box	75 = Wagoneer 4WD-4 Dr.	82 = Wrangler-103" W.B.-Exp.
64 = Comanche 2WD-6 Ft. Box		

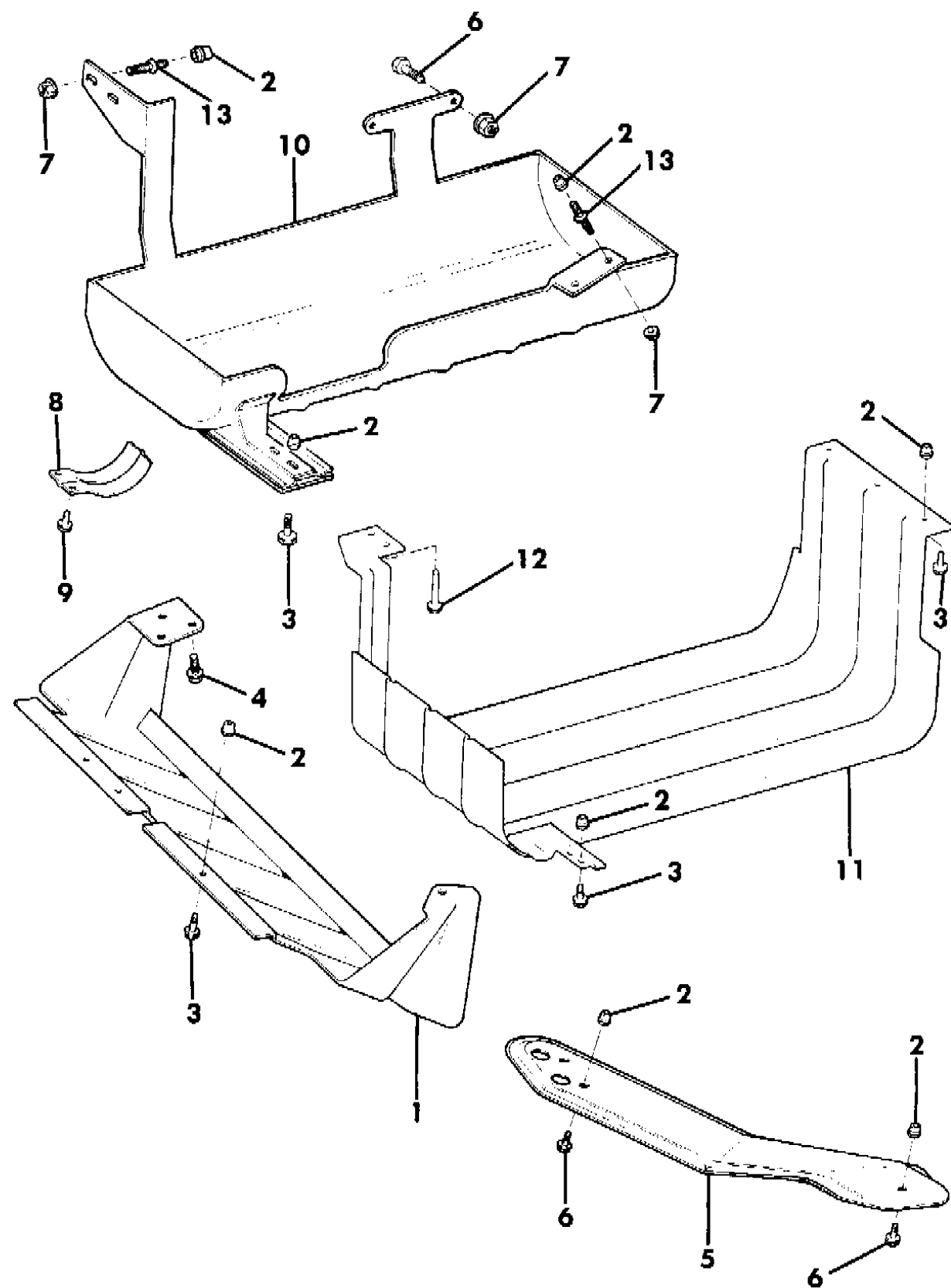
BODY STYLES:

MJ = Comanche Pickup  
 SJ = Grand Wagoneer Wgn., J-10 & J-20 Pickups  
 XJ = Cherokee, Wagoneer Limited  
 YJ = Wrangler

AR = Use as Required - = Non Illustrated Part P.A.R. = Paint as Required

**PLATES, UNDERBODY SKID COMANCHE**  
Figure 23A-2300

8 J 69 2300



ITEM	PART NUMBER	QTY	BODY	MODEL	DESCRIPTION
1	8220 0613	1			PLATE, Skid 1987-90
2	3420 1575	AR			NUTSERT
3	1150 2605	AR			BOLT, 1987-89
	3420 1871	AR			1990
4	3420 1540	3			BOLT
5	8220 0616	1			PLATE, Skid
6	1150 2850	AR			BOLT
7	1150 1889	AR			NUT
8	5300 0739	1			PLATE, Skid
9	3420 1033	2			BOLT, 1987-89
	1150 4284	2			1990
10	5200 1806	1			PLATE, Skid, w/7 ft. pickup box
11	5200 2810	1			PLATE, Skid, w/6 ft. pickup box
12	3420 1559	2			BOLT
13	3420 2347	4			STUD

MODEL CODES:

15 = Grand Wagoneer 4 Dr.	65 = Comanche 4WD-7 Ft. Box	77 = Cherokee 4WD-2 Dr.
25 = J-10 Pickup-119" W.B.	66 = Comanche 2WD-7 Ft. Box	78 = Cherokee 4WD-4 Dr.
26 = J-10 Pickup-131" W.B.	73 = Cherokee 2WD-2 Dr.	79 = Cherokee 4WD-4 Dr.-Com
27 = J-20 Pickup-131" W.B.	74 = Cherokee 2WD-4 Dr.	81 = Wrangler-93" W.B.
63 = Comanche 4WD-6 Ft. Box	75 = Wagoneer 4WD-4 Dr.	82 = Wrangler-103" W.B.-Exp.
64 = Comanche 2WD-6 Ft. Box		

BODY STYLES:

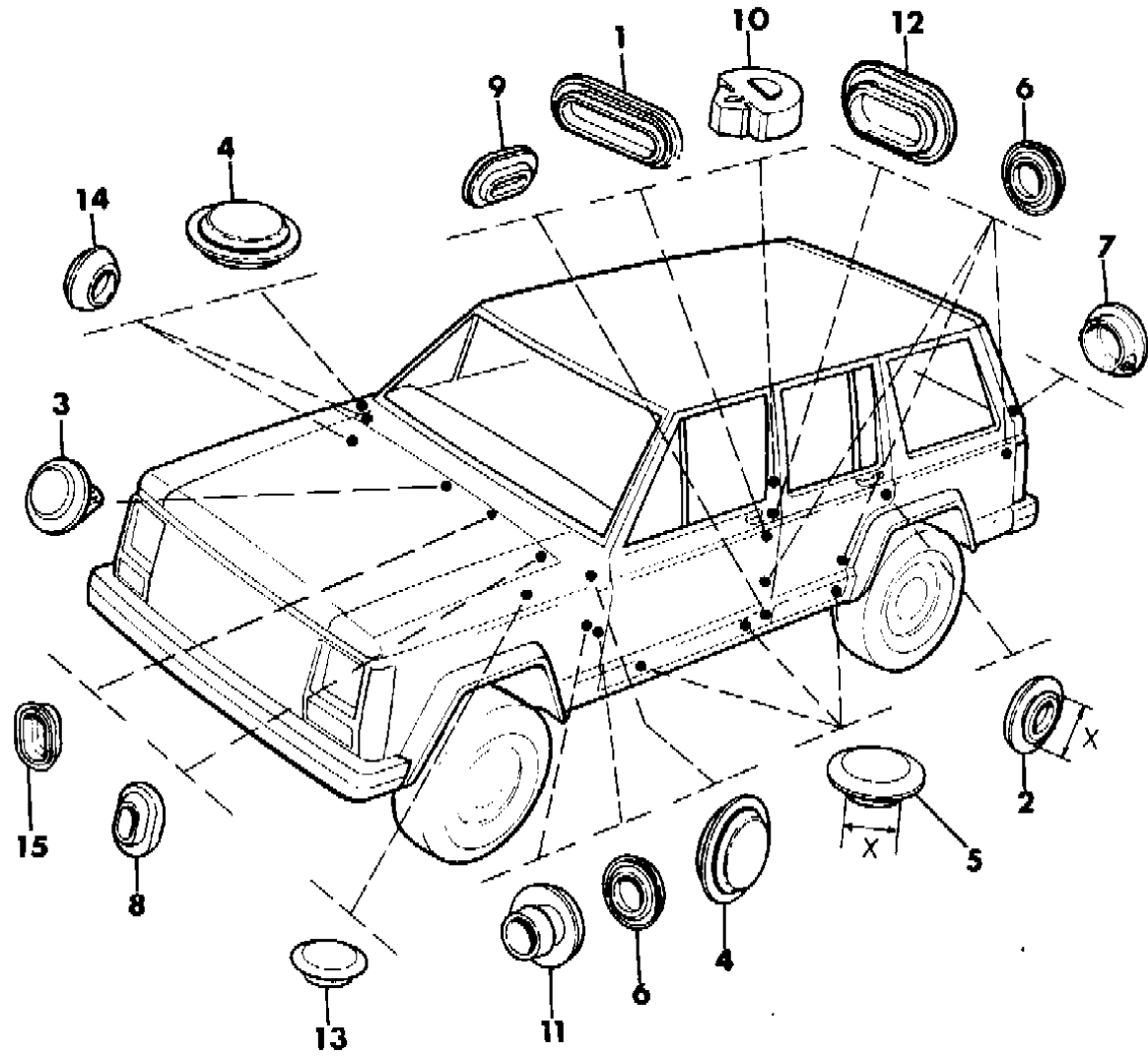
MJ = Comanche Pickup  
 SJ = Grand Wagoneer Wgn., J-10 & J-20 Pickups  
 XJ = Cherokee, Wagoneer Limited  
 YJ = Wrangler

AR = Use as Required - = Non Illustrated Part P.A.R. = Paint as Required

PLUGS, BODY CHEROKEE, WAGONEER, COMANCHE  
Figure 23A-2400

8 J69 2400 A

ITEM	PART NUMBER	QTY	BODY	MODEL	DESCRIPTION
1	5500 2368	2			PLUG
2	3420 2049	2			PLUG, for 16mm hole
3	5500 6578	2			PLUG, less factory air conditioning
4	J400 4649	4			PLUG
5					PLUG
	3420 1532	6			19.05mm Hole
	3420 1973	12			6.3mm Hole
6	5500 2367	8			PLUG
7	J400 6481	10			PLUG
8	5500 5400	2			PLUG
9	3420 1613	2			PLUG
10	J363 1398	6			BUMPER, Door
11	3420 1614	2			PLUG
12	5500 5259	4			PLUG
13	J400 5015	2			PLUG
14	J400 0377	2			PLUG
15	3420 2215	1			PLUG



MODEL CODES:

15 = Grand Wagoneer 4 Dr.	65 = Comanche 4WD-7 Ft. Box	77 = Cherokee 4WD-2 Dr.
25 = J-10 Pickup-119" W.B.	66 = Comanche 2WD-7 Ft. Box	78 = Cherokee 4WD-4 Dr.
26 = J-10 Pickup-131" W.B.	73 = Cherokee 2WD-2 Dr.	79 = Cherokee 4WD-4 Dr.-Com
27 = J-20 Pickup-131" W.B.	74 = Cherokee 2WD-4 Dr.	81 = Wrangler-93" W.B.
63 = Comanche 4WD-6 Ft. Box	75 = Wagoneer 4WD-4 Dr.	82 = Wrangler-103" W.B.-Exp.
64 = Comanche 2WD-6 Ft. Box		

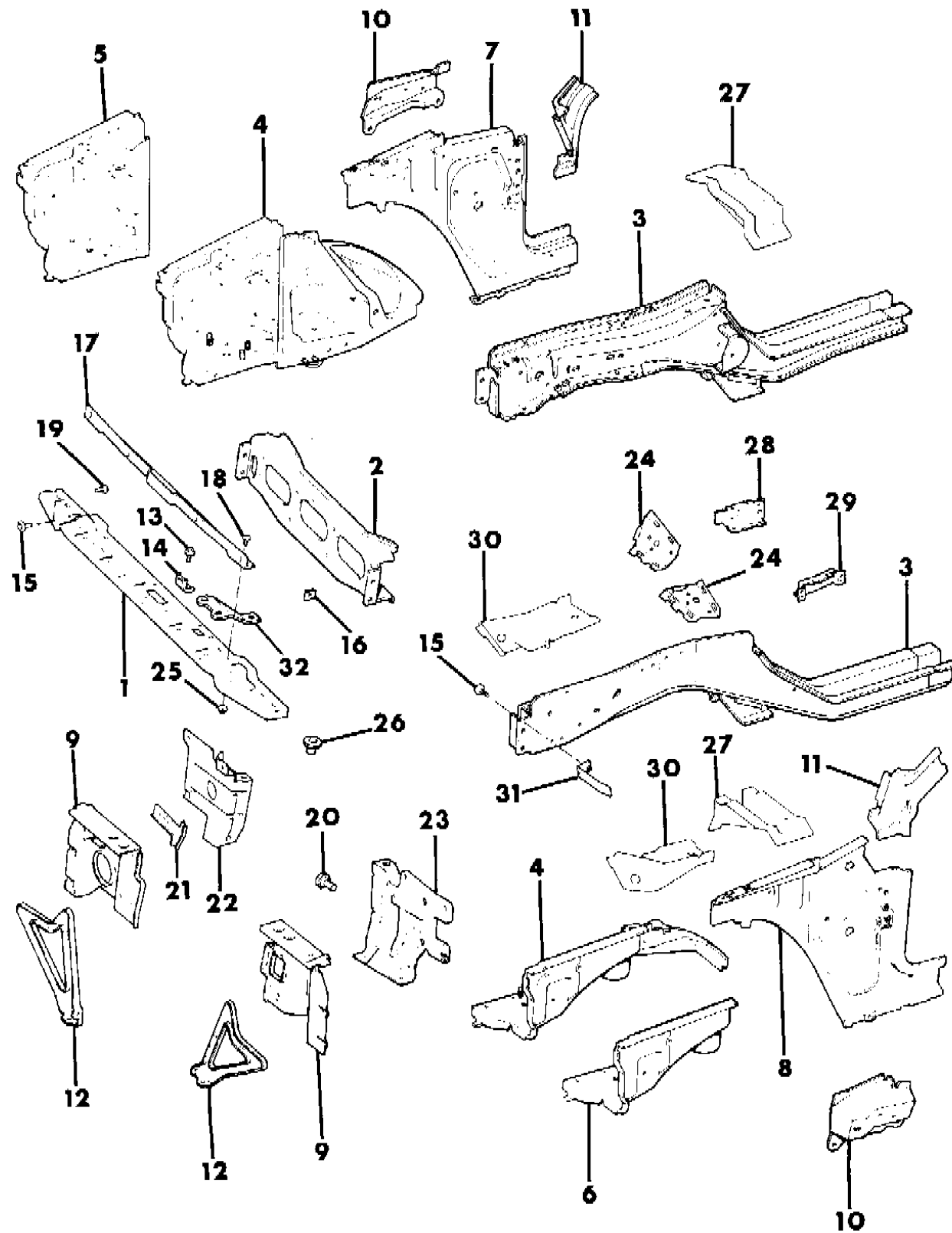
BODY STYLES:

MJ = Comanche Pickup  
 SJ = Grand Wagoneer Wgn., J-10 & J-20 Pickups  
 XJ = Cherokee, Wagoneer Limited  
 YJ = Wrangler

AR = Use as Required - = Non Illustrated Part P.A.R. = Paint as Required

PANELS, FRONT END INNER AND WHEELHOUSE CHEROKEE, WAGONEER, COMANCHE  
Figure 23A-2500

8J69 2500 A



ITEM	PART NUMBER	QTY	BODY	MODEL	DESCRIPTION
1					CROSSMEMBER, Radiator
	8350 4652	1			Gas Engine
	5501 1035	1			Diesel Engine
2	5500 9789	1			CROSSMEMBER, Front Sill
3					SILL, Body Side
	5700 1758-9	1			1987-89
	5700 2532-3	1			1990
4	5700 1662-3	1			WHEELHOUSE, Assembly
5					WHEELHOUSE, Right
	5500 9204	1			1987-89
	5502 5948	1			1990
6	5502 4355	1			WHEELHOUSE
7					PANEL, Cowl Side, Right
	5700 0016	1			1987-89
	5700 2536	1			1990
8	5700 1290	1			PANEL, Cowl Side, Left
9	5700 0936-7	1			BAFFLE, Radiator
10	5500 4564-5	1			REINFORCEMENT, Cowl
11	5700 0202-3	1			REINFORCEMENT, Pillar
12	5501 3176-7	1			BRACE, Side Sill
13	3420 1809	8			SCREW
14	5500 9473	1			BRACKET
15	3420 1808	5			SCREW
16	1150 3714	7			NUT
17	5501 0074	1			BRACKET
18	3420 1450	4			SCREW
19	3420 2399	2			SCREW
20	J400 3110	2			BUMPER, Baffle
21	5501 4304	1			REINFORCEMENT, Diesel, 1987
22	5500 9188	1			SUPPORT, Radiator 4 Cyl. or Diesel Engine, Right
23	5500 9187	1			SUPPORT, Radiator 4 Cyl. or Diesel Engine, Left
24	5500 6948-9	1			REINFORCEMENT, Inner Sill
25	3420 1246	4			NUT, Hex
26	3420 1348	2			NUT, Well
27	5500 5008	2	MJ		SUPPORT, Cab
28	5501 1056	1	MJ		BRACKET, Engine, Rear
29	5501 1057	1	MJ		BRACKET, Engine, Rear

MODEL CODES:

15 = Grand Wagoneer 4 Dr.	65 = Comanche 4WD-7 Ft. Box	77 = Cherokee 4WD-2 Dr.
25 = J-10 Pickup-119" W.B.	66 = Comanche 2WD-7 Ft. Box	78 = Cherokee 4WD-4 Dr.
26 = J-10 Pickup-131" W.B.	73 = Cherokee 2WD-2 Dr.	79 = Cherokee 4WD-4 Dr.-Com
27 = J-20 Pickup-131" W.B.	74 = Cherokee 2WD-4 Dr.	81 = Wrangler-93" W.B.
63 = Comanche 4WD-6 Ft. Box	75 = Wagoneer 4WD-4 Dr.	82 = Wrangler-103" W.B.-Exp.
64 = Comanche 2WD-6 Ft. Box		

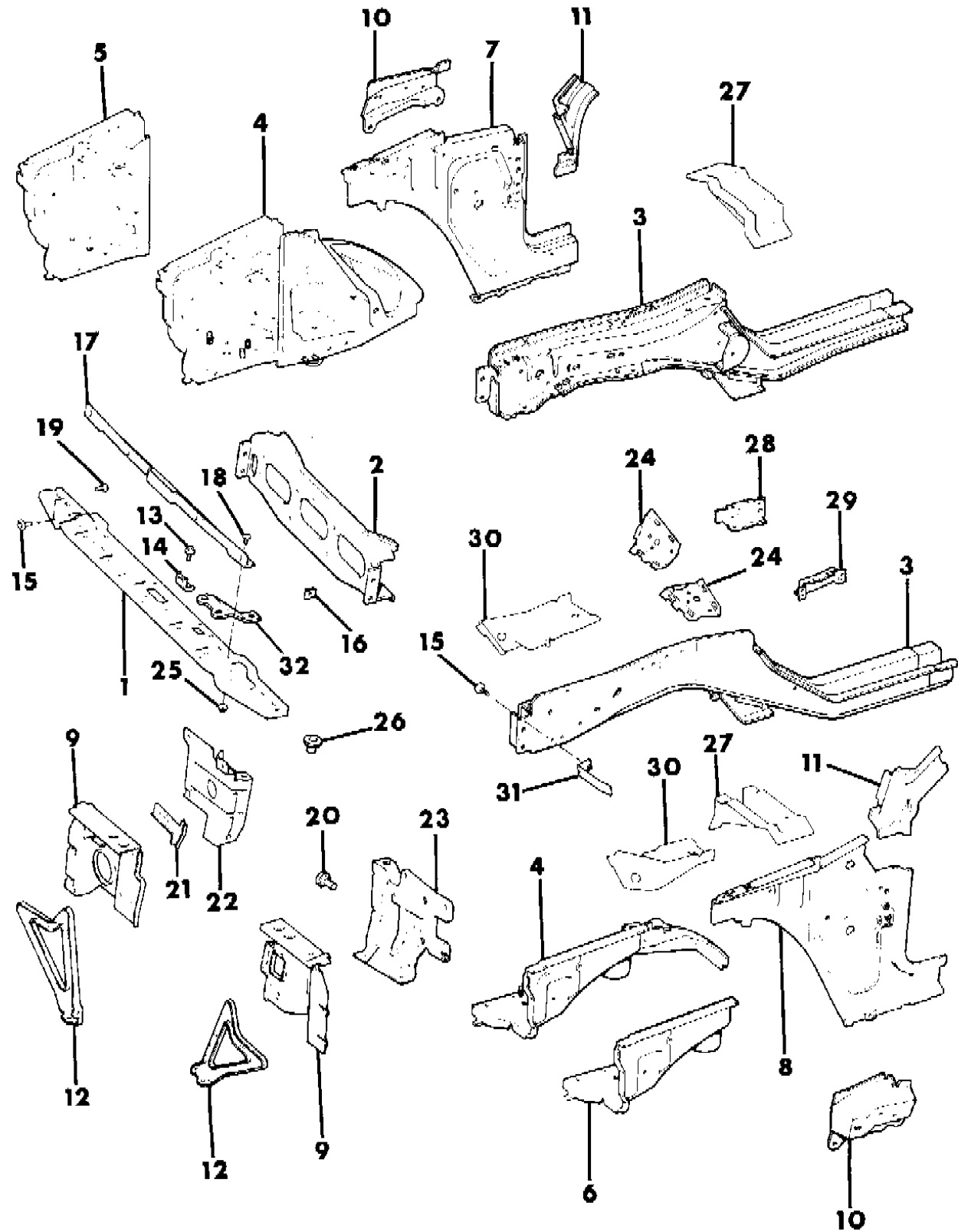
BODY STYLES:

MJ = Comanche Pickup  
SJ = Grand Wagoneer Wgn., J-10 & J-20 Pickups  
XJ = Cherokee, Wagoneer Limited  
YJ = Wrangler

AR = Use as Required - = Non Illustrated Part P.A.R. = Paint as Required

PANELS, FRONT END INNER AND WHEELHOUSE CHEROKEE, WAGONEER, COMANCHE  
Figure 23A-2500

8J69 2500 A



ITEM	PART NUMBER	QTY	BODY	MODEL	DESCRIPTION
30	5500 5148-9	1	MJ		REINFORCEMENT, Side Sill
31	5501 9221	2			REINFORCEMENT
32	5501 9697	1			BRACE

MODEL CODES:

15 = Grand Wagoneer 4 Dr.	65 = Comanche 4WD-7 Ft. Box	77 = Cherokee 4WD-2 Dr.
25 = J-10 Pickup-119" W.B.	66 = Comanche 2WD-7 Ft. Box	78 = Cherokee 4WD-4 Dr.
26 = J-10 Pickup-131" W.B.	73 = Cherokee 2WD-2 Dr.	79 = Cherokee 4WD-4 Dr.-Com
27 = J-20 Pickup-131" W.B.	74 = Cherokee 2WD-4 Dr.	81 = Wrangler-93" W.B.
63 = Comanche 4WD-6 Ft. Box	75 = Wagoneer 4WD-4 Dr.	82 = Wrangler-103" W.B.-Exp.
64 = Comanche 2WD-6 Ft. Box		

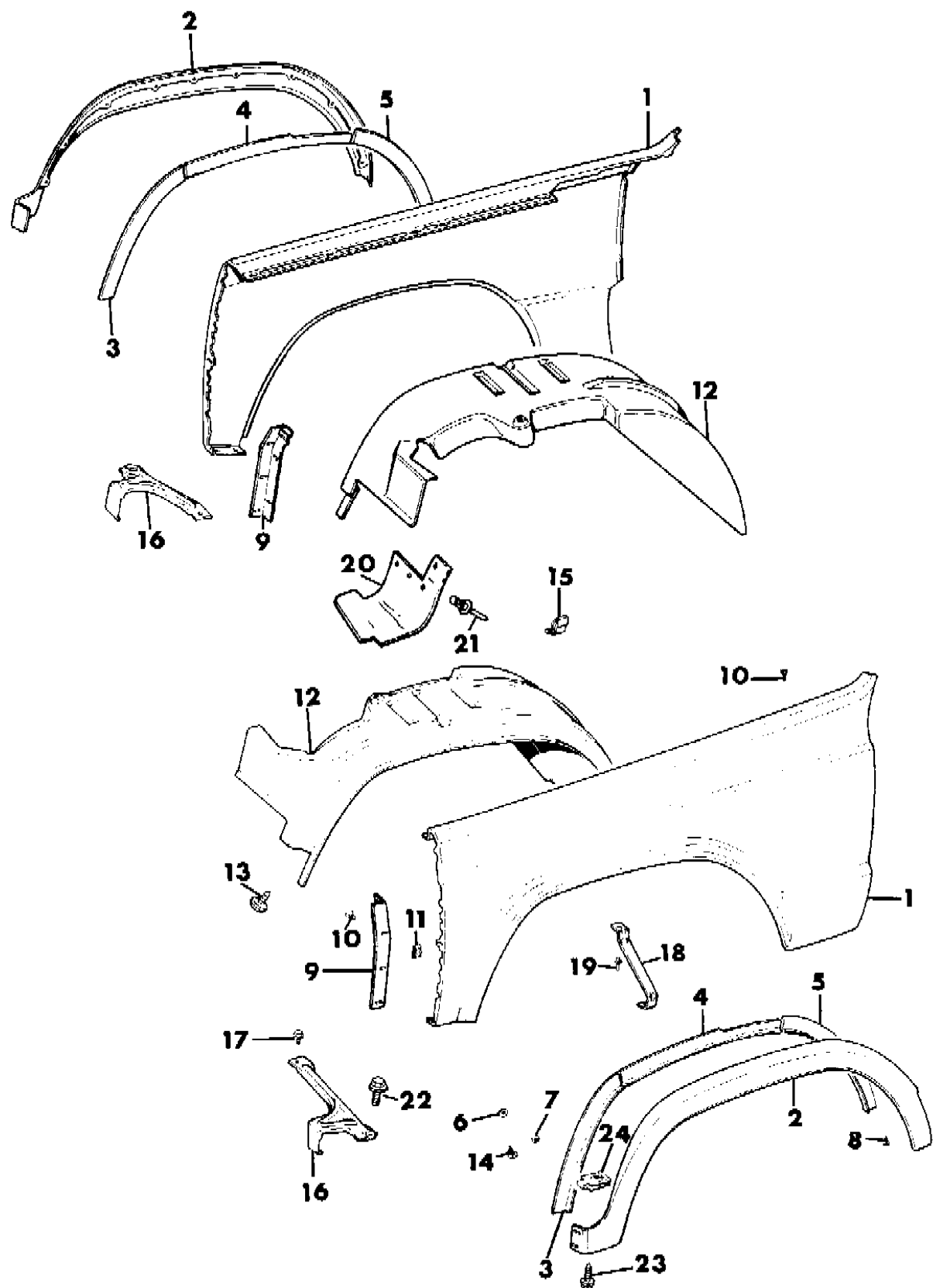
BODY STYLES:

MJ = Comanche Pickup  
 SJ = Grand Wagoneer Wgn., J-10 & J-20 Pickups  
 XJ = Cherokee, Wagoneer Limited  
 YJ = Wrangler

AR = Use as Required - = Non Illustrated Part P.A.R. = Paint as Required

FENDERS, FRONT CHEROKEE, WAGONEER, COMANCHE  
Figure 23A-2600

8J 69 2600 A



ITEM	PART NUMBER	QTY	BODY	MODEL	DESCRIPTION
1					FENDER
	5700 0066-7	1		75	Modification Required
	5700 0066-7	1			Cherokee, Comanche
2					APPLIQUE, Fender, P.A.R.
	5501 3610-1	1			1987-89
	5AG08-9 JX8	1			Black, 1990
	5AG30-1 JX9	1			Flat Black, 1990
3	5500 3232-3	1			RETAINER, Applique
4	5500 3234	2			RETAINER, Applique
5	5500 3236-7	1			RETAINER, Applique
6	J420 0408	18			NUT
7	S150 4122	AR			NUT
8	1150 2843	4			SCREW
9	5500 1112-3	1			SUPPORT
10	3420 1661	AR			SCREW
11	1150 3714	AR			NUT
12	5500 1890-1	1			PANEL, Inner Protective
13	J400 4919	16			FASTENER
14	J400 7117	14			SCREW
15	J368 9548	2			BUMPER, Hood
16	5500 4222-3	1			BRACE
17	1150 2453	2			SCREW, 1987
	3420 2575	2			1988-90
18	5500 3652	2			BRACE
19	3420 1208	2			RIVET
20	5500 6274	2			SEAL
21	3420 1631	8			RIVET
22	3420 1790	2			SCREW, 1987
	3420 1895	2			1988-90
23	3420 2358	4			SCREW
24	J044 5446	2			NUT

MODEL CODES:

15 = Grand Wagoneer 4 Dr.	65 = Comanche 4WD-7 Ft. Box	77 = Cherokee 4WD-2 Dr.
25 = J-10 Pickup-119" W.B.	66 = Comanche 2WD-7 Ft. Box	78 = Cherokee 4WD-4 Dr.
26 = J-10 Pickup-131" W.B.	73 = Cherokee 2WD-2 Dr.	79 = Cherokee 4WD-4 Dr.-Com
27 = J-20 Pickup-131" W.B.	74 = Cherokee 2WD-4 Dr.	81 = Wrangler-93" W.B.
63 = Comanche 4WD-6 Ft. Box	75 = Wagoneer 4WD-4 Dr.	82 = Wrangler-103" W.B.-Exp.
64 = Comanche 2WD-6 Ft. Box		

BODY STYLES:

MJ = Comanche Pickup  
 SJ = Grand Wagoneer Wgn., J-10 & J-20 Pickups  
 XJ = Cherokee, Wagoneer Limited  
 YJ = Wrangler

AR = Use as Required - = Non Illustrated Part P.A.R. = Paint as Required

**HOOD, LATCH AND HINGES CHEROKEE, WAGONEER, COMANCHE**  
**Figure 23A-2700**

8J69 2700 A

ITEM	PART NUMBER	QTY	BODY	MODEL	DESCRIPTION
1	5700 1769	1			HOOD
2	3420 1246	6			NUT
3-4	5500 0738-9	1			HINGE, Hood
5	3420 1818	4			SCREW
6	3420 1358	6			SCREW
7	5500 1982	2			SEAL
8	J400 5791	2			RIVET
9	J068 0435	4			SHIM
10	5501 7480	1			ROD
11	3420 1347	2			STOP, Hood
12					SCREW
	3420 1726	1			1987
	3420 2205	2			1988-89
	3420 1807	2			1990
13					CLIP, Hood Prop Rod
	3420 2710	1			1987-89
	5502 7404	1			1990
14	5500 9172	2			LOCK ASSEMBLY, Hood
15					SCREW
	3420 1769	2			1987
	3420 1970	2			1988-90
16	5500 9994	2			STRIKER, Latch
17	3420 2679	2			BOLT
18	5500 9998	1			LOCK ASSEMBLY, Hood
19	1150 3750	2			NUT
20	5500 9999	1			STRIKER, Latch
21	3420 2338	2			SCREW
22	5502 6030	1			CABLE, Hood Release
23	3420 1453	3			SCREW
24	5501 3354	1			BELLCRANK ASSEMBLY
25	3420 1208	2			RIVET
26	5500 9995	1			ROD, Hood Latch
27	J501 6028	1			SPRING
28	3200 0404	2			CLIP
29	3420 2688	2			CLIP
30	3420 2005	2			SCREW
31	3420 2581	AR			SHIM

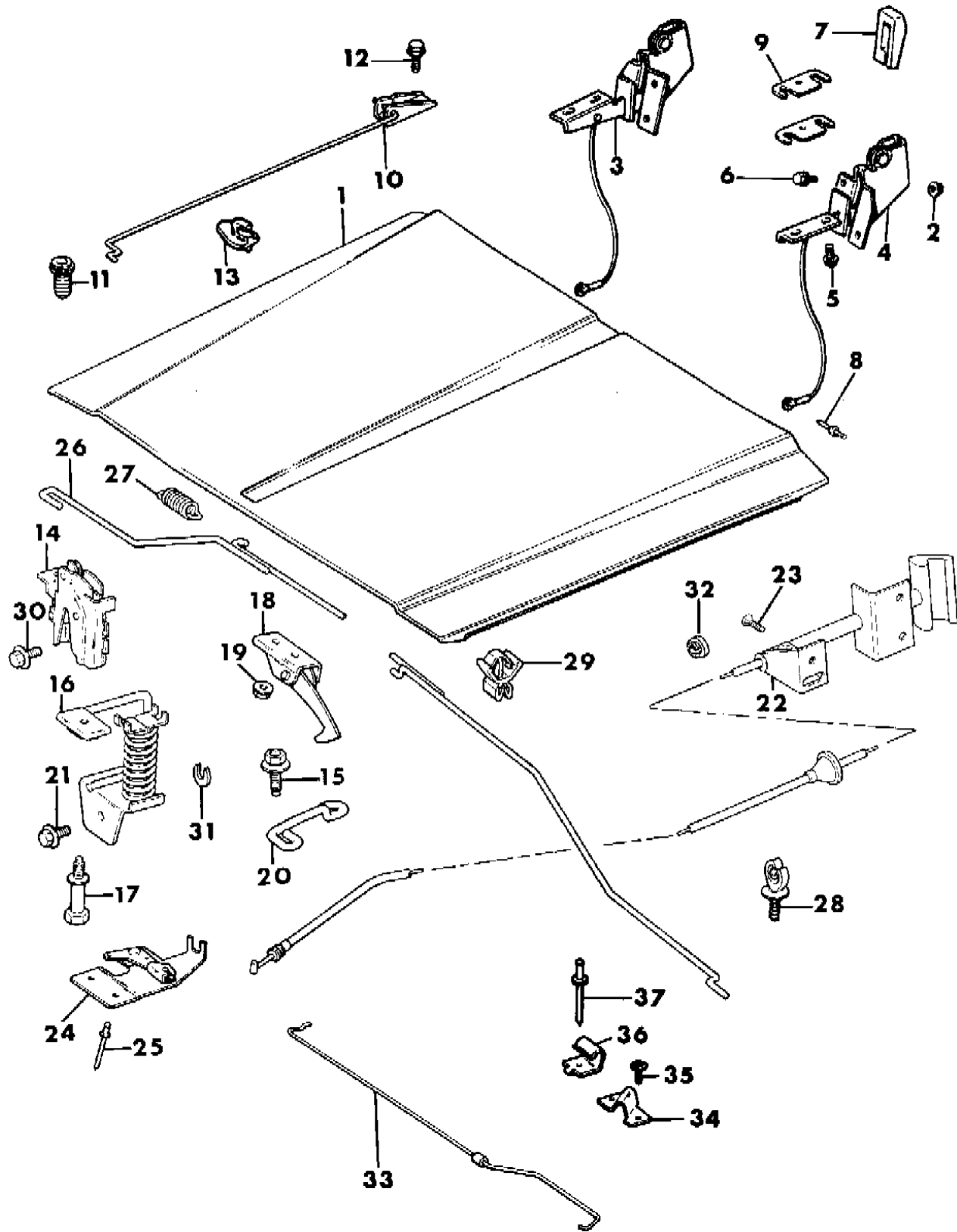
**MODEL CODES:**

15 = Grand Wagoneer 4 Dr.	65 = Comanche 4WD-7 Ft. Box	77 = Cherokee 4WD-2 Dr.
25 = J-10 Pickup-119" W.B.	66 = Comanche 2WD-7 Ft. Box	78 = Cherokee 4WD-4 Dr.
26 = J-10 Pickup-131" W.B.	73 = Cherokee 2WD-2 Dr.	79 = Cherokee 4WD-4 Dr.-Com
27 = J-20 Pickup-131" W.B.	74 = Cherokee 2WD-4 Dr.	81 = Wrangler-93" W.B.
63 = Comanche 4WD-6 Ft. Box	75 = Wagoneer 4WD-4 Dr.	82 = Wrangler-103" W.B.-Exp.
64 = Comanche 2WD-6 Ft. Box		

**BODY STYLES:**

MJ = Comanche Pickup  
 SJ = Grand Wagoneer Wgn., J-10 & J-20 Pickups  
 XJ = Cherokee, Wagoneer Limited  
 YJ = Wrangler

AR = Use as Required - = Non Illustrated Part P.A.R. = Paint as Required



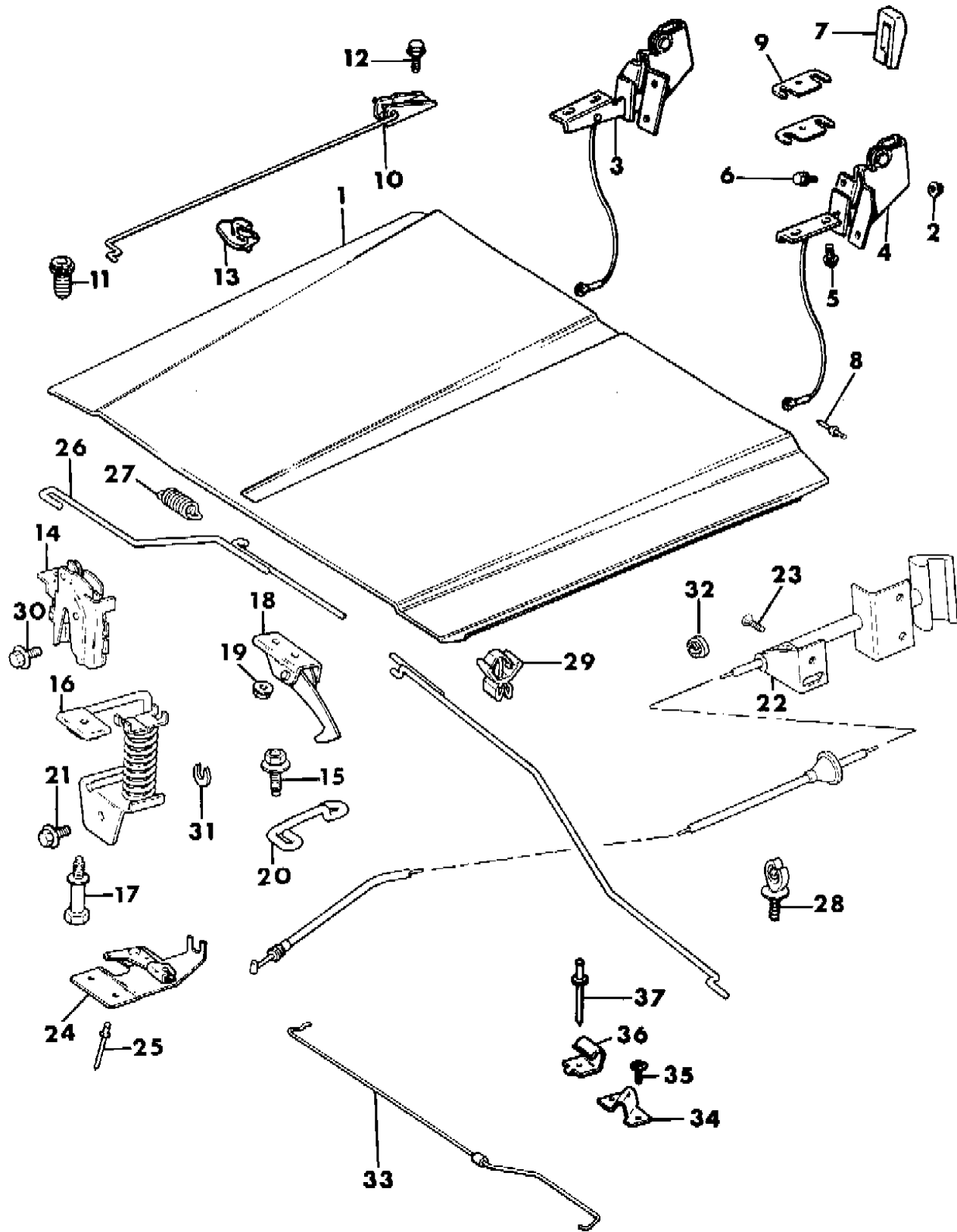


HOOD, LATCH AND HINGES CHEROKEE, WAGONEER, COMANCHE

Figure 23A-2700

8J69 2700 A

ITEM	PART NUMBER	QTY	BODY	MODEL	DESCRIPTION
32	J400 5281	1			GROMMET
33	5501 0848	1			ROD, 1987
34	5501 0558	1			BRACKET, Hood Prop Rod, 1987
35	3420 2399	2			SCREW, 1987
36	5501 0658	2			CLIP, Hood Prop Rod, 1987
37	3420 2389	1			RIVET, 1987



MODEL CODES:

15 = Grand Wagoneer 4 Dr.	65 = Comanche 4WD-7 Ft. Box	77 = Cherokee 4WD-2 Dr.
25 = J-10 Pickup-119" W.B.	66 = Comanche 2WD-7 Ft. Box	78 = Cherokee 4WD-4 Dr.
26 = J-10 Pickup-131" W.B.	73 = Cherokee 2WD-2 Dr.	79 = Cherokee 4WD-4 Dr.-Com
27 = J-20 Pickup-131" W.B.	74 = Cherokee 2WD-4 Dr.	81 = Wrangler-93" W.B.
63 = Comanche 4WD-6 Ft. Box	75 = Wagoneer 4WD-4 Dr.	82 = Wrangler-103" W.B.-Exp.
64 = Comanche 2WD-6 Ft. Box		

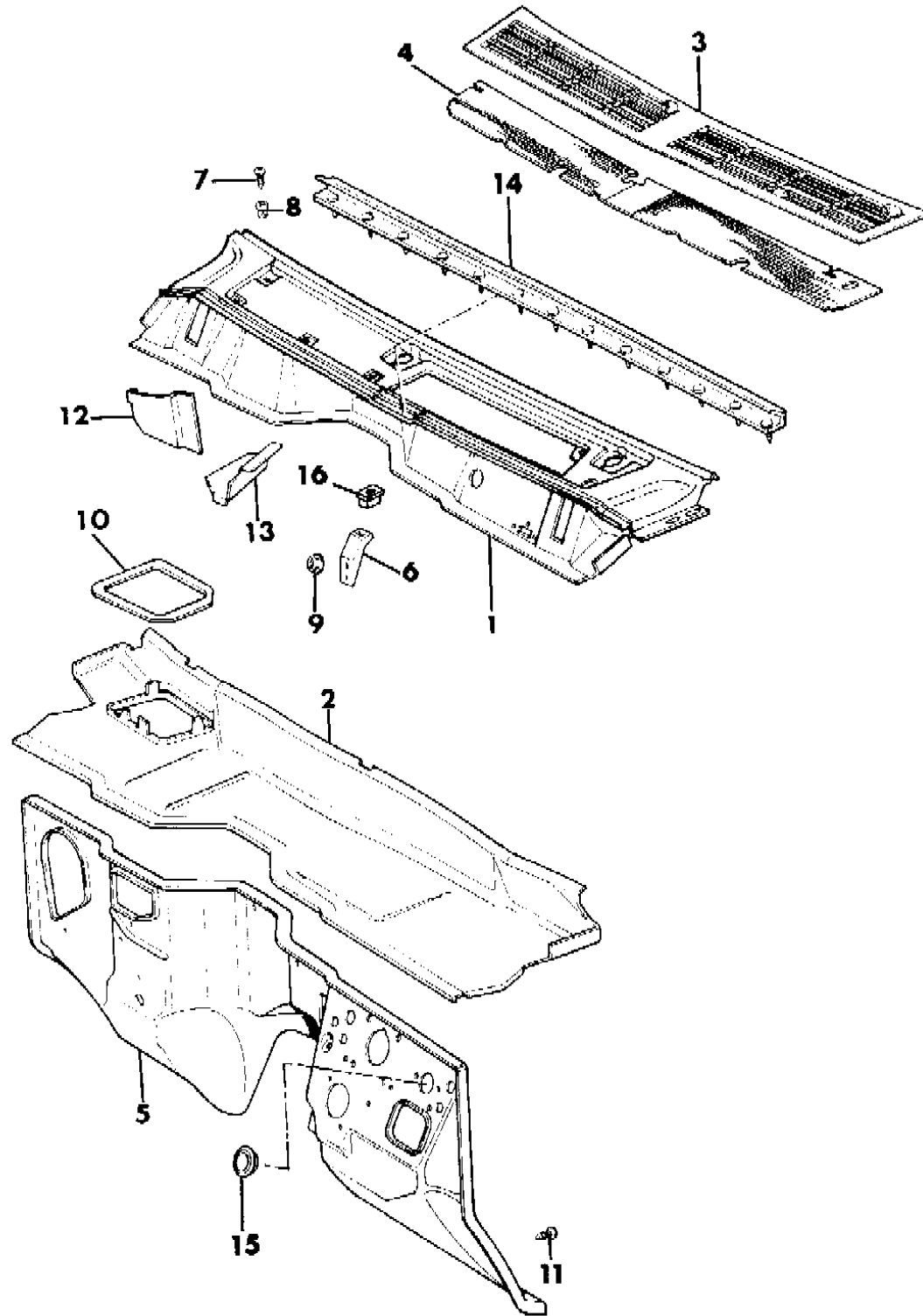
BODY STYLES:

MJ = Comanche Pickup  
 SJ = Grand Wagoneer Wgn., J-10 & J-20 Pickups  
 XJ = Cherokee, Wagoneer Limited  
 YJ = Wrangler

AR = Use as Required - = Non Illustrated Part P.A.R. = Paint as Required

PANELS, COWL AND DASH CHEROKEE, WAGONEER, COMANCHE  
Figure 23A-2800

8 J69 2800 A



ITEM	PART NUMBER	QTY	BODY	MODEL	DESCRIPTION
1					PANEL, Cowl Top
	5700 1352	1			1987-89
	5700 2540	1			1990
2	5700 1724	1			PANEL, Air Chamber
3	5500 8832	1			GRILLE, Cowl Top
4	5500 8833	1			SCREEN, Grille
5	5700 1160	1			PANEL, Dash
6	5500 4869	1			BRACKET, Extension
7	3420 1230	8			SCREW
8	J400 5242	6			NUT
9	3420 1358	2			NUT
10	5500 1008	1			SEAL, Heater Opening
11	J400 7117	6			FASTENER
12	5500 6544	1			SHIELD, Plenum Drain
13	5500 4918	1			SHIELD, Cowl Top
14	5500 2649	1			SEAL, Cowl Top
15	J400 0334	1			PLUG
16	3420 1872	1			NUT

MODEL CODES:

15 = Grand Wagoneer 4 Dr.	65 = Comanche 4WD-7 Ft. Box	77 = Cherokee 4WD-2 Dr.
25 = J-10 Pickup-119" W.B.	66 = Comanche 2WD-7 Ft. Box	78 = Cherokee 4WD-4 Dr.
26 = J-10 Pickup-131" W.B.	73 = Cherokee 2WD-2 Dr.	79 = Cherokee 4WD-4 Dr.-Com
27 = J-20 Pickup-131" W.B.	74 = Cherokee 2WD-4 Dr.	81 = Wrangler-93" W.B.
63 = Comanche 4WD-6 Ft. Box	75 = Wagoneer 4WD-4 Dr.	82 = Wrangler-103" W.B.-Exp.
64 = Comanche 2WD-6 Ft. Box		

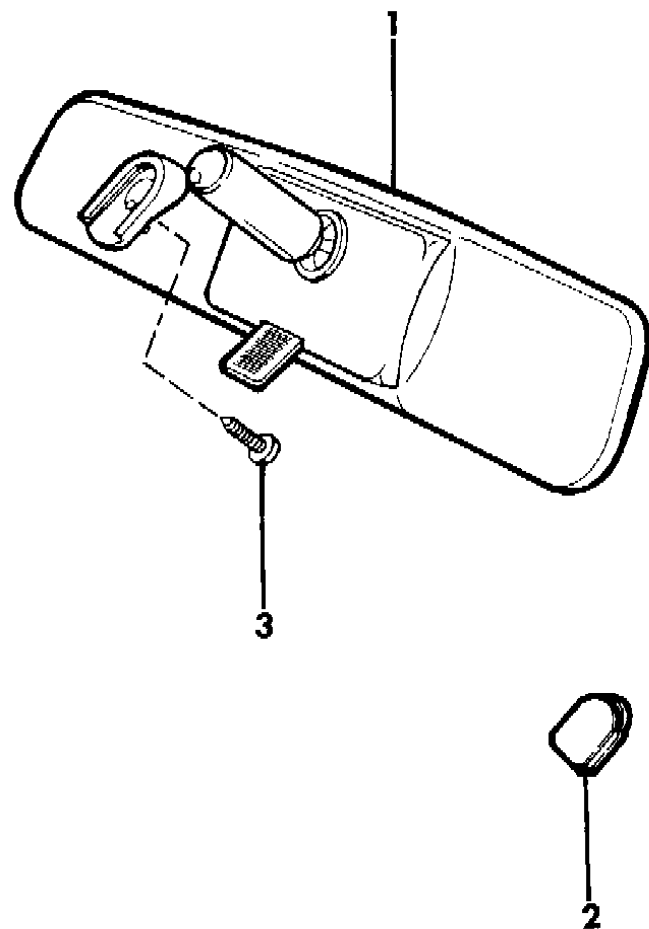
BODY STYLES:

MJ = Comanche Pickup  
 SJ = Grand Wagoneer Wgn., J-10 & J-20 Pickups  
 XJ = Cherokee, Wagoneer Limited  
 YJ = Wrangler

AR = Use as Required - = Non Illustrated Part P.A.R. = Paint as Required

MIRROR INSIDE REAR VIEW CHEROKEE, WAGONEER, COMANCHE  
Figure 23A-2900

8 J 69 2900



ITEM	PART NUMBER	QTY	BODY	MODEL	DESCRIPTION
1	3500 7638	1			MIRROR, Inside Rear View
2	J365 7374	1			SUPPORT, Inside Rear View Mirror (See note a)
3	J400 5766	1			SCREW

(a) The Mirror Support is Replacing Mirror Mounting Kit. When installing a Mirror Support, Use Locktite #312 Adhesive and the Accelerator. (A) For 1987, two types of instrument clusters were used. On type one, Clusters, the odometer numbers are rounded

MODEL CODES:

15 = Grand Wagoneer 4 Dr.	65 = Comanche 4WD-7 Ft. Box	77 = Cherokee 4WD-2 Dr.
25 = J-10 Pickup-119" W.B.	66 = Comanche 2WD-7 Ft. Box	78 = Cherokee 4WD-4 Dr.
26 = J-10 Pickup-131" W.B.	73 = Cherokee 2WD-2 Dr.	79 = Cherokee 4WD-4 Dr.-Com
27 = J-20 Pickup-131" W.B.	74 = Cherokee 2WD-4 Dr.	81 = Wrangler-93" W.B.
63 = Comanche 4WD-6 Ft. Box	75 = Wagoneer 4WD-4 Dr.	82 = Wrangler-103" W.B.-Exp.
64 = Comanche 2WD-6 Ft. Box		

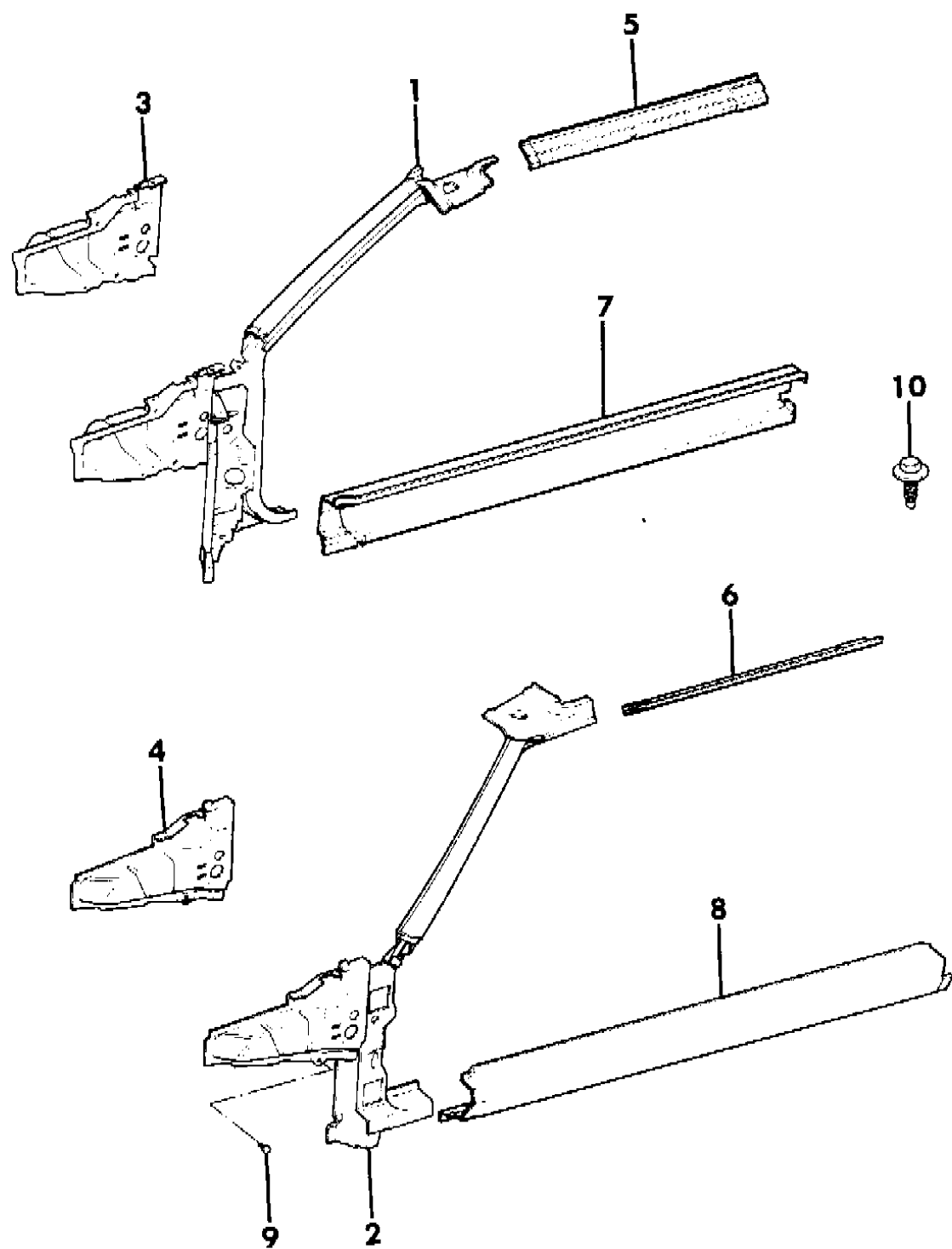
BODY STYLES:

MJ = Comanche Pickup  
 SJ = Grand Wagoneer Wgn., J-10 & J-20 Pickups  
 XJ = Cherokee, Wagoneer Limited  
 YJ = Wrangler

AR = Use as Required - = Non Illustrated Part P.A.R. = Paint as Required

PANELS, BODY SIDE CHEROKEE 2 DOOR  
Figure 23A-3000

8J69 3000



ITEM	PART NUMBER	QTY	BODY	MODEL	DESCRIPTION
1					PILLAR, Hinge, Right
	5700 0993	1			1987-89
	8350 7060	1			1990
2					PILLAR, Hinge, Left
	5700 0996	1			1987-89
	8350 7061	1			1990
3-4	5500 0848-9	1			PANEL, Cowl Side
5-6	5500 1006-7	1			RAIL, Roof Side
7-8	5500 1274-5	1			PANEL, Rocker
9	J400 7117	4			FASTENER, Cowl Panel
10	3420 1768	2			SCREW

MODEL CODES:

15 = Grand Wagoneer 4 Dr.	65 = Comanche 4WD-7 Ft. Box	77 = Cherokee 4WD-2 Dr.
25 = J-10 Pickup-119" W.B.	66 = Comanche 2WD-7 Ft. Box	78 = Cherokee 4WD-4 Dr.
26 = J-10 Pickup-131" W.B.	73 = Cherokee 2WD-2 Dr.	79 = Cherokee 4WD-4 Dr.-Com
27 = J-20 Pickup-131" W.B.	74 = Cherokee 2WD-4 Dr.	81 = Wrangler-93" W.B.
63 = Comanche 4WD-6 Ft. Box	75 = Wagoneer 4WD-4 Dr.	82 = Wrangler-103" W.B.-Exp.
64 = Comanche 2WD-6 Ft. Box		

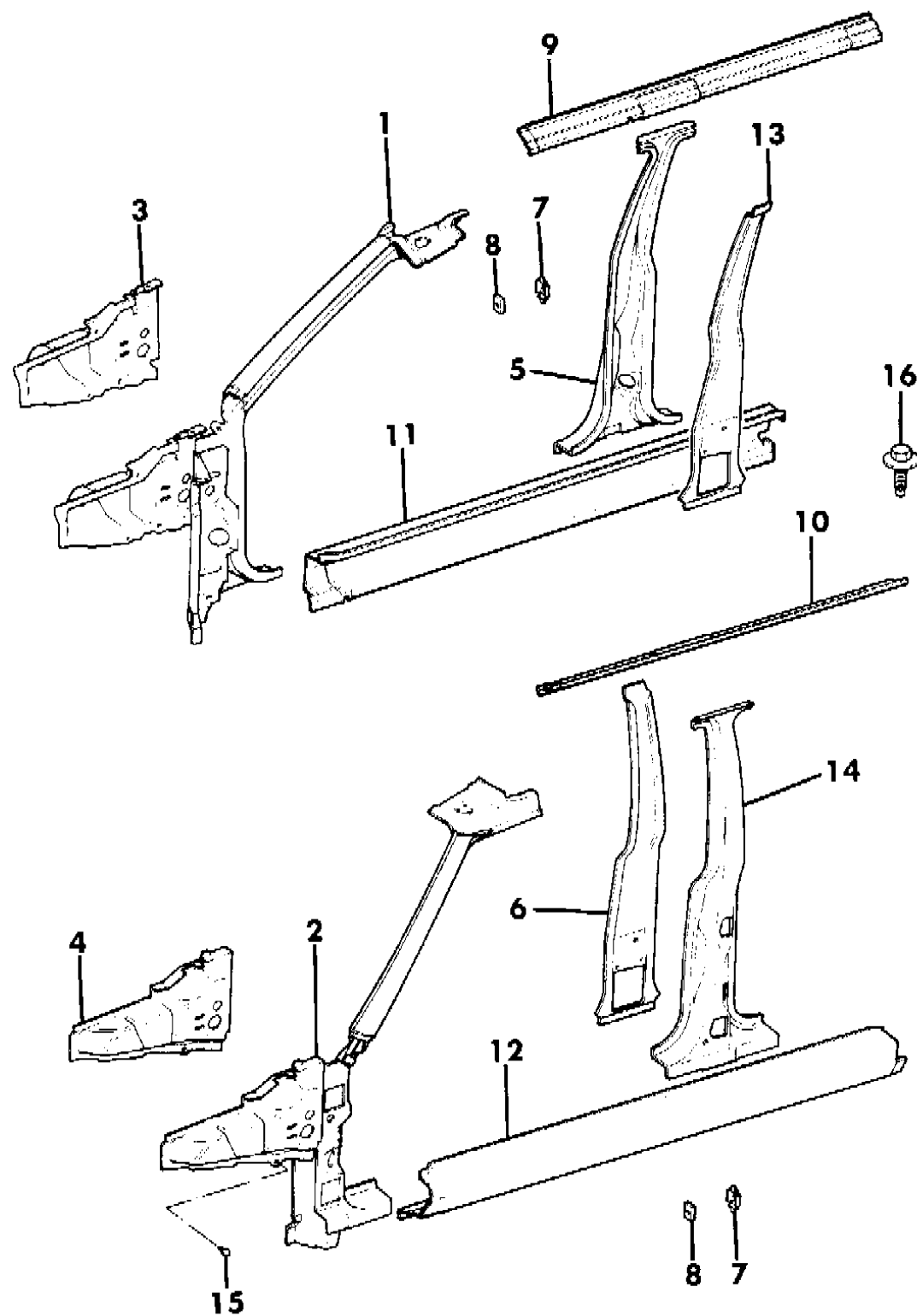
BODY STYLES:

MJ = Comanche Pickup  
 SJ = Grand Wagoneer Wgn., J-10 & J-20 Pickups  
 XJ = Cherokee, Wagoneer Limited  
 YJ = Wrangler

AR = Use as Required - = Non Illustrated Part P.A.R. = Paint as Required

PANELS, BODY SIDE CHEROKEE, WAGONEER 4 DOOR  
Figure 23A-3100

8J69 3100



ITEM	PART NUMBER	QTY	BODY	MODEL	DESCRIPTION
1					PILLAR, Hinge, Right
	5700 0993	1			1987-89
	8350 7060	1			1990
2					PILLAR, Hinge, Left
	5700 0996	1			1987-89
	8350 7061	1			1990
3-4	5500 0848-9	1			PANEL, Cowl Side
5	5700 0126	1			PANEL, Center Pillar, Right
6	5534 4717	1			REINFORCEMENT, Left, (Modify Hole For Dome Switch Mounting)
7	5500 1284	2			RETAINER, Striker
8	5500 1286	2			PLATE, Striker
9-10	5500 0846-7	1			RAIL, Roof Side
11-12	5500 0174-5	1			PANEL, Rocker
13	5500 0104	1			REINFORCEMENT, Right
14	5700 0127	1			PANEL, Center Pillar, Left
15	J400 7117	4			FASTENER, Cowl Panel
16	3420 1768	6			SCREW

MODEL CODES:

15 = Grand Wagoneer 4 Dr.	65 = Comanche 4WD-7 Ft. Box	77 = Cherokee 4WD-2 Dr.
25 = J-10 Pickup-119" W.B.	66 = Comanche 2WD-7 Ft. Box	78 = Cherokee 4WD-4 Dr.
26 = J-10 Pickup-131" W.B.	73 = Cherokee 2WD-2 Dr.	79 = Cherokee 4WD-4 Dr.-Com
27 = J-20 Pickup-131" W.B.	74 = Cherokee 2WD-4 Dr.	81 = Wrangler-93" W.B.
63 = Comanche 4WD-6 Ft. Box	75 = Wagoneer 4WD-4 Dr.	82 = Wrangler-103" W.B.-Exp.
64 = Comanche 2WD-6 Ft. Box		

BODY STYLES:

MJ = Comanche Pickup  
 SJ = Grand Wagoneer Wgn., J-10 & J-20 Pickups  
 XJ = Cherokee, Wagoneer Limited  
 YJ = Wrangler

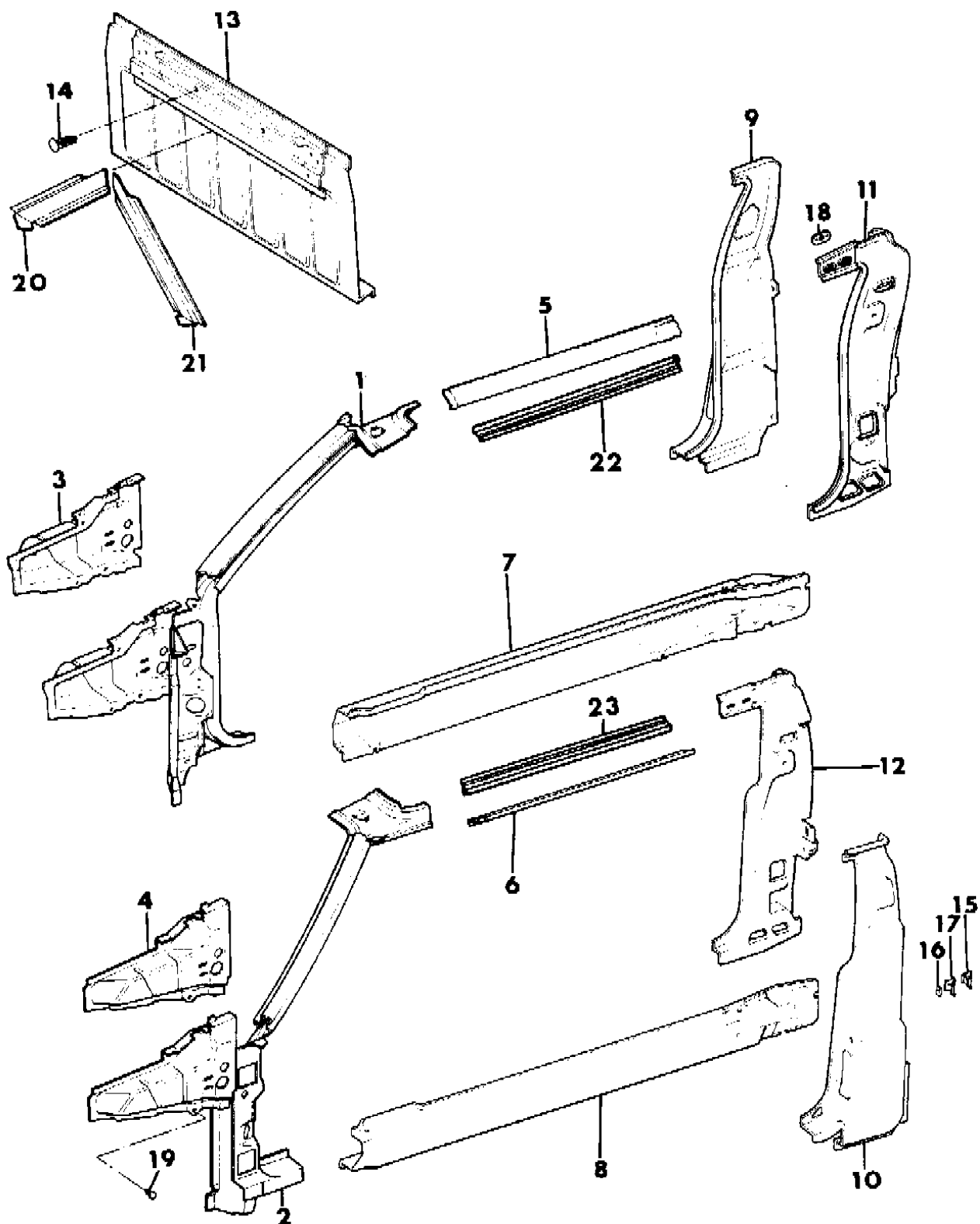
AR = Use as Required - = Non Illustrated Part P.A.R. = Paint as Required

PANELS, BODY SIDE AND REAR COMANCHE

Figure 23A-3200

8J69 3200

ITEM	PART NUMBER	QTY	BODY	MODEL	DESCRIPTION
1					PILLAR, Hinge, Right
	5700 0993	1			1987-89
	8350 7060	1			1990
2					PILLAR, Hinge, Left
	5700 0996	1			1987-89
	8350 7061	1			1990
3-4	5500 0848-9	1			PANEL, Cowl Side
5-6	5500 3420-1	1			RAIL, Roof Side
7-8	5700 0856-7	1			PANEL, Rocker
9-10	5700 0858-9	1			PANEL, Rear Quarter
11-12	5700 0852-3	1			REINFORCEMENT, Lock Pillar
13	5700 0923	1			PANEL, Cab Rear
14	J400 4919	2			FASTENER
15	5700 0160	2			PLATE ASSEMBLY, Striker ***
16	5500 1286	1			PLATE, Striker
17	5500 1284	2			RETAINER, Striker
18	5500 2816	2			PLATE, Shoulder Harness
19	J400 7117	4			FASTENER, Cowl Panel
20-21	5501 7970-1	1			REINFORCEMENT, Panel
22-23	5500 3422-3	1			RAIL, Roof Side Inner



MODEL CODES:

15 = Grand Wagoneer 4 Dr.	65 = Comanche 4WD-7 Ft. Box	77 = Cherokee 4WD-2 Dr.
25 = J-10 Pickup-119" W.B.	66 = Comanche 2WD-7 Ft. Box	78 = Cherokee 4WD-4 Dr.
26 = J-10 Pickup-131" W.B.	73 = Cherokee 2WD-2 Dr.	79 = Cherokee 4WD-4 Dr.-Com
27 = J-20 Pickup-131" W.B.	74 = Cherokee 2WD-4 Dr.	81 = Wrangler-93" W.B.
63 = Comanche 4WD-6 Ft. Box	75 = Wagoneer 4WD-4 Dr.	82 = Wrangler-103" W.B.-Exp.
64 = Comanche 2WD-6 Ft. Box		

BODY STYLES:

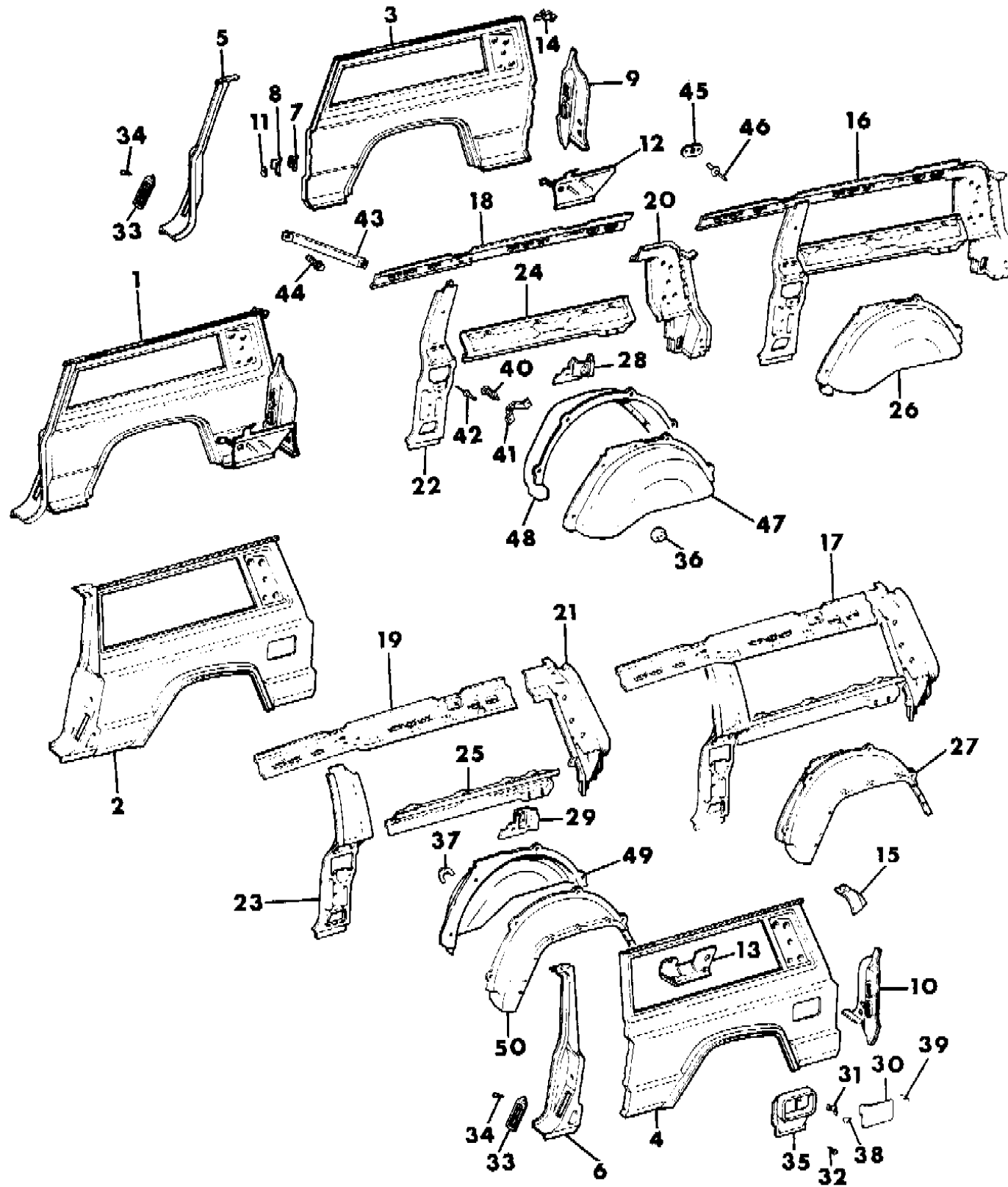
MJ = Comanche Pickup  
 SJ = Grand Wagoneer Wgn., J-10 & J-20 Pickups  
 XJ = Cherokee, Wagoneer Limited  
 YJ = Wrangler

AR = Use as Required - = Non Illustrated Part P.A.R. = Paint as Required

PANELS, REAR QUARTER CHEROKEE 2 DOOR

Figure 23A-3300

8J69 3300



ITEM	PART NUMBER	QTY	BODY	MODEL	DESCRIPTION
1	5700 0150-1	1			PANEL ASSEMBLY, Rear Quarter
2					PANEL, Rear Quarter
	5500 0160-1	1			1987-89
	5502 5790-1	1			1990
3	5500 0866-7	1			PILLAR, Lock
4	5700 0576	2			PLATE ASSEMBLY, Striker ***
5	5500 1284	2			RETAINER, Striker
6	5500 4112-3	1			PANEL, Taillamp
7	5500 1286	2			PLATE, Striker
8	5500 0026-7	1			PANEL, Side Extension
9	5500 1014-5	1			EXTENSION, Panel
10	5700 0174-5	1			PANEL, Rear Quarter Inner
11					RAIL, Roof Side
	5500 0156-7	1			1987-89
	5502 5564-5	1			1990
12	5700 0156-7	1			PILLAR, Lift Door Opening
13	5700 0158-9	1			REINFORCEMENT
14					RAIL, Rear Quarter Belt
	5500 0162-3	1			1987-89
	5502 5568-9	1			1990
15	5500 0146-7	1			PANEL, Wheelhouse Inner
16	5500 0144-5	1			PANEL, Wheelhouse Outer
17	5500 2120-1	1			BRACKET, Seat Latch
18	5500 0819	1			DOOR, Fuel Filler
19	5500 4206	1			SPRING, Door
20	T308 8001	2			SCREW, 1987 (Not Serv.)
	3420 2399	2			1988-90
21	5500 1980	2			EXHAUSTER, Air ***
22	J400 1724	2			SCREW
23	5700 0177	1			HOUSING, Fuel Filler
24	5500 1231	1			BRACKET, Hinge Pivot
25	5500 0413	1			BRACKET, Hinge Pivot
26	J063 5787	1			BUMPER, Door
27	3420 1812	1			BUMPER, Door
28	J400 7117	2			FASTENER
29	5500 2662	4			BRACKET, Body
30	3420 1032	8			RIVET

MODEL CODES:

15 = Grand Wagoneer 4 Dr.	65 = Comanche 4WD-7 Ft. Box	77 = Cherokee 4WD-2 Dr.
25 = J-10 Pickup-119" W.B.	66 = Comanche 2WD-7 Ft. Box	78 = Cherokee 4WD-4 Dr.
26 = J-10 Pickup-131" W.B.	73 = Cherokee 2WD-2 Dr.	79 = Cherokee 4WD-4 Dr.-Com
27 = J-20 Pickup-131" W.B.	74 = Cherokee 2WD-4 Dr.	81 = Wrangler-93" W.B.
63 = Comanche 4WD-6 Ft. Box	75 = Wagoneer 4WD-4 Dr.	82 = Wrangler-103" W.B.-Exp.
64 = Comanche 2WD-6 Ft. Box		

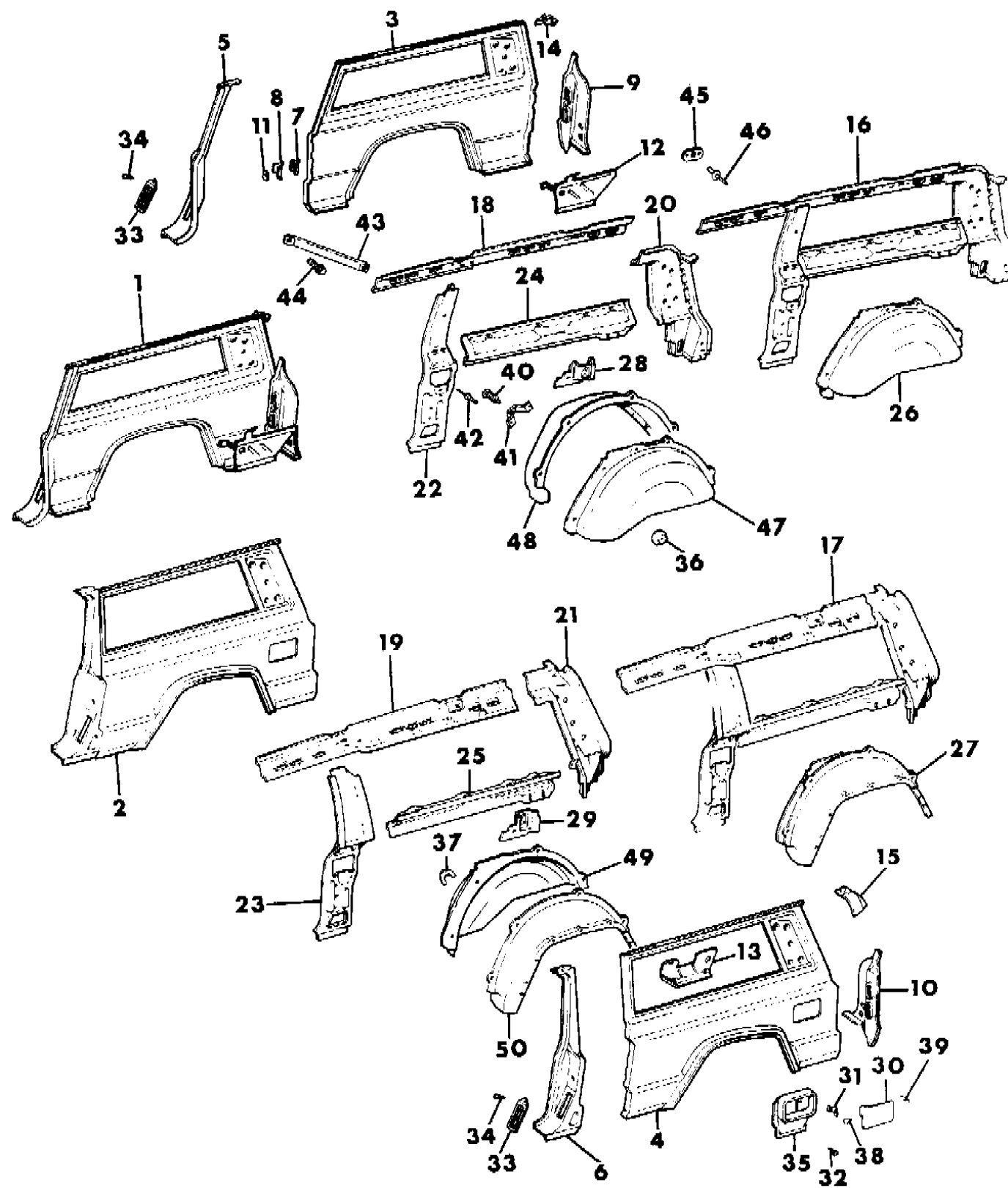
BODY STYLES:

MJ = Comanche Pickup  
 SJ = Grand Wagoneer Wgn., J-10 & J-20 Pickups  
 XJ = Cherokee, Wagoneer Limited  
 YJ = Wrangler

AR = Use as Required - = Non Illustrated Part P.A.R. = Paint as Required

PANELS, REAR QUARTER CHEROKEE 2 DOOR  
Figure 23A-3300

8J69 3300



ITEM	PART NUMBER	QTY	BODY	MODEL	DESCRIPTION
31	5500 6218	2			BRACE, Door Lock Striker
32	3420 2036	4			SCREW
33	5500 2816	2			PLATE, Shoulder Harness (Export)
34	3420 1353	4			RIVET, (Export)

MODEL CODES:

15 = Grand Wagoneer 4 Dr.	65 = Comanche 4WD-7 Ft. Box	77 = Cherokee 4WD-2 Dr.
25 = J-10 Pickup-119" W.B.	66 = Comanche 2WD-7 Ft. Box	78 = Cherokee 4WD-4 Dr.
26 = J-10 Pickup-131" W.B.	73 = Cherokee 2WD-2 Dr.	79 = Cherokee 4WD-4 Dr.-Com
27 = J-20 Pickup-131" W.B.	74 = Cherokee 2WD-4 Dr.	81 = Wrangler-93" W.B.
63 = Comanche 4WD-6 Ft. Box	75 = Wagoneer 4WD-4 Dr.	82 = Wrangler-103" W.B.-Exp.
64 = Comanche 2WD-6 Ft. Box		

BODY STYLES:

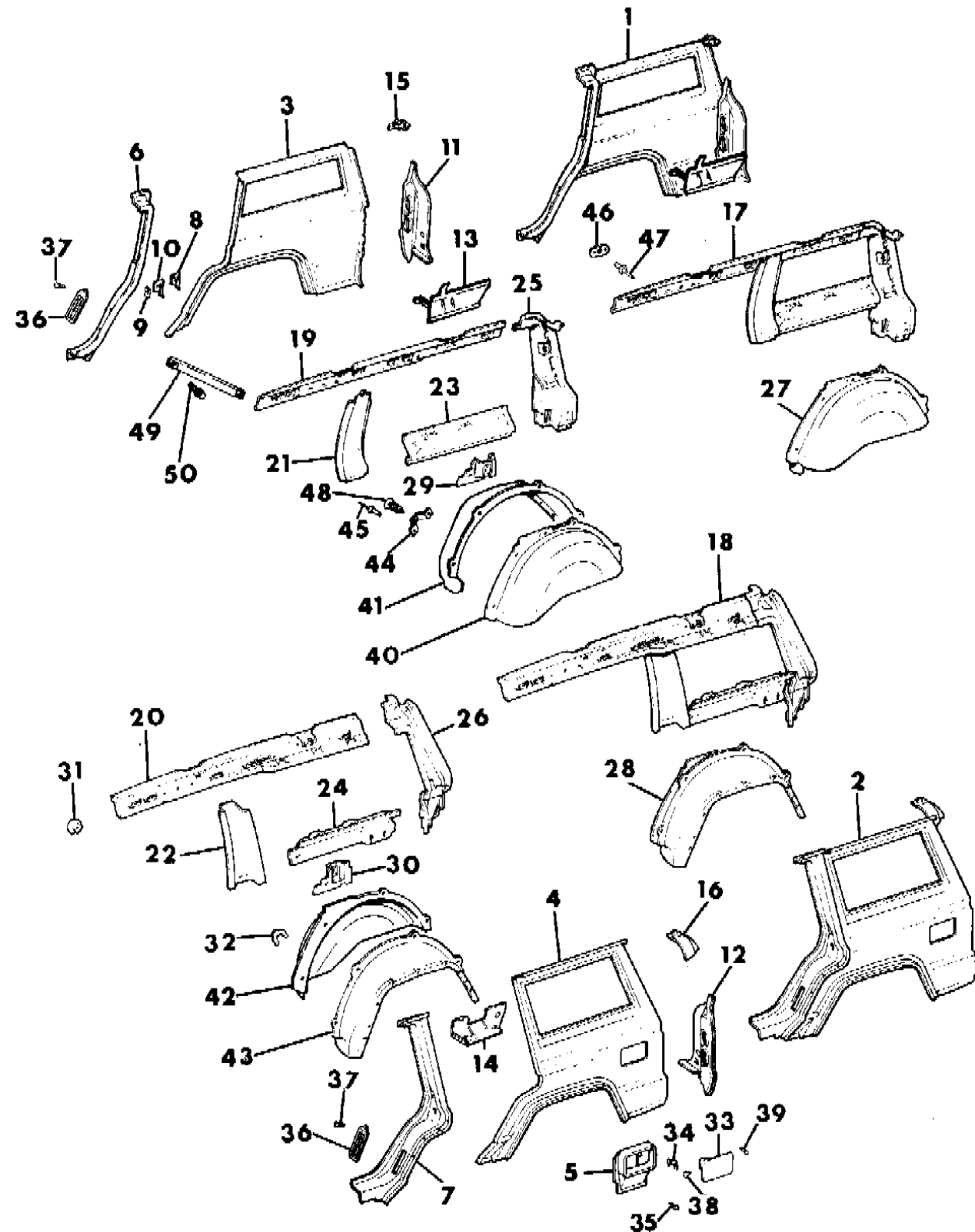
MJ = Comanche Pickup  
 SJ = Grand Wagoneer Wgn., J-10 & J-20 Pickups  
 XJ = Cherokee, Wagoneer Limited  
 YJ = Wrangler

AR = Use as Required - = Non Illustrated Part P.A.R. = Paint as Required



PANELS, REAR QUARTER CHEROKEE, WAGONEER 4 DOOR  
Figure 23A-3400

8J69 3400 A



ITEM	PART NUMBER	QTY	BODY	MODEL	DESCRIPTION
1	5700 0130-1	1			PANEL ASSEMBLY, Rear Quarter
2	5500 0094-5	1			PANEL, Rear Quarter
3	5700 0177	1			HOUSING, Fuel Filler
4	5500 0844-5	1			PILLAR, Lock
5	5700 0160	2			PLATE ASSEMBLY, Striker ***
6	5500 1286	2			PLATE, Striker
7	5500 1284	2			RETAINER, Striker
8	5500 4112-3	1			PANEL, Taillamp
9	5500 0026-7	1			PANEL, Side Extension
10	5500 1014-5	1			EXTENSION, Panel
11	5700 0142-3	1			PANEL, Rear Quarter Inner
12					RAIL, Roof Side
	5500 0092-3	1			1987-89
	5502 5562-3	1			1990
13	5500 0116-7	1			REINFORCEMENT
14					RAIL, Rear Quarter Belt
	5500 0130-1	1			1987-89
	5502 5566-7	1			1990
15	5700 0136-7	1			PILLAR, Lift Door Opening
16	5500 6218	2			BRACE, Door Lock Striker
17	3420 2036	4			Screw ***
18	5500 2120-1	1			BRACKET, Seat Latch
19	5500 1231	1			BRACKET, Hinge Pivot
20	5500 0413	1			BRACKET, Hinge Pivot
21	5500 0819	1			DOOR, Fuel Filler
22	5500 4206	1			SPRING, Door
23					SCREW
	T300 8001	2			1987
	3420 2399	2			1988-90
24	5500 1980	2			EXHAUSTER, Air ***
25	J400 1724	2			SCREW
26	J063 5787	1			BUMPER, Door
27	3420 1812	1			BUMPER, Door
28	5500 0146-7	1			PANEL, Wheelhouse Inner
29	5500 0144-5	1			PANEL, Wheelhouse Outer
30	5500 2662	4			BRACKET, Body
31	3420 1032	8			RIVET

MODEL CODES:

15 = Grand Wagoneer 4 Dr.	65 = Comanche 4WD-7 Ft. Box	77 = Cherokee 4WD-2 Dr.
25 = J-10 Pickup-119" W.B.	66 = Comanche 2WD-7 Ft. Box	78 = Cherokee 4WD-4 Dr.
26 = J-10 Pickup-131" W.B.	73 = Cherokee 2WD-2 Dr.	79 = Cherokee 4WD-4 Dr.-Com
27 = J-20 Pickup-131" W.B.	74 = Cherokee 2WD-4 Dr.	81 = Wrangler-93" W.B.
63 = Comanche 4WD-6 Ft. Box	75 = Wagoneer 4WD-4 Dr.	82 = Wrangler-103" W.B.-Exp.
64 = Comanche 2WD-6 Ft. Box		

BODY STYLES:

MJ = Comanche Pickup  
SJ = Grand Wagoneer Wgn., J-10 & J-20 Pickups  
XJ = Cherokee, Wagoneer Limited  
YJ = Wrangler

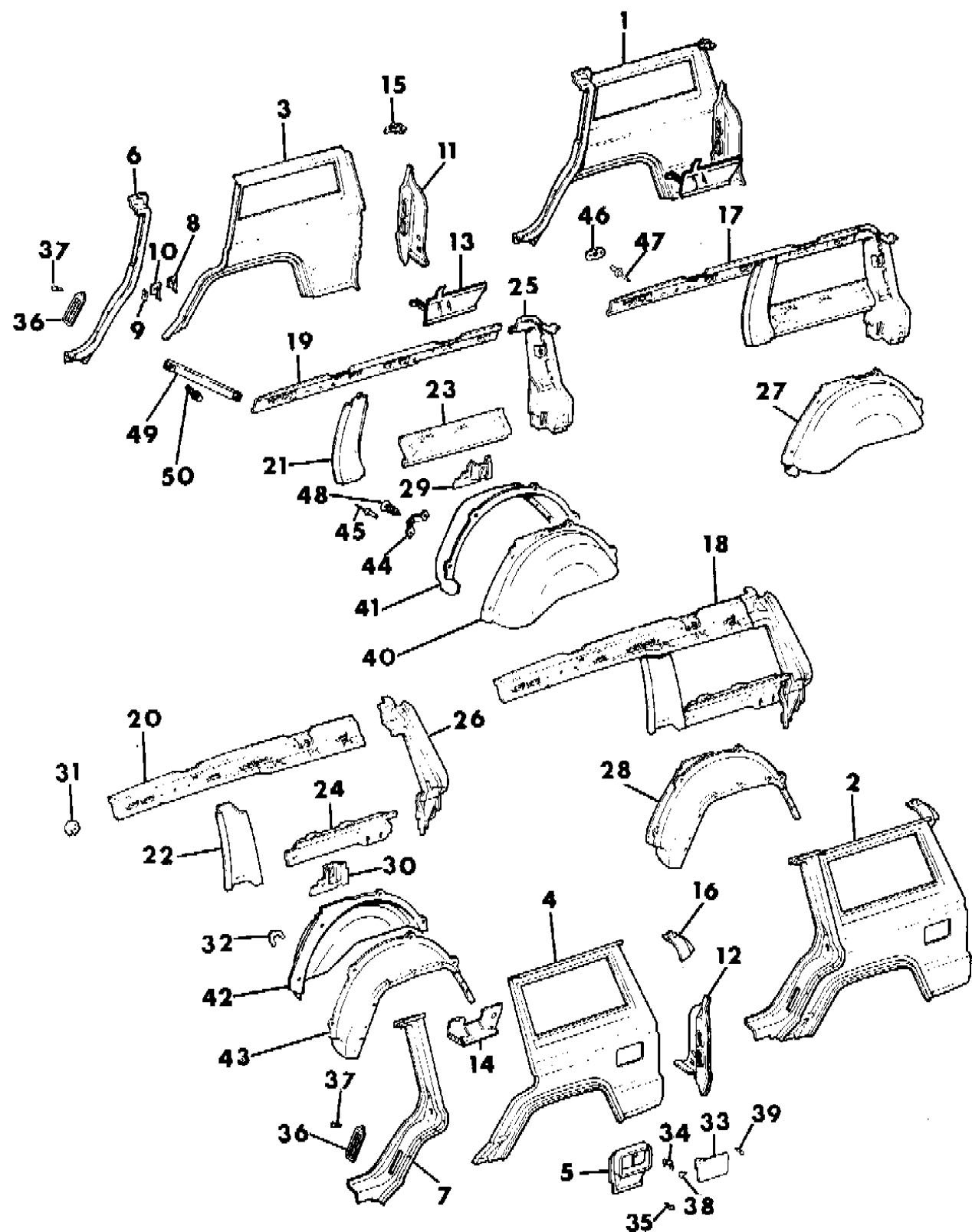
AR = Use as Required - = Non Illustrated Part P.A.R. = Paint as Required

PANELS, REAR QUARTER CHEROKEE, WAGONEER 4 DOOR  
Figure 23A-3400

8J69 3400 A

ITEM	PART NUMBER	QTY	BODY	MODEL	DESCRIPTION
------	-------------	-----	------	-------	-------------

32	5500 2816	2			PLATE, Shoulder Harness
33	3420 1353	4			RIVET
34	J400 7117	2			FASTENER, 1987



MODEL CODES:

15 = Grand Wagoneer 4 Dr.	65 = Comanche 4WD-7 Ft. Box	77 = Cherokee 4WD-2 Dr.
25 = J-10 Pickup-119" W.B.	66 = Comanche 2WD-7 Ft. Box	78 = Cherokee 4WD-4 Dr.
26 = J-10 Pickup-131" W.B.	73 = Cherokee 2WD-2 Dr.	79 = Cherokee 4WD-4 Dr.-Com
27 = J-20 Pickup-131" W.B.	74 = Cherokee 2WD-4 Dr.	81 = Wrangler-93" W.B.
63 = Comanche 4WD-6 Ft. Box	75 = Wagoneer 4WD-4 Dr.	82 = Wrangler-103" W.B.-Exp.
64 = Comanche 2WD-6 Ft. Box		

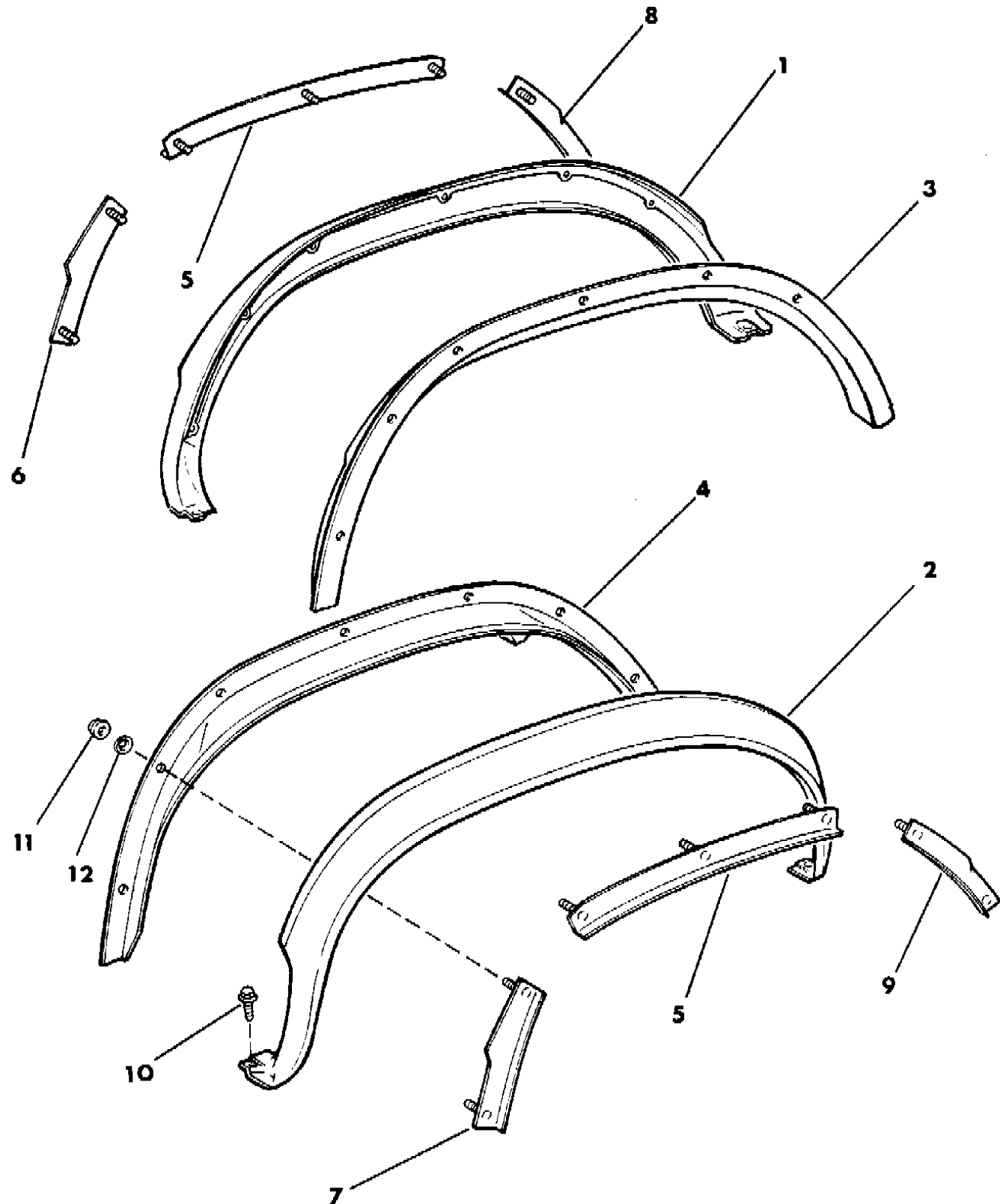
BODY STYLES:

MJ = Comanche Pickup  
SJ = Grand Wagoneer Wgn., J-10 & J-20 Pickups  
XJ = Cherokee, Wagoneer Limited  
YJ = Wrangler

AR = Use as Required - = Non Illustrated Part P.A.R. = Paint as Required

**APPLIQUES, REAR QUARTER PANEL CHEROKEE, WAGONEER, COMANCHE**  
**Figure 23A-3500**

8 J 69 3500



ITEM	PART NUMBER	QTY	BODY	MODEL	DESCRIPTION
1-2					APPLIQUE, Rear Quarter, P.A.R.
	5501 3612-3	1	XJ		1987-89
	5AG24-5 JX9	1	XJ		1990, Flat Black, P.A.R.
	5AG18-9 JX8	1	XJ		1990, Gloss Black
	5501 3614-5	1	MJ		1987-89
	5AG28-9 JX9	1	MJ		1990, Flat Black, P.A.R.
	5AG26-7 JX8	1	MJ		1990, Gloss Black
3-4					PANEL, Inner Protective
	5500 4032-3	1	XJ		
	5500 6176-7	1	MJ		
5					RETAINER, Applique
	5500 3240	2	XJ		
	5500 4991	2	MJ		
6-7					RETAINER, Applique
	5500 3238-9	1	XJ		
	5500 4994	1	MJ		Right Front
	5500 4995	1	MJ		Left Front
8-9					RETAINER, Applique
	5500 3242-3	1	XJ		
	5500 4994	1	MJ		Left Rear
	5500 4995	1	MJ		Right Rear
10	1150 2843	4			SCREW
11	J420 0408	AR			NUT
12	J400 6866	AR			NUT

**MODEL CODES:**

15 = Grand Wagoneer 4 Dr.	65 = Comanche 4WD-7 Ft. Box	77 = Cherokee 4WD-2 Dr.
25 = J-10 Pickup-119" W.B.	66 = Comanche 2WD-7 Ft. Box	78 = Cherokee 4WD-4 Dr.
26 = J-10 Pickup-131" W.B.	73 = Cherokee 2WD-2 Dr.	79 = Cherokee 4WD-4 Dr.-Com
27 = J-20 Pickup-131" W.B.	74 = Cherokee 2WD-4 Dr.	81 = Wrangler-93" W.B.
63 = Comanche 4WD-6 Ft. Box	75 = Wagoneer 4WD-4 Dr.	82 = Wrangler-103" W.B.-Exp.
64 = Comanche 2WD-6 Ft. Box		

**BODY STYLES:**

MJ = Comanche Pickup  
 SJ = Grand Wagoneer Wgn., J-10 & J-20 Pickups  
 XJ = Cherokee, Wagoneer Limited  
 YJ = Wrangler

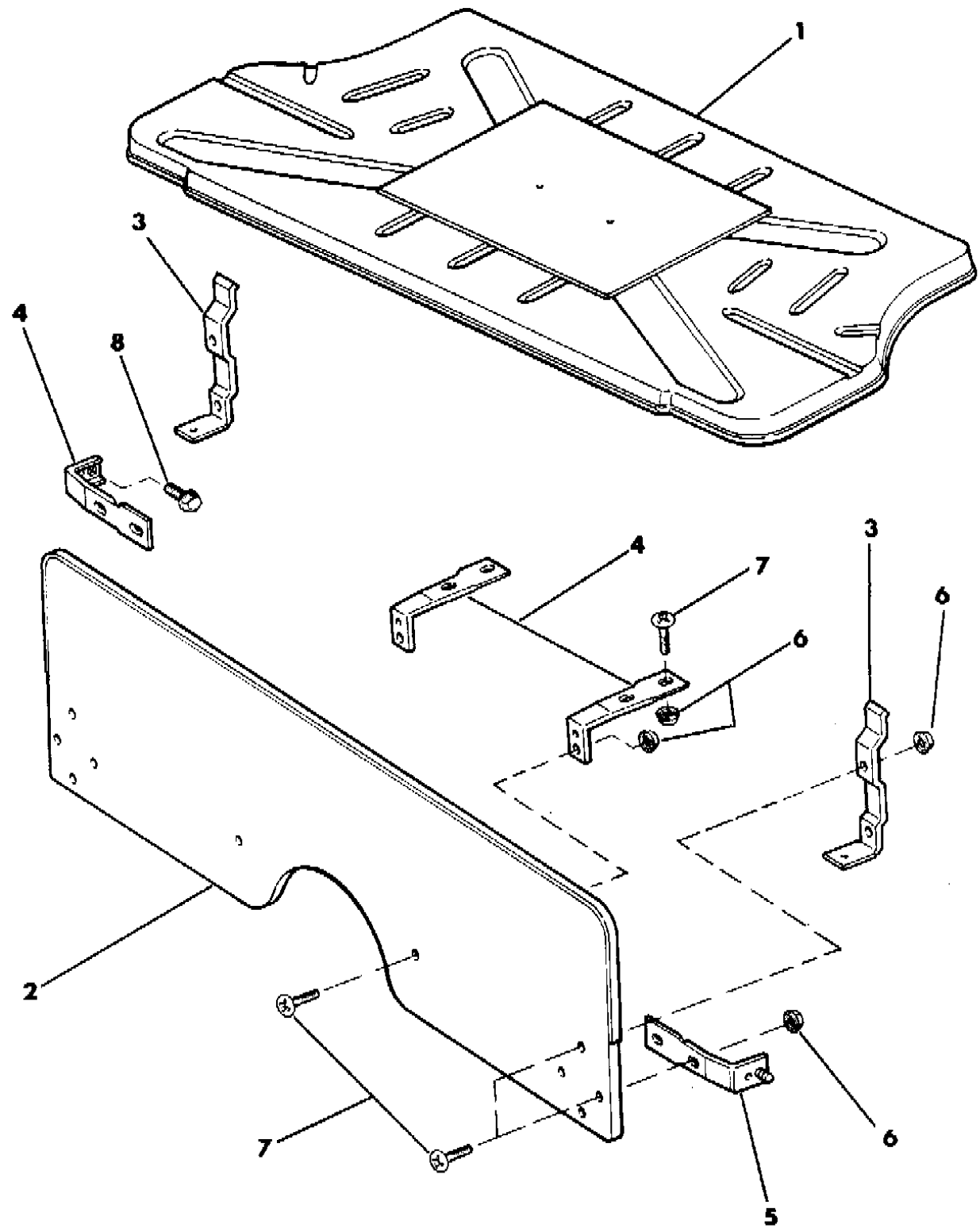
AR = Use as Required - = Non Illustrated Part P.A.R. = Paint as Required

PANELS, LOAD BARRIER AND AUXILIARY FLOOR CHEROKEE 2 DOOR, 79, FRENCH COMMERCIAL PACKAGE

Figure 23A-3600

8 J 69 3600

ITEM	PART NUMBER	QTY	BODY	MODEL	DESCRIPTION
1	5500 6958	1			PANEL, Floor
2	5500 8798	1			PANEL, Load Barrier Med. Blue 1987
	5501 5361	1			PANEL, Load Barrier Cordovan
3	5500 8799	2			BRACKET, Floor P.A.R
4					BRACKET, Sill
	5501 5367	AR			P.A.R. ,1987-89
	5AD7 6JH9	AR			1990
5					BRACKET, Sill
	5500 8801	1			P.A.R. ,1987-89
	5AK4 8JH9	1			1990
6	J400 3909	4			NUT
7	J400 5651	4			SCREW
8	3420 1749	1			BOLT



MODEL CODES:

15 = Grand Wagoneer 4 Dr.	65 = Comanche 4WD-7 Ft. Box	77 = Cherokee 4WD-2 Dr.
25 = J-10 Pickup-119" W.B.	66 = Comanche 2WD-7 Ft. Box	78 = Cherokee 4WD-4 Dr.
26 = J-10 Pickup-131" W.B.	73 = Cherokee 2WD-2 Dr.	79 = Cherokee 4WD-4 Dr.-Com
27 = J-20 Pickup-131" W.B.	74 = Cherokee 2WD-4 Dr.	81 = Wrangler-93" W.B.
63 = Comanche 4WD-6 Ft. Box	75 = Wagoneer 4WD-4 Dr.	82 = Wrangler-103" W.B.-Exp.
64 = Comanche 2WD-6 Ft. Box		

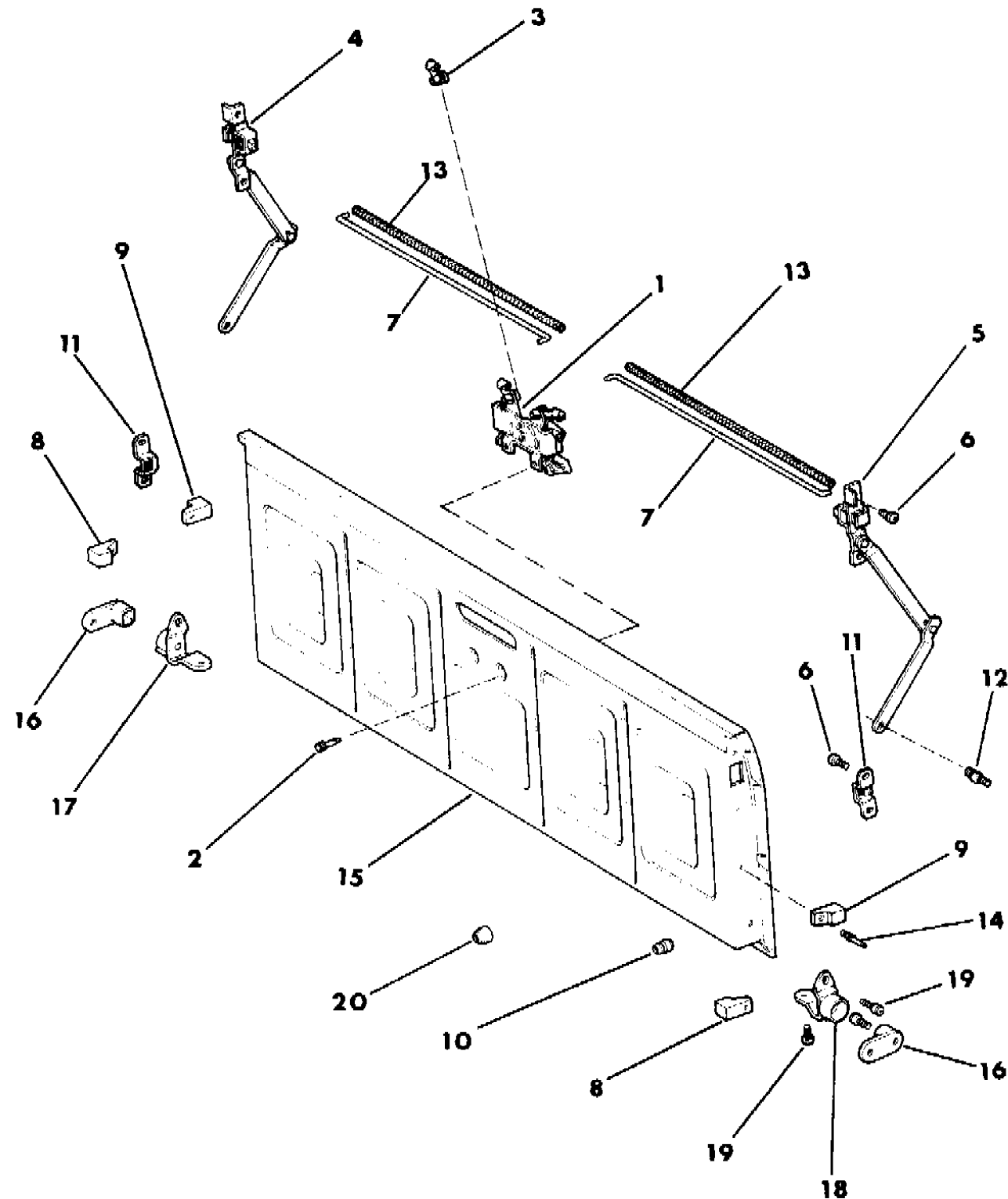
BODY STYLES:

MJ = Comanche Pickup  
 SJ = Grand Wagoneer Wgn., J-10 & J-20 Pickups  
 XJ = Cherokee, Wagoneer Limited  
 YJ = Wrangler

AR = Use as Required - = Non Illustrated Part P.A.R. = Paint as Required

**TAILGATE, LATCHES AND HINGES COMANCHE**  
Figure 23A-3700

8 J 69 3700



ITEM	PART NUMBER	QTY	BODY	MODEL	DESCRIPTION
1					HANDLE, Tailgate
	5500 8103	1			Black
	5500 4890	1			Chrome
2	3420 1886	3			SCREW
3	J400 4532	2			CLIP
4	5500 4886	1			LATCH, (INCL. LINKAGE)
5	5500 4887	1			LATCH, (INCL. LINKAGE)
6	3420 1655	6			SCREW
7	5500 4889	2			ROD, Latch Release
8	5500 4883	2			BUMPER, Body Half
9	5500 4888	2			BUMPER, Tailgate Half
10	5500 4885	4			BUMPER, Tailgate Latch
11	5500 4892	2			STRIKER, Latch
12	3420 2113	2			SCREW
13	J372 1174	2			SLEEVE, 27" ***
14					RIVET
	3420 1980	4			1987-89
	J400 6543	4			1990
15	5700 0890	1			TAILGATE, Pickup Box
16	5500 4884	2			HINGE, Tailgate
17	5500 4318	1			HINGE, Tailgate
18	5500 4319	1			HINGE, Tailgate
19	3420 1596	8			BOLT
20	J400 0282	2			BUMPER

MODEL CODES:

15 = Grand Wagoneer 4 Dr.	65 = Comanche 4WD-7 Ft. Box	77 = Cherokee 4WD-2 Dr.
25 = J-10 Pickup-119" W.B.	66 = Comanche 2WD-7 Ft. Box	78 = Cherokee 4WD-4 Dr.
26 = J-10 Pickup-131" W.B.	73 = Cherokee 2WD-2 Dr.	79 = Cherokee 4WD-4 Dr.-Com
27 = J-20 Pickup-131" W.B.	74 = Cherokee 2WD-4 Dr.	81 = Wrangler-93" W.B.
63 = Comanche 4WD-6 Ft. Box	75 = Wagoneer 4WD-4 Dr.	82 = Wrangler-103" W.B.-Exp.
64 = Comanche 2WD-6 Ft. Box		

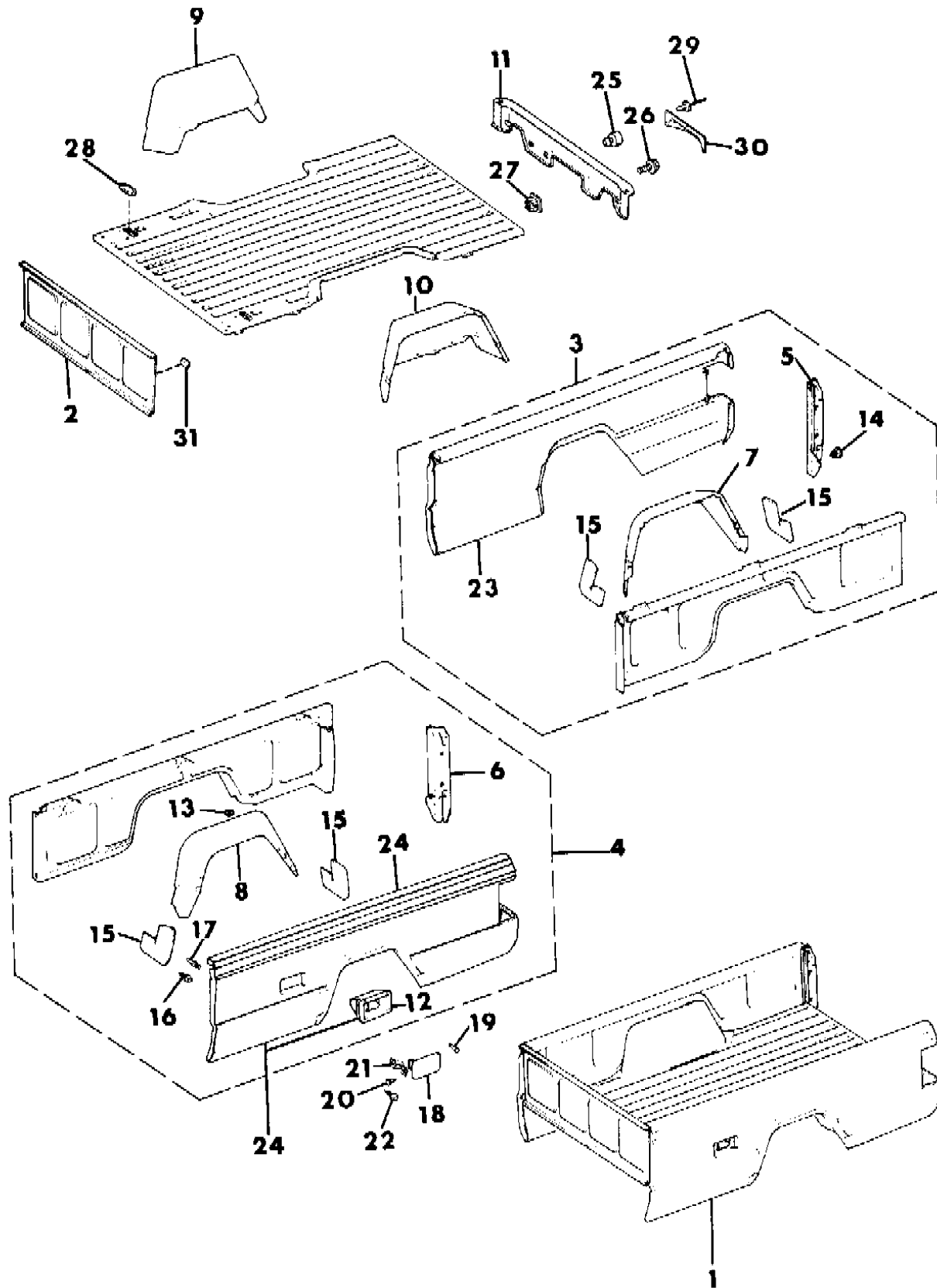
BODY STYLES:

MJ = Comanche Pickup  
 SJ = Grand Wagoneer Wgn., J-10 & J-20 Pickups  
 XJ = Cherokee, Wagoneer Limited  
 YJ = Wrangler

AR = Use as Required - = Non Illustrated Part P.A.R. = Paint as Required

BOX, PICKUP COMANCHE  
Figure 23A-3800

8J693800A



ITEM	PART NUMBER	QTY	BODY	MODEL	DESCRIPTION
1	5700 1325	1			BOX, Pickup w/7 ft. pick box ***
	5700 1330	1			BOX, Pickup w/6 ft. pickup box ***
2	5700 0880	1			PANEL, Pickup Box, Front
3	5700 0884	1			PANEL, Pickup Box Side, Right, w/7 ft. pickup box
	5700 1992	1			PANEL, Pickup Box Side, Right, w/6 ft. pickup box
4	5700 0885	1			PANEL, Pickup Box Side, Left w/7 ft. pickup box
	5700 1993	1			PANEL, Pickup Box Side, Left w/6 ft. pickup box
5	5700 0876	1			PILLAR, Pickup Box Rear, Right
6	5700 0877	1			PILLAR, Pickup Box Rear, Left
7	5500 4042	1			FENDER, Pickup Box, Right
8	5500 4043	1			FENDER, Pickup Box, Left
9	5500 4040	1			PANEL, Wheelhouse Rear, Right
10	5500 4041	1			PANEL, Wheelhouse Rear, Left
11	5700 0872	1			CROSSMEMBER, Rear w/7 ft. pickup box
	5700 1991	1			CROSSMEMBER, Rear w/6 ft. pickup box
12	5500 8888	1			HOUSING, Fuel Filler
13	5500 6578	2			PLUG, Drain
14	J400 4919	2			FASTENER
15	5500 6178	4			GUARD, Splash
16	J400 6917	18			SCREW
17	3420 1631	2			RIVET
18	5500 0819	1			DOOR, Fuel Filler
19	3420 1812	1			BUMPER, Door
20	J063 5787	1			BUMPER, Door
21	5500 4206	1			SPRING, Door
22	3420 2399	2			SCREW
23	5500 3542	1			PANEL, Side, Right w/7 ft. pickup box
	5500 9136	1			PANEL, Side Right w/6 ft. pickup box
24	5700 0875	1			PANEL, Side Left w/7 ft. pickup box
	5700 1999	1			PANEL, Side Left w/6 ft. pickup box
25	3420 1202	2			BUMPER
26	3420 2091	2			SCREW
27	3420 1263	2			NUT
28	5500 9399	2			PLUG
29	3420 1208	5			RIVET
30	5500 9144	1			COVER
31	3420 1409	2			PLUG, 1987

MODEL CODES:

15 = Grand Wagoneer 4 Dr.	65 = Comanche 4WD-7 Ft. Box	77 = Cherokee 4WD-2 Dr.
25 = J-10 Pickup-119" W.B.	66 = Comanche 2WD-7 Ft. Box	78 = Cherokee 4WD-4 Dr.
26 = J-10 Pickup-131" W.B.	73 = Cherokee 2WD-2 Dr.	79 = Cherokee 4WD-4 Dr.-Com
27 = J-20 Pickup-131" W.B.	74 = Cherokee 2WD-4 Dr.	81 = Wrangler-93" W.B.
63 = Comanche 4WD-6 Ft. Box	75 = Wagoneer 4WD-4 Dr.	82 = Wrangler-103" W.B.-Exp.
64 = Comanche 2WD-6 Ft. Box		

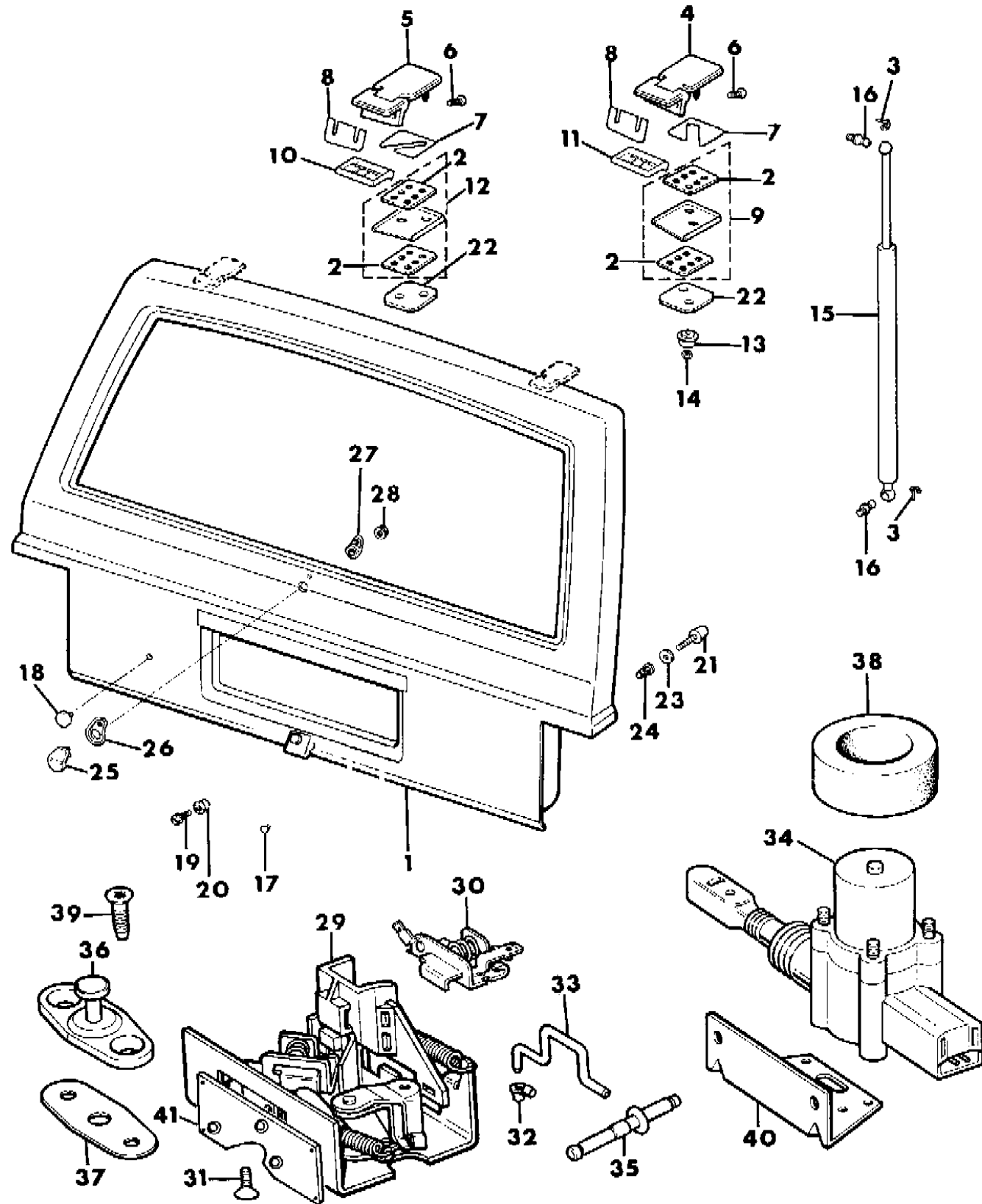
BODY STYLES:

MJ = Comanche Pickup  
 SJ = Grand Wagoneer Wgn., J-10 & J-20 Pickups  
 XJ = Cherokee, Wagoneer Limited  
 YJ = Wrangler

AR = Use as Required - = Non Illustrated Part P.A.R. = Paint as Required

LIFT DOOR, LATCH AND HINGES CHEROKEE, WAGONEER  
Figure 23A-3900

8 J 69 3900A



ITEM	PART NUMBER	QTY	BODY	MODEL	DESCRIPTION
1	5500 9255	1			DOOR, Lift
	8350 7029	1			PACKAGE, Anti Rattle
2	5500 9756	4			SEAL, Hinge
3	J367 9830	4			CLIP
4-5	5500 1984-5	1			HINGE, Lift Door
6	3420 1925	4			SCREW
7	5500 0431	2			SHIM
8	5500 0432	2			SHIM
9	5501 0056	1			GASKET, Right ***
10	5500 1993	1			GASKET, Hinge, Left
11	5500 1992	1			GASKET, Hinge, Right
12	5501 0057	1			GASKET, Left
13	5500 1994	4			WASHER, Hinge
14	3420 2144	4			NUT
15	5500 0630	2			SUPPORT, Lift Door
16	5500 1430	4			STUD, Ball
17	J400 4227	2			BUMPER, License
18	J323 4895	2			BUMPER, License
19	3420 1287	2			SCREW
20	3420 1672	2			NUT
21	5500 5608	2			STOP, Lift Door
22	5500 6492	2			SHIM
23	5500 6770	2			SHIM
24	3420 1977	2			NUT
25	5500 6292	1			PLUG
26	5500 6293	1			GASKET
27	5500 6294	1			SPACER
28	1150 2507	1			NUT
29					LATCH, Lift Door
	5500 6865	1			w/ Cargo Lamp Switch
	5500 6864	1			w/o Cargo Lamp Switch
30	5600 0479	1			SWITCH, Cargo Lamp
31	3420 1996	3			SCREW
32	J400 4532	1			CLIP, (INCLUDING BUSHING)
33	5500 0730	1			ROD, Lock Actuator
34	J813 4627	1			ACTUATOR, Power Lock
35	3420 1353	2			RIVET

MODEL CODES:

15 = Grand Wagoneer 4 Dr.	65 = Comanche 4WD-7 Ft. Box	77 = Cherokee 4WD-2 Dr.
25 = J-10 Pickup-119" W.B.	66 = Comanche 2WD-7 Ft. Box	78 = Cherokee 4WD-4 Dr.
26 = J-10 Pickup-131" W.B.	73 = Cherokee 2WD-2 Dr.	79 = Cherokee 4WD-4 Dr.-Com
27 = J-20 Pickup-131" W.B.	74 = Cherokee 2WD-4 Dr.	81 = Wrangler-93" W.B.
63 = Comanche 4WD-6 Ft. Box	75 = Wagoneer 4WD-4 Dr.	82 = Wrangler-103" W.B.-Exp.
64 = Comanche 2WD-6 Ft. Box		

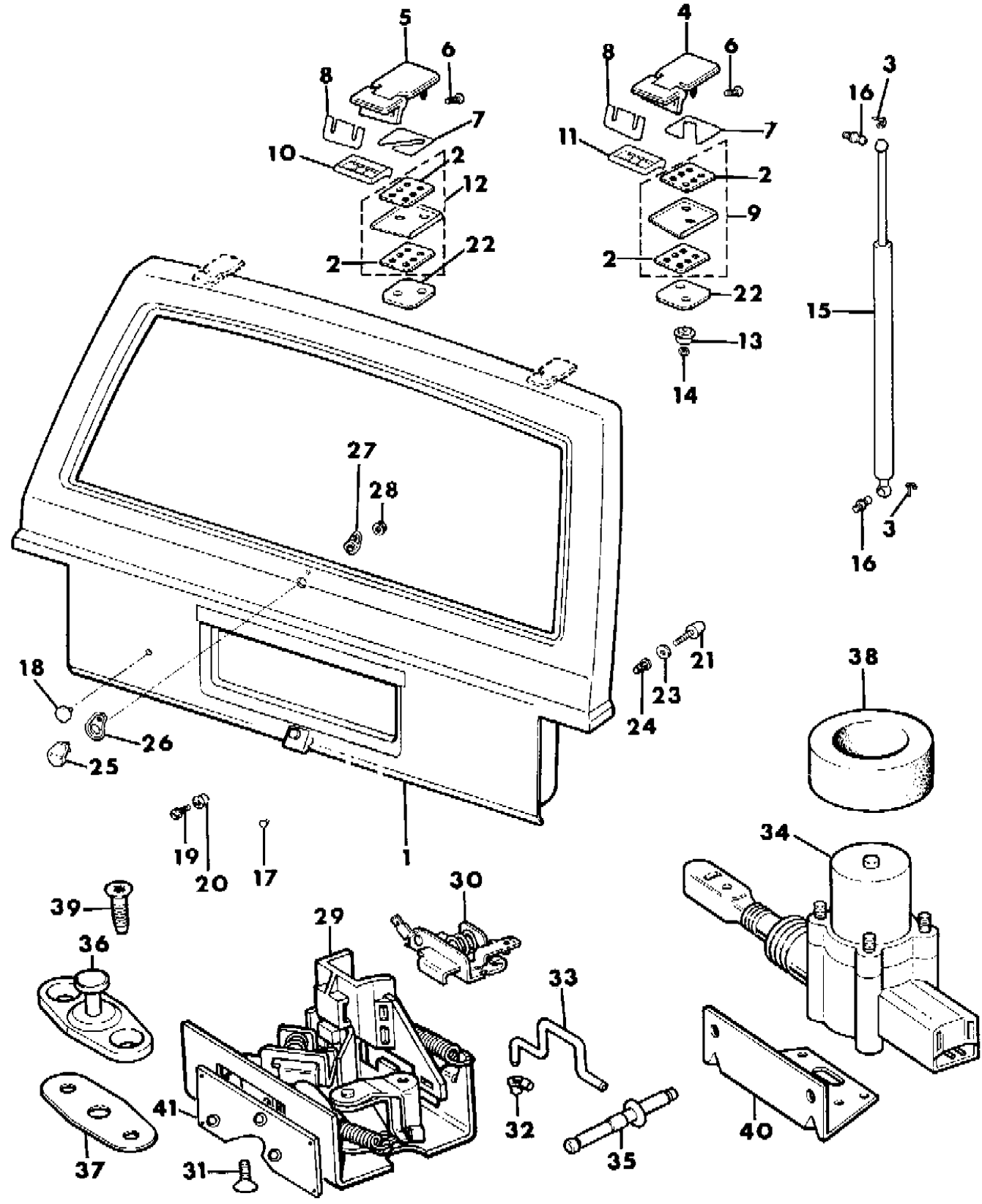
BODY STYLES:

MJ = Comanche Pickup
SJ = Grand Wagoneer Wgn., J-10 & J-20 Pickups
XJ = Cherokee, Wagoneer Limited
YJ = Wrangler

AR = Use as Required - = Non Illustrated Part P.A.R. = Paint as Required

LIFT DOOR, LATCH AND HINGES CHEROKEE, WAGONEER  
Figure 23A-3900

8 J 69 3900A



ITEM	PART NUMBER	QTY	BODY	MODEL	DESCRIPTION
36	5500 2748	1			STRIKER, Latch
37	5500 2756	AR			SHIM
38	5600 1242	1			INSULATOR
39	3420 1516	2			SCREW
40	J371 9474	1			BRACKET, Actuator
41	5501 5398	1			PLATE, Liftgate Latch

MODEL CODES:  
 15 = Grand Wagoneer 4 Dr.      65 = Comanche 4WD-7 Ft. Box      77 = Cherokee 4WD-2 Dr.  
 25 = J-10 Pickup-119" W.B.      66 = Comanche 2WD-7 Ft. Box      78 = Cherokee 4WD-4 Dr.  
 26 = J-10 Pickup-131" W.B.      73 = Cherokee 2WD-2 Dr.      79 = Cherokee 4WD-4 Dr.-Com  
 27 = J-20 Pickup-131" W.B.      74 = Cherokee 2WD-4 Dr.      81 = Wrangler-93" W.B.  
 63 = Comanche 4WD-6 Ft. Box      75 = Wagoneer 4WD-4 Dr.      82 = Wrangler-103" W.B.-Exp.  
 64 = Comanche 2WD-6 Ft. Box

BODY STYLES:  
 MJ = Comanche Pickup  
 SJ = Grand Wagoneer Wgn., J-10 & J-20 Pickups  
 XJ = Cherokee, Wagoneer Limited  
 YJ = Wrangler

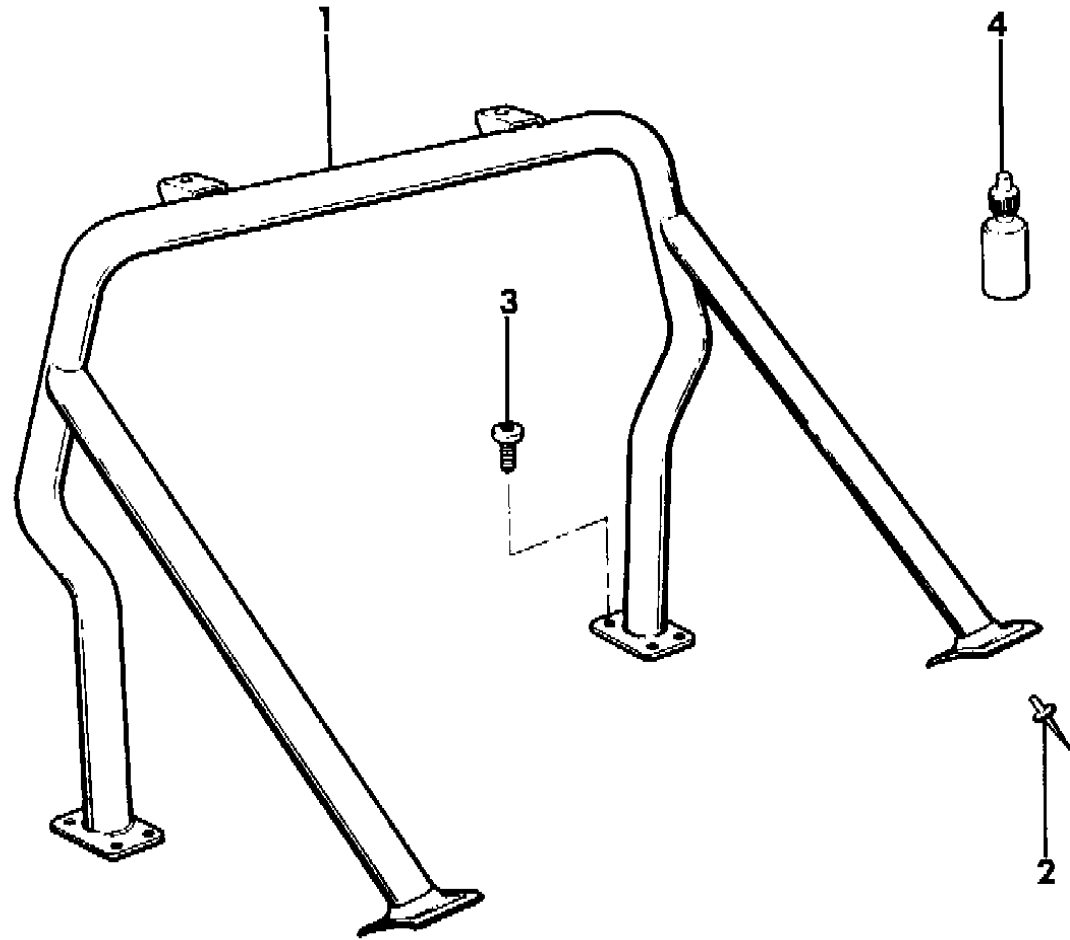
AR = Use as Required - = Non Illustrated Part P.A.R. = Paint as Required



**SPORT BAR COMANCHE**  
Figure 23A-4000

8J69 4000

ITEM	PART NUMBER	QTY	BODY	MODEL	DESCRIPTION
1	8220 0359	1			SPORT BAR, w/7 ft. pickup box ***
	8220 0522	1			SPORT BAR, w/6 ft. pickup box ***
2	3420 1208	4			RIVET
3	3420 2158	26			BOLT
4	J812 9800	1			SEALER, Bolt



MODEL CODES:

15 = Grand Wagoneer 4 Dr.	65 = Comanche 4WD-7 Ft. Box	77 = Cherokee 4WD-2 Dr.
25 = J-10 Pickup-119" W.B.	66 = Comanche 2WD-7 Ft. Box	78 = Cherokee 4WD-4 Dr.
26 = J-10 Pickup-131" W.B.	73 = Cherokee 2WD-2 Dr.	79 = Cherokee 4WD-4 Dr.-Com
27 = J-20 Pickup-131" W.B.	74 = Cherokee 2WD-4 Dr.	81 = Wrangler-93" W.B.
63 = Comanche 4WD-6 Ft. Box	75 = Wagoneer 4WD-4 Dr.	82 = Wrangler-103" W.B.-Exp.
64 = Comanche 2WD-6 Ft. Box		

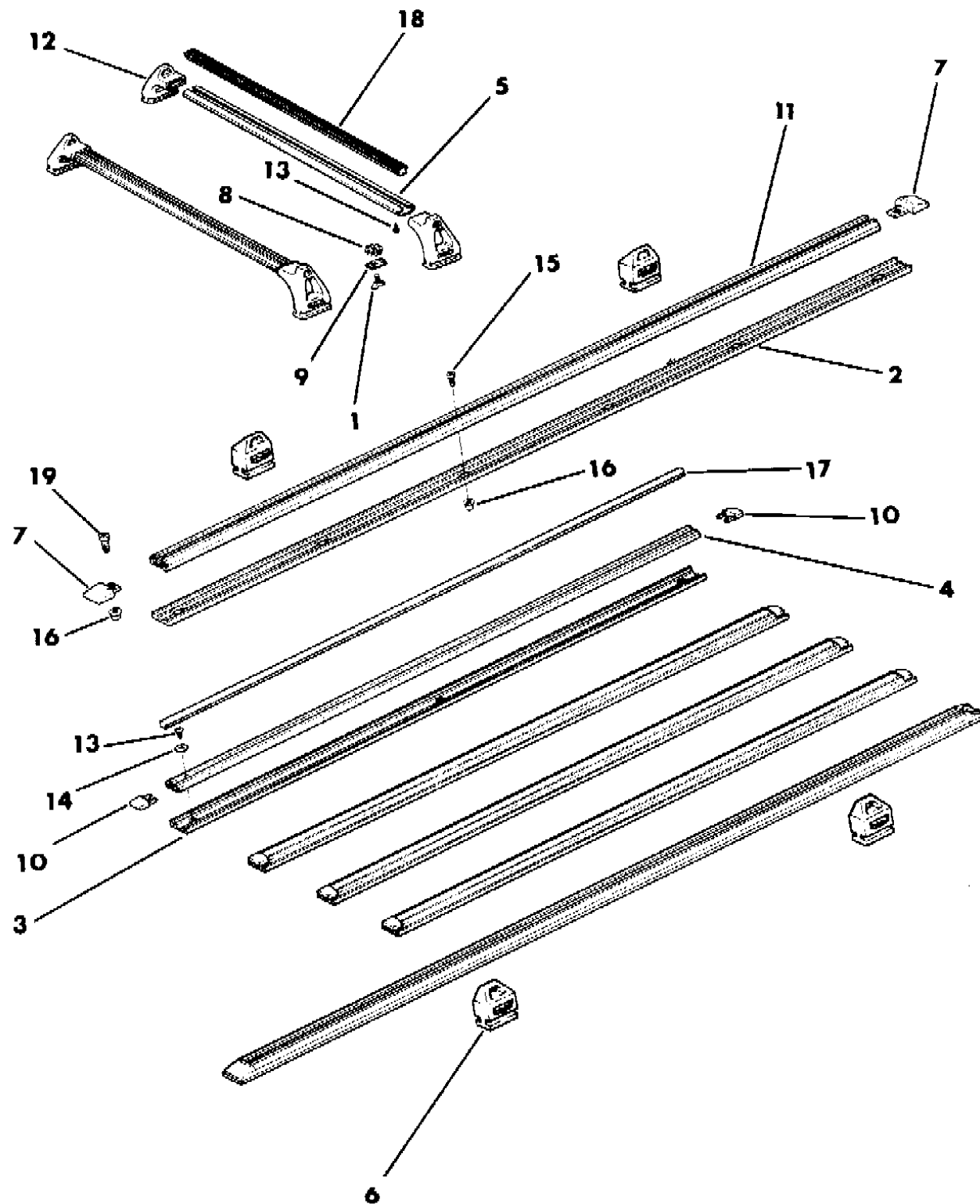
BODY STYLES:

MJ = Comanche Pickup  
 SJ = Grand Wagoneer Wgn., J-10 & J-20 Pickups  
 XJ = Cherokee, Wagoneer Limited  
 YJ = Wrangler

AR = Use as Required - = Non Illustrated Part P.A.R. = Paint as Required

RACK, ROOF LUGGAGE (TYPE 1) CHEROKEE, WAGONEER  
Figure 23A-4100

8J69 4100



ITEM	PART NUMBER	QTY	BODY	MODEL	DESCRIPTION
1	J374 5222	4			KEY, Adjustment
2	5500 0222	2			PAD, Slide Rail
3	5500 0224	4			PAD, Skid Strip
4	5500 0216	4			STRIP, Skid
5	5500 0228	2			RAIL, Cross
6	5500 6284	4			SUPPORT, Tie Down
7	3500 1249	4			END, Slide, Closed ***
8	3500 1250	4			WHEEL, Adjustment
9	3500 1251	4			LOCK, Adjustment Wheel
10	5500 2864	8			END, Skid Strip
11	5500 2866	2			RAIL, Slide
12	3500 1253	4			SUPPORT, Cross Rail
13	J374 5243	16			SCREW
14	J400 7015	12			WASHER
15	3420 1609	10			SCREW
16	3420 1672	12			NUT, Plastic Coated, (J4003120 Rubber Coated Nut)
17	5500 2865	4			INSERT, Skid Strip
18	5500 0229	2			INSERT, Cross Rail
19	3420 1627	2			SCREW

MODEL CODES:

15 = Grand Wagoneer 4 Dr.	65 = Comanche 4WD-7 Ft. Box	77 = Cherokee 4WD-2 Dr.
25 = J-10 Pickup-119" W.B.	66 = Comanche 2WD-7 Ft. Box	78 = Cherokee 4WD-4 Dr.
26 = J-10 Pickup-131" W.B.	73 = Cherokee 2WD-2 Dr.	79 = Cherokee 4WD-4 Dr.-Com
27 = J-20 Pickup-131" W.B.	74 = Cherokee 2WD-4 Dr.	81 = Wrangler-93" W.B.
63 = Comanche 4WD-6 Ft. Box	75 = Wagoneer 4WD-4 Dr.	82 = Wrangler-103" W.B.-Exp.
64 = Comanche 2WD-6 Ft. Box		

BODY STYLES:

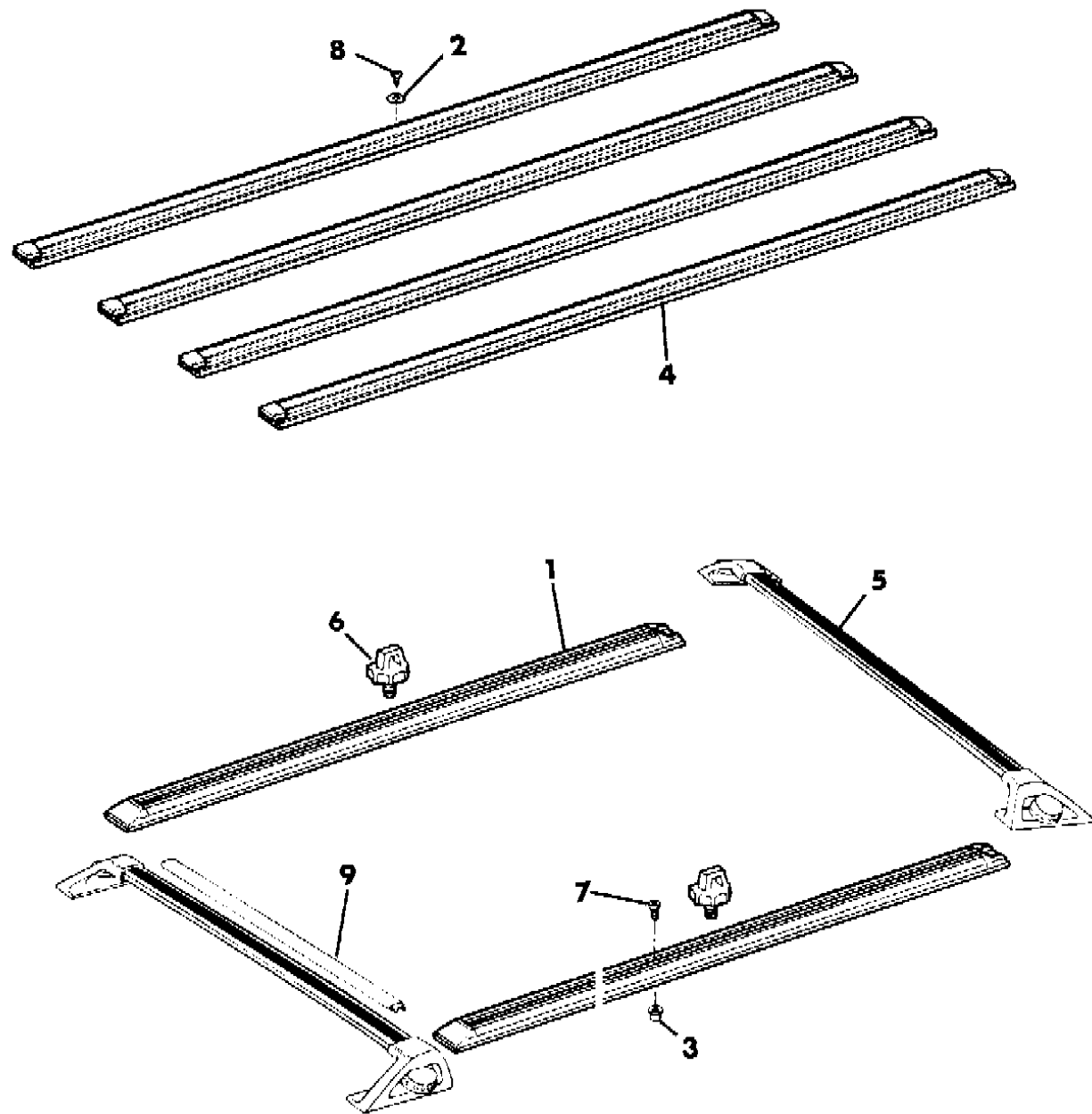
MJ = Comanche Pickup  
SJ = Grand Wagoneer Wgn., J-10 & J-20 Pickups  
XJ = Cherokee, Wagoneer Limited  
YJ = Wrangler

AR = Use as Required - = Non Illustrated Part P.A.R. = Paint as Required

RACK, ROOF LUGGAGE, TYPE 2 CHEROKEE, WAGONEER  
Figure 23A-4200

8J69 4200

ITEM	PART NUMBER	QTY	BODY	MODEL	DESCRIPTION
1					RAIL, Slide
	5501 8890	2			Black
	5502 5571	2			Bright
2	J400 7015	12			WASHER
3					NUT
	3420 1293	12			1987-89
	6502 340	12			1990
4					STRIP, Skid
	5502 0240	4			Black, 1988-89
	5502 5573	4			Bright, 1989
	5502 5797	4			Stick on type, 1990
5					RAIL, Cross
	5501 8702	2			Black
	5502 5572	2			Bright
	4728 425	1			KNOB, Luggage Rack
6	5501 8710	4			SUPPORT, Tie Down
7					SCREW
	3420 1609	12			1987-89
	6502 376	12			1990
8	J400 5821	12			SCREW
9	5502 2140	2			INSERT, Cross Bar Sunroof



MODEL CODES:

15 = Grand Wagoneer 4 Dr.	65 = Comanche 4WD-7 Ft. Box	77 = Cherokee 4WD-2 Dr.
25 = J-10 Pickup-119" W.B.	66 = Comanche 2WD-7 Ft. Box	78 = Cherokee 4WD-4 Dr.
26 = J-10 Pickup-131" W.B.	73 = Cherokee 2WD-2 Dr.	79 = Cherokee 4WD-4 Dr.-Com
27 = J-20 Pickup-131" W.B.	74 = Cherokee 2WD-4 Dr.	81 = Wrangler-93" W.B.
63 = Comanche 4WD-6 Ft. Box	75 = Wagoneer 4WD-4 Dr.	82 = Wrangler-103" W.B.-Exp.
64 = Comanche 2WD-6 Ft. Box		

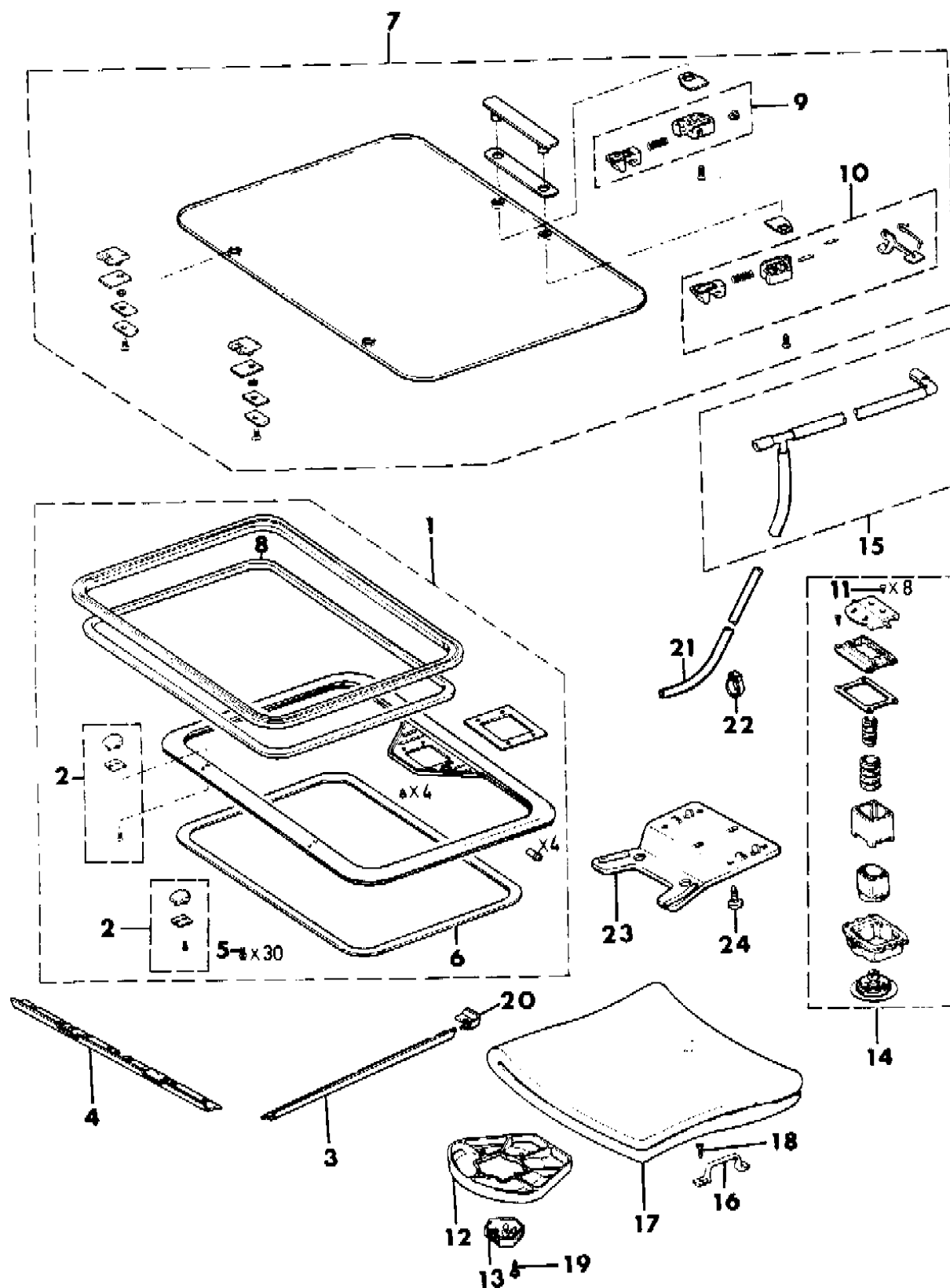
BODY STYLES:

MJ = Comanche Pickup  
SJ = Grand Wagoneer Wgn., J-10 & J-20 Pickups  
XJ = Cherokee, Wagoneer Limited  
YJ = Wrangler

AR = Use as Required - = Non Illustrated Part P.A.R. = Paint as Required

SUNROOF, POP-UP CHEROKEE, WAGONEER  
Figure 23A-4300

8J69 4300



ITEM	PART NUMBER	QTY	BODY	MODEL	DESCRIPTION
1	8350 2073	1			FRAME KIT, Sunroof ***
2	8350 1043	2			HINGE KIT
3	8350 2075	2			RETAINER
4	8350 2076	2			RETAINER
5	8350 1046	30			SCREW
6	8350 1049	1			SEAL, Sunroof Flange
7	8350 2074	1			GLASS KIT, Sunroof ***
8	8350 2078	1			SEAL, Sunroof Inner
9	8350 1054	1			LATCH KIT
10	8350 1055	1			LATCH KIT
11	S016 2457	8			SCREW
12	8350 1061	1			PLATE, Handle
13	8350 1062	1			HANDLE
14	8350 1063	1			ADJUSTER KIT, Sunroof ***
15	5500 7626	2			TUBE KIT, Drain
16	5501 3668	2			LOOP, Footman
17	5500 9582	1			COVER, Sunroof Glass
18	J400 2809	4			SCREW
19	3420 2491	1			SCREW
20	8350 2077	4			RETAINER
21	5500 7976	2			TUBE, Drain
22	J322 7850	2			CLAMP
23	5500 7632	1			REINFORCEMENT
24	3420 1893	4			SCREW

MODEL CODES:

15 = Grand Wagoneer 4 Dr.	65 = Comanche 4WD-7 Ft. Box	77 = Cherokee 4WD-2 Dr.
25 = J-10 Pickup-119" W.B.	66 = Comanche 2WD-7 Ft. Box	78 = Cherokee 4WD-4 Dr.
26 = J-10 Pickup-131" W.B.	73 = Cherokee 2WD-2 Dr.	79 = Cherokee 4WD-4 Dr.-Com
27 = J-20 Pickup-131" W.B.	74 = Cherokee 2WD-4 Dr.	81 = Wrangler-93" W.B.
63 = Comanche 4WD-6 Ft. Box	75 = Wagoneer 4WD-4 Dr.	82 = Wrangler-103" W.B.-Exp.
64 = Comanche 2WD-6 Ft. Box		

BODY STYLES:

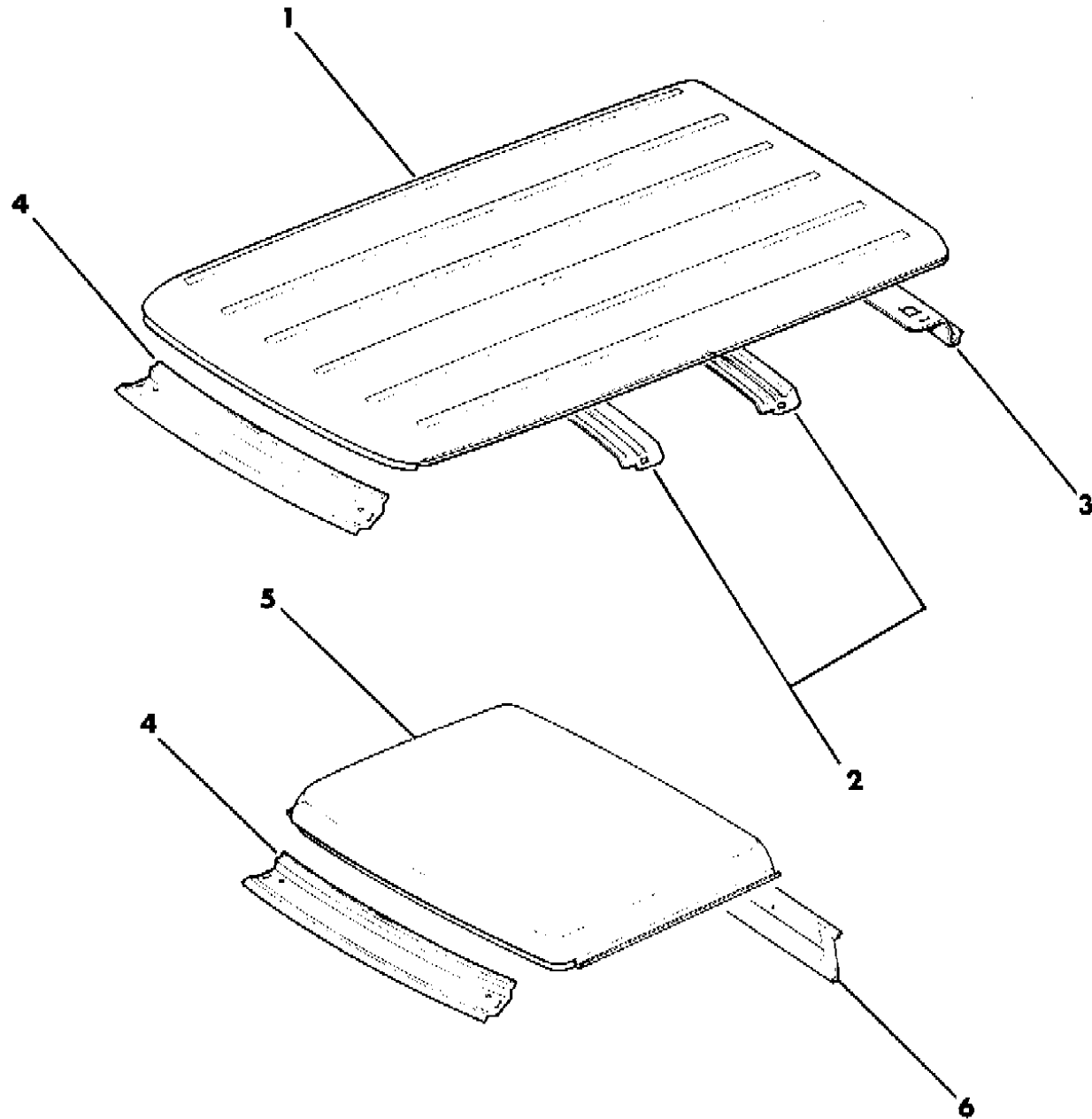
MJ = Comanche Pickup  
 SJ = Grand Wagoneer Wgn., J-10 & J-20 Pickups  
 XJ = Cherokee, Wagoneer Limited  
 YJ = Wrangler

AR = Use as Required - = Non Illustrated Part P.A.R. = Paint as Required

PANELS, ROOF CHEROKEE, WAGONEER, COMANCHE  
Figure 23A-4400

8 J 69 4400

ITEM	PART NUMBER	QTY	BODY	MODEL	DESCRIPTION
1					PANEL, Roof
	5500 0142	1	XJ		w/o Sunroof
	5501 0629	1	XJ		w/Sunroof
	5500 2389	1	XJ		1987-89
					1990
2	5500 0138	2	XJ		SUPPORT, Roof
3	5700 2012	1	XJ		HEADER, Door ***
4					HEADER, Front ***
	5500 0108	1			1987-89
	5502 7632	1			1990
5	5500 3424	1	MJ		PANEL, Roof
6	5500 3432	1	MJ		PANEL, Cab Header



MODEL CODES:

15 = Grand Wagoneer 4 Dr.	65 = Comanche 4WD-7 Ft. Box	77 = Cherokee 4WD-2 Dr.
25 = J-10 Pickup-119" W.B.	66 = Comanche 2WD-7 Ft. Box	78 = Cherokee 4WD-4 Dr.
26 = J-10 Pickup-131" W.B.	73 = Cherokee 2WD-2 Dr.	79 = Cherokee 4WD-4 Dr.-Com
27 = J-20 Pickup-131" W.B.	74 = Cherokee 2WD-4 Dr.	81 = Wrangler-93" W.B.
63 = Comanche 4WD-6 Ft. Box	75 = Wagoneer 4WD-4 Dr.	82 = Wrangler-103" W.B.-Exp.
64 = Comanche 2WD-6 Ft. Box		

BODY STYLES:

MJ = Comanche Pickup  
 SJ = Grand Wagoneer Wgn., J-10 & J-20 Pickups  
 XJ = Cherokee, Wagoneer Limited  
 YJ = Wrangler

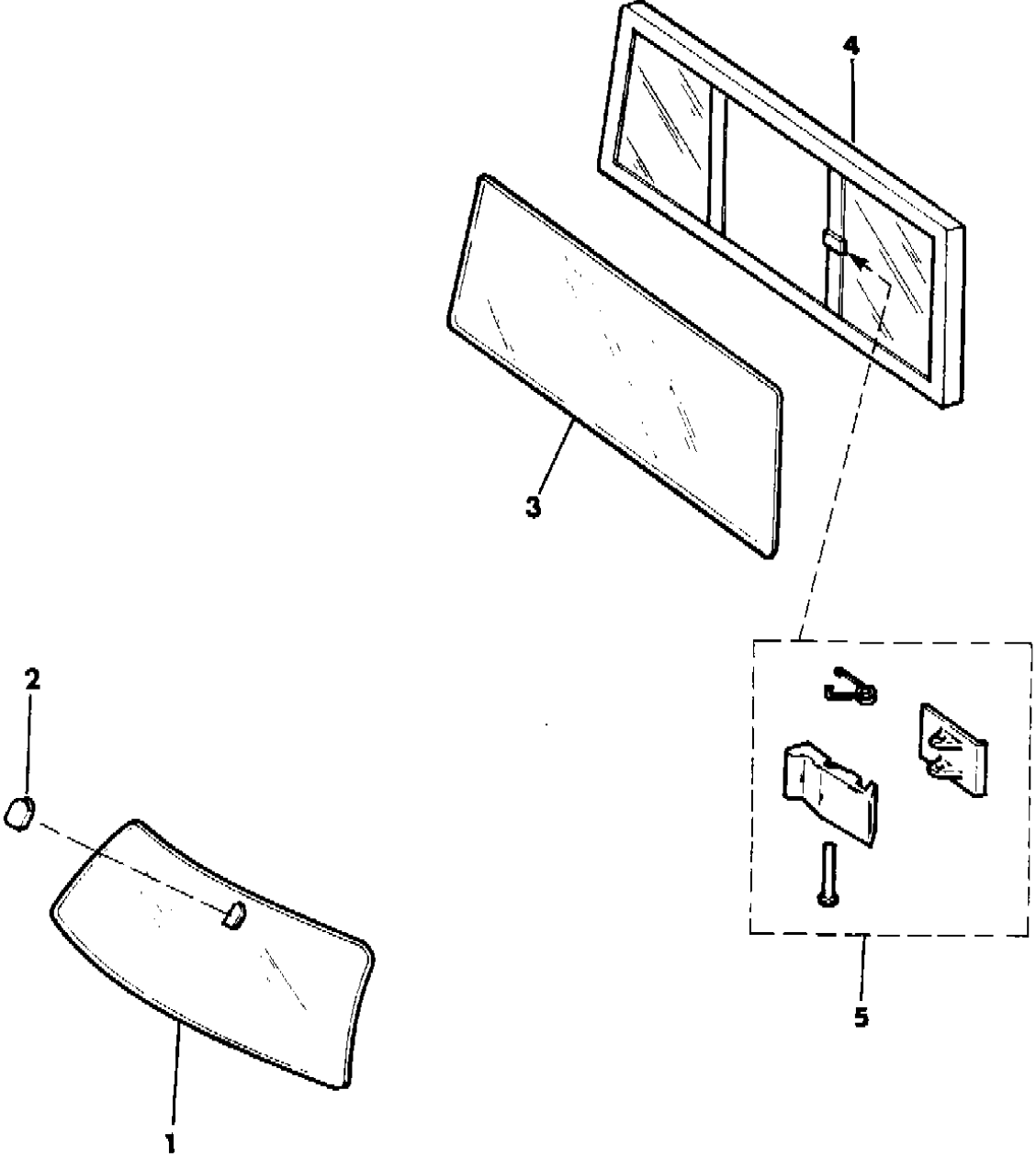
AR = Use as Required - = Non Illustrated Part P.A.R. = Paint as Required

**GLASS COMANCHE**  
**Figure 23A-4500**

8J69 4500

ITEM	PART NUMBER	QTY	BODY	MODEL	DESCRIPTION
1					GLASS, Windshield
	5500 0552	1			Clear
	5500 0553	1			Tinted
2	J365 7374	1			SUPPORT, Inside Rear View Mirror (See note a)
3	5500 4338	1			GLASS, Fixed Tinted
4	5500 4224	1			GLASS, Sliding Tinted
5	8350 3323	1			LOCK KIT

(a) The Mirror Support is Replacing Mirror Mounting Kit. When Installing a Mirror Support, use Locktite #312 and the Accelerator. (A)  
For 1987, two types of instrument clusters were used. On type one, Clusters, the odometer numbers are rounded, the



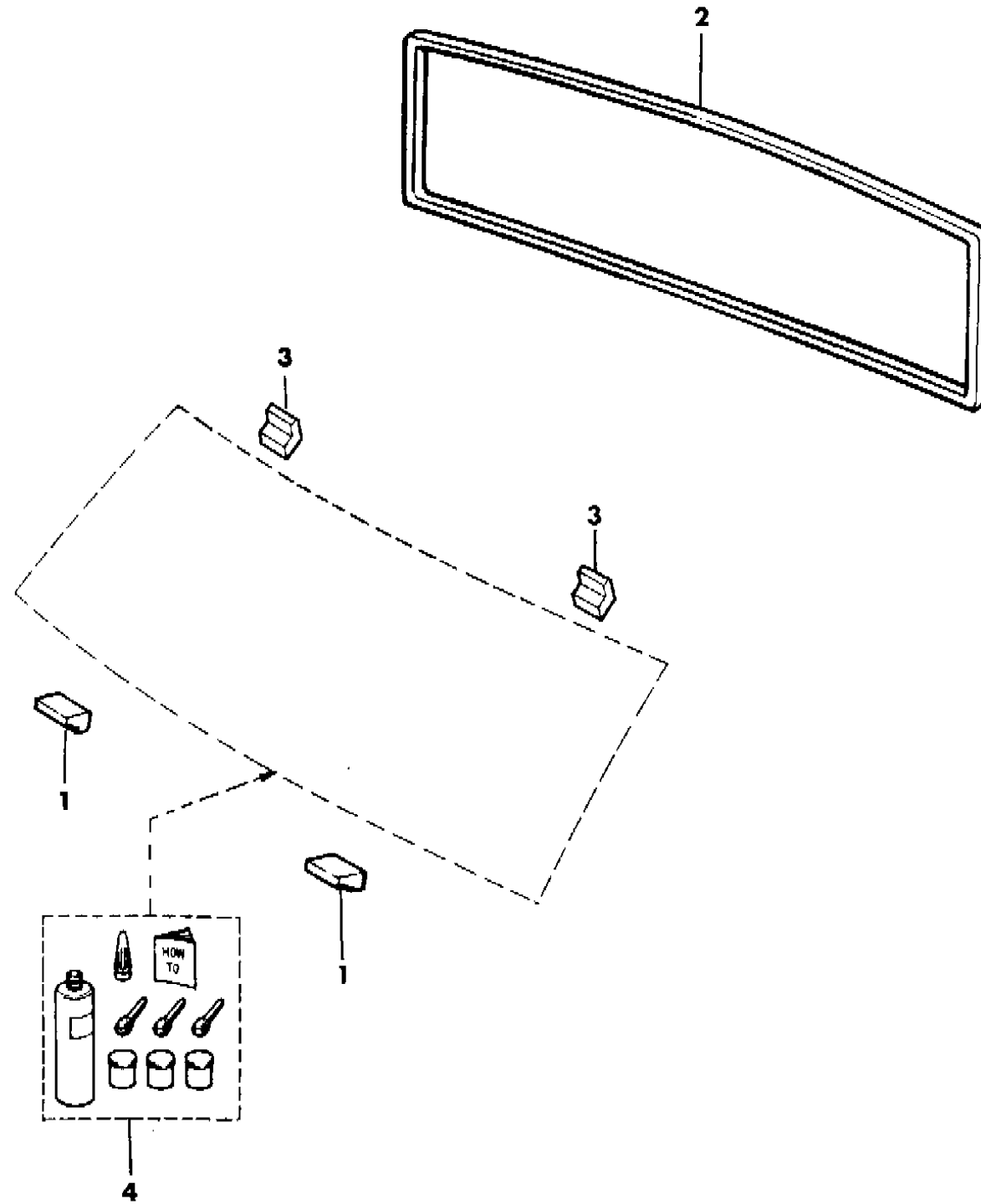
- MODEL CODES:
- |                             |                             |                              |
|-----------------------------|-----------------------------|------------------------------|
| 15 = Grand Wagoneer 4 Dr.   | 65 = Comanche 4WD-7 Ft. Box | 77 = Cherokee 4WD-2 Dr.      |
| 25 = J-10 Pickup-119" W.B.  | 66 = Comanche 2WD-7 Ft. Box | 78 = Cherokee 4WD-4 Dr.      |
| 26 = J-10 Pickup-131" W.B.  | 73 = Cherokee 2WD-2 Dr.     | 79 = Cherokee 4WD-4 Dr.-Com  |
| 27 = J-20 Pickup-131" W.B.  | 74 = Cherokee 2WD-4 Dr.     | 81 = Wrangler-93" W.B.       |
| 63 = Comanche 4WD-6 Ft. Box | 75 = Wagoneer 4WD-4 Dr.     | 82 = Wrangler-103" W.B.-Exp. |
| 64 = Comanche 2WD-6 Ft. Box |                             |                              |

- BODY STYLES:
- MJ = Comanche Pickup
  - SJ = Grand Wagoneer Wgn., J-10 & J-20 Pickups
  - XJ = Cherokee, Wagoneer Limited
  - YJ = Wrangler

AR = Use as Required - = Non Illustrated Part P.A.R. = Paint as Required

SEAL, WINDOW COMANCHE  
Figure 23A-4600

8 J 69 4600



ITEM	PART NUMBER	QTY	BODY	MODEL	DESCRIPTION
1	5500 2604	2			SPACER, Windshield Bottom, Soluble
2	5500 7123	1			SEAL, Rear Window
3	5505 2617	2			SPACER, Windshield Top, Soluble
4	8310 0051	AR			MOUNTING KIT, Windshield

MODEL CODES:

15 = Grand Wagoneer 4 Dr.	65 = Comanche 4WD-7 Ft. Box	77 = Cherokee 4WD-2 Dr.
25 = J-10 Pickup-119" W.B.	66 = Comanche 2WD-7 Ft. Box	78 = Cherokee 4WD-4 Dr.
26 = J-10 Pickup-131" W.B.	73 = Cherokee 2WD-2 Dr.	79 = Cherokee 4WD-4 Dr.-Com
27 = J-20 Pickup-131" W.B.	74 = Cherokee 2WD-4 Dr.	81 = Wrangler-93" W.B.
63 = Comanche 4WD-6 Ft. Box	75 = Wagoneer 4WD-4 Dr.	82 = Wrangler-103" W.B.-Exp.
64 = Comanche 2WD-6 Ft. Box		

BODY STYLES:

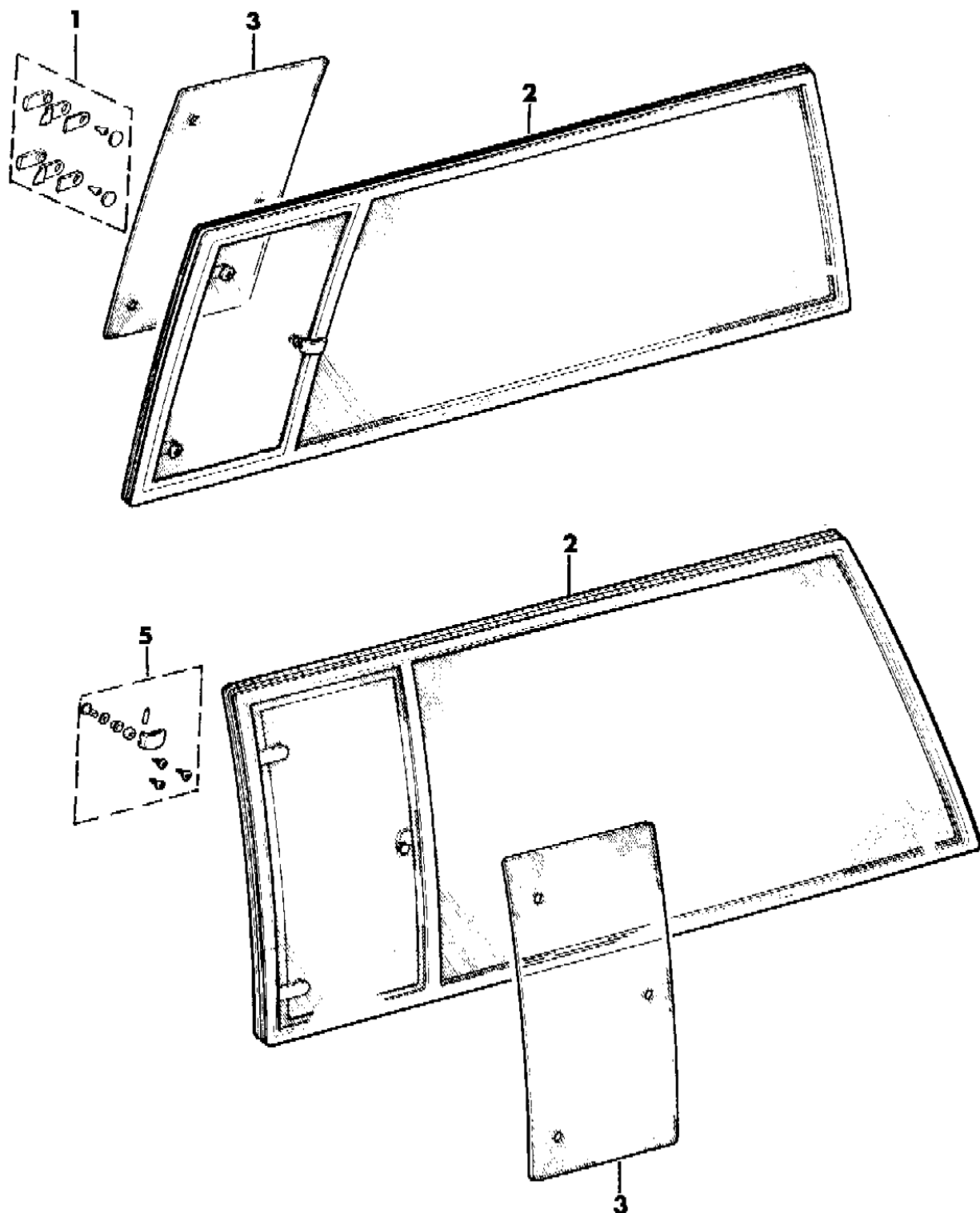
MJ = Comanche Pickup  
 SJ = Grand Wagoneer Wgn., J-10 & J-20 Pickups  
 XJ = Cherokee, Wagoneer Limited  
 YJ = Wrangler

AR = Use as Required - = Non Illustrated Part P.A.R. = Paint as Required

**GLASS, REAR QUARTER FIXED CHEROKEE 2 DOOR**  
**Figure 23A-4700**

8 J 69 4700 A

ITEM	PART NUMBER	QTY	BODY	MODEL	DESCRIPTION
1	8350 2274-5	1			HINGE KIT ***
2					GLASS ASSEMBLY, Quarter Tinted
	5500 7980-1	1			Easy Eye
	5500 7982-3	1			Bronze
	5501 9748-9	1			Gray
3					GLASS, Quarter Vent Tinted
	5500 7994-5	1			Easy Eye
	5500 7996-7	1			Bronze
	5501 9744-5	1			Gray
4	8350 2272	2			HANDLE KIT, Quarter Window Vent ***



**MODEL CODES:**

15 = Grand Wagoneer 4 Dr.	65 = Comanche 4WD-7 Ft. Box	77 = Cherokee 4WD-2 Dr.
25 = J-10 Pickup-119" W.B.	66 = Comanche 2WD-7 Ft. Box	78 = Cherokee 4WD-4 Dr.
26 = J-10 Pickup-131" W.B.	73 = Cherokee 2WD-2 Dr.	79 = Cherokee 4WD-4 Dr.-Com
27 = J-20 Pickup-131" W.B.	74 = Cherokee 2WD-4 Dr.	81 = Wrangler-93" W.B.
63 = Comanche 4WD-6 Ft. Box	75 = Wagoneer 4WD-4 Dr.	82 = Wrangler-103" W.B.-Exp.
64 = Comanche 2WD-6 Ft. Box		

**BODY STYLES:**

MJ = Comanche Pickup  
 SJ = Grand Wagoneer Wgn., J-10 & J-20 Pickups  
 XJ = Cherokee, Wagoneer Limited  
 YJ = Wrangler

AR = Use as Required - = Non Illustrated Part P.A.R. = Paint as Required

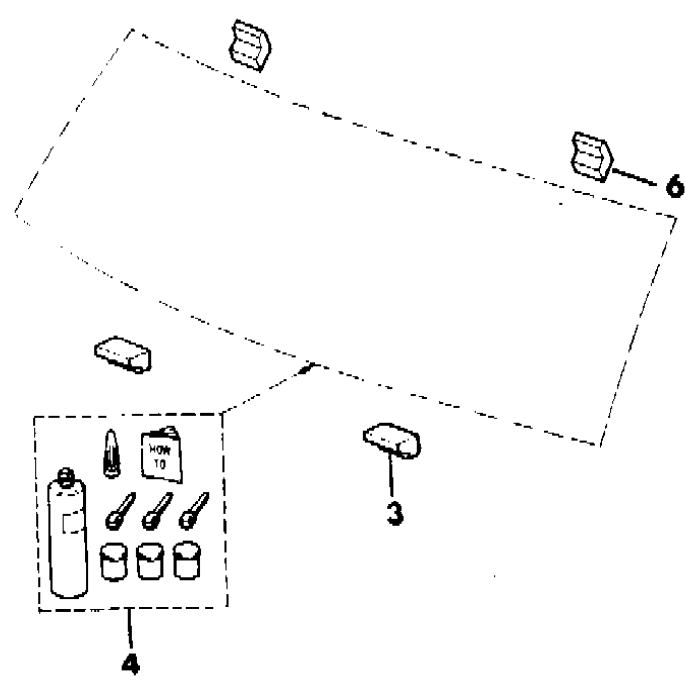
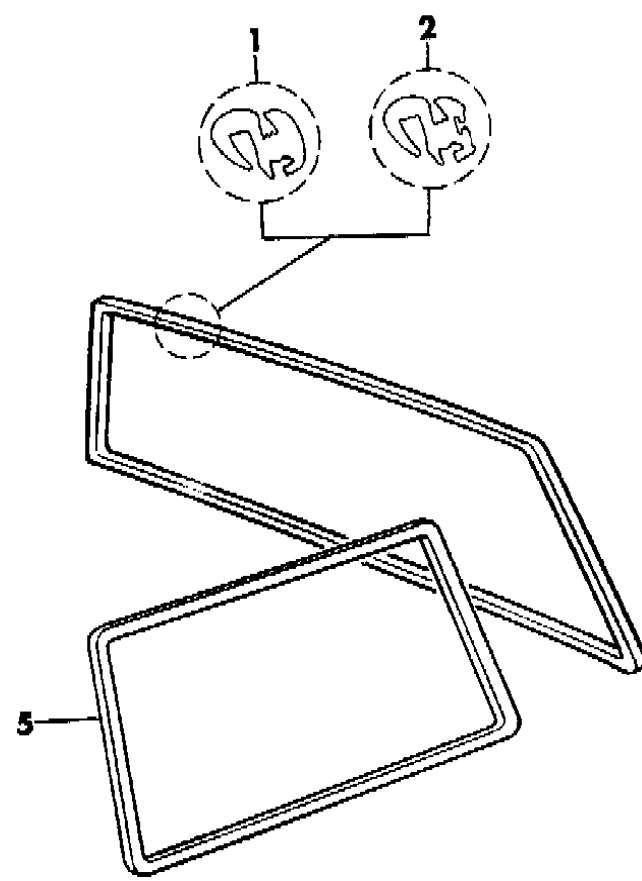




**SEALS WINDOW CHEROKEE 2 DOOR**  
**Figure 23A-4900**

8 J 69 4900

ITEM	PART NUMBER	QTY	BODY	MODEL	DESCRIPTION
1	5500 7134	1			SEAL, Lift Door Glass
2	5500 7135	1			SEAL, Lift Door Glass, w/Mldg.
3	5500 2604	2			SPACER, Windshield Bottom
4	8310 0051	AR			MOUNTING KIT, Windshield
5	5500 7130-1	1			SEAL, Quarter Window
6	5505 2617	2			SPACER, Windshield Top



**MODEL CODES:**

- |                             |                             |                              |
|-----------------------------|-----------------------------|------------------------------|
| 15 = Grand Wagoneer 4 Dr.   | 65 = Comanche 4WD-7 Ft. Box | 77 = Cherokee 4WD-2 Dr.      |
| 25 = J-10 Pickup-119" W.B.  | 66 = Comanche 2WD-7 Ft. Box | 78 = Cherokee 4WD-4 Dr.      |
| 26 = J-10 Pickup-131" W.B.  | 73 = Cherokee 2WD-2 Dr.     | 79 = Cherokee 4WD-4 Dr.-Com  |
| 27 = J-20 Pickup-131" W.B.  | 74 = Cherokee 2WD-4 Dr.     | 81 = Wrangler-93" W.B.       |
| 63 = Comanche 4WD-6 Ft. Box | 75 = Wagoneer 4WD-4 Dr.     | 82 = Wrangler-103" W.B.-Exp. |
| 64 = Comanche 2WD-6 Ft. Box |                             |                              |

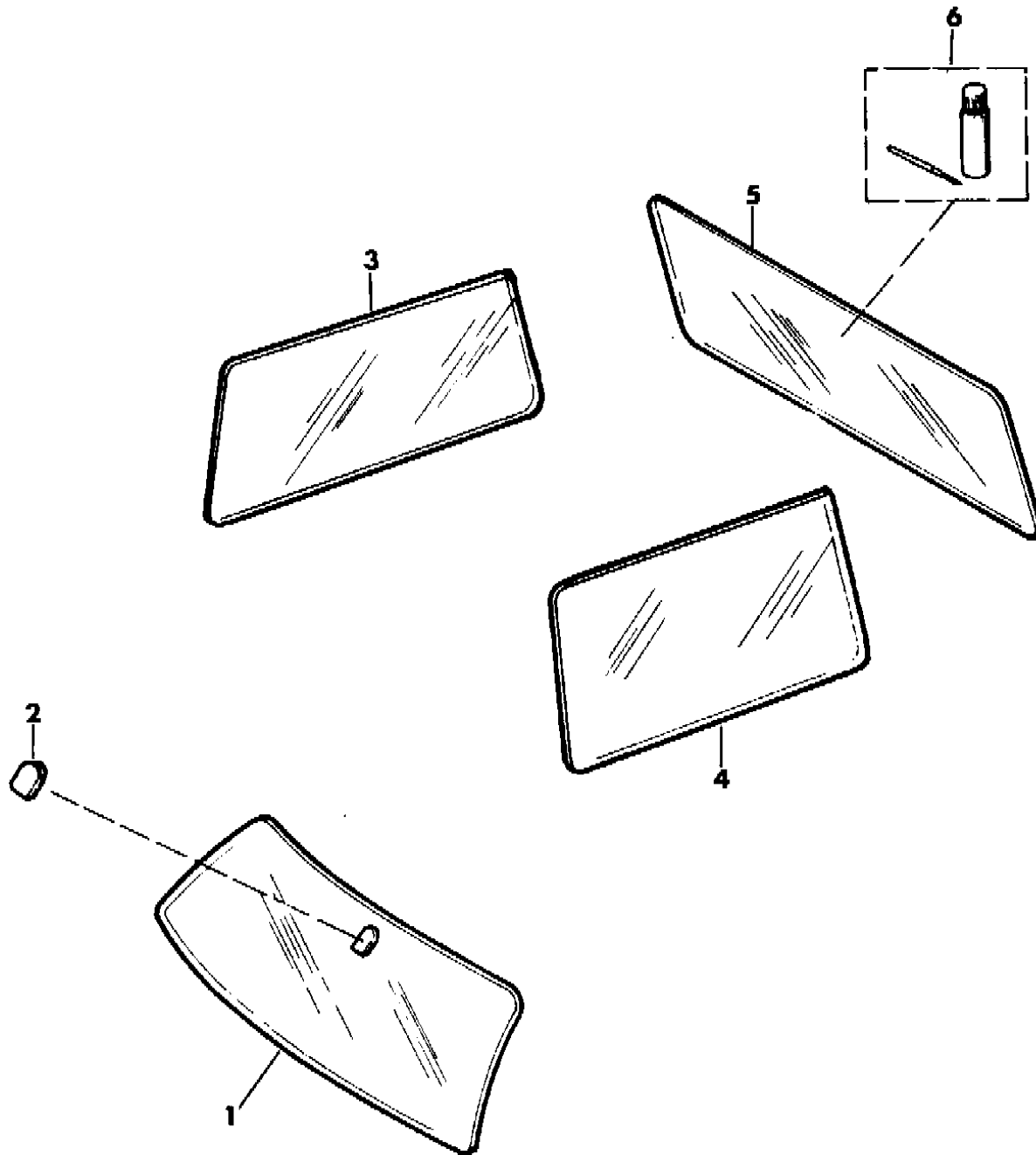
**BODY STYLES:**

- MJ = Comanche Pickup
- SJ = Grand Wagoneer Wgn., J-10 & J-20 Pickups
- XJ = Cherokee, Wagoneer Limited
- YJ = Wrangler

AR = Use as Required - = Non Illustrated Part P.A.R. = Paint as Required

**GLASS, STATIONARY WINDSHIELD, QUARTER AND LIFT DOOR CHEROKEE 2 DOOR**  
**Figure 23A-5000**

8 J 69 5000



ITEM	PART NUMBER	QTY	BODY	MODEL	DESCRIPTION
1					GLASS, Windshield
	5500 0552	1			Clear
	5500 0553	1			Tinted
2	J365 7374	1			SUPPORT, Inside Rear View Mirror (a)
3-4					GLASS, Quarter
	5500 0184-5	1			Clear, 1987
	5500 0186-7	1			Tinted
5					GLASS, Liftgate
	5500 9768	1			Clear, 1987
	5500 9769	1			Green
	5500 9770	1			Green, w/rear window defogger
	5501 8738	1			Grey, w/rear window defogger
6	J812 3332	1			REPAIR KIT

(a) The Mirror Support is Replacing Mirror Mounting Kit. When Installing a Mirror Support, Use Locktite #321 Adhesive, and the Accelerator for Locktite #312.

**MODEL CODES:**

15 = Grand Wagoneer 4 Dr.	65 = Comanche 4WD-7 Ft. Box	77 = Cherokee 4WD-2 Dr.
25 = J-10 Pickup-119" W.B.	66 = Comanche 2WD-7 Ft. Box	78 = Cherokee 4WD-4 Dr.
26 = J-10 Pickup-131" W.B.	73 = Cherokee 2WD-2 Dr.	79 = Cherokee 4WD-4 Dr.-Com
27 = J-20 Pickup-131" W.B.	74 = Cherokee 2WD-4 Dr.	81 = Wrangler-93" W.B.
63 = Comanche 4WD-6 Ft. Box	75 = Wagoneer 4WD-4 Dr.	82 = Wrangler-103" W.B.-Exp.
64 = Comanche 2WD-6 Ft. Box		

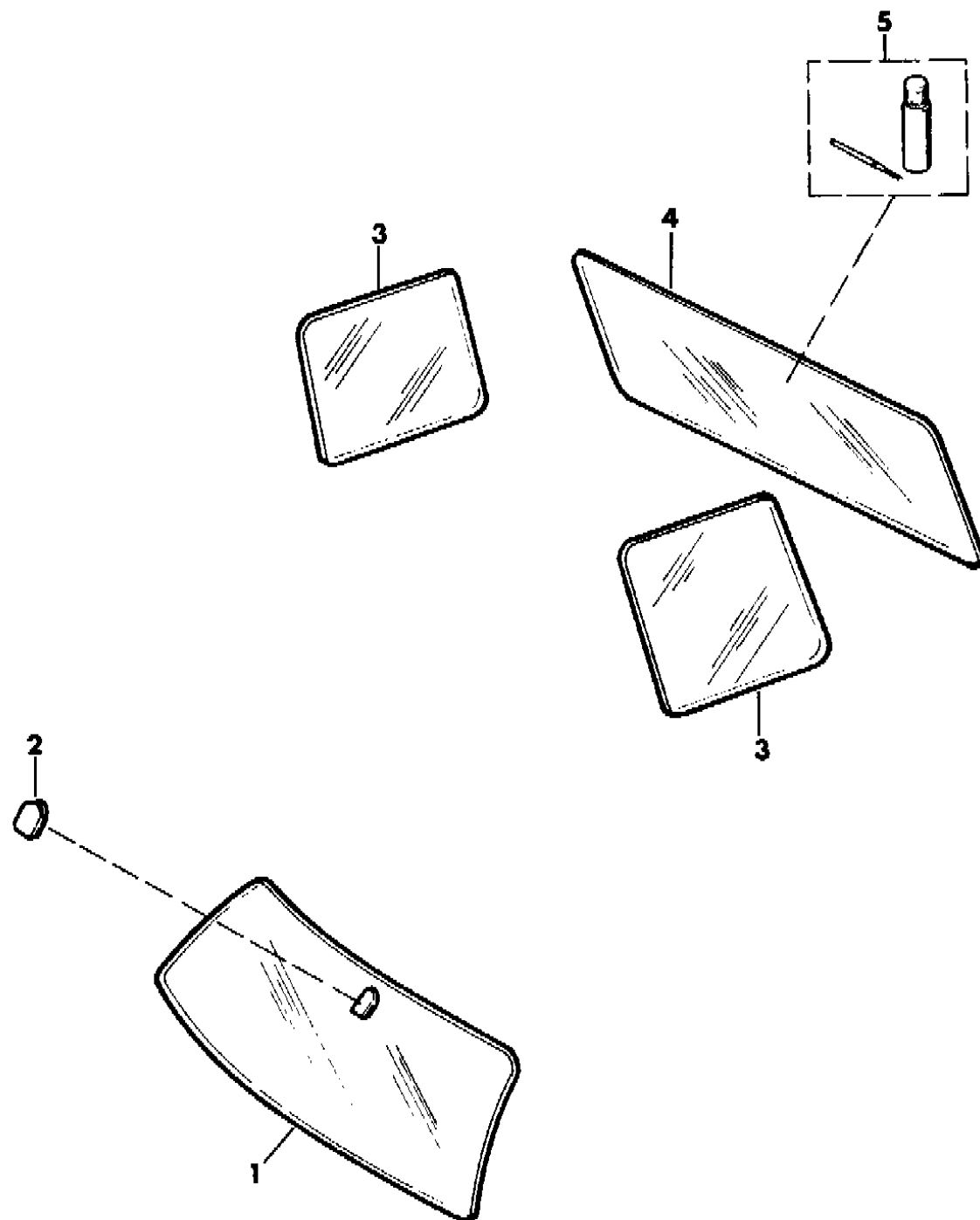
**BODY STYLES:**

MJ = Comanche Pickup  
 SJ = Grand Wagoneer Wgn., J-10 & J-20 Pickups  
 XJ = Cherokee, Wagoneer Limited  
 YJ = Wrangler

AR = Use as Required - = Non Illustrated Part P.A.R. = Paint as Required

**GLASS, STATIONARY WINDSHIELD, QUARTER, AND LIFT DOOR CHEROKEE 4 DOOR, WAGONEER**  
**Figure 23A-5100**

8 J69 5100 A



ITEM	PART NUMBER	QTY	BODY	MODEL	DESCRIPTION
1					GLASS, Windshield
	5500 0552	1			Clear
	5500 0553	1			Tinted
2	J365 7374	1			SUPPORT, Inside Rear View Mirror Mounting (a)
3					GLASS, Quarter
	5500 0700-1	1			Green
	5501 8654-5	1			Grey
4					GLASS, Lift Door
	5500 9768	1			Clear, 1987
	5500 9769	1			Green
	5500 9770	1			Green, w/rear window defogger
	5501 8738	1			Grey, w/rear window defogger
5	J812 3332	1			REPAIR KIT, Grid ***

(a) The Mirror Support is Replacing Mirror Mounting Kit. When Installing a Mirror, Support, Use Locktite #312 Adhesive and the Accelerator for Locktite #312.

**MODEL CODES:**

15 = Grand Wagoneer 4 Dr.	65 = Comanche 4WD-7 Ft. Box	77 = Cherokee 4WD-2 Dr.
25 = J-10 Pickup-119" W.B.	66 = Comanche 2WD-7 Ft. Box	78 = Cherokee 4WD-4 Dr.
26 = J-10 Pickup-131" W.B.	73 = Cherokee 2WD-2 Dr.	79 = Cherokee 4WD-4 Dr.-Com
27 = J-20 Pickup-131" W.B.	74 = Cherokee 2WD-4 Dr.	81 = Wrangler-93" W.B.
63 = Comanche 4WD-6 Ft. Box	75 = Wagoneer 4WD-4 Dr.	82 = Wrangler-103" W.B.-Exp.
64 = Comanche 2WD-6 Ft. Box		

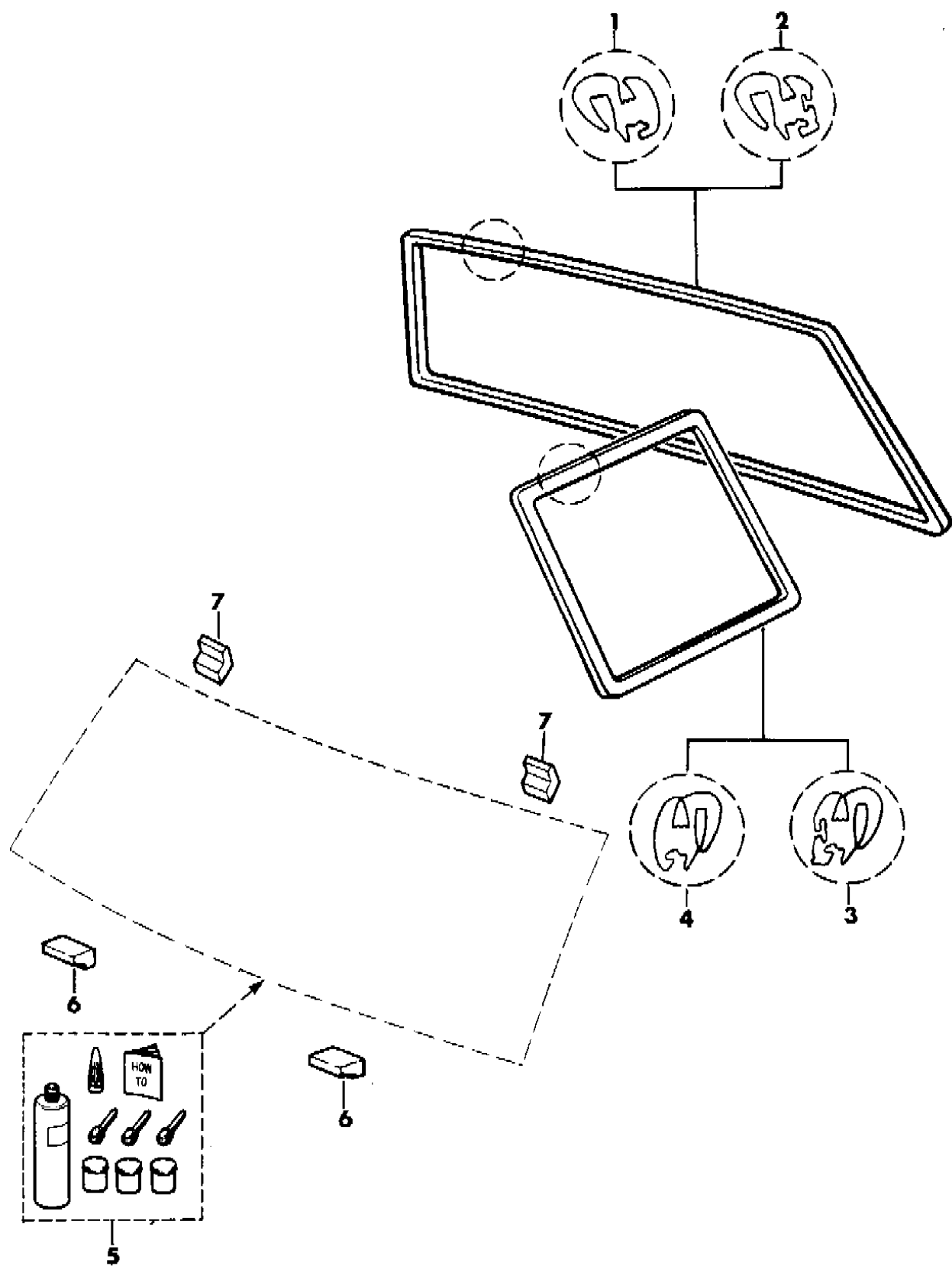
**BODY STYLES:**

MJ = Comanche Pickup  
 SJ = Grand Wagoneer Wgn., J-10 & J-20 Pickups  
 XJ = Cherokee, Wagoneer Limited  
 YJ = Wrangler

AR = Use as Required - = Non Illustrated Part P.A.R. = Paint as Required

SEALS QUARTER AND LIFT DOOR WINDOW CHEROKEE 4 DOOR, WAGONEER  
Figure 23A-5200

8J 69 5200



ITEM	PART NUMBER	QTY	BODY	MODEL	DESCRIPTION
1					SEAL, Lift Door Glass
	5500 7134	1			1987-89
	5502 5250	1			1990
2	5500 7135	1			SEAL, Lift Door Glass, w/Mldg.
3	5500 7132-3	1		75	SEAL, Quarter Window
4	5500 7128-9	1		74, 78	SEAL, Quarter Window
5	8310 0051	1			MOUNTING KIT
6	5500 2604	2			SPACER, Windshield Bottom
7	5505 2617	2			SPACER, Windshield Top

MODEL CODES:

15 = Grand Wagoneer 4 Dr.	65 = Comanche 4WD-7 Ft. Box	77 = Cherokee 4WD-2 Dr.
25 = J-10 Pickup-119" W.B.	66 = Comanche 2WD-7 Ft. Box	78 = Cherokee 4WD-4 Dr.
26 = J-10 Pickup-131" W.B.	73 = Cherokee 2WD-2 Dr.	79 = Cherokee 4WD-4 Dr.-Com
27 = J-20 Pickup-131" W.B.	74 = Cherokee 2WD-4 Dr.	81 = Wrangler-93" W.B.
63 = Comanche 4WD-6 Ft. Box	75 = Wagoneer 4WD-4 Dr.	82 = Wrangler-103" W.B.-Exp.
64 = Comanche 2WD-6 Ft. Box		

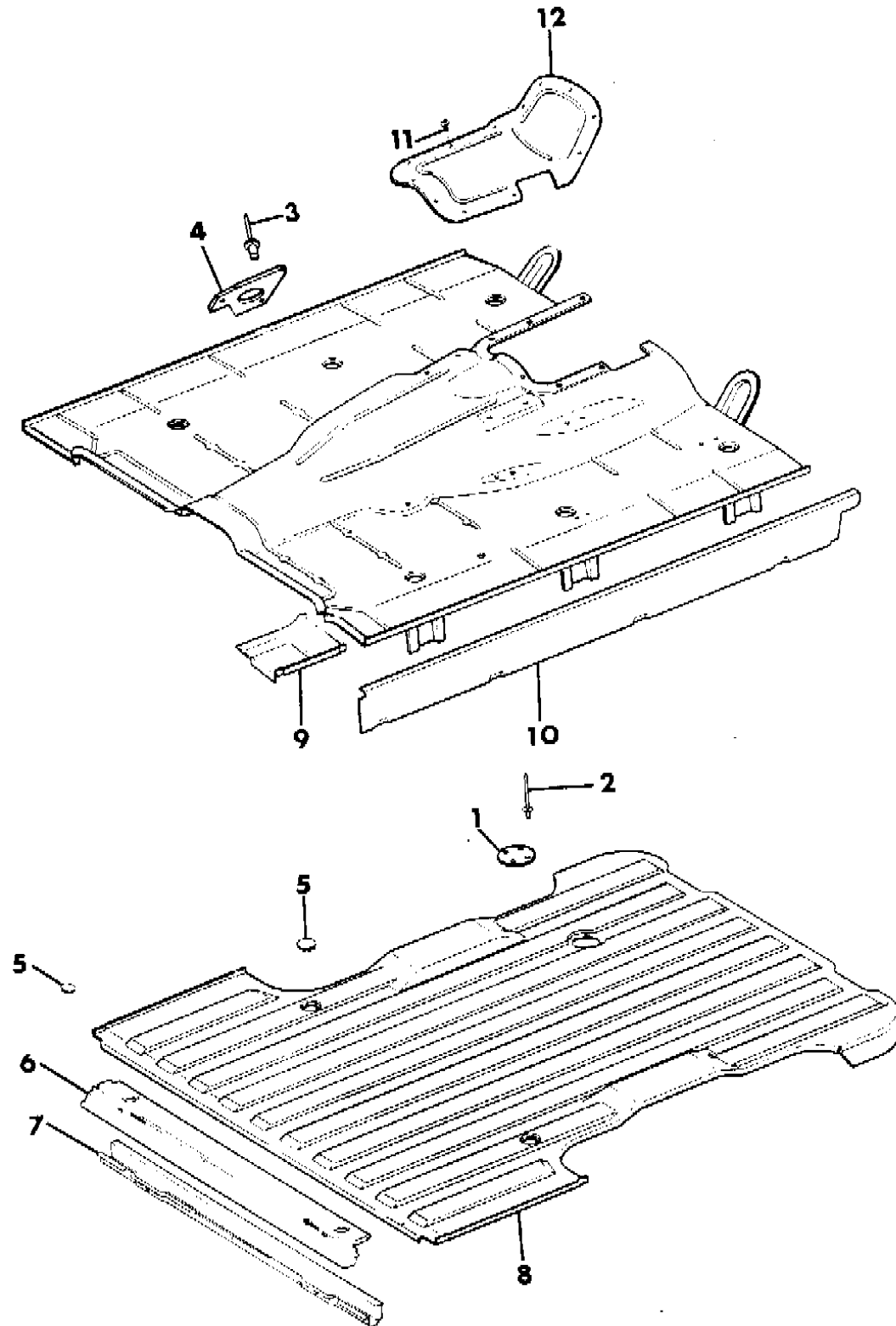
BODY STYLES:

MJ = Comanche Pickup  
SJ = Grand Wagoneer Wgn., J-10 & J-20 Pickups  
XJ = Cherokee, Wagoneer Limited  
YJ = Wrangler

AR = Use as Required - = Non Illustrated Part P.A.R. = Paint as Required

PAN, FLOOR GRAND WAGONEER  
Figure 23A-5300

8J69 5300



ITEM	PART NUMBER	QTY	BODY	MODEL	DESCRIPTION
1	J575 2636	1			PLATE
2	J400 5899	4			RIVET
3	J400 5300	2			RIVET
4	J575 1826	1			PLATE, Tapping
5	J400 6453	AR			PLUG
6	J545 1015	1			SILL, Rear Cross
7					REINFORCEMENT, Sill
	J575 8348	1			1987-89
	5502 4906	1			1990
8					PANEL, Rear Floor
	J575 8349	1			1987-89
	5502 4907	1			1990
9					PANEL, Side Extension
	J545 1552	1			Right
	J545 1551	1			Left
10					SILL, Body Side
	J546 5032	1			Right
	J546 5031	1			Left
11	J067 3600	12			SCREW
12	J576 1124	1			COVER, Floor Pan

MODEL CODES:

15 = Grand Wagoneer 4 Dr.	65 = Comanche 4WD-7 Ft. Box	77 = Cherokee 4WD-2 Dr.
25 = J-10 Pickup-119" W.B.	66 = Comanche 2WD-7 Ft. Box	78 = Cherokee 4WD-4 Dr.
26 = J-10 Pickup-131" W.B.	73 = Cherokee 2WD-2 Dr.	79 = Cherokee 4WD-4 Dr.-Com
27 = J-20 Pickup-131" W.B.	74 = Cherokee 2WD-4 Dr.	81 = Wrangler-93" W.B.
63 = Comanche 4WD-6 Ft. Box	75 = Wagoneer 4WD-4 Dr.	82 = Wrangler-103" W.B.-Exp.
64 = Comanche 2WD-6 Ft. Box		

BODY STYLES:

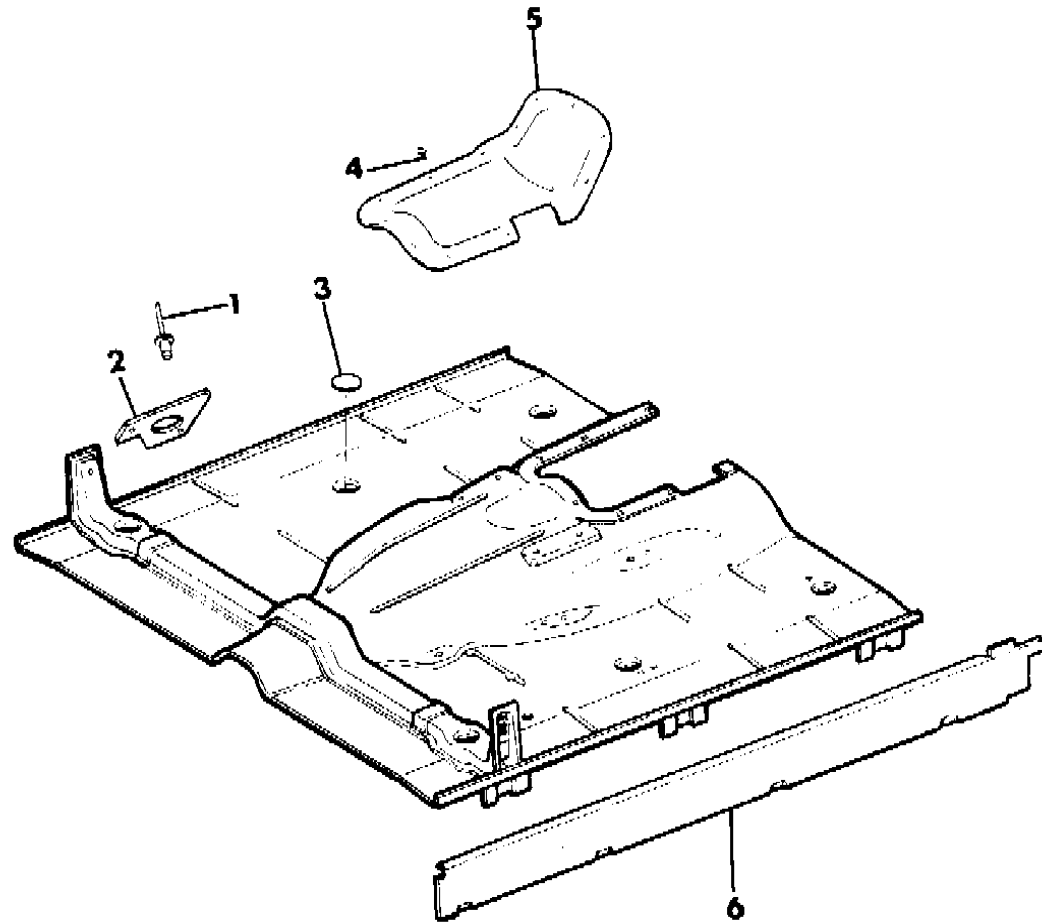
MJ = Comanche Pickup  
 SJ = Grand Wagoneer Wgn., J-10 & J-20 Pickups  
 XJ = Cherokee, Wagoneer Limited  
 YJ = Wrangler

AR = Use as Required - = Non Illustrated Part P.A.R. = Paint as Required

PAN, FLOOR 1987-88 J10, J20  
Figure 23A-5400

8J69 5400

ITEM	PART NUMBER	QTY	BODY	MODEL	DESCRIPTION
1	J400 5300	2			RIVET
2	J575 1826	1			PLATE, Tapping w/Auto. Trans.
	J575 1841	1			w/Manual Trans.
3	J400 6453	4			PLUG
4	J067 3600	AR			SCREW
5	J576 1124	1			COVER, Floor Pan w/Auto. Trans.
	J576 1125	1			w/Manual Trans.
6	J546 5034	1			SILL, Body Side Right
	J546 5033	1			Left



MODEL CODES:

15 = Grand Wagoneer 4 Dr.	65 = Comanche 4WD-7 Ft. Box	77 = Cherokee 4WD-2 Dr.
25 = J-10 Pickup-119" W.B.	66 = Comanche 2WD-7 Ft. Box	78 = Cherokee 4WD-4 Dr.
26 = J-10 Pickup-131" W.B.	73 = Cherokee 2WD-2 Dr.	79 = Cherokee 4WD-4 Dr.-Com
27 = J-20 Pickup-131" W.B.	74 = Cherokee 2WD-4 Dr.	81 = Wrangler-93" W.B.
63 = Comanche 4WD-6 Ft. Box	75 = Wagoneer 4WD-4 Dr.	82 = Wrangler-103" W.B.-Exp.
64 = Comanche 2WD-6 Ft. Box		

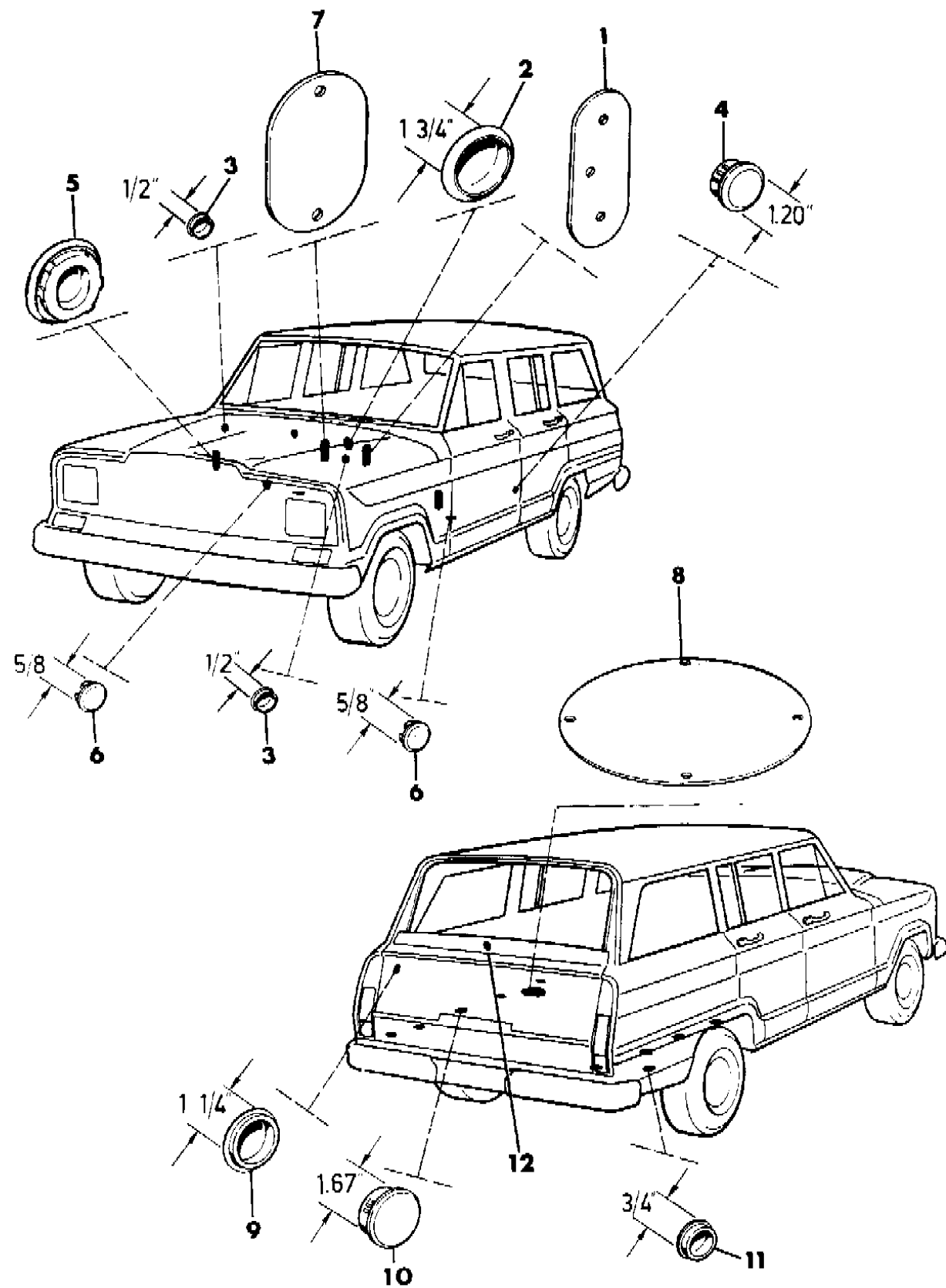
BODY STYLES:

MJ = Comanche Pickup  
 SJ = Grand Wagoneer Wgn., J-10 & J-20 Pickups  
 XJ = Cherokee, Wagoneer Limited  
 YJ = Wrangler

AR = Use as Required - = Non Illustrated Part P.A.R. = Paint as Required

SEALS AND PLUGS, BODY GRAND WAGONEER, J10, J20  
Figure 23A-5500

8J69 5500



ITEM	PART NUMBER	QTY	BODY	MODEL	DESCRIPTION
1	J535 1625	1			PLATE
2	J400 0534	1	15		PLUG, 1.75" diameter hole
3	J400 1716	2			PLUG, .50" diameter hole
4	J400 6481	2	15		PLUG, 1" diameter hole
5	J400 6392	2			PLUG, 1.50" x 2.32" hole
6	J400 4888	AR			PLUG, .625" diameter hole
7	J545 3638	1		26,27	PLATE
8	J575 2636	1	15		COVER
9	J400 4649	1	15		PLUG, 1.25" diameter hole
10	J400 6453	AR			PLUG, 1.50" diameter hole
11	J400 0333	2	15		PLUG, 3/4" diameter hole
12	5501 7818	1	15		PLUG, used w/o rear window wiper

MODEL CODES:

15 = Grand Wagoneer 4 Dr.	65 = Comanche 4WD-7 Ft. Box	77 = Cherokee 4WD-2 Dr.
25 = J-10 Pickup-119" W.B.	66 = Comanche 2WD-7 Ft. Box	78 = Cherokee 4WD-4 Dr.
26 = J-10 Pickup-131" W.B.	73 = Cherokee 2WD-2 Dr.	79 = Cherokee 4WD-4 Dr.-Com
27 = J-20 Pickup-131" W.B.	74 = Cherokee 2WD-4 Dr.	81 = Wrangler-93" W.B.
63 = Comanche 4WD-6 Ft. Box	75 = Wagoneer 4WD-4 Dr.	82 = Wrangler-103" W.B.-Exp.
64 = Comanche 2WD-6 Ft. Box		

BODY STYLES:

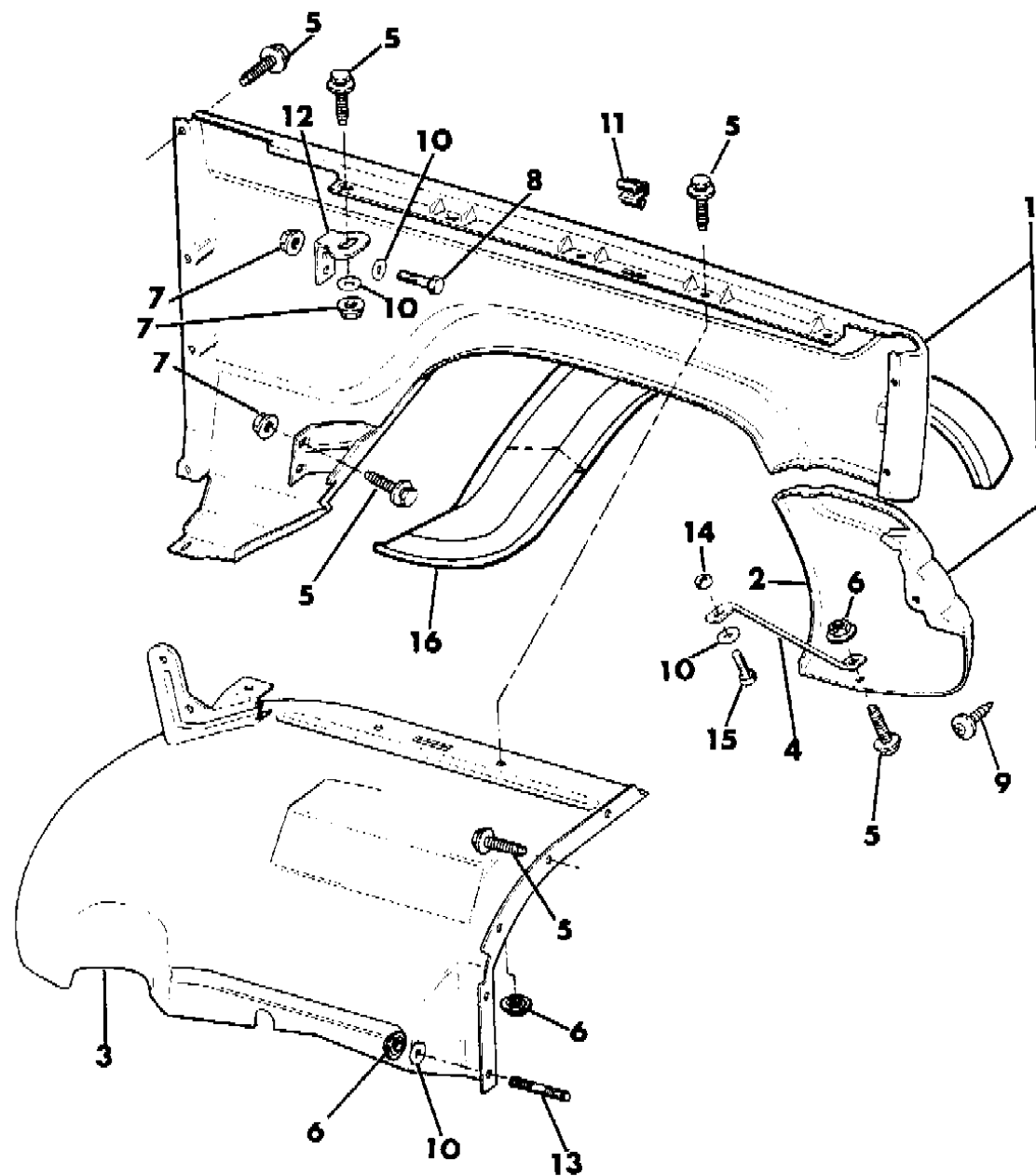
MJ = Comanche Pickup  
 SJ = Grand Wagoneer Wgn., J-10 & J-20 Pickups  
 XJ = Cherokee, Wagoneer Limited  
 YJ = Wrangler

AR = Use as Required - = Non Illustrated Part P.A.R. = Paint as Required



FENDERS, FRONT GRAND WAGONEER, J10, J20  
Figure 23A-5600

8J69 5600



ITEM	PART NUMBER	QTY	BODY	MODEL	DESCRIPTION
1					FENDER
	J546 5038	1		15	Right
	J546 5037	1		15	Left
	J546 5040	1		26,27	Right, Modification Required 1987-88
	J546 5039	1		26,27	Left, Modification Required 1987-88
2					EXTENSION
	J095 6730	1		15	Right
	J095 6729	1		15	Left
	J095 6738	1		26,27	Right 1987-88
	J095 6737	1		26,27	Left 1987-88
3					PANEL, Splash
	5502 7372	1			Right, 8 Cyl. Eng. 1988-89
	J575 8242	1			1987
	5502 7372	1			1990
	J546 2768	1			Right, 6 Cyl. Eng.
	5502 0171	1			Left, w/Rear Wiper 1987-89
	5502 7373	1			1990
	J575 8369	1			Left, w/o Rear Wiper
4					BRACE
	J095 9692	2		15	
	J095 9697	2		26,27	1987-88
5	J400 4455	AR			SCREW, 1.12" Long
6	J400 7045	AR			NUT
7	J400 4866	AR			NUT
8	J400 1933	AR			SCREW, .88" Long
	J400 4455	AR			SCREW, 1.1" long
9	J400 5690	2			SCREW, .56" Long
10	S044 6363	AR			WASHER
11	J096 3331	4			BUMPER
12	J095 7407	2			BRACKET
13	J095 8166	2			STUD
14	J096 1069	2			NUT
15	J096 2398	2			SCREW, .75" Long
16					EXTENSION
	J095 6735	1		26,27	Left, 1987-88 P.A.R.
	J095 6736	1		26,27	Right, 1987-88 P.A.R.

MODEL CODES:

15 = Grand Wagoneer 4 Dr.	65 = Comanche 4WD-7 Ft. Box	77 = Cherokee 4WD-2 Dr.
25 = J-10 Pickup-119" W.B.	66 = Comanche 2WD-7 Ft. Box	78 = Cherokee 4WD-4 Dr.
26 = J-10 Pickup-131" W.B.	73 = Cherokee 2WD-2 Dr.	79 = Cherokee 4WD-4 Dr.-Com
27 = J-20 Pickup-131" W.B.	74 = Cherokee 2WD-4 Dr.	81 = Wrangler-93" W.B.
63 = Comanche 4WD-6 Ft. Box	75 = Wagoneer 4WD-4 Dr.	82 = Wrangler-103" W.B.-Exp.
64 = Comanche 2WD-6 Ft. Box		

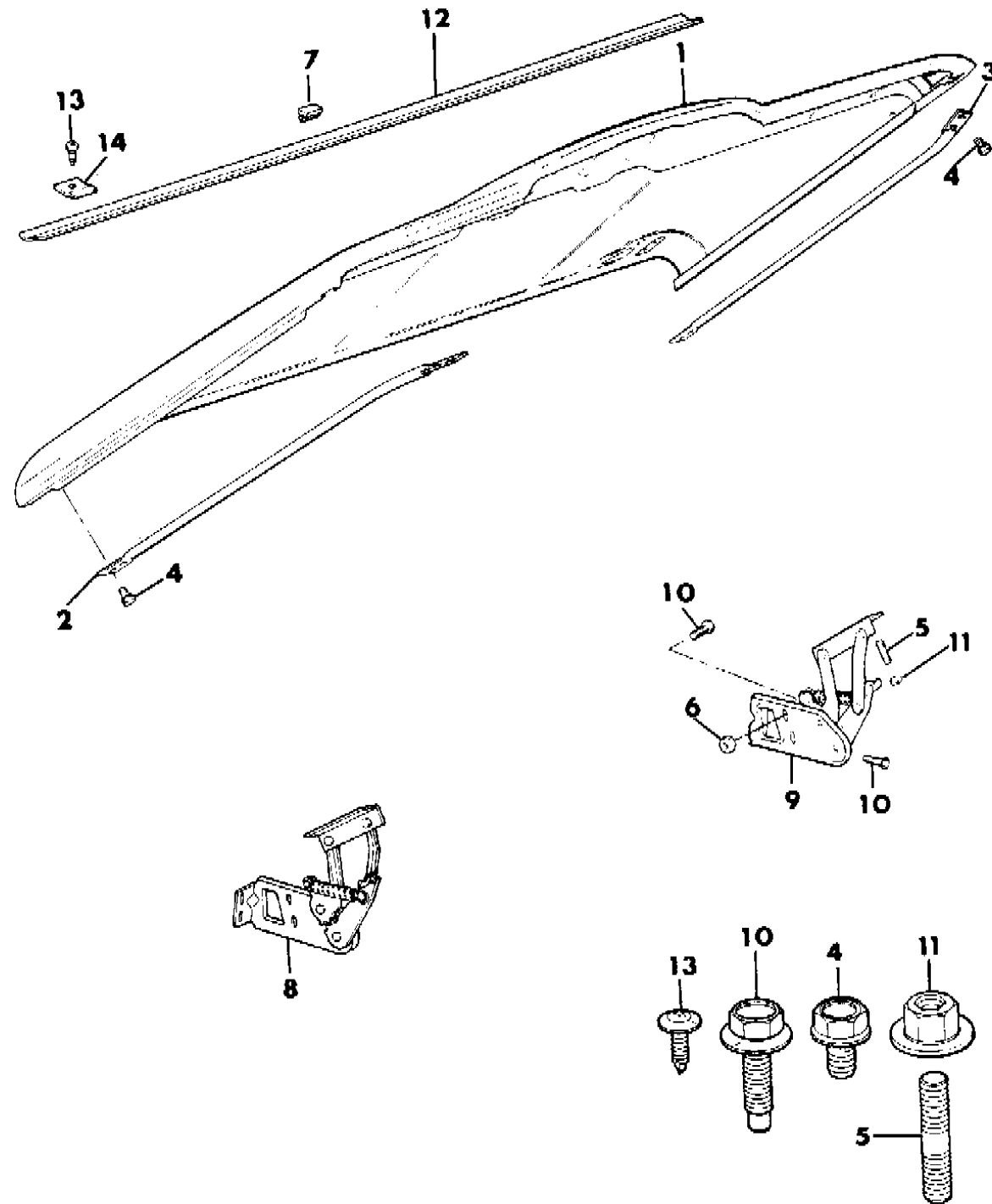
BODY STYLES:

MJ = Comanche Pickup  
 SJ = Grand Wagoneer Wgn., J-10 & J-20 Pickups  
 XJ = Cherokee, Wagoneer Limited  
 YJ = Wrangler

AR = Use as Required - = Non Illustrated Part P.A.R. = Paint as Required

**HOOD AND HINGES GRAND WAGONEER, J10, J20**  
**Figure 23A-5700**

8J69 5700



ITEM	PART NUMBER	QTY	BODY	MODEL	DESCRIPTION
1	5501 3208	1			HOOD, modification required
2	J098 5174	1			CROSSMEMBER, Right ***
3	J098 5173	1			CROSSMEMBER, Left ***
4	J400 3915	8			SCREW
5	J095 8166	4			STUD
6	J400 7045	4			NUT
7	J096 4703	1			BUMPER, Hood
8	J095 6964	1			HINGE, Hood Right
9	J095 6963	1			HINGE, Hood Left
10	J400 4455	AR			SCREW
11	J400 4866	AR			NUT
12	J545 9613	1			WEATHERSTRIP
13	J400 5690	AR			SCREW
14	J090 8834	4			CLAMP

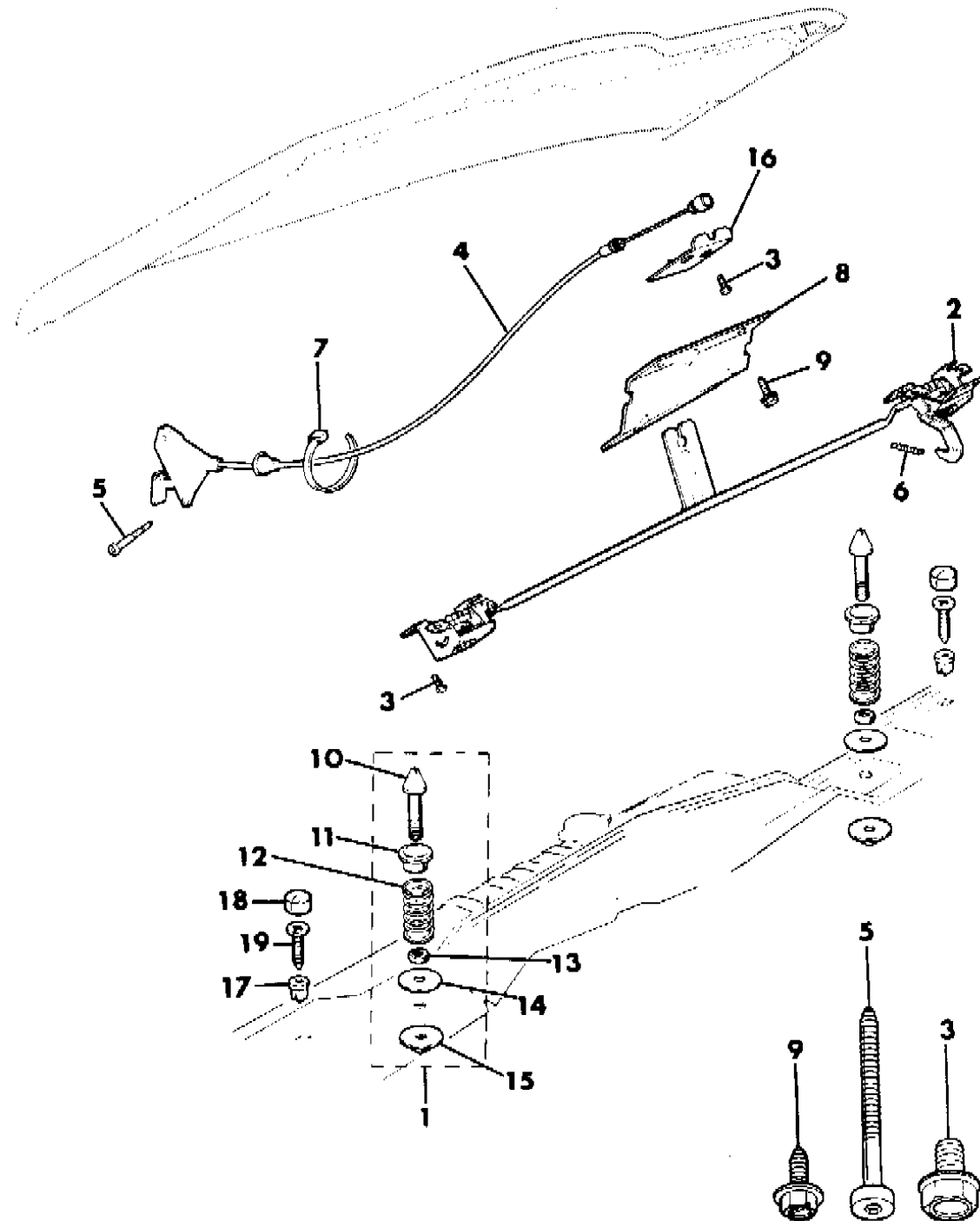
MODEL CODES:  
 15 = Grand Wagoneer 4 Dr.      65 = Comanche 4WD-7 Ft. Box      77 = Cherokee 4WD-2 Dr.  
 25 = J-10 Pickup-119" W.B.      66 = Comanche 2WD-7 Ft. Box      78 = Cherokee 4WD-4 Dr.  
 26 = J-10 Pickup-131" W.B.      73 = Cherokee 2WD-2 Dr.      79 = Cherokee 4WD-4 Dr.-Com  
 27 = J-20 Pickup-131" W.B.      74 = Cherokee 2WD-4 Dr.      81 = Wrangler-93" W.B.  
 63 = Comanche 4WD-6 Ft. Box      75 = Wagoneer 4WD-4 Dr.      82 = Wrangler-103" W.B.-Exp.  
 64 = Comanche 2WD-6 Ft. Box

BODY STYLES:  
 MJ = Comanche Pickup  
 SJ = Grand Wagoneer Wgn., J-10 & J-20 Pickups  
 XJ = Cherokee, Wagoneer Limited  
 YJ = Wrangler

AR = Use as Required - = Non Illustrated Part P.A.R. = Paint as Required

LOCK AND RELEASE, HOOD GRAND WAGONEER, J10, J20  
Figure 23A-5800

8J69 5800



ITEM	PART NUMBER	QTY	BODY	MODEL	DESCRIPTION
1	J095 6418	2			LOCK ASSEMBLY, Hood
2	J575 8026	1			LOCK ASSEMBLY, Hood
3	J400 3915	AR			SCREW
4	J575 8027	1			CABLE, Hood Release
5	J400 7478	2			SCREW
6	J097 2970	1			SPRING
7	J322 3227	2			STRAP
8	J575 8029	1			SHIELD
9	J812 0054	2			SCREW
10	J096 3338	2			LOCK
11	J096 3339	2			RETAINER
12	J096 3336	2			SPRING
13	S012 4934	2			NUT
14	J096 6112	2			WASHER
15	J096 3337	2			NUT
16	J575 8028	1			BRACKET
17	J095 8557	2			NUT
18	J095 8556	2			BUMPER, Hood
19	J096 0139	2			SCREW

MODEL CODES:

15 = Grand Wagoneer 4 Dr.	65 = Comanche 4WD-7 Ft. Box	77 = Cherokee 4WD-2 Dr.
25 = J-10 Pickup-119" W.B.	66 = Comanche 2WD-7 Ft. Box	78 = Cherokee 4WD-4 Dr.
26 = J-10 Pickup-131" W.B.	73 = Cherokee 2WD-2 Dr.	79 = Cherokee 4WD-4 Dr.-Com
27 = J-20 Pickup-131" W.B.	74 = Cherokee 2WD-4 Dr.	81 = Wrangler-93" W.B.
63 = Comanche 4WD-6 Ft. Box	75 = Wagoneer 4WD-4 Dr.	82 = Wrangler-103" W.B.-Exp.
64 = Comanche 2WD-6 Ft. Box		

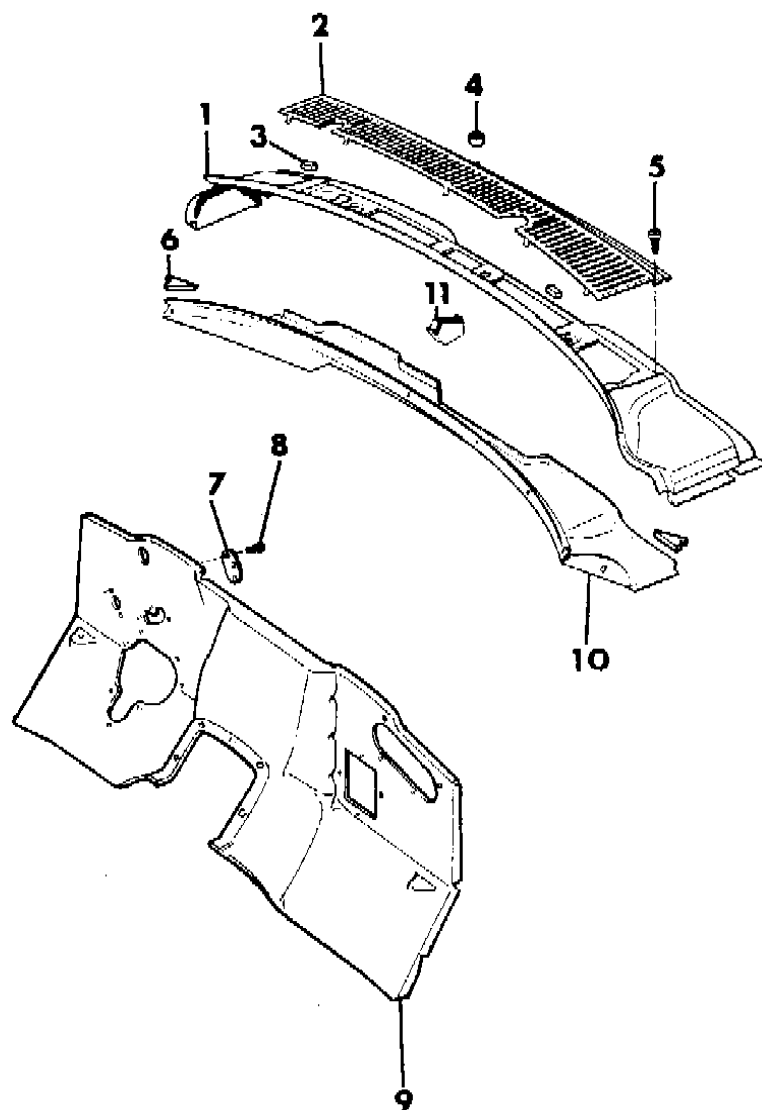
BODY STYLES:

MJ = Comanche Pickup  
SJ = Grand Wagoneer Wgn., J-10 & J-20 Pickups  
XJ = Cherokee, Wagoneer Limited  
YJ = Wrangler

AR = Use as Required - = Non Illustrated Part P.A.R. = Paint as Required

PANELS, COWL AND DASH GRAND WAGONEER, J10, J20  
Figure 23A-5900

8J69 5900



ITEM	PART NUMBER	QTY	BODY	MODEL	DESCRIPTION
1	J545 1063	1			PANEL, Cowl Top
2	J095 2573	1			GRILLE, Cowl Top
3	J095 9739	9			SPACER
4	J096 4703	1			BUMPER, Hood
5	J400 5690	7			SCREW
6	J545 7194	2			SPACER
7	J535 1625	1			PLATE, Cover w/Auto. Trans.
8	S045 1824	2			SCREW
9					PANEL, Dash
	5505 2600	1			1987-89
	5502 5709	1			1990
10	J575 2844	1			PANEL, Cowl
11	J098 1310	1			SUPPORT

MODEL CODES:

15 = Grand Wagoneer 4 Dr.	65 = Comanche 4WD-7 Ft. Box	77 = Cherokee 4WD-2 Dr.
25 = J-10 Pickup-119" W.B.	66 = Comanche 2WD-7 Ft. Box	78 = Cherokee 4WD-4 Dr.
26 = J-10 Pickup-131" W.B.	73 = Cherokee 2WD-2 Dr.	79 = Cherokee 4WD-4 Dr.-Com
27 = J-20 Pickup-131" W.B.	74 = Cherokee 2WD-4 Dr.	81 = Wrangler-93" W.B.
63 = Comanche 4WD-6 Ft. Box	75 = Wagoneer 4WD-4 Dr.	82 = Wrangler-103" W.B.-Exp.
64 = Comanche 2WD-6 Ft. Box		

BODY STYLES:

MJ = Comanche Pickup  
 SJ = Grand Wagoneer Wgn., J-10 & J-20 Pickups  
 XJ = Cherokee, Wagoneer Limited  
 YJ = Wrangler

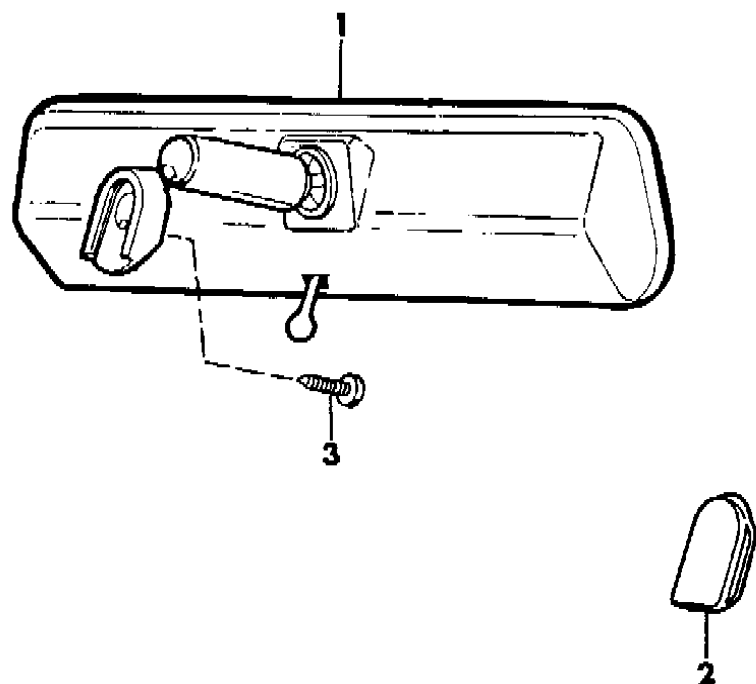
AR = Use as Required - = Non Illustrated Part P.A.R. = Paint as Required

MIRROR, INSIDE REAR VIEW GRAND WAGONEER, J10, J20  
Figure 23A-6000

8J69 6000

ITEM	PART NUMBER	QTY	BODY	MODEL	DESCRIPTION
1	5500 9783	1			MIRROR, Inside Rear View
2	J365 7374	1			SUPPORT, Inside Rear View Mirror Mounting, (a)
3	J400 5766	1			SCREW

Note:(a) The Mirror Support is Replacing Mirror Mounting Kit. When installing a Mirror Support, use Adhesive Repair Kit 4293039. te #312.



MODEL CODES:

15 = Grand Wagoneer 4 Dr.	65 = Comanche 4WD-7 Ft. Box	77 = Cherokee 4WD-2 Dr.
25 = J-10 Pickup-119" W.B.	66 = Comanche 2WD-7 Ft. Box	78 = Cherokee 4WD-4 Dr.
26 = J-10 Pickup-131" W.B.	73 = Cherokee 2WD-2 Dr.	79 = Cherokee 4WD-4 Dr.-Com
27 = J-20 Pickup-131" W.B.	74 = Cherokee 2WD-4 Dr.	81 = Wrangler-93" W.B.
63 = Comanche 4WD-6 Ft. Box	75 = Wagoneer 4WD-4 Dr.	82 = Wrangler-103" W.B.-Exp.
64 = Comanche 2WD-6 Ft. Box		

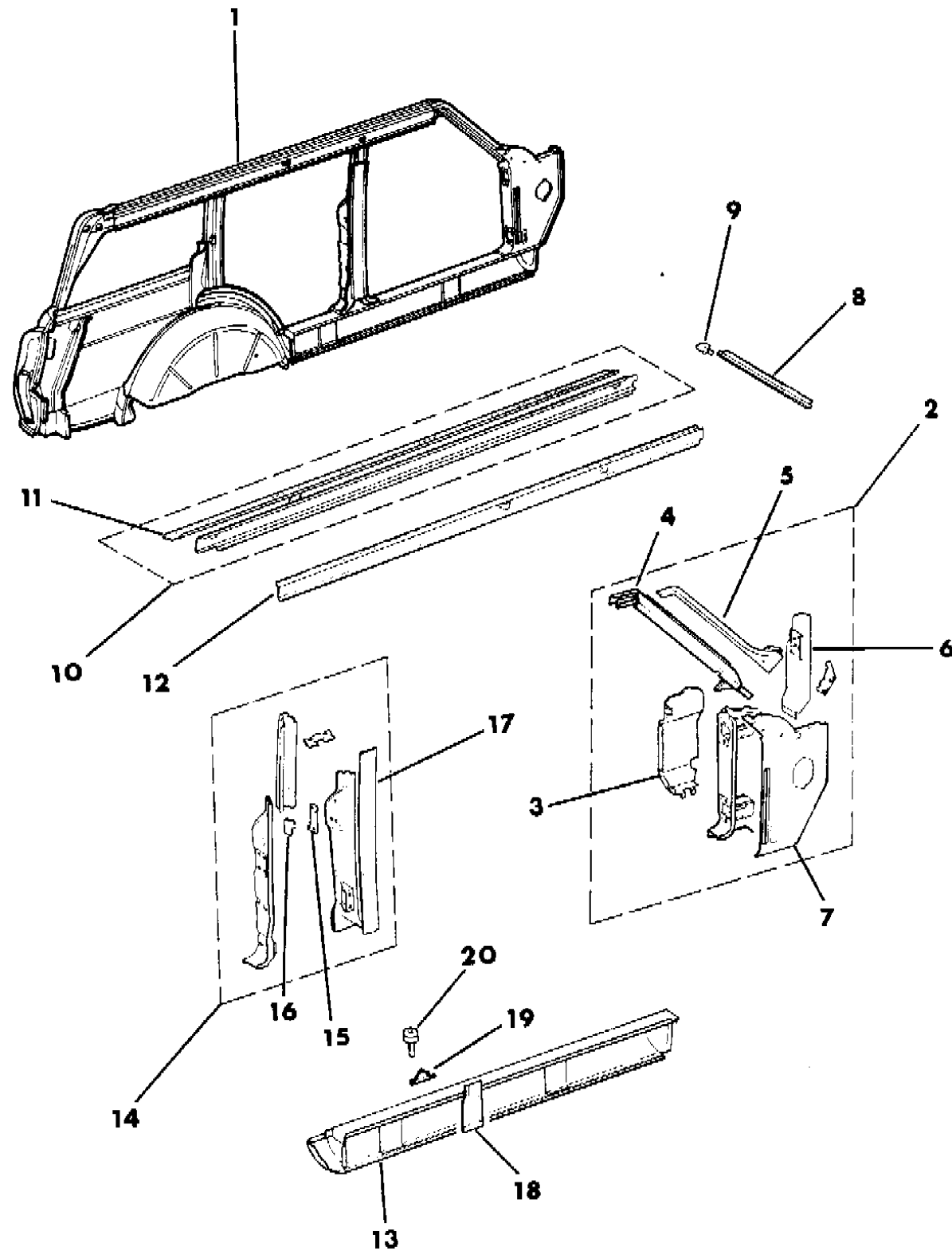
BODY STYLES:

MJ = Comanche Pickup  
 SJ = Grand Wagoneer Wgn., J-10 & J-20 Pickups  
 XJ = Cherokee, Wagoneer Limited  
 YJ = Wrangler

AR = Use as Required - = Non Illustrated Part P.A.R. = Paint as Required

PANELS, BODY SIDE GRAND WAGONEER  
Figure 23A-6100

8J 69 6100



ITEM	PART NUMBER	QTY	BODY	MODEL	DESCRIPTION
1	J576 4252-3	1			PANEL, Side
2	J575 7492-3	1			PILLAR, Hinge 1987-89
	5502 6534-5	1			1990
3					PANEL, Cowl Side
	J095 6636	1			Right
	J095 6635	1			Left
4					PILLAR, Body
	J095 6778	1			Right
	J095 6777	1			Left
5					REINFORCEMENT, Pillar
	J095 6644	1			Right
	J095 6643	1			Left
6					PANEL, Cowl Side
	J095 7468	1			Right
	J545 0135	1			Left
7					PANEL, Inner
	J575 1926	1			Right
	J575 8033	1			Left
8					MOLDING, Drip
	J096 8210	1			Right
	J096 8209	1			Left
9	J096 8201	2			CAP, Molding
10					RAIL, Roof
	J096 5552	1			Right
	5502 1759	1			Left
11					MOLDING, Drip
	J096 5540	1			Right
	J096 5539	1			Left
12					RAIL, Roof Inner
	J545 4864	1			Right
	J546 1047	1			Left, 1987-88
	5502 1769	1			Left, 1989-90
13					PANEL, Rocker
	J546 5046	1			Right
	J546 5045	1			Left
14					PILLAR, Center

MODEL CODES:

15 = Grand Wagoneer 4 Dr.	65 = Comanche 4WD-7 Ft. Box	77 = Cherokee 4WD-2 Dr.
25 = J-10 Pickup-119" W.B.	66 = Comanche 2WD-7 Ft. Box	78 = Cherokee 4WD-4 Dr.
26 = J-10 Pickup-131" W.B.	73 = Cherokee 2WD-2 Dr.	79 = Cherokee 4WD-4 Dr.-Com
27 = J-20 Pickup-131" W.B.	74 = Cherokee 2WD-4 Dr.	81 = Wrangler-93" W.B.
63 = Comanche 4WD-6 Ft. Box	75 = Wagoneer 4WD-4 Dr.	82 = Wrangler-103" W.B.-Exp.
64 = Comanche 2WD-6 Ft. Box		

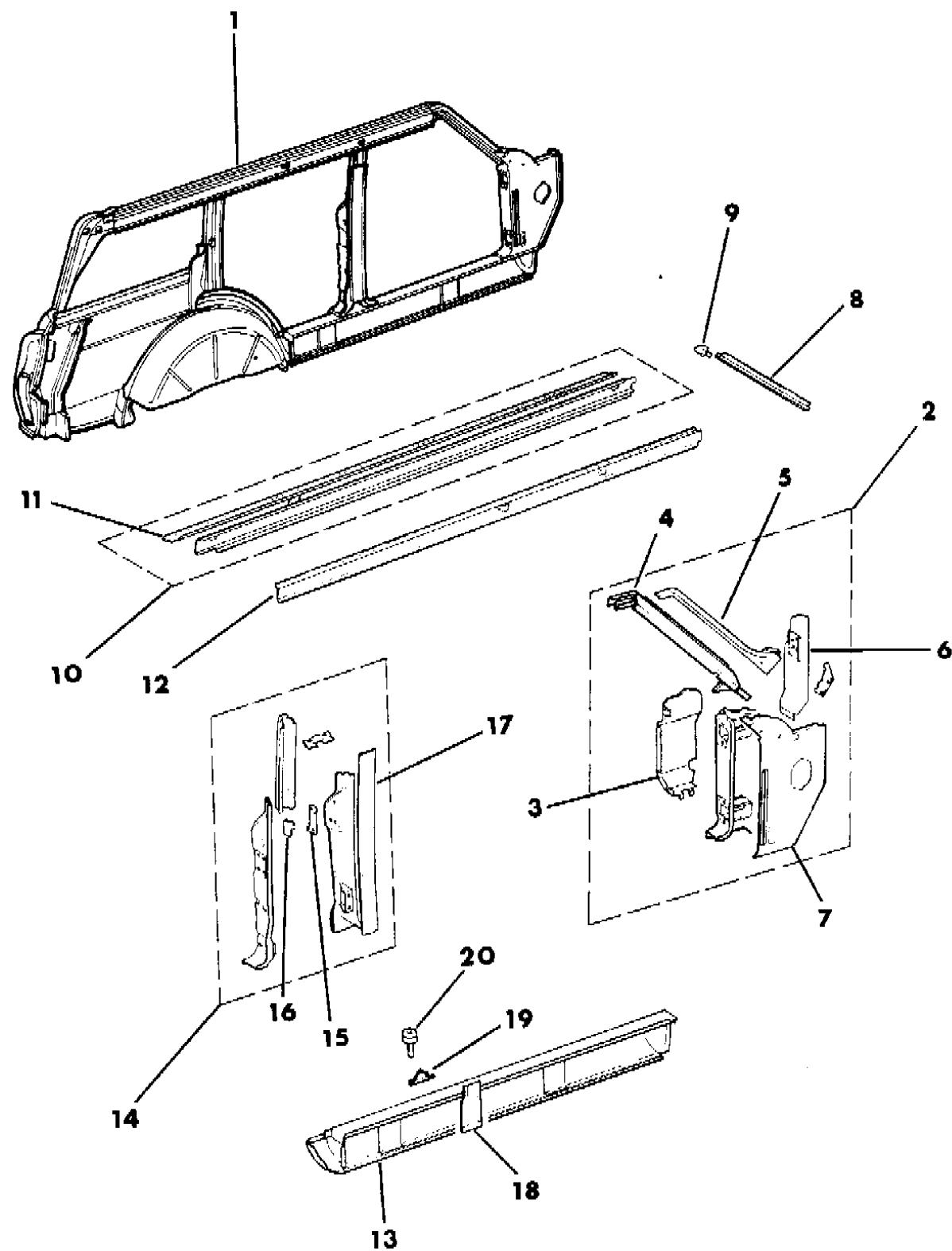
BODY STYLES:

MJ = Comanche Pickup  
 SJ = Grand Wagoneer Wgn., J-10 & J-20 Pickups  
 XJ = Cherokee, Wagoneer Limited  
 YJ = Wrangler

AR = Use as Required - = Non Illustrated Part P.A.R. = Paint as Required

PANELS, BODY SIDE GRAND WAGONEER  
Figure 23A-6100

8J 69 6100



ITEM	PART NUMBER	QTY	BODY	MODEL	DESCRIPTION
	J575 1716	1			Right
	J575 1715	1			Left, 1987-88
	5502 1763	1			Left, 1989-90
15	J575 0091	2			PLATE, Tapping
16	J575 0092	2			RETAINER, Tapping Plate
17					PANEL, Lock Pillar
	J545 8188	1			Right
	J546 5781	1			Left, 1987-88
	5502 1765	1			Left, 1989-90
18	J575 6106-7	1			PANEL, Lock Pillar
19					PANEL, Lower Finish
	J095 8568	1			Right
	J095 8567	1			Left
20	J097 4764	2			SCREW

MODEL CODES:

15 = Grand Wagoneer 4 Dr.	65 = Comanche 4WD-7 Ft. Box	77 = Cherokee 4WD-2 Dr.
25 = J-10 Pickup-119" W.B.	66 = Comanche 2WD-7 Ft. Box	78 = Cherokee 4WD-4 Dr.
26 = J-10 Pickup-131" W.B.	73 = Cherokee 2WD-2 Dr.	79 = Cherokee 4WD-4 Dr.-Com
27 = J-20 Pickup-131" W.B.	74 = Cherokee 2WD-4 Dr.	81 = Wrangler-93" W.B.
63 = Comanche 4WD-6 Ft. Box	75 = Wagoneer 4WD-4 Dr.	82 = Wrangler-103" W.B.-Exp.
64 = Comanche 2WD-6 Ft. Box		

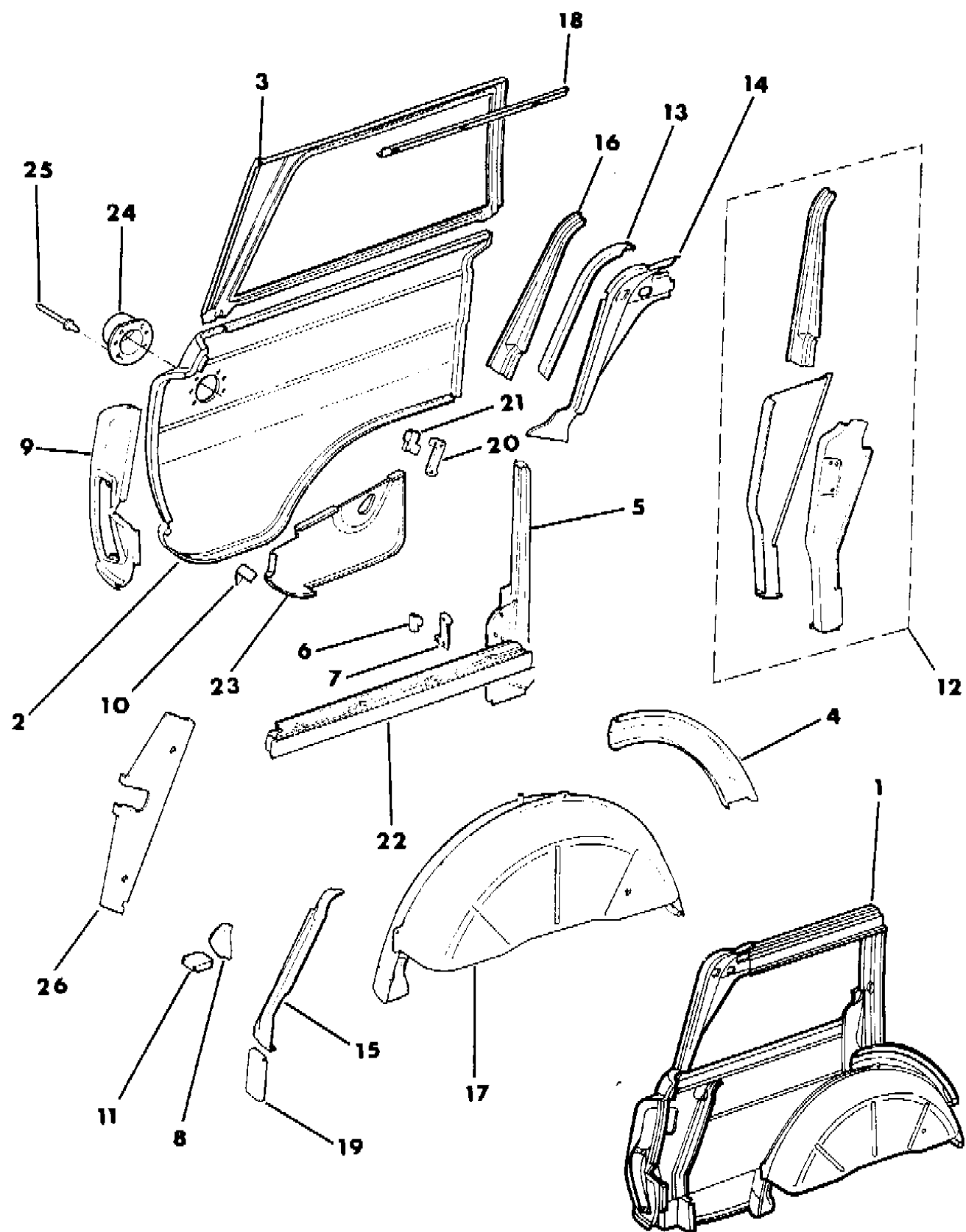
BODY STYLES:

MJ = Comanche Pickup  
SJ = Grand Wagoneer Wgn., J-10 & J-20 Pickups  
XJ = Cherokee, Wagoneer Limited  
YJ = Wrangler

AR = Use as Required - = Non Illustrated Part P.A.R. = Paint as Required

PANELS, REAR QUARTER GRAND WAGONEER  
Figure 23A-6200

8J 69 6200



ITEM	PART NUMBER	QTY	BODY	MODEL	DESCRIPTION
1					FRAME, Quarter Window, 1988 (Item #2 Not Included)
	5700 2310	1			Right
	J575 1721	1			Left
2	J576 4254-5	1			PANEL, Rear Quarter
3					PANEL, Quarter Upper
	J096 5548	1			Right
	J096 5547	1			Left
4					EXTENSION, Panel
	J095 6688	1			Right
	J095 6687	1			Left
5					PILLAR, Lock
	J575 0133	1			Right
	J575 0127	1			Left
6	J575 0092	2			RETAINER, Tapping Plate
7	J575 0091	2			PLATE, Tapping
8					FILLER, Panel
	J095 6632	1			Right
	J095 6631	1			Left
9					PANEL, Taillamp
	J545 0456	1			Right
	J545 0455	1			Left
10					BRACKET, Extension
	J096 0162	1			Right
	J096 0161	1			Left
11	J098 1426	2			FILLER
12					PILLAR, Body
	5502 0274	1			Right, w/Rear Wiper
	J575 0110	1			Left
13					EXTENSION, Pillar
	J095 9410	1			Right
	J095 9409	1			Left
14					PILLAR, Body
	J545 1144	1			Right
	J545 1143	1			Left
15					PANEL, Side
	J545 1164	1			Right
	J545 1163	1			Left

MODEL CODES:

15 = Grand Wagoneer 4 Dr.	65 = Comanche 4WD-7 Ft. Box	77 = Cherokee 4WD-2 Dr.
25 = J-10 Pickup-119" W.B.	66 = Comanche 2WD-7 Ft. Box	78 = Cherokee 4WD-4 Dr.
26 = J-10 Pickup-131" W.B.	73 = Cherokee 2WD-2 Dr.	79 = Cherokee 4WD-4 Dr.-Com
27 = J-20 Pickup-131" W.B.	74 = Cherokee 2WD-4 Dr.	81 = Wrangler-93" W.B.
63 = Comanche 4WD-6 Ft. Box	75 = Wagoneer 4WD-4 Dr.	82 = Wrangler-103" W.B.-Exp.
64 = Comanche 2WD-6 Ft. Box		

BODY STYLES:

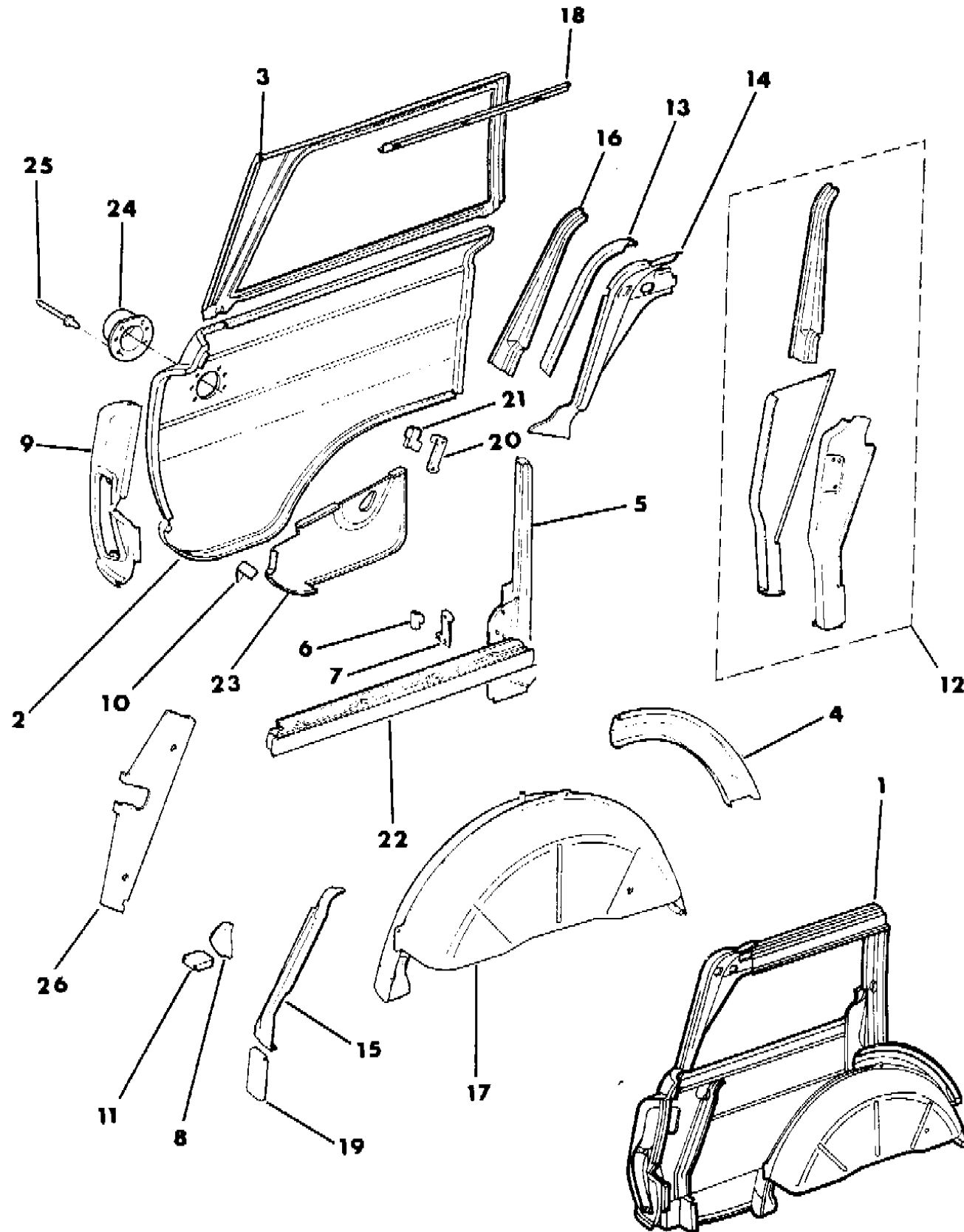
MJ = Comanche Pickup  
 SJ = Grand Wagoneer Wgn., J-10 & J-20 Pickups  
 XJ = Cherokee, Wagoneer Limited  
 YJ = Wrangler

AR = Use as Required - = Non Illustrated Part P.A.R. = Paint as Required



PANELS, REAR QUARTER GRAND WAGONEER  
Figure 23A-6200

8J 69 6200



ITEM	PART NUMBER	QTY	BODY	MODEL	DESCRIPTION
16					PILLAR, Body
	J095 6650	1			Right, w/o Rear Wiper, 1987-88
	5501 8474	1			Right, w/Rear Wiper 1989-90
	J095 6649	1			Left
17					PANEL, Wheelhouse
	5502 1658	1			Right
	J546 3613	1			Left
18					FRAME, Quarter Window
	J095 6670	1			Right
	J095 6669	1			Left
19					PANEL, Side
	J095 8618	1			Right
	J095 8617	1			Left
20	J575 0363	2			PLATE, Tapping
21	J545 2448	2			RETAINER, Tapping
22					FRAME, Window
	J096 0930	1			Right
	J546 4215	1			Left
23					PANEL, Extension
	J095 7702	1			Right 1987-88
	5501 9976	1			1989-90
	J546 2799	1			Left
24	J536 3396	1			RETAINER, Filler
25	J400 4962	6			RIVET
26	J576 1914	1			BRACKET, Calif., 8 Cyl. Eng.

NOTE: Item 1 contains items 12, 13, 14, 16, 17, 18, 20, 21, 22, 23. te #312.

MODEL CODES:

15 = Grand Wagoneer 4 Dr.	65 = Comanche 4WD-7 Ft. Box	77 = Cherokee 4WD-2 Dr.
25 = J-10 Pickup-119" W.B.	66 = Comanche 2WD-7 Ft. Box	78 = Cherokee 4WD-4 Dr.
26 = J-10 Pickup-131" W.B.	73 = Cherokee 2WD-2 Dr.	79 = Cherokee 4WD-4 Dr.-Com
27 = J-20 Pickup-131" W.B.	74 = Cherokee 2WD-4 Dr.	81 = Wrangler-93" W.B.
63 = Comanche 4WD-6 Ft. Box	75 = Wagoneer 4WD-4 Dr.	82 = Wrangler-103" W.B.-Exp.
64 = Comanche 2WD-6 Ft. Box		

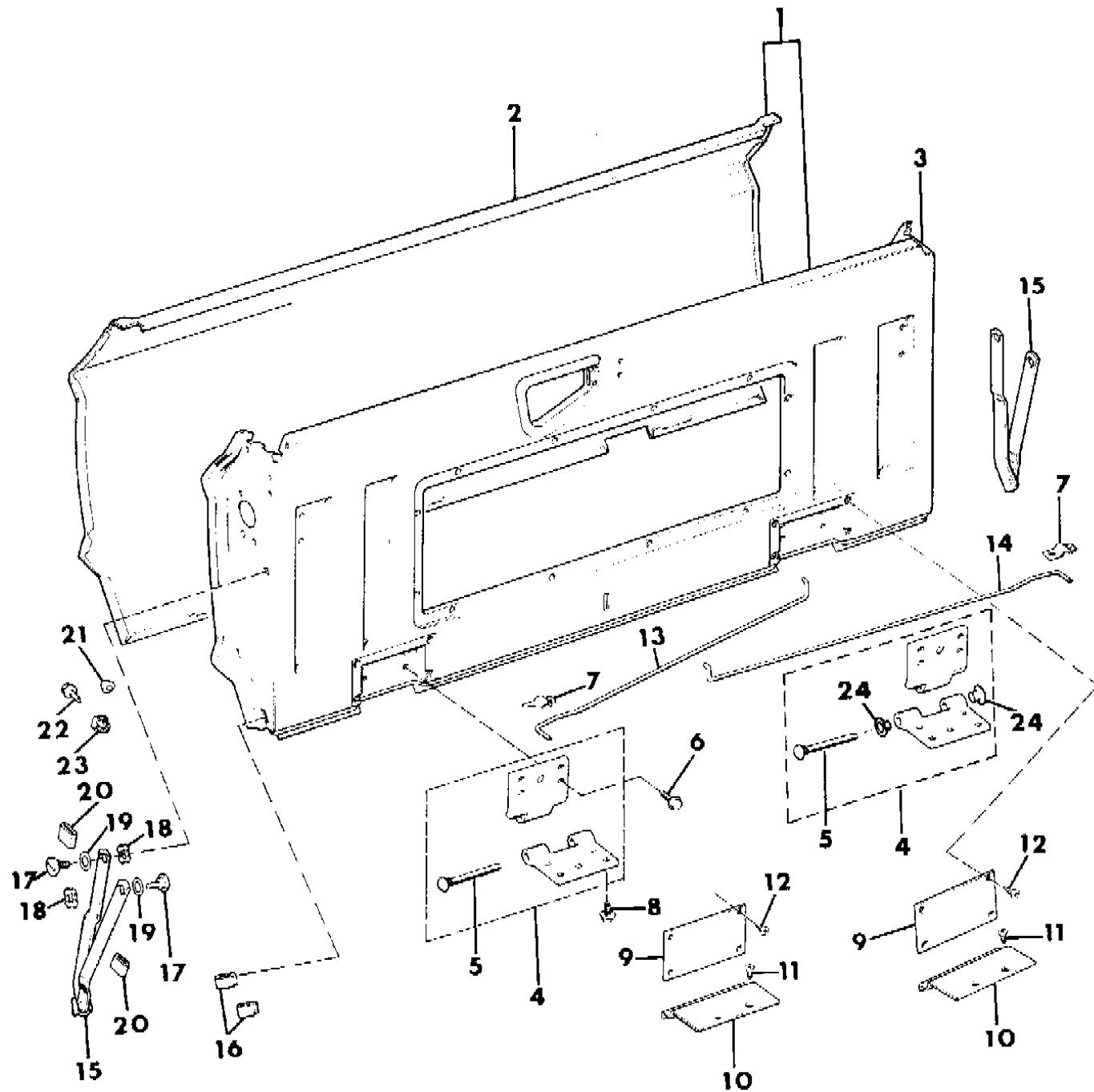
BODY STYLES:

MJ = Comanche Pickup  
SJ = Grand Wagoneer Wgn., J-10 & J-20 Pickups  
XJ = Cherokee, Wagoneer Limited  
YJ = Wrangler

AR = Use as Required - = Non Illustrated Part P.A.R. = Paint as Required

**TAILGATE AND HINGES GRAND WAGONEER**  
Figure 23A-6300

8 J 69 6300 A



ITEM	PART NUMBER	QTY	BODY	MODEL	DESCRIPTION
1	5501 8793	1			TAILGATE, w/Rear Wiper
2	5501 8794	1			PANEL, Quarter w/Rear Wiper
3	5501 8796	1			PANEL, Inner w/Rear Wiper
4	J575 1937	2			HINGE, Tailgate
5	J576 4063	2			PIN, Hinge
6	J400 3069	8			BOLT
7	J575 8338-9	1			BRACKET, Rod
8	J400 4455	8			BOLT
9	J545 1413	2			COVER, Hinge
10	J545 1437	2			COVER, Hinge
11	S016 3470	8			SCREW
12	J400 1477	8			SCREW
13	J545 1577	1			ROD, Hinge Torque Left
14	J545 1578	1			ROD, Hinge Torque Right
15		1			ARM, Tailgate Support
	5501 2988-9				1987-89
	5502 5234-5				1990
16	J096 4504	1			BUMPER
17	J095 7717	4			BOLT
18	J400 4711	4			WASHER
19	J095 8649	4			WASHER, Spring
20	J096 1095	4			SLEEVE
21	J400 4156	1			BUMPER, License
22	J812 0054	2			SCREW
23	J400 0141	2			NUT
24	J575 0918	2			BUSHING

MODEL CODES:

15 = Grand Wagoneer 4 Dr.	65 = Comanche 4WD-7 Ft. Box	77 = Cherokee 4WD-2 Dr.
25 = J-10 Pickup-119" W.B.	66 = Comanche 2WD-7 Ft. Box	78 = Cherokee 4WD-4 Dr.
26 = J-10 Pickup-131" W.B.	73 = Cherokee 2WD-2 Dr.	79 = Cherokee 4WD-4 Dr.-Com
27 = J-20 Pickup-131" W.B.	74 = Cherokee 2WD-4 Dr.	81 = Wrangler-93" W.B.
63 = Comanche 4WD-6 Ft. Box	75 = Wagoneer 4WD-4 Dr.	82 = Wrangler-103" W.B.-Exp.
64 = Comanche 2WD-6 Ft. Box		

BODY STYLES:

MJ = Comanche Pickup  
 SJ = Grand Wagoneer Wgn., J-10 & J-20 Pickups  
 XJ = Cherokee, Wagoneer Limited  
 YJ = Wrangler

AR = Use as Required - = Non Illustrated Part P.A.R. = Paint as Required

LATCHES, TAILGATE GRAND WAGONEER  
Figure 23A-6400

8J69 6400

ITEM	PART NUMBER	QTY	BODY	MODEL	DESCRIPTION
1	J095 2567	1			COVER
2	J098 4755	1			GASKET, Cover
3	J096 6227	12			SCREW, .75" long
4	J096 6217	12			NUT
5					BRACKET, Glass Stop
	J095 7743	2			used w/o tailgate window wiper *** used w/tailgate window wiper ***
	5501 7816	1			Right
	5501 7817	1			Left
6	J097 6665	2			BUMPER, Stop
7	J027 2475	4			SCREW, .50" long
8	J095 6374	1			HANDLE, Inside
9	J096 0212	1			SCREW, .38" long
10					CAP, End
	J545 2498	1			Right
	J545 2497	1			Left
11	J400 4962	2			RIVET
12	J545 1569	2			PLATE
13	J400 5884	2			STUD
14	J400 4866	2			NUT
15	J400 6404	6			WASHER, Bite
16	J400 6406	2			STRIKER, Tailgate
17	J545 1600	2			RECEPTACLE, Dovetail Mounting
18	J400 3794	4			SCREW
19	J546 4444	2			INSERT
20	J018 8749	4			SCREW
21	J027 3333	4			SCREW
22					LATCH, Tailgate
	J575 0068	1			Right
	J575 0067	1			Left
23	J400 7032	6			SCREW
24	J096 1995	1			CONTROL, Tailgate Remote

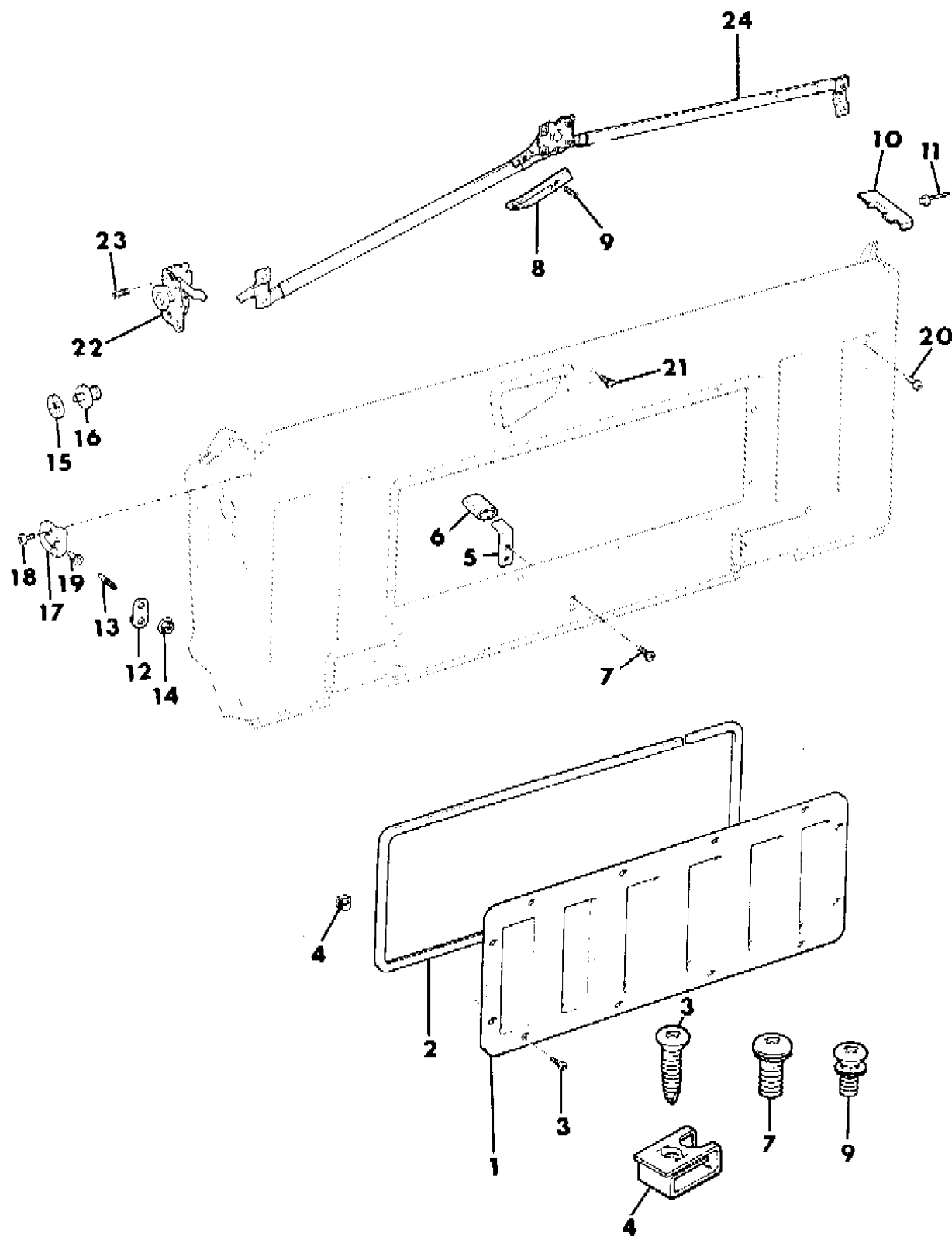
MODEL CODES:

15 = Grand Wagoneer 4 Dr.	65 = Comanche 4WD-7 Ft. Box	77 = Cherokee 4WD-2 Dr.
25 = J-10 Pickup-119" W.B.	66 = Comanche 2WD-7 Ft. Box	78 = Cherokee 4WD-4 Dr.
26 = J-10 Pickup-131" W.B.	73 = Cherokee 2WD-2 Dr.	79 = Cherokee 4WD-4 Dr.-Com
27 = J-20 Pickup-131" W.B.	74 = Cherokee 2WD-4 Dr.	81 = Wrangler-93" W.B.
63 = Comanche 4WD-6 Ft. Box	75 = Wagoneer 4WD-4 Dr.	82 = Wrangler-103" W.B.-Exp.
64 = Comanche 2WD-6 Ft. Box		

BODY STYLES:

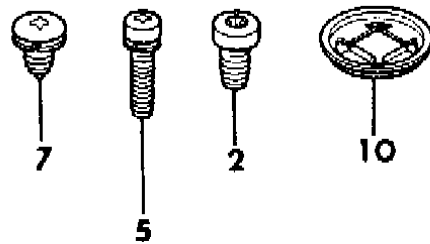
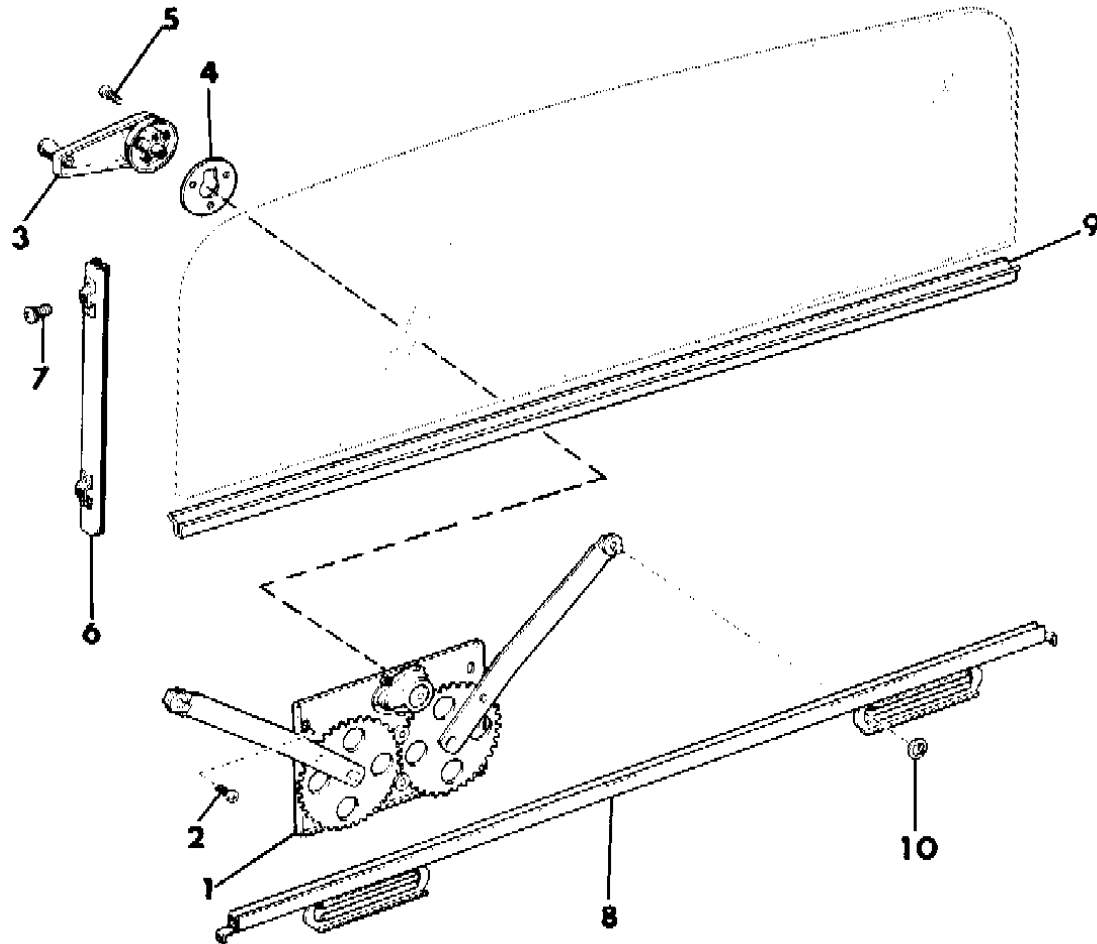
MJ = Comanche Pickup  
SJ = Grand Wagoneer Wgn., J-10 & J-20 Pickups  
XJ = Cherokee, Wagoneer Limited  
YJ = Wrangler

AR = Use as Required - = Non Illustrated Part P.A.R. = Paint as Required



**REGULATOR, TAILGATE GLASS MANUAL GRAND WAGONEER**  
Figure 23A-6500

8 J69 6500



ITEM	PART NUMBER	QTY	BODY	MODEL	DESCRIPTION
1	J097 4016	1			REGULATOR, Glass
2	J400 3794	6			SCREW, .38" Long
3	J575 1929	1			HANDLE, Tailgate
4	J096 0205	1			GASKET
5	S045 5694	3			SCREW, .75" long 1987-88
	J400 0640	3			1989-90
6	J546 5084	2			CHANNEL, Window Guide
7	J097 9925	4			SCREW, .31" Long
8	J813 0454	1			CHANNEL, Glass
9	J546 9605	1			SEAL, Glass Lower
10	J098 0363	2			RETAINER

**MODEL CODES:**

15 = Grand Wagoneer 4 Dr.	65 = Comanche 4WD-7 Ft. Box	77 = Cherokee 4WD-2 Dr.
25 = J-10 Pickup-119" W.B.	66 = Comanche 2WD-7 Ft. Box	78 = Cherokee 4WD-4 Dr.
26 = J-10 Pickup-131" W.B.	73 = Cherokee 2WD-2 Dr.	79 = Cherokee 4WD-4 Dr.-Com
27 = J-20 Pickup-131" W.B.	74 = Cherokee 2WD-4 Dr.	81 = Wrangler-93" W.B.
63 = Comanche 4WD-6 Ft. Box	75 = Wagoneer 4WD-4 Dr.	82 = Wrangler-103" W.B.-Exp.
64 = Comanche 2WD-6 Ft. Box		

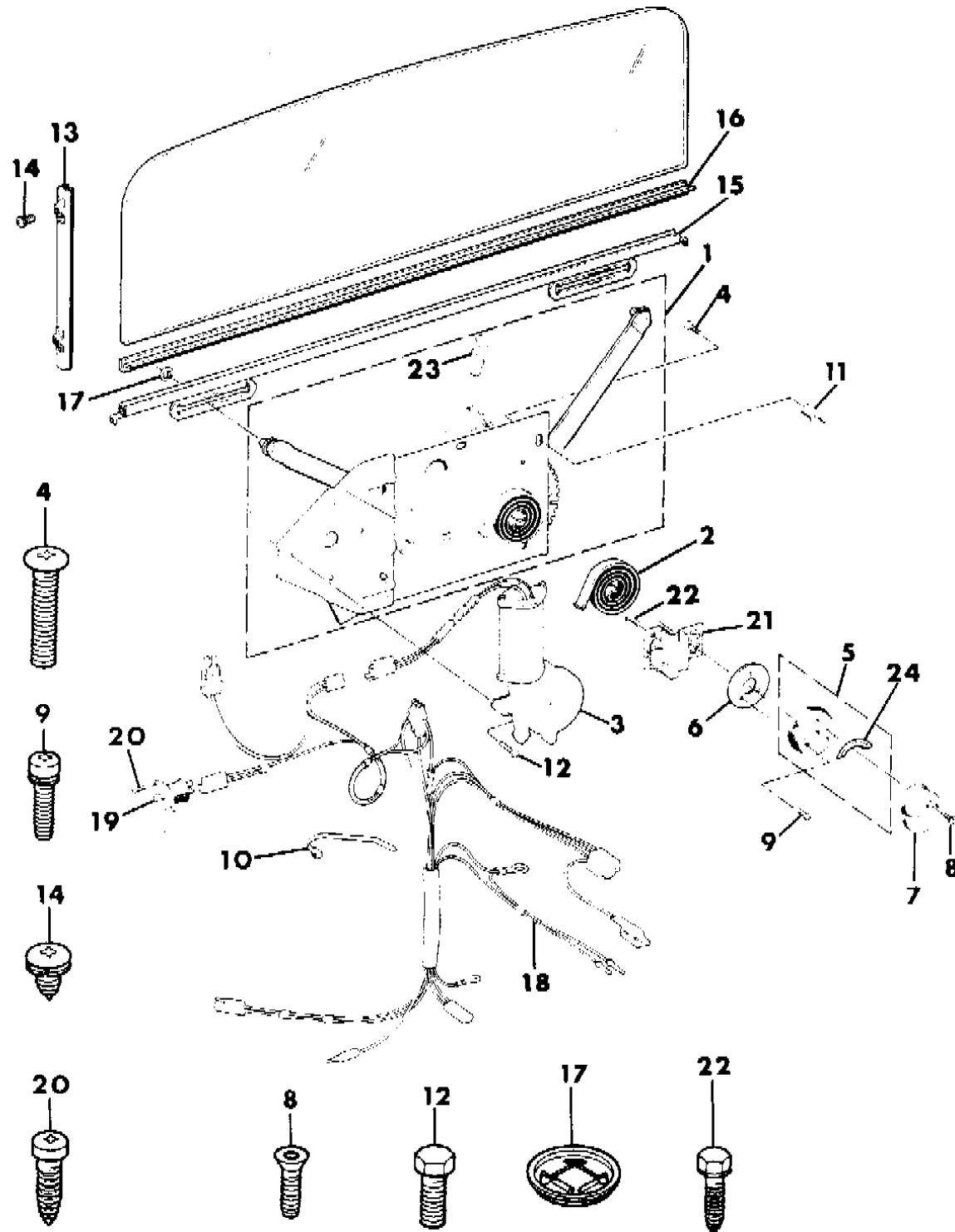
**BODY STYLES:**

MJ = Comanche Pickup  
 SJ = Grand Wagoneer Wgn., J-10 & J-20 Pickups  
 XJ = Cherokee, Wagoneer Limited  
 YJ = Wrangler

AR = Use as Required - = Non Illustrated Part P.A.R. = Paint as Required

**REGULATOR, TAILGATE GLASS ELECTRIC GRAND WAGONEER**  
Figure 23A-6600

8J69 6600



ITEM	PART NUMBER	QTY	BODY	MODEL	DESCRIPTION
1					REGULATOR, Glass
	J813 3035	1			w/o Rear Wipe and Washer
	8350 4949	1			w/Rear Wipe and Washer
2	J812 9551	1			SPRING
3	8350 3429	1			MOTOR, Electric Window
4	J812 6447	6			SCREW
5	5502 2220	1			BASE, Regulator Switch
6	J096 0205	1			GASKET
7	J545 1502	1			COVER
8	J400 4969	2			SCREW
9	J400 0640	3			SCREW
10	J322 3227	3			STRAP
11	J812 5586	6			SPACER
12	J812 5585	3			SCREW, (Not Serv.)
13	J546 5084	2			CHANNEL, Window Guide
14	J097 9925	4			SCREW
15	J813 0454	1			CHANNEL, Glass Lifter
16	J546 9605	1			SEAL, Glass Lower
17	J098 0363	2			RETAINER
18	5600 2656	1			WIRING
19	J575 0087	1			SWITCH, Safety
20	J016 2077	2			SCREW
21	5600 3167	1			SWITCH, Tailgate Glass
22	J400 5559	2			SCREW
23	5600 3694	1			SWITCH, Regulator Lockout
24	5502 2196	1			DECAL, Key Removal

MODEL CODES:

15 = Grand Wagoneer 4 Dr.	65 = Comanche 4WD-7 Ft. Box	77 = Cherokee 4WD-2 Dr.
25 = J-10 Pickup-119" W.B.	66 = Comanche 2WD-7 Ft. Box	78 = Cherokee 4WD-4 Dr.
26 = J-10 Pickup-131" W.B.	73 = Cherokee 2WD-2 Dr.	79 = Cherokee 4WD-4 Dr.-Com
27 = J-20 Pickup-131" W.B.	74 = Cherokee 2WD-4 Dr.	81 = Wrangler-93" W.B.
63 = Comanche 4WD-6 Ft. Box	75 = Wagoneer 4WD-4 Dr.	82 = Wrangler-103" W.B.-Exp.
64 = Comanche 2WD-6 Ft. Box		

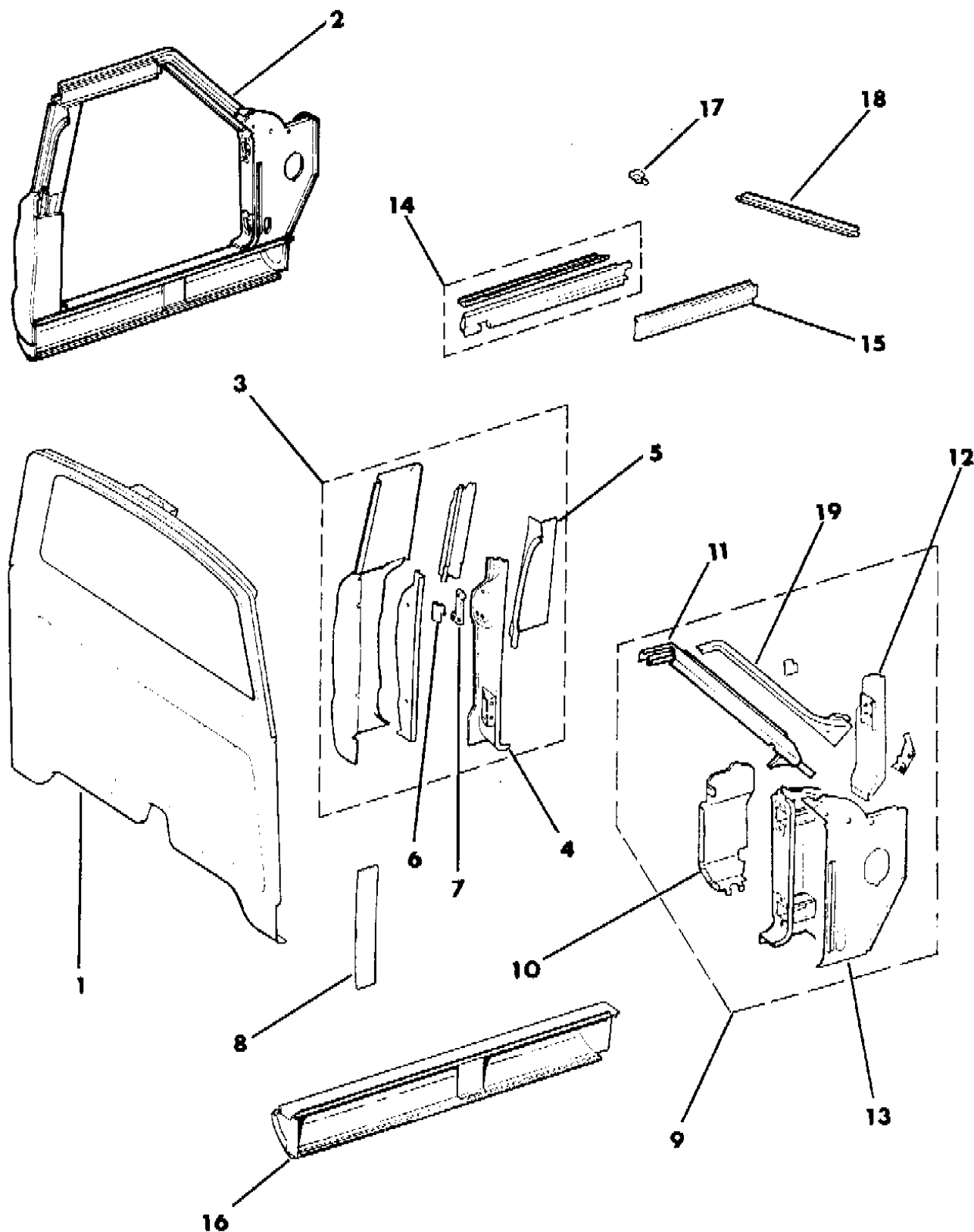
BODY STYLES:

MJ = Comanche Pickup  
 SJ = Grand Wagoneer Wgn., J-10 & J-20 Pickups  
 XJ = Cherokee, Wagoneer Limited  
 YJ = Wrangler

AR = Use as Required - = Non Illustrated Part P.A.R. = Paint as Required

PANELS, BODY SIDE AND REAR 1987-88 J10, J20  
Figure 23A-6700

8J69 6700



ITEM	PART NUMBER	QTY	BODY	MODEL	DESCRIPTION
1	J546 1576	1			PANEL, Cab Rear
2					PANEL, Side
	J575 8036-7	1			
3					PANEL, Lock Pillar
	J575 0140	1			Right
	J575 0137	1			Left
4					PILLAR, Lock
	J575 0139	1			Right
	J575 0136	1			Left
5					PANEL, Side Inner
	J546 1574	1			Right
	J546 1573	1			Left
6	J575 0092	2			RETAINER, Tapping Plate
7	J575 0091	2			PLATE, Tapping
8	J575 1733	2			PANEL, Lower Finish
9	J575 7492-3	1			PILLAR, Hinge
10					PANEL, Cowl Side
	J095 6636	1			Right
	J095 6635	1			Left
11					PILLAR, Body
	J095 6778	1			Right
	J095 6777	1			Left
12					PANEL, Cowl Side
	J095 7468	1			Right
	J545 0135	1			Left
13					PANEL, Inner
	J575 1926	1			Right
	J575 8033	1			Left
14					RAIL, Roof Outer
	J575 7304	1			Right
	J575 7305	1			Left
15					RAIL, Roof Inner
	J545 2426	1			Right
	J545 2425	1			Left
16					PANEL, Rocker
	J546 5048	1			Right
	J546 5047	1			Left

MODEL CODES:

15 = Grand Wagoneer 4 Dr.	65 = Comanche 4WD-7 Ft. Box	77 = Cherokee 4WD-2 Dr.
25 = J-10 Pickup-119" W.B.	66 = Comanche 2WD-7 Ft. Box	78 = Cherokee 4WD-4 Dr.
26 = J-10 Pickup-131" W.B.	73 = Cherokee 2WD-2 Dr.	79 = Cherokee 4WD-4 Dr.-Com
27 = J-20 Pickup-131" W.B.	74 = Cherokee 2WD-4 Dr.	81 = Wrangler-93" W.B.
63 = Comanche 4WD-6 Ft. Box	75 = Wagoneer 4WD-4 Dr.	82 = Wrangler-103" W.B.-Exp.
64 = Comanche 2WD-6 Ft. Box		

BODY STYLES:

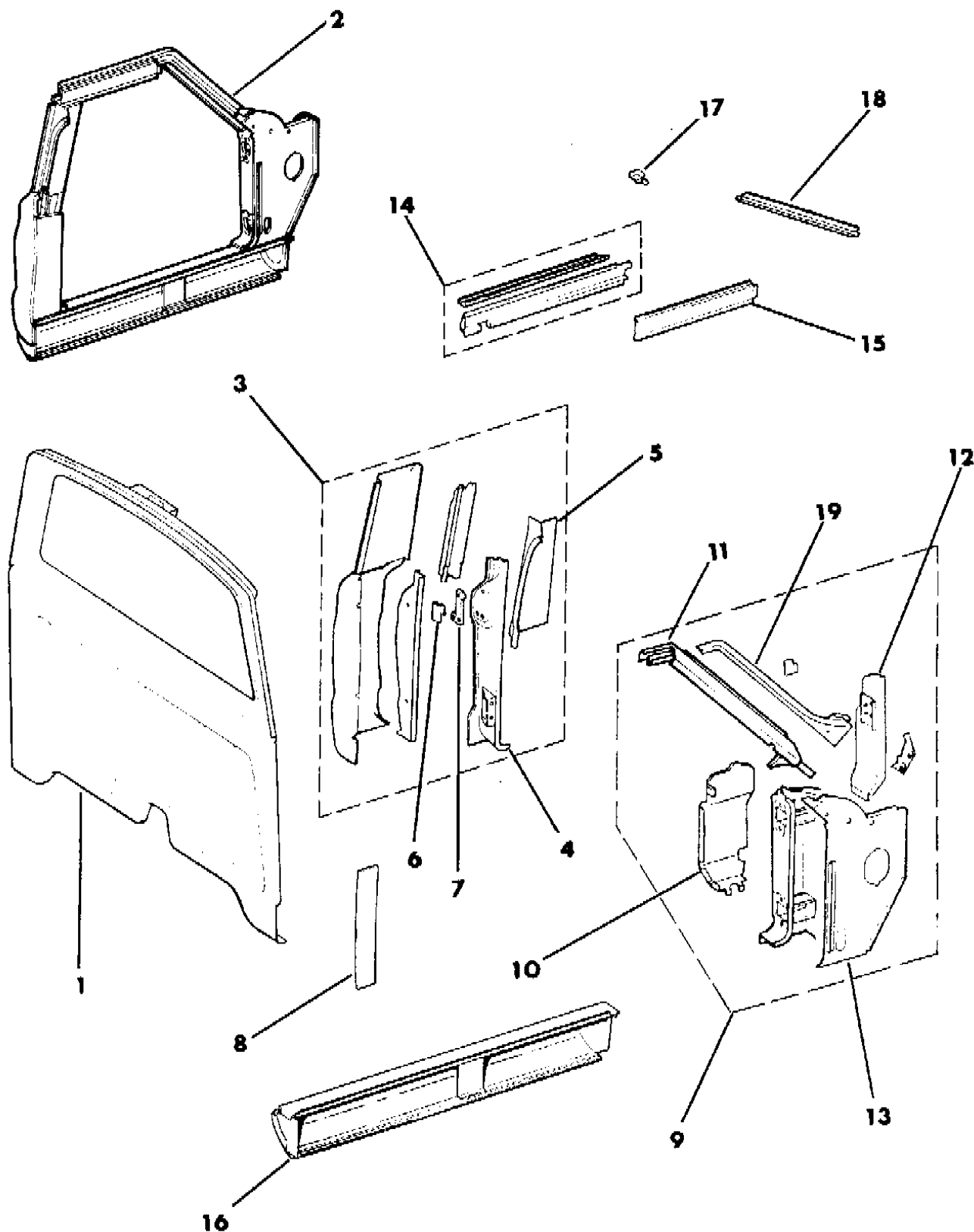
MJ = Comanche Pickup  
 SJ = Grand Wagoneer Wgn., J-10 & J-20 Pickups  
 XJ = Cherokee, Wagoneer Limited  
 YJ = Wrangler

AR = Use as Required - = Non Illustrated Part P.A.R. = Paint as Required

PANELS, BODY SIDE AND REAR 1987-88 J10, J20  
Figure 23A-6700

8J69 6700

ITEM	PART NUMBER	QTY	BODY	MODEL	DESCRIPTION
17	J096 8201	2			CAP, Molding
18	J096 8210	1			MOLDING, Drip Right
	J096 8209	1			Left
19	J095 6644	1			REINFORCEMENT, Pillar Right
	J095 6643	1			Left



MODEL CODES:

15 = Grand Wagoneer 4 Dr.	65 = Comanche 4WD-7 Ft. Box	77 = Cherokee 4WD-2 Dr.
25 = J-10 Pickup-119" W.B.	66 = Comanche 2WD-7 Ft. Box	78 = Cherokee 4WD-4 Dr.
26 = J-10 Pickup-131" W.B.	73 = Cherokee 2WD-2 Dr.	79 = Cherokee 4WD-4 Dr.-Com
27 = J-20 Pickup-131" W.B.	74 = Cherokee 2WD-4 Dr.	81 = Wrangler-93" W.B.
63 = Comanche 4WD-6 Ft. Box	75 = Wagoneer 4WD-4 Dr.	82 = Wrangler-103" W.B.-Exp.
64 = Comanche 2WD-6 Ft. Box		

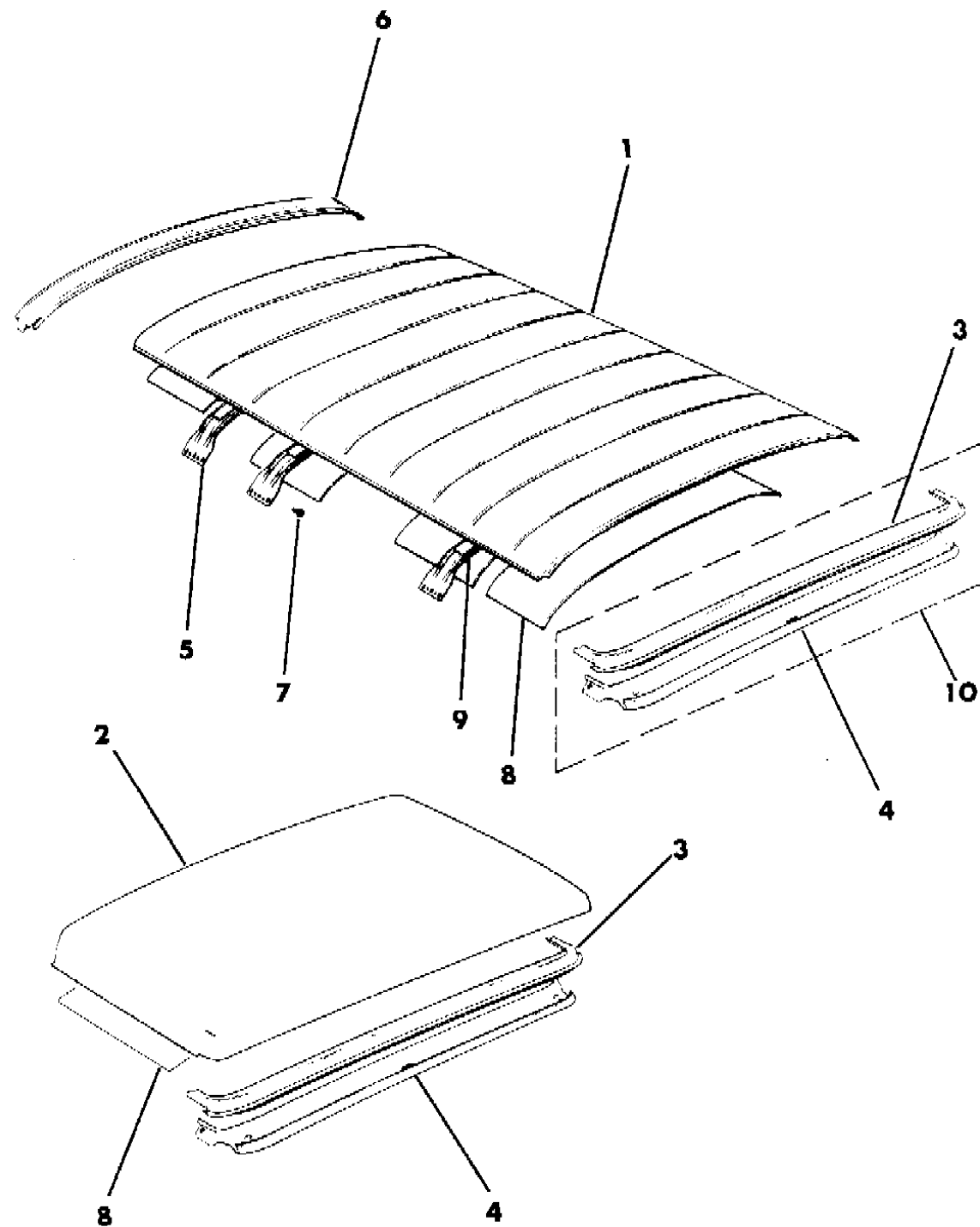
BODY STYLES:

MJ = Comanche Pickup  
 SJ = Grand Wagoneer Wgn., J-10 & J-20 Pickups  
 XJ = Cherokee, Wagoneer Limited  
 YJ = Wrangler

AR = Use as Required - = Non Illustrated Part P.A.R. = Paint as Required

PANELS, ROOF GRAND WAGONEER, J10, J20  
Figure 23A-6800

8J 69 6800



ITEM	PART NUMBER	QTY	BODY	MODEL	DESCRIPTION
1					PANEL, Roof
	J096 5537	1	15		w/o Sunroof
	8350 5255	1	15		w/Sunroof Electric
2	J575 2418	1	26,27		PANEL, Roof 1987-88
3					HEADER, Front Upper ***
	J095 5332	1	26,27		1987-88
	5502 1773	1	15		1989-90
4					HEADER, Front Lower ***
	J545 1430	1	26,27		1987-88
	5502 1774	1	15		1989-90
5	J546 9863	3	15		SUPPORT, Roof (Modification Required)
6	J545 5370	1	15		HEADER, Rear ***
7	J400 4884	12	15		SCREW
8	J546 6338	AR			SILENCER
9	J545 4867	3	15		PAD
10	5502 1772	1	15		HEADER, Front, 1987-90 ***

MODEL CODES:

15 = Grand Wagoneer 4 Dr.	65 = Comanche 4WD-7 Ft. Box	77 = Cherokee 4WD-2 Dr.
25 = J-10 Pickup-119" W.B.	66 = Comanche 2WD-7 Ft. Box	78 = Cherokee 4WD-4 Dr.
26 = J-10 Pickup-131" W.B.	73 = Cherokee 2WD-2 Dr.	79 = Cherokee 4WD-4 Dr.-Com
27 = J-20 Pickup-131" W.B.	74 = Cherokee 2WD-4 Dr.	81 = Wrangler-93" W.B.
63 = Comanche 4WD-6 Ft. Box	75 = Wagoneer 4WD-4 Dr.	82 = Wrangler-103" W.B.-Exp.
64 = Comanche 2WD-6 Ft. Box		

BODY STYLES:

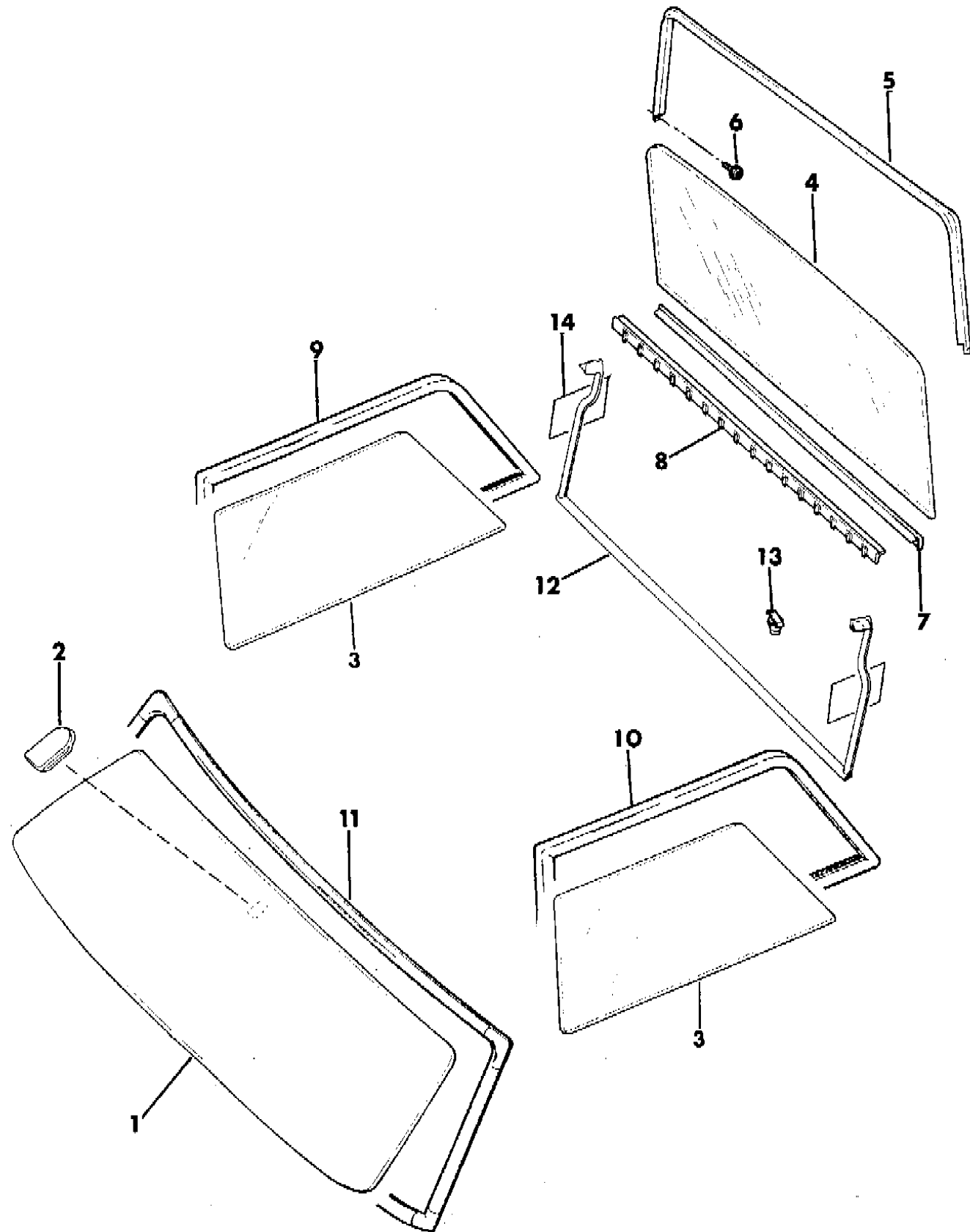
MJ = Comanche Pickup  
 SJ = Grand Wagoneer Wgn., J-10 & J-20 Pickups  
 XJ = Cherokee, Wagoneer Limited  
 YJ = Wrangler

AR = Use as Required - = Non Illustrated Part P.A.R. = Paint as Required



**SEALS & GLASS TINTED WINDSHIELD, QUARTER AND TAILGATE GRAND WAGONEER**  
**Figure 23A-6900**

**8J696900 A**



ITEM	PART NUMBER	QTY	BODY	MODEL	DESCRIPTION
1	J546 9500	1			GLASS, Windshield
2	J365 7374	1			SUPPORT, Inside Rear View Mirror (a)
3	J546 9536	2			GLASS, Quarter
4	J546 9610	1			GLASS, Tailgate w/o rear window defogger
	J575 2859	1			w/rear window defogger
5	J545 5966	1			CHANNEL, Glass
6	J400 4171	2			SCREW
7	5505 2566	1			WEATHERSTRIP, Tailgate Outer
8	J546 2332	1			WEATHERSTRIP, Tailgate Inner
9	J546 9532	1			SEAL, Quarter Window
10	J546 9531	1			SEAL, Quarter Window
11	J546 9504	1			SEAL, Windshield
12	J545 1573	1			SEAL, Tailgate Lower
13	J400 1916	11			FASTENER
14	5502 5166	2			WATERDAM, Tailgate Latch ***

(a) The Mirror Support is Replacing Mirror mounting Kit. When Installing a Mirror Support, Use Locktite #312 Adhesive and the Accelerator for Locktite #312.

**MODEL CODES:**

15 = Grand Wagoneer 4 Dr.	65 = Comanche 4WD-7 Ft. Box	77 = Cherokee 4WD-2 Dr.
25 = J-10 Pickup-119" W.B.	66 = Comanche 2WD-7 Ft. Box	78 = Cherokee 4WD-4 Dr.
26 = J-10 Pickup-131" W.B.	73 = Cherokee 2WD-2 Dr.	79 = Cherokee 4WD-4 Dr.-Com
27 = J-20 Pickup-131" W.B.	74 = Cherokee 2WD-4 Dr.	81 = Wrangler-93" W.B.
63 = Comanche 4WD-6 Ft. Box	75 = Wagoneer 4WD-4 Dr.	82 = Wrangler-103" W.B.-Exp.
64 = Comanche 2WD-6 Ft. Box		

**BODY STYLES:**

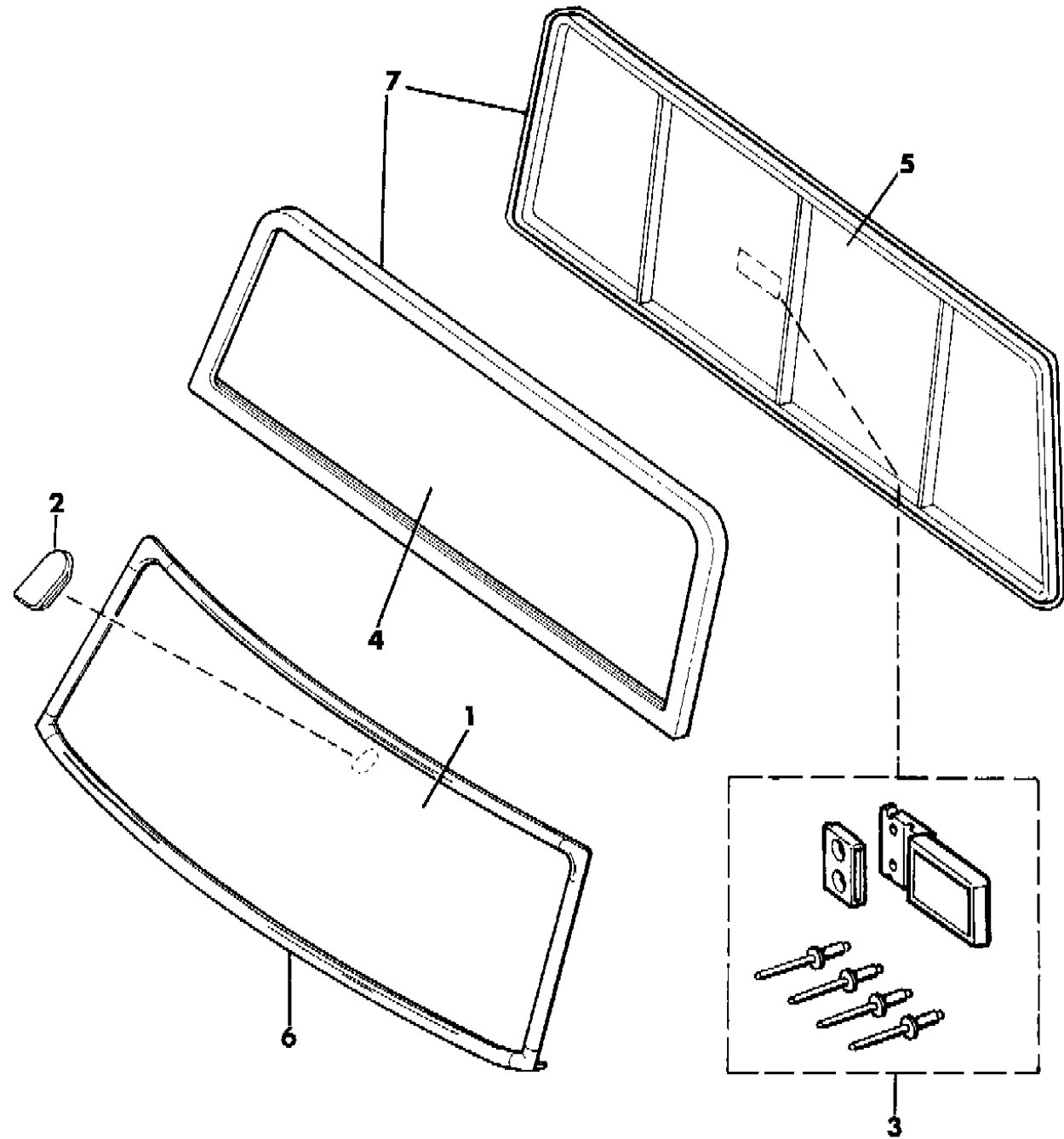
MJ = Comanche Pickup  
 SJ = Grand Wagoneer Wgn., J-10 & J-20 Pickups  
 XJ = Cherokee, Wagoneer Limited  
 YJ = Wrangler

AR = Use as Required - = Non Illustrated Part P.A.R. = Paint as Required

**GLASS, SEALS WINDSHIELD AND REAR WINDOW J10, J20**  
**Figure 23A-7000**

**8J69 7000A**

ITEM	PART NUMBER	QTY	BODY	MODEL	DESCRIPTION
1	J546 9500	1			GLASS, Windshield
2	J365 7374	1			SUPPORT, Mirror (Use locktite)
3	J812 9269	1			LOCK KIT
4	J546 9602	1			GLASS, Rear Window Tinted
	J575 6177	1			Tinted, Export
5	J899 7259	1			GLASS, Rear Window, Sliding Clear
	J575 7311	1			Clear, Export
6	J546 9504	1			SEAL, Windshield
7	J546 9603	1			SEAL, Rear Window



**MODEL CODES:**

15 = Grand Wagoneer 4 Dr.	65 = Comanche 4WD-7 Ft. Box	77 = Cherokee 4WD-2 Dr.
25 = J-10 Pickup-119" W.B.	66 = Comanche 2WD-7 Ft. Box	78 = Cherokee 4WD-4 Dr.
26 = J-10 Pickup-131" W.B.	73 = Cherokee 2WD-2 Dr.	79 = Cherokee 4WD-4 Dr.-Com
27 = J-20 Pickup-131" W.B.	74 = Cherokee 2WD-4 Dr.	81 = Wrangler-93" W.B.
63 = Comanche 4WD-6 Ft. Box	75 = Wagoneer 4WD-4 Dr.	82 = Wrangler-103" W.B.-Exp.
64 = Comanche 2WD-6 Ft. Box		

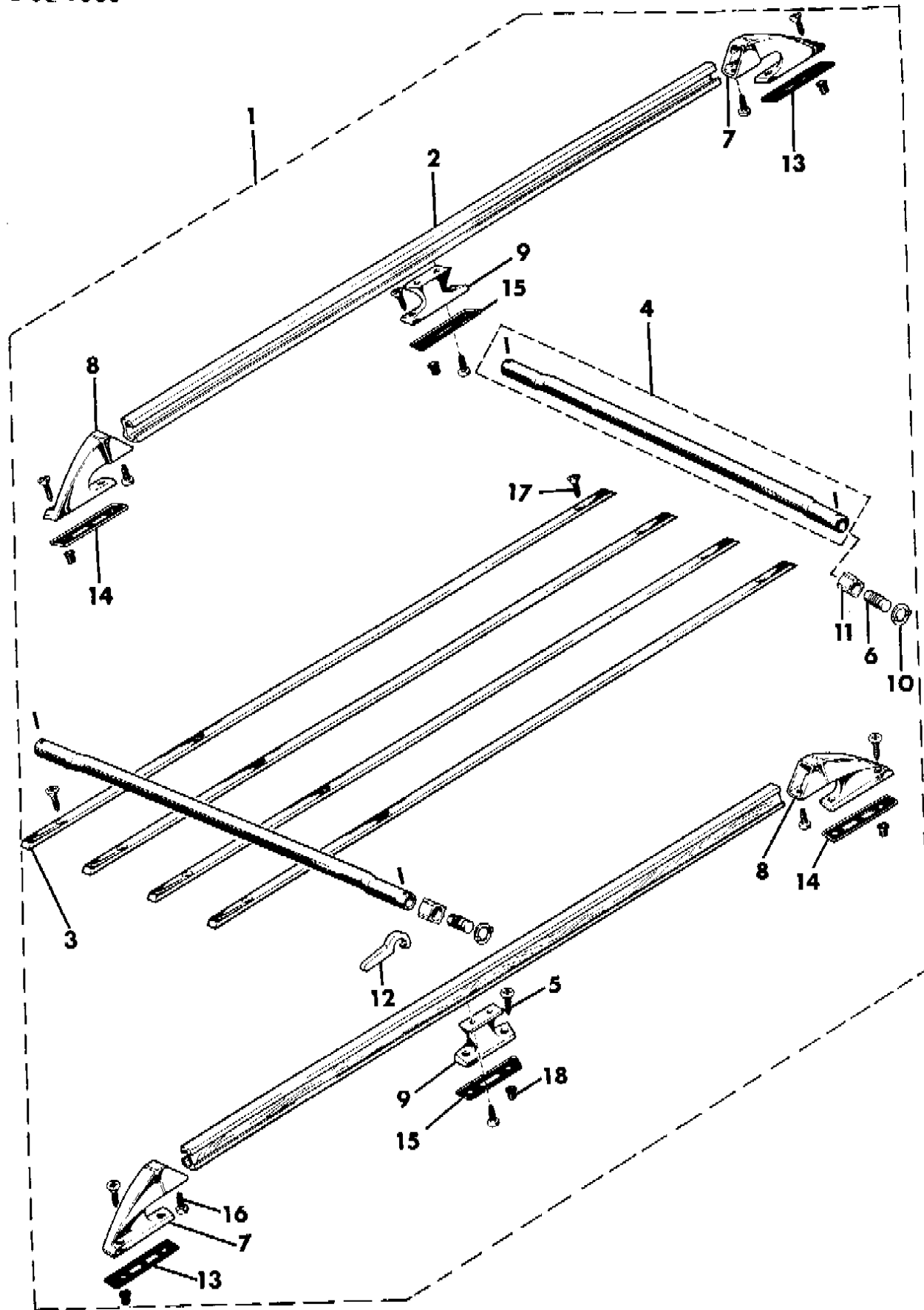
**BODY STYLES:**

MJ = Comanche Pickup  
 SJ = Grand Wagoneer Wgn., J-10 & J-20 Pickups  
 XJ = Cherokee, Wagoneer Limited  
 YJ = Wrangler

AR = Use as Required - = Non Illustrated Part P.A.R. = Paint as Required

RACK--ROOF LUGGAGE GRAND WAGONEER 1987  
Figure 23A-7050

8 J 69 7050



ITEM	PART NUMBER	QTY	BODY	MODEL	DESCRIPTION
1	J899 7039	1			RACK PACKAGE, (Not Serv.) ***
2	J546 9360	2			RAIL, Side
3	5505 2610	4			STRIP, Skid
4	J546 5669	2			RAIL, Cross
5	S941 6343	12			SCREW
6	J546 5670	4			STUD
7	J546 5663	2			SUPPORT, Side Rail
8	J546 5664	2			SUPPORT, Side Rail
9	J546 5675	2			SUPPORT, Center
10	J546 5667	4			WASHER
11	J546 5671	4			NUT
12	J546 5672	1			WRENCH, Cross Rail Adjusting ***
13	J546 5666	2			PAD
14	J546 5665	2			PAD
15	J546 5676	2			PAD
16	J812 0052	8			SCREW
17	J400 6401	12			SCREW
18	J400 3120	12			NUT, Well

MODEL CODES:

15 = Grand Wagoneer 4 Dr.	65 = Comanche 4WD-7 Ft. Box	77 = Cherokee 4WD-2 Dr.
25 = J-10 Pickup-119" W.B.	66 = Comanche 2WD-7 Ft. Box	78 = Cherokee 4WD-4 Dr.
26 = J-10 Pickup-131" W.B.	73 = Cherokee 2WD-2 Dr.	79 = Cherokee 4WD-4 Dr.-Com
27 = J-20 Pickup-131" W.B.	74 = Cherokee 2WD-4 Dr.	81 = Wrangler-93" W.B.
63 = Comanche 4WD-6 Ft. Box	75 = Wagoneer 4WD-4 Dr.	82 = Wrangler-103" W.B.-Exp.
64 = Comanche 2WD-6 Ft. Box		

BODY STYLES:

MJ = Comanche Pickup  
 SJ = Grand Wagoneer Wgn., J-10 & J-20 Pickups  
 XJ = Cherokee, Wagoneer Limited  
 YJ = Wrangler

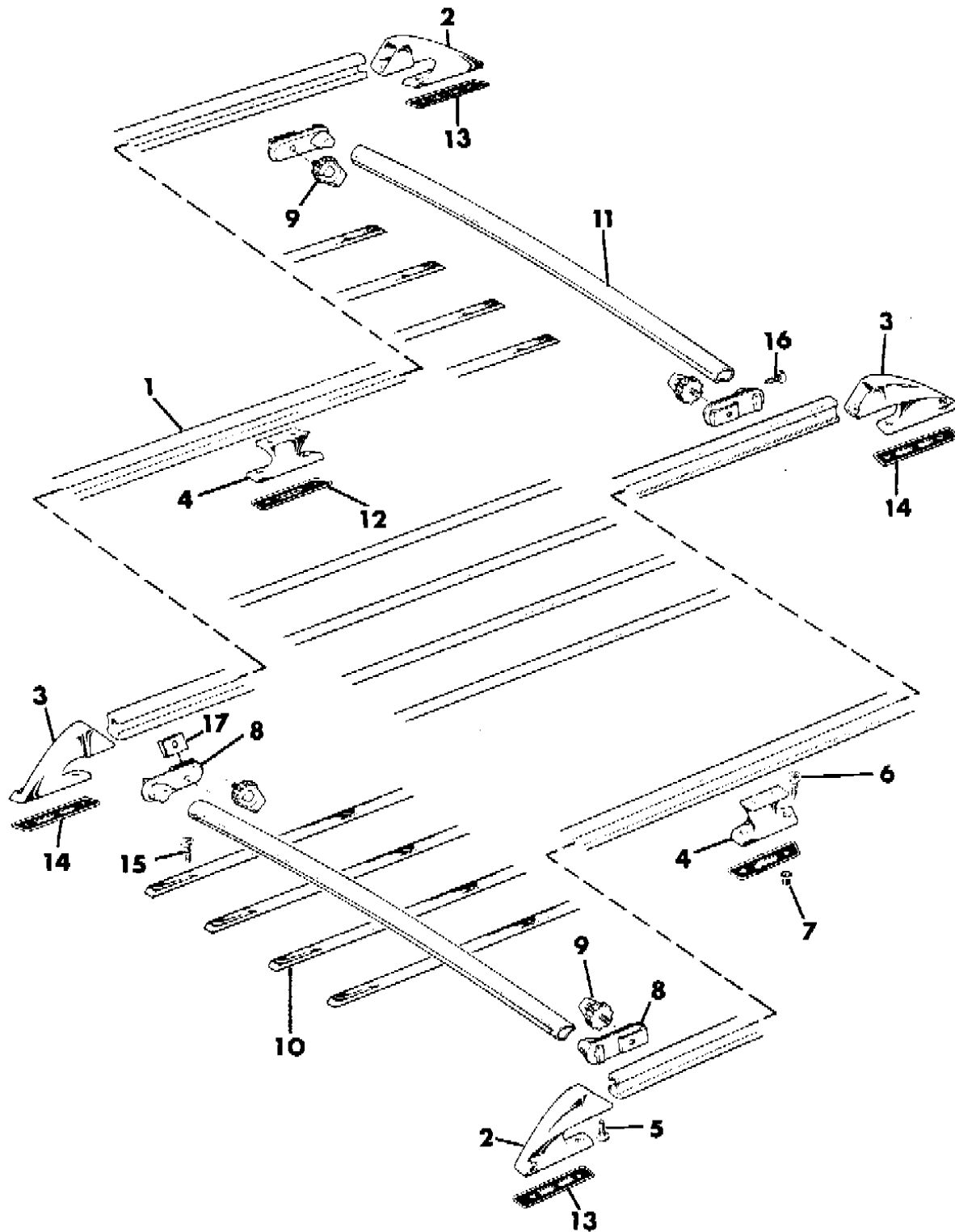
AR = Use as Required - = Non Illustrated Part P.A.R. = Paint as Required

RACK--ROOF LUGGAGE GRAND WAGONEER 1988-90

Figure 23A-7100

8J69 7100

ITEM	PART NUMBER	QTY	BODY	MODEL	DESCRIPTION
1	J546 9360	2			RAIL, Side
2	J546 5663	2			SUPPORT, Side Rail Left Front and Right Rear
3	J546 5664	2			SUPPORT, Side Rail Right Front and Left Rear
4	J546 5675	2			SUPPORT, Center
5	J812 0052	8			SCREW
6	S941 6343	12			SCREW
7	J400 3120	12			NUT, Well
8					SLIDE, Side Rail
	5501 9486	2			Right
	8350 5569	2			Left
9	3502 2075	4			LOOP, Cargo Tie Down
10	5505 2610	4			STRIP, Skid
11	5501 9382	2			RAIL, Cross
12	J546 5676	2			PAD
13	J546 5666	2			PAD, Left Front and Right Rear ***
14	J546 5665	2			PAD, Right Front and Left Rear ***
15	J400 6401	12			SCREW
16	J016 3162	4			SCREW
17	5501 9490	4			PLATE, Tapping



MODEL CODES:

15 = Grand Wagoneer 4 Dr.	65 = Comanche 4WD-7 Ft. Box	77 = Cherokee 4WD-2 Dr.
25 = J-10 Pickup-119" W.B.	66 = Comanche 2WD-7 Ft. Box	78 = Cherokee 4WD-4 Dr.
26 = J-10 Pickup-131" W.B.	73 = Cherokee 2WD-2 Dr.	79 = Cherokee 4WD-4 Dr.-Com
27 = J-20 Pickup-131" W.B.	74 = Cherokee 2WD-4 Dr.	81 = Wrangler-93" W.B.
63 = Comanche 4WD-6 Ft. Box	75 = Wagoneer 4WD-4 Dr.	82 = Wrangler-103" W.B.-Exp.
64 = Comanche 2WD-6 Ft. Box		

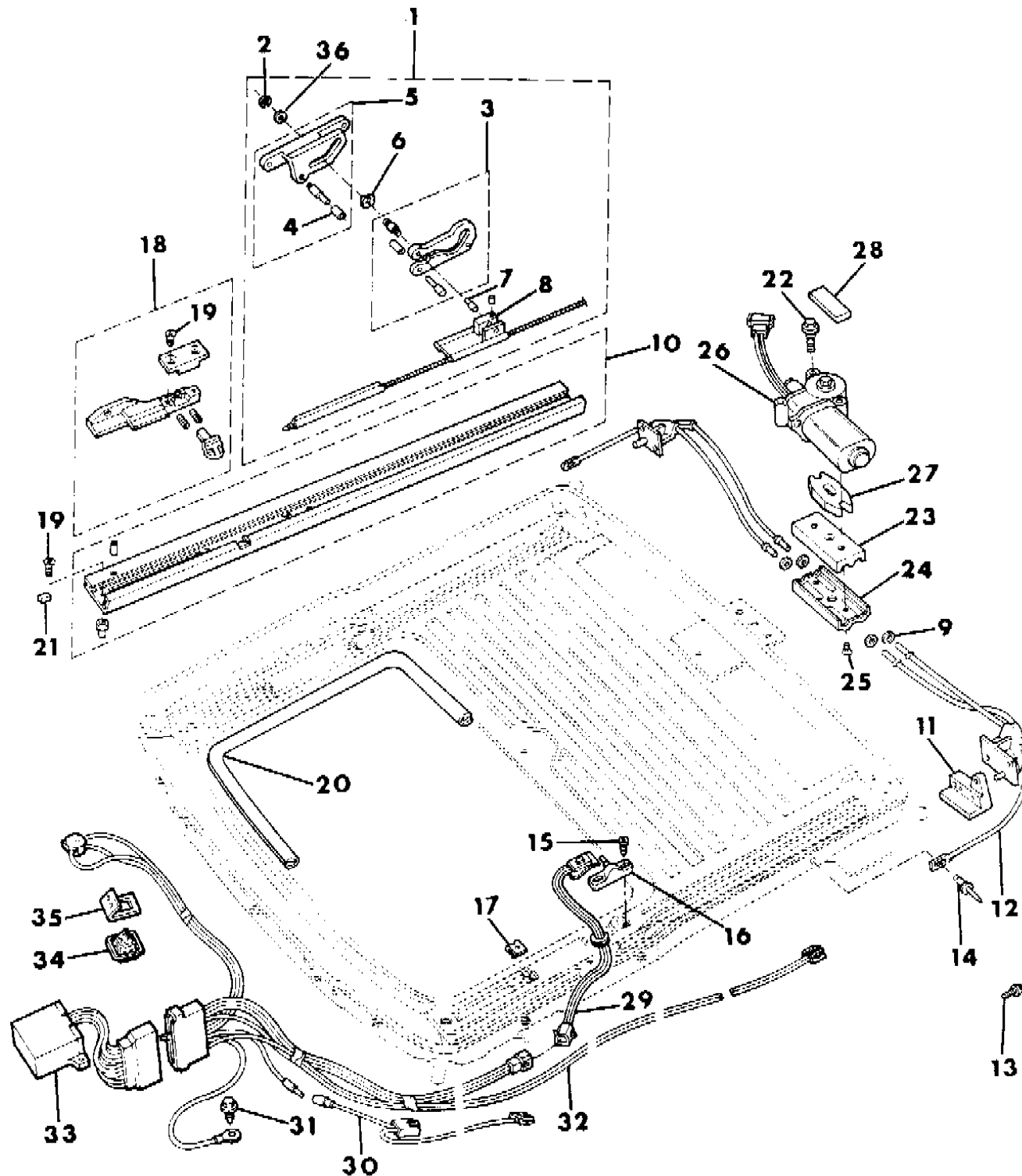
BODY STYLES:

MJ = Comanche Pickup  
 SJ = Grand Wagoneer Wgn., J-10 & J-20 Pickups  
 XJ = Cherokee, Wagoneer Limited  
 YJ = Wrangler

AR = Use as Required - = Non Illustrated Part P.A.R. = Paint as Required

**SUNROOF TRACK AND ELECTRICAL GRAND WAGONEER**  
Figure 23A-7200

8J69 7200



ITEM	PART NUMBER	QTY	BODY	MODEL	DESCRIPTION
1					GUIDE ASSEMBLY
					1988
	8350 5329	1			Right
	8350 5330	1			Left
	8350 5644-5	1			1989-90
2	8350 5339	2			RETAINER
3					LINK ASSEMBLY ***
	8350 5336-7	1			1988-89
	4467 931	2			1990
4					SLEEVE
	8350 5335	AR			1988-89
	4467 925	AR			1990
5					BLOCK PACKAGE, Sunroof ***
	8350 5386-7	1			1988-89
	4467 928-9	1			1990
6	8350 5341	2			WASHER, Wave
7					PIN
	8350 5340	2			1988-89
	4467 932	2			1990
8					GUIDE ASSEMBLY
					Right
	8350 5331	1			1988
	8350 5642	1			1989-90
					Left
	8350 5332	1			1988
	8350 5643	1			1989-90
9					SEAL
	8350 5320	AR			1988-89
	4467 920	AR			1990
10	8350 5312-3	1			TRACK ASSEMBLY ***
11	8350 5318-9	1			RETAINER
12	8350 5316-7	1			TUBE ASSEMBLY, Cable ***
13	8350 5380	AR			BOLT
14	8350 5321	1			RIVET
15	8350 5345	2			SCREW
16					ACTUATOR
	8350 5344	1			1988-89

MODEL CODES:

15 = Grand Wagoneer 4 Dr.	65 = Comanche 4WD-7 Ft. Box	77 = Cherokee 4WD-2 Dr.
25 = J-10 Pickup-119" W.B.	66 = Comanche 2WD-7 Ft. Box	78 = Cherokee 4WD-4 Dr.
26 = J-10 Pickup-131" W.B.	73 = Cherokee 2WD-2 Dr.	79 = Cherokee 4WD-4 Dr.-Com
27 = J-20 Pickup-131" W.B.	74 = Cherokee 2WD-4 Dr.	81 = Wrangler-93" W.B.
63 = Comanche 4WD-6 Ft. Box	75 = Wagoneer 4WD-4 Dr.	82 = Wrangler-103" W.B.-Exp.
64 = Comanche 2WD-6 Ft. Box		

BODY STYLES:

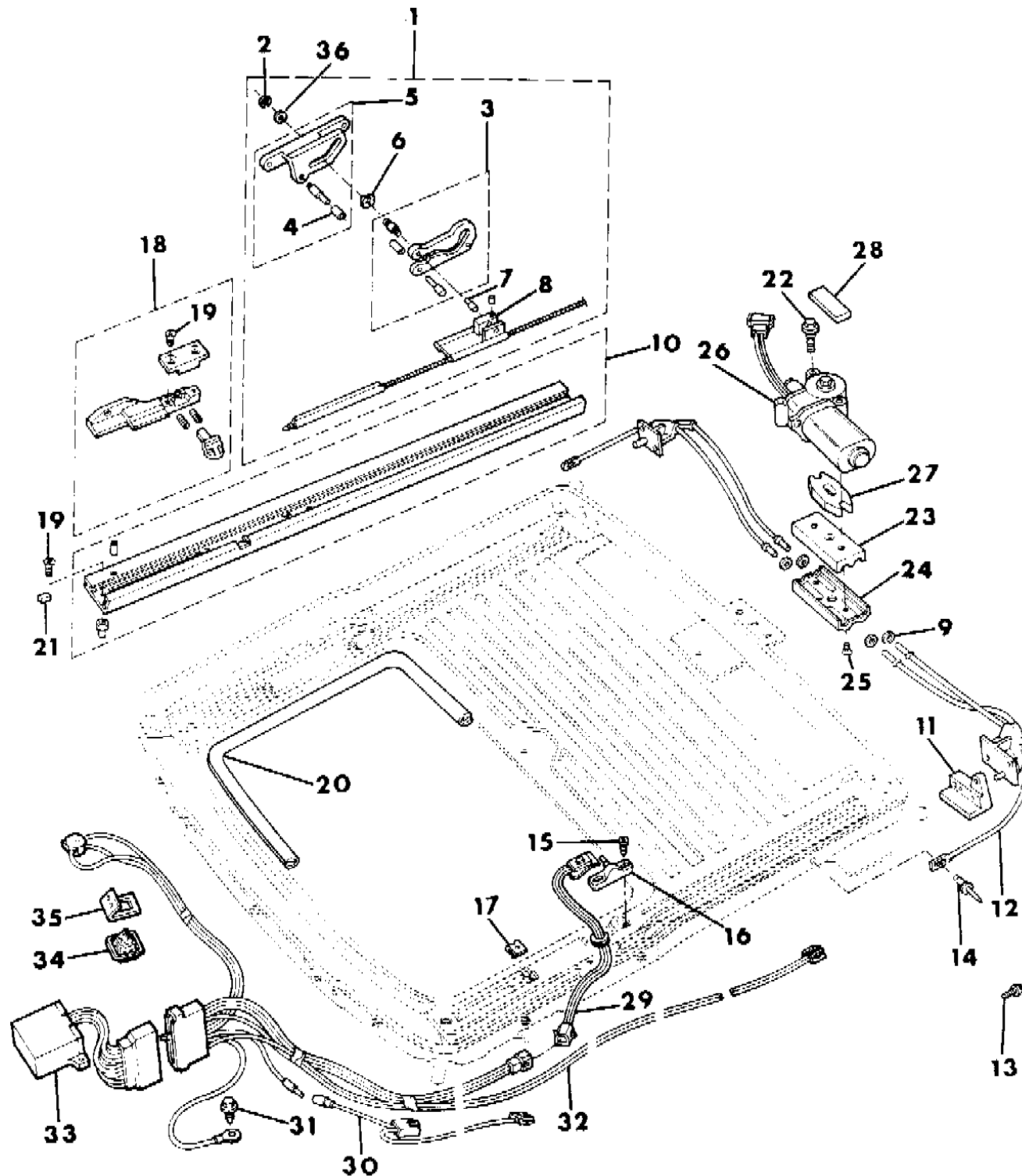
MJ = Comanche Pickup  
 SJ = Grand Wagoneer Wgn., J-10 & J-20 Pickups  
 XJ = Cherokee, Wagoneer Limited  
 YJ = Wrangler

AR = Use as Required - = Non Illustrated Part P.A.R. = Paint as Required

# SUNROOF TRACK AND ELECTRICAL GRAND WAGONEER

Figure 23A-7200

8J69 7200



ITEM	PART NUMBER	QTY	BODY	MODEL	DESCRIPTION
	4467 933	1		1990	
17	8350 5311	AR			NUT
18					GUIDE ASSEMBLY
	8350 5342-3	1		1988	
	8350 5634-5	1		1989-90	
19	8350 5309	AR			SCREW
20					WELT
	J813 3205	1		Black	
	5252 621	1		Cordovan	
	5252 620	1		Sand	
21					PLUG
	8350 5314	2		1988-89	
	4467 911	2		1990	
22	8350 5327	2			SCREW
23					RETAINER, Cable Lower
	8350 5322	1		1988	
	8350 5646	1		1989-90	
24					COVER
	8350 5323	1		1988-89	
	4467 922	1		1990	
25	8350 5324	2			SCREW
26					MOTOR
	8350 5325	1		1988-89	
	4467 968	1		1990	
27					SPACER
	8350 5326	1		1988-89	
	4172 243	1		1990	
28					PAD
	8350 5328	1		1988-89	
	4467 918	1		1990	
29	8350 5315	1			SWITCH
30	8350 5373	1			WIRE, Jumper
31	8350 5383	1			SCREW
32	8350 5372	1			HARNESS, Wire
33					MODULE
	8350 5371	1		1988-89	
	4467 948	1		1990	

MODEL CODES:

15 = Grand Wagoneer 4 Dr.	65 = Comanche 4WD-7 Ft. Box	77 = Cherokee 4WD-2 Dr.
25 = J-10 Pickup-119" W.B.	66 = Comanche 2WD-7 Ft. Box	78 = Cherokee 4WD-4 Dr.
26 = J-10 Pickup-131" W.B.	73 = Cherokee 2WD-2 Dr.	79 = Cherokee 4WD-4 Dr.-Com
27 = J-20 Pickup-131" W.B.	74 = Cherokee 2WD-4 Dr.	81 = Wrangler-93" W.B.
63 = Comanche 4WD-6 Ft. Box	75 = Wagoneer 4WD-4 Dr.	82 = Wrangler-103" W.B.-Exp.
64 = Comanche 2WD-6 Ft. Box		

BODY STYLES:

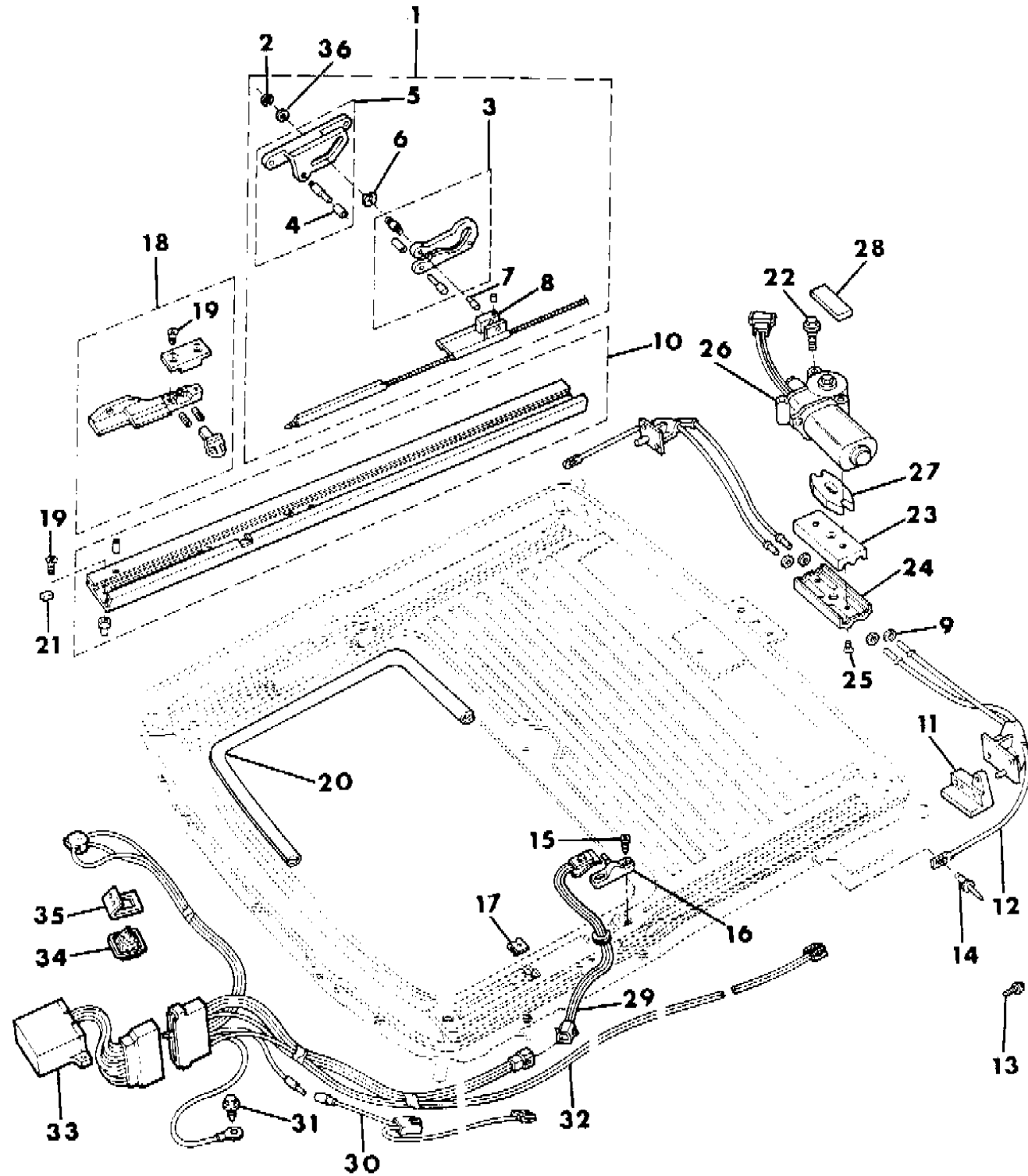
MJ = Comanche Pickup  
 SJ = Grand Wagoneer Wgn., J-10 & J-20 Pickups  
 XJ = Cherokee, Wagoneer Limited  
 YJ = Wrangler

AR = Use as Required - = Non Illustrated Part P.A.R. = Paint as Required

**SUNROOF TRACK AND ELECTRICAL GRAND WAGONEER**  
**Figure 23A-7200**

8J69 7200

ITEM	PART NUMBER	QTY	BODY	MODEL	DESCRIPTION
34	8350 5370	1			SWITCH, Sunroof
35	8350 5369	1			BRACKET
36	8350 5338	2			WASHER
37	8350 5374	1			CONNECTOR, Wire Harness



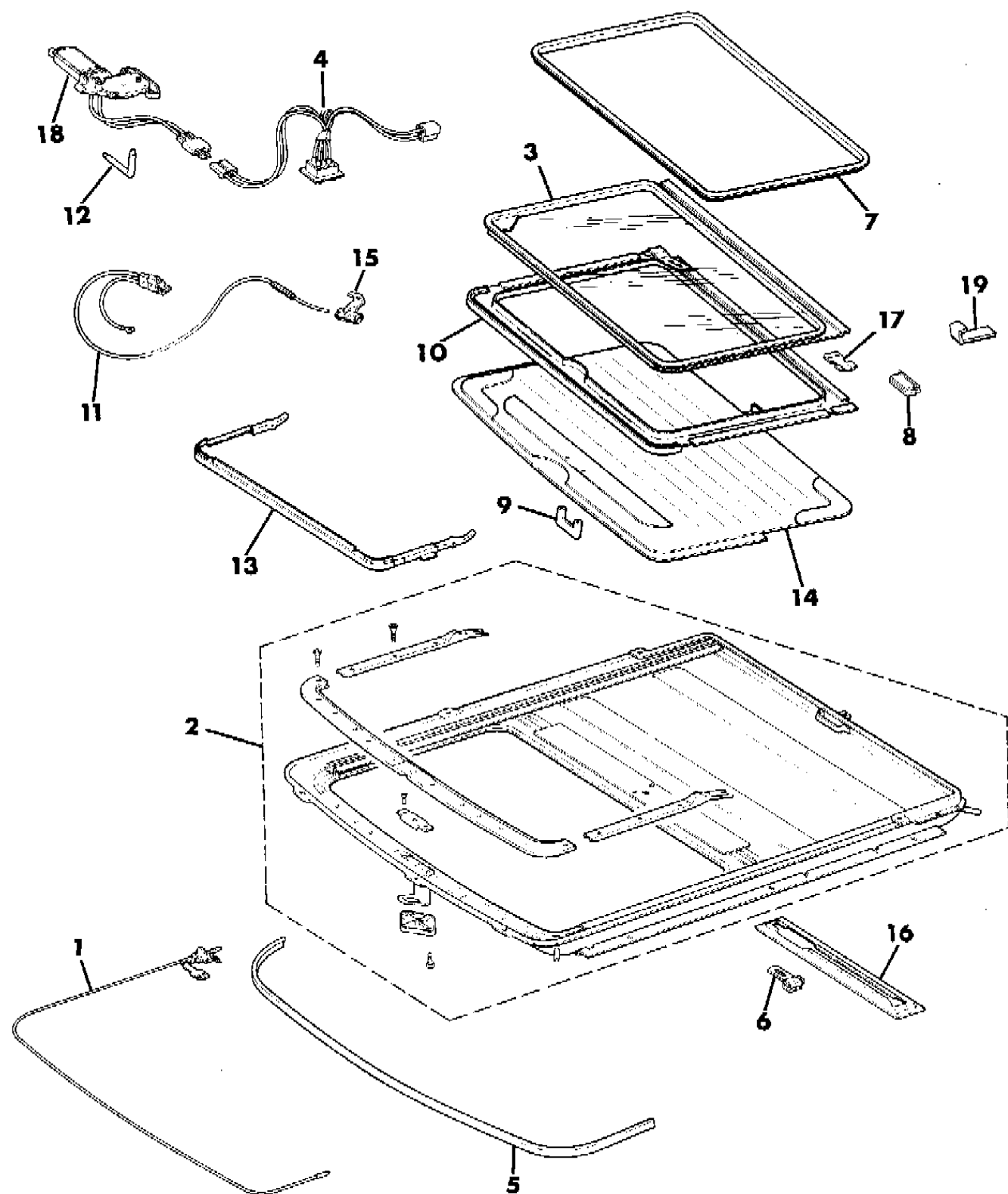
- MODEL CODES:
- |                             |                             |                              |
|-----------------------------|-----------------------------|------------------------------|
| 15 = Grand Wagoneer 4 Dr.   | 65 = Comanche 4WD-7 Ft. Box | 77 = Cherokee 4WD-2 Dr.      |
| 25 = J-10 Pickup-119" W.B.  | 66 = Comanche 2WD-7 Ft. Box | 78 = Cherokee 4WD-4 Dr.      |
| 26 = J-10 Pickup-131" W.B.  | 73 = Cherokee 2WD-2 Dr.     | 79 = Cherokee 4WD-4 Dr.-Com  |
| 27 = J-20 Pickup-131" W.B.  | 74 = Cherokee 2WD-4 Dr.     | 81 = Wrangler-93" W.B.       |
| 63 = Comanche 4WD-6 Ft. Box | 75 = Wagoneer 4WD-4 Dr.     | 82 = Wrangler-103" W.B.-Exp. |
| 64 = Comanche 2WD-6 Ft. Box |                             |                              |

- BODY STYLES:
- MJ = Comanche Pickup
  - SJ = Grand Wagoneer Wgn., J-10 & J-20 Pickups
  - XJ = Cherokee, Wagoneer Limited
  - YJ = Wrangler

AR = Use as Required - = Non Illustrated Part P.A.R. = Paint as Required

**SUNROOF--SLIDING GRAND WAGONEER--1987**  
**Figure 23A-7250**

8 J69 7250



ITEM	PART NUMBER	QTY	BODY	MODEL	DESCRIPTION
1	J813 3198-9	1			CABLE
2	8350 3304	1			HOUSING ASSEMBLY
3	8350 3305	1			GLASS, (Silver)
4	8350 2850	1			SWITCH
5	8350 3306	1			SEAL
6	J813 3204	2			GUIDE
7	8350 2852	1			MOULDING
8	J813 3208	2			CATCH
9	8350 2161	1			HANDLE, Sun Screen (P.A.R.)
10	J813 3210	1			HALO
11	J813 3211	1			WIRE
12	J813 3212	1			HANDLE
13	8350 2851	1			DEFLECTOR, Air
14					SUNSCREEN ***
	8350 4517	1			(Cordovan)
	8350 4516	1			(Tan)
15	J318 6888	AR			CONNECTOR, Splice
16	J813 3215	1			BRACKET
17	J813 3335	2			RETAINER
18	J813 3219	1			MOTOR
19	8350 5583	2			CLIP

**MODEL CODES:**

15 = Grand Wagoneer 4 Dr.	65 = Comanche 4WD-7 Ft. Box	77 = Cherokee 4WD-2 Dr.
25 = J-10 Pickup-119" W.B.	66 = Comanche 2WD-7 Ft. Box	78 = Cherokee 4WD-4 Dr.
26 = J-10 Pickup-131" W.B.	73 = Cherokee 2WD-2 Dr.	79 = Cherokee 4WD-4 Dr.-Com
27 = J-20 Pickup-131" W.B.	74 = Cherokee 2WD-4 Dr.	81 = Wrangler-93" W.B.
63 = Comanche 4WD-6 Ft. Box	75 = Wagoneer 4WD-4 Dr.	82 = Wrangler-103" W.B.-Exp.
64 = Comanche 2WD-6 Ft. Box		

**BODY STYLES:**

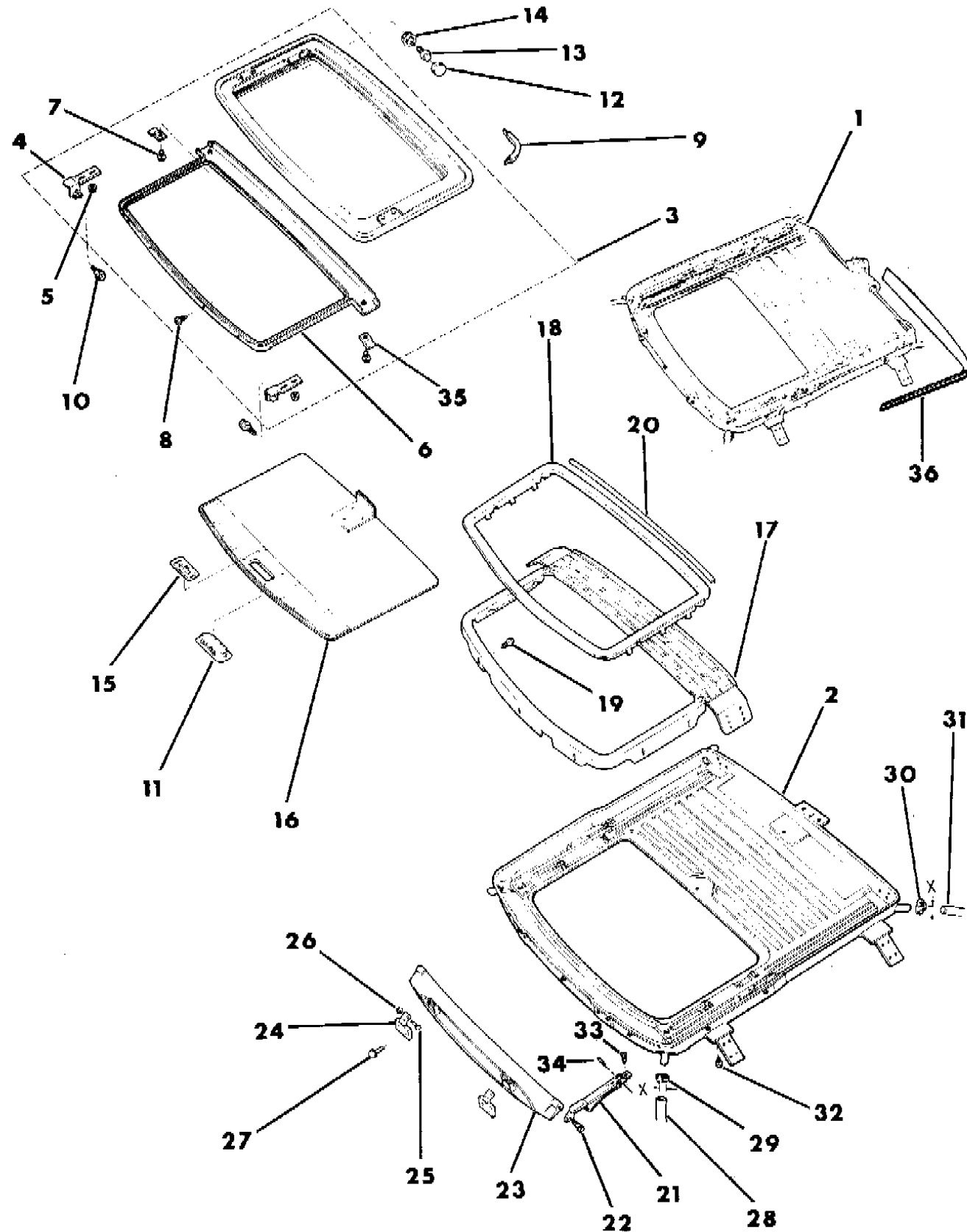
MJ = Comanche Pickup  
 SJ = Grand Wagoneer Wgn., J-10 & J-20 Pickups  
 XJ = Cherokee, Wagoneer Limited  
 YJ = Wrangler

AR = Use as Required - = Non Illustrated Part P.A.R. = Paint as Required



**SUNROOF SLIDING GLASS AND HOUSING GRAND WAGONEER**  
Figure 23A-7300

8J697300



ITEM	PART NUMBER	QTY	BODY	MODEL	DESCRIPTION
1	8350 5300	1			HOUSING ASSEMBLY, Complete ***
2	8350 5382	1			HOUSING ASSEMBLY ***
3	8350 5348	1			GLASS PACKAGE, Sunroof ***
4					BRACKET ASSEMBLY ***
					1988-89
	8350 5349	1			Right
	8350 5350	1			Left
					1990
	4467 940-1	1			
5	8350 5351	4			NUT
6	8350 5353	1			BEZEL
7	8350 5354	2			SCREW
8	J045 7002	AR			SCREW
9	4467 939	1			INSERT, Bulk
10					BOLT
	8350 5352	AR			1988-89
	4467 942	AR			1990
11	8350 5357	1			HANDLE, Sun Screen
12					CAP
	8350 5378	2			1988-89
	4467 953	2			1990
13	8350 5347	2			BOLT
14					RETAINER
	8350 5346	2			1988-89
	4467 937	2			1990
15	8350 5358	1			BEZEL
16					SUNSCREEN ***
	8350 5356	1			Cordovan
	5252 178	1			Sand
	8350 5355	1			Tan, 1988
17	8350 5359	1			REINFORCEMENT
18	8350 5360	1			MOLDING
19					BOLT
	8350 5377	AR			1988-89
	4467 951	AR			1990
20	8350 5361	1			SHIM
21	8350 5307	2			ARM ASSEMBLY, Pivot ***

**MODEL CODES:**

15 = Grand Wagoneer 4 Dr.	65 = Comanche 4WD-7 Ft. Box	77 = Cherokee 4WD-2 Dr.
25 = J-10 Pickup-119" W.B.	66 = Comanche 2WD-7 Ft. Box	78 = Cherokee 4WD-4 Dr.
26 = J-10 Pickup-131" W.B.	73 = Cherokee 2WD-2 Dr.	79 = Cherokee 4WD-4 Dr.-Com
27 = J-20 Pickup-131" W.B.	74 = Cherokee 2WD-4 Dr.	81 = Wrangler-93" W.B.
63 = Comanche 4WD-6 Ft. Box	75 = Wagoneer 4WD-4 Dr.	82 = Wrangler-103" W.B.-Exp.
64 = Comanche 2WD-6 Ft. Box		

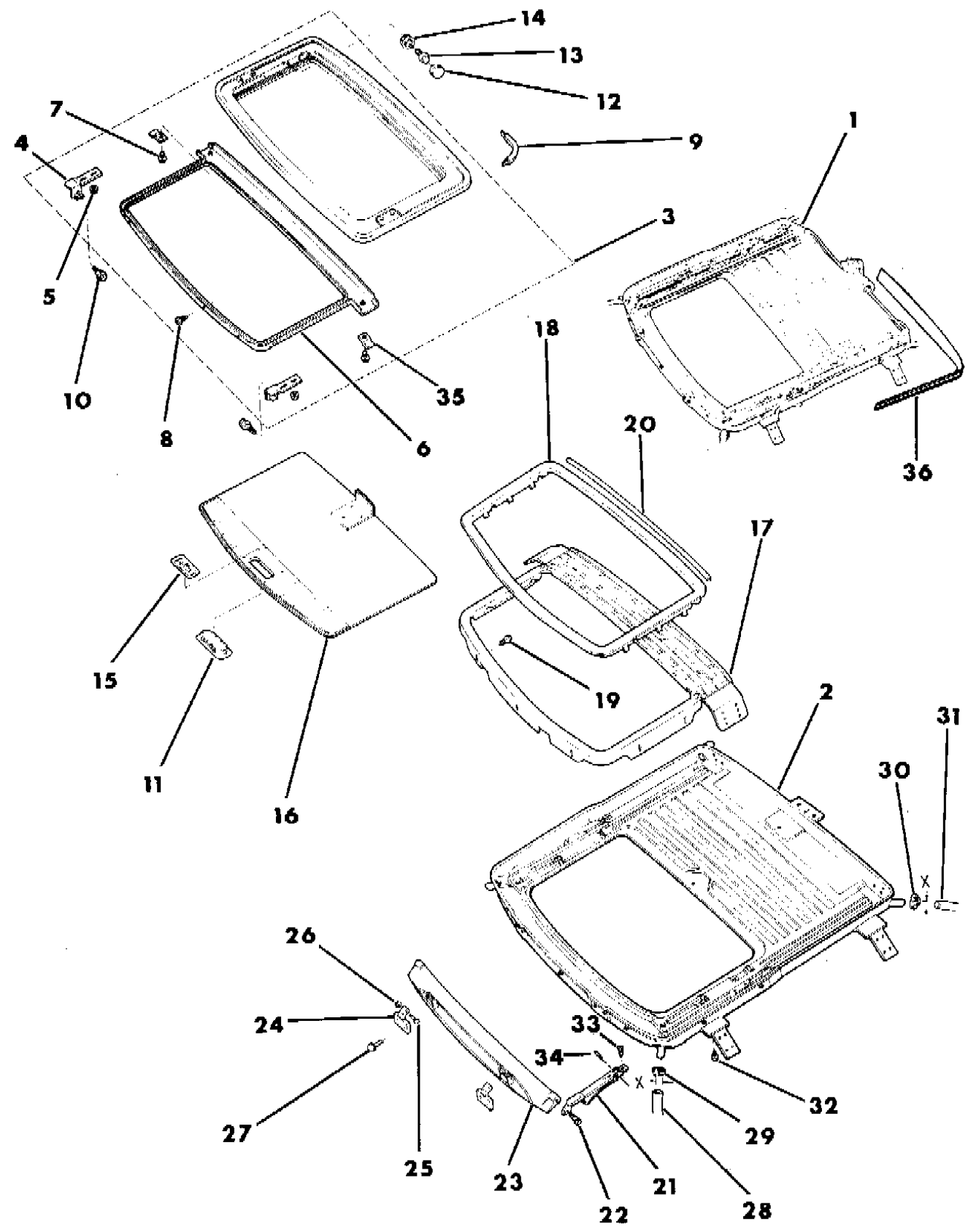
**BODY STYLES:**

MJ = Comanche Pickup  
 SJ = Grand Wagoneer Wgn., J-10 & J-20 Pickups  
 XJ = Cherokee, Wagoneer Limited  
 YJ = Wrangler

AR = Use as Required - = Non Illustrated Part P.A.R. = Paint as Required

**SUNROOF SLIDING GLASS AND HOUSING GRAND WAGONEER**  
Figure 23A-7300

8J697300



ITEM	PART NUMBER	QTY	BODY	MODEL	DESCRIPTION
22	8350 5308	2			BOLT
23					DEFLECTOR, Air
	8350 5302	1			1988
	8350 5632	1			1989-90
24					BRACKET
	8350 5303	1			Right
	8350 5304	1			Left
25	8350 5305	2			PIN
26	8350 5306	2			RETAINER
27	8350 5301	4			SCREW (Not Serv.) ***
28	8350 5367	2			HOSE, Drain
29	8350 5375	2			CLAMP, Hose, 14.5-16.5mm Dia.
30	8350 5376	2			CLAMP, Hose, 21.5mm Dia.
31	8350 5368	2			HOSE, Drain
32	8350 5383	AR			SCREW
33		AR			SCREW (8-18x.438) (Not Serv.)
34	6100 642	2			PIN, Spring Slotted Heavy
35	4467 945	2			GUIDE, Drain Though
36	8350 5366	1			SEAL, Dust

MODEL CODES:

15 = Grand Wagoneer 4 Dr.	65 = Comanche 4WD-7 Ft. Box	77 = Cherokee 4WD-2 Dr.
25 = J-10 Pickup-119" W.B.	66 = Comanche 2WD-7 Ft. Box	78 = Cherokee 4WD-4 Dr.
26 = J-10 Pickup-131" W.B.	73 = Cherokee 2WD-2 Dr.	79 = Cherokee 4WD-4 Dr.-Com
27 = J-20 Pickup-131" W.B.	74 = Cherokee 2WD-4 Dr.	81 = Wrangler-93" W.B.
63 = Comanche 4WD-6 Ft. Box	75 = Wagoneer 4WD-4 Dr.	82 = Wrangler-103" W.B.-Exp.
64 = Comanche 2WD-6 Ft. Box		

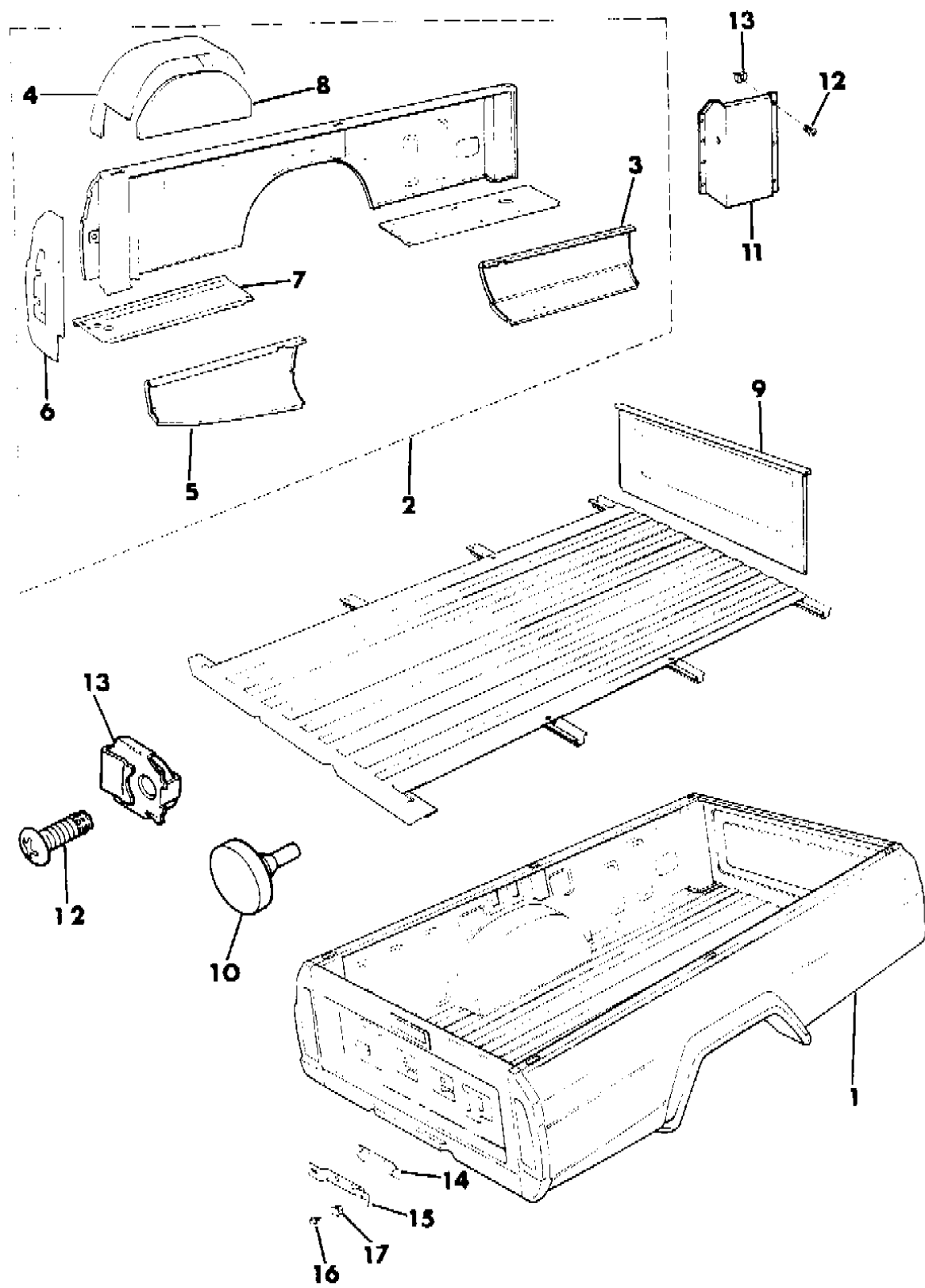
BODY STYLES:

MJ = Comanche Pickup  
 SJ = Grand Wagoneer Wgn., J-10 & J-20 Pickups  
 XJ = Cherokee, Wagoneer Limited  
 YJ = Wrangler

AR = Use as Required - = Non Illustrated Part P.A.R. = Paint as Required

BOX, PICKUP 1987-1988 J10, J20  
Figure 23A-7400

8J69 7400



ITEM	PART NUMBER	QTY	BODY	MODEL	DESCRIPTION
1	J575 1163	1			BOX, Pickup
2	J545 9773	1			PANEL, Side Right
	J546 3935	1			Left
3					SHIELD, Front Right (Not Serv.) Left
4	J095 7183	2			FENDER, Pickup Box
5					SHIELD, Rear Right Left
6	J095 7232	1			PANEL, Rear Right
	J095 7231	1			Left
7					EXTENSION, Floor Right Left
8	J095 7180	2			PANEL, Wheelhouse Inner
9	J095 7697	1			PANEL, Pickup Box Front
10	J096 8072	2			BUMPER, Stop
11	J546 5051	1			COVER, Fuel Tank Hose
12	S941 5482	7			SCREW
13	J097 2619	4			RETAINER
14	J093 1389	1			BRACKET
15	J575 8832	1			HINGE
16	J400 5466	2			SCREW
17	J400 0141	2			NUT

MODEL CODES:

15 = Grand Wagoneer 4 Dr.	65 = Comanche 4WD-7 Ft. Box	77 = Cherokee 4WD-2 Dr.
25 = J-10 Pickup-119" W.B.	66 = Comanche 2WD-7 Ft. Box	78 = Cherokee 4WD-4 Dr.
26 = J-10 Pickup-131" W.B.	73 = Cherokee 2WD-2 Dr.	79 = Cherokee 4WD-4 Dr.-Com
27 = J-20 Pickup-131" W.B.	74 = Cherokee 2WD-4 Dr.	81 = Wrangler-93" W.B.
63 = Comanche 4WD-6 Ft. Box	75 = Wagoneer 4WD-4 Dr.	82 = Wrangler-103" W.B.-Exp.
64 = Comanche 2WD-6 Ft. Box		

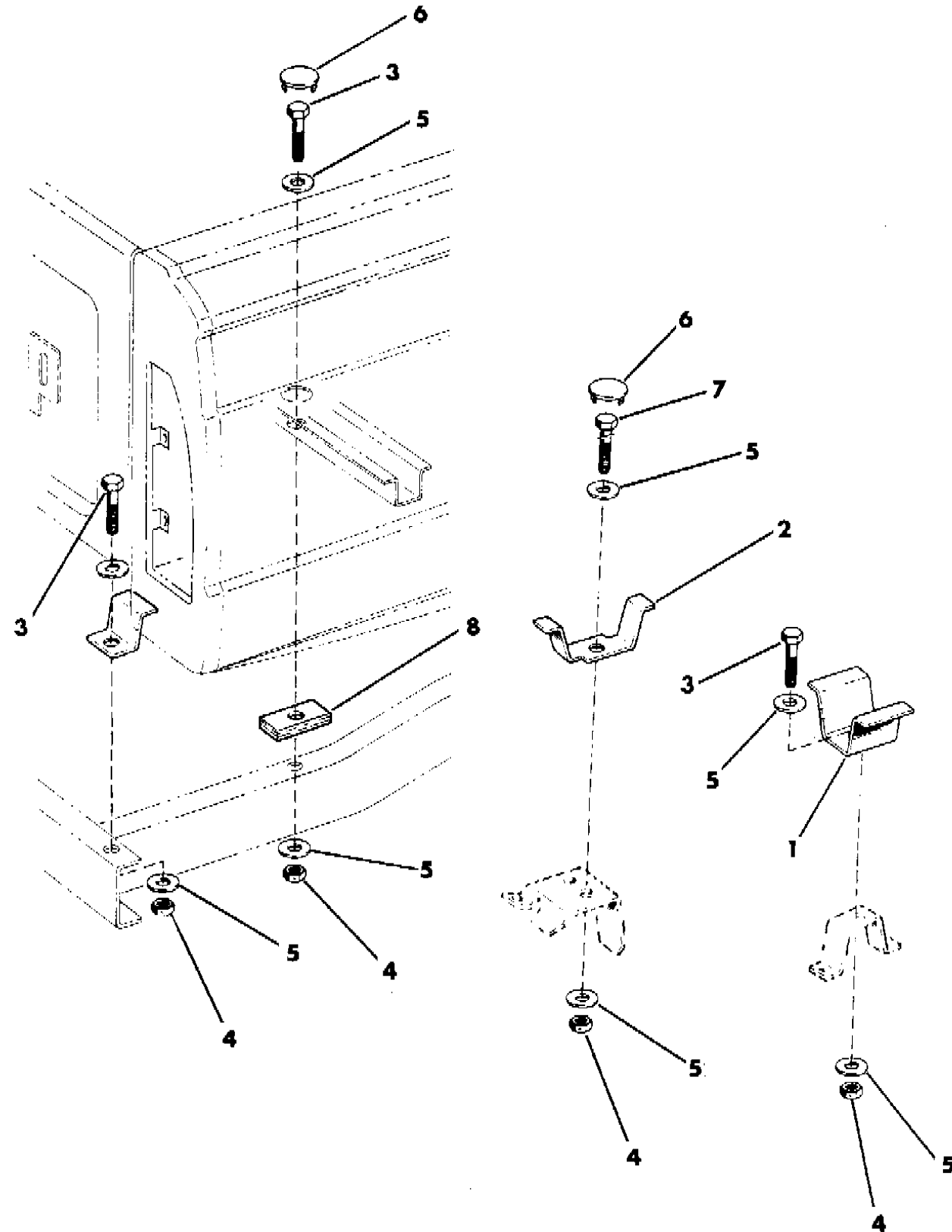
BODY STYLES:

MJ = Comanche Pickup  
SJ = Grand Wagoneer Wgn., J-10 & J-20 Pickups  
XJ = Cherokee, Wagoneer Limited  
YJ = Wrangler

AR = Use as Required - = Non Illustrated Part P.A.R. = Paint as Required

MOUNTING HARDWARE, PICKUP BOX 1987-1988 J10, J20  
Figure 23A-7500

8 J 69 7500



ITEM	PART NUMBER	QTY	BODY	MODEL	DESCRIPTION
1	J095 7538	2			BRACKET
2	J095 9359	2			BRACKET
3	J941 9105	2			BOLT, Hex Flange
4	J400 4025	2			NUT, Lock
5	S012 0390	8			WASHER, Flat
6	J400 6453	4			PLUG, Button
7	J400 4935	2			SCREW
8	J067 0540	2			PAD

MODEL CODES:

15 = Grand Wagoneer 4 Dr.	65 = Comanche 4WD-7 Ft. Box	77 = Cherokee 4WD-2 Dr.
25 = J-10 Pickup-119" W.B.	66 = Comanche 2WD-7 Ft. Box	78 = Cherokee 4WD-4 Dr.
26 = J-10 Pickup-131" W.B.	73 = Cherokee 2WD-2 Dr.	79 = Cherokee 4WD-4 Dr.-Com
27 = J-20 Pickup-131" W.B.	74 = Cherokee 2WD-4 Dr.	81 = Wrangler-93" W.B.
63 = Comanche 4WD-6 Ft. Box	75 = Wagoneer 4WD-4 Dr.	82 = Wrangler-103" W.B.-Exp.
64 = Comanche 2WD-6 Ft. Box		

BODY STYLES:

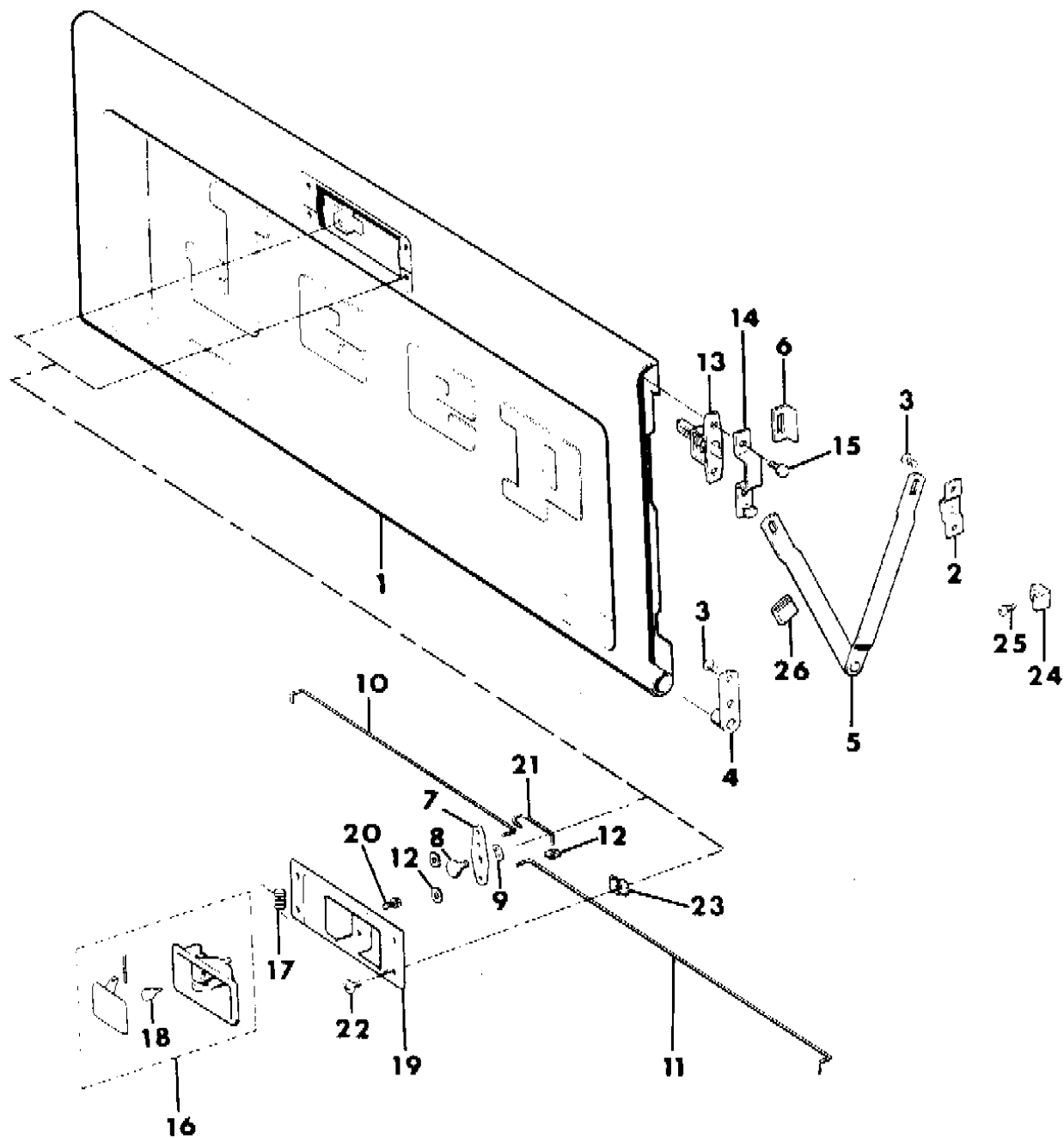
MJ = Comanche Pickup  
 SJ = Grand Wagoneer Wgn., J-10 & J-20 Pickups  
 XJ = Cherokee, Wagoneer Limited  
 YJ = Wrangler

AR = Use as Required - = Non Illustrated Part P.A.R. = Paint as Required

TAILGATE, LATCH AND HINGES 1987-1988 J10, J20  
Figure 23A-7600

8J69 7600

ITEM	PART NUMBER	QTY	BODY	MODEL	DESCRIPTION
1	J098 7818	1			TAILGATE, Pickup Box
2	J098 9434	1			BRACKET, Support
3	J400 4956	8			SCREW
4	J098 9017	1			HINGE, Tailgate Right
	J098 7811	1			Left
5	J098 7829	2			ARM, Tailgate Support
6	J575 2451	2			STRIKER, Latch
7	J098 9216	1			BELLCRANK
8	J098 9217	1			BOLT, Shoulder
9	J095 8629	1			WASHER, Spring
10	J098 7825	1			ROD, Latch Release Left
11	J098 9218	1			ROD, Latch Release Right
12	J097 0738	3			NUT, Push
13	J098 7824	2			LATCH
14	J098 9349	2			BRACKET, Support
15	J400 4455	4			SCREW
16	J363 1162	1			HANDLE, Tailgate
17	J363 1218	1			SPRING, Handle
18	J400 3110	1			BUMPER
19	J545 0001	1			PLATE, Latch
20	J098 9963	2			SCREW
21	J098 9221	1			ROD
22	J545 0283	4			SCREW
23	J097 2619	4			RETAINER
24	J545 4927	2			BUMPER
25	J400 4590	2			SCREW
26	J096 1095	2			SLEEVE



MODEL CODES:

15 = Grand Wagoneer 4 Dr.	65 = Comanche 4WD-7 Ft. Box	77 = Cherokee 4WD-2 Dr.
25 = J-10 Pickup-119" W.B.	66 = Comanche 2WD-7 Ft. Box	78 = Cherokee 4WD-4 Dr.
26 = J-10 Pickup-131" W.B.	73 = Cherokee 2WD-2 Dr.	79 = Cherokee 4WD-4 Dr.-Com
27 = J-20 Pickup-131" W.B.	74 = Cherokee 2WD-4 Dr.	81 = Wrangler-93" W.B.
63 = Comanche 4WD-6 Ft. Box	75 = Wagoneer 4WD-4 Dr.	82 = Wrangler-103" W.B.-Exp.
64 = Comanche 2WD-6 Ft. Box		

BODY STYLES:

MJ = Comanche Pickup  
 SJ = Grand Wagoneer Wgn., J-10 & J-20 Pickups  
 XJ = Cherokee, Wagoneer Limited  
 YJ = Wrangler

AR = Use as Required - = Non Illustrated Part P.A.R. = Paint as Required

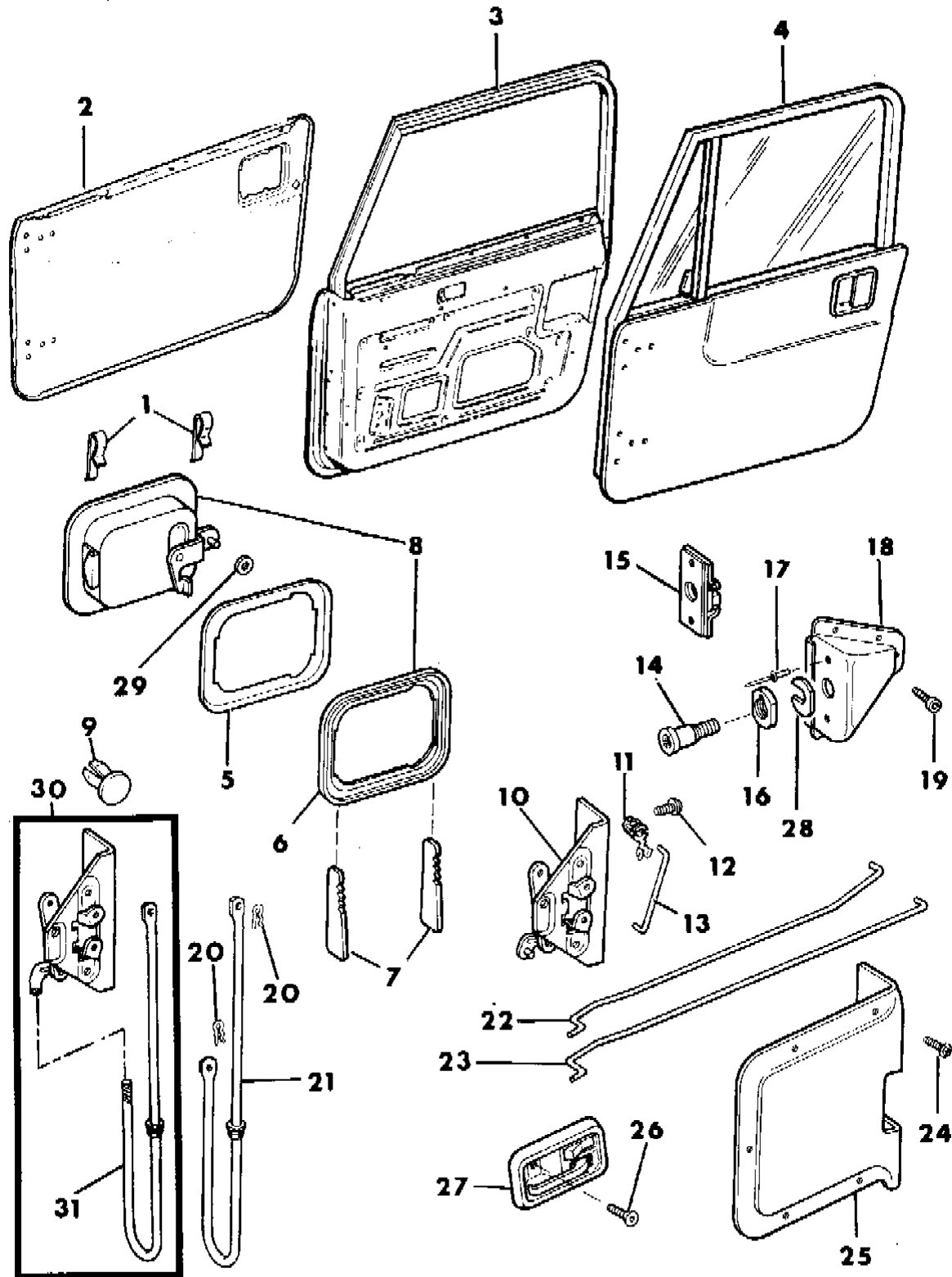
**GROUP 23C - BODY - DOORS AND RELATED PARTS**

ILLUSTRATION TITLE	GROUP-FIG. NO.
<b>WRANGLER, YJ</b>	
DOORS, FULL, FRONT HANDLES, LATCHES, RODS WRANGLER, YJ .....	Fig. 23C-100
DOOR, HALF HANDLES, LATCHES AND RODS WRANGLER, YJ .....	Fig. 23C-250
DOOR, FULL GLASS AND REGULATOR WRANGLER, YJ .....	Fig. 23C-300
WEATHERSTRIPS, DOOR WRANGLER, YJ .....	Fig. 23C-400
HINGES, DOOR WRANGLER, YJ .....	Fig. 23C-500
MIRRORS, EXTERIOR WRANGLER, YJ .....	Fig. 23C-600
DOOR, REAR, HANDLES AND LATCHES WORLD CAB, EXPORT WRANGLER, YJ .....	Fig. 23C-700
HINGES, REAR DOOR WORLD CAB EXPORT WRANGLER, YJ .....	Fig. 23C-800
<b>CHEROKEE, WAGONEER, COMANCHE</b>	
DOOR, FRONT TWO DOOR WAGON CHEROKEE .....	Fig. 23C-900
DOORS, FRONT AND REAR FOUR DOOR CHEROKEE, WAGONEER .....	Fig. 23C-1000
DOOR, FRONT COMANCHE .....	Fig. 23C-1100
HINGES, DOOR FRONT AND REAR CHEROKEE, WAGONEER, COMANCHE .....	Fig. 23C-1200
DOOR, HANDLES AND ACTUATORS CHEROKEE, WAGONEER, COMANCHE .....	Fig. 23C-1300
DOOR, HANDLES AND CONTROLS CHEROKEE, WAGONEER, COMANCHE .....	Fig. 23C-1400
GLASS, DOOR FRONT AND REAR CHEROKEE, WAGONEER, COMANCHE .....	Fig. 23C-1500
REGULATOR, DOOR GLASS MANUAL CHEROKEE, WAGONEER, COMANCHE .....	Fig. 23C-1600
REGULATORS, DOOR ELECTRIC CHEROKEE, WAGONEER .....	Fig. 23C-1700
WEATHERSTRIPS, DOOR FRONT AND REAR CHEROKEE, WAGONEER, COMANCHE .....	Fig. 23C-1800
MIRRORS, EXTERIOR MANUAL CHEROKEE, WAGONEER, COMANCHE .....	Fig. 23C-1900
MIRRORS, EXTERIOR LOW PROFILE CHEROKEE, WAGONEER, COMANCHE .....	Fig. 23C-2000
MIRRORS, EXTERIOR REMOTE CONTROL CHEROKEE, WAGONEER, COMANCHE .....	Fig. 23C-2100
MIRRORS, EXTERIOR ELECTRIC CHEROKEE, WAGONEER, COMANCHE .....	Fig. 23C-2200
<b>GRAND WAGONEER, J10, J20</b>	
DOORS FRONT AND REAR GRAND WAGONEER, J10, J20 .....	Fig. 23C-2300
DOOR, LATCHES AND RODS FRONT AND REAR GRAND WAGONEER, J10, J20 .....	Fig. 23C-2400
DOOR, CONTROLS GRAND WAGONEER, J10,J20 .....	Fig. 23C-2500
DOOR, GLASS REGULATOR MANUAL GRAND WAGONEER, J10, J20 .....	Fig. 23C-2600
REGULATOR, DOOR GLASS ELECTRIC, FLEXRACK GRAND WAGONEER, J10, J20 .....	Fig. 23C-2700
REGULATOR, DOOR GLASS ELECTRIC, CABLE OPERATED GRAND WAGONEER, J10, J20 .....	Fig. 23C-2750
GLASS, DOOR FRONT AND REAR GRAND WAGONEER, J10, J20 .....	Fig. 23C-2800
DOOR, WEATHERSTRIPS FRONT AND REAR GRAND WAGONEER, J10, J20 .....	Fig. 23C-2900
MIRRORS, OUTSIDE ELECTRIC, MANUAL GRAND WAGONEER, J10, J20 .....	Fig. 23C-3000

**ILLUSTRATION NOT AVAILABLE AT TIME OF PUBLICATION**

DOORS, FULL, FRONT HANDLES, LATCHES, RODS WRANGLER, YJ  
Figure 23C-100

8J71 100 A



ITEM	PART NUMBER	QTY	BODY	MODEL	DESCRIPTION
1	8350 2268	4			CLIP
2	5501 3172-3	1			PANEL, Door Outer w/o World Cab
	J576 1130-1	1			w/World Cab, Export
3					SHELL, Door
	5501 3174-5	1			w/o World Cab, 1987-90
	J556 8055	1			Right, w/World Cab, Export, 1990
	J556 8054	1			Left, w/World Cab, Export, 1990
4	8350 3686-7	1			DOOR, w/Glass, Weatherstrip and Hardware
5	J575 8898	2			BEZEL, Door Trim
6	J575 8174	2			GASKET
7	J575 8175	4			KEEPER
8	J575 8172-3	1			HANDLE, Exterior
9	J400 4949	4			PLUG
10					LATCH, Door
	J575 8176-7	1			1987-89
11	J400 4532	2			CLIP, w/Bushing
12	J400 6874	4			SCREW
13	J575 8190	2			ROD, Lock Cylinder
14	J575 8191	2			STRIKER, Door
15	J575 8194	2			PLATE, Tapping
16	J575 8192	2			PLATE, Striker
17	J400 6878	4			RIVET
18	J575 8468-9	1			COVER, Striker
19	J400 5817	AR			SCREW
20	J400 5122	AR			PIN, Hitch
21					ROD, Latch Release
	J576 5376-7	1			1987-89
22					ROD, Locking
	J575 8948-9	1			1987-89
	5502 5618-9	1			1990
23					ROD, Remote Control
	J575 8950-1	1			1987-89
	5502 5616-7	1			1990
24	J400 4812	AR			SCREW
25	J575 8170-1	1			COVER, Latch
26	J400 6870	2			SCREW

MODEL CODES:

15 = Grand Wagoneer 4 Dr.	65 = Comanche 4WD-7 Ft. Box	77 = Cherokee 4WD-2 Dr.
25 = J-10 Pickup-119" W.B.	66 = Comanche 2WD-7 Ft. Box	78 = Cherokee 4WD-4 Dr.
26 = J-10 Pickup-131" W.B.	73 = Cherokee 2WD-2 Dr.	79 = Cherokee 4WD-4 Dr.-Com
27 = J-20 Pickup-131" W.B.	74 = Cherokee 2WD-4 Dr.	81 = Wrangler-93" W.B.
63 = Comanche 4WD-6 Ft. Box	75 = Wagoneer 4WD-4 Dr.	82 = Wrangler-103" W.B.-Exp.

BODY STYLES:

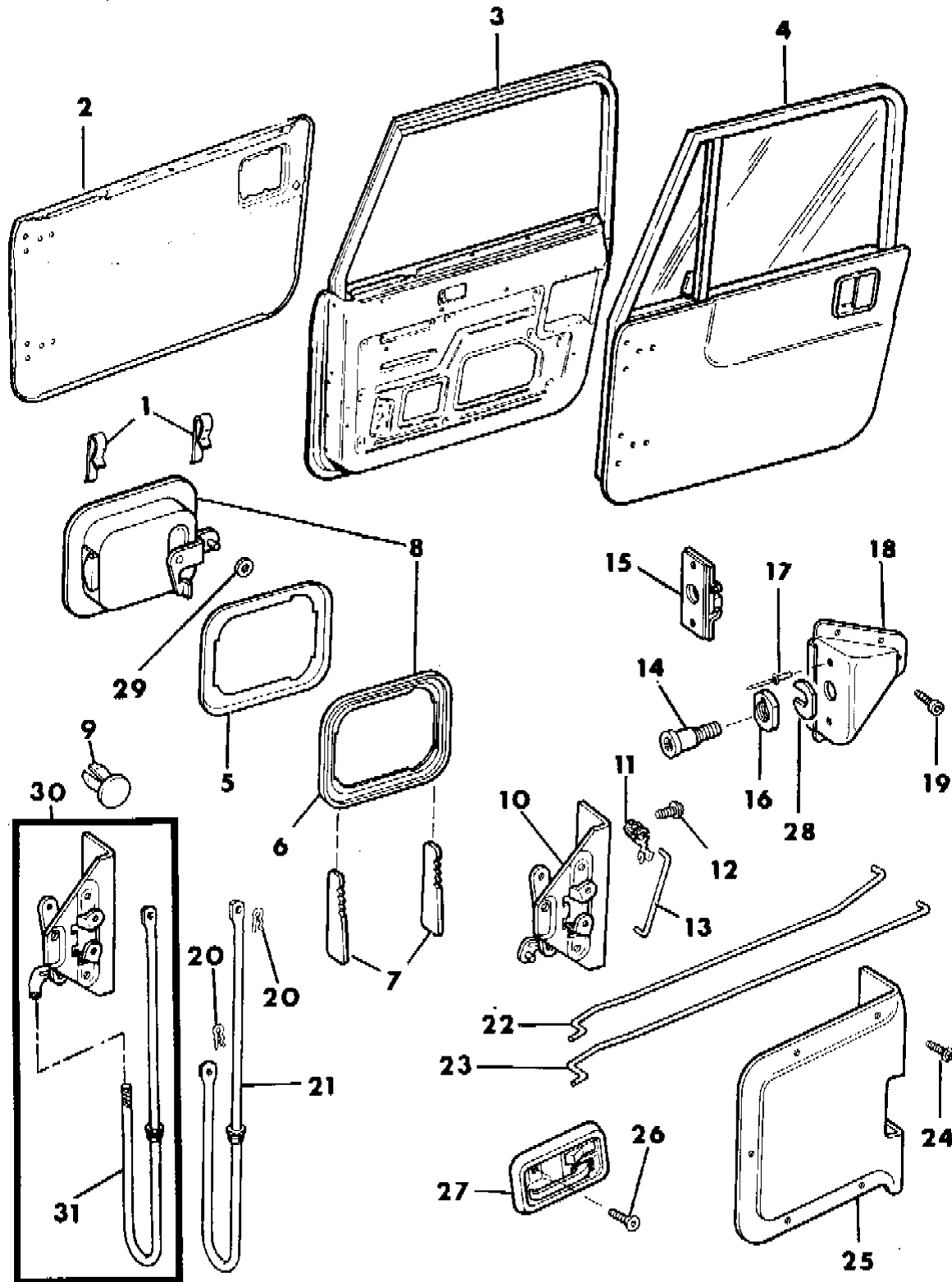
MJ = Comanche Pickup  
 SJ = Grand Wagoneer Wgn., J-10 & J-20 Pickups  
 XJ = Cherokee, Wagoneer Limited  
 YJ = Wrangler

AR = Use as Required - = Non Illustrated Part P.A.R. = Paint as Required

DOORS, FULL, FRONT HANDLES, LATCHES, RODS WRANGLER, YJ  
Figure 23C-100

8J71 100 A

ITEM	PART NUMBER	QTY	BODY	MODEL	DESCRIPTION
27					HANDLE, Remote Control
	T065 0261	1			Right, 1988-89
	T065 0326	1			Left, 1988-89
	5502 9578-9	1			1990
28	J575 8193	4			SHIM
29	3420 1846	2			WASHER
30					LATCH PACKAGE, 1990 ***
	8350 7028	1			Right
	8350 7027	1			Left
31	5502 6592-3	1			ROD, Latch Remote 1990



MODEL CODES:

15 = Grand Wagoneer 4 Dr.	65 = Comanche 4WD-7 Ft. Box	77 = Cherokee 4WD-2 Dr.
25 = J-10 Pickup-119" W.B.	66 = Comanche 2WD-7 Ft. Box	78 = Cherokee 4WD-4 Dr.
26 = J-10 Pickup-131" W.B.	73 = Cherokee 2WD-2 Dr.	79 = Cherokee 4WD-4 Dr.-Com
27 = J-20 Pickup-131" W.B.	74 = Cherokee 2WD-4 Dr.	81 = Wrangler-93" W.B.
63 = Comanche 4WD-6 Ft. Box	75 = Wagoneer 4WD-4 Dr.	82 = Wrangler-103" W.B.-Exp.
64 = Comanche 2WD-6 Ft. Box		

BODY STYLES:

MJ = Comanche Pickup  
SJ = Grand Wagoneer Wgn., J-10 & J-20 Pickups  
XJ = Cherokee, Wagoneer Limited  
YJ = Wrangler

AR = Use as Required - = Non Illustrated Part P.A.R. = Paint as Required



**DOOR, HALF HANDLES, LATCHES AND RODS WRANGLER, YJ**  
**Figure 23C-250**

8J71 250

ITEM	PART NUMBER	QTY	BODY	MODEL	DESCRIPTION
1					PANEL, Outer
	5700 1422-3	1			1987
	5700 2194-5	1			1988-90, w/o Lock Cylinder Hole
	5502 5776-7	1			1990, w/Lock Cylinder Hole
2	8350 6007	1			DOOR, Kit for Converting to 1/2 Hard Doors from Full Doors. Includes Right and Left Doors, w/Handles, Latches, Mirrors, Hinges, Seals and Hardware.
3					SHELL, Door
	5700 1428-9	1			w/Six Glass Retainers, 1987-89
	5700 2192-3	1			w/One Piece Retainer, 1987-89
	5502 5778-9	1			1990
4					HANDLE, Exterior
	5500 8902	1			Right
	5501 5315	1			Left
5	J400 3110	2			BUMPER, Handle
6	S045 5313	2			PIN, Spring
7	J149 4251	2			NUT
8	J400 6870	2			SCREW
9	5502 5604-5	1			HANDLE, Remote Control
10	J374 3608	2			SEAL, Door Handle
11	J363 1218-9	1			SPRING, Return
12	J400 5969	4			SCREW
13	5502 6072-3	1			Rod, Remote Control to Latch ***
14	5502 6070-1	1			ROD, Locking to Latch
15					RETAINER, Rod End
	J400 3673	AR			Black
	J400 3672	AR			White
16	5502 5614-5	1			ROD, Exterior Handle to Latch
17	5502 5606-7	1			LATCH, Door
18	J400 6874	6			SCREW
19	J575 8194	2			PLATE, Tapping
20	5502 4904	2			STRIKER, Door
21	5503 3620	AR			WASHER
22	J400 5817	8			SCREW
23	J575 8468-9	1			COVER, Striker
24	J400 2185	4			RIVET
25					HANDLE, Exterior

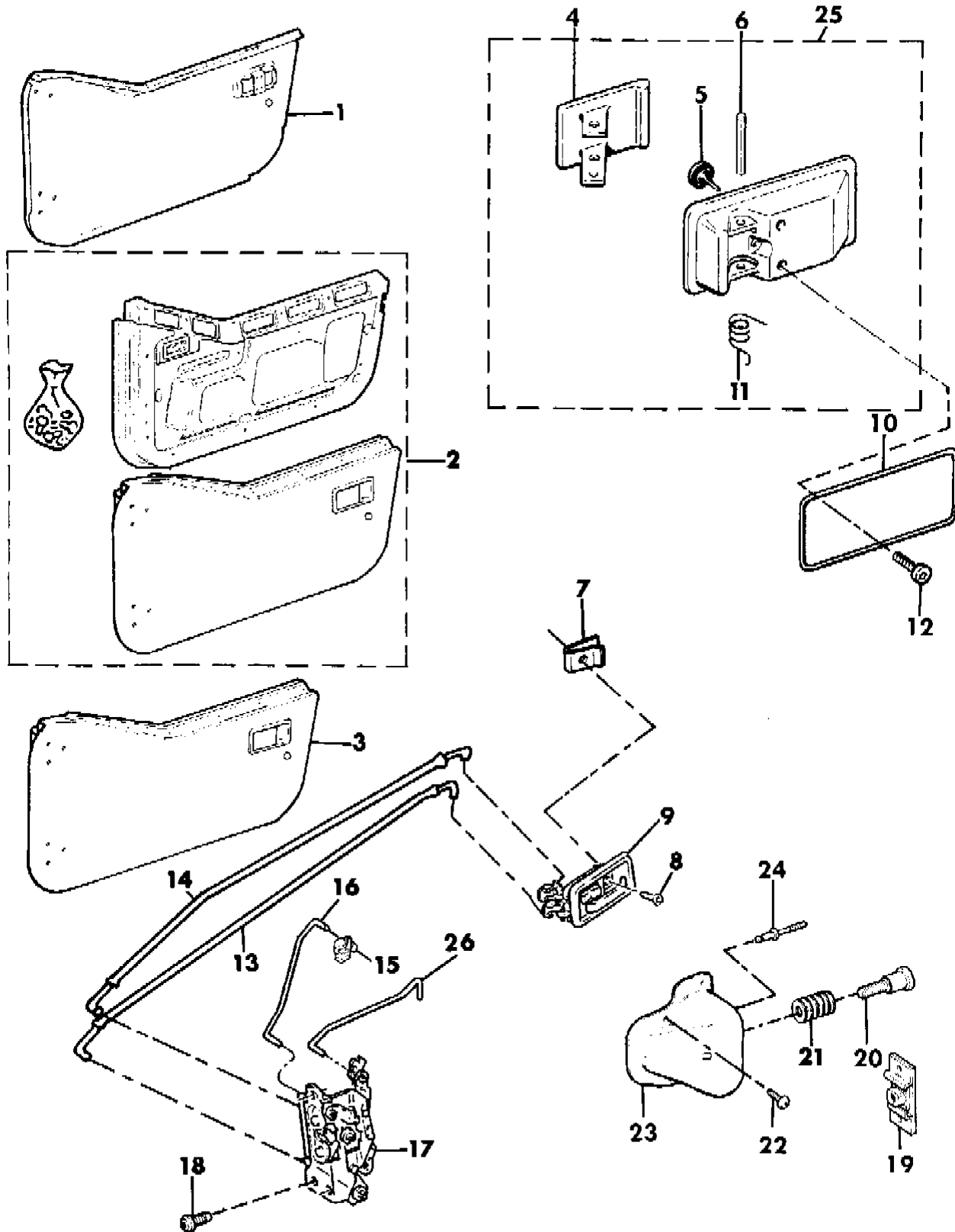
**MODEL CODES:**

15 = Grand Wagoneer 4 Dr.	65 = Comanche 4WD-7 Ft. Box	77 = Cherokee 4WD-2 Dr.
25 = J-10 Pickup-119" W.B.	66 = Comanche 2WD-7 Ft. Box	78 = Cherokee 4WD-4 Dr.
26 = J-10 Pickup-131" W.B.	73 = Cherokee 2WD-2 Dr.	79 = Cherokee 4WD-4 Dr.-Com
27 = J-20 Pickup-131" W.B.	74 = Cherokee 2WD-4 Dr.	81 = Wrangler-93" W.B.
63 = Comanche 4WD-6 Ft. Box	75 = Wagoneer 4WD-4 Dr.	82 = Wrangler-103" W.B.-Exp.
64 = Comanche 2WD-6 Ft. Box		

**BODY STYLES:**

MJ = Comanche Pickup  
 SJ = Grand Wagoneer Wgn., J-10 & J-20 Pickups  
 XJ = Cherokee, Wagoneer Limited  
 YJ = Wrangler

AR = Use as Required - = Non Illustrated Part P.A.R. = Paint as Required

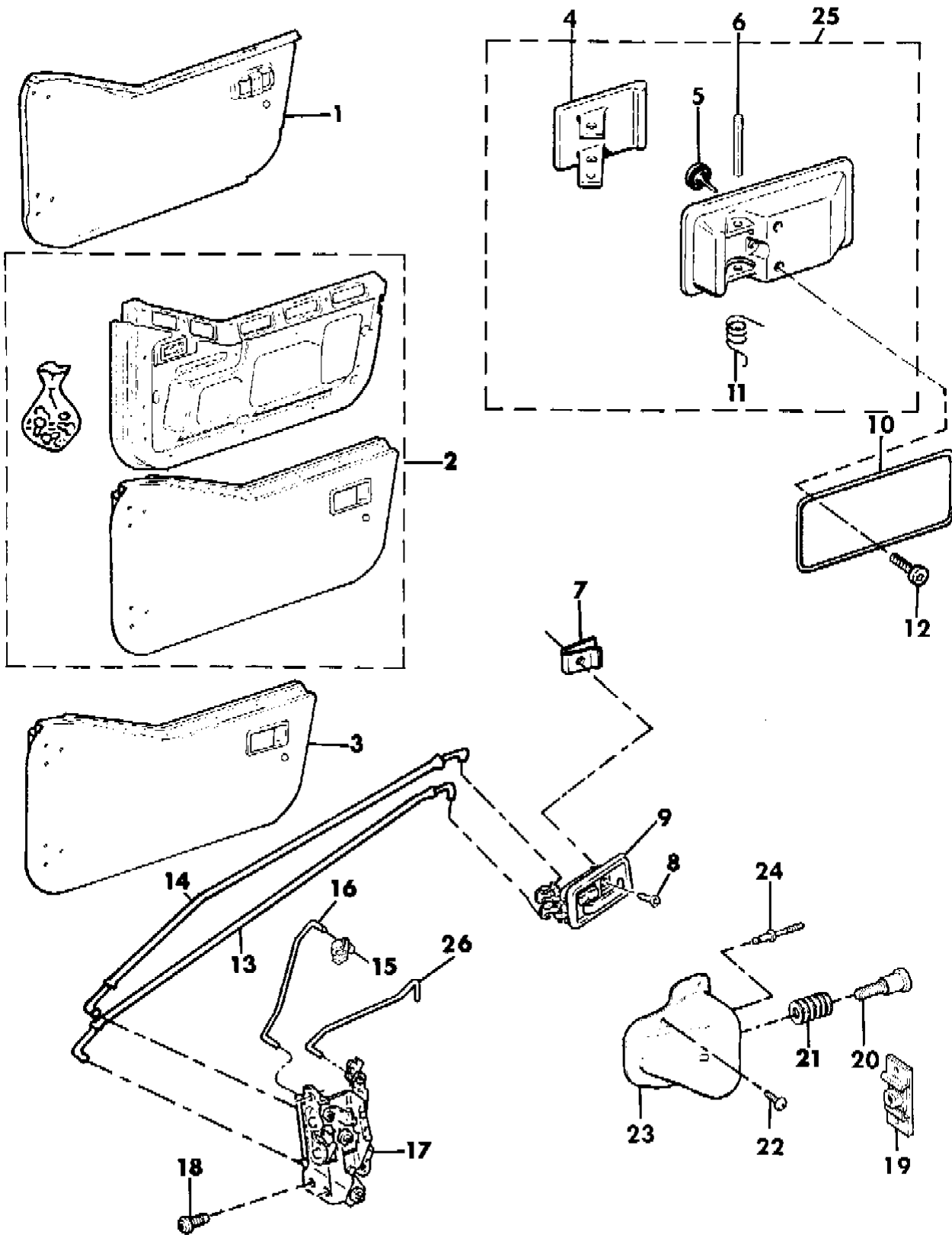


**DOOR, HALF HANDLES, LATCHES AND RODS WRANGLER, YJ**  
**Figure 23C-250**

8J71 250

ITEM	PART NUMBER	QTY	BODY	MODEL	DESCRIPTION
------	-------------	-----	------	-------	-------------

	5500 8895	1			Right
	5501 5311	1			Left
26	5502 6852-3	1			ROD, Cylinder to Latch



**MODEL CODES:**  
 15 = Grand Wagoneer 4 Dr.      65 = Comanche 4WD-7 Ft. Box      77 = Cherokee 4WD-2 Dr.  
 25 = J-10 Pickup-119" W.B.      66 = Comanche 2WD-7 Ft. Box      78 = Cherokee 4WD-4 Dr.  
 26 = J-10 Pickup-131" W.B.      73 = Cherokee 2WD-2 Dr.      79 = Cherokee 4WD-4 Dr.-Com  
 27 = J-20 Pickup-131" W.B.      74 = Cherokee 2WD-4 Dr.      81 = Wrangler-93" W.B.  
 63 = Comanche 4WD-6 Ft. Box      75 = Wagoneer 4WD-4 Dr.      82 = Wrangler-103" W.B.-Exp.  
 64 = Comanche 2WD-6 Ft. Box

**BODY STYLES:**  
 MJ = Comanche Pickup  
 SJ = Grand Wagoneer Wgn., J-10 & J-20 Pickups  
 XJ = Cherokee, Wagoneer Limited  
 YJ = Wrangler

AR = Use as Required - = Non Illustrated Part P.A.R. = Paint as Required

DOOR, FULL GLASS AND REGULATOR WRANGLER, YJ  
Figure 23C-300

8J71 300

ITEM	PART NUMBER	QTY	BODY	MODEL	DESCRIPTION
1	J813 4852-3	1			HANDLE, Vent
2	5501 2914-5	1			VENT, Pivoting w/o World Cab
	J576 2326-7	1			w/World Cab, Export
3	J045 7002	AR			SCREW
4	J813 4851	2			WEATHERSTRIP, Glass Run
5	J012 0386	2			WASHER
6	J016 4487	2			SCREW
7					FRAME, Door Glass
	J576 1134-5	1			w/o World Cab
	J556 8056-7	1			w/World Cab, Export
8					CHANNEL, Glass Run w/o World Cab
	J545 7057	2			w/World Cab, Export
9	J576 2384-5	1			WEATHERSTRIP, Inner
10	5502 4254-5	1			WEATHERSTRIP, Outer
11	J400 0424	4			SCREW
12	J400 3706	4			GROMMET
13	J045 5683	AR			SCREW
14	J545 7300	2			BRACKET, Division Bar Mounting
15	J019 1985	AR			SCREW
16	J576 4621	2			BUMPER, Stop
17	J813 4422	AR			KNOB, Handle
18	J400 5969	2			SCREW
19	J367 8907	2			HANDLE, Regulator
20	J361 3467	2			WASHER
21					REGULATOR, Glass
	J545 4146	1			Right
	J545 4145	1			Left
22					GLASS, Door
	5501 2904-5	1			Domestic, Emission Controlled European, European Economic Community
	J556 7898	1			Right, With World Cab, Export
	J556 7897	1			Left, w/World Cab, Export
23	J545 4156	2			GUIDE, Door Glass

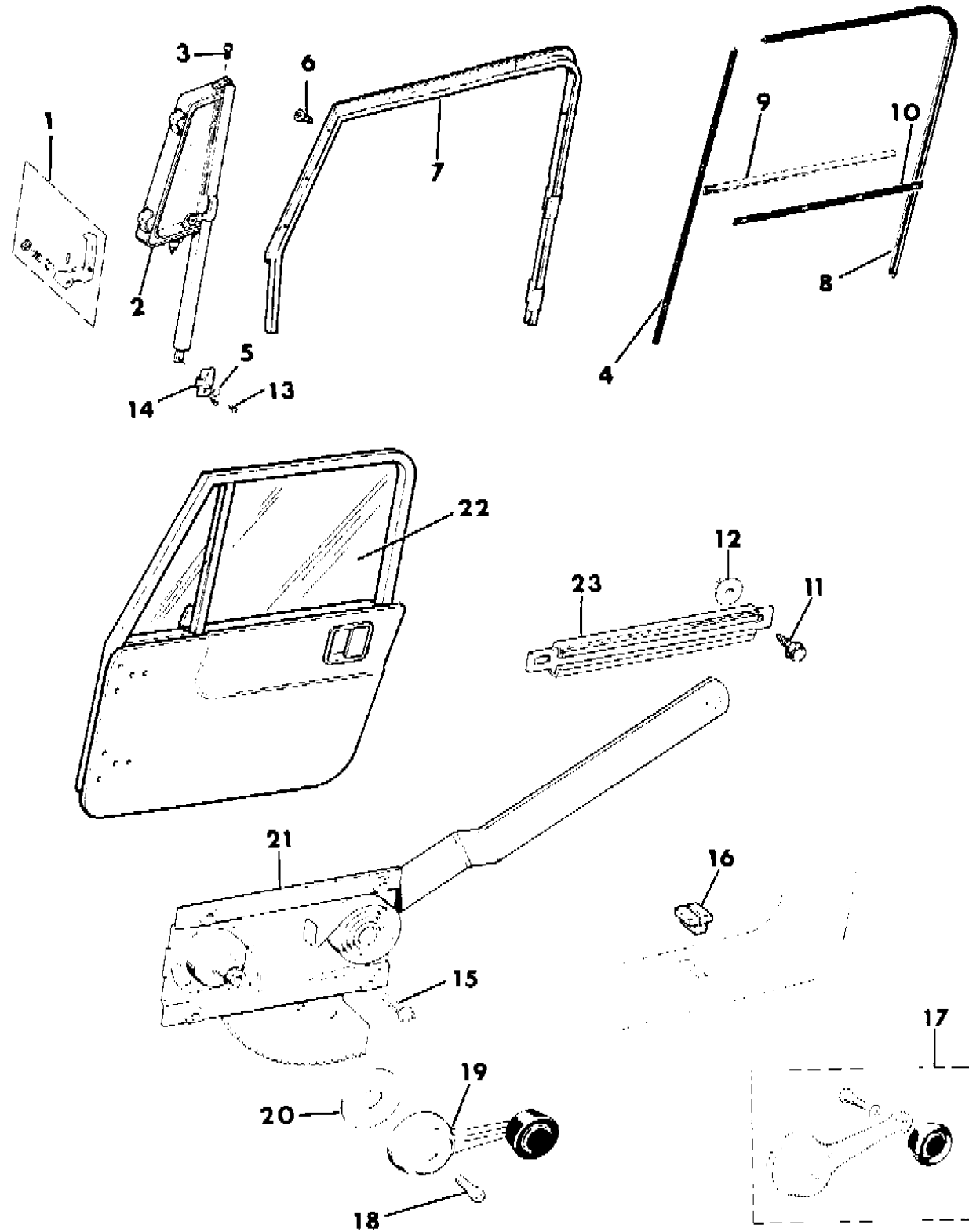
MODEL CODES:

15 = Grand Wagoneer 4 Dr.	65 = Comanche 4WD-7 Ft. Box	77 = Cherokee 4WD-2 Dr.
25 = J-10 Pickup-119" W.B.	66 = Comanche 2WD-7 Ft. Box	78 = Cherokee 4WD-4 Dr.
26 = J-10 Pickup-131" W.B.	73 = Cherokee 2WD-2 Dr.	79 = Cherokee 4WD-4 Dr.-Com
27 = J-20 Pickup-131" W.B.	74 = Cherokee 2WD-4 Dr.	81 = Wrangler-93" W.B.
63 = Comanche 4WD-6 Ft. Box	75 = Wagoneer 4WD-4 Dr.	82 = Wrangler-103" W.B.-Exp.
64 = Comanche 2WD-6 Ft. Box		

BODY STYLES:

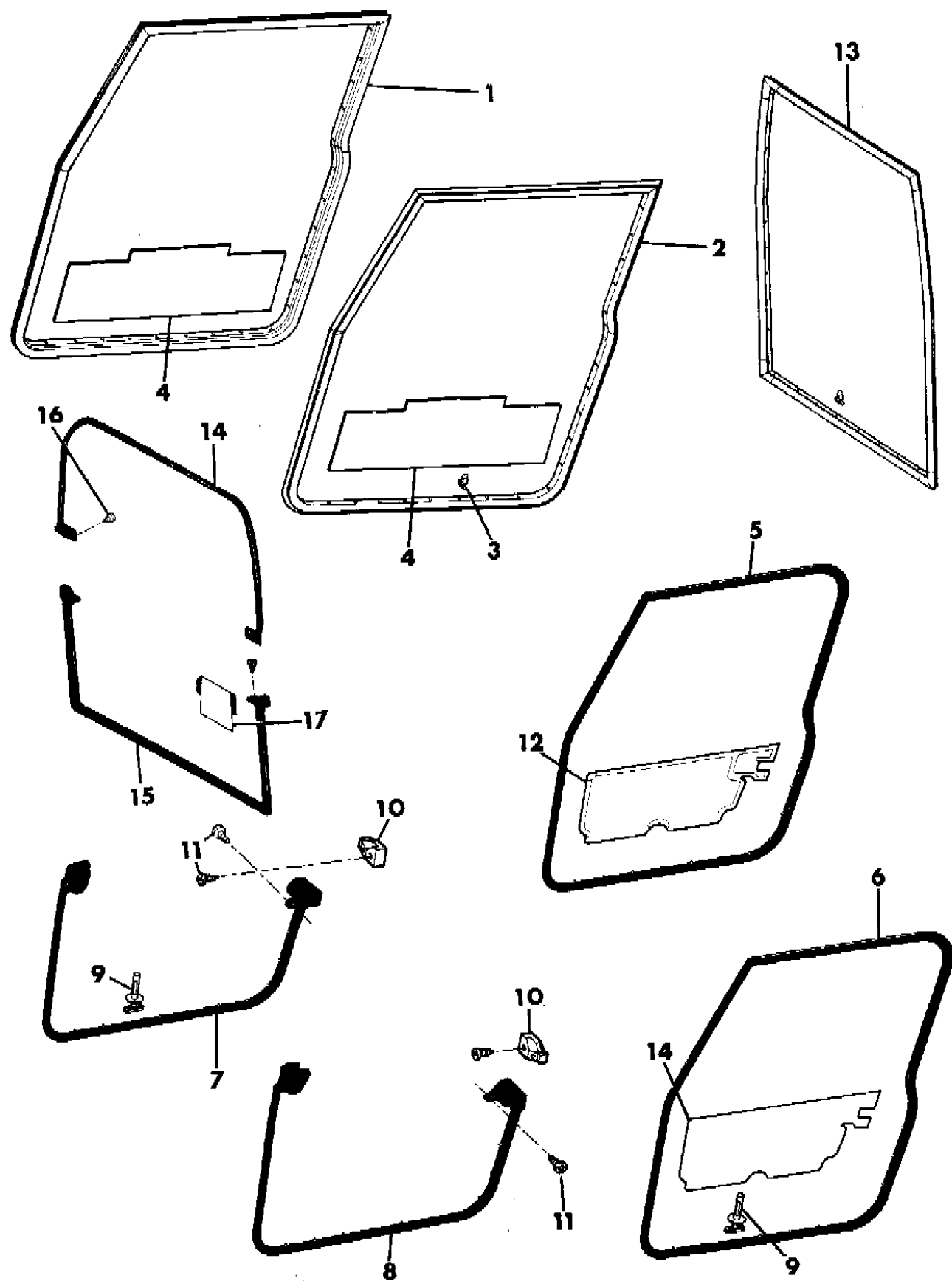
MJ = Comanche Pickup  
 SJ = Grand Wagoneer Wgn., J-10 & J-20 Pickups  
 XJ = Cherokee, Wagoneer Limited  
 YJ = Wrangler

AR = Use as Required - = Non Illustrated Part P.A.R. = Paint as Required



WEATHERSTRIPS, DOOR WRANGLER, YJ  
Figure 23C-400

8 J71400 A



ITEM	PART NUMBER	QTY	BODY	MODEL	DESCRIPTION
1					WEATHERSTRIP, w/World Cab, Export
	J805 3259	1			Right
	J805 3258	1			Left
2	J400 1916	AR			FASTENER
3	J576 6604	4			WATERDAM, w/World Cab, Export ***
4					WEATHERSTRIP, w/o World Cab, Export
	J576 6416	1			Right
	J576 6415	1			Left
5	J400 1916	AR			FASTENER
6	5500 9828-9	1			WEATHERSTRIP, w/o World Cab, Export
7	5500 9838-9	1			SEAL, w/o World Cab, Export
8	3420 1467	AR			SCREW
9	5505 2556-7	1			WATERDAM, w/o World Cab, Export ***

MODEL CODES:

15 = Grand Wagoneer 4 Dr.	65 = Comanche 4WD-7 Ft. Box	77 = Cherokee 4WD-2 Dr.
25 = J-10 Pickup-119" W.B.	66 = Comanche 2WD-7 Ft. Box	78 = Cherokee 4WD-4 Dr.
26 = J-10 Pickup-131" W.B.	73 = Cherokee 2WD-2 Dr.	79 = Cherokee 4WD-4 Dr.-Com
27 = J-20 Pickup-131" W.B.	74 = Cherokee 2WD-4 Dr.	81 = Wrangler-93" W.B.
63 = Comanche 4WD-6 Ft. Box	75 = Wagoneer 4WD-4 Dr.	82 = Wrangler-103" W.B.-Exp.
64 = Comanche 2WD-6 Ft. Box		

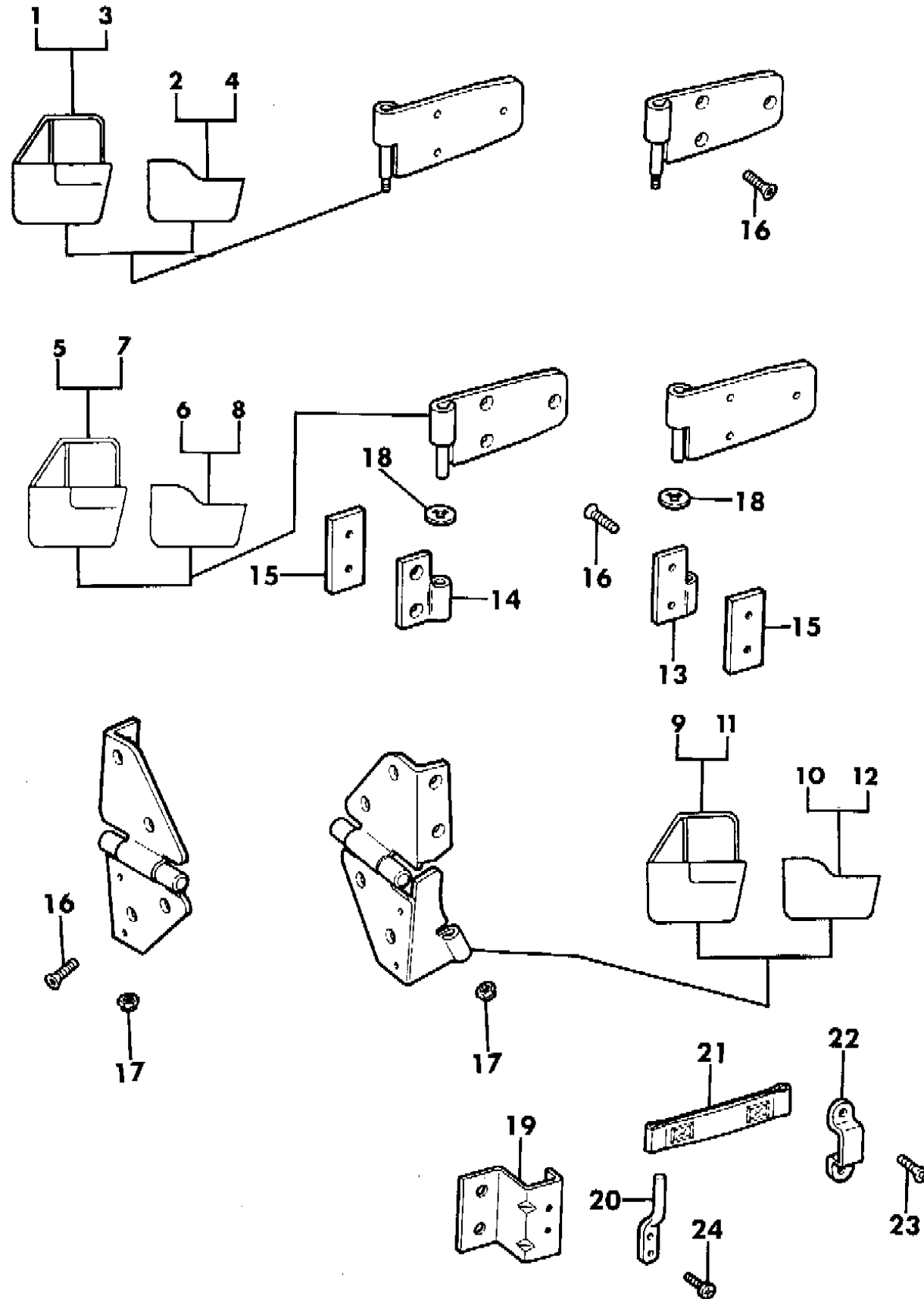
BODY STYLES:

MJ = Comanche Pickup  
 SJ = Grand Wagoneer Wgn., J-10 & J-20 Pickups  
 XJ = Cherokee, Wagoneer Limited  
 YJ = Wrangler

AR = Use as Required - = Non Illustrated Part P.A.R. = Paint as Required

HINGES, DOOR WRANGLER, YJ  
Figure 23C-500

8J71 500A



ITEM	PART NUMBER	QTY	BODY	MODEL	DESCRIPTION
1	5501 6580	1			HINGE, Upper Door Half, Right
2	5501 6576	1			HINGE, Upper Door Half, Right Windshield Hinge Mounted Mirror
	5501 8910	1			Door Hinge Mounted Mirror
3	5501 6581	1			HINGE, Upper Door Half, Left
4	5501 6577	1			HINGE, Upper Door Half, Left Windshield Hinge Mounted Mirror
	5501 8911	1			Door Hinge Mounted Mirror
5	5501 6582	1			HINGE, Lower Door Half, Right
6	5501 6578	1			HINGE, Lower Door Half, Right
7	5501 6583	1			HINGE, Lower Door Half, Left
8	5501 6579	1			HINGE, Lower Door Half, Left
9	5501 6586	1			HINGE, Upper Body Half, Right
10	5501 7510	1			HINGE, Upper Body Half, Right Windshield Hinge Mounted Mirror
	5501 6586	1			Door Hinge Mounted Mirror
11	5501 6587	1			HINGE, Upper Body Half, Left
12	5501 7511	1			HINGE, Upper Body Half, Left Windshield Hinge Mounted Mirror
	5501 6587	1			Door Hinge Mounted Mirror
13	5501 6584	1			HINGE, Lower Body Half, Right
14	5501 6585	1			HINGE, Lower Body Half, Left
15	J545 9281	2			PLATE, Tapping
16	J400 4956	AR			SCREW
17	J400 5755	2			NUT, Lock
18	J400 5678	4			SHIM w/o Hard Top
	J400 5677	4			w/Hard Top
19	J545 9280	2			BRACKET
20	J545 9286	2			PIN, Hook
21	J545 9207	2			STRAP
22	5501 3668	2			LOOP, Footman ***
23	J400 4995	2			SCREW
24	J400 6455	4			SCREW

MODEL CODES:

15 = Grand Wagoneer 4 Dr.	65 = Comanche 4WD-7 Ft. Box	77 = Cherokee 4WD-2 Dr.
25 = J-10 Pickup-119" W.B.	66 = Comanche 2WD-7 Ft. Box	78 = Cherokee 4WD-4 Dr.
26 = J-10 Pickup-131" W.B.	73 = Cherokee 2WD-2 Dr.	79 = Cherokee 4WD-4 Dr.-Com
27 = J-20 Pickup-131" W.B.	74 = Cherokee 2WD-4 Dr.	81 = Wrangler-93" W.B.
63 = Comanche 4WD-6 Ft. Box	75 = Wagoneer 4WD-4 Dr.	82 = Wrangler-103" W.B.-Exp.
64 = Comanche 2WD-6 Ft. Box		

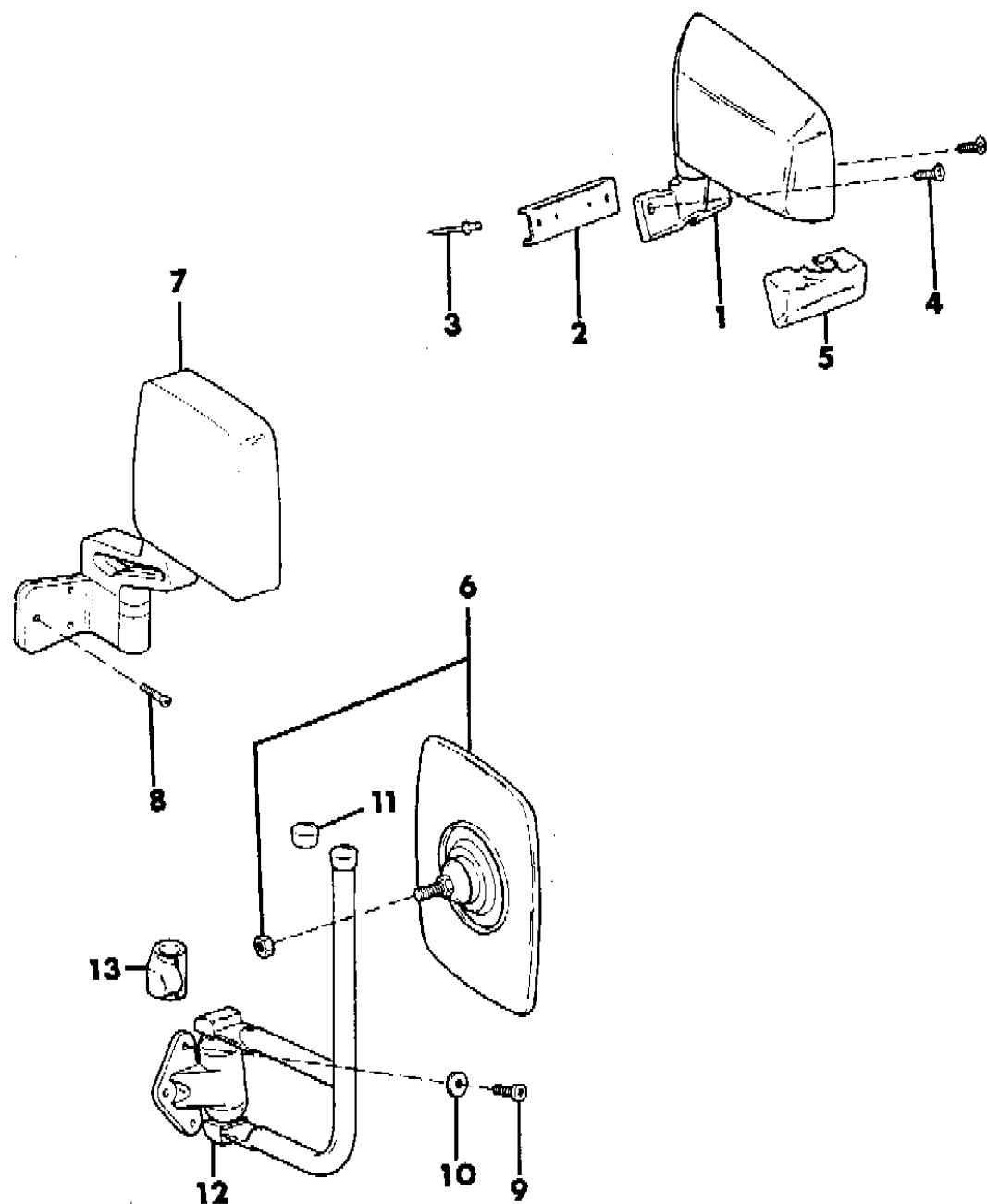
BODY STYLES:

MJ = Comanche Pickup  
 SJ = Grand Wagoneer Wgn., J-10 & J-20 Pickups  
 XJ = Cherokee, Wagoneer Limited  
 YJ = Wrangler

AR = Use as Required - = Non Illustrated Part P.A.R. = Paint as Required

MIRRORS, EXTERIOR WRANGLER, YJ  
Figure 23C-600

8J71 600A



ITEM	PART NUMBER	QTY	BODY	MODEL	DESCRIPTION
1					MIRROR
					LEFT
	5502 4249	1			1987-89
	5502 7207	1			1990
					RIGHT
	5501 6210	1			1987-89
	5502 7208	1			1990 (Exc. ECE)
	5502 7209	1			1990, (ECE)
2	J576 1776	2			REINFORCEMENT, Mirror
3	J400 4962	4			RIVET
4	J420 0323	4			SCREW
5					COVER
	J067 4896	2			1988-89
	5502 7210	2			1990
6	5501 2570-1	1			MIRROR
	5501 2573	2			HEAD, Mirror
7					MIRROR
	8220 0834	1			Right, 1987-89
	8220 0833	1			Left, 1987-89
	5502 1076-7	1			ECE
8					SCREW
	J400 7580	AR			1987-89
	6034 120	AR			1990
9	J400 5657	AR			SCREW
10	J012 0392	AR			WASHER
11	8350 4073	2			CAP
12	5501 2574-5	1			ARM, Mirror
13	5501 2576	2			CAP, Protection

(ECE) Emission Controlled European of Europe e #312.

MODEL CODES:

15 = Grand Wagoneer 4 Dr.	65 = Comanche 4WD-7 Ft. Box	77 = Cherokee 4WD-2 Dr.
25 = J-10 Pickup-119" W.B.	66 = Comanche 2WD-7 Ft. Box	78 = Cherokee 4WD-4 Dr.
26 = J-10 Pickup-131" W.B.	73 = Cherokee 2WD-2 Dr.	79 = Cherokee 4WD-4 Dr.-Com
27 = J-20 Pickup-131" W.B.	74 = Cherokee 2WD-4 Dr.	81 = Wrangler-93" W.B.
63 = Comanche 4WD-6 Ft. Box	75 = Wagoneer 4WD-4 Dr.	82 = Wrangler-103" W.B.-Exp.
64 = Comanche 2WD-6 Ft. Box		

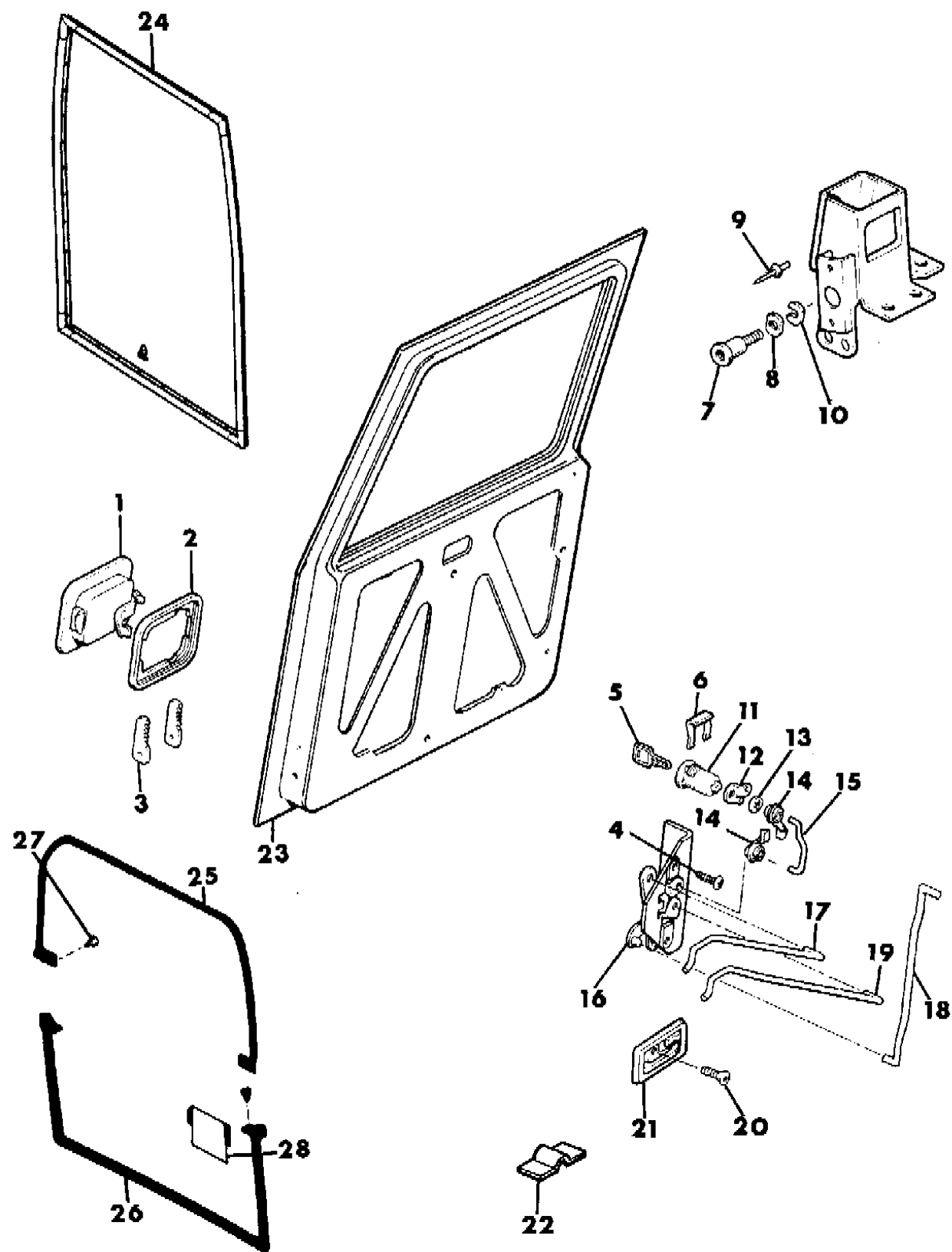
BODY STYLES:

MJ = Comanche Pickup  
 SJ = Grand Wagoneer Wgn., J-10 & J-20 Pickups  
 XJ = Cherokee, Wagoneer Limited  
 YJ = Wrangler

AR = Use as Required - = Non Illustrated Part P.A.R. = Paint as Required

DOOR, REAR, HANDLES AND LATCHES WORLD CAB, EXPORT WRANGLER, YJ  
Figure 23C-700

8J71 700 A



ITEM	PART NUMBER	QTY	BODY	MODEL	DESCRIPTION
1	J805 2561	1			HANDLE, Exterior
2	J575 8174	1			GASKET
3	J575 8175	2			KEEPER ***
4	J018 0020	4			SCREW
5	5502 5852	1			KEY
6	J351 6003	1			RETAINER, Lock
7	J575 8191	1			STRIKER, Door
8	J575 8192	1			PLATE, Striker
9	J400 6990	2			RIVET
10	J575 8193	1			SHIM
11		1			CYLINDER, See 23D
12	J805 2472	1			LEVER
13	J400 2250	1			RETAINER, Lock
14	J400 4532	2			CLIP, w/Bushing
15	J805 2459	1			ROD, Cylinder
16	J805 2563	1			LATCH, Door
17	J805 2461	1			ROD, Locking
18	8350 1148	1			ROD, Latch Release
19	J805 2463	1			ROD, Remote Control
20	J400 6870	1			SCREW
21	T065 0261	1			HANDLE, Remote Control
22	J805 3241	2			CLIP, Drain
23		1			SHELL, Purchased Locally
24	J805 2124	1			WEATHERSTRIP
25	5501 0064	1			WEATHERSTRIP
26	5500 9742	1			WEATHERSTRIP
27	J400 2461	AR			SCREW
28	5502 5280	1			WATERSHIELD, Latch

MODEL CODES:

15 = Grand Wagoneer 4 Dr.	65 = Comanche 4WD-7 Ft. Box	77 = Cherokee 4WD-2 Dr.
25 = J-10 Pickup-119" W.B.	66 = Comanche 2WD-7 Ft. Box	78 = Cherokee 4WD-4 Dr.
26 = J-10 Pickup-131" W.B.	73 = Cherokee 2WD-2 Dr.	79 = Cherokee 4WD-4 Dr.-Com
27 = J-20 Pickup-131" W.B.	74 = Cherokee 2WD-4 Dr.	81 = Wrangler-93" W.B.
63 = Comanche 4WD-6 Ft. Box	75 = Wagoneer 4WD-4 Dr.	82 = Wrangler-103" W.B.-Exp.
64 = Comanche 2WD-6 Ft. Box		

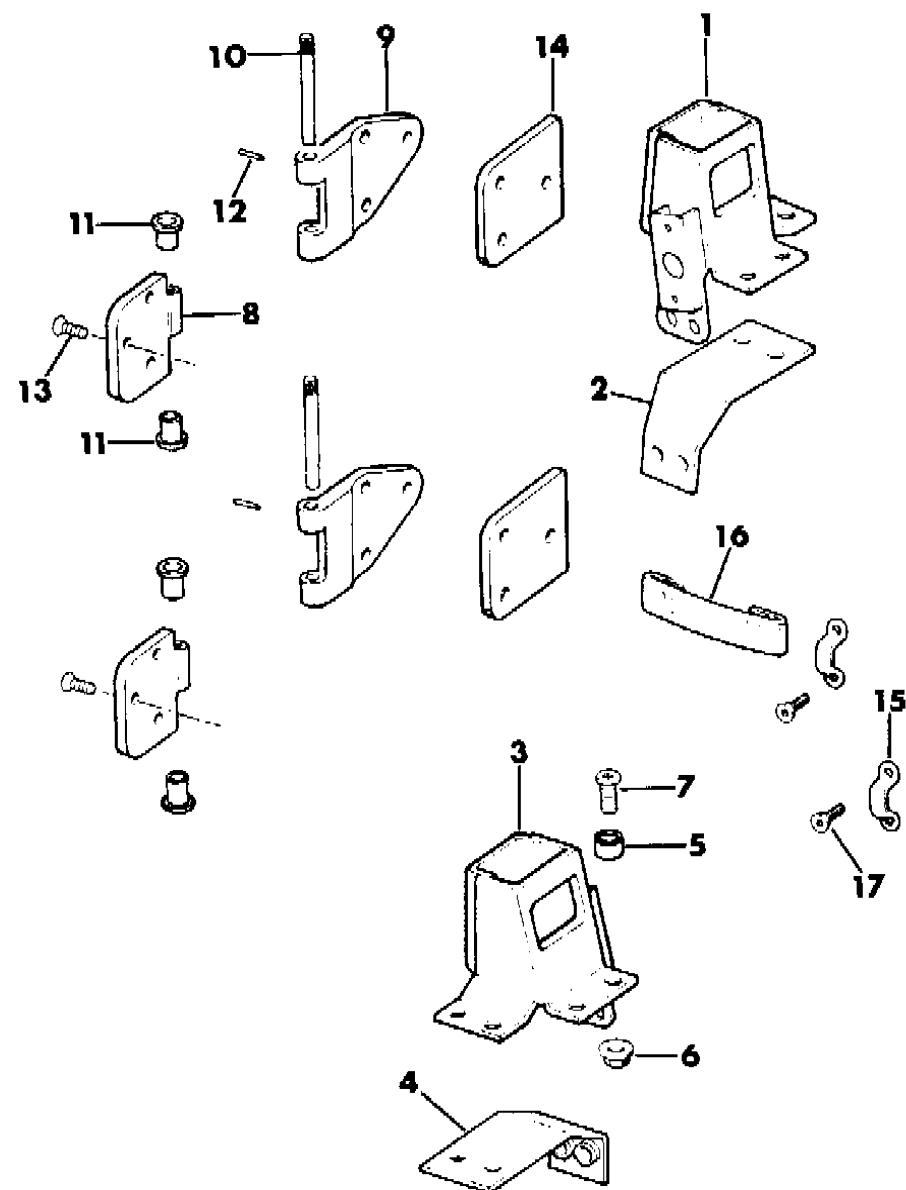
BODY STYLES:

MJ = Comanche Pickup  
 SJ = Grand Wagoneer Wgn., J-10 & J-20 Pickups  
 XJ = Cherokee, Wagoneer Limited  
 YJ = Wrangler

AR = Use as Required - = Non Illustrated Part P.A.R. = Paint as Required

**HINGES, REAR DOOR WORLD CAB EXPORT WRANGLER, YJ**  
**Figure 23C-800**

8J71 800



ITEM	PART NUMBER	QTY	BODY	MODEL	DESCRIPTION
1	8350 0183	1			BRACKET, Striker Mtg.
2	J805 2409	1			REINFORCEMENT
3	J805 2568	1			REINFORCEMENT
4	J805 2408	1			REINFORCEMENT
5	J400 6826	1			WASHER
6	J400 4747	1			NUT
7	J400 5651	8			BOLT
8	J805 2160	2			HINGE
9	J805 2161	2			HINGE
10	J805 2194	2			PIN
11	J805 2193	4			BEARING
12	J027 3936	2			PIN
13	J400 5831	6			SCREW
14	J805 2037	2			PLATE, Tapping
15	5501 3666	2			LOOP ***
16	J545 9207	1			STRAP
17	J400 7088	4			SCREW

**MODEL CODES:**

15 = Grand Wagoneer 4 Dr.	65 = Comanche 4WD-7 Ft. Box	77 = Cherokee 4WD-2 Dr.
25 = J-10 Pickup-119" W.B.	66 = Comanche 2WD-7 Ft. Box	78 = Cherokee 4WD-4 Dr.
26 = J-10 Pickup-131" W.B.	73 = Cherokee 2WD-2 Dr.	79 = Cherokee 4WD-4 Dr.-Com
27 = J-20 Pickup-131" W.B.	74 = Cherokee 2WD-4 Dr.	81 = Wrangler-93" W.B.
63 = Comanche 4WD-6 Ft. Box	75 = Wagoneer 4WD-4 Dr.	82 = Wrangler-103" W.B.-Exp.
64 = Comanche 2WD-6 Ft. Box		

**BODY STYLES:**

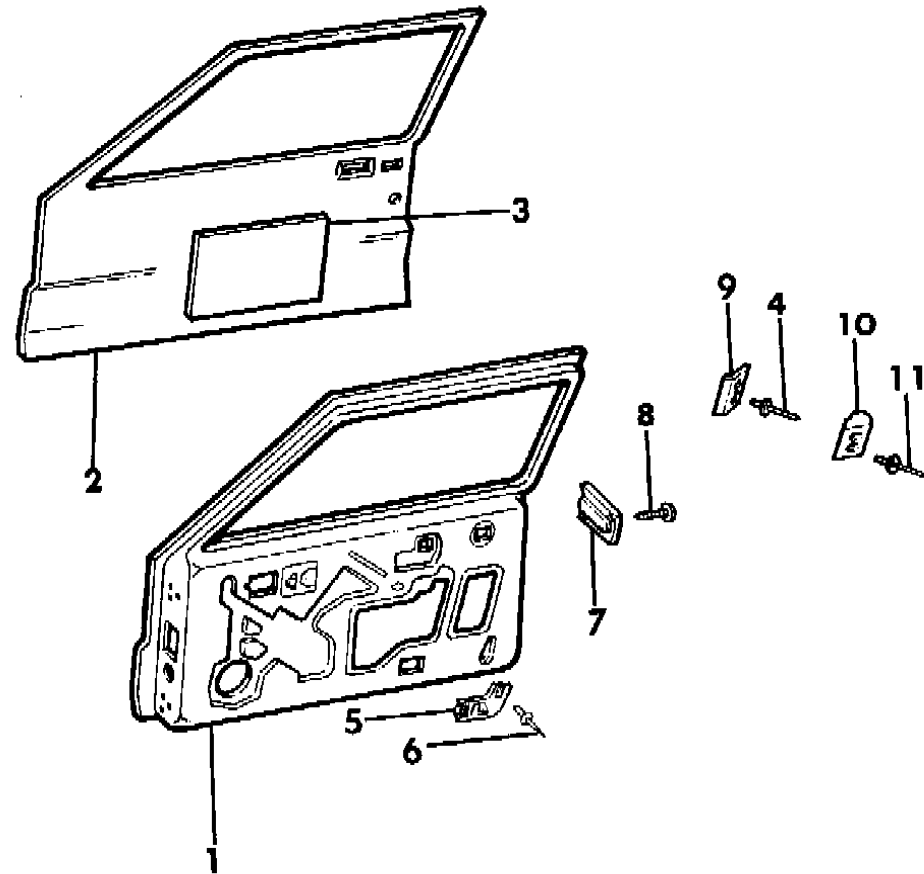
MJ = Comanche Pickup  
 SJ = Grand Wagoneer Wgn., J-10 & J-20 Pickups  
 XJ = Cherokee, Wagoneer Limited  
 YJ = Wrangler

AR = Use as Required - = Non Illustrated Part P.A.R. = Paint as Required



DOOR, FRONT TWO DOOR WAGON CHEROKEE  
Figure 23C-900

8J71 900 A



ITEM	PART NUMBER	QTY	BODY	MODEL	DESCRIPTION
1					SHELL, Door
	5700 0110-1	1			1987-88
	5700 2436-7	1			1989
	5502 5894-5	1			1990
2	8351 0196-7	1			PANEL, Repair
3	5500 1254	2			PAD, Silencer
4	3420 1684	2			RIVET
5	5500 1278-9	1			BRACKET, Armrest
6	3420 1353	4			RIVET
7	5500 6224-5	1			SPACER
8	1150 0055	4			SCREW
9	5500 6216	2			REINFORCEMENT
10	5500 6214-5	1			SPACER
11	J400 6543	4			RIVET

MODEL CODES:

15 = Grand Wagoneer 4 Dr.	65 = Comanche 4WD-7 Ft. Box	77 = Cherokee 4WD-2 Dr.
25 = J-10 Pickup-119" W.B.	66 = Comanche 2WD-7 Ft. Box	78 = Cherokee 4WD-4 Dr.
26 = J-10 Pickup-131" W.B.	73 = Cherokee 2WD-2 Dr.	79 = Cherokee 4WD-4 Dr.-Com
27 = J-20 Pickup-131" W.B.	74 = Cherokee 2WD-4 Dr.	81 = Wrangler-93" W.B.
63 = Comanche 4WD-6 Ft. Box	75 = Wagoneer 4WD-4 Dr.	82 = Wrangler-103" W.B.-Exp.
64 = Comanche 2WD-6 Ft. Box		

BODY STYLES:

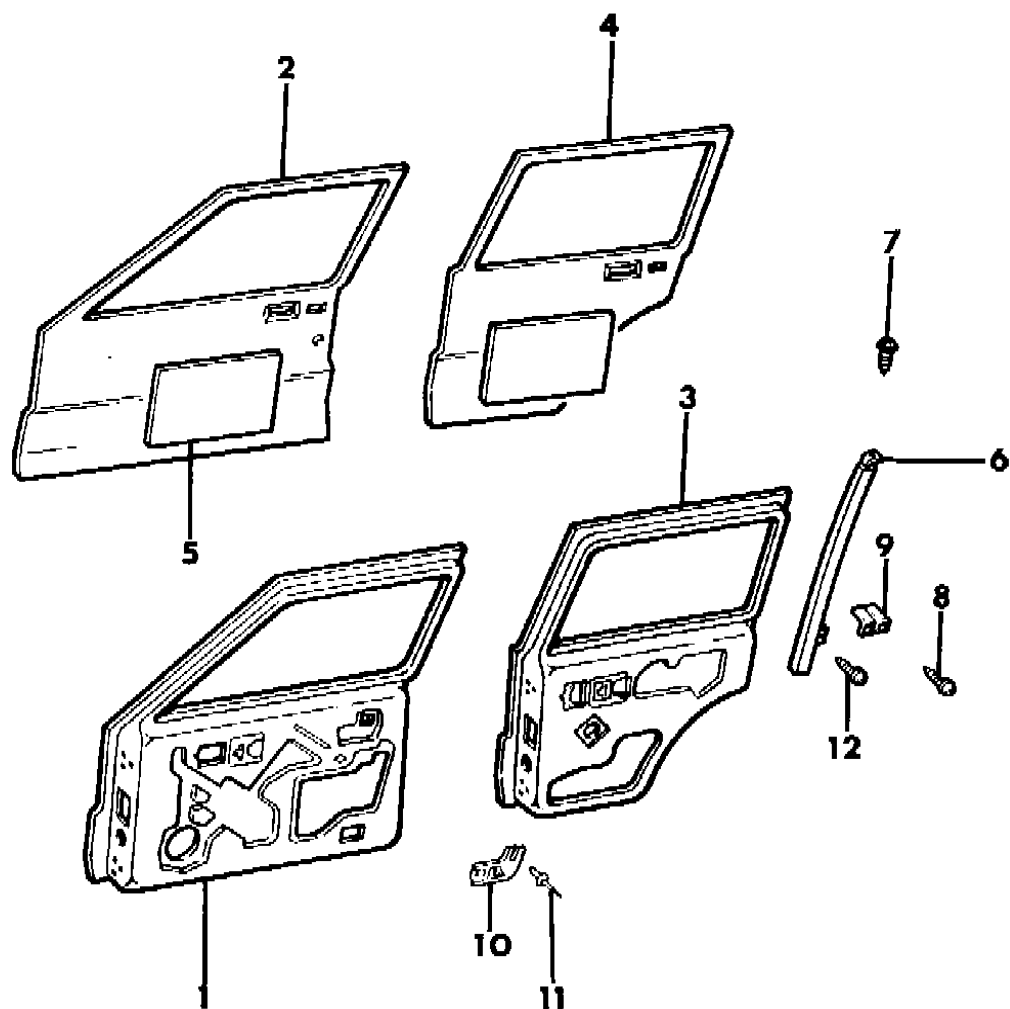
MJ = Comanche Pickup  
 SJ = Grand Wagoneer Wgn., J-10 & J-20 Pickups  
 XJ = Cherokee, Wagoneer Limited  
 YJ = Wrangler

AR = Use as Required - = Non Illustrated Part P.A.R. = Paint as Required

DOORS, FRONT AND REAR FOUR DOOR CHEROKEE, WAGONEER

Figure 23C-1000

8 J71 1000 A



ITEM	PART NUMBER	QTY	BODY	MODEL	DESCRIPTION
1					SHELL, Door
	5700 0108-9	1			1987-88
	5700 2428-9	1			1989
	5502 6400-1	1			1990
2	8351 0194-5	1			PANEL, Repair
3					SHELL, Door
	5700 0112-3	1			1987-88
	5700 2446-7	1			1989
	5502 6402-3	1			1990
4	5503 3976-7	1			PANEL, Repair
5	5500 1254	4			PAD, Silencer
6	5500 2350-1	1			BAR, Division
7	3420 2035	2			SCREW
8	3420 1450	4			SCREW
9	5500 3650	2			RETAINER
10	5500 1278-9	1			BRACKET, Armrest
11	3420 1353	4			RIVET
12	3420 1301	2			SCREW
	J400 3089	2			WASHER

MODEL CODES:

15 = Grand Wagoneer 4 Dr.	65 = Comanche 4WD-7 Ft. Box	77 = Cherokee 4WD-2 Dr.
25 = J-10 Pickup-119" W.B.	66 = Comanche 2WD-7 Ft. Box	78 = Cherokee 4WD-4 Dr.
26 = J-10 Pickup-131" W.B.	73 = Cherokee 2WD-2 Dr.	79 = Cherokee 4WD-4 Dr.-Com
27 = J-20 Pickup-131" W.B.	74 = Cherokee 2WD-4 Dr.	81 = Wrangler-93" W.B.
63 = Comanche 4WD-6 Ft. Box	75 = Wagoneer 4WD-4 Dr.	82 = Wrangler-103" W.B.-Exp.
64 = Comanche 2WD-6 Ft. Box		

BODY STYLES:

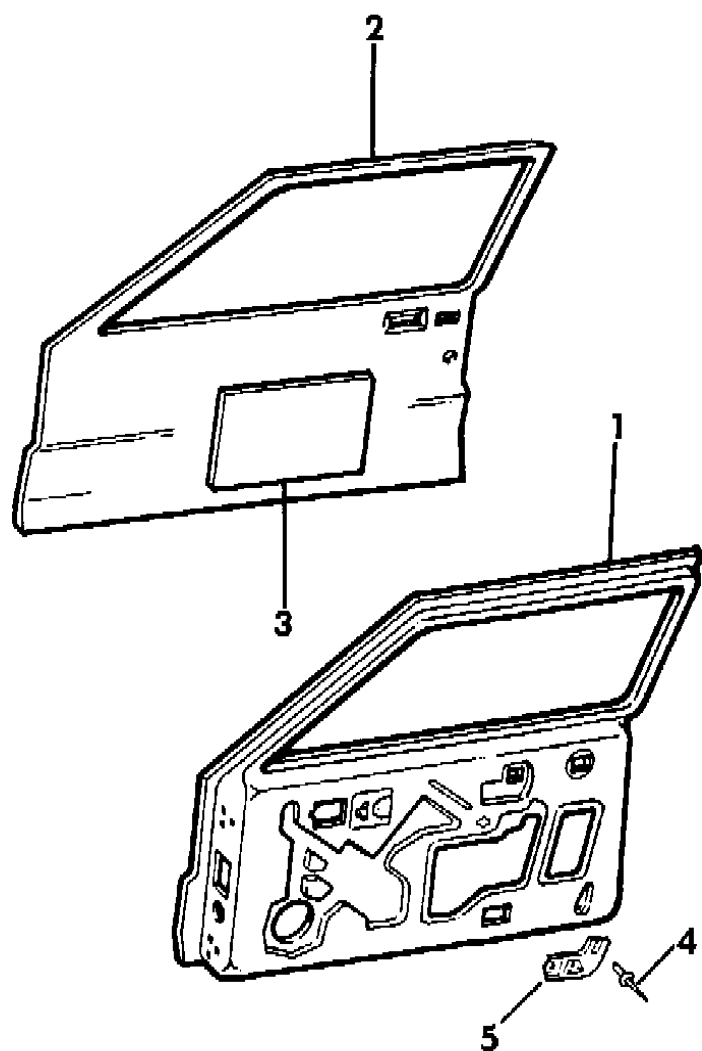
MJ = Comanche Pickup  
 SJ = Grand Wagoneer Wgn., J-10 & J-20 Pickups  
 XJ = Cherokee, Wagoneer Limited  
 YJ = Wrangler

AR = Use as Required - = Non Illustrated Part P.A.R. = Paint as Required

DOOR, FRONT COMANCHE  
Figure 23C-1100

8J71 1100 A

ITEM	PART NUMBER	QTY	BODY	MODEL	DESCRIPTION
1					SHELL, Door
	5700 0108-9	1			1987-88
	5700 2428-9	1			1989
	5502 6400-1	1			1990
2	8351 0194-5	1			PANEL, Repair
3	5500 1254	2			PAD, Silencer
4	3420 1353	4			RIVET
5	5500 1278-9	1			BRACKET, Armrest



MODEL CODES:

15 = Grand Wagoneer 4 Dr.	65 = Comanche 4WD-7 Ft. Box	77 = Cherokee 4WD-2 Dr.
25 = J-10 Pickup-119" W.B.	66 = Comanche 2WD-7 Ft. Box	78 = Cherokee 4WD-4 Dr.
26 = J-10 Pickup-131" W.B.	73 = Cherokee 2WD-2 Dr.	79 = Cherokee 4WD-4 Dr.-Com
27 = J-20 Pickup-131" W.B.	74 = Cherokee 2WD-4 Dr.	81 = Wrangler-93" W.B.
63 = Comanche 4WD-6 Ft. Box	75 = Wagoneer 4WD-4 Dr.	82 = Wrangler-103" W.B.-Exp.
64 = Comanche 2WD-6 Ft. Box		

BODY STYLES:

MJ = Comanche Pickup  
 SJ = Grand Wagoneer Wgn., J-10 & J-20 Pickups  
 XJ = Cherokee, Wagoneer Limited  
 YJ = Wrangler

AR = Use as Required - = Non Illustrated Part P.A.R. = Paint as Required

**HINGES, DOOR FRONT AND REAR CHEROKEE, WAGONEER, COMANCHE**  
**Figure 23C-1200**

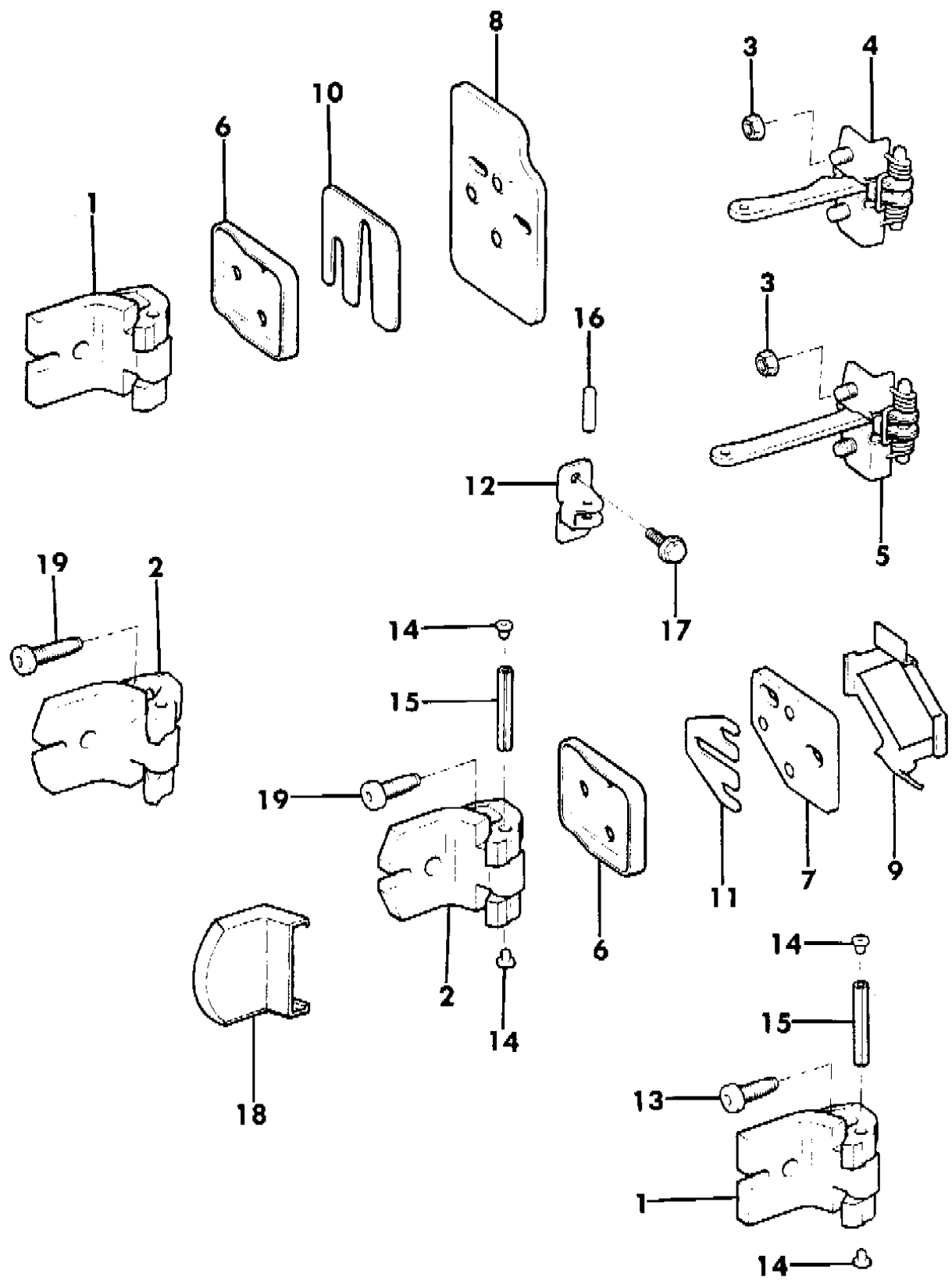
8J71 1200

ITEM	PART NUMBER	QTY	BODY	MODEL	DESCRIPTION
1	5500 4626	4			HINGE, Front Door
2	5500 0762	4			HINGE, Rear Door
3	3420 1866	8			NUT
4	5500 0783	2			ARM, Door Check
5	5500 0818	2			ARM, Door Check
6	5500 4597	8			PLATE, Shim
7	5500 0248-9	1			PLATE, Hinge Mtg.
8	5500 4600-1	1			PLATE, Hinge Mtg.
	5500 4600	1			Right
	5500 4601	1			Left
9	5500 0264	4			RETAINER, Tapping Plate
10					SHIM
	5500 4920	AR			1.4mm
	5500 5658	AR			.65mm
11	5500 1223	AR			SHIM, Hinge
12	5500 2361	4			BRACKET, Check Arm
13					BOLT
	3420 1771	18			30mm
	3420 1987	18			36mm
14	3420 2314	16			PLUG, Hinge Pin
15	5500 8099	8			PIN, Hinge
16	5501 2900	4			PIN, Check Arm
17	3420 1756	8			SCREW
18	5500 6643	4			COVER, Rear Hinge
19	3420 1987	12			BOLT

MODEL CODES:  
 15 = Grand Wagoneer 4 Dr.      65 = Comanche 4WD-7 Ft. Box      77 = Cherokee 4WD-2 Dr.  
 25 = J-10 Pickup-119" W.B.      66 = Comanche 2WD-7 Ft. Box      78 = Cherokee 4WD-4 Dr.  
 26 = J-10 Pickup-131" W.B.      73 = Cherokee 2WD-2 Dr.      79 = Cherokee 4WD-4 Dr.-Com  
 27 = J-20 Pickup-131" W.B.      74 = Cherokee 2WD-4 Dr.      81 = Wrangler-93" W.B.  
 63 = Comanche 4WD-6 Ft. Box      75 = Wagoneer 4WD-4 Dr.      82 = Wrangler-103" W.B.-Exp.  
 64 = Comanche 2WD-6 Ft. Box

BODY STYLES:  
 MJ = Comanche Pickup  
 SJ = Grand Wagoneer Wgn., J-10 & J-20 Pickups  
 XJ = Cherokee, Wagoneer Limited  
 YJ = Wrangler

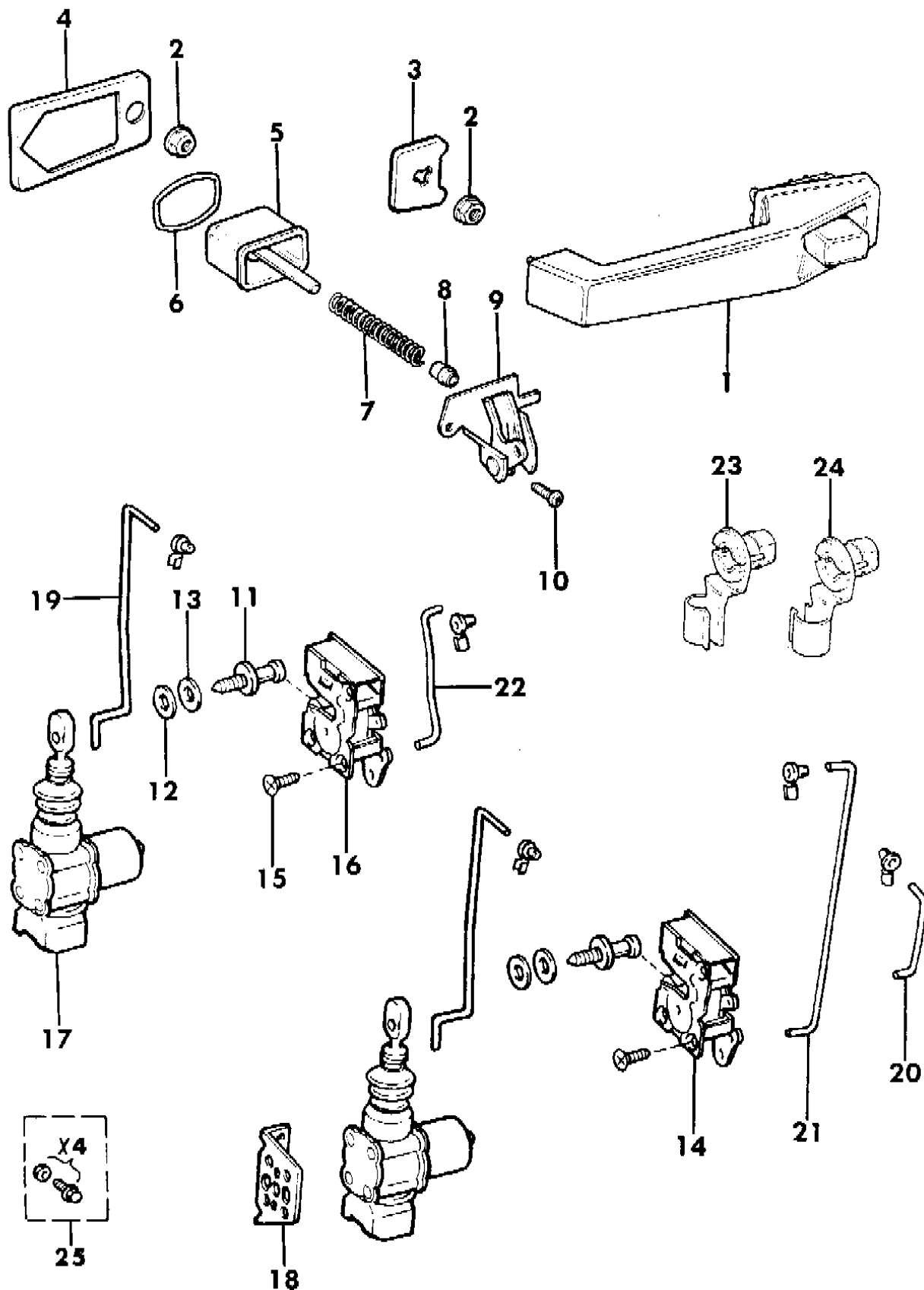
AR = Use as Required - = Non Illustrated Part P.A.R. = Paint as Required



DOOR, HANDLES AND ACTUATORS CHEROKEE, WAGONEER, COMANCHE

Figure 23C-1300

8J71 1300



ITEM	PART NUMBER	QTY	BODY	MODEL	DESCRIPTION
1					HANDLE, Exterior
	5500 7466-7	AR			1987-89
	5502 4926-7	AR			1990
	5500 0560-1	AR			Chrome
2	J420 0306	AR			NUT
3	5500 2180	AR			GASKET, Front of Handle
4	5500 2181	AR			GASKET, Rear of Handle
5					BUTTON, Push
	5500 7469	AR			Black, Plastic
	5500 2173	AR			Chrome
6	5500 2176	AR			GASKET
7	5500 2177	AR			SPRING
8	5500 2178	AR			BUSHING
9	5500 2188-9	1			BELLCRANK
10	3420 1339	AR			SCREW
11	5500 2371	AR			STRIKER
12	J400 2073	AR			WASHER
13	J400 2057	AR			WASHER
14	5500 0766-7	1			LATCH, Front Door
15	3420 1755	AR			SCREW
16	5500 0570-1	1			LATCH, Rear Door
17	J813 4627	AR			ACTUATOR, Door Lock
18	J371 9474	AR			BRACKET
19					ROD, Actuator
	5500 0780-1	2			Four Door and Truck
	5500 0836-7	1			Two Door
20					ROD, Lock Cylinder
	5500 2004-5	1			Four Door Wagon and Truck
	5500 0832-3	1			Two Door Wagon
21					ROD
	5500 1954-5	1			Four Door and Truck
	5500 0563	2			Two Door
22	5500 1968	2			ROD, Rear Door
23	J400 4532	AR			CLIP, w/Bushing
24	J400 4533	AR			CLIP, w/Bushing
25	J813 0358	AR			KIT, Fastener

MODEL CODES:

15 = Grand Wagoneer 4 Dr.	65 = Comanche 4WD-7 Ft. Box	77 = Cherokee 4WD-2 Dr.
25 = J-10 Pickup-119" W.B.	66 = Comanche 2WD-7 Ft. Box	78 = Cherokee 4WD-4 Dr.
26 = J-10 Pickup-131" W.B.	73 = Cherokee 2WD-2 Dr.	79 = Cherokee 4WD-4 Dr.-Com
27 = J-20 Pickup-131" W.B.	74 = Cherokee 2WD-4 Dr.	81 = Wrangler-93" W.B.
63 = Comanche 4WD-6 Ft. Box	75 = Wagoneer 4WD-4 Dr.	82 = Wrangler-103" W.B.-Exp.
64 = Comanche 2WD-6 Ft. Box		

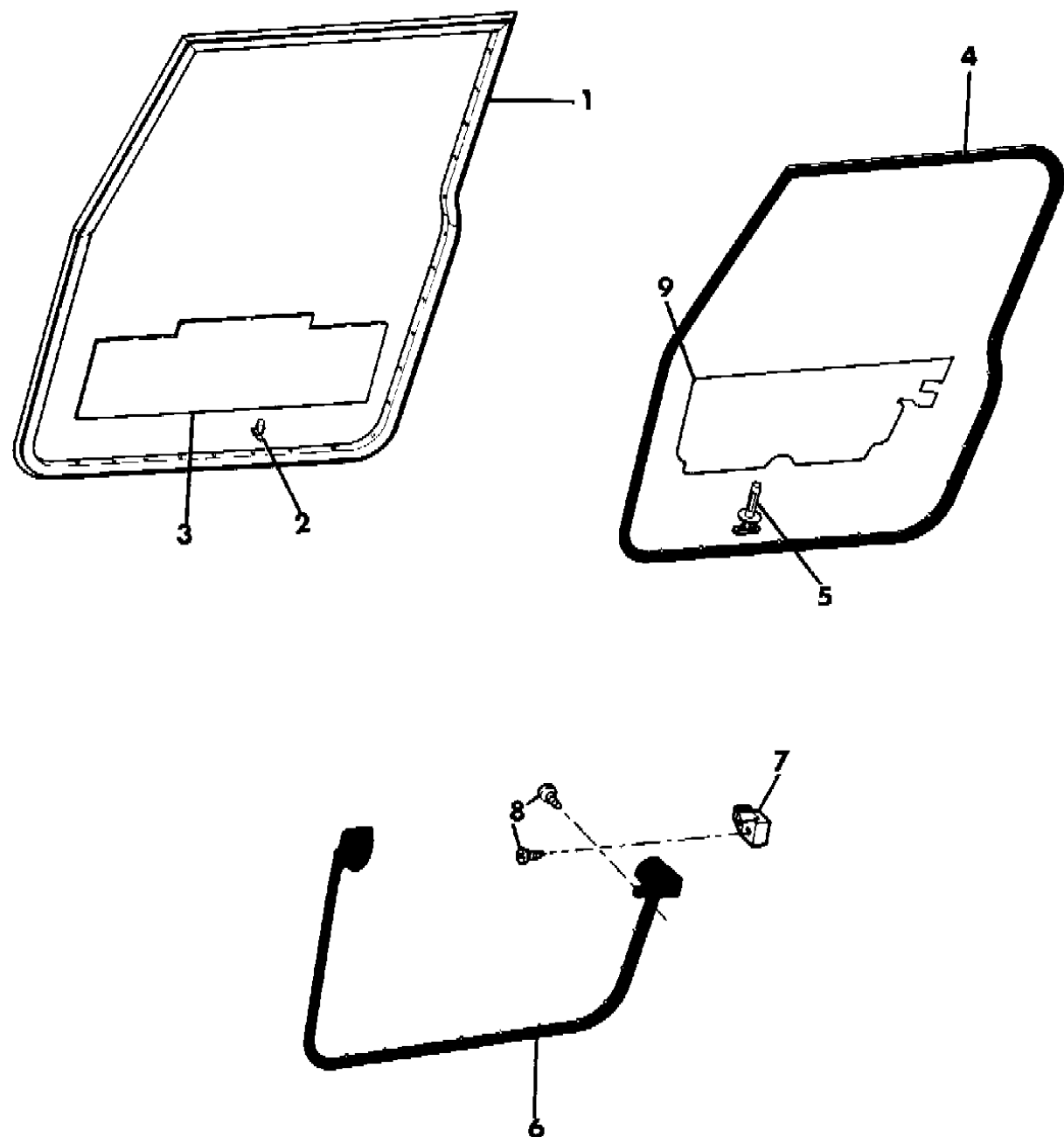
BODY STYLES:

MJ = Comanche Pickup  
 SJ = Grand Wagoneer Wgn., J-10 & J-20 Pickups  
 XJ = Cherokee, Wagoneer Limited  
 YJ = Wrangler

AR = Use as Required - = Non Illustrated Part P.A.R. = Paint as Required

DOOR, HANDLES AND CONTROLS CHEROKEE, WAGONEER, COMANCHE  
Figure 23C-1400

8 J71400 B



ITEM	PART NUMBER	QTY	BODY	MODEL	DESCRIPTION
1	5500 0870-1	1			HANDLE ASSEMBLY, Remote ***
2	5500 2182-3	1			HANDLE
3	5500 2154-5	2			CUP
4	5500 2184	4			SPRING
5	5500 2873	4			PIN
6	5500 2186-7	2			BUTTON
7	1150 0654	4			NUT
8	S150 0405	4			SCREW, P.A.R.
9					ROD, Remote Control
	5500 1958-9	1			Four Door and Truck
	5500 1952-3	1			Two Door
10					SLEEVE
	J372 1174	AR			1987-88
	3502 3988	AR			1989-90
11	5505 2523	2			SILENCER
12					ROD, Locking
	5500 1962-3	1			Four Door and Truck
	5500 1956-7	1			Two Door
13	J400 4532-3	1			CLIP, w/Bushing
14					CLIP, w/Bushing
	J400 4533	2			Right
	J400 4532	2			Left
15	3420 1197	4			RIVET
16	5500 2083	4			RETAINER
17	5500 1966-7	1			ROD, Remote Control
18	5500 1970-1	1			ROD, Locking

MODEL CODES:

15 = Grand Wagoneer 4 Dr.	65 = Comanche 4WD-7 Ft. Box	77 = Cherokee 4WD-2 Dr.
25 = J-10 Pickup-119" W.B.	66 = Comanche 2WD-7 Ft. Box	78 = Cherokee 4WD-4 Dr.
26 = J-10 Pickup-131" W.B.	73 = Cherokee 2WD-2 Dr.	79 = Cherokee 4WD-4 Dr.-Com
27 = J-20 Pickup-131" W.B.	74 = Cherokee 2WD-4 Dr.	81 = Wrangler-93" W.B.
63 = Comanche 4WD-6 Ft. Box	75 = Wagoneer 4WD-4 Dr.	82 = Wrangler-103" W.B.-Exp.
64 = Comanche 2WD-6 Ft. Box		

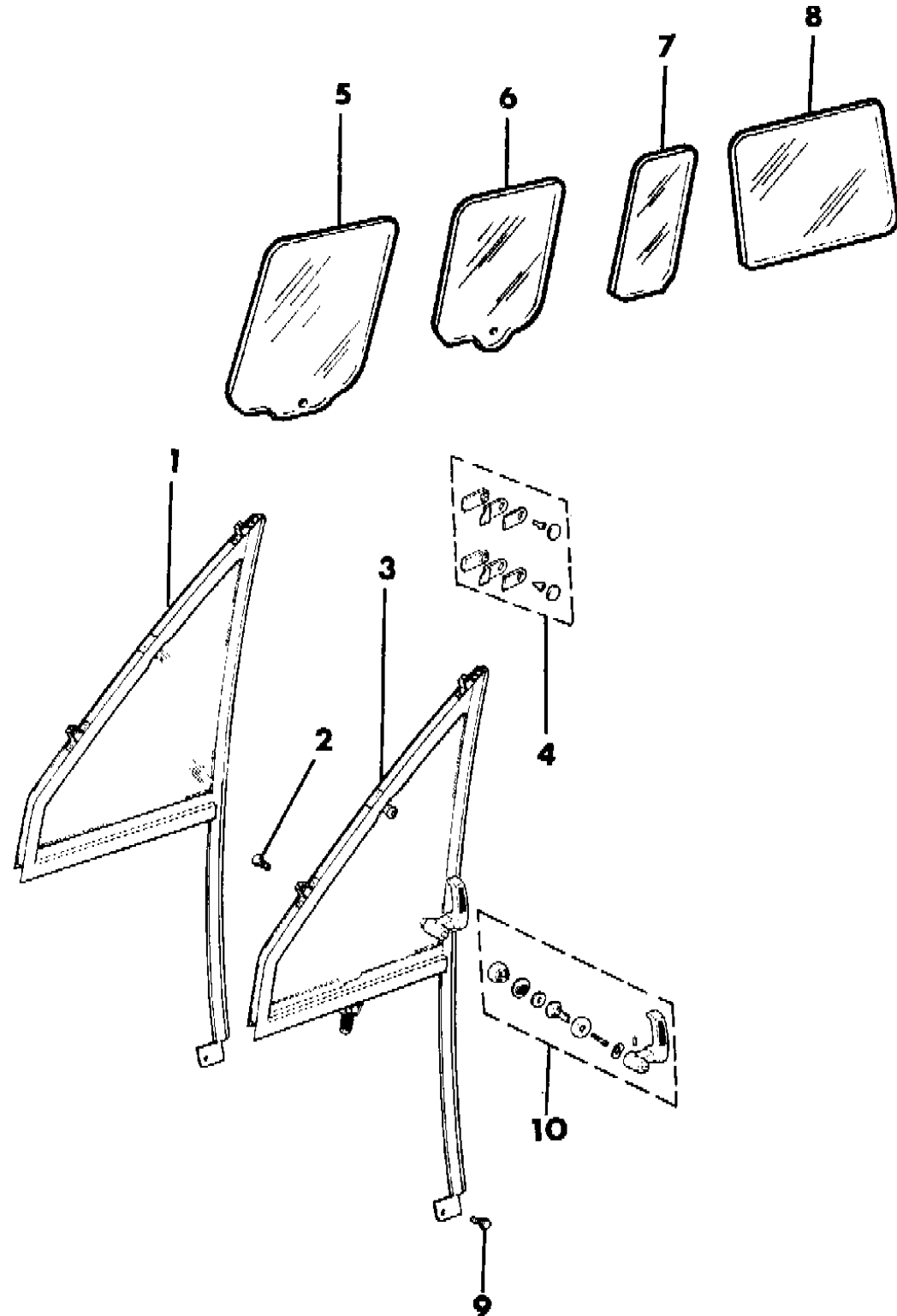
BODY STYLES:

MJ = Comanche Pickup  
 SJ = Grand Wagoneer Wgn., J-10 & J-20 Pickups  
 XJ = Cherokee, Wagoneer Limited  
 YJ = Wrangler

AR = Use as Required - = Non Illustrated Part P.A.R. = Paint as Required

**GLASS, DOOR FRONT AND REAR CHEROKEE, WAGONEER, COMANCHE**  
**Figure 23C-1500**

8 J 71 1500 B



ITEM	PART NUMBER	QTY	BODY	MODEL	DESCRIPTION
1	5500 2346-7	1			VENT, Fixed
2	3420 2035	4			SCREW
3					VENT, Pivoting
	5501 5736-7	1			1987-89
	5502 4294-5	1			1990
4	8350 2274-5	1			PACKAGE, Hinge Qtr. Vent Glass
5					GLASS, Door, Front
	5500 0574-5	1	MJ		Clear
	5500 0576-7	1	MJ		Tinted
	5500 0576-7	1	XJ		Tinted, Four Door
	5500 0578-9	1	XJ		1987, Tinted, Two Door
	5500 0580-1	1	XJ		1988-90, Tinted, Two Door
6					GLASS, Rear Door
	5500 0590-1	1	XJ		Green, Standard Tint, Four Door
	5501 8650-1	1	XJ		Gray, Privacy, Four Door
7					GLASS, Fixed, Rear Door
	5500 0620-1	1	XJ		Green, Standard Tint, Four Door
	5501 8652-3	1	XJ		Gray, Privacy, Four Door
	5500 7983	1		XJ	Bronze, Left
	5500 7982	1		XJ	Bronze, Right
8					GLASS, Quarter, See Group 23A
9	3420 1301	2			SCREW
10					HANDLE, Vent
	8350 4102	1			Right
	8350 4101	1			Left

**MODEL CODES:**

15 = Grand Wagoneer 4 Dr.	65 = Comanche 4WD-7 Ft. Box	77 = Cherokee 4WD-2 Dr.
25 = J-10 Pickup-119" W.B.	66 = Comanche 2WD-7 Ft. Box	78 = Cherokee 4WD-4 Dr.
26 = J-10 Pickup-131" W.B.	73 = Cherokee 2WD-2 Dr.	79 = Cherokee 4WD-4 Dr.-Com
27 = J-20 Pickup-131" W.B.	74 = Cherokee 2WD-4 Dr.	81 = Wrangler-93" W.B.
63 = Comanche 4WD-6 Ft. Box	75 = Wagoneer 4WD-4 Dr.	82 = Wrangler-103" W.B.-Exp.
64 = Comanche 2WD-6 Ft. Box		

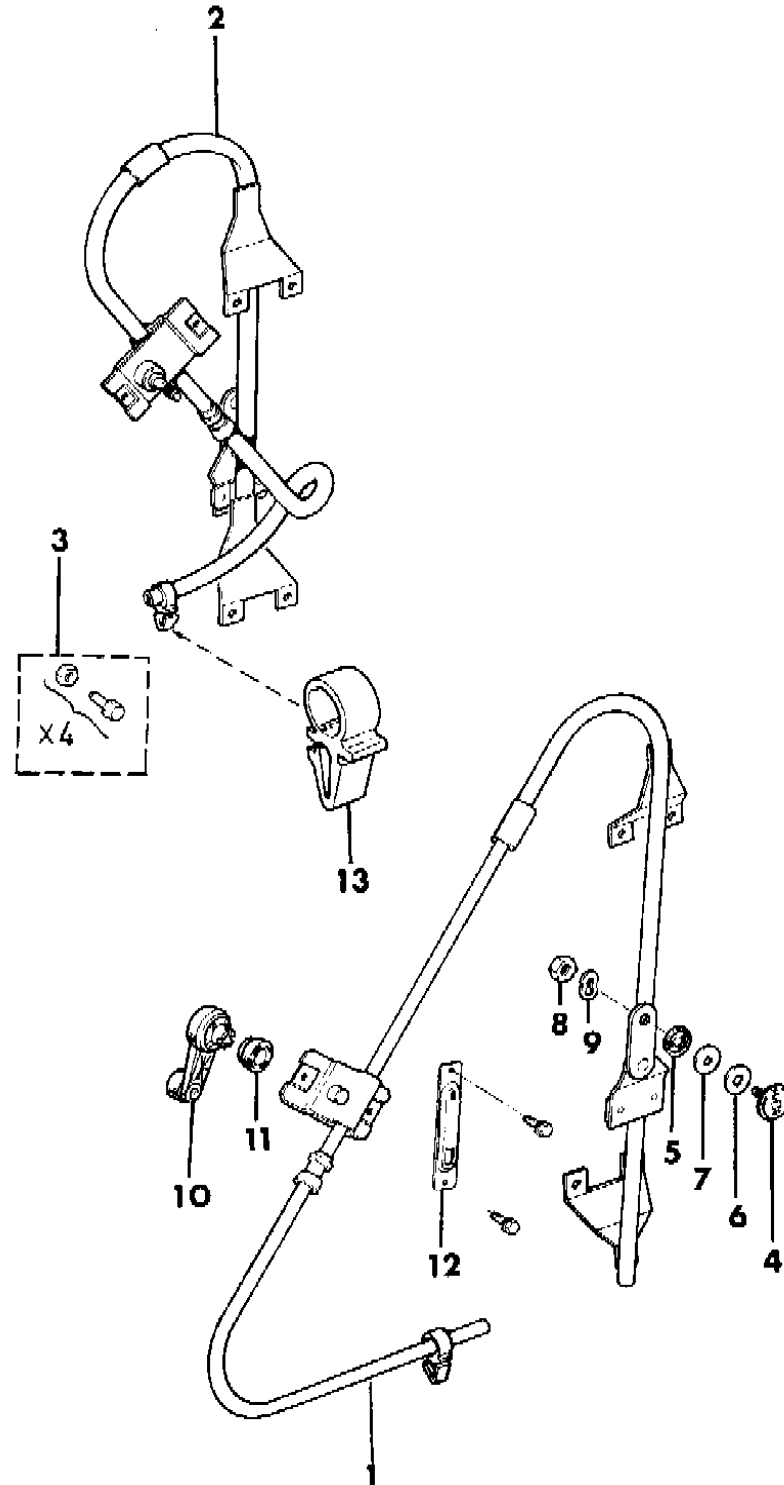
**BODY STYLES:**

MJ = Comanche Pickup  
 SJ = Grand Wagoneer Wgn., J-10 & J-20 Pickups  
 XJ = Cherokee, Wagoneer Limited  
 YJ = Wrangler

AR = Use as Required - = Non Illustrated Part P.A.R. = Paint as Required

**REGULATOR, DOOR GLASS MANUAL CHEROKEE, WAGONEER, COMANCHE**  
**Figure 23C-1600**

8J71 1600A



ITEM	PART NUMBER	QTY	BODY	MODEL	DESCRIPTION
1	5500 0586-7	1			REGULATOR, Glass, Front
2	5500 0594-5	1			REGULATOR, Glass, Rear
	5500 0594	1			Right
	5500 0595	1			Left
3	J813 0358	AR			PACKAGE, Fastener
4					BOLT, Spanner
	5500 2432	AR			Up to 3-2-90
	5515 4511	AR			After 3-2-90
5	5500 2433	AR			NUT, Spanner
6	5500 2434	AR			BUSHING, Spanner
7	J363 2958	AR			WASHER
8	3420 1514	AR			NUT
9	J400 4616	AR			WASHER
10					HANDLE, Regulator
	3502 5104	AR			Black
	8350 5118	AR			Med. Blue
	3502 5098	AR			Navy Blue
	3502 5107	AR			Charcoal
	3502 5101	AR			Cordovan
	3502 5369	AR			Sand
	3502 5110	AR			Tan
11	3500 0573	AR			SPACER, Handle
12	5500 5444	2			STRAP, Support
13	J400 5701	4			CLIP

**MODEL CODES:**

15 = Grand Wagoneer 4 Dr.	65 = Comanche 4WD-7 Ft. Box	77 = Cherokee 4WD-2 Dr.
25 = J-10 Pickup-119" W.B.	66 = Comanche 2WD-7 Ft. Box	78 = Cherokee 4WD-4 Dr.
26 = J-10 Pickup-131" W.B.	73 = Cherokee 2WD-2 Dr.	79 = Cherokee 4WD-4 Dr.-Com
27 = J-20 Pickup-131" W.B.	74 = Cherokee 2WD-4 Dr.	81 = Wrangler-93" W.B.
63 = Comanche 4WD-6 Ft. Box	75 = Wagoneer 4WD-4 Dr.	82 = Wrangler-103" W.B.-Exp.
64 = Comanche 2WD-6 Ft. Box		

**BODY STYLES:**

MJ = Comanche Pickup  
 SJ = Grand Wagoneer Wgn., J-10 & J-20 Pickups  
 XJ = Cherokee, Wagoneer Limited  
 YJ = Wrangler

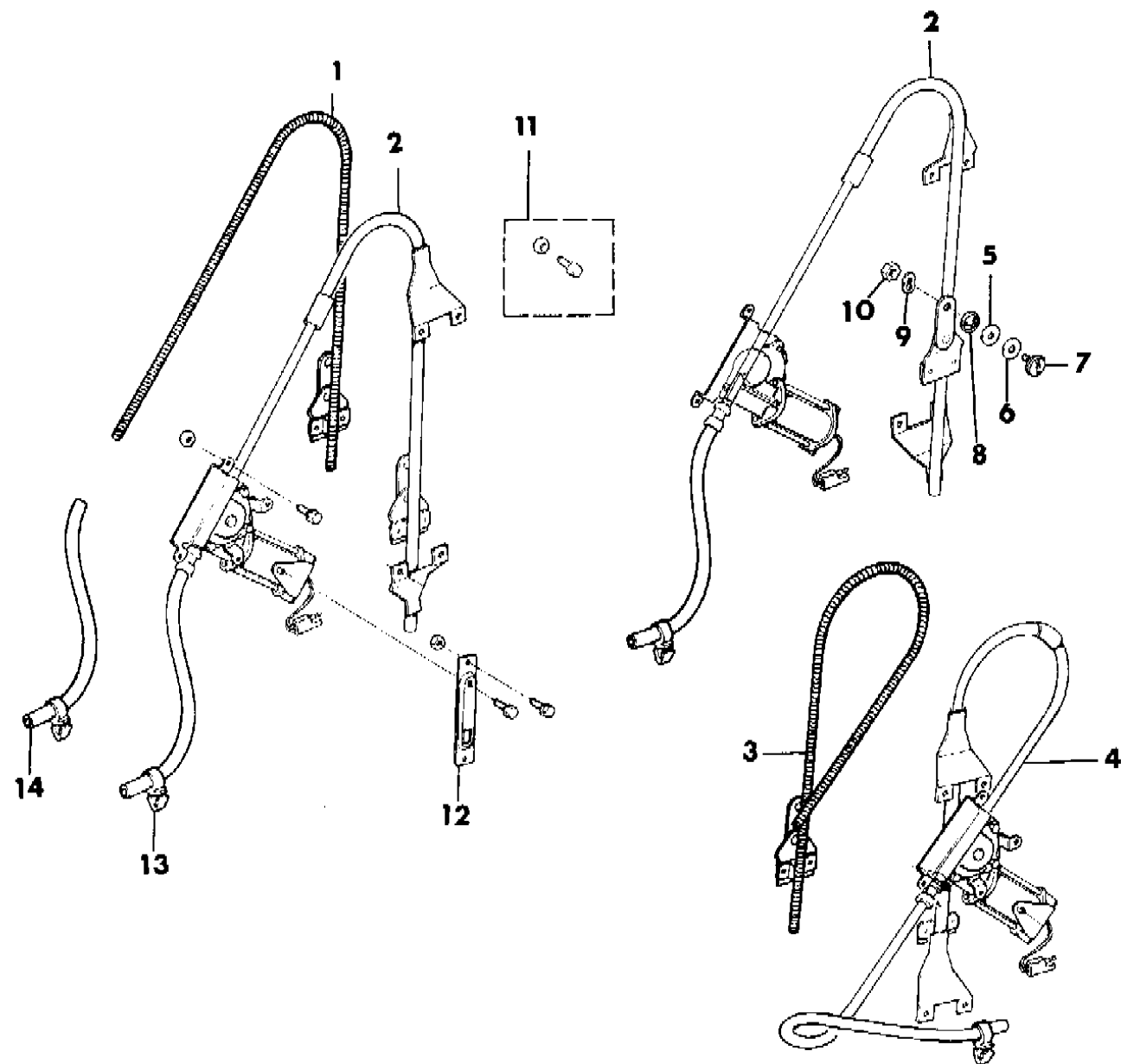
AR = Use as Required - = Non Illustrated Part P.A.R. = Paint as Required



REGULATORS, DOOR ELECTRIC CHEROKEE, WAGONEER

Figure 23C-1700

8J71 1700 A



ITEM	PART NUMBER	QTY	BODY	MODEL	DESCRIPTION
1	8350 2178	2			CABLE, Drive
2	5501 5076-7	1			REGULATOR, Front Door Glass
3	8350 2179	2			CABLE, Drive
4	5501 8442-3	1			REGULATOR, Rear Door Glass
5	J363 2958	AR			WASHER
6	5500 2434	AR			BUSHING
7	5500 2432	AR			BOLT
8	5500 2433	AR			NUT
9	J400 4616	AR			WASHER
10	3420 1514	AR			NUT
11	J813 0358	AR			PACKAGE, Fastener
12	5500 5444	2			STRAP, Support
13	J400 5701	4			CLIP
	5500 9757	4			CLIP, 1987
14	8350 2180	4			HOSE

MODEL CODES:

15 = Grand Wagoneer 4 Dr.	65 = Comanche 4WD-7 Ft. Box	77 = Cherokee 4WD-2 Dr.
25 = J-10 Pickup-119" W.B.	66 = Comanche 2WD-7 Ft. Box	78 = Cherokee 4WD-4 Dr.
26 = J-10 Pickup-131" W.B.	73 = Cherokee 2WD-2 Dr.	79 = Cherokee 4WD-4 Dr.-Com
27 = J-20 Pickup-131" W.B.	74 = Cherokee 2WD-4 Dr.	81 = Wrangler-93" W.B.
63 = Comanche 4WD-6 Ft. Box	75 = Wagoneer 4WD-4 Dr.	82 = Wrangler-103" W.B.-Exp.
64 = Comanche 2WD-6 Ft. Box		

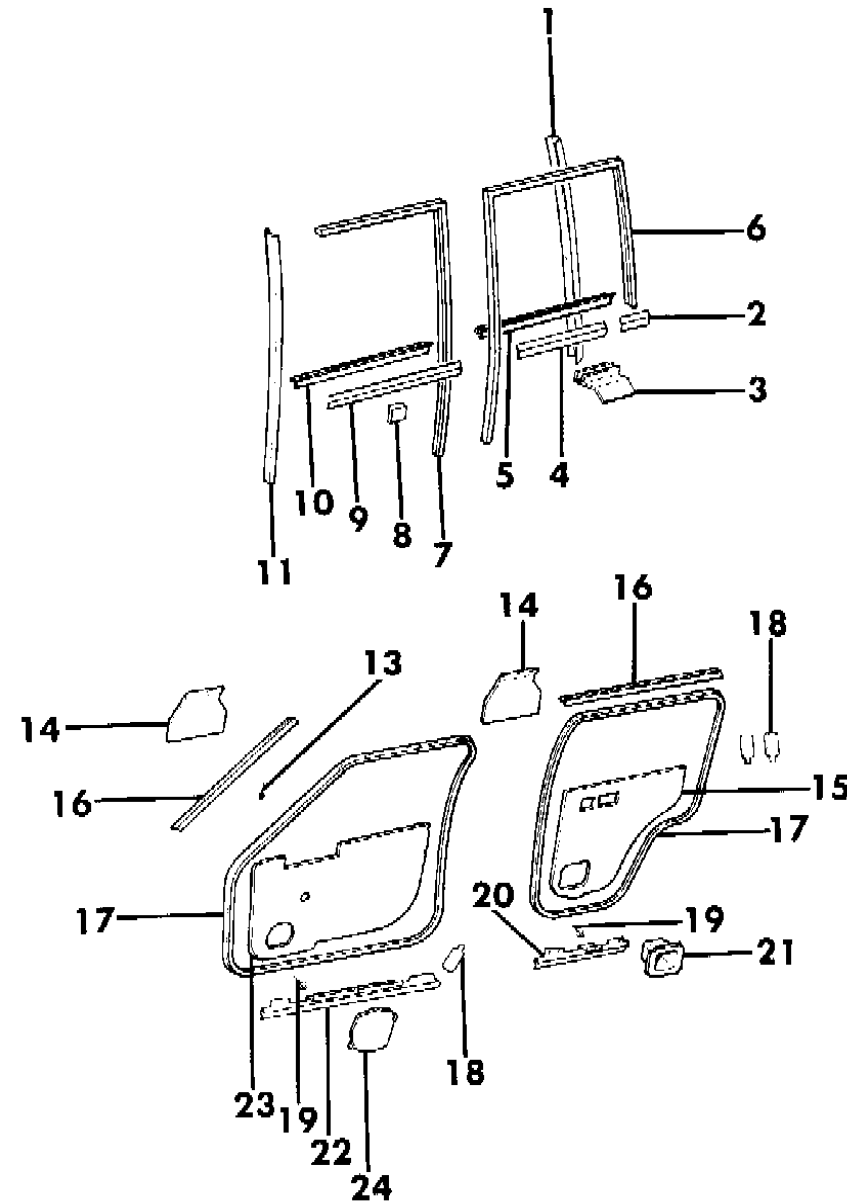
BODY STYLES:

MJ = Comanche Pickup  
 SJ = Grand Wagoneer Wgn., J-10 & J-20 Pickups  
 XJ = Cherokee, Wagoneer Limited  
 YJ = Wrangler

AR = Use as Required - = Non Illustrated Part P.A.R. = Paint as Required

**WEATHERSTRIPS, DOOR FRONT AND REAR CHEROKEE, WAGONEER, COMANCHE**  
**Figure 23C-1800**

8J71 1800 A



ITEM	PART NUMBER	QTY	BODY	MODEL	DESCRIPTION
1	5500 5666	2			WEATHERSTRIP, Glass Run
2	5500 5377	2			WEATHERSTRIP, Outer
3	5500 6518	2			DEFLECTOR, Water
4	5500 5304	2			WEATHERSTRIP, Outer
5	5500 5532-3	1			WEATHERSTRIP, Inner
6	5500 5316-7	1			CHANNEL, Glass Run
7					CHANNEL, Glass Run
	5500 5318-9	1			Two Door
	5500 5314-5	1			Four Door and Truck
8	5500 5383	AR			CLIP
9					WEATHERSTRIP, Outer
	5500 5306-7	1			Two Door
	5500 5302-3	1			Four Door and Truck
10					WEATHERSTRIP, Inner
	5500 5530-1	1			Two Door
	5500 5528-9	1			Four Door and Truck
11	5500 2337	1			WEATHERSTRIP, Glass Run
12					SPACER, See Group 23A
13	3420 2855	AR			RIVET
	3420 2035	2			SCREW
14	5500 5060	AR			SHIELD, Switch
15	5500 3626-7	1			WATERDAM, Door ***
16	5500 5012-3	1			SEAL, Secondary
17					SEAL, Door (Modification Required for Truck and Four Door Wagon)
	5501 5782	AR			Up to 11-13-89
	5502 5514	AR			After 11-13-89
18	5500 6632	AR			WATERDAM, Hole Cover
19	3420 1495	AR			RIVET
20	5500 7014-5	1			SEAL, Door
21	5500 5178	2			POCKET, Ash Tray
22					SEAL, Door
	5500 7006-7	1			Two Door
	5500 7010-1	1			Four Door and Truck
23					WATERDAM, Door
	5500 3622-3	1			Two Door
	5500 3624-5	1			Four Door and Truck

**MODEL CODES:**

15 = Grand Wagoneer 4 Dr.	65 = Comanche 4WD-7 Ft. Box	77 = Cherokee 4WD-2 Dr.
25 = J-10 Pickup-119" W.B.	66 = Comanche 2WD-7 Ft. Box	78 = Cherokee 4WD-4 Dr.
26 = J-10 Pickup-131" W.B.	73 = Cherokee 2WD-2 Dr.	79 = Cherokee 4WD-4 Dr.-Com
27 = J-20 Pickup-131" W.B.	74 = Cherokee 2WD-4 Dr.	81 = Wrangler-93" W.B.
63 = Comanche 4WD-6 Ft. Box	75 = Wagoneer 4WD-4 Dr.	82 = Wrangler-103" W.B.-Exp.
64 = Comanche 2WD-6 Ft. Box		

**BODY STYLES:**

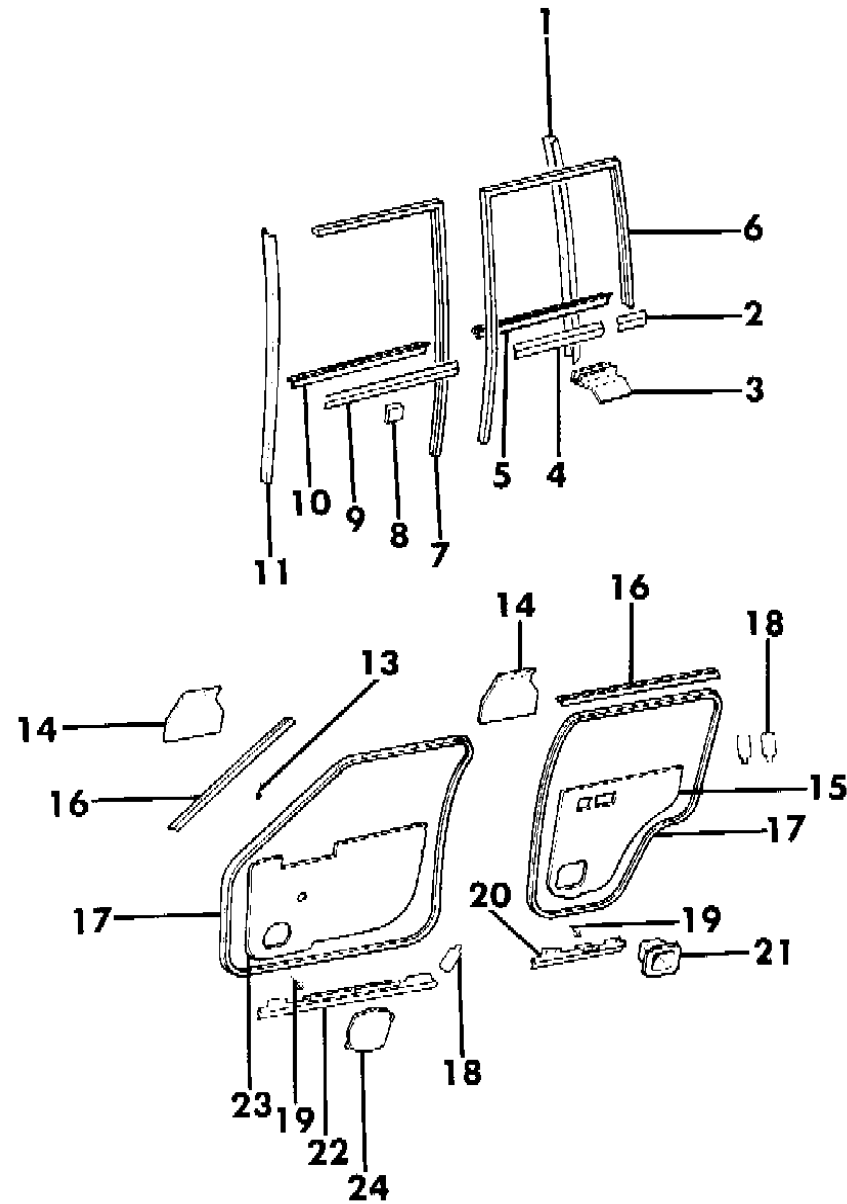
MJ = Comanche Pickup  
 SJ = Grand Wagoneer Wgn., J-10 & J-20 Pickups  
 XJ = Cherokee, Wagoneer Limited  
 YJ = Wrangler

AR = Use as Required - = Non Illustrated Part P.A.R. = Paint as Required

WEATHERSTRIPS, DOOR FRONT AND REAR CHEROKEE, WAGONEER, COMANCHE  
Figure 23C-1800

8J71 1800 A

ITEM	PART NUMBER	QTY	BODY	MODEL	DESCRIPTION
24	5500 3628	2			WATERDAM, Speaker



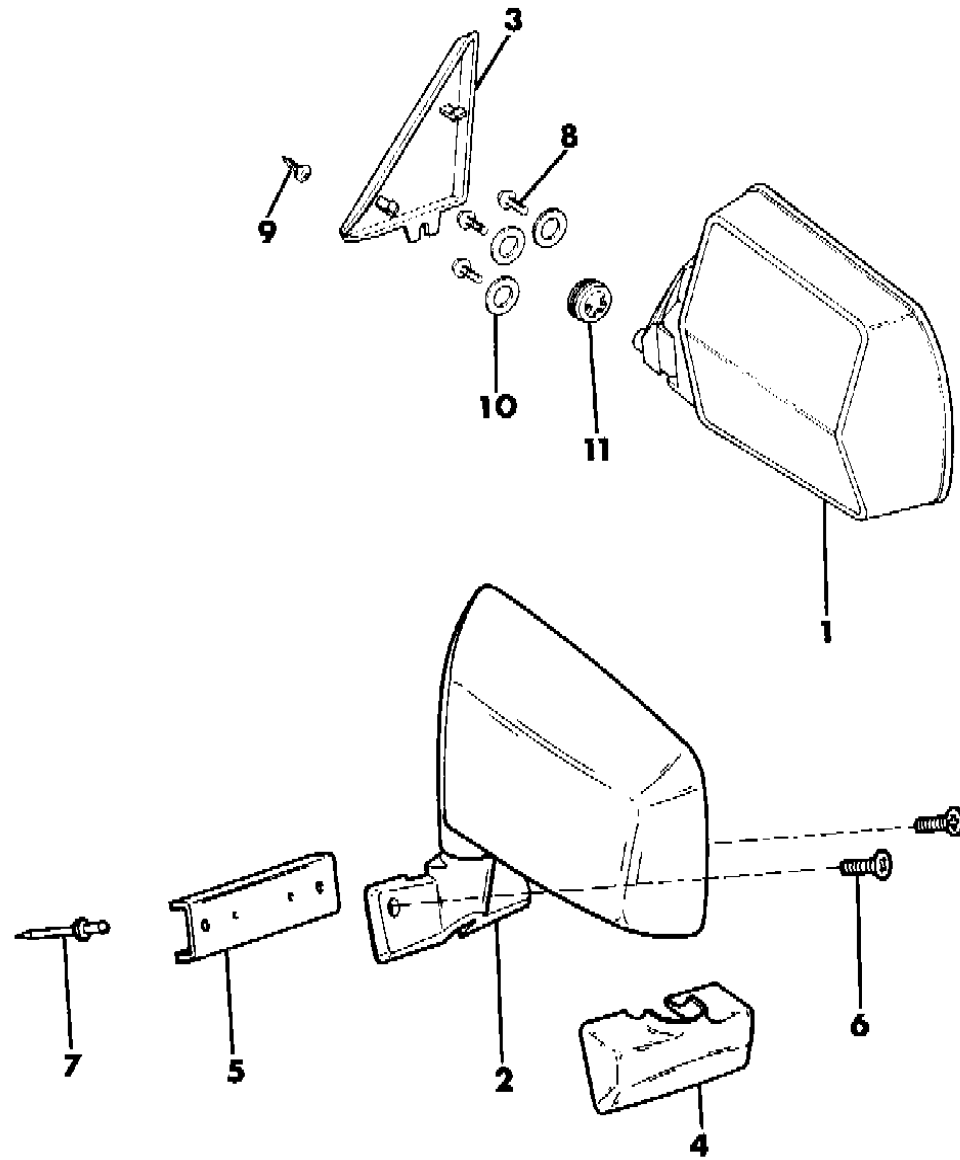
- MODEL CODES:
- |                             |                             |                              |
|-----------------------------|-----------------------------|------------------------------|
| 15 = Grand Wagoneer 4 Dr.   | 65 = Comanche 4WD-7 Ft. Box | 77 = Cherokee 4WD-2 Dr.      |
| 25 = J-10 Pickup-119" W.B.  | 66 = Comanche 2WD-7 Ft. Box | 78 = Cherokee 4WD-4 Dr.      |
| 26 = J-10 Pickup-131" W.B.  | 73 = Cherokee 2WD-2 Dr.     | 79 = Cherokee 4WD-4 Dr.-Com  |
| 27 = J-20 Pickup-131" W.B.  | 74 = Cherokee 2WD-4 Dr.     | 81 = Wrangler-93" W.B.       |
| 63 = Comanche 4WD-6 Ft. Box | 75 = Wagoneer 4WD-4 Dr.     | 82 = Wrangler-103" W.B.-Exp. |
| 64 = Comanche 2WD-6 Ft. Box |                             |                              |

- BODY STYLES:
- MJ = Comanche Pickup
  - SJ = Grand Wagoneer Wgn., J-10 & J-20 Pickups
  - XJ = Cherokee, Wagoneer Limited
  - YJ = Wrangler

AR = Use as Required - = Non Illustrated Part P.A.R. = Paint as Required

MIRRORS, EXTERIOR MANUAL CHEROKEE, WAGONEER, COMANCHE  
Figure 23C-1900

8J71 1900 A



ITEM	PART NUMBER	QTY	BODY	MODEL	DESCRIPTION
1					MIRROR
					Left
	5500 0289	1			Up to 10/16/89, Black
	5503 4131	1			After 10/16/89, BLaack
	5500 2891	1			Chrome
	8220 0314	1			Right (Truck) Black
	8220 0315	1			Right (Truck) Bright
2					MIRROR
					Left
	5502 4249	1			Up to 10/16/89, Black
	5502 7207	1			After 10/16/89, Black
	5501 6210	1			Right, Black
3	5500 8030-1	1			COVER
4					COVER
	J067 4896	2			Up to 10/16/89
	5502 7210	2			After 10/16/89
5	J576 1776	2			REINFORCEMENT, Mirror
6	J420 0323	4			SCREW
7	J400 4962	4			RIVET
8					SCREW
	3420 2005	6			Up to 10/16/89
	J400 4648	6			After 10/16/89
9	3420 1314	2			SCREW
10	5500 5025	6			O-RING
11	5500 6488	2			GROMMET

MODEL CODES:

15 = Grand Wagoneer 4 Dr.	65 = Comanche 4WD-7 Ft. Box	77 = Cherokee 4WD-2 Dr.
25 = J-10 Pickup-119" W.B.	66 = Comanche 2WD-7 Ft. Box	78 = Cherokee 4WD-4 Dr.
26 = J-10 Pickup-131" W.B.	73 = Cherokee 2WD-2 Dr.	79 = Cherokee 4WD-4 Dr.-Com
27 = J-20 Pickup-131" W.B.	74 = Cherokee 2WD-4 Dr.	81 = Wrangler-93" W.B.
63 = Comanche 4WD-6 Ft. Box	75 = Wagoneer 4WD-4 Dr.	82 = Wrangler-103" W.B.-Exp.
64 = Comanche 2WD-6 Ft. Box		

BODY STYLES:

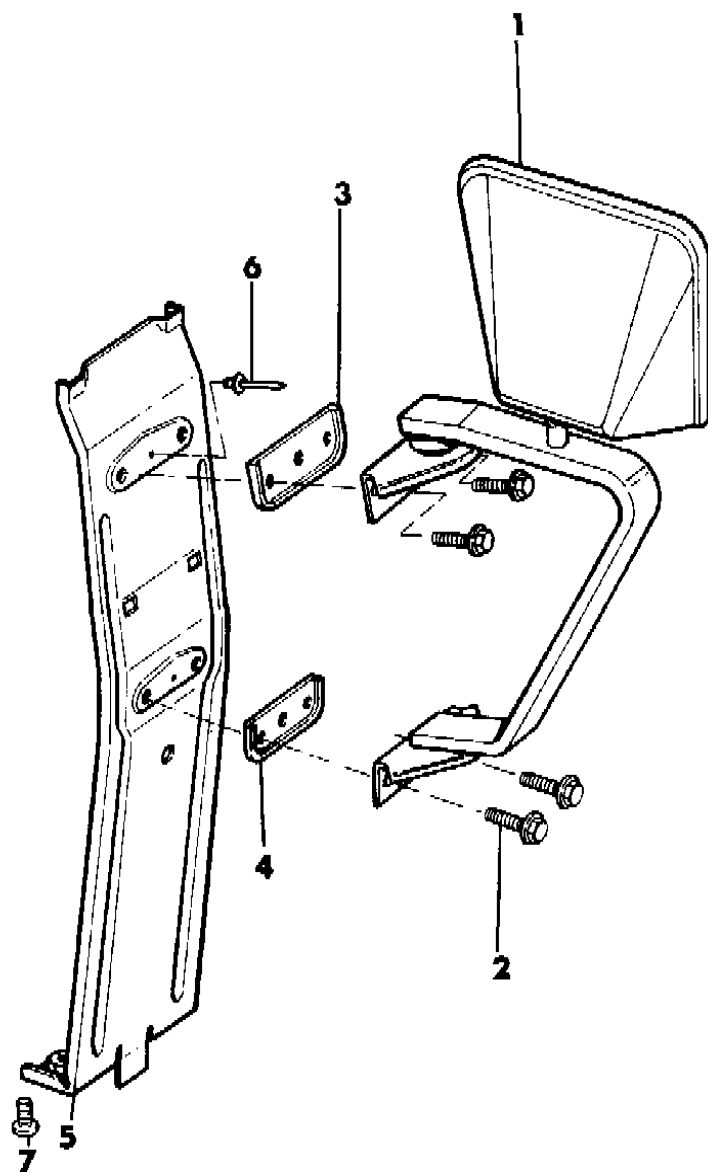
MJ = Comanche Pickup  
SJ = Grand Wagoneer Wgn., J-10 & J-20 Pickups  
XJ = Cherokee, Wagoneer Limited  
YJ = Wrangler

AR = Use as Required - = Non Illustrated Part P.A.R. = Paint as Required

MIRRORS, EXTERIOR LOW PROFILE CHEROKEE, WAGONEER, COMANCHE  
Figure 23C-2000

8 J71 2000 A

ITEM	PART NUMBER	QTY	BODY	MODEL	DESCRIPTION
1	5500 0534	2			MIRROR
2	3420 1604	AR			BOLT
3	5500 1948	2			GASKET
4	5500 1949	2			GASKET
5	5500 4966	2			REINFORCEMENT
6	3420 1684	4			RIVET
7	3420 1808	4			SCREW



MODEL CODES:

15 = Grand Wagoneer 4 Dr.	65 = Comanche 4WD-7 Ft. Box	77 = Cherokee 4WD-2 Dr.
25 = J-10 Pickup-119" W.B.	66 = Comanche 2WD-7 Ft. Box	78 = Cherokee 4WD-4 Dr.
26 = J-10 Pickup-131" W.B.	73 = Cherokee 2WD-2 Dr.	79 = Cherokee 4WD-4 Dr.-Com
27 = J-20 Pickup-131" W.B.	74 = Cherokee 2WD-4 Dr.	81 = Wrangler-93" W.B.
63 = Comanche 4WD-6 Ft. Box	75 = Wagoneer 4WD-4 Dr.	82 = Wrangler-103" W.B.-Exp.
64 = Comanche 2WD-6 Ft. Box		

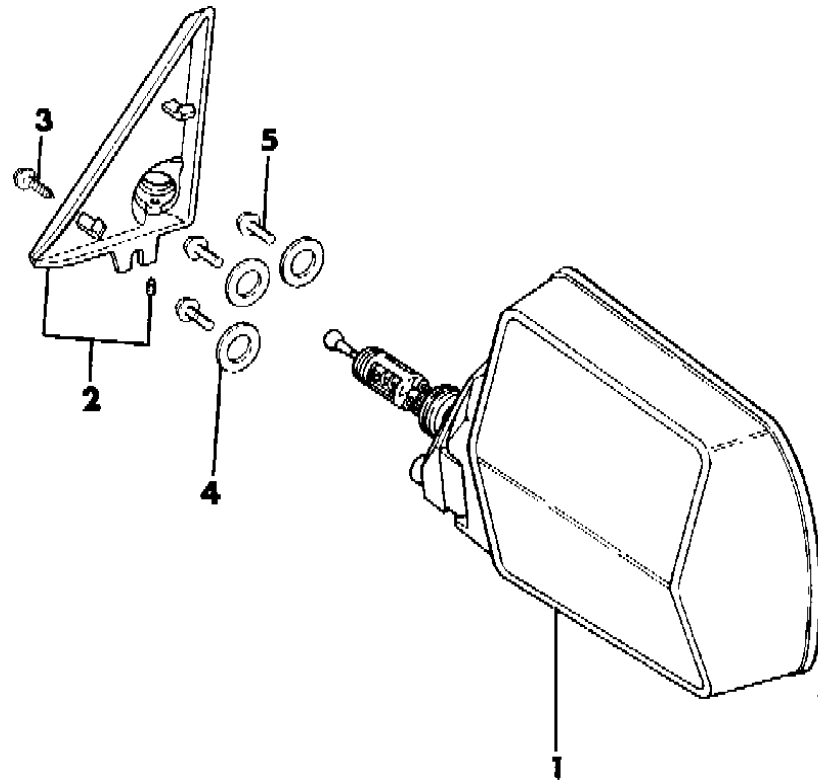
BODY STYLES:

MJ = Comanche Pickup  
 SJ = Grand Wagoneer Wgn., J-10 & J-20 Pickups  
 XJ = Cherokee, Wagoneer Limited  
 YJ = Wrangler

AR = Use as Required - = Non Illustrated Part P.A.R. = Paint as Required

MIRRORS, EXTERIOR REMOTE CONTROL CHEROKEE, WAGONEER, COMANCHE  
Figure 23C-2100

8 J71 2100 A



ITEM	PART NUMBER	QTY	BODY	MODEL	DESCRIPTION
1					MIRROR
					Black
	5500 0530-1	1			Up to 10/16/89, Black
	5503 4122-3	1			AFTER 10/16/89, Black
	5500 1874-5	1			Up to 10/16/89, Bright
	5503 4120-1	1			After 10/16/89, Bright
					ECE
	5500 6993	1			Up to 10/16/89, Left
	5503 4125	1			After 10/16/89, Left
	5500 6994	1			Up to 10-16-89, Right
	5503 4124	1			After 10-16-89, Right
2	5500 8034-5	1			COVER, Mirror
3	3420 1314	2			SCREW
4	5500 5025	6			O-RING
5					SCREW
	3420 2005	6			Up to 10/16/89
	J400 4648	6			After 10/16/89

(ECE) Emission Controlled of Europe e #312.

MODEL CODES:

15 = Grand Wagoneer 4 Dr.	65 = Comanche 4WD-7 Ft. Box	77 = Cherokee 4WD-2 Dr.
25 = J-10 Pickup-119" W.B.	66 = Comanche 2WD-7 Ft. Box	78 = Cherokee 4WD-4 Dr.
26 = J-10 Pickup-131" W.B.	73 = Cherokee 2WD-2 Dr.	79 = Cherokee 4WD-4 Dr.-Com
27 = J-20 Pickup-131" W.B.	74 = Cherokee 2WD-4 Dr.	81 = Wrangler-93" W.B.
63 = Comanche 4WD-6 Ft. Box	75 = Wagoneer 4WD-4 Dr.	82 = Wrangler-103" W.B.-Exp.
64 = Comanche 2WD-6 Ft. Box		

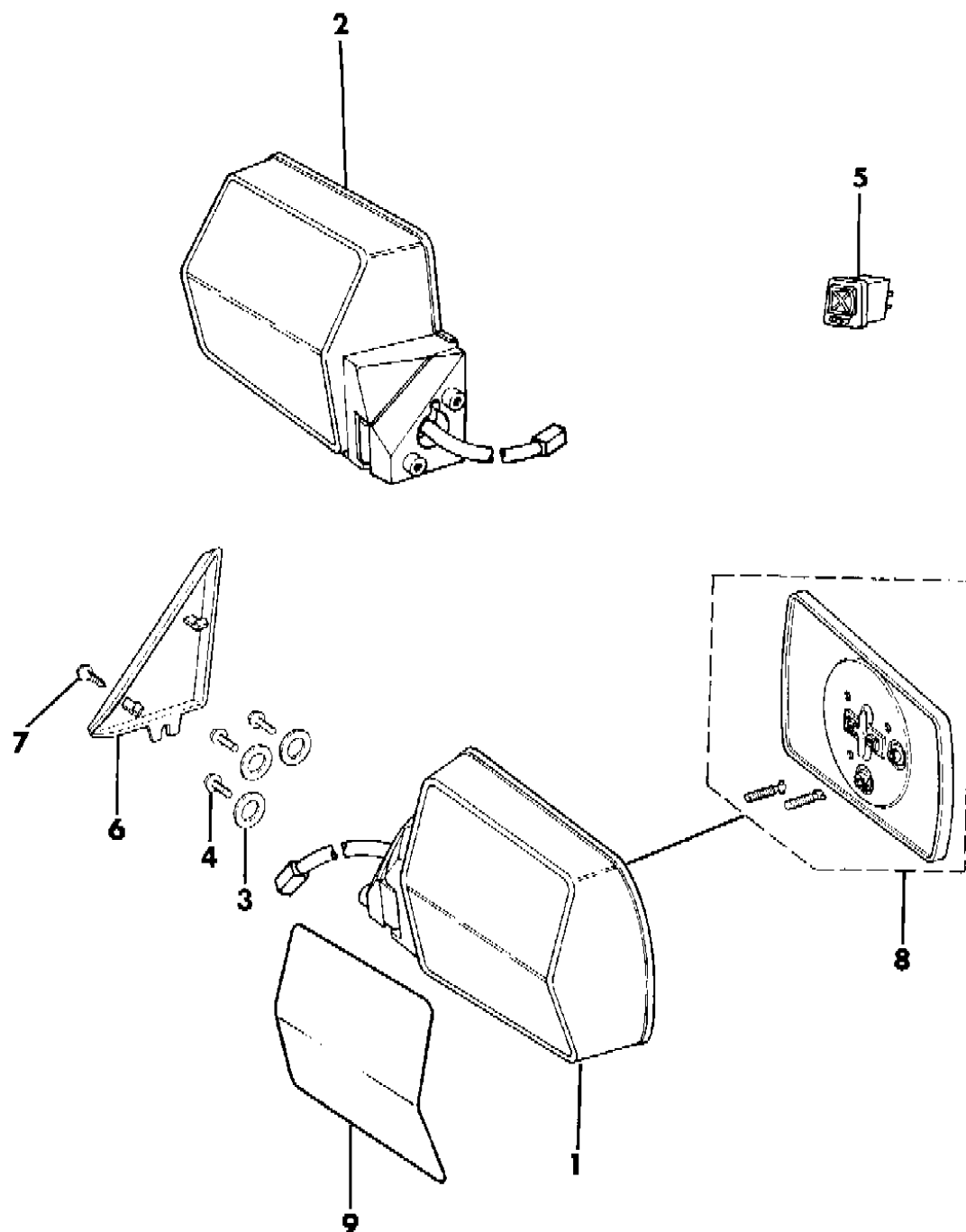
BODY STYLES:

MJ = Comanche Pickup  
 SJ = Grand Wagoneer Wgn., J-10 & J-20 Pickups  
 XJ = Cherokee, Wagoneer Limited  
 YJ = Wrangler

AR = Use as Required - = Non Illustrated Part P.A.R. = Paint as Required

MIRRORS, EXTERIOR ELECTRIC CHEROKEE, WAGONEER, COMANCHE  
Figure 23C-2200

8 J 71 2200 A



ITEM	PART NUMBER	QTY	BODY	MODEL	DESCRIPTION
1					MIRROR, Remote, Electric, Left
	5500 6997	1			Black (ECE) 1988
	5501 5041	1			Black (ECE) 1989-90
	5503 4129	1			Up to 10/16/89
					After 10/16/89
	5501 5039	1			BRIGHT
	5503 4127	1			Up to 10/16/89
					After 10/16/89
					PRIMED
	5501 5287	1			Up to 10/16/89
	5BD2 3J3X	1			After 10/16/89
2					MIRROR, Electric, Right
	5500 6998	1			Black (ECE) 1988
					Black (ECE) 1989-90
	5501 5040	1			Up to 10/16/89
	5503 4128	1			After 10/16/89
					BRIGHT
	5501 5038	1			Up to 10/16/89
	5503 4126	1			After 10/16/89
					PRIMED
	5501 5286	1			Up to 10/16/89
	5BD2 2J3X	1			After 10/16/89
3	5500 5025	6			O-RING
4					SCREW
	3420 2005	6			Up to 10-16-89
	J400 4648	6			After 10/16/89
5	5600 0911	1			SWITCH, Mirror
6	5500 8030-1	1			COVER, Mirror
7	3420 1314	2			SCREW
8					GLASS, Mirror
	8350 3628	1			Right
	8350 3627	1			Left
9					DECAL, Mirror
	8350 6356-7	1			Black Cherry
	8350 6358-9	1			Bright White
	8350 5200-1	1			Charcoal
	8350 5196-7	1			Colorado Red

MODEL CODES:

15 = Grand Wagoneer 4 Dr.	65 = Comanche 4WD-7 Ft. Box	77 = Cherokee 4WD-2 Dr.
25 = J-10 Pickup-119" W.B.	66 = Comanche 2WD-7 Ft. Box	78 = Cherokee 4WD-4 Dr.
26 = J-10 Pickup-131" W.B.	73 = Cherokee 2WD-2 Dr.	79 = Cherokee 4WD-4 Dr.-Com
27 = J-20 Pickup-131" W.B.	74 = Cherokee 2WD-4 Dr.	81 = Wrangler-93" W.B.
63 = Comanche 4WD-6 Ft. Box	75 = Wagoneer 4WD-4 Dr.	82 = Wrangler-103" W.B.-Exp.
64 = Comanche 2WD-6 Ft. Box		

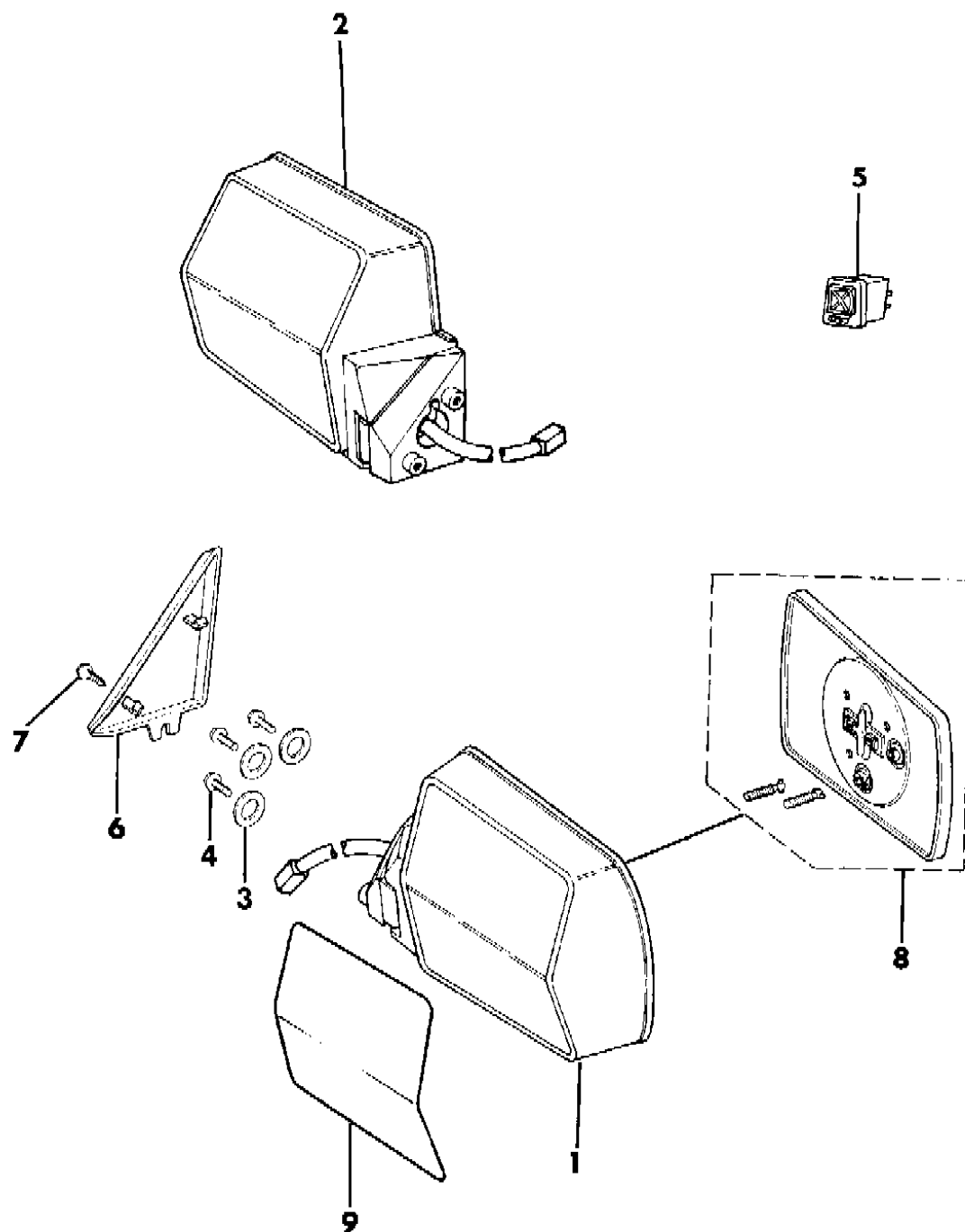
BODY STYLES:

MJ = Comanche Pickup
SJ = Grand Wagoneer Wgn., J-10 & J-20 Pickups
XJ = Cherokee, Wagoneer Limited
YJ = Wrangler

AR = Use as Required - = Non Illustrated Part P.A.R. = Paint as Required

MIRRORS, EXTERIOR ELECTRIC CHEROKEE, WAGONEER, COMANCHE  
Figure 23C-2200

8 J 71 2200 A



ITEM	PART NUMBER	QTY	BODY	MODEL	DESCRIPTION
	8350 5496-7	1			Dark Vivid Red
	8350 5198-9	1			Dover Gray
	8350 5194-5	1			Grenadine
	8350 6360-1	1			Midnight Blue Metallic
	8350 6001	1			Pearl White, Left
	8350 6002	1			Pearl White, Right

(ECE) Emission Controlled of Europe e #312.

MODEL CODES:

15 = Grand Wagoneer 4 Dr.	65 = Comanche 4WD-7 Ft. Box	77 = Cherokee 4WD-2 Dr.
25 = J-10 Pickup-119" W.B.	66 = Comanche 2WD-7 Ft. Box	78 = Cherokee 4WD-4 Dr.
26 = J-10 Pickup-131" W.B.	73 = Cherokee 2WD-2 Dr.	79 = Cherokee 4WD-4 Dr.-Com
27 = J-20 Pickup-131" W.B.	74 = Cherokee 2WD-4 Dr.	81 = Wrangler-93" W.B.
63 = Comanche 4WD-6 Ft. Box	75 = Wagoneer 4WD-4 Dr.	82 = Wrangler-103" W.B.-Exp.
64 = Comanche 2WD-6 Ft. Box		

BODY STYLES:

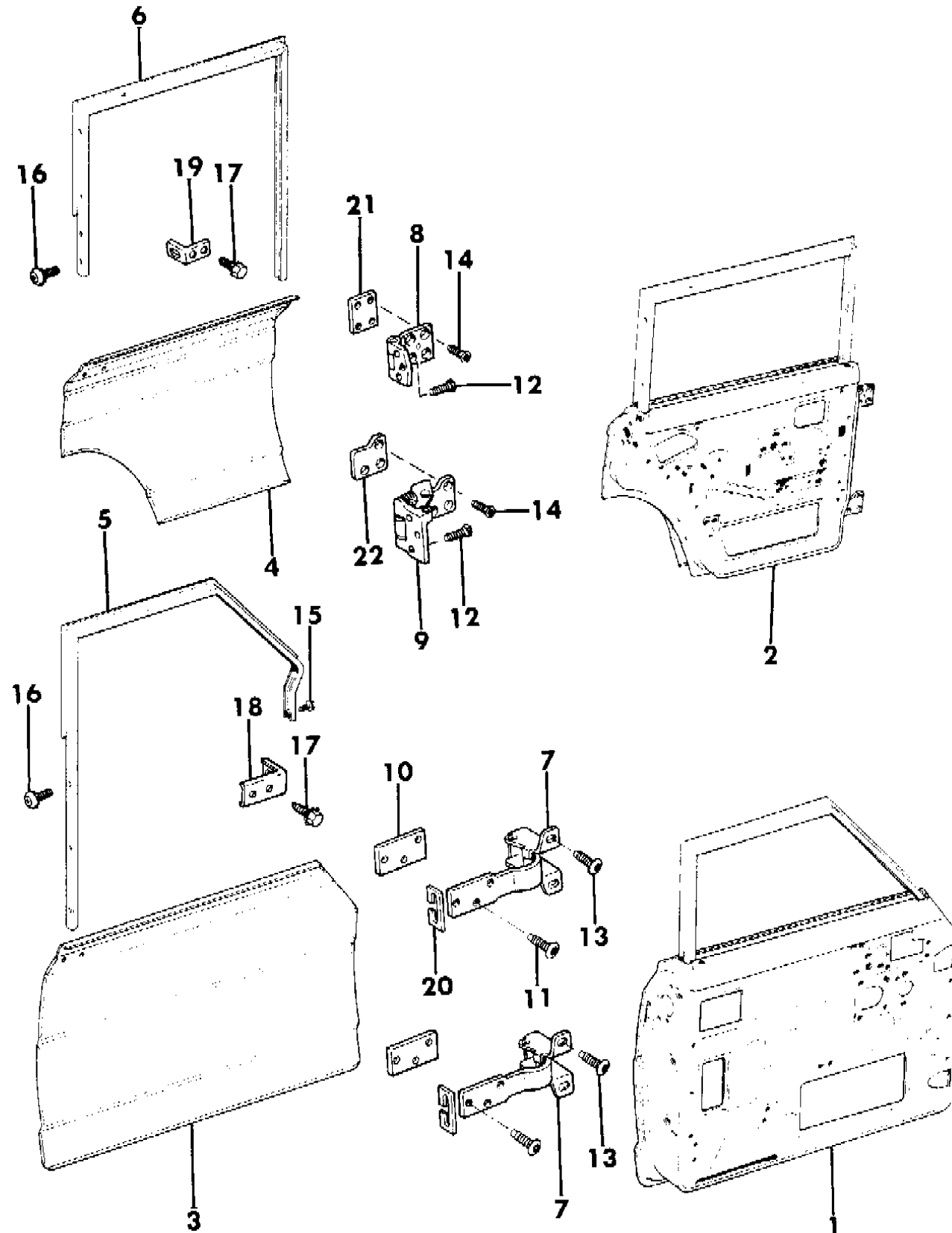
MJ = Comanche Pickup  
SJ = Grand Wagoneer Wgn., J-10 & J-20 Pickups  
XJ = Cherokee, Wagoneer Limited  
YJ = Wrangler

AR = Use as Required - = Non Illustrated Part P.A.R. = Paint as Required



DOORS FRONT AND REAR GRAND WAGONEER, J10, J20  
Figure 23C-2300

8J71 2300



ITEM	PART NUMBER	QTY	BODY	MODEL	DESCRIPTION
1	J576 1250-1	1			SHELL, Door
2	J576 1254-5	1			SHELL, Door
3					PANEL, Front Repair
	J575 0388	1			Right
	J575 0387	1			Left
4					PANEL, Rear Repair
	J095 7362	1			Right
	J095 7361	1			Left
5	J575 8502-3	1			FRAME, Window
6	J575 8496-7	1			FRAME, Window
7	J575 8134-5	1			HINGE, Front Door
8					HINGE, Rear Door Upper
	J545 5208	1			Right
	J545 5207	1			Left
9					HINGE, Rear Door Lower
	J545 5206	1			Right
	J545 5205	1			Left
10	J095 2621	4			PLATE, Tapping
11	J400 6194	AR			SCREW
12	J400 7003	AR			SCREW
13	J400 7073	AR			SCREW
14	J400 5831	AR			SCREW
15	J400 3069	2			SCREW
16	J097 9925	AR			SCREW
17	J400 4801	AR			BOLT
18	J095 7719	2			BRACKET, Division Bar Mtg.
19	J095 7757	2			BRACKET, Division Bar Mtg.
20	J545 5354	4			SEAL, Hinge
21	J095 8699	2			SHIM, Hinge
22	J095 8682	2			SHIM, Hinge

MODEL CODES:

15 = Grand Wagoneer 4 Dr.	65 = Comanche 4WD-7 Ft. Box	77 = Cherokee 4WD-2 Dr.
25 = J-10 Pickup-119" W.B.	66 = Comanche 2WD-7 Ft. Box	78 = Cherokee 4WD-4 Dr.
26 = J-10 Pickup-131" W.B.	73 = Cherokee 2WD-2 Dr.	79 = Cherokee 4WD-4 Dr.-Com
27 = J-20 Pickup-131" W.B.	74 = Cherokee 2WD-4 Dr.	81 = Wrangler-93" W.B.
63 = Comanche 4WD-6 Ft. Box	75 = Wagoneer 4WD-4 Dr.	82 = Wrangler-103" W.B.-Exp.
64 = Comanche 2WD-6 Ft. Box		

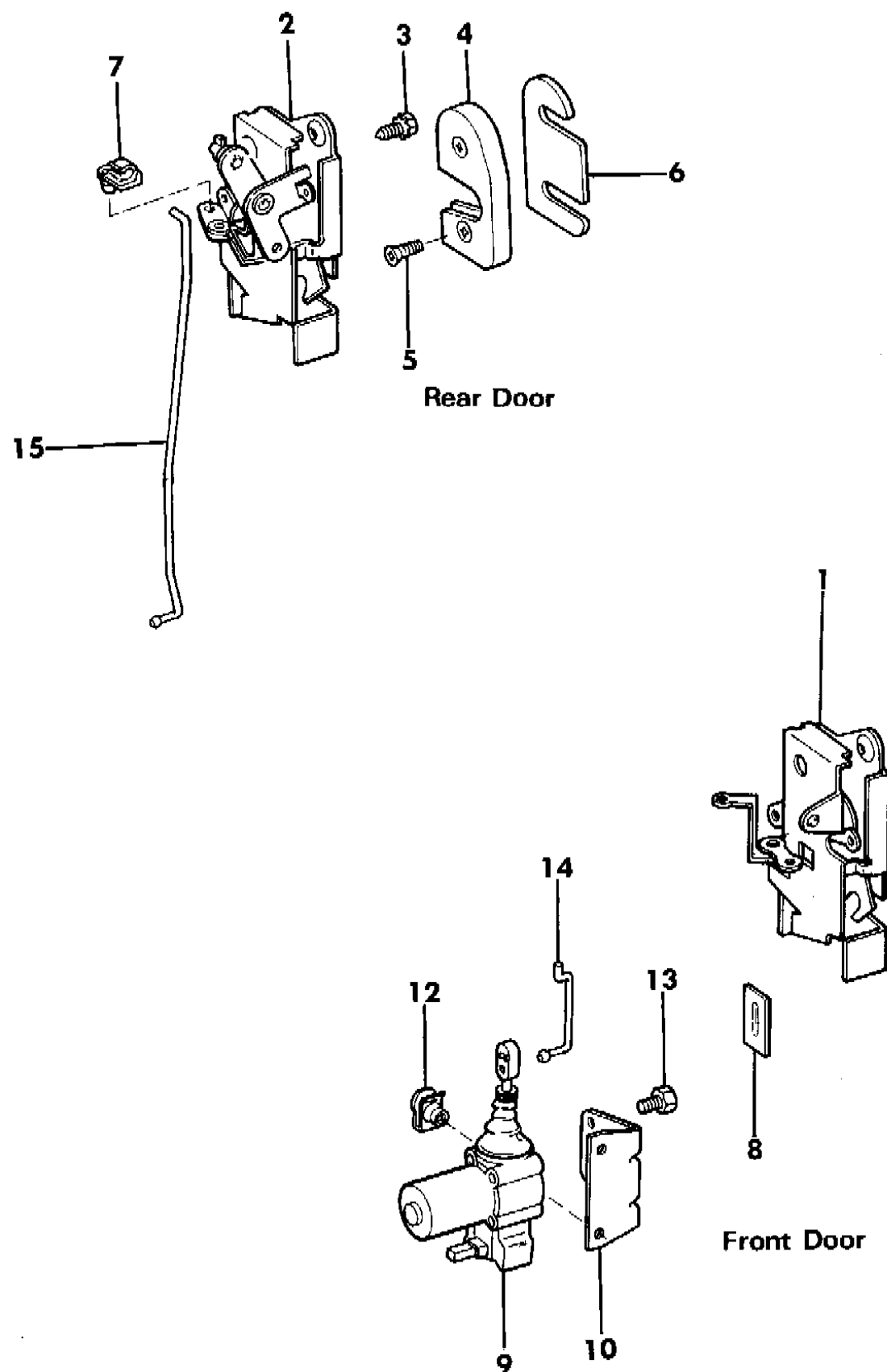
BODY STYLES:

MJ = Comanche Pickup  
 SJ = Grand Wagoneer Wgn., J-10 & J-20 Pickups  
 XJ = Cherokee, Wagoneer Limited  
 YJ = Wrangler

AR = Use as Required - = Non Illustrated Part P.A.R. = Paint as Required

**DOOR, LATCHES AND RODS FRONT AND REAR GRAND WAGONEER, J10, J20**  
**Figure 23C-2400**

8 J71 2400 A



ITEM	PART NUMBER	QTY	BODY	MODEL	DESCRIPTION
1					LATCH, Front Door
	J575 0018	1			Right
	J575 0017	1			Left
2					LATCH, Rear Door
	J575 0020	1			Right
	J575 0019	1			Left
3	J400 7032	AR			SCREW
4					STRIKER, Door Front, Rear
	J575 0082	2			Right
	J575 0081	2			Left
5	J400 6434	AR			SCREW
6	J575 0093	AR			SHIM, Door, Front, Rear
7	J400 3672	2			RETAINER
8	J576 6754	2			SEAL, Dust
9	J813 4627	4			ACTUATOR, Door Lock
10	J813 4628	4			BRACKET, Actuator
11	J400 2203	AR			SCREW
12	J400 4201	AR			NUT
13	J813 4670	AR			SCREW
14	J575 1074	2			ROD, Actuator Front Door
15	J576 4668-9	1			ROD, Actuator Rear Door

**MODEL CODES:**

15 = Grand Wagoneer 4 Dr.	65 = Comanche 4WD-7 Ft. Box	77 = Cherokee 4WD-2 Dr.
25 = J-10 Pickup-119" W.B.	66 = Comanche 2WD-7 Ft. Box	78 = Cherokee 4WD-4 Dr.
26 = J-10 Pickup-131" W.B.	73 = Cherokee 2WD-2 Dr.	79 = Cherokee 4WD-4 Dr.-Com
27 = J-20 Pickup-131" W.B.	74 = Cherokee 2WD-4 Dr.	81 = Wrangler-93" W.B.
63 = Comanche 4WD-6 Ft. Box	75 = Wagoneer 4WD-4 Dr.	82 = Wrangler-103" W.B.-Exp.
64 = Comanche 2WD-6 Ft. Box		

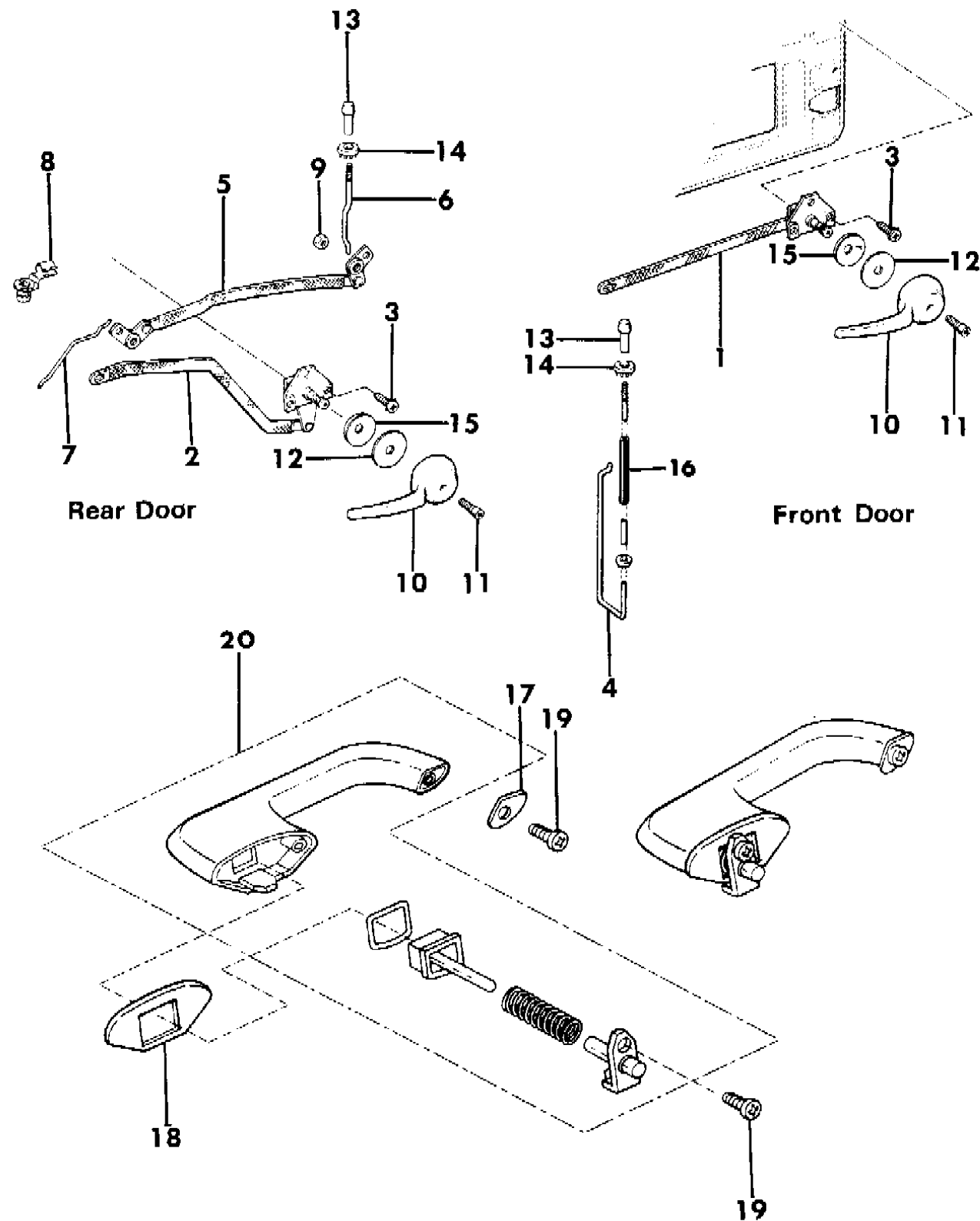
**BODY STYLES:**

MJ = Comanche Pickup  
 SJ = Grand Wagoneer Wgn., J-10 & J-20 Pickups  
 XJ = Cherokee, Wagoneer Limited  
 YJ = Wrangler

AR = Use as Required - = Non Illustrated Part P.A.R. = Paint as Required

DOOR, CONTROLS GRAND WAGONEER, J10,J20  
Figure 23C-2500

8J71 2500



ITEM	PART NUMBER	QTY	BODY	MODEL	DESCRIPTION
1	J545 5998-9	1			CONTROL, Remote
2	J545 5894	1			CONTROL, Door Remote *** Right
	J545 5893	1			Left
3	J098 1780	12			SCREW
4	J575 1980	1			LEVER, Lock Rod Right
	J575 1979	1			Left
5	J576 1990-1	1			BELLCRANK, Locking
6	J575 2018	1			ROD, Locking Right
	J575 2017	1			Left
7	J575 1988	2			ROD, Lock Actuator
8	J400 4532	2			CLIP, w/Bushing
9	J027 1166	4			NUT, Hex
10	J545 5997	4			HANDLE, Remote
11	J097 3442	4			SCREW
12	J098 7527	4			WASHER
13	J098 9957	4			BUTTON, Lock
14	J097 2848	4			GROMMET, Lock Button
15	J095 6346	4			ESCUTCHEON
16	J096 1848	2			INSULATION
17	J096 0394	2			GASKET, Front Right ***
	J096 0393	2			Left ***
18	J096 0388	2			GASKET, Rear Right ***
	J096 0387	2			Left ***
19	J098 1780	8			SCREW ***
20	J095 6856	2			HANDLE ASSY *** Right ***
	J095 6855	2			Left

MODEL CODES:

15 = Grand Wagoneer 4 Dr.	65 = Comanche 4WD-7 Ft. Box	77 = Cherokee 4WD-2 Dr.
25 = J-10 Pickup-119" W.B.	66 = Comanche 2WD-7 Ft. Box	78 = Cherokee 4WD-4 Dr.
26 = J-10 Pickup-131" W.B.	73 = Cherokee 2WD-2 Dr.	79 = Cherokee 4WD-4 Dr.-Com
27 = J-20 Pickup-131" W.B.	74 = Cherokee 2WD-4 Dr.	81 = Wrangler-93" W.B.
63 = Comanche 4WD-6 Ft. Box	75 = Wagoneer 4WD-4 Dr.	82 = Wrangler-103" W.B.-Exp.
64 = Comanche 2WD-6 Ft. Box		

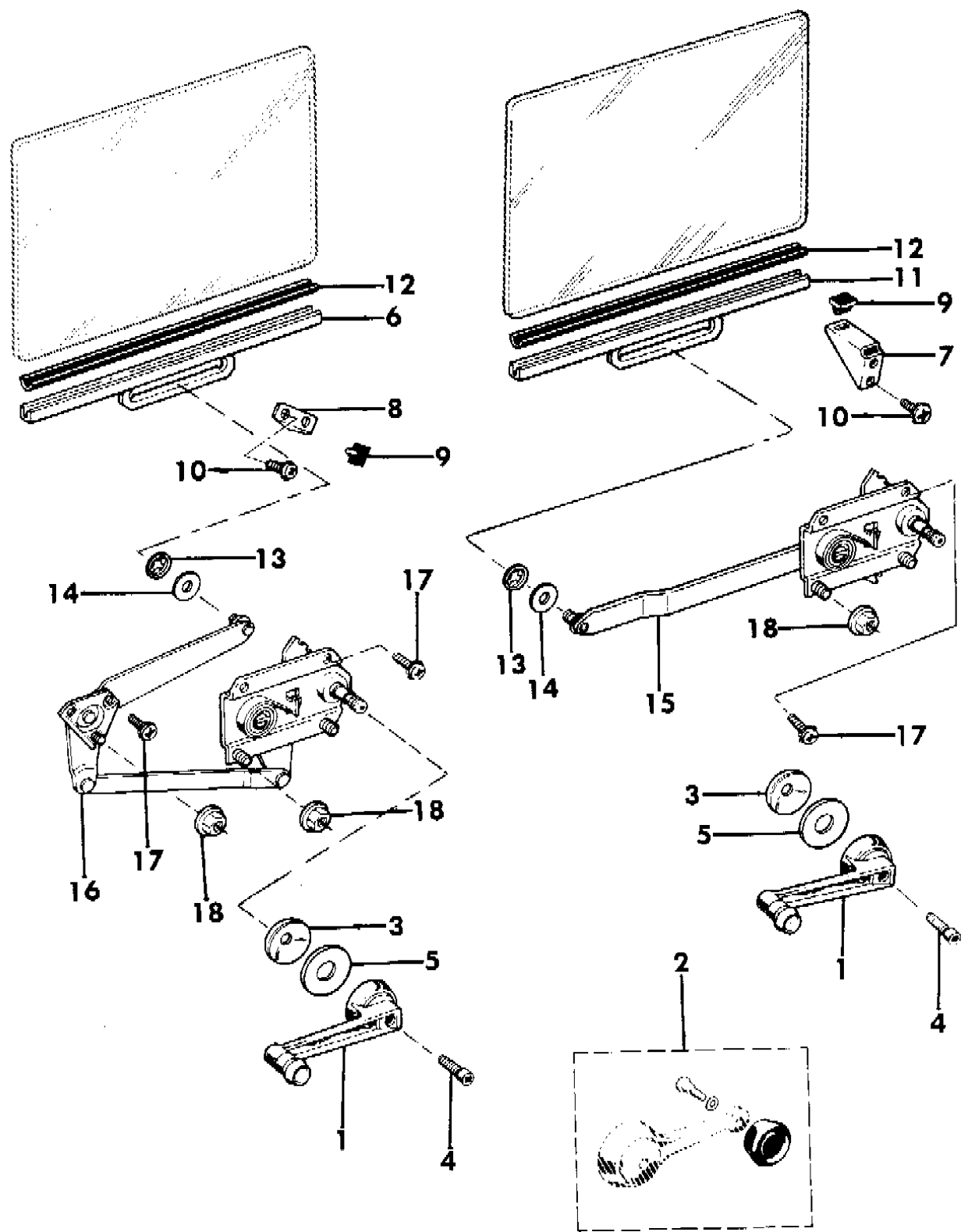
BODY STYLES:

MJ = Comanche Pickup  
SJ = Grand Wagoneer Wgn., J-10 & J-20 Pickups  
XJ = Cherokee, Wagoneer Limited  
YJ = Wrangler

AR = Use as Required - = Non Illustrated Part P.A.R. = Paint as Required

DOOR, GLASS REGULATOR MANUAL GRAND WAGONEER, J10, J20  
Figure 23C-2600

8 J71 2600



ITEM	PART NUMBER	QTY	BODY	MODEL	DESCRIPTION
1	J367 8907	4			HANDLE, Regulator
2	J813 4422	AR			PACKAGE, Knob
3	J095 6346	4			ESCUTCHEON
4	J097 3442	4			SCREW
5	J361 3467	4			WASHER
6	J575 1070-1	1			CHANNEL, Glass
7	J095 7720	2			BRACKET, Glass Stop
8	J095 9614	2			BRACKET, Glass Stop
9	J095 7728	4			BUMPER, Stop
10	S045 4542	8			SCREW
11	J095 7854	1			CHANNEL, Glass Right
	J095 7853	1			Left
12	J546 9513	4			SEAL, Glass Lower
13	J098 0363	4			RETAINER
14	J400 2086	4			WASHER
15	J545 6004-5	1			REGULATOR
16	J545 6002-3	1			REGULATOR
17	J098 1780	AR			SCREW
18	J400 5699	AR			NUT

MODEL CODES:

15 = Grand Wagoneer 4 Dr.	65 = Comanche 4WD-7 Ft. Box	77 = Cherokee 4WD-2 Dr.
25 = J-10 Pickup-119" W.B.	66 = Comanche 2WD-7 Ft. Box	78 = Cherokee 4WD-4 Dr.
26 = J-10 Pickup-131" W.B.	73 = Cherokee 2WD-2 Dr.	79 = Cherokee 4WD-4 Dr.-Com
27 = J-20 Pickup-131" W.B.	74 = Cherokee 2WD-4 Dr.	81 = Wrangler-93" W.B.
63 = Comanche 4WD-6 Ft. Box	75 = Wagoneer 4WD-4 Dr.	82 = Wrangler-103" W.B.-Exp.
64 = Comanche 2WD-6 Ft. Box		

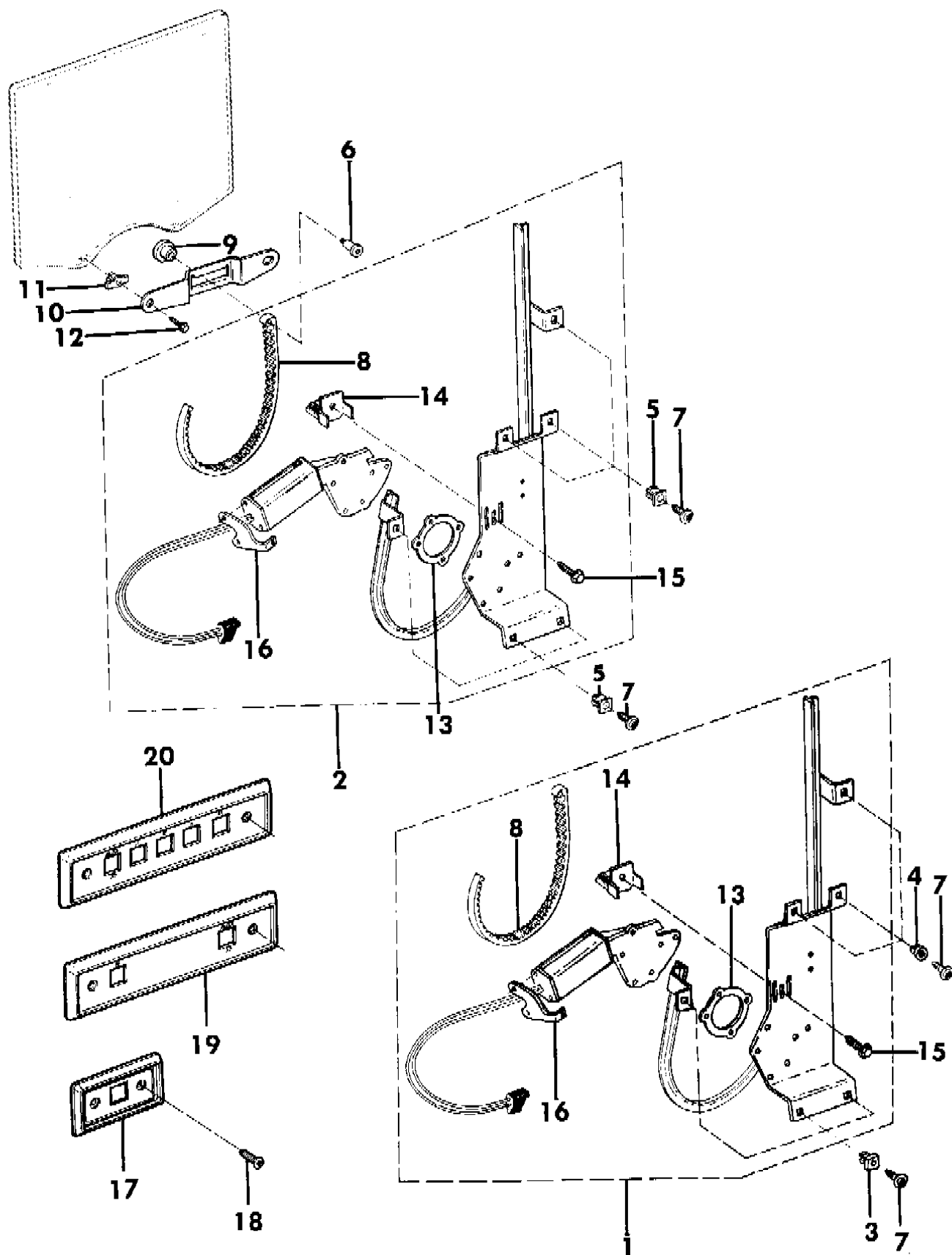
BODY STYLES:

MJ = Comanche Pickup  
 SJ = Grand Wagoneer Wgn., J-10 & J-20 Pickups  
 XJ = Cherokee, Wagoneer Limited  
 YJ = Wrangler

AR = Use as Required - = Non Illustrated Part P.A.R. = Paint as Required

REGULATOR, DOOR GLASS ELECTRIC, FLEXRACK GRAND WAGONEER, J10, J20  
Figure 23C-2700

8J71 2700 A



ITEM	PART NUMBER	QTY	BODY	MODEL	DESCRIPTION
1	5600 2416-7	1			REGULATOR, Rear Door
2	5600 2418-9	1			REGULATOR, Front Door
3	J400 7029	AR			NUT, Push
4	J400 7030	AR			NUT, Push
5	J400 0141	AR			NUT
6	J400 7341	4			BOLT
7	J400 5789	AR			SCREW
8	8350 2152-3	2			FLEXRACK ***
9	5600 1615	4			RETAINER
10	J576 1101	4			BRACKET, Glass Lift
11	J400 3706	8			GROMMET
12	J400 0424	8			SCREW
13	J813 4854	4			GASKET
14	J813 4241	4			BRACKET, Glass Stop
15	J400 2203	4			SCREW
16	J813 4836	1			BRACKET, Support Right
	J813 4835	1			Left
17	5501 1081	2			BEZEL, Switch
18	J941 6327	AR			SCREW
19	5501 1084	1			BEZEL, Switch
20	5501 1085	1			BEZEL, Switch

MODEL CODES:

15 = Grand Wagoneer 4 Dr.	65 = Comanche 4WD-7 Ft. Box	77 = Cherokee 4WD-2 Dr.
25 = J-10 Pickup-119" W.B.	66 = Comanche 2WD-7 Ft. Box	78 = Cherokee 4WD-4 Dr.
26 = J-10 Pickup-131" W.B.	73 = Cherokee 2WD-2 Dr.	79 = Cherokee 4WD-4 Dr.-Com
27 = J-20 Pickup-131" W.B.	74 = Cherokee 2WD-4 Dr.	81 = Wrangler-93" W.B.
63 = Comanche 4WD-6 Ft. Box	75 = Wagoneer 4WD-4 Dr.	82 = Wrangler-103" W.B.-Exp.
64 = Comanche 2WD-6 Ft. Box		

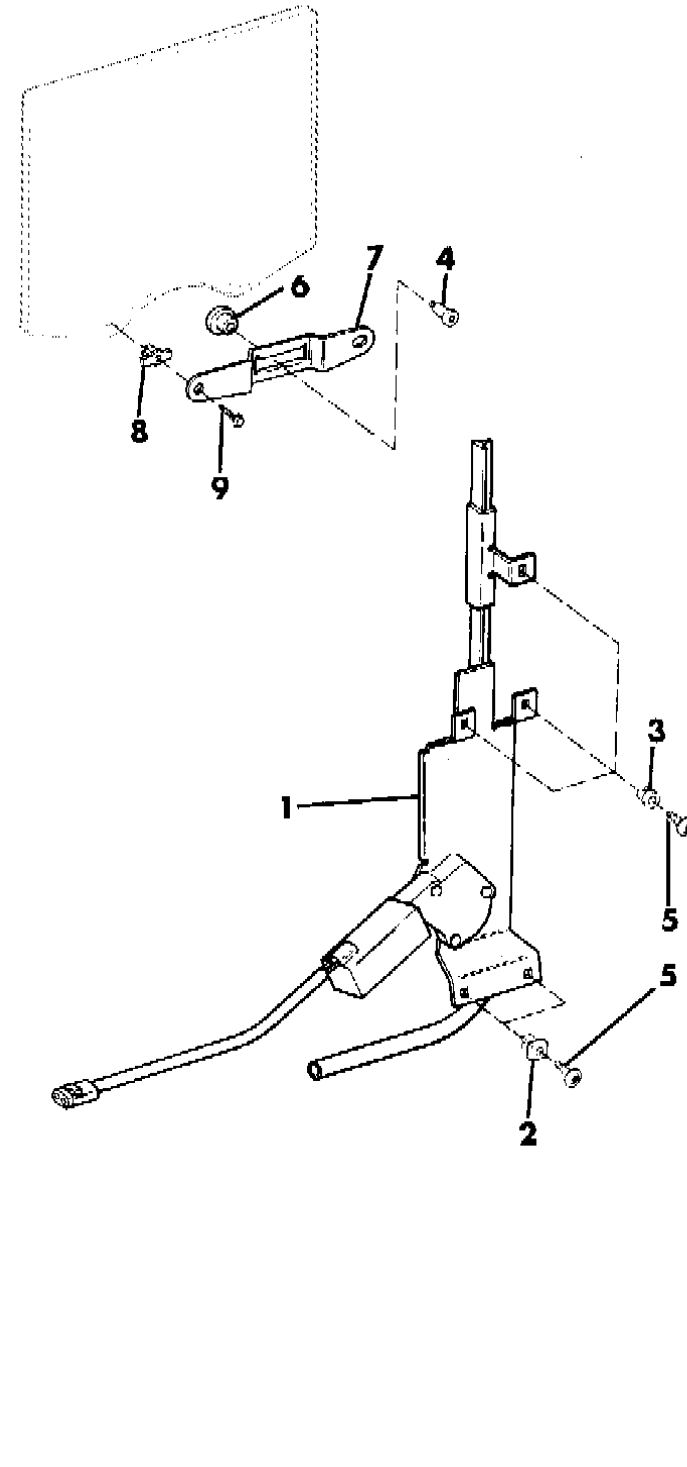
BODY STYLES:

MJ = Comanche Pickup  
SJ = Grand Wagoneer Wgn., J-10 & J-20 Pickups  
XJ = Cherokee, Wagoneer Limited  
YJ = Wrangler

AR = Use as Required - = Non Illustrated Part P.A.R. = Paint as Required

**REGULATOR, DOOR GLASS ELECTRIC, CABLE OPERATED GRAND WAGONEER, J10, J20**  
**Figure 23C-2750**

8J71 2750



ITEM	PART NUMBER	QTY	BODY	MODEL	DESCRIPTION
1					REGULATOR ASSY ***
	5600 3112-3	1			Front
	5600 3114-5	1			Rear
	5600 3114	1			Right
	5600 3115	1			Left
2					NUT, Push
	J400 0141	AR			Front Doors
	J400 7029	AR			Rear Doors
3					NUT, Push
	J400 0141	AR			Front Doors
	J400 7030	AR			Rear Doors
4	J400 7341	4			BOLT, Shoulder
5	J400 5789	20			SCREW
6	5600 1615	4			RETAINER
7	J576 1101	4			BRACKET, Window Lifter
8	J400 3706	8			GROMMET
9	J400 0424	8			SCREW
10	5501 1081	2			BEZEL, Rear Window Switch
11	J941 6327	AR			SCREW
12	5501 1084	1			BEZEL, Electric Windows and Door Locks, Right
13	5501 1085	1			BEZEL, Electric Window and Door Locks, Left

**MODEL CODES:**

15 = Grand Wagoneer 4 Dr.	65 = Comanche 4WD-7 Ft. Box	77 = Cherokee 4WD-2 Dr.
25 = J-10 Pickup-119" W.B.	66 = Comanche 2WD-7 Ft. Box	78 = Cherokee 4WD-4 Dr.
26 = J-10 Pickup-131" W.B.	73 = Cherokee 2WD-2 Dr.	79 = Cherokee 4WD-4 Dr.-Com
27 = J-20 Pickup-131" W.B.	74 = Cherokee 2WD-4 Dr.	81 = Wrangler-93" W.B.
63 = Comanche 4WD-6 Ft. Box	75 = Wagoneer 4WD-4 Dr.	82 = Wrangler-103" W.B.-Exp.
64 = Comanche 2WD-6 Ft. Box		

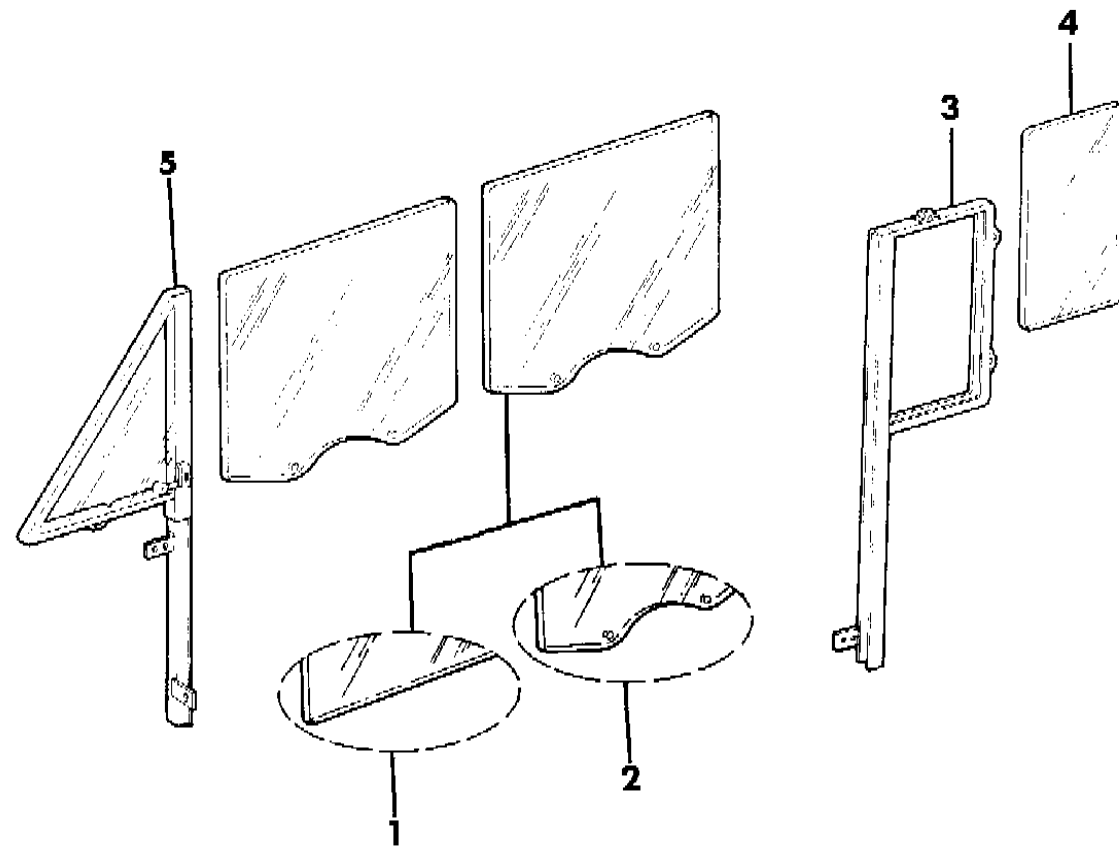
**BODY STYLES:**

MJ = Comanche Pickup  
 SJ = Grand Wagoneer Wgn., J-10 & J-20 Pickups  
 XJ = Cherokee, Wagoneer Limited  
 YJ = Wrangler

AR = Use as Required - = Non Illustrated Part P.A.R. = Paint as Required

**GLASS, DOOR FRONT AND REAR GRAND WAGONEER, J10, J20**  
**Figure 23C-2800**

**8J71 2800A**



ITEM	PART NUMBER	QTY	BODY	MODEL	DESCRIPTION
1	J546 9510	4			GLASS, w/Manual Regulator
2	J576 1295	4			GLASS, w/Electric Regulator
3	J575 2756-7	1			GLASS, w/Frame
4	J546 9520	2			GLASS, Fixed
5	J813 4378-9	1			VENT, Pivoting

**MODEL CODES:**

15 = Grand Wagoneer 4 Dr.	65 = Comanche 4WD-7 Ft. Box	77 = Cherokee 4WD-2 Dr.
25 = J-10 Pickup-119" W.B.	66 = Comanche 2WD-7 Ft. Box	78 = Cherokee 4WD-4 Dr.
26 = J-10 Pickup-131" W.B.	73 = Cherokee 2WD-2 Dr.	79 = Cherokee 4WD-4 Dr.-Com
27 = J-20 Pickup-131" W.B.	74 = Cherokee 2WD-4 Dr.	81 = Wrangler-93" W.B.
63 = Comanche 4WD-6 Ft. Box	75 = Wagoneer 4WD-4 Dr.	82 = Wrangler-103" W.B.-Exp.
64 = Comanche 2WD-6 Ft. Box		

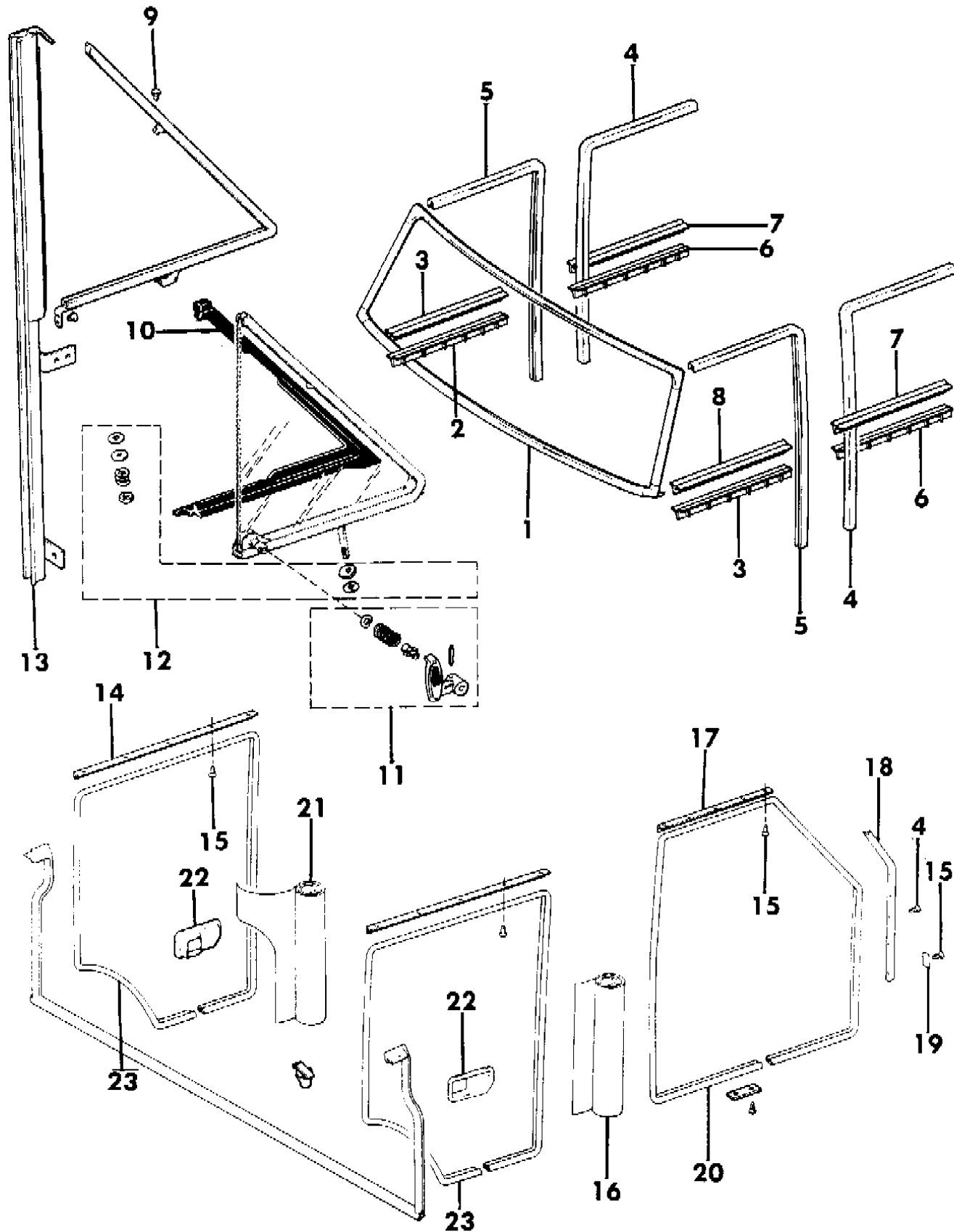
**BODY STYLES:**

MJ = Comanche Pickup  
 SJ = Grand Wagoneer Wgn., J-10 & J-20 Pickups  
 XJ = Cherokee, Wagoneer Limited  
 YJ = Wrangler

AR = Use as Required - = Non Illustrated Part P.A.R. = Paint as Required

DOOR, WEATHERSTRIPS FRONT AND REAR GRAND WAGONEER, J10, J20  
Figure 23C-2900

8J 71 2900



ITEM	PART NUMBER	QTY	BODY	MODEL	DESCRIPTION
1					SEAL, Windshield, See 23A
2	J576 1986	1			WEATHERSTRIP, Inner
3	J576 1982	2			WEATHERSTRIP, Outer
4	J546 9514	2			CHANNEL, Glass Run
5	J546 9507	2			CHANNEL, Glass Run
6	J576 1984	2			WEATHERSTRIP, Inner
7	J576 1983	2			WEATHERSTRIP, Outer
8	J576 1985	1			WEATHERSTRIP, Inner
9	J941 7282	AR			SCREW
10	J546 5718-9	1			WEATHERSTRIP, Vent
11	J812 8926-7	1			PACKAGE, Vent Handle
12	J812 8928	1			PACKAGE, Spring
13	J575 2750-1	1			BAR, Division
14	J098 5015	2			SHIELD
15	J400 6637	AR			RIVET
16	J575 2678	2			WATERDAM, Door ***
17	J098 5014	2			SHIELD
18	5505 2554-5	1			SHIELD
19	J400 7269	2			WASHER
20					SEAL, Door
	5505 2550	1			Right
	5505 2549	1			Left
21	J575 2679	2			WATERDAM, Door ***
22	J575 4522-3	1			WATERDAM, Switch ***
23					SEAL, Door
	5505 2552	1			Right
	5505 2551	1			Left

MODEL CODES:

15 = Grand Wagoneer 4 Dr.	65 = Comanche 4WD-7 Ft. Box	77 = Cherokee 4WD-2 Dr.
25 = J-10 Pickup-119" W.B.	66 = Comanche 2WD-7 Ft. Box	78 = Cherokee 4WD-4 Dr.
26 = J-10 Pickup-131" W.B.	73 = Cherokee 2WD-2 Dr.	79 = Cherokee 4WD-4 Dr.-Com
27 = J-20 Pickup-131" W.B.	74 = Cherokee 2WD-4 Dr.	81 = Wrangler-93" W.B.
63 = Comanche 4WD-6 Ft. Box	75 = Wagoneer 4WD-4 Dr.	82 = Wrangler-103" W.B.-Exp.
64 = Comanche 2WD-6 Ft. Box		

BODY STYLES:

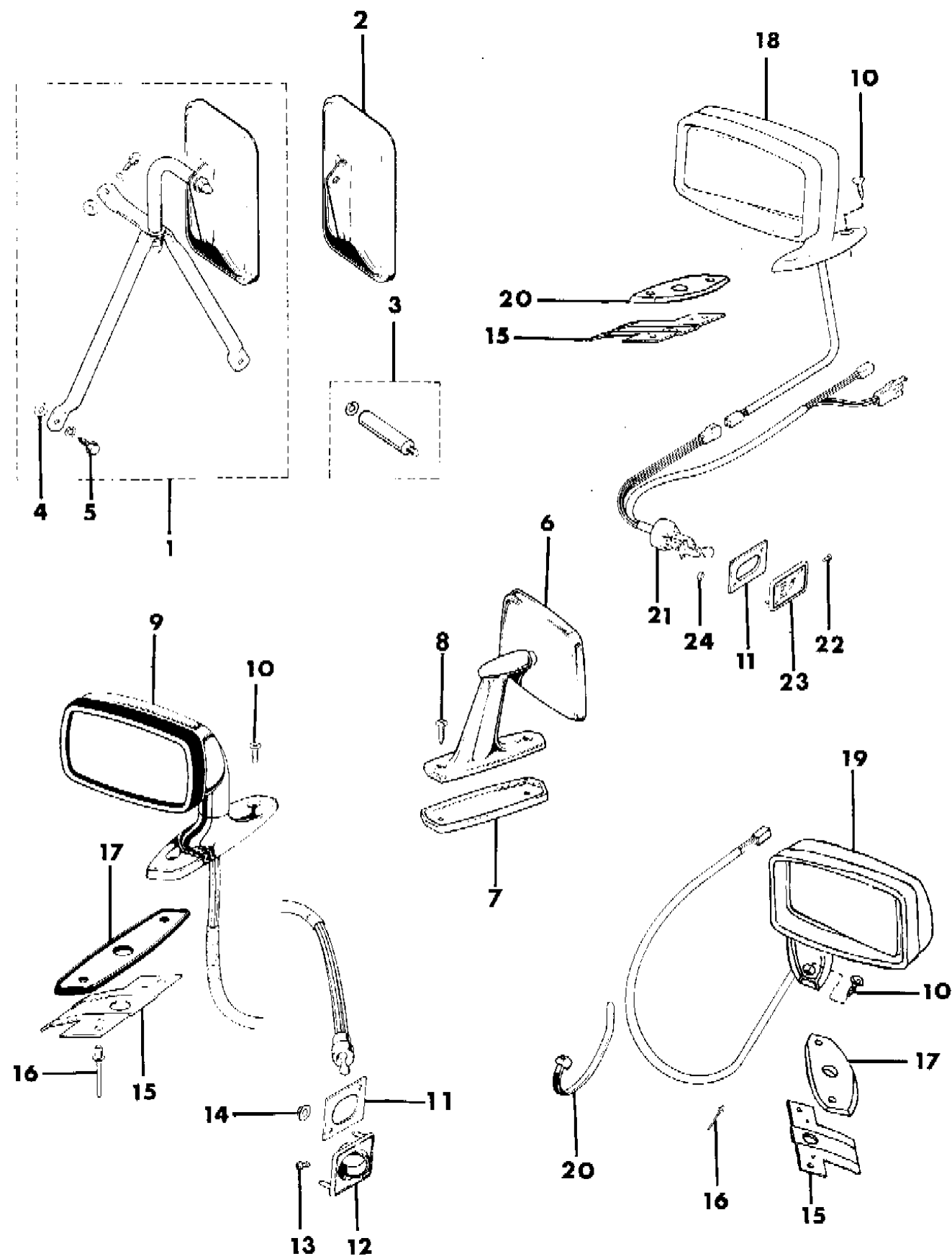
MJ = Comanche Pickup  
 SJ = Grand Wagoneer Wgn., J-10 & J-20 Pickups  
 XJ = Cherokee, Wagoneer Limited  
 YJ = Wrangler

AR = Use as Required - = Non Illustrated Part P.A.R. = Paint as Required



MIRRORS, OUTSIDE ELECTRIC, MANUAL GRAND WAGONEER, J10, J20  
Figure 23C-3000

8J71 3000 A



ITEM	PART NUMBER	QTY	BODY	MODEL	DESCRIPTION
1	J812 2824	2			MIRROR, Low Profile
2	J812 2825	2			MIRROR, Low Profile
3	J545 6152	1			EXTENSION KIT, Mirror ***
4	J400 3120	AR			NUT, Well
5	J400 6106	AR			SCREW
6	J097 7877	2			MIRROR, Manual
7	J097 7705	2			GASKET, Mirror
8	J400 2807	4			SCREW
9					MIRROR, Remote
	J575 1990	1			Right
	J575 1989	1			Left
10	J420 0317	AR			SCREW
11	J575 2278	2			RETAINER, Switch
12	J373 2132	2			ESCUTCHEON
13	J420 0085	2			SCREW
14	J400 6866	4			NUT, Push
15	J575 1974	AR			REINFORCEMENT, Mirror
16	J400 4962	AR			RIVET
17	J575 1960	AR			GASKET, Mirror
18	J575 2987	1			MIRROR, Remote, Left
19	J575 2986	1			MIRROR, Remote, Right
20	J322 3227	2			STRAP
21	J575 6932	1			SWITCH, Remote Mirror
22	J420 0322	1			SCREW
23	J374 0893	1			ESCUTCHEON
24	J400 7022	2			NUT

MODEL CODES:

15 = Grand Wagoneer 4 Dr.	65 = Comanche 4WD-7 Ft. Box	77 = Cherokee 4WD-2 Dr.
25 = J-10 Pickup-119" W.B.	66 = Comanche 2WD-7 Ft. Box	78 = Cherokee 4WD-4 Dr.
26 = J-10 Pickup-131" W.B.	73 = Cherokee 2WD-2 Dr.	79 = Cherokee 4WD-4 Dr.-Com
27 = J-20 Pickup-131" W.B.	74 = Cherokee 2WD-4 Dr.	81 = Wrangler-93" W.B.
63 = Comanche 4WD-6 Ft. Box	75 = Wagoneer 4WD-4 Dr.	82 = Wrangler-103" W.B.-Exp.
64 = Comanche 2WD-6 Ft. Box		

BODY STYLES:

MJ = Comanche Pickup  
 SJ = Grand Wagoneer Wgn., J-10 & J-20 Pickups  
 XJ = Cherokee, Wagoneer Limited  
 YJ = Wrangler

AR = Use as Required - = Non Illustrated Part P.A.R. = Paint as Required

---

**GROUP 23D - WIPER & WASHER AND CYLINDER & KEYS**

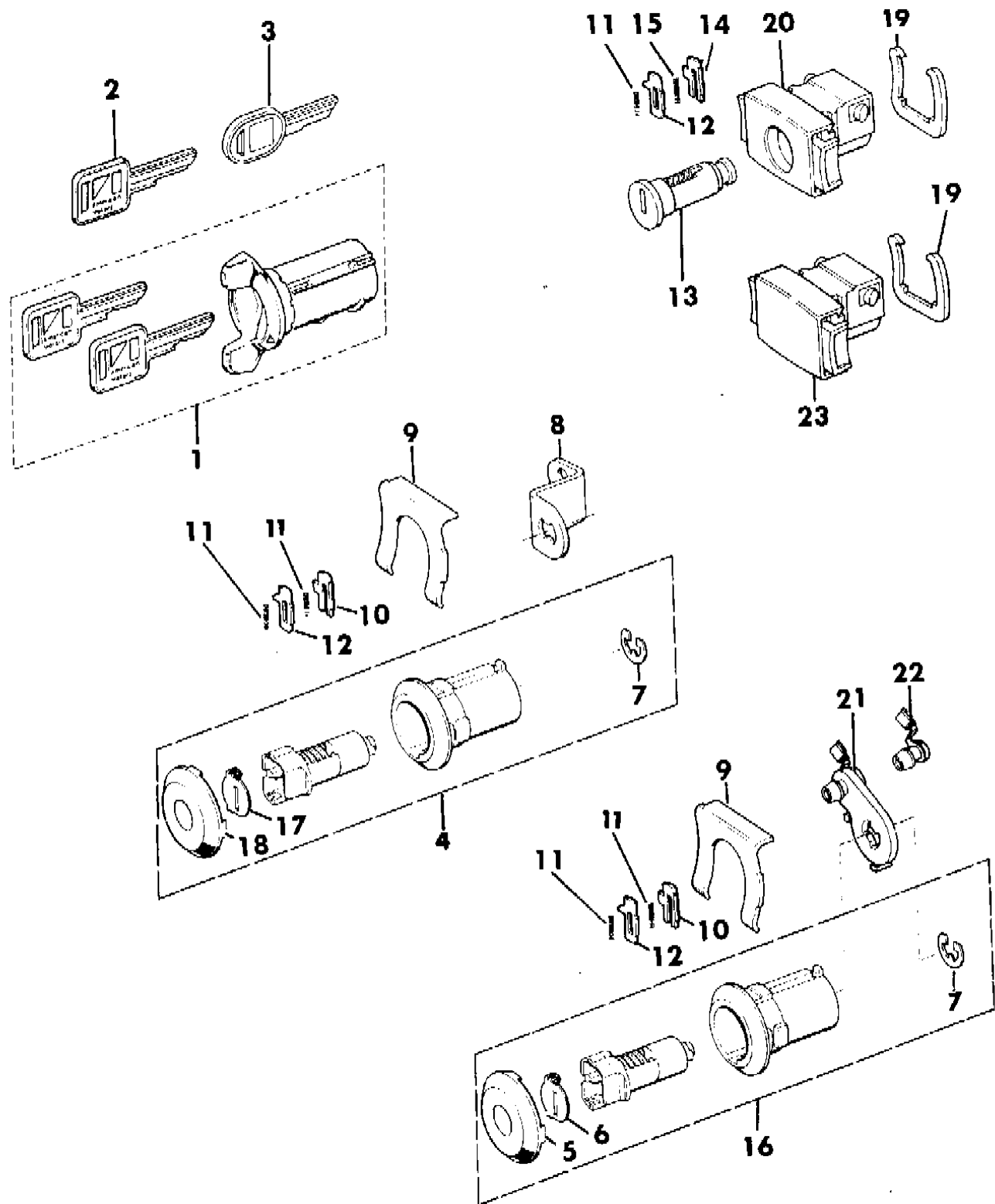
<b>ILLUSTRATION TITLE</b>	<b>GROUP-FIG. NO.</b>
<b>CYLINDER AND KEYS</b>	
CYLINDERS & KEYS WRANGLER, YJ .....	Fig. 23D-100
CYLINDERS & KEYS CHEROKEE, WAGONEER, COMANCHE .....	Fig. 23D-200
CYLINDERS & KEYS GRAND WAGONEER, J10, J20 .....	Fig. 23D-300
<b>WIPER AND WASHER SYSTEMS</b>	
WIPER, WINDSHIELD WRANGLER, YJ .....	Fig. 23D-400
WIPER, REAR WITH HARD TOP WRANGLER, YJ 1990 .....	Fig. 23D-425
WASHER SYSTEM WINDSHIELD, AND/OR REAR WINDOW WRANGLER, YJ .....	Fig. 23D-450
WIPER, WINDSHIELD CHEROKEE, WAGONEER, COMANCHE .....	Fig. 23D-500
WIPER, LIFTGATE CHEROKEE, WAGONEER .....	Fig. 23D-600
WASHER, WINDSHIELD AND REAR WINDOW CHEROKEE, WAGONEER .....	Fig. 23D-650
WASHER, WINDSHIELD AND REAR GLASS CHEROKEE, WAGONEER 1987 EXPORT .....	Fig. 23D-660
WINDSHIELD WIPER AND WASHER GRAND WAGONEER, J10, J20 .....	Fig. 23D-700
WIPER MOTOR COMPONENTS FOR MOTOR LABELED 8956002420 GRAND WAGONEER .....	Fig. 23D-750
TAILGATE WIPER AND WASHER SYSTEM GRAND WAGONEER .....	Fig. 23D-800

**ILLUSTRATION NOT AVAILABLE AT TIME OF PUBLICATION**

---

**CYLINDERS & KEYS WRANGLER, YJ**  
Figure 23D-100

8J72 100A



ITEM	PART NUMBER	QTY	BODY	MODEL	DESCRIPTION
1					CYLINDER, Ignition Lock
	8350 1971	1			1987-89
	5502 6014	1			1990
2					KEY, Ignition Lock Uncoded
	8350 1972	AR			1987-89
	8350 6298	AR			1990
3					KEY, Uncoded
	J364 1913	2			1987-89
	5502 5852	2			1990
4					CYLINDER, Door Lock, Uncoded
	8350 5067	2			1990, w/Half Hard Doors
	J812 2874	2			U.S. Canada w/Full Hard Doors
	J812 2874	3			Export, w/World Cab
5	J812 7677	2			CAP, Cylinder, Bright
6	J813 3585	2			SHUTTER, Lock, Bright ***
7	J400 2250	2			RETAINER, Lock
8	J576 2370	2			LEVER
9	J351 6003	3			RETAINER, Lock
10	J812 2875	1			RETAINER, Tumbler
11	J812 2881	AR			SPRING
12					TUMBLER, Lock
	J812 2876	AR			1
	J812 2877	AR			2
	J812 2878	AR			3
	J812 2879	AR			4
	J812 2880	AR			5
13	8350 0485	1			CYLINDER, Glovebox, Uncoded
14	8350 0486	1			TUMBLER, Anti-Rattle
15	8350 0487	1			SPRING, Anti-Rattle
16	8350 2969	1			CYLINDER, Tailgate, Uncoded
17	8350 2997	1			SHUTTER, Lock, Black ***
18	8350 2998	1			CAP, Cylinder, Black
19	5500 6506	1			RETAINER, Lock
20	5500 7800	1			LATCH, Glovebox, Black
21	8350 2999	1			LEVER
22	J400 4533	1			CLIP, w/Bushing
23	5501 6168	1			LATCH, Glovebox

MODEL CODES:

15 = Grand Wagoneer 4 Dr.	65 = Comanche 4WD-7 Ft. Box	77 = Cherokee 4WD-2 Dr.
25 = J-10 Pickup-119" W.B.	66 = Comanche 2WD-7 Ft. Box	78 = Cherokee 4WD-4 Dr.
26 = J-10 Pickup-131" W.B.	73 = Cherokee 2WD-2 Dr.	79 = Cherokee 4WD-4 Dr.-Com
27 = J-20 Pickup-131" W.B.	74 = Cherokee 2WD-4 Dr.	81 = Wrangler-93" W.B.
63 = Comanche 4WD-6 Ft. Box	75 = Wagoneer 4WD-4 Dr.	82 = Wrangler-103" W.B.-Exp.
64 = Comanche 2WD-6 Ft. Box		

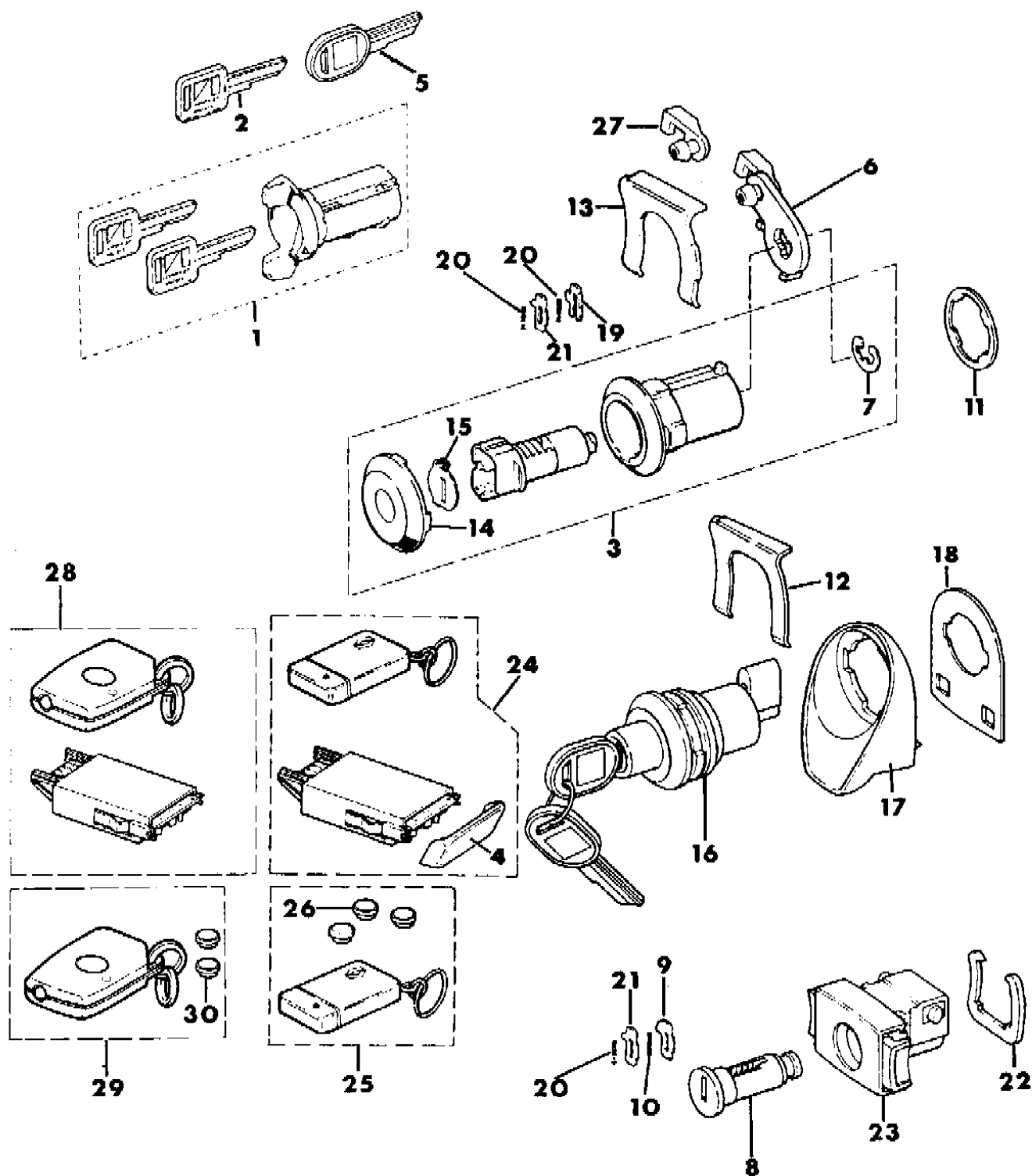
BODY STYLES:

MJ = Comanche Pickup  
 SJ = Grand Wagoneer Wgn., J-10 & J-20 Pickups  
 XJ = Cherokee, Wagoneer Limited  
 YJ = Wrangler

AR = Use as Required - = Non Illustrated Part P.A.R. = Paint as Required

**CYLINDERS & KEYS CHEROKEE, WAGONEER, COMANCHE**  
**Figure 23D-200**

**8J72 200A**



ITEM	PART NUMBER	QTY	BODY	MODEL	DESCRIPTION
1					CYLINDER, Ignition Lock
	8350 1971	1			1987-89
	5502 6014	1			1990
2					KEY, Uncoded
	8350 1972	AR			1987-89
	8350 6298	AR			1990
3					CYLINDER, Door
	8350 5067	2			Black
	J812 2874	2			Bright
4	T103 0528	1			LENS, Keyless Entry Receiver
5	5502 5852	1			KEY, Uncoded
6					LEVER
	8350 5069	1			Right
	8350 2999	1			Left
7	J400 2250	2			RETAINER, Lock
8	8350 0485	1			CYLINDER, Glovebox, Uncoded
9	8350 0486	1			TUMBLER, Anti-Rattle
10	8350 0487	1			SPRING, Anti-Rattle
11	J373 2585	2			GASKET
12	J367 9995	1			RETAINER, Lock
13	J351 6003	2			RETAINER, Lock
14					CAP
	8350 2998	2			Black
	J812 7677	2			Bright
15					SHUTTER, Lock
	8350 2997	2			Black
	J813 3585	2			Bright
16					CYLINDER, Liftgate
	8350 5068	1			Black
	8351 0179	1			Bright
17	5500 1135	1			HANDLE
18	5500 5162	1			GASKET
19	J812 2875	1			RETAINER, Tumbler
20	J812 2881	AR			SPRING
21					TUMBLER
	J812 2876	AR			1
	J812 2877	AR			2

**MODEL CODES:**

15 = Grand Wagoneer 4 Dr.	65 = Comanche 4WD-7 Ft. Box	77 = Cherokee 4WD-2 Dr.
25 = J-10 Pickup-119" W.B.	66 = Comanche 2WD-7 Ft. Box	78 = Cherokee 4WD-4 Dr.
26 = J-10 Pickup-131" W.B.	73 = Cherokee 2WD-2 Dr.	79 = Cherokee 4WD-4 Dr.-Com
27 = J-20 Pickup-131" W.B.	74 = Cherokee 2WD-4 Dr.	81 = Wrangler-93" W.B.
63 = Comanche 4WD-6 Ft. Box	75 = Wagoneer 4WD-4 Dr.	82 = Wrangler-103" W.B.-Exp.
64 = Comanche 2WD-6 Ft. Box		

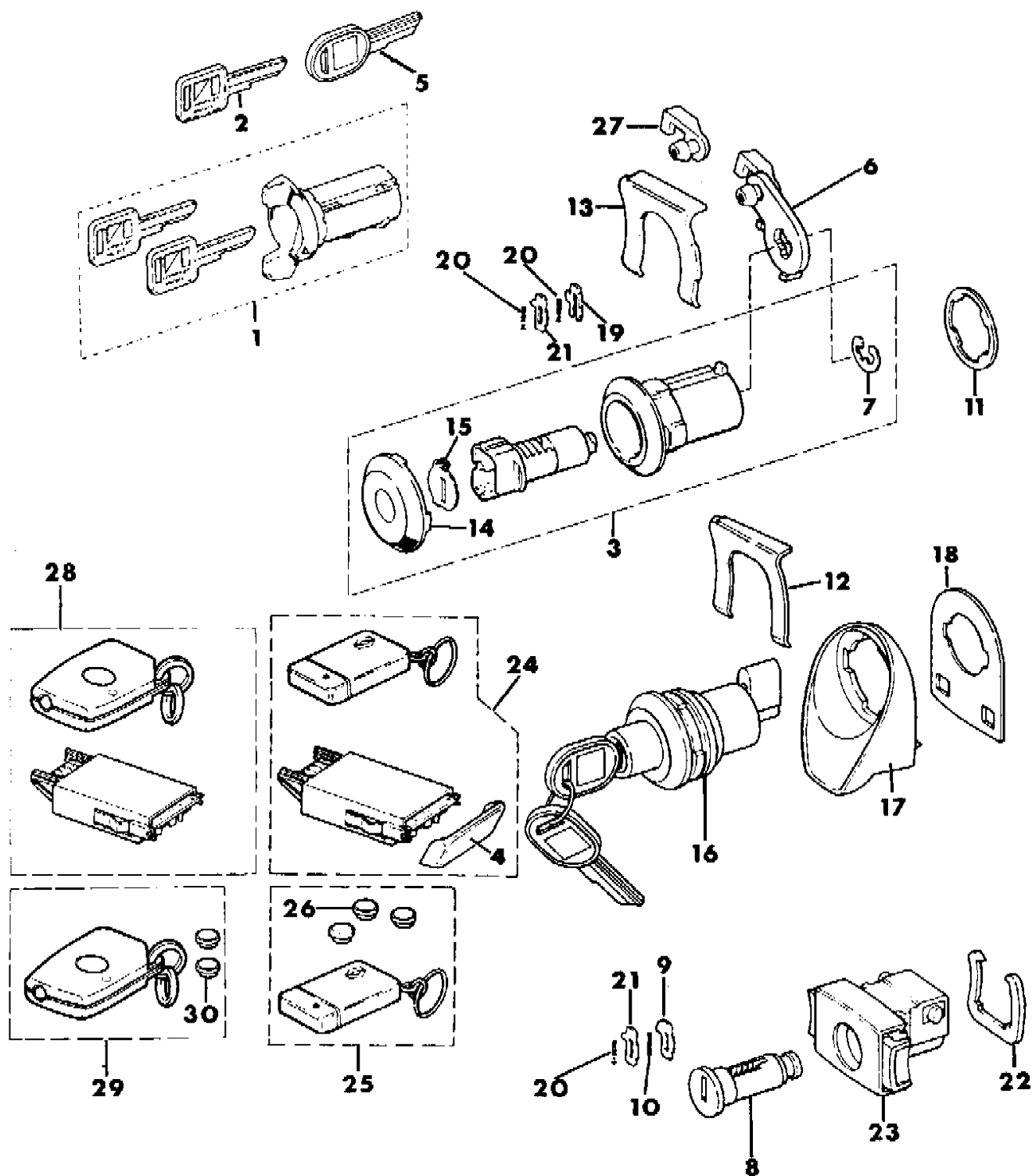
**BODY STYLES:**

MJ = Comanche Pickup  
 SJ = Grand Wagoneer Wgn., J-10 & J-20 Pickups  
 XJ = Cherokee, Wagoneer Limited  
 YJ = Wrangler

AR = Use as Required - = Non Illustrated Part P.A.R. = Paint as Required

**CYLINDERS & KEYS CHEROKEE, WAGONEER, COMANCHE**  
**Figure 23D-200**

**8J72 200A**



ITEM	PART NUMBER	QTY	BODY	MODEL	DESCRIPTION
	J812 2878	AR			3
	J812 2879	AR			4
	J812 2880	AR			5
22	5500 6506	1			RETAINER, Lock
23					LATCH
	5AC8 3JA8	1			Charcoal
	5501 0846	1			Cordovan
	5501 5406	1			Blue
	3501 1603	1			Tan
	5500 7800	1			Black
	5500 7111	1			Blue
24	T136 6133	1			PACKAGE, Receiver Three Battery Keyless Entry
25	T103 0867	1			TRANSMITTER, Three Battery Keyless Entry ***
26	8350 2283	3			BATTERY, Transmitter
27					CLIP
	J400 3672	1			Right
	J400 3673	1			Left
28					PACKAGE, Receiver Two Battery Keyless Entry
	5600 3465	1			w/Out Overhead Console
	5600 5590	1			w/Overhead Console
29	8350 4801	1			TRANSMITTER, Two Battery Keyless Entry ***
30	8350 4802	2			BATTERY

**MODEL CODES:**

15 = Grand Wagoneer 4 Dr.	65 = Comanche 4WD-7 Ft. Box	77 = Cherokee 4WD-2 Dr.
25 = J-10 Pickup-119" W.B.	66 = Comanche 2WD-7 Ft. Box	78 = Cherokee 4WD-4 Dr.
26 = J-10 Pickup-131" W.B.	73 = Cherokee 2WD-2 Dr.	79 = Cherokee 4WD-4 Dr.-Com
27 = J-20 Pickup-131" W.B.	74 = Cherokee 2WD-4 Dr.	81 = Wrangler-93" W.B.
63 = Comanche 4WD-6 Ft. Box	75 = Wagoneer 4WD-4 Dr.	82 = Wrangler-103" W.B.-Exp.
64 = Comanche 2WD-6 Ft. Box		

**BODY STYLES:**

MJ = Comanche Pickup  
 SJ = Grand Wagoneer Wgn., J-10 & J-20 Pickups  
 XJ = Cherokee, Wagoneer Limited  
 YJ = Wrangler

AR = Use as Required - = Non Illustrated Part P.A.R. = Paint as Required

**CYLINDERS & KEYS GRAND WAGONEER, J10, J20**  
**Figure 23D-300**

8J72 300 A

ITEM	PART NUMBER	QTY	BODY	MODEL	DESCRIPTION
1					CYLINDER, Ignition Lock
	8350 1971	1			1987-89
	5502 6014	1			1990
2					KEY, Uncoded
	8350 1972	AR			1987-89
	8350 6298	AR			1990
3	5501 5376	1			HOUSING, Glove Box Lock
4	J400 3671	2			SCREW
5	J812 5764	1			CYLINDER, Glove Box
6	J812 2875	1			RETAINER, Tumbler
7	J812 2881	AR			SPRING
8					TUMBLER, Lock ***
	J812 2876	AR			1
	J812 2877	AR			2
	J812 2878	AR			3
	J812 2879	AR			4
	J812 2880	AR			5
9	5502 5852	AR			KEY, Uncoded
10	J098 7269	2			RETAINER, Lock
11	J812 8289	2			CYLINDER, Door Lock, Uncoded
12	J098 7272	2			GASKET
13	J813 3585	2			SHUTTER, Lock
14	J812 7677	2			CAP
15					CYLINDER, Tailgate
	J812 2971	1			w/o Electric Regulator
	8350 5385	1			w/Electric Regulator
16	J096 2048	1			SHAFT, Cylinder, w/Electric Regulator
17	8350 4801	1			TRANSMITTER, Keyless Entry
18	5600 5590	1			PACKAGE, Receiver
19	8350 4802	2			BATTERY
20	8350 5263	1			LENS

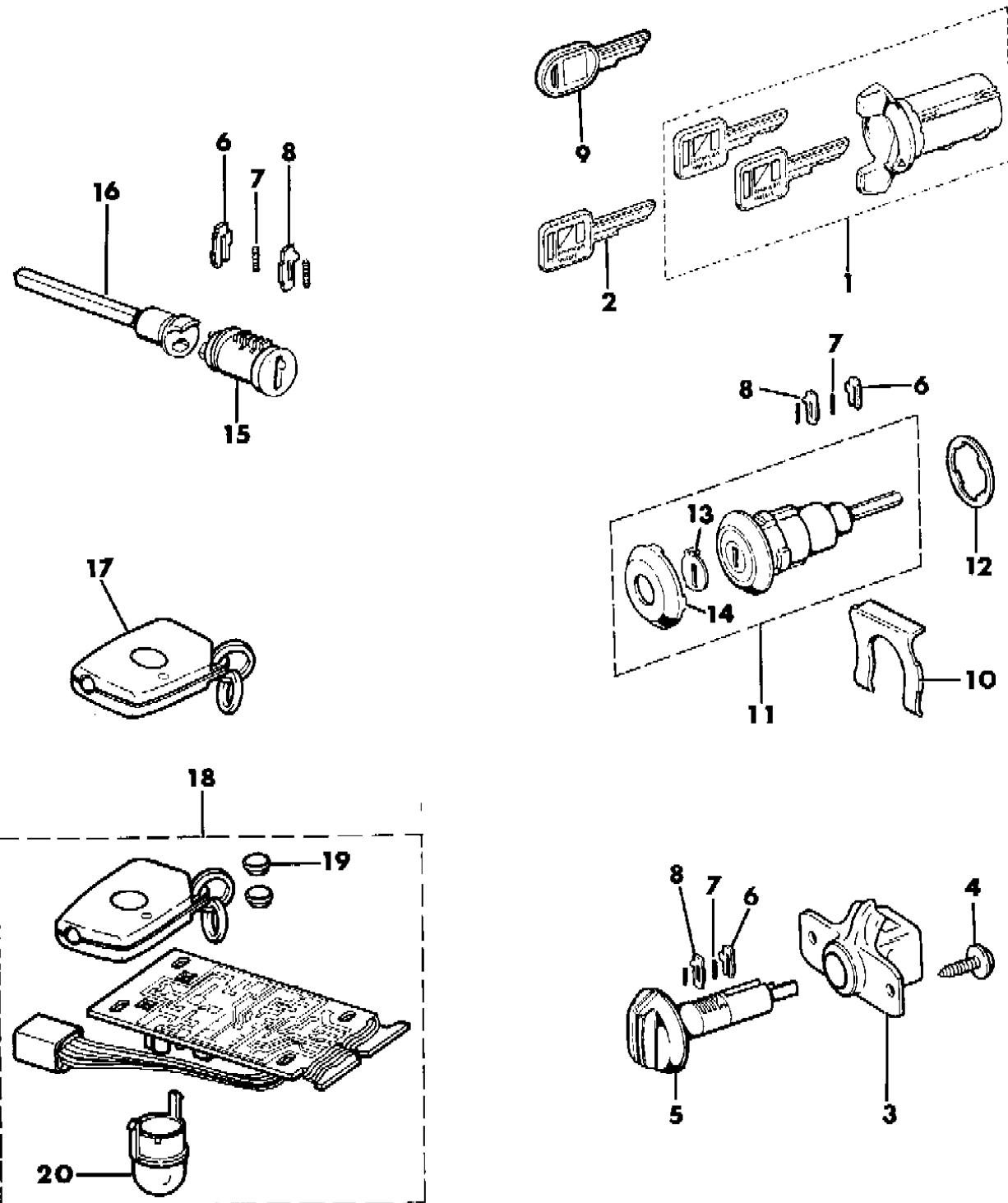
**MODEL CODES:**

15 = Grand Wagoneer 4 Dr.	65 = Comanche 4WD-7 Ft. Box	77 = Cherokee 4WD-2 Dr.
25 = J-10 Pickup-119" W.B.	66 = Comanche 2WD-7 Ft. Box	78 = Cherokee 4WD-4 Dr.
26 = J-10 Pickup-131" W.B.	73 = Cherokee 2WD-2 Dr.	79 = Cherokee 4WD-4 Dr.-Com
27 = J-20 Pickup-131" W.B.	74 = Cherokee 2WD-4 Dr.	81 = Wrangler-93" W.B.
63 = Comanche 4WD-6 Ft. Box	75 = Wagoneer 4WD-4 Dr.	82 = Wrangler-103" W.B.-Exp.
64 = Comanche 2WD-6 Ft. Box		

**BODY STYLES:**

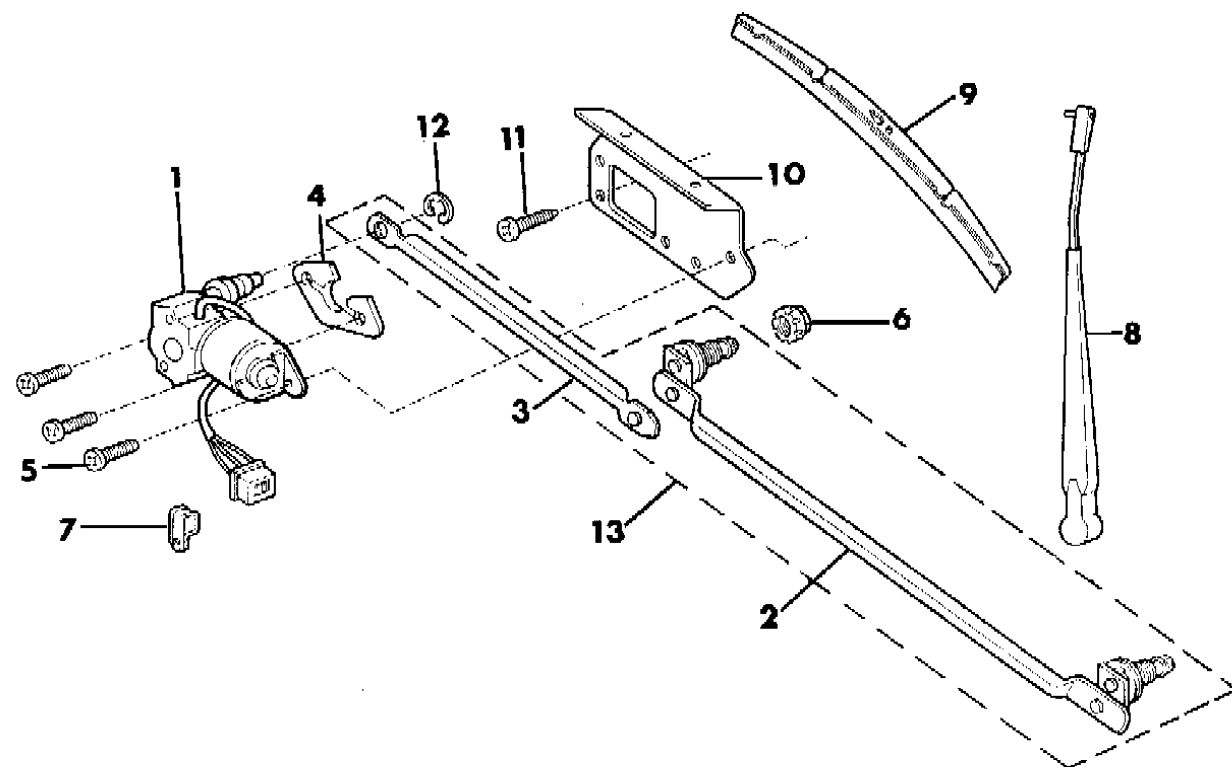
MJ = Comanche Pickup  
 SJ = Grand Wagoneer Wgn., J-10 & J-20 Pickups  
 XJ = Cherokee, Wagoneer Limited  
 YJ = Wrangler

AR = Use as Required - = Non Illustrated Part P.A.R. = Paint as Required



WIPER, WINDSHIELD WRANGLER, YJ  
Figure 23D-400

8J72 400



ITEM	PART NUMBER	QTY	BODY	MODEL	DESCRIPTION
1	5603 0005	1			MOTOR, Wiper
2					PIVOT, Wiper
	5600 2517	1			1987
	5600 3535	1			1988-90
3					ARM, Drive
	5600 2518	1			1987
	5600 3536	1			1988-90
4	5603 0015	1			GASKET, Motor
5	J400 5765	3			SCREW
6	3600 0269	2			NUT
7	J400 5669	1			CLAMP
8	5603 0012	2			ARM, Wiper
9	8350 5425	2			REFILL, Wiper
10	5501 0554	1			PLATE
11	J400 4710	2			SCREW
12	1150 5398	1			RING, Retaining
13	4494 573	1			PACKAGE, Arm 1988-90

MODEL CODES:

15 = Grand Wagoneer 4 Dr.	65 = Comanche 4WD-7 Ft. Box	77 = Cherokee 4WD-2 Dr.
25 = J-10 Pickup-119" W.B.	66 = Comanche 2WD-7 Ft. Box	78 = Cherokee 4WD-4 Dr.
26 = J-10 Pickup-131" W.B.	73 = Cherokee 2WD-2 Dr.	79 = Cherokee 4WD-4 Dr.-Com
27 = J-20 Pickup-131" W.B.	74 = Cherokee 2WD-4 Dr.	81 = Wrangler-93" W.B.
63 = Comanche 4WD-6 Ft. Box	75 = Wagoneer 4WD-4 Dr.	82 = Wrangler-103" W.B.-Exp.
64 = Comanche 2WD-6 Ft. Box		

BODY STYLES:

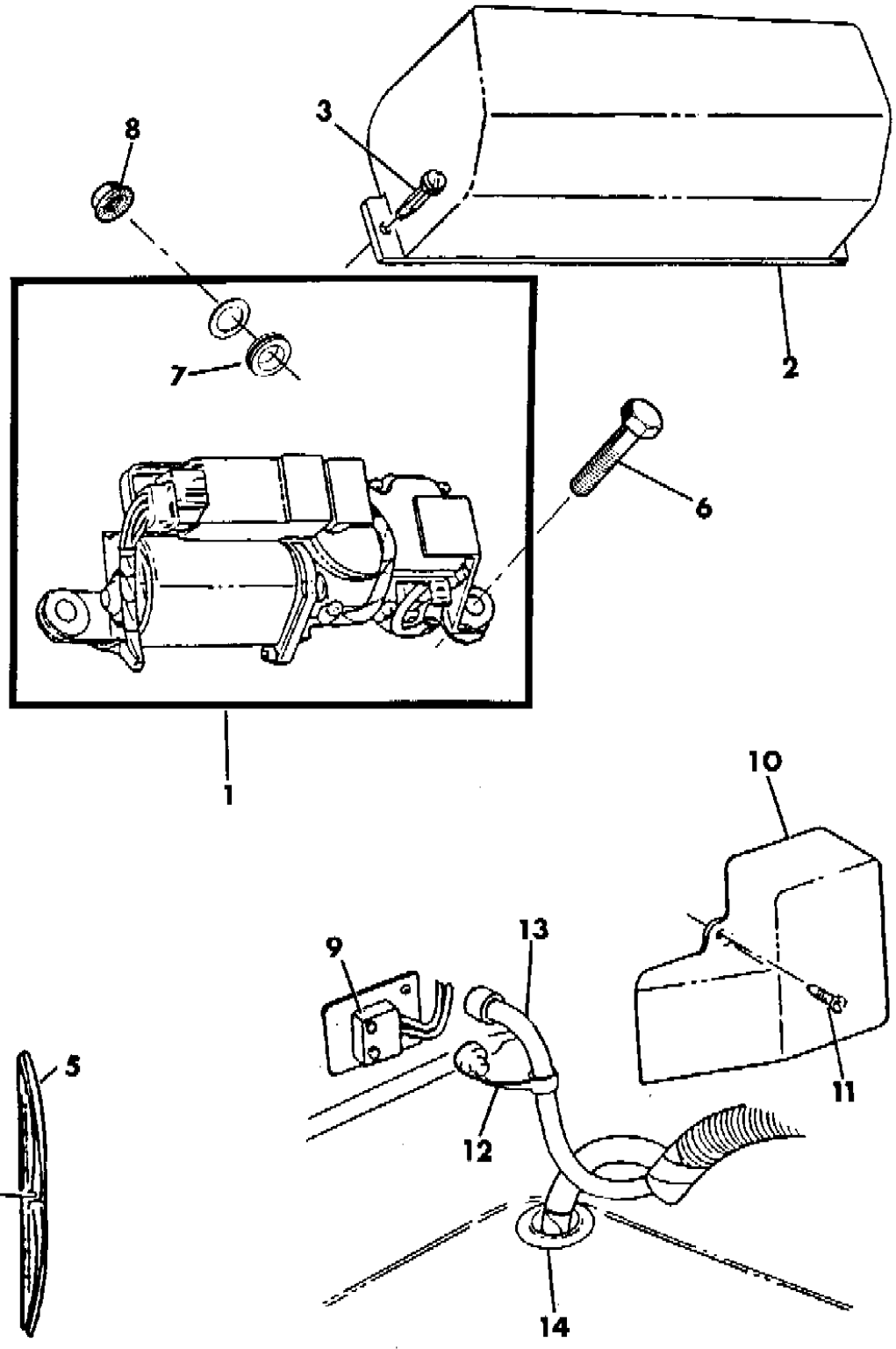
MJ = Comanche Pickup  
 SJ = Grand Wagoneer Wgn., J-10 & J-20 Pickups  
 XJ = Cherokee, Wagoneer Limited  
 YJ = Wrangler

AR = Use as Required - = Non Illustrated Part P.A.R. = Paint as Required

WIPER, REAR WITH HARD TOP WRANGLER, YJ 1990  
Figure 23D-425

8J72 425A

ITEM	PART NUMBER	QTY	BODY	MODEL	DESCRIPTION
1	5252 223	1			MOTOR, Wiper
2	5502 1594	1			COVER
3	6033 969	2			RETAINER
4	5600 4848	1			ARM ASSY ***
5	4389 063	1			BLADE
6	3420 2733	2			SCREW
7	5600 3681	1			SEAL
8	5600 3682	1			NUT
9	5600 4566	1			SWITCH, Lockout
10	5502 5390	1			COVER, Switch
11	#6033 969	1			SCREW
12	5600 3982	1			TETHER, Plug ***
13	#4439 003	AR			HOSE
14	5600 3075	1			GROMMET



MODEL CODES:

15 = Grand Wagoneer 4 Dr.	65 = Comanche 4WD-7 Ft. Box	77 = Cherokee 4WD-2 Dr.
25 = J-10 Pickup-119" W.B.	66 = Comanche 2WD-7 Ft. Box	78 = Cherokee 4WD-4 Dr.
26 = J-10 Pickup-131" W.B.	73 = Cherokee 2WD-2 Dr.	79 = Cherokee 4WD-4 Dr.-Com
27 = J-20 Pickup-131" W.B.	74 = Cherokee 2WD-4 Dr.	81 = Wrangler-93" W.B.
63 = Comanche 4WD-6 Ft. Box	75 = Wagoneer 4WD-4 Dr.	82 = Wrangler-103" W.B.-Exp.
64 = Comanche 2WD-6 Ft. Box		

BODY STYLES:

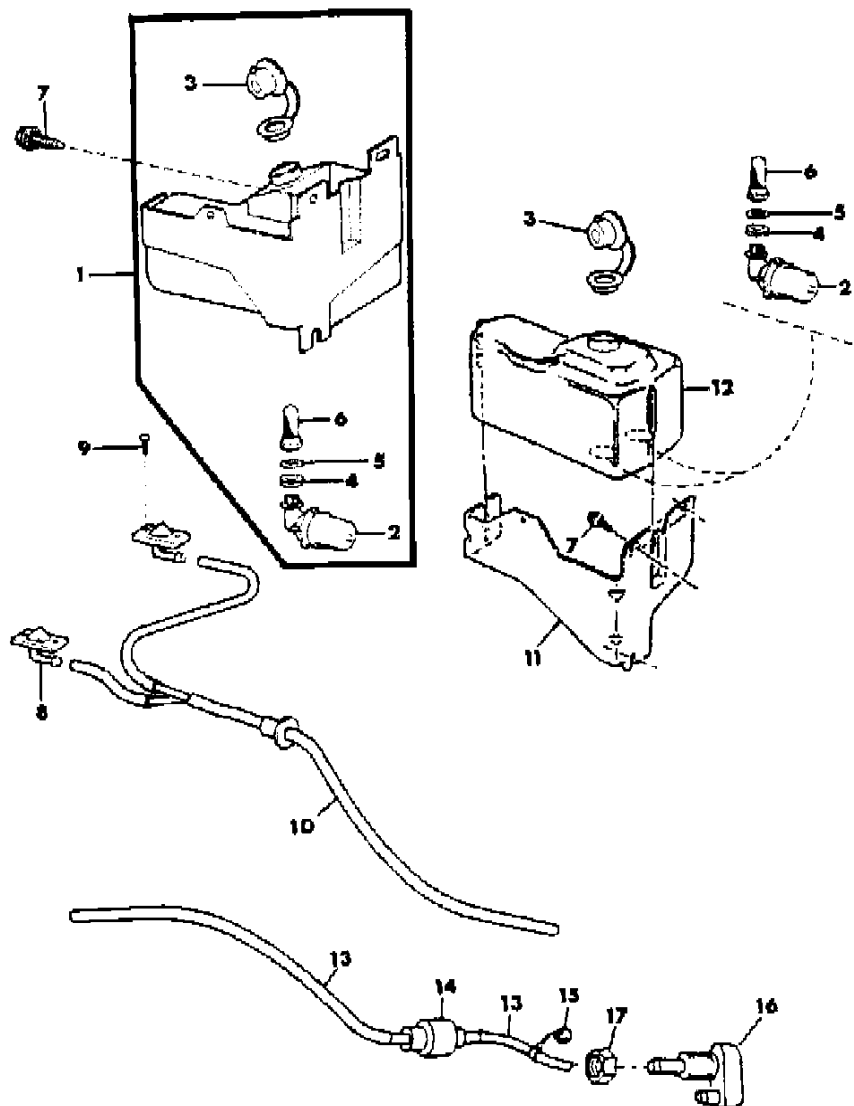
MJ = Comanche Pickup  
 SJ = Grand Wagoneer Wgn., J-10 & J-20 Pickups  
 XJ = Cherokee, Wagoneer Limited  
 YJ = Wrangler

AR = Use as Required - = Non Illustrated Part P.A.R. = Paint as Required



WASHER SYSTEM WINDSHIELD, AND/OR REAR WINDOW WRANGLER, YJ  
Figure 23D-450

8372 450



ITEM	PART NUMBER	QTY	BODY	MODEL	DESCRIPTION
1	5603 0016	1			RESERVOIR ASSY, Washer, 1987/89 ***
2	5600 2053	1			Pump, Washer ***
	5252 217	1			1987-89
	5600 2054	1			1990, includes wiring assy
3	5600 2054	1			CAP, Reservoir
4	5600 0592	AR			SEAL
5	5600 0594	AR			WASHER
6	5600 0593	AR			NUT, Filter
7	J400 4801	3			SCREW
8	5600 1759	2			NOZZLE, Windshield Washer
9	J400 3096	4			SCREW
10	3600 1628	1			HOSE ASSY ***
11	5600 4765	1			BRACKET ASSY ***
12	5252 216	1			RESERVOIR, 1990, modification may be required
13	4439 003	AR			HOSE, Bulk
14	5600 3064	1			VALVE, Check, rear window washer
15	5600 3982	1			PLUG, Teather
16	5600 4849	1			NOZZLE, rear window washer
17	6100 798	1			NUT, Nozzle mtg.

MODEL CODES:

15 = Grand Wagoneer 4 Dr.	65 = Comanche 4WD-7 Ft. Box	77 = Cherokee 4WD-2 Dr.
25 = J-10 Pickup-119" W.B.	66 = Comanche 2WD-7 Ft. Box	78 = Cherokee 4WD-4 Dr.
26 = J-10 Pickup-131" W.B.	73 = Cherokee 2WD-2 Dr.	79 = Cherokee 4WD-4 Dr.-Com
27 = J-20 Pickup-131" W.B.	74 = Cherokee 2WD-4 Dr.	81 = Wrangler-93" W.B.
63 = Comanche 4WD-6 Ft. Box	75 = Wagoneer 4WD-4 Dr.	82 = Wrangler-103" W.B.-Exp.
64 = Comanche 2WD-6 Ft. Box		

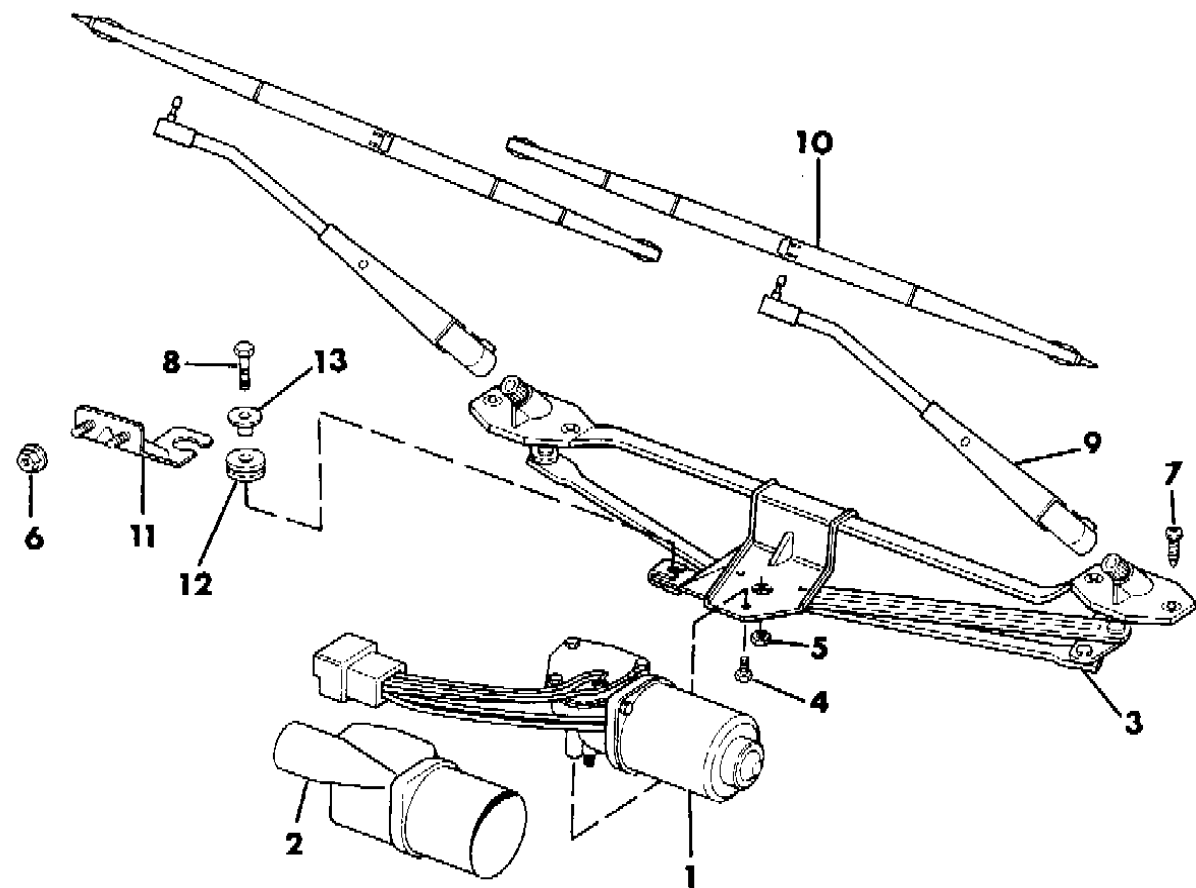
BODY STYLES:

MJ = Comanche Pickup  
 SJ = Grand Wagoneer Wgn., J-10 & J-20 Pickups  
 XJ = Cherokee, Wagoneer Limited  
 YJ = Wrangler

AR = Use as Required - = Non Illustrated Part P.A.R. = Paint as Required

**WIPER, WINDSHIELD CHEROKEE, WAGONEER, COMANCHE  
Figure 23D-500**

8J72 500



ITEM	PART NUMBER	QTY	BODY	MODEL	DESCRIPTION
1	5600 1402	1			MOTOR, Wiper
2	5600 0901	1			COVER, Motor
3	8350 0660	1			LINKAGE, Wiper
4	1150 3876	3			BOLT
5	3420 1866	1			NUT
6	3420 1358	2			NUT
7	3420 1496	4			SCREW
8	3420 1686	1			BOLT
9	5600 1132	2			ARM, Wiper
10	5600 1133	2			REFILL, Wiper
11	5500 3036	1			BRACKET, Mounting
12	5500 5397	1			GROMMET
13	5500 5398	1			SPACER, Eyelet

**MODEL CODES:**

15 = Grand Wagoneer 4 Dr.	65 = Comanche 4WD-7 Ft. Box	77 = Cherokee 4WD-2 Dr.
25 = J-10 Pickup-119" W.B.	66 = Comanche 2WD-7 Ft. Box	78 = Cherokee 4WD-4 Dr.
26 = J-10 Pickup-131" W.B.	73 = Cherokee 2WD-2 Dr.	79 = Cherokee 4WD-4 Dr.-Com
27 = J-20 Pickup-131" W.B.	74 = Cherokee 2WD-4 Dr.	81 = Wrangler-93" W.B.
63 = Comanche 4WD-6 Ft. Box	75 = Wagoneer 4WD-4 Dr.	82 = Wrangler-103" W.B.-Exp.
64 = Comanche 2WD-6 Ft. Box		

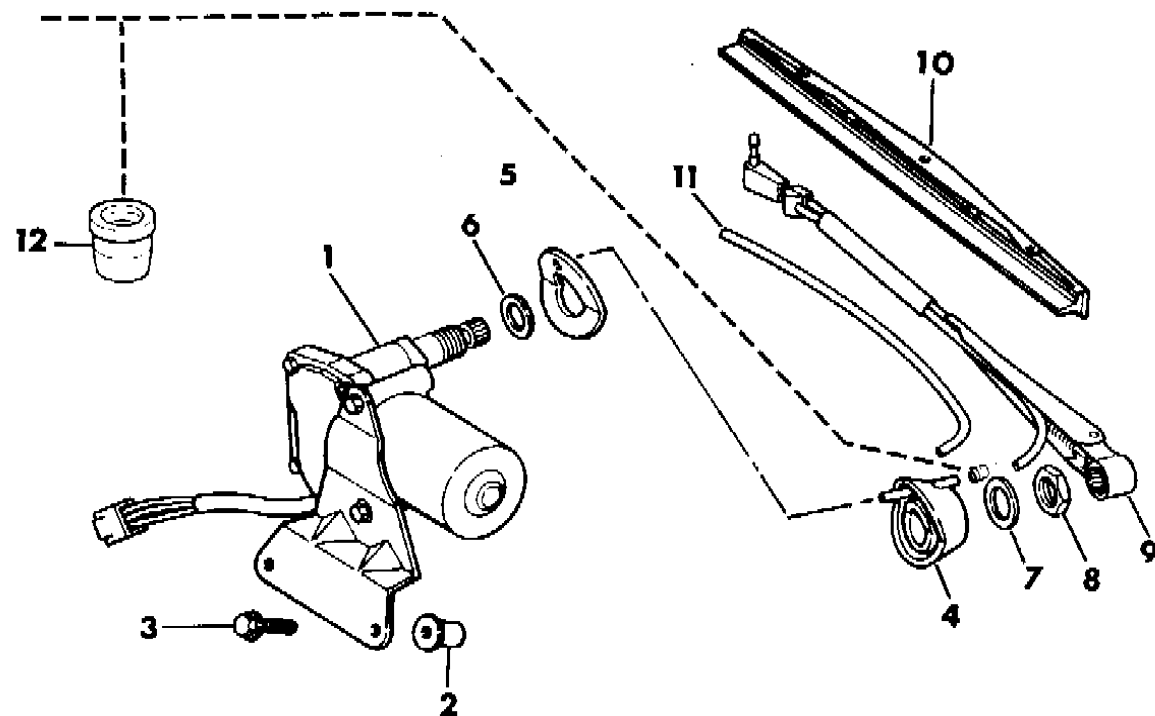
**BODY STYLES:**

MJ = Comanche Pickup  
 SJ = Grand Wagoneer Wgn., J-10 & J-20 Pickups  
 XJ = Cherokee, Wagoneer Limited  
 YJ = Wrangler

AR = Use as Required - = Non Illustrated Part P.A.R. = Paint as Required

**WIPER, LIFTGATE CHEROKEE, WAGONEER**  
**Figure 23D-600**

8J72 600



ITEM	PART NUMBER	QTY	BODY	MODEL	DESCRIPTION
1	5600 0701	1			MOTOR, Wiper
2	3420 1589	2			NUT, Well
3	3420 1686	2			SCREW
4	5500 0302	1			BEZEL, Wiper
5	5500 5024	1			GASKET
6	5500 5126	1			SEAL
7	3420 1542	1			WASHER
8	3420 1543	1			NUT
9	5600 0598	1			ARM, Wiper
10	5500 0299	1			REFILL, Wiper
11	3600 0423	AR			HOSE
12	3420 1767	12			CLIP

**MODEL CODES:**

15 = Grand Wagoneer 4 Dr.	65 = Comanche 4WD-7 Ft. Box	77 = Cherokee 4WD-2 Dr.
25 = J-10 Pickup-119" W.B.	66 = Comanche 2WD-7 Ft. Box	78 = Cherokee 4WD-4 Dr.
26 = J-10 Pickup-131" W.B.	73 = Cherokee 2WD-2 Dr.	79 = Cherokee 4WD-4 Dr.-Com
27 = J-20 Pickup-131" W.B.	74 = Cherokee 2WD-4 Dr.	81 = Wrangler-93" W.B.
63 = Comanche 4WD-6 Ft. Box	75 = Wagoneer 4WD-4 Dr.	82 = Wrangler-103" W.B.-Exp.
64 = Comanche 2WD-6 Ft. Box		

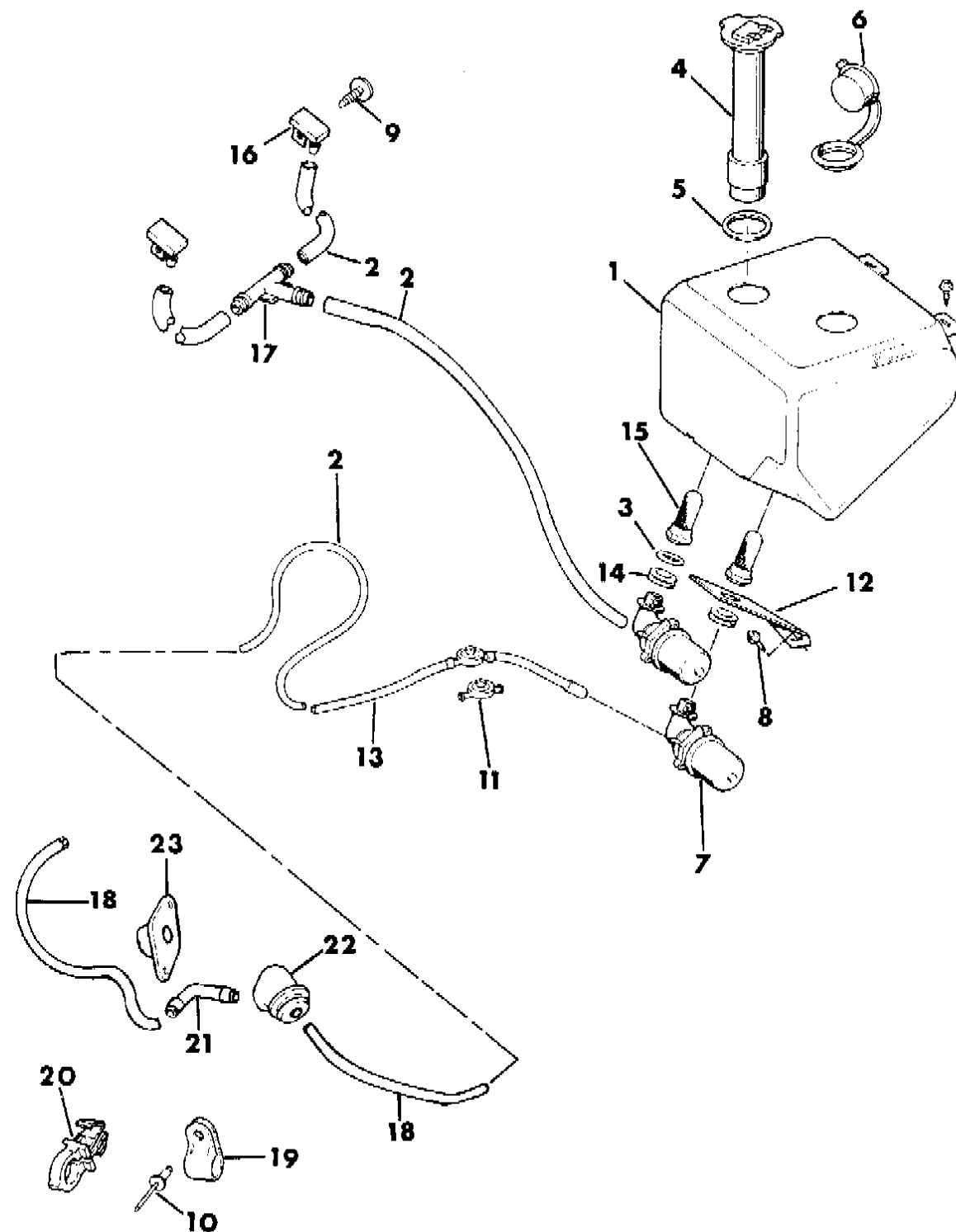
**BODY STYLES:**

MJ = Comanche Pickup  
 SJ = Grand Wagoneer Wgn., J-10 & J-20 Pickups  
 XJ = Cherokee, Wagoneer Limited  
 YJ = Wrangler

AR = Use as Required - = Non Illustrated Part P.A.R. = Paint as Required

WASHER, WINDSHIELD AND REAR WINDOW CHEROKEE, WAGONEER  
Figure 23D-650

8J72 650A



ITEM	PART NUMBER	QTY	BODY	MODEL	DESCRIPTION
1					RESERVOIR, Washer
	8350 5040	1			w/Rear Wipe/Wash
	8350 5041	1			w/o Rear Wipe/Wash (Modify for Sensor Hole)
2	8350 1071	AR			HOSE
3	5600 0594	1			WASHER
4	5600 0873	1			SENSOR, Fluid Level
5	5600 0595	1			GASKET, Sensor
6	5600 0699	1			CAP, Reservoir
7	3600 1132	AR			PUMP, Washer
8	3420 1784	3			SCREW
9	J400 4262	2			FASTENER ***
10	3420 1197	1			RIVET
11	5600 3064	1			VALVE, Check
12	5600 0870	1			BRACKET, Reservoir
13	5600 1442	1			HOSE, w/Check Valve (Modification Required)
14	5600 0592	AR			SEAL, Filter Nut
15	5600 0593	AR			NUT, Filter
16	5600 1601	2			NOZZEL, Washer ***
17	J321 0891	1			CONNECTOR, Tee
18	4439 003	AR			HOSE, Liftgate Washer
19	3420 1904	1			CLIP
20	J400 6550	20			CLIP, Nylon
21	J323 4225	1			CONNECTOR, 90 Degree
22	J417 0917	1			GROMMET, Tube
23	J417 0317	1			GROMMET, Wire

MODEL CODES:

15 = Grand Wagoneer 4 Dr.	65 = Comanche 4WD-7 Ft. Box	77 = Cherokee 4WD-2 Dr.
25 = J-10 Pickup-119" W.B.	66 = Comanche 2WD-7 Ft. Box	78 = Cherokee 4WD-4 Dr.
26 = J-10 Pickup-131" W.B.	73 = Cherokee 2WD-2 Dr.	79 = Cherokee 4WD-4 Dr.-Com
27 = J-20 Pickup-131" W.B.	74 = Cherokee 2WD-4 Dr.	81 = Wrangler-93" W.B.
63 = Comanche 4WD-6 Ft. Box	75 = Wagoneer 4WD-4 Dr.	82 = Wrangler-103" W.B.-Exp.
64 = Comanche 2WD-6 Ft. Box		

BODY STYLES:

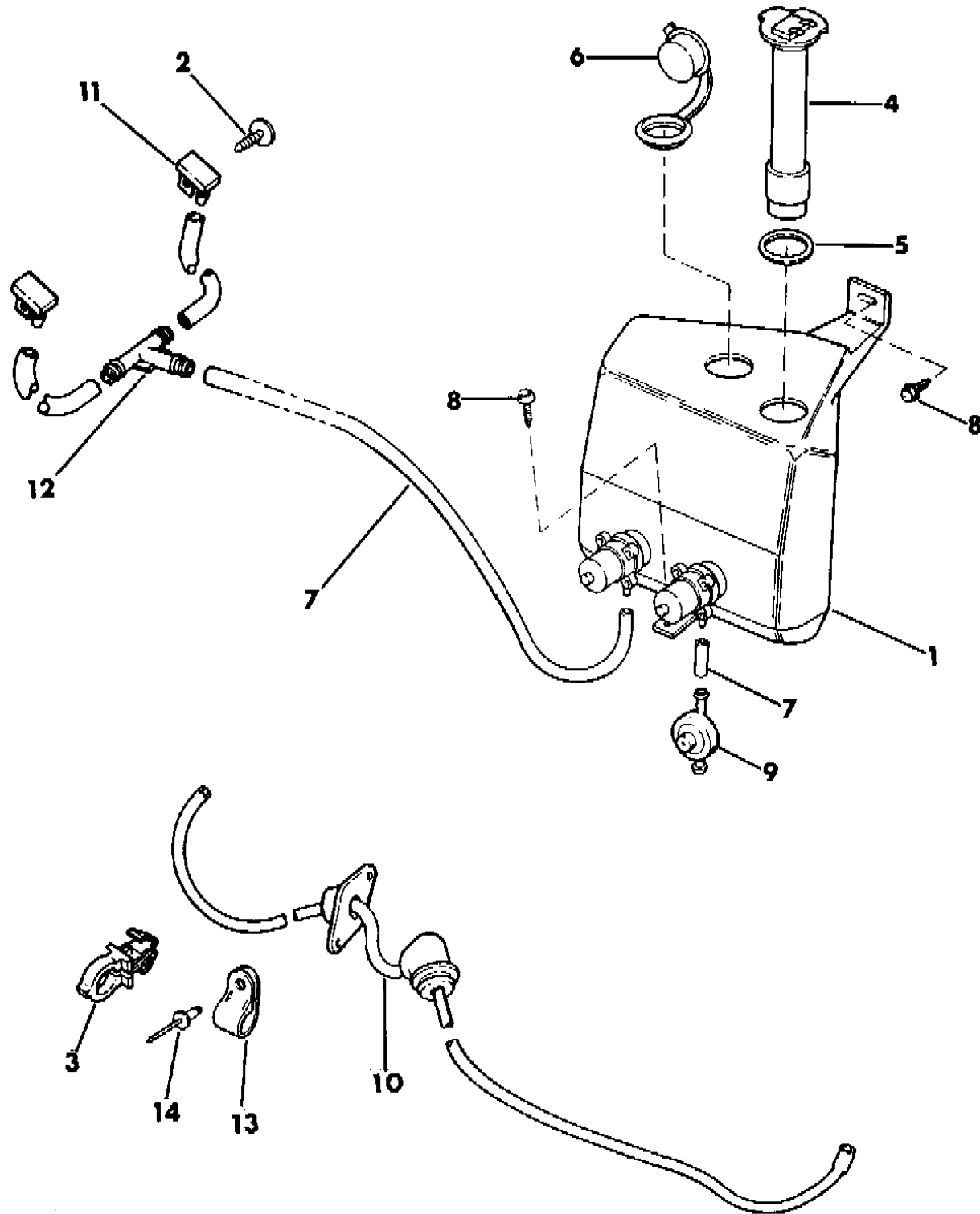
MJ = Comanche Pickup  
SJ = Grand Wagoneer Wgn., J-10 & J-20 Pickups  
XJ = Cherokee, Wagoneer Limited  
YJ = Wrangler

AR = Use as Required - = Non Illustrated Part P.A.R. = Paint as Required

WASHER, WINDSHIELD AND REAR GLASS CHEROKEE, WAGONEER 1987 EXPORT  
Figure 23D-660

8J72 660

ITEM	PART NUMBER	QTY	BODY	MODEL	DESCRIPTION
1					RESERVOIR
	8351 0016	1			w/Rear Wiper/Washer
	8351 0018	1			w/o Rear Wiper/Washer
2	J400 4262	2			FASTENER
3	J400 6550	1			CLIP
4	5600 0698	1			SENSOR, Fluid
5	5600 0595	1			GASKET, Sensor
6	5600 0699	1			CAP, Reservoir
7	8350 1071	1			HOSE
8	3420 1784	2			SCREW
9	5600 3064	1			VALVE, Check
10	5600 3537	1			HOSE, Washer
11	5600 1601	2			NOZZLE, Washer
12	J321 0891	1			CONNECTOR, Tee
13	3420 1904	1			CLIP
14	3420 1197	1			RIVET



MODEL CODES:

15 = Grand Wagoneer 4 Dr.	65 = Comanche 4WD-7 Ft. Box	77 = Cherokee 4WD-2 Dr.
25 = J-10 Pickup-119" W.B.	66 = Comanche 2WD-7 Ft. Box	78 = Cherokee 4WD-4 Dr.
26 = J-10 Pickup-131" W.B.	73 = Cherokee 2WD-2 Dr.	79 = Cherokee 4WD-4 Dr.-Com
27 = J-20 Pickup-131" W.B.	74 = Cherokee 2WD-4 Dr.	81 = Wrangler-93" W.B.
63 = Comanche 4WD-6 Ft. Box	75 = Wagoneer 4WD-4 Dr.	82 = Wrangler-103" W.B.-Exp.
64 = Comanche 2WD-6 Ft. Box		

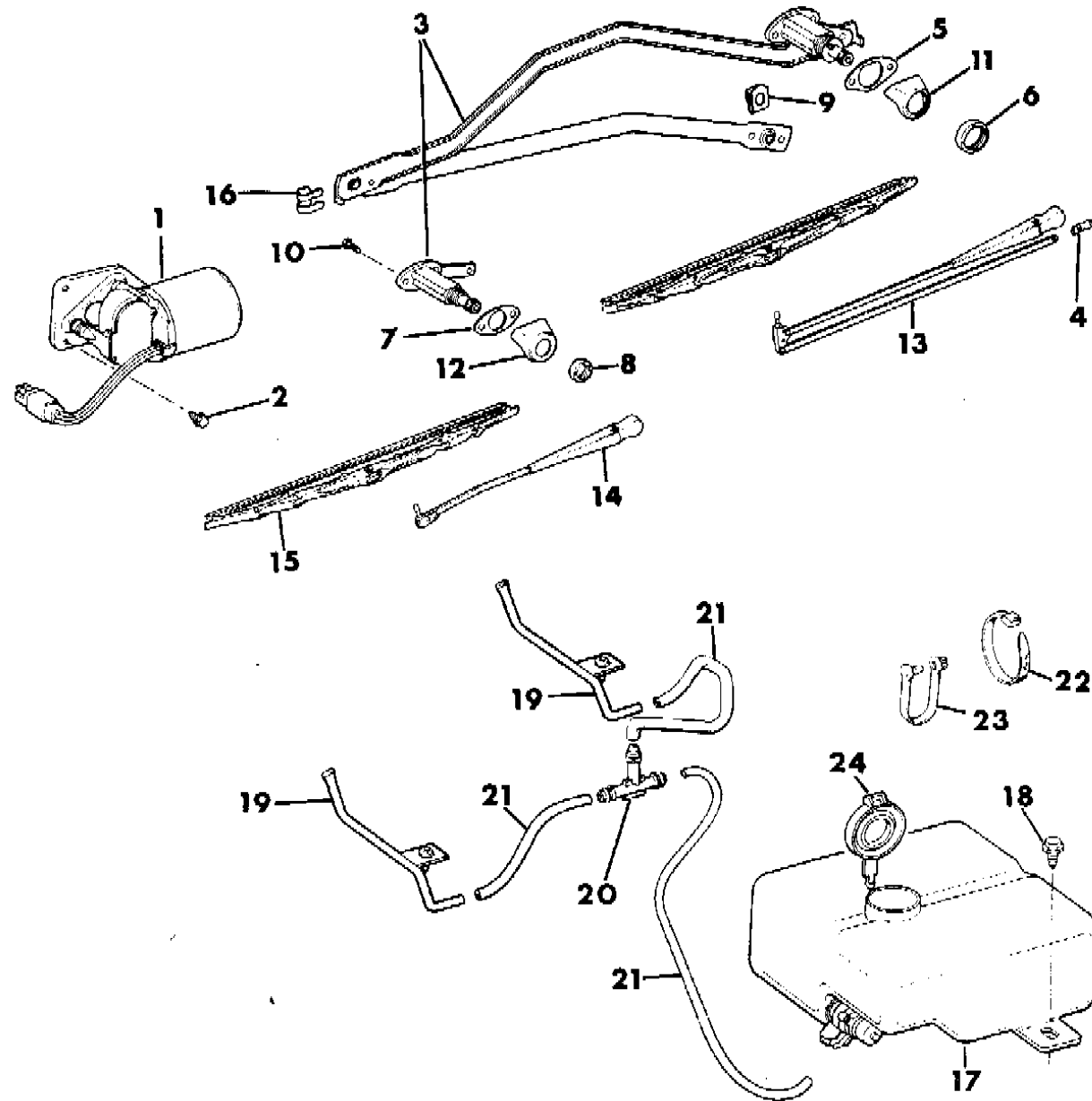
BODY STYLES:

MJ = Comanche Pickup  
 SJ = Grand Wagoneer Wgn., J-10 & J-20 Pickups  
 XJ = Cherokee, Wagoneer Limited  
 YJ = Wrangler

AR = Use as Required - = Non Illustrated Part P.A.R. = Paint as Required

**WINDSHIELD WIPER AND WASHER GRAND WAGONEER, J10, J20**  
**Figure 23D-700**

8J72 700



ITEM	PART NUMBER	QTY	BODY	MODEL	DESCRIPTION
1	5600 2909	1			MOTOR, w/Drive Arm
	5600 2913	1			GASKET, Motor Seal
2	J400 6455	3			SCREW
3	J575 8474	1			LINKAGE, Wiper
4	J812 8491	2			CLIP
5	J546 2415	1			GASKET
6	J400 6450	1			NUT
7	J095 7871	1			GASKET
8	J400 6452	1			NUT
9	J366 5764	1			CLIP
10	J400 7001	4			SCREW
11	J575 1149	1			ESCUTCHEON
12	J575 1144	1			ESCUTCHEON
13	J575 8475	1			ARM, Wiper
14	J575 1155	1			ARM, Wiper
15	5600 2292	2			REFILL, Wiper
16	J095 7868	2			CLIP
17	J545 4940	1			RESERVOIR, Washer
18	J400 5466	2			SCREW
19	J545 8180	2			NOZZLE, Washer
20	J321 0891	1			TEE
21	8350 1071	AR			HOSE
22	J322 3227	2			STRAP
23	J400 1712	1			CLIP, Cable
24	J448 9483	1			CAP, Reservoir

**MODEL CODES:**

15 = Grand Wagoneer 4 Dr.	65 = Comanche 4WD-7 Ft. Box	77 = Cherokee 4WD-2 Dr.
25 = J-10 Pickup-119" W.B.	66 = Comanche 2WD-7 Ft. Box	78 = Cherokee 4WD-4 Dr.
26 = J-10 Pickup-131" W.B.	73 = Cherokee 2WD-2 Dr.	79 = Cherokee 4WD-4 Dr.-Com
27 = J-20 Pickup-131" W.B.	74 = Cherokee 2WD-4 Dr.	81 = Wrangler-93" W.B.
63 = Comanche 4WD-6 Ft. Box	75 = Wagoneer 4WD-4 Dr.	82 = Wrangler-103" W.B.-Exp.
64 = Comanche 2WD-6 Ft. Box		

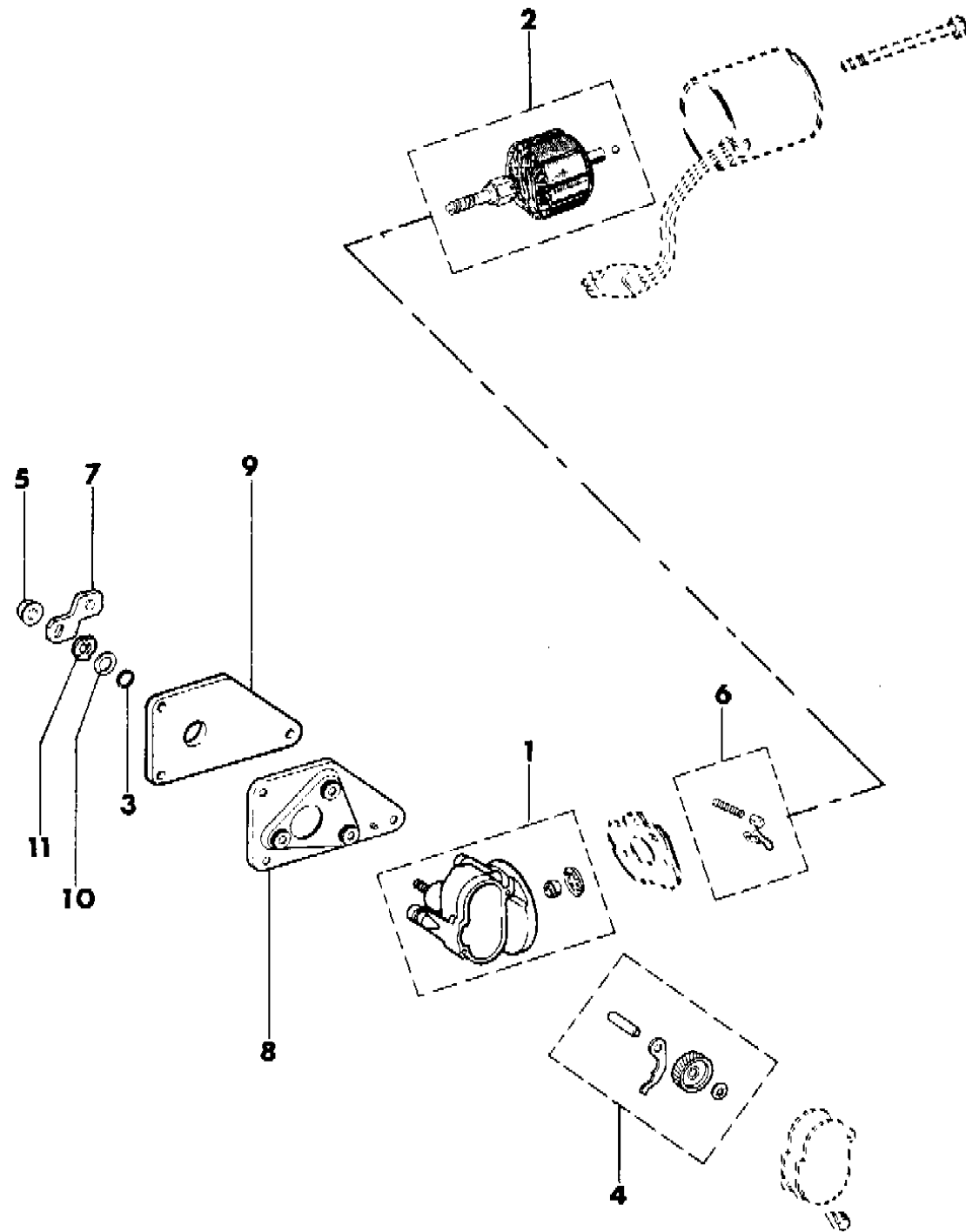
**BODY STYLES:**

MJ = Comanche Pickup  
 SJ = Grand Wagoneer Wgn., J-10 & J-20 Pickups  
 XJ = Cherokee, Wagoneer Limited  
 YJ = Wrangler

AR = Use as Required - = Non Illustrated Part P.A.R. = Paint as Required

WIPER MOTOR COMPONENTS FOR MOTOR LABELED 8956002420 GRAND WAGONEER  
Figure 23D-750

8J72 750



ITEM	PART NUMBER	QTY	BODY	MODEL	DESCRIPTION
1	J812 2833	1			HOUSING, Gear
2	J812 2830	1			ARMATURE, Wiper ***
3	J812 2906	1			SEAL
4	J812 3096	1			GEAR, Wiper Motor ***
5	J812 2748	1			NUT
6	J812 2831	1			PACKAGE, Wiper Motor Brush
7	J575 8466	1			ARM, Wiper Motor Drive
8	J546 9997	1			BRACKET ***
9	J546 9998	1			GASKET
10	J812 2750	1			WASHER, Flat
11	J812 2749	1			WASHER, Spring

MODEL CODES:

15 = Grand Wagoneer 4 Dr.	65 = Comanche 4WD-7 Ft. Box	77 = Cherokee 4WD-2 Dr.
25 = J-10 Pickup-119" W.B.	66 = Comanche 2WD-7 Ft. Box	78 = Cherokee 4WD-4 Dr.
26 = J-10 Pickup-131" W.B.	73 = Cherokee 2WD-2 Dr.	79 = Cherokee 4WD-4 Dr.-Com
27 = J-20 Pickup-131" W.B.	74 = Cherokee 2WD-4 Dr.	81 = Wrangler-93" W.B.
63 = Comanche 4WD-6 Ft. Box	75 = Wagoneer 4WD-4 Dr.	82 = Wrangler-103" W.B.-Exp.
64 = Comanche 2WD-6 Ft. Box		

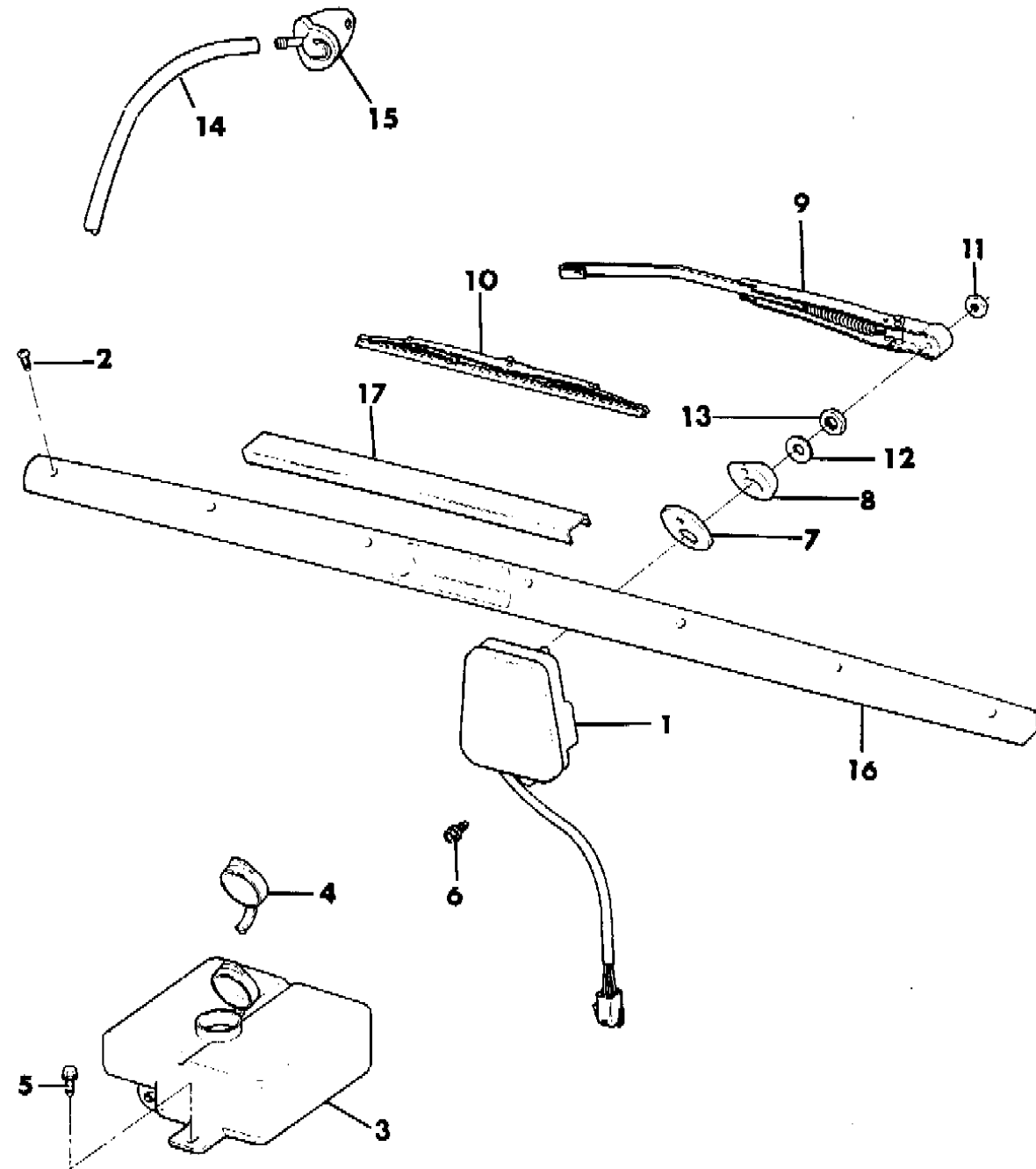
BODY STYLES:

MJ = Comanche Pickup  
SJ = Grand Wagoneer Wgn., J-10 & J-20 Pickups  
XJ = Cherokee, Wagoneer Limited  
YJ = Wrangler

AR = Use as Required - = Non Illustrated Part P.A.R. = Paint as Required

**TAILGATE WIPER AND WASHER SYSTEM GRAND WAGONEER**  
**Figure 23D-800**

8J72 800



ITEM	PART NUMBER	QTY	BODY	MODEL	DESCRIPTION
1	5600 2636	1			MOTOR, Wiper
2	J400 2461	7			SCREW
3	J545 4940	1			RESERVOIR, Washer
4	J448 9483	1			CAP, Reservoir
5	J400 5466	1			SCREW
6	J400 2203	1			SCREW
7	5600 2721	1			SEAL
8	5600 2640	1			BEZEL
9	5600 2641	1			ARM, w/Head Cover
10	5600 2642	1			REFILL, Wiper
11	3420 2838	1			NUT
12	3420 2666	1			WASHER
13	3420 2678	1			NUT
14	8350 1071	AR			HOSE
15	5600 2650	1			NOZZLE, Washer
16	5501 9732	1			PROTECTOR, Glass Tan
	5501 9733	1			PROTECTOR, Glass Cordovan
	5AF3 8JY1	1			PROTECTOR, Glass Sand
17	5502 1468	1			PROTECTOR, Vinyl

**MODEL CODES:**

15 = Grand Wagoneer 4 Dr.	65 = Comanche 4WD-7 Ft. Box	77 = Cherokee 4WD-2 Dr.
25 = J-10 Pickup-119" W.B.	66 = Comanche 2WD-7 Ft. Box	78 = Cherokee 4WD-4 Dr.
26 = J-10 Pickup-131" W.B.	73 = Cherokee 2WD-2 Dr.	79 = Cherokee 4WD-4 Dr.-Com
27 = J-20 Pickup-131" W.B.	74 = Cherokee 2WD-4 Dr.	81 = Wrangler-93" W.B.
63 = Comanche 4WD-6 Ft. Box	75 = Wagoneer 4WD-4 Dr.	82 = Wrangler-103" W.B.-Exp.
64 = Comanche 2WD-6 Ft. Box		

**BODY STYLES:**

MJ = Comanche Pickup  
 SJ = Grand Wagoneer Wgn., J-10 & J-20 Pickups  
 XJ = Cherokee, Wagoneer Limited  
 YJ = Wrangler

AR = Use as Required - = Non Illustrated Part P.A.R. = Paint as Required



---

**GROUP 24 - HEATER AND AIR CONDITIONING**

<b>ILLUSTRATION TITLE</b>	<b>GROUP-FIG. NO.</b>
<b>HEATER CONTROLS</b>	
CONTROLS, HEATER AND FRESH AIR WRANGLER, YJ .....	Fig. 24-100
<b>HEATER UNIT</b>	
HEATER UNIT WRANGLER, YJ .....	Fig. 24-200
HOUSING AND CORE, HEATER CHEROKEE, WAGONEER, COMANCHE .....	Fig. 24-300
CORE AND BLOWER MOTOR, HEATER GRAND WAGONEER .....	Fig. 24-400
<b>HEATER PLUMBING</b>	
PLUMBING, HEATER WRANGLER, YJ .....	Fig. 24-500
HOSES, HEATER 2.5L GAS ENGINE AND DIESEL ENGINE CHEROKEE, WAGONEER, COMANCHE .....	Fig. 24-600
HOSES, HEATER 4.0L ENGINE CHEROKEE, WAGONEER, COMANCHE .....	Fig. 24-700
HOSES, HEATER GRAND WAGONEER, J10, J20 .....	Fig. 24-800
<b>AIR CONDITIONING CONTROLS</b>	
CONTROLS, HEATER AND AIR CONDITIONING CHEROKEE, WAGONEER, COMANCHE .....	Fig. 24-900
CONTROLS, HEATER AND AIR CONDITIONING GRAND WAGONEER, J10, J20 .....	Fig. 24-1000
<b>AIR CONDITIONING AND HEATER UNIT</b>	
EVAPORATOR AND BLOWER, AIR CONDITIONING WRANGLER, YJ .....	Fig. 24-1100
BLOWER MOTOR AND HOUSING HEATER AND AIR CONDITIONING CHEROKEE, WAGONEER, COMANCHE .....	Fig. 24-1200
CORE, EVAPORATOR CHEROKEE, WAGONEER, COMANCHE .....	Fig. 24-1300
AIR CONDITIONING UNIT GRAND WAGONEER, J10, J20 .....	Fig. 24-1400
<b>AIR CONDITIONING AND HEATER PLUMBING</b>	
RECEIVER/DRIER AND HOSES W/FACTORY INSTALLED AIR CONDITIONING WRANGLER, YJ .....	Fig. 24-1500
RECEIVER/DRIER AND HOSES W/AMERICAN AIR CONDITIONING WRANGLER, YJ .....	Fig. 24-1600
RECEIVER/DRIER, CONDENSER AND HOSES 4 CYLINDER ENGINE W/FACTORY AIR CONDITIONING CHEROKEE, WAGONEER, COMANCHE .....	Fig. 24-1700
RECEIVER/DRIER, CONDENSER AND HOSES 4 CYLINDER ENGINE W/AMERICAN AIR CONDITIONING CHEROKEE, WAGONEER, COMANCHE .....	Fig. 24-1800
RECEIVER/DRIER, CONDENSER AND HOSES 6 CYLINDER ENGINE W/FACTORY AIR CONDITIONING CHEROKEE, WAGONEER, COMANCHE .....	Fig. 24-1900
RECEIVER/DRIER, CONDENSER AND HOSES 6 CYLINDER ENGINE W/AMERICAN AIR CONDITIONING CHEROKEE, WAGONEER, COMANCHE .....	Fig. 24-2000
RECEIVER/DRIER, CONDENSER AND HOSES DIESEL ENGINE W/FACTORY AIR CONDITIONING CHEROKEE, WAGONEER, COMANCHE .....	Fig. 24-2100

**ILLUSTRATION NOT AVAILABLE AT TIME OF PUBLICATION**

---

## GROUP 24 - HEATER AND AIR CONDITIONING

### ILLUSTRATION TITLE

### GROUP-FIG. NO.

#### AIR CONDITIONING AND HEATER PLUMBING (Continued)

RECEIVER/DRIER, CONDENSER AND HOSES DIESEL ENGINE W/FACTORY AIR CONDITIONING CHEROKEE, WAGONEER, COMANCHE .....	Fig. 24-2100
LINES, HEATER AND AIR CONDITIONING VACUUM CHEROKEE, WAGONEER, COMANCHE .....	Fig. 24-2200
RECEIVER/DRIER, CONDENSER AND HOSES W/AIR CONDITIONING GRAND WAGONEER, J10, J20 ...	Fig. 24-2300

#### AIR COMPRESSOR AND MOUNTING

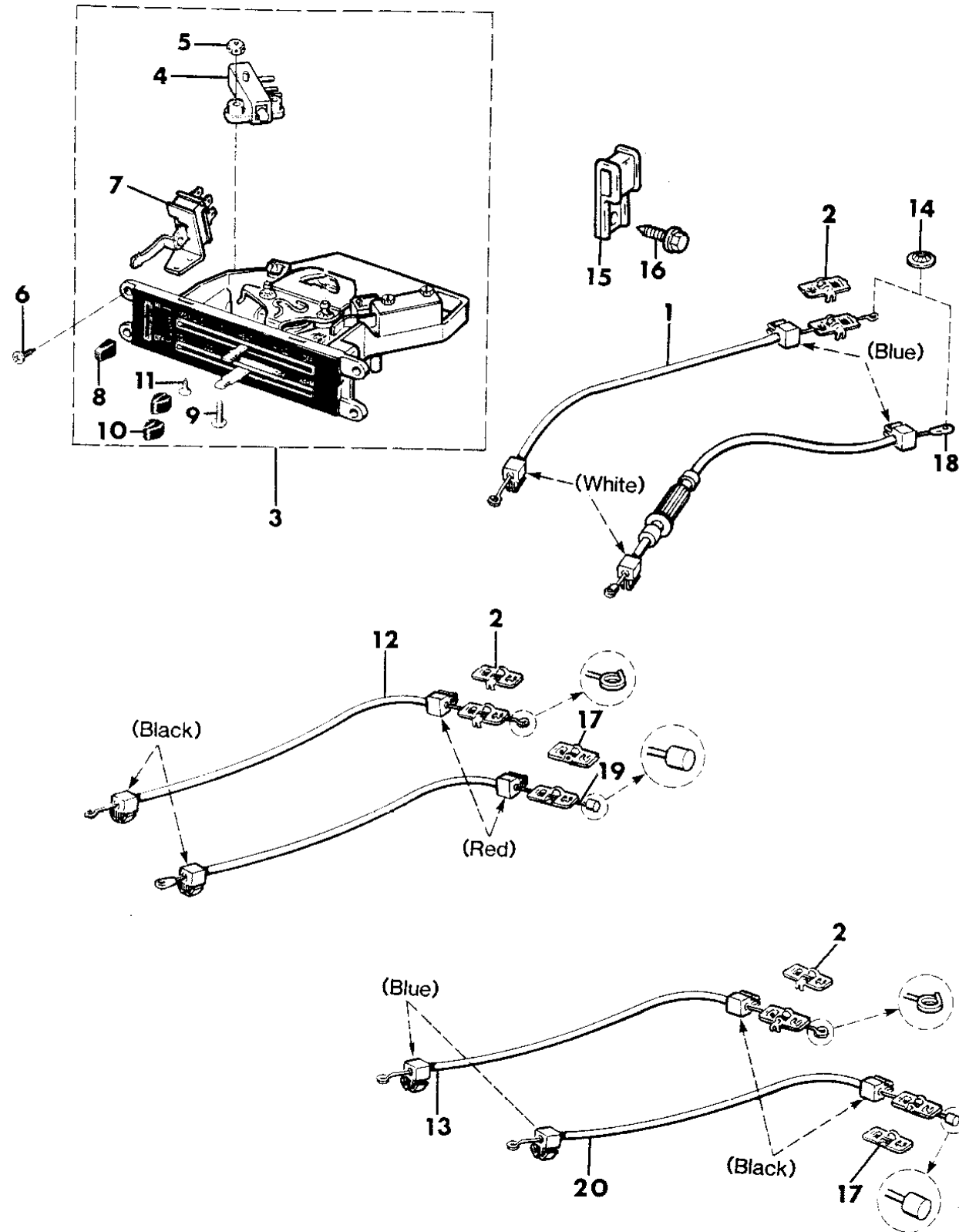
COMPRESSOR 6 CYLINDER ENGINE W/FACTORY AIR CONDITIONING WRANGLER, YJ .....	Fig. 24-2400
COMPRESSOR, W/AMERICAN AIR CONDITIONING WRANGLER, YJ .....	Fig. 24-2500
COMPRESSOR, AIR CONDITIONING CHEROKEE, WAGONEER, COMANCHE .....	Fig. 24-2600
COMPRESSOR, AIR CONDITIONING 6 CYLINDER ENGINE GRAND WAGONEER, J10, J20 .....	Fig. 24-2700
COMPRESSOR, AIR CONDITIONING, YORK EIGHT CYLINDER GRAND WAGONEER, J10, J20 .....	Fig. 24-2800
COMPRESSOR, AIR CONDITIONING, SANDEN 8 CYLINDER ENGINE GRAND WAGONEER .....	Fig. 24-2900
COMPRESSOR, W/AMERICAN AIR CONDITIONING WRANGLER, YJ .....	Fig. 24-3000
COMPRESSOR MOUNTING W/AMERICAN AIR CONDITIONING 4 CYLINDER AND 6 CYLINDER ENGINE WRANGLER, YJ .....	Fig. 24-3100
COMPRESSOR MOUNTING W/FACTORY AIR CONDITIONING CHEROKEE, WAGONEER, COMANCHE ..	Fig. 24-3200
COMPRESSOR MOUNTING, AIR CONDITIONING 6 CYLINDER ENGINE GRAND WAGONEER, J10, J20 ..	Fig. 24-3300
COMPRESSOR MOUNTING, AIR CONDITIONING 8 CYLINDER ENGINE GRAND WAGONEER, J10, J20 ..	Fig. 24-3400

#### AIR DUCTS AND OUTLETS

AIR DISTRIBUTION DUCTS, FRESH AIR WRANGLER, YJ .....	Fig. 24-3500
AIR DUCT AND OUTLET, FRESH AIR W/O HEATER EXPORT WRANGLER .....	Fig. 24-3600
AIR DUCTS AND OUTLETS CHEROKEE, WAGONEER, COMANCHE .....	Fig. 24-3700
AIR DUCT, HEATING AND DEFROSTING GRAND WAGONEER .....	Fig. 24-3800
AIR DUCTS AND OUTLETS, FRESH AIR INTAKE GRAND WAGONEER .....	Fig. 24-3900

CONTROLS, HEATER AND FRESH AIR WRANGLER, YJ  
Figure 24-100

8J24100



ITEM	PART NUMBER	QTY	BODY	MODEL	DESCRIPTION
1	5600 1934	1			CABLE, Air Vent
2	J400 5761	1			CLIP, part must be modified to fit this application
3	5603 0034	1			CONTROL, Heater
4	J369 3112	1			SWITCH, Vacuum
5	J400 3625	2			NUT
6	J400 3671	4			SCREW
7	8350 4250	1			SWITCH, Heater
8	J322 2059	1			KNOB, Heater Blower Switch
9	J400 1267	2			SCREW
10	J322 2060	2			KNOB, Heater Control
11	J812 2837	2			SCREW
12	5600 2696	1			CABLE, Defroster Control
13	5600 2699	1			CABLE, Temperature Control
14	J400 1714	AR			NUT
15	J400 5669	1			CLAMP
16	J942 1073	1			SCREW
17	5600 2700	AR			CLIP
18	5600 2698	1			CABLE, Air Vent
19	5600 2696	1			CABLE, Defroster Control
20	5600 2699	1			CABLE, Temperature Control

MODEL CODES:

15 = Grand Wagoneer 4 Dr.	65 = Comanche 4WD-7 Ft. Box	77 = Cherokee 4WD-2 Dr.
25 = J-10 Pickup-119" W.B.	66 = Comanche 2WD-7 Ft. Box	78 = Cherokee 4WD-4 Dr.
26 = J-10 Pickup-131" W.B.	73 = Cherokee 2WD-2 Dr.	79 = Cherokee 4WD-4 Dr.-Com
27 = J-20 Pickup-131" W.B.	74 = Cherokee 2WD-4 Dr.	81 = Wrangler-93" W.B.
63 = Comanche 4WD-6 Ft. Box	75 = Wagoneer 4WD-4 Dr.	82 = Wrangler-103" W.B.-Exp.
64 = Comanche 2WD-6 Ft. Box		

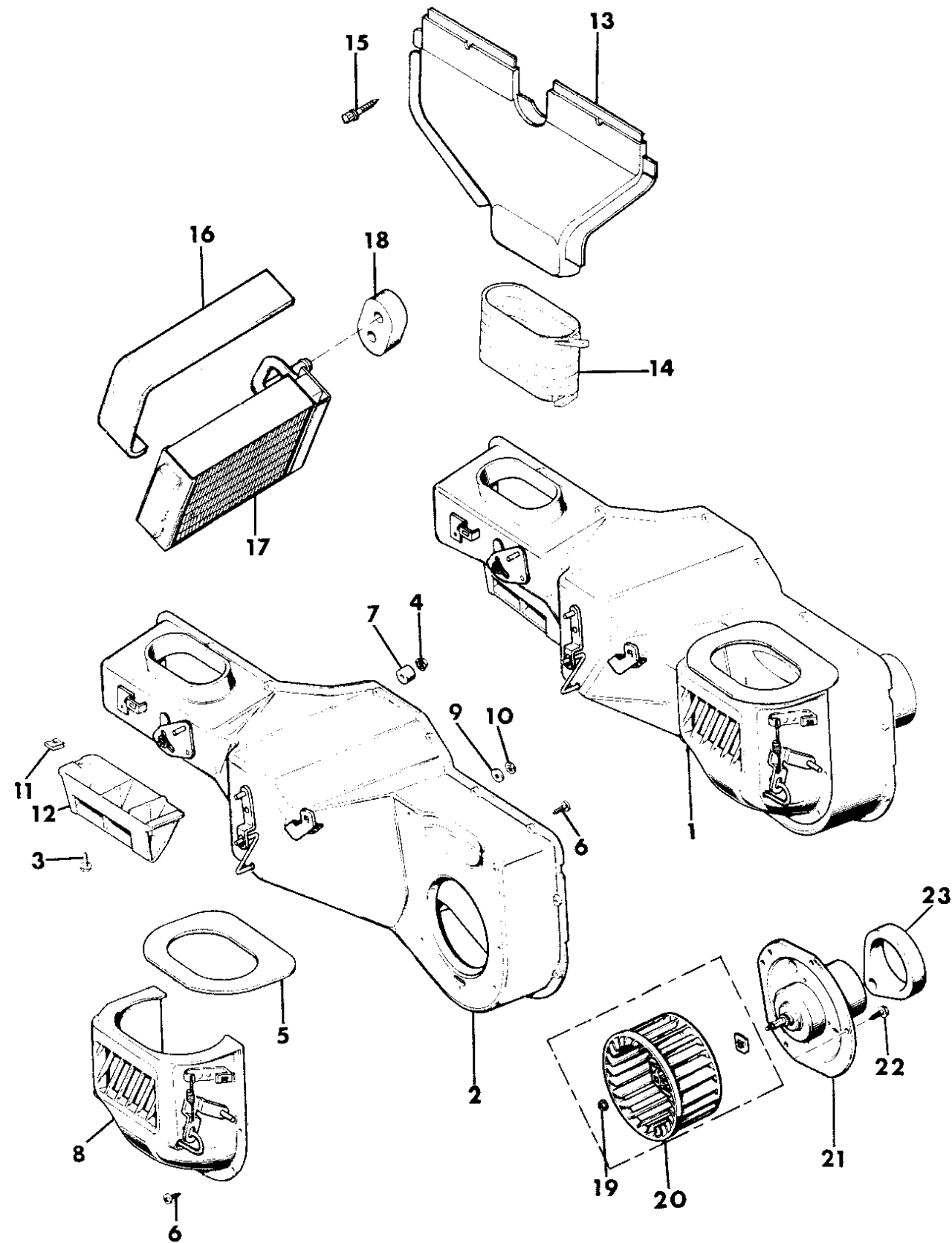
BODY STYLES:

MJ = Comanche Pickup  
SJ = Grand Wagoneer Wgn., J-10 & J-20 Pickups  
XJ = Cherokee, Wagoneer Limited  
YJ = Wrangler

AR = Use as Required - = Non Illustrated Part P.A.R. = Paint as Required

HEATER UNIT WRANGLER, YJ  
Figure 24-200

8J24 200



ITEM	PART NUMBER	QTY	BODY	MODEL	DESCRIPTION
1	5603 0133	1			HEATER ASSEMBLY ***
2	8350 2934	1			HOUSING, Heater
3	J400 0774	1			SCREW
4	J027 1172	4			NUT
5	J546 3794	1			SEAL
6	J400 4566	AR			SCREW
7	J546 2713	4			SPACER
8	5600 1465	1			HOUSING, Damper
9	J400 3089	1			WASHER
10	J400 1714	1			NUT, Push
11	J400 5843	1			NUT, U-Type
12	J546 1575	1			ADAPTER, Heater Outlet
13	5500 7298	1			DUCT, Defroster
14	5600 1477	1			HOSE
15	3420 1688	2			SCREW
16	J546 2704	1			SEAL, Heater Core
17	5600 1459	1			CORE, Heater
18	J546 2711	1			SEAL, Heater Core Tubes
19	J420 0306	1			NUT
20	J812 2174	1			WHEEL, Blower
21	5600 1449	1			MOTOR, Blower
22	J812 0054	5			SCREW
23	J546 2710	1			SEAL

MODEL CODES:

15 = Grand Wagoneer 4 Dr.	65 = Comanche 4WD-7 Ft. Box	77 = Cherokee 4WD-2 Dr.
25 = J-10 Pickup-119" W.B.	66 = Comanche 2WD-7 Ft. Box	78 = Cherokee 4WD-4 Dr.
26 = J-10 Pickup-131" W.B.	73 = Cherokee 2WD-2 Dr.	79 = Cherokee 4WD-4 Dr.-Com
27 = J-20 Pickup-131" W.B.	74 = Cherokee 2WD-4 Dr.	81 = Wrangler-93" W.B.
63 = Comanche 4WD-6 Ft. Box	75 = Wagoneer 4WD-4 Dr.	82 = Wrangler-103" W.B.-Exp.
64 = Comanche 2WD-6 Ft. Box		

BODY STYLES:

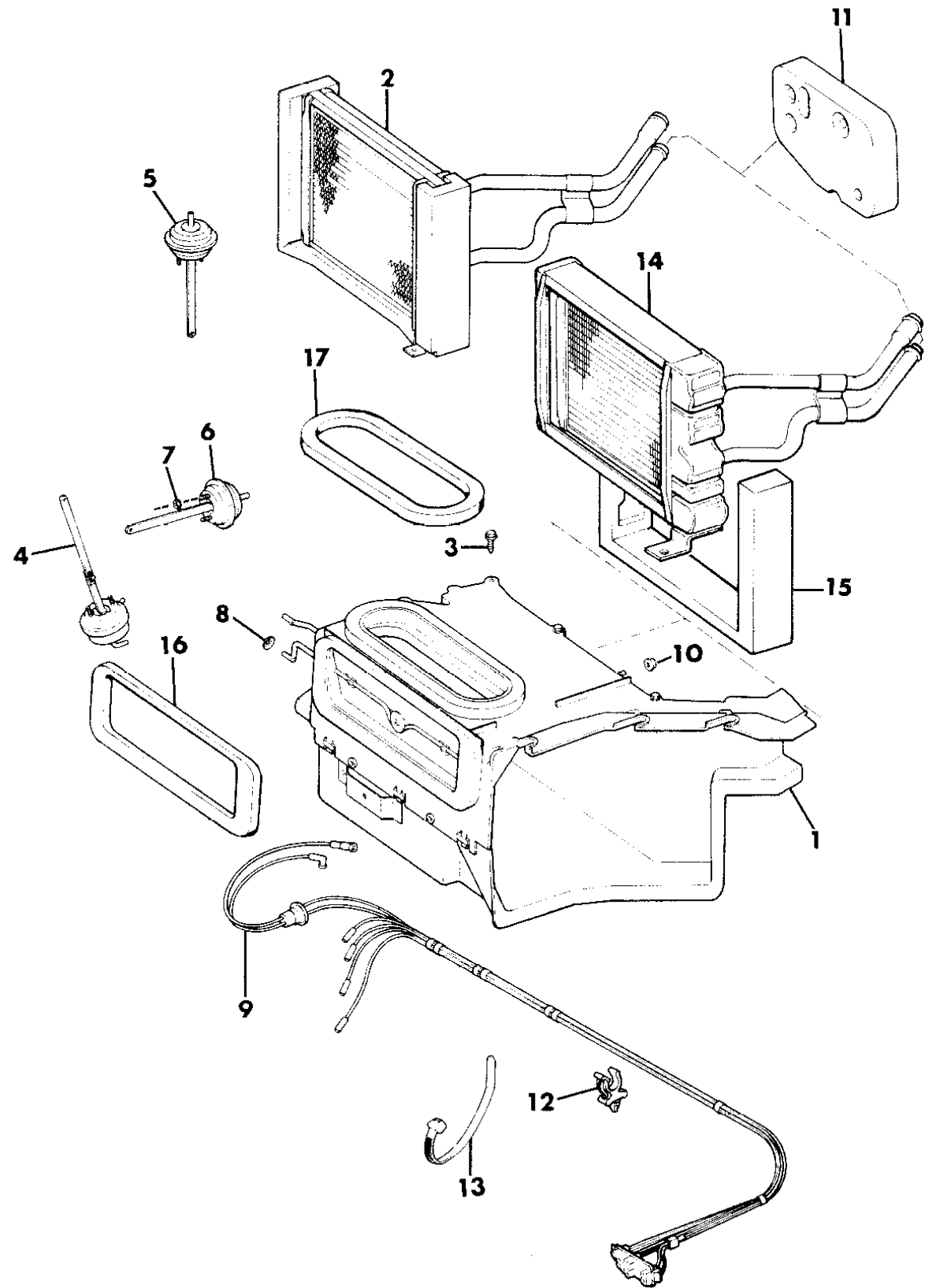
MJ = Comanche Pickup  
SJ = Grand Wagoneer Wgn., J-10 & J-20 Pickups  
XJ = Cherokee, Wagoneer Limited  
YJ = Wrangler

AR = Use as Required - = Non Illustrated Part P.A.R. = Paint as Required

# HOUSING AND CORE, HEATER CHEROKEE, WAGONEER, COMANCHE

Figure 24-300

8 J24 300



ITEM	PART NUMBER	QTY	BODY	MODEL	DESCRIPTION
1					HOUSING, Heater
	8350 0957	1			w/o Air Cond.
	8350 0959	1			w/Air Cond.
2	5600 0049	1			CORE, Heater, w/Gas Engine
3	3420 1366	3			SCREW
4	5600 0043	1			MOTOR, Heater Vacuum, Defroster
5	5600 0044	1			MOTOR, Heater Vacuum
6	5600 0198	1			MOTOR, Heater Vacuum, Inst. Panel Outlet
7	3420 1001	AR			NUT
8	J400 0369	AR			NUT, Push
9					HOSE, Vacuum
	5600 1772	1			w/o Air Cond.
	5600 1771	1			w/Air Cond.
10	3420 1358	2			NUT
11	5600 1268	1			SEAL, w/o Air Cond.
12	5600 1280	1			CLIP
13	J322 3227	1			STRAP
14	5600 1321	1			CORE, Heater, w/Diesel Engine
15	5600 1322	1			SEAL, Heater Core, w/Diesel Engine
16	5600 0533	1			SEAL
17	5600 0513	1			SEAL

MODEL CODES:

15 = Grand Wagoneer 4 Dr.	65 = Comanche 4WD-7 Ft. Box	77 = Cherokee 4WD-2 Dr.
25 = J-10 Pickup-119" W.B.	66 = Comanche 2WD-7 Ft. Box	78 = Cherokee 4WD-4 Dr.
26 = J-10 Pickup-131" W.B.	73 = Cherokee 2WD-2 Dr.	79 = Cherokee 4WD-4 Dr.-Com
27 = J-20 Pickup-131" W.B.	74 = Cherokee 2WD-4 Dr.	81 = Wrangler-93" W.B.
63 = Comanche 4WD-6 Ft. Box	75 = Wagoneer 4WD-4 Dr.	82 = Wrangler-103" W.B.-Exp.
64 = Comanche 2WD-6 Ft. Box		

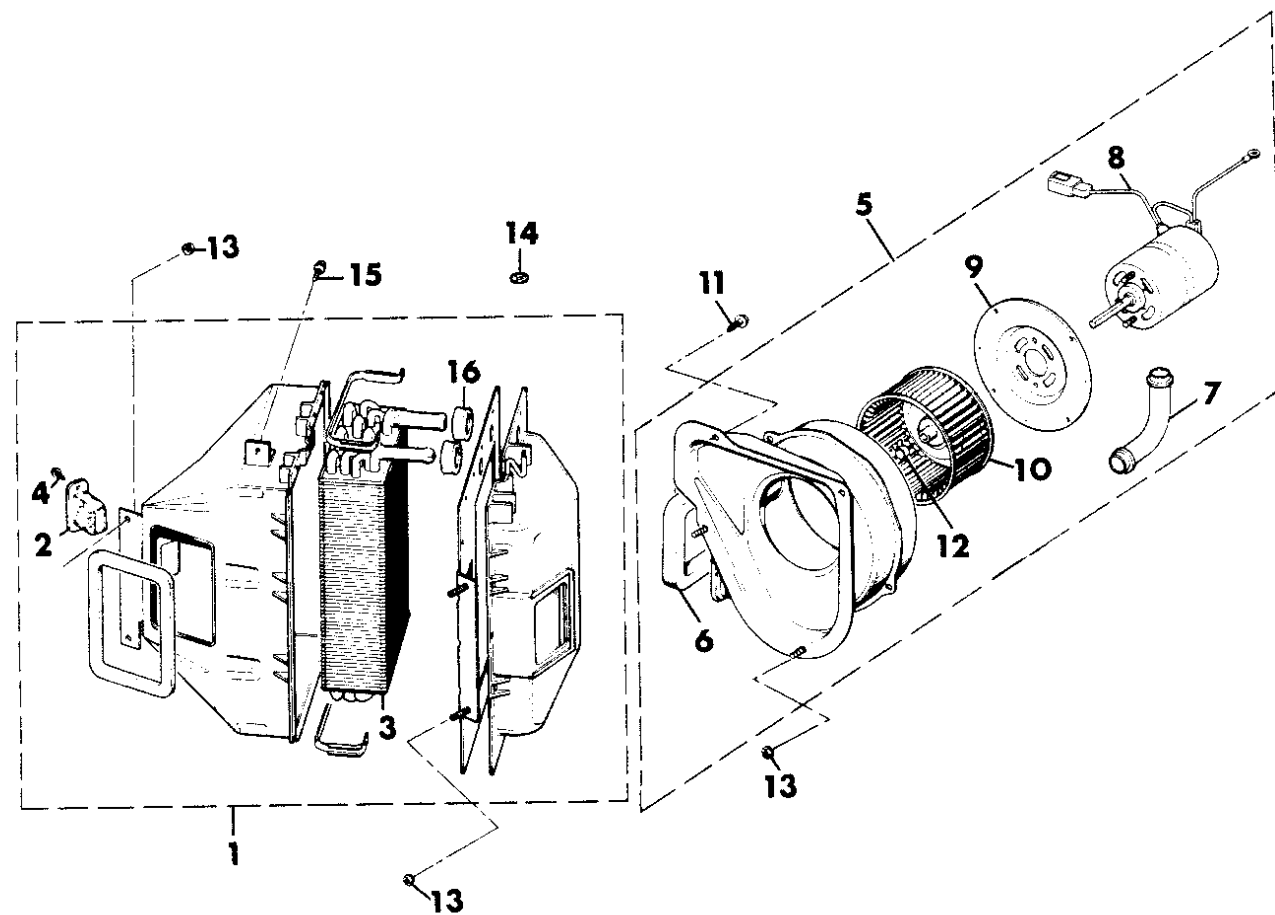
BODY STYLES:

MJ = Comanche Pickup  
 SJ = Grand Wagoneer Wgn., J-10 & J-20 Pickups  
 XJ = Cherokee, Wagoneer Limited  
 YJ = Wrangler

AR = Use as Required - = Non Illustrated Part P.A.R. = Paint as Required

**CORE AND BLOWER MOTOR, HEATER GRAND WAGONEER**  
**Figure 24-400**

8J24 400



ITEM	PART NUMBER	QTY	BODY	MODEL	DESCRIPTION
1					HEATER
	5600 1493	1			1987-89
	5600 3915	1			1990
2					RESISTOR
	5600 1516	1			Up to 10-2-89
	5600 3913	1			After 10-2-89
3	J812 8784	1			CORE, Heater
4	J812 0054	2			SCREW
5	J546 4398	1			BLOWER, Heater 1988/90
6	J546 4395	1			GASKET
7	J322 0580	1			TUBE, Cooling
8	J812 8778	1			MOTOR, Blower
9	J546 4439	1			PLATE, Blower Motor Mounting
10	J322 0588	1			WHEEL, Blower
11	J942 3952	2			SCREW
12					CLAMP
	J093 4246	1			1987-89
	J318 1643	1			1990
13	J027 1172	AR			NUT
14	J400 6866	1			NUT, Push
15	J812 0052	1			SCREW
16	J546 4422	2			SEAL

**MODEL CODES:**

15 = Grand Wagoneer 4 Dr.	65 = Comanche 4WD-7 Ft. Box	77 = Cherokee 4WD-2 Dr.
25 = J-10 Pickup-119" W.B.	66 = Comanche 2WD-7 Ft. Box	78 = Cherokee 4WD-4 Dr.
26 = J-10 Pickup-131" W.B.	73 = Cherokee 2WD-2 Dr.	79 = Cherokee 4WD-4 Dr.-Com
27 = J-20 Pickup-131" W.B.	74 = Cherokee 2WD-4 Dr.	81 = Wrangler-93" W.B.
63 = Comanche 4WD-6 Ft. Box	75 = Wagoneer 4WD-4 Dr.	82 = Wrangler-103" W.B.-Exp.
64 = Comanche 2WD-6 Ft. Box		

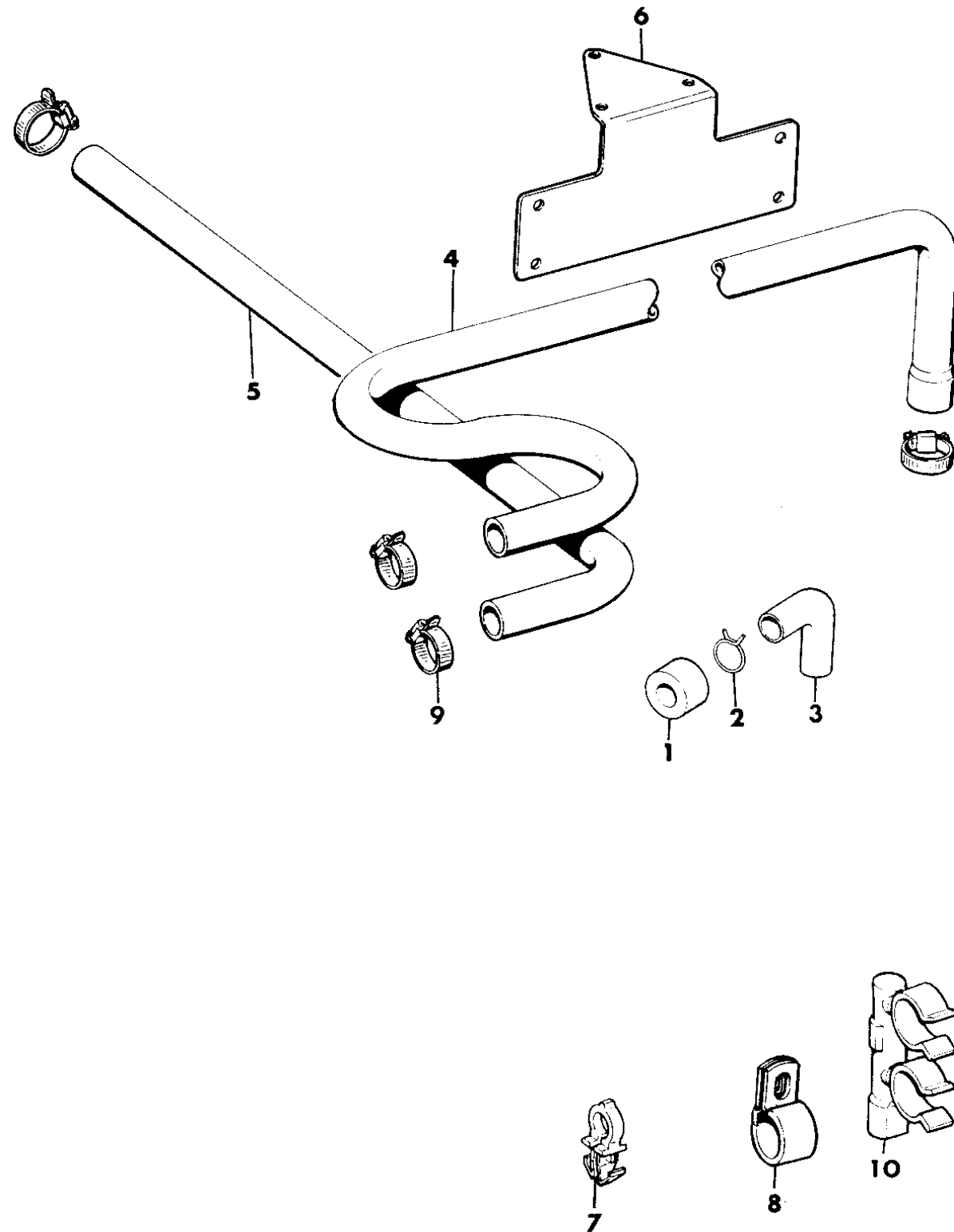
**BODY STYLES:**

MJ = Comanche Pickup  
 SJ = Grand Wagoneer Wgn., J-10 & J-20 Pickups  
 XJ = Cherokee, Wagoneer Limited  
 YJ = Wrangler

AR = Use as Required - = Non Illustrated Part P.A.R. = Paint as Required

PLUMBING, HEATER WRANGLER, YJ  
Figure 24-500

8J24 500



ITEM	PART NUMBER	QTY	BODY	MODEL	DESCRIPTION
1	J546 2712	1			SEAL
2	S027 2844	1			CLAMP, Hose
3	J546 3814	1			HOSE, Drain
4					HOSE, Core to Pump
	5200 3912	1			2.5L Engine
	5200 3907	1			4.2L Engine
5					HOSE, Manifold to Heater Core
	5200 3841	1			2.5L Engine
	5200 3909	1			4.2L Engine
6	5200 2985	1			BRACKET, Hose Mounting
7	3420 2510	2			CLIP, Hose Support
8	J372 8064	2			CLIP, Wire
9	J320 3077	4			CLAMP, Hose
10	3300 1640	1			BRACKET, Support

MODEL CODES:

15 = Grand Wagoneer 4 Dr.	65 = Comanche 4WD-7 Ft. Box	77 = Cherokee 4WD-2 Dr.
25 = J-10 Pickup-119" W.B.	66 = Comanche 2WD-7 Ft. Box	78 = Cherokee 4WD-4 Dr.
26 = J-10 Pickup-131" W.B.	73 = Cherokee 2WD-2 Dr.	79 = Cherokee 4WD-4 Dr.-Com
27 = J-20 Pickup-131" W.B.	74 = Cherokee 2WD-4 Dr.	81 = Wrangler-93" W.B.
63 = Comanche 4WD-6 Ft. Box	75 = Wagoneer 4WD-4 Dr.	82 = Wrangler-103" W.B.-Exp.
64 = Comanche 2WD-6 Ft. Box		

BODY STYLES:

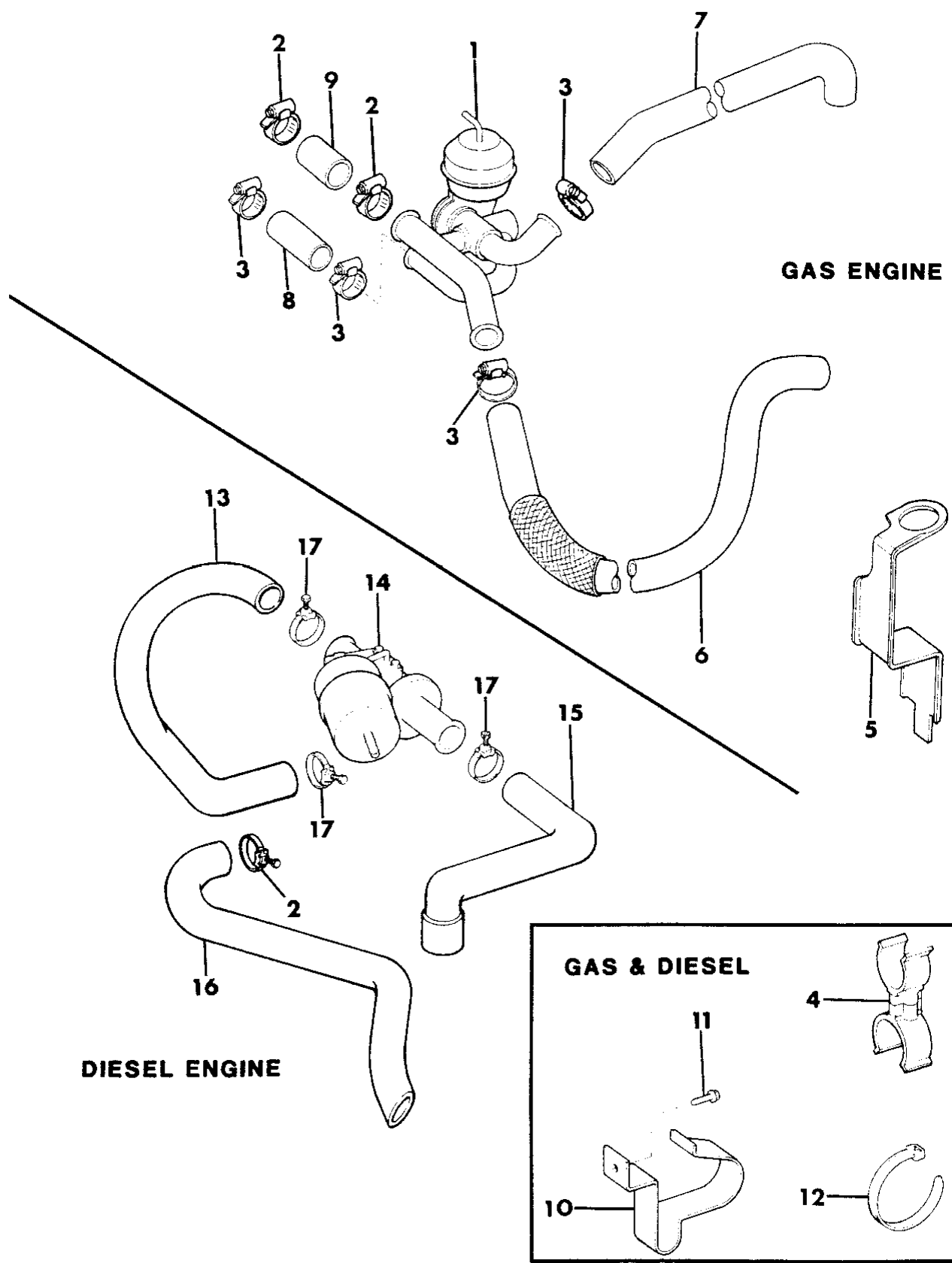
MJ = Comanche Pickup  
 SJ = Grand Wagoneer Wgn., J-10 & J-20 Pickups  
 XJ = Cherokee, Wagoneer Limited  
 YJ = Wrangler

AR = Use as Required - = Non Illustrated Part P.A.R. = Paint as Required

**HOSES, HEATER 2.5L GAS ENGINE AND DIESEL ENGINE CHEROKEE, WAGONEER, COMANCHE**  
**Figure 24-600**

8J24 600

ITEM	PART NUMBER	QTY	BODY	MODEL	DESCRIPTION
1	5600 2522	1			VALVE, Water, Gas Engine
2	J320 3077	AR			CLAMP, Hose, 13/16" to 1 3/4"
3	J320 3076	AR			CLAMP, Hose, 9/16" to 1 1/16"
4					CLIP
	5600 1786	1			Gas Engine
	5200 1603	1			Diesel Engine
5	5500 9747	1			CLIP, Gas Engine
6					HOSE
	5200 3603	1			w/o Factory Air Cond., Core to Pump, Gas Engine
	5200 3917	1			w/Factory Air Cond., Valve to Pump, Gas Engine
7					HOSE
	5200 3840	1			U.S. and Canada, Gas Engine
	5600 1254	1			Non Regulated Markets, Gas Engine
8	J320 3739	1			Hose, Valve to Heater Inlet, Gas Engine, 15.9mm I.D. (serv. in 50 ft. roll) ***
9	5200 3887	1			HOSE, Valve to Heater Outlet, Gas Engine
10	5600 0712	1			BRACKET
11	3420 1489	1			SCREW
12	J322 3227	AR			STRAP
13	5600 1265	1			HOSE, Diesel Engine
14	J322 2290	1			VALVE, Heater, Diesel Engine
15	5600 1277	1			HOSE, Diesel Engine
16	5600 1696	1			HOSE, Diesel Engine
17	J320 3076	AR			CLAMP, Hose, Diesel Engine



**MODEL CODES:**  
 15 = Grand Wagoneer 4 Dr.      65 = Comanche 4WD-7 Ft. Box      77 = Cherokee 4WD-2 Dr.  
 25 = J-10 Pickup-119" W.B.      66 = Comanche 2WD-7 Ft. Box      78 = Cherokee 4WD-4 Dr.  
 26 = J-10 Pickup-131" W.B.      73 = Cherokee 2WD-2 Dr.      79 = Cherokee 4WD-4 Dr.-Com  
 27 = J-20 Pickup-131" W.B.      74 = Cherokee 2WD-4 Dr.      81 = Wrangler-93" W.B.  
 63 = Comanche 4WD-6 Ft. Box      75 = Wagoneer 4WD-4 Dr.      82 = Wrangler-103" W.B.-Exp.  
 64 = Comanche 2WD-6 Ft. Box

**BODY STYLES:**  
 MJ = Comanche Pickup  
 SJ = Grand Wagoneer Wgn., J-10 & J-20 Pickups  
 XJ = Cherokee, Wagoneer Limited  
 YJ = Wrangler

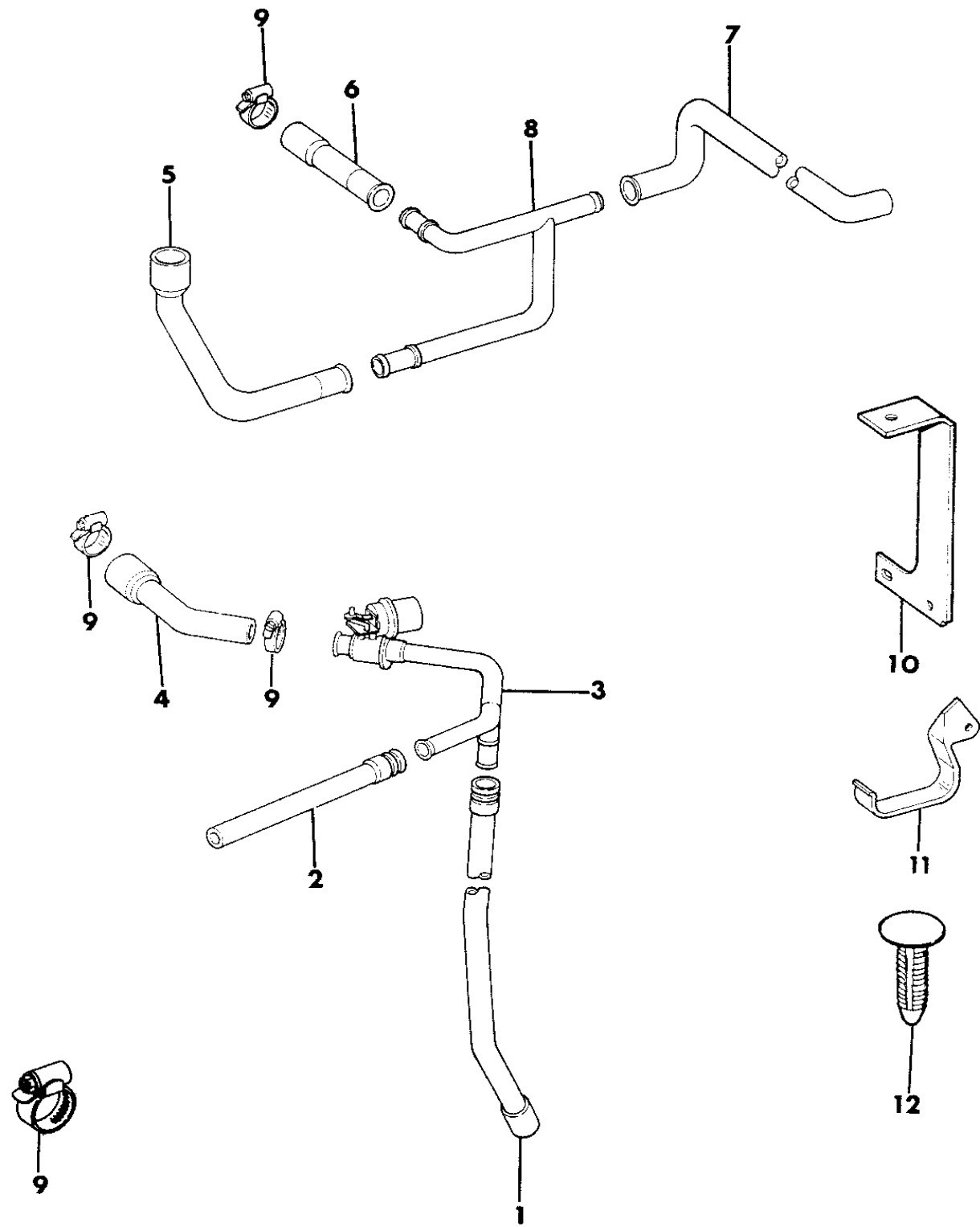
AR = Use as Required - = Non Illustrated Part P.A.R. = Paint as Required



**HOSES, HEATER 4.0L ENGINE CHEROKEE, WAGONEER, COMANCHE**  
**Figure 24-700**

8 J24 700

ITEM	PART NUMBER	QTY	BODY	MODEL	DESCRIPTION
1	5200 3880	1			HOSE, Water Pump to Valve Tee
2	5200 3881	1			HOSE, Bottle to Valve Tee
3	5200 3226	1			VALVE, Heater
4	5200 3882	1			HOSE, Valve to Heater
5	5200 3876	1			HOSE, Bottle to Tee
6	5200 3877	1			HOSE, Heater to Tee
7	5200 3878	1			HOSE, Tee to Pump
8	5200 3248	1			TEE
9					CLAMP, Hose
	J320 3076	AR			9/16" to 1-1/16"
	J320 3077	AR			13/16" to 1-3/4"
10	5200 3030	1			BRACKET, Hose Mounting
11	5200 3241	1			BRACKET, Hose Mounting
12	3420 1942	AR			FASTENER



**MODEL CODES:**

15 = Grand Wagoneer 4 Dr.	65 = Comanche 4WD-7 Ft. Box	77 = Cherokee 4WD-2 Dr.
25 = J-10 Pickup-119" W.B.	66 = Comanche 2WD-7 Ft. Box	78 = Cherokee 4WD-4 Dr.
26 = J-10 Pickup-131" W.B.	73 = Cherokee 2WD-2 Dr.	79 = Cherokee 4WD-4 Dr.-Com
27 = J-20 Pickup-131" W.B.	74 = Cherokee 2WD-4 Dr.	81 = Wrangler-93" W.B.
63 = Comanche 4WD-6 Ft. Box	75 = Wagoneer 4WD-4 Dr.	82 = Wrangler-103" W.B.-Exp.
64 = Comanche 2WD-6 Ft. Box		

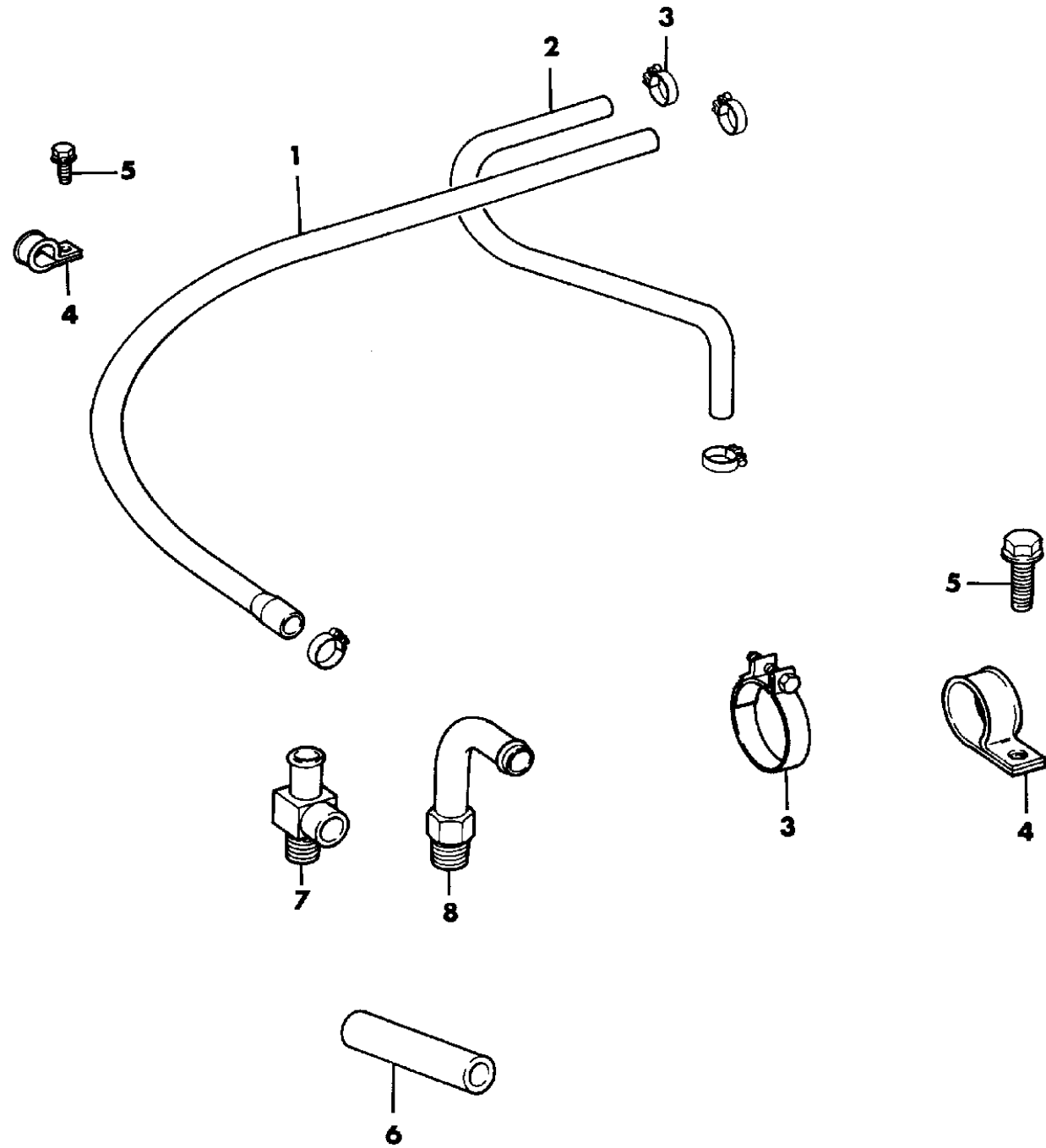
**BODY STYLES:**

MJ = Comanche Pickup  
 SJ = Grand Wagoneer Wgn., J-10 & J-20 Pickups  
 XJ = Cherokee, Wagoneer Limited  
 YJ = Wrangler

AR = Use as Required - = Non Illustrated Part P.A.R. = Paint as Required

**HOSES, HEATER GRAND WAGONEER, J10, J20**  
**Figure 24-800**

**8J24 800**



ITEM	PART NUMBER	QTY	BODY	MODEL	DESCRIPTION
1	J576 5301	1			HOSE, Core to Pump
2	J576 4195	1			HOSE, Manifold to Heater Core 8 Cyl. Engine
	1315 466	1			6 Cyl. Engine, 15.9mm I.D. (serv. in 50 ft. roll)
3	S044 3632	AR			CLAMP
4	J400 3838	1			CLIP
5	J400 1814	1			SCREW, 8 Cyl. Engine
6	J535 4540	1			PROTECTOR, Hose, 8 Cyl. Engine
7	J322 3227	1			STRAP, 6 Cyl. Engine
8	5300 0680	1			FITTING, 90 Degree, 8 Cyl. Engine
9	J321 9631	1			NIPPLE, Manifold, 8 Cyl. Engine
10	J576 4086	1			BRACKET, Hose Mounting, 6 Cyl. Engine

**MODEL CODES:**

15 = Grand Wagoneer 4 Dr.	65 = Comanche 4WD-7 Ft. Box	77 = Cherokee 4WD-2 Dr.
25 = J-10 Pickup-119" W.B.	66 = Comanche 2WD-7 Ft. Box	78 = Cherokee 4WD-4 Dr.
26 = J-10 Pickup-131" W.B.	73 = Cherokee 2WD-2 Dr.	79 = Cherokee 4WD-4 Dr.-Com
27 = J-20 Pickup-131" W.B.	74 = Cherokee 2WD-4 Dr.	81 = Wrangler-93" W.B.
63 = Comanche 4WD-6 Ft. Box	75 = Wagoneer 4WD-4 Dr.	82 = Wrangler-103" W.B.-Exp.
64 = Comanche 2WD-6 Ft. Box		

**BODY STYLES:**

MJ = Comanche Pickup  
 SJ = Grand Wagoneer Wgn., J-10 & J-20 Pickups  
 XJ = Cherokee, Wagoneer Limited  
 YJ = Wrangler

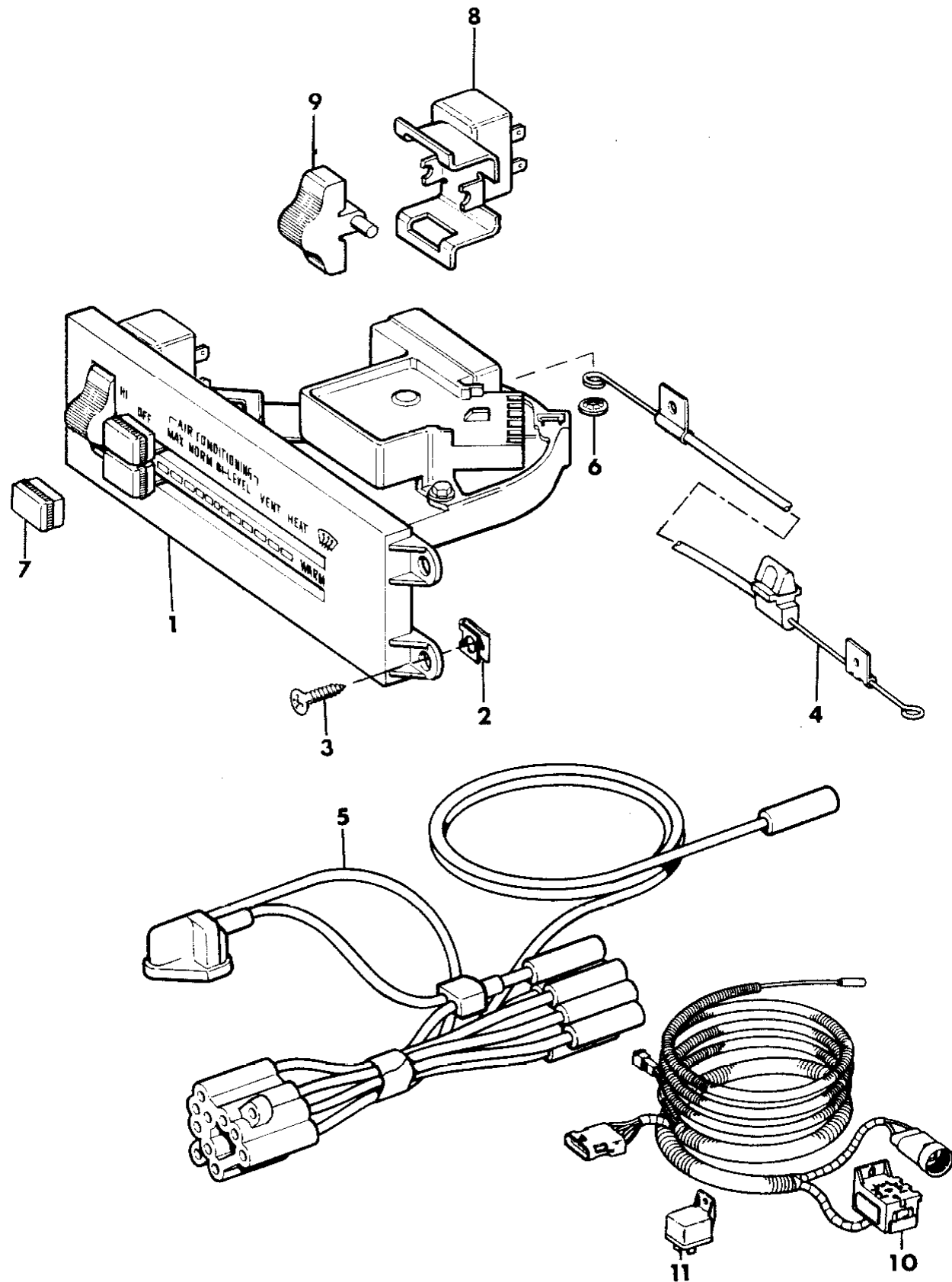
AR = Use as Required - = Non Illustrated Part P.A.R. = Paint as Required

CONTROLS, HEATER AND AIR CONDITIONING CHEROKEE, WAGONEER, COMANCHE

Figure 24-900

8 J24 900

ITEM	PART NUMBER	QTY	BODY	MODEL	DESCRIPTION
1					CONTROL, Heater
	5600 1761	1			w/o Air Cond.
	5600 1762	1			w/Air Cond.
2	J400 4223	4			NUT
3	J400 2461	4			SCREW
4	5600 3542	1			CABLE, Blend Air Door
5	8350 4357	1			HARNESSES, Vacuum, w/Field Installed American Air Conditioning
6	J400 6866	1			NUT
7	8350 2718	2			KNOB
8	8350 2719	1			SWITCH, Blower
9	8350 2721	1			WHEEL, Thumb
10	8350 5538	1			HARNESSES, Jumper, w/Field Installed American Air Conditioning
11	3300 1776	1			RELAY, w/Field Installed American Air Conditioning



MODEL CODES:

15 = Grand Wagoneer 4 Dr.	65 = Comanche 4WD-7 Ft. Box	77 = Cherokee 4WD-2 Dr.
25 = J-10 Pickup-119" W.B.	66 = Comanche 2WD-7 Ft. Box	78 = Cherokee 4WD-4 Dr.
26 = J-10 Pickup-131" W.B.	73 = Cherokee 2WD-2 Dr.	79 = Cherokee 4WD-4 Dr.-Com
27 = J-20 Pickup-131" W.B.	74 = Cherokee 2WD-4 Dr.	81 = Wrangler-93" W.B.
63 = Comanche 4WD-6 Ft. Box	75 = Wagoneer 4WD-4 Dr.	82 = Wrangler-103" W.B.-Exp.
64 = Comanche 2WD-6 Ft. Box		

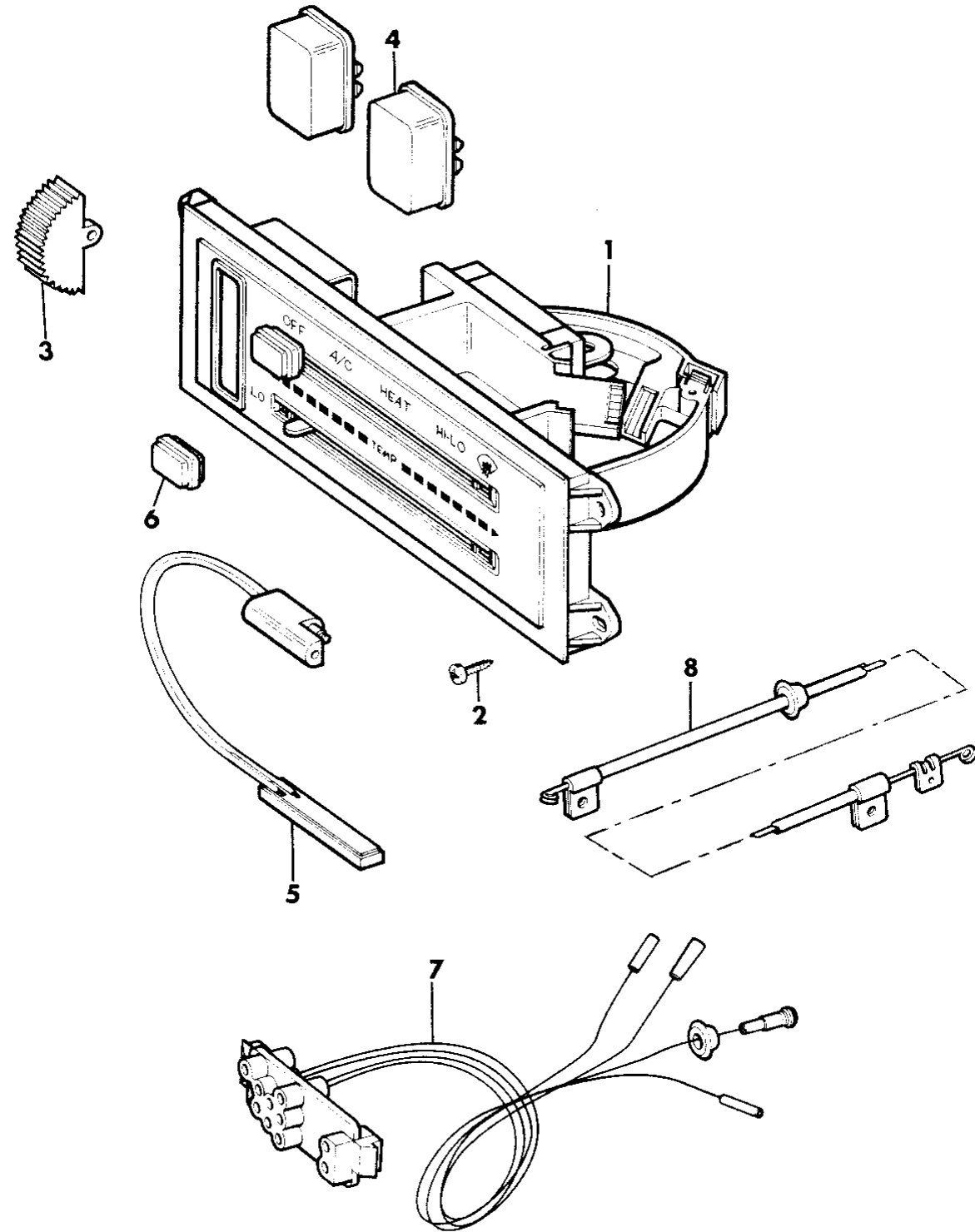
BODY STYLES:

MJ = Comanche Pickup  
 SJ = Grand Wagoneer Wgn., J-10 & J-20 Pickups  
 XJ = Cherokee, Wagoneer Limited  
 YJ = Wrangler

AR = Use as Required - = Non Illustrated Part P.A.R. = Paint as Required

**CONTROLS, HEATER AND AIR CONDITIONING GRAND WAGONEER, J10, J20**  
**Figure 24-1000**

8 J24 1000



ITEM	PART NUMBER	QTY	BODY	MODEL	DESCRIPTION
1					CONTROL, Heater w/o Factory Air Cond.
	5600 1688	1			1987-89
	5600 1492	1			1990
	5600 1492	1			w/Factory Air Cond.
2	T301 6024	4			SCREW
3	8350 2721	1			WHEEL, Thumb
4					SWITCH, Heater
	8350 2719	1			w/o Factory Air Cond.
	8350 2720	1			w/Factory Air Cond.
5	8350 2722	1			POTENTIOMETER, w/Factory Air Cond. ***
6	8350 2718	2			KNOB, Heater and Air Conditioning Control
7					HARNES, Vacuum
	5600 1506	1			1987-89
	5600 4190	1			1990
8	5600 3524	1			CABLE, Temperature Control

**MODEL CODES:**

15 = Grand Wagoneer 4 Dr.	65 = Comanche 4WD-7 Ft. Box	77 = Cherokee 4WD-2 Dr.
25 = J-10 Pickup-119" W.B.	66 = Comanche 2WD-7 Ft. Box	78 = Cherokee 4WD-4 Dr.
26 = J-10 Pickup-131" W.B.	73 = Cherokee 2WD-2 Dr.	79 = Cherokee 4WD-4 Dr.-Com
27 = J-20 Pickup-131" W.B.	74 = Cherokee 2WD-4 Dr.	81 = Wrangler-93" W.B.
63 = Comanche 4WD-6 Ft. Box	75 = Wagoneer 4WD-4 Dr.	82 = Wrangler-103" W.B.-Exp.
64 = Comanche 2WD-6 Ft. Box		

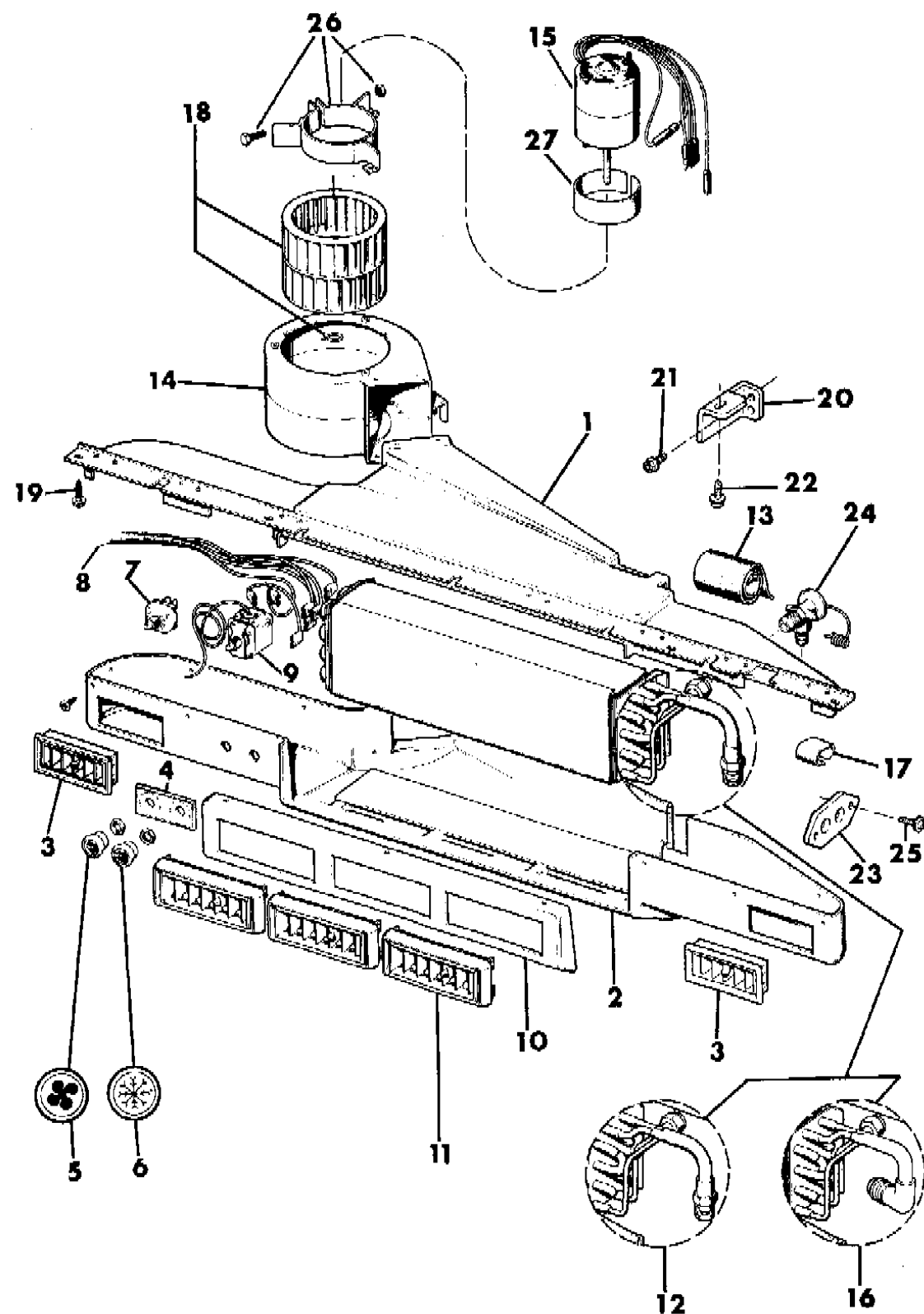
**BODY STYLES:**

MJ = Comanche Pickup  
 SJ = Grand Wagoneer Wgn., J-10 & J-20 Pickups  
 XJ = Cherokee, Wagoneer Limited  
 YJ = Wrangler

AR = Use as Required - = Non Illustrated Part P.A.R. = Paint as Required

**EVAPORATOR AND BLOWER, AIR CONDITIONING WRANGLER, YJ**  
**Figure 24-1100**

8 J24 1100 A



ITEM	PART NUMBER	QTY	BODY	MODEL	DESCRIPTION
1	8350 2974	1			HOUSING, Upper
2	8350 2975	1			HOUSING, Lower
3					OUTLET, Air
	J812 8135	2			Silver and Black
	4638 164	2			Black
4					PLATE
	J812 8133	1			Silver and Black
	4638 165	1			Black
5	J813 3710	1			KNOB, Blower Switch
6	J813 3711	1			KNOB, Temperature Control
7	J812 9018	1			SWITCH, Air Conditioning Blower
8	J813 2666	1			HARNES
9	J812 1840	1			THERMOSTAT
10					PANEL, Outlet Mounting
	J812 8129	1			1987-89
	5600 4733	1			1990
11					OUTLET, Air
	J812 8134	3			Silver and Black
	4638 166	3			Black
12	J812 8124	1			CORE, Evaporator, w/Type 1 Hoses
13	J369 3126	1			TAPE, Insulation
14	J812 8128	1			HOUSING, Blower/Evaporator
15	J812 8125	1			MOTOR, Blower
16					CORE, Evaporator
	5600 4686	1			Factory A/C
	5600 3040	1			American A/C
17	J812 1901	1			CLAMP, Expansion Valve Bulb
18	J812 6991	1			WHEEL, Blower
19	J812 0054	4			SCREW
20	J576 3697	1			BRACKET, Support
21	J400 4077	2			SCREW
22	J400 1701	1			SCREW
23	J318 5484	1			GROMMET
24					VALVE, Expansion
	J812 1823	1			1987-89
	5600 4689	1			1990
25	J400 4642	2			SCREW

**MODEL CODES:**

15 = Grand Wagoneer 4 Dr.	65 = Comanche 4WD-7 Ft. Box	77 = Cherokee 4WD-2 Dr.
25 = J-10 Pickup-119" W.B.	66 = Comanche 2WD-7 Ft. Box	78 = Cherokee 4WD-4 Dr.
26 = J-10 Pickup-131" W.B.	73 = Cherokee 2WD-2 Dr.	79 = Cherokee 4WD-4 Dr.-Com
27 = J-20 Pickup-131" W.B.	74 = Cherokee 2WD-4 Dr.	81 = Wrangler-93" W.B.
63 = Comanche 4WD-6 Ft. Box	75 = Wagoneer 4WD-4 Dr.	82 = Wrangler-103" W.B.-Exp.
64 = Comanche 2WD-6 Ft. Box		

**BODY STYLES:**

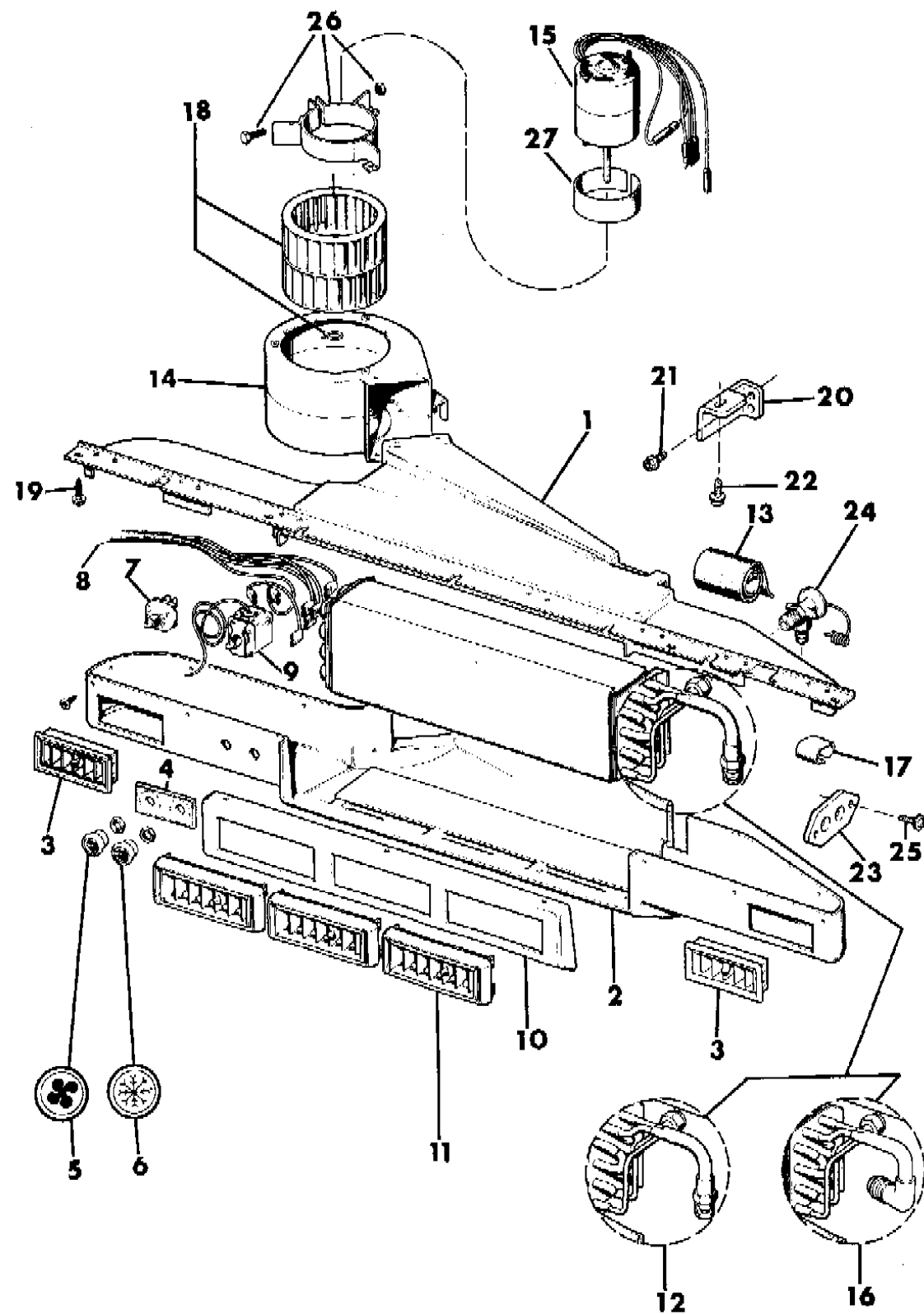
MJ = Comanche Pickup  
 SJ = Grand Wagoneer Wgn., J-10 & J-20 Pickups  
 XJ = Cherokee, Wagoneer Limited  
 YJ = Wrangler

AR = Use as Required - = Non Illustrated Part P.A.R. = Paint as Required

**EVAPORATOR AND BLOWER, AIR CONDITIONING WRANGLER, YJ**  
**Figure 24-1100**

8 J24 1100 A

ITEM	PART NUMBER	QTY	BODY	MODEL	DESCRIPTION
26	J812 6989	1			BRACKET, Blower Motor Mounting
27	J812 6993	1			INSULATION



**MODEL CODES:**

- |                             |                             |                              |
|-----------------------------|-----------------------------|------------------------------|
| 15 = Grand Wagoneer 4 Dr.   | 65 = Comanche 4WD-7 Ft. Box | 77 = Cherokee 4WD-2 Dr.      |
| 25 = J-10 Pickup-119" W.B.  | 66 = Comanche 2WD-7 Ft. Box | 78 = Cherokee 4WD-4 Dr.      |
| 26 = J-10 Pickup-131" W.B.  | 73 = Cherokee 2WD-2 Dr.     | 79 = Cherokee 4WD-4 Dr.-Com  |
| 27 = J-20 Pickup-131" W.B.  | 74 = Cherokee 2WD-4 Dr.     | 81 = Wrangler-93" W.B.       |
| 63 = Comanche 4WD-6 Ft. Box | 75 = Wagoneer 4WD-4 Dr.     | 82 = Wrangler-103" W.B.-Exp. |
| 64 = Comanche 2WD-6 Ft. Box |                             |                              |

**BODY STYLES:**

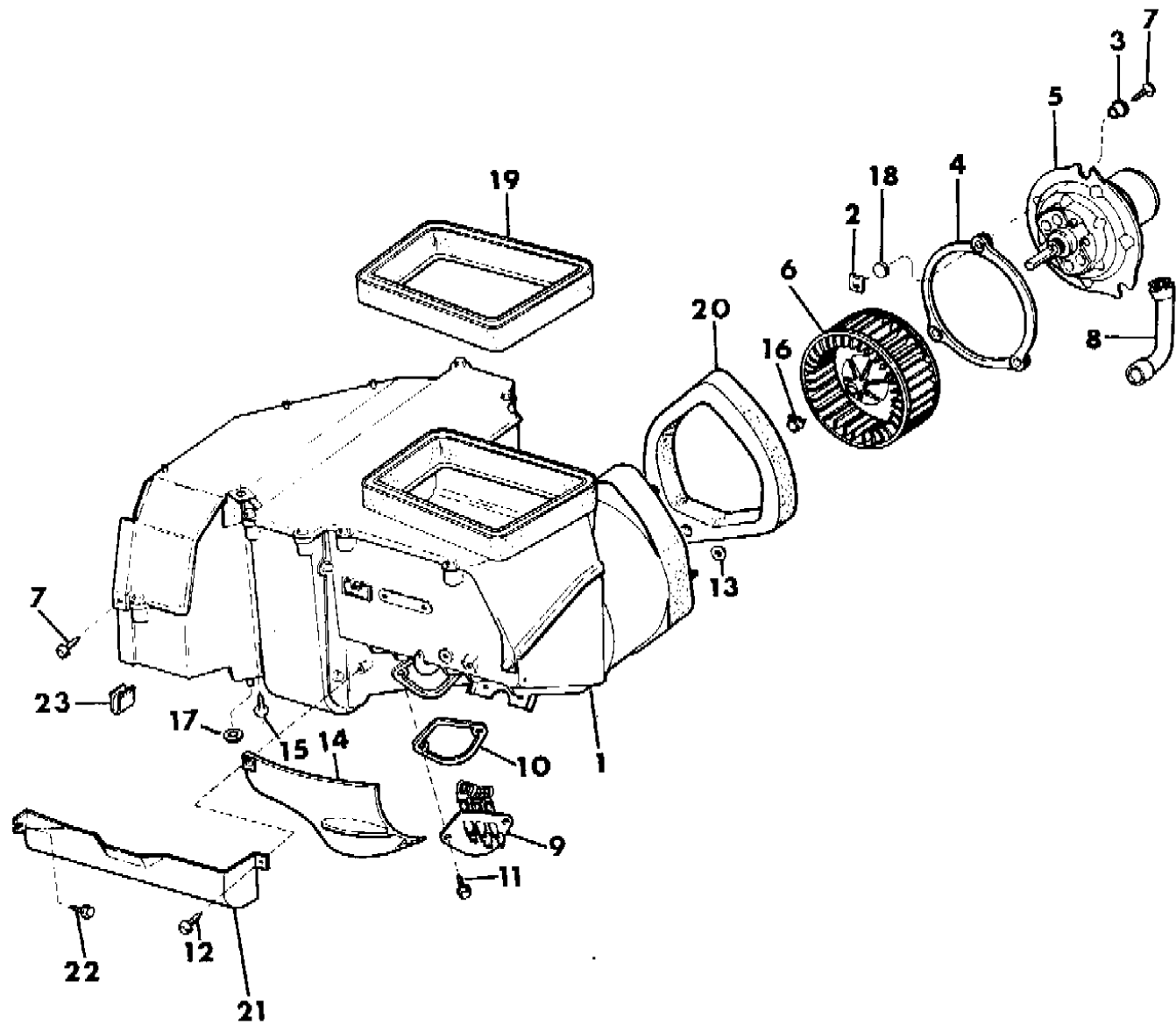
- MJ = Comanche Pickup  
 SJ = Grand Wagoneer Wgn., J-10 & J-20 Pickups  
 XJ = Cherokee, Wagoneer Limited  
 YJ = Wrangler

AR = Use as Required - = Non Illustrated Part P.A.R. = Paint as Required

BLOWER MOTOR AND HOUSING HEATER AND AIR CONDITIONING CHEROKEE, WAGONEER, COMANCHE

Figure 24-1200

8J24 1200 A



ITEM	PART NUMBER	QTY	BODY	MODEL	DESCRIPTION
1					HOUSING, Blower
	8350 0958	1			2.5L and 4.0L Engine w/o Air Cond.
	8350 0960	1			2.5 and 4.0L Engine w/Factory Installed Air Cond. (part modification required)
	8350 1869	1			Diesel Engine, w/o Factory Installed Air Cond.
	8350 1868	1			Diesel Engine, w/Factory Installed Air Cond. (part modification required)
	8350 0960	1			w/Dealer Installed American Air Cond.
2	3420 1363	3			NUT, U-type
3	5600 0176	3			SPACER
4	5600 0171	1			GASKET
5					MOTOR, Blower
	5600 0173	1			1987
	5600 2858	1			1988-90
6	5600 0174	1			WHEEL, Blower
7	J812 4425	5			SCREW
8	5600 0178	1			TUBE, Cooling
9					RESISTOR
	5600 0522	1			w/ or w/o Factory Installed Air Cond.
	5600 0177	1			w/Dealer Installed American Air Cond.
10	5600 0682	1			SEAL
11	3420 1366	2			SCREW
12	3420 1365	1			SCREW (ECE)
13	3420 1358	3			NUT
14	5600 0622	1			COVER, Resistor
15	3420 2344	1			SCREW
16	J318 0753	1			CLAMP
17	J400 6866	1			NUT, Push
18	5600 1195	3			SEAL
19	5600 1196	1			SEAL
20	5600 1295	1			SEAL
21	5600 2634	1			COVER, Blend Air Cable, (ECE)
22	J941 7855	1			SCREW (ECE)
23	J400 6391	1			CLIP

MODEL CODES:

15 = Grand Wagoneer 4 Dr.	65 = Comanche 4WD-7 Ft. Box	77 = Cherokee 4WD-2 Dr.
25 = J-10 Pickup-119" W.B.	66 = Comanche 2WD-7 Ft. Box	78 = Cherokee 4WD-4 Dr.
26 = J-10 Pickup-131" W.B.	73 = Cherokee 2WD-2 Dr.	79 = Cherokee 4WD-4 Dr.-Com
27 = J-20 Pickup-131" W.B.	74 = Cherokee 2WD-4 Dr.	81 = Wrangler-93" W.B.
63 = Comanche 4WD-6 Ft. Box	75 = Wagoneer 4WD-4 Dr.	82 = Wrangler-103" W.B.-Exp.
64 = Comanche 2WD-6 Ft. Box		

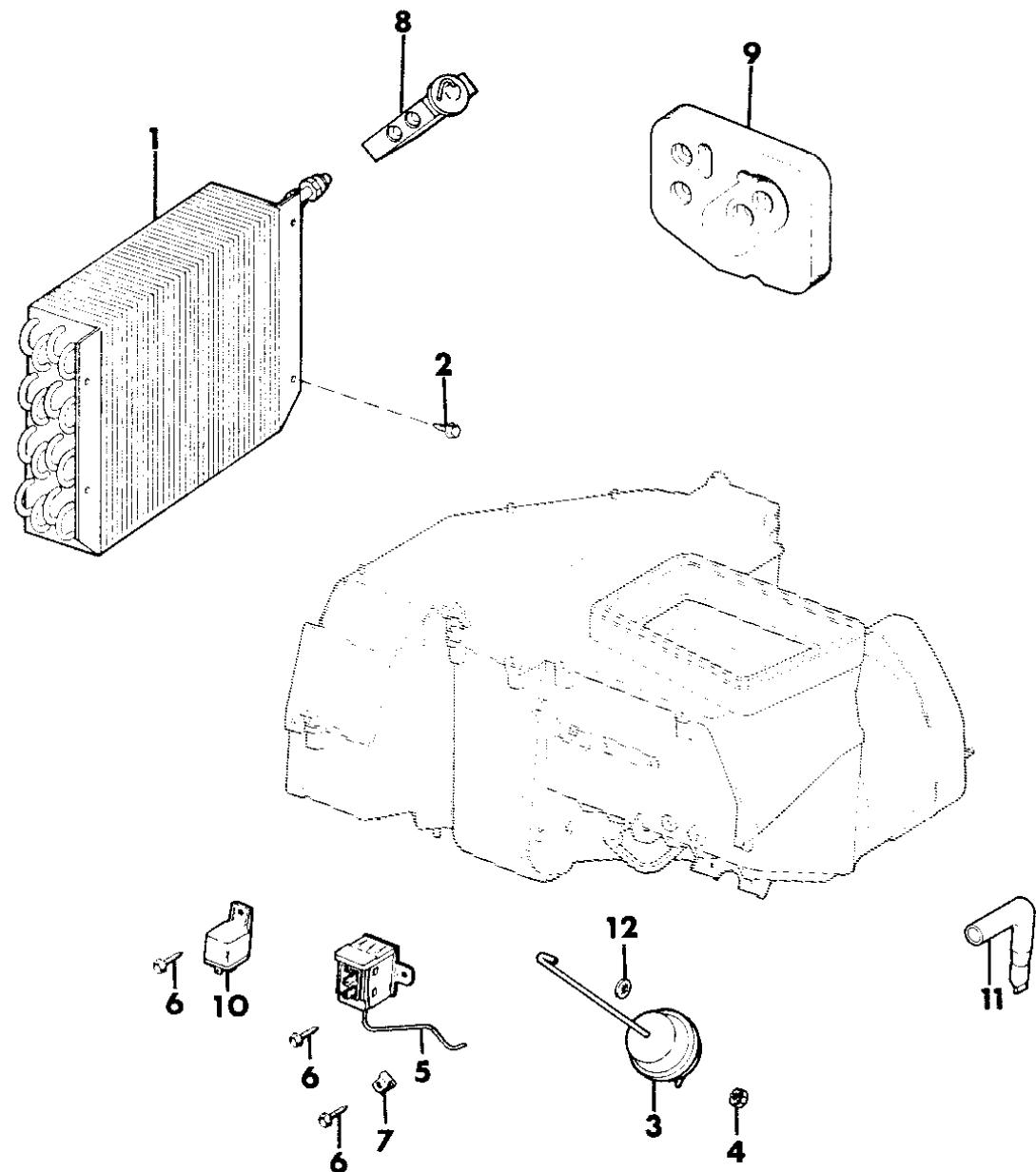
BODY STYLES:

MJ = Comanche Pickup  
 SJ = Grand Wagoneer Wgn., J-10 & J-20 Pickups  
 XJ = Cherokee, Wagoneer Limited  
 YJ = Wrangler

AR = Use as Required - = Non Illustrated Part P.A.R. = Paint as Required

**CORE, EVAPORATOR CHEROKEE, WAGONEER, COMANCHE**  
**Figure 24-1300**

8J24 1300



ITEM	PART NUMBER	QTY	BODY	MODEL	DESCRIPTION
1					CORE, Evaporator
	5600 2568	1			w/Factory Installed Air Cond.
	8350 4893	1			w/Dealer Installed American Air Cond.
2	1150 2843	4			SCREW
3	5600 0208	1			MOTOR, Evaporator Vacuum
4	3420 1001	2			NUT
5					CONTROL, Thermostat
	5600 2688	1			w/Factory Installed Air Cond.
	5600 0222	1			w/Dealer Installed American Air Cond.
6	3420 1366	4			SCREW
7	J317 7100	1			CLIP
8					VALVE, Expansion
	5600 3173	1			w/Factory Installed Air Cond.
	8350 1907	1			w/Dealer Installed American Air Cond.
9	5600 1286	1			SEAL
10					RELAY, Evaporator
	3300 1776	1			w/Factory Installed Air Cond.
	8350 0154	1			w/Dealer Installed American Air Cond.
11	5600 0726	1			TUBE, Drain
12	J400 0369	1			NUT, Push

**MODEL CODES:**

15 = Grand Wagoneer 4 Dr.	65 = Comanche 4WD-7 Ft. Box	77 = Cherokee 4WD-2 Dr.
25 = J-10 Pickup-119" W.B.	66 = Comanche 2WD-7 Ft. Box	78 = Cherokee 4WD-4 Dr.
26 = J-10 Pickup-131" W.B.	73 = Cherokee 2WD-2 Dr.	79 = Cherokee 4WD-4 Dr.-Com
27 = J-20 Pickup-131" W.B.	74 = Cherokee 2WD-4 Dr.	81 = Wrangler-93" W.B.
63 = Comanche 4WD-6 Ft. Box	75 = Wagoneer 4WD-4 Dr.	82 = Wrangler-103" W.B.-Exp.
64 = Comanche 2WD-6 Ft. Box		

**BODY STYLES:**

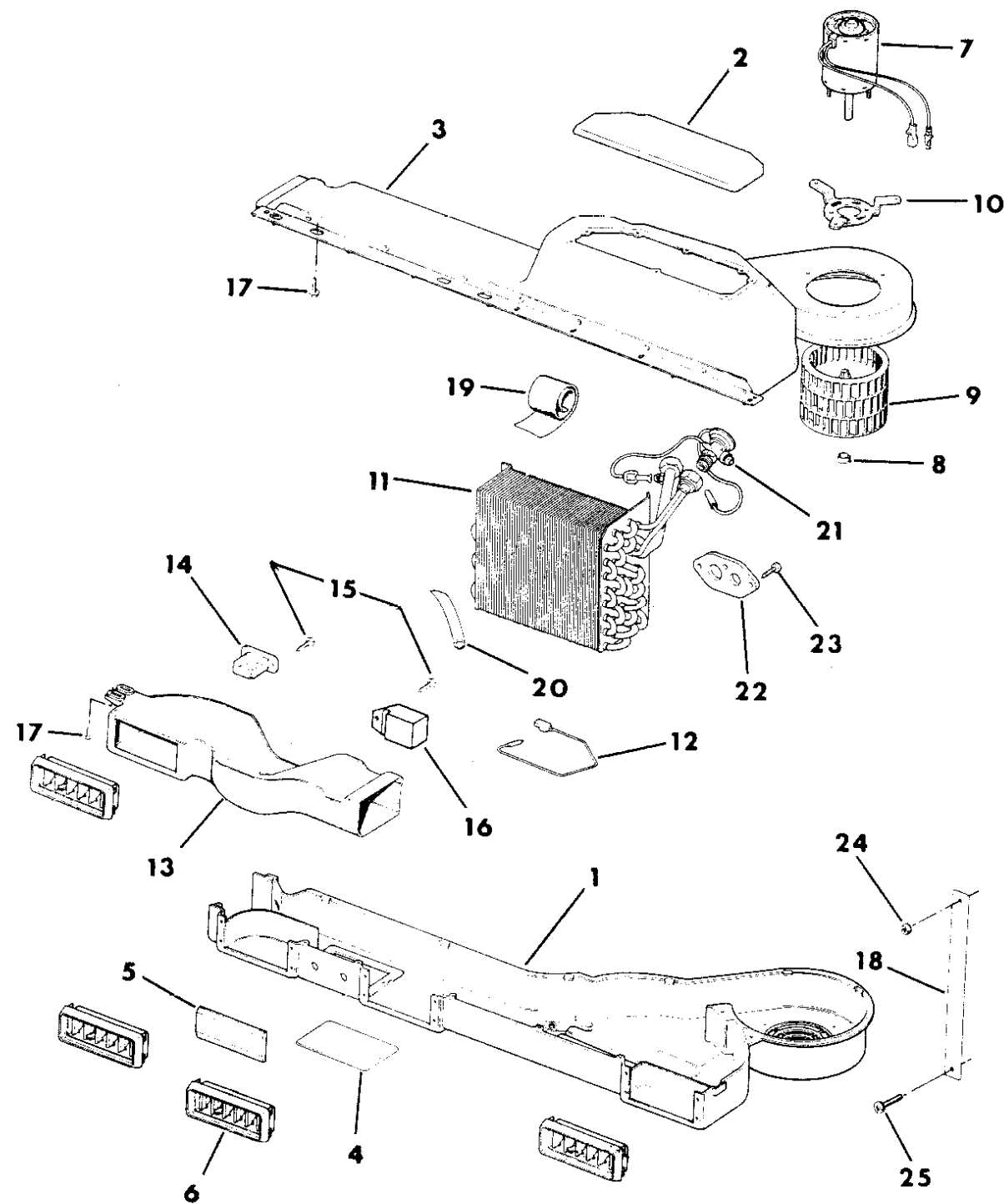
MJ = Comanche Pickup  
 SJ = Grand Wagoneer Wgn., J-10 & J-20 Pickups  
 XJ = Cherokee, Wagoneer Limited  
 YJ = Wrangler

AR = Use as Required - = Non Illustrated Part P.A.R. = Paint as Required



**AIR CONDITIONING UNIT GRAND WAGONEER, J10, J20**  
**Figure 24-1400**

8J24 1400



ITEM	PART NUMBER	QTY	BODY	MODEL	DESCRIPTION
1					HOUSING, Lower, (P.A.R.)
	5600 1789	1			1987-89
	5AJ9 0JY6	1			1990
2					COVER, Housing, (P.A.R.)
	J546 9262	1			1987-89
	5AA5 5JY6	1			1990
3					HOUSING, Upper, (P.A.R.)
	J546 9266	1			1987-89
	5AA5 4JY6	1			1990
4					PLATE, (P.A.R.)
	J546 9270	1			1987-89
	5AA5 6JY6	1			1990
5					PLATE, Cover, (P.A.R.)
	5600 1515	1			1987-89
	5AJ8 9JY6	1			1990
6					OUTLET, Air, (P.A.R.)
	J546 9288	1			1987-89
	5AA8 2JY6	1			1990
7	5600 2007	1			MOTOR, Blower
8	J318 1643	1			CLAMP
9	J575 1934	1			WHEEL, Blower
10	J546 3811	1			BRACKET, Motor Mounting
11	5600 1962	1			CORE, Evaporator
12	5600 2728	1			THERMISTOR
13	8350 2636	1			HOUSING, Extension, (P.A.R.)
14					RESISTOR
	5600 1516	1			Up to 10-2-89
	5600 3913	1			After 10-2-89
15	J400 4566	4			SCREW
16	5600 1959	1			THERMOSTAT
17	J400 2311	AR			SCREW
18	J545 5069	1			BRACKET
19	J369 3126	1			INSULATION
20	J575 2862	1			TUBE, Drain
21	J546 4379	1			VALVE, Expansion
22	J318 5484	1			GROMMET
23	J448 9487	2			SCREW

MODEL CODES:  
 15 = Grand Wagoneer 4 Dr.      65 = Comanche 4WD-7 Ft. Box      77 = Cherokee 4WD-2 Dr.  
 25 = J-10 Pickup-119" W.B.      66 = Comanche 2WD-7 Ft. Box      78 = Cherokee 4WD-4 Dr.  
 26 = J-10 Pickup-131" W.B.      73 = Cherokee 2WD-2 Dr.      79 = Cherokee 4WD-4 Dr.-Com  
 27 = J-20 Pickup-131" W.B.      74 = Cherokee 2WD-4 Dr.      81 = Wrangler-93" W.B.  
 63 = Comanche 4WD-6 Ft. Box      75 = Wagoneer 4WD-4 Dr.      82 = Wrangler-103" W.B.-Exp.  
 64 = Comanche 2WD-6 Ft. Box

BODY STYLES:  
 MJ = Comanche Pickup  
 SJ = Grand Wagoneer Wgn., J-10 & J-20 Pickups  
 XJ = Cherokee, Wagoneer Limited  
 YJ = Wrangler

AR = Use as Required - = Non Illustrated Part P.A.R. = Paint as Required

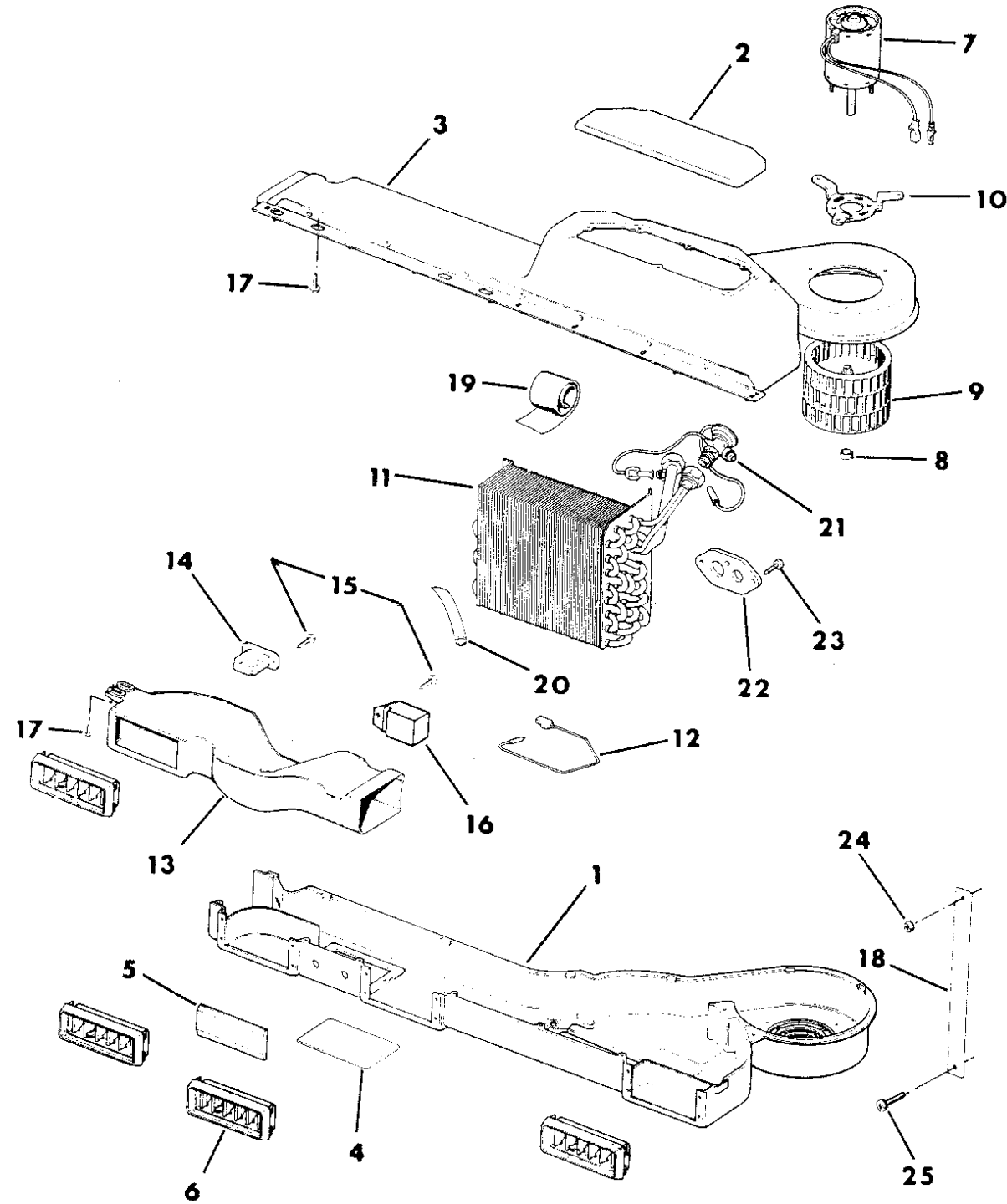
**AIR CONDITIONING UNIT GRAND WAGONEER, J10, J20**  
**Figure 24-1400**

8J24 1400

ITEM	PART NUMBER	QTY	BODY	MODEL	DESCRIPTION
------	-------------	-----	------	-------	-------------

24	J027 1172	1			NUT
25	J045 6334	1			SCREW

NOTE: (P.A.R.) - Paint as Required e #312.



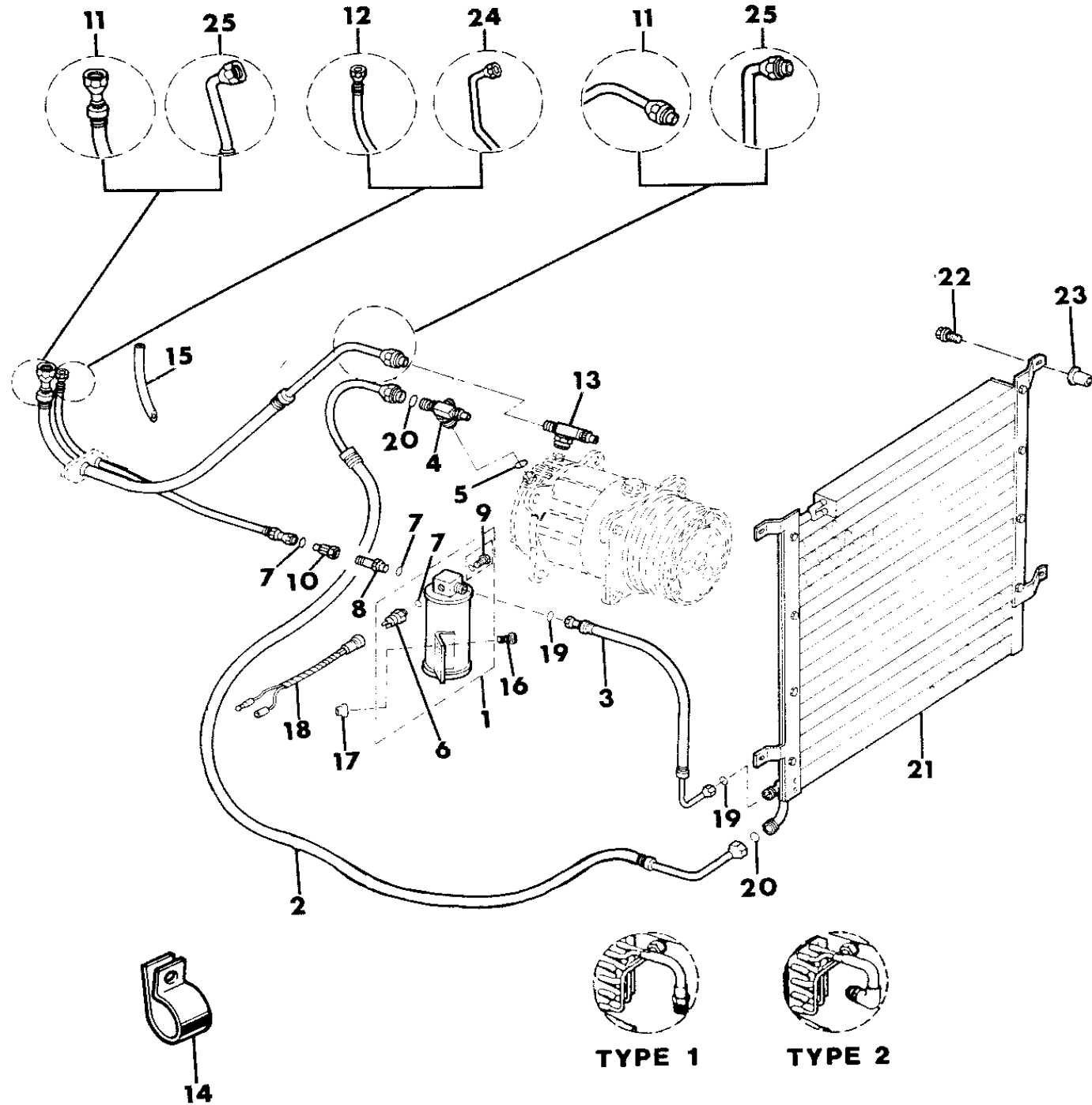
- MODEL CODES:
- |                             |                             |                              |
|-----------------------------|-----------------------------|------------------------------|
| 15 = Grand Wagoneer 4 Dr.   | 65 = Comanche 4WD-7 Ft. Box | 77 = Cherokee 4WD-2 Dr.      |
| 25 = J-10 Pickup-119" W.B.  | 66 = Comanche 2WD-7 Ft. Box | 78 = Cherokee 4WD-4 Dr.      |
| 26 = J-10 Pickup-131" W.B.  | 73 = Cherokee 2WD-2 Dr.     | 79 = Cherokee 4WD-4 Dr.-Com  |
| 27 = J-20 Pickup-131" W.B.  | 74 = Cherokee 2WD-4 Dr.     | 81 = Wrangler-93" W.B.       |
| 63 = Comanche 4WD-6 Ft. Box | 75 = Wagoneer 4WD-4 Dr.     | 82 = Wrangler-103" W.B.-Exp. |
| 64 = Comanche 2WD-6 Ft. Box |                             |                              |

- BODY STYLES:
- MJ = Comanche Pickup
  - SJ = Grand Wagoneer Wgn., J-10 & J-20 Pickups
  - XJ = Cherokee, Wagoneer Limited
  - YJ = Wrangler

AR = Use as Required - = Non Illustrated Part P.A.R. = Paint as Required

RECEIVER/DRIER AND HOSES W/FACTORY INSTALLED AIR CONDITIONING WRANGLER, YJ  
Figure 24-1500

8J24 1500



ITEM	PART NUMBER	QTY	BODY	MODEL	DESCRIPTION
1	5600 1485	1			RECIEVER/DRIER ***
2	5600 1486	1			HOSE, Compressor to Condenser
3	5600 1487	1			HOSE, Condenser to Receiver
4	3200 0262	1			VALVE, Discharge
5	J322 2353	1			O-RING
6	J374 1260	1			SWITCH, Low Pressure Cut Off
7	J317 1788	AR			O-RING
8	J317 1794	1			COUPLING, Male
9	J369 2994	1			VALVE PACKAGE, Relief ***
10	J317 1795	1			COUPLING, Female
11	8350 2976	1			HOSE, Evaporator to Compressor w/Type 1 Evaporator Core
12	8350 2977	1			HOSE, Receiver to Evaporator w/Type 1 Evaporator Core
13	5600 0879	1			VALVE, Suction
14	S012 0530	1			CLIP
15	J576 2368	1			HOSE, Drain
16	J941 4428	3			SCREW
17	J400 5237	3			NUT, Well
18	J576 3596	1			WIRE, Low Freon
19	J321 2113	2			O-RING
20	J321 2112	2			O-RING
21	5600 1484	1			CORE, Condenser, 6 Cyl. Engine
22	J400 6906	4			SCREW
23	J400 3120	4			NUT, Well
24	#5600 4688	1			HOSE, Reciever To Evaporator w/Type 2 Evaporator Core
25	#5600 4687	1			HOSE, Evaporator To Compressor w/Type 2 Evaoprator Core

MODEL CODES:

15 = Grand Wagoneer 4 Dr.	65 = Comanche 4WD-7 Ft. Box	77 = Cherokee 4WD-2 Dr.
25 = J-10 Pickup-119" W.B.	66 = Comanche 2WD-7 Ft. Box	78 = Cherokee 4WD-4 Dr.
26 = J-10 Pickup-131" W.B.	73 = Cherokee 2WD-2 Dr.	79 = Cherokee 4WD-4 Dr.-Com
27 = J-20 Pickup-131" W.B.	74 = Cherokee 2WD-4 Dr.	81 = Wrangler-93" W.B.
63 = Comanche 4WD-6 Ft. Box	75 = Wagoneer 4WD-4 Dr.	82 = Wrangler-103" W.B.-Exp.
64 = Comanche 2WD-6 Ft. Box		

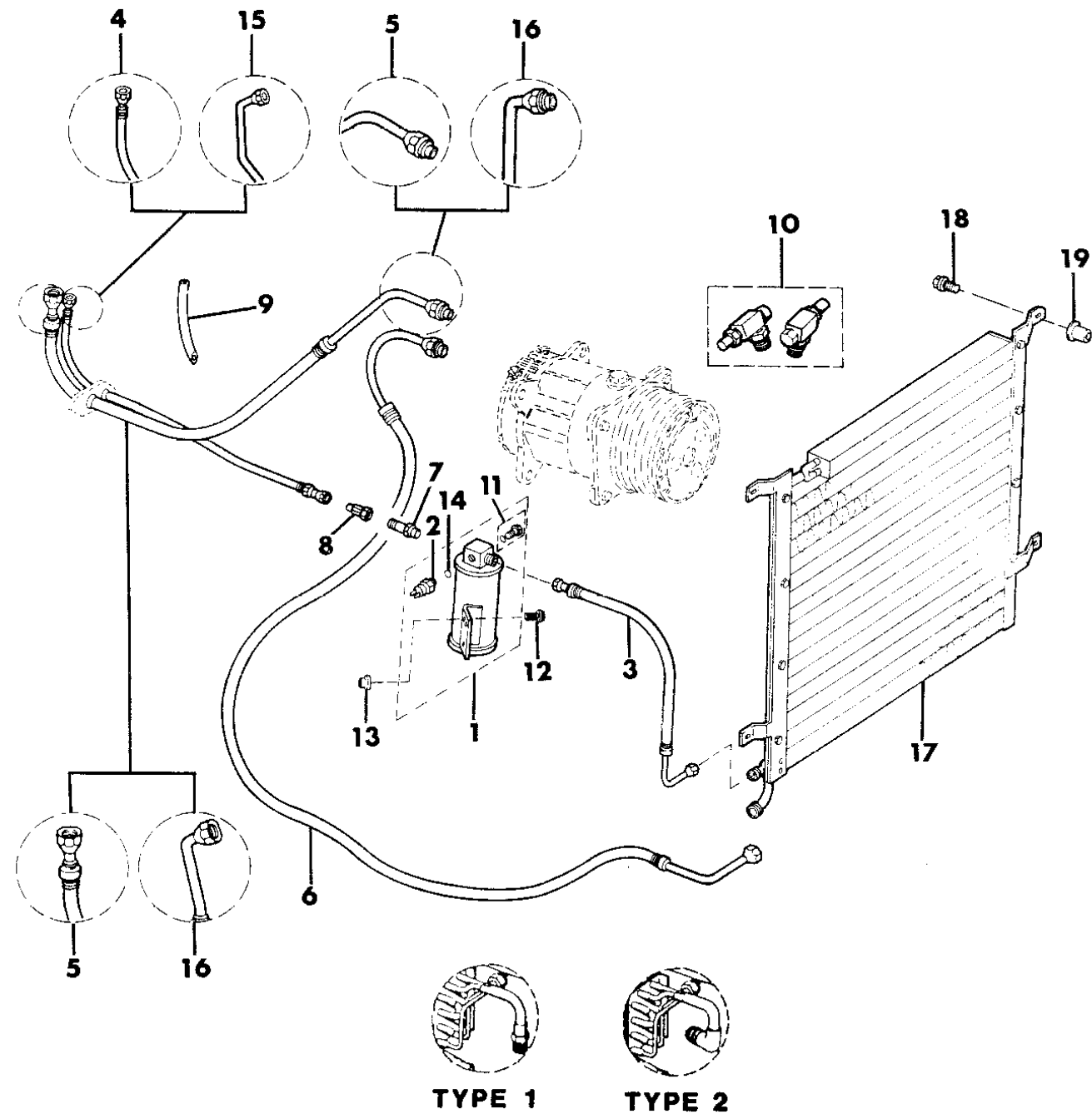
BODY STYLES:

MJ = Comanche Pickup  
SJ = Grand Wagoneer Wgn., J-10 & J-20 Pickups  
XJ = Cherokee, Wagoneer Limited  
YJ = Wrangler

AR = Use as Required - = Non Illustrated Part P.A.R. = Paint as Required

RECEIVER/DRIER AND HOSES W/AMERICAN AIR CONDITIONING WRANGLER, YJ  
Figure 24-1600

8J24 1600



ITEM	PART NUMBER	QTY	BODY	MODEL	DESCRIPTION
1	5600 1485	1			RECEIVER/DRIER ***
2	J813 4555	1			SWITCH, Low Pressure Cut-Out
3	5600 1487	1			HOSE, Condenser To Receiver
4	8350 2977	1			HOSE, Receiver To Evaporator w/Type 1 Evaporator Core
5					Hose, Evaporator To Compressor w/Type 1 Evaporator Core ***
	8350 3351	1			4 Cyl. Engine
	8350 2976	1			6 Cyl. Engine w/Serpentine Belt Drive
	8350 3345	1			6 Cyl. Engine w/o Serpentine Belt Drive
6					HOSE, Compressor To Condenser
	8350 3352	1			4 Cyl. Engine
	5600 1486	1			6 Cyl. Engine w/Serpentine Belt Drive
	8350 3346	1			6 Cyl. Engine w/o Serpentine Belt Drive
7	J317 1794	1			COUPLING, Male ***
8	J317 1795	1			COUPLING, Female ***
9	J576 2368	1			HOSE, Drain
10	8350 3358	1			VALVE PACKAGE, Suction and Discharge, 6 Cyl. Engine w/ Serpentine Belt Drive ***
11	J369 2994	1			VALVE PACKAGE, Relief ***
12	J941 4428	3			SCREW
13	J400 5237	3			NUT, Well
14	J317 1788	AR			O-RING
15	5600 3042	1			HOSE, Receiver To Evaporator w/Type 2 Evaporator Core
16					HOSE, Evaporator To Compressor w/Type 2 Evaporator Core
	8350 5609	1			4 Cyl. Engine
	8350 5608	1			6 Cyl. Engine w/Serpentine Belt Drive
	8350 5607	1			6 Cyl. Engine w/o Serpentine Belt Drive
17	5600 1484	1			CORE, Condenser
18	J400 6906	4			SCREW
19	J400 3120	4			NUT, Well

MODEL CODES:

15 = Grand Wagoneer 4 Dr.	65 = Comanche 4WD-7 Ft. Box	77 = Cherokee 4WD-2 Dr.
25 = J-10 Pickup-119" W.B.	66 = Comanche 2WD-7 Ft. Box	78 = Cherokee 4WD-4 Dr.
26 = J-10 Pickup-131" W.B.	73 = Cherokee 2WD-2 Dr.	79 = Cherokee 4WD-4 Dr.-Com
27 = J-20 Pickup-131" W.B.	74 = Cherokee 2WD-4 Dr.	81 = Wrangler-93" W.B.
63 = Comanche 4WD-6 Ft. Box	75 = Wagoneer 4WD-4 Dr.	82 = Wrangler-103" W.B.-Exp.
64 = Comanche 2WD-6 Ft. Box		

BODY STYLES:

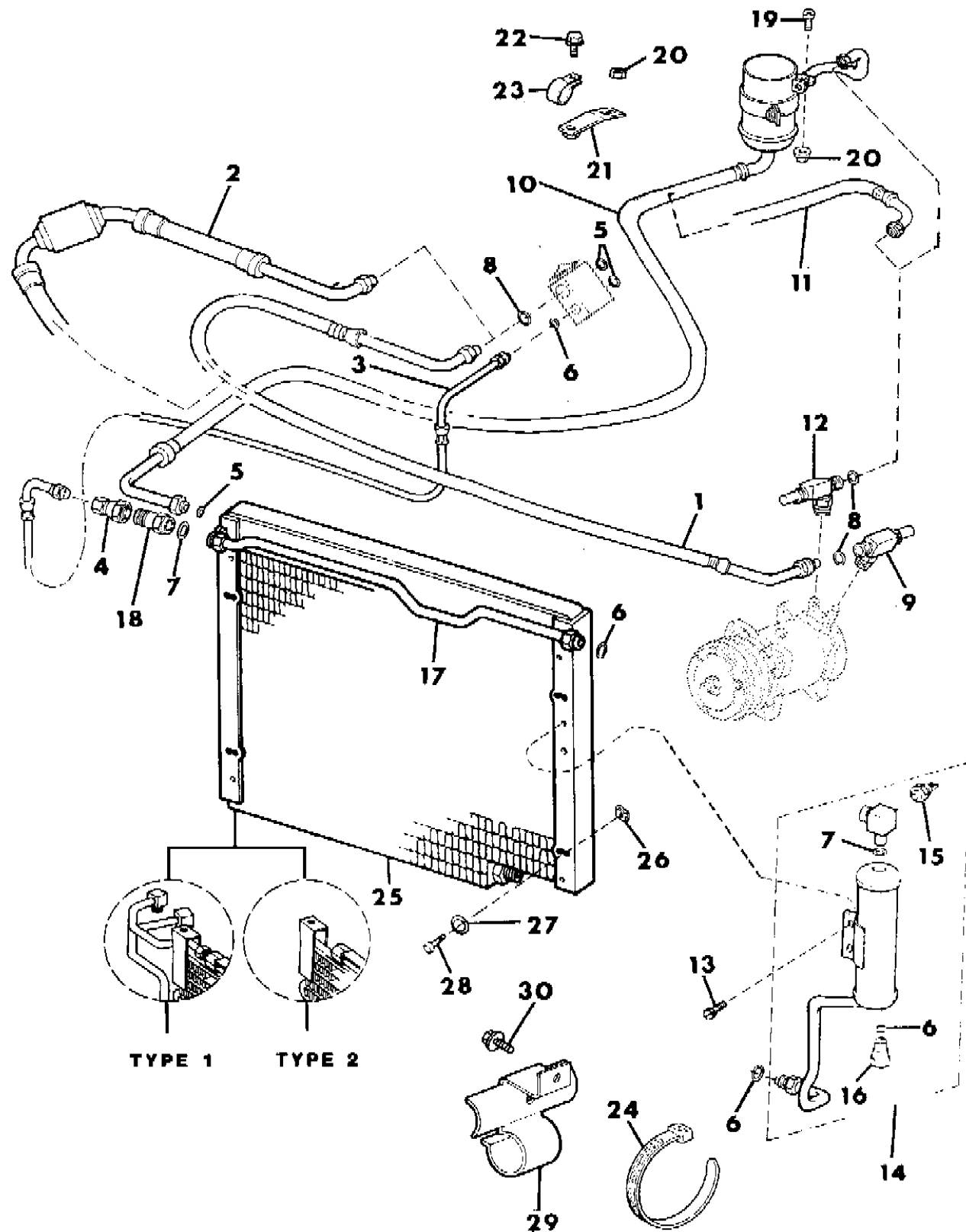
MJ = Comanche Pickup  
SJ = Grand Wagoneer Wgn., J-10 & J-20 Pickups  
XJ = Cherokee, Wagoneer Limited  
YJ = Wrangler

AR = Use as Required - = Non Illustrated Part P.A.R. = Paint as Required

RECEIVER/DRIER, CONDENSER AND HOSES 4 CYLINDER ENGINE W/FACTORY AIR CONDITIONING CHEROKEE, WAGONEER, COMANCHE

Figure 24-1700

8J24 1700 A



ITEM	PART NUMBER	QTY	BODY	MODEL	DESCRIPTION
1	5600 1781	1			HOSE, Evaporator to Compressor, w/o Muffler
2	5600 2950	1			HOSE, Evaporator to Compressor, w/Muffler
3	5600 2196	1			HOSE, Receiver to Evaporator
4	J317 1795	1			COUPLING, Female
5	J321 2112	AR			O-RING
6	J321 2113	AR			O-RING
7	J317 1788	AR			O-RING
8	J322 2353	AR			O-RING
9					VALVE, Suction
	3600 0454	1			Carbureted Engine
	5600 0879	1			Fuel Inj. Engine
10	5300 1438	1			HOSE, Compressor to Conditioner, w/Muffler
11	5600 2947	1			HOSE, Compressor to Conditioner, w/o Muffler
12	3200 0262	1			VALVE, Discharge
13	J812 0054	2			SCREW
14	5600 1938	1			DRIER, Receiver
15	J374 1260	1			SWITCH, Cut-Off
16	J369 2994	1			VALVE PACKAGE, Relief ***
17	5600 2191	1			TUBE, Receiver
18	J317 1794	1			COUPLING, Male
19	J420 0446	1			BOLT
20	1150 6007	2			NUT
21	J324 2927	1			STRAP, Hose Support
22	3420 1897	1			BOLT
23	J372 8150	1			CLIP
24	J322 3227	1			STRAP
25	5600 2190	1			CORE, Condenser
26	1150 0660	4			NUT
27	1150 0323	4			WASHER
28	1150 5066	4			SCREW
29	5600 1275	1			BRACKET, Hose Support
30	3420 1489	1			SCREW

MODEL CODES:

15 = Grand Wagoneer 4 Dr.	65 = Comanche 4WD-7 Ft. Box	77 = Cherokee 4WD-2 Dr.
25 = J-10 Pickup-119" W.B.	66 = Comanche 2WD-7 Ft. Box	78 = Cherokee 4WD-4 Dr.
26 = J-10 Pickup-131" W.B.	73 = Cherokee 2WD-2 Dr.	79 = Cherokee 4WD-4 Dr.-Com
27 = J-20 Pickup-131" W.B.	74 = Cherokee 2WD-4 Dr.	81 = Wrangler-93" W.B.
63 = Comanche 4WD-6 Ft. Box	75 = Wagoneer 4WD-4 Dr.	82 = Wrangler-103" W.B.-Exp.
64 = Comanche 2WD-6 Ft. Box		

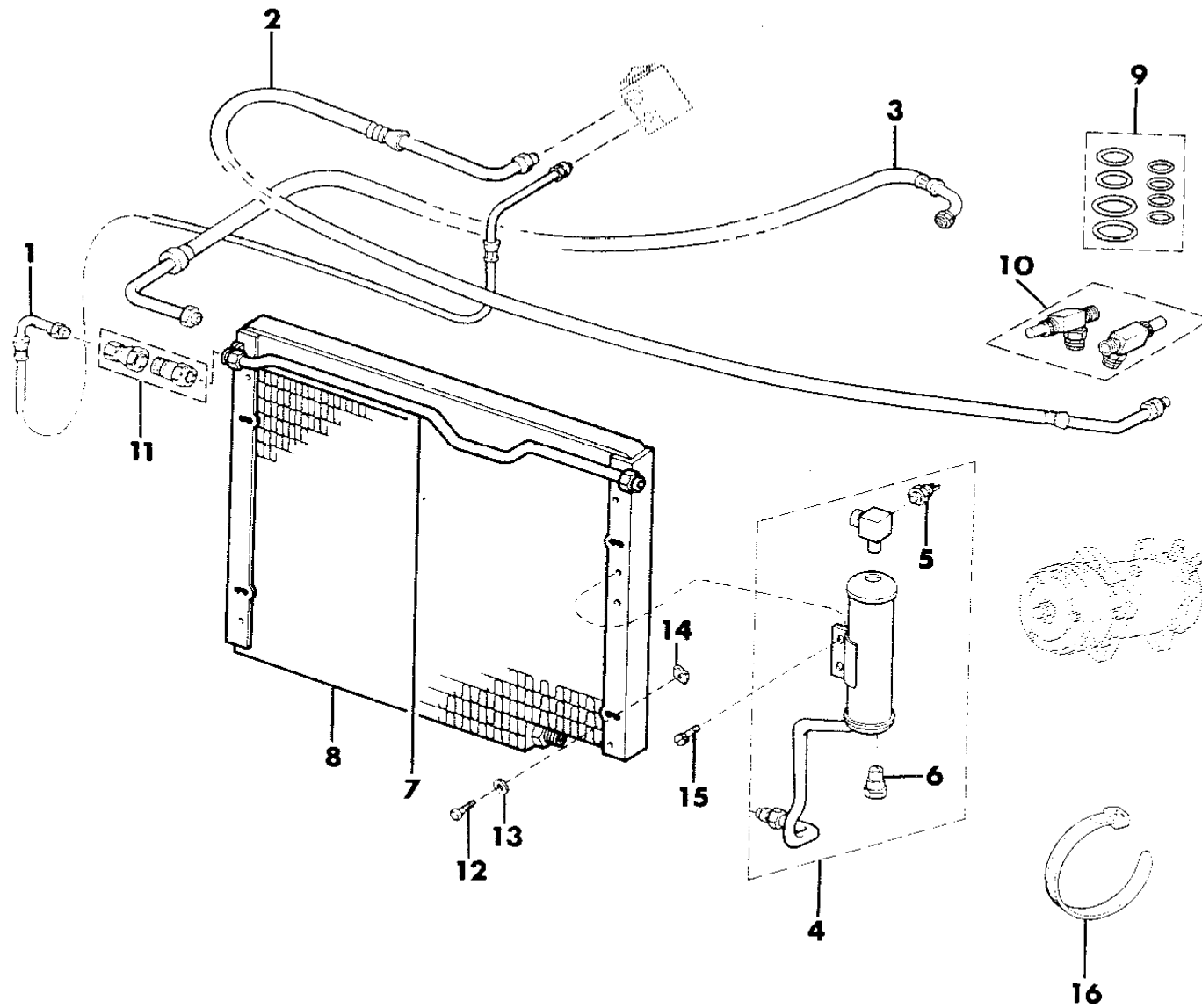
BODY STYLES:

MJ = Comanche Pickup  
 SJ = Grand Wagoneer Wgn., J-10 & J-20 Pickups  
 XJ = Cherokee, Wagoneer Limited  
 YJ = Wrangler

AR = Use as Required - = Non Illustrated Part P.A.R. = Paint as Required

RECEIVER/DRIER, CONDENSER AND HOSES 4 CYLINDER ENGINE W/AMERICAN AIR CONDITIONING CHEROKEE, WAGONEER, COMANCHE  
Figure 24-1800

8 J 24 1800



ITEM	PART NUMBER	QTY	BODY	MODEL	DESCRIPTION
1	8350 4361	1			HOSE, Receiver to Evaporator
2	8350 4364	1			HOSE, Evaporator to Compressor
3	8350 4366	1			HOSE, Compressor to Condenser
4	8350 4367	1			RECEIVER/DRIER
5	J374 1260	1			SWITCH, Cut-Off
6	J369 2994	1			VALVE PACKAGE, Relief ***
7	8350 4368	1			TUBE, Receiver
8	8350 4897	1			CORE, Condenser
9	8350 1332	AR			O-RING PACKAGE ***
10	8350 2083	1			VALVE PACKAGE, Suction and Discharge ***
11	8350 4360	1			FITTING PACKAGE ***
12	1150 5066	4			SCREW
13	1150 0323	4			WASHER
14	1150 0660	4			NUT
15	J812 0054	2			SCREW
16	J322 3227	1			STRAP

MODEL CODES:

15 = Grand Wagoneer 4 Dr.	65 = Comanche 4WD-7 Ft. Box	77 = Cherokee 4WD-2 Dr.
25 = J-10 Pickup-119" W.B.	66 = Comanche 2WD-7 Ft. Box	78 = Cherokee 4WD-4 Dr.
26 = J-10 Pickup-131" W.B.	73 = Cherokee 2WD-2 Dr.	79 = Cherokee 4WD-4 Dr.-Com
27 = J-20 Pickup-131" W.B.	74 = Cherokee 2WD-4 Dr.	81 = Wrangler-93" W.B.
63 = Comanche 4WD-6 Ft. Box	75 = Wagoneer 4WD-4 Dr.	82 = Wrangler-103" W.B.-Exp.
64 = Comanche 2WD-6 Ft. Box		

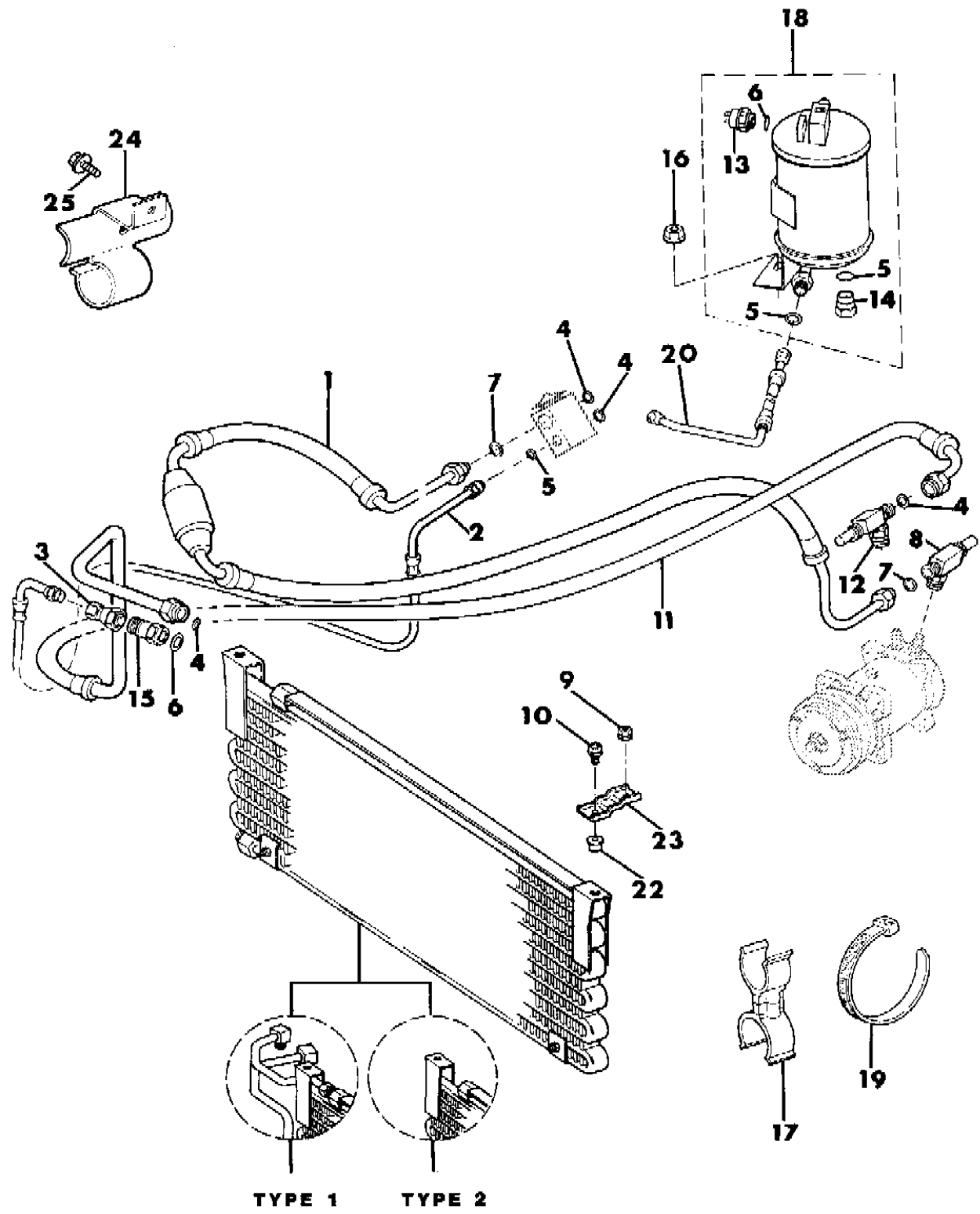
BODY STYLES:

MJ = Comanche Pickup  
SJ = Grand Wagoneer Wgn., J-10 & J-20 Pickups  
XJ = Cherokee, Wagoneer Limited  
YJ = Wrangler

AR = Use as Required - = Non Illustrated Part P.A.R. = Paint as Required

RECEIVER/DRIER, CONDENSER AND HOSES 6 CYLINDER ENGINE W/FACTORY AIR CONDITIONING CHEROKEE, WAGONEER, COMANCHE  
Figure 24-1900

8J24 1900A



ITEM	PART NUMBER	QTY	BODY	MODEL	DESCRIPTION
1					HOSE, Evaporator to Compressor
	5600 2724	1			1987-88
	5600 2684	1			1989-90
2					HOSE, Condenser to Receiver
	5600 2189	1			1987
	5600 2731	1			1988-90
3	J317 1795	1			COUPLING, Female
4	J321 2112	AR			O-RING
5	J321 2113	AR			O-RING
6	J317 1788	AR			O-RING
7	J322 2353	AR			O-RING
8	5600 0879	1			VALVE, Suction
9	1150 2722	2			NUT
10	J400 6906	1			SCREW
11					HOSE, Compressor to Condenser
	5600 1662	1			1987
	5600 2732	1			1988-90
12	5300 0573	1			VALVE, Discharge
13	J374 1260	1			SWITCH, Cut-Off
14	J369 2994	1			VALVE PACKAGE, Relief ***
15	J317 1794	1			COUPLING, Male
16	J420 0046	1			NUT
17	5600 1786	1			CLIP
18	5600 1665	1			DRIER, Receiver
19	J322 3227	1			STRAP
20	5600 1656	1			HOSE, Receiver to H-Valve
21					CORE, Condenser
	5600 2491	1			Type 1
	5600 2957	1			Type 2 (Stamped 56002956)
22	J400 3120	1			NUT
23	5600 2231	2			BRACKET, Radiator to Condenser
24	5600 1275	1			BRACKET, Hose to Support
25	3420 1489	1			SCREW

MODEL CODES:

15 = Grand Wagoneer 4 Dr.	65 = Comanche 4WD-7 Ft. Box	77 = Cherokee 4WD-2 Dr.
25 = J-10 Pickup-119" W.B.	66 = Comanche 2WD-7 Ft. Box	78 = Cherokee 4WD-4 Dr.
26 = J-10 Pickup-131" W.B.	73 = Cherokee 2WD-2 Dr.	79 = Cherokee 4WD-4 Dr.-Com
27 = J-20 Pickup-131" W.B.	74 = Cherokee 2WD-4 Dr.	81 = Wrangler-93" W.B.
63 = Comanche 4WD-6 Ft. Box	75 = Wagoneer 4WD-4 Dr.	82 = Wrangler-103" W.B.-Exp.
64 = Comanche 2WD-6 Ft. Box		

BODY STYLES:

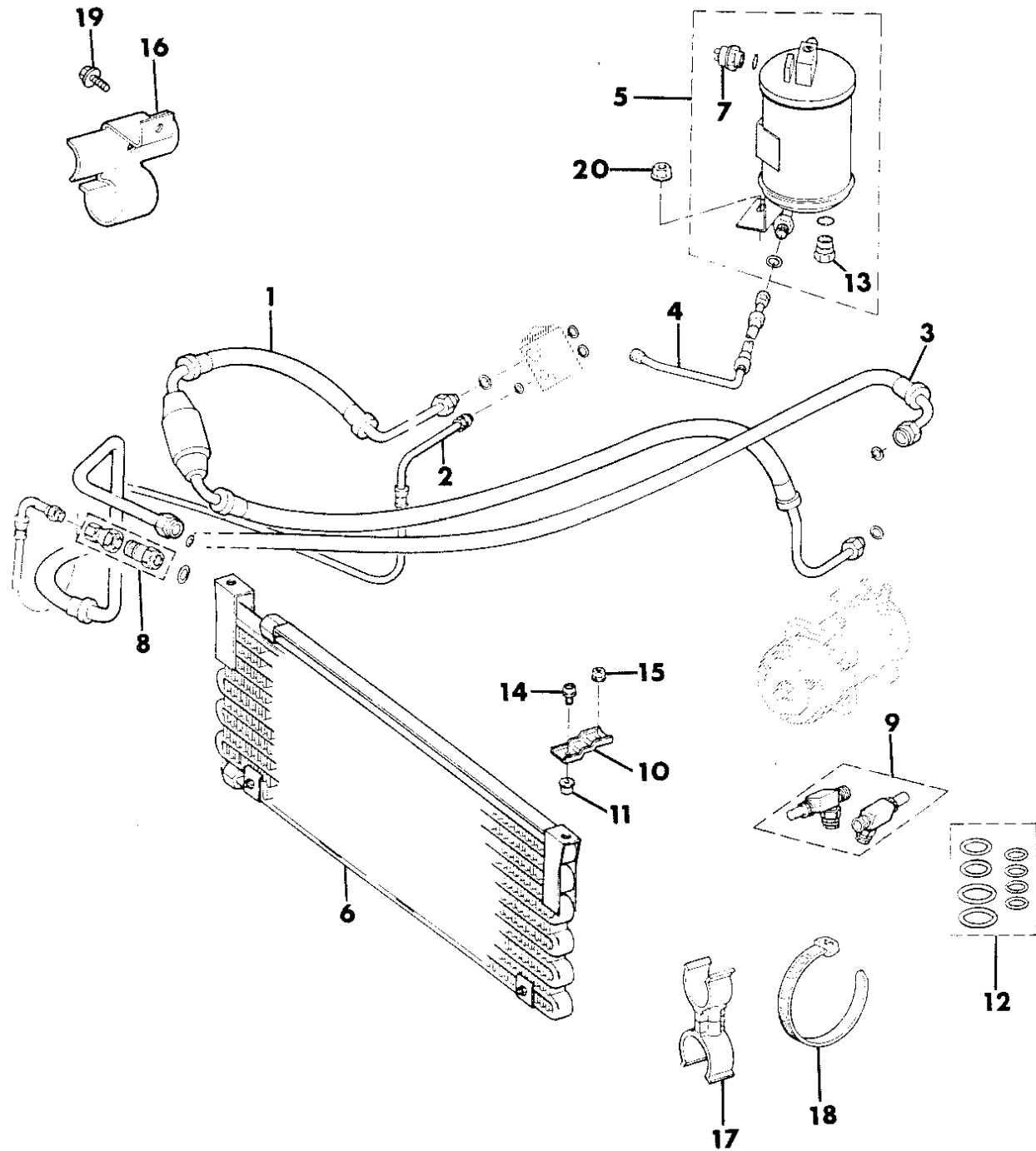
MJ = Comanche Pickup  
 SJ = Grand Wagoneer Wgn., J-10 & J-20 Pickups  
 XJ = Cherokee, Wagoneer Limited  
 YJ = Wrangler

AR = Use as Required - = Non Illustrated Part P.A.R. = Paint as Required

RECEIVER/DRIER, CONDENSER AND HOSES 6 CYLINDER ENGINE W/AMERICAN AIR CONDITIONING CHEROKEE, WAGONEER, COMANCHE  
Figure 24-2000

8 J 24 2000

ITEM	PART NUMBER	QTY	BODY	MODEL	DESCRIPTION
1	8350 5536	1			HOSE, Evaporator to Compressor, Including Valve
2	8350 4359	1			HOSE, Receiver to Evaporator
3	8350 4365	1			HOSE, Compressor to Condenser
4	5600 2189	1			HOSE, Condenser to Receiver
5	5600 1665	1			RECEIVER/DRIER
6	8350 4894	1			CORE, Condenser
7	J374 1260	1			SWITCH, Cut-Off
8	8350 4360	1			FITTING PACKAGE ***
9	8350 2083	1			VALVE PACKAGE, Suction and Discharge ***
10	5600 2231	2			BRACKET, Radiator to Condenser
11	J400 3120	1			NUT, Well
12	8350 1332	1			O-RING PACKAGE ***
13	J369 2994	1			VALVE PACKAGE, Relief ***
14	J400 6906	1			SCREW
15	1150 2722	2			NUT
16	5600 1275	1			BRACKET, Hose Support
17	5600 1786	1			CLIP
18	J322 3227	1			STRAP
19	3420 1489	1			SCREW
20	J420 0046	1			NUT



MODEL CODES:

15 = Grand Wagoneer 4 Dr.	65 = Comanche 4WD-7 Ft. Box	77 = Cherokee 4WD-2 Dr.
25 = J-10 Pickup-119" W.B.	66 = Comanche 2WD-7 Ft. Box	78 = Cherokee 4WD-4 Dr.
26 = J-10 Pickup-131" W.B.	73 = Cherokee 2WD-2 Dr.	79 = Cherokee 4WD-4 Dr.-Com
27 = J-20 Pickup-131" W.B.	74 = Cherokee 2WD-4 Dr.	81 = Wrangler-93" W.B.
63 = Comanche 4WD-6 Ft. Box	75 = Wagoneer 4WD-4 Dr.	82 = Wrangler-103" W.B.-Exp.
64 = Comanche 2WD-6 Ft. Box		

BODY STYLES:

MJ = Comanche Pickup  
SJ = Grand Wagoneer Wgn., J-10 & J-20 Pickups  
XJ = Cherokee, Wagoneer Limited  
YJ = Wrangler

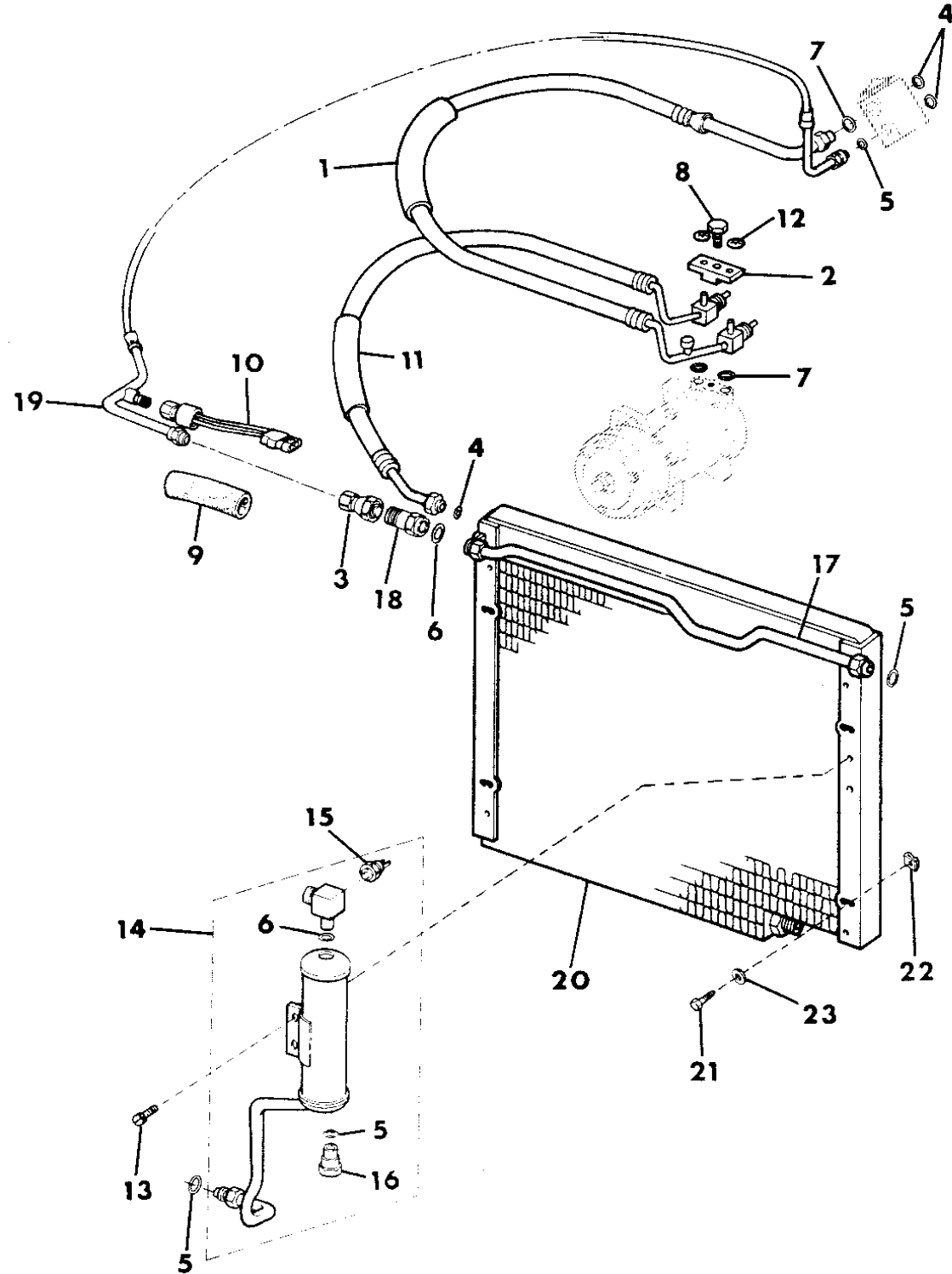
AR = Use as Required - = Non Illustrated Part P.A.R. = Paint as Required



RECEIVER/DRIER, CONDENSER AND HOSES DIESEL ENGINE W/FACTORY AIR CONDITIONING CHEROKEE, WAGONEER, COMANCHE

Figure 24-2100

8J24 2100



ITEM	PART NUMBER	QTY	BODY	MODEL	DESCRIPTION
1	5600 1273	1			HOSE, Evaporator to Compressor, Including Valve
2	5600 1403	1			RETAINER, Valve
3	J317 1795	1			COUPLING, Female
4	J321 2112	3			O-RING
5	J321 2113	4			O-RING
6	J317 1788	2			O-RING
7	J322 2353	3			O-RING
8	3420 2171	1			SCREW
9	J369 3082	1			INSULATOR (Part must be Modified for this Application)
10	5600 1310	1			SWITCH, Cut-Off
11	5600 2203	1			HOSE, Compressor to Condenser, Including Valve
12	J400 6866	2			NUT, Push
13	J812 0054	2			SCREW
14	5600 1938	1			RECEIVER/DRIER ***
15	J374 1260	1			SWITCH, Cut-Off
16	J369 2994	1			VALVE PACKAGE, Relief ***
17	5600 2202	1			TUBE, Receiver
18	J317 1794	1			COUPLING, Male
19	5600 2201	1			HOSE, Receiver to Evaporator
20	5600 2205	1			CORE, Condenser
21	1150 5066	4			SCREW
22	1150 0660	4			NUT
23	1150 0323	4			WASHER

MODEL CODES:

15 = Grand Wagoneer 4 Dr.	65 = Comanche 4WD-7 Ft. Box	77 = Cherokee 4WD-2 Dr.
25 = J-10 Pickup-119" W.B.	66 = Comanche 2WD-7 Ft. Box	78 = Cherokee 4WD-4 Dr.
26 = J-10 Pickup-131" W.B.	73 = Cherokee 2WD-2 Dr.	79 = Cherokee 4WD-4 Dr.-Com
27 = J-20 Pickup-131" W.B.	74 = Cherokee 2WD-4 Dr.	81 = Wrangler-93" W.B.
63 = Comanche 4WD-6 Ft. Box	75 = Wagoneer 4WD-4 Dr.	82 = Wrangler-103" W.B.-Exp.
64 = Comanche 2WD-6 Ft. Box		

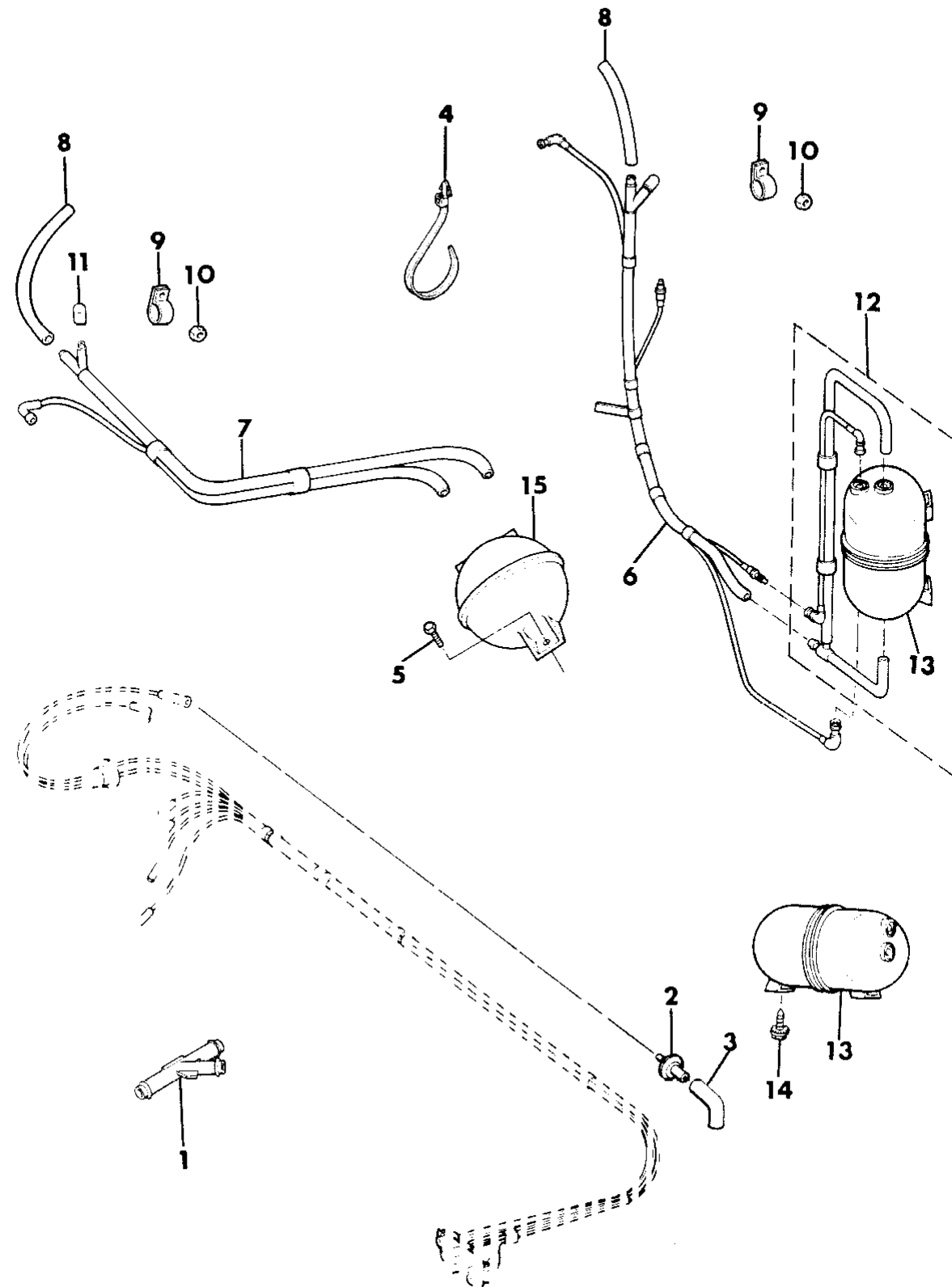
BODY STYLES:

MJ = Comanche Pickup  
 SJ = Grand Wagoneer Wgn., J-10 & J-20 Pickups  
 XJ = Cherokee, Wagoneer Limited  
 YJ = Wrangler

AR = Use as Required - = Non Illustrated Part P.A.R. = Paint as Required

LINES, HEATER AND AIR CONDITIONING VACUUM CHEROKEE, WAGONEER, COMANCHE  
Figure 24-2200

8J24 2200



ITEM	PART NUMBER	QTY	BODY	MODEL	DESCRIPTION
1	J400 6848	1			CONNECTOR, Diesel Engine
2	J322 5641	1			VALVE, Check, Diesel Engine
3	3300 0657	1			HOSE, Diesel Engine
4	3420 1788	1			STRAP, w/o Diesel Engine
5	J400 2359	2			SCREW
6	5600 2602	1			HOSE, Vacuum w/o Diesel Engine, w/Cruise Control
7	5600 2562	1			HOSE, Vacuum w/o Diesel Engine, w/o Cruise Control
8	8330 0080	AR			HOSE, Vacuum
9	J012 0523	1			CLIP, 6 Cyl. Engine
10	J941 6918	1			NUT, 6 Cyl. Engine
11	3420 2137	AR			CAP, Vacuum, w/o Cruise Control
12	5600 2601	1			HOSE, w/Tank w/o Diesel Engine, w/Cruise Control
13	5300 3052	1			TANK, Vacuum, w/Cruise Control
14	1150 0994	2			SCREW
15	3600 1728	1			TANK, Vacuum w/o Diesel Engine, w/o Cruise Control

MODEL CODES:

15 = Grand Wagoneer 4 Dr.	65 = Comanche 4WD-7 Ft. Box	77 = Cherokee 4WD-2 Dr.
25 = J-10 Pickup-119" W.B.	66 = Comanche 2WD-7 Ft. Box	78 = Cherokee 4WD-4 Dr.
26 = J-10 Pickup-131" W.B.	73 = Cherokee 2WD-2 Dr.	79 = Cherokee 4WD-4 Dr.-Com
27 = J-20 Pickup-131" W.B.	74 = Cherokee 2WD-4 Dr.	81 = Wrangler-93" W.B.
63 = Comanche 4WD-6 Ft. Box	75 = Wagoneer 4WD-4 Dr.	82 = Wrangler-103" W.B.-Exp.
64 = Comanche 2WD-6 Ft. Box		

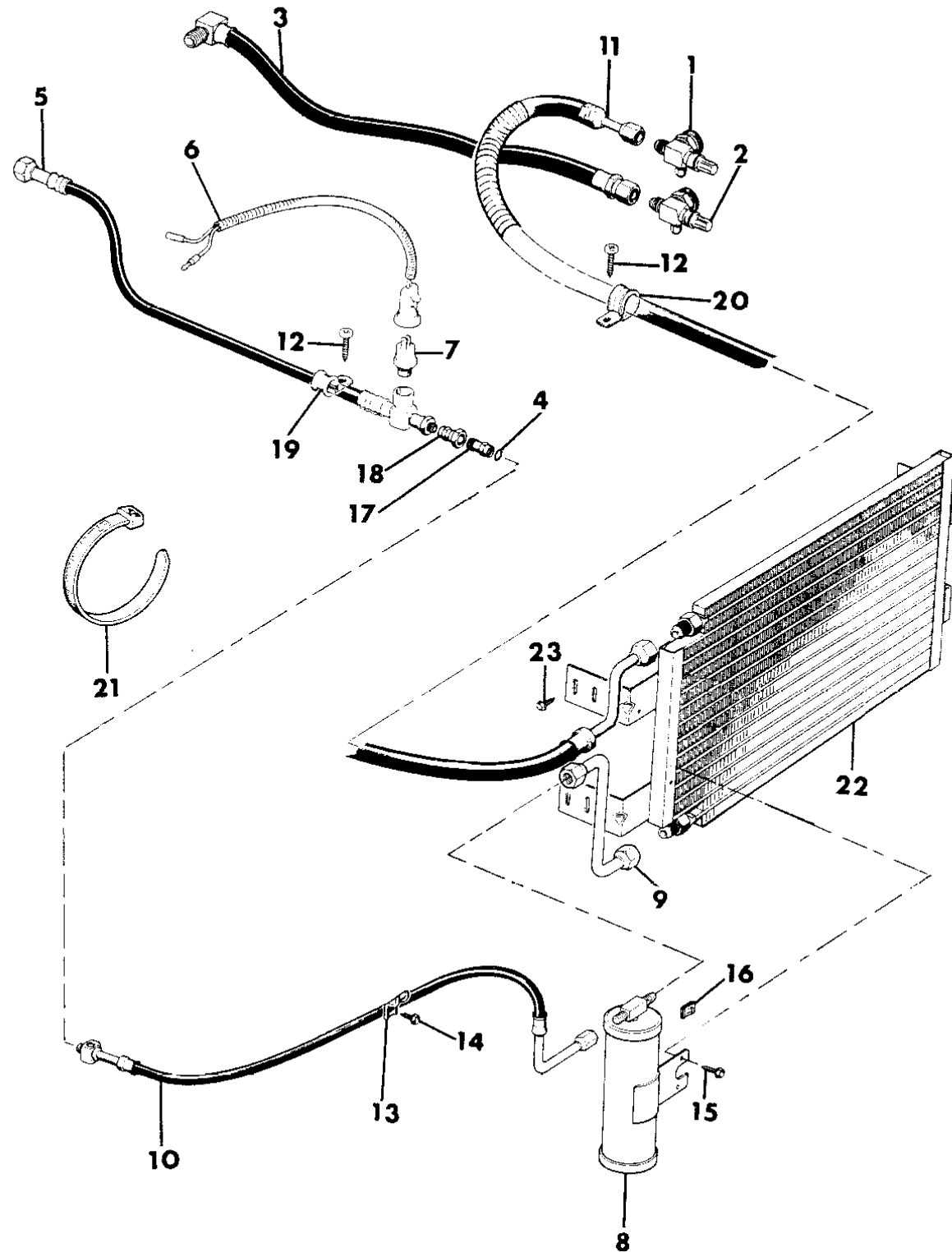
BODY STYLES:

MJ = Comanche Pickup  
 SJ = Grand Wagoneer Wgn., J-10 & J-20 Pickups  
 XJ = Cherokee, Wagoneer Limited  
 YJ = Wrangler

AR = Use as Required - = Non Illustrated Part P.A.R. = Paint as Required

RECEIVER/DRIER, CONDENSER AND HOSES W/AIR CONDITIONING GRAND WAGONEER, J10, J20  
Figure 24-2300

8 J24 2300



ITEM	PART NUMBER	QTY	BODY	MODEL	DESCRIPTION
1					VALVE, Discharge
	J545 9856	1			w/York Compressor
	5600 3162	1			w/Sanden Compressor
2					VALVE, Suction
	J545 9857	1			w/York Compressor
	5600 3161	1			w/Sanden Compressor
3					HOSE, Evaporator to Compressor
	J546 3854	1			w/York Compressor
	5600 3318	1			w/Sanden Compressor
4	J317 1788	AR			O-RING
5	J576 3649	1			HOSE, Quick Coupling to Evaporator
6	J576 3526	1			WIRE, Low Freon
7	J374 1260	1			SWITCH, Cut-Off
8					RECEIVER/DRIER ***
	J813 0315	1			6 Cyl. Engine
	J813 0314	1			8 Cyl. Engine
9	J813 0316	1			TUBE, Receiver
10	J813 0317	1			HOSE, Receiver to Quick Coupling
11					HOSE, Compressor to Condenser
	J813 0318	1			w/York Compressor
	8350 5636	1			w/Sanden Compressor
12	S016 1895	AR			SCREW
13	J012 0525	1			CLIP
14	1150 2843	1			SCREW
15	J812 0054	2			SCREW
16	J044 5446	2			NUT
17	J317 1794	1			COUPLING, Male
18	J317 1795	1			COUPLING, Female ***
19	S012 0530	2			CLIP
20	J400 3838	1			CLIP
21	J322 3227	AR			STRAP
22					CORE, Condenser
	J813 0313	1			6 Cyl. Engine
	J813 0312	1			8 Cyl. Engine
23	J400 1042	4			SCREW

MODEL CODES:

15 = Grand Wagoneer 4 Dr.	65 = Comanche 4WD-7 Ft. Box	77 = Cherokee 4WD-2 Dr.
25 = J-10 Pickup-119" W.B.	66 = Comanche 2WD-7 Ft. Box	78 = Cherokee 4WD-4 Dr.
26 = J-10 Pickup-131" W.B.	73 = Cherokee 2WD-2 Dr.	79 = Cherokee 4WD-4 Dr.-Com
27 = J-20 Pickup-131" W.B.	74 = Cherokee 2WD-4 Dr.	81 = Wrangler-93" W.B.
63 = Comanche 4WD-6 Ft. Box	75 = Wagoneer 4WD-4 Dr.	82 = Wrangler-103" W.B.-Exp.
64 = Comanche 2WD-6 Ft. Box		

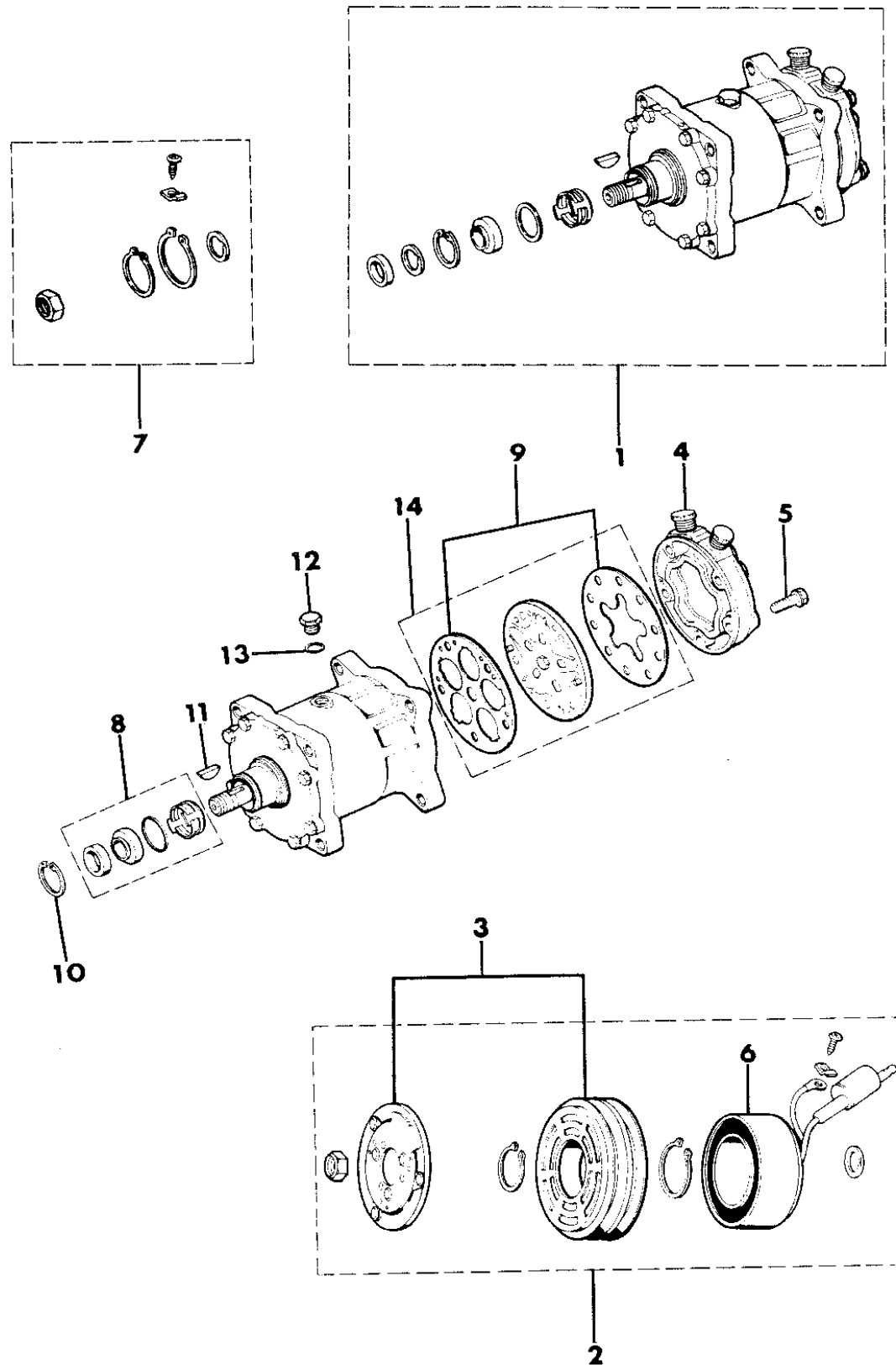
BODY STYLES:

MJ = Comanche Pickup  
SJ = Grand Wagoneer Wgn., J-10 & J-20 Pickups  
XJ = Cherokee, Wagoneer Limited  
YJ = Wrangler

AR = Use as Required - = Non Illustrated Part P.A.R. = Paint as Required

COMPRESSOR 6 CYLINDER ENGINE W/FACTORY AIR CONDITIONING WRANGLER, YJ  
Figure 24-2400

8J24 2400



ITEM	PART NUMBER	QTY	BODY	MODEL	DESCRIPTION
1	J813 3449	1			COMPRESSOR
2	8351 0034	1			CLUTCH
3	J813 3446	1			PULLEY, Drive
4	J813 3445	1			HEAD, Cylinder
5	J813 3189	5			SCREW
6	8351 0032	1			COIL, Clutch
7	J813 3192	1			CLUTCH PACKAGE, Service ***
8	J813 3183	1			SEAL PACKAGE, Clutch
9	J813 3186	1			GASKET PACKAGE
10	J813 3182	1			RING, Snap
11	J813 3191	1			KEY, Shaft
12	J813 3185	1			PLUG, Filler
13	J813 3184	1			O-RING
14	J813 3187	1			PLATE PACKAGE ***

MODEL CODES:

15 = Grand Wagoneer 4 Dr.	65 = Comanche 4WD-7 Ft. Box	77 = Cherokee 4WD-2 Dr.
25 = J-10 Pickup-119" W.B.	66 = Comanche 2WD-7 Ft. Box	78 = Cherokee 4WD-4 Dr.
26 = J-10 Pickup-131" W.B.	73 = Cherokee 2WD-2 Dr.	79 = Cherokee 4WD-4 Dr.-Com
27 = J-20 Pickup-131" W.B.	74 = Cherokee 2WD-4 Dr.	81 = Wrangler-93" W.B.
63 = Comanche 4WD-6 Ft. Box	75 = Wagoneer 4WD-4 Dr.	82 = Wrangler-103" W.B.-Exp.
64 = Comanche 2WD-6 Ft. Box		

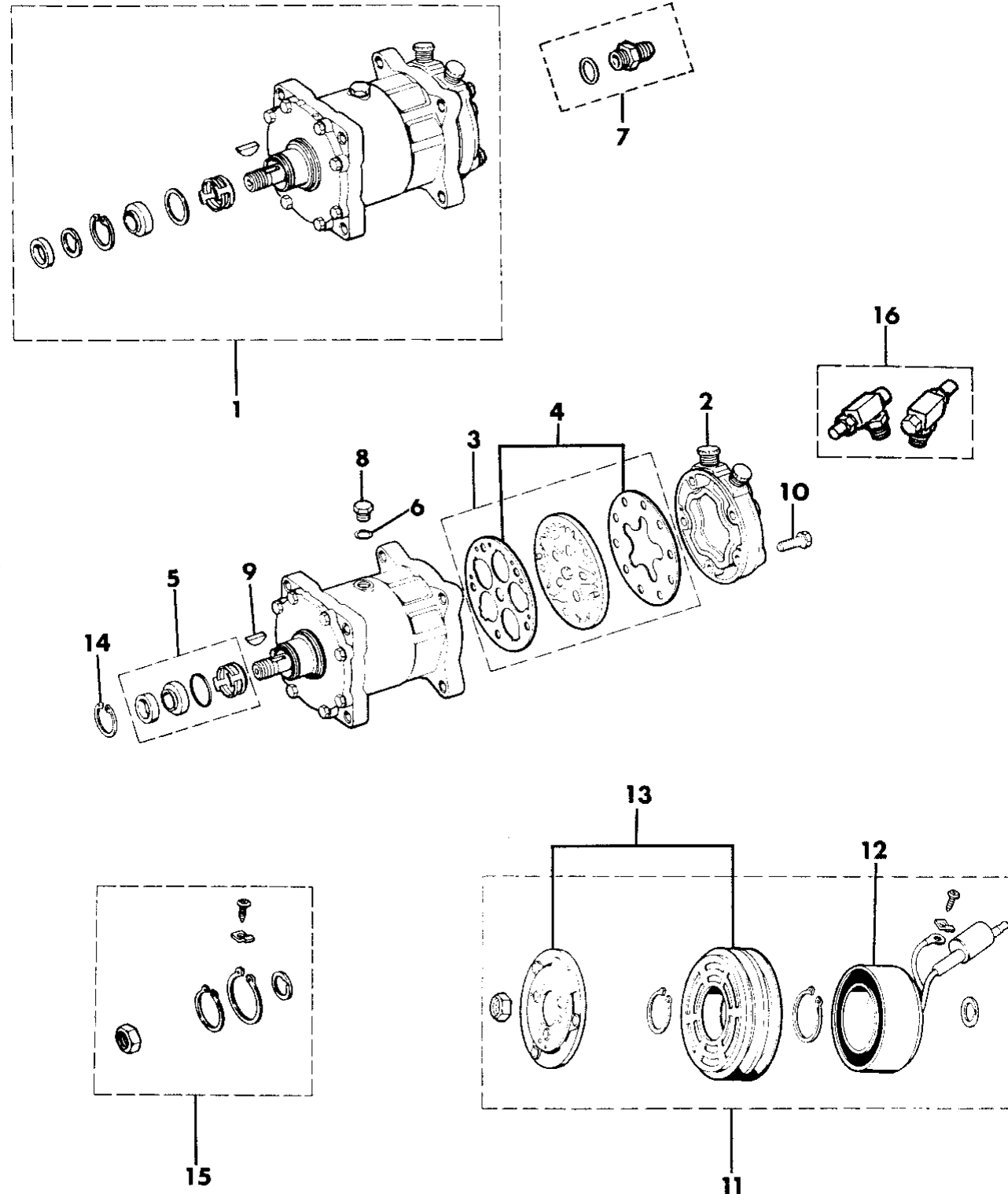
BODY STYLES:

MJ = Comanche Pickup  
SJ = Grand Wagoneer Wgn., J-10 & J-20 Pickups  
XJ = Cherokee, Wagoneer Limited  
YJ = Wrangler

AR = Use as Required - = Non Illustrated Part P.A.R. = Paint as Required

**COMPRESSOR, W/AMERICAN AIR CONDITIONING WRANGLER, YJ**  
**Figure 24-2500**

8J24 25 00



ITEM	PART NUMBER	QTY	BODY	MODEL	DESCRIPTION
1					COMPRESSOR
	8350 3362	1			4 Cyl. or 6 Cyl. Engine w/o Serpentine Belt Drive
	J813 3196	1			6 Cyl. Engine w/Serpentine Belt Drive
2					HEAD, Compressor Cylinder
	8350 3363	1			4 Cyl. or 6 Cyl. Engine w/o Serpentine Belt Drive
	J813 3188	1			6 Cyl. Engine w/Serpentine Belt Drive
3	J813 3187	1			PLATE PACKAGE ***
4	J813 3186	1			GASKET PACKAGE
5	J813 3183	1			SEAL PACKAGE, Clutch
6	J813 3184	1			O-RING PACKAGE ***
7	J813 3190	2			VALVE, Service Port
8	J813 3185	1			PLUG, Filler
9	J813 3191	1			KEY, Shaft
10	J813 3189	5			SCREW
11					CLUTCH
	J813 3195	1			4 Cyl. or 6 Cyl. Engine w/o Serpentine Belt Drive
	8350 3359	1			6 Cyl. Engine w/Serpentine Belt Drive
12	J813 3194	1			COIL, Clutch
13	J813 3193	1			PULLEY, Drive
14	J813 3182	1			RING, Snap
15	J813 3192	1			CLUTCH PACKAGE, Service ***
16	8350 3358	1			VALVE PACKAGE, Discharge and Suction ***

**MODEL CODES:**

15 = Grand Wagoneer 4 Dr.	65 = Comanche 4WD-7 Ft. Box	77 = Cherokee 4WD-2 Dr.
25 = J-10 Pickup-119" W.B.	66 = Comanche 2WD-7 Ft. Box	78 = Cherokee 4WD-4 Dr.
26 = J-10 Pickup-131" W.B.	73 = Cherokee 2WD-2 Dr.	79 = Cherokee 4WD-4 Dr.-Com
27 = J-20 Pickup-131" W.B.	74 = Cherokee 2WD-4 Dr.	81 = Wrangler-93" W.B.
63 = Comanche 4WD-6 Ft. Box	75 = Wagoneer 4WD-4 Dr.	82 = Wrangler-103" W.B.-Exp.
64 = Comanche 2WD-6 Ft. Box		

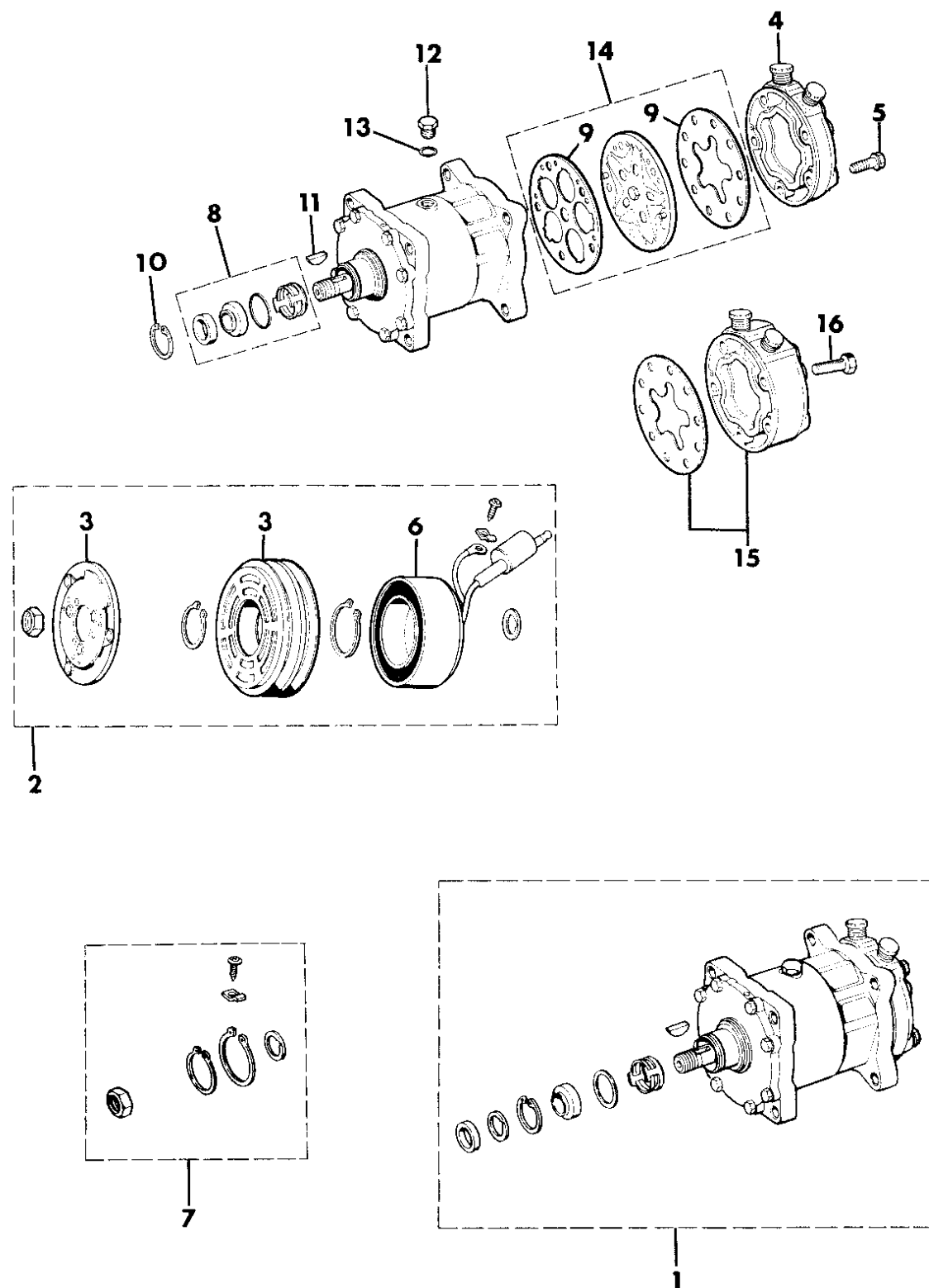
**BODY STYLES:**

MJ = Comanche Pickup  
 SJ = Grand Wagoneer Wgn., J-10 & J-20 Pickups  
 XJ = Cherokee, Wagoneer Limited  
 YJ = Wrangler

AR = Use as Required - = Non Illustrated Part P.A.R. = Paint as Required

**COMPRESSOR, AIR CONDITIONING CHEROKEE, WAGONEER, COMANCHE**  
**Figure 24-2600**

8J24 2600



ITEM	PART NUMBER	QTY	BODY	MODEL	DESCRIPTION
1					COMPRESSOR
	J813 3449	1			4 Cyl. Engine w/Narrow Cylinder Head (Stamped U508SP3)
	8350 5070	1			4 Cyl. Engine w/Wide Cylinder Head (Stamped 508IU)
	8350 5070	1			6 Cyl. Engine
	8350 1450	1			Diesel Engine
2					CLUTCH
	8351 0034	1			4 Cyl. Engine w/Narrow Cylinder Head
	8350 1844	1			4 Cyl. Engine w/Wide Cylinder Head
	8350 1844	1			6 Cyl. Engine
	8351 0033	1			Diesel Engine
3					PULLEY, Clutch Drive
	J813 3446	1			4 Cyl. Engine w/Narrow Cylinder Head
	8350 1845	1			4 Cyl. Engine w/Wide Cylinder Head
	8350 1845	1			6 Cyl. Engine
	J813 4177	1			Diesel Engine
4					HEAD, Cylinder
	J813 3445	1			4 Cyl. Engine with 24mm wide Compressor Cylinder Head
	J813 4179	1			Diesel Engine
5	J813 3189	5			SCREW, w/Narrow Cylinder Head
6	8351 0032	1			COIL, Clutch
7	J813 3192	1			CLUTCH PACKAGE, Service ***
8	J813 3183	1			SEAL PACKAGE, Clutch
9	J813 3186	1			GASKET PACKAGE
10	J813 3182	1			RING, Snap
11	J813 3191	1			KEY, Shaft
12	J813 3185	1			PLUG, Filler
13	J813 3184	1			O-RING
14	J813 3187	1			PLATE PACKAGE ***
15					HEAD PACKAGE, Cylinder ***
	8350 5071	1			4 Cyl. Engine with 45mm wide Compressor Cylinder Head
	8350 5071	1			6 Cyl. Engine
16	8350 6000	6			SCREW, w/Wide Cylinder Head

MODEL CODES:  
 15 = Grand Wagoneer 4 Dr.      65 = Comanche 4WD-7 Ft. Box      77 = Cherokee 4WD-2 Dr.  
 25 = J-10 Pickup-119" W.B.      66 = Comanche 2WD-7 Ft. Box      78 = Cherokee 4WD-4 Dr.  
 26 = J-10 Pickup-131" W.B.      73 = Cherokee 2WD-2 Dr.      79 = Cherokee 4WD-4 Dr.-Com  
 27 = J-20 Pickup-131" W.B.      74 = Cherokee 2WD-4 Dr.      81 = Wrangler-93" W.B.  
 63 = Comanche 4WD-6 Ft. Box      75 = Wagoneer 4WD-4 Dr.      82 = Wrangler-103" W.B.-Exp.  
 64 = Comanche 2WD-6 Ft. Box

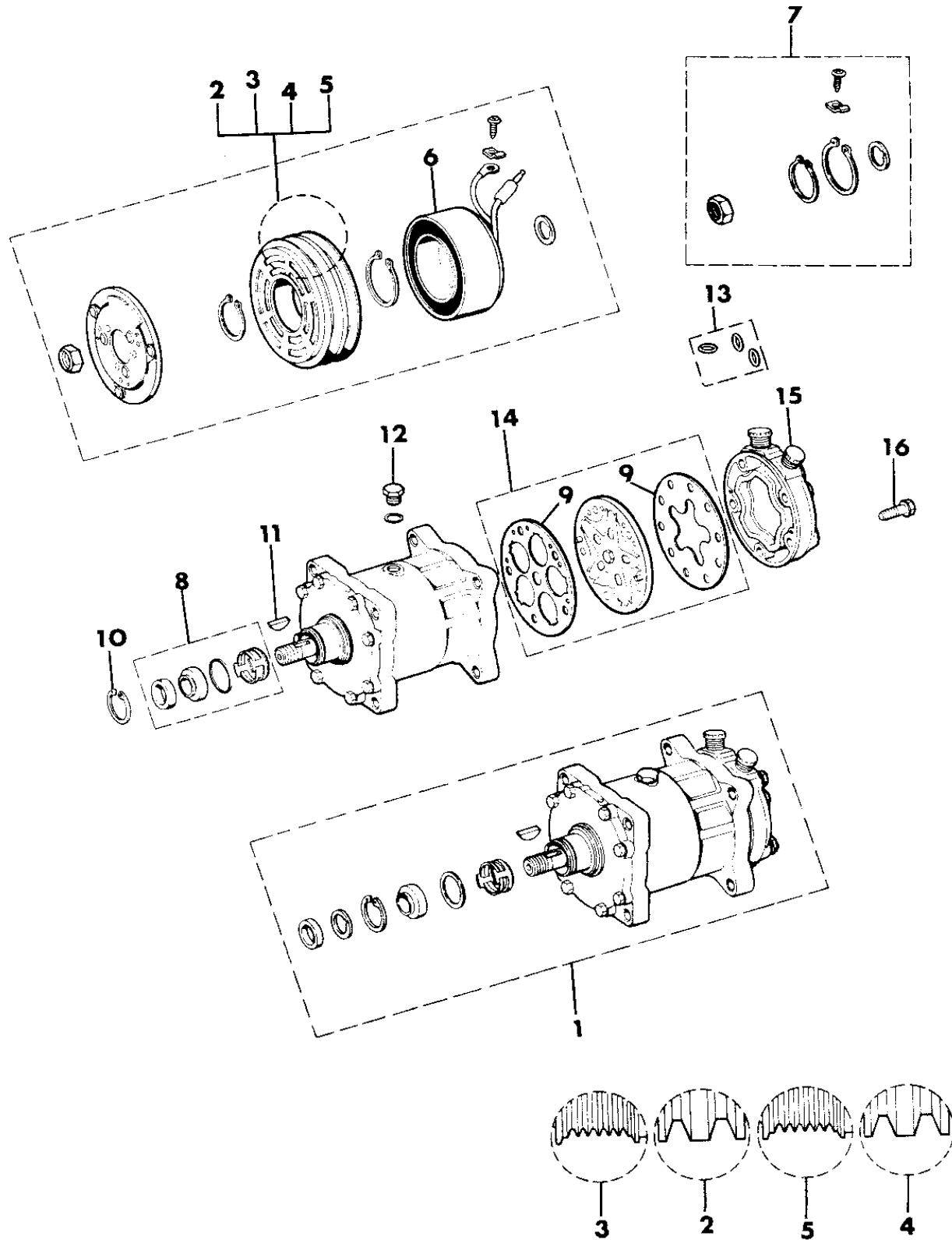
BODY STYLES:  
 MJ = Comanche Pickup  
 SJ = Grand Wagoneer Wgn., J-10 & J-20 Pickups  
 XJ = Cherokee, Wagoneer Limited  
 YJ = Wrangler

AR = Use as Required - = Non Illustrated Part P.A.R. = Paint as Required

COMPRESSOR, AIR CONDITIONING 6 CYLINDER ENGINE GRAND WAGONEER, J10, J20  
Figure 24-2700

8J24 2700

ITEM	PART NUMBER	QTY	BODY	MODEL	DESCRIPTION
1	J813 3449	1			COMPRESSOR
2	8351 0033	1			CLUTCH, exc. Calif.
3	8351 0034	1			CLUTCH, Calif.
4	J813 4177	1			PULLEY, Drive, exc. Calif.
5	J813 3446	1			PULLEY, Drive, Calif.
6	8351 0032	1			COIL, Clutch
7	J813 3192	1			CLUTCH PACKAGE, Service ***
8	J813 3183	1			SEAL PACKAGE, Clutch
9	J813 3186	1			GASKET PACKAGE
10	J813 3182	1			RING, Snap
11	J813 3191	1			KEY, Shaft
12	J813 3185	1			PLUG, Filler
13	J813 3184	1			O-RING PACKAGE ***
14	J813 3187	1			PLATE PACKAGE ***
15	J813 3445	1			HEAD, Cylinder
16	J813 3189	5			SCREW



MODEL CODES:

15 = Grand Wagoneer 4 Dr.	65 = Comanche 4WD-7 Ft. Box	77 = Cherokee 4WD-2 Dr.
25 = J-10 Pickup-119" W.B.	66 = Comanche 2WD-7 Ft. Box	78 = Cherokee 4WD-4 Dr.
26 = J-10 Pickup-131" W.B.	73 = Cherokee 2WD-2 Dr.	79 = Cherokee 4WD-4 Dr.-Com
27 = J-20 Pickup-131" W.B.	74 = Cherokee 2WD-4 Dr.	81 = Wrangler-93" W.B.
63 = Comanche 4WD-6 Ft. Box	75 = Wagoneer 4WD-4 Dr.	82 = Wrangler-103" W.B.-Exp.
64 = Comanche 2WD-6 Ft. Box		

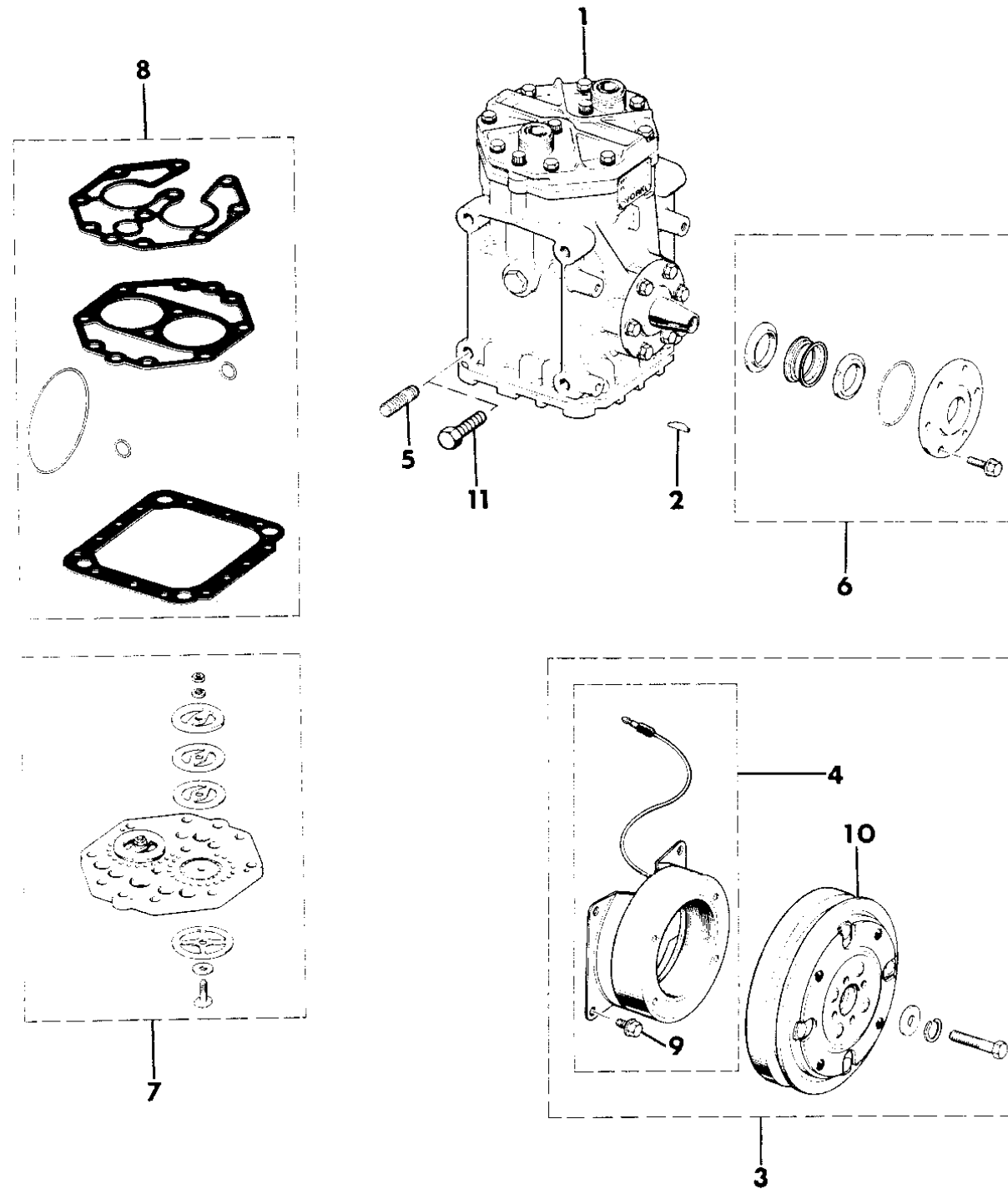
BODY STYLES:

MJ = Comanche Pickup  
SJ = Grand Wagoneer Wgn., J-10 & J-20 Pickups  
XJ = Cherokee, Wagoneer Limited  
YJ = Wrangler

AR = Use as Required - = Non Illustrated Part P.A.R. = Paint as Required

COMPRESSOR, AIR CONDITIONING, YORK EIGHT CYLINDER GRAND WAGONEER, J10 ,J20  
Figure 24-2800

8 J 24 2800



ITEM	PART NUMBER	QTY	BODY	MODEL	DESCRIPTION
1	J322 8826	1			COMPRESSOR
2	J369 3097	1			KEY, Shaft
3	J576 1332	1			CLUTCH
4	J812 8244	1			COIL
	J576 1332	1			See Note A
	J812 0180	1			See Note B
5	J400 7462	3			STUD
6	J812 7440	1			SEAL PACKAGE
7	J812 2073	1			PLATE PACKAGE ***
8	J400 0741	4			GASKET PACKAGE
9	J812 9533	1			SCREW
10	J813 4175	1			PULLEY, Drive
	J018 0122	4			See Note A
					See Note B
11					SCREW

A - Use Pulley J8129533 or Coil J8128244 if the Compressor in the Vehicle has the Part Number of the Production Clutch Assembly 3692973 or J3692973 stamped to the Face of its Pulley.

B - Use Pulley J8134175 or Coil J8134174 if the Compressor in the Vehicle has the Part Number of the Production Clutch 5751322 or J5761322 shown on a Tag affixed to the Face of its Pulley. A Second Tag will show the name of the Vendor (OGURA).

MODEL CODES:

15 = Grand Wagoneer 4 Dr.	65 = Comanche 4WD-7 Ft. Box	77 = Cherokee 4WD-2 Dr.
25 = J-10 Pickup-119" W.B.	66 = Comanche 2WD-7 Ft. Box	78 = Cherokee 4WD-4 Dr.
26 = J-10 Pickup-131" W.B.	73 = Cherokee 2WD-2 Dr.	79 = Cherokee 4WD-4 Dr.-Com
27 = J-20 Pickup-131" W.B.	74 = Cherokee 2WD-4 Dr.	81 = Wrangler-93" W.B.
63 = Comanche 4WD-6 Ft. Box	75 = Wagoneer 4WD-4 Dr.	82 = Wrangler-103" W.B.-Exp.
64 = Comanche 2WD-6 Ft. Box		

BODY STYLES:

MJ = Comanche Pickup  
SJ = Grand Wagoneer Wgn., J-10 & J-20 Pickups  
XJ = Cherokee, Wagoneer Limited  
YJ = Wrangler

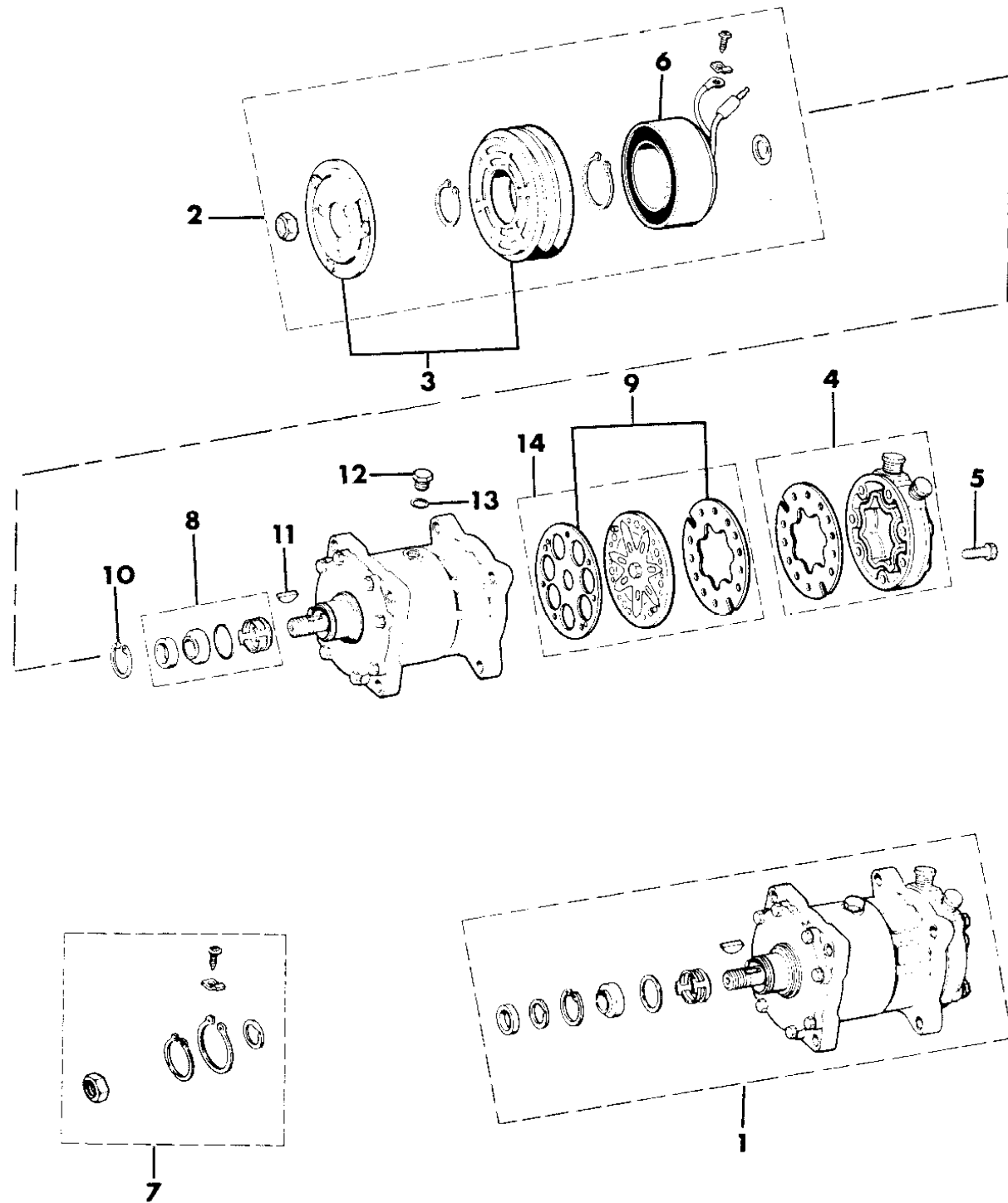
AR = Use as Required - = Non Illustrated Part P.A.R. = Paint as Required



**COMPRESSOR, AIR CONDITIONING, SANDEN 8 CYLINDER ENGINE GRAND WAGONEER**  
**Figure 24-2900**

8J24 2900

ITEM	PART NUMBER	QTY	BODY	MODEL	DESCRIPTION
1	8350 5575	1			COMPRESSOR, Air Conditioning
2	8350 5577	1			CLUTCH, Compressor
3	8350 5578	1			PULLEY, Clutch Drive
4	8350 5576	1			HEAD PACKAGE, Cylinder ***
5	J813 3189	6			SCREW
6	8350 4884	1			COIL, Compressor Clutch
7	8350 4885	1			CLUTCH PACKAGE, Service ***
8	8350 4807	1			SEAL PACKAGE, Shaft
9	8350 4809	1			GASKET PACKAGE, Compressor
10	8350 4808	1			RING, Snap
11	J813 3191	1			KEY, Shaft
12	J813 3185	1			PLUG, Filler
13	J813 3184	1			O-RING
14	8350 4806	1			PLATE PACKAGE, Compressor ***



**MODEL CODES:**

15 = Grand Wagoneer 4 Dr.	65 = Comanche 4WD-7 Ft. Box	77 = Cherokee 4WD-2 Dr.
25 = J-10 Pickup-119" W.B.	66 = Comanche 2WD-7 Ft. Box	78 = Cherokee 4WD-4 Dr.
26 = J-10 Pickup-131" W.B.	73 = Cherokee 2WD-2 Dr.	79 = Cherokee 4WD-4 Dr.-Com
27 = J-20 Pickup-131" W.B.	74 = Cherokee 2WD-4 Dr.	81 = Wrangler-93" W.B.
63 = Comanche 4WD-6 Ft. Box	75 = Wagoneer 4WD-4 Dr.	82 = Wrangler-103" W.B.-Exp.
64 = Comanche 2WD-6 Ft. Box		

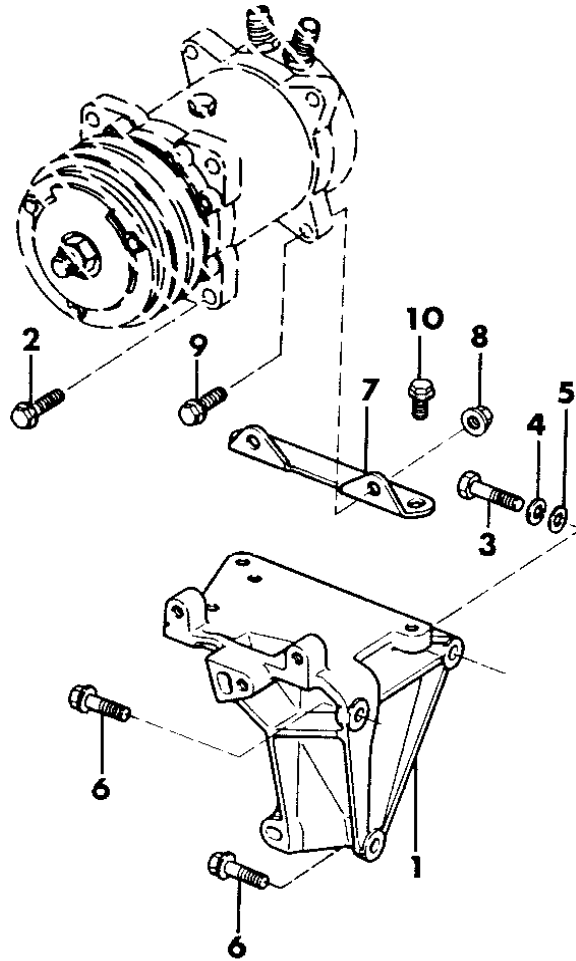
**BODY STYLES:**

MJ = Comanche Pickup  
 SJ = Grand Wagoneer Wgn., J-10 & J-20 Pickups  
 XJ = Cherokee, Wagoneer Limited  
 YJ = Wrangler

AR = Use as Required - = Non Illustrated Part P.A.R. = Paint as Required

**COMPRESSOR, W/AMERICAN AIR CONDITIONING WRANGLER, YJ**  
**Figure 24-2500**

8J24 3000



ITEM	PART NUMBER	QTY	BODY	MODEL	DESCRIPTION
1	5300 0530	1			BRACKET, Mounting
2	3420 1869	2			BOLT, 35mm Long
3	J018 0129	1			BOLT, 1 7/8" Long
4	J012 0382	1			WASHER
5	J400 1102	1			WASHER
6	J400 6995	2			BOLT, 1 1/8" Long
7	5300 0529	1			BRACKET, Mounting
8	1150 6007	2			NUT
9	1150 2689	2			BOLT, 30mm Long
10	3420 1868	2			BOLT, 16mm Long

**MODEL CODES:**

15 = Grand Wagoneer 4 Dr.	65 = Comanche 4WD-7 Ft. Box	77 = Cherokee 4WD-2 Dr.
25 = J-10 Pickup-119" W.B.	66 = Comanche 2WD-7 Ft. Box	78 = Cherokee 4WD-4 Dr.
26 = J-10 Pickup-131" W.B.	73 = Cherokee 2WD-2 Dr.	79 = Cherokee 4WD-4 Dr.-Com
27 = J-20 Pickup-131" W.B.	74 = Cherokee 2WD-4 Dr.	81 = Wrangler-93" W.B.
63 = Comanche 4WD-6 Ft. Box	75 = Wagoneer 4WD-4 Dr.	82 = Wrangler-103" W.B.-Exp.
64 = Comanche 2WD-6 Ft. Box		

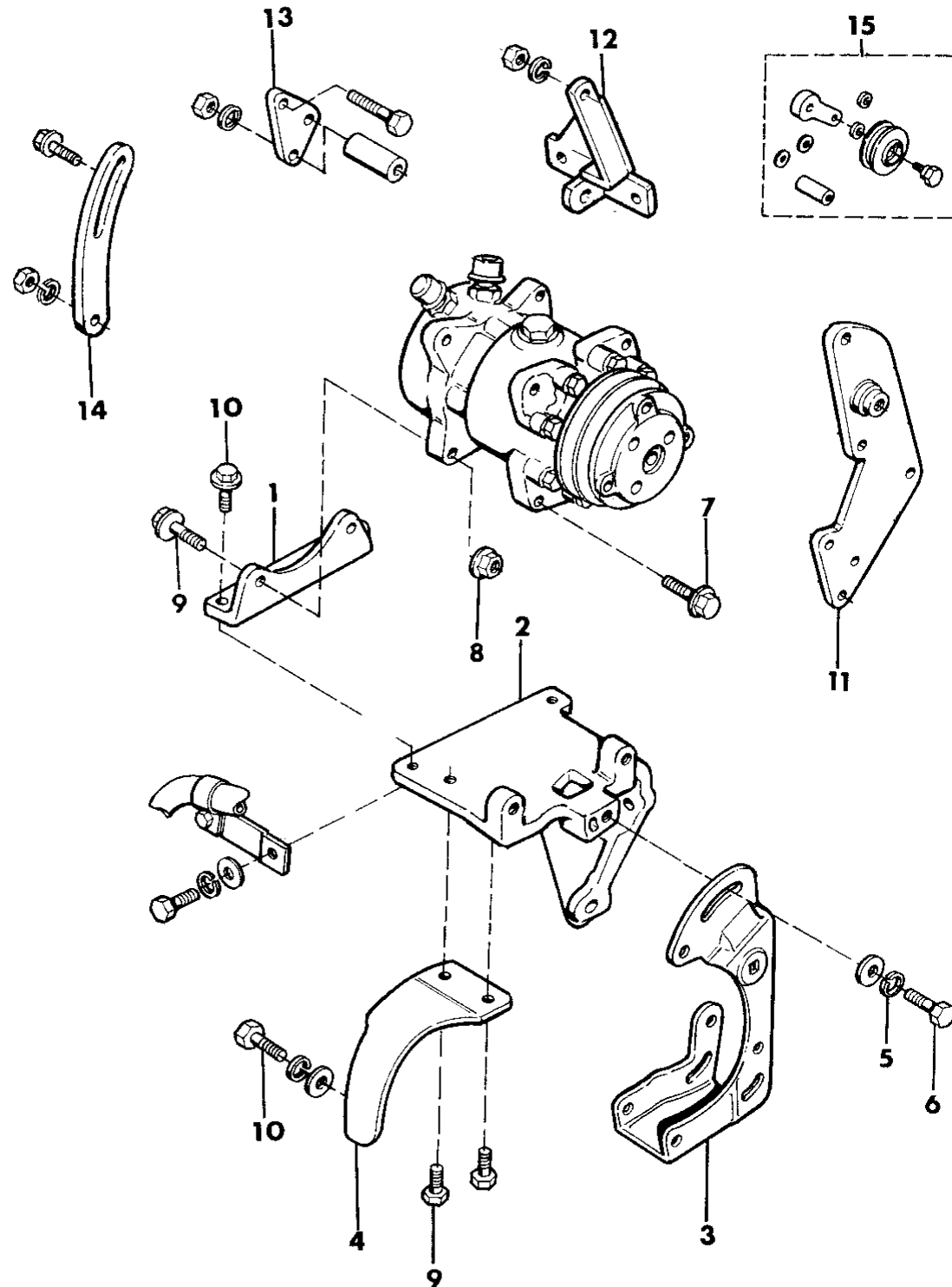
**BODY STYLES:**

MJ = Comanche Pickup  
 SJ = Grand Wagoneer Wgn., J-10 & J-20 Pickups  
 XJ = Cherokee, Wagoneer Limited  
 YJ = Wrangler

AR = Use as Required - = Non Illustrated Part P.A.R. = Paint as Required

**COMPRESSOR MOUNTING W/AMERICAN AIR CONDITIONING 4 CYLINDER AND 6 CYLINDER ENGINE WRANGLER, YJ**  
**Figure 24-3100**

8J24 3100



ITEM	PART NUMBER	QTY	BODY	MODEL	DESCRIPTION
1	5300 0529	1			BRACKET, Mounting w/Serpentine Belt Drive
2	5300 0530	1			BRACKET, Mounting w/Serpentine Belt Drive
3	5300 1117	1			BRACKET, Alternator w/Serpentine Belt Drive
4	5300 1118	1			BRACE, Alternator w/Serpentine Belt Drive
	J420 0406	1			BOLT, Brace
5	J400 1104	5			WASHER, w/Serpentine Belt Drive
6	J400 6995	1			BOLT, w/Serpentine Belt Drive
7	1150 2689	1			BOLT, w/Serpentine Belt Drive
8	1150 6007	2			NUT, w/Serpentine Belt Drive ***
9					BOLT, w/Serpentine Belt Drive
	3420 1869	AR			35 mm Long
	3420 1868	AR			16 mm Long
10	J420 0406	1			BOLT, w/Serpentine Belt Drive
11	8350 3347	1			BRACKET, Mounting w/o Serpentine Belt Drive
12	8350 3348	1			BRACKET, Alternator w/o Serpentine Belt Drive
13	8350 1918	1			SUPPORT, Compressor w/o Serpentine Belt Drive
14	8350 3349	1			BRACKET, Adjusting w/o Serpentine Belt Drive
15	8350 3364	1			IDLER PACKAGE, Belt w/o Serpentine Belt Drive ***

**MODEL CODES:**

15 = Grand Wagoneer 4 Dr.	65 = Comanche 4WD-7 Ft. Box	77 = Cherokee 4WD-2 Dr.
25 = J-10 Pickup-119" W.B.	66 = Comanche 2WD-7 Ft. Box	78 = Cherokee 4WD-4 Dr.
26 = J-10 Pickup-131" W.B.	73 = Cherokee 2WD-2 Dr.	79 = Cherokee 4WD-4 Dr.-Com
27 = J-20 Pickup-131" W.B.	74 = Cherokee 2WD-4 Dr.	81 = Wrangler-93" W.B.
63 = Comanche 4WD-6 Ft. Box	75 = Wagoneer 4WD-4 Dr.	82 = Wrangler-103" W.B.-Exp.
64 = Comanche 2WD-6 Ft. Box		

**BODY STYLES:**

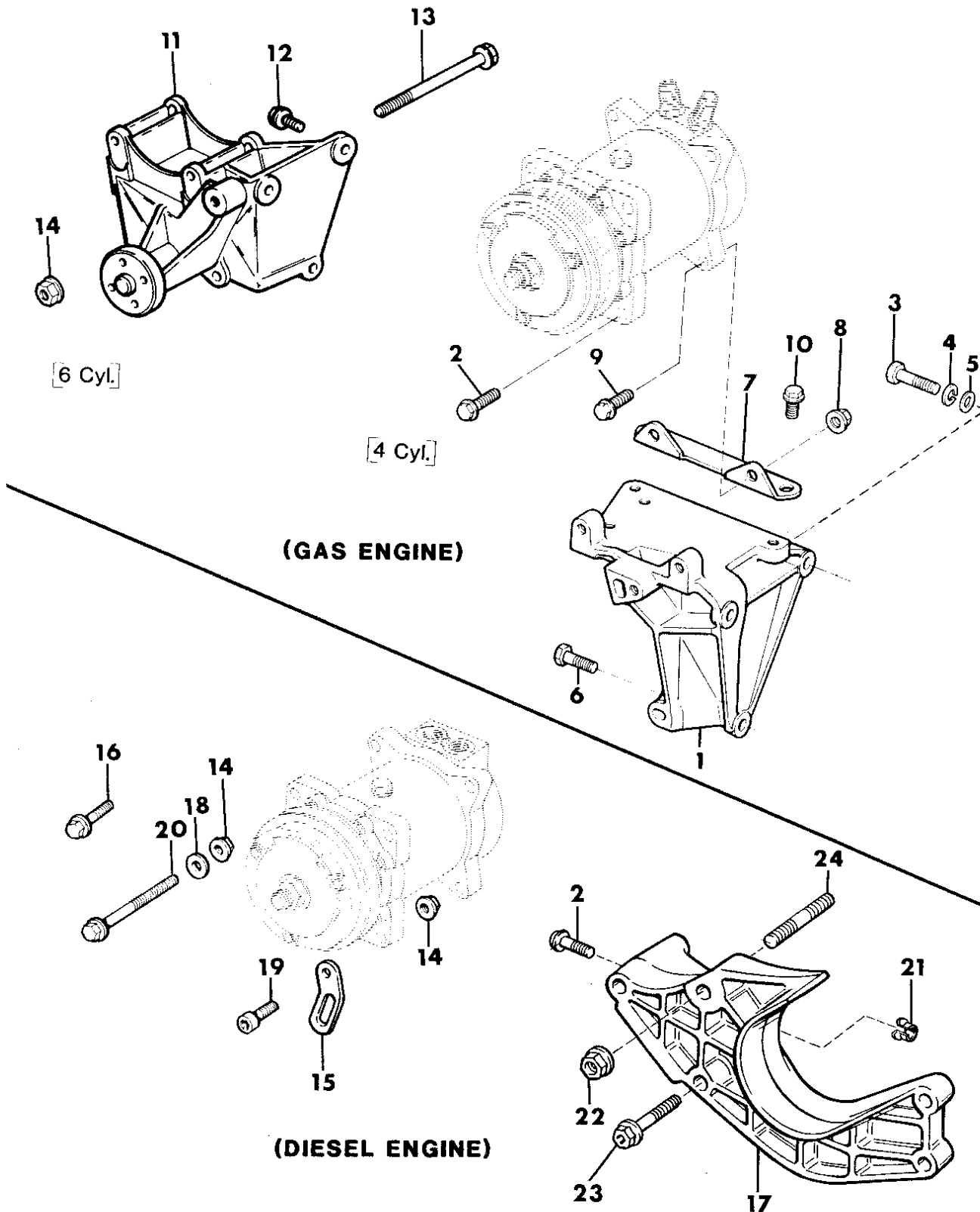
MJ = Comanche Pickup  
 SJ = Grand Wagoneer Wgn., J-10 & J-20 Pickups  
 XJ = Cherokee, Wagoneer Limited  
 YJ = Wrangler

AR = Use as Required - = Non Illustrated Part P.A.R. = Paint as Required

COMPRESSOR MOUNTING W/FACTORY AIR CONDITIONING CHEROKEE, WAGONEER, COMANCHE

Figure 24-3200

8J24 3200



ITEM	PART NUMBER	QTY	BODY	MODEL	DESCRIPTION
1	5300 0530	1			BRACKET, Mounting
2	3420 1869	2			BOLT, 35mm Long
3	J018 0129	1			BOLT
4	J012 0382	1			WASHER
5	J400 1102	1			WASHER
6	J400 6995	2			BOLT
7	5300 0529	1			BRACKET, Mounting
8	1150 6007	AR			NUT
9	1150 2689	2			BOLT
10	3420 1868	2			BOLT
11	5300 2901	1			BRACKET, Mounting w/o ECE
	5300 5462	1			w/ECE
12	J400 7585	3			SCREW, 45mm Long
13	3420 2168	2			SCREW 1987-89
	J941 7624	2			1990
14	1150 2812	2			NUT
15	5300 5157	1			STRAP, Adjusting
16	3420 1819	4			SCREW, 45mm Long
17	5300 1771	1			BRACKET, Mounting
18	J400 1104	1			WASHER
19	J420 0446	1			BOLT, 35mm Long
20	3420 2834	1			BOLT, 130mm Long
21	5300 0548	1			SPACER
22	J420 0081	1			NUT
23	3420 2047	1			BOLT, 65mm Long
24	3420 1744	1			STUD, 85mm Long

MODEL CODES:

15 = Grand Wagoneer 4 Dr.	65 = Comanche 4WD-7 Ft. Box	77 = Cherokee 4WD-2 Dr.
25 = J-10 Pickup-119" W.B.	66 = Comanche 2WD-7 Ft. Box	78 = Cherokee 4WD-4 Dr.
26 = J-10 Pickup-131" W.B.	73 = Cherokee 2WD-2 Dr.	79 = Cherokee 4WD-4 Dr.-Com
27 = J-20 Pickup-131" W.B.	74 = Cherokee 2WD-4 Dr.	81 = Wrangler-93" W.B.
63 = Comanche 4WD-6 Ft. Box	75 = Wagoneer 4WD-4 Dr.	82 = Wrangler-103" W.B.-Exp.
64 = Comanche 2WD-6 Ft. Box		

BODY STYLES:

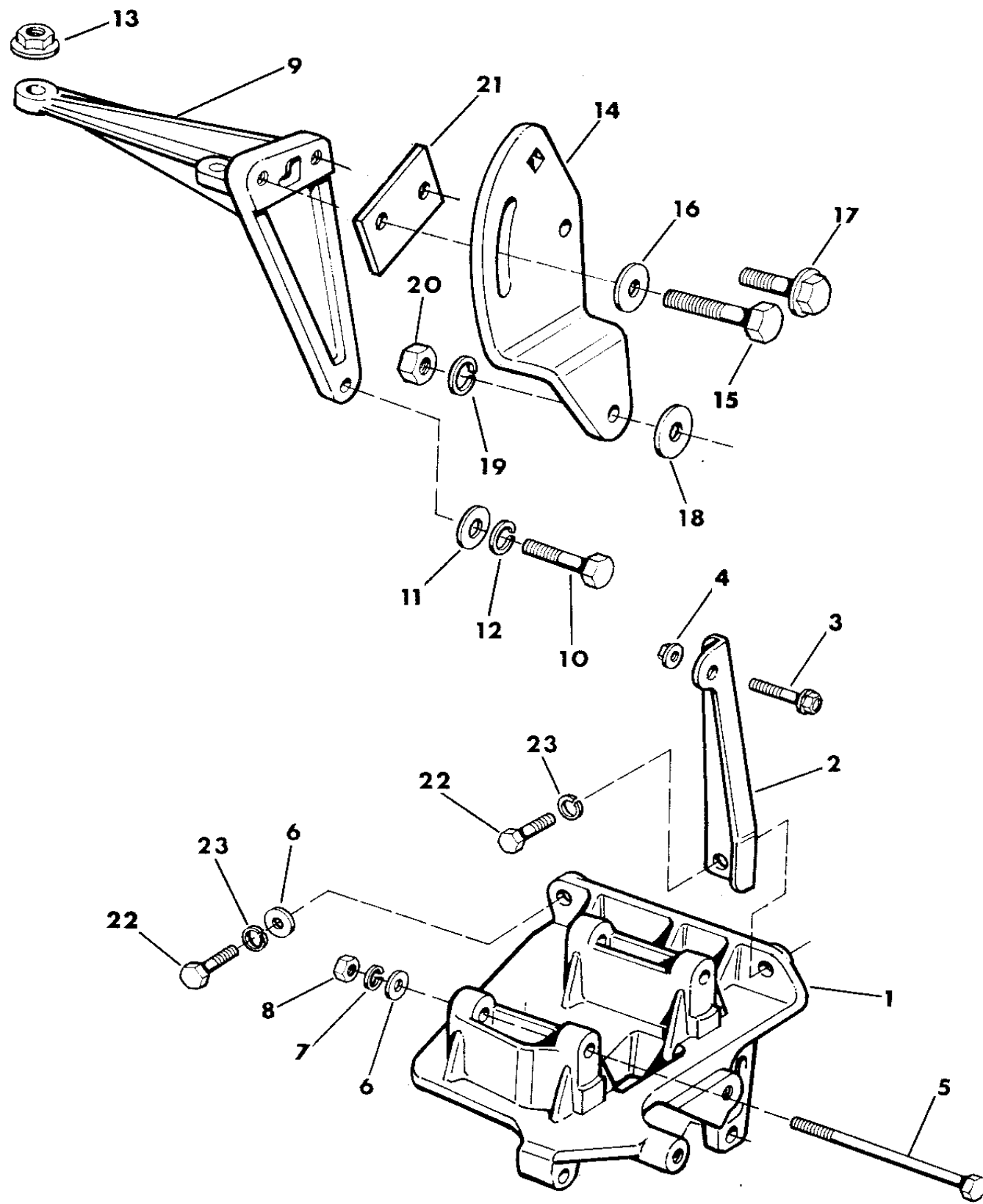
MJ = Comanche Pickup  
 SJ = Grand Wagoneer Wgn., J-10 & J-20 Pickups  
 XJ = Cherokee, Wagoneer Limited  
 YJ = Wrangler

AR = Use as Required - = Non Illustrated Part P.A.R. = Paint as Required

COMPRESSOR MOUNTING, AIR CONDITIONING 6 CYLINDER ENGINE GRAND WAGONEER, J10, J20

Figure 24-3300

8J24 3300



ITEM	PART NUMBER	QTY	BODY	MODEL	DESCRIPTION
1	J323 9470	1			BRACKET, Mounting
2	J323 9633	1			BRACE, Compressor
3	J400 4010	1			SCREW
4	S941 1507	1			NUT
5	J941 7624	2			SCREW
6	J400 1102	AR			WASHER
7	J012 0930	2			WASHER
8	S941 8738	2			NUT
9	3300 4224	1			BRACKET, Idler Pulley Mounting
10	J018 0126	1			SCREW
11	J400 1104	1			WASHER
12	J012 0382	1			WASHER
13	J400 4005	1			NUT
14	J322 4472	1			BRACKET, Idler
15	J941 9079	1			SCREW
16	J400 5390	1			WASHER 1987-89
	J400 4943	1			1990
17	J027 3776	1			SCREW
18	J400 1289	1			SPACER
19	J400 1898	1			WASHER
20	S012 0370	1			NUT
21	J322 4473	1			SPACER
22	J018 0123	AR			SCREW
23	J400 3803	AR			WASHER

MODEL CODES:

15 = Grand Wagoneer 4 Dr.	65 = Comanche 4WD-7 Ft. Box	77 = Cherokee 4WD-2 Dr.
25 = J-10 Pickup-119" W.B.	66 = Comanche 2WD-7 Ft. Box	78 = Cherokee 4WD-4 Dr.
26 = J-10 Pickup-131" W.B.	73 = Cherokee 2WD-2 Dr.	79 = Cherokee 4WD-4 Dr.-Com
27 = J-20 Pickup-131" W.B.	74 = Cherokee 2WD-4 Dr.	81 = Wrangler-93" W.B.
63 = Comanche 4WD-6 Ft. Box	75 = Wagoneer 4WD-4 Dr.	82 = Wrangler-103" W.B.-Exp.
64 = Comanche 2WD-6 Ft. Box		

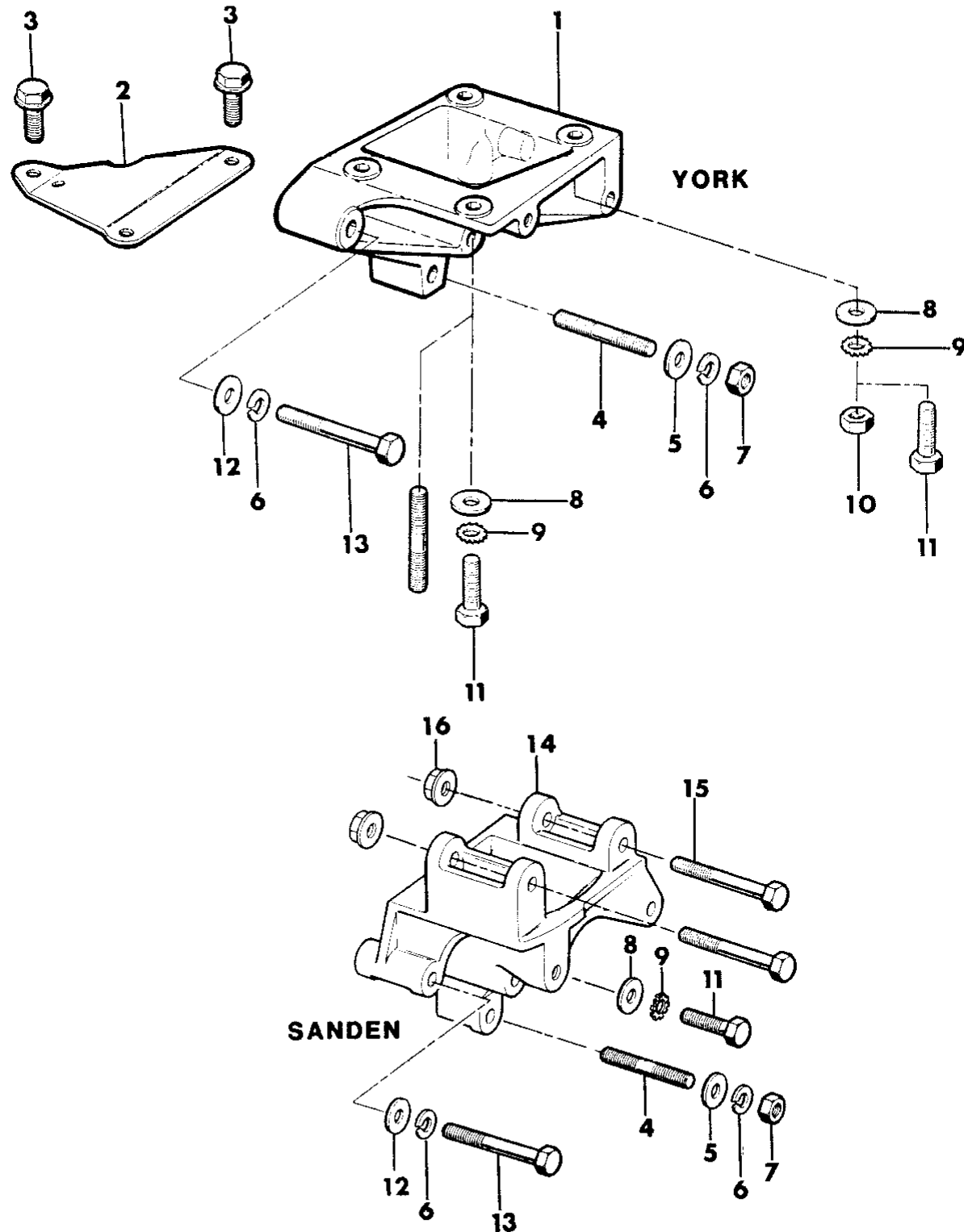
BODY STYLES:

MJ = Comanche Pickup  
 SJ = Grand Wagoneer Wgn., J-10 & J-20 Pickups  
 XJ = Cherokee, Wagoneer Limited  
 YJ = Wrangler

AR = Use as Required - = Non Illustrated Part P.A.R. = Paint as Required

COMPRESSOR MOUNTING, AIR CONDITIONING 8 CYLINDER ENGINE GRAND WAGONEER, J10, J20  
Figure 24-3400

8J24 3400



ITEM	PART NUMBER	QTY	BODY	MODEL	DESCRIPTION
1	J322 7681	1			BRACKET, Mounting w/York Compressor
2	J323 4689	1			BRACE, w/York Compressor
3	J027 4882	3			SCREW, w/York Compressor
4	J400 5587	1			STUD
5	J400 1116	1			WASHER
6	J400 4809	2			WASHER
7	J027 1506	1			NUT
8	J400 1102	4			WASHER
9	J012 0930	4			WASHER
10	J012 0369	3			NUT, w/York Compressor
11	J018 0122	AR			SCREW
12	J400 1289	1			SPACER
13	J018 0161	1			SCREW
14	5300 5420	1			BRACKET, Mounting w/Sanden Compressor
15	J941 7624	2			SCREW, w/Sanden Compressor
16	S941 1507	2			NUT, w/Sanden Compressor

MODEL CODES:

15 = Grand Wagoneer 4 Dr.	65 = Comanche 4WD-7 Ft. Box	77 = Cherokee 4WD-2 Dr.
25 = J-10 Pickup-119" W.B.	66 = Comanche 2WD-7 Ft. Box	78 = Cherokee 4WD-4 Dr.
26 = J-10 Pickup-131" W.B.	73 = Cherokee 2WD-2 Dr.	79 = Cherokee 4WD-4 Dr.-Com
27 = J-20 Pickup-131" W.B.	74 = Cherokee 2WD-4 Dr.	81 = Wrangler-93" W.B.
63 = Comanche 4WD-6 Ft. Box	75 = Wagoneer 4WD-4 Dr.	82 = Wrangler-103" W.B.-Exp.
64 = Comanche 2WD-6 Ft. Box		

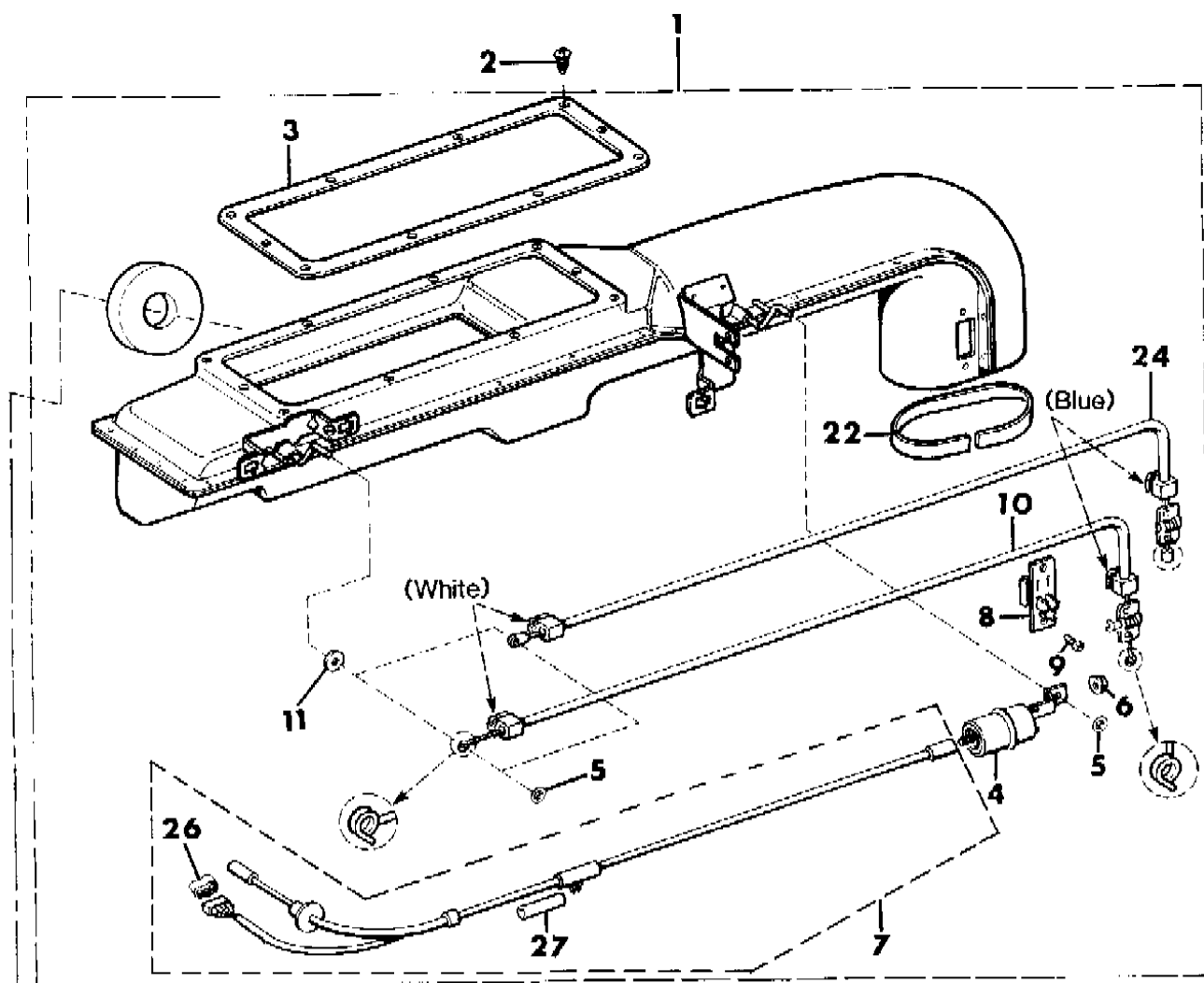
BODY STYLES:

MJ = Comanche Pickup  
SJ = Grand Wagoneer Wgn., J-10 & J-20 Pickups  
XJ = Cherokee, Wagoneer Limited  
YJ = Wrangler

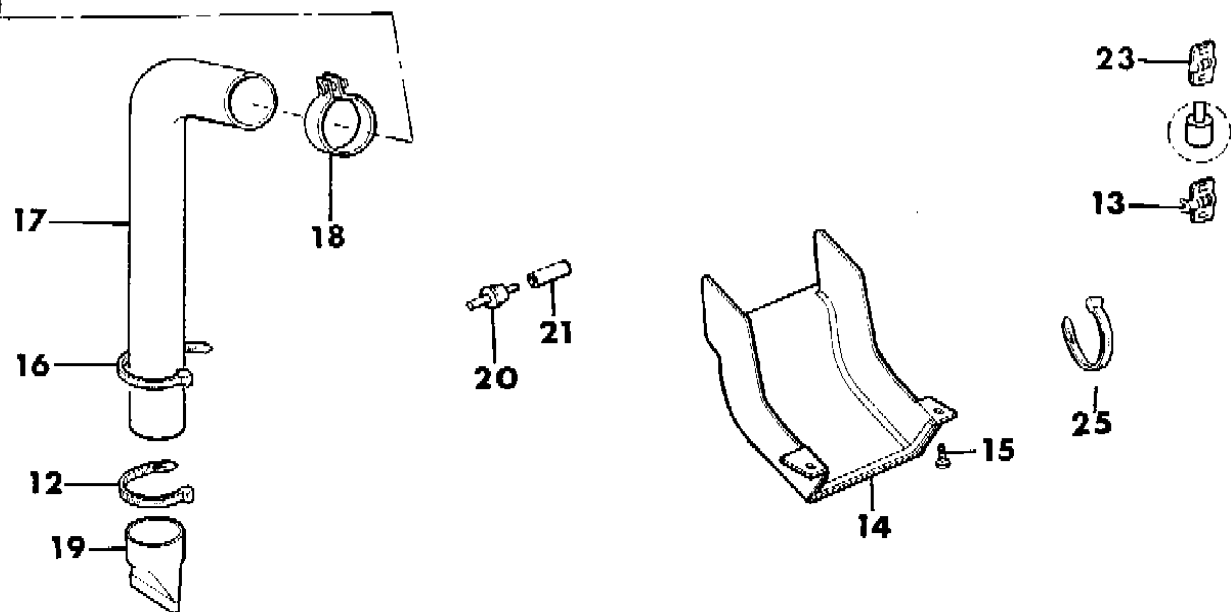
AR = Use as Required - = Non Illustrated Part P.A.R. = Paint as Required

AIR DISTRIBUTION DUCTS, FRESH AIR WRANGLER, YJ  
Figure 24-3500

8J24 3500



ITEM	PART NUMBER	QTY	BODY	MODEL	DESCRIPTION
1	5600 3810	1			DUCT, Air
2	J400 4112	2			SCREW
3	5505 2592	1			GASKET, Air Vent
4	5600 1456	1			MOTOR, Vacuum
5	J400 1714	2			NUT
6	3420 1001	2			NUT
7	5600 1470	1			HARNESS, Vacuum
8	J096 1042	1			RESISTOR
9	J400 5522	2			SCREW
10	5600 2697	1			CABLE, Air Vent
11	J044 6152	1			WASHER
12	J322 3227	AR			STRAP
13	J400 5761	1			CLIP
14	J546 2731	1			DEFLECTOR, Air Vent
15	J400 5817	3			SCREW
16	J400 6101	1			STRAP
17	J546 3813	1			HOSE, Drain
18	J320 3078	1			CLAMP
19	J098 7079	1			CAP, Drain
20	J322 5641	1			VALVE, Check
21	8330 0080	AR			HOSE, Vacuum (1 ft. length)
22	5600 2581	1			SEAL, Duct
23	5600 2700	1			CLIP
24	5600 2697	1			CABLE, Air Vent
25	J323 0270	1			STRAP
26	J322 6030	1			CONNECTOR
27	J322 6031	1			CONNECTOR



MODEL CODES:

15 = Grand Wagoneer 4 Dr.	65 = Comanche 4WD-7 Ft. Box	77 = Cherokee 4WD-2 Dr.
25 = J-10 Pickup-119" W.B.	66 = Comanche 2WD-7 Ft. Box	78 = Cherokee 4WD-4 Dr.
26 = J-10 Pickup-131" W.B.	73 = Cherokee 2WD-2 Dr.	79 = Cherokee 4WD-4 Dr.-Com
27 = J-20 Pickup-131" W.B.	74 = Cherokee 2WD-4 Dr.	81 = Wrangler-93" W.B.
63 = Comanche 4WD-6 Ft. Box	75 = Wagoneer 4WD-4 Dr.	82 = Wrangler-103" W.B.-Exp.
64 = Comanche 2WD-6 Ft. Box		

BODY STYLES:

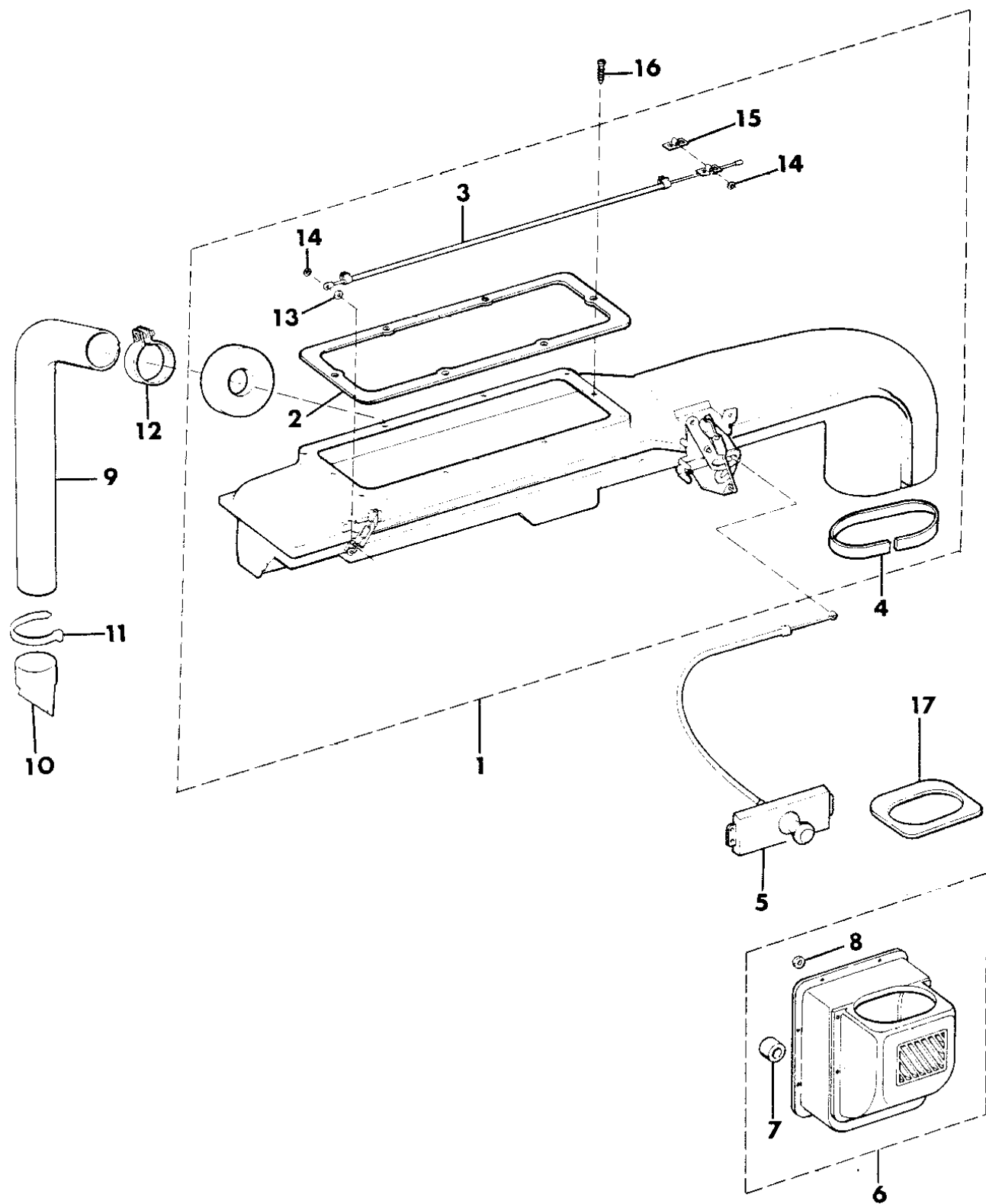
MJ = Comanche Pickup  
SJ = Grand Wagoneer Wgn., J-10 & J-20 Pickups  
XJ = Cherokee, Wagoneer Limited  
YJ = Wrangler

AR = Use as Required - = Non Illustrated Part P.A.R. = Paint as Required

AIR DUCT AND OUTLET, FRESH AIR W/O HEATER EXPORT WRANGLER

Figure 24-3600

8J24 3600



ITEM	PART NUMBER	QTY	BODY	MODEL	DESCRIPTION
1	5600 2051	1			DUCT, Air
2	5505 2592	1			GASKET, Air Vent
3	5600 2964	1			CABLE, Air Vent
4	5600 2581	1			SEAL, Duct
5	5603 0036	1			CONTROL, Vent
6	5600 2560	6			INLET, Fresh Air
7	J546 2712	1			SEAL, Drain
8	J575 1404	2			SPACER
9	J546 3813	1			HOSE, Drain
10	J098 7079	1			CAP, Drain
11	J322 3227	1			STRAP
12	J320 3078	1			CLAMP
13	J044 6152	1			WASHER
14	J400 1714	AR			NUT, Push
15	5600 2700	1			CLIP
16	J400 4112	4			SCREW
17	J546 3794	1			SEAL

MODEL CODES:

15 = Grand Wagoneer 4 Dr.	65 = Comanche 4WD-7 Ft. Box	77 = Cherokee 4WD-2 Dr.
25 = J-10 Pickup-119" W.B.	66 = Comanche 2WD-7 Ft. Box	78 = Cherokee 4WD-4 Dr.
26 = J-10 Pickup-131" W.B.	73 = Cherokee 2WD-2 Dr.	79 = Cherokee 4WD-4 Dr.-Com
27 = J-20 Pickup-131" W.B.	74 = Cherokee 2WD-4 Dr.	81 = Wrangler-93" W.B.
63 = Comanche 4WD-6 Ft. Box	75 = Wagoneer 4WD-4 Dr.	82 = Wrangler-103" W.B.-Exp.
64 = Comanche 2WD-6 Ft. Box		

BODY STYLES:

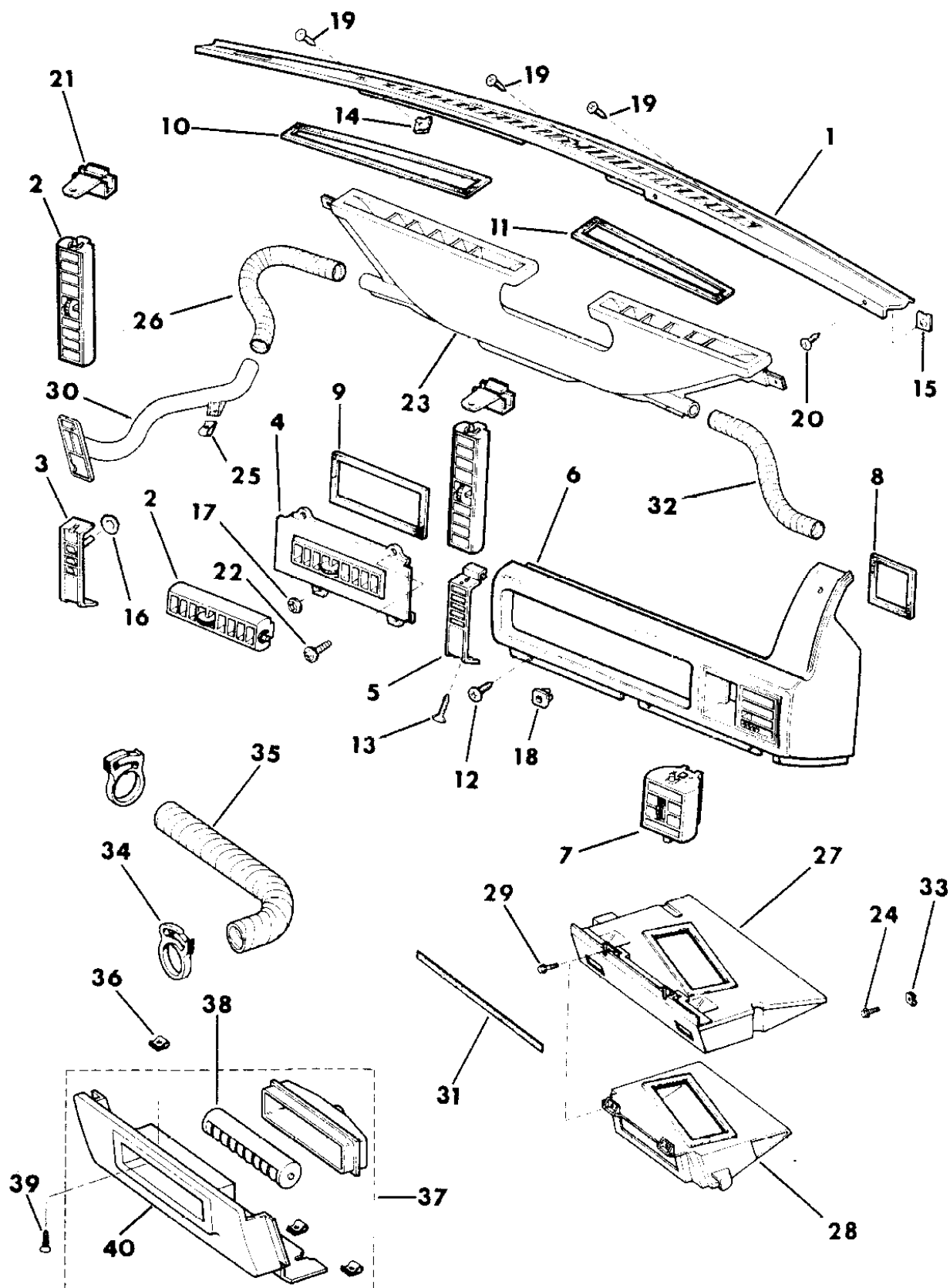
MJ = Comanche Pickup  
 SJ = Grand Wagoneer Wgn., J-10 & J-20 Pickups  
 XJ = Cherokee, Wagoneer Limited  
 YJ = Wrangler

AR = Use as Required - = Non Illustrated Part P.A.R. = Paint as Required



**AIR DUCTS AND OUTLETS CHEROKEE, WAGONEER, COMANCHE**  
**Figure 24-3700**

8J24 3700A



ITEM	PART NUMBER	QTY	BODY	MODEL	DESCRIPTION
1	5501 1119	1			BEZEL, Defroster (Paint as Required)
2	5500 4027	3			OUTLET, Air
3	5500 4025	1			BEZEL, Side Defroster
4	5500 3165	1			OUTLET, Air
5	5500 4023	1			BEZEL, Center Lower
6					BEZEL, Lower Right
	5501 1112	1			1988-89
	5AG7 2JY6	1			1990 (Paint as Required)
7	5500 4026	1			OUTLET, Air
8	5500 2875	1			GASKET
9	5500 3880	1			GASKET
10	5500 2424	1			SEAL
11	5500 2425	1			SEAL
12	J400 2461	4			SCREW
13	J400 5942	1			SCREW
14	3420 1497	4			NUT
15	J400 4223	8			NUT
16	1150 1932	2			NUT
17	J400 0459	4			NUT
18	J400 4689	2			NUT
19	1150 0056	3			SCREW
20	1150 1119	2			SCREW
21	5500 2603	2			RETAINER
22	3420 1292	4			SCREW
23	5500 0364	1			DUCT, Defroster
24	3420 2344	2			SCREW
25	J400 0383	1			NUT
26					DUCT, Side Defroster
	5500 0368	1			1987-89
	5500 5896	1			1990
27	5600 0610	1			DUCT, Center Floor w/o Floor Console
28	5600 0584	1			DUCT, Blower to Console w/Floor Console
29	J448 9487	2			SCREW
30	5500 2205	1			DUCT, Side Defroster
31	5600 1218	1			OVERLAY
32	5500 5896	1			DUCT, Side Defroster
33	1150 0656	2			NUT

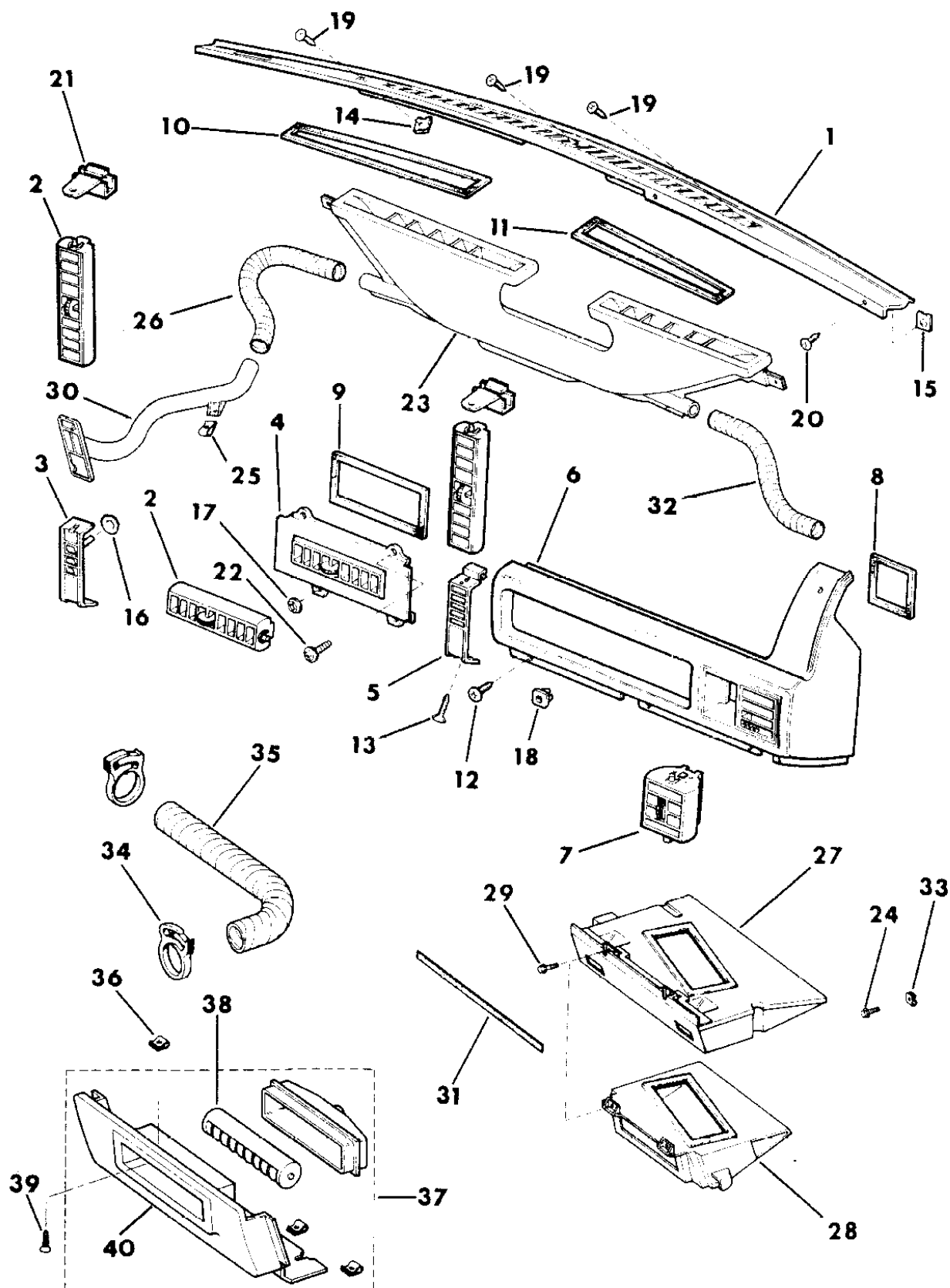
MODEL CODES:  
 15 = Grand Wagoneer 4 Dr.      65 = Comanche 4WD-7 Ft. Box      77 = Cherokee 4WD-2 Dr.  
 25 = J-10 Pickup-119" W.B.      66 = Comanche 2WD-7 Ft. Box      78 = Cherokee 4WD-4 Dr.  
 26 = J-10 Pickup-131" W.B.      73 = Cherokee 2WD-2 Dr.      79 = Cherokee 4WD-4 Dr.-Com  
 27 = J-20 Pickup-131" W.B.      74 = Cherokee 2WD-4 Dr.      81 = Wrangler-93" W.B.  
 63 = Comanche 4WD-6 Ft. Box      75 = Wagoneer 4WD-4 Dr.      82 = Wrangler-103" W.B.-Exp.  
 64 = Comanche 2WD-6 Ft. Box

BODY STYLES:  
 MJ = Comanche Pickup  
 SJ = Grand Wagoneer Wgn., J-10 & J-20 Pickups  
 XJ = Cherokee, Wagoneer Limited  
 YJ = Wrangler

AR = Use as Required - = Non Illustrated Part P.A.R. = Paint as Required

**AIR DUCTS AND OUTLETS CHEROKEE, WAGONEER, COMANCHE**  
**Figure 24-3700**

8J24 3700A



ITEM	PART NUMBER	QTY	BODY	MODEL	DESCRIPTION
34	J400 6818	2			CLAMP
35	5500 0368	1			TUBE, w/Factory Installed Air (part modification required)
36	1150 0656	4			NUT
37	5501 1090	1			BEZEL, Lower Left 1988-89 (Paint as Required)
	5DF3 2MY6	1			1990
38	5500 0929	1			OUTLET, Air
39	3420 1361	AR			SCREW
40	5AD4 4JY6	1			BEZEL, Outlet

**MODEL CODES:**

15 = Grand Wagoneer 4 Dr.	65 = Comanche 4WD-7 Ft. Box	77 = Cherokee 4WD-2 Dr.
25 = J-10 Pickup-119" W.B.	66 = Comanche 2WD-7 Ft. Box	78 = Cherokee 4WD-4 Dr.
26 = J-10 Pickup-131" W.B.	73 = Cherokee 2WD-2 Dr.	79 = Cherokee 4WD-4 Dr.-Com
27 = J-20 Pickup-131" W.B.	74 = Cherokee 2WD-4 Dr.	81 = Wrangler-93" W.B.
63 = Comanche 4WD-6 Ft. Box	75 = Wagoneer 4WD-4 Dr.	82 = Wrangler-103" W.B.-Exp.
64 = Comanche 2WD-6 Ft. Box		

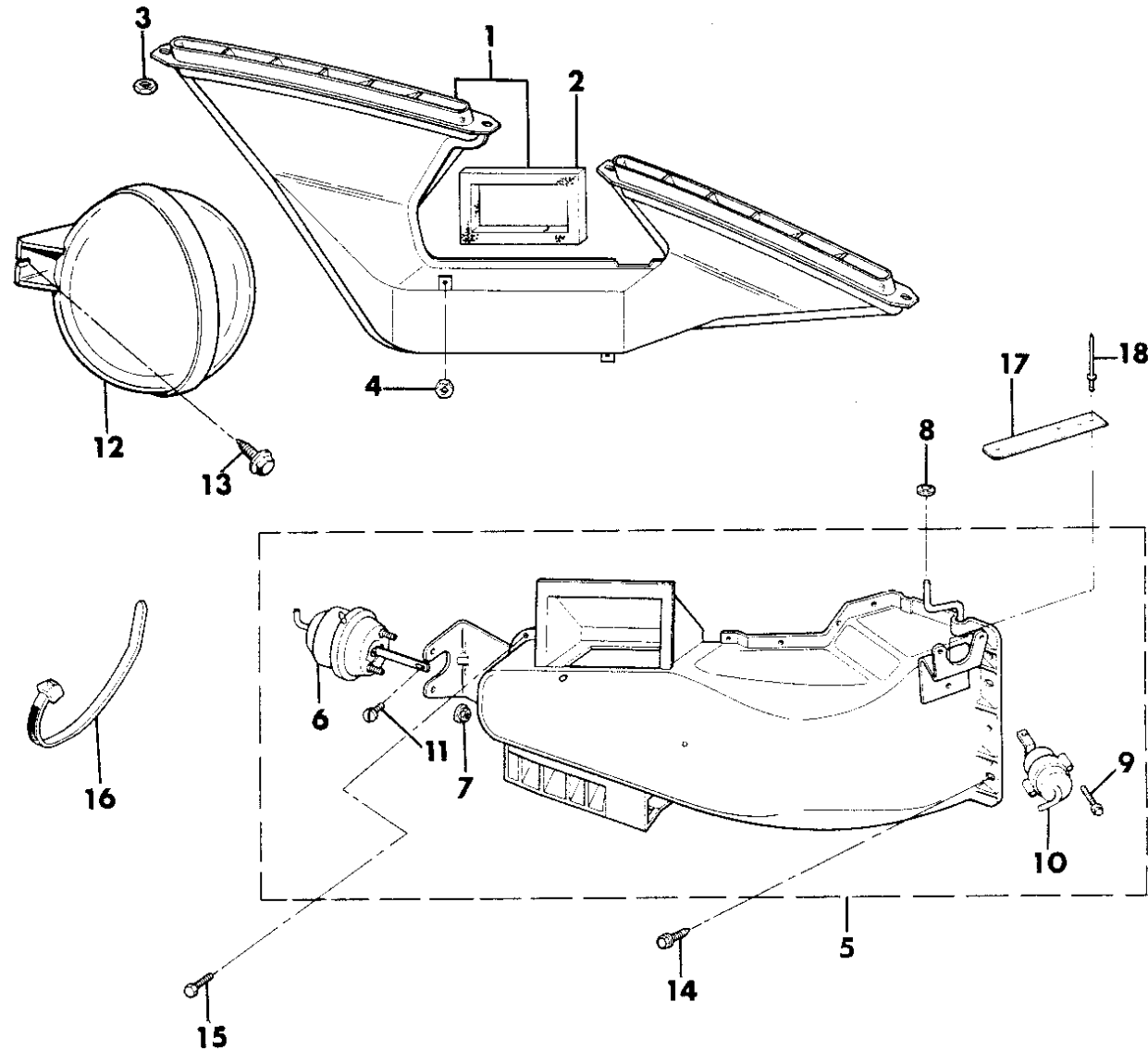
**BODY STYLES:**

MJ = Comanche Pickup  
 SJ = Grand Wagoneer Wgn., J-10 & J-20 Pickups  
 XJ = Cherokee, Wagoneer Limited  
 YJ = Wrangler

AR = Use as Required - = Non Illustrated Part P.A.R. = Paint as Required

**AIR DUCT, HEATING AND DEFROSTING GRAND WAGONEER**  
**Figure 24-3800**

8J24 3800



ITEM	PART NUMBER	QTY	BODY	MODEL	DESCRIPTION
1	5600 1689	1			DUCT, Windshield Defroster
2	5600 1837	1			SEAL, Duct
3	J942 0863	4			NUT
4	J400 3084	2			NUT
5	5600 1499	1			HOUSING, Heat Distributor
6	5600 1500	1			MOTOR, Vacuum
7	3420 1001	2			NUT
8	J400 1714	1			CLIP
9	J400 5057	2			SCREW
10	J546 6016	1			MOTOR, Vacuum
11	J400 3924	1			SCREW
12	J374 1279	1			TANK, Vacuum 1987-89
	5300 3408	1			1990
13	J942 6241	2			SCREW
14	J942 3952	2			SCREW
15	S045 1673	1			SCREW
16	J322 3227	2			STRAP
17	5600 2687	1			BRACKET, Keyless Entry Relay
18	3420 1975	2			RIVET

**MODEL CODES:**

15 = Grand Wagoneer 4 Dr.	65 = Comanche 4WD-7 Ft. Box	77 = Cherokee 4WD-2 Dr.
25 = J-10 Pickup-119" W.B.	66 = Comanche 2WD-7 Ft. Box	78 = Cherokee 4WD-4 Dr.
26 = J-10 Pickup-131" W.B.	73 = Cherokee 2WD-2 Dr.	79 = Cherokee 4WD-4 Dr.-Com
27 = J-20 Pickup-131" W.B.	74 = Cherokee 2WD-4 Dr.	81 = Wrangler-93" W.B.
63 = Comanche 4WD-6 Ft. Box	75 = Wagoneer 4WD-4 Dr.	82 = Wrangler-103" W.B.-Exp.
64 = Comanche 2WD-6 Ft. Box		

**BODY STYLES:**

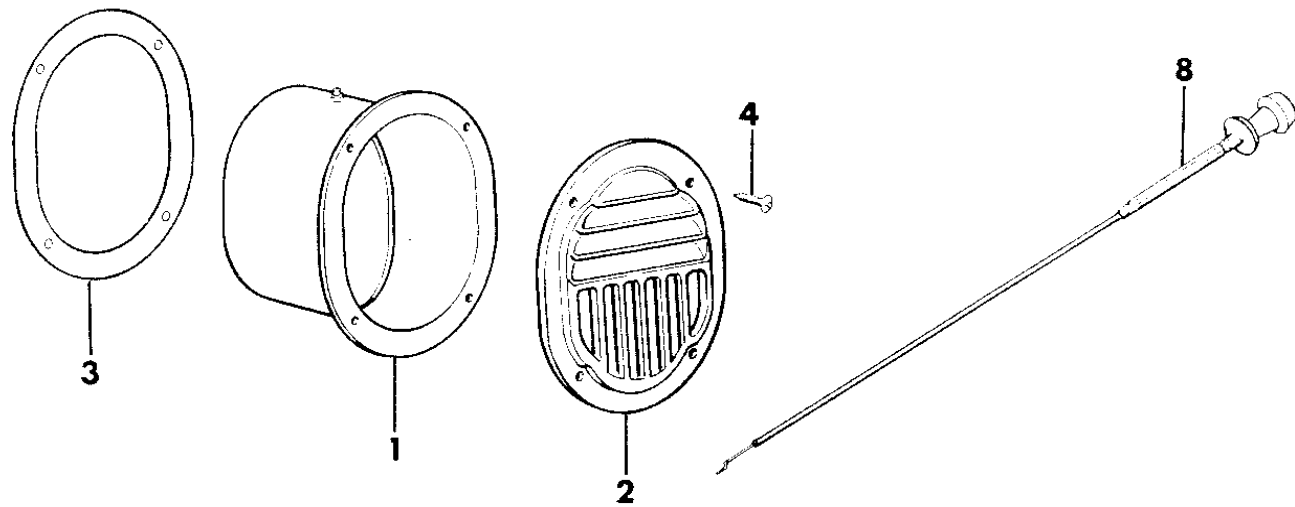
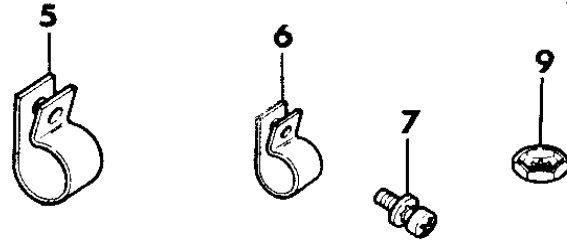
MJ = Comanche Pickup  
 SJ = Grand Wagoneer Wgn., J-10 & J-20 Pickups  
 XJ = Cherokee, Wagoneer Limited  
 YJ = Wrangler

AR = Use as Required - = Non Illustrated Part P.A.R. = Paint as Required

**AIR DUCTS AND OUTLETS, FRESH AIR INTAKE GRAND WAGONEER**  
**Figure 24-3900**

8J243900

ITEM	PART NUMBER	QTY	BODY	MODEL	DESCRIPTION
1					DUCT, Fresh Air Intake
	J095 9518	1			Right
	J096 0889	1			Left
2	J096 0153	2			PLATE, Cover
3	J096 2430	2			GASKET
4	J097 3467	8			SCREW
5	J012 0523	1			CLIP
6	J012 0520	2			CLIP
7	J045 4782	2			SCREW
8	5600 1618-9	1			CABLE, Air Vent
9	J942 0168	2			NUT



**MODEL CODES:**

15 = Grand Wagoneer 4 Dr.	65 = Comanche 4WD-7 Ft. Box	77 = Cherokee 4WD-2 Dr.
25 = J-10 Pickup-119" W.B.	66 = Comanche 2WD-7 Ft. Box	78 = Cherokee 4WD-4 Dr.
26 = J-10 Pickup-131" W.B.	73 = Cherokee 2WD-2 Dr.	79 = Cherokee 4WD-4 Dr.-Com
27 = J-20 Pickup-131" W.B.	74 = Cherokee 2WD-4 Dr.	81 = Wrangler-93" W.B.
63 = Comanche 4WD-6 Ft. Box	75 = Wagoneer 4WD-4 Dr.	82 = Wrangler-103" W.B.-Exp.
64 = Comanche 2WD-6 Ft. Box		

**BODY STYLES:**

MJ = Comanche Pickup  
 SJ = Grand Wagoneer Wgn., J-10 & J-20 Pickups  
 XJ = Cherokee, Wagoneer Limited  
 YJ = Wrangler

AR = Use as Required - = Non Illustrated Part P.A.R. = Paint as Required

---

## GROUP 25 - EMISSION SYSTEMS

ILLUSTRATION TITLE	GROUP-FIG. NO.
<b>PULSE AIR SYSTEMS</b>	
PULSE AIR SYSTEM 4.2L ENGINE WRANGLER, YJ .....	Fig. 25-100
PULSE AIR SYSTEM 4.2L ENGINE GRAND WAGONEER, J10 .....	Fig. 25-200
<b>AIR INJECTION SYSTEM</b>	
AIR INJECTION SYSTEM 5.9L ENGINE GRAND WAGONEER, J10, J20 .....	Fig. 25-300
<b>EMISSION CONTROLS</b>	
EMISSION CONTROLS 2.5L CARBURETED ENGINE - TYPE 1 WRANGLER, YJ .....	Fig. 25-400
EMISSION CONTROLS 2.5L CARBURETED ENGINE - TYPE 2 WRANGLER, YJ .....	Fig. 25-500
EMISSION CONTROLS 2.5L EFI ENGINE WRANGLER, YJ .....	Fig. 25-600
EMISSION CONTROLS 4.2L ENGINE WRANGLER, YJ - CANADA 1987 .....	Fig. 25-675
EMISSION CONTROLS 4.2L ENGINE WRANGLER, YJ .....	Fig. 25-700
EMISSION CONTROLS 4.2L ENGINE WRANGLER - NRM OR KDX .....	Fig. 25-800
EMISSION CONTROLS 2.5L EFI ENGINE CHEROKEE, WAGONEER, COMANCHE .....	Fig. 25-900
EMISSION CONTROLS 4.0L ENGINE CHEROKEE, WAGONEER, COMANCHE .....	Fig. 25-1000
EMISSION CONTROLS DIESEL ENGINE CHEROKEE, COMANCHE .....	Fig. 25-1100
EMISSION CONTROLS 4.2L ENGINE GRAND WAGONEER, J10 .....	Fig. 25-1200
EMISSION CONTROLS 4.2L ENGINE GRAND WAGONEER, J10, J20 - CANADA .....	Fig. 25-1250
EMISSION CONTROLS 4.2L ENGINE GRAND WAGONEER, J10 - NRM .....	Fig. 25-1300
EMISSION CONTROLS 5.9L ENGINE GRAND WAGONEER, J10, J20 - 1987 .....	Fig. 25-1350
EMISSION CONTROLS 5.9L ENGINE GRAND WAGONEER, J10, J20 - CANADA, NRM - 1987 .....	Fig. 25-1375
EMISSION CONTROLS 5.9L ENGINE - HEAVY DUTY GRAND WAGONEER, J10, J20 - 1988-90 .....	Fig. 25-1400
<b>VAPOR CANISTERS</b>	
VAPOR CANISTER WRANGLER, YJ .....	Fig. 25-1500
VAPOR CANISTER CHEROKEE, WAGONEER, COMANCHE .....	Fig. 25-1600
VAPOR CANISTER GRAND WAGONEER, J10, J20 .....	Fig. 25-1700
<b>PCV SYSTEMS</b>	
PCV SYSTEM 4.2L ENGINE WRANGLER, YJ .....	Fig. 25-1800
PCV SYSTEM 2.5L CARBURETED ENGINE CHEROKEE, WAGONEER, COMANCHE - 1987 .....	Fig. 25-1875
PCV SYSTEM 2.5L CARBURETED ENGINE CHEROKEE, WAGONEER, COMANCHE - 1988-90 .....	Fig. 25-1900
PCV SYSTEM 4.2L ENGINE GRAND WAGONEER, J10 .....	Fig. 25-2000
PCV SYSTEM 5.9L ENGINE GRAND WAGONEER, J10, J20 .....	Fig. 25-2100
<b>EMISSION LABELS</b>	
EMISSION LABELS WRANGLER, YJ .....	Fig. 25-2200

ILLUSTRATION NOT AVAILABLE AT TIME OF PUBLICATION

---

**GROUP 25 - EMISSION SYSTEMS**

**ILLUSTRATION TITLE**

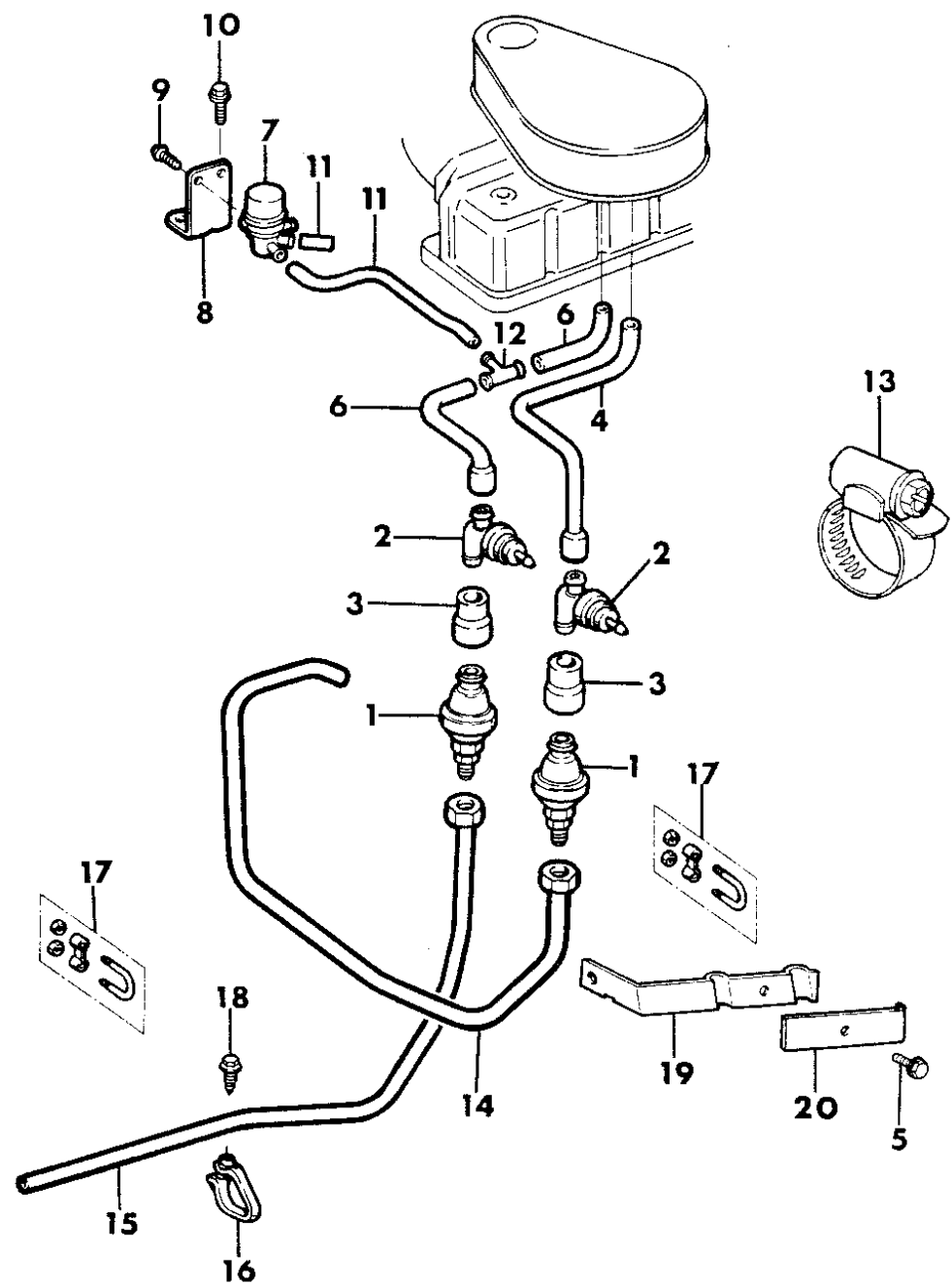
**GROUP-FIG. NO.**

**EMISSION LABELS (Continued)**

EMISSION LABELS WRANGLER, YJ .....	Fig. 25-2200
EMISSION LABELS CHEROKEE AND COMANCHE .....	Fig. 25-2300
EMISSION LABELS GRAND WAGONEER, J10, J20 .....	Fig. 25-2400

PULSE AIR SYSTEM 4.2L ENGINE WRANGLER, YJ  
Figure 25-100

8 J25 100



ITEM	PART NUMBER	QTY	BODY	MODEL	DESCRIPTION
1	3300 4478	2			VALVE, Check
2	3300 0355	2			VALVE, Air
3	5300 3344	2			HOSE, Pulse Air
4	5300 3342	1			HOSE, Pulse Air
5	J942 0151	1			SCREW
6					HOSE, Pulse Air
	5300 3343	1			Man. Trans. - (Modify to Fit)
	5300 3343	1			Auto. Trans.
7	5300 3347	1			VALVE, Decel - Man. Trans.
8	5300 3348	1			BRACKET, Mounting - Man. Trans.
9	3420 2323	2			SCREW - Man. Trans.
10	J027 3573	2			BOLT, Hex Flange - Man. Trans.
11	J812 5781	1			HOSE - Bulk - Man. Trans.
12	3300 0440	1			TEE - Man. Trans.
13					CLAMP, Hose
	3300 0784	AR			.69" to .97"
	J320 3076	AR			.56" to 1.06"
	J320 3077	AR			1.19" to 1.75"
14	5200 2518	1			TUBE, Pulse Air - Upstream
15	5200 2519	1			TUBE, Pulse Air - Downstream
16	3300 0869	2			CLAMP
17	3300 0871	2			CLAMP ASSEMBLY
18	J400 4692	2			SCREW
19	5200 2505	1			BRACKET
20	3300 0710	1			PLATE

MODEL CODES:

15 = Grand Wagoneer 4 Dr.	65 = Comanche 4WD-7 Ft. Box	77 = Cherokee 4WD-2 Dr.
25 = J-10 Pickup-119" W.B.	66 = Comanche 2WD-7 Ft. Box	78 = Cherokee 4WD-4 Dr.
26 = J-10 Pickup-131" W.B.	73 = Cherokee 2WD-2 Dr.	79 = Cherokee 4WD-4 Dr.-Com
27 = J-20 Pickup-131" W.B.	74 = Cherokee 2WD-4 Dr.	81 = Wrangler-93" W.B.
63 = Comanche 4WD-6 Ft. Box	75 = Wagoneer 4WD-4 Dr.	82 = Wrangler-103" W.B.-Exp.
64 = Comanche 2WD-6 Ft. Box		

BODY STYLES:

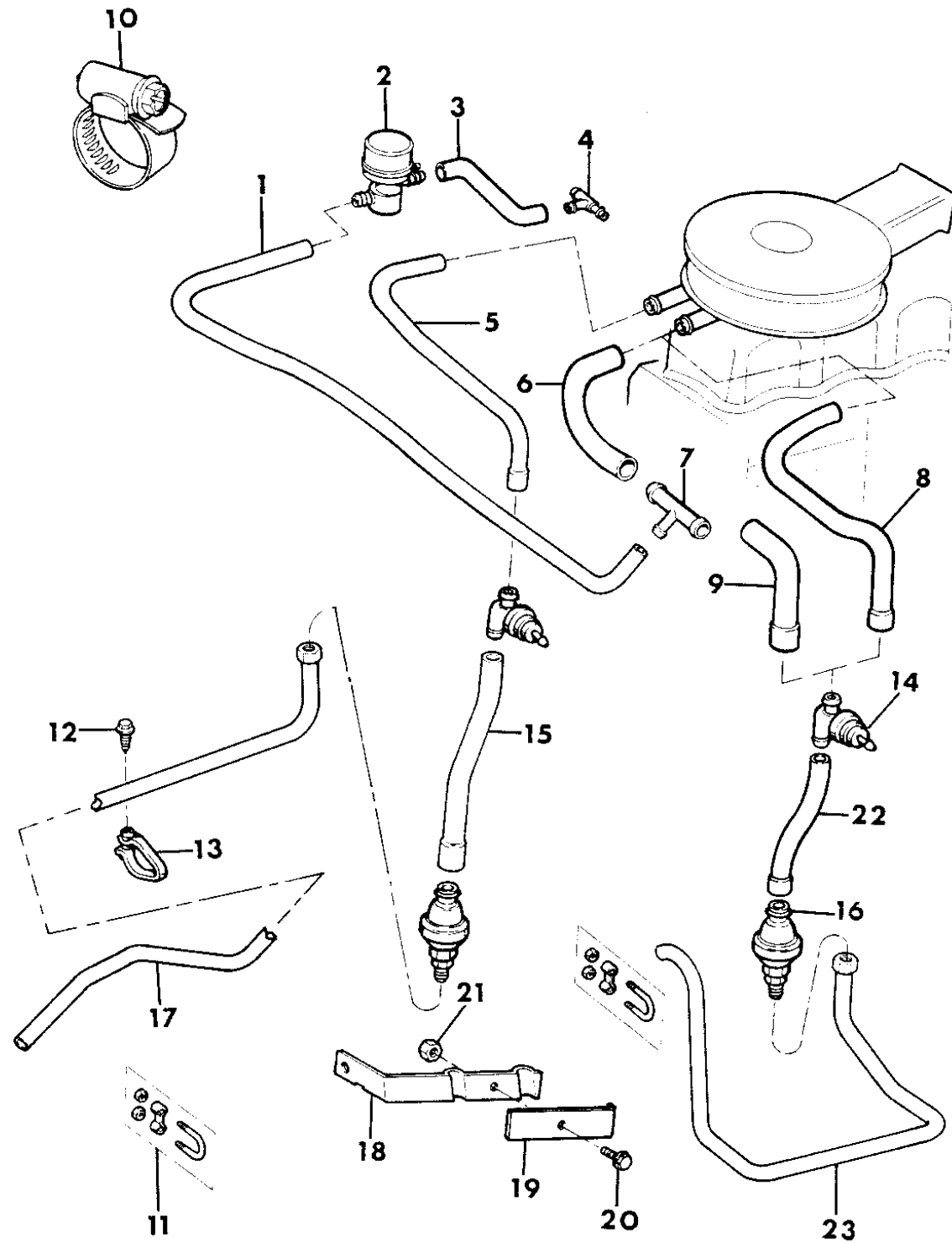
MJ = Comanche Pickup  
 SJ = Grand Wagoneer Wgn., J-10 & J-20 Pickups  
 XJ = Cherokee, Wagoneer Limited  
 YJ = Wrangler

AR = Use as Required - = Non Illustrated Part P.A.R. = Paint as Required

PULSE AIR SYSTEM 4.2L ENGINE GRAND WAGONEER, J10

Figure 25-200

8J25 200



ITEM	PART NUMBER	QTY	BODY	MODEL	DESCRIPTION
1	5300 0971	1			HOSE - Man. Trans. - Calif.
2	J323 7284	1			VALVE, Decel - Man. Trans. - Calif.
3	5300 1137	1			HOSE - Man. Trans. - Calif.
4	3420 1741	1			CONNECTOR, Tee - Man. Trans. - Calif.
5	3300 0899	1			HOSE, Pulse Air
6	5300 0973	1			HOSE, Pulse Air - Man. Trans. - Calif.
7	3300 0440	1			CONNECTOR, Tee - Man. Trans. - Calif.
8	3300 0898	1			HOSE, Pulse Air
9	5300 0972	1			HOSE, Pulse Air - Man. Trans. - Calif.
10	J320 3077	AR			CLAMP, Hose
11	3300 0871	2			CLAMP ASSEMBLY
12	J400 4692	1			SCREW
13	3300 0869	1			CLAMP
14	3300 0355	2			VALVE, Control
15	J536 4364	1			HOSE, Pulse Air
16	3300 4478	2			VALVE, Check
17	J536 4328	1			TUBE, Pulse Air - Downstream
18	J536 4332	1			BRACKET, Mounting
19	3300 0710	1			PLATE
20	S943 2476	1			BOLT
21	J012 0375	1			NUT
22	J536 4363	1			HOSE, Pulse Air
23	J536 4323	1			TUBE, Pulse Air - Upstream

MODEL CODES:

15 = Grand Wagoneer 4 Dr.	65 = Comanche 4WD-7 Ft. Box	77 = Cherokee 4WD-2 Dr.
25 = J-10 Pickup-119" W.B.	66 = Comanche 2WD-7 Ft. Box	78 = Cherokee 4WD-4 Dr.
26 = J-10 Pickup-131" W.B.	73 = Cherokee 2WD-2 Dr.	79 = Cherokee 4WD-4 Dr.-Com
27 = J-20 Pickup-131" W.B.	74 = Cherokee 2WD-4 Dr.	81 = Wrangler-93" W.B.
63 = Comanche 4WD-6 Ft. Box	75 = Wagoneer 4WD-4 Dr.	82 = Wrangler-103" W.B.-Exp.
64 = Comanche 2WD-6 Ft. Box		

BODY STYLES:

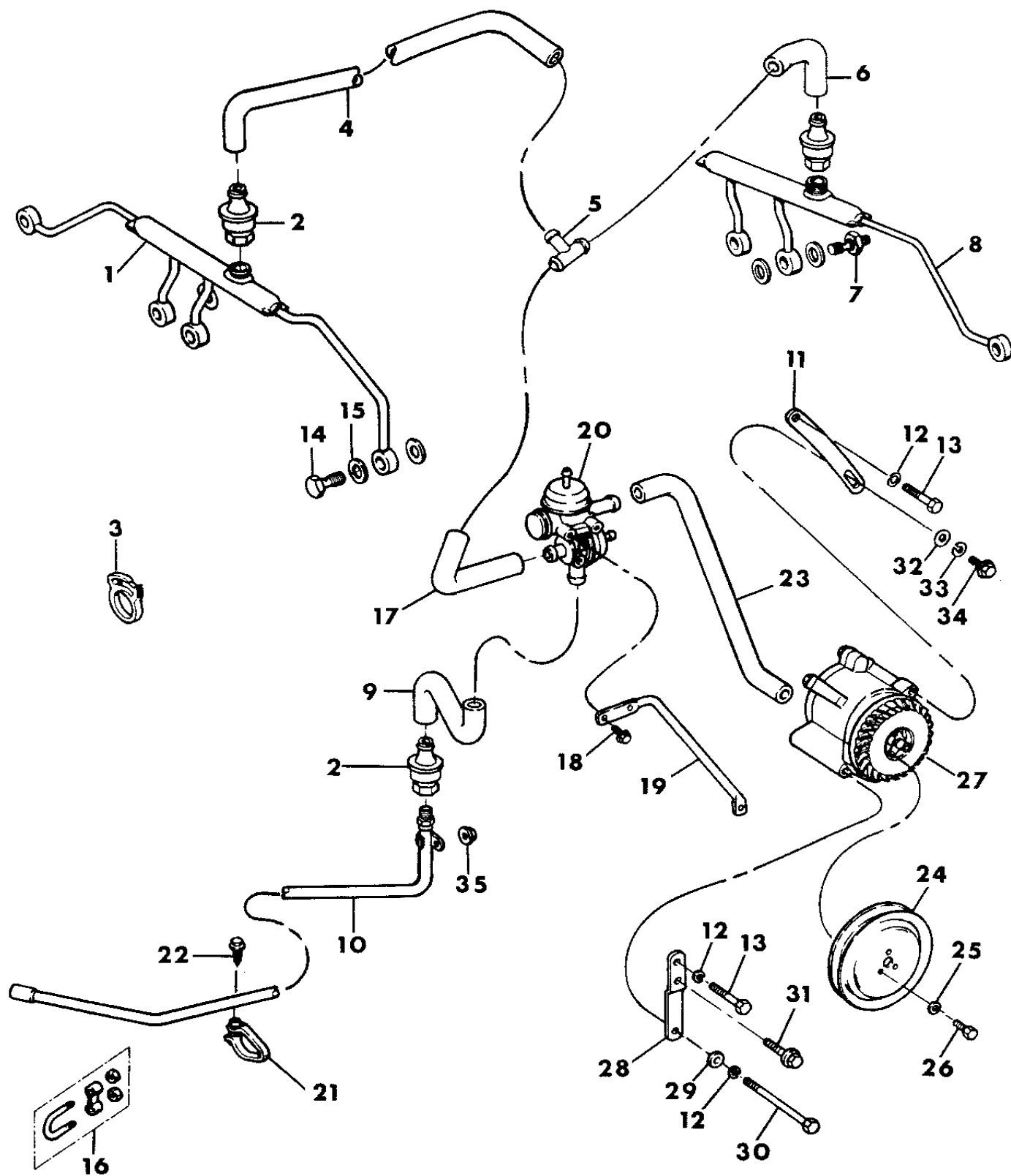
MJ = Comanche Pickup  
 SJ = Grand Wagoneer Wgn., J-10 & J-20 Pickups  
 XJ = Cherokee, Wagoneer Limited  
 YJ = Wrangler

AR = Use as Required - = Non Illustrated Part P.A.R. = Paint as Required



**AIR INJECTION SYSTEM 5.9L ENGINE GRAND WAGONEER, J10, J20**  
**Figure 25-300**

8J25 300



ITEM	PART NUMBER	QTY	BODY	MODEL	DESCRIPTION
1	J323 4692	1			MANIFOLD, Air Injection - Right ***
2	J323 3960	3			VALVE, Check
3	J400 6819	10			CLAMP, Hose
4	5300 2376	1			HOSE, Upstream
5	3300 1752	1			CONNECTOR, Tee
6	5300 2375	1			HOSE, Upstream
7	J400 7222	1			BOLT
8	J323 4691	1			MANIFOLD, Air Injection - Lt. ***
9	5300 2378	1			HOSE, Downstream
10	J536 4861	1			TUBE, Downstream
11	J322 9874	1			BRACKET, Adjusting
12	J400 3803	3			WASHER, Lock
13	J018 0137	2			BOLT
14	J322 9425	6			BOLT
15	J004 4042	14			GASKET
16	J323 7055	1			CLAMP ASSEMBLY
17	5300 2377	1			HOSE, Outlet
18	J400 7326	2			SCREW
19	5300 2379	1			BRACKET, Mounting
20	5300 2380	1			VALVE, Control
21	J536 4880	2			CLAMP
22	J400 4692	2			SCREW
23	5300 2382	1			HOSE, Inlet
24					PULLEY, Air Pump
	J535 5780	1			6mm
	5300 5088	1			8mm
25					WASHER, Lock
	S150 3963	3			6mm
	J012 0214	3			8mm
26					BOLT
	1150 3877	3			6mm
	1150 4336	3			8mm
27					PUMP, Air Injection
	J813 4211	1			6mm
	5300 5087	1			8mm
28	J322 7683	1			BRACKET, Mounting
29	J400 1104	1			WASHER

**MODEL CODES:**

15 = Grand Wagoneer 4 Dr.	65 = Comanche 4WD-7 Ft. Box	77 = Cherokee 4WD-2 Dr.
25 = J-10 Pickup-119" W.B.	66 = Comanche 2WD-7 Ft. Box	78 = Cherokee 4WD-4 Dr.
26 = J-10 Pickup-131" W.B.	73 = Cherokee 2WD-2 Dr.	79 = Cherokee 4WD-4 Dr.-Com
27 = J-20 Pickup-131" W.B.	74 = Cherokee 2WD-4 Dr.	81 = Wrangler-93" W.B.
63 = Comanche 4WD-6 Ft. Box	75 = Wagoneer 4WD-4 Dr.	82 = Wrangler-103" W.B.-Exp.
64 = Comanche 2WD-6 Ft. Box		

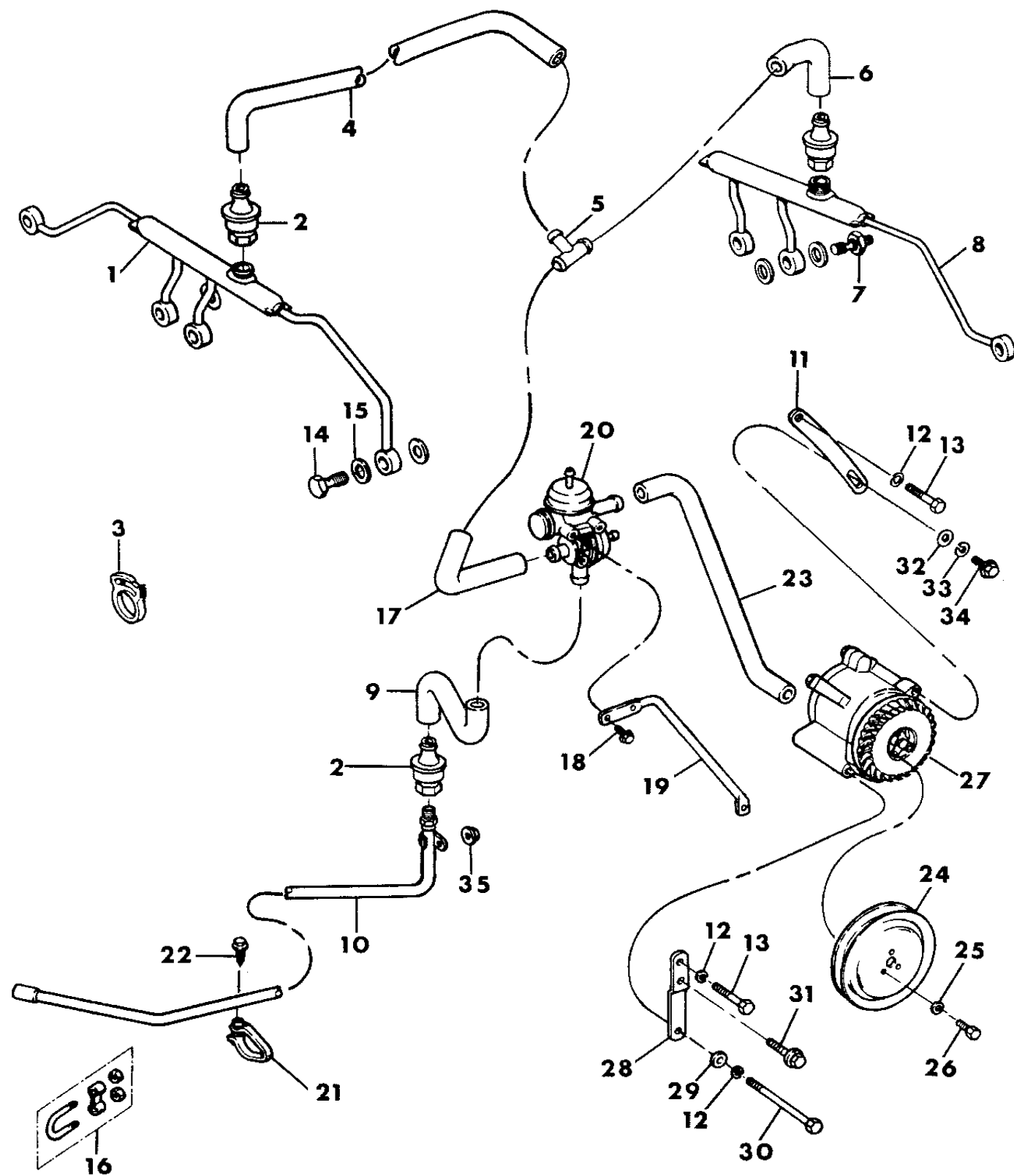
**BODY STYLES:**

MJ = Comanche Pickup  
 SJ = Grand Wagoneer Wgn., J-10 & J-20 Pickups  
 XJ = Cherokee, Wagoneer Limited  
 YJ = Wrangler

AR = Use as Required - = Non Illustrated Part P.A.R. = Paint as Required

**AIR INJECTION SYSTEM 5.9L ENGINE GRAND WAGONEER, J10, J20**  
**Figure 25-300**

8J25 300



ITEM	PART NUMBER	QTY	BODY	MODEL	DESCRIPTION
30	J045 0517	1			BOLT, Pivot
31	J027 4195	1			SCREW
32	1150 0273	1			WASHER
33	1150 0207	1			WASHER, Lock
34	1150 0829	1			BOLT
35	J400 4008	1			NUT

**MODEL CODES:**

15 = Grand Wagoneer 4 Dr.	65 = Comanche 4WD-7 Ft. Box	77 = Cherokee 4WD-2 Dr.
25 = J-10 Pickup-119" W.B.	66 = Comanche 2WD-7 Ft. Box	78 = Cherokee 4WD-4 Dr.
26 = J-10 Pickup-131" W.B.	73 = Cherokee 2WD-2 Dr.	79 = Cherokee 4WD-4 Dr.-Com
27 = J-20 Pickup-131" W.B.	74 = Cherokee 2WD-4 Dr.	81 = Wrangler-93" W.B.
63 = Comanche 4WD-6 Ft. Box	75 = Wagoneer 4WD-4 Dr.	82 = Wrangler-103" W.B.-Exp.
64 = Comanche 2WD-6 Ft. Box		

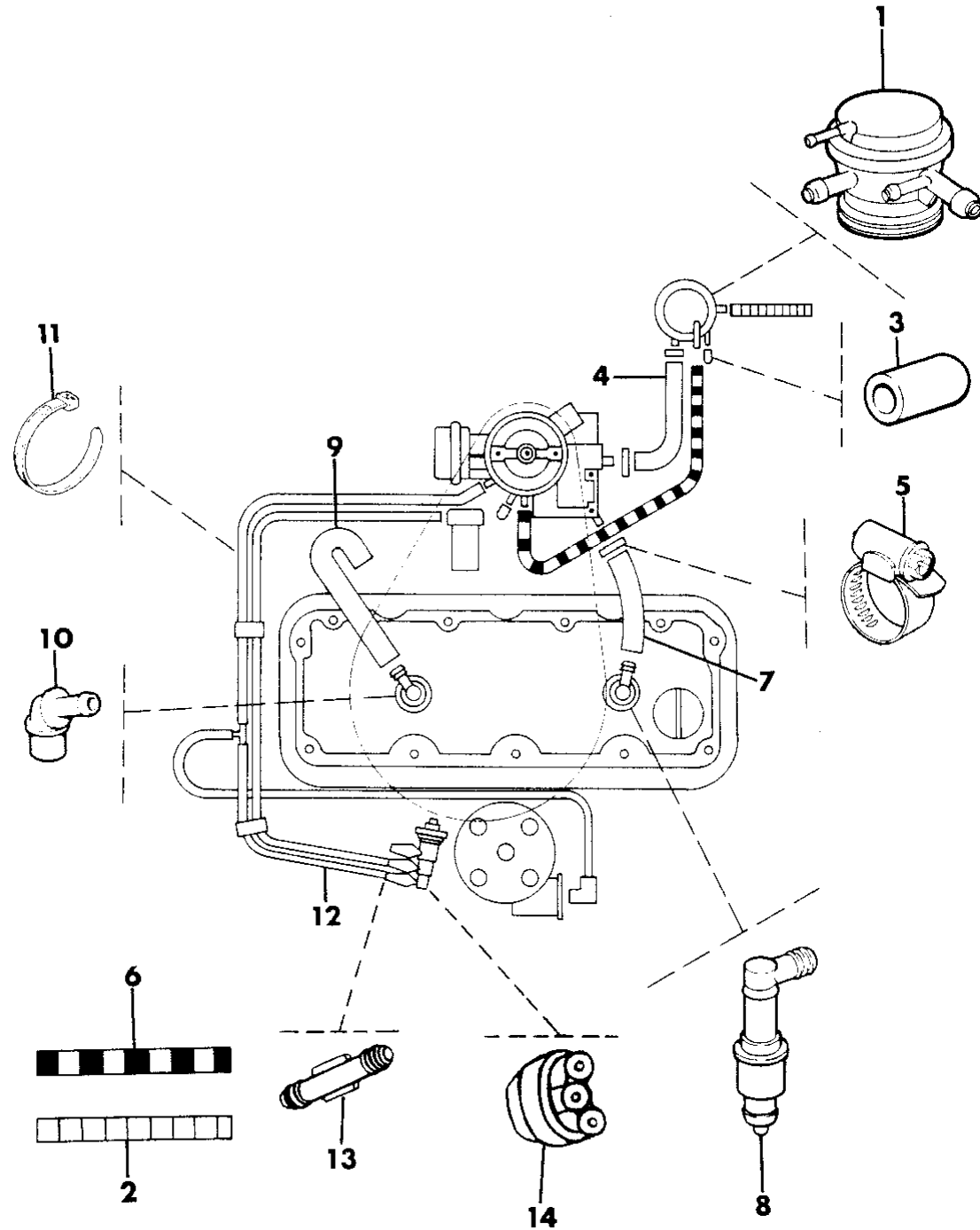
**BODY STYLES:**

MJ = Comanche Pickup  
 SJ = Grand Wagoneer Wgn., J-10 & J-20 Pickups  
 XJ = Cherokee, Wagoneer Limited  
 YJ = Wrangler

AR = Use as Required - = Non Illustrated Part P.A.R. = Paint as Required

**EMISSION CONTROLS 2.5L CARBURETED ENGINE - TYPE 1 WRANGLER, YJ**  
**Figure 25-400**

8J25 400



ITEM	PART NUMBER	QTY	BODY	MODEL	DESCRIPTION
1	5300 5104	1			VALVE ASSEMBLY, Bowl Vent
2	J812 5781	1			HOSE - Bulk .38" I.D.
3	J323 8283	2			CAP, Plug
4	3300 1332	1			HOSE - (Modify to Fit)
5	3300 0785	AR			CLAMP, Hose
6	8350 1071	1			HOSE - Bulk .16" I.D.
7	5300 5098	1			HOSE
8	3300 1239	1			VALVE, PCV
9	3300 1429	1			HOSE
10	J323 6685	1			ELBOW
11	J322 3227	1			STRAP
12	3300 2073	1			HARNES ASSEMBLY, Vacuum
13	J322 0180	1			CONNECTOR, Straight
14	J323 5265	1			CONNECTOR, 3 Port

**MODEL CODES:**

15 = Grand Wagoneer 4 Dr.	65 = Comanche 4WD-7 Ft. Box	77 = Cherokee 4WD-2 Dr.
25 = J-10 Pickup-119" W.B.	66 = Comanche 2WD-7 Ft. Box	78 = Cherokee 4WD-4 Dr.
26 = J-10 Pickup-131" W.B.	73 = Cherokee 2WD-2 Dr.	79 = Cherokee 4WD-4 Dr.-Com
27 = J-20 Pickup-131" W.B.	74 = Cherokee 2WD-4 Dr.	81 = Wrangler-93" W.B.
63 = Comanche 4WD-6 Ft. Box	75 = Wagoneer 4WD-4 Dr.	82 = Wrangler-103" W.B.-Exp.
64 = Comanche 2WD-6 Ft. Box		

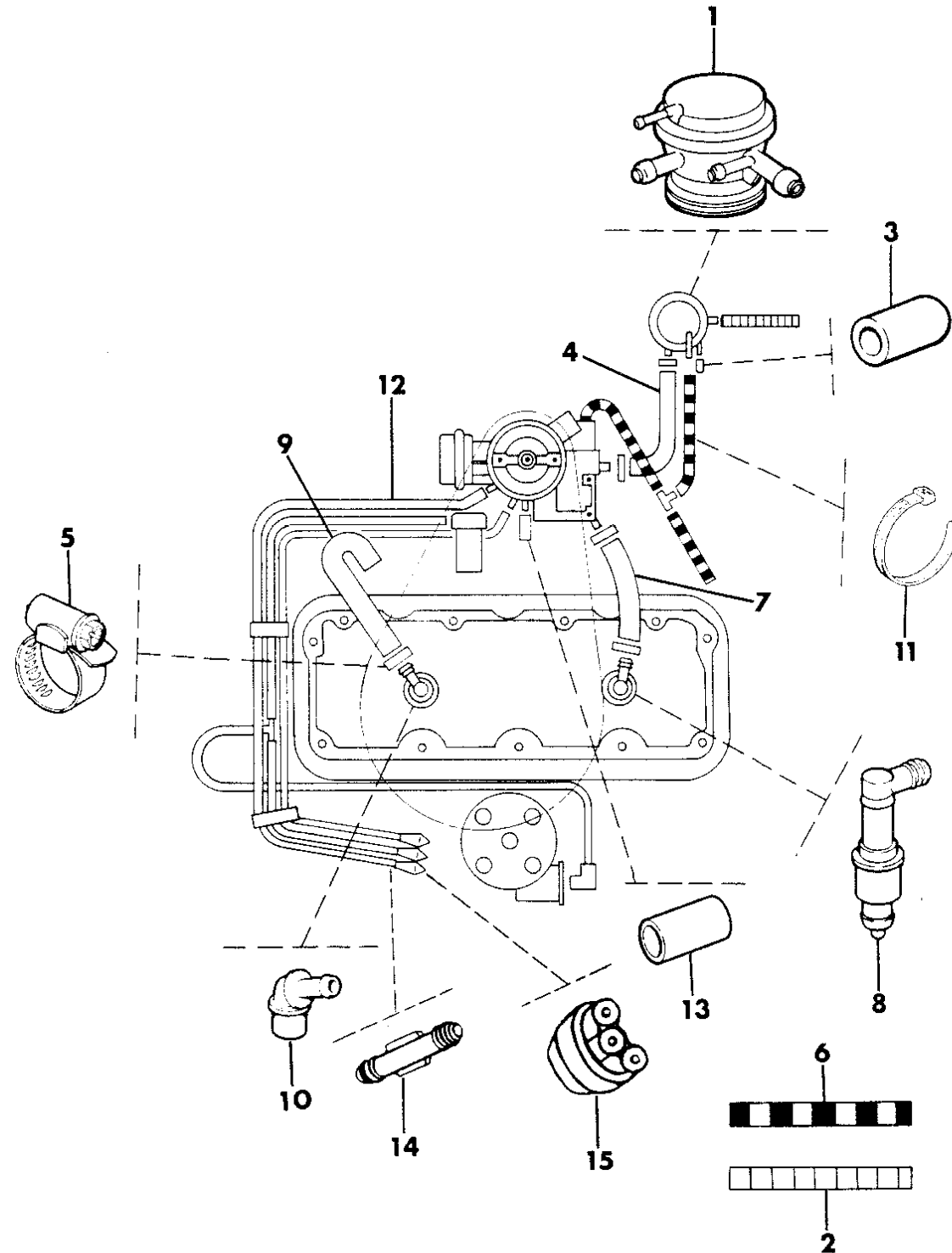
**BODY STYLES:**

MJ = Comanche Pickup  
 SJ = Grand Wagoneer Wgn., J-10 & J-20 Pickups  
 XJ = Cherokee, Wagoneer Limited  
 YJ = Wrangler

AR = Use as Required - = Non Illustrated Part P.A.R. = Paint as Required

**EMISSION CONTROLS 2.5L CARBURETED ENGINE - TYPE 2 WRANGLER, YJ**  
**Figure 25-500**

8J25 500



ITEM	PART NUMBER	QTY	BODY	MODEL	DESCRIPTION
1	5300 5104	1			VALVE ASSEMBLY, Bowl Vent
2	J812 5781	1			HOSE - Bulk .38" I.D.
3	J323 8283	1			CAP, Plug
4	3300 1332	1			HOSE - (Modify to Fit)
5	3300 0785	AR			CLAMP, Hose
6	8350 1071	1			HOSE - Bulk .16" I.D.
7	5300 5098	1			HOSE
8	3300 1239	1			VALVE, PCV
9	3300 1429	1			HOSE
10	J323 6685	1			ELBOW
11	J322 3227	1			STRAP
12	5300 5174	1			HARNASS ASSEMBLY, Vacuum
13	J813 2325	1			CAP, Plug
14	J322 0180	1			CONNECTOR, Straight
15	J323 5265	1			CONNECTOR, 3 Port

**MODEL CODES:**

15 = Grand Wagoneer 4 Dr.	65 = Comanche 4WD-7 Ft. Box	77 = Cherokee 4WD-2 Dr.
25 = J-10 Pickup-119" W.B.	66 = Comanche 2WD-7 Ft. Box	78 = Cherokee 4WD-4 Dr.
26 = J-10 Pickup-131" W.B.	73 = Cherokee 2WD-2 Dr.	79 = Cherokee 4WD-4 Dr.-Com
27 = J-20 Pickup-131" W.B.	74 = Cherokee 2WD-4 Dr.	81 = Wrangler-93" W.B.
63 = Comanche 4WD-6 Ft. Box	75 = Wagoneer 4WD-4 Dr.	82 = Wrangler-103" W.B.-Exp.
64 = Comanche 2WD-6 Ft. Box		

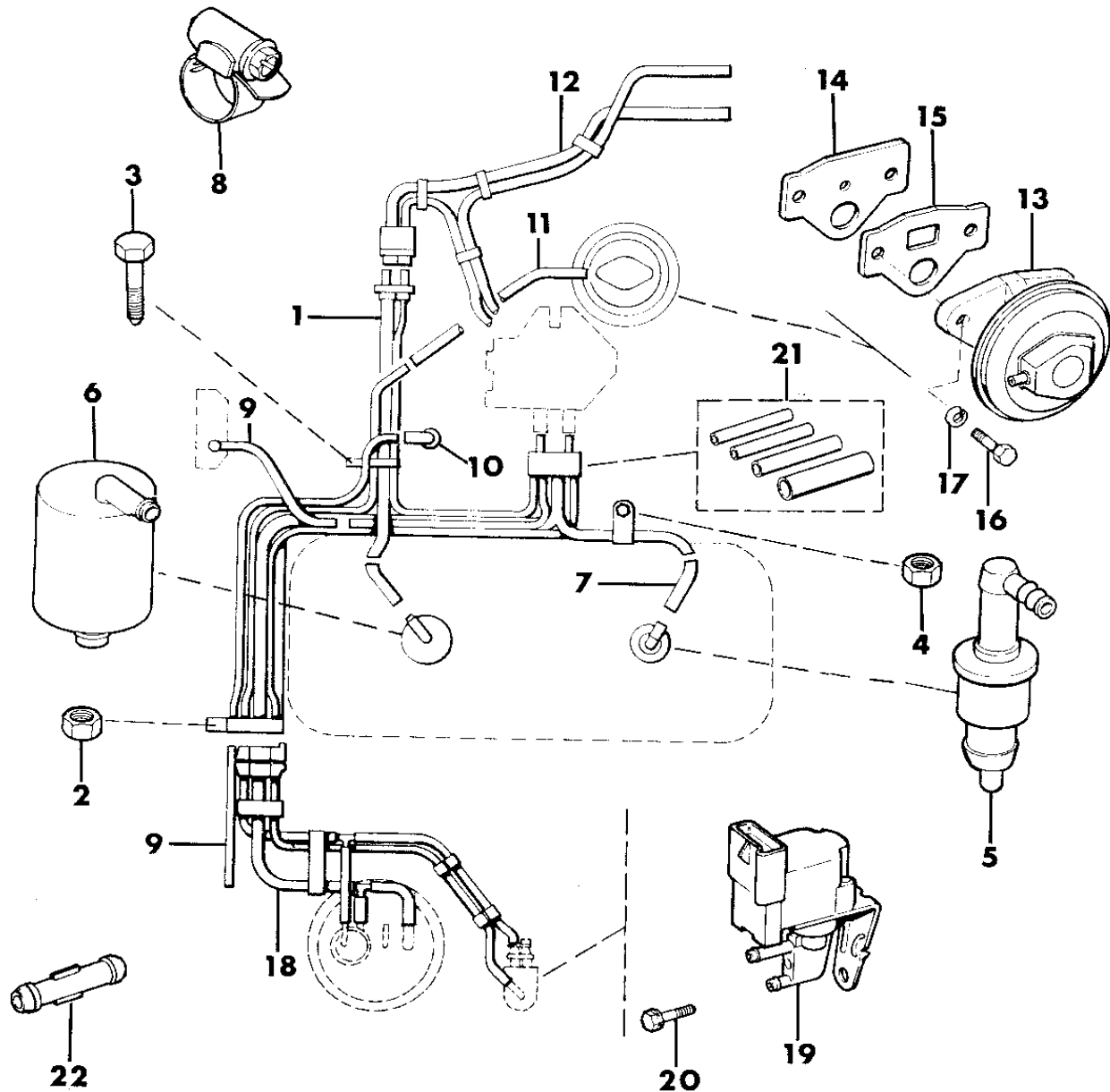
**BODY STYLES:**

MJ = Comanche Pickup  
 SJ = Grand Wagoneer Wgn., J-10 & J-20 Pickups  
 XJ = Cherokee, Wagoneer Limited  
 YJ = Wrangler

AR = Use as Required - = Non Illustrated Part P.A.R. = Paint as Required

EMISSION CONTROLS 2.5L EFI ENGINE WRANGLER, YJ  
Figure 25-600

8J25 600



ITEM	PART NUMBER	QTY	BODY	MODEL	DESCRIPTION
1	8350 2725	1			TUBE ASSEMBLY, Vacuum
2	J027 1172	1			NUT, Hex
3	S017 9814	1			SCREW
4	J027 1184	1			NUT, Hex
5	3300 1239	1			VALVE, PCV
6	5300 2466	1			FILTER, Ventilation Valve
7	8350 2726	2			HOSE, Vacuum
8					CLAMP, Hose
	3300 0786	AR			.28" to .59"
	3300 0785	AR			.47" to .78"
	3300 0784	AR			.67" to .98"
9	8330 0080	AR			HOSE, Vacuum - Bulk
10	5300 3944	1			HOSE, Vacuum
11	J812 5995	1			HOSE, Vacuum - Bulk
12	5300 2481	1			HARNESS, Vacuum
13	5300 2483	1			VALVE, EGR
14	5300 3898	1			PLATE, Restrictor
15	3300 4185	2			GASKET
16	J018 0078	2			BOLT
17	J012 0214	2			WASHER, Lock
18	5300 4462	1			HARNESS, Emission
19	3300 2298	1			SOLENOID, Vacuum Switch
20	1150 2843	1			SCREW
21	8350 3498	1			HOSE PACKAGE
22	3300 0963	AR			CONNECTOR, Straight 1/4 x 1/4

MODEL CODES:

15 = Grand Wagoneer 4 Dr.	65 = Comanche 4WD-7 Ft. Box	77 = Cherokee 4WD-2 Dr.
25 = J-10 Pickup-119" W.B.	66 = Comanche 2WD-7 Ft. Box	78 = Cherokee 4WD-4 Dr.
26 = J-10 Pickup-131" W.B.	73 = Cherokee 2WD-2 Dr.	79 = Cherokee 4WD-4 Dr.-Com
27 = J-20 Pickup-131" W.B.	74 = Cherokee 2WD-4 Dr.	81 = Wrangler-93" W.B.
63 = Comanche 4WD-6 Ft. Box	75 = Wagoneer 4WD-4 Dr.	82 = Wrangler-103" W.B.-Exp.
64 = Comanche 2WD-6 Ft. Box		

BODY STYLES:

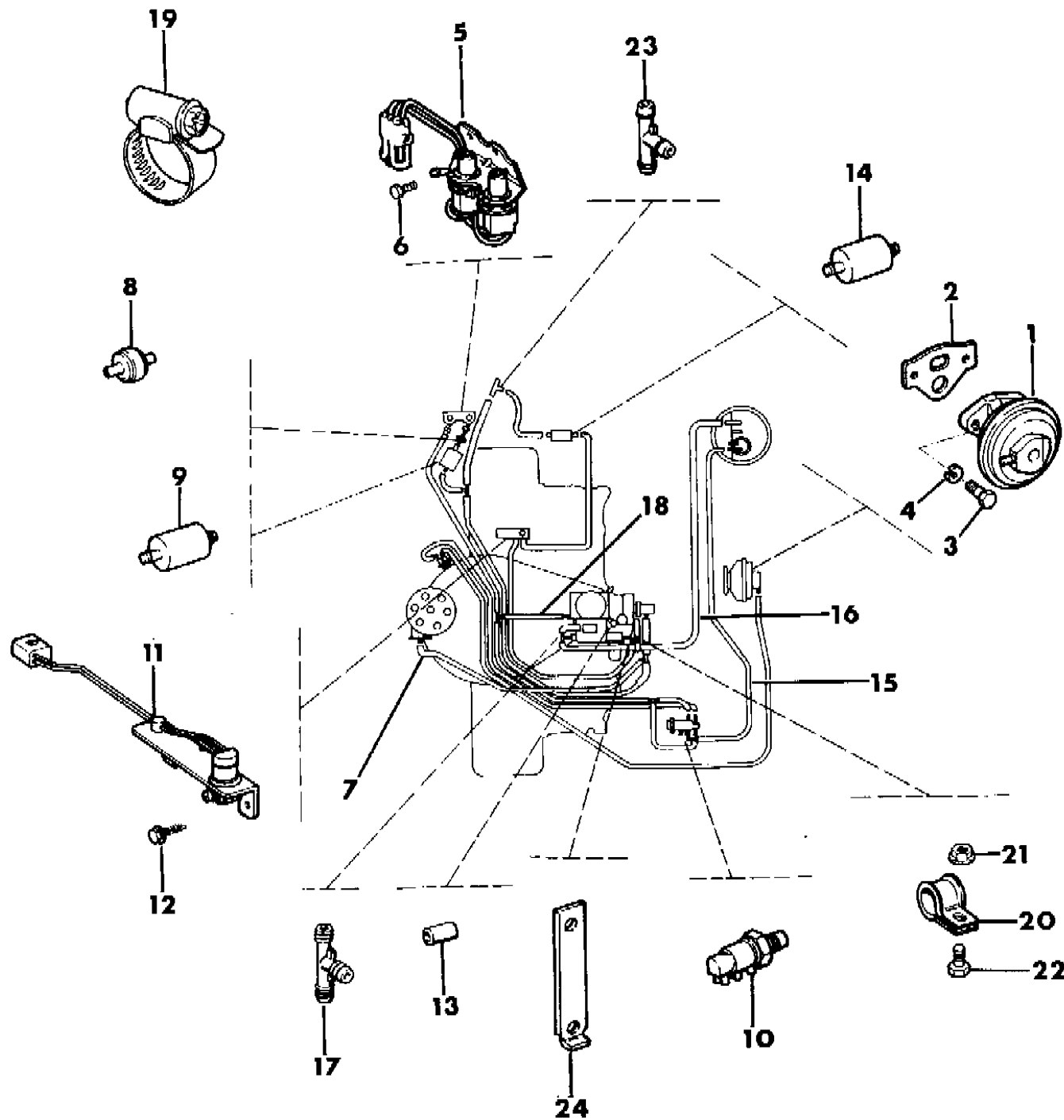
MJ = Comanche Pickup  
 SJ = Grand Wagoneer Wgn., J-10 & J-20 Pickups  
 XJ = Cherokee, Wagoneer Limited  
 YJ = Wrangler

AR = Use as Required - = Non Illustrated Part P.A.R. = Paint as Required

EMISSION CONTROLS 4.2L ENGINE WRANGLER, YJ - CANADA 1987

Figure 25-675

8J25 675



ITEM	PART NUMBER	QTY	BODY	MODEL	DESCRIPTION
1					VALVE, EGR
	J324 1782	1			Man. Trans.
	J324 0191	1			Auto. Trans.
2	J322 1283	1			GASKET, EGR Valve
3					BOLT
	J018 0078	1			.88"
	J018 0079	1			1.0"
4	J012 0214	2			WASHER, Lock
5	J324 0803	1			SWITCH, Emission
6	J942 1073	2			SCREW
7	5300 4647	1			HARNESSE, Vacuum
8	J323 6284	1			VALVE, Delay
9	5300 5308	1			RESERVOIR, Vacuum
10	J323 8932	1			SWITCH, CTO
11	3300 1946	1			SOLENOID, Vacuum Switch
12					SCREW
	J400 6719	2			Plastic Valve Cover
	J400 5731	2			Aluminum Valve Cover
13	J813 2325	1			CAP, Plug
14	J323 9603	1			RESERVOIR, Vacuum
15	8350 1071	AR			HOSE - Bulk
16	J812 5781	AR			HOSE - Bulk
17	J323 2983	1			TEE
18	J323 2942	1			HOSE
19					CLAMP
	3300 0786	AR			.28" to .59"
	3300 0785	AR			.47" to .78"
	3300 0784	AR			.69" to .97"
20	J012 5924	1			CLIP
21	J027 1184	1			NUT
22	S017 9814	1			BOLT
23	J323 9827	1			TEE
24	J536 3212	1			BRACKET

MODEL CODES:

15 = Grand Wagoneer 4 Dr.	65 = Comanche 4WD-7 Ft. Box	77 = Cherokee 4WD-2 Dr.
25 = J-10 Pickup-119" W.B.	66 = Comanche 2WD-7 Ft. Box	78 = Cherokee 4WD-4 Dr.
26 = J-10 Pickup-131" W.B.	73 = Cherokee 2WD-2 Dr.	79 = Cherokee 4WD-4 Dr.-Com
27 = J-20 Pickup-131" W.B.	74 = Cherokee 2WD-4 Dr.	81 = Wrangler-93" W.B.
63 = Comanche 4WD-6 Ft. Box	75 = Wagoneer 4WD-4 Dr.	82 = Wrangler-103" W.B.-Exp.
64 = Comanche 2WD-6 Ft. Box		

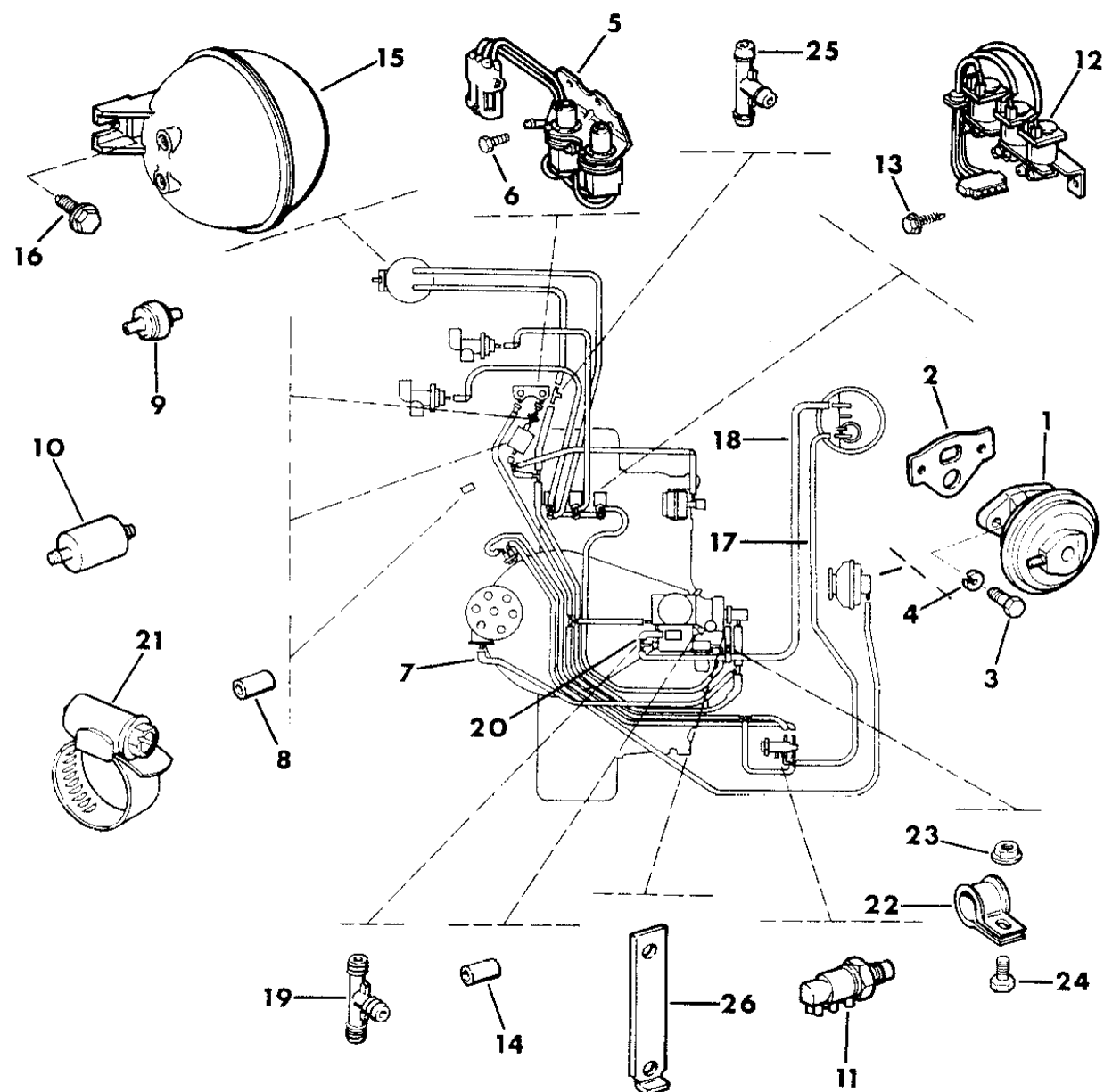
BODY STYLES:

MJ = Comanche Pickup  
 SJ = Grand Wagoneer Wgn., J-10 & J-20 Pickups  
 XJ = Cherokee, Wagoneer Limited  
 YJ = Wrangler

AR = Use as Required - = Non Illustrated Part P.A.R. = Paint as Required

**EMISSION CONTROLS 4.2L ENGINE WRANGLER, YJ**  
**Figure 25-700**

8 J 25 700



ITEM	PART NUMBER	QTY	BODY	MODEL	DESCRIPTION
1					VALVE, EGR
	J324 1782	1			exc. Calif. - Man. Trans. 1987
	J324 0191	1			exc. Calif. - Auto. Trans. 1987
	J324 0097	1			Calif. - 1987
	3300 4383	1			1988-90
2					GASKET
	J322 1283	1			1987-89
	5300 7919	1			1990
3					BOLT
	J018 0078	1			.88"
	J018 0079	1			1.00"
4	J012 0214	2			WASHER, Lock
5	J324 0803	1			SWITCH, Emission
6	J942 1073	2			SCREW
7					HARNESSES, Vacuum
	5300 3814	1			Man. Trans. 1987
	5300 5177	1			Man. Trans. 1988-90
	5300 3814	1			Auto. Trans. - (Modify to Fit) - also order J8132325 - 1987
	5300 5177	1			Auto. Trans. - (Modify to Fit) - also order J8132325 - 1988-90
8	J813 2325	1			CAP, Plug - Auto. Trans.
9	J323 6284	1			VALVE, Delay - Black/Purple
10	5300 5308	1			RESERVOIR, Vacuum
11	J323 8932	1			SWITCH, CTO
12	3300 1945	1			SOLENOID, Vacuum Switch
13					SCREW
	J400 6719	2			Plastic Valve Cover
	J400 5731	2			Aluminum Valve Cover
14	J813 2325	1			CAP, Plug
15	5300 3408	1			RESERVOIR, Vacuum
16	J942 6241	2			SCREW
17	8350 1071	1			HOSE - Bulk
18	J812 5781	1			HOSE - Bulk
19	J323 2983	1			TEE
20	J323 2942	1			HOSE
21					CLAMP, Hose
	3300 0786	AR			.28" to .59"
	3300 0785	AR			.47" to .78"

**MODEL CODES:**

15 = Grand Wagoneer 4 Dr.	65 = Comanche 4WD-7 Ft. Box	77 = Cherokee 4WD-2 Dr.
25 = J-10 Pickup-119" W.B.	66 = Comanche 2WD-7 Ft. Box	78 = Cherokee 4WD-4 Dr.
26 = J-10 Pickup-131" W.B.	73 = Cherokee 2WD-2 Dr.	79 = Cherokee 4WD-4 Dr.-Com
27 = J-20 Pickup-131" W.B.	74 = Cherokee 2WD-4 Dr.	81 = Wrangler-93" W.B.
63 = Comanche 4WD-6 Ft. Box	75 = Wagoneer 4WD-4 Dr.	82 = Wrangler-103" W.B.-Exp.
64 = Comanche 2WD-6 Ft. Box		

**BODY STYLES:**

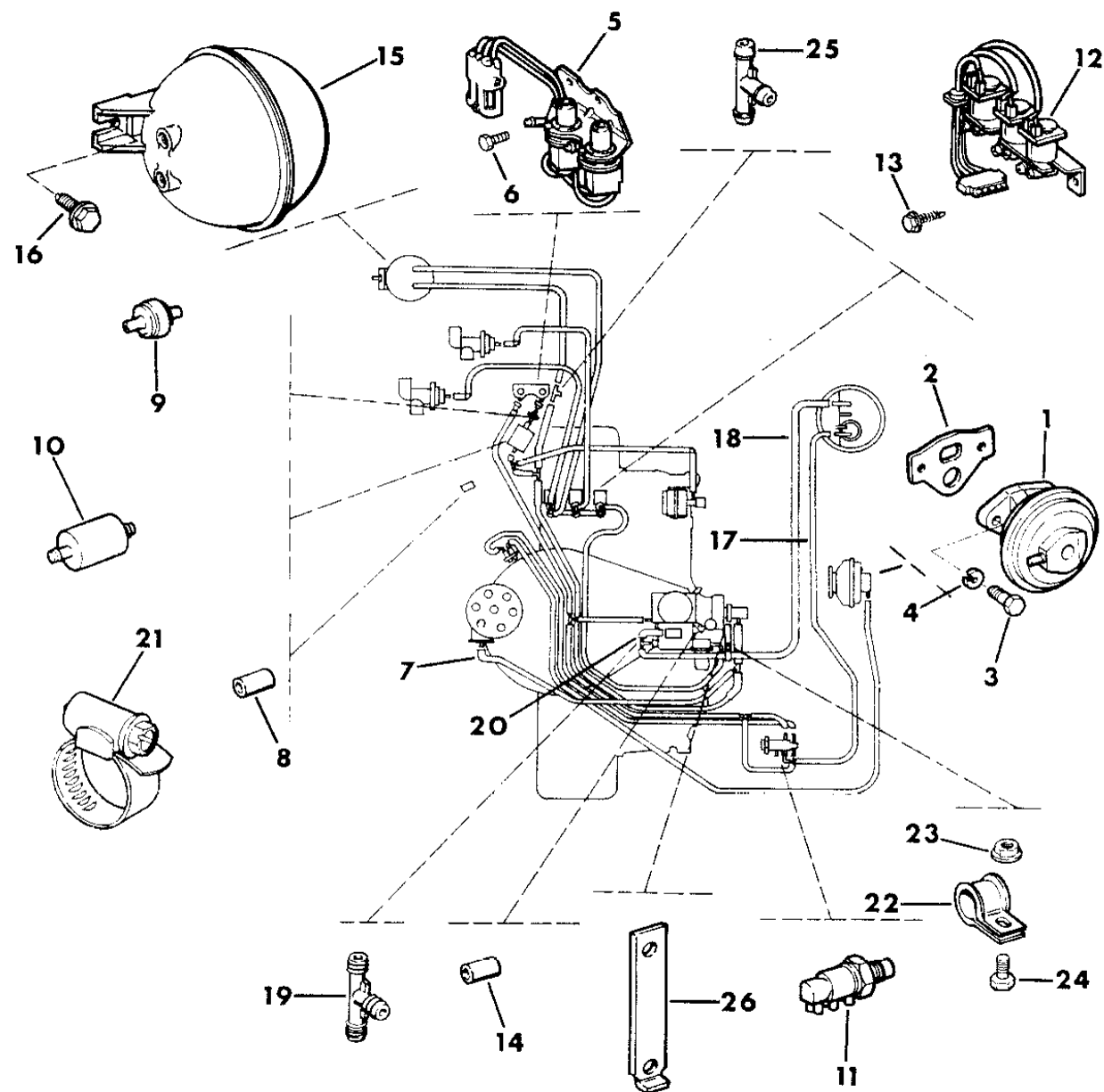
MJ = Comanche Pickup  
 SJ = Grand Wagoneer Wgn., J-10 & J-20 Pickups  
 XJ = Cherokee, Wagoneer Limited  
 YJ = Wrangler

AR = Use as Required - = Non Illustrated Part P.A.R. = Paint as Required

EMISSION CONTROLS 4.2L ENGINE WRANGLER, YJ

Figure 25-700

8 J 25 700



ITEM	PART NUMBER	QTY	BODY	MODEL	DESCRIPTION
	3300 0784	AR			.69" to .97"
22	J012 5924	1			CLIP
23	J027 1184	1			NUT
24	S017 9814	1			BOLT
25	J323 2982	1			TEE
26	J536 3212	1			BRACKET

MODEL CODES:

15 = Grand Wagoneer 4 Dr.	65 = Comanche 4WD-7 Ft. Box	77 = Cherokee 4WD-2 Dr.
25 = J-10 Pickup-119" W.B.	66 = Comanche 2WD-7 Ft. Box	78 = Cherokee 4WD-4 Dr.
26 = J-10 Pickup-131" W.B.	73 = Cherokee 2WD-2 Dr.	79 = Cherokee 4WD-4 Dr.-Com
27 = J-20 Pickup-131" W.B.	74 = Cherokee 2WD-4 Dr.	81 = Wrangler-93" W.B.
63 = Comanche 4WD-6 Ft. Box	75 = Wagoneer 4WD-4 Dr.	82 = Wrangler-103" W.B.-Exp.
64 = Comanche 2WD-6 Ft. Box		

BODY STYLES:

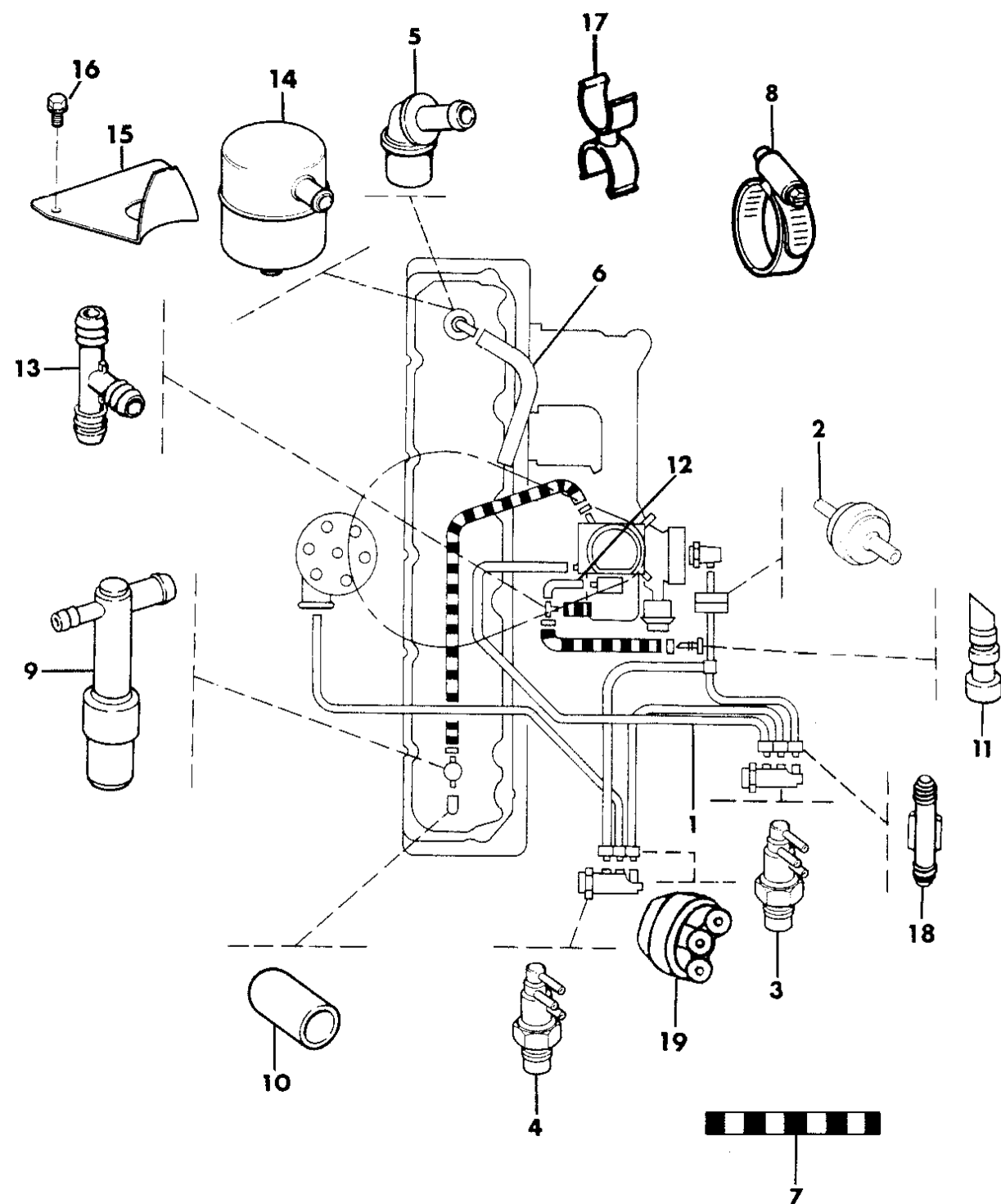
MJ = Comanche Pickup  
 SJ = Grand Wagoneer Wgn., J-10 & J-20 Pickups  
 XJ = Cherokee, Wagoneer Limited  
 YJ = Wrangler

AR = Use as Required - = Non Illustrated Part P.A.R. = Paint as Required



**EMISSION CONTROLS 4.2L ENGINE WRANGLER - NRM OR KDX**  
**Figure 25-800**

8J25 800



ITEM	PART NUMBER	QTY	BODY	MODEL	DESCRIPTION
1					HARNES, Vacuum
	5300 5057	1			w/o Heavy Duty Cooling
	5300 5058	1			w/Heavy Duty Cooling
2	J323 9383	1			VALVE, Reverse Delay - Orange/White
3	J323 5917	1			SWITCH, Spark CTO
4	J535 8881	1			SWITCH, CTO - w/Heavy Duty Cooling
5	J323 6685	1			ELBOW - w/o Severe Use Package
6					HOSE
	J323 9555	1			w/o Severe Use Package
	J812 5781	1			w/Severe Use Package - Bulk
7	J812 5781	1			HOSE - Bulk .38" I.D.
8					CLAMP, Hose
	3300 0785	AR			.47" to .78"
	3300 0784	AR			.69" to .97"
	J320 3079	1			1.8." to 2.75" - w/Severe Use Package
9	J323 9068	1			VALVE, PCV
10	J323 8283	1			CAP, Plug
11	J535 2955	1			CAP, Vent
12	J323 2942	1			HOSE
13	J323 2983	1			TEE
14	J805 3174	1			BREATH, Crankcase - w/Severe Use Package ***
15	J805 3013	1			BRACKET, Mounting - w/Severe Use Package
16	J400 5731	2			BOLT - w/Severe Use Package
17	5200 1603	1			CLIP - w/Severe Use Package
18	J322 0180	5			CONNECTOR, Straight
19	J323 5265	AR			CONNECTOR, 3 Port

**MODEL CODES:**

15 = Grand Wagoneer 4 Dr.	65 = Comanche 4WD-7 Ft. Box	77 = Cherokee 4WD-2 Dr.
25 = J-10 Pickup-119" W.B.	66 = Comanche 2WD-7 Ft. Box	78 = Cherokee 4WD-4 Dr.
26 = J-10 Pickup-131" W.B.	73 = Cherokee 2WD-2 Dr.	79 = Cherokee 4WD-4 Dr.-Com
27 = J-20 Pickup-131" W.B.	74 = Cherokee 2WD-4 Dr.	81 = Wrangler-93" W.B.
63 = Comanche 4WD-6 Ft. Box	75 = Wagoneer 4WD-4 Dr.	82 = Wrangler-103" W.B.-Exp.
64 = Comanche 2WD-6 Ft. Box		

**BODY STYLES:**

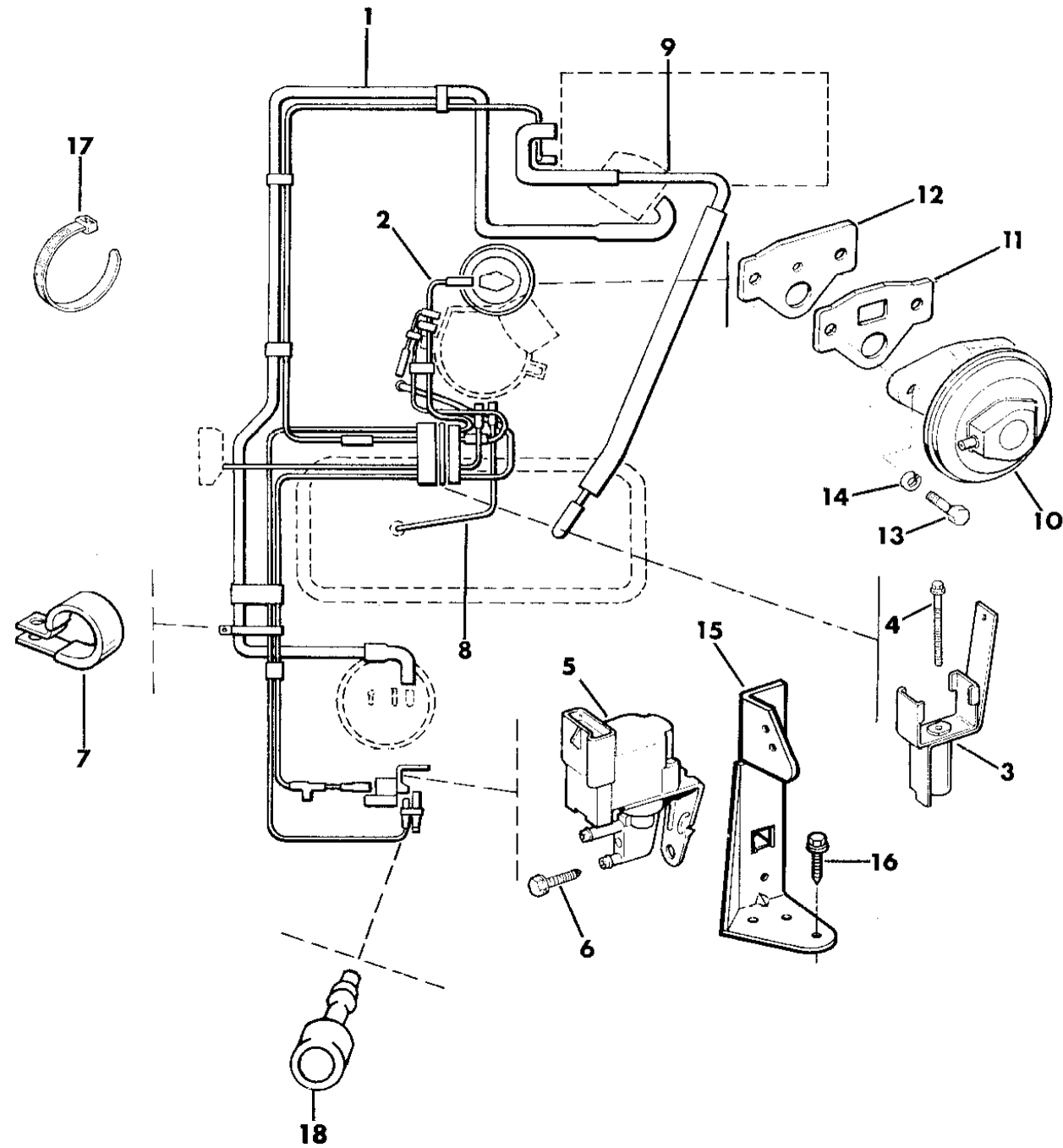
MJ = Comanche Pickup  
 SJ = Grand Wagoneer Wgn., J-10 & J-20 Pickups  
 XJ = Cherokee, Wagoneer Limited  
 YJ = Wrangler

AR = Use as Required - = Non Illustrated Part P.A.R. = Paint as Required

**EMISSION CONTROLS 2.5L EFI ENGINE CHEROKEE, WAGONEER, COMANCHE**  
**Figure 25-900**

8 J 25 900

ITEM	PART NUMBER	QTY	BODY	MODEL	DESCRIPTION
1					HARNESS, Vacuum
	5300 4415	1			U.S. and Canada
	5300 4415	1			ECE - w/Unleaded Fuel
	5300 4877	1			ECE - w/Leaded Fuel
2	5300 4414	1			HARNESS, Vacuum
3	5300 4543	1			BRACKET ASSEMBLY
4	J943 7670	1			BOLT
5	3300 2298	1			SOLENOID, EGR Vacuum
6					SCREW
	1150 2843	1		1987	
	J400 1701	1		1988-90	
7	J400 0443	1			CLIP
8	5300 4720	1			TUBE ASSEMBLY, Crankcase Vent
9	5300 4946	1			TUBE ASSEMBLY, Crankcase Vent
10	5300 2483	1			VALVE, EGR
11	3300 4185	2			GASKET
12	5300 3898	1			PLATE, Restrictor
13	J018 0078	2			BOLT
14	J012 0214	2			WASHER, Lock
15	5300 4872	1			BRACKET - w/Leaded Fuel
16	J941 9320	3			SCREW - w/Leaded Fuel
17	3420 1788	1			STRAP
18	3300 2358	1			FILTER



**MODEL CODES:**

15 = Grand Wagoneer 4 Dr.	65 = Comanche 4WD-7 Ft. Box	77 = Cherokee 4WD-2 Dr.
25 = J-10 Pickup-119" W.B.	66 = Comanche 2WD-7 Ft. Box	78 = Cherokee 4WD-4 Dr.
26 = J-10 Pickup-131" W.B.	73 = Cherokee 2WD-2 Dr.	79 = Cherokee 4WD-4 Dr.-Com
27 = J-20 Pickup-131" W.B.	74 = Cherokee 2WD-4 Dr.	81 = Wrangler-93" W.B.
63 = Comanche 4WD-6 Ft. Box	75 = Wagoneer 4WD-4 Dr.	82 = Wrangler-103" W.B.-Exp.
64 = Comanche 2WD-6 Ft. Box		

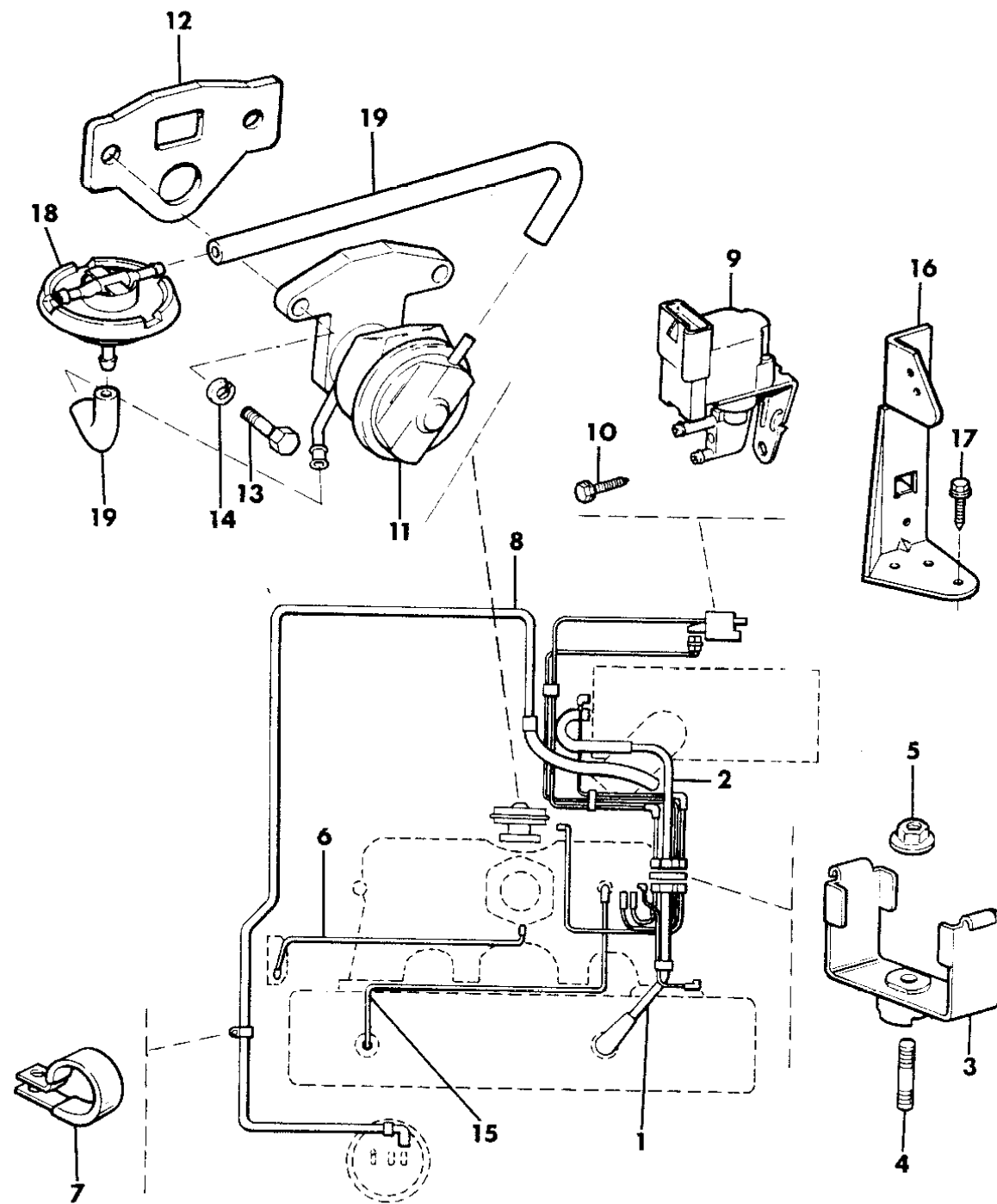
**BODY STYLES:**

MJ = Comanche Pickup  
 SJ = Grand Wagoneer Wgn., J-10 & J-20 Pickups  
 XJ = Cherokee, Wagoneer Limited  
 YJ = Wrangler

AR = Use as Required - = Non Illustrated Part P.A.R. = Paint as Required

**EMISSION CONTROLS 4.0L ENGINE CHEROKEE, WAGONEER, COMANCHE**  
**Figure 25-1000**

8J25 1000



ITEM	PART NUMBER	QTY	BODY	MODEL	DESCRIPTION
1					HARNES, Vacuum
	5300 4379	1			1987
	5300 4838	1			1988-90
2					HARNES, Vacuum
	5300 4378	1			1987
	5300 4868	1			1988-90
3	5300 4501	1			BRACKET ASSEMBLY
4	J400 5138	1			STUD
5	J400 3587	1			NUT
6	5300 4589	1			HOSE ASSEMBLY
7	J400 5341	1			CLIP
8	5300 4623	1			TUBE ASSEMBLY, Crankcase Vent
9	3300 2298	1			SOLENOID, EGR Vacuum
10					SCREW
	1150 2843	1			1987
	J400 1701	1			1988-90
11					VALVE, EGR
	5300 3446	1			1987
	5300 4867	1			1988-90
12					GASKET
	J322 1283	1			1987
	3300 4185	1			1988-90
13					BOLT
	J018 0078	2			1987
	J018 0079	2			1988-90
14	J012 0214	2			WASHER, Lock
15	5300 4719	1			TUBE ASSEMBLY, Crankcase Vent
16	5300 4872	1			BRACKET - w/Leaded Fuel
17	J941 9320	3			SCREW - w/Leaded Fuel
18	5300 4867	1			TRANSDUCER, EGR
19	J812 5995	1			HOSE, Vacuum Bulk

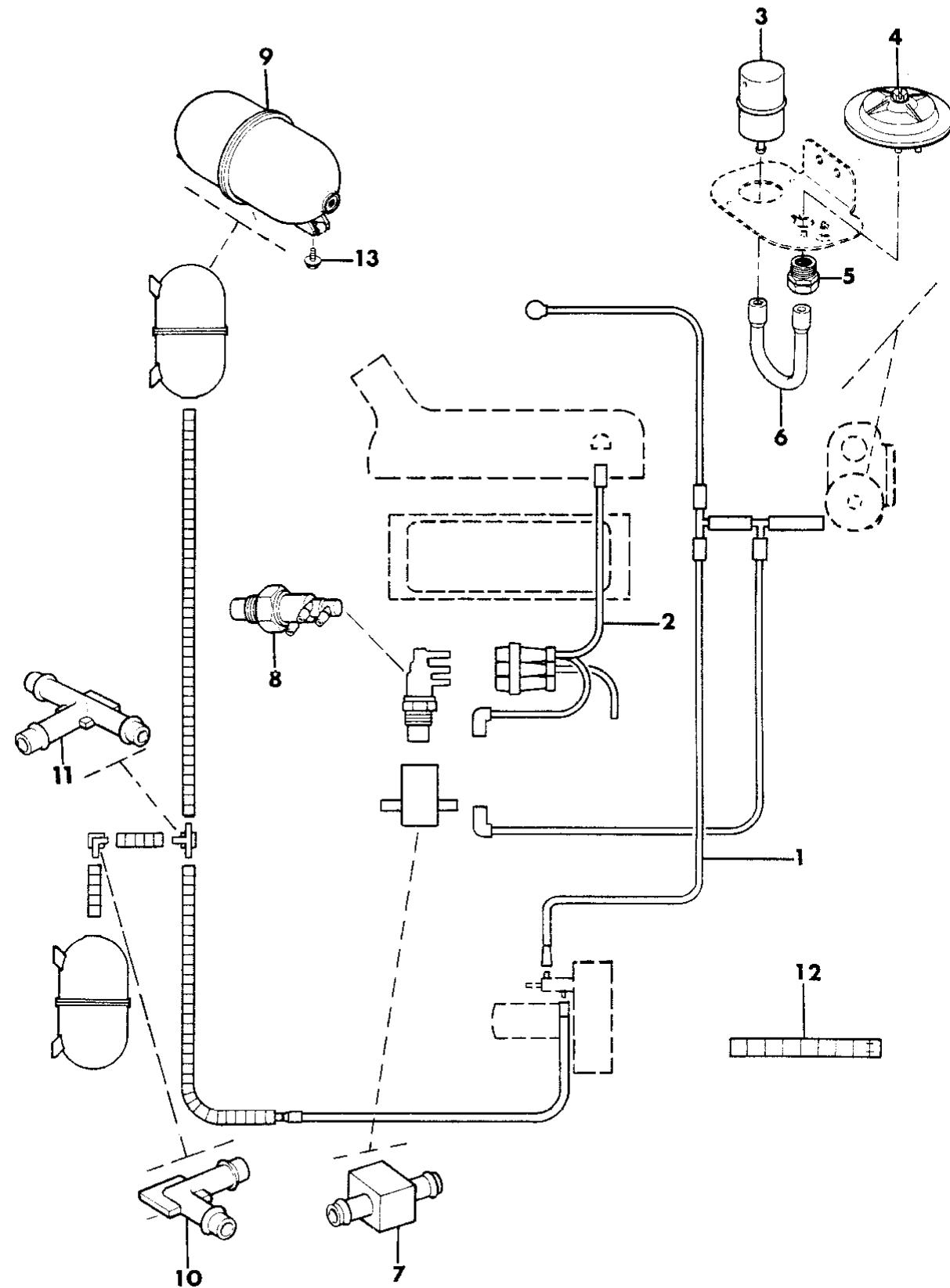
MODEL CODES:  
 15 = Grand Wagoneer 4 Dr.      65 = Comanche 4WD-7 Ft. Box      77 = Cherokee 4WD-2 Dr.  
 25 = J-10 Pickup-119" W.B.      66 = Comanche 2WD-7 Ft. Box      78 = Cherokee 4WD-4 Dr.  
 26 = J-10 Pickup-131" W.B.      73 = Cherokee 2WD-2 Dr.      79 = Cherokee 4WD-4 Dr.-Com  
 27 = J-20 Pickup-131" W.B.      74 = Cherokee 2WD-4 Dr.      81 = Wrangler-93" W.B.  
 63 = Comanche 4WD-6 Ft. Box      75 = Wagoneer 4WD-4 Dr.      82 = Wrangler-103" W.B.-Exp.  
 64 = Comanche 2WD-6 Ft. Box

BODY STYLES:  
 MJ = Comanche Pickup  
 SJ = Grand Wagoneer Wgn., J-10 & J-20 Pickups  
 XJ = Cherokee, Wagoneer Limited  
 YJ = Wrangler

AR = Use as Required - = Non Illustrated Part P.A.R. = Paint as Required

**EMISSION CONTROLS DIESEL ENGINE CHEROKEE, COMANCHE**  
**Figure 25-1100**

8J25 1100



ITEM	PART NUMBER	QTY	BODY	MODEL	DESCRIPTION
1	5300 2441	1			HARNES ASSEMBLY, Vacuum
2	5300 1927	1			HARNES ASSEMBLY, Vacuum
3	5300 1929	1			FILTER, Pressure Regulator
4	5300 1928	1			REGULATOR, Pressure
5	3420 2172	1			NUT
6	5300 2240	1			HOSE
7	5300 1859	1			TUBE ASSEMBLY, CTO Switch
8	5300 1747	1			SWITCH, CTO
9	5300 2549	2			RESERVOIR, Vacuum
10	3300 2356	AR			ELBOW, 90 Degrees
11	J323 2982	1			CONNECTOR, Tee
12	8330 0080	1			HOSE - Bulk .22" I.D.
13	J400 2359	4			SCREW

**MODEL CODES:**

15 = Grand Wagoneer 4 Dr.	65 = Comanche 4WD-7 Ft. Box	77 = Cherokee 4WD-2 Dr.
25 = J-10 Pickup-119" W.B.	66 = Comanche 2WD-7 Ft. Box	78 = Cherokee 4WD-4 Dr.
26 = J-10 Pickup-131" W.B.	73 = Cherokee 2WD-2 Dr.	79 = Cherokee 4WD-4 Dr.-Com
27 = J-20 Pickup-131" W.B.	74 = Cherokee 2WD-4 Dr.	81 = Wrangler-93" W.B.
63 = Comanche 4WD-6 Ft. Box	75 = Wagoneer 4WD-4 Dr.	82 = Wrangler-103" W.B.-Exp.
64 = Comanche 2WD-6 Ft. Box		

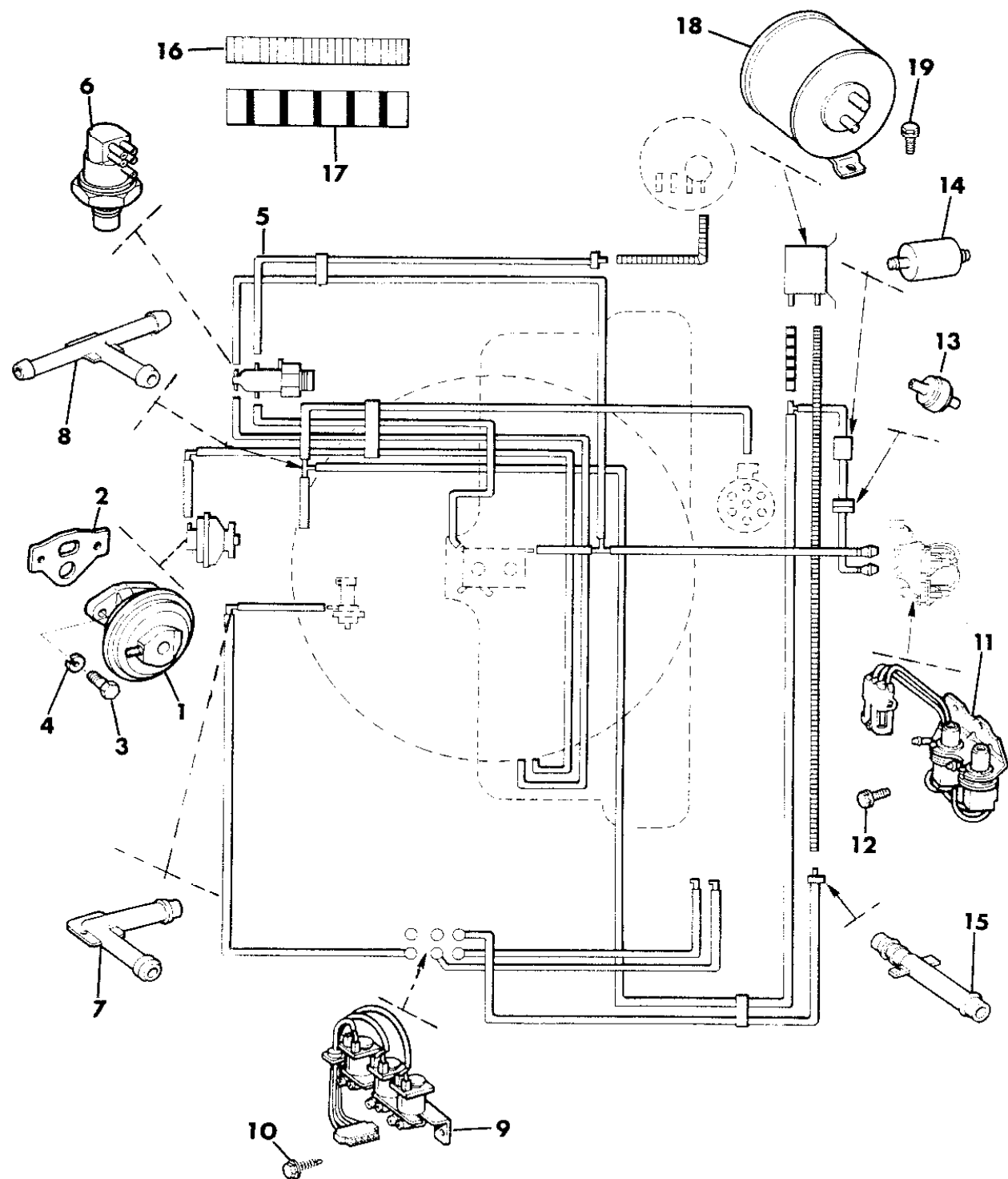
**BODY STYLES:**

MJ = Comanche Pickup  
 SJ = Grand Wagoneer Wgn., J-10 & J-20 Pickups  
 XJ = Cherokee, Wagoneer Limited  
 YJ = Wrangler

AR = Use as Required - = Non Illustrated Part P.A.R. = Paint as Required

**EMISSION CONTROLS 4.2L ENGINE GRAND WAGONEER, J10**  
**Figure 25-1200**

8 J25 1200



ITEM	PART NUMBER	QTY	BODY	MODEL	DESCRIPTION
1					VALVE, EGR
	J324 1727	1			exc. Calif.
	3300 1951	1			Calif.
2	J322 1283	1			GASKET, EGR
3	J018 0078	2			BOLT
4	J012 0214	2			WASHER, Lock
5					HARNESSES, Vacuum
	5300 2116	1			exc. Calif. and Canada
	3300 2075	1			High Alt.
	5300 1937	1			Calif.
6	J323 8932	1			SWITCH, Dual Function
7	3300 0538	AR			ELBOW, 90 Degrees
8	J323 9827	AR			CONNECTOR, Tee
9	3300 1945	1			SOLENOID, Vacuum Switch
10					SCREW
	J400 6719	2			Plastic Valve Cover
	J400 5731	2			Aluminum Valve Cover
11	J324 0803	1			SWITCH, Emission
12	J812 0052	2			SCREW
13	J323 6284	1			VALVE, Delay - Black/Purple
14	5300 5308	1			RESERVOIR, Vacuum - Black
15	3300 0537	AR			CONNECTOR
16	8350 1071	1			HOSE - Bulk .16" I.D.
17	8330 0080	1			HOSE - Bulk .22" I.D.
18	5300 1068	1			RESERVOIR, Vacuum
19	J942 6241	2			SCREW

**MODEL CODES:**

15 = Grand Wagoneer 4 Dr.	65 = Comanche 4WD-7 Ft. Box	77 = Cherokee 4WD-2 Dr.
25 = J-10 Pickup-119" W.B.	66 = Comanche 2WD-7 Ft. Box	78 = Cherokee 4WD-4 Dr.
26 = J-10 Pickup-131" W.B.	73 = Cherokee 2WD-2 Dr.	79 = Cherokee 4WD-4 Dr.-Com
27 = J-20 Pickup-131" W.B.	74 = Cherokee 2WD-4 Dr.	81 = Wrangler-93" W.B.
63 = Comanche 4WD-6 Ft. Box	75 = Wagoneer 4WD-4 Dr.	82 = Wrangler-103" W.B.-Exp.
64 = Comanche 2WD-6 Ft. Box		

**BODY STYLES:**

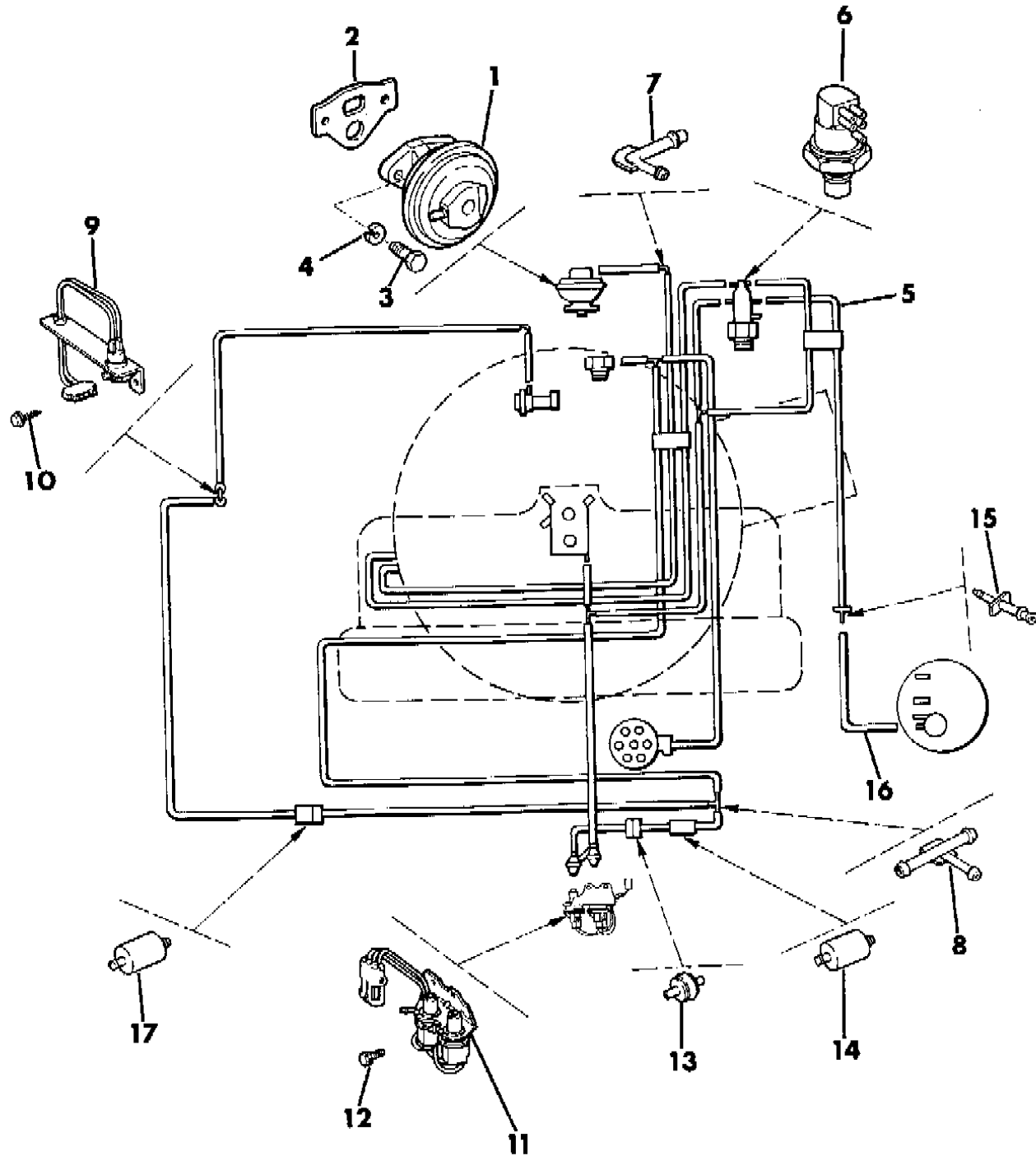
MJ = Comanche Pickup  
 SJ = Grand Wagoneer Wgn., J-10 & J-20 Pickups  
 XJ = Cherokee, Wagoneer Limited  
 YJ = Wrangler

AR = Use as Required - = Non Illustrated Part P.A.R. = Paint as Required

**EMISSION CONTROLS 4.2L ENGINE GRAND WAGONEER, J10, J20 - CANADA**  
**Figure 25-1250**

8 J25 1250

ITEM	PART NUMBER	QTY	BODY	MODEL	DESCRIPTION
1	J324 1727	1			VALVE, EGR
2	J322 1283	1			GASKET
3	J018 0078	2			BOLT
4	J012 0214	2			WASHER, Lock
5	5300 4652	1			HARNASS, Vacuum
6	J323 8932	1			SWITCH, Dual Function
7	3300 0538	AR			ELBOW, 90 Degree
8	J323 9827	AR			CONNECTOR, Tee
9	3300 1946	1			SOLENOID, Vacuum Switch
10					SCREW
	J400 6719	1			Plastic Valve Cover
	J400 5731	1			Aluminum Valve Cover
11	J324 0803	1			SWITCH, Emission
12	J812 0052	2			SCREW
13	J323 6284	1			VALVE, Delay
14	5300 5308	1			RESERVOIR, Vacuum
15	3300 0537	AR			CONNECTOR
16	8350 1071	AR			HOSE
17	J323 9603	1			RESERVOIR, Vacuum



**MODEL CODES:**

15 = Grand Wagoneer 4 Dr.	65 = Comanche 4WD-7 Ft. Box	77 = Cherokee 4WD-2 Dr.
25 = J-10 Pickup-119" W.B.	66 = Comanche 2WD-7 Ft. Box	78 = Cherokee 4WD-4 Dr.
26 = J-10 Pickup-131" W.B.	73 = Cherokee 2WD-2 Dr.	79 = Cherokee 4WD-4 Dr.-Com
27 = J-20 Pickup-131" W.B.	74 = Cherokee 2WD-4 Dr.	81 = Wrangler-93" W.B.
63 = Comanche 4WD-6 Ft. Box	75 = Wagoneer 4WD-4 Dr.	82 = Wrangler-103" W.B.-Exp.
64 = Comanche 2WD-6 Ft. Box		

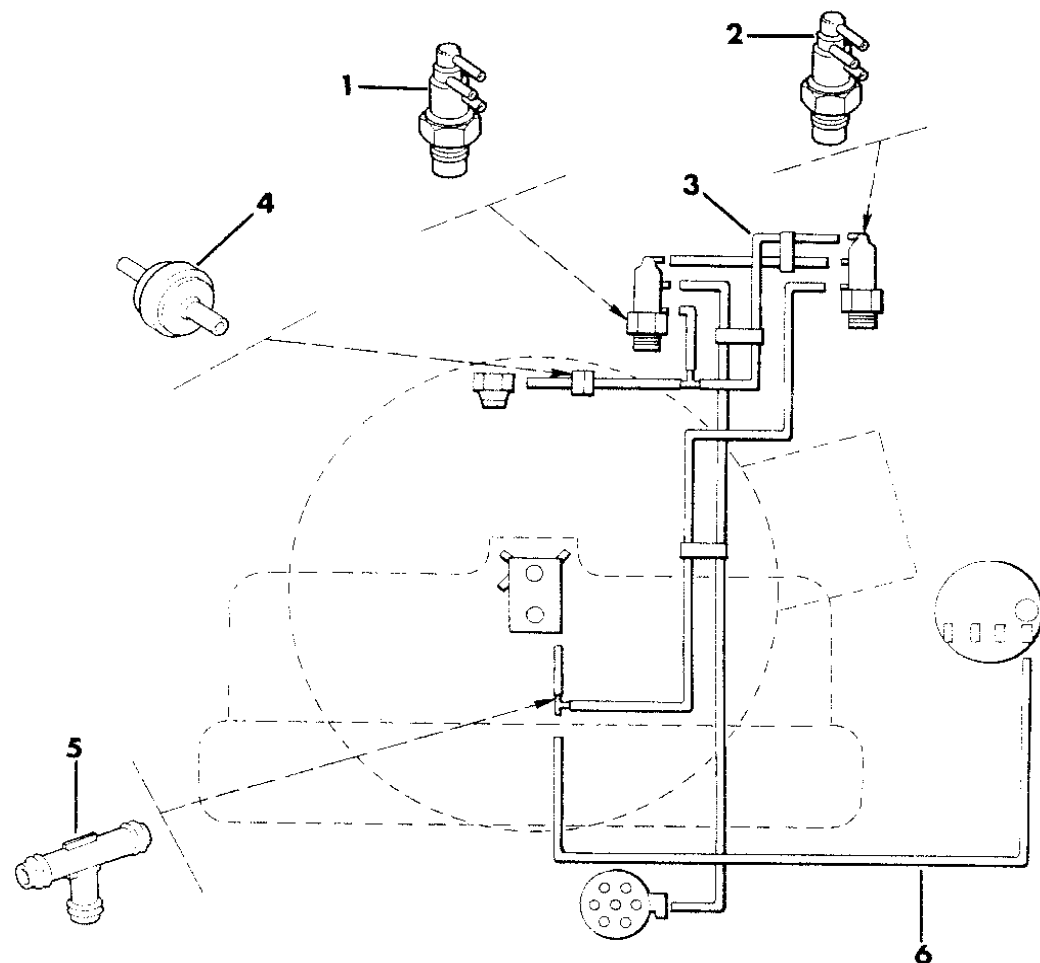
**BODY STYLES:**

MJ = Comanche Pickup  
 SJ = Grand Wagoneer Wgn., J-10 & J-20 Pickups  
 XJ = Cherokee, Wagoneer Limited  
 YJ = Wrangler

AR = Use as Required - = Non Illustrated Part P.A.R. = Paint as Required

**EMISSION CONTROLS 4.2L ENGINE GRAND WAGONEER, J10 - NRM**  
**Figure 25-1300**

8 J 25 1300



ITEM	PART NUMBER	QTY	BODY	MODEL	DESCRIPTION
1	J535 8881	1			SWITCH, HDC CTO - w/Heavy Duty Cooling
2	J323 5917	1			SWITCH, Spark CTO
3					HARNES, Vacuum
	5300 0427	1			w/o Heavy Duty Cooling
	5300 0426	1			w/Heavy Duty Cooling
4	J323 9383	1			VALVE, Reverse Delay - Orange/White
5	J321 0891	AR			CONNECTOR, Tee
6	8350 1071	1			HOSE - Bulk

**MODEL CODES:**

- |                             |                             |                              |
|-----------------------------|-----------------------------|------------------------------|
| 15 = Grand Wagoneer 4 Dr.   | 65 = Comanche 4WD-7 Ft. Box | 77 = Cherokee 4WD-2 Dr.      |
| 25 = J-10 Pickup-119" W.B.  | 66 = Comanche 2WD-7 Ft. Box | 78 = Cherokee 4WD-4 Dr.      |
| 26 = J-10 Pickup-131" W.B.  | 73 = Cherokee 2WD-2 Dr.     | 79 = Cherokee 4WD-4 Dr.-Com  |
| 27 = J-20 Pickup-131" W.B.  | 74 = Cherokee 2WD-4 Dr.     | 81 = Wrangler-93" W.B.       |
| 63 = Comanche 4WD-6 Ft. Box | 75 = Wagoneer 4WD-4 Dr.     | 82 = Wrangler-103" W.B.-Exp. |
| 64 = Comanche 2WD-6 Ft. Box |                             |                              |

**BODY STYLES:**

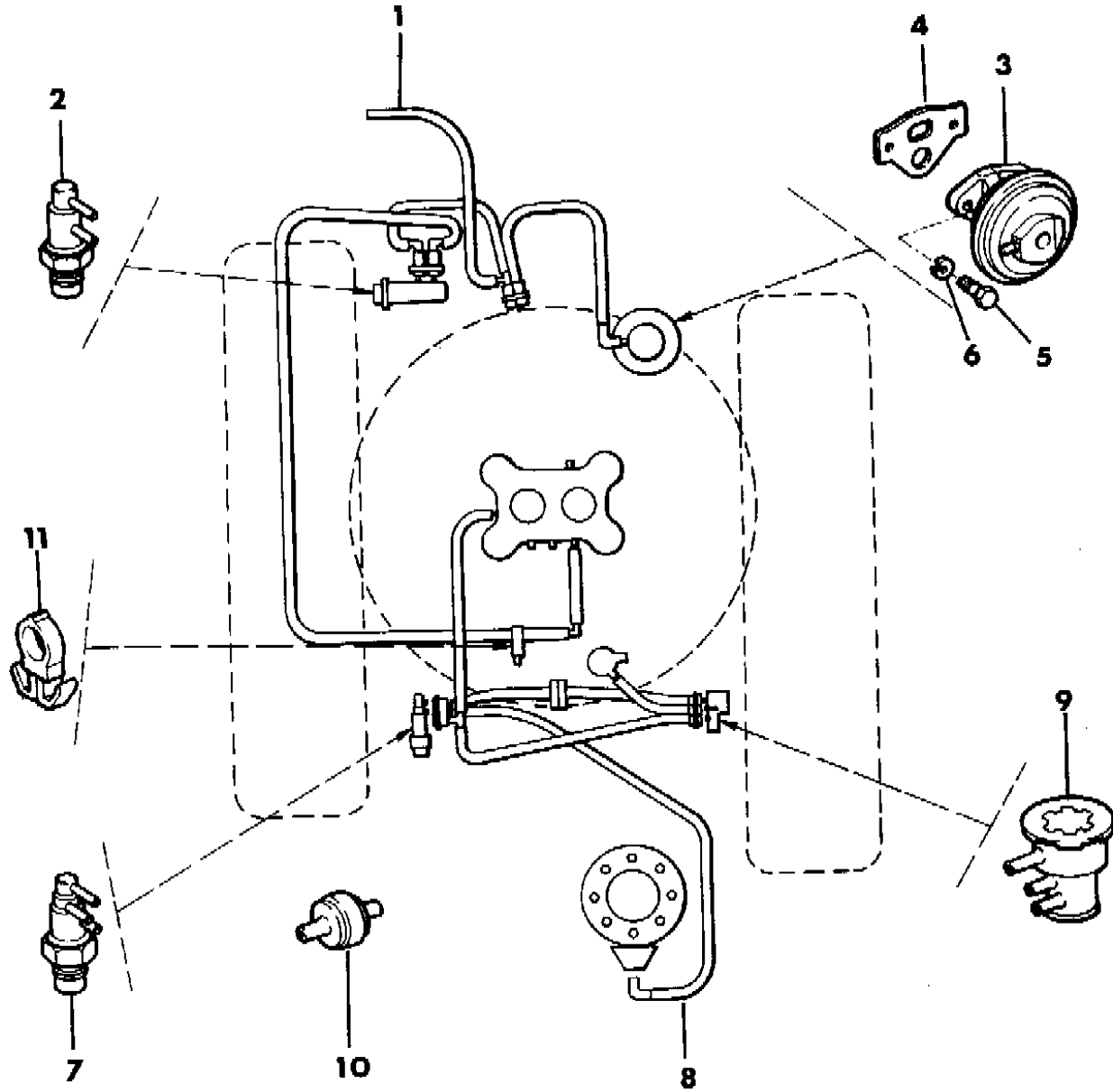
- MJ = Comanche Pickup  
 SJ = Grand Wagoneer Wgn., J-10 & J-20 Pickups  
 XJ = Cherokee, Wagoneer Limited  
 YJ = Wrangler

AR = Use as Required - = Non Illustrated Part P.A.R. = Paint as Required

EMISSION CONTROLS 5.9L ENGINE GRAND WAGONEER, J10, J20 - 1987  
Figure 25-1350

8 J 25 1350A

ITEM	PART NUMBER	QTY	BODY	MODEL	DESCRIPTION
1	5300 2992	1			HARNESSES, EGR Vacuum
2	3300 1669	1			SWITCH, Dual Function
3	J324 0102	1			SWITCH, EGR CTO
4	J322 1283	1			GASKETS, EGR ***
5	J018 0078	1			BOLT
6	J012 0214	1			WASHER, Lock
7	J323 5917	1			SWITCH, Spark CTO
8	5300 2997	1			HARNESSES, Dist.Vacumn
9	J323 3991	1			VALVE, Non-Linear
10	J323 6285	1			VALVE, Reverse Delay
11	J400 6550	1			CLIP



MODEL CODES:

15 = Grand Wagoneer 4 Dr.	65 = Comanche 4WD-7 Ft. Box	77 = Cherokee 4WD-2 Dr.
25 = J-10 Pickup-119" W.B.	66 = Comanche 2WD-7 Ft. Box	78 = Cherokee 4WD-4 Dr.
26 = J-10 Pickup-131" W.B.	73 = Cherokee 2WD-2 Dr.	79 = Cherokee 4WD-4 Dr.-Com
27 = J-20 Pickup-131" W.B.	74 = Cherokee 2WD-4 Dr.	81 = Wrangler-93" W.B.
63 = Comanche 4WD-6 Ft. Box	75 = Wagoneer 4WD-4 Dr.	82 = Wrangler-103" W.B.-Exp.
64 = Comanche 2WD-6 Ft. Box		

BODY STYLES:

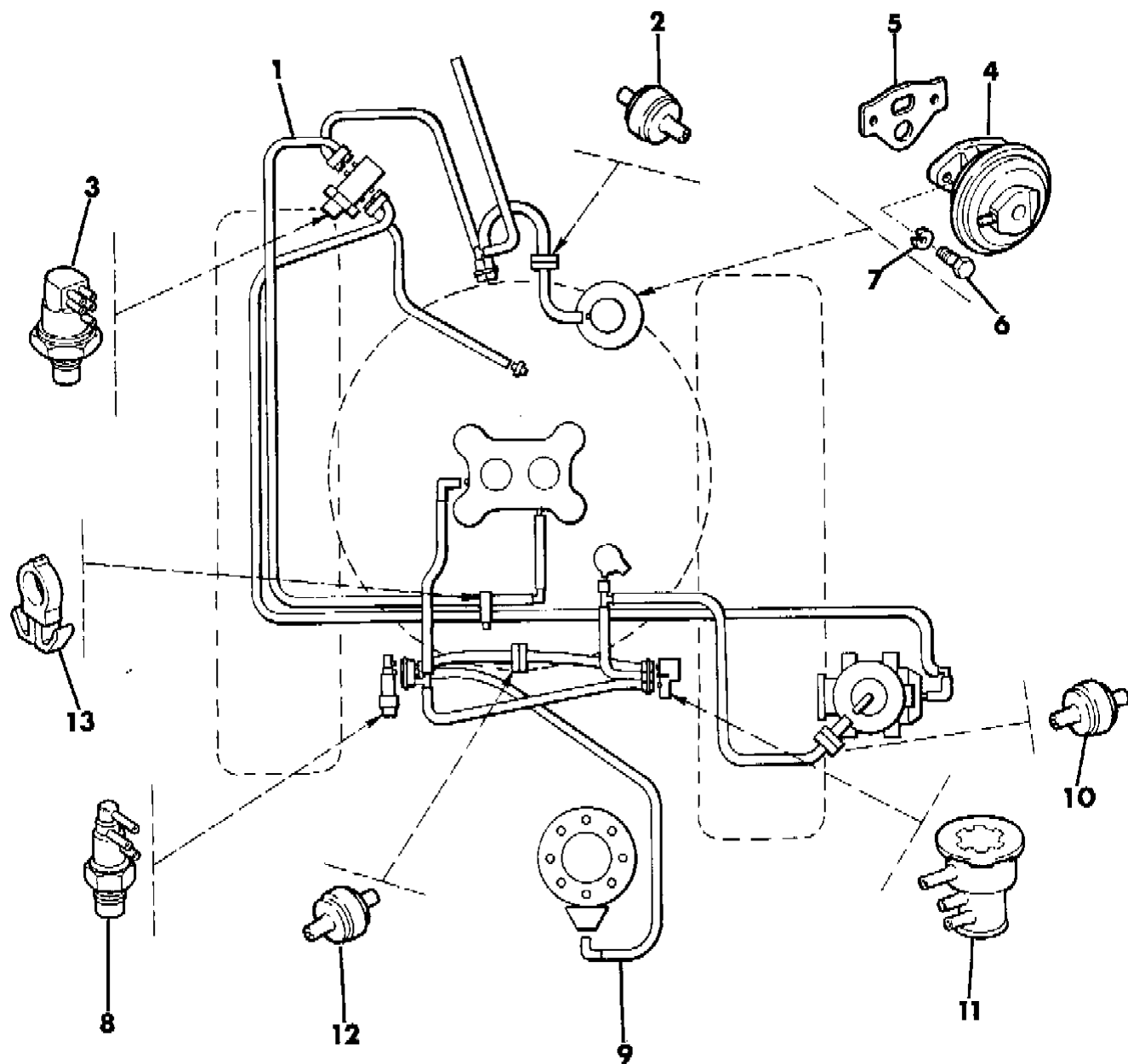
MJ = Comanche Pickup  
SJ = Grand Wagoneer Wgn., J-10 & J-20 Pickups  
XJ = Cherokee, Wagoneer Limited  
YJ = Wrangler

AR = Use as Required - = Non Illustrated Part P.A.R. = Paint as Required



EMISSION CONTROLS 5.9L ENGINE GRAND WAGONEER, J10, J20 - CANADA, NRM - 1987  
Figure 25-1375

8 J25 1375



ITEM	PART NUMBER	QTY	BODY	MODEL	DESCRIPTION
1					HARNESSES, EGR Vacuum
	3300 2077	1			Wagon - Canada
	3300 2077	1			Truck J10 - Canada
	5300 2992	1			Truck J20 - Canada
	3300 2077	1			Export
2	J324 1675	1			SWITCH, EGR CTO
3	J324 0102	1			VALVE, EGR
4	J322 1283	1			GASKET
5	J018 0078	2			BOLT
6	J012 0214	2			WASHER, Lock
7	J323 5917	1			SWITCH, Spark CTO
8					HARNESSES, Distributor Vacuum
	5300 4913	1			Wagon - Canada
	5300 4913	1			Truck J10 - Canada
	5300 2997	1			Truck J20 - Canada
	3300 1988	1			Export
9	J323 3991	1			VALVE, Non-Linear
10	J323 6285	1			VALVE, Reverse Delay
11	J400 6550	1			CLIP

MODEL CODES:

15 = Grand Wagoneer 4 Dr.	65 = Comanche 4WD-7 Ft. Box	77 = Cherokee 4WD-2 Dr.
25 = J-10 Pickup-119" W.B.	66 = Comanche 2WD-7 Ft. Box	78 = Cherokee 4WD-4 Dr.
26 = J-10 Pickup-131" W.B.	73 = Cherokee 2WD-2 Dr.	79 = Cherokee 4WD-4 Dr.-Com
27 = J-20 Pickup-131" W.B.	74 = Cherokee 2WD-4 Dr.	81 = Wrangler-93" W.B.
63 = Comanche 4WD-6 Ft. Box	75 = Wagoneer 4WD-4 Dr.	82 = Wrangler-103" W.B.-Exp.
64 = Comanche 2WD-6 Ft. Box		

BODY STYLES:

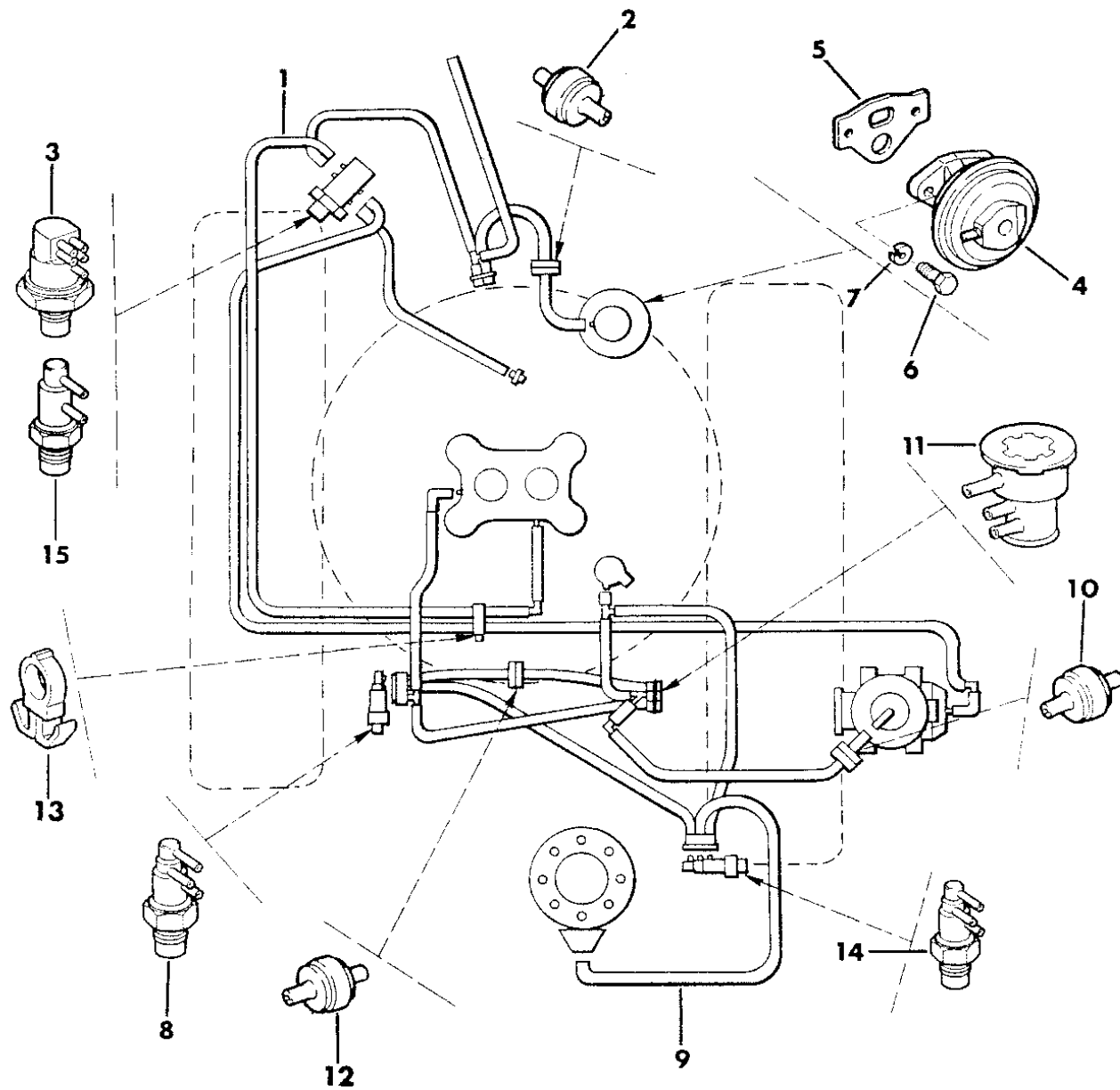
MJ = Comanche Pickup  
SJ = Grand Wagoneer Wgn., J-10 & J-20 Pickups  
XJ = Cherokee, Wagoneer Limited  
YJ = Wrangler

AR = Use as Required - = Non Illustrated Part P.A.R. = Paint as Required

**EMISSION CONTROLS 5.9L ENGINE - HEAVY DUTY GRAND WAGONEER, J10, J20 - 1988-90**  
**Figure 25-1400**

8 J 25 1400

ITEM	PART NUMBER	QTY	BODY	MODEL	DESCRIPTION
1					HARNESSES, EGR Vacuum
	5300 2992	1			U.S.
	3300 2077	1			Canada - Wagon and J10 1987
	5300 2992	1			Canada 1988-90
	5300 5530	1			High Alt. 1988-89
	3300 2077	1			NRM
2	J323 6284	1			VALVE, Delay - Black/Purple
3	3300 1669	1			SWITCH, Dual Function - U.S. and Canada
4					VALVE, EGR
	J324 0102	1			U.S. and Canada 1987-89
	J323 9372	1			High Alt. 1987-89
	5300 6332	1			1990
	5300 4867	1			TRANSDUCER
5					GASKET, EGR Valve
	J322 1283	1			1987-89
	3300 4185	1			1990
6	J018 0078	2			BOLT
7	J012 0214	2			WASHER, Lock
8	J323 5917	1			SWITCH, Spark CTO
9					HARNESSES, Distributor Vacuum
	5300 2996	1			Canada - Wagon and J10 1987
	5300 4984	1			NRM
10	5300 2381	1			VALVE, Reverse Delay - Blue/White - U.S., High Alt. and Canada
11	J323 3991	1			VALVE, Non-Linear
12	J323 6285	1			VALVE, Reverse Delay - Purple/White
13	J400 6550	1			CLIP
14	J535 8881	1			SWITCH, HDC CTO
15	J324 1675	1			SWITCH, EGR CTO - NRM



**MODEL CODES:**

15 = Grand Wagoneer 4 Dr.	65 = Comanche 4WD-7 Ft. Box	77 = Cherokee 4WD-2 Dr.
25 = J-10 Pickup-119" W.B.	66 = Comanche 2WD-7 Ft. Box	78 = Cherokee 4WD-4 Dr.
26 = J-10 Pickup-131" W.B.	73 = Cherokee 2WD-2 Dr.	79 = Cherokee 4WD-4 Dr.-Com
27 = J-20 Pickup-131" W.B.	74 = Cherokee 2WD-4 Dr.	81 = Wrangler-93" W.B.
63 = Comanche 4WD-6 Ft. Box	75 = Wagoneer 4WD-4 Dr.	82 = Wrangler-103" W.B.-Exp.
64 = Comanche 2WD-6 Ft. Box		

**BODY STYLES:**

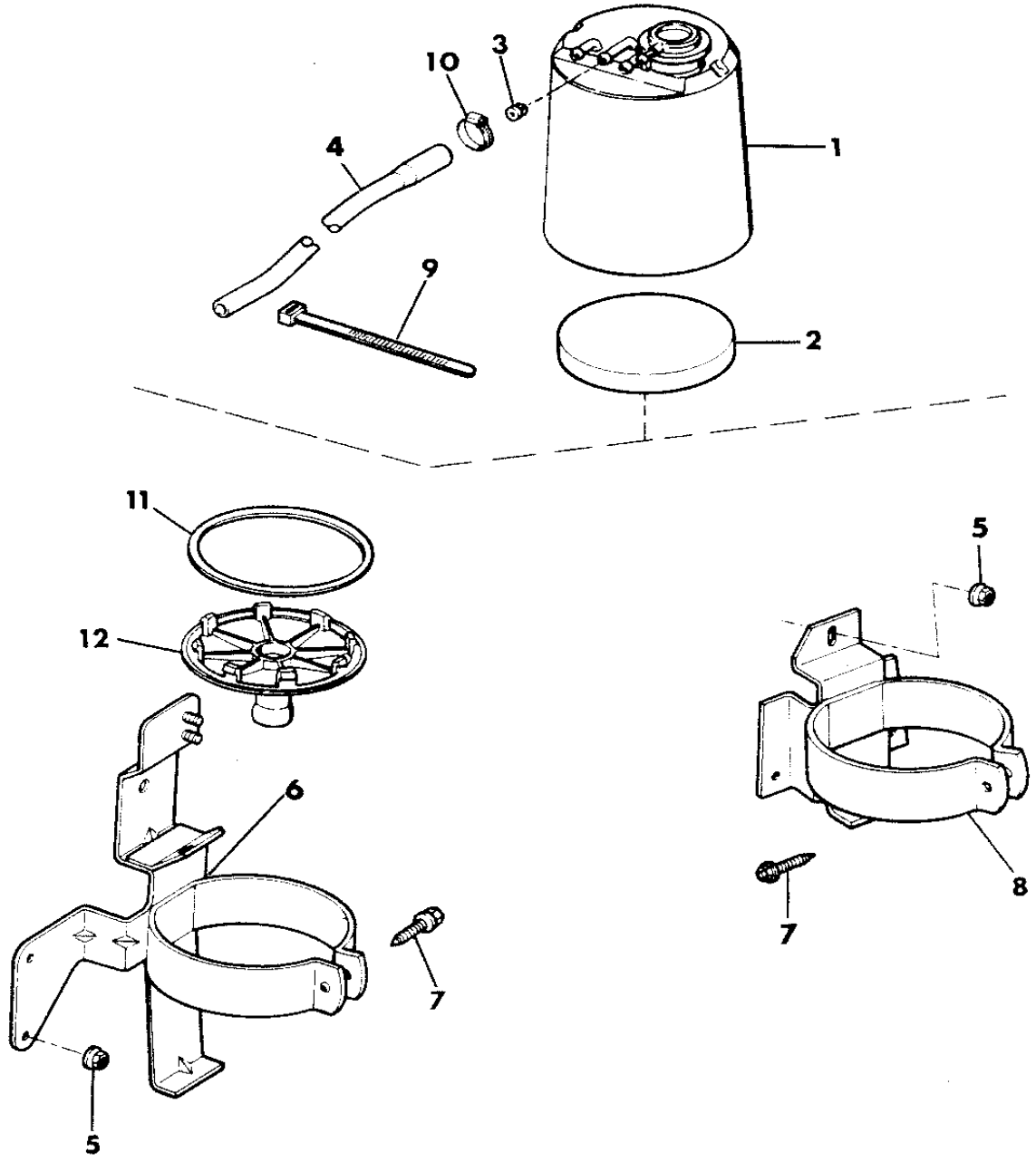
MJ = Comanche Pickup
SJ = Grand Wagoneer Wgn., J-10 & J-20 Pickups
XJ = Cherokee, Wagoneer Limited
YJ = Wrangler

AR = Use as Required - = Non Illustrated Part P.A.R. = Paint as Required

VAPOR CANISTER WRANGLER, YJ  
Figure 25-1500

8 J25 1500

ITEM	PART NUMBER	QTY	BODY	MODEL	DESCRIPTION
1					CANISTER, Vapor
	3300 0056	1			2.5L Eng.
	J323 9479	1			4.2L Eng.
2	J322 7279	1			FILTER
3	J321 3949	1			PLUG, Metering
4					HOSE, Vent
	5300 4621	1			2.5L Eng.
	J322 5799	1			4.2L Eng.
5					NUT, Flange
	3420 1680	3			2.5L Eng.
	J400 3018	2			4.2L Eng.
6	5300 2470	1			BRACKET, Mounting - 2.5L Eng.
7	J942 0882	1			SCREW
8	J535 7214	1			BRACKET, Mounting - 4.2L Eng.
9	J322 3227	1			STRAP, Hose Support - 4.2L Eng.
10	3300 0785	1			CLAMP, Hose
11	3300 2496	1			GASKET - 2.5L Eng.
12	J323 3599	1			CAP, Drain - 2.5L Eng.



MODEL CODES:

- |                             |                             |                              |
|-----------------------------|-----------------------------|------------------------------|
| 15 = Grand Wagoneer 4 Dr.   | 65 = Comanche 4WD-7 Ft. Box | 77 = Cherokee 4WD-2 Dr.      |
| 25 = J-10 Pickup-119" W.B.  | 66 = Comanche 2WD-7 Ft. Box | 78 = Cherokee 4WD-4 Dr.      |
| 26 = J-10 Pickup-131" W.B.  | 73 = Cherokee 2WD-2 Dr.     | 79 = Cherokee 4WD-4 Dr.-Com  |
| 27 = J-20 Pickup-131" W.B.  | 74 = Cherokee 2WD-4 Dr.     | 81 = Wrangler-93" W.B.       |
| 63 = Comanche 4WD-6 Ft. Box | 75 = Wagoneer 4WD-4 Dr.     | 82 = Wrangler-103" W.B.-Exp. |
| 64 = Comanche 2WD-6 Ft. Box |                             |                              |

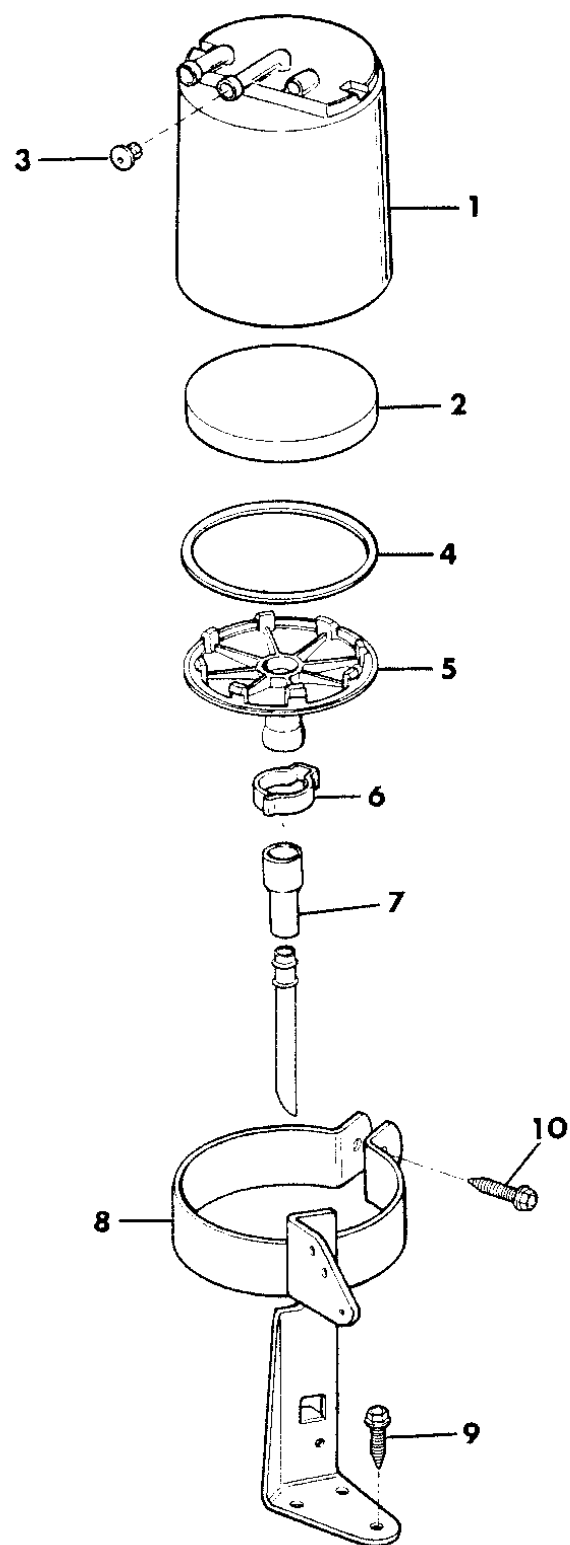
BODY STYLES:

- MJ = Comanche Pickup
- SJ = Grand Wagoneer Wgn., J-10 & J-20 Pickups
- XJ = Cherokee, Wagoneer Limited
- YJ = Wrangler

AR = Use as Required - = Non Illustrated Part P.A.R. = Paint as Required

VAPOR CANISTER CHEROKEE, WAGONEER, COMANCHE  
Figure 25-1600

8 J 25 1600



ITEM	PART NUMBER	QTY	BODY	MODEL	DESCRIPTION
1	3300 2870	1			CANISTER, Vapor
2	J322 7279	1			FILTER
3	J321 3949	1			PLUG, Metering
4	3300 2496	1			GASKET
5	J323 3599	1			CAP, Drain
6	J317 4254	1			CLAMP, Hose
7	5300 3071	1			HOSE
8	5300 4300	1			BRACKET, Mounting
9	J941 9320	3			SCREW
10	J942 0882	1			SCREW

MODEL CODES:

15 = Grand Wagoneer 4 Dr.	65 = Comanche 4WD-7 Ft. Box	77 = Cherokee 4WD-2 Dr.
25 = J-10 Pickup-119" W.B.	66 = Comanche 2WD-7 Ft. Box	78 = Cherokee 4WD-4 Dr.
26 = J-10 Pickup-131" W.B.	73 = Cherokee 2WD-2 Dr.	79 = Cherokee 4WD-4 Dr.-Com
27 = J-20 Pickup-131" W.B.	74 = Cherokee 2WD-4 Dr.	81 = Wrangler-93" W.B.
63 = Comanche 4WD-6 Ft. Box	75 = Wagoneer 4WD-4 Dr.	82 = Wrangler-103" W.B.-Exp.
64 = Comanche 2WD-6 Ft. Box		

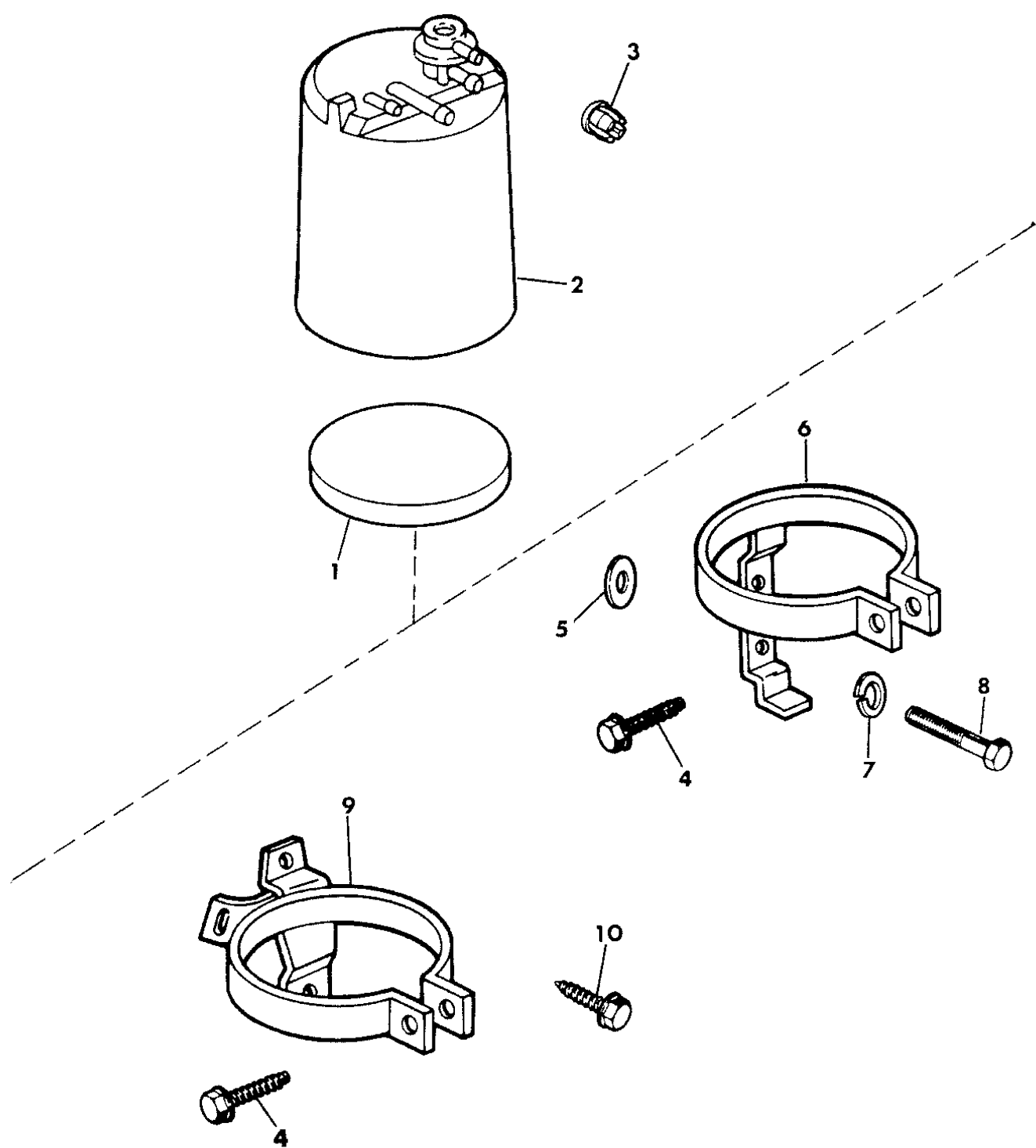
BODY STYLES:

MJ = Comanche Pickup  
 SJ = Grand Wagoneer Wgn., J-10 & J-20 Pickups  
 XJ = Cherokee, Wagoneer Limited  
 YJ = Wrangler

AR = Use as Required - = Non Illustrated Part P.A.R. = Paint as Required

VAPOR CANISTER GRAND WAGONEER, J10, J20  
Figure 25-1700

8J25 1700



ITEM	PART NUMBER	QTY	BODY	MODEL	DESCRIPTION
1	J322 7279	1			FILTER
2	J323 9479	1			CANISTER, Vapor
3	J321 3949	1			PLUG, Metering
4	J942 0882	1			SCREW
5	J044 6188	2			WASHER - 4.2L Eng.
6	J535 4406	1			BRACKET, Mounting - 4.2L Eng.
7	J012 0380	2			WASHER, Lock - 4.2L Eng.
8	J018 0016	2			BOLT - 4.2L Eng.
9	J535 8524	1			BRACKET, Mounting - 5.9L Eng.
10	J400 5559	3			SCREW - 5.9L Eng.

MODEL CODES:

15 = Grand Wagoneer 4 Dr.	65 = Comanche 4WD-7 Ft. Box	77 = Cherokee 4WD-2 Dr.
25 = J-10 Pickup-119" W.B.	66 = Comanche 2WD-7 Ft. Box	78 = Cherokee 4WD-4 Dr.
26 = J-10 Pickup-131" W.B.	73 = Cherokee 2WD-2 Dr.	79 = Cherokee 4WD-4 Dr.-Com
27 = J-20 Pickup-131" W.B.	74 = Cherokee 2WD-4 Dr.	81 = Wrangler-93" W.B.
63 = Comanche 4WD-6 Ft. Box	75 = Wagoneer 4WD-4 Dr.	82 = Wrangler-103" W.B.-Exp.
64 = Comanche 2WD-6 Ft. Box		

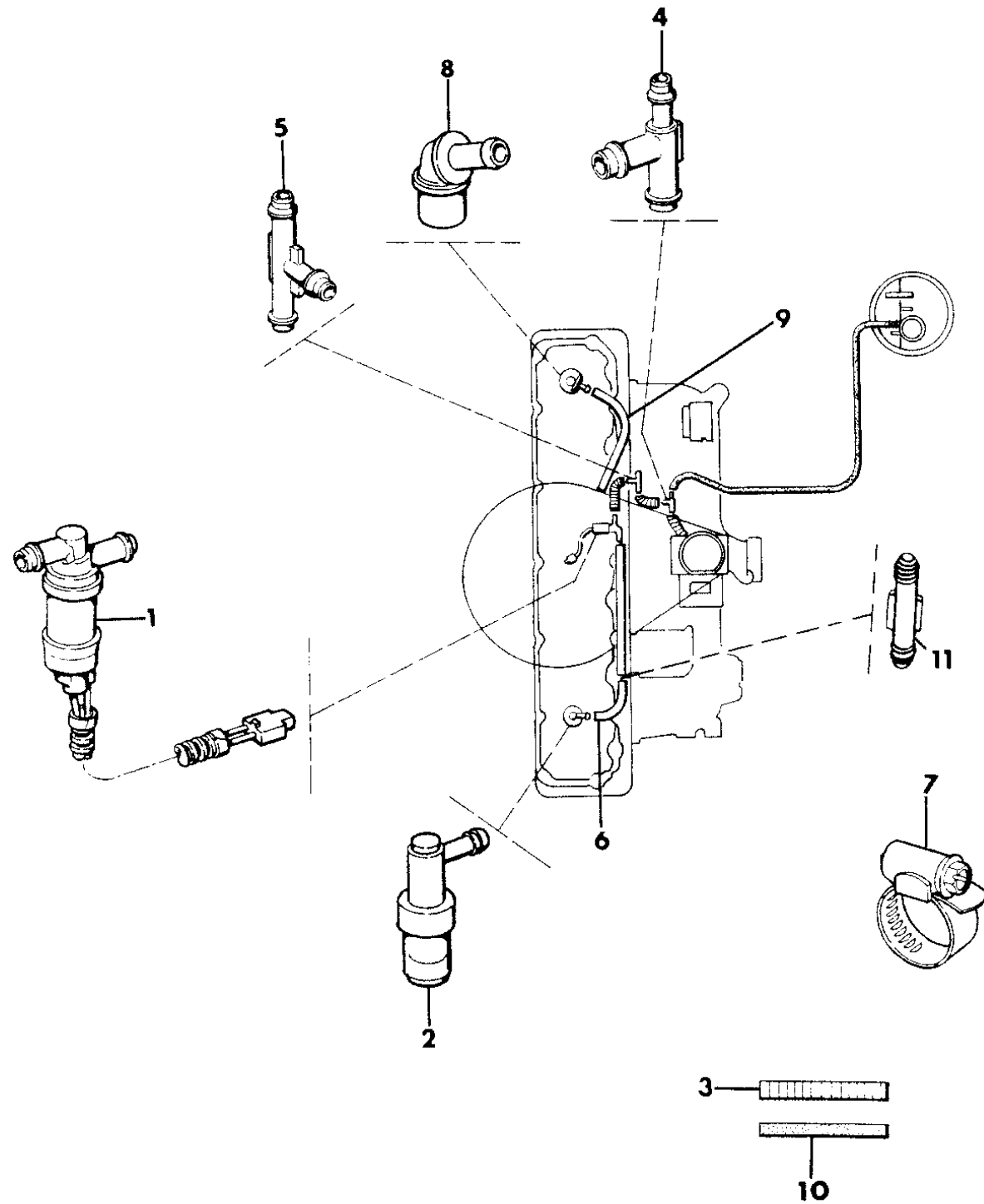
BODY STYLES:

MJ = Comanche Pickup  
 SJ = Grand Wagoneer Wgn., J-10 & J-20 Pickups  
 XJ = Cherokee, Wagoneer Limited  
 YJ = Wrangler

AR = Use as Required - = Non Illustrated Part P.A.R. = Paint as Required

**PCV SYSTEM 4.2L ENGINE WRANGLER, YJ**  
**Figure 25-1800**

8J25 1800



ITEM	PART NUMBER	QTY	BODY	MODEL	DESCRIPTION
1	3300 0722	1			VALVE, Solenoid
2	3300 0887	1			VALVE, PCV
3	J812 5781	1			HOSE - Bulk .38" I.D.
4	3420 1741	1			TEE Man. Trans.
	J323 9686	1			Auto. Trans.
5	J323 7497	1			TEE - Man. Trans.
6	8350 3100	1			HOSE - (Modify to Fit) Man. Trans.
	3300 0721	1			Auto. Trans.
7	3300 0786	AR			CLAMP, Hose .28" to .59"
	3300 0785	AR			.47" to .78"
	3300 0784	AR			.69" to .97"
8	J323 6685	1			ELBOW
9	J323 9555	1			HOSE
10	8330 0080	1			HOSE - Bulk .25" I.D.
11	5300 5460	1			RESTRICTOR

**MODEL CODES:**

15 = Grand Wagoneer 4 Dr.	65 = Comanche 4WD-7 Ft. Box	77 = Cherokee 4WD-2 Dr.
25 = J-10 Pickup-119" W.B.	66 = Comanche 2WD-7 Ft. Box	78 = Cherokee 4WD-4 Dr.
26 = J-10 Pickup-131" W.B.	73 = Cherokee 2WD-2 Dr.	79 = Cherokee 4WD-4 Dr.-Com
27 = J-20 Pickup-131" W.B.	74 = Cherokee 2WD-4 Dr.	81 = Wrangler-93" W.B.
63 = Comanche 4WD-6 Ft. Box	75 = Wagoneer 4WD-4 Dr.	82 = Wrangler-103" W.B.-Exp.
64 = Comanche 2WD-6 Ft. Box		

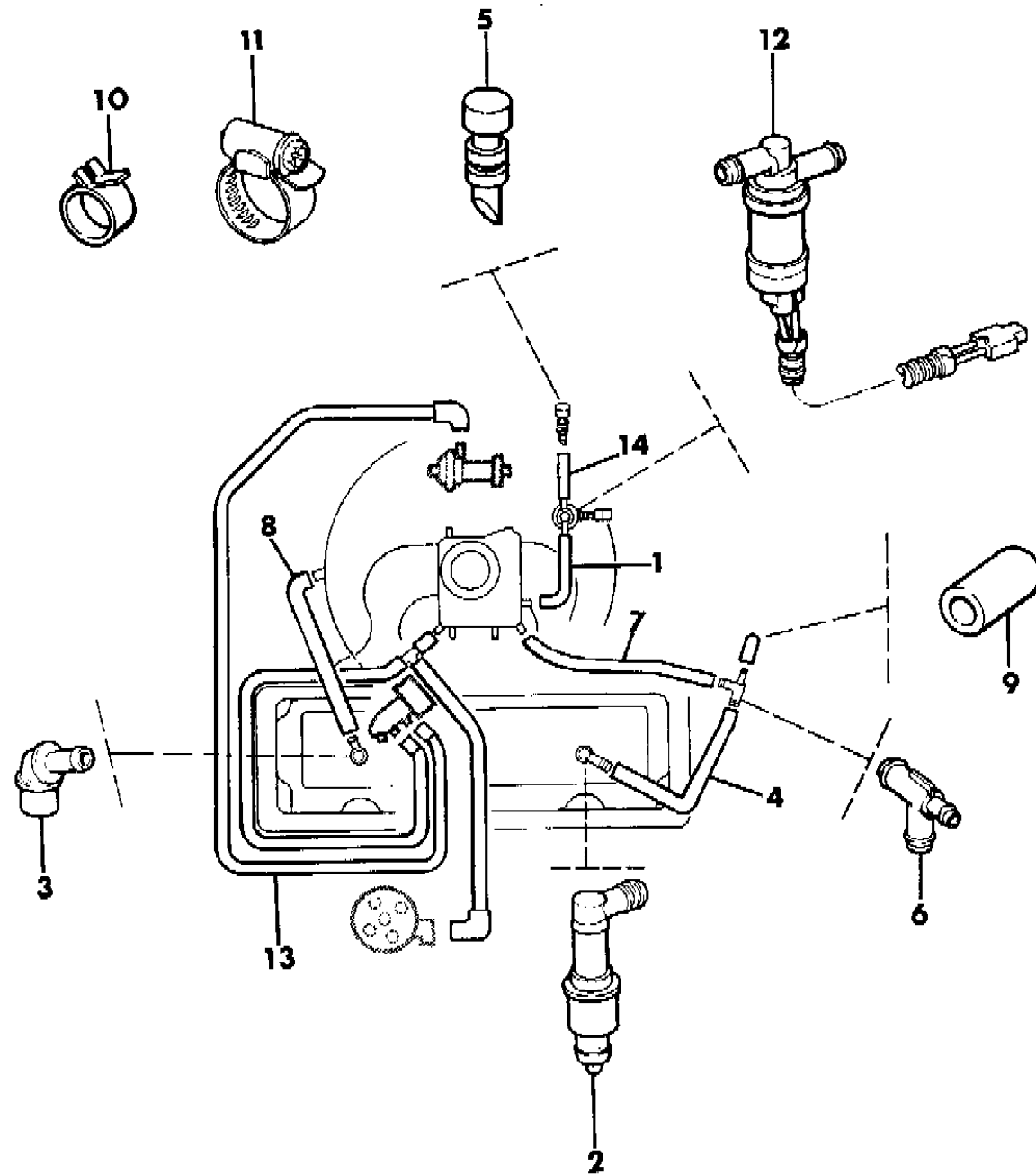
**BODY STYLES:**

MJ = Comanche Pickup  
 SJ = Grand Wagoneer Wgn., J-10 & J-20 Pickups  
 XJ = Cherokee, Wagoneer Limited  
 YJ = Wrangler

AR = Use as Required - = Non Illustrated Part P.A.R. = Paint as Required

PCV SYSTEM 2.5L CARBURETED ENGINE CHEROKEE, WAGONEER, COMANCHE - 1987  
Figure 25-1875

8J25 1875



ITEM	PART NUMBER	QTY	BODY	MODEL	DESCRIPTION
1	J812 5781	AR			HOSE - Bulk
2	J813 2309	1			VALVE, PCV
3	J323 6685	1			ELBOW
4	5300 1821	1			HOSE
5	J535 2955	1			CAP, Vent
6	3420 1741	1			TEE
7	3300 1639	1			HOSE
8	5300 0611	1			HOSE
9	J323 8283	1			CAP
10	J321 9466	AR			CLAMP, Hose
11	J320 3076	AR			CLAMP, Hose
12	5300 0848	1			VALVE, Solenoid
13	5300 1847	1			HARNES, Vacuum
14	J812 5781	AR			HOSE - Bulk

MODEL CODES:

15 = Grand Wagoneer 4 Dr.	65 = Comanche 4WD-7 Ft. Box	77 = Cherokee 4WD-2 Dr.
25 = J-10 Pickup-119" W.B.	66 = Comanche 2WD-7 Ft. Box	78 = Cherokee 4WD-4 Dr.
26 = J-10 Pickup-131" W.B.	73 = Cherokee 2WD-2 Dr.	79 = Cherokee 4WD-4 Dr.-Com
27 = J-20 Pickup-131" W.B.	74 = Cherokee 2WD-4 Dr.	81 = Wrangler-93" W.B.
63 = Comanche 4WD-6 Ft. Box	75 = Wagoneer 4WD-4 Dr.	82 = Wrangler-103" W.B.-Exp.
64 = Comanche 2WD-6 Ft. Box		

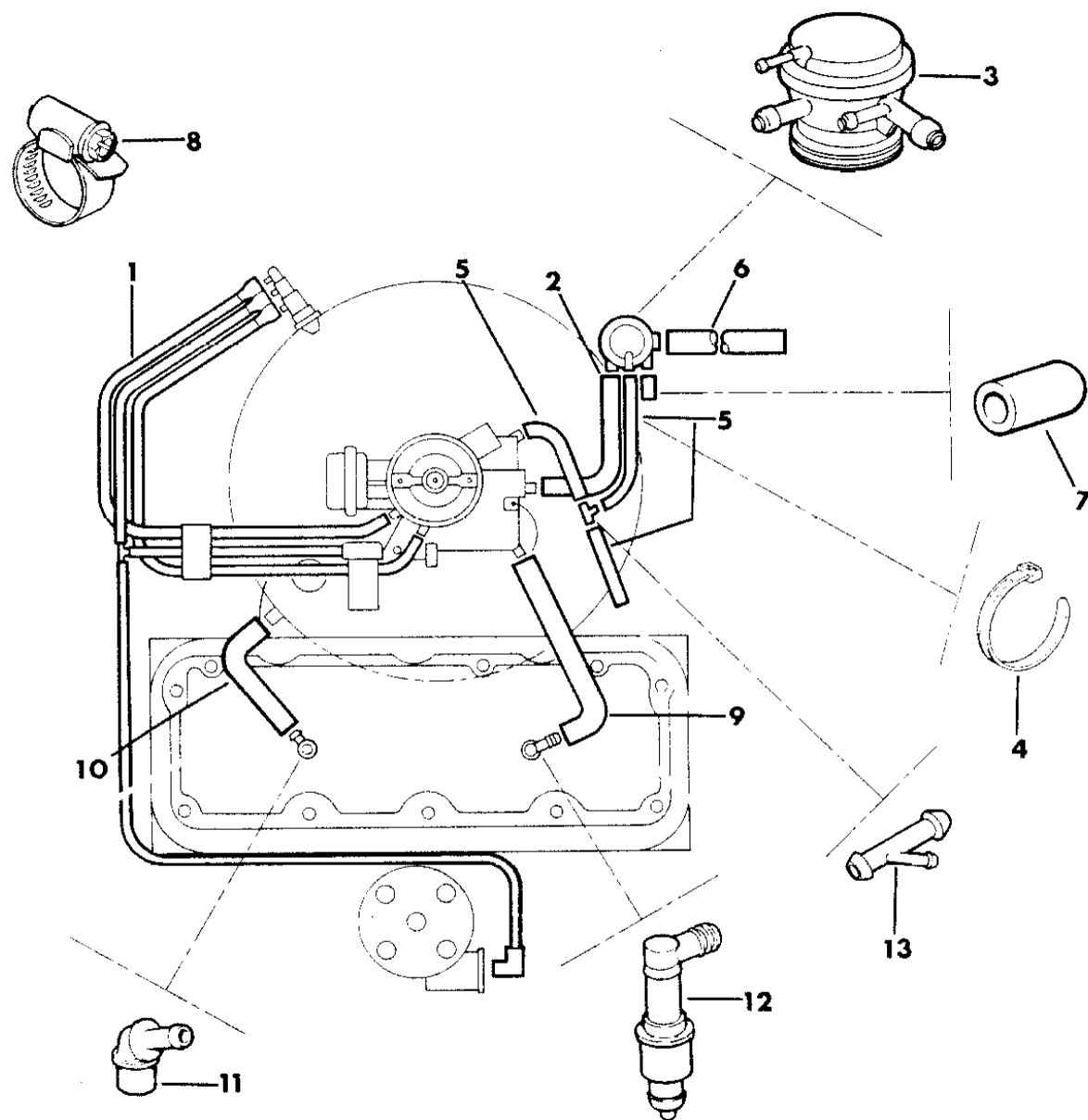
BODY STYLES:

MJ = Comanche Pickup  
 SJ = Grand Wagoneer Wgn., J-10 & J-20 Pickups  
 XJ = Cherokee, Wagoneer Limited  
 YJ = Wrangler

AR = Use as Required - = Non Illustrated Part P.A.R. = Paint as Required

**PCV SYSTEM 2.5L CARBURETED ENGINE CHEROKEE, WAGONEER, COMANCHE - 1988-90**  
**Figure 25-1900**

8 J25 1900



ITEM	PART NUMBER	QTY	BODY	MODEL	DESCRIPTION
1	5300 5175	1			HARNES, Vacuum
2	3300 1332	1			HOSE, Vent - (Modify to Fit)
3	5300 5104	1			VALVE ASSEMBLY, Bowl Vent
4	J322 3227	1			STRAP, Tie
5	8350 1071	1			HOSE, Vacuum - Bulk
6	J812 5781	1			HOSE, Vent - Bulk
7	J323 8283	1			CAP
8	3300 0785	AR			CLAMP, Hose
9	5300 5098	1			HOSE, Crankcase Vent
10	5300 0611	1			HOSE, Crankcase Vent
11	J323 6685	1			ELBOW
12	3300 1239	1			VALVE, PCV
13	8310 0020	1			FITTING, Vacuum

**MODEL CODES:**

15 = Grand Wagoneer 4 Dr.	65 = Comanche 4WD-7 Ft. Box	77 = Cherokee 4WD-2 Dr.
25 = J-10 Pickup-119" W.B.	66 = Comanche 2WD-7 Ft. Box	78 = Cherokee 4WD-4 Dr.
26 = J-10 Pickup-131" W.B.	73 = Cherokee 2WD-2 Dr.	79 = Cherokee 4WD-4 Dr.-Com
27 = J-20 Pickup-131" W.B.	74 = Cherokee 2WD-4 Dr.	81 = Wrangler-93" W.B.
63 = Comanche 4WD-6 Ft. Box	75 = Wagoneer 4WD-4 Dr.	82 = Wrangler-103" W.B.-Exp.
64 = Comanche 2WD-6 Ft. Box		

**BODY STYLES:**

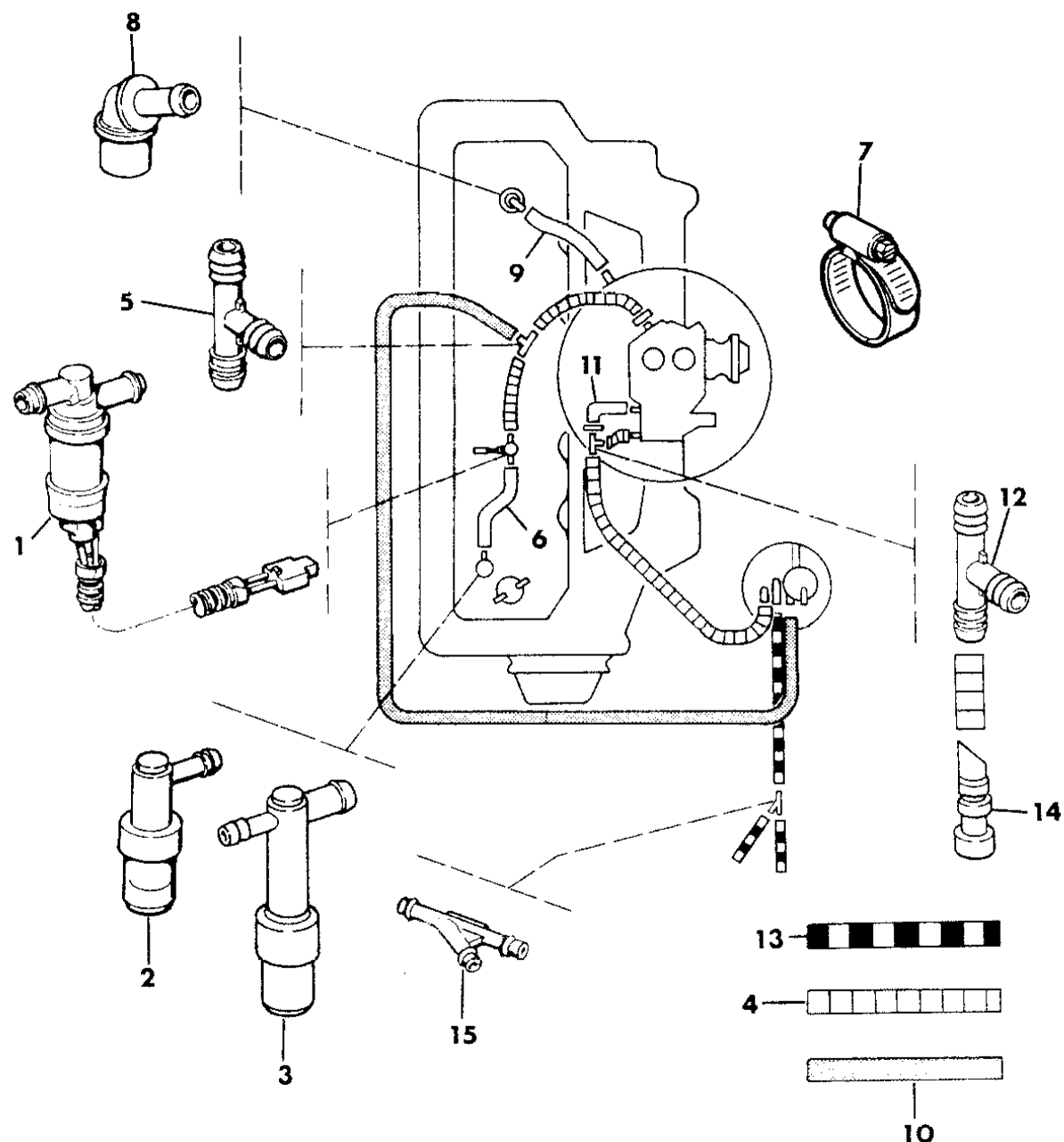
MJ = Comanche Pickup  
 SJ = Grand Wagoneer Wgn., J-10 & J-20 Pickups  
 XJ = Cherokee, Wagoneer Limited  
 YJ = Wrangler

AR = Use as Required - = Non Illustrated Part P.A.R. = Paint as Required



**PCV SYSTEM 4.2L ENGINE GRAND WAGONEER, J10**  
**Figure 25-2000**

8 J 25 2000



ITEM	PART NUMBER	QTY	BODY	MODEL	DESCRIPTION
1	3300 0722	1			VALVE, Solenoid
2	3300 0887	1			VALVE, PCV
3	J323 9068	1			VALVE, PCV - NRM
4	J812 5781	1			HOSE - Bulk .38" I.D.
5					TEE
	J323 9686	1			exc. Calif.
	J323 7497	1			Calif.
6	3300 0721	1			HOSE
	J812 5781	1			HOSE - Bulk - NRM
7					CLAMP, Hose
	3300 0786	AR			.28" to .59"
	3300 0785	AR			.47" to .78"
	3300 0784	AR			.67" to .98"
8	J323 6685	1			ELBOW
9	J323 9814	1			HOSE
10	8330 0080	1			HOSE - Bulk .22" I.D.
11	J323 2942	1			HOSE
12	J323 2983	1			TEE
13	J812 5814	1			HOSE - Bulk .28" I.D.
14	J535 2955	1			CAP, Vent - NRM
15	J400 6848	1		15	CONNECTOR, Y - NRM

MODEL CODES:  
 15 = Grand Wagoneer 4 Dr.      65 = Comanche 4WD-7 Ft. Box      77 = Cherokee 4WD-2 Dr.  
 25 = J-10 Pickup-119" W.B.      66 = Comanche 2WD-7 Ft. Box      78 = Cherokee 4WD-4 Dr.  
 26 = J-10 Pickup-131" W.B.      73 = Cherokee 2WD-2 Dr.      79 = Cherokee 4WD-4 Dr.-Com  
 27 = J-20 Pickup-131" W.B.      74 = Cherokee 2WD-4 Dr.      81 = Wrangler-93" W.B.  
 63 = Comanche 4WD-6 Ft. Box      75 = Wagoneer 4WD-4 Dr.      82 = Wrangler-103" W.B.-Exp.  
 64 = Comanche 2WD-6 Ft. Box

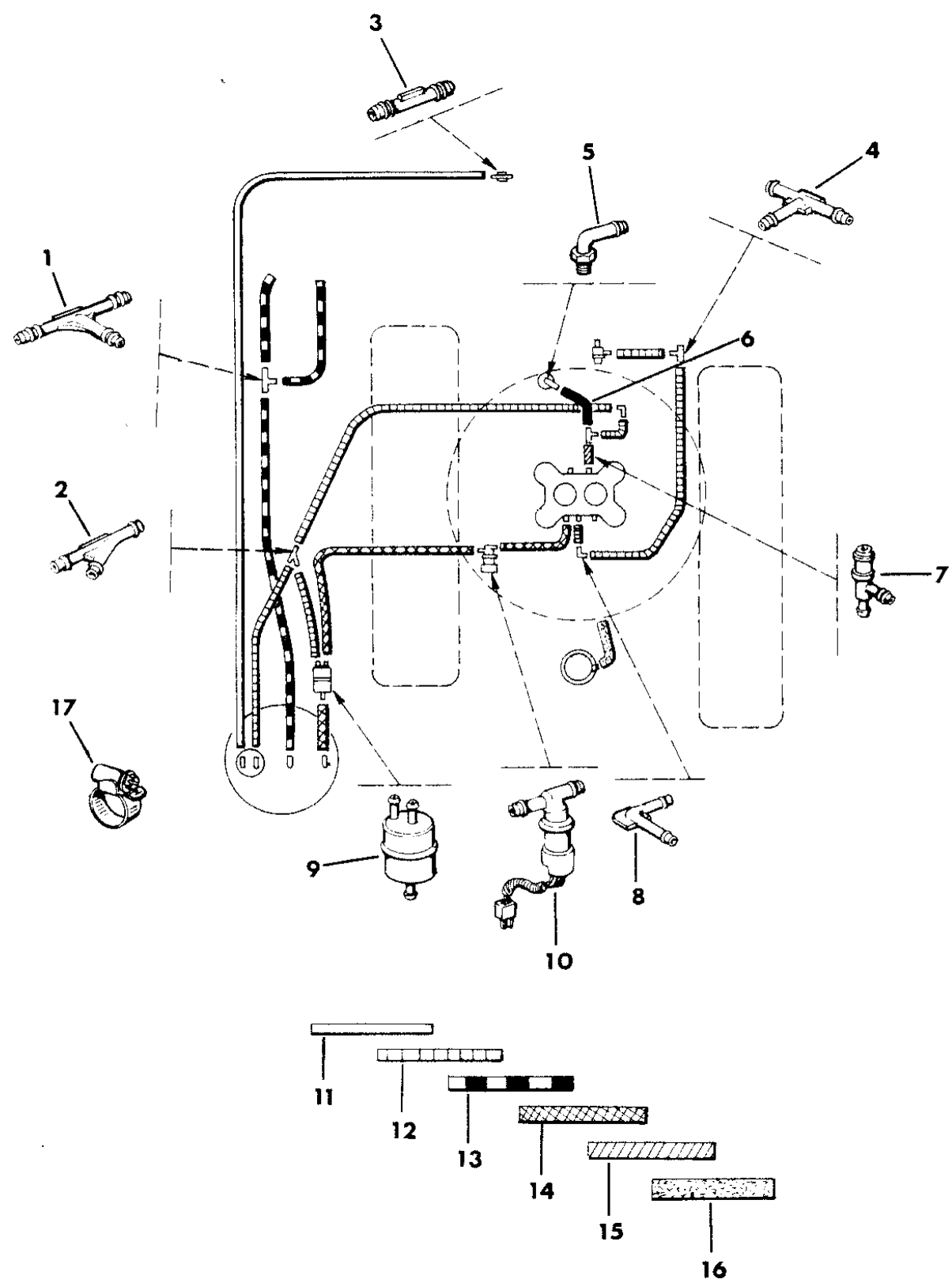
BODY STYLES:  
 MJ = Comanche Pickup  
 SJ = Grand Wagoneer Wgn., J-10 & J-20 Pickups  
 XJ = Cherokee, Wagoneer Limited  
 YJ = Wrangler

AR = Use as Required - = Non Illustrated Part P.A.R. = Paint as Required

PCV SYSTEM 5.9L ENGINE GRAND WAGONEER, J10, J20  
Figure 25-2100

8 J 25 2100

ITEM	PART NUMBER	QTY	BODY	MODEL	DESCRIPTION
1	J400 6635	1		15	CONNECTOR, Tee
2	J400 6848	1			CONNECTOR, Y
3	J322 0180	1			CONNECTOR
4	J323 2982	1			CONNECTOR, Tee
5	J323 4264	1			TUBE ASSEMBLY, PCV
6	J323 4267	1			HOSE
7	J323 4216	1			VALVE, PCV
8	3300 2356	2			ELBOW, 90 Degrees
9	3300 1586	1			TRAP, Liquid
10	5300 0848	1			VALVE, Solenoid
11	8350 1071	1			HOSE - Bulk .16" I.D.
12	8330 0080	1			HOSE - Bulk .22" I.D.
13	J535 0898	1			HOSE - Bulk .28" I.D.
14	J812 5883	1			HOSE - Bulk .34" I.D.
15	J812 5781	1			HOSE - Bulk .38" I.D.
16	J812 5841	1			HOSE - Bulk .50" I.D.
17					CLAMP, Hose
	3300 0785	AR			.47" to .78"
	3300 0784	AR			.67" to .98"



MODEL CODES:  
 15 = Grand Wagoneer 4 Dr.      65 = Comanche 4WD-7 Ft. Box      77 = Cherokee 4WD-2 Dr.  
 25 = J-10 Pickup-119" W.B.      66 = Comanche 2WD-7 Ft. Box      78 = Cherokee 4WD-4 Dr.  
 26 = J-10 Pickup-131" W.B.      73 = Cherokee 2WD-2 Dr.      79 = Cherokee 4WD-4 Dr.-Com  
 27 = J-20 Pickup-131" W.B.      74 = Cherokee 2WD-4 Dr.      81 = Wrangler-93" W.B.  
 63 = Comanche 4WD-6 Ft. Box      75 = Wagoneer 4WD-4 Dr.      82 = Wrangler-103" W.B.-Exp.  
 64 = Comanche 2WD-6 Ft. Box

BODY STYLES:  
 MJ = Comanche Pickup  
 SJ = Grand Wagoneer Wgn., J-10 & J-20 Pickups  
 XJ = Cherokee, Wagoneer Limited  
 YJ = Wrangler

AR = Use as Required - = Non Illustrated Part P.A.R. = Paint as Required

**EMISSION LABELS WRANGLER, YJ**  
**Figure 25-2200**

ITEM	PART NUMBER	QTY	BODY	MODEL	DESCRIPTION
1					LABEL, Emissions
					The following labels are serviced for 1987 model year. Tag affixed to the Face of its Pulley. A Second Tag will show the name of the Vendor (OGURA).
	5300 3743	1			w/2.5L Engine and Manual Trans. 49 States
	5300 3744	1			High Altitude
	5300 3745	1			California
	5300 3746	1			Canada
					w/4.2L Engine and Auto Trans.
	5300 3758	1			49 States
	5300 3760	1			High Altitude
	5300 3762	1			California
					w/4.2L Engine and Manual Trans
	5300 3747	1			49 States
	5300 3759	1			High Altitude
	5300 3761	1			California
-	3300 3304	1			LABEL, Emissions Info (Catalytic), all engines and trans
					The following labels are serviced for 1988 model year. Tag affixed to the Face of its Pulley. A Second Tag will show the name of the Vendor (OGURA).
					w/2.5L Engine and Manual Trans
	5300 4778	1			49 States
	5300 4779	1			High Altitude
	5300 4780	1			California
					w/4.2L Engine and Auto Trans
	5300 4783	1			49 States
	5300 4785	1			High Altitude
	5300 4787	1			California
					w/4.2L Engine and Manual Trans
	5300 4782	1			49 States
	5300 4784	1			High Altitude
	5300 4786	1			California
-	5300 4752	1			LABEL, Emission Info (Catalytic) 50 states & Canada, all engines and trans
					The following labels are serviced for 1989 model year. Tag affixed to the Face of its Pulley. A Second Tag will show the name of the Vendor (OGURA).
					w/2.5L Engine and Manual Trans
	5300 5339	1			49 States w/o Canada Destination

ILLUSTRATION NOT AVAILABLE AT TIME OF PUBLICATION

MODEL CODES:

15 = Grand Wagoneer 4 Dr.	65 = Comanche 4WD-7 Ft. Box	77 = Cherokee 4WD-2 Dr.
25 = J-10 Pickup-119" W.B.	66 = Comanche 2WD-7 Ft. Box	78 = Cherokee 4WD-4 Dr.
26 = J-10 Pickup-131" W.B.	73 = Cherokee 2WD-2 Dr.	79 = Cherokee 4WD-4 Dr.-Com
27 = J-20 Pickup-131" W.B.	74 = Cherokee 2WD-4 Dr.	81 = Wrangler-93" W.B.
63 = Comanche 4WD-6 Ft. Box	75 = Wagoneer 4WD-4 Dr.	82 = Wrangler-103" W.B.-Exp.
64 = Comanche 2WD-6 Ft. Box		

BODY STYLES:

MJ = Comanche Pickup  
 SJ = Grand Wagoneer Wgn., J-10 & J-20 Pickups  
 XJ = Cherokee, Wagoneer Limited  
 YJ = Wrangler

AR = Use as Required - = Non Illustrated Part P.A.R. = Paint as Required

**EMISSION LABELS WRANGLER, YJ**  
**Figure 25-2200**

ITEM	PART NUMBER	QTY	BODY	MODEL	DESCRIPTION
	5300 5340	1			High Altitude
	5300 5341	1			California
	5300 5342	1			49 States w/Canada Destination w/4.2L Engine and Auto Trans
	5300 5344	1			49 States w/o Canada Destination
	5300 5346	1			High Altitude
	5300 5348	1			California
	5300 5350	1			49 States w/Canada Destination w/4.2L Engine and Manual Trans
	5300 5343	1			49 State w/o Canada Destination
	5300 5345	1			High Altitude
	5300 5347	1			California
	5300 5349	1			49 State w/Canada Destination

The following labels are serviced for 1990 model Year. Tag affixed to the Face of its Pulley. A Second Tag will show the name of the Vendor (OGURA).

	5277 706	1			w/2.5L Engine and Manual Trans 49 State w/o Canada Destination
	5283 611	1			High Altitude
	5283 612	1			California
	5300 5504	1			49 State w/Canada Destination w/4.2L Engine and Auto Trans
	5283 604	1			49 State w/o Canada Destination (carb)
	5283 606	1			High Altitude
	5283 608	1			California w/4.2L Engine and Manual Trans
	5283 603	1			49 State w/o Canada Destination (carb)
	5277 605	1			High Altitude
	5283 607	1			California

**ILLUSTRATION NOT AVAILABLE AT TIME OF PUBLICATION**

**MODEL CODES:**

15 = Grand Wagoneer 4 Dr.	65 = Comanche 4WD-7 Ft. Box	77 = Cherokee 4WD-2 Dr.
25 = J-10 Pickup-119" W.B.	66 = Comanche 2WD-7 Ft. Box	78 = Cherokee 4WD-4 Dr.
26 = J-10 Pickup-131" W.B.	73 = Cherokee 2WD-2 Dr.	79 = Cherokee 4WD-4 Dr.-Com
27 = J-20 Pickup-131" W.B.	74 = Cherokee 2WD-4 Dr.	81 = Wrangler-93" W.B.
63 = Comanche 4WD-6 Ft. Box	75 = Wagoneer 4WD-4 Dr.	82 = Wrangler-103" W.B.-Exp.
64 = Comanche 2WD-6 Ft. Box		

**BODY STYLES:**

MJ = Comanche Pickup  
 SJ = Grand Wagoneer Wgn., J-10 & J-20 Pickups  
 XJ = Cherokee, Wagoneer Limited  
 YJ = Wrangler

AR = Use as Required - = Non Illustrated Part P.A.R. = Paint as Required

**EMISSION LABELS CHEROKEE AND COMANCHE**  
**Figure 25-2300**

ITEM	PART NUMBER	QTY	BODY	MODEL	DESCRIPTION
1					LABEL, Emissions
The following labels are serviced for the 1987 model year. Tag affixed to the Face of its Pulley. A Second Tag will show the name of the Vendor (OGURA).					
-	3300 3304	1			LABEL, Emissions Info (Catalytic) 50 State w/2.5 and 4.0L Engine
The following labels are serviced for 1988 model year. Tag affixed to the Face of its Pulley. A Second Tag will show the name of the Vendor (OGURA).					
	5300 4735	1			w/2.5L Engine 49 States High Altitude
	5300 4739	1			California w/4.0L Engine
	5300 4743	1		Exc. 65,75	49 States, High Altitude
	5300 5274	1		65,75	49 States, High Altitude, w/A/C
	5300 4743	1		65	49 States, High Altitude, Manual Trans.w/o A/C
	5300 4747	1			California
-	5300 4752	1			LABEL, Emissions Info (Catalytic), 50 States, Canada
The following labels are serviced for 1989 model year. Tag affixed to the Face of its Pulley. A Second Tag will show the name of the Vendor (OGURA).					
	5300 6059	1			w/2.5L Engine 49 States w/o Canada Destination
	5300 6059	1			High Altitude
	5300 6060	1			California
	5300 6061	1			49 State w/Canada Destination w/4.0L Engine
	5300 5320	1			49 State w/o Canada Destination, High Altitude
	5300 5321	1			California
	5300 5322	1			49 States w/Canada Destination
The following labels are serviced for 1990 model year. Tag affixed to the Face of its Pulley. A Second Tag will show the name of the Vendor (OGURA).					
	5283 712	1			w/2.5L Engine 49 State w/o Canada Destination, High Altitude (EFI)
	5277 714	1			California w/4.0L Engine
	5277 716	1			49 State w/o Canada Destination, High Altitude (EFI)
	5277 726	1		65,75	California
	5277 718	1		Exc.65,75	California

**ILLUSTRATION NOT AVAILABLE AT TIME OF PUBLICATION**

**MODEL CODES:**

15 = Grand Wagoneer 4 Dr.	65 = Comanche 4WD-7 Ft. Box	77 = Cherokee 4WD-2 Dr.
25 = J-10 Pickup-119" W.B.	66 = Comanche 2WD-7 Ft. Box	78 = Cherokee 4WD-4 Dr.
26 = J-10 Pickup-131" W.B.	73 = Cherokee 2WD-2 Dr.	79 = Cherokee 4WD-4 Dr.-Com
27 = J-20 Pickup-131" W.B.	74 = Cherokee 2WD-4 Dr.	81 = Wrangler-93" W.B.
63 = Comanche 4WD-6 Ft. Box	75 = Wagoneer 4WD-4 Dr.	82 = Wrangler-103" W.B.-Exp.
64 = Comanche 2WD-6 Ft. Box		

**BODY STYLES:**

MJ = Comanche Pickup  
 SJ = Grand Wagoneer Wgn., J-10 & J-20 Pickups  
 XJ = Cherokee, Wagoneer Limited  
 YJ = Wrangler

AR = Use as Required - = Non Illustrated Part P.A.R. = Paint as Required

**EMISSION LABELS GRAND WAGONEER, J10, J20**  
**Figure 25-2400**

ILLUSTRATION NOT AVAILABLE AT TIME OF PUBLICATION

ITEM	PART NUMBER	QTY	BODY	MODEL	DESCRIPTION
1					LABEL, Emissions
					The following labels are serviced for 1987 model year. Tag affixed to the Face of its Pulley. A Second Tag will show the name of the Vendor (OGURA).
-	3300 3304	1			LABEL, Emission Info (Catalytic) w/5.9L Engine
	5300 4077	1		15,26	California, Heavy Duty Cooling
	5300 4076	1		15,26	California, Standard Cooling
	5300 4073	1		15,26	49 State, Heavy Duty Cooling, Automatic Trans.
	5300 4071	1		15,26	49 State, Standard Cooling
	5300 4075	1			High Altitude, Automatic Trans.
	5300 4068	1		27	49 State, Heavy Duty Cooling
	5300 4067	1		27	High Altitude, Heavy Duty Cooling, Automatic Trans.
	5300 4072	1		27	49 State w/Canada Destination, Heavy Duty Cooling, Automatic Trans.
					w/4.2L Engine
	5300 4064	1		26	49 State, w/Manual Trans.
	5300 4063	1		26	High Altitude, Manual Trans.
	5300 4065	1		26	California, Manual Trans
					The following labels are serviced for the 1988 model year. Tag affixed to the Face of its Pulley. A Second Tag will show the name of the Vendor (OGURA).
	5300 4923	1		15,26	High Altitude
	5300 4929	1		27	High Altitude
	5300 4924	1		15,26	49 States
	5300 4925	1		27	49 States
	5300 4933	1		15,26	California
-	5300 4752	1			LABEL, Emission Info, (Catalytic)
					The following labels are serviced for the 1989 model year. Tag affixed to the Face of its Pulley. A Second Tag will show the name of the Vendor (OGURA).
	5300 6179	1			High Altitude
	5300 5331	1			49 State w/o Canada Destination
	5300 5334	1			California
-	4268 928	1			LABEL, Emission Info. (Catalytic)
					The following labels are serviced for the 1990 model year. Tag affixed to the Face of its Pulley. A Second Tag will show the name of the Vendor (OGURA).
	5283 722	1			High Altitude
	5277 617	1			49 State (Carb)
	5277 601	1			California (Carb)

MODEL CODES:

15 = Grand Wagoneer 4 Dr.	65 = Comanche 4WD-7 Ft. Box	77 = Cherokee 4WD-2 Dr.
25 = J-10 Pickup-119" W.B.	66 = Comanche 2WD-7 Ft. Box	78 = Cherokee 4WD-4 Dr.
26 = J-10 Pickup-131" W.B.	73 = Cherokee 2WD-2 Dr.	79 = Cherokee 4WD-4 Dr.-Com
27 = J-20 Pickup-131" W.B.	74 = Cherokee 2WD-4 Dr.	81 = Wrangler-93" W.B.
63 = Comanche 4WD-6 Ft. Box	75 = Wagoneer 4WD-4 Dr.	82 = Wrangler-103" W.B.-Exp.
64 = Comanche 2WD-6 Ft. Box		

BODY STYLES:

MJ = Comanche Pickup  
 SJ = Grand Wagoneer Wgn., J-10 & J-20 Pickups  
 XJ = Cherokee, Wagoneer Limited  
 YJ = Wrangler

AR = Use as Required - = Non Illustrated Part P.A.R. = Paint as Required

---

**GROUP 27 - WRANGLER**

<b>ILLUSTRATION TITLE</b>	<b>GROUP-FIG. NO.</b>
INSULATION COWL AND HOOD WRANGLER, YJ .....	Fig. 27-100
SUNVISORS WRANGLER, YJ .....	Fig. 27-200
CARPETS AND INTERIOR TRIM PANELS WRANGLER, YJ .....	Fig. 27-300
DOOR TRIM PANELS HALF HARD DOORS WRANGLER, YJ .....	Fig. 27-400
DOOR TRIM PANELS FULL HARD DOORS WRANGLER, YJ .....	Fig. 27-500
COVERS, AND FRAME WITH PAD FRONT SEAT WRANGLER, YJ .....	Fig. 27-600
COVERS, AND FRAME WITH PAD REAR SEAT WRANGLER, YJ .....	Fig. 27-700
TRACKS FRONT SEAT WRANGLER, YJ .....	Fig. 27-800
SEAT BELTS WRANGLER, YJ .....	Fig. 27-900

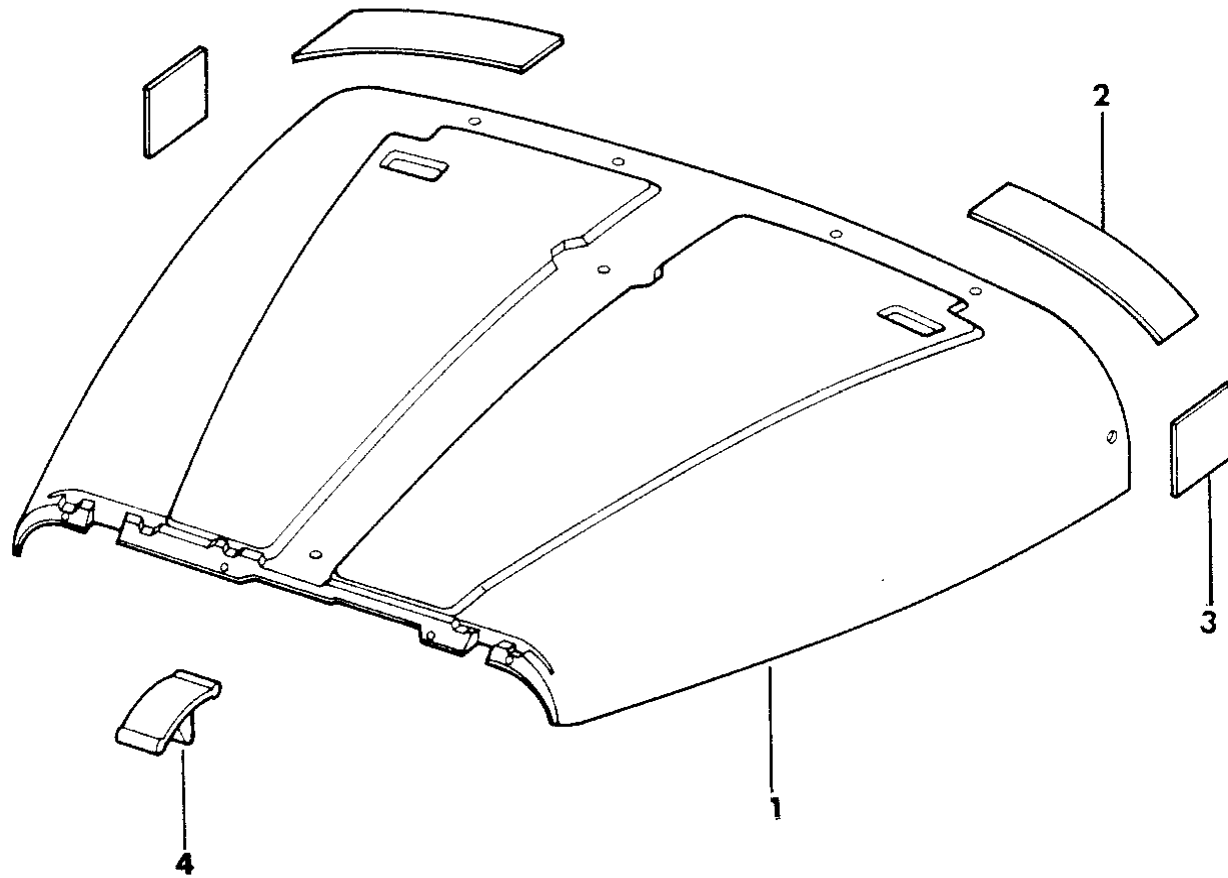
**ILLUSTRATION NOT AVAILABLE AT TIME OF PUBLICATION**

---

**INSULATION COWL AND HOOD WRANGLER, YJ**  
**Figure 27-100**

8J27100

ITEM	PART NUMBER	QTY	BODY	MODEL	DESCRIPTION
1	5500 7802	1			INSULATION, Hood
2	5500 7804	2			INSULATION, Cowl Top
3	5500 7805	2			INSULATION, Cowl Side
4					FASTENER, Hood Insulation
	J400 5513	12			1987-89
	6003 351	12			1990



MODEL CODES:

15 = Grand Wagoneer 4 Dr.	65 = Comanche 4WD-7 Ft. Box	77 = Cherokee 4WD-2 Dr.
25 = J-10 Pickup-119" W.B.	66 = Comanche 2WD-7 Ft. Box	78 = Cherokee 4WD-4 Dr.
26 = J-10 Pickup-131" W.B.	73 = Cherokee 2WD-2 Dr.	79 = Cherokee 4WD-4 Dr.-Com
27 = J-20 Pickup-131" W.B.	74 = Cherokee 2WD-4 Dr.	81 = Wrangler-93" W.B.
63 = Comanche 4WD-6 Ft. Box	75 = Wagoneer 4WD-4 Dr.	82 = Wrangler-103" W.B.-Exp.
64 = Comanche 2WD-6 Ft. Box		

BODY STYLES:

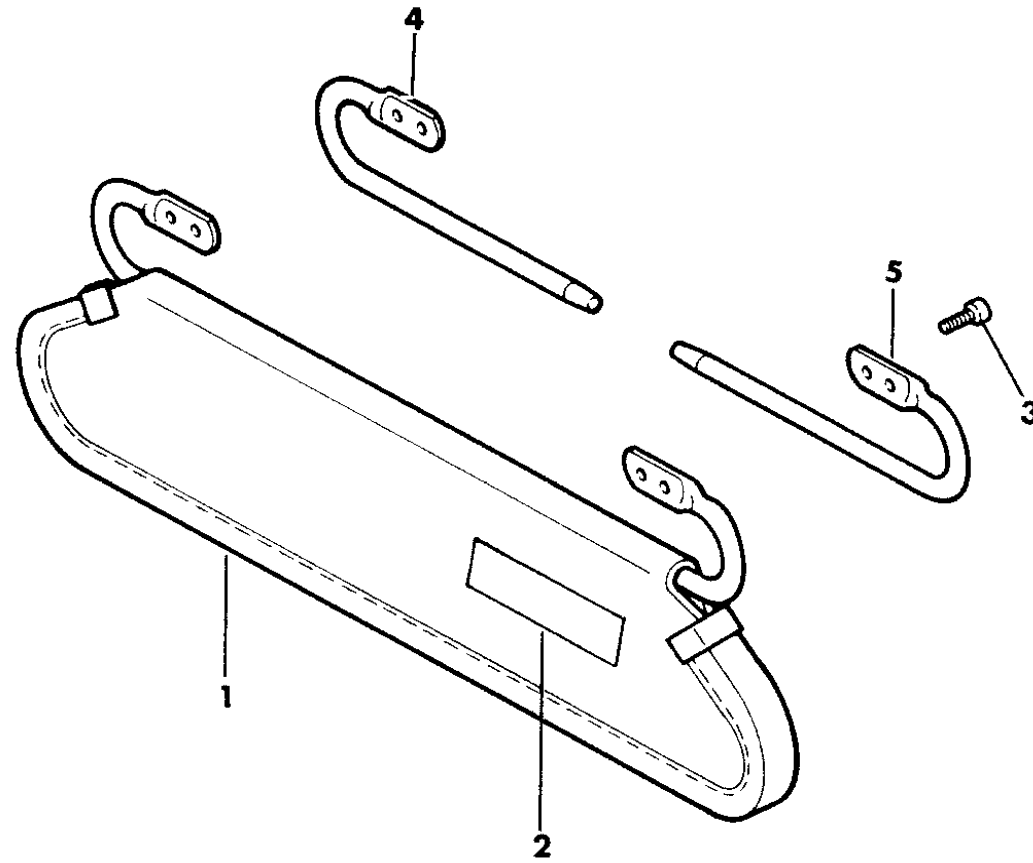
MJ = Comanche Pickup  
 SJ = Grand Wagoneer Wgn., J-10 & J-20 Pickups  
 XJ = Cherokee, Wagoneer Limited  
 YJ = Wrangler

AR = Use as Required - = Non Illustrated Part P.A.R. = Paint as Required



**SUNVISORS WRANGLER, YJ**  
**Figure 27-200**

8J27200



ITEM	PART NUMBER	QTY	BODY	MODEL	DESCRIPTION
1					SUNVISOR ASSEMBLY ***
	5501 0648-9	1			Black, 1987
	5501 6338-9	1			Charcoal, 1988-89
	5AE78-9 JS1	1			Charcoal, 1990
	5501 0652-3	1			Honey, 1987
	5502 1224-5	1			Sand, 1989
	5AE78-9 JY1	1			Sand, 1990
	5501 6340-1	1			Tan, 1988
2					LABEL, Sunvisor
	5500 9555	1			English, Safety Warning
	5500 9556	1			French, Safety Warning
	5501 9388	1			Command Track, U.S.
	5501 9389	1			Command Track, Canada, Export
3	J400 5969	8			SCREW
4	J576 1344	2			ROD, Support, Right, 1987-89
5	J576 1345	2			ROD, Support, Left, 1987-89

NOTE: For 1990 the sunvisor rod supports are only available in the sunvisor assembly. Tag affixed to the Face of its Pulley. A Second Tag will show the name of the Vendor (OGURA).

MODEL CODES:

15 = Grand Wagoneer 4 Dr.	65 = Comanche 4WD-7 Ft. Box	77 = Cherokee 4WD-2 Dr.
25 = J-10 Pickup-119" W.B.	66 = Comanche 2WD-7 Ft. Box	78 = Cherokee 4WD-4 Dr.
26 = J-10 Pickup-131" W.B.	73 = Cherokee 2WD-2 Dr.	79 = Cherokee 4WD-4 Dr.-Com
27 = J-20 Pickup-131" W.B.	74 = Cherokee 2WD-4 Dr.	81 = Wrangler-93" W.B.
63 = Comanche 4WD-6 Ft. Box	75 = Wagoneer 4WD-4 Dr.	82 = Wrangler-103" W.B.-Exp.
64 = Comanche 2WD-6 Ft. Box		

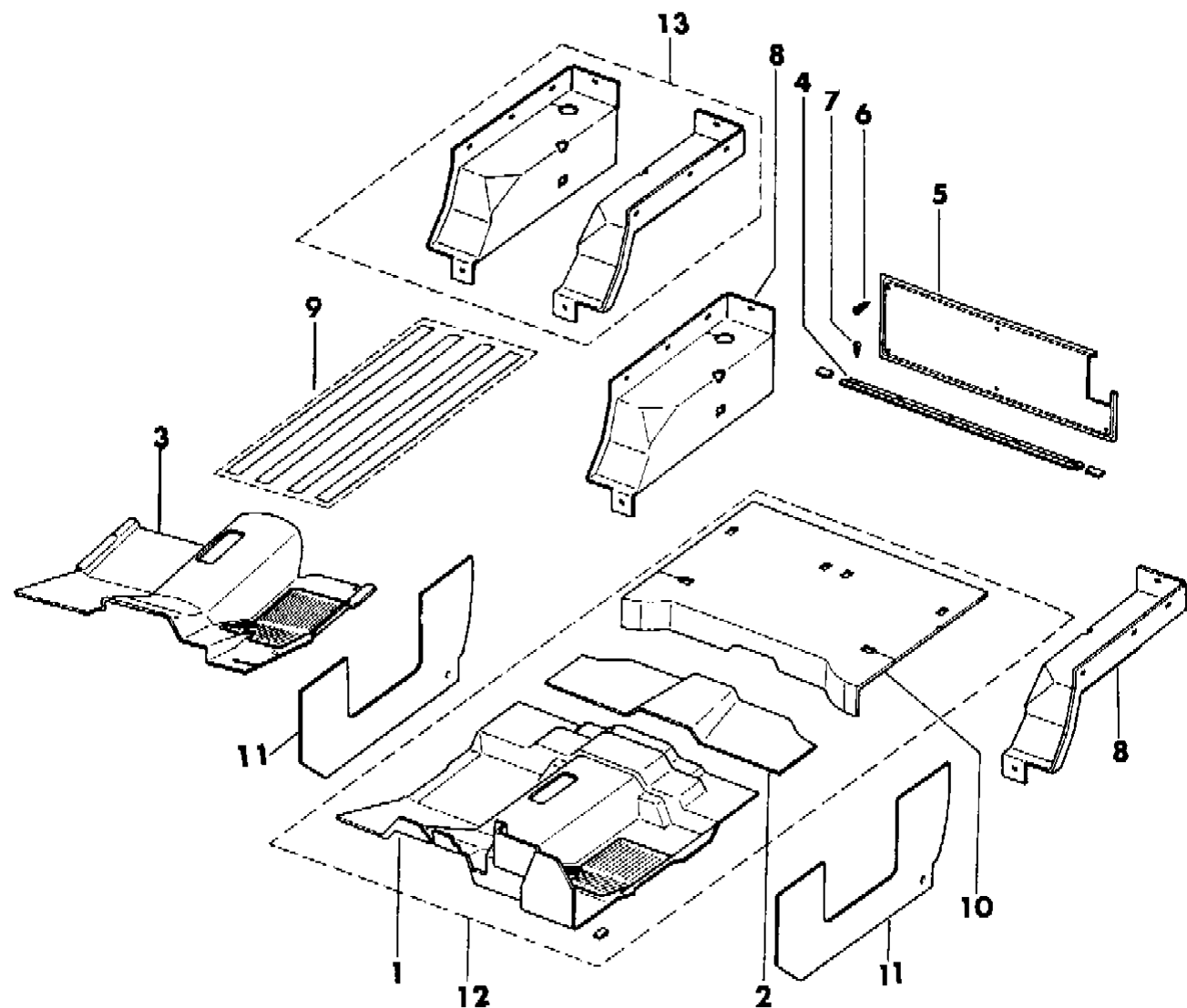
BODY STYLES:

MJ = Comanche Pickup  
 SJ = Grand Wagoneer Wgn., J-10 & J-20 Pickups  
 XJ = Cherokee, Wagoneer Limited  
 YJ = Wrangler

AR = Use as Required - = Non Illustrated Part P.A.R. = Paint as Required

**CARPETS AND INTERIOR TRIM PANELS WRANGLER, YJ**  
**Figure 27-300**

**8J27300A**



ITEM	PART NUMBER	QTY	BODY	MODEL	DESCRIPTION
1					CARPET, Floor
					w/ Extra Quiet Insulation
	5501 6399	1			Black, 1987
	5501 8568	1			Charcoal, 1988-89
	5AF1 0JA8	1			Charcoal, 1990
	5501 6400	1			Honey, 1987
	5502 1232	1			Sand, 1989
	5AF1 0JY6	1			Sand, 1990
	5501 8569	1			Tan, 1988
					w/o Extra Quiet Insulation
	5501 8566	1			Charcoal, 1988-89
	5AF0 9JA8	1			Charcoal, 1990
	5501 9263	1			Khaki, 1988-89
	5AF0 9JJ5	1			Khaki, 1990
	5502 1229	1			Sand, 1989
	5AF0 9JY6	1			Sand, 1990
	5501 8567	1			Tan, 1988
2					CARPET
					w/ Extra Quiet Insulation
	J576 5152	1			Black, 1987
	5501 6470	1			Charcoal, 1988-89
	5AB0 2JA8	1			Charcoal, 1990
	J576 6232	1			Honey, 1987
	5502 1233	1			Sand, 1989
	5AB0 2JY6	1			Sand, 1990
	5501 6471	1			Tan, 1988
					w/o Extra Quiet Insulation
	5AE2 2JA8	1			Charcoal, 1990
	5501 9264	1			Khaki, 1988-89
	5AE2 2JJ5	1			Khaki, 1990
3					CARPET, Floor Mini
	5501 5002	1			Black, 1987
	5501 8565	1			Charcoal, 1988-89
4	J576 0665	1			RETAINER
5					CARPET, Tailgate
					w/ Extra Quiet Insulation
	5501 3330	1			Black, 1987

**MODEL CODES:**

15 = Grand Wagoneer 4 Dr.	65 = Comanche 4WD-7 Ft. Box	77 = Cherokee 4WD-2 Dr.
25 = J-10 Pickup-119" W.B.	66 = Comanche 2WD-7 Ft. Box	78 = Cherokee 4WD-4 Dr.
26 = J-10 Pickup-131" W.B.	73 = Cherokee 2WD-2 Dr.	79 = Cherokee 4WD-4 Dr.-Com
27 = J-20 Pickup-131" W.B.	74 = Cherokee 2WD-4 Dr.	81 = Wrangler-93" W.B.
63 = Comanche 4WD-6 Ft. Box	75 = Wagoneer 4WD-4 Dr.	82 = Wrangler-103" W.B.-Exp.
64 = Comanche 2WD-6 Ft. Box		

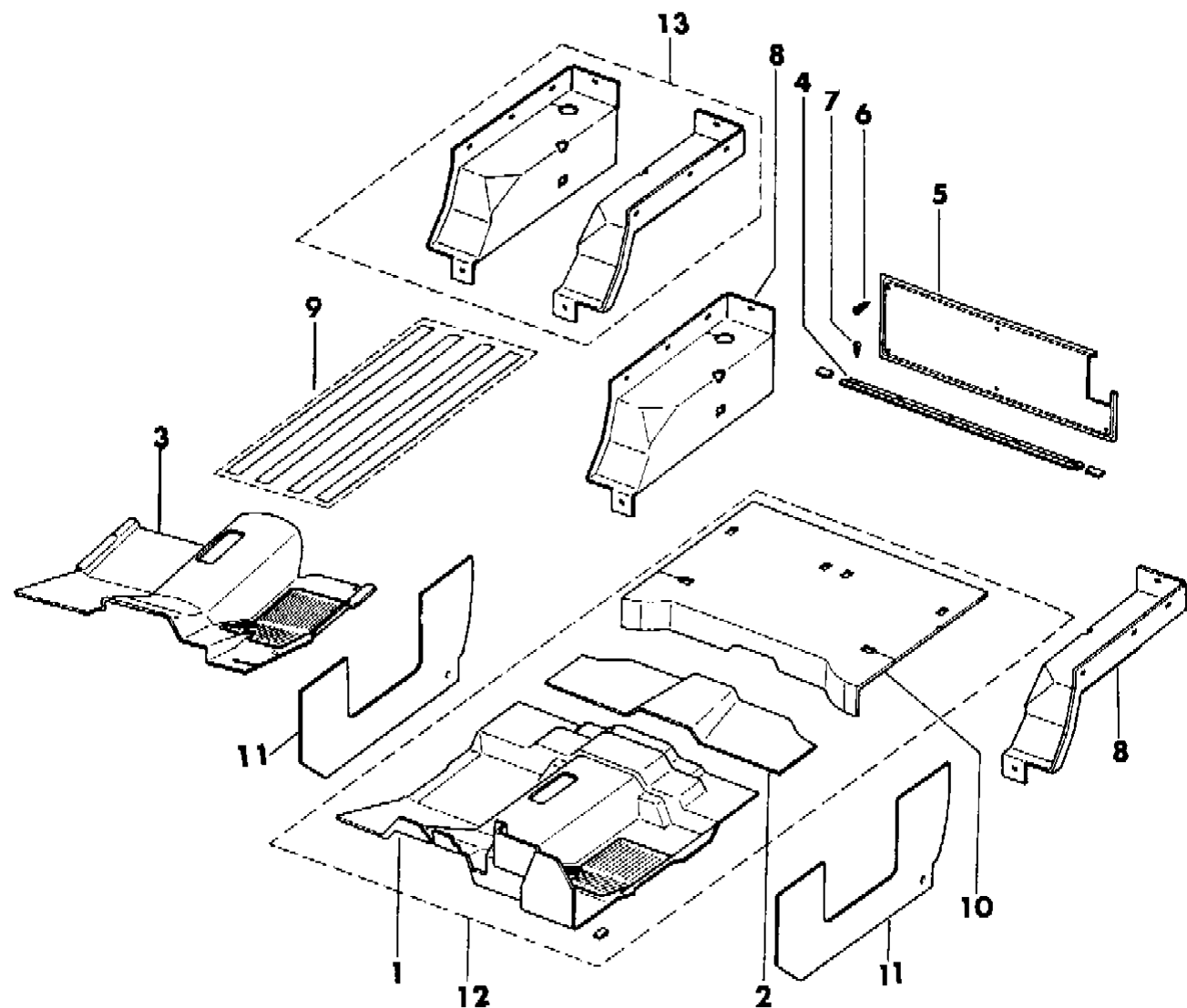
**BODY STYLES:**

MJ = Comanche Pickup
SJ = Grand Wagoneer Wgn., J-10 & J-20 Pickups
XJ = Cherokee, Wagoneer Limited
YJ = Wrangler

AR = Use as Required - = Non Illustrated Part P.A.R. = Paint as Required

**CARPETS AND INTERIOR TRIM PANELS WRANGLER, YJ**  
**Figure 27-300**

**8J27300A**



ITEM	PART NUMBER	QTY	BODY	MODEL	DESCRIPTION
	5501 6347	1			Charcoal, 1988-89, (Up To 3-15-89)
	5502 4877	1			Charcoal, 1989, (After 3-15-89)
	5AU4 9JA8	1			Charcoal, 1990
	5501 3332	1			Honey, 1987
	5502 1248	1			Sand, 1989, (Up To 3-15-89)
	5502 4880	1			Sand, 1989, (After 3-15-89)
	5AU4 9JY6	1			Sand, 1990
	5501 6349	1			Tan, 1988
					w/o Extra Quiet Insulation
	5502 0282	1			Khaki, 1988-89, (Up To 1-2-89)
	5502 4878	1			Khaki, 1989, (After 1-2-89)
	5AY1 2JJ5	1			Khaki, 1990
6	J400 1776	7			SCREW
7	J400 5690	5			SCREW
8					CARPET, Wheelhouse
					w/ Extra Quiet Insulation
	5501 3166-7	1			Black, 1987
	5501 5936-7	1			Charcoal, 1988-89, (Up To 3-15-89)
	5502 4680-1	1			Charcoal, 1989, (After 3/15/89)
	5AP44-5 JA8	1			Charcoal, 1990
	5501 3168-9	1			Honey, 1987
	5502 1244-5	1			Sand, 1989, (Up To 3-15-89)
	5502 4618-9	1			Sand, 1989, (After 3/15/89)
	5AP44-5 JY6	1			Sand, 1990
	5501 5940-1	1			Tan, 1988
					w/o Extra Quiet Insulation
	5AP46-7 JA8	1			Charcoal, 1990
	5501 9270-1	1			Khaki, 1988-89, (Up To 3-15-89)
	5502 4678-9	1			Khaki, 1989, (After 3-15-89)
	5AP46-7 JJ5	1			Khaki, 1990
	5AP46-7 JY6	1			Sand, 1990
9	J805 2571	1			STRIP, Skid, (For Vehicle Assembled in Venezuela) ***
10					CARPET, Cargo
					w/ Extra Quiet Insulation
	5501 6134	1			Black, 1987
	5501 6518	1			Charcoal, 1988-89
	5AF2 2JA8	1			Charcoal, 1990

**MODEL CODES:**

15 = Grand Wagoneer 4 Dr.	65 = Comanche 4WD-7 Ft. Box	77 = Cherokee 4WD-2 Dr.
25 = J-10 Pickup-119" W.B.	66 = Comanche 2WD-7 Ft. Box	78 = Cherokee 4WD-4 Dr.
26 = J-10 Pickup-131" W.B.	73 = Cherokee 2WD-2 Dr.	79 = Cherokee 4WD-4 Dr.-Com
27 = J-20 Pickup-131" W.B.	74 = Cherokee 2WD-4 Dr.	81 = Wrangler-93" W.B.
63 = Comanche 4WD-6 Ft. Box	75 = Wagoneer 4WD-4 Dr.	82 = Wrangler-103" W.B.-Exp.
64 = Comanche 2WD-6 Ft. Box		

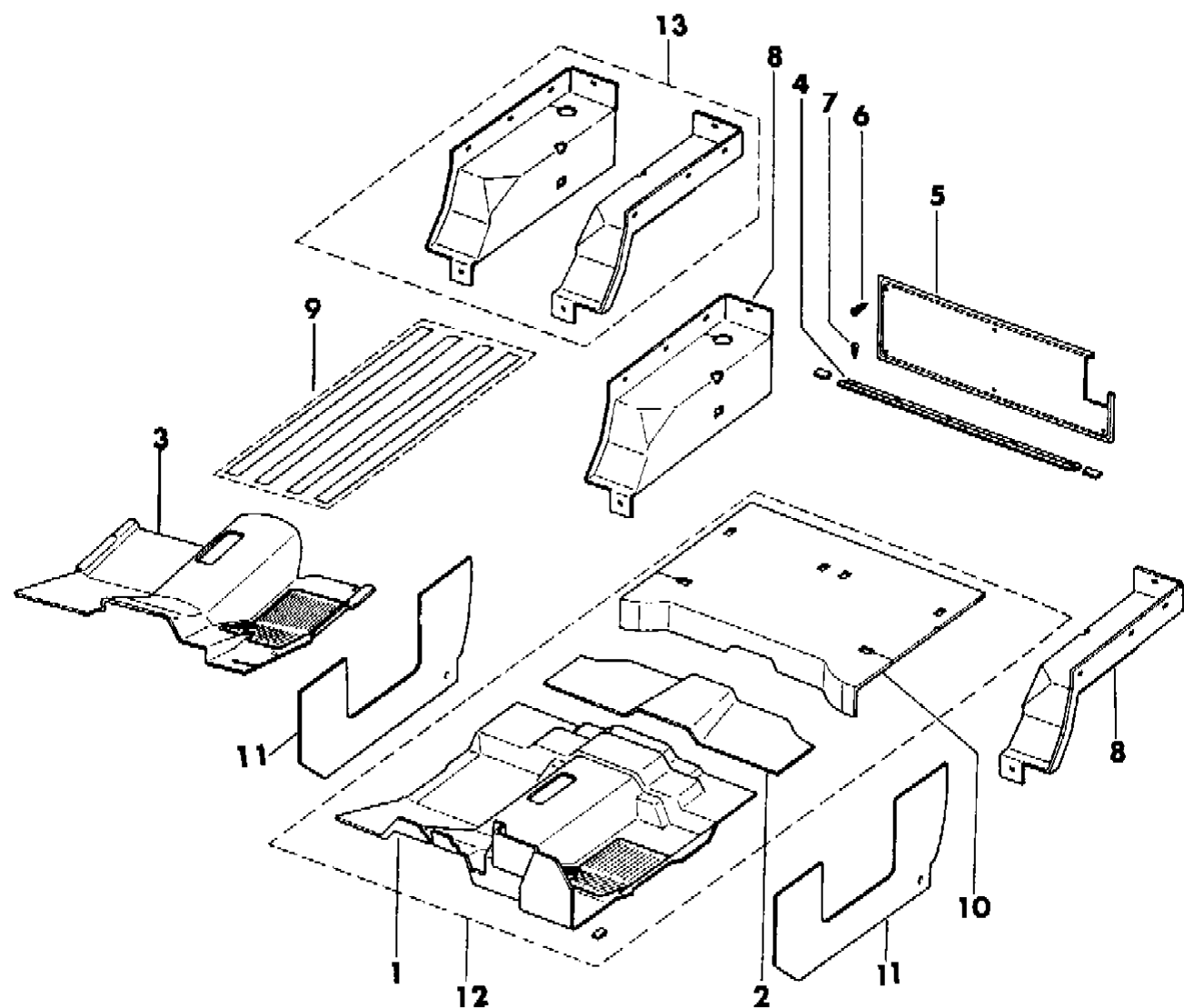
**BODY STYLES:**

MJ = Comanche Pickup  
 SJ = Grand Wagoneer Wgn., J-10 & J-20 Pickups  
 XJ = Cherokee, Wagoneer Limited  
 YJ = Wrangler

AR = Use as Required - = Non Illustrated Part P.A.R. = Paint as Required

**CARPETS AND INTERIOR TRIM PANELS WRANGLER, YJ**  
**Figure 27-300**

**8J27300A**



ITEM	PART NUMBER	QTY	BODY	MODEL	DESCRIPTION
	5501 6135	1			Honey, 1987
	5502 1243	1			Sand, 1989
	5AF2 2JY6	1			Sand, 1990
	5501 6519	1			Tan, 1988
					w/o Extra Quiet Insulation
	5AF2 1JA8	1			Charcoal, 1990
	5501 9272	1			Khaki, 1988-89
	5AF2 1JJ5	1			Khaki, 1990
	5AF2 1JY6	1			Sand, 1990
11					CARPET, Side Trim
	J576 5128-9	1			Black, 1987
	5501 6462-3	1			Charcoal, 1988-89
	5AR94-5 JA8	1			Charcoal, 1990
	J576 6082-3	1			Honey, 1987
	5502 1256-7	1			Sand, 1989
	5AR94-5 JY6	1			Sand, 1990
	5501 6464-5	1			Tan, 1988
12					CARPET, Floor, w/o Extra Quiet Insulation
	8220 0540	1			Black, 1987
	8220 0879	1			Charcoal, 1988-90
	8220 0541	1			Honey, 1987
	8220 1005	1			Sand, 1989
	8220 0878	1			Tan, 1988
13					CARPET, Wheelhouse, w/o Extra Quiet Insulation
	8220 0544	1			Black, 1987
	8220 0881	1			Charcoal, 1988-90
	8220 0545	1			Honey, 1987
	8220 1004	1			Sand, 1989-90
	8220 0880	1			Tan, 1988

**MODEL CODES:**

15 = Grand Wagoneer 4 Dr.	65 = Comanche 4WD-7 Ft. Box	77 = Cherokee 4WD-2 Dr.
25 = J-10 Pickup-119" W.B.	66 = Comanche 2WD-7 Ft. Box	78 = Cherokee 4WD-4 Dr.
26 = J-10 Pickup-131" W.B.	73 = Cherokee 2WD-2 Dr.	79 = Cherokee 4WD-4 Dr.-Com
27 = J-20 Pickup-131" W.B.	74 = Cherokee 2WD-4 Dr.	81 = Wrangler-93" W.B.
63 = Comanche 4WD-6 Ft. Box	75 = Wagoneer 4WD-4 Dr.	82 = Wrangler-103" W.B.-Exp.
64 = Comanche 2WD-6 Ft. Box		

**BODY STYLES:**

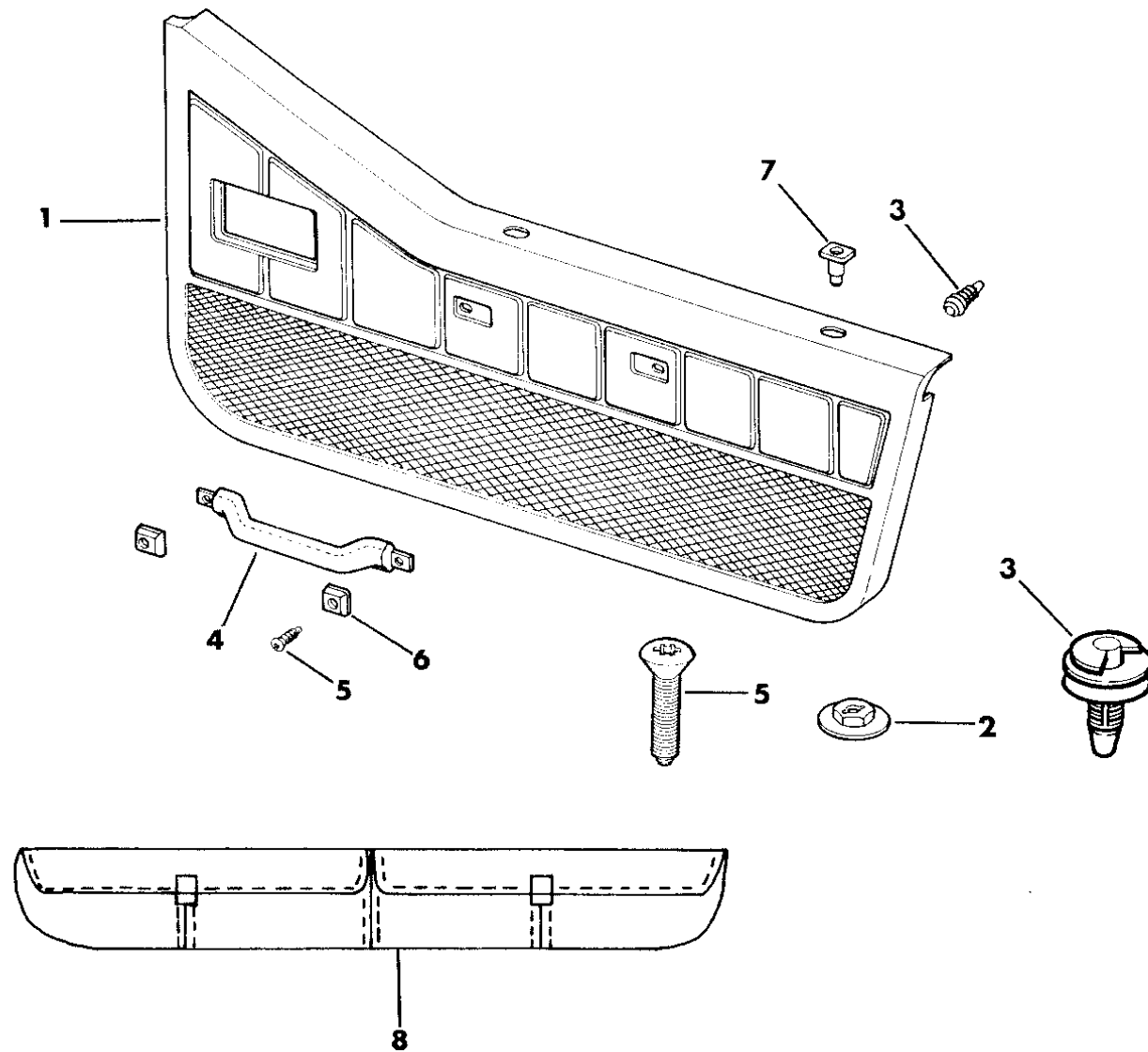
MJ = Comanche Pickup  
 SJ = Grand Wagoneer Wgn., J-10 & J-20 Pickups  
 XJ = Cherokee, Wagoneer Limited  
 YJ = Wrangler

AR = Use as Required - = Non Illustrated Part P.A.R. = Paint as Required

**DOOR TRIM PANELS HALF HARD DOORS WRANGLER, YJ**  
**Figure 27-400**

8J27 400

ITEM	PART NUMBER	QTY	BODY	MODEL	DESCRIPTION
1					PANEL, Door Trim
	5501 6446-7	1			Black, 1987
	5501 6296-7	1			Charcoal, w/o map pocket, 1988-89
	5AY24-5 JY1	1			Charcoal, w/o map pocket, 1990, base model, P.A.R.
	5501 7530-1	1			Charcoal, w/nylon mesh map pocket, 1988-89
	5AY26-7 JS1	1			Charcoal, w/Nylon Mesh Map Pocket, Islander model, 1990
	5501 6448-9	1			Honey, 1987
	5501 9578-9	1			Khaki, 1988
	5502 1362-3	1			Khaki, 1989
	5AY28-9 JJ5	1			Khaki, 1990, w/Sahara Package
	5502 1282-3	1			Sand, 1989
	5AY24-5 JY1	1			Sand, w/o map pockets, base model, 1990
	5501 6300-1	1			Tan, w/o Map Pocket, 1988
	5501 7532-3	1			Tan, w/Nylon Mesh Map Pocket, 1988 1990
2	J545 0516	20			NUT, 1987-89
3	J400 6176	18			FASTENER
4					HANDLE, Assist
	5500 9801	2			Black, 1987
	5501 6308	2			Charcoal, 1988-89
	5AE5 0JS1	2			Charcoal, 1990
	5502 1290	2			Sand, 1989
	5AE5 0JY1	2			Sand, 1990
	5501 6310	2			Tan, 1988
5	J400 7397	4			SCREW
6	5500 9804	4			CAP, End
7					GROMMET
	5501 6454	6			1987-89, (P.A.R.)
	5AG2 2JS1	6			1990, Charcoal
	5AG2 2JY1	6			1990, Sand
8					POCKET, Map w/Sahara Package
	5502 2208-9	1			1989
	5AX62-3 JJ5	1			1990



**MODEL CODES:**

15 = Grand Wagoneer 4 Dr.	65 = Comanche 4WD-7 Ft. Box	77 = Cherokee 4WD-2 Dr.
25 = J-10 Pickup-119" W.B.	66 = Comanche 2WD-7 Ft. Box	78 = Cherokee 4WD-4 Dr.
26 = J-10 Pickup-131" W.B.	73 = Cherokee 2WD-2 Dr.	79 = Cherokee 4WD-4 Dr.-Com
27 = J-20 Pickup-131" W.B.	74 = Cherokee 2WD-4 Dr.	81 = Wrangler-93" W.B.
63 = Comanche 4WD-6 Ft. Box	75 = Wagoneer 4WD-4 Dr.	82 = Wrangler-103" W.B.-Exp.
64 = Comanche 2WD-6 Ft. Box		

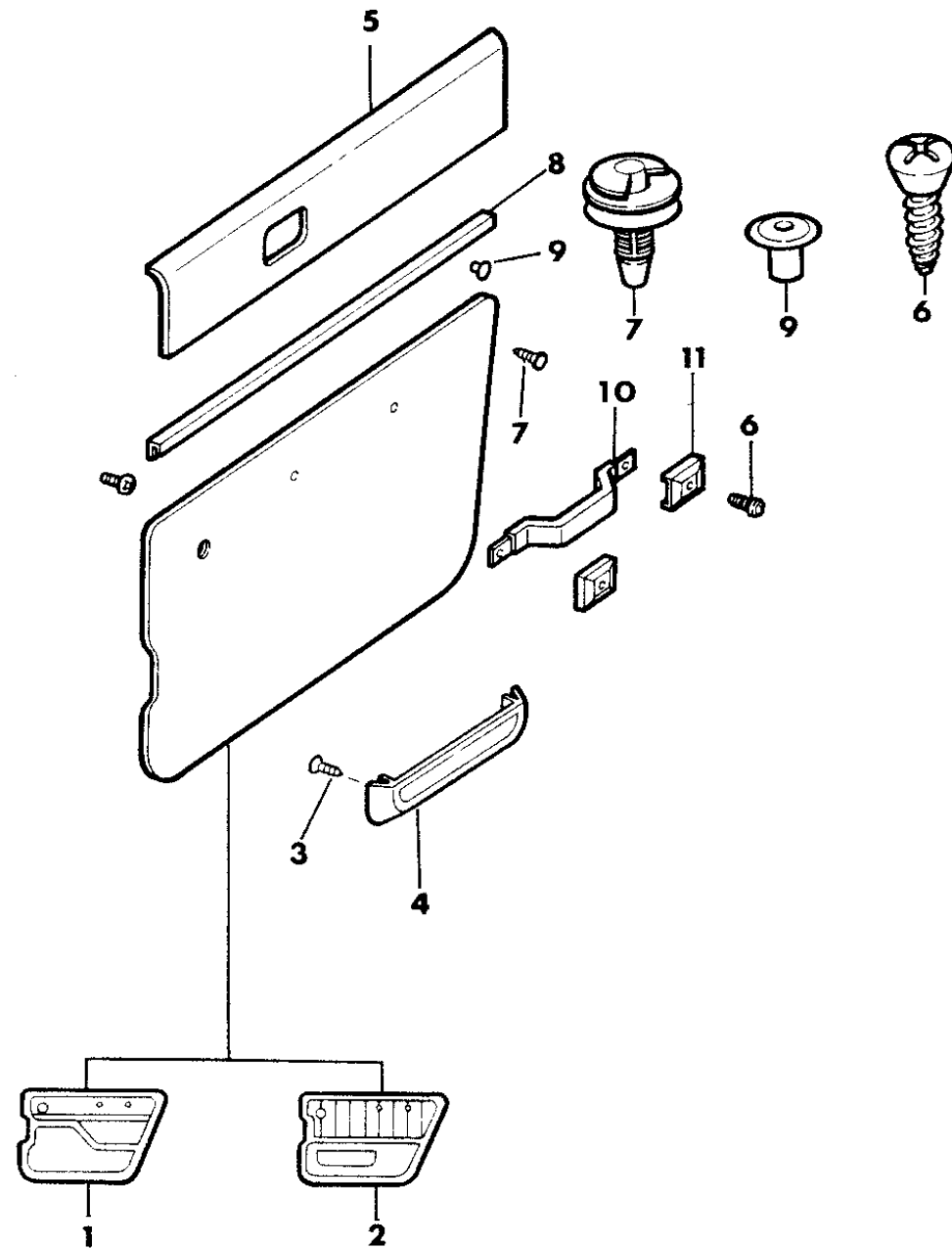
**BODY STYLES:**

MJ = Comanche Pickup  
 SJ = Grand Wagoneer Wgn., J-10 & J-20 Pickups  
 XJ = Cherokee, Wagoneer Limited  
 YJ = Wrangler

AR = Use as Required - = Non Illustrated Part P.A.R. = Paint as Required

DOOR TRIM PANELS FULL HARD DOORS WRANGLER, YJ  
Figure 27-500

8J27500



ITEM	PART NUMBER	QTY	BODY	MODEL	DESCRIPTION	
1					PANEL, Door Trim	
	5500 8856-7	1			Black, 1987	
	5501 6288-9	1			Charcoal, 1988-89	
	5AE12-3 JSA	1			Charcoal, 1990	
	5500 8860-1	1			Honey, 1987	
	5502 1276-7	1			Sand, 1989	
	5AE12-3 JYY	1			Sand, 1990	
2					PANEL, Door Trim	
	5500 8862-3	1			Black, 1987	
	5501 6292-3	1			Charcoal, 1988-89	
	5AE14-5 JSA	1			Charcoal, 1990	
	5500 8864-5	1			Honey, 1987	
	5501 9702-3	1			Khaki, 1988	
	5502 2206-7	1			Khaki, 1989	
	5AE14-5 JJ5	1			Khaki, 1990	
	5502 1278-9	1			Sand, 1989	
	5AE14-5 JYY	1			Sand, 1990	
	5501 6294-5	1			Tan, 1988	
3	3420 2074	10			SCREW	
4					PANEL, Stowage Bin, P.A.R.	
	3500 7556	2			1987-89	
	5AB8 9JY6	2			1990	
5					PANEL Door Trim Upper	
	5501 2878-9	1			Black, 1987	
	5501 6320-1	1			Charcoal, 1988-89	
	5BF74-5 JS1	1			Charcoal, 1990	
	5501 2880-1	1			Honey, 1987	
	5502 1280-1	1			Sand, 1989	
	5BF74-5 JY1	1			Sand, 1990	
	5501 6322-3	1			Tan, 1988	
	6	J400 6901	4			SCREW
	7	J400 6176	26			FASTENER
8	J575 7742	2			RETAINER	
9	J400 4515	6			RIVET	
10					HANDLE, Assist	
	5500 9801	2			Black, 1987	

MODEL CODES:

15 = Grand Wagoneer 4 Dr.	65 = Comanche 4WD-7 Ft. Box	77 = Cherokee 4WD-2 Dr.
25 = J-10 Pickup-119" W.B.	66 = Comanche 2WD-7 Ft. Box	78 = Cherokee 4WD-4 Dr.
26 = J-10 Pickup-131" W.B.	73 = Cherokee 2WD-2 Dr.	79 = Cherokee 4WD-4 Dr.-Com
27 = J-20 Pickup-131" W.B.	74 = Cherokee 2WD-4 Dr.	81 = Wrangler-93" W.B.
63 = Comanche 4WD-6 Ft. Box	75 = Wagoneer 4WD-4 Dr.	82 = Wrangler-103" W.B.-Exp.
64 = Comanche 2WD-6 Ft. Box		

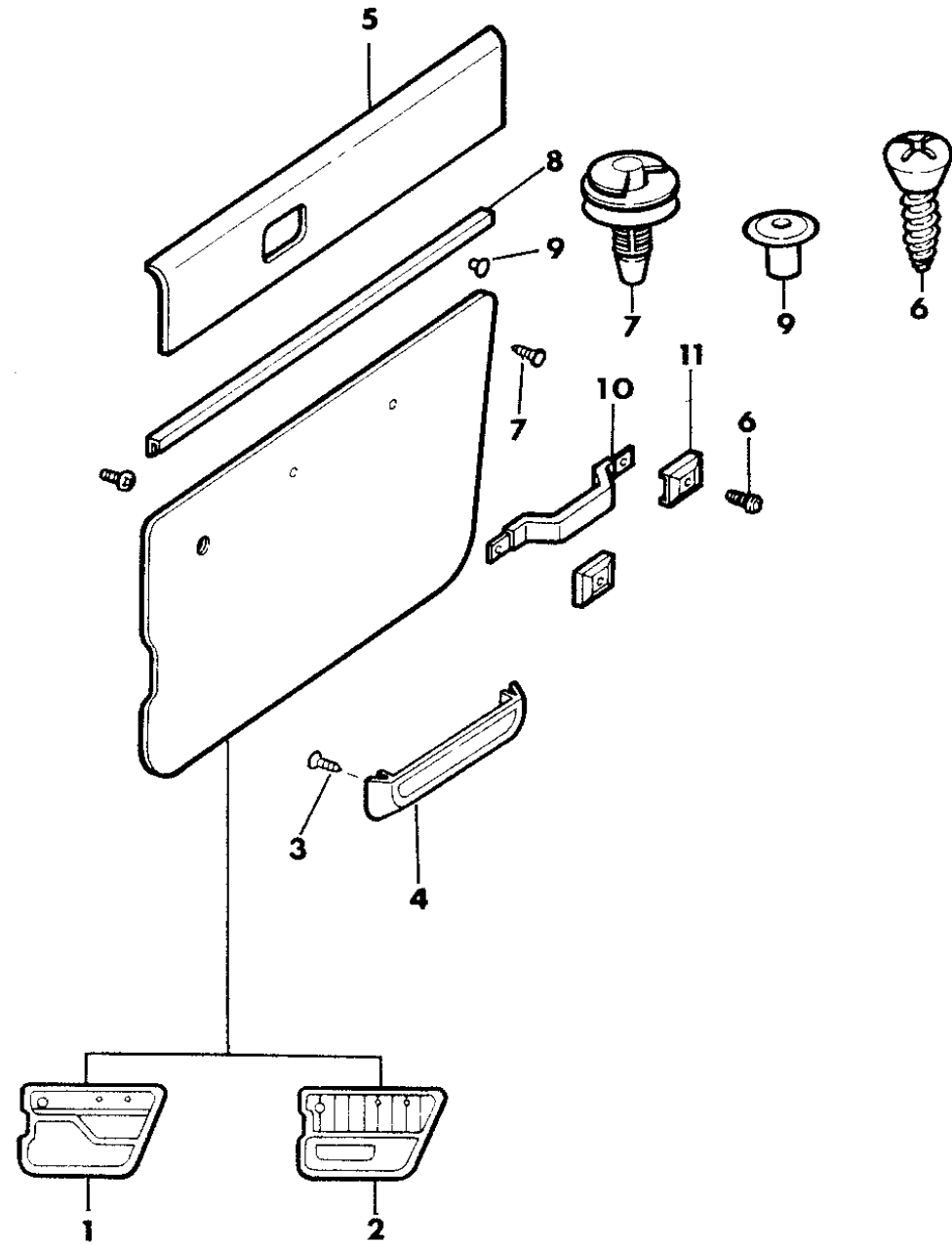
BODY STYLES:

MJ = Comanche Pickup  
 SJ = Grand Wagoneer Wgn., J-10 & J-20 Pickups  
 XJ = Cherokee, Wagoneer Limited  
 YJ = Wrangler

AR = Use as Required - = Non Illustrated Part P.A.R. = Paint as Required

DOOR TRIM PANELS FULL HARD DOORS WRANGLER, YJ  
Figure 27-500

8J27500



ITEM	PART NUMBER	QTY	BODY	MODEL	DESCRIPTION
	5501 6308	2			Charcoal, 1988-89
	5AE5 0JS1	2			Charcoal, 1990
	5500 9803	2			Honey, 1987
	5502 1290	2			Sand, 1989
	5AE5 0JY1	2			Sand, 1990
	5501 6310	2			Tan, 1988
11	5500 9804	4			CAP, End

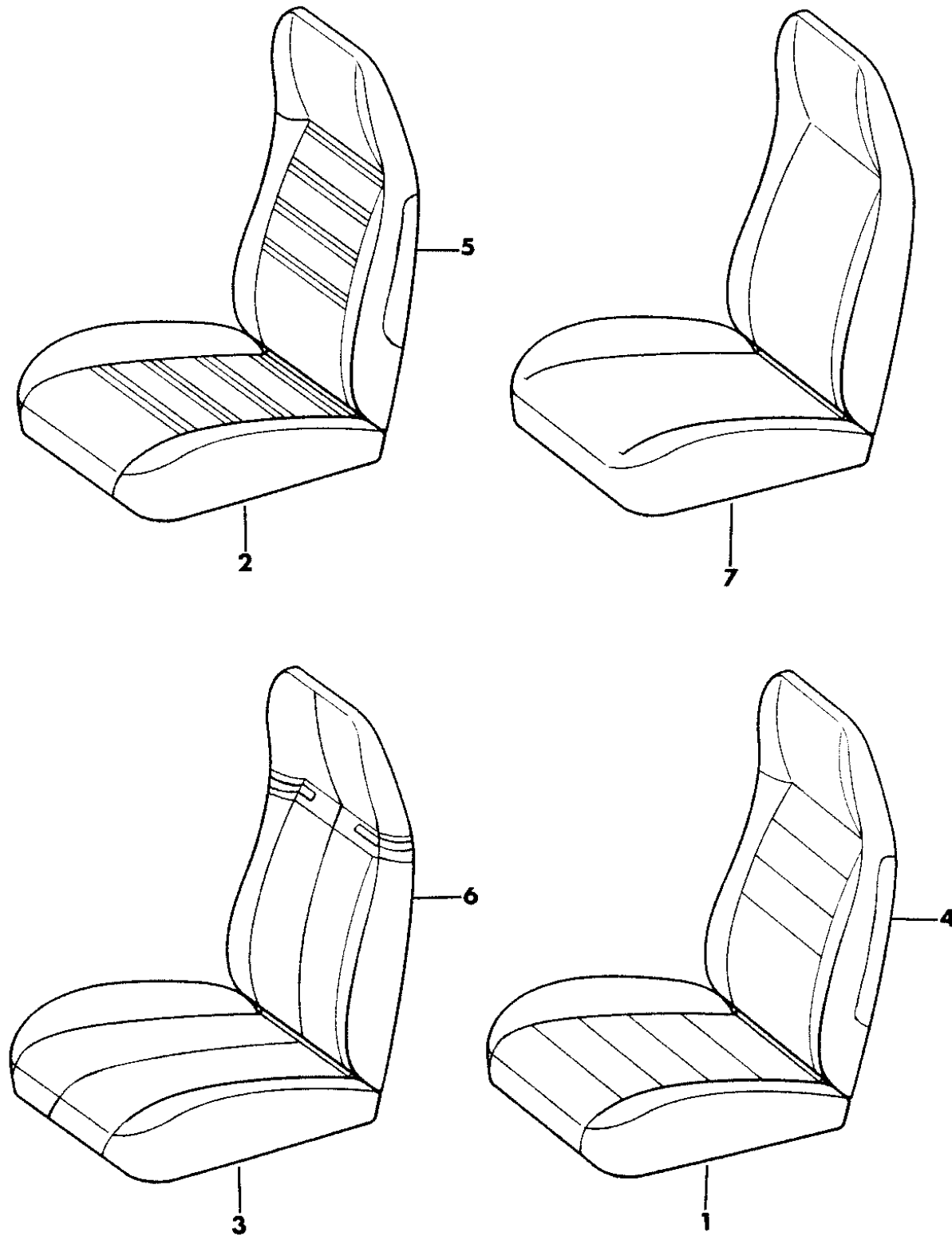
MODEL CODES:  
 15 = Grand Wagoneer 4 Dr.      65 = Comanche 4WD-7 Ft. Box      77 = Cherokee 4WD-2 Dr.  
 25 = J-10 Pickup-119" W.B.      66 = Comanche 2WD-7 Ft. Box      78 = Cherokee 4WD-4 Dr.  
 26 = J-10 Pickup-131" W.B.      73 = Cherokee 2WD-2 Dr.      79 = Cherokee 4WD-4 Dr.-Com  
 27 = J-20 Pickup-131" W.B.      74 = Cherokee 2WD-4 Dr.      81 = Wrangler-93" W.B.  
 63 = Comanche 4WD-6 Ft. Box      75 = Wagoneer 4WD-4 Dr.      82 = Wrangler-103" W.B.-Exp.  
 64 = Comanche 2WD-6 Ft. Box

BODY STYLES:  
 MJ = Comanche Pickup  
 SJ = Grand Wagoneer Wgn., J-10 & J-20 Pickups  
 XJ = Cherokee, Wagoneer Limited  
 YJ = Wrangler

AR = Use as Required - = Non Illustrated Part P.A.R. = Paint as Required

**COVERS, AND FRAME WITH PAD FRONT SEAT WRANGLER, YJ**  
**Figure 27-600**

8J27600



ITEM	PART NUMBER	QTY	BODY	MODEL	DESCRIPTION
1					COVER, Cushion
	5502 1746	2			Islander, Islander Vinyl
	5AJ0 5JS1	2			Charcoal, (R6SA or W6SA), 1988-89
					Charcoal, (R6SA), 1990
					Base, Jeep Vinyl
	5500 9652	2			Black, (1ED), 1987
	5501 6356	2			Charcoal, (BDA or DDA or A6SA or G6SA or E6SA or P6SA or D6SA), 1988-89
	5AH9 0JS1	2			Charcoal, (P6SA), 1990
	5500 9656	2			Honey, (9ED), 1987
	5502 1306	2			Sand, (A6YY or D6YY or G6YY or E6YY or P6YY), 1989
	5AH9 0JY1	2			Sand, (P6YY), 1990
	5501 6358	2			Tan, (BDE or DDE), 1988
2					COVER, Cushion
					Laredo, Trail Cloth
	5501 6360-1	1			Charcoal, (BFA or DFA or A5SA or T5SA or K5SA or W5SA), 1988-89
	5AH96-7 JS1	1			Charcoal, (T5SA), 1990
	5502 1324-5	1			Sand, (K5YY or T5YY ), 1989
	5AH96-7 JY6	1			Sand, (T5YY), 1990
	5501 6362-3	1			Tan, (BDE or DFE), 1988
					Buffalo Vinyl
	5500 9658-9	1			Black, (1EF), 1987
	5500 9660-1	1			Honey, (9EF), 1987
3					COVER, Cushion
					Sahara, Trail Cloth
	5501 9282	2			Khaki, Tan, (BFF), 1988
	5502 1336	2			Khaki, Sand, (S5YY or X5YY), 1989
	5AJ0 1JJ5	2			Khaki, (C5YY), 1990
4					COVER, Back
					Islander, Islander Vinyl
	5502 1744-5	1			Charcoal, (R6SA or W6SA), 1988-89
	5AS54-5 JS1	1			Charcoal, (R6SA), 1990
					Base, Jeep Vinyl
	5500 9666-7	1			Black, (1ED), 1987
	5501 6364-5	1			Charcoal, (BDA or DDA or A6SA or D6SA or G6SA or E6SA or P6SA), 1988-89

**MODEL CODES:**

15 = Grand Wagoneer 4 Dr.	65 = Comanche 4WD-7 Ft. Box	77 = Cherokee 4WD-2 Dr.
25 = J-10 Pickup-119" W.B.	66 = Comanche 2WD-7 Ft. Box	78 = Cherokee 4WD-4 Dr.
26 = J-10 Pickup-131" W.B.	73 = Cherokee 2WD-2 Dr.	79 = Cherokee 4WD-4 Dr.-Com
27 = J-20 Pickup-131" W.B.	74 = Cherokee 2WD-4 Dr.	81 = Wrangler-93" W.B.
63 = Comanche 4WD-6 Ft. Box	75 = Wagoneer 4WD-4 Dr.	82 = Wrangler-103" W.B.-Exp.
64 = Comanche 2WD-6 Ft. Box		

**BODY STYLES:**

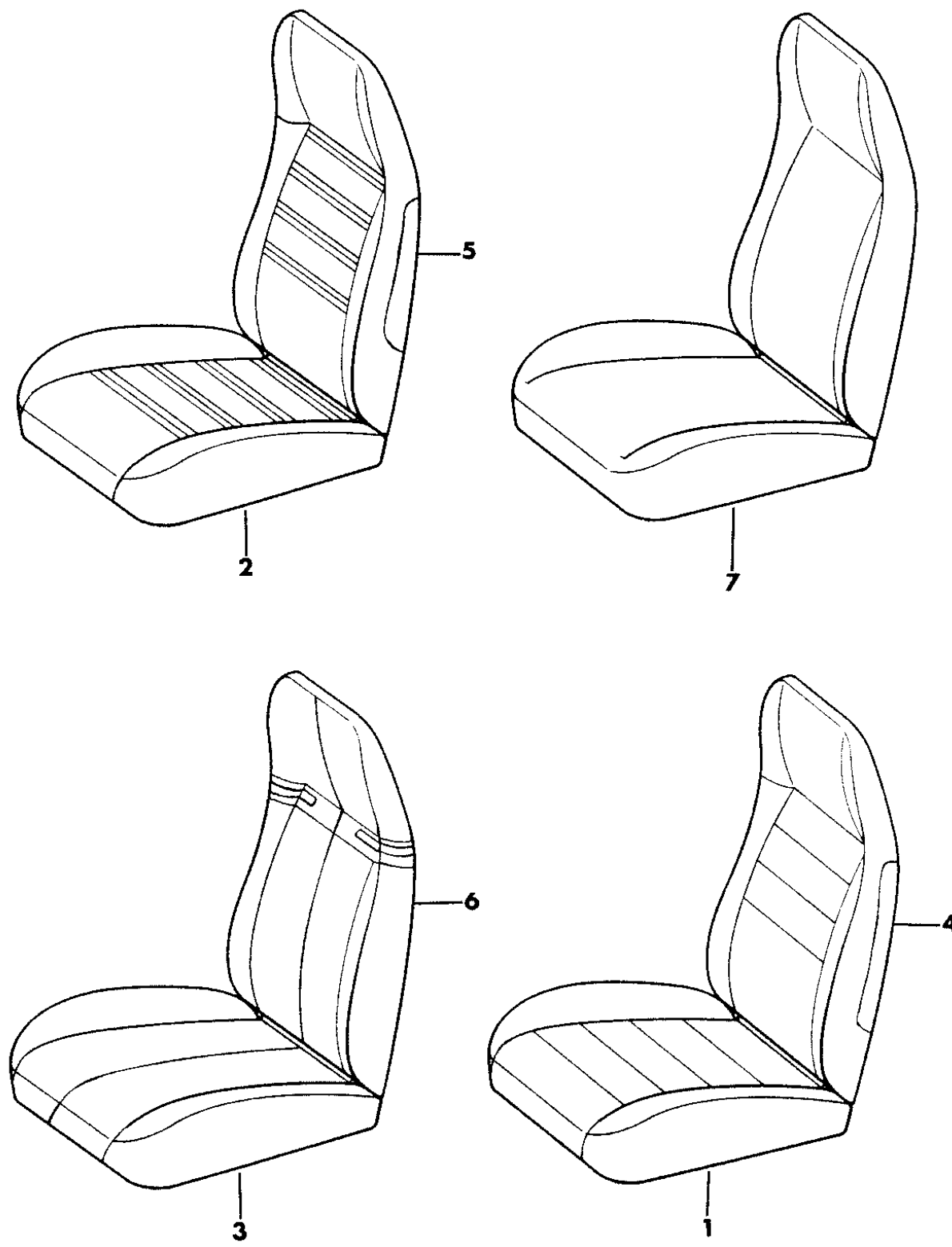
MJ = Comanche Pickup  
 SJ = Grand Wagoneer Wgn., J-10 & J-20 Pickups  
 XJ = Cherokee, Wagoneer Limited  
 YJ = Wrangler

AR = Use as Required - = Non Illustrated Part P.A.R. = Paint as Required



**COVERS, AND FRAME WITH PAD FRONT SEAT WRANGLER, YJ**  
**Figure 27-600**

8J27600



ITEM	PART NUMBER	QTY	BODY	MODEL	DESCRIPTION
	5AS52-3 JS1	1			Charcoal, (P6SA), 1990
	5500 9670-1	1			Honey, (9ED), 1987
	5502 1304-5	1			Sand (A6YY or D6YY or E6YY or G6YY or P6YY), 1989
	5AS52-3 JY1	1			Sand, (P6YY), 1990
	5501 6366-7	1			Tan, (BDE or DDE), 1988
5					COVER, Back Laredo, Trail Cloth
	5501 6368	2			Charcoal, (BFA or DFA or A5SA or T5SA or K5SA or W5SA), 1988-89
	5AS5 6JS1	2			Charcoal, (T5SA), 1990 (5AS56 Trm Does Not Fit 1990, Fits 91, Use 88-89 #'s For 1990 - The Earlier Covers Are More Narrow Than The Later Ones)
	5502 1326	2			Sand, (K5YY or T5YY), 1989
	5AS5 6JY6	2			Sand, (T5YY), 1990
	5501 6370	2			Tan, (BFE or DFE), 1988 Buffalo Vinyl
	5500 9672	2			Black, (1EF), 1987
	5500 9674	2			Honey, (9EF), 1987
6					COVER, Back Sahara, Trail Cloth
	5501 9284	2			Khaki, Tan, (BFF), 1988
	5502 1338	2			Khaki, Sand, (C5YY or S5YY or X5YY), 1989
	5AS5 8JJ5	2			Khaki, C5YY), 1990
7					FRAME, Seat, (Includes Pad)
	J575 0571	2			1987-89
	5502 1516	2			1990

MODEL CODES:  
 15 = Grand Wagoneer 4 Dr.      65 = Comanche 4WD-7 Ft. Box      77 = Cherokee 4WD-2 Dr.  
 25 = J-10 Pickup-119" W.B.      66 = Comanche 2WD-7 Ft. Box      78 = Cherokee 4WD-4 Dr.  
 26 = J-10 Pickup-131" W.B.      73 = Cherokee 2WD-2 Dr.      79 = Cherokee 4WD-4 Dr.-Com  
 27 = J-20 Pickup-131" W.B.      74 = Cherokee 2WD-4 Dr.      81 = Wrangler-93" W.B.  
 63 = Comanche 4WD-6 Ft. Box      75 = Wagoneer 4WD-4 Dr.      82 = Wrangler-103" W.B.-Exp.  
 64 = Comanche 2WD-6 Ft. Box

BODY STYLES:  
 MJ = Comanche Pickup  
 SJ = Grand Wagoneer Wgn., J-10 & J-20 Pickups  
 XJ = Cherokee, Wagoneer Limited  
 YJ = Wrangler

AR = Use as Required - = Non Illustrated Part P.A.R. = Paint as Required

**COVERS, AND FRAME WITH PAD REAR SEAT WRANGLER, YJ**  
**Figure 27-700**

8J27700

ITEM	PART NUMBER	QTY	BODY	MODEL	DESCRIPTION
1					FRAME, Seat Back, w/Pad
	5500 7757	1			1987-89
	5502 4688	1			1990
	5500 9426	1			FRAME, Seat Back, w/Pad, w/(ECE)
	5502 4728	1			1990
2	5500 7755	1			FRAME, Cushion, w/Pad (Lever Latch 4713789)
3	5500 8065	1			COVER, Latch
4	J576 6316	3			SUPPORT, Cushion
5	J095 8556	3			BUMPER
6	J012 0376	3			NUT
7	5500 7753	1			COVER, Hinge
8	5500 7752	1			COVER, Hinge
9	3420 2315	4			BOLT
10	J400 7317	2			WASHER
11	J400 7315	2			WASHER
12	5501 4330	1			STRAP
13	J400 6061	2			PIN, Locking
14	5500 7759	2			BRACKET, Lock Striker
15	J400 5603	4			SCREW
16	J576 6317	2			BRACKET, Pivot
17	J400 4626	4			SCREW
18	5500 7760	2			REINFORCEMENT
19	J096 8343	3			SCREW
20					COVER, Back
	5502 1752	1			Islander, Islander Vinyl
	5AJ0 9JS1	1			Charcoal, (R6SA or W6SA), 1988-89
					Charcoal, (R6SA), 1990
21					COVER, Cushion
	5502 1750	1			Islander, Islander Vinyl
	5AJ0 8JS1	1			Charcoal, (R6SA or W6SA), 1988-89
					Charcoal, (R6SA), 1990
22					Cover, Back ***
	5500 9685	1			Base, Jeep Vinyl
	5501 6388	1			Black, (1ED), 1987
					Charcoal, (BDA or DDA or A6SA or D6SA or G6SA or E6SA or P6SA), 1988-89

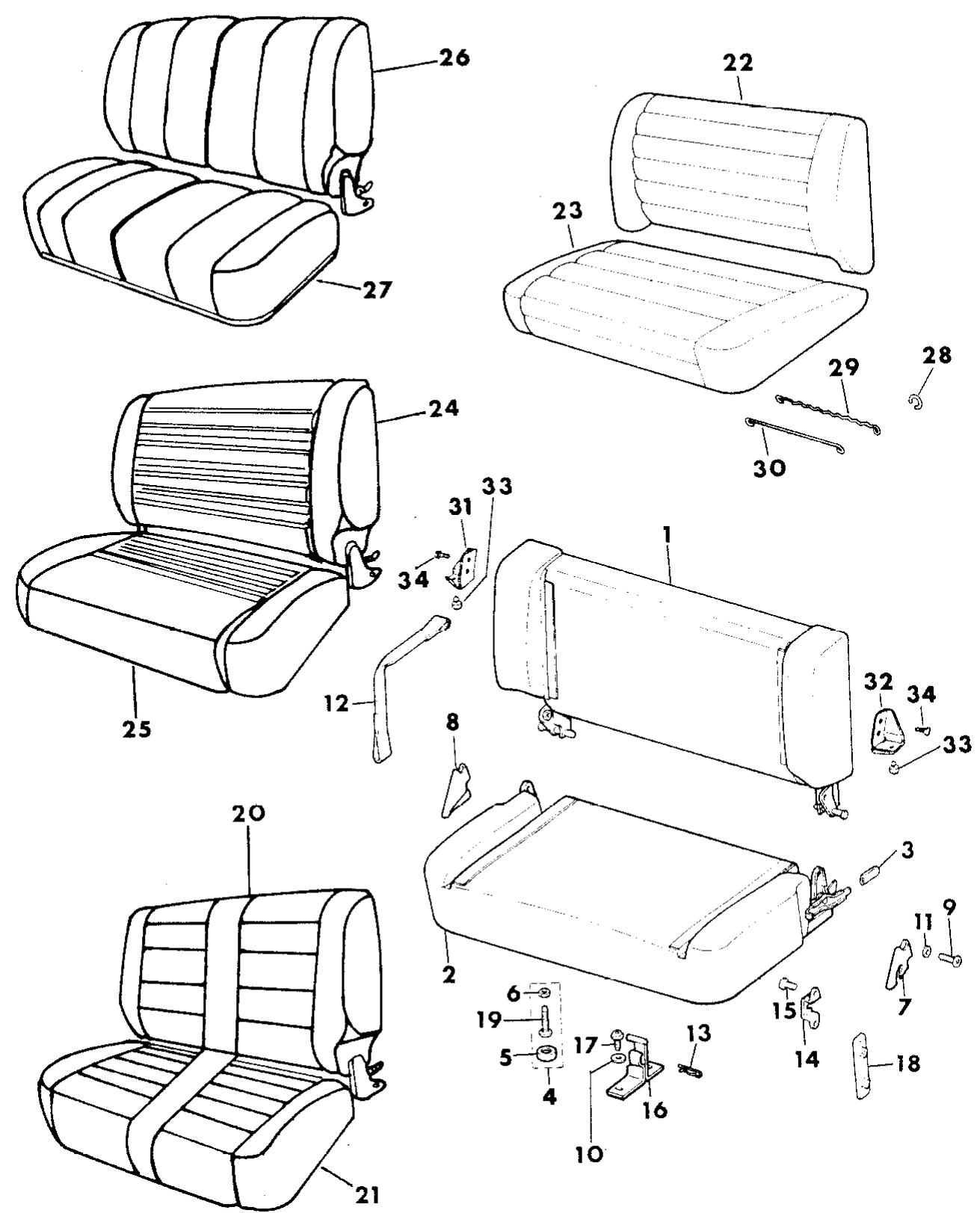
**MODEL CODES:**

15 = Grand Wagoneer 4 Dr.	65 = Comanche 4WD-7 Ft. Box	77 = Cherokee 4WD-2 Dr.
25 = J-10 Pickup-119" W.B.	66 = Comanche 2WD-7 Ft. Box	78 = Cherokee 4WD-4 Dr.
26 = J-10 Pickup-131" W.B.	73 = Cherokee 2WD-2 Dr.	79 = Cherokee 4WD-4 Dr.-Com
27 = J-20 Pickup-131" W.B.	74 = Cherokee 2WD-4 Dr.	81 = Wrangler-93" W.B.
63 = Comanche 4WD-6 Ft. Box	75 = Wagoneer 4WD-4 Dr.	82 = Wrangler-103" W.B.-Exp.
64 = Comanche 2WD-6 Ft. Box		

**BODY STYLES:**

MJ = Comanche Pickup  
 SJ = Grand Wagoneer Wgn., J-10 & J-20 Pickups  
 XJ = Cherokee, Wagoneer Limited  
 YJ = Wrangler

AR = Use as Required - = Non Illustrated Part P.A.R. = Paint as Required



**COVERS, AND FRAME WITH PAD REAR SEAT WRANGLER, YJ**  
**Figure 27-700**

8J27700

ITEM	PART NUMBER	QTY	BODY	MODEL	DESCRIPTION
	5AH9 5JS1	1			Charcoal, (P6SA), 1990
	5500 9687	1			Honey, (9ED), 1987
	5502 1312	1			Sand, (A6YY or D6YY or G6YY or E6YY or P6YY), 1989
	5AH9 5JY1	1			Sand, (P6YY), 1990
	5501 6390	1			Tan, (BDE or DDE), 1988
23					COVER, Cushion *** Base, Jeep Vinyl
	5500 9678	1			Black, (1ED), 1987
	5501 6380	1			Charcoal, (BDA or DDA or A6SA or D6SA or G6SA or E6SA or P6SA), 1988/89
	5AH9 4JS1	1			Charcoal, (P6SA), 1990
	5500 9680	1			Honey, (9ED), 1987
	5502 1310	1			Sand, (A6YY or D6YY or G6YY or E6YY or P6YY), 1989
	5AH9 4JY1	1			Sand, (P6YY), 1990
	5501 6382	1			Tan, (BDE or DDE), 1988
24					COVER, Back Laredo, Trail Cloth
	5501 6392	1			Charcoal, (BFA or DFA or A5SA or T5SA or K5SA or W5SA), 1988-89
	5AJ0 0JS1	1			Charcoal, (T5SA), 1990
	5502 1331	1			Sand, (K5YY or T5YY), 1989
	5AJ0 0JY6	1			Sand, (T5YY), 1990
	5501 6386	1			Tan, (BFE or DFE), 1988 Buffalo Vinyl
	5500 9688	1			Black, (1EF), 1987
	5500 9689	1			Honey, (9EF), 1987
25					COVER, Cushion Laredo, Trail Cloth
	5501 6384	1			Charcoal, (BFA or DFA or A5SA or T5SA or K5SA or W5SA), 1988-89
	5AH9 9JS1	1			Charcoal, (T5SA), 1990
	5502 1329	1			Sand, (K5YY or T5YY), 1989
	5AH9 9JY6	1			Sand, (T5YY), 1990
	5501 6386	1			Tan, (BFE or DFE), 1988 Buffalo Vinyl
	5500 9681	1			Black, (1EF), 1987
	5500 9682	1			Honey, (9EF), 1987

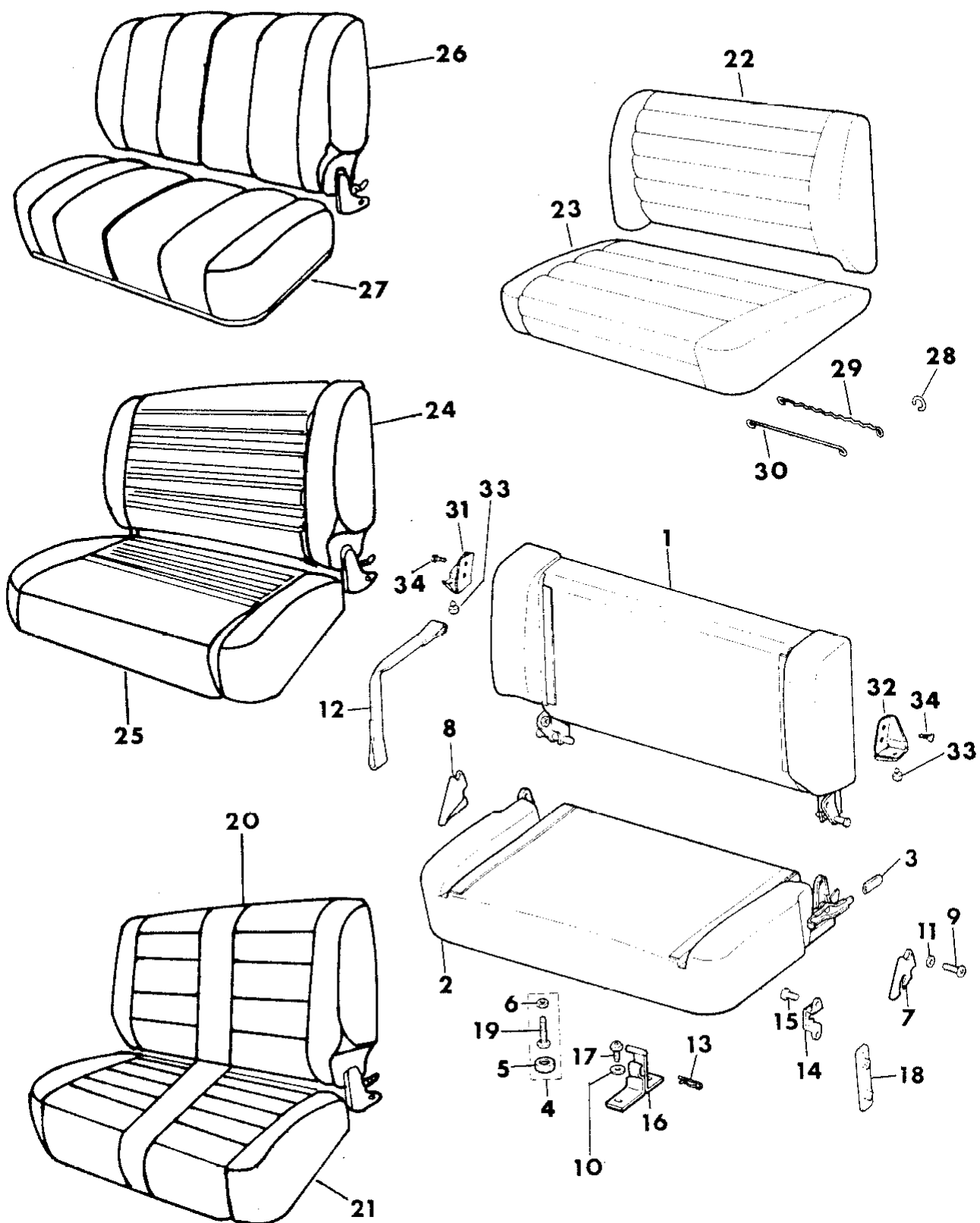
**MODEL CODES:**

15 = Grand Wagoneer 4 Dr.	65 = Comanche 4WD-7 Ft. Box	77 = Cherokee 4WD-2 Dr.
25 = J-10 Pickup-119" W.B.	66 = Comanche 2WD-7 Ft. Box	78 = Cherokee 4WD-4 Dr.
26 = J-10 Pickup-131" W.B.	73 = Cherokee 2WD-2 Dr.	79 = Cherokee 4WD-4 Dr.-Com
27 = J-20 Pickup-131" W.B.	74 = Cherokee 2WD-4 Dr.	81 = Wrangler-93" W.B.
63 = Comanche 4WD-6 Ft. Box	75 = Wagoneer 4WD-4 Dr.	82 = Wrangler-103" W.B.-Exp.
64 = Comanche 2WD-6 Ft. Box		

**BODY STYLES:**

MJ = Comanche Pickup  
 SJ = Grand Wagoneer Wgn., J-10 & J-20 Pickups  
 XJ = Cherokee, Wagoneer Limited  
 YJ = Wrangler

AR = Use as Required - = Non Illustrated Part P.A.R. = Paint as Required



**COVERS, AND FRAME WITH PAD REAR SEAT WRANGLER, YJ**  
**Figure 27-700**

8J27700

ITEM	PART NUMBER	QTY	BODY	MODEL	DESCRIPTION
26					COVER, Back
	5501 9288	1			Sahara, Trail Cloth Khaki, Tan, (BFF), 1988
	5502 1757	1			Khaki, Sand, (C5YY or S5YY or X5YY), 1989
	5AJ0 4JJ5	1			Khaki, (C5YY), 1990
27					COVER, Cushion
	5501 9286	1			Sahara, Trail Cloth Khaki, Tan, (BFF), 1988
	5502 1756	1			Khaki, Sand, (C5YY or S5YY or X5YY), 1989
	5AJ0 3JJ5	1			Khaki, (C5YY), 1990
28	J436 3256	AR			RING
29	J362 1468	2			WIRE
30	J096 9187	4			WIRE
31	5500 9424	1			BRACKET, Seat Back, (ECE)
32	5500 9425	1			BRACKET, (ECE)
33	J323 4895	2			BUMPER, (ECE)
34	J018 0016	4			BOLT, (ECE)

(ECE) = Emission Controlled European Tag affixed to the Face of its Pulley. A Second Tag will show the name of the Vendor (OGURA).

---



---



---



---



---



---



---

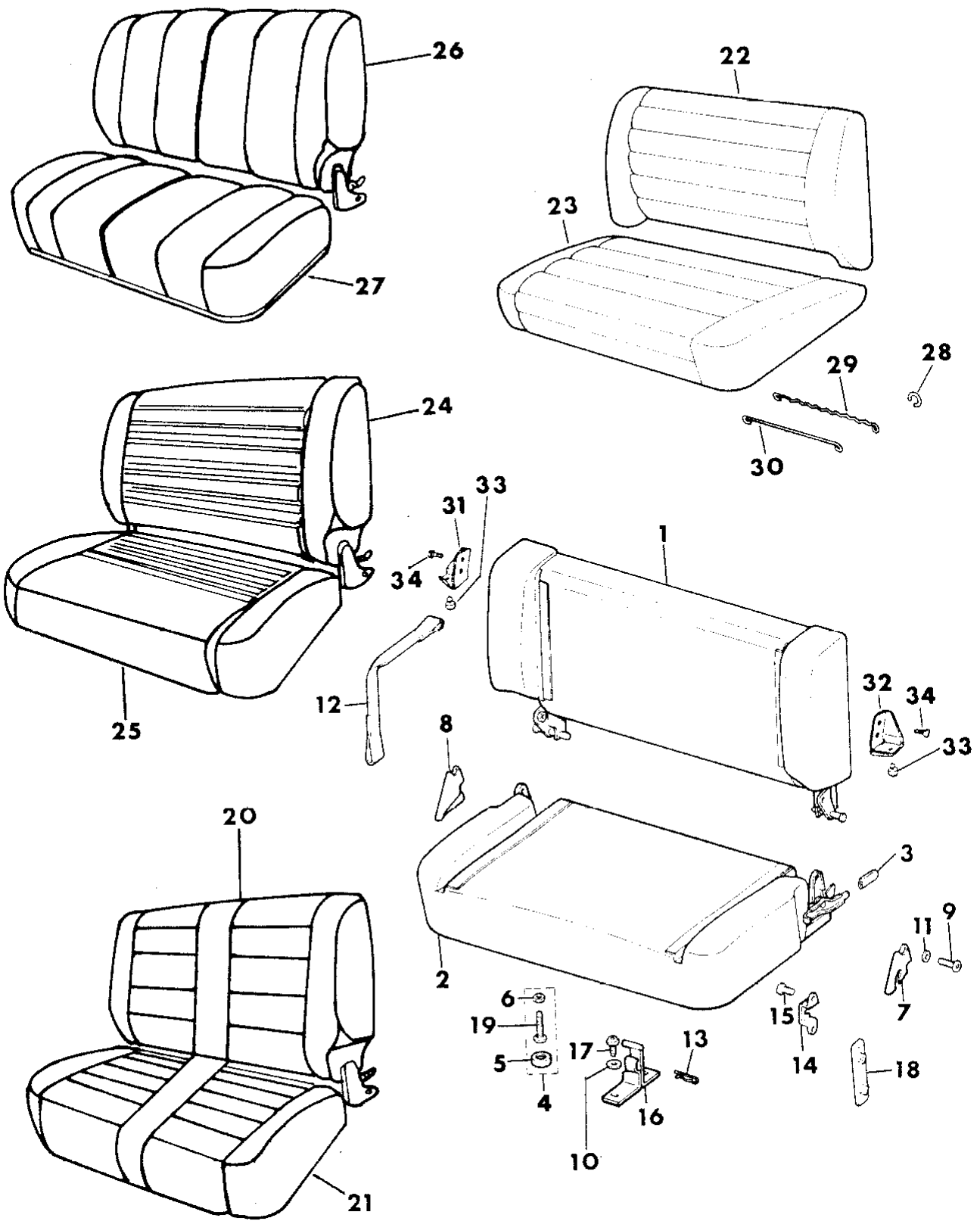


---

- MODEL CODES:
- |                             |                             |                              |
|-----------------------------|-----------------------------|------------------------------|
| 15 = Grand Wagoneer 4 Dr.   | 65 = Comanche 4WD-7 Ft. Box | 77 = Cherokee 4WD-2 Dr.      |
| 25 = J-10 Pickup-119" W.B.  | 66 = Comanche 2WD-7 Ft. Box | 78 = Cherokee 4WD-4 Dr.      |
| 26 = J-10 Pickup-131" W.B.  | 73 = Cherokee 2WD-2 Dr.     | 79 = Cherokee 4WD-4 Dr.-Com  |
| 27 = J-20 Pickup-131" W.B.  | 74 = Cherokee 2WD-4 Dr.     | 81 = Wrangler-93" W.B.       |
| 63 = Comanche 4WD-6 Ft. Box | 75 = Wagoneer 4WD-4 Dr.     | 82 = Wrangler-103" W.B.-Exp. |
| 64 = Comanche 2WD-6 Ft. Box |                             |                              |

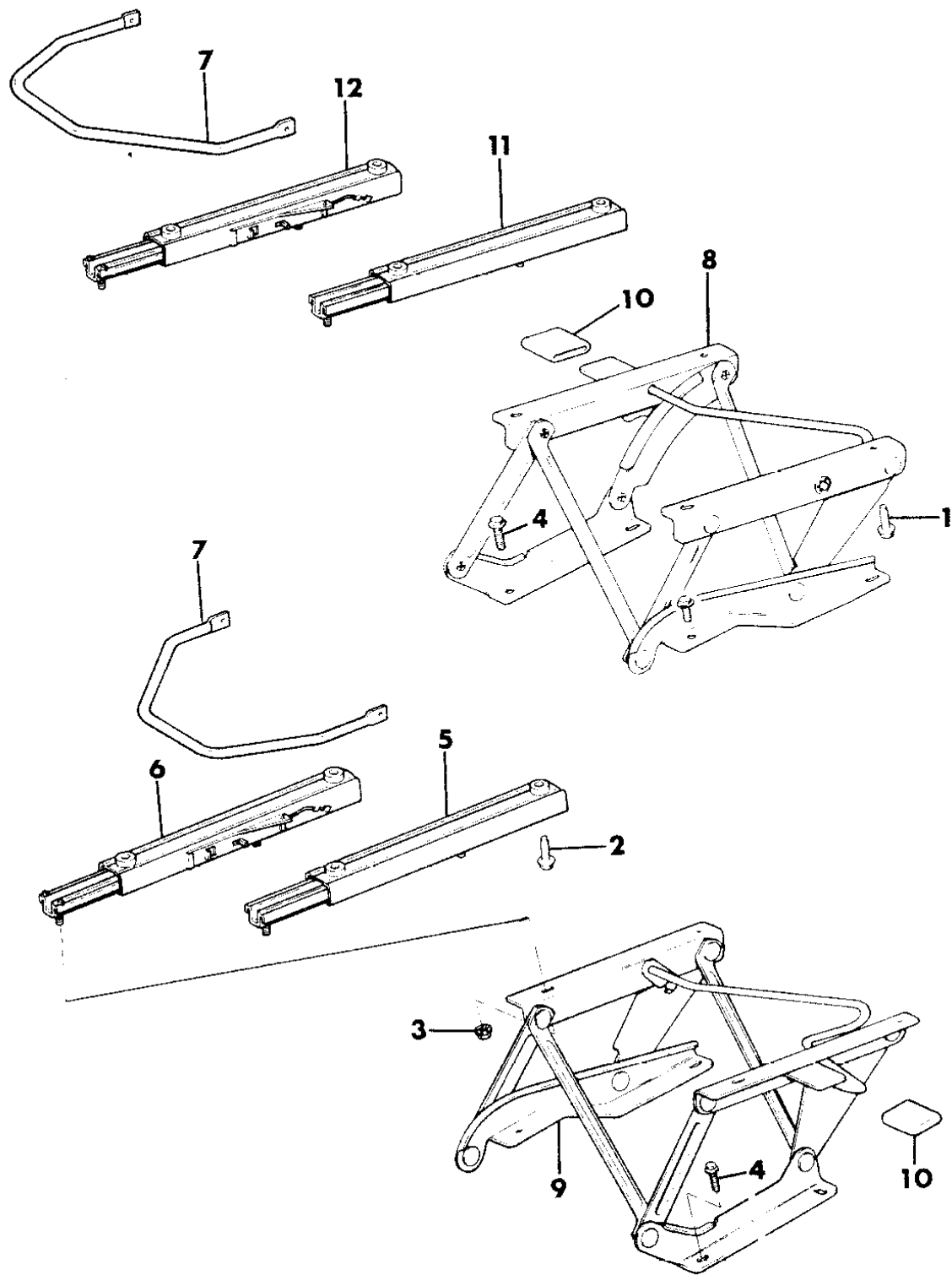
- BODY STYLES:
- MJ = Comanche Pickup
  - SJ = Grand Wagoneer Wgn., J-10 & J-20 Pickups
  - XJ = Cherokee, Wagoneer Limited
  - YJ = Wrangler

AR = Use as Required - = Non Illustrated Part P.A.R. = Paint as Required



TRACKS FRONT SEAT WRANGLER, YJ  
Figure 27-800

8J27 800



ITEM	PART NUMBER	QTY	BODY	MODEL	DESCRIPTION
1	J400 4455	4			SCREW
2	J400 4926	8			SCREW
3	J812 2425	8			NUT, Hex
4	J545 0077	8			BOLT, w/Washer
5	5501 1021	1			TRACK, Seat
6	5501 1020	1			TRACK, Seat
7	5501 1047	2			HANDLE, Adjusting
8	5500 9416	1			SUPPORT, Cushion, Right 1987
	5501 9234	1			1988-90
9	5502 7117	1			SUPPORT, Cushion, Left
10	J545 8945	2			PROTECTOR
11	5501 9237	1			TRACK, Seat
12	5501 9236	1			TRACK, Seat

MODEL CODES:

15 = Grand Wagoneer 4 Dr.	65 = Comanche 4WD-7 Ft. Box	77 = Cherokee 4WD-2 Dr.
25 = J-10 Pickup-119" W.B.	66 = Comanche 2WD-7 Ft. Box	78 = Cherokee 4WD-4 Dr.
26 = J-10 Pickup-131" W.B.	73 = Cherokee 2WD-2 Dr.	79 = Cherokee 4WD-4 Dr.-Com
27 = J-20 Pickup-131" W.B.	74 = Cherokee 2WD-4 Dr.	81 = Wrangler-93" W.B.
63 = Comanche 4WD-6 Ft. Box	75 = Wagoneer 4WD-4 Dr.	82 = Wrangler-103" W.B.-Exp.
64 = Comanche 2WD-6 Ft. Box		

BODY STYLES:

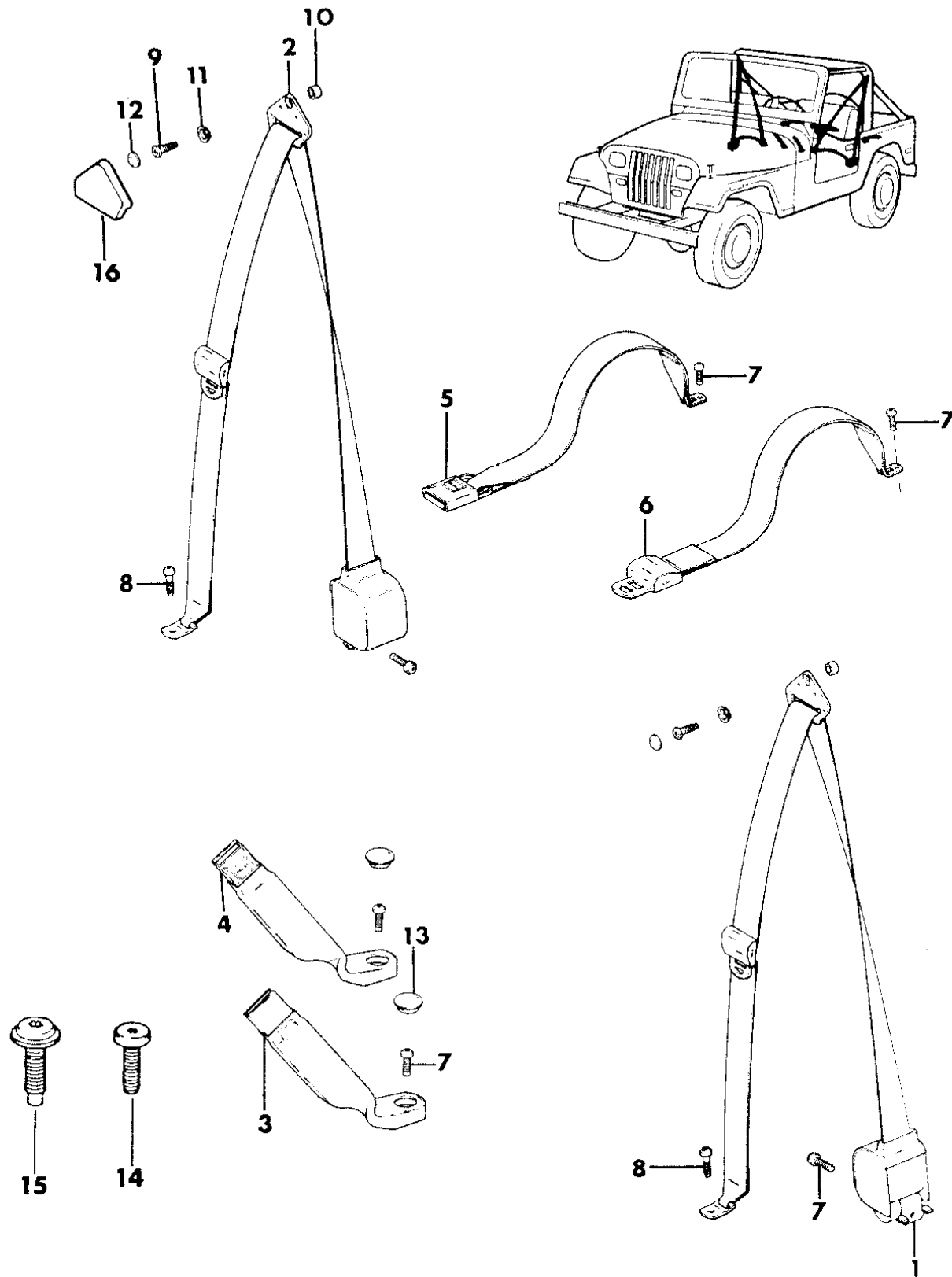
MJ = Comanche Pickup  
 SJ = Grand Wagoneer Wgn., J-10 & J-20 Pickups  
 XJ = Cherokee, Wagoneer Limited  
 YJ = Wrangler

AR = Use as Required - = Non Illustrated Part P.A.R. = Paint as Required

SEAT BELTS WRANGLER, YJ  
Figure 27-900

8J27900

ITEM	PART NUMBER	QTY	BODY	MODEL	DESCRIPTION
1	5501 4487	1			SEATBELT ***
	J576 2157	1			SEATBELT, (ECE) ***
2	5501 4486	1			SEATBELT ***
	J576 2158	1			SEATBELT, (ECE) ***
3	5501 5419	1			SEATBELT ***
	J576 0073	1			SEATBELT, (ECE) ***
4	5501 5418	1			SEATBELT ***
	J576 0072	1			SEATBELT, (ECE) ***
5	5501 3092	2			SEATBELT ***
	5502 2170	2			SEATBELT, (ECE) ***
6	5501 3094	2			SEATBELT ***
	5502 2168	2			SEATBELT, (ECE) ***
7	J400 6832	10			BOLT, 1.38" Long ***
8	J400 5506	2			BOLT, 1.45" Long ***
9	J400 7124	2			BOLT, 1.95" Long ***
10	J400 7209	2			SPACER
11	J400 7264	2			WASHER
12	J400 7263	2			CAP
13					PLUG
	J400 7262	2			1987-89
	5502 6552	2			1990
14	J400 5603	4			SCREW, 1.00" Long, w/o Folding Rear Seat
15					SCREW, w/o Folding Rear Seat
	J400 6194	4			1987-89, 1.25" Long
	J400 7073	4			1990 (3x8-16x1.25")
16	J575 6587	2			COVER, Web Guide, (ECE)
					NOTE: (ECE) = Emission Controlled European ***



MODEL CODES:

15 = Grand Wagoneer 4 Dr.	65 = Comanche 4WD-7 Ft. Box	77 = Cherokee 4WD-2 Dr.
25 = J-10 Pickup-119" W.B.	66 = Comanche 2WD-7 Ft. Box	78 = Cherokee 4WD-4 Dr.
26 = J-10 Pickup-131" W.B.	73 = Cherokee 2WD-2 Dr.	79 = Cherokee 4WD-4 Dr.-Com
27 = J-20 Pickup-131" W.B.	74 = Cherokee 2WD-4 Dr.	81 = Wrangler-93" W.B.
63 = Comanche 4WD-6 Ft. Box	75 = Wagoneer 4WD-4 Dr.	82 = Wrangler-103" W.B.-Exp.
64 = Comanche 2WD-6 Ft. Box		

BODY STYLES:

MJ = Comanche Pickup  
 SJ = Grand Wagoneer Wgn., J-10 & J-20 Pickups  
 XJ = Cherokee, Wagoneer Limited  
 YJ = Wrangler

AR = Use as Required - = Non Illustrated Part P.A.R. = Paint as Required

---

**GROUP 43 - CHEROKEE, WAGONEER, COMANCHE**

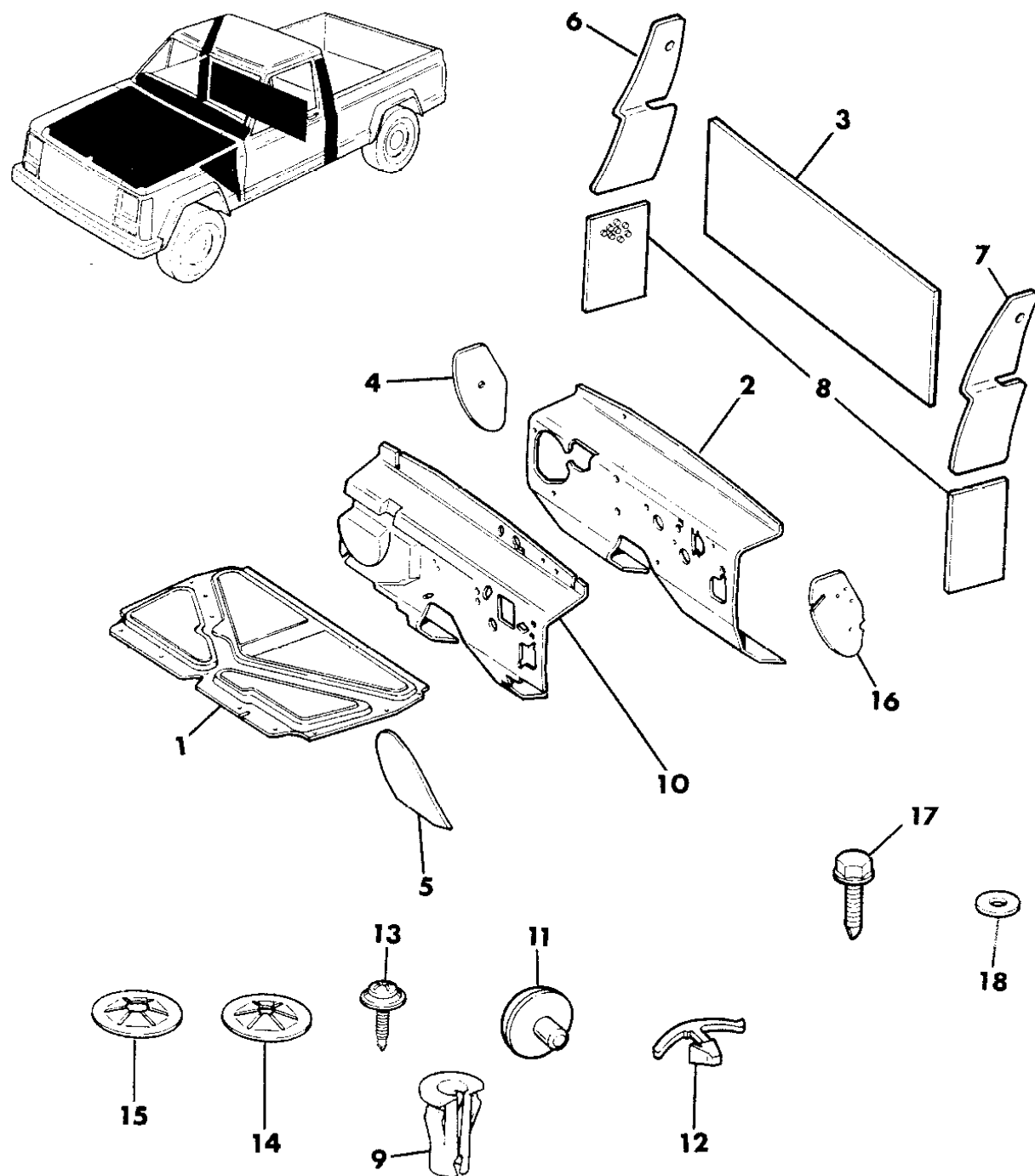
<b>ILLUSTRATION TITLE</b>	<b>GROUP-FIG. NO.</b>
INSULATION CHEROKEE, WAGONEER, COMANCHE .....	Fig. 43-100
HEADLINING AND UPPER TRIM MOULDINGS COMANCHE .....	Fig. 43-200
HEADLINING AND UPPER TRIM MOULDINGS CHEROKEE, WAGONEER .....	Fig. 43-300
SUNVISORS AND VANITY MIRRORS CHEROKEE, WAGONEER, COMANCHE, 1987-89 .....	Fig. 43-400
SUNVISORS AND VANITY MIRRORS CHEROKEE, WAGONEER, COMANCHE, 1990 .....	Fig. 43-450
PANELS, INTERIOR TRIM, FRONT 2 DOOR WAGON CHEROKEE .....	Fig. 43-500
PANELS, INTERIOR TRIM, REAR 2 DOOR WAGON CHEROKEE .....	Fig. 43-600
PANELS, INTERIOR TRIM COMANCHE .....	Fig. 43-700
PANELS, INTERIOR TRIM, FRONT 4 DOOR WAGON CHEROKEE, WAGONEER .....	Fig. 43-800
PANELS, INTERIOR TRIM, REAR 4 DOOR WAGON CHEROKEE, WAGONEER .....	Fig. 43-900
CARPETS AND MATS CHEROKEE, WAGONEER, COMANCHE .....	Fig. 43-1000
PANELS, DOOR TRIM WAGONEER .....	Fig. 43-1100
INTERIOR DOOR TRIM PARTS CHEROKEE, WAGONEER .....	Fig. 43-1200
PANELS, DOOR TRIM 2 DOOR WAGON CHEROKEE .....	Fig. 43-1300
PANELS, DOOR TRIM 4 DOOR WAGON CHEROKEE .....	Fig. 43-1400
PANELS, DOOR TRIM COMANCHE .....	Fig. 43-1500
INTERIOR DOOR TRIM PARTS COMANCHE .....	Fig. 43-1600
FRAME AND PAD 2 DOOR WAGON AND TRUCK CHEROKEE, COMANCHE .....	Fig. 43-1700
FRAME AND PAD 4 DOOR WAGON CHEROKEE, WAGONEER .....	Fig. 43-1800
FRAME, PAD, AND COVER BENCH SEAT COMANCHE .....	Fig. 43-1900
FRAME AND PAD REAR SEAT CHEROKEE AND WAGONEER .....	Fig. 43-2000
COVERS, SEAT UPHOLSTERY VINYL CHEROKEE 2 DOOR .....	Fig. 43-2100
COVERS, SEAT UPHOLSTERY CLOTH OR LEATHER CHEROKEE 2 DOOR .....	Fig. 43-2200
COVERS, SEAT UPHOLSTERY LEATHER OR CLOTH WAGONEER .....	Fig. 43-2300
COVERS, SEAT UPHOLSTERY CLOTH AND LEATHER CHEROKEE 4 DOOR .....	Fig. 43-2400
COVERS, SEAT UPHOLSTERY VINYL CHEROKEE 4 DOOR .....	Fig. 43-2500
COVERS, SEAT UPHOLSTERY BUCKET SEATS COMANCHE .....	Fig. 43-2600
TRACKS, LESS POWER SEATS BUCKET SEAT CHEROKEE .....	Fig. 43-2700
TRACKS, WITH POWER SEATS BUCKET SEAT CHEROKEE, WAGONEER .....	Fig. 43-2800
TRACKS, SEAT COMANCHE .....	Fig. 43-2900
SEATBELTS, FRONT SEAT 2 DOOR WAGON CHEROKEE .....	Fig. 43-3000
SEATBELTS, FRONT SEAT 4 DOOR WAGON CHEROKEE, WAGONEER .....	Fig. 43-3100
SEATBELTS COMANCHE .....	Fig. 43-3200
SEATBELTS, REAR SEAT, 1987-89 CHEROKEE, WAGONEER .....	Fig. 43-3300
SEATBELTS, REAR SEAT, 1990 CHEROKEE, WAGONEER .....	Fig. 43-3325
COVER, CARGO, TYPE 1 CHEROKEE, WAGONEER, 1987-88 .....	Fig. 43-3400
COVER, CARGO, TYPE 2 CHEROKEE, WAGONEER, 1988-90 .....	Fig. 43-3500

**ILLUSTRATION NOT AVAILABLE AT TIME OF PUBLICATION**

---

**INSULATION CHEROKEE, WAGONEER, COMANCHE**  
**Figure 43-100**

8J43 100



ITEM	PART NUMBER	QTY	BODY	MODEL	DESCRIPTION
1	5501 4347	1			INSULATION, Hood
2	5500 9692	1			INSULATION, Dash Diesel Engine, 1987
	5501 9376	1			Diesel Engine, 1988-90
	5500 9584	1			Gasoline Engine, 1987
	5501 9386	1			Gasoline Engine, 1988-90 (Note Item 2 Insulation is The Inner and Item 10 is the Outer
3	5500 8106	1	MJ		INSULATION, Back Panel, optional
4	5500 2684	1			INSULATION, Cowl
5	5500 4230	1			INSULATION, Toe Board
6-7	5501 0852-3	1	MJ		INSULATION, Quarter Panel, optional
8	5500 8104	2	MJ		INSULATION, Quarter Panel, optional
9	3420 1782	4			CLIP
10	5501 4756	1			INSULATION, Dash
11	J308 1054	AR			CLIP
12	J400 5513	13			RETAINER, Hood Insulation 1987-89
	6003 351	13			1990
13	J400 3095	2			SCREW
14	J400 5955	4			NUT, Push, .25" I.D. ***
15	J400 0235	2			NUT, Push, .38" I.D. ***
16	5500 2685	1			INSULATION, Cowl
17	1150 0100	4			BOLT
18	1150 0323	4			WASHER

MODEL CODES:  
 15 = Grand Wagoneer 4 Dr.      65 = Comanche 4WD-7 Ft. Box      77 = Cherokee 4WD-2 Dr.  
 25 = J-10 Pickup-119" W.B.      66 = Comanche 2WD-7 Ft. Box      78 = Cherokee 4WD-4 Dr.  
 26 = J-10 Pickup-131" W.B.      73 = Cherokee 2WD-2 Dr.      79 = Cherokee 4WD-4 Dr.-Com  
 27 = J-20 Pickup-131" W.B.      74 = Cherokee 2WD-4 Dr.      81 = Wrangler-93" W.B.  
 63 = Comanche 4WD-6 Ft. Box      75 = Wagoneer 4WD-4 Dr.      82 = Wrangler-103" W.B.-Exp.  
 64 = Comanche 2WD-6 Ft. Box

BODY STYLES:  
 MJ = Comanche Pickup  
 SJ = Grand Wagoneer Wgn., J-10 & J-20 Pickups  
 XJ = Cherokee, Wagoneer Limited  
 YJ = Wrangler

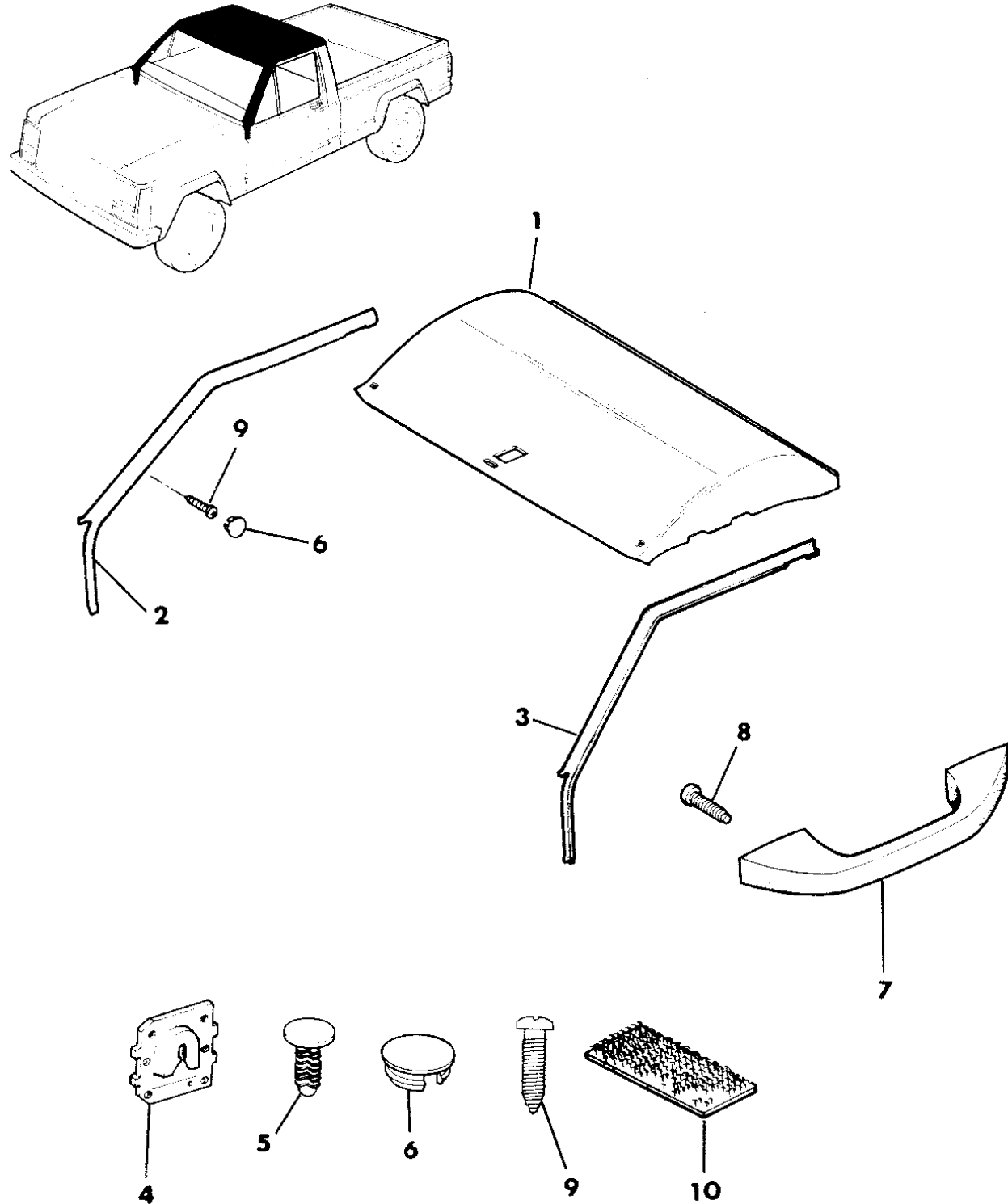
AR = Use as Required - = Non Illustrated Part P.A.R. = Paint as Required



# HEADLINING AND UPPER TRIM MOULDINGS COMANCHE

Figure 43-200

8J43 200



ITEM	PART NUMBER	QTY	BODY	MODEL	DESCRIPTION
1					HEADLINING
					1987-89
	5500 6347	1			Black, 1987
	5501 8133	1			Charcoal, 1988-89
	5501 1682	1			Cordovan, 1987-89
	5500 6346	1			Medium Blue, 1987
	5501 8132	1			Navy, 1988-89
	5501 1683	1			Tan, 1988
	5502 0744	1			Sand, 1989
					1990
	5BA0 2JS1	1			Charcoal
	5BA0 2JH9	1			Cordovan
	5BA0 2JY1	1			Sand
2					MOULDING, Garnish, (MR), P.A.R.
	5500 7188	1			1987-89
	5AD6 8JY1	1			1990
3					MOULDING, Garnish, (MR), P.A.R.
	5500 7181	1			1987-89
	5AD2 5JY1	1			1990
4	3420 1299	2			CLIP, Retaining
5	3420 1545	2			CLIP
6					PLUG
	3420 1485	4			1987, P.A.R.
	3420 2160	4			1988-89, P.A.R.
					1990
	AW91 HS1	4			Charcoal
	AW91 HH9	4			Cordovan
	AW91 HY1	4			Sand
7					HANDLE, Assist
					1987-89
	5501 0763	1			Black, 1987-88
	5501 7855	1			Charcoal, 1988-89
	5501 1622	1			Cordovan, 1987-89
	5501 0762	1			Medium Blue, 1987
	5501 7854	1			Navy, 1988-89
	5501 1623	1			Tan, 1987-88
	5502 0643	1			Sand, 1989

**MODEL CODES:**

15 = Grand Wagoneer 4 Dr.	65 = Comanche 4WD-7 Ft. Box	77 = Cherokee 4WD-2 Dr.
25 = J-10 Pickup-119" W.B.	66 = Comanche 2WD-7 Ft. Box	78 = Cherokee 4WD-4 Dr.
26 = J-10 Pickup-131" W.B.	73 = Cherokee 2WD-2 Dr.	79 = Cherokee 4WD-4 Dr.-Com
27 = J-20 Pickup-131" W.B.	74 = Cherokee 2WD-4 Dr.	81 = Wrangler-93" W.B.
63 = Comanche 4WD-6 Ft. Box	75 = Wagoneer 4WD-4 Dr.	82 = Wrangler-103" W.B.-Exp.
64 = Comanche 2WD-6 Ft. Box		

**BODY STYLES:**

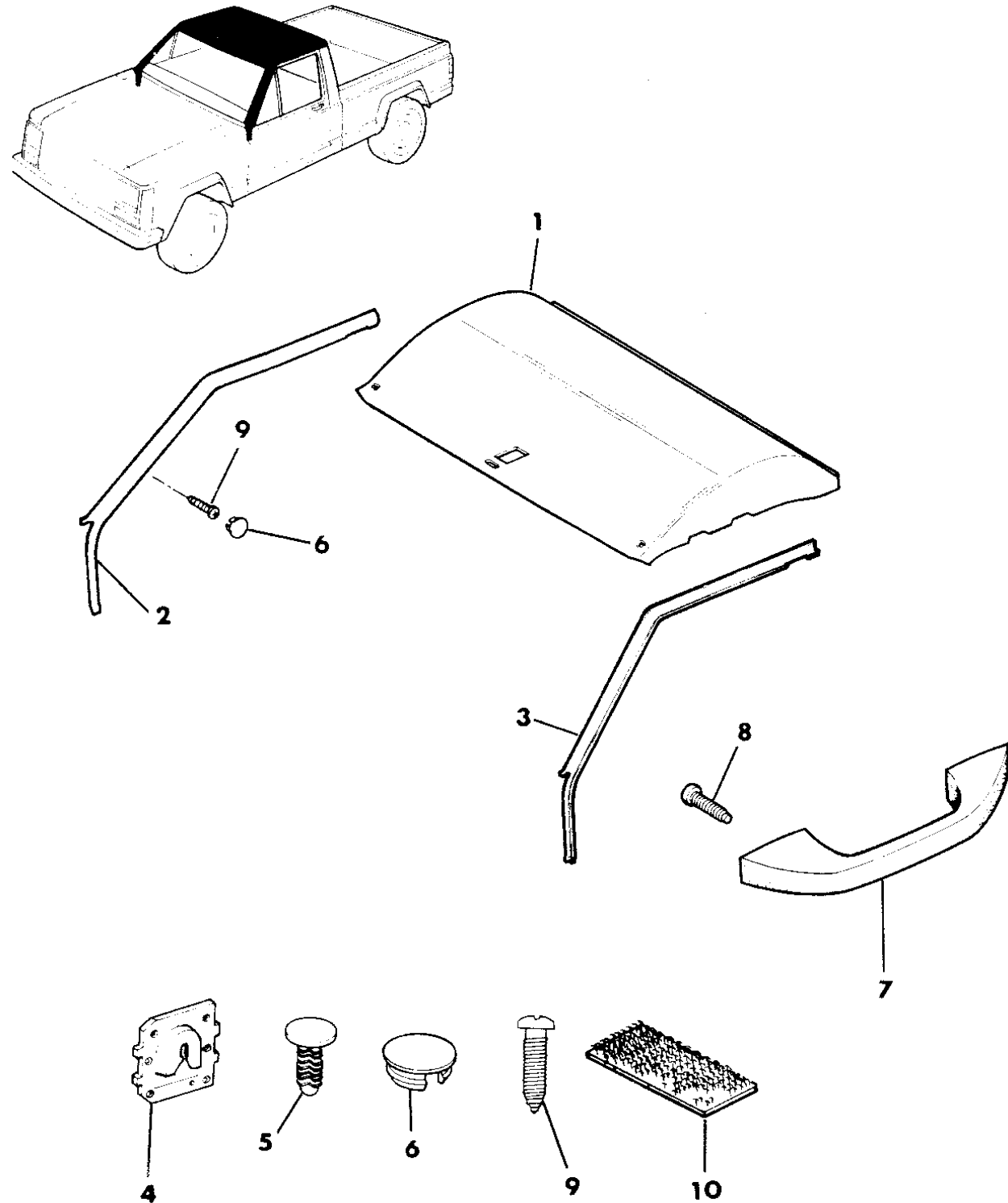
MJ = Comanche Pickup  
 SJ = Grand Wagoneer Wgn., J-10 & J-20 Pickups  
 XJ = Cherokee, Wagoneer Limited  
 YJ = Wrangler

AR = Use as Required - = Non Illustrated Part P.A.R. = Paint as Required

# HEADLINING AND UPPER TRIM MOULDINGS COMANCHE

## Figure 43-200

8J43 200



ITEM	PART NUMBER	QTY	BODY	MODEL	DESCRIPTION
					1990
	5AD9 OJS1	1			Charcoal
	5AD9 OJH9	1			Cordovan
	5AD9 OJY1	1			Sand
8	3420 2189	2			SCREW
9					SCREW
	1150 0055	4			1987-89
	J400 2465	4			1990
10	5500 6362	2			FASTENER, Velcro Hook

NOTE: (MR) = Modification required

**MODEL CODES:**

15 = Grand Wagoneer 4 Dr.	65 = Comanche 4WD-7 Ft. Box	77 = Cherokee 4WD-2 Dr.
25 = J-10 Pickup-119" W.B.	66 = Comanche 2WD-7 Ft. Box	78 = Cherokee 4WD-4 Dr.
26 = J-10 Pickup-131" W.B.	73 = Cherokee 2WD-2 Dr.	79 = Cherokee 4WD-4 Dr.-Com
27 = J-20 Pickup-131" W.B.	74 = Cherokee 2WD-4 Dr.	81 = Wrangler-93" W.B.
63 = Comanche 4WD-6 Ft. Box	75 = Wagoneer 4WD-4 Dr.	82 = Wrangler-103" W.B.-Exp.
64 = Comanche 2WD-6 Ft. Box		

**BODY STYLES:**

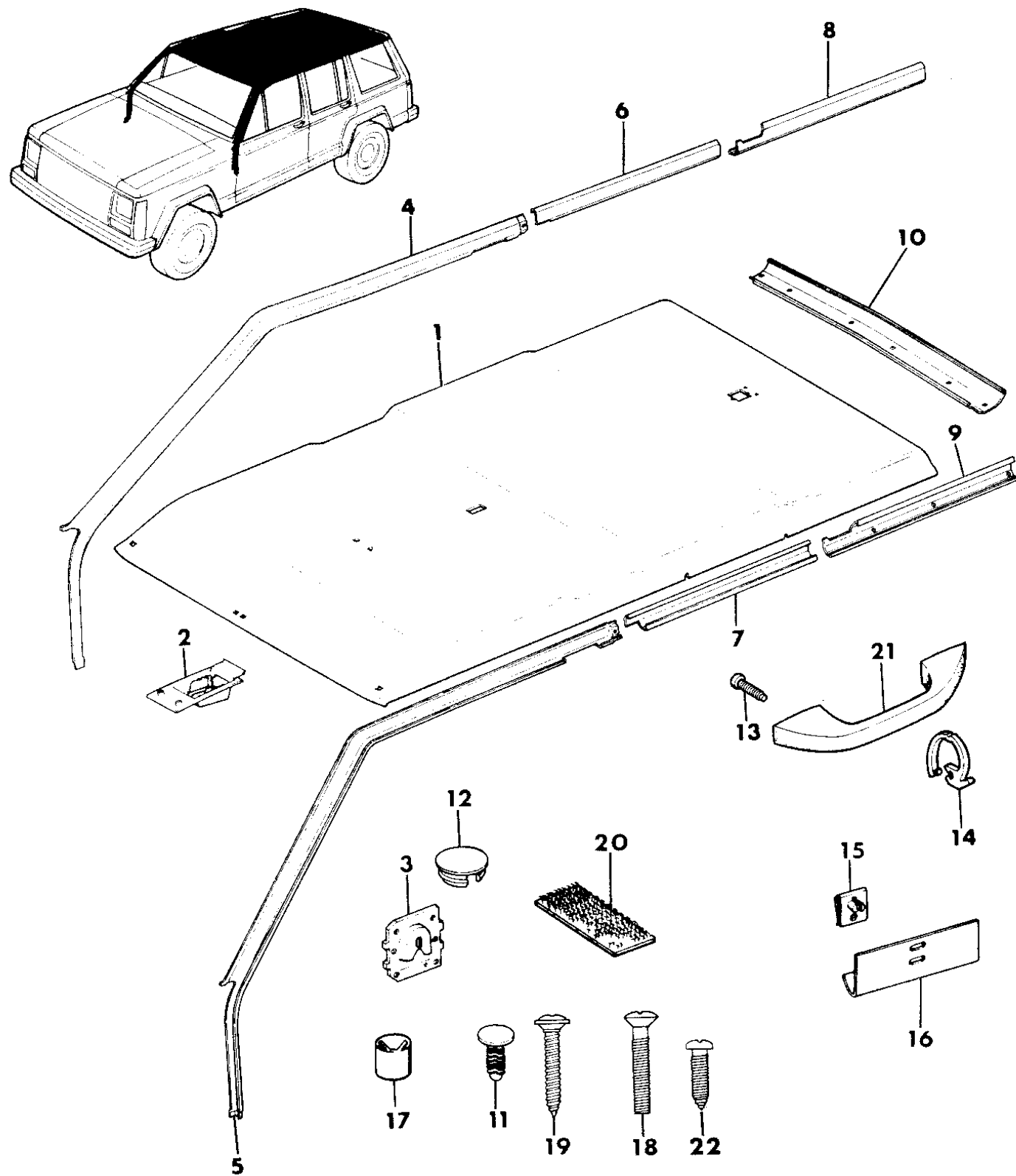
MJ = Comanche Pickup  
 SJ = Grand Wagoneer Wgn., J-10 & J-20 Pickups  
 XJ = Cherokee, Wagoneer Limited  
 YJ = Wrangler

AR = Use as Required - = Non Illustrated Part P.A.R. = Paint as Required

# HEADLINING AND UPPER TRIM MOULDINGS CHEROKEE, WAGONEER

Figure 43-300

8J43 300



ITEM	PART NUMBER	QTY	BODY	MODEL	DESCRIPTION
1					HEADLINING
					1987-89
	5500 9277	1			Black, 1987
	5501 8129	1			Charcoal, 1987-89
	5501 1628	1			Cordovan, 1987-89
	5500 9276	1			Medium Blue, 1987
	5501 8128	1			Navy, 1988-89
	5501 1629	1			Tan, 1987-88
	5502 0742	1			Sand, 1989
					1990, w/o Sun Roof
	5BA0 0JS1	1			Charcoal
	5BA0 0JH9	1			Cordovan
	5BA0 0JY1	1			Sand
	4626 225	1			Cordovan, EUROPE, Commercial Package
					1990 w/Sun Roof
	5CJ0 8JS1	1			Charcoal
	5CJ0 8JH9	1			Cordovan
	5CJ0 8JY1	1			Sand
2					HOUSING, Keyless Entry, P.A.R.
	5500 6762	1			1987-89
	5BE8 4JY1	1			1990
3	3420 1299	AR			CLIP, Retaining
4					MOULDING, Garnish
					1987-89
	5500 7188	1			4 Door, P.A.R.
	5500 7196	1			2 Door, P.A.R.
					1990
	5AD6 8JY1	1			4 Door, P.A.R.
	5AD7 2JY1	1			2 Door, P.A.R.
5					MOULDING, Garnish
					1987-89
	5500 7181	1			4 Door, P.A.R.
	5500 7197	1			2 Door, P.A.R.
					1990
	5AD2 5JY1	1			4 Door, P.A.R.
	5AD7 3JY1	1			2 Door, P.A.R.
6-7	5500 7164-5	1			MOULDING, Headlining, 4 Door, P.A.R.

**MODEL CODES:**

15 = Grand Wagoneer 4 Dr.	65 = Comanche 4WD-7 Ft. Box	77 = Cherokee 4WD-2 Dr.
25 = J-10 Pickup-119" W.B.	66 = Comanche 2WD-7 Ft. Box	78 = Cherokee 4WD-4 Dr.
26 = J-10 Pickup-131" W.B.	73 = Cherokee 2WD-2 Dr.	79 = Cherokee 4WD-4 Dr.-Com
27 = J-20 Pickup-131" W.B.	74 = Cherokee 2WD-4 Dr.	81 = Wrangler-93" W.B.
63 = Comanche 4WD-6 Ft. Box	75 = Wagoneer 4WD-4 Dr.	82 = Wrangler-103" W.B.-Exp.
64 = Comanche 2WD-6 Ft. Box		

**BODY STYLES:**

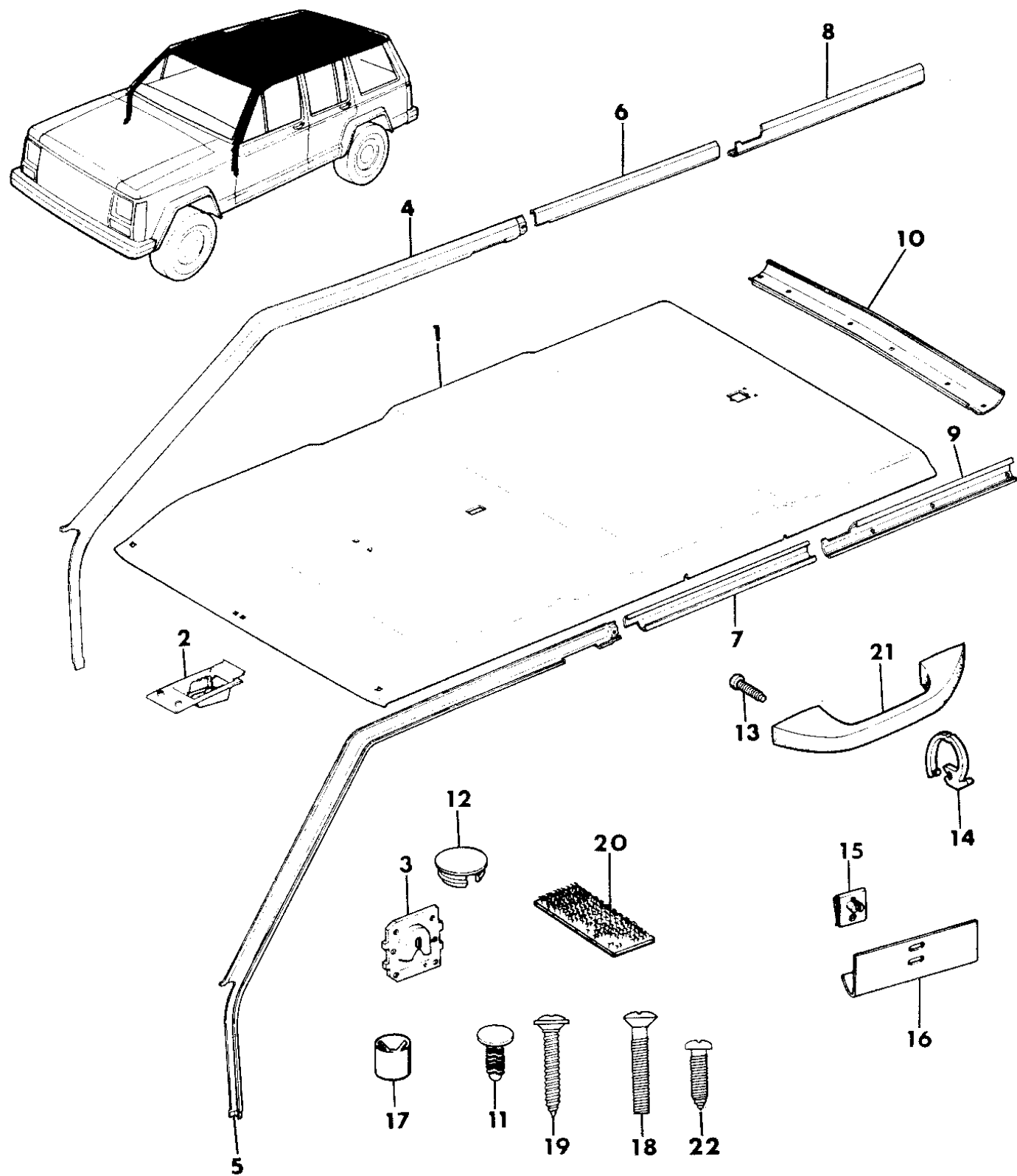
MJ = Comanche Pickup  
 SJ = Grand Wagoneer Wgn., J-10 & J-20 Pickups  
 XJ = Cherokee, Wagoneer Limited  
 YJ = Wrangler

AR = Use as Required - = Non Illustrated Part P.A.R. = Paint as Required

# HEADLINING AND UPPER TRIM MOULDINGS CHEROKEE, WAGONEER

## Figure 43-300

8J43 300



ITEM	PART NUMBER	QTY	BODY	MODEL	DESCRIPTION
8-9					MOULDING, Headlining
	5500 0446-7	1			4 Door, P.A.R.
	5500 7162-3	1			2 Door, P.A.R.
10	5500 2886	1			MOULDING, Lift Door, P.A.R.
11	3420 1545	6			CLIP
12					PLUG
	3420 2160	4			1987-89, P.A.R. 1990
	AW91 HS1	4			Charcoal
	AW91 HH9	4			Cordovan
	AW91 HY1	4			Sand
13	3420 2189	6			SCREW
14					HOOK, Coat
					1987-89
	5501 0765	2			Black, 1987
	5501 7861	2			Charcoal, 1988-89
	5501 1702	2			Cordovan, 1987-89
	5501 0764	2			Medium Blue, 1987
	5501 7860	2			Navy, 1988-89
	5501 1703	2			Tan, 1987-88
	5502 0646	2			Sand, 1989
					1990
	5AD9 1JS1	2			Charcoal
	5AD9 1JH9	2			Cordovan
	5AD9 1JY1	2			Sand
15	J400 0322	6			CLIP
16	J368 1225	6			RETAINER
17	5500 2520	6			SPACER
18	1150 1150	10			SCREW, w/7mm head
19					SCREW, w/9mm head
	3420 1413	6			1987-89
	J400 6563	6			1990
20	5500 6362	2			FASTENER, Velcro Hook
21					HANDLE, Assist
					1987-89
	5501 0763	3			Black, 1987
	5501 7855	3			Charcoal, 1988-89

**MODEL CODES:**

15 = Grand Wagoneer 4 Dr.	65 = Comanche 4WD-7 Ft. Box	77 = Cherokee 4WD-2 Dr.
25 = J-10 Pickup-119" W.B.	66 = Comanche 2WD-7 Ft. Box	78 = Cherokee 4WD-4 Dr.
26 = J-10 Pickup-131" W.B.	73 = Cherokee 2WD-2 Dr.	79 = Cherokee 4WD-4 Dr.-Com
27 = J-20 Pickup-131" W.B.	74 = Cherokee 2WD-4 Dr.	81 = Wrangler-93" W.B.
63 = Comanche 4WD-6 Ft. Box	75 = Wagoneer 4WD-4 Dr.	82 = Wrangler-103" W.B.-Exp.
64 = Comanche 2WD-6 Ft. Box		

**BODY STYLES:**

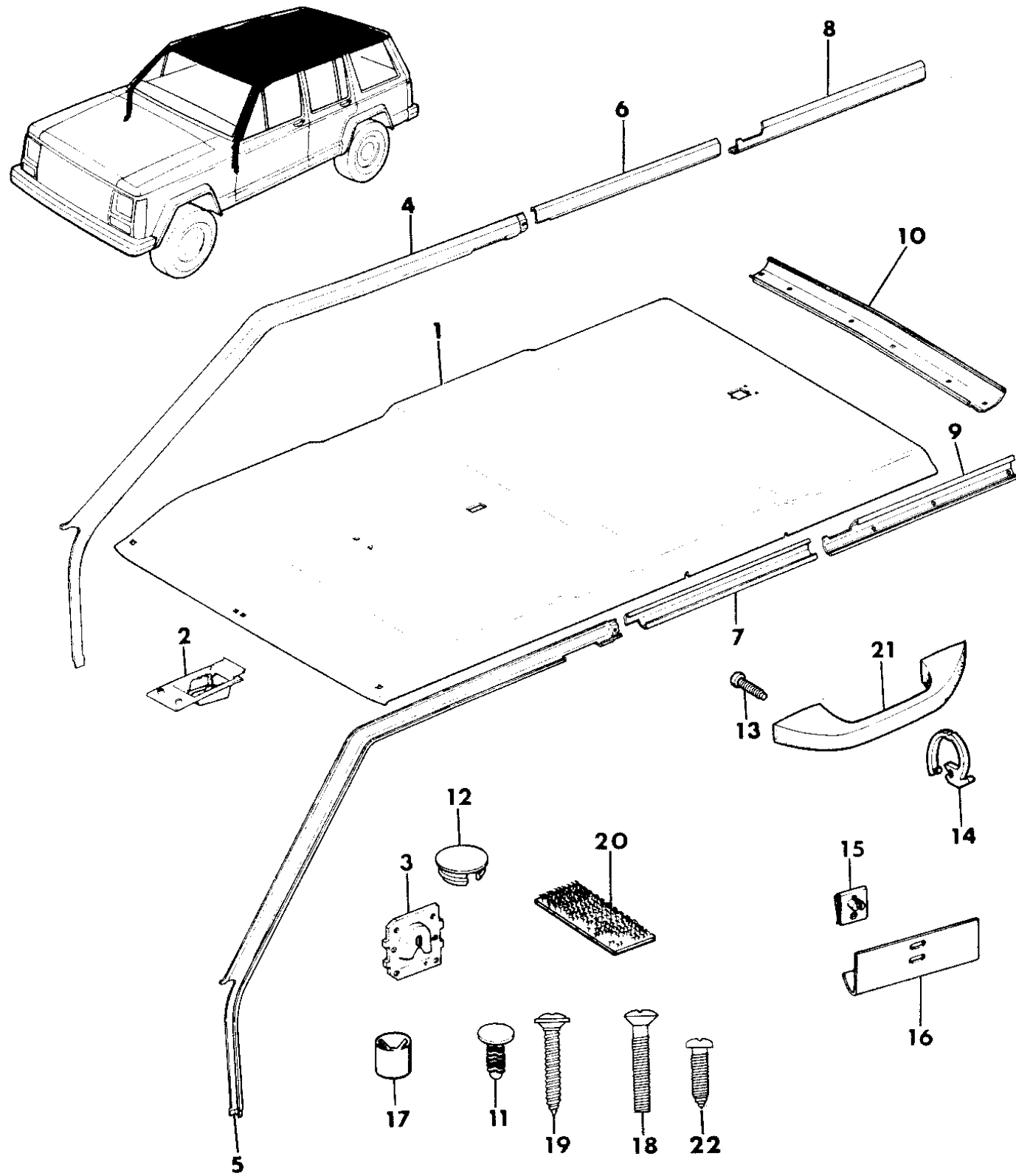
MJ = Comanche Pickup  
 SJ = Grand Wagoneer Wgn., J-10 & J-20 Pickups  
 XJ = Cherokee, Wagoneer Limited  
 YJ = Wrangler

AR = Use as Required - = Non Illustrated Part P.A.R. = Paint as Required

# HEADLINING AND UPPER TRIM MOULDINGS CHEROKEE, WAGONEER

Figure 43-300

8J43 300



ITEM	PART NUMBER	QTY	BODY	MODEL	DESCRIPTION
	5501 1622	3			Cordovan, 1987-89
	5501 0762	3			Medium Blue, 1987
	5501 7854	3			Navy, 1988-89
	5501 1623	3			Tan, 1987-88
	5502 0643	3			Sand, 1989
					1990
	5AD9 0JS1	3			Charcoal
	5AD9 0JH9	3			Cordovan
	5AD9 0JY1	3			Sand
22					SCREW
	1150 0055	4			1987-89
	J400 2465	4			1990

**MODEL CODES:**

15 = Grand Wagoneer 4 Dr.	65 = Comanche 4WD-7 Ft. Box	77 = Cherokee 4WD-2 Dr.
25 = J-10 Pickup-119" W.B.	66 = Comanche 2WD-7 Ft. Box	78 = Cherokee 4WD-4 Dr.
26 = J-10 Pickup-131" W.B.	73 = Cherokee 2WD-2 Dr.	79 = Cherokee 4WD-4 Dr.-Com
27 = J-20 Pickup-131" W.B.	74 = Cherokee 2WD-4 Dr.	81 = Wrangler-93" W.B.
63 = Comanche 4WD-6 Ft. Box	75 = Wagoneer 4WD-4 Dr.	82 = Wrangler-103" W.B.-Exp.
64 = Comanche 2WD-6 Ft. Box		

**BODY STYLES:**

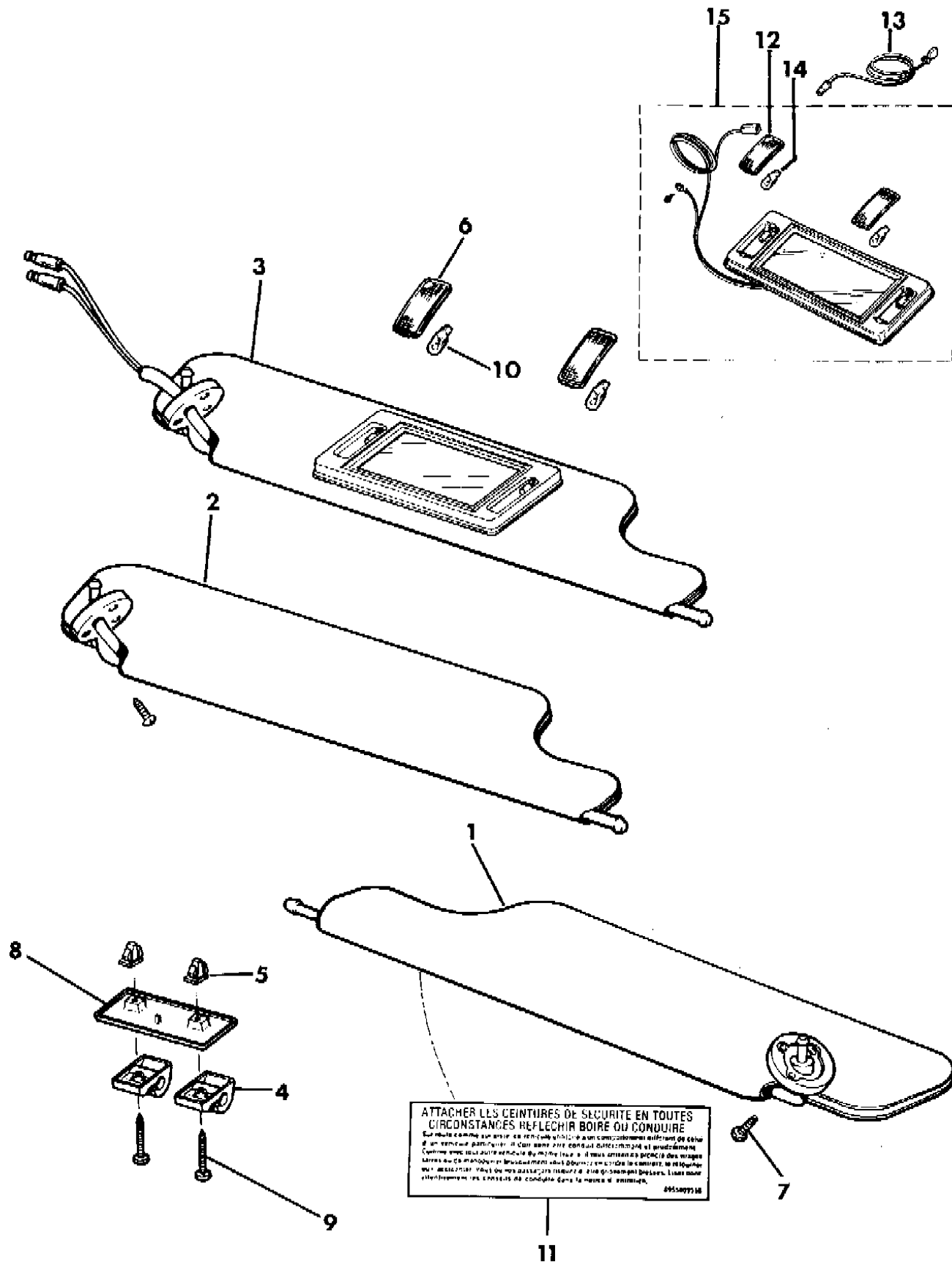
MJ = Comanche Pickup  
 SJ = Grand Wagoneer Wgn., J-10 & J-20 Pickups  
 XJ = Cherokee, Wagoneer Limited  
 YJ = Wrangler

AR = Use as Required - = Non Illustrated Part P.A.R. = Paint as Required

SUNVISORS AND VANITY MIRRORS CHEROKEE, WAGONEER, COMANCHE, 1987-89

Figure 43-400

8J43 400 A



ITEM	PART NUMBER	QTY	BODY	MODEL	DESCRIPTION
1					SUNVISOR, Left ***
					Charcoal
	5501 7841	1			1987
	5502 0385	1	XJ		U.S., Canada, 1988-89
	5502 0377	1	MJ		1988-89
	5502 0377	1	XJ		w/NRM, 1988-89
	5502 0409	1	XJ		w/ECE, 1988-89
					Cordovan
	5501 5217	1	XJ		U.S., Canada, 1987
	5501 1918	1	MJ		1987
	5501 1918	1	XJ		Export, 1987
	5502 0387	1	XJ		U.S., Canada, 1988-89
	5502 0379	1	MJ		1988-89
	5502 0379	1	XJ		w/NRM, 1988-89
	5502 0411	1	XJ		w/ECE, 1988-89
					Navy
	5502 0383	1	XJ		U.S., Canada, 1988-89
	5502 0375	1	MJ		1988-89
	5502 0375	1	XJ		w/NRM, 1988-89
	5502 0407	1	XJ		w/ECE, 1988-89
					Sand
	5502 0637	1	XJ		U.S., Canada, 1989
	5502 0633	1	MJ		1989
	5502 0633	1	XJ		w/NRM, 1989
					Tan
	5501 5219	1	XJ		U.S., Canada, 1987
	5501 1920	1	MJ		1987
	5501 1920	1	XJ		Export, 1987
	5502 0389	1	XJ		U.S. Canada, 1988
	5502 0381	1	MJ		1988
	5502 0381	1	XJ		w/NRM, 1988
2					SUNVISOR, Right ***
					Charcoal
	5501 7833	1			1987
	5502 0376	1	XJ		1988-89
	5502 0408	1	XJ		w/ECE, 1988-89
	5502 0376	1	MJ		1988-89

MODEL CODES:

15 = Grand Wagoneer 4 Dr.	65 = Comanche 4WD-7 Ft. Box	77 = Cherokee 4WD-2 Dr.
25 = J-10 Pickup-119" W.B.	66 = Comanche 2WD-7 Ft. Box	78 = Cherokee 4WD-4 Dr.
26 = J-10 Pickup-131" W.B.	73 = Cherokee 2WD-2 Dr.	79 = Cherokee 4WD-4 Dr.-Com
27 = J-20 Pickup-131" W.B.	74 = Cherokee 2WD-4 Dr.	81 = Wrangler-93" W.B.
63 = Comanche 4WD-6 Ft. Box	75 = Wagoneer 4WD-4 Dr.	82 = Wrangler-103" W.B.-Exp.
64 = Comanche 2WD-6 Ft. Box		

BODY STYLES:

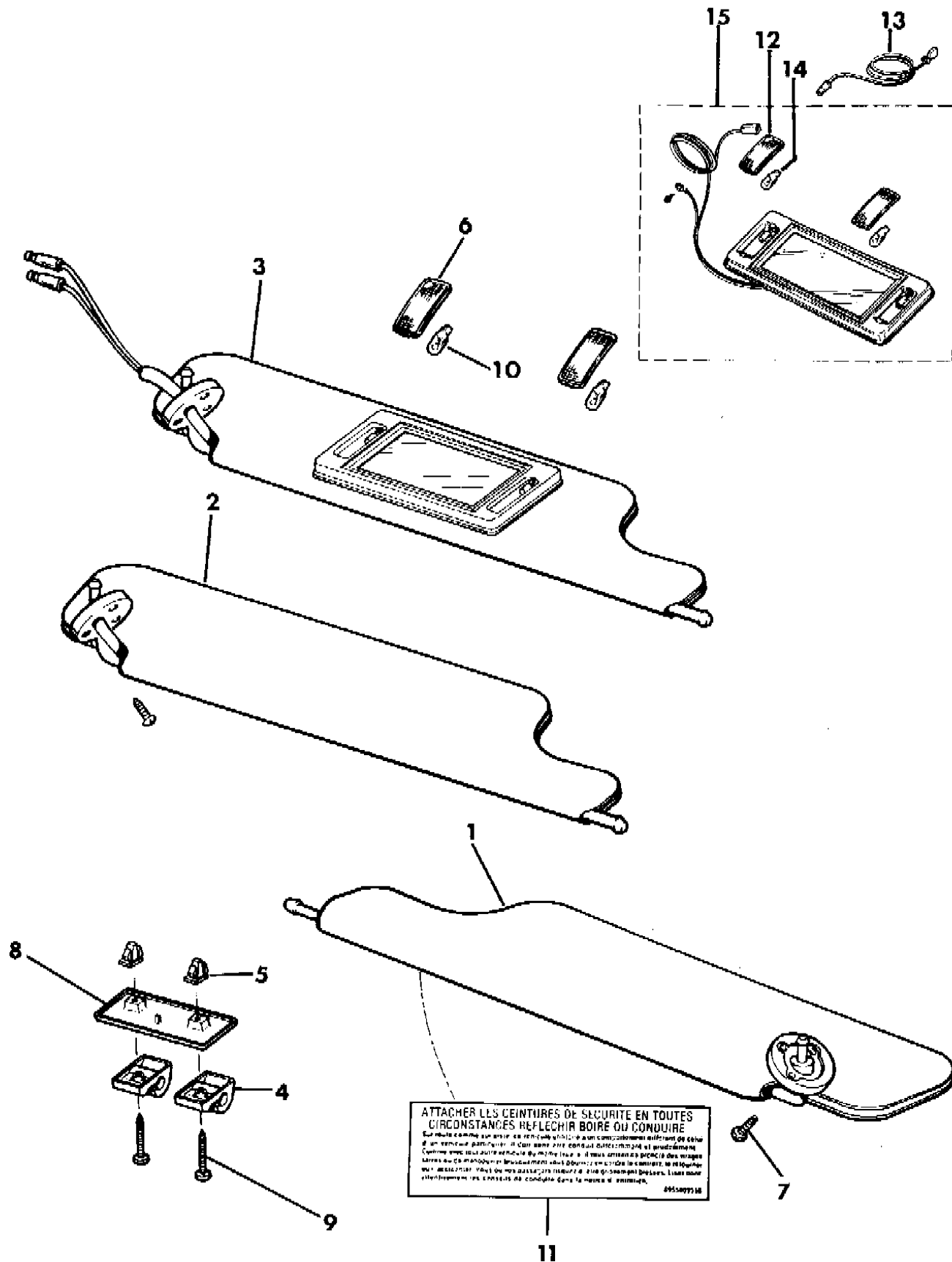
MJ = Comanche Pickup  
 SJ = Grand Wagoneer Wgn., J-10 & J-20 Pickups  
 XJ = Cherokee, Wagoneer Limited  
 YJ = Wrangler

AR = Use as Required - = Non Illustrated Part P.A.R. = Paint as Required

SUNVISORS AND VANITY MIRRORS CHEROKEE, WAGONEER, COMANCHE, 1987-89

Figure 43-400

8J43 400 A



ITEM	PART NUMBER	QTY	BODY	MODEL	DESCRIPTION
					Cordovan
	5501 1918	1	XJ		U.S., Canada, 1987
	5501 1918	1	MJ		1987
	5501 1918	1	XJ		Export, 1987
	5502 0378	1	XJ		1988-89
	5502 0410	1	XJ		w/ECE, 1988-89
	5502 0378	1	MJ		1988-89
					Navy
	5502 0374	1	XJ		1988-89
	5502 0406	1	XJ		w/ECE, 1988-89
	5502 0374	1	MJ		1988-89
					Sand
	5502 0632	1	XJ		1989
	5502 0632	1	MJ		1989
					Tan
	5501 1920	1	XJ		U.S., Canada, 1987
	5501 1920	1	MJ		1987
	5501 1920	1	XJ		Export, 1987
	5502 0380	1	XJ		1988
	5502 0380	1	MJ		1988
3					SUNVISOR, w/lighted vanity, Right ***
	5502 0384	1			Charcoal, 1988-89
	5502 0386	1			Cordovan, 1988-89
	5502 0382	1			Navy, 1988-89
	5502 0636	1			Sand, 1989
	5502 0388	1			Tan, 1988
4					SUPPORT
	5500 8183	2			Black, 1987
	5501 7853	2			Charcoal, 1988-89
	5501 5214	2			Cordovan, 1987-89
	5501 7852	2			Navy, 1988-89
	5502 0642	2			Sand, 1989
	5501 5215	2			Tan, 1987-88
5					NUT
	3420 2590	2			1987
	J400 5242	2			1988-89
6					LENS, Light
	J812 8734	2			

MODEL CODES:

15 = Grand Wagoneer 4 Dr.	65 = Comanche 4WD-7 Ft. Box	77 = Cherokee 4WD-2 Dr.
25 = J-10 Pickup-119" W.B.	66 = Comanche 2WD-7 Ft. Box	78 = Cherokee 4WD-4 Dr.
26 = J-10 Pickup-131" W.B.	73 = Cherokee 2WD-2 Dr.	79 = Cherokee 4WD-4 Dr.-Com
27 = J-20 Pickup-131" W.B.	74 = Cherokee 2WD-4 Dr.	81 = Wrangler-93" W.B.
63 = Comanche 4WD-6 Ft. Box	75 = Wagoneer 4WD-4 Dr.	82 = Wrangler-103" W.B.-Exp.
64 = Comanche 2WD-6 Ft. Box		

BODY STYLES:

MJ = Comanche Pickup  
 SJ = Grand Wagoneer Wgn., J-10 & J-20 Pickups  
 XJ = Cherokee, Wagoneer Limited  
 YJ = Wrangler

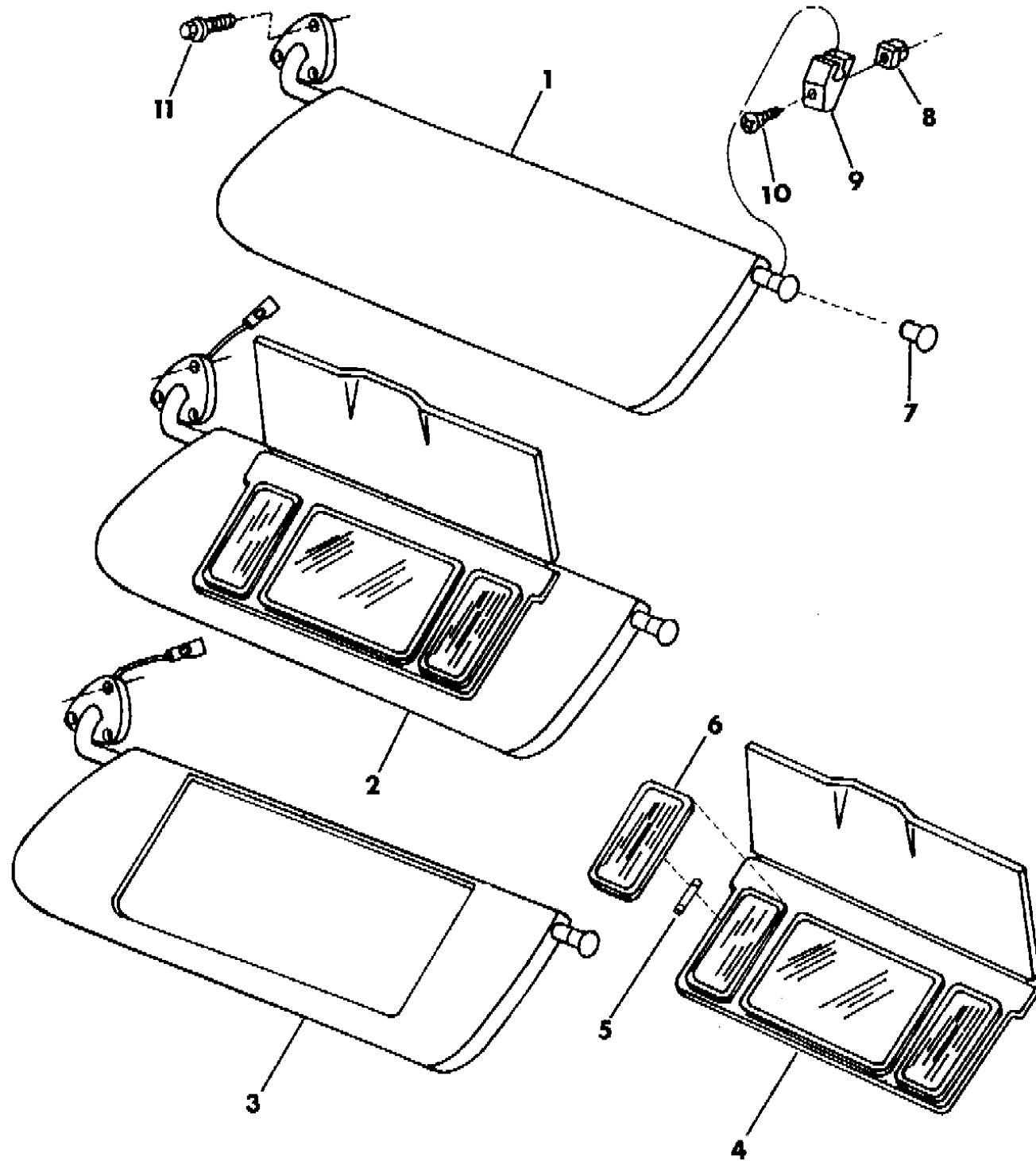
AR = Use as Required - = Non Illustrated Part P.A.R. = Paint as Required





SUNVISORS AND VANITY MIRRORS CHEROKEE, WAGONEER, COMANCHE, 1990  
Figure 43-450

8J43 450



ITEM	PART NUMBER	QTY	BODY	MODEL	DESCRIPTION
1					SUNVISOR ASSY, Non-Lighted ***
					Right
	5AW4 4JS1	1			Charcoal
	5AW4 4JH9	1			Cordovan
	5AW4 4JY1	1			Sand
					Left
	5AW4 5JS1	1			Charcoal
	5AW4 5JH9	1			Cordovan
	5AW4 5JY1	1			Sand
NOTE: Item 1; As original stock is exhausted a service package is available (it includes a pair of the new style visor). Tag affixed to the Face of its Pulley. A Second Tag will show the name of the Vendor (OGURA).					
2					SUNVISOR ASSY, Lighted, includes the vanity ***
					Right
	5AK0 4JS1	1			Charcoal
	5AK0 4JH9	1			Cordovan
	5AK0 4JY1	1			Sand
					Left
	5AK0 5JS1	1			Charcoal
	5AK0 5JH9	1			Cordovan
	5AK0 5JY1	1			Sand
3					SUNVISOR SUB-ASSY, Lighted, less the vanity ***
					Right
	5BB1 6JS1	1			Charcoal
	5BB1 6JH9	1			Cordovan
	5BB1 6JY1	1			Sand
					Left
	5BB1 7JS1	1			Charcoal
	5BB1 7JH9	1			Cordovan
	5BB1 7JY1	1			Sand
4					VANITY ASSY ***
	H640 JS1	2			Charcoal
	H640 JH9	2			Cordovan
	H640 JY1	2			Sand
5	6501 966	2			BULB
6	4410 693	2			LENS
7	H315 CX9	2			TIP
8	J400 5242	2			NUT, Push In

MODEL CODES:

15 = Grand Wagoneer 4 Dr.	65 = Comanche 4WD-7 Ft. Box	77 = Cherokee 4WD-2 Dr.
25 = J-10 Pickup-119" W.B.	66 = Comanche 2WD-7 Ft. Box	78 = Cherokee 4WD-4 Dr.
26 = J-10 Pickup-131" W.B.	73 = Cherokee 2WD-2 Dr.	79 = Cherokee 4WD-4 Dr.-Com
27 = J-20 Pickup-131" W.B.	74 = Cherokee 2WD-4 Dr.	81 = Wrangler-93" W.B.
63 = Comanche 4WD-6 Ft. Box	75 = Wagoneer 4WD-4 Dr.	82 = Wrangler-103" W.B.-Exp.
64 = Comanche 2WD-6 Ft. Box		

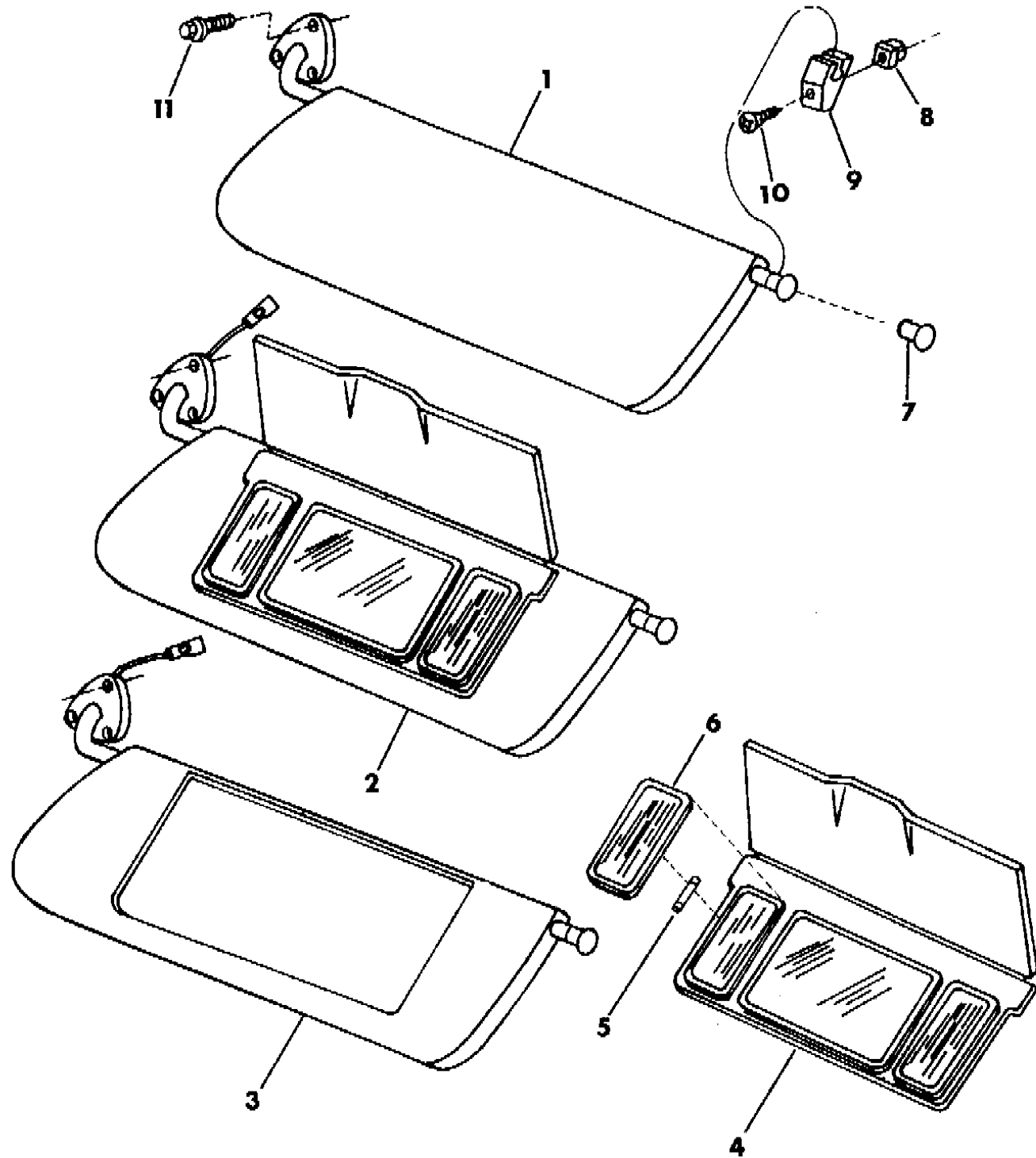
BODY STYLES:

MJ = Comanche Pickup  
 SJ = Grand Wagoneer Wgn., J-10 & J-20 Pickups  
 XJ = Cherokee, Wagoneer Limited  
 YJ = Wrangler

AR = Use as Required - = Non Illustrated Part P.A.R. = Paint as Required

SUNVISORS AND VANITY MIRRORS CHEROKEE, WAGONEER, COMANCHE, 1990  
Figure 43-450

8J43 450



ITEM	PART NUMBER	QTY	BODY	MODEL	DESCRIPTION
9					CLIP, Sunvisor Retaining
	H335 JS1	2			Charcoal
	H335 JH9	2			Cordovan
	H335 JY1	2			Sand
10	3420 1406	2			SCREW
11	1150 1150	6			SCREW

MODEL CODES:

15 = Grand Wagoneer 4 Dr.	65 = Comanche 4WD-7 Ft. Box	77 = Cherokee 4WD-2 Dr.
25 = J-10 Pickup-119" W.B.	66 = Comanche 2WD-7 Ft. Box	78 = Cherokee 4WD-4 Dr.
26 = J-10 Pickup-131" W.B.	73 = Cherokee 2WD-2 Dr.	79 = Cherokee 4WD-4 Dr.-Com
27 = J-20 Pickup-131" W.B.	74 = Cherokee 2WD-4 Dr.	81 = Wrangler-93" W.B.
63 = Comanche 4WD-6 Ft. Box	75 = Wagoneer 4WD-4 Dr.	82 = Wrangler-103" W.B.-Exp.
64 = Comanche 2WD-6 Ft. Box		

BODY STYLES:

MJ = Comanche Pickup  
SJ = Grand Wagoneer Wgn., J-10 & J-20 Pickups  
XJ = Cherokee, Wagoneer Limited  
YJ = Wrangler

AR = Use as Required - = Non Illustrated Part P.A.R. = Paint as Required

PANELS, INTERIOR TRIM, FRONT 2 DOOR WAGON CHEROKEE  
Figure 43-500

8J43 500 A

ITEM	PART NUMBER	QTY	BODY	MODEL	DESCRIPTION
1-2					PANEL, Quarter Trim
					1987
	5500 5758-9	1			P.A.R.
					1988-89
	5501 8108-9	1			Charcoal
	5501 1728-9	1			Cordovan
	5501 8106-7	1			Navy
	5502 0726-7	1			Sand, 1989
	5501 1730-1	1			Tan, 1988
					1990
	5AC30-1 JS1	1			Charcoal
	5AC30-1 JH9	1			Cordovan
	5AC30-1 JY1	1			Sand
3-4					COVER, Lock Pillar, P.A.R.
					1987-89, P.A.R.
					1990
	5AC76-7 JS1	1			Charcoal
	5AC76-7 JH9	1			Cordovan
	5AC76-7 JY1	1			Sand
5-6					PANEL, Cowl Trim, P.A.R.
					1987
	5501 1908-9	1			1988-89
	5AC36-7 JY1	1			1990
7					PLATE, Inner Scuff
					1987
	5501 3588	2			Cordovan
	5501 1558	2			Tan
					1988-89
	5501 7926	2			Charcoal
	5501 3588	2			Cordovan
	5501 7927	2			Navy
	5502 0670	2			Sand, 1989
	5501 1558	2			Tan, 1988
					1990
	5AC4 4JS1	2			Charcoal
	5AC4 4JH9	2			Cordovan
	5AC4 4JY1	2			Sand

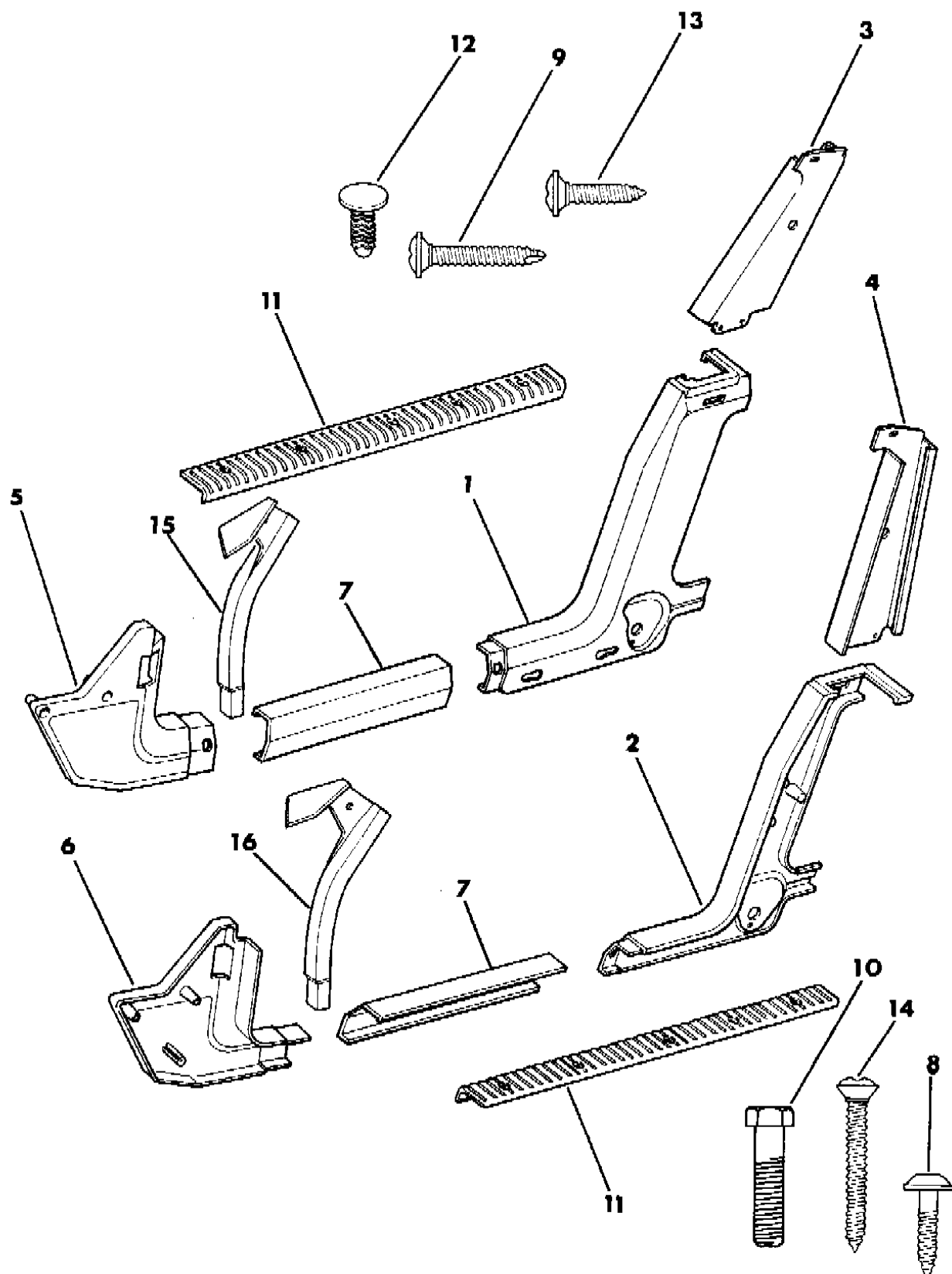
MODEL CODES:

15 = Grand Wagoneer 4 Dr.	65 = Comanche 4WD-7 Ft. Box	77 = Cherokee 4WD-2 Dr.
25 = J-10 Pickup-119" W.B.	66 = Comanche 2WD-7 Ft. Box	78 = Cherokee 4WD-4 Dr.
26 = J-10 Pickup-131" W.B.	73 = Cherokee 2WD-2 Dr.	79 = Cherokee 4WD-4 Dr.-Com
27 = J-20 Pickup-131" W.B.	74 = Cherokee 2WD-4 Dr.	81 = Wrangler-93" W.B.
63 = Comanche 4WD-6 Ft. Box	75 = Wagoneer 4WD-4 Dr.	82 = Wrangler-103" W.B.-Exp.
64 = Comanche 2WD-6 Ft. Box		

BODY STYLES:

MJ = Comanche Pickup  
SJ = Grand Wagoneer Wgn., J-10 & J-20 Pickups  
XJ = Cherokee, Wagoneer Limited  
YJ = Wrangler

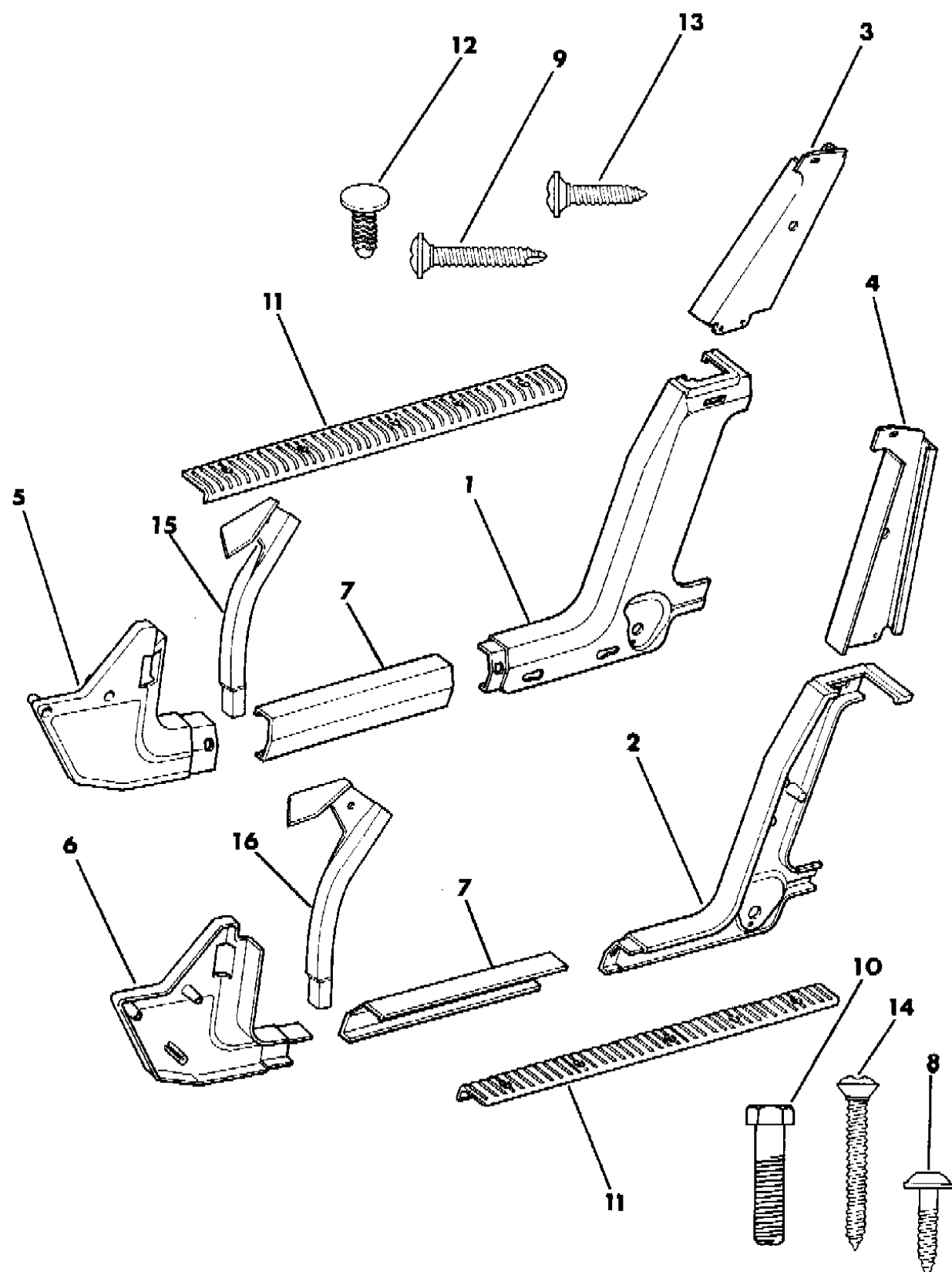
AR = Use as Required - = Non Illustrated Part P.A.R. = Paint as Required



PANELS, INTERIOR TRIM, FRONT 2 DOOR WAGON CHEROKEE  
Figure 43-500

8J43 500 A

ITEM	PART NUMBER	QTY	BODY	MODEL	DESCRIPTION
8	3420 1314	8			SCREW, 13mm Long ***
9	3420 1468	2			SCREW, 25mm Long ***
	3420 1398	6			25mm Long, 1987
10	1150 3059	4			SCREW, 20mm Long ***
11	5500 3374	2			PLATE, Scuff
12	3420 1545	4			CLIP, Push
13	3420 1403	10			SCREW, 13mm Long ***
14	3420 1400	10			SCREW, 40mm Long ***
15-16	5500 5538-9	1			FILLER, Pillar, P.A.R., 1987



MODEL CODES:

15 = Grand Wagoneer 4 Dr.	65 = Comanche 4WD-7 Ft. Box	77 = Cherokee 4WD-2 Dr.
25 = J-10 Pickup-119" W.B.	66 = Comanche 2WD-7 Ft. Box	78 = Cherokee 4WD-4 Dr.
26 = J-10 Pickup-131" W.B.	73 = Cherokee 2WD-2 Dr.	79 = Cherokee 4WD-4 Dr.-Com
27 = J-20 Pickup-131" W.B.	74 = Cherokee 2WD-4 Dr.	81 = Wrangler-93" W.B.
63 = Comanche 4WD-6 Ft. Box	75 = Wagoneer 4WD-4 Dr.	82 = Wrangler-103" W.B.-Exp.
64 = Comanche 2WD-6 Ft. Box		

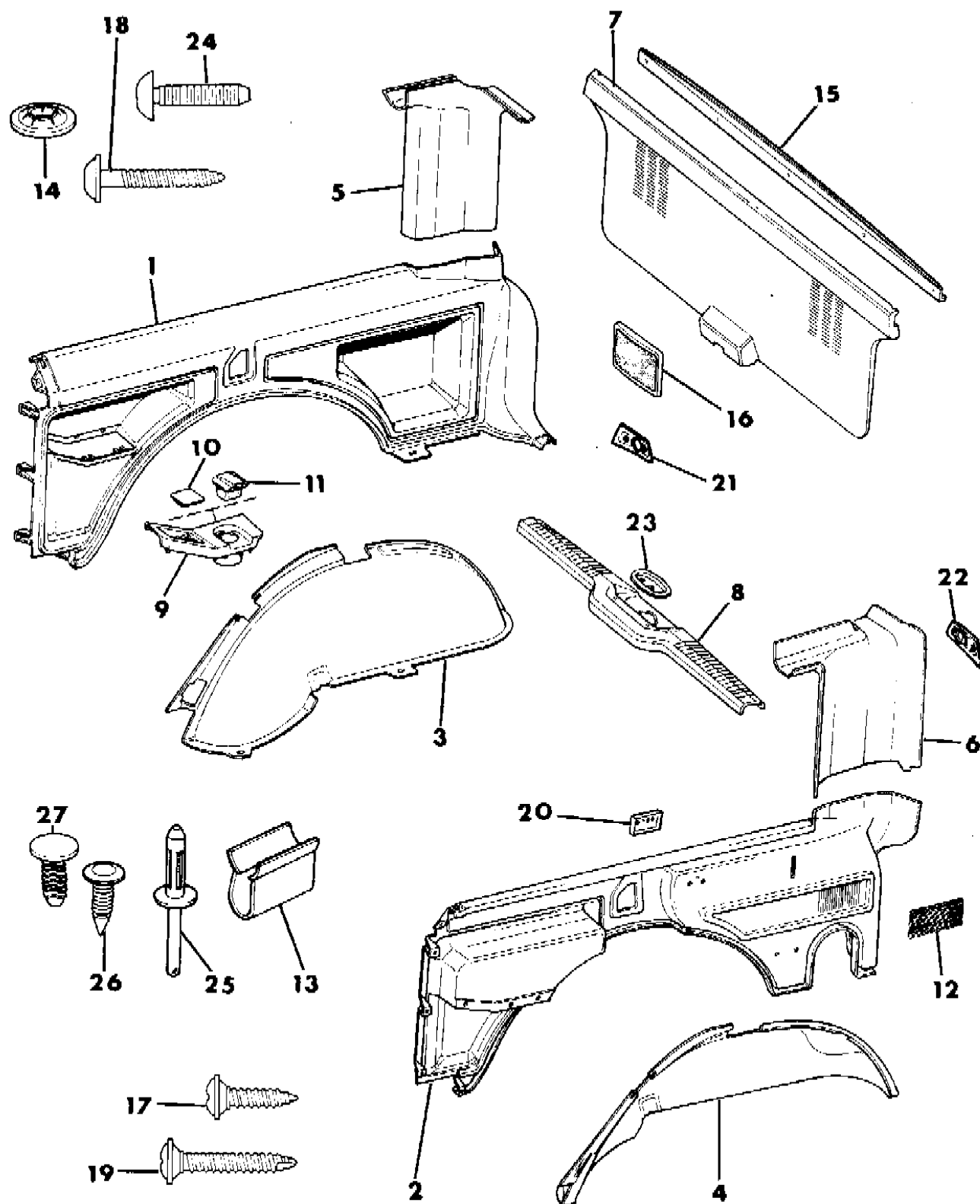
BODY STYLES:

MJ = Comanche Pickup  
SJ = Grand Wagoneer Wgn., J-10 & J-20 Pickups  
XJ = Cherokee, Wagoneer Limited  
YJ = Wrangler

AR = Use as Required - = Non Illustrated Part P.A.R. = Paint as Required

PANELS, INTERIOR TRIM, REAR 2 DOOR WAGON CHEROKEE  
Figure 43-600

8J43600A



ITEM	PART NUMBER	QTY	BODY	MODEL	DESCRIPTION
1-2					PANEL, Quarter Trim
				1987	
	5501 1714-5	1		P.A.R.	
				1988-89	
	5501 8090-1	1		Charcoal	
	5501 1712-3	1		Cordovan	
	5501 8088-9	1		Navy	
	5502 0718-9	1		Sand	
	5501 1714-5	1		Tan	
3-4				1990	
	5AT02-3 JY1	1		P.A.R.	COVER, Wheelhouse, rubber
				1987	
	5500 8426-7	1		P.A.R.	
				1988-89	
	5501 8114-5	1		Charcoal	
	5502 0730-1	1		Sand	
	5501 1740-1	1		Cordovan	
				1990	
	5AC58-9 JS1	1		Charcoal	
	5AC58-9 JY1	1		Sand	
5-6					COVER, Lift Door Pillar, P.A.R.
				1987-89	
	5500 5774-5	1			
				1990	
	5AC78-9 JY1	1			
7					PANEL, Lift Door Trim
				1987	
	5501 0187	1		Black, rubber	
	5501 0189	1		Med. Blue, rubber	
	5501 1813	1		Tan, rubber	
	5501 0190	1		Black, carpet	
	5501 1814	1		Cordovan, carpet	
	5501 1815	1		Tan, carpet	
				1988-89	
	5501 8076	1		Charcoal, rubber	
	5502 0711	1		Sand, rubber	
	5501 1813	1		Tan, rubber	
	5501 8078	1		Charcoal, carpet	

MODEL CODES:

15 = Grand Wagoneer 4 Dr.	65 = Comanche 4WD-7 Ft. Box	77 = Cherokee 4WD-2 Dr.
25 = J-10 Pickup-119" W.B.	66 = Comanche 2WD-7 Ft. Box	78 = Cherokee 4WD-4 Dr.
26 = J-10 Pickup-131" W.B.	73 = Cherokee 2WD-2 Dr.	79 = Cherokee 4WD-4 Dr.-Com
27 = J-20 Pickup-131" W.B.	74 = Cherokee 2WD-4 Dr.	81 = Wrangler-93" W.B.
63 = Comanche 4WD-6 Ft. Box	75 = Wagoneer 4WD-4 Dr.	82 = Wrangler-103" W.B.-Exp.
64 = Comanche 2WD-6 Ft. Box		

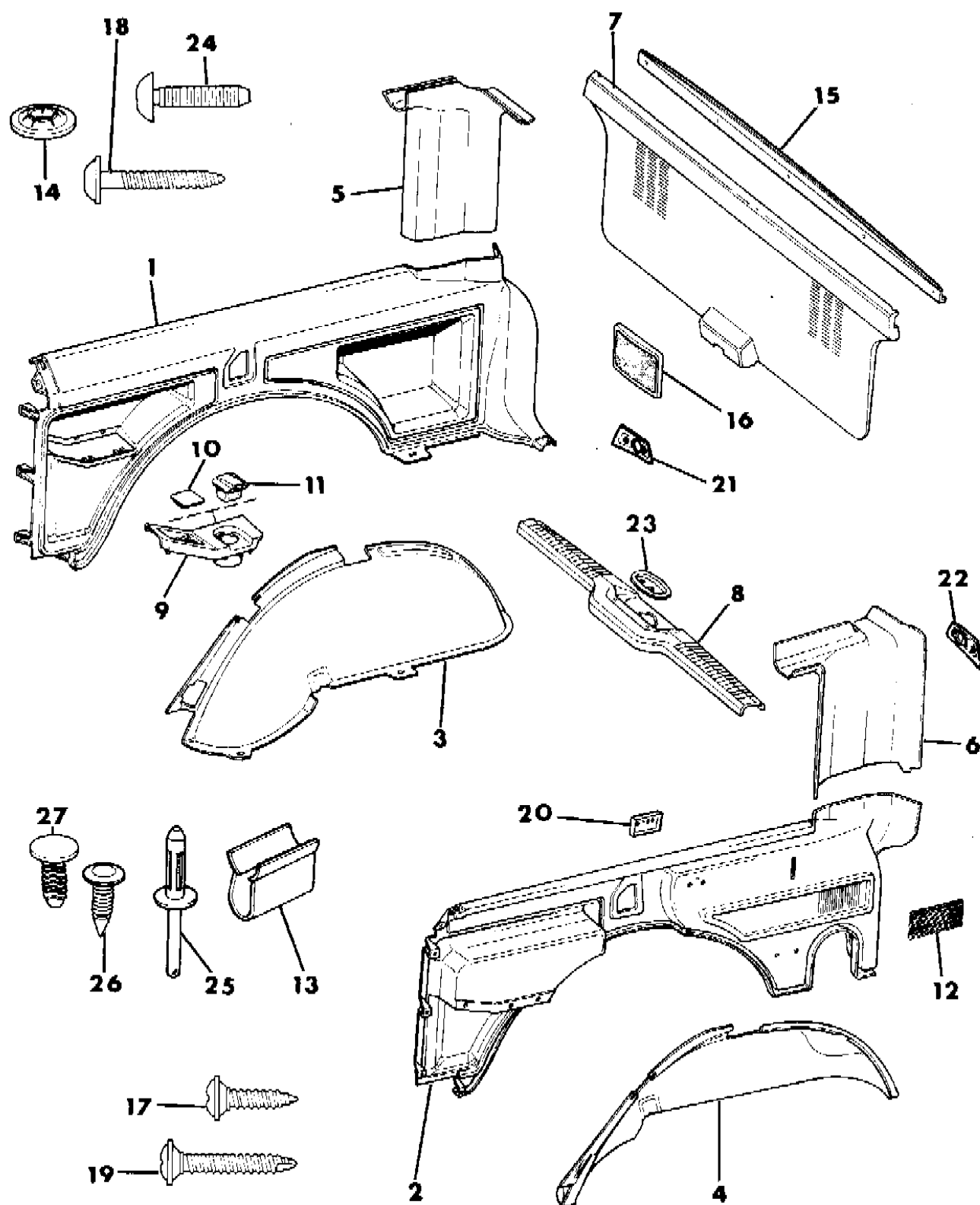
BODY STYLES:

MJ = Comanche Pickup  
SJ = Grand Wagoneer Wgn., J-10 & J-20 Pickups  
XJ = Cherokee, Wagoneer Limited  
YJ = Wrangler

AR = Use as Required - = Non Illustrated Part P.A.R. = Paint as Required

PANELS, INTERIOR TRIM, REAR 2 DOOR WAGON CHEROKEE  
Figure 43-600

8J43600A



ITEM	PART NUMBER	QTY	BODY	MODEL	DESCRIPTION
	5501 1814	1			Cordovan, carpet
	5501 8077	1			Navy, carpet
	5502 0713	1			Sand, carpet
	5501 1815	1			Tan, carpet
					1990
	5AE1 8JS1	1			Charcoal, rubber
	5AE1 8JY1	1			Sand, rubber
	5AE1 9JS1	1			Charcoal, carpet
	5AE1 9JH9	1			Cordovan, carpet
	5AE1 9JY1	1			Sand, carpet
8					PLATE, Lift Door Scuff
	5500 5757	1			1987, P.A.R.
					1988-89
	5501 8067	1			Charcoal
	5501 1786	1			Cordovan
	5501 8066	1			Navy
	5502 0706	1			Sand, 1989
	5501 1787	1			Tan, 1988
					1990
	5AC5 5JS1	1			Charcoal
	5AC5 5JH9	1			Cordovan
	5AC5 5JY1	1			Sand
9	5500 5754-5	1			COVER, Armrest, P.A.R.
-	3420 1481	6			NUT, Push On, Armrest Cover Mounting
10					COVER, Used w/o Ashtray
	5500 2287	2			P.A.R., 1987-89
	5AC6 4JS1	2			Charcoal, 1990
	5AC6 4JH9	2			Cordovan, 1990
	5AC6 4JY1	2			Sand, 1990
11					ASHTRAY ***
	5500 5748	2			P.A.R., 1987-89
	5AC6 0JS1	1			P.A.R., 1990
12	5500 4406	1			SCREEN, Louver
13	J400 1551	12			CLIP
14					NUT, Push
	3420 1481	12			10mm I.D., w/ premium radio
	J400 0271	8			6mm I.D., w/o premium radio

MODEL CODES:

15 = Grand Wagoneer 4 Dr.	65 = Comanche 4WD-7 Ft. Box	77 = Cherokee 4WD-2 Dr.
25 = J-10 Pickup-119" W.B.	66 = Comanche 2WD-7 Ft. Box	78 = Cherokee 4WD-4 Dr.
26 = J-10 Pickup-131" W.B.	73 = Cherokee 2WD-2 Dr.	79 = Cherokee 4WD-4 Dr.-Com
27 = J-20 Pickup-131" W.B.	74 = Cherokee 2WD-4 Dr.	81 = Wrangler-93" W.B.
63 = Comanche 4WD-6 Ft. Box	75 = Wagoneer 4WD-4 Dr.	82 = Wrangler-103" W.B.-Exp.
64 = Comanche 2WD-6 Ft. Box		

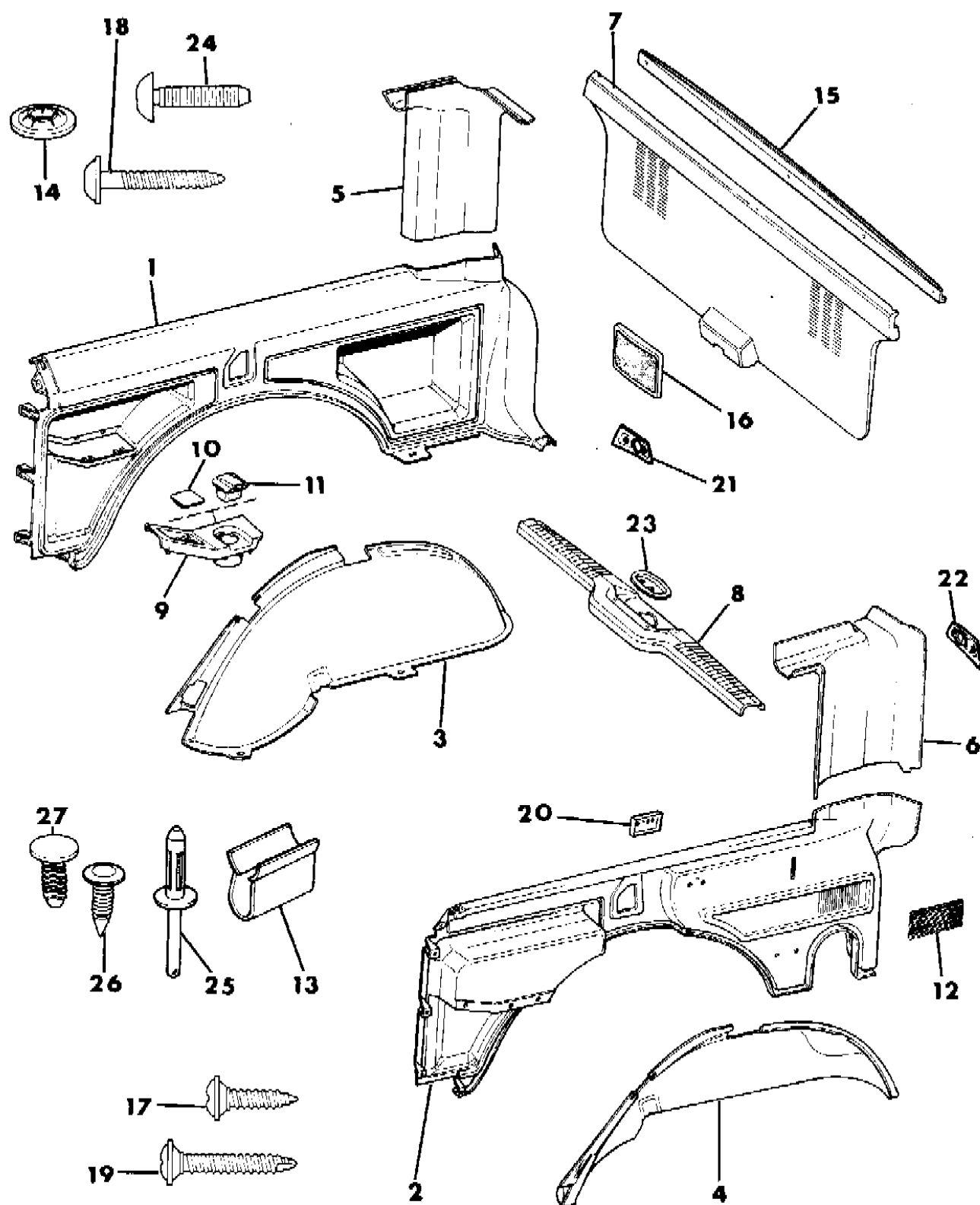
BODY STYLES:

MJ = Comanche Pickup  
 SJ = Grand Wagoneer Wgn., J-10 & J-20 Pickups  
 XJ = Cherokee, Wagoneer Limited  
 YJ = Wrangler

AR = Use as Required - = Non Illustrated Part P.A.R. = Paint as Required

PANELS, INTERIOR TRIM, REAR 2 DOOR WAGON CHEROKEE  
Figure 43-600

8J43600A



ITEM	PART NUMBER	QTY	BODY	MODEL	DESCRIPTION
15					RETAINER
	3420 1299	1			1987 (Is a Retainer Clip Not The Strip Illus In Drawing)
	5500 8064	1			1988-90
16					GRILLE, Speaker
					1987
	3501 4012	2			Black
	3501 4000	2			Med. Blue
	3501 6858	2			Cordovan
	3501 4001	2			Tan
					w/o Premium Radio
	3501 9986	2			1988-89, P.A.R.
	5AB8 5JY1	2			1990
					w/ Premium Radio ***
					1988-89
	3502 3502	2			Charcoal
	3501 6858	2			Cordovan
	3502 1056	2			Navy
	3502 5335	2			Sand, 1989
	3501 4001	2			Tan, 1988
					1990
	5AB9 3JY6	2			P.A.R.
17					SCREW
	3420 1403	2			13mm Long
	3420 1719	4			16mm Long
	3420 1400	2			40mm Long
18	3420 1468	4			SCREW, 25mm Long ***
19	3420 1398	6			SCREW
20					PAD, Spare Tire Rest, P.A.R.
	5500 5756	1			1987-89, P.A.R.
					1990
	5AC9 1JS1	1			Charcoal
	5AC9 1JH9	1			Cordovan
	5AC9 1JY1	1			Sand
21	5500 5230	1			COVER, Rear Header
22	5501 5080	1			COVER, Rear Header
23	5500 4352	1			RETAINER, Scuff Plate
24	3420 1946	4			SCREW, 19mm Long ***

MODEL CODES:

15 = Grand Wagoneer 4 Dr.	65 = Comanche 4WD-7 Ft. Box	77 = Cherokee 4WD-2 Dr.
25 = J-10 Pickup-119" W.B.	66 = Comanche 2WD-7 Ft. Box	78 = Cherokee 4WD-4 Dr.
26 = J-10 Pickup-131" W.B.	73 = Cherokee 2WD-2 Dr.	79 = Cherokee 4WD-4 Dr.-Com
27 = J-20 Pickup-131" W.B.	74 = Cherokee 2WD-4 Dr.	81 = Wrangler-93" W.B.
63 = Comanche 4WD-6 Ft. Box	75 = Wagoneer 4WD-4 Dr.	82 = Wrangler-103" W.B.-Exp.
64 = Comanche 2WD-6 Ft. Box		

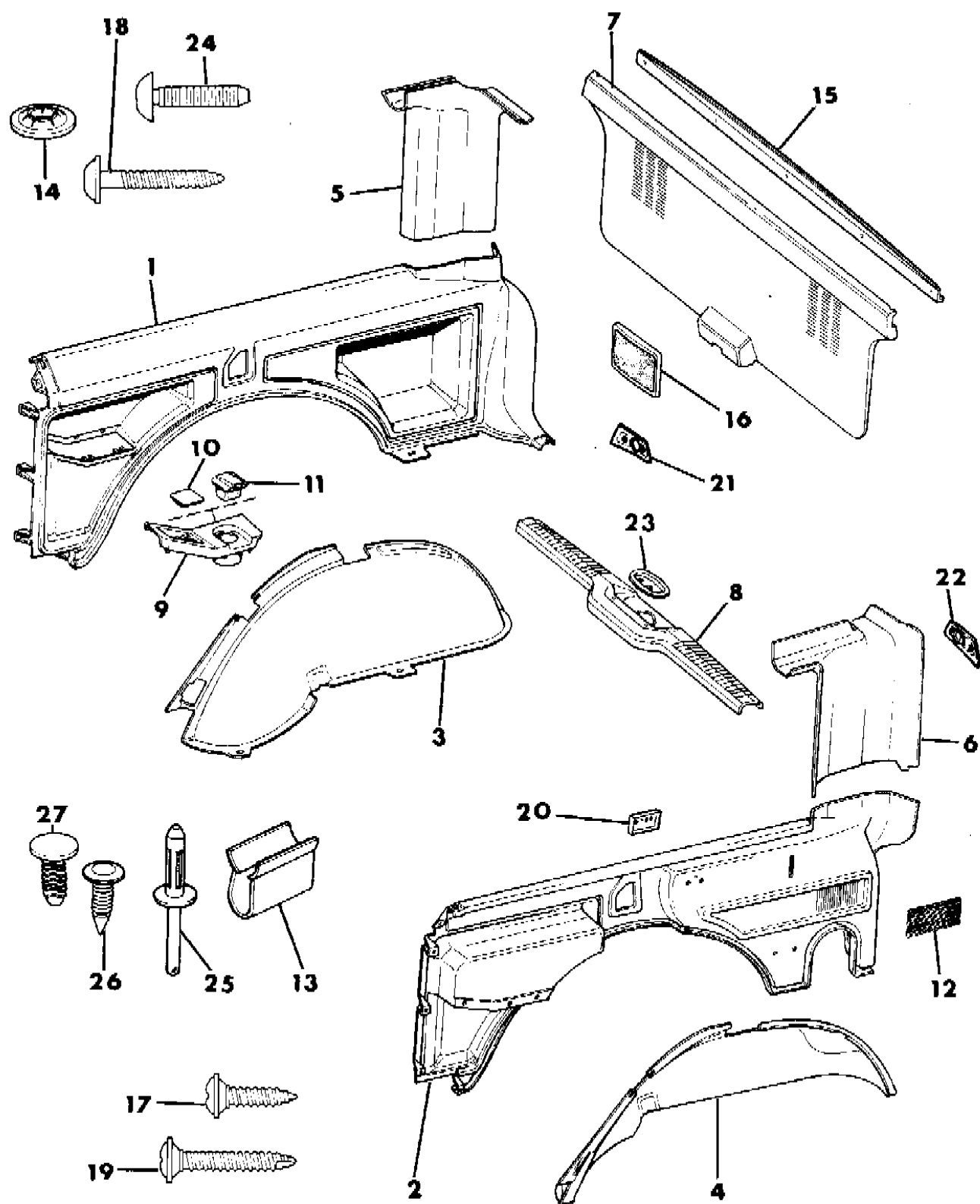
BODY STYLES:

MJ = Comanche Pickup  
SJ = Grand Wagoneer Wgn., J-10 & J-20 Pickups  
XJ = Cherokee, Wagoneer Limited  
YJ = Wrangler

AR = Use as Required - = Non Illustrated Part P.A.R. = Paint as Required

PANELS, INTERIOR TRIM, REAR 2 DOOR WAGON CHEROKEE  
Figure 43-600

8J43600A



ITEM	PART NUMBER	QTY	BODY	MODEL	DESCRIPTION
25					RIVET
	3420 1835	7			1987 P.A.R.
	3420 1621	7			1988-90
26	J400 7129	1			FASTENER, P.A.R., 1987-88
27					CLIP-RETAINER, trim panel to liftgate ***
	3420 1545	AR			1987-90
	6502 078	AR			1990

MODEL CODES:  
 15 = Grand Wagoneer 4 Dr.      65 = Comanche 4WD-7 Ft. Box      77 = Cherokee 4WD-2 Dr.  
 25 = J-10 Pickup-119" W.B.      66 = Comanche 2WD-7 Ft. Box      78 = Cherokee 4WD-4 Dr.  
 26 = J-10 Pickup-131" W.B.      73 = Cherokee 2WD-2 Dr.      79 = Cherokee 4WD-4 Dr.-Com  
 27 = J-20 Pickup-131" W.B.      74 = Cherokee 2WD-4 Dr.      81 = Wrangler-93" W.B.  
 63 = Comanche 4WD-6 Ft. Box      75 = Wagoneer 4WD-4 Dr.      82 = Wrangler-103" W.B.-Exp.  
 64 = Comanche 2WD-6 Ft. Box

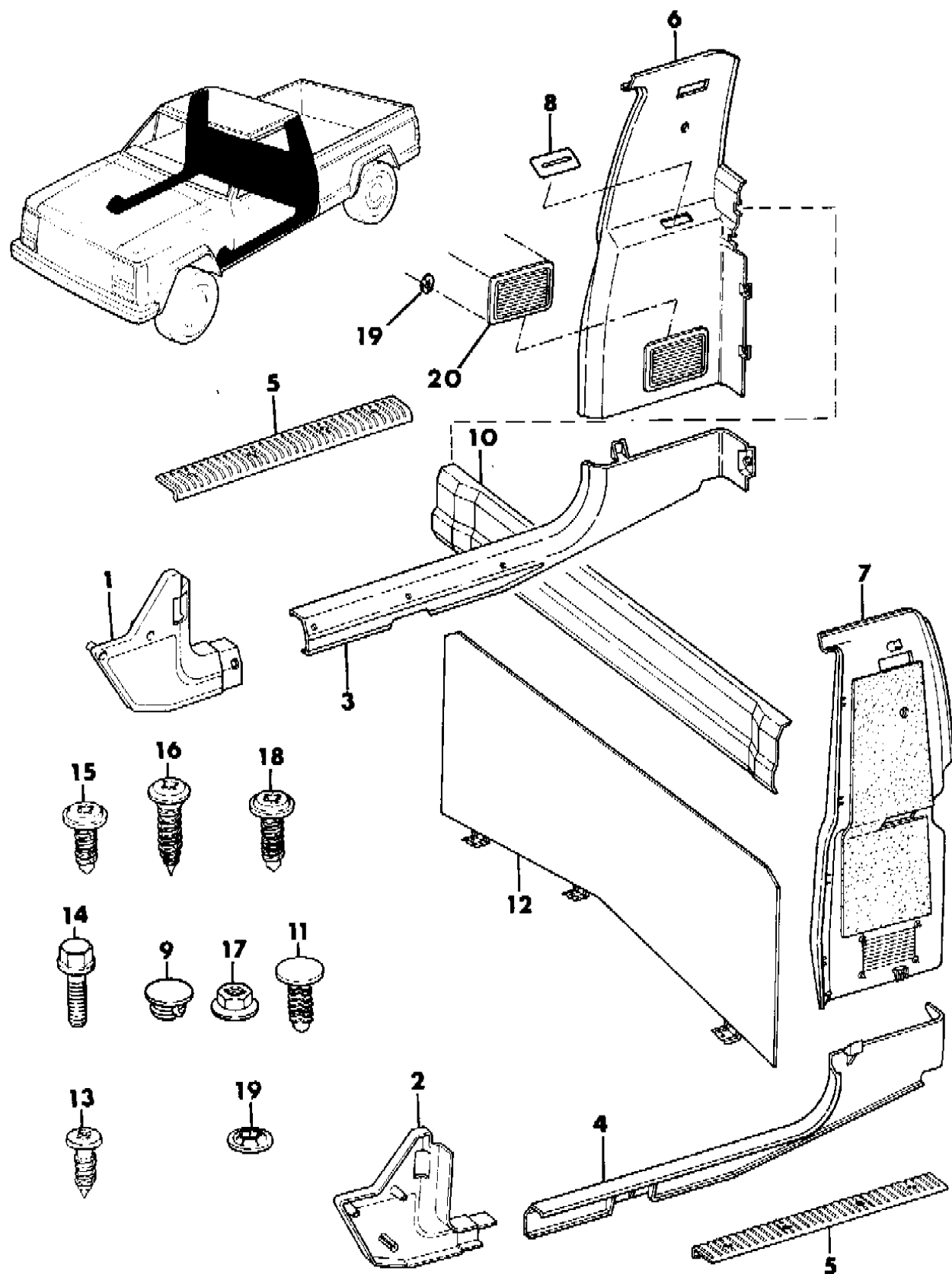
BODY STYLES:  
 MJ = Comanche Pickup  
 SJ = Grand Wagoneer Wgn., J-10 & J-20 Pickups  
 XJ = Cherokee, Wagoneer Limited  
 YJ = Wrangler

AR = Use as Required - = Non Illustrated Part P.A.R. = Paint as Required



PANELS, INTERIOR TRIM COMANCHE  
Figure 43-700

8J43 700 A



ITEM	PART NUMBER	QTY	BODY	MODEL	DESCRIPTION
1	5500 6082	1			PANEL, Cowl Trim, Right, P.A.R. 1987
	5501 1908	1			1988-89
	5AC3 6JY1	1			1990
2	5500 7233	1			PANEL, Cowl Trim, Left, P.A.R. 1987
	5501 1913	1			1988-89
	5AD4 9JY1	1			1990
3-4					PLATE, Inner Scuff 1987
	5500 6442-3	1			Black
	5500 6440-1	1			Blue
	5501 1560-1	1			Cordovan
	5501 1562-3	1			Tan 1988-89
	5501 8472-3	1			Charcoal
	5501 1560-1	1			Cordovan
	5501 7946-7	1			Navy
	5502 0680-1	1			Sand, 1989
	5501 1562-3	1			Tan, 1988 1990
	5AD30-1 JS1	1			Charcoal
5AD30-1 JH9	1			Cordovan	
5AD30-1 JY1	1			Sand	
5	5500 3370	2			PLATE, Scuff
6-7	5500 8326-7	1			PANEL, Quarter Trim, P.A.R. 1987-89
	5AE26-7 JY1	1			1990
8					ESCUTCHEON, Seat Belt, 1987-89
	5502 0725	2			P.A.R. 1990
	5AE2 3JS1	2			Charcoal
	5AE2 3JH9	2			Cordovan
9	5AE2 3JY1	2			Sand
					PLUG, Button 1987-89

MODEL CODES:

15 = Grand Wagoneer 4 Dr.	65 = Comanche 4WD-7 Ft. Box	77 = Cherokee 4WD-2 Dr.
25 = J-10 Pickup-119" W.B.	66 = Comanche 2WD-7 Ft. Box	78 = Cherokee 4WD-4 Dr.
26 = J-10 Pickup-131" W.B.	73 = Cherokee 2WD-2 Dr.	79 = Cherokee 4WD-4 Dr.-Com
27 = J-20 Pickup-131" W.B.	74 = Cherokee 2WD-4 Dr.	81 = Wrangler-93" W.B.
63 = Comanche 4WD-6 Ft. Box	75 = Wagoneer 4WD-4 Dr.	82 = Wrangler-103" W.B.-Exp.
64 = Comanche 2WD-6 Ft. Box		

BODY STYLES:

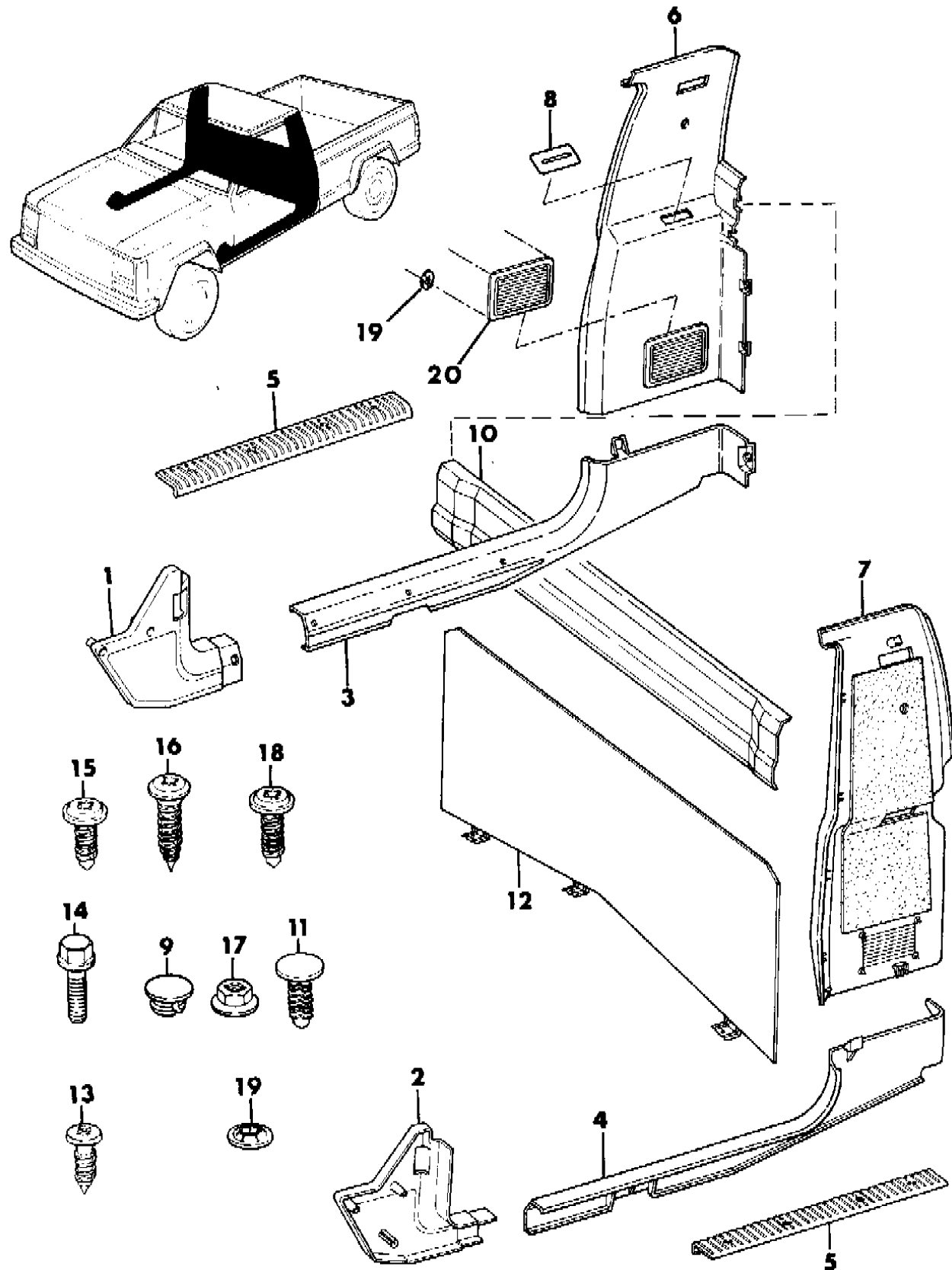
MJ = Comanche Pickup  
 SJ = Grand Wagoneer Wgn., J-10 & J-20 Pickups  
 XJ = Cherokee, Wagoneer Limited  
 YJ = Wrangler

AR = Use as Required - = Non Illustrated Part P.A.R. = Paint as Required

PANELS, INTERIOR TRIM COMANCHE

Figure 43-700

8J43 700 A



ITEM	PART NUMBER	QTY	BODY	MODEL	DESCRIPTION
	3420 2160	10			P.A.R.
					1990
	AW91 HS1	10			Charcoal
	AW91 HH9	10			Cordovan
	AW91 HY1	10			Sand
10					PANEL, Center Trim Upper, P.A.R.
	5500 6375	1			1987-89
	5AF0 8JY1	1			1990
11	3420 1545	10			CLIP
12					PANEL, Center Trim Lower
					1987
	5500 7527	1			Black
	5500 7526	1			Med. Blue
	5501 1790	1			Cordovan
	5501 1791	1			Tan
					1988-89
	5501 8073	1			Charcoal
	5501 1790	1			Cordovan
	5501 8072	1			Navy
	5502 0709	1			Sand, 1989
	5501 1791	1			Tan, 1988
					1990
	5AD8 9JA8	1			Charcoal
	5AD8 9JH9	1			Cordovan
	5AD8 9JY6	1			Sand
13	1150 1610	4			SCREW, 16mm Long ***
14	1150 3059	4			SCREW, 20mm Long ***
15	3420 1314	2			SCREW, 13mm Long ***
16	3420 1400	6			SCREW, 40mm Long ***
17	1150 1932	6			NUT
18	3420 1468	2			SCREW, 25mm Long ***
19	J400 0271	8			FASTENER, Push On
20	5AE2 4JY1	2			GRILLE, Speaker/Exhauster, P.A.R.

MODEL CODES:

15 = Grand Wagoneer 4 Dr.	65 = Comanche 4WD-7 Ft. Box	77 = Cherokee 4WD-2 Dr.
25 = J-10 Pickup-119" W.B.	66 = Comanche 2WD-7 Ft. Box	78 = Cherokee 4WD-4 Dr.
26 = J-10 Pickup-131" W.B.	73 = Cherokee 2WD-2 Dr.	79 = Cherokee 4WD-4 Dr.-Com
27 = J-20 Pickup-131" W.B.	74 = Cherokee 2WD-4 Dr.	81 = Wrangler-93" W.B.
63 = Comanche 4WD-6 Ft. Box	75 = Wagoneer 4WD-4 Dr.	82 = Wrangler-103" W.B.-Exp.
64 = Comanche 2WD-6 Ft. Box		

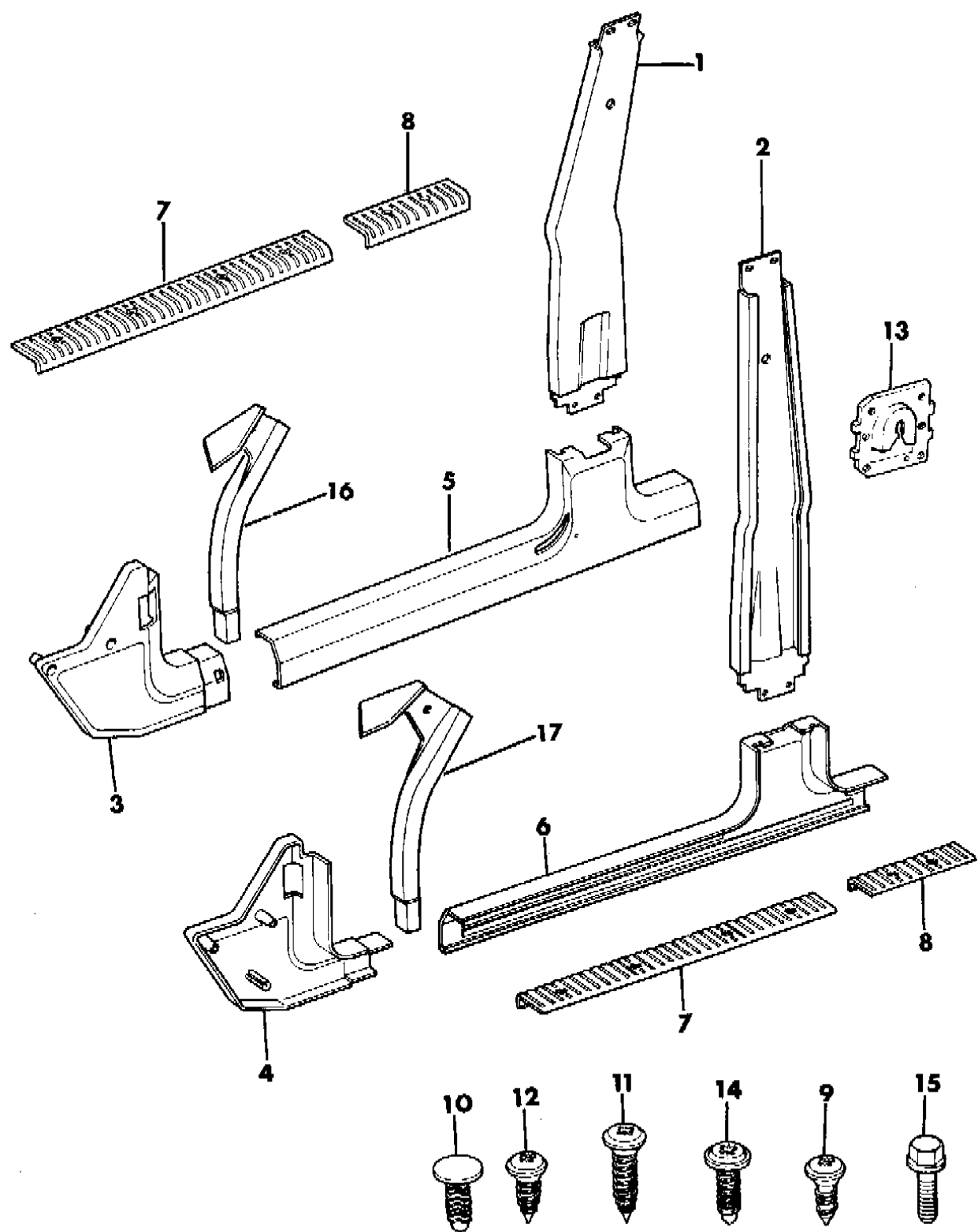
BODY STYLES:

MJ = Comanche Pickup  
 SJ = Grand Wagoneer Wgn., J-10 & J-20 Pickups  
 XJ = Cherokee, Wagoneer Limited  
 YJ = Wrangler

AR = Use as Required - = Non Illustrated Part P.A.R. = Paint as Required

PANELS, INTERIOR TRIM, FRONT 4 DOOR CHEROKEE, WAGONEER  
Figure 43-800

8J43 800 A



ITEM	PART NUMBER	QTY	BODY	MODEL	DESCRIPTION
1-2					PANEL, Center Trim Upper, P.A.R.
	5500 5764-5	1			1987-89
	5AC72-3 JY1	1			1990
3-4					PANEL, Cowl Trim, P.A.R.
	5500 6082-3	1			1987
	5502 0738	1			1988-89, Right
	5501 1909	1			1988-89, Left
	5AC36-7 JY1	1			1990
5-6					COVER, Center Trim Lower
	5500 5762-3	1			1987, P.A.R.
					1988-89
	5501 8040-1	1			Charcoal
	5501 1754-5	1			Cordovan
	5501 8038-9	1			Navy
	5502 0694-5	1			Sand, 1989
	5501 1756-7	1			Tan, 1988
					1990
	5AC32-3 JS1	1			Charcoal
	5AC32-3 JH9	1			Cordovan
	5AC32-3 JY1	1			Sand
7	5500 3370	2			PLATE, Scuff
8	5500 3372	2			PLATE, Scuff
9					SCREW, 13mm Long ***
	3420 1403	12			1987-89
	3420 1717	12			1990
10	3420 1545	8			CLIP
11	3420 1400	10			SCREW, 40mm Long ***
12	3420 1314	4			SCREW, 13mm Long ***
13	3420 1299	2			CLIP
14	3420 1468	4			SCREW, 25mm Long ***
15	1150 3059	4			SCREW, 20mm Long ***
16-17	5500 5538-9	1			Filler, Pillar, 1987 P.A.R. ***

MODEL CODES:

15 = Grand Wagoneer 4 Dr.	65 = Comanche 4WD-7 Ft. Box	77 = Cherokee 4WD-2 Dr.
25 = J-10 Pickup-119" W.B.	66 = Comanche 2WD-7 Ft. Box	78 = Cherokee 4WD-4 Dr.
26 = J-10 Pickup-131" W.B.	73 = Cherokee 2WD-2 Dr.	79 = Cherokee 4WD-4 Dr.-Com
27 = J-20 Pickup-131" W.B.	74 = Cherokee 2WD-4 Dr.	81 = Wrangler-93" W.B.
63 = Comanche 4WD-6 Ft. Box	75 = Wagoneer 4WD-4 Dr.	82 = Wrangler-103" W.B.-Exp.
64 = Comanche 2WD-6 Ft. Box		

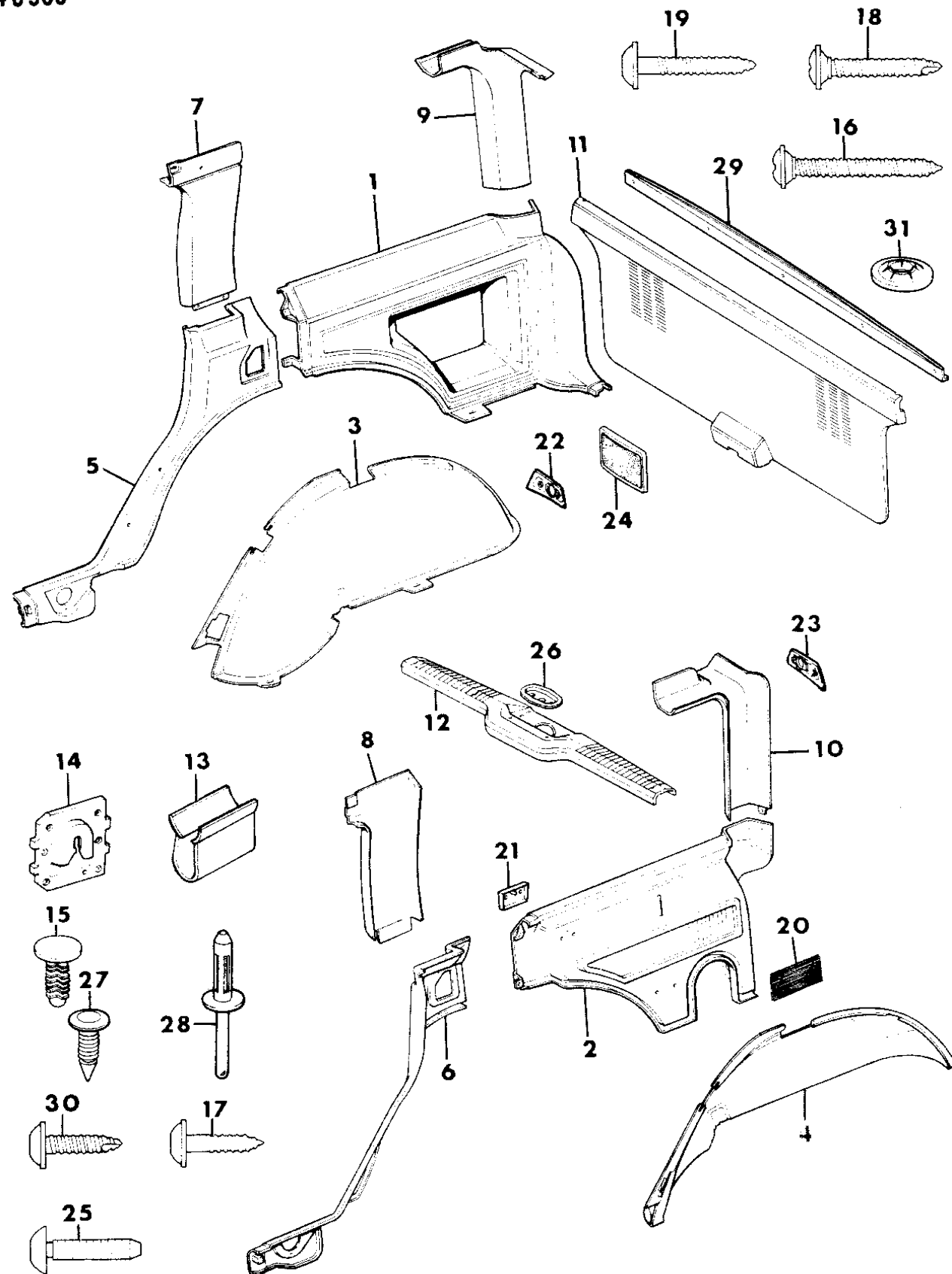
BODY STYLES:

MJ = Comanche Pickup  
 SJ = Grand Wagoneer Wgn., J-10 & J-20 Pickups  
 XJ = Cherokee, Wagoneer Limited  
 YJ = Wrangler

AR = Use as Required - = Non Illustrated Part P.A.R. = Paint as Required

PANELS, INTERIOR TRIM, REAR 4 DOOR CHEROKEE, WAGONEER  
Figure 43-900

8J4 3900



ITEM	PART NUMBER	QTY	BODY	MODEL	DESCRIPTION
1-2					PANEL, Quarter Trim
	5501 1706	1			1987, Right, P.A.R.
	5500 8307	1			1987, Left, P.A.R.
					1988-89
	5501 8082-3	1			Charcoal
	5501 1704-5	1			Cordovan
	5501 8080-1	1			Navy
	5502 0714-5	1			Sand, 1989
	5501 1706-7	1			Tan, 1988
	5AZ90-1 JY1	1			1990, P.A.R.
3-4					COVER, Wheelhouse, Rubber
	5500 8426-7	1			1987, P.A.R.
					1988-89
	5501 8114-5	1			Charcoal
	5502 0730-1	1			Sand, 1989
	5501 1740-1	1			Tan, 1988
					1990
	5AC58-9 JS1	1			Charcoal
	5AC58-9 JY1	1			Sand
5-6					PANEL, Extension, P.A.R.
	5500 5760-1	1			1987-89
	5AC40-1 JY1	1			1990
7-8					COVER, Lock Pillar, P.A.R.
	5500 5776-7	1			1987-89
	5AC74-5 JY1	1			1990
9-10					COVER, Lift Door Pillar, P.A.R.
	5500 5770-1	1			1987-89
	5AC80-1 JY1	1			1990
11					PANEL, Lift Door Trim
					1987
	5501 0187	1			Black, rubber
	5501 0190	1			Black, carpet
	5501 0189	1			Med. Blue, rubber
	5501 1814	1			Cordovan, carpet
	5501 1813	1			Tan, rubber
	5501 1815	1			Tan, carpet
					1988-89

MODEL CODES:

15 = Grand Wagoneer 4 Dr.	65 = Comanche 4WD-7 Ft. Box	77 = Cherokee 4WD-2 Dr.
25 = J-10 Pickup-119" W.B.	66 = Comanche 2WD-7 Ft. Box	78 = Cherokee 4WD-4 Dr.
26 = J-10 Pickup-131" W.B.	73 = Cherokee 2WD-2 Dr.	79 = Cherokee 4WD-4 Dr.-Com
27 = J-20 Pickup-131" W.B.	74 = Cherokee 2WD-4 Dr.	81 = Wrangler-93" W.B.
63 = Comanche 4WD-6 Ft. Box	75 = Wagoneer 4WD-4 Dr.	82 = Wrangler-103" W.B.-Exp.
64 = Comanche 2WD-6 Ft. Box		

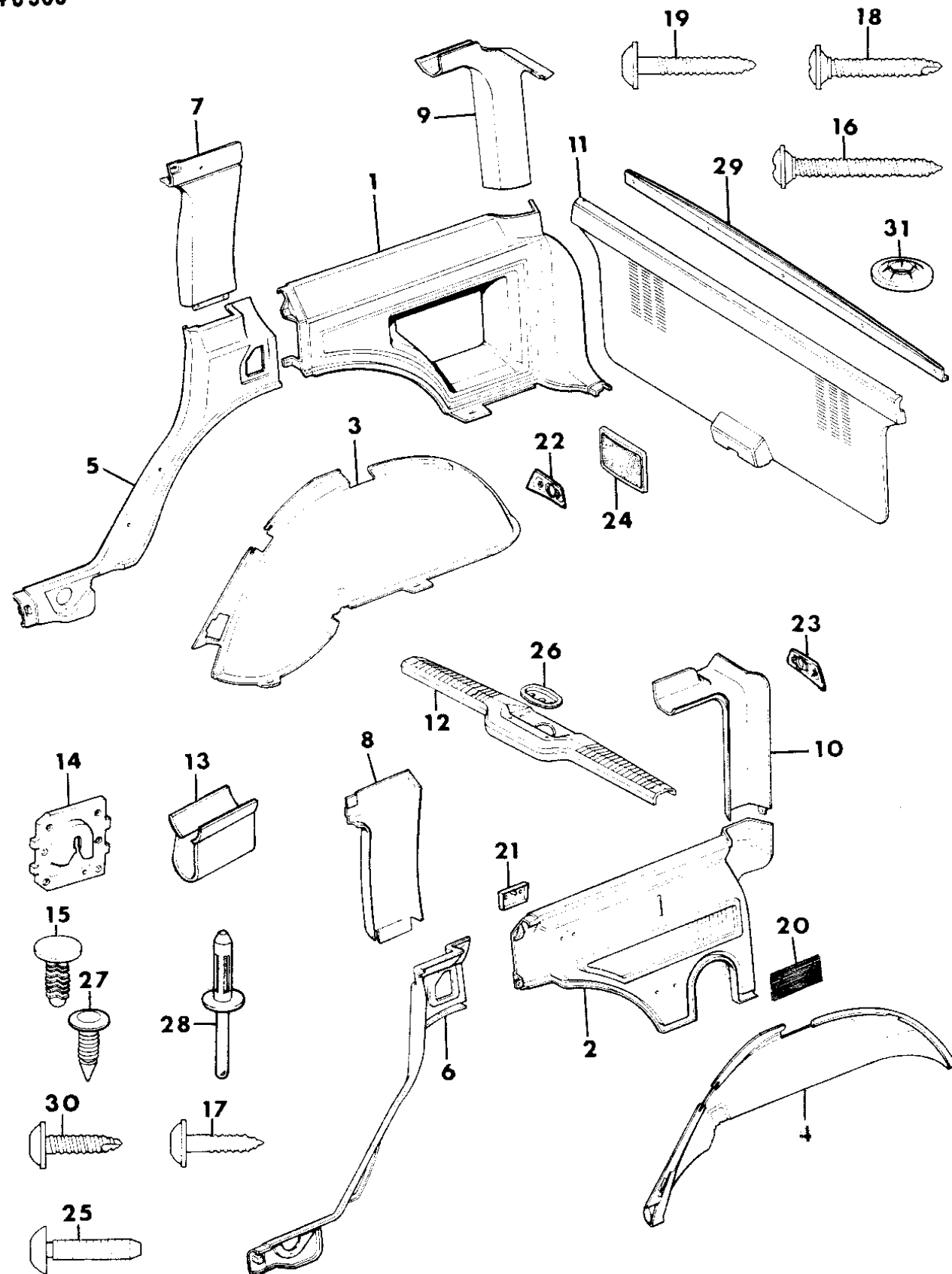
BODY STYLES:

MJ = Comanche Pickup  
 SJ = Grand Wagoneer Wgn., J-10 & J-20 Pickups  
 XJ = Cherokee, Wagoneer Limited  
 YJ = Wrangler

AR = Use as Required - = Non Illustrated Part P.A.R. = Paint as Required

PANELS, INTERIOR TRIM, REAR 4 DOOR CHEROKEE, WAGONEER  
Figure 43-900

8J4 3900



ITEM	PART NUMBER	QTY	BODY	MODEL	DESCRIPTION
	5501 8076	1			Charcoal, rubber
	5502 0711	1			Sand, rubber, 1989
	5501 1813	1			Tan, rubber, 1988
	5501 8078	1			Charcoal, carpet
	5501 1814	1			Cordovan, carpet
	5501 8077	1			Navy, carpet
	5502 0713	1			Sand, carpet, 1989
	5501 1815	1			Tan, carpet, 1988 1990
	5AE1 8JY1	1			P.A.R., w/o carpet
	5AE1 9JS1	1			Charcoal, carpet
	5AE1 9JH9	1			Cordovan, carpet
	5AE1 9JY1	1			Sand, carpet
12					PLATE, Lift Door Scuff
	5500 5757	1			1987, P.A.R. 1988-89
	5501 8067	1			Charcoal
	5501 1786	1			Cordovan
	5501 8066	1			Navy
	5502 0706	1			Sand, 1989
	5501 1787	1			Tan, 1988 1990
	5AC5 5JS1	1			Charcoal
	5AC5 5JH9	1			Cordovan
	5AC5 5JY1	1			Sand
13	J400 1551	12			CLIP
14	3420 1299	4			RETAINER, Clip
15					CLIP-RETAINER, trim panel to liftgate ***
	3420 1545	AR			1987-89
	6502 078	1			1990
16					SCREW
	3420 1403	4			13mm
	3420 1719	4			16mm
	3420 1400	2			40mm
17	3420 1314	8			SCREW, 13mm Long ***
18	3420 1398	6			SCREW, 25mm Long ***
19	3420 1468	4			SCREW, 25mm Long ***

MODEL CODES:

15 = Grand Wagoneer 4 Dr.	65 = Comanche 4WD-7 Ft. Box	77 = Cherokee 4WD-2 Dr.
25 = J-10 Pickup-119" W.B.	66 = Comanche 2WD-7 Ft. Box	78 = Cherokee 4WD-4 Dr.
26 = J-10 Pickup-131" W.B.	73 = Cherokee 2WD-2 Dr.	79 = Cherokee 4WD-4 Dr.-Com
27 = J-20 Pickup-131" W.B.	74 = Cherokee 2WD-4 Dr.	81 = Wrangler-93" W.B.
63 = Comanche 4WD-6 Ft. Box	75 = Wagoneer 4WD-4 Dr.	82 = Wrangler-103" W.B.-Exp.
64 = Comanche 2WD-6 Ft. Box		

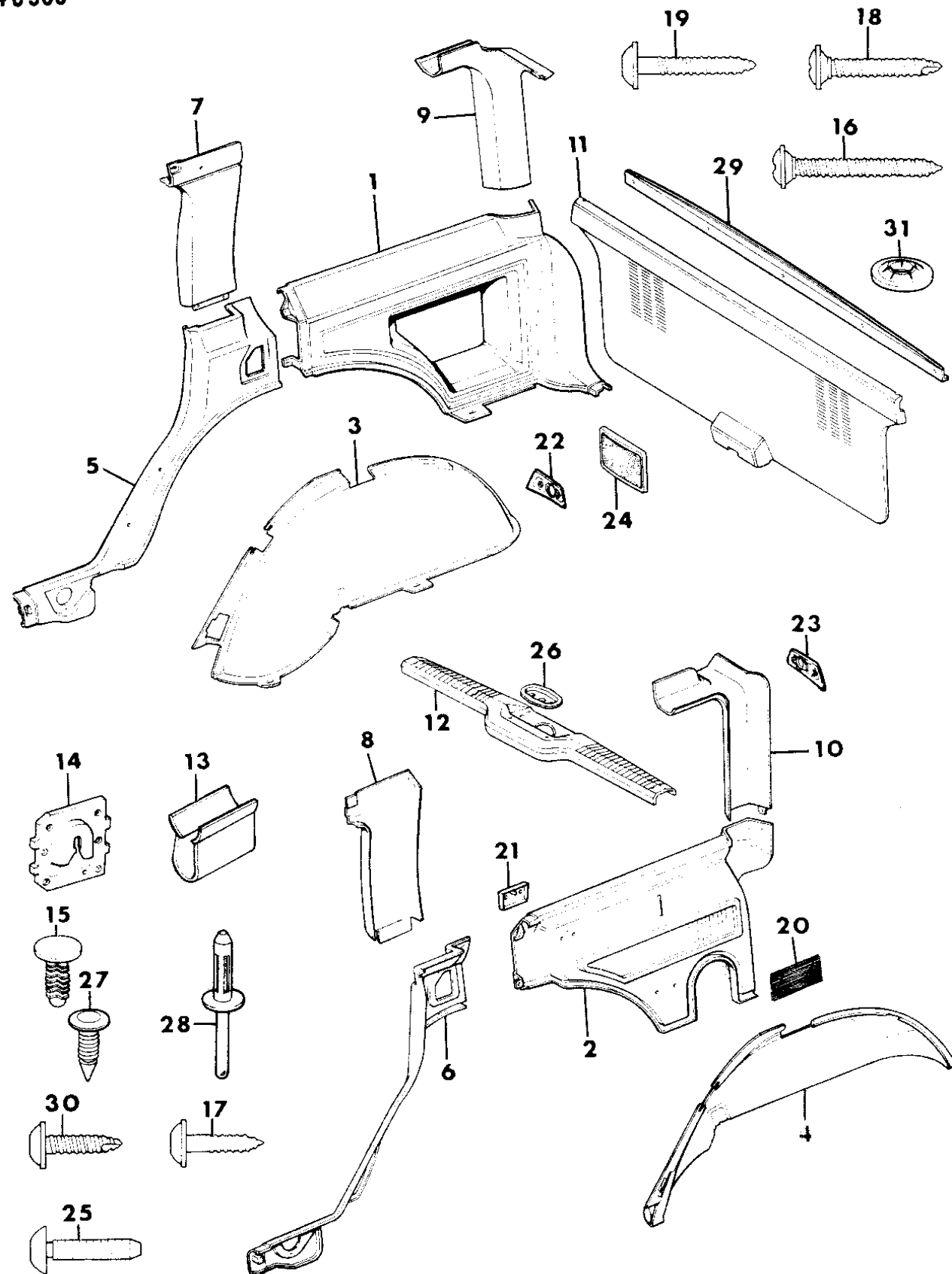
BODY STYLES:

MJ = Comanche Pickup  
 SJ = Grand Wagoneer Wgn., J-10 & J-20 Pickups  
 XJ = Cherokee, Wagoneer Limited  
 YJ = Wrangler

AR = Use as Required - = Non Illustrated Part P.A.R. = Paint as Required

PANELS, INTERIOR TRIM, REAR 4 DOOR CHEROKEE, WAGONEER  
Figure 43-900

8J4 3900



ITEM	PART NUMBER	QTY	BODY	MODEL	DESCRIPTION
20	5500 4406	1			SCREEN, Louver
21	5500 5756	1			PAD, Spare Tire Rest 1987-89 P.A.R. 1990
	5AC9 1JS1	1			Charcoal
	5AC9 1JH9	1			Cordovan
	5AC9 1JY1	1			Sand
22	5500 5230	1			COVER, Rear Header, Right
23	5501 5080	1			COVER, Rear Header, Left
24					GRILLE, Speaker 1987
	3501 4012	2			Black
	3501 4000	2			Medium Blue
	3501 6858	2			Cordovan
	3501 4001	2			Tan w/o Premium Sound
	3501 9986	2			1988-89, P.A.R.
	5AB8 5JY1	2			1990, P.A.R. w/ Premium Sound 1988-89
	3502 3502	2			Charcoal
	3501 6858	2			Cordovan
	3502 1056	2			Navy
	3502 5335	2			Sand, 1989
	3501 4001	2			Tan, 1988 1990
	5AB9 3JY6	2			P.A.R.
25	3420 1946	4			SCREW, 19mm Long ***
26	5500 4352	1			RETAINER, Scuff Plate
27	J400 7129	1			FASTENER, P.A.R., 1987-88
28					RIVET
	3420 1835	7			1987
	3420 1621	5			1988-90
29	5500 8064	1			RETAINER
30					SCREW
	3420 2419	8			1987
	3420 1292	2			1988-89, 13mm

MODEL CODES:

15 = Grand Wagoneer 4 Dr.	65 = Comanche 4WD-7 Ft. Box	77 = Cherokee 4WD-2 Dr.
25 = J-10 Pickup-119" W.B.	66 = Comanche 2WD-7 Ft. Box	78 = Cherokee 4WD-4 Dr.
26 = J-10 Pickup-131" W.B.	73 = Cherokee 2WD-2 Dr.	79 = Cherokee 4WD-4 Dr.-Com
27 = J-20 Pickup-131" W.B.	74 = Cherokee 2WD-4 Dr.	81 = Wrangler-93" W.B.
63 = Comanche 4WD-6 Ft. Box	75 = Wagoneer 4WD-4 Dr.	82 = Wrangler-103" W.B.-Exp.
64 = Comanche 2WD-6 Ft. Box		

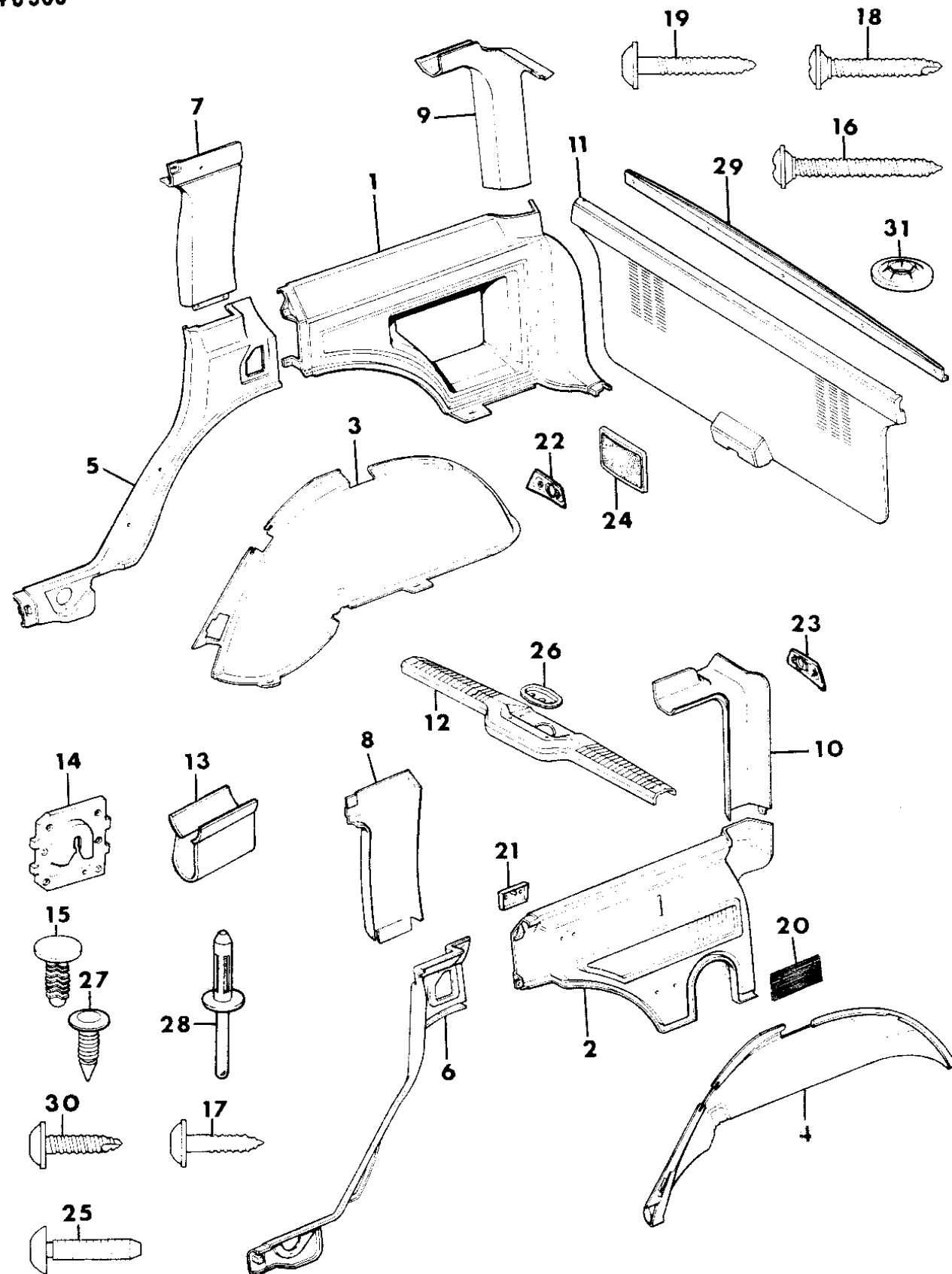
BODY STYLES:

MJ = Comanche Pickup  
SJ = Grand Wagoneer Wgn., J-10 & J-20 Pickups  
XJ = Cherokee, Wagoneer Limited  
YJ = Wrangler

AR = Use as Required - = Non Illustrated Part P.A.R. = Paint as Required

PANELS, INTERIOR TRIM, REAR 4 DOOR CHEROKEE, WAGONEER  
Figure 43-900

8J4 3900



ITEM	PART NUMBER	QTY	BODY	MODEL	DESCRIPTION
	J400 4642	2			1990, 13mm
31					RETAINER
	3420 1481	12			10mm I.D., w/ Premium Radio
	J400 0271	8			6mm I.D., w/o Premium Radio ***

MODEL CODES:

15 = Grand Wagoneer 4 Dr.	65 = Comanche 4WD-7 Ft. Box	77 = Cherokee 4WD-2 Dr.
25 = J-10 Pickup-119" W.B.	66 = Comanche 2WD-7 Ft. Box	78 = Cherokee 4WD-4 Dr.
26 = J-10 Pickup-131" W.B.	73 = Cherokee 2WD-2 Dr.	79 = Cherokee 4WD-4 Dr.-Com
27 = J-20 Pickup-131" W.B.	74 = Cherokee 2WD-4 Dr.	81 = Wrangler-93" W.B.
63 = Comanche 4WD-6 Ft. Box	75 = Wagoneer 4WD-4 Dr.	82 = Wrangler-103" W.B.-Exp.
64 = Comanche 2WD-6 Ft. Box		

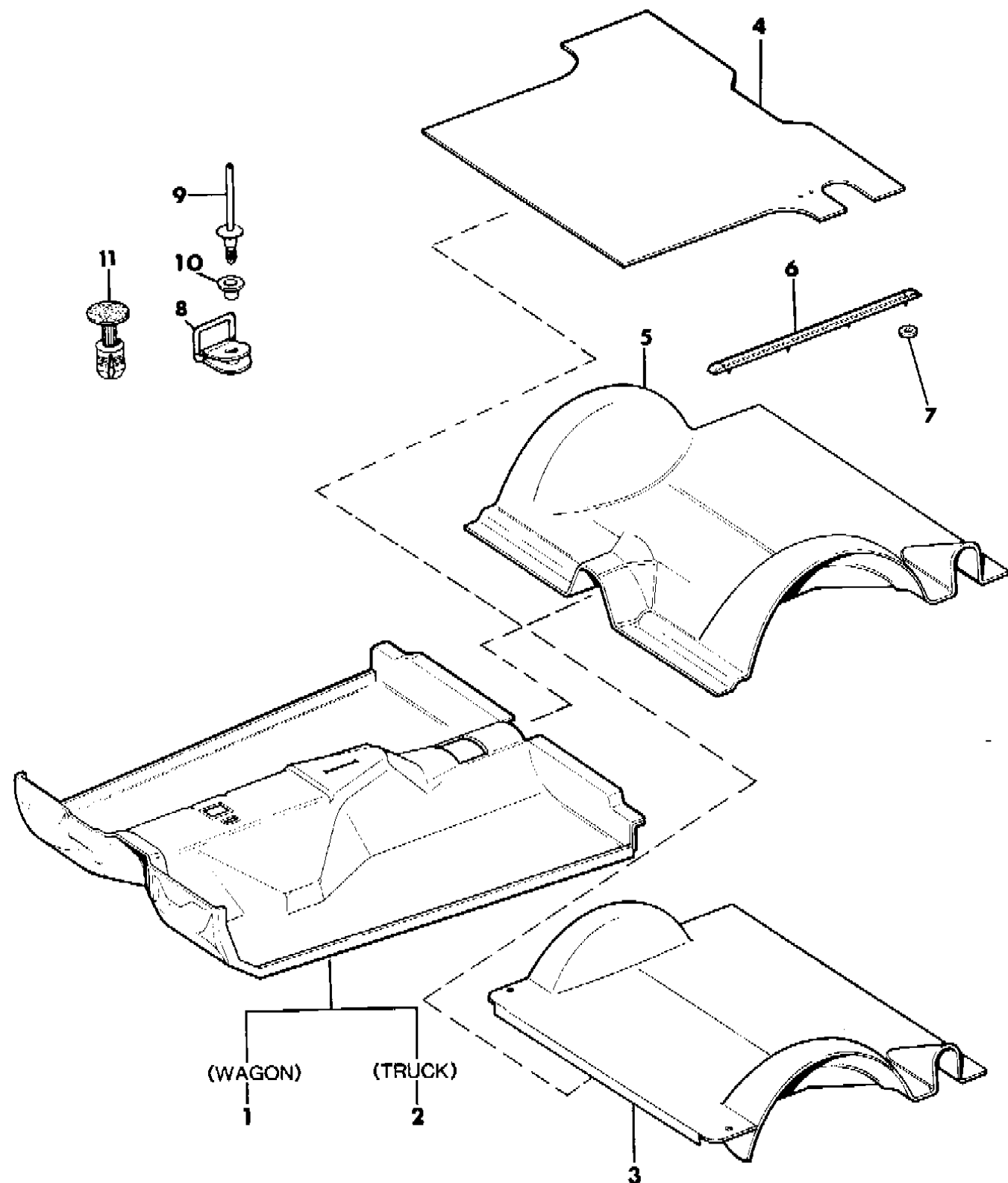
BODY STYLES:

MJ = Comanche Pickup  
 SJ = Grand Wagoneer Wgn., J-10 & J-20 Pickups  
 XJ = Cherokee, Wagoneer Limited  
 YJ = Wrangler

AR = Use as Required - = Non Illustrated Part P.A.R. = Paint as Required

**CARPETS AND MATS CHEROKEE, WAGONEER, COMANCHE**  
**Figure 43-1000**

**8J431000 A**



ITEM	PART NUMBER	QTY	BODY	MODEL	DESCRIPTION
1					CARPET, Front Floor
	5500 8700	1			Rubber Mat, Black 1987 (LEQ)
	5500 8707	1			Black
	5500 8706	1			Med. Blue
	5501 1538	1			Tan 1987 (WEQ)
	5500 8709	1			Black
	5500 8708	1			Med. Blue
	5501 1542	1			Tan
	5501 1541	1			Cordovan 1988-89 (LEQ)
	5501 7929	1			Charcoal
	5501 1537	1			Cordovan
	5501 7928	1			Navy
	5501 1538	1			Tan, 1988
	5502 0671	1			Sand, 1989 1988-89 (WEQ)
	5501 9788	1			Charcoal
	5501 9789	1			Cordovan
	5501 9787	1			Navy
	5501 9790	1			Tan, 1988
	5502 0673	1			Sand, 1989 1990 (LEQ)
	5BA4 5JA8	1			Charcoal
	5BA4 5JH9	1			Cordovan
	5BA4 5JY6	1			Sand 1990 (WEQ)
	5BA4 7JA8	1			Charcoal
	5BA4 7JH9	1			Cordovan
	5BA4 7JY6	1			Sand
2					CARPET, Front Floor
	5500 6431	1			Black, rubber mat 1987
	5500 6435	1			Black
	5500 6434	1			Med. Blue
	5501 1552	1			Tan

**MODEL CODES:**  
 15 = Grand Wagoneer 4 Dr.      65 = Comanche 4WD-7 Ft. Box      77 = Cherokee 4WD-2 Dr.  
 25 = J-10 Pickup-119" W.B.      66 = Comanche 2WD-7 Ft. Box      78 = Cherokee 4WD-4 Dr.  
 26 = J-10 Pickup-131" W.B.      73 = Cherokee 2WD-2 Dr.      79 = Cherokee 4WD-4 Dr.-Com  
 27 = J-20 Pickup-131" W.B.      74 = Cherokee 2WD-4 Dr.      81 = Wrangler-93" W.B.  
 63 = Comanche 4WD-6 Ft. Box      75 = Wagoneer 4WD-4 Dr.      82 = Wrangler-103" W.B.-Exp.  
 64 = Comanche 2WD-6 Ft. Box

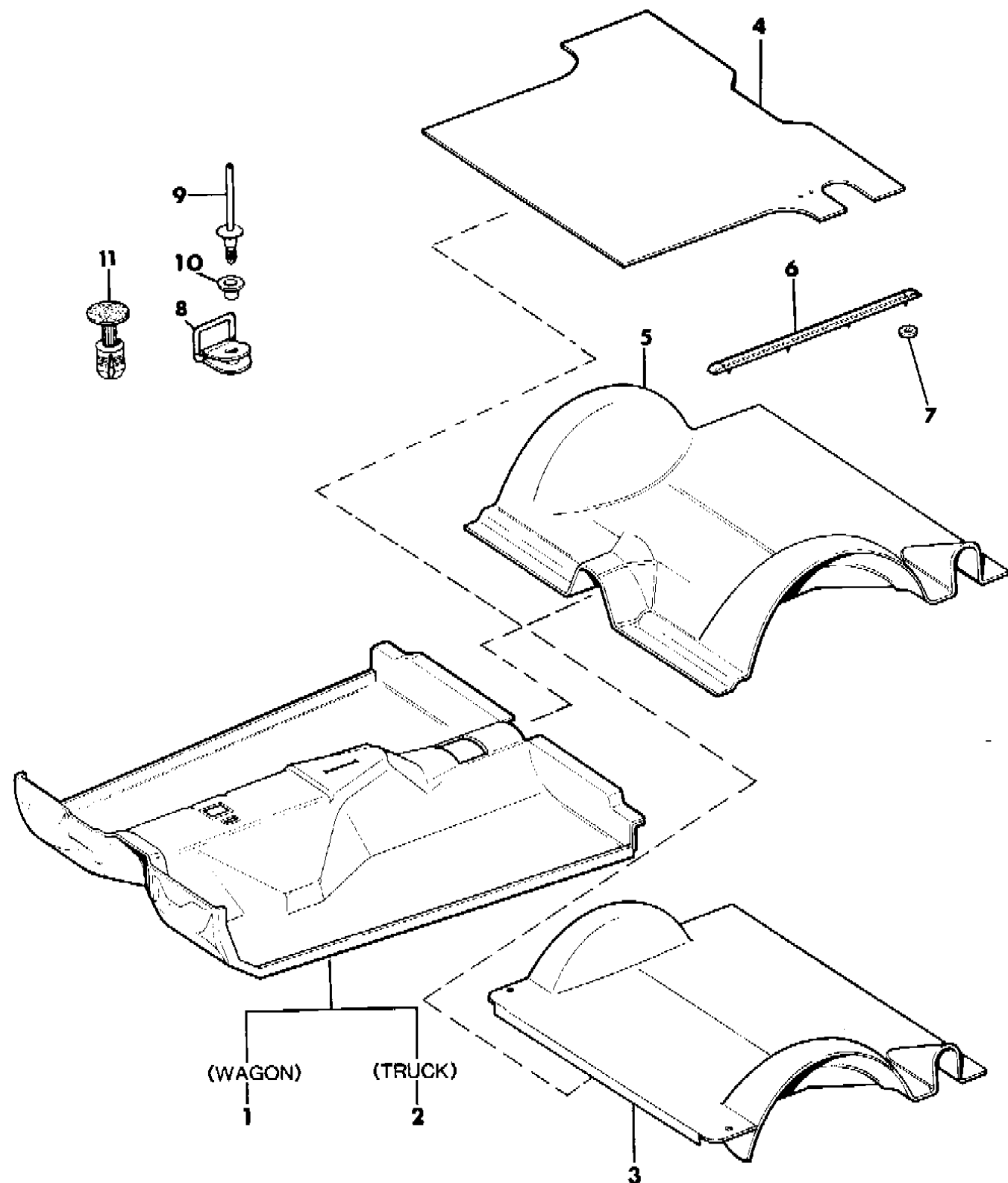
**BODY STYLES:**  
 MJ = Comanche Pickup  
 SJ = Grand Wagoneer Wgn., J-10 & J-20 Pickups  
 XJ = Cherokee, Wagoneer Limited  
 YJ = Wrangler

AR = Use as Required - = Non Illustrated Part P.A.R. = Paint as Required



**CARPETS AND MATS CHEROKEE, WAGONEER, COMANCHE**  
**Figure 43-1000**

**8J431000 A**



ITEM	PART NUMBER	QTY	BODY	MODEL	DESCRIPTION
					1987-89
	5501 1551	1			Cordovan
					1988-89
	5501 7935	1			Charcoal
	5501 1551	1			Cordovan
	5501 7934	1			Navy
	5501 1552	1			Tan, 1988
	5502 0674	1			Sand, 1989
					1990
	5AD2 2JA8	1			Charcoal, Built Up To 2/28/90
	5BD7 8JA8	1			Charcoal, Built 3/1/90 And Later
	5AD2 2JH9	1			Cordovan, Built Up To 2/28/90
	5BD7 8JH9	1			Cordovan, Built 3/1/90 And Later
	5AD2 2JY6	1			Sand, Built Up To 2/28/90
	5BD7 8JY6	1			Sand, Built 3/1/90 And Later
3					CARPET, Cargo, Cordovan, European Commercial Pkg.
	5500 8726	1			Med. Blue 1987
	5501 5359	1			Cordovan 1987-89
	5BF7 3JH9	1			1990
4	5500 8727	1			MAT, Rear Cargo, Black rubber
5					CARPET, Cargo
					1987
	5500 8723	1			Black (a)
	5501 8720	1			Black (c)
	5500 8722	1			Med. Blue (a)
	5501 1930	1			Cordovan (a)
	5501 1938	1			Cordovan (b)
	5501 1940	1			Tan (b)
					1987-88
	5501 1932	1			Tan (a)
					1988-89
					w/ Holes For Skid Strips
	5501 9792	1			Charcoal
	5501 9791	1			Cordovan
	5501 9793	1			Tan, 1988
	5502 0683	1			Sand, 1989
					1990

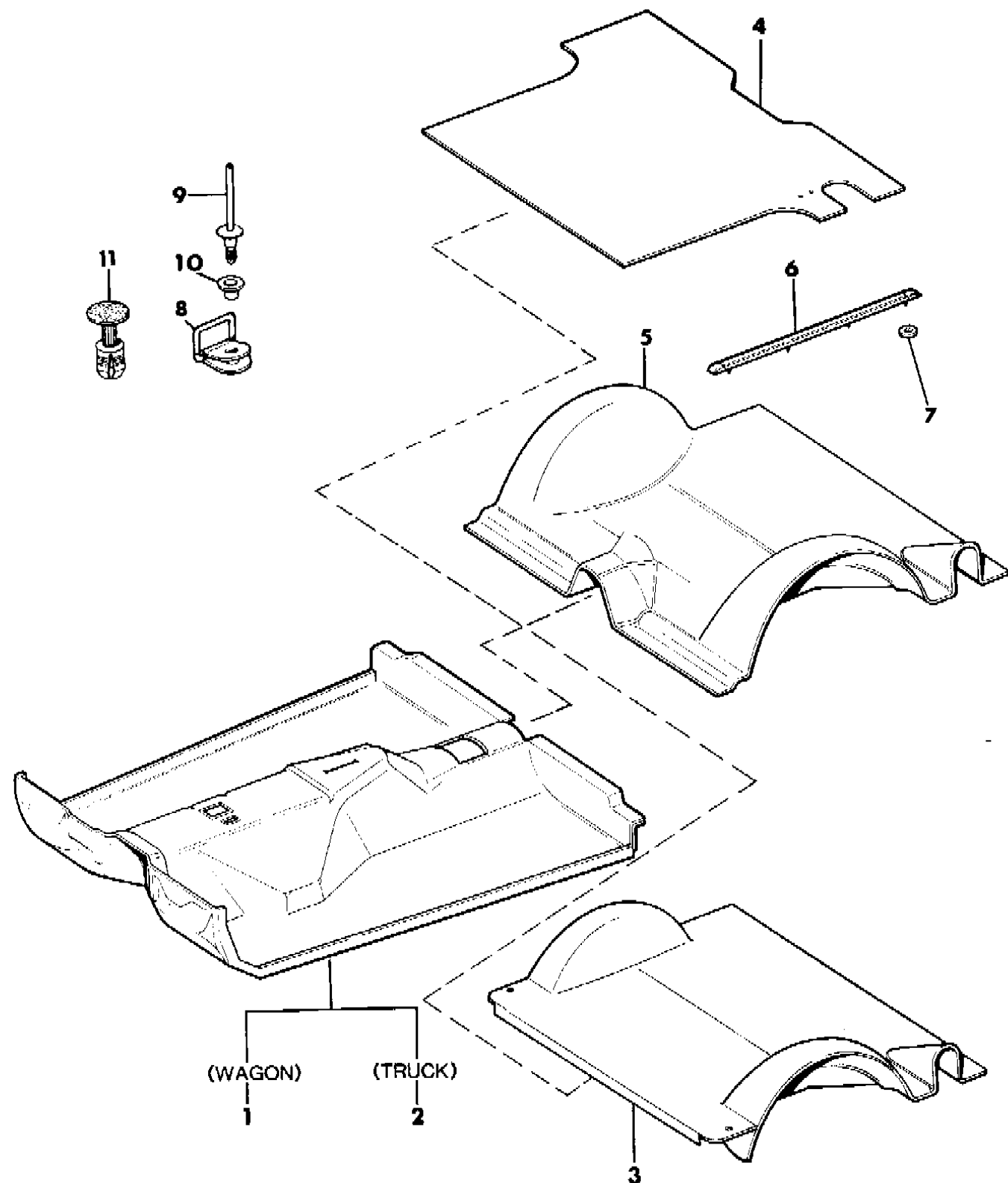
**MODEL CODES:**  
 15 = Grand Wagoneer 4 Dr.      65 = Comanche 4WD-7 Ft. Box      77 = Cherokee 4WD-2 Dr.  
 25 = J-10 Pickup-119" W.B.      66 = Comanche 2WD-7 Ft. Box      78 = Cherokee 4WD-4 Dr.  
 26 = J-10 Pickup-131" W.B.      73 = Cherokee 2WD-2 Dr.      79 = Cherokee 4WD-4 Dr.-Com  
 27 = J-20 Pickup-131" W.B.      74 = Cherokee 2WD-4 Dr.      81 = Wrangler-93" W.B.  
 63 = Comanche 4WD-6 Ft. Box      75 = Wagoneer 4WD-4 Dr.      82 = Wrangler-103" W.B.-Exp.  
 64 = Comanche 2WD-6 Ft. Box

**BODY STYLES:**  
 MJ = Comanche Pickup  
 SJ = Grand Wagoneer Wgn., J-10 & J-20 Pickups  
 XJ = Cherokee, Wagoneer Limited  
 YJ = Wrangler

AR = Use as Required - = Non Illustrated Part P.A.R. = Paint as Required

**CARPETS AND MATS CHEROKEE, WAGONEER, COMANCHE**  
**Figure 43-1000**

**8J431000 A**



ITEM	PART NUMBER	QTY	BODY	MODEL	DESCRIPTION
	5BB5 9JA8	1			Charcoal
	5BB5 9JH9	1			Cordovan
	5BB5 9JY6	1			Sand w/o Holes For Skid Strips 1988-89
	5501 7949	1			Charcoal
	5501 1930	1			Cordovan
	5501 7948	1			Navy
	5501 1932	1			Tan, 1988
	5502 0682	1			Sand, 1989 1990
	5BF7 2JA8	1			Charcoal
	5BF7 2JH9	1			Cordovan
	5BF7 2JY6	1			Sand
6	5500 1078	6			STRIP, Skid
7	3420 2014	12			NUT, Push
8					LOOP, Cargo Tie Down ***
	5500 6967	4			1987-89
	5502 5872	4			1990
9	3420 2083	4			RIVET
10	3420 2365	4			WASHER
11	5AA3 5JH9	2			FASTENER, Cargo Carpet Mounting, EUROPE w/Commercial Package

NOTE: (LEQ) = Less Extra-Quiet Insulation Package  
 NOTE: (WEQ) = With Extra-Quiet Insulation Package  
 (a) Except Wagoneer or Cherokee "Limited" or Cherokee "Laredo" Model  
 (b) Wagoneer "Limited" or Cherokee "Laredo" Model  
 (c) Cherokee "Limited" Model

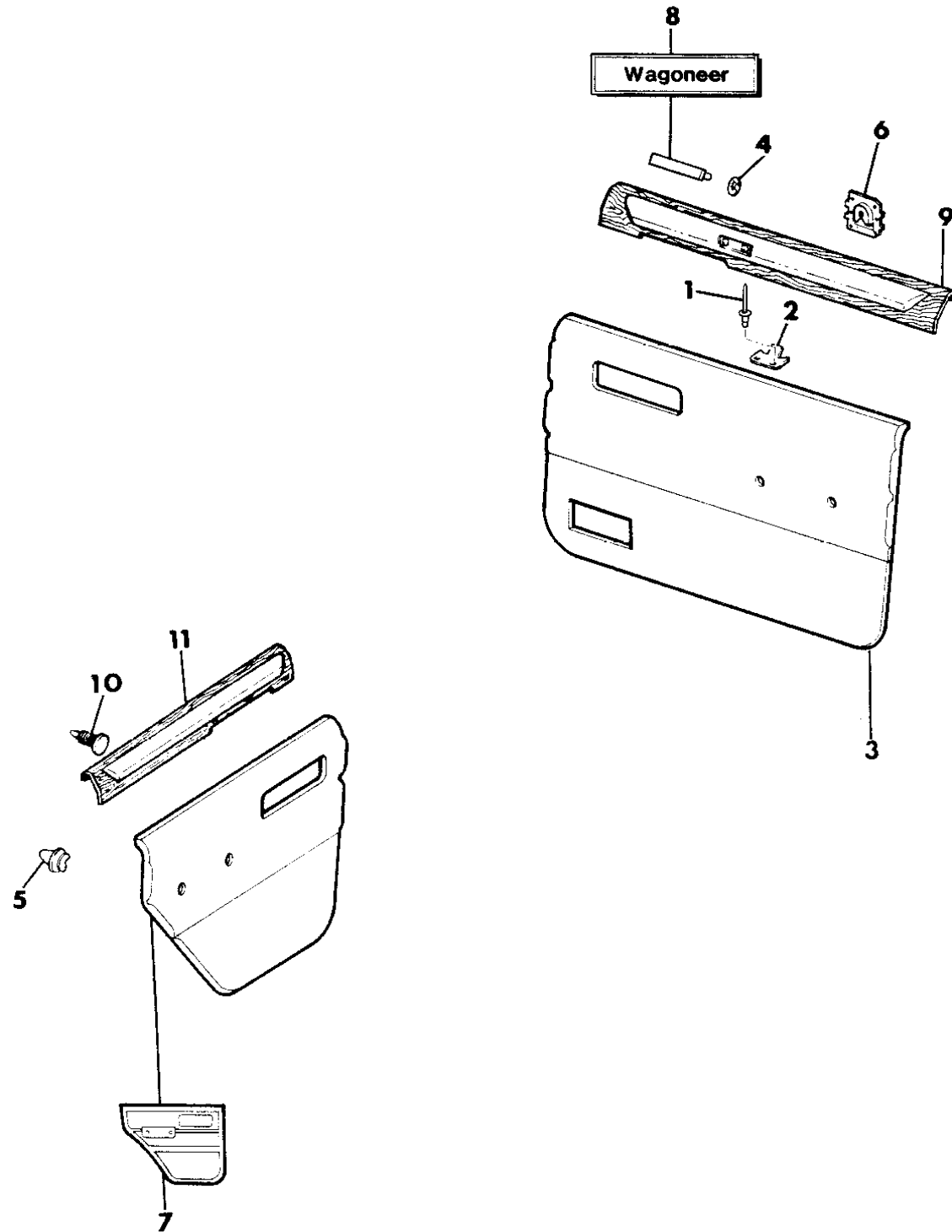
**MODEL CODES:**  
 15 = Grand Wagoneer 4 Dr.      65 = Comanche 4WD-7 Ft. Box      77 = Cherokee 4WD-2 Dr.  
 25 = J-10 Pickup-119" W.B.      66 = Comanche 2WD-7 Ft. Box      78 = Cherokee 4WD-4 Dr.  
 26 = J-10 Pickup-131" W.B.      73 = Cherokee 2WD-2 Dr.      79 = Cherokee 4WD-4 Dr.-Com  
 27 = J-20 Pickup-131" W.B.      74 = Cherokee 2WD-4 Dr.      81 = Wrangler-93" W.B.  
 63 = Comanche 4WD-6 Ft. Box      75 = Wagoneer 4WD-4 Dr.      82 = Wrangler-103" W.B.-Exp.  
 64 = Comanche 2WD-6 Ft. Box

**BODY STYLES:**  
 MJ = Comanche Pickup  
 SJ = Grand Wagoneer Wgn., J-10 & J-20 Pickups  
 XJ = Cherokee, Wagoneer Limited  
 YJ = Wrangler

AR = Use as Required - = Non Illustrated Part P.A.R. = Paint as Required

PANELS, DOOR TRIM WAGONEER  
Figure 43-1100

8J43 1100



ITEM	PART NUMBER	QTY	BODY	MODEL	DESCRIPTION
1	3420 1197	4			RIVET
2	5500 3629	2			BRACKET, Door Trim
3					PANEL, Front Door Trim
					1987 w/o "Limited"
	5501 2524-5	1			Black
	5501 2526-7	1			Cordovan
	5501 2528-9	1			Tan "Limited"
	5501 2530-1	1			Cordovan
	5501 2532-3	1			Tan 1988-89
	5501 9794-5	1			Cordovan
	5501 9796-7	1			Tan, 1988
	5502 0782-3	1			Sand, 1989 1990
	5AD36-7 JH9	1			Cordovan
	5AD36-7 JYY	1			Sand
4	J400 0459	4			NUT
5	3420 1681	AR			CLIP
6	3420 1299	2			CLIP, Retaining
7					PANEL, Rear Door Trim
					1987 w/o "Limited"
	5501 2536-7	1			Black
	5501 2538-9	1			Cordovan
	5501 2540-1	1			Tan "Limited"
	5501 2542-3	1			Cordovan
	5501 2544-5	1			Tan 1988-89
	5501 9802-3	1			Cordovan
	5501 9804-5	1			Tan, 1988
	5502 0798-9	1			Sand, 1989 1990
	5AD38-9 JH9	1			Cordovan
	5AD38-9 JYY	1			Sand

MODEL CODES:

15 = Grand Wagoneer 4 Dr.	65 = Comanche 4WD-7 Ft. Box	77 = Cherokee 4WD-2 Dr.
25 = J-10 Pickup-119" W.B.	66 = Comanche 2WD-7 Ft. Box	78 = Cherokee 4WD-4 Dr.
26 = J-10 Pickup-131" W.B.	73 = Cherokee 2WD-2 Dr.	79 = Cherokee 4WD-4 Dr.-Com
27 = J-20 Pickup-131" W.B.	74 = Cherokee 2WD-4 Dr.	81 = Wrangler-93" W.B.
63 = Comanche 4WD-6 Ft. Box	75 = Wagoneer 4WD-4 Dr.	82 = Wrangler-103" W.B.-Exp.
64 = Comanche 2WD-6 Ft. Box		

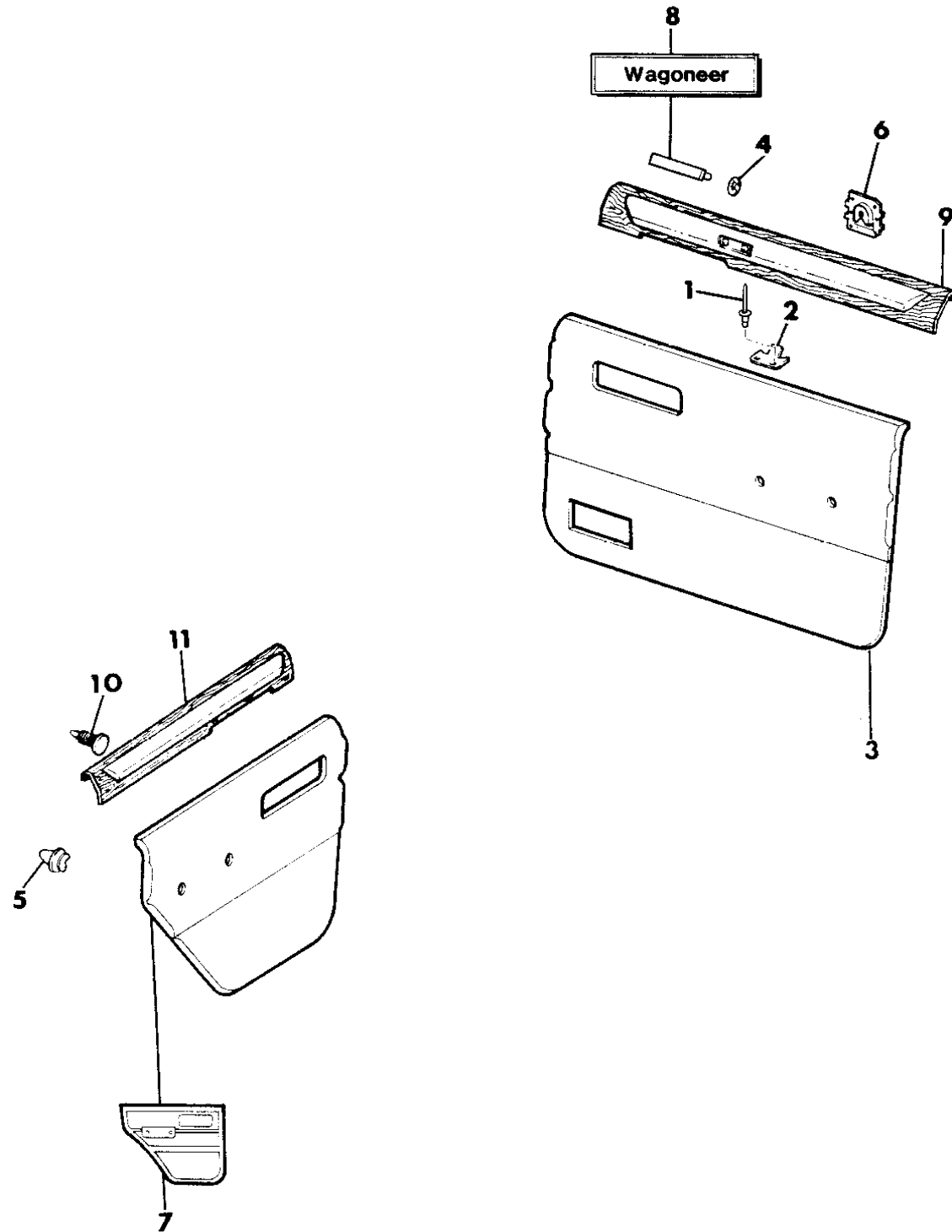
BODY STYLES:

MJ = Comanche Pickup  
 SJ = Grand Wagoneer Wgn., J-10 & J-20 Pickups  
 XJ = Cherokee, Wagoneer Limited  
 YJ = Wrangler

AR = Use as Required - = Non Illustrated Part P.A.R. = Paint as Required

PANELS, DOOR TRIM WAGONEER  
Figure 43-1100

8J43 1100



ITEM	PART NUMBER	QTY	BODY	MODEL	DESCRIPTION
8	5500 3122	2			NAMEPLATE, Wagoneer ***
9					MOULDING, Front Trim Panel
					1987
					"Limited"
	5501 2554-5	1			Cordovan
	5501 2556-7	1			Tan
					1988-89
	5501 2554-5	1			Cordovan
	5501 2556-7	1			Tan, 1988
	5502 0786-7	1			Sand, 1989
					1990
	5AC86-7 JH9	1			Cordovan
	5AC86-7 JY1	1			Sand
10	3420 1545	10			CLIP
11					MOULDING, Trim Panel
					1987
					"Limited"
	5501 2562-3	1			Cordovan
	5501 2564-5	1			Tan
					1988-89
	5501 2562-3	1			Cordovan
	5501 2564-5	1			Tan, 1988
	5502 0802-3	1			Sand, 1989
					1990
	5AC88-9 JH9	1			Cordovan
	5AC88-9 JY1	1			Sand

MODEL CODES:

15 = Grand Wagoneer 4 Dr.	65 = Comanche 4WD-7 Ft. Box	77 = Cherokee 4WD-2 Dr.
25 = J-10 Pickup-119" W.B.	66 = Comanche 2WD-7 Ft. Box	78 = Cherokee 4WD-4 Dr.
26 = J-10 Pickup-131" W.B.	73 = Cherokee 2WD-2 Dr.	79 = Cherokee 4WD-4 Dr.-Com
27 = J-20 Pickup-131" W.B.	74 = Cherokee 2WD-4 Dr.	81 = Wrangler-93" W.B.
63 = Comanche 4WD-6 Ft. Box	75 = Wagoneer 4WD-4 Dr.	82 = Wrangler-103" W.B.-Exp.
64 = Comanche 2WD-6 Ft. Box		

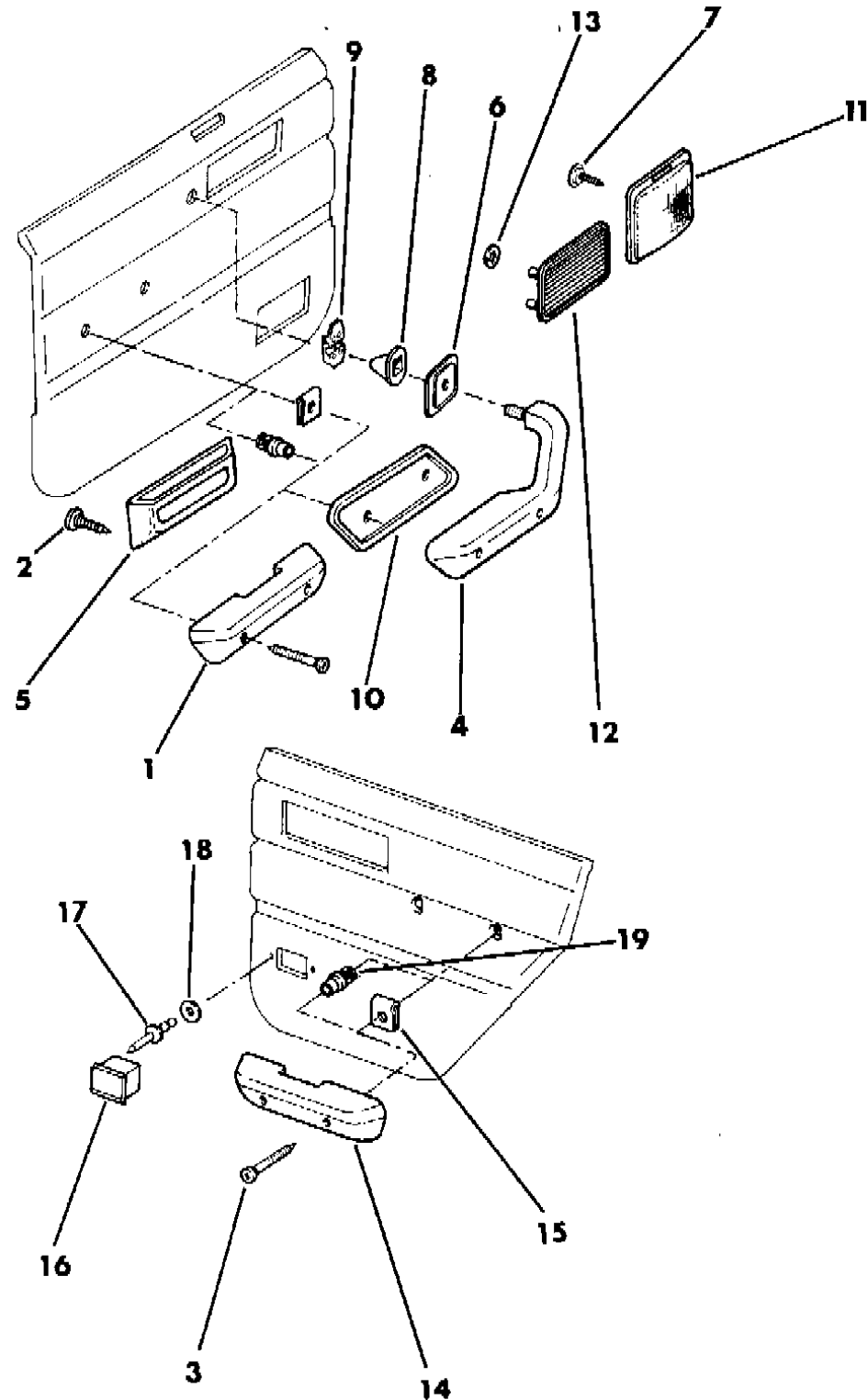
BODY STYLES:

MJ = Comanche Pickup  
 SJ = Grand Wagoneer Wgn., J-10 & J-20 Pickups  
 XJ = Cherokee, Wagoneer Limited  
 YJ = Wrangler

AR = Use as Required - = Non Illustrated Part P.A.R. = Paint as Required

**INTERIOR DOOR TRIM PARTS CHEROKEE, WAGONEER**  
Figure 43-1200

8J431200A



ITEM	PART NUMBER	QTY	BODY	MODEL	DESCRIPTION	
1					ARMREST	
					Right	
		3501 3737	1			Black 1987
		3500 8334	1			Med. Blue 1987
		3500 9215	1			Tan 1987-88
		3501 9989	1			Cordovan 1987-89
		3502 5313	1			Sand, 1989
		3502 3019	1			Charcoal
		3502 3023	1			Navy
						Left
		3501 3736	1			Black 1987
		3500 8331	1			Med. Blue 1987
		3500 9214	1			Tan 1987-88
		3501 9988	1			Cordovan 1987-89
	3502 5312	1			Sand 1989	
	3502 3018	1			Charcoal	
	3502 3022	1			Navy	
					1990	
					Left	
	5AW6 9JS1	1			Charcoal	
	5AW6 9JH9	1			Cordovan	
	5AW6 9JY1	1			Sand	
					Right	
	5AW6 8JS1	1			Charcoal	
	5AW6 8JH9	1			Cordovan	
	5AW6 8JY1	1			Sand	
2	3420 2074	10			SCREW	
3					SCREW	
	1150 0068	8			4 Door	
	1150 0068	4			2 Door	
4					ARMREST	
		3501 3750-1	1			Black 1987
		3500 8332-3	1			Med. Blue 1987
		3500 9210-1	1			Tan 1987-88
		3501 5844-5	1			Cordovan 1987-89
		3502 5316-7	1			Tan 1989
					Charcoal	

**MODEL CODES:**

15 = Grand Wagoneer 4 Dr.	65 = Comanche 4WD-7 Ft. Box	77 = Cherokee 4WD-2 Dr.
25 = J-10 Pickup-119" W.B.	66 = Comanche 2WD-7 Ft. Box	78 = Cherokee 4WD-4 Dr.
26 = J-10 Pickup-131" W.B.	73 = Cherokee 2WD-2 Dr.	79 = Cherokee 4WD-4 Dr.-Com
27 = J-20 Pickup-131" W.B.	74 = Cherokee 2WD-4 Dr.	81 = Wrangler-93" W.B.
63 = Comanche 4WD-6 Ft. Box	75 = Wagoneer 4WD-4 Dr.	82 = Wrangler-103" W.B.-Exp.
64 = Comanche 2WD-6 Ft. Box		

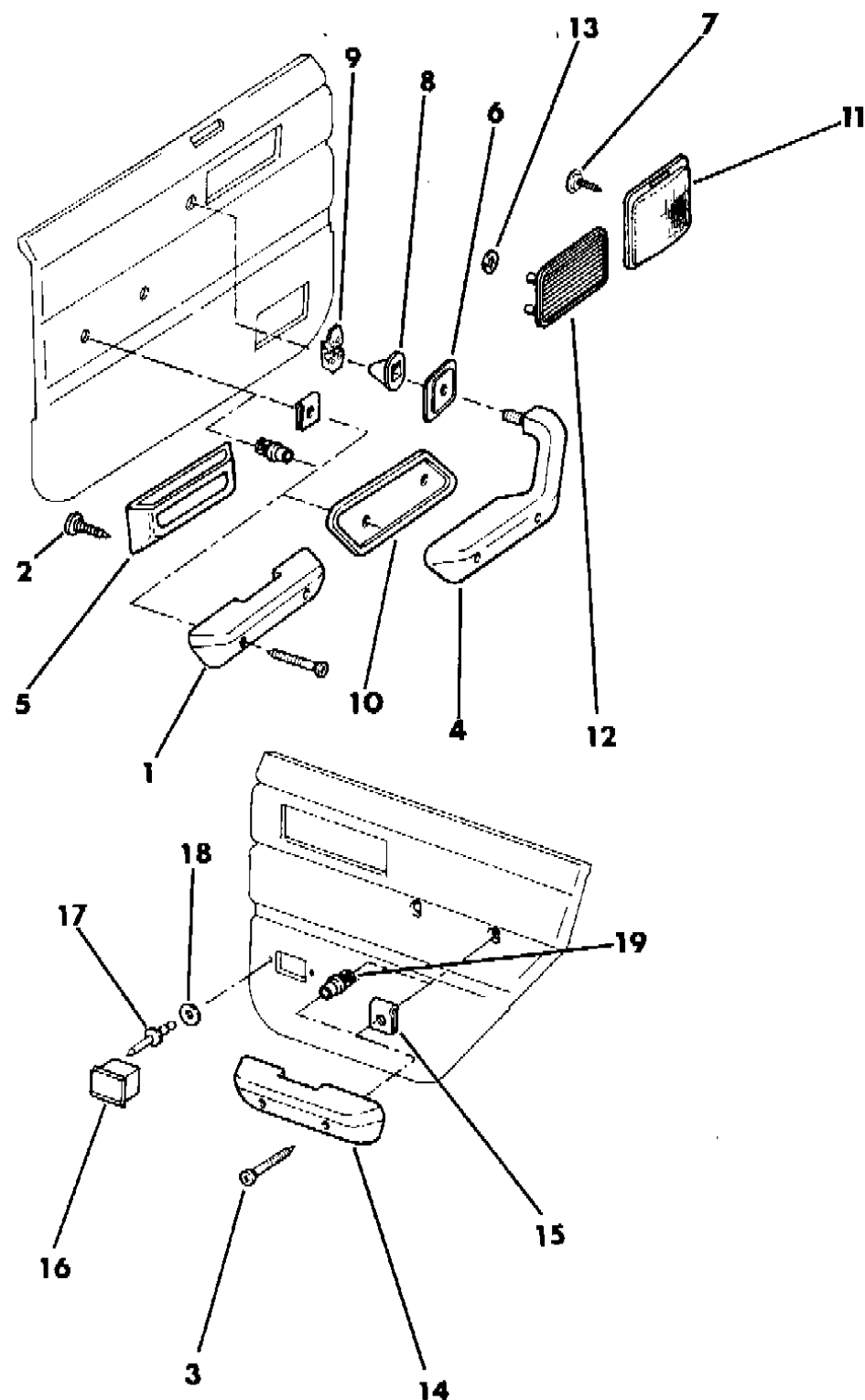
**BODY STYLES:**

MJ = Comanche Pickup
SJ = Grand Wagoneer Wgn., J-10 & J-20 Pickups
XJ = Cherokee, Wagoneer Limited
YJ = Wrangler

AR = Use as Required - = Non Illustrated Part P.A.R. = Paint as Required

**INTERIOR DOOR TRIM PARTS CHEROKEE, WAGONEER**  
**Figure 43-1200**

8J431200A



ITEM	PART NUMBER	QTY	BODY	MODEL	DESCRIPTION
	3502 1096-7	1			Except "Limited"
	3502 4786-7	1			"Limited"
	3502 1094-5	1			Navy 1990
	5AB98-9 JS1	1			Charcoal
	5AB98-9 JA8	1			Dk. Charcoal
	5AB98-9 JH9	1			Cordovan
	5AB98-9 JY1	1			Sand
	5AB98-9 JY6	1			Dk. Sand
5					PANEL, Stowage Bin
	3500 9954	2			1987-89, P.A.R.
	5AB8 9JY6	2			1990, P.A.R.
6	5500 3128-9	1			BEZEL, Armrest
7	3420 2419	8			SCREW
8	J307 7045	2			NIPPLE, Armrest
9	J307 6062	2			CLIP
10	3500 1916-7	1			ESCUTCHEON, Armrest
11					GRILLE, Speaker
	3501 4012	2			Black 1987
	3501 4000	2			Med. Blue 1987
	3501 6858	2			Cordovan 1987-89
	3502 1056	2			Navy 1988-89
	3501 4001	2			Tan 1987-88
	3502 5335	2			Sand 1989
	3502 3502	2			Charcoal 1990
	5AB9 3JY6	2			P.A.R.
12					GRILLE, Speaker/Exhauster
	3501 9986	2			1987-89, P.A.R.
	5AB8 5JY1	2			1990, P.A.R.
13	J400 0271	8			FASTENER
14					ARMREST, 4 Door
	5500 8083	2			Black 1987
	5500 8082	2			Med. Blue 1987
	5500 9646	2			Tan 1987-88
	5501 1854	2			Cordovan 1987-89
	5502 0790	2			Sand 1989

**MODEL CODES:**

15 = Grand Wagoneer 4 Dr.	65 = Comanche 4WD-7 Ft. Box	77 = Cherokee 4WD-2 Dr.
25 = J-10 Pickup-119" W.B.	66 = Comanche 2WD-7 Ft. Box	78 = Cherokee 4WD-4 Dr.
26 = J-10 Pickup-131" W.B.	73 = Cherokee 2WD-2 Dr.	79 = Cherokee 4WD-4 Dr.-Com
27 = J-20 Pickup-131" W.B.	74 = Cherokee 2WD-4 Dr.	81 = Wrangler-93" W.B.
63 = Comanche 4WD-6 Ft. Box	75 = Wagoneer 4WD-4 Dr.	82 = Wrangler-103" W.B.-Exp.
64 = Comanche 2WD-6 Ft. Box		

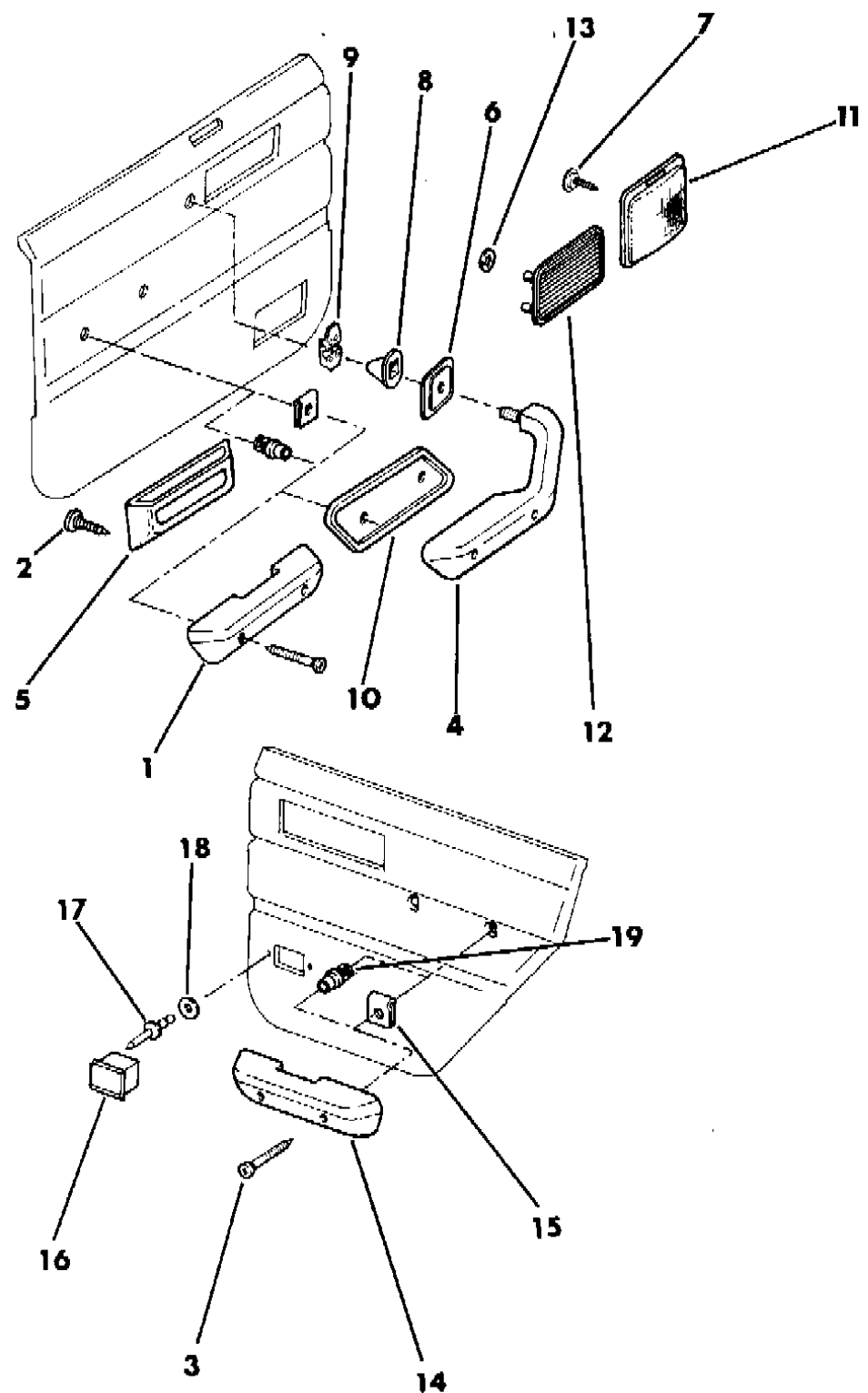
**BODY STYLES:**

MJ = Comanche Pickup
SJ = Grand Wagoneer Wgn., J-10 & J-20 Pickups
XJ = Cherokee, Wagoneer Limited
YJ = Wrangler

AR = Use as Required - = Non Illustrated Part P.A.R. = Paint as Required

**INTERIOR DOOR TRIM PARTS CHEROKEE, WAGONEER**  
**Figure 43-1200**

8J431200A



ITEM	PART NUMBER	QTY	BODY	MODEL	DESCRIPTION
					Charcoal
	5501 8905	2			Except "Limited"
	5502 0012	2			"Limited"
	5501 8904	2			Navy
					1990
	5AC3 4JS1	2			Charcoal
	5AC3 4JA8	2			Dk. Charcoal
	5AC3 4JH9	2			Cordovan
	5AC3 4JY1	2			Sand
	5AC3 4JY6	2			Dk. Sand
15					NUT, Key Slot, armrest mounting, 1987-89
	J308 1009	8			4 Door
	J308 1009	4			2 Door
16					ASHTRAY, 4 Door, P.A.R. ***
	5500 2759	2			1987-89
	5AC3 5JY6	2			1990
17	3420 1197	4			RIVET
18	1150 0348	4			WASHER, 4 Door
19					CLIP, Retainer, armrest mounting, 1989-90
	6502 112	8			4 Door
	6502 112	4			2 Door

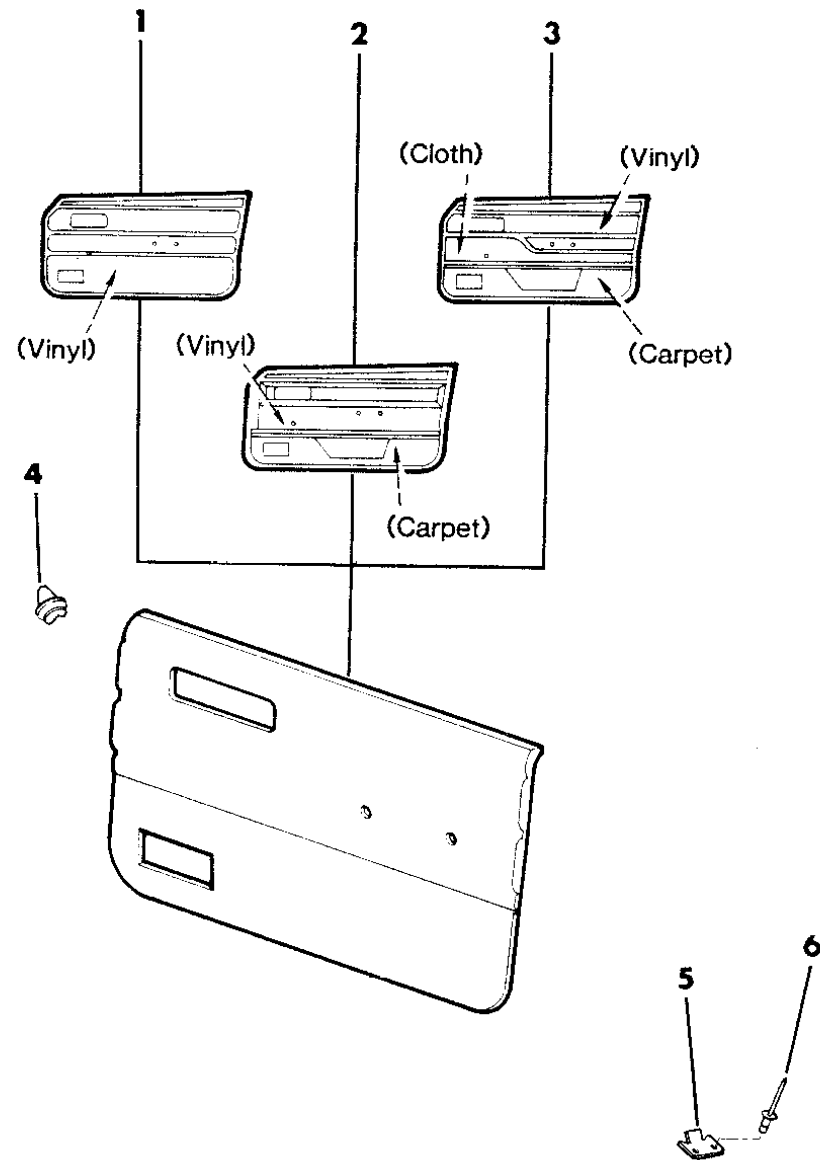
MODEL CODES:  
 15 = Grand Wagoneer 4 Dr.      65 = Comanche 4WD-7 Ft. Box      77 = Cherokee 4WD-2 Dr.  
 25 = J-10 Pickup-119" W.B.      66 = Comanche 2WD-7 Ft. Box      78 = Cherokee 4WD-4 Dr.  
 26 = J-10 Pickup-131" W.B.      73 = Cherokee 2WD-2 Dr.      79 = Cherokee 4WD-4 Dr.-Com  
 27 = J-20 Pickup-131" W.B.      74 = Cherokee 2WD-4 Dr.      81 = Wrangler-93" W.B.  
 63 = Comanche 4WD-6 Ft. Box      75 = Wagoneer 4WD-4 Dr.      82 = Wrangler-103" W.B.-Exp.  
 64 = Comanche 2WD-6 Ft. Box

BODY STYLES:  
 MJ = Comanche Pickup  
 SJ = Grand Wagoneer Wgn., J-10 & J-20 Pickups  
 XJ = Cherokee, Wagoneer Limited  
 YJ = Wrangler

AR = Use as Required - = Non Illustrated Part P.A.R. = Paint as Required

PANELS, DOOR TRIM 2 DOOR WAGON CHEROKEE  
Figure 43-1300

8J431300



ITEM	PART NUMBER	QTY	BODY	MODEL	DESCRIPTION
1					PANEL, Door Trim
					1987-89
	5501 2436-7	1			Black, 1987
	5501 8182-3	1			Charcoal, 1988-89
	5501 2438-9	1			Tan, 1987-88
	5502 0772-3	1			Sand, 1989
					1990, "Sport" and Base Model
	5AE62-3 JSA	1			Charcoal
	5AE62-3 JYY	1			Sand
2					PANEL, Door Trim
					1987-89
	5501 2442-3	1			Black, (a), 1987
	5501 8528-9	1			Black, (b), 1987
					Charcoal, 1988-89
	5501 8186-7	1			Except "Limited"
	5501 9972-3	1			"Limited"
	5501 2444-5	1			Cordovan, (a), 1987
	5501 8530-1	1			Cordovan, (b), 1987-89
	5501 2440-1	1			Medium Blue, (a), 1987
	5501 8526-7	1			Medium Blue, (b), 1987
	5501 8184-5	1			Navy, 1988-89
	5501 2446-7	1			Tan, (a), 1987
	5501 8532-3	1			Tan, (b), 1987-88
	5502 0774-5	1			Sand, 1989
					1990, "Pioneer" and "Euro Package"
	5AE64-5 JSA	1			Charcoal
	5AE64-5 JH9	1			Cordovan
	5AE64-5 JYY	1			Sand
					1990 "Limited"
	5AG52-3 JSA	1			Charcoal
	5AG52-3 JYY	1			Sand
3					PANEL, Door Trim
					1987-89
	5501 8188-9	1			Charcoal, Hunter's Plaid
	5502 4514-5	1			Charcoal, Luggage Cloth
	5501 2458-9	1			Cordovan, Hunter's Plaid
	5502 4512-3	1			Cordovan, Luggage Cloth

MODEL CODES:

15 = Grand Wagoneer 4 Dr.	65 = Comanche 4WD-7 Ft. Box	77 = Cherokee 4WD-2 Dr.
25 = J-10 Pickup-119" W.B.	66 = Comanche 2WD-7 Ft. Box	78 = Cherokee 4WD-4 Dr.
26 = J-10 Pickup-131" W.B.	73 = Cherokee 2WD-2 Dr.	79 = Cherokee 4WD-4 Dr.-Com
27 = J-20 Pickup-131" W.B.	74 = Cherokee 2WD-4 Dr.	81 = Wrangler-93" W.B.
63 = Comanche 4WD-6 Ft. Box	75 = Wagoneer 4WD-4 Dr.	82 = Wrangler-103" W.B.-Exp.
64 = Comanche 2WD-6 Ft. Box		

BODY STYLES:

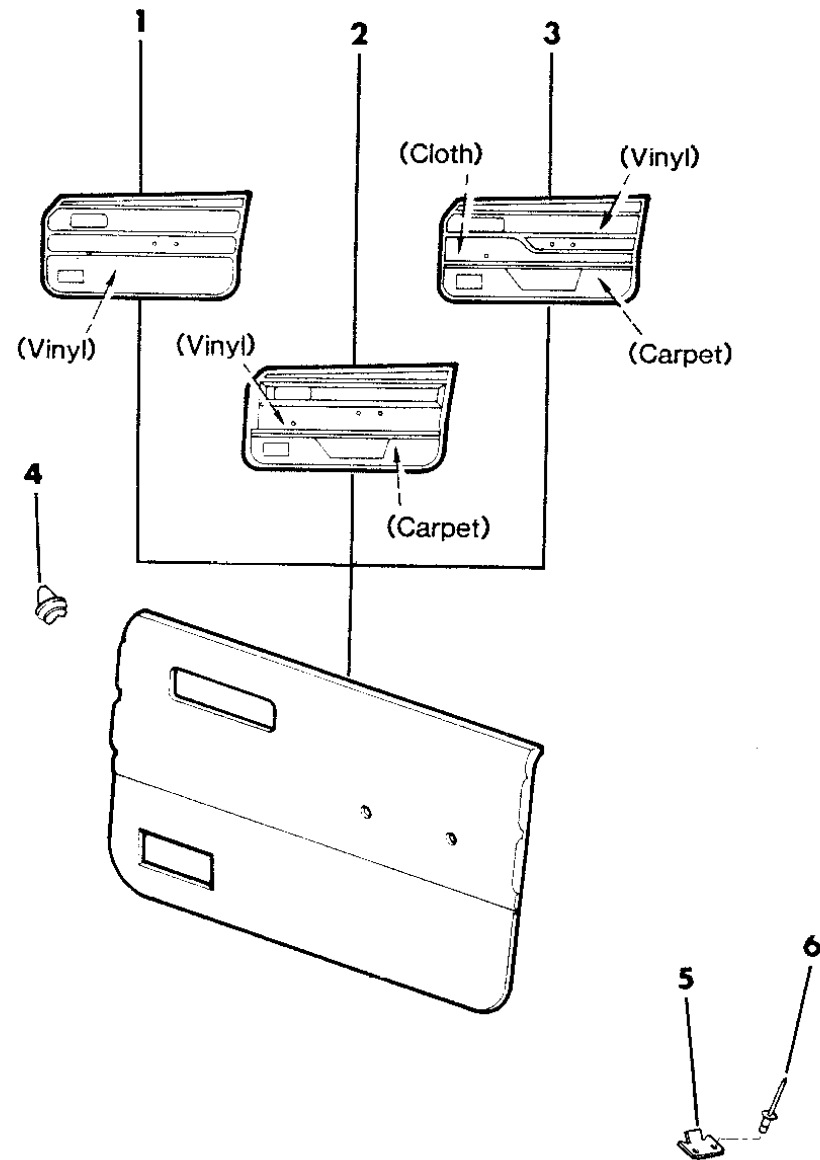
MJ = Comanche Pickup
SJ = Grand Wagoneer Wgn., J-10 & J-20 Pickups
XJ = Cherokee, Wagoneer Limited
YJ = Wrangler

AR = Use as Required - = Non Illustrated Part P.A.R. = Paint as Required



PANELS, DOOR TRIM 2 DOOR WAGON CHEROKEE  
Figure 43-1300

8J431300



ITEM	PART NUMBER	QTY	BODY	MODEL	DESCRIPTION
	5501 2460-1	1			Tan, 1987
					1990 "Laredo"
	5AE72-3 JSA	1			Charcoal
	5AE72-3 JH9	1			Cordovan
	5AE72-3 JYY	1			Sand
4	3420 1681	30			CLIP
5	5500 3629	2			BRACKET, Door Trim
6	3420 1197	4			RIVET

(a), 1987 Vehicle No. 00001 thru No. 55297 Tag affixed to the Face of its Pulley. A Second Tag will show the name of the Vendor (OGURA).

(b), 1987 Vehicle No. 55298 thru No.... Tag affixed to the Face of its Pulley. A Second Tag will show the name of the Vendor (OGURA).

MODEL CODES:

15 = Grand Wagoneer 4 Dr.	65 = Comanche 4WD-7 Ft. Box	77 = Cherokee 4WD-2 Dr.
25 = J-10 Pickup-119" W.B.	66 = Comanche 2WD-7 Ft. Box	78 = Cherokee 4WD-4 Dr.
26 = J-10 Pickup-131" W.B.	73 = Cherokee 2WD-2 Dr.	79 = Cherokee 4WD-4 Dr.-Com
27 = J-20 Pickup-131" W.B.	74 = Cherokee 2WD-4 Dr.	81 = Wrangler-93" W.B.
63 = Comanche 4WD-6 Ft. Box	75 = Wagoneer 4WD-4 Dr.	82 = Wrangler-103" W.B.-Exp.
64 = Comanche 2WD-6 Ft. Box		

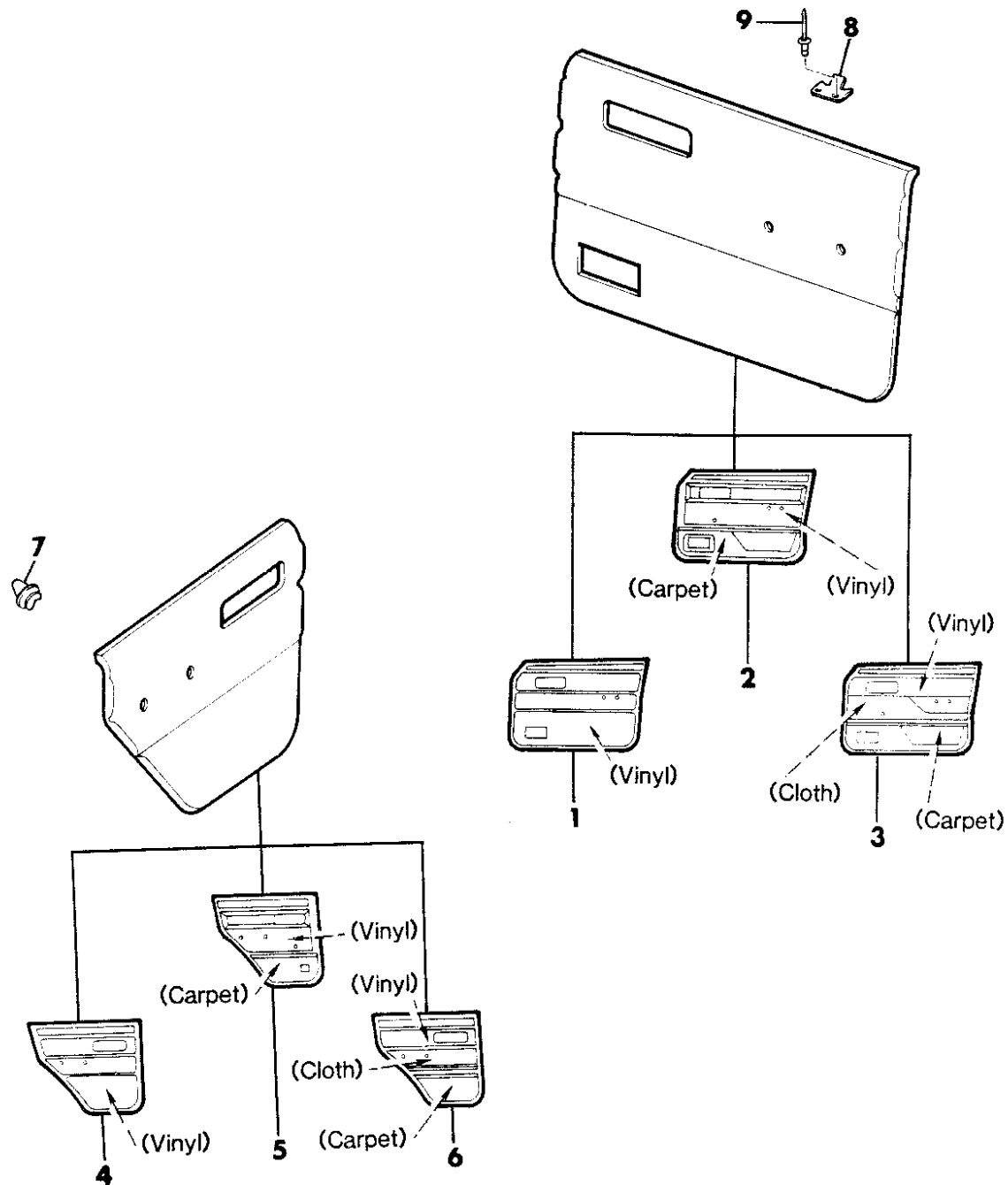
BODY STYLES:

MJ = Comanche Pickup  
SJ = Grand Wagoneer Wgn., J-10 & J-20 Pickups  
XJ = Cherokee, Wagoneer Limited  
YJ = Wrangler

AR = Use as Required - = Non Illustrated Part P.A.R. = Paint as Required

PANELS, DOOR TRIM 4 DOOR WAGON CHEROKEE  
Figure 43-1400

8J43 1400



ITEM	PART NUMBER	QTY	BODY	MODEL	DESCRIPTION
1					PANEL, Front Door Trim
					1987
	5501 2380-1	1			Black
	5501 2382-3	1			Tan
					1988-89
	5501 8172-3	1			Charcoal
	5501 2382-3	1			Tan, 1988
	5502 0768-9	1			Sand, 1989
					1990 "Sport" and Base Model
	5AE56-7 JSA	1			Charcoal
	5AE56-7 JH9	1			Cordovan
	5AE56-7 JYY	1			Sand
2					PANEL, Front Door Trim
					1987
					Black
	5501 2390-1	1			(A)
	5501 8512-3	1			(B)
					Medium Blue
	5501 2388-9	1			(A)
	5501 8510-1	1			(B)
	5501 8896-7	1			Charcoal
					Cordovan
	5501 2392-3	1			(A)
	5501 8514-5	1			(B)
					Tan
	5501 2394-5	1			(A)
	5501 8516-7	1			(B)
					1988-89
					Charcoal
	5501 8178-9	1			Except "Limited"
	5501 9144-5	1			"Limited"
	5501 8514-5	1			Cordovan
	5501 8176-7	1			Navy
	5501 8516-7	1			Tan, 1988
	5502 0770-1	1			Sand, 1989
					1990 "Pioneer" and "Euro Pkg."
	5AE58-9 JSA	1			Charcoal

MODEL CODES:

15 = Grand Wagoneer 4 Dr.	65 = Comanche 4WD-7 Ft. Box	77 = Cherokee 4WD-2 Dr.
25 = J-10 Pickup-119" W.B.	66 = Comanche 2WD-7 Ft. Box	78 = Cherokee 4WD-4 Dr.
26 = J-10 Pickup-131" W.B.	73 = Cherokee 2WD-2 Dr.	79 = Cherokee 4WD-4 Dr.-Com
27 = J-20 Pickup-131" W.B.	74 = Cherokee 2WD-4 Dr.	81 = Wrangler-93" W.B.
63 = Comanche 4WD-6 Ft. Box	75 = Wagoneer 4WD-4 Dr.	82 = Wrangler-103" W.B.-Exp.
64 = Comanche 2WD-6 Ft. Box		

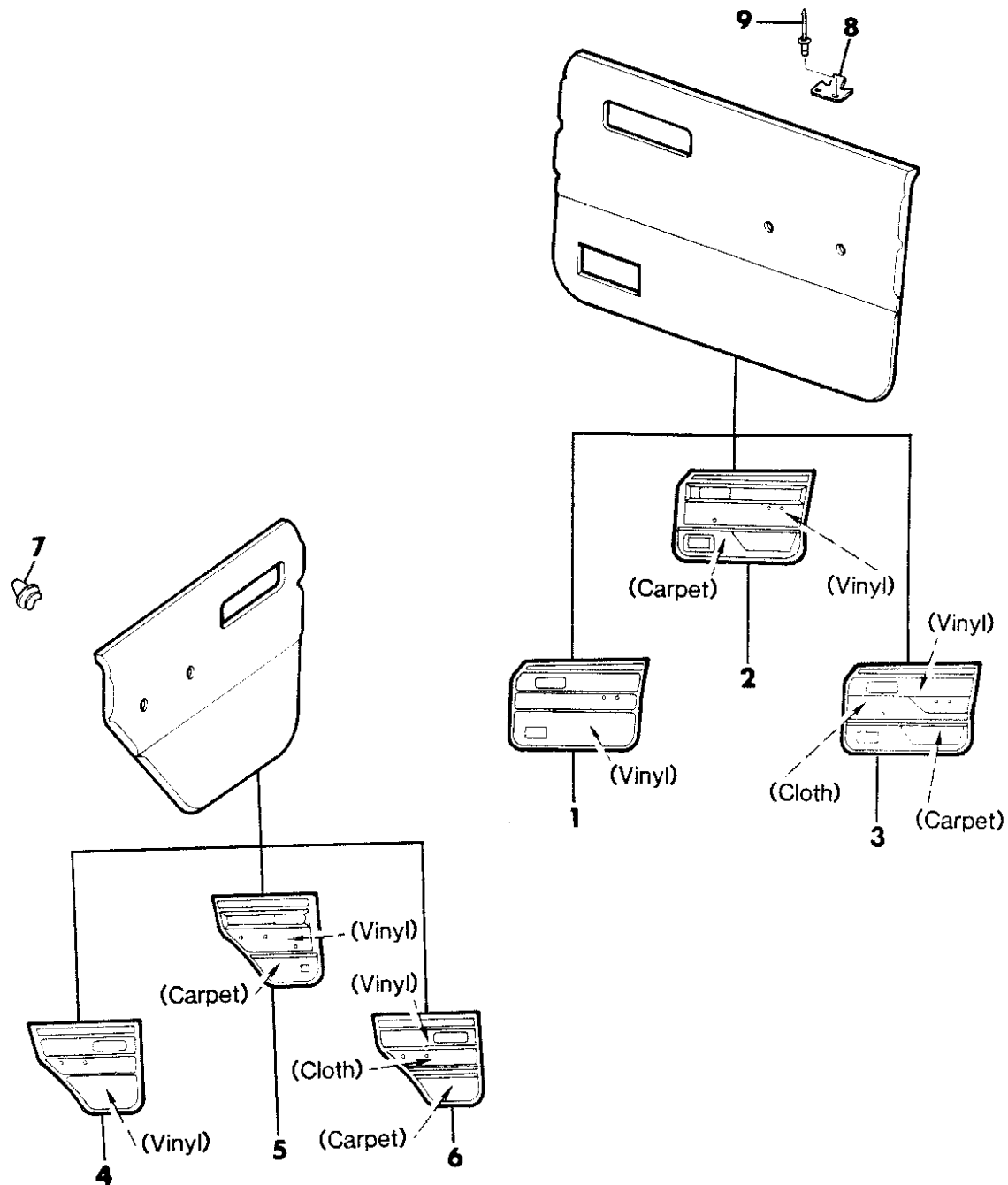
BODY STYLES:

MJ = Comanche Pickup  
 SJ = Grand Wagoneer Wgn., J-10 & J-20 Pickups  
 XJ = Cherokee, Wagoneer Limited  
 YJ = Wrangler

AR = Use as Required - = Non Illustrated Part P.A.R. = Paint as Required

PANELS, DOOR TRIM 4 DOOR WAGON CHEROKEE  
Figure 43-1400

8J431400



ITEM	PART NUMBER	QTY	BODY	MODEL	DESCRIPTION
	5AE58-9 JH9	1			Cordovan
	5AE58-9 JYY	1			Sand
	5AG50-1 JSA	1			1990 "Limited" Charcoal
	5AG50-1 JYY	1			Sand
3					PANEL, Front Door Trim
					1987
	5501 2406-7	1			Cordovan
	5501 2408-9	1			Tan
					1988-89
	5501 8180-1	1			Charcoal
	5501 8204-5	1			Hunter's Plaid Luggage Cloth
					1988-89
	5501 2406-7	1			Cordovan
	5501 2526-7	1			Hunter's Plaid Luggage Cloth
					1990 "Laredo"
	5AE60-1 JSA	1			Charcoal
	5AE60-1 JH9	1			Cordovan
	5AE60-1 JYY	1			Sand
4					PANEL, Rear Door Trim
					1987
	5501 2410-1	1			Black
	5501 2412-3	1			Tan
					1988-89
	5501 8206-7	1			Charcoal
	5501 2412-3	1			Tan, 1988
	5502 0792-3	1			Sand, 1989
					1990 "Sport" and Base Model
	5AE68-9 JSA	1			Charcoal
	5AE68-9 JYY	1			Sand
5					PANEL, Rear Door Trim
					1987
					Black
	5501 2416-7	1			(A)
	5501 8520-1	1			(B)
					Medium Blue

MODEL CODES:

15 = Grand Wagoneer 4 Dr.	65 = Comanche 4WD-7 Ft. Box	77 = Cherokee 4WD-2 Dr.
25 = J-10 Pickup-119" W.B.	66 = Comanche 2WD-7 Ft. Box	78 = Cherokee 4WD-4 Dr.
26 = J-10 Pickup-131" W.B.	73 = Cherokee 2WD-2 Dr.	79 = Cherokee 4WD-4 Dr.-Com
27 = J-20 Pickup-131" W.B.	74 = Cherokee 2WD-4 Dr.	81 = Wrangler-93" W.B.
63 = Comanche 4WD-6 Ft. Box	75 = Wagoneer 4WD-4 Dr.	82 = Wrangler-103" W.B.-Exp.
64 = Comanche 2WD-6 Ft. Box		

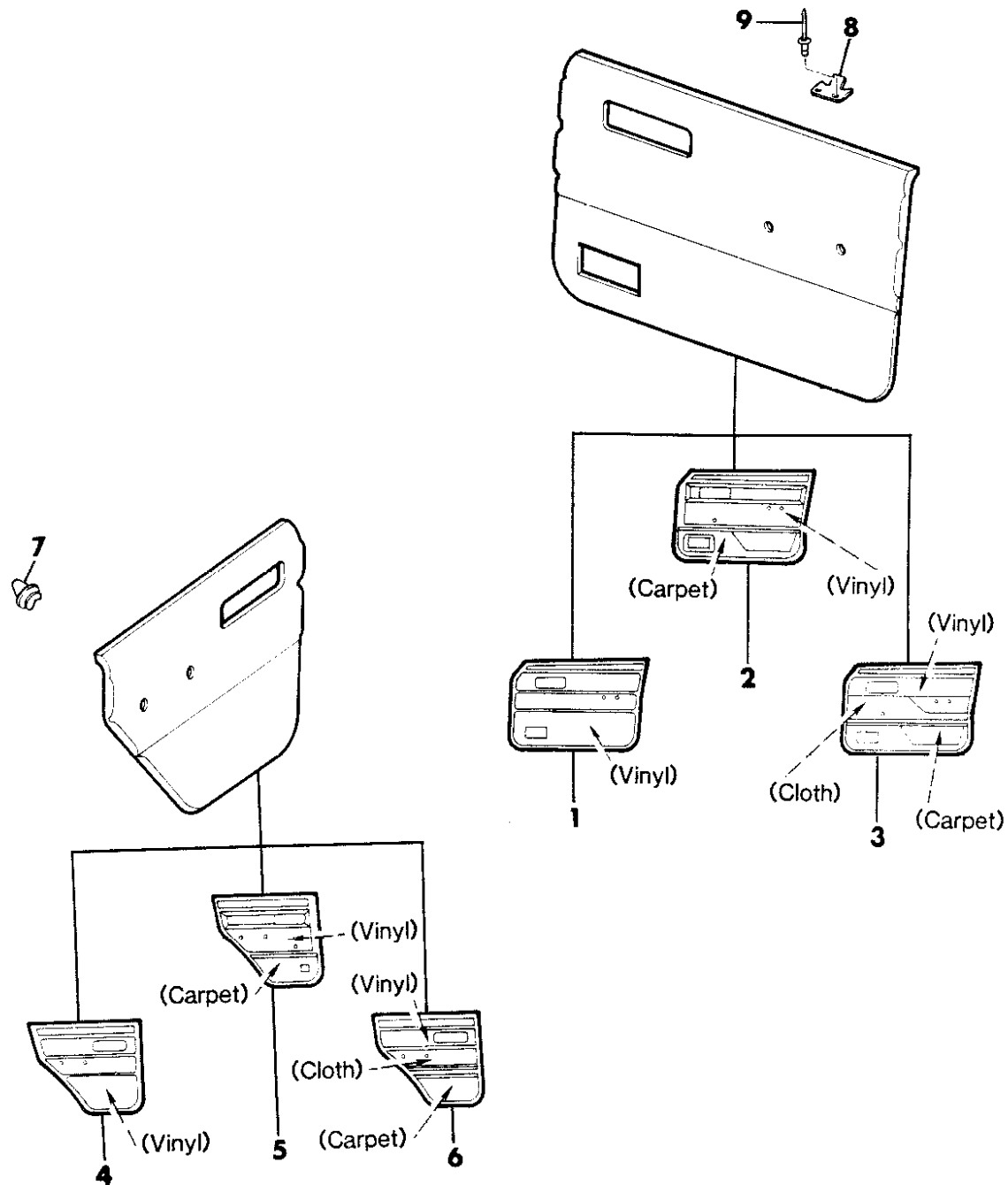
BODY STYLES:

MJ = Comanche Pickup  
SJ = Grand Wagoneer Wgn., J-10 & J-20 Pickups  
XJ = Cherokee, Wagoneer Limited  
YJ = Wrangler

AR = Use as Required - = Non Illustrated Part P.A.R. = Paint as Required

PANELS, DOOR TRIM 4 DOOR WAGON CHEROKEE  
Figure 43-1400

8J43 1400



ITEM	PART NUMBER	QTY	BODY	MODEL	DESCRIPTION
	5501 2414-5	1			(A)
	5501 8518-9	1			(B)
	5501 8898-9	1			Charcoal Cordovan
	5501 2418-9	1			(A)
	5501 8522-3	1			(B) Tan
	5501 2420-1	1			(A)
	5501 8524-5	1			(B)
					1988-89 Charcoal Except "Limited" "Limited"
	5501 8210-1	1			
	5501 9140-1	1			
	5501 8522-3	1			Cordovan
	5501 8208-9	1			Navy
	5501 8524-5	1			Tan, 1988
	5502 0794-5	1			Sand, 1989
					1990 "Pioneer" and "Euro Pkg." Charcoal Cordovan Sand
	5AE70-1 JSA	1			
	5AE70-1 JH9	1			
	5AE70-1 JYY	1			
					1990 "Limited" Charcoal Sand
	5AG62-3 JSA	1			
	5AG62-3 JYY	1			
6					PANEL, Rear Door Trim
					1987 Cordovan Tan
	5501 2432-3	1			
	5501 2434-5	1			1988-89 Charcoal Hunter's Plaid Luggage Cloth Cordovan
	5501 8212-3	1			
	5502 4518-9	1			
					Charcoal Hunter's Plaid Luggage Cloth 1990 "Laredo" Charcoal
	5501 2432-3	1			
	5502 4516-7	1			
	5AE66-7 JSA	1			

MODEL CODES:

15 = Grand Wagoneer 4 Dr.	65 = Comanche 4WD-7 Ft. Box	77 = Cherokee 4WD-2 Dr.
25 = J-10 Pickup-119" W.B.	66 = Comanche 2WD-7 Ft. Box	78 = Cherokee 4WD-4 Dr.
26 = J-10 Pickup-131" W.B.	73 = Cherokee 2WD-2 Dr.	79 = Cherokee 4WD-4 Dr.-Com
27 = J-20 Pickup-131" W.B.	74 = Cherokee 2WD-4 Dr.	81 = Wrangler-93" W.B.
63 = Comanche 4WD-6 Ft. Box	75 = Wagoneer 4WD-4 Dr.	82 = Wrangler-103" W.B.-Exp.
64 = Comanche 2WD-6 Ft. Box		

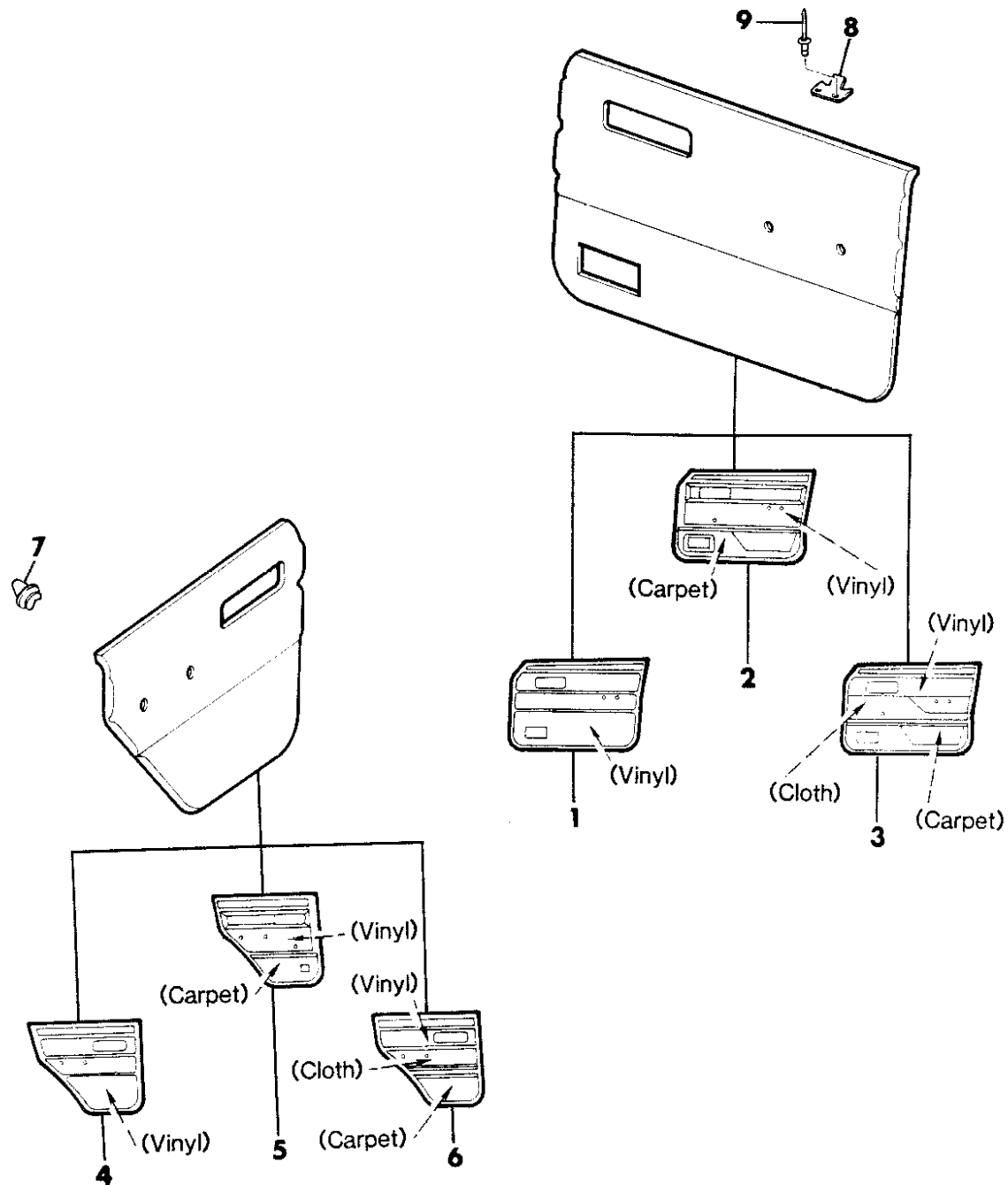
BODY STYLES:

MJ = Comanche Pickup  
SJ = Grand Wagoneer Wgn., J-10 & J-20 Pickups  
XJ = Cherokee, Wagoneer Limited  
YJ = Wrangler

AR = Use as Required - = Non Illustrated Part P.A.R. = Paint as Required

PANELS, DOOR TRIM 4 DOOR WAGON CHEROKEE  
Figure 43-1400

8J43 1400



ITEM	PART NUMBER	QTY	BODY	MODEL	DESCRIPTION
	5AE66-7 JH9	1			Cordovan
	5AE66-7 JYY	1			Sand
7	3420 1681	AR			CLIP
8	5500 3629	2			BRACKET, Door Trim
9	3420 1197	4			RIVET

(A), 1987 Vehicle No. 1 thru No. 55297 Tag affixed to the Face of its Pulley. A Second Tag will show the name of the Vendor (OGURA).  
(B), 1987 Vehicle No. 55298 thru No.... Tag affixed to the Face of its Pulley. A Second Tag will show the name of the Vendor (OGURA).

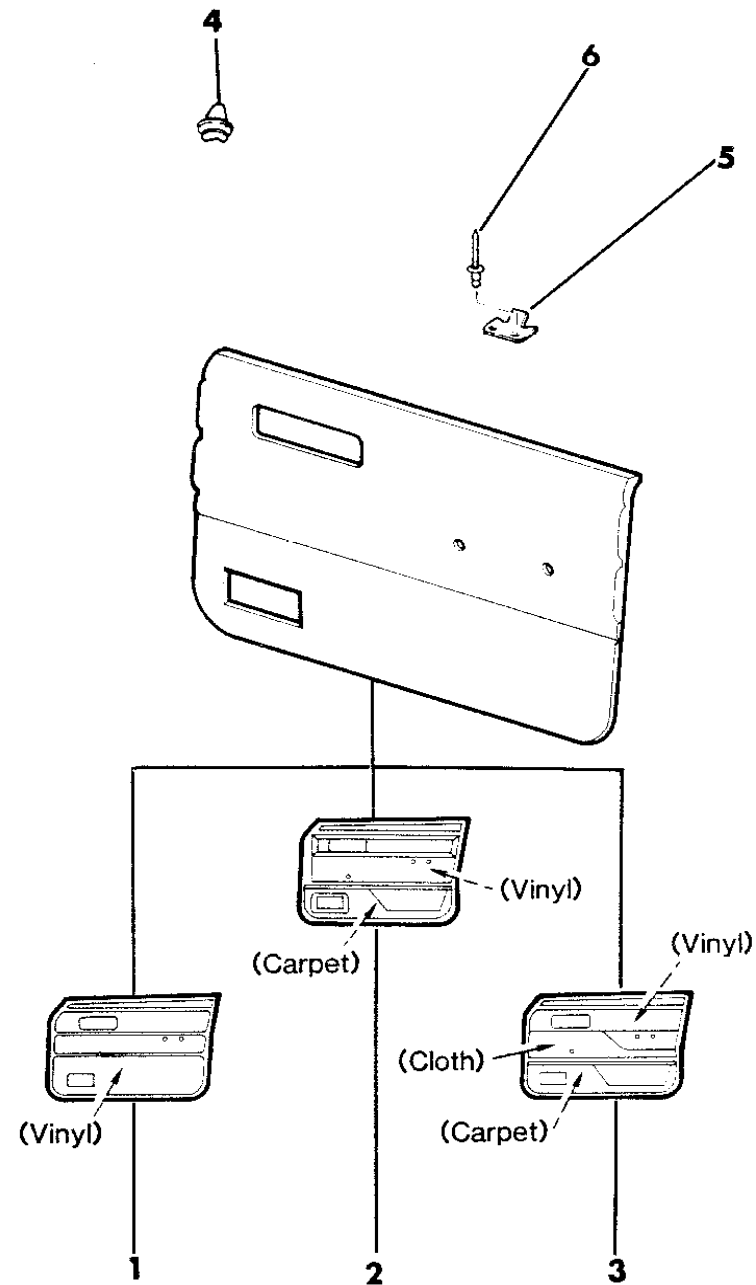
MODEL CODES:  
 15 = Grand Wagoneer 4 Dr.      65 = Comanche 4WD-7 Ft. Box      77 = Cherokee 4WD-2 Dr.  
 25 = J-10 Pickup-119" W.B.      66 = Comanche 2WD-7 Ft. Box      78 = Cherokee 4WD-4 Dr.  
 26 = J-10 Pickup-131" W.B.      73 = Cherokee 2WD-2 Dr.      79 = Cherokee 4WD-4 Dr.-Com  
 27 = J-20 Pickup-131" W.B.      74 = Cherokee 2WD-4 Dr.      81 = Wrangler-93" W.B.  
 63 = Comanche 4WD-6 Ft. Box      75 = Wagoneer 4WD-4 Dr.      82 = Wrangler-103" W.B.-Exp.  
 64 = Comanche 2WD-6 Ft. Box

BODY STYLES:  
 MJ = Comanche Pickup  
 SJ = Grand Wagoneer Wgn., J-10 & J-20 Pickups  
 XJ = Cherokee, Wagoneer Limited  
 YJ = Wrangler

AR = Use as Required - = Non Illustrated Part P.A.R. = Paint as Required

PANELS, DOOR TRIM COMANCHE  
Figure 43-1500

8J43 1500



ITEM	PART NUMBER	QTY	BODY	MODEL	DESCRIPTION
1					PANEL, Door Trim
					1987-89
	5501 2380-1	1			Black, 1987
	5501 8172-3	1			Charcoal, 1988-89
	5501 3466-7	1			Cordovan, 1987-89
	5501 8174-5	1			Navy, 1988-89
	5501 3464-5	1			Medium Blue, 1987
	5501 2382-3	1			Tan, 1987-88
	5502 0768-9	1			Sand, 1989
					1990 "Sporttruck" and Base Model
	5AE56-7 JSA	1			Charcoal
	5AE56-7 JH9	1			Cordovan
	5AE56-7 JYY	1			Sand
2					PANEL, Door Trim
					1987-89
	5501 2390-1	1			Black, (a), 1987
	5501 8512-3	1			Black, (b), 1987
	5501 8178-9	1			Charcoal, 1988-89
	5501 2392-3	1			Cordovan, (a), 1987
	5501 8514-5	1			Cordovan, (b), 1987-89
	5501 2388-9	1			Medium Blue, (a), 1987
	5501 8510-1	1			Medium Blue, (b), 1987
	5501 8176-7	1			Navy, 1988-89
	5501 2394-5	1			Tan, (a), 1987
	5501 8516-7	1			Tan, (b), 1987-88
	5502 0770-1	1			Sand, 1989
					1990 "Eliminator" and "Pioneer"
	5AE58-9 JSA	1			Charcoal
	5AE58-9 JH9	1			Cordovan
	5AE58-9 JYY	1			Sand
3					PANEL, Door Trim
					1987-88
	5501 8180-1	1			Charcoal, 1988
	5501 2406-7	1			Cordovan, 1987-89
	5501 2408-9	1			Tan, 1987
4	3420 1681	AR			CLIP
5	5500 3629	2			BRACKET, Door Trim

MODEL CODES:

15 = Grand Wagoneer 4 Dr.	65 = Comanche 4WD-7 Ft. Box	77 = Cherokee 4WD-2 Dr.
25 = J-10 Pickup-119" W.B.	66 = Comanche 2WD-7 Ft. Box	78 = Cherokee 4WD-4 Dr.
26 = J-10 Pickup-131" W.B.	73 = Cherokee 2WD-2 Dr.	79 = Cherokee 4WD-4 Dr.-Com
27 = J-20 Pickup-131" W.B.	74 = Cherokee 2WD-4 Dr.	81 = Wrangler-93" W.B.
63 = Comanche 4WD-6 Ft. Box	75 = Wagoneer 4WD-4 Dr.	82 = Wrangler-103" W.B.-Exp.
64 = Comanche 2WD-6 Ft. Box		

BODY STYLES:

MJ = Comanche Pickup  
 SJ = Grand Wagoneer Wgn., J-10 & J-20 Pickups  
 XJ = Cherokee, Wagoneer Limited  
 YJ = Wrangler

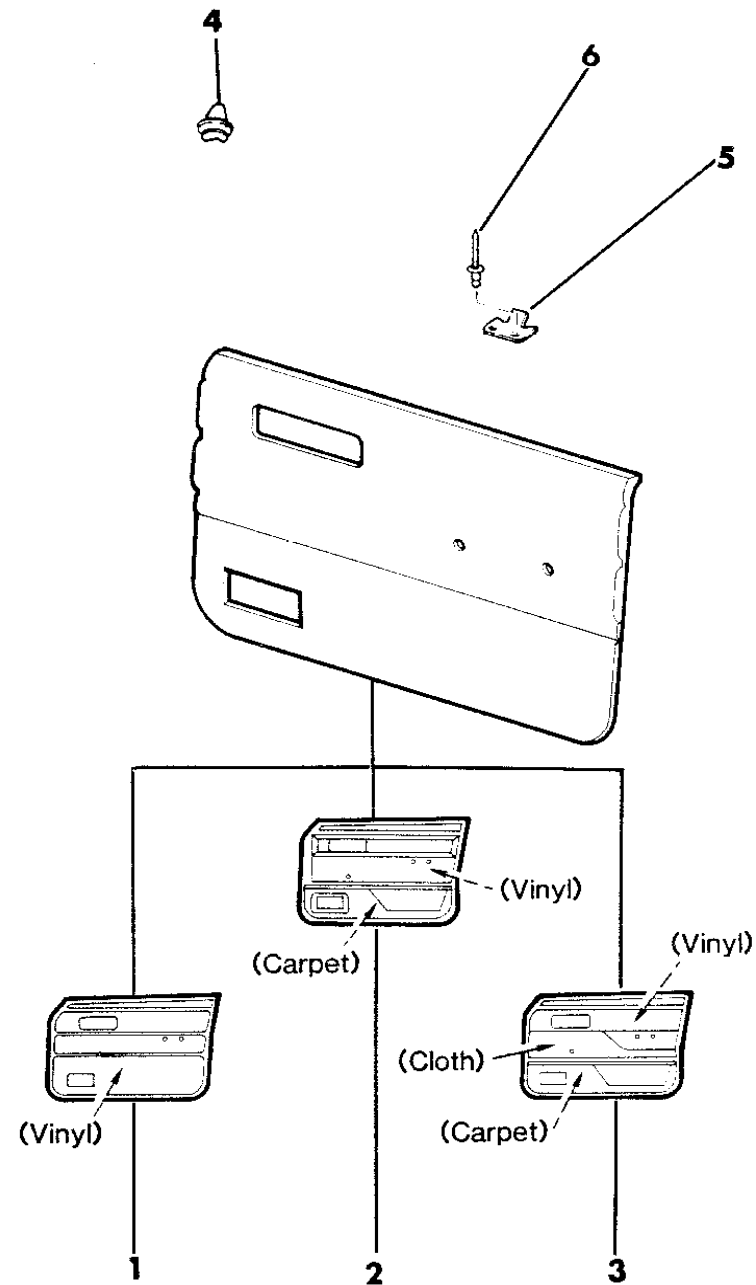
AR = Use as Required - = Non Illustrated Part P.A.R. = Paint as Required

PANELS, DOOR TRIM COMANCHE  
Figure 43-1500

8J43 1500

ITEM	PART NUMBER	QTY	BODY	MODEL	DESCRIPTION
------	-------------	-----	------	-------	-------------

6	3420 1197	4			RIVET
(a), 1987 Vehicle No. 00001 thru No. 55297 Tag affixed to the Face of its Pulley. A Second Tag will show the name of the Vendor (OGURA).					
(b), 1987 Vehicle No. 55298 thru No.... Tag affixed to the Face of its Pulley. A Second Tag will show the name of the Vendor (OGURA).					



MODEL CODES:

15 = Grand Wagoneer 4 Dr.	65 = Comanche 4WD-7 Ft. Box	77 = Cherokee 4WD-2 Dr.
25 = J-10 Pickup-119" W.B.	66 = Comanche 2WD-7 Ft. Box	78 = Cherokee 4WD-4 Dr.
26 = J-10 Pickup-131" W.B.	73 = Cherokee 2WD-2 Dr.	79 = Cherokee 4WD-4 Dr.-Com
27 = J-20 Pickup-131" W.B.	74 = Cherokee 2WD-4 Dr.	81 = Wrangler-93" W.B.
63 = Comanche 4WD-6 Ft. Box	75 = Wagoneer 4WD-4 Dr.	82 = Wrangler-103" W.B.-Exp.
64 = Comanche 2WD-6 Ft. Box		

BODY STYLES:

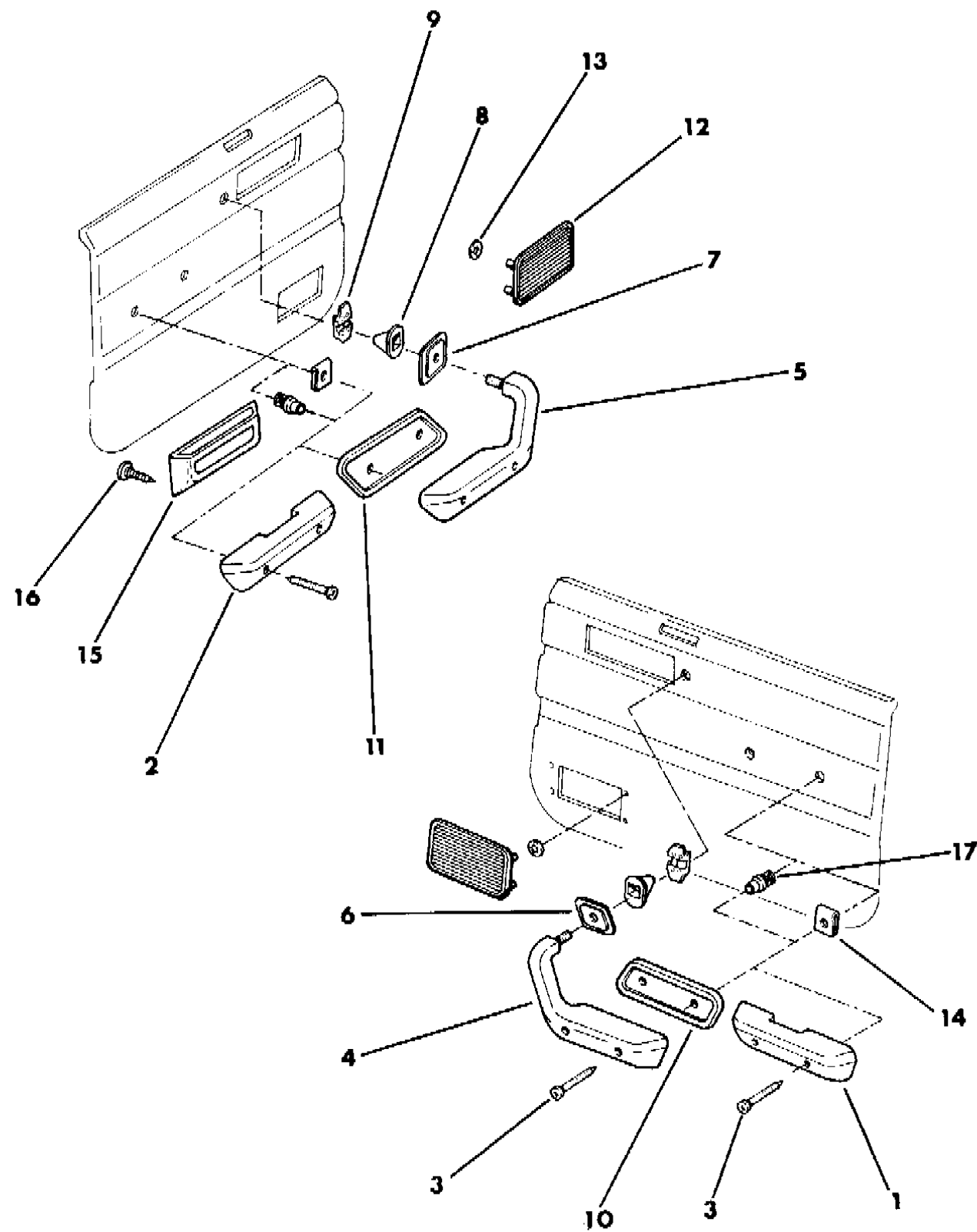
MJ = Comanche Pickup  
SJ = Grand Wagoneer Wgn., J-10 & J-20 Pickups  
XJ = Cherokee, Wagoneer Limited  
YJ = Wrangler

AR = Use as Required - = Non Illustrated Part P.A.R. = Paint as Required

INTERIOR DOOR TRIM PARTS COMANCHE

Figure 43-1600

8J43 1600 A



ITEM	PART NUMBER	QTY	BODY	MODEL	DESCRIPTION
1					ARMREST, Right ***
					1987
	3501 3737	1			Black
	3500 8334	1			Med. Blue
	3501 9989	1			Cordovan
	3500 9215	1			Tan
					1988-89
					2WD
	5501 8905	1			Charcoal
	5501 1854	1			Cordovan
	5501 8904	1			Navy
	5500 9646	1			Tan, 1988
	5502 0790	1			Sand, 1989
					4WD
	3502 3019	1			Charcoal
	3501 9989	1			Cordovan
	3502 3023	1			Navy
	3500 9215	1			Tan, 1988
	3502 5313	1			Sand, 1989
					1990
					2WD
	5AC3 4JS1	1			Charcoal
	5AC3 4JH9	1			Cordovan
	5AC3 4JY1	1			Sand
					4WD
	5AW6 8JS1	1			Charcoal
	5AW6 8JH9	1			Cordovan
	5AW6 8JY1	1			Sand
2					ARMREST, Left ***
					1987
	3501 3736	1			Black
	3500 8331	1			Med. Blue
	3501 9988	1			Cordovan
	3500 9214	1			Tan
					1988-89
					2WD
	5501 8905	1			Charcoal

MODEL CODES:

15 = Grand Wagoneer 4 Dr.	65 = Comanche 4WD-7 Ft. Box	77 = Cherokee 4WD-2 Dr.
25 = J-10 Pickup-119" W.B.	66 = Comanche 2WD-7 Ft. Box	78 = Cherokee 4WD-4 Dr.
26 = J-10 Pickup-131" W.B.	73 = Cherokee 2WD-2 Dr.	79 = Cherokee 4WD-4 Dr.-Com
27 = J-20 Pickup-131" W.B.	74 = Cherokee 2WD-4 Dr.	81 = Wrangler-93" W.B.
63 = Comanche 4WD-6 Ft. Box	75 = Wagoneer 4WD-4 Dr.	82 = Wrangler-103" W.B.-Exp.
64 = Comanche 2WD-6 Ft. Box		

BODY STYLES:

MJ = Comanche Pickup
SJ = Grand Wagoneer Wgn., J-10 & J-20 Pickups
XJ = Cherokee, Wagoneer Limited
YJ = Wrangler

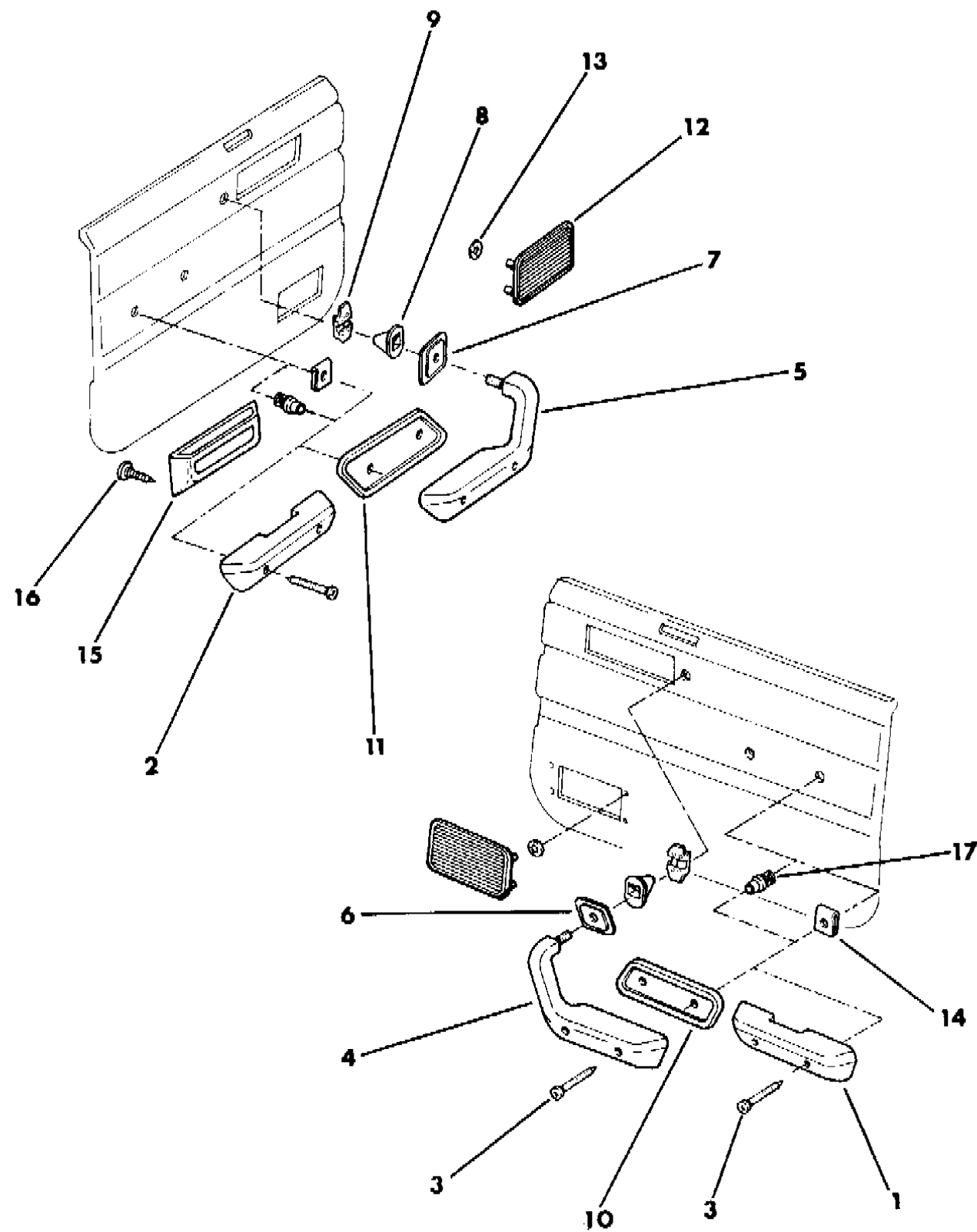
AR = Use as Required - = Non Illustrated Part P.A.R. = Paint as Required



INTERIOR DOOR TRIM PARTS COMANCHE

Figure 43-1600

8J43 1600 A



ITEM	PART NUMBER	QTY	BODY	MODEL	DESCRIPTION
	5501 1854	1			Cordovan
	5501 8904	1			Navy
	5500 9646	1			Tan, 1988
	5502 0790	1			Sand, 1989 4WD
	3502 3018	1			Charcoal
	3501 9988	1			Cordovan
	3502 3022	1			Navy
	3500 9214	1			Tan, 1988
	3502 5312	1			Sand, 1989 1990 2WD
	5AC3 4JS1	1			Charcoal
	5AC3 4JH9	1			Cordovan
	5AC3 4JY1	1			Sand 4WD
	5AW6 9JS1	1			Charcoal
	5AW6 9JH9	1			Cordovan
	5AW6 9JY1	1			Sand
3	1150 0068	4			SCREW
4-5					ARMREST
					1987
	3501 3750-1	1			Black
	3500 8332-3	1			Med. Blue
	3501 5844-5	1			Cordovan
	3500 9210-1	1			Tan 1988-89
	3502 1096-7	1			Charcoal
	3501 5844-5	1			Cordovan
	3502 1094-5	1			Navy
	3500 9210-1	1			Tan, 1988
	3502 5316-7	1			Sand, 1989 1990
	5AB98-9 JS1	1			Charcoal
	5AB98-9 JH9	1			Cordovan
	5AB98-9 JY1	1			Sand
6-7	5500 3128-9	1			BEZEL, Armrest

MODEL CODES:

15 = Grand Wagoneer 4 Dr.	65 = Comanche 4WD-7 Ft. Box	77 = Cherokee 4WD-2 Dr.
25 = J-10 Pickup-119" W.B.	66 = Comanche 2WD-7 Ft. Box	78 = Cherokee 4WD-4 Dr.
26 = J-10 Pickup-131" W.B.	73 = Cherokee 2WD-2 Dr.	79 = Cherokee 4WD-4 Dr.-Com
27 = J-20 Pickup-131" W.B.	74 = Cherokee 2WD-4 Dr.	81 = Wrangler-93" W.B.
63 = Comanche 4WD-6 Ft. Box	75 = Wagoneer 4WD-4 Dr.	82 = Wrangler-103" W.B.-Exp.
64 = Comanche 2WD-6 Ft. Box		

BODY STYLES:

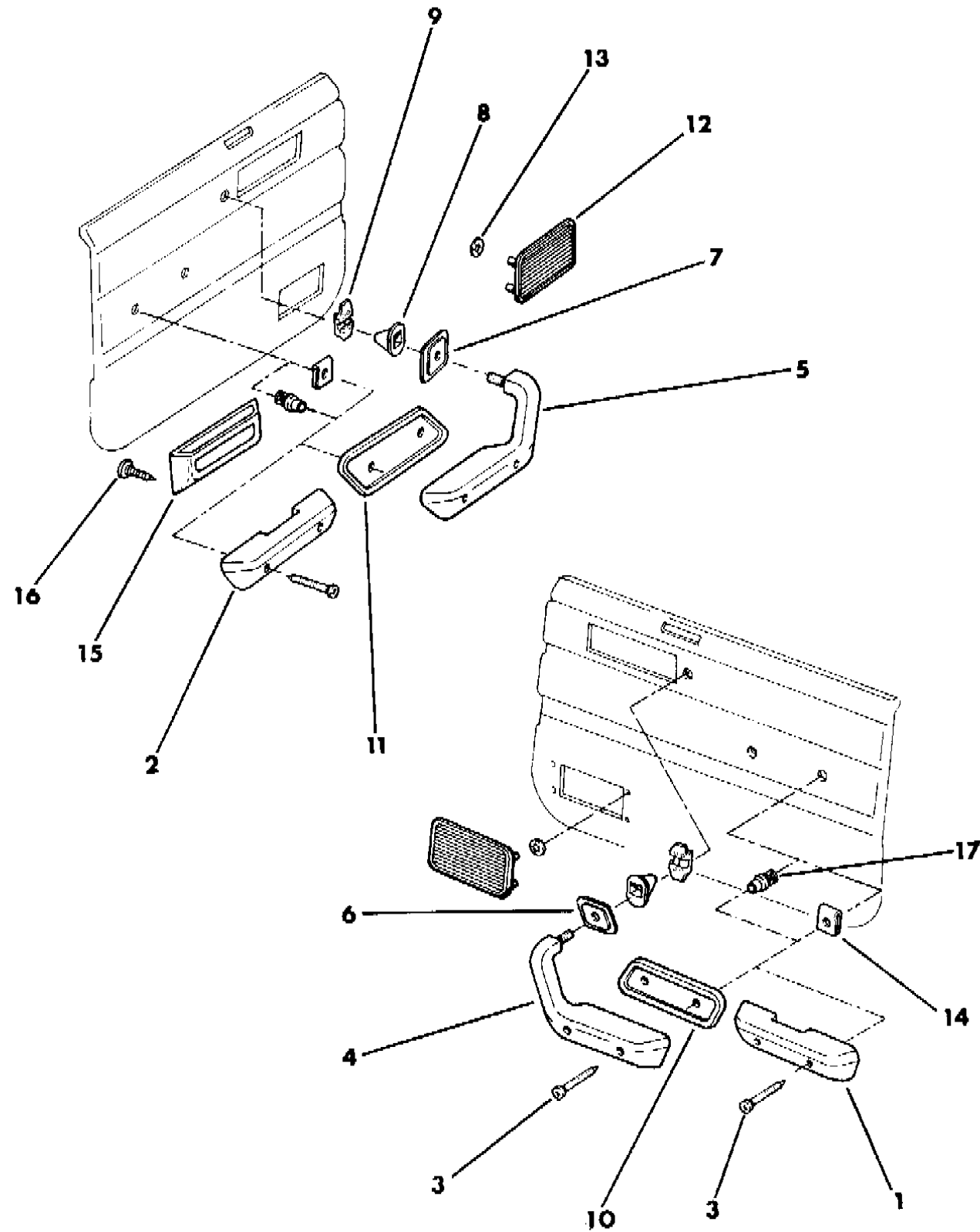
MJ = Comanche Pickup  
 SJ = Grand Wagoneer Wgn., J-10 & J-20 Pickups  
 XJ = Cherokee, Wagoneer Limited  
 YJ = Wrangler

AR = Use as Required - = Non Illustrated Part P.A.R. = Paint as Required

INTERIOR DOOR TRIM PARTS COMANCHE

Figure 43-1600

8J43 1600 A



ITEM	PART NUMBER	QTY	BODY	MODEL	DESCRIPTION
8	J307 7045	2			NIPPLE, Armrest
9	J307 6062	2			CLIP
10-11	3500 1916-7	1			ESCUTCHEON, Armrest
12	3501 9986	2			GRILLE, Speaker, P.A.R. 1987-89
	5AB8 5JY1	2			1990
13	J400 0271	8			FASTENER
14	J308 1009	4			NUT, Key Slot, armrest mounting
15	3500 9954	2			PANEL, Stowage Bin, P.A.R. 1987-89
	5AB8 9JY6	2			1990
16	3420 2074	10			SCREW
17	6502 112	4			CLIP, Retainer, armrest mounting

MODEL CODES:

15 = Grand Wagoneer 4 Dr.	65 = Comanche 4WD-7 Ft. Box	77 = Cherokee 4WD-2 Dr.
25 = J-10 Pickup-119" W.B.	66 = Comanche 2WD-7 Ft. Box	78 = Cherokee 4WD-4 Dr.
26 = J-10 Pickup-131" W.B.	73 = Cherokee 2WD-2 Dr.	79 = Cherokee 4WD-4 Dr.-Com
27 = J-20 Pickup-131" W.B.	74 = Cherokee 2WD-4 Dr.	81 = Wrangler-93" W.B.
63 = Comanche 4WD-6 Ft. Box	75 = Wagoneer 4WD-4 Dr.	82 = Wrangler-103" W.B.-Exp.
64 = Comanche 2WD-6 Ft. Box		

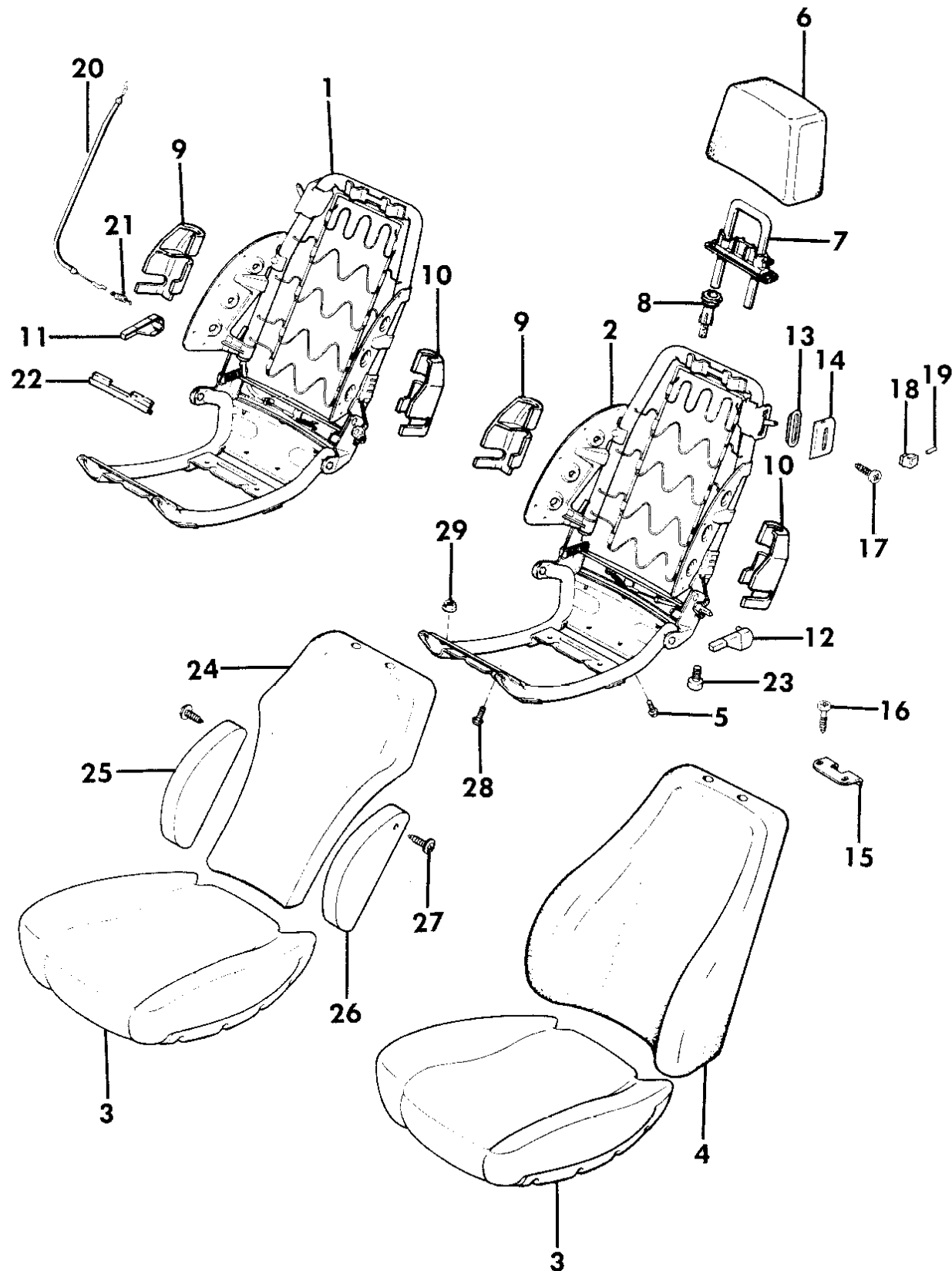
BODY STYLES:

MJ = Comanche Pickup  
 SJ = Grand Wagoneer Wgn., J-10 & J-20 Pickups  
 XJ = Cherokee, Wagoneer Limited  
 YJ = Wrangler

AR = Use as Required - = Non Illustrated Part P.A.R. = Paint as Required

FRAME AND PAD 2 DOOR WAGON AND TRUCK CHEROKEE, COMANCHE  
Figure 43-1700

8J431700



ITEM	PART NUMBER	QTY	BODY	MODEL	DESCRIPTION
1-2					FRAME, Seat
					w/o Reclining Seat Back
	3500 7342-3	1		1987	
	5502 6296-7	1		1988-90	
	5502 7460-1	1			w/ Reclining Seat Back
3	3500 0762	2			PAD, Cushion
4	3500 2769	2			PAD, Back
5	1150 4735	4			BOLT
6	3500 1690	2			PAD, Headrest
7	3500 3669	2			POST, Headrest
8	3500 9926	4			CYLINDER, Headrest
9	3500 4712	2			COVER, Bracket
10	3500 4713	2			COVER, Bracket
11	3500 3686	1			HANDLE, Recliner
12	3500 2930	1			HANDLE, Recliner
13	3500 6735	2			GASKET, Lever
14					BEZEL, Back Lever, P.A.R.
	3500 6863	2		1987-89	
	5AB8 8JY1	2		1990	
15	3500 3105	2			BEZEL, Lock
16	3420 1487	4			SCREW
17	3420 1466	4			SCREW
18					KNOB, Seat Latch, P.A.R.
				1987-89	
	5500 2897	2			P.A.R.
				1990	
	5AC6 8JS1	2			Charcoal
	5AC6 8JA8	2			Dk. Charcoal
	5AC6 8JH9	2			Cordovan
	5AC6 8JY1	2			Sand
	5AC6 8JY6	2			Dk. Sand
19	J045 5735	2			PIN, Spring
20	3500 6068	2			CABLE, Seat Release
21	3500 6069	2			SPRING, Return
22	3500 6526	2			COVER, Latch
23	4778 342	4			BUMPER PACKAGE, Stop
24	3500 5470	2			PAD, Back

MODEL CODES:

15 = Grand Wagoneer 4 Dr.	65 = Comanche 4WD-7 Ft. Box	77 = Cherokee 4WD-2 Dr.
25 = J-10 Pickup-119" W.B.	66 = Comanche 2WD-7 Ft. Box	78 = Cherokee 4WD-4 Dr.
26 = J-10 Pickup-131" W.B.	73 = Cherokee 2WD-2 Dr.	79 = Cherokee 4WD-4 Dr.-Com
27 = J-20 Pickup-131" W.B.	74 = Cherokee 2WD-4 Dr.	81 = Wrangler-93" W.B.
63 = Comanche 4WD-6 Ft. Box	75 = Wagoneer 4WD-4 Dr.	82 = Wrangler-103" W.B.-Exp.
64 = Comanche 2WD-6 Ft. Box		

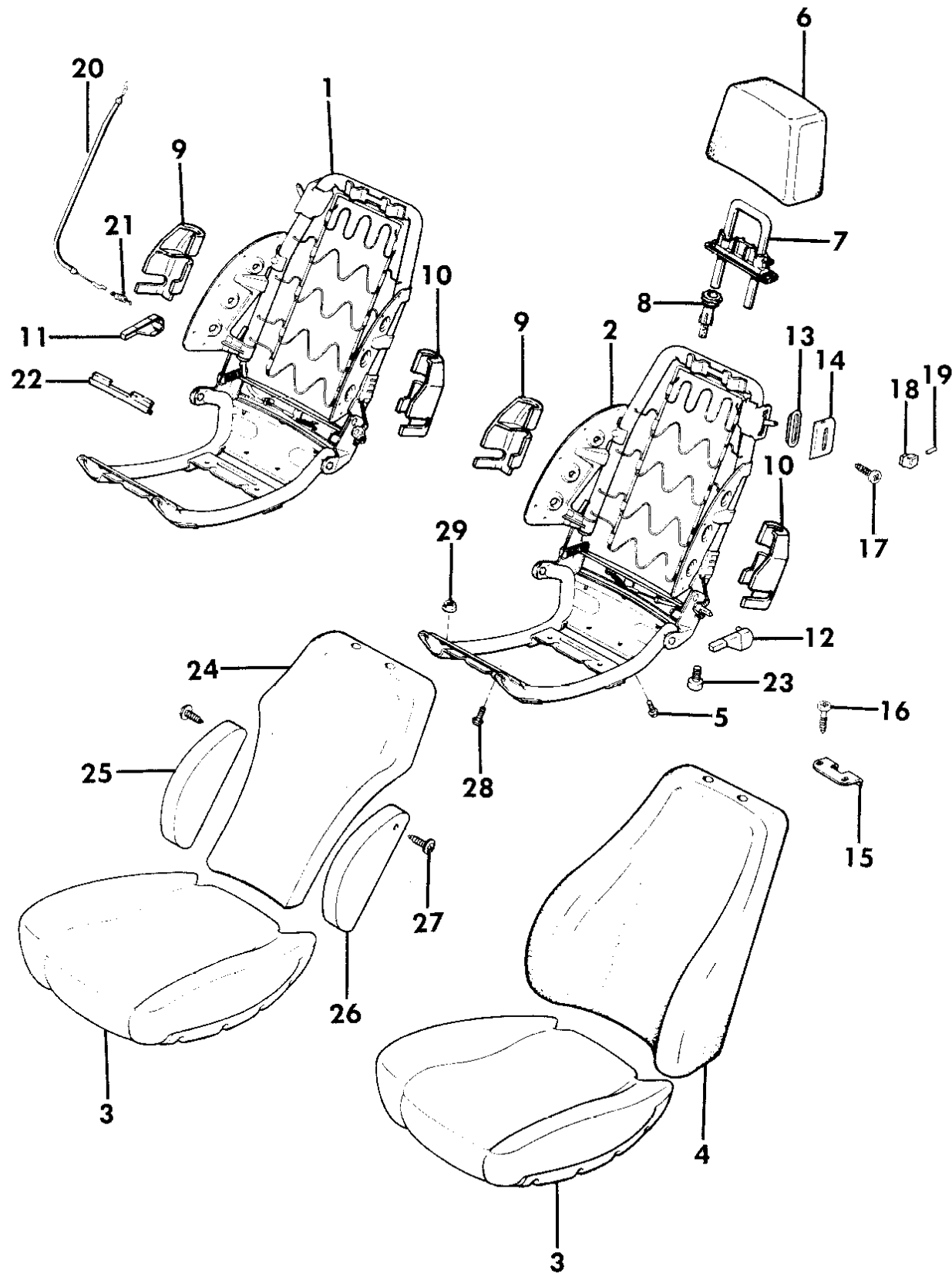
BODY STYLES:

MJ = Comanche Pickup  
 SJ = Grand Wagoneer Wgn., J-10 & J-20 Pickups  
 XJ = Cherokee, Wagoneer Limited  
 YJ = Wrangler

AR = Use as Required - = Non Illustrated Part P.A.R. = Paint as Required

FRAME AND PAD 2 DOOR WAGON AND TRUCK CHEROKEE, COMANCHE  
Figure 43-1700

8J431700



ITEM	PART NUMBER	QTY	BODY	MODEL	DESCRIPTION
25	3501 1228	2			PAD, Side Wing
26	3501 1229	2			PAD, Side Wing
27	3420 1314	4			SCREW
28	3420 1257	8			SCREW
29	1150 2729	4			NUT

MODEL CODES:

15 = Grand Wagoneer 4 Dr.	65 = Comanche 4WD-7 Ft. Box	77 = Cherokee 4WD-2 Dr.
25 = J-10 Pickup-119" W.B.	66 = Comanche 2WD-7 Ft. Box	78 = Cherokee 4WD-4 Dr.
26 = J-10 Pickup-131" W.B.	73 = Cherokee 2WD-2 Dr.	79 = Cherokee 4WD-4 Dr.-Com
27 = J-20 Pickup-131" W.B.	74 = Cherokee 2WD-4 Dr.	81 = Wrangler-93" W.B.
63 = Comanche 4WD-6 Ft. Box	75 = Wagoneer 4WD-4 Dr.	82 = Wrangler-103" W.B.-Exp.
64 = Comanche 2WD-6 Ft. Box		

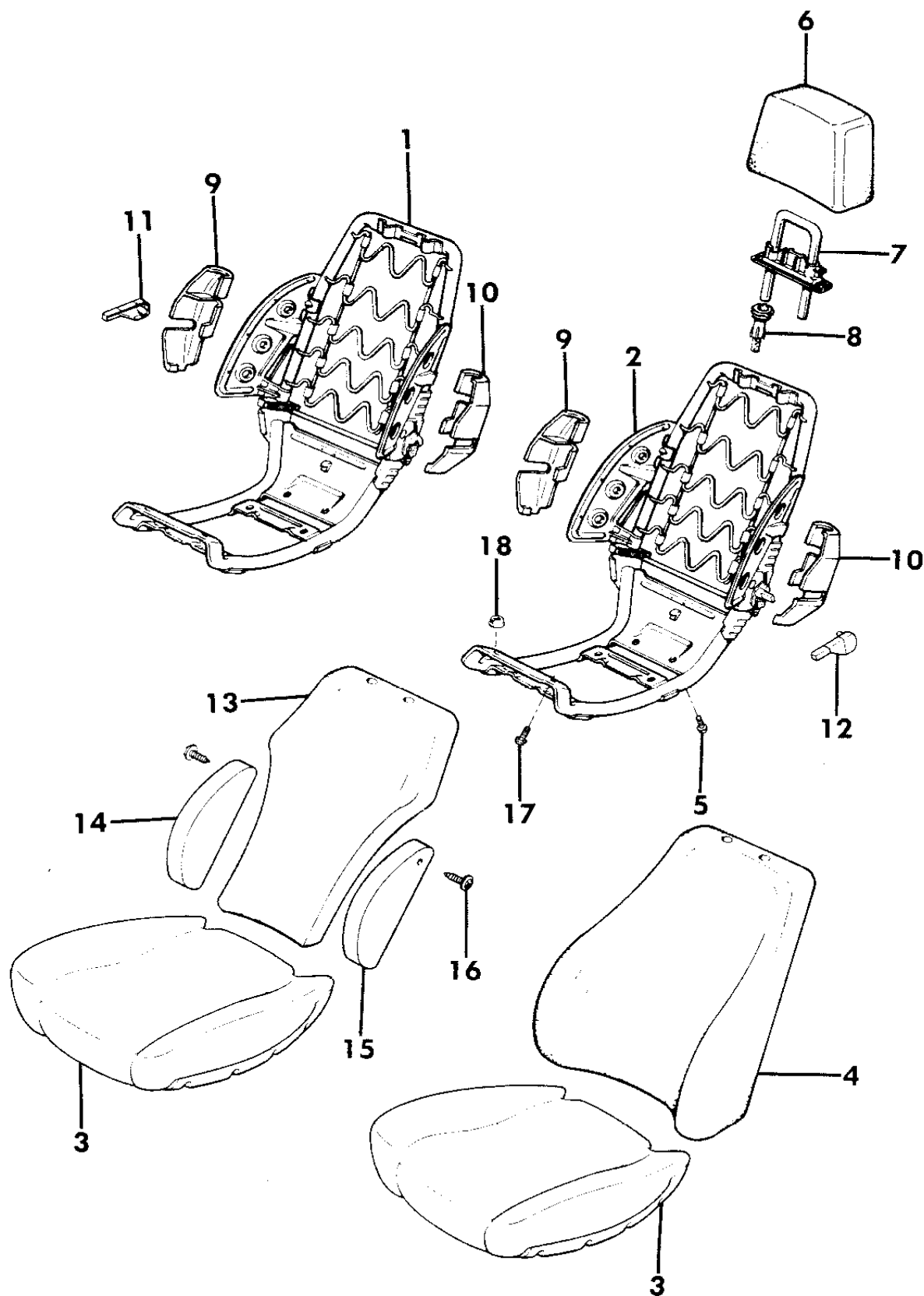
BODY STYLES:

MJ = Comanche Pickup  
 SJ = Grand Wagoneer Wgn., J-10 & J-20 Pickups  
 XJ = Cherokee, Wagoneer Limited  
 YJ = Wrangler

AR = Use as Required - = Non Illustrated Part P.A.R. = Paint as Required

**FRAME AND PAD 4 DOOR WAGON CHEROKEE, WAGONEER**  
**Figure 43-1800**

8J431800



ITEM	PART NUMBER	QTY	BODY	MODEL	DESCRIPTION
1					FRAME, Seat, Right
					w/o Reclining Seat Back
	3500 0747	1			1987-89
	5502 8904	1			1990
	3500 6980	1			w/Reclining Seat Back
2					FRAME, Seat, Left
					w/o Reclining Seat Back
	3500 0747	1			1987-89
	5502 8904	1			1990
	3500 6981	1			w/Reclining Seat Back
3	3500 0762	2			PAD, Cushion
4	3500 2769	2			PAD, Back (35002769 Used on Pioneer and Ero Pkgs.)
5	1150 4735	4			BOLT
6	3500 1690	2			PAD, Headrest
7	3500 3669	2			POST, Headrest
8	3500 9926	4			CYLINDER, Headrest
9	3500 4710	2			COVER, Bracket
10	3500 4711	2			COVER, Bracket
11	3500 3686	1			HANDLE, Recliner, Right
12	3500 2930	1			HANDLE, Recliner, Left
13	3500 5470	2			PAD, Back
14	3501 1228	2			PAD, Side Wing
15	3501 1229	2			PAD, Side Wing
16	3420 1314	4			SCREW
17	3420 1257	8			SCREW
18	1150 2729	4			NUT

**MODEL CODES:**

15 = Grand Wagoneer 4 Dr.	65 = Comanche 4WD-7 Ft. Box	77 = Cherokee 4WD-2 Dr.
25 = J-10 Pickup-119" W.B.	66 = Comanche 2WD-7 Ft. Box	78 = Cherokee 4WD-4 Dr.
26 = J-10 Pickup-131" W.B.	73 = Cherokee 2WD-2 Dr.	79 = Cherokee 4WD-4 Dr.-Com
27 = J-20 Pickup-131" W.B.	74 = Cherokee 2WD-4 Dr.	81 = Wrangler-93" W.B.
63 = Comanche 4WD-6 Ft. Box	75 = Wagoneer 4WD-4 Dr.	82 = Wrangler-103" W.B.-Exp.
64 = Comanche 2WD-6 Ft. Box		

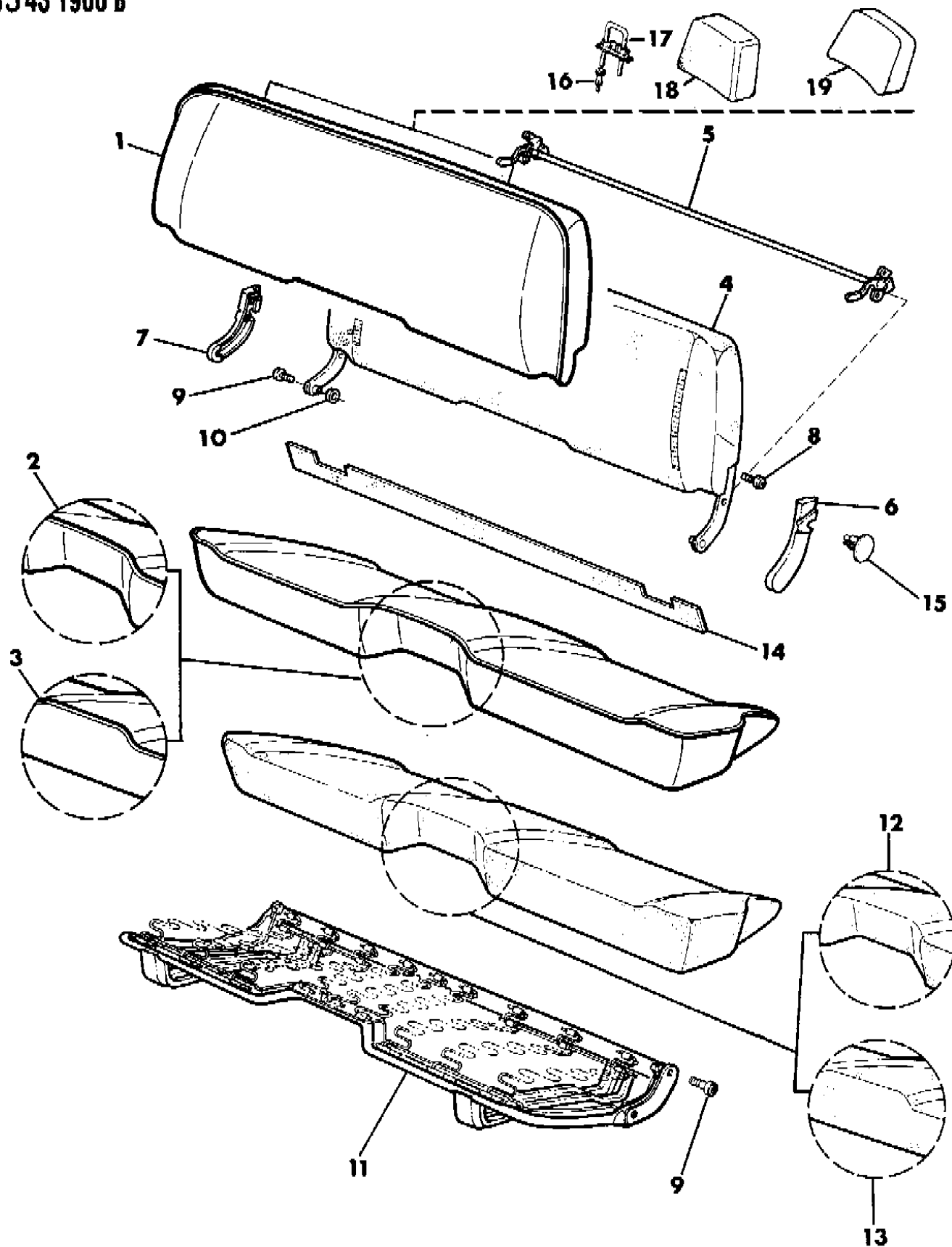
**BODY STYLES:**

MJ = Comanche Pickup  
 SJ = Grand Wagoneer Wgn., J-10 & J-20 Pickups  
 XJ = Cherokee, Wagoneer Limited  
 YJ = Wrangler

AR = Use as Required - = Non Illustrated Part P.A.R. = Paint as Required

**FRAME, PAD, AND COVER BENCH SEAT COMANCHE**  
**Figure 43-1900**

**8J43 1900 B**



ITEM	PART NUMBER	QTY	BODY	MODEL	DESCRIPTION
1					COVER, Back
					1987
					Tooled Grain Vinyl
	5501 2838	1			Black (1AT or 1YT)
	5501 2839	1			Med Blue (3AT or 3YT)
	5501 2010	1			Cordovan (4AT or 4YT)
	5501 2012	1			Tan (6AT or 6YT)
					Mesa Cloth
	5500 7934	1			Black (1AU or 1YU)
	5500 7935	1			Med Blue (3AU or 3YU)
	5501 2014	1			Cordovan (4AU or 4YU)
	5501 2016	1			Tan (6AU or 6YU)
					Celtic Grain Vinyl
	5500 7926	1			Black (1AX or 1YX)
	5500 7927	1			Med Blue (3AX or 3YX)
	5501 2006	1			Cordovan (4AX or 4YX)
	5501 2008	1			Tan (6AX or 6YX)
					1988-89
					Canyon Cloth
	5501 8314	1			Charcoal, (B1SA or D1SA or E1SA or X1SA or 2AH or 2YH)
	5501 8315	1			Navy, (B1Q8 or D1Q8 or E1Q8 or X1Q8 or 3AH or 3YH)
	5501 8316	1			Cordovan, (B1H9 or D1H9 or E1H9 or X1H9 or 5AH or 5YH)
	5501 8317	1			Tan, (6AH or 6YH)
	5502 0857	1			Sand, (B1YY or D1YY or E1YY or X1YY)
					Premium Vinyl
	5501 8312	1			Charcoal, (F2SA or X2SA or 2AT or 2YT)
	5501 8313	1			Navy, (F2Q8 or X2Q8 or 3AT or 3YT)
	5501 2010	1			Cordovan, (F2H9 or X2H9 or 5AT or 5YT)
	5501 2012	1			Tan, (6AT or 6YT)
	5502 0856	1			Sand, (F2YY or X2YY)
					Celtic Vinyl
	5501 8310	1			Charcoal, (2AX or 2YX)
	5501 8311	1			Navy, (3AX or 3YX)
	5501 2006	1			Cordovan, (5AX or 5YX)
	5501 2008	1			Tan, (6AX or 6YX)
					1990
					Canyon Cloth

**MODEL CODES:**

15 = Grand Wagoneer 4 Dr.	65 = Comanche 4WD-7 Ft. Box	77 = Cherokee 4WD-2 Dr.
25 = J-10 Pickup-119" W.B.	66 = Comanche 2WD-7 Ft. Box	78 = Cherokee 4WD-4 Dr.
26 = J-10 Pickup-131" W.B.	73 = Cherokee 2WD-2 Dr.	79 = Cherokee 4WD-4 Dr.-Com
27 = J-20 Pickup-131" W.B.	74 = Cherokee 2WD-4 Dr.	81 = Wrangler-93" W.B.
63 = Comanche 4WD-6 Ft. Box	75 = Wagoneer 4WD-4 Dr.	82 = Wrangler-103" W.B.-Exp.
64 = Comanche 2WD-6 Ft. Box		

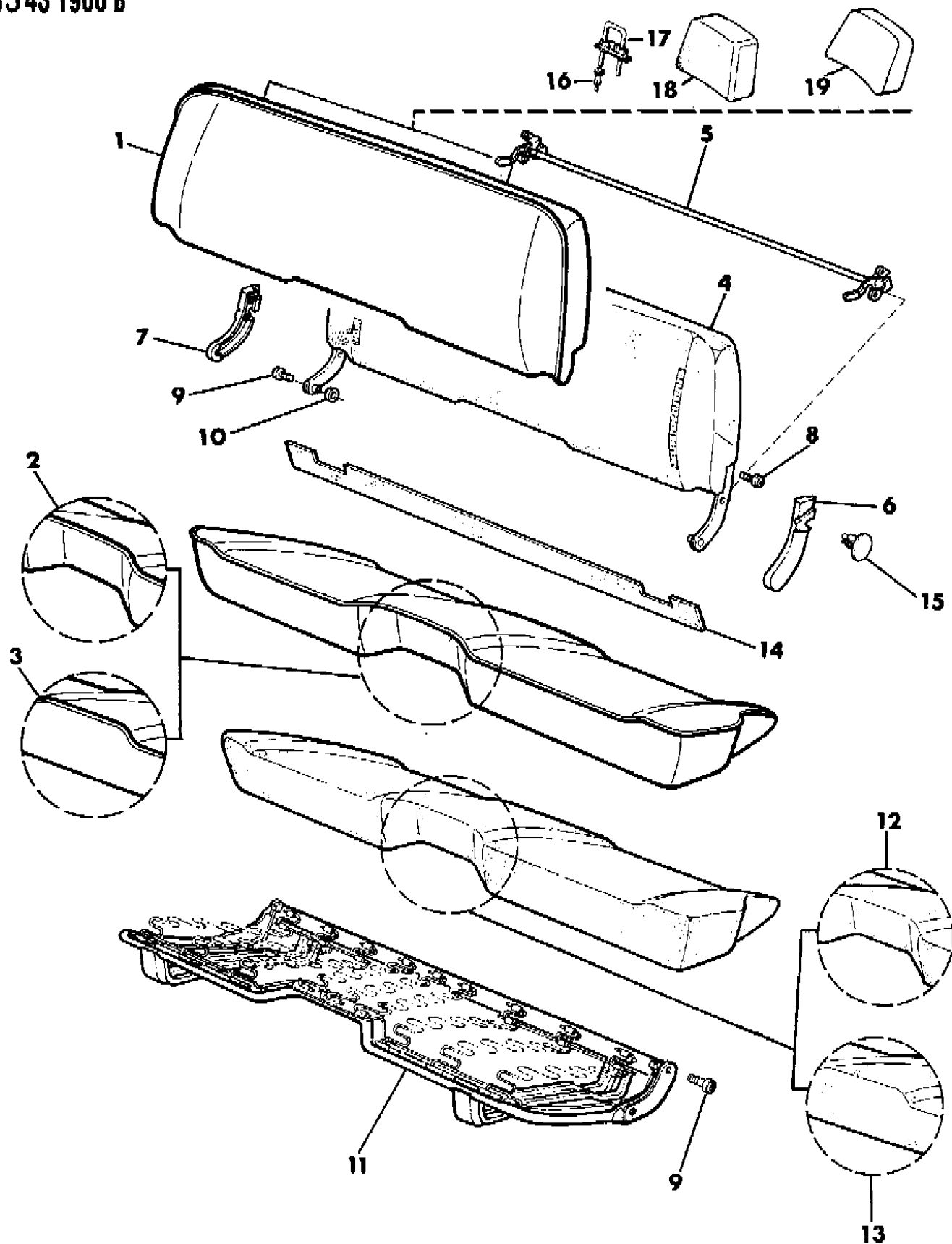
**BODY STYLES:**

MJ = Comanche Pickup  
 SJ = Grand Wagoneer Wgn., J-10 & J-20 Pickups  
 XJ = Cherokee, Wagoneer Limited  
 YJ = Wrangler

AR = Use as Required - = Non Illustrated Part P.A.R. = Paint as Required

**FRAME, PAD, AND COVER BENCH SEAT COMANCHE**  
Figure 43-1900

8J43 1900 B



ITEM	PART NUMBER	QTY	BODY	MODEL	DESCRIPTION
	5BA6 6JS1	1			Charcoal, (X1SA,E1SA)
	5BA6 6JH9	1			Cordovan, (X1H9,E1H9)
	5BA6 6JY6	1			Sand, (X1YY,E1YY)
	5BA6 4JS1	1			Premium Vinyl Charcoal, (F2SA,X2SA)
	5BA6 4JH9	1			Cordovan, (F2H9,X2H9)
	5BA6 4JY1	1			Sand, (F2YY,X2YY)
2					COVER, Cushion 1987
	5501 2830	1			Tooled Grain Vinyl Black (1YT)
	5501 2831	1			Med Blue (3YT)
	5501 1978	1			Cordovan (4YT)
	5501 1980	1			Tan (6YT)
	5500 7918	1			Mesa Cloth Black (1YU)
	5500 7919	1			Med Blue (3YU)
	5501 1982	1			Cordovan (4YU)
	5501 1984	1			Tan (6YU)
	5500 7910	1			Celtic Grain Vinyl Black (1YX)
	5500 7911	1			Med Blue (3YX)
	5501 1974	1			Cordovan (4YX)
	5501 1976	1			Tan (6YX)
					1988-89
	5501 8298	1			Canyon Cloth Charcoal, (B1SA or X1SA or 2YH)
	5501 8299	1			Navy, (B1Q8 or X1Q8 or 3YH)
	5501 8300	1			Cordovan, (B1H9 or X1H9 or 5YH)
	5501 8301	1			Tan, (6YH)
	5502 0851	1			Sand, (B1YY or X1YY)
	5501 8296	1			Premium Vinyl Charcoal, (X2SA or 2YT)
	5501 8297	1			Navy, (X2Q8 or 2YT)
	5501 1978	1			Cordovan, (X2H9 or 5YT)
	5501 1980	1			Tan, (6YT)
	5502 0850	1			Sand, (X2YY)

MODEL CODES:

15 = Grand Wagoneer 4 Dr.	65 = Comanche 4WD-7 Ft. Box	77 = Cherokee 4WD-2 Dr.
25 = J-10 Pickup-119" W.B.	66 = Comanche 2WD-7 Ft. Box	78 = Cherokee 4WD-4 Dr.
26 = J-10 Pickup-131" W.B.	73 = Cherokee 2WD-2 Dr.	79 = Cherokee 4WD-4 Dr.-Com
27 = J-20 Pickup-131" W.B.	74 = Cherokee 2WD-4 Dr.	81 = Wrangler-93" W.B.
63 = Comanche 4WD-6 Ft. Box	75 = Wagoneer 4WD-4 Dr.	82 = Wrangler-103" W.B.-Exp.
64 = Comanche 2WD-6 Ft. Box		

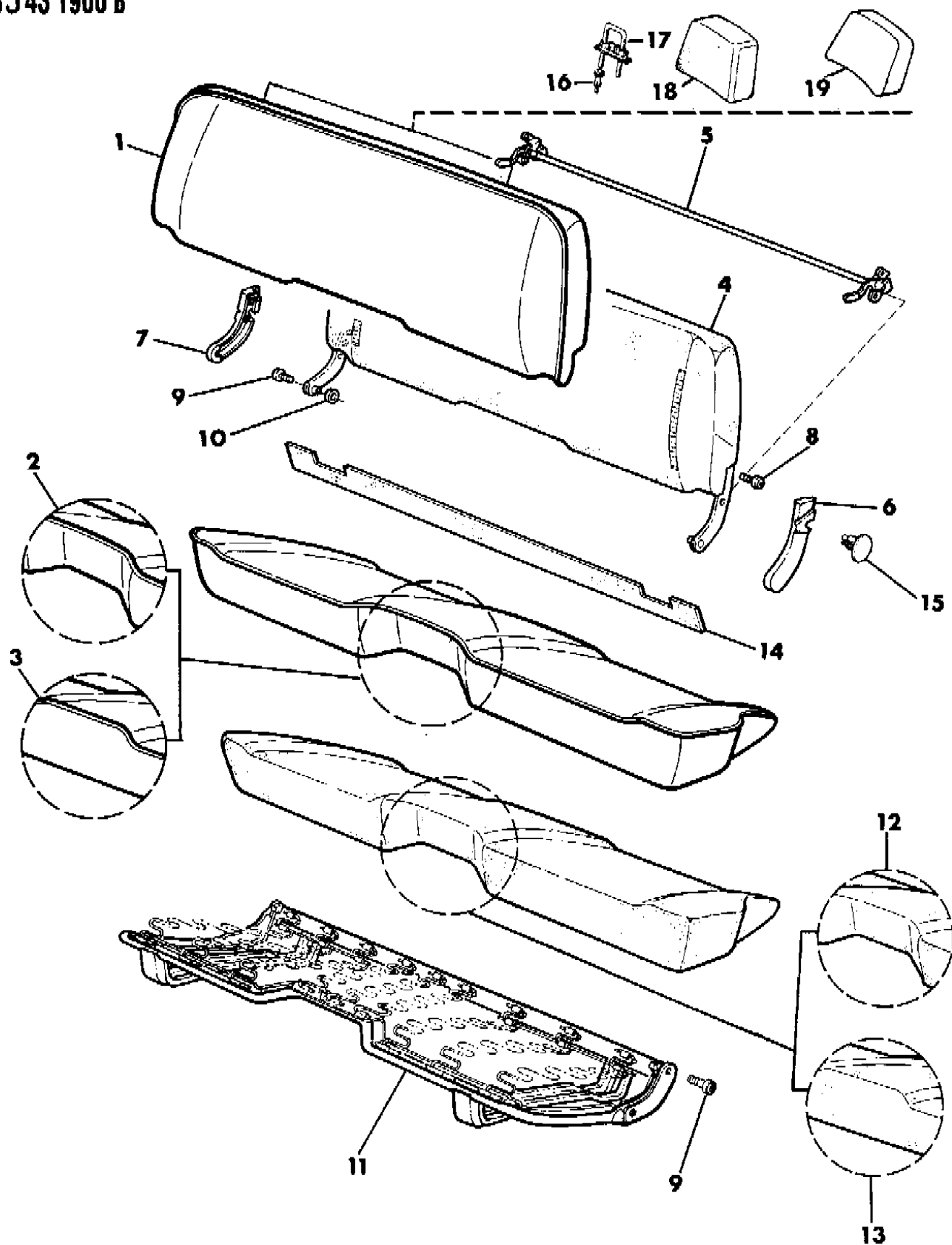
BODY STYLES:

MJ = Comanche Pickup  
 SJ = Grand Wagoneer Wgn., J-10 & J-20 Pickups  
 XJ = Cherokee, Wagoneer Limited  
 YJ = Wrangler

AR = Use as Required - = Non Illustrated Part P.A.R. = Paint as Required

**FRAME, PAD, AND COVER BENCH SEAT COMANCHE**  
Figure 43-1900

8J43 1900 B



ITEM	PART NUMBER	QTY	BODY	MODEL	DESCRIPTION
					Celtic Vinyl
	5501 8294	1			Charcoal, (2YX)
	5501 8295	1			Navy, (3YX)
	5501 1974	1			Cordovan, (5YX)
	5501 1976	1			Tan, (6YX)
					1990
					Canyon Cloth
	5AH3 2JS1	1			Charcoal, (X1SA)
	5AH3 2JH9	1			Cordovan, (X1H9)
	5AH3 2JY6	1			Sand, (X1YY)
					Premium Vinyl
	5AH3 1JS1	1			Charcoal, (X2SA)
	5AH3 1JH9	1			Cordovan, (X2H9)
	5AH3 1JY1	1			Sand, (X2YY)
3					COVER, Cushion
					1987
					Tooled Grain Vinyl
	5501 2834	1			Black (1AT)
	5501 2835	1			Med Blue (3AT)
	5501 1994	1			Cordovan (4AT)
	5501 1996	1			Tan (6AT)
					Mesa Cloth
	5500 9702	1			Black (1AU)
	5500 9703	1			Med Blue (3AU)
	5501 1998	1			Cordovan (4AU)
	5501 2000	1			Tan (6AU)
					Tooled Grain Vinyl
	5500 9694	1			Black (1AX)
	5500 9695	1			Med Blue (3AX)
	5501 1990	1			Cordovan (4AX)
	5501 1992	1			Tan (6AX)
					1988-89
					Canyon Cloth
	5501 8306	1			Charcoal, (D1SA or E1SA or 2AH)
	5501 8307	1			Navy, (D1Q8 or E1Q8 or 3AH)
	5501 8308	1			Cordovan, (D1H9 or E1H9 or 5AH)
	5501 8309	1			Tan, (6AH)

**MODEL CODES:**

15 = Grand Wagoneer 4 Dr.	65 = Comanche 4WD-7 Ft. Box	77 = Cherokee 4WD-2 Dr.
25 = J-10 Pickup-119" W.B.	66 = Comanche 2WD-7 Ft. Box	78 = Cherokee 4WD-4 Dr.
26 = J-10 Pickup-131" W.B.	73 = Cherokee 2WD-2 Dr.	79 = Cherokee 4WD-4 Dr.-Com
27 = J-20 Pickup-131" W.B.	74 = Cherokee 2WD-4 Dr.	81 = Wrangler-93" W.B.
63 = Comanche 4WD-6 Ft. Box	75 = Wagoneer 4WD-4 Dr.	82 = Wrangler-103" W.B.-Exp.
64 = Comanche 2WD-6 Ft. Box		

**BODY STYLES:**

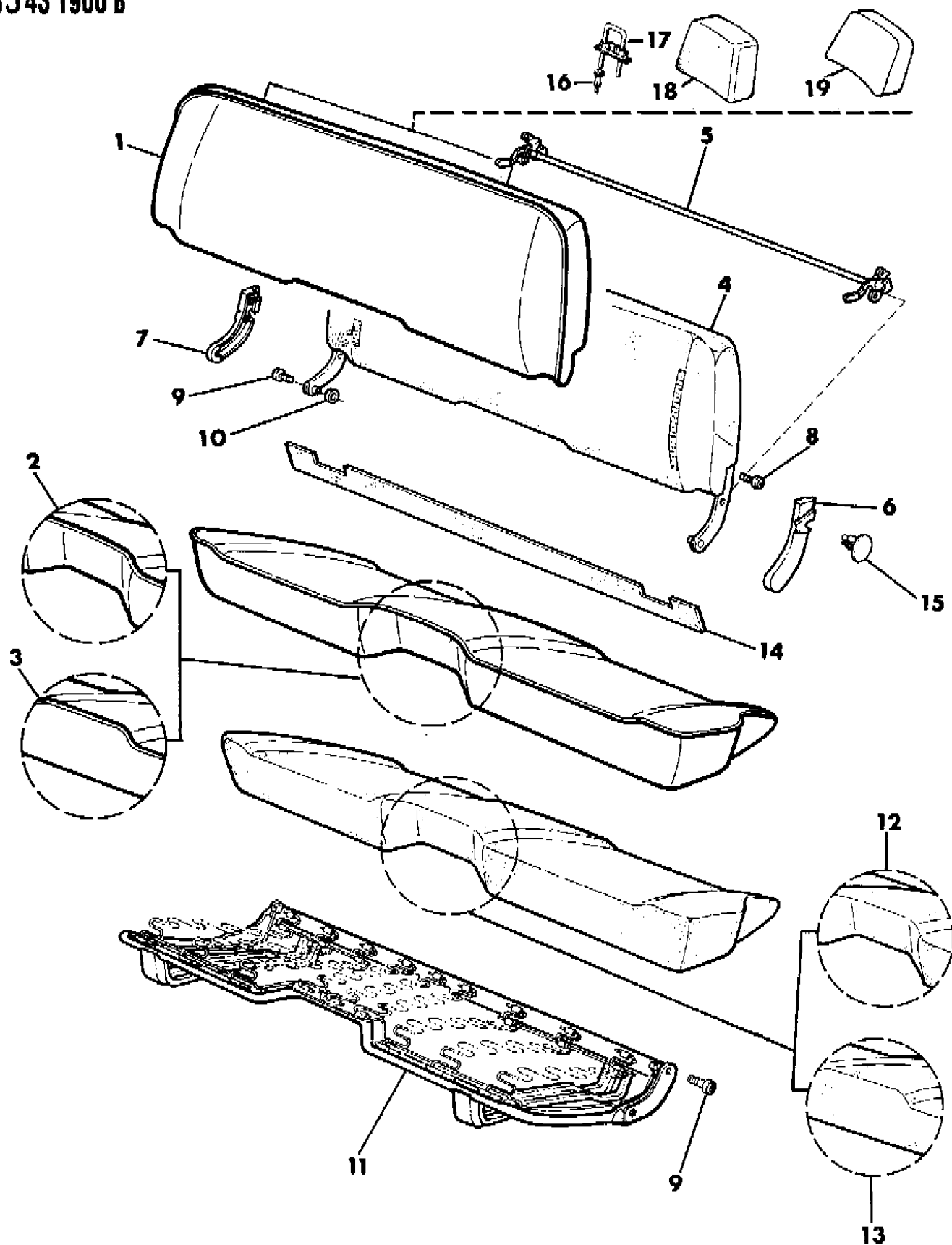
MJ = Comanche Pickup  
 SJ = Grand Wagoneer Wgn., J-10 & J-20 Pickups  
 XJ = Cherokee, Wagoneer Limited  
 YJ = Wrangler

AR = Use as Required - = Non Illustrated Part P.A.R. = Paint as Required



**FRAME, PAD, AND COVER BENCH SEAT COMANCHE**  
Figure 43-1900

8J43 1900 B



ITEM	PART NUMBER	QTY	BODY	MODEL	DESCRIPTION
	5502 0854	1			Sand, (D1YY or E1YY)
	5501 8304	1			Premium Vinyl
	5501 8305	1			Charcoal, (F2SA or 2AT)
	5501 1994	1			Navy, (F2Q8 or 3AT)
	5501 1996	1			Cordovan, (F2H9 or 5AT)
	5501 1996	1			Tan, (6AT)
	5502 0853	1			Sand, (F2YY)
	5501 8302	1			Celtic Vinyl
	5501 8302	1			Charcoal, (2AX)
	5501 8303	1			Navy, (3AX)
	5501 1990	1			Cordovan, (5AX)
	5501 1992	1			Tan, (6AX)
					1990
	5AH3 4JS1	1			Canyon Cloth
	5AH3 4JH9	1			Charcoal, (E1SA)
	5AH3 4JY6	1			Cordovan, (E1H9)
					Sand, (E1YY)
	5AH3 3JS1	1			Premium Vinyl
	5AH3 3JH9	1			Charcoal, (F2SA)
	5AH3 3JY1	1			Cordovan, (F2H9)
					Sand, (F2YY)
4					FRAME, Seat Back, w/pad, w/latch - item 5
	5500 8836	1			1987-89, used w/o headrest
	5502 6384	1			1990, used w/ headrest
5	5500 8835	1			LATCH, Seat Back
6					COVER, Hinge, Left
	5500 6471	1			1987-89, P.A.R.
					1990
	5AE3 9JS1	1			Charcoal
	5AE3 9JH9	1			Cordovan
	5AE3 9JY1	1			Sand
7					COVER, Hinge, Right
	5500 6470	1			1987-89, P.A.R.
					1990
	5AE3 8JS1	1			Charcoal
	5AE3 8JH9	1			Cordovan
	5AE3 8JY1	1			Sand

**MODEL CODES:**

15 = Grand Wagoneer 4 Dr.	65 = Comanche 4WD-7 Ft. Box	77 = Cherokee 4WD-2 Dr.
25 = J-10 Pickup-119" W.B.	66 = Comanche 2WD-7 Ft. Box	78 = Cherokee 4WD-4 Dr.
26 = J-10 Pickup-131" W.B.	73 = Cherokee 2WD-2 Dr.	79 = Cherokee 4WD-4 Dr.-Com
27 = J-20 Pickup-131" W.B.	74 = Cherokee 2WD-4 Dr.	81 = Wrangler-93" W.B.
63 = Comanche 4WD-6 Ft. Box	75 = Wagoneer 4WD-4 Dr.	82 = Wrangler-103" W.B.-Exp.
64 = Comanche 2WD-6 Ft. Box		

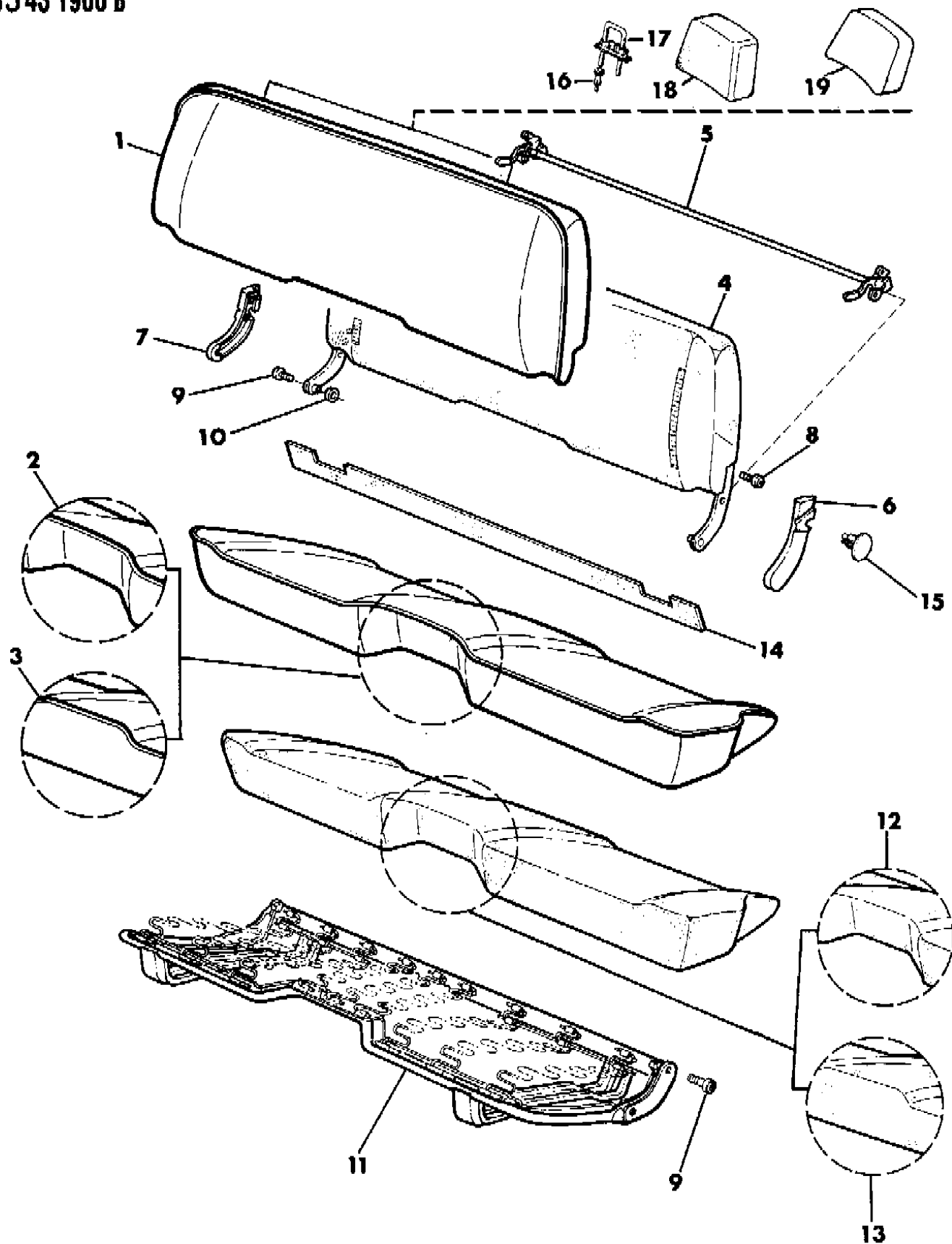
**BODY STYLES:**

MJ = Comanche Pickup  
 SJ = Grand Wagoneer Wgn., J-10 & J-20 Pickups  
 XJ = Cherokee, Wagoneer Limited  
 YJ = Wrangler

AR = Use as Required - = Non Illustrated Part P.A.R. = Paint as Required

**FRAME, PAD, AND COVER BENCH SEAT COMANCHE**  
Figure 43-1900

8J43 1900 B



ITEM	PART NUMBER	QTY	BODY	MODEL	DESCRIPTION
8					BOLT, lock to seat back
	3420 1596	4			1987-89
	3420 1655	4			1990
9	3420 2181	4			BOLT
10	J400 7070	2			WASHER
11	5500 4290	1			FRAME, Cushion
12	5500 4292	1			PAD, Cushion
13	5500 9710	1			PAD, Cushion
14	J374 1218	1			PROTECTOR, Cushion Edge
15	3420 1845	4			RIVET
16	3500 9926	4			CYLINDER
17	3500 3669	2			POST, Headrest ***
18	3501 3969	2			PAD, Headrest
19					COVER, Headrest
	5BA8 2JS1	2			Charcoal
	5BA8 2JH9	2			Cordovan
	5BA8 2JY1	2			Sand

MODEL CODES:

15 = Grand Wagoneer 4 Dr.	65 = Comanche 4WD-7 Ft. Box	77 = Cherokee 4WD-2 Dr.
25 = J-10 Pickup-119" W.B.	66 = Comanche 2WD-7 Ft. Box	78 = Cherokee 4WD-4 Dr.
26 = J-10 Pickup-131" W.B.	73 = Cherokee 2WD-2 Dr.	79 = Cherokee 4WD-4 Dr.-Com
27 = J-20 Pickup-131" W.B.	74 = Cherokee 2WD-4 Dr.	81 = Wrangler-93" W.B.
63 = Comanche 4WD-6 Ft. Box	75 = Wagoneer 4WD-4 Dr.	82 = Wrangler-103" W.B.-Exp.
64 = Comanche 2WD-6 Ft. Box		

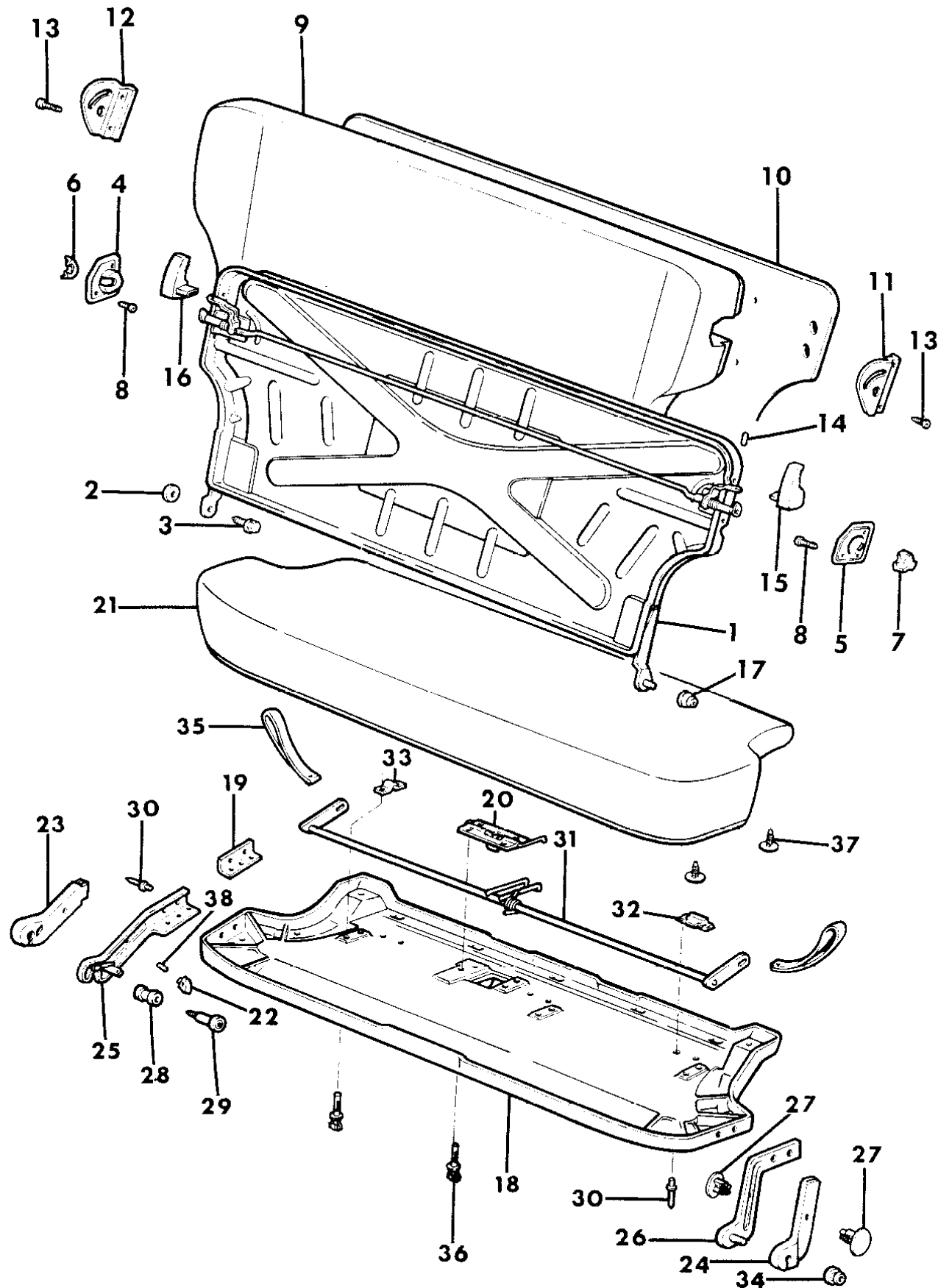
BODY STYLES:

MJ = Comanche Pickup  
 SJ = Grand Wagoneer Wgn., J-10 & J-20 Pickups  
 XJ = Cherokee, Wagoneer Limited  
 YJ = Wrangler

AR = Use as Required - = Non Illustrated Part P.A.R. = Paint as Required

**FRAME AND PAD REAR SEAT CHEROKEE AND WAGONEER**  
**Figure 43-2000**

8J43 2000



ITEM	PART NUMBER	QTY	BODY	MODEL	DESCRIPTION
1					PANEL, Back
	5500 0404	1			Except (ECE), Up to 9/1/89
	5502 6016	1			Except (ECE), After 9/1/89
	5501 7737	1			(ECE), 1987-89
	5502 6022	1			(ECE), 1990
2	5500 5617	AR			SPACER
3	3420 1537	2			SCREW, rear seat back hinge
4-5	5500 0416-7	1			BRACKET, Lock Striker
6-7	5500 1212-3	1			BUMPER, Latch Striker
8	3420 2189	6			SCREW
9	5500 0405	1			PAD, Back
10	5500 3616	1			BOARD, Foundation
11-12					BEZEL, Back Trim
					1987-89
	5500 8804-5	1			P.A.R.
					1990
	5AC66-7 JS1	1			Charcoal
	5AC66-7 JA8	1			Dk. Charcoal
	5AC66-7 JH9	1			Cordovan
	5AC66-7 JY1	1			Sand
	5AC66-7 JY6	1			Dk. Sand
13	3420 1314	4			SCREW
14	J045 5735	3			PIN, Spring
15-16					KNOB, Seat Latch
					1987-89
	5500 5156-7	1			P.A.R.
					1990
	5AD46-7 JS1	1			Charcoal
	5AD46-7 JA8	1			Dk. Charcoal
	5AD46-7 JH9	1			Cordovan
	5AD46-7 JY1	1			Sand
	5AD46-7 JY6	1			Dk. Sand
17	5500 1230	1			GROMMET
18	5500 1214	1			PANEL, Cushion
19	5500 2833	2			REINFORCEMENT
20	5500 0426	1			LATCH, Cushion
21	5500 4573	1			PAD, Cushion

**MODEL CODES:**

15 = Grand Wagoneer 4 Dr.	65 = Comanche 4WD-7 Ft. Box	77 = Cherokee 4WD-2 Dr.
25 = J-10 Pickup-119" W.B.	66 = Comanche 2WD-7 Ft. Box	78 = Cherokee 4WD-4 Dr.
26 = J-10 Pickup-131" W.B.	73 = Cherokee 2WD-2 Dr.	79 = Cherokee 4WD-4 Dr.-Com
27 = J-20 Pickup-131" W.B.	74 = Cherokee 2WD-4 Dr.	81 = Wrangler-93" W.B.
63 = Comanche 4WD-6 Ft. Box	75 = Wagoneer 4WD-4 Dr.	82 = Wrangler-103" W.B.-Exp.
64 = Comanche 2WD-6 Ft. Box		

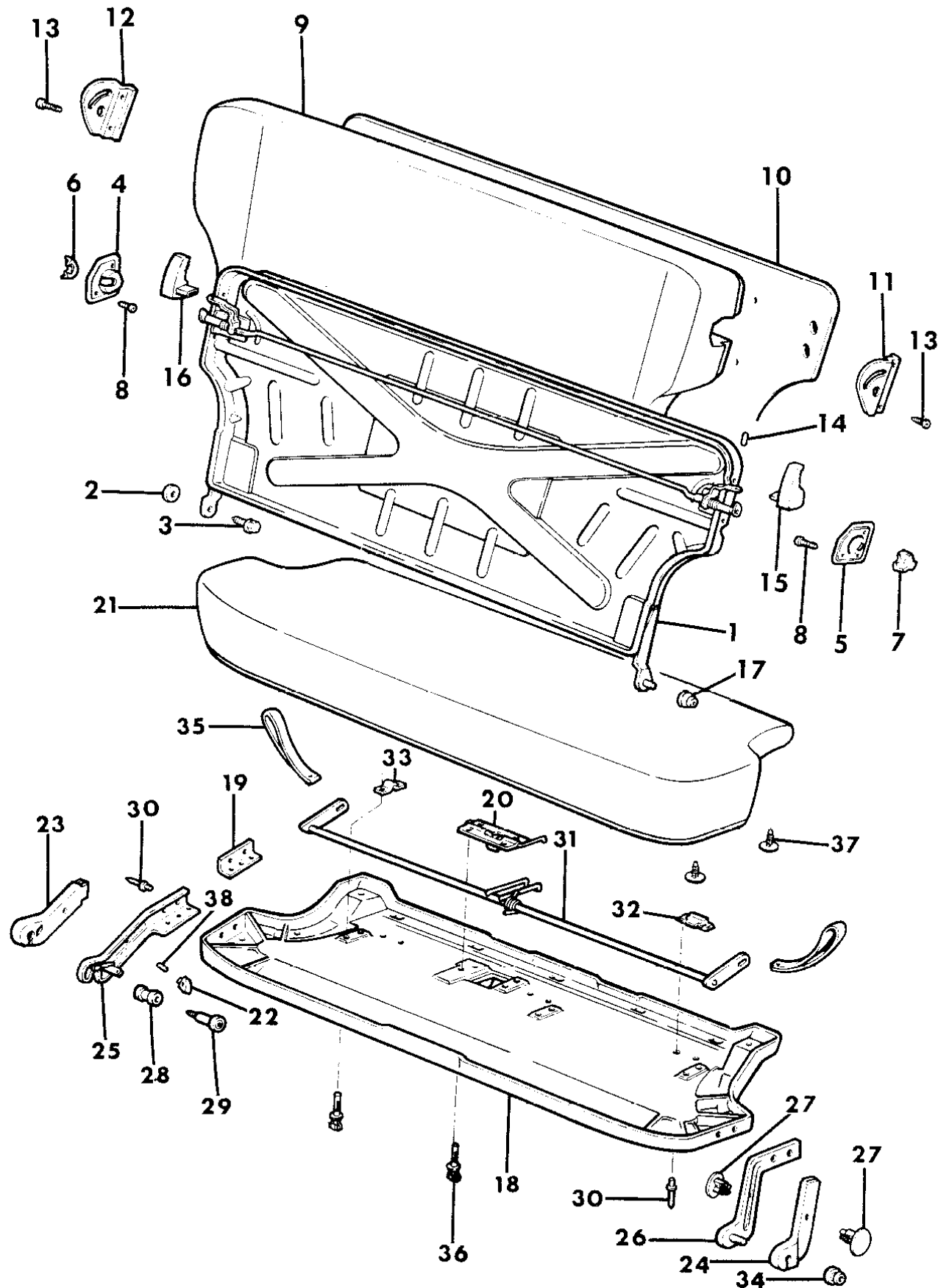
**BODY STYLES:**

MJ = Comanche Pickup  
 SJ = Grand Wagoneer Wgn., J-10 & J-20 Pickups  
 XJ = Cherokee, Wagoneer Limited  
 YJ = Wrangler

AR = Use as Required - = Non Illustrated Part P.A.R. = Paint as Required

**FRAME AND PAD REAR SEAT CHEROKEE AND WAGONEER**  
**Figure 43-2000**

8J43 2000



ITEM	PART NUMBER	QTY	BODY	MODEL	DESCRIPTION
22					KNOB, Seat Latch
	5500 2897	1			1987-89, P.A.R. *** 1990
	5AC6 8JS1	1			Charcoal
	5AC6 8JA8	1			Dk. Charcoal
	5AC6 8JH9	1			Cordovan
	5AC6 8JY1	1			Sand
	5AC6 8JY6	1			Dk. Sand
23					COVER, Hinge, Right
	5500 6140	1			1987-89, P.A.R. 1990
	5AC4 6JA8	1			Charcoal
	5AC4 6JH9	1			Cordovan
	5AC4 6JY6	1			Sand
24					COVER, Hinge, Left
	5500 6141	1			1987-89, P.A.R. 1990
	5AC4 7JA8	1			Charcoal
	5AC4 7JH9	1			Cordovan
	5AC4 7JY6	1			Sand
25-26	5500 1136-7	1			HINGE, Latch
27	3420 1845	4			RIVET
28	5500 2437	1			BUSHING
29	3420 1530	1			BOLT
30	3420 1557	8			RIVET
31	5500 4302	1			RELEASE, Latch
32	5500 4317	3			BRACKET, Pad Retainer
33	5500 4301	3			BRACKET, Latch
34	5500 1230	1			GROMMET
35					STRAP, Seat Latch
	5500 8815	2			1987-89 *** Black, 1987
	5501 8293	2			Charcoal, w/o Leather Upholstery, 1988-89
	5501 9982	2			Charcoal, w/Leather Upholstery, 1988-89
	5501 2238	2			Cordovan, 1987-89
	5500 8814	2			Medium Blue, 1987
	5501 8292	2			Navy, 1988-89

**MODEL CODES:**

15 = Grand Wagoneer 4 Dr.	65 = Comanche 4WD-7 Ft. Box	77 = Cherokee 4WD-2 Dr.
25 = J-10 Pickup-119" W.B.	66 = Comanche 2WD-7 Ft. Box	78 = Cherokee 4WD-4 Dr.
26 = J-10 Pickup-131" W.B.	73 = Cherokee 2WD-2 Dr.	79 = Cherokee 4WD-4 Dr.-Com
27 = J-20 Pickup-131" W.B.	74 = Cherokee 2WD-4 Dr.	81 = Wrangler-93" W.B.
63 = Comanche 4WD-6 Ft. Box	75 = Wagoneer 4WD-4 Dr.	82 = Wrangler-103" W.B.-Exp.
64 = Comanche 2WD-6 Ft. Box		

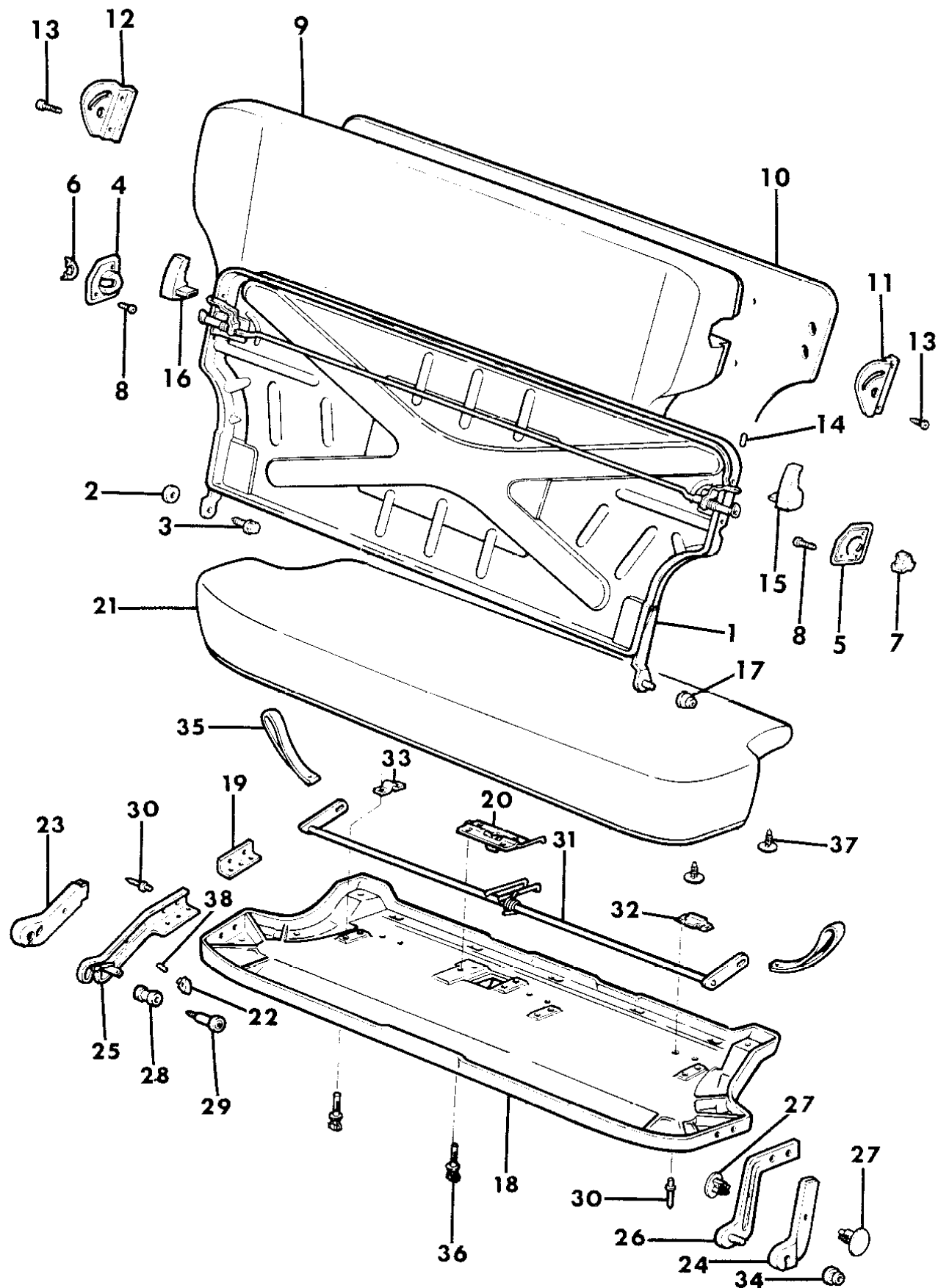
**BODY STYLES:**

MJ = Comanche Pickup  
 SJ = Grand Wagoneer Wgn., J-10 & J-20 Pickups  
 XJ = Cherokee, Wagoneer Limited  
 YJ = Wrangler

AR = Use as Required - = Non Illustrated Part P.A.R. = Paint as Required

**FRAME AND PAD REAR SEAT CHEROKEE AND WAGONEER**  
**Figure 43-2000**

8J43 2000



ITEM	PART NUMBER	QTY	BODY	MODEL	DESCRIPTION
	5501 2240	2			Tan, 1987-88
	5502 0848	2			Sand, 1989 1990
	5AJ4 7JS1	2			Charcoal
	5AJ4 7JH9	2			Cordovan
	5AJ4 7JXB	2			Graphite
	5AJ4 7JY1	2			Sand
	5AJ4 7JY6	2			Dk. Sand
36					RIVET, Plastic
	3420 2073	AR			Except (ECE)
	3420 2078	AR			(ECE)
37					FASTENER
	J400 7187	6			1987-89, P.A.R.
					1990
	5AA3 4JS1	6			Charcoal
	5AA3 4JH9	6			Cordovan
	5AA3 4JA8	6			Dark Charcoal
	5AA3 4JY6	6			Sand
38	J045 5735	1			PIN, Spring

(ECE) = Economic Commission of Europe Tag affixed to the Face of its Pulley. A Second Tag will show the name of the Vendor (OGURA).

**MODEL CODES:**

15 = Grand Wagoneer 4 Dr.	65 = Comanche 4WD-7 Ft. Box	77 = Cherokee 4WD-2 Dr.
25 = J-10 Pickup-119" W.B.	66 = Comanche 2WD-7 Ft. Box	78 = Cherokee 4WD-4 Dr.
26 = J-10 Pickup-131" W.B.	73 = Cherokee 2WD-2 Dr.	79 = Cherokee 4WD-4 Dr.-Com
27 = J-20 Pickup-131" W.B.	74 = Cherokee 2WD-4 Dr.	81 = Wrangler-93" W.B.
63 = Comanche 4WD-6 Ft. Box	75 = Wagoneer 4WD-4 Dr.	82 = Wrangler-103" W.B.-Exp.
64 = Comanche 2WD-6 Ft. Box		

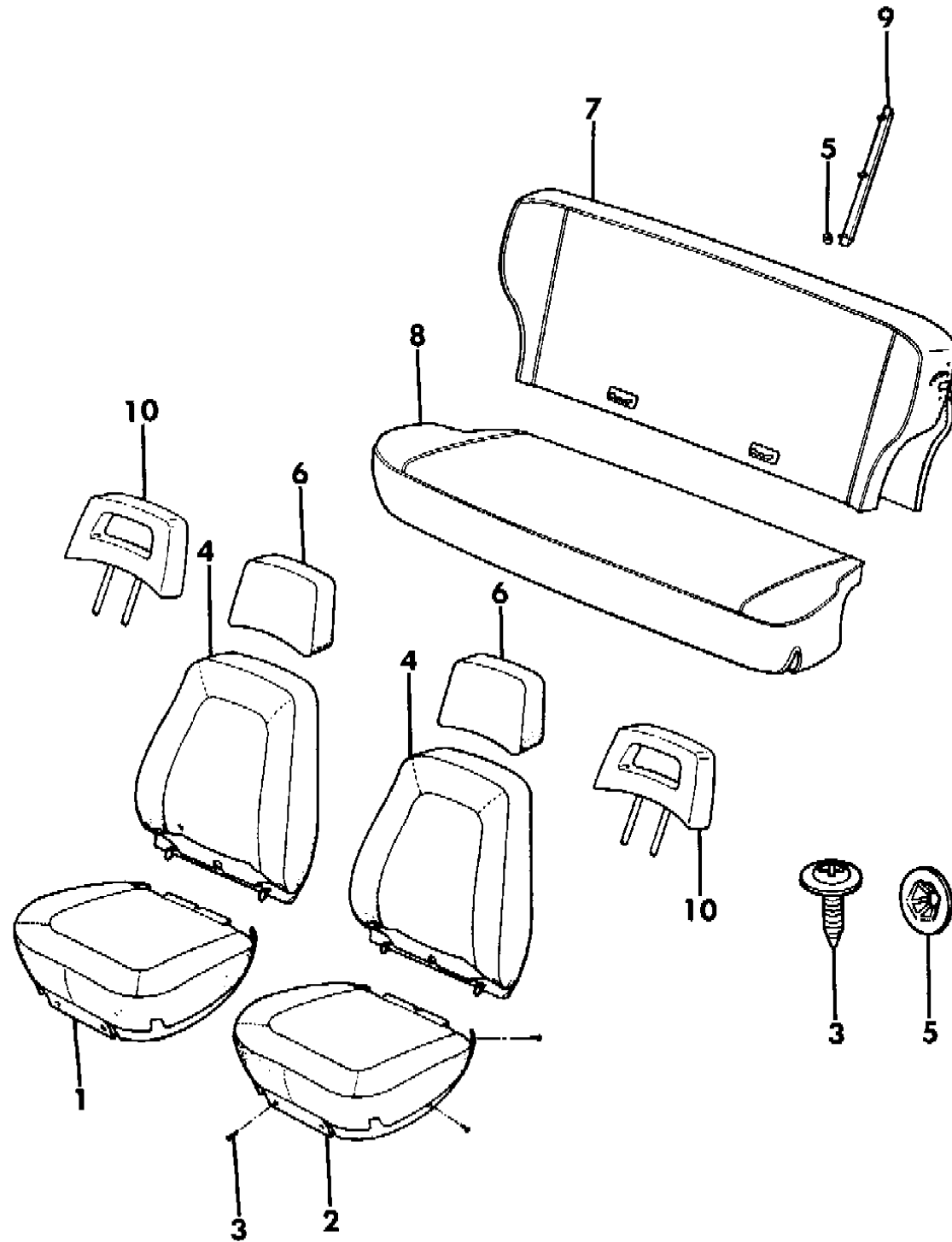
**BODY STYLES:**

MJ = Comanche Pickup  
 SJ = Grand Wagoneer Wgn., J-10 & J-20 Pickups  
 XJ = Cherokee, Wagoneer Limited  
 YJ = Wrangler

AR = Use as Required - = Non Illustrated Part P.A.R. = Paint as Required

**COVERS, SEAT UPHOLSTERY VINYL CHEROKEE 2 DOOR**  
**Figure 43-2100**

8J43 2100 A



ITEM	PART NUMBER	QTY	BODY	MODEL	DESCRIPTION
1-2					COVER, Cushion
					1987
					Celtic, Vinyl
	5501 4444-5	1			Black, (1PX)
	5501 2138-9	1			Tan, (6PX)
					Premium Vinyl
	5501 2712-3	1			Black, (1QT)
	5501 2142-3	1			Cordovan, (4QT)
	5501 2708-9	1			Medium Blue, (3QT)
	5501 2146-7	1			Tan, (6QT)
					1988-89
					Celtic Vinyl
	5501 2138-9	1			Tan, (6PX) (a)
	5502 2020-1	1			Tan, (6PX) (b)
	5501 8322-3	1			Charcoal, (2PX) (a)
	5502 2016-7	1			Charcoal, (2PX) (b)
					Premium Vinyl
	5501 2146-7	1			Tan, (6QT) (a)
	5502 2036-7	1			Tan, (6QT) (b)
	5501 2142-3	1			Cordovan, (5QT) (a)
	5502 2032-3	1			Cordovan, (5QT) (b)
	5501 8326-7	1			Navy, (3QT) (a)
	5502 2024-5	1			Navy, (3QT) (b)
	5501 8330-1	1			Charcoal, (2QT or F8SA) (a)
	5502 2028-9	1			Charcoal, (2QT or F8SA) (b)
	5502 0864-5	1			Sand, (F8YY)
					1990
					Premium Vinyl
	5AH42-3 JS1	1			Charcoal, (F8SA)
	5AH42-3 JY1	1			Sand, (F8YY)
3	3420 1314	12			SCREW
4					COVER, Back
					1987
					Celtic Vinyl
	5501 2166	2			Black, (1PX)
	3501 2604	2			Tan, (6PX)
					Premium Vinyl

**MODEL CODES:**

15 = Grand Wagoneer 4 Dr.	65 = Comanche 4WD-7 Ft. Box	77 = Cherokee 4WD-2 Dr.
25 = J-10 Pickup-119" W.B.	66 = Comanche 2WD-7 Ft. Box	78 = Cherokee 4WD-4 Dr.
26 = J-10 Pickup-131" W.B.	73 = Cherokee 2WD-2 Dr.	79 = Cherokee 4WD-4 Dr.-Com
27 = J-20 Pickup-131" W.B.	74 = Cherokee 2WD-4 Dr.	81 = Wrangler-93" W.B.
63 = Comanche 4WD-6 Ft. Box	75 = Wagoneer 4WD-4 Dr.	82 = Wrangler-103" W.B.-Exp.
64 = Comanche 2WD-6 Ft. Box		

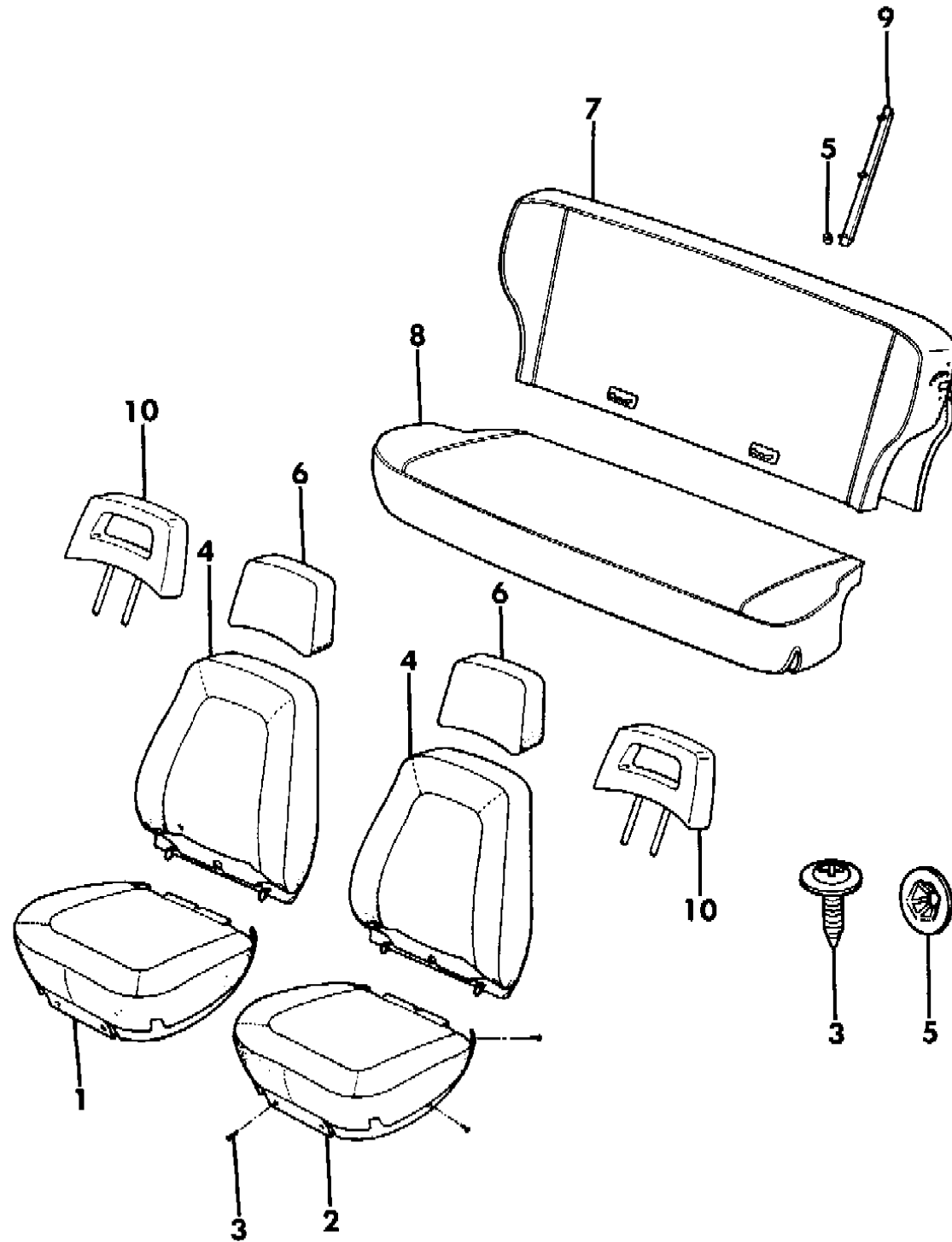
**BODY STYLES:**

MJ = Comanche Pickup  
 SJ = Grand Wagoneer Wgn., J-10 & J-20 Pickups  
 XJ = Cherokee, Wagoneer Limited  
 YJ = Wrangler

AR = Use as Required - = Non Illustrated Part P.A.R. = Paint as Required

**COVERS, SEAT UPHOLSTERY VINYL CHEROKEE 2 DOOR**  
**Figure 43-2100**

8J43 2100 A



ITEM	PART NUMBER	QTY	BODY	MODEL	DESCRIPTION
	5501 2726	2			Black, (1QT)
	5501 2170	2			Cordovan, (4QT)
	5501 2724	2			Medium Blue, (3QT)
	5501 2174	2			Tan, (6QT)
					1988-89
	3501 2604	2			Celtic Vinyl Tan, (6PX)
	3502 3356	2			Charcoal, (2PX) Premium Vinyl
	5501 9312	2			Tan, (6QT)
	5501 9308	2			Cordovan, (5QT)
	5501 8358	2			Navy, (3QT)
	5501 8360	2			Charcoal, (2QT or F8SA)
	5502 1146	2			Sand, (F8YY) 1990 Premium Vinyl
	5AH5 0JS1	2			Charcoal, (F8SA)
	5AH5 0JY1	2			Sand, (F8YY)
5	3420 2014	12			NUT, Push
6					COVER, Headrest, for solid type headrest 1987-89
	5500 9103	2			Black, 1987
	3502 1229	2			Charcoal, 1988-89
	3501 7042	2			Cordovan, 1987-89
	3502 1228	2			Navy, 1988-89
	3500 7250	2			Medium Blue, 1987
	3502 5326	2			Sand, 1989
	3501 3109	2			Tan, 1987-88 1990
	5AJ4 9JS1	2			Charcoal
	5AJ4 9JY1	2			Sand
7					COVER, Back 1987
	5501 4467	1			Celtic Vinyl Black, (1PX)
	5501 2256	1			Tan, (6PX) Premium Vinyl

**MODEL CODES:**

15 = Grand Wagoneer 4 Dr.	65 = Comanche 4WD-7 Ft. Box	77 = Cherokee 4WD-2 Dr.
25 = J-10 Pickup-119" W.B.	66 = Comanche 2WD-7 Ft. Box	78 = Cherokee 4WD-4 Dr.
26 = J-10 Pickup-131" W.B.	73 = Cherokee 2WD-2 Dr.	79 = Cherokee 4WD-4 Dr.-Com
27 = J-20 Pickup-131" W.B.	74 = Cherokee 2WD-4 Dr.	81 = Wrangler-93" W.B.
63 = Comanche 4WD-6 Ft. Box	75 = Wagoneer 4WD-4 Dr.	82 = Wrangler-103" W.B.-Exp.
64 = Comanche 2WD-6 Ft. Box		

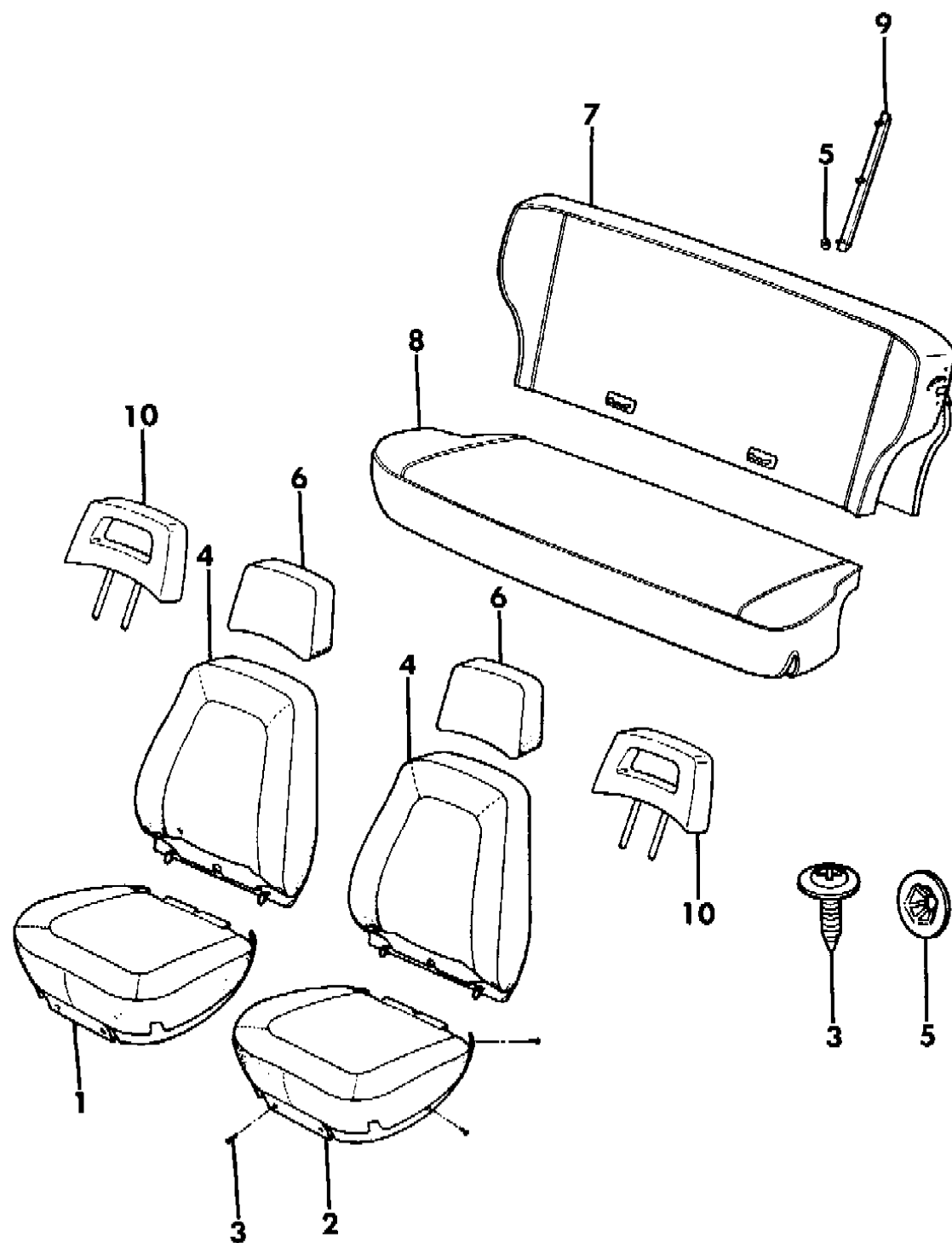
**BODY STYLES:**

MJ = Comanche Pickup  
 SJ = Grand Wagoneer Wgn., J-10 & J-20 Pickups  
 XJ = Cherokee, Wagoneer Limited  
 YJ = Wrangler

AR = Use as Required - = Non Illustrated Part P.A.R. = Paint as Required

**COVERS, SEAT UPHOLSTERY VINYL CHEROKEE 2 DOOR**  
**Figure 43-2100**

8J43 2100 A



ITEM	PART NUMBER	QTY	BODY	MODEL	DESCRIPTION
	5501 2741	1			Black, (1QT)
	5501 2258	1			Cordovan, (4QT)
	5501 2740	1			Medium Blue, (3QT)
	5501 2260	1			Tan, (6QT) 1988-89
	5501 2256	1			Celtic Vinyl Tan, (6PX)
	5501 8404	1			Charcoal, (2PX) Premium, Vinyl
	5501 2260	1			Tan, (6QT)
	5501 2258	1			Cordovan, (5QT)
	5501 8406	1			Navy, (3QT)
	5501 8407	1			Charcoal, (2QT) (a)
	5502 2074	1			Charcoal, (2QT) (b)
	5502 2075	1			Sand, (F8YY) 1990 Premium Vinyl
	5BB4 1JS1	1			Charcoal, (F8SA)
	5BB4 1JY1	1			Sand, (F8YY)
8					COVER, Cushion 1987
	5501 4466	1			Celtic Vinyl Black, (1PX)
	5501 2242	1			Tan, (6PX) Premium Vinyl
	5501 2737	1			Black, (1QT)
	5501 2244	1			Cordovan, (4QT)
	5501 2736	1			Medium Blue, (3QT)
	5501 2246	1			Tan, (6QT) 1988-89
	5501 2242	1			Celtic Vinyl Tan, (6PX)
	5501 8392	1			Charcoal, (2PX) Premium, Vinyl
	5501 2246	1			Tan, (6QT)
	5501 2244	1			Cordovan, (5QT)
	5501 8394	1			Navy, (3QT)

**MODEL CODES:**

15 = Grand Wagoneer 4 Dr.	65 = Comanche 4WD-7 Ft. Box	77 = Cherokee 4WD-2 Dr.
25 = J-10 Pickup-119" W.B.	66 = Comanche 2WD-7 Ft. Box	78 = Cherokee 4WD-4 Dr.
26 = J-10 Pickup-131" W.B.	73 = Cherokee 2WD-2 Dr.	79 = Cherokee 4WD-4 Dr.-Com
27 = J-20 Pickup-131" W.B.	74 = Cherokee 2WD-4 Dr.	81 = Wrangler-93" W.B.
63 = Comanche 4WD-6 Ft. Box	75 = Wagoneer 4WD-4 Dr.	82 = Wrangler-103" W.B.-Exp.
64 = Comanche 2WD-6 Ft. Box		

**BODY STYLES:**

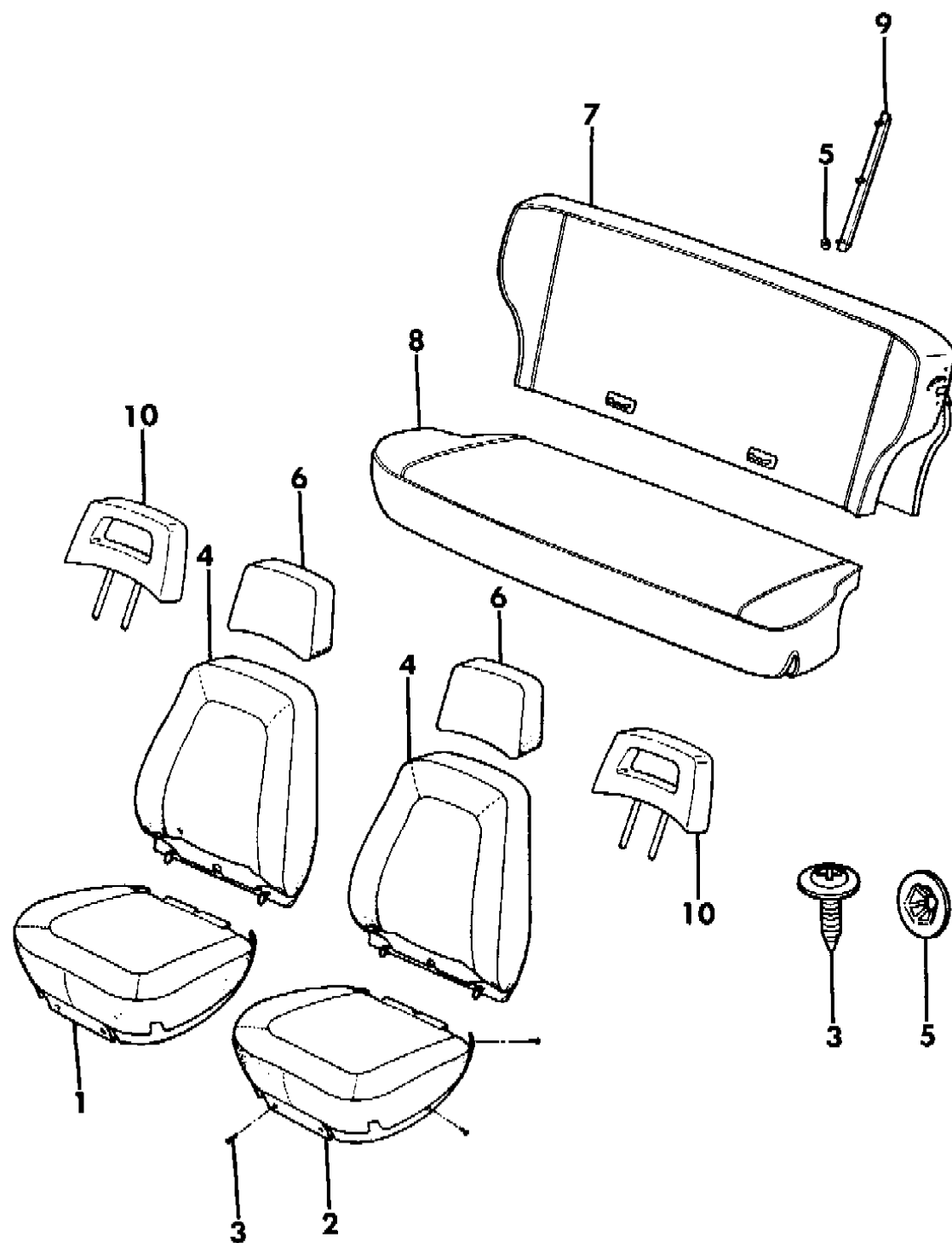
MJ = Comanche Pickup  
 SJ = Grand Wagoneer Wgn., J-10 & J-20 Pickups  
 XJ = Cherokee, Wagoneer Limited  
 YJ = Wrangler

AR = Use as Required - = Non Illustrated Part P.A.R. = Paint as Required



**COVERS, SEAT UPHOLSTERY VINYL CHEROKEE 2 DOOR**  
**Figure 43-2100**

8J43 2100 A



ITEM	PART NUMBER	QTY	BODY	MODEL	DESCRIPTION
	5501 8396	1			Charcoal, (2QT)
	5502 0884	1			Sand, (F8YY) 1990 Premium Vinyl Charcoal, (F8SA)
	5AH7 8JS1	1			Sand, (F8YY)
9	5500 1076	6			STRIP, Skid
10					HEADREST ASSY, see thru type *** 1988-89
	3501 7044	1			Tan, (6PX or 6QT)
	3502 1231	1			Charcoal, (2PX or 2QT or F8SA)
	3501 7046	1			Cordovan, (5QT)
	3502 1230	1			Navy, (3QT)

NOTE: (a) 1988 Vehicle No. 000001 Thru No. 133539  
 NOTE: (b) Vehicle No. 133540 thru No....

**MODEL CODES:**

15 = Grand Wagoneer 4 Dr.	65 = Comanche 4WD-7 Ft. Box	77 = Cherokee 4WD-2 Dr.
25 = J-10 Pickup-119" W.B.	66 = Comanche 2WD-7 Ft. Box	78 = Cherokee 4WD-4 Dr.
26 = J-10 Pickup-131" W.B.	73 = Cherokee 2WD-2 Dr.	79 = Cherokee 4WD-4 Dr.-Com
27 = J-20 Pickup-131" W.B.	74 = Cherokee 2WD-4 Dr.	81 = Wrangler-93" W.B.
63 = Comanche 4WD-6 Ft. Box	75 = Wagoneer 4WD-4 Dr.	82 = Wrangler-103" W.B.-Exp.
64 = Comanche 2WD-6 Ft. Box		

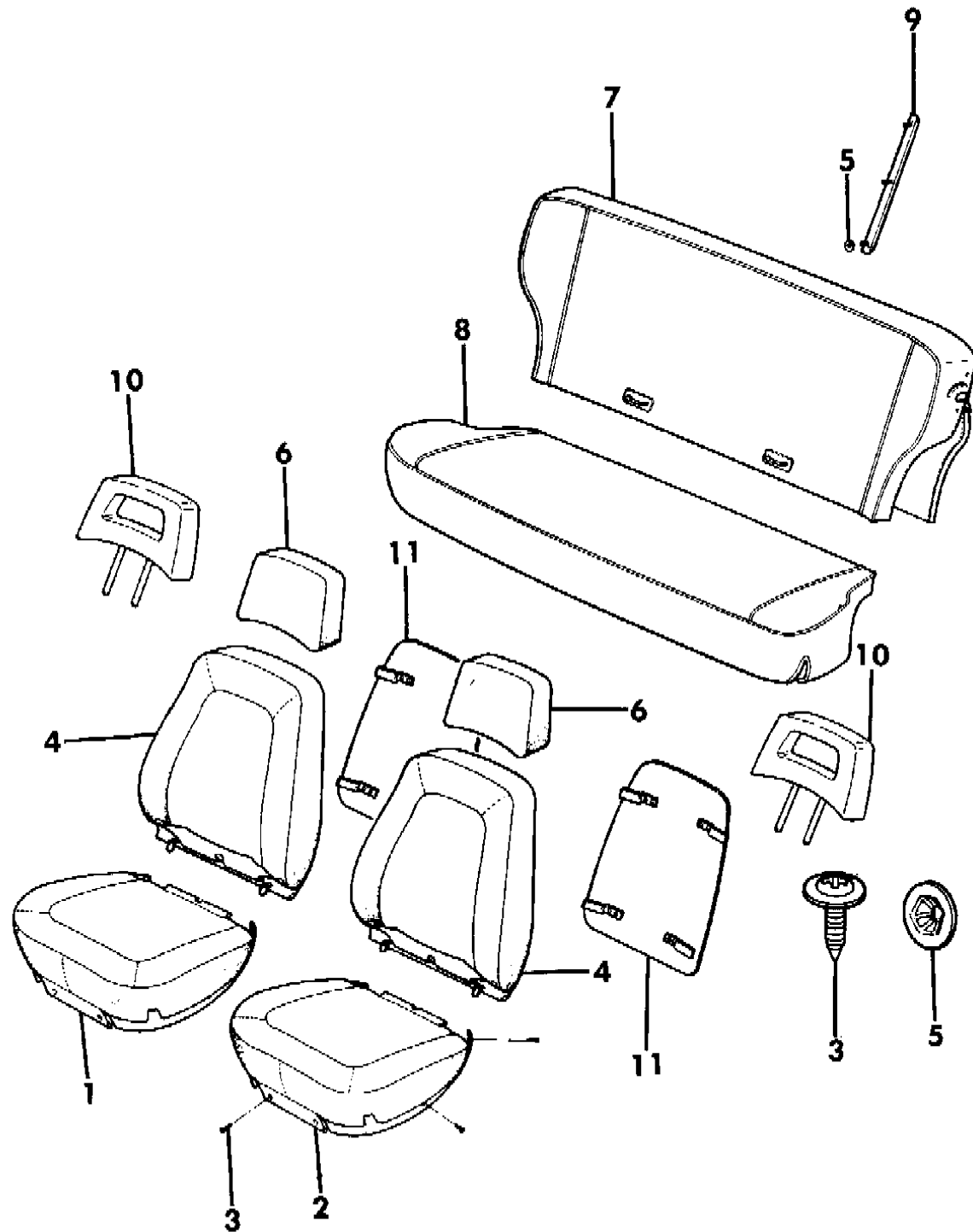
**BODY STYLES:**

MJ = Comanche Pickup  
 SJ = Grand Wagoneer Wgn., J-10 & J-20 Pickups  
 XJ = Cherokee, Wagoneer Limited  
 YJ = Wrangler

AR = Use as Required - = Non Illustrated Part P.A.R. = Paint as Required

**COVERS, SEAT UPHOLSTERY CLOTH OR LEATHER CHEROKEE 2 DOOR**  
**Figure 43-2200**

**8J43 2200 A**



ITEM	PART NUMBER	QTY	BODY	MODEL	DESCRIPTION
1-2					COVER, Front Cushion
					1987
					Mesa Cloth
	5500 7854-5	1			Black, (1QU)
	5500 7856-7	1			Med. Blue, (3QU)
	5501 2150-1	1			Cordovan, (4QU)
	5501 2154-5	1			Tan, (6QU)
					Hunter Plaid Cloth
	5501 2158-9	1			Cordovan, (4QW)
	5501 2162-3	1			Tan, (6QW)
					1988-89
					Canyon Cloth
	5501 8346-7	1			Tan, (6QH) (a)
	5502 2052-3	1			Tan, (6QH) (b)
	5501 8342-3	1			Cordovan, (5QH or B7H9 or X7H9), (a)
	5502 2048-9	1			Cordovan, (5QH or B7H9 or X7H9), (b)
	5501 8334-5	1			Navy, (3QH or B7Q8 or X7Q8), (a)
	5502 2040-1	1			Navy, (3QH or B7Q8 or X7Q8), (b)
	5501 8338-9	1			Charcoal, (2QH or B7SA or X7SA), (a)
	5502 2044-5	1			Charcoal, (2QH or B7SA or X7SA), (b)
	5502 0868-9	1			Sand, (B7YY or (X7YY)
					Hunter's Plaid
	5501 2158-9	1			Cordovan, (5QW or W7H9), (a)
	5502 2056-7	1			Cordovan, (5QW or W7H9), (b)
	5501 8350-1	1			Charcoal, (2QW or W7SA), (a)
	5502 2060-1	1			Charcoal, (2QW or W7SA), (b)
					Luggage Cloth
	5502 4530-1	1			Cordovan, (Q7H9)
	5502 2014-5	1			Charcoal, (Q7SA)
					Leather
	5501 9968-9	1			Charcoal, (1QL or MLSA or XLSA)
					1990
					Luggage Cloth
	5AH36-7 JS1	1			Charcoal, (Q7SA)
	5AH36-7 JH9	1			Cordovan, (Q7H9)
	5AH36-7 JY6	1			Sand, (Q7YY)
					Canyon Cloth

**MODEL CODES:**

15 = Grand Wagoneer 4 Dr.	65 = Comanche 4WD-7 Ft. Box	77 = Cherokee 4WD-2 Dr.
25 = J-10 Pickup-119" W.B.	66 = Comanche 2WD-7 Ft. Box	78 = Cherokee 4WD-4 Dr.
26 = J-10 Pickup-131" W.B.	73 = Cherokee 2WD-2 Dr.	79 = Cherokee 4WD-4 Dr.-Com
27 = J-20 Pickup-131" W.B.	74 = Cherokee 2WD-4 Dr.	81 = Wrangler-93" W.B.
63 = Comanche 4WD-6 Ft. Box	75 = Wagoneer 4WD-4 Dr.	82 = Wrangler-103" W.B.-Exp.
64 = Comanche 2WD-6 Ft. Box		

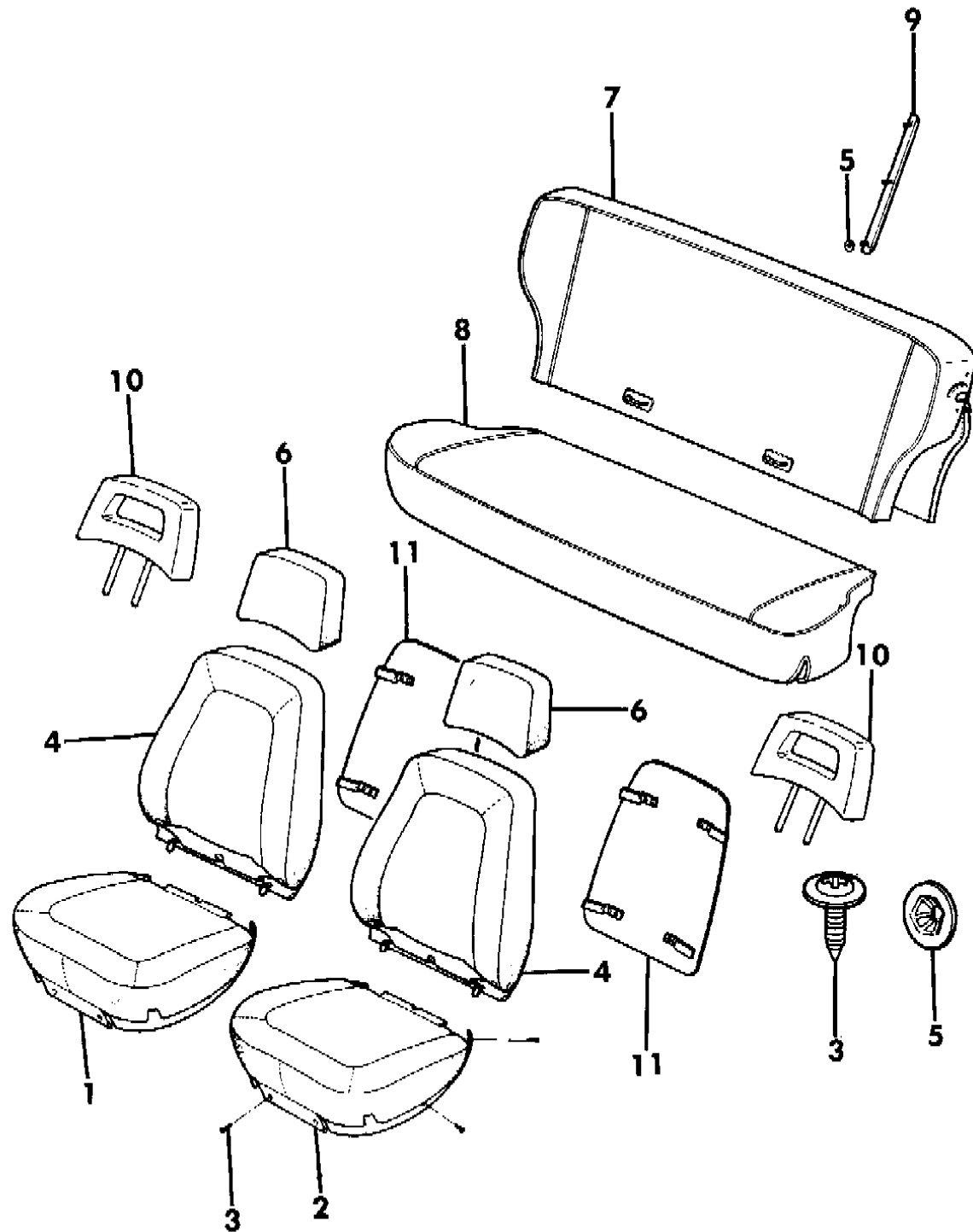
**BODY STYLES:**

MJ = Comanche Pickup  
 SJ = Grand Wagoneer Wgn., J-10 & J-20 Pickups  
 XJ = Cherokee, Wagoneer Limited  
 YJ = Wrangler

AR = Use as Required - = Non Illustrated Part P.A.R. = Paint as Required

**COVERS, SEAT UPHOLSTERY CLOTH OR LEATHER CHEROKEE 2 DOOR**  
**Figure 43-2200**

**8J43 2200 A**



ITEM	PART NUMBER	QTY	BODY	MODEL	DESCRIPTION
	5AH46-7 JS1	1			Charcoal, (X7SA)
	5AH46-7 JH9	1			Cordovan, (X7H9)
	5AH46-7 JY6	1			Sand, (X7YY) Leather
	5AH56-7 JXB	1			Charcoal, (XLSA)
	5AH56-7 JY6	1			Sand, (XLYY)
3	3420 1314	12			SCREW
4					COVER, Back 1987
					Mesa Cloth
	5500 8988	2			Black, (1QU)
	5500 8982	2			Med. Blue, (3QU)
	5501 2178	2			Cordovan, (4QU)
	5501 2182	2			Tan, (6QU) Hunter Plaid
	5501 2188-9	1			Cordovan, (4QW)
	5501 2190-1	1			Tan, (6QW) 1988-89
					Canyon Cloth
	5501 8374	2			Tan, (6QH)
	5501 8370	2			Cordovan, (5QH or B7H9 or X7H9)
	5501 8362	2			Navy, (3QH or B7Q8 or X7Q8)
	5501 8366	2			Charcoal, (2QH or B7SA or X7SA)
	5502 0873	2			Sand, (B7YY or X7YY) Hunter's Plaid
	5501 9316-7	1			Cordovan, (5QW or W7H9)
	5501 8378-9	1			Charcoal, (2QW or W7SA) Luggage Cloth
	5502 4526-7	1			Cordovan, (Q7H9)
	5502 4528-9	1			Charcoal, (Q7SA) Leather
	5501 9970-1	1			Charcoal, (1QL or MLSA or XLSA) 1990
					Luggage Cloth
	5AK52-3 JS1	1			Charcoal, (Q7SA)
	5AK52-3 JH9	1			Cordovan, (Q7H9)
	5AK52-3 JY6	1			Sand, (Q7YY)

**MODEL CODES:**

15 = Grand Wagoneer 4 Dr.	65 = Comanche 4WD-7 Ft. Box	77 = Cherokee 4WD-2 Dr.
25 = J-10 Pickup-119" W.B.	66 = Comanche 2WD-7 Ft. Box	78 = Cherokee 4WD-4 Dr.
26 = J-10 Pickup-131" W.B.	73 = Cherokee 2WD-2 Dr.	79 = Cherokee 4WD-4 Dr.-Com
27 = J-20 Pickup-131" W.B.	74 = Cherokee 2WD-4 Dr.	81 = Wrangler-93" W.B.
63 = Comanche 4WD-6 Ft. Box	75 = Wagoneer 4WD-4 Dr.	82 = Wrangler-103" W.B.-Exp.
64 = Comanche 2WD-6 Ft. Box		

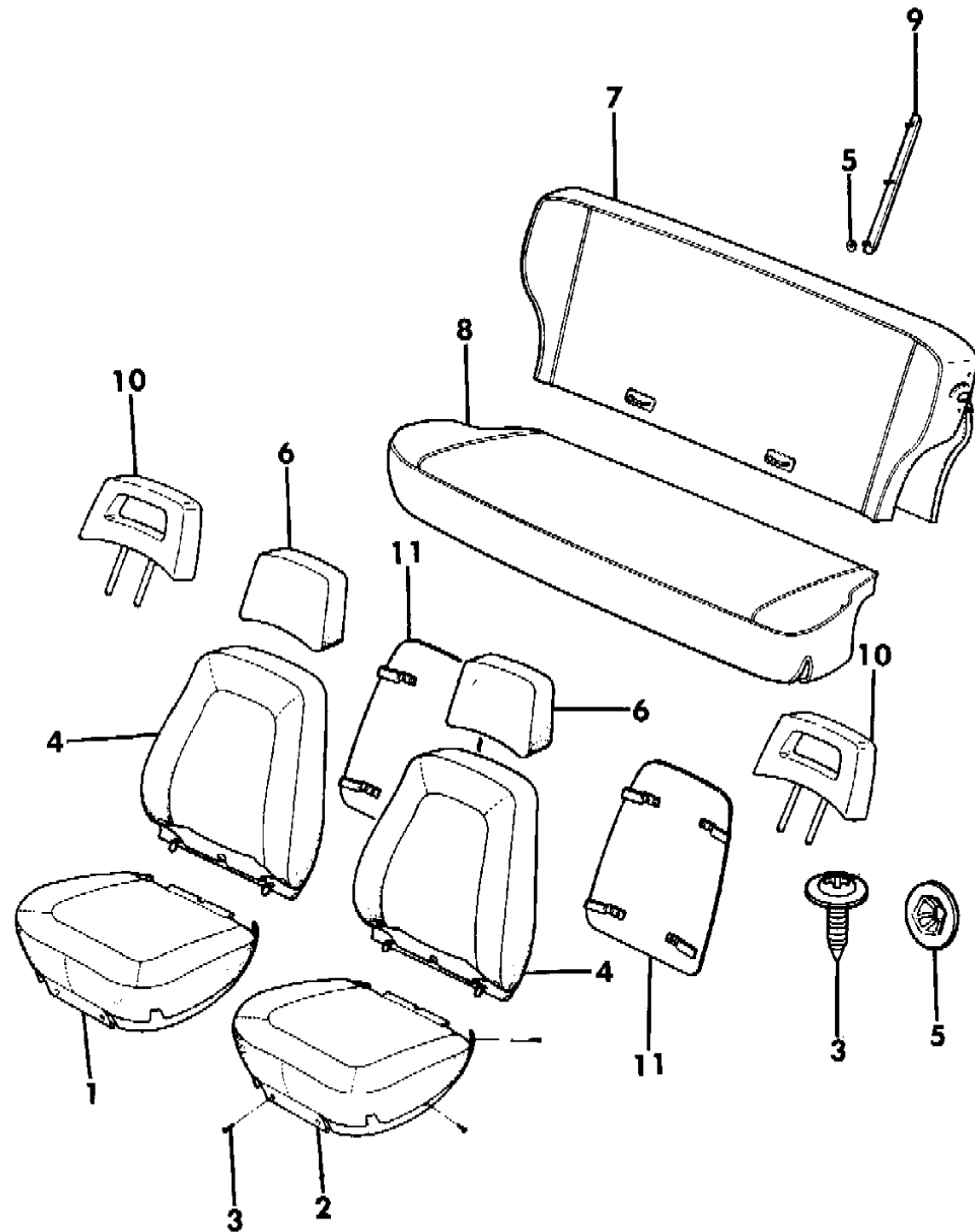
**BODY STYLES:**

MJ = Comanche Pickup  
 SJ = Grand Wagoneer Wgn., J-10 & J-20 Pickups  
 XJ = Cherokee, Wagoneer Limited  
 YJ = Wrangler

AR = Use as Required - = Non Illustrated Part P.A.R. = Paint as Required

**COVERS, SEAT UPHOLSTERY CLOTH OR LEATHER CHEROKEE 2 DOOR**  
**Figure 43-2200**

**8J43 2200 A**



ITEM	PART NUMBER	QTY	BODY	MODEL	DESCRIPTION
					Canyon Cloth
	5AH5 2JS1	2			Charcoal, (X7SA)
	5AH5 2JH9	2			Cordovan, (X7H9)
	5AH5 2JY6	2			Sand, (X7YY)
					Leather
	5AH58-9 JXB	1			Charcoal, (XLSA)
	5AH58-9 JY6	1			Sand, (XLYY)
5	3420 2014	12			NUT Push ***
6					COVER, Headrest, solid type
					1987
					Mesa Cloth
	5500 9103	2			Black, (1QU)
	3500 7250	2			Med. Blue, (3QU)
	3501 7042	2			Cordovan, (4QU)
	3501 3109	2			Tan, (6QU)
					Hunter Plaid Cloth
	3501 7042	2			Cordovan, (4QW)
	3501 3109	2			Tan, (6QW)
					1988-89
					Used with cloth upholstery
	3501 3109	2			Tan, (6QH)
	3501 7042	2			Cordovan
	3502 1228	2			Navy
	3502 1229	2			Charcoal
	3502 5326	2			Sand
					Used with leather upholstery
	5501 9214	2			Charcoal
					1990
					Used with cloth upholstery
	5AJ4 9JS1	2			Charcoal
	5AJ4 9JH9	2			Cordovan
	5AJ4 9JY1	2			Sand
					Used with leather upholstery
	5AY9 4JXB	2			Charcoal
	5AY9 4JY6	2			Sand
7					COVER, Back
					1987

**MODEL CODES:**

15 = Grand Wagoneer 4 Dr.	65 = Comanche 4WD-7 Ft. Box	77 = Cherokee 4WD-2 Dr.
25 = J-10 Pickup-119" W.B.	66 = Comanche 2WD-7 Ft. Box	78 = Cherokee 4WD-4 Dr.
26 = J-10 Pickup-131" W.B.	73 = Cherokee 2WD-2 Dr.	79 = Cherokee 4WD-4 Dr.-Com
27 = J-20 Pickup-131" W.B.	74 = Cherokee 2WD-4 Dr.	81 = Wrangler-93" W.B.
63 = Comanche 4WD-6 Ft. Box	75 = Wagoneer 4WD-4 Dr.	82 = Wrangler-103" W.B.-Exp.
64 = Comanche 2WD-6 Ft. Box		

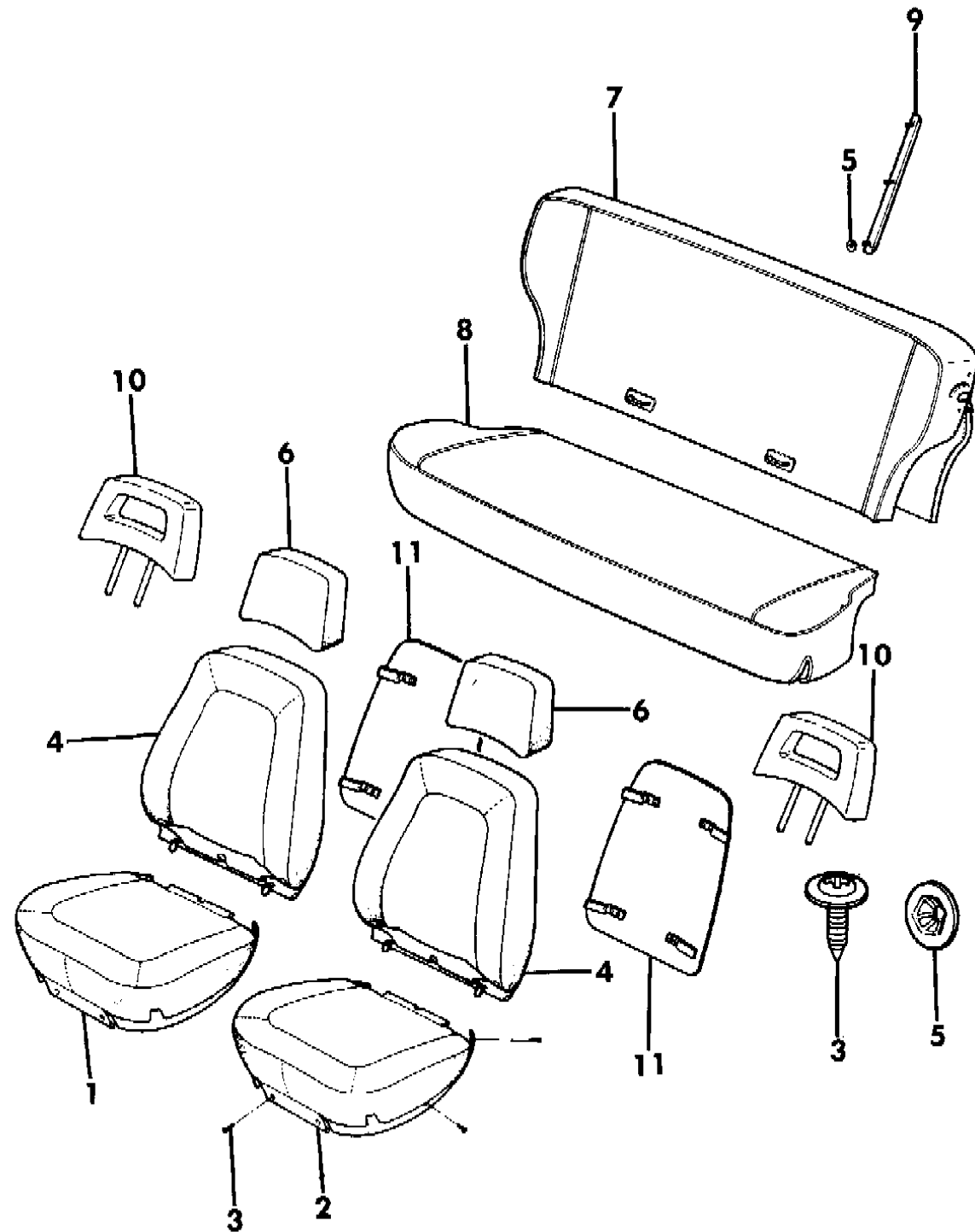
**BODY STYLES:**

MJ = Comanche Pickup  
 SJ = Grand Wagoneer Wgn., J-10 & J-20 Pickups  
 XJ = Cherokee, Wagoneer Limited  
 YJ = Wrangler

AR = Use as Required - = Non Illustrated Part P.A.R. = Paint as Required

**COVERS, SEAT UPHOLSTERY CLOTH OR LEATHER CHEROKEE 2 DOOR**  
**Figure 43-2200**

**8J43 2200 A**



ITEM	PART NUMBER	QTY	BODY	MODEL	DESCRIPTION
					Mesa Cloth
	5500 9033	2			Black (1QU)
	5500 9032	1			Med. Blue (3QU)
	5501 2262	1			Cordovan, (4QU)
	5501 2264	1			Tan, (6QU)
	5501 2266	1			Hunter Plaid Cloth Cordovan, (4QW)
	5501 2268	1			Tan, (6QW)
					1988-89
	5501 8411	1			Canyon Cloth Tan, (6QH)
	5501 8410	1			Cordovan, (5QH or B7H9 or X7H9)
	5501 8408	1			Navy, (3QH or B7Q8 or X7Q8)
	5501 8409	1			Charcoal, (2QH or B7SA or X7SA)
	5502 0888	1			Sand, (B7YY or X7YY)
	5501 9932	1			Hunter's Plaid Cordovan, (5QW or W7H9)
	5501 9933	1			Charcoal, (2QW or W7SA)
	5502 4384	1			Luggage Cloth Cordovan, (Q7H9)
	5502 4385	1			Charcoal, (Q7SA)
	5501 9836	1			Leather Charcoal, (1QL or MLSA or XLSA) *** 1990
	5BB4 3JS1	1			Luggage Cloth Charcoal, (Q7SA)
	5BB4 3JH9	1			Cordovan, (Q7H9)
	5BB4 3JY6	1			Sand, (Q7YY)
	5BB4 0JS1	1			Canyon Cloth Charcoal, (X7SA)
	5BB4 0JH9	1			Cordovan, (X7H9)
	5BB4 0JY6	1			Sand, (X7YY)
	5BB4 5JXB	1			Leather Charcoal, (XLSA)
	5BB4 5JY6	1			Sand, (XLYY)
8					COVER, Cushion 1987

**MODEL CODES:**

15 = Grand Wagoneer 4 Dr.	65 = Comanche 4WD-7 Ft. Box	77 = Cherokee 4WD-2 Dr.
25 = J-10 Pickup-119" W.B.	66 = Comanche 2WD-7 Ft. Box	78 = Cherokee 4WD-4 Dr.
26 = J-10 Pickup-131" W.B.	73 = Cherokee 2WD-2 Dr.	79 = Cherokee 4WD-4 Dr.-Com
27 = J-20 Pickup-131" W.B.	74 = Cherokee 2WD-4 Dr.	81 = Wrangler-93" W.B.
63 = Comanche 4WD-6 Ft. Box	75 = Wagoneer 4WD-4 Dr.	82 = Wrangler-103" W.B.-Exp.
64 = Comanche 2WD-6 Ft. Box		

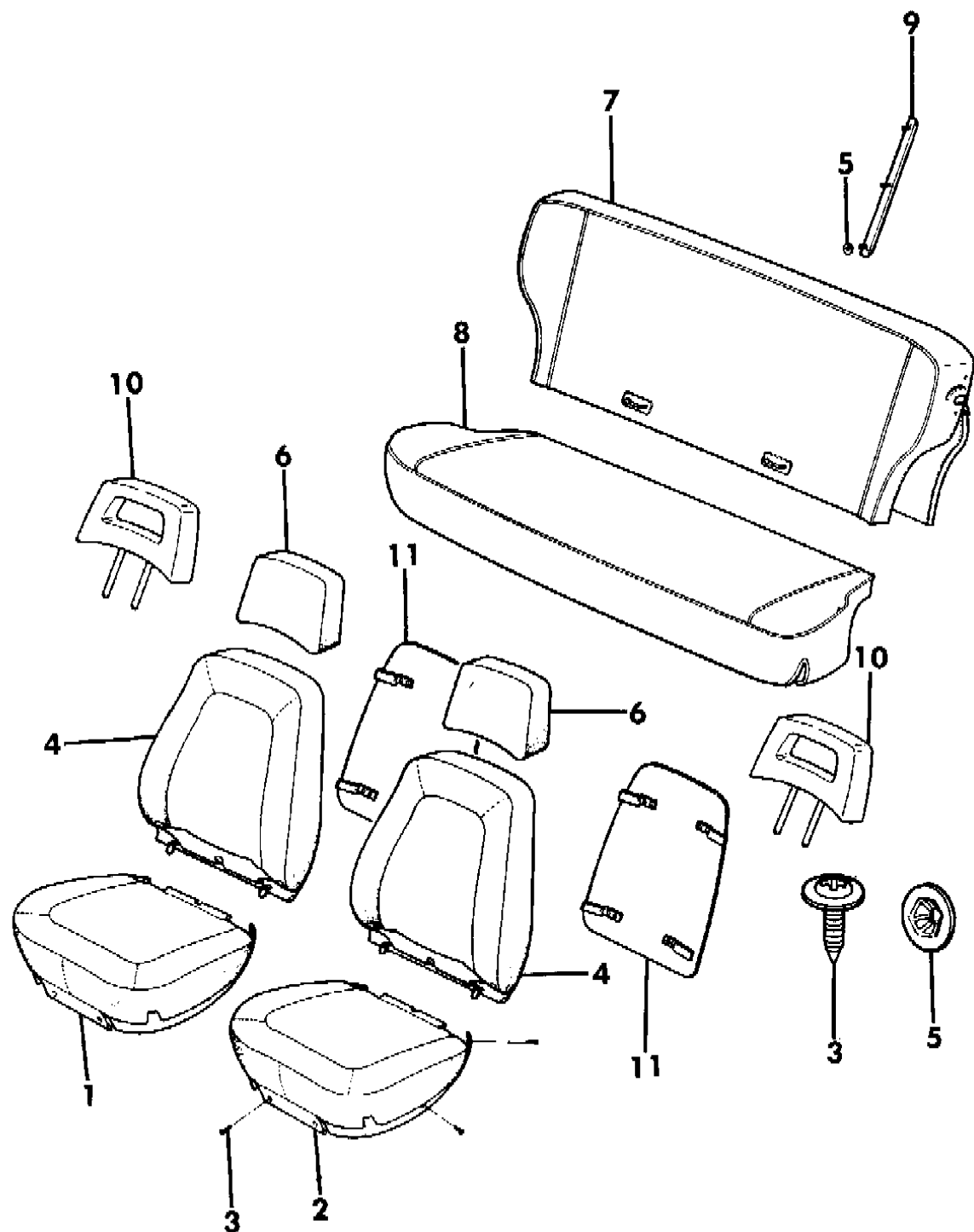
**BODY STYLES:**

MJ = Comanche Pickup  
 SJ = Grand Wagoneer Wgn., J-10 & J-20 Pickups  
 XJ = Cherokee, Wagoneer Limited  
 YJ = Wrangler

AR = Use as Required - = Non Illustrated Part P.A.R. = Paint as Required

**COVERS, SEAT UPHOLSTERY CLOTH OR LEATHER CHEROKEE 2 DOOR**  
**Figure 43-2200**

**8J43 2200 A**



ITEM	PART NUMBER	QTY	BODY	MODEL	DESCRIPTION
					Mesa Cloth
	5500 9023	1			Black (1QU)
	5500 9022	1			Med. Blue, (3QU)
	5501 2248	1			Cordovan, (4QU)
	5501 2250	1			Tan, (6QU)
	5501 2252	1			Hunter Plaid Cloth
	5501 2254	1			Cordovan, (4QW)
					Tan, (6QW)
					1988-89
	5501 8401	1			Canyon Cloth
	5501 8400	1			Tan, (6QH)
	5501 8398	1			Cordovan, (5QH or B7H9 or X7H9)
	5501 8399	1			Navy, (3QH or B7Q8 or X7Q8)
	5502 0885	1			Charcoal, (2QH or B7SA or X7SA)
					Sand, (B7YY or X7YY)
	5501 2252	1			Hunter's Plaid
	5501 8402	1			Cordovan, (5QW or W7H9)
					Charcoal, (2QW or W7SA)
	5501 2270	1			Luggage Cloth
	5501 8414	1			Cordovan, (Q7H9)
					Charcoal, (Q7SA)
	5501 9329	1			Leather
					Charcoal, (1QL or MLSA or XLSA)
					1990
					Luggage Cloth
	5AK5 5JS1	1			Charcoal, (Q7SA)
	5AK5 5JH9	1			Cordovan, (Q7H9)
	5AK5 5JY6	1			Sand, (Q7YY)
	5AH7 9JS1	1			Canyon Cloth
	5AH7 9JH9	1			Charcoal, (X7SA)
	5AH7 9JY6	1			Cordovan, (X7H9)
					Sand, (X7YY)
	5AH8 3JXB	1			Leather
	5AH8 3JY6	1			Charcoal, (XLSA)
					Sand, (XLYY)
9	5500 1076	6			STRIP, Skid ***
10					HEADREST ASSY, see thru type ***

**MODEL CODES:**

15 = Grand Wagoneer 4 Dr.	65 = Comanche 4WD-7 Ft. Box	77 = Cherokee 4WD-2 Dr.
25 = J-10 Pickup-119" W.B.	66 = Comanche 2WD-7 Ft. Box	78 = Cherokee 4WD-4 Dr.
26 = J-10 Pickup-131" W.B.	73 = Cherokee 2WD-2 Dr.	79 = Cherokee 4WD-4 Dr.-Com
27 = J-20 Pickup-131" W.B.	74 = Cherokee 2WD-4 Dr.	81 = Wrangler-93" W.B.
63 = Comanche 4WD-6 Ft. Box	75 = Wagoneer 4WD-4 Dr.	82 = Wrangler-103" W.B.-Exp.
64 = Comanche 2WD-6 Ft. Box		

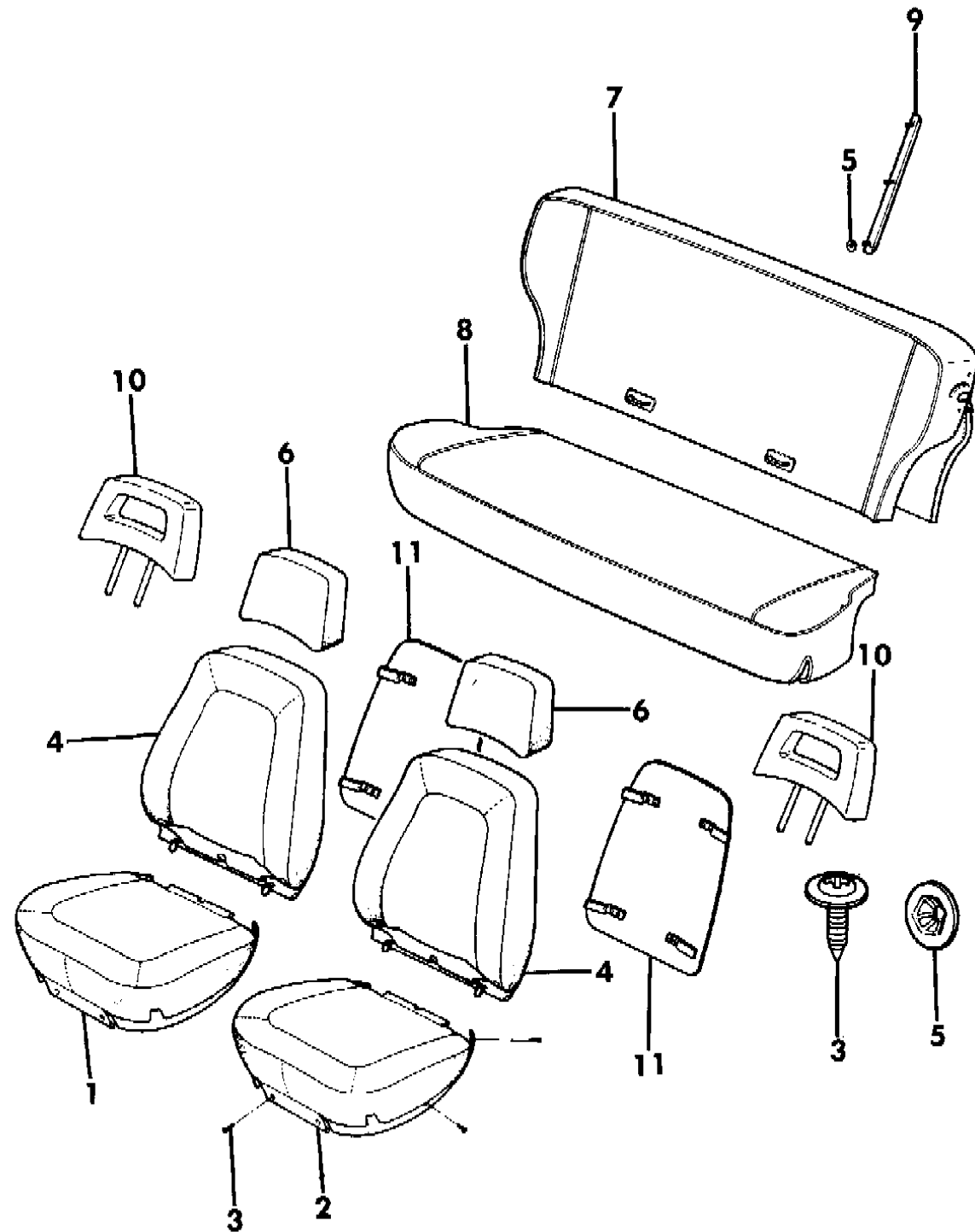
**BODY STYLES:**

MJ = Comanche Pickup
SJ = Grand Wagoneer Wgn., J-10 & J-20 Pickups
XJ = Cherokee, Wagoneer Limited
YJ = Wrangler

AR = Use as Required - = Non Illustrated Part P.A.R. = Paint as Required

**COVERS, SEAT UPHOLSTERY CLOTH OR LEATHER CHEROKEE 2 DOOR**  
**Figure 43-2200**

**8J43 2200 A**



ITEM	PART NUMBER	QTY	BODY	MODEL	DESCRIPTION
					1988-89
	3501 7044	2			Tan, (6QH)
	3501 7046	2			Cordovan
	3502 1230	2			Navy
	3502 1231	2			Charcoal
					1990
	5AB9 2JS1	2			Charcoal
	5AB9 2JH9	2			Cordovan
	5AB9 2JY1	2			Sand
11					PANEL, Kick, used with leather upholstery
					1987
					Mesa Cloth
	5500 8770	2			Black (1QU)
	5500 8375	2			Med. Blue (3QU)
	5501 2068	2			Cordovan (4QU)
	5500 7065	2			Tan, (6QU)
					Hunter Plaid Cloth
	5501 2072	2			Cordovan, (4QW)
	5501 2074	2			Tan, (6QW)
					1988-89
	5502 0174	2			Charcoal
					1990
	5BC2 7JXB	2			Charcoal
	5BC2 7JY6	2			Sand

(a) For 1988 Vehicles up to serial no. 133539. Tag affixed to the Face of its Pulley. A Second Tag will show the name of the Vendor (OGURA).

(b) For Vehicles after 133540. Tag affixed to the Face of its Pulley. A Second Tag will show the name of the Vendor (OGURA).

**MODEL CODES:**

15 = Grand Wagoneer 4 Dr.	65 = Comanche 4WD-7 Ft. Box	77 = Cherokee 4WD-2 Dr.
25 = J-10 Pickup-119" W.B.	66 = Comanche 2WD-7 Ft. Box	78 = Cherokee 4WD-4 Dr.
26 = J-10 Pickup-131" W.B.	73 = Cherokee 2WD-2 Dr.	79 = Cherokee 4WD-4 Dr.-Com
27 = J-20 Pickup-131" W.B.	74 = Cherokee 2WD-4 Dr.	81 = Wrangler-93" W.B.
63 = Comanche 4WD-6 Ft. Box	75 = Wagoneer 4WD-4 Dr.	82 = Wrangler-103" W.B.-Exp.
64 = Comanche 2WD-6 Ft. Box		

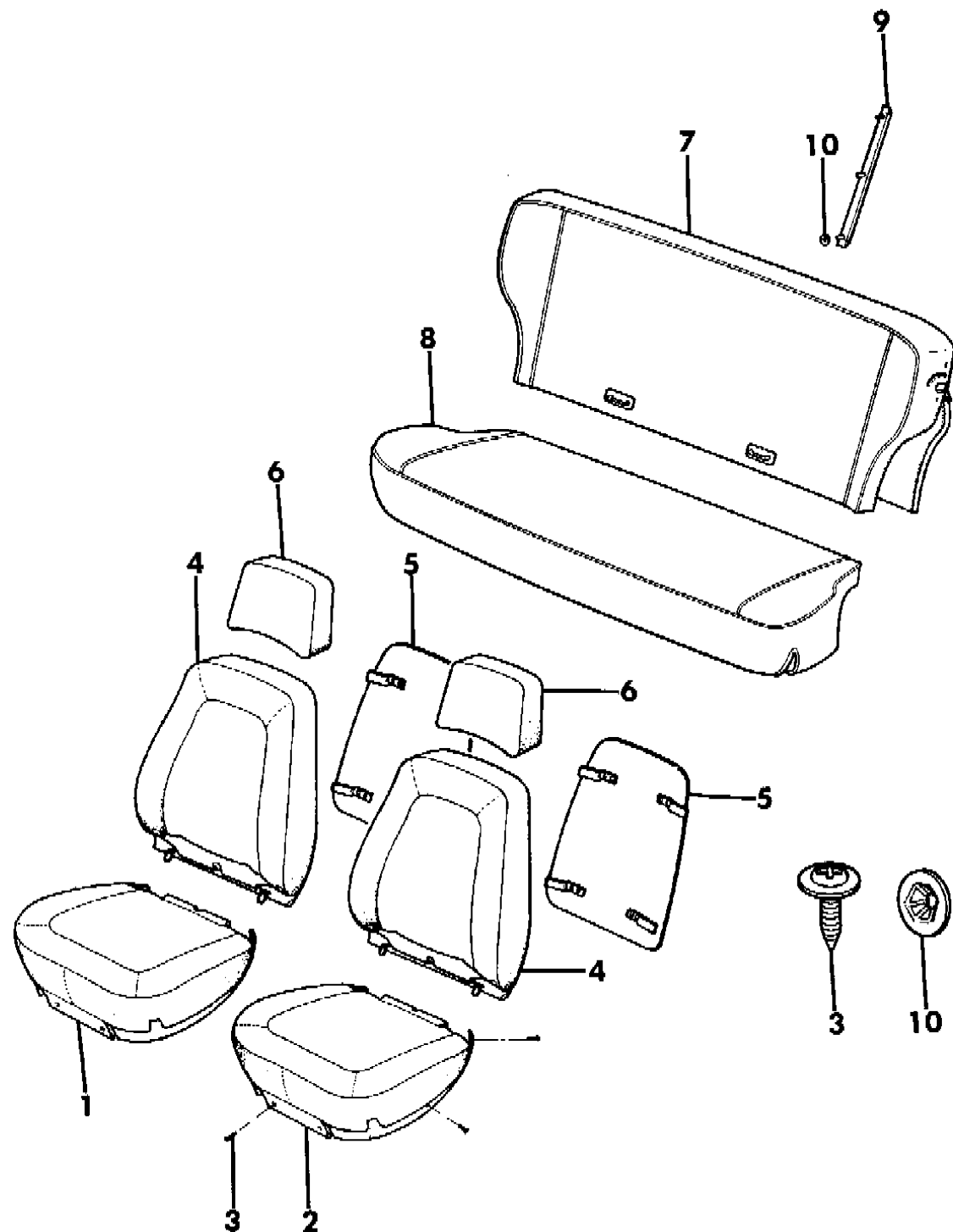
**BODY STYLES:**

MJ = Comanche Pickup  
 SJ = Grand Wagoneer Wgn., J-10 & J-20 Pickups  
 XJ = Cherokee, Wagoneer Limited  
 YJ = Wrangler

AR = Use as Required - = Non Illustrated Part P.A.R. = Paint as Required

**COVERS, SEAT UPHOLSTERY LEATHER OR CLOTH WAGONEER**  
**Figure 43-2300**

8J43 2300 A



ITEM	PART NUMBER	QTY	BODY	MODEL	DESCRIPTION
1-2					COVER, Cushion
					1987
					Base, Cloth
	5501 4448-9	1			Black, (1QG)
	5501 2196-7	1			Tan, (6QG)
	5501 2194-5	1			Cordovan, (4QG)
					Limited, Leather
	5501 2198-9	1			Cordovan, (4QL)
	5501 2200-1	1			Tan, (6QL)
					1988-89
	5501 9828-9	1			Tan, (6QL) (a)
	5502 2066-7	1			Tan, (6QL) (b)
	5501 9826-7	1			Cordovan, (5QL) (a)
	5502 2064-5	1			Cordovan, (YLH9 or 5QL), (b)
	5502 0876-7	1			Sand, (YLYY) (b)
					1990
	5AH54-5 JY6	1			Sand, (YLYY)
	5AH54-5 JH9	1			Cordovan, (YLH9)
3	3420 1314	12			SCREW
4					COVER, Back
					1987
					Base, Cloth
	5501 4450	2			Black, (1QG)
	5501 2204	2			Tan, (6QG)
	5501 2202	2			Cordovan, (4QG)
					Limited, Leather
	5501 2206	2			Cordovan, (4QL)
	5501 2208	2			Tan, (6QL)
					1988-89
	5501 2208	2			Tan, (6QL)
	5501 2206	2			Cordovan, (YLH9 or 5QL)
	5502 0878	2			Sand, (YLYY)
					1990
	5AH6 0JY6	2			Sand, (YLYY)
	5AH6 0JH9	2			Cordovan, (YLH9)
5					PANEL, Kick
					1987

**MODEL CODES:**

15 = Grand Wagoneer 4 Dr.	65 = Comanche 4WD-7 Ft. Box	77 = Cherokee 4WD-2 Dr.
25 = J-10 Pickup-119" W.B.	66 = Comanche 2WD-7 Ft. Box	78 = Cherokee 4WD-4 Dr.
26 = J-10 Pickup-131" W.B.	73 = Cherokee 2WD-2 Dr.	79 = Cherokee 4WD-4 Dr.-Com
27 = J-20 Pickup-131" W.B.	74 = Cherokee 2WD-4 Dr.	81 = Wrangler-93" W.B.
63 = Comanche 4WD-6 Ft. Box	75 = Wagoneer 4WD-4 Dr.	82 = Wrangler-103" W.B.-Exp.
64 = Comanche 2WD-6 Ft. Box		

**BODY STYLES:**

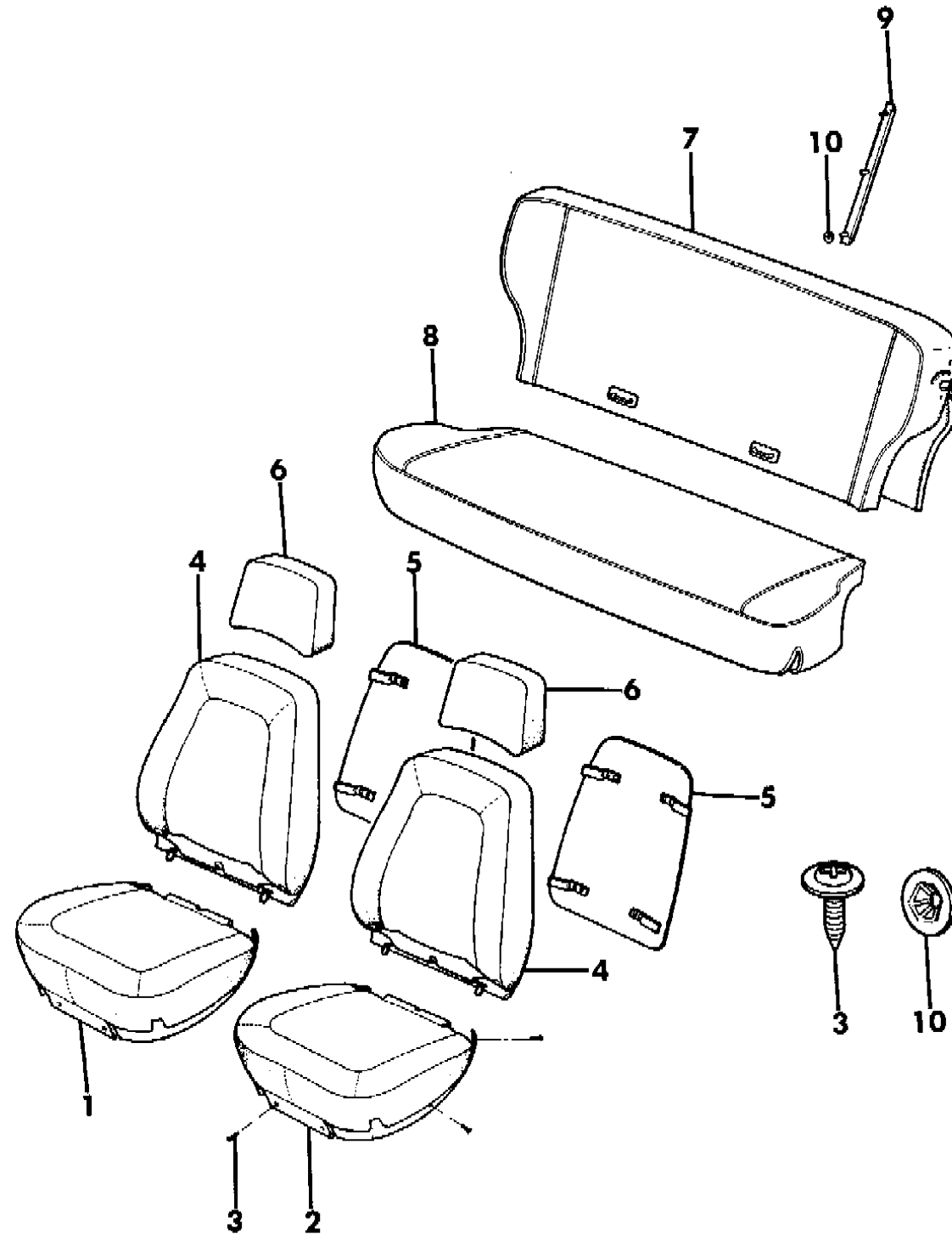
MJ = Comanche Pickup  
 SJ = Grand Wagoneer Wgn., J-10 & J-20 Pickups  
 XJ = Cherokee, Wagoneer Limited  
 YJ = Wrangler

AR = Use as Required - = Non Illustrated Part P.A.R. = Paint as Required



**COVERS, SEAT UPHOLSTERY LEATHER OR CLOTH WAGONEER**  
**Figure 43-2300**

8J43 2300 A



ITEM	PART NUMBER	QTY	BODY	MODEL	DESCRIPTION
					Base, Cloth
	5500 8770	2			Black, (1QG)
	5500 7065	2			Tan, (6QG)
	5501 2068	2			Cordovan, (4QG)
					Limited, Leather
	5501 2072	2			Cordovan, (4QL)
	5501 2074	2			Tan, (6QL)
					1988-89
	5501 2074	2			Tan, (6QL)
	5501 2072	2			Cordovan, (YLH9 or 5QL)
	5502 0808	2			Sand, (YLYY)
					1990
	5AG7 8JY6	2			Sand, (YLYY)
	5AG7 8JH9	2			Cordovan, (YLH9)
6					COVER, Headrest
					1987
					Base, Cloth
	5500 9103	2			Black, (1QG)
	3501 3109	2			Tan, (6QG)
	3501 7042	2			Cordovan, (4QG)
					Limited, Leather
	5501 4345	2			Cordovan, (4QL)
	5501 4346	2			Tan, (6QL)
					1988-89
	5501 4346	2			Tan, (6QL)
	5501 4345	2			Cordovan, (YLH9 or 5QL)
	5502 0895	2			Sand, (YLYY)
					1990
	5AJ4 8JH9	2			Cordovan, (YLH9)
	5AJ4 8JY6	2			Sand, (YLYY)
7					COVER, Back
					1987
					Base, Cloth
	5501 4469	1			Black, (1QG)
	5501 2280	1			Tan, (6QG)
	5501 2278	1			Cordovan, (4QG)
					Limited, Leather

**MODEL CODES:**

15 = Grand Wagoneer 4 Dr.	65 = Comanche 4WD-7 Ft. Box	77 = Cherokee 4WD-2 Dr.
25 = J-10 Pickup-119" W.B.	66 = Comanche 2WD-7 Ft. Box	78 = Cherokee 4WD-4 Dr.
26 = J-10 Pickup-131" W.B.	73 = Cherokee 2WD-2 Dr.	79 = Cherokee 4WD-4 Dr.-Com
27 = J-20 Pickup-131" W.B.	74 = Cherokee 2WD-4 Dr.	81 = Wrangler-93" W.B.
63 = Comanche 4WD-6 Ft. Box	75 = Wagoneer 4WD-4 Dr.	82 = Wrangler-103" W.B.-Exp.
64 = Comanche 2WD-6 Ft. Box		

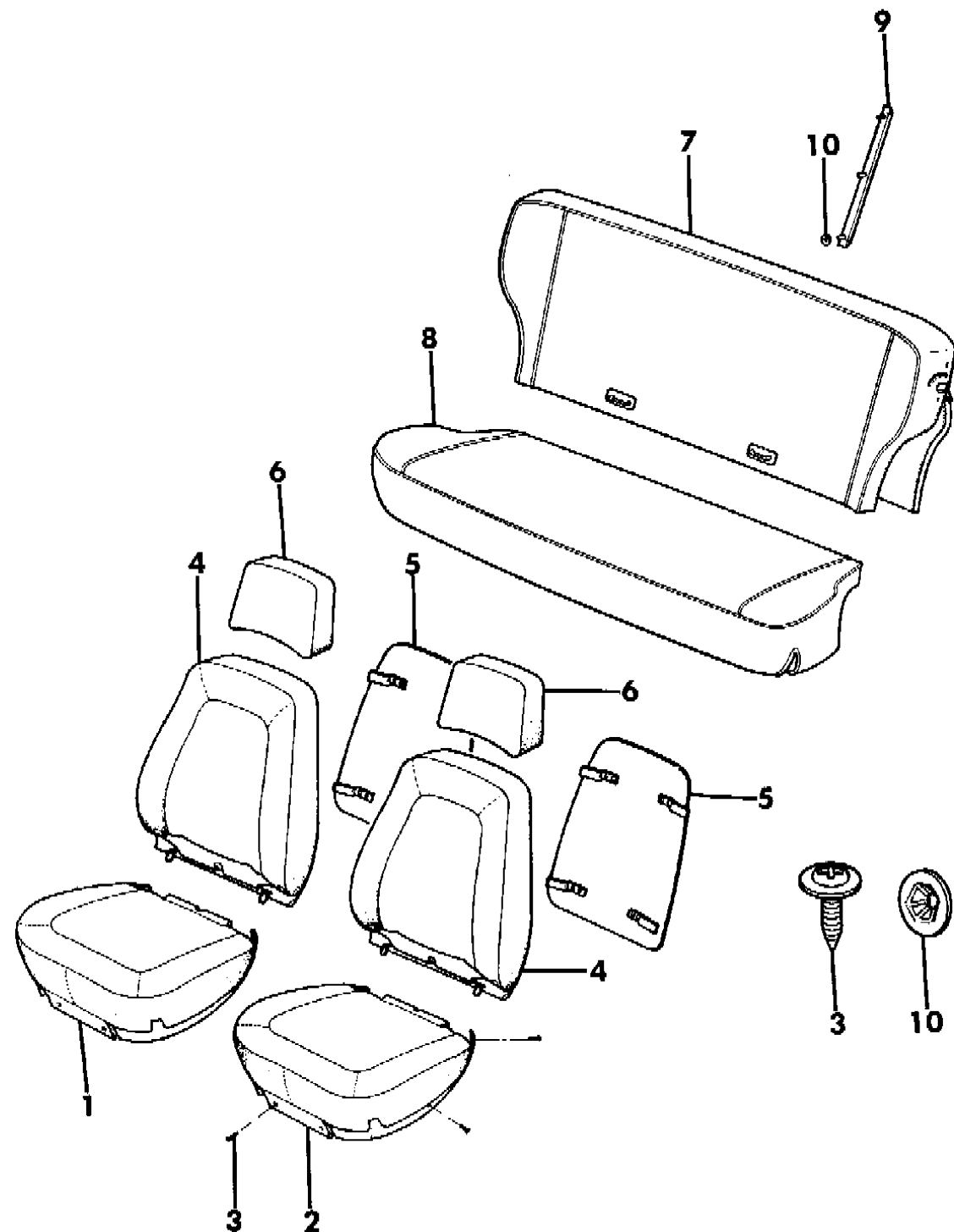
**BODY STYLES:**

MJ = Comanche Pickup  
 SJ = Grand Wagoneer Wgn., J-10 & J-20 Pickups  
 XJ = Cherokee, Wagoneer Limited  
 YJ = Wrangler

AR = Use as Required - = Non Illustrated Part P.A.R. = Paint as Required

**COVERS, SEAT UPHOLSTERY LEATHER OR CLOTH WAGONEER**  
**Figure 43-2300**

8J43 2300 A



ITEM	PART NUMBER	QTY	BODY	MODEL	DESCRIPTION
	5501 2282	1			Cordovan, (4QL)
	5501 2284	1			Tan, (6QL) 1988-89
	5501 9835	1			Tan, (6QL)
	5501 9834	1			Cordovan, (YLH9 or 5QL)
	5502 0890	1			Sand, (YLYY) 1990
	5BB4 2JY6	1			Sand, (YLYY)
	5BB4 2JH9	1			Cordovan, (YLH9)
8					COVER, Cushion 1987 Base, Cloth Black, (1QG)
	5501 4468	1			Tan, (6QG)
	5501 2272	1			Cordovan, (4QG)
	5501 2270	1			Limited, Leather
	5501 2274	1			Cordovan, (4QL)
	5501 2276	1			Tan, (6QL) 1988-89
	5501 2276	1			Tan, (6QL)
	5501 2274	1			Cordovan, (YLH9 or 5QL)
	5502 0889	1			Sand, (YLYY) 1990
	5AH8 2JY6	1			Sand, (YLYY)
	5AH8 2JH9	1			Cordovan, (YLH9)
9	5500 1076	6			STRIP, Skid
10	3420 2014	12			NUT, Push NOTE: (a) = 1988 Vehicle No. 000001 Thru No.133539 NOTE: (b) = Vehicle No. 133540 Thru No....

**MODEL CODES:**

15 = Grand Wagoneer 4 Dr.	65 = Comanche 4WD-7 Ft. Box	77 = Cherokee 4WD-2 Dr.
25 = J-10 Pickup-119" W.B.	66 = Comanche 2WD-7 Ft. Box	78 = Cherokee 4WD-4 Dr.
26 = J-10 Pickup-131" W.B.	73 = Cherokee 2WD-2 Dr.	79 = Cherokee 4WD-4 Dr.-Com
27 = J-20 Pickup-131" W.B.	74 = Cherokee 2WD-4 Dr.	81 = Wrangler-93" W.B.
63 = Comanche 4WD-6 Ft. Box	75 = Wagoneer 4WD-4 Dr.	82 = Wrangler-103" W.B.-Exp.
64 = Comanche 2WD-6 Ft. Box		

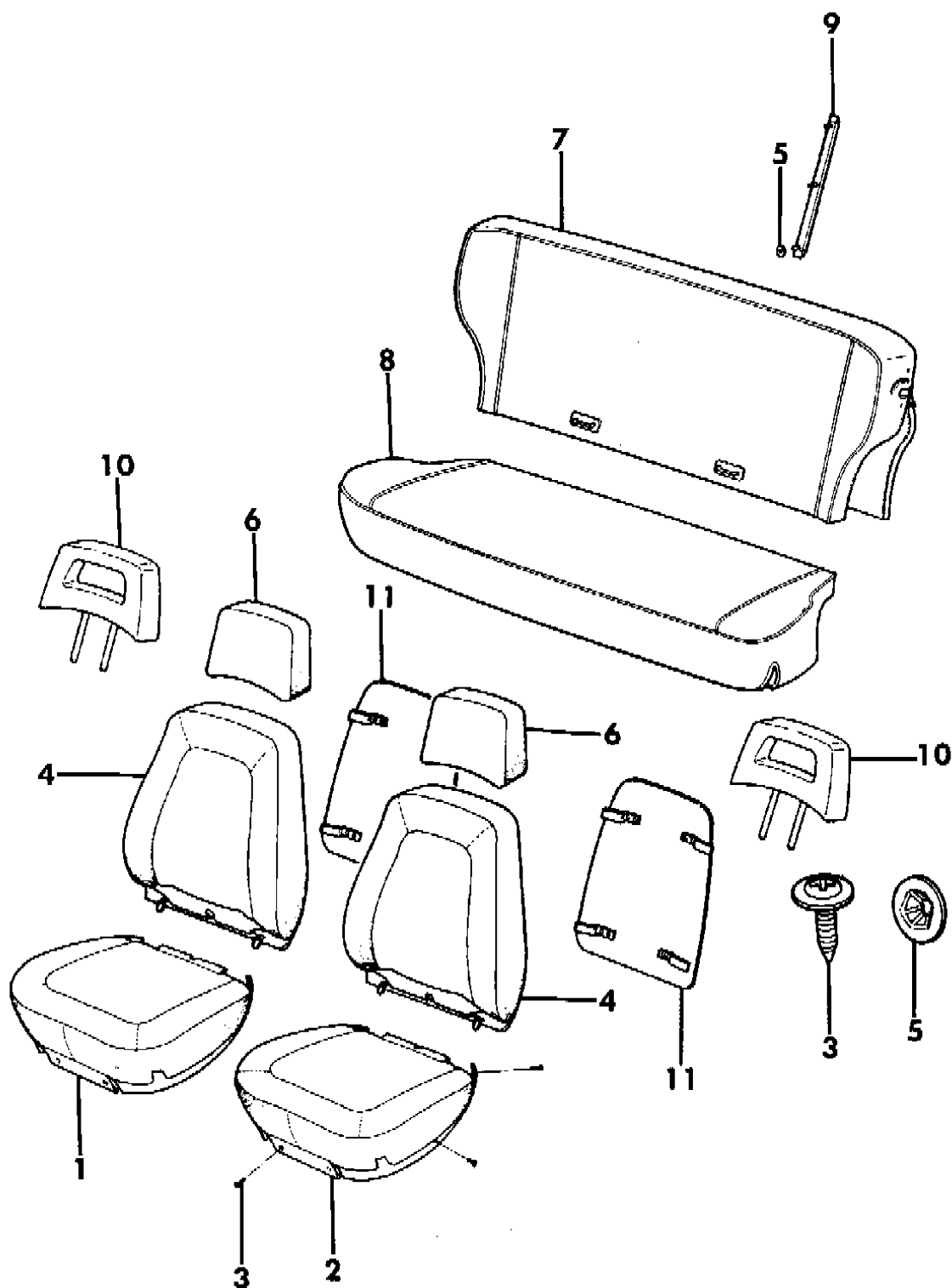
**BODY STYLES:**

MJ = Comanche Pickup  
 SJ = Grand Wagoneer Wgn., J-10 & J-20 Pickups  
 XJ = Cherokee, Wagoneer Limited  
 YJ = Wrangler

AR = Use as Required - = Non Illustrated Part P.A.R. = Paint as Required

**COVERS, SEAT UPHOLSTERY CLOTH AND LEATHER CHEROKEE 4 DOOR**  
**Figure 43-2400**

**8J43 2400 A**



ITEM	PART NUMBER	QTY	BODY	MODEL	DESCRIPTION
1-2					COVER, Cushion
					1987
					Mesa, Cloth
	5500 8952-3	1			Black, (1QU)
	5500 8950-1	1			Medium Blue, (3QU)
	5501 2156-7	1			Tan, (6QU)
	5501 2152-3	1			Cordovan, (4QU)
					Leather
	5501 9034-5	1			Black, (1QL), (c)
	5501 9334-5	1			Charcoal, (1QL), (d)
					Hunter Plaid, Cloth
	5501 2160-1	1			Cordovan, (4QW)
	5501 2164-5	1			Tan, (6QW)
					1988-89
					Canyon Cloth
	5501 8340-1	1			Charcoal, (2QH or B7SA or X7SA), (a)
	5501 8336-7	1			Navy, (3QH or B7Q8 or X7Q8), (a)
	5501 8344-5	1			Cordovan, (5QH or B7H9 or X7H9), (a)
	5501 8348-9	1			Tan, (6QH), (a)
	5502 2046-7	1			Charcoal, (B7SA or X7SA or 2QH), (b)
	5502 2042-3	1			Navy, (B7Q8 or X7Q8, or 3QH), (b)
	5502 2050-1	1			Cordovan, (B7H9 or X7H9 or 5QH), (b)
	5502 2054-5	1			Tan, (6QH), (b)
	5502 0870-1	1			Sand, (B7YY or X7YY or 2QH), (b)
					Hunter's Plaid
	5501 8352-3	1			Charcoal, (2QW or W7SA), (a)
	5501 2160-1	1			Cordovan, (5QW or W7H9), (a)
	5502 2062-3	1			Charcoal, (W7SA or 2QW), (b)
	5502 2058-9	1			Cordovan, (W7H9 or 5QW), (b)
					Leather
	5501 9334-5	1			Charcoal, (1QL or MLSA or XLSA)
					Luggage Cloth
	5502 4522-3	1			Charcoal, (Q7SA)
	5502 4520-1	1			Cordovan, (Q7H9)
					1990
					Leather
	5AH64-5 JXB	1			Charcoal, (XLSA)

**MODEL CODES:**

15 = Grand Wagoneer 4 Dr.	65 = Comanche 4WD-7 Ft. Box	77 = Cherokee 4WD-2 Dr.
25 = J-10 Pickup-119" W.B.	66 = Comanche 2WD-7 Ft. Box	78 = Cherokee 4WD-4 Dr.
26 = J-10 Pickup-131" W.B.	73 = Cherokee 2WD-2 Dr.	79 = Cherokee 4WD-4 Dr.-Com
27 = J-20 Pickup-131" W.B.	74 = Cherokee 2WD-4 Dr.	81 = Wrangler-93" W.B.
63 = Comanche 4WD-6 Ft. Box	75 = Wagoneer 4WD-4 Dr.	82 = Wrangler-103" W.B.-Exp.
64 = Comanche 2WD-6 Ft. Box		

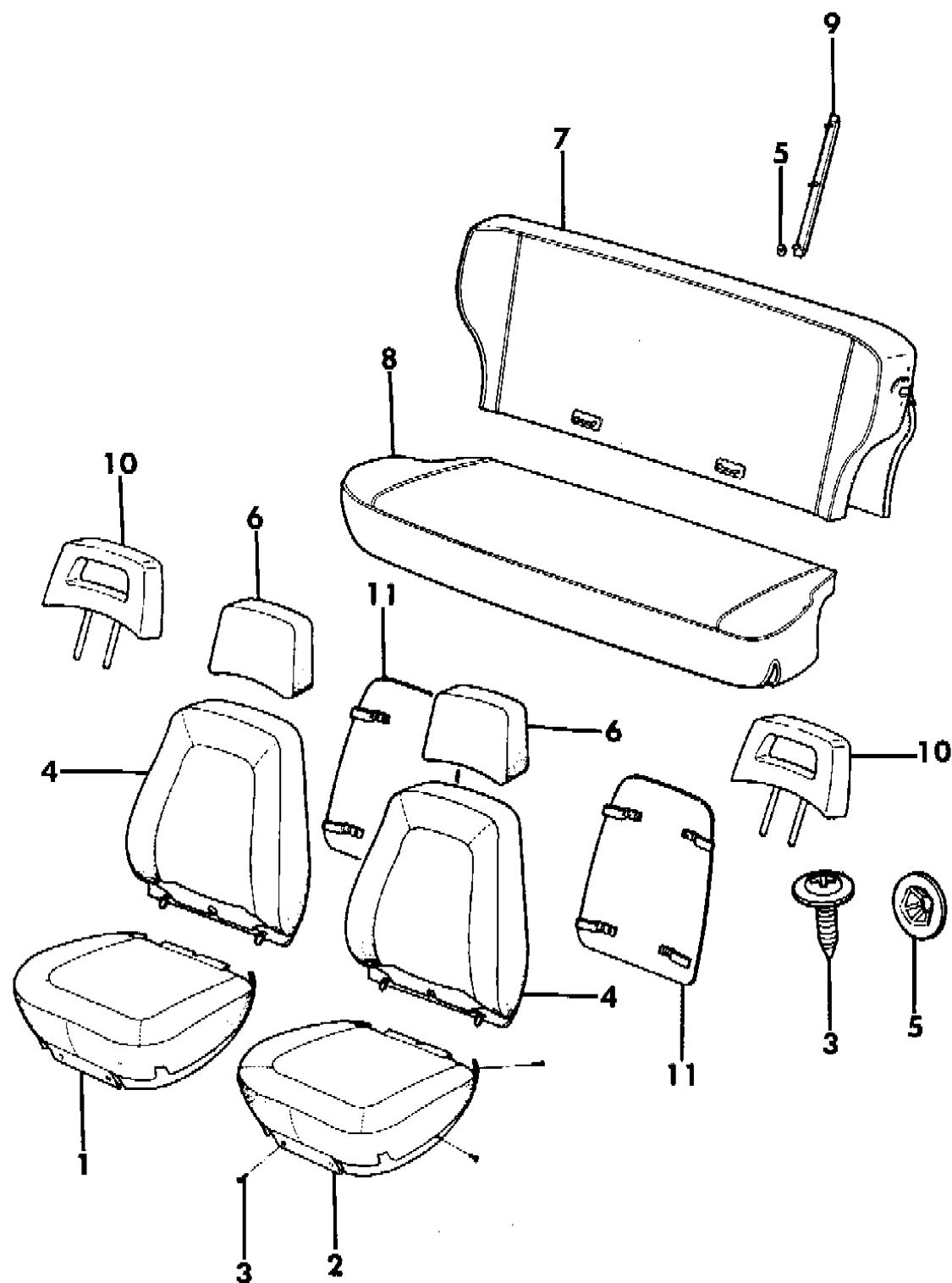
**BODY STYLES:**

MJ = Comanche Pickup  
 SJ = Grand Wagoneer Wgn., J-10 & J-20 Pickups  
 XJ = Cherokee, Wagoneer Limited  
 YJ = Wrangler

AR = Use as Required - = Non Illustrated Part P.A.R. = Paint as Required

**COVERS, SEAT UPHOLSTERY CLOTH AND LEATHER CHEROKEE 4 DOOR**  
**Figure 43-2400**

**8J43 2400 A**



ITEM	PART NUMBER	QTY	BODY	MODEL	DESCRIPTION
	5AH64-5 JY6	1			Sand, (XLYY) Canyon Cloth
	5AH48-9 JS1	1			Charcoal, (X7SA)
	5AH48-9 JY6	1			Sand, (X7YY)
	5AH48-9 JH9	1			Cordovan, (X7H9)
	5AK50-1 JS1	1			Luggage Cloth Charcoal, (Q7SA)
	5AK50-1 JH9	1			Cordovan, (Q7H9)
	5AK50-1 JY6	1			Sand, (Q7YY)
3	3420 1314	12			SCREW
4					COVER, Back 1987 Mesa, Cloth
	5500 8990	2			Black, (1QU)
	5500 8986	2			Medium Blue, (3QU)
	5501 2184	2			Tan, (6QU)
	5501 2180	2			Cordovan, (4QU)
					Leather
	5501 9039	2			Black, (1QL), (c)
	5501 9336	2			Charcoal, (1QL), (d) Hunter Plaid, Cloth
	5501 2186	2			Cordovan, (4QW)
	5501 2192	2			Tan, (6QW) 1988-89 Canyon Cloth
	5501 8368	2			Charcoal, (2QH or B7SA or X7SA)
	5501 8364	2			Navy, (3QH or B7Q8 or X7Q8)
	5501 8372	2			Cordovan, (5QH or B7H9 or X7H9)
	5501 8376	2			Tan, (6HQ)
	5502 0874	2			Sand, (B7YY or X7YY or 2QH) Hunter's Plaid
	5501 8380	2			Charcoal, (2QW or W7SA)
	5501 9318	2			Cordovan, (5QW or W7H9)
					Leather
	5501 9336	2			Charcoal, (1QL or MLSA or XLSA) Luggage Cloth
	5501 8384	2			Charcoal, (Q7SA)

**MODEL CODES:**

15 = Grand Wagoneer 4 Dr.	65 = Comanche 4WD-7 Ft. Box	77 = Cherokee 4WD-2 Dr.
25 = J-10 Pickup-119" W.B.	66 = Comanche 2WD-7 Ft. Box	78 = Cherokee 4WD-4 Dr.
26 = J-10 Pickup-131" W.B.	73 = Cherokee 2WD-2 Dr.	79 = Cherokee 4WD-4 Dr.-Com
27 = J-20 Pickup-131" W.B.	74 = Cherokee 2WD-4 Dr.	81 = Wrangler-93" W.B.
63 = Comanche 4WD-6 Ft. Box	75 = Wagoneer 4WD-4 Dr.	82 = Wrangler-103" W.B.-Exp.
64 = Comanche 2WD-6 Ft. Box		

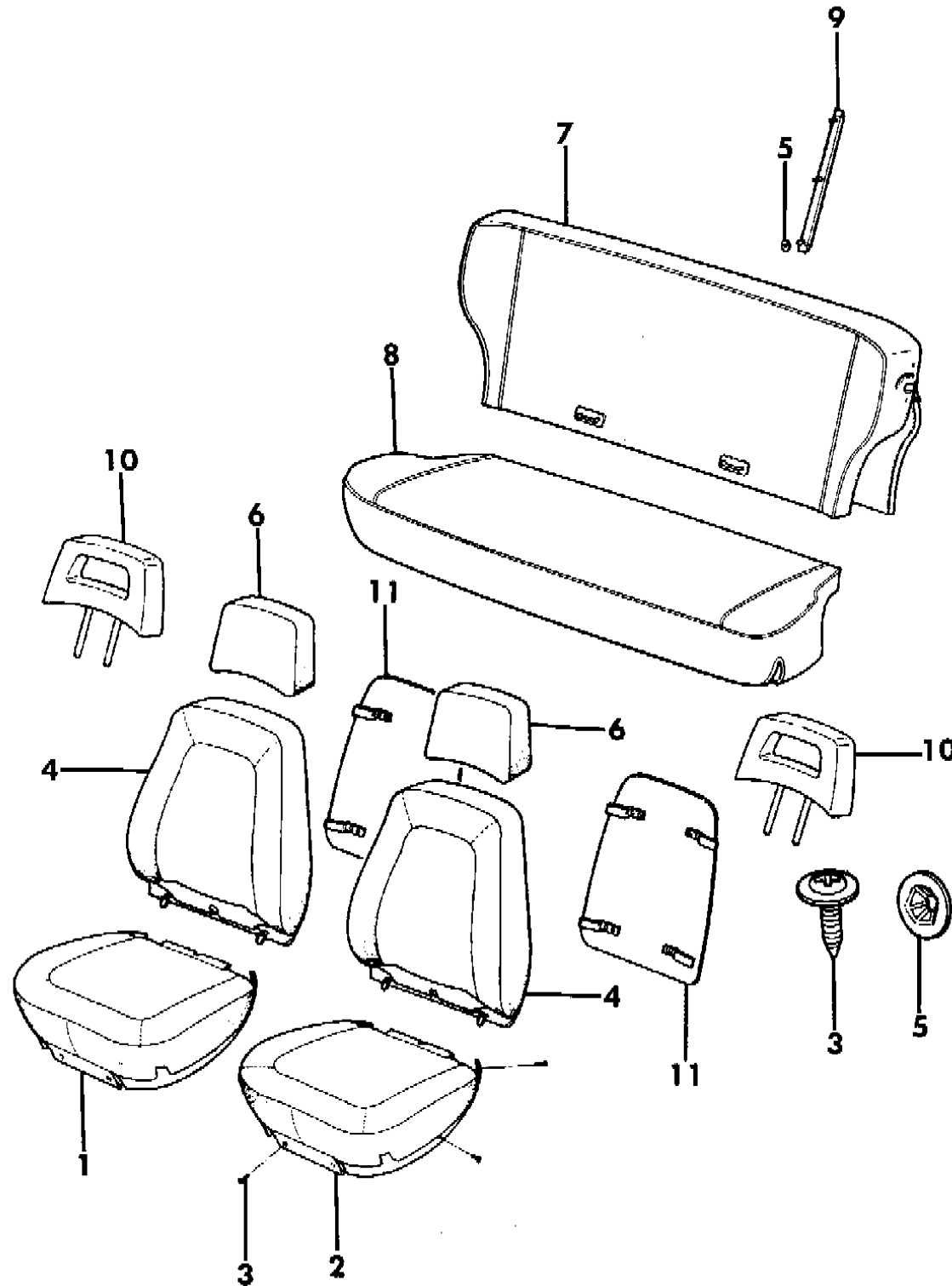
**BODY STYLES:**

MJ = Comanche Pickup  
 SJ = Grand Wagoneer Wgn., J-10 & J-20 Pickups  
 XJ = Cherokee, Wagoneer Limited  
 YJ = Wrangler

AR = Use as Required - = Non Illustrated Part P.A.R. = Paint as Required

**COVERS, SEAT UPHOLSTERY CLOTH AND LEATHER CHEROKEE 4 DOOR**  
**Figure 43-2400**

**8J43 2400 A**



ITEM	PART NUMBER	QTY	BODY	MODEL	DESCRIPTION
	5501 9322	2			Cordovan, (Q7H9) 1990 Leather
	5AH6 2JXB	2			Charcoal, (XLSA)
	5AH6 2JY6	2			Sand, (XLYY)
	5AH5 3JS1	2			Canyon Cloth Charcoal, (X7SA)
	5AH5 3JH9	2			Cordovan, (X7H9)
	5AH5 3JY6	2			Sand, (X7YY)
	5AK5 4JS1	2			Luggage Cloth Charcoal, (Q7SA)
	5AK5 4JH9	2			Cordovan, (Q7H9)
	5AK5 4JY6	2			Sand, (Q7YY)
5	3420 2014	12			NUT, Push
6					COVER, Headrest, For Solid Type Headrest 1987 Mesa, Cloth
	5500 9103	2			Black, (1QU)
	3500 7250	2			Medium Blue, (3QU)
	3501 3109	2			Tan, (6QU)
	3501 7042	2			Cordovan, (4QU)
	5501 9042	2			Leather Black, (1QL), (c)
	5501 9214	2			Charcoal, (1QL), (d) Hunter Plaid, Cloth
	3501 7042	2			Cordovan, (4QW)
	3501 3109	2			Tan, (6QW) 1988-89 Used With Cloth Upholstery
	3502 1229	2			Charcoal
	3502 1228	2			Navy
	3501 7042	2			Cordovan
	3501 3109	2			Tan, (6QH)
	3502 5326	2			Sand Used With Leather Upholstery
	5501 9214	2			Charcoal 1990

**MODEL CODES:**

15 = Grand Wagoneer 4 Dr.	65 = Comanche 4WD-7 Ft. Box	77 = Cherokee 4WD-2 Dr.
25 = J-10 Pickup-119" W.B.	66 = Comanche 2WD-7 Ft. Box	78 = Cherokee 4WD-4 Dr.
26 = J-10 Pickup-131" W.B.	73 = Cherokee 2WD-2 Dr.	79 = Cherokee 4WD-4 Dr.-Com
27 = J-20 Pickup-131" W.B.	74 = Cherokee 2WD-4 Dr.	81 = Wrangler-93" W.B.
63 = Comanche 4WD-6 Ft. Box	75 = Wagoneer 4WD-4 Dr.	82 = Wrangler-103" W.B.-Exp.
64 = Comanche 2WD-6 Ft. Box		

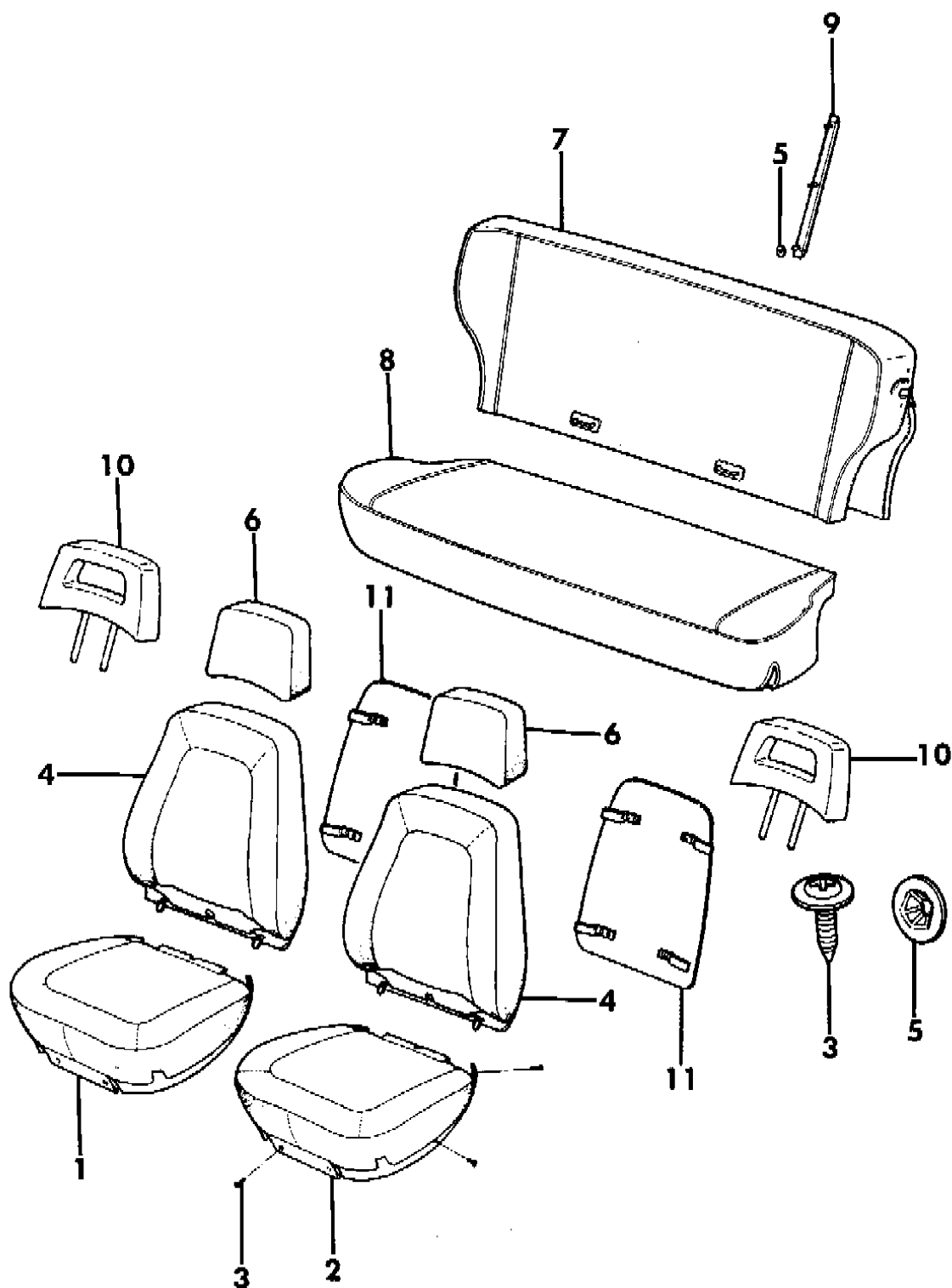
**BODY STYLES:**

MJ = Comanche Pickup  
 SJ = Grand Wagoneer Wgn., J-10 & J-20 Pickups  
 XJ = Cherokee, Wagoneer Limited  
 YJ = Wrangler

AR = Use as Required - = Non Illustrated Part P.A.R. = Paint as Required

**COVERS, SEAT UPHOLSTERY CLOTH AND LEATHER CHEROKEE 4 DOOR**  
**Figure 43-2400**

**8J43 2400 A**



ITEM	PART NUMBER	QTY	BODY	MODEL	DESCRIPTION
					Used With Cloth Upholstery
	5AJ4 9JS1	2			Charcoal
	5AJ4 9JH9	2			Cordovan
	5AJ4 9JY1	2			Sand
					Used With Leather Upholstery
	5AY9 4JXB	2			Charcoal
	5AY9 4JY6	2			Sand
7					COVER, Back 1987
					Mesa, Cloth
	5500 9033	1			Black, (1QU)
	5500 9032	1			Medium Blue, (3QU)
	5501 2264	1			Tan, (6QU)
	5501 2262	1			Cordovan, (4QU)
					Leather
	5501 9041	1			Black, (1QL), (c)
	5502 0002	1			Charcoal, (1QL), (d)
					Hunter Plaid, Cloth
	5501 2266	1			Cordovan, (4QW)
	5501 2268	1			Tan, (6QW) 1988-89 ***
					Canyon Cloth
	5501 8409	1			Charcoal, (2QH or B7SA or X7SA)
	5501 8408	1			Navy, (3QH or B7Q8 or X7Q8)
	5501 8410	1			Cordovan, (5QH or B7H9 or X7H9)
	5501 8411	1			Tan, (6QH)
	5502 0888	1			Sand, (B7YY or X7YY or 2QH)
					Hunter's Plaid
	5501 9933	1			Charcoal, (2QW or W7SA)
	5501 9932	1			Cordovan, (5QW or W7H9)
					Leather
	5501 9836	1			Charcoal, (1QL or MLSA or XLSA)
					Luggage Cloth
	5502 4385	1			Charcoal, (Q7SA)
	5502 4384	1			Cordovan, (Q7H9) 1990 Leather

**MODEL CODES:**

15 = Grand Wagoneer 4 Dr.	65 = Comanche 4WD-7 Ft. Box	77 = Cherokee 4WD-2 Dr.
25 = J-10 Pickup-119" W.B.	66 = Comanche 2WD-7 Ft. Box	78 = Cherokee 4WD-4 Dr.
26 = J-10 Pickup-131" W.B.	73 = Cherokee 2WD-2 Dr.	79 = Cherokee 4WD-4 Dr.-Com
27 = J-20 Pickup-131" W.B.	74 = Cherokee 2WD-4 Dr.	81 = Wrangler-93" W.B.
63 = Comanche 4WD-6 Ft. Box	75 = Wagoneer 4WD-4 Dr.	82 = Wrangler-103" W.B.-Exp.
64 = Comanche 2WD-6 Ft. Box		

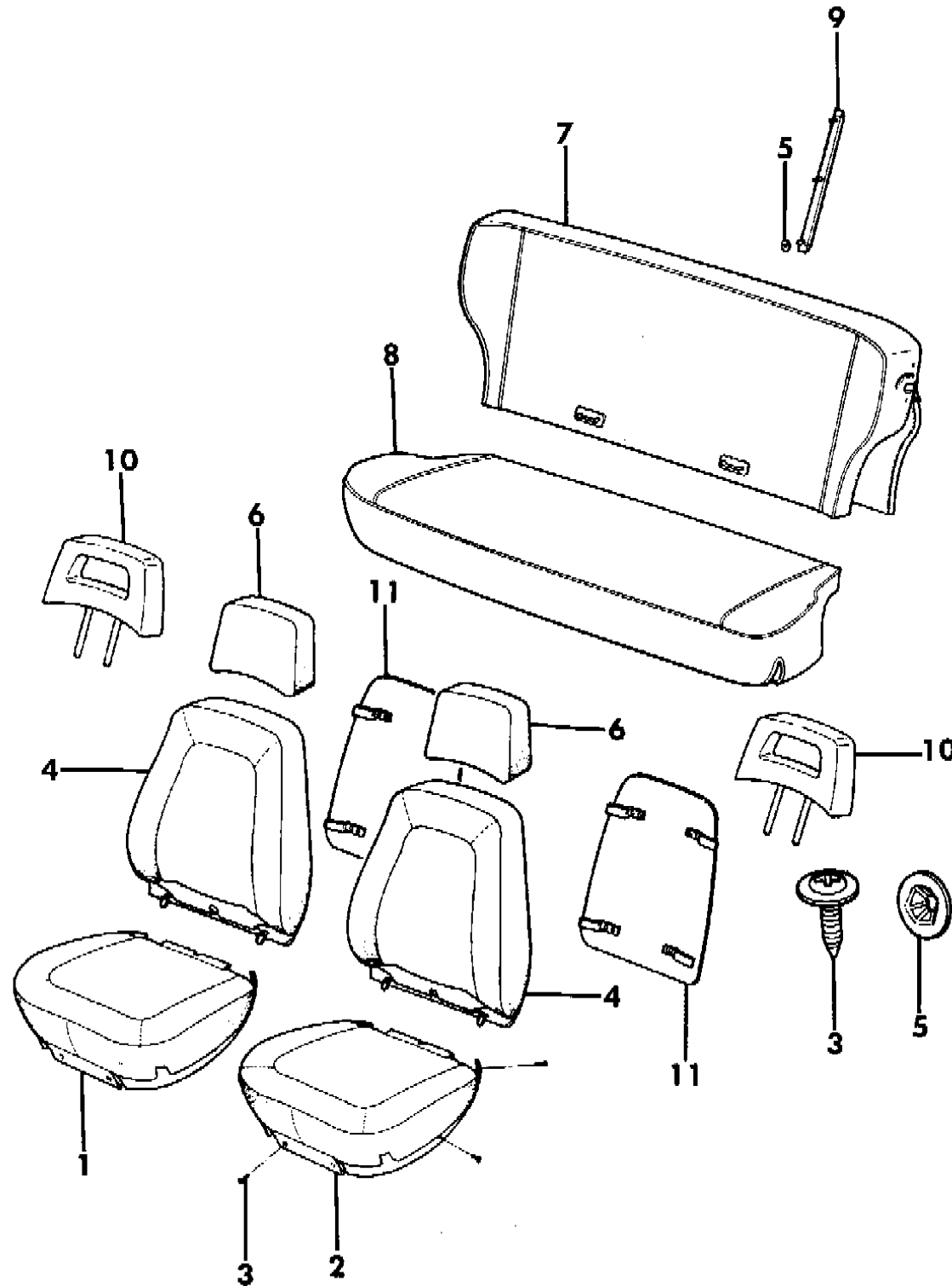
**BODY STYLES:**

MJ = Comanche Pickup  
 SJ = Grand Wagoneer Wgn., J-10 & J-20 Pickups  
 XJ = Cherokee, Wagoneer Limited  
 YJ = Wrangler

AR = Use as Required - = Non Illustrated Part P.A.R. = Paint as Required

**COVERS, SEAT UPHOLSTERY CLOTH AND LEATHER CHEROKEE 4 DOOR**  
**Figure 43-2400**

**8J43 2400 A**



ITEM	PART NUMBER	QTY	BODY	MODEL	DESCRIPTION
	5BB4 5JXB	1			Charcoal, (XLSA)
	5BB4 5JY6	1			Sand, (XLYY)
	5BB4 3JS1	1			Luggage Cloth
	5BB4 3JH9	1			Charcoal, (Q7SA)
	5BB4 3JY6	1			Cordovan, (Q7H9)
	5BB4 0JS1	1			Sand, (Q7YY)
	5BB4 0JY6	1			Canyon Cloth
	5BB4 0JH9	1			Charcoal, (X7SA)
8					Sand, (X7YY)
					Cordovan, (X7H9)
					COVER, Cushion
					1987
					Mesa, Cloth
	5500 9023	1			Black, (1QU)
	5500 9022	1			Medium Blue, (3QU)
	5501 2250	1			Tan, (6QU)
	5501 2248	1			Cordovan, (4QU)
					Leather
	5501 9040	1			Black, (1QL), (c)
	5501 9329	1			Charcoal, (1QL), (d)
					Hunter Plaid, Cloth
	5501 2252	1			Cordovan, (4QW)
	5501 2254	1			Tan, (6QW)
					1988-89
					Canyon Cloth
	5501 8399	1			Charcoal, (2QH or B7SA or X7SA)
	5501 8398	1			Navy, (3QH or B7Q8 or X7Q8)
	5501 8400	1			Cordovan, (5QH or B7H9 or X7H9)
	5501 8401	1			Tan, (6QH)
	5502 0885	1			Sand, (B7YY or X7YY or 2QH)
					Hunter's Plaid
	5501 8402	1			Charcoal, (2QW or W7SA)
	5501 2252	1			Cordovan, (5QW or W7H9)
					Leather
	5501 9329	1			Charcoal, (1QL or MLSA or XLSA)
					Luggage Cloth
	5501 8414	1			Charcoal, (Q7SA)

**MODEL CODES:**

15 = Grand Wagoneer 4 Dr.	65 = Comanche 4WD-7 Ft. Box	77 = Cherokee 4WD-2 Dr.
25 = J-10 Pickup-119" W.B.	66 = Comanche 2WD-7 Ft. Box	78 = Cherokee 4WD-4 Dr.
26 = J-10 Pickup-131" W.B.	73 = Cherokee 2WD-2 Dr.	79 = Cherokee 4WD-4 Dr.-Com
27 = J-20 Pickup-131" W.B.	74 = Cherokee 2WD-4 Dr.	81 = Wrangler-93" W.B.
63 = Comanche 4WD-6 Ft. Box	75 = Wagoneer 4WD-4 Dr.	82 = Wrangler-103" W.B.-Exp.
64 = Comanche 2WD-6 Ft. Box		

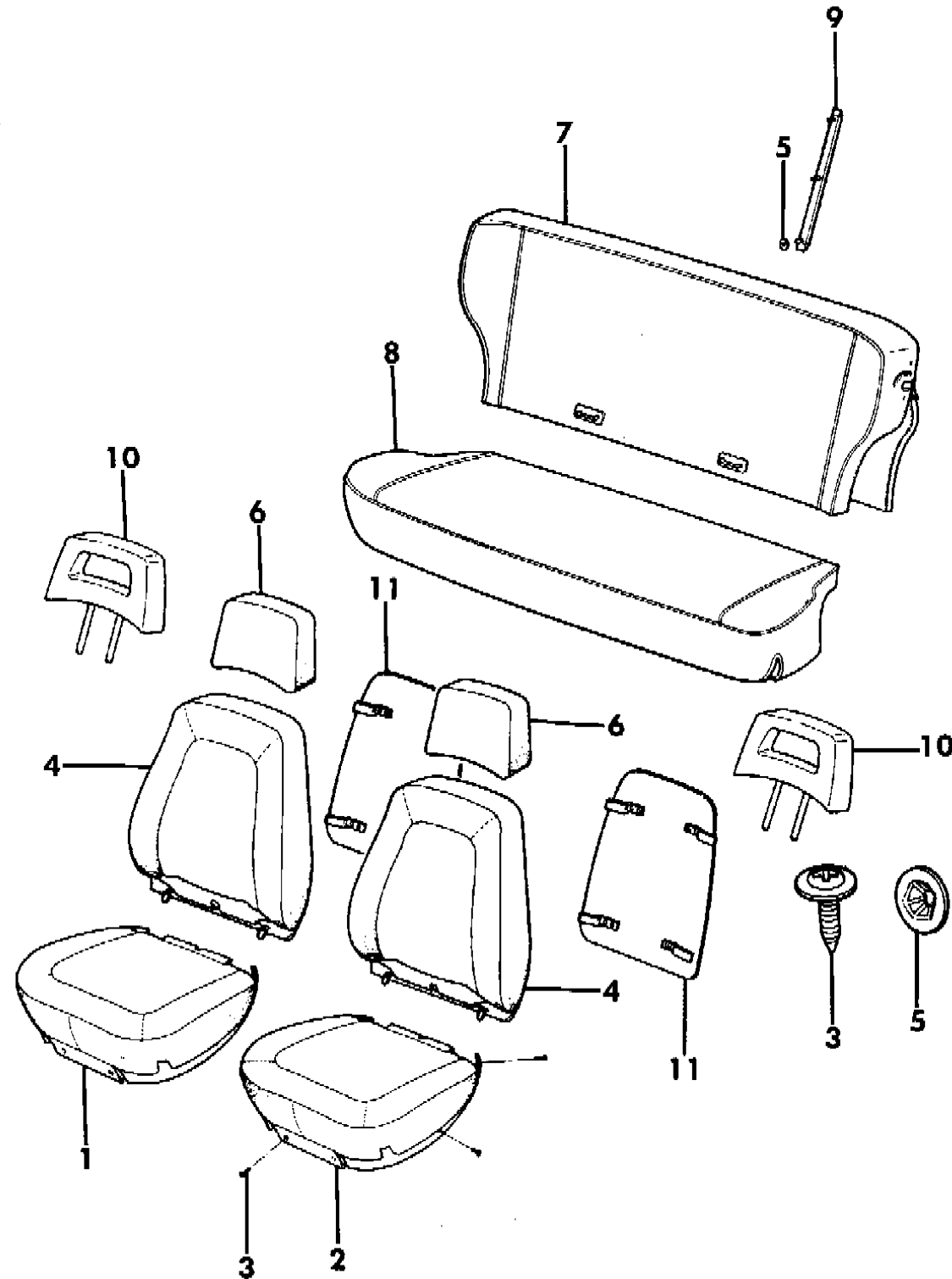
**BODY STYLES:**

MJ = Comanche Pickup  
 SJ = Grand Wagoneer Wgn., J-10 & J-20 Pickups  
 XJ = Cherokee, Wagoneer Limited  
 YJ = Wrangler

AR = Use as Required - = Non Illustrated Part P.A.R. = Paint as Required

**COVERS, SEAT UPHOLSTERY CLOTH AND LEATHER CHEROKEE 4 DOOR**  
**Figure 43-2400**

**8J43 2400 A**



ITEM	PART NUMBER	QTY	BODY	MODEL	DESCRIPTION
	5501 2270	1			Cordovan, (Q7H9) 1990 Leather
	5AH8 3JXB	1			Charcoal, (XLSA)
	5AH8 3JY6	1			Sand, (XLYY)
	5AH7 9JS1	1			Canyon Cloth Charcoal, (X7SA)
	5AH7 9JY6	1			Sand, (X7YY)
	5AH7 9JH9	1			Cordovan, (X7H9)
	5AK5 5JS1	1			Luggage Cloth Charcoal, (Q7SA)
	5AK5 5JH9	1			Cordovan, (Q7H9)
	5AK5 5JY6	1			Sand, (Q7YY)
9	5500 1076	6			STRIP, Skid
10					HEADREST ASSY, See Thru Type *** 1988-89
	3502 1231	2			Charcoal
	3502 1230	2			Navy
	3501 7046	2			Cordovan
	3501 7044	2			Tan, (6QH) 1990
	5AB9 2JS1	2			Charcoal
	5AB9 2JH9	2			Cordovan
	5AB9 2JY1	2			Sand
11					PANEL, Kick, Used With Leather Upholstery 1987
	5500 8770	2			Mesa, Cloth Black, (1QU)
	5500 8375	2			Medium Blue, (3QU)
	5500 7065	2			Tan, (6QU)
	5501 2068	2			Cordovan, (4QU) Leather
	5501 8804	2			Black, (1QL)
	5501 8804	2			Charcoal, (1QL) Hunter Plaid, Cloth
	5501 2072	2			Cordovan, (4QW)
	5501 2074	2			Tan, (6QW)

**MODEL CODES:**

15 = Grand Wagoneer 4 Dr.	65 = Comanche 4WD-7 Ft. Box	77 = Cherokee 4WD-2 Dr.
25 = J-10 Pickup-119" W.B.	66 = Comanche 2WD-7 Ft. Box	78 = Cherokee 4WD-4 Dr.
26 = J-10 Pickup-131" W.B.	73 = Cherokee 2WD-2 Dr.	79 = Cherokee 4WD-4 Dr.-Com
27 = J-20 Pickup-131" W.B.	74 = Cherokee 2WD-4 Dr.	81 = Wrangler-93" W.B.
63 = Comanche 4WD-6 Ft. Box	75 = Wagoneer 4WD-4 Dr.	82 = Wrangler-103" W.B.-Exp.
64 = Comanche 2WD-6 Ft. Box		

**BODY STYLES:**

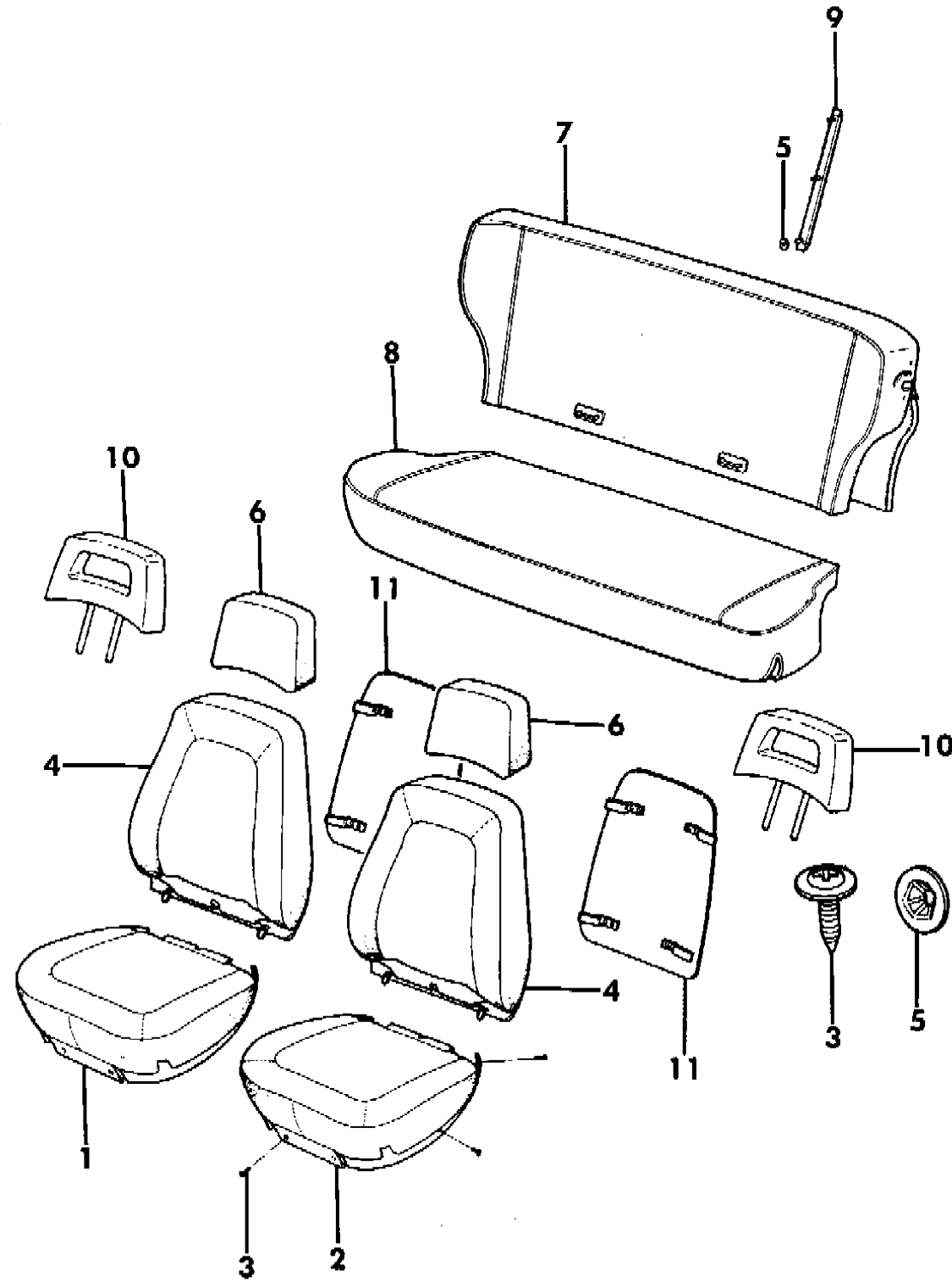
MJ = Comanche Pickup  
 SJ = Grand Wagoneer Wgn., J-10 & J-20 Pickups  
 XJ = Cherokee, Wagoneer Limited  
 YJ = Wrangler

AR = Use as Required - = Non Illustrated Part P.A.R. = Paint as Required



**COVERS, SEAT UPHOLSTERY CLOTH AND LEATHER CHEROKEE 4 DOOR**  
**Figure 43-2400**

**8J43 2400 A**



ITEM	PART NUMBER	QTY	BODY	MODEL	DESCRIPTION
					1988-89
	5502 0174	2			Charcoal
					1990
	5BC2 7JXB	2			Charcoal
	5BC2 7JY6	2			Sand

(a), 1988 Vehicle No. 000001 Thru No 133539  
 (b), Vehicle No.133540 thru No....  
 (c), 1987 Vehicle No. 00001 thru No. 175679  
 (d), 1987 Vehicle No. 175680 thru No....

**MODEL CODES:**

15 = Grand Wagoneer 4 Dr.	65 = Comanche 4WD-7 Ft. Box	77 = Cherokee 4WD-2 Dr.
25 = J-10 Pickup-119" W.B.	66 = Comanche 2WD-7 Ft. Box	78 = Cherokee 4WD-4 Dr.
26 = J-10 Pickup-131" W.B.	73 = Cherokee 2WD-2 Dr.	79 = Cherokee 4WD-4 Dr.-Com
27 = J-20 Pickup-131" W.B.	74 = Cherokee 2WD-4 Dr.	81 = Wrangler-93" W.B.
63 = Comanche 4WD-6 Ft. Box	75 = Wagoneer 4WD-4 Dr.	82 = Wrangler-103" W.B.-Exp.
64 = Comanche 2WD-6 Ft. Box		

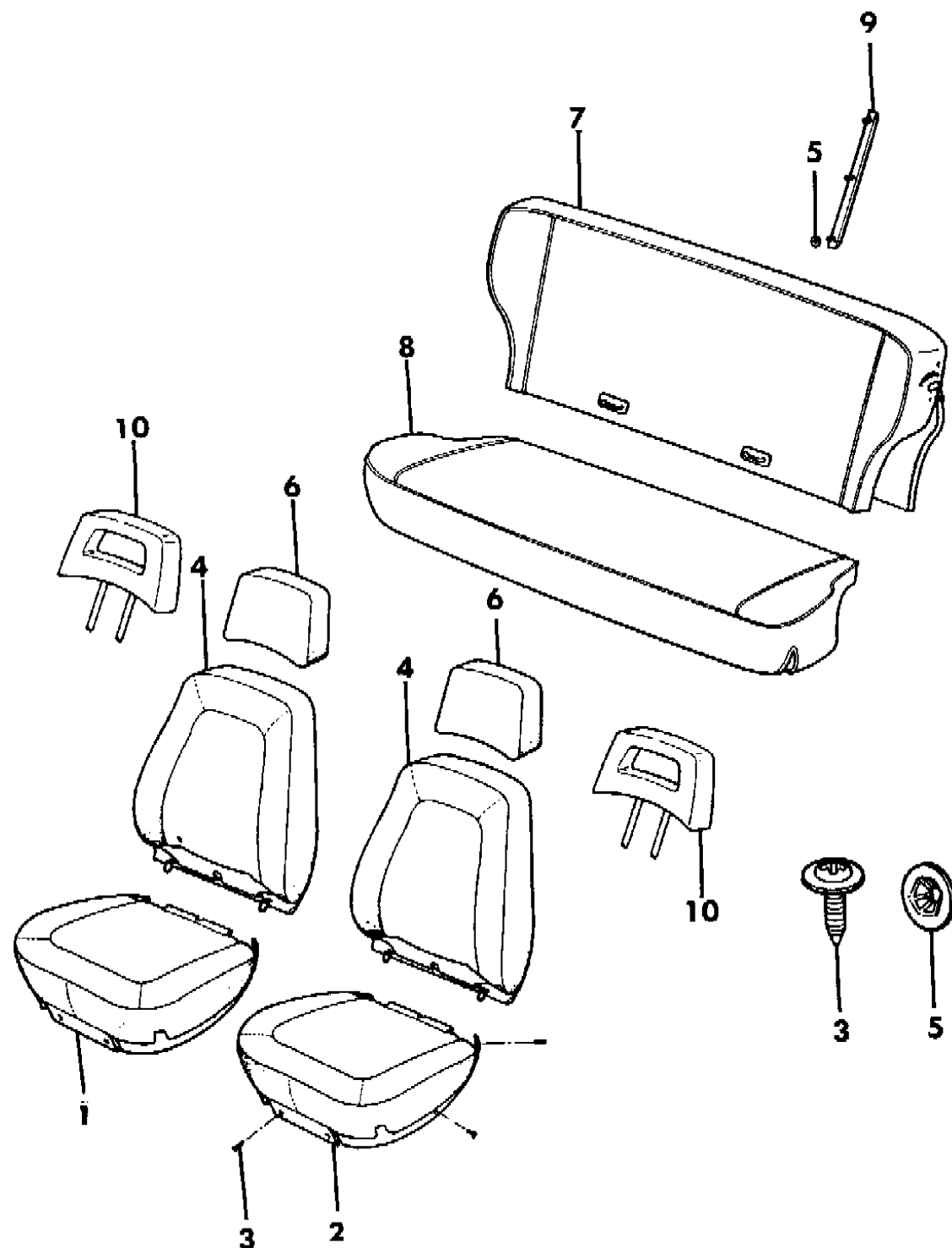
**BODY STYLES:**

MJ = Comanche Pickup  
 SJ = Grand Wagoneer Wgn., J-10 & J-20 Pickups  
 XJ = Cherokee, Wagoneer Limited  
 YJ = Wrangler

AR = Use as Required - = Non Illustrated Part P.A.R. = Paint as Required

**COVERS, SEAT UPHOLSTERY VINYL CHEROKEE 4 DOOR**  
**Figure 43-2500**

**8J43 2500 A**



ITEM	PART NUMBER	QTY	BODY	MODEL	DESCRIPTION
1-2					COVER, Cushion
					1987
					Premium Vinyl
	5501 2714-5	1			Black (1QT)
	5501 2710-1	1			Med. Blue (3QT)
	5501 2144-5	1			Cordovan (4QT)
	5501 2148-9	1			Tan (6QT)
					Celtic Vinyl
	5501 4446-7	1			Black, (1PX)
	5501 2140-1	1			Tan, (6PX)
					1988-89
					Premium Vinyl
	5501 8332-3	1			Charcoal, (2QT or F8SA), (a)
	5501 8328-9	1			Navy, (3QT), (a)
	5501 2144-5	1			Cordovan, (5QT), (a)
	5501 2148-9	1			Tan, (6QT), (a)
	5502 2030-1	1			Charcoal, (F8SA or 2QT), (b)
	5502 2026-7	1			Navy, (3QT), (b)
	5502 2034-5	1			Cordovan, (5QT), (b)
	5502 2038-9	1			Tan, (6QT), (b)
	5502 0866-7	1			Sand, (F8YY), (b)
					Celtic Vinyl
	5501 8324-5	1			Charcoal, (2PX), (a)
	5501 2140-1	1			Tan, (6PX), (a)
	5502 2018-9	1			Charcoal, (2PX), (b)
	5502 2022-3	1			Tan, (6PX), (b)
					1990
					Premium Vinyl
	5AH44-5 JS1	1			Charcoal, (F8SA)
	5AH44-5 JY1	1			Sand, (F8YY)
3	3420 1314	12			SCREW
4					COVER, Back
					1987
					Premium Vinyl
	5501 2727	2			Black (1QT)
	5501 2725	2			Med. Blue (3QT)
	5501 2172	2			Cordovan (4QT)

**MODEL CODES:**

15 = Grand Wagoneer 4 Dr.	65 = Comanche 4WD-7 Ft. Box	77 = Cherokee 4WD-2 Dr.
25 = J-10 Pickup-119" W.B.	66 = Comanche 2WD-7 Ft. Box	78 = Cherokee 4WD-4 Dr.
26 = J-10 Pickup-131" W.B.	73 = Cherokee 2WD-2 Dr.	79 = Cherokee 4WD-4 Dr.-Com
27 = J-20 Pickup-131" W.B.	74 = Cherokee 2WD-4 Dr.	81 = Wrangler-93" W.B.
63 = Comanche 4WD-6 Ft. Box	75 = Wagoneer 4WD-4 Dr.	82 = Wrangler-103" W.B.-Exp.
64 = Comanche 2WD-6 Ft. Box		

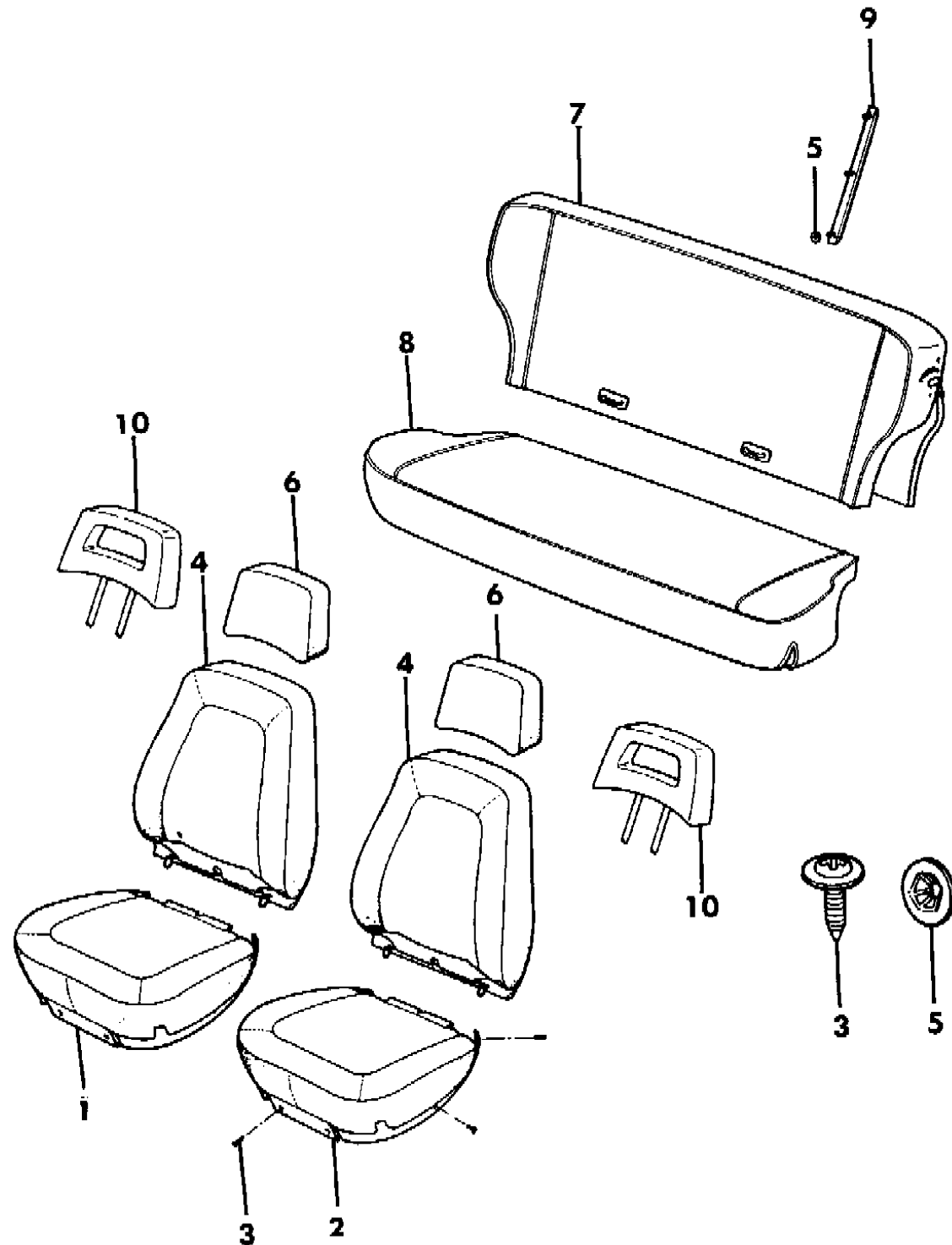
**BODY STYLES:**

MJ = Comanche Pickup  
 SJ = Grand Wagoneer Wgn., J-10 & J-20 Pickups  
 XJ = Cherokee, Wagoneer Limited  
 YJ = Wrangler

AR = Use as Required - = Non Illustrated Part P.A.R. = Paint as Required

**COVERS, SEAT UPHOLSTERY VINYL CHEROKEE 4 DOOR**  
**Figure 43-2500**

**8J43 2500 A**



ITEM	PART NUMBER	QTY	BODY	MODEL	DESCRIPTION
	5501 2176	2			Tan (6QT)
	5501 2168	2			Celtic Vinyl Black, (1PX)
	3501 2602	2			Tan, (6PX) 1988-89
	5501 8361	2			Premium Vinyl Charcoal, (2QT or F8SA)
	5501 8359	2			Navy, (3QT)
	5501 9310	2			Cordovan, (5QT)
	5501 9314	2			Tan, (6QT)
	5502 1147	2			Sand, (F8YY) Celtic Vinyl
	3502 3355	2			Charcoal, (2PX)
	3501 2602	2			Tan, (6PX) 1990
	5AH5 1JS1	2			Premium Vinyl Charcoal, (F8SA)
	5AH5 1JY1	2			Sand, (F8YY)
5	3420 2014	12			NUT, Push
6					COVER, Headrest, for solid type headrest 1987
	5500 9103	2			Premium Vinyl Black (1QT)
	3500 7250	2			Med. Blue (3QT)
	3501 7042	2			Cordovan (4QT)
	3501 3109	2			Tan (6QT) Celtic Vinyl
	5500 9103	2			Black, (1PX)
	3501 3109	2			Tan, (6PX) 1988-89
	3502 1229	2			Charcoal
	3502 1228	2			Navy
	3501 7042	2			Cordovan
	3501 3109	2			Tan, (6QT)
	3502 5326	2			Sand 1990
	5AJ4 9JS1	2			Charcoal

**MODEL CODES:**

15 = Grand Wagoneer 4 Dr.	65 = Comanche 4WD-7 Ft. Box	77 = Cherokee 4WD-2 Dr.
25 = J-10 Pickup-119" W.B.	66 = Comanche 2WD-7 Ft. Box	78 = Cherokee 4WD-4 Dr.
26 = J-10 Pickup-131" W.B.	73 = Cherokee 2WD-2 Dr.	79 = Cherokee 4WD-4 Dr.-Com
27 = J-20 Pickup-131" W.B.	74 = Cherokee 2WD-4 Dr.	81 = Wrangler-93" W.B.
63 = Comanche 4WD-6 Ft. Box	75 = Wagoneer 4WD-4 Dr.	82 = Wrangler-103" W.B.-Exp.
64 = Comanche 2WD-6 Ft. Box		

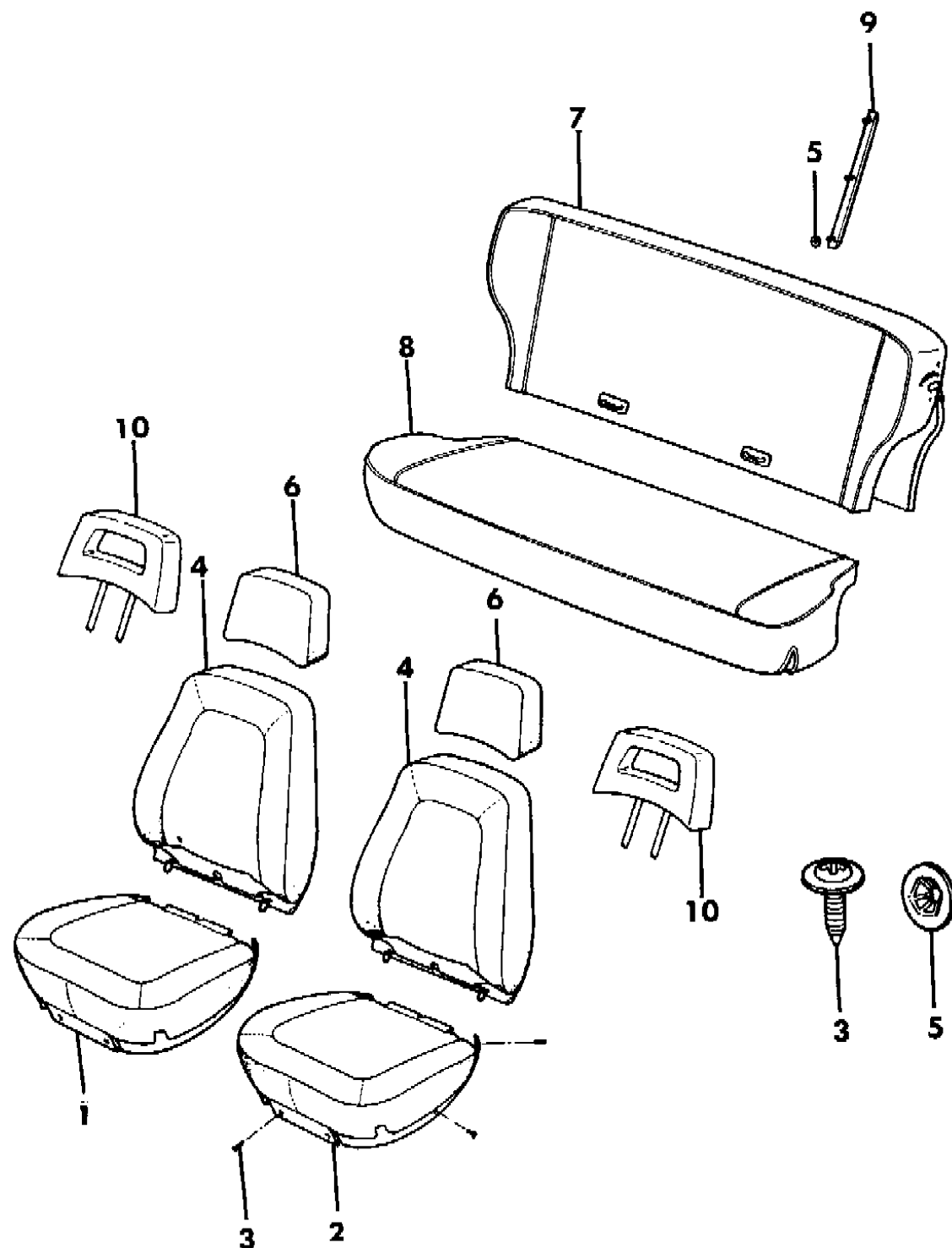
**BODY STYLES:**

MJ = Comanche Pickup  
 SJ = Grand Wagoneer Wgn., J-10 & J-20 Pickups  
 XJ = Cherokee, Wagoneer Limited  
 YJ = Wrangler

AR = Use as Required - = Non Illustrated Part P.A.R. = Paint as Required

**COVERS, SEAT UPHOLSTERY VINYL CHEROKEE 4 DOOR**  
**Figure 43-2500**

**8J43 2500 A**



ITEM	PART NUMBER	QTY	BODY	MODEL	DESCRIPTION
	5AJ4 9JY1	2			Sand
7					COVER, Back 1987 Premium Vinyl
	5501 2741	1			Black (1QT)
	5501 2740	1			Med. Blue (3QT)
	5501 2258	1			Cordovan (4QT)
	5501 2260	1			Tan (6QT) Celtic Vinyl
	5501 4467	1			Black (1PX)
	5501 2256	1			Tan, (6PX) 1988-89 Premium Vinyl
	5501 8407	1			Charcoal, (2QT or F8SA), (a)
	5502 2074	1			Charcoal, (2QT or F8SA) (b)
	5501 8406	1			Navy, (3QT)
	5501 2258	1			Cordovan, (5QT)
	5501 2260	1			Tan, (6QT)
	5502 2075	1			Sand, (F8YY) Celtic Vinyl
	5501 8404	1			Charcoal, (2PX)
	5501 2256	1			Tan, (6PX) 1990 Premium Vinyl
	5BB4 1JS1	1			Charcoal, (F8SA)
	5BB4 1JY1	1			Sand, (F8YY)
8					COVER, Cushion 1987 Premium Vinyl
	5501 2737	1			Black (1QT)
	5501 2736	1			Med. Blue (3QT)
	5501 2244	1			Cordovan (4QT)
	5501 2246	1			Tan (6QT) Celtic Vinyl
	5501 4466	1			Black, (1PX)
	5501 2242	1			Tan, (6PX) 1988-89

**MODEL CODES:**

15 = Grand Wagoneer 4 Dr.	65 = Comanche 4WD-7 Ft. Box	77 = Cherokee 4WD-2 Dr.
25 = J-10 Pickup-119" W.B.	66 = Comanche 2WD-7 Ft. Box	78 = Cherokee 4WD-4 Dr.
26 = J-10 Pickup-131" W.B.	73 = Cherokee 2WD-2 Dr.	79 = Cherokee 4WD-4 Dr.-Com
27 = J-20 Pickup-131" W.B.	74 = Cherokee 2WD-4 Dr.	81 = Wrangler-93" W.B.
63 = Comanche 4WD-6 Ft. Box	75 = Wagoneer 4WD-4 Dr.	82 = Wrangler-103" W.B.-Exp.
64 = Comanche 2WD-6 Ft. Box		

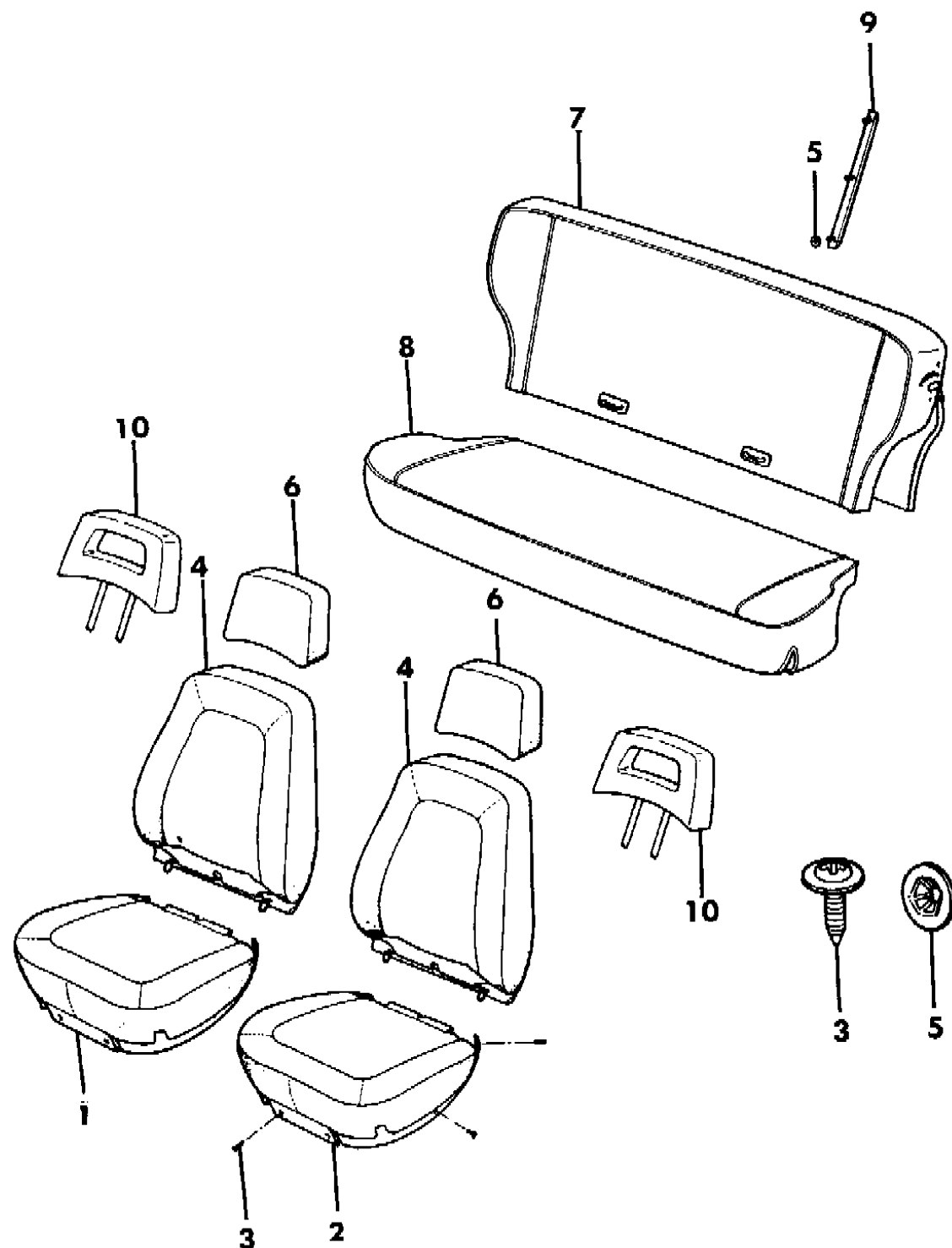
**BODY STYLES:**

MJ = Comanche Pickup  
 SJ = Grand Wagoneer Wgn., J-10 & J-20 Pickups  
 XJ = Cherokee, Wagoneer Limited  
 YJ = Wrangler

AR = Use as Required - = Non Illustrated Part P.A.R. = Paint as Required

**COVERS, SEAT UPHOLSTERY VINYL CHEROKEE 4 DOOR**  
**Figure 43-2500**

**8J43 2500 A**



ITEM	PART NUMBER	QTY	BODY	MODEL	DESCRIPTION
					Premium Vinyl
	5501 8396	1			Charcoal, (2QT or F8SA)
	5501 8394	1			Navy, (3QT)
	5501 2244	1			Cordovan, (5QT)
	5501 2246	1			Tan, (6QT)
	5502 0884	1			Sand, (F8YY)
					Celtic Vinyl
	5501 8392	1			Charcoal, (2PX)
	5501 2242	1			Tan, (6PX)
					1990
					Premium Vinyl
	5AH7 8JS1	1			Charcoal, (F8SA)
	5AH7 8JY1	1			Sand, (F8YY)
9	5500 1076	6			STRIP, Skid
10					HEADREST ASSY, see thru type ***
					1988-89
	3502 1231	2			Charcoal
	3502 1230	2			Navy
	3501 7046	2			Cordovan
	3501 7044	2			Tan

NOTE: (a) = 1988 Vehicle No. 000001 Thru No. 133539  
 NOTE: (b) = Vehicle No. 133540 thru No....

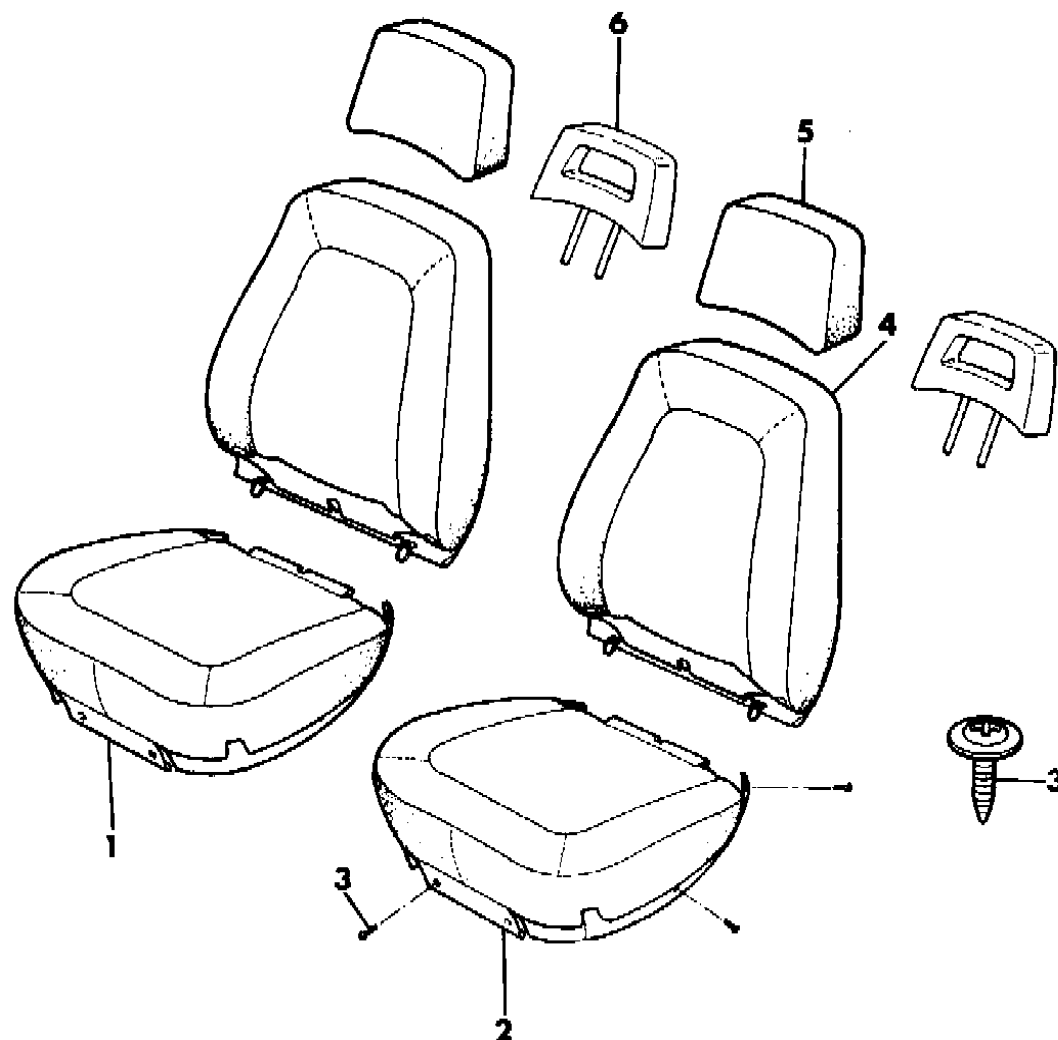
MODEL CODES:  
 15 = Grand Wagoneer 4 Dr.      65 = Comanche 4WD-7 Ft. Box      77 = Cherokee 4WD-2 Dr.  
 25 = J-10 Pickup-119" W.B.      66 = Comanche 2WD-7 Ft. Box      78 = Cherokee 4WD-4 Dr.  
 26 = J-10 Pickup-131" W.B.      73 = Cherokee 2WD-2 Dr.      79 = Cherokee 4WD-4 Dr.-Com  
 27 = J-20 Pickup-131" W.B.      74 = Cherokee 2WD-4 Dr.      81 = Wrangler-93" W.B.  
 63 = Comanche 4WD-6 Ft. Box      75 = Wagoneer 4WD-4 Dr.      82 = Wrangler-103" W.B.-Exp.  
 64 = Comanche 2WD-6 Ft. Box

BODY STYLES:  
 MJ = Comanche Pickup  
 SJ = Grand Wagoneer Wgn., J-10 & J-20 Pickups  
 XJ = Cherokee, Wagoneer Limited  
 YJ = Wrangler

AR = Use as Required - = Non Illustrated Part P.A.R. = Paint as Required

**COVERS, SEAT UPHOLSTERY BUCKET SEATS COMANCHE**  
**Figure 43-2600**

8J43 2600 A



ITEM	PART NUMBER	QTY	BODY	MODEL	DESCRIPTION
1-2					COVER, Cushion
					1987
					Tooled Vinyl
	5501 2712-3	1			Black, (1NT)
	5501 2142-3	1			Cordovan, (4NT)
	5501 2708-9	1			Medium Blue, (3NT)
	5501 2146-7	1			Tan, (6NT)
					Hunter Plaid
	5501 2158-9	1			Cordovan, (4NW)
	5501 2162-3	1			Tan, (6NW)
					1988-89
					Luggage Cloth
	5501 9928-9	1			Charcoal, (2NG or Q7SA), (a)
	5502 2014-5	1			Charcoal, (2NG or Q7SA), (b)
					Premium Vinyl
	5501 8330-1	1			Charcoal, (2NT or X8SA), (a)
	5502 2028-9	1			Charcoal, (2NT or X8SA), (b)
	5501 8326-7	1			Navy, (3NT, or X8Q8), (a)
	5502 2024-5	1			Navy, (3NT or X8Q8), (b)
	5501 2142-3	1			Cordovan, (5NT or X8H9), (a)
	5502 2032-3	1			Cordovan, (5NT or X8H9), (b)
	5502 0864-5	1			Sand, (X8YY)
	5501 2146-7	1			Tan, (6NT), (a)
	5502 2036-7	1			Tan, (6NT), (b)
					Hunter's Plaid
	5501 8350-1	1			Charcoal, (2NW), (a)
	5502 2060-1	1			Charcoal, (2NW), (b)
	5501 2158-9	1			Cordovan, (5NW), (a)
	5502 2056-7	1			Cordovan, (5NW), (b)
					1990
					Luggage Cloth
	5AH36-7 JS1	1			Charcoal, (Q7SA)
					Premium Vinyl
	5AH42-3 JS1	1			Charcoal, (X8SA)
	5AH42-3 JY1	1			Sand, (X8YY)
	5AH42-3 JH9	1			Cordovan, (X8H9)
3	3420 1314	12			SCREW

MODEL CODES:

15 = Grand Wagoneer 4 Dr.	65 = Comanche 4WD-7 Ft. Box	77 = Cherokee 4WD-2 Dr.
25 = J-10 Pickup-119" W.B.	66 = Comanche 2WD-7 Ft. Box	78 = Cherokee 4WD-4 Dr.
26 = J-10 Pickup-131" W.B.	73 = Cherokee 2WD-2 Dr.	79 = Cherokee 4WD-4 Dr.-Com
27 = J-20 Pickup-131" W.B.	74 = Cherokee 2WD-4 Dr.	81 = Wrangler-93" W.B.
63 = Comanche 4WD-6 Ft. Box	75 = Wagoneer 4WD-4 Dr.	82 = Wrangler-103" W.B.-Exp.
64 = Comanche 2WD-6 Ft. Box		

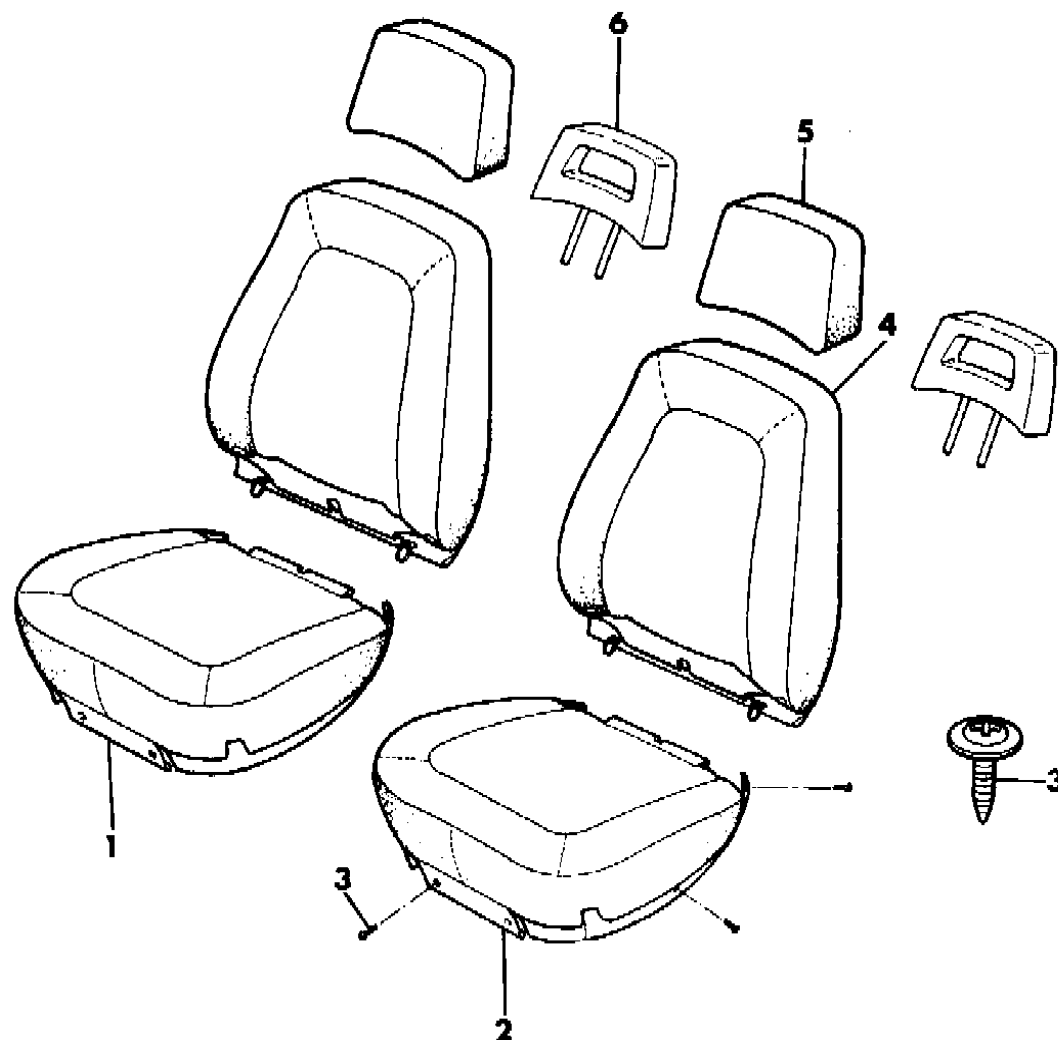
BODY STYLES:

MJ = Comanche Pickup  
 SJ = Grand Wagoneer Wgn., J-10 & J-20 Pickups  
 XJ = Cherokee, Wagoneer Limited  
 YJ = Wrangler

AR = Use as Required - = Non Illustrated Part P.A.R. = Paint as Required

**COVERS, SEAT UPHOLSTERY BUCKET SEATS COMANCHE**  
**Figure 43-2600**

8J43 2600 A



ITEM	PART NUMBER	QTY	BODY	MODEL	DESCRIPTION
4					COVER, Back
					1987
					Tooled Vinyl
	5501 2732	2			Black, (1NT)
	5501 3450	2			Cordovan, (4NT)
	5501 2733	2			Medium Blue, (3NT)
	5501 3448	2			Tan, (6NT)
					Hunter Plaid
	5501 3454-5	1			Cordovan, (4NW)
	5501 3452-3	1			Tan, (6NW)
					1988-89
					Luggage Cloth
	5501 9930-1	1			Charcoal, (Q7SA or 2NG)
					Premium Vinyl
	5501 8386	2			Charcoal, (X8SA or 2NT)
	5501 8387	2			Navy, (X8Q8 or 3NT)
	5501 3450	2			Cordovan, (X8H9 or 5NT)
	5502 0879	2			Sand, (X8YY)
	5501 3448	2			Tan, (6NT)
					Hunter's Plaid
	5501 8388-9	1			Charcoal, (2NW)
	5501 3454-5	1			Cordovan, (5NW)
					1990
					Luggage Cloth
	5AH38-9 JS1	1			Charcoal, (Q7SA)
					Premium Vinyl
	5AH6 1JS1	2			Charcoal, (X8SA)
	5AH6 1JH9	2			Cordovan, (X8H9)
	5AH6 1JY1	2			Sand, (X8YY)
5					COVER, Headrest, for solid type headrest
					1987-89
	5500 9103	2			Black, 1987
	3502 1229	2			Charcoal, 1988-89
	3500 7250	2			Medium Blue, 1987
	3502 1228	2			Navy, 1988-89
	3501 7042	2			Cordovan, 1987-89
	3502 5326	2			Sand, 1989

**MODEL CODES:**

15 = Grand Wagoneer 4 Dr.	65 = Comanche 4WD-7 Ft. Box	77 = Cherokee 4WD-2 Dr.
25 = J-10 Pickup-119" W.B.	66 = Comanche 2WD-7 Ft. Box	78 = Cherokee 4WD-4 Dr.
26 = J-10 Pickup-131" W.B.	73 = Cherokee 2WD-2 Dr.	79 = Cherokee 4WD-4 Dr.-Com
27 = J-20 Pickup-131" W.B.	74 = Cherokee 2WD-4 Dr.	81 = Wrangler-93" W.B.
63 = Comanche 4WD-6 Ft. Box	75 = Wagoneer 4WD-4 Dr.	82 = Wrangler-103" W.B.-Exp.
64 = Comanche 2WD-6 Ft. Box		

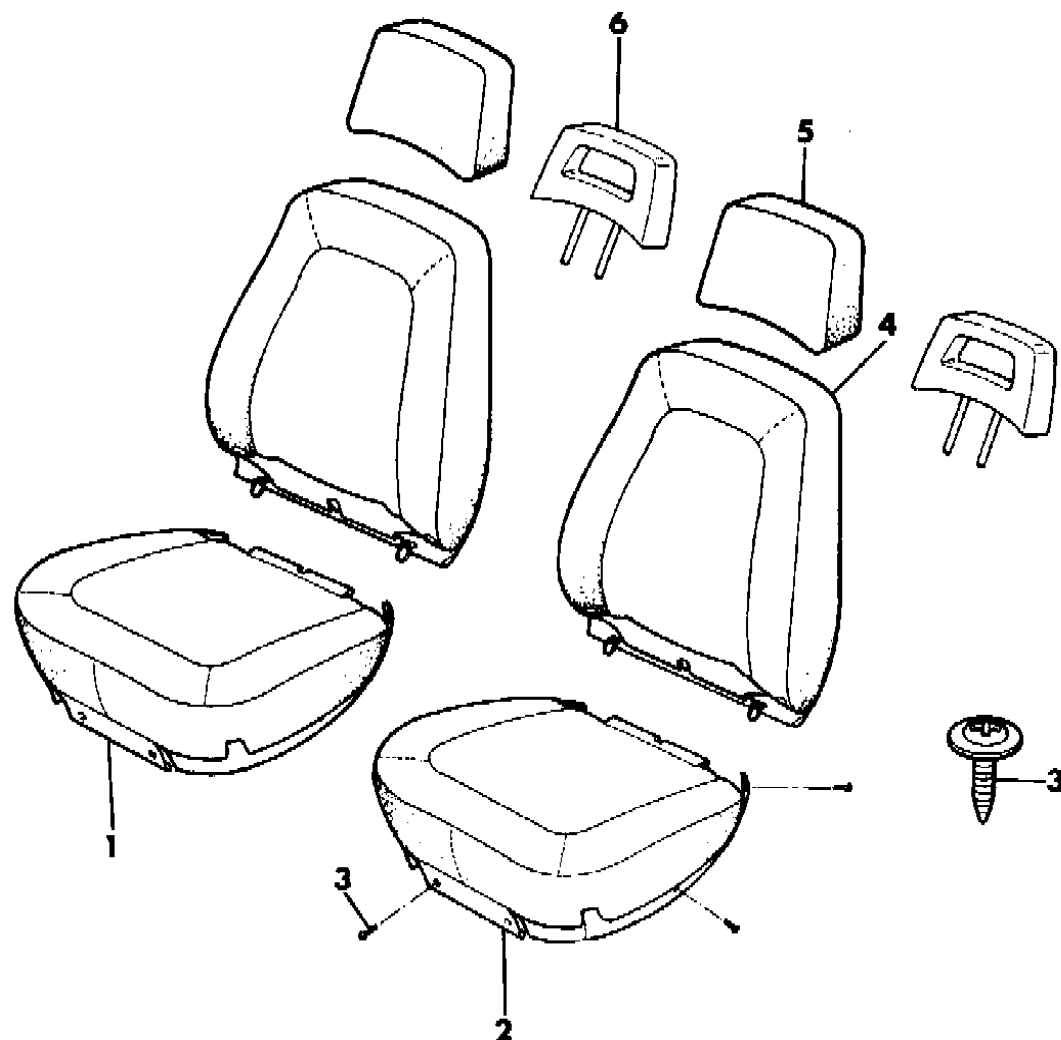
**BODY STYLES:**

MJ = Comanche Pickup  
 SJ = Grand Wagoneer Wgn., J-10 & J-20 Pickups  
 XJ = Cherokee, Wagoneer Limited  
 YJ = Wrangler

AR = Use as Required - = Non Illustrated Part P.A.R. = Paint as Required

**COVERS, SEAT UPHOLSTERY BUCKET SEATS COMANCHE**  
**Figure 43-2600**

8J43 2600 A



ITEM	PART NUMBER	QTY	BODY	MODEL	DESCRIPTION
	3501 3109	2			Tan, 1987-88
					1990
	5AJ4 9JS1	2			Charcoal
	5AJ4 9JH9	2			Cordovan
	5AJ4 9JY1	2			Sand
6					HEADREST ASSY, see thru type ***
					1988-89
	3502 1231	2			Charcoal
	3502 1230	2			Navy
	3501 7046	2			Cordovan
	3501 7044	2			Tan
					NOTE: (a) 1988 Vehicle No. 000001 thru No.133539
					NOTE: (b) Vehicle No. 133540 Thru No....

MODEL CODES:

15 = Grand Wagoneer 4 Dr.	65 = Comanche 4WD-7 Ft. Box	77 = Cherokee 4WD-2 Dr.
25 = J-10 Pickup-119" W.B.	66 = Comanche 2WD-7 Ft. Box	78 = Cherokee 4WD-4 Dr.
26 = J-10 Pickup-131" W.B.	73 = Cherokee 2WD-2 Dr.	79 = Cherokee 4WD-4 Dr.-Com
27 = J-20 Pickup-131" W.B.	74 = Cherokee 2WD-4 Dr.	81 = Wrangler-93" W.B.
63 = Comanche 4WD-6 Ft. Box	75 = Wagoneer 4WD-4 Dr.	82 = Wrangler-103" W.B.-Exp.
64 = Comanche 2WD-6 Ft. Box		

BODY STYLES:

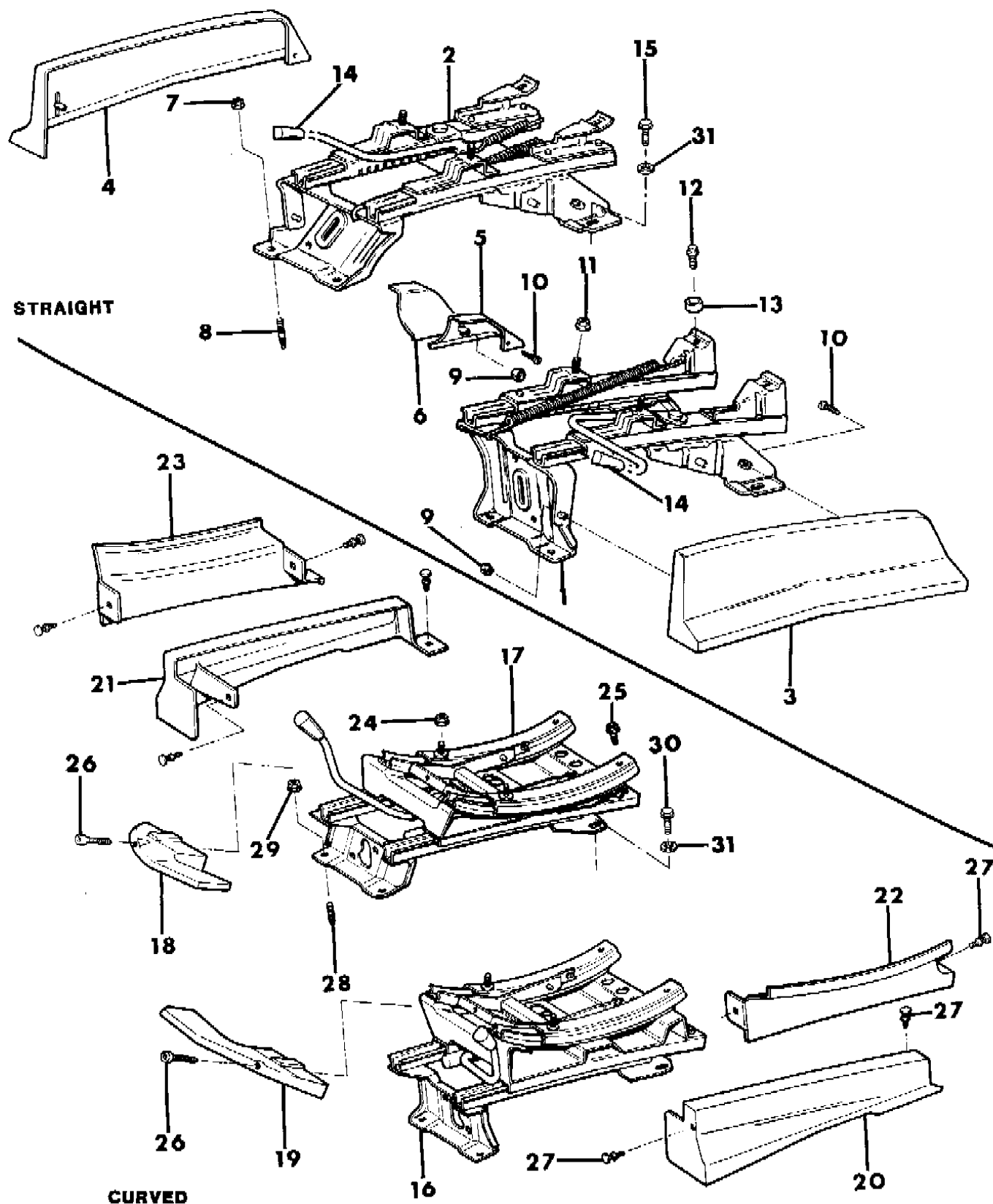
MJ = Comanche Pickup  
 SJ = Grand Wagoneer Wgn., J-10 & J-20 Pickups  
 XJ = Cherokee, Wagoneer Limited  
 YJ = Wrangler

AR = Use as Required - = Non Illustrated Part P.A.R. = Paint as Required



TRACKS, LESS POWER SEATS BUCKET SEAT CHEROKEE  
Figure 43-2700

8J43 2700 A



ITEM	PART NUMBER	QTY	BODY	MODEL	DESCRIPTION
1	5500 0381	1			TRACK, Seat, Left, straight
2	5500 0382	1			TRACK, Seat, Right, straight
3-4					COVER, Track
	5500 8740-1	1			1987-89, P.A.R.
	5AC20-1 JA8	1			1990, Charcoal
	5AC20-1 JH9	1			1990, Cordovan
	5AC20-1 JY6	1			1990, Sand
5-6					COVER, Track
	5500 8744-5	1			1987-89, P.A.R.
	5AC22-3 JA8	1			1990, Charcoal
	5AC22-3 JH9	1			1990, Cordovan
	5AC22-3 JY6	1			1990, Sand
7					NUT
	1150 2811	4			1987-89
	3420 1918	4			1990
8	3420 2209	4			STUD
9	J400 6535	4			NUT
10					SCREW
	1150 1012	4			1987-89
	J400 2461	4			1990
11	1150 2729	4			NUT
12	1150 4735	4			BOLT
13	5500 5555	8			SPACER, optional
14	8350 1412	2			KNOB, Seat Latch
15	3420 1257	4			SCREW
16-17	5500 6602-3	1			TRACK, Seat, curved
18-19	5500 6970-1	1			HANDLE, Rocker
20-21	5500 7042-3	1			COVER, Track, P.A.R. (Casting # 55006852)
22-23	5500 7222-3	1			COVER, Track, P.A.R.
24	1150 2729	8			NUT
25	1150 4735	4			BOLT
26	T302 5006	2			SCREW
27					FASTENER
	3420 2138	12			1987-89, P.A.R.
					1990
	5AA3 5JS1	12			Charcoal
	5AA3 5JH9	12			Cordovan

MODEL CODES:

15 = Grand Wagoneer 4 Dr.	65 = Comanche 4WD-7 Ft. Box	77 = Cherokee 4WD-2 Dr.
25 = J-10 Pickup-119" W.B.	66 = Comanche 2WD-7 Ft. Box	78 = Cherokee 4WD-4 Dr.
26 = J-10 Pickup-131" W.B.	73 = Cherokee 2WD-2 Dr.	79 = Cherokee 4WD-4 Dr.-Com
27 = J-20 Pickup-131" W.B.	74 = Cherokee 2WD-4 Dr.	81 = Wrangler-93" W.B.
63 = Comanche 4WD-6 Ft. Box	75 = Wagoneer 4WD-4 Dr.	82 = Wrangler-103" W.B.-Exp.
64 = Comanche 2WD-6 Ft. Box		

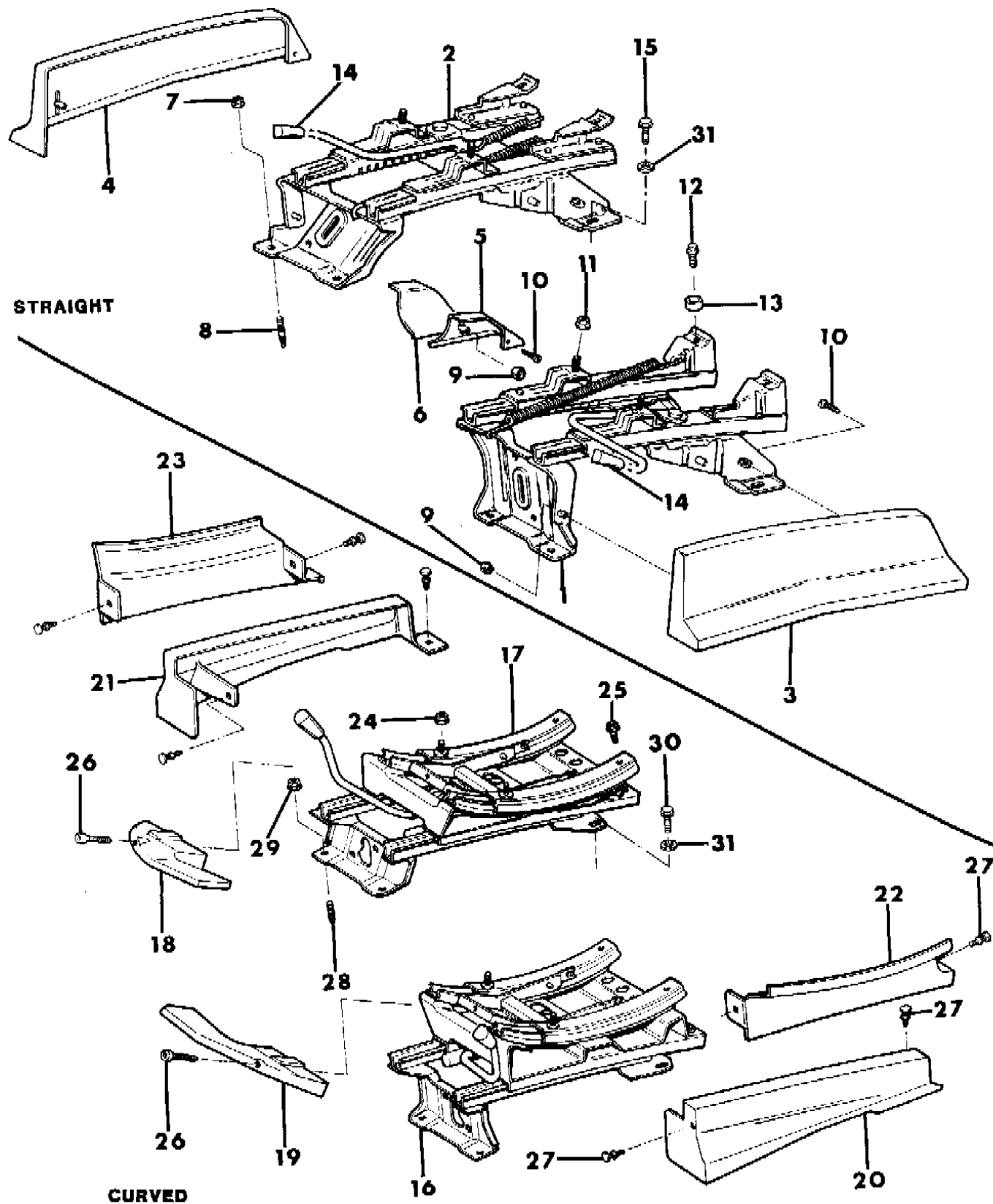
BODY STYLES:

MJ = Comanche Pickup  
SJ = Grand Wagoneer Wgn., J-10 & J-20 Pickups  
XJ = Cherokee, Wagoneer Limited  
YJ = Wrangler

AR = Use as Required - = Non Illustrated Part P.A.R. = Paint as Required

TRACKS, LESS POWER SEATS BUCKET SEAT CHEROKEE  
Figure 43-2700

8J43 2700 A



ITEM	PART NUMBER	QTY	BODY	MODEL	DESCRIPTION
	5AA3 5JY1	12			Sand
28	3420 2209	4			STUD
29	1150 2811	4			NUT
30	3420 1257	4			SCREW
31	1150 0323	4			WASHER

MODEL CODES:

15 = Grand Wagoneer 4 Dr.	65 = Comanche 4WD-7 Ft. Box	77 = Cherokee 4WD-2 Dr.
25 = J-10 Pickup-119" W.B.	66 = Comanche 2WD-7 Ft. Box	78 = Cherokee 4WD-4 Dr.
26 = J-10 Pickup-131" W.B.	73 = Cherokee 2WD-2 Dr.	79 = Cherokee 4WD-4 Dr.-Com
27 = J-20 Pickup-131" W.B.	74 = Cherokee 2WD-4 Dr.	81 = Wrangler-93" W.B.
63 = Comanche 4WD-6 Ft. Box	75 = Wagoneer 4WD-4 Dr.	82 = Wrangler-103" W.B.-Exp.
64 = Comanche 2WD-6 Ft. Box		

BODY STYLES:

MJ = Comanche Pickup  
SJ = Grand Wagoneer Wgn., J-10 & J-20 Pickups  
XJ = Cherokee, Wagoneer Limited  
YJ = Wrangler

AR = Use as Required - = Non Illustrated Part P.A.R. = Paint as Required

TRACKS, WITH POWER SEATS BUCKET SEAT CHEROKEE, WAGONEER  
Figure 43-2800

8J43 2800 A

ITEM	PART NUMBER	QTY	BODY	MODEL	DESCRIPTION
1					TRACK, Power Seat
	5500 8542-3	1			For vehicles built up to 5/14/90
	5600 6288-9	1			For vehicles built 5/15/90 and later
2	3420 2209	8			STUD
3	1150 2811	8			NUT
4	5501 0692-3	1			BEZEL, Switch, 1987-89, P.A.R.
5					SCREW
	1150 1012	AR			16mm Long
	J400 4642	AR			13mm Long
	J400 4664	AR			20mm Long
6					SWITCH ASSY, Power Seat
	5600 1598-9	1			1987
	5600 2896-7	1			1988-90, For vehicles built up to 5/14/90
	5600 6284-5	1			1990, For vehicles built 5/15/90 and later
7	3420 1781	4			SCREW
8	1150 2729	4			NUT
9	1150 4735	4			BOLT
10					COVER, Carpet
					1987
					Right
	5500 8751	1			Black, Except Cherokee Limited
	5501 8807	1			Black, Cherokee Limited
	5500 8749	1			Medium Blue
	5501 2041	1			Cordovan, Except Wagoneer Limited or Cherokee Laredo
	5501 2049	1			Cordovan, Wagoneer Limited, or Cherokee Laredo
	5501 2043	1			Tan, Except Wagoneer Limited, or Cherokee Laredo
	5501 2051	1			Tan, Wagoneer Limited or Cherokee Laredo
					Left
	5500 8750	1			Black, Except Cherokee Limited
	5501 8806	1			Black, Cherokee Limited
	5500 8748	1			Medium Blue
	5501 2040	1			Cordovan, Except Wagoneer Limited or Cherokee Laredo
	5501 2048	1			Cordovan, Wagoneer Limited or Cherokee Laredo
	5501 2042	1			Tan, Except Wagoneer Limited or Cherokee Laredo
	5501 2050	1			Tan, Wagoneer Limited or Cherokee Laredo
					1988-89
					Right

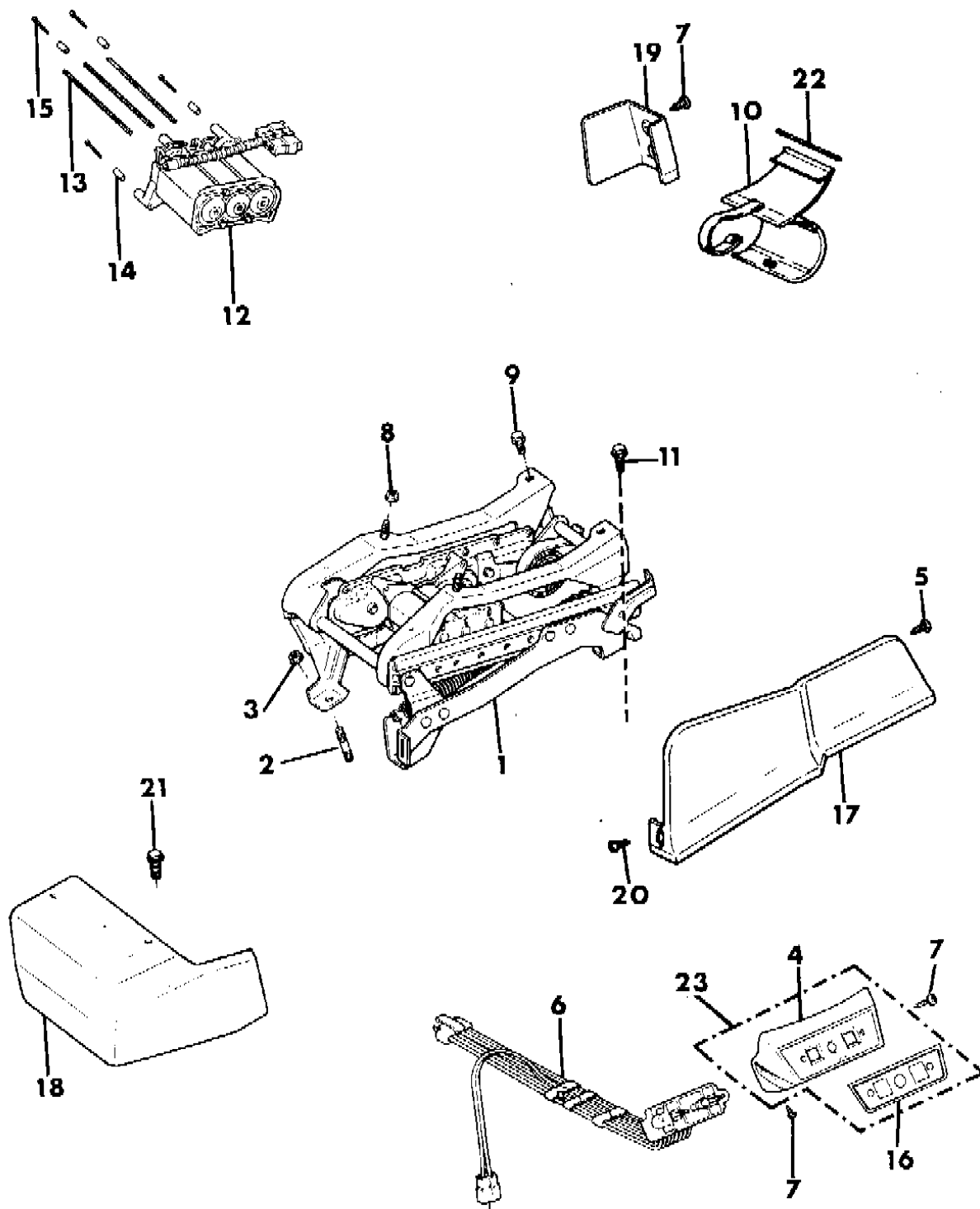
MODEL CODES:

15 = Grand Wagoneer 4 Dr.	65 = Comanche 4WD-7 Ft. Box	77 = Cherokee 4WD-2 Dr.
25 = J-10 Pickup-119" W.B.	66 = Comanche 2WD-7 Ft. Box	78 = Cherokee 4WD-4 Dr.
26 = J-10 Pickup-131" W.B.	73 = Cherokee 2WD-2 Dr.	79 = Cherokee 4WD-4 Dr.-Com
27 = J-20 Pickup-131" W.B.	74 = Cherokee 2WD-4 Dr.	81 = Wrangler-93" W.B.
63 = Comanche 4WD-6 Ft. Box	75 = Wagoneer 4WD-4 Dr.	82 = Wrangler-103" W.B.-Exp.
64 = Comanche 2WD-6 Ft. Box		

BODY STYLES:

MJ = Comanche Pickup
SJ = Grand Wagoneer Wgn., J-10 & J-20 Pickups
XJ = Cherokee, Wagoneer Limited
YJ = Wrangler

AR = Use as Required - = Non Illustrated Part P.A.R. = Paint as Required



TRACKS, WITH POWER SEATS BUCKET SEAT CHEROKEE, WAGONEER  
Figure 43-2800

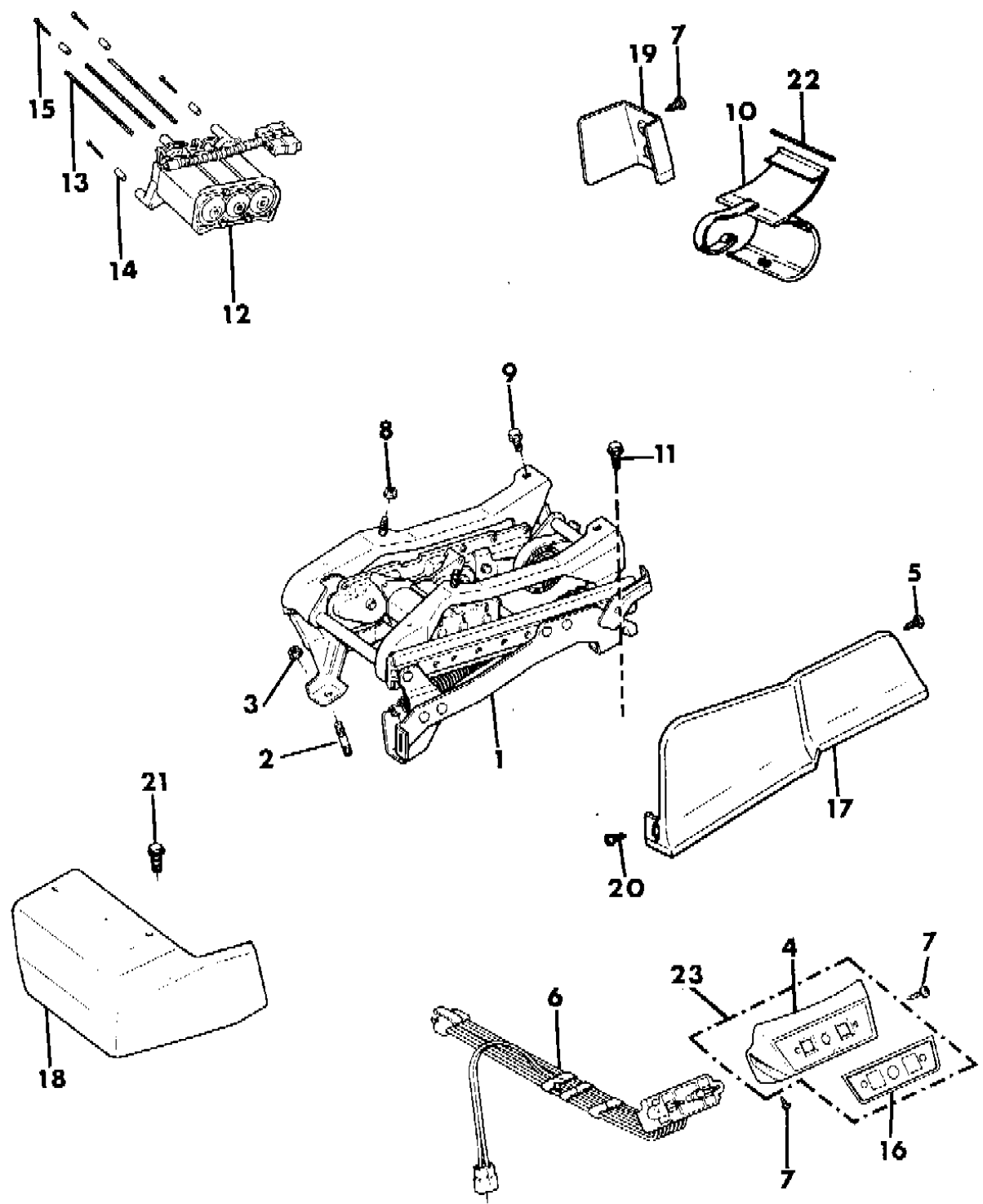
8J43 2800 A

ITEM	PART NUMBER	QTY	BODY	MODEL	DESCRIPTION
	5501 8239	1			Charcoal, Except Wagoneer Limited or Cherokee Limited or Cherokee Laredo
	5501 9813	1			Charcoal, Cherokee Laredo or Cherokee Limited
	5501 2041	1			Cordovan, Except Wagoneer Limited or Cherokee Laredo or Cherokee Limited
	5501 2049	1			Cordovan, Wagoneer Limited or Cherokee Laredo
	5501 8237	1			Navy, Except Wagoneer Limited or Cherokee Laredo or Cherokee Limited
	5501 2043	1			Tan, Except Wagoneer Limited or Cherokee Laredo or Cherokee Limited, 1988
	5501 2051	1			Tan, Wagoneer Limited, 1988
	5502 0817	1			Sand, Except Wagoneer Limited or Cherokee Laredo or Cherokee Limited, 1989
	5502 0821	1			Sand, Wagoneer Limited, 1989
	5501 8238	1			Charcoal, Except Wagoneer Limited or Cherokee Laredo or Cherokee Limited
	5501 9812	1			Charcoal, Cherokee Laredo or Cherokee Limited
	5501 2040	1			Cordovan, Except Wagoneer Limited or Cherokee Laredo or Cherokee Limited
	5501 2048	1			Cordovan, Wagoneer Limited or Cherokee Laredo
	5501 8236	1			Navy, Except Wagoneer Limited or Cherokee Laredo or Cherokee Limited
	5501 2042	1			Tan, Except Wagoneer Limited or Cherokee Laredo or Cherokee Limited, 1988
	5501 2050	1			Tan, Wagoneer Limited, 1988
	5502 0816	1			Sand, Except Wagoneer Limited or Cherokee Laredo or Cherokee Limited, 1989
	5502 0820	1			Sand, Wagoneer Limited, 1989
					1990
					With Euro Package, 12 ounce
					Right
	5AD5 7JA8	1			Charcoal
	5AD5 7JH9	1			Cordovan
	5AD5 7JY6	1			Sand
					Left
	5AD5 6JA8	1			Charcoal

MODEL CODES:  
 15 = Grand Wagoneer 4 Dr.      65 = Comanche 4WD-7 Ft. Box      77 = Cherokee 4WD-2 Dr.  
 25 = J-10 Pickup-119" W.B.      66 = Comanche 2WD-7 Ft. Box      78 = Cherokee 4WD-4 Dr.  
 26 = J-10 Pickup-131" W.B.      73 = Cherokee 2WD-2 Dr.      79 = Cherokee 4WD-4 Dr.-Com  
 27 = J-20 Pickup-131" W.B.      74 = Cherokee 2WD-4 Dr.      81 = Wrangler-93" W.B.  
 63 = Comanche 4WD-6 Ft. Box      75 = Wagoneer 4WD-4 Dr.      82 = Wrangler-103" W.B.-Exp.  
 64 = Comanche 2WD-6 Ft. Box

BODY STYLES:  
 MJ = Comanche Pickup  
 SJ = Grand Wagoneer Wgn., J-10 & J-20 Pickups  
 XJ = Cherokee, Wagoneer Limited  
 YJ = Wrangler

AR = Use as Required - = Non Illustrated Part P.A.R. = Paint as Required



TRACKS, WITH POWER SEATS BUCKET SEAT CHEROKEE, WAGONEER  
Figure 43-2800

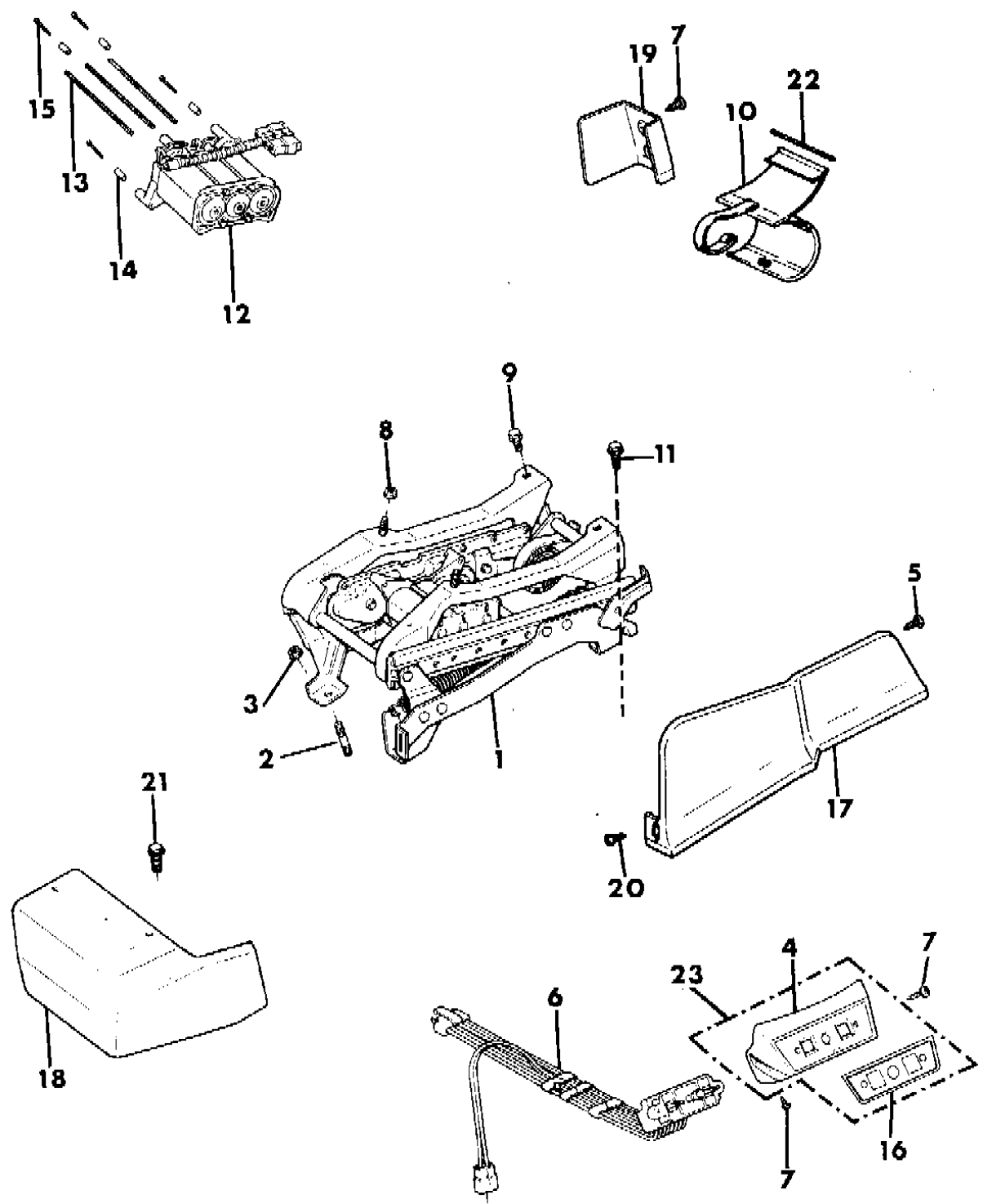
8J43 2800 A

ITEM	PART NUMBER	QTY	BODY	MODEL	DESCRIPTION
	5AD5 6JH9	1			Cordovan
	5AD5 6JY6	1			Sand Except Euro Package, 16 oz
	5AD5 5JA8	1			Right Charcoal
	5AD5 5JH9	1			Cordovan
	5AD5 5JY6	1			Sand Left
	5AD5 4JA8	1			Charcoal
	5AD5 4JH9	1			Cordovan
	5AD5 4JY6	1			Sand
11					SCREW
	3420 1888	2			1987
	3420 1257	2			1988-90
12					MOTOR
	5600 1587	2			For vehicles built up to 5/14/90
	5600 6286	2			For vehicles built 5/15/90 and later (Stamped 56001073)
13	8350 2059	6			CABLE
14	8350 2060	8			BUSHING
15	8350 2061	8			SCREW
16					OVERLAY
	5500 4508	2			Woodgrain
	5500 6716	2			Black
17					COVER, Track
					1987-89
	5500 8782	1			Right
	5500 8783	1			Left
					1990
					Right
	5AD0 6JA8	1			Charcoal
	5AD0 6JH9	1			Cordovan
	5AD0 6JY6	1			Sand
					Left
18	5AD0 7JY6	1			P.A.R.
					COVER, Track, P.A.R.
					1987-89
	5500 8786	1			Right

MODEL CODES:  
 15 = Grand Wagoneer 4 Dr.      65 = Comanche 4WD-7 Ft. Box      77 = Cherokee 4WD-2 Dr.  
 25 = J-10 Pickup-119" W.B.      66 = Comanche 2WD-7 Ft. Box      78 = Cherokee 4WD-4 Dr.  
 26 = J-10 Pickup-131" W.B.      73 = Cherokee 2WD-2 Dr.      79 = Cherokee 4WD-4 Dr.-Com  
 27 = J-20 Pickup-131" W.B.      74 = Cherokee 2WD-4 Dr.      81 = Wrangler-93" W.B.  
 63 = Comanche 4WD-6 Ft. Box      75 = Wagoneer 4WD-4 Dr.      82 = Wrangler-103" W.B.-Exp.  
 64 = Comanche 2WD-6 Ft. Box

BODY STYLES:  
 MJ = Comanche Pickup  
 SJ = Grand Wagoneer Wgn., J-10 & J-20 Pickups  
 XJ = Cherokee, Wagoneer Limited  
 YJ = Wrangler

AR = Use as Required - = Non Illustrated Part P.A.R. = Paint as Required



TRACKS, WITH POWER SEATS BUCKET SEAT CHEROKEE, WAGONEER  
Figure 43-2800

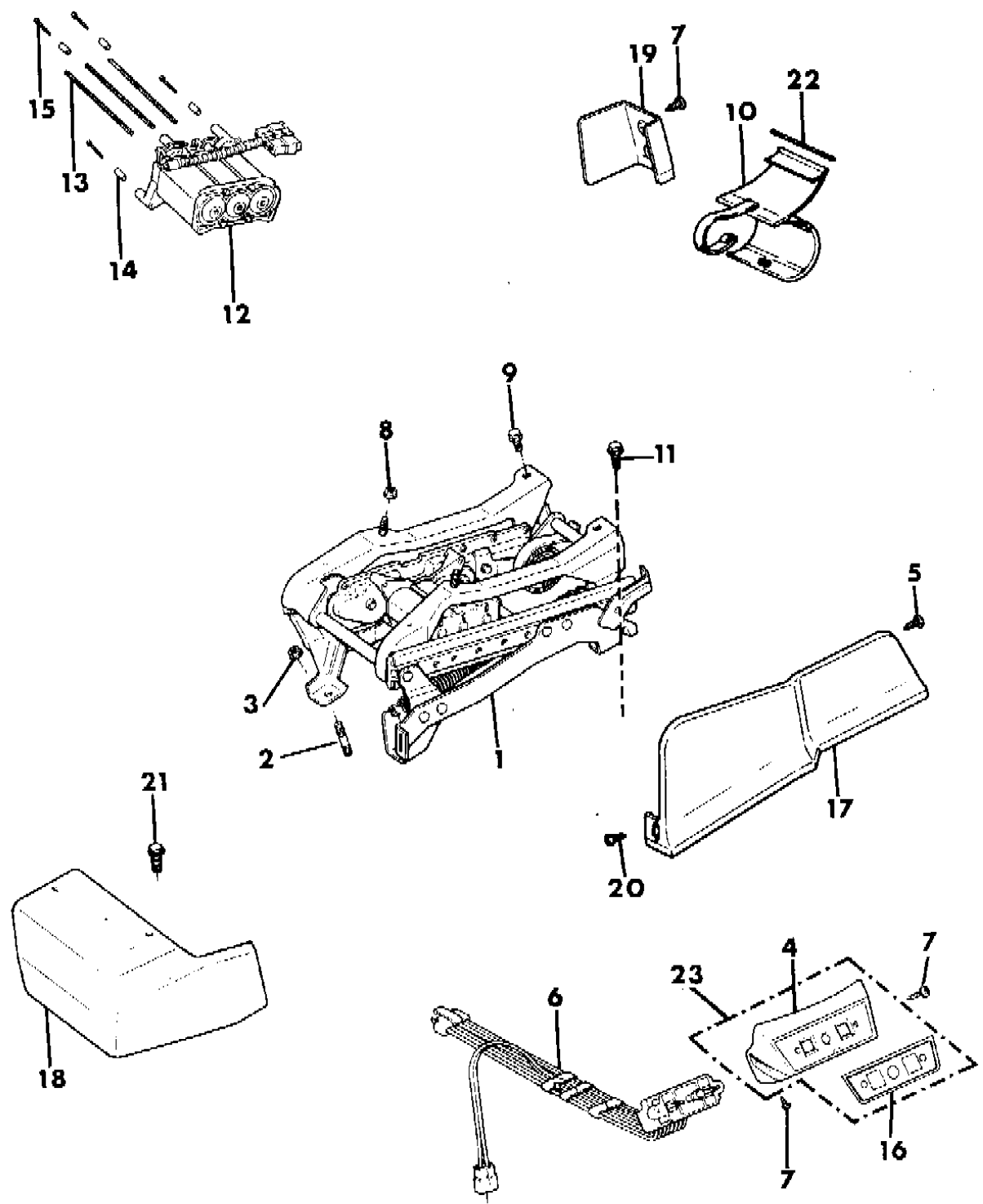
8J43 2800 A

ITEM	PART NUMBER	QTY	BODY	MODEL	DESCRIPTION
	5500 8787	1			Left
					1990
	5AD5 8JY6	1			Right
	5AD0 9JY6	1			Left
19					Cover, Track, P.A.R. ***
					1987-89
	5500 6134	1			Passenger Seat
	5500 6135	1			Driver seat
					1990
	5AD1 0JY6	1			Passenger Seat
	5AD1 1JY6	1			Driver Seat
20					SCREW
	1150 1012	12			1987-89
	J400 2461	12			1990
21	3420 1314	4			SCREW
22	5500 3346	2			WIRE, Cover
23					BEZEL AND OVERLAY ASSY ***
					Right
					Wagoneer
	5AK4 6JH9	1			Cordovan
	5AK4 6JY6	1			Sand
					Except Wagoneer
	5AD3 4JA8	1			Charcoal
	5AD3 4JH9	1			Cordovan
	5AD3 4JY1	1			Sand
	5AD3 4KY6	1			Dk. Sand
					Left
					Wagoneer
	5AK4 7JH9	1			Cordovan
	5AK4 7JY6	1			Sand
					Except Wagoneer
	5AD3 5JA8	1			Charcoal
	5AD3 5JH9	1			Cordovan
	5AD3 5JY1	1			Sand
	5AD3 5KY6	1			Dk. Sand

MODEL CODES:  
 15 = Grand Wagoneer 4 Dr.      65 = Comanche 4WD-7 Ft. Box      77 = Cherokee 4WD-2 Dr.  
 25 = J-10 Pickup-119" W.B.      66 = Comanche 2WD-7 Ft. Box      78 = Cherokee 4WD-4 Dr.  
 26 = J-10 Pickup-131" W.B.      73 = Cherokee 2WD-2 Dr.      79 = Cherokee 4WD-4 Dr.-Com  
 27 = J-20 Pickup-131" W.B.      74 = Cherokee 2WD-4 Dr.      81 = Wrangler-93" W.B.  
 63 = Comanche 4WD-6 Ft. Box      75 = Wagoneer 4WD-4 Dr.      82 = Wrangler-103" W.B.-Exp.  
 64 = Comanche 2WD-6 Ft. Box

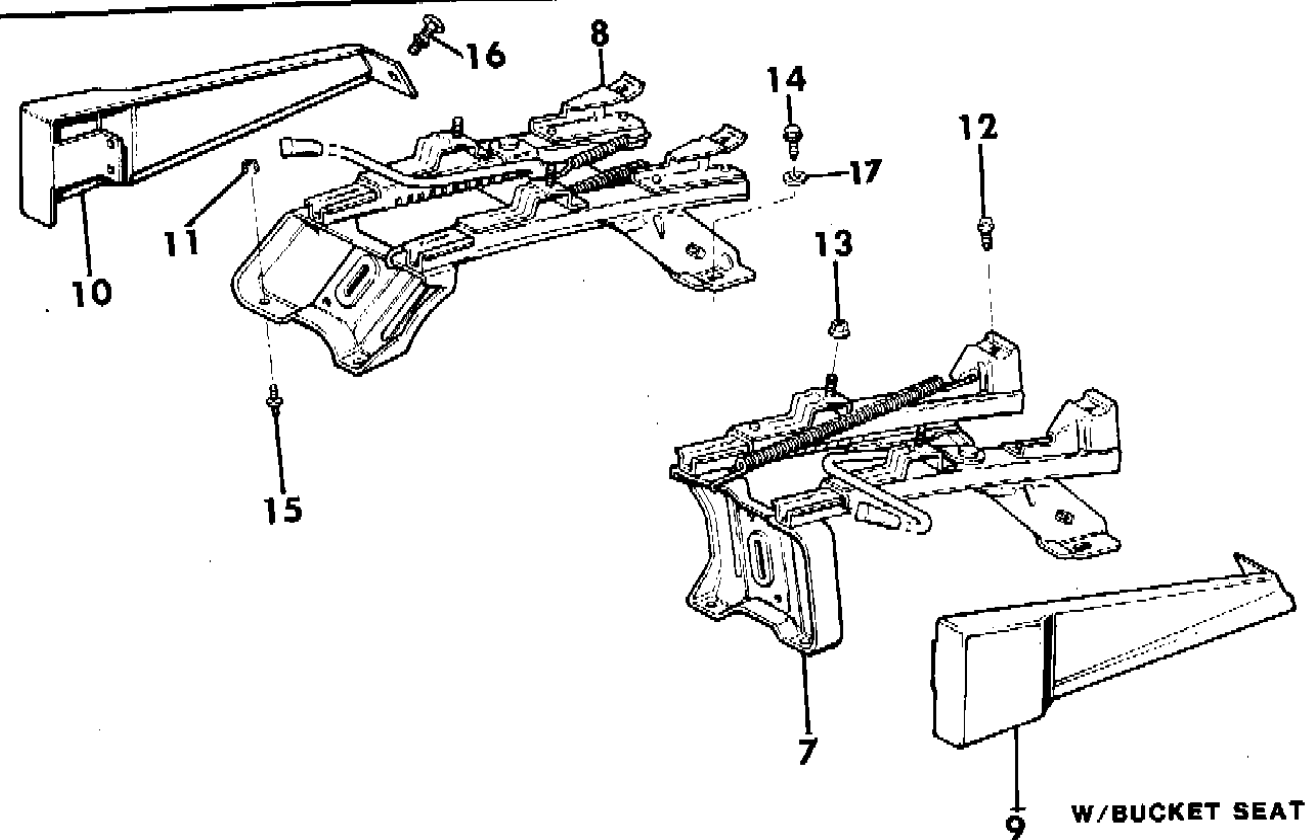
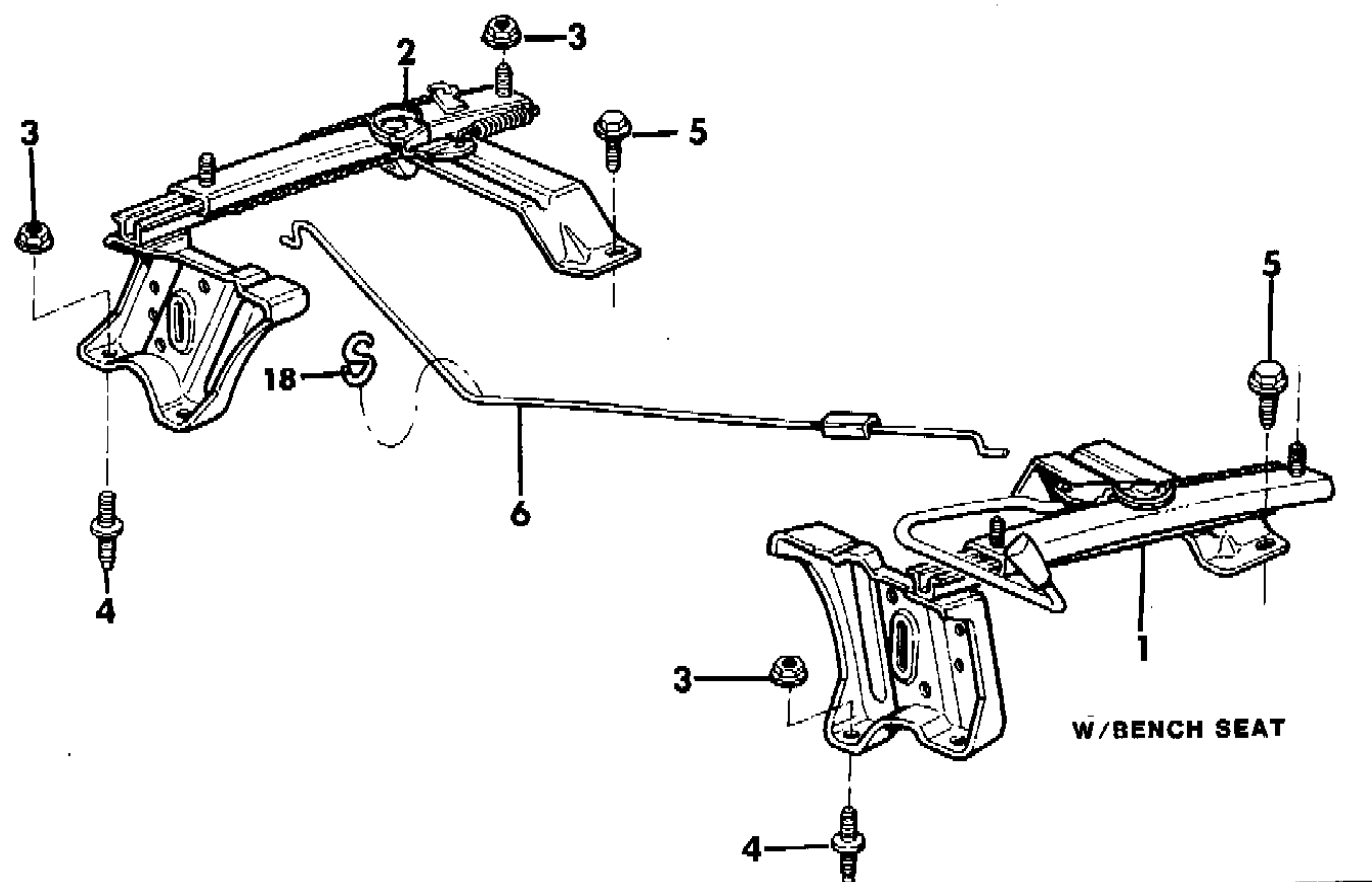
BODY STYLES:  
 MJ = Comanche Pickup  
 SJ = Grand Wagoneer Wgn., J-10 & J-20 Pickups  
 XJ = Cherokee, Wagoneer Limited  
 YJ = Wrangler

AR = Use as Required - = Non Illustrated Part P.A.R. = Paint as Required



TRACKS, SEAT COMANCHE  
Figure 43-2900

8J43 2900 A



ITEM	PART NUMBER	QTY	BODY	MODEL	DESCRIPTION
1	5500 4295	1			TRACK, Seat, Left
2	5500 4294	1			TRACK, Seat, Right
3	1150 2811	8			NUT
4	3420 2209	4			STUD
5	3420 1257	4			SCREW
6	5501 4302	1			WIRE, Seat Adjuster
7	5500 4297	1			TRACK, Seat, Left
8	5500 4296	1			TRACK, Seat, Right
9					COVER, Track, Left, P.A.R.
	5500 6483	1		1987-89	
	5AD5 1JY6	1		1990	
10					COVER, Track, Right, P.A.R.
	5500 6482	1		1987-89	
	5AD5 0JY6	1		1990	
11	1150 2811	8			NUT
12	1150 4735	4			BOLT
13	1150 2729	4			NUT
14					SCREW
	3420 1888	4		1987	
	3420 1257	4		1988-89	
15	3420 2209	4			STUD
16	3420 2138	AR			FASTENER
17	1150 0323	4			WASHER
18	5500 9257	2			GUIDE, track connector wire assembly

MODEL CODES:

15 = Grand Wagoneer 4 Dr.	65 = Comanche 4WD-7 Ft. Box	77 = Cherokee 4WD-2 Dr.
25 = J-10 Pickup-119" W.B.	66 = Comanche 2WD-7 Ft. Box	78 = Cherokee 4WD-4 Dr.
26 = J-10 Pickup-131" W.B.	73 = Cherokee 2WD-2 Dr.	79 = Cherokee 4WD-4 Dr.-Com
27 = J-20 Pickup-131" W.B.	74 = Cherokee 2WD-4 Dr.	81 = Wrangler-93" W.B.
63 = Comanche 4WD-6 Ft. Box	75 = Wagoneer 4WD-4 Dr.	82 = Wrangler-103" W.B.-Exp.
64 = Comanche 2WD-6 Ft. Box		

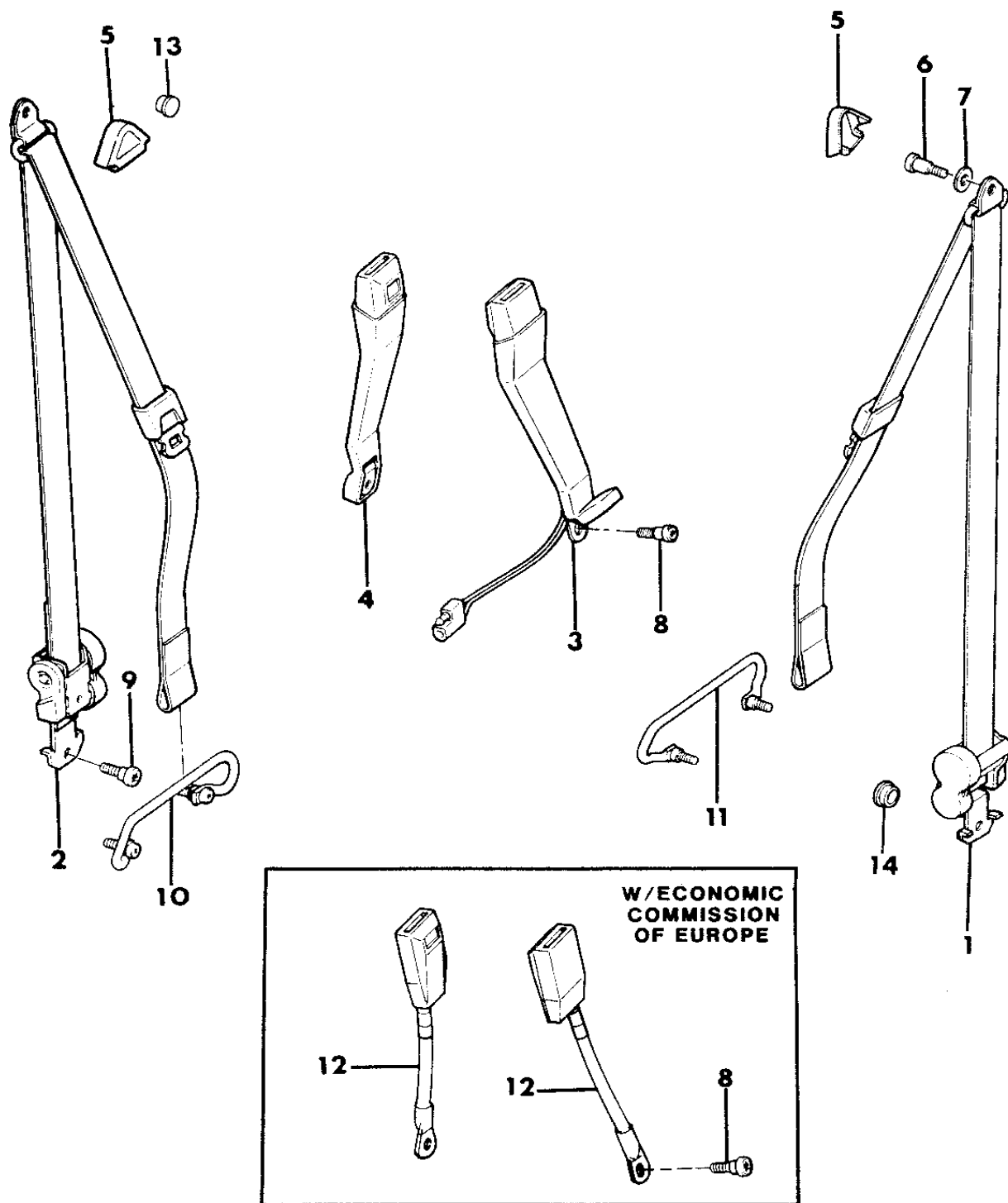
BODY STYLES:

MJ = Comanche Pickup
SJ = Grand Wagoneer Wgn., J-10 & J-20 Pickups
XJ = Cherokee, Wagoneer Limited
YJ = Wrangler

AR = Use as Required - = Non Illustrated Part P.A.R. = Paint as Required

**SEATBELTS, FRONT SEAT 2 DOOR WAGON CHEROKEE**  
**Figure 43-3000**

8J433000



ITEM	PART NUMBER	QTY	BODY	MODEL	DESCRIPTION
1-2					SEATBELT ***
					1987-89
	5501 3006-7	1			Black, 1987
	5501 3008-9	1			Med. Blue, 1987
	5501 3012-3	1			Cordovan, 1987
	5500 5582	2			Oatmeal, (ECE), 1987
	5501 3010-1	1			Tan
	5502 0458-9	1			Charcoal, 1988
	5502 1900-1	1			Charcoal, 1989
	5501 9074-5	1			Cordovan, 1988
	5502 1906-7	1			Cordovan, 1989
	5502 0460-1	1			Navy, 1988
	5502 1902-3	1			Navy, 1989
	5502 5286-7	1			Sand, 1989
	5501 9072-3	1			Tan, 1988
	5500 5580	2			Black (ECE), 1987-90
					1990
	5AX10-1 JA8	1			Charcoal
	5AX10-1 JY6	1			Sand
	5AX10-1 JH9	1			Cordovan
3					SEATBELT, Left inboard ***
					1987
	5501 5061	1			Black
	5501 5063	1			Med. Blue
	5501 5067	1			Cordovan
	5501 5065	1			Tan
					1988-89
	5501 7893	1			Charcoal
	5501 9059	1			Cordovan
	5501 7897	1			Navy
	5502 0659	1			Sand
	5501 9057	1			Tan
					1990
	5AF5 1JA8	1			Charcoal
	5AF5 1JH9	1			Cordovan
	5AF5 1JY6	1			Sand
4					SEATBELT, Right inboard ***

**MODEL CODES:**

15 = Grand Wagoneer 4 Dr.	65 = Comanche 4WD-7 Ft. Box	77 = Cherokee 4WD-2 Dr.
25 = J-10 Pickup-119" W.B.	66 = Comanche 2WD-7 Ft. Box	78 = Cherokee 4WD-4 Dr.
26 = J-10 Pickup-131" W.B.	73 = Cherokee 2WD-2 Dr.	79 = Cherokee 4WD-4 Dr.-Com
27 = J-20 Pickup-131" W.B.	74 = Cherokee 2WD-4 Dr.	81 = Wrangler-93" W.B.
63 = Comanche 4WD-6 Ft. Box	75 = Wagoneer 4WD-4 Dr.	82 = Wrangler-103" W.B.-Exp.
64 = Comanche 2WD-6 Ft. Box		

**BODY STYLES:**

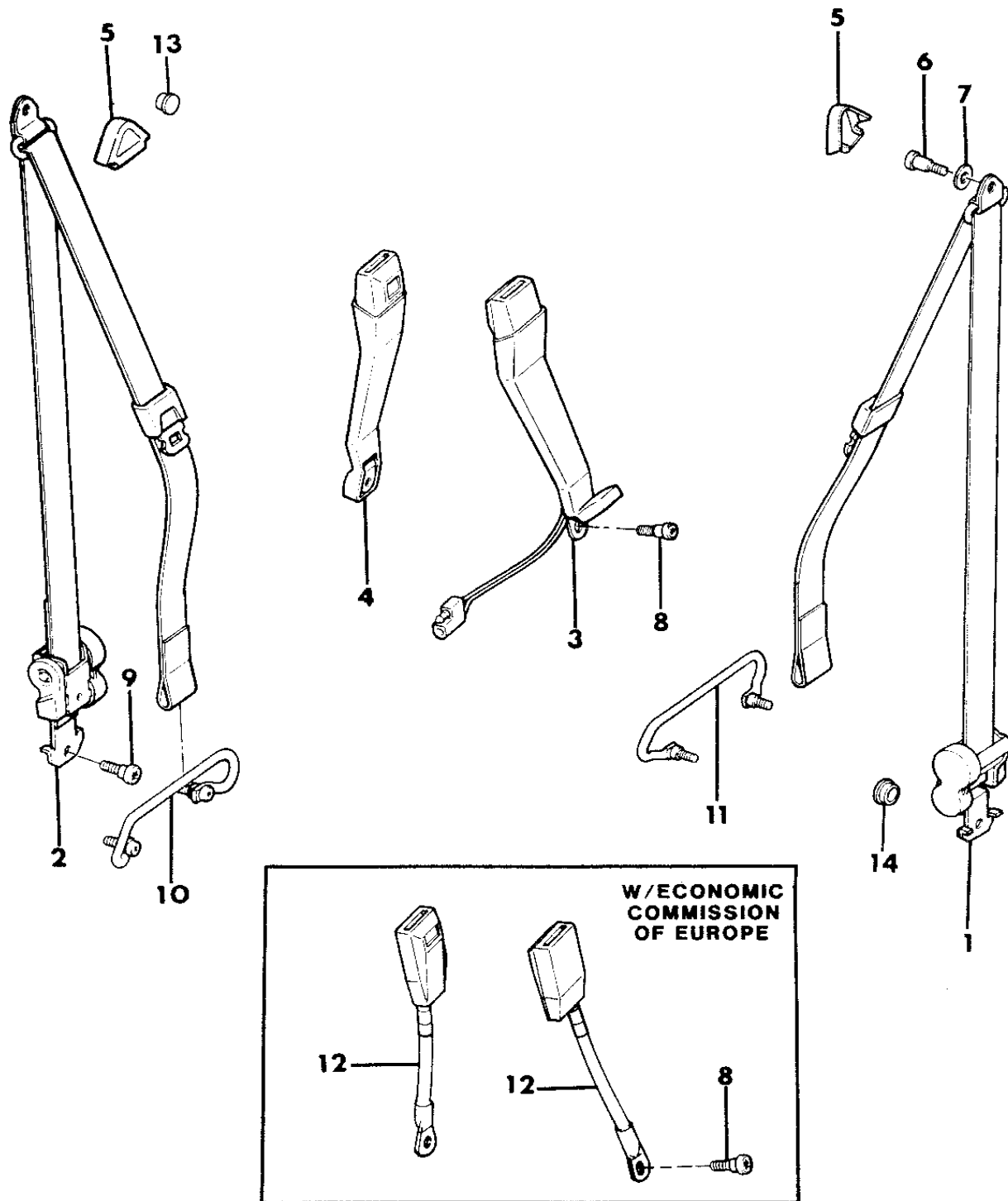
MJ = Comanche Pickup  
 SJ = Grand Wagoneer Wgn., J-10 & J-20 Pickups  
 XJ = Cherokee, Wagoneer Limited  
 YJ = Wrangler

AR = Use as Required - = Non Illustrated Part P.A.R. = Paint as Required



SEATBELTS, FRONT SEAT 2 DOOR WAGON CHEROKEE  
Figure 43-3000

8J433000



ITEM	PART NUMBER	QTY	BODY	MODEL	DESCRIPTION
					1987
	5500 8698	1			Black
	5500 8696	1			Med. Blue
	5501 3232	1			Cordovan
	5501 3230	1			Tan
					1988-89
	5501 7890	1			Charcoal
	5501 9058	1			Cordovan
	5501 7894	1			Navy
	5502 0658	1			Sand
	5501 9056	1			Tan
					1990
	5AF7 0JA8	1			Charcoal
	5AF7 0JH9	1			Cordovan
	5AF7 0JY6	1			Sand
5					COVER, Web Guide, P.A.R.
	3500 7352	2			w/1987 Type Seatbelt
	5502 1388	2			w/1988 Type Seatbelt
	5502 1388	2			1989, (ECE)
	5AC8 4JY1	2			1990, (ECE)
6	J400 7124	2			BOLT
7	J400 7315	2			WASHER
8	J400 6366	2			BOLT
9	J400 5505	2			BOLT
10	5500 2948	1			BAR, Slide, Right
11	5500 2949	1			BAR, Slide, Left
12	5500 5588	2			SEATBELT (ECE) ***
13					COVER, Bolt
	3502 3040	2			P.A.R., 1989
	5AB9 6HA8	2			Charcoal, 1990
	5AB9 6JH9	2			Cordovan, 1990
	5AB9 6JY6	2			Sand, 1990
14					COVER, Bolt
	3420 2551	2			P.A.R., 1988-89
	5AB2 2JA8	2			Charcoal, 1990
	5AB2 2JH9	2			Cordovan, 1990
	5AB2 2JY6	2			Sand, 1990

MODEL CODES:

15 = Grand Wagoneer 4 Dr.	65 = Comanche 4WD-7 Ft. Box	77 = Cherokee 4WD-2 Dr.
25 = J-10 Pickup-119" W.B.	66 = Comanche 2WD-7 Ft. Box	78 = Cherokee 4WD-4 Dr.
26 = J-10 Pickup-131" W.B.	73 = Cherokee 2WD-2 Dr.	79 = Cherokee 4WD-4 Dr.-Com
27 = J-20 Pickup-131" W.B.	74 = Cherokee 2WD-4 Dr.	81 = Wrangler-93" W.B.
63 = Comanche 4WD-6 Ft. Box	75 = Wagoneer 4WD-4 Dr.	82 = Wrangler-103" W.B.-Exp.
64 = Comanche 2WD-6 Ft. Box		

BODY STYLES:

MJ = Comanche Pickup  
 SJ = Grand Wagoneer Wgn., J-10 & J-20 Pickups  
 XJ = Cherokee, Wagoneer Limited  
 YJ = Wrangler

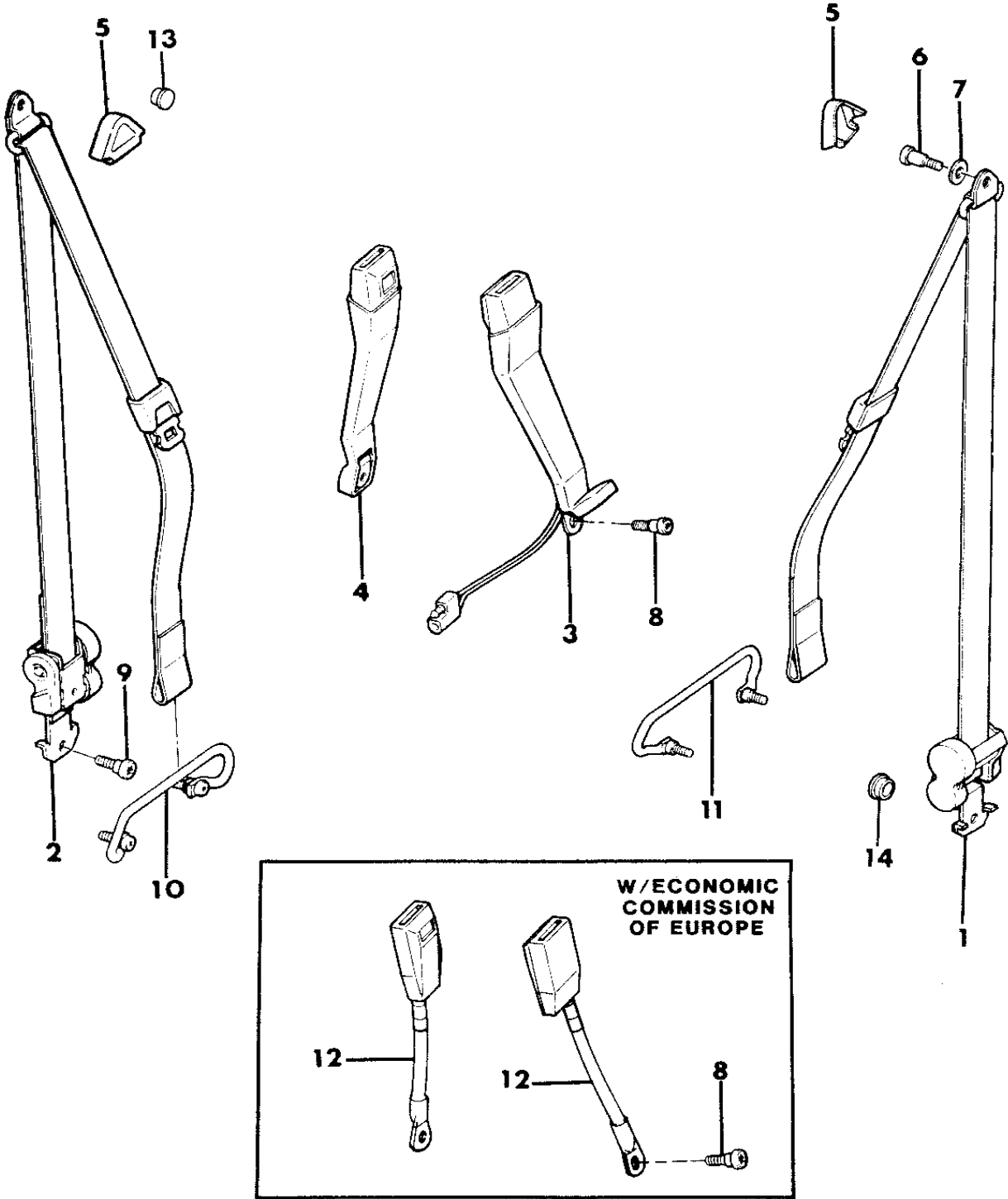
AR = Use as Required - = Non Illustrated Part P.A.R. = Paint as Required

**SEATBELTS, FRONT SEAT 2 DOOR WAGON CHEROKEE**  
**Figure 43-3000**

**8J433000**

ITEM	PART NUMBER	QTY	BODY	MODEL	DESCRIPTION
------	-------------	-----	------	-------	-------------

(ECE) = Economic Commission of Europe Tag affixed to the Face of its Pulley. A Second Tag will show the name of the Vendor (OGURA).



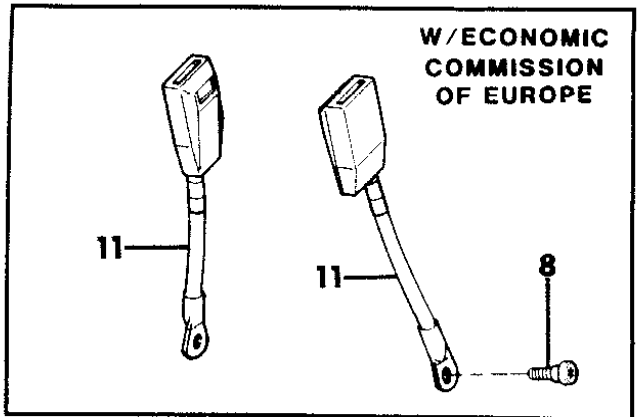
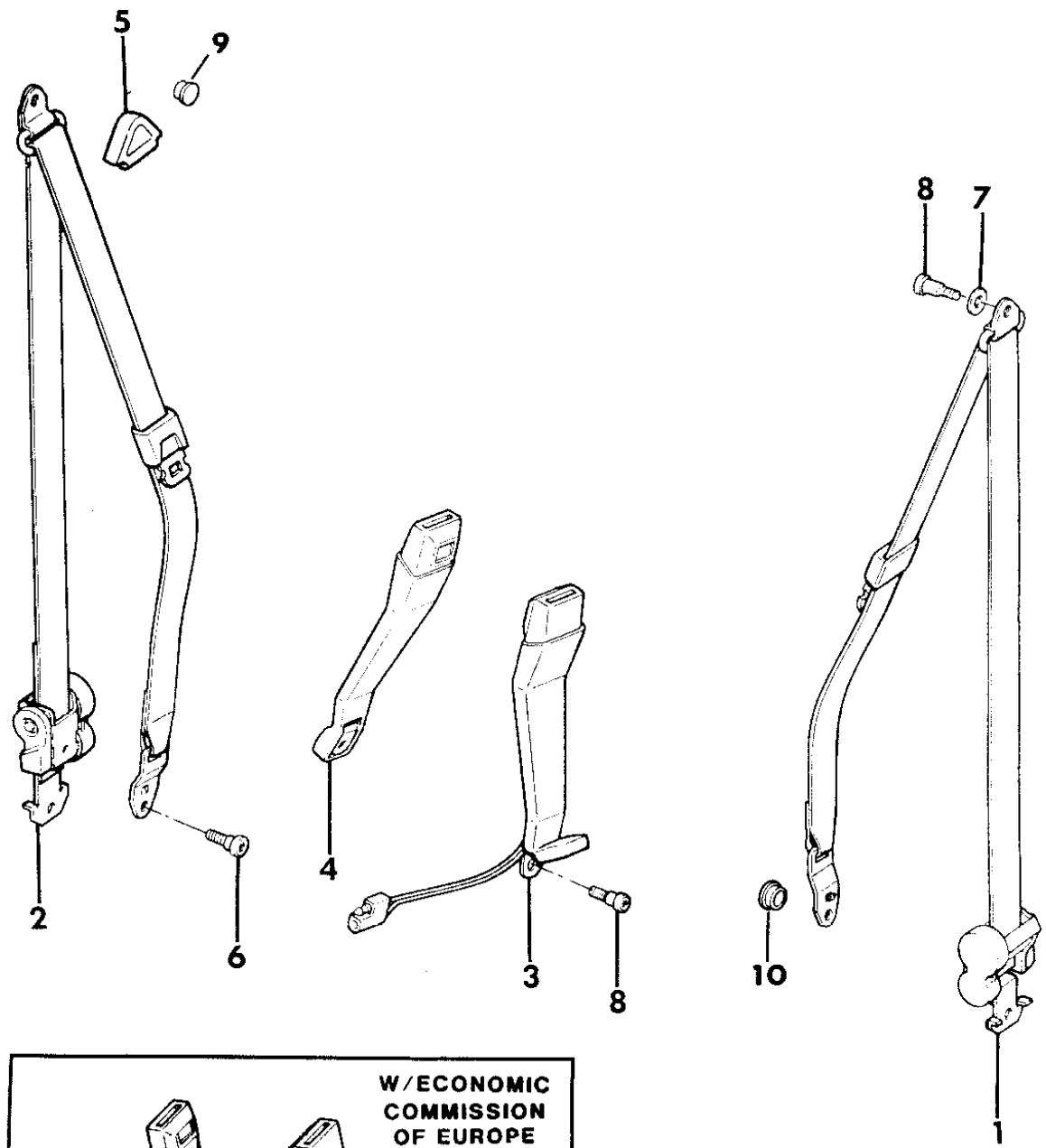
- MODEL CODES:**
- |                             |                             |                              |
|-----------------------------|-----------------------------|------------------------------|
| 15 = Grand Wagoneer 4 Dr.   | 65 = Comanche 4WD-7 Ft. Box | 77 = Cherokee 4WD-2 Dr.      |
| 25 = J-10 Pickup-119" W.B.  | 66 = Comanche 2WD-7 Ft. Box | 78 = Cherokee 4WD-4 Dr.      |
| 26 = J-10 Pickup-131" W.B.  | 73 = Cherokee 2WD-2 Dr.     | 79 = Cherokee 4WD-4 Dr.-Com  |
| 27 = J-20 Pickup-131" W.B.  | 74 = Cherokee 2WD-4 Dr.     | 81 = Wrangler-93" W.B.       |
| 63 = Comanche 4WD-6 Ft. Box | 75 = Wagoneer 4WD-4 Dr.     | 82 = Wrangler-103" W.B.-Exp. |
| 64 = Comanche 2WD-6 Ft. Box |                             |                              |

- BODY STYLES:**  
 MJ = Comanche Pickup  
 SJ = Grand Wagoneer Wgn., J-10 & J-20 Pickups  
 XJ = Cherokee, Wagoneer Limited  
 YJ = Wrangler

AR = Use as Required - = Non Illustrated Part P.A.R. = Paint as Required

**SEATBELTS, FRONT SEAT 4 DOOR WAGON CHEROKEE, WAGONEER**  
**Figure 43-3100**

8J43 3100



ITEM	PART NUMBER	QTY	BODY	MODEL	DESCRIPTION
1-2					SEATBELT ***
					1987
	5501 2996-7	1			Black
	5501 2998-9	1			Med. Blue
	5501 3002-3	1			Cordovan
	5501 3000-1	1			Tan
	5500 5574-5	1			Oatmeal (ECE)
					1988-89
	5502 0454-5	1			Charcoal, 1988
	5502 1630-1	1			Charcoal, 1989
	5501 9066-7	1			Cordovan, 1988
	5502 1636-7	1			Cordovan, 1989
	5502 0456-7	1			Navy, 1988
	5502 1632-3	1			Navy, 1989
	5501 9064-5	1			Tan, 1988
	5502 1896-7	1			Sand, 1989
	5500 5572-3	1			Black (ECE)
					1990
	5AJ40-1 JA8	1			Charcoal
	5AJ40-1 JH9	1			Cordovan
	5AJ40-1 JY6	1			Sand
	5BD18-9 JX9	1			Black, (ECE)
3					SEATBELT, Left, inboard ***
					1987
	5501 5061	1			Black
	5501 5063	1			Med. Blue
	5501 5067	1			Cordovan
	5501 5065	1			Tan
					1988-89
	5501 7893	1			Charcoal
	5501 9059	1			Cordovan
	5501 7897	1			Navy
	5501 9057	1			Tan
	5502 0659	1			Sand
					1990
	5AF5 1JA8	1			Charcoal
	5AF5 1JH9	1			Cordovan

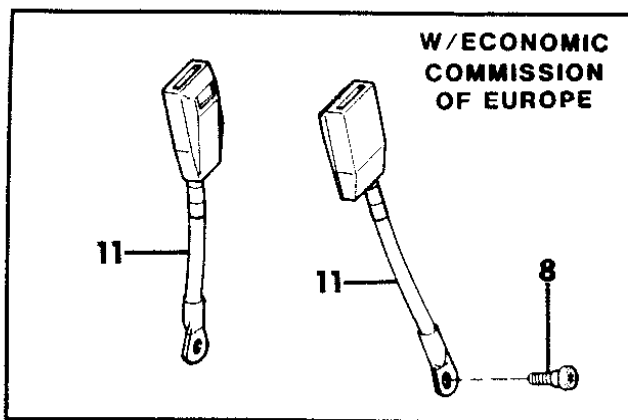
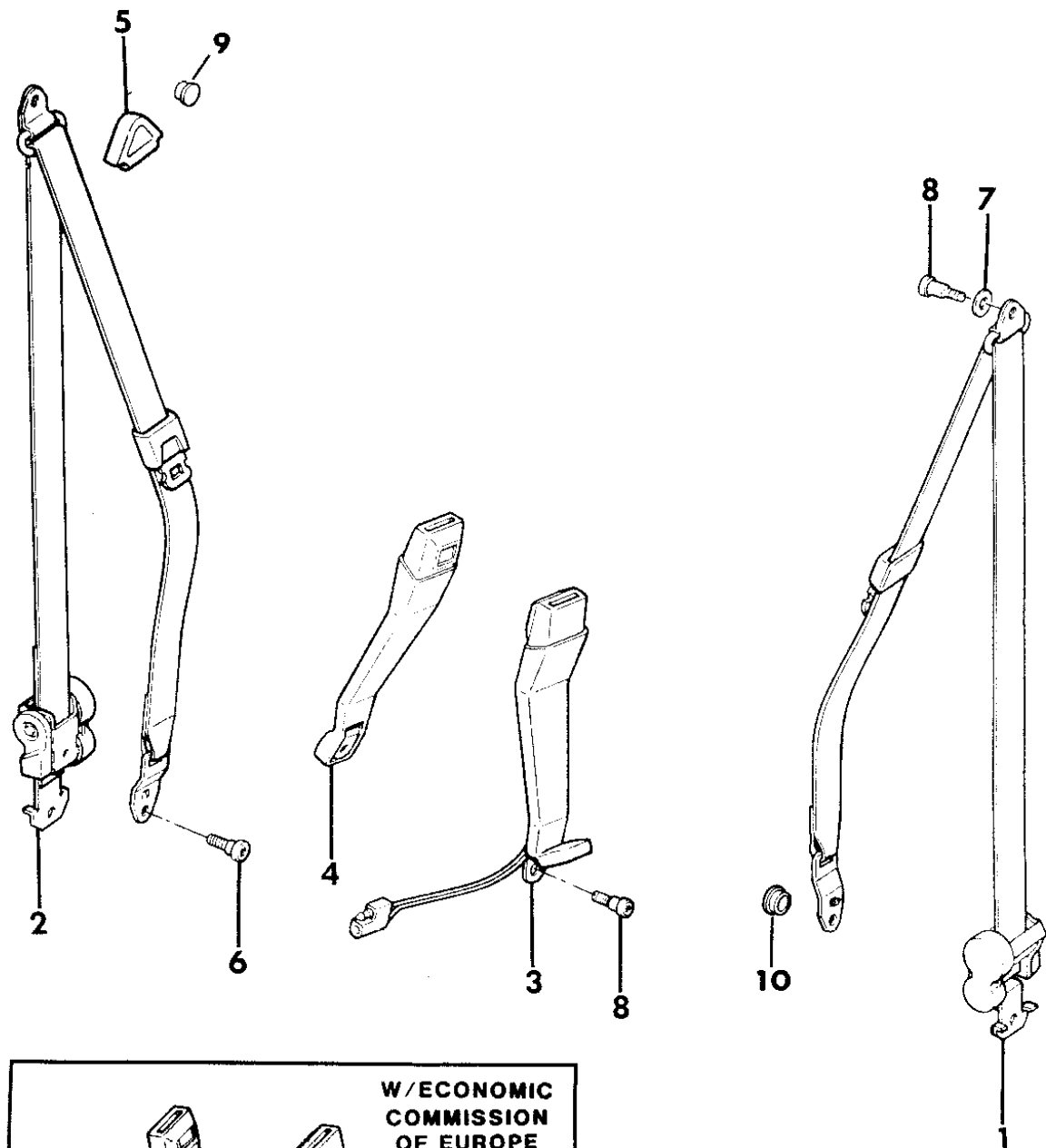
MODEL CODES:  
 15 = Grand Wagoneer 4 Dr.      65 = Comanche 4WD-7 Ft. Box      77 = Cherokee 4WD-2 Dr.  
 25 = J-10 Pickup-119" W.B.      66 = Comanche 2WD-7 Ft. Box      78 = Cherokee 4WD-4 Dr.  
 26 = J-10 Pickup-131" W.B.      73 = Cherokee 2WD-2 Dr.      79 = Cherokee 4WD-4 Dr.-Com  
 27 = J-20 Pickup-131" W.B.      74 = Cherokee 2WD-4 Dr.      81 = Wrangler-93" W.B.  
 63 = Comanche 4WD-6 Ft. Box      75 = Wagoneer 4WD-4 Dr.      82 = Wrangler-103" W.B.-Exp.  
 64 = Comanche 2WD-6 Ft. Box

BODY STYLES:  
 MJ = Comanche Pickup  
 SJ = Grand Wagoneer Wgn., J-10 & J-20 Pickups  
 XJ = Cherokee, Wagoneer Limited  
 YJ = Wrangler

AR = Use as Required - = Non Illustrated Part P.A.R. = Paint as Required

SEATBELTS, FRONT SEAT 4 DOOR WAGON CHEROKEE, WAGONEER  
Figure 43-3100

8J43 3100



ITEM	PART NUMBER	QTY	BODY	MODEL	DESCRIPTION
	5AF5 1JY6	1			Sand
4					SEATBELT, Right, inboard *** 1987
	5500 8698	1			Black
	5500 8696	1			Med. Blue
	5501 3232	1			Cordovan
	5501 3230	1			Tan
					1988-89
	5501 7890	1			Charcoal
	5501 9058	1			Cordovan
	5501 7894	1			Navy
	5501 9056	1			Tan
	5502 0658	1			Sand
					1990
	5AF7 0JA8	1			Charcoal
	5AF7 0JH9	1			Cordovan
	5AF7 0JY6	1			Sand
5					COVER, Web Guide, P.A.R.
	3500 7352	2			w/1987 Type Seatbelt
	5502 1388	2			w/1988 Type Seatbelt
	5502 1388	2			1989, (ECE)
	5AC8 4JY1	2			1990, (ECE), P.A.R.
6	J400 5505	2			BOLT
7	J400 7315	2			WASHER
8	J400 7124	4			BOLT, 1987
	J400 6366	4			1988-90
9					COVER, Bolt
	3502 3040	2			P.A.R., 1989
	5AB9 6HA8	2			Charcoal, 1990
	5AB9 6JH9	2			Cordovan, 1990
	5AB9 6JY6	2			Sand, 1990
10					COVER, Bolt
	3420 2551	2			P.A.R., 1988/89
	5AB2 2JA8	2			Charcoal, 1990
	5AB2 2JH9	2			Cordovan, 1990
	5AB2 2JY6	2			Sand, 1990
11	5500 5588	2			SEATBELT (ECE) ***

MODEL CODES:

15 = Grand Wagoneer 4 Dr.	65 = Comanche 4WD-7 Ft. Box	77 = Cherokee 4WD-2 Dr.
25 = J-10 Pickup-119" W.B.	66 = Comanche 2WD-7 Ft. Box	78 = Cherokee 4WD-4 Dr.
26 = J-10 Pickup-131" W.B.	73 = Cherokee 2WD-2 Dr.	79 = Cherokee 4WD-4 Dr.-Com
27 = J-20 Pickup-131" W.B.	74 = Cherokee 2WD-4 Dr.	81 = Wrangler-93" W.B.
63 = Comanche 4WD-6 Ft. Box	75 = Wagoneer 4WD-4 Dr.	82 = Wrangler-103" W.B.-Exp.
64 = Comanche 2WD-6 Ft. Box		

BODY STYLES:

MJ = Comanche Pickup  
SJ = Grand Wagoneer Wgn., J-10 & J-20 Pickups  
XJ = Cherokee, Wagoneer Limited  
YJ = Wrangler

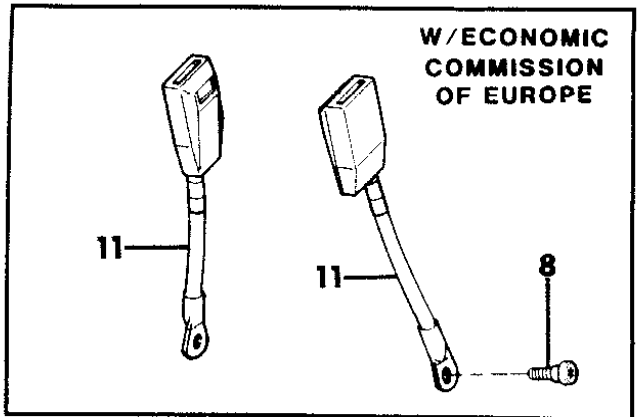
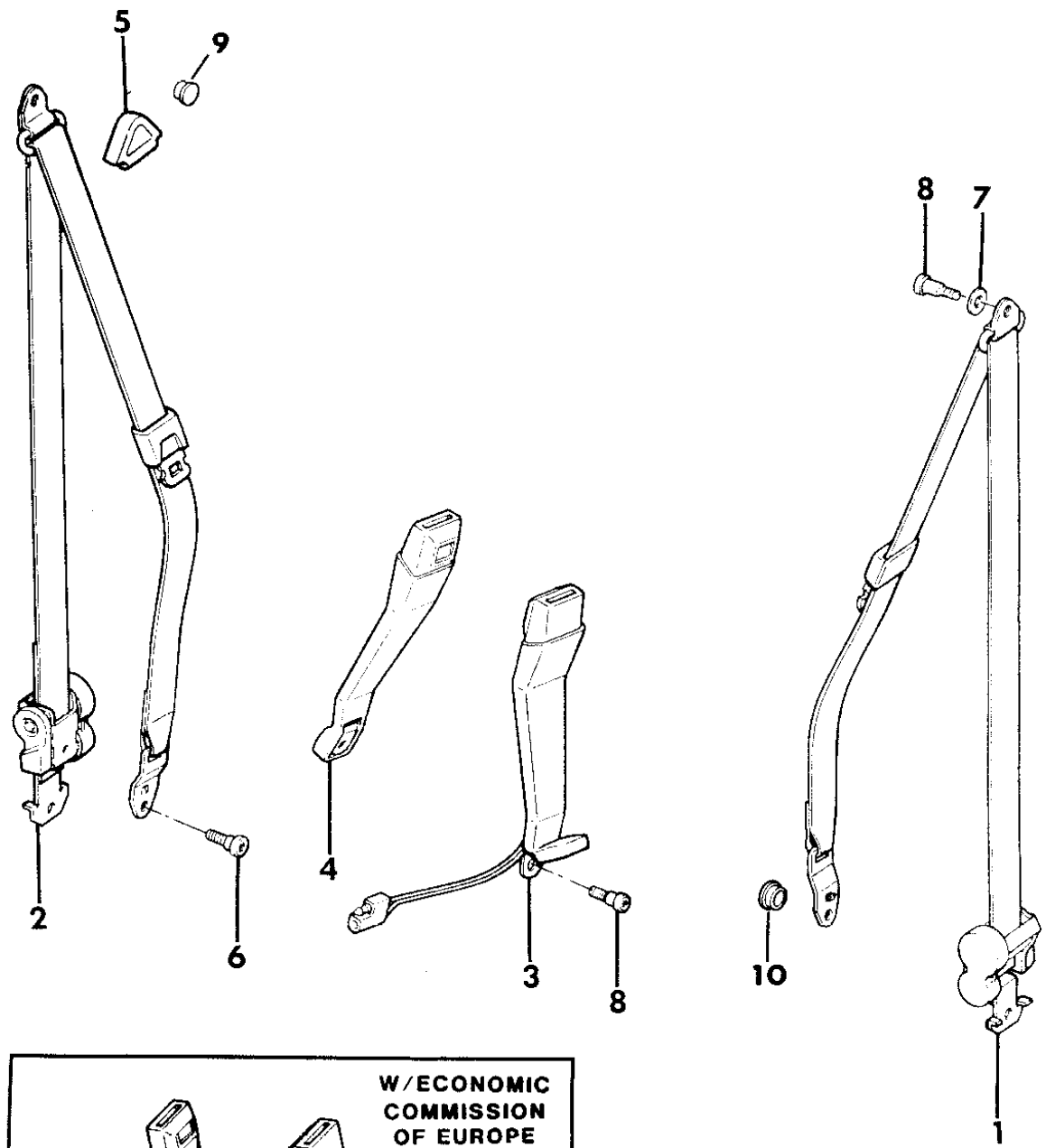
AR = Use as Required - = Non Illustrated Part P.A.R. = Paint as Required

**SEATBELTS, FRONT SEAT 4 DOOR WAGON CHEROKEE, WAGONEER**  
**Figure 43-3100**

8J43 3100

ITEM	PART NUMBER	QTY	BODY	MODEL	DESCRIPTION
------	-------------	-----	------	-------	-------------

(ECE) = Economic Commission of Europe Tag affixed to the Face of its Pulley. A Second Tag will show the name of the Vendor (OGURA).



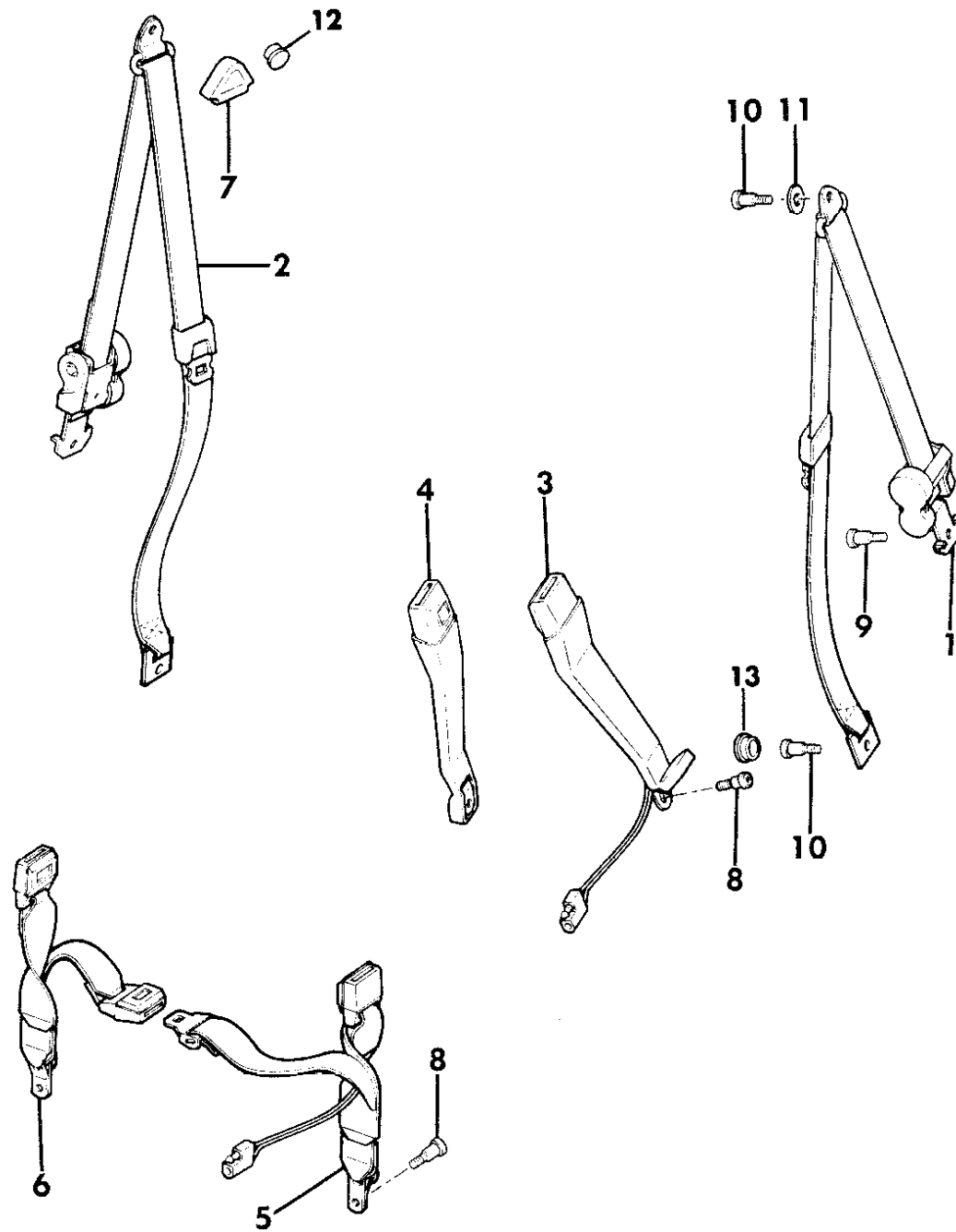
- MODEL CODES:**
- |                             |                             |                              |
|-----------------------------|-----------------------------|------------------------------|
| 15 = Grand Wagoneer 4 Dr.   | 65 = Comanche 4WD-7 Ft. Box | 77 = Cherokee 4WD-2 Dr.      |
| 25 = J-10 Pickup-119" W.B.  | 66 = Comanche 2WD-7 Ft. Box | 78 = Cherokee 4WD-4 Dr.      |
| 26 = J-10 Pickup-131" W.B.  | 73 = Cherokee 2WD-2 Dr.     | 79 = Cherokee 4WD-4 Dr.-Com  |
| 27 = J-20 Pickup-131" W.B.  | 74 = Cherokee 2WD-4 Dr.     | 81 = Wrangler-93" W.B.       |
| 63 = Comanche 4WD-6 Ft. Box | 75 = Wagoneer 4WD-4 Dr.     | 82 = Wrangler-103" W.B.-Exp. |
| 64 = Comanche 2WD-6 Ft. Box |                             |                              |

- BODY STYLES:**
- MJ = Comanche Pickup
  - SJ = Grand Wagoneer Wgn., J-10 & J-20 Pickups
  - XJ = Cherokee, Wagoneer Limited
  - YJ = Wrangler

AR = Use as Required - = Non Illustrated Part P.A.R. = Paint as Required

**SEATBELTS COMANCHE**  
Figure 43-3200

8J43 3200



ITEM	PART NUMBER	QTY	BODY	MODEL	DESCRIPTION
1-2					SEATBELT ***
					1987
	5501 3272-3	1			Black
	5501 3274-5	1			Medium Blue
	5501 3278-9	1			Cordovan
	5501 3276-7	1			Tan
					1988-89
	5502 0464-5	1			Charcoal, 1988
	5502 1646-7	1			Charcoal, 1989
	5501 9636-7	1			Cordovan, 1988
	5502 1652-3	1			Cordovan, 1989
	5502 0466-7	1			Navy, 1988
	5502 1648-9	1			Navy, 1989
	5501 9634-5	1			Tan, 1988
	5502 1912-3	1			Sand, 1989
					1990
	5AJ44-5 JA8	1			Charcoal
	5AJ44-5 JH9	1			Cordovan
	5AJ44-5 JY6	1			Sand
3					SEATBELT, Left, Inboard ***
					1987
	5501 5061	1			Black
	5501 5063	1			Medium Blue
	5501 5067	1			Cordovan
	5501 5065	1			Tan
					1988-89
	5501 7893	1			Charcoal
	5501 9059	1			Cordovan
	5501 7897	1			Navy
	5501 9057	1			Tan
	5502 0659	1			Sand
					1990
	5AF5 1JA8	1			Charcoal
	5AF5 1JH9	1			Cordovan
	5AF5 1JY6	1			Sand
4					SEATBELT, Right, Inboard ***
					1987

MODEL CODES:

15 = Grand Wagoneer 4 Dr.	65 = Comanche 4WD-7 Ft. Box	77 = Cherokee 4WD-2 Dr.
25 = J-10 Pickup-119" W.B.	66 = Comanche 2WD-7 Ft. Box	78 = Cherokee 4WD-4 Dr.
26 = J-10 Pickup-131" W.B.	73 = Cherokee 2WD-2 Dr.	79 = Cherokee 4WD-4 Dr.-Com
27 = J-20 Pickup-131" W.B.	74 = Cherokee 2WD-4 Dr.	81 = Wrangler-93" W.B.
63 = Comanche 4WD-6 Ft. Box	75 = Wagoneer 4WD-4 Dr.	82 = Wrangler-103" W.B.-Exp.
64 = Comanche 2WD-6 Ft. Box		

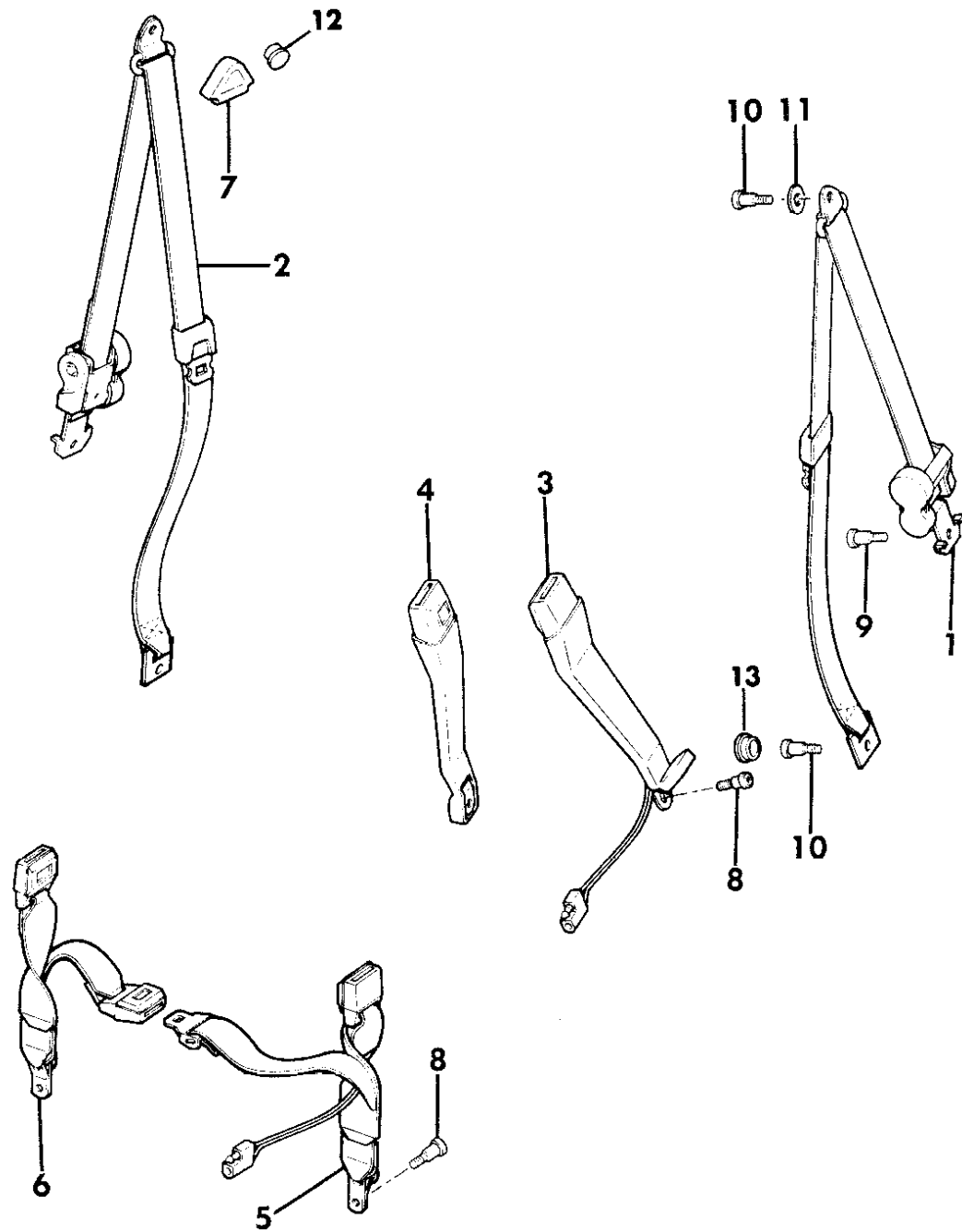
BODY STYLES:

MJ = Comanche Pickup  
 SJ = Grand Wagoneer Wgn., J-10 & J-20 Pickups  
 XJ = Cherokee, Wagoneer Limited  
 YJ = Wrangler

AR = Use as Required - = Non Illustrated Part P.A.R. = Paint as Required

**SEATBELTS COMANCHE**  
Figure 43-3200

8J43 3200



ITEM	PART NUMBER	QTY	BODY	MODEL	DESCRIPTION
	5500 8698	1			Black
	5500 8696	1			Medium Blue
	5501 3232	1			Cordovan
	5501 3230	1			Tan
					1988-89
	5501 7890	1			Charcoal
	5501 9058	1			Cordovan
	5501 7894	1			Navy
	5501 9056	1			Tan
	5502 0658	1			Sand
					1990
	5AF7 0JA8	1			Charcoal
	5AF7 0JH9	1			Cordovan
	5AF7 0JY6	1			Sand
5					SEATBELT, Left, Inboard ***
					1987
	5501 5069	1			Black
	5501 5071	1			Medium Blue
	5501 5075	1			Cordovan
	5501 5073	1			Tan
					1988-89
	5501 7909	1			Charcoal
	5501 9083	1			Cordovan
	5501 7913	1			Navy
	5501 9081	1			Tan
	5502 0665	1			Sand
					1990
	5AF4 7JA8	1			Charcoal
	5AF4 7JH9	1			Cordovan
	5AF4 7JY6	1			Sand
6					SEATBELT, Right, Inboard ***
					1987
	5501 3280	1			Black
	5501 3282	1			Medium Blue
	5501 3286	1			Cordovan
	5501 3284	1			Tan
					1988-89

MODEL CODES:

15 = Grand Wagoneer 4 Dr.	65 = Comanche 4WD-7 Ft. Box	77 = Cherokee 4WD-2 Dr.
25 = J-10 Pickup-119" W.B.	66 = Comanche 2WD-7 Ft. Box	78 = Cherokee 4WD-4 Dr.
26 = J-10 Pickup-131" W.B.	73 = Cherokee 2WD-2 Dr.	79 = Cherokee 4WD-4 Dr.-Com
27 = J-20 Pickup-131" W.B.	74 = Cherokee 2WD-4 Dr.	81 = Wrangler-93" W.B.
63 = Comanche 4WD-6 Ft. Box	75 = Wagoneer 4WD-4 Dr.	82 = Wrangler-103" W.B.-Exp.
64 = Comanche 2WD-6 Ft. Box		

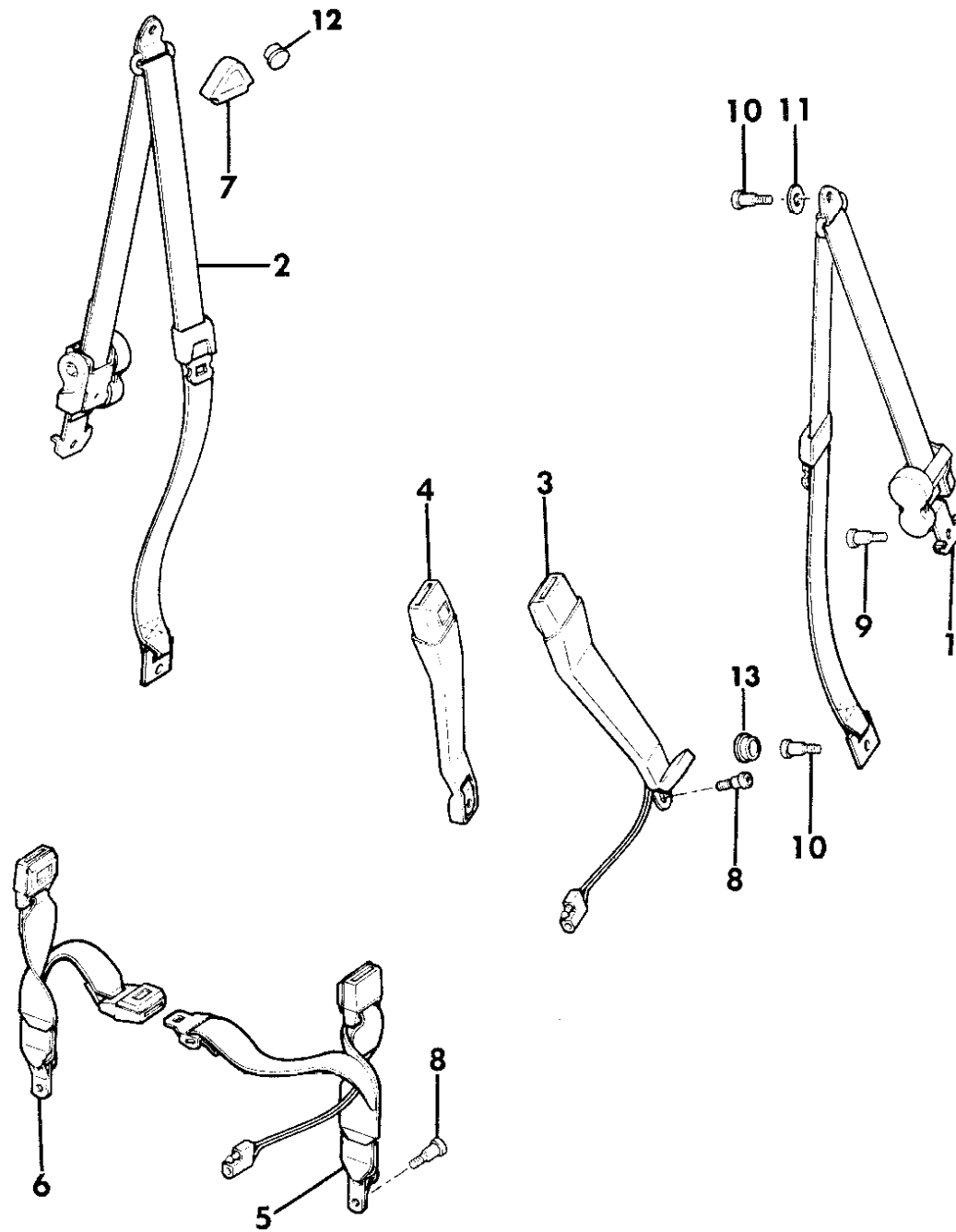
BODY STYLES:

MJ = Comanche Pickup  
 SJ = Grand Wagoneer Wgn., J-10 & J-20 Pickups  
 XJ = Cherokee, Wagoneer Limited  
 YJ = Wrangler

AR = Use as Required - = Non Illustrated Part P.A.R. = Paint as Required

SEATBELTS COMANCHE  
Figure 43-3200

8J43 3200



ITEM	PART NUMBER	QTY	BODY	MODEL	DESCRIPTION
	5501 7906	1			Charcoal
	5501 9082	1			Cordovan
	5501 7910	1			Navy
	5501 9080	1			Tan
	5502 0664	1			Sand
	5AF4 6JA8	1		1990	Charcoal
	5AF4 6JH9	1			Cordovan
	5AF4 6JY6	1			Sand
7	3500 7352	2			COVER, Web Guide used w/ 1988 type seatbelt
	5502 1388	2			1989
8	J400 6366	2			BOLT
9	J400 5505	2			BOLT
10	J400 5507	4			BOLT
11	J400 7315	2			WASHER
12	3502 3040	2			COVER, Bolt P.A.R., 1989
	5AB9 6HA8	2			Charcoal, 1990
	5AB9 6JH9	2			Cordovan, 1990
	5AB9 6JY6	2			Sand, 1990
13	3420 2551	2			COVER, Bolt P.A.R., 1988/89
	5AB2 2JA8	2			Charcoal, 1990
	5AB2 2JH9	2			Cordovan, 1990
	5AB2 2JY6	2			Sand, 1990

MODEL CODES:

15 = Grand Wagoneer 4 Dr.	65 = Comanche 4WD-7 Ft. Box	77 = Cherokee 4WD-2 Dr.
25 = J-10 Pickup-119" W.B.	66 = Comanche 2WD-7 Ft. Box	78 = Cherokee 4WD-4 Dr.
26 = J-10 Pickup-131" W.B.	73 = Cherokee 2WD-2 Dr.	79 = Cherokee 4WD-4 Dr.-Com
27 = J-20 Pickup-131" W.B.	74 = Cherokee 2WD-4 Dr.	81 = Wrangler-93" W.B.
63 = Comanche 4WD-6 Ft. Box	75 = Wagoneer 4WD-4 Dr.	82 = Wrangler-103" W.B.-Exp.
64 = Comanche 2WD-6 Ft. Box		

BODY STYLES:

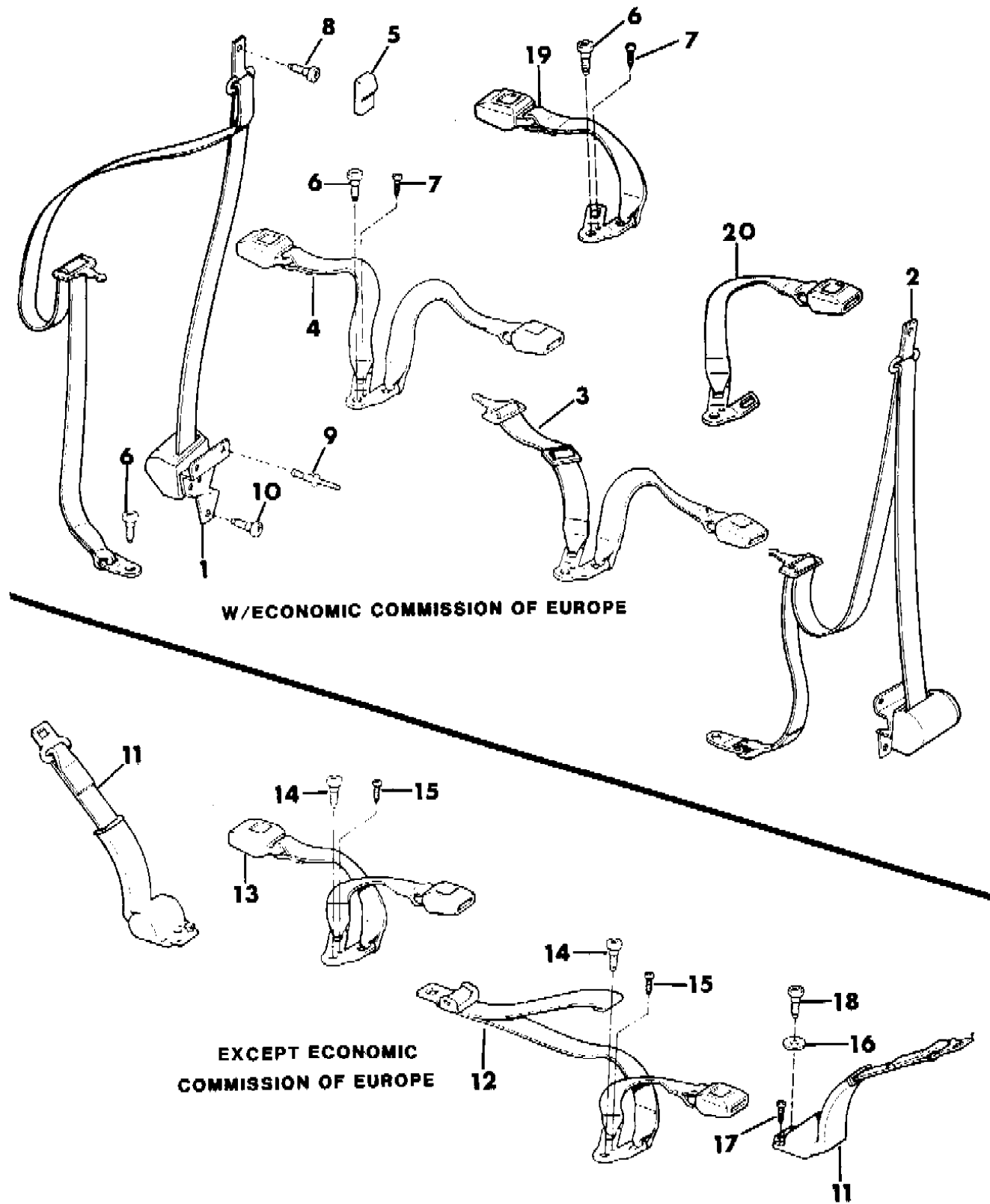
MJ = Comanche Pickup  
SJ = Grand Wagoneer Wgn., J-10 & J-20 Pickups  
XJ = Cherokee, Wagoneer Limited  
YJ = Wrangler

AR = Use as Required - = Non Illustrated Part P.A.R. = Paint as Required



SEATBELTS, REAR SEAT, 1987-89 CHEROKEE, WAGONEER  
Figure 43-3300

8 J43 3300 A



ITEM	PART NUMBER	QTY	BODY	MODEL	DESCRIPTION
1-2					SEATBELT ***
	5500 7098-9	1			Black
	5500 7100-1	1			Oatmeal, 1987
3-4	5501 8468-9	1			SEATBELT ***
5	5500 9071	1			COVER, Web Guide, P.A.R.
6	J400 5505	4			BOLT
7	S150 0063	2			SCREW
8	J400 7124	2			BOLT
9	3420 1557	4			RIVET
10	J941 9293	2			BOLT
11					SEATBELT
	5501 3016	2			Black, 1987
	5501 3018	2			Medium Blue, 1987
	5501 3022	2			Cordovan, 1987
	5501 9629	2			Cordovan, 1988-89
	5501 3020	2			Tan, 1987
	5502 0462	2			Charcoal
	5501 9629	2			Cordovan
	5502 0463	2			Navy
	5502 0666	2			Sand, 1989
	5501 9628	2			Tan, 1988
12					SEATBELT
					Left
	5501 3027	1			Black, 1987
	5501 3029	1			Medium Blue, 1987
	5501 3033	1			Cordovan, 1987
	5501 9181	1			Cordovan, 1988-89
	5501 3031	1			Tan, 1987
	5501 7917	1			Charcoal
	5501 9181	1			Cordovan
	5501 7921	1			Navy
	5502 0669	1			Sand, 1989
	5501 9179	1			Tan, 1988
13					SEATBELT
					Right
	5501 3026	1			Black, 1987
	5501 3028	1			Medium Blue, 1987

MODEL CODES:

15 = Grand Wagoneer 4 Dr.	65 = Comanche 4WD-7 Ft. Box	77 = Cherokee 4WD-2 Dr.
25 = J-10 Pickup-119" W.B.	66 = Comanche 2WD-7 Ft. Box	78 = Cherokee 4WD-4 Dr.
26 = J-10 Pickup-131" W.B.	73 = Cherokee 2WD-2 Dr.	79 = Cherokee 4WD-4 Dr.-Com
27 = J-20 Pickup-131" W.B.	74 = Cherokee 2WD-4 Dr.	81 = Wrangler-93" W.B.
63 = Comanche 4WD-6 Ft. Box	75 = Wagoneer 4WD-4 Dr.	82 = Wrangler-103" W.B.-Exp.
64 = Comanche 2WD-6 Ft. Box		

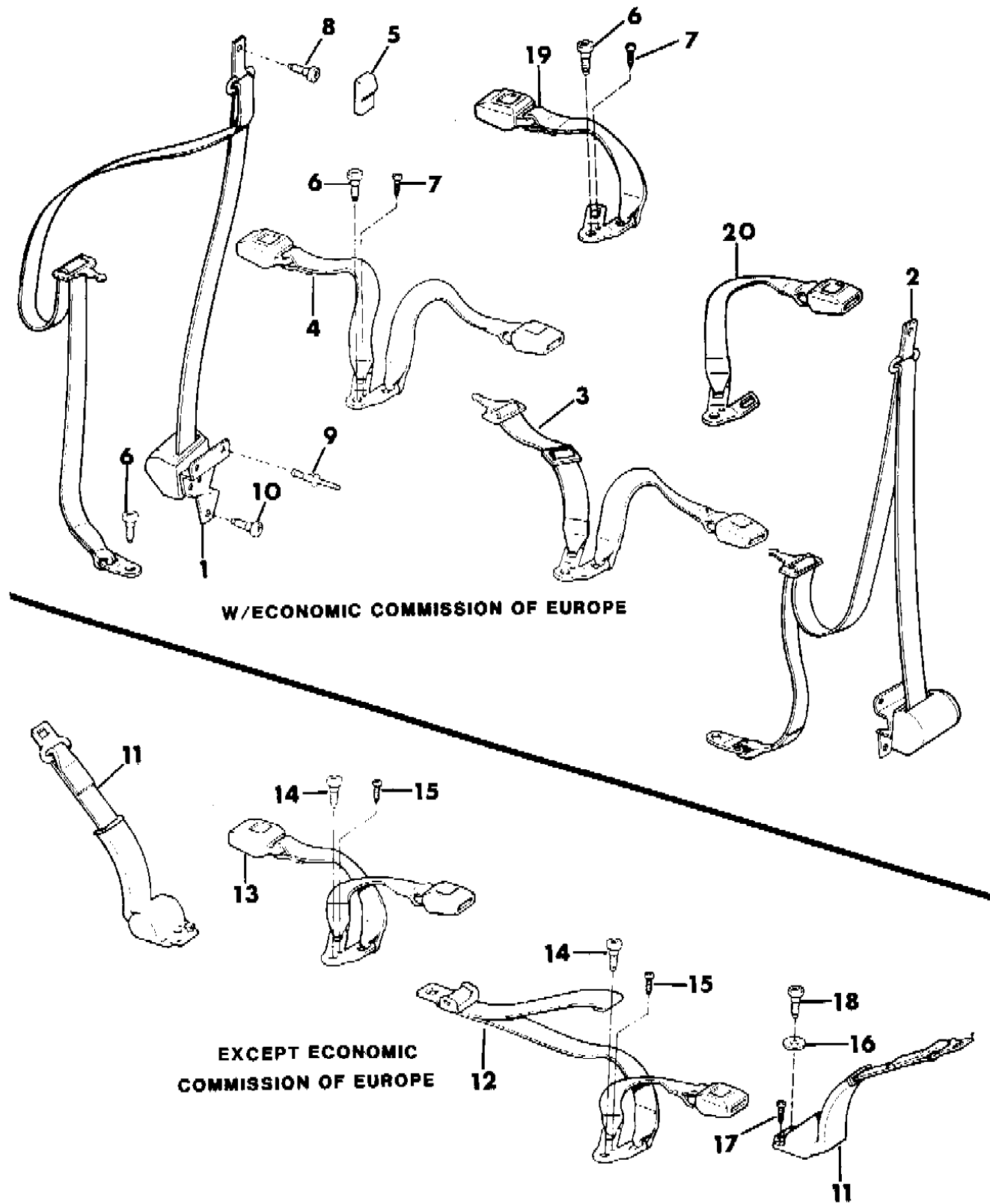
BODY STYLES:

MJ = Comanche Pickup  
 SJ = Grand Wagoneer Wgn., J-10 & J-20 Pickups  
 XJ = Cherokee, Wagoneer Limited  
 YJ = Wrangler

AR = Use as Required - = Non Illustrated Part P.A.R. = Paint as Required

SEATBELTS, REAR SEAT, 1987-89 CHEROKEE, WAGONEER  
Figure 43-3300

8 J43 3300 A



ITEM	PART NUMBER	QTY	BODY	MODEL	DESCRIPTION
	5501 3032	1			Cordovan, 1987
	5501 9180	1			Cordovan, 1988-89
	5501 3030	1			Tan, 1987
	5501 7916	1			Charcoal
	5501 9180	1			Cordovan
	5501 7920	1			Navy
	5502 0668	1			Sand, 1989
	5501 9178-9	1			Tan, 1988
14	J400 5505	2			BOLT
15	S150 0063	AR			SCREW
16					WASHER
	J400 2057	4			1987
	J400 5729	4			1988-89
17	J942 3952	2			SCREW
18	J400 5506	2			BOLT
19					SEATBELT, (ECE) ***
	5500 8388	1			Black, 1987
	5500 8390	1			Oatmeal, 1987
20					SEATBELT, (ECE) ***
	5500 8387	1			Black, 1987
	5500 8389	1			Oatmeal, 1987
	4519 075	AR			ANCHOR PACKAGE, Teather Child Seat 1989-90 ***

(ECE) = Economic Commission of Europe Tag affixed to the Face of its Pulley. A Second Tag will show the name of the Vendor (OGURA).

MODEL CODES:

15 = Grand Wagoneer 4 Dr.	65 = Comanche 4WD-7 Ft. Box	77 = Cherokee 4WD-2 Dr.
25 = J-10 Pickup-119" W.B.	66 = Comanche 2WD-7 Ft. Box	78 = Cherokee 4WD-4 Dr.
26 = J-10 Pickup-131" W.B.	73 = Cherokee 2WD-2 Dr.	79 = Cherokee 4WD-4 Dr.-Com
27 = J-20 Pickup-131" W.B.	74 = Cherokee 2WD-4 Dr.	81 = Wrangler-93" W.B.
63 = Comanche 4WD-6 Ft. Box	75 = Wagoneer 4WD-4 Dr.	82 = Wrangler-103" W.B.-Exp.
64 = Comanche 2WD-6 Ft. Box		

BODY STYLES:

MJ = Comanche Pickup  
 SJ = Grand Wagoneer Wgn., J-10 & J-20 Pickups  
 XJ = Cherokee, Wagoneer Limited  
 YJ = Wrangler

AR = Use as Required - = Non Illustrated Part P.A.R. = Paint as Required

**SEATBELTS, REAR SEAT, 1990 CHEROKEE, WAGONEER**  
**Figure 43-3325**

8J433325

ITEM	PART NUMBER	QTY	BODY	MODEL	DESCRIPTION
1					SEATBELT, retractor and belt assembly ***
					Right
					Except (ECE)
	5BD7 4JA8	1			Charcoal
	5BD7 4JH9	1			Cordovan
	5BD7 4JY6	1			Sand
					(ECE)
	5BD8 0JX9	1			Black
					Left
					Except (ECE)
	5BD7 5JA8	1			Charcoal
	5BD7 5JH9	1			Cordovan
	5BD7 5JY6	1			Sand
					(ECE)
	5BD8 1JX9	1			Black
2					SEATBELT, buckle assembly, inner right ***
					Except (ECE)
	5BD7 6JA8	1			Charcoal
	5BD7 6JH9	1			Cordovan
	5BD7 6JY6	1			Sand
					(ECE)
	5BE4 8JX9	1			Black
3					SEATBELT, belt and buckle assembly, inner left ***
					Except (ECE)
	5BD7 7JA8	1			Charcoal
	5BD7 7JH9	1			Cordovan
	5BD7 7JY6	1			Sand
					(ECE)
	5BE4 9JX9	1			Black
4	J400 6998	6			BOLT
5	6100 041	2			NUT, U-Type
6	6100 275	2			SCREW
7	J400 7124	2			BOLT, Shoulder

(ECE) = Economic Commission of Europe Tag affixed to the Face of its Pulley. A Second Tag will show the name of the Vendor (OGURA).

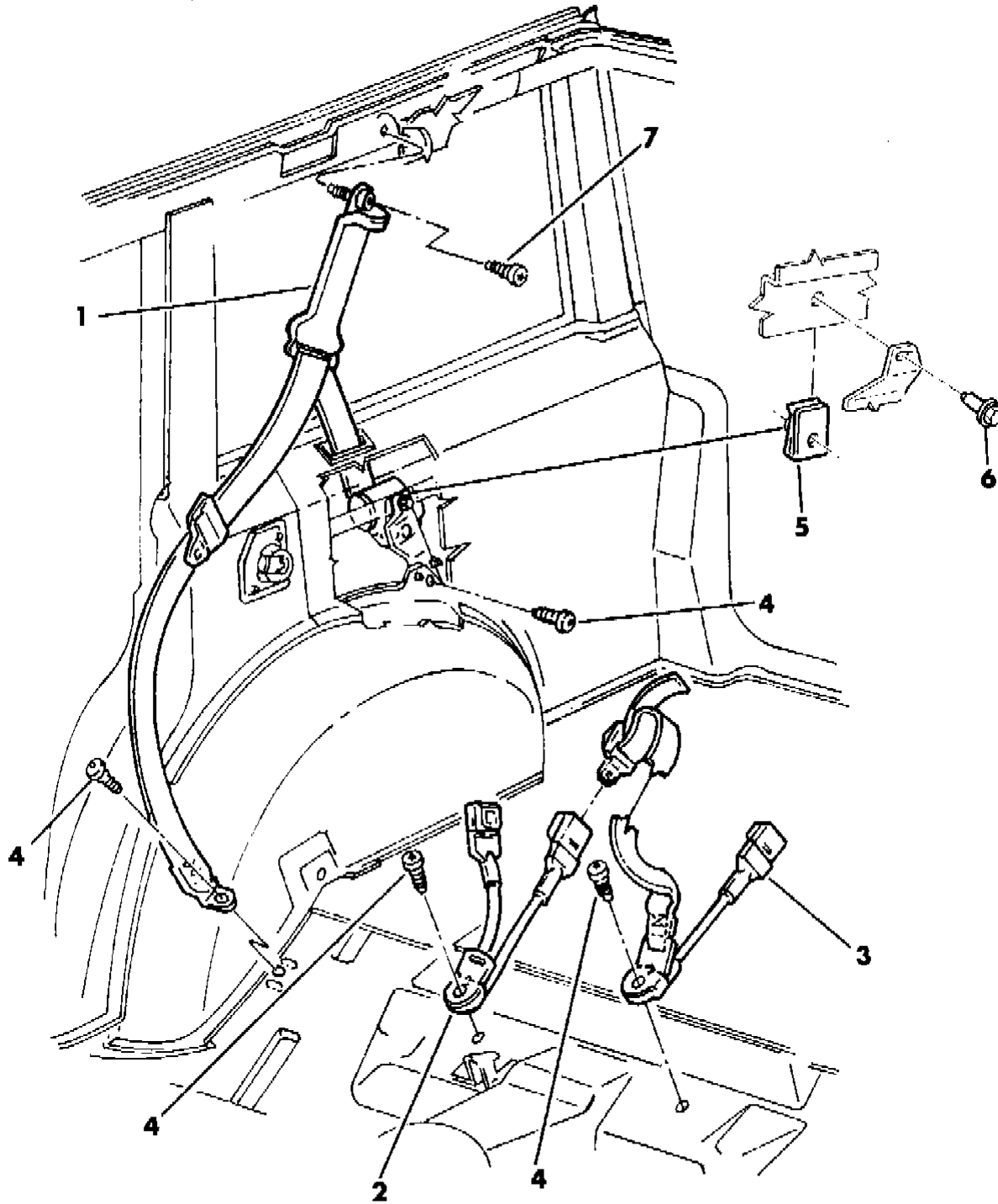
**MODEL CODES:**

15 = Grand Wagoneer 4 Dr.	65 = Comanche 4WD-7 Ft. Box	77 = Cherokee 4WD-2 Dr.
25 = J-10 Pickup-119" W.B.	66 = Comanche 2WD-7 Ft. Box	78 = Cherokee 4WD-4 Dr.
26 = J-10 Pickup-131" W.B.	73 = Cherokee 2WD-2 Dr.	79 = Cherokee 4WD-4 Dr.-Com
27 = J-20 Pickup-131" W.B.	74 = Cherokee 2WD-4 Dr.	81 = Wrangler-93" W.B.
63 = Comanche 4WD-6 Ft. Box	75 = Wagoneer 4WD-4 Dr.	82 = Wrangler-103" W.B.-Exp.
64 = Comanche 2WD-6 Ft. Box		

**BODY STYLES:**

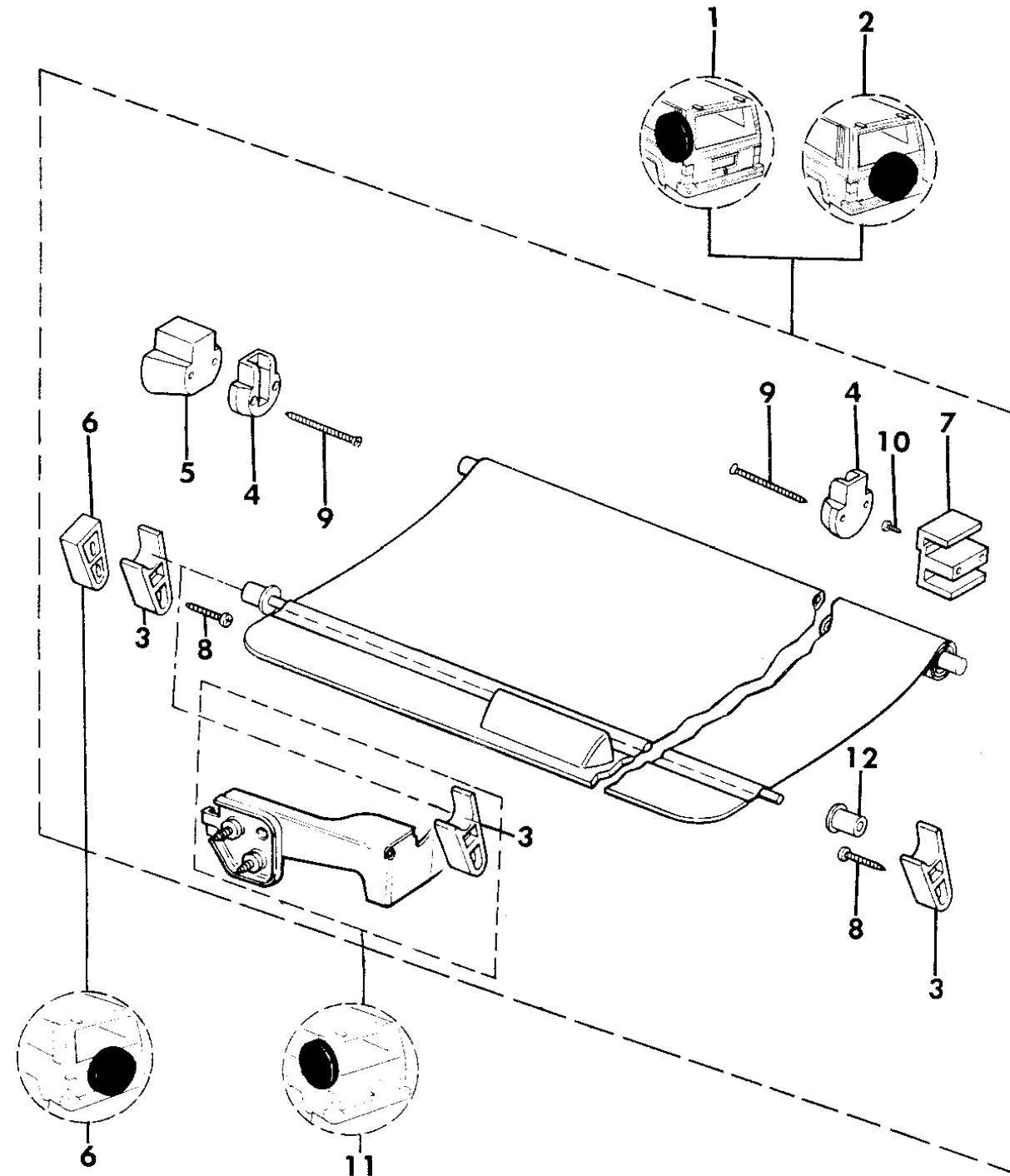
MJ = Comanche Pickup  
 SJ = Grand Wagoneer Wgn., J-10 & J-20 Pickups  
 XJ = Cherokee, Wagoneer Limited  
 YJ = Wrangler

AR = Use as Required - = Non Illustrated Part P.A.R. = Paint as Required



**COVER, CARGO, TYPE 1 CHEROKEE, WAGONEER, 1987-88**  
**Figure 43-3400**

8J43 3400



ITEM	PART NUMBER	QTY	BODY	MODEL	DESCRIPTION
1					COVER, Cargo
	8220 0399	1			Black, (a), 1987
	8220 0400-1	1			Medium Blue, (a), 1987
	8220 0913	1			Charcoal, (a)
	8220 0567	1			Cordovan (a) 1987-88
	8220 0912	1			Navy (a)
	8220 0568	1			Tan (a) 1987-88
2					COVER, Cargo
	8220 0401	1			Black, (b), 1987
	8220 0402	1			Medium Blue, (b), 1987
	8220 0915	1			Charcoal (b)
	8220 0569	1			Cordovan (b) 1987-88
	8220 0914	1			Navy (b)
	8220 0570	1			Tan (b) 1987-88
3	3500 4944	2			BRACKET, Cargo Cover, P.A.R.
4	J575 6611	2			BRACKET, Cargo Cover, P.A.R.
5	5500 5633	1			SPACER, P.A.R.
6	5500 5629	1			SPACER, P.A.R. (b)
7	5500 5522	1			SPACER
8	3420 1967	4			SCREW
9	3420 1951	4			SCREW
10	3420 1298	1			SCREW
11	5500 7320	1			BRACKET ASSY, P.A.R. (a) ***
12	8350 0432	2			CAP, End, P.A.R.

NOTE: (a) = With Inside Mounted Polyspare Tire  
 NOTE: (b) = With Outside Mounted Spare Tire

**MODEL CODES:**

15 = Grand Wagoneer 4 Dr.	65 = Comanche 4WD-7 Ft. Box	77 = Cherokee 4WD-2 Dr.
25 = J-10 Pickup-119" W.B.	66 = Comanche 2WD-7 Ft. Box	78 = Cherokee 4WD-4 Dr.
26 = J-10 Pickup-131" W.B.	73 = Cherokee 2WD-2 Dr.	79 = Cherokee 4WD-4 Dr.-Com
27 = J-20 Pickup-131" W.B.	74 = Cherokee 2WD-4 Dr.	81 = Wrangler-93" W.B.
63 = Comanche 4WD-6 Ft. Box	75 = Wagoneer 4WD-4 Dr.	82 = Wrangler-103" W.B.-Exp.
64 = Comanche 2WD-6 Ft. Box		

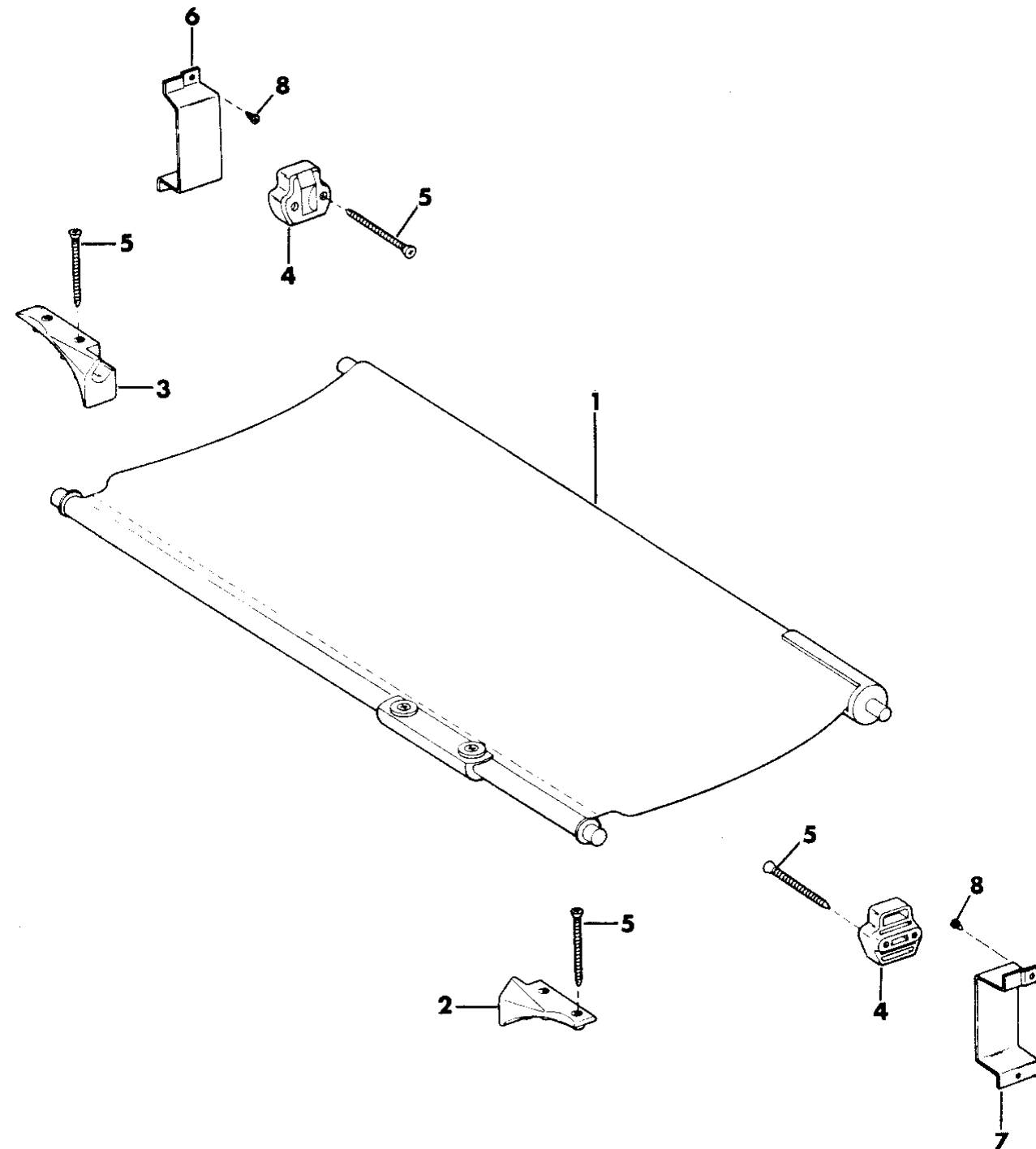
**BODY STYLES:**

MJ = Comanche Pickup  
 SJ = Grand Wagoneer Wgn., J-10 & J-20 Pickups  
 XJ = Cherokee, Wagoneer Limited  
 YJ = Wrangler

AR = Use as Required - = Non Illustrated Part P.A.R. = Paint as Required

**COVER, CARGO, TYPE 2 CHEROKEE, WAGONEER, 1988-90**  
**Figure 43-3500**

8J43 3500



ITEM	PART NUMBER	QTY	BODY	MODEL	DESCRIPTION
1					COVER, Cargo
					1988-89
	5502 0434	1			Charcoal (a)
	5502 0438	1			Charcoal (b)
	5502 0435	1			Cordovan (a)
	5502 0439	1			Cordovan (b)
	5502 0433	1			Navy (a)
	5502 0437	1			Navy (b)
	5502 0647	1			Sand (a)
	5502 0648	1			Sand (b)
	5502 0436	1			Tan (a)
	5502 0440	1			Tan (b)
					1990
	5AF6 0JS1	1			Charcoal, (a)
	5AF6 0JH9	1			Cordovan, ((a)
	5AF6 0JY1	1			Sand, (a)
	5AF6 1JS1	1			Charcoal, (b)
	5AF6 1JH9	1			Cordovan, (b)
	5AF6 1JY1	1			Sand, (b)
2					BRACKET, Cargo Cover
	5502 0444	1			1988-89, P.A.R.
					1990
	5AF6 2JS1	1			Charcoal
	5AF6 2JH9	1			Cordovan
	5AF6 2JY1	1			Sand
3					BRACKET, Cargo Cover
	5502 0445	1			1988-89, P.A.R.
					1990
	5AF6 3JS1	1			Charcoal
	5AF6 3JH9	1			Cordovan
	5AF6 3JY1	1			Sand
4					BRACKET, Cargo Cover
	5502 0451	2			1988-89, P.A.R.
					1990
	5AF7 1JS1	2			Charcoal
	5AF7 1JH9	2			Cordovan
	5AF7 1JY1	2			Sand

**MODEL CODES:**

15 = Grand Wagoneer 4 Dr.	65 = Comanche 4WD-7 Ft. Box	77 = Cherokee 4WD-2 Dr.
25 = J-10 Pickup-119" W.B.	66 = Comanche 2WD-7 Ft. Box	78 = Cherokee 4WD-4 Dr.
26 = J-10 Pickup-131" W.B.	73 = Cherokee 2WD-2 Dr.	79 = Cherokee 4WD-4 Dr.-Com
27 = J-20 Pickup-131" W.B.	74 = Cherokee 2WD-4 Dr.	81 = Wrangler-93" W.B.
63 = Comanche 4WD-6 Ft. Box	75 = Wagoneer 4WD-4 Dr.	82 = Wrangler-103" W.B.-Exp.
64 = Comanche 2WD-6 Ft. Box		

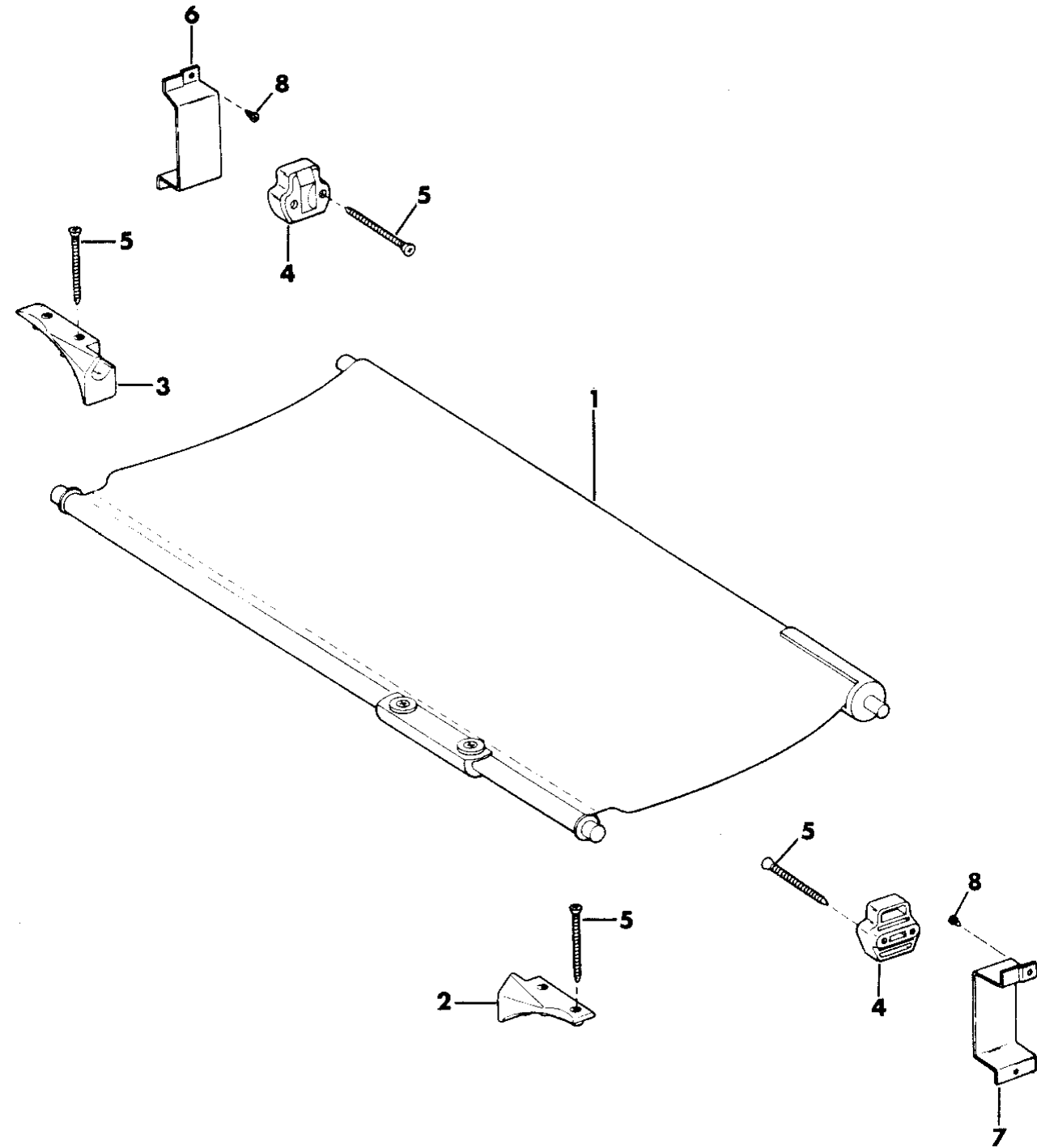
**BODY STYLES:**

MJ = Comanche Pickup  
 SJ = Grand Wagoneer Wgn., J-10 & J-20 Pickups  
 XJ = Cherokee, Wagoneer Limited  
 YJ = Wrangler

AR = Use as Required - = Non Illustrated Part P.A.R. = Paint as Required

COVER, CARGO, TYPE 2 CHEROKEE, WAGONEER, 1988-90  
Figure 43-3500

8J43 3500



ITEM	PART NUMBER	QTY	BODY	MODEL	DESCRIPTION
5	1150 1614	8			SCREW
6	5501 9400	1			EXTENSION
7	5501 9401	1			EXTENSION
8	1150 1011	4			SCREW

NOTE: (a) With Inside Mounted Polyspare Tire  
NOTE: (b) With Inside Mounted Conventional Spare Tire \*\*\*

MODEL CODES:

15 = Grand Wagoneer 4 Dr.	65 = Comanche 4WD-7 Ft. Box	77 = Cherokee 4WD-2 Dr.
25 = J-10 Pickup-119" W.B.	66 = Comanche 2WD-7 Ft. Box	78 = Cherokee 4WD-4 Dr.
26 = J-10 Pickup-131" W.B.	73 = Cherokee 2WD-2 Dr.	79 = Cherokee 4WD-4 Dr.-Com
27 = J-20 Pickup-131" W.B.	74 = Cherokee 2WD-4 Dr.	81 = Wrangler-93" W.B.
63 = Comanche 4WD-6 Ft. Box	75 = Wagoneer 4WD-4 Dr.	82 = Wrangler-103" W.B.-Exp.
64 = Comanche 2WD-6 Ft. Box		

BODY STYLES:

MJ = Comanche Pickup  
SJ = Grand Wagoneer Wgn., J-10 & J-20 Pickups  
XJ = Cherokee, Wagoneer Limited  
YJ = Wrangler

AR = Use as Required - = Non Illustrated Part P.A.R. = Paint as Required

---

**GROUP 28 - GRAND WAGONEER**

<b>ILLUSTRATION TITLE</b>	<b>GROUP-FIG. NO.</b>
INSULATION GRAND WAGONEER, J10, J20 .....	Fig. 28-100
HEADLINING, WITH SLIDING SUNROOF GRAND WAGONEER .....	Fig. 28-200
HEADLINING AND UPPER TRIM MOLDINGS GRAND WAGONEER .....	Fig. 28-300
HEADLINING AND UPPER TRIM MOLDINGS J10, J20, 1987-88 .....	Fig. 28-400
SUNVISORS AND VANITY MIRROR GRAND WAGONEER, J10, J20 .....	Fig. 28-450
PANELS, INTERIOR TRIM GRAND WAGONEER .....	Fig. 28-500
CARPETS AND MATS GRAND WAGONEER, J10, J20 .....	Fig. 28-600
PANELS, DOOR TRIM GRAND WAGONEER, J10, J20 .....	Fig. 28-700
INTERIOR TRIM PARTS, DOOR GRAND WAGONEER, J10, J20 .....	Fig. 28-800
FRAME, PAD, AND COVERS ARMREST AND CENTER CUSHION GRAND WAGONEER .....	Fig. 28-900
FRAME, PAD, AND COVERS BENCH SEAT GRAND WAGONEER 1987-88 .....	Fig. 28-1000
FRAME, PAD, AND COVERS BUCKET SEAT GRAND WAGONEER .....	Fig. 28-1100
FRAME, PAD, AND COVERS BENCH SEAT J10 J20 1987-88 .....	Fig. 28-1200
FRAME, PAD, AND COVERS REAR SEAT GRAND WAGONEER .....	Fig. 28-1300
TRACKS, LESS POWER SEATS BUCKET SEAT GRAND WAGONEER 1987-89 .....	Fig. 28-1400
TRACKS, W/O POWER SEATS BENCH SEAT GRAND WAGONEER, J10, J20 1987-88 .....	Fig. 28-1450
TRACKS, WITH POWER SEATS BUCKET SEAT GRAND WAGONEER .....	Fig. 28-1500
SEAT BELTS, FRONT AND REAR GRAND WAGONEER, J10, J20 .....	Fig. 28-1600
COVER, CARGO GRAND WAGONEER .....	Fig. 28-1700

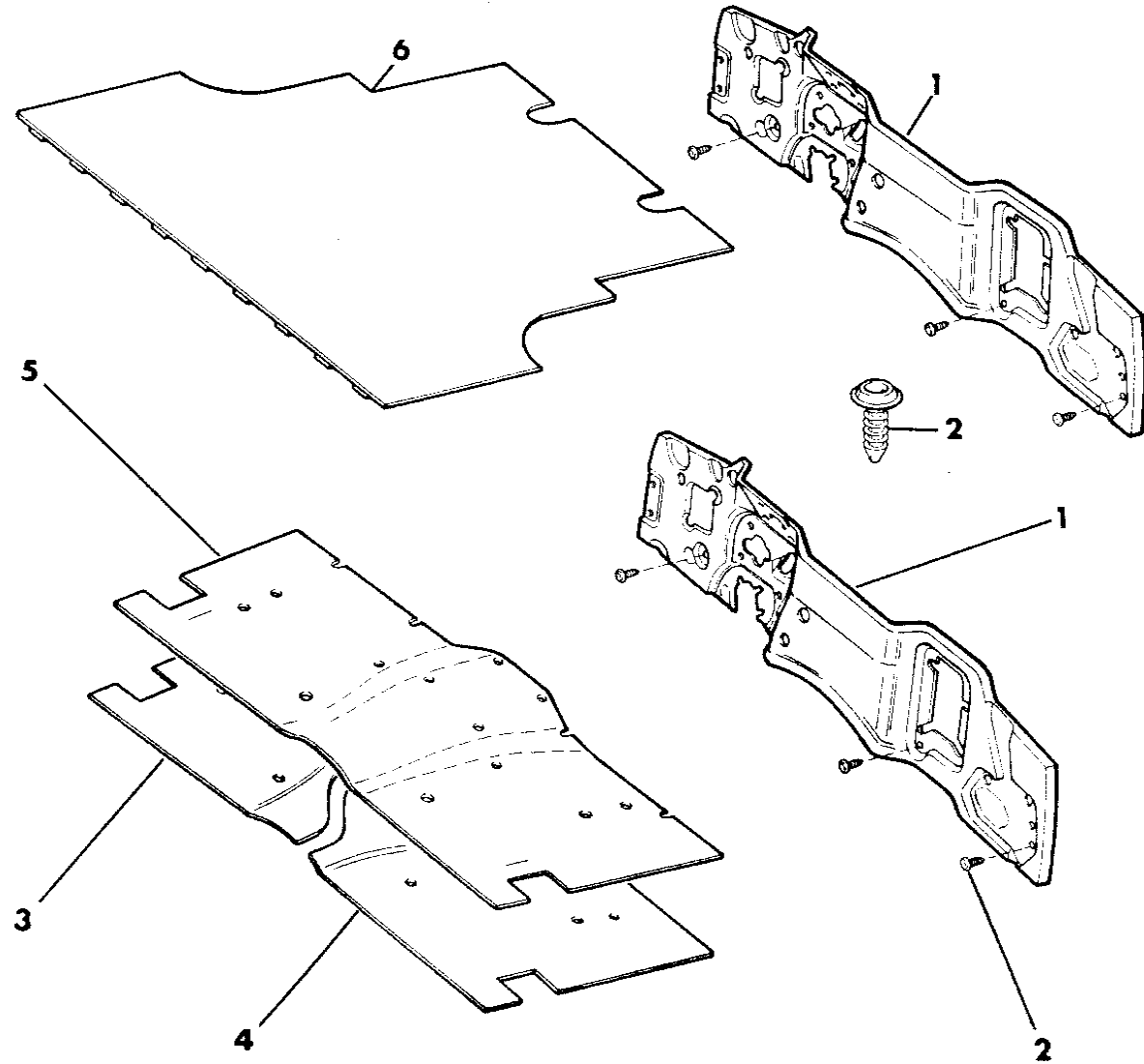
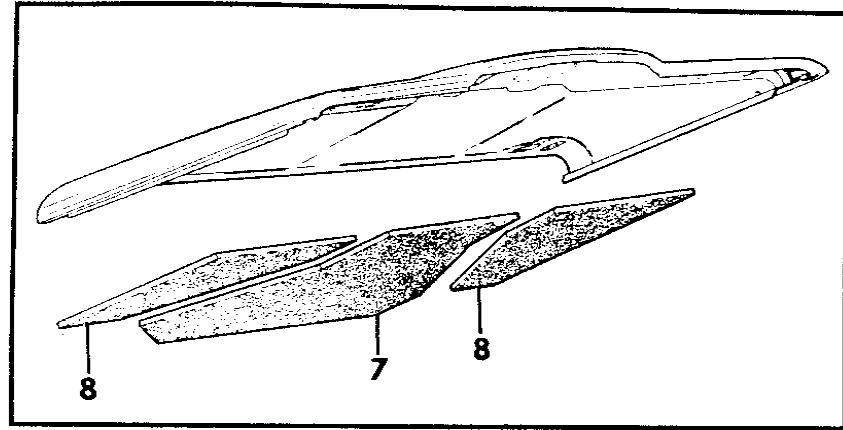
**ILLUSTRATION NOT AVAILABLE AT TIME OF PUBLICATION**

---

**INSULATION GRAND WAGONEER, J10, J20**  
**Figure 28-100**

8J28 100

ITEM	PART NUMBER	QTY	BODY	MODEL	DESCRIPTION
1	J576 4337	1			INSULATION, Dash
2	J400 1934	3			FASTENER
3	J545 8803	1		26,27	INSULATION, Floor 1987-88
4	J545 8804	1		26,27	INSULATION, Floor 1987-88
5	J545 8805	1		26,27	INSULATION, Floor 1987-88
6	5501 1510	1		15	INSULATION, Cargo
7	J546 0143	1			INSULATION, Hood
8	J546 0166	2			INSULATION, Hood



**MODEL CODES:**

15 = Grand Wagoneer 4 Dr.	65 = Comanche 4WD-7 Ft. Box	77 = Cherokee 4WD-2 Dr.
25 = J-10 Pickup-119" W.B.	66 = Comanche 2WD-7 Ft. Box	78 = Cherokee 4WD-4 Dr.
26 = J-10 Pickup-131" W.B.	73 = Cherokee 2WD-2 Dr.	79 = Cherokee 4WD-4 Dr.-Com
27 = J-20 Pickup-131" W.B.	74 = Cherokee 2WD-4 Dr.	81 = Wrangler-93" W.B.
63 = Comanche 4WD-6 Ft. Box	75 = Wagoneer 4WD-4 Dr.	82 = Wrangler-103" W.B.-Exp.
64 = Comanche 2WD-6 Ft. Box		

**BODY STYLES:**

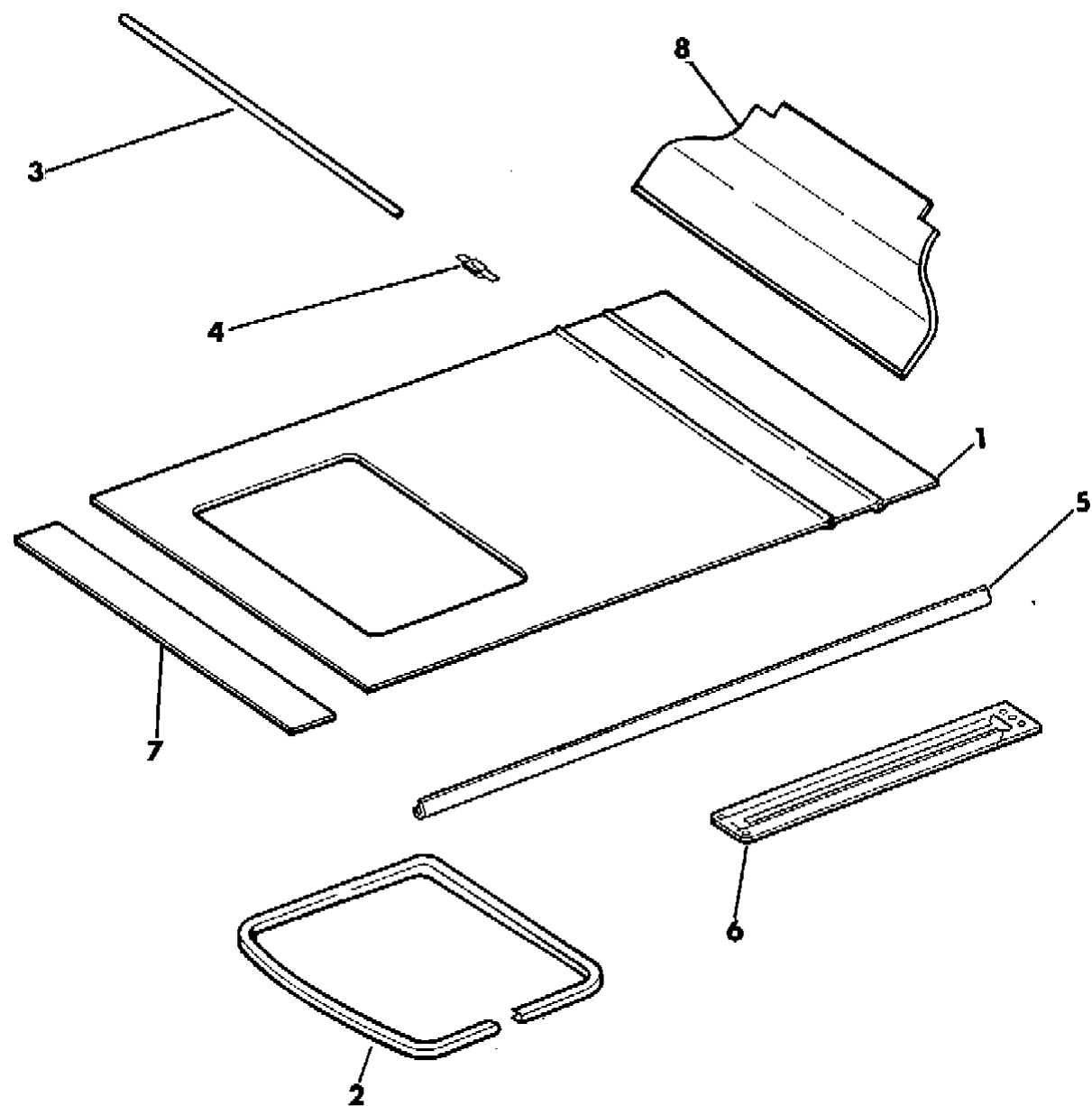
MJ = Comanche Pickup  
 SJ = Grand Wagoneer Wgn., J-10 & J-20 Pickups  
 XJ = Cherokee, Wagoneer Limited  
 YJ = Wrangler

AR = Use as Required - = Non Illustrated Part P.A.R. = Paint as Required



**HEADLINING, WITH SLIDING SUNROOF GRAND WAGONEER**  
**Figure 28-200**

8J28 200 A



ITEM	PART NUMBER	QTY	BODY	MODEL	DESCRIPTION
1					HEADLINING
	8350 4515	1			Cordovan, 1987
	8350 5365	1			Cordovan, 1988-90
	5252 179	1			Sand, 1989-90
	8350 4514	1			Tan, 1987
	8350 5364	1			Tan, 1988
2					WELT
	J813 3205	1			Black
	5252 621	1			Cordovan
	5252 620	1			Sand
3	J813 3213	2			WIRE
4	J813 3723	4			CLIP
5					RETAINER
	8350 4470	1			Right
	8350 4471	1			Left
6	J813 3216	2			BRACKET
7	8350 5363	1			FOUNDATION, Headliner, Front, 1988-90 ***
8	8350 5362	1			FOUNDATION, Headliner, Rear, 1988-90 ***

MODEL CODES:

15 = Grand Wagoneer 4 Dr.	65 = Comanche 4WD-7 Ft. Box	77 = Cherokee 4WD-2 Dr.
25 = J-10 Pickup-119" W.B.	66 = Comanche 2WD-7 Ft. Box	78 = Cherokee 4WD-4 Dr.
26 = J-10 Pickup-131" W.B.	73 = Cherokee 2WD-2 Dr.	79 = Cherokee 4WD-4 Dr.-Com
27 = J-20 Pickup-131" W.B.	74 = Cherokee 2WD-4 Dr.	81 = Wrangler-93" W.B.
63 = Comanche 4WD-6 Ft. Box	75 = Wagoneer 4WD-4 Dr.	82 = Wrangler-103" W.B.-Exp.
64 = Comanche 2WD-6 Ft. Box		

BODY STYLES:

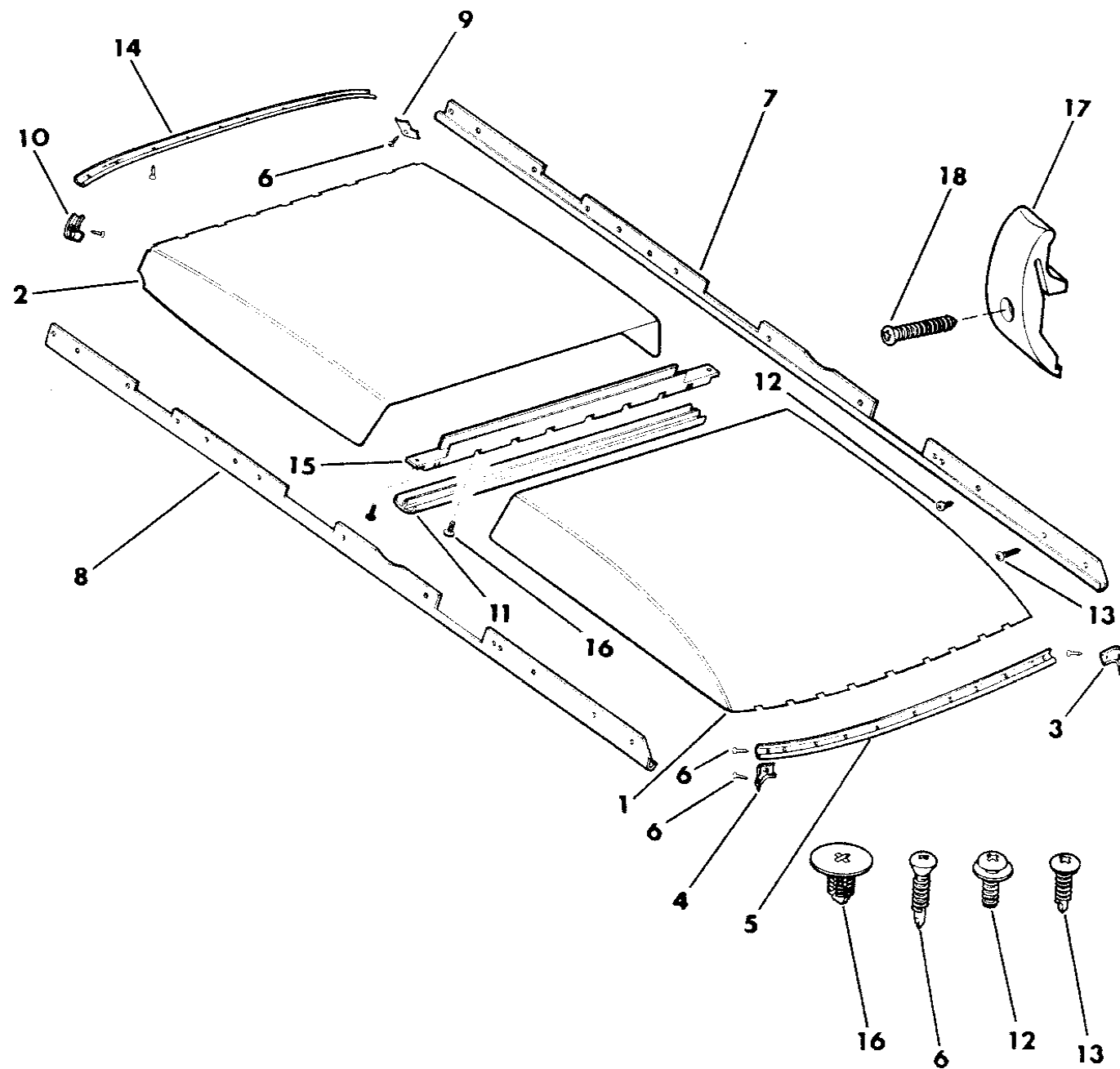
MJ = Comanche Pickup  
 SJ = Grand Wagoneer Wgn., J-10 & J-20 Pickups  
 XJ = Cherokee, Wagoneer Limited  
 YJ = Wrangler

AR = Use as Required - = Non Illustrated Part P.A.R. = Paint as Required

# HEADLINING AND UPPER TRIM MOLDINGS GRAND WAGONEER

## Figure 28-300

8J28 300



ITEM	PART NUMBER	QTY	BODY	MODEL	DESCRIPTION
1					HEADLINING, Front ***
					Cloth
	5501 1181	1			Cordovan, 1987-89, Modification Required
	5AA7 8JH9	1			Cordovan, 1990
	5502 1458	1			Sand, 1989, Modification Required
	5AA7 8JY1	1			Sand, 1990
	5501 1182	1			Tan, 1987-88
					Vinyl ***
	5501 1180	1			Tan, 1987-88
2					HEADLINING, Rear ***
					Cloth
	5501 1184	1			Cordovan, 1987-89
	5AG9 6JH9	1			Cordovan, 1990
	5502 2086	1			Sand, 1989
	5AG9 6JY1	1			Sand, 1990
	5501 1185	1			Tan, 1987-88
					Vinyl ***
	5501 1183	1			Tan, 1987-88
3					CAP, Molding, Left
	J545 3701	1			P.A.R., 1987-89
	5AA4 3JH9	1			Cordovan, 1990
	5AA4 3JY1	1			Sand, 1990
4					CAP, Molding, Right
	J545 3702	1			P.A.R., 1987-89
	5AA4 2JH9	1			Cordovan, 1990
	5AA4 2JY1	1			Sand, 1990
5					MOLDING, Header, P.A.R. ***
	J545 3687	1			1987-89
	5AA4 0JY1	1			1990
6	J400 4930	22			SCREW
7					MOLDING, Headlining, Left ***
	5501 1191	1			Cordovan, w/o Overhead Console, 1987-89
	5502 1781	1			Cordovan, w/Overhead Console, 1989
	5AA3 9JH9	1			Cordovan, 1990
	5502 1003	1			Sand, w/o Overhead Console, 1989
	5502 1779	1			Sand, w/Overhead Console, 1989
	5AA3 9JY1	1			Sand, 1990

**MODEL CODES:**

15 = Grand Wagoneer 4 Dr.	65 = Comanche 4WD-7 Ft. Box	77 = Cherokee 4WD-2 Dr.
25 = J-10 Pickup-119" W.B.	66 = Comanche 2WD-7 Ft. Box	78 = Cherokee 4WD-4 Dr.
26 = J-10 Pickup-131" W.B.	73 = Cherokee 2WD-2 Dr.	79 = Cherokee 4WD-4 Dr.-Com
27 = J-20 Pickup-131" W.B.	74 = Cherokee 2WD-4 Dr.	81 = Wrangler-93" W.B.
63 = Comanche 4WD-6 Ft. Box	75 = Wagoneer 4WD-4 Dr.	82 = Wrangler-103" W.B.-Exp.
64 = Comanche 2WD-6 Ft. Box		

**BODY STYLES:**

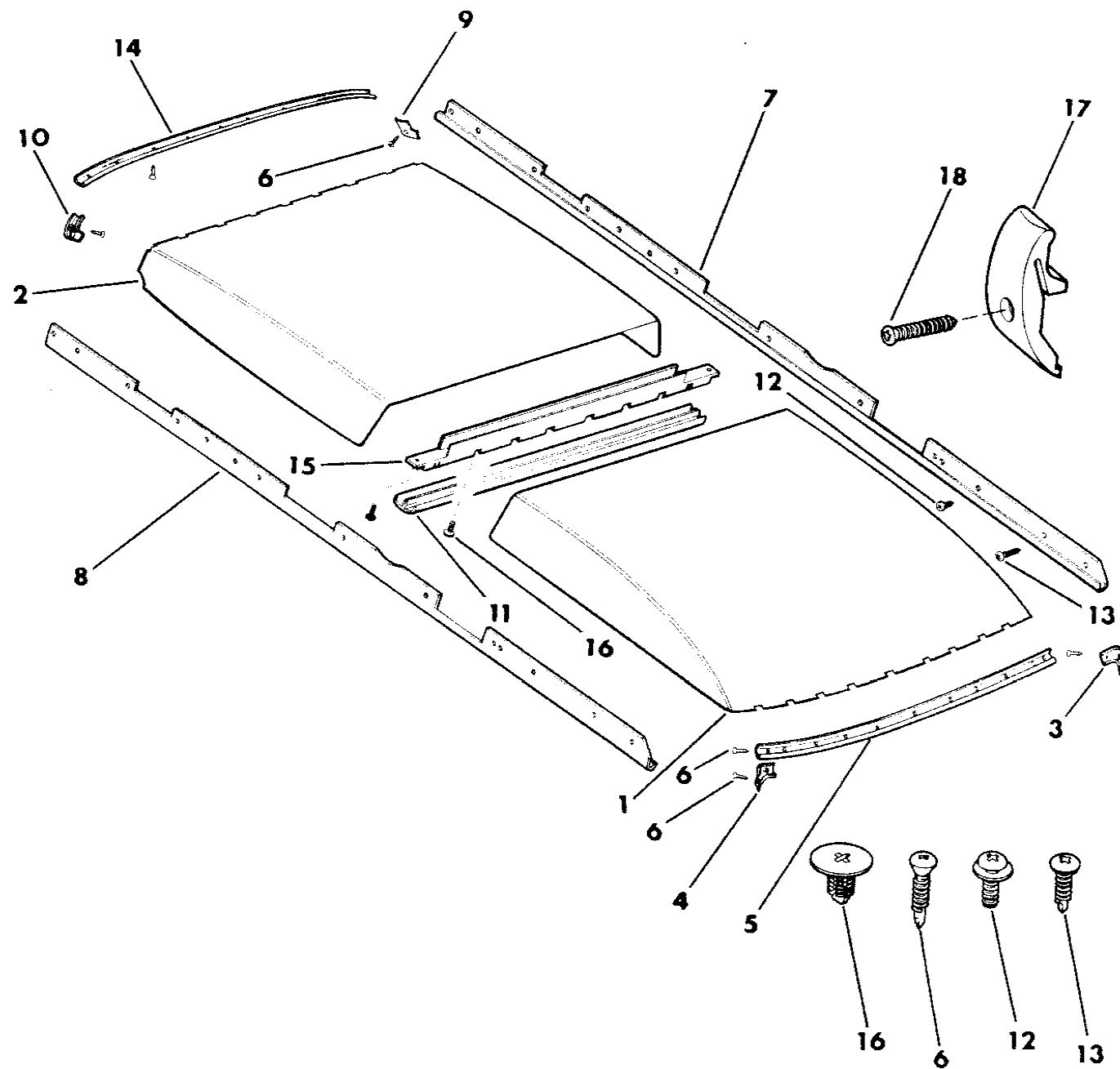
MJ = Comanche Pickup
SJ = Grand Wagoneer Wgn., J-10 & J-20 Pickups
XJ = Cherokee, Wagoneer Limited
YJ = Wrangler

AR = Use as Required - = Non Illustrated Part P.A.R. = Paint as Required

# HEADLINING AND UPPER TRIM MOLDINGS GRAND WAGONEER

## Figure 28-300

8J28 300



ITEM	PART NUMBER	QTY	BODY	MODEL	DESCRIPTION
	5501 1189	1			Tan, 1987-88
8					MOLDING, Headlining, Right ***
	5501 1190	1			Cordovan, 1987-89
	5AA3 8JH9	1			Cordovan, 1990
	5502 1002	1			Sand, 1989
	5AA3 8JY1	1			Sand, 1990
	5501 1188	1			Tan, 1987-88
9					CAP, Molding, Left
	J545 3714	1			P.A.R., 1987-89
	5AA4 5JH9	1			Cordovan, 1990
	5AA4 5JY1	1			Sand, 1990
10					CAP, Molding, Right
	J545 3714	1			P.A.R., 1987-89
	5AA4 4JH9	1			Cordovan, 1990
	5AA4 4JY1	1			Sand, 1990
11					MOLDING, Headlining ***
	5501 1203	1			Cordovan, 1987-89
	5AA7 4JH9	1			Cordovan, 1990
	5502 1008	1			Sand, 1989
	5AA7 4JY1	1			Sand, 1990
	5501 1202	1			Tan, 1987-88
12	J097 4764	16			SCREW
13	J400 4924	2			SCREW
14					MOLDING, Rear Garnish ***
	J545 3693	1			P.A.R., 1987-89
	5AA4 1JH9	1			Cordovan, 1990
	5AA4 1JY1	1			Sand, 1990
15	J546 9297	1			RETAINER
16	J400 6088	8			FASTENER
17					HOOK, Coat
	5501 1212	2			Cordovan, 1987-89
	5502 0914	2			Sand, 1989
	5501 1213	2			Tan, 1987-88
	5AA1 9JY1	2			P.A.R., 1990
18	J942 2397	2			SCREW

**MODEL CODES:**

15 = Grand Wagoneer 4 Dr.	65 = Comanche 4WD-7 Ft. Box	77 = Cherokee 4WD-2 Dr.
25 = J-10 Pickup-119" W.B.	66 = Comanche 2WD-7 Ft. Box	78 = Cherokee 4WD-4 Dr.
26 = J-10 Pickup-131" W.B.	73 = Cherokee 2WD-2 Dr.	79 = Cherokee 4WD-4 Dr.-Com
27 = J-20 Pickup-131" W.B.	74 = Cherokee 2WD-4 Dr.	81 = Wrangler-93" W.B.
63 = Comanche 4WD-6 Ft. Box	75 = Wagoneer 4WD-4 Dr.	82 = Wrangler-103" W.B.-Exp.
64 = Comanche 2WD-6 Ft. Box		

**BODY STYLES:**

MJ = Comanche Pickup  
 SJ = Grand Wagoneer Wgn., J-10 & J-20 Pickups  
 XJ = Cherokee, Wagoneer Limited  
 YJ = Wrangler

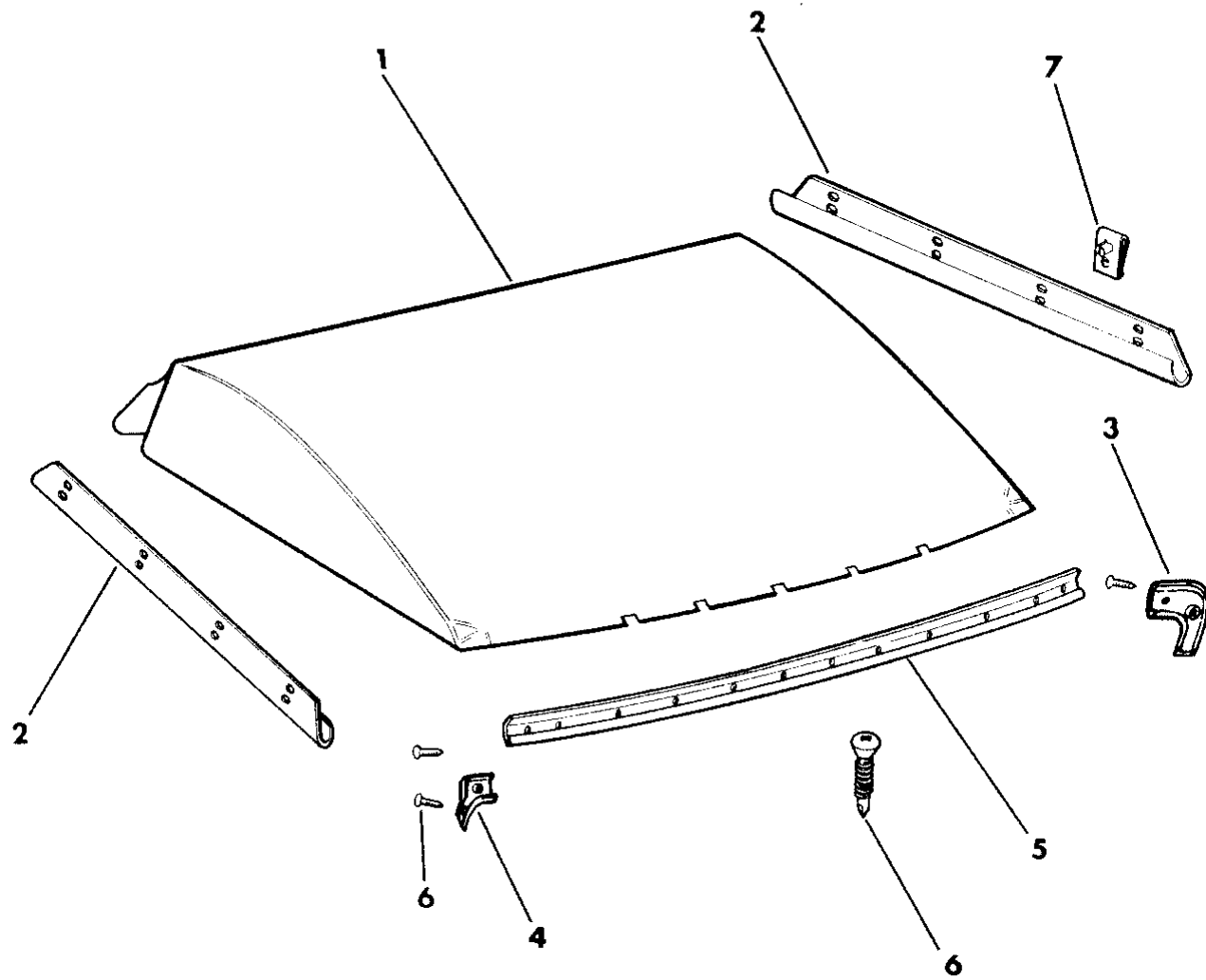
AR = Use as Required - = Non Illustrated Part P.A.R. = Paint as Required

# HEADLINING AND UPPER TRIM MOLDINGS J10, J20, 1987-88

## Figure 28-400

8J28 400

ITEM	PART NUMBER	QTY	BODY	MODEL	DESCRIPTION
1					HEADLINING
	5501 1187	1			Tan, Cloth
	5501 1186	1			Tan, Vinyl
2	5501 1192	2			MOLDING, Headlining, Tan ***
3	J545 3701	1			CAP, Molding, P.A.R.
4	J545 3702	1			CAP, Molding, P.A.R.
5	J545 3687	1			MOLDING, Header, P.A.R. ***
6	J400 4930	11			SCREW
7	J400 0322	6			CLIP



**MODEL CODES:**

15 = Grand Wagoneer 4 Dr.	65 = Comanche 4WD-7 Ft. Box	77 = Cherokee 4WD-2 Dr.
25 = J-10 Pickup-119" W.B.	66 = Comanche 2WD-7 Ft. Box	78 = Cherokee 4WD-4 Dr.
26 = J-10 Pickup-131" W.B.	73 = Cherokee 2WD-2 Dr.	79 = Cherokee 4WD-4 Dr.-Com
27 = J-20 Pickup-131" W.B.	74 = Cherokee 2WD-4 Dr.	81 = Wrangler-93" W.B.
63 = Comanche 4WD-6 Ft. Box	75 = Wagoneer 4WD-4 Dr.	82 = Wrangler-103" W.B.-Exp.
64 = Comanche 2WD-6 Ft. Box		

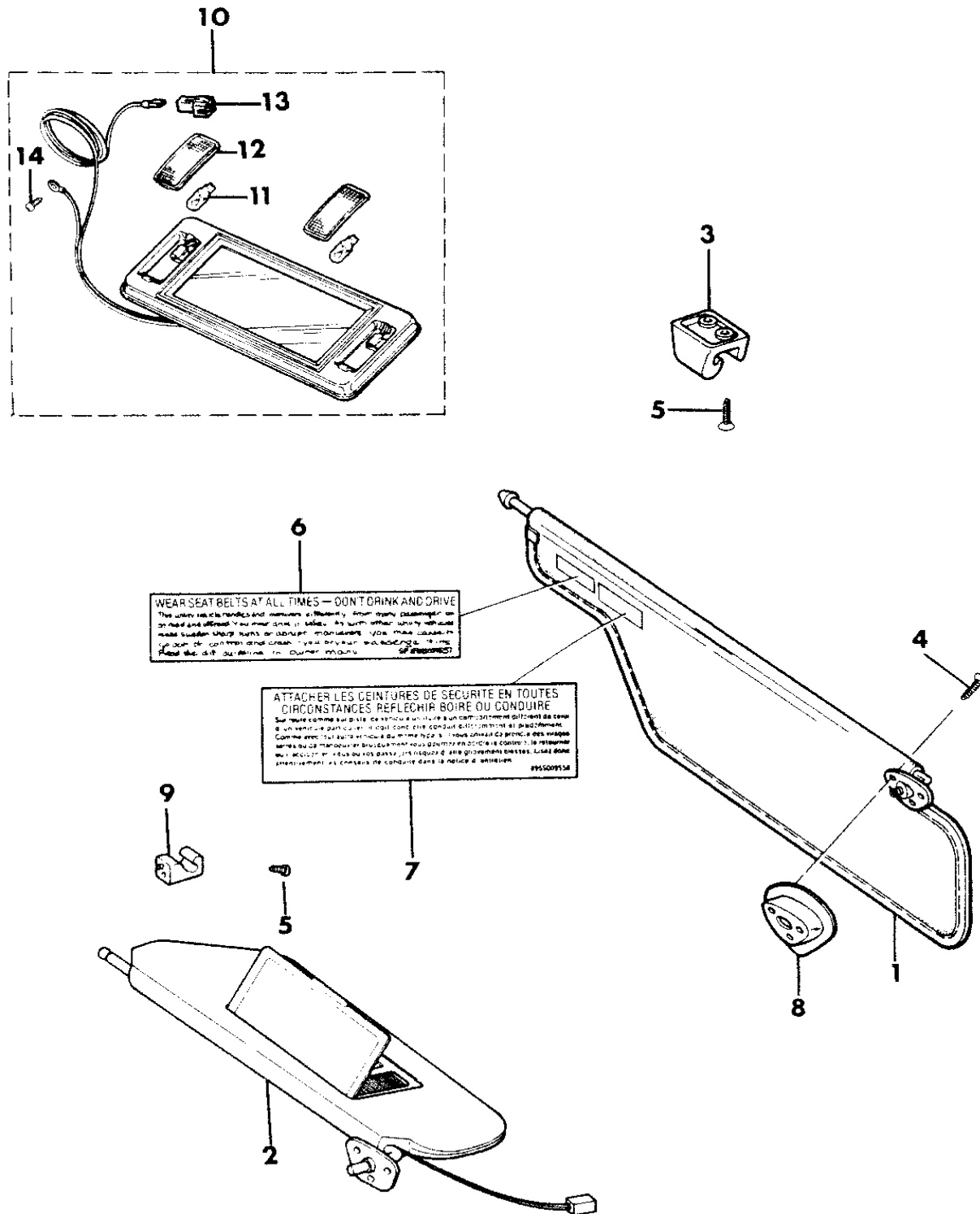
**BODY STYLES:**

MJ = Comanche Pickup  
 SJ = Grand Wagoneer Wgn., J-10 & J-20 Pickups  
 XJ = Cherokee, Wagoneer Limited  
 YJ = Wrangler

AR = Use as Required - = Non Illustrated Part P.A.R. = Paint as Required

**SUNVISORS AND VANITY MIRROR GRAND WAGONEER, J10, J20**  
**Figure 28-450**

8J28450



ITEM	PART NUMBER	QTY	BODY	MODEL	DESCRIPTION
1					SUNVISOR, w/o Overhead Console ***
					Right (for lighted vanity see item 10)
	5501 1408	1			Cordovan, Cloth, 1987-89
	5AG9 2JH9	1			Cordovan, Cloth, 1990
	5502 0908	1			Sand, Cloth, 1989
	5AG9 2JY1	1			Sand, 1990
	5501 1402	1			Tan, Cloth, 1987-88
	5501 1396	1			Tan, Vinyl, 1987-88
					Left ***
	5501 4975	1			Cordovan, Cloth, 1987-89
	5AG9 5JH9	1			Cordovan, Cloth, 1990
	5502 0909	1	15		Sand, Cloth, Export, 1989
	5502 0911	1	15		Sand, Cloth, U.S., Canada, 1989
	5AG9 5JY1	1			Sand, Cloth, 1990
	5501 4403	1		26,27	Tan, Cloth, 1987-88
	5501 4403	1		15	Tan, Cloth, Export, 1987-88
	5501 4973	1		15	Tan, Cloth, U.S., Canada, 1987-88
	5501 1397	1			Tan, Vinyl, Also Order Label Item 6 or 7

Vehicles w/sun roof only have lighted vanity on passenger side Tag affixed to the Face of its Pulley. A Second Tag will show the name of the Vendor (OGURA).

2					SUNVISOR, w/ Overhead Console ***
					Right ***
	5502 4328	1			Cordovan, 1988-89
	5AB0 6JH9	1			Cordovan, 1990
	5502 4326	1			Sand, 1988-89
	5AB0 6JY1	1			Sand, 1990
					Left
	5502 4329	1			Cordovan, U.S., Canada, 1988-89
	5AB0 7JH9	1			Cordovan, U.S., Canada, 1990
	5502 4333	1			Cordovan, Export, 1988-89
	5AB0 9JH9	1			Cordovan, Export, 1990
	5502 4327	1			Sand, U.S., Canada, 1989
	5AB0 7JY1	1			Sand, U.S., Canada, 1990
	5502 4331	1			Sand, Export, 1989
	5AB0 9JY1	1			Sand, Export, 1990
3					SUPPORT, Visor, w/o Overhead Console
	J576 0671	1			1988-89, Black, P.A.R.

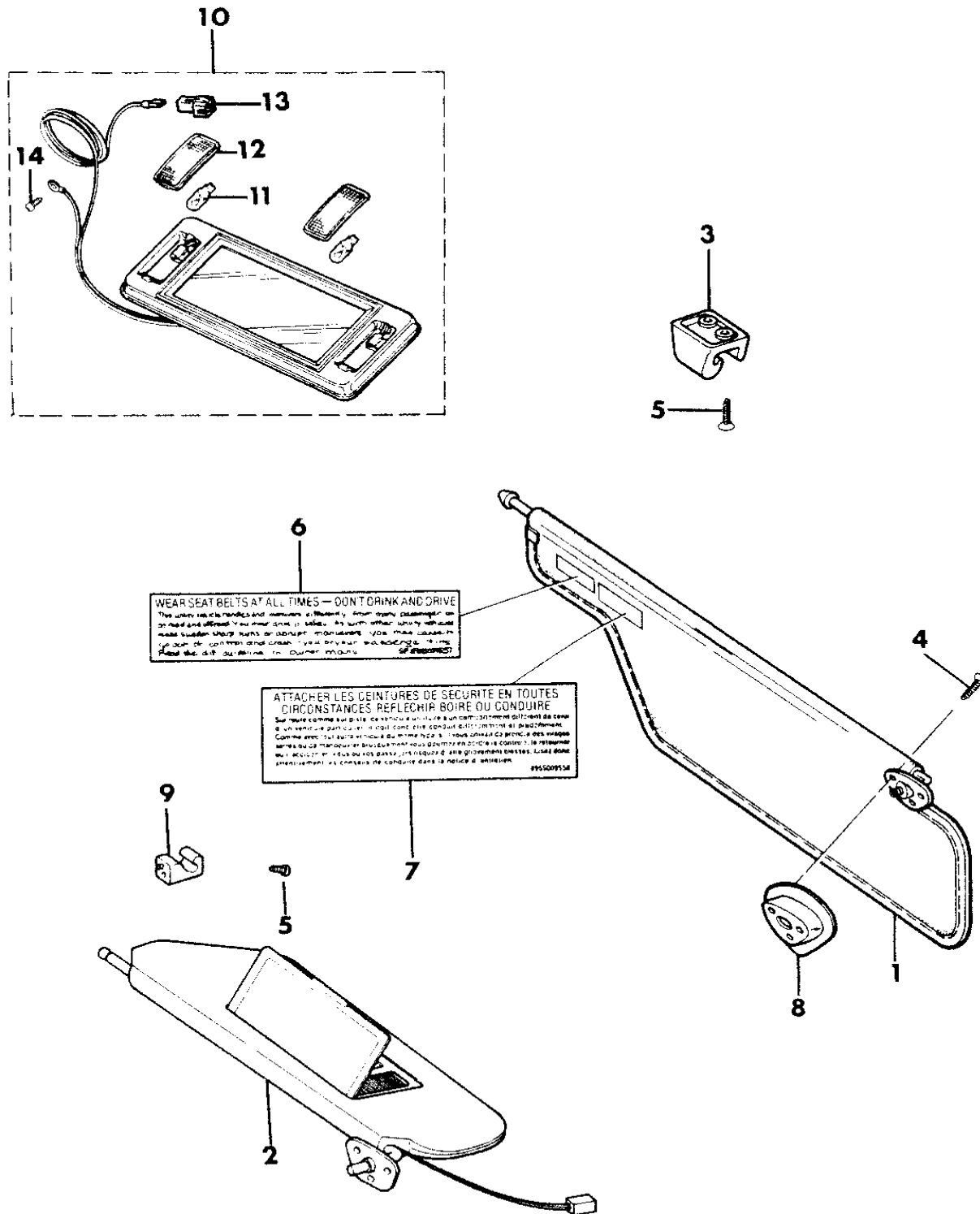
- MODEL CODES:
- |                             |                             |                              |
|-----------------------------|-----------------------------|------------------------------|
| 15 = Grand Wagoneer 4 Dr.   | 65 = Comanche 4WD-7 Ft. Box | 77 = Cherokee 4WD-2 Dr.      |
| 25 = J-10 Pickup-119" W.B.  | 66 = Comanche 2WD-7 Ft. Box | 78 = Cherokee 4WD-4 Dr.      |
| 26 = J-10 Pickup-131" W.B.  | 73 = Cherokee 2WD-2 Dr.     | 79 = Cherokee 4WD-4 Dr.-Com  |
| 27 = J-20 Pickup-131" W.B.  | 74 = Cherokee 2WD-4 Dr.     | 81 = Wrangler-93" W.B.       |
| 63 = Comanche 4WD-6 Ft. Box | 75 = Wagoneer 4WD-4 Dr.     | 82 = Wrangler-103" W.B.-Exp. |
| 64 = Comanche 2WD-6 Ft. Box |                             |                              |

- BODY STYLES:
- MJ = Comanche Pickup
  - SJ = Grand Wagoneer Wgn., J-10 & J-20 Pickups
  - XJ = Cherokee, Wagoneer Limited
  - YJ = Wrangler

AR = Use as Required - = Non Illustrated Part P.A.R. = Paint as Required

SUNVISORS AND VANITY MIRROR GRAND WAGONEER, J10, J20  
Figure 28-450

8J28450



ITEM	PART NUMBER	QTY	BODY	MODEL	DESCRIPTION
	5AA9 5JH9	1			1990, Cordovan
	5AA9 5JY1	1			1990, Sand
4	S016 2459	6			SCREW
5					SCREW
	J448 9490	2			1987-89
	3420 1467	2			1990
6	5500 9557	1			LABEL, English, 1987-89
7	5500 9558	1			LABEL, French, 1987-89
8					ESCUTCHEON
					Right
	J576 5032	1			P.A.R., 1987-89
	5AA0 4JH9	1			Cordovan, 1990
	5AA0 4JY1	1			Sand, 1990
					Left, w/o Overhead Console
	J576 5033	1			P.A.R., 1987-89
	5AA0 5JH9	1			Cordovan, 1990
	5AA0 5JY1	1			Sand, 1990
					Left, w/ Overhead Console
	J576 5033	1			P.A.R., 1987-89, Modification Required
	5AH0 7JH9	1			Cordovan, 1990
	5AH0 7JY1	1			Sand, 1990
9			15		SUPPORT, Visor, w/Overhead Console
	5502 1725	2			1988-89, P.A.R.
	H335 JH9	2			1990, Cordovan
	H335 JY1	2			1990, Sand
10					MIRROR, Vanity, w/o Overhead Console, Right
	5501 6006	1			P.A.R., 1987-89
	5AF2 0JH9	1			Cordovan, 1990
	5AF2 0JY1	1			Sand, 1990
11					BULB
	J400 3086	2			w/o Overhead Console 1987-90
	J812 5723	4			w/ Overhead Console, 1988-89
	9433 184	4			1990
12					LENS
	J812 8734	2			w/o Overhead Console 1987-90
	4410 693	4			w/ Overhead Console, 1988-90
13	J575 0947	1			CONNECTOR, 1987-89

MODEL CODES:

15 = Grand Wagoneer 4 Dr.	65 = Comanche 4WD-7 Ft. Box	77 = Cherokee 4WD-2 Dr.
25 = J-10 Pickup-119" W.B.	66 = Comanche 2WD-7 Ft. Box	78 = Cherokee 4WD-4 Dr.
26 = J-10 Pickup-131" W.B.	73 = Cherokee 2WD-2 Dr.	79 = Cherokee 4WD-4 Dr.-Com
27 = J-20 Pickup-131" W.B.	74 = Cherokee 2WD-4 Dr.	81 = Wrangler-93" W.B.
63 = Comanche 4WD-6 Ft. Box	75 = Wagoneer 4WD-4 Dr.	82 = Wrangler-103" W.B.-Exp.
64 = Comanche 2WD-6 Ft. Box		

BODY STYLES:

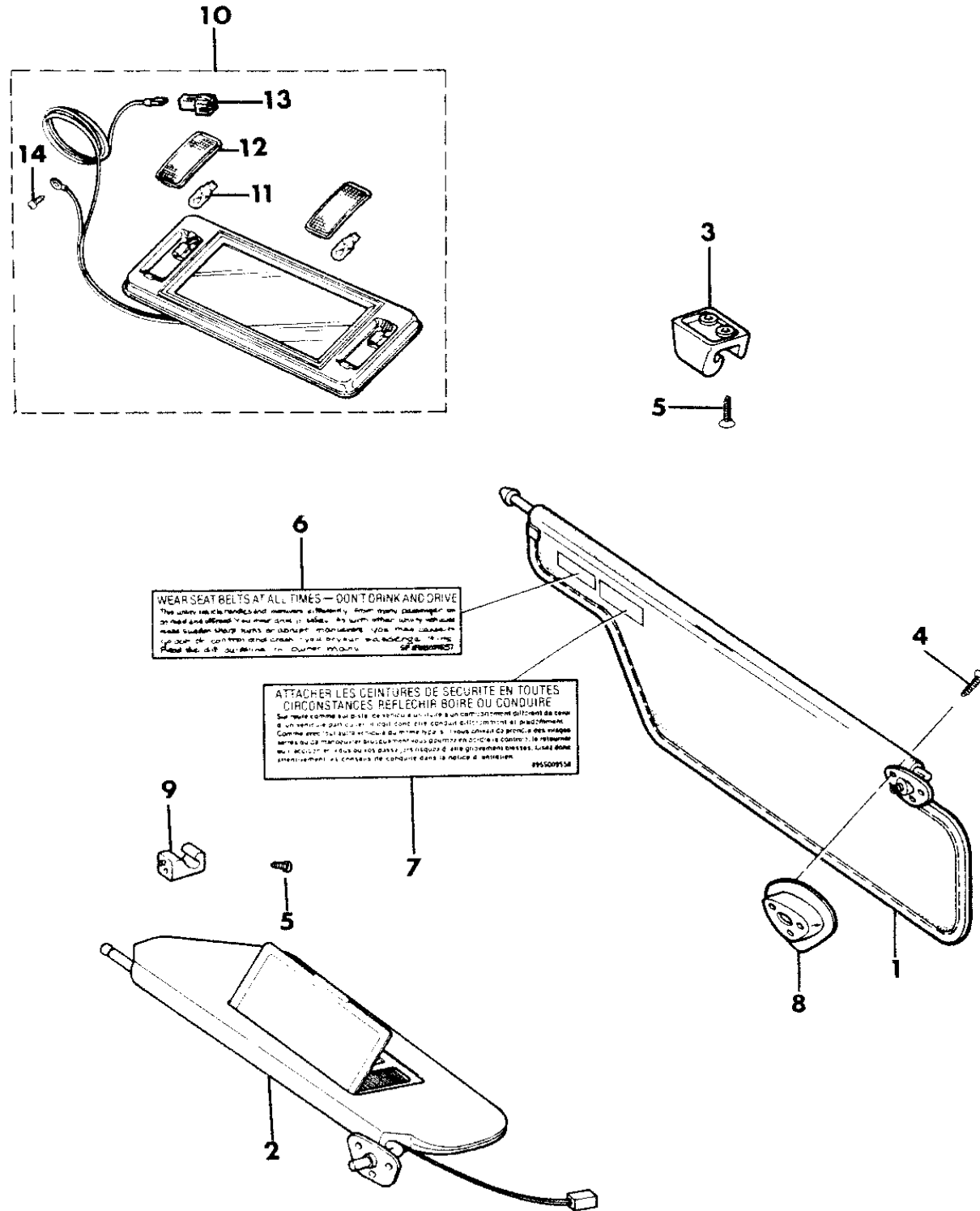
MJ = Comanche Pickup  
 SJ = Grand Wagoneer Wgn., J-10 & J-20 Pickups  
 XJ = Cherokee, Wagoneer Limited  
 YJ = Wrangler

AR = Use as Required - = Non Illustrated Part P.A.R. = Paint as Required

SUNVISORS AND VANITY MIRROR GRAND WAGONEER, J10, J20  
Figure 28-450

8J28450

ITEM	PART NUMBER	QTY	BODY	MODEL	DESCRIPTION
14	J941 4721	1			SCREW



- MODEL CODES:
- |                             |                             |                              |
|-----------------------------|-----------------------------|------------------------------|
| 15 = Grand Wagoneer 4 Dr.   | 65 = Comanche 4WD-7 Ft. Box | 77 = Cherokee 4WD-2 Dr.      |
| 25 = J-10 Pickup-119" W.B.  | 66 = Comanche 2WD-7 Ft. Box | 78 = Cherokee 4WD-4 Dr.      |
| 26 = J-10 Pickup-131" W.B.  | 73 = Cherokee 2WD-2 Dr.     | 79 = Cherokee 4WD-4 Dr.-Com  |
| 27 = J-20 Pickup-131" W.B.  | 74 = Cherokee 2WD-4 Dr.     | 81 = Wrangler-93" W.B.       |
| 63 = Comanche 4WD-6 Ft. Box | 75 = Wagoneer 4WD-4 Dr.     | 82 = Wrangler-103" W.B.-Exp. |
| 64 = Comanche 2WD-6 Ft. Box |                             |                              |

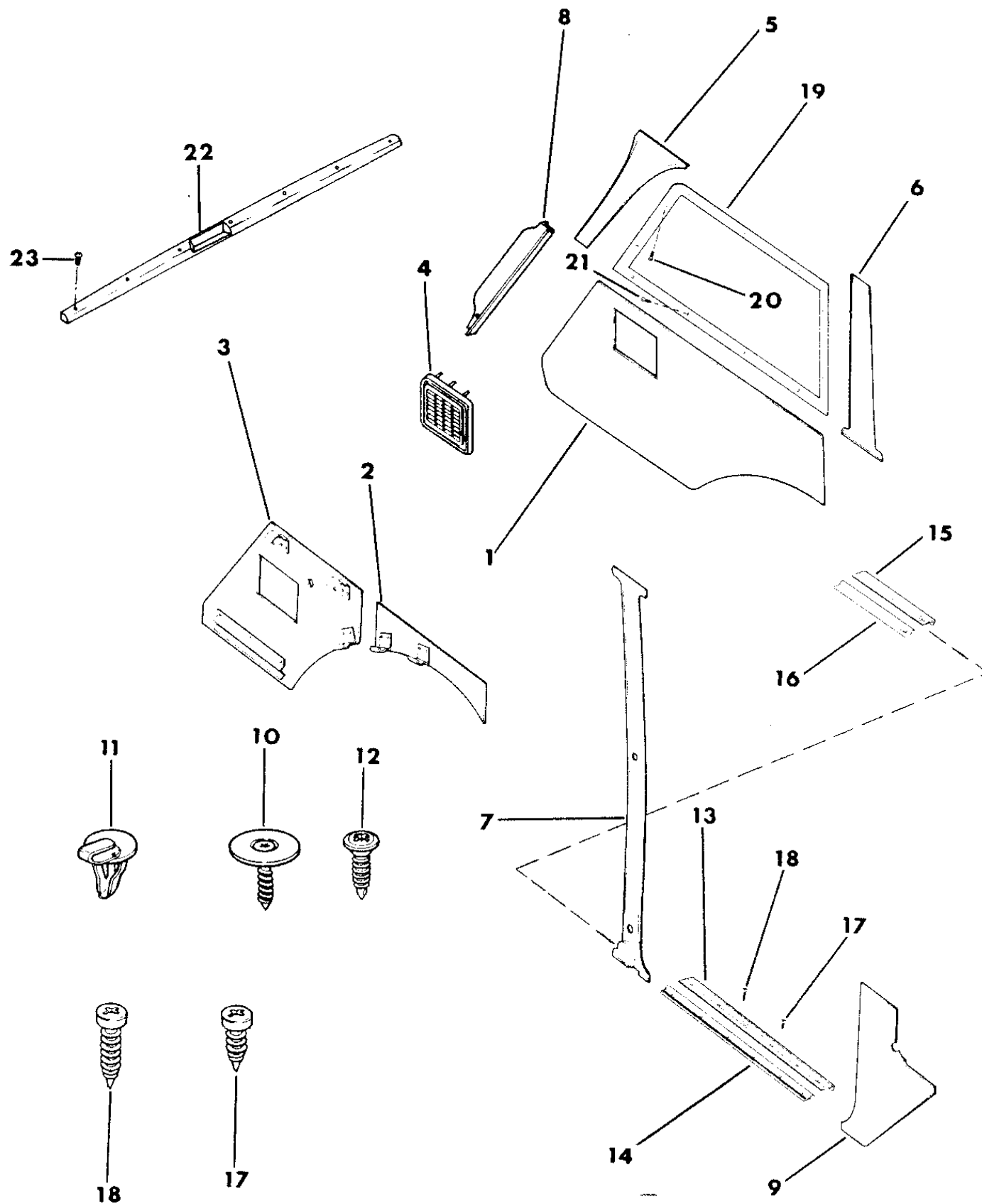
- BODY STYLES:
- MJ = Comanche Pickup
  - SJ = Grand Wagoneer Wgn., J-10 & J-20 Pickups
  - XJ = Cherokee, Wagoneer Limited
  - YJ = Wrangler

AR = Use as Required - = Non Illustrated Part P.A.R. = Paint as Required

PANELS, INTERIOR TRIM GRAND WAGONEER

Figure 28-500

8J28 500



ITEM	PART NUMBER	QTY	BODY	MODEL	DESCRIPTION
1					PANEL, Quarter Trim, Left
	5501 1219	1			Cordovan, 1987-89
	5AG3 3JH9	1			Cordovan, 1990
	5501 1249	1			Tan, Base Wagon 1987-88
2	5501 1237	1			Tan, Grand Wagoneer, 1987-88
	5502 0987	1			Sand, 1989
	5AG3 3JY1	1			Sand, 1990
	5501 1228	1			PANEL, Quarter Trim, Right
3	5AG3 6JH9	1			Cordovan, 1990
	5501 1248	1			Tan, Base Wagon 1987-88
	5501 1238	1			Tan, Grand Wagoneer, 1987-88
	5502 0988	1			Sand, 1989
	5AG3 6JY1	1			Sand, 1990
4	5501 1218	1			PANEL, Quarter Trim, Right
	5AG3 2JH9	1			Cordovan, 1990
	5501 1250	1			Tan, Base Wagon 1987-88
	5501 1242	1			Tan, Grand Wagoneer, 1987-88
	5502 0986	1			Sand, 1989
5	5AG3 2JY1	1			Sand, 1990
	3501 6858	2			GRILLE, w/Bezel Rear Speaker
	3501 4001	2			Cordovan, 1987-89
6	5AB9 3JY6	2			Tan, 1987-88
	5501 1232-3	1			P.A.R., Sand, 1990
	5AG40-1 JH9	1			PANEL, Quarter Trim Right
	5502 0992-3	1			Cordovan, 1987-89
	5AG40-1 JY1	1			Cordovan, 1990
7	5501 1246-7	1			Sand, 1989
	5501 1258-9	1			Sand, 1990
	5AA06-7 JH9	1			Tan, 1987-88
	5502 0976-7	1			PANEL, Quarter Trim
8	5AA06-7 JY1	1			Cordovan, 1987-89
					Cordovan, 1990
					Sand, 1989
					Sand, 1990

MODEL CODES:

15 = Grand Wagoneer 4 Dr.	65 = Comanche 4WD-7 Ft. Box	77 = Cherokee 4WD-2 Dr.
25 = J-10 Pickup-119" W.B.	66 = Comanche 2WD-7 Ft. Box	78 = Cherokee 4WD-4 Dr.
26 = J-10 Pickup-131" W.B.	73 = Cherokee 2WD-2 Dr.	79 = Cherokee 4WD-4 Dr.-Com
27 = J-20 Pickup-131" W.B.	74 = Cherokee 2WD-4 Dr.	81 = Wrangler-93" W.B.
63 = Comanche 4WD-6 Ft. Box	75 = Wagoneer 4WD-4 Dr.	82 = Wrangler-103" W.B.-Exp.
64 = Comanche 2WD-6 Ft. Box		

BODY STYLES:

MJ = Comanche Pickup  
 SJ = Grand Wagoneer Wgn., J-10 & J-20 Pickups  
 XJ = Cherokee, Wagoneer Limited  
 YJ = Wrangler

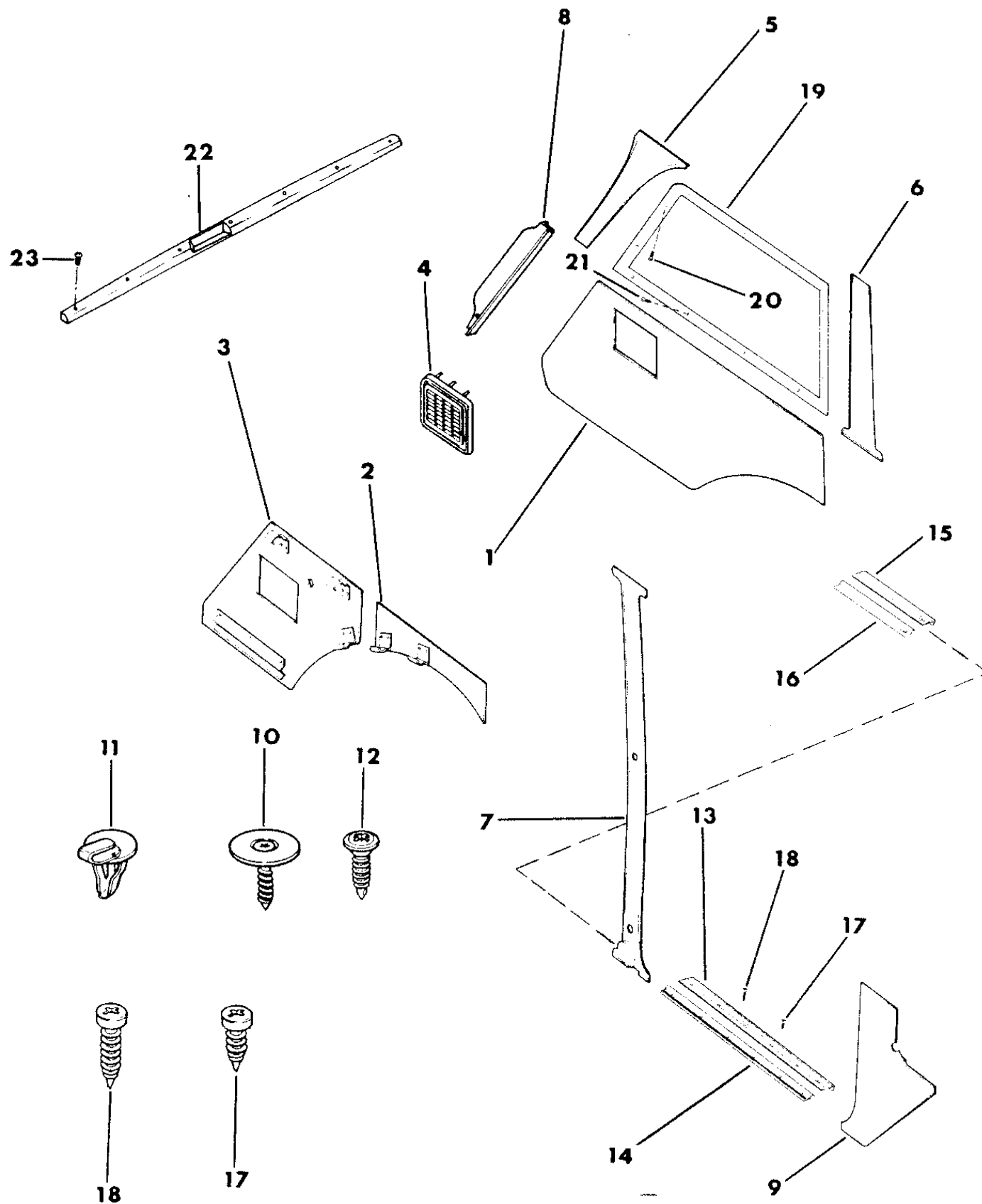
AR = Use as Required - = Non Illustrated Part P.A.R. = Paint as Required



PANELS, INTERIOR TRIM GRAND WAGONEER

Figure 28-500

8J28 500



ITEM	PART NUMBER	QTY	BODY	MODEL	DESCRIPTION
	5501 1260-1	1			Tan, 1987-88
7					PANEL, Center Pillar
	5501 1262-3	1			Cordovan, 1987-89
	5502 0978-9	1			Sand, 1989
	5AB04-5 JY1	1			P.A.R. 1990
	5501 1264-5	1			Tan, 1987-88
8					Left
					COVER, "D" Pillar, P.A.R.
	J576 5512	1			Right, 1987-89
	J576 5511	1			Left, 1987-89
	5252 484	1			Right, 1990
	5252 485	1			Left, 1990
9					COWL, Trim
	5501 1394-5	1			Cordovan, 1987-89
	5AA92-3 JH9	1			Cordovan, 1990
	5502 0898-9	1			Sand, 1989
	5AA92-3 JY1	1			Sand, 1990
	5501 1392-3	1			Tan, 1987-88
10	3420 2419	4			SCREW
11	J400 4047	10			CLIP, Trim Panel
12	J097 4764	4			SCREW
13	J546 8673	2			PLATE, Scuff, outer
14	J545 0534	2			PLATE, Scuff, inner
15	J546 8674	2			PLATE, Scuff, outer
16	J545 0535	2			PLATE, Scuff, inner
17	J400 4924	1			SCREW (8-18x.44)
18					SCREW
	J400 1499	1			1.25" Long, 1987-89
	J942 2397	1			(8-18x1.00)
19					MOLDING, Quarter Window, P.A.R. ***
	J095 7852	1			Right
	J095 7851	1			Left
20	J400 4938	14			SCREW
21	J016 8626	18			SCREW, (10-12x1.50)
22					PROTECTOR, Tailgate Glass
	5501 9733	1			Cordovan, 1988-89
	5AF3 8JH9	1			Cordovan, 1990

MODEL CODES:

15 = Grand Wagoneer 4 Dr.	65 = Comanche 4WD-7 Ft. Box	77 = Cherokee 4WD-2 Dr.
25 = J-10 Pickup-119" W.B.	66 = Comanche 2WD-7 Ft. Box	78 = Cherokee 4WD-4 Dr.
26 = J-10 Pickup-131" W.B.	73 = Cherokee 2WD-2 Dr.	79 = Cherokee 4WD-4 Dr.-Com
27 = J-20 Pickup-131" W.B.	74 = Cherokee 2WD-4 Dr.	81 = Wrangler-93" W.B.
63 = Comanche 4WD-6 Ft. Box	75 = Wagoneer 4WD-4 Dr.	82 = Wrangler-103" W.B.-Exp.
64 = Comanche 2WD-6 Ft. Box		

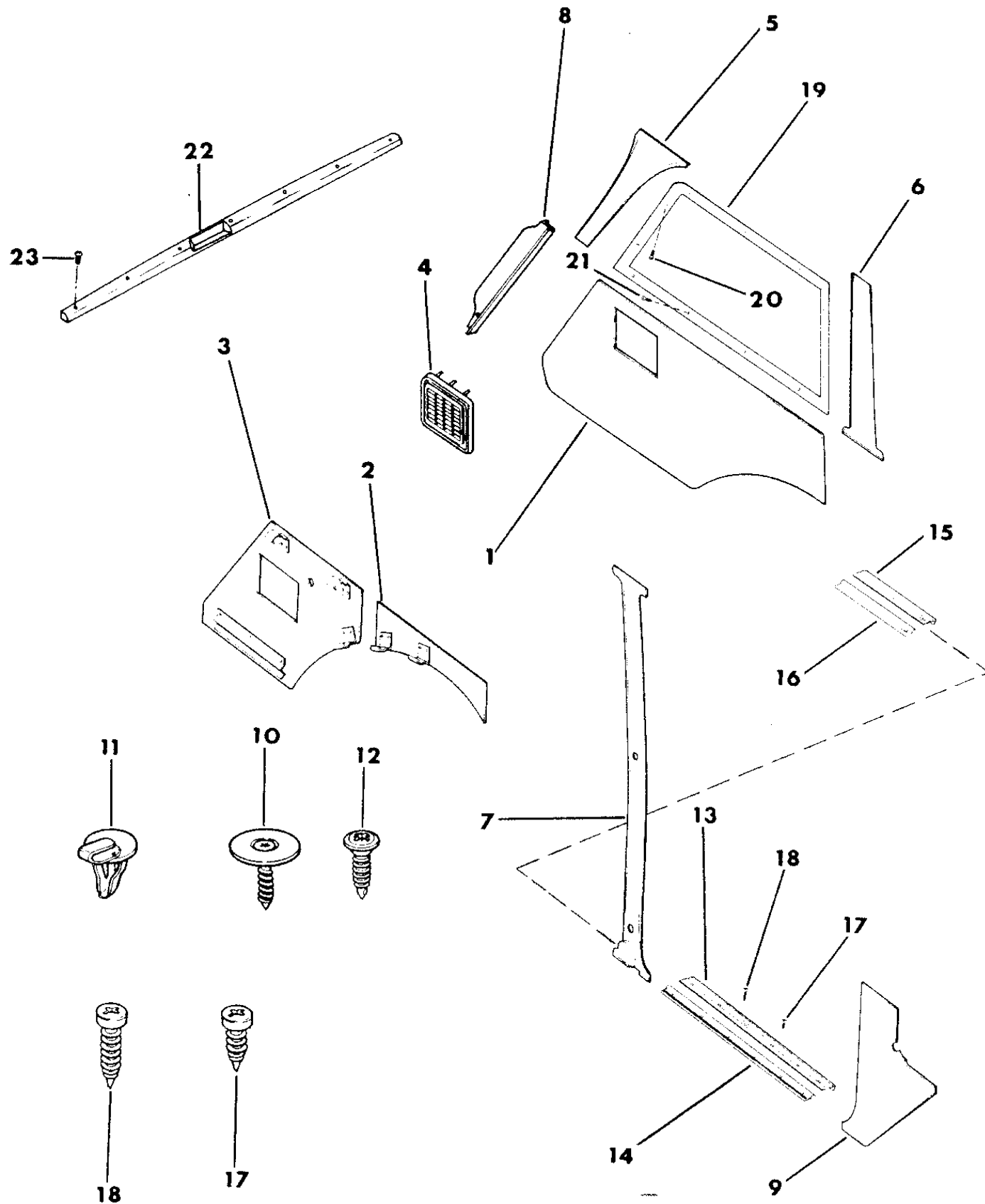
BODY STYLES:

MJ = Comanche Pickup  
 SJ = Grand Wagoneer Wgn., J-10 & J-20 Pickups  
 XJ = Cherokee, Wagoneer Limited  
 YJ = Wrangler

AR = Use as Required - = Non Illustrated Part P.A.R. = Paint as Required

PANELS, INTERIOR TRIM GRAND WAGONEER  
Figure 28-500

8J28 500



ITEM	PART NUMBER	QTY	BODY	MODEL	DESCRIPTION
	5502 0996	1			Sand, 1989
	5AF3 8JY1	1			Sand, 1990
	5501 9732	1			Tan, 1988
23	J400 2461	7			SCREW

MODEL CODES:

15 = Grand Wagoneer 4 Dr.	65 = Comanche 4WD-7 Ft. Box	77 = Cherokee 4WD-2 Dr.
25 = J-10 Pickup-119" W.B.	66 = Comanche 2WD-7 Ft. Box	78 = Cherokee 4WD-4 Dr.
26 = J-10 Pickup-131" W.B.	73 = Cherokee 2WD-2 Dr.	79 = Cherokee 4WD-4 Dr.-Com
27 = J-20 Pickup-131" W.B.	74 = Cherokee 2WD-4 Dr.	81 = Wrangler-93" W.B.
63 = Comanche 4WD-6 Ft. Box	75 = Wagoneer 4WD-4 Dr.	82 = Wrangler-103" W.B.-Exp.
64 = Comanche 2WD-6 Ft. Box		

BODY STYLES:

MJ = Comanche Pickup  
SJ = Grand Wagoneer Wgn., J-10 & J-20 Pickups  
XJ = Cherokee, Wagoneer Limited  
YJ = Wrangler

AR = Use as Required - = Non Illustrated Part P.A.R. = Paint as Required

**CARPETS AND MATS GRAND WAGONEER, J10, J20**  
**Figure 28-600**

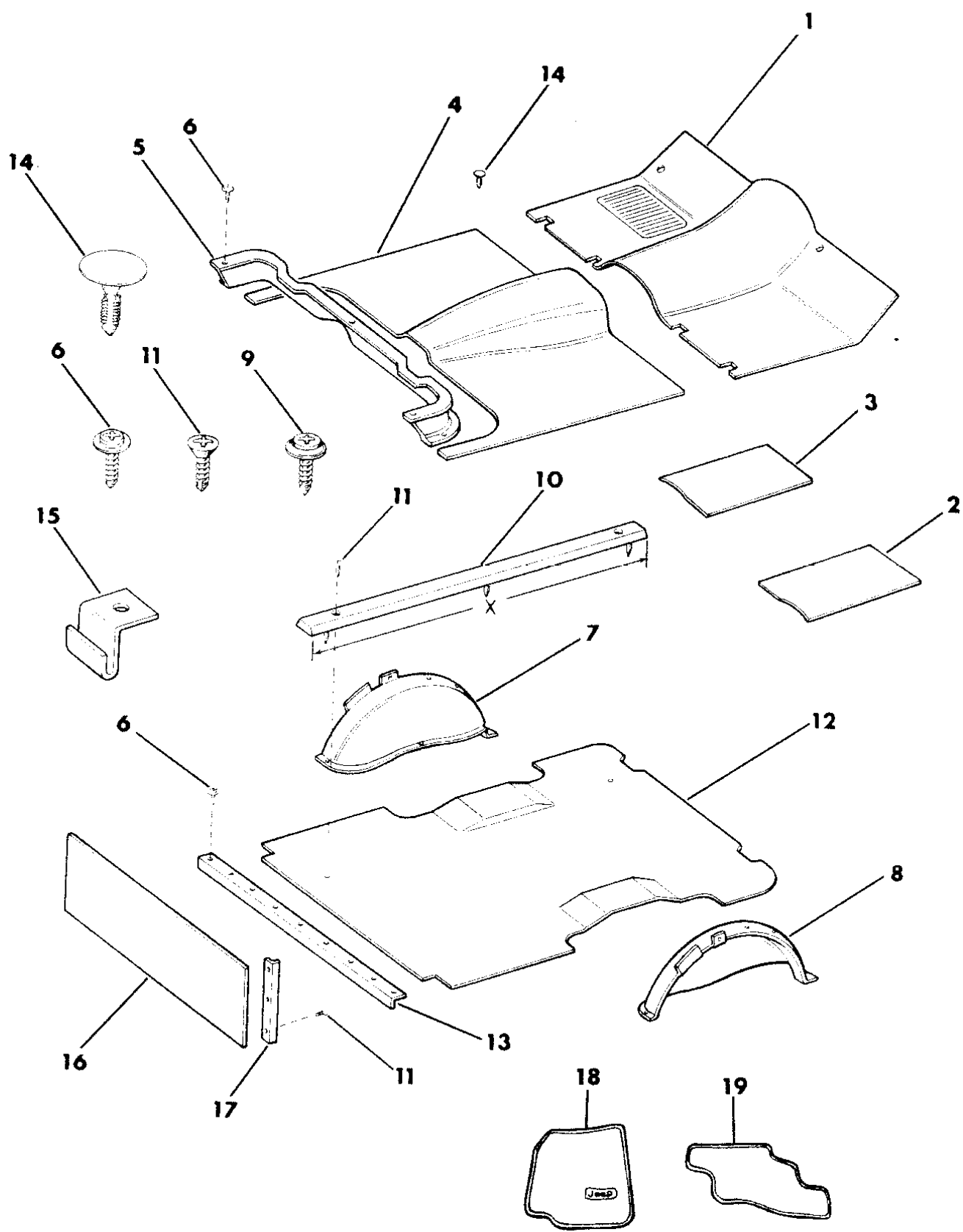
8J28 600

ITEM	PART NUMBER	QTY	BODY	MODEL	DESCRIPTION
1	5501 1656	1			MAT, Front Floor, Black
					CARPET, Floor
	5501 1413	1			Cordovan, 1987-89
	5AE9 0JH9	1			Cordovan, 1990
	5502 0953	1			Sand, 1989
2	5AE9 0JY6	1			Sand, 1990
	5501 1415	1			Tan, 1987-88
	J545 2342	1	26,27		MAT, Front Floor, Black 1987-88
	5501 1418	1	26,27		CARPET, Floor, Tan 1987-88
	3	J545 2341	1	26,27	
5501 1419		1	26,27		CARPET, Floor, Tan 1987-88
4		J575 3432	1		
					CARPET, Rear
	5501 1414	1			Cordovan, 1987-89
	5AA9 4JH9	1			Cordovan, 1990
	5502 0954	1			Sand, 1989
5	5AA9 4JY6	1			Sand, 1990
	5501 1416	1			Tan, 1987-88
					PANEL, Trim
	J097 5748	1			Black, Plastic 1987-89
	5501 1424	1			Cordovan, 1987-89
	5AA7 5JH9	1			Cordovan, 1990
	5502 0964	1			Sand, Optional, Base Wagon, 1989
	5502 1435	1			Sand, Grand Wagoneer, 1989
	5AA7 5JY6	1			Sand, Grand Wagoneer, 1990
	5501 1422	1			Tan, Optional, Base Wagon, 1987-88
5501 1426	1			Tan, Grand Wagoneer, 1987-88	
6	J097 4764	AR			SCREW, .50" Long ***
7					COVER, Wheelhouse
	5501 1273	1			Cordovan, 1987-89
	5AA8 1JH9	1			Cordovan, 1990
	5502 0969	1			Sand, 1989
	5AA8 1JY6	1			Sand, 1990
8	5501 1275	1			Tan, 1987-88
					COVER, Wheelhouse
	5501 1272	1			Cordovan, 1987-89
	5AA8 0JH9	1			Cordovan, 1990

MODEL CODES:  
 15 = Grand Wagoneer 4 Dr.      65 = Comanche 4WD-7 Ft. Box      77 = Cherokee 4WD-2 Dr.  
 25 = J-10 Pickup-119" W.B.      66 = Comanche 2WD-7 Ft. Box      78 = Cherokee 4WD-4 Dr.  
 26 = J-10 Pickup-131" W.B.      73 = Cherokee 2WD-2 Dr.      79 = Cherokee 4WD-4 Dr.-Com  
 27 = J-20 Pickup-131" W.B.      74 = Cherokee 2WD-4 Dr.      81 = Wrangler-93" W.B.  
 63 = Comanche 4WD-6 Ft. Box      75 = Wagoneer 4WD-4 Dr.      82 = Wrangler-103" W.B.-Exp.  
 64 = Comanche 2WD-6 Ft. Box

BODY STYLES:  
 MJ = Comanche Pickup  
 SJ = Grand Wagoneer Wgn., J-10 & J-20 Pickups  
 XJ = Cherokee, Wagoneer Limited  
 YJ = Wrangler

AR = Use as Required - = Non Illustrated Part P.A.R. = Paint as Required



CARPETS AND MATS GRAND WAGONEER, J10, J20

Figure 28-600

8J28 600

ITEM	PART NUMBER	QTY	BODY	MODEL	DESCRIPTION
	5502 0968	1			Sand, 1989
	5AA8 0JY6	1			Sand, 1990
	5501 1274	1			Tan, 1987-88
9	J400 1776	12			SCREW, .56" Long ***
10					STRIP, Skid
	J545 6616	2			X = 17"
	J545 6615	2			X = 26"
	J545 5576	3			X = 48"
11	J400 4955	28			SCREW, 1.00" Long ***
12					MAT or CARPET, Rear Cargo ***
	J545 1847	1			MAT, Black CARPET
	5501 1423	1			Cordovan, 1987-89
	5AA4 8JH9	1			Cordovan, 1990
	5502 0963	1			Sand, 1989
	5AA4 8JY6	1			Sand, 1990
	5501 1425	1			Tan, 1987-88
13	J096 6036	1			RETAINER
14	J400 4875	8			PLUG, P.A.R.
15	J545 5596	6			BRACKET, Support
16					CARPET, Tailgate
	5501 1428	1			Cordovan, 1987-89
	5AA7 6JH9	1			Cordovan, 1990
	5502 0966	1			Sand, 1989
	5AA7 6JY6	1			Sand, 1990
	5501 1427	1			Tan, Optional, Base Wagon, 1987-88
	5501 1429	1			Tan, Grand Wagoneer, 1987-88
17	J545 5577	7			STRIP, Skid
18					FLOOR MATS, Carpeted
					Front, Set of Two
	5252 240	1			Cordovan
	5252 241	1			Sand, Dark
19					FLOOR MATS, Carpeted
					Rear, Set of Two
	5252 242	1			Cordovan
	5252 243	1			Sand, Dark

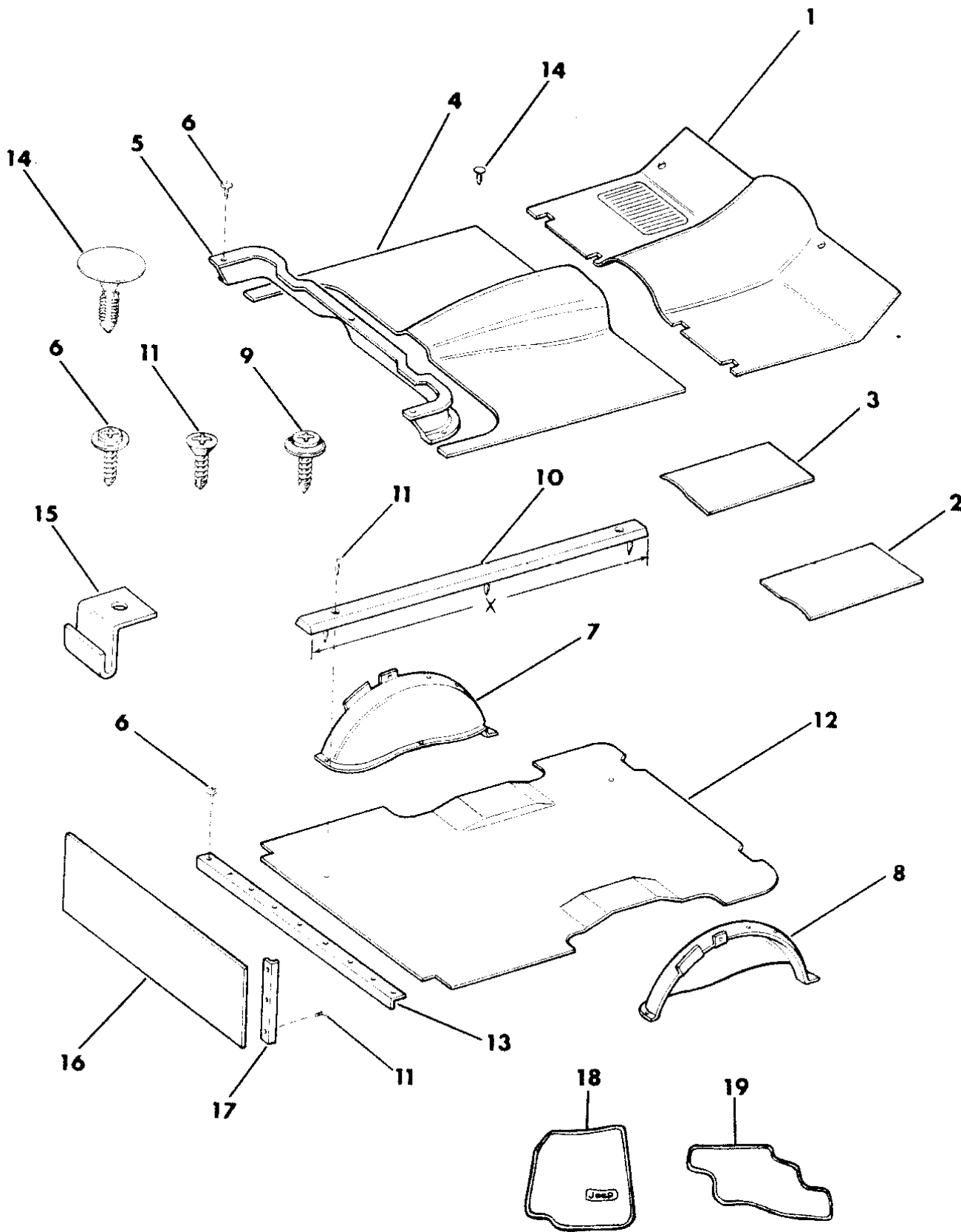
MODEL CODES:

15 = Grand Wagoneer 4 Dr.	65 = Comanche 4WD-7 Ft. Box	77 = Cherokee 4WD-2 Dr.
25 = J-10 Pickup-119" W.B.	66 = Comanche 2WD-7 Ft. Box	78 = Cherokee 4WD-4 Dr.
26 = J-10 Pickup-131" W.B.	73 = Cherokee 2WD-2 Dr.	79 = Cherokee 4WD-4 Dr.-Com
27 = J-20 Pickup-131" W.B.	74 = Cherokee 2WD-4 Dr.	81 = Wrangler-93" W.B.
63 = Comanche 4WD-6 Ft. Box	75 = Wagoneer 4WD-4 Dr.	82 = Wrangler-103" W.B.-Exp.
64 = Comanche 2WD-6 Ft. Box		

BODY STYLES:

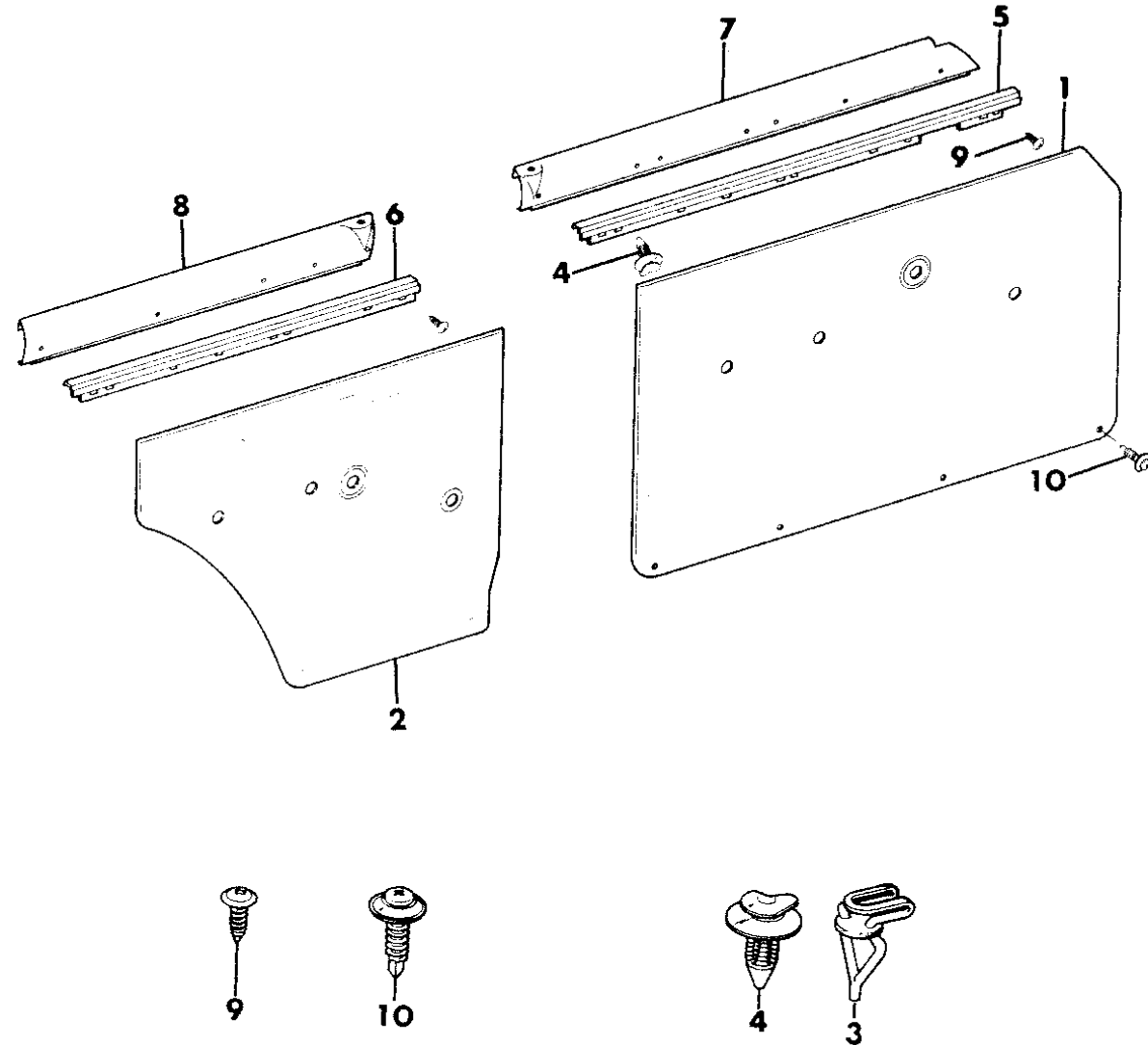
MJ = Comanche Pickup
SJ = Grand Wagoneer Wgn., J-10 & J-20 Pickups
XJ = Cherokee, Wagoneer Limited
YJ = Wrangler

AR = Use as Required - = Non Illustrated Part P.A.R. = Paint as Required



PANELS, DOOR TRIM GRAND WAGONEER, J10, J20  
Figure 28-700

8J28 700



ITEM	PART NUMBER	QTY	BODY	MODEL	DESCRIPTION
1					PANEL, Door Trim
					Cordovan
	5501 5326-7	1			1987-89, (Up To 4-14-89)
	5502 4794-5	1			1989, (After 4-15-89)
	5AG66-7 JH9	1			1990, (Up To 10-1-89)
	5BB62-3 JH9	1			1990, (After 10-2-89)
					Sand
	5502 1016-7	1			1989, (Up To 4-14-89)
	5502 4796-7	1			1989, (After 4-15-89)
	5AG66-7 JYY	1			1990, (Up To 10-1-89)
	5BB62-3 JYY	1			1990, (After 10-2-89)
					Tan,
	5501 1286-7	1			1987-88, w/Vinyl Upholstery
	5501 1290-1	1			1987-88, w/Cloth Upholstery
	5501 5328-9	1			1987-88, w/Leather Upholstery
2					PANEL, Door Trim
					Cordovan
	5501 5330-1	1			1987-89, (Up To 4-14-89)
	5502 4566-7	1			1989, (After 4-15-89)
	5AG76-7 JH9	1			1990, (Up To 10-1-89)
	5BA24-5 JH9	1			1990, (After 10-1-89)
					Sand
	5502 1030-1	1			1989, (Up To 4-14-89)
	5502 4802-3	1			1989, (After 4-14-89)
	5AG76-7 JYY	1			1990, (Up To 10-1-89)
	5BA24-5 JYY	1			1990, (After 10-1-89)
					Tan
	5501 1288-9	1			1987-88 w/Vinyl Upholstery
	5501 1292-3	1			1987-88, w/Cloth Upholstery
	5501 5332-3	1			1987-88, w/Leather Upholstery
3	J400 6179	28			FASTENER ***
4	J400 6176	28			FASTENER
5					RETAINER, Trim Panel
					Cordovan
	5501 1317	2			1987-89
	5AA0 8JH9	2			1990
					Sand

MODEL CODES:

15 = Grand Wagoneer 4 Dr.	65 = Comanche 4WD-7 Ft. Box	77 = Cherokee 4WD-2 Dr.
25 = J-10 Pickup-119" W.B.	66 = Comanche 2WD-7 Ft. Box	78 = Cherokee 4WD-4 Dr.
26 = J-10 Pickup-131" W.B.	73 = Cherokee 2WD-2 Dr.	79 = Cherokee 4WD-4 Dr.-Com
27 = J-20 Pickup-131" W.B.	74 = Cherokee 2WD-4 Dr.	81 = Wrangler-93" W.B.
63 = Comanche 4WD-6 Ft. Box	75 = Wagoneer 4WD-4 Dr.	82 = Wrangler-103" W.B.-Exp.
64 = Comanche 2WD-6 Ft. Box		

BODY STYLES:

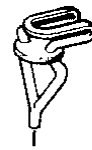
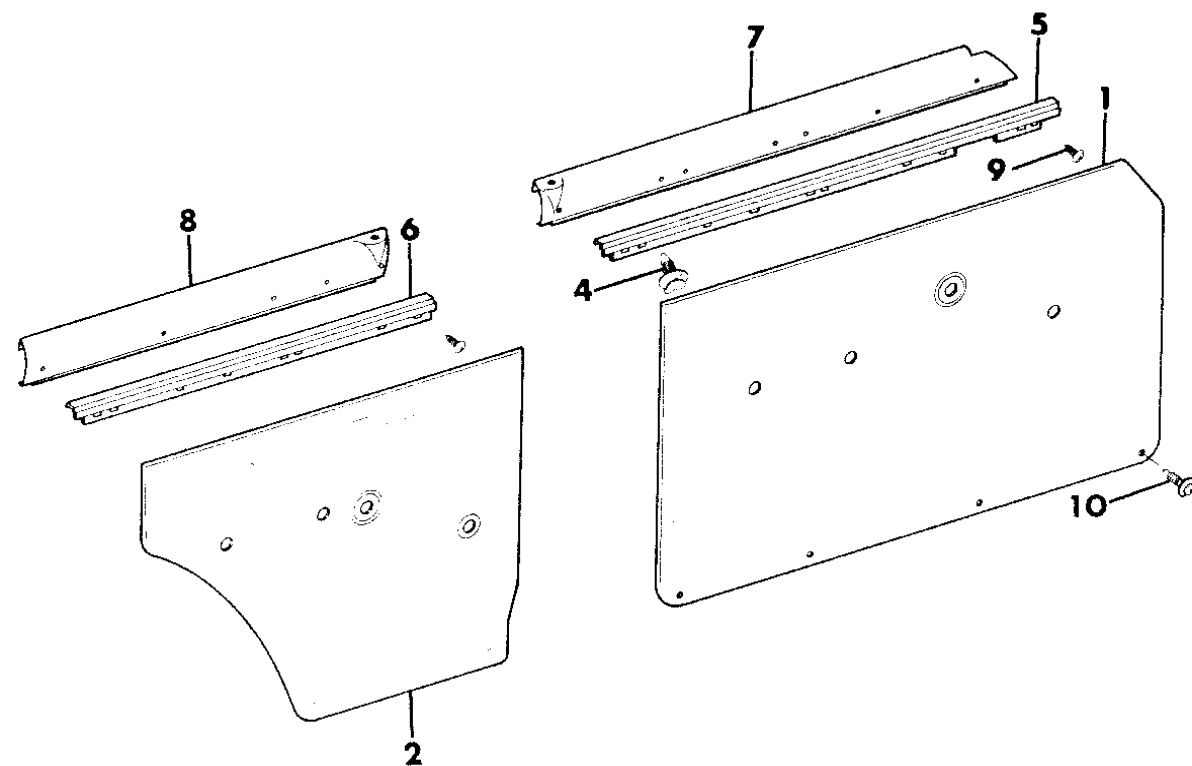
MJ = Comanche Pickup  
 SJ = Grand Wagoneer Wgn., J-10 & J-20 Pickups  
 XJ = Cherokee, Wagoneer Limited  
 YJ = Wrangler

AR = Use as Required - = Non Illustrated Part P.A.R. = Paint as Required

PANELS, DOOR TRIM GRAND WAGONEER, J10, J20

Figure 28-700

8J28 700



ITEM	PART NUMBER	QTY	BODY	MODEL	DESCRIPTION
	5502 1022	2			1989
	5AA0 8JY1	2			1990
	J098 1842	2			Stainless Steel
	5501 1316	2			Tan, 1987-88
6					RETAINER, Trim Panel
					Cordovan
	5501 1319	2			1987-89
	5AA0 9JH9	2			1990
					Sand
	5502 1034	2			1989
	5AA0 9JY1	2			1990
	J098 1843	2			Stainless Steel
	5501 1318	2			Tan, 1987-88
7	5501 1076-7	1			MOLDING, Trim Panel, Grand Wagoneer ***
8	5501 1078-9	1			MOLDING, Trim Panel, Grand Wagoneer ***
9	J400 4812	16			SCREW, .38" Long ***
10	J400 3095	14			SCREW, .75" Long ***

MODEL CODES:

15 = Grand Wagoneer 4 Dr.	65 = Comanche 4WD-7 Ft. Box	77 = Cherokee 4WD-2 Dr.
25 = J-10 Pickup-119" W.B.	66 = Comanche 2WD-7 Ft. Box	78 = Cherokee 4WD-4 Dr.
26 = J-10 Pickup-131" W.B.	73 = Cherokee 2WD-2 Dr.	79 = Cherokee 4WD-4 Dr.-Com
27 = J-20 Pickup-131" W.B.	74 = Cherokee 2WD-4 Dr.	81 = Wrangler-93" W.B.
63 = Comanche 4WD-6 Ft. Box	75 = Wagoneer 4WD-4 Dr.	82 = Wrangler-103" W.B.-Exp.
64 = Comanche 2WD-6 Ft. Box		

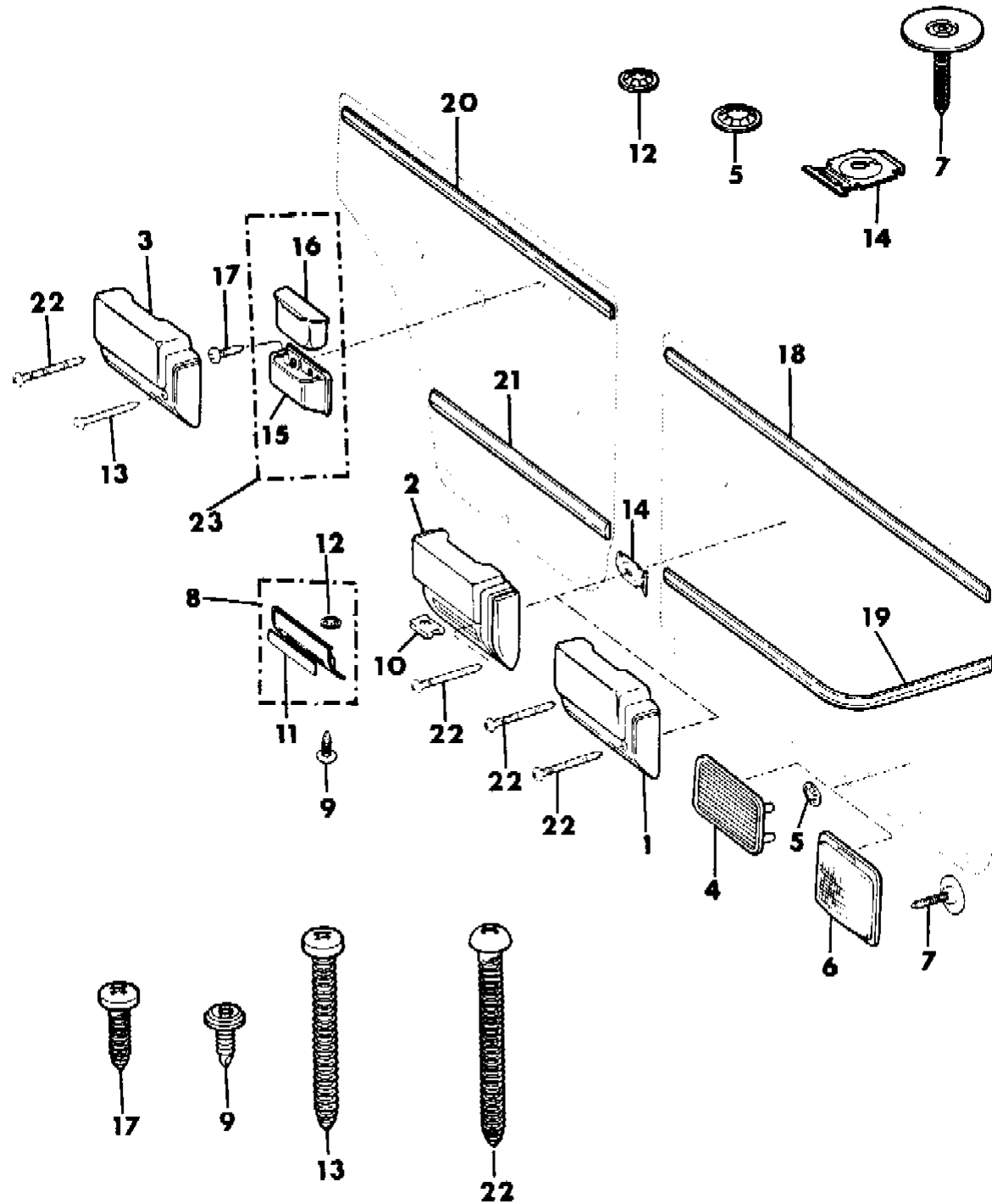
BODY STYLES:

MJ = Comanche Pickup  
 SJ = Grand Wagoneer Wgn., J-10 & J-20 Pickups  
 XJ = Cherokee, Wagoneer Limited  
 YJ = Wrangler

AR = Use as Required - = Non Illustrated Part P.A.R. = Paint as Required

INTERIOR TRIM PARTS, DOOR GRAND WAGONEER, J10, J20  
Figure 28-800

8J28 800 A



ITEM	PART NUMBER	QTY	BODY	MODEL	DESCRIPTION
1					ARMREST, Base Model
	5502 1023	2			Sand, 1989
	5501 1344	2			Tan, 1987-88
2					ARMREST, Grand Wagoneer
	5501 1346	2			Cordovan, 1987-89
	5AA3 1JH9	2			Cordovan, 1990
	5502 1025	2			Sand, 1989
	5AA3 1JY1	2			Sand, 1990
	5501 1345	2			Tan, 1987-88
3					ARMREST
	5501 1347	2			Cordovan, 1987-89
	5AA2 6JH9	2			Cordovan, 1990
	5502 1037	2			Sand, 1989
	5AA2 6JY1	2			Sand, 1990
	5501 1348	2			Tan, 1987-88
4					GRILLE, Speaker, P.A.R.
	3500 2017	2			1987
	J373 9240	2			1988-89
5	J400 0271	8			FASTENER, .250" I.D.
6					GRILLE, Speaker
	3501 6858	2			Cordovan, 1987-89
	3502 5335	2			Sand, 1989
	3501 4001	2			Tan, 1987-88
	5AB9 3JY6	2			P.A.R., 1990
7	3420 2419	8			SCREW
8	5501 1327	2			INSERT, Armrest
9	J400 4642	4			SCREW, .56" Long ***
10	J943 3155	4			NUT, U-Type
11	J373 5331	2			REFLECTOR, Insert
12	J400 1714	4			NUT, Push, .190" I.D.
13	S016 2113	2			SCREW, 2.00" Long 1987-89
14	J400 4058	8			NUT, Spring
15	J576 5306	2			COVER, Ashtray, 1987-89, P.A.R.
16	J364 9527	2			ASHTRAY, 1987-89 ***
17					SCREW
	J448 9490	6			1987-89
	3420 1467	6			1990

MODEL CODES:

15 = Grand Wagoneer 4 Dr.	65 = Comanche 4WD-7 Ft. Box	77 = Cherokee 4WD-2 Dr.
25 = J-10 Pickup-119" W.B.	66 = Comanche 2WD-7 Ft. Box	78 = Cherokee 4WD-4 Dr.
26 = J-10 Pickup-131" W.B.	73 = Cherokee 2WD-2 Dr.	79 = Cherokee 4WD-4 Dr.-Com
27 = J-20 Pickup-131" W.B.	74 = Cherokee 2WD-4 Dr.	81 = Wrangler-93" W.B.
63 = Comanche 4WD-6 Ft. Box	75 = Wagoneer 4WD-4 Dr.	82 = Wrangler-103" W.B.-Exp.
64 = Comanche 2WD-6 Ft. Box		

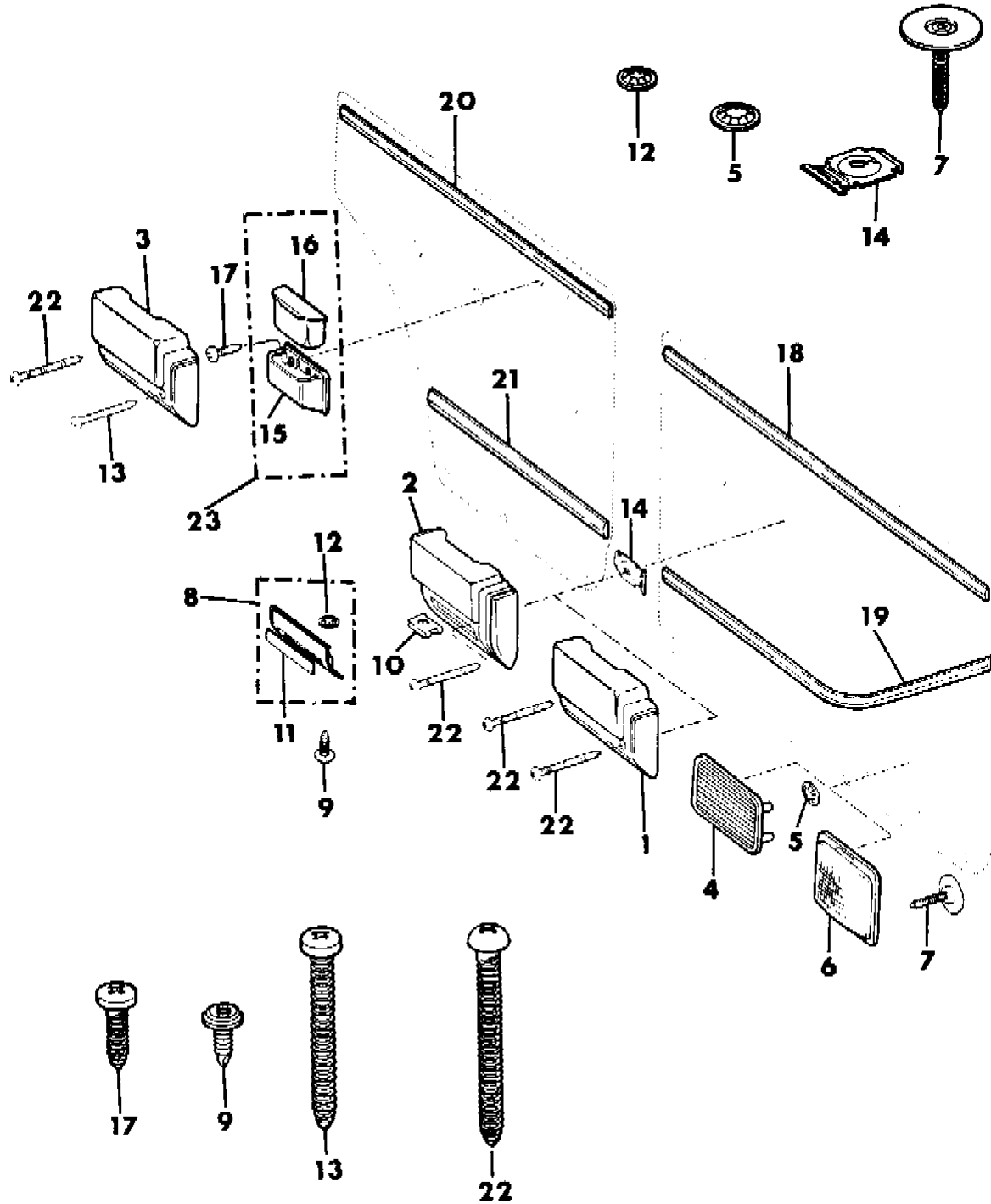
BODY STYLES:

MJ = Comanche Pickup  
 SJ = Grand Wagoneer Wgn., J-10 & J-20 Pickups  
 XJ = Cherokee, Wagoneer Limited  
 YJ = Wrangler

AR = Use as Required - = Non Illustrated Part P.A.R. = Paint as Required

INTERIOR TRIM PARTS, DOOR GRAND WAGONEER, J10, J20  
Figure 28-800

8J28 800 A



ITEM	PART NUMBER	QTY	BODY	MODEL	DESCRIPTION
18	5501 5322	2			MOLDING, Door ***
19	5501 1068-9	1			MOLDING, Door ***
20	5501 5324	2			MOLDING, Door ***
21	5501 1086	2			MOLDING, Door ***
22	J045 0614	6			SCREW, 2.25" Long ***
23					ASHTRAY, Assy. 1990 ***
	5AA1 4JH9	2			Cordovan
	5AA1 4JY1	2			Sand

MODEL CODES:

15 = Grand Wagoneer 4 Dr.	65 = Comanche 4WD-7 Ft. Box	77 = Cherokee 4WD-2 Dr.
25 = J-10 Pickup-119" W.B.	66 = Comanche 2WD-7 Ft. Box	78 = Cherokee 4WD-4 Dr.
26 = J-10 Pickup-131" W.B.	73 = Cherokee 2WD-2 Dr.	79 = Cherokee 4WD-4 Dr.-Com
27 = J-20 Pickup-131" W.B.	74 = Cherokee 2WD-4 Dr.	81 = Wrangler-93" W.B.
63 = Comanche 4WD-6 Ft. Box	75 = Wagoneer 4WD-4 Dr.	82 = Wrangler-103" W.B.-Exp.
64 = Comanche 2WD-6 Ft. Box		

BODY STYLES:

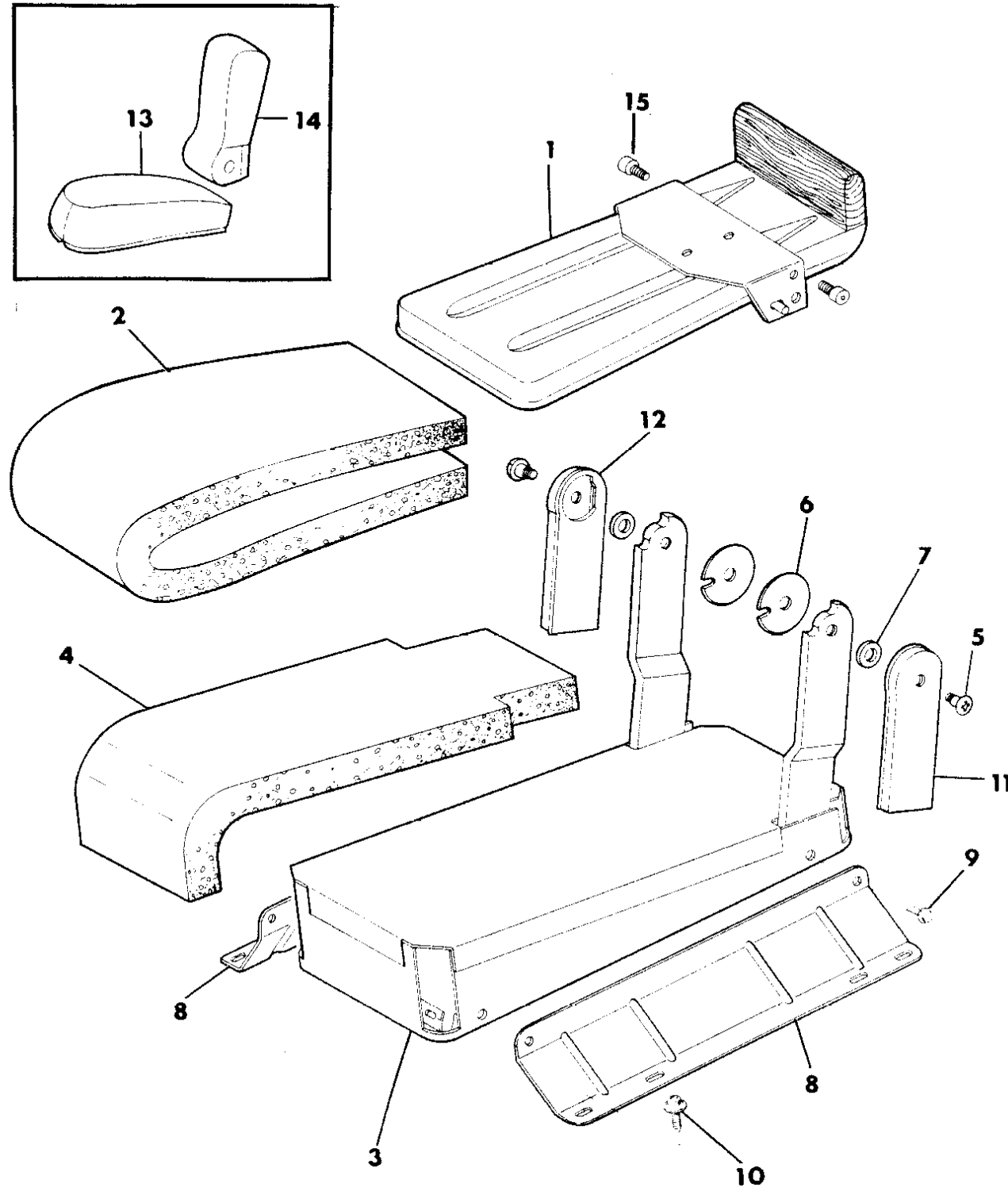
MJ = Comanche Pickup  
 SJ = Grand Wagoneer Wgn., J-10 & J-20 Pickups  
 XJ = Cherokee, Wagoneer Limited  
 YJ = Wrangler

AR = Use as Required - = Non Illustrated Part P.A.R. = Paint as Required



**FRAME, PAD, AND COVERS ARMREST AND CENTER CUSHION GRAND WAGONEER**  
**Figure 28-900**

8J28 900



ITEM	PART NUMBER	QTY	BODY	MODEL	DESCRIPTION
1	J575 5613	1			FRAME, Back
2	J545 2137	1			PAD, Back
3	J545 2147	1			FRAME, Cushion
4	J545 2154	1			PAD, Cushion
5	J400 6131	2			SCREW
6	J352 0016	2			PROTECTOR
7	J400 1104	2			WASHER
8	J545 6380	2			SUPPORT
9	J400 3931	4			SCREW
10	J400 4455	4			SCREW
11					COVER, Bracket
	J545 5029	1			P.A.R. 1987-89
	5AA4 7JH9	1			Cordovan, 1990
	5AA4 7JY6	1			Sand, 1990
12					COVER, Bracket
	J545 5030	1			P.A.R., 1987-89
	5AA4 6JH9	1			Cordovan, 1990
	5AA4 6JY6	1			Sand, 1990
13					COVER, Armrest
					Leather interior
	5501 1487	1			Cordovan, 1987-89
	5AH7 6JH9	1			Cordovan, 1990
	5502 1057	1			Sand, 1989
	5AH7 6JY6	1			Sand, 1990
	5501 1485	1			Tan, 1987-88
					Vinyl or Cloth interior
	5501 1483	1			Tan, 1987-88
14					COVER, Armrest
					Leather interior
	5501 1488	1			Cordovan, 1987-89
	5AH7 7JH9	1			Cordovan, 1990
	5502 1058	1			Sand, 1989
	5AH7 7JY6	1			Sand, 1990
	5501 1486	1			Tan, 1987-88
					Vinyl or Cloth interior
	5501 1484	1			Tan, 1987-88
15	J400 6131	2			SCREW, Torx

**MODEL CODES:**

15 = Grand Wagoneer 4 Dr.	65 = Comanche 4WD-7 Ft. Box	77 = Cherokee 4WD-2 Dr.
25 = J-10 Pickup-119" W.B.	66 = Comanche 2WD-7 Ft. Box	78 = Cherokee 4WD-4 Dr.
26 = J-10 Pickup-131" W.B.	73 = Cherokee 2WD-2 Dr.	79 = Cherokee 4WD-4 Dr.-Com
27 = J-20 Pickup-131" W.B.	74 = Cherokee 2WD-4 Dr.	81 = Wrangler-93" W.B.
63 = Comanche 4WD-6 Ft. Box	75 = Wagoneer 4WD-4 Dr.	82 = Wrangler-103" W.B.-Exp.
64 = Comanche 2WD-6 Ft. Box		

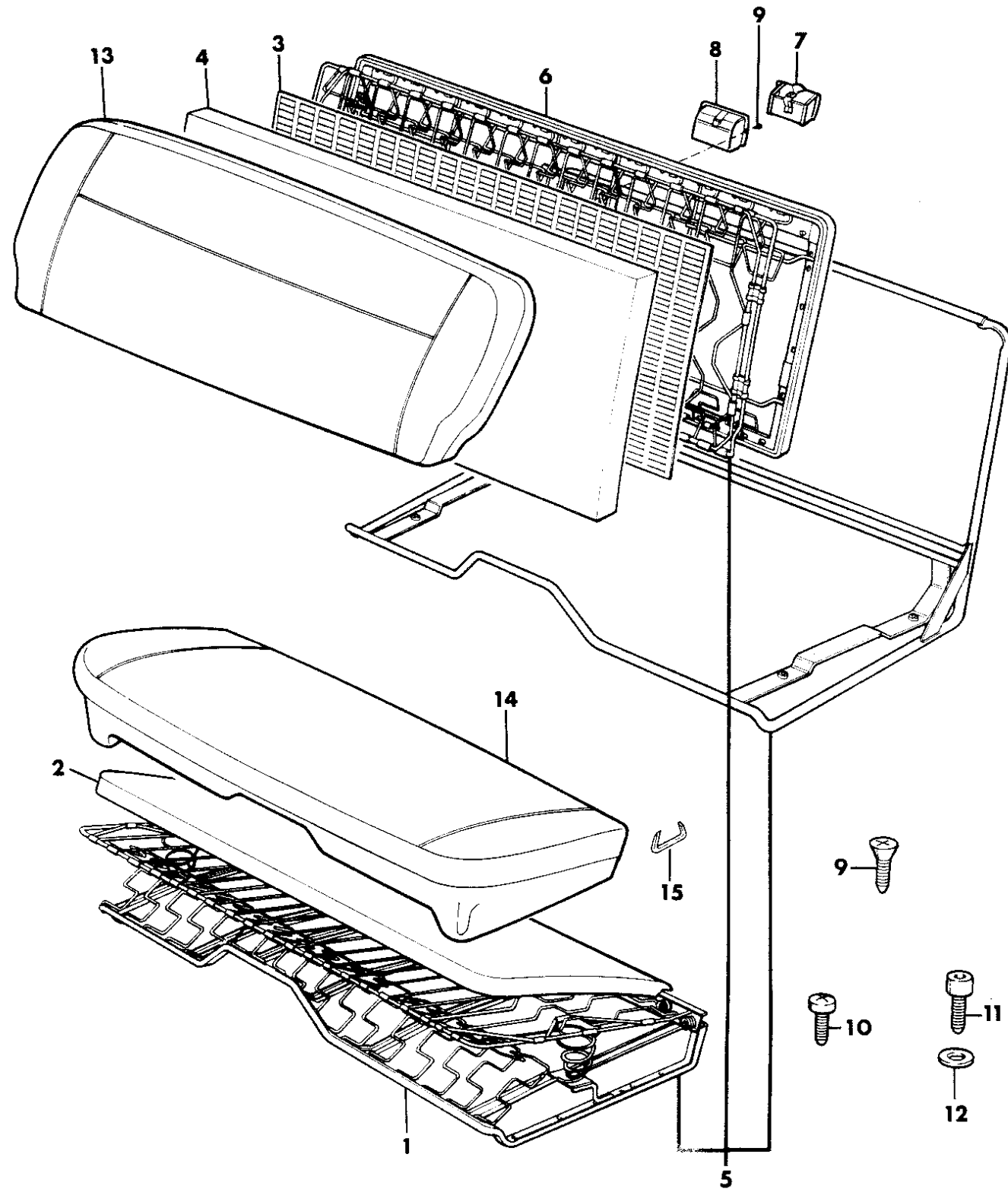
**BODY STYLES:**

MJ = Comanche Pickup  
 SJ = Grand Wagoneer Wgn., J-10 & J-20 Pickups  
 XJ = Cherokee, Wagoneer Limited  
 YJ = Wrangler

AR = Use as Required - = Non Illustrated Part P.A.R. = Paint as Required

FRAME, PAD, AND COVERS BENCH SEAT GRAND WAGONEER 1987-88  
Figure 28-1000

8J28 1000



ITEM	PART NUMBER	QTY	BODY	MODEL	DESCRIPTION
1	J546 1206	1			SPRING, Cushion
2	J546 1249	1			PAD, Cushion
3	J546 1250	1			PROTECTOR
4	J545 0863	1			PAD, Back
5	J576 0907	1			FRAME, Assy. Seat
6	J575 4524	1			SPRING, Back
7	J096 0655	1			ASHTRAY
8	J095 9077	1			RETAINER, Ashtray
9	J941 4732	2			SCREW, .50" Long ***
10	J016 3162	2			SCREW, .50" Long ***
11	J400 4554	2			SCREW, .44" Long ***
12	J044 6188	2			WASHER
13	5501 1441	1			COVER, Back (6AN or ANE)
14	5501 1444	1			COVER, Cushion (6AN or ANE)
15	J436 3256	AR			RING

MODEL CODES:

15 = Grand Wagoneer 4 Dr.	65 = Comanche 4WD-7 Ft. Box	77 = Cherokee 4WD-2 Dr.
25 = J-10 Pickup-119" W.B.	66 = Comanche 2WD-7 Ft. Box	78 = Cherokee 4WD-4 Dr.
26 = J-10 Pickup-131" W.B.	73 = Cherokee 2WD-2 Dr.	79 = Cherokee 4WD-4 Dr.-Com
27 = J-20 Pickup-131" W.B.	74 = Cherokee 2WD-4 Dr.	81 = Wrangler-93" W.B.
63 = Comanche 4WD-6 Ft. Box	75 = Wagoneer 4WD-4 Dr.	82 = Wrangler-103" W.B.-Exp.
64 = Comanche 2WD-6 Ft. Box		

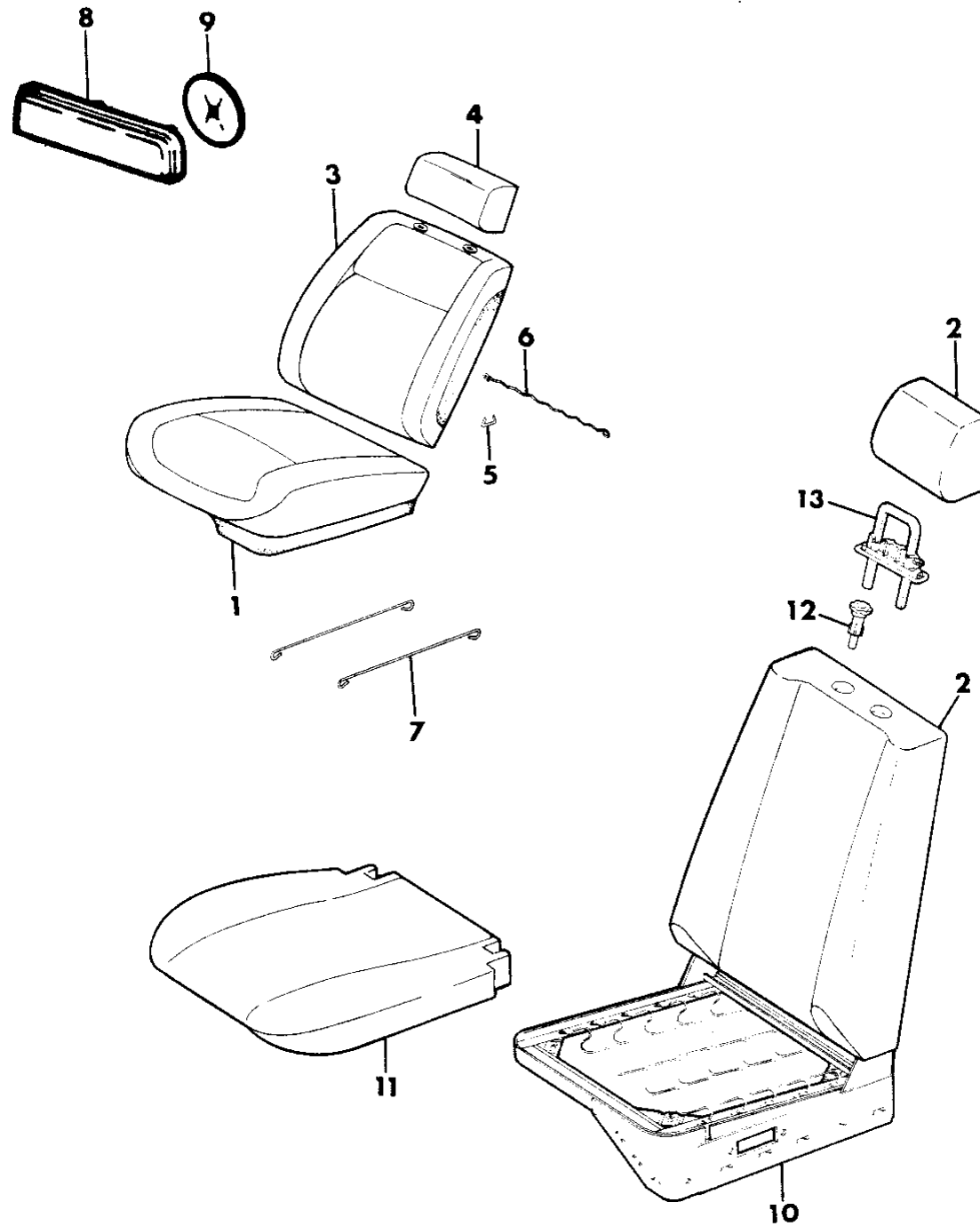
BODY STYLES:

MJ = Comanche Pickup  
SJ = Grand Wagoneer Wgn., J-10 & J-20 Pickups  
XJ = Cherokee, Wagoneer Limited  
YJ = Wrangler

AR = Use as Required - = Non Illustrated Part P.A.R. = Paint as Required

**FRAME, PAD, AND COVERS BUCKET SEAT GRAND WAGONEER**  
**Figure 28-1100**

8J28 1100



ITEM	PART NUMBER	QTY	BODY	MODEL	DESCRIPTION
1					COVER, Cushion
	5501 1448-9	1			Cordovan, (4BL or 5BL or ALH9), 1987-89
	5AH68-9 JH9	1			Cordovan, (ALH9), 1990
	5502 1046-7	1			Sand, (ALYY), 1989
	5AH68-9 JY6	1			Sand, (ALYY), 1990
2	5501 1460-1	1			Tan, Vinyl, (6BN) 1987-88
	5501 1456-7	1			Tan, Cloth, (6BG) 1987-88
	5501 1464-5	1			Tan, Leather, (6BL or CLE) 1987-88
	3500 1690	2			PAD, Headrest
3					COVER, Back
	5501 1452	2			Cordovan, (4BL or 5BL or ALH9), 1987-89
	5AH7 0JH9	2			Cordovan, (ALH9), 1990
	5502 1050	2			Sand, (ALYY), 1989
	5AH7 0JY6	2			Sand, (ALYY), 1990
	5501 1462	2			Tan, Vinyl, (6BN) 1987-88
	5501 1458	2			Tan, Cloth, (6BG) 1987-88
	5501 1463	2			Tan, Leather, (6BL or CLE), 1987-88
4					COVER, Headrest
	5501 4345	2			Cordovan, (4BL or 5BL or ALH9), 1987-89
	5AJ4 8JH9	2			Cordovan, (ALH9), 1990
	5502 0895	2			Sand, (ALYY), 1989
	5AJ4 8JY6	2			Sand, (ALYY), 1990
5	J436 3256	AR			RING
6	J362 1468	2			WIRE, Back Cover
7	J545 2230	4			WIRE, Cover
8	5501 1447	4			BUTTON, Trim, Vinyl Upholstery
9	J400 5214	8			RETAINER, Vinyl Upholstery
10	J576 6598-9	1			FRAME, Seat (HS Recliner on Frame)
11	J545 8622	2			PAD, Cushion
12					CYLINDER, Headrest
	T134 9642	4			1987-88
	3500 9926	4			1990
13	3500 3669	2			POST, Headrest

**MODEL CODES:**

15 = Grand Wagoneer 4 Dr.	65 = Comanche 4WD-7 Ft. Box	77 = Cherokee 4WD-2 Dr.
25 = J-10 Pickup-119" W.B.	66 = Comanche 2WD-7 Ft. Box	78 = Cherokee 4WD-4 Dr.
26 = J-10 Pickup-131" W.B.	73 = Cherokee 2WD-2 Dr.	79 = Cherokee 4WD-4 Dr.-Com
27 = J-20 Pickup-131" W.B.	74 = Cherokee 2WD-4 Dr.	81 = Wrangler-93" W.B.
63 = Comanche 4WD-6 Ft. Box	75 = Wagoneer 4WD-4 Dr.	82 = Wrangler-103" W.B.-Exp.
64 = Comanche 2WD-6 Ft. Box		

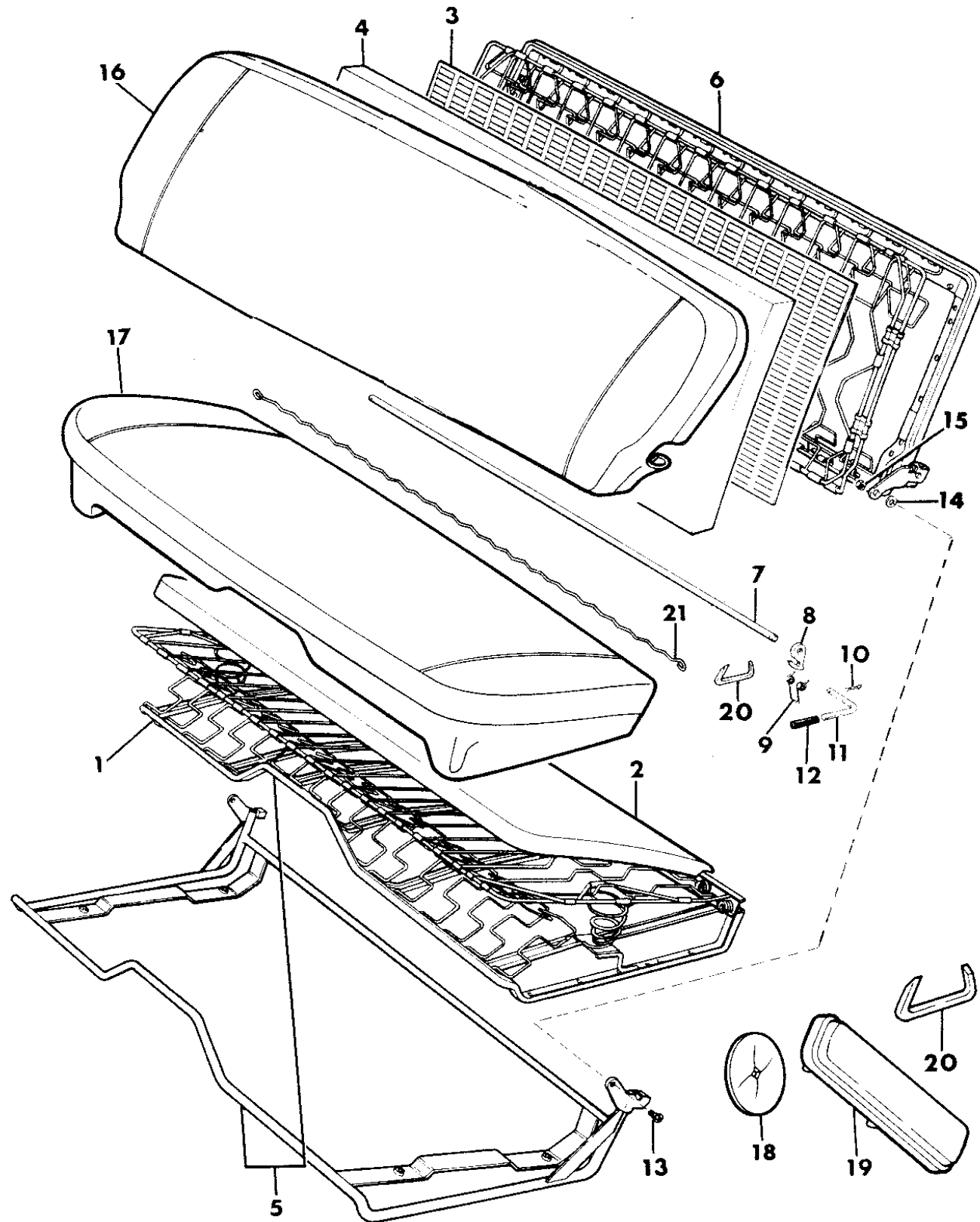
**BODY STYLES:**

MJ = Comanche Pickup
SJ = Grand Wagoneer Wgn., J-10 & J-20 Pickups
XJ = Cherokee, Wagoneer Limited
YJ = Wrangler

AR = Use as Required - = Non Illustrated Part P.A.R. = Paint as Required

FRAME, PAD, AND COVERS BENCH SEAT J10 J20 1987-88  
Figure 28-1200

8J28 1200



ITEM	PART NUMBER	QTY	BODY	MODEL	DESCRIPTION
1	J546 1206	1			SPRING, Cushion
2	J546 1249	1			PAD, Cushion
3	J546 1250	1			PROTECTOR
4	J545 0863	1			PAD, Back
5	J575 3976	1			FRAME, ASSY. Cushion
6	J546 1280	1			FRAME, ASSY. Back
7	J546 1497	1			BAR, Latch
8	J545 8764	2			PAWL, Locking
9	J545 8766	2			SPRING, Latch
10	J400 4295	2			PIN, Latch
11	J546 4906	2			ROD, Latch Release
12	J546 1704	2			KNOB, Seat Latch
13	J400 3577	2			SCREW
14	J400 4437	2			WASHER
15	J941 3447	2			NUT
16					COVER, Back
	5501 1442	1			(6AN or ANE)
	5501 1443	1			(6AT or ATE)
17					COVER, Cushion
	5501 1445	1			(6AN or ANE)
	5501 1446	1			(6AT or ATE)
18	J400 5214	6			RETAINER
19	5501 1447	3			BUTTON, Trim
20	J436 3256	AR			RING
21	J362 1474	2			WIRE, Cover Back

MODEL CODES:

15 = Grand Wagoneer 4 Dr.	65 = Comanche 4WD-7 Ft. Box	77 = Cherokee 4WD-2 Dr.
25 = J-10 Pickup-119" W.B.	66 = Comanche 2WD-7 Ft. Box	78 = Cherokee 4WD-4 Dr.
26 = J-10 Pickup-131" W.B.	73 = Cherokee 2WD-2 Dr.	79 = Cherokee 4WD-4 Dr.-Com
27 = J-20 Pickup-131" W.B.	74 = Cherokee 2WD-4 Dr.	81 = Wrangler-93" W.B.
63 = Comanche 4WD-6 Ft. Box	75 = Wagoneer 4WD-4 Dr.	82 = Wrangler-103" W.B.-Exp.
64 = Comanche 2WD-6 Ft. Box		

BODY STYLES:

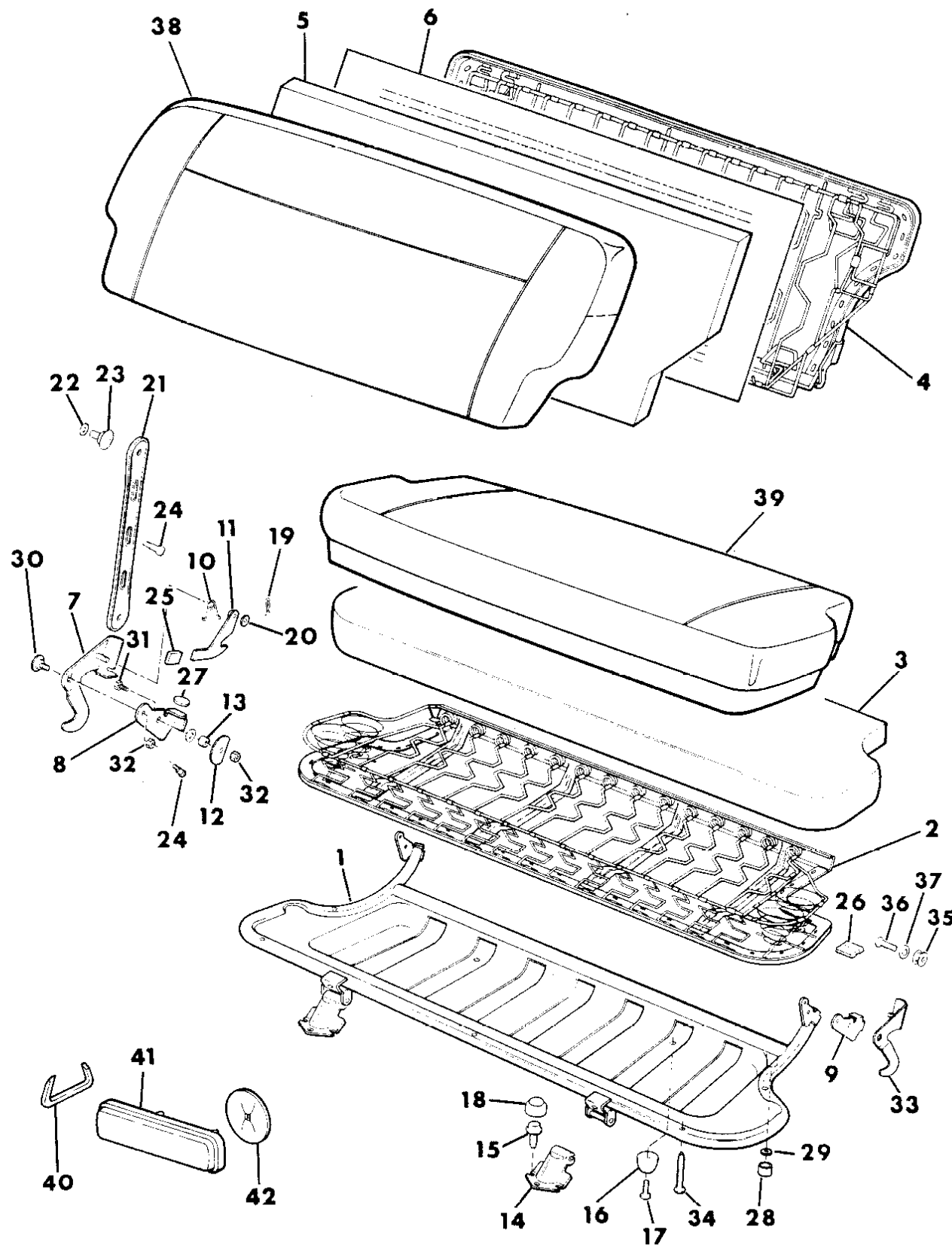
MJ = Comanche Pickup  
 SJ = Grand Wagoneer Wgn., J-10 & J-20 Pickups  
 XJ = Cherokee, Wagoneer Limited  
 YJ = Wrangler

AR = Use as Required - = Non Illustrated Part P.A.R. = Paint as Required

FRAME, PAD, AND COVERS REAR SEAT GRAND WAGONEER

Figure 28-1300

8J28 1300



ITEM	PART NUMBER	QTY	BODY	MODEL	DESCRIPTION
1	J545 1749	1			FRAME, Cushion
2	J545 1752	1			SPRING, Cushion
3	J098 8178	1			PAD, Cushion
4	J576 2581	1		1987-89	FRAME, Back
	5502 5266	1		1990	
5	J545 0748	1			PAD, Back
6	J545 6885	1			PROTECTOR
7	J545 9072	1			HINGE, Seat Back
8	J545 7302	1			HINGE, Latch
9	J545 7301	1			HINGE, Latch
10	J098 7303	1			SPRING, Lock
11	J098 7301	1			LATCH, Seat Back
12	J098 1570	1			GUIDE
13	J098 1574	1			SPACER
14	J545 2032	2			BRACKET, Hinge Pivot
15	J400 4455	6			SCREW
16	J096 8071	2			BUMPER
17	J016 3219	2			SCREW
18	J545 1758	2			BUMPER
19	J400 4295	1			PIN, Hitch
20	J400 4437	1			WASHER
21					STRAP
	5501 1266	1			Cordovan, 1987-89
	5AA5 0JH9	1			Cordovan, 1990
	5502 0980	1			Sand, 1989
	5AA5 0JY1	1			Sand, 1990
	5501 1267	1			Tan, 1987-88
22	J013 8485	1			WASHER
23	J400 5807	1			BOLT
24	J400 6197	2			SCREW
25	J576 2102	1			PROTECTOR
26	J400 6655	5			NUT, U-Type
27	J098 1583	2			CUSHION
28	J081 6278	2			CAP, End
29	J012 0388	2			WASHER
30	J095 7717	2			BOLT

MODEL CODES:

15 = Grand Wagoneer 4 Dr.	65 = Comanche 4WD-7 Ft. Box	77 = Cherokee 4WD-2 Dr.
25 = J-10 Pickup-119" W.B.	66 = Comanche 2WD-7 Ft. Box	78 = Cherokee 4WD-4 Dr.
26 = J-10 Pickup-131" W.B.	73 = Cherokee 2WD-2 Dr.	79 = Cherokee 4WD-4 Dr.-Com
27 = J-20 Pickup-131" W.B.	74 = Cherokee 2WD-4 Dr.	81 = Wrangler-93" W.B.
63 = Comanche 4WD-6 Ft. Box	75 = Wagoneer 4WD-4 Dr.	82 = Wrangler-103" W.B.-Exp.
64 = Comanche 2WD-6 Ft. Box		

BODY STYLES:

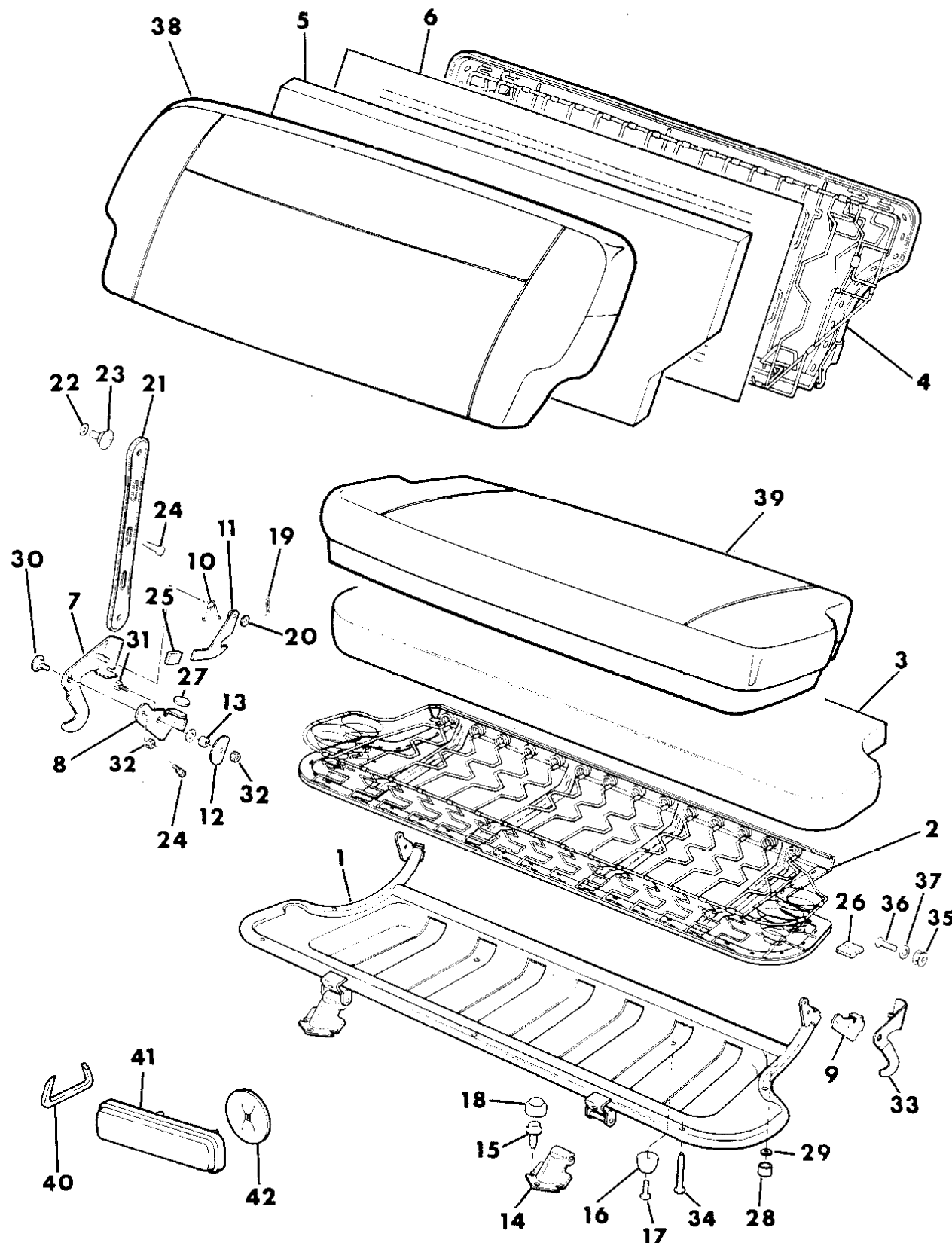
MJ = Comanche Pickup  
 SJ = Grand Wagoneer Wgn., J-10 & J-20 Pickups  
 XJ = Cherokee, Wagoneer Limited  
 YJ = Wrangler

AR = Use as Required - = Non Illustrated Part P.A.R. = Paint as Required

FRAME, PAD, AND COVERS REAR SEAT GRAND WAGONEER

Figure 28-1300

8J28 1300



ITEM	PART NUMBER	QTY	BODY	MODEL	DESCRIPTION
31	J400 4979	1			SCREW
32	J941 3447	2			NUT
33	J575 2997	1			HINGE, Latch
34	J096 3325	5			SCREW
35	J545 1571	2			SPOOL, Rear Seat Latch
36					SCREW
	J545 3506	2			1987-89
	5502 5968	2			1990
37					WASHER, Plain
	S012 0390	AR			1987-89
	J400 5641	AR			1990
38					COVER, Back
	5501 1472	1			Cordovan, (4BL or 5BL or ALH9), 1987-89
	5AH8 7JH9	1			Cordovan, (ALH9), 1990
	5502 1068	1			Sand, (ALYY), 1989
	5AH8 7JY6	1			Sand, (ALYY), 1990
	5501 1477	1			Tan, Vinyl, (6BN or 6AN or ANE) 1987-88
	5501 1475	1			Tan, Cloth, (6BG), 1987
	5501 1479	1			Tan, Leather, (6BL or CLE) 1987-88
39					COVER, Cushion
	5501 1469	1			Cordovan, (4BL or 5BL or ALH9), 1987-89
	5AH8 6JH9	1			Cordovan, (ALH9), 1990
	5502 1064	1			Sand, (ALYY), 1989
	5AH8 6JY6	1			Sand, (ALYY), 1990
	5501 1476	1			Tan, Vinyl, (6BN or 6AN or ANE) 1987-88
	5501 1474	1			Tan, Cloth, (6BG), 1987
	5501 1478	1			Tan, Leather, (6BL or CLE) 1987-88
40	J436 3256	AR			RING
41	5501 1447	4			BUTTON, Trim, Vinyl Upholstery
42	J400 5214	8			RETAINER, Vinyl Upholstery

MODEL CODES:

15 = Grand Wagoneer 4 Dr.	65 = Comanche 4WD-7 Ft. Box	77 = Cherokee 4WD-2 Dr.
25 = J-10 Pickup-119" W.B.	66 = Comanche 2WD-7 Ft. Box	78 = Cherokee 4WD-4 Dr.
26 = J-10 Pickup-131" W.B.	73 = Cherokee 2WD-2 Dr.	79 = Cherokee 4WD-4 Dr.-Com
27 = J-20 Pickup-131" W.B.	74 = Cherokee 2WD-4 Dr.	81 = Wrangler-93" W.B.
63 = Comanche 4WD-6 Ft. Box	75 = Wagoneer 4WD-4 Dr.	82 = Wrangler-103" W.B.-Exp.
64 = Comanche 2WD-6 Ft. Box		

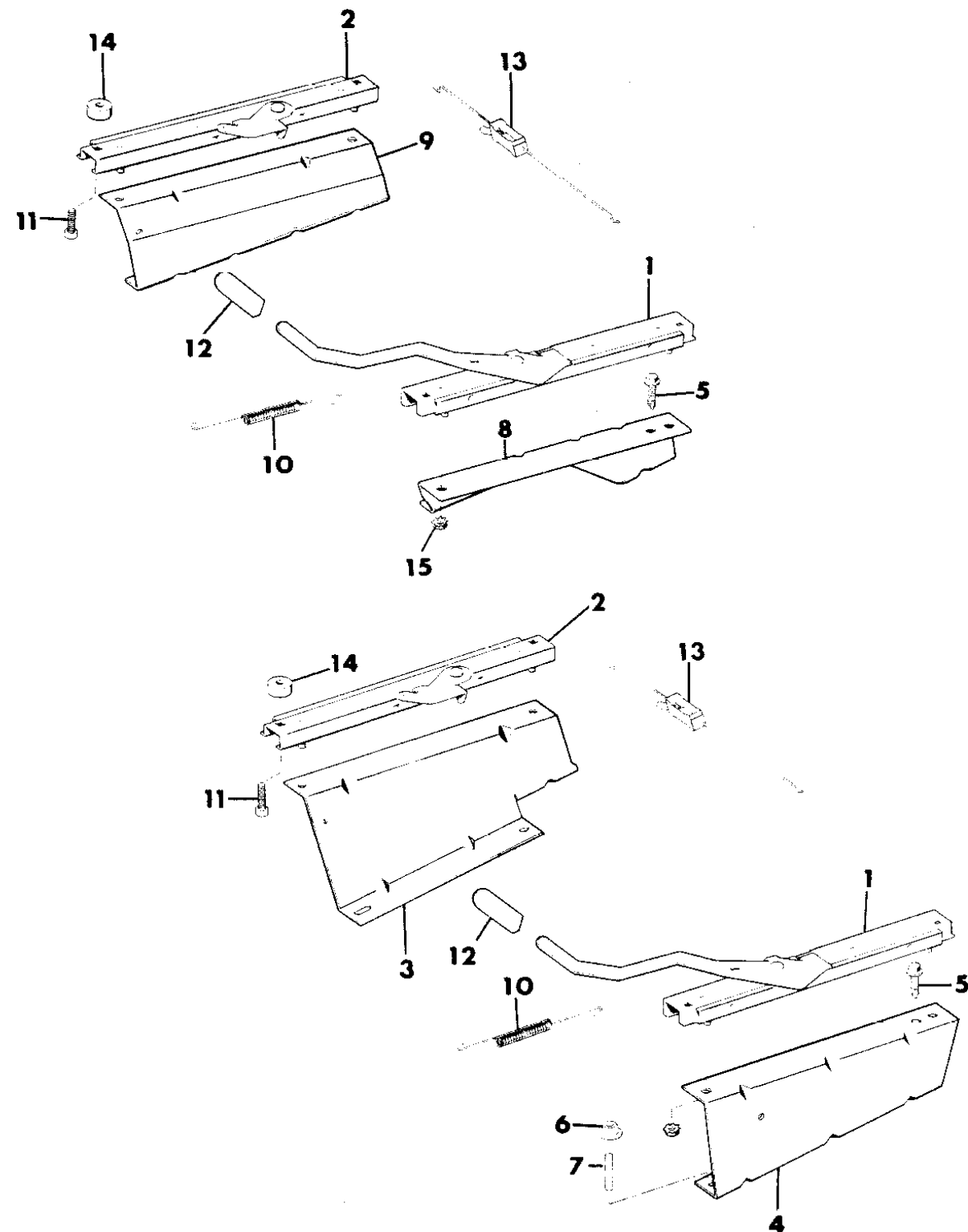
BODY STYLES:

MJ = Comanche Pickup  
 SJ = Grand Wagoneer Wgn., J-10 & J-20 Pickups  
 XJ = Cherokee, Wagoneer Limited  
 YJ = Wrangler

AR = Use as Required - = Non Illustrated Part P.A.R. = Paint as Required

TRACKS, LESS POWER SEATS BUCKET SEAT GRAND WAGONEER 1987-89  
Figure 28-1400

8J28 1400



ITEM	PART NUMBER	QTY	BODY	MODEL	DESCRIPTION
1	J546 1247	2			TRACK, Seat
2	J098 7421	2			TRACK, Seat
3	J575 1109	1			SUPPORT, Cushion, Driver Seat Inboard
4	J545 1761	1			SUPPORT, Cushion, Driver Seat Outboard
5	J400 4860	2			BOLT
6	J400 4322	6			NUT
7	J400 4912	6			STUD
8	J545 1983	1			SUPPORT, Cushion, Passenger Seat Inboard
9	J545 2501	1			SUPPORT, Cushion, Passenger Seat Outboard
10	J096 1059	2			SPRING, Adjuster
11	J400 4926	8			SCREW
12	J546 1281	2			HANDLE, Adjusting
13	J545 7703	2			WIRE, Seat Adjuster
14	J545 5277	4			SPACER
15	J027 1187	8			NUT

MODEL CODES:

15 = Grand Wagoneer 4 Dr.	65 = Comanche 4WD-7 Ft. Box	77 = Cherokee 4WD-2 Dr.
25 = J-10 Pickup-119" W.B.	66 = Comanche 2WD-7 Ft. Box	78 = Cherokee 4WD-4 Dr.
26 = J-10 Pickup-131" W.B.	73 = Cherokee 2WD-2 Dr.	79 = Cherokee 4WD-4 Dr.-Com
27 = J-20 Pickup-131" W.B.	74 = Cherokee 2WD-4 Dr.	81 = Wrangler-93" W.B.
63 = Comanche 4WD-6 Ft. Box	75 = Wagoneer 4WD-4 Dr.	82 = Wrangler-103" W.B.-Exp.
64 = Comanche 2WD-6 Ft. Box		

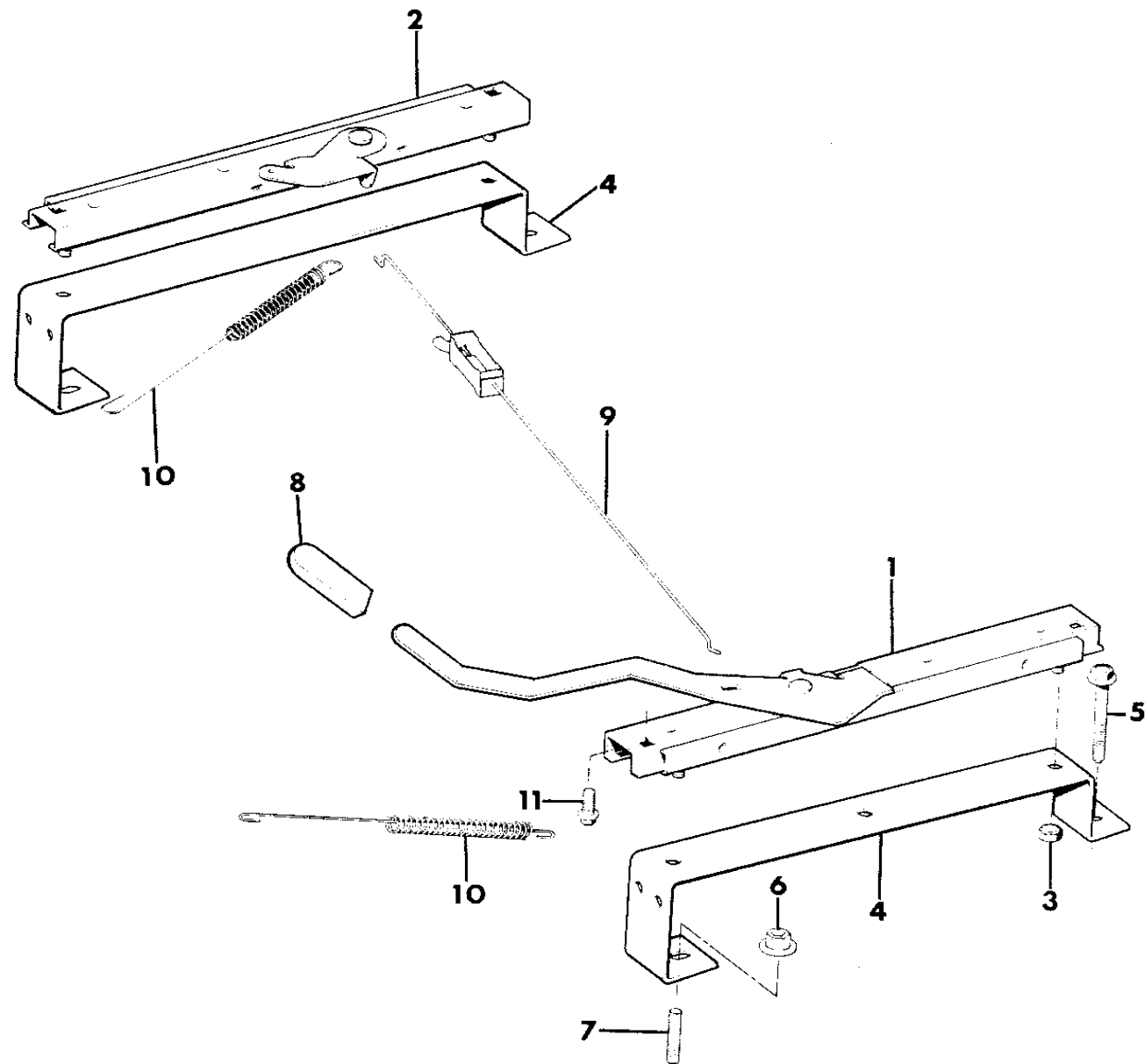
BODY STYLES:

MJ = Comanche Pickup  
SJ = Grand Wagoneer Wgn., J-10 & J-20 Pickups  
XJ = Cherokee, Wagoneer Limited  
YJ = Wrangler

AR = Use as Required - = Non Illustrated Part P.A.R. = Paint as Required

TRACKS, W/O POWER SEATS BENCH SEAT GRAND WAGONEER, J10, J20 1987-88  
Figure 28-1450

8J28 1450



ITEM	PART NUMBER	QTY	BODY	MODEL	DESCRIPTION
1	J546 1247	1			TRACK, Seat
2	J098 7421	1			TRACK, Seat
3	J027 1187	4			NUT
4	J098 7337	2			BRACKET, Support
5	J400 4860	2			BOLT
6	J400 4322	2			NUT
7	J400 4912	2			STUD
8	J546 1281	1			HANDLE, Adjusting
9	J545 0629	1			WIRE, Seat Adjuster
10	J096 1059	2			SPRING, Adjuster
11	J400 4926	4			SCREW

MODEL CODES:

15 = Grand Wagoneer 4 Dr.	65 = Comanche 4WD-7 Ft. Box	77 = Cherokee 4WD-2 Dr.
25 = J-10 Pickup-119" W.B.	66 = Comanche 2WD-7 Ft. Box	78 = Cherokee 4WD-4 Dr.
26 = J-10 Pickup-131" W.B.	73 = Cherokee 2WD-2 Dr.	79 = Cherokee 4WD-4 Dr.-Com
27 = J-20 Pickup-131" W.B.	74 = Cherokee 2WD-4 Dr.	81 = Wrangler-93" W.B.
63 = Comanche 4WD-6 Ft. Box	75 = Wagoneer 4WD-4 Dr.	82 = Wrangler-103" W.B.-Exp.
64 = Comanche 2WD-6 Ft. Box		

BODY STYLES:

MJ = Comanche Pickup  
SJ = Grand Wagoneer Wgn., J-10 & J-20 Pickups  
XJ = Cherokee, Wagoneer Limited  
YJ = Wrangler

AR = Use as Required - = Non Illustrated Part P.A.R. = Paint as Required



TRACKS, WITH POWER SEATS BUCKET SEAT GRAND WAGONEER  
Figure 28-1500

8J28 1500A

ITEM	PART NUMBER	QTY	BODY	MODEL	DESCRIPTION
1					TRACK, Power Seat
	J575 1964	1			Driver Seat
	J575 1965	1			Passenger Seat
2	J812 0054	8			SCREW
3	J813 1636	2			MOTOR, Assy. Power Seat
4	J066 9842	12			SPACER
5	J400 4860	2			BOLT
6	J400 4322	6			NUT
7	J400 4912	6			STUD
8	J813 2663	2			BRACKET
9	J576 1773	1			SWITCH, Assy. Power Seat, Left (Add J5761772 Right Side)
10	J320 9830	4			SCREW
11	J400 4926	4			SCREW, 1.00" Long ***
12	J575 5304	2			PAD, Deadener, 11.00" Long 1987-88
13	J575 5303	2			PAD, Deadener, 9.00" Long
14	J400 4927	4			SCREW, 1.50" Long ***
15					TUBE, Assy. Cable
	8350 1362	2			X= 6.25"
	8350 1361	2			X= 6.69"
	8350 1365	2			X= 7.88"
	8350 1363	2			X= 8.38"
	J813 3263	2			X= 8.62"
	8350 1364	2			X= 8.88"
16					CABLE, Power Seat
	8350 1354	2			X= 7.25"
	8350 1352	2			X= 7.75"
	8350 1359	2			X= 9.00"
	8351 0189	2			X= 9.44"
	8350 1353	2			X= 9.75"
	8350 1358	2			X= 10.0"
17					BREAKER, Circuit ***
	J323 4524	1			1987-89
	8350 7005	1			1990
18					CLAMP
	S027 2844	6			1987-89
	2448 770	6			1990

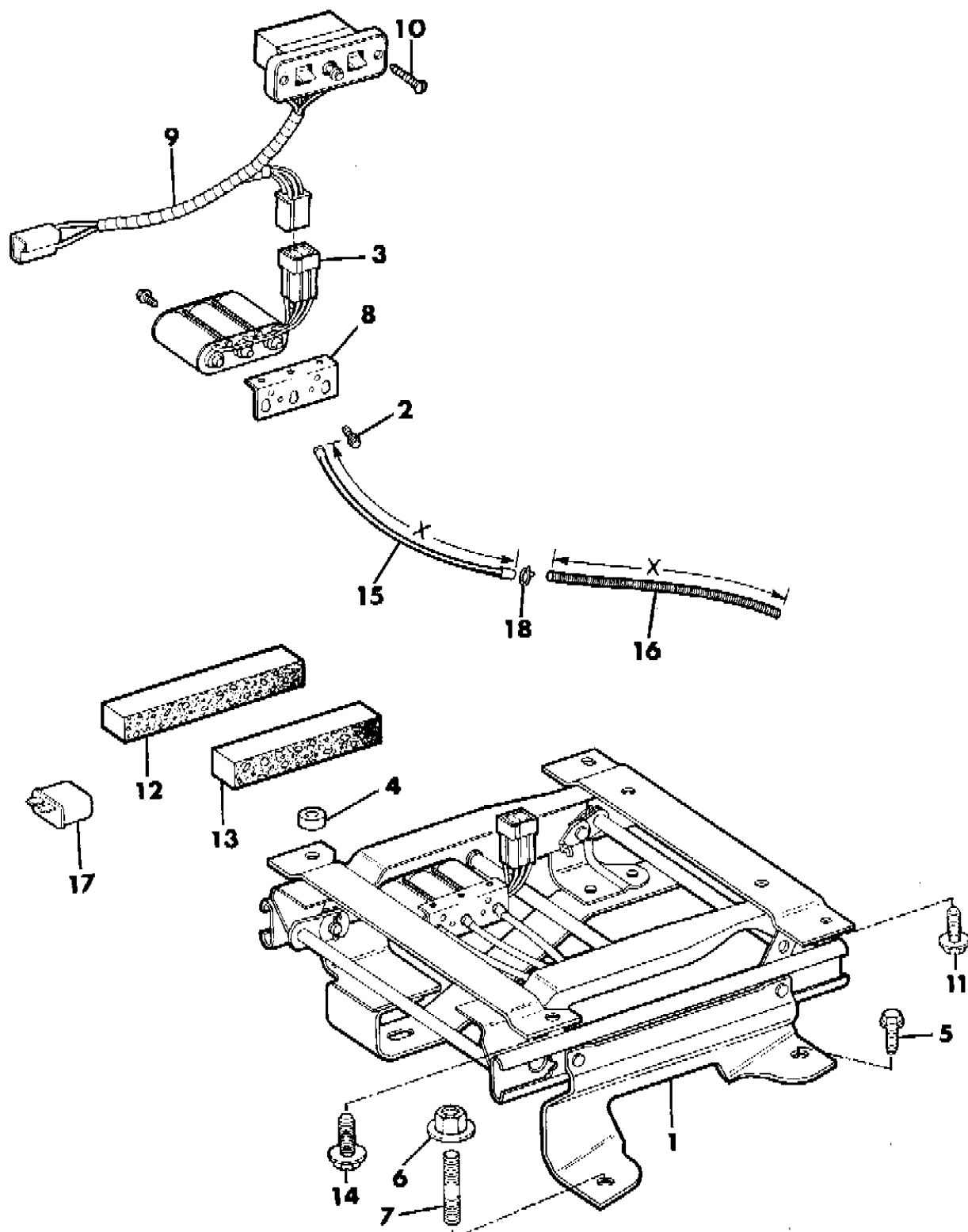
MODEL CODES:

15 = Grand Wagoneer 4 Dr.	65 = Comanche 4WD-7 Ft. Box	77 = Cherokee 4WD-2 Dr.
25 = J-10 Pickup-119" W.B.	66 = Comanche 2WD-7 Ft. Box	78 = Cherokee 4WD-4 Dr.
26 = J-10 Pickup-131" W.B.	73 = Cherokee 2WD-2 Dr.	79 = Cherokee 4WD-4 Dr.-Com
27 = J-20 Pickup-131" W.B.	74 = Cherokee 2WD-4 Dr.	81 = Wrangler-93" W.B.
63 = Comanche 4WD-6 Ft. Box	75 = Wagoneer 4WD-4 Dr.	82 = Wrangler-103" W.B.-Exp.
64 = Comanche 2WD-6 Ft. Box		

BODY STYLES:

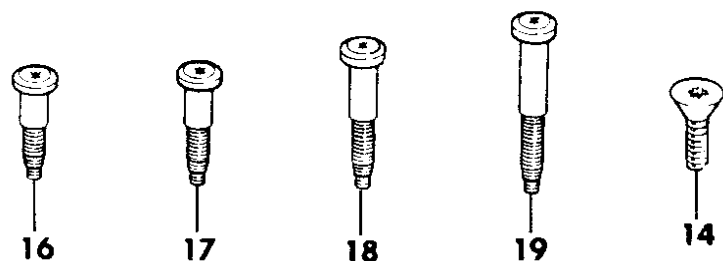
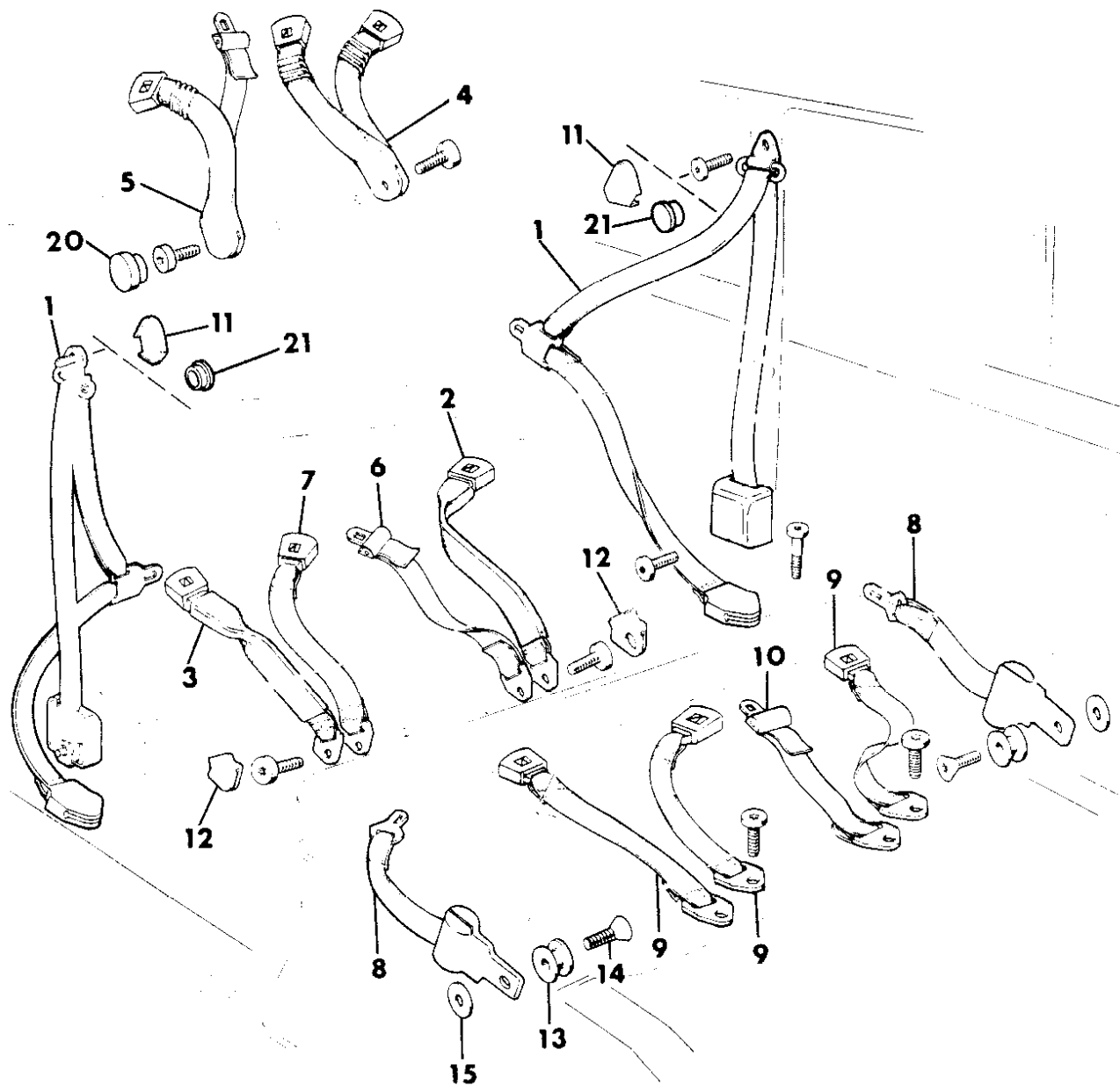
MJ = Comanche Pickup  
SJ = Grand Wagoneer Wgn., J-10 & J-20 Pickups  
XJ = Cherokee, Wagoneer Limited  
YJ = Wrangler

AR = Use as Required - = Non Illustrated Part P.A.R. = Paint as Required



SEAT BELTS, FRONT AND REAR GRAND WAGONEER, J10, J20  
Figure 28-1600

8J28 1600



ITEM	PART NUMBER	QTY	BODY	MODEL	DESCRIPTION
1					SEAT BELT
	5501 3129	2			Cordovan, 1987
	5501 9612	2			Cordovan, 1988
	5502 2414-5	1			Cordovan, 1989 (Up To 3-22-89)
	5502 2414	2			Cordovan, 1989 (After 3-22-89)
	5AH0 2JH9	2			Cordovan, 1990
	5502 2412-3	1			Sand, 1989 (Up To 3-22-89)
	5502 2412	2			Sand, 1989 (After 3-22-89)
	5AH0 2JY6	2			Sand, 1990
	5501 3120	2			Tan, 1987
	5501 9610	2			Tan, 1988
2					SEAT BELT
	5501 3121	1			Tan, 1987
	5501 9614	1			Tan, 1988
3					SEAT BELT
	5501 3119	1			Tan, 1987
	5501 9609	1			Tan, 1988
4					SEAT BELT
	5501 3125	1			Cordovan, 1987
	5501 9615	1			Cordovan, 1988-89
	5AF5 4JH9	1			Cordovan, 1990
	5502 0932	1			Sand, 1989
	5AF5 4JY6	1			Sand, 1990
	5501 3123	1			Tan, 1987
	5501 9616	1			Tan, 1988
5					SEAT BELT
	5501 3124	1			Cordovan, 1987
	5501 9611	1			Cordovan, 1988-89
	5AF8 1JH9	1			Cordovan, 1990
	5502 0930	1			Sand, 1989
	5AF8 1JY6	1			Sand, 1990
	5501 3122	1			Tan, 1987
	5501 9613	1			Tan, 1988
6					SEAT BELT
	5501 3126	1			Tan, 1987
	5501 9618	1			Tan, 1988
7					SEAT BELT

MODEL CODES:

15 = Grand Wagoneer 4 Dr.	65 = Comanche 4WD-7 Ft. Box	77 = Cherokee 4WD-2 Dr.
25 = J-10 Pickup-119" W.B.	66 = Comanche 2WD-7 Ft. Box	78 = Cherokee 4WD-4 Dr.
26 = J-10 Pickup-131" W.B.	73 = Cherokee 2WD-2 Dr.	79 = Cherokee 4WD-4 Dr.-Com
27 = J-20 Pickup-131" W.B.	74 = Cherokee 2WD-4 Dr.	81 = Wrangler-93" W.B.
63 = Comanche 4WD-6 Ft. Box	75 = Wagoneer 4WD-4 Dr.	82 = Wrangler-103" W.B.-Exp.
64 = Comanche 2WD-6 Ft. Box		

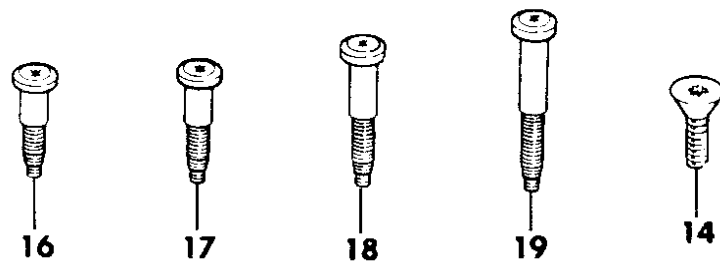
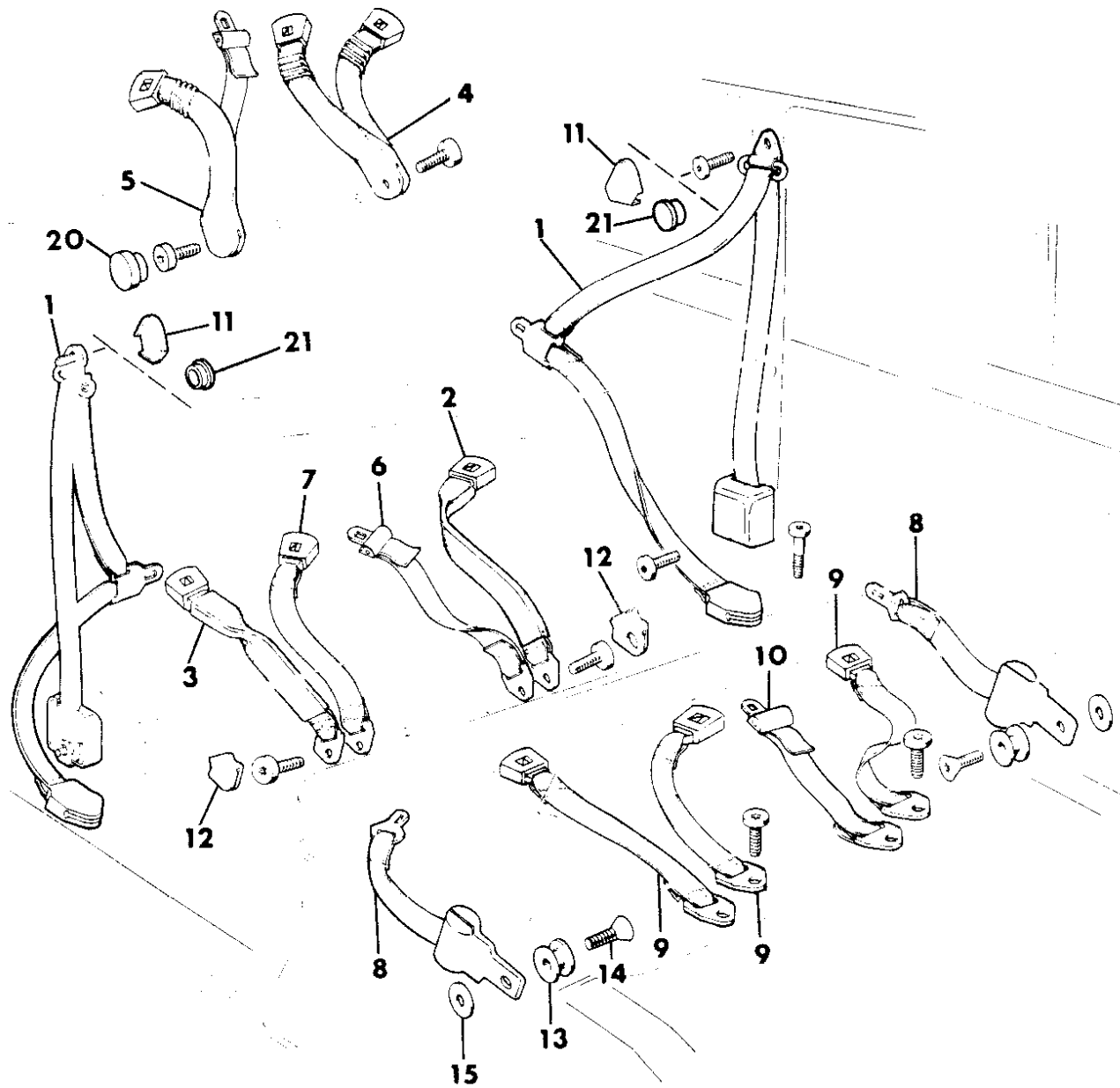
BODY STYLES:

MJ = Comanche Pickup  
SJ = Grand Wagoneer Wgn., J-10 & J-20 Pickups  
XJ = Cherokee, Wagoneer Limited  
YJ = Wrangler

AR = Use as Required - = Non Illustrated Part P.A.R. = Paint as Required

SEAT BELTS, FRONT AND REAR GRAND WAGONEER, J10, J20  
Figure 28-1600

8J28 1600



ITEM	PART NUMBER	QTY	BODY	MODEL	DESCRIPTION
	5501 3127	1			Tan, 1987
	5501 9617	1			Tan, 1988
8					SEAT BELT
	5501 3131	2			Cordovan, 1987
	5501 9620	2			Cordovan, 1988-89
	5AF5 5JH9	2			Cordovan, 1990
	5502 0935	2			Sand, 1989
	5AF5 5JY6	2			Sand, 1990
	5501 3134	2			Tan, 1987
9					SEAT BELT
	5501 3130	3			Cordovan, 1987
	5501 9619	3			Cordovan, 1988-89
	5AF5 2JH9	3			Cordovan, 1990
	5502 0934	3			Sand, 1989
	5AF5 2JY6	3			Sand, 1990
	5501 3133	3			Tan, 1987
10					SEAT BELT
	5501 3136	1			Cordovan, 1987
	5501 9623	1			Cordovan, 1988-89
	5AF5 3JH9	1			Cordovan, 1990
	5502 0926	1			Sand, 1989
	5AF5 3JY6	1			Sand, 1990
	5501 3126	1			Tan, 1987
11					COVER, Web Guide, P.A.R.
	5501 9618	1			Tan, 1988
	3500 7352	2			1987-89
	5502 1388	2			1990
12					COVER, Bolt
	J368 4028	2			P.A.R. 1987-89
	5AA2 2JH9	2			Cordovan, 1990
	5AA2 2JY6	2			Sand, 1990
13	J545 1571	2			RETAINER
14					SCREW
	J545 3506	2			1988-89
	5502 5968	2			1990

MODEL CODES:

15 = Grand Wagoneer 4 Dr.	65 = Comanche 4WD-7 Ft. Box	77 = Cherokee 4WD-2 Dr.
25 = J-10 Pickup-119" W.B.	66 = Comanche 2WD-7 Ft. Box	78 = Cherokee 4WD-4 Dr.
26 = J-10 Pickup-131" W.B.	73 = Cherokee 2WD-2 Dr.	79 = Cherokee 4WD-4 Dr.-Com
27 = J-20 Pickup-131" W.B.	74 = Cherokee 2WD-4 Dr.	81 = Wrangler-93" W.B.
63 = Comanche 4WD-6 Ft. Box	75 = Wagoneer 4WD-4 Dr.	82 = Wrangler-103" W.B.-Exp.
64 = Comanche 2WD-6 Ft. Box		

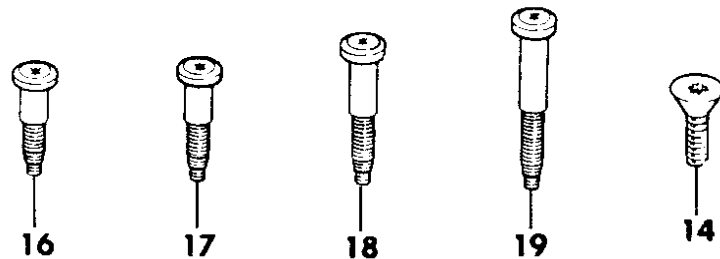
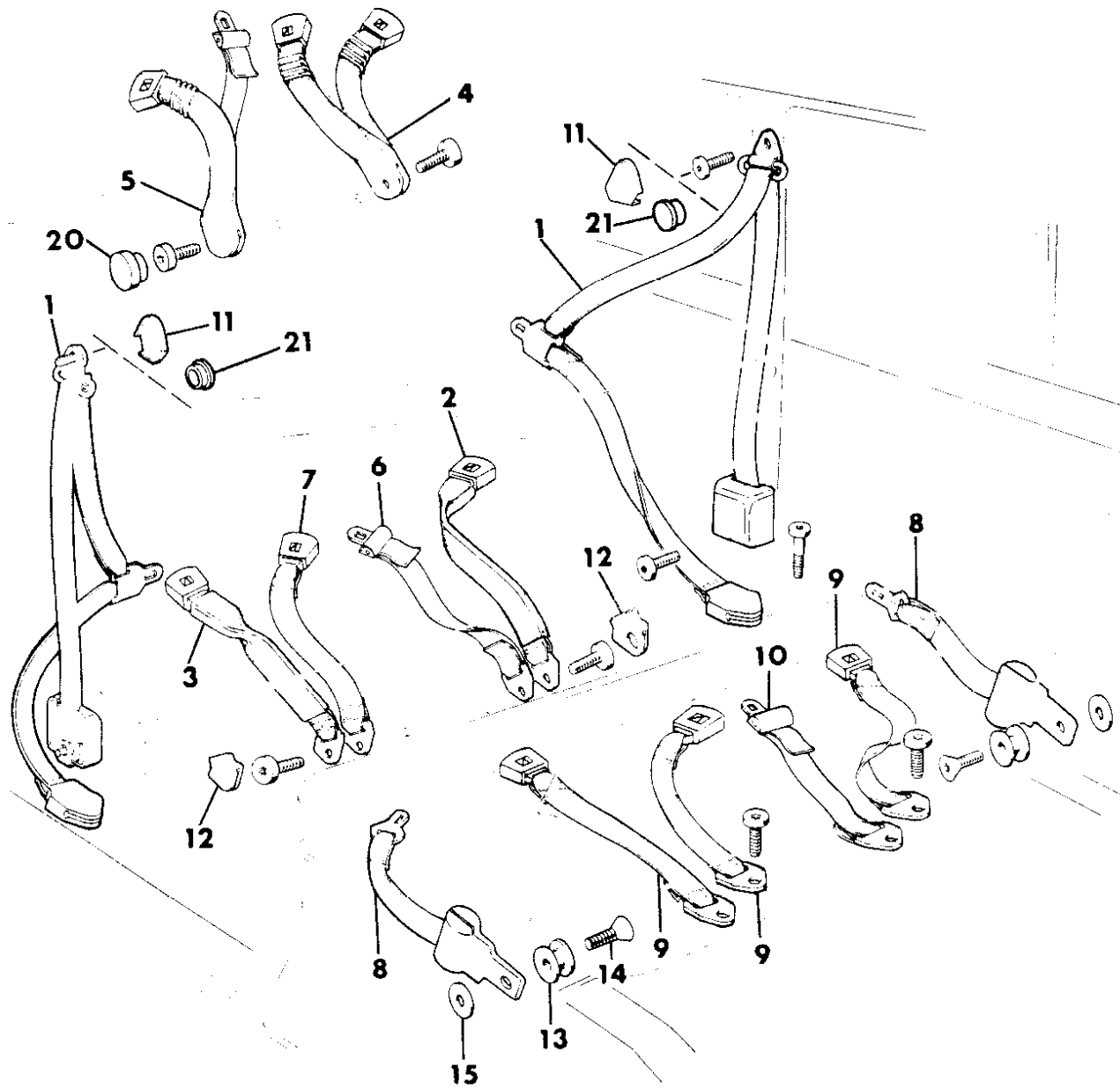
BODY STYLES:

MJ = Comanche Pickup  
SJ = Grand Wagoneer Wgn., J-10 & J-20 Pickups  
XJ = Cherokee, Wagoneer Limited  
YJ = Wrangler

AR = Use as Required - = Non Illustrated Part P.A.R. = Paint as Required

SEAT BELTS, FRONT AND REAR GRAND WAGONEER, J10, J20  
Figure 28-1600

8J28 1600



ITEM	PART NUMBER	QTY	BODY	MODEL	DESCRIPTION
15	S012 0390	4			WASHER
16	J400 5505	AR			BOLT, 1.32" Long ***
17	J400 5506	AR			BOLT, 1.45" Long ***
18	J400 5507	AR			BOLT, 1.87" Long ***
19	J400 5607	4			BOLT, 2.62" Long ***
20					COVER, Bolt
	3420 2551	2			P.A.R. m17 Dia. 1988-89
	5AB2 2JH9	2			Cordovan, m24 Dia. 1990
	5AB2 2JY6	2			Sand, m24 Dia. 1990
21					COVER, Web Guide
	3502 3040	2			P.A.R. 1988-89
	5AB9 6JH9	2			Cordovan, 1990
	5AB9 6JY6	2			Sand, 1990

MODEL CODES:

15 = Grand Wagoneer 4 Dr.	65 = Comanche 4WD-7 Ft. Box	77 = Cherokee 4WD-2 Dr.
25 = J-10 Pickup-119" W.B.	66 = Comanche 2WD-7 Ft. Box	78 = Cherokee 4WD-4 Dr.
26 = J-10 Pickup-131" W.B.	73 = Cherokee 2WD-2 Dr.	79 = Cherokee 4WD-4 Dr.-Com
27 = J-20 Pickup-131" W.B.	74 = Cherokee 2WD-4 Dr.	81 = Wrangler-93" W.B.
63 = Comanche 4WD-6 Ft. Box	75 = Wagoneer 4WD-4 Dr.	82 = Wrangler-103" W.B.-Exp.
64 = Comanche 2WD-6 Ft. Box		

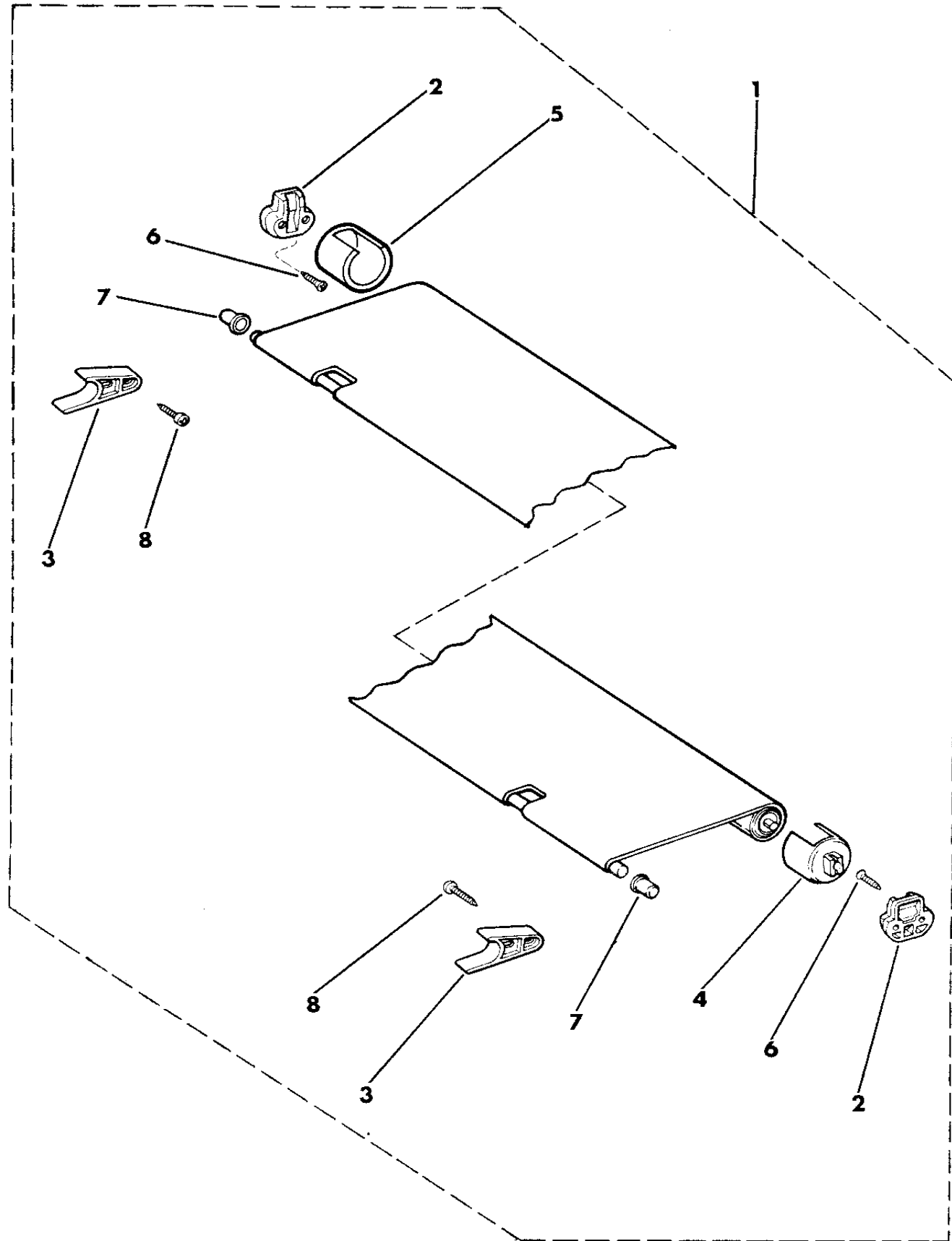
BODY STYLES:

MJ = Comanche Pickup  
 SJ = Grand Wagoneer Wgn., J-10 & J-20 Pickups  
 XJ = Cherokee, Wagoneer Limited  
 YJ = Wrangler

AR = Use as Required - = Non Illustrated Part P.A.R. = Paint as Required

**COVER, CARGO GRAND WAGONEER**  
**Figure 28-1700**

8J281700



ITEM	PART NUMBER	QTY	BODY	MODEL	DESCRIPTION
1					COVER, Cargo
	5501 1277	1			Cordovan, 1987-89
	5AE8 4JH9	1			Cordovan, 1990
	5502 0917	1			Sand, 1989
	5AE8 4JY1	1			Sand, 1990
	5501 1278	1			Tan, 1987-88
2					BRACKET, Cargo Cover
	J575 6611	2			P.A.R. 1987-89
	5AH0 5JH9	2			Cordovan, 1990
	5AH0 5JY1	2			Sand, 1990
3					BRACKET, Cargo Cover
	J575 6615	2			P.A.R. 1987-89
	5AH0 6JH9	2			Cordovan, 1990
	5AH0 6JY1	2			Sand, 1990
4	J813 3744	1			CAP, Cargo Cover, Right, P.A.R.
5	J813 3745	1			CAP, Cargo Cover, Left, P.A.R.
6	J942 6530	4			SCREW
7	8350 0432	2			CAP, End, P.A.R.
8	J942 2397	4			SCREW

**MODEL CODES:**

15 = Grand Wagoneer 4 Dr.	65 = Comanche 4WD-7 Ft. Box	77 = Cherokee 4WD-2 Dr.
25 = J-10 Pickup-119" W.B.	66 = Comanche 2WD-7 Ft. Box	78 = Cherokee 4WD-4 Dr.
26 = J-10 Pickup-131" W.B.	73 = Cherokee 2WD-2 Dr.	79 = Cherokee 4WD-4 Dr.-Com
27 = J-20 Pickup-131" W.B.	74 = Cherokee 2WD-4 Dr.	81 = Wrangler-93" W.B.
63 = Comanche 4WD-6 Ft. Box	75 = Wagoneer 4WD-4 Dr.	82 = Wrangler-103" W.B.-Exp.
64 = Comanche 2WD-6 Ft. Box		

**BODY STYLES:**

MJ = Comanche Pickup  
 SJ = Grand Wagoneer Wgn., J-10 & J-20 Pickups  
 XJ = Cherokee, Wagoneer Limited  
 YJ = Wrangler

AR = Use as Required - = Non Illustrated Part P.A.R. = Paint as Required