
ALPHABETICAL INDEX

ALPHABETICAL
INDEX

A

- Absorbers, shock 2N-1
- Actuator motor, power door lock 3J-18
- Adjustment, alternator drive belt 1E-14
- Adjustment, clutch cover release lever, six/eight-cylinder 2A-19
- Adjustment, horn 3S-2
- Adjustment, in-vehicle service and, automatic transmission 2C-26
- Adjustment, parking brake 2G-15
- Adjustment, service brake 2G-17
- Adjustment, tailgate, Cherokee-Wagoneer 3H-5
- Adjustment, throttle cable and linkage 2C-31
- Adjustment, turning angle 2F-12
- Adjustment, universal joint angle measurement and 2E-8
- Adjustment, wheel bearing 2H-6
- Adjustments, clutch 2A-7
- Adjustments, Cruise Command, eight-cylinder 1H-23
- Adjustments, Cruise Command, six-cylinder 1H-7
- Adjustments, drive belt 1C-22
- Adjustments, electrically operated sun roof 3L-12
- Air cleaner trap door 1J-82
- Air cleaners 1J-1
- Air conditioning 3E-1
- Air conditioning charging cylinder filling 3E-15
- Air conditioning, Cherokee-Wagoneer-Truck 3E-5
- Air conditioning, CJ 3E-1
- Air conditioning compressor service, California models 3E-28
- Air conditioning compressor service, 49-State six/eight-cylinder models 3E-17
- Air conditioning condenser and receiver/dryer, CJ 3E-2
- Air conditioning control operation, Cherokee-Wagoneer-Truck 3E-5
- Air conditioning control operation, CJ 3E-2
- Air conditioning control panel, Cherokee-Wagoneer-Truck 3E-6
- Air conditioning control-panel, CJ 3E-2
- Air conditioning evaporator housing assembly, CJ 3E-3
- Air conditioning expansion valve service, Cherokee-Wagoneer-Truck 3E-7
- Air conditioning leak checking 3E-13
- Air conditioning normal operating temperatures and pressures 3E-11
- Air conditioning pressure gauge and manifold assembly 3E-9
- Air conditioning receiver/dryer, CJ 3E-3
- Air conditioning sight glass 3E-12
- Air conditioning system charging 3E-16
- Air conditioning system discharging 3E-12
- Air conditioning system evacuating 3E-12
- Air conditioning system flushing 3E-15
- Air conditioning system operation, 49-State six/eight cylinder models 3E-18
- Air conditioning system pressure checking 3E-10
- Air injection manifolds 1K-11
- Air injection system, dual 1K-12
- Air injection system, single 1K-9
- Air injection systems 1K-8
- Air pressure test, automatic transmission 2C-16
- Alignment, clutch housing 2A-17
- Alignment, front wheel 2F-4
- Alignment, front wheel 2M-4
- Alignment, hood 3G-2
- Alignment, liftgate, CJ-7 3H-3
- Alignment specifications, front wheel 2M-6
- Alignment, steering column 2J-10
- Alignment, steering wheel spoke 2M-5
- Alternator 1E-1
- Alternator drive belt adjustment 1E-14
- Alternator overhaul 1E-11
- Alternator replacement 1E-10
- Alternator testing 1E-4
- Altitude compensation, model 2150 carburetor 1J-71
- AM/FM/cassette stereo radio 3V-3
- AM/FM/CB radio 3V-12
- Antenna 3V-10
- Antenna trimmer 3V-2
- Application, propeller shaft 2E-1
- Application, universal joint 2E-1
- Applications, radial, wide tread and snow tire 2H-5
- Applications, torque converter 2C-1
- Arm replacement, wiper-Cherokee-Wagoneer-Truck 3T-4
- Assemblies, engine 1A-16
- Assemblies seats 3M-1
- Assembly and adjustment, drum brakes, Cherokee-Wagoneer-Truck models 2G-39
- Assembly and adjustment, drum brakes, CJ models 2G-37
- Assembly and adjustment, manual steering gear 2K-8
- Assembly and adjustment, power steering gear 2L-32
- Assembly, automatic transmission 2C-64
- Assembly, fan 1C-10
- Assembly, model 208 transfer case 2D-19
- Assembly, model 219 transfer case 2D-34
- Assembly, model 300 transfer case 2D-45
- Assembly, power steering pump 2L-41
- Audio system, premium 3V-14
- Automatic transmission 2C-1
- Automatic transmission air pressure test 2C-16
- Automatic transmission applications 2C-1
- Automatic transmission assembly 2C-64

ALPHABETICAL INDEX

Automatic transmission auxiliary cooler	2C-4
Automatic transmission components	2C-5
Automatic transmission diagnosis and test procedures	2C-12
Automatic transmission disassembly	2C-35
Automatic transmission fluid capacity	2C-4
Automatic transmission fluid level and condition	2C-12
Automatic transmission front band adjustment	2C-26
Automatic transmission gearshift lever positions	2C-10
Automatic transmission gearshift linkage adjustment	2C-26
Automatic transmission governor valve service	2C-29
Automatic transmission hydraulic control system	2C-9
Automatic transmission hydraulic pressure test specifications	2C-22
Automatic transmission identification	2C-6
Automatic transmission in-vehicle service and adjustment	2C-26
Automatic transmission oil filter replacement	2C-27
Automatic transmission out-of-vehicle service and overhaul	2C-33
Automatic transmission park lock component replacement	2C-30
Automatic transmission power flow	2C-6
Automatic transmission rear band adjustment	2C-27
Automatic transmission removal/installation	2C-33
Automatic transmission specifications	2C-68
Automatic transmission stall test	2C-18
Automatic transmission subassembly overhaul	2C-37
Automatic transmission, towing with	2C-11
Automatic transmission valve body service	2C-27
Auxiliary cooler, automatic transmission	2C-4
Axle differential specifications	2F-39
Axle, front	2F-2
Axle housing inner oil seal	2F-11
Axle housing service, front	2F-4
Axle hub-CJ models, rear	2F-14
Axle identification, front	2F-3
Axle installation, front	2F-12
Axle, rear	2F-13
Axle removal, front	2F-11
Axle shaft and bearing-Cherokee-Wagoneer- Truck rear axles	2F-17
Axle shaft and bearing-CJ rear axle	2F-15
Axle shaft, front	2F-6
Axle shaft seal, front	2F-11
Axle shaft universal joint, front	2F-7
Axle specifications	2F-47
Axle test and diagnosis	2F-1
Axle testing and diagnosis	2F-1
Axles-front hubs	2F-1

B

Backup lamp switch	2B-1
Backup lamps and switches	3R-5
Balancing, wheel	2H-6
Ball studs, steering knuckle	2F-8
Bar, stabilizer	2N-3
Bars, roll	3F-17
Batteries	1D-1
Battery charging	1D-3
Battery classifications, ratings and codes	1D-1
Battery diagnosis	1D-7
Battery maintenance	1D-2
Battery replacement	1D-2
Battery specifications	1D-9
Battery testing	1D-5
Bearing, spindle	2F-11
Bearings, camshaft, and eight-cylinder engine	1B-71
Bearings, camshaft and, six-cylinder engine	1B-35
Bearings, main, eight-cylinder engine	1B-93
Bearings, main, four-cylinder engine	1B-22
Bearings, main, six-cylinder engine	1B-56
Belt adjustments, drive	1C-22
Belt arrangements, engine drive	1C-30
Belt diagnosis, serpentine drive	1C-25
Belt tension, engine drive	1C-29
Belts, seat	3M-4
Bench seats, Cherokee, Wagoneer, Truck	3M-3
Blade element replacement, wiper-Cherokee- Wagoneer-Truck	3T-4
Blade replacement, CJ wiper	3T-1
Blade replacement, wiper-Cherokee-Wagoneer- Truck	3T-4
Bleeding, brakes	2G-27
Blower motor, Cherokee, Wagoneer, Truck	3D-9
Blower motor, CJ	3D-4
Blown cylinder head gasket diagnosis	1A-14
Bodies	3F-1
Body and frame components	3F-1
Body construction	3F-1
Body mouldings	3F-1
Box assembly, glove, Cherokee-Wagoneer-Truck	3C-5
Box assembly, glove, CJ	3C-3
Bracket, rear view mirror	3N-5
Brake bleeding	2G-27
Brake diagnosis	2G-1
Brake fluid	2G-20
Brake fluid level	2G-21
Brake hydraulic system	2G-20
Brake hydraulic system inspection	2G-21
Brake hydraulic system specifications	2G-29
Brake operation and wear compensation, drum brakes	2G-34

Brake pedal	2G-14
Brake power unit service	2G-33
Brake rotor service, disc	2G-53
Brake service-Cherokee-Wagoneer-Truck models, drum brakes	2G-38
Brake service-CJ models, drum brakes	2G-36
Brake specifications	2G-19
Brake specifications, disc	2G-55
Brake units, power	2G-31
Brake warning lamp	2G-14
Brakedrum service	2G-39
Brakelamp switch	2G-17
Brakelining inspection	2G-18
Brakes	2G-1
Brakes, disc	2G-41
Brakes, drum	2G-34
Brakeshoe replacement-Cherokee-Wagoneer- Truck models, disc brakes	2G-44
Brakeshoe replacement-CJ models, disc brakes	2G-48
Breakers, circuit	3R-15
Brush guards	3F-19
Bucket seats, Cherokee, Wagoneer, Truck	3M-3
Bucket seats, CJ	3M-1
Bulb chart, radio	3V-14
Bulb replacement, radio	3V-10
Bumper, hood	3G-3
Bumpers	3F-13
Bumpers, front	3F-13
Bumpers, rear	3F-13
Bumpers, suspension jounce and windup	2N-1
Bushing replacement, spring	2N-7

C

Cables, parking brake	2G-16
Caliper overhaul-Cherokee-Wagoneer-Truck models, disc brake	2G-45
Caliper overhaul-CJ models, disc brakes	2G-50
Camshaft and bearings, eight-cylinder engine	1B-71
Camshaft and bearings, six-cylinder engine	1B-35
Camshaft and drive, four-cylinder engine	1B-7
Cap, radiator pressure	1C-10
Capacities, fluid	B-14
Capacity, fuel tank	1J-11
Capacity, tire inflation pressure and	2H-2
Carburetor adjustment procedures, model BBD, service	1J-55
Carburetor adjustment procedures, model 2SE service	1J-25
Carburetor adjustment procedures, model E2SE service	1J-45
Carburetor adjustment procedures, model 2150, service	1J-67
Carburetor altitude compensation, model 2150	1J-71
Carburetor circuits, model BBD	1J-47
Carburetor circuits, model E2SE	1J-31
Carburetor circuits, model 2SE	1J-13
Carburetor circuits, model 2150	1J-59
Carburetor identification, model BBD	1J-46
Carburetor identification, model E2SE	1J-31
Carburetor identification, model 2SE	1J-13
Carburetor identification, model 2150	1J-58
Carburetor model BBD-2 venturi	1J-46
Carburetor model 2SE-2 venturi	1J-11
Carburetor model E2SE-2 venturi	1J-30
Carburetor model 2150-2 venturi	1J-58
Carburetor overhaul, model BBD	1J-50
Carburetor overhaul, model E2SE	1J-35
Carburetor overhaul, model 2SE	1J-16
Carburetor overhaul, model 2150	1J-62
Carburetor replacement, model BBD	1J-49
Carburetor replacement, model E2SE	1J-34
Carburetor replacement, model 2150	1J-62
Carburetor specifications, model BBD	1J-57
Carburetor specifications, model E2SE	1J-46
Carburetor specifications, model 2SE	1J-30
Carburetor specifications, model 2150	1J-72
Cargo lamp	3R-6
Cargo lamp	3R-13
Carpet, floor	3M-9
Carpet, front floor	3M-9
Carpet, rear compartment	3M-9
Carpet, wheelhouse	3M-9
Carpeting	3M-9
Case, transfer	2D-1
Catalytic converter, dual bed monolithic-type	1K-14
Catalytic converter-pellet-type	1K-13
Catalytic converter systems	1K-13
Catalytic converter, 3-way pellet-type	1K-14
Cautions, warnings and	A-1
CB radio diagnosis	3V-9
CB radio frequency chart	3V-11
CB radios	3V-4
CEC system, computerized emission control	1J-85
CEC system diagnosis	1J-117
CEC system diagnostic procedures 1	1J-112
CEC system operation	1J-86
Chain, timing, eight-cylinder engine	1B-77
Chain, timing, six-cylinder engine	1B-40
Charging air conditioning system	3E-16
Charging, battery	1D-3
Charging system	1E-1
Charging system components	1E-1
Charging system diagnosis	1E-6
Charging system operation	1E-2
Charging system specifications	1E-15

ALPHABETICAL INDEX

Charging system troubleshooting	1E-3	Clutch cylinder service, four-cylinder	2A-12
Chart, standard torque specifications and capscrew markings	A-2	Clutch housing alignment	2A-17
Chart, tire inflation pressure	2H-13	Clutch hydraulic system bleeding, four-cylinder	2A-14
Chart, universal joint angle	2E-10	Clutch inspection and service, six/eight-cylinder	2A-16
Chart, VIN decoding	A-6	Clutch installation, four-cylinder	2A-10
Charts, (DARS), diagnosis and repair simplification	A-1	Clutch installation, six/eight-cylinder	2A-16
Chassis components, description of services	B-8	Clutch linkage	2A-8
Chassis wiring harness	3R-13	Clutch pedal and overcenter spring replacement- Cherokee and Truck	2A-21
Chassis wiring harness components	3R-13	Clutch pedal overcenter spring replacement-CJ models	2A-19
Checking compressor oil level, 49-State six/eight- cylinder models	3E-22	Clutch pedal replacement-CJ models	2A-20
Checking system pressures, air conditioning	3E-10	Clutch pilot bushing replacement, four-cylinder	2A-11
Cherokee-Wagoneer rear doors	3J-9	Clutch removal, four-cylinder	2A-9
Cherokee-Wagoneer tailgates	3H-5	Clutch removal, six/eight-cylinder	2A-15
Cherokee-Wagoneer-Truck air conditioning	3E-5	Clutch service	2A-2
Cherokee-Wagoneer-Truck bench seats	3M-L	Clutch service- four-cylinder CJ models	2A-9
Cherokee-Wagoneer-Truck bucket seats	3M-3	Clutch service- six-and eight-cylinder models	2A-15
Cherokee-Wagoneer-Truck front doors	3J-4	Clutch service diagnosis	2A-2
Cherokee-Wagoneer-Truck heater	3D-6	Clutch shaft, transmission, four-cylinder	2A-12
Cherokee-Wagoneer-Truck instrument panel	3C-4	Clutch specifications, four-cylinder	2A-15
Cherokee-Wagoneer-Truck hoods	3G-1	Clutch specifications, six/eight-cylinder	2A-21
Cherokee-Wagoneer-Truck windshield wiper	3T-4	Clutch throwout bearing and lever, four-cylinder	2A-11
Choke mechanism service, model BBD	1J-57	Columns, steering	2J-1
Choke mechanism service, model 2SE	1J-29	Combination valve	2G-26
Choke mechanism service, model 2150	1J-71	Combinations, power train	A-12
Cigar lighter, Cherokee-Wagoneer-Truck	3C-7	Combinations, 1981 Cherokee-Wagoneer-Truck models	A-12
Cigar lighter, CJ	3C-4	Combinations, 1981 CJ model powertrain	A-12
Circuit board, printed, replacement	1L-7	Command, Cruise	1H-1
Circuit breakers	3R-15	Comments	A-15
Circuit test, electrically operated windows	3J-14	Compartment, storage	3F-20
CJ air conditioning	3E-1	Component replacement, CEC system	1J-88
CJ bucket seats	3M-1	Component replacement, Cruise Command, eight-cylinder	1H-23
CJ clock	3C-4	Components, charging system	1E-1
CJ floor console	3M-4	Components, cooling system	1C-29
CJ heater	3D-1	Components, Cruise Command, eight-cylinder	1H-12
CJ hoods	3G-1	Components, emission	1A-1
CJ instrument panel	3C-1	Components, emission, California light duty vehicles	1A-3
CJ windshield	3N-1	Components, emission, hilly terrain and light duty vehicles	1A-1
CJ windshield wiper	3T-1	Components, emission, 49-State light duty vehicles	1A-2
CJ-5 tailgate	3H-4	Components, six-cylinder Cruise Command	1H-1
CJ-7 doors with hard top enclosure	3J-1	Components, six/eight-cylinder ignition (SSI) system	1G-10
CJ-7 liftgates	3H-1	Components, starter system, six/eight-cylinder	1F-11
CJ-7 tailgate	3H-4	Compressor back plate o-ring seal replacement, 49-State models	3E-21
Cleaners, air	1J-1	Compressor belt tension, California models	3E-29
Clock, Cherokee-Wagoneer-Truck	3C-7	Compressor belt tension, 49-State models	3E-19
Clock, CJ	3C-4	Compressor bottom plate gasket replacement, 49- State models	3E-22
Cluster, instrument, Cherokee-Wagoneer-Truck	3C-5		
Cluster, instrument, CJ	3C-1		
Cluster replacement, instrument	1L-5		
Clutch	2A-1		
Clutch adjustments	2A-7		
Clutch cover release lever adjustment, six/eight- cylinder	2A-19		

- Compressor diagnosis, California models 3E-34
 Compressor diagnosis, 49-State models 3E-24
 Compressor front seal replacement, California models 3E-30
 Compressor front seal replacement, 49-State models 3E-20
 Compressor head, valve plate & gasket replacement, 49-State models 3E-21
 Compressor head, valve plate and gasket replacement, California models 3E-32
 Compressor isolation, California models 3E-29
 Compressor isolation, 49-State models 3E-19
 Compressor replacement, California models 3E-30
 Compressor service, California models 3E-28
 Compressor service valve leak diagnosis, California models 3E-29
 Compressor service valves 3E-9
 Compressor service, 49-State models 3E-17
 Compressor valve leak diagnosis, 49-State models 3E-18
 Computerized emission control (CEC) system 1J-85
 Condenser and receiver/dryer assembly, Cherokee-Wagoneer-Truck 3E-6
 Condenser and receiver/dryer assembly, CJ 3E-2
 Condition, tire maintenance and 2H-4
 Condition, wheel maintenance and 2H-5
 Conditioning, air 3E-1
 Connecting rod and piston assemblies, eight-cylinder engine 1B-85
 Connecting rod and piston assemblies six-cylinder engine 1B-49
 Connecting rod, steering 2M-3
 Connecting rods, pistons and, four-cylinder engine 1B-19
 Console, CJ floor 3M-4
 Constant voltage regulator (CVR) replacement 1L-7
 Construction, bodies 3J-1
 Construction, frames 3F-1
 Construction, tire 2H-1
 Control cable, heater, Cherokee, Wagoneer, Truck 3D-8
 Control cables, heater, CJ 3D-4
 Control housing, model SR4 transmission shift 2B-12
 Control housing, model T-176 transmission shift 2B-22
 Control housing, model T-18A transmission 2B-30
 Control operation, air conditioning, Cherokee-Wagoneer-Truck 3E-5
 Control operation, CJ air conditioning 3E-2
 Control panel, air conditioning, Cherokee-Wagoneer-Truck 3E-6
 Control panel, CJ air conditioning 3E-2
 Control switch assembly replacement, Cruise Command, six-cylinder 1H-9
 Control switch, electrically operated windows 3J-15
 Control switch, windshield wiper-Cherokee-Wagoneer-Truck 3T-15
 Control system, spark, four-cylinder engine 1G-28
 Control system, spark, six/eight-cylinder engines 1G-30
 Control systems, fuel vapor 1J-6
 Control systems, spark 1G-28
 Control, wiper and washer 3T-2
 Controls, radio 3V-2
 Conversion of english and metric measures A-10
 Converter, catalytic, dual bed monolithic type 1K-14
 Converter, catalytic, 3-way pellet type 1K-14
 Converter housing fluid leak diagnosis 2C-17
 Converter systems, catalytic 1K-13
 Coolant 1C-3
 Coolant level 1C-4
 Coolant recovery system 1C-13
 Coolant temperature gauge 1C-14
 Cooling system components 1C-29
 Cooling system diagnosis 1C-15
 Cooling system hoses 1C-8
 Cooling system maintenance 1C-15
 Cooling system operation 1C-1
 Cooling system specifications 1C-28
 Cooling system troubleshooting 1C-15
 Cooling systems 1C-1
 Core, heater, Cherokee, Wagoneer, Truck 3D-9
 Core, heater, CJ 3D-4
 Core plugs 1C-15
 Courtesy lamps/dome lamps 3R-11
 Cover, timing case, eight-cylinder engine 1B-75
 Cover, timing case, six-cylinder engine 1B-38
 Crankshaft, eight-cylinder engine 1B-92
 Crankshaft replacement, four-cylinder engine 1B-24
 Crankshaft, six-cylinder engine 1B-55
 Crankshaft vibration damp pulley hub and oil seal replace, four-cylinder B-11
 Crash pad, Cherokee-Wagoneer-Truck 3C-5
 Crash pad, CJ 3C-2
 Cruise Command 1H-1
 Cruise Command adjustments, eight-cylinder 1H-23
 Cruise Command adjustments, six-cylinder 1H-7
 Cruise Command component replacement, eight-cylinder 1H-23
 Cruise Command components, eight-cylinder 1H-12
 Cruise Command components, six-cylinder 1H-1
 Cruise Command control switch assembly replacement, six-cylinder 1H-9
 Cruise Command diagnosis, eight-cylinder 1H-24
 Cruise Command diagnosis, six-cylinder 1H-4
 Cruise Command, eight-cylinder 1H-11
 Cruise Command operation, eight-cylinder 1H-11
 Cruise Command operation, six-cylinder 1H-2
 Cruise Command regulator replacement, six-cylinder 1H-8
 Cruise Command servo cable replacement, six-cylinder 1H-8

ALPHABETICAL INDEX

Cruise Command servo chain replacement, six-cylinder	1H-8
Cruise Command servo replacement, six-cylinder	1H-8
Cruise Command, six-cylinder	1H-1
Cruise Command testing-troubleshooting, eight-cylinder	1H-20
Cruise Command testing-troubleshooting, six-cylinder	1H-3
Curves, distributor	1A-24
Cylinder block, eight-cylinder engine	1B-97
Cylinder block, four-cylinder engine	1B-25
Cylinder block, six-cylinder engine	1B-60
Cylinder (combustion chamber) leakage test	1A-14
Cylinder compression pressure test	1A-12
Cylinder head and cover, six-cylinder engine	1B-43
Cylinder head cover, four-cylinder engine	1B-14
Cylinder head, four-cylinder engine	1B-14
Cylinder heads and covers, eight-cylinder engine	1B-79
Cylinder, master	2G-21
Cylinder service, clutch slave, four-cylinder	2A-13
Cylinder service, four-cylinder clutch	2A-12
Cylinder, wheel	2G-25
C4 system diagnostic procedures	1J-89
C4 system tests and trouble code diagnosis	1J-95

D

Damper, steering	2M-3
Decals, exterior	3P-2
Decimal equivalents	A-13
Defogger, tailgate window	3U-1
Defroster duct, CJ	3D-5
Description of services-chassis components	B-8
Description of services-engine components	B-5
Diagnosis and circuitry, windshield wiper-Cherokee-Wagoneer-Truck	3T-7
Diagnosis and repair horn system	3S-1
Diagnosis and repair simplification (DARS) charts	A-1
Diagnosis and repair, water leaks/wind noise	3A-J
Diagnosis and test procedures, automatic transmission	2C-12
Diagnosis, axle test and	2F-1
Diagnosis, axle testing and	2F-1
Diagnosis, battery	1D-7
Diagnosis, blown cylinder head gasket	1A-14
Diagnosis, brakes	2G-1
Diagnosis, CB radio	3V-9
Diagnosis, CEC system	1J-117
Diagnosis, charging system	1E-6
Diagnosis chart, vibration	2H-12
Diagnosis, CJ heater	3D-3

Diagnosis, clutch service	2A-2
Diagnosis, compressor, California models	3E-34
Diagnosis, compressor valve leak, 49-State models	3E-18
Diagnosis, compressor, 49-State models	3E-24
Diagnosis, converter housing fluid leak	2C-17
Diagnosis, cooling system	1C-15
Diagnosis, Cruise Command, eight-cylinder	1H-24
Diagnosis, Cruise Command, six-cylinder	1H-4
Diagnosis, engine	1A-3
Diagnosis, four-cylinder (HEI) ignition system	1G-4
Diagnosis, front drive hub	2F-51
Diagnosis, general service and	1A-1
Diagnosis, heater, Cherokee, Wagoneer, Truck	3D-8
Diagnosis, instrumentation	1L-3
Diagnosis, intake manifold leakage	1A-15
Diagnosis, lockup torque converter	2C-23
Diagnosis, manual steering gear	2K-3
Diagnosis, manual transmission	2B-2
Diagnosis, model 300 transfer case	2D-39
Diagnosis, power brake unit	2G-33
Diagnosis, power plant instrumentation	1L-8
Diagnosis, power steering gear and pump	2L-6
Diagnosis, radio interference	3V-6
Diagnosis, restricted exhaust system	1K-1
Diagnosis, serpentine drive belt	1C-25
Diagnosis, service, model 208 transfer case	2D-7
Diagnosis, service, transfer case model 219	2D-24
Diagnosis, six/eight-cylinder (SSI) system	1G-14
Diagnosis, starter system, six/eight-cylinder	1F-14
Diagnosis, starting system, four-cylinder	1F-1
Diagnosis, steering columns	2J-1
Diagnosis, tire noise	2F-1
Diagnosis, Trac-Lok differential	2F-41
Diagnosis, wheel bearing	2F-1
Diagnosis with scope analyzer, engine	1A-12
Diagnostic procedures for CEC system 1	1J-112
Diagnostic procedures for C4 system	1J-89
Differential overhaul-AMC/Jeep rear axles	2F-21
Differential overhaul-model 30-44-60 front/rear axles	2F-30
Differential, standard	2F-21
Differential, Trac-Lok	2F-40
Differential operation, standard	2F-21
Dimensions, general (inches)	A-10
Directional signal switch	3R-6
Disassembly, automatic transmission	2C-35
Disassembly, manual steering gear	2K-5
Disassembly, model 208 transfer case	2D-10
Disassembly, model 219 transfer case	2D-27
Disassembly, model 300 transfer case	2D-M
Disassembly, power steering gear	2L-22
Disassembly, power steering pump	2L-40
Disc brake operation	2G-43
Disc brake rotor service	2G-53

E

- Disc brake specifications..... 2G-55
- Disc brakes..... 2G-41
- Disc brakeshoe replacement, Cherokee-Wagoneer-Truck models..... 2G-44
- Disc brakeshoe replacement, CJ models..... 2G-48
- Discharging air conditioning system..... 3E-12
- Distributor curves..... 1A-24
- Dome/reading lamp..... 3R-12
- Door hinge system, Cherokee, Wagoneer, Truck..... 3J-8
- Door hinge system, CJ..... 3J-2
- Door hinge system, rear, Cherokee-Wagoneer..... 3J-12
- Door lock actuator power..... 3J-18
- Door lock system, CJ..... 3J-3
- Door lock system, front, Cherokee, Wagoneer, Truck..... 3J-7
- Door lock test, power..... 3J-18
- Door locks, power..... 3J-17
- Door regular and motor, rear, electrically operated windows..... 3J-16
- Door regulator and motor, front, electrically operated windows..... 3J-15
- Door sealing system, front, Cherokee, Wagoneer, Truck..... 3J-5
- Door sealing system, rear, Cherokee-Wagoneer..... 3J-10
- Door trim, CJ..... 3J-1
- Door trim, front, Cherokee, Wagoneer, Truck..... 3J-4
- Door trim, rear, Cherokee-Wagoneer..... 3J-9
- Door window system, Cherokee-Wagoneer..... 3J-10
- Door window system, CJ..... 3J-2
- Door window system, front, Cherokee, Wagoneer, Truck..... 3J-5
- Doors..... 3J-1
- Doors, CJ-7 with hardtop enclosure..... 3J-1
- Doors, front, Cherokee, Wagoneer, Truck..... 3J-4
- Doors, rear, Cherokee-Wagoneer..... 3J-9
- Drive belt adjustments..... 1C-22
- Drive belt arrangements, engine..... 1C-30
- Drive belt tension specifications..... 2L-44
- Driveline vibration..... 2E-2
- Drum brake service, Cherokee-Wagoneer-Truck models..... 2G-38
- Drum brake service, CJ models..... 2G-36
- Drum brake specifications..... 2G-40
- Drum brakes..... 2G-34
- Drum brakes, assembly and adjustment, CJ models..... 2G-37
- Duct, defroster, CJ..... 3D-5
- Duct, fresh air intake, CJ..... 3D-5
- EGR-CTO valve..... 1J-76
- EGR delay valves..... 1J-78
- EGR system, exhaust gas recirculating..... 1J-73
- EGR vacuum dump valve..... 1J-77
- EGR valve tests..... 1J-75
- Eight-cylinder Cruise Command..... 1H-11
- Eight-cylinder engine..... 1B-64
- Electrical specifications, horn system..... 3S-2
- Electrically operated sun roof..... 3L-7
- Electrically operated windows..... 3J-12
- Emission components..... 1A-1
- Emission components-California light duty vehicles..... 1A-3
- Emission components-hilly terrain light duty vehicles..... 1A-1
- Emission components-49-State light duty vehicles..... 1A-2
- Enclosure, hardtop..... 3L-1
- Engine assemblies..... 1A-16
- Engine assembly short block..... 1B-65
- Engine assembly, short block, six-cylinder..... 1B-29
- Engine block, eight-cylinder..... 1B-97
- Engine block, four-cylinder..... 1B-25
- Engine block heater..... 1C-14
- Engine block, six-cylinder..... 1B-60
- Engine, camshaft and drive, four cylinder..... 1B-7
- Engine compartment lamp..... 3R-11
- Engine components, description of services..... B-5
- Engine crankshaft, eight-cylinder..... 1B-92
- Engine crankshaft replacement, four-cylinder..... 1B-24
- Engine crankshaft, six-cylinder..... 1B-55
- Engine cylinder head and cover, six-cylinder engine..... 1B-43
- Engine cylinder head cover, four-cylinder..... 1B-14
- Engine cylinder head, four-cylinder..... 1B-14
- Engine cylinder heads and covers, eight-cylinder..... 1B-79
- Engine diagnosis..... 1A-3
- Engine diagnosis with scope analyzer..... 1A-12
- Engine drive belt arrangements..... 1C-30
- Engine drive belt tension..... 1C-29
- Engine, eight-cylinder..... 1B-64
- Engine firing order..... 1A-26
- Engine, four-cylinder..... 1B-1
- Engine holding fixture..... 1B-30
- Engine identification, eight-cylinder..... 1B-64
- Engine identification, four-cylinder..... 1B-1
- Engine identification, six-cylinder..... 1B-29
- Engine installation, eight-cylinder..... 1B-67
- Engine lubrication system, eight-cylinder..... 1B-81
- Engine lubrication system, four-cylinder..... 1B-16
- Engine lubrication system, six-cylinder..... 1B-45

ALPHABETICAL INDEX

Engine mounting, eight-cylinder	1B-65	Fenders, rear, Sport Truck.....	3F-11
Engine mounting, six-cylinder	1B-29	Filling air conditioning charging cylinder.....	3E-15
Engine oil viscosity.....	B-5	Filters, fuel.....	1J-1
Engine removal, eight-cylinder	1B-66	Finishing metal replacement parts.....	3B-2
Engine removal/installation, six-cylinder	1B-31	Finishing plastic trim parts	3B-3
Engine replacement, four-cylinder	1B-1	Firing order, engine.....	1A-26
Engine, six-cylinder	1B-28	Fixture, engine holding	1B-30
Engine specifications, eight-cylinder	1B-99	Flasher, 4-way emergency (hazard warning)	3R-9
Engine specifications, four-cylinder	1B-26	Floor carpet.....	3M-9
Engine specifications, six-cylinder	1B-61	Fluid, brake.....	2G-20
Engine tune-up.....	1A-15	Fluid capacities	B-14
Engine valve train, eight-cylinder	1B-67	Fluid capacity, automatic transmission	2C-4
Engine valve train, four-cylinder	1B-5	Fluid level and condition, automatic transmission.....	2C-12
Engine valve train, six-cylinder	1B-30	Fluid level and initial operation, power steering pump	2L-39
Engine vibration damper and pulley, eight- cylinder engine	1B-76	Fluid level, brake.....	2G-21
Engines.....	1B-1	Flushing oil cooler and cooler lines	2C-13
English and Metric measures, conversion of.....	A-10	Flushing system, air conditioning	3E-15
Equivalents, decimal	A-13	Flywheel replacement, four-cylinder	2A-11
Evacuating air conditioning system	3E-12	Fog lamps.....	3R-9
Evaporator housing assembly, Cherokee- Wagoneer truck	3E-7	Four-cylinder CJ models, clutch service	2A-9
Evaporator housing assembly, CJ air conditioning.....	3E-3	Four-cylinder engine.....	1B-1
Exhaust gas recirculation (EGR) system	1J-73	Four-cylinder engine ignition system.....	1G-1
Exhaust manifold, four-cylinder engine	1B-13	Frame components, body and	3F-1
Exhaust manifold replacement	1K-2	Frame construction	3F-1
Exhaust manifolds, mufflers and pipes	1K-1	Frame straightening	3F-7
Exhaust pipe replacement.....	1K-5	Frames	3F-1
Exhaust system diagnosis, restricted	1K-1	Fresh air intake duct, CJ.....	3D-5
Exhaust systems.....	1K-1	Fresh air ventilation, Cherokee, Wagoneer, Truck.....	3D-7
Exhaust systems.....	1A-23	Fresh air ventilation, CJ.....	3D-2
Expansion valve service, Cherokee-Wagoneer- Truck.....	3E-7	Front axle.....	2F-2
Expansion valve service, CJ air conditioning	3E-3	Front axle housing service.....	2F-4
Extension, fender, CJ.....	3F-11	Front axle installation	2F-12
Exterior decals	3P-2	Front axle pinion seal and yoke	2F-5
Exterior decals and overlays; headlining.....	3P-1	Front axle removal	2F-11
Exterior lighting systems	3R-1	Front axle shaft	2F-6
Exterior wind whistles.....	3A-10	Front axle shaft seal	2F-11
Exterior woodgrain overlays	3P-5	Front axle shaft universal joint	2F-7
		Front axle specifications	2F-12
		Front band adjustment, automatic transmission	2C-26
		Front bumpers.....	3F-13
		Front door regulator and motor, electrically operated windows	3J-15
		Front doors, Cherokee, Wagoneer, Truck	3J-4
		Front drive hub diagnosis.....	2F-51
		Front drive hub lubrication	2F-51
		Front drive hub service.....	2F-51
		Front drive hub specifications.....	2F-53
		Front drive hubs	2F-48
		Front floor carpet.....	3M-9
		Front hubs-axles	2F-1
		Front/rear axle differential overhaul, model 30- 44-60 axle.....	2F-30
		Front seats.....	3M-1

F

Fan assembly.....	1C-10
Fan control switch, CJ	3D-4
Fan shroud	1C-13
Fasteners, Torx-Head.....	A-3
Feedback system.....	1J-83
Fender extension, CJ.....	3F-11
Fenders.....	3H-10
Fenders, Cherokee-Wagoneer-Truck models.....	3H-10
Fenders, CJ models	3H-10

ALPHABETICAL INDEX

I

Identification, automatic transmission	2C-6
Identification, eight-cylinder engine.....	1B-64
Identification, four-cylinder engine	1B-1
Identification, front axle	2F-3
Identification, model BBD carburetor.....	1J-46
Identification, model E2SE carburetor	14-31
Identification, model 2SE carburetor	1J-13
Identification, model 208 transfer case.....	2D-6
Identification, model 2150 carburetor	1J-58
Identification, radiator	1C-9
Identification, rear axle	2F-13
Identification, six-cylinder engine	1B-29
Identification, transfer case model 219.....	2D-22
Identification, transfer case model 300.....	2D-38
Identification, transmission	2B-1
Identification, vehicle	A-5
Idle mixture screw, sealed, model 2SE carburetor.....	1J-16
Ignition component service, six/eight-cylinder SSI system.....	1G-23
Ignition lock cylinder	2J-37
Ignition service, on-vehicle, four-cylinder HEI system.....	1G-4
Ignition switch	2J-37
Ignition switch	3R-14
Ignition system components (HEI), four-cylinder.....	1G-1
Ignition system components, six/eight-cylinder (SSi)	1G-10
Ignition system diagnosis, four-cylinder (HEI).....	1G-4
Ignition system diagnosis, six/eight-cylinder (SSi)	1G-14
Ignition system, four-cylinder.....	1G-1
Ignition system operation, six/eight-cylinder (SSi)	1G-12
Ignition system, six/eight-cylinder (SSi).....	1G-10
Ignition system specifications, four-cylinder (HEI)	1G-9
Ignition system specifications, six/eight-cylinder (SSi)	1G-26
Ignition system troubleshooting, six/eight- cylinder (SSi) system.....	1G-12
Ignition systems	1G-1
Ignition systems	1A-16
Illumination, instrument, Cherokee-Wagoneer- Truck.....	3C-6
Illumination, instrument, CJ	3C-3
In-vehicle service and adjustment automatic transmission	2C-26
In-vehicle service, model 208 transfer case.....	2D-7
In-vehicle service, model 219 transfer case.....	2D-25
In-vehicle service, model 300 transfer case.....	2D-40
In-vehicle service, power steering pump	2L-37
Information, general	A-1
Inspection and service, six/eight-cylinder clutch.....	2A-16
Inspection, brakelining	2G-18
Installation, eight-cylinder engine	1B-67
Installation, four-cylinder clutch	2A-10
Installation, rear axle.....	2F-19
Installation, six/eight-cylinder clutch	2A-16
Installation, steering column	2J-13
Installation, steering knuckle.....	2F-10
Installation, steering wheel	2J-10
Installation, transfer case.....	2D-5
Instrument cluster, Cherokee-Wagoneer-Truck	3C-5
Instrument cluster, CJ	3C-1
Instrument cluster lamps	3R-13
Instrument cluster replacement.....	1L-5
Instrument gauge replacement	1L-5
Instrument illumination, Cherokee-Wagoneer- Truck.....	3C-6
Instrument illumination, CJ	3C-3
Instrument panel, Cherokee-Wagoneer-Truck	3C-4
Instrument panel, CJ	3C-1
Instrument panels and components.....	3C-1
Instrumentation diagnosis	1L-3
Instrumentation diagnosis, power plant.....	1L-8
Instrumentation, power plant	1L-1
Intake and exhaust manifolds, eight-cylinder engine.....	1B-78
Intake and exhaust manifolds, six-cylinder engine	1B-41
Intake manifold, four-cylinder engine	1B-12
Intake manifold leakage diagnosis.....	1A-15
Interior lighting system.....	3R-11
Interior wind noises.....	3A-9
Intermittent governor, windshield wiper- Cherokee-Wagoneer-Truck.....	3T-16
Isolating the compressor, 49-State six/eight- cylinder models	3E-19

J

Jeep vehicles, 1981 model

A-3

K

Keys and locks.....

A-6

Front spring	2N-4
Front wheel alignment	2F-4
Front wheel alignment	2M-4
Front wheel alignment specifications.....	2M-6
Front wheel shimmy.....	2M-5
Fuel economy tests	1J-11
Fuel filters.....	1J-1
Fuel gauge.....	1J-8
Fuel gauge sending unit	1J-5
Fuel pump	1J-8
Fuel requirements	B-1
Fuel return system	1J-8
Fuel systems.....	1J-1
Fuel systems.....	1A-20
Fuel tank capacity.....	1J-11
Fuel tanks.....	1J-2
Fuel vapor control systems	1J-6
Fuse panel	3R-15

G

Gauge, coolant temperature	1C-14
Gauge, fuel.....	1J-8
Gauge replacement, instrument.....	1L-5
Gear and pump, power steering	2L-1
Gear, manual steering.....	2K-1
Gear ratios, transmission	2B-15
Gearshift lever positions, automatic transmission.....	2C-10
Gearshift linkage adjustment, automatic transmission	2C-26
Gearshift pattern	2B-1
General dimensions (inches).....	A-10
General information	A-1
General service and diagnosis.....	1A-1
Glove box assembly, Cherokee-Wagoneer-Truck.....	3C-5
Glove box assembly, CJ	3C-3
Glove box lamp	3R-13
Governor, intermittent, windshield wiper- Cherokee-Wagoneer-Truck.....	3T-16
Governor valve service, automatic transmission	2C-29
Grid repair, tailgate window defogger	3U-3
Grilles, radiator.....	3F-8
Guards, brush.....	3F-19

H

Hardtop enclosure.....	3L-1
Hardtop enclosure-sun roof and luggage racks.....	3L-1
Hardtop repair	3L-1
Headlamps.....	3R-1

Headlining	3P-1
Headlining-exterior decals and overlays.....	3P-1
Headlining removal/installation	3L-11
Heater	3D-1
Heater and defroster operation, Cherokee, Wagoneer, Truck	3D-6
Heater and defroster operation, CJ	3D-2
Heater, Cherokee, Wagoneer, Truck.....	3D-6
Heater, CJ.....	3D-1
Heater control cable, Cherokee, Wagoneer, Truck	3D-8
Heater control cables, CJ.....	3D-4
Heater control panel, Cherokee, Wagoneer, Truck.....	3D-7
Heater controls, Cherokee, Wagoneer, Truck	3D-6
Heater controls, CJ.....	3D-1
Heater core, Cherokee, Wagoneer, Truck.....	3D-9
Heater core, CJ.....	3D-4
Heater diagnosis, Cherokee, Wagoneer, Truck	3D-8
Heater diagnosis, CJ	3D-3
Heater, engine block	1C-14
Heavy-duty operation	B-1
Hinge system, CJ door	3J-2
Hinge system, front door, Cherokee, Wagoneer, Truck.....	3J-8
Hinge system, liftgate, CJ-7	3H-3
Hinge system, rear doors, Cherokee-Wagoneer	3J-12
Hinge, tailgate, Cherokee-Wagoneer	3H-7
Hood alignment	3G-2
Hood bumper	3G-3
Hood lock.....	3G-2
Hoods.....	3G-1
Hoods, Cherokee-Wagoneer-Truck models	3G-1
Hoods, CJ models	3G-1
Horn adjustment	3S-2
Horn system diagnosis and repair	3S-1
Horn systems.....	3S-1
Hoses, cooling system	1C-8
Housing assembly, evaporator, Cherokee- Wagoneer-Truck.....	3E-7
How to use this manual	A-1
Hub and oil seal replace, crankshaft vibration damp pulley, four cylinder	B-11
Hub service, front drive.....	2F-51
Hubs, front drive	2F-48
Hydraulic control system, automatic transmission.....	2C-9
Hydraulic pressure test, power steering system	2L-15
Hydraulic pressure tests, automatic transmission	2C-14
Hydraulic system bleeding, clutch, four-cylinder	2A-14
Hydraulic system, brake	2G-20
Hydraulic system inspection, brake	2G-21
Hydraulic valve tappets, eight-cylinder engine.....	1B-73
Hydraulic valve tappets, four-cylinder engine	1B-9
Hydraulic valve tappets, six-cylinder engine	1B-36

L

Lamp, brake warning.....	2G-14
Lamp, cargo.....	3R-6
Lamp, cargo.....	3R-13
Lamp, dome/reading.....	3R-12
Lamp, engine compartment.....	3R-11
Lamp, glove box.....	3R-13
Lamp, license plate.....	3R-5
Lamps and switches, backup.....	3R-5
Lamps, courtesy and dome.....	3R-11
Lamps, fog.....	3R-9
Lamps, instrument cluster.....	3R-13
Lamps, parking - side marker - and directional.....	3R-3
Lamps, rear directional - side marker - and taillamps.....	3R-3
Leak checking, air conditioning system.....	3E-13
Leaks, water.....	3A-1
Level, coolant.....	1C-4
License plate lamp.....	3R-5
Liftgate alignment, CJ-7.....	3H-3
Liftgate hinge system, CJ-7.....	3H-3
Liftgate lock system, CJ-7.....	3H-2
Liftgate support system, CJ-7.....	3H-3
Liftgate window system, CJ-7.....	3H-1
Liftgates, CJ-7.....	3H-1
Liftgates-tailgates.....	3H-1
Lighted vanity mirror.....	3R-12
Lighter, cigar; Cherokee-Wagoneer-Truck.....	3C-7
Lighter, cigar, CJ.....	3C-4
Lighting system, interior.....	3R-11
Lighting systems.....	3R-1
Lighting systems, exterior.....	3R-1
Linkage, clutch.....	2A-8
Linkage, steering.....	2M-1
Load rating, tire size and.....	2H-2
Lock cylinder, ignition.....	2J-37
Lock, hood.....	3G-2
Lock system, CJ door.....	3J-3
Lock system, front door, Cherokee, Wagoneer, Truck.....	3J-7
Lock system, liftgate, CJ-7.....	3H-2
Lock system, tailgate, Cherokee-Wagoneer.....	3H-7
Locks, keys and.....	A-6
Locks, power door.....	3J-17
Lubricant, manual transmission.....	2B-4
Lubricants, recommended fluids and.....	B-15
Lubrication, front drive hubs.....	2F-51
Lubrication, propeller shaft and universal joint.....	2E-8
Lubrication system, eight-cylinder engine.....	1B-81
Lubrication system, four-cylinder engine.....	1B-16
Lubrication system, six-cylinder engine.....	1B-45

Lubrication, Trac-Lok differential.....	2F-41
Lubrication, transfer case model 208.....	2D-7
Lubrication, transfer case model 219.....	2D-22
Lubrication, transfer case model 300.....	2D-38
Luggage racks.....	3L-14
Luggage racks, hardtop enclosure, sun roof and.....	3L-1

M

Magnetic clutch, California models.....	3E-33
Magnetic clutch, 49-State six/eight-cylinder models.....	3E-23
Main bearings, eight-cylinder engine.....	1B-93
Main bearings, four-cylinder engine.....	1B-22
Main bearings, six-cylinder crankshaft.....	1B-56
Maintenance.....	B-1
Maintenance, battery.....	1D-2
Maintenance, cooling system.....	1C-15
Maintenance, PCV valve air inlet filter.....	1J-80
Maintenance, radiator.....	1C-9
Maintenance schedule.....	B-1
Maintenance schedule, 1981 Jeep.....	B-2
Maintenance schedule, 1981 Jeep chassis.....	B-4
Maintenance schedule, 1981 Jeep engine.....	B-3
Maintenance, unscheduled.....	B-14
Manifold, exhaust, four-cylinder engine.....	1B-13
Manifold, exhaust, replacement.....	1K-2
Manifold, intake, four-cylinder engine.....	1B-12
Manifolds, air injection.....	1K-11
Manifolds, intake and exhaust, eight-cylinder engine.....	1B-78
Manifolds, intake and exhaust, six-cylinder engine.....	1B-41
Manual, how to use this.....	A-1
Manual steering gear.....	2K-1
Manual steering gear specifications.....	2K-11
Manual transmission.....	2B-1
Manual transmission diagnosis.....	2B-2
Manual transmission installation.....	2B-5
Manual transmission removal.....	2B-5
Manually operated sun roof.....	3L-5
Master cylinder.....	2G-21
Measurement and adjustment, universal joint angle.....	2E-8
Measures, english and metric, conversion.....	A-10
Metal repair.....	3B-1
Metal repair and painting.....	3B-1
Metal replacement parts, finishing.....	3B-2
Metric system-SI.....	A-11
Mirror bracket, rear view.....	3N-5
Mirror, lighted vanity.....	3R-12
Mirrors, remote control.....	3J-9

ALPHABETICAL INDEX

Model BBD carburetor circuits	1J-47
Model BBD carburetor, 2-venturi	1J-46
Model E2SE carburetor circuits	1J-31
Model E2SE carburetor, 2-venturi	1J-30
Model SR-4 4-speed transmission	2B-6
Model T-176 4-speed transmission	2B-15
Model T-18A 4-speed transmission	2B-24
Model 2SE carburetor circuits.....	1J-13
Model 2SE carburetor, 2-venturi.....	1J-11
Model 208 transfer case	2D-6
Model 2150 carburetor circuits	1J-59
Model 2150-2-venturi carburetor	1J-58
Model 219 Quadra-Trac transfer case.....	2D-21
Model 300 transfer case	2D-37
Motor, blower, CJ	3D-4
Motor, heater blower, Cherokee, Wagoneer, Truck.....	3D-9
Motor test, electrically operated windows	3J-17
Motor, wiper-Cherokee-Wagoneer-Truck	3T-16
Moulding replacement, vinyl, Wagoneer; Cherokee, Truck	3P-8
Mouldings, body	3F-J
Mounting, eight-cylinder engine.....	1B-65
Mounting, six-cylinder engine	1B-29
Muffler replacement	1K-4
Mufflers, and pipes, exhaust manifolds	1K-1

N

Neutral safety switch replacement, four-cylinder	1F-5
Neutral safety switch six/eight-cylinder	1F-24
Neutral start and backup lamp switch	2C-30
Noises, interior wind	3A-9
Normal operating temperatures and pressures, air conditioning	3E-11

O

Oil cooler and cooler lines, flushing	2C-13
Oil filter replacement, automatic transmission	2C-27
Oil viscosity, engine	B-5
On-vehicle service, manual steering gear	2K-1
Operation and wear compensation, drum brakes.....	2G-34
Operation, CEC system	1J-86
Operation, charging system	1E-2
Operation, CJ heater and defroster	3D-2
Operation, cooling system.....	1C-1
Operation, Cruise Command, eight-cylinder	1H-12
Operation, Cruise Command, six-cylinder	1H-2
Operation, disc brake	2G-43

Operation, heater-defroster, Cherokee, Wagoneer, Truck	3D-6
Operation, heavy-duty	B-1
Operation-PCV system	1J-79
Operation, power plant instrumentation.....	1L-1
Operation, power steering gear and pump	2L-1
Operation, six/eight-cylinder ignition system (SSI)	1G-12
Operation, standard differential	2F-21
Operation, starting system, four-cylinder	1F-1
Operation-TAC system.....	1J-82
Operation, Trac-Lok differential.....	2F-40
Out-of-vehicle service and overhaul automatic transmission	2C-33
Overcenter spring replacement, clutch pedal, CJ models	2A-19
Overhaul, alternator	1E-11
Overhaul, AMC-Jeep rear axles differential	2F-21
Overhaul, automatic transmission subassembly	2C-37
Overhaul, disc brake caliper, Cherokee- Wagoneer-Truck models.....	2G-45
Overhaul, disc brake caliper, CJ models	2G-50
Overhaul, model BBD carburetor.....	1J-50
Overhaul, model E2SE carburetor	14-35
Overhaul, model 2SE carburetor	1J-16
Overhaul, model 2150 carburetor	1J-62
Overhaul, model 219 transfer case.....	2D-33
Overhaul, model 30-44-60 rear axle differential	2F-30
Overhaul, out-of-vehicle service and, automatic transmission	2C-33
Overhaul, power steering gear subassembly	2L-24
Overhaul, standard steering column, automatic transmission	2J-19
Overhaul, standard steering column-manual transmission	2J-13
Overhaul, starter motor, four-cylinder	1F-5
Overhaul, starter motor, six/eight-cylinder	1F-21
Overhaul, subassembly, model 208 transfer case.....	2D-15
Overhaul, tilt column, Cherokee-Wagoneer- Truck models.....	2J-24
Overhaul, tilt steering column, CJ models	2J-30
Overhaul, Trac-Lok differential	2F-41
Overlays, exterior woodgrain	3P-5
Owner	B-1

P

Pad, crash.....	3C-2
Pad, crash, Cherokee-Wagoneer-Truck	3C-5
Paint repair with acrylic enamel	3B-1
Painting, metal repair and	3B-1
Panel, fuse.....	3R-15

- Panel, heater control, Cherokee, Wagoneer, Truck..... 3D-7
- Panel, instrument, CJ 3C-1
- Panel, trim, rear quarter 3K-1
- Panels 3F-7
- Panels and components, instrument..... 3C-1
- Park lock component replacement, automatic transmission 2C-30
- Parking brake adjustment..... 2G-15
- Parking brake cables 2G-16
- Parking, side marker and directional lamps..... 3R-3
- Pattern, gearshift 2B-1
- PCV system operation..... 1J-79
- PCV system, positive crankcase ventilation..... 1J-78
- PCV valve air inlet filter maintenance..... 1J-80
- PCV valve functional test..... 1J-79
- Pedal and overcenter spring replacement, clutch, Cherokee and Truck..... 2A-21
- Pedal, brakes 2G-14
- Pedal replacement, clutch, CJ models..... 2A-20
- Pellet-type catalytic converter 1K-13
- Pilot bushing replacement, four-cylinder clutch..... 2A-11
- Pinion seal and yoke, front axle..... 2F-5
- Pinion seal and yoke, rear axle 2F-18
- Pipe replacement, exhaust 1K-5
- Pipes, exhaust manifold mufflers and..... 1K-1
- Piston assemblies, connecting rod and, eight-cylinder engine 1B-85
- Piston assemblies, connecting rod and, six-cylinder engine 1B-49
- Pistons and connecting rods, four-cylinder engine..... 1B-19
- Pivot shaft body and linkage, wiper-Cherokee-Wagoneer-Truck..... 3T-5
- Pivot vent window-Cherokee models 3K-1
- Plastic trim parts, finishing..... 3B-3
- Plugs, core..... 1C-15
- Polyspare tire 2H-5
- Positive crankcase ventilation (PCV) system 1J-78
- Power brake unit diagnosis 2G-33
- Power brake unit removal/installation 2G-33
- Power brake units..... 2G-31
- Power door locks 3J-17
- Power flow, automatic transmission 2C-6
- Power flow, transfer case model 208 2D-7
- Power flow, transfer case model 219 2D-22
- Power flow, transfer case model 300 2D-38
- Power plant instrumentation 1L-1
- Power plant instrumentation diagnosis..... 1L-8
- Power plant instrumentation operation 1L-1
- Power plant instrumentation specifications..... 1L-41
- Power seat servicing procedures..... 3M-7
- Power seats..... 3M-6
- Power steering gear and pump 2L-1
- Power steering gear and pump diagnosis 2L-6
- Power steering gear and pump operation..... 2L-1
- Power steering gear assembly and adjustment..... 2L-32
- Power steering gear disassembly 2L-22
- Power steering gear installation..... 2L-21
- Power steering gear removal 2L-20
- Power steering gear service 2L-19
- Power steering gear specifications 2L-18
- Power steering gear subassembly overhaul 2L-24
- Power steering pump..... 2L-37
- Power steering pump assembly 2L-41
- Power steering pump disassembly..... 2L-40
- Power steering pump fluid level and initial operation 2L-39
- Power steering pump removal/installation..... 2L-40
- Power steering pump service, in-vehicle..... 2L-37
- Power steering pump specifications 2L-18
- Power tailgate window system 3H-9
- Power tailgate window testing 3H-9
- Power train combinations A-12
- Power train combinations-1981 Cherokee-Wagoneer-Truck models..... A-12
- Power train combinations-1981 CJ models A-12
- Power unit service, brake 2G-33
- Premium audio system..... 3V-14
- Pressure cap, radiator 1C-10
- Pressure gauge and manifold assembly, air conditioning 3E-9
- Printed circuit board replacement 1L-7
- Propeller shaft..... 2E-1
- Propeller shaft and universal joint lubrication..... 2E-8
- Propeller shaft application 2E-1
- Propeller shaft service 2E-9
- Pump, fuel..... 1J-8
- Pump, power steering..... 2L-37
- Pump, washer 3T-3
- Pump, water 1C-5
- Purging compressor of air, 49-State models 3E-23

Q

- Quadra-Trac transfer case model 219 2D-21
- Quarter, rear 3K-1

R

- Racks, luggage 3L-14
- Radial, wide tread and snow tire applications..... 2H-5
- Radiator 1C-9
- Radiator grilles 3F-8
- Radiator identification 1C-9

- Sealing system, front door, Cherokee, Wagoneer, Truck..... 3J-5
- Sealing system, rear door, Cherokee-Wagoneer..... 3J-10
- Seat assemblies 3M-1
- Seats belts 3M-4
- Seats, bench, Cherokee, Wagoneer, Truck..... 3M-3
- Seats, bucket, Cherokee, Wagoneer, Truck..... 3M-3
- Seats, bucket, CJ..... 3M-1
- Seats, front..... 3M-1
- Seats, power 3M-6
- Seats, rear 3M-5
- Sending unit, fuel gauge..... 1J-5
- Sensor, thermal 1J-82
- Serpentine drive belt diagnosis 1C-25
- Service adjustment procedures, model BBD carburetor 1J-55
- Service adjustment procedures, model E2SE carburetor 1J-45
- Service adjustment procedures, model 2SE carburetor 1J-25
- Service adjustment procedures, model 2150 carburetor 1J-67
- Service brake adjustment..... 2G-17
- Service, brakedrum..... 2G-39
- Service, clutch..... 2A-2
- Service diagnosis, clutch 2A-2
- Service diagnosis, steering columns 2J-1
- Service diagnosis, transfer case model 219..... 2D-24
- Service, ignition component, six/eight-cylinder SSI system..... 1G-23
- Service manual improvements A-3
- Service, model BBD choke mechanism..... 1J-57
- Service, model 2SE choke mechanism 1J-29
- Service, model 2150 choke mechanism 1J-71
- Service, on-vehicle, four-cylinder HEI ignition system..... 1G-4
- Service, propeller shaft 2E-9
- Service replacement, trac-Lok differential..... 2F-47
- Service, transfer case 2D-3
- Service, universal joint 2E-9
- Service valves, compressor 3E-9
- Servicing procedures, power seats..... 3M-7
- Servo cable replacement, Cruise Command, six-cylinder 1H-8
- Servo replacement, Cruise Command, six-cylinder 1H-8
- Shaft, propeller 2E-1
- Shift control housing, model SR4 transmission..... 2B-12
- Shift control housing, model T-176 transmission 2B-22
- Shift control housing, model T-18A transmission 2B-30
- Shift linkage, transfer case..... 2D-3
- Shimmy, front wheel..... 2M-5
- Shock absorbers 2N-1
- Short engine assembly (short block), eight-cylinder 1B-65
- Short engine assembly (short block), six-cylinder 1B-29
- Shroud, fan 1C-13
- Sight glass, air conditioning 3E-12
- Six- and eight-cylinder engine ignition system 1G-10
- Six-cylinder Cruise Command..... 1H-1
- Six-cylinder engine 1B-28
- Six/eight-cylinder engine starting system 1F-10
- Six/eight-cylinder models, clutch service 2A-15
- Slave cylinder service, four-cylinder clutch 2A-13
- Soft top with metal doors-CJ models 3F-19
- Sound systems, radio..... 3V-1
- Spare tire carrier, swingout..... 3F-16
- Spark control system-four-cylinder engine..... 1G-28
- Spark control system-six-and eight-cylinder engines..... 1G-30
- Spark control system specifications 1G-33
- Spark control systems 1G-28
- Speakers, radio..... 3V-13
- Specification, model T-176 transmission..... 2B-23
- Specifications, automatic transmission 2C-68
- Specifications, automatic transmission hydraulic pressure test..... 2C-22
- Specifications, axle 2F-47
- Specifications, axle differential 2F-39
- Specifications, battery 1D-9
- Specifications, brake..... 2G-19
- Specifications, brake hydraulic system..... 2G-29
- Specifications, charging system 1E-15
- Specifications, clutch, four-cylinder..... 2A-15
- Specifications, clutch, six/eight-cylinder 2A-21
- Specifications, cooling system..... 1C-28
- Specifications, disc brake..... 2G-55
- Specifications, drive belt tension..... 2L-44
- Specifications, drum brakes..... 2G-40
- Specifications, eight-cylinder engine 1B-99
- Specifications four-cylinder engine 1B-26
- Specifications, four-cylinder (HEI) ignition system..... 1G-9
- Specifications, front axle 2F-12
- Specifications, front drive hub..... 2F-53
- Specifications, front wheel alignment..... 2M-6
- Specifications, horn system electrical 3S-2
- Specifications, manual steering gear 2K-11
- Specifications, model BBD carburetor 1J-57
- Specifications, model E2SE carburetor 1J-46
- Specifications, model SR4 transmission 2B-14
- Specifications, model T-18A transmission 2B-32
- Specifications, model 2SE carburetor 1J-30
- Specifications, model 208 transfer case 2D-21
- Specifications, model 2150 carburetor 1J-72
- Specifications, model 300 transfer case 2D-47
- Specifications, power plant instrumentation 1L-41
- Specifications, power steering gear..... 2L-18
- Specifications, power steering pump..... 2L-18

ALPHABETICAL INDEX

Specifications, rear axle.....	2F-20	Steering damper.....	2M-3
Specifications, six-cylinder engine.....	1B-61	Steering gear assembly and adjustment, manual steering gear.....	2K-8
Specifications, six/eight-cylinder (SSI) ignition system.....	1G-26	Steering gear assembly and adjustment, power.....	2L-32
Specifications, spark control system.....	1G-33	Steering gear diagnosis, manual.....	2K-3
Specifications, starter, four-cylinder.....	1F-10	Steering gear disassembly, manual gear.....	2K-N
Specifications, starter, six/eight-cylinder.....	1F-24	Steering gear disassembly, power.....	2L-22
Specifications, steering column.....	2J-40	Steering gear installation, power.....	2L-21
Specifications, suspension.....	2N-Q	Steering gear removal/installation, manual.....	2K-4
Specifications, tune-up.....	1A-23	Steering gear removal, power.....	2L-20
Speedometer, Cherokee-Wagoneer-Truck.....	3C-7	Steering gear service, on-vehicle, manual steering gear.....	2K-1
Speedometer, CJ.....	3C-3	Steering gear service, power.....	2L-19
Spindle bearing.....	2F-11	Steering gear specifications, manual gear.....	2K-11
Spoke alignment, steering wheel.....	2M-5	Steering gear subassembly overhaul, manual gear.....	2K-6
Sport steering wheel skirt replacement.....	2J-11	Steering gear subassembly overhaul, power.....	2L-24
Sport Truck tailgate.....	3H-13	Steering knuckle ball studs.....	2F-8
Spring bushing replacement.....	2N-7	Steering knuckle installation.....	2F-10
Spring, front.....	2N-4	Steering knuckle removal.....	2F-8
Spring, rear.....	2N-6	Steering linkage.....	2M-1
Stabilizer bar.....	2N-3	Steering tie rod.....	2M-3
Stall test, automatic transmission.....	2C-18	Steering wheel installation.....	2J-10
Standard column overhaul-automatic transmission.....	2J-19	Steering wheel removal.....	2J-10
Standard column overhaul-manual transmission.....	2J-13	Steering wheel skirt replacement, sport.....	2J-11
Standard differential.....	2F-21	Steering wheel spoke alignment.....	2M-5
Standard torque specifications and capscrew markings chart.....	A-2	Stoplamp switch.....	3R-9
Starter motor operation, four-cylinder.....	1F-1	Storage compartment.....	3F-20
Starter motor overhaul, four-cylinder.....	1F-5	Straightening, frames.....	3F-7
Starter motor overhaul, six/eight-cylinder.....	1F-21	Subassembly overhaul, automatic transmission.....	2C-37
Starter motor replacement, four-cylinder.....	1F-5	Subassembly overhaul, manual steering gear.....	2K-6
Starter motor replacement, six/eight-cylinder.....	1F-20	Subassembly overhaul, model 208 transfer case.....	2D-15
Starter specifications, four cylinder.....	1F-10	Subassembly overhaul, model 219 transfer case.....	2D-33
Starter specifications, six/eight-cylinder.....	1F-24	Sun roof adjustments, electrically operated.....	3L-12
Starter system components, six/eight-cylinder.....	1F-11	Sun roof and luggage racks, hardtop enclosure.....	3L-1
Starter system diagnosis, six/eight-cylinder.....	1F-14	Sun roof, electrically operated.....	3L-7
Starter system testing-troubleshooting, six/eight-cylinder.....	1F-12	Sun roof, manually operated.....	3L-5
Starting system.....	1F-1	Support system, liftgate, CJ-7.....	3H-3
Starting system diagnosis, four-cylinder.....	1F-1	Suspension.....	2N-1
Starting system, four-cylinder.....	1F-1	Suspension jounce and windup bumpers.....	2N-1
Starting system, six/eight-cylinder.....	1F-10	Suspension specifications.....	2N-8
Stationary window - 2-door Cherokee models.....	3K-2	Swingout spare tire carrier.....	3F-16
Stationary window-CJ-7 models with hardtop enclosure.....	3K-2	Switch, backup lamp.....	2B-1
Stationary window-4-door Cherokee-Wagoneer models.....	3K-3	Switch, brakelamp.....	2G-17
Steering column alignment.....	2J-10	Switch, control, windshield wiper-Cherokee-Wagoneer-Truck.....	3T-15
Steering column diagnosis.....	2J-1	Switch, directional signal.....	3R-6
Steering column installation.....	2J-13	Switch, electrically operated window.....	3J-15
Steering column removal.....	2J-11	Switch, fan control, CJ.....	3D-4
Steering column specifications.....	2J-40	Switch, ignition.....	2J-37
Steering columns.....	IJ-1	Switch, ignition.....	3R-14
Steering connecting rod.....	2M-3	Switch, neutral safety, six/eight-cylinder.....	1F-24
		Switch, neutral start and backup lamp.....	2C-30
		Switch replacement, neutral safety, four-cylinder.....	1F-5
		Switch, stoplamp.....	3R-9

- Switch, thermal vacuum (TVS)..... 14-77
 Switch, turn signal and Cruise Command 2J-36
 Switch voltage tests, electrically operated
 windows..... 3J-16
 System, charging..... 1E-1
 System controls, CJ heater 3D-1
 System controls, heater, Cherokee, Wagoneer,
 Truck..... 3D-6
 System, coolant recovery 1C-13
 System, dual air injection..... 1K-12
 System, metric, SI..... A-11
 System operation, air conditioning California
 models 3E-29
 System operation, air conditioning, 49-State
 models 3E-18
 System operation, CEC 1J-86
 System, single air injection..... 1K-9
 System, starting 1F-1
 Systems, air injection..... 1K-8
 Systems, cooling..... 1C-1
 Systems, exhaust..... 1K-1
 Systems, exhaust..... 1A-23
 Systems, fuel 1J-1
 Systems, fuel 1A-20
 Systems, horn..... 3S-1
 Systems, ignition..... 1G-1
 Systems, ignition..... 1A-16
 Systems, lighting..... 3R-1
- T**
- TAC system operation 1J-82
 TAC system testing..... 1J-82
 TAC system, thermostatically controlled air
 cleaner..... 1J-80
 Tailgate adjustment, Cherokee-Wagoneer..... 3H-5
 Tailgate, CJ-5 3H-4
 Tailgate, CJ-7 3H-4
 Tailgate hinge, Cherokee-Wagoneer..... 3H-7
 Tailgate, lock system, Cherokee-Wagoneer 3H-7
 Tailgate power window system 3H-9
 Tailgate, Sport Truck 3H-13
 Tailgate, Townside Truck..... 3H-13
 Tailgate window defogger 3U-1
 Tailgate window defogger grid repair..... 3U-3
 Tailgate window defogger testing 3U-2
 Tailgate window system, Cherokee-Wagoneer..... 3H-8
 Tailgates, Cherokee, Wagoneer..... 3H-5
 Tailgates, liftgates 3H-1
 Tanks, fuel 1J-1
 Tempatrol fan test..... 1C-12
 Test and trouble code diagnosis, C4 system 1J-95
 Test, cylinder (combustion chamber) leakage..... 1A-14
 Test, cylinder compression pressure..... 1A-12
 Test, motor, electrically operated windows..... 3J-17
 Test, PCV valve functional 1J-79
 Test, power steering gear and pump hydraulic
 pressure 2L-15
 Test, switch voltage, electrically operated
 windows..... 3J-16
 Test, Tempatrol fan 1C-12
 Test, water leaks 3A-1
 Testing, alternator 1E-4
 Testing, battery..... 1D-5
 Testing, power tailgate window 3H-9
 Testing TAC system 1J-82
 Testing, tailgate window defogger 3U-2
 Testing, thermostat..... 1C-8
 Testing-troubleshooting, Cruise Command, eight-
 cylinder 1H-K0
 Testing-troubleshooting Cruise Command, six-
 cylinder 1H-3
 Testing-troubleshooting, starter system, six/
 eight-cylinder 1F-12
 Tests; automatic transmission hydraulic pressure 2C-14
 Tests; EGR valve..... 1J-75
 Tests, electrically operated window circuit..... 3J-14
 Tests, fuel economy..... 1J-11
 Tests, power door locks 3J-18
 Tests, water pump..... 1C-7
 Thermal sensor..... 1J-82
 Thermal vacuum switch (TVS) 1J-77
 Thermostat..... 1C-8
 Thermostat testing..... 1C-8
 Thermostatically controlled air cleaner (TAC)
 system..... 1J-80
 Throttle cable and linkage adjustment 2C-31
 Throttle linkage, automatic transmission 2C-13
 Throwout bearing and lever, four-cylinder clutch 2A-11
 Tie rod, steering 2M-3
 Tilt column overhaul-Cherokee-Wagoneer-Truck
 models 2J-24
 Tilt column overhaul-CJ models..... 2J-30
 Timing case cover, eight-cylinder engine..... 1B-75
 Timing case cover oil seal, six-cylinder engine..... 1B-40
 Timing case cover replacement, four-cylinder
 engine..... 1B-11
 Timing case cover, six-cylinder engine..... 1B-38
 Timing chain, eight-cylinder engine 1B-77
 Timing chain, six-cylinder engine..... 1B-40
 Tire carrier, swingout spare 3F-16
 Tire construction..... 2H-1
 Tire inflation pressure and capacity..... 2H-2
 Tire inflation pressure chart 2H-13
 Tire maintenance and condition 2H-4
 Tire noise diagnosis 2F-1

V

Valve body service, automatic transmission	2C-27
Valve, combination	2G-26
Valve, EGR-CTO	1J-76
Valve, EGR dump	1J-77
Valve tappets, hydraulic, eight-cylinder engine	1B-73
Valve tappets, hydraulic, four-cylinder	1B-9
Valve tappets, hydraulic, six-cylinder engine	1B-36
Valve train, eight-cylinder engine	1B-67
Valve train, four-cylinder engine	1B-5
Valve train, six-cylinder engine	1B-30
Valves, EGR delay	1J-78
Vehicle identification	A-5
Vent window, pivot, Cherokee models	3K-1
Ventilation, fresh air, Cherokee, Wagoneer, Truck	3D-7
Ventilation, fresh air, CJ	3D-2
Vibration	2H-10
Vibration damper and pulley, eight-cylinder engine	1B-96
Vibration diagnosis chart	2H-12
Vibration, driveline	2E-2
Vibration types	2H-10
VIN decoding chart	A-6
Vinyl moulding replacement-Wagoneer-Cherokee and Truck	3P-8
Vinyl top repair	3L-14
Viscosity, engine oil	B-5
Voltage regulator, constant (CVR), replacement	1L-7

W

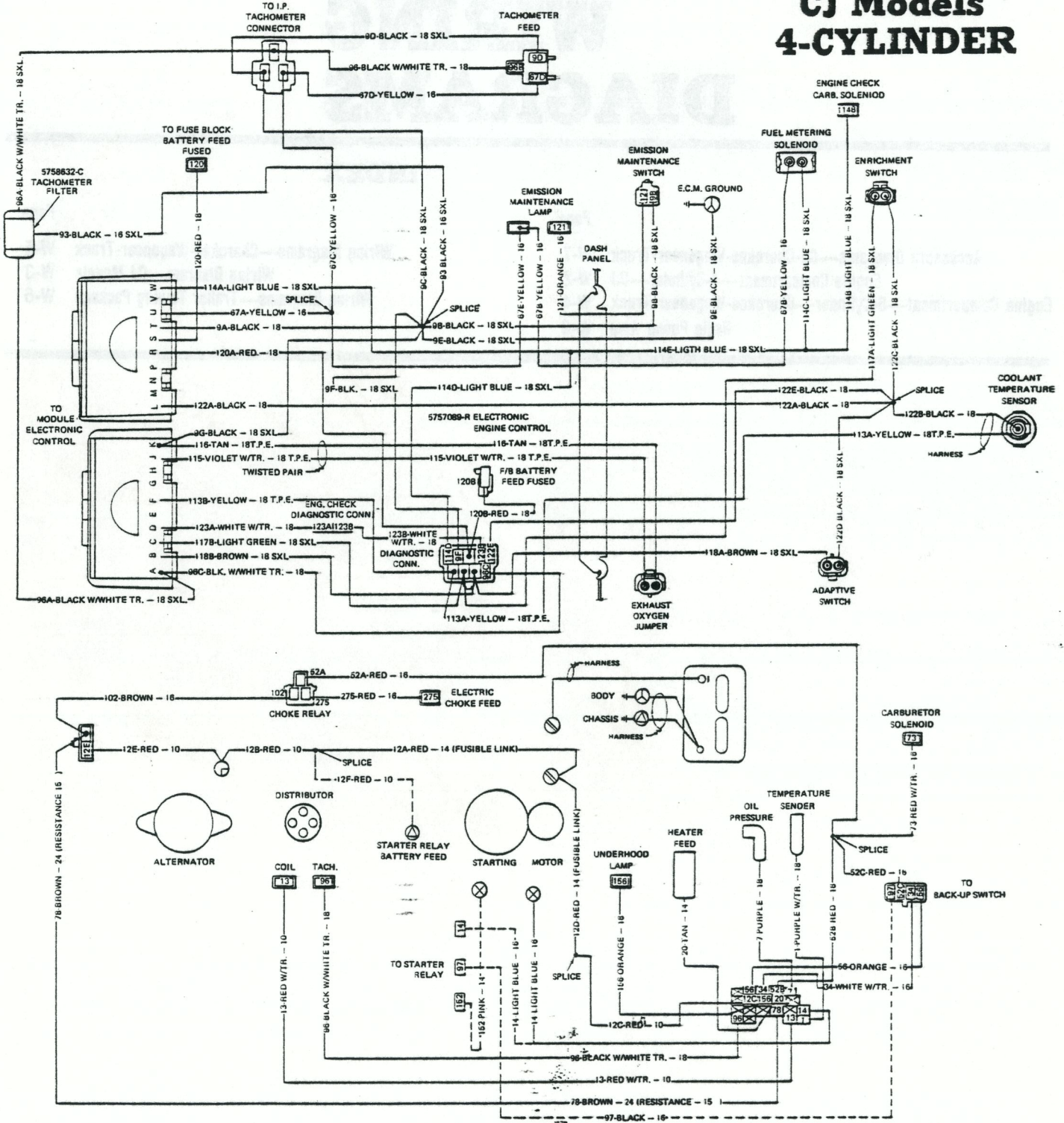
Warnings and cautions	A-1
Washer pump	3T-3
Washers, windshield-Cherokee-Wagoneer-Truck	3T-19
Water leak tests	3A-1
Water leak/wind noise diagnosis and repair	3A-1
Water leaks	3A-1
Water pump	1C-5
Water pump tests	1C-7
Wheel alignment, front	2M-4
Wheel balancing	2H-6
Wheel bearing adjustment	2H-6
Wheel bearing diagnosis	2F-1
Wheel cylinder	2G-25
Wheel maintenance and condition	2H-5
Wheel shimmy, front	2M-5
Wheelhouse carpet	3M-9
Wheels	2H-5
Wheels and tires	2H-1
Wind noises, interior	3A-9
Wind whistle, exterior	3A-10
Window, pivot vent, Cherokee models	3K-1
Window, rear	3N-6
Window, stationary, CJ-7 models with hardtop enclosure	3K-2
Window, stationary, 2-door Cherokee models	3K-2
Window, stationary, 4-door Cherokee-Wagoneer models	3K-3
Window system, CJ door	3J-2
Window system, front door, Cherokee, Wagoneer, Truck	3J-5
Window system, liftgate, CJ-7	3H-1
Window system, rear door, Cherokee-wagoneer	3J-10
Window system, tailgate, Cherokee-Wagoneer	3H-8
Windows, electrically operated	3J-12
Windshield	3N-1
Windshield, Cherokee, Wagoneer, Truck	3N-2
Windshield, CJ	3N-1
Windshield-rear window	3N-1
Windshield washers-Cherokee-Wagoneer-Truck	3T-19
Windshield wiper, Cherokee, Wagoneer, Truck	3T-4
Windshield wiper, CJ	3T-1
Windshield wiper control switch-Cherokee- Wagoneer-Truck	3T-15
Windshield wiper diagnosis and circuitry- Cherokee-Wagoneer-Truck	3T-7
Windshield wiper intermittent governor- Cherokee-Wagoneer-Truck	3T-16
Windshield wipers	3T-1
Wiper and washer control	3T-2
Wiper arm replacement-Cherokee-Wagoneer- Truck	3T-4
Wiper arm replacement, CJ	3T-2
Wiper blade element replacement-Cherokee- Wagoneer-Truck	3T-4
Wiper blade replacement, Cherokee, Wagoneer, Truck	3T-4
Wiper blade replacement, CJ	3T-1
Wiper motor, -Cherokee-Wagoneer-Truck	3T-16
Wiper motor, two-speed	3T-2
Wiper pivot shaft body and linkage-Cherokee- Wagoneer-Truck	3T-5
Wipers, windshield	3T-1
Wiring harness, chassis	3R-13
Wiring harness components, chassis	3R-13
Wooden rails-Sport Truck model	3F-21
Woodgrain overlays, exterior	3P-5
1981 Jeep chassis maintenance schedule	B-4
1981 Jeep engine maintenance schedule	B-3
1981 Jeep maintenance schedule	B-2
1981 model Jeep vehicles	A-3

WIRING DIAGRAMS

INDEX

	Page		Page
Accessory Diagrams—CJ-Cherokee-Wagoneer-Truck	W-7	Wiring Diagrams—Cherokee-Wagoneer-Truck	W-5
Engine Compartment—4-Cylinder—CJ	W-2	Wiring Diagram—CJ Models	W-3
Engine Compartment—6-Cylinder—Cherokee-Wagoneer-Truck	W-4	Wiring Diagrams—Trailer Towing Package	W-6
Radio Power Amp	W-8		

Wiring Diagram CJ Models 4-CYLINDER



5757084-R 4 CYL. ENG. (AUTO. TRANS.)
 5758597-R 4 CYL. ENG. (MANUAL TRANS.)
 CIRCUIT SYMM. MANUAL TRANS. ——— AUTO. TRANS. - - - - -

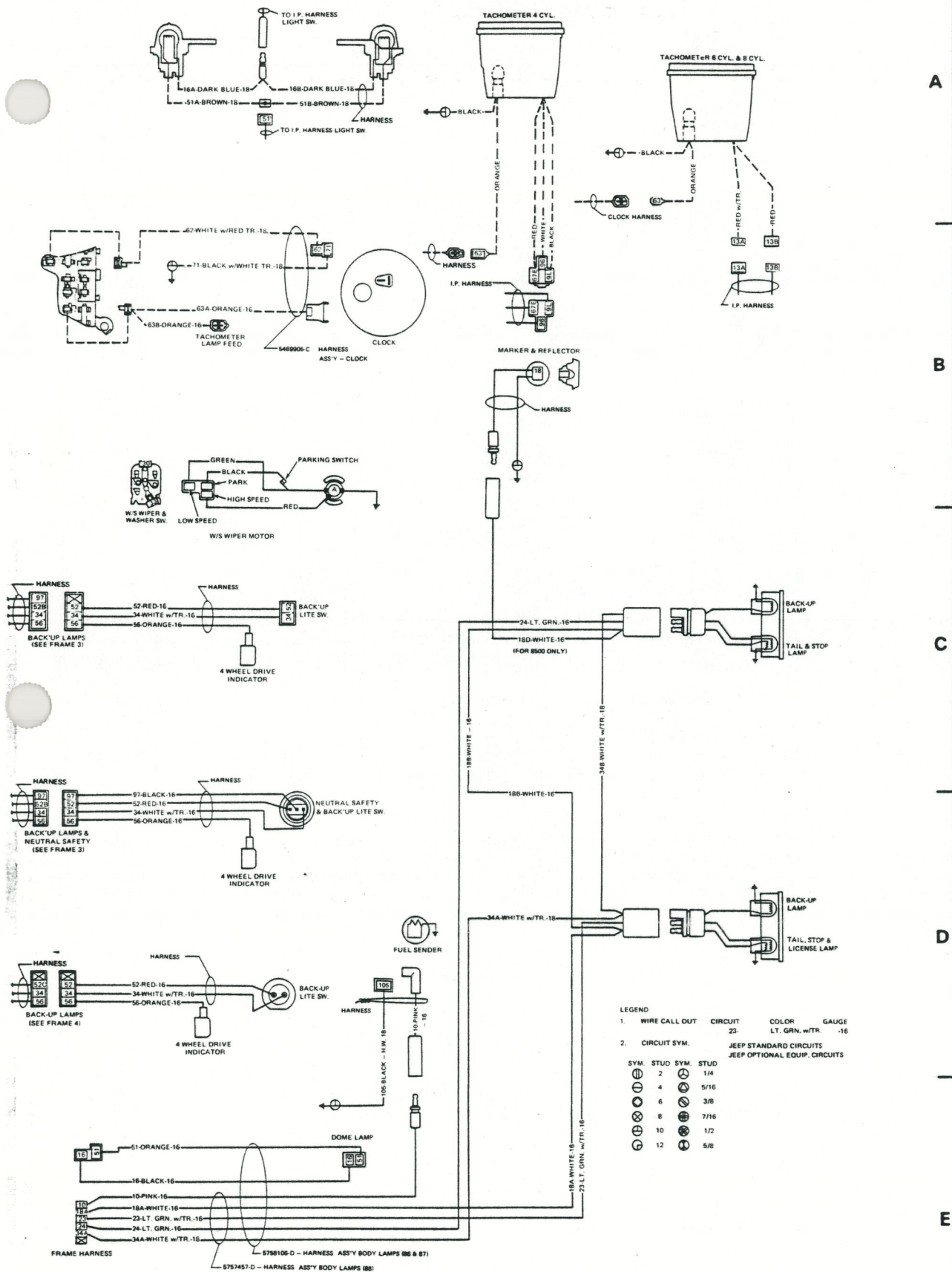
Wiring Diagram
CJ Models

Component Grid Locator

CJ Models

NOMENCLATURE	LOCATION
Accessory Feed	C-7
Air Conditioner Compressor, 8-Cylinder	B-3
Alternator, 8-Cylinder	B-2
Alternator, 6-Cylinder	D-3
Back-up Lamp, Right Side	C-11
Back-up Lamp, Left Side	D-11
Back-up Light Switch	
Manual Transmission	C-9, D-9
Back-up Light Switch	
Automatic Transmission	D-9
Battery, 8-Cylinder	A-4
Battery, 6-Cylinder	C-4
Body Ground, 8-Cylinder	A-4
Body Ground, 6-Cylinder	C-4
Brake Failure Switch	E-3
Brake Warning Lamp	C-6
Capacitor Jumper, 8-Cylinder	A-3
Capacitor Jumper, 6-Cylinder	C-2
Chassis Ground, 8-Cylinder	A-4
Chassis Ground, 6-Cylinder	C-4
Cigar Lighter Feed	D-7
Coil, 8-Cylinder	A-2
Coil, 6-Cylinder	C-3
Dimmer Switch	D-5
Distributor, 8-Cylinder	A-3
Distributor, 6-Cylinder	C-3
Electric Choke	B-5, E-1
Fuel Gauge	B-7
Fuel Sender	D-10
Ground Air Lamp Feed	A-6
Ground Defogger Lamp Feed	A-6
Ground Fan Lamp Feed	A-7
Ground Temperature Lamp Feed	A-6
Headlamp, Right Side	B-1
Headlamp, Left Side	D-1
Heater Motor, 8-Cylinder	B-3
Heater Motor, 6-Cylinder	D-3
Heater Switch	B-5
High Beam Indicator	D-5
Horn	E-3
Horn Relay	C-6
Ignition Switch	C-7
Left Turn Indicator & Hazard Lamp	E-7
Low Beam L.P.	D-5
Marker & Reflector, Right Side — Front	A-2
Marker & Reflector, Left Side — Front	E-2
Marker & Reflector, Right Side — Rear	B-10
Marker & Reflector, Left Side — Rear	E-10
Module Assembly Ignition, 8-Cylinder	B-3
Module Assembly Ignition, 6-Cylinder	D-3

NOMENCLATURE	LOCATION
Neutral Safety Switch	D-9
Oil Lamp Gauge	B-6
Oil Pressure Sender, 8-Cylinder	B-3
Oil Pressure Sender, 6-Cylinder	D-3
Panel Lamp	B-6
Park & Signal Lamp, Right Side	A-1
Park & Signal Lamp, Left Side	D-1
Parking Brake	C-6
Four Wheel Drive Indicator	C-9, D-9
Resistor, Heater Blower Motor	B-5
Splice A	A-2
Splice B	B-2
Splice C	C-2
Splice D	E-2
Splice E	E-2
Splice F	E-2
Splice G	A-3
Splice H	A-3
Splice I	A-3
Splice J	B-3
Splice K	C-3
Splice L	C-3
Splice M	D-4
Splice N	B-5
Splice O	B-5
Splice P	C-5
Splice Q	B-6
Splice R	B-6
Splice S	C-6
Splice T	C-6
Splice U	C-6
Splice V	C-6
Splice W	C-6
Splice X	D-7
Splice Y	E-8
Starting Motor, 8-Cylinder	A-3
Starting Motor, 6-Cylinder	C-4
Starter Solenoid, 8-Cylinder	A-3
Starter Solenoid, 6-Cylinder	C-3
Stop Lamp Switch	D-5
Tail & Stop Lamp, Right Side	C-11
Tail & Stop Lamp, Left Side	D-11
Temperature Gauge	B-7
Temperature Sender, 8-Cylinder	A-4
Temperature Sender, 6-Cylinder	C-4
Turn Signal Switch	D-6
Voltmeter Gauge	B-7
Windshield Wiper & Washer Lamp	D-7
Windshield Wiper Motor	C-9
Windshield Wiper & Washer Switch	D-7



Wiring Diagram CJ Models

Wiring Diagram
Cherokee – Wagoneer – Truck Models

Component Grid Locator

Cherokee - Wagoneer - Truck

NOMENCLATURE	LOCATION
Air Conditioner Compressor, 6-Cylinder	D-4
Air Conditioner Compressor, 8-Cylinder	C-3
Alternator, 6-Cylinder	C-1
Alternator, 8-Cylinder	B-2
Ash Tray Lamp Feed	C-6
Back-up Lamp, Left Side	D-11, E-11
Back-up Lamp, Right Side	A-11, B-11
Battery, 6-Cylinder	B-3
Battery, 8-Cylinder	A-4
Body Ground, 6-Cylinder	B-3
Body Ground, 8-Cylinder	A-4
Brake Warning	E-8
Capacitor Jumper, 6-Cylinder	B-2
Capacitor Jumper, 8-Cylinder	A-2
Cargo Lamp	B-9
Cargo Lamp Switch	C-9
Chassis Ground, 6-Cylinder	B-3
Chassis Ground, 8-Cylinder	A-4
Cigar Lighter	B-6
Cluster Connection	B-6
Coil, 6-Cylinder	B-2
Coil, 8-Cylinder	B-2
Courtesy Lamp	B-8, D-9
Defogger	D-14
Dimmer Switch	D-6
Distributor, 6-Cylinder	D-2
Distributor, 8-Cylinder	C-2
Dome Lamp	D-8
Dome LP	C-12
Door Switch	B-10, D-10
Electric Choke, 6-Cylinder	C-3
Electric Choke, 8-Cylinder	C-2
Frame Harness	E-4
Fuel Sender	E-9
Glove Box Lamp Feed	A-8
Glove Box Light	B-13
Headlamp, Left Side	D-1
Headlamp, Right Side	B-1
Heater Blower Motor, 8-Cylinder	D-3
Heater Control Switch	C-8
Heater Ground	C-8
Heater Lamps	C-6
Horn Relay	D-6
Horns	E-3
Ignition Switch, Left Side	B-6
Ignition Switch, Right Side	A-6
Light Switch	D-7
License Lamp	C-10
License Lamp	C-11
License Lamp	D-14
Marker & Reflector	B-10
Marker & Reflector	D-11
Marker & Reflector	D-10
Marker & Reflector Lamp, Left Side	E-2
Marker & Reflector Lamp, Right Side	A-2
Module Assembly Ignition, 6-Cylinder	D-1

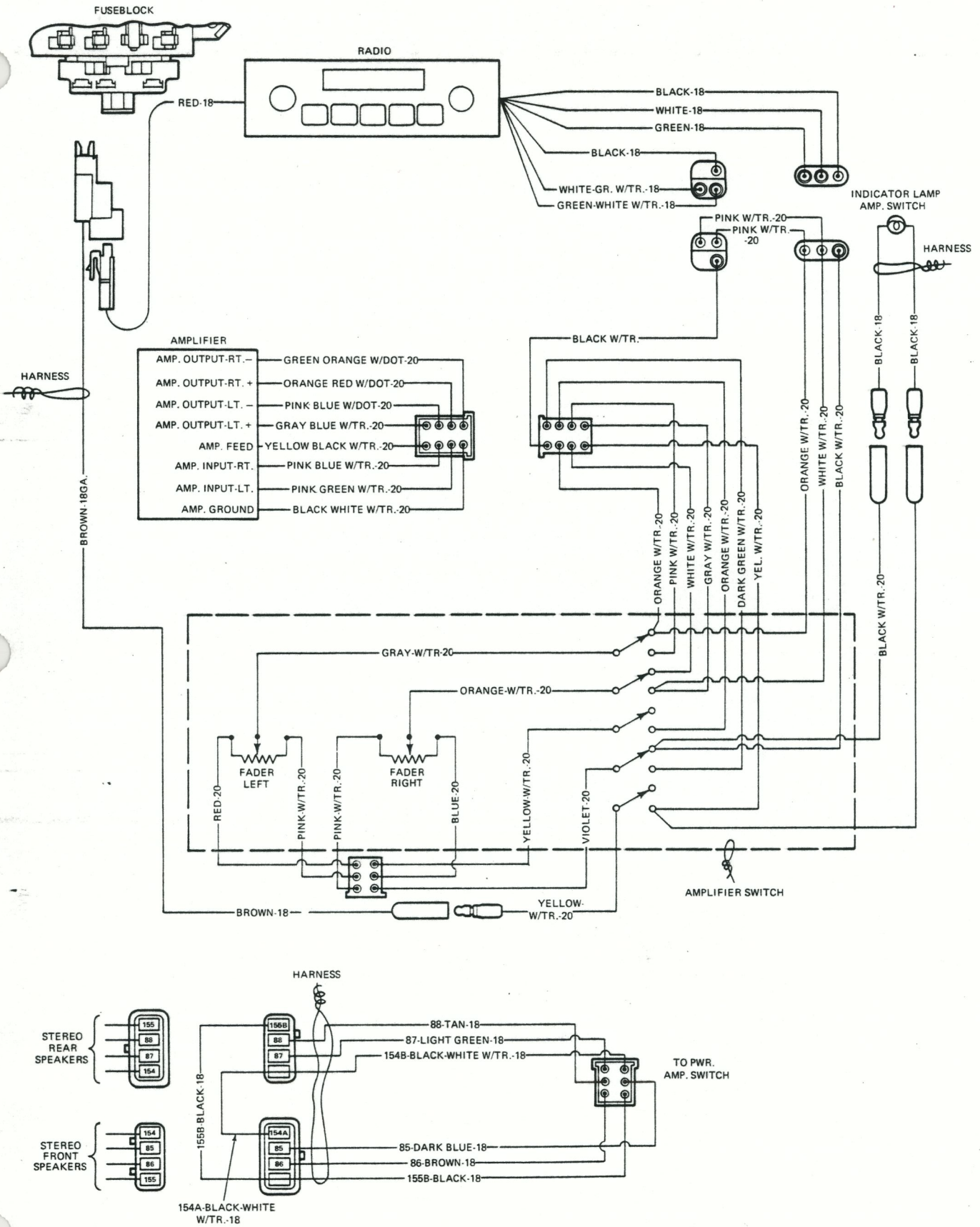
NOMENCLATURE	LOCATION
Module Assembly Ignition, 8-Cylinder	C-2
Oil Pressure, 6-Cylinder	D-3
Oil Pressure, 8-Cylinder	C-4
Park & Signal Lamp, Left Side	D-1
Park & Signal Lamp, Right Side	B-1
Parking Brake Warning Switch	C-6
Relay	B-12
Seat Belt Buzzer	D-7
Seat Belt Lamp	E-7
Seat Belt Timer	D-7
Splice A	B-2
Splice B	B-2
Splice C	B-1
Splice D	C-1
Splice E	D-2
Splice F	E-2
Splice G, 8-Cylinder	B-3
Splice H, 8-Cylinder	C-3
Splice I, 8-Cylinder	B-3
Splice J	A-5
Splice K	B-5
Splice L	C-5
Splice M	B-5
Splice N	B-5
Splice O	B-6
Splice P	C-6
Splice Q	B-6
Splice R	C-7
Splice S	D-7
Splice T	C-9
Splice U	C-13
Splice V, 6-Cylinder	C-2
Splice W, 6-Cylinder	C-3
Splice X, 6-Cylinder	C-3
Splice Y, 6-Cylinder	D-4
Splice Z, 8-Cylinder	C-3
Starter Solenoid, 6-Cylinder	C-2
Starting Motor, 6-Cylinder	C-3
Starting Motor, 8-Cylinder	B-3
Stop Light Switch	A-7
Stop Light Switch & Cruise Control	B-12
Tail & Stop Lamp	B-10
Tail & Stop Lamp	C-10
Tailgate Switch	D-7
Tail, Stop & Back-up Lamp	B-11
Tail, Stop & Back-up Lamp	D-11
Tail, Stop & Marker Lamp	A-11
Tail, Stop & Marker Lamp	E-11
Temperature Sender, 6-Cylinder	D-3
Temperature Sender, 8-Cylinder	C-4
Timer Switch	C-14
Turn Signal Switch	A-6
Washer Bottle	D-3
Windshield Wiper Motor, 6-Cylinder	E-3
Windshield Wiper Motor, 8-Cylinder	D-3
Windshield Wiper Switch	D-6



SECRET

SECRET

Accessory Diagrams
CJ – Cherokee – Wagoneer – Truck Models

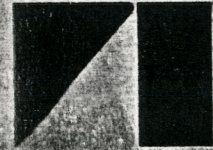


RADIO POWER AMP.







 **Jeep**®